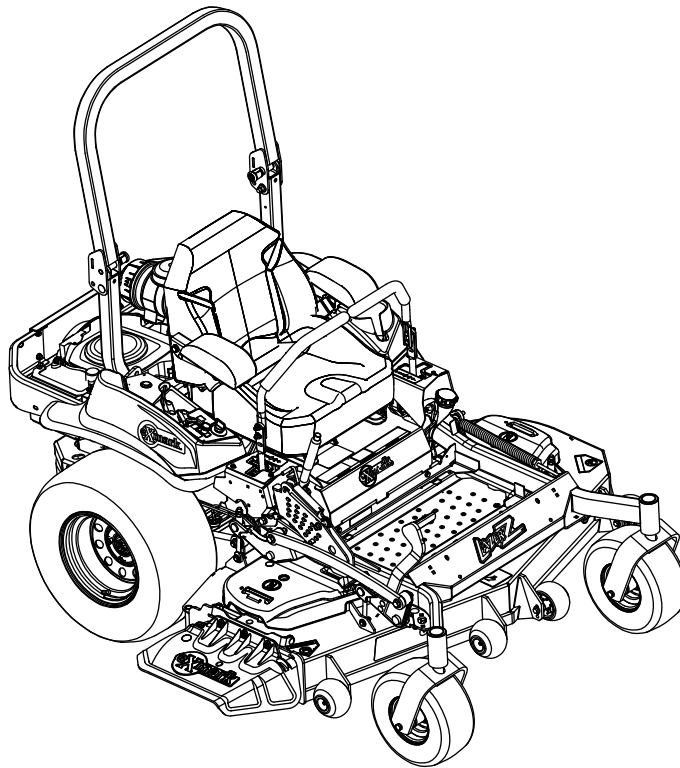




LAZER Z[®] X-SERIES

Model No. LZX29KA606SS—Serial No. 920000 and Up

Picture below may not reflect actual product.



Parts Manual

Part No. 4500-792 Rev. B

Ordering Replacement Parts

To order replacement parts, please supply the part number, the quantity, and the description of each part desired.

Understanding Reference Numbers

Each identified part in an illustration has a reference number. The reference number for a part also appears in the parts list, along with other information about the part.

This catalog uses two special reference number formats, one to indicate parts in a service assembly and another to indicate the quantity of a given part in an illustration.

Service Assembly Reference Numbers

Parts in service assemblies have reference numbers in the form a:b. The a represents the reference number of the entire service assembly and the b represents a sequential number unique to each part within the service assembly.

For example, a wheel assembly might be identified by reference number 6, the tire by 6:1, the valve by 6:2, and the wheel by 6:3. When you order the assembly identified by reference number 6, you receive all parts identified by reference numbers 6:1, 6:2, and 6:3. However, you may also order any part individually. Reference numbers of this type appear in illustration and in parts lists.

Reference Numbers Indicating Quantity

In an illustration, if a reference number indicates more than one part, the reference number has the form nX y. The n represents the quantity of the part, the X is the multiplication symbol, and the y represents the reference number.

For example, in an illustration, the reference number 2X 37 means that two of the parts identified by reference number 37 are indicated.

List of Abbreviations

| | | |
|--|--|--------------------------------------|
| AR: as required | HOC: height-of-cut | RRB: rear roller brush |
| ASM: assembly | HSBH: hex socket button head | SFH: slotted fillister head |
| BBC: blade brake control | HSFH: hex socket flat head | SHH: slotted hex head |
| BHTF: button head thread forming | HSH: hex socket head | SHWH: slotted hex washer head |
| CARR: carriage | HWH: hex washer head | SPH: slotted pan head |
| CCW: counter clockwise | HWTF: hex washer head thread forming | SQH: square head |
| CW: clockwise | HYD: hydraulic | SRH: slotted round head |
| DEG: degrees | LH: left hand | STD: standard |
| DPA: Dual Point Adjustment | LP: Liquid Propane | TAP: self tapping |
| ECM: electronic control module | NI: nylon insert | TTH: torx truss head |
| EXT: external | NPTF: national pipe thread fine | |
| FH: flat head | PFH: phillips flat head | |
| GA: gauge | PPH: phillips pan head | |
| HD: heavy-duty | PPHTF: phillips pan head thread forming | |
| HF: hex flange | PRH: phillips round head | |
| HH: hex head | PTH: phillips truss head | |
| HHF: hex head flange | PTO: power-take-off | |
| HHFTF: hex head flange thread forming | RH: right hand | |
| HJ: hex jam | ROPS: roll-over protection system | |
| HLH: hex lag head | | |

Touch Up Paint

Exmark black touch up spray paint – gloss black.

Exmark red touch up paint (spray paint – P/N 1-850337 - .6 oz liquid bottle – P/N 103-9140).

EXMARK PARTS PLUS

PARTS

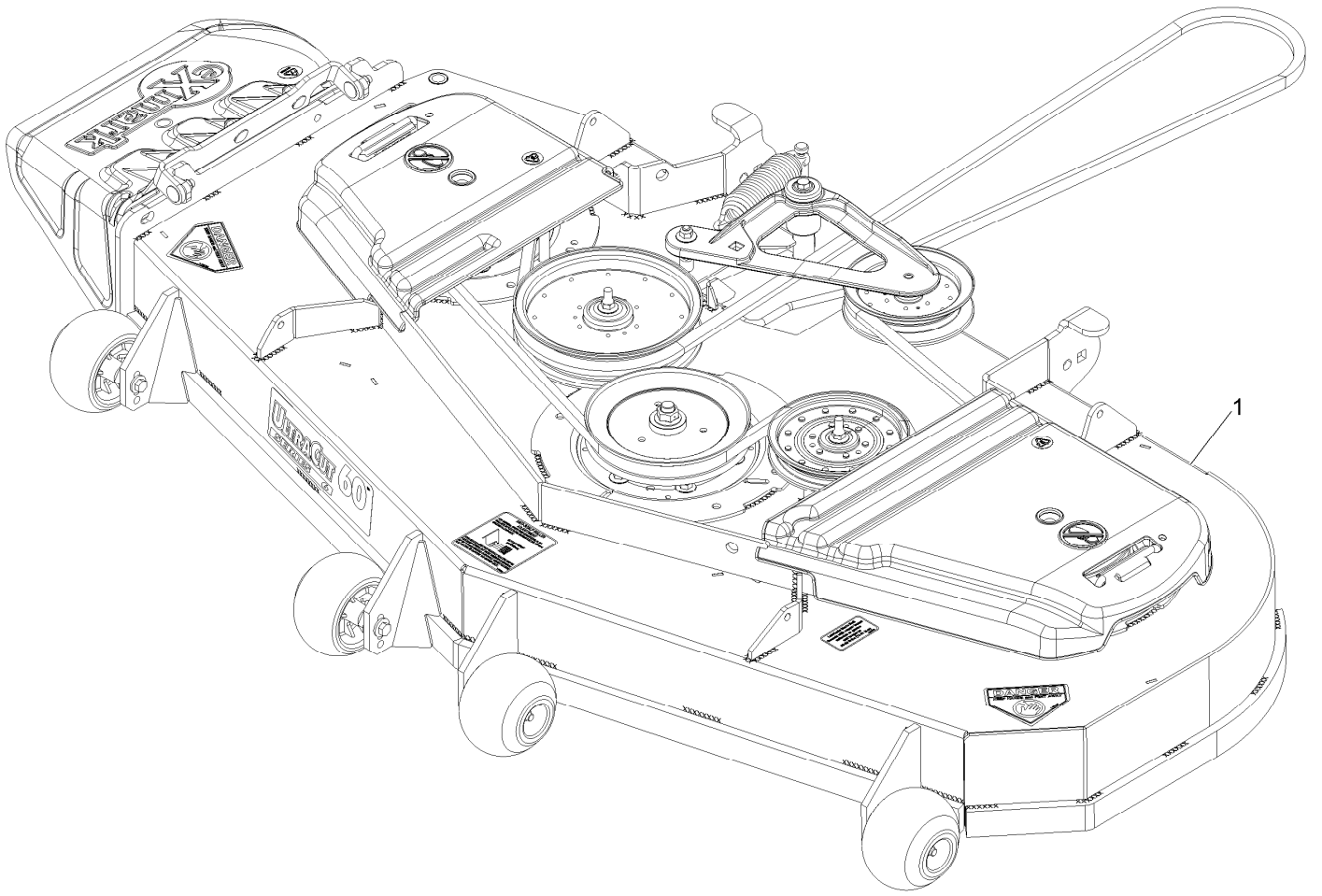
OVERNIGHT

OR *FREE**

If your Exmark dealer does not have the Exmark part in stock, Exmark will get the parts to the dealer the next business day or the part will be FREE Guaranteed!! (Some restrictions apply. See your participating Exmark Dealer for details.)

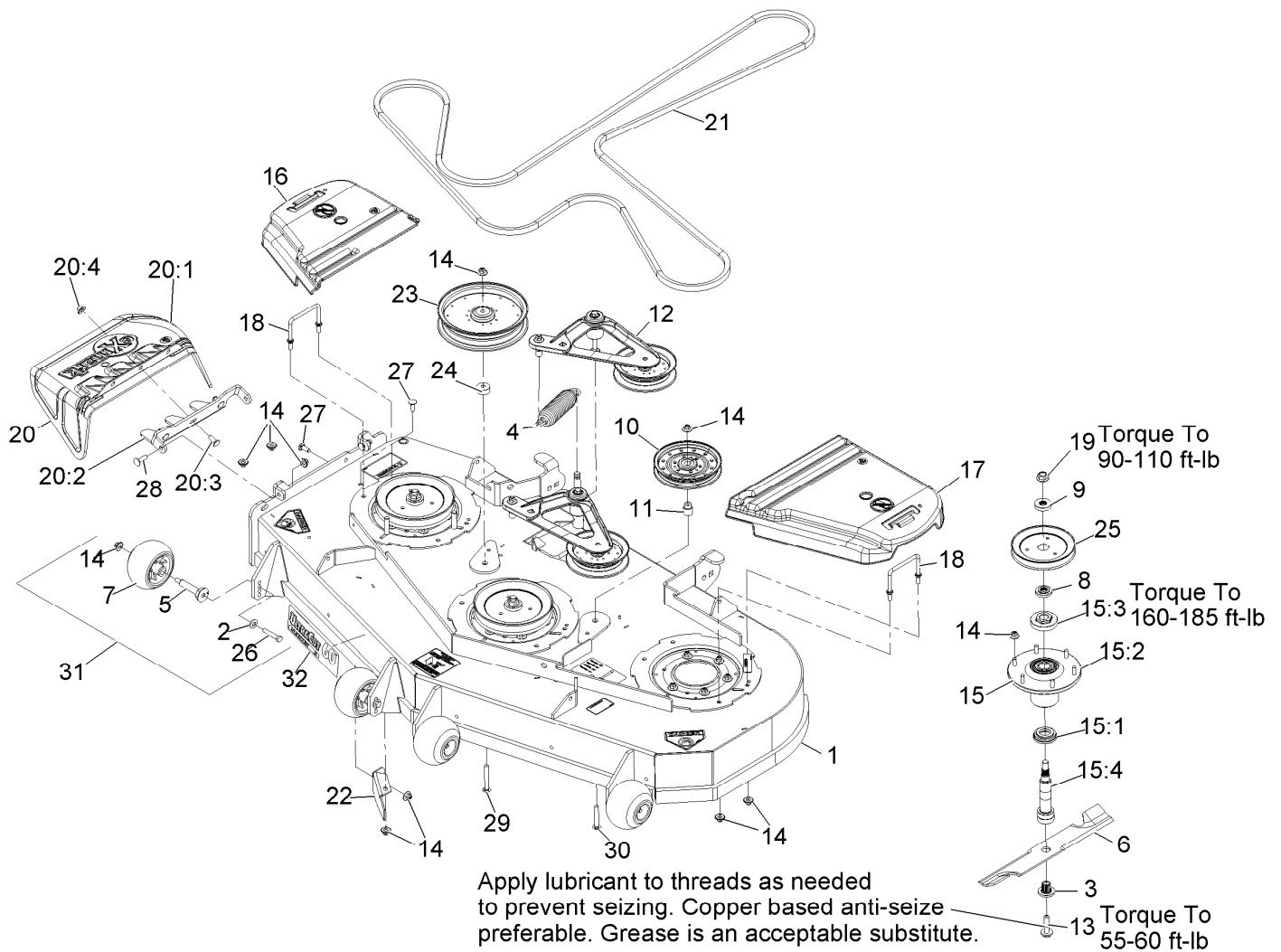
Contents

| | |
|---|----|
| Complete Deck Assembly | 5 |
| Deck Assembly | 6 |
| Deck W/Decals Assembly No. 116-4232 | 8 |
| Deck Idler Assembly No. 116-3755 | 9 |
| Cutter Housing Assembly No. 103-9539 | 10 |
| Main Frame Assembly | 11 |
| Roll-Over Protection System Assembly No. 116-0230 | 12 |
| Caster Wheel and Fork Assembly | 13 |
| Deck Lift Assembly | 14 |
| Height-of-Cut Assembly No. 109-7438 | 15 |
| Controls Assembly | 16 |
| Motion Control Assembly | 17 |
| Rear Wheel and Park Brake Assembly | 18 |
| Brake Handle Assembly No. 116-1878 | 19 |
| Seat Assembly | 20 |
| Seat W/Tracks Assembly No. 116-4678 | 21 |
| Fuel Tank Mounting Assembly | 22 |
| Fuel Tank Assembly No. 116-3979 | 23 |
| Engine Assembly | 24 |
| Hydraulic Assembly | 25 |
| LH Hydro Assembly No. 116-1326 | 26 |
| RH Hydro Assembly No. 116-1327 | 27 |
| Pump Idler Assembly No. 116-1255 | 28 |
| Electrical Assembly | 29 |



Complete Deck Assembly

| <i>Ref.</i> | <i>Part Number</i> | <i>Qty.</i> | <i>Description</i> |
|-------------|--------------------|-------------|-----------------------|
| 1 | 109-9647 | 1 | ASM,Deck Complete 606 |

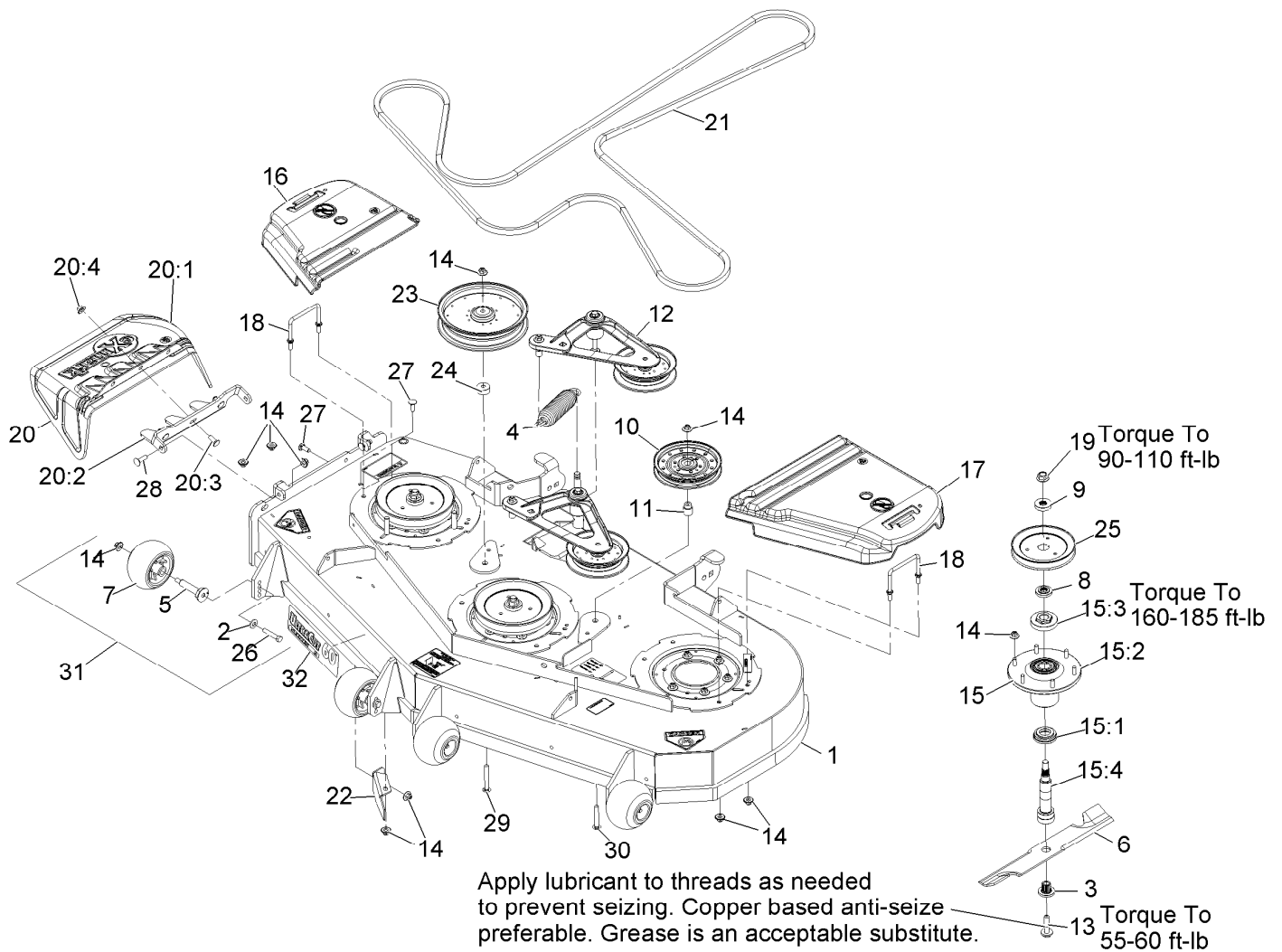


Deck Assembly

| Ref. | Part Number | Qty. | Description | Ref. | Part Number | Qty. | Description |
|------|-------------|------|---------------------------------|------|-------------|------|------------------------------|
| 1 | 116-4232 | 1 | Deck ASM,W/Decals 60 | 12 | 116-3755 | 1 | Deck Idler ASM |
| 2 | 98-5975 | 4 | Washer-Spring Disc 3/8 | 13 | 109-9220 | 3 | Screw-Sems 1/2-20 X 2.19 |
| 3 | 103-3037 | 3 | Bushing,Splined | 14 | 109-6658 | 32 | Nut-Nyloc 3/8-16 Flg |
| 4 | 116-0133 | 1 | Extension-Spring | 15 | 109-6917 | 3 | ASM,Spindle Housing |
| 5 | 109-9851 | 4 | Axle, Anti-Scalp Roller | 15:1 | 103-9504 | 1 | Guard,Bottom |
| 6 | 103-6383 | 3 | Blade, Solid 20.5 (.94 Hole) | 15:2 | 103-9539 | 1 | ASM,Cutter Housing |
| 6 | 103-6388 | 3 | Blade, Low Lift 20.5 (.94 Hole) | 15:3 | 109-0916 | 1 | Nut, Spindle 7/8-14 |
| 6 | 103-6393 | 3 | Blade, Mulch 20.5 (.94 Hole) | 15:4 | 109-6881 | 1 | Spindle,Double Spline ■ |
| 6 | 103-6398 | 3 | Blade, Extreme 20.5 (.94 Hole) | 16 | 116-0094 | 1 | Cover-Belt, RH |
| 6 | 103-6403 | 3 | Blade, Notched 20.5 (.94 Hole) | 17 | 109-6938 | 1 | Cover-Belt, LH |
| 7 | 103-8415 | 4 | Roller,Anti-Scalp | 18 | 109-6982 | 2 | Wireform-Cover |
| 8 | 103-9522 | 3 | Spacer,Splined Stepped | 19 | 109-7033 | 3 | Nut-Flange 5/8-18 Centerlock |
| 9 | 103-9523 | 3 | Spacer,Splined | 20 | 109-7188 | 1 | ASM,Discharge Chute |
| 10 | 1-633109 | 1 | Idler-Flat | 20:1 | 109-2738 | 1 | Chute,Discharge |
| 11 | 1-633456 | 1 | Bushing,Idler | 20:2 | 109-8675-01 | 1 | Bracket,Discharge Chute |
| | | | | 20:3 | 3231-22 | 3 | Bolt-Carriage 3/8-16 X 1 |
| | | | | 20:4 | 109-6658 | 3 | Nut-Nyloc 3/8-16 Flg |
| | | | | 21 | 109-8073 | 1 | Belt,V-5V-198.75 |

● Requires installation of mulch kit for proper mulching. See your Exmark dealer for details.

■ Apply Mobil HTS grease (P/N 103-5217 1.5 oz packet) (or a food-grade anti-seize). See operator s manual for locations.

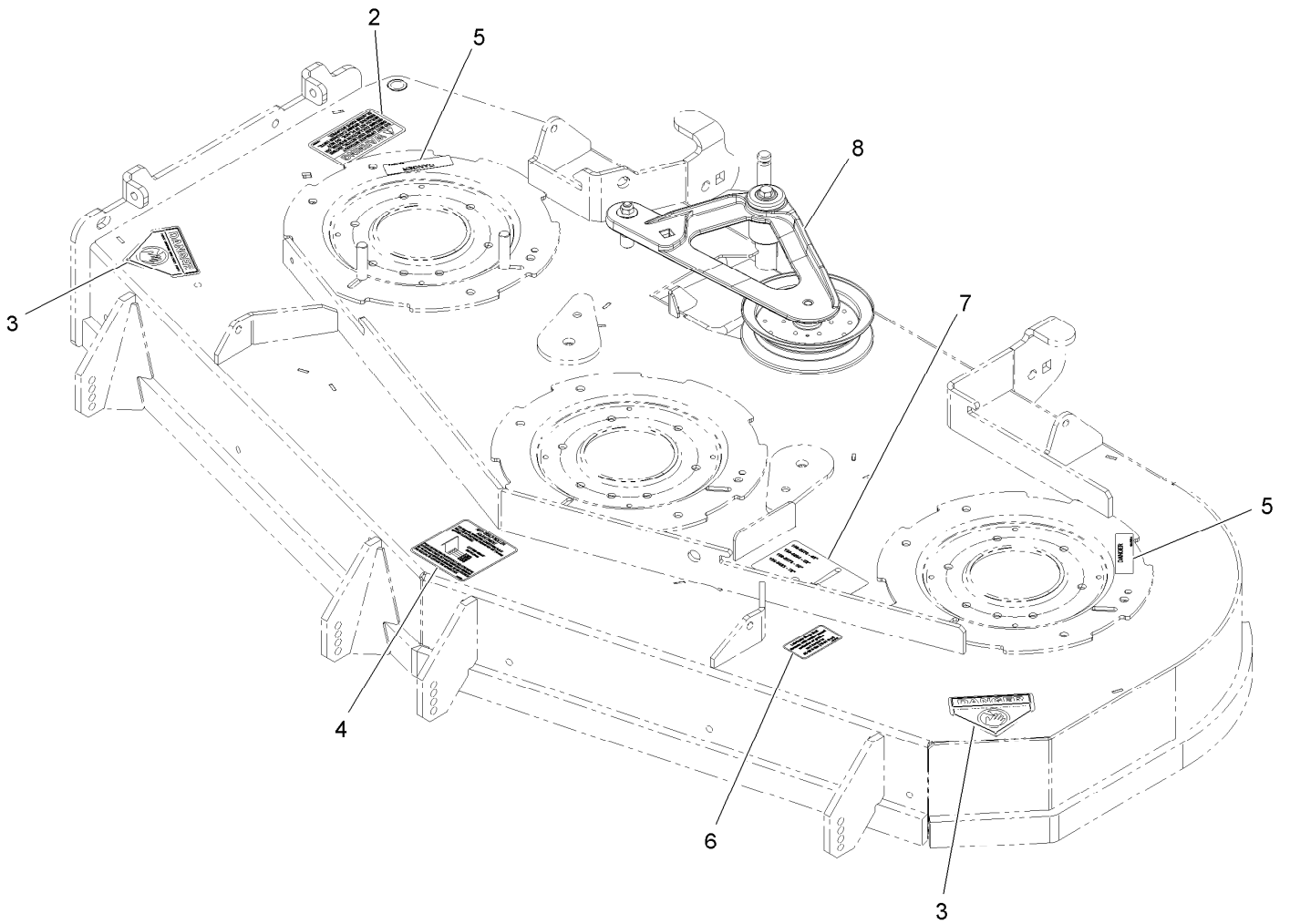


Deck Assembly (continued)

| Ref. | Part Number | Qty. | Description | Ref. | Part Number | Qty. | Description |
|------|-------------|------|--------------------------|------|-------------|------|------------------------------|
| 22 | 109-9915-01 | 1 | Baffle,Discharge 52/60 | 28 | 3231-28 | 2 | Bolt-Carriage 3/8-16 X 1 1/4 |
| 23 | 109-8590 | 1 | Pulley-Idler | 29 | 3231-42 | 1 | Bolt-Carriage 3/8-16 X 3 |
| 24 | 103-2956 | 1 | Spacer-Idler | 30 | 3231-44 | 1 | Bolt-Carriage 3/8-16 X 2 1/2 |
| 25 | 109-9511 | 3 | Sheave,Blade Drive 7.25 | 31 | 109-2098 | 4 | Kit, Antiscalp |
| 26 | 3211-46 | 4 | Screw-HH 3/8-24 X 2 Gr8 | 32 | 109-9439 | 1 | Decal,Ultracut 60 Series 6 |
| 27 | 3231-22 | 2 | Bolt-Carriage 3/8-16 X 1 | | | | |

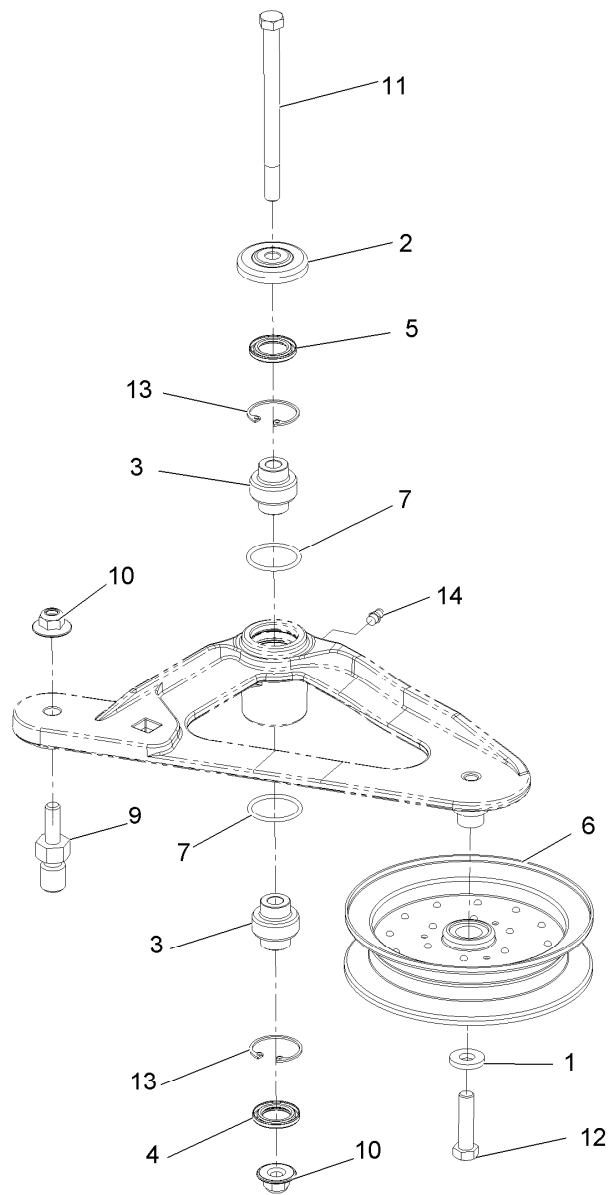
● Requires installation of mulch kit for proper mulching. See your Exmark dealer for details.

■ Apply Mobil HTS grease (P/N 103-5217 1.5 oz packet) (or a food-grade anti-seize). See operator s manual for locations.



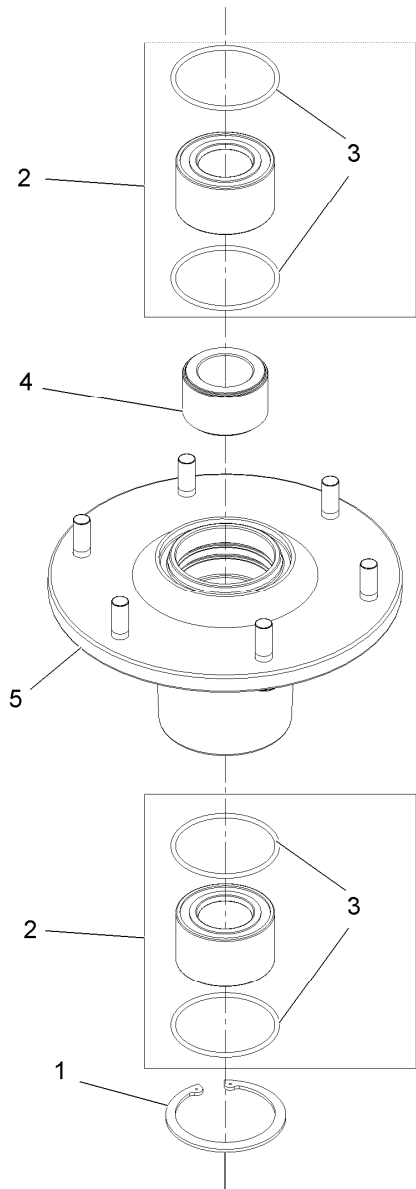
Deck W/Decals Assembly No. 116-4232

| <i>Ref.</i> | <i>Part Number</i> | <i>Qty.</i> | <i>Description</i> |
|-------------|--------------------|-------------|--------------------------|
| 2 | 1-303508 | 1 | Decal-Warning, Discharge |
| 3 | 1-403005 | 2 | Decal-Danger |
| 4 | 1-633922 | 1 | Decal,Antiscalp |
| 5 | 98-5954 | 2 | Decal-Cover, Missing |
| 6 | 109-3148 | 1 | Decal,Bolt Torque |
| 7 | 109-9361 | 1 | Decal,Belt Routing |
| 8 | 116-3755 | 1 | Deck Idler ASM |



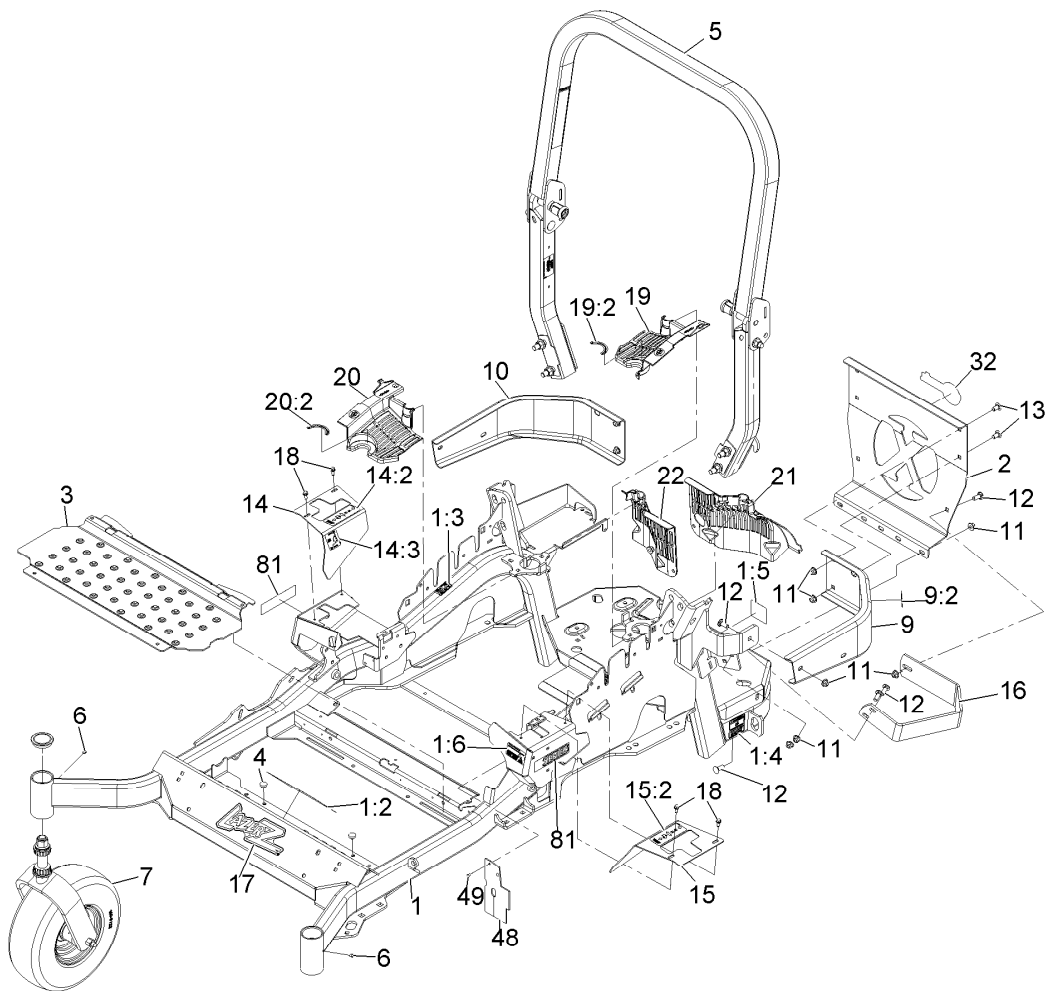
Deck Idler Assembly No. 116-3755

| <i>Ref.</i> | <i>Part Number</i> | <i>Qty.</i> | <i>Description</i> |
|-------------|--------------------|-------------|---------------------------|
| 1 | 43-0940 | 1 | Spacer |
| 2 | 103-2916 | 1 | Guard-Top |
| 3 | 103-3504 | 2 | Bearing-Spherical |
| 4 | 103-3505 | 1 | Seal-Double Lip |
| 5 | 103-3506 | 1 | Seal-Single Lip |
| 6 | 103-8743 | 1 | Pulley-Idler, Flanged |
| 7 | 106-7159 | 2 | O-Ring |
| 9 | 116-3467 | 1 | Pin-Spring, Anchor |
| 10 | 109-6658 | 2 | Nut-Nyloc 3/8-16 Flg |
| 11 | 109-7409 | 1 | Screw-Shoulder 3/8-16 X 5 |
| 12 | 323-8 | 1 | Screw-HH 3/8-16 X 1 1/2 |
| 13 | 32120-10 | 2 | Ring-Retaining |
| 14 | 302-19 | 1 | Zerk-1/4-28 Str |



Cutter Housing Assembly No. 103-9539

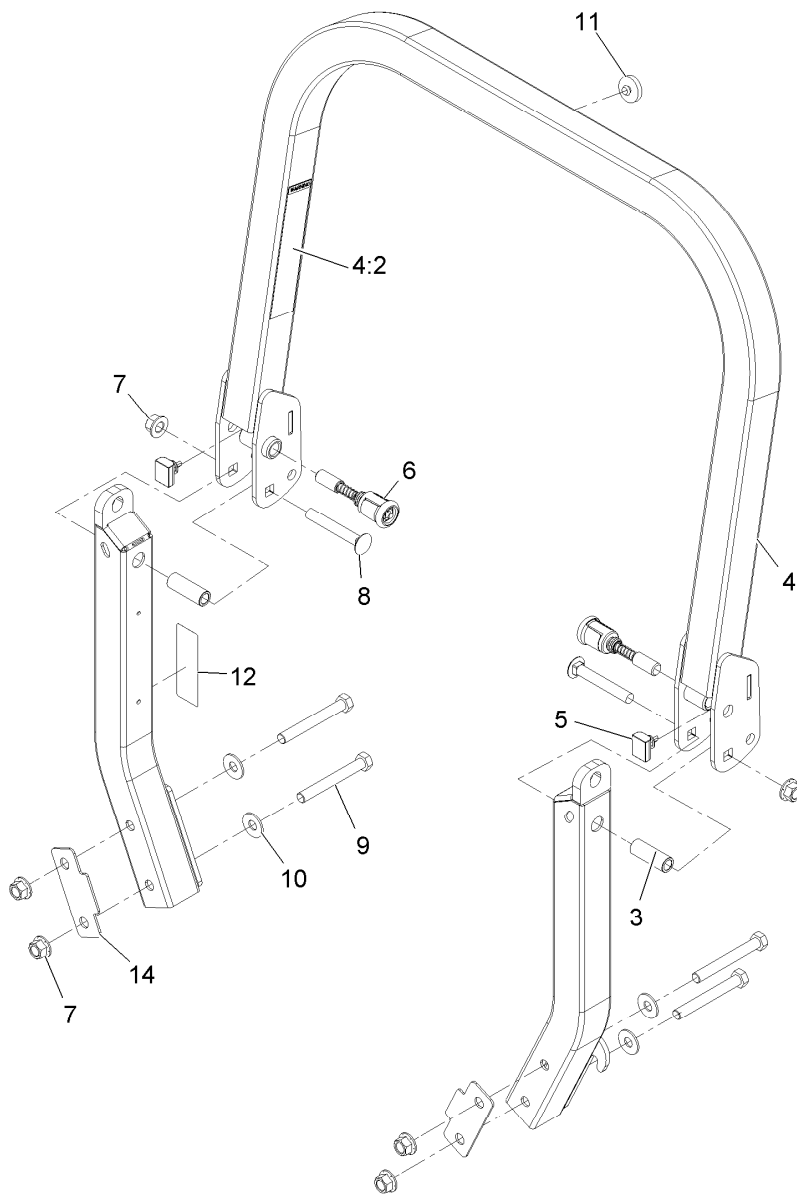
| <i>Ref.</i> | <i>Part Number</i> | <i>Qty.</i> | <i>Description</i> |
|-------------|--------------------|-------------|-----------------------|
| 1 | 92-5581 | 1 | Ring-Retaining |
| 2 | 109-2064 | 1 | ASM, Bearing W/Orings |
| 3 | 103-5895 | 4 | O-Ring |
| 4 | 103-9506 | 1 | Spacer,Bearing |
| 5 | 109-0764 | 1 | ASM,Housing W/Studs |



Main Frame Assembly

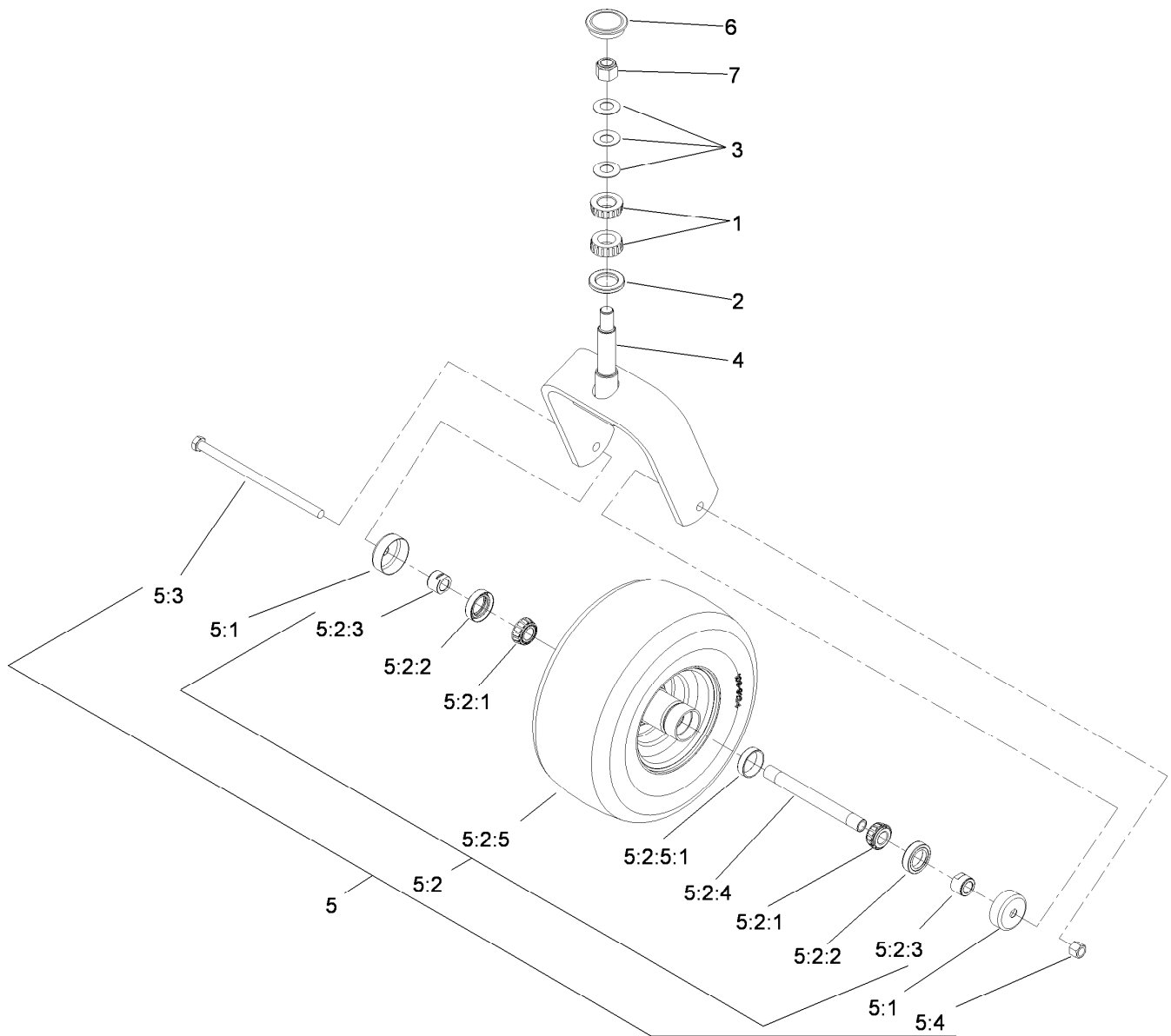
| Ref. | Part Number | Qty. | Description | Ref. | Part Number | Qty. | Description |
|------|-------------|------|-----------------------------|------|-------------|------|-----------------------------|
| 1 | 116-2126 | 1 | Main Frame ASM | 14:2 | 109-7232 | 1 | Decal-Motion Control |
| 1:2 | 116-3303 | 1 | Decal-Slope | 14:3 | 109-7929 | 1 | Decal-Park Brake |
| 1:3 | 103-2076 | 2 | Decal-Caution | 15 | 116-0580 | 1 | LH Motion Control Cover ASM |
| 1:4 | 116-0205 | 2 | Decal-Belt Drive | 15:2 | 109-7232 | 1 | Decal-Motion Control |
| 1:5 | 116-4858 | 1 | Decal-Spark Arrester | 16 | 116-0043-03 | 1 | Guard-Muffler |
| 1:6 | 116-1654 | 1 | Decal Fuel Fill | 17 | 103-3113 | 1 | Decal,Lazer Model |
| 2 | 109-8863-03 | 1 | Plate,Rear Guard | 18 | 32144-10 | 4 | Screw-HWH 1/4-20 X .62 |
| 3 | 116-0024-01 | 1 | Floorpan | 19 | 116-0170 | 1 | LH Hydro Guard ASM |
| 4 | 1-513658 | 2 | Bumper | 19:2 | 116-0157 | 1 | Decal-Hydro Oil |
| 5 | 116-0230 | 1 | ASM,ROPS Service Exmark | 20 | 116-0171 | 1 | RH Hydro Guard ASM |
| 6 | 1-811010 | 2 | Plug | 20:2 | 116-0157 | 1 | Decal-Hydro Oil |
| 7 | | 2 | Caster Wheel ASM ● | 21 | 109-9057 | 1 | Guard-Hydro, Rear LH |
| 9 | 116-0180 | 1 | LH Bumper ASM | 22 | 109-9058 | 1 | Guard-Hydro, Rear RH |
| 9:2 | 103-2076 | 1 | Decal-Caution | 32 | 103-2883 | 1 | Decal,Exmark Logo |
| 10 | 116-0057-03 | 1 | Bumper-RH | 48 | 116-2362 | 1 | Deflector, Air Flow |
| 11 | 104-8301 | 11 | Nut-Nyloc 3/8-16 Flg | 49 | 1-803035 | 2 | Rivet 3/16 X 1/4 |
| 12 | 3231-22 | 7 | Bolt-Carriage 3/8-16 X 1 | 81 | 116-3883 | 2 | Decal-X-Series |
| 13 | 3231-21 | 4 | Bolt-Carriage 3/8-16 X 3/4 | | | | |
| 14 | 116-0579 | 1 | RH Motion Control Cover ASM | | | | |

● Not serviced separately



Roll-Over Protection System Assembly No. 116-0230

| <i>Ref.</i> | <i>Part Number</i> | <i>Qty.</i> | <i>Description</i> |
|-------------|--------------------|-------------|------------------------------|
| 3 | 109-6653 | 2 | Spacer |
| 4 | 116-0019 | 1 | Upper ROPS ASM |
| 4:2 | 107-2102 | 1 | Decal-Warning, Folding ROPS |
| 5 | 109-5337 | 2 | Bumper-ROPS |
| 6 | 116-0104 | 2 | Spring Pin ASM |
| 7 | 99-5107 | 6 | Nut-Lock 1/2-13 |
| 8 | 3233-10 | 2 | Bolt-Carriage 1/2-13 X 3 1/2 |
| 9 | 325-17 | 4 | Screw-HH 1/2-13 X 4 |
| 10 | 109-9505 | 4 | Washer-Spring |
| 11 | 109-9233 | 1 | Bumper-Push-In, Rubber |
| 12 | 116-0090 | 1 | Decal-Caution |
| 14 | 116-0960 | 2 | Spacer |

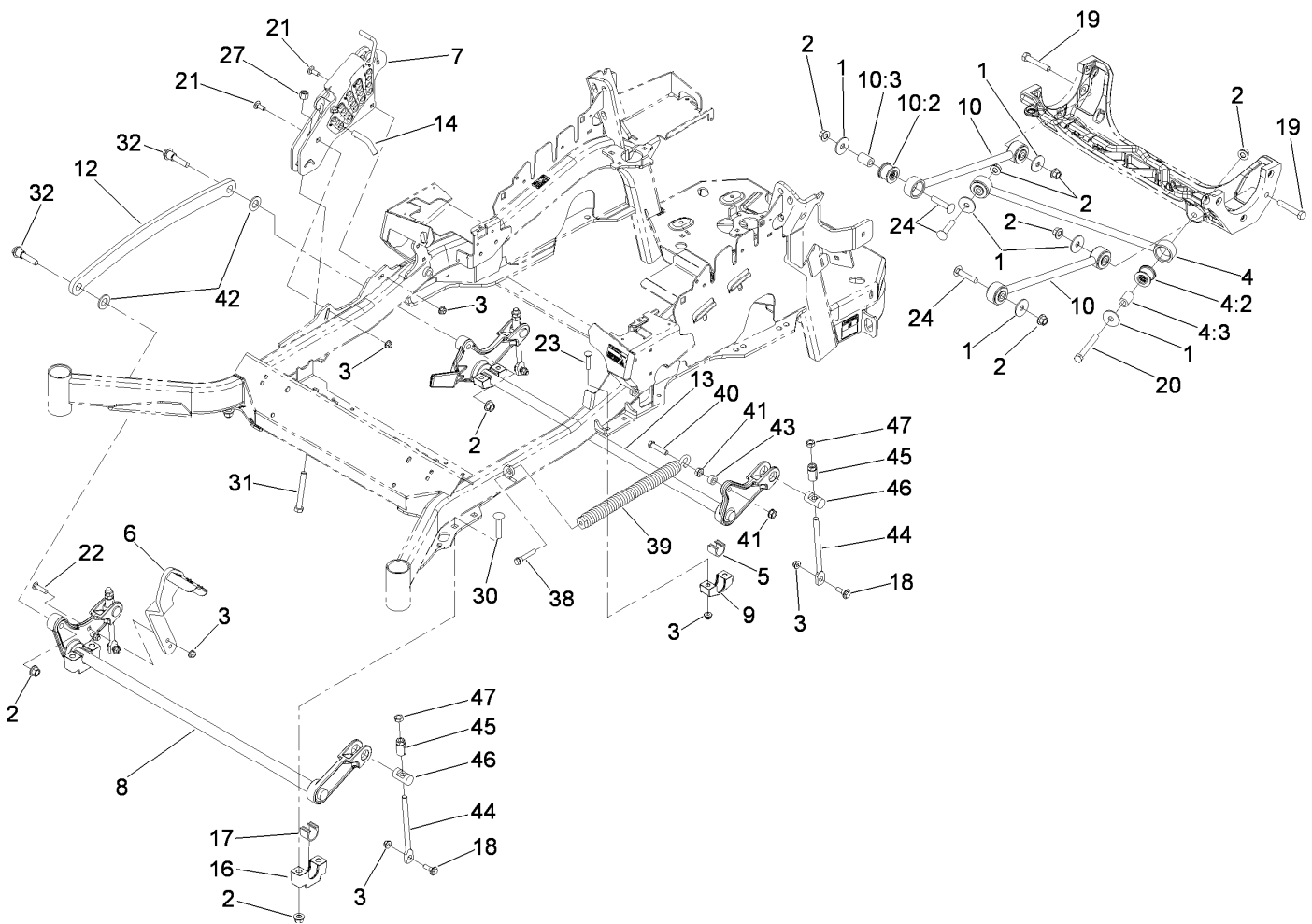


Caster Wheel and Fork Assembly

| Ref. | Part Number | Qty. | Description | Ref. | Part Number | Qty. | Description |
|-------|-------------|------|-----------------------------|---------|-------------|------|-------------------------|
| 1 | 1-543509 | 2 | Cone-Bearing Tapered Roller | 5:2:2 | 103-0063 | 2 | Seal-Double Lip |
| 2 | 1-543511 | 1 | Seal-Grease | 5:2:3 | 103-3051 | 2 | Spacer-Nut ■ |
| 3 | 1-633508 | 3 | Washer-Spring Disc | 5:2:4 | 103-5156 | 1 | Axle-Caster |
| 4 | 103-1474-01 | 1 | Caster-Fork | 5:2:5 | 109-9124 | 1 | Wheel And Tire ASM |
| 5 | 109-9127 | 1 | Wheel And Tire ASM | 5:2:5:1 | 1-633584 | 1 | Bearing-Cup |
| 5:1 | 103-2768 | 2 | Guard-Seal | 5:3 | 325-39 | 1 | Screw-HH 1/2-13 X 9 1/2 |
| 5:2 | | 1 | Wheel And Tire ASM ● | 5:4 | 3296-23 | 1 | Nut-Nyloc 1/2-13 |
| 5:2:1 | 1-633585 | 2 | Bearing-Cone Tapered Roller | 6 | 103-4882 | 1 | Cap-Grease |
| | | | | 7 | 3296-51 | 1 | Nut-Nyloc 3/4-10 |

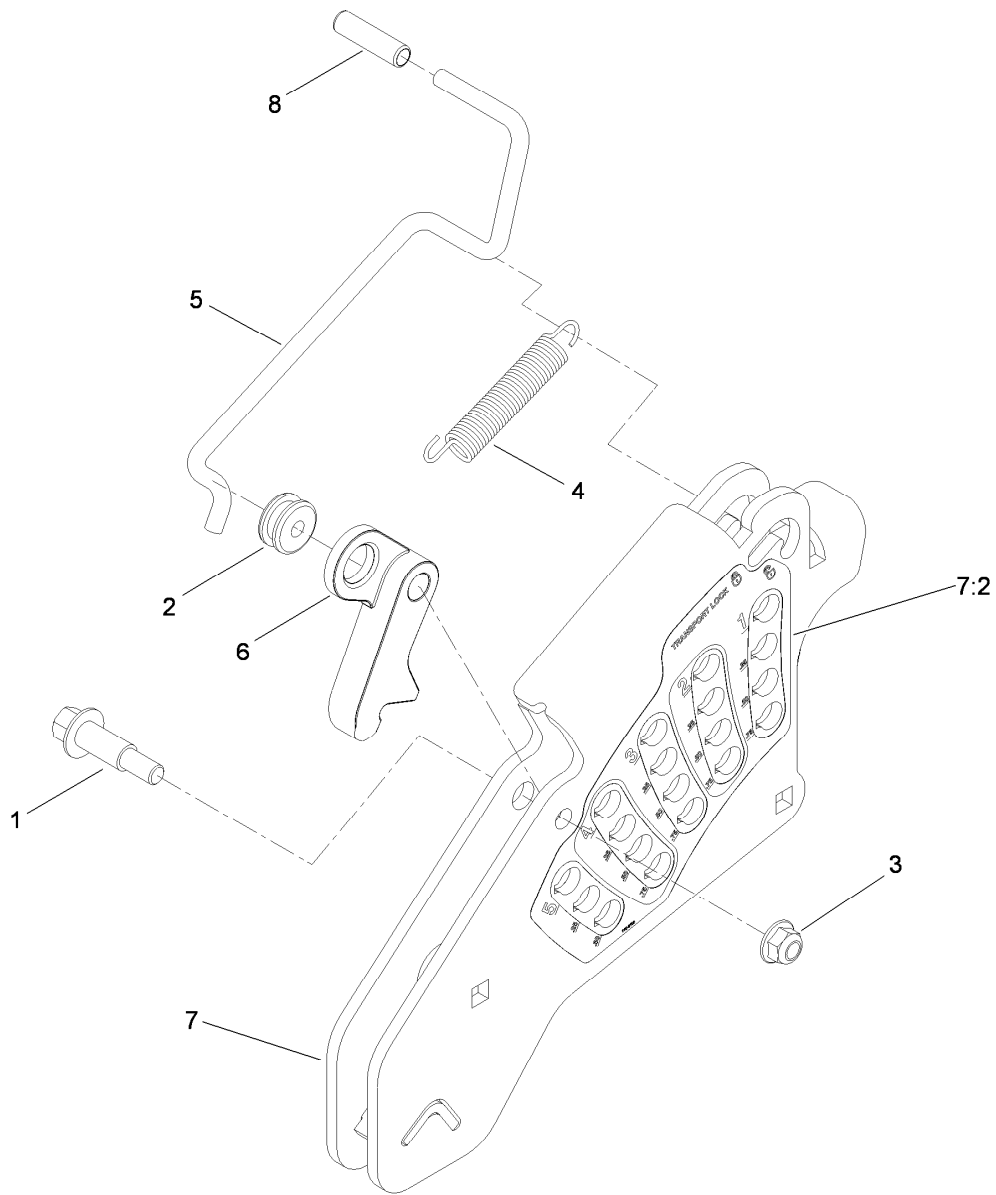
● Not serviced separately

■ Use Pro-Lock, Nut Type (P/N 1-840022, .5ml tube) on threads.



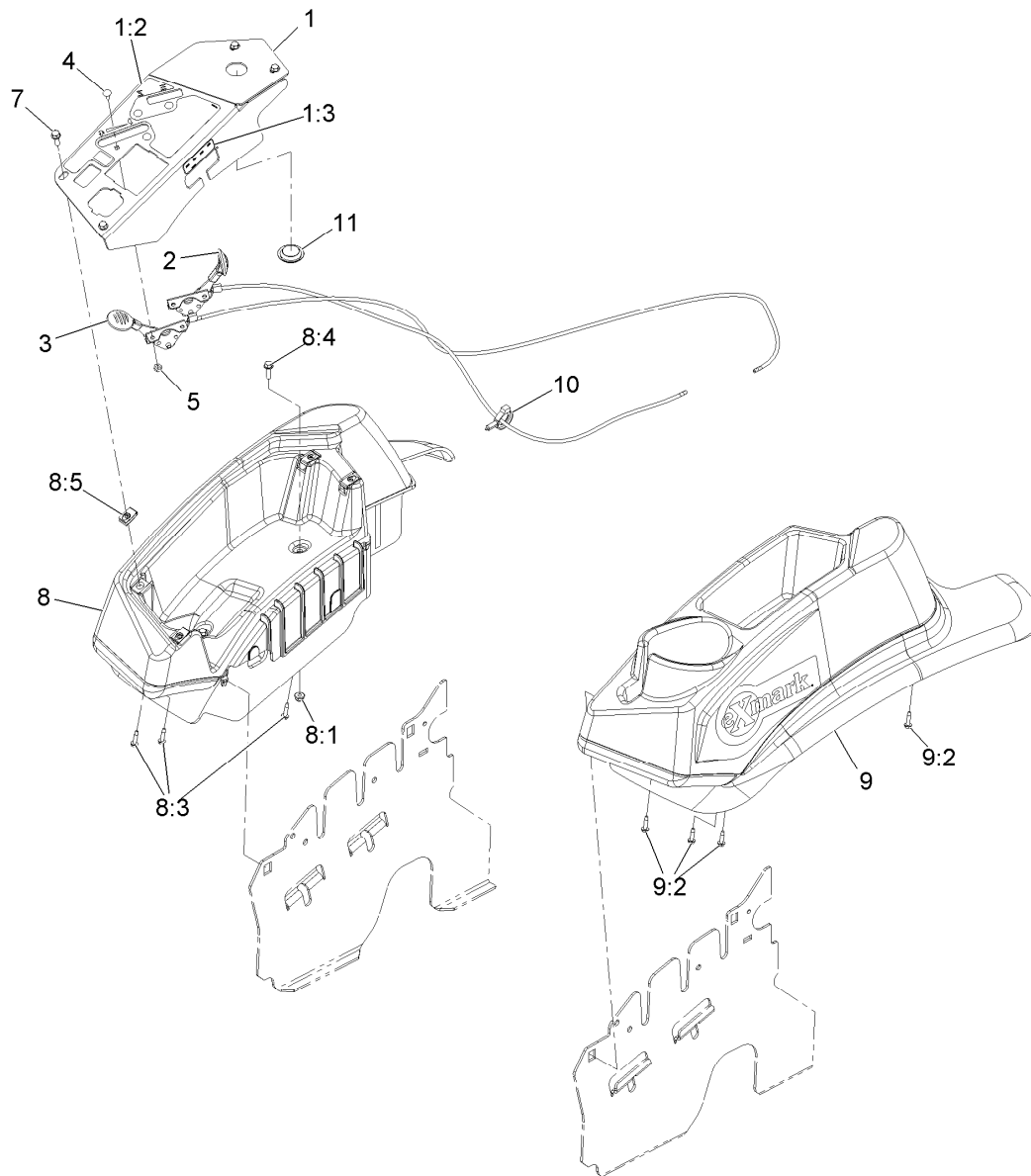
Deck Lift Assembly

| Ref. | Part Number | Qty. | Description | Ref. | Part Number | Qty. | Description |
|------|-------------|------|------------------------------------|------|-------------|------|----------------------------|
| 1 | 86-1990 | 6 | Washer | 17 | 109-9410 | 2 | Bearing-Shaft Front, Cross |
| 2 | 99-5107 | 12 | Nut-Lock | 18 | 109-9840 | 4 | Screw-Shoulder, HHF |
| 3 | 104-8301 | 12 | Nut-Flange, NI | 19 | 325-12 | 2 | Screw-HH |
| 4 | 109-5013 | 1 | Panhard Rod ASM | 20 | 325-17 | 1 | Screw-HH |
| 4:2 | 109-5009 | 2 | Bushing-Suspension, Rubber | 21 | 3231-2 | 2 | Screw-CARR |
| 4:3 | 109-5010 | 2 | Spacer | 22 | 3231-4 | 2 | Screw-CARR |
| 5 | 109-7173 | 2 | Bearing-Cross, Rear Shaft | 23 | 3231-5 | 4 | Screw-CARR |
| 6 | 116-1919-01 | 1 | Lever-Foot | 24 | 3233-34 | 3 | Screw-CARR |
| 7 | 109-7438 | 1 | Height-Of-Cut ASM | 27 | 3296-23 | 1 | Nut-Lock, NI |
| 8 | 116-1771-03 | 1 | Deck Lift-Front | 30 | 116-1700 | 4 | Bolt-CARR |
| 9 | 116-0818-03 | 2 | Support-Bearing, Cross Shaft Rear | 31 | 116-0559 | 1 | Bolt-TAP |
| 10 | 109-7952 | 2 | Deck Strut ASM | 32 | 116-2022 | 2 | Screw-HHF, Shoulder |
| 10:2 | 109-5009 | 2 | Bushing-Suspension, Rubber | 38 | 92-7674 | 1 | Bolt-Shoulder |
| 10:3 | 109-5010 | 2 | Spacer | 39 | 116-0000 | 1 | Extension Spring ASM |
| 12 | 116-0797-03 | 1 | Link-Lift, Deck | 40 | 109-9065 | 1 | Screw-HH |
| 13 | 116-2645-03 | 1 | Lift-Deck, Rear | 41 | 32128-37 | 2 | Nut-HF |
| 14 | 109-8757 | 1 | Pin-HOC | 42 | 3256-28 | 2 | Washer-Flat |
| 16 | 109-9409 | 2 | Support-Cross Shaft, Bearing Front | 43 | 116-2695 | 1 | Spacer |
| | | | | 44 | 109-8007 | 4 | Link-Adjuster, Deck Lift |
| | | | | 45 | 109-7840 | 4 | Adjuster-Lift, Deck |
| | | | | 46 | 109-8353 | 4 | Trunnion |
| | | | | 47 | 3218-5 | 4 | Nut-Jam |



Height-of-Cut Assembly No. 109-7438

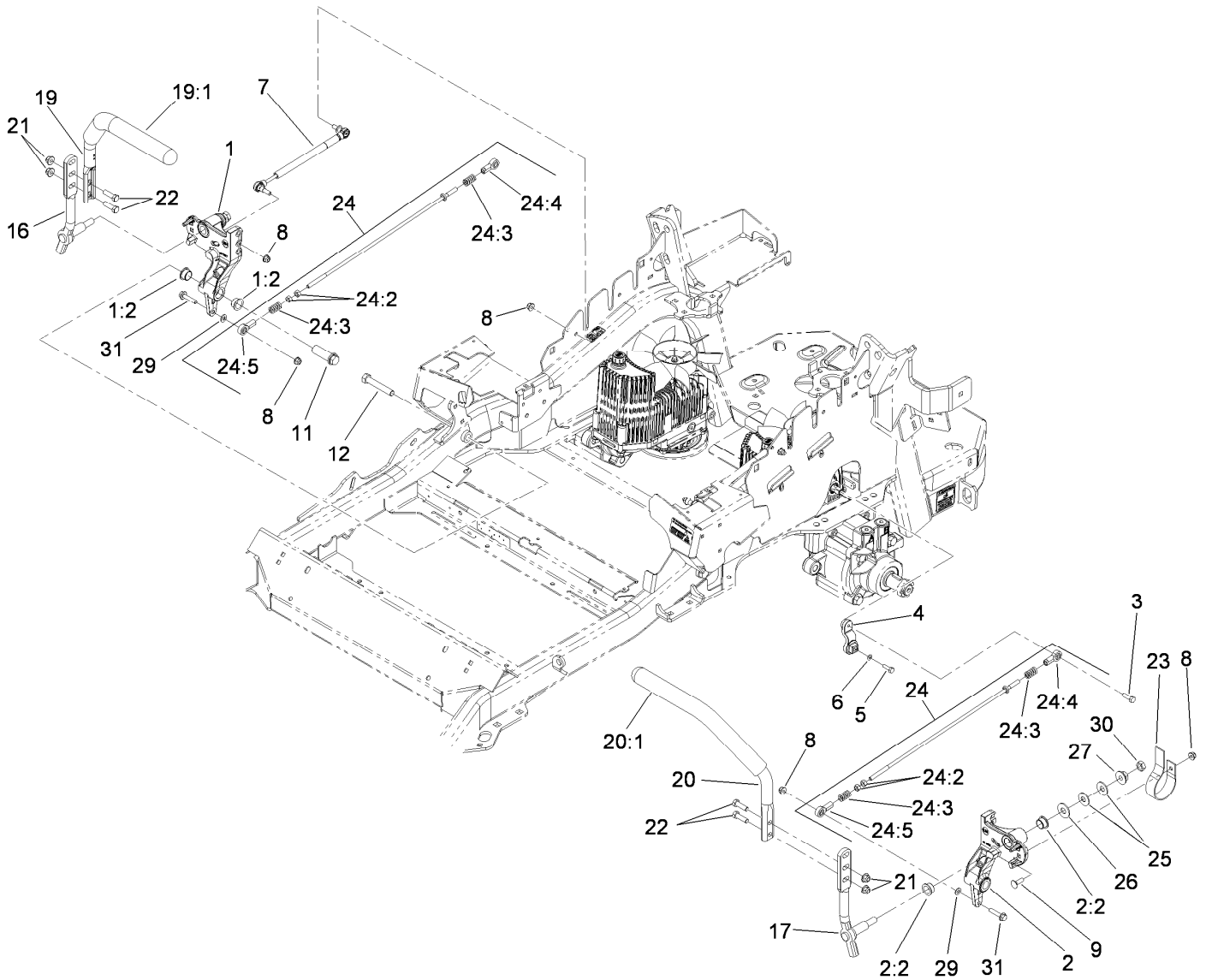
| <i>Ref.</i> | <i>Part Number</i> | <i>Qty.</i> | <i>Description</i> |
|-------------|--------------------|-------------|---------------------|
| 1 | 62-1330 | 1 | Bolt-Shoulder |
| 2 | 109-7130 | 1 | Grommet |
| 3 | 104-8301 | 1 | Nut-Flange, NI |
| 4 | 109-7124 | 1 | Spring-Extension |
| 5 | 109-7128 | 1 | Rod-Lock, Transport |
| 6 | 116-0118 | 1 | Pawl-Transport, HOC |
| 7 | 109-7335 | 1 | HOC Plate ASM |
| 7:2 | 116-0752 | 1 | Decal-HOC |
| 8 | 109-8250 | 1 | Grip-Lever |



Controls Assembly

| Ref. | Part Number | Qty. | Description |
|------|-------------|------|----------------------------|
| 1 | 109-8484 | 1 | Console, Panel W/Decal |
| 1:2 | 109-8483 | 1 | Decal-Control Panel |
| 1:3 | 109-7330 | 1 | Decal-Fuse |
| 2 | 109-8167 | 1 | ASM, Choke Cable |
| 3 | 116-1972 | 1 | ASM, Throttle Cable |
| 4 | 1-807513 | 4 | Bolt-Carriage #10-24 X 1/2 |
| 5 | 3296-2 | 4 | Nut-Nyloc #10-24 |
| 7 | 32105-15 | 4 | Screw-Machine 1/4-20 X 3/4 |
| 8 | 109-9341 | 1 | Console, RH Narrow ASM |

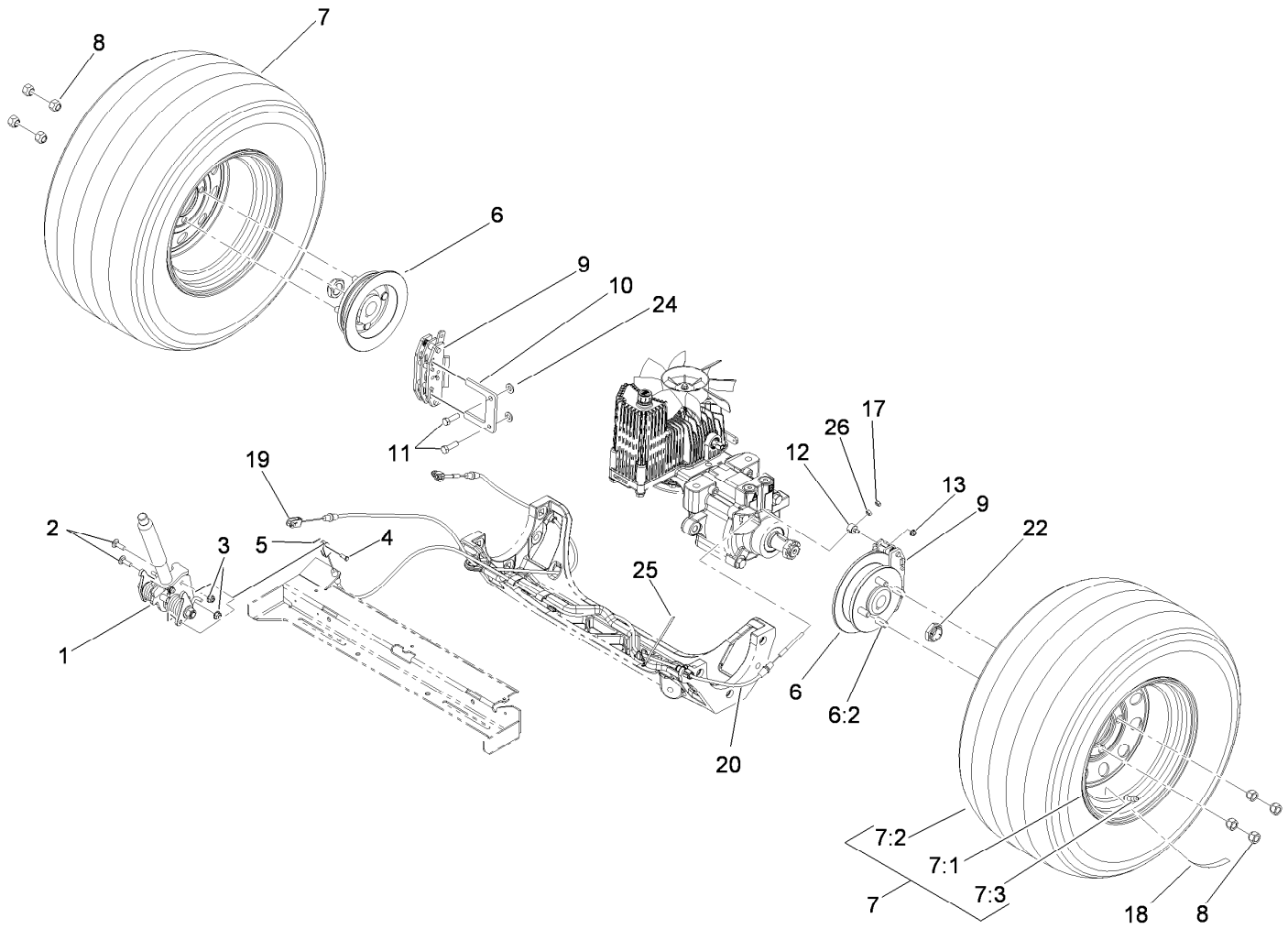
| Ref. | Part Number | Qty. | Description |
|------|-------------|------|----------------------------|
| 8:1 | 104-7201 | 2 | Nut-Nyloc 1/4-20 Flg |
| 8:3 | 109-9345 | 3 | Screw-HWH #10-14 X 3/4 Tf |
| 8:4 | 32105-15 | 2 | Screw-Machine 1/4-20 X 3/4 |
| 8:5 | 107069 | 4 | Nut-Retainer-Panel 1/4-20 |
| 9 | 109-9342 | 1 | Console, LH Narrow ASM |
| 9:2 | 109-9345 | 4 | Screw-HWH #10-14 X 3/4 Tf |
| 10 | 105-1853 | 1 | Clamp-Hose |
| 11 | 116-1875 | 1 | Plug, Plastic |



Motion Control Assembly

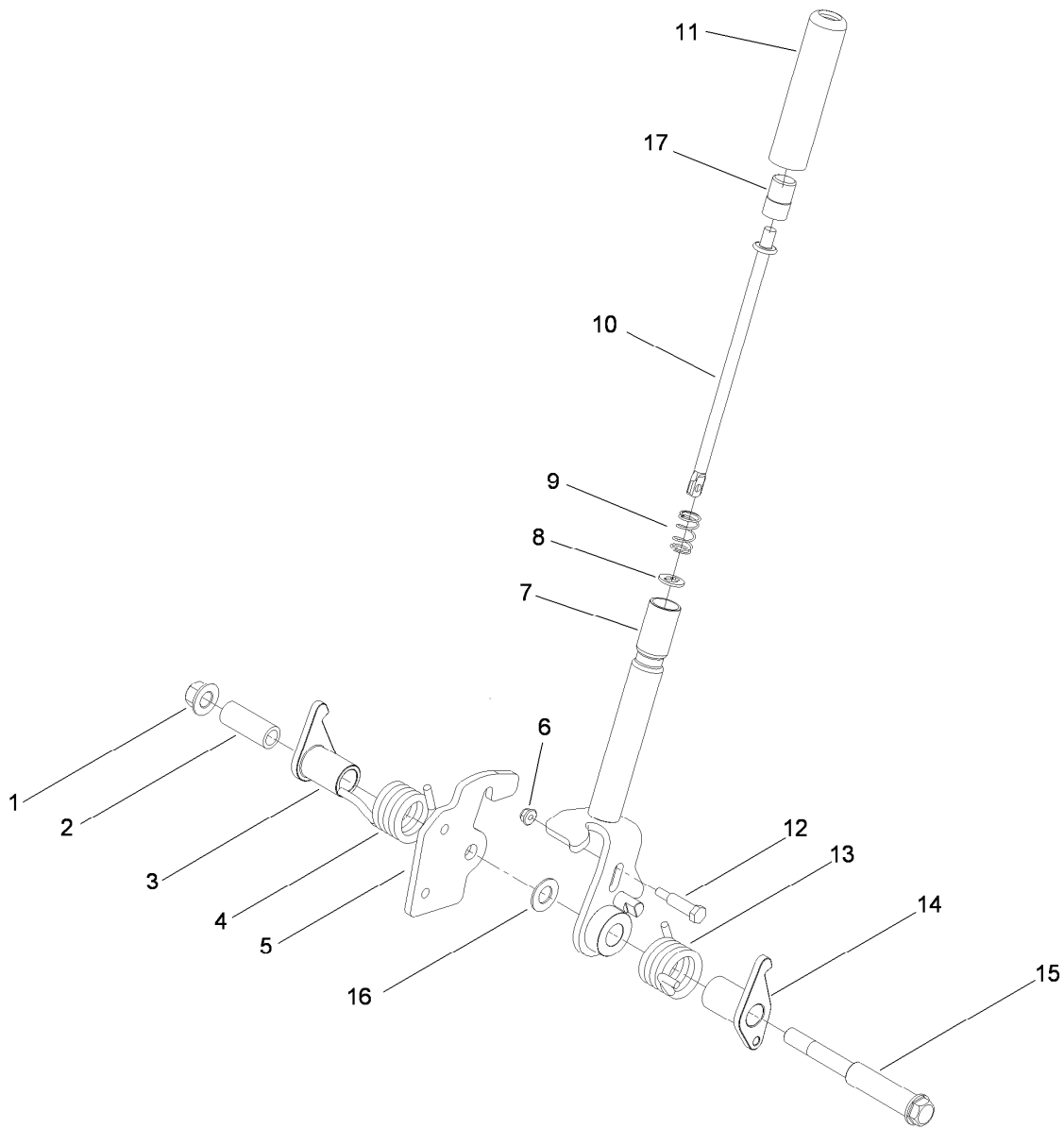
| Ref. | Part Number | Qty. | Description | Ref. | Part Number | Qty. | Description |
|------|-------------|------|-----------------------------------|------|-------------|------|----------------------------------|
| 1 | 116-0880 | 1 | RH Motion Control And Bushing ASM | 19:1 | 109-5668 | 1 | Grip,Control Lever |
| 1:2 | 109-8054 | 4 | Bushing-Flanged | 20 | 109-6590 | 1 | ASM,Steering Handle LH |
| 2 | 116-0881 | 1 | LH Motion Control And Bushing ASM | 20:1 | 109-5668 | 1 | Grip,Control Lever |
| 2:2 | 109-8054 | 4 | Bushing-Flanged | 21 | 104-8301 | 4 | Nut-Nyloc 3/8-16 Flg |
| 3 | 116-0648 | 2 | Screw-HH 5/16-18 X 1 W/Patch ● | 22 | 323-7 | 4 | Screw-HH 3/8-16 X 1 1/4 |
| 4 | 109-4581 | 2 | Arm-Control, Pump | 23 | 109-5575 | 2 | Spring-Leaf |
| 5 | 9080046 | 2 | Screw-HH 1/4-20 X 7/8 ● | 24 | 109-8106 | 2 | Front Pump Linkage ASM |
| 6 | 1-303435 | 2 | Washer-Spring Disc 1/4 | 24:2 | 3219-2 | 2 | Nut-Hex 5/16-24 |
| 7 | 116-0027 | 2 | Damper-Control, Motion | 24:3 | 1-323245 | 2 | Spring-Compression |
| 8 | 104-8300 | 8 | Nut-Nyloc 5/16-18 Flg | 24:4 | 1-633152 | 1 | Balljoint |
| 9 | 3230-2 | 2 | Bolt-Carriage 5/16-18 X 1 | 24:5 | 1-543017 | 1 | Balljoint |
| 11 | 109-5891 | 2 | Hub-Threaded | 25 | 109-9505 | 4 | Washer-Spring |
| 12 | 325-12 | 2 | Screw-HH 1/2-13 X 3 | 26 | 3256-6 | 2 | Washer |
| 16 | 116-0039 | 1 | Lever-Control Motion, RH | 27 | 32128-56 | 2 | Nut-Hex 1/2-13 Flange |
| 17 | 116-0040 | 1 | Lever-Control Motion, LH | 29 | 3256-23 | 2 | Washer-5/16 Sae |
| 19 | 109-6589 | 1 | ASM,Steering Handle RH | 30 | 3218-5 | 2 | Nut-Jam 1/2-13 |
| | | | | 31 | 115-1794 | 2 | Screw-Hex Flange 5/16-18 X 1 1/2 |

● Use Pro-Lock, Nut Type (P/N 1-840022, .5ml tube) on threads.



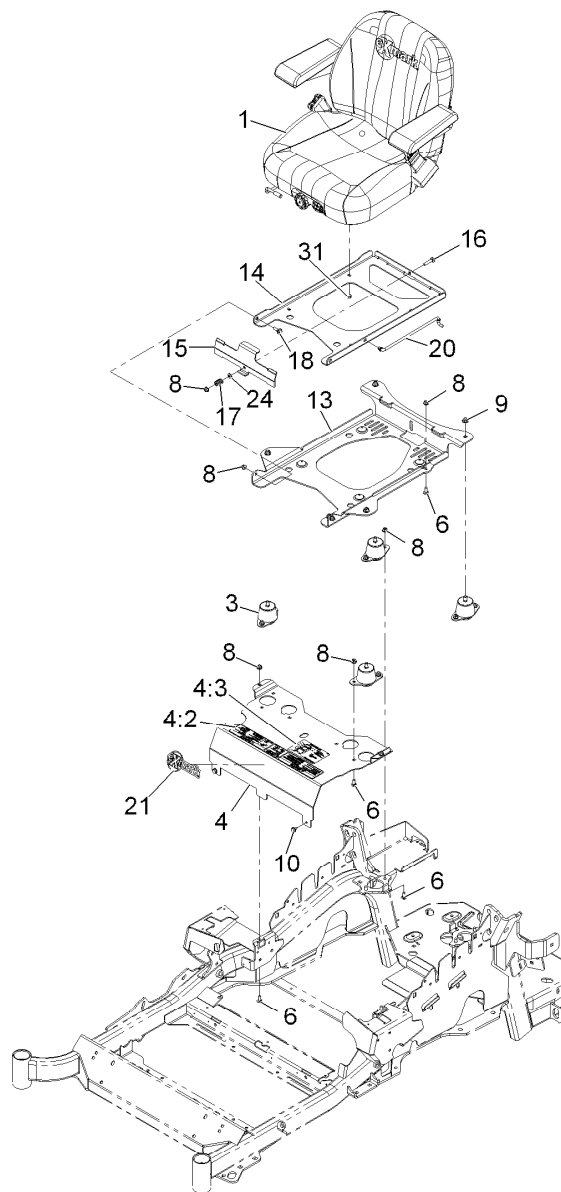
Rear Wheel and Park Brake Assembly

| Ref. | Part Number | Qty. | Description | Ref. | Part Number | Qty. | Description |
|------|-------------|------|--------------------|------|-------------|------|------------------------|
| 1 | 116-1878 | 1 | Brake Handle ASM | 10 | 109-0958 | 2 | Plate-Mount, Brake |
| 2 | 3230-2 | 2 | Bolt-CARR | 11 | 92-5727 | 4 | Screw-Lock, Patch |
| 3 | 104-8300 | 2 | Nut-Flange, NI | 12 | 112-8379 | 2 | Swivel |
| 4 | 60-1730 | 2 | Pin-Clevis | 13 | 104-7201 | 2 | Nut-HF |
| 5 | 3272-1 | 2 | Pin-Cotter | 17 | 3296-13 | 2 | Nut-Lock, NI |
| 6 | 116-1746 | 2 | Wheel Hub ASM | 18 | 116-2643 | 2 | Decal-Wheel Nut Torque |
| 6:2 | 116-1696 | 4 | Stud-Wheel | 19 | 115-3584 | 1 | Cable |
| 7 | 109-3248 | 2 | Wheel And Tire ASM | 20 | 115-3585 | 1 | Cable |
| 7:1 | 109-2871 | 1 | Rim ASM | 22 | 116-1399 | 2 | Locknut |
| 7:2 | 103-2744 | 1 | Tire | 24 | 3256-24 | 4 | Washer-Flat |
| 7:3 | 232-27 | 1 | Stem-Valve | 25 | 116-0940 | 1 | Tie-Cable |
| 8 | 242-50 | 8 | Nut-Lug | 26 | 3219-1 | 2 | Nut-Hex |
| 9 | 109-2889 | 2 | Caliper-Brake | | | | |



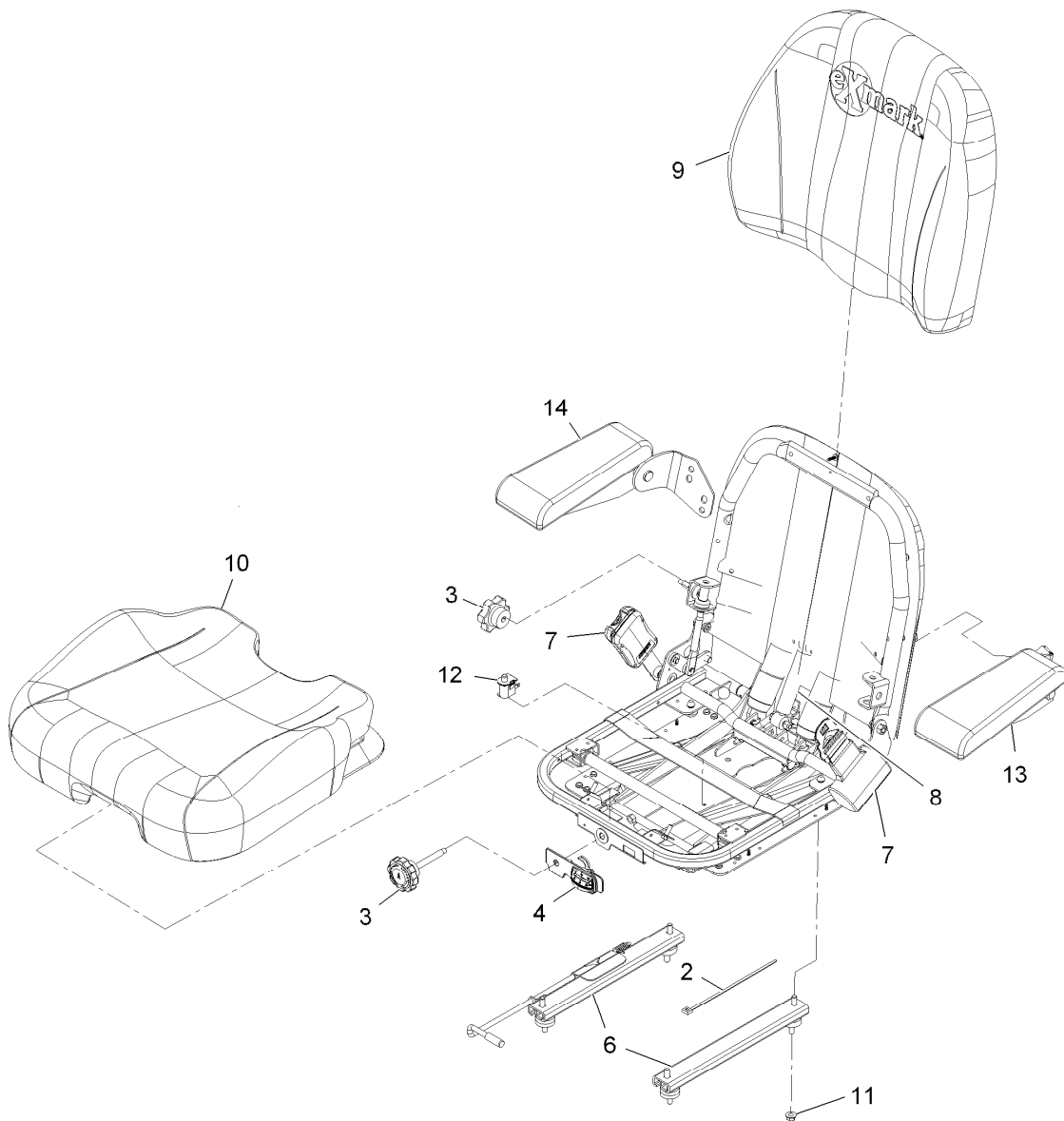
Brake Handle Assembly No. 116-1878

| <i>Ref.</i> | <i>Part Number</i> | <i>Qty.</i> | <i>Description</i> | <i>Ref.</i> | <i>Part Number</i> | <i>Qty.</i> | <i>Description</i> |
|-------------|--------------------|-------------|--------------------|-------------|--------------------|-------------|--------------------|
| 1 | 99-5107 | 1 | Nut-Lock | 10 | 115-3581 | 1 | Rod-Release, Brake |
| 2 | 117-0380 | 1 | Spacer | 11 | 115-3592 | 1 | Grip |
| 3 | 115-3580 | 1 | Arm-Brake, LH | 12 | 112-8387 | 1 | Bolt-Shoulder |
| 4 | 117-0376 | 1 | Spring-Torsion, RH | 13 | 117-0375 | 1 | Spring-Torsion, LH |
| 5 | 115-3574 | 1 | Plate-Latch | 14 | 115-3579 | 1 | Arm-Brake, RH |
| 6 | 104-7201 | 1 | Nut-HF | 15 | 117-0379 | 1 | Bolt-Shoulder |
| 7 | 116-1876-03 | 1 | Brake Handle ASM | 16 | 3256-26 | 1 | Washer-Flat |
| 8 | 114-1207 | 1 | Washer-Special | 17 | 115-2750 | 1 | Knob |
| 9 | 114-8187 | 1 | Spring-Compression | | | | |



Seat Assembly

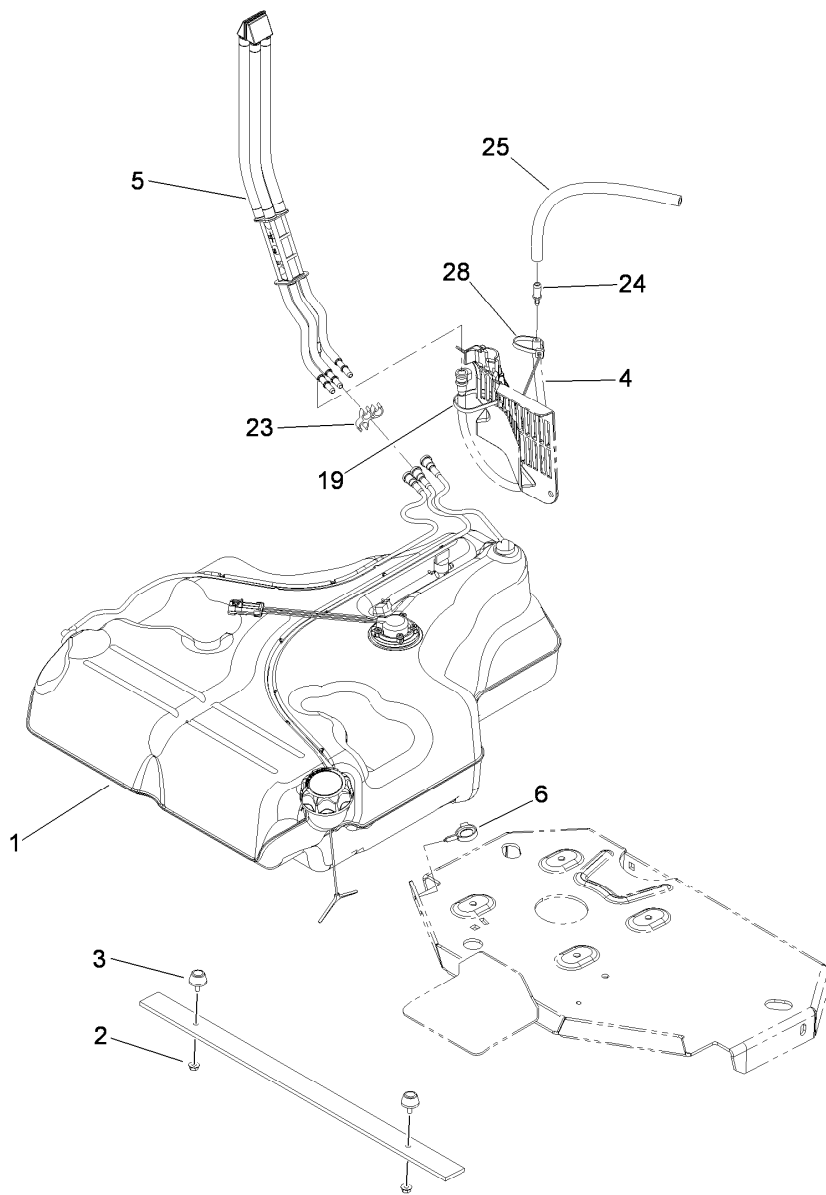
| <i>Ref.</i> | <i>Part Number</i> | <i>Qty.</i> | <i>Description</i> | <i>Ref.</i> | <i>Part Number</i> | <i>Qty.</i> | <i>Description</i> |
|-------------|--------------------|-------------|---|-------------|--------------------|-------------|----------------------------------|
| 1 | 116-4678 | 1 | Kit,Two Tone Suspension Seat Nlz | 13 | 116-0181-03 | 1 | Plate-Support, Seat Tilt |
| 3 | 109-9034 | 4 | Isolator-Seat | 14 | 116-0179-03 | 1 | Plate-Frame, Seat Tilt |
| 4 | 116-2323 | 1 | Mount-Seat | 15 | 109-9881-03 | 1 | Plate-Latch, Seat |
| 4:2 | 109-7069 | 1 | Decal-Console | 16 | 3230-4 | 1 | Bolt-Carriage 5/16-18 X 1 1/2 |
| 4:3 | 116-0211 | 1 | Decal-Service Aid | 17 | 107-3017 | 1 | Spring-Compression |
| 6 | 3230-23 | 11 | Bolt-Carriage 5/16-18 X 3/4 Short Neck | 18 | 116-1297 | 2 | Screw-Shoulder |
| 8 | 104-8300 | 14 | Nut-Nyloc 5/16-18 Flg | 20 | 116-0070 | 1 | Rod-Prop |
| 9 | 104-8301 | 4 | Nut-Nyloc 3/8-16 Flg | 21 | 103-2883 | 1 | Decal,Exmark Logo |
| 10 | 9266934 | 2 | Screw-HWH 5/16 X 1/2 Tf | 24 | 3256-23 | 1 | Washer-5/16 Sae |
| | | | | 31 | 32128-25 | 4 | Nut-Hex 5/16-18 Side Lock |



Seat W/Tracks Assembly No. 116-4678

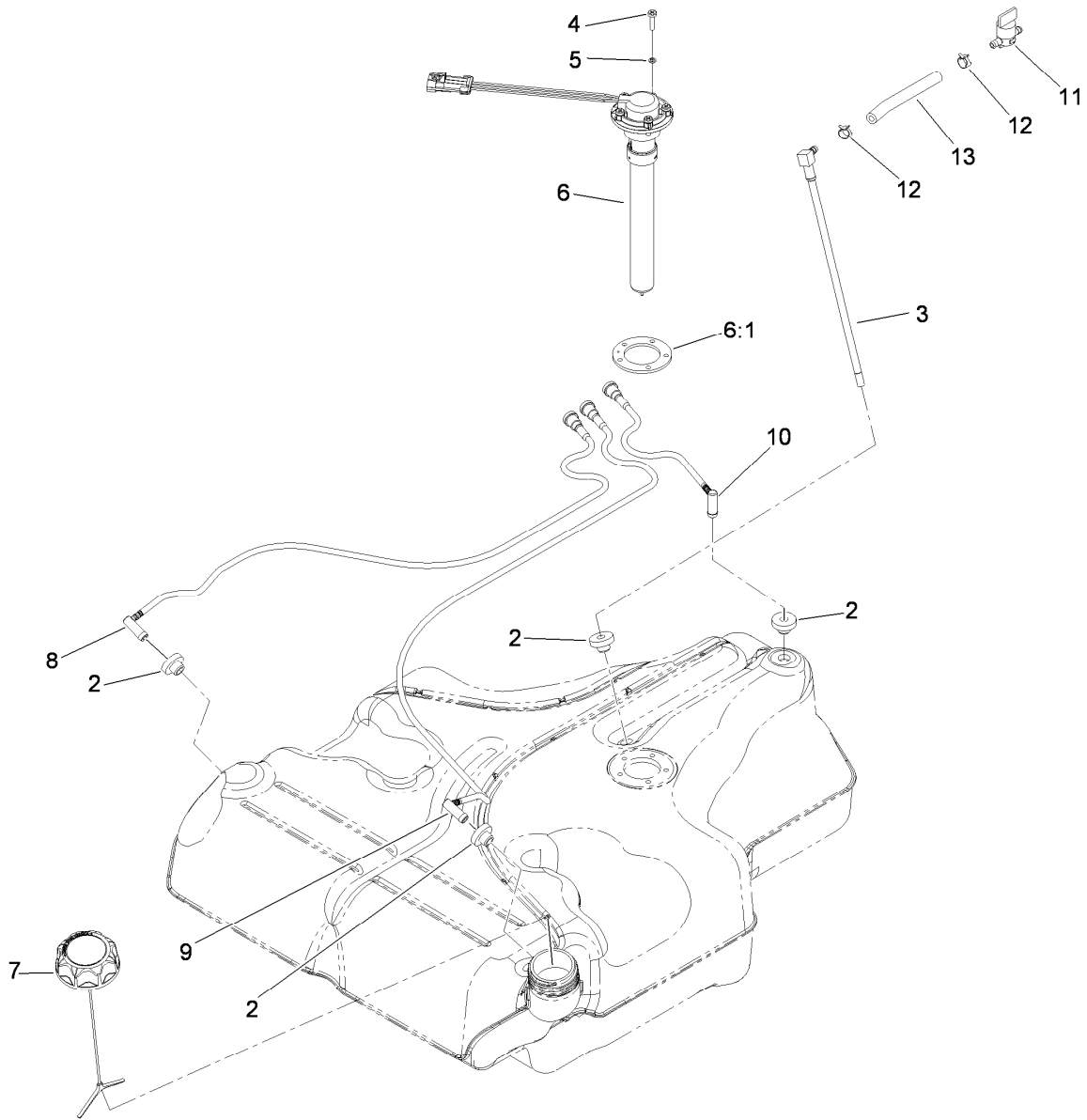
| Ref. | Part Number | Qty. | Description | Ref. | Part Number | Qty. | Description |
|------|-------------|------|------------------------------|------|-------------|------|---------------------------|
| 2 | 1-303335 | 4 | Tie-Plastic | 11 | 32128-25 | 4 | Nut-Hex 5/16-18 Side Lock |
| 3 | 107-1881 | 1 | Knob Kit | 12 | 82-2190 | 1 | Switch |
| 4 | 107-1885 | 1 | Weight Indicator Kit | 13 | 116-5708 | 1 | Asm-Arm Rest LH |
| 6 | 116-0333 | 1 | Seat Track Kit | 14 | 116-5709 | 1 | Asm-Arm Rest RH |
| 7 | 116-0751 | 1 | Seat Belt Kit (Short) | 99 | 109-3345 | 1 | Weight Adjust Kit ● |
| 8 | 116-0998 | 1 | Shock Absorber Kit | 99 | 103-4574 | 1 | Decal,Exmark Logo ● |
| 9 | 116-3922 | 1 | Kit,Back Cushion And Cover | 99 | 109-3343 | 1 | Spring And Saddle Kit ● |
| 10 | 116-3923 | 1 | Kit,Bottom Cushion And Cover | 99 | 116-5998 | 1 | Kit-Seat Back Panel ● |

● Not illustrated



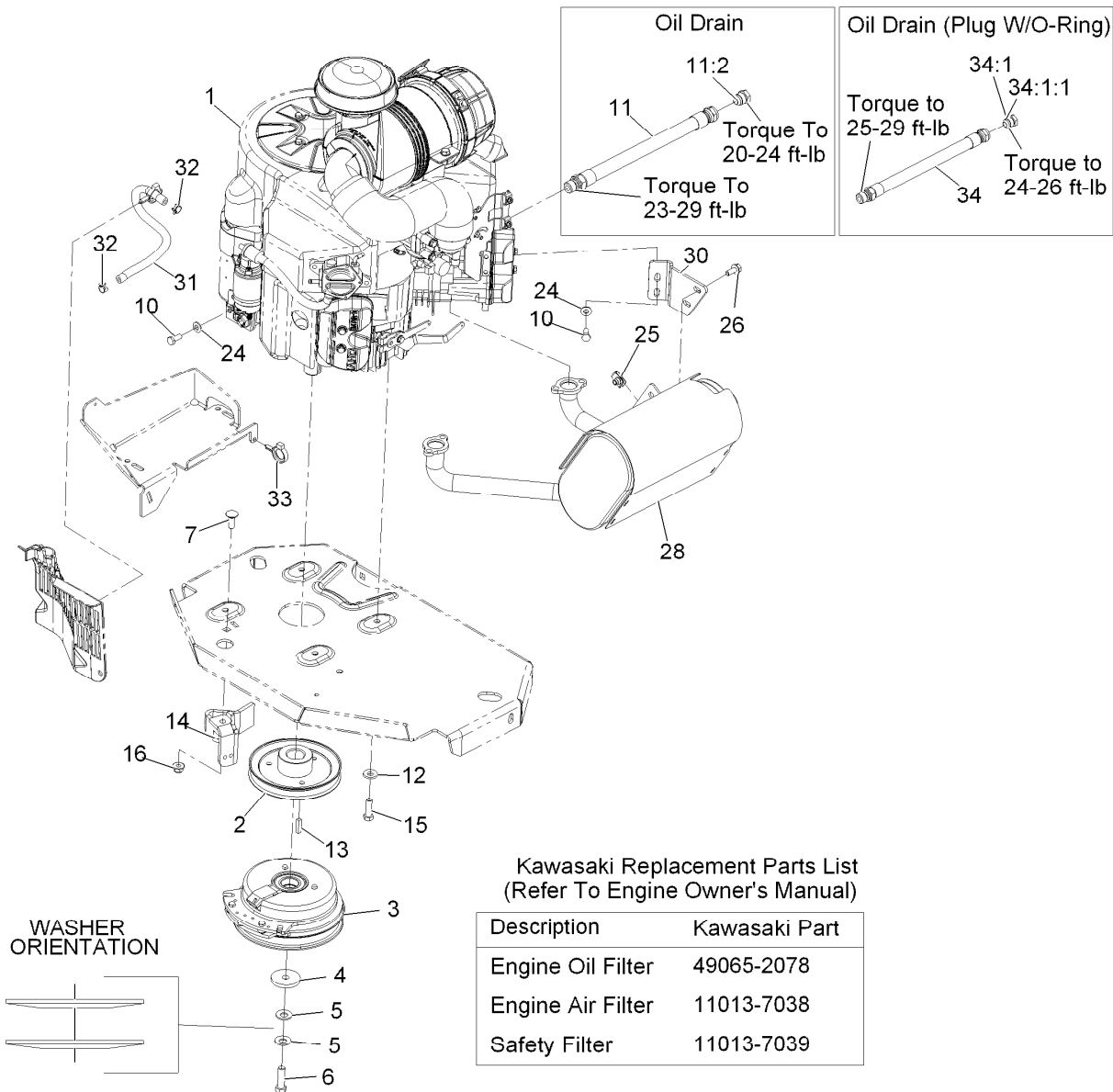
Fuel Tank Mounting Assembly

| Ref. | Part Number | Qty. | Description |
|------|-------------|------|----------------------------|
| 1 | 116-3979 | 1 | Fuel Tank ASM |
| 2 | 32128-33 | 2 | Nut-Whizlock 1/4-20 |
| 3 | 109-2365 | 2 | Rubber Bumper ASM (W/Stud) |
| 4 | 116-3977 | 1 | Hose ASM |
| 5 | 109-9491 | 1 | Fuel Manifold Vent ASM |
| 6 | 105-1853 | 1 | Clamp-Hose |
| 19 | 1-303335 | 1 | Tie-Cable 7 15/16 (Large) |
| 23 | 116-3370 | 1 | Clip-Spacer |
| 24 | 98-2952 | 1 | Fitting-Straight |
| 25 | 116-4344 | 1 | Hose-Fuel |
| 28 | 1-303335 | 1 | Tie-Cable 7 15/16 (Large) |



Fuel Tank Assembly No. 116-3979

| Ref. | Part Number | Qty. | Description |
|------|-------------|------|-----------------------------------|
| 2 | 46-6560 | 4 | Bushing |
| 3 | 116-2459 | 1 | Fuel Line Kit (With Grommet) |
| 4 | 9107944 | 5 | Screw-Pan 10-24 X 3/4 |
| 5 | 3253-17 | 5 | Washer-Lock 3/16 |
| 6 | 116-0003 | 1 | Sender-Fuel Level |
| 6:1 | 109-9620 | 1 | Gasket-Sender, Fuel |
| 7 | 116-1704 | 1 | Cap-Fuel, Ratcheting |
| 8 | 116-2460 | 1 | RH Vent Line Kit (With Grommet) |
| 9 | 116-2461 | 1 | LH Vent Line Kit (With Grommet) |
| 10 | 116-2462 | 1 | Rear Vent Line Kit (With Grommet) |
| 11 | 1-603770 | 1 | Valve-Fuel |
| 12 | 2412-98 | 2 | Clamp-Hose |
| 13 | 109-0650 | 1 | Hose-Fuel |



Engine Assembly

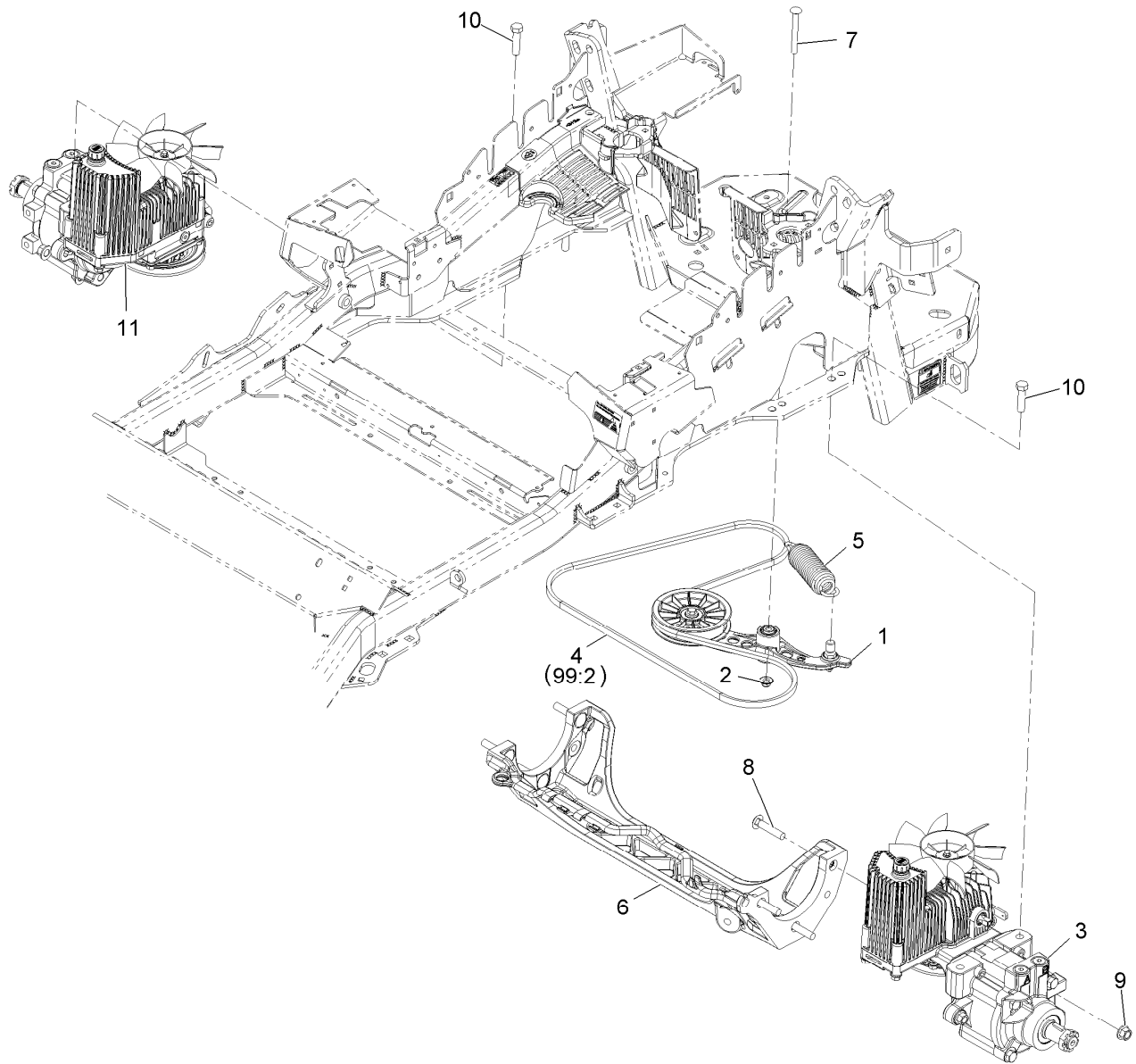
| Ref. | Part Number | Qty. | Description | Ref. | Part Number | Qty. | Description |
|------|-------------|------|--------------------------------------|--------|-------------|------|-----------------------------|
| 1 | | 1 | Engine-Kawasaki, Fx801V-S04-R ●■ | 15 | 323-7 | 4 | Screw-HH 3/8-16 X 1 1/4 |
| 2 | 109-9905 | 1 | Sheave | 16 | 104-8301 | 1 | Nut-Nyloc 3/8-16 Flg |
| 3 | 116-1620 | 1 | Clutch Kit | 24 | 1-303334 | 3 | Washer-Spring Disc 5/16 |
| 4 | 109-6919 | 1 | Washer-Clutch | 25 | 94-2413 | 2 | U-Nut |
| 5 | 1-603610 | 2 | Washer-Spring Disc 7/16 | 26 | 3234-5 | 2 | Screw-HH Flg 5/16-18 X 3/4 |
| 6 | 109-9761 | 1 | Screw-HH 7/16-20 X 1 1/2 W/Loctite ◆ | 28 | 116-1712 | 1 | Muffler |
| 7 | 3231-22 | 1 | Bolt-Carriage 3/8-16 X 1 | 30 | 116-0203 | 1 | Bracket-Muffler |
| 10 | 33114-020 | 3 | Screw-HH M8-1.25 X 20Mm | 31 | 109-0296 | 1 | Hose-Fuel Line 15" |
| 11 | 109-4490 | 1 | Oil Drain Hose ASM | 32 | 2412-98 | 2 | Clamp-Hose |
| 11:2 | 109-1012 | 1 | Plug | 33 | 105-1853 | 1 | Clamp-Hose |
| 12 | 98-5975 | 4 | Washer-Spring Disc 3/8 | 34 | 116-4924 | 1 | Engine Hose Oil Drain ASM ▲ |
| 13 | 1-807259 | 1 | Key-Machine 1/4 X 1/4 X 1 | 34:1 | 353-508 | 1 | Plug-W/O-Ring |
| 14 | 116-2612-01 | 1 | Clutch-Anchor | 34:1:1 | 237-42 | 1 | O-Ring |

● Not serviced separately

▲ Use a Teflon Pipe Sealant or equivalent on threads.

◆ Use Pro-Lock, Nut Type (P/N 1-840022, .5ml tube) on threads.

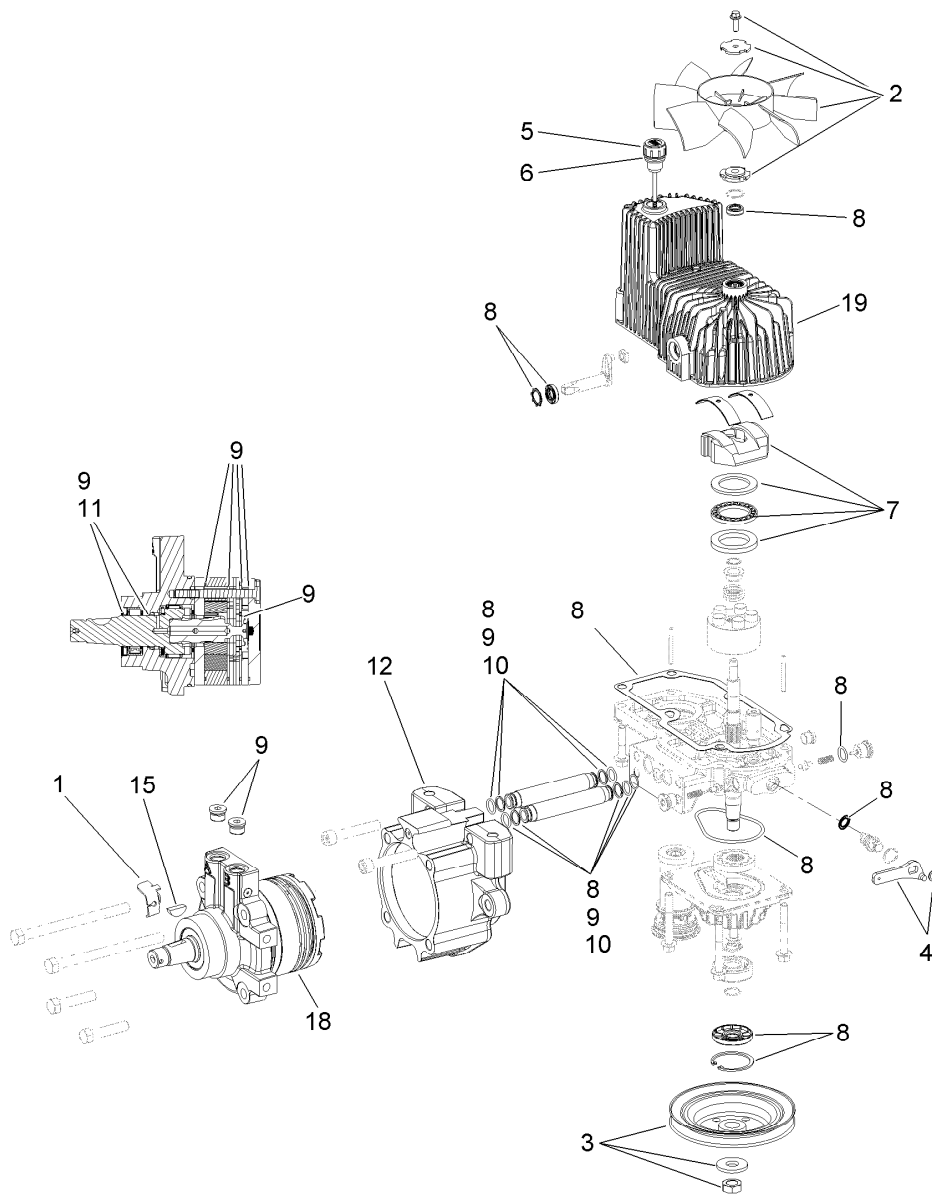
■ Obtain parts from www.kawpowerepc.com



Hydraulic Assembly

| Ref. | Part Number | Qty. | Description | Ref. | Part Number | Qty. | Description |
|------|-------------|------|---------------------------------------|------|-------------|------|----------------------------------|
| 1 | 116-1255 | 1 | Pump Idler ASM | 10 | 325-8 | 4 | Screw-HH 1/2-13 X 1 1/4 |
| 2 | 109-6658 | 1 | Nut-Nyloc 3/8-16 Flg | 11 | 116-1327 | 1 | RH Hydro ASM (16Cc W/Shock) |
| 3 | 116-1326 | 1 | LH Hydro ASM (16Cc W/Shock) | 99 | 109-9828 | 1 | Bottle-Oil, 32Oz Hydraulic ● |
| 4 | 109-3388 | 1 | Belt | 99 | 116-0164 | 1 | Filter-Hydro ● |
| 5 | 116-0133 | 1 | Extension-Spring | 99 | 116-1218 | 1 | Bottle, Oil 1 Gallon Hydraulic ● |
| 6 | 109-9375 | 1 | Cradle-Hydro | 99 | 116-3270 | 1 | Kit, Hydro Service ● |
| 7 | 116-1502 | 1 | Bolt-Carriage Shoulder 3/8-16 X 3 1/2 | 99:1 | 109-9828 | 4 | Bottle-Oil, 32Oz Hydraulic ● |
| 8 | 3233-34 | 6 | Bolt-Carriage 1/2-13 X 2 1/2 | 99:2 | 109-3388 | 1 | Belt |
| 9 | 99-5107 | 6 | Nut-Lock 1/2-13 | 99:3 | 116-0164 | 2 | Filter-Hydro ● |

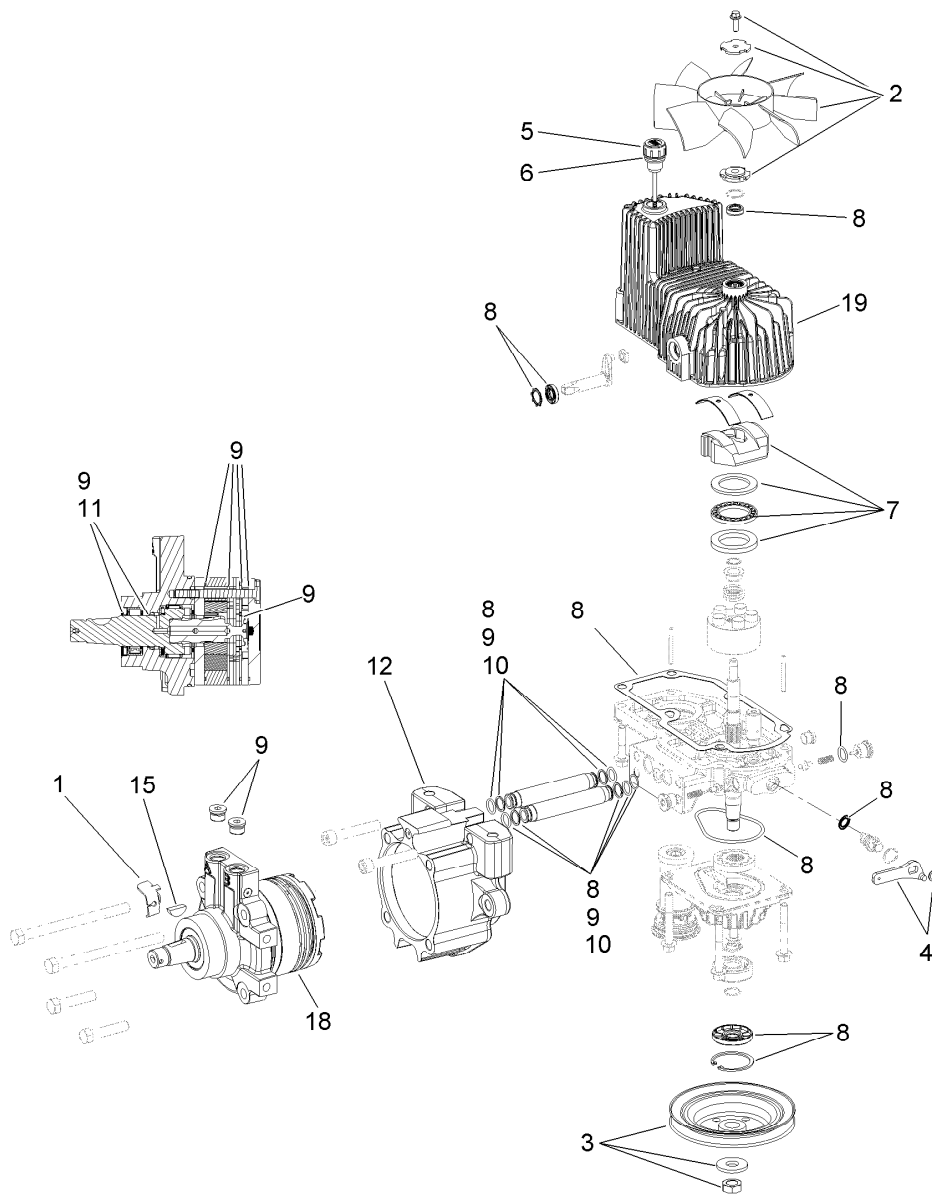
● Not illustrated



LH Hydro Assembly No. 116-1326

| <i>Ref.</i> | <i>Part Number</i> | <i>Qty.</i> | <i>Description</i> | <i>Ref.</i> | <i>Part Number</i> | <i>Qty.</i> | <i>Description</i> |
|-------------|--------------------|-------------|-------------------------------|-------------|--------------------|-------------|--------------------------|
| 1 | 116-1758 | 1 | Bracket-Anchor, Cable | 9 | 116-1369 | 1 | Motor Seal Kit |
| 2 | 116-0233 | 1 | Fan Kit | 10 | 116-1370 | 1 | Tube Seal Kit |
| 3 | 116-0234 | 1 | Pulley Kit | 11 | 116-1371 | 1 | Output Shaft Seal Kit |
| 4 | 116-0235 | 1 | Handle-Bypass Valve, Hydro | 12 | 116-2992 | 1 | Cup-Nose Hydro Dry |
| 5 | 116-0236 | 1 | Dipstick-Hydro W/Gasket | 15 | 3257-42 | 1 | Key-Woodruff 5/16 X 1 |
| 6 | 116-0237 | 1 | Gasket-Dipstick, Hydro | 18 | 116-2990 | 1 | Motor-Wheel LH Dry 280Cc |
| 7 | 116-1367 | 1 | Swash Block Kit | 19 | 116-3287 | 1 | Housing-LH |
| 8 | 116-1368 | 1 | Pump Seal Kit | 99 | 116-1373 | 1 | Flow Test Kit ● |

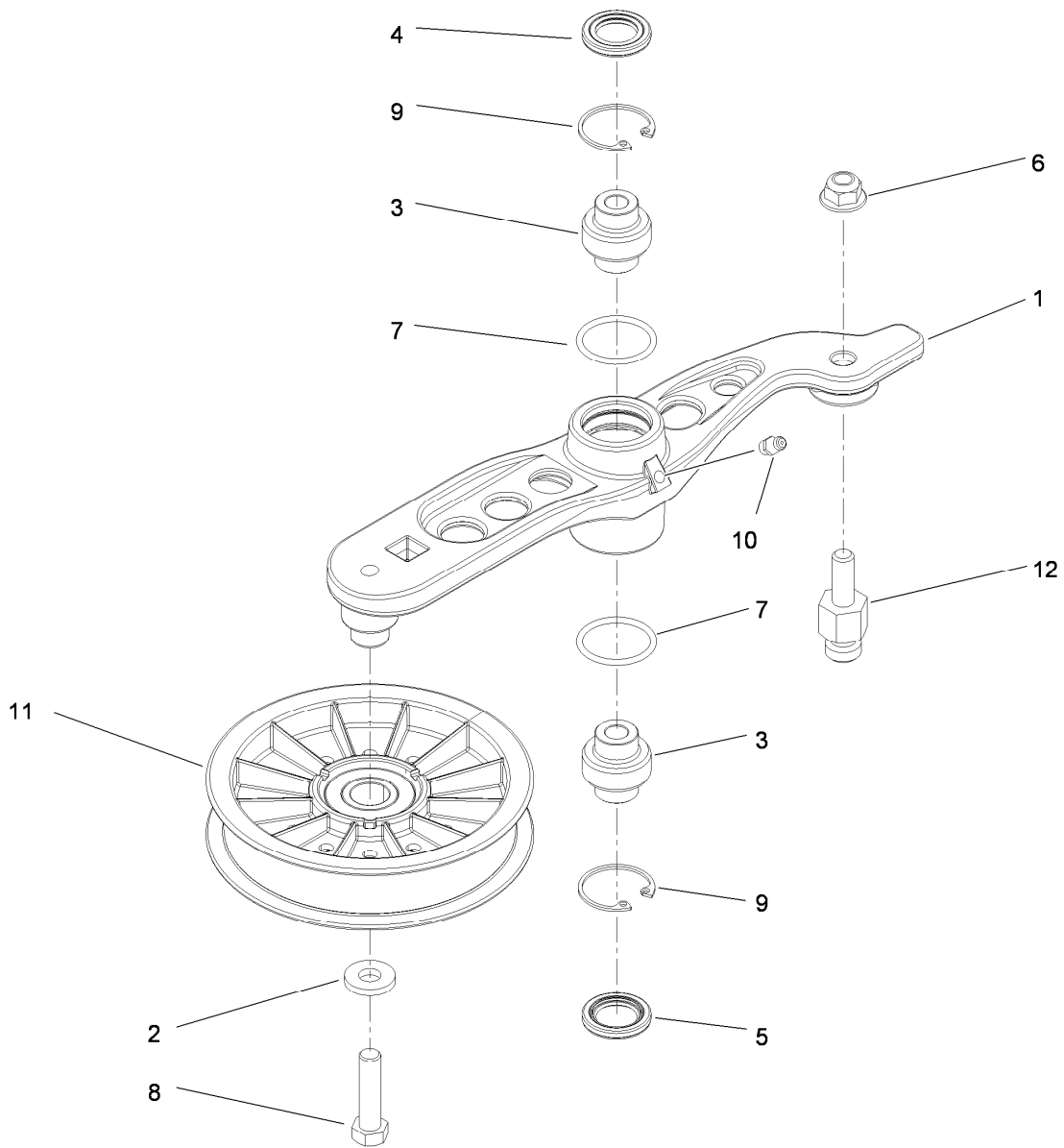
● Not illustrated



RH Hydro Assembly No. 116-1327

| <i>Ref.</i> | <i>Part Number</i> | <i>Qty.</i> | <i>Description</i> | <i>Ref.</i> | <i>Part Number</i> | <i>Qty.</i> | <i>Description</i> |
|-------------|--------------------|-------------|-------------------------------|-------------|--------------------|-------------|--------------------------|
| 1 | 116-1758 | 1 | Bracket-Anchor, Cable | 9 | 116-1369 | 1 | Motor Seal Kit |
| 2 | 116-0233 | 1 | Fan Kit | 10 | 116-1370 | 1 | Tube Seal Kit |
| 3 | 116-0234 | 1 | Pulley Kit | 11 | 116-1371 | 1 | Output Shaft Seal Kit |
| 4 | 116-0235 | 1 | Handle-Bypass Valve, Hydro | 12 | 116-2992 | 1 | Cup-Nose Hydro Dry |
| 5 | 116-0236 | 1 | Dipstick-Hydro W/Gasket | 15 | 3257-42 | 1 | Key-Woodruff 5/16 X 1 |
| 6 | 116-0237 | 1 | Gasket-Dipstick, Hydro | 18 | 116-2991 | 1 | Motor-Wheel RH Dry 280Cc |
| 7 | 116-1367 | 1 | Swash Block Kit | 19 | 116-3288 | 1 | Housing-RH |
| 8 | 116-1368 | 1 | Pump Seal Kit | 99 | 116-1373 | 1 | Flow Test Kit ● |

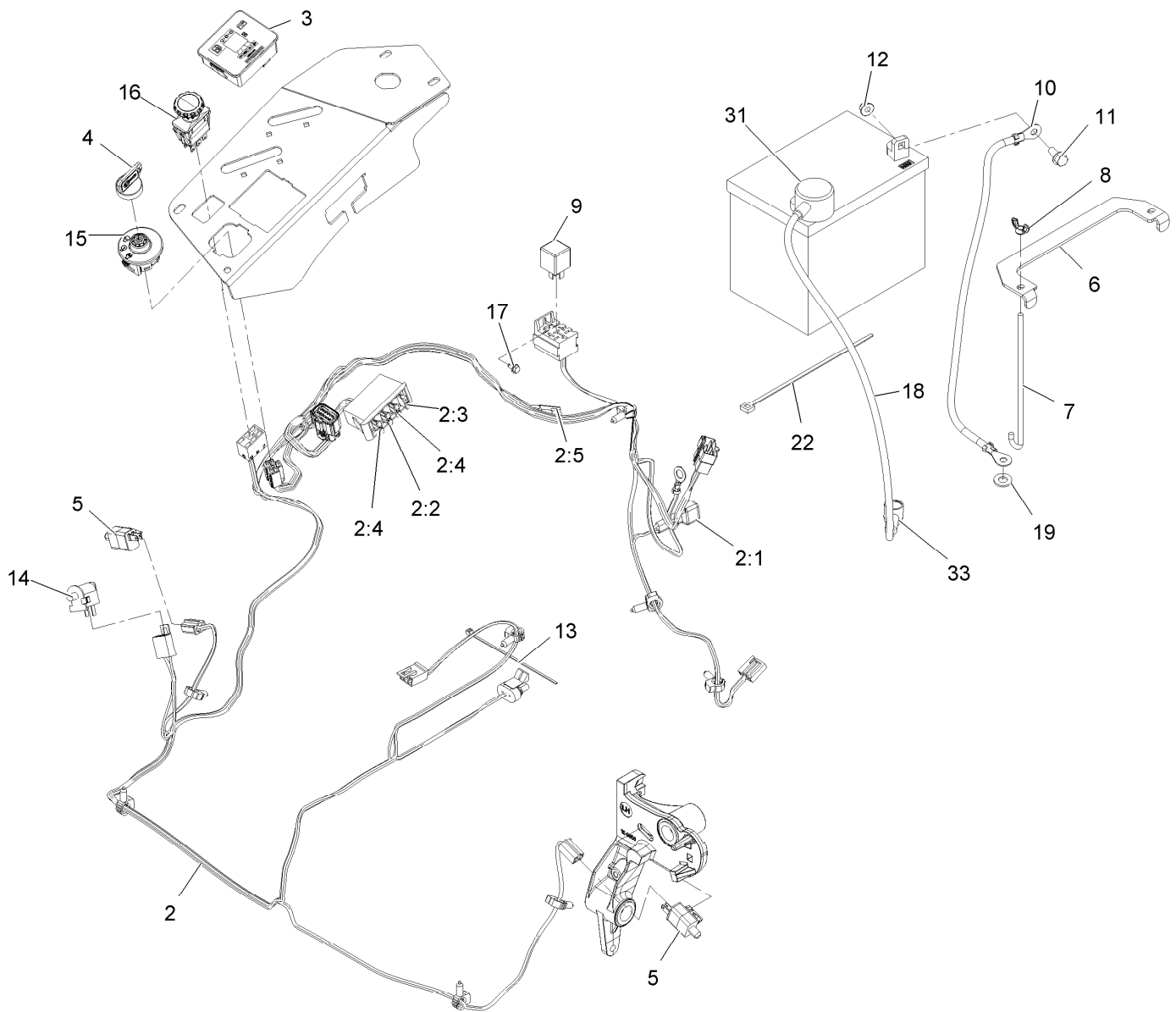
● Not illustrated



Pump Idler Assembly No. 116-1255

| Ref. | Part Number | Qty. | Description |
|------|-------------|------|-------------------------|
| 1 | | 1 | Arm-Pump, Idler ● |
| 2 | 43-0940 | 1 | Spacer |
| 3 | 103-3504 | 2 | Bearing-Spherical |
| 4 | 103-3505 | 1 | Seal-Double Lip |
| 5 | 103-3506 | 1 | Seal-Single Lip |
| 6 | 109-6658 | 1 | Nut-Nyloc 3/8-16 Flg |
| 7 | 106-7159 | 2 | O-Ring |
| 8 | 323-8 | 1 | Screw-HH 3/8-16 X 1 1/2 |
| 9 | 32120-10 | 2 | Ring-Retaining |
| 10 | 302-19 | 1 | Zerk-1/4-28 Str |
| 11 | 109-8076 | 1 | Pulley-Idler |
| 12 | 116-3467 | 1 | Pin-Spring, Anchor |

● Not serviced separately



Electrical Assembly

| Ref. | Part Number | Qty. | Description | Ref. | Part Number | Qty. | Description |
|------|-------------|------|-------------------------|------|-------------|------|----------------------------|
| 2 | 115-2796 | 1 | Harness-Wire, Main ● | 10 | 114-1218 | 1 | Cable-Battery, Negative |
| 2:1 | 103-3895 | 1 | Diode-Tvs | 11 | 3234-5 | 2 | Screw-HH Flg 5/16-18 X 3/4 |
| 2:2 | 218-578 | 1 | Fuse-Blade, 10 Amp | 12 | 104-8300 | 2 | Nut-Nyloc 5/16-18 Flg |
| 2:3 | 109355 | 1 | Fuse-Blade, 15 Amp | 13 | 1-303287 | 3 | Tie-Cable 5 1/2 (Small) |
| 2:4 | 109102 | 2 | Fuse-Blade, 25 Amp | 14 | 82-2190 | 1 | Switch |
| 2:5 | 116-0053 | 1 | Cap-Plug | 15 | 117-2221 | 1 | Switch-Ignition |
| 3 | 117-3882 | 1 | Fuel/Hour Meter ASM | 16 | 116-0124 | 1 | Switch-PTO, 10A |
| 4 | 1-603511 | 1 | Key-Ignition | 17 | 104-2065 | 1 | Screw-HWH #10-24 X 3/8 |
| 4 | 103-2106 | 1 | Key-Exmark Logo | 18 | 115-3864 | 1 | Cable-Battery, Positive |
| 5 | 110-6765 | 2 | Switch-Single Pole No | 19 | 3256-24 | 1 | Washer-3/8 Sae |
| 6 | 116-0042-03 | 1 | Strap-Tie Down, Battery | 22 | 1-303335 | 1 | Tie-Cable 7 15/16 (Large) |
| 7 | 1-633651 | 2 | Bolt-Holddown | 31 | 109-2407 | 1 | Insulator-Battery |
| 8 | 1-543792 | 2 | Wingnut-Nyloc 1/4-20 | 33 | 1-543393 | 1 | Insulator-Solenoid |
| 9 | 1-643275 | 1 | Relay-12Vdc 40 Amp | | | | |

● Use dielectric grease on all wiring harness connectors.

Notes:

EXMARK® MAINTENANCE

MAXIMIZE THE PERFORMANCE OF YOUR EXMARK.

4-CYCLE PREMIUM ENGINE OIL

Part No. 116-3373

Both SAE 30 and SAE 10W-30 in one bottle.

Contains increased levels of zinc and phosphorus for better lubricity.

No Viscosity Index Improvers that tend to shear down in high heat.

Synthetic formulation.

Gas & Diesel compatible.

Anti-corrosion additives.

API 'SL' and JASO rated with wet clutch compatibility for other machines.

PREMIUM HYDRO OIL

Part No. 109-9828

Commercial quality for tough, high-heat conditions.

Designed specifically for zero-turn mower hydraulic systems.

Superior shear resistance under heavy loads.



Available from your local Exmark dealer. Find your closest dealer at exmark.com

SEE EXMARK'S COMPLETE LINE OF ACCESSORIES AND OPTIONS

MID-MOUNT RIDING ACCESSORIES AND OPTIONS

| | |
|------------------------------------|------------------------------------|
| CUSTOM RIDE SEAT SUSPENSION SYSTEM | OPERATOR CONTROLLED DISCHARGE |
| FULL SUSPENSION SEAT | ROLL OVER PROTECTION SYSTEM (ROPS) |
| DECK LIFT ASSIST KIT | SUN SHADE |
| HITCH KIT | TRASH CONTAINER |
| LIGHT KIT | TURF STRIPER |
| 12V POWER PORT | ULTRA VAC COLLECTION SYSTEM |
| MICRO-MULCH SYSTEM | ULTRA VAC QUICK DISPOSAL SYSTEM |

OUT-FRONT RIDING ACCESSORIES AND OPTIONS

| | |
|------------------------------------|---------------------------------|
| CUSTOM RIDE SEAT SUSPENSION SYSTEM | SNOW BLADE |
| DUAL-TAIL WHEEL | SNOWBLOWER |
| FLOOR PAN EXTENDER | SUN SHADE |
| HITCH KIT | TRASH CONTAINER |
| LIGHT KIT | ULTRA VAC COLLECTION SYSTEM |
| MICRO-MULCH SYSTEM | ULTRA VAC QUICK DISPOSAL SYSTEM |
| ROLL OVER PROTECTION SYSTEM (ROPS) | WEATHER CAB |

WALK-BEHIND ACCESSORIES AND OPTIONS

| | |
|--------------------|--------------|
| GRASS CATCHER | TURF STRIPER |
| MICRO-MULCH SYSTEM | STANDON |

Place Model No. and Serial No.
Label Here (Included in the Literature
Pack) or Fill in Below

Model No. _____

Serial No. _____

Date Purchased _____

Engine Model No. and Spec. No. _____

Engine Serial No. (E/No) _____

© 2011 Exmark Mfg. Co., Inc.
Industrial Park Box 808
Beatrice, NE 68310
All Rights Reserved

Part No. 4500-792 Rev. B
(402) 223-6300
Fax (402) 223-5489
Printed in the USA.

