

OCR10-M64400EN

PREFACE

1.This Parts Catalog carries all parts incorporated in YANMAR Model 3TNV88-GYM engine manufactured since February, 2006.

2.Each illustration corresponds to the parts list on the following page.

3.When ordering parts,clearly write down the engine model and serial number,as well as the name and number of each part in your order sheet. This will help insure reliable delivery of the parts you have ordered.

Directions for the Parts Catalog.

1. This Parts Catalog shows both standard and optional parts.
2. Parts may change without prior notice.
3. The following is an example of the Parts Catalog format.

REF.	LEV.	PARTS NO.	DESCRIPTION	Q'TY						I	R
				(A)	(B)	(C)	(D)	(E)	(F)		
1	1	729595-51390	FUEL INJECTION PUMP	1	1	1	1	1			1
1-1	1	729595-51391	FUEL INJECTION PUMP	1	1	1	1	1		N	1
		(A=E00185) (B=E00200)									
3	2	26022-060162	SCREW M 6X 16	9	9	9	9	9			
3-1	2	26022-060162	SCREW M 6X 16	4	4	4	4	4		K	
		(A=E00156) (B=E00156) (C=E00156) (D=E00156) (E=E00156)									
4	2	129470-51040	CAMSHAFT	1	1	1	1	1			
5	2	122710-51050	BEARING, ROLLER	2	2	2	2	2			
6	2	129470-51060	RETAINER	1	1	1	1	1			

Remarks
(1) BOOST COMPEMSATOR TYPE. OPTIONAL PART, TO E00155,(4JH-DT, 4JH-DTZ

① Ref. No.

The Ref. No. listed may not be in accordance with the illustration Ref. No.

(Ex.) Illustration No.

List Ref No.

1

1

(Before change)

1-1

(After change)

For interchangeable symbols N, R and K, illustrations for new parts may be abbreviated.

② Lev. (Level)

Level indication

The numbers below indicate the level of relativity towards the main part.

1 ----- Main parts (Assembly parts)

2 ----- Sub component included in " 1 ".

3 ----- Sub component included in " 2 ".

Note) Parts that are not for sale are partially illustrated but not listed.

③ Interchangeability Symbol

When a part change takes place, one of the following interchangeability symbols is indicated beside the part.

Symbol	Interchangeability	Contents note
N	Old $\begin{matrix} \leftarrow \text{Yes} \\ \text{No} \rightarrow \end{matrix}$ New	New Part is interchangeable for Old Part but Old Part is not interchangeable for New Part.
Q	Old $\begin{matrix} \leftarrow \text{No} \\ \text{Yes} \rightarrow \end{matrix}$ New	New Part is not interchangeable for Old Part but Old Part is interchangeable for New Part.
R	Old $\begin{matrix} \leftarrow \text{Yes} \\ \text{Yes} \rightarrow \end{matrix}$ New	New/ Old Parts are both interchangeable.
S	Old $\begin{matrix} \leftarrow \text{No} \\ \text{No} \rightarrow \end{matrix}$ New	New/ Old Parts are both not interchangeable.
W		Part newly added.
Z		Part discontinued.
F		Not interchangeable by a single part but interchangeable together with related parts.
K		Changes only for used parts quantities.

④ Effective Machine No.

When a part changes, the effective Machine No. will be indicated in the (A)-(F) column.

Product Symbol	Product No.	Product Symbol	Product No.
C	Clutch No. Compressor No.	F	Machine No. (Agricultural Equip.)
D	Drive No.	M	Machine No.
E	Engine No.		

Note 1) A date may follow the symbol. (Ex.) 1996.01

Note 2) "XXXXX" and "ZZZZZ" are for parts that could not be predicted or for engine models that could not be identified.

Note 3) (A=E00185) is the E (Engine Serial Number) for the column (A) model (in this case 4JH-DT) after the parts design change.

⑤ Remarks

Figures or alphabets (symbols) are entered in the remarks column.

The comments (remarks) on parts that are indicated at the bottom of the illustration are the same symbols as those stated above.

Contents

OCR10-M64400

Fig. No. Fig. Name

ENGINE 3TNV88-GYM

1. CYLINDER BLOCK
2. GEAR HOUSING
3. FLYWHEEL HOUSING & OIL SUMP
4. CYLINDER HEAD & BONNET
5. SUCTION MANIFOLD
6. CAMSHAFT & DRIVING GEAR
7. CRANKSHAFT & PISTON
8. LUB.OIL SYSTEM
9. COOLING FRESH WATER SYSTEM
10. COOLING SEA WATER SYSTEM
11. COOLING FRESH WATER COOLER
12. FUEL INJECTION PUMP
13. GOVERNOR
14. FUEL INJECTION VALVE
15. FUEL LINE
16. STARTING MOTOR
17. GENERATOR
18. GASKET SET

Fig. No. Fig. Name

Fig.1. CYLINDER BLOCK

(A)=3TNV88-GYM

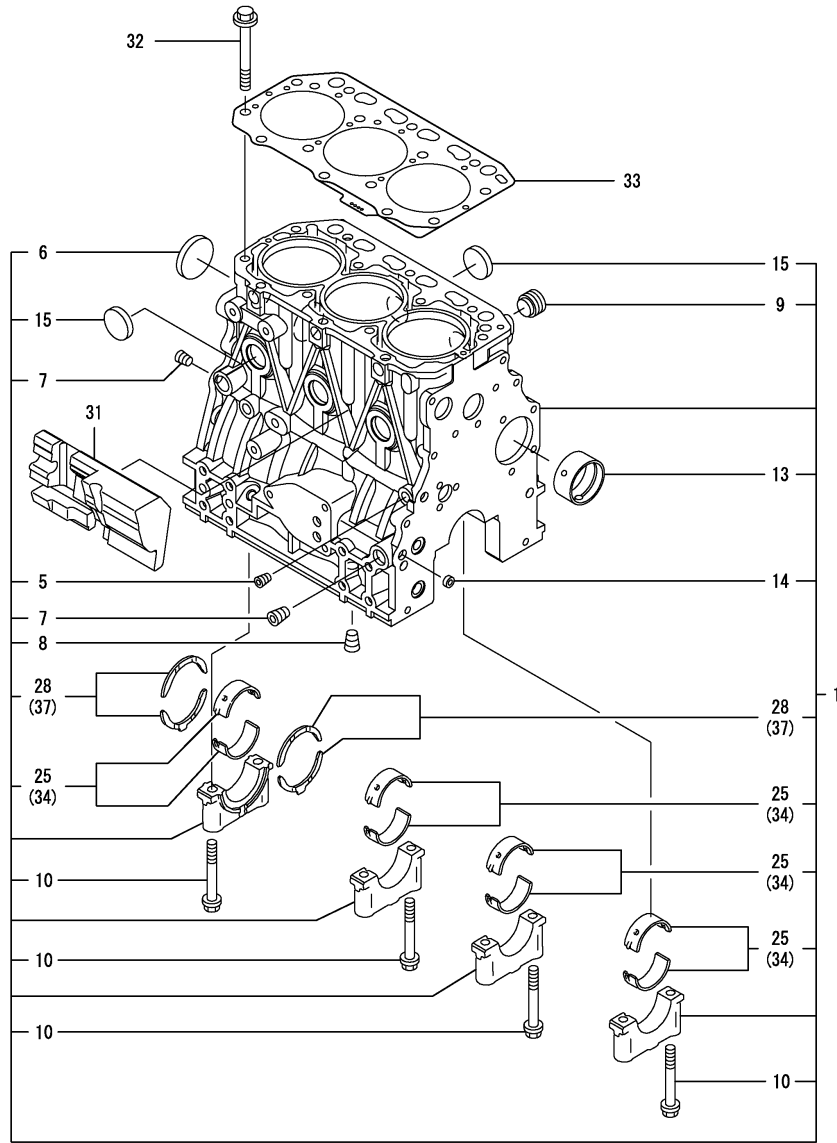
(B)=

(C)=

(D)=

(E)=

(F)=



No.	Lev.	Parts No.	Description	Q'ty						I	R
				(A)	(B)	(C)	(D)	(E)	(F)		
1	1	729005-01560	BLOCK ASSY, CYLINDER	1							
5	2	124060-01050	PLUG, PT1/8	1							
6	2	129001-01250	PLUG, 50	1							
7	2	124160-01910	PLUG, PT1/4	2							
8	2	124160-01910	PLUG, PT1/4	1							
9	2	171051-01921	PLUG, NPTF1	1							
10	2	129150-02020	BOLT, METAL CAP	8							
13	2	129795-02411	BUSH, CAMSHAFT	1							
14	2	27241-120000	PLUG, 12	2							
15	2	27241-300000	PLUG 30	6							
25	2	129001-02930	BEARING, MAIN	4							3
28	2	129150-02930	BEARING, THRUST	2							
31	1	129004-01190	SPACER	1							
32	1	129150-01200	BOLT, HEAD	14							
33	1	129001-01340	GASKET, HEAD	1							
34	1	129150-02870	BEARING, 0.25 US	4							1
37	1	129150-02940	BEARING, THRUST 0.25	1							2

Remarks

- (1) UNDER-SIZE(U.S=0.25)PART.
- (2) OVER-SIZE(O.S=0.25)PART.
- (3) REPAIR PART.

Fig.2. GEAR HOUSING

(A)=3TNV88-GYM

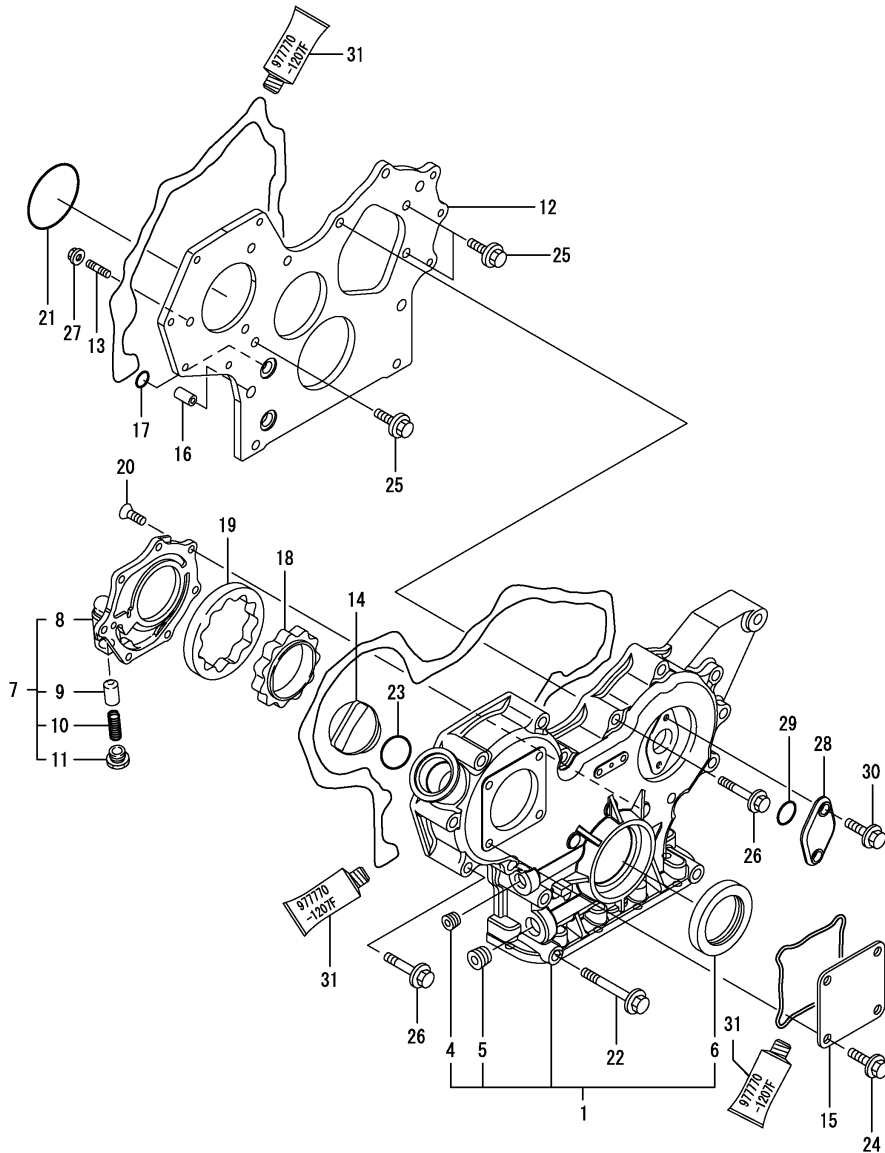
(B)=

(C)=

(D)=

(E)=

(F)=



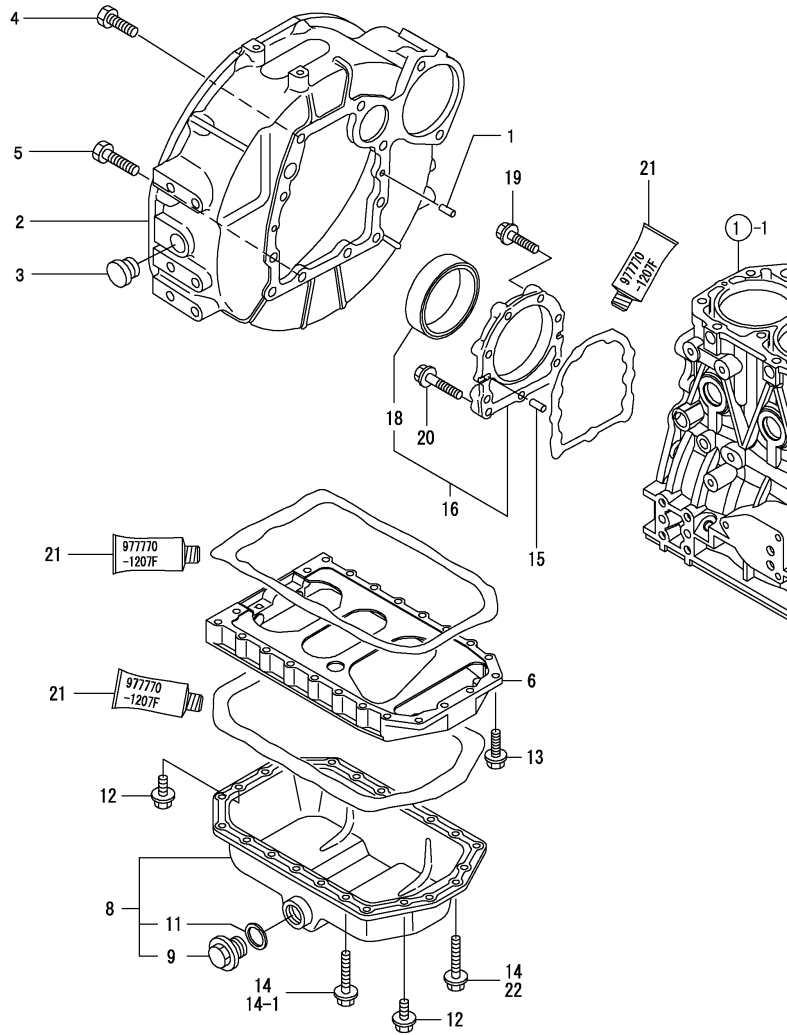
No.	Lev.	Parts No.	Description	Q'ty						I	R
				(A)	(B)	(C)	(D)	(E)	(F)		
1	1	719802-01500	CASE ASSY, GEAR	1							
4	2	23876-030000	PLUG, R03	1							
5	2	23876-040000	PLUG, R04	1							
6	2	129795-01800	SEAL, OIL	1							
7	1	119802-32100	COVER ASSY	1							
8	2	119802-32070	COVER	1							
9	2	129900-32130	VALVE, RELIEF	1							
10	2	129418-32320	SPRING	1							
11	2	129001-32330	PLUG	1							
12	1	119802-01520	FLANGE, GEAR CASE	1							
13	1	119802-01561	STUD, M8X25	3							
14	1	124160-01751	COVER, FILLER	1							
15	1	124240-01871	COVER	1							
16	1	129795-01950	PIPE, KNOCK L=18	2							
17	1	119609-32040	O-RING, P16	4							
18	1	119802-32111	ROTOR, INNER	1							
19	1	119802-32120	ROTOR, OUTER	1							
20	1	119802-32130	SCREW, M6X16	7							
21	1	121850-51960	O-RING	1							
22	1	129001-91841	BOLT, M8X85	3							
23	1	24311-000320	O-RING, 1AP32.0	1							
24	1	26106-080162	BOLT, M8X 16 PLATED	4							
25	1	26106-080162	BOLT, M8X 16 PLATED	3							
26	1	26106-080552	BOLT, M8X 55 PLATED	12							
27	1	26306-080002	NUT, M8	3							
28	1	121023-01551	COVER	1							
29	1	24341-000240	O-RING, 1AS24.0	1							
30	1	26106-060162	BOLT, M6X 16 PLATED	2							
31	1	977770-1207F	GASKET.LIQUID	1							1

Remarks

(1) OPTIONAL PART.

N:Old $\begin{matrix} \leftarrow \text{Yes} \\ \text{No} \end{matrix}$ New, Q:Old $\begin{matrix} \leftarrow \text{No} \\ \text{Yes} \end{matrix}$ New, R:Old $\begin{matrix} \leftarrow \text{Yes} \\ \text{Yes} \end{matrix}$ New, S:Old $\begin{matrix} \leftarrow \text{No} \\ \text{No} \end{matrix}$ New, W:Add, Z:Discontinued, F:Interchangeable by set, K:Q'ty Change

Fig.3. FLYWHEEL HOUSING & OIL SUMP



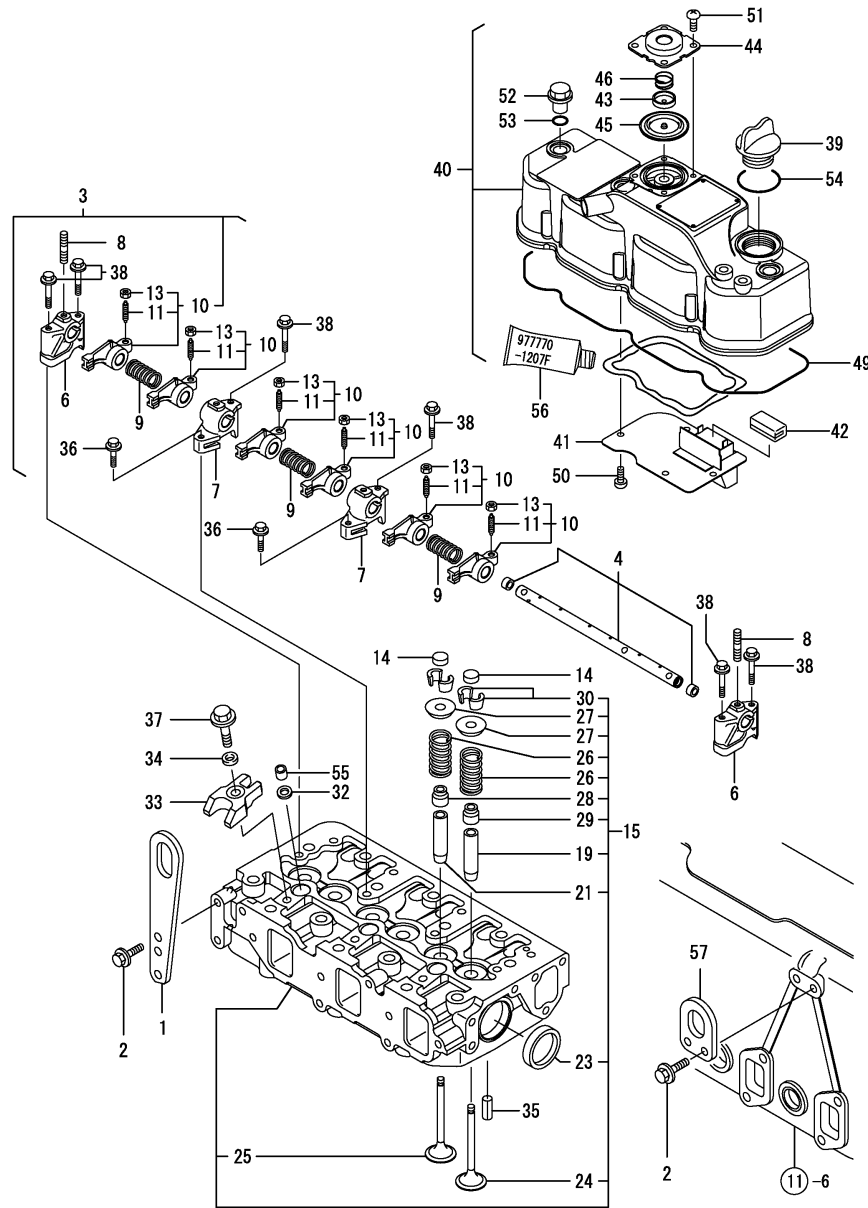
(A)=3TNV88-GYM
(B)=
(C)=

(D)=
(E)=
(F)=

No.	Lev.	Parts No.	Description	Q'ty						I	R
				(A)	(B)	(C)	(D)	(E)	(F)		
1	1	129100-01580	PIN, M8X16	2							
2	1	171487-01600	HOUSING, FLYWHEEL	1							
3	1	119620-01750	CAP	1							
4	1	26206-100252	BOLT, M10X 25 PLATED	6							
5	1	26206-100302	BOLT, M10X 30 PLATED	2							
6	1	129100-01730	SPACER, OIL SUMP	1							
8	1	129175-01770	SUMP ASSY, OIL	1							
9	2	119640-01640	PLUG, DRAIN M22	1							
11	2	22190-220002	WASHER, SEAL 22	1							
12	1	26106-080162	BOLT, M8X 16 PLATED	4							
13	1	26106-080252	BOLT, M8X 25 PLATED	2							
14	1	26106-080452	BOLT, M8X 45 PLATED	20							
14-1	1	26106-080452	BOLT, M8X 45 PLATED	16							K
(A=FROM 1ST)											
15	1	129100-01580	PIN, M8X16	2							
16	1	129100-01640	CASE ASSY, OIL SEAL	1							
18	2	129795-01780	SEAL, OIL	1							
19	1	129486-01670	BOLT, M8X30	6							
20	1	26106-080352	BOLT, M8X 35 PLATED	3							
21	1	977770-1207F	GASKET.LIQUID	1							1
22	1	26106-080502	BOLT, M8X 50 PLATED	4							W
(A=FROM 1ST)											

Remarks
(1) OPTIONAL PART.

Fig.4. CYLINDER HEAD & BONNET



(A)=3TNV88-GYM

(B)=

(C)=

(D)=

(E)=

(F)=

No.	Lev.	Parts No.	Description	Q'ty						I	R
				(A)	(B)	(C)	(D)	(E)	(F)		
1	1	129900-07900	LIFTER	1							
2	1	26106-080162	BOLT, M8X 16 PLATED	4							
3	1	129004-11241	SHAFT ASSY, ROCKER	1							
4	2	129004-11251	SHAFT, ROCKER ARM	1							
6	2	119802-11260	SUPPORT, ROCKER ARM	2							
7	2	119802-11270	SUPPORT, ROCKER ARM	2							
8	2	119802-11280	STUD	3							
9	2	129150-11280	SPRING	3							
10	2	129004-11650	ARM, ROCKER	6							
11	3	129150-11230	SCREW, VALVE ADJUST	6							
13	3	129150-11750	NUT, M8	6							
14	1	129150-11370	CAP, VALVE	6							
15	1	129004-11700	HEAD ASSY, CYLINDER	1							
19	2	120130-11860	GUIDE, VALVE	3							1
21	2	129150-11810	GUIDE, VALVE	3							1
23	2	27241-400000	PLUG, 40	2							
24	2	129004-11130	VALVE, INTAKE	3							
25	2	129100-11112	VALVE, EXHAUST	3							
26	2	129795-11120	SPRING, VALVE	6							
27	2	129795-11180	RETAINER, SPRING	6							
28	2	121400-11340	SEAL, VALVE STEM	3							
29	2	124460-11340	SEAL, VALVE STEM	3							
30	2	27310-080001	COTTER, 8	6							
32	1	119625-11880	SEAT, NOZZLE	3							
33	1	129004-11900	RETAINER, NOZZLE	3							
34	1	120270-54410	WASHER, INJECTOR	3							
35	1	22351-060012	PIN, SPRING 6.0X12	2							
36	1	26106-080252	BOLT, M8X 25 PLATED	2							
37	1	26106-080352	BOLT, M8X 35 PLATED	3							
38	1	26106-080502	BOLT, M8X 50 PLATED	6							
39	1	124160-01751	COVER, FILLER	1							
40	1	129004-11350	BONNET ASSY, HEAD	1							
41	2	129004-03010	PLATE	1							
42	2	129150-03070	BAFFLE, BREATHER	1							
43	2	119802-03110	PLATE	1							
44	2	119802-03121	COVER, DIAPHRAGM	1							
45	2	119802-03130	DIAPHRAGM	1							
46	2	119802-03141	SPRING, DIAPHRAGM	1							
49	2	129004-11310	GASKET, BONNET	1							
50	2	22857-500100	SCREW, 5X10	4							
51	2	22857-500100	SCREW, 5X10	4							
52	1	124160-11360	KNOB	3							
53	1	24311-000120	O-RING, 1AP12.0	3							
54	1	24311-000320	O-RING, 1AP32.0	1							
55	1	119802-11870	PROTECTOR, NOZZLE	3							
56	1	977770-1207F	GASKET, LIQUID	1							2
57	1	129470-07230	LIFTER	1							

Remarks

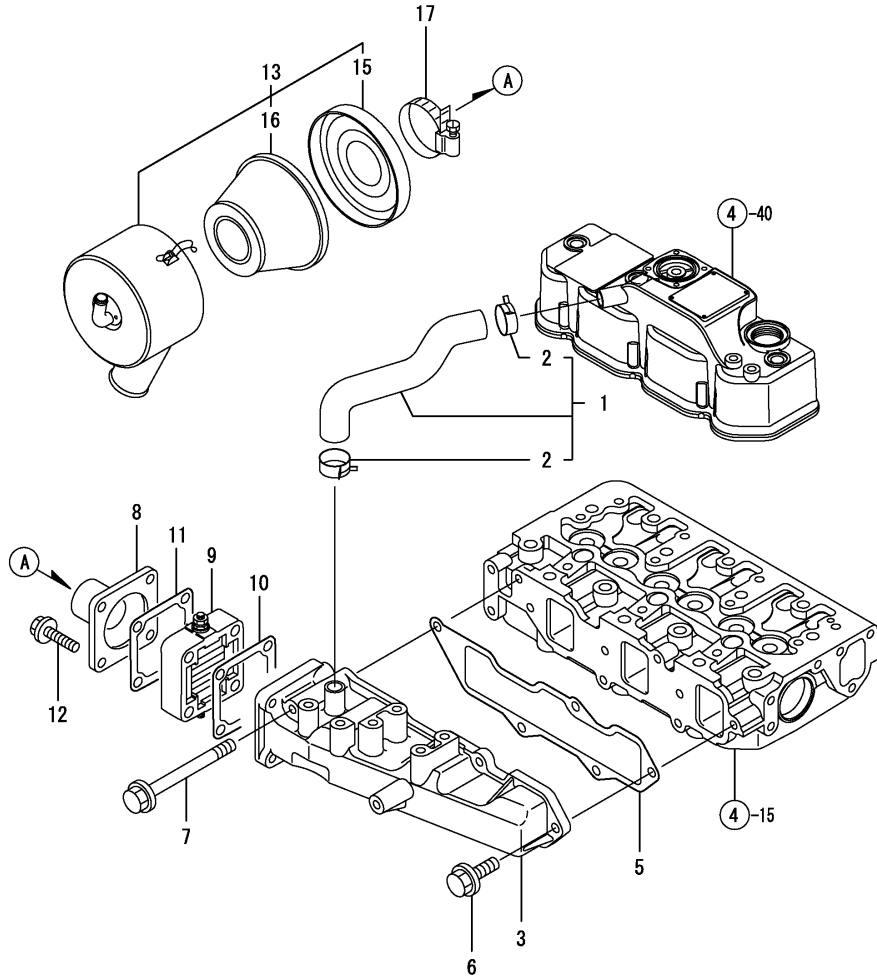
(1) REPAIR PART.

(2) OPTIONAL PART.

Fig.5. SUCTION MANIFOLD

(A)=3TNV88-GYM
(B)=
(C)=

(D)=
(E)=
(F)=

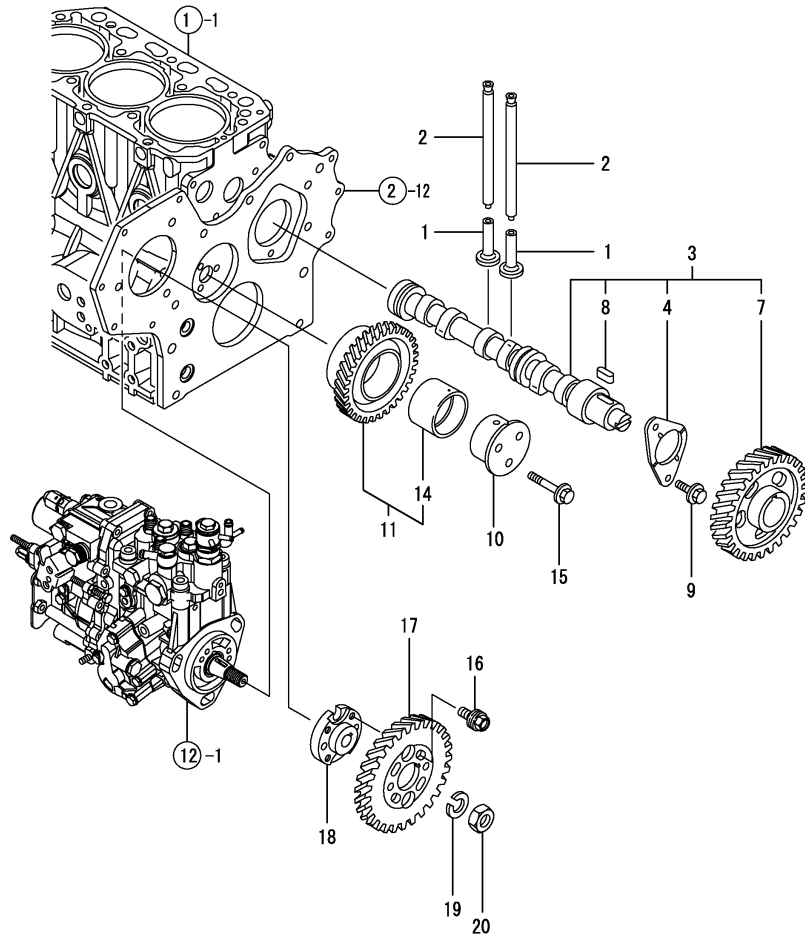


No.	Lev.	Parts No.	Description	Q'ty						I	R
				(A)	(B)	(C)	(D)	(E)	(F)		
1	1	129004-03080	PIPE , BREATHER	1							
2	2	129410-03990	CLAMP 22	2							
3	1	129004-12100	MANIFOLD, AIR INTAKE	1							
5	1	129001-12110	GASKET, MANIFOLD	1							
6	1	26106-080202	BOLT, M8X 20 PLATED	4							
7	1	26106-080802	BOLT, M8X 80 PLATED	1							
8	1	129619-12580	JOINT, AIR HEATER	1							
9	1	129100-77500	HEATER, AIR 12V	1							
10	1	129100-77510	GASKET, AIR HEATER	1							
11	1	129470-77590	GASKET	1							
12	1	26106-080452	BOLT, M8X 45 PLATED	4							
13	1	129477-12500	SILENCER ASSY	1							
15	2	129477-12530	PLATE	1							
16	2	124770-12540	ELEMENT	1							
17	1	23000-048000	CLAMP, 48	1							

Fig.6. CAMSHAFT & DRIVING GEAR

(A)=3TNV88-GYM
(B)=
(C)=

(D)=
(E)=
(F)=



No.	Lev.	Parts No.	Description	Q'ty						I	R
				(A)	(B)	(C)	(D)	(E)	(F)		
1	1	129150-14200	TAPPET	6							
2	1	129150-14400	ROD, PUSH L=178	6							
3	1	129004-14580	CAMSHAFT ASSY	1							
4	2	129150-02450	BEARING, THRUST	1							
7	2	129150-14101	GEAR, CAMSHAFT	1							
8	2	22512-070140	KEY, 7X 14	1							
9	1	26106-080142	BOLT, M8X 14 PLATED	2							
10	1	119802-25051	SHAFT, IDLE	1							
11	1	119802-25100	GEAR ASSY, IDLE	1							
14	2	119802-25070	BUSH, IDLE GEAR	1							1
15	1	26106-080402	BOLT, M8X 40 PLATED	3							
16	1	129150-25301	BOLT	4							
17	1	119802-25901	GEAR, PUMP	1							
18	1	158552-51151	FLANGE	1							
19	1	22217-140000	WASHER, SPRING 14	1							
20	1	26776-140002	NUT, LOCK M14	1							

Remarks
(1) REPAIR PART.

Fig.7. CRANKSHAFT & PISTON

(A)=3TNV88-GYM

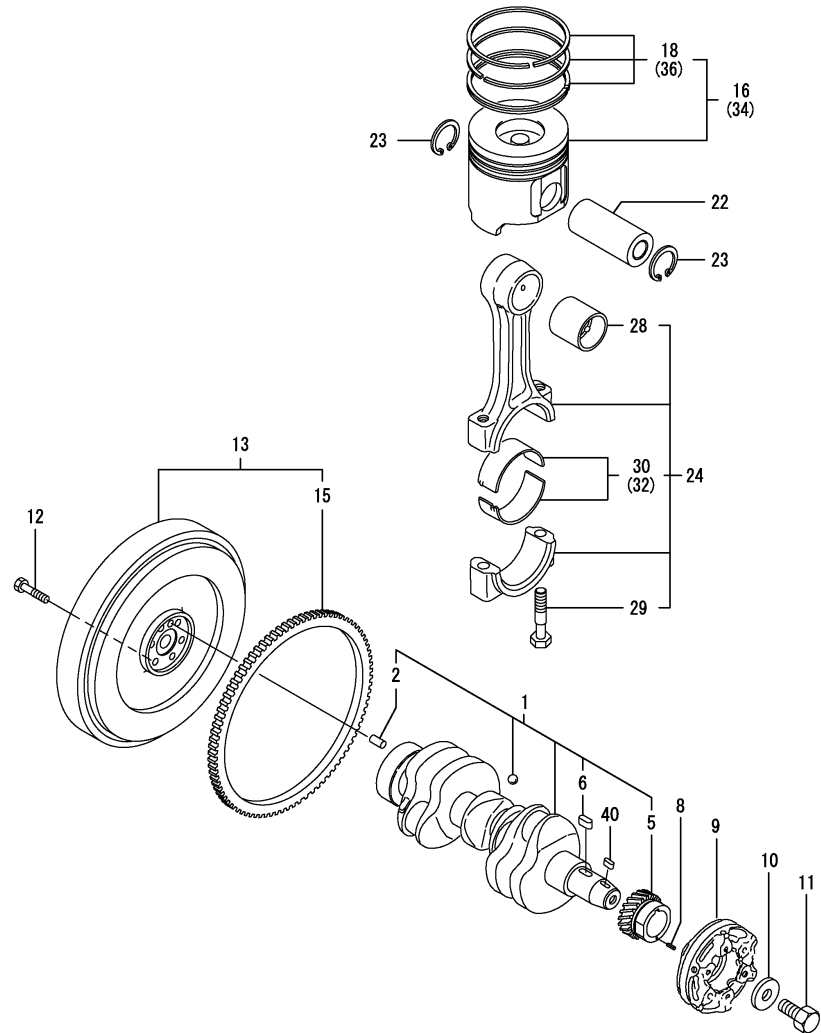
(B)=

(C)=

(D)=

(E)=

(F)=



No.	Lev.	Parts No.	Description	Q'ty						I	R
				(A)	(B)	(C)	(D)	(E)	(F)		
1	1	129004-21002	CRANKSHAFT ASSY	1							
2	2	129100-01580	PIN, M8X16	1							
5	2	119802-21202	GEAR, CRANKSHAFT	1							
6	2	22512-070140	KEY, 7X 14	1							
8	1	22351-030010	PIN, SPRING 3.0X10	1							
9	1	129175-21650	V-PULLEY	1							
10	1	129795-21661	WASHER	1							
11	1	121850-21680	BOLT	1							
12	1	121111-21501	BOLT, FLYWHEEL	6							
13	1	129175-21580	FLYWHEEL ASSY	1							
15	2	124550-21600	GEAR, RING	1							
16	1	129005-22080	PISTON ASSY	3							
18	2	129005-22500	RING SET, PISTON	3							
22	1	129202-22300	PIN, PISTON D26 L70	3							
23	1	22252-000260	RING, 26	6							
24	1	729402-23100	ROD ASSY, CONNECTING	3							
28	2	129100-23910	BEARING, PISTON PIN	3							1
29	2	121550-23200	BOLT, CONNECTING ROD	6							
30	2	129150-23600	BEARING, CRANK PIN	3							
32	1	129150-23610	BEARING, 0.25 US	3							2
34	1	129005-22900	PISTON ASSY, 0.25 OS	3							3
36	2	129005-22950	RING SET, 0.25 OS	3							3
40	1	22512-070160	KEY, 7X 16	1							

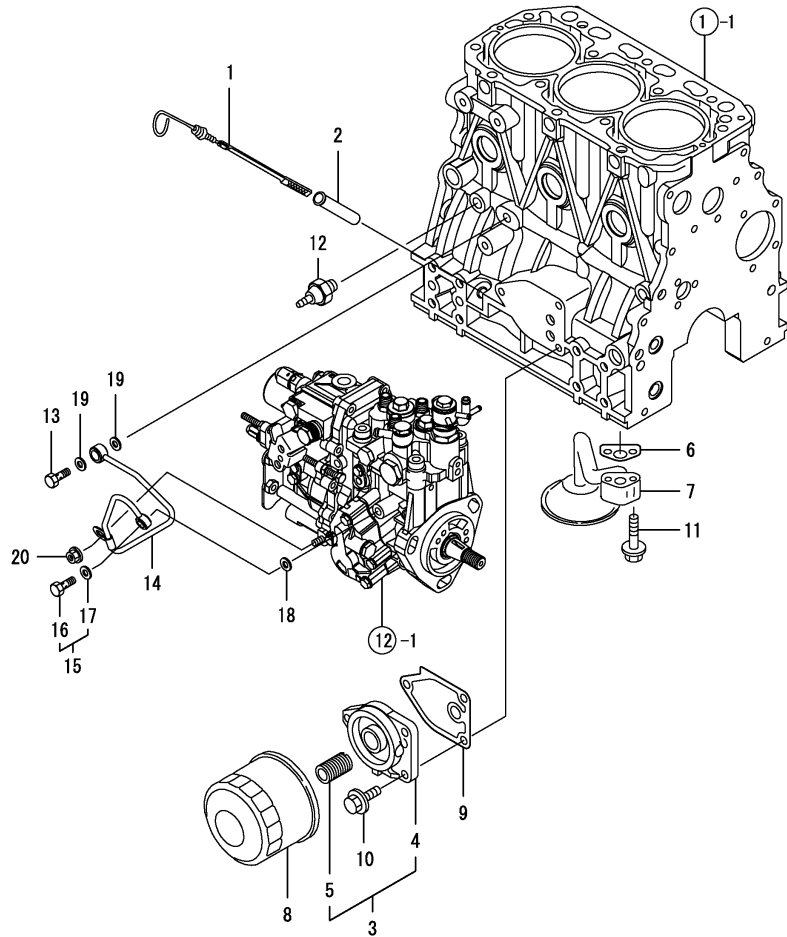
Remarks

- (1) REPAIR PART.
- (2) UNDER-SIZE(U.S=0.25)PART.
- (3) OVER-SIZE(O.S=0.25)PART.

Fig.8. LUB.OIL SYSTEM

(A)=3TNV88-GYM
(B)=
(C)=

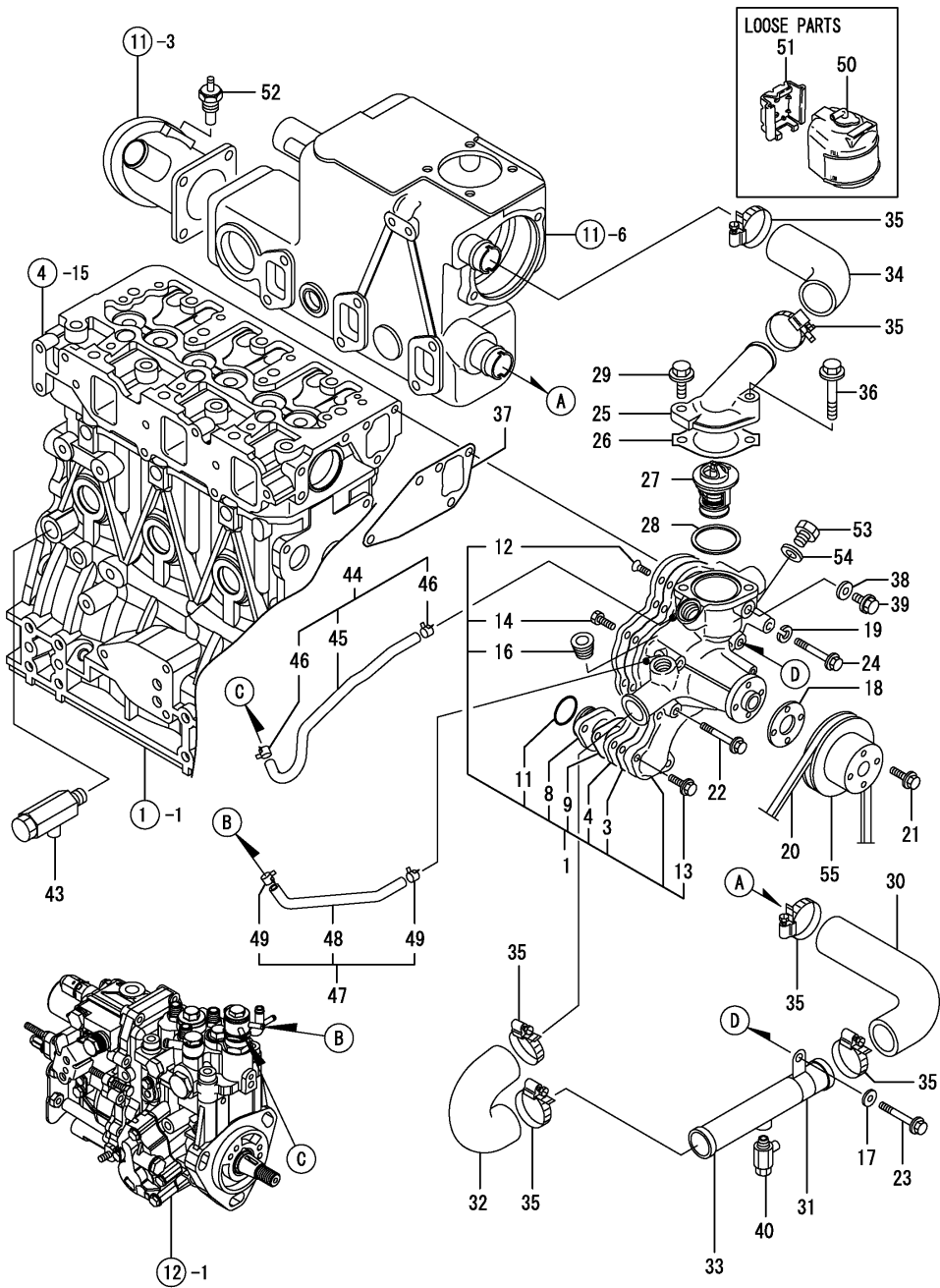
(D)=
(E)=
(F)=



No.	Lev.	Parts No.	Description	Q'ty						I	R
				(A)	(B)	(C)	(D)	(E)	(F)		
1	1	171420-34800	DIPSTICK, OIL	1							
2	1	121520-34810	GUIDE, DIPSTICK	1							
3	1	119802-35100	BRACKET ASSY, FILTER	1							
4	2	119802-35110	BRACKET, FILTER	1							
5	2	129100-35140	STUD	1							
6	1	129150-35042	GASKET	1							
7	1	129150-35091	PIPE ASSY, OIL INLET	1							
8	1	129150-35170	FILTER, LO	1							1
9	1	129150-35111	GASKET	1							
10	1	26106-080202	BOLT, M8X 20 PLATED	3							
11	1	26106-080352	BOLT, M8X 35 PLATED	2							
12	1	114250-39450	SWITCH, 0.5KG	1							
13	1	124160-39140	BOLT, PIPE JOINT M10	1							
14	1	119802-39450	PIPE ASSY, OIL	1							
15	1	129005-59830	BOLT ASSY, JOINT M8	1							
16	2	23857-030000	BOLT, JOINT 3	1							
17	2	22190-080002	WASHER, SEAL 6	1							
18	1	22190-080002	WASHER, SEAL 6	1							
19	1	22190-100002	WASHER, SEAL 10	2							
20	1	26366-060002	NUT, M6	1							

Remarks
(1) REPAIR PART.

Fig.9. COOLING FRESH WATER SYSTEM



(A)=3TNV88-GYM

(B)=

(C)=

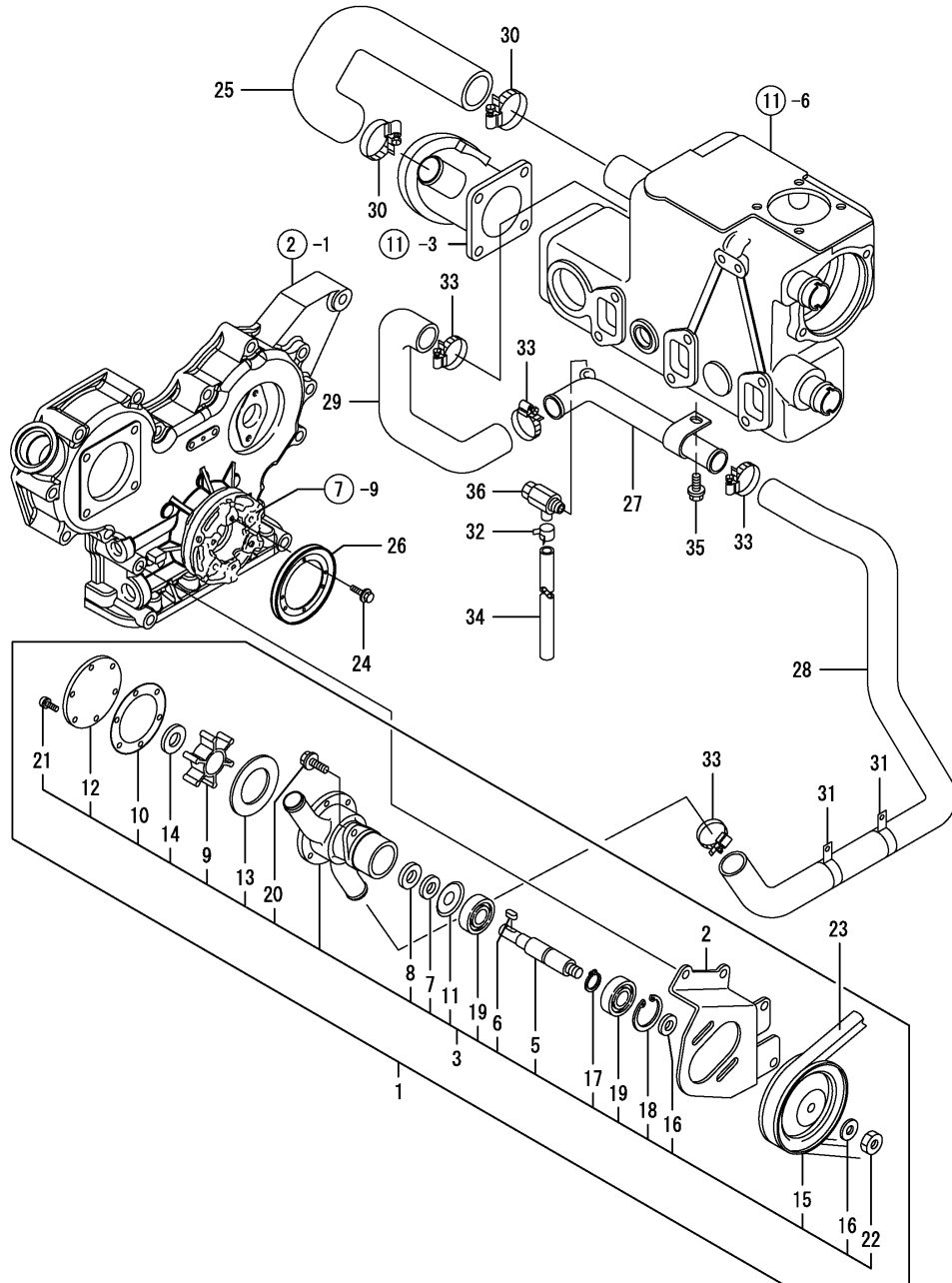
(D)=

(E)=

(F)=

No.	Lev.	Parts No.	Description	Q'ty						I	R
				(A)	(B)	(C)	(D)	(E)	(F)		
1	1	129247-42000	PUMP ASSY, WATER	1							
3	2	129150-42059	GASKET	1							
4	2	129263-42120	PLATE	1							
8	2	129150-42300	FLANGE	1							
9	2	129150-42319	GASKET	1							
11	2	129054-42320	O-RING	1							
12	2	26577-060152	SCREW, M6X15	3							
13	2	26106-060202	BOLT, M6X 20 PLATED	2							
14	2	26116-060162	BOLT, M6X 16 PLATED	3							
16	2	129916-49740	PLUG, R03	2							
17	1	22137-080000	WASHER, 8	1							
18	1	129156-44760	WASHER	1							
19	1	22217-080000	WASHER, SPRING 8	1							
20	1	25132-004400	V-BELT, A44	1							
21	1	26106-060102	BOLT, M6X 10 PLATED	4							
22	1	26106-080552	BOLT, M8X 55 PLATED	2							
23	1	26106-080552	BOLT, M8X 55 PLATED	1							
24	1	26106-080652	BOLT, M8X 65 PLATED	1							
25	1	129470-49540	COVER, THERMOSTAT	1							
26	1	129795-49551	GASKET	1							
27	1	129470-49801	THERMOSTAT, 76.5	1							
28	1	129470-49810	GASKET, THERMOSTAT	1							
29	1	26106-080252	BOLT, M8X 25 PLATED	1							
30	1	129470-49200	JOINT, RUBBER	1							
31	1	129470-49220	RETAINER	1							
32	1	129470-49240	JOINT, RUBBER 28	1							
33	1	129470-49250	PIPE, WATER	1							
34	1	129170-49260	JOINT	1							
35	1	23000-041000	CLAMP, 41	6							
36	1	26106-080352	BOLT, M8X 35 PLATED	1							
37	1	129486-42050	GASKET, WATER PUMP	1							
38	1	23414-080000	GASKET, 8X1.0	1							
39	1	26106-080122	BOLT, M8X 12 PLATED	1							
40	1	129670-49290	COCK ASSY, R1/8	1							
43	1	119620-49290	COCK ASSY, 1/4	1							
44	1	129263-49610	PIPE, WATER	1							
45	2	129263-49710	PIPE, WATER	1							
46	2	124722-59050	CLIP, HOSE 9	2							
47	1	129263-49620	PIPE, WATER	1							
48	2	129263-49720	PIPE, WATER	1							
49	2	124722-59050	CLIP, HOSE 9	2							
50	1	120445-44530	TANK, SUB	1							
51	1	120445-44540	SUPPORT	1							
52	1	127610-91350	SWITCH, 95	1							
53	1	121450-42450	PLUG, M16	1							
54	1	124465-44950	GASKET, 16	1							
55	1	129550-42350	V-PULLEY, D=120	1							

Fig.10. COOLING SEA WATER SYSTEM



(A)=3TNV88-GYM
(B)=
(C)=

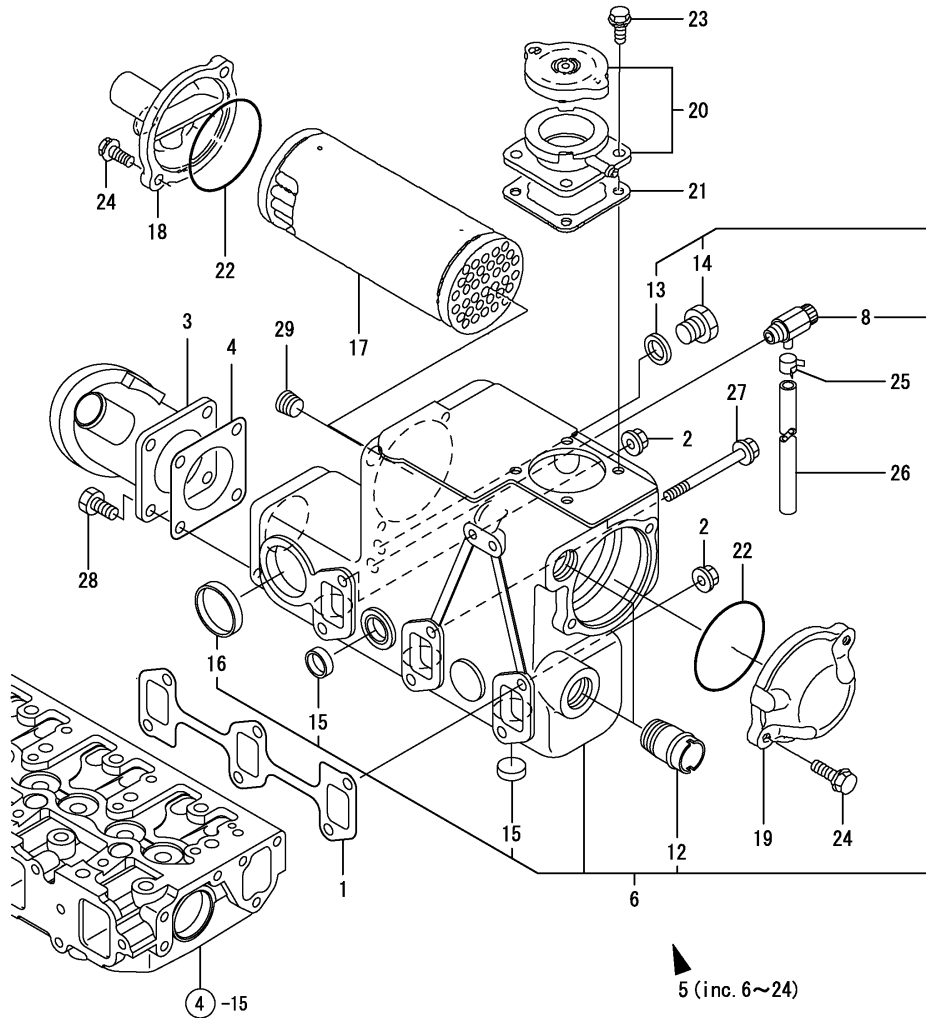
(D)=
(E)=
(F)=

No.	Lev.	Parts No.	Description	Q'ty						I	R
				(A)	(B)	(C)	(D)	(E)	(F)		
1	1	129647-42500	PUMP ASSY, WATER	1							
2	2	129647-42150	BRACKET, PUMP	1							
3	2	129579-42501	PUMP ASSY, WATER	1							
5	3	121575-42021	SHAFT, IMPELLER	1							
6	3	124223-42040	KEY	1							
7	3	124223-42070	PIECE	1							
8	3	124223-42080	SEAL, TC13X28X7	1							
9	3	124223-42091	IMPELLER	1							
10	3	124223-42110	GASKET, WATER PUMP	1							
11	3	121575-42120	COVER, BEARING	1							
12	3	121575-42150	COVER	1							
13	3	129579-42160	PLATE	1							
14	3	129579-42190	COVER	1							
15	3	124070-42400	V-PULLEY	1							
16	3	124070-42420	WASHER	2							
17	3	22242-000150	RING, 15	1							
18	3	22252-000350	RING, 35	1							
19	3	24107-062024	BEARING, BALL 6202ZZ	2							
20	3	26014-080162	BOLT, M8X 16	2							
21	3	26113-040088	BOLT, M4X 8	6							
22	3	129579-42590	NUT, M8	1							
23	1	104214-42780	V-BELT, HM30	1							
24	1	26106-060082	BOLT, M6X 8 PLATED	4							
25	1	129475-49040	PIPE, WATER	1							
26	1	104407-21600	V-PULLEY	1							
27	1	129080-49010	PIPE, WATER	1							
28	1	171487-49010	PIPE, WATER	1							
29	1	129475-49020	PIPE, WATER	1							
30	1	23000-035000	CLAMP, 35	2							
31	1	129579-49460	RETAINER, D32	2							
32	1	124460-77680	RETAINER	1							
33	1	23000-035000	CLAMP, 35	4							
34	1	23061-070300	PIPE, 7X 300	1							
35	1	26106-080162	BOLT, M8X 16 PLATED	1							
36	1	129670-49290	COCK ASSY, R1/8	1							

Fig.11. COOLING FRESH WATER COOLER

(A)=3TNV88-GYM
(B)=
(C)=

(D)=
(E)=
(F)=

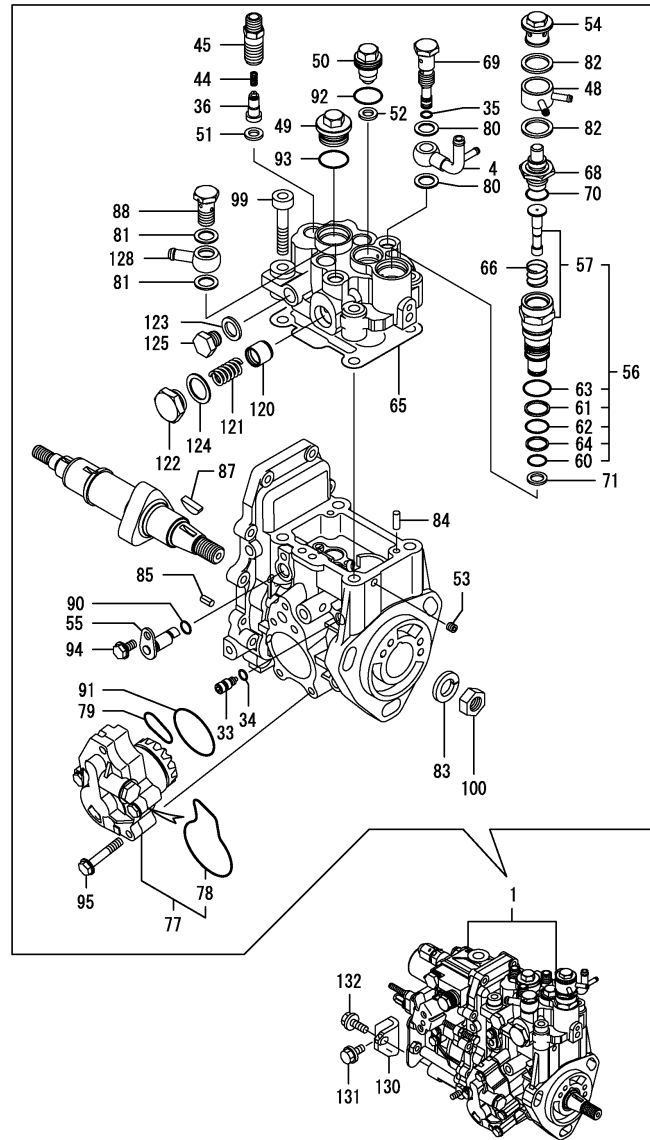


No.	Lev.	Parts No.	Description	Q'ty						I	R
				(A)	(B)	(C)	(D)	(E)	(F)		
1	1	129150-13110	GASKET	1							
2	1	26306-080002	NUT, M8	2							
3	1	129619-13560	ELBOW	1							
4	1	129472-18090	GASKET	1							
5	1	129176-44900	COOLER ASSY, WATER	1							
6	2	129176-44000	COOLER ASSY, WATER	1							
8	3	119620-49290	COCK ASSY, 1/4	1							
12	3	124160-49480	JOINT, PIPE	2							
13	3	23414-170000	GASKET, 17X1.0	1							
14	3	23894-030002	PLUG, G3/8	1							
15	3	27241-280000	PLUG, 28	7							
16	3	27241-400000	PLUG, 40	1							
17	2	129170-44110	CORE ASSY, COOLER	1							
18	2	129470-44440	COVER, A	1							
19	2	129470-44450	COVER, B	1							
20	2	129171-44600	FILLER ASSY	1							
21	2	120445-44640	GASKET	1							
22	2	24321-000750	O-RING, 1AG75.0	2							
23	2	26106-080162	BOLT, M8X 16 PLATED	4							
24	2	26106-080252	BOLT, M8X 25 PLATED	4							
25	1	124460-77680	RETAINER	1							
26	1	23061-070300	PIPE, 7X 300	1							
27	1	26106-081002	BOLT, M8X100 PLATED	4							
28	1	26115-080202	BOLT, M8X 20	4							
29	1	23876-030000	PLUG, R03	1							

Fig.12. FUEL INJECTION PUMP

(A)=3TNV88-GYM
(B)=
(C)=

(D)=
(E)=
(F)=



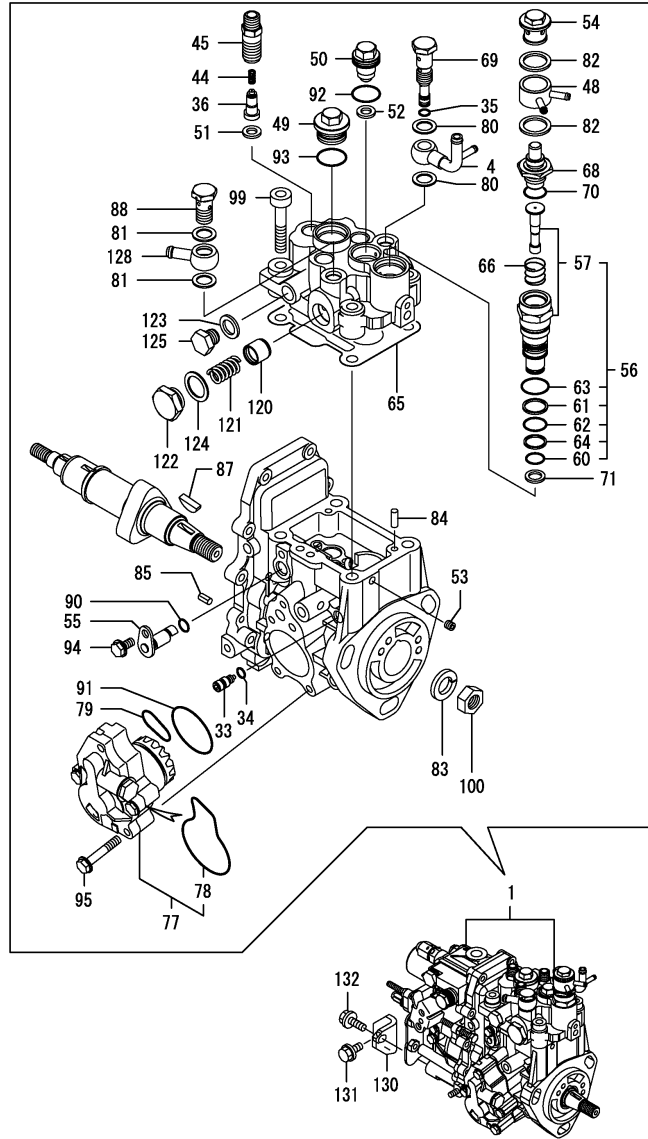
No.	Lev.	Parts No.	Description	Q'ty						I	R
				(A)	(B)	(C)	(D)	(E)	(F)		
1	1	729247-51390	PUMP ASSY, INJECTION	1							1
4	2	158552-51670	JOINT, OVER FLOW	1							
33	2	158600-51270	STOPPER, TAPPET	1							
34	2	158563-51281	O-RING, 4D S6	1							
35	2	158563-51281	O-RING, 4D S6	1							
36	2	158560-51300	VALVE ASSY, DELIVERY	3							
44	2	158563-51330	SPRING, DELIVERY	3							
45	2	158601-51340	HOLDER, DELIVERY	3							
48	2	158553-51551	JOINT	1							
49	2	158601-51550	PLUG	1							
50	2	119802-51560	PLUG, BARREL	1							
51	2	158552-51570	GASKET	3							
52	2	158552-51570	GASKET	1							
53	2	158557-51570	PLUG	1							
54	2	158601-51570	PLUG	1							
55	2	158552-51580	LIFTER	1							
56	2	119802-51590	TIMER SET	1							
57	3	119802-51600	TIMER ASSY	1							
60	3	158553-51670	O-RING, 1011	1							
61	3	119802-51680	RING, BACK UP	1							
62	3	119802-51690	O-RING	1							
63	3	24356-010200	O-RING, 4D1020	1							
64	3	24372-000150	RING, BACK UP T2P15	1							
65	2	158552-51600	GASKET	1							
66	2	158553-51630	SPRING, TIMER	1							
68	2	158553-51640	ELEMENT	1							
69	2	158601-51650	JOINT, OVER FLOW	1							
70	2	158553-51660	O-RING, P14	1							
71	2	158553-51680	GASKET	1							
77	2	158552-52100	PUMP ASSY, FUEL FEED	1							
78	3	158552-52500	O-RING	1							
79	2	158552-52310	O-RING	1							
80	2	22190-120002	WASHER, SEAL 12	2							
81	2	22190-120002	WASHER, SEAL 12	2							
82	2	22190-180002	WASHER, SEAL 18	2							
83	2	22217-140000	WASHER, SPRING 14	1							
84	2	22312-050140	PIN, PARALLEL M5X14	2							
85	2	22351-050010	PIN, SPRING 5.0X10	2							
87	2	119802-51090	KEY, 4X16	1							
88	2	23857-060000	BOLT, JOINT 6	1							
90	2	24311-000070	O-RING, 1AP7.0	1							
91	2	158552-52400	O-RING, 4E S42	1							
92	2	24356-010180	O-RING, 4D1018	1							
93	2	24356-010200	O-RING, 4D1020	1							
94	2	26106-060102	BOLT, M6X 10 PLATED	1							
95	2	158553-51770	BOLT	4							
99	2	26450-080452	BOLT, M8X 45	4							
100	2	26776-140002	NUT, LOCK M14	1							
120	2	158601-51770	PISTON	1							
121	2	158552-51780	SPRING	1							
122	2	158601-51790	PLUG	1							

Remarks
(1) GOVERNOR ASSY(FIG.13) IS
INCORPORATED IN THIS FOP.CMP
(REF.NO.1).

Fig.12. FUEL INJECTION PUMP

(A)=3TNV88-GYM
(B)=
(C)=

(D)=
(E)=
(F)=



No.	Lev.	Parts No.	Description	Q'ty						I	R
				(A)	(B)	(C)	(D)	(E)	(F)		
123	2	22190-120002	WASHER, SEAL 12	1							
124	2	22190-180002	WASHER, SEAL 18	1							
125	2	23887-120002	PLUG, 12	1							
128	2	129916-59020	JOINT, PIPE 12	1							
130	1	119802-51250	RETAINER, PUMP	1							
131	1	26106-080162	BOLT, M8X 16 PLATED	1							
132	1	26106-080202	BOLT, M8X 20 PLATED	1							

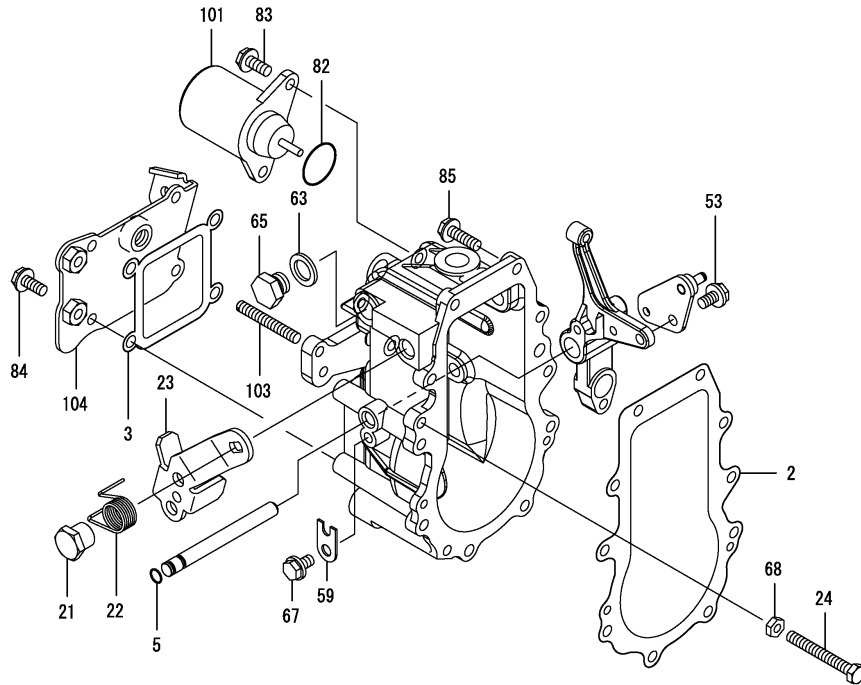
Remarks

(1) GOVERNOR ASSY(FIG.13) IS INCORPORATED IN THIS FOP.CMP (REF.NO.1).

Fig.13. GOVERNOR

(A)=3TNV88-GYM
(B)=
(C)=

(D)=
(E)=
(F)=



No.	Lev.	Parts No.	Description	Q'ty						I	R
				(A)	(B)	(C)	(D)	(E)	(F)		
2	2	158553-61050	GASKET	1							
3	2	158553-61070	GASKET	1							
5	2	129155-51280	O-RING, S6	1							
21	2	129255-61410	NUT, LOCK	1							
22	2	119807-61420	SPRING, RETURN	1							
23	2	129246-61441	LEVER, REGULATOR	1							
24	2	129155-61460	BOLT, IDLE	1							
53	2	26106-060102	BOLT, M6X 10 PLATED	1							
59	2	119660-61901	RETAINER, SHAFT	1							
63	2	22190-120000	WASHER, SEAL 12	1							
65	2	23887-120002	PLUG, 12	1							
67	2	26106-060102	BOLT, M6X 10 PLATED	1							
68	2	26756-060002	NUT, LOCK M6	1							
82	2	24341-000280	O-RING, 1AS28.0	1							
82-1	2	158552-61900	O-RING	1							N
(A=EXXXXX)											
83	2	26106-060142	BOLT, M6X 14 PLATED	2							
84	2	26106-060142	BOLT, M6X 14 PLATED	4							
85	2	26106-060202	BOLT, M6X 20 PLATED	10							
101	2	119653-77950	SOLENOID, STOP	1							
103	2	171002-66830	SCREW	1							
104	2	129246-61061	COVER, GOVERNOR CASE	1							

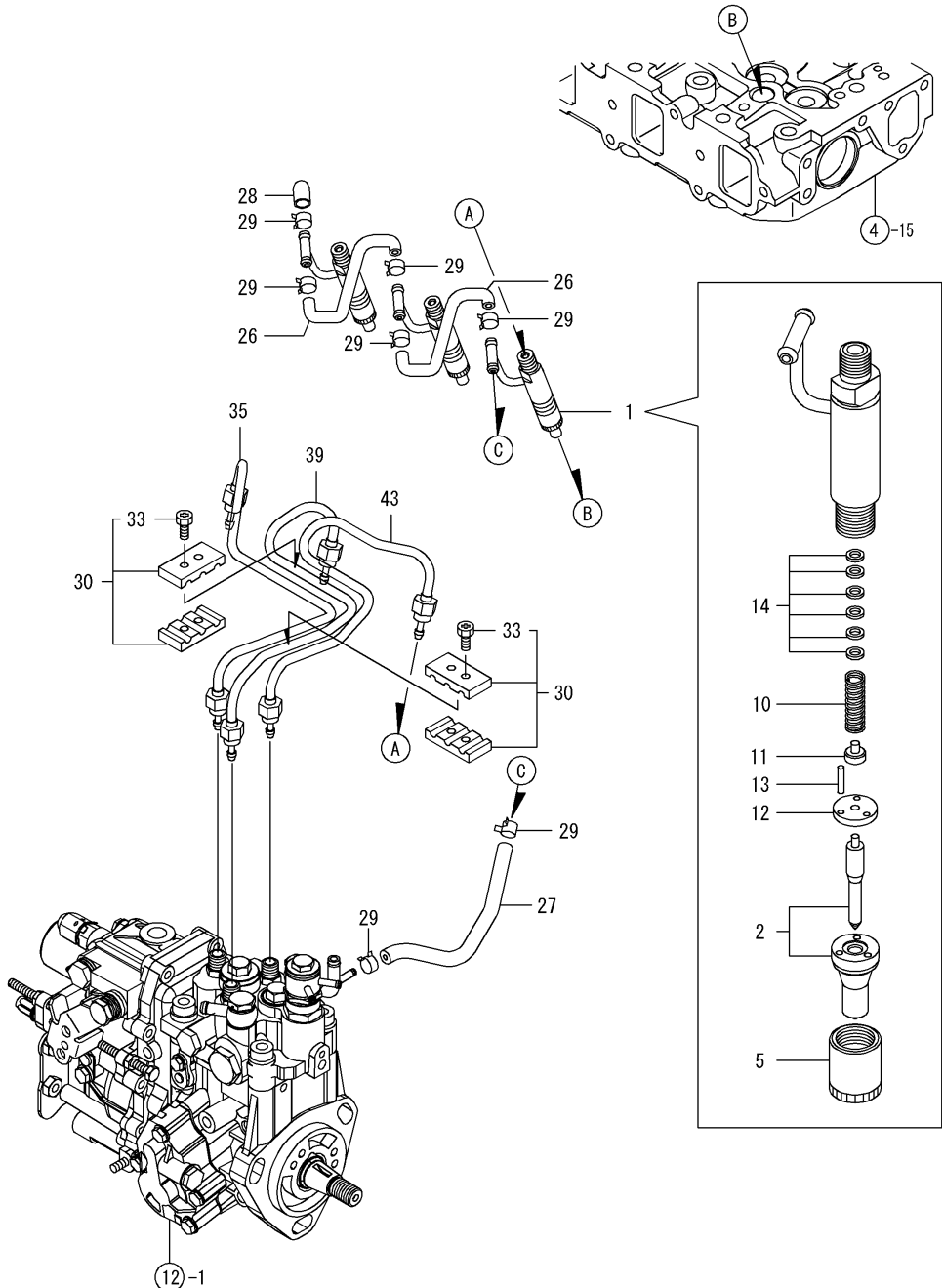
Remarks

* THIS FIGURE(GOVERNOR ASSY)IS INCORPORATED IN THE FUEL INJECTION PUMP ASSY(FIG.12).

Fig.14. FUEL INJECTION VALVE

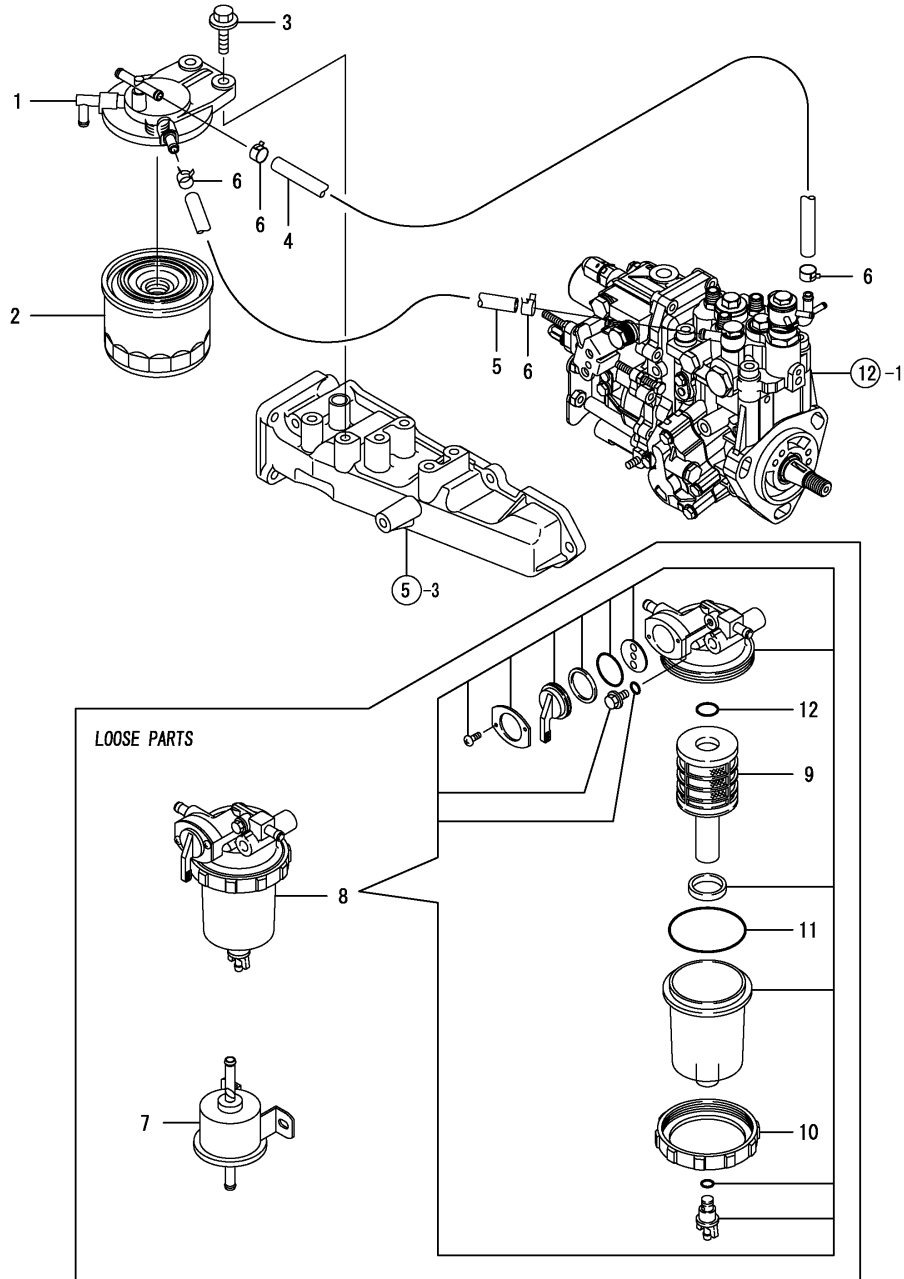
(A)=3TNV88-GYM
(B)=
(C)=

(D)=
(E)=
(F)=



No.	Lev.	Parts No.	Description	Q'ty						I	R
				(A)	(B)	(C)	(D)	(E)	(F)		
1	1	729246-53101	VALVE ASSY,INJECTION	3							
2	2	129246-53001	VALVE ASSY,INJECTION	3							
5	2	114250-53080	NUT, NOZZLE D16.95	3							
10	2	114250-53120	SPRING, NOZZLE	3							
11	2	114250-53130	SEAT, SPRING	3							
12	2	114250-53140	PLATE	3							
13	2	114250-53210	PIN	6							
14	2	114250-53400	SHIM SET	3							
26	1	129270-59550	PIPE, FUEL	2							
27	1	119802-59570	PIPE, FUEL	1							
28	1	129270-59580	CAP	1							
29	1	23000-013000	CLAMP, 13	7							
30	1	129150-59120	RETAINER, PIPE	2							
33	2	129150-59131	BOLT, M4X14	4							
35	1	129004-59811	PIPE ASSY, INJECTION	1							
39	1	129004-59821	PIPE ASSY, INJECTION	1							
43	1	129004-59831	PIPE ASSY, INJECTION	1							

Fig.15. FUEL LINE



(A)=3TNV88-GYM
(B)=
(C)=

(D)=
(E)=
(F)=

No.	Lev.	Parts No.	Description	Q'ty						I	R
				(A)	(B)	(C)	(D)	(E)	(F)		
1	1	129004-55611	BRACKET, FILTER	1							
2	1	119802-55800	FILTER, FUEL	1							
3	1	26106-080302	BOLT, M8X 30 PLATED	2							
4	1	119802-59100	PIPE, FUEL	1							
5	1	119802-59110	PIPE, FUEL	1							
6	1	23000-016000	CLAMP, 16	4							
7	1	119225-52102	PUMP ASSY, FUEL FEED	1							
8	1	119802-55700	SEPARATOR ASSY	1							
9	2	119802-55710	ELEMENT	1							
10	2	129100-55690	RING, RETAINING	1							
11	2	24321-000650	O-RING, 1AG65.0	1							
12	2	24311-000160	O-RING, 1AP16.0	1							

Fig.16. STARTING MOTOR

(A)=3TNV88-GYM

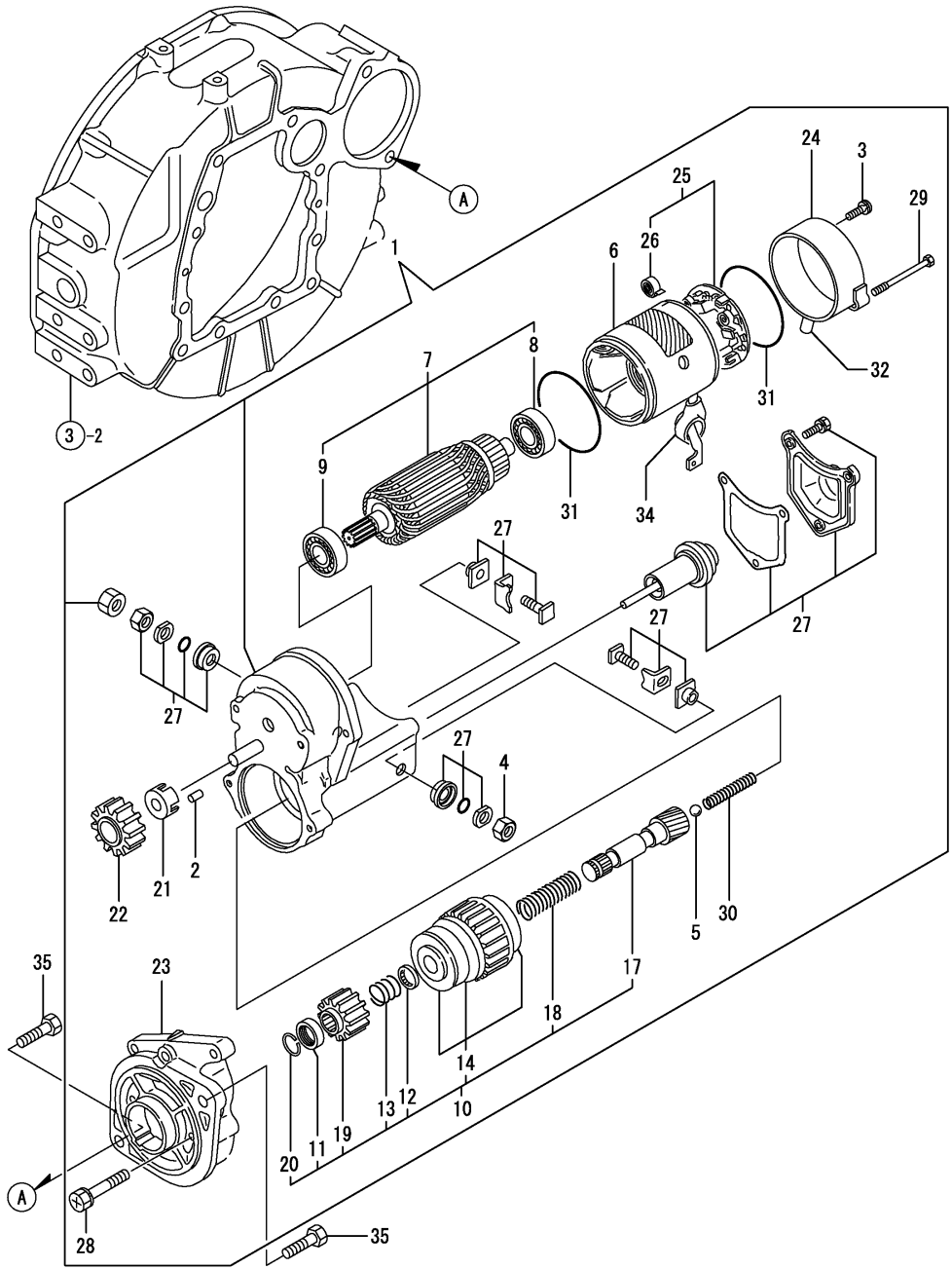
(B)=

(C)=

(D)=

(E)=

(F)=



No.	Lev.	Parts No.	Description	Q'ty						I	R
				(A)	(B)	(C)	(D)	(E)	(F)		
1	1	129129-77010	STARTER ASSY	1							
2	2	X0283060061	ROLLER		5						
3	2	129129-77460	SCREW								
4	2	X9490561370	NUT		1						
5	2	X9491200240	BALL		1						
6	2	129129-77210	YOKE ASSY		1						
7	2	129129-77220	ARMATURE ASSY		1						
8	3	129129-77230	BEARING		1						
9	3	129129-77240	BEARING		1						
10	2	129129-77250	STARTER		1						
11	3	X0280210230	NUT		1						
12	3	X0283270140	RETAINER		1						
13	3	X9491703371	SPRING, COIL		1						
14	3	129129-77390	CLUTCH ASSY, STARTER		1						
17	3	129129-77400	SHAFT		1						
18	3	129129-77410	SPRING, COIL		1						
19	3	129129-77420	PINION		1						
20	3	129129-77430	RING		1						
21	2	129129-77260	RETAINER		1						
22	2	129129-77270	PINION		1						
23	2	129129-77280	HOUSING		1						
24	2	129129-77290	FRAME		1						
25	2	129129-77300	HOLDER ASSY		1						
26	3	X9491730461	SPRING		4						
27	2	129129-77310	SWITCH ASSY		1						
28	2	129129-77320	BOLT		2						
29	2	129129-77330	BOLT		2						
30	2	129129-77340	SPRING		1						
31	2	129129-77350	O-RING		2						
32	2	129129-77362	COVER		1						
34	2	129129-77380	CAP		1						
35	1	26116-120252	BOLT, M12X 25 PLATED		2						

Fig.17. GENERATOR

(A)=3TNV88-GYM

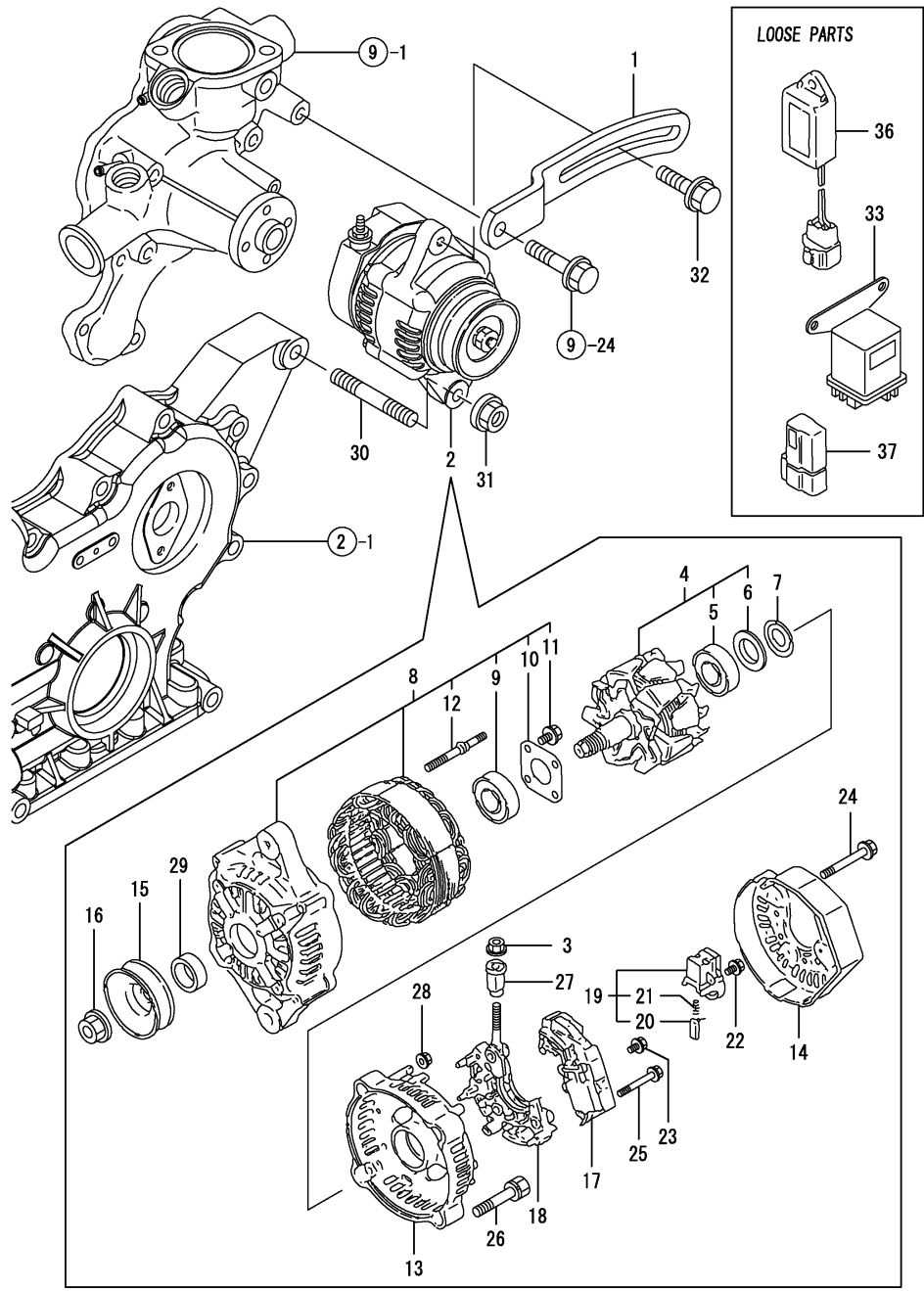
(B)=

(C)=

(D)=

(E)=

(F)=

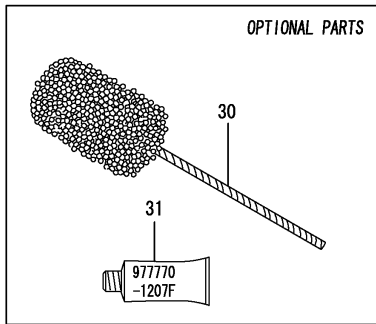
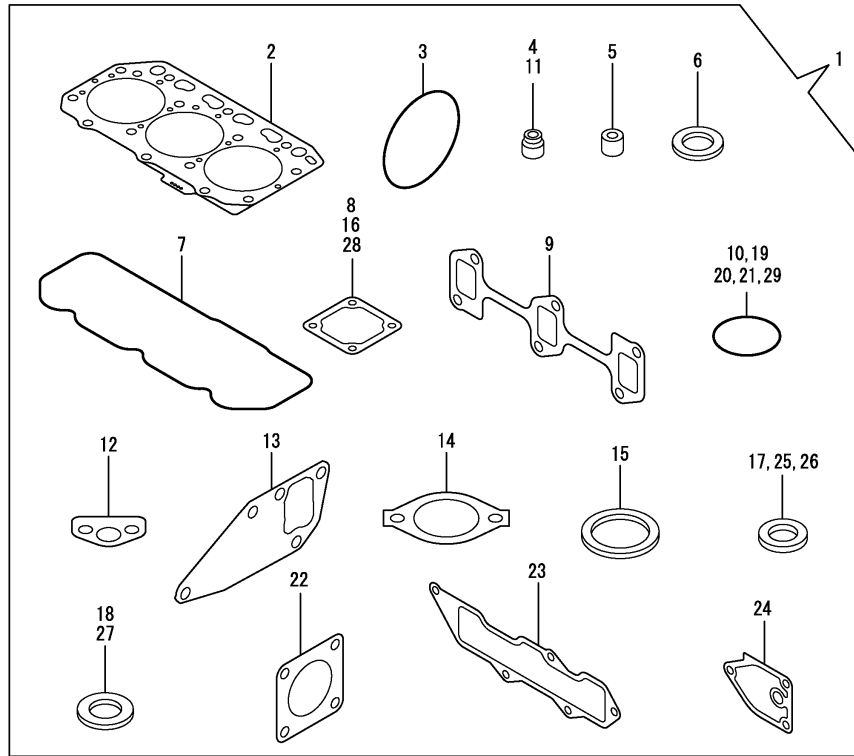


No.	Lev.	Parts No.	Description	Q'ty						I	R
				(A)	(B)	(C)	(D)	(E)	(F)		
1	1	129410-77330	ADJUSTER	1							
2	1	129423-77200	GENERATOR, 12V-40A	1							
3	2	X9490561001	NUT	1							
4	2	119620-77380	ROTOR ASSY	1							
5	3	119620-79240	BALL BEARING	1							
6	3	119620-79250	COVER, BEARING	1							
7	2	119620-79360	WASHER, THRUST	1							
8	2	119620-77421	FRAME ASSY, DRIVE	1							
9	3	119620-79200	BALL BEARING	1							
10	3	119620-79210	PLATE	1							
11	3	119620-79220	SCREW	4							
12	3	119620-79230	BOLT, STUD	2							
13	2	119620-77440	FLAME ASSY, REAR	1							
14	2	129240-79300	COVER	1							
15	2	119620-77461	PULLEY	1							
16	2	119620-77471	NUT	1							
17	2	129423-77710	REGULATOR ASSY	1							
18	2	119620-79260	HOLDER	1							
19	2	119620-79270	HOLDER, BRUSH	1							
20	3	119620-77480	BRUSH ASSY	2							
21	3	119620-79280	SPRING	2							
22	2	119620-79290	SCREW	1							
23	2	119620-79300	SCREW	1							
24	2	119620-79310	BOLT	3							
25	2	119620-79320	SCREW W/WASHER	2							
26	2	119620-79330	BOLT	2							
27	2	119620-79340	INSULATION BUSH	1							
28	2	119620-79350	NUT	2							
29	2	119620-77490	COLLAR	1							
30	1	129795-01900	STUD	1							
31	1	26306-100002	NUT, M10	1							
32	1	26106-080452	BOLT, M8X 45 PLATED	1							
33	1	119650-77910	RELAY ASSY, GLOW	1							
36	1	129211-77920	TIMER	1							
37	1	119643-66900	DIODE	1							

Fig.18. GASKET SET

(A)=3TNV88-GYM
(B)=
(C)=

(D)=
(E)=
(F)=



No.	Lev.	Parts No.	Description	Q'ty						I	R
				(A)	(B)	(C)	(D)	(E)	(F)		
1	1	729150-92800	GASKET SET	1							1
2	2	129001-01340	GASKET, HEAD	1							
3	2	121850-51960	O-RING	1							
4	2	124460-11340	SEAL, VALVE STEM	3							
5	2	119802-11870	PROTECTOR, NOZZLE	3							
6	2	119625-11880	SEAT, NOZZLE	3							
7	2	129004-11310	GASKET, BONNET	1							
8	2	129470-77590	GASKET	1							
9	2	129150-13110	GASKET	1							
10	2	24321-000750	O-RING, 1AG75.0	2							
11	2	121400-11340	SEAL, VALVE STEM	3							
12	2	129150-35042	GASKET	1							
13	2	129486-42050	GASKET, WATER PUMP	1							
14	2	129795-49551	GASKET	1							
15	2	129470-49810	GASKET, THERMOSTAT	1							
16	2	120445-44640	GASKET	1							
17	2	22190-080002	WASHER, SEAL 6	2							
18	2	124465-44950	GASKET, 16	1							
19	2	24311-000120	O-RING, 1AP12.0	3							
20	2	24311-000320	O-RING, 1AP32.0	2							
21	2	24341-000240	O-RING, 1AS24.0	1							
22	2	129472-18090	GASKET	1							
23	2	129001-12110	GASKET, MANIFOLD	1							
24	2	129150-35111	GASKET	1							
25	2	22190-220002	WASHER, SEAL 22	1							
26	2	22190-100002	WASHER, SEAL 10	2							
27	2	23414-080000	GASKET, 8X1.0	1							
28	2	129100-77510	GASKET, AIR HEATER	1							
29	2	119609-32040	O-RING, P16	4							
30	1	129400-92430	HONE	1							1
31	1	977770-1207F	GASKET.LIQUID	1							1

Remarks
(1) OPTIONAL PARTS.

Parts No. Index

Parts No.	Fig. No.	Ref. No.
104214-42780	10	23
104407-21600	10	26
114250-39450	8	12
114250-53080	14	5
114250-53120	14	10
114250-53130	14	11
114250-53140	14	12
114250-53210	14	13
114250-53400	14	14
119225-52102	15	7
119609-32040	2	17
	18	29
119620-01750	3	3
119620-49290	9	43
	11	8
119620-77380	17	4
119620-77421	17	8
119620-77440	17	13
119620-77461	17	15
119620-77471	17	16
119620-77480	17	20
119620-77490	17	29
119620-79200	17	9
119620-79210	17	10
119620-79220	17	11
119620-79230	17	12
119620-79240	17	5
119620-79250	17	6
119620-79260	17	18
119620-79270	17	19
119620-79280	17	21
119620-79290	17	22
119620-79300	17	23
119620-79310	17	24
119620-79320	17	25
119620-79330	17	26
119620-79340	17	27
119620-79350	17	28
119620-79360	17	7
119625-11880	4	32
	18	6
119640-01640	3	9
119643-66900	17	37
119650-77910	17	33
119653-77950	13	101
119660-61901	13	59
119802-01520	2	12
119802-01561	2	13
119802-03110	4	43
119802-03121	4	44

Parts No.	Fig. No.	Ref. No.
119802-03130	4	45
119802-03141	4	46
119802-11260	4	6
119802-11270	4	7
119802-11280	4	8
119802-11870	4	55
	18	5
119802-21202	7	5
119802-25051	6	10
119802-25070	6	14
119802-25100	6	11
119802-25901	6	17
119802-32070	2	8
119802-32100	2	7
119802-32111	2	18
119802-32120	2	19
119802-32130	2	20
119802-35100	8	3
119802-35110	8	4
119802-39450	8	14
119802-51090	12	87
119802-51250	12	130
119802-51560	12	50
119802-51590	12	56
119802-51600	12	57
119802-51680	12	61
119802-51690	12	62
119802-55700	15	8
119802-55710	15	9
119802-55800	15	2
119802-59100	15	4
119802-59110	15	5
119802-59570	14	27
119807-61420	13	22
120130-11860	4	19
120270-54410	4	34
120445-44530	9	50
120445-44540	9	51
120445-44640	11	21
	18	16
121023-01551	2	28
121111-21501	7	12
121400-11340	4	28
	18	11
121450-42450	9	53
121520-34810	8	2
121550-23200	7	29
121575-42021	10	5
121575-42120	10	11
121575-42150	10	12

Parts No.	Fig. No.	Ref. No.
121850-21680	7	11
121850-51960	2	21
	18	3
124060-01050	1	5
124070-42400	10	15
124070-42420	10	16
124160-01751	2	14
	4	39
124160-01910	1	7
		8
124160-11360	4	52
124160-39140	8	13
124160-49480	11	12
124223-42040	10	6
124223-42070	10	7
124223-42080	10	8
124223-42091	10	9
124223-42110	10	10
124240-01871	2	15
124460-11340	4	29
	18	4
124460-77680	10	32
	11	25
124465-44950	9	54
	18	18
124550-21600	7	15
124722-59050	9	46
		49
124770-12540	5	16
127610-91350	9	52
129001-01250	1	6
129001-01340	1	33
	18	2
129001-02930	1	25
129001-12110	5	5
	18	23
129001-32330	2	11
129001-91841	2	22
129004-01190	1	31
129004-03010	4	41
129004-03080	5	1
129004-11130	4	24
129004-11241	4	3
129004-11251	4	4
129004-11310	4	49
	18	7
129004-11350	4	40
129004-11650	4	10
129004-11700	4	15
129004-11900	4	33

Parts No.	Fig. No.	Ref. No.
129004-12100	5	3
129004-14580	6	3
129004-21002	7	1
129004-55611	15	1
129004-59811	14	35
129004-59821	14	39
129004-59831	14	43
129005-22080	7	16
129005-22500	7	18
129005-22900	7	34
129005-22950	7	36
129005-59830	8	15
129054-42320	9	11
129080-49010	10	27
129100-01580	3	1
		15
	7	2
129100-01640	3	16
129100-01730	3	6
129100-11112	4	25
129100-23910	7	28
129100-35140	8	5
129100-55690	15	10
129100-77500	5	9
129100-77510	5	10
	18	28
129129-77010	16	1
129129-77210	16	6
129129-77220	16	7
129129-77230	16	8
129129-77240	16	9
129129-77250	16	10
129129-77260	16	21
129129-77270	16	22
129129-77280	16	23
129129-77290	16	24
129129-77300	16	25
129129-77310	16	27
129129-77320	16	28
129129-77330	16	29
129129-77340	16	30
129129-77350	16	31
129129-77362	16	32
129129-77380	16	34
129129-77390	16	14
129129-77400	16	17
129129-77410	16	18
129129-77420	16	19
129129-77430	16	20
129129-77460	16	3

Parts No. Index

Parts No.	Fig. No.	Ref. No.
129150-01200	1	32
129150-02020	1	10
129150-02450	6	4
129150-02870	1	34
129150-02930	1	28
129150-02940	1	37
129150-03070	4	42
129150-11230	4	11
129150-11280	4	9
129150-11370	4	14
129150-11750	4	13
129150-11810	4	21
129150-13110	11	1
	18	9
129150-14101	6	7
129150-14200	6	1
129150-14400	6	2
129150-23600	7	30
129150-23610	7	32
129150-25301	6	16
129150-35042	8	6
	18	12
129150-35091	8	7
129150-35111	8	9
	18	24
129150-35170	8	8
129150-42059	9	3
129150-42300	9	8
129150-42319	9	9
129150-59120	14	30
129150-59131	14	33
129155-51280	13	5
129155-61460	13	24
129156-44760	9	18
129170-44110	11	17
129170-49260	9	34
129171-44600	11	20
129175-01770	3	8
129175-21580	7	13
129175-21650	7	9
129176-44000	11	6
129176-44900	11	5
129202-22300	7	22
129211-77920	17	36
129240-79300	17	14
129246-53001	14	2
129246-61061	13	104
129246-61441	13	23
129247-42000	9	1
129255-61410	13	21

Parts No.	Fig. No.	Ref. No.
129263-42120	9	4
129263-49610	9	44
129263-49620	9	47
129263-49710	9	45
129263-49720	9	48
129270-59550	14	26
129270-59580	14	28
129400-92430	18	30
129410-03990	5	2
129410-77330	17	1
129418-32320	2	10
129423-77200	17	2
129423-77710	17	17
129470-07230	4	57
129470-44440	11	18
129470-44450	11	19
129470-49200	9	30
129470-49220	9	31
129470-49240	9	32
129470-49250	9	33
129470-49540	9	25
129470-49801	9	27
129470-49810	9	28
	18	15
129470-77590	5	11
	18	8
129472-18090	11	4
	18	22
129475-49020	10	29
129475-49040	10	25
129477-12500	5	13
129477-12530	5	15
129486-01670	3	19
129486-42050	9	37
	18	13
129550-42350	9	55
129579-42160	10	13
129579-42190	10	14
129579-42501	10	3
129579-42590	10	22
129579-49460	10	31
129619-12580	5	8
129619-13560	11	3
129647-42150	10	2
129647-42500	10	1
129670-49290	9	40
	10	36
129795-01780	3	18
129795-01800	2	6
129795-01900	17	30

Parts No.	Fig. No.	Ref. No.
129795-01950	2	16
129795-02411	1	13
129795-11120	4	26
129795-11180	4	27
129795-21661	7	10
129795-49551	9	26
	18	14
129900-07900	4	1
129900-32130	2	9
129916-49740	9	16
129916-59020	12	128
158552-51151	6	18
158552-51570	12	51
		52
158552-51580	12	55
158552-51600	12	65
158552-51670	12	4
158552-51780	12	121
158552-52100	12	77
158552-52310	12	79
158552-52400	12	91
158552-52500	12	78
158552-61900	13	82 -1
158553-51551	12	48
158553-51630	12	66
158553-51640	12	68
158553-51660	12	70
158553-51670	12	60
158553-51680	12	71
158553-51770	12	95
158553-61050	13	2
158553-61070	13	3
158557-51570	12	53
158560-51300	12	36
158563-51281	12	34
		35
158563-51330	12	44
158600-51270	12	33
158601-51340	12	45
158601-51550	12	49
158601-51570	12	54
158601-51650	12	69
158601-51770	12	120
158601-51790	12	122
171002-66830	13	103
171051-01921	1	9
171420-34800	8	1
171487-01600	3	2
171487-49010	10	28
22137-080000	9	17

Parts No.	Fig. No.	Ref. No.
22190-080002	8	17
		18
	18	17
22190-100002	8	19
	18	26
22190-120000	13	63
22190-120002	12	80
		81
		123
22190-180002	12	82
		124
22190-220002	3	11
	18	25
22217-080000	9	19
22217-140000	6	19
	12	83
22242-000150	10	17
22252-000260	7	23
22252-000350	10	18
22312-050140	12	84
22351-030010	7	8
22351-050010	12	85
22351-060012	4	35
22512-070140	6	8
	7	6
22512-070160	7	40
22857-500100	4	50
		51
23000-013000	14	29
23000-016000	15	6
23000-035000	10	30
		33
23000-041000	9	35
23000-048000	5	17
23061-070300	10	34
	11	26
23414-080000	9	38
	18	27
23414-170000	11	13
23857-030000	8	16
23857-060000	12	88
23876-030000	2	4
	11	29
23876-040000	2	5
23887-120002	12	125
	13	65
23894-030002	11	14
24107-062024	10	19
24311-000070	12	90
24311-000120	4	53

Parts No. Index

Parts No.	Fig. No.	Ref. No.
24311-000120	18	19
24311-000160	15	12
24311-000320	2	23
	4	54
	18	20
24321-000650	15	11
24321-000750	11	22
	18	10
24341-000240	2	29
	18	21
24341-000280	13	82
24356-010180	12	92
24356-010200	12	63
		93
24372-000150	12	64
25132-004400	9	20
26014-080162	10	20
26106-060082	10	24
26106-060102	9	21
	12	94
	13	53
		67
26106-060142	13	83
		84
26106-060162	2	30
26106-060202	9	13
	13	85
26106-080122	9	39
26106-080142	6	9
26106-080162	2	24
		25
	3	12
	4	2
	10	35
	11	23
	12	131
26106-080202	5	6
	8	10
	12	132
26106-080252	3	13
	4	36
	9	29
	11	24
26106-080302	15	3
26106-080352	3	20
	4	37
	8	11
	9	36
26106-080402	6	15
26106-080452	3	14

Parts No.	Fig. No.	Ref. No.
26106-080452	3	14 -1
	5	12
	17	32
26106-080502	3	22
	4	38
26106-080552	2	26
	9	22
		23
26106-080652	9	24
26106-080802	5	7
26106-081002	11	27
26113-040088	10	21
26115-080202	11	28
26116-060162	9	14
26116-120252	16	35
26206-100252	3	4
26206-100302	3	5
26306-080002	2	27
	11	2
26306-100002	17	31
26366-060002	8	20
26450-080452	12	99
26577-060152	9	12
26756-060002	13	68
26776-140002	6	20
	12	100
27241-120000	1	14
27241-280000	11	15
27241-300000	1	15
27241-400000	4	23
	11	16
27310-080001	4	30
719802-01500	2	1
729005-01560	1	1
729150-92800	18	1
729246-53101	14	1
729247-51390	12	1
729402-23100	7	24
977770-1207F	2	31
	3	21
	4	56
	18	31
X0280210230	16	11
X0283060061	16	2
X0283270140	16	12
X9490561001	17	3
X9490561370	16	4
X9491200240	16	5
X9491703371	16	13
X9491730461	16	26

Parts No.	Fig. No.	Ref. No.
-----------	----------	----------

Parts No.	Fig. No.	Ref. No.
-----------	----------	----------