

OCR10-M56400EN

PREFACE

1.This Parts Catalog carries all parts incorporated in YANMAR Model 3TNV88-DSA, 3TNV88-DSA2,3TNV88-DSA3 and 3TNV88-GGE engine manufactured since January, 2004.

2.Each illustration corresponds to the parts list on the following page.

3.When ordering parts,clearly write down the engine model and serial number,as well as the name and number of each part in your order sheet. This will help insure reliable delivery of the parts you have ordered.

Directions for the Parts Catalog.

1. This Parts Catalog shows both standard and optional parts.
2. Parts may change without prior notice.
3. The following is an example of the Parts Catalog format.

| REF. | LEV. | PARTS NO. | DESCRIPTION | Q'TY | | | | | | I | R |
|------|------|--|---------------------|------|-----|-----|-----|-----|-----|---|---|
| | | | | (A) | (B) | (C) | (D) | (E) | (F) | | |
| 1 | 1 | 729595-51390 | FUEL INJECTION PUMP | 1 | 1 | 1 | 1 | 1 | | | 1 |
| 1-1 | 1 | 729595-51391 | FUEL INJECTION PUMP | 1 | 1 | 1 | 1 | 1 | | N | 1 |
| | | (A=E00185) (B=E00200) | | | | | | | | | |
| 3 | 2 | 26022-060162 | SCREW M 6X 16 | 9 | 9 | 9 | 9 | 9 | | | |
| 3-1 | 2 | 26022-060162 | SCREW M 6X 16 | 4 | 4 | 4 | 4 | 4 | | K | |
| | | (A=E00156) (B=E00156) (C=E00156) (D=E00156) (E=E00156) | | | | | | | | | |
| 4 | 2 | 129470-51040 | CAMSHAFT | 1 | 1 | 1 | 1 | 1 | | | |
| 5 | 2 | 122710-51050 | BEARING, ROLLER | 2 | 2 | 2 | 2 | 2 | | | |
| 6 | 2 | 129470-51060 | RETAINER | 1 | 1 | 1 | 1 | 1 | | | |

| |
|---|
| Remarks |
| (1) BOOST COMPEMSATOR TYPE. OPTIONAL PART, TO E00155,(4JH-DT, 4JH-DTZ |

① Ref. No.

The Ref. No. listed may not be in accordance with the illustration Ref. No.

(Ex.) Illustration No.

List Ref No.

1

1

(Before change)

1-1

(After change)

For interchangeable symbols N, R and K, illustrations for new parts may be abbreviated.

② Lev. (Level)

Level indication

The numbers below indicate the level of relativity towards the main part.

1 ----- Main parts (Assembly parts)

2 ----- Sub component included in " 1 ".

3 ----- Sub component included in " 2 ".

Note) Parts that are not for sale are partially illustrated but not listed.

③ Interchangeability Symbol

When a part change takes place, one of the following interchangeability symbols is indicated beside the part.

| Symbol | Interchangeability | Contents note |
|--------|---|--|
| N | Old $\begin{matrix} \leftarrow \text{Yes} \\ \text{No} \rightarrow \end{matrix}$ New | New Part is interchangeable for Old Part but Old Part is not interchangeable for New Part. |
| Q | Old $\begin{matrix} \leftarrow \text{No} \\ \text{Yes} \rightarrow \end{matrix}$ New | New Part is not interchangeable for Old Part but Old Part is interchangeable for New Part. |
| R | Old $\begin{matrix} \leftarrow \text{Yes} \\ \text{Yes} \rightarrow \end{matrix}$ New | New/ Old Parts are both interchangeable. |
| S | Old $\begin{matrix} \leftarrow \text{No} \\ \text{No} \rightarrow \end{matrix}$ New | New/ Old Parts are both not interchangeable. |
| W | | Part newly added. |
| Z | | Part discontinued. |
| F | | Not interchangeable by a single part but interchangeable together with related parts. |
| K | | Changes only for used parts quantities. |

④ Effective Machine No.

When a part changes, the effective Machine No. will be indicated in the (A)-(F) column.

| Product Symbol | Product No. | Product Symbol | Product No. |
|----------------|---------------------------|----------------|-----------------------------------|
| C | Clutch No. Compressor No. | F | Machine No. (Agricultural Equip.) |
| D | Drive No. | M | Machine No. |
| E | Engine No. | | |

Note 1) A date may follow the symbol. (Ex.) 1996.01

Note 2) "XXXXX" and "ZZZZZ" are for parts that could not be predicted or for engine models that could not be identified.

Note 3) (A=E00185) is the E (Engine Serial Number) for the column (A) model (in this case 4JH-DT) after the parts design change.

⑤ Remarks

Figures or alphabets (symbols) are entered in the remarks column.

The comments (remarks) on parts that are indicated at the bottom of the illustration are the same symbols as those stated above.

Contents

OCR10-M56400

Fig. No. Fig. Name

Fig. No. Fig. Name

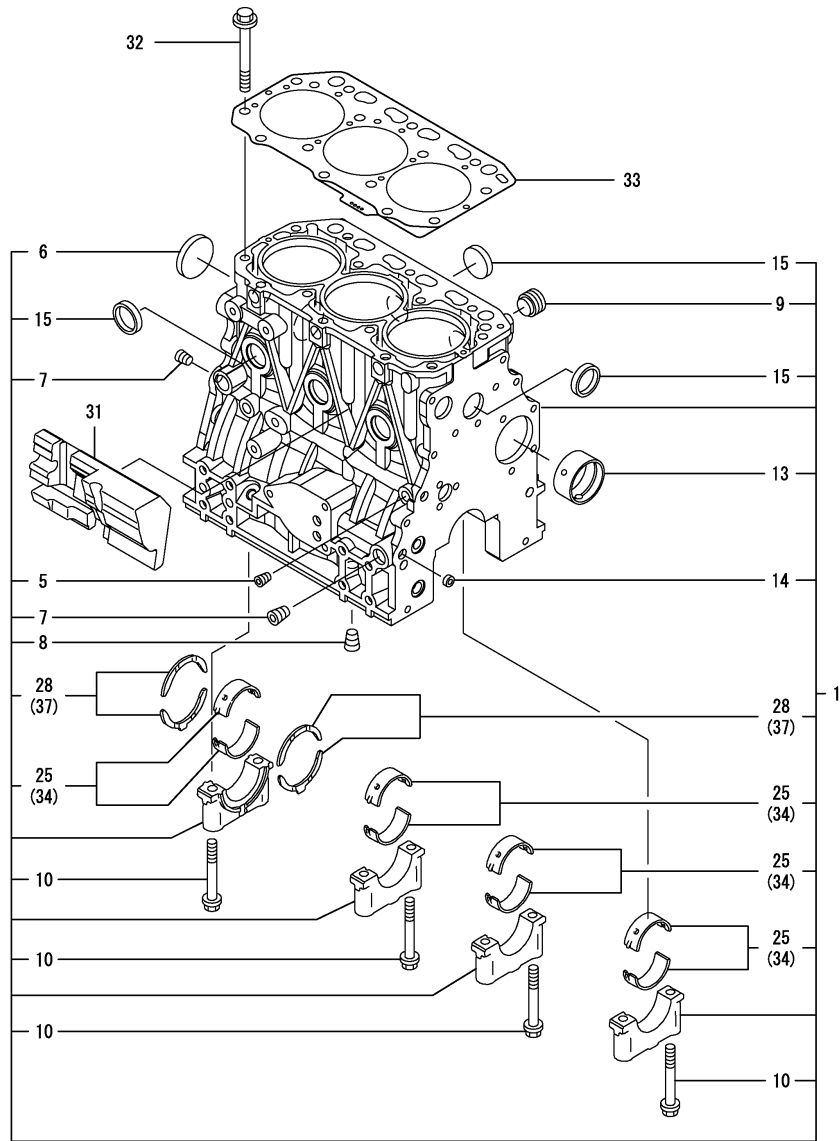
ENGINE

1. CYLINDER BLOCK
2. GEAR HOUSING
3. GEAR HOUSING
4. FLYWHEEL HOUSING & OIL SUMP
5. CYLINDER HEAD & BONNET
6. SUCTION MANIFOLD
7. EXHAUST MANIFOLD
8. CAMSHAFT & DRIVING GEAR
9. CRANKSHAFT & PISTON
10. LUB. OIL SYSTEM
11. COOLING WATER SYSTEM
12. FUEL INJECTION PUMP
13. FUEL INJECTION VALVE
14. FUEL PIPING
15. STARTER MOTOR
16. STARTER MOTOR
17. GENERATOR
18. GASKET SET

Fig.1. CYLINDER BLOCK

(A)=3TNV88-DSA
 (B)=3TNV88-DSA2
 (C)=3TNV88-DSA3

(D)=3TNV88-GGE
 (E)=
 (F)=



| No. | Lev. | Parts No. | Description | Q'ty | | | | | | I | R |
|-----|------|--------------|----------------------|------|-----|-----|-----|-----|-----|---|---|
| | | | | (A) | (B) | (C) | (D) | (E) | (F) | | |
| 1 | 1 | 729005-01560 | BLOCK ASSY, CYLINDER | 1 | 1 | 1 | 1 | | | | |
| 5 | 2 | 124060-01050 | PLUG, PT1/8 | 1 | 1 | 1 | 1 | | | | |
| 6 | 2 | 129001-01250 | PLUG, 50 | 1 | 1 | 1 | 1 | | | | |
| 7 | 2 | 124160-01910 | PLUG, PT1/4 | 2 | 2 | 2 | 2 | | | | |
| 8 | 2 | 124160-01910 | PLUG, PT1/4 | 1 | 1 | 1 | 1 | | | | |
| 9 | 2 | 171051-01921 | PLUG, NPTF1 | 1 | 1 | 1 | 1 | | | | |
| 10 | 2 | 129150-02020 | BOLT, METAL CAP | 8 | 8 | 8 | 8 | | | | |
| 13 | 2 | 129795-02411 | BUSH, CAMSHAFT | 1 | 1 | 1 | 1 | | | | |
| 14 | 2 | 27241-120000 | PLUG, 12 | 2 | 2 | 2 | 2 | | | | |
| 15 | 2 | 27241-300000 | PLUG 30 | 6 | 6 | 6 | 6 | | | | |
| 25 | 2 | 129001-02930 | BEARING, MAIN | 4 | 4 | 4 | 4 | | | | 3 |
| 28 | 2 | 129150-02930 | BEARING, THRUST | 2 | 2 | 2 | 2 | | | | |
| 31 | 1 | 129004-01190 | SPACER | 1 | 1 | 1 | 1 | | | | |
| 32 | 1 | 129150-01200 | BOLT, HEAD | 14 | 14 | 14 | 14 | | | | |
| 33 | 1 | 129001-01340 | GASKET, HEAD | 1 | 1 | 1 | 1 | | | | |
| 34 | 1 | 129150-02870 | BEARING, 0.25 US | 4 | 4 | 4 | 4 | | | | 1 |
| 37 | 1 | 129150-02940 | BEARING, THRUST 0.25 | 1 | 1 | 1 | 1 | | | | 2 |

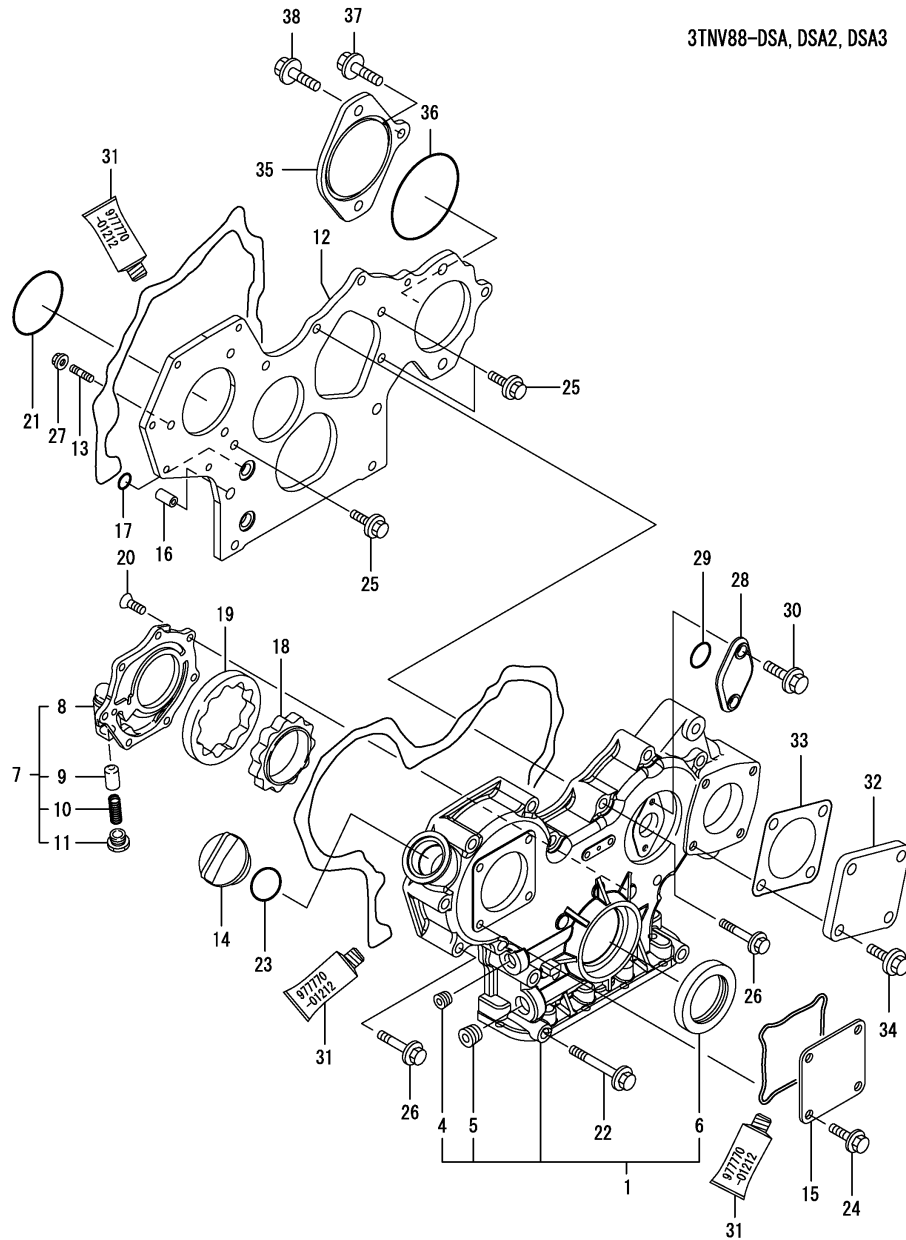
Remarks

- (1) Under-sized (U.S.=0.25) parts.
- (2) Over-sized (O.S.=0.25) parts.
- (3) Repair parts.

Fig.2. GEAR HOUSING

(A)=3TNV88-DSA
(B)=3TNV88-DSA2
(C)=3TNV88-DSA3

(D)=3TNV88-GGE
(E)=
(F)=



| No. | Lev. | Parts No. | Description | Qty | | | | | | I | R |
|-----|------|--------------|----------------------|-----|-----|-----|-----|-----|-----|---|---|
| | | | | (A) | (B) | (C) | (D) | (E) | (F) | | |
| 1 | 1 | 729005-01500 | CASE ASSY, GEAR | 1 | 1 | 1 | | | | | |
| 4 | 2 | 23876-030000 | PLUG, R03 | 1 | 1 | 1 | | | | | |
| 5 | 2 | 23876-040000 | PLUG, R04 | 1 | 1 | 1 | | | | | |
| 6 | 2 | 129795-01800 | SEAL, OIL | 1 | 1 | 1 | | | | | |
| 7 | 1 | 119802-32100 | COVER ASSY | 1 | 1 | 1 | | | | | |
| 8 | 2 | 119802-32070 | COVER | 1 | 1 | 1 | | | | | |
| 9 | 2 | 129900-32130 | VALVE, RELIEF | 1 | 1 | 1 | | | | | |
| 10 | 2 | 129418-32320 | SPRING | 1 | 1 | 1 | | | | | |
| 11 | 2 | 129001-32330 | PLUG | 1 | 1 | 1 | | | | | |
| 12 | 1 | 129005-01520 | FLANGE, GEAR CASE | 1 | 1 | 1 | | | | | |
| 13 | 1 | 119802-01560 | STUD, M8X25 | 3 | 3 | 3 | | | | | |
| 14 | 1 | 124160-01751 | COVER, FILLER | 1 | 1 | 1 | | | | | |
| 15 | 1 | 124240-01871 | COVER | 1 | 1 | 1 | | | | | |
| 16 | 1 | 129795-01950 | PIPE, KNOCK L=18 | 2 | 2 | 2 | | | | | |
| 17 | 1 | 119609-32040 | O-RING, P16 | 4 | 4 | 4 | | | | | |
| 18 | 1 | 119802-32111 | ROTOR, INNER | 1 | 1 | 1 | | | | | |
| 19 | 1 | 119802-32120 | ROTOR, OUTER | 1 | 1 | 1 | | | | | |
| 20 | 1 | 119802-32130 | SCREW, M6X16 | 7 | 7 | 7 | | | | | |
| 21 | 1 | 121850-51960 | O-RING | 1 | 1 | 1 | | | | | |
| 22 | 1 | 129001-91841 | BOLT, M8X85 | 3 | 3 | 3 | | | | | |
| 23 | 1 | 24311-000320 | O-RING, 1AP32.0 | 1 | 1 | 1 | | | | | |
| 24 | 1 | 26106-080162 | BOLT, M8X 16 PLATED | 4 | 4 | 4 | | | | | |
| 25 | 1 | 26106-080162 | BOLT, M8X 16 PLATED | 3 | 3 | 3 | | | | | |
| 26 | 1 | 26106-080552 | BOLT, M8X 55 PLATED | 11 | 11 | 11 | | | | | |
| 27 | 1 | 26306-080002 | NUT, M8 | 3 | 3 | 3 | | | | | |
| 28 | 1 | 121023-01550 | COVER | 1 | 1 | 1 | | | | | |
| 29 | 1 | 24341-000240 | O-RING, 1AS24.0 | 1 | 1 | 1 | | | | | |
| 30 | 1 | 26106-060162 | BOLT, M6X 16 PLATED | 2 | 2 | 2 | | | | | |
| 31 | 1 | 977770-01212 | GASKET, LIQUID | 1 | 1 | 1 | | | | | 1 |
| 32 | 1 | 124240-01871 | COVER | 1 | 1 | 1 | | | | | |
| 33 | 1 | 124240-01883 | GASKET | 1 | 1 | 1 | | | | | |
| 34 | 1 | 26106-080162 | BOLT, M8X 16 PLATED | 4 | 4 | 4 | | | | | |
| 35 | 1 | 129430-26070 | COVER | 1 | 1 | 1 | | | | | |
| 36 | 1 | 24321-000800 | O-RING, 1AG80.0 | 1 | 1 | 1 | | | | | |
| 37 | 1 | 26106-080252 | BOLT, M8X 25 PLATED | 1 | 1 | 1 | | | | | |
| 38 | 1 | 26106-100302 | BOLT, M10X 30 PLATED | 2 | 2 | 2 | | | | | |

Remarks

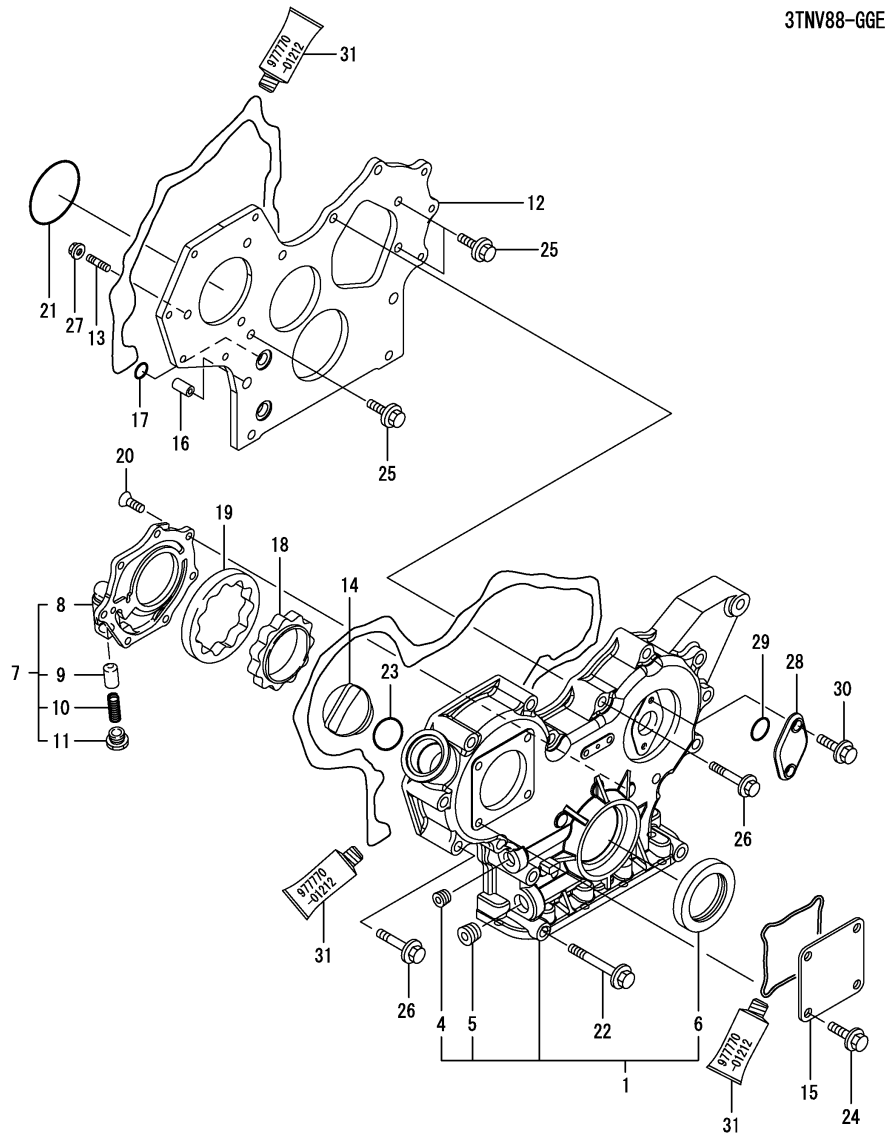
(1)Optional parts.

N:Old $\begin{matrix} \leftarrow \text{Yes} \\ \text{No} \end{matrix}$ New, Q:Old $\begin{matrix} \leftarrow \text{No} \\ \text{Yes} \end{matrix}$ New, R:Old $\begin{matrix} \leftarrow \text{Yes} \\ \text{Yes} \end{matrix}$ New, S:Old $\begin{matrix} \leftarrow \text{No} \\ \text{No} \end{matrix}$ New, W:Add, Z:Discontinued, F:Interchangeable by set, K:Qty Change

Fig.3. GEAR HOUSING

(A)=3TNV88-DSA
(B)=3TNV88-DSA2
(C)=3TNV88-DSA3

(D)=3TNV88-GGE
(E)=
(F)=



3TNV88-GGE

| No. | Lev. | Parts No. | Description | Q'ty | | | | | | I | R | |
|-----|------|--------------|---------------------|------|-----|-----|-----|-----|-----|---|---|---|
| | | | | (A) | (B) | (C) | (D) | (E) | (F) | | | |
| 1 | 1 | 719802-01500 | CASE ASSY, GEAR | | | | 1 | | | | | |
| 4 | 2 | 23876-030000 | PLUG, R03 | | | | 1 | | | | | |
| 5 | 2 | 23876-040000 | PLUG, R04 | | | | 1 | | | | | |
| 6 | 2 | 129795-01800 | SEAL, OIL | | | | 1 | | | | | |
| 7 | 1 | 119802-32100 | COVER ASSY | | | | 1 | | | | | |
| 8 | 2 | 119802-32070 | COVER | | | | 1 | | | | | |
| 9 | 2 | 129900-32130 | VALVE, RELIEF | | | | 1 | | | | | |
| 10 | 2 | 129418-32320 | SPRING | | | | 1 | | | | | |
| 11 | 2 | 129001-32330 | PLUG | | | | 1 | | | | | |
| 12 | 1 | 119802-01520 | FLANGE, GEAR CASE | | | | 1 | | | | | |
| 13 | 1 | 119802-01560 | STUD, M8X25 | | | | 3 | | | | | |
| 14 | 1 | 124160-01751 | COVER, FILLER | | | | 1 | | | | | |
| 15 | 1 | 124240-01871 | COVER | | | | 1 | | | | | |
| 16 | 1 | 129795-01950 | PIPE, KNOCK L=18 | | | | 2 | | | | | |
| 17 | 1 | 119609-32040 | O-RING, P16 | | | | 4 | | | | | |
| 18 | 1 | 119802-32111 | ROTOR, INNER | | | | 1 | | | | | |
| 19 | 1 | 119802-32120 | ROTOR, OUTER | | | | 1 | | | | | |
| 20 | 1 | 119802-32130 | SCREW, M6X16 | | | | 7 | | | | | |
| 21 | 1 | 121850-51960 | O-RING | | | | 1 | | | | | |
| 22 | 1 | 129001-91841 | BOLT, M8X85 | | | | 3 | | | | | |
| 23 | 1 | 24311-000320 | O-RING, 1AP32.0 | | | | 1 | | | | | |
| 24 | 1 | 26106-080162 | BOLT, M8X 16 PLATED | | | | 4 | | | | | |
| 25 | 1 | 26106-080162 | BOLT, M8X 16 PLATED | | | | 3 | | | | | |
| 26 | 1 | 26106-080552 | BOLT, M8X 55 PLATED | | | | 12 | | | | | |
| 27 | 1 | 26306-080002 | NUT, M8 | | | | 3 | | | | | |
| 28 | 1 | 121023-01550 | COVER | | | | 1 | | | | | |
| 29 | 1 | 24341-000240 | O-RING, 1AS24.0 | | | | 1 | | | | | |
| 30 | 1 | 26106-060162 | BOLT, M6X 16 PLATED | | | | 2 | | | | | |
| 31 | 1 | 977770-01212 | GASKET, LIQUID | | | | 1 | | | | | 1 |

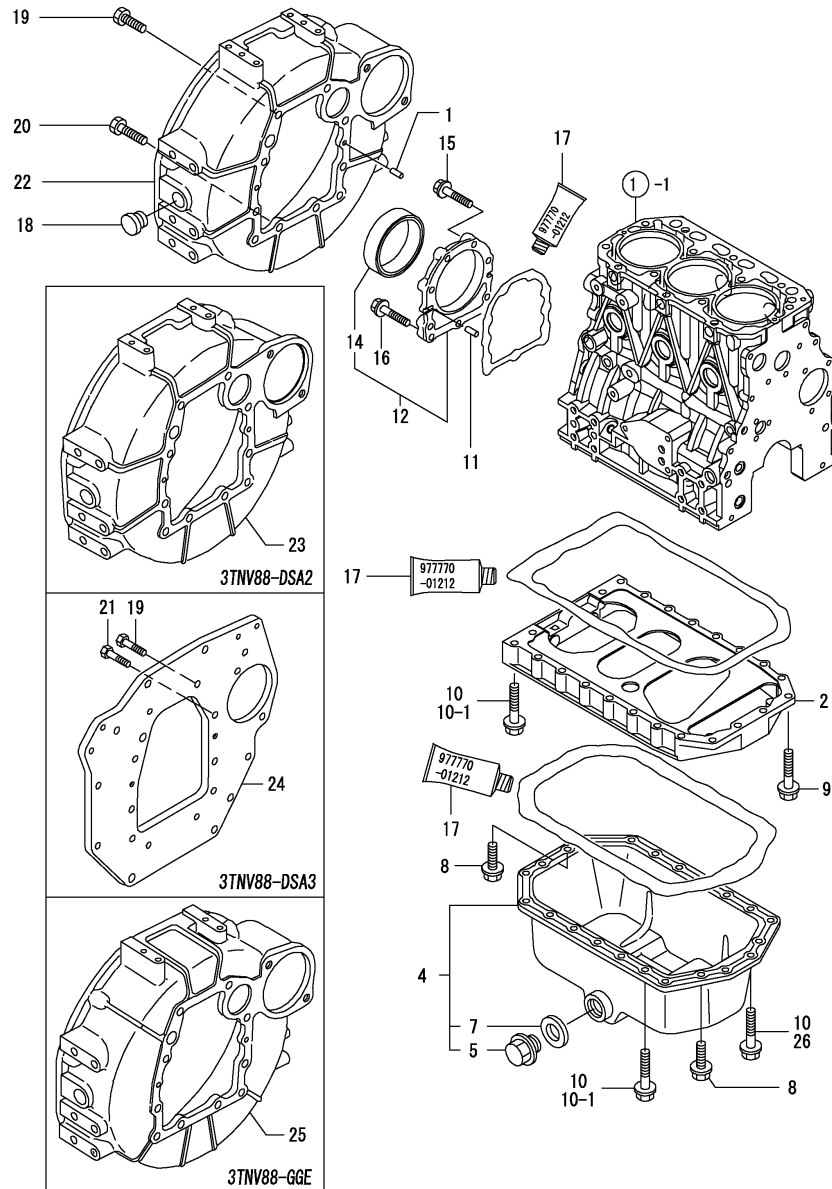
Remarks

(1)Optional parts.

Fig.4. FLYWHEEL HOUSING & OIL SUMP

(A)=3TNV88-DSA
(B)=3TNV88-DSA2
(C)=3TNV88-DSA3

(D)=3TNV88-GGE
(E)=
(F)=



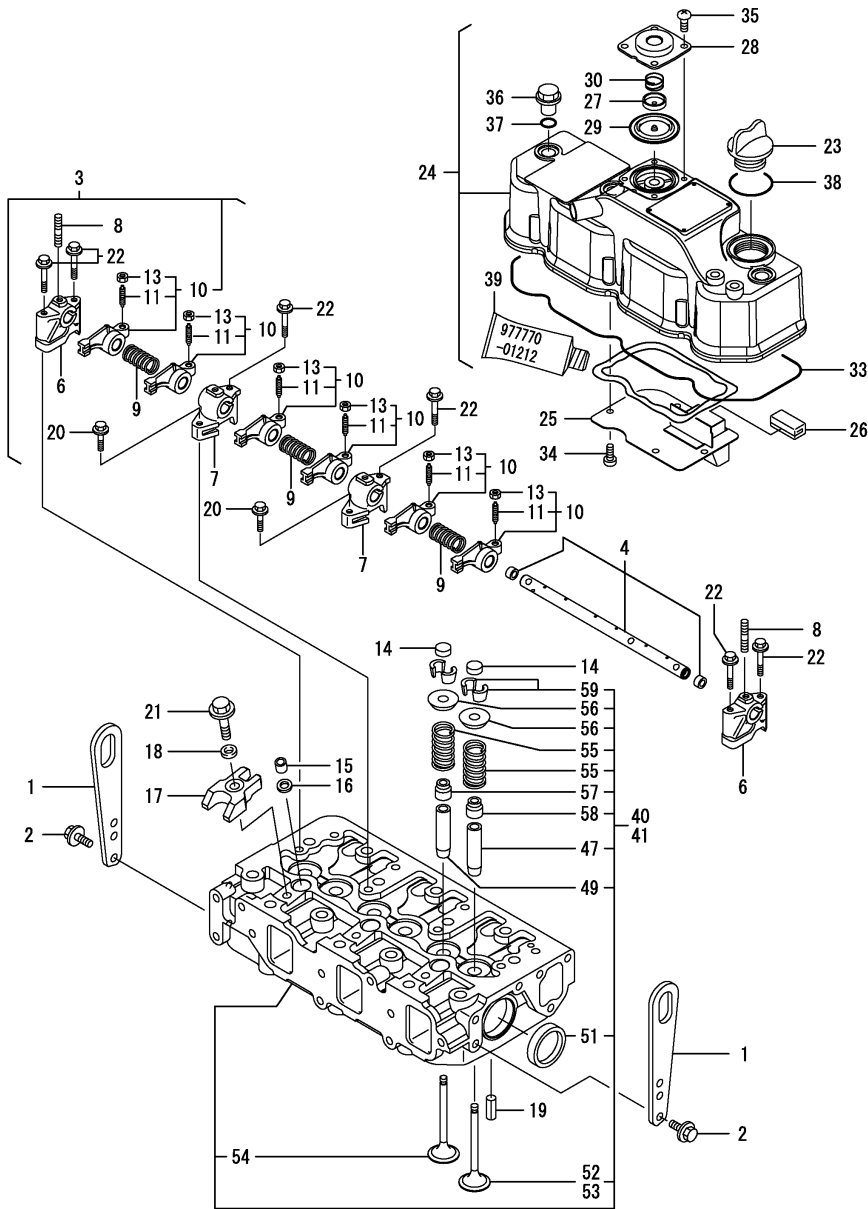
| No. | Lev. | Parts No. | Description | Qty | | | | | | I | R |
|---|------|--------------|----------------------|-----|-----|-----|-----|-----|-----|---|---|
| | | | | (A) | (B) | (C) | (D) | (E) | (F) | | |
| 1 | 1 | 129100-01580 | PIN, M8X16 | 2 | 2 | 2 | 2 | | | | |
| 2 | 1 | 129100-01730 | SPACER, OIL SUMP | 1 | 1 | 1 | 1 | | | | |
| 4 | 1 | 129100-01760 | SUMP ASSY, OIL | 1 | 1 | 1 | 1 | | | | |
| 5 | 2 | 119640-01640 | PLUG, DRAIN M22 | 1 | 1 | 1 | 1 | | | | |
| 7 | 2 | 22190-220002 | WASHER, SEAL 22 | 1 | 1 | 1 | 1 | | | | |
| 8 | 1 | 26106-080162 | BOLT, M8X 16 PLATED | 4 | 4 | 4 | 4 | | | | |
| 9 | 1 | 26106-080252 | BOLT, M8X 25 PLATED | 2 | 2 | 2 | 2 | | | | |
| 10 | 1 | 26106-080452 | BOLT, M8X 45 PLATED | 20 | 20 | 20 | 20 | | | | |
| 10-1 | 1 | 26106-080452 | BOLT, M8X 45 PLATED | 16 | 16 | 16 | 16 | | | | K |
| (A=FROM 1ST) (B=FROM 1ST) (C=FROM 1ST) (D=FROM 1ST) | | | | | | | | | | | |
| 11 | 1 | 129100-01580 | PIN, M8X16 | 2 | 2 | 2 | 2 | | | | |
| 12 | 1 | 129100-01640 | CASE ASSY, OIL SEAL | 1 | 1 | 1 | 1 | | | | |
| 14 | 2 | 129795-01780 | SEAL, OIL | 1 | 1 | 1 | 1 | | | | |
| 15 | 1 | 129486-01670 | BOLT, M8X30 | 6 | 6 | 6 | 6 | | | | |
| 16 | 1 | 26106-080352 | BOLT, M8X 35 PLATED | 3 | 3 | 3 | 3 | | | | |
| 17 | 1 | 977770-01212 | GASKET, LIQUID | 1 | 1 | 1 | 1 | | | | 1 |
| 18 | 1 | 119620-01750 | CAP | 1 | 1 | | 1 | | | | |
| 19 | 1 | 26206-100252 | BOLT, M10X 25 PLATED | 6 | 6 | 2 | 6 | | | | |
| 20 | 1 | 26206-100302 | BOLT, M10X 30 PLATED | 4 | 4 | | 4 | | | | |
| 21 | 1 | 26206-100202 | BOLT, M10X 20 PLATED | | | 6 | | | | | |
| 22 | 1 | 119888-01600 | HOUSING, FLYWHEEL | 1 | | | | | | | |
| 23 | 1 | 129612-01600 | HOUSING, FLYWHEEL | | 1 | | | | | | |
| 24 | 1 | 129129-01600 | FLANGE, MOUNTING | | | 1 | | | | | |
| 25 | 1 | 171420-01600 | HOUSING, FLYWHEEL | | | | | | 1 | | |
| 26 | 1 | 26106-080502 | BOLT, M8X 50 PLATED | 4 | 4 | 4 | 4 | | | | W |
| (A=FROM 1ST) (B=FROM 1ST) (C=FROM 1ST) (D=FROM 1ST) | | | | | | | | | | | |

Remarks
(1)Optional parts.

Fig.5. CYLINDER HEAD & BONNET

(A)=3TNV88-DSA
(B)=3TNV88-DSA2
(C)=3TNV88-DSA3

(D)=3TNV88-GGE
(E)=
(F)=



| No. | Lev. | Parts No. | Description | Q'ty | | | | | | I | R |
|-----|------|--------------|---------------------|------|-----|-----|-----|-----|-----|---|---|
| | | | | (A) | (B) | (C) | (D) | (E) | (F) | | |
| 1 | 1 | 129900-07900 | LIFTER | 2 | 2 | 2 | 2 | | | | |
| 2 | 1 | 26106-080142 | BOLT, M8X 14 PLATED | 4 | 4 | 4 | 4 | | | | |
| 3 | 1 | 129004-11241 | SHAFT ASSY, ROCKER | 1 | 1 | 1 | 1 | | | | |
| 4 | 2 | 129004-11251 | SHAFT, ROCKER ARM | 1 | 1 | 1 | 1 | | | | |
| 6 | 2 | 119802-11260 | SUPPORT, ROCKER ARM | 2 | 2 | 2 | 2 | | | | |
| 7 | 2 | 119802-11270 | SUPPORT, ROCKER ARM | 2 | 2 | 2 | 2 | | | | |
| 8 | 2 | 119802-11280 | STUD | 3 | 3 | 3 | 3 | | | | |
| 9 | 2 | 129150-11280 | SPRING | 3 | 3 | 3 | 3 | | | | |
| 10 | 2 | 129004-11650 | ARM, ROCKER | 6 | 6 | 6 | 6 | | | | |
| 11 | 3 | 129150-11230 | SCREW, VALVE ADJUST | 6 | 6 | 6 | 6 | | | | |
| 13 | 3 | 129150-11750 | NUT, M8 | 6 | 6 | 6 | 6 | | | | |
| 14 | 1 | 129150-11370 | CAP, VALVE | 6 | 6 | 6 | 6 | | | | |
| 15 | 1 | 119802-11870 | PROTECTOR, NOZZLE | 3 | 3 | 3 | 3 | | | | |
| 16 | 1 | 119625-11880 | SEAT, NOZZLE | 3 | 3 | 3 | 3 | | | | |
| 17 | 1 | 129004-11900 | RETAINER, NOZZLE | 3 | 3 | 3 | 3 | | | | |
| 18 | 1 | 120270-54410 | WASHER, INJECTOR | 3 | 3 | 3 | 3 | | | | |
| 19 | 1 | 22351-060012 | PIN, SPRING 6.0X12 | 2 | 2 | 2 | 2 | | | | |
| 20 | 1 | 26106-080252 | BOLT, M8X 25 PLATED | 2 | 2 | 2 | 2 | | | | |
| 21 | 1 | 26106-080352 | BOLT, M8X 35 PLATED | 3 | 3 | 3 | 3 | | | | |
| 22 | 1 | 26106-080502 | BOLT, M8X 50 PLATED | 6 | 6 | 6 | 6 | | | | |
| 23 | 1 | 124160-01751 | COVER, FILLER | 1 | 1 | 1 | 1 | | | | |
| 24 | 1 | 129004-11350 | BONNET ASSY, HEAD | 1 | 1 | 1 | 1 | | | | |
| 25 | 2 | 129004-03010 | PLATE | 1 | 1 | 1 | 1 | | | | |
| 26 | 2 | 129150-03070 | BAFFLE, BREATHER | 1 | 1 | 1 | 1 | | | | |
| 27 | 2 | 119802-03110 | PLATE | 1 | 1 | 1 | 1 | | | | |
| 28 | 2 | 119802-03121 | COVER, DIAPHRAGM | 1 | 1 | 1 | 1 | | | | |
| 29 | 2 | 119802-03130 | DIAPHRAGM | 1 | 1 | 1 | 1 | | | | |
| 30 | 2 | 119802-03141 | SPRING, DIAPHRAGM | 1 | 1 | 1 | 1 | | | | |
| 33 | 2 | 129004-11310 | GASKET, BONNET | 1 | 1 | 1 | 1 | | | | |
| 34 | 2 | 22857-500100 | SCREW, 5X10 | 4 | 4 | 4 | 4 | | | | |
| 35 | 2 | 22857-500100 | SCREW, 5X10 | 4 | 4 | 4 | 4 | | | | |
| 36 | 1 | 124160-11360 | KNOB | 3 | 3 | 3 | 3 | | | | |
| 37 | 1 | 24311-000120 | O-RING, 1AP12.0 | 3 | 3 | 3 | 3 | | | | |
| 38 | 1 | 24311-000320 | O-RING, 1AP32.0 | 1 | 1 | 1 | 1 | | | | |
| 39 | 1 | 977770-01212 | GASKET, LIQUID | 1 | 1 | 1 | 1 | | | | 2 |
| 40 | 1 | 129005-11700 | HEAD ASSY, CYLINDER | 1 | 1 | 1 | | | | | |
| 41 | 1 | 129004-11700 | HEAD ASSY, CYLINDER | | | | | | | | 1 |
| 47 | 2 | 120130-11860 | GUIDE, VALVE | 3 | 3 | 3 | 3 | | | | |
| 49 | 2 | 129150-11810 | GUIDE, VALVE | 3 | 3 | 3 | 3 | | | | 1 |
| 51 | 2 | 27241-400000 | PLUG, 40 | 2 | 2 | 2 | 2 | | | | |
| 52 | 2 | 129005-11100 | VALVE, INTAKE | 3 | 3 | 3 | | | | | |
| 53 | 2 | 129004-11100 | VALVE, INTAKE | | | | | | | | 3 |
| 54 | 2 | 129100-11110 | VALVE, EXHAUST | 3 | 3 | 3 | 3 | | | | |
| 55 | 2 | 129795-11120 | SPRING, VALVE | 6 | 6 | 6 | 6 | | | | |
| 56 | 2 | 129795-11180 | RETAINER, SPRING | 6 | 6 | 6 | 6 | | | | |
| 57 | 2 | 121400-11340 | SEAL, VALVE STEM | 3 | 3 | 3 | 3 | | | | |
| 58 | 2 | 124460-11340 | SEAL, VALVE STEM | 3 | 3 | 3 | 3 | | | | |
| 59 | 2 | 27310-080001 | COTTER, 8 | 6 | 6 | 6 | 6 | | | | |

Remarks
(1)Repair parts.

Fig.7. EXHAUST MANIFOLD

(A)=3TNV88-DSA
 (B)=3TNV88-DSA2
 (C)=3TNV88-DSA3

(D)=3TNV88-GGE
 (E)=
 (F)=

| No. | Lev. | Parts No. | Description | Q'ty | | | | | | I | R |
|-----|------|--------------|-------------------|------|-----|-----|-----|-----|-----|---|---|
| | | | | (A) | (B) | (C) | (D) | (E) | (F) | | |
| 1 | 1 | 129004-13109 | MANIFOLD, EXHAUST | 1 | 1 | 1 | 1 | | | | |
| 2 | 1 | 129150-13110 | GASKET | 1 | 1 | 1 | 1 | | | | |
| 3 | 1 | 119131-18320 | STUD, M8X22 | 4 | 4 | 4 | 4 | | | | |
| 4 | 1 | 123900-13630 | BOLT, M8X80 | 4 | 4 | 4 | 4 | | | | |
| 5 | 1 | 123900-13610 | STUD, M8X80 | 2 | 2 | 2 | 2 | | | | |
| 6 | 1 | 26306-080002 | NUT, M8 | 2 | 2 | 2 | 2 | | | | |
| 7 | 1 | 129004-13200 | GASKET, SILENCER | 1 | 1 | 1 | 1 | | | | |

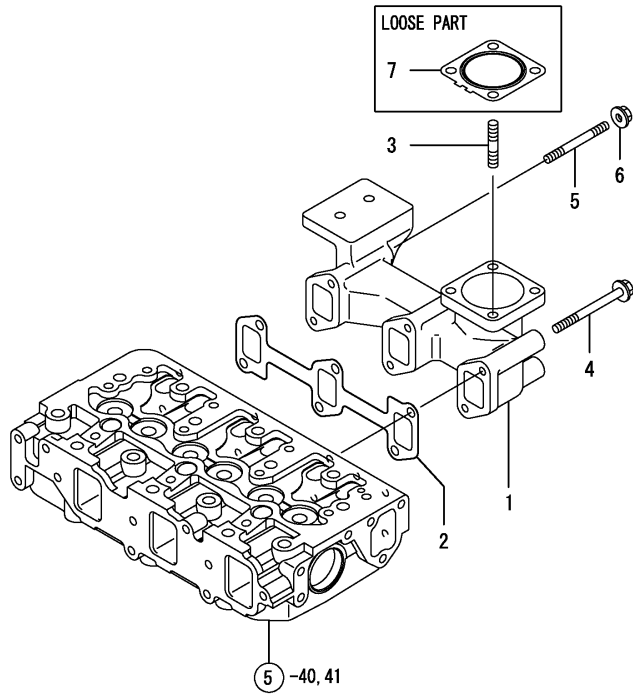
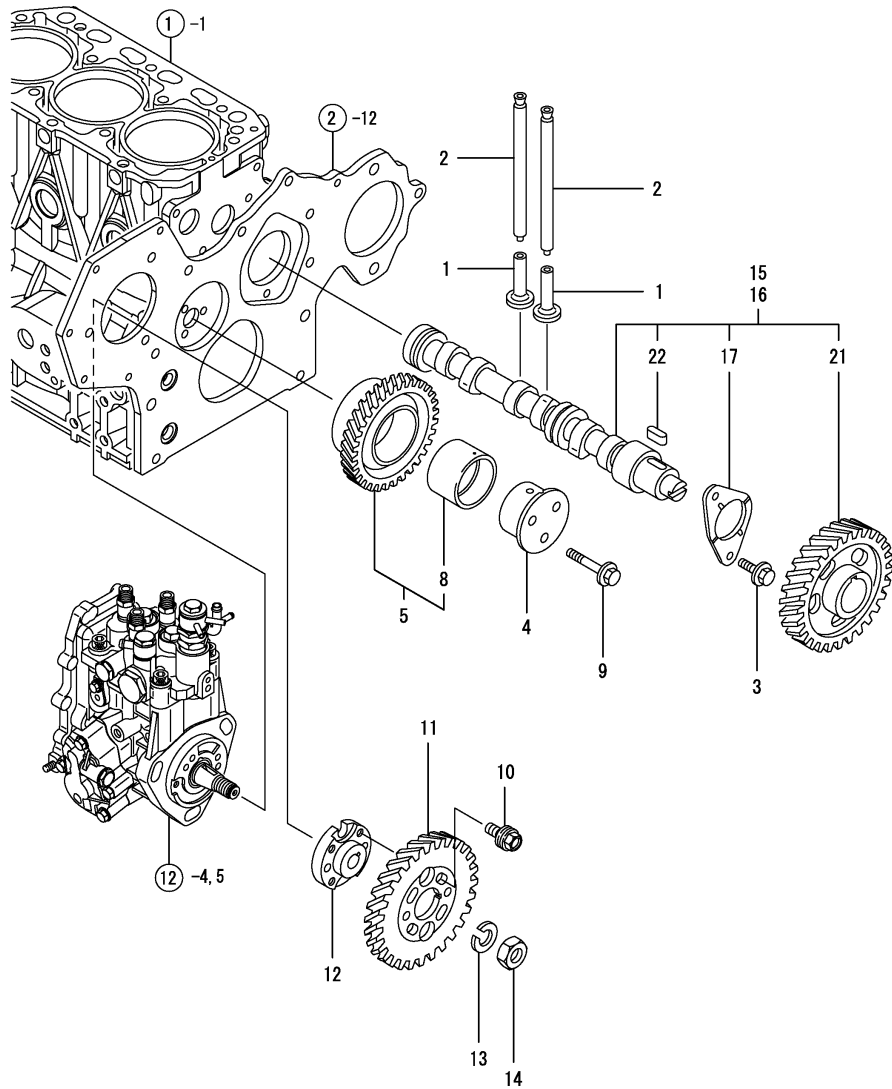


Fig.8. CAMSHAFT & DRIVING GEAR

(A)=3TNV88-DSA
(B)=3TNV88-DSA2
(C)=3TNV88-DSA3

(D)=3TNV88-GGE
(E)=
(F)=



| No. | Lev. | Parts No. | Description | Qty | | | | | | I | R |
|-----|------|--------------|---------------------|-----|-----|-----|-----|-----|-----|---|---|
| | | | | (A) | (B) | (C) | (D) | (E) | (F) | | |
| 1 | 1 | 129150-14200 | TAPPET | 6 | 6 | 6 | 6 | | | | |
| 2 | 1 | 129150-14400 | ROD, PUSH L=178 | 6 | 6 | 6 | 6 | | | | |
| 3 | 1 | 26106-080142 | BOLT, M8X 14 PLATED | 2 | 2 | 2 | 2 | | | | |
| 4 | 1 | 119802-25051 | SHAFT, IDLE | 1 | 1 | 1 | 1 | | | | |
| 5 | 1 | 119802-25100 | GEAR ASSY, IDLE | 1 | 1 | 1 | 1 | | | | |
| 8 | 2 | 119802-25070 | BUSH, IDLE GEAR | 1 | 1 | 1 | 1 | | | | 1 |
| 9 | 1 | 26106-080402 | BOLT, M8X 40 PLATED | 3 | 3 | 3 | 3 | | | | |
| 10 | 1 | 129150-25301 | BOLT | 4 | 4 | 4 | 4 | | | | |
| 11 | 1 | 119802-25901 | GEAR, PUMP | 1 | 1 | 1 | 1 | | | | |
| 12 | 1 | 158552-51151 | FLANGE | 1 | 1 | 1 | 1 | | | | |
| 13 | 1 | 22217-140000 | WASHER, SPRING 14 | 1 | 1 | 1 | 1 | | | | |
| 14 | 1 | 26776-140002 | NUT, LOCK M14 | 1 | 1 | 1 | 1 | | | | |
| 15 | 1 | 129129-14580 | CAMSHAFT ASSY | 1 | 1 | 1 | | | | | |
| 16 | 1 | 129004-14580 | CAMSHAFT ASSY | | | | | | | 1 | |
| 17 | 2 | 129150-02450 | BEARING, THRUST | 1 | 1 | 1 | 1 | | | | |
| 21 | 2 | 129150-14101 | GEAR, CAMSHAFT | 1 | 1 | 1 | 1 | | | | |
| 22 | 2 | 22512-070140 | KEY, 7X 14 | 1 | 1 | 1 | 1 | | | | |

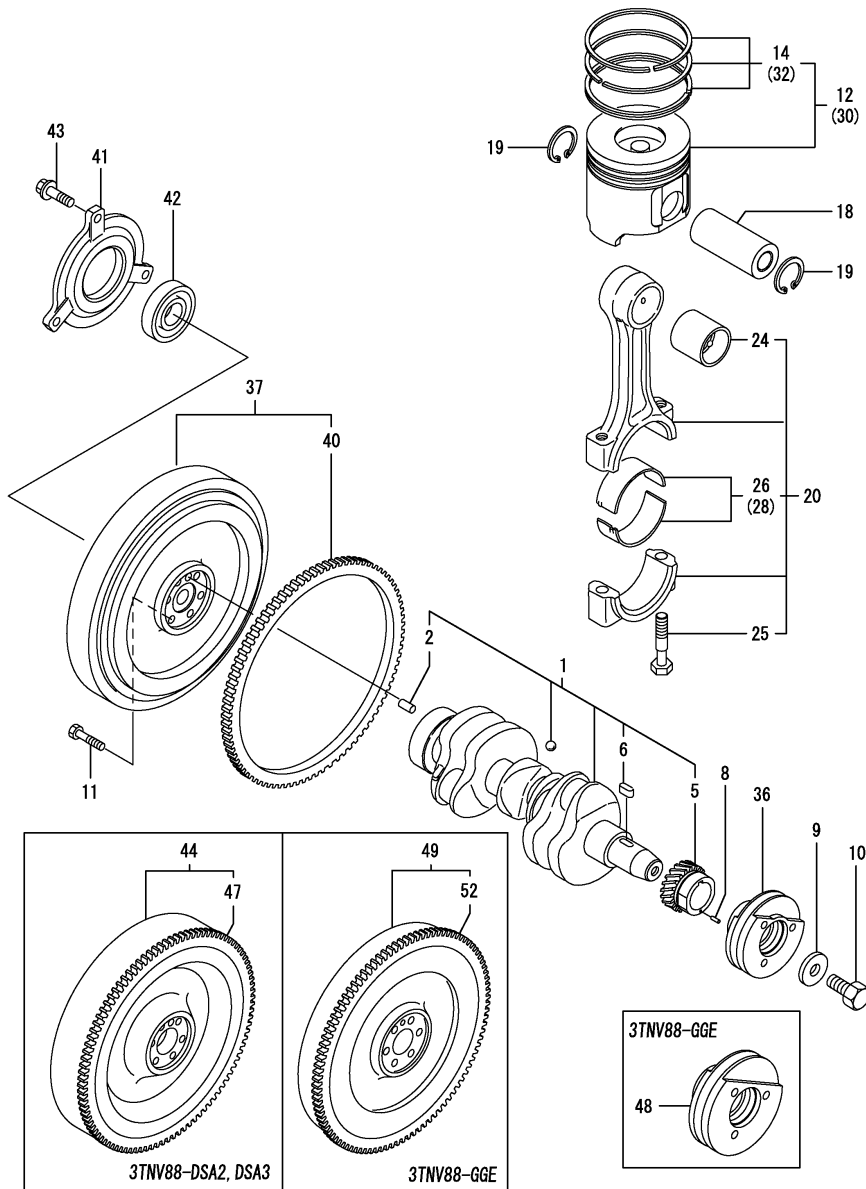
Remarks

(1)Repair parts.

Fig.9. CRANKSHAFT & PISTON

(A)=3TNV88-DSA
(B)=3TNV88-DSA2
(C)=3TNV88-DSA3

(D)=3TNV88-GGE
(E)=
(F)=

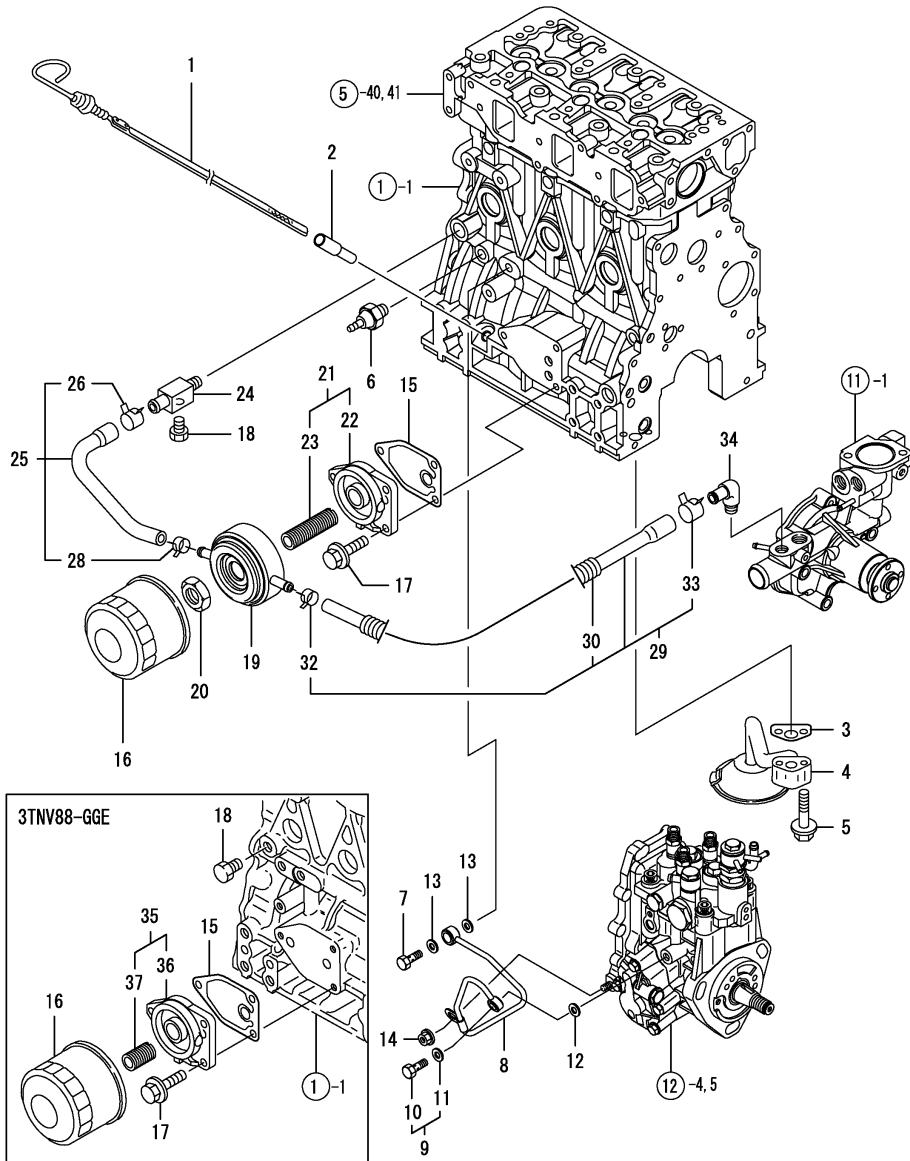


| No. | Lev. | Parts No. | Description | Qty | | | | | | I | R |
|-----|------|--------------|----------------------|-----|-----|-----|-----|-----|-----|---|---|
| | | | | (A) | (B) | (C) | (D) | (E) | (F) | | |
| 1 | 1 | 129004-21002 | CRANKSHAFT ASSY | 1 | 1 | 1 | 1 | | | | |
| 2 | 2 | 129100-01580 | PIN, M8X16 | 1 | 1 | 1 | 1 | | | | |
| 5 | 2 | 119802-21202 | GEAR, CRANKSHAFT | 1 | 1 | 1 | 1 | | | | |
| 6 | 2 | 22512-070140 | KEY, 7X 14 | 1 | 1 | 1 | 1 | | | | |
| 8 | 1 | 22351-030010 | PIN, SPRING 3.0X10 | 1 | 1 | 1 | 1 | | | | |
| 9 | 1 | 129795-21661 | WASHER | 1 | 1 | 1 | 1 | | | | |
| 10 | 1 | 121850-21680 | BOLT | 1 | 1 | 1 | 1 | | | | |
| 11 | 1 | 121111-21501 | BOLT, FLYWHEEL | 6 | 6 | 6 | 6 | | | | |
| 12 | 1 | 129005-22080 | PISTON ASSY | 3 | 3 | 3 | 3 | | | | |
| 14 | 2 | 129005-22500 | RING SET, PISTON | 3 | 3 | 3 | 3 | | | | |
| 18 | 1 | 129202-22300 | PIN, PISTON D26 L70 | 3 | 3 | 3 | 3 | | | | |
| 19 | 1 | 22252-000260 | RING, 26 | 6 | 6 | 6 | 6 | | | | |
| 20 | 1 | 729402-23100 | ROD ASSY, CONNECTING | 3 | 3 | 3 | 3 | | | | |
| 24 | 2 | 129100-23910 | BEARING, PISTON PIN | 3 | 3 | 3 | 3 | | | | 1 |
| 25 | 2 | 121550-23200 | BOLT, CONNECTING ROD | 6 | 6 | 6 | 6 | | | | |
| 26 | 2 | 129150-23600 | BEARING, CRANK PIN | 3 | 3 | 3 | 3 | | | | |
| 28 | 1 | 129150-23610 | BEARING, 0.25 US | 3 | 3 | 3 | 3 | | | | 2 |
| 30 | 1 | 129005-22900 | PISTON ASSY, 0.25 OS | 3 | 3 | 3 | 3 | | | | 3 |
| 32 | 2 | 129005-22950 | RING SET, 0.25 OS | 3 | 3 | 3 | 3 | | | | 3 |
| 36 | 1 | 129004-21650 | V-PULLEY, 110 | 1 | 1 | 1 | | | | | |
| 37 | 1 | 129188-21590 | FLYWHEEL ASSY | 1 | | | | | | | |
| 40 | 2 | 119865-21600 | GEAR, RING | 1 | | | | | | | |
| 41 | 1 | 119888-21450 | RETAINER, BEARING | 1 | | | | | | | |
| 42 | 1 | 24104-062054 | BEARING, BALL 6205UU | 1 | | | | | | | |
| 43 | 1 | 26106-080222 | BOLT, M8X 22 PLATED | 3 | | | | | | | |
| 44 | 1 | 171340-21580 | FLYWHEEL ASSY | | 1 | 1 | | | | | |
| 47 | 2 | 119865-21600 | GEAR, RING | | 1 | 1 | | | | | |
| 48 | 1 | 129005-21650 | V-PULLEY, 120 | | | | | | | | 1 |
| 49 | 1 | 171340-21590 | FLYWHEEL ASSY | | | | | | | | 1 |
| 52 | 2 | 124550-21600 | GEAR, RING | | | | | | | | 1 |

Remarks

- (1)Repair parts.
- (2)Under-sized(U.S.=0.25) parts.
- (3)Over-sized(O.S.=0.25) parts.

Fig.10. LUB. OIL SYSTEM



(A)=3TNV88-DSA
(B)=3TNV88-DSA2
(C)=3TNV88-DSA3

(D)=3TNV88-GGE
(E)=
(F)=

| No. | Lev. | Parts No. | Description | Q'ty | | | | | | I | R |
|-----|------|--------------|----------------------|------|-----|-----|-----|-----|-----|---|---|
| | | | | (A) | (B) | (C) | (D) | (E) | (F) | | |
| 1 | 1 | 129004-34801 | DIPSTICK, OIL | 1 | 1 | 1 | 1 | | | | |
| 2 | 1 | 121520-34810 | GUIDE, DIPSTICK | 1 | 1 | 1 | 1 | | | | |
| 3 | 1 | 129150-35041 | GASKET | 1 | 1 | 1 | 1 | | | | |
| 4 | 1 | 129100-35301 | PIPE ASSY, OIL INLET | 1 | 1 | 1 | 1 | | | | |
| 5 | 1 | 26106-080352 | BOLT, M8X 35 PLATED | 2 | 2 | 2 | 2 | | | | |
| 6 | 1 | 114250-39450 | SWITCH, 0.5KG | 1 | 1 | 1 | 1 | | | | |
| 7 | 1 | 124160-39140 | BOLT, PIPE JOINT M10 | 1 | 1 | 1 | 1 | | | | |
| 8 | 1 | 119802-39450 | PIPE ASSY, OIL | 1 | 1 | 1 | 1 | | | | |
| 9 | 1 | 129005-59830 | BOLT ASSY, JOINT M8 | 1 | 1 | 1 | 1 | | | | |
| 10 | 2 | 23857-030000 | BOLT, JOINT 3 | 1 | 1 | 1 | 1 | | | | |
| 11 | 2 | 22190-080002 | WASHER, SEAL 6 | 1 | 1 | 1 | 1 | | | | |
| 12 | 1 | 22190-080002 | WASHER, SEAL 6 | 1 | 1 | 1 | 1 | | | | |
| 13 | 1 | 22190-100002 | WASHER, SEAL 10 | 2 | 2 | 2 | 2 | | | | |
| 14 | 1 | 26366-060002 | NUT, M6 | 1 | 1 | 1 | 1 | | | | |
| 15 | 1 | 129150-35111 | GASKET | 1 | 1 | 1 | 1 | | | | |
| 16 | 1 | 129150-35153 | FILTER | 1 | 1 | 1 | 1 | | | | 1 |
| 17 | 1 | 26106-080202 | BOLT, M8X 20 PLATED | 3 | 3 | 3 | 3 | | | | |
| 18 | 1 | 171056-49120 | PLUG, DRAIN | 1 | 1 | 1 | 1 | | | | |
| 19 | 1 | 129508-33010 | COOLER ASSY, OIL | 1 | 1 | 1 | 1 | | | | |
| 20 | 1 | 129417-33110 | NUT | 1 | 1 | 1 | 1 | | | | |
| 21 | 1 | 129006-35100 | BRACKET ASSY, FILTER | 1 | 1 | 1 | 1 | | | | |
| 22 | 2 | 119802-35110 | BRACKET, FILTER | 1 | 1 | 1 | 1 | | | | |
| 23 | 2 | 129417-35150 | STUD, L=67 | 1 | 1 | 1 | 1 | | | | |
| 24 | 1 | 129006-44480 | JOINT | 1 | 1 | 1 | 1 | | | | |
| 25 | 1 | 129508-49030 | PIPE ASSY, WATER | 1 | 1 | 1 | 1 | | | | |
| 26 | 2 | 171008-03990 | CLIP, HOSE 18.5 | 1 | 1 | 1 | 1 | | | | |
| 28 | 2 | 23080-015000 | CLAMP, 15 | 1 | 1 | 1 | 1 | | | | |
| 29 | 1 | 129006-49040 | PIPE ASSY, WATER | 1 | 1 | 1 | 1 | | | | |
| 30 | 2 | 123951-03330 | TUBE, CORRUGATED | 1 | 1 | 1 | 1 | | | | |
| 32 | 2 | 23080-015000 | CLAMP, 15 | 1 | 1 | 1 | 1 | | | | |
| 33 | 2 | 23080-018000 | CLAMP, 18 | 1 | 1 | 1 | 1 | | | | |
| 34 | 1 | 129103-49301 | ELBOW, PT1/4 | 1 | 1 | 1 | 1 | | | | |
| 35 | 1 | 119802-35100 | BRACKET ASSY, FILTER | | | | | | | | 1 |
| 36 | 2 | 119802-35110 | BRACKET, FILTER | | | | | | | | 1 |
| 37 | 2 | 129100-35140 | STUD | | | | | | | | 1 |

Remarks

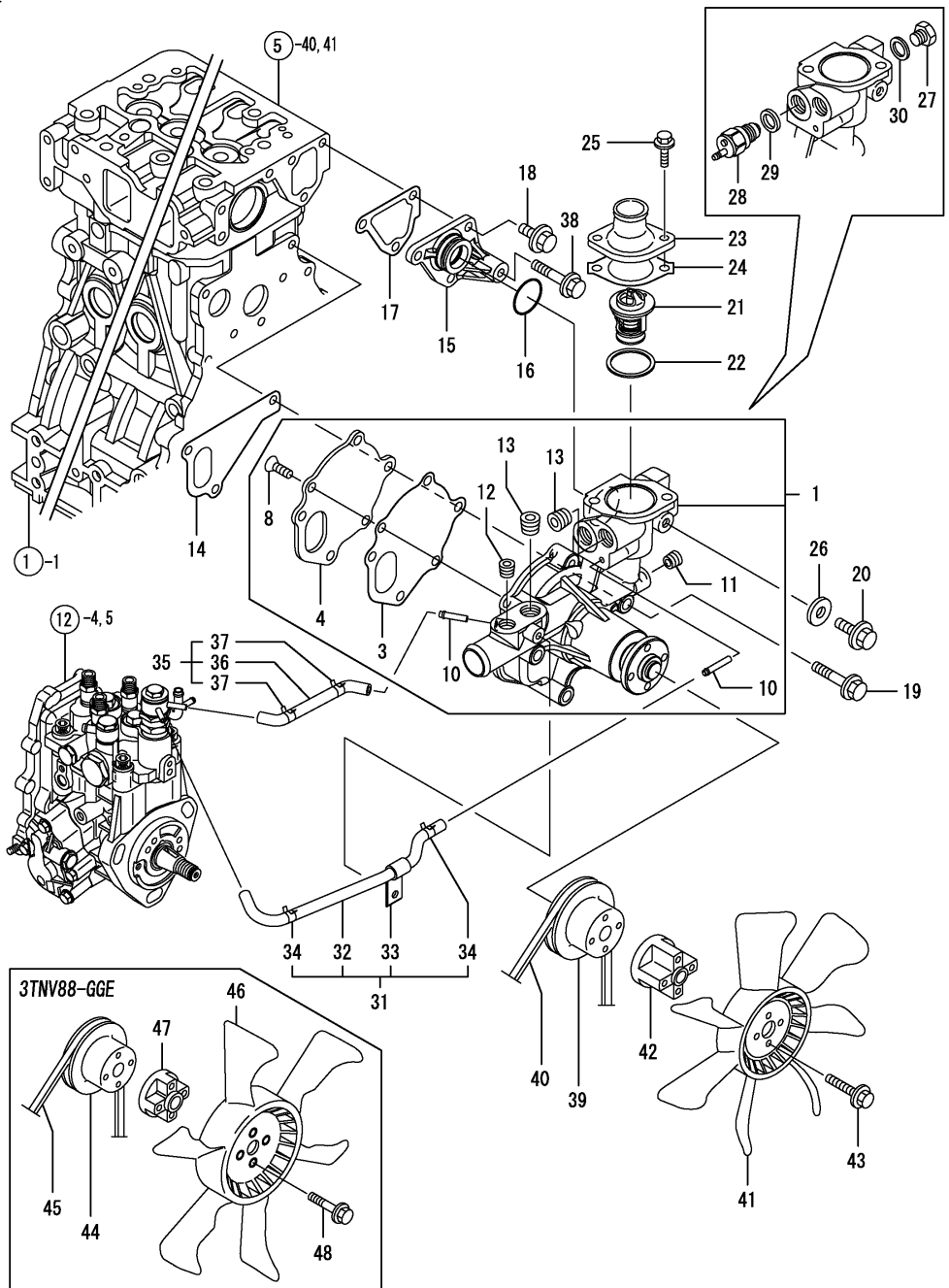
(1)Repair parts.

N:Old $\xrightarrow{\text{Yes}}$ New, Q:Old $\xrightarrow{\text{No}}$ New, R:Old $\xrightarrow{\text{Yes}}$ New, S:Old $\xrightarrow{\text{No}}$ New, W:Add, Z:Discontinued, F:Interchangeable by set, K:Q'ty Change

Fig.11. COOLING WATER SYSTEM

(A)=3TNV88-DSA
(B)=3TNV88-DSA2
(C)=3TNV88-DSA3

(D)=3TNV88-GGE
(E)=
(F)=



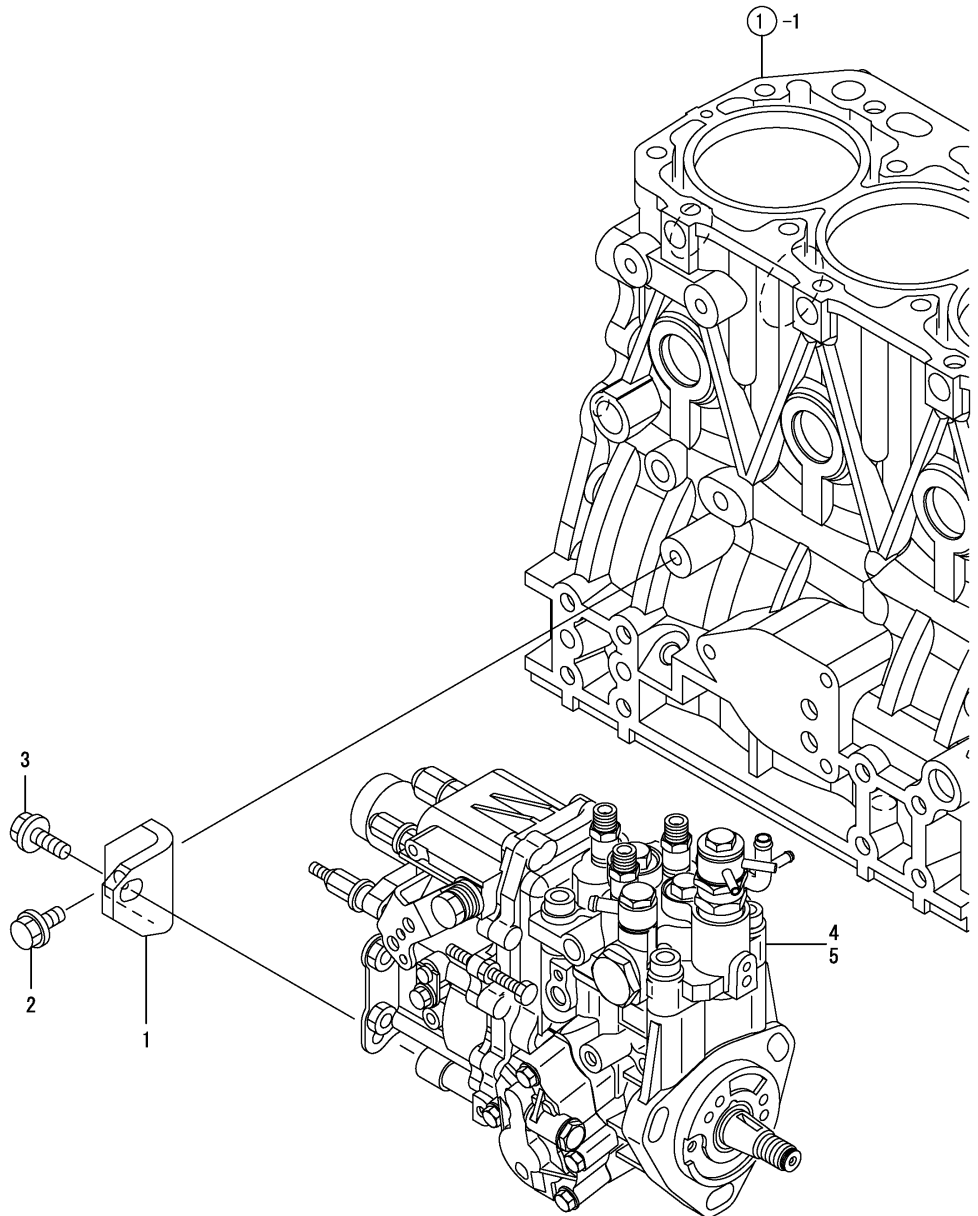
| No. | Lev. | Parts No. | Description | Q'ty | | | | | | I | R |
|------|------|----------------------------------|----------------------|------|-----|-----|-----|-----|-----|---|---|
| | | | | (A) | (B) | (C) | (D) | (E) | (F) | | |
| 1 | 1 | 129004-42001 | PUMP ASSY, WATER | 1 | 1 | 1 | 1 | | | | |
| 3 | 2 | 129100-42051 | GASKET, WATER PUMP | 1 | 1 | 1 | 1 | | | | |
| 4 | 2 | 129100-42121 | PLATE | 1 | 1 | 1 | 1 | | | | |
| 8 | 2 | 121850-42410 | SCREW | 3 | 3 | 3 | 3 | | | | |
| 10 | 2 | 119802-49113 | JOINT, PIPE | 2 | 2 | 2 | 2 | | | | |
| 11 | 2 | 23876-010000 | PLUG, R01 | 1 | 1 | 1 | 1 | | | | |
| 12 | 2 | 23876-020000 | PLUG, R02 | 1 | 1 | 1 | 1 | | | | |
| 13 | 2 | 129916-49740 | PLUG, R03 | 2 | 2 | 2 | 2 | | | | |
| 14 | 1 | 129486-42021 | GASKET, WATER PUMP | 1 | 1 | 1 | 1 | | | | |
| 15 | 1 | 129004-42040 | JOINT | 1 | 1 | 1 | 1 | | | | |
| 16 | 1 | 129486-42140 | O-RING, G30 | 1 | 1 | 1 | 1 | | | | |
| 17 | 1 | 124395-49840 | GASKET | 1 | 1 | 1 | 1 | | | | |
| 18 | 1 | 26106-080162 | BOLT, M8X 16 PLATED | 3 | 3 | 3 | 3 | | | | |
| 19 | 1 | 26106-080602 | BOLT, M8X 60 PLATED | 3 | 3 | 3 | 3 | | | | |
| 20 | 1 | 26106-080122 | BOLT, M8X 12 PLATED | 1 | 1 | 1 | 1 | | | | |
| 21 | 1 | 129155-49801 | THERMOSTAT, 71 | 1 | 1 | 1 | 1 | | | | |
| 22 | 1 | 129150-49811 | GASKET, THERMOSTAT | 1 | 1 | 1 | 1 | | | | |
| 23 | 1 | 129350-49530 | COVER, THERMOSTAT | 1 | 1 | 1 | 1 | | | | |
| 24 | 1 | 129795-49551 | GASKET | 1 | 1 | 1 | 1 | | | | |
| 25 | 1 | 26106-080222 | BOLT, M8X 22 PLATED | 2 | 2 | 2 | 2 | | | | |
| 26 | 1 | 23414-080000 | GASKET, 8X1.0 | 1 | 1 | 1 | 1 | | | | |
| 27 | 1 | 121450-42450 | PLUG, M16 | 1 | 1 | 1 | 1 | | | | |
| 28 | 1 | 121250-44901 | SWITCH, 110 | 1 | 1 | 1 | 1 | | | | |
| 29 | 1 | 124465-44950 | GASKET, 16 | 1 | 1 | 1 | 1 | | | | |
| 30 | 1 | 124465-44950 | GASKET, 16 | 1 | 1 | 1 | 1 | | | | |
| 31 | 1 | 129004-49610 | PIPE ASSY, WATER | 1 | 1 | 1 | 1 | | | | |
| 32 | 2 | 129004-49711 | PIPE ASSY, WATER | 1 | 1 | 1 | 1 | | | | |
| 33 | 2 | 119802-49730 | RETAINER, PIPE | 1 | 1 | 1 | 1 | | | | |
| 34 | 2 | 124722-59050 | CLIP, HOSE 9 | 2 | 2 | 2 | 2 | | | | |
| 35 | 1 | 129004-49620 | PIPE ASSY, WATER | 1 | 1 | 1 | 1 | | | | |
| 36 | 2 | 129004-49721 | PIPE ASSY, WATER | 1 | 1 | 1 | 1 | | | | |
| 37 | 2 | 124722-59050 | CLIP, HOSE 9 | 2 | 2 | 2 | 2 | | | | |
| 38 | 1 | 26106-080452 | BOLT, M8X 45 PLATED | 1 | 1 | 1 | 1 | | | | |
| 39 | 1 | 129403-42380 | V-PULLEY, D=110 | 1 | 1 | 1 | 1 | | | | |
| 40 | 1 | 119865-42290 | V-BELT, A36.5 | 1 | 1 | 1 | 1 | | | | |
| 40-1 | 1 | 25152-003600 | V-BELT, A36 | 1 | 1 | 1 | 1 | | | | N |
| | | (A=EXXXXX) (B=EXXXXX) (C=EXXXXX) | | | | | | | | | |
| 41 | 1 | 121267-44741 | FAN, COOLING D=360 | 1 | 1 | 1 | 1 | | | | |
| 42 | 1 | 171353-44760 | SPACER, FAN | 1 | 1 | 1 | 1 | | | | |
| 43 | 1 | 26106-060402 | BOLT, M6X 40 PLATED | 4 | 4 | 4 | 4 | | | | |
| 44 | 1 | 129155-42350 | V-PULLEY | | | | | | | | 1 |
| 45 | 1 | 119831-42290 | V-BELT, A37.5 | | | | | | | | 1 |
| 46 | 1 | 129030-44740 | FAN, COOLING D360XUG | | | | | | | | 1 |
| 47 | 1 | 121267-44760 | SPACER | | | | | | | | 1 |
| 48 | 1 | 26106-060302 | BOLT, M6X 30 PLATED | | | | | | | | 4 |

N:Old \xrightarrow{Yes} New, Q:Old \xrightarrow{No} New, R:Old \xrightarrow{Yes} New, S:Old \xrightarrow{No} New, W:Add, Z:Discontinued, F:Interchangeable by set, K:Q'ty Change
Copyright (C) YANMAR CO., LTD. All Rights Reserved.

Fig.12. FUEL INJECTION PUMP

(A)=3TNV88-DSA
(B)=3TNV88-DSA2
(C)=3TNV88-DSA3

(D)=3TNV88-GGE
(E)=
(F)=

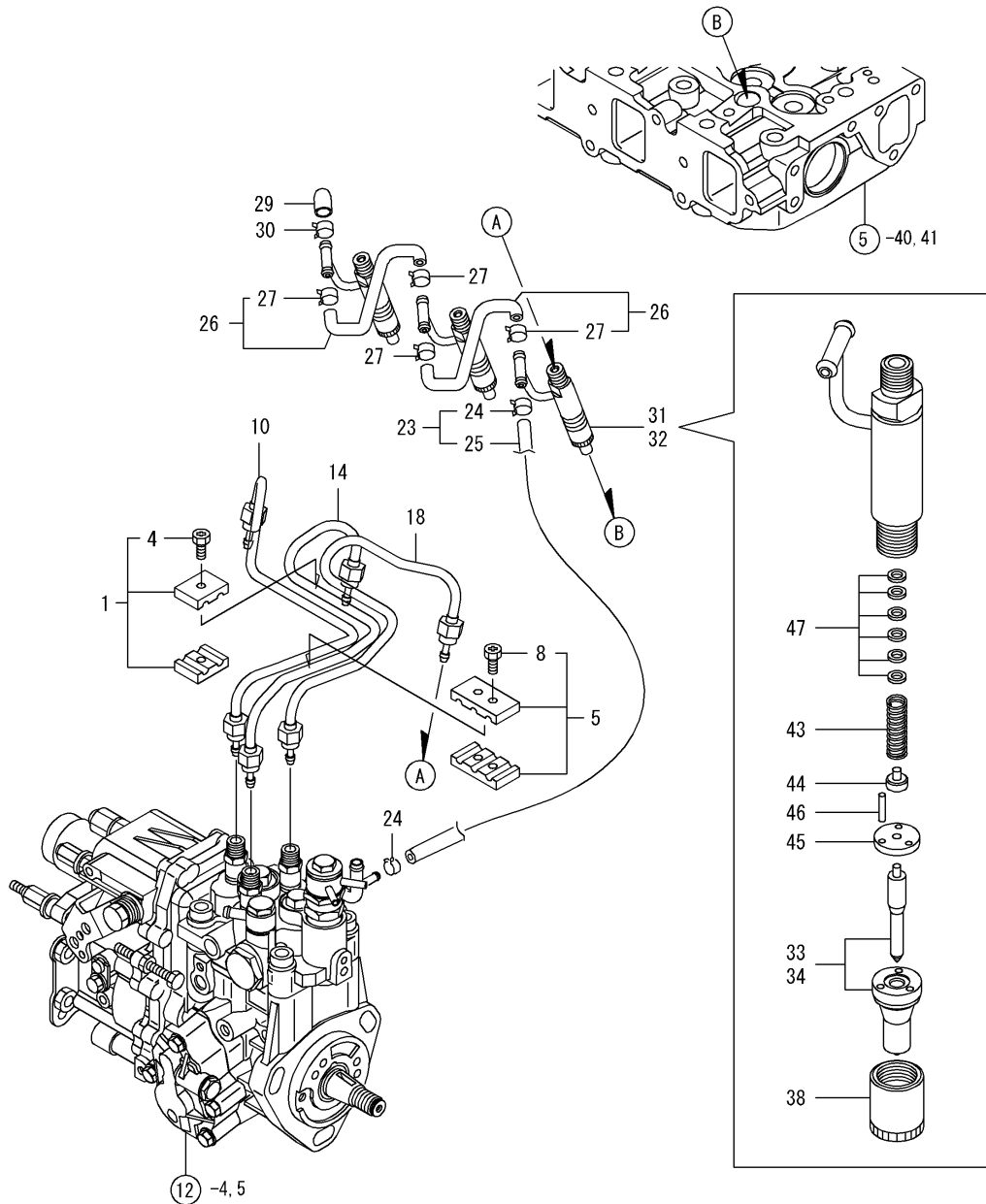


| No. | Lev. | Parts No. | Description | Qty | | | | | | I | R |
|-----|------|--------------|----------------------|-----|-----|-----|-----|-----|-----|---|---|
| | | | | (A) | (B) | (C) | (D) | (E) | (F) | | |
| 1 | 1 | 119802-51250 | RETAINER, PUMP | 1 | 1 | 1 | 1 | | | | |
| 2 | 1 | 26106-080162 | BOLT, M8X 16 PLATED | 1 | 1 | 1 | 1 | | | | |
| 3 | 1 | 26106-080202 | BOLT, M8X 20 PLATED | 1 | 1 | 1 | 1 | | | | |
| 4 | 1 | 729005-51310 | PUMP ASSY, INJECTION | 1 | 1 | 1 | | | | | |
| 5 | 1 | 729247-51390 | PUMP ASSY, INJECTION | | | | 1 | | | | |

Fig.13. FUEL INJECTION VALVE

(A)=3TNV88-DSA
(B)=3TNV88-DSA2
(C)=3TNV88-DSA3

(D)=3TNV88-GGE
(E)=
(F)=

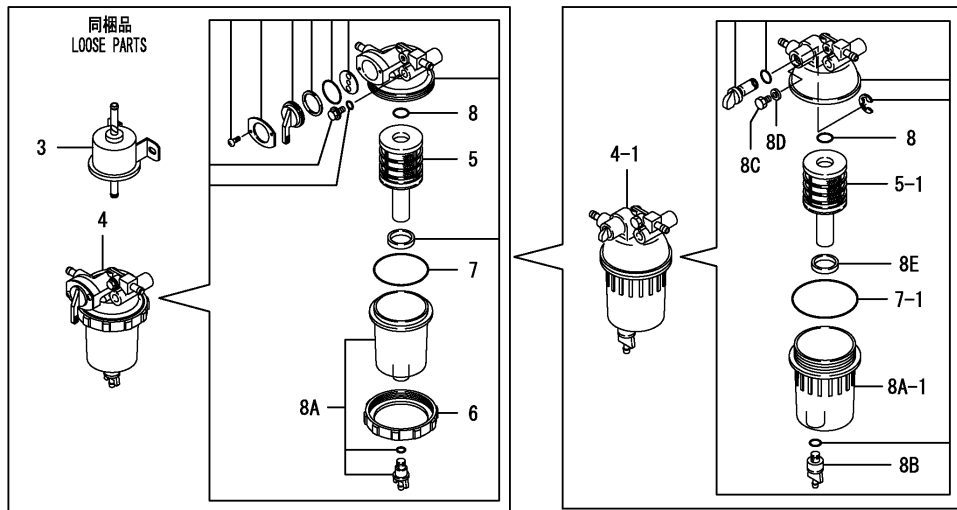
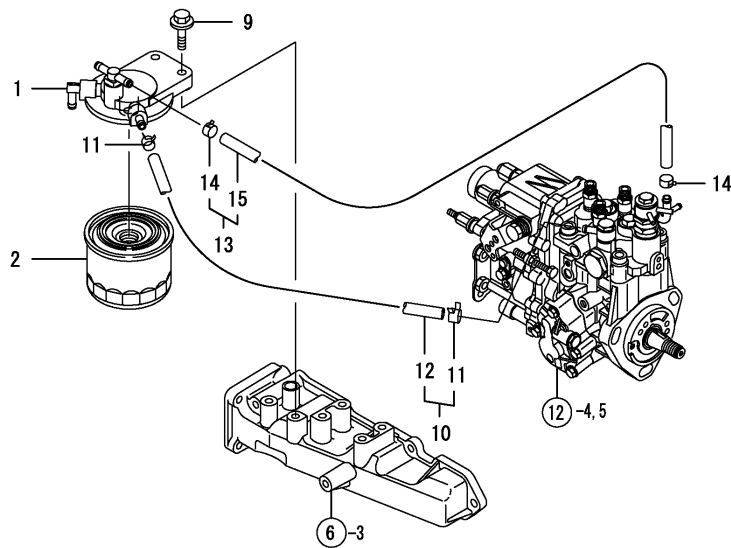


| No. | Lev. | Parts No. | Description | Q'ty | | | | | | I | R |
|-----|------|--------------|----------------------|------|-----|-----|-----|-----|-----|---|---|
| | | | | (A) | (B) | (C) | (D) | (E) | (F) | | |
| 1 | 1 | 119305-59120 | RETAINER, PIPE | 1 | 1 | 1 | 1 | | | | |
| 4 | 2 | 129150-59131 | BOLT, M4X14 | 1 | 1 | 1 | 1 | | | | |
| 5 | 1 | 129150-59120 | RETAINER, PIPE | 1 | 1 | 1 | 1 | | | | |
| 8 | 2 | 129150-59131 | BOLT, M4X14 | 2 | 2 | 2 | 2 | | | | |
| 10 | 1 | 129004-59810 | PIPE ASSY, INJECTION | 1 | 1 | 1 | 1 | | | | |
| 14 | 1 | 129004-59820 | PIPE ASSY, INJECTION | 1 | 1 | 1 | 1 | | | | |
| 18 | 1 | 129004-59830 | PIPE ASSY, INJECTION | 1 | 1 | 1 | 1 | | | | |
| 23 | 1 | 119802-59550 | PIPE ASSY, RETURN | 1 | 1 | 1 | 1 | | | | |
| 24 | 2 | 124722-59050 | CLIP, HOSE 9 | 2 | 2 | 2 | 2 | | | | |
| 25 | 2 | 119802-59560 | PIPE, FUEL RETURN | 1 | 1 | 1 | 1 | | | | |
| 26 | 1 | 129486-59551 | PIPE ASSY, RETURN | 2 | 2 | 2 | 2 | | | | |
| 27 | 2 | 124722-59050 | CLIP, HOSE 9 | 4 | 4 | 4 | 4 | | | | |
| 29 | 1 | 119593-59580 | CAP | 1 | 1 | 1 | 1 | | | | |
| 30 | 1 | 124060-77680 | CLIP, HOSE 10 | 1 | 1 | 1 | 1 | | | | |
| 31 | 1 | 729004-53101 | VALVE ASSY,INJECTION | 3 | 3 | 3 | | | | | |
| 32 | 1 | 729246-53101 | VALVE ASSY,INJECTION | | | | | | | 3 | |
| 33 | 2 | 129004-53001 | VALVE ASSY,INJECTION | 3 | 3 | 3 | | | | | |
| 34 | 2 | 129246-53001 | VALVE ASSY,INJECTION | | | | | | | 3 | |
| 38 | 2 | 114250-53080 | NUT, NOZZLE D16.95 | 3 | 3 | 3 | 3 | | | | |
| 43 | 2 | 114250-53120 | SPRING, NOZZLE | 3 | 3 | 3 | 3 | | | | |
| 44 | 2 | 114250-53130 | SEAT, SPRING | 3 | 3 | 3 | 3 | | | | |
| 45 | 2 | 114250-53140 | PLATE | 3 | 3 | 3 | 3 | | | | |
| 46 | 2 | 114250-53210 | PIN | 6 | 6 | 6 | 6 | | | | |
| 47 | 2 | 114250-53400 | SHIM SET | 3 | 3 | 3 | 3 | | | | |

Fig.14. FUEL PIPING

(A)=3TNV88-DSA
(B)=3TNV88-DSA2
(C)=3TNV88-DSA3

(D)=3TNV88-GGE
(E)=
(F)=



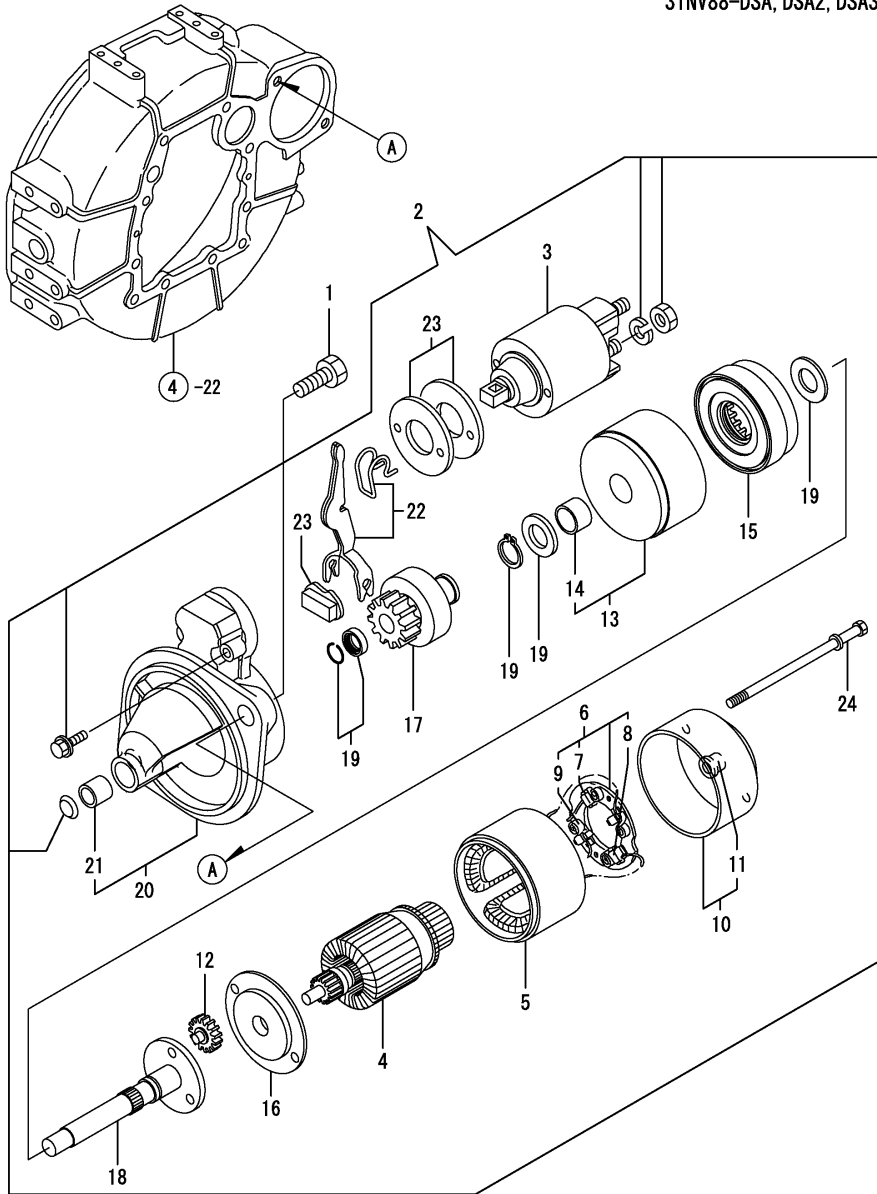
| No. | Lev. | Parts No. | Description | Q'ty | | | | | | I | R |
|------|------|---|----------------------|------|-----|-----|-----|-----|-----|---|---|
| | | | | (A) | (B) | (C) | (D) | (E) | (F) | | |
| 1 | 1 | 129004-55610 | BRACKET, FILTER | 1 | 1 | 1 | 1 | | | | |
| 2 | 1 | 119802-55800 | FILTER, FUEL | 1 | 1 | 1 | 1 | | | | |
| 3 | 1 | 119225-52102 | PUMP ASSY, FUEL FEED | 1 | 1 | 1 | 1 | | | | |
| 4 | 1 | 119802-55700 | SEPARATOR ASSY | 1 | 1 | 1 | 1 | | | | |
| 4-1 | 1 | 129242-55700 | SEPARATOR ASSY | 1 | 1 | 1 | 1 | | | | N |
| | | (A=*2008.08.) (B=*2008.08.) (C=*2008.08.) (D=*2008.08.) | | | | | | | | | |
| 5 | 2 | 119802-55710 | ELEMENT | 1 | 1 | 1 | 1 | | | | |
| 5-1 | 2 | 129242-55730 | ELEMENT | 1 | 1 | 1 | 1 | | | | S |
| | | (A=*2008.08.) (B=*2008.08.) (C=*2008.08.) (D=*2008.08.) | | | | | | | | | |
| 6 | 2 | 129100-55690 | RING, RETAINING | 1 | 1 | 1 | 1 | | | | Z |
| | | (A=*2008.08.) (B=*2008.08.) (C=*2008.08.) (D=*2008.08.) | | | | | | | | | |
| 7 | 2 | 24321-000650 | O-RING, 1AG65.0 | 1 | 1 | 1 | 1 | | | | |
| 7-1 | 2 | 24321-000750 | O-RING, 1AG75.0 | 1 | 1 | 1 | 1 | | | | S |
| | | (A=*2008.08.) (B=*2008.08.) (C=*2008.08.) (D=*2008.08.) | | | | | | | | | |
| 8 | 2 | 24311-000160 | O-RING, 1AP16.0 | 1 | 1 | 1 | 1 | | | | |
| 8A | 2 | 119802-55730 | CUP ASSY | 1 | 1 | 1 | 1 | | | | W |
| | | (A=FROM 1ST) (B=FROM 1ST) (C=FROM 1ST) (D=FROM 1ST) | | | | | | | | | |
| 8A-1 | 2 | 129242-55720 | CUP | 1 | 1 | 1 | 1 | | | | S |
| | | (A=*2008.08.) (B=*2008.08.) (C=*2008.08.) (D=*2008.08.) | | | | | | | | | |
| 8B | 2 | 129242-55740 | PLUG, DRAIN | 1 | 1 | 1 | 1 | | | | W |
| | | (A=*2008.08.) (B=*2008.08.) (C=*2008.08.) (D=*2008.08.) | | | | | | | | | |
| 8C | 2 | 129242-55750 | VALVE, AIR VENT | 1 | 1 | 1 | 1 | | | | W |
| | | (A=*2008.08.) (B=*2008.08.) (C=*2008.08.) (D=*2008.08.) | | | | | | | | | |
| 8D | 2 | 129242-55760 | GASKET | 1 | 1 | 1 | 1 | | | | W |
| | | (A=*2008.08.) (B=*2008.08.) (C=*2008.08.) (D=*2008.08.) | | | | | | | | | |
| 8E | 2 | 129242-55770 | FLOAT | 1 | 1 | 1 | 1 | | | | W |
| | | (A=*2008.08.) (B=*2008.08.) (C=*2008.08.) (D=*2008.08.) | | | | | | | | | |
| 9 | 1 | 26106-080302 | BOLT, M8X 30 PLATED | 2 | 2 | 2 | 2 | | | | |
| 10 | 1 | 129210-59100 | PIPE ASSY, FUEL | 1 | 1 | 1 | 1 | | | | |
| 11 | 2 | 124766-59050 | CLIP, HOSE 12 | 2 | 2 | 2 | 2 | | | | |
| 12 | 2 | 105025-59580 | PIPE, FUEL | 1 | 1 | 1 | 1 | | | | |
| 13 | 1 | 129210-59230 | PIPE ASSY, FUEL | 1 | 1 | 1 | 1 | | | | |
| 14 | 2 | 124766-59050 | CLIP, HOSE 12 | 2 | 2 | 2 | 2 | | | | |
| 15 | 2 | 129555-59511 | PIPE, FUEL | 1 | 1 | 1 | 1 | | | | |

Fig.15. STARTER MOTOR

(A)=3TNV88-DSA
(B)=3TNV88-DSA2
(C)=3TNV88-DSA3

(D)=3TNV88-GGE
(E)=
(F)=

3TNV88-DSA, DSA2, DSA3

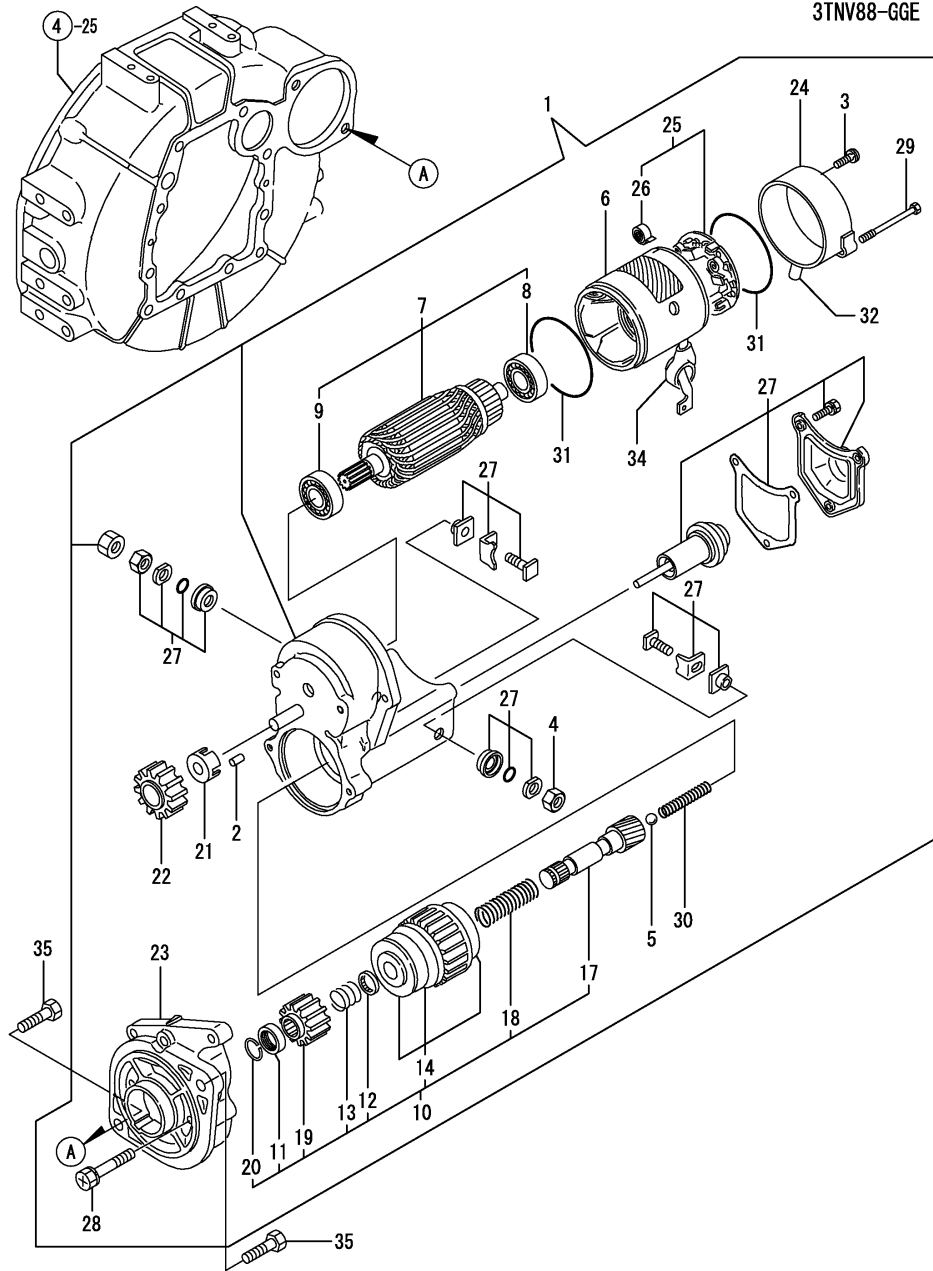


| No. | Lev. | Parts No. | Description | Qty | | | | | | I | R |
|-----|------|--------------|----------------------|-----|-----|-----|-----|-----|-----|---|---|
| | | | | (A) | (B) | (C) | (D) | (E) | (F) | | |
| 1 | 1 | 26116-120202 | BOLT, M12X 20 PLATED | 2 | 2 | 2 | | | | | |
| 2 | 1 | 129242-77010 | STARTER, 1.7 | 1 | 1 | 1 | | | | | |
| 3 | 2 | 129698-77020 | SWITCH ASSY | 1 | 1 | 1 | | | | | |
| 4 | 2 | 129242-77100 | ARMATURE ASSY | 1 | 1 | 1 | | | | | |
| 5 | 2 | 129242-77110 | YOKE ASSY | 1 | 1 | 1 | | | | | |
| 6 | 2 | 129242-77120 | HOLDER ASSY, BRUSH | 1 | 1 | 1 | | | | | |
| 7 | 3 | 129242-77130 | BRUSH | 2 | 2 | 2 | | | | | |
| 8 | 3 | 129242-77140 | BRUSH SET | 1 | 1 | 1 | | | | | |
| 9 | 3 | 129242-77150 | SPRING | 4 | 4 | 4 | | | | | |
| 10 | 2 | 129242-77160 | COVER ASSY | 1 | 1 | 1 | | | | | |
| 11 | 3 | 129242-77170 | METAL | 1 | 1 | 1 | | | | | |
| 12 | 2 | 118400-77170 | GEAR | 3 | 3 | 3 | | | | | |
| 13 | 2 | 129242-77180 | BRACKET | 1 | 1 | 1 | | | | | |
| 14 | 3 | 129698-77190 | BRACKET | 1 | 1 | 1 | | | | | |
| 15 | 2 | 129698-77200 | GEAR, INTERNAL | 1 | 1 | 1 | | | | | |
| 16 | 2 | 129242-77210 | BRACKET | 1 | 1 | 1 | | | | | |
| 17 | 2 | 129698-77220 | PINION ASSY | 1 | 1 | 1 | | | | | |
| 18 | 2 | 129698-77230 | SHAFT | 1 | 1 | 1 | | | | | |
| 19 | 2 | 129698-77250 | WASHER SET | 1 | 1 | 1 | | | | | |
| 20 | 2 | 129242-77260 | CASE ASSY | 1 | 1 | 1 | | | | | |
| 21 | 3 | X2114535200 | METAL, STARTER | 1 | 1 | 1 | | | | | |
| 22 | 2 | 129242-77270 | LEVER SET | 1 | 1 | 1 | | | | | |
| 23 | 2 | 129242-77280 | COVER ASSY, DUST | 1 | 1 | 1 | | | | | |
| 24 | 2 | 124195-77770 | BOLT, THROUGH | 2 | 2 | 2 | | | | | |

Fig.16. STARTER MOTOR

(A)=3TNV88-DSA
(B)=3TNV88-DSA2
(C)=3TNV88-DSA3

(D)=3TNV88-GGE
(E)=
(F)=

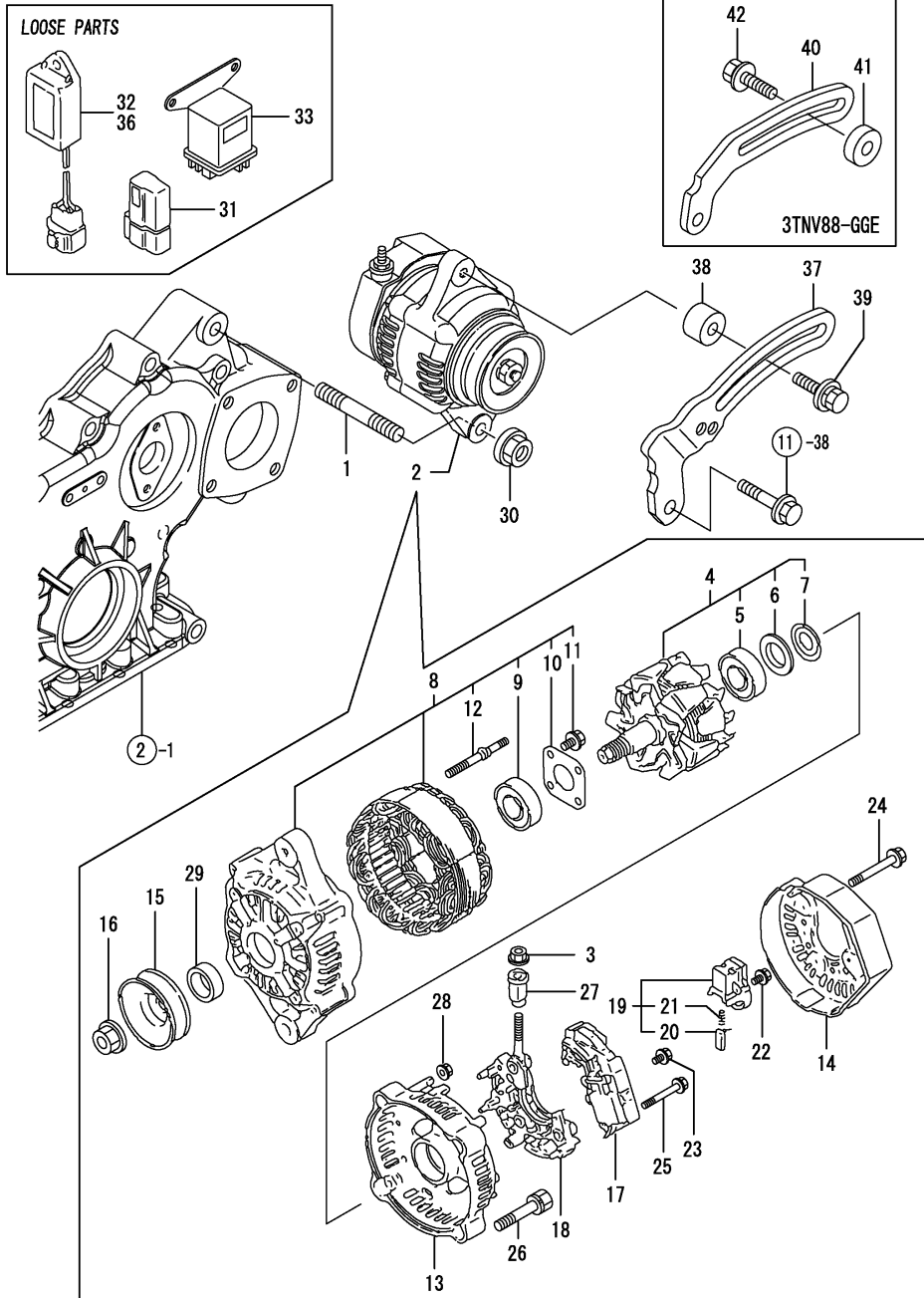


| No. | Lev. | Parts No. | Description | Q'ty | | | | | | I | R |
|-----|------|--------------|----------------------|------|-----|-----|-----|-----|-----|---|---|
| | | | | (A) | (B) | (C) | (D) | (E) | (F) | | |
| 1 | 1 | 129129-77010 | STARTER ASSY | | | | 1 | | | | |
| 2 | 2 | X0283060061 | ROLLER | | | | 5 | | | | |
| 3 | 2 | 129129-77460 | SCREW | | | | 2 | | | | |
| 4 | 2 | X9490561370 | NUT | | | | 1 | | | | |
| 5 | 2 | X9491200240 | BALL | | | | 1 | | | | |
| 6 | 2 | 129129-77210 | YOKE ASSY | | | | 1 | | | | |
| 7 | 2 | 129129-77220 | ARMATURE ASSY | | | | 1 | | | | |
| 8 | 3 | 129129-77230 | BEARING | | | | 1 | | | | |
| 9 | 3 | 129129-77240 | BEARING | | | | 1 | | | | |
| 10 | 2 | 129129-77250 | STARTER | | | | 1 | | | | |
| 11 | 3 | X0280210230 | NUT | | | | 1 | | | | |
| 12 | 3 | X0283270140 | RETAINER | | | | 1 | | | | |
| 13 | 3 | X9491703371 | SPRING, COIL | | | | 1 | | | | |
| 14 | 3 | 129129-77390 | CLUTCH ASSY | | | | 1 | | | | |
| 17 | 3 | 129129-77400 | SHAFT | | | | 1 | | | | |
| 18 | 3 | 129129-77410 | SPRING, COIL | | | | 1 | | | | |
| 19 | 3 | 129129-77420 | PINION, STARTER | | | | 1 | | | | |
| 20 | 3 | 129129-77430 | RING | | | | 1 | | | | |
| 21 | 2 | 129129-77260 | RETAINER | | | | 1 | | | | |
| 22 | 2 | 129129-77270 | PINION | | | | 1 | | | | |
| 23 | 2 | 129129-77280 | HOUSING | | | | 1 | | | | |
| 24 | 2 | 129129-77290 | FRAME | | | | 1 | | | | |
| 25 | 2 | 129129-77300 | HOLDER ASSY | | | | 1 | | | | |
| 26 | 3 | X9491730461 | SPRING | | | | 4 | | | | |
| 27 | 2 | 129129-77310 | SWITCH ASSY | | | | 1 | | | | |
| 28 | 2 | 129129-77320 | BOLT | | | | 2 | | | | |
| 29 | 2 | 129129-77330 | BOLT | | | | 2 | | | | |
| 30 | 2 | 129129-77340 | SPRING | | | | 1 | | | | |
| 31 | 2 | 129129-77350 | O-RING | | | | 2 | | | | |
| 32 | 2 | 129129-77362 | COVER | | | | 1 | | | | |
| 34 | 2 | 129129-77380 | CAP | | | | 1 | | | | |
| 35 | 1 | 26116-120252 | BOLT, M12X 25 PLATED | | | | 2 | | | | |

Fig.17. GENERATOR

(A)=3TNV88-DSA
(B)=3TNV88-DSA2
(C)=3TNV88-DSA3

(D)=3TNV88-GGE
(E)=
(F)=

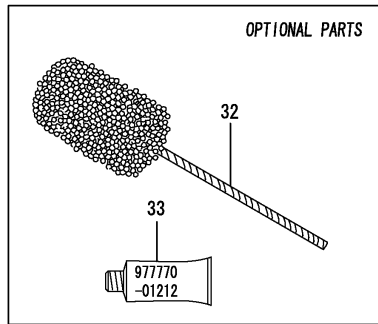
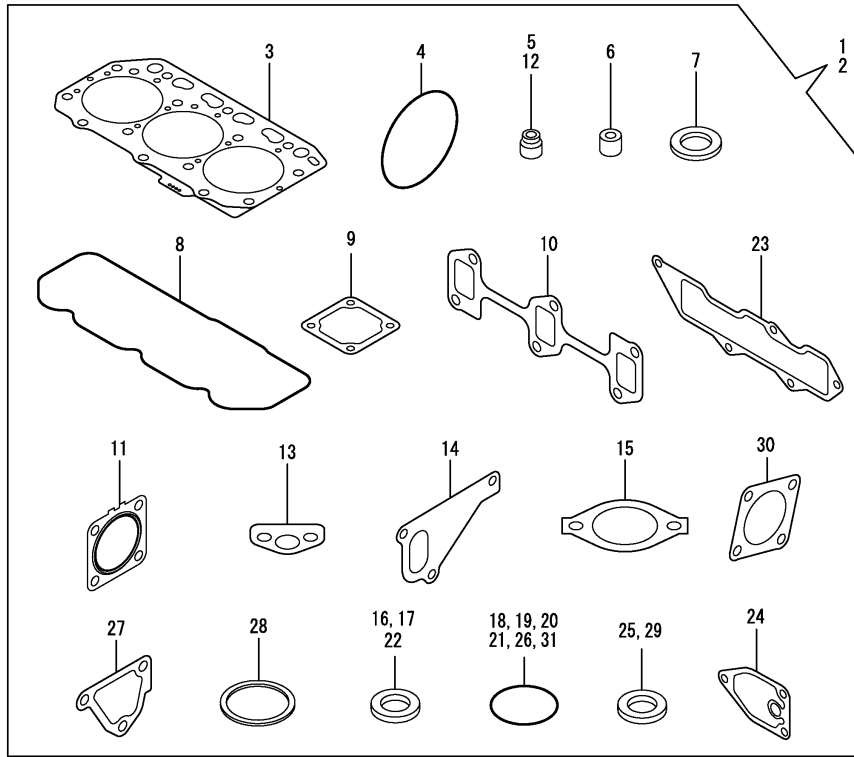


| No. | Lev. | Parts No. | Description | Qty | | | | | | I | R |
|-----|------|--------------|--------------------|-----|-----|-----|-----|-----|-----|---|---|
| | | | | (A) | (B) | (C) | (D) | (E) | (F) | | |
| 1 | 1 | 129795-01900 | STUD | 1 | 1 | 1 | 1 | | | | |
| 2 | 1 | 129423-77200 | GENERATOR, 12V-40A | 1 | 1 | 1 | 1 | | | | |
| 3 | 2 | X9490561001 | NUT | 1 | 1 | 1 | 1 | | | | |
| 4 | 2 | 119620-77380 | ROTOR ASSY | 1 | 1 | 1 | 1 | | | | |
| 5 | 3 | 123501-79240 | BEARING, BALL | 1 | 1 | 1 | 1 | | | | |
| 6 | 3 | 119620-79250 | COVER | 1 | 1 | 1 | 1 | | | | |
| 7 | 3 | 119620-79360 | WASHER, THRUST | 1 | 1 | 1 | 1 | | | | |
| 8 | 2 | 119620-77421 | FRAME ASSY, DRIVE | 1 | 1 | 1 | 1 | | | | |
| 9 | 3 | 119620-79200 | BEARING, BALL | 1 | 1 | 1 | 1 | | | | |
| 10 | 3 | 119620-79210 | PLATE, RETAINER | 1 | 1 | 1 | 1 | | | | |
| 11 | 3 | 119620-79220 | SCREW | 4 | 4 | 4 | 4 | | | | |
| 12 | 3 | 119620-79230 | STUD | 2 | 2 | 2 | 2 | | | | |
| 13 | 2 | 119620-77440 | FRAME ASSY | 1 | 1 | 1 | 1 | | | | |
| 14 | 2 | 129240-79300 | COVER | 1 | 1 | 1 | 1 | | | | |
| 15 | 2 | 119620-77461 | PULLEY | 1 | 1 | 1 | 1 | | | | |
| 16 | 2 | 119620-77471 | NUT | 1 | 1 | 1 | 1 | | | | |
| 17 | 2 | 129423-77710 | REGULATOR ASSY | 1 | 1 | 1 | 1 | | | | |
| 18 | 2 | 119620-79260 | HOLDER | 1 | 1 | 1 | 1 | | | | |
| 19 | 2 | 119620-79270 | HOLDER, BRUSH | 1 | 1 | 1 | 1 | | | | |
| 20 | 3 | 119620-77480 | BRUSH ASSY | 2 | 2 | 2 | 2 | | | | |
| 21 | 3 | 119620-79280 | SPRING | 2 | 2 | 2 | 2 | | | | |
| 22 | 2 | 119620-79290 | SCREW | 6 | 6 | 6 | 6 | | | | |
| 23 | 2 | 119620-79300 | SCREW | 1 | 1 | 1 | 1 | | | | |
| 24 | 2 | 119620-79310 | BOLT | 3 | 3 | 3 | 3 | | | | |
| 25 | 2 | 119620-79320 | SCREW | 2 | 2 | 2 | 2 | | | | |
| 26 | 2 | 119620-79330 | BOLT | 2 | 2 | 2 | 2 | | | | |
| 27 | 2 | 119620-79340 | BUSH, INSULATION | 1 | 1 | 1 | 1 | | | | |
| 28 | 2 | 119620-79350 | NUT | 2 | 2 | 2 | 2 | | | | |
| 29 | 2 | 119620-77490 | COLLAR | 1 | 1 | 1 | 1 | | | | |
| 30 | 1 | 26306-100002 | NUT, M10 | 1 | 1 | 1 | 1 | | | | |
| 31 | 1 | 119643-66900 | DIODE | 1 | 1 | 1 | 1 | | | | |
| 32 | 1 | 129211-77920 | TIMER | 1 | 1 | 1 | 1 | | | | |
| 33 | 1 | 119650-77910 | RELAY ASSY, GLOW | 1 | 1 | 1 | 1 | | | | |
| 36 | 1 | 128300-77920 | TIMER | 1 | 1 | 1 | 1 | | | | |
| 37 | 1 | 129064-77330 | ADJUSTER | 1 | 1 | 1 | 1 | | | | |
| 38 | 1 | 129067-77340 | SPACER | 1 | 1 | 1 | 1 | | | | |
| 39 | 1 | 26014-080452 | BOLT, M8X 45 | 1 | 1 | 1 | 1 | | | | |
| 40 | 1 | 119940-77330 | ADJUSTER | | | | | | | | 1 |
| 41 | 1 | 119940-77270 | SPACER, GENERATOR | | | | | | | | 1 |
| 42 | 1 | 119802-77340 | BOLT, ADJUSTER | | | | | | | | 1 |

Fig.18. GASKET SET

(A)=3TNV88-DSA
(B)=3TNV88-DSA2
(C)=3TNV88-DSA3

(D)=3TNV88-GGE
(E)=
(F)=



| No. | Lev. | Parts No. | Description | Qty | | | | | | I | R |
|-----|------|--------------|--------------------|-----|-----|-----|-----|-----|-----|---|---|
| | | | | (A) | (B) | (C) | (D) | (E) | (F) | | |
| 1 | 1 | 729001-92780 | GASKET SET | 1 | 1 | 1 | | | | | 1 |
| 2 | 1 | 729001-92790 | GASKET SET | | | | | | 1 | | 1 |
| 3 | 2 | 129001-01340 | GASKET, HEAD | 1 | 1 | 1 | 1 | | | | |
| 4 | 2 | 121850-51960 | O-RING | 1 | 1 | 1 | 1 | | | | |
| 5 | 2 | 124460-11340 | SEAL, VALVE STEM | 3 | 3 | 3 | 3 | | | | |
| 6 | 2 | 119802-11870 | PROTECTOR, NOZZLE | 3 | 3 | 3 | 3 | | | | |
| 7 | 2 | 119625-11880 | SEAT, NOZZLE | 3 | 3 | 3 | 3 | | | | |
| 8 | 2 | 129004-11310 | GASKET, BONNET | 1 | 1 | 1 | 1 | | | | |
| 9 | 2 | 129150-77511 | GASKET | 1 | 1 | 1 | 1 | | | | |
| 10 | 2 | 129150-13110 | GASKET | 1 | 1 | 1 | 1 | | | | |
| 11 | 2 | 129004-13200 | GASKET, SILENCER | 1 | 1 | 1 | 1 | | | | |
| 12 | 2 | 121400-11340 | SEAL, VALVE STEM | 3 | 3 | 3 | 3 | | | | |
| 13 | 2 | 129150-35041 | GASKET | 1 | 1 | 1 | 1 | | | | |
| 14 | 2 | 129486-42021 | GASKET, WATER PUMP | 1 | 1 | 1 | 1 | | | | |
| 15 | 2 | 129795-49551 | GASKET | 1 | 1 | 1 | 1 | | | | |
| 16 | 2 | 22190-220002 | WASHER, SEAL 22 | 1 | 1 | 1 | 1 | | | | |
| 17 | 2 | 22190-080002 | WASHER, SEAL 6 | 2 | 2 | 2 | 2 | | | | |
| 18 | 2 | 119609-32040 | O-RING, P16 | 4 | 4 | 4 | 4 | | | | |
| 19 | 2 | 24311-000120 | O-RING, 1AP12.0 | 3 | 3 | 3 | 3 | | | | |
| 20 | 2 | 24311-000320 | O-RING, 1AP32.0 | 2 | 2 | 2 | 2 | | | | |
| 21 | 2 | 24341-000240 | O-RING, 1AS24.0 | 1 | 1 | 1 | 1 | | | | |
| 22 | 2 | 22190-100002 | WASHER, SEAL 10 | 2 | 2 | 2 | 2 | | | | |
| 23 | 2 | 129001-12110 | GASKET, MANIFOLD | 1 | 1 | 1 | 1 | | | | |
| 24 | 2 | 129150-35111 | GASKET | 1 | 1 | 1 | 1 | | | | |
| 25 | 2 | 23414-080000 | GASKET, 8X1.0 | 1 | 1 | 1 | 1 | | | | |
| 26 | 2 | 129486-42140 | O-RING, G30 | 1 | 1 | 1 | 1 | | | | |
| 27 | 2 | 124395-49840 | GASKET | 1 | 1 | 1 | 1 | | | | |
| 28 | 2 | 129150-49811 | GASKET, THERMOSTAT | 1 | 1 | 1 | 1 | | | | |
| 29 | 2 | 124465-44950 | GASKET, 16 | 2 | 2 | 2 | 2 | | | | |
| 30 | 2 | 124240-01883 | GASKET | 1 | 1 | 1 | 1 | | | | |
| 31 | 2 | 24321-000800 | O-RING, 1AG80.0 | 1 | 1 | 1 | 1 | | | | |
| 32 | 1 | 129400-92430 | HONE | 1 | 1 | 1 | 1 | | | | 1 |
| 33 | 1 | 977770-01212 | GASKET, LIQUID | 1 | 1 | 1 | 1 | | | | 1 |

Remarks

(1)Optional parts.

N:Old $\begin{matrix} \leftarrow \text{Yes} \\ \text{No} \rightarrow \end{matrix}$ New, Q:Old $\begin{matrix} \leftarrow \text{No} \\ \text{Yes} \rightarrow \end{matrix}$ New, R:Old $\begin{matrix} \leftarrow \text{Yes} \\ \text{No} \rightarrow \end{matrix}$ New, S:Old $\begin{matrix} \leftarrow \text{No} \\ \text{Yes} \rightarrow \end{matrix}$ New, W:Add, Z:Discontinued, F:Interchangeable by set, K:Q'ty Change

Parts No. Index

| Parts No. | Fig. No. | Ref. No. |
|--------------|----------|----------|
| 105025-59580 | 14 | 12 |
| 114250-39450 | 10 | 6 |
| 114250-53080 | 13 | 38 |
| 114250-53120 | 13 | 43 |
| 114250-53130 | 13 | 44 |
| 114250-53140 | 13 | 45 |
| 114250-53210 | 13 | 46 |
| 114250-53400 | 13 | 47 |
| 118400-77170 | 15 | 12 |
| 119131-18320 | 7 | 3 |
| 119225-52102 | 14 | 3 |
| 119305-59120 | 13 | 1 |
| 119593-59580 | 13 | 29 |
| 119609-32040 | 2 | 17 |
| | 3 | 17 |
| | 18 | 18 |
| 119620-01750 | 4 | 18 |
| 119620-77380 | 17 | 4 |
| 119620-77421 | 17 | 8 |
| 119620-77440 | 17 | 13 |
| 119620-77461 | 17 | 15 |
| 119620-77471 | 17 | 16 |
| 119620-77480 | 17 | 20 |
| 119620-77490 | 17 | 29 |
| 119620-79200 | 17 | 9 |
| 119620-79210 | 17 | 10 |
| 119620-79220 | 17 | 11 |
| 119620-79230 | 17 | 12 |
| 119620-79250 | 17 | 6 |
| 119620-79260 | 17 | 18 |
| 119620-79270 | 17 | 19 |
| 119620-79280 | 17 | 21 |
| 119620-79290 | 17 | 22 |
| 119620-79300 | 17 | 23 |
| 119620-79310 | 17 | 24 |
| 119620-79320 | 17 | 25 |
| 119620-79330 | 17 | 26 |
| 119620-79340 | 17 | 27 |
| 119620-79350 | 17 | 28 |
| 119620-79360 | 17 | 7 |
| 119625-11880 | 5 | 16 |
| | 18 | 7 |
| 119640-01640 | 4 | 5 |
| 119643-66900 | 17 | 31 |
| 119650-77910 | 17 | 33 |
| 119802-01520 | 3 | 12 |
| 119802-01560 | 2 | 13 |
| | 3 | 13 |
| 119802-03110 | 5 | 27 |
| 119802-03121 | 5 | 28 |

| Parts No. | Fig. No. | Ref. No. |
|--------------|----------|----------|
| 119802-03130 | 5 | 29 |
| 119802-03141 | 5 | 30 |
| 119802-11260 | 5 | 6 |
| 119802-11270 | 5 | 7 |
| 119802-11280 | 5 | 8 |
| 119802-11870 | 5 | 15 |
| | 18 | 6 |
| 119802-21202 | 9 | 5 |
| 119802-25051 | 8 | 4 |
| 119802-25070 | 8 | 8 |
| 119802-25100 | 8 | 5 |
| 119802-25901 | 8 | 11 |
| 119802-32070 | 2 | 8 |
| | 3 | 8 |
| 119802-32100 | 2 | 7 |
| | 3 | 7 |
| 119802-32111 | 2 | 18 |
| | 3 | 18 |
| 119802-32120 | 2 | 19 |
| | 3 | 19 |
| 119802-32130 | 2 | 20 |
| | 3 | 20 |
| 119802-35100 | 10 | 35 |
| 119802-35110 | 10 | 22 |
| | | 36 |
| 119802-39450 | 10 | 8 |
| 119802-49113 | 11 | 10 |
| 119802-49730 | 11 | 33 |
| 119802-51250 | 12 | 1 |
| 119802-55700 | 14 | 4 |
| 119802-55710 | 14 | 5 |
| 119802-55730 | 14 | 8 A |
| 119802-55800 | 14 | 2 |
| 119802-59550 | 13 | 23 |
| 119802-59560 | 13 | 25 |
| 119802-77340 | 17 | 42 |
| 119831-42290 | 11 | 45 |
| 119865-21600 | 9 | 40 |
| | | 47 |
| 119865-42290 | 11 | 40 |
| 119888-01600 | 4 | 22 |
| 119888-21450 | 9 | 41 |
| 119940-77270 | 17 | 41 |
| 119940-77330 | 17 | 40 |
| 120130-11860 | 5 | 47 |
| 120270-54410 | 5 | 18 |
| 121023-01550 | 2 | 28 |
| | 3 | 28 |
| 121111-21501 | 9 | 11 |
| 121250-44901 | 11 | 28 |

| Parts No. | Fig. No. | Ref. No. |
|--------------|----------|----------|
| 121267-44741 | 11 | 41 |
| 121267-44760 | 11 | 47 |
| 121400-11340 | 5 | 57 |
| | 18 | 12 |
| 121450-42450 | 11 | 27 |
| 121520-34810 | 10 | 2 |
| 121550-23200 | 9 | 25 |
| 121850-21680 | 9 | 10 |
| 121850-42410 | 11 | 8 |
| 121850-51960 | 2 | 21 |
| | 3 | 21 |
| | 18 | 4 |
| 123501-79240 | 17 | 5 |
| 123900-13610 | 7 | 5 |
| 123900-13630 | 7 | 4 |
| 123951-03330 | 10 | 30 |
| 124060-01050 | 1 | 5 |
| 124060-77680 | 13 | 30 |
| 124160-01751 | 2 | 14 |
| | 3 | 14 |
| | 5 | 23 |
| 124160-01910 | 1 | 7 |
| | | 8 |
| 124160-11360 | 5 | 36 |
| 124160-39140 | 10 | 7 |
| 124195-77770 | 15 | 24 |
| 124240-01871 | 2 | 15 |
| | | 32 |
| | 3 | 15 |
| 124240-01883 | 2 | 33 |
| | 18 | 30 |
| 124395-49840 | 11 | 17 |
| | 18 | 27 |
| 124460-11340 | 5 | 58 |
| | 18 | 5 |
| 124465-44950 | 11 | 29 |
| | | 30 |
| | 18 | 29 |
| 124550-21600 | 9 | 52 |
| 124722-59050 | 11 | 34 |
| | | 37 |
| | 13 | 24 |
| | | 27 |
| 124766-59050 | 14 | 11 |
| | | 14 |
| 128300-77920 | 17 | 36 |
| 129001-01250 | 1 | 6 |
| 129001-01340 | 1 | 33 |
| | 18 | 3 |
| 129001-02930 | 1 | 25 |

| Parts No. | Fig. No. | Ref. No. |
|--------------|----------|----------|
| 129001-12110 | 6 | 4 |
| | 18 | 23 |
| 129001-32330 | 2 | 11 |
| | 3 | 11 |
| 129001-91841 | 2 | 22 |
| | 3 | 22 |
| 129004-01190 | 1 | 31 |
| 129004-03010 | 5 | 25 |
| 129004-03080 | 6 | 1 |
| 129004-11100 | 5 | 53 |
| 129004-11241 | 5 | 3 |
| 129004-11251 | 5 | 4 |
| 129004-11310 | 5 | 33 |
| | 18 | 8 |
| 129004-11350 | 5 | 24 |
| 129004-11650 | 5 | 10 |
| 129004-11700 | 5 | 41 |
| 129004-11900 | 5 | 17 |
| 129004-12100 | 6 | 3 |
| 129004-13109 | 7 | 1 |
| 129004-13200 | 7 | 7 |
| | 18 | 11 |
| 129004-14580 | 8 | 16 |
| 129004-21002 | 9 | 1 |
| 129004-21650 | 9 | 36 |
| 129004-34801 | 10 | 1 |
| 129004-42001 | 11 | 1 |
| 129004-42040 | 11 | 15 |
| 129004-49610 | 11 | 31 |
| 129004-49620 | 11 | 35 |
| 129004-49711 | 11 | 32 |
| 129004-49721 | 11 | 36 |
| 129004-53001 | 13 | 33 |
| 129004-55610 | 14 | 1 |
| 129004-59810 | 13 | 10 |
| 129004-59820 | 13 | 14 |
| 129004-59830 | 13 | 18 |
| 129005-01520 | 2 | 12 |
| 129005-11100 | 5 | 52 |
| 129005-11700 | 5 | 40 |
| 129005-21650 | 9 | 48 |
| 129005-22080 | 9 | 12 |
| 129005-22500 | 9 | 14 |
| 129005-22900 | 9 | 30 |
| 129005-22950 | 9 | 32 |
| 129005-59830 | 10 | 9 |
| 129006-35100 | 10 | 21 |
| 129006-44480 | 10 | 24 |
| 129006-49040 | 10 | 29 |
| 129030-44740 | 11 | 46 |

Parts No. Index

| Parts No. | Fig. No. | Ref. No. |
|--------------|----------|----------|
| 129064-77330 | 17 | 37 |
| 129067-77340 | 17 | 38 |
| 129100-01580 | 4 | 1 |
| | | 11 |
| | 9 | 2 |
| 129100-01640 | 4 | 12 |
| 129100-01730 | 4 | 2 |
| 129100-01760 | 4 | 4 |
| 129100-11110 | 5 | 54 |
| 129100-23910 | 9 | 24 |
| 129100-35140 | 10 | 37 |
| 129100-35301 | 10 | 4 |
| 129100-42051 | 11 | 3 |
| 129100-42121 | 11 | 4 |
| 129100-55690 | 14 | 6 |
| 129103-49301 | 10 | 34 |
| 129120-77501 | 6 | 7 |
| 129129-01600 | 4 | 24 |
| 129129-14580 | 8 | 15 |
| 129129-77010 | 16 | 1 |
| 129129-77210 | 16 | 6 |
| 129129-77220 | 16 | 7 |
| 129129-77230 | 16 | 8 |
| 129129-77240 | 16 | 9 |
| 129129-77250 | 16 | 10 |
| 129129-77260 | 16 | 21 |
| 129129-77270 | 16 | 22 |
| 129129-77280 | 16 | 23 |
| 129129-77290 | 16 | 24 |
| 129129-77300 | 16 | 25 |
| 129129-77310 | 16 | 27 |
| 129129-77320 | 16 | 28 |
| 129129-77330 | 16 | 29 |
| 129129-77340 | 16 | 30 |
| 129129-77350 | 16 | 31 |
| 129129-77362 | 16 | 32 |
| 129129-77380 | 16 | 34 |
| 129129-77390 | 16 | 14 |
| 129129-77400 | 16 | 17 |
| 129129-77410 | 16 | 18 |
| 129129-77420 | 16 | 19 |
| 129129-77430 | 16 | 20 |
| 129129-77460 | 16 | 3 |
| 129150-01200 | 1 | 32 |
| 129150-02020 | 1 | 10 |
| 129150-02450 | 8 | 17 |
| 129150-02870 | 1 | 34 |
| 129150-02930 | 1 | 28 |
| 129150-02940 | 1 | 37 |
| 129150-03070 | 5 | 26 |

| Parts No. | Fig. No. | Ref. No. |
|--------------|----------|----------|
| 129150-11230 | 5 | 11 |
| 129150-11280 | 5 | 9 |
| 129150-11370 | 5 | 14 |
| 129150-11750 | 5 | 13 |
| 129150-11810 | 5 | 49 |
| 129150-13110 | 7 | 2 |
| | 18 | 10 |
| 129150-14101 | 8 | 21 |
| 129150-14200 | 8 | 1 |
| 129150-14400 | 8 | 2 |
| 129150-23600 | 9 | 26 |
| 129150-23610 | 9 | 28 |
| 129150-25301 | 8 | 10 |
| 129150-35041 | 10 | 3 |
| | 18 | 13 |
| 129150-35111 | 10 | 15 |
| | 18 | 24 |
| 129150-35153 | 10 | 16 |
| 129150-49811 | 11 | 22 |
| | 18 | 28 |
| 129150-59120 | 13 | 5 |
| 129150-59131 | 13 | 4 |
| | | 8 |
| 129150-77511 | 6 | 8 |
| | 18 | 9 |
| 129155-42350 | 11 | 44 |
| 129155-49801 | 11 | 21 |
| 129188-21590 | 9 | 37 |
| 129202-22300 | 9 | 18 |
| 129210-59100 | 14 | 10 |
| 129210-59230 | 14 | 13 |
| 129211-77920 | 17 | 32 |
| 129240-79300 | 17 | 14 |
| 129242-55700 | 14 | 4 -1 |
| 129242-55720 | 14 | 8 A-1 |
| 129242-55730 | 14 | 5 -1 |
| 129242-55740 | 14 | 8 B |
| 129242-55750 | 14 | 8 C |
| 129242-55760 | 14 | 8 D |
| 129242-55770 | 14 | 8 E |
| 129242-77010 | 15 | 2 |
| 129242-77100 | 15 | 4 |
| 129242-77110 | 15 | 5 |
| 129242-77120 | 15 | 6 |
| 129242-77130 | 15 | 7 |
| 129242-77140 | 15 | 8 |
| 129242-77150 | 15 | 9 |
| 129242-77160 | 15 | 10 |
| 129242-77170 | 15 | 11 |
| 129242-77180 | 15 | 13 |

| Parts No. | Fig. No. | Ref. No. |
|--------------|----------|----------|
| 129242-77210 | 15 | 16 |
| 129242-77260 | 15 | 20 |
| 129242-77270 | 15 | 22 |
| 129242-77280 | 15 | 23 |
| 129246-53001 | 13 | 34 |
| 129350-49530 | 11 | 23 |
| 129400-92430 | 18 | 32 |
| 129403-42380 | 11 | 39 |
| 129410-03990 | 6 | 2 |
| 129417-33110 | 10 | 20 |
| 129417-35150 | 10 | 23 |
| 129418-32320 | 2 | 10 |
| | 3 | 10 |
| 129423-77200 | 17 | 2 |
| 129423-77710 | 17 | 17 |
| 129430-26070 | 2 | 35 |
| 129486-01670 | 4 | 15 |
| 129486-42021 | 11 | 14 |
| | 18 | 14 |
| 129486-42140 | 11 | 16 |
| | 18 | 26 |
| 129486-59551 | 13 | 26 |
| 129508-33010 | 10 | 19 |
| 129508-49030 | 10 | 25 |
| 129555-59511 | 14 | 15 |
| 129612-01600 | 4 | 23 |
| 129698-77020 | 15 | 3 |
| 129698-77190 | 15 | 14 |
| 129698-77200 | 15 | 15 |
| 129698-77220 | 15 | 17 |
| 129698-77230 | 15 | 18 |
| 129698-77250 | 15 | 19 |
| 129795-01780 | 4 | 14 |
| 129795-01800 | 2 | 6 |
| | 3 | 6 |
| 129795-01900 | 17 | 1 |
| 129795-01950 | 2 | 16 |
| | 3 | 16 |
| 129795-02411 | 1 | 13 |
| 129795-11120 | 5 | 55 |
| 129795-11180 | 5 | 56 |
| 129795-21661 | 9 | 9 |
| 129795-49551 | 11 | 24 |
| | 18 | 15 |
| 129900-07900 | 5 | 1 |
| 129900-32130 | 2 | 9 |
| | 3 | 9 |
| 129916-49740 | 11 | 13 |
| 158552-51151 | 8 | 12 |
| 171008-03990 | 10 | 26 |

| Parts No. | Fig. No. | Ref. No. |
|--------------|----------|----------|
| 171051-01921 | 1 | 9 |
| 171056-49120 | 10 | 18 |
| 171340-21580 | 9 | 44 |
| 171340-21590 | 9 | 49 |
| 171353-44760 | 11 | 42 |
| 171420-01600 | 4 | 25 |
| 22190-080002 | 10 | 11 |
| | | 12 |
| | 18 | 17 |
| 22190-100002 | 10 | 13 |
| | 18 | 22 |
| 22190-220002 | 4 | 7 |
| | 18 | 16 |
| 22217-140000 | 8 | 13 |
| 22252-000260 | 9 | 19 |
| 22351-030010 | 9 | 8 |
| 22351-060012 | 5 | 19 |
| 22512-070140 | 8 | 22 |
| | 9 | 6 |
| 22857-500100 | 5 | 34 |
| | | 35 |
| 23080-015000 | 10 | 28 |
| | | 32 |
| 23080-018000 | 10 | 33 |
| 23414-080000 | 11 | 26 |
| | 18 | 25 |
| 23857-030000 | 10 | 10 |
| 23876-010000 | 11 | 11 |
| 23876-020000 | 11 | 12 |
| 23876-030000 | 2 | 4 |
| | 3 | 4 |
| 23876-040000 | 2 | 5 |
| | 3 | 5 |
| 24104-062054 | 9 | 42 |
| 24311-000120 | 5 | 37 |
| | 18 | 19 |
| 24311-000160 | 14 | 8 |
| 24311-000320 | 2 | 23 |
| | 3 | 23 |
| | 5 | 38 |
| | 18 | 20 |
| 24321-000650 | 14 | 7 |
| 24321-000750 | 14 | 7 -1 |
| 24321-000800 | 2 | 36 |
| | 18 | 31 |
| 24341-000240 | 2 | 29 |
| | 3 | 29 |
| | 18 | 21 |
| 25152-003600 | 11 | 40 -1 |
| 26014-080452 | 17 | 39 |

Parts No. Index

| Parts No. | Fig. No. | Ref. No. |
|--------------|----------|----------|
| 26106-060162 | 2 | 30 |
| | 3 | 30 |
| 26106-060302 | 11 | 48 |
| 26106-060402 | 11 | 43 |
| 26106-080122 | 11 | 20 |
| 26106-080142 | 5 | 2 |
| | 8 | 3 |
| 26106-080162 | 2 | 24 |
| | | 25 |
| | | 34 |
| | 3 | 24 |
| | | 25 |
| | 4 | 8 |
| | 11 | 18 |
| | 12 | 2 |
| 26106-080202 | 6 | 5 |
| | 10 | 17 |
| | 12 | 3 |
| 26106-080222 | 9 | 43 |
| | 11 | 25 |
| 26106-080252 | 2 | 37 |
| | 4 | 9 |
| | 5 | 20 |
| 26106-080302 | 14 | 9 |
| 26106-080352 | 4 | 16 |
| | 5 | 21 |
| | 6 | 9 |
| | 10 | 5 |
| 26106-080402 | 8 | 9 |
| 26106-080452 | 4 | 10 |
| | | 10 -1 |
| | 11 | 38 |
| 26106-080502 | 4 | 26 |
| | 5 | 22 |
| 26106-080552 | 2 | 26 |
| | 3 | 26 |
| 26106-080602 | 11 | 19 |
| 26106-080802 | 6 | 6 |
| 26106-100302 | 2 | 38 |
| 26116-120202 | 15 | 1 |
| 26116-120252 | 16 | 35 |
| 26206-100202 | 4 | 21 |
| 26206-100252 | 4 | 19 |
| 26206-100302 | 4 | 20 |
| 26306-080002 | 2 | 27 |
| | 3 | 27 |
| | 7 | 6 |
| 26306-100002 | 17 | 30 |
| 26366-060002 | 10 | 14 |
| 26776-140002 | 8 | 14 |

| Parts No. | Fig. No. | Ref. No. |
|--------------|----------|----------|
| 27241-120000 | 1 | 14 |
| 27241-300000 | 1 | 15 |
| 27241-400000 | 5 | 51 |
| 27310-080001 | 5 | 59 |
| 719802-01500 | 3 | 1 |
| 729001-92780 | 18 | 1 |
| 729001-92790 | 18 | 2 |
| 729004-53101 | 13 | 31 |
| 729005-01500 | 2 | 1 |
| 729005-01560 | 1 | 1 |
| 729005-51310 | 12 | 4 |
| 729246-53101 | 13 | 32 |
| 729247-51390 | 12 | 5 |
| 729402-23100 | 9 | 20 |
| 977770-01212 | 2 | 31 |
| | 3 | 31 |
| | 4 | 17 |
| | 5 | 39 |
| | 18 | 33 |
| X0280210230 | 16 | 11 |
| X0283060061 | 16 | 2 |
| X0283270140 | 16 | 12 |
| X2114535200 | 15 | 21 |
| X9490561001 | 17 | 3 |
| X9490561370 | 16 | 4 |
| X9491200240 | 16 | 5 |
| X9491703371 | 16 | 13 |
| X9491730461 | 16 | 26 |

| Parts No. | Fig. No. | Ref. No. |
|-----------|----------|----------|
|-----------|----------|----------|

| Parts No. | Fig. No. | Ref. No. |
|-----------|----------|----------|
|-----------|----------|----------|