

0CW10-M43800EN

P R E F A C E

1. This Parts Catalog carries all parts incorporated in YANMAR Model 3TNV88-BDSA, 3TNV88-BDSAT, 3TNV88-BDSAC engine manufactured since September, 2008.
2. Each illustration corresponds to the parts list on the following page.
3. When ordering parts, clearly write down the engine model and serial number, as well as the name and number of each part in your order sheet. This will help insure reliable delivery of the parts you have ordered.

Directions for the Parts Catalog.

- The parts stipulated in this Parts Catalog are not necessarily standard equipped parts.
- Parts may change without prior notice.
- The following is an example of the Parts Catalog format.

REF.	LEV.	PARTS NO.	DESCRIPTION	Q'TY						I	R
				(A)	(B)	(C)	(D)	(E)	(F)		
1	1	729595-51390	FUEL INJECTION PUMP	1	1	1	1	1			1
1-1	1	729595-51391	FUEL INJECTION PUMP	1	1	1	1	1		N	1
		(A=E00185) (B=E00200)									
3	2	26022-060162	SCREW M 6X 16	9	9	9	9	9			
3-1	2	26022-060162	SCREW M 6X 16	4	4	4	4	4		K	
		(A=E00156) (B=E00156) (C=E00156) (D=E00156) (E=E00156)									
4	2	129470-51040	CAMSHAFT	1	1	1	1	1			
5	2	122710-51050	BEARING, ROLLER	2	2	2	2	2			
6	2	129470-51060	RETAINER	1	1	1	1	1			

Remarks
(1) BOOST COMPEMSATOR TYPE. OPTIONAL PART, TO E00155,(4JH-DT, 4JH-DTZ

① Ref. No.

The Ref. No. listed may not be in accordance with the illustration Ref. No.

(Ex.) Illustration No.

List Ref No.

1

1

(Before change)

1-1

(After change)

For interchangeable symbols N, R and K, illustrations for new parts may be abbreviated.

② Lev. (Level)

Level indication

The numbers below indicate the level of relativity towards the main part.

1 ----- Main parts (Assembly parts)

2 ----- Sub component included in " 1 ".

3 ----- Sub component included in " 2 ".

Note) Parts that are not for sale are partially illustrated but not listed.

③ Interchangeability Mark

When a part change takes place, one of the following interchangeability symbols is indicated beside the part.

Symbol	Interchangeability	Contents note
N	Old $\begin{matrix} \leftarrow \text{Yes} \\ \text{No} \rightarrow \end{matrix}$ New	New Part is interchangeable for Old Part but Old Part is not interchangeable for New Part.
Q	Old $\begin{matrix} \leftarrow \text{No} \\ \text{Yes} \rightarrow \end{matrix}$ New	New Part is not interchangeable for Old Part but Old Part is interchangeable for New Part.
R	Old $\begin{matrix} \leftarrow \text{Yes} \\ \text{Yes} \rightarrow \end{matrix}$ New	New/ Old Parts are both interchangeable.
S	Old $\begin{matrix} \leftarrow \text{No} \\ \text{No} \rightarrow \end{matrix}$ New	New/ Old Parts are both not interchangeable.
W		Part newly added.
Z		Part discontinued.
F		Not interchangeable by a single part but interchangeable together with related parts.
K		Changes only for used parts quantities.

④ Effective Machine No.

When a part changes, the effective Machine No. will be indicated in the (A)-(F) column.

Product Symbol	Product No.	Product Symbol	Product No.
C	Clutch No. Compressor No.	F	Machine No. (Agricultural Equip.)
D	Drive No.	M	Machine No.
E	Engine No.		

Note 1) A date may follow the symbol. (Ex.) 1996.01

Note 2) "XXXXX" and "ZZZZZ" are for parts that could not be predicted or for engine models that could not be identified.

Note 3) (A=E00185) is the E (Engine Serial Number) for the column (A) model (in this case 4JH-DT) after the parts design change.

⑤ Remarks Mark

Figures or alphabets (symbols) are entered in the remarks column.

The comments (remarks) on parts that are indicated at the bottom of the illustration are the same symbols as those stated above.

Contents

Fig. No. Fig. Name

3TNV88-BDSA

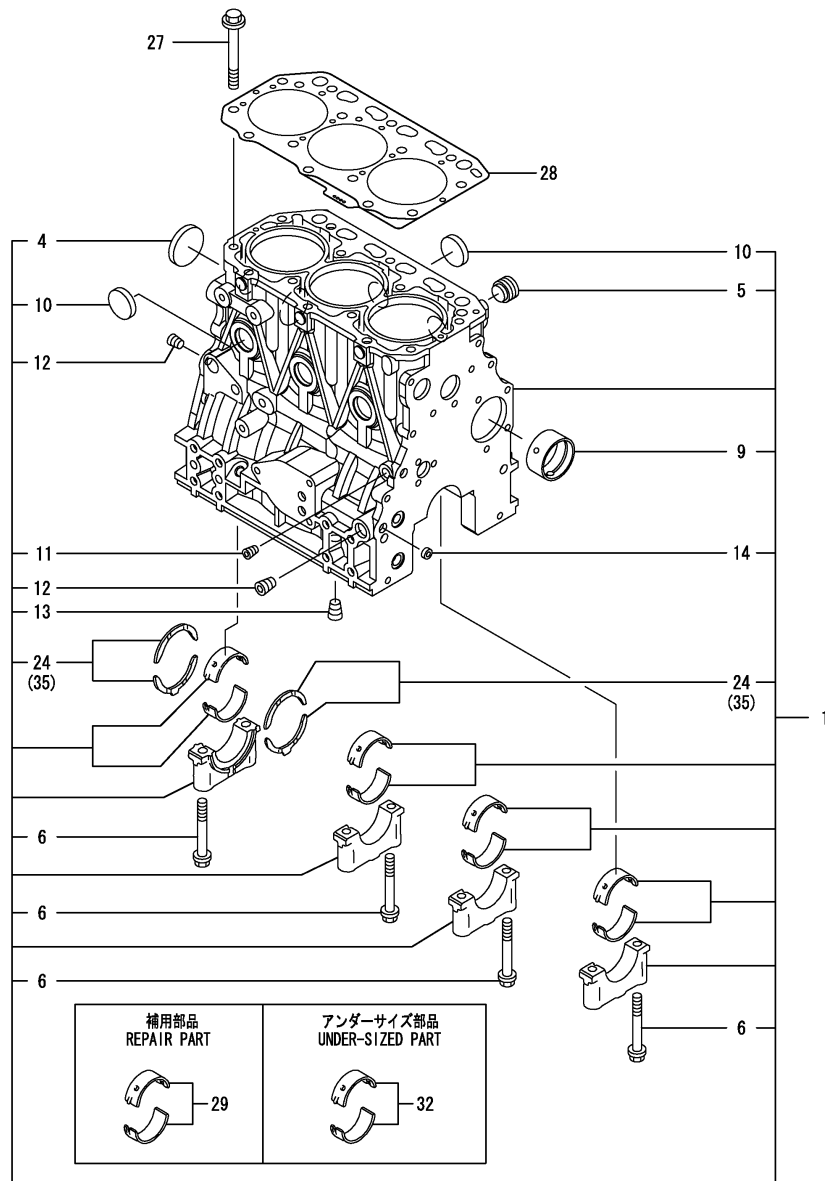
1. CYLINDER BLOCK
2. GEAR HOUSING
3. FLYWHEEL HOUSING & OIL SUMP
4. CYLINDER HEAD & BONNET
5. SUCTION MANIFOLD
6. EXHAUST MANIFOLD
7. CAMSHAFT & DRIVING GEAR
8. CRANKSHAFT & PISTON
9. LUB.OIL SYSTEM
10. COOLING WATER SYSTEM
11. FUEL INJECTION PUMP
12. GOVERNOR
13. FUEL INJECTION VALVE
14. FUEL LINE
15. STARTING MOTOR
16. GENERATOR
17. GASKET SET

Fig. No. Fig. Name

Fig.1. CYLINDER BLOCK

(A)=3TNV88-BDSA
 (B)=3TNV88-BDSAT
 (C)=3TNV88-BDSAC

(D)=
 (E)=
 (F)=

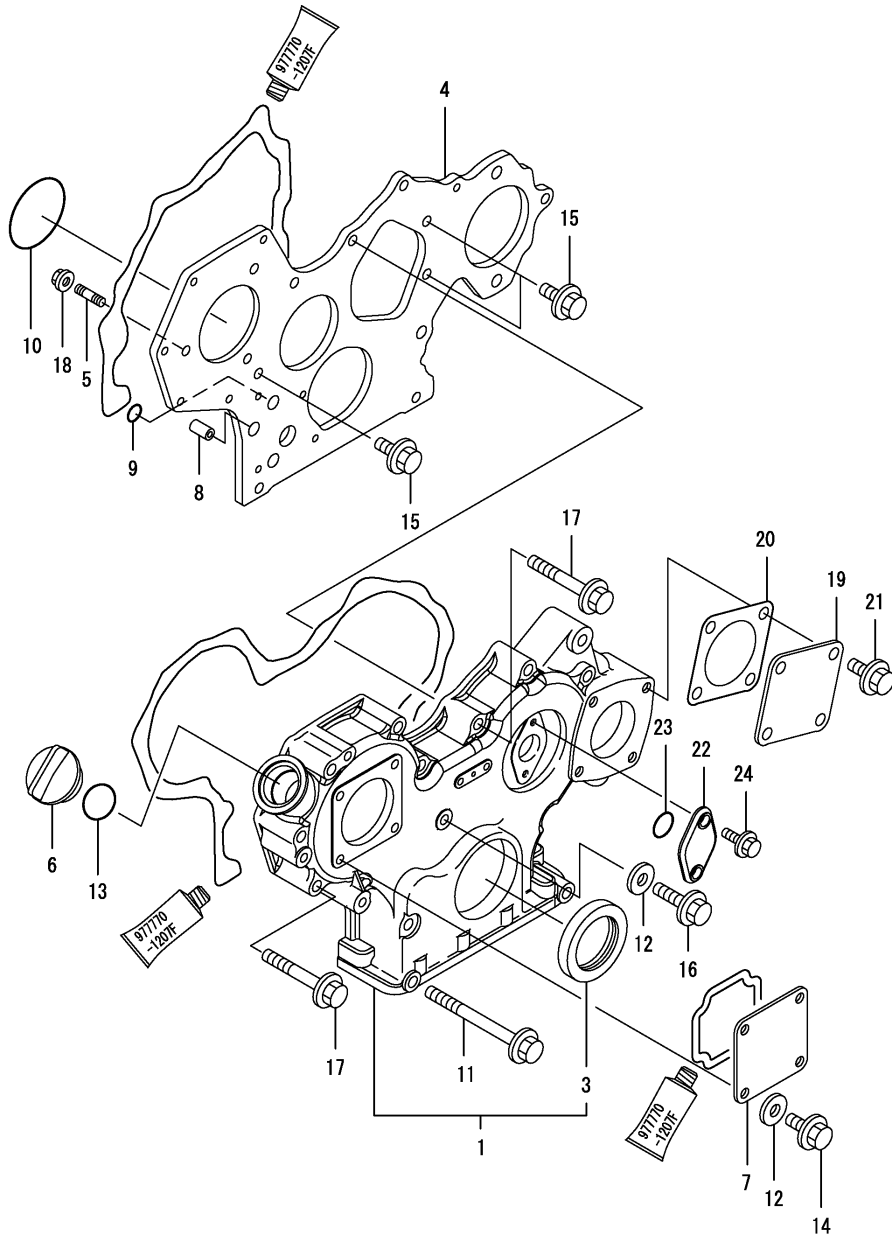


No.	Lev.	Parts No.	Description	Qty						I	R
				(A)	(B)	(C)	(D)	(E)	(F)		
1	1	729005-01560	BLOCK ASSY, CYLINDER	1	1	1					
4	2	129001-01250	PLUG, 50	1	1	1					
5	2	171051-01921	PLUG, NPTF1	1	1	1					
6	2	129150-02020	BOLT, METAL CAP	8	8	8					
9	2	129795-02412	BUSH, CAMSHAFT	1	1	1					
10	2	27241-300000	PLUG 30	6	6	6					
11	2	124060-01050	PLUG, PT1/8	1	1	1					
12	2	124160-01910	PLUG, PT1/4	2	2	2					
13	2	124160-01910	PLUG, PT1/4	1	1	1					
14	2	27241-120000	PLUG, 12	2	2	2					
24	2	129150-02931	BEARING, THRUST	2	2	2					
27	1	129150-01200	BOLT, HEAD	14	14	14					
28	1	129001-01340	GASKET, HEAD	1	1	1					
29	1	129001-02931	BEARING, MAIN	4	4	4					1
32	1	129150-02871	BEARING, 0.25 US	4	4	4					2
35	1	129150-02941	BEARING, THRUST 0.25	1	1	1					3

Remarks

- (1) REPAIR PART.
- (2) UNDER-SIZED(U.S=0.25)PART.
- (3) OVER-SIZED(O.S=0.25)PART.

Fig.2. GEAR HOUSING

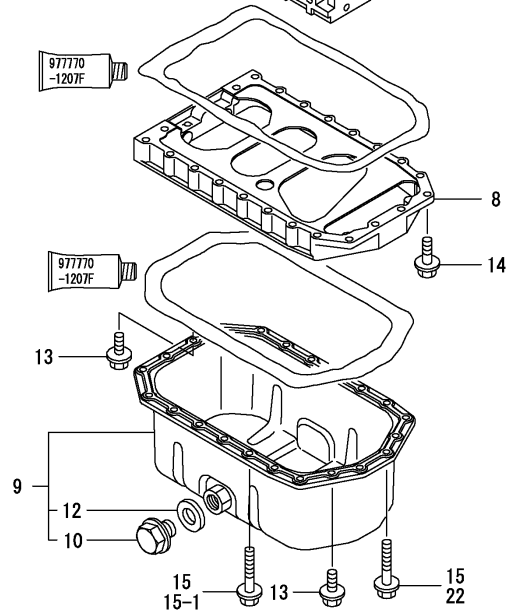
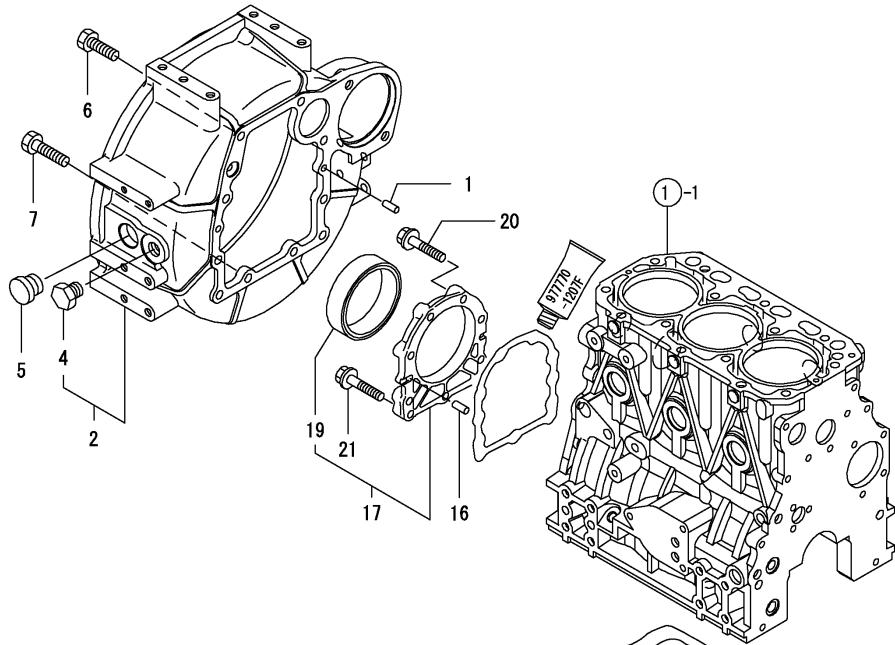


(A)=3TNV88-BDSA
 (B)=3TNV88-BDSAT
 (C)=3TNV88-BDSAC

(D)=
 (E)=
 (F)=

No.	Lev.	Parts No.	Description	Qty						I	R
				(A)	(B)	(C)	(D)	(E)	(F)		
1	1	729652-01500	CASE ASSY, GEAR	1	1	1					
3	2	119934-01800	SEAL, OIL	1	1	1					
4	1	129604-01520	FLANGE, GEAR CASE	1	1	1					
5	1	119802-01561	STUD, M8X25	3	3	3					
6	1	124160-01751	COVER, FILLER	1	1	1					
7	1	124240-01871	COVER	1	1	1					
8	1	129795-01950	PIPE, KNOCK L=18	2	2	2					
9	1	119609-32040	O-RING, P16	2	2	2					
10	1	121850-51960	O-RING	1	1	1					
11	1	129001-91841	BOLT, M8X85	3	3	3					
12	1	22190-080002	WASHER, SEAL 6	5	5	5					
13	1	24311-000320	O-RING, 1AP32.0	1	1	1					
14	1	26106-080162	BOLT, M8X 16 PLATED	4	4	4					
15	1	26106-080162	BOLT, M8X 16 PLATED	3	3	3					
16	1	26106-080302	BOLT, M8X 30 PLATED	1	1	1					
17	1	26106-080552	BOLT, M8X 55 PLATED	10	10	10					
18	1	26306-080002	NUT, M8	3	3	3					
19	1	124240-01871	COVER	1	1	1					
20	1	124240-01883	GASKET	1	1	1					
21	1	26106-080162	BOLT, M8X 16 PLATED	4	4	4					
22	1	121023-01551	COVER	1	1	1					
23	1	24341-000240	O-RING, 1AS24.0	1	1	1					
24	1	26106-060162	BOLT, M6X 16 PLATED	2	2	2					

Fig.3. FLYWHEEL HOUSING & OIL SUMP

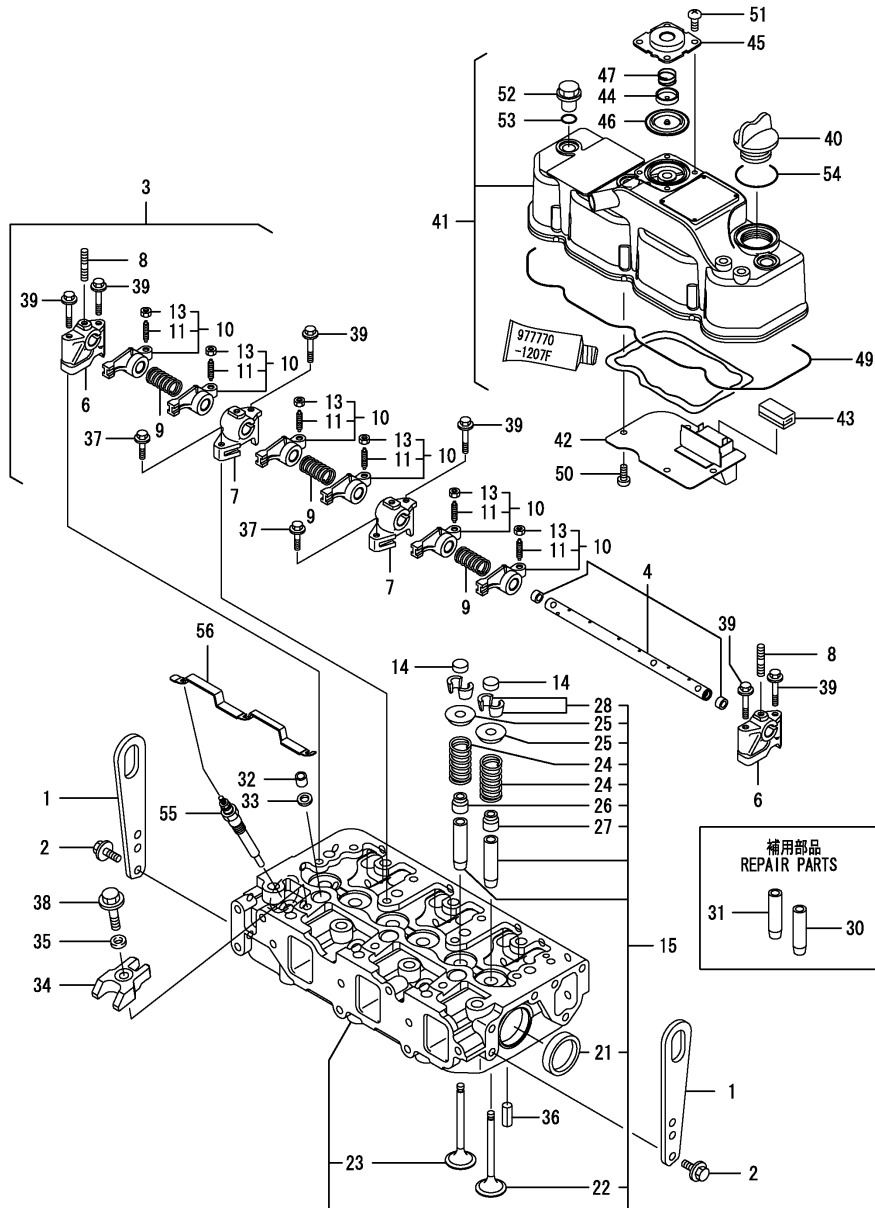


(A)=3TNV88-BDSA
(B)=3TNV88-BDSAT
(C)=3TNV88-BDSAC

(D)=
(E)=
(F)=

No.	Lev.	Parts No.	Description	Qty						I	R
				(A)	(B)	(C)	(D)	(E)	(F)		
1	1	129100-01580	PIN, M8X16	2	2	2					
2	1	119888-01601	HOUSING, FLYWHEEL	1	1	1					
4	2	129486-35210	PLUG, 3/4-16UNF	1	1	1					
5	1	119620-01750	CAP	1	1	1					
6	1	26206-100252	BOLT, M10X 25 PLATED	6	6	6					
7	1	26206-100302	BOLT, M10X 30 PLATED	4	4	4					
8	1	129100-01730	SPACER, OIL SUMP	1	1	1					
9	1	129100-01760	SUMP ASSY, OIL	1	1	1					
10	2	119640-01640	PLUG, DRAIN M22	1	1	1					
12	2	22190-220002	WASHER, SEAL 22	1	1	1					
13	1	26106-080162	BOLT, M8X 16 PLATED	4	4	4					
14	1	26106-080252	BOLT, M8X 25 PLATED	2	2	2					
15	1	26106-080452	BOLT, M8X 45 PLATED	20	20	20					
15-1	1	26106-080452	BOLT, M8X 45 PLATED	16	16	16					K
(A=FROM 1ST) (B=FROM 1ST) (C=FROM 1ST)											
16	1	129100-01580	PIN, M8X16	2	2	2					
17	1	129100-01640	CASE ASSY, OIL SEAL	1	1	1					
19	2	129795-01780	SEAL, OIL	1	1	1					
20	1	129486-01670	BOLT, M8X30	6	6	6					
21	1	26106-080352	BOLT, M8X 35 PLATED	3	3	3					
22	1	26106-080502	BOLT, M8X 50 PLATED	4	4	4					W
(A=FROM 1ST) (B=FROM 1ST) (C=FROM 1ST)											

Fig.4. CYLINDER HEAD & BONNET



(A)=3TNV88-BDSA
(B)=3TNV88-BDSAT
(C)=3TNV88-BDSAC

(D)=
(E)=
(F)=

No.	Lev.	Parts No.	Description	Q'ty						I	R
				(A)	(B)	(C)	(D)	(E)	(F)		
1	1	129900-07900	LIFTER	2	2	2					
2	1	26106-080162	BOLT, M8X 16 PLATED	4	4	4					
3	1	129004-11241	SHAFT ASSY, ROCKER	1	1	1					
4	2	129004-11251	SHAFT, ROCKER ARM	1	1	1					
6	2	119802-11260	SUPPORT, ROCKER ARM	2	2	2					
7	2	119802-11270	SUPPORT, ROCKER ARM	2	2	2					
8	2	119802-11280	STUD	3	3	3					
9	2	129150-11280	SPRING	3	3	3					
10	2	129004-11650	ARM, ROCKER	6	6	6					
11	3	129150-11230	SCREW, VALVE ADJUST	6	6	6					
13	3	129150-11750	NUT, M8	6	6	6					
14	1	129150-11370	CAP, VALVE	6	6	6					
15	1	129008-11710	HEAD ASSY, CYLINDER	1	1	1					
21	2	27241-400000	PLUG, 40	2	2	2					
22	2	129005-11100	VALVE, INTAKE	3	3	3					
23	2	129100-11112	VALVE, EXHAUST	3	3	3					
24	2	129795-11120	SPRING, VALVE	6	6	6					
25	2	129795-11180	RETAINER, SPRING	6	6	6					
26	2	121400-11340	SEAL, VALVE STEM	3	3	3					
27	2	124460-11340	SEAL, VALVE STEM	3	3	3					
28	2	27310-080001	COTTER, 8	6	6	6					
30	1	120130-11860	GUIDE, VALVE	3	3	3					1
31	1	129150-11810	GUIDE, VALVE	3	3	3					1
32	1	119802-11870	PROTECTOR, NOZZLE	3	3	3					
33	1	119625-11880	SEAT, NOZZLE	3	3	3					
34	1	129004-11900	RETAINER, NOZZLE	3	3	3					
35	1	120270-54410	WASHER, INJECTOR	3	3	3					
36	1	22351-060012	PIN, SPRING 6.0X12	2	2	2					
37	1	26106-080252	BOLT, M8X 25 PLATED	2	2	2					
38	1	26106-080352	BOLT, M8X 35 PLATED	3	3	3					
39	1	26106-080502	BOLT, M8X 50 PLATED	6	6	6					
40	1	124160-01751	COVER, FILLER	1	1	1					
41	1	129004-11350	BONNET ASSY, HEAD	1	1	1					
42	2	129004-03010	PLATE	1	1	1					
43	2	129150-03070	BAFFLE, BREATHER	1	1	1					
44	2	119802-03110	PLATE	1	1	1					
45	2	119802-03121	COVER, DIAPHRAGM	1	1	1					
46	2	119802-03130	DIAPHRAGM	1	1	1					
47	2	119802-03141	SPRING, DIAPHRAGM	1	1	1					
49	2	129004-11310	GASKET, BONNET	1	1	1					
50	2	22857-500100	SCREW, 5X10	4	4	4					
51	2	22857-500100	SCREW, 5X10	4	4	4					
52	1	124160-11360	KNOB	3	3	3					
53	1	24311-000120	O-RING, 1AP12.0	3	3	3					
54	1	24311-000320	O-RING, 1AP32.0	1	1	1					
55	1	129008-77800	PLUG, GLOW	3	3	3					
56	1	129008-77820	CONNECTOR, GLOW PLUG	1	1	1					

Remarks
(1) REPAIR PART.

Fig.5. SUCTION MANIFOLD

(A)=3TNV88-BDSA
 (B)=3TNV88-BDSAT
 (C)=3TNV88-BDSAC

(D)=
 (E)=
 (F)=

No.	Lev.	Parts No.	Description	Q'ty						I	R
				(A)	(B)	(C)	(D)	(E)	(F)		
1	1	129004-03080	PIPE , BREATHER	1	1	1					
2	2	129410-03990	CLIP	2	2	2					
3	1	129004-12101	MANIFOLD, AIR INTAKE	1	1	1					
4	1	129001-12110	GASKET, MANIFOLD	1	1	1					
5	1	26106-080202	BOLT, M8X 20 PLATED	4	4	4					
6	1	26106-080802	BOLT, M8X 80 PLATED	1	1	1					
7	1	129486-12581	JOINT, MANIFOLD	1	1	1					
8	1	129150-77511	GASKET	1	1	1					
9	1	26106-080202	BOLT, M8X 20 PLATED	4	4	4					

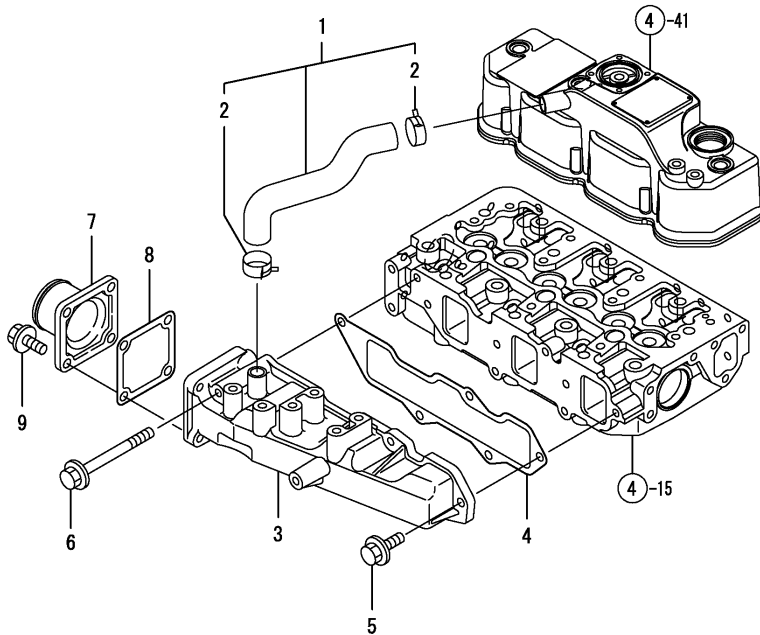


Fig.6. EXHAUST MANIFOLD

(A)=3TNV88-BDSA
 (B)=3TNV88-BDSAT
 (C)=3TNV88-BDSAC

(D)=
 (E)=
 (F)=

No.	Lev.	Parts No.	Description	Qty						I	R
				(A)	(B)	(C)	(D)	(E)	(F)		
1	1	129004-13109	MANIFOLD, EXHAUST	1	1	1					
2	1	129150-13110	GASKET	1	1	1					
3	1	123900-13610	STUD, M8X80	2	2	2					
4	1	123900-13630	BOLT, M8X80	4	4	4					
5	1	119131-18320	STUD, M8X22	4	4	4					
6	1	26306-080002	NUT, M8	2	2	2					
7	1	129004-13200	GASKET, SILENCER	1	1	1					

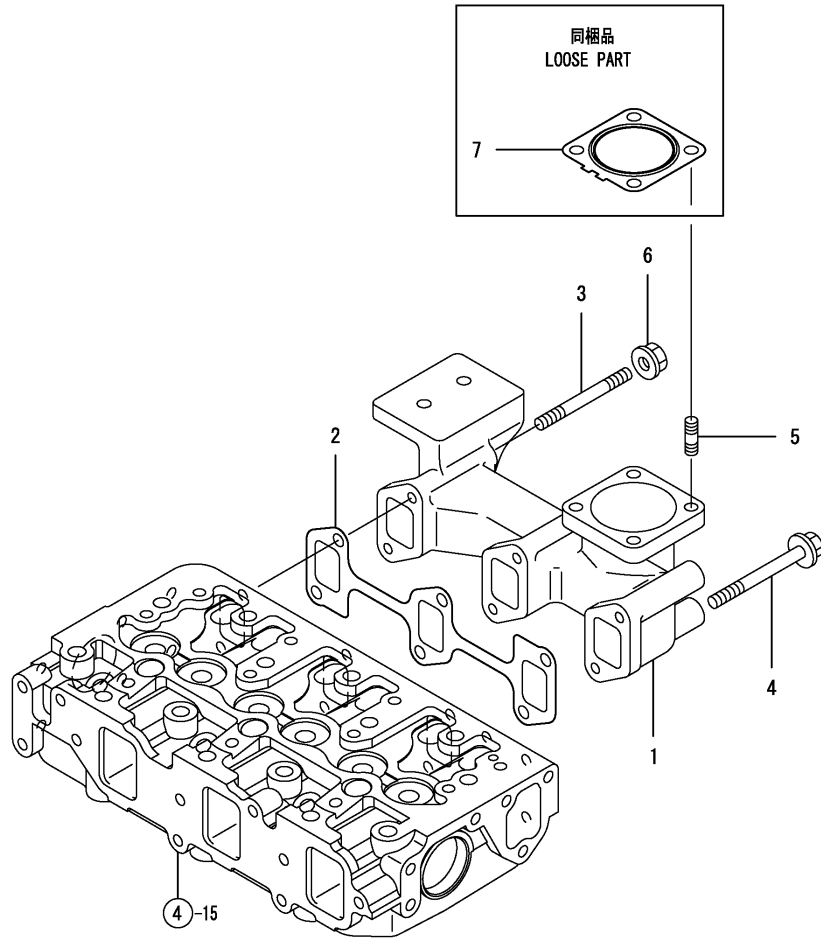
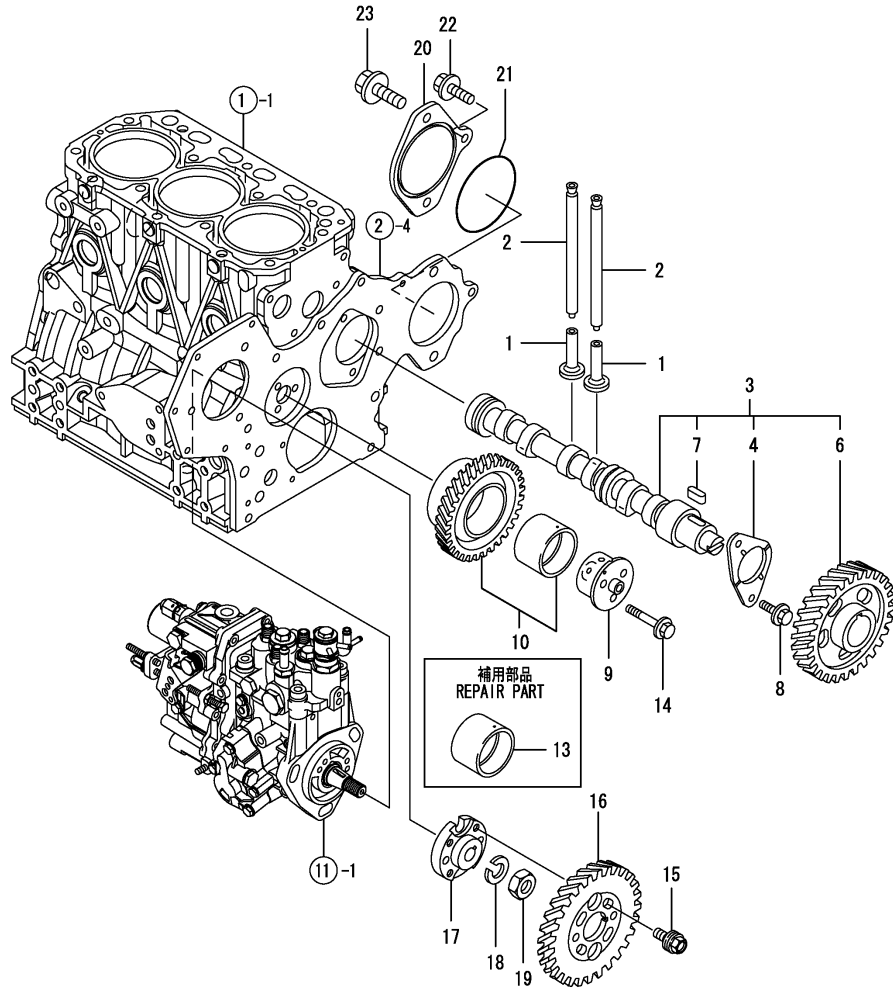


Fig.7. CAMSHAFT & DRIVING GEAR



補用部品
REPAIR PART

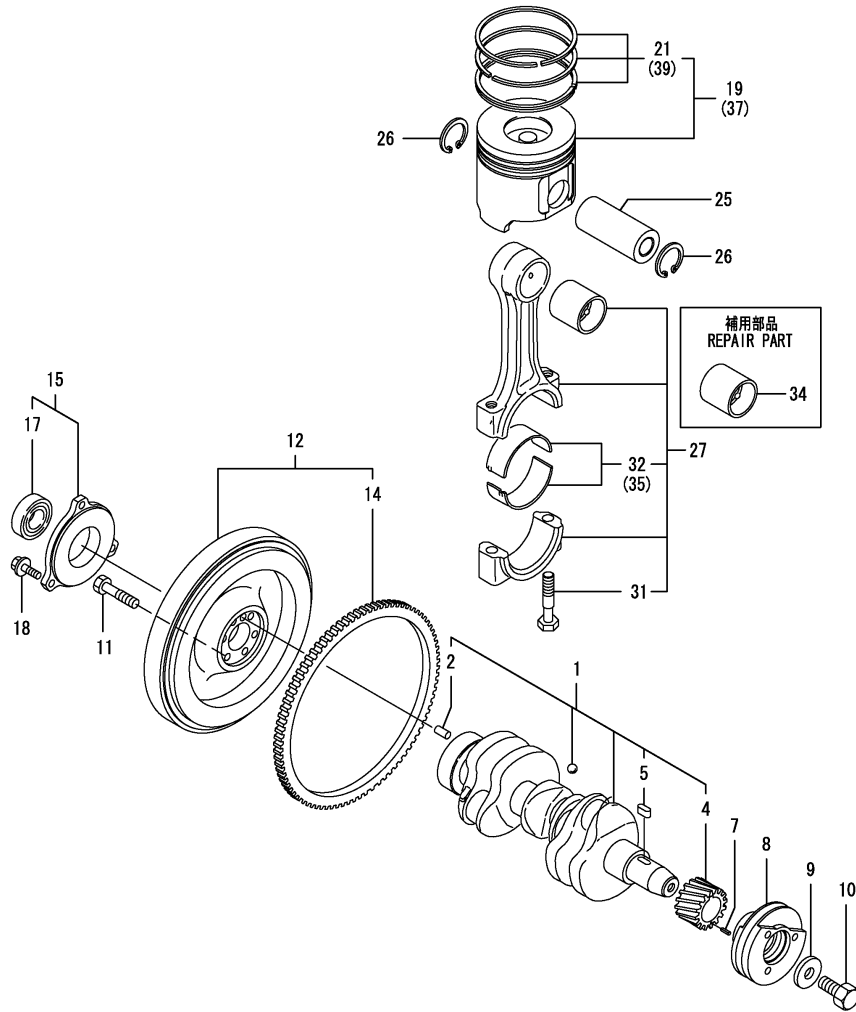
(A)=3TNV88-BDSA
(B)=3TNV88-BDSAT
(C)=3TNV88-BDSAC

(D)=
(E)=
(F)=

No.	Lev.	Parts No.	Description	Qty						I	R
				(A)	(B)	(C)	(D)	(E)	(F)		
1	1	129150-14200	TAPPET	6	6	6					
2	1	129150-14400	ROD, PUSH L=178	6	6	6					
3	1	129129-14580	CAMSHAFT ASSY	1	1	1					
4	2	129150-02450	BEARING, THRUST	1	1	1					
6	2	129150-14101	GEAR, CAMSHAFT	1	1	1					
7	2	22512-070140	KEY, 7X 14	1	1	1					
8	1	26106-080142	BOLT, M8X 14 PLATED	2	2	2					
9	1	119803-25050	SHAFT, IDLE	1	1	1					
10	1	119802-25101	GEAR ASSY, IDLE	1	1	1					
13	1	119802-25071	BUSH, IDLE GEAR	1	1	1					1
14	1	26106-080402	BOLT, M8X 40 PLATED	3	3	3					
15	1	129150-25301	BOLT	4	4	4					
16	1	119802-25901	GEAR, PUMP	1	1	1					
17	1	158552-51151	FLANGE	1	1	1					
18	1	22217-140000	WASHER, SPRING 14	1	1	1					
19	1	26776-140002	NUT, LOCK M14	1	1	1					
20	1	129430-26070	COVER	1	1	1					
21	1	24321-000800	O-RING, 1AG80.0	1	1	1					
22	1	26106-080252	BOLT, M8X 25 PLATED	1	1	1					
23	1	26106-100302	BOLT, M10X 30 PLATED	2	2	2					

Remarks
(1) REPAIR PART.

Fig.8. CRANKSHAFT & PISTON



(A)=3TNV88-BDSA
 (B)=3TNV88-BDSAT
 (C)=3TNV88-BDSAC

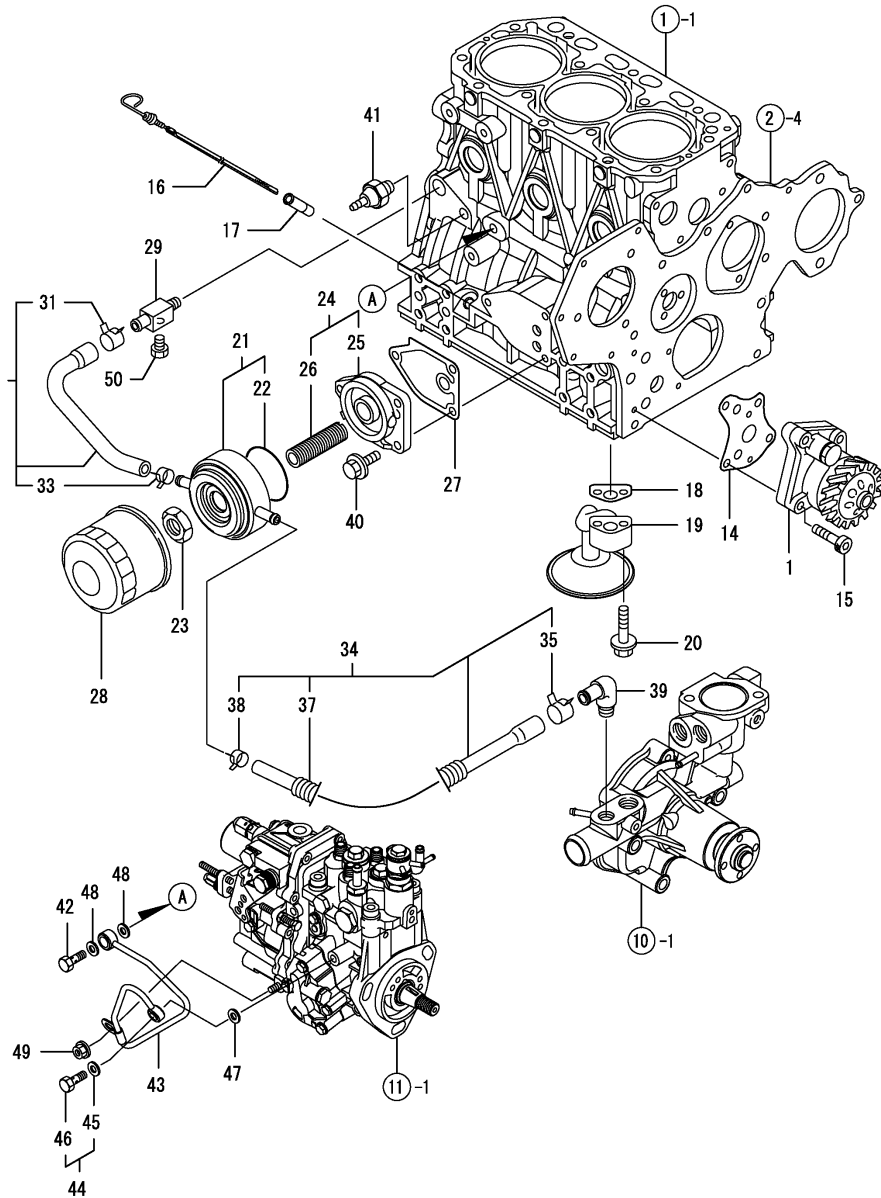
(D)=
 (E)=
 (F)=

No.	Lev.	Parts No.	Description	Qty						I	R
				(A)	(B)	(C)	(D)	(E)	(F)		
1	1	129008-21000	CRANKSHAFT ASSY	1	1	1					
2	2	129100-01580	PIN, M8X16	1	1	1					
4	2	119803-21200	GEAR, CRANKSHAFT	1	1	1					
5	2	22512-070140	KEY, 7X 14	1	1	1					
7	1	22351-030010	PIN, SPRING 3.0X10	1	1	1					
8	1	129004-21650	V-PULLEY, 110	1	1	1					
9	1	129795-21661	WASHER	1	1	1					
10	1	121850-21680	BOLT	1	1	1					
11	1	121111-21501	BOLT, FLYWHEEL	6	6	6					
12	1	129188-21590	FLYWHEEL ASSY	1	1	1					
14	2	119865-21600	GEAR, RING	1	1	1					
15	1	119888-21450	RETAINER, BEARING	1	1	1					
17	2	24104-062054	BEARING, BALL 6205UU	1	1	1					
18	1	26106-080222	BOLT, M8X 22 PLATED	3	3	3					
19	1	129005-22080	PISTON ASSY	3	3	3					
21	2	129005-22500	RING SET, PISTON	3	3	3					
25	1	129202-22300	PIN, PISTON D26 L70	3	3	3					
26	1	22252-000260	RING, 26	6	6	6					
27	1	729402-23100	ROD ASSY, CONNECTING	3	3	3					
31	2	121550-23200	BOLT, CONNECTING ROD	6	6	6					
32	2	129150-23601	BEARING, CRANK PIN	3	3	3					
34	1	129100-23910	BEARING, PISTON PIN	3	3	3					1
35	1	129150-23611	BEARING, 0.25 US	3	3	3					2
37	1	129005-22900	PISTON ASSY, 0.25 OS	3	3	3					3
39	2	129005-22950	RING SET, 0.25 OS	3	3	3					3

Remarks

- (1) REPAIR PART.
- (2) UNDER-SIZED(U.S=0.25)PART.
- (3) OVER-SIZED(O.S=0.25)PART.

Fig.9. LUB.OIL SYSTEM



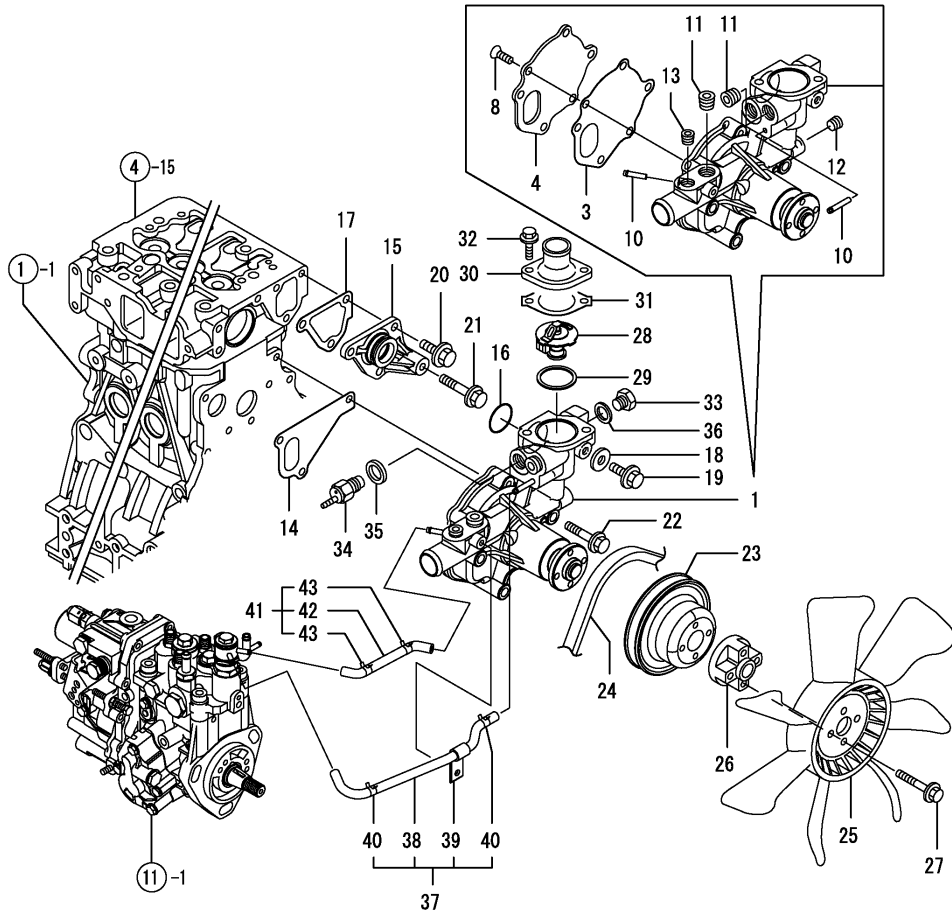
(A)=3TNV88-BDSA
(B)=3TNV88-BDSAT
(C)=3TNV88-BDSAC

(D)=
(E)=
(F)=

No.	Lev.	Parts No.	Description	Qty						I	R
				(A)	(B)	(C)	(D)	(E)	(F)		
1	1	129001-32001	PUMP ASSY, OIL	1	1	1					
14	1	129150-32020	GASKET, PUMP	1	1	1					
15	1	26450-060252	BOLT, M6X 25	4	4	4					
16	1	129004-34802	DIPSTICK, OIL	1	1	1					
17	1	121520-34810	GUIDE, DIPSTICK	1	1	1					
18	1	129150-35042	GASKET	1	1	1					
19	1	129100-35301	PIPE ASSY, OIL INLET	1	1	1					
20	1	26106-080352	BOLT, M8X 35 PLATED	2	2	2					
21	1	129508-33010	COOLER ASSY, OIL	1	1	1					
22	2	129508-33050	O-RING	1	1	1					
23	1	129417-33110	NUT	1	1	1					
24	1	129006-35100	BRACKET ASSY, FILTER	1	1	1					
25	2	119802-35110	BRACKET, FILTER	1	1	1					
26	2	129417-35150	STUD, L=67	1	1	1					
27	1	129150-35111	GASKET	1	1	1					
28	1	129150-35153	FILTER	1	1	1					1
29	1	129006-44480	JOINT	1	1	1					
30	1	129508-49030	PIPE ASSY, WATER	1	1	1					
31	2	171008-03990	CLIP, HOSE 18.5	1	1	1					
33	2	23080-015000	CLAMP, 15	1	1	1					
34	1	129006-49040	PIPE ASSY, WATER	1	1	1					
35	2	171008-03990	CLIP, HOSE 18.5	1	1	1					
37	2	129642-49180	TUBE, CORRUGATED	1	1	1					
38	2	23080-015000	CLAMP, 15	1	1	1					
39	1	129103-49301	ELBOW, PT1/4	1	1	1					
40	1	26106-080202	BOLT, M8X 20 PLATED	3	3	3					
41	1	114250-39450	SWITCH, 0.5KG	1	1	1					
42	1	124160-39140	BOLT, PIPE JOINT M10	1	1	1					
43	1	119802-39450	PIPE ASSY, OIL	1	1	1					
44	1	129005-59830	BOLT ASSY, JOINT M8	1	1	1					
45	2	22190-080002	WASHER, SEAL 6	1	1	1					
46	2	23857-030000	BOLT, JOINT 3	1	1	1					
47	1	22190-080002	WASHER, SEAL 6	1	1	1					
48	1	22190-100002	WASHER, SEAL 10	2	2	2					
49	1	26366-060002	NUT, M6	1	1	1					
50	1	171056-49120	PLUG, DRAIN	1	1	1					

Remarks
(1) REPAIR PART.

Fig.10. COOLING WATER SYSTEM

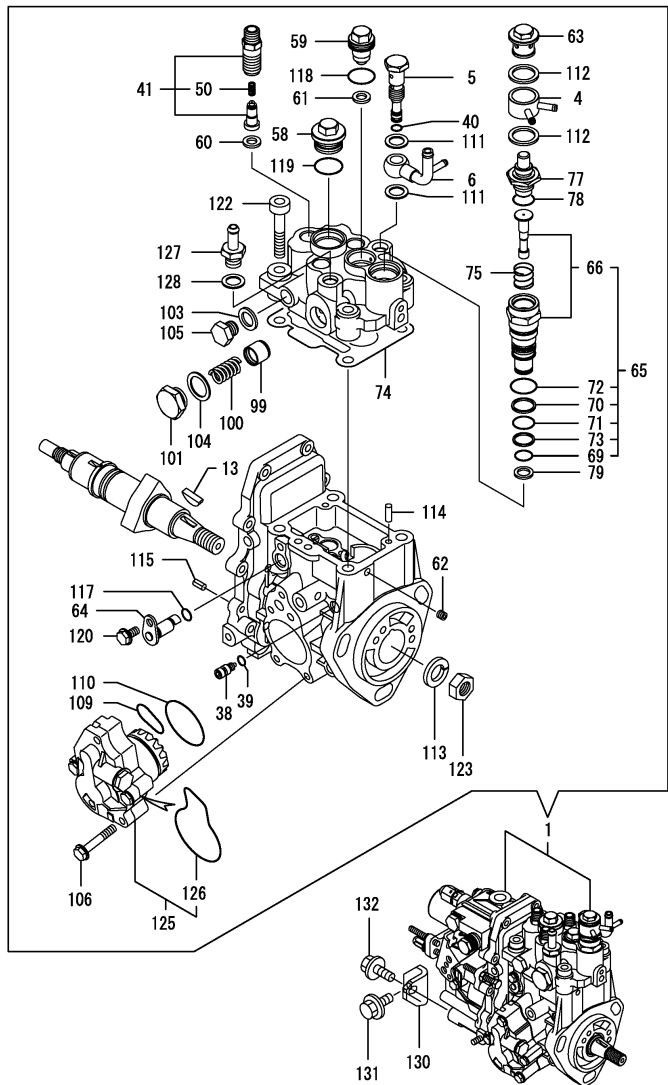


(A)=3TNV88-BDSA
(B)=3TNV88-BDSAT
(C)=3TNV88-BDSAC

(D)=
(E)=
(F)=

No.	Lev.	Parts No.	Description	Q'ty						I	R
				(A)	(B)	(C)	(D)	(E)	(F)		
1	1	129004-42001	PUMP ASSY, WATER	1	1	1					
3	2	129100-42051	GASKET, WATER PUMP	1	1	1					
4	2	129100-42121	PLATE	1	1	1					
8	2	121850-42410	SCREW	3	3	3					
10	2	119802-49113	JOINT, PIPE	2	2	2					
11	2	129916-49740	PLUG, R03	2	2	2					
12	2	23876-010000	PLUG, R01	1	1	1					
13	2	23876-020000	PLUG, R02	1	1	1					
14	1	129486-42021	GASKET, WATER PUMP	1	1	1					
15	1	129004-42040	JOINT	1	1	1					
16	1	129486-42140	O-RING, G30	1	1	1					
17	1	124395-49840	GASKET	1	1	1					
18	1	23414-080000	GASKET, 8X1.0	1	1	1					
19	1	26106-080122	BOLT, M8X 12 PLATED	1	1	1					
20	1	26106-080162	BOLT, M8X 16 PLATED	3	3	3					
21	1	26106-080452	BOLT, M8X 45 PLATED	1	1	1					
22	1	26106-080602	BOLT, M8X 60 PLATED	3	3	3					
23	1	129403-42380	V-PULLEY, D=110	1	1	1					
24	1	119865-42290	V-BELT, A36.5	1	1	1					
24-1	1	25152-003600	V-BELT, A36	1	1	1					N
		(A=EXXXXX) (B=EXXXXX) (C=EXXXXX)									
25	1	121267-44741	FAN, COOLING D=360	1	1	1					
26	1	171353-44760	SPACER, FAN	1	1	1					
27	1	26106-060402	BOLT, M6X 40 PLATED	4	4	4					
28	1	129155-49801	THERMOSTAT, 71	1	1	1					
29	1	129150-49811	GASKET, THERMOSTAT	1	1	1					
30	1	129350-49530	COVER, THERMOSTAT	1	1	1					
31	1	129795-49551	GASKET	1	1	1					
32	1	26106-080222	BOLT, M8X 22 PLATED	2	2	2					
33	1	121450-42450	PLUG, M16	1	1	1					
34	1	121250-44901	SWITCH, 110	1	1	1					
35	1	124465-44950	GASKET, 16	1	1	1					
36	1	124465-44950	GASKET, 16	1	1	1					
37	1	129004-49610	PIPE ASSY, WATER	1	1	1					
38	2	129004-49711	PIPE ASSY, WATER	1	1	1					
39	2	119802-49730	RETAINER, PIPE	1	1	1					
40	2	124722-59050	CLIP, HOSE 9	2	2	2					
41	1	129004-49620	PIPE ASSY, WATER	1	1	1					
42	2	129004-49721	PIPE ASSY, WATER	1	1	1					
43	2	124722-59050	CLIP, HOSE 9	2	2	2					

Fig.11. FUEL INJECTION PUMP



(A)=3TNV88-BDSA
(B)=3TNV88-BDSAT
(C)=3TNV88-BDSAC

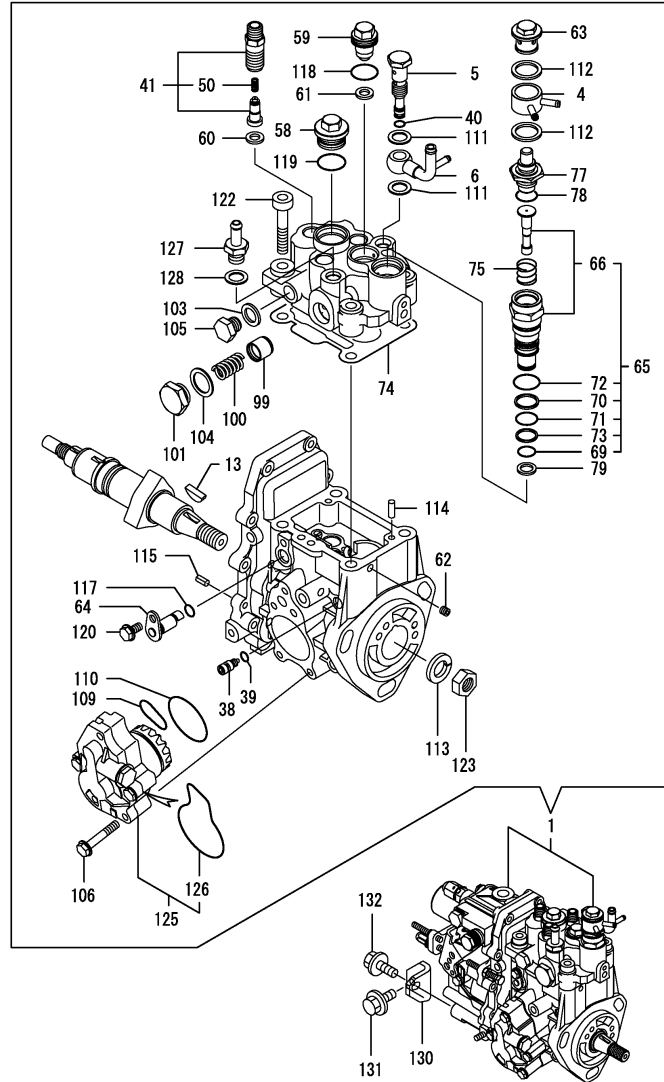
(D)=
(E)=
(F)=

No.	Lev.	Parts No.	Description	Qty						I	R
				(A)	(B)	(C)	(D)	(E)	(F)		
1	1	729285-51300	PUMP ASSY, INJECTION	1	1	1					1
1-1	1	729285-51340	PUMP ASSY, INJECTION	1	1	1					N 1
		(A=*2008.11) (B=*2008.11) (C=*2008.11)									
1-2	1	729285-51341	PUMP ASSY, INJECTION	1	1	1					N 1
		(A=EXXX) (B=EXXX) (C=EXXX)									
1-3	1	729285-51400	PUMP ASSY, INJECTION	1	1	1					S 2
		(A=E_B0992) (B=E_B0992) (C=E_B0992)									
4	2	158553-51551	JOINT	1	1	1					
5	2	158601-51650	JOINT, OVER FLOW	1	1	1					
6	2	158552-51670	JOINT, OVER FLOW	1	1	1					
13	2	119802-51090	KEY, 4X16	1	1	1					
38	2	158600-51270	STOPPER, TAPPET	1	1	1					
39	2	158563-51281	O-RING, 4D S6	1	1	1					
40	2	158563-51281	O-RING, 4D S6	1	1	1					
41	2	129008-51390	VALVE ASSY, DELIVERY	3	3	3					
50	3	158563-51330	SPRING, DELIVERY	3	3	3					
58	2	158601-51550	PLUG	1	1	1					
59	2	119802-51560	PLUG, BARREL	1	1	1					
60	2	158552-51571	GASKET	3	3	3					
61	2	158552-51571	GASKET	1	1	1					
62	2	158557-51570	PLUG	1	1	1					
63	2	158601-51570	PLUG	1	1	1					
64	2	158552-51580	LIFTER	1	1	1					
65	2	119802-51590	TIMER SET	1	1	1					
66	3	119802-51600	TIMER ASSY	1	1	1					
69	3	158553-51670	O-RING, 1011	1	1	1					
70	3	119802-51680	RING, BACK UP	1	1	1					
71	3	119802-51690	O-RING	1	1	1					
72	3	24356-010200	O-RING, 4D1020	1	1	1					
73	3	24372-000150	RING, BACK UP T2P15	1	1	1					
74	2	158552-51600	GASKET	1	1	1					
75	2	158553-51630	SPRING, TIMER	1	1	1					
77	2	158553-51640	ELEMENT	1	1	1					
78	2	158553-51660	O-RING, P14	1	1	1					
79	2	158553-51680	GASKET	1	1	1					
99	2	158601-51770	PISTON	1	1	1					
100	2	158552-51781	SPRING	1	1	1					
101	2	158601-51790	PLUG	1	1	1					
103	2	22190-120002	WASHER, SEAL 12	1	1	1					
104	2	22190-180002	WASHER, SEAL 18	1	1	1					
105	2	23887-120002	PLUG, 12	1	1	1					
106	2	158553-51770	BOLT	4	4	4					
109	2	158552-52310	O-RING	1	1	1					
110	2	158552-52400	O-RING, 4E S42	1	1	1					
111	2	22190-120002	WASHER, SEAL 12	2	2	2					
112	2	22190-180002	WASHER, SEAL 18	2	2	2					
113	2	22217-140000	WASHER, SPRING 14	1	1	1					
114	2	22312-050140	PIN, PARALLEL M5X14	2	2	2					
115	2	22351-050010	PIN, SPRING 5.0X10	2	2	2					
117	2	24311-000070	O-RING, 1AP7.0	1	1	1					
118	2	24356-010180	O-RING, 4D1018	1	1	1					

Remarks

(1) GOVERNOR ASSY(FIG.12) IS INCORPORATED IN THIS FUEL INJECTION PUMP.(REF.NO.1).
(2) REF.NO.1-3 & FIG.NO.13 REF.NO.1-1 INTERCHANGEABLE BY SET.

Fig.11. FUEL INJECTION PUMP



(A)=3TNV88-BDSA
 (B)=3TNV88-BDSAT
 (C)=3TNV88-BDSAC

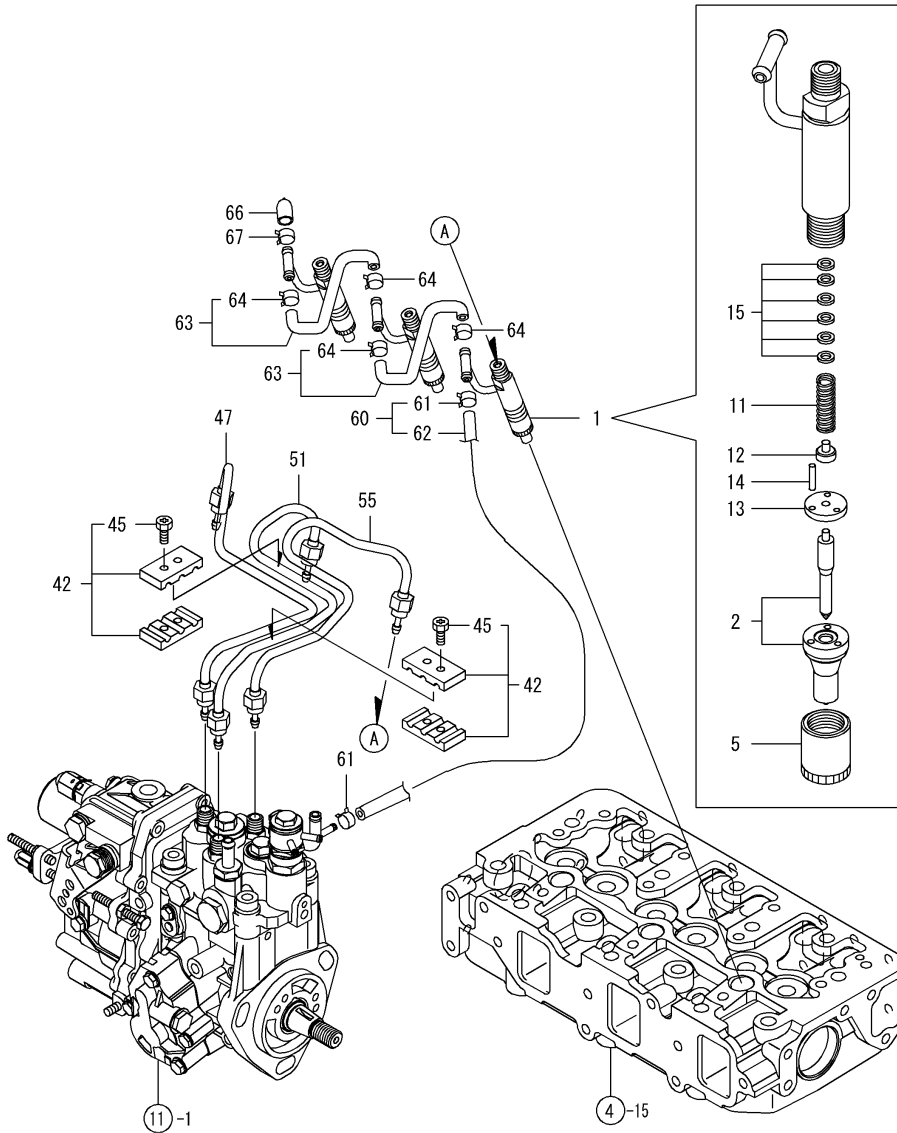
(D)=
 (E)=
 (F)=

No.	Lev.	Parts No.	Description	Qty						I	R
				(A)	(B)	(C)	(D)	(E)	(F)		
119	2	24356-010200	O-RING, 4D1020	1	1	1					
120	2	26106-060102	BOLT, M6X 10 PLATED	1	1	1					
122	2	26450-080452	BOLT, M8X 45	4	4	4					
123	2	26776-140002	NUT, LOCK M14	1	1	1					
125	2	158552-52100	PUMP ASSY, FUEL FEED	1	1	1					
126	3	158552-52500	O-RING	1	1	1					
127	2	119934-59910	JOINT, PIPE	1	1	1					
128	2	22190-120002	WASHER, SEAL 12	1	1	1					
130	1	119802-51250	RETAINER, PUMP	1	1	1					
131	1	26106-080162	BOLT, M8X 16 PLATED	1	1	1					
132	1	26106-080202	BOLT, M8X 20 PLATED	1	1	1					

Remarks

(1) GOVERNOR ASSY(FIG.12) IS INCORPORATED IN THIS FUEL INJECTION PUMP.(REF.NO.1).
 (2) REF.NO.1-3 & FIG.NO.13 REF.NO.1-1 INTERCHANGEABLE BY SET.

Fig.13. FUEL INJECTION VALVE



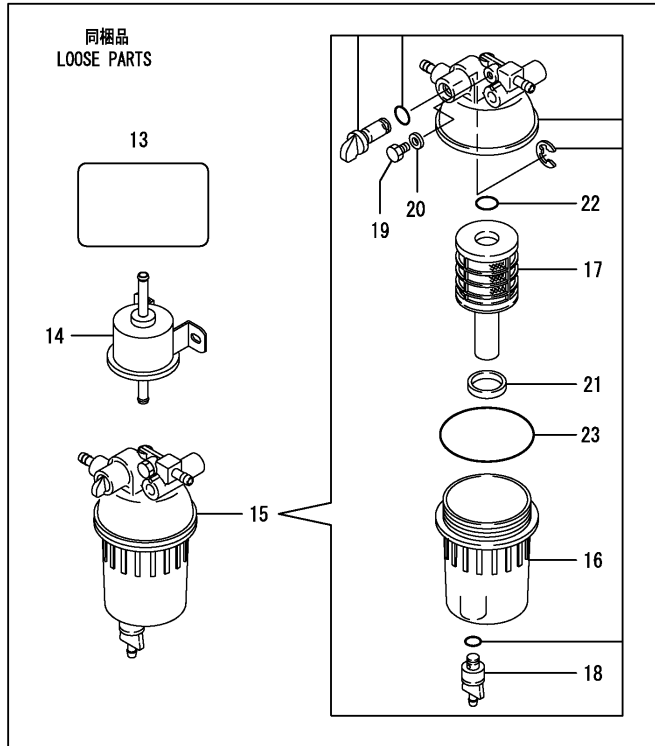
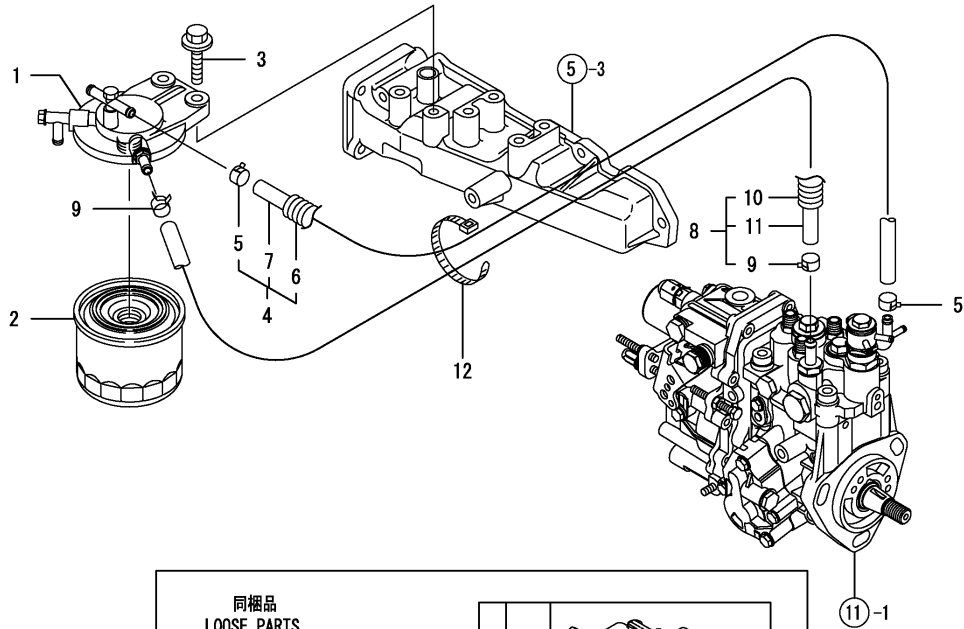
(A)=3TNV88-BDSA
(B)=3TNV88-BDSAT
(C)=3TNV88-BDSAC

(D)=
(E)=
(F)=

No.	Lev.	Parts No.	Description	Qty						I	R
				(A)	(B)	(C)	(D)	(E)	(F)		
1	1	729604-53200	VALVE ASSY,INJECTION	3	3	3					
1-1	1	729604-53400	VALVE ASSY,INJECTION	3	3	3					S 1
		(A=E_B0992)	(B=E_B0992)	(C=E_B0992)							
2	2	129604-53000	VALVE ASSY,INJECTION	3	3	3					
2-1	2	129604-53300	VALVE ASSY,INJECTION	3	3	3					S
		(A=E_B0992)	(B=E_B0992)	(C=E_B0992)							
5	2	114250-53080	NUT, NOZZLE D16.95	3	3	3					
11	2	114250-53120	SPRING, NOZZLE	3	3	3					
12	2	114250-53130	SEAT, SPRING	3	3	3					
13	2	114250-53140	PLATE	3	3	3					
14	2	114250-53210	PIN	6	6	6					
15	2	119803-53400	SHIM SET	3	3	3					
42	1	129150-59120	RETAINER, PIPE	2	2	2					
45	2	129150-59131	BOLT, M4X14	4	4	4					
47	1	129004-59811	PIPE ASSY, INJECTION	1	1	1					
51	1	129004-59821	PIPE ASSY, INJECTION	1	1	1					
55	1	129004-59831	PIPE ASSY, INJECTION	1	1	1					
60	1	119802-59550	PIPE ASSY, RETURN	1	1	1					
61	2	124722-59050	CLIP, HOSE 9	2	2	2					
62	2	119802-59560	PIPE, FUEL RETURN	1	1	1					
63	1	129486-59551	PIPE ASSY, RETURN	2	2	2					
64	2	124722-59050	CLIP, HOSE 9	4	4	4					
66	1	119593-59581	CAP	1	1	1					
67	1	124060-77680	CLIP, HOSE 10	1	1	1					

Remarks
(1) REF.NO.1-1 & FIG.NO.11 REF.NO.1-3
INTERCHANGEABLE BY SET.

Fig.14. FUEL LINE

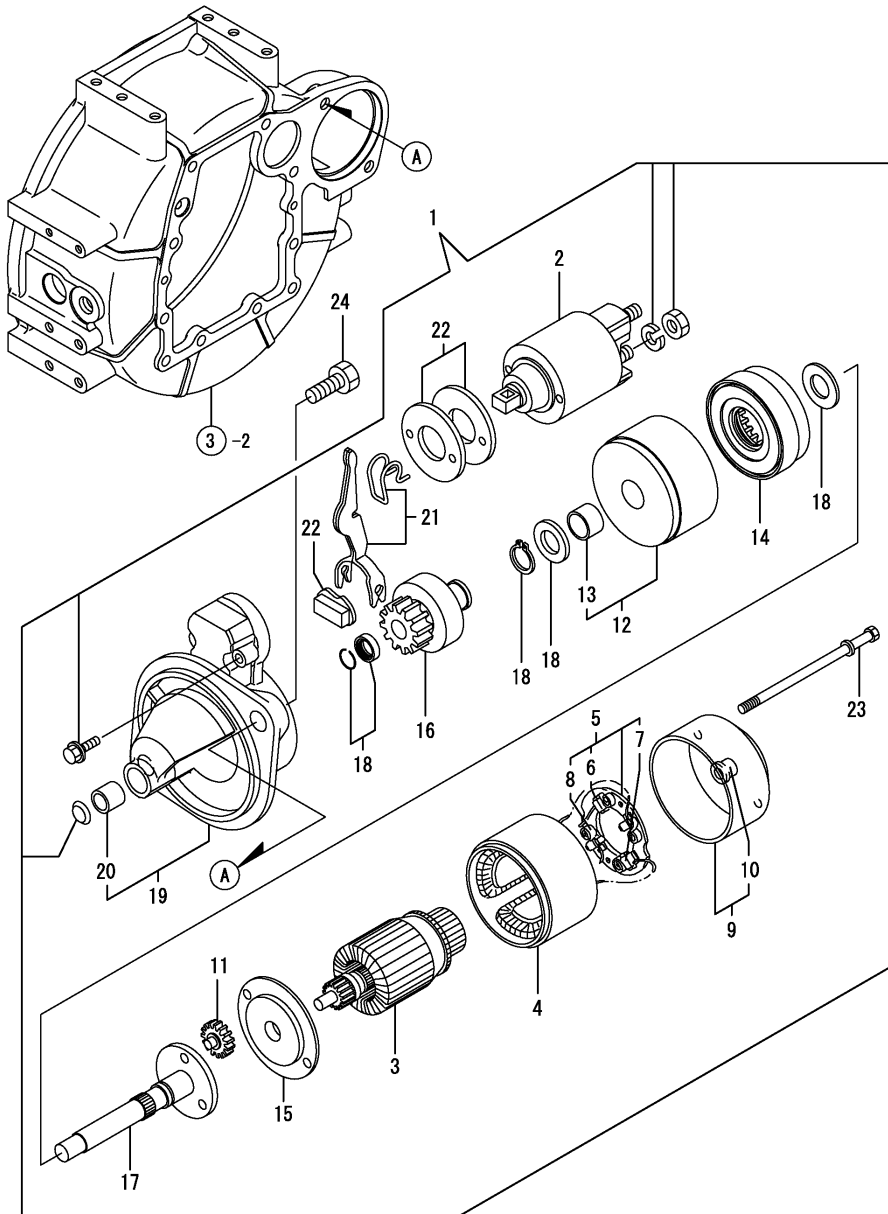


(A)=3TNV88-BDSA
(B)=3TNV88-BDSAT
(C)=3TNV88-BDSAC

(D)=
(E)=
(F)=

No.	Lev.	Parts No.	Description	Qty						I	R
				(A)	(B)	(C)	(D)	(E)	(F)		
1	1	129004-55612	BRACKET, FILTER	1	1	1					
2	1	119802-55801	FILTER, FUEL	1	1	1					
3	1	26106-080302	BOLT, M8X 30 PLATED	2	2	2					
4	1	129044-59010	PIPE, D13/7.5X220	1	1	1					
5	2	124766-59050	CLIP, HOSE 12	2	2	2					
6	2	129044-59100	TUBE, CORRUGATED	1	1	1					
7	2	129044-59510	PIPE, FUEL 220	1	1	1					
8	1	129950-59311	PIPE, FUEL	1	1	1					
9	2	124766-59050	CLIP, HOSE 12	2	2	2					
10	2	129961-59110	TUBE, CORRUGATED	1	1	1					
11	2	105025-59580	PIPE, FUEL	1	1	1					
12	1	121750-59890	BAND, 140	1	1	1					
13	1	114110-07760	LABEL, FUEL CAUTION	1	1	1					
14	1	119225-52102	PUMP ASSY, FUEL FEED	1	1	1					
15	1	129242-55700	SEPARATOR ASSY	1	1	1					
16	2	129242-55720	CUP	1	1	1					
17	2	129242-55730	ELEMENT	1	1	1					
18	2	129242-55740	PLUG, DRAIN	1	1	1					
19	2	129242-55750	VALVE, AIR VENT	1	1	1					
20	2	129242-55760	GASKET	1	1	1					
21	2	129242-55770	FLOAT	1	1	1					
22	2	24311-000160	O-RING, 1AP16.0	1	1	1					
23	2	24321-000750	O-RING, 1AG75.0	1	1	1					

Fig.15. STARTING MOTOR

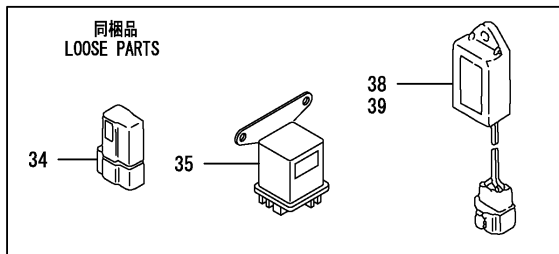
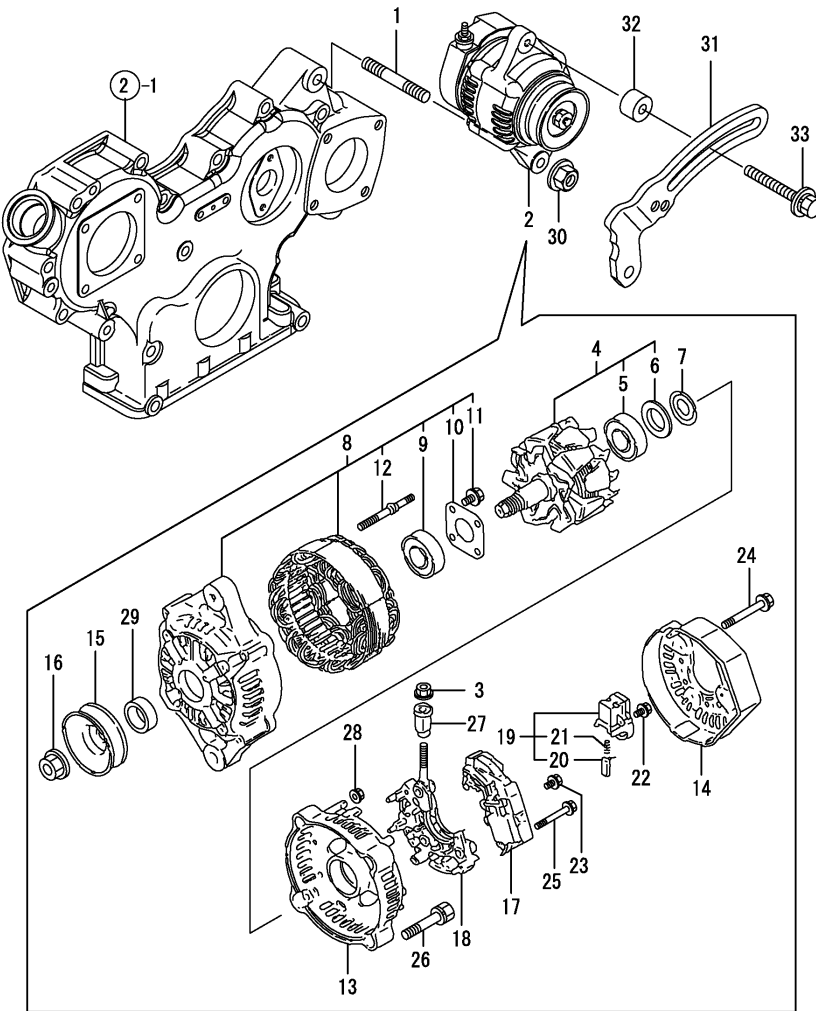


(A)=3TNV88-BDSA
 (B)=3TNV88-BDSAT
 (C)=3TNV88-BDSAC

(D)=
 (E)=
 (F)=

No.	Lev.	Parts No.	Description	Qty						I	R
				(A)	(B)	(C)	(D)	(E)	(F)		
1	1	129242-77010	STARTER	1	1	1					
2	2	129698-77020	SWITCH ASSY	1	1	1					
3	2	129242-77100	ARMATURE ASSY	1	1	1					
4	2	129242-77110	YOKE ASSY	1	1	1					
5	2	129242-77120	HOLDER ASSY, BRUSH	1	1	1					
6	3	129242-77130	BRUSH	2	2	2					
7	3	129242-77140	BRUSH SET	1	1	1					
8	3	129242-77150	SPRING	4	4	4					
9	2	129242-77160	COVER ASSY	1	1	1					
10	3	129242-77170	METAL	1	1	1					
11	2	118400-77170	GEAR	3	3	3					
12	2	129242-77180	BRACKET	1	1	1					
13	3	129698-77190	BRACKET	1	1	1					
14	2	129698-77200	GEAR, INTERNAL	1	1	1					
15	2	129242-77210	BRACKET	1	1	1					
16	2	129698-77220	PINION ASSY	1	1	1					
17	2	129698-77230	SHAFT	1	1	1					
18	2	129698-77250	WASHER SET	1	1	1					
19	2	129242-77260	CASE ASSY	1	1	1					
20	3	X2114535200	METAL, STARTER	1	1	1					
21	2	129242-77270	LEVER SET	1	1	1					
22	2	129242-77280	COVER ASSY, DUST	1	1	1					
23	2	124195-77770	BOLT, THROUGH	2	2	2					
24	1	26116-120202	BOLT, M12X 20 PLATED	2	2	2					

Fig.16. GENERATOR

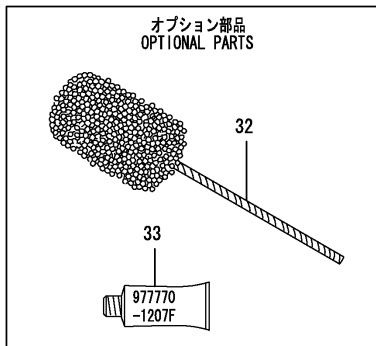
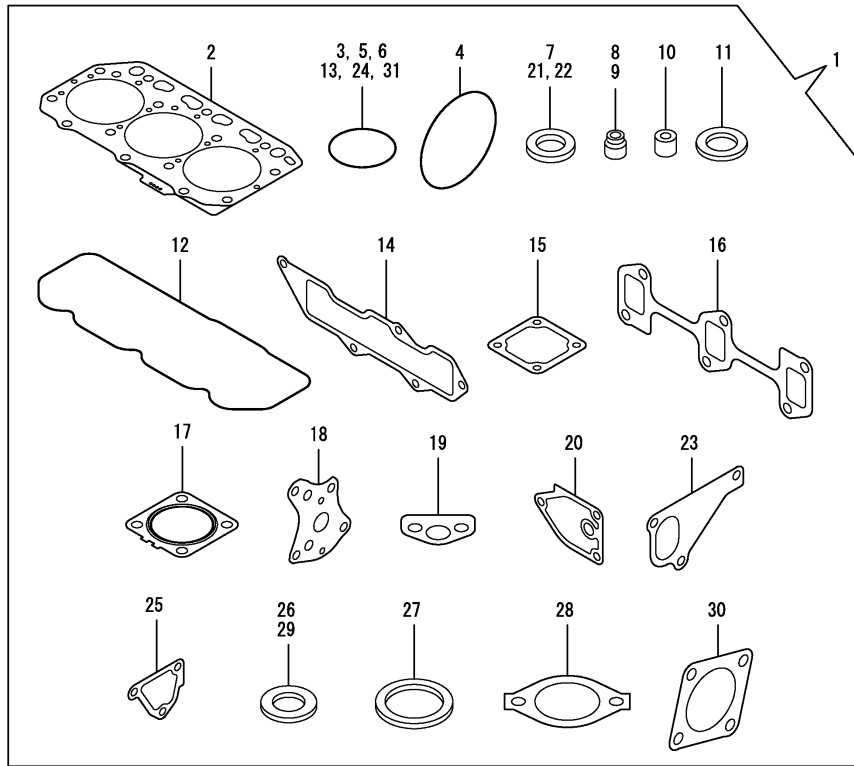


(A)=3TNV88-BDSA
(B)=3TNV88-BDSAT
(C)=3TNV88-BDSAC

(D)=
(E)=
(F)=

No.	Lev.	Parts No.	Description	Qty						I	R
				(A)	(B)	(C)	(D)	(E)	(F)		
1	1	129795-01900	STUD	1	1	1					
2	1	129423-77200	GENERATOR, 12V-40A	1	1	1					
3	2	X9490561001	NUT	1	1	1					
4	2	119620-77380	ROTOR ASSY	1	1	1					
5	3	119620-79240	BEARING, BALL	1	1	1					
6	3	119620-79250	COVER	1	1	1					
7	2	119620-79360	WASHER, THRUST	1	1	1					
8	2	119620-77421	FRAME ASSY, DRIVE	1	1	1					
9	3	119620-79200	BEARING, BALL	1	1	1					
10	3	119620-79210	PLATE, RETAINER	1	1	1					
11	3	119620-79220	SCREW	4	4	4					
12	3	119620-79230	STUD	2	2	2					
13	2	119620-77440	FRAME ASSY	1	1	1					
14	2	129240-79300	COVER	1	1	1					
15	2	119620-77461	PULLEY	1	1	1					
16	2	119620-77471	NUT	1	1	1					
17	2	129423-77710	REGULATOR ASSY	1	1	1					
18	2	119620-79260	HOLDER	1	1	1					
19	2	119620-79270	HOLDER, BRUSH	1	1	1					
20	3	119620-77480	BRUSH ASSY	2	2	2					
21	3	119620-79280	SPRING	2	2	2					
22	2	119620-79290	SCREW	1	1	1					
23	2	119620-79300	SCREW	1	1	1					
24	2	119620-79310	BOLT	3	3	3					
25	2	119620-79320	SCREW	2	2	2					
26	2	119620-79330	BOLT	2	2	2					
27	2	119620-79340	BUSH, INSULATION	1	1	1					
28	2	119620-79350	NUT	2	2	2					
29	2	119620-77490	COLLAR	1	1	1					
30	1	26306-100002	NUT, M10	1	1	1					
31	1	129064-77330	ADJUSTER	1	1	1					
32	1	129067-77340	SPACER	1	1	1					
33	1	129972-77341	BOLT, ADJUSTER L=50	1	1	1					
34	1	119643-66900	DIODE	1	1	1					
35	1	119650-77910	RELAY ASSY, GLOW	1	1	1					
38	1	128300-77920	TIMER	1	1	1					
39	1	129211-77920	TIMER	1	1	1					

Fig.17. GASKET SET



(A)=3TNV88-BDSA
(B)=3TNV88-BDSAT
(C)=3TNV88-BDSAC

(D)=
(E)=
(F)=

No.	Lev.	Parts No.	Description	Q'ty						I	R
				(A)	(B)	(C)	(D)	(E)	(F)		
1	1	729005-92780	GASKET SET	1	1	1					1
2	2	129001-01340	GASKET, HEAD	1	1	1					
3	2	119609-32040	O-RING, P16	2	2	2					
4	2	121850-51960	O-RING	1	1	1					
5	2	24311-000320	O-RING, 1AP32.0	2	2	2					
6	2	24341-000240	O-RING, 1AS24.0	1	1	1					
7	2	22190-220002	WASHER, SEAL 22	1	1	1					
8	2	121400-11340	SEAL, VALVE STEM	3	3	3					
9	2	124460-11340	SEAL, VALVE STEM	3	3	3					
10	2	119802-11870	PROTECTOR, NOZZLE	3	3	3					
11	2	119625-11880	SEAT, NOZZLE	3	3	3					
12	2	129004-11310	GASKET, BONNET	1	1	1					
13	2	24311-000120	O-RING, 1AP12.0	3	3	3					
14	2	129001-12110	GASKET, MANIFOLD	1	1	1					
15	2	129150-77511	GASKET	1	1	1					
16	2	129150-13110	GASKET	1	1	1					
17	2	129004-13200	GASKET, SILENCER	1	1	1					
18	2	129150-32020	GASKET, PUMP	1	1	1					
19	2	129150-35042	GASKET	1	1	1					
20	2	129150-35111	GASKET	1	1	1					
21	2	22190-080002	WASHER, SEAL 6	7	7	7					
22	2	22190-100002	WASHER, SEAL 10	2	2	2					
23	2	129486-42021	GASKET, WATER PUMP	1	1	1					
24	2	129486-42140	O-RING, G30	1	1	1					
25	2	124395-49840	GASKET	1	1	1					
26	2	23414-080000	GASKET, 8X1.0	1	1	1					
27	2	129150-49811	GASKET, THERMOSTAT	1	1	1					
28	2	129795-49551	GASKET	1	1	1					
29	2	124465-44950	GASKET, 16	2	2	2					
30	2	124240-01883	GASKET	1	1	1					
31	2	24321-000800	O-RING, 1AG80.0	1	1	1					
32	1	129400-92430	HONE	1	1	1					1
33	1	977770-1207F	GASKET.LIQUID	1	1	1					1

Remarks
(1) OPTIONAL PART.

Parts No. Index

Parts No.	Fig. No.	Ref. No.
105025-59580	14	11
114110-07760	14	13
114250-39450	9	41
114250-53080	13	5
114250-53120	13	11
114250-53130	13	12
114250-53140	13	13
114250-53210	13	14
118400-77170	15	11
119131-18320	6	5
119225-52102	14	14
119593-59581	13	66
119609-32040	2	9
	17	3
119620-01750	3	5
119620-77380	16	4
119620-77421	16	8
119620-77440	16	13
119620-77461	16	15
119620-77471	16	16
119620-77480	16	20
119620-77490	16	29
119620-79200	16	9
119620-79210	16	10
119620-79220	16	11
119620-79230	16	12
119620-79240	16	5
119620-79250	16	6
119620-79260	16	18
119620-79270	16	19
119620-79280	16	21
119620-79290	16	22
119620-79300	16	23
119620-79310	16	24
119620-79320	16	25
119620-79330	16	26
119620-79340	16	27
119620-79350	16	28
119620-79360	16	7
119625-11880	4	33
	17	11
119640-01640	3	10
119643-66900	16	34
119650-77910	16	35
119653-77950	12	134
119660-61901	12	60
119802-01561	2	5
119802-03110	4	44
119802-03121	4	45
119802-03130	4	46

Parts No.	Fig. No.	Ref. No.
119802-03141	4	47
119802-11260	4	6
119802-11270	4	7
119802-11280	4	8
119802-11870	4	32
	17	10
119802-25071	7	13
119802-25101	7	10
119802-25901	7	16
119802-35110	9	25
119802-39450	9	43
119802-49113	10	10
119802-49730	10	39
119802-51090	11	13
119802-51250	11	130
119802-51560	11	59
119802-51590	11	65
119802-51600	11	66
119802-51680	11	70
119802-51690	11	71
119802-55801	14	2
119802-59550	13	60
119802-59560	13	62
119803-21200	8	4
119803-25050	7	9
119803-53400	13	15
119807-61420	12	23
119865-21600	8	14
119865-42290	10	24
119888-01601	3	2
119888-21450	8	15
119934-01800	2	3
119934-59910	11	127
120130-11860	4	30
120270-54410	4	35
121023-01551	2	22
121111-21501	8	11
121250-44901	10	34
121267-44741	10	25
121400-11340	4	26
	17	8
121450-42450	10	33
121520-34810	9	17
121550-23200	8	31
121750-59890	14	12
121850-21680	8	10
121850-42410	10	8
121850-51960	2	10
	17	4
123900-13610	6	3

Parts No.	Fig. No.	Ref. No.
123900-13630	6	4
124060-01050	1	11
124060-77680	13	67
124160-01751	2	6
	4	40
124160-01910	1	12
	13	13
124160-11360	4	52
124160-39140	9	42
124195-77770	15	23
124240-01871	2	7
	19	19
124240-01883	2	20
	17	30
124395-49840	10	17
	17	25
124460-11340	4	27
	17	9
124465-44950	10	35
	36	36
	17	29
124722-59050	10	40
	43	43
	13	61
	64	64
124766-59050	14	5
	9	9
128300-77920	16	38
129001-01250	1	4
129001-01340	1	28
	17	2
129001-02931	1	29
129001-12110	5	4
	17	14
129001-32001	9	1
129001-91841	2	11
129004-03010	4	42
129004-03080	5	1
129004-11241	4	3
129004-11251	4	4
129004-11310	4	49
	17	12
129004-11350	4	41
129004-11650	4	10
129004-11900	4	34
129004-12101	5	3
129004-13109	6	1
129004-13200	6	7
	17	17
129004-21650	8	8

Parts No.	Fig. No.	Ref. No.
129004-34802	9	16
129004-42001	10	1
129004-42040	10	15
129004-49610	10	37
129004-49620	10	41
129004-49711	10	38
129004-49721	10	42
129004-55612	14	1
129004-59811	13	47
129004-59821	13	51
129004-59831	13	55
129005-11100	4	22
129005-22080	8	19
129005-22500	8	21
129005-22900	8	37
129005-22950	8	39
129005-59830	9	44
129006-35100	9	24
129006-44480	9	29
129006-49040	9	34
129008-11710	4	15
129008-21000	8	1
129008-51390	11	41
129008-77800	4	55
129008-77820	4	56
129044-59010	14	4
129044-59100	14	6
129044-59510	14	7
129064-77330	16	31
129067-77340	16	32
129100-01580	3	1
		16
	8	2
129100-01640	3	17
129100-01730	3	8
129100-01760	3	9
129100-11112	4	23
129100-23910	8	34
129100-35301	9	19
129100-42051	10	3
129100-42121	10	4
129103-49301	9	39
129129-14580	7	3
129150-01200	1	27
129150-02020	1	6
129150-02450	7	4
129150-02871	1	32
129150-02931	1	24
129150-02941	1	35
129150-03070	4	43

Parts No. Index

Parts No.	Fig. No.	Ref. No.
129150-11230	4	11
129150-11280	4	9
129150-11370	4	14
129150-11750	4	13
129150-11810	4	31
129150-13110	6	2
	17	16
129150-14101	7	6
129150-14200	7	1
129150-14400	7	2
129150-23601	8	32
129150-23611	8	35
129150-25301	7	15
129150-32020	9	14
	17	18
129150-35042	9	18
	17	19
129150-35111	9	27
	17	20
129150-35153	9	28
129150-49811	10	29
	17	27
129150-59120	13	42
129150-59131	13	45
129150-77511	5	8
	17	15
129155-49801	10	28
129155-51280	12	6
129155-61460	12	25
129188-21590	8	12
129202-22300	8	25
129211-77920	16	39
129240-79300	16	14
129242-55700	14	15
129242-55720	14	16
129242-55730	14	17
129242-55740	14	18
129242-55750	14	19
129242-55760	14	20
129242-55770	14	21
129242-77010	15	1
129242-77100	15	3
129242-77110	15	4
129242-77120	15	5
129242-77130	15	6
129242-77140	15	7
129242-77150	15	8
129242-77160	15	9
129242-77170	15	10
129242-77180	15	12

Parts No.	Fig. No.	Ref. No.
129242-77210	15	15
129242-77260	15	19
129242-77270	15	21
129242-77280	15	22
129255-61410	12	22
129350-49530	10	30
129400-92430	17	32
129403-42380	10	23
129410-03990	5	2
129417-33110	9	23
129417-35150	9	26
129423-77200	16	2
129423-77710	16	17
129430-26070	7	20
129486-01670	3	20
129486-12581	5	7
129486-35210	3	4
129486-42021	10	14
	17	23
129486-42140	10	16
	17	24
129486-59551	13	63
129508-33010	9	21
129508-33050	9	22
129508-49030	9	30
129604-01520	2	4
129604-53000	13	2
129604-53300	13	2 -1
129642-49180	9	37
129642-61060	12	91
129698-77020	15	2
129698-77190	15	13
129698-77200	15	14
129698-77220	15	16
129698-77230	15	17
129698-77250	15	18
129795-01780	3	19
129795-01900	16	1
129795-01950	2	8
129795-02412	1	9
129795-11120	4	24
129795-11180	4	25
129795-21661	8	9
129795-49551	10	31
	17	28
129900-07900	4	1
129916-49740	10	11
129950-59311	14	8
129961-59110	14	10
129972-77341	16	33

Parts No.	Fig. No.	Ref. No.
158552-51151	7	17
158552-51571	11	60
		61
158552-51580	11	64
158552-51600	11	74
158552-51670	11	6
158552-51781	11	100
158552-52100	11	125
158552-52310	11	109
158552-52400	11	110
158552-52500	11	126
158552-61061	12	91 -1
158552-61441	12	24
158552-61900	12	82
158553-51551	11	4
158553-51630	11	75
158553-51640	11	77
158553-51660	11	78
158553-51670	11	69
158553-51680	11	79
158553-51770	11	106
158553-61050	12	3
158553-61070	12	4
158557-51570	11	62
158563-51281	11	39
		40
158563-51330	11	50
158600-51270	11	38
158601-51550	11	58
158601-51570	11	63
158601-51650	11	5
158601-51770	11	99
158601-51790	11	101
171008-03990	9	31
		35
171051-01921	1	5
171056-49120	9	50
171353-44760	10	26
22190-080002	2	12
	9	45
		47
	17	21
22190-100002	9	48
	17	22
22190-120000	12	64
22190-120002	11	103
		111
		128
22190-180002	11	104
		112

Parts No.	Fig. No.	Ref. No.
22190-220002	3	12
	17	7
22217-140000	7	18
	11	113
22252-000260	8	26
22312-050140	11	114
22351-030010	8	7
22351-050010	11	115
22351-060012	4	36
22512-070140	7	7
	8	5
22857-500100	4	50
		51
23080-015000	9	33
		38
23414-080000	10	18
	17	26
23857-030000	9	46
23876-010000	10	12
23876-020000	10	13
23887-120002	11	105
	12	66
24104-062054	8	17
24311-000070	11	117
24311-000120	4	53
	17	13
24311-000160	14	22
24311-000320	2	13
	4	54
	17	5
24321-000750	14	23
24321-000800	7	21
	17	31
24341-000240	2	23
	17	6
24356-010180	11	118
24356-010200	11	72
		119
24372-000150	11	73
25152-003600	10	24 -1
26106-060102	11	120
	12	68
26106-060142	12	88
		89
26106-060162	2	24
26106-060202	12	90
26106-060402	10	27
26106-080122	10	19
26106-080142	7	8
26106-080162	2	14

Parts No. Index

Parts No.	Fig. No.	Ref. No.
26106-080162	2	15
		21
	3	13
	4	2
	10	20
	11	131
26106-080202	5	5
		9
	9	40
	11	132
26106-080222	8	18
	10	32
26106-080252	3	14
	4	37
	7	22
26106-080302	2	16
	14	3
26106-080352	3	21
	4	38
	9	20
26106-080402	7	14
26106-080452	3	15
		15 -1
	10	21
26106-080502	3	22
	4	39
26106-080552	2	17
26106-080602	10	22
26106-080802	5	6
26106-100302	7	23
26116-120202	15	24
26206-100252	3	6
26206-100302	3	7
26306-080002	2	18
	6	6
26306-100002	16	30
26366-060002	9	49
26450-060252	9	15
26450-080452	11	122
26756-060002	12	69
26776-140002	7	19
	11	123
27241-120000	1	14
27241-300000	1	10
27241-400000	4	21
27310-080001	4	28
729005-01560	1	1
729005-92780	17	1
729285-51300	11	1
729285-51340	11	1 -1

Parts No.	Fig. No.	Ref. No.
729285-51341	11	1 -2
729285-51400	11	1 -3
729402-23100	8	27
729604-53200	13	1
729604-53400	13	1 -1
729652-01500	2	1
977770-1207F	17	33
X2114535200	15	20
X9490561001	16	3

Parts No.	Fig. No.	Ref. No.
-----------	----------	----------

Parts No.	Fig. No.	Ref. No.
-----------	----------	----------