

0CW10-M43300EN

P R E F A C E

1. This Parts catalog is the 1st edition of 3TNV88-BDCR for CARRARO.

Pub.No. : 000Y00W4330
Published : August , 2008

2. Model name

Engine model	Vehicle	Vehicle made by
3TNV88-BDCR	TRACTOR	CARRARO

Directions for the Parts Catalog.

1. This Parts Catalog shows both standard and optional parts.
2. Parts may change without prior notice.
3. The following is an example of the Parts Catalog format.

REF.	LEV.	PARTS NO.	DESCRIPTION	Q'TY						I	R
				(A)	(B)	(C)	(D)	(E)	(F)		
1	1	729595-51390	FUEL INJECTION PUMP	1	1	1	1	1			1
1-1	1	729595-51391	FUEL INJECTION PUMP	1	1	1	1	1		N	1
		(A=E00185) (B=E00200)									
3	2	26022-060162	SCREW M 6X 16	9	9	9	9	9			
3-1	2	26022-060162	SCREW M 6X 16	4	4	4	4	4		K	
		(A=E00156) (B=E00156) (C=E00156) (D=E00156) (E=E00156)									
4	2	129470-51040	CAMSHAFT	1	1	1	1	1			
5	2	122710-51050	BEARING, ROLLER	2	2	2	2	2			
6	2	129470-51060	RETAINER	1	1	1	1	1			

Remarks
(1) BOOST COMPEMSATOR TYPE. OPTIONAL PART, TO E00155,(4JH-DT, 4JH-DTZ

① Ref. No.

The Ref. No. listed may not be in accordance with the illustration Ref. No.

(Ex.) Illustration No.

List Ref No.

1

1

(Before change)

1-1

(After change)

For interchangeable symbols N, R and K, illustrations for new parts may be abbreviated.

② Lev. (Level)

Level indication

The numbers below indicate the level of relativity towards the main part.

1 ----- Main parts (Assembly parts)

2 ----- Sub component included in " 1 ".

3 ----- Sub component included in " 2 ".

Note) Parts that are not for sale are partially illustrated but not listed.

③ Interchangeability Symbol

When a part change takes place, one of the following interchangeability symbols is indicated beside the part.

Symbol	Interchangeability	Contents note
N	Old $\begin{matrix} \leftarrow \text{Yes} \\ \text{No} \rightarrow \end{matrix}$ New	New Part is interchangeable for Old Part but Old Part is not interchangeable for New Part.
Q	Old $\begin{matrix} \leftarrow \text{No} \\ \text{Yes} \rightarrow \end{matrix}$ New	New Part is not interchangeable for Old Part but Old Part is interchangeable for New Part.
R	Old $\begin{matrix} \leftarrow \text{Yes} \\ \text{Yes} \rightarrow \end{matrix}$ New	New/ Old Parts are both interchangeable.
S	Old $\begin{matrix} \leftarrow \text{No} \\ \text{No} \rightarrow \end{matrix}$ New	New/ Old Parts are both not interchangeable.
W		Part newly added.
Z		Part discontinued.
F		Not interchangeable by a single part but interchangeable together with related parts.
K		Changes only for used parts quantities.

④ Effective Machine No.

When a part changes, the effective Machine No. will be indicated in the (A)-(F) column.

Product Symbol	Product No.	Product Symbol	Product No.
C	Clutch No. Compressor No.	F	Machine No. (Agricultural Equip.)
D	Drive No.	M	Machine No.
E	Engine No.		

Note 1) A date may follow the symbol. (Ex.) 1996.01

Note 2) "XXXXX" and "ZZZZZ" are for parts that could not be predicted or for engine models that could not be identified.

Note 3) (A=E00185) is the E (Engine Serial Number) for the column (A) model (in this case 4JH-DT) after the parts design change.

⑤ Remarks

Figures or alphabets (symbols) are entered in the remarks column.

The comments (remarks) on parts that are indicated at the bottom of the illustration are the same symbols as those stated above.

Contents

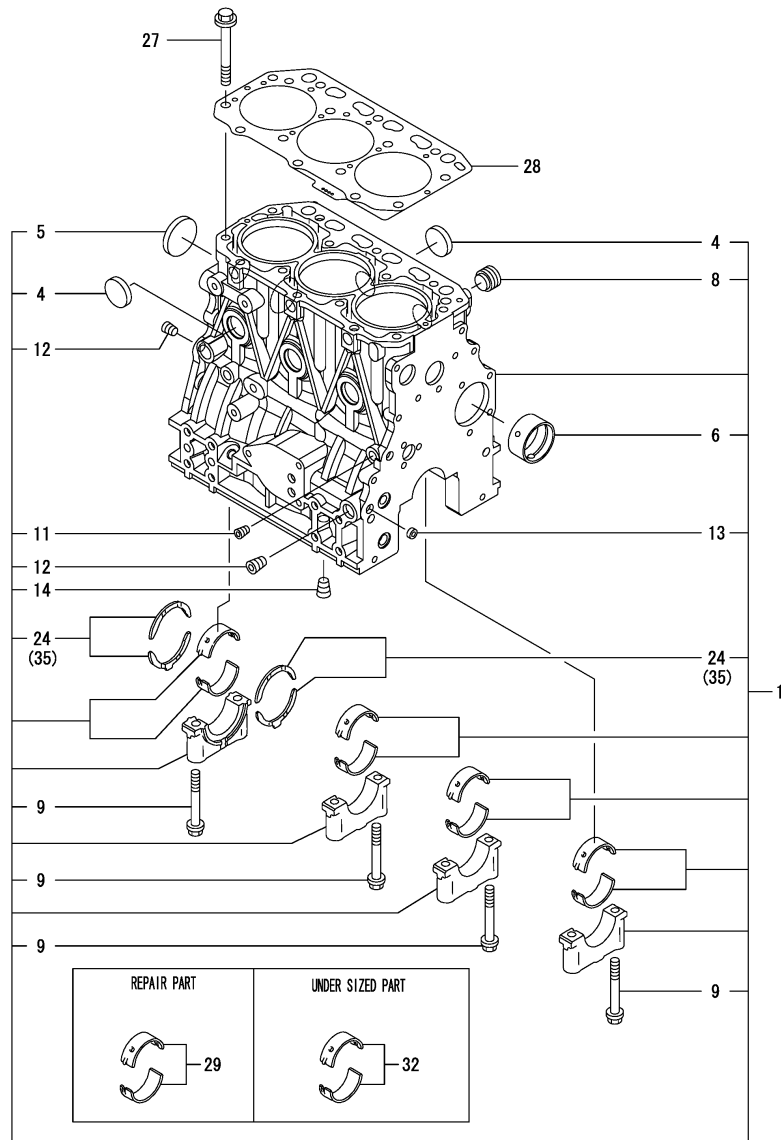
Fig. No. Fig. Name

3TNV88-BDCR

1. CYLINDER BLOCK
2. GEAR HOUSING
3. FLYWHEEL HOUSING & OIL SUMP
4. CYLINDER HEAD & BONNET
5. SUCTION MANIFOLD
6. EXHAUST MANIFOLD
7. CAMSHAFT & DRIVING GEAR
8. CRANKSHAFT & PISTON
9. LUB.OIL SYSTEM
10. COOLING WATER SYSTEM
11. FUEL INJECTION PUMP
12. GOVERNOR
13. FUEL INJECTION VALVE
14. FUEL LINE
15. STARTING MOTOR
16. GENERATOR
18. (16A)GENERATOR
17. GASKET SET & TOOLS

Fig. No. Fig. Name

Fig.1. CYLINDER BLOCK



(A)=3TNV88-BDCR

(B)=

(C)=

(D)=

(E)=

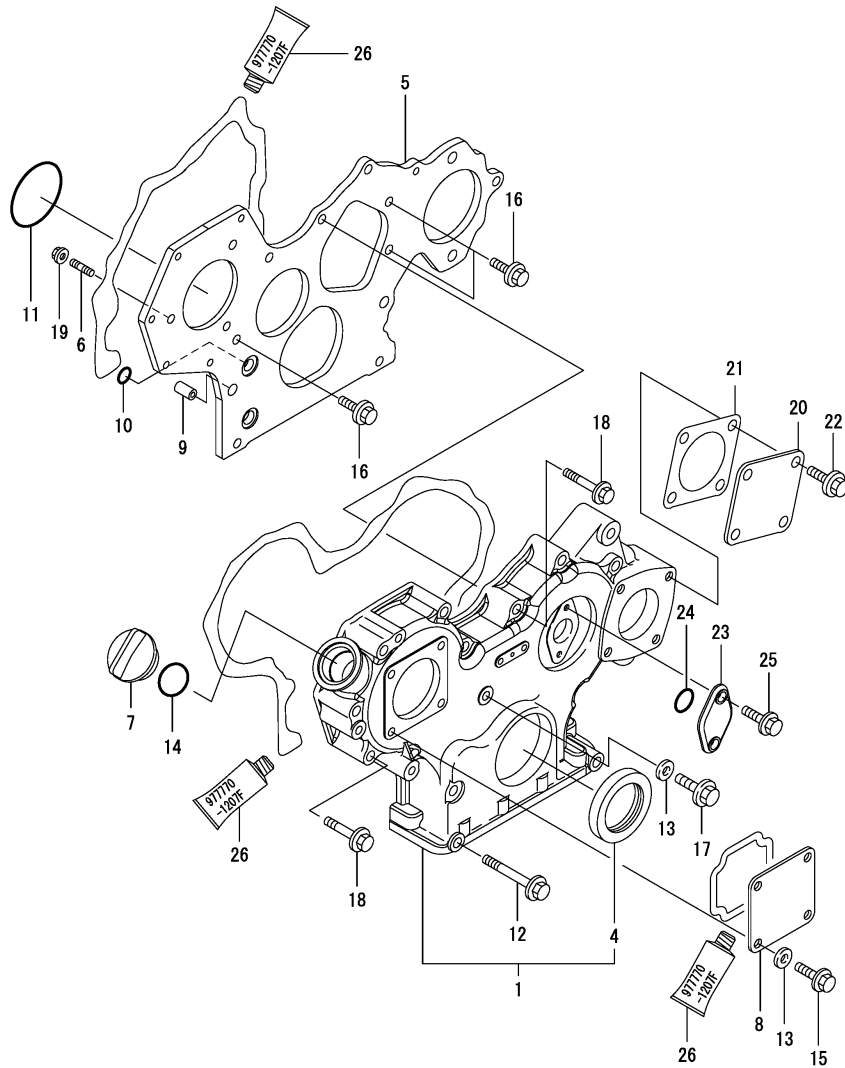
(F)=

No.	Lev.	Parts No.	Description	Q'ty						I	R
				(A)	(B)	(C)	(D)	(E)	(F)		
1	1	729005-01560	BLOCK ASSY, CYLINDER	1							
4	3	27241-300000	PLUG 30	6							
5	3	129001-01250	PLUG, 50	1							
6	3	129795-02412	BUSH, CAMSHAFT	1							
8	3	171051-01921	PLUG, NPTF1	1							
9	3	129150-02020	BOLT, METAL CAP	8							
11	2	124060-01050	PLUG, PT1/8	1							
12	2	124160-01910	PLUG, PT1/4	2							
13	2	27241-120000	PLUG, 12	2							
14	2	124160-01910	PLUG, PT1/4	1							
24	2	129150-02931	BEARING, THRUST	2							
27	1	129150-01200	BOLT, HEAD	14							
28	1	129001-01340	GASKET, HEAD	1							
29	1	129001-02931	BEARING, MAIN	4							1
32	1	129150-02871	BEARING, 0.25 US	4							2
35	1	129150-02941	BEARING, THRUST 0.25	1							3

Remarks

- (1)REPAIR PART.
- (2)UNDER-SIZED(U.S=0.25)PART.
- (3)OVER-SIZED(O.S=0.25)PART.

Fig.2. GEAR HOUSING



(A)=3TNV88-BDCR

(B)=

(C)=

(D)=

(E)=

(F)=

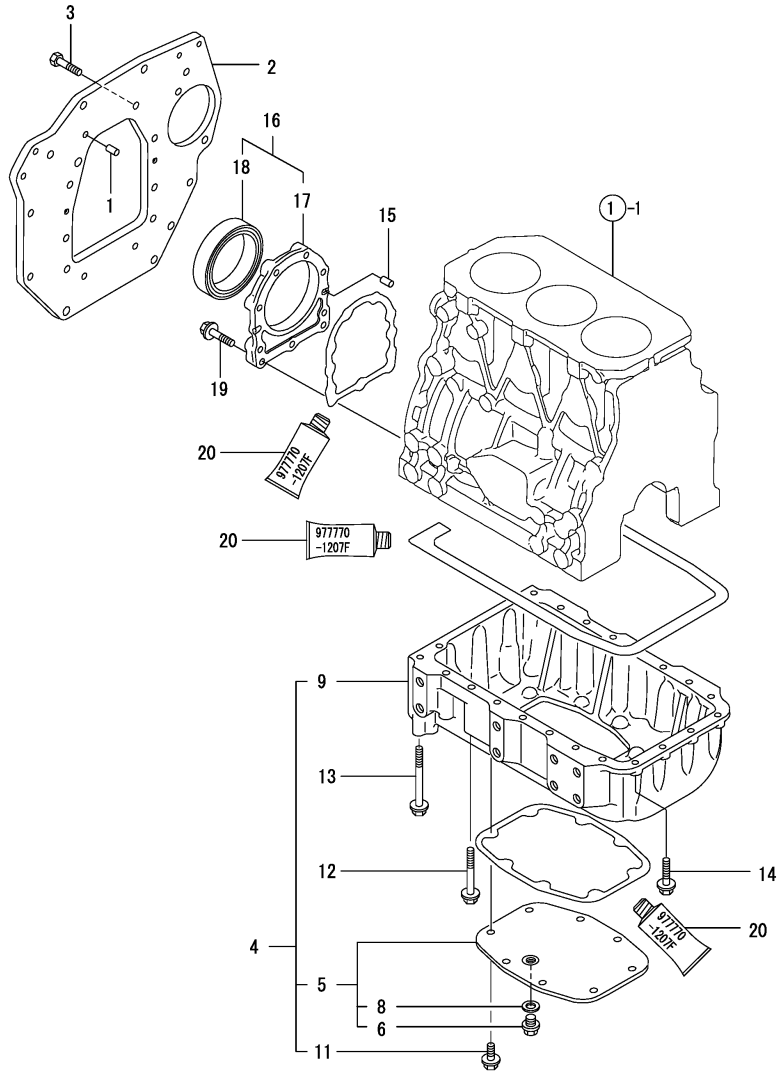
No.	Lev.	Parts No.	Description	Q'ty						I	R
				(A)	(B)	(C)	(D)	(E)	(F)		
1	1	729652-01500	CASE ASSY, GEAR	1							
4	2	119934-01800	SEAL, OIL	1							
5	1	129604-01520	FLANGE, GEAR CASE	1							
6	1	119802-01561	STUD, M8X25	3							
7	1	124160-01751	COVER, FILLER	1							
8	1	124240-01871	COVER	1							
9	1	129795-01950	PIPE, KNOCK L=18	2							
10	1	119609-32040	O-RING, P16	2							
11	1	121850-51960	O-RING	1							
12	1	129001-91841	BOLT, M8X85	3							
13	1	22190-080002	WASHER, SEAL 6	5							
14	1	24311-000320	O-RING, 1AP32.0	1							
15	1	26106-080162	BOLT, M8X 16 PLATED	4							
16	1	26106-080162	BOLT, M8X 16 PLATED	3							
17	1	26106-080302	BOLT, M8X 30 PLATED	1							
18	1	26106-080552	BOLT, M8X 55 PLATED	10							
19	1	26306-080002	NUT, M8	3							
20	1	124240-01871	COVER	1							
21	1	124240-01883	GASKET	1							
22	1	26106-080162	BOLT, M8X 16 PLATED	4							
23	1	121023-01551	COVER	1							
24	1	24341-000240	O-RING, 1AS24.0	1							
25	1	26106-060162	BOLT, M6X 16 PLATED	2							
26	1	977770-1207F	GASKET, LIQUID	1							1

Remarks

(1)REPAIR PART.

N:Old $\begin{matrix} \leftarrow \text{Yes} \\ \text{No} \end{matrix}$ New, Q:Old $\begin{matrix} \leftarrow \text{No} \\ \text{Yes} \end{matrix}$ New, R:Old $\begin{matrix} \leftarrow \text{Yes} \\ \text{Yes} \end{matrix}$ New, S:Old $\begin{matrix} \leftarrow \text{No} \\ \text{No} \end{matrix}$ New, W:Add, Z:Discontinued, F:Interchangeable by set, K:Q'ty Change

Fig.3. FLYWHEEL HOUSING & OIL SUMP



(A)=3TNV88-BDCR

(B)=

(C)=

(D)=

(E)=

(F)=

No.	Lev.	Parts No.	Description	Q'ty						I	R
				(A)	(B)	(C)	(D)	(E)	(F)		
1	1	129100-01580	PIN, M8X16	2							
2	1	129129-01600	FLANGE, MOUNTING	1							
3	1	26206-100202	BOLT, M10X 20 PLATED	8							
4	1	129126-01550	SUMP ASSY, OIL	1							
5	2	129129-01540	COVER ASSY, OIL SUMP	1							
6	3	105425-01690	PLUG, 16	1							
8	3	22190-160002	WASHER, SEAL 16	1							
9	2	129126-01700	SUMP, OIL	1							
11	2	26106-080122	BOLT, M8X 12 PLATED	8							
12	1	129001-91841	BOLT, M8X85	14							
13	1	129001-91910	BOLT, M8X120	4							
14	1	26106-080252	BOLT, M8X 25 PLATED	4							
15	1	129100-01580	PIN, M8X16	2							
16	1	129100-01640	CASE ASSY, OIL SEAL	1							
17	2	129150-01650	CASE, OIL SEAL	1							
18	2	129795-01780	SEAL, OIL	1							
19	1	129486-01670	BOLT, M8X30	9							
20	1	977770-1207F	GASKET, LIQUID	1							1

Remarks

(1)REPAIR PART.

Fig.4. CYLINDER HEAD & BONNET

(A)=3TNV88-BDCR

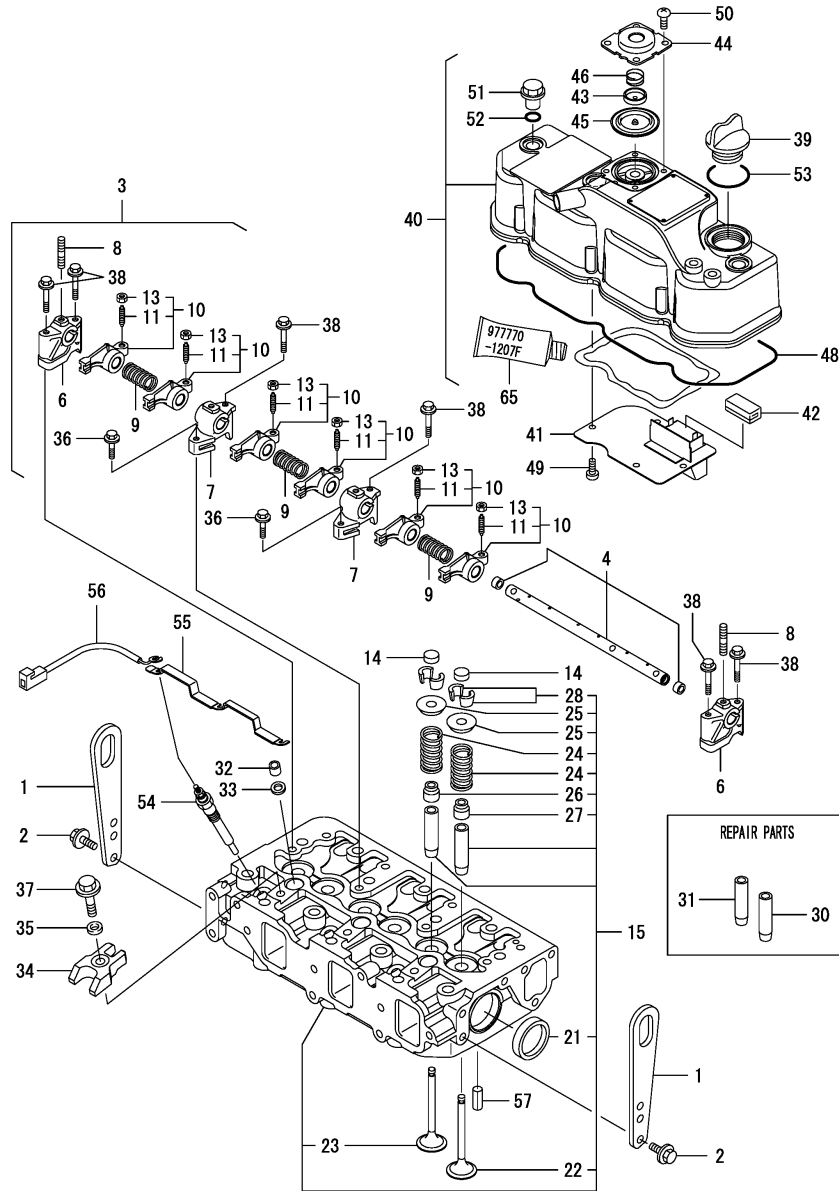
(B)=

(C)=

(D)=

(E)=

(F)=



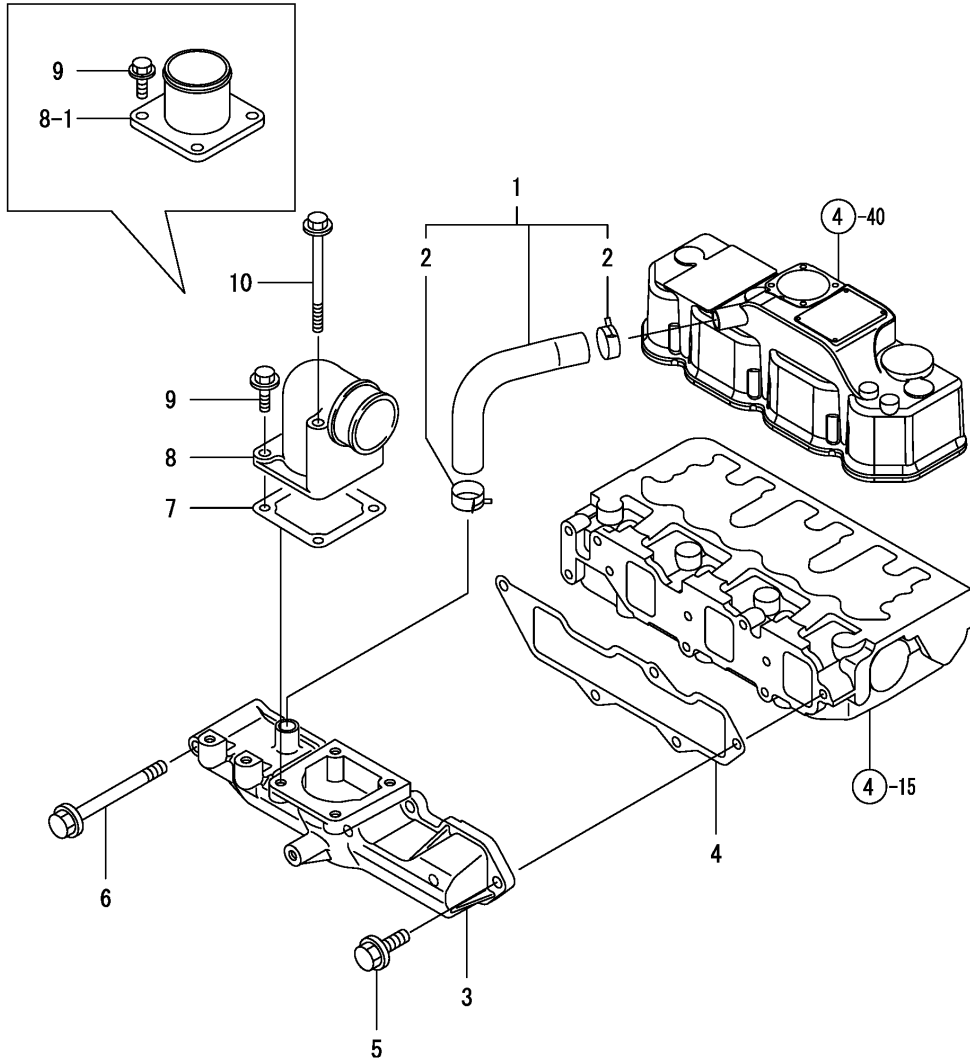
No.	Lev.	Parts No.	Description	Qty						I	R
				(A)	(B)	(C)	(D)	(E)	(F)		
1	1	129900-07900	LIFTER	2							
2	1	26106-080162	BOLT, M8X 16 PLATED	4							
3	1	129004-11241	SHAFT ASSY, ROCKER	1							
4	2	129004-11251	SHAFT, ROCKER ARM	1							
6	2	119802-11260	SUPPORT, ROCKER ARM	2							
7	2	119802-11270	SUPPORT, ROCKER ARM	2							
8	2	119802-11280	STUD	3							
9	2	129150-11280	SPRING	3							
10	2	129004-11650	ARM, ROCKER	6							
11	3	129150-11230	SCREW, VALVE ADJUST	6							
13	3	129150-11750	NUT, M8	6							
14	1	129150-11370	CAP, VALVE	6							
15	1	129008-11710	HEAD ASSY, CYLINDER	1							
21	2	27241-400000	PLUG, 40	2							
22	2	129005-11100	VALVE, INTAKE	3							
23	2	129100-11112	VALVE, EXHAUST	3							
24	2	129795-11120	SPRING, VALVE	6							
25	2	129795-11180	RETAINER, SPRING	6							
26	2	121400-11340	SEAL, VALVE STEM	3							
27	2	124460-11340	SEAL, VALVE STEM	3							
28	2	27310-080001	COTTER, 8	6							
30	1	120130-11860	GUIDE, VALVE	3							1
31	1	129150-11810	GUIDE, VALVE	3							1
32	1	119802-11870	PROTECTOR, NOZZLE	3							
33	1	119625-11880	SEAT, NOZZLE	3							
34	1	129004-11900	RETAINER, NOZZLE	3							
35	1	120270-54410	WASHER, INJECTOR	3							
36	1	26106-080252	BOLT, M8X 25 PLATED	2							
37	1	26106-080352	BOLT, M8X 35 PLATED	3							
38	1	26106-080502	BOLT, M8X 50 PLATED	6							
39	1	124160-01751	COVER, FILLER	1							
40	1	129004-11350	BONNET ASSY, HEAD	1							
41	2	129004-03010	PLATE	1							
42	2	129150-03070	BAFFLE, BREATHER	1							
43	2	119802-03110	PLATE	1							
44	2	119802-03121	COVER, DIAPHRAGM	1							
45	2	119802-03130	DIAPHRAGM	1							
46	2	119802-03141	SPRING, DIAPHRAGM	1							
48	2	129004-11310	GASKET, BONNET	1							
49	2	22857-500100	SCREW, 5X10	4							
50	2	22857-500100	SCREW, 5X10	4							
51	1	124160-11360	KNOB	3							
52	1	24311-000120	O-RING, 1AP12.0	3							
53	1	24311-000320	O-RING, 1AP32.0	1							
54	1	129008-77800	PLUG, GLOW	3							
55	1	129008-77820	CONNECTOR, GLOW PLUG	1							
56	1	119803-77830	HARNES, WIRE	1							
57	1	22351-060012	PIN, SPRING 6.0X12	2							

Remarks

(1)REPAIR PART.

N:Old $\begin{matrix} \leftarrow \text{Yes} \\ \text{No} \end{matrix}$ New, Q:Old $\begin{matrix} \leftarrow \text{No} \\ \text{Yes} \end{matrix}$ New, R:Old $\begin{matrix} \leftarrow \text{Yes} \\ \text{Yes} \end{matrix}$ New, S:Old $\begin{matrix} \leftarrow \text{No} \\ \text{No} \end{matrix}$ New, W:Add, Z:Discontinued, F:Interchangeable by set, K:Q'ty Change

Fig.5. SUCTION MANIFOLD



(A)=3TNV88-BDCR
(B)=
(C)=

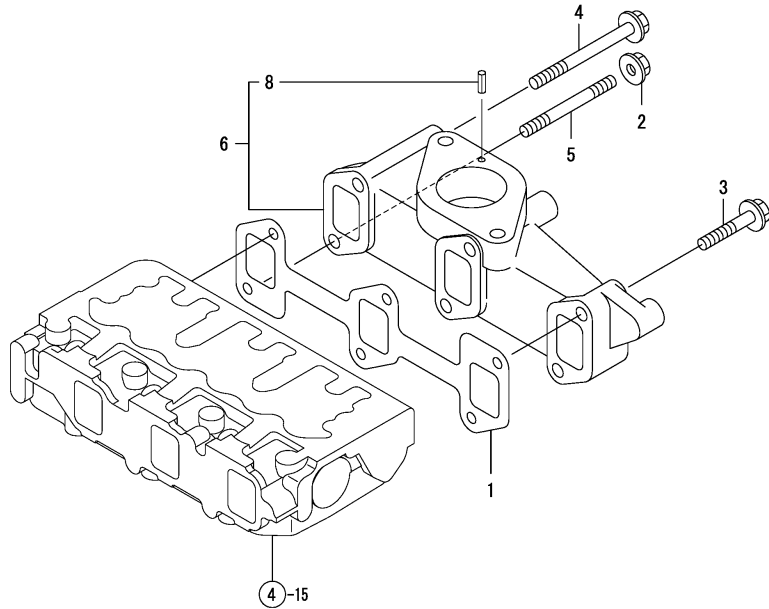
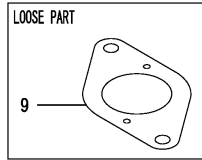
(D)=
(E)=
(F)=

No.	Lev.	Parts No.	Description	Q'ty						I	R
				(A)	(B)	(C)	(D)	(E)	(F)		
1	1	129005-03080	PIPE , BREATHER	1							
2	2	129410-03990	CLIP	2							
3	1	129005-12101	MANIFOLD, AIR INTAKE	1							
4	1	129001-12110	GASKET, MANIFOLD	1							
5	1	26106-080202	BOLT, M8X 20 PLATED	4							
6	1	26106-080802	BOLT, M8X 80 PLATED	1							
7	1	129150-77511	GASKET	1							
8	1	119803-77520	BEND, AIR HEATER	1							
8-1	1	129486-12581	JOINT, MANIFOLD	1							N
(A=EZZZZZ)											
9	1	26106-080202	BOLT, M8X 20 PLATED	2							
9-1	1	26106-080202	BOLT, M8X 20 PLATED	4							K
(A=EZZZZZ)											
10	1	26106-080802	BOLT, M8X 80 PLATED	2							Z

Fig.6. EXHAUST MANIFOLD

(A)=3TNV88-BDCR
(B)=
(C)=

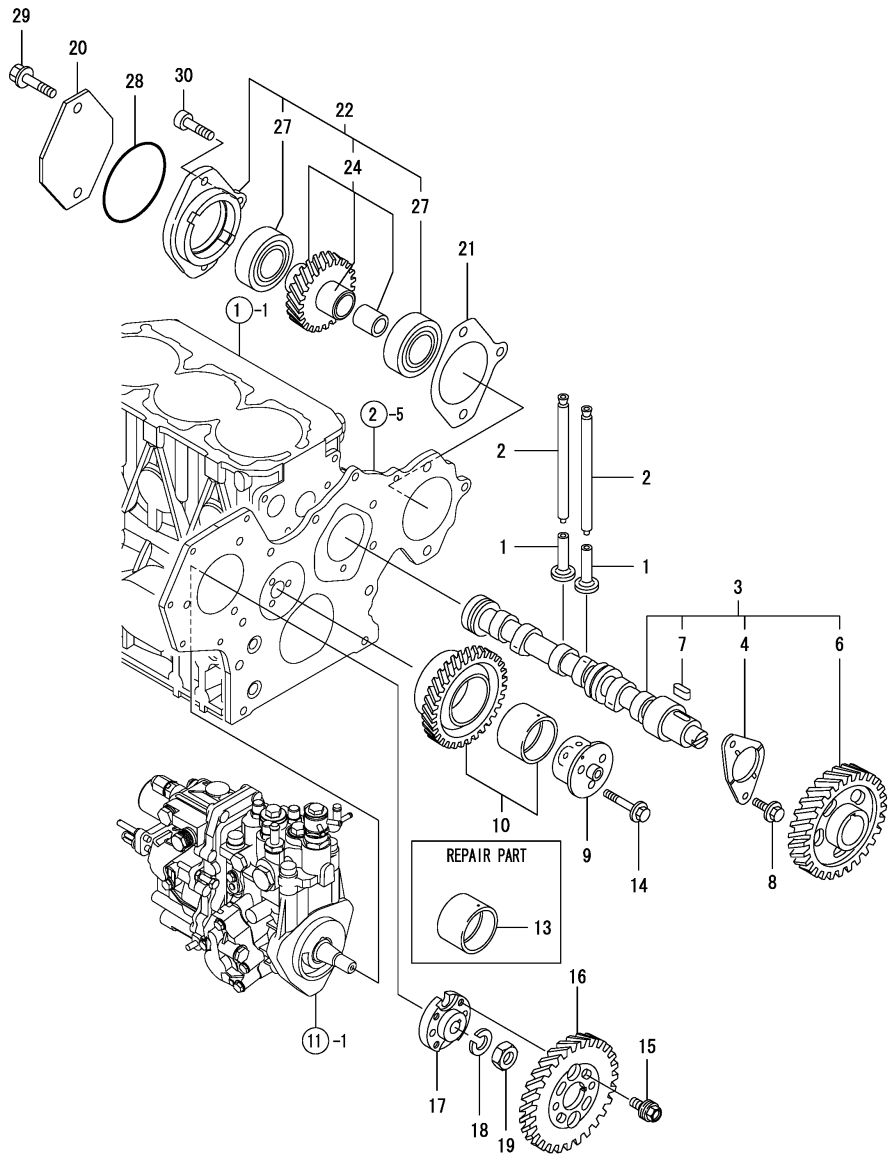
(D)=
(E)=
(F)=



No.	Lev.	Parts No.	Description	Q'ty						I	R
				(A)	(B)	(C)	(D)	(E)	(F)		
1	1	129150-13110	GASKET	1							
2	1	26306-080002	NUT, M8	2							
3	1	119802-13600	BOLT, M8X40	2							
4	1	119802-13660	BOLT, M8X75 10.9T	2							
5	1	119802-13710	STUD, M8X40	2							
6	1	129263-13100	MANIFOLD ASSY	1							
8	2	22351-040012	PIN, SPRING 4.0X12	1							
9	1	129107-13540	GASKET, SILENCER	1							1

Remarks
(1)OPTIONAL PART.

Fig.7. CAMSHAFT & DRIVING GEAR



(A)=3TNV88-BDCR

(B)=

(C)=

(D)=

(E)=

(F)=

No.	Lev.	Parts No.	Description	Q'ty						I	R
				(A)	(B)	(C)	(D)	(E)	(F)		
1	1	129150-14200	TAPPET	6							
2	1	129150-14400	ROD, PUSH L=178	6							
3	1	129129-14580	CAMSHAFT ASSY	1							
4	2	129150-02450	BEARING, THRUST	1							
6	2	129150-14101	GEAR, CAMSHAFT	1							
7	2	22512-070140	KEY, 7X 14	1							
8	1	26106-080142	BOLT, M8X 14 PLATED	2							
9	1	119803-25050	SHAFT, IDLE	1							
10	1	119802-25101	GEAR ASSY, IDLE	1							
13	1	119802-25071	BUSH, IDLE GEAR	1							1
14	1	26106-080402	BOLT, M8X 40 PLATED	3							
15	1	129150-25301	BOLT	4							
16	1	119802-25901	GEAR, PUMP	1							
17	1	158552-51151	FLANGE	1							
18	1	22217-140000	WASHER, SPRING 14	1							
19	1	26776-140002	NUT, LOCK M14	1							
20	1	121023-26070	COVER	1							
21	1	171353-26081	GASKET	1							
22	1	129484-26200	DRIVE ASSY, PUMP	1							
24	2	129484-26210	GEAR ASSY	1							
27	2	24105-060064	BEARING, BALL 6006Z	2							
28	1	24321-000850	O-RING, 1AG85.0	1							
29	1	26106-100452	BOLT, M10X 45 PLATED	2							
30	1	26450-080282	BOLT, M8X 28	1							

Remarks

(1)REPAIR PART.

Fig.8. CRANKSHAFT & PISTON

(A)=3TNV88-BDCR

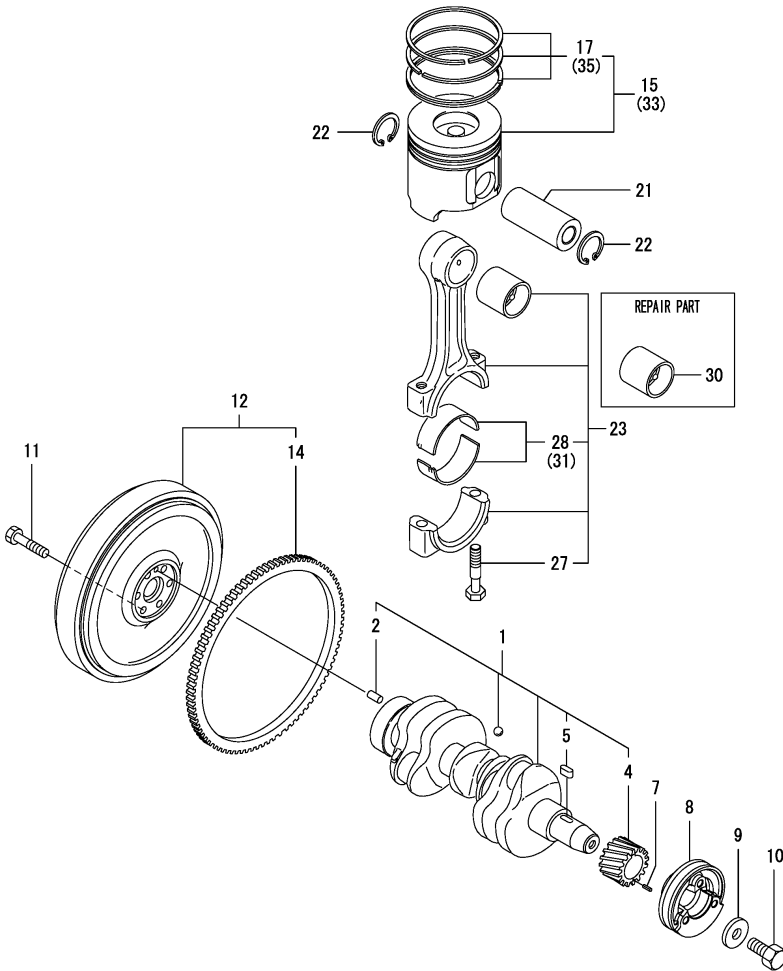
(B)=

(C)=

(D)=

(E)=

(F)=



No.	Lev.	Parts No.	Description	Q'ty						I	R
				(A)	(B)	(C)	(D)	(E)	(F)		
1	1	129008-21000	CRANKSHAFT ASSY	1							
2	2	129100-01580	PIN, M8X16	1							
4	2	119803-21200	GEAR, CRANKSHAFT	1							
5	2	22512-070140	KEY, 7X 14	1							
7	1	22512-070140	KEY, 7X 14	1							
8	1	129267-21650	V-PULLEY, 110	1							
9	1	129795-21661	WASHER	1							
10	1	129916-21610	BOLT	1							
11	1	124160-21501	BOLT, FLYWHEEL	6							
12	1	129051-21570	FLYWHEEL ASSY	1							
14	2	119865-21600	GEAR, RING	1							
15	1	129005-22080	PISTON ASSY	3							
17	2	129005-22500	RING SET, PISTON	3							
21	1	129202-22300	PIN, PISTON D26 L70	3							
22	1	22252-000260	RING, 26	6							
23	1	729402-23100	ROD ASSY, CONNECTING	3							
27	2	121550-23200	BOLT, CONNECTING ROD	6							
28	2	129150-23601	BEARING, CRANK PIN	3							
30	1	129100-23910	BEARING, PISTON PIN	3							1
31	1	129150-23611	BEARING, 0.25 US	3							2
33	1	129005-22900	PISTON ASSY, 0.25 OS	3							3
35	2	129005-22950	RING SET, 0.25 OS	3							3

Remarks

- (1)REPAIR PART.
- (2)UNDER-SIZED(U.S=0.25)PART.
- (3)OVER-SIZED(O.S=0.25)PART.

Fig.9. LUB.OIL SYSTEM

(A)=3TNV88-BDCR

(B)=

(C)=

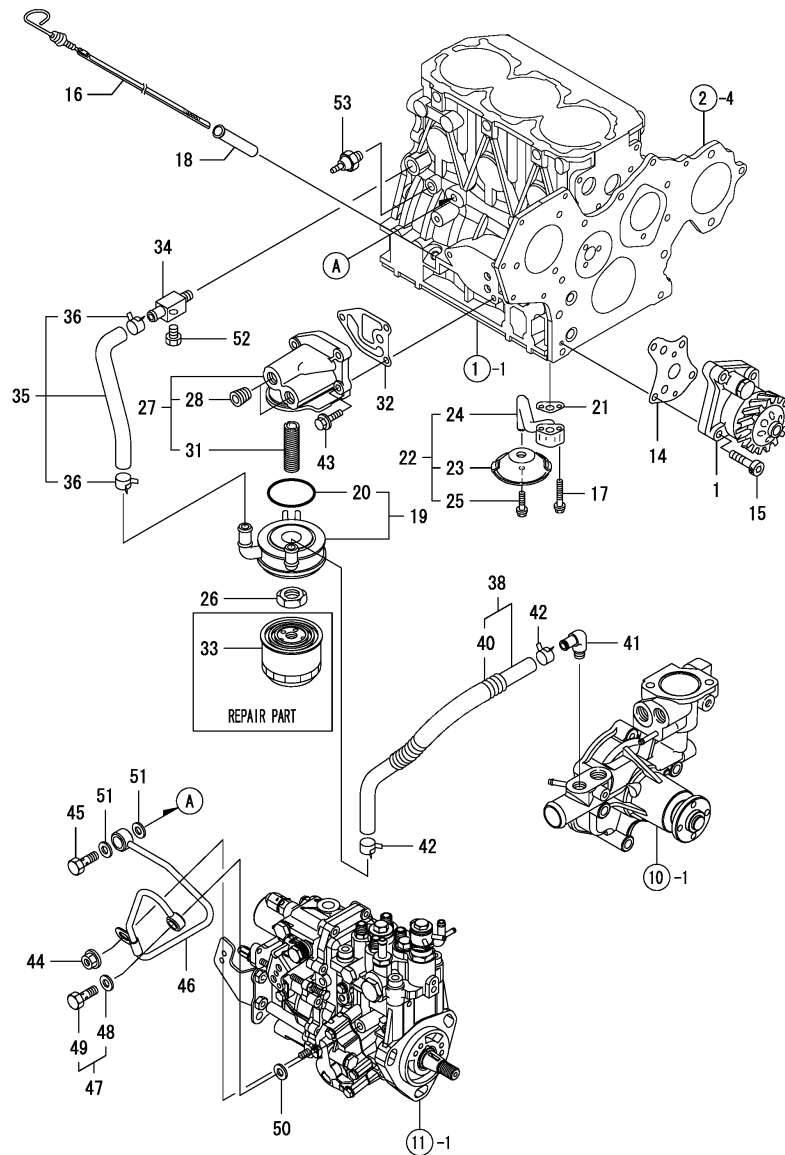
(D)=

(E)=

(F)=

Q'ty

I R



No.	Lev.	Parts No.	Description	Q'ty						I	R
				(A)	(B)	(C)	(D)	(E)	(F)		
1	1	129001-32001	PUMP ASSY, OIL	1							
14	1	129150-32020	GASKET, PUMP	1							
15	1	26450-060252	BOLT, M6X 25	4							
16	1	129263-34811	DIPSTICK, OIL	1							
17	1	26106-080352	BOLT, M8X 35 PLATED	2							
18	1	121520-34810	GUIDE, DIPSTICK	1							
19	1	129067-33011	COOLER ASSY, OIL	1							
20	2	129508-33050	O-RING	1							
21	1	129150-35042	GASKET	1							
22	1	129129-35090	PIPE ASSY, OIL INLET	1							
23	2	129129-35010	PIPE, OIL INLET	1							
24	2	129129-35080	PIPE, OIL INLET	1							
25	2	26106-080122	BOLT, M8X 12 PLATED	1							
26	1	129417-33110	NUT	1							
27	1	129033-35100	BRACKET ASSY	1							
28	2	129033-01770	PLUG, NPT1/2	2							
31	2	129417-35150	STUD, L=67	1							
32	1	129103-35122	GASKET	1							
33	1	129150-35153	FILTER	1							1
34	1	129006-44480	JOINT	1							
35	1	129033-49030	PIPE ASSY, WATER	1							
36	2	171008-03990	CLIP, HOSE 18.5	2							
38	1	129165-49040	PIPE ASSY, WATER	1							
40	2	129165-49060	TUBE, CORRUGATED	1							
41	1	129103-49301	ELBOW, PT1/4	1							
42	1	23080-018000	CLAMP, 18	2							
43	1	26106-080252	BOLT, M8X 25 PLATED	3							
44	1	26366-060002	NUT, M6	1							
45	1	124160-39140	BOLT, PIPE JOINT M10	1							
46	1	119802-39450	PIPE ASSY, OIL	1							
47	1	129005-59830	BOLT ASSY, JOINT M8	1							
48	2	22190-080002	WASHER, SEAL 6	1							
49	2	23857-030000	BOLT, JOINT 3	1							
50	1	22190-080002	WASHER, SEAL 6	1							
51	1	22190-100002	WASHER, SEAL 10	2							
52	1	171056-49120	PLUG, DRAIN	1							
53	1	121252-39450	SWITCH, 0.5KG	1							

Remarks

(1)REPAIR PART.

N:Old $\begin{matrix} \leftarrow \text{Yes} \\ \text{No} \end{matrix}$ New, Q:Old $\begin{matrix} \leftarrow \text{No} \\ \text{Yes} \end{matrix}$ New, R:Old $\begin{matrix} \leftarrow \text{Yes} \\ \text{Yes} \end{matrix}$ New, S:Old $\begin{matrix} \leftarrow \text{No} \\ \text{No} \end{matrix}$ New, W:Add, Z:Discontinued, F:Interchangeable by set, K:Q'ty Change

Fig.10. COOLING WATER SYSTEM

(A)=3TNV88-BDCR

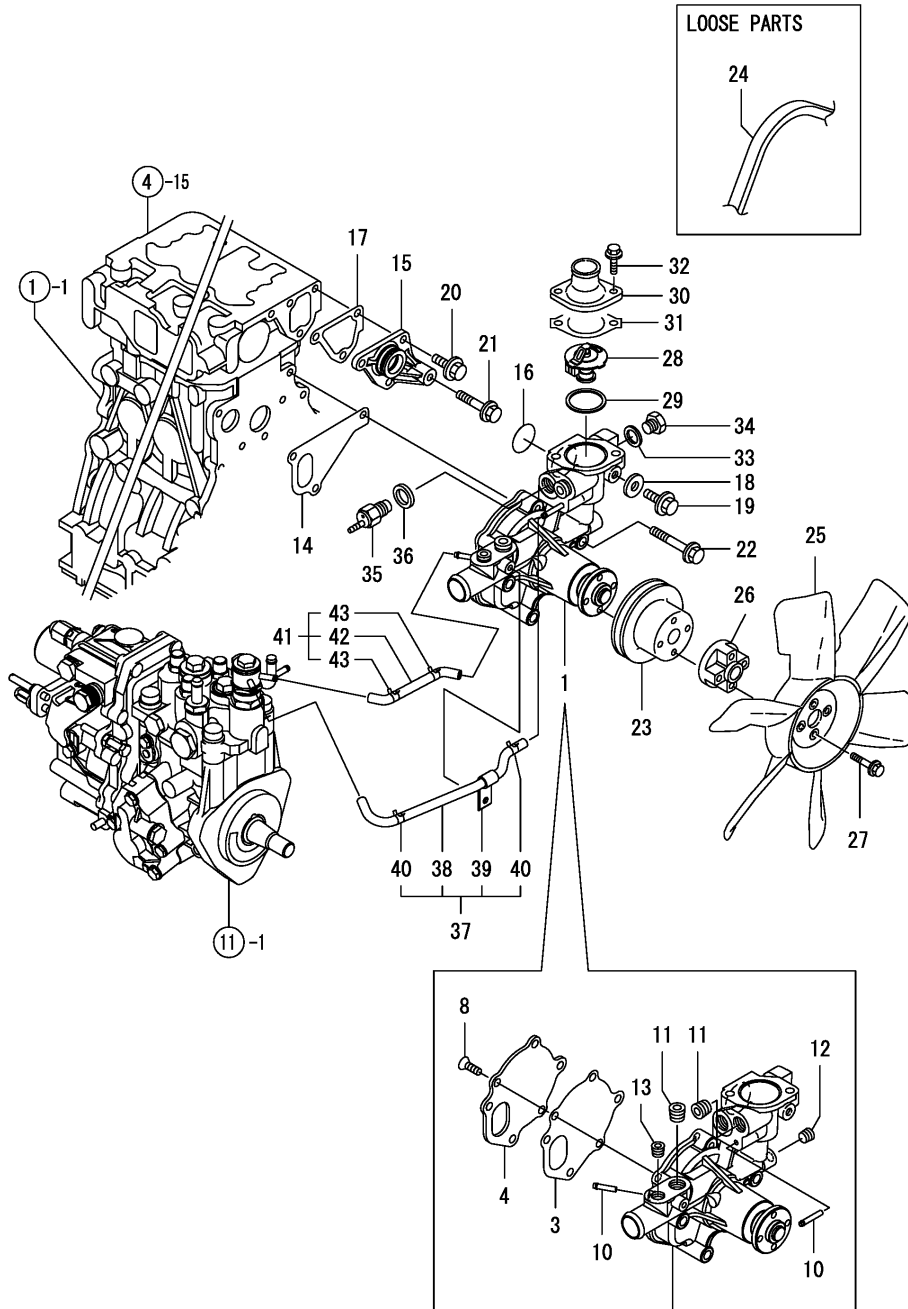
(B)=

(C)=

(D)=

(E)=

(F)=



No.	Lev.	Parts No.	Description	Q'ty						I	R
				(A)	(B)	(C)	(D)	(E)	(F)		
1	1	129004-42001	PUMP ASSY, WATER	1							
3	2	129100-42051	GASKET, WATER PUMP	1							
4	2	129100-42121	PLATE	1							
8	2	121850-42410	SCREW	3							
10	2	119802-49113	JOINT, PIPE	2							
11	2	129916-49740	PLUG, R03	2							
12	2	23876-010000	PLUG, R01	1							
13	2	23876-020000	PLUG, R02	1							
14	1	129486-42021	GASKET, WATER PUMP	1							
15	1	129004-42040	JOINT	1							
16	1	129486-42140	O-RING, G30	1							
17	1	124395-49840	GASKET	1							
18	1	23414-080000	GASKET, 8X1.0	1							
19	1	26106-080122	BOLT, M8X 12 PLATED	1							
20	1	26106-080162	BOLT, M8X 16 PLATED	3							
21	1	26106-080452	BOLT, M8X 45 PLATED	1							
22	1	26106-080602	BOLT, M8X 60 PLATED	3							
23	1	129403-42380	V-PULLEY, D=110	1							
24	1	25132-003600	V-BELT, A36	1							
24-1	1	119865-42290	V-BELT, A36.5	1							N
(A=EZZZZZ)											
25	1	121267-44741	FAN, COOLING D=360	1							
26	1	171353-44760	SPACER, FAN	1							
27	1	26106-060402	BOLT, M6X 40 PLATED	4							
28	1	129155-49801	THERMOSTAT, 71	1							
29	1	129150-49811	GASKET, THERMOSTAT	1							
30	1	124101-49531	COVER, THERMOSTAT	1							
31	1	129795-49551	GASKET	1							
32	1	26106-080252	BOLT, M8X 25 PLATED	1							
33	1	124465-44950	GASKET, 16	1							
34	1	121450-42450	PLUG, M16	1							
35	1	121250-44901	SWITCH, 110	1							
36	1	124465-44950	GASKET, 16	1							
37	1	129004-49610	PIPE ASSY, WATER	1							
38	2	129004-49711	PIPE ASSY, WATER	1							
39	2	119802-49730	RETAINER, PIPE	1							
40	2	124722-59050	CLIP, HOSE 9	2							
41	1	129004-49620	PIPE ASSY, WATER	1							
42	2	129004-49721	PIPE ASSY, WATER	1							
43	2	124722-59050	CLIP, HOSE 9	2							

Fig.11. FUEL INJECTION PUMP

(A)=3TNV88-BDCR

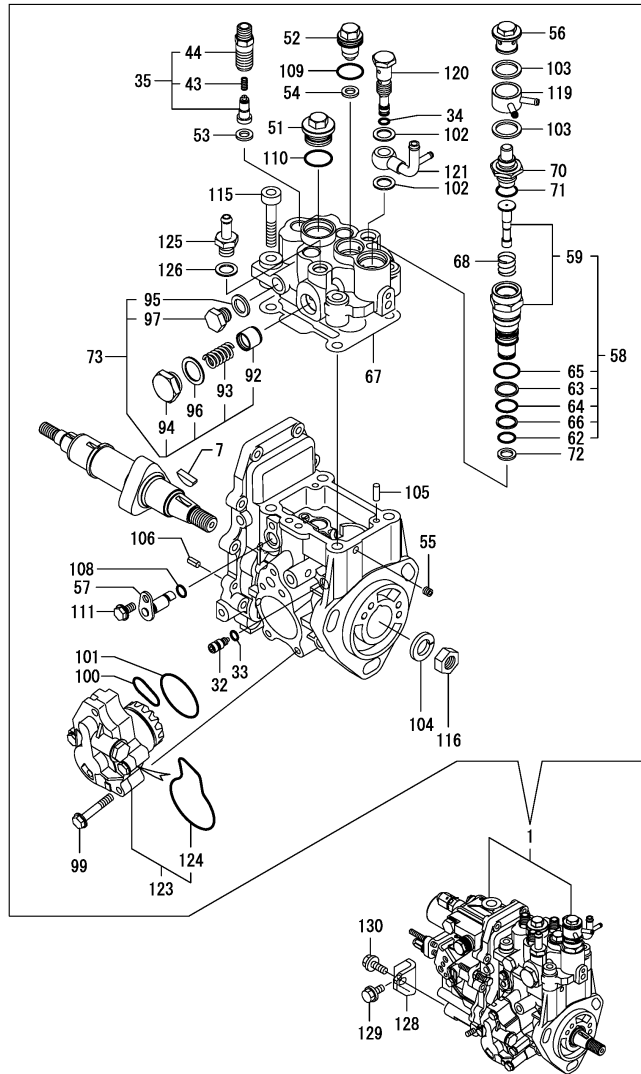
(B)=

(C)=

(D)=

(E)=

(F)=



No.	Lev.	Parts No.	Description	Q'ty						I	R
				(A)	(B)	(C)	(D)	(E)	(F)		
1	1	729285-51300	PUMP ASSY, INJECTION	1							1
1-1	1	729285-51301	PUMP ASSY, INJECTION	1							N 1
		(A=E_XXXX)									
1-2	1	729285-51350	PUMP ASSY, INJECTION	1							S 2
		(A=E_94985)									
7	3	119802-51090	KEY, 4X16	1							
32	3	158600-51270	STOPPER, TAPPET	1							
33	3	158563-51281	O-RING, 4D S6	1							
34	3	158563-51281	O-RING, 4D S6	1							
35	3	129008-51390	VALVE ASSY, DELIVERY	3							
43	3	158563-51330	SPRING, DELIVERY	3							
44	3	129008-51340	HOLDER, DELIVERY	3							
51	3	158601-51550	PLUG	1							
52	3	119802-51560	PLUG, BARREL	1							
53	3	158552-51571	GASKET	3							
54	3	158552-51571	GASKET	1							
55	3	158557-51570	PLUG	1							
56	3	158601-51570	PLUG	1							
57	3	158552-51580	LIFTER	1							
58	3	119802-51590	TIMER SET	1							
59	4	119802-51600	TIMER ASSY	1							
62	4	158553-51670	O-RING, 1011	1							
63	4	119802-51680	RING, BACK UP	1							
64	4	119802-51690	O-RING	1							
65	4	24356-010200	O-RING, 4D1020	1							
66	4	24372-000150	RING, BACK UP T2P15	1							
67	3	158552-51600	GASKET	1							
68	3	158553-51630	SPRING, TIMER	1							
70	3	158553-51640	ELEMENT	1							
71	3	158553-51660	O-RING, P14	1							
72	3	158553-51680	GASKET	1							
73	3	129008-51740	HEAD ASSY	1							
92	4	158601-51770	PISTON	1							
93	4	158552-51781	SPRING	1							
94	4	158601-51790	PLUG	1							
95	4	22190-120002	WASHER, SEAL 12	1							
96	4	22190-180002	WASHER, SEAL 18	1							
97	4	23887-120002	PLUG, 12	1							
99	3	158553-51770	BOLT	4							
100	3	158552-52310	O-RING	1							
101	3	158552-52400	O-RING, 4E S42	1							
102	3	22190-120002	WASHER, SEAL 12	2							
103	3	22190-180002	WASHER, SEAL 18	2							
104	3	22217-140000	WASHER, SPRING 14	1							
105	3	22312-050140	PIN, PARALLEL M5X14	2							
106	3	22351-050010	PIN, SPRING 5.0X10	2							
108	3	24311-000070	O-RING, 1AP7.0	1							
109	3	24356-010180	O-RING, 4D1018	1							
110	3	24356-010200	O-RING, 4D1020	1							
111	3	26106-060102	BOLT, M6X 10 PLATED	1							
115	3	26450-080452	BOLT, M8X 45	4							

Remarks

(1) GOVERNOR ASSY(FIG.12) IS INCORPORATED IN THIS FUEL INJECTION PUMP.(REF.NO.1).
 (2) REF.NO.1-2 & FIG.NO.13 REF.NO.1-1 INTERCHANGEABLE BY SET.

Fig.11. FUEL INJECTION PUMP

(A)=3TNV88-BDCR

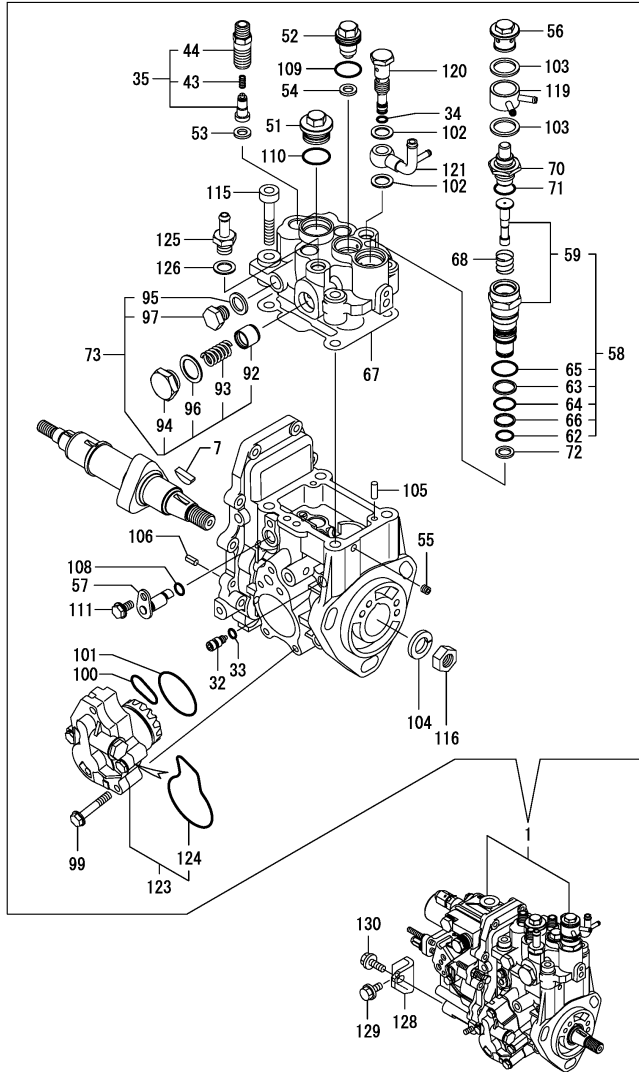
(B)=

(C)=

(D)=

(E)=

(F)=

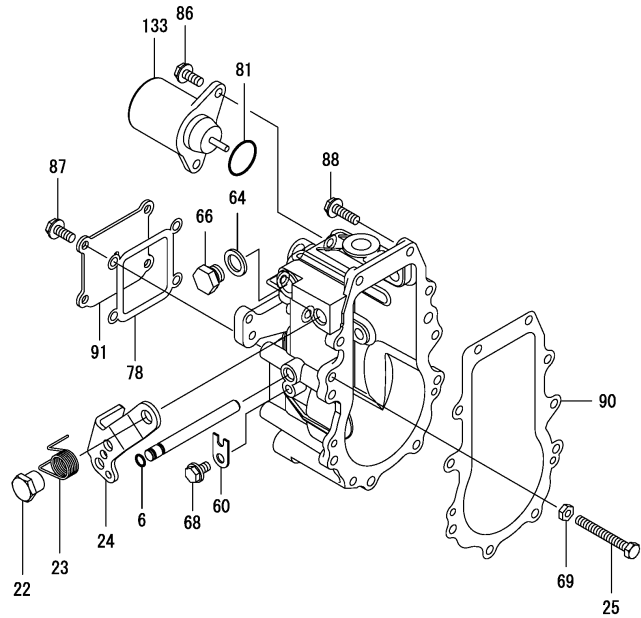


No.	Lev.	Parts No.	Description	Q'ty						I	R
				(A)	(B)	(C)	(D)	(E)	(F)		
116	3	26776-140002	NUT, LOCK M14	1							
119	2	158553-51551	JOINT	1							
120	2	158601-51650	JOINT, OVER FLOW	1							
121	2	158552-51670	JOINT, OVER FLOW	1							
123	2	158552-52100	PUMP ASSY, FUEL FEED	1							
124	3	158552-52500	O-RING	1							
125	2	119934-59910	JOINT, PIPE	1							
126	2	22190-120002	WASHER, SEAL 12	1							
128	1	119802-51250	RETAINER, PUMP	1							
129	1	26106-080162	BOLT, M8X 16 PLATED	1							
130	1	26106-080202	BOLT, M8X 20 PLATED	1							

Remarks

(1) GOVERNOR ASSY(FIG.12) IS INCORPORATED IN THIS FUEL INJECTION PUMP.(REF.NO.1).
 (2) REF.NO.1-2 & FIG.NO.13 REF.NO.1-1 INTERCHANGEABLE BY SET.

Fig.12. GOVERNOR



(A)=3TNV88-BDCR

(B)=

(C)=

(D)=

(E)=

(F)=

No.	Lev.	Parts No.	Description	Q'ty						I	R
				(A)	(B)	(C)	(D)	(E)	(F)		
6	4	129155-51280	O-RING, S6	1							
22	4	129255-61410	NUT, LOCK	1							
23	4	119807-61420	SPRING, RETURN	1							
24	4	158552-61441	LEVER, REGULATOR	1							
25	4	129155-61460	BOLT, IDLE	1							
60	4	119660-61901	RETAINER, SHAFT	1							
64	4	22190-120000	WASHER, SEAL 12	1							
66	4	23887-120002	PLUG, 12	1							
68	4	26106-060102	BOLT, M6X 10 PLATED	1							
69	4	26756-060002	NUT, LOCK M6	1							
78	3	158553-61070	GASKET	1							
81	3	158552-61900	O-RING	1							
86	3	26106-060142	BOLT, M6X 14 PLATED	2							
87	3	26106-060142	BOLT, M6X 14 PLATED	4							
88	3	26106-060202	BOLT, M6X 20 PLATED	10							
90	3	158553-61050	GASKET	1							
91	2	129642-61060	COVER, GOVERNOR CASE	1							
133	2	119653-77950	SOLENOID, STOP	1							

Remarks

* THIS FIGURE(GOVERNOR ASSY)IS INCORPORATED IN THE FUEL INJECTION PUMP ASSY(FIG.11).

Fig.13. FUEL INJECTION VALVE

(A)=3TNV88-BDCR

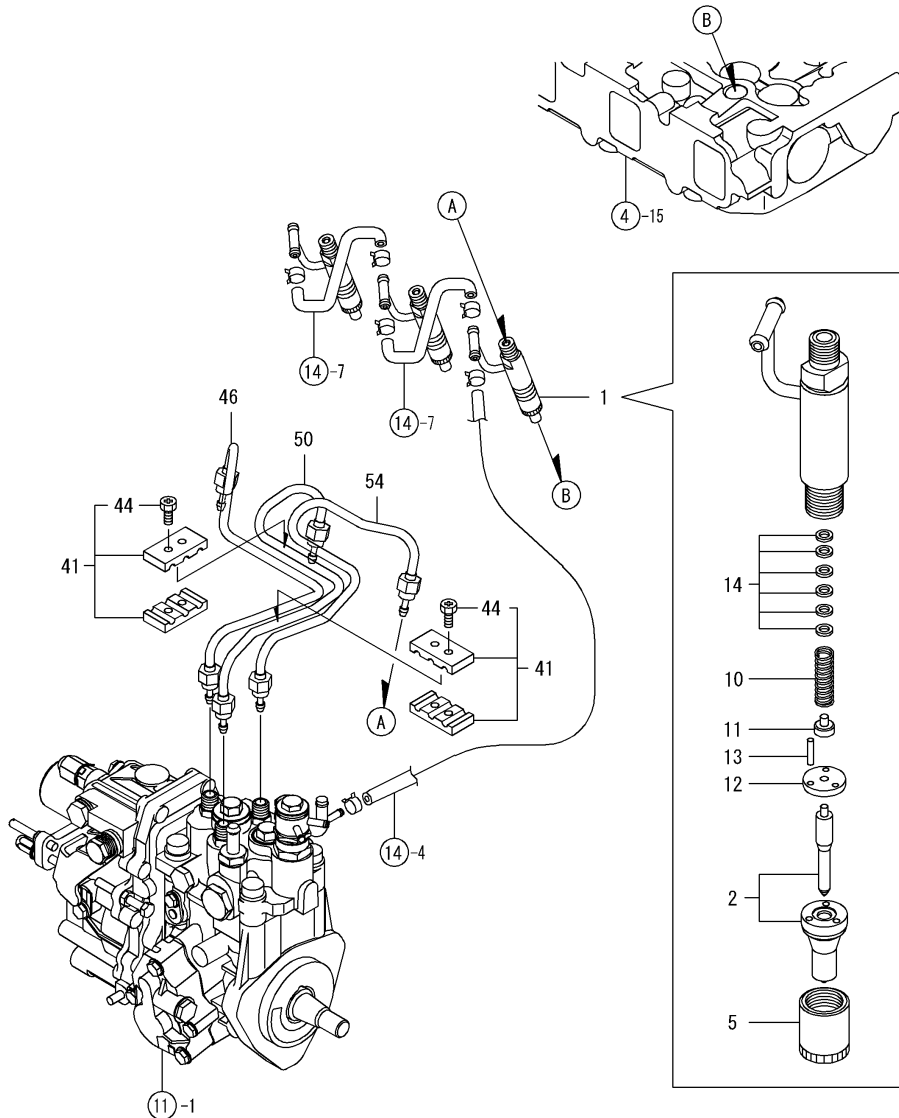
(B)=

(C)=

(D)=

(E)=

(F)=

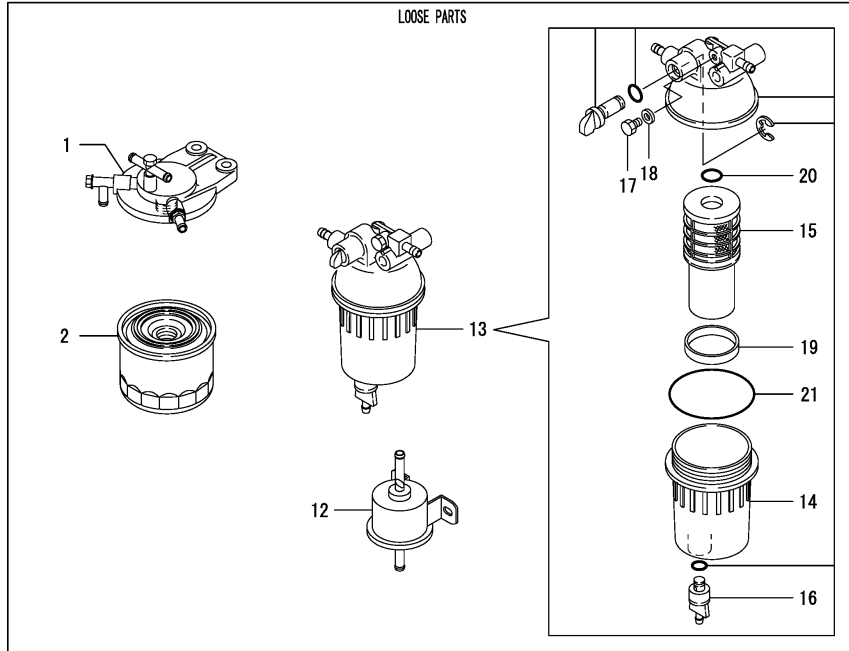
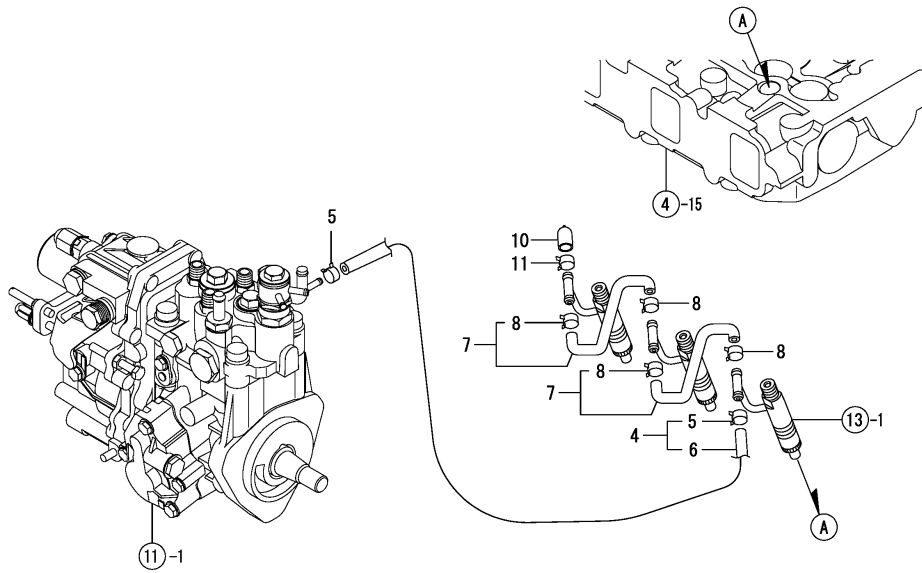


No.	Lev.	Parts No.	Description	Q'ty						I	R
				(A)	(B)	(C)	(D)	(E)	(F)		
1	1	729604-53200	VALVE ASSY,INJECTION	3							
1-1	1	729604-53400	VALVE ASSY,INJECTION	3							S 1
(A=E_94985)											
2	2	129604-53000	VALVE ASSY,INJECTION	3							
2-1	2	129604-53300	VALVE ASSY,INJECTION	3							S
(A=E_94985)											
5	2	114250-53080	NUT, NOZZLE D16.95	3							
10	2	114250-53120	SPRING, NOZZLE	3							
11	2	114250-53130	SEAT, SPRING	3							
12	2	114250-53140	PLATE	3							
13	2	114250-53210	PIN	6							
14	2	119803-53400	SHIM SET	3							
41	1	129150-59120	RETAINER, PIPE	2							
44	2	129150-59131	BOLT, M4X14	4							
46	1	129004-59811	PIPE ASSY, INJECTION	1							
50	1	129004-59821	PIPE ASSY, INJECTION	1							
54	1	129004-59831	PIPE ASSY, INJECTION	1							

Remarks

(1) REF.NO.1-1 & FIG.NO.11 REF.NO.1-2
INTERCHANGEABLE BY SET.

Fig.14. FUEL LINE



(A)=3TNV88-BDCR
(B)=
(C)=

(D)=
(E)=
(F)=

No.	Lev.	Parts No.	Description	Q'ty						I	R
				(A)	(B)	(C)	(D)	(E)	(F)		
1	1	129004-55612	BRACKET, FILTER	1							1
2	1	119802-55801	FILTER, FUEL	1							1
4	1	119802-59550	PIPE ASSY, RETURN	1							
5	2	124722-59050	CLIP, HOSE 9	2							
6	2	119802-59560	PIPE, FUEL RETURN	1							
7	1	129486-59551	PIPE ASSY, RETURN	2							
8	2	124722-59050	CLIP, HOSE 9	4							
10	1	119593-59581	CAP	1							
11	1	124060-77680	CLIP, HOSE 10	1							
12	1	119225-52102	PUMP ASSY, FUEL FEED	1							1
13	1	129242-55700	SEPARATOR ASSY	1							1
14	2	129242-55720	CUP	1							1
15	2	129242-55730	ELEMENT	1							1
16	2	129242-55740	PLUG, DRAIN	1							1
17	2	129242-55750	VALVE, AIR VENT	1							1
18	2	129242-55760	GASKET	1							1
19	2	129242-55770	FLOAT	1							1
20	2	24311-000160	O-RING, 1AP16.0	1							1
21	2	24321-000750	O-RING, 1AG75.0	1							1

Remarks
(1)OPTIONAL PART.

Fig.15. STARTING MOTOR

(A)=3TNV88-BDCR

(B)=

(C)=

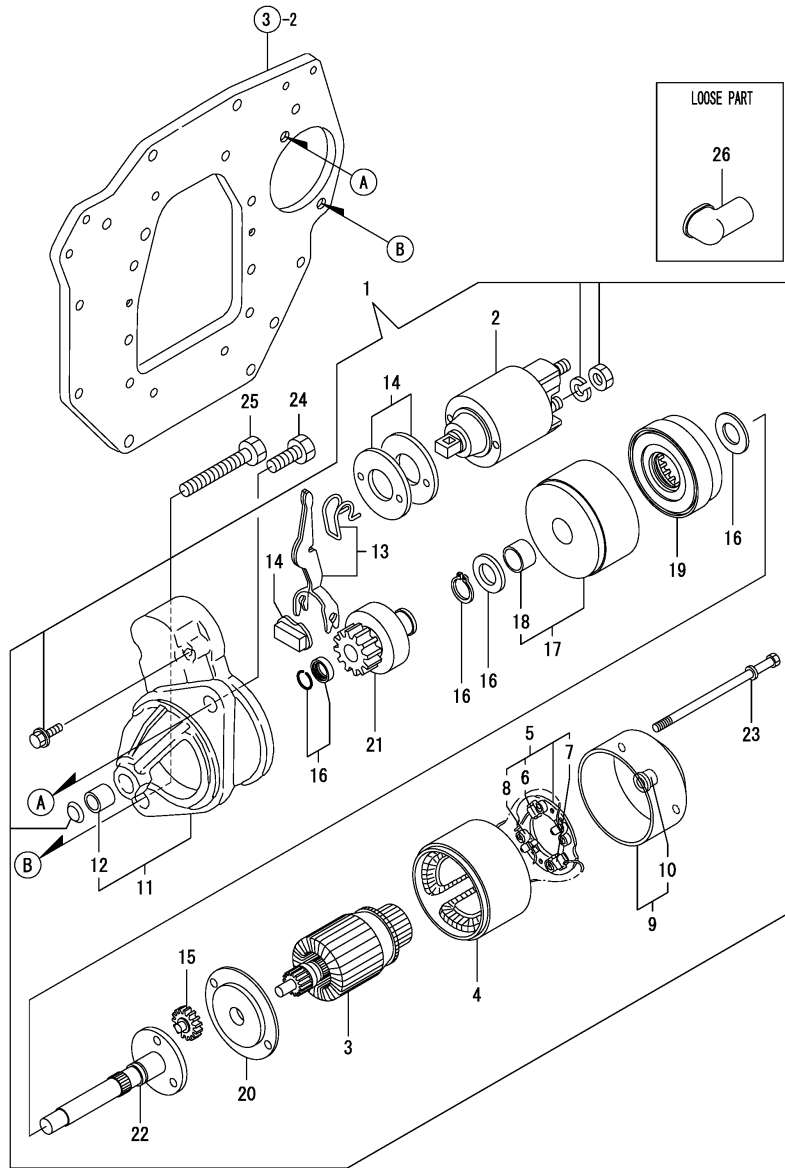
(D)=

(E)=

(F)=

Q'ty

I R



No.	Lev.	Parts No.	Description	Q'ty						I	R
				(A)	(B)	(C)	(D)	(E)	(F)		
1	1	129608-77010	STARTER, S114-817A	1							
2	2	129698-77020	SWITCH ASSY	1							
3	2	129698-77101	ARMATURE ASSY	1							
4	2	129608-77110	YOKE ASSY	1							
5	2	129698-77120	HOLDER ASSY, BRUSH	1							
6	3	129698-77140	BRUSH SET	1							
7	3	129698-77130	BRUSH	2							
8	3	129698-77150	SPRING, BRUSH	4							
9	2	129698-77161	COVER ASSY	1							
10	3	129698-77170	BEARING	1							
11	2	129698-77260	CASE ASSY	1							
12	3	X2114535200	METAL, STARTER	1							
13	2	129698-77270	LEVER SET, SHIFT	1							
14	2	129698-77280	COVER KIT	1							
15	2	129698-77240	GEAR	3							
16	2	129698-77250	WASHER SET	1							
17	2	129698-77180	BRACKET	1							
18	3	129698-77190	BRACKET	1							
19	2	129698-77200	GEAR, INTERNAL	1							
20	2	129698-77210	BRACKET	1							
21	2	129698-77220	PINION ASSY	1							
22	2	129698-77230	SHAFT	1							
23	2	124195-77770	BOLT, THROUGH	2							
24	1	26116-120202	BOLT, M12X 20 PLATED	1							
25	1	129155-77060	BOLT	1							
26	1	124550-77030	COVER, TERMINAL	1							1

Remarks

(1)OPTIONAL PART.

Fig.16. GENERATOR

(A)=3TNV88-BDCR

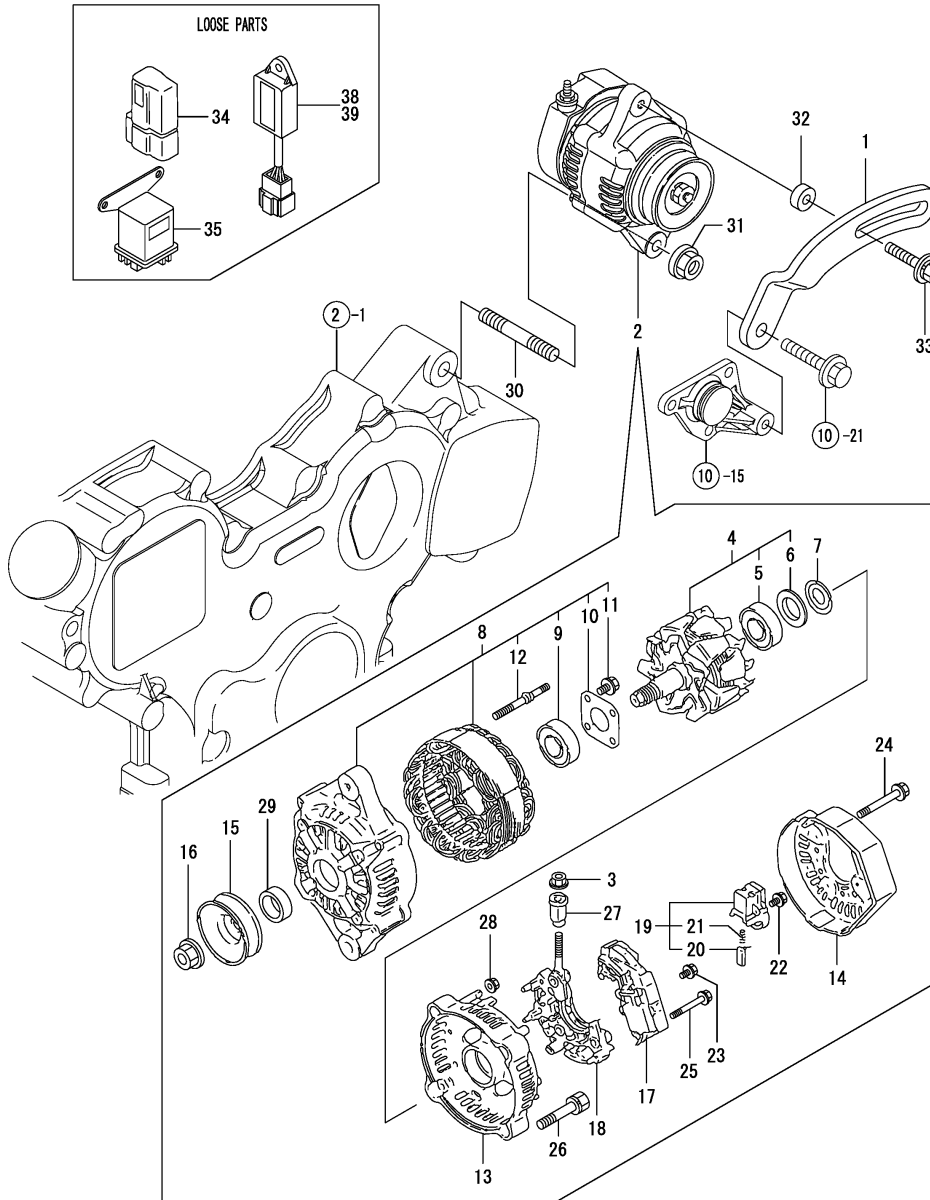
(B)=

(C)=

(D)=

(E)=

(F)=



No.	Lev.	Parts No.	Description	Qty						I	R
				(A)	(B)	(C)	(D)	(E)	(F)		
1	1	129051-77330	ADJUSTER	1							
2	1	129423-77200	GENERATOR, 12V-40A	1							
3	2	X9490561001	NUT	1							
4	2	119620-77380	ROTOR ASSY	1							
5	3	123501-79240	BEARING, BALL	1							
6	3	119620-79250	COVER	1							
7	2	119620-79360	WASHER, THRUST	1							
8	2	119620-77421	FRAME ASSY, DRIVE	1							
9	3	119620-79200	BEARING, BALL	1							
10	3	119620-79210	PLATE, RETAINER	1							
11	3	119620-79220	SCREW	4							
12	3	119620-79230	STUD	2							
13	2	119620-77440	FRAME ASSY	1							
14	2	129240-79300	COVER	1							
15	2	119620-77461	PULLEY	1							
16	2	119620-77471	NUT	1							
17	2	129423-77710	REGULATOR ASSY	1							
18	2	119620-79260	HOLDER	1							
19	2	129052-79270	HOLDER, BRUSH	1							
20	3	119620-77480	BRUSH ASSY	2							
21	3	119620-79280	SPRING	2							
22	2	119620-79290	SCREW	1							
23	2	119620-79300	SCREW	1							
24	2	119620-79310	BOLT	3							
25	2	119620-79320	SCREW	2							
26	2	119620-79330	BOLT	2							
27	2	119620-79340	BUSH, INSULATION	1							
28	2	119620-79350	NUT	2							
29	2	119620-77490	COLLAR	1							
30	1	129795-01900	STUD	1							
31	1	26306-100002	NUT, M10	1							
32	1	119940-77270	SPACER, GENERATOR	1							
33	1	129972-77341	BOLT, ADJUSTER L=50	1							
34	1	119643-66900	DIODE	1							
35	1	119650-77910	RELAY ASSY, GLOW	1							
38	1	128300-77920	TIMER	1							
39	1	129211-77920	TIMER	1							
40	1	129657-77340	SPACER	1							

Remarks

*This item is applicable to [(A)=EZZZZ-1] or previous machines. Refer to Fig.19.

Fig.18. (16A)GENERATOR

(A)=3TNV88-BDCR

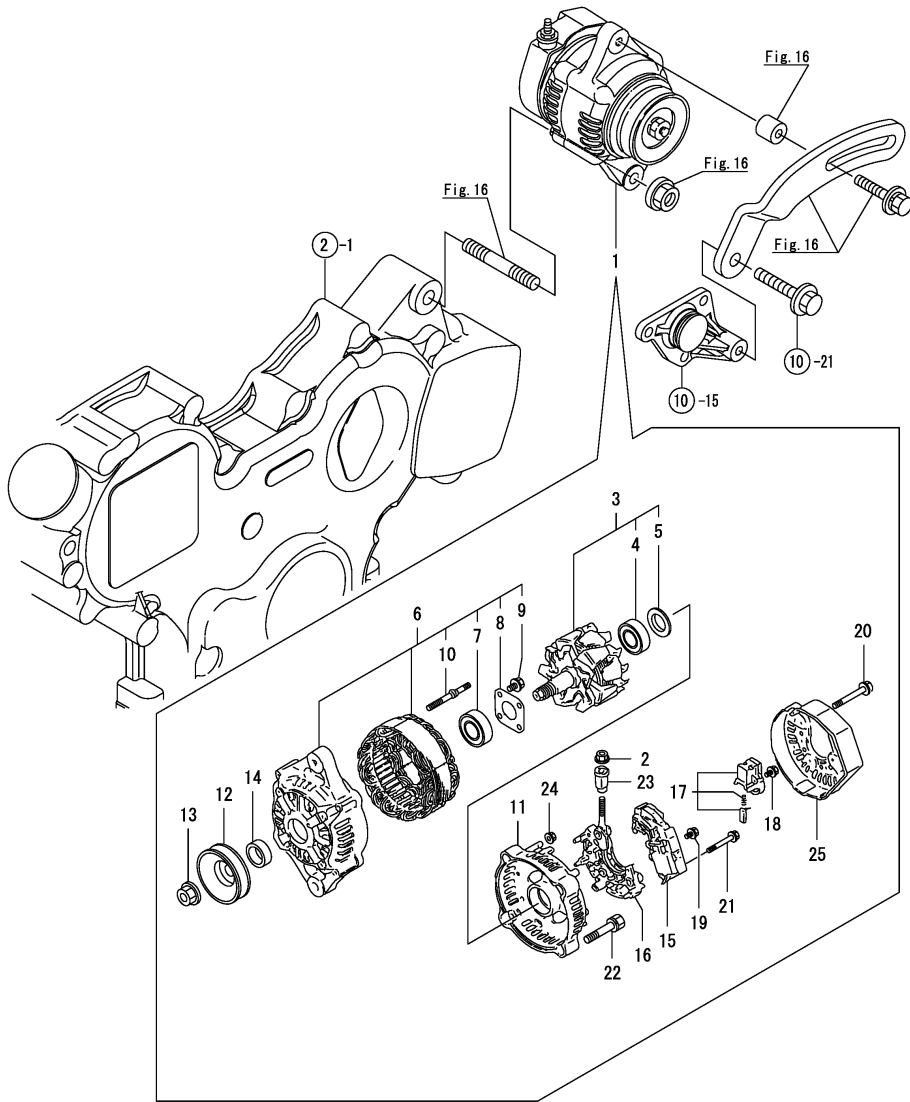
(B)=

(C)=

(D)=

(E)=

(F)=



No.	Lev.	Parts No.	Description	Q'ty						I	R
				(A)	(B)	(C)	(D)	(E)	(F)		
1	1	119626-77210	ALTERNATOR, 12V-55A	1							S
		(A=EXXXXX)									
2	2	X9490561001	NUT	1							
3	2	129052-77380	ROTOR ASSY	1							
4	3	125301-79240	BEARING, BALL	1							
5	3	119620-79250	COVER	1							
6	2	129052-77422	FRAME ASSY	1							
7	3	119620-79200	BEARING, BALL	1							
8	3	119620-79210	PLATE, RETAINER	1							
9	3	119620-79220	SCREW	4							
10	3	119620-79230	STUD	2							
11	2	128401-77440	FRAME	1							
12	2	119620-77461	PULLEY	1							
13	2	119620-77471	NUT	1							
14	2	119620-77490	COLLAR	1							
15	2	119626-77710	REGULATOR ASSY	1							
16	2	129052-79260	HOLDER	1							
17	2	129052-79270	HOLDER, BRUSH	1							
18	2	119620-79290	SCREW	6							
19	2	119620-79300	SCREW	1							
20	2	119620-79310	BOLT	3							
21	2	119620-79320	SCREW	2							
22	2	119620-79330	BOLT	2							
23	2	119620-79340	BUSH, INSULATION	1							
24	2	119620-79350	NUT	2							
25	2	119626-77450	COVER	1							

Remarks

*This item is applicable to [(A)=EZZZZZ] or following machines. Refer to Fig.16.

Fig.17. GASKET SET & TOOLS

(A)=3TNV88-BDCR

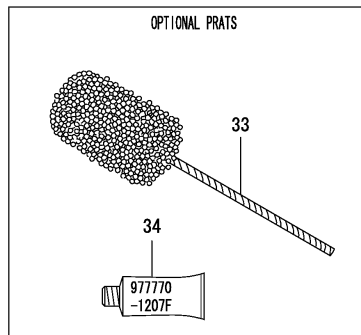
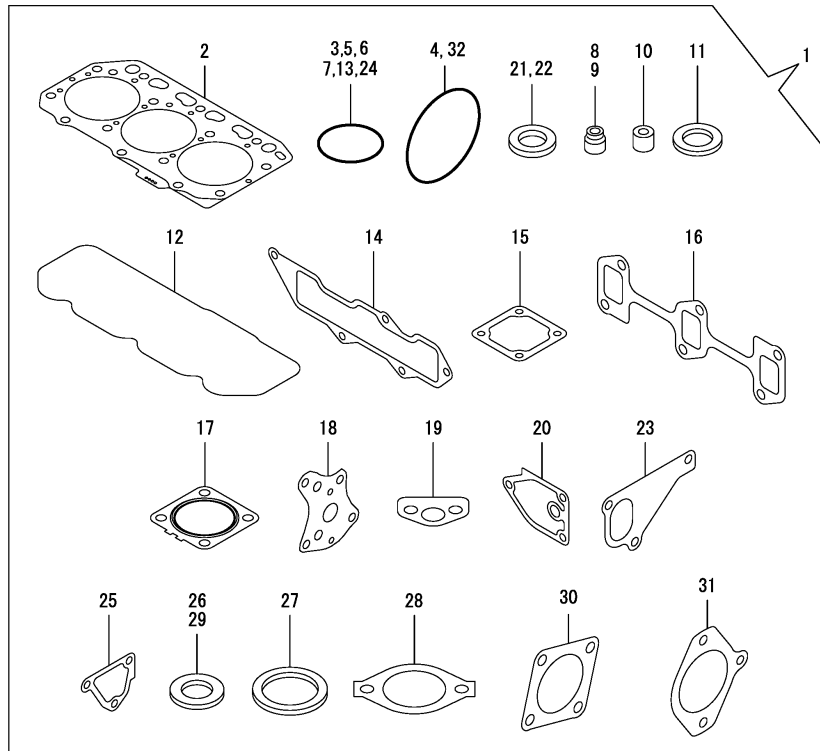
(B)=

(C)=

(D)=

(E)=

(F)=



No.	Lev.	Parts No.	Description	Q'ty						I	R
				(A)	(B)	(C)	(D)	(E)	(F)		
1	1	729005-92630	GASKET SET	1							1
2	2	129001-01340	GASKET, HEAD	1							
3	2	119609-32040	O-RING, P16	2							
4	2	121850-51960	O-RING	1							
5	2	24311-000320	O-RING, 1AP32.0	2							
6	2	24341-000240	O-RING, 1AS24.0	1							
7	2	129508-33050	O-RING	1							
8	2	121400-11340	SEAL, VALVE STEM	3							
9	2	124460-11340	SEAL, VALVE STEM	3							
10	2	119802-11870	PROTECTOR, NOZZLE	3							
11	2	119625-11880	SEAT, NOZZLE	3							
12	2	129004-11310	GASKET, BONNET	1							
13	2	24311-000120	O-RING, 1AP12.0	3							
14	2	129001-12110	GASKET, MANIFOLD	1							
15	2	129150-77511	GASKET	1							
16	2	129150-13110	GASKET	1							
17	2	129107-13540	GASKET, SILENCER	1							
18	2	129150-32020	GASKET, PUMP	1							
19	2	129150-35042	GASKET	1							
20	2	129103-35122	GASKET	1							
21	2	22190-080002	WASHER, SEAL 6	2							
22	2	22190-100002	WASHER, SEAL 10	2							
23	2	129486-42021	GASKET, WATER PUMP	1							
24	2	129486-42140	O-RING, G30	1							
25	2	124395-49840	GASKET	1							
26	2	23414-080000	GASKET, 8X1.0	1							
27	2	129150-49811	GASKET, THERMOSTAT	1							
28	2	129795-49551	GASKET	1							
29	2	124465-44950	GASKET, 16	2							
30	2	124240-01883	GASKET	1							
31	2	171353-26081	GASKET	1							
32	2	24321-000850	O-RING, 1AG85.0	1							
33	1	129400-92430	HONE	1							1
34	1	977770-1207F	GASKET.LIQUID	1							1

Remarks

(1)OPTIONAL PART.

Parts No. Index

Parts No.	Fig. No.	Ref. No.
105425-01690	3	6
114250-53080	13	5
114250-53120	13	10
114250-53130	13	11
114250-53140	13	12
114250-53210	13	13
119225-52102	14	12
119593-59581	14	10
119609-32040	2	10
	17	3
119620-77380	16	4
119620-77421	16	8
119620-77440	16	13
119620-77461	16	15
	18	12
119620-77471	16	16
	18	13
119620-77480	16	20
119620-77490	16	29
	18	14
119620-79200	16	9
	18	7
119620-79210	16	10
	18	8
119620-79220	16	11
	18	9
119620-79230	16	12
	18	10
119620-79250	16	6
	18	5
119620-79260	16	18
119620-79280	16	21
119620-79290	16	22
	18	18
119620-79300	16	23
	18	19
119620-79310	16	24
	18	20
119620-79320	16	25
	18	21
119620-79330	16	26
	18	22
119620-79340	16	27
	18	23
119620-79350	16	28
	18	24
119620-79360	16	7
119625-11880	4	33
	17	11
119626-77210	18	1

Parts No.	Fig. No.	Ref. No.
119626-77450	18	25
119626-77710	18	15
119643-66900	16	34
119650-77910	16	35
119653-77950	12	133
119660-61901	12	60
119802-01561	2	6
119802-03110	4	43
119802-03121	4	44
119802-03130	4	45
119802-03141	4	46
119802-11260	4	6
119802-11270	4	7
119802-11280	4	8
119802-11870	4	32
	17	10
119802-13600	6	3
119802-13660	6	4
119802-13710	6	5
119802-25071	7	13
119802-25101	7	10
119802-25901	7	16
119802-39450	9	46
119802-49113	10	10
119802-49730	10	39
119802-51090	11	7
119802-51250	11	128
119802-51560	11	52
119802-51590	11	58
119802-51600	11	59
119802-51680	11	63
119802-51690	11	64
119802-55801	14	2
119802-59550	14	4
119802-59560	14	6
119803-21200	8	4
119803-25050	7	9
119803-53400	13	14
119803-77520	5	8
119803-77830	4	56
119807-61420	12	23
119865-21600	8	14
119865-42290	10	24 -1
119934-01800	2	4
119934-59910	11	125
119940-77270	16	32
120130-11860	4	30
120270-54410	4	35
121023-01551	2	23
121023-26070	7	20

Parts No.	Fig. No.	Ref. No.
121250-44901	10	35
121252-39450	9	53
121267-44741	10	25
121400-11340	4	26
	17	8
121450-42450	10	34
121520-34810	9	18
121550-23200	8	27
121850-42410	10	8
121850-51960	2	11
	17	4
123501-79240	16	5
124060-01050	1	11
124060-77680	14	11
124101-49531	10	30
124160-01751	2	7
	4	39
124160-01910	1	12
	14	
124160-11360	4	51
124160-21501	8	11
124160-39140	9	45
124195-77770	15	23
124240-01871	2	8
	20	
124240-01883	2	21
	17	30
124395-49840	10	17
	17	25
124460-11340	4	27
	17	9
124465-44950	10	33
	36	
	17	29
124550-77030	15	26
124722-59050	10	40
	43	
	14	5
	8	
125301-79240	18	4
128300-77920	16	38
128401-77440	18	11
129001-01250	1	5
129001-01340	1	28
	17	2
129001-02931	1	29
129001-12110	5	4
	17	14
129001-32001	9	1
129001-91841	2	12

Parts No.	Fig. No.	Ref. No.
129001-91841	3	12
129001-91910	3	13
129004-03010	4	41
129004-11241	4	3
129004-11251	4	4
129004-11310	4	48
	17	12
129004-11350	4	40
129004-11650	4	10
129004-11900	4	34
129004-42001	10	1
129004-42040	10	15
129004-49610	10	37
129004-49620	10	41
129004-49711	10	38
129004-49721	10	42
129004-55612	14	1
129004-59811	13	46
129004-59821	13	50
129004-59831	13	54
129005-03080	5	1
129005-11100	4	22
129005-12101	5	3
129005-22080	8	15
129005-22500	8	17
129005-22900	8	33
129005-22950	8	35
129005-59830	9	47
129006-44480	9	34
129008-11710	4	15
129008-21000	8	1
129008-51340	11	44
129008-51390	11	35
129008-51740	11	73
129008-77800	4	54
129008-77820	4	55
129033-01770	9	28
129033-35100	9	27
129033-49030	9	35
129051-21570	8	12
129051-77330	16	1
129052-77380	18	3
129052-77422	18	6
129052-79260	18	16
129052-79270	16	19
	18	17
129067-33011	9	19
129100-01580	3	1
		15
	8	2

Parts No. Index

Parts No.	Fig. No.	Ref. No.
129100-01640	3	16
129100-11112	4	23
129100-23910	8	30
129100-42051	10	3
129100-42121	10	4
129103-35122	9	32
	17	20
129103-49301	9	41
129107-13540	6	9
	17	17
129126-01550	3	4
129126-01700	3	9
129129-01540	3	5
129129-01600	3	2
129129-14580	7	3
129129-35010	9	23
129129-35080	9	24
129129-35090	9	22
129150-01200	1	27
129150-01650	3	17
129150-02020	1	9
129150-02450	7	4
129150-02871	1	32
129150-02931	1	24
129150-02941	1	35
129150-03070	4	42
129150-11230	4	11
129150-11280	4	9
129150-11370	4	14
129150-11750	4	13
129150-11810	4	31
129150-13110	6	1
	17	16
129150-14101	7	6
129150-14200	7	1
129150-14400	7	2
129150-23601	8	28
129150-23611	8	31
129150-25301	7	15
129150-32020	9	14
	17	18
129150-35042	9	21
	17	19
129150-35153	9	33
129150-49811	10	29
	17	27
129150-59120	13	41
129150-59131	13	44
129150-77511	5	7
	17	15

Parts No.	Fig. No.	Ref. No.
129155-49801	10	28
129155-51280	12	6
129155-61460	12	25
129155-77060	15	25
129165-49040	9	38
129165-49060	9	40
129202-22300	8	21
129211-77920	16	39
129240-79300	16	14
129242-55700	14	13
129242-55720	14	14
129242-55730	14	15
129242-55740	14	16
129242-55750	14	17
129242-55760	14	18
129242-55770	14	19
129255-61410	12	22
129263-13100	6	6
129263-34811	9	16
129267-21650	8	8
129400-92430	17	33
129403-42380	10	23
129410-03990	5	2
129417-33110	9	26
129417-35150	9	31
129423-77200	16	2
129423-77710	16	17
129484-26200	7	22
129484-26210	7	24
129486-01670	3	19
129486-12581	5	8 -1
129486-42021	10	14
	17	23
129486-42140	10	16
	17	24
129486-59551	14	7
129508-33050	9	20
	17	7
129604-01520	2	5
129604-53000	13	2
129604-53300	13	2 -1
129608-77010	15	1
129608-77110	15	4
129642-61060	12	91
129657-77340	16	40
129698-77020	15	2
129698-77101	15	3
129698-77120	15	5
129698-77130	15	7
129698-77140	15	6

Parts No.	Fig. No.	Ref. No.
129698-77150	15	8
129698-77161	15	9
129698-77170	15	10
129698-77180	15	17
129698-77190	15	18
129698-77200	15	19
129698-77210	15	20
129698-77220	15	21
129698-77230	15	22
129698-77240	15	15
129698-77250	15	16
129698-77260	15	11
129698-77270	15	13
129698-77280	15	14
129795-01780	3	18
129795-01900	16	30
129795-01950	2	9
129795-02412	1	6
129795-11120	4	24
129795-11180	4	25
129795-21661	8	9
129795-49551	10	31
	17	28
129900-07900	4	1
129916-21610	8	10
129916-49740	10	11
129972-77341	16	33
158552-51151	7	17
158552-51571	11	53
		54
158552-51580	11	57
158552-51600	11	67
158552-51670	11	121
158552-51781	11	93
158552-52100	11	123
158552-52310	11	100
158552-52400	11	101
158552-52500	11	124
158552-61441	12	24
158552-61900	12	81
158553-51551	11	119
158553-51630	11	68
158553-51640	11	70
158553-51660	11	71
158553-51670	11	62
158553-51680	11	72
158553-51770	11	99
158553-61050	12	90
158553-61070	12	78
158557-51570	11	55

Parts No.	Fig. No.	Ref. No.
158563-51281	11	33
		34
158563-51330	11	43
158600-51270	11	32
158601-51550	11	51
158601-51570	11	56
158601-51650	11	120
158601-51770	11	92
158601-51790	11	94
171008-03990	9	36
171051-01921	1	8
171056-49120	9	52
171353-26081	7	21
	17	31
171353-44760	10	26
22190-080002	2	13
	9	48
		50
	17	21
22190-100002	9	51
	17	22
22190-120000	12	64
22190-120002	11	95
		102
		126
22190-160002	3	8
22190-180002	11	96
		103
22217-140000	7	18
	11	104
22252-000260	8	22
22312-050140	11	105
22351-040012	6	8
22351-050010	11	106
22351-060012	4	57
22512-070140	7	7
	8	5
		7
22857-500100	4	49
		50
23080-018000	9	42
23414-080000	10	18
	17	26
23857-030000	9	49
23876-010000	10	12
23876-020000	10	13
23887-120002	11	97
	12	66
24105-060064	7	27
24311-000070	11	108

Parts No. Index

Parts No.	Fig. No.	Ref. No.
24311-000120	4	52
	17	13
24311-000160	14	20
24311-000320	2	14
	4	53
	17	5
24321-000750	14	21
24321-000850	7	28
	17	32
24341-000240	2	24
	17	6
24356-010180	11	109
24356-010200	11	65
		110
24372-000150	11	66
25132-003600	10	24
26106-060102	11	111
	12	68
26106-060142	12	86
		87
26106-060162	2	25
26106-060202	12	88
26106-060402	10	27
26106-080122	3	11
	9	25
	10	19
26106-080142	7	8
26106-080162	2	15
		16
		22
	4	2
	10	20
	11	129
26106-080202	5	5
		9
		9 -1
	11	130
26106-080252	3	14
	4	36
	9	43
	10	32
26106-080302	2	17
26106-080352	4	37
	9	17
26106-080402	7	14
26106-080452	10	21
26106-080502	4	38
26106-080552	2	18
26106-080602	10	22
26106-080802	5	6

Parts No.	Fig. No.	Ref. No.
26106-080802	5	10
26106-100452	7	29
26116-120202	15	24
26206-100202	3	3
26306-080002	2	19
	6	2
26306-100002	16	31
26366-060002	9	44
26450-060252	9	15
26450-080282	7	30
26450-080452	11	115
26756-060002	12	69
26776-140002	7	19
	11	116
27241-120000	1	13
27241-300000	1	4
27241-400000	4	21
27310-080001	4	28
729005-01560	1	1
729005-92630	17	1
729285-51300	11	1
729285-51301	11	1 -1
729285-51350	11	1 -2
729402-23100	8	23
729604-53200	13	1
729604-53400	13	1 -1
729652-01500	2	1
977770-1207F	2	26
	3	20
	17	34
X2114535200	15	12
X9490561001	16	3
	18	2

Parts No.	Fig. No.	Ref. No.
-----------	----------	----------

Parts No.	Fig. No.	Ref. No.
-----------	----------	----------