

0CW10-M61600EN

# P R E F A C E

1. This parts catalog is the 1st edition of 3TNV82A-BDSA, 3TNV82A-BDSAC, 3TNV82A-BDSAT for Yanmar America.

Pub. No. : 0CW10-G61600

Published : March, 2010

2. Model name

Engine model	Vehicle	Vehicle made by
3TNV82A-BDSA 3TNV82A-BDSAC 3TNV82A-BDSAT	-	Yanmar America

## Directions for the Parts Catalog.

1. The parts stipulated in this Parts Catalog are not necessarily standard equipped parts.
2. Parts may change without prior notice.
3. The following is an example of the Parts Catalog format.

OCF10-G21601		29. FUEL INJECTION PUMP(W/BOOST)									
REF.	LEV.	PARTS NO.	DESCRIPTION	(A)	(B)	(C)	(D)	(E)	(F)	I	R
1	1	729595-51390	FUEL INJECTION PUMP	1	1	1	1	1			1
1-1	1	729595-51391	FUEL INJECTION PUMP	1	1	1	1	1		N	1
		(A=E00185) (B=E00200)									
3	2	26022-060162	SCREW M 6X 16	9	9	9	9	9			
3-1	2	26022-060162	SCREW M 6X 16	4	4	4	4	4		K	
		(A=E00156) (B=E00156) (C=E00156) (D=E00156) (E=E00156)									
4	2	129470-51040	CAMSHAFT	1	1	1	1	1			
5	2	122710-51050	BEARING, ROLLER	2	2	2	2	2			
6	2	129470-51060	RETAINER	1	1	1	1	1			

Remarks
(1) BOOST COMPEMSATOR TYPE. OPTIONAL PART, TO E00155,(4JH-DT, 4JH-DTZ

### ① Ref. No.

The Ref. No. listed may not be in accordance with the illustration Ref. No.

(Ex.) Illustration No.

List Ref No.

1

1

(Before change)

1-1

(After change)

For interchangeable symbols N, R and K, illustrations for new parts may be abbreviated.

### ② Lev. (Level)

Level indication

The numbers below indicate the level of relativity towards the main part.

1 ----- Main parts (Assembly parts)

2 ----- Sub component included in " 1 ".

3 ----- Sub component included in " 2 ".

Note) Parts that are not for sale are partially illustrated but not listed.

### ③ Interchangeability Mark

When a part change takes place, one of the following interchangeability symbols is indicated beside the part.

Symbol	Interchangeability	Contents note
N	Old $\begin{matrix} \leftarrow \text{Yes} \\ \text{No} \rightarrow \end{matrix}$ New	New Part is interchangeable for Old Part but Old Part is not interchangeable for New Part.
Q	Old $\begin{matrix} \leftarrow \text{No} \\ \text{Yes} \rightarrow \end{matrix}$ New	New Part is not interchangeable for Old Part but Old Part is interchangeable for New Part.
R	Old $\begin{matrix} \leftarrow \text{Yes} \\ \text{Yes} \rightarrow \end{matrix}$ New	New/ Old Parts are both interchangeable.
S	Old $\begin{matrix} \leftarrow \text{No} \\ \text{No} \rightarrow \end{matrix}$ New	New/ Old Parts are both not interchangeable.
W		Part newly added.
Z		Part discontinued.
F		Not interchangeable by a single part but interchangeable together with related parts.
K		Changes only for used parts quantities.

### ④ Effective Machine No.

When a part changes, the effective Machine No. will be indicated in the (A)-(F) column.

Product Symbol	Product No.	Product Symbol	Product No.
C	Clutch No. Compressor No.	F	Machine No. (Agricultural Equip.)
D	Drive No.	M	Machine No.
E	Engine No.		

Note 1) A date may follow the symbol. (Ex.) 1996.01

Note 2) "XXXXX" and "ZZZZZ" are for parts that could not be predicted or for engine models that could not be identified.

Note 3) (A=E00185) is the E (Engine Serial Number) for the column (A) model (in this case 4JH-DT) after the parts design change.

### ⑤ Remarks Mark

Figures or alphabets (symbols) are entered in the remarks column.

The comments (remarks) on parts that are indicated at the bottom of the illustration are the same symbols as those stated above.

# Contents

0CW10-M61600

Fig. No. Fig. Name

Fig. No. Fig. Name

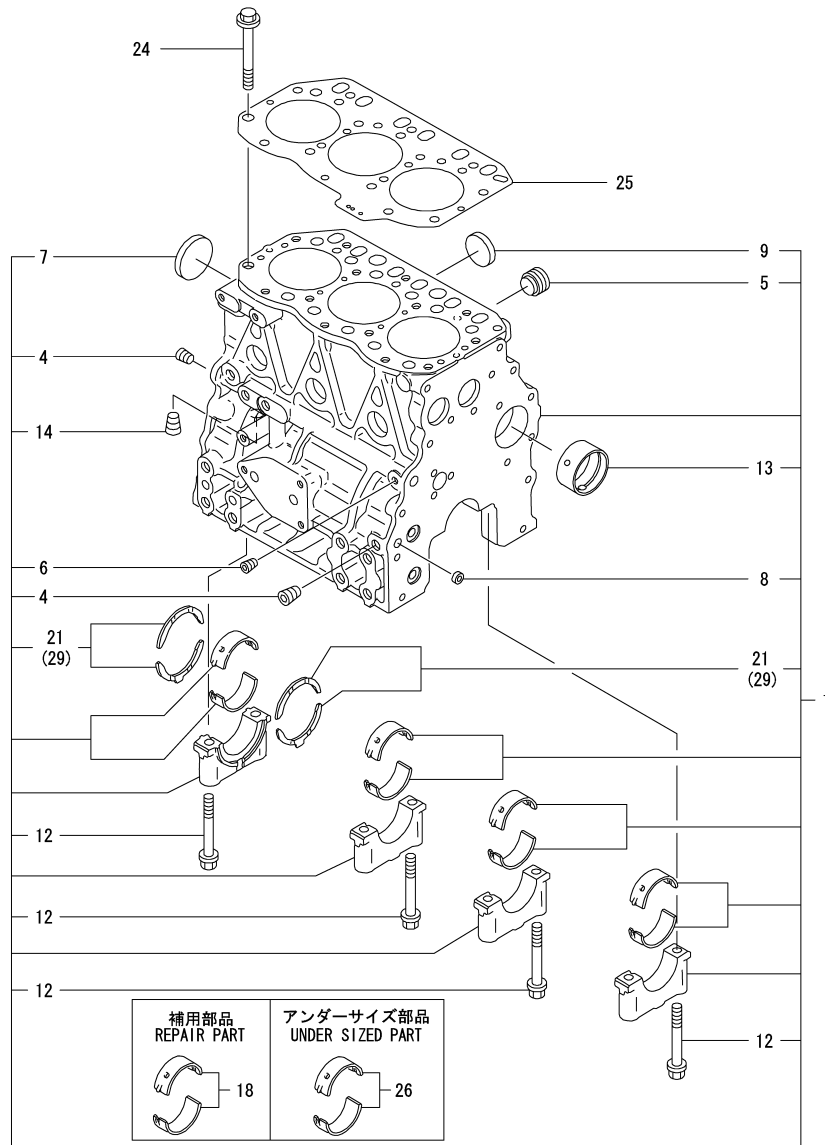
## 3TNV82A-BDSA

1. CYLINDER BLOCK
2. GEAR HOUSING
3. FLYWHEEL HOUSING & OIL SUMP
4. CYLINDER HEAD & BONNET
5. SUCTION MANIFOLD
6. EXHAUST MANIFOLD
7. CAMSHAFT & DRIVING GEAR
8. CRANKSHAFT & PISTON
9. LUB.OIL SYSTEM
10. COOLING WATER SYSTEM
11. FUEL INJECTION PUMP
12. GOVERNOR
13. FUEL INJECTION VALVE
14. FUEL LINE
15. STARTING MOTOR
16. GENERATOR
18. (18A)GENERATOR
17. GASKET SET & TOOLS

Fig.1. CYLINDER BLOCK

(A)=3TNV82A-BDSA  
 (B)=3TNV82A-BDSAC  
 (C)=3TNV82A-BDSAT

(D)=  
 (E)=  
 (F)=

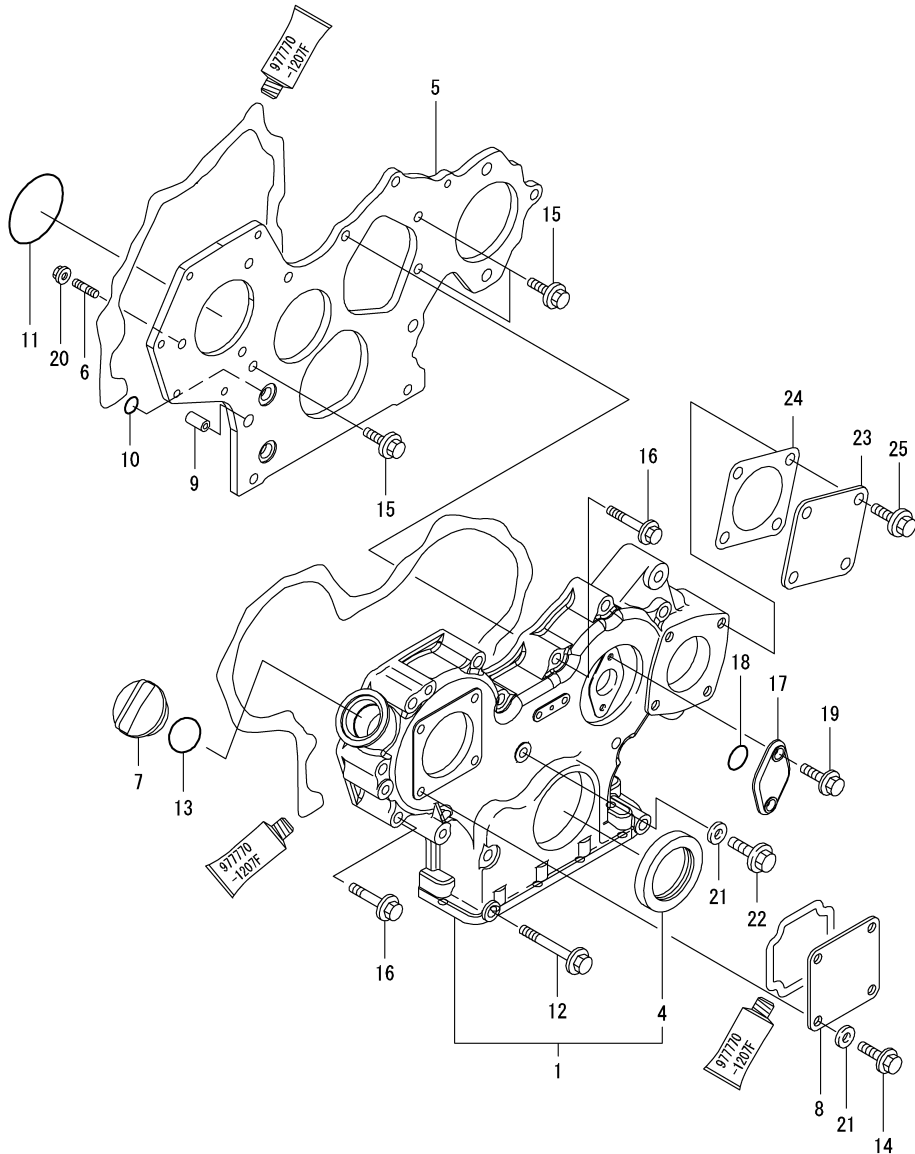


No.	Lev.	Parts No.	Description	Q'ty						I	R
				(A)	(B)	(C)	(D)	(E)	(F)		
1	1	719802-01560	BLOCK ASSY, CYLINDER	1	1	1					
4	2	124160-01910	PLUG, PT1/4	2	2	2					
5	2	171051-01921	PLUG, NPTF1	1	1	1					
6	2	124060-01050	PLUG, PT1/8	1	1	1					
7	2	129001-01250	PLUG, 50	1	1	1					
8	2	27241-120000	PLUG, 12	2	2	2					
9	2	27241-300000	PLUG 30	6	6	6					
12	2	119620-02020	BOLT, METAL CAP	8	8	8					
13	2	129795-02412	BUSH, CAMSHAFT	1	1	1					
14	2	124160-01910	PLUG, PT1/4	1	1	1					
18	2	719810-02981	BEARING, MAIN	4	4	4					3
21	2	119810-02931	BEARING, THRUST	1	1	1					
24	1	119810-01200	BOLT, HEAD	14	14	14					
25	1	119812-01330	GASKET, HEAD	1	1	1					
26	1	119810-02871	BEARING, 0.25 US	4	4	4					1
29	1	119810-02941	BEARING, THRUST 0.25	2	2	2					2

Remarks

- (1) Under sized (U.S.=0.25) part.
- (2) Over sized (O.S.=0.25) part.
- (3) Repair part.

Fig.2. GEAR HOUSING

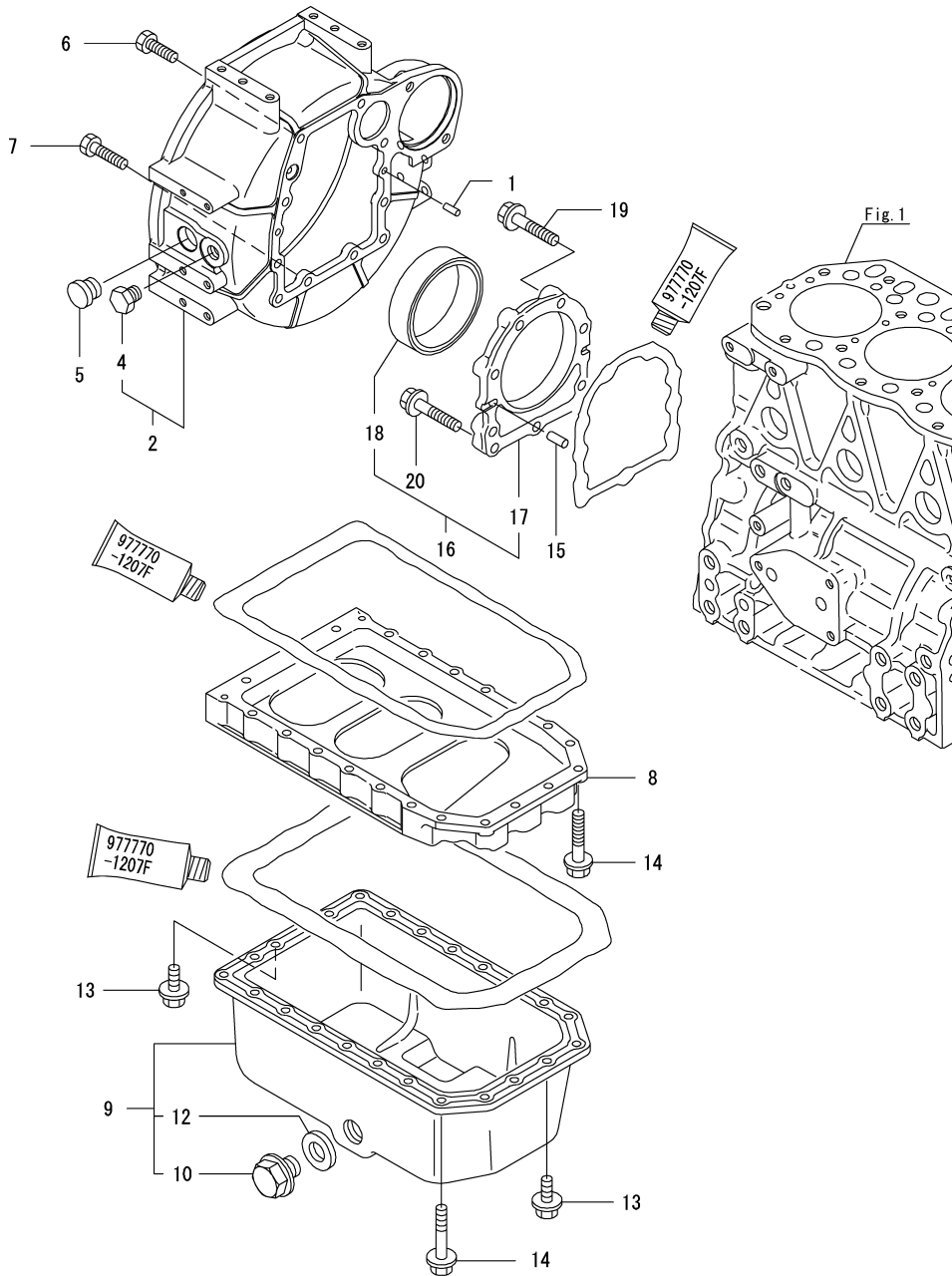


(A)=3TNV82A-BDSA  
(B)=3TNV82A-BDSAC  
(C)=3TNV82A-BDSAT

(D)=  
(E)=  
(F)=

No.	Lev.	Parts No.	Description	Qty						I	R
				(A)	(B)	(C)	(D)	(E)	(F)		
1	1	729652-01500	CASE ASSY, GEAR	1	1	1					
4	2	119934-01800	SEAL, OIL	1	1	1					
5	1	129604-01520	FLANGE, GEAR CASE	1	1	1					
6	1	119802-01561	STUD, M8X25	3	3	3					
7	1	124160-01751	COVER, FILLER	1	1	1					
8	1	124240-01871	COVER	1	1	1					
9	1	129795-01950	PIPE, KNOCK L=18	2	2	2					
10	1	119609-32040	O-RING, P16	2	2	2					
11	1	121850-51960	O-RING	1	1	1					
12	1	26106-080852	BOLT, M8X 85 PLATED	3	3	3					
13	1	24311-000320	O-RING, 1AP32.0	1	1	1					
14	1	26106-080162	BOLT, M8X 16 PLATED	4	4	4					
15	1	26106-080162	BOLT, M8X 16 PLATED	3	3	3					
16	1	26106-080552	BOLT, M8X 55 PLATED	10	10	10					
17	1	121023-01551	COVER	1	1	1					
18	1	24341-000240	O-RING, 1AS24.0	1	1	1					
19	1	26106-060162	BOLT, M6X 16 PLATED	2	2	2					
20	1	26306-080002	NUT, M8	3	3	3					
21	1	22190-080002	WASHER, SEAL 6	5	5	5					
22	1	26106-080302	BOLT, M8X 30 PLATED	1	1	1					
23	1	124240-01871	COVER	1	1	1					
24	1	124240-01883	GASKET	1	1	1					
25	1	26106-080162	BOLT, M8X 16 PLATED	4	4	4					

Fig.3. FLYWHEEL HOUSING & OIL SUMP



(A)=3TNV82A-BDSA  
(B)=3TNV82A-BDSAC  
(C)=3TNV82A-BDSAT

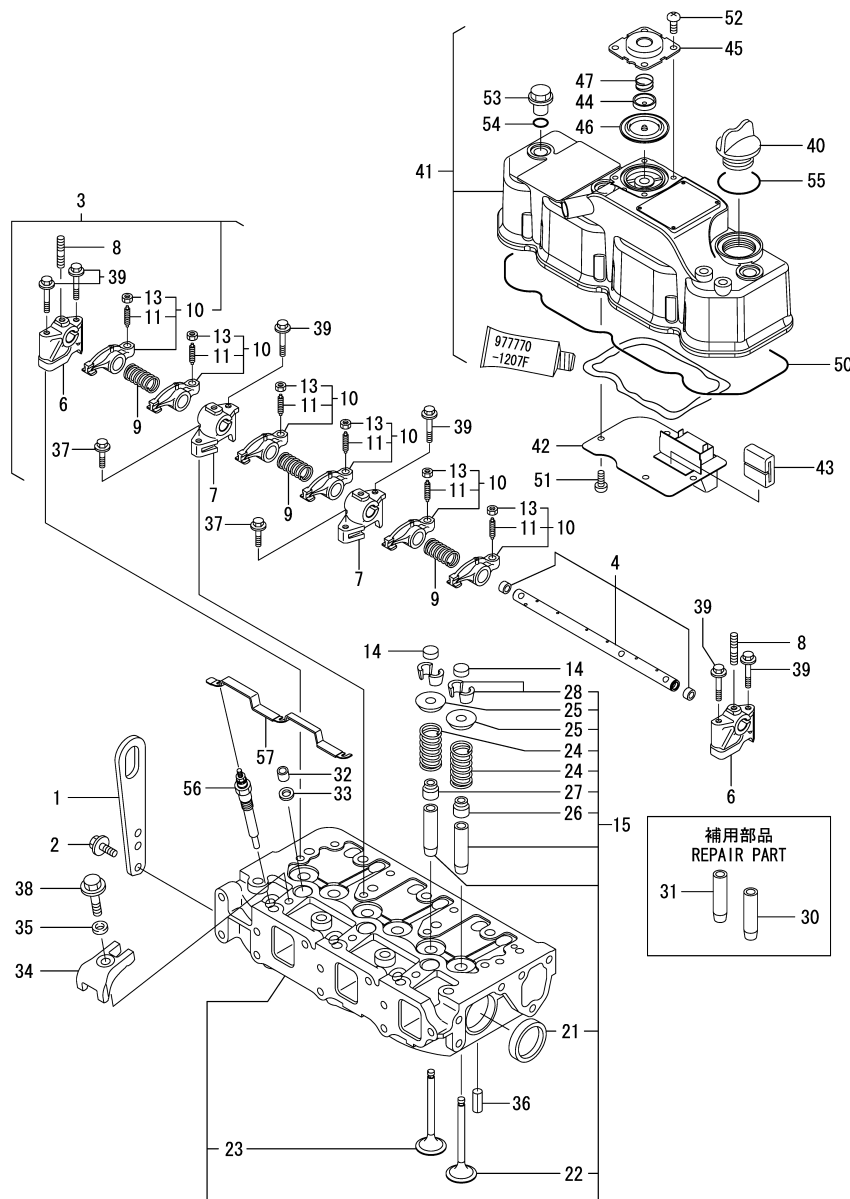
(D)=  
(E)=  
(F)=

No.	Lev.	Parts No.	Description	Qty						I	R
				(A)	(B)	(C)	(D)	(E)	(F)		
1	1	129100-01580	PIN, M8X16	2	2	2					
2	1	119888-01601	HOUSING, FLYWHEEL	1	1	1					
4	2	119888-01850	PLUG, RUBBER	1	1	1					
5	1	119620-01750	CAP	1	1	1					
6	1	26206-100252	BOLT, M10X 25 PLATED	6	6	6					
7	1	26206-100302	BOLT, M10X 30 PLATED	4	4	4					
8	1	119810-01730	SPACER, OIL SUMP	1	1	1					
9	1	119810-01770	SUMP ASSY, OIL	1	1	1					
10	2	119640-01640	PLUG, DRAIN M22	1	1	1					
12	2	22190-220002	WASHER, SEAL 22	1	1	1					
13	1	26106-080162	BOLT, M8X 16 PLATED	6	6	6					
14	1	26106-080452	BOLT, M8X 45 PLATED	22	22	22					
15	1	129100-01580	PIN, M8X16	2	2	2					
16	1	129100-01640	CASE ASSY, OIL SEAL	1	1	1					
17	2	129150-01650	CASE, OIL SEAL	1	1	1					
18	2	129795-01780	SEAL, OIL	1	1	1					
19	1	129486-01670	BOLT, M8X30	6	6	6					
20	1	26106-080352	BOLT, M8X 35 PLATED	3	3	3					

Fig.4. CYLINDER HEAD & BONNET

(A)=3TNV82A-BDSA  
(B)=3TNV82A-BDSAC  
(C)=3TNV82A-BDSAT

(D)=  
(E)=  
(F)=



No.	Lev.	Parts No.	Description	Qty						I	R
				(A)	(B)	(C)	(D)	(E)	(F)		
1	1	129900-07900	LIFTER	1	1	1					
2	1	26106-080162	BOLT, M8X 16 PLATED	2	2	2					
3	1	119802-11241	SHAFT ASSY, ROCKER	1	1	1					
4	2	119802-11251	SHAFT, ROCKER ARM	1	1	1					
6	2	119802-11260	SUPPORT, ROCKER ARM	2	2	2					
7	2	119802-11270	SUPPORT, ROCKER ARM	2	2	2					
8	2	119802-11280	STUD	3	3	3					
9	2	129150-11280	SPRING	3	3	3					
10	2	119802-11650	ARM, ROCKER	6	6	6					
11	3	129150-11230	SCREW, VALVE ADJUST	6	6	6					
13	3	129150-11750	NUT, M8	6	6	6					
14	1	104211-11370	CAP, VALVE	6	6	6					
15	1	119803-11700	HEAD ASSY, CYLINDER	1	1	1					
21	2	27241-400000	PLUG, 40	2	2	2					
22	2	119802-11100	VALVE, INTAKE	3	3	3					
23	2	119802-11110	VALVE, EXHAUST	3	3	3					
24	2	119810-11120	SPRING, VALVE	6	6	6					
25	2	104211-11180	RETAINER, SPRING	6	6	6					
26	2	124160-11340	SEAL, VALVE STEM	3	3	3					
27	2	119803-11340	SEAL, VALVE STEM	3	3	3					
28	2	27310-070001	COTTER, 7	6	6	6					
30	1	124060-11800	GUIDE, VALVE	3	3	3					1
31	1	119802-11810	GUIDE, VALVE	3	3	3					1
32	1	119802-11870	PROTECTOR, NOZZLE	3	3	3					
33	1	119625-11880	SEAT, NOZZLE	3	3	3					
34	1	119802-11900	RETAINER, NOZZLE	3	3	3					
35	1	120270-54410	WASHER, INJECTOR	3	3	3					
36	1	22351-060012	PIN, SPRING 6.0X12	2	2	2					
37	1	26106-080252	BOLT, M8X 25 PLATED	2	2	2					
38	1	26106-080452	BOLT, M8X 45 PLATED	3	3	3					
39	1	26106-080502	BOLT, M8X 50 PLATED	6	6	6					
40	1	124160-01751	COVER, FILLER	1	1	1					
41	1	119802-11350	BONNET ASSY, HEAD	1	1	1					
42	2	119802-03010	PLATE	1	1	1					
43	2	129150-03070	BAFFLE, BREATHER	1	1	1					
44	2	119802-03110	PLATE	1	1	1					
45	2	119802-03121	COVER, DIAPHRAGM	1	1	1					
46	2	119802-03130	DIAPHRAGM	1	1	1					
47	2	119802-03141	SPRING, DIAPHRAGM	1	1	1					
50	2	119802-11310	GASKET, BONNET	1	1	1					
51	2	22857-500100	SCREW, 5X10	4	4	4					
52	2	22857-500100	SCREW, 5X10	4	4	4					
53	1	124160-11360	KNOB	3	3	3					
54	1	24311-000120	O-RING, 1AP12.0	3	3	3					
55	1	24311-000320	O-RING, 1AP32.0	1	1	1					
56	1	129008-77800	PLUG, GLOW	3	3	3					
57	1	119803-77821	CONNECTOR, GLOW PLUG	1	1	1					

Remarks  
(1)Repair part.



Fig.5. SUCTION MANIFOLD

(A)=3TNV82A-BDSA  
 (B)=3TNV82A-BDSAC  
 (C)=3TNV82A-BDSAT

(D)=  
 (E)=  
 (F)=

No.	Lev.	Parts No.	Description	Qty						I	R
				(A)	(B)	(C)	(D)	(E)	(F)		
1	1	119802-03090	PIPE , BREATHER	1	1	1					
2	2	129410-03990	CLIP	2	2	2					
3	1	119810-12112	GASKET, MANIFOLD	1	1	1					
4	1	119802-12130	MANIFOLD, AIR INTAKE	1	1	1					
6	1	26106-080252	BOLT, M8X 25 PLATED	4	4	4					
7	1	129486-12581	JOINT, MANIFOLD	1	1	1					
8	1	129150-77511	GASKET	1	1	1					
9	1	26106-080202	BOLT, M8X 20 PLATED	4	4	4					

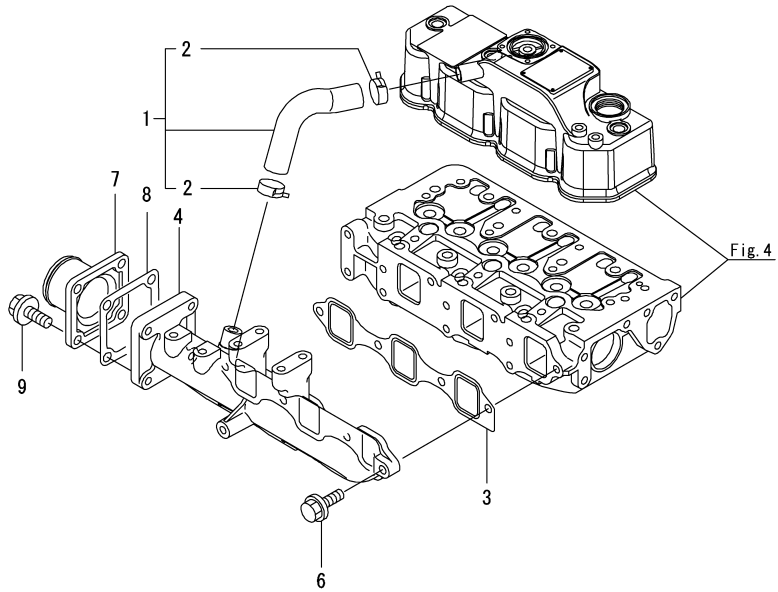


Fig.6. EXHAUST MANIFOLD

(A)=3TNV82A-BDSA  
 (B)=3TNV82A-BDSAC  
 (C)=3TNV82A-BDSAT

(D)=  
 (E)=  
 (F)=

No.	Lev.	Parts No.	Description	Qty						I	R
				(A)	(B)	(C)	(D)	(E)	(F)		
1	1	119802-13109	MANIFOLD, EXHAUST	1	1	1					
2	1	119810-13110	GASKET	1	1	1					
3	1	119802-13640	BOLT, M8X60 10.9T	4	4	4					
4	1	119131-18320	STUD, M8X22	4	4	4					
5	1	26306-080002	NUT, M8	2	2	2					
6	1	119802-13740	STUD, M8X60	2	2	2					
7	1	129004-13200	GASKET, SILENCER	1	1	1					

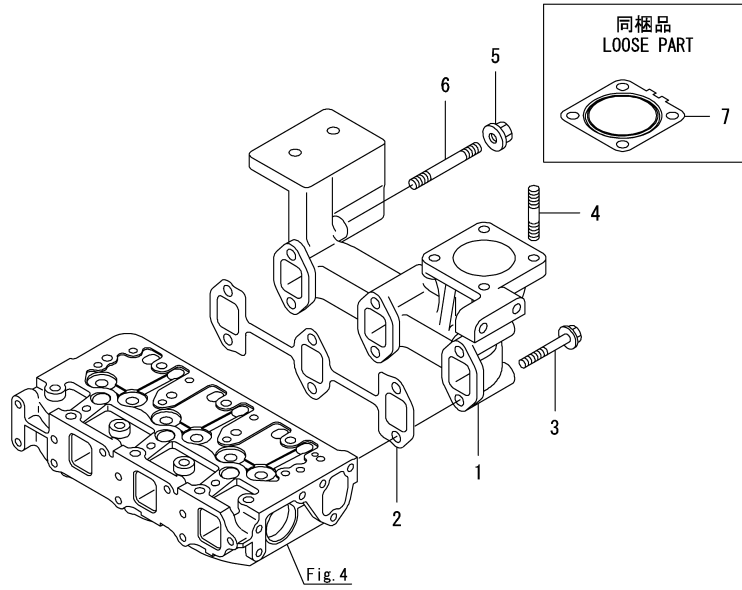
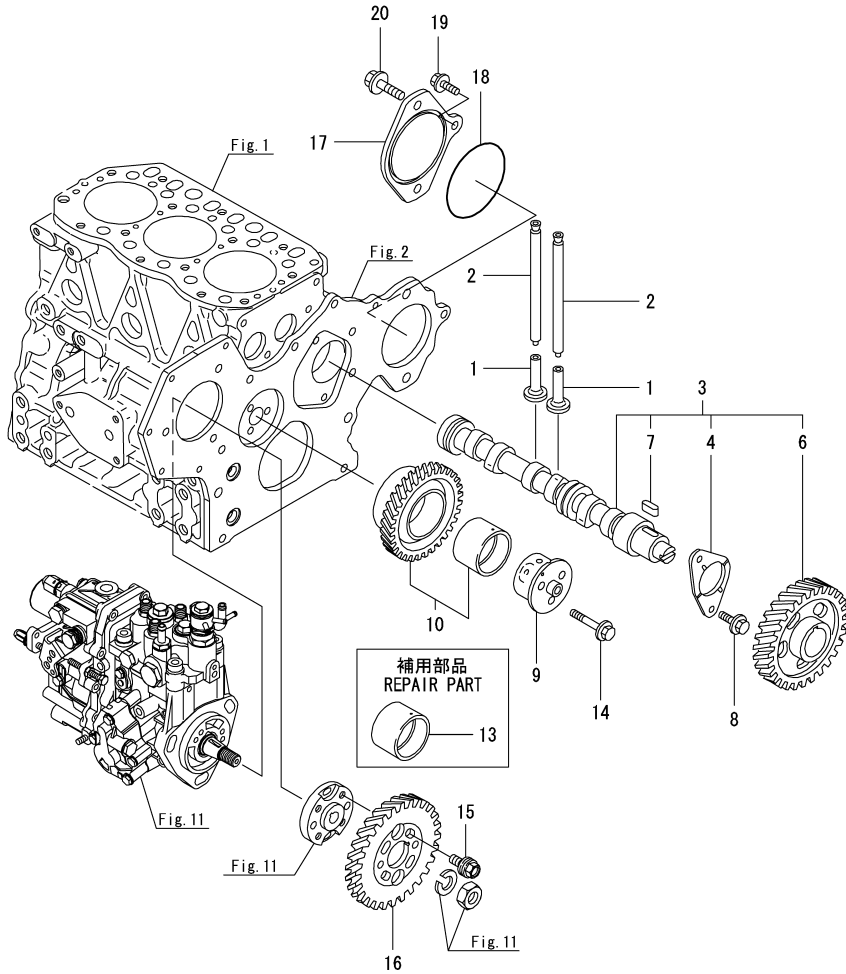


Fig.7. CAMSHAFT & DRIVING GEAR

(A)=3TNV82A-BDSA  
 (B)=3TNV82A-BDSAC  
 (C)=3TNV82A-BDSAT

(D)=  
 (E)=  
 (F)=

No.	Lev.	Parts No.	Description	Q'ty						I	R
				(A)	(B)	(C)	(D)	(E)	(F)		
1	1	129150-14200	TAPPET	6	6	6					
2	1	119810-14400	ROD, PUSH	6	6	6					
3	1	119802-14580	CAMSHAFT ASSY	1	1	1					
4	2	129150-02450	BEARING, THRUST	1	1	1					
6	2	129150-14101	GEAR, CAMSHAFT	1	1	1					
7	2	22512-070140	KEY, 7X 14	1	1	1					
8	1	26106-080142	BOLT, M8X 14 PLATED	2	2	2					
9	1	119803-25050	SHAFT, IDLE	1	1	1					
10	1	119802-25101	GEAR ASSY, IDLE	1	1	1					
13	1	119802-25071	BUSH, IDLE GEAR	1	1	1					1
14	1	26106-080402	BOLT, M8X 40 PLATED	3	3	3					
15	1	129150-25301	BOLT	4	4	4					
16	1	119802-25901	GEAR, PUMP	1	1	1					
17	1	129430-26070	COVER	1	1	1					
18	1	24321-000800	O-RING, 1AG80.0	1	1	1					
19	1	26106-080252	BOLT, M8X 25 PLATED	1	1	1					
20	1	26106-100302	BOLT, M10X 30 PLATED	2	2	2					

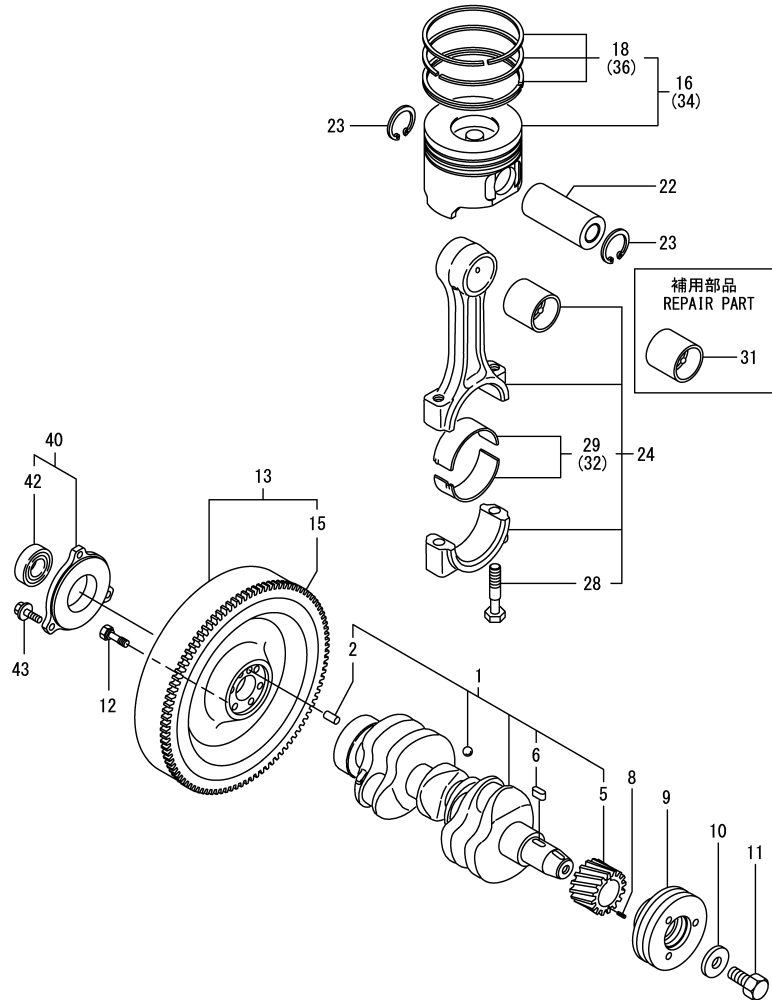


Remarks  
 (1)Repair part.

Fig.8. CRANKSHAFT & PISTON

(A)=3TNV82A-BDSA  
 (B)=3TNV82A-BDSAC  
 (C)=3TNV82A-BDSAT

(D)=  
 (E)=  
 (F)=



No.	Lev.	Parts No.	Description	Q'ty						I	R
				(A)	(B)	(C)	(D)	(E)	(F)		
1	1	119803-21000	CRANKSHAFT ASSY	1	1	1					
2	2	129100-01580	PIN, M8X16	1	1	1					
5	2	119803-21200	GEAR, CRANKSHAFT	1	1	1					
6	2	22512-070140	KEY, 7X 14	1	1	1					
8	1	22351-030010	PIN, SPRING 3.0X10	1	1	1					
9	1	119802-21650	V-PULLEY, 110	1	1	1					
10	1	129795-21661	WASHER	1	1	1					
11	1	121850-21680	BOLT	1	1	1					
12	1	121111-21501	BOLT, FLYWHEEL	6	6	6					
13	1	129488-21590	FLYWHEEL ASSY	1	1	1					
15	2	119865-21600	GEAR, RING	1	1	1					
16	1	119803-22080	PISTON ASSY	3	3	3					
18	2	119802-22500	RING SET, PISTON	3	3	3					
22	1	119813-22300	PIN, PISTON	3	3	3					
23	1	129792-22400	CIRCLIP, 23	6	6	6					
24	1	719810-23100	ROD ASSY, CONNECTING	3	3	3					
28	2	119810-23200	BOLT, CONNECTING ROD	6	6	6					
29	2	119810-23601	BEARING, CRANK PIN	3	3	3					
31	1	119810-23910	BEARING, PISTON PIN	3	3	3					1
32	1	119810-23611	BEARING, 0.25 US	3	3	3					2
34	1	719803-22900	PISTON ASSY, 0.25 OS	3	3	3					3
36	2	719802-22950	RING SET, 0.25 OS	3	3	3					3
40	1	119888-21450	RETAINER, BEARING	1	1	1					
42	2	24104-062054	BEARING, BALL 6205UU	1	1	1					
43	1	26106-080222	BOLT, M8X 22 PLATED	3	3	3					

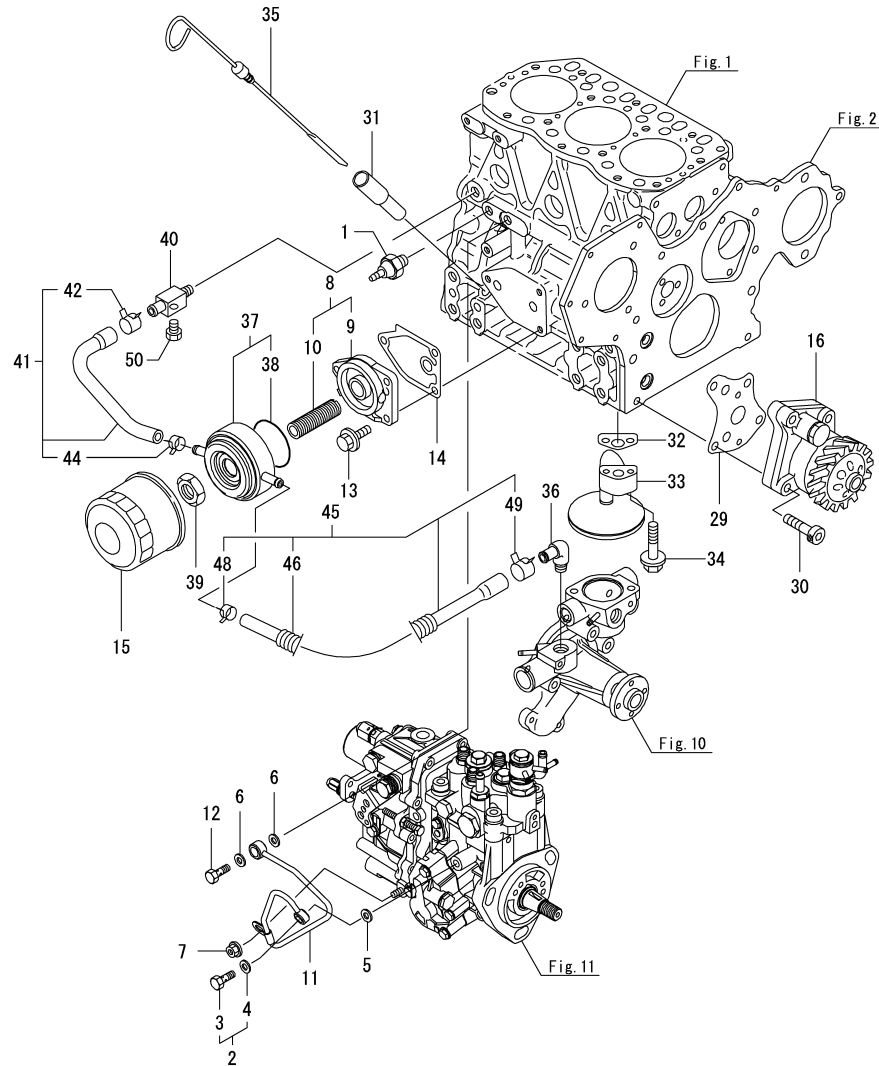
Remarks

- (1)Repair part.
- (2)Under sized(U.S.=0.25)part.
- (3)Over sized(O.S.=0.25)part.

Fig.9. LUB.OIL SYSTEM

(A)=3TNV82A-BDSA  
(B)=3TNV82A-BDSAC  
(C)=3TNV82A-BDSAT

(D)=  
(E)=  
(F)=



No.	Lev.	Parts No.	Description	Qty						I	R
				(A)	(B)	(C)	(D)	(E)	(F)		
1	1	114250-39450	SWITCH, 0.5KG	1	1	1					
2	1	129005-59830	BOLT ASSY, JOINT M8	1	1	1					
3	2	23857-030000	BOLT, JOINT 3	1	1	1					
4	2	22190-080002	WASHER, SEAL 6	1	1	1					
5	1	22190-080002	WASHER, SEAL 6	1	1	1					
6	1	22190-100002	WASHER, SEAL 10	2	2	2					
7	1	26366-060002	NUT, M6	1	1	1					
8	1	129006-35100	BRACKET ASSY, FILTER	1	1	1					
9	2	119802-35110	BRACKET, FILTER	1	1	1					
10	2	129417-35150	STUD, L=67	1	1	1					
11	1	119802-39450	PIPE ASSY, OIL	1	1	1					
12	1	124160-39140	BOLT, PIPE JOINT M10	1	1	1					
13	1	26106-080202	BOLT, M8X 20 PLATED	3	3	3					
14	1	129150-35111	GASKET	1	1	1					
15	1	129150-35170	FILTER, LO	1	1	1					1
16	1	129001-32001	PUMP ASSY, OIL	1	1	1					
29	1	129150-32020	GASKET, PUMP	1	1	1					
30	1	26450-060252	BOLT, M6X 25	4	4	4					
31	1	121520-34810	GUIDE, DIPSTICK	1	1	1					
32	1	129150-35042	GASKET	1	1	1					
33	1	119810-35300	PIPE ASSY, OIL INLET	1	1	1					
34	1	26106-080352	BOLT, M8X 35 PLATED	2	2	2					
35	1	119802-34802	DIPSTICK, OIL	1	1	1					
36	1	119944-49300	ELBOW, PT3/8	1	1	1					
37	1	129508-33010	COOLER ASSY, OIL	1	1	1					
38	2	129508-33050	O-RING	1	1	1					
39	1	129417-33110	NUT	1	1	1					
40	1	129006-44480	JOINT	1	1	1					
41	1	129508-49030	PIPE ASSY, WATER	1	1	1					
42	2	171008-03990	CLIP, HOSE 18.5	1	1	1					
44	2	23080-015000	CLAMP, 15	1	1	1					
45	1	129508-49040	PIPE ASSY, WATER	1	1	1					
46	2	119940-59130	TUBE, CORRUGATED	1	1	1					
48	2	23080-015000	CLAMP, 15	1	1	1					
49	2	171008-03990	CLIP, HOSE 18.5	1	1	1					
50	1	171056-49120	PLUG, DRAIN	1	1	1					

Remarks

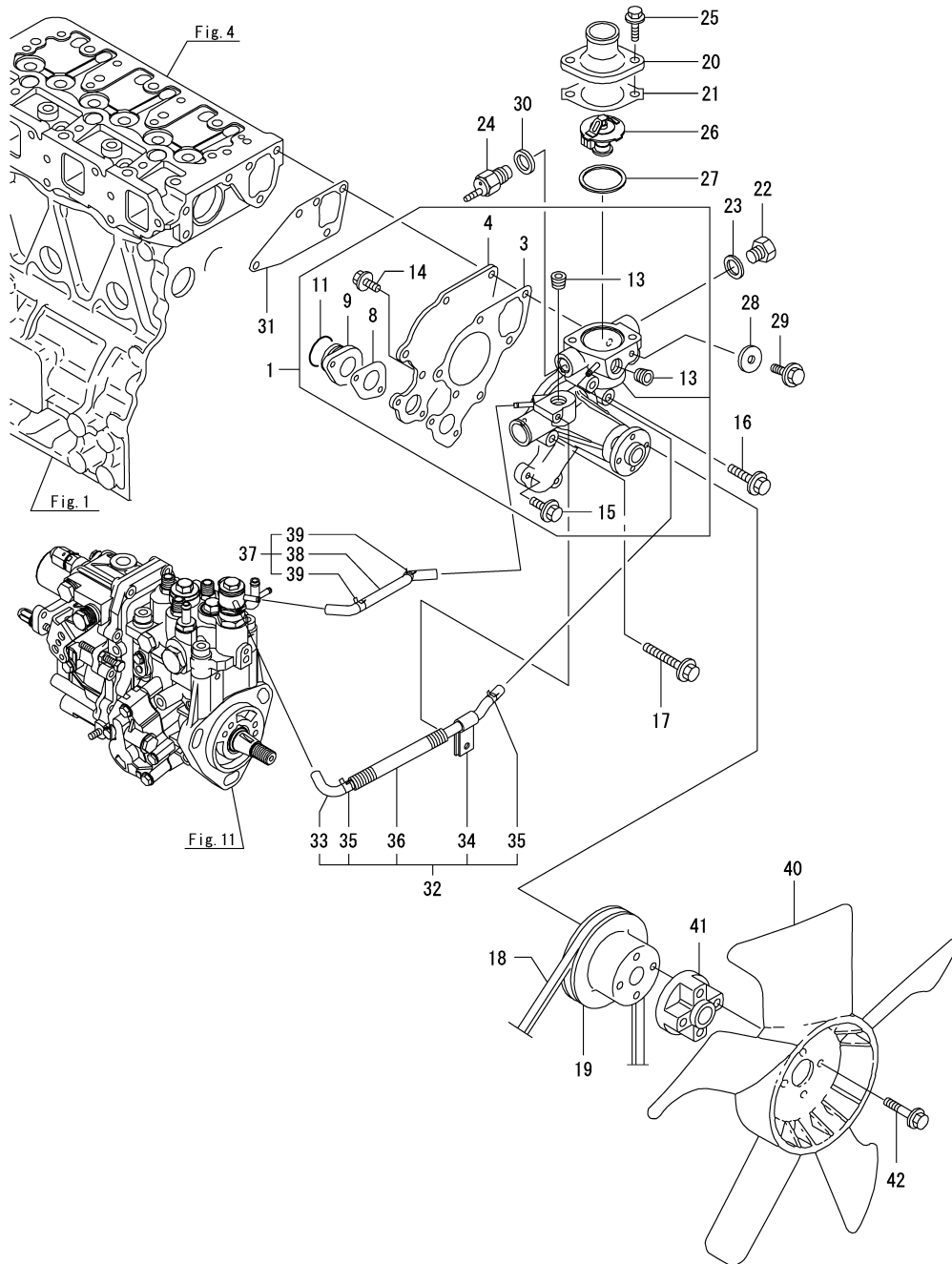
(1)Repair part.

N:Old  $\begin{matrix} \leftarrow \text{Yes} \\ \text{No} \end{matrix}$  New, Q:Old  $\begin{matrix} \leftarrow \text{No} \\ \text{Yes} \end{matrix}$  New, R:Old  $\begin{matrix} \leftarrow \text{Yes} \\ \text{Yes} \end{matrix}$  New, S:Old  $\begin{matrix} \leftarrow \text{No} \\ \text{No} \end{matrix}$  New, W:Add, Z:Discontinued, F:Interchangeable by set, K:Q'ty Change

Fig.10. COOLING WATER SYSTEM

(A)=3TNV82A-BDSA  
(B)=3TNV82A-BDSAC  
(C)=3TNV82A-BDSAT

(D)=  
(E)=  
(F)=

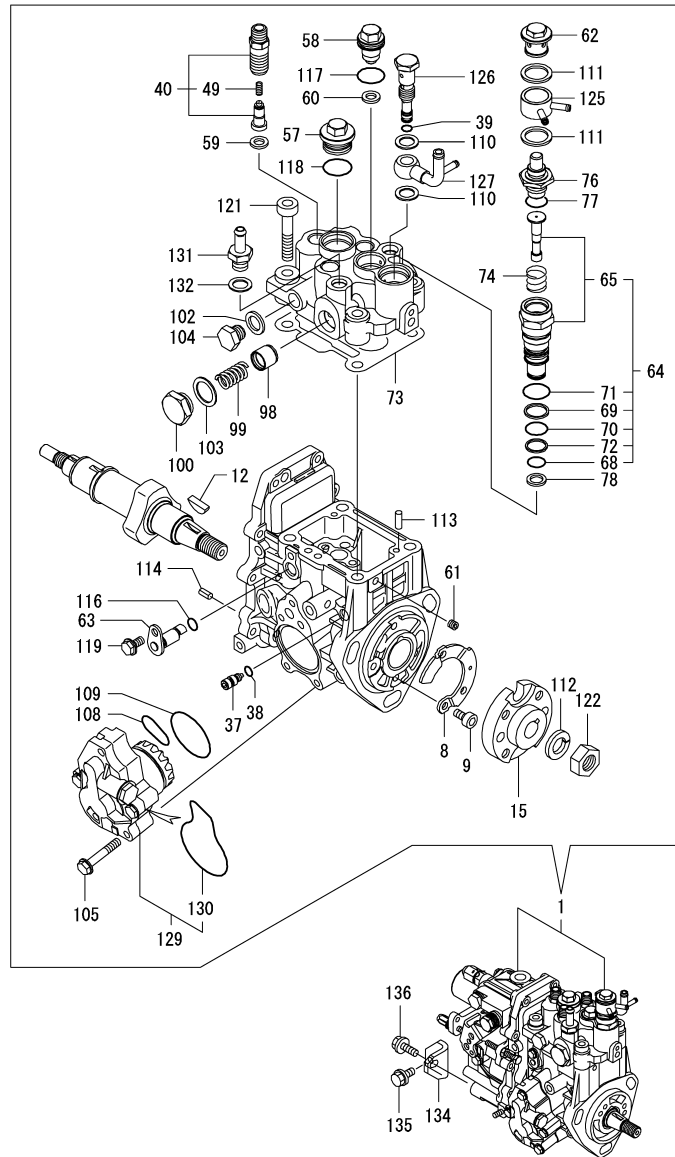


No.	Lev.	Parts No.	Description	Q'ty						I	R
				(A)	(B)	(C)	(D)	(E)	(F)		
1	1	119802-42001	PUMP ASSY, WATER	1	1	1					
3	2	119810-42051	GASKET, WATER PUMP	1	1	1					
4	2	119810-42120	PLATE	1	1	1					
8	2	119810-42281	GASKET, WATER PUMP	1	1	1					
9	2	119810-42290	PIPE	1	1	1					
11	2	129054-42320	O-RING	1	1	1					
13	2	23876-030000	PLUG, R03	2	2	2					
14	2	26106-060142	BOLT, M6X 14 PLATED	2	2	2					
15	2	26106-060202	BOLT, M6X 20 PLATED	2	2	2					
16	1	26106-080352	BOLT, M8X 35 PLATED	1	1	1					
17	1	26106-080552	BOLT, M8X 55 PLATED	3	3	3					
18	1	25132-003700	V-BELT, A37	1	1	1					
19	1	129403-42380	V-PULLEY, D=110	1	1	1					
20	1	129350-49530	COVER, THERMOSTAT	1	1	1					
21	1	129795-49551	GASKET	1	1	1					
22	1	121450-42450	PLUG, M16	1	1	1					
23	1	124465-44950	GASKET, 16	1	1	1					
24	1	121250-44901	SWITCH, 110	1	1	1					
25	1	26106-080222	BOLT, M8X 22 PLATED	2	2	2					
26	1	129155-49801	THERMOSTAT, 71	1	1	1					
27	1	129150-49811	GASKET, THERMOSTAT	1	1	1					
28	1	23414-080000	GASKET, 8X1.0	1	1	1					
29	1	26106-080122	BOLT, M8X 12 PLATED	1	1	1					
30	1	124465-44950	GASKET, 16	1	1	1					
31	1	129486-42050	GASKET, WATER PUMP	1	1	1					
32	1	119802-49610	PIPE ASSY, WATER	1	1	1					
33	2	119802-49711	PIPE ASSY, WATER	1	1	1					
34	2	119802-49730	RETAINER, PIPE	1	1	1					
35	2	124722-59050	CLIP, HOSE 9	2	2	2					
36	2	119802-59320	TUBE, CORRUGATED	1	1	1					
37	1	119802-49620	PIPE ASSY, WATER	1	1	1					
38	2	119802-49721	PIPE ASSY, WATER	1	1	1					
39	2	124722-59050	CLIP, HOSE 9	2	2	2					
40	1	129335-44740	FAN, COOLING D335	1	1	1					
41	1	121267-44760	SPACER	1	1	1					
42	1	26106-060302	BOLT, M6X 30 PLATED	4	4	4					

Fig.11. FUEL INJECTION PUMP

(A)=3TNV82A-BDSA  
(B)=3TNV82A-BDSAC  
(C)=3TNV82A-BDSAT

(D)=  
(E)=  
(F)=



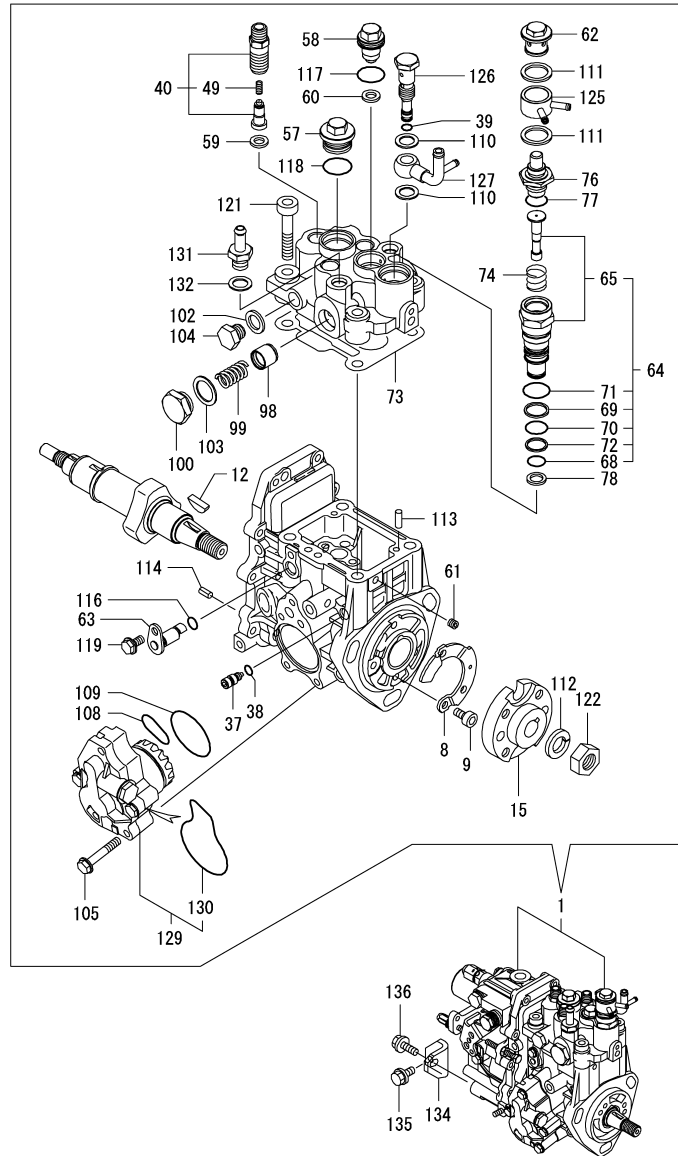
No.	Lev.	Parts No.	Description	Q'ty						I	R
				(A)	(B)	(C)	(D)	(E)	(F)		
1	1	719933-51301	PUMP ASSY, INJECTION	1	1	1					1
8	4	129008-51900	COVER, GEAR CASE	1	1	1					
9	4	129008-51920	BOLT, M6X10	2	2	2					
12	2	119802-51090	KEY, 4X16	1	1	1					
15	2	158552-51151	FLANGE	1	1	1					
37	2	158600-51270	STOPPER, TAPPET	1	1	1					
38	2	158563-51281	O-RING, 4D S6	1	1	1					
39	2	158563-51281	O-RING, 4D S6	1	1	1					
40	2	129008-51390	VALVE ASSY, DELIVERY	3	3	3					
49	3	158563-51330	SPRING, DELIVERY	3	3	3					
57	2	158601-51550	PLUG	1	1	1					
58	2	119802-51560	PLUG, BARREL	1	1	1					
59	2	158552-51571	GASKET	3	3	3					
60	2	158552-51571	GASKET	1	1	1					
61	2	158557-51570	PLUG	1	1	1					
62	2	158601-51570	PLUG	1	1	1					
63	2	158552-51580	LIFTER	1	1	1					
64	2	119802-51590	TIMER SET	1	1	1					
65	3	119802-51600	TIMER ASSY	1	1	1					
68	3	158553-51670	O-RING, 1011	1	1	1					
69	3	119802-51680	RING, BACK UP	1	1	1					
70	3	119802-51690	O-RING	1	1	1					
71	3	24356-190200	O-RING, 4D19020	1	1	1					
72	3	24372-000150	RING, BACK UP T2P15	1	1	1					
73	2	158552-51600	GASKET	1	1	1					
74	2	158553-51630	SPRING, TIMER	1	1	1					
76	2	158553-51650	ELEMENT	1	1	1					
77	2	158553-51660	O-RING, P14	1	1	1					
78	2	158553-51680	GASKET	1	1	1					
98	2	158601-51770	PISTON	1	1	1					
99	2	158552-51781	SPRING	1	1	1					
100	2	158601-51790	PLUG	1	1	1					
102	2	22190-120002	WASHER, SEAL 12	1	1	1					
103	2	22190-180002	WASHER, SEAL 18	1	1	1					
104	2	158553-51930	PLUG, M12	1	1	1					
105	2	158553-51770	BOLT	4	4	4					
108	2	158552-52311	O-RING	1	1	1					
109	2	158552-52400	O-RING, 4E S42	1	1	1					
110	2	22190-120002	WASHER, SEAL 12	2	2	2					
111	2	22190-180002	WASHER, SEAL 18	2	2	2					
112	2	22217-140000	WASHER, SPRING 14	1	1	1					
113	2	22312-050140	PIN, PARALLEL M5X14	2	2	2					
114	2	22351-050010	PIN, SPRING 5.0X10	2	2	2					
116	2	24311-000070	O-RING, 1AP7.0	1	1	1					
117	2	24356-190180	O-RING, 4D19018	1	1	1					
118	2	24356-190200	O-RING, 4D19020	1	1	1					
119	2	26106-060102	BOLT, M6X 10 PLATED	1	1	1					
121	2	26450-080452	BOLT, M8X 45	4	4	4					
122	2	26776-140002	NUT, LOCK M14	1	1	1					
125	2	158553-51551	JOINT	1	1	1					
126	2	158601-51650	JOINT, OVER FLOW	1	1	1					

Remarks  
(1)Governor ASSY(Fig.12) is incorporated in this FOP CMP. (Ref.No.1).

Fig.11. FUEL INJECTION PUMP

(A)=3TNV82A-BDSA  
 (B)=3TNV82A-BDSAC  
 (C)=3TNV82A-BDSAT

(D)=  
 (E)=  
 (F)=



No.	Lev.	Parts No.	Description	Qty						I	R
				(A)	(B)	(C)	(D)	(E)	(F)		
127	2	158552-51670	JOINT, OVER FLOW	1	1	1					
129	2	158552-52100	PUMP ASSY, FUEL FEED	1	1	1					
130	3	158552-52500	O-RING	1	1	1					
131	2	119934-59910	JOINT, PIPE	1	1	1					
132	2	22190-120002	WASHER, SEAL 12	1	1	1					
134	1	119802-51250	RETAINER, PUMP	1	1	1					
135	1	26106-080162	BOLT, M8X 16 PLATED	1	1	1					
136	1	26106-080202	BOLT, M8X 20 PLATED	1	1	1					

Remarks

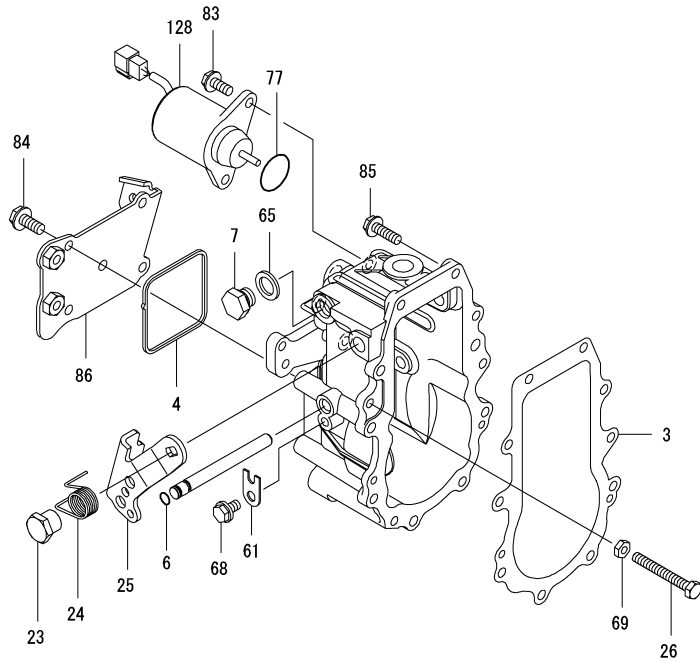
(1)Governor ASSY(Fig.12) is incorporated in this FOP CMP. (Ref.No.1).



Fig.12. GOVERNOR

(A)=3TNV82A-BDSA  
 (B)=3TNV82A-BDSAC  
 (C)=3TNV82A-BDSAT

(D)=  
 (E)=  
 (F)=



No.	Lev.	Parts No.	Description	Qty						I	R
				(A)	(B)	(C)	(D)	(E)	(F)		
3	2	158553-61050	GASKET	1	1	1					
4	2	158553-61070	GASKET	1	1	1					
6	2	129155-51280	O-RING, S6	1	1	1					
7	2	158553-51930	PLUG, M12	1	1	1					
23	2	129255-61410	NUT, LOCK	1	1	1					
24	2	119807-61420	SPRING, RETURN	1	1	1					
25	2	158552-61441	LEVER, REGULATOR	1	1	1					
26	2	129155-61460	BOLT, IDLE	1	1	1					
61	2	119660-61901	RETAINER, SHAFT	1	1	1					
65	2	22190-120002	WASHER, SEAL 12	1	1	1					
68	2	26106-060102	BOLT, M6X 10 PLATED	1	1	1					
69	2	26756-060002	NUT, LOCK M6	1	1	1					
77	2	158552-61900	O-RING	1	1	1					
83	2	26106-060142	BOLT, M6X 14 PLATED	2	2	2					
84	2	26106-060142	BOLT, M6X 14 PLATED	4	4	4					
85	2	26106-060202	BOLT, M6X 20 PLATED	10	10	10					
86	2	158552-61061	COVER, GOVERNOR CASE	1	1	1					
128	2	119653-77950	SOLENOID, STOP	1	1	1					

Remarks

\* This figure(governor ASSY) is incorporated in the fuel injection pump ASSY(Fig.11).

Fig.13. FUEL INJECTION VALVE

(A)=3TNV82A-BDSA  
 (B)=3TNV82A-BDSAC  
 (C)=3TNV82A-BDSAT

(D)=  
 (E)=  
 (F)=

No.	Lev.	Parts No.	Description	Qty						I	R
				(A)	(B)	(C)	(D)	(E)	(F)		
1	1	729008-53100	VALVE ASSY,INJECTION	3	3	3					
2	2	129008-53000	VALVE ASSY,INJECTION	3	3	3					
5	2	114250-53080	NUT, NOZZLE D16.95	3	3	3					
10	2	114250-53120	SPRING, NOZZLE	3	3	3					
11	2	114250-53130	SEAT, SPRING	3	3	3					
12	2	114250-53140	PLATE	3	3	3					
13	2	114250-53210	PIN	6	6	6					
14	2	119803-53400	SHIM SET	3	3	3					
41	1	119305-59120	RETAINER, PIPE	1	1	1					
44	2	129150-59131	BOLT, M4X14	1	1	1					
45	1	129150-59120	RETAINER, PIPE	1	1	1					
48	2	129150-59131	BOLT, M4X14	2	2	2					
50	1	119802-59960	PIPE ASSY, INJECTION	1	1	1					
51	1	119802-59970	PIPE ASSY, INJECTION	1	1	1					
52	1	119802-59980	PIPE ASSY, INJECTION	1	1	1					
54	1	119593-59581	CAP	1	1	1					
55	1	124060-77680	CLIP, HOSE 10	1	1	1					
56	1	119802-59550	PIPE ASSY, RETURN	1	1	1					
57	2	124722-59050	CLIP, HOSE 9	2	2	2					
58	2	119802-59560	PIPE, FUEL RETURN	1	1	1					
59	1	129486-59551	PIPE ASSY, RETURN	2	2	2					
60	2	124722-59050	CLIP, HOSE 9	4	4	4					

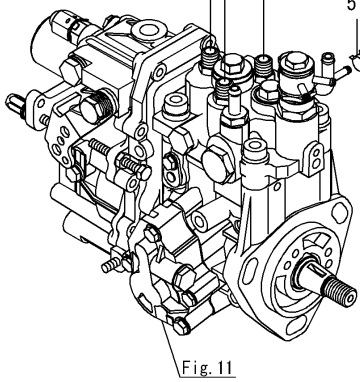
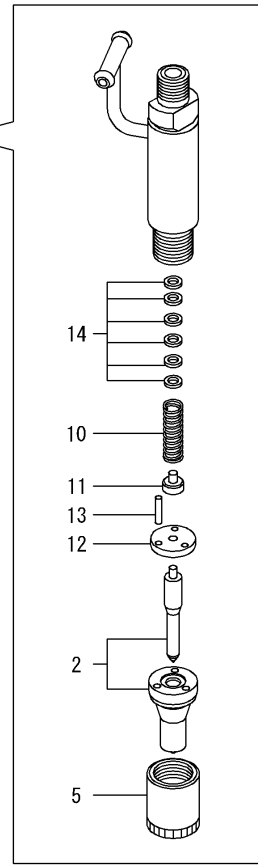
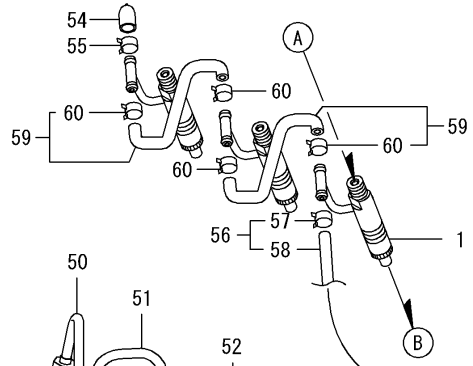
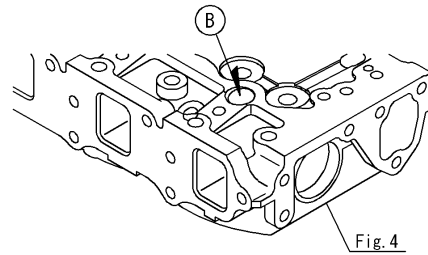
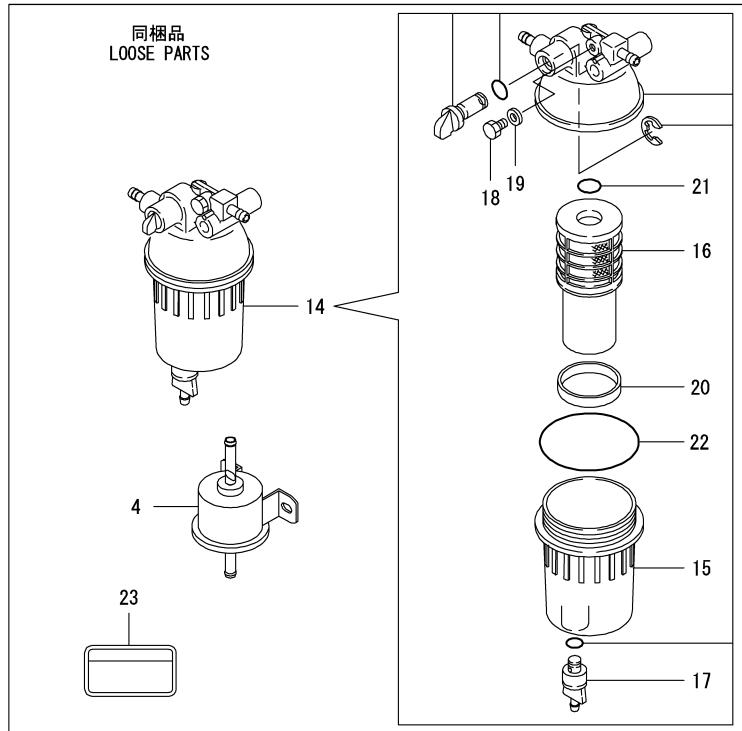
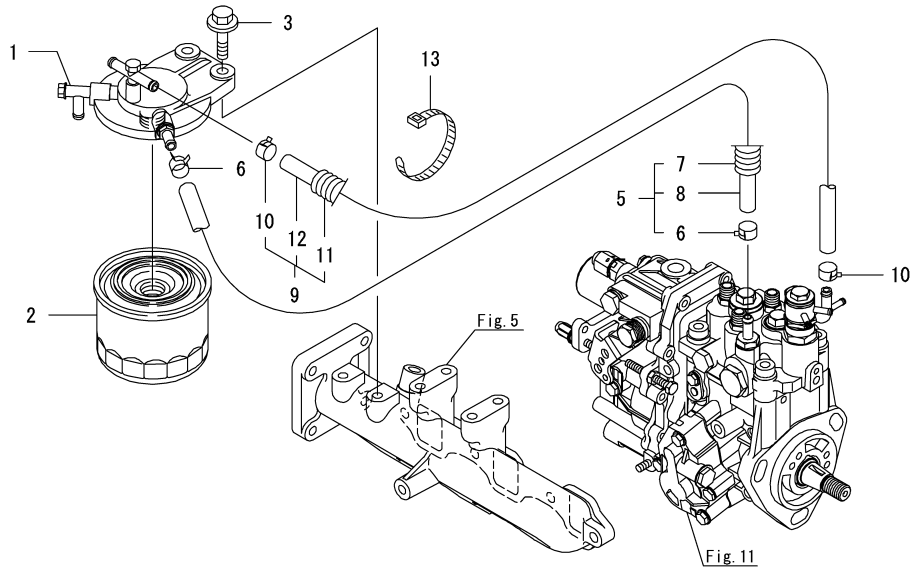


Fig.14. FUEL LINE



(A)=3TNV82A-BDSA  
(B)=3TNV82A-BDSAC  
(C)=3TNV82A-BDSAT

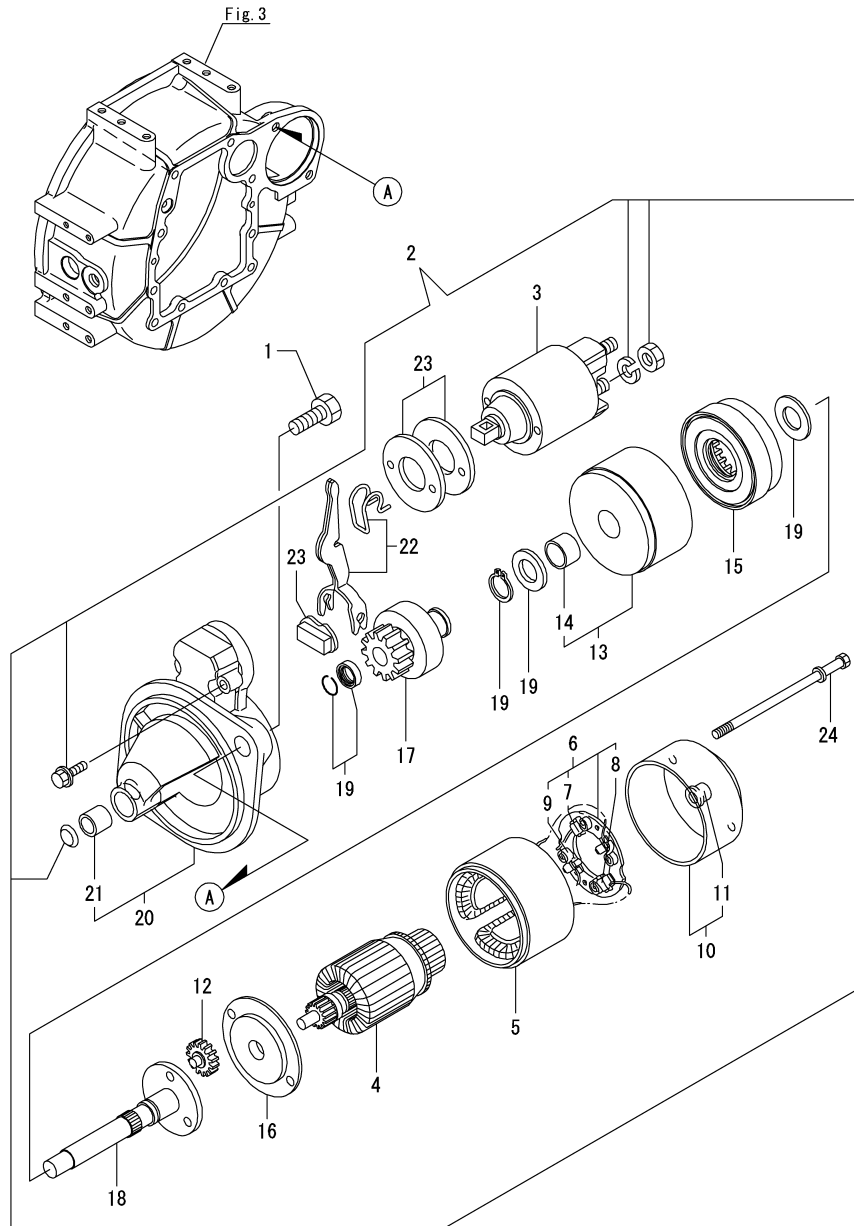
(D)=  
(E)=  
(F)=

No.	Lev.	Parts No.	Description	Qty						I	R
				(A)	(B)	(C)	(D)	(E)	(F)		
1	1	129004-55612	BRACKET, FILTER	1	1	1					
2	1	119802-55810	FILTER,FO	1	1	1					
3	1	26106-080302	BOLT, M8X 30 PLATED	2	2	2					
4	1	119225-52102	PUMP ASSY, FUEL FEED	1	1	1					
5	1	129044-59010	PIPE, D13/7.5X220	1	1	1					
6	2	124766-59050	CLIP, HOSE 12	2	2	2					
7	2	129044-59100	TUBE, CORRUGATED	1	1	1					
8	2	129044-59510	PIPE, FUEL 220	1	1	1					
9	1	129630-59010	PIPE ASSY, FUEL	1	1	1					
10	2	124766-59050	CLIP, HOSE 12	2	2	2					
11	2	129961-59110	TUBE, CORRUGATED	1	1	1					
12	2	105025-59560	PIPE, FUEL	1	1	1					
13	1	121750-59890	BAND, 140	1	1	1					
14	1	129242-55700	SEPARATOR ASSY	1	1	1					
15	2	129242-55720	CUP	1	1	1					
16	2	129242-55730	ELEMENT	1	1	1					
17	2	129242-55740	PLUG, DRAIN	1	1	1					
18	2	129242-55750	VALVE, AIR VENT	1	1	1					
19	2	129242-55760	GASKET	1	1	1					
20	2	129242-55770	FLOAT	1	1	1					
21	2	24311-000160	O-RING, 1AP16.0	1	1	1					
22	2	24321-000750	O-RING, 1AG75.0	1	1	1					
23	1	114110-07760	LABEL, FUEL CAUTION	1	1	1					

Fig.15. STARTING MOTOR

(A)=3TNV82A-BDSA  
 (B)=3TNV82A-BDSAC  
 (C)=3TNV82A-BDSAT

(D)=  
 (E)=  
 (F)=

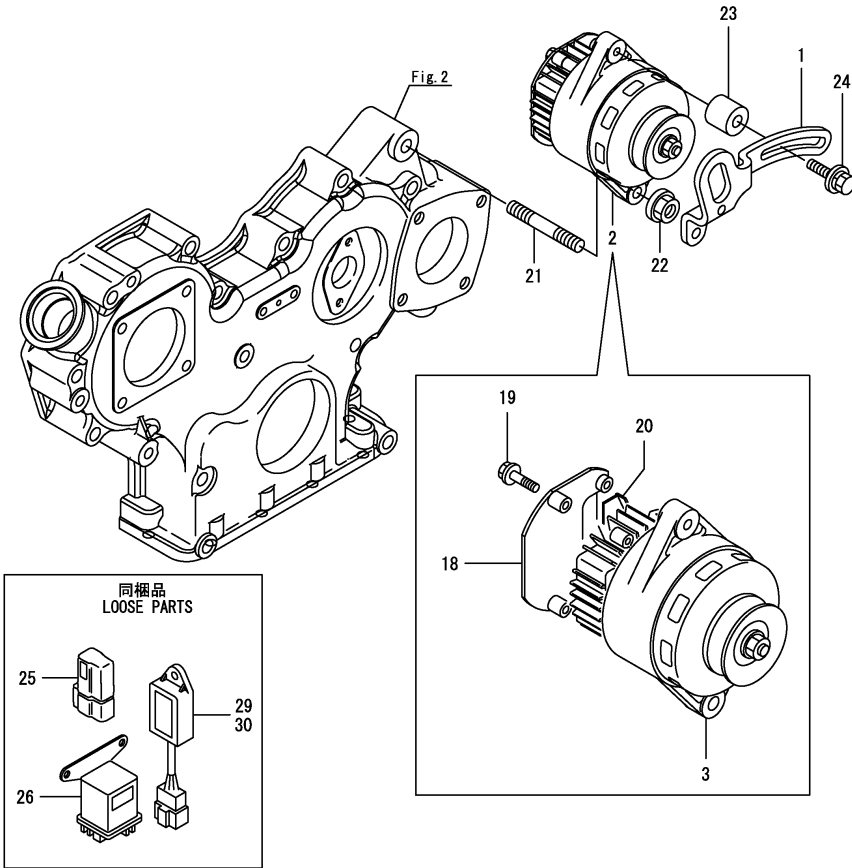


No.	Lev.	Parts No.	Description	Q'ty						I	R
				(A)	(B)	(C)	(D)	(E)	(F)		
1	1	26116-120202	BOLT, M12X 20 PLATED	2	2	2					
2	1	129242-77010	STARTER	1	1	1					
3	2	129698-77020	SWITCH ASSY	1	1	1					
4	2	129242-77100	ARMATURE ASSY	1	1	1					
5	2	129242-77110	YOKE ASSY	1	1	1					
6	2	129242-77120	HOLDER ASSY, BRUSH	1	1	1					
7	3	129242-77130	BRUSH	2	2	2					
8	3	129242-77140	BRUSH SET	1	1	1					
9	3	129242-77150	SPRING	4	4	4					
10	2	129242-77160	COVER ASSY	1	1	1					
11	3	129242-77170	METAL	1	1	1					
12	2	118400-77170	GEAR	3	3	3					
13	2	129242-77180	BRACKET	1	1	1					
14	3	129698-77190	BRACKET	1	1	1					
15	2	129698-77200	GEAR, INTERNAL	1	1	1					
16	2	129242-77210	BRACKET	1	1	1					
17	2	129698-77220	PINION ASSY	1	1	1					
18	2	129698-77230	SHAFT	1	1	1					
19	2	129698-77250	WASHER SET	1	1	1					
20	2	129242-77260	CASE ASSY	1	1	1					
21	3	X2114535200	METAL, STARTER	1	1	1					
22	2	129242-77270	LEVER SET	1	1	1					
23	2	129242-77280	COVER ASSY, DUST	1	1	1					
24	2	124195-77770	BOLT, THROUGH	2	2	2					

Fig.16. GENERATOR

(A)=3TNV82A-BDSA  
 (B)=3TNV82A-BDSAC  
 (C)=3TNV82A-BDSAT

(D)=  
 (E)=  
 (F)=



No.	Lev.	Parts No.	Description	Qty						I	R
				(A)	(B)	(C)	(D)	(E)	(F)		
1	1	119808-77330	ADJUSTER	1	1	1					
2	1	119128-77200	GENERATOR, 12V-40A	1	1	1					
3	2	119128-77220	GENERATOR ASSY	1	1	1					
18	2	119128-77370	COVER	1	1	1					
19	2	119128-77380	BOLT, FLANGE	4	4	4					
20	2	119128-77390	COVER	1	1	1					
21	1	129795-01900	STUD	1	1	1					
22	1	26306-100002	NUT, M10	1	1	1					
23	1	124732-77340	SPACER	1	1	1					
24	1	129972-77341	BOLT, ADJUSTER L=50	1	1	1					
25	1	119643-66900	DIODE	1	1	1					
26	1	119650-77910	RELAY ASSY, GLOW	1	1	1					
29	1	128300-77920	TIMER	1	1	1					
30	1	129211-77920	TIMER	1	1	1					

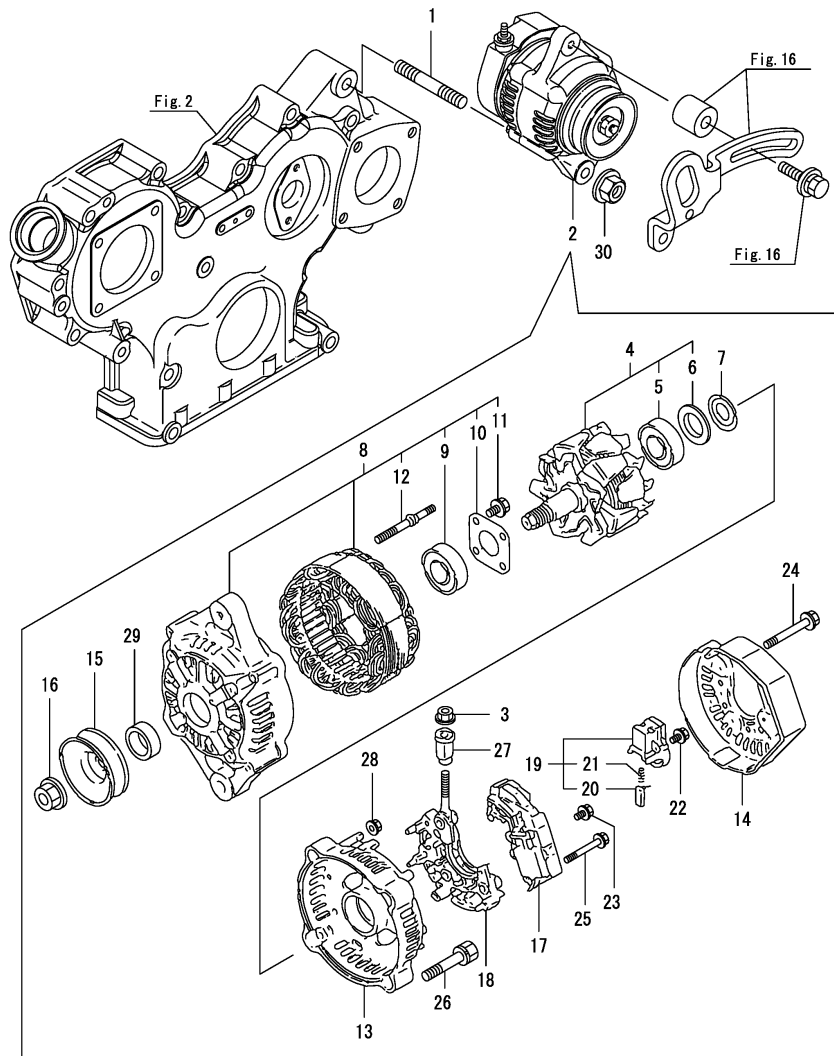
Remarks

\*This item is applicable to [(A)=EZZZZZ-1] or previous machines. Refer to Fig.19.

Fig.18. (18A)GENERATOR

(A)=3TNV82A-BDSA  
 (B)=3TNV82A-BDSAC  
 (C)=3TNV82A-BDSAT

(D)=  
 (E)=  
 (F)=



No.	Lev.	Parts No.	Description	Qty						I	R
				(A)	(B)	(C)	(D)	(E)	(F)		
1	1	129795-01900	STUD	1	1	1					
2	1	129423-77200	GENERATOR, 12V-40A	1	1	1					N
		(A=EXXXXX) (B=EXXXXX) (C=EXXXXX)									
3	2	X9490561001	NUT	1	1	1					
4	2	119620-77380	ROTOR ASSY	1	1	1					
5	3	119620-79240	BEARING, BALL	1	1	1					
6	3	119620-79250	COVER	1	1	1					
7	2	119620-79360	WASHER, THRUST	1	1	1					
8	2	119620-77421	FRAME ASSY, DRIVE	1	1	1					
9	3	119620-79200	BEARING, BALL	1	1	1					
10	3	119620-79210	PLATE, RETAINER	1	1	1					
11	3	119620-79220	SCREW	4	4	4					
12	3	119620-79230	STUD	2	2	2					
13	2	119620-77440	FRAME ASSY	1	1	1					
14	2	129240-79300	COVER	1	1	1					
15	2	119620-77461	PULLEY	1	1	1					
16	2	119620-77471	NUT	1	1	1					
17	2	129423-77710	REGULATOR ASSY	1	1	1					
18	2	119620-79260	HOLDER	1	1	1					
19	2	119620-79270	HOLDER, BRUSH	1	1	1					
20	3	119620-77480	BRUSH ASSY	2	2	2					
21	3	119620-79280	SPRING	2	2	2					
22	2	119620-79290	SCREW	1	1	1					
23	2	119620-79300	SCREW	1	1	1					
24	2	119620-79310	BOLT	3	3	3					
25	2	119620-79320	SCREW	2	2	2					
26	2	119620-79330	BOLT	2	2	2					
27	2	119620-79340	BUSH, INSULATION	1	1	1					
28	2	119620-79350	NUT	2	2	2					
29	2	119620-77490	COLLAR	1	1	1					
30	1	26306-100002	NUT, M10	1	1	1					

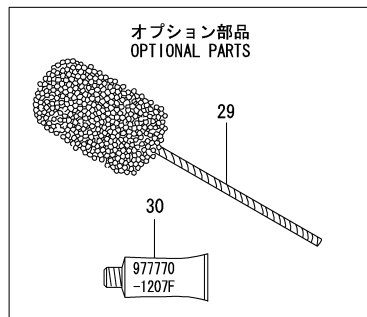
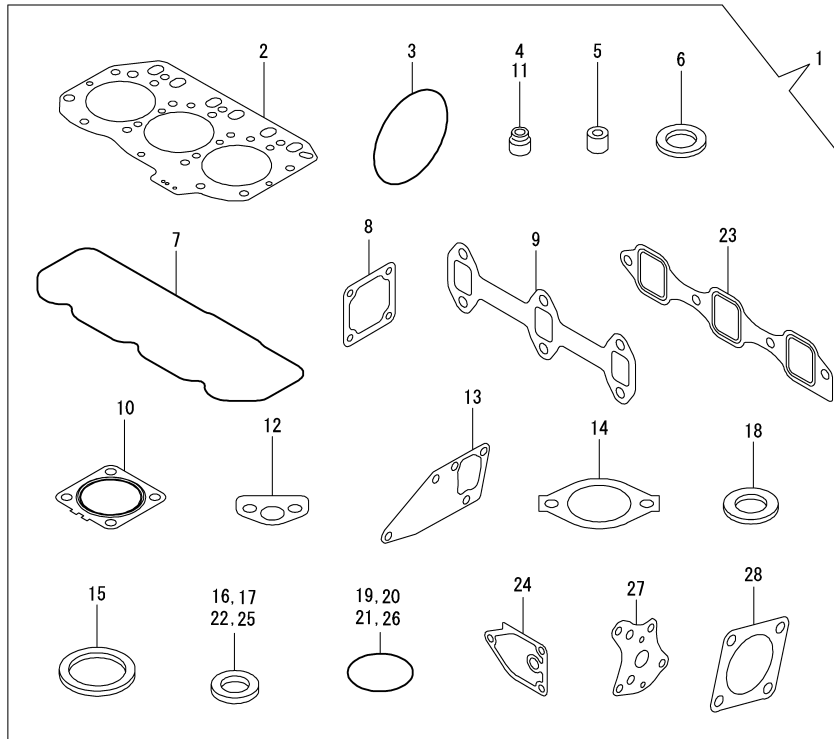
Remarks

\*This item is applicable to [(A)=EZZZZ] or following machines. Refer to Fig.16.

Fig.17. GASKET SET & TOOLS

(A)=3TNV82A-BDSA  
 (B)=3TNV82A-BDSAC  
 (C)=3TNV82A-BDSAT

(D)=  
 (E)=  
 (F)=



No.	Lev.	Parts No.	Description	Qty						I	R
				(A)	(B)	(C)	(D)	(E)	(F)		
1	1	719823-92950	GASKET SET	1	1	1					1
2	2	119812-01330	GASKET, HEAD	1	1	1					
3	2	121850-51960	O-RING	1	1	1					
4	2	119803-11340	SEAL, VALVE STEM	3	3	3					
5	2	119802-11870	PROTECTOR, NOZZLE	3	3	3					
6	2	119625-11880	SEAT, NOZZLE	3	3	3					
7	2	119802-11310	GASKET, BONNET	1	1	1					
8	2	129150-77511	GASKET	1	1	1					
9	2	119810-13110	GASKET	1	1	1					
10	2	129004-13200	GASKET, SILENCER	1	1	1					
11	2	124160-11340	SEAL, VALVE STEM	3	3	3					
12	2	129150-35042	GASKET	1	1	1					
13	2	129486-42050	GASKET, WATER PUMP	1	1	1					
14	2	129795-49551	GASKET	1	1	1					
15	2	129150-49811	GASKET, THERMOSTAT	1	1	1					
16	2	23414-080000	GASKET, 8X1.0	1	1	1					
17	2	22190-080002	WASHER, SEAL 6	8	8	8					
18	2	124465-44950	GASKET, 16	2	2	2					
19	2	24311-000120	O-RING, 1AP12.0	3	3	3					
20	2	24311-000320	O-RING, 1AP32.0	2	2	2					
21	2	24341-000240	O-RING, 1AS24.0	1	1	1					
22	2	22190-100002	WASHER, SEAL 10	2	2	2					
23	2	119810-12112	GASKET, MANIFOLD	1	1	1					
24	2	129150-35111	GASKET	1	1	1					
25	2	22190-220002	WASHER, SEAL 22	1	1	1					
26	2	119609-32040	O-RING, P16	2	2	2					
27	2	129150-32020	GASKET, PUMP	1	1	1					
28	2	124240-01883	GASKET	1	1	1					
29	1	129400-92420	HONE	1	1	1					1
30	1	977770-1207F	GASKET.LIQUID	1	1	1					1

Remarks

(1)Optional parts.

N:Old  $\xrightarrow{\text{Yes}}$  New, Q:Old  $\xrightarrow{\text{No}}$  New, R:Old  $\xrightarrow{\text{Yes}}$  New, S:Old  $\xrightarrow{\text{No}}$  New, W:Add, Z:Discontinued, F:Interchangeable by set, K:Q'ty Change

## Parts No. Index

Parts No.	Fig. No.	Ref. No.
104211-11180	4	25
104211-11370	4	14
105025-59560	14	12
114110-07760	14	23
114250-39450	9	1
114250-53080	13	5
114250-53120	13	10
114250-53130	13	11
114250-53140	13	12
114250-53210	13	13
118400-77170	15	12
119128-77200	16	2
119128-77220	16	3
119128-77370	16	18
119128-77380	16	19
119128-77390	16	20
119131-18320	6	4
119225-52102	14	4
119305-59120	13	41
119593-59581	13	54
119609-32040	2	10
	17	26
119620-01750	3	5
119620-02020	1	12
119620-77380	18	4
119620-77421	18	8
119620-77440	18	13
119620-77461	18	15
119620-77471	18	16
119620-77480	18	20
119620-77490	18	29
119620-79200	18	9
119620-79210	18	10
119620-79220	18	11
119620-79230	18	12
119620-79240	18	5
119620-79250	18	6
119620-79260	18	18
119620-79270	18	19
119620-79280	18	21
119620-79290	18	22
119620-79300	18	23
119620-79310	18	24
119620-79320	18	25
119620-79330	18	26
119620-79340	18	27
119620-79350	18	28
119620-79360	18	7
119625-11880	4	33
	17	6

Parts No.	Fig. No.	Ref. No.
119640-01640	3	10
119643-66900	16	25
119650-77910	16	26
119653-77950	12	128
119660-61901	12	61
119802-01561	2	6
119802-03010	4	42
119802-03090	5	1
119802-03110	4	44
119802-03121	4	45
119802-03130	4	46
119802-03141	4	47
119802-11100	4	22
119802-11110	4	23
119802-11241	4	3
119802-11251	4	4
119802-11260	4	6
119802-11270	4	7
119802-11280	4	8
119802-11310	4	50
	17	7
119802-11350	4	41
119802-11650	4	10
119802-11810	4	31
119802-11870	4	32
	17	5
119802-11900	4	34
119802-12130	5	4
119802-13109	6	1
119802-13640	6	3
119802-13740	6	6
119802-14580	7	3
119802-21650	8	9
119802-22500	8	18
119802-25071	7	13
119802-25101	7	10
119802-25901	7	16
119802-34802	9	35
119802-35110	9	9
119802-39450	9	11
119802-42001	10	1
119802-49610	10	32
119802-49620	10	37
119802-49711	10	33
119802-49721	10	38
119802-49730	10	34
119802-51090	11	12
119802-51250	11	134
119802-51560	11	58
119802-51590	11	64

Parts No.	Fig. No.	Ref. No.
119802-51600	11	65
119802-51680	11	69
119802-51690	11	70
119802-55810	14	2
119802-59320	10	36
119802-59550	13	56
119802-59560	13	58
119802-59960	13	50
119802-59970	13	51
119802-59980	13	52
119803-11340	4	27
	17	4
119803-11700	4	15
119803-21000	8	1
119803-21200	8	5
119803-22080	8	16
119803-25050	7	9
119803-53400	13	14
119803-77821	4	57
119807-61420	12	24
119808-77330	16	1
119810-01200	1	24
119810-01730	3	8
119810-01770	3	9
119810-02871	1	26
119810-02931	1	21
119810-02941	1	29
119810-11120	4	24
119810-12112	5	3
	17	23
119810-13110	6	2
	17	9
119810-14400	7	2
119810-23200	8	28
119810-23601	8	29
119810-23611	8	32
119810-23910	8	31
119810-35300	9	33
119810-42051	10	3
119810-42120	10	4
119810-42281	10	8
119810-42290	10	9
119812-01330	1	25
	17	2
119813-22300	8	22
119865-21600	8	15
119888-01601	3	2
119888-01850	3	4
119888-21450	8	40
119934-01800	2	4

Parts No.	Fig. No.	Ref. No.
119934-59910	11	131
119940-59130	9	46
119944-49300	9	36
120270-54410	4	35
121023-01551	2	17
121111-21501	8	12
121250-44901	10	24
121267-44760	10	41
121450-42450	10	22
121520-34810	9	31
121750-59890	14	13
121850-21680	8	11
121850-51960	2	11
	17	3
124060-01050	1	6
124060-11800	4	30
124060-77680	13	55
124160-01751	2	7
	4	40
124160-01910	1	4
		14
124160-11340	4	26
	17	11
124160-11360	4	53
124160-39140	9	12
124195-77770	15	24
124240-01871	2	8
		23
124240-01883	2	24
	17	28
124465-44950	10	23
		30
	17	18
124722-59050	10	35
		39
	13	57
		60
124732-77340	16	23
124766-59050	14	6
		10
128300-77920	16	29
129001-01250	1	7
129001-32001	9	16
129004-13200	6	7
	17	10
129004-55612	14	1
129005-59830	9	2
129006-35100	9	8
129006-44480	9	40
129008-51390	11	40



## Parts No. Index

Parts No.	Fig. No.	Ref. No.
129008-51900	11	8
129008-51920	11	9
129008-53000	13	2
129008-77800	4	56
129044-59010	14	5
129044-59100	14	7
129044-59510	14	8
129054-42320	10	11
129100-01580	3	1
		15
	8	2
129100-01640	3	16
129150-01650	3	17
129150-02450	7	4
129150-03070	4	43
129150-11230	4	11
129150-11280	4	9
129150-11750	4	13
129150-14101	7	6
129150-14200	7	1
129150-25301	7	15
129150-32020	9	29
	17	27
129150-35042	9	32
	17	12
129150-35111	9	14
	17	24
129150-35170	9	15
129150-49811	10	27
	17	15
129150-59120	13	45
129150-59131	13	44
		48
129150-77511	5	8
	17	8
129155-49801	10	26
129155-51280	12	6
129155-61460	12	26
129211-77920	16	30
129240-79300	18	14
129242-55700	14	14
129242-55720	14	15
129242-55730	14	16
129242-55740	14	17
129242-55750	14	18
129242-55760	14	19
129242-55770	14	20
129242-77010	15	2
129242-77100	15	4
129242-77110	15	5

Parts No.	Fig. No.	Ref. No.
129242-77120	15	6
129242-77130	15	7
129242-77140	15	8
129242-77150	15	9
129242-77160	15	10
129242-77170	15	11
129242-77180	15	13
129242-77210	15	16
129242-77260	15	20
129242-77270	15	22
129242-77280	15	23
129255-61410	12	23
129335-44740	10	40
129350-49530	10	20
129400-92420	17	29
129403-42380	10	19
129410-03990	5	2
129417-33110	9	39
129417-35150	9	10
129423-77200	18	2
129423-77710	18	17
129430-26070	7	17
129486-01670	3	19
129486-12581	5	7
129486-42050	10	31
	17	13
129486-59551	13	59
129488-21590	8	13
129508-33010	9	37
129508-33050	9	38
129508-49030	9	41
129508-49040	9	45
129604-01520	2	5
129630-59010	14	9
129698-77020	15	3
129698-77190	15	14
129698-77200	15	15
129698-77220	15	17
129698-77230	15	18
129698-77250	15	19
129792-22400	8	23
129795-01780	3	18
129795-01900	16	21
	18	1
129795-01950	2	9
129795-02412	1	13
129795-21661	8	10
129795-49551	10	21
	17	14
129900-07900	4	1

Parts No.	Fig. No.	Ref. No.
129961-59110	14	11
129972-77341	16	24
158552-51151	11	15
158552-51571	11	59
		60
158552-51580	11	63
158552-51600	11	73
158552-51670	11	127
158552-51781	11	99
158552-52100	11	129
158552-52311	11	108
158552-52400	11	109
158552-52500	11	130
158552-61061	12	86
158552-61441	12	25
158552-61900	12	77
158553-51551	11	125
158553-51630	11	74
158553-51650	11	76
158553-51660	11	77
158553-51670	11	68
158553-51680	11	78
158553-51770	11	105
158553-51930	11	104
	12	7
158553-61050	12	3
158553-61070	12	4
158557-51570	11	61
158563-51281	11	38
		39
158563-51330	11	49
158600-51270	11	37
158601-51550	11	57
158601-51570	11	62
158601-51650	11	126
158601-51770	11	98
158601-51790	11	100
171008-03990	9	42
		49
171051-01921	1	5
171056-49120	9	50
22190-080002	2	21
	9	4
		5
	17	17
22190-100002	9	6
	17	22
22190-120002	11	102
		110
		132

Parts No.	Fig. No.	Ref. No.
22190-120002	12	65
22190-180002	11	103
		111
22190-220002	3	12
	17	25
22217-140000	11	112
22312-050140	11	113
22351-030010	8	8
22351-050010	11	114
22351-060012	4	36
22512-070140	7	7
	8	6
22857-500100	4	51
		52
23080-015000	9	44
		48
23414-080000	10	28
	17	16
23857-030000	9	3
23876-030000	10	13
24104-062054	8	42
24311-000070	11	116
24311-000120	4	54
	17	19
24311-000160	14	21
24311-000320	2	13
	4	55
	17	20
24321-000750	14	22
24321-000800	7	18
24341-000240	2	18
	17	21
24356-190180	11	117
24356-190200	11	71
		118
24372-000150	11	72
25132-003700	10	18
26106-060102	11	119
	12	68
26106-060142	10	14
	12	83
		84
26106-060162	2	19
26106-060202	10	15
	12	85
26106-060302	10	42
26106-080122	10	29
26106-080142	7	8
26106-080162	2	14
		15

## Parts No. Index

Parts No.	Fig. No.	Ref. No.
26106-080162	2	25
	3	13
	4	2
	11	135
26106-080202	5	9
	9	13
	11	136
26106-080222	8	43
	10	25
26106-080252	4	37
	5	6
	7	19
26106-080302	2	22
	14	3
26106-080352	3	20
	9	34
	10	16
26106-080402	7	14
26106-080452	3	14
	4	38
26106-080502	4	39
26106-080552	2	16
	10	17
26106-080852	2	12
26106-100302	7	20
26116-120202	15	1
26206-100252	3	6
26206-100302	3	7
26306-080002	2	20
	6	5
26306-100002	16	22
	18	30
26366-060002	9	7
26450-060252	9	30
26450-080452	11	121
26756-060002	12	69
26776-140002	11	122
27241-120000	1	8
27241-300000	1	9
27241-400000	4	21
27310-070001	4	28
719802-01560	1	1
719802-22950	8	36
719803-22900	8	34
719810-02981	1	18
719810-23100	8	24
719823-92950	17	1
719933-51301	11	1
729008-53100	13	1
729652-01500	2	1

Parts No.	Fig. No.	Ref. No.
977770-1207F	17	30
X2114535200	15	21
X9490561001	18	3

Parts No.	Fig. No.	Ref. No.
-----------	----------	----------

Parts No.	Fig. No.	Ref. No.
-----------	----------	----------