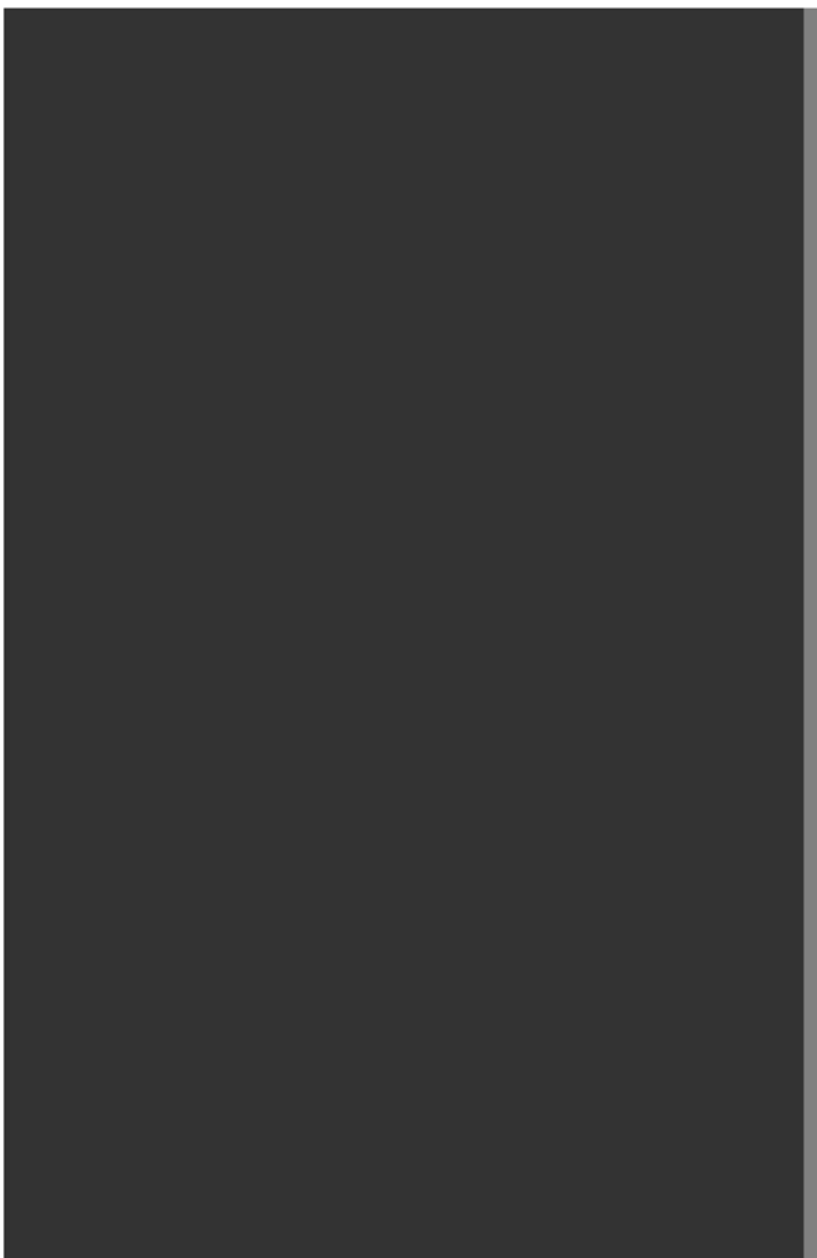


0CW10-M62100EN



P R E F A C E

1. This parts catalog is the 1st edition of 3TNM72-APL for POLARIS.

Pub.No. : 0CW10-G62100

Published : April, 2010

2. Model name

Engine model	Vehicle	Vehicle made by
3TNM72-APL	UTV	POLARIS

Directions for the Parts Catalog.

1. The parts stipulated in this Parts Catalog are not necessarily standard equipped parts.
2. Parts may change without prior notice.
3. The following is an example of the Parts Catalog format.

REF.	LEV.	PARTS NO.	DESCRIPTION	Q'TY						I	R
				(A)	(B)	(C)	(D)	(E)	(F)		
1	1	729595-51390	FUEL INJECTION PUMP	1	1	1	1	1			1
1-1	1	729595-51391	FUEL INJECTION PUMP	1	1	1	1	1		N	1
		(A=E00185) (B=E00200)									
3	2	26022-060162	SCREW M 6X 16	9	9	9	9	9			
3-1	2	26022-060162	SCREW M 6X 16	4	4	4	4	4		K	
		(A=E00156) (B=E00156) (C=E00156) (D=E00156) (E=E00156)									
4	2	129470-51040	CAMSHAFT	1	1	1	1	1			
5	2	122710-51050	BEARING, ROLLER	2	2	2	2	2			
6	2	129470-51060	RETAINER	1	1	1	1	1			

Remarks
(1) BOOST COMPENSATOR TYPE. OPTIONAL PART, TO E00155,(4JH-DT, 4JH-DTZ

① Ref. No.

The Ref. No. listed may not be in accordance with the illustration Ref. No.

(Ex.) Illustration No.

List Ref No.

1 1 (Before change) → 1-1 (After change)

For interchangeable symbols N, R and K, illustrations for new parts may be abbreviated.

② Lev. (Level)

Level indication

The numbers below indicate the level of relativity towards the main part.

1 ----- Main parts (Assembly parts)

2 ----- Sub component included in " 1 ".

3 ----- Sub component included in " 2 ".

Note) Parts that are not for sale are partially illustrated but not listed.

③ Interchangeability Mark

When a part change takes place, one of the following interchangeability symbols is indicated beside the part.

Symbol	Interchangeability	Contents note
N	Old $\xleftarrow{\text{Yes}}$ New $\xrightarrow{\text{No}}$	New Part is interchangeable for Old Part but Old Part is not interchangeable for New Part.
Q	Old $\xleftarrow{\text{No}}$ New $\xrightarrow{\text{Yes}}$	New Part is not interchangeable for Old Part but Old Part is interchangeable for New Part.
R	Old $\xleftarrow{\text{Yes}}$ New $\xrightarrow{\text{Yes}}$	New/ Old Parts are both interchangeable.
S	Old $\xleftarrow{\text{No}}$ New $\xrightarrow{\text{No}}$	New/ Old Parts are both not interchangeable.
W		Part newly added.
Z		Part discontinued.
F		Not interchangeable by a single part but interchangeable together with related parts.
K		Changes only for used parts quantities.

④ Effective Machine No.

When a part changes, the effective Machine No. will be indicated in the (A)-(F) column.

Product Symbol	Product No.	Product Symbol	Product No.
C	Clutch No. Compressor No.	F	Machine No. (Agricultural Equip.)
D	Drive No.	M	Machine No.
E	Engine No.		

Note 1) A date may follow the symbol. (Ex.) 1996.01

Note 2) " XXXXX " and " ZZZZ " are for parts that could not be predicted or for engine models that could not be identified.

Note 3) (A=E00185) is the E (Engine Serial Number) for the column (A) model (in this case 4JH-DT) after the parts design change.

⑤ Remarks Mark

Figures or alphabets (symbols) are entered in the remarks column.

The comments (remarks) on parts that are indicated at the bottom of the illustration are the same symbols as

Contents

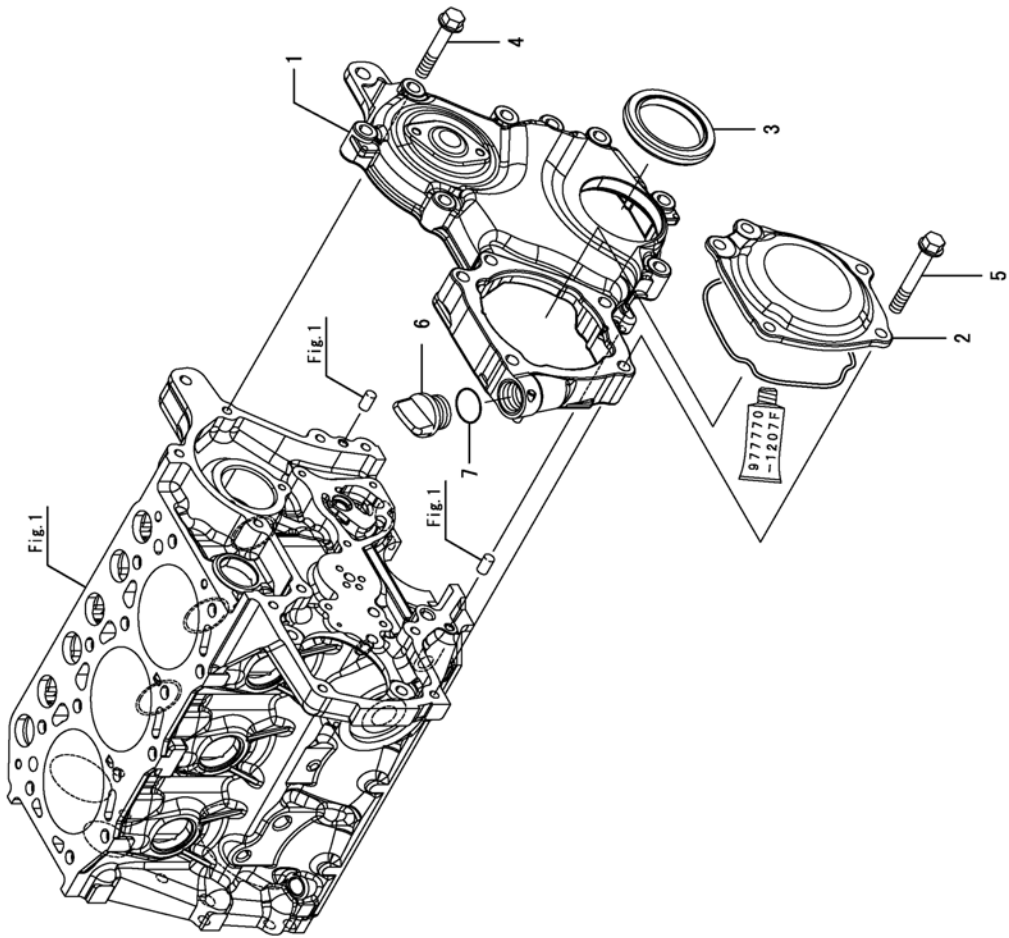
Fig. No. Fig. Name

Fig. No. Fig. Name

3TNM72-APL

1. CYLINDER BLOCK
2. GEAR HOUSING
3. MOUNTING FLANGE & OIL SUMP
4. CYLINDER HEAD & BONNET
5. EXHAUST MANIFOLD
6. CAMSHAFT & DRIVING GEAR
7. CRANKSHAFT & PISTON
8. LUB. OIL SYSTEM
9. COOLING WATER SYSTEM
10. FUEL INJECTION PUMP
11. GOVERNOR
12. FUEL INJECTION VALVE
13. FUEL LINE
14. STARTING MOTOR
15. GENERATOR
16. GASKET SET

Fig.2. GEAR HOUSING



(A)=3TNM72-APL

(B)=

(C)=

(D)=

(E)=

(F)=

Q'ty

(A)

(B)

(C)

(D)

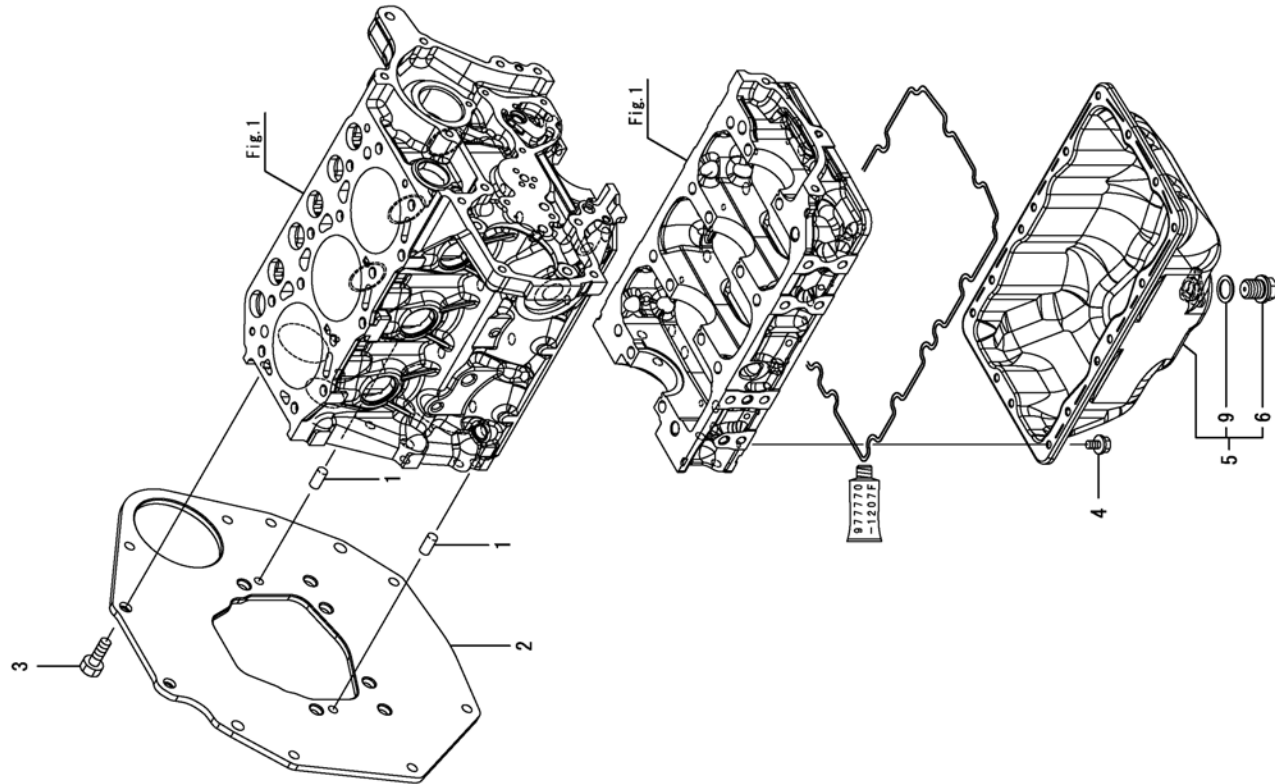
(E)

(F)

Description

No.	Lev.	Parts No.	Description	(A)	(B)	(C)	(D)	(E)	(F)
1	1	119025-01500	CASE, GEAR	1					
2	1	119125-01750	COVER	1					
2-1	1	119027-01550	COVER, PUMP TIMING	1					
(A=EZZZZZ)									
3	1	119717-01800	SEAL, OIL	1					
4	1	26106-080352	BOLT, M8X 35 PLATED	8					
5	1	26106-080452	BOLT, M8X 45 PLATED	5					
6	1	106760-01770	CAP	1					
7	1	24311-000180	O-RING, 1AP18.0	1					

Fig.3. MOUNTING FLANGE & OIL SUMP

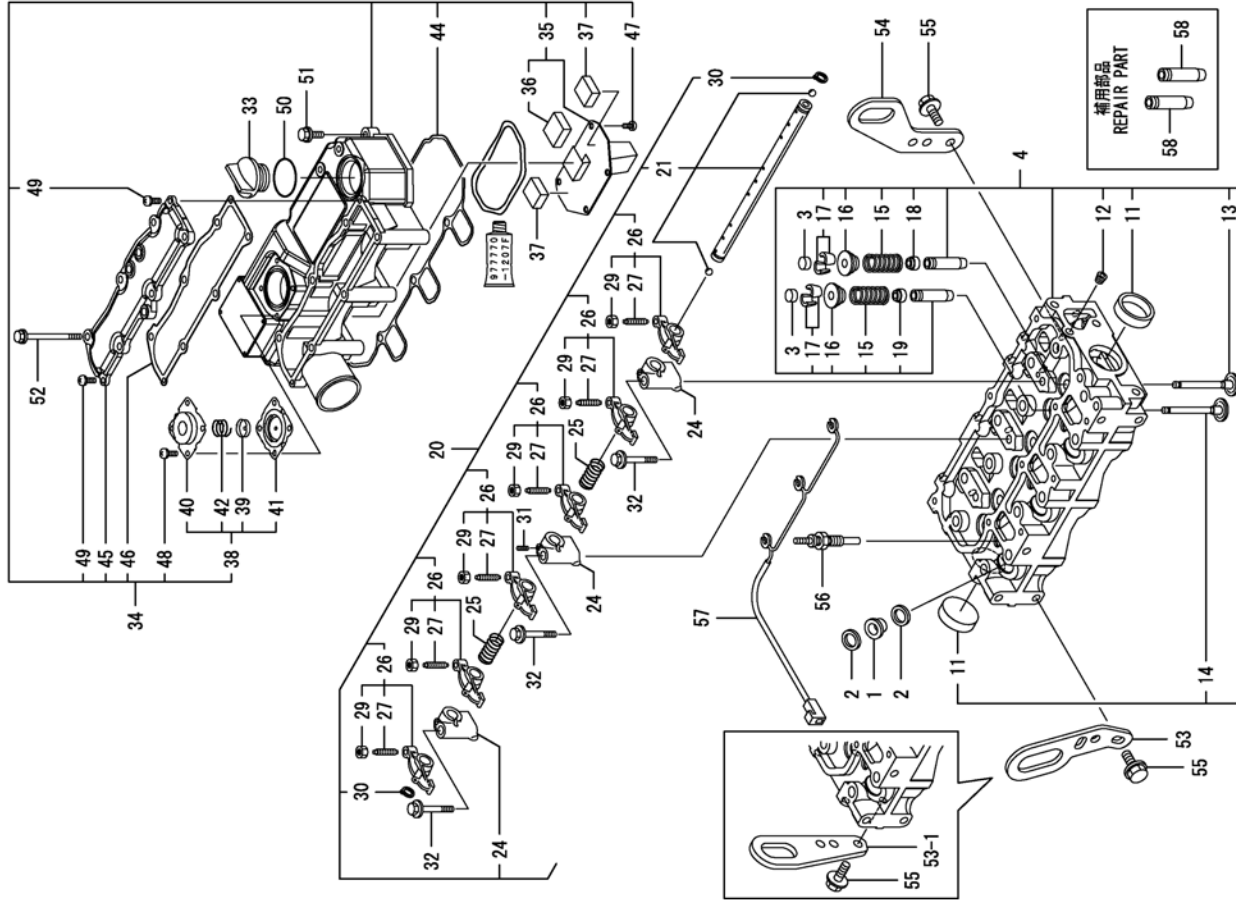


No.	Lev.	Parts No.	Description	Qty				
				(A)	(B)	(C)	(D)	(E)
1	1	129100-01580	PIN, M8X16	2				
2	1	119027-01600	FLANGE, MOUNTING	1				
3	1	26206-100202	BOLT, M10X 20 PLATED	8				
4	1	119125-01780	BOLT, M6X10	16				
5	1	119027-01790	SUMP ASSY, OIL	1				
5-1	1	119027-01791	SUMP ASSY, LUB.OIL	1				

(A=EZZZZZ)								
6	2	105425-01690	PLUG, 16	1				
6-1	2	119027-01650	PLUG, DRAIN 16	1				

(A=EZZZZZ)								
9	2	22190-160002	WASHER, SEAL 16	1				

Fig.4. CYLINDER HEAD & BONNET

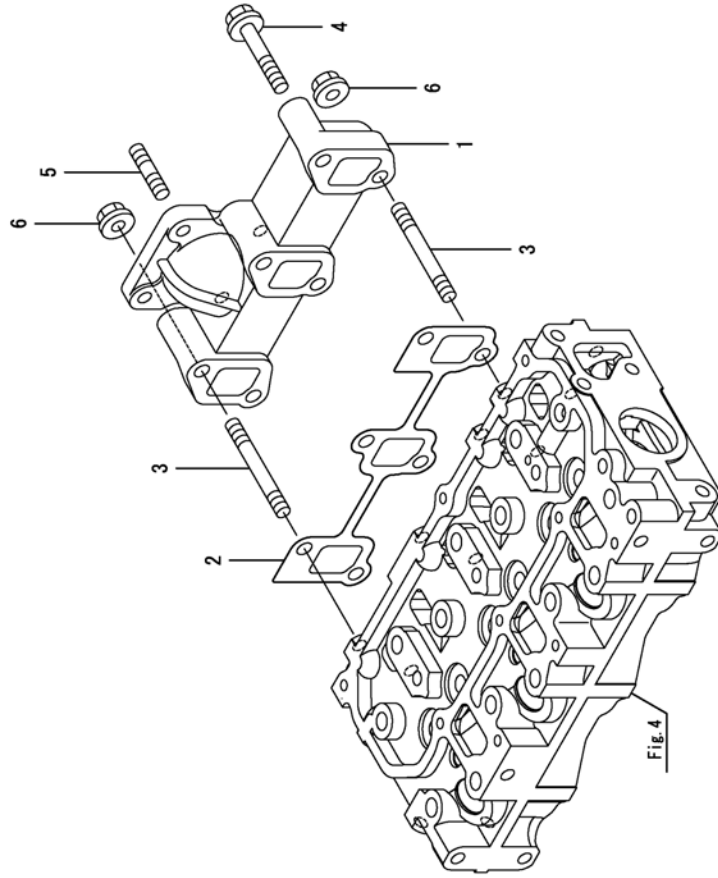


(A)=3TNM72-APL
 (B)=
 (C)=
 (D)=
 (E)=
 (F)=

No.	Lev.	Parts No.	Description	(A)	(B)	(C)	(D)	(E)	(F)
1	1	129901-11450	PROTECTOR, NOZZLE	3					
2	1	119600-11460	GASKET, NOZZLE	6					
3	1	105010-11490	CAP, VALVE	6					
4	1	119517-11740	HEAD ASSY, CYLINDER	1					
11	2	119285-11990	PLUG, 35	2					
12	2	23876-005000	PLUG, R005	1					
13	2	119515-11101	VALVE, INTAKE	3					
14	2	119515-11110	VALVE, EXHAUST	3					
15	2	119717-11131	SPRING, VALVE	6					
16	2	129508-11180	RETAINER, SPRING	6					
17	2	119717-11190	COTTER	12					
18	2	119717-11340	SEAL, VALVE STEM	3					
19	2	119717-11350	SEAL, VALVE STEM	3					
20	1	119515-11200	SUPPORT ASSY, ARM	1					
21	2	119515-11240	SHAFT ASSY, ROCKER	1					
24	2	119717-11260	SUPPORT, ROCKER ARM	3					
25	2	119515-11280	SPRING	2					
26	2	119717-11650	ARM, ROCKER	6					
27	3	129150-11230	SCREW, VALVE ADJUST	6					
29	3	129150-11750	NUT, M8	6					
30	2	22242-000120	RING, 12	2					
31	2	26979-050162	SCREW, M5X16	1					
32	1	26106-080402	BOLT, M8X 40 PLATED	3					
33	1	124160-01751	COVER, FILLER	1					
34	1	119515-11380	BONNET ASSY, HEAD	1					
35	2	119717-03031	PLATE	1					
36	3	119717-03070	BAFFLE, BREATHER	1					
37	2	119717-03070	BAFFLE, BREATHER	2					
38	2	119802-03100	DIAPHRAGM ASSY	1					
39	3	119802-03110	PLATE	1					
40	3	119802-03121	COVER, DIAPHRAGM	1					
41	3	119802-03131	DIAPHRAGM	1					
42	3	119802-03141	SPRING, DIAPHRAGM	1					
44	2	119515-11310	GASKET, BONNET	1					
45	2	119515-11320	COVER, BONNET	1					
46	2	119515-11330	GASKET	1					
47	2	22857-500100	SCREW, 5X10	4					
48	2	22857-500100	SCREW, 5X10	4					
49	2	22857-500160	SCREW, 5X16	2					
50	1	24311-000320	O-RING, 1AP32.0	1					
51	1	26106-060202	BOLT, M6X 20 PLATED	3					
52	1	26106-060752	BOLT, M6X 75 PLATED	6					
53	1	119626-07900	LIFTER	1					
53-1	1	119226-07900	LIFTER (A=EZZZZZ)	1					
54	1	129486-07901	LIFTER	1					
55	1	26106-080142	BOLT, M8X 14 PLATED	4					
56	1	119125-77800	PLUG, GLOW	3					
57	1	119125-77820	CONNECTOR, GLOW PLUG	1					
58	1	119515-11800	GUIDE, VALVE	6					

Remarks
 (1) Repair part.

Fig.5. EXHAUST MANIFOLD

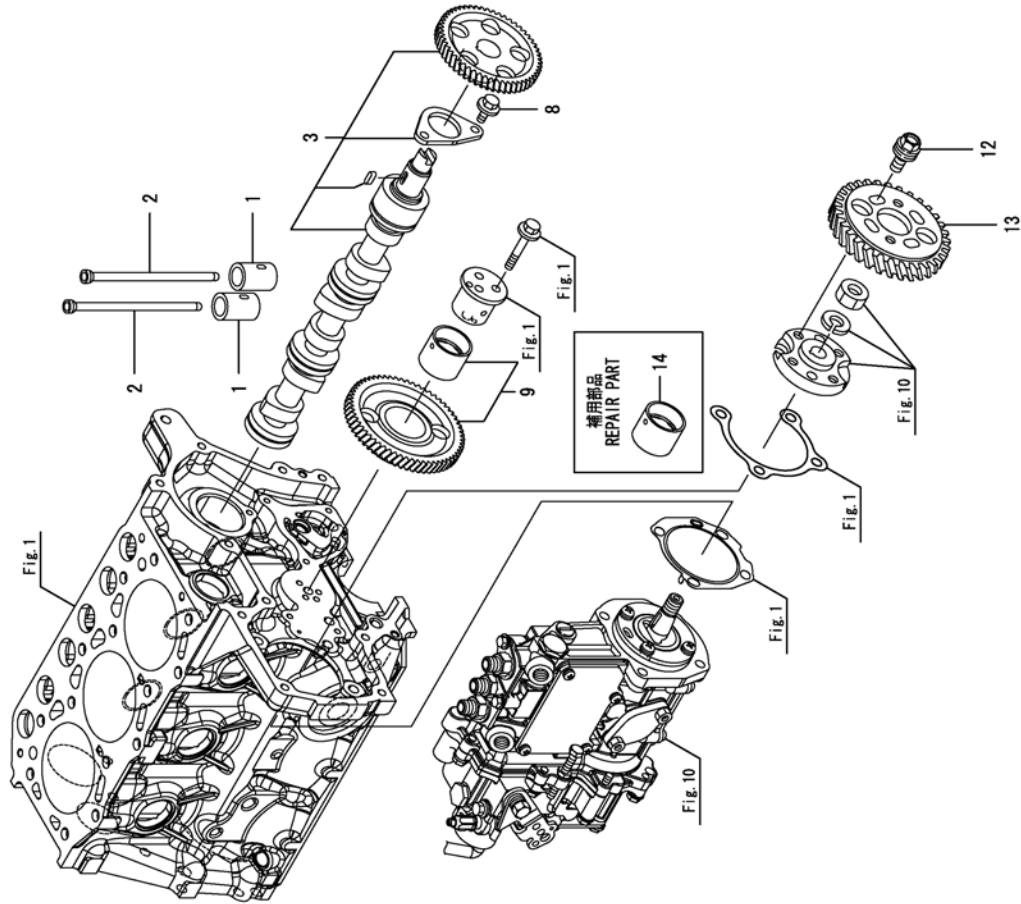


(A)=3TNM72-APL

(D)=
(E)=
(F)=

No.	Lev.	Parts No.	Description	Qty						
				(A)	(B)	(C)	(D)	(E)	(F)	
1	1	119718-13100	MANIFOLD, EXHAUST	1						
2	1	119717-13110	GASKET	1						
3	1	119717-13600	STUD, M8X50	2						
4	1	119802-13620	BOLT, M8X50	4						
5	1	119131-18320	STUD, M8X22	4						
6	1	26306-080002	NUT, M8	2						

Fig.6. CAMSHAFT & DRIVING GEAR



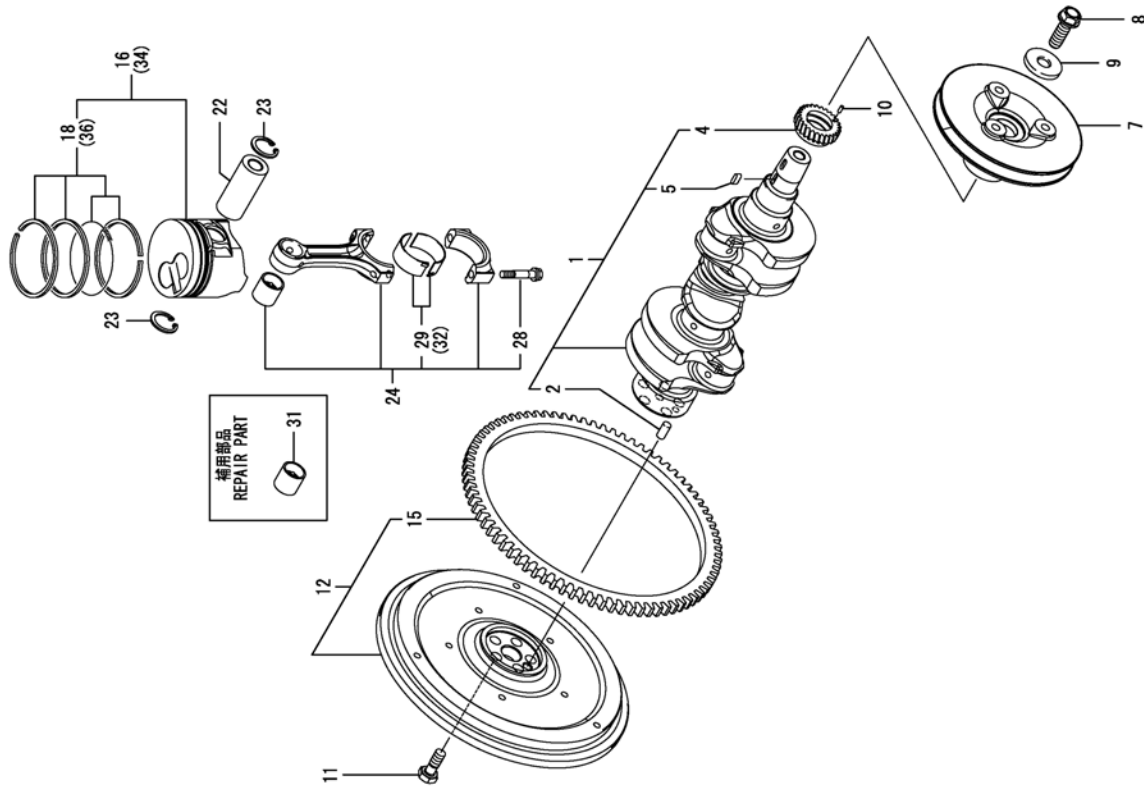
(A)=3TNM72-APL
(B)=
(C)=

(D)=
(E)=
(F)=

No.	Lev.	Parts No.	Description	Qty				
				(A)	(B)	(C)	(D)	(E)
1	1	119620-14200	TAPPET	6				
2	1	119515-14400	ROD, PUSH	6				
3	1	119025-14580	CAMSHAFT ASSY	1				
8	1	26106-060122	BOLT, M6X 12 PLATED	2				
9	1	119025-25100	GEAR ASSY, IDLE	1				
12	1	129150-25301	BOLT	4				
13	1	119125-25930	GEAR, PUMP	1				
14	1	119125-25910	BUSH, IDLE GEAR	1				

Remarks
(1)Repair part.

Fig.7. CRANKSHAFT & PISTON

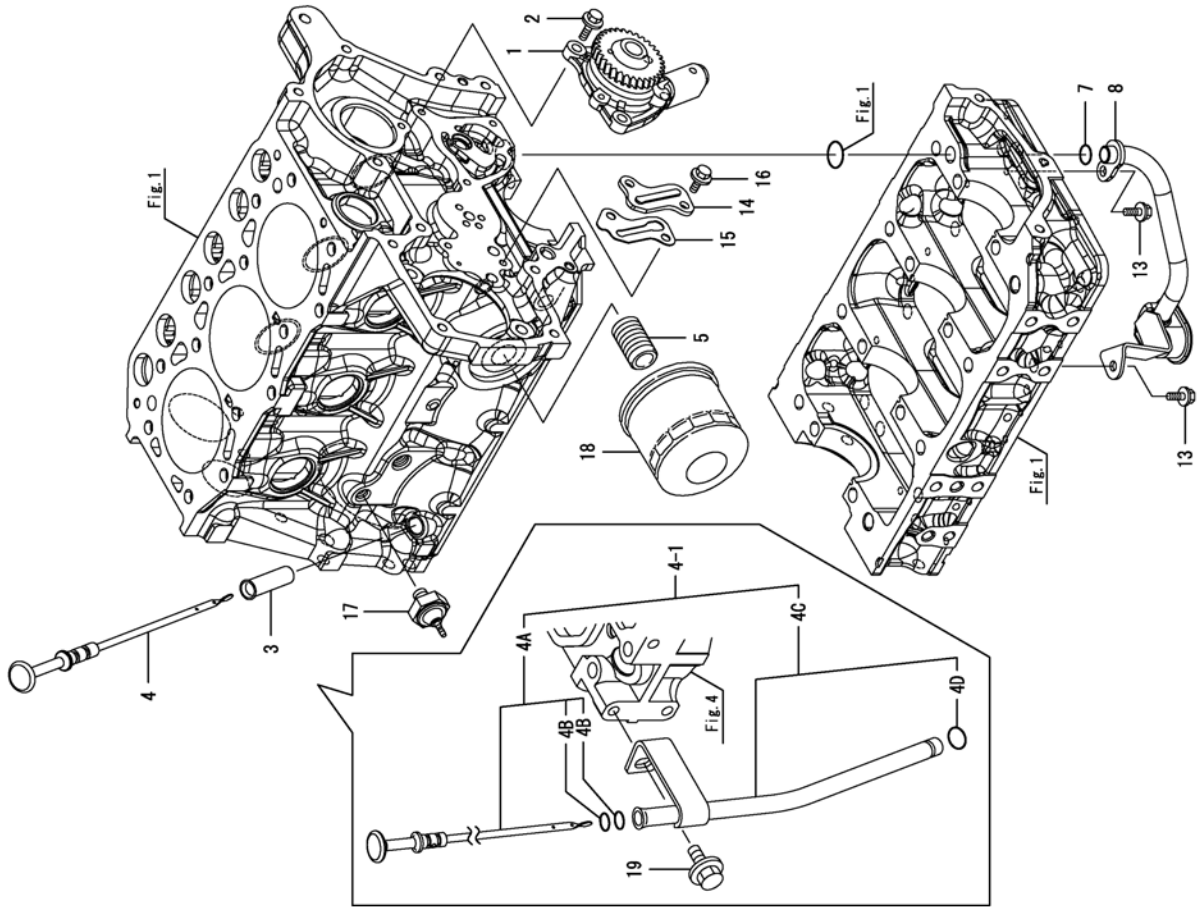


(A)=3T1NM72-APL
 (B)=
 (C)=
 (D)=
 (E)=
 (F)=
 QTY

No.	Lev.	Parts No.	Description	(A)	(B)	(C)	(D)	(E)	(F)
1	1	119025-21700	CRANKSHAFT ASSY	1					
2	2	129100-01580	PIN, M8X16	1					
4	2	119125-21200	GEAR, CRANKSHAFT	1					
5	2	22512-040120	KEY, 4X 12	1					
7	1	119027-21650	V-PULLEY	1					
8	1	119621-21681	BOLT, FLANGE 12X1.25	1					
9	1	119620-21941	WASHER	1					
10	1	22351-030010	PIN, SPRING 3.0X10	1					
11	1	119620-21500	BOLT, FLYWHEEL	5					
12	1	119127-21590	FLYWHEEL ASSY	1					
15	2	124060-21600	GEAR, RING	1					
16	1	119517-22090	PISTON ASSY	3					
18	2	119517-22500	RING SET, PISTON	3					
22	1	119515-22300	PIN, PISTON	3					
23	1	22252-000220	RING, 22	6					
24	1	119515-23000	ROD ASSY, CONNECTING	3					
28	2	119717-23200	BOLT, CONNECTING ROD	6					
29	1	119515-23601	BEARING, CRANK PIN	3					
31	1	119717-23910	BEARING, PISTON PIN	3					
32	1	119515-23611	METAL ASSY, 0.25	3					
34	1	119025-22900	PISTON ASSY	3					
36	2	119609-22950	RING SET, 0.25 OS	3					

Remarks
 (1) Repair part.
 (2) Under-sized (U.S.=0.25) part.
 (3) Over-sized (O.S.=0.25) part.

Fig.8. LUB. OIL SYSTEM

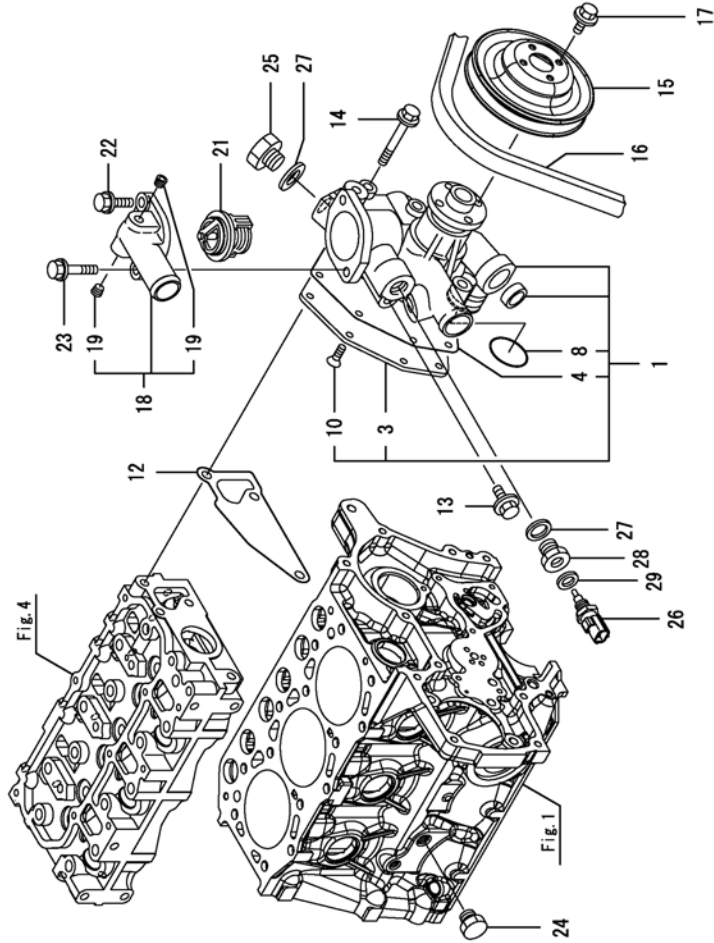


(A)=3TNM72-APL
 (B)=
 (C)=
 (D)=
 (E)=
 (F)=
 QTY

No.	Lev.	Parts No.	Description	(A)	(B)	(C)	(D)	(E)	(F)
1	1	119125-32000	PUMP ASSY, OIL	1					
2	1	26106-060142	BOLT, M6X 14 PLATED	3					
3	1	119125-34810	GUIDE, DIPSTICK	1					
(A=EZZZZZ)									
4	1	119025-34820	DIPSTICK, OIL	1					
4-1	1	119027-34890	GUIDE ASSY, DIPSTICK	1					
(A=EZZZZZ)									
4A	2	119027-34810	DIPSTICK	1					
(A=EZZZZZ)									
4B	3	119125-34900	O-RING	2					
(A=EZZZZZ)									
4C	2	119027-34850	GUIDE, DIPSTICK	1					
(A=EZZZZZ)									
4D	3	24316-000090	O-RING, 4DP9.0	1					
(A=EZZZZZ)									
5	1	119717-35140	BOLT	1					
7	1	119209-35030	O-RING, P11	1					
8	1	119025-35091	PIPE ASSY, OIL INLET	1					
13	1	26106-060102	BOLT, M6X 10 PLATED	2					
14	1	119125-39200	COVER	1					
15	1	119125-39220	GASKET	1					
16	1	26106-060102	BOLT, M6X 10 PLATED	2					
17	1	114250-39450	SWITCH, 0.5KG	1					
18	1	119305-35151	FILTER ASSY, D68XL65	1					
19	1	26106-080122	BOLT, M8X 12 PLATED	1					
(A=EZZZZZ)									

Remarks
 (1) Repair part.

Fig.9. COOLING WATER SYSTEM



(A)=3TNM72-APL

(B)=

(C)=

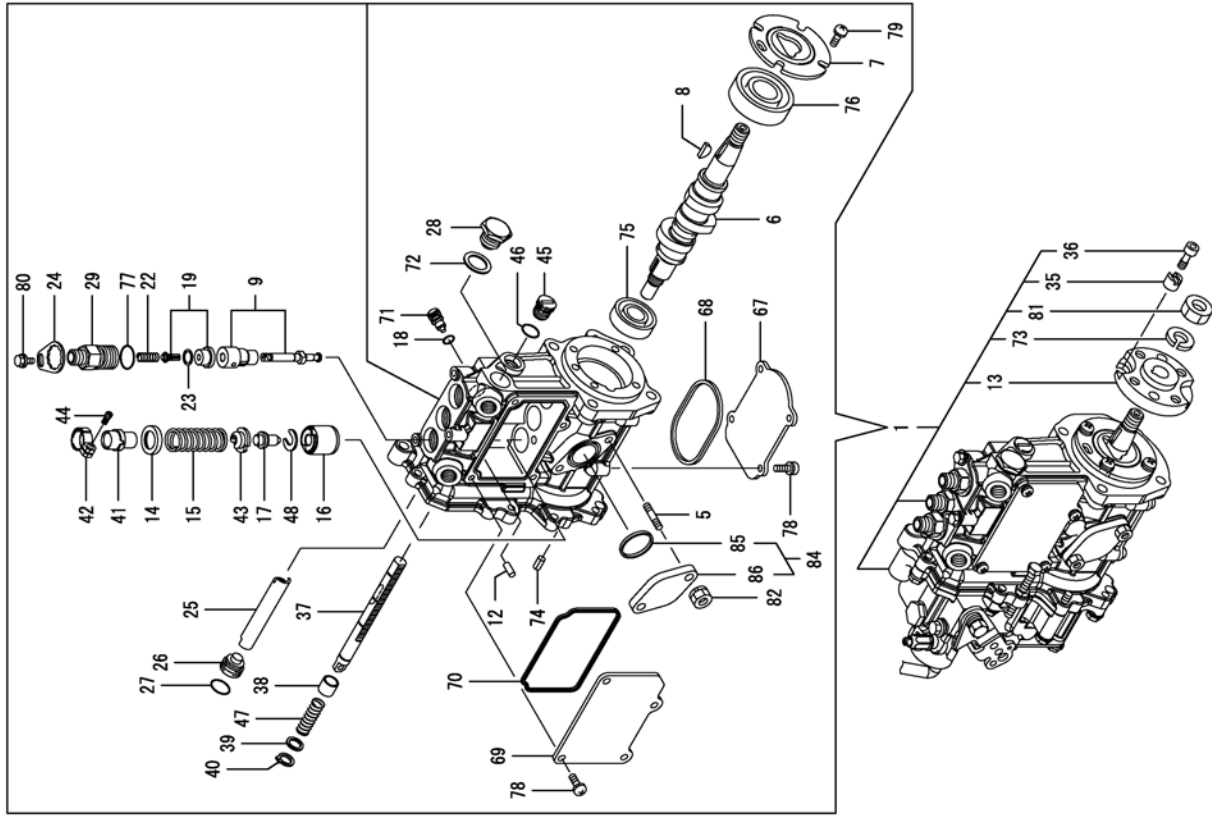
(D)=

(E)=

(F)=

No.	Lev.	Parts No.	Description	(A)	(B)	(C)	(D)	(E)	(F)
1	1	119025-42000	PUMP ASSY, WATER	1					
3	2	119025-42020	COVER	1					
4	2	119025-42030	GASKET, WATER PUMP	1					
8	2	119685-42281	O-RING	1					
10	2	26577-060122	SCREW, M6X12	5					
12	1	119515-42020	GASKET, WATER PUMP	1					
13	1	26106-080122	BOLT, M8X 12 PLATED	1					
14	1	26106-080452	BOLT, M8X 45 PLATED	3					
15	1	119027-42350	V-PULLEY, D=120	1					
16	1	25132-003800	V-BELT, A38	1					
17	1	26106-060122	BOLT, M6X 12 PLATED	4					
18	1	119718-49550	COVER ASSY	1					
19	2	119285-01731	PLUG, NPT1/8	2					
21	1	119717-49800	THERMOSTAT, 71	1					
22	1	26106-080202	BOLT, M8X 20 PLATED	1					
23	1	26106-080302	BOLT, M8X 30 PLATED	1					
24	1	171056-49120	PLUG, DRAIN	1					
25	1	121450-42450	PLUG, M16	1					
26	1	129927-44900	SENSOR	1					
27	1	124465-44950	GASKET, 16	2					
28	1	129974-49350	JOINT	1					
29	1	22190-120002	WASHER, SEAL 12	1					

Fig.10. FUEL INJECTION PUMP



(A)=3TNM72-APL
 (B)=
 (C)=

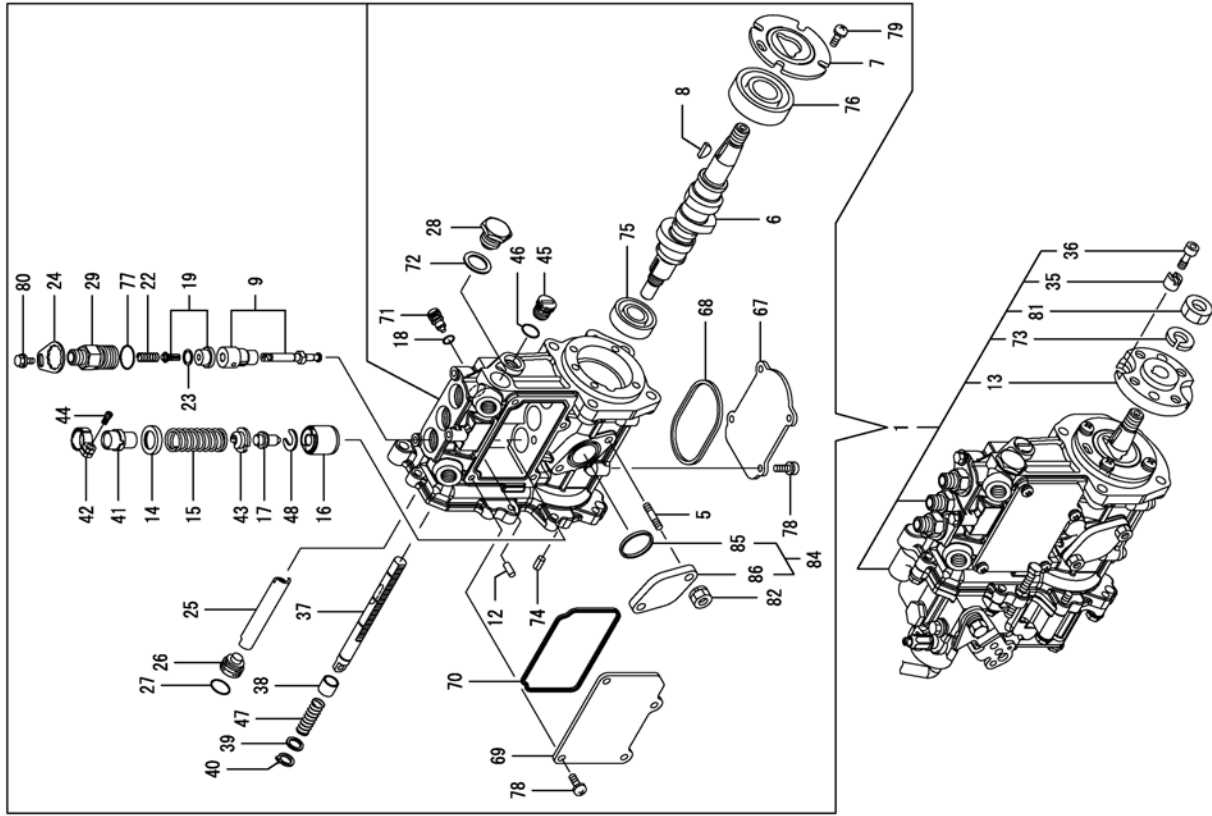
(D)=
 (E)=
 (F)=

No.	Lev.	Parts No.	Description	(A)	(B)	(C)	(D)	(E)	(F)
1	1	719027-51320	PUMP ASSY, INJECTION	1					
5	2	129155-51020	STUD	2					
6	2	119125-51030	CAMSHAFT	1					
7	2	119125-51060	RETAINER, BEARING	1					
8	2	122710-51090	KEY	1					
9	2	119125-51100	PLUNGER ASSY	3					
12	2	129155-51140	PIN	3					
13	2	119717-51150	FLANGE	1					
14	2	158600-51170	RETAINER, SPRING	3					
15	2	119717-51190	SPRING, PLUNGER	3					
16	2	119125-51241	TAPPET	3					
17	2	119125-51250	GUIDE, TAPPET	3					
18	2	129155-51280	O-RING, S6	1					
19	2	119125-51300	VALVE ASSY, DELIVERY	3					
22	2	128990-51330	SPRING, DELIVERY	3					
23	2	124550-51350	GASKET, DELIVERY	3					
24	2	118400-51370	LOCKING	3					
25	2	129155-51400	DEFLECTOR	1					
26	2	158600-51410	PLUG, DEFLECTOR	1					
27	2	119717-51420	O-RING	1					
28	2	158600-51420	PLUG, DEFLECTOR	1					
29	2	158600-51442	VALVE ASSY, DELIVERY	3					
35	2	119125-51480	COLLAR	1					
36	2	119125-51490	BOLT	1					
37	2	119717-51500	RACK, CONTROL	1					
38	2	129155-51521	BUSH, RACK	1					
39	2	129155-51530	SPACER	1					
40	2	129155-51540	CIRCLIP	1					
41	2	129155-51550	PINION, CONTROL	3					
42	2	129100-51560	PINION	3					
43	2	119717-51570	RETAINER, SPRING	3					
44	2	129100-51570	SCREW	3					
45	2	158600-51570	PLUG	1					
46	2	129155-51580	O-RING	1					
47	2	129155-51591	SPRING, RACK	1					
48	2	129155-51600	SHIM SET, ADJUSTING	3					
67	2	119125-51700	COVER	1					
68	2	119717-51711	GASKET	1					
69	2	119717-51750	COVER	1					
70	2	119717-51761	GASKET	1					
71	2	158600-51790	STOOPER, RACK	1					
72	2	22190-160002	WASHER, SEAL 16	1					
73	2	22217-120000	WASHER, SPRING 12	1					
74	2	22351-050010	PIN, SPRING 5.0X10	2					
75	2	24101-060034	BEARING, BALL 6003	1					
76	2	24101-063034	BEARING, BALL 6303	1					
77	2	24316-000150	O-RING, 4DP15.0	3					
78	2	26022-050122	SCREW, M5X12	8					
79	2	26022-060162	SCREW, M6X16	4					
80	2	26106-050102	BOLT, M5X 10 PLATED	3					
81	2	26716-120002	NUT, M12	1					

N:Old ^{NO} New, O:Old ^{NO} New, R:Old ^{NO} New, S:Old ^{NO} New, W:Add, Z:Discontinued, F:Interchangeable by set, K:Qty
 ++ CONTINUE ++
 Copyright (C) YANMAR CO., LTD. All Rights Reserved

Remarks
 (1)Governor(Fig.11)is incorporated in this Fuel Injection Pump (Ref.1).

Fig.10. FUEL INJECTION PUMP

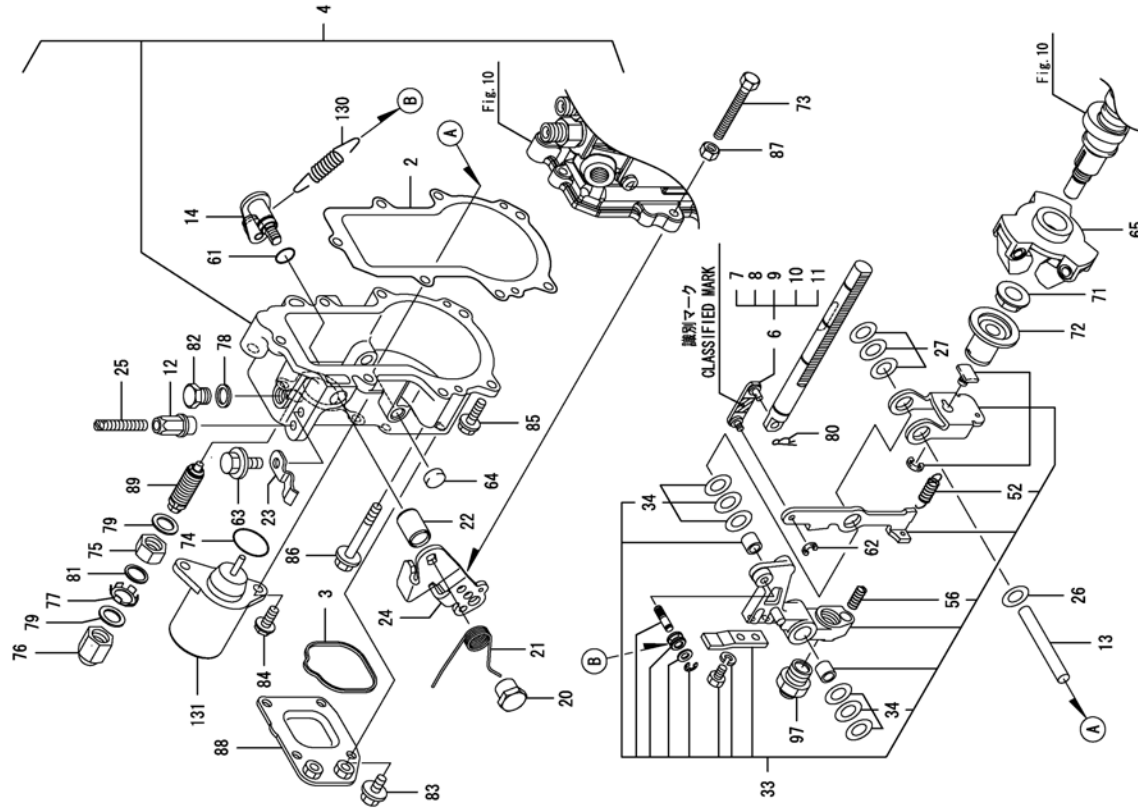


(A)=3TNM72-APL
 (B)=
 (C)=
 (D)=
 (E)=
 (F)=

No.	Lev.	Parts No.	Description	(A)	(B)	(C)	(D)	(E)	(F)
82	2	119717-51860	NUT, M6	2					
84	2	129255-52000	COVER ASSY	1					
85	3	129155-52051	GASKET	1					
86	3	129100-52200	COVER	1					

Remarks
 (1)Governor(Fig.11)is incorporated in this Fuel Injection Pump (Ref.1).

Fig.11. GOVERNOR



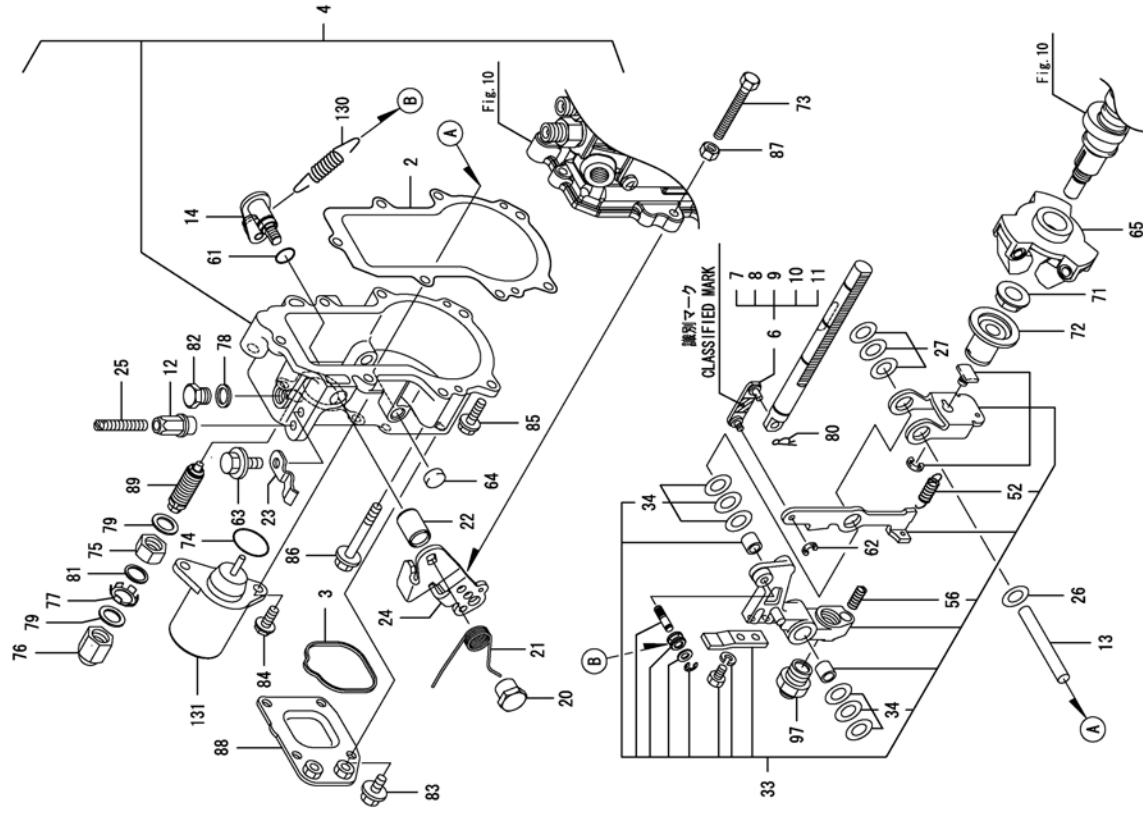
Remarks
 *This figure(Governor)is incorporated
 in the Fuel Injection Pump (Fig.10).
 (1)Selective parts; certain the
 classification mark, then place
 your order (ref. to illustration).

(A)=3TNM72-APL
 (B)=
 (C)=
 (D)=
 (E)=
 (F)=

No.	Lev.	Parts No.	Description	(A)	(B)	(C)	(D)	(E)	(F)	Qty
2	2	119717-61050	GASKET	1						1
3	2	119717-61070	GASKET	1						1
4	2	119027-61100	CASE ASSY, GOVERNOR	1						1
4-1	2	119128-61300	CASE ASSY, GOVERNOR	1						1
		(A=EZZZZZ)								
6	3	119125-61110	LINK ASSY	1						1
7	4	119125-61120	LINK, MARK 93	1						1
8	4	119125-61130	LINK, MARK 98	1						1
9	4	119125-61140	LINK, MARK 88	1						1
10	4	119125-61150	LINK, MARK 00	1						1
11	4	119125-61160	LINK, MARK 03	1						1
12	3	129209-61370	NUT, M6	1						1
13	3	119125-61390	SHAFT	1						1
14	3	119125-61401	SHAFT ASSY	1						1
20	3	129255-61410	NUT, LOCK	1						1
21	3	119534-61420	SPRING	1						1
21-1	3	119527-61420	SPRING	1						1
		(A=EZZZZZ)								
22	3	119125-61430	BUSH	1						1
23	3	119534-61430	RETAINER	1						1
		(A=EZZZZZ)								
24	3	119515-61440	LEVER, CONTROL	1						1
25	3	129155-61450	BOLT, LIMITER	1						1
26	3	129156-61460	SHIM, T=0.6	1						1
27	3	129155-61480	SPACER ASSY	1						1
33	3	119125-61501	LEVER ASSY, GOVERNOR	1						1
34	4	174307-51700	SHIM SET	2						2
52	4	129486-61540	SPRING, SET	1						1
56	4	129100-61650	SPRING, CONTROLLER	1						1
61	3	129155-61830	O-RING, S10	1						1
62	3	22272-000030	RING, E-3	1						1
63	3	26106-060102	BOLT, M6X 10 PLATED	1						1
		(A=EZZZZZ)								
64	3	27260-120000	PLUG, 12	1						1
65	2	119125-61201	WEIGHT ASSY,GOVERNOR	1						1
71	2	129008-61301	NUT	1						1
72	2	129155-61341	SLEEVE	1						1
73	2	129155-61460	BOLT, IDLE	1						1
74	2	158552-61900	O-RING	1						1
75	2	129209-61920	NUT, ARB	1						1
76	2	129209-61930	NUT, CAP	1						1
77	2	129209-61970	PLATE	1						1
78	2	22190-100002	WASHER, SEAL 10	1						1
79	2	22190-120002	WASHER, SEAL 12	2						2
80	2	22372-040000	PIN, SNAP 4	1						1
81	2	23414-120016	GASKET, 12X1.0	1						1
82	2	23887-100002	PLUG, 10	1						1
83	2	26106-060102	BOLT, M6X 10 PLATED	4						4
84	2	26106-060142	BOLT, M6X 14 PLATED	2						2
85	2	26106-060202	BOLT, M6X 20 PLATED	4						4
86	2	26106-060452	BOLT, M6X 45 PLATED	3						3

N:Old ^{NO} New, O:Old ^{NO} New, R:Old ^{NO} New, S:Old ^{NO} New, W:Add, Z:Discontinued, F:Interchangeable by set, K:Qty
 ++ CONTINUE ++
 Copyright (C) YANMAR CO., LTD. All Rights Reserved

Fig.11. GOVERNOR

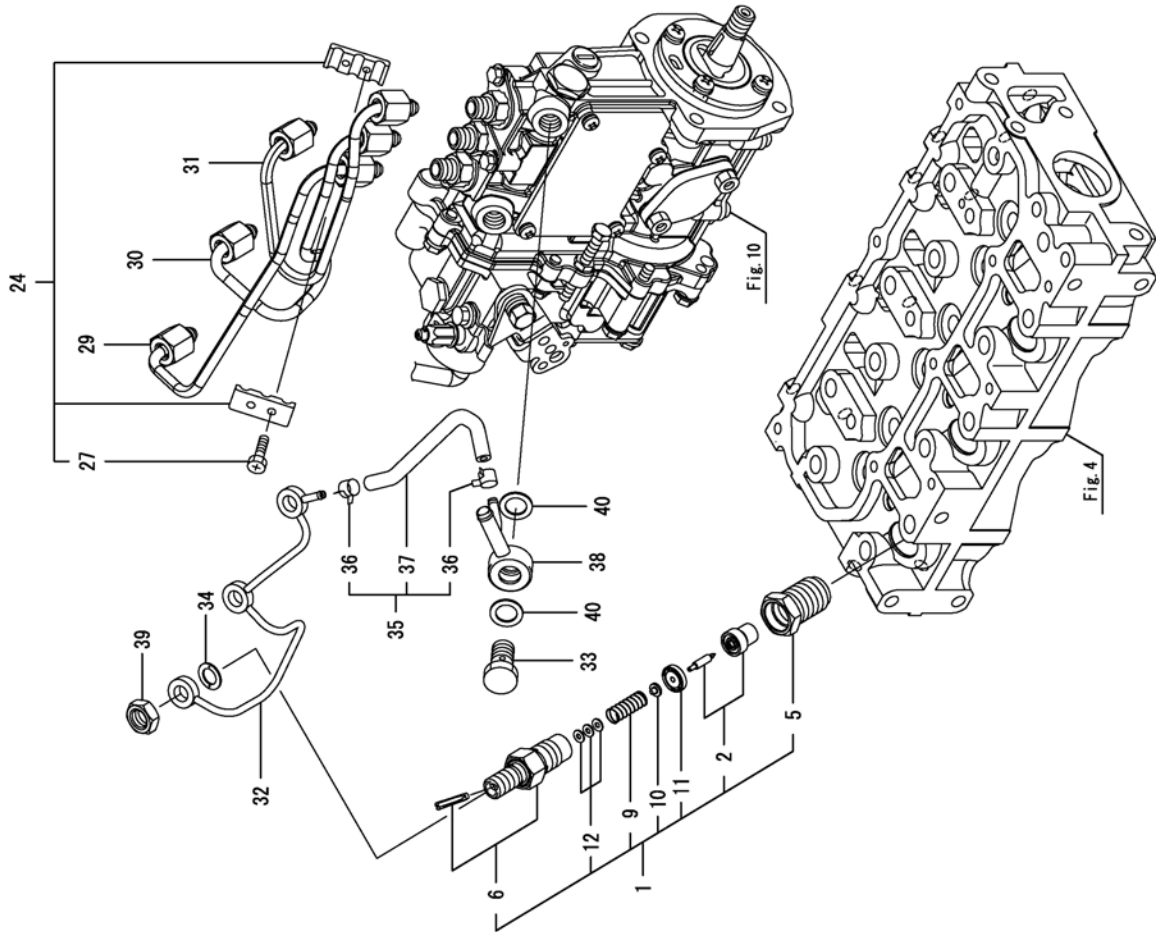


(A)=3TNM72-APL
(B)=
(C)=

No.	Lev.	Parts No.	Description	Qty				
				(A)	(B)	(C)	(D)	(E)
87	2	26756-060002	NUT, LOCK M6	1				
88	2	119761-61060	COVER, GOVERNOR CASE	1				
89	2	119125-61450	LIMITER ASSY, FUEL	1				
97	2	119515-61560	ANGLEICH ASSY	1				
130	2	119415-61700	SPRING, GOVERNOR	1				
131	2	119233-77932	SOLENOID, STOP	1				

Remarks
 *This figure(Governor)is incorporated in the Fuel Injection Pump (Fig.10).
 (1)Selective parts; certain the classification mark, then place your order (ref. to illustration).

Fig.12. FUEL INJECTION VALVE



(A)=3T1NM72-APL

(B)=

(C)=

(D)=

(E)=

(F)=

Qty

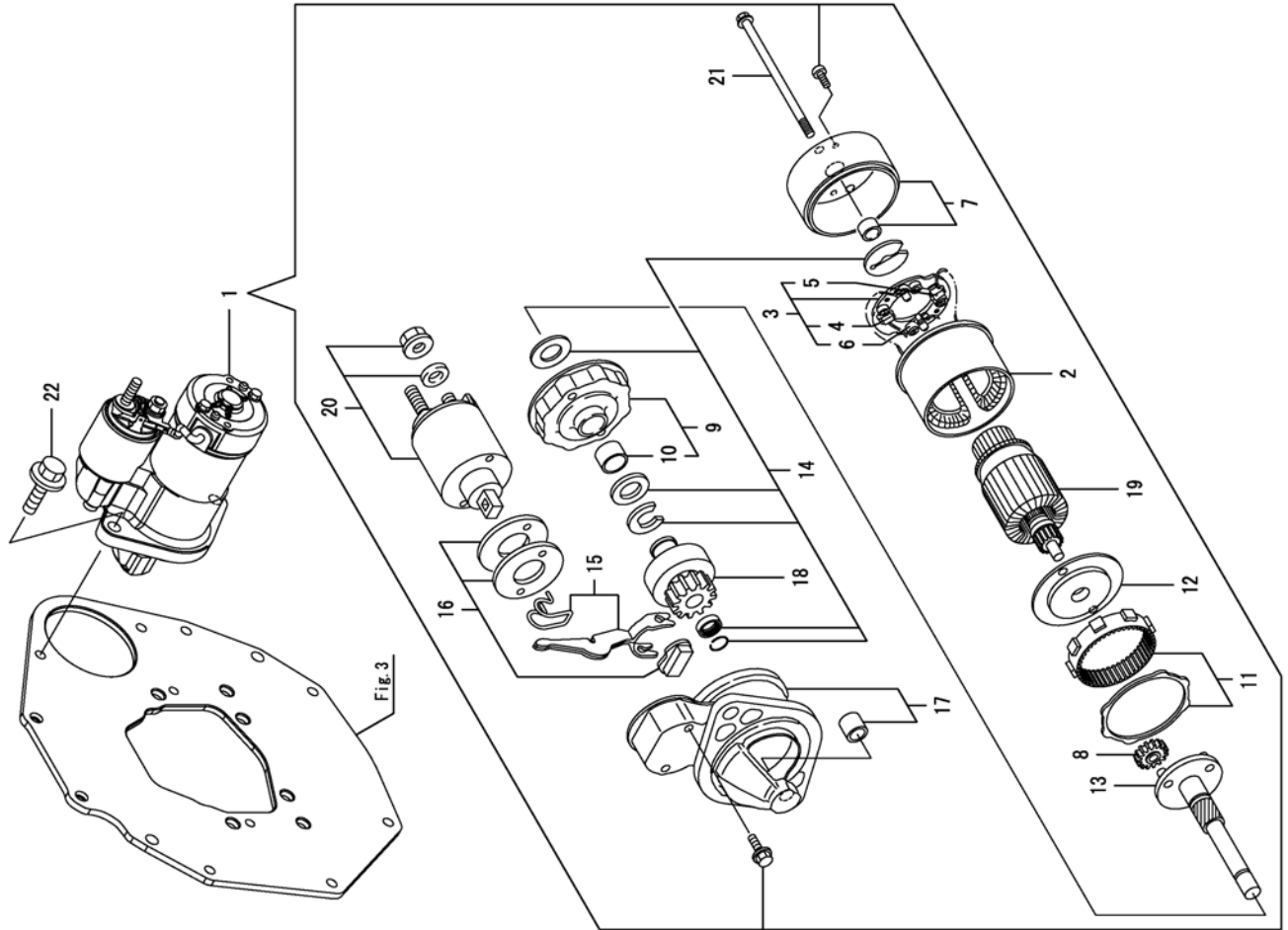
(A) (B) (C) (D) (E) (F)

Description

No. Lev. Parts No.

1	1	719125-53100	VALVE ASSY,INJECTION	3
2	2	119125-53001	VALVE ASSY,INJECTION	3
5	2	119125-53080	NUT, NOZZLE	3
6	2	119125-53100	HOLDER ASSY, NOZZLE	3
9	2	119125-53120	SPRING, NOZZLE	3
10	2	119125-53130	SEAT, SPRING	3
11	2	119125-53140	SPACER, VALVE STOP	3
12	2	114250-53400	SHIM SET	3
24	1	129150-59120	RETAINER, PIPE	1
27	2	129150-59131	BOLT, M4X14	2
29	1	119025-59810	PIPE, FUEL INJECTION	1
30	1	119025-59820	PIPE, FUEL INJECTION	1
31	1	119025-59830	PIPE, FUEL INJECTION	1
32	1	119515-59540	PIPE ASSY, RETURN	1
33	1	119125-59560	BOLT, PIPE JOINT	1
34	1	129901-59560	GASKET	3
35	1	119125-59570	PIPE ASSY, RETURN	1
36	2	124066-59100	CLIP, HOSE 8	2
37	2	119000-59550	PIPE, FUEL RETURN	1
38	1	119840-59570	JOINT	1
39	1	119620-59700	NUT, NOZZLE	3
40	1	22190-120002	WASHER, SEAL 12	2

Fig.14. STARTING MOTOR



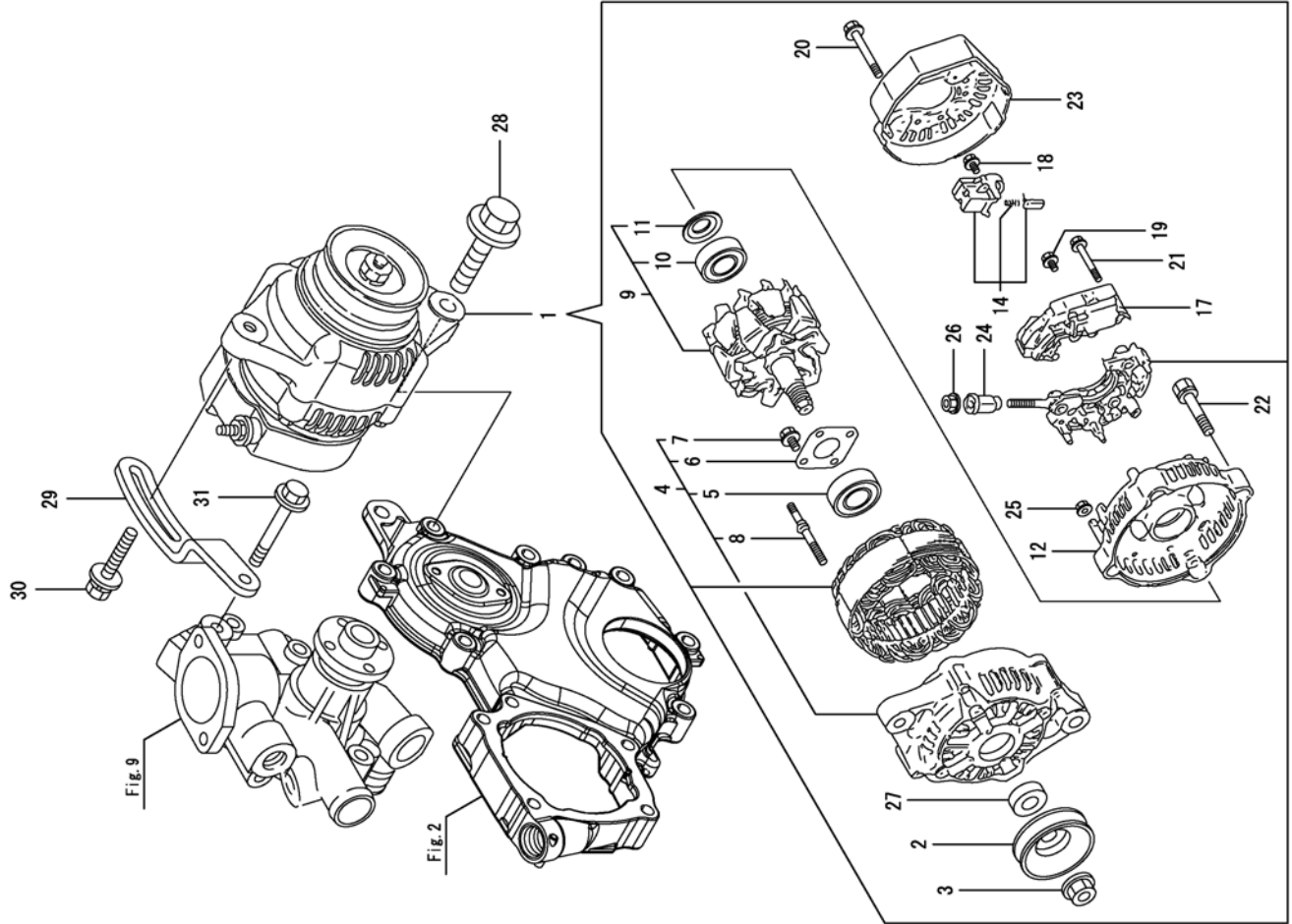
(A)=3TNM72-APL

(B)=
(C)=

(D)=
(E)=
(F)=

No.	Lev.	Parts No.	Description	(A)	(B)	(C)	(D)	(E)	(F)
1	1	119125-77010	STARTER ASSY, 1.2KW	1					
2	2	129698-77110	YOKE ASSY	1					
3	2	129698-77120	HOLDER ASSY, BRUSH	1					
4	3	129698-77130	BRUSH	2					
5	3	129698-77140	BRUSH SET	1					
6	3	129698-77150	SPRING, BRUSH	4					
7	2	129698-77161	COVER ASSY	1					
8	2	119125-77170	GEAR	3					
9	2	129698-77180	BRACKET	1					
10	3	129698-77190	BRACKET	1					
11	2	119125-77200	GEAR, INTERNAL	1					
12	2	119125-77210	BRACKET	1					
13	2	119125-77230	SHAFT, PINION	1					
14	2	129698-77250	WASHER SET	1					
15	2	119125-77270	LEVER SET, SHIFT	1					
16	2	119125-77280	COVER ASSY	1					
17	2	119125-77520	CASE ASSY, GEAR	1					
18	2	119125-77660	PINION ASSY	1					
19	2	119125-77710	ARMATURE ASSY	1					
20	2	119125-77760	SWITCH ASSY	1					
21	2	124195-77770	BOLT, THROUGH	2					
22	1	26106-100402	BOLT, M10X 40 PLATED	2					

Fig.15. GENERATOR



(A)=3TNM72-APL
 (B)=
 (C)=

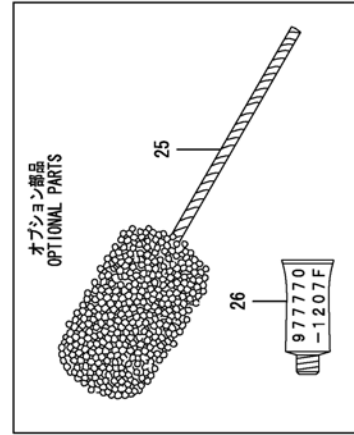
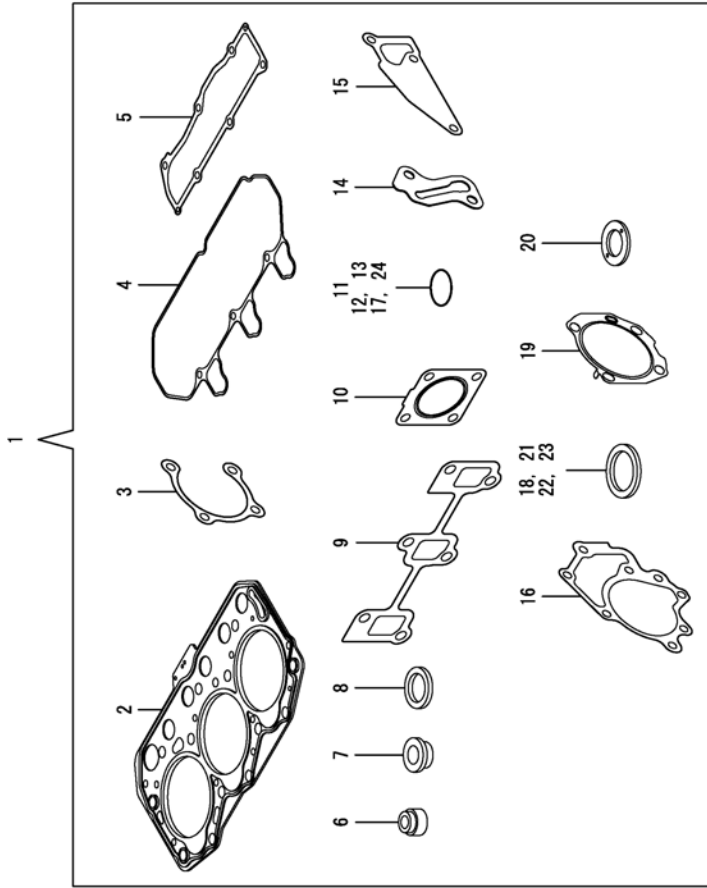
(D)=
 (E)=
 (F)=

Qty

(A) (B) (C) (D) (E) (F)

No.	Lev.	Parts No.	Description	(A)	(B)	(C)	(D)	(E)	(F)
1	1	129961-77200	GENERATOR, 12V-55A	1					
1-1	1	129052-77220 (A=EZZZZZ)	GENERATOR, 12V-55A	1					
2	2	119620-77461	PULLEY	1					
3	2	119620-77471	NUT	1					
4	2	129961-77421	FRAME ASSY	1					
4-1	2	129052-77422 (A=EZZZZZ)	FRAME ASSY	1					
5	3	119620-79200	BEARING, BALL	1					
6	3	119620-79210	PLATE, RETAINER	1					
7	3	119620-79220	SCREW	4					
8	3	119620-79230	STUD	2					
9	2	129052-77380	ROTOR ASSY	1					
10	3	123501-79240	BEARING, BALL	1					
11	3	119620-79250	COVER	1					
12	2	128401-77440	FRAME	1					
14	2	129052-79270	HOLDER, BRUSH	1					
17	2	119620-77710	REGULATOR ASSY	1					
18	2	119620-79290	SCREW	6					
19	2	119620-79300	SCREW	1					
20	2	119620-79310	BOLT	3					
21	2	119620-79320	SCREW	2					
22	2	119620-79330	BOLT	2					
23	2	128401-77450	COVER	1					
24	2	119620-79340	BUSH, INSULATION	1					
25	2	119620-79350	NUT	2					
26	2	X9490561001	NUT	1					
27	2	119620-77490	COLLAR	1					
28	1	26106-100402	BOLT, M10X 40 PLATED	1					
29	1	119025-77330	ADJUSTER	1					
30	1	119810-77340	BOLT, ADJUSTER	1					
31	1	26106-080202	BOLT, M8X 20 PLATED	1					

Fig.16. GASKET SET



(A)=3TNM72-APL
(B)=
(C)=

(D)=
(E)=
(F)=

No. Lev. Parts No. Description Q'ty

No.	Lev.	Parts No.	Description	(A)	(B)	(C)	(D)	(E)	(F)
1	1	119025-92600	GASKET SET	1					
2	2	119025-01331	GASKET, HEAD	1					
3	2	119125-01790	GASKET	1					
4	2	119515-11310	GASKET, BONNET	1					
5	2	119515-11330	GASKET	1					
6	2	119717-11340	SEAL, VALVE STEM	6					
7	2	129901-11450	PROTECTOR, NOZZLE	3					
8	2	119600-11460	GASKET, NOZZLE	6					
9	2	119717-13110	GASKET	1					
10	2	119515-13200	GASKET, SILENCER	1					
11	2	129900-32040	O-RING, P14	1					
12	2	119125-34900	O-RING	1					
13	2	119209-35030	O-RING, P11	1					
14	2	119125-39220	GASKET	1					
15	2	119515-42020	GASKET, WATER PUMP	1					
16	2	119025-42030	GASKET, WATER PUMP	1					
17	2	119209-42320	O-RING, P21 EPDM	1					
18	2	124465-44950	GASKET, 16	1					
19	2	119125-51800	GASKET	1					
20	2	129901-59560	GASKET	3					
21	2	22190-120002	WASHER, SEAL 12	5					
22	2	22190-160002	WASHER, SEAL 16	1					
23	2	23414-080000	GASKET, 8X1.0	1					
24	2	24311-000180	O-RING, 1AP18.0	2					
25	1	129400-92410	HONE	1					
26	1	977770-1207F	GASKET, LIQUID	1					

Remarks
(1)Optional parts.

Parts No. Index

Parts No.	Fig. No.	Ref. No.
101304-59020	13	2
103854-39140	13	1
105010-11490	4	3
105425-01690	3	6
106760-01770	2	6
114250-39450	8	17
114250-53400	12	12
118400-51370	10	24
119000-59550	12	37
119025-01331	1	31
	16	2
119025-01500	2	1
119025-14580	6	3
119025-21700	7	1
119025-22900	7	34
119025-25100	6	9
119025-34820	8	4
119025-35091	8	8
119025-42000	9	1
119025-42020	9	3
119025-42030	9	4
	16	16
	12	29
119025-59810	12	29
119025-59820	12	30
119025-59830	12	31
119025-77330	15	29
119025-92600	16	1
119027-01550	2	2 -1
119027-01560	1	1
119027-01600	3	2
119027-01650	3	6 -1
119027-01790	3	5
119027-01791	3	5 -1
119027-21650	7	7
119027-34810	8	4 A
119027-34850	8	4 C
119027-34890	8	4 -1
119027-42350	9	15
119027-61100	11	4
119125-01750	2	2
119125-01780	3	4
119125-01790	1	32
	16	3
	1	35 -1
119125-01800	1	7
119125-01960	1	5
119125-01970	1	9
119125-02061	1	36
119125-02900	1	39
119125-02910	1	23
119125-02930	1	23

Parts No.	Fig. No.	Ref. No.
119125-02940	1	42
119125-21200	7	4
119125-25050	1	26
119125-25910	6	14
119125-25930	6	13
119125-32000	8	1
119125-34810	8	3
119125-34900	8	4 B
	16	12
119125-39200	8	14
119125-39220	8	15
	16	14
119125-51030	10	6
119125-51060	10	7
119125-51100	10	9
119125-51241	10	16
119125-51250	10	17
119125-51300	10	19
119125-51480	10	35
119125-51490	10	36
119125-51700	10	67
119125-51800	1	34
	16	19
	12	2
119125-53001	12	5
119125-53080	12	6
119125-53100	12	9
119125-53120	12	10
119125-53130	12	11
119125-53140	12	11
119125-59560	12	33
119125-59570	12	35
119125-61110	11	6
119125-61120	11	7
119125-61130	11	8
119125-61140	11	9
119125-61150	11	10
119125-61160	11	11
119125-61201	11	65
119125-61390	11	13
119125-61401	11	14
119125-61430	11	22
119125-61450	11	89
119125-61501	11	33
119125-77010	14	1
119125-77170	14	8
119125-77200	14	11
119125-77210	14	12
119125-77230	14	13
119125-77270	14	15
119125-77280	14	16

Parts No.	Fig. No.	Ref. No.
119125-77520	14	17
119125-77660	14	18
119125-77710	14	19
119125-77760	14	20
119125-77800	4	56
119125-77820	4	57
119127-21590	7	12
119128-61300	11	4 -1
119131-18320	5	5
119209-35030	8	7
	16	13
119209-42320	16	17
119226-07900	4	53 -1
119233-77932	11	131
119285-01731	9	19
119285-11990	4	11
119305-35151	8	18
119415-61700	11	130
119515-01200	1	30
119515-11101	4	13
119515-11110	4	14
119515-11200	4	20
119515-11240	4	21
119515-11280	4	25
119515-11310	4	44
	16	4
119515-11320	4	45
119515-11330	4	46
	16	5
119515-11380	4	34
119515-11800	4	58
119515-13200	16	10
119515-14400	6	2
119515-22300	7	22
119515-23000	7	24
119515-23601	7	29
119515-23611	7	32
119515-42020	9	12
	16	15
119515-59540	12	32
119515-61440	11	24
119515-61560	11	97
119517-11740	4	4
119517-22090	7	16
119517-22500	7	18
119527-61420	11	21 -1
119534-61420	11	21
119534-61430	11	23
119600-11460	4	2
	16	8

Parts No.	Fig. No.	Ref. No.
119609-22950	7	36
119620-01620	1	13
119620-14200	6	1
119620-21500	7	11
119620-21941	7	9
119620-59700	12	39
119620-77461	15	2
119620-77471	15	3
119620-77490	15	27
119620-77710	15	17
119620-79200	15	5
119620-79210	15	6
119620-79220	15	7
119620-79230	15	8
119620-79250	15	11
119620-79290	15	18
119620-79300	15	19
119620-79310	15	20
119620-79320	15	21
119620-79330	15	22
119620-79340	15	24
119620-79350	15	25
119621-21681	7	8
119626-07900	4	53
119685-42281	9	8
119717-01800	2	3
119717-03031	4	35
119717-03070	4	36
	4	37
119717-11131	4	15
119717-11190	4	17
119717-11260	4	24
119717-11340	4	18
	16	6
119717-11350	4	19
119717-11650	4	26
119717-13110	5	2
	16	9
119717-13600	5	3
119717-23200	7	28
119717-23910	7	31
119717-35140	8	5
119717-49800	9	21
119717-51150	10	13
119717-51190	10	15
119717-51420	10	27
119717-51500	10	37
119717-51570	10	43
119717-51711	10	68
119717-51750	10	69

Parts No. Index

Parts No.	Fig. No.	Ref. No.
119717-51761	10	70
119717-51860	10	82
119717-61050	11	2
119717-61070	11	3
119718-13100	5	1
119718-49550	9	18
119734-02220	1	33
119761-61060	11	88
119802-03100	4	38
119802-03110	4	39
119802-03121	4	40
119802-03131	4	41
119802-03141	4	42
119802-13620	5	4
119810-77340	15	30
119840-59570	12	38
121450-42450	9	25
122710-51090	10	8
123501-79240	15	10
124060-01050	1	4
124060-21600	7	15
124066-59100	12	36
124160-01751	4	33
124195-77770	14	21
124465-44950	9	27
	16	18
124550-51350	10	23
128401-77440	15	12
128401-77450	15	23
128990-51330	10	22
129008-61301	11	71
129052-77220	15	1
129052-77380	15	9
129052-77422	15	4
129052-79270	15	14
129100-01580	3	1
	7	2
129100-51560	10	42
129100-51570	10	44
129100-52200	10	86
129100-61650	11	56
129150-11230	4	27
129150-11750	4	29
129150-25301	6	12
129150-59120	12	24
129150-59131	12	27
129155-51020	10	5
129155-51140	10	12
129155-51280	10	18
129155-51400	10	25

Parts No.	Fig. No.	Ref. No.
129155-51521	10	38
129155-51530	10	39
129155-51540	10	40
129155-51550	10	41
129155-51580	10	46
129155-51591	10	47
129155-51600	10	48
129155-52051	10	85
129155-61341	11	72
129155-61450	11	25
129155-61460	11	73
129155-61480	11	27
129155-61830	11	61
129156-61460	11	26
129209-61370	11	12
129209-61920	11	75
129209-61930	11	76
129209-61970	11	77
129255-52000	10	84
129255-61410	11	20
129400-92410	16	25
129486-07901	4	54
129486-61540	11	52
129508-11180	4	16
129698-77110	14	2
129698-77120	14	3
129698-77130	14	4
129698-77140	14	5
129698-77150	14	6
129698-77161	14	7
129698-77180	14	9
129698-77190	14	10
129698-77250	14	14
129900-32040	1	27
	16	11
129901-11450	4	1
	7	7
129901-59560	12	34
	16	20
129927-44900	9	26
129961-77200	15	1
129961-77421	15	4
129974-49350	9	28
158552-61900	11	74
158600-51170	10	14
158600-51410	10	26
158600-51420	10	28
158600-51442	10	29
158600-51570	10	45
158600-51790	10	71

Parts No.	Fig. No.	Ref. No.
171056-49120	9	24
174307-51700	11	34
22190-100002	11	78
22190-120002	9	29
	11	79
	12	40
	13	3
	16	21
22190-160002	3	9
	10	72
	16	22
	10	73
	4	30
	7	23
	11	62
	7	10
	10	74
	1	28
	11	80
	7	5
	4	47
	4	48
	4	49
	16	23
	11	81
	1	10
	4	12
	11	82
	10	75
	10	76
	2	7
	16	24
	4	50
	8	4
	10	77
	9	16
	10	78
	10	79
	8	13
	11	63
	6	8
	9	17
	8	2
	11	84
	4	51
	11	85
	1	29

Parts No.	Fig. No.	Ref. No.
26106-060452	11	86
26106-060752	4	52
26106-080122	8	19
	9	13
26106-080142	4	55
26106-080202	9	22
	15	31
26106-080302	9	23
26106-080352	2	4
26106-080402	4	32
26106-080452	2	5
	9	14
26106-100402	14	22
	15	28
	3	3
26206-100202	5	6
26306-080002	1	35
26450-080252	9	10
26577-060122	10	81
26716-120002	11	87
26756-060002	4	31
26979-050162	1	11
27241-300000	1	11
27241-450000	1	12
27260-120000	11	64
719027-51320	10	1
719125-53100	12	1
977770-1207F	16	26
X9490561001	15	26