

0CB10-M57301EN

## Directions for the Parts Catalog.

1. This Parts Catalog shows both standard and optional parts.
2. Parts may change without prior notice.
3. The following is an example of the Parts Catalog format.

REF.	LEV.	PARTS NO.	DESCRIPTION	Q'TY						I	R
				(A)	(B)	(C)	(D)	(E)	(F)		
1	1	729595-51390	FUEL INJECTION PUMP	1	1	1	1	1			1
1-1	1	729595-51391	FUEL INJECTION PUMP	1	1	1	1	1		N	1
		(A=E00185) (B=E00200)									
3	2	26022-060162	SCREW M 6X 16	9	9	9	9	9			
3-1	2	26022-060162	SCREW M 6X 16	4	4	4	4	4		K	
		(A=E00156) (B=E00156) (C=E00156) (D=E00156) (E=E00156)									
4	2	129470-51040	CAMSHAFT	1	1	1	1	1			
5	2	122710-51050	BEARING, ROLLER	2	2	2	2	2			
6	2	129470-51060	RETAINER	1	1	1	1	1			

Remarks
(1) BOOST COMPEMSATOR TYPE. OPTIONAL PART, TO E00155,(4JH-DT, 4JH-DTZ

### ① Ref. No.

The Ref. No. listed may not be in accordance with the illustration Ref. No.

(Ex.) Illustration No.

List Ref No.

1

1

(Before change)

1-1

(After change)

For interchangeable symbols N, R and K, illustrations for new parts may be abbreviated.

### ② Lev. (Level)

Level indication

The numbers below indicate the level of relativity towards the main part.

1 ----- Main parts (Assembly parts)

2 ----- Sub component included in " 1 ".

3 ----- Sub component included in " 2 ".

Note) Parts that are not for sale are partially illustrated but not listed.

### ③ Interchangeability Symbol

When a part change takes place, one of the following interchangeability symbols is indicated beside the part.

Symbol	Interchangeability	Contents note
N	Old $\begin{matrix} \leftarrow \text{Yes} \\ \text{No} \rightarrow \end{matrix}$ New	New Part is interchangeable for Old Part but Old Part is not interchangeable for New Part.
Q	Old $\begin{matrix} \leftarrow \text{No} \\ \text{Yes} \rightarrow \end{matrix}$ New	New Part is not interchangeable for Old Part but Old Part is interchangeable for New Part.
R	Old $\begin{matrix} \leftarrow \text{Yes} \\ \text{Yes} \rightarrow \end{matrix}$ New	New/ Old Parts are both interchangeable.
S	Old $\begin{matrix} \leftarrow \text{No} \\ \text{No} \rightarrow \end{matrix}$ New	New/ Old Parts are both not interchangeable.
W		Part newly added.
Z		Part discontinued.
F		Not interchangeable by a single part but interchangeable together with related parts.
K		Changes only for used parts quantities.

### ④ Effective Machine No.

When a part changes, the effective Machine No. will be indicated in the (A)-(F) column.

Product Symbol	Product No.	Product Symbol	Product No.
C	Clutch No. Compressor No.	F	Machine No. (Agricultural Equip.)
D	Drive No.	M	Machine No.
E	Engine No.		

Note 1) A date may follow the symbol. (Ex.) 1996.01

Note 2) "XXXXX" and "ZZZZZ" are for parts that could not be predicted or for engine models that could not be identified.

Note 3) (A=E00185) is the E (Engine Serial Number) for the column (A) model (in this case 4JH-DT) after the parts design change.

### ⑤ Remarks

Figures or alphabets (symbols) are entered in the remarks column.

The comments (remarks) on parts that are indicated at the bottom of the illustration are the same symbols as those stated above.

# Contents

Fig. No.    Fig. Name

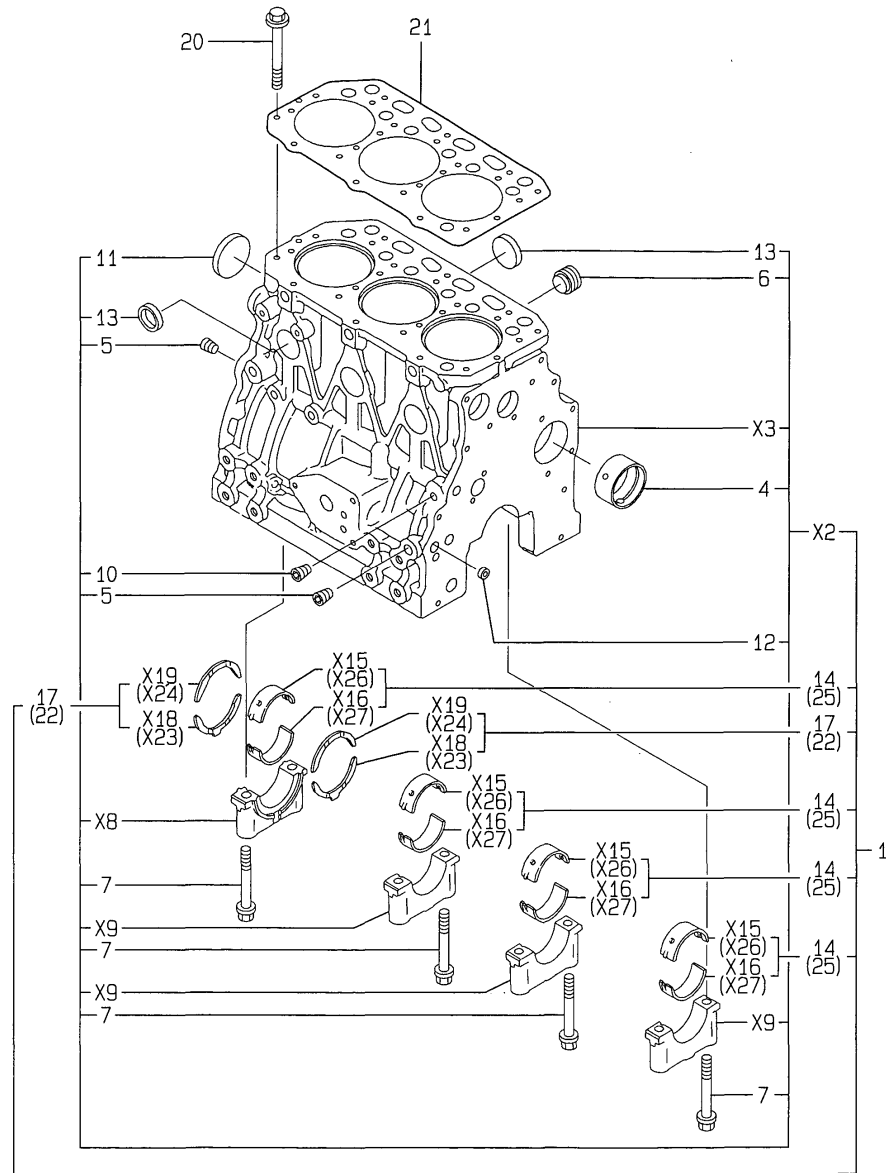
3TNE88-JKM,JKP

1. CYLINDER BLOCK
2. GEAR HOUSING
3. MOUNTING FLANGE & LUB.OIL SUMP
4. CYLINDER HEAD & BONNET
5. SUCTION MANIFOLD
6. EXHAUST MANIFOLD & SILENCER
7. CAMSHAFT & DRIVING GEAR
8. CRANKSHAFT & PISTON
9. HYDRAULIC PUMP
10. LUB.OIL SYSTEM
11. COOLING WATER SYSTEM
12. FUEL INJECTION PUMP
13. GOVERNOR
14. FUEL INJECTION VALVE
15. STARTING MOTOR
16. GENERATOR

Fig. No.    Fig. Name

# Fig.1. CYLINDER BLOCK

## 1. CYLINDER BLOCK



(A)=3TNE88-JKM  
(B)=3TNE88-JKP  
(C)=

(D)=  
(E)=  
(F)=

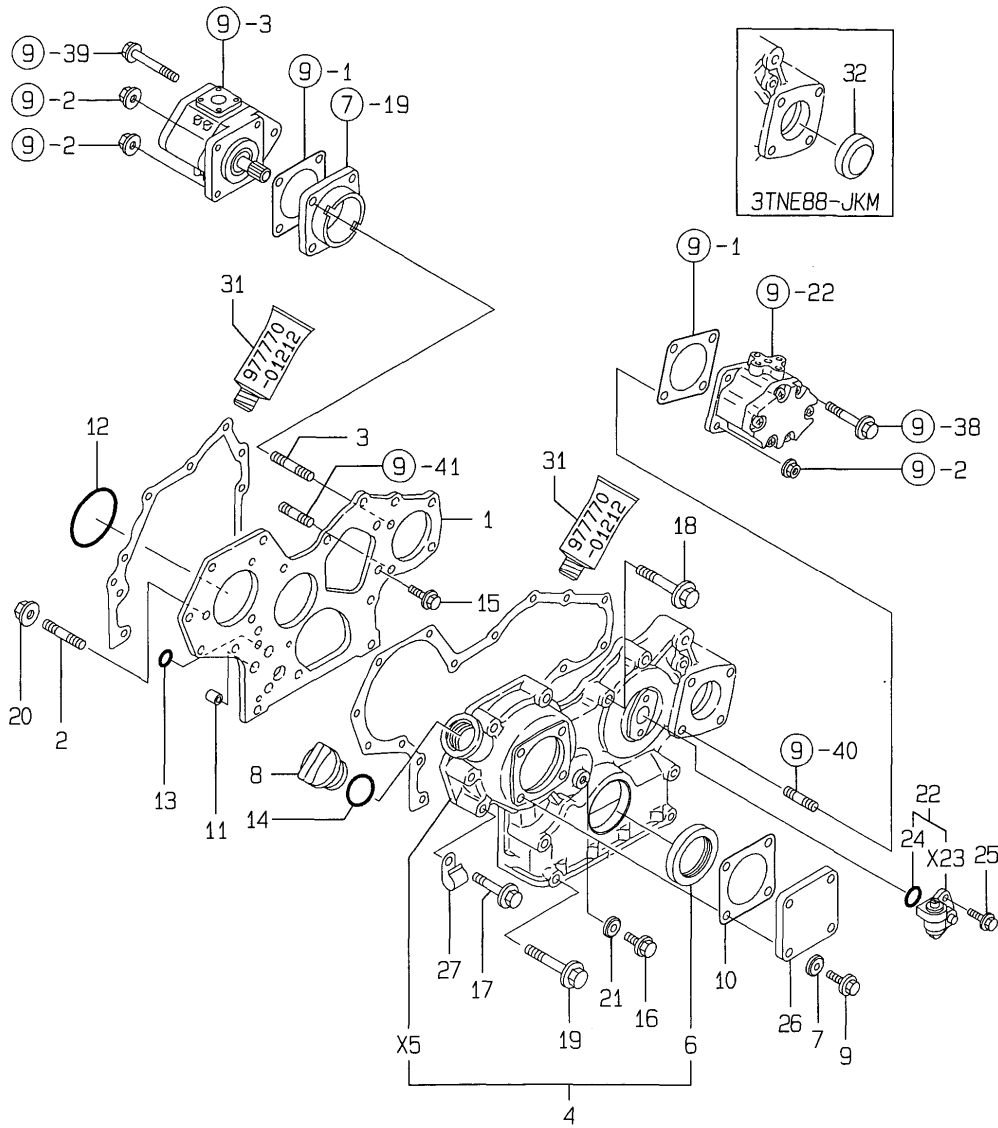
No.	Lev.	Parts No.	Description	Qty						I	R
				(A)	(B)	(C)	(D)	(E)	(F)		
1	1	729001-01560	BLOCK ASSY, CYLINDER	1	1						
4	3	129795-02411	BUSH, CAMSHAFT	1	1						
5	3	124160-01910	PLUG, PT1/4	3	3						
6	3	171051-01921	PLUG, NPTF1	1	1						
7	3	129150-02020	BOLT, METAL CAP	8	8						
10	3	23871-010000	PLUG, R01	1	1						
11	3	27231-500000	PLUG 50	1	1						
12	3	27241-120000	PLUG, 12	2	2						
13	3	27241-300000	PLUG 30	6	6						
14	2	129001-02800	BEARING, MAIN	4	4						
17	2	129150-02930	BEARING, THRUST	2	2						
20	1	129150-01200	BOLT, HEAD	14	14						
21	1	129001-01340	GASKET, HEAD	1	1						
22	1	129150-02940	BEARING, THRUST 0.25	2	2						1
25	1	129150-02870	BEARING, 0.25 US	4	4						2

**Remarks**

- (1) OVER-SIZE(O.S=0.25)PART.
- (2) UNDER-SIZE(U.S=0.25)PART.

Fig.2. GEAR HOUSING

2. GEAR HOUSING



(A)=3TNE88-JKM  
 (B)=3TNE88-JKP  
 (C)=

(D)=  
 (E)=  
 (F)=

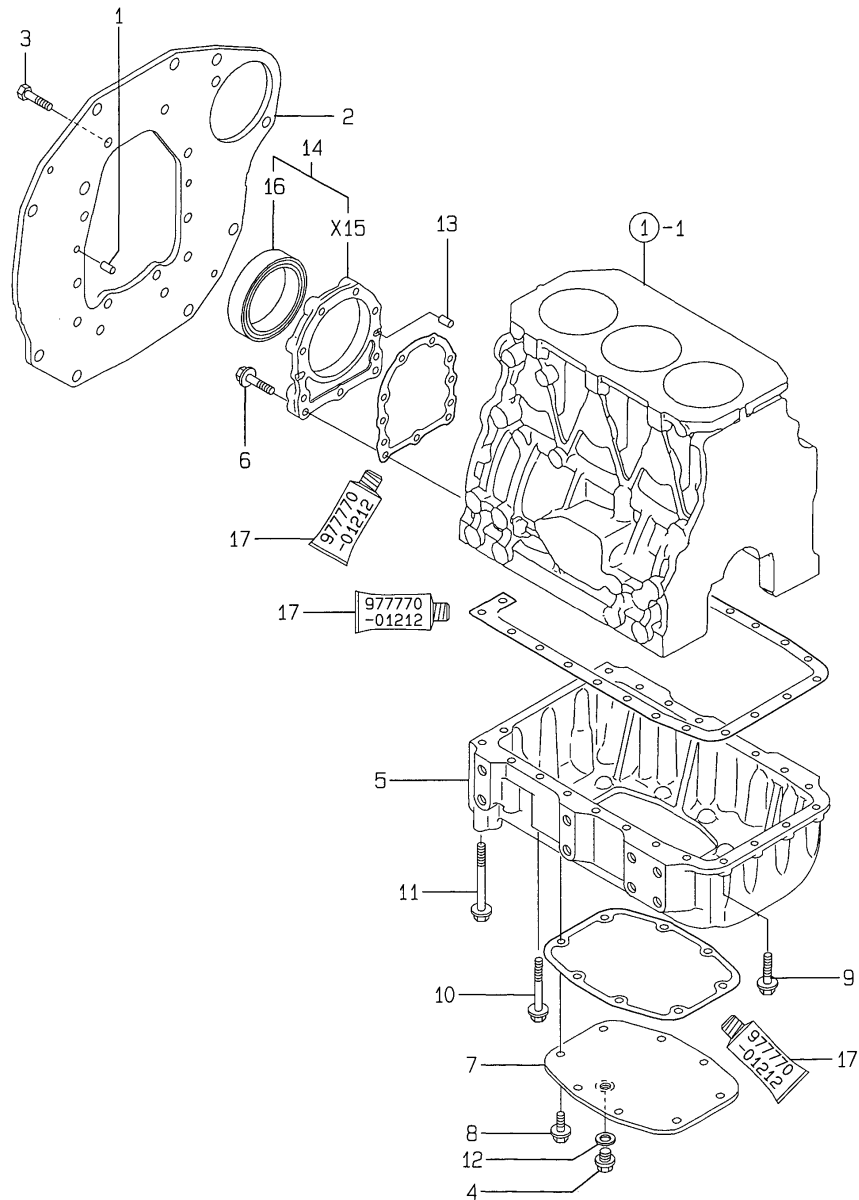
No.	Lev.	Parts No.	Description	Q'ty						I	R
				(A)	(B)	(C)	(D)	(E)	(F)		
1	1	129100-01520	FLANGE, GEAR CASE	1	1						
2	1	121450-01560	STUD, M8X22	3	3						
3	1	129150-01580	STUD, M8X30	1	1						
4	1	129100-01590	CASE ASSY, GEAR	1	1						
6	2	129795-01800	SEAL, OIL	1	1						
7	1	22190-080002	WASHER, SEAL 6	4	4						
8	1	124160-01751	COVER, FILLER	1	1						
9	1	26106-080122	BOLT, M8X 12 PLATED	4	4						
10	1	124240-01883	GASKET	1	1						
11	1	129795-01950	PIPE, KNOCK L=18	2	2						
12	1	121850-51960	O-RING	1	1						
13	1	24311-000160	O-RING, 1AP16.0	2	2						
14	1	24311-000320	O-RING, 1AP32.0	1	1						
15	1	26106-080162	BOLT, M8X 16 PLATED	3	3						
16	1	26106-080162	BOLT, M8X 16 PLATED	1	1						
17	1	26106-080452	BOLT, M8X 45 PLATED	6	6						
18	1	26106-080552	BOLT, M8X 55 PLATED	3	3						
19	1	26106-080852	BOLT, M8X 85 PLATED	4	4						
20	1	26366-080002	NUT, M8	3	3						
21	1	22190-080002	WASHER, SEAL 6	1	1						
22	1	129150-91400	GEAR	1	1						
24	2	24341-000240	O-RING, 1AS24.0	1	1						
25	1	26106-060162	BOLT, M6X 16 PLATED	2	2						
26	1	124240-01871	COVER	1	1						
27	1	129150-03100	RETAINER, PIPE	1	1						
28	1	26106-080122	BOLT, M8X 12 PLATED	4							M
29	1	124240-01871	COVER	1							M
30	1	124240-01883	GASKET	1							M
31	1	977770-01212	GASKET, LIQUID	1	1						1
32	1	119807-01870	PLUG	1							W

(A=FROM 1ST)

Remarks  
 (1) OPTIONAL PART.  
 (M) MISPRINT.

### Fig.3. MOUNTING FLANGE & LUB.OIL SUMP

#### 3.MOUNTING FLANGE & LUB.OIL SUMP



(A)=3TNE88-JKM  
 (B)=3TNE88-JKP  
 (C)=

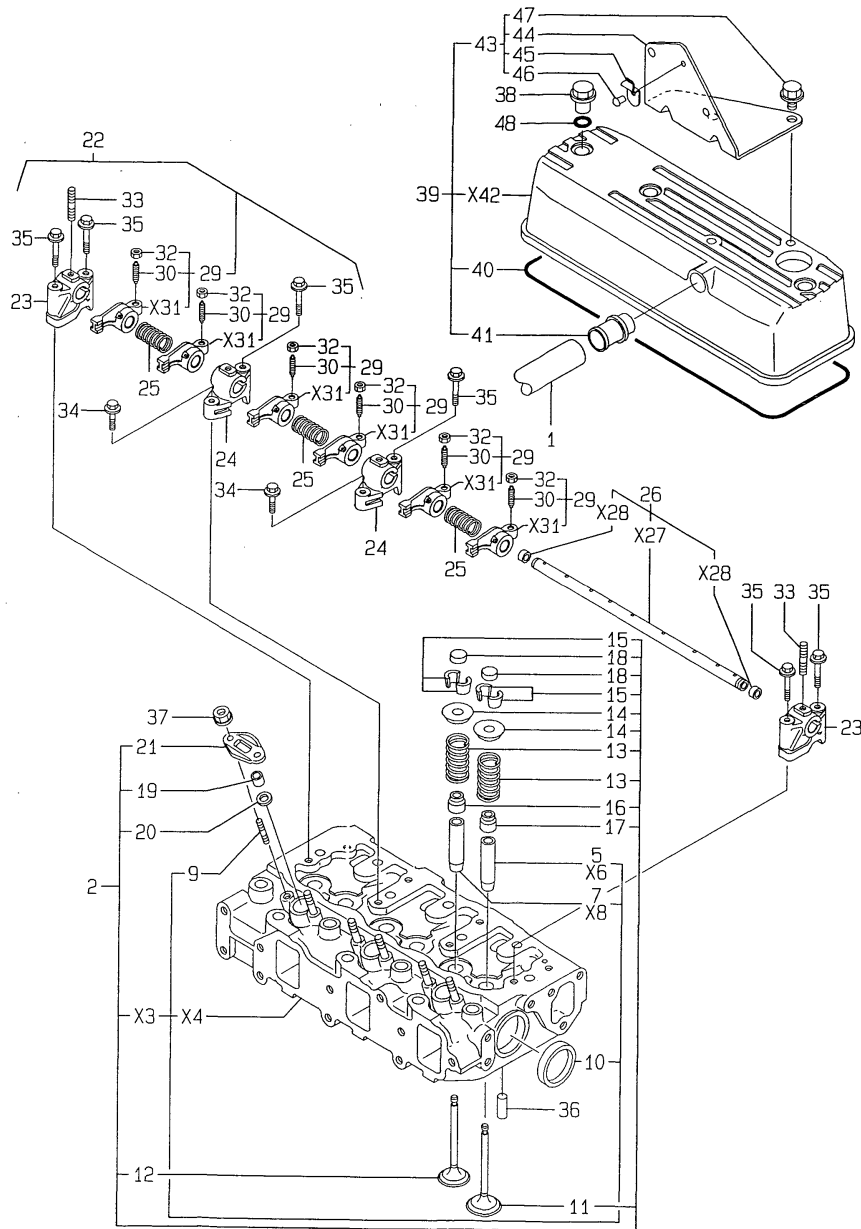
(D)=  
 (E)=  
 (F)=

No.	Lev.	Parts No.	Description	Q'ty						I	R
				(A)	(B)	(C)	(D)	(E)	(F)		
1	1	129100-01580	PIN, M8X16	2	2						
2	1	129126-01600	FLANGE, MOUNTING	1	1						
3	1	26206-100202	BOLT, M10X 20 PLATED	8	8						
4	1	105425-01690	PLUG, 16	1	1						
5	1	129126-01700	SUMP, OIL	1	1						
6	1	129486-01670	BOLT, M8X30	9	9						
7	1	129150-01721	COVER, OIL SUMP	1	1						
8	1	26106-080122	BOLT, M8X 12 PLATED	8	8						
9	1	26106-080252	BOLT, M8X 25 PLATED	4	4						
10	1	26106-080852	BOLT, M8X 85 PLATED	14	14						
11	1	26106-081202	BOLT, M8X120 PLATED	4	4						
12	1	22190-160002	WASHER, SEAL 16	1	1						
13	1	129100-01580	PIN, M8X16	2	2						
14	1	129100-01640	CASE ASSY, OIL SEAL	1	1						
16	2	129795-01780	SEAL, OIL	1	1						
17	1	977770-01212	GASKET, LIQUID	1	1						1

Remarks  
 (1) OPTIONAL PART.

Fig.4. CYLINDER HEAD & BONNET

4.CYLINDER HEAD & BONNET



(A)=3TNE88-JKM

(B)=3TNE88-JKP

(C)=

(D)=

(E)=

(F)=

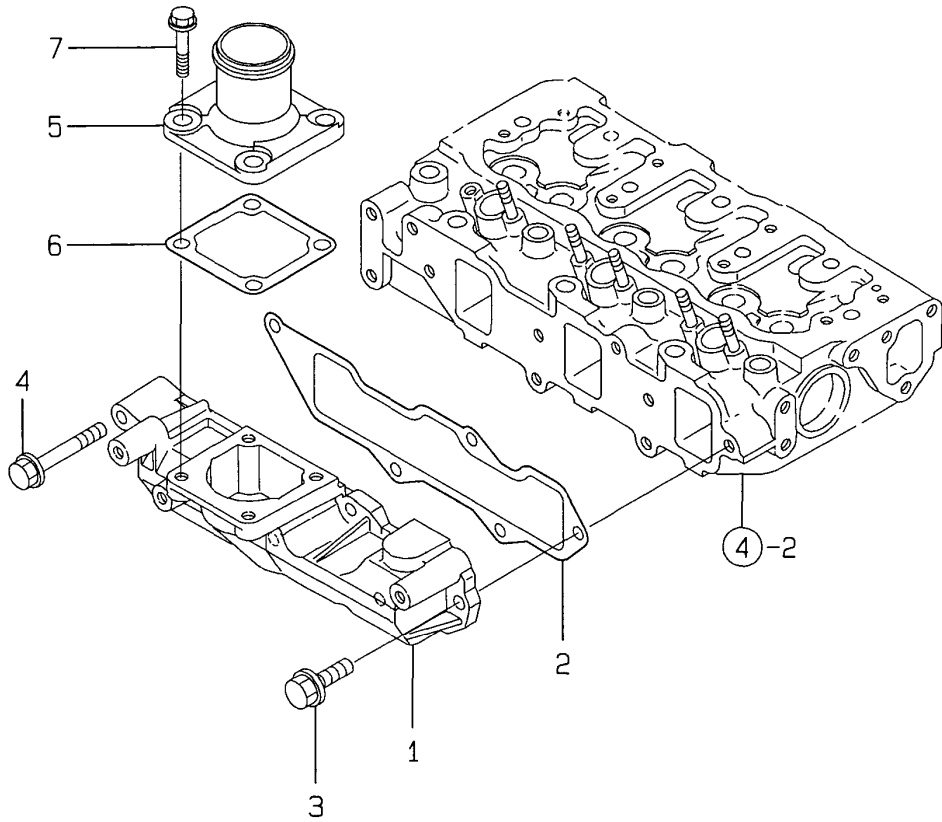
No.	Lev.	Parts No.	Description	Qty						I	R
				(A)	(B)	(C)	(D)	(E)	(F)		
1	1	129150-03090	HOSE, ID16X2T	1	1						
2	1	129001-11700	HEAD ASSY, CYLINDER	1	1						
5	3	120130-11860	GUIDE, VALVE	3	3						1
7	3	129150-11810	GUIDE, VALVE	3	3						1
9	3	26216-060202	STUD, M6X 20	6	6						
10	3	27241-400000	PLUG, 40	2	2						
11	2	129100-11100	VALVE, INTAKE	3	3						
12	2	129100-11110	VALVE, EXHAUST	3	3						
13	2	129795-11120	SPRING, VALVE	6	6						
14	2	129795-11180	RETAINER, SPRING	6	6						
15	2	27310-080001	COTTER, 8	6	6						
16	2	121400-11340	SEAL, VALVE STEM	3	3						
17	2	124460-11340	SEAL, VALVE STEM	3	3						
18	2	129150-11370	CAP, VALVE	6	6						
19	2	119625-11871	PROTECTOR, NOZZLE	3	3						
20	2	119625-11880	SEAT, NOZZLE	3	3						
21	2	119625-11900	RETAINER, NOZZLE	3	3						
22	1	129155-11241	SHAFT ASSY, ROCKER	1	1						
23	2	129155-11260	SUPPORT, ROCKER ARM	2	2						
24	2	129155-11270	SUPPORT, ROCKER ARM	2	2						
25	2	129150-11280	SPRING	3	3						
26	2	129150-11290	SHAFT, ROCKER ARM	1	1						
29	2	729402-11650	ARM ASSY, ROCKER	6	6						
30	3	129150-11230	SCREW, VALVE ADJUST	6	6						
32	3	129150-11750	NUT, M8	6	6						
33	2	26226-080182	STUD, M8X 18	3	3						
34	1	26106-080252	BOLT, M8X 25 PLATED	2	2						
35	1	26106-080502	BOLT, M8X 50 PLATED	6	6						
36	1	22351-060012	PIN, SPRING 6.0X12	2	2						
37	1	26366-060002	NUT, M6	6	6						
38	1	124160-11360	KNOB	3	3						
39	1	129051-11850	BONNET ASSY, HEAD	1	1						
40	2	129001-11310	GASKET, BONNET	1	1						
41	2	129001-11340	PIPE, BREATHER	1	1						
43	2	129051-11900	STAY ASSY	1	1						
44	3	129051-11910	STAY	1	1						
45	3	198010-61760	CATCH, STAND	1	1						
46	3	22621-300050	RIVET	1	1						
47	2	26106-080122	BOLT, M8X 12 PLATED	2	2						
48	1	24311-000120	O-RING, 1AP12.0	3	3						

Remarks

(1) REPAIR PART.

Fig.5. SUCTION MANIFOLD

5. SUCTION MANIFOLD



(A)=3TNE88-JKM  
 (B)=3TNE88-JKP  
 (C)=

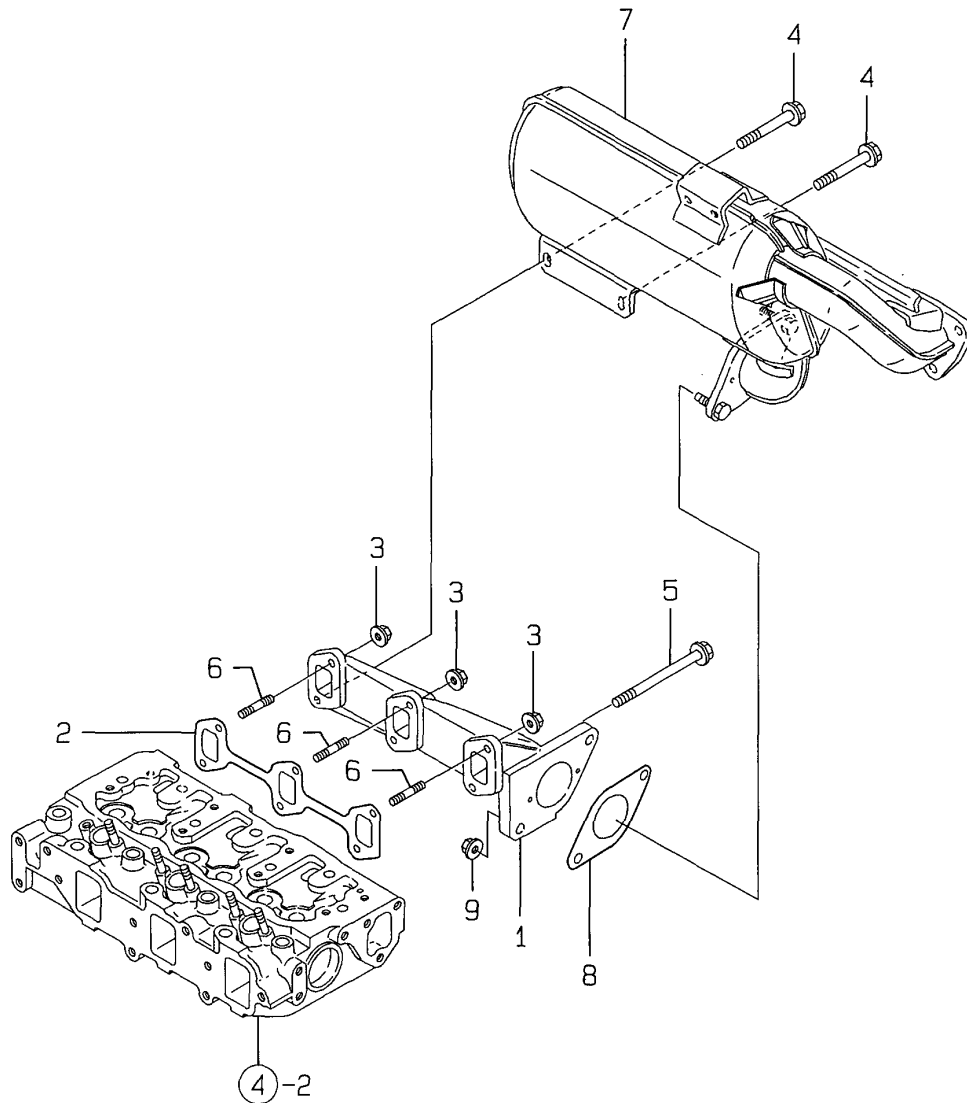
(D)=  
 (E)=  
 (F)=

No.	Lev.	Parts No.	Description	Q'ty						I	R
				(A)	(B)	(C)	(D)	(E)	(F)		
1	1	129001-12120	MANIFOLD, AIR INTAKE	1	1						
2	1	129001-12110	GASKET, MANIFOLD	1	1						
3	1	26106-080202	BOLT, M8X 20 PLATED	4	4						
4	1	26106-080502	BOLT, M8X 50 PLATED	1	1						
5	1	171463-12581	JOINT, MANIFOLD	1	1						
6	1	129150-77511	GASKET	1	1						
7	1	26106-080352	BOLT, M8X 35 PLATED	4	4						



Fig.6. EXHAUST MANIFOLD & SILENCER

6. EXHAUST MANIFOLD & SILENCER



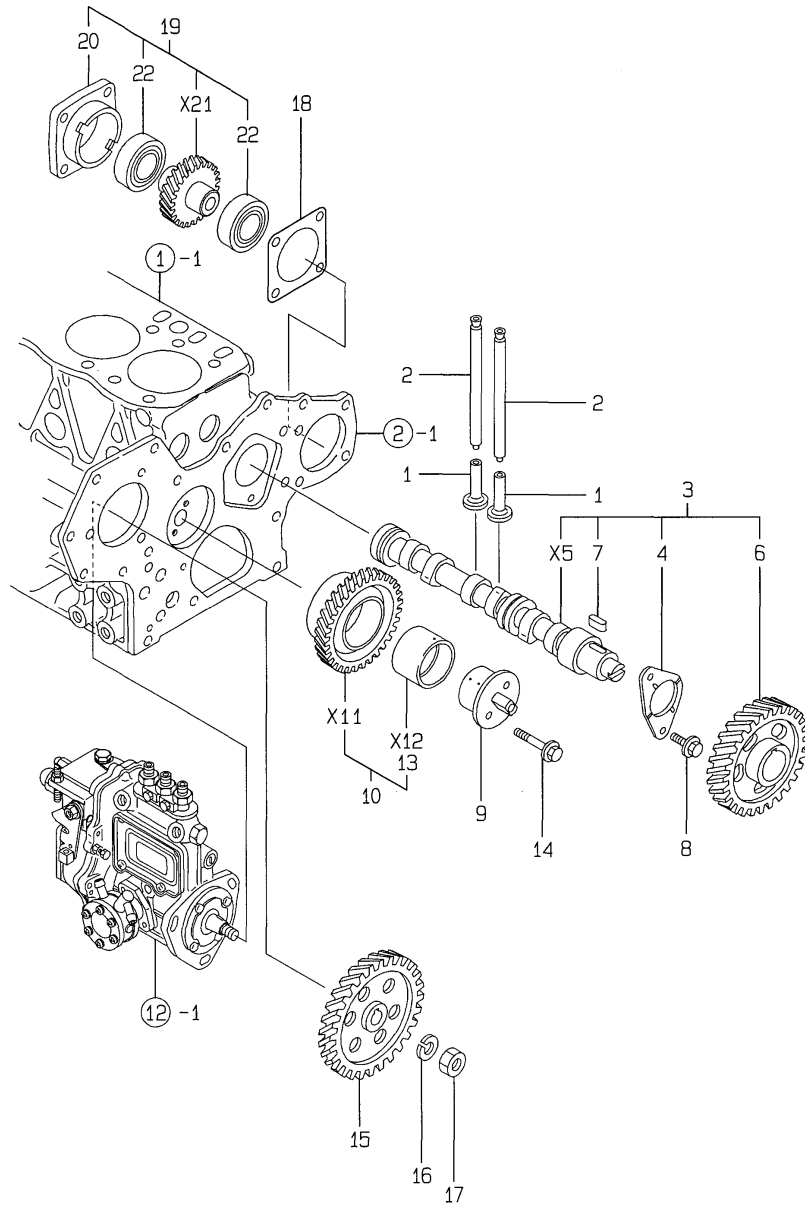
(A)=3TNE88-JKM  
(B)=3TNE88-JKP  
(C)=

(D)=  
(E)=  
(F)=

No.	Lev.	Parts No.	Description	Q'ty						I	R
				(A)	(B)	(C)	(D)	(E)	(F)		
1	1	129107-13100	MANIFOLD, EXHAUST	1	1						
2	1	129150-13110	GASKET	1	1						
3	1	26366-080002	NUT, M8	3	3						
4	1	26106-080652	BOLT, M8X 65 PLATED	2	2						
5	1	26106-081152	BOLT, M8X115 PLATED	1	1						
6	1	26216-080202	STUD, M8X 20	3	3						
7	1	129126-13500	SILENCER	1	1						
8	1	129107-13540	GASKET, SILENCER	1	1						
9	1	26366-080002	NUT, M8	2	2						

# Fig.7. CAMSHAFT & DRIVING GEAR

## 7. CAMSHAFT & DRIVING GEAR



(A)=3TNE88-JKM  
(B)=3TNE88-JKP  
(C)=

(D)=  
(E)=  
(F)=

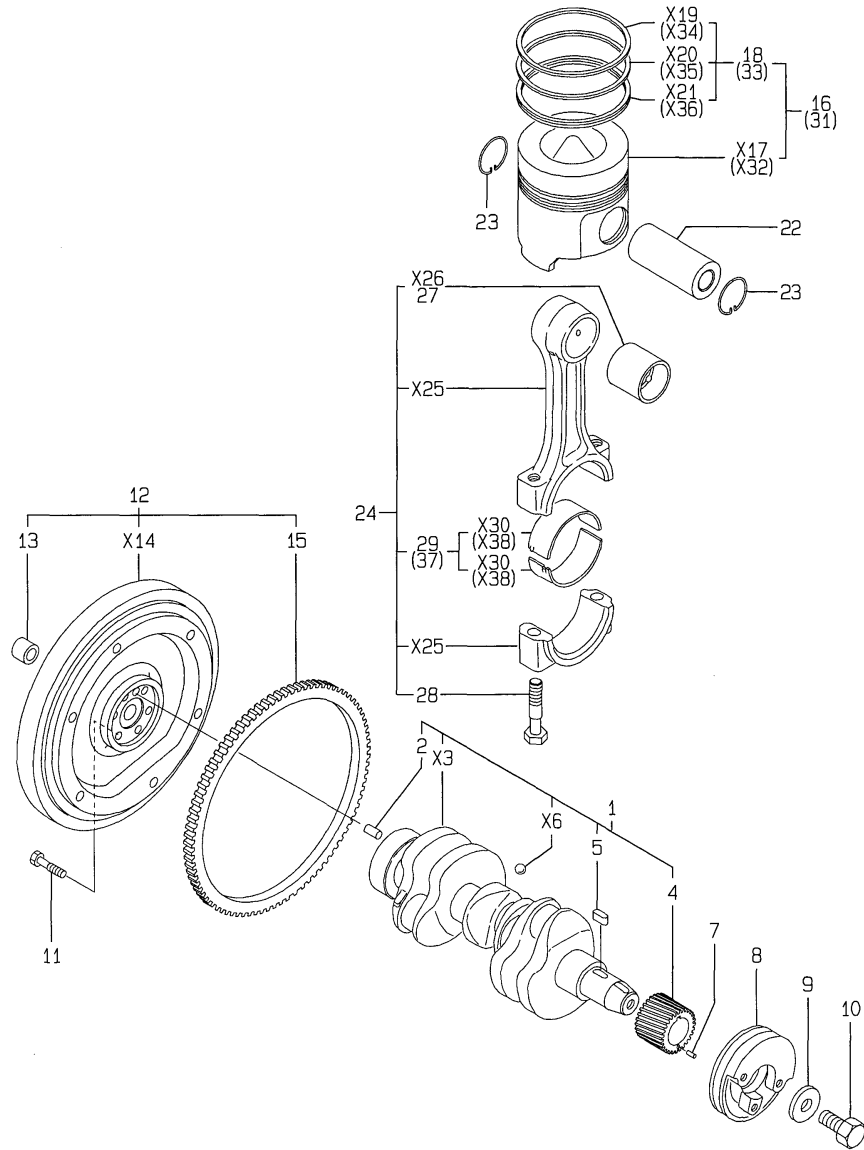
No.	Lev.	Parts No.	Description	Q'ty						I	R
				(A)	(B)	(C)	(D)	(E)	(F)		
1	1	129150-14200	TAPPET	6	6						
2	1	129150-14400	ROD, PUSH L=178	6	6						
3	1	129129-14580	CAMSHAFT ASSY	1	1						
4	2	129150-02450	BEARING, THRUST	1	1						
6	2	129150-14101	GEAR, CAMSHAFT	1	1						
7	2	22512-070140	KEY, 7X 14	1	1						
8	1	26106-080142	BOLT, M8X 14 PLATED	2	2						
9	1	129100-25061	SHAFT, IDLE	1	1						
10	1	129150-25101	GEAR ASSY, IDLE	1	1						
13	2	129150-25920	BUSH, IDLE GEAR	1	1						1
14	1	26106-080452	BOLT, M8X 45 PLATED	2	2						
15	1	129150-25900	GEAR, PUMP	1	1						
16	1	22217-120000	WASHER, SPRING 12	1	1						
17	1	26716-120002	NUT, M12	1	1						
18	1	129150-01881	GASKET	1	1						
19	1	129150-26000	DRIVE ASSY, PUMP	1	1						
20	2	129150-26050	BRACKET, PUMP	1	1						
22	2	24105-060064	BEARING, BALL 6006Z	2	2						

Remarks

(1) REPAIR PART.

# Fig.8. CRANKSHAFT & PISTON

## 8.CRANKSHAFT & PISTON



(A)=3TNE88-JKM  
(B)=3TNE88-JKP  
(C)=

(D)=  
(E)=  
(F)=

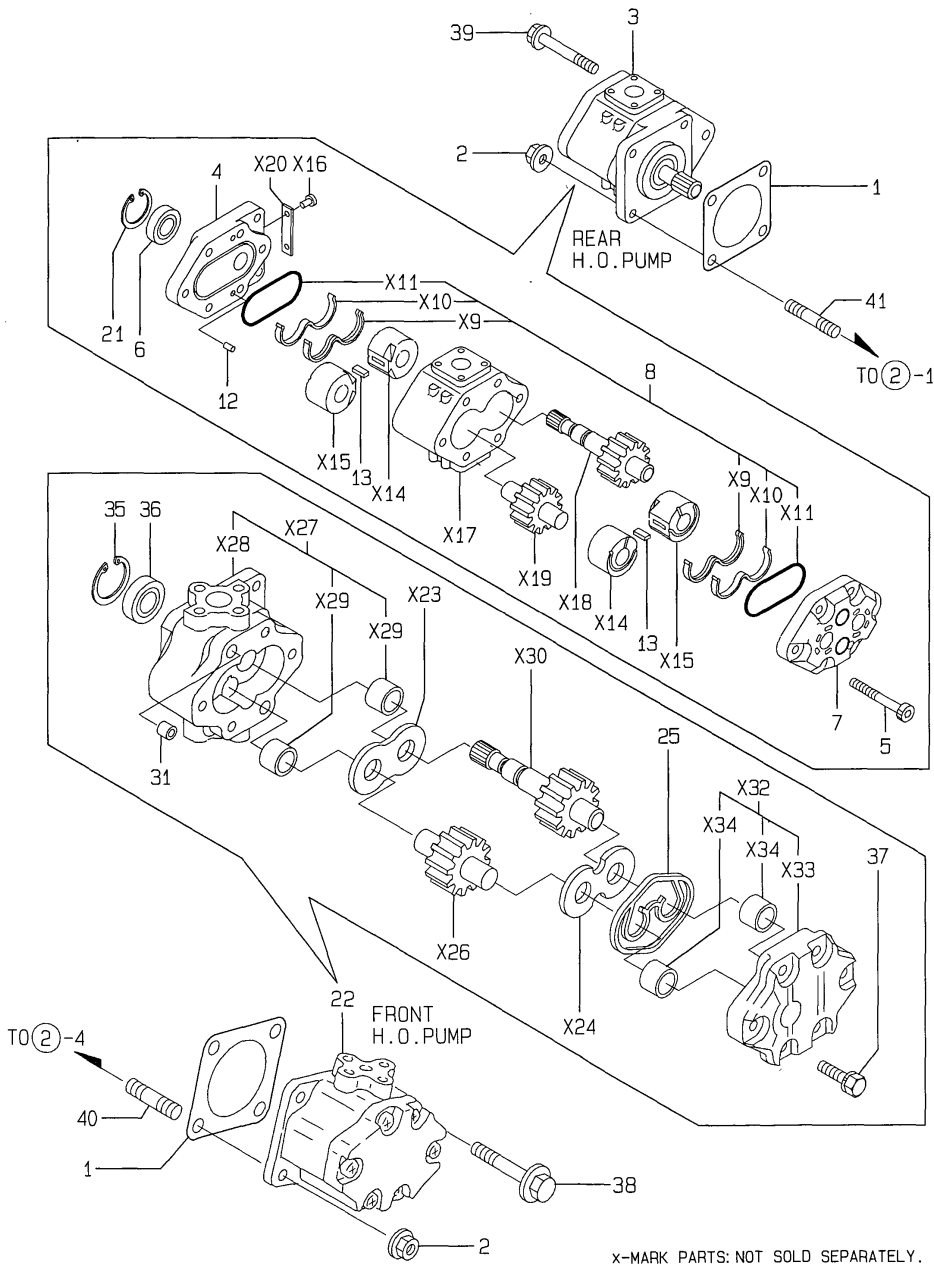
No.	Lev.	Parts No.	Description	Q'ty						I	R
				(A)	(B)	(C)	(D)	(E)	(F)		
1	1	129001-21000	CRANKSHAFT ASSY	1	1						
2	2	129100-01580	PIN, M8X16	1	1						
4	2	129150-21200	GEAR, CRANKSHAFT	1	1						
5	2	22512-070140	KEY, 7X 14	1	1						
7	1	22351-040010	PIN, SPRING 4.0X10	1	1						
8	1	129150-21651	V-PULLEY	1	1						
9	1	129795-21661	WASHER	1	1						
10	1	121850-21680	BOLT	1	1						
11	1	121111-21501	BOLT, FLYWHEEL	6	6						
12	1	129126-21590	FLYWHEEL ASSY	1	1						
13	2	121820-21690	BEARING, 6203DDUC4	1	1						
15	2	124550-21600	GEAR, RING	1	1						
16	1	129001-22081	PISTON ASSY	3	3						
18	2	129001-22500	RING SET, PISTON	3	3						
22	1	129202-22300	PIN, PISTON D26 L70	3	3						
23	1	22252-000260	RING, 26	6	6						
24	1	729402-23100	ROD ASSY, CONNECTING	3	3						
27	2	129100-23910	BEARING, PISTON PIN	3	3						1
28	2	121550-23200	BOLT, CONNECTING ROD	6	6						
29	2	129150-23600	BEARING, CRANK PIN	3	3						
31	1	129001-22901	PISTON ASSY, 0.25 OS	3	3						2
33	2	129001-22950	RING SET, 0.25 OS	3	3						2
37	1	129150-23610	BEARING, 0.25 US	3	3						3

Remarks

- (1) REPAIR PART.
- (2) OVER-SIZE(O.S=0.25)PART.
- (3) UNDER-SIZE(U.S=0.25)PART.

# Fig.9. HYDRAULIC PUMP

## 9.HYDRAULIC PUMP



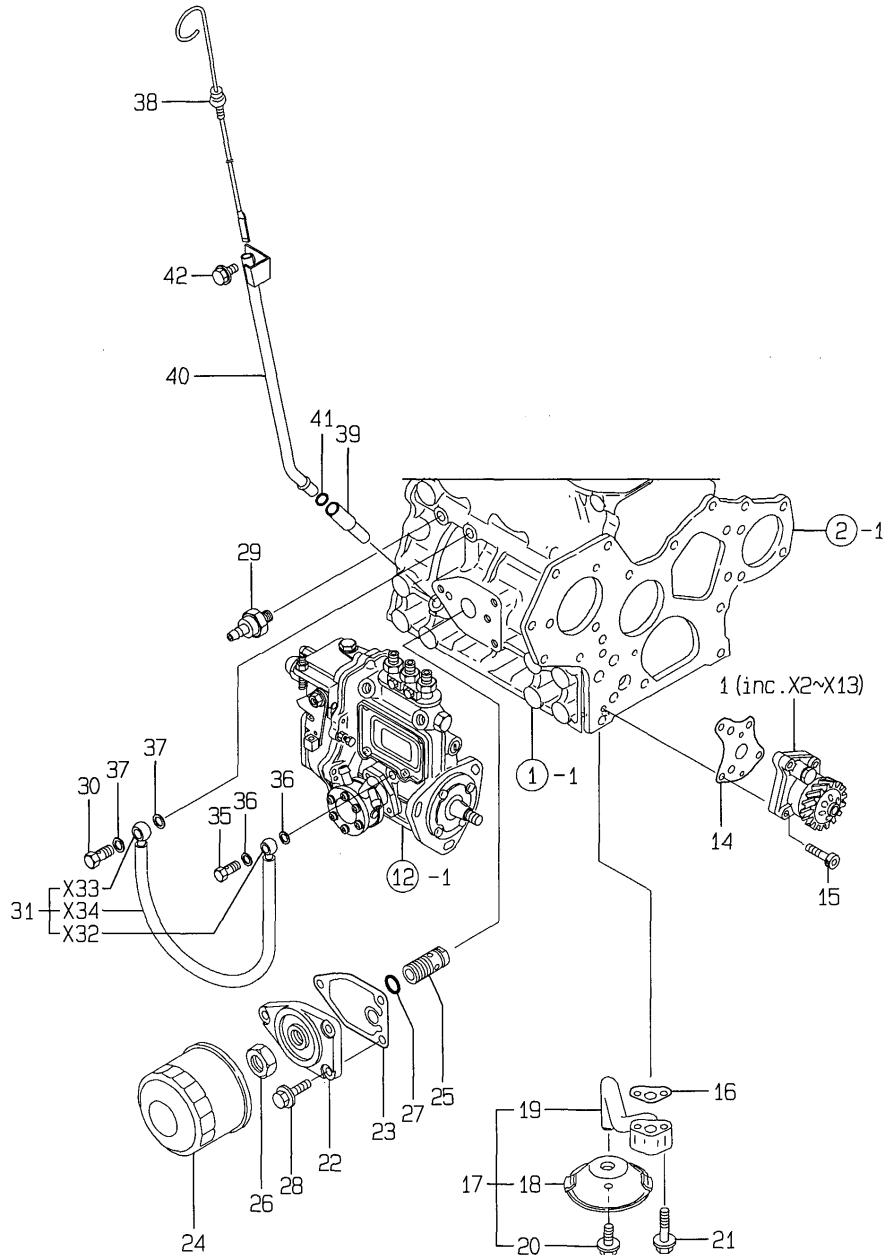
(A)=3TNE88-JKM  
(B)=3TNE88-JKP  
(C)=

(D)=  
(E)=  
(F)=

No.	Lev.	Parts No.	Description	Q'ty						I	R
				(A)	(B)	(C)	(D)	(E)	(F)		
1	1	124240-01883	GASKET	1	2						
2	1	194990-22050	NUT, M8	2	4						
3	1	198240-41110	PUMP, HY/ZFD100/13L	1	1						
4	2	194278-41151	FLANGE	1	1						
5	2	198240-41150	BOLT, M8X83.5	4	4						
6	2	194278-41160	SEAL, OIL TC173008	1	1						
7	2	194278-41190	COVER	1	1						
8	2	794275-41200	SEAL KIT	1	1						
12	2	194065-41210	PIN, PARALLEL 6X12	2	2						
13	2	194278-41210	KEY	2	2						
21	2	22252-000300	RING, 30	1	1						
22	1	178070-44000	PUMP ASSY, HYDRAULIC	1							
25	2	178070-10400	RING	1							
31	2	194521-41570	PIN, 11X7	2							
35	2	22252-000320	RING, 32	1							
36	2	24421-153207	SEAL, OIL TC153207	1							
37	2	26016-080352	BOLT, M8X 35	4							
38	1	26106-080802	BOLT, M8X 80 PLATED	2							
39	1	26106-081202	BOLT, M8X120 PLATED	2	2						
40	1	26216-080202	STUD, M8X 20	2							
41	1	26216-080402	STUD, M8X 40	1	1						

# Fig.10. LUB.OIL SYSTEM

## 10.LUB.OIL SYSTEM



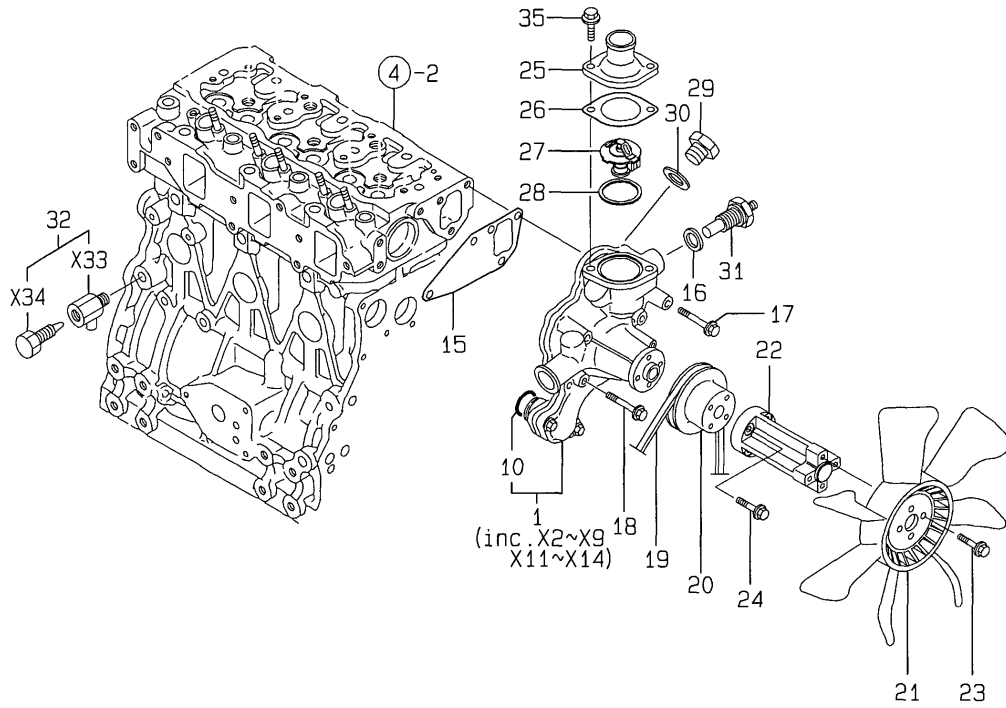
(A)=3TNE88-JKM  
 (B)=3TNE88-JKP  
 (C)=

(D)=  
 (E)=  
 (F)=

No.	Lev.	Parts No.	Description	Q'ty						I	R
				(A)	(B)	(C)	(D)	(E)	(F)		
1	1	129001-32001	PUMP ASSY, OIL	1	1						
14	1	129150-32020	GASKET, PUMP	1	1						
15	1	26450-060252	BOLT, M6X 25	4	4						
16	1	129150-35041	GASKET	1	1						
17	1	129129-35090	PIPE ASSY, OIL INLET	1	1						
18	2	129129-35010	PIPE, OIL INLET	1	1						
19	2	129129-35080	PIPE, OIL INLET	1	1						
20	2	26106-080122	BOLT, M8X 12 PLATED	1	1						
21	1	26106-080352	BOLT, M8X 35 PLATED	2	2						
22	1	129150-35101	BRACKET, STRAINER	1	1						
23	1	129150-35111	GASKET	1	1						
24	1	129150-35151	FILTER, D80XL80	1	1						
25	1	129001-35300	BOLT, FILTER	1	1						
26	1	129150-35350	NUT	1	1						
27	1	24311-000160	O-RING, 1AP16.0	1	1						
28	1	26106-080202	BOLT, M8X 20 PLATED	3	3						
29	1	124160-39450	SWITCH, 0.5KG	1	1						
30	1	124160-39140	BOLT, PIPE JOINT M10	1	1						
31	1	129150-39450	PIPE ASSY, OIL	1	1						
35	1	124550-59820	BOLT, PIPE JOINT M8	1	1						
36	1	23414-080000	GASKET, 8X1.0	2	2						
37	1	23414-100000	GASKET, 10X1.0	2	2						
38	1	129128-34800	DIPSTICK, OIL	1	1						
39	1	119260-34810	GUIDE, DIPSTICK	1	1						
40	1	129227-34810	GUIDE, DIPSTICK	1	1						
41	1	24311-240100	O-RING, 1AP10A	1	1						
42	1	26106-080162	BOLT, M8X 16 PLATED	1	1						

Fig.11. COOLING WATER SYSTEM

11.COOLING WATER SYSTEM



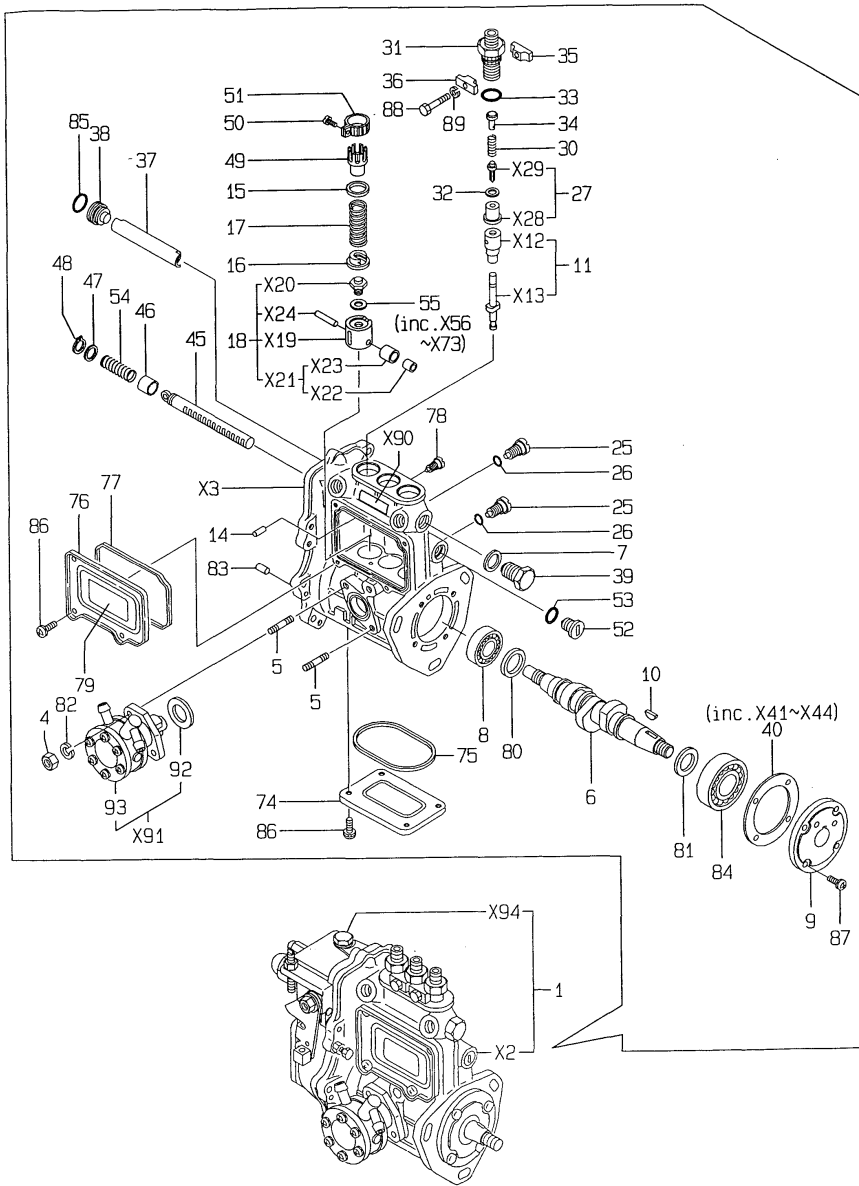
(A)=3TNE88-JKM  
(B)=3TNE88-JKP  
(C)=

(D)=  
(E)=  
(F)=

No.	Lev.	Parts No.	Description	Q'ty						I	R
				(A)	(B)	(C)	(D)	(E)	(F)		
1	1	129107-42002	PUMP ASSY, WATER	1	1						
10	2	129150-42320	O-RING	1	1						
15	1	129150-42020	GASKET, WATER PUMP	1	1						
16	1	129150-49360	GASKET	1	1						
17	1	26106-080552	BOLT, M8X 55 PLATED	3	3						
18	1	26106-080602	BOLT, M8X 60 PLATED	1	1						
19	1	124722-42290	V-BELT, A40	1	1						
20	1	129403-42380	V-PULLEY, D=110	1	1						
21	1	121267-44741	FAN, COOLING D=360	1	1						
22	1	129051-44760	SPACER, FAN	1	1						
23	1	26014-060162	BOLT, M6X 16	4	4						
24	1	26014-060302	BOLT, M6X 30	4	4						
25	1	129350-49530	COVER, THERMOSTAT	1	1						
26	1	129795-49551	GASKET	1	1						
27	1	129155-49800	THERMOSTAT, 71	1	1						
28	1	129150-49811	GASKET, THERMOSTAT	1	1						
29	1	121450-42450	PLUG, M16	1	1						
30	1	124465-44950	GASKET, 16	1	1						
31	1	124250-49351	SENSOR	1	1						
32	1	119620-49290	COCK ASSY, 1/4	1	1						
35	1	26106-080202	BOLT, M8X 20 PLATED	2	2						

Fig.12. FUEL INJECTION PUMP

12.FUEL INJECTION PUMP



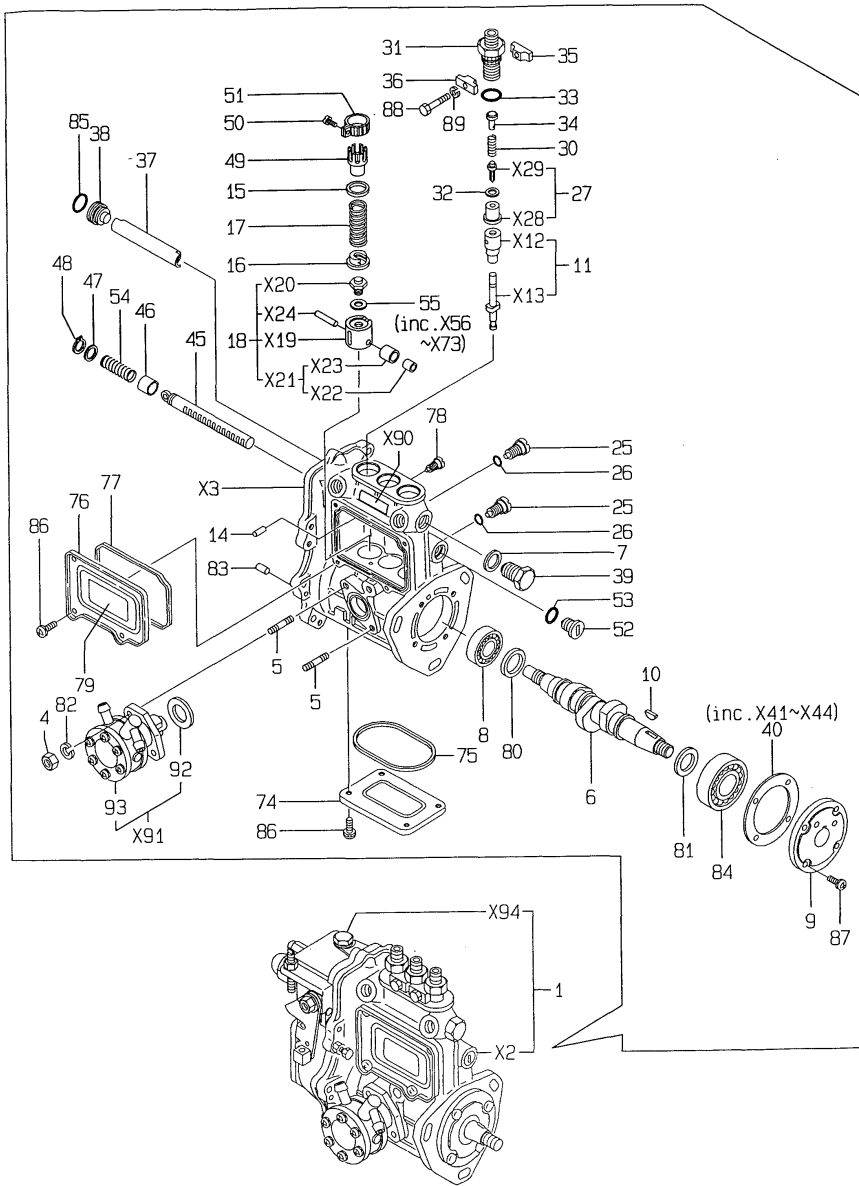
No.	Lev.	Parts No.	Description	Qty						I	R
				(A)	(B)	(C)	(D)	(E)	(F)		
1	1	729227-51360	PUMP ASSY, INJECTION	1	1						1
4	3	26716-060002	NUT, M6	2	2						
5	3	129155-51020	STUD	2	2						
6	3	119810-51040	CAMSHAFT	1	1						
7	3	22190-160002	WASHER, SEAL 16	1	1						
8	3	129155-51050	BEARING, 17BM001D	1	1						
9	3	129155-51060	SUPPORT, CAMSHAFT	1	1						
10	3	122710-51090	KEY	1	1						
11	3	129470-51101	PLUNGER ASSY	3	3						
14	3	129155-51140	PIN	3	3						
15	3	174307-51170	RETAINER, SPRING A	3	3						
16	3	129155-51180	RETAINER, SPRING	3	3						
17	3	124950-51190	SPRING, PLUNGER	3	3						
18	3	129155-51200	TAPPET ASSY	3	3						
25	3	129155-51270	STOPPER, TAPPET	3	3						
26	3	129155-51280	O-RING, S6	3	3						
27	3	129100-51300	VALVE ASSY, DELIVERY	3	3						
30	3	129155-51320	SPRING, DELIVERY	3	3						
31	3	129155-51340	RETAINER	3	3						
32	3	124550-51350	GASKET, DELIVERY	3	3						
33	3	124550-51370	O-RING	3	3						
34	3	129155-51370	STOPPER, VALVE	3	3						
35	3	129155-51380	STOPPER	2	2						
36	3	129155-51390	STOPPER	2	2						
37	3	129155-51400	DEFLECTOR	1	1						
38	3	129155-51410	BOLT	1	1						
39	3	129155-51420	PLUG, M16	1	1						
40	3	129155-51450	SHIM SET, ADJUSTING	1	1						
45	3	129155-51500	RACK, CONTROL	1	1						
46	3	129155-51521	BUSH, RACK	1	1						
47	3	129155-51530	SPACER	1	1						
48	3	129155-51540	CIRCLIP	1	1						
49	3	129155-51550	PINION, CONTROL	3	3						
50	3	122117-51560	SCREW	3	3						
51	3	174307-51560	PINION	3	3						
52	3	129155-51570	PLUG, M12	1	1						
53	3	129155-51580	O-RING	1	1						
54	3	129155-51591	SPRING, RACK	1	1						
55	3	129155-51600	SHIM SET, ADJUSTING	3	3						
74	3	129155-51700	COVER	1	1						
75	3	129155-51710	GASKET	1	1						
76	3	129155-51750	COVER	1	1						
77	3	129155-51760	GASKET	1	1						
78	3	129155-51790	STOPPER, RACK	1	1						
79	3	129156-51910	LABEL, CAUTION	1	1						
80	3	129155-51930	SPACER, T=3.25	1	1						
81	3	129155-51940	SPACER, T=1.5	1	1						
82	3	22217-060000	WASHER, SPRING 6	2	2						
83	3	22351-050010	PIN, SPRING 5.0X10	2	2						
84	3	24101-063034	BEARING, BALL 6303	1	1						
85	3	24341-000160	O-RING, 1AS16.0	1	1						

Remarks

(1) GOVERNOR(FIG.NO.13)IS INCORPORATED IN THIS FUEL INJECTION PUMP. (REF.NO.1).

Fig.12. FUEL INJECTION PUMP

12.FUEL INJECTION PUMP



(A)=3TNE88-JKM  
(B)=3TNE88-JKP  
(C)=

(D)=  
(E)=  
(F)=

No.	Lev.	Parts No.	Description	Qty						I	R
				(A)	(B)	(C)	(D)	(E)	(F)		
86	3	26022-050102	SCREW, M5X10	8	8						
87	3	26022-060162	SCREW, M6X16	4	4						
88	3	26116-050302	BOLT, M5X 30 PLATED	2	2						
89	3	22217-050000	WASHER, SPRING 5	2	2						
92	3	129155-52050	GASKET	1	1						
93	3	129108-52100	PUMP ASSY, FUEL FEED	1	1						

Remarks

(1) GOVERNOR(FIG.NO.13)IS INCORPORATED IN THIS FUEL INJECTION PUMP. (REF.NO.1).

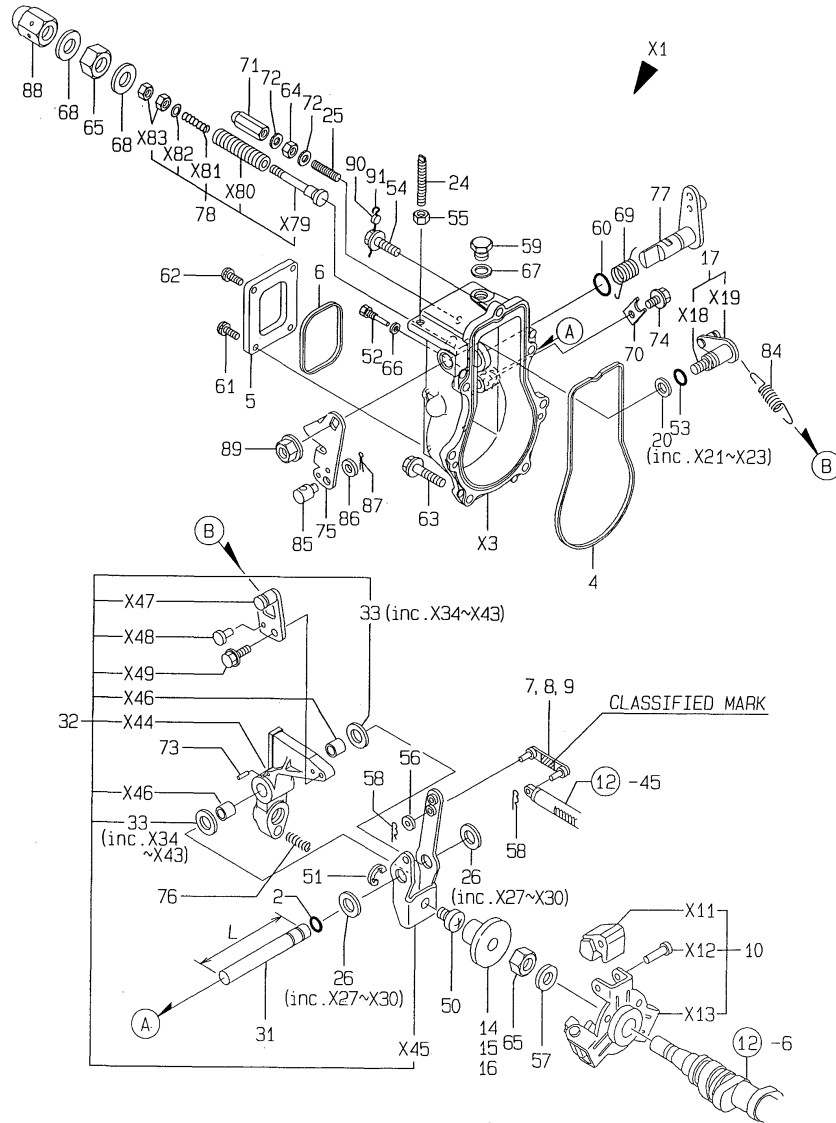


Fig.13. GOVERNOR

(A)=3TNE88-JKM  
(B)=3TNE88-JKP  
(C)=

(D)=  
(E)=  
(F)=

13. GOVERNOR



No.	Lev.	Parts No.	Description	Q'ty						I	R
				(A)	(B)	(C)	(D)	(E)	(F)		
2	3	129155-51280	O-RING, S6	1	1						
4	3	129155-61050	GASKET	1	1						
5	3	129155-61060	COVER, GOVERNOR CASE	1	1						
6	3	129155-61070	GASKET	1	1						
7	3	129155-61120	LINK, L=30 MARK 0	1	1						1
8	3	129155-61130	LINK, L=31 MARK 1	1	1						1
9	3	129155-61140	LINK, L=30.5 MARK 05	1	1						1
10	3	129155-61201	WEIGHT ASSY,GOVERNOR	1	1						
14	3	129155-61341	SLEEVE	1	1						2
15	3	129155-61350	SLEEVE, L=24.9	1	1						2
16	3	129155-61360	SLEEVE, L=25.2	1	1						2
17	3	129100-61400	SHAFT ASSY	1	1						
20	3	129155-61430	SPACER	1	1						
24	3	129155-61450	BOLT, LIMITER	1	1						
25	3	129155-61450	BOLT, LIMITER	1	1						
26	3	129155-61480	SPACER ASSY	2	2						
31	3	129155-61380	SHAFT	1	1						
31-1	3	119660-61491	SHAFT			1					S 3
(B=E000191)											
32	3	129500-61501	LEVER ASSY, GOVERNOR	1	1						
33	4	174307-51700	SHIM SET	2	2						
50	3	129155-61540	SHIFTER	1	1						
51	3	22272-000040	RING, E- 4	1	1						
52	3	129155-61810	PIN	1	1						
53	3	129155-61830	O-RING, S10	1	1						
54	3	129155-61950	BOLT	1	1						
55	3	124550-66370	NUT, M6	1	1						
56	3	22117-040000	WASHER, 4	1	1						
57	3	22287-120000	WASHER, 12	1	1						
58	3	22372-040000	PIN, SNAP 4	2	2						
59	3	23887-100002	PLUG, 10	1	1						
60	3	24311-240100	O-RING, 1AP10A	1	1						
61	3	26022-050102	SCREW, M5X10	2	2						
62	3	26023-050102	SCREW, M5X10	2	2						
63	3	26106-060202	BOLT, M6X 20 PLATED	6	6						
64	3	26756-060002	NUT, LOCK M6	1	1						
65	3	26776-120002	NUT, LOCK M12	2	2						
66	3	22190-060002	WASHER, SEAL 6	1	1						
67	3	22190-100002	WASHER, SEAL 10	1	1						
68	3	22190-120002	WASHER, SEAL 12	2	2						
69	3	129100-61821	SPRING, RETURN	1	1						
70	3	119660-61901	RETAINER, SHAFT	1	1						
71	3	119600-66840	NUT, CAP	1	1						
72	3	22190-060002	WASHER, SEAL 6	2	2						
73	3	22351-030016	PIN, SPRING 3.0X16	1	1						
74	3	26106-060102	BOLT, M6X 10 PLATED	2	2						
75	2	129100-61440	LEVER, CONTROL	1	1						
76	2	129100-61650	SPRING, CONTROLLER	1	1						
77	2	129255-61802	LEVER, STOP	1	1						
78	2	129100-61450	LIMITER ASSY, FUEL	1	1						
84	2	171353-61710	SPRING, GOVERNOR	1	1						

Remarks

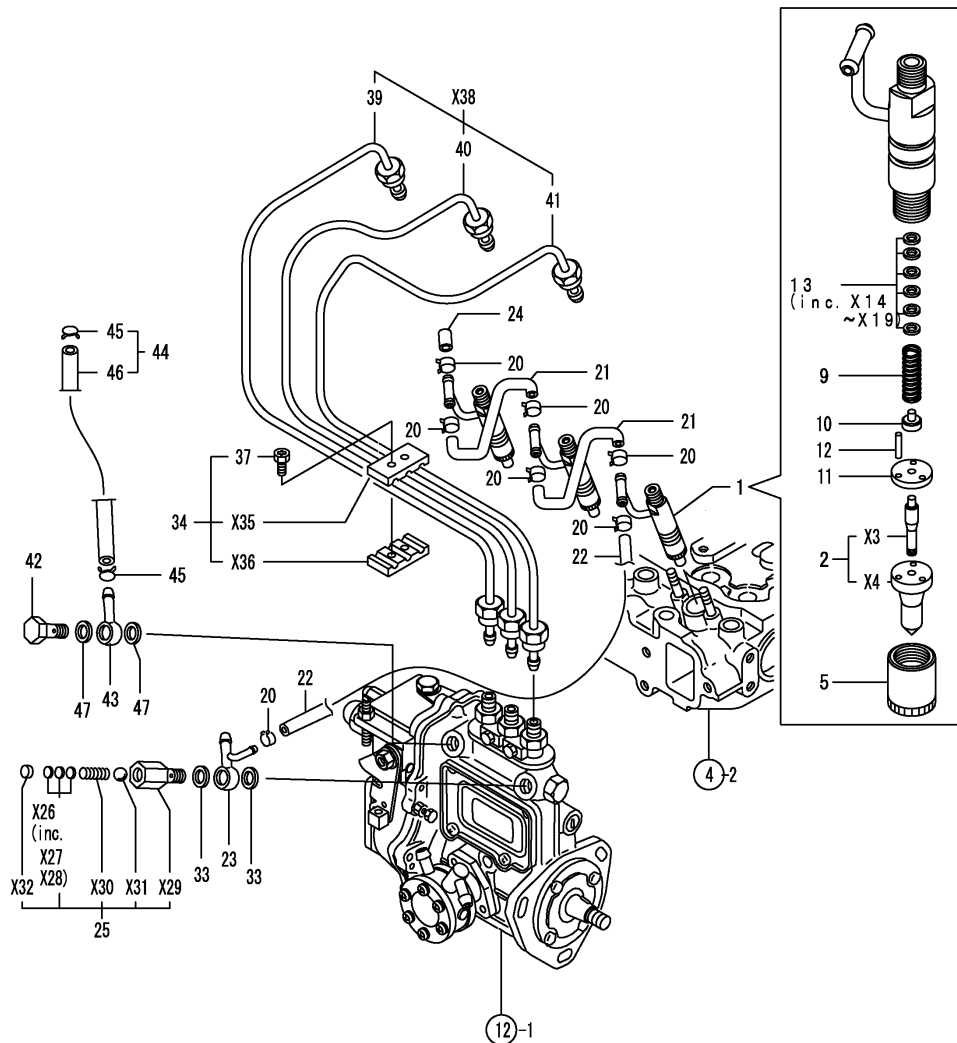
- (1) SELECTIVE PARTS: CERTAIN THE CLASSIFICATION MARK, THEN PLACE YOUR ORDER(REFER TO ILLUSTRATION)
- (2) SELECTIVE PARTS.
- (3) L= REF.NO.31 68M/M, 31-1 70.5M/M.



Fig.14. FUEL INJECTION VALVE

(A)=3TNE88-JKM  
 (B)=3TNE88-JKP  
 (C)=

(D)=  
 (E)=  
 (F)=

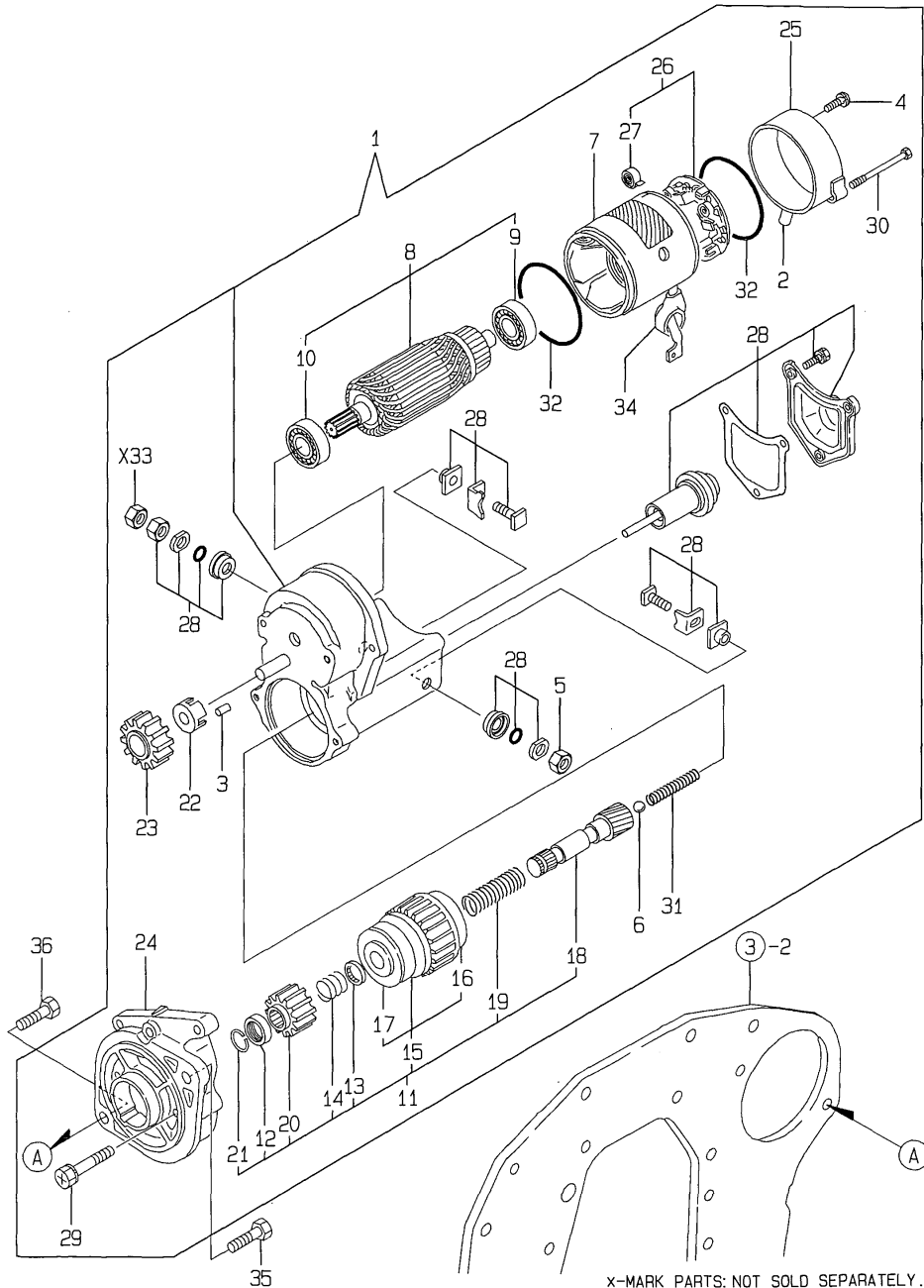


No.	Lev.	Parts No.	Description	Q'ty						I	R
				(A)	(B)	(C)	(D)	(E)	(F)		
1	1	729503-53100	VALVE ASSY,INJECTION	3	3						
2	2	129503-53000	VALVE ASSY,INJECTION	3	3						
5	2	114250-53080	NUT, NOZZLE D16.95	3	3						
9	2	114250-53120	SPRING, NOZZLE	3	3						
10	2	114250-53130	SEAT, SPRING	3	3						
11	2	114250-53140	PLATE	3	3						
12	2	114250-53210	PIN	6	6						
13	2	114250-53400	SHIM SET	3	3						
20	1	124066-59100	CLIP, HOSE 8	7	7						
21	1	121250-59550	PIPE, FUEL D8X120	2	2						
22	1	119840-59560	PIPE, FUEL RETURN	1	1						
23	1	119808-59570	JOINT, OVER FLOW	1	1						
24	1	129150-59580	CAP	1	1						
25	1	129100-59951	VALVE ASSY, CHECK	1	1						
33	1	23414-120000	GASKET, 12X1.0	2	2						
34	1	119305-59120	RETAINER, PIPE	2	2						
37	2	129150-59131	BOLT, M4X14	2	2						
39	2	129001-59811	PIPE ASSY, INJECTION	1	1						
40	2	129001-59821	PIPE ASSY, INJECTION	1	1						
41	2	129001-59831	PIPE ASSY, INJECTION	1	1						
42	1	103854-39140	BOLT, PIPE JOINT	1	1						
43	1	101304-59020	JOINT, PIPE 12	1	1						
44	1	119860-59020	PIPE ASSY, FUEL	1	1						
45	2	124766-59050	CLIP, HOSE 12	2	2						
46	2	105110-59560	PIPE, FUEL	1	1						
47	1	22190-120002	WASHER, SEAL 12	2	2						

x-MARK PARTS:NOT SOLD SEPARATELY.

Fig.15. STARTING MOTOR

15.STARTING MOTOR



X-MARK PARTS: NOT SOLD SEPARATELY.

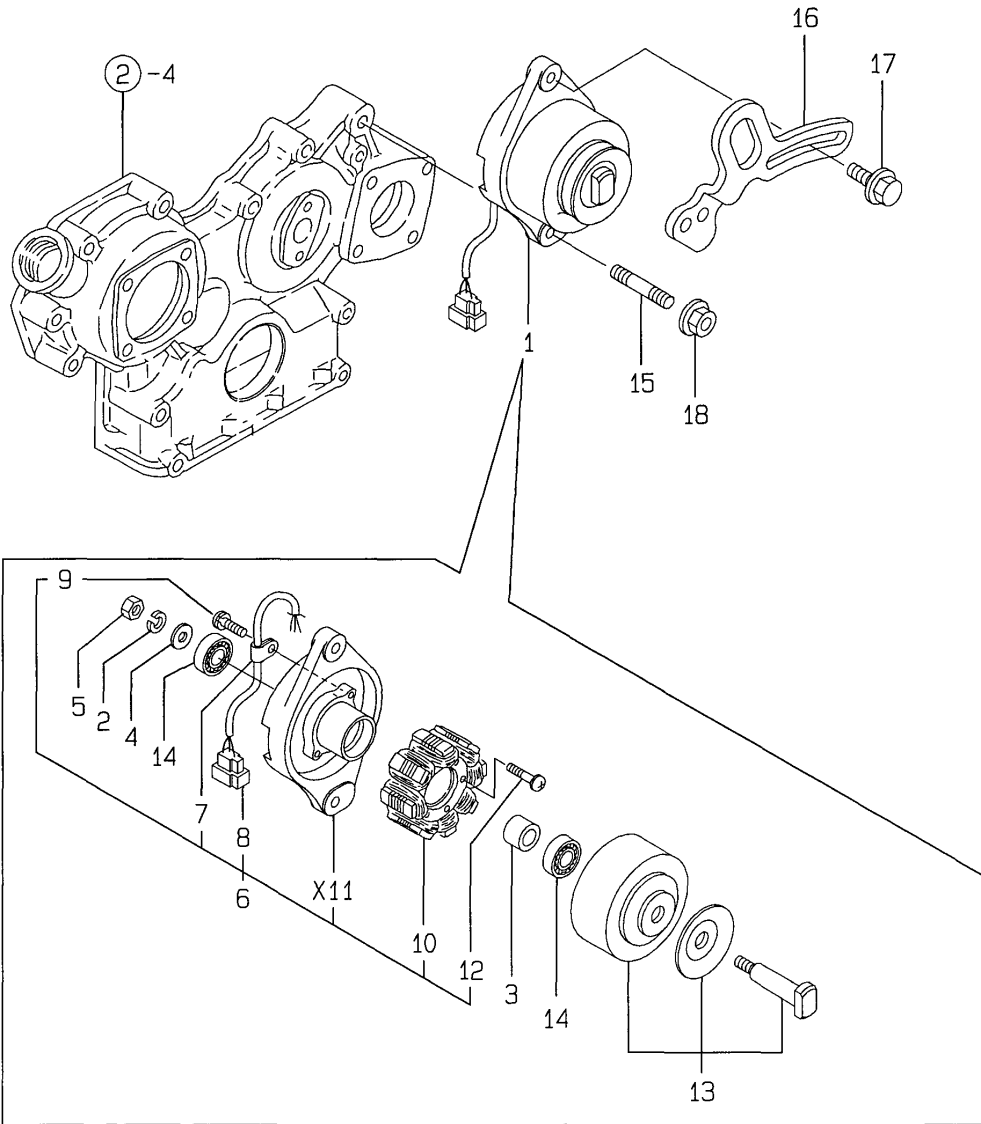
(A)=3TNE88-JKM  
(B)=3TNE88-JKP  
(C)=

(D)=  
(E)=  
(F)=

No.	Lev.	Parts No.	Description	Q'ty						I	R
				(A)	(B)	(C)	(D)	(E)	(F)		
1	1	129129-77010	STARTER ASSY	1	1						
2	2	129129-77361	BUSH	1	1						
2-1	2	129129-77362	COVER		1						R
		(B=E000116)									
3	2	X0283060061	ROLLER	5	5						
4	2	X0289030010	SCREW	2	2						
4-1	2	129129-77460	SCREW		2						R
		(B=E000116)									
5	2	X9490561370	NUT	1	1						
6	2	X9491200240	BALL	1	1						
7	2	129129-77210	YOKE ASSY	1	1						
8	2	129129-77220	ARMATURE ASSY	1	1						
9	3	129129-77230	BEARING	1	1						
10	3	129129-77240	BEARING	1	1						
11	2	129129-77250	STARTER	1	1						
12	3	X0280210230	NUT	1	1						
13	3	X0283270140	RETAINER	1	1						
14	3	X9491703371	SPRING, COIL	1	1						
15	3	129129-77390	CLUTCH ASSY	1	1						
16	4	129129-77440	BEARING, BALL	1	1						
17	4	129129-77450	BEARING, BALL	1	1						
18	3	129129-77400	SHAFT	1	1						
19	3	129129-77410	SPRING, COIL	1	1						
20	3	129129-77420	PINION, STARTER	1	1						
21	3	129129-77430	RING	1	1						
22	2	129129-77260	RETAINER	1	1						
23	2	129129-77270	PINION	1	1						
24	2	129129-77280	HOUSING	1	1						
25	2	129129-77290	FRAME	1	1						
26	2	129129-77300	HOLDER ASSY	1	1						
27	3	X9491730461	SPRING	4	4						
28	2	129129-77310	SWITCH ASSY	1	1						
29	2	129129-77320	BOLT	2	2						
30	2	129129-77330	BOLT	2	2						
31	2	129129-77340	SPRING	1	1						
32	2	129129-77350	O-RING	2	2						
34	2	129129-77380	CAP	1	1						
35	1	129155-77060	BOLT	1	1						
36	1	26116-120202	BOLT, M12X 20 PLATED	1	1						

Fig.16. GENERATOR

16. GENERATOR



(A)=3TNE88-JKM  
(B)=3TNE88-JKP  
(C)=

(D)=  
(E)=  
(F)=

No.	Lev.	Parts No.	Description	Q'ty						I	R
				(A)	(B)	(C)	(D)	(E)	(F)		
1	1	129118-77200	DYNAMO ASSY	1	1						
2	2	XM219230000	WASHER	1	1						
3	2	XM329830000	COLLAR	1	1						
4	2	XM860250000	WASHER	1	1						
5	2	XM863720000	NUT	1	1						
6	2	129118-77210	PLATE ASSY	1	1						
7	3	XM069000000	CLAMP	1	1						
8	3	XM771860000	COUPLER	1	1						
9	3	XYSPS400800	SCREW	1	1						
10	3	X3A02982KA0	STATOR ASSY	1	1						
12	3	119259-77250	SCREW	2	2						
13	2	129150-77230	FLYWHEEL ASSY	1	1						
14	2	24107-062010	BEARING, 6201ZZC3	2	2						
15	1	129795-01900	STUD	1	1						
16	1	129466-77331	ADJUSTER	1	1						
17	1	26014-080252	BOLT, M8X 25	1	1						
18	1	26366-100002	NUT, M10	1	1						

## Parts No. Index

Parts No.	Fig. No.	Ref. No.
101304-59020	14	43
103854-39140	14	42
105110-59560	14	46
105425-01690	3	4
114250-53080	14	5
114250-53120	14	9
114250-53130	14	10
114250-53140	14	11
114250-53210	14	12
114250-53400	14	13
119259-77250	16	12
119260-34810	10	39
119305-59120	14	34
119600-66840	13	71
119620-49290	11	32
119625-11871	4	19
119625-11880	4	20
119625-11900	4	21
119660-61491	13	31 -1
119660-61901	13	70
119807-01870	2	32
119808-59570	14	23
119810-51040	12	6
119840-59560	14	22
119860-59020	14	44
120130-11860	4	5
121111-21501	8	11
121250-59550	14	21
121267-44741	11	21
121400-11340	4	16
121450-01560	2	2
121450-42450	11	29
121550-23200	8	28
121820-21690	8	13
121850-21680	8	10
121850-51960	2	12
122117-51560	12	50
122710-51090	12	10
124066-59100	14	20
124160-01751	2	8
124160-01910	1	5
124160-11360	4	38
124160-39140	10	30
124160-39450	10	29
124240-01871	2	26
		29
124240-01883	2	10
		30
	9	1
124250-49351	11	31

Parts No.	Fig. No.	Ref. No.
124460-11340	4	17
124465-44950	11	30
124550-21600	8	15
124550-51350	12	32
124550-51370	12	33
124550-59820	10	35
124550-66370	13	55
124722-42290	11	19
124766-59050	14	45
124950-51190	12	17
129001-01340	1	21
129001-02800	1	14
129001-11310	4	40
129001-11340	4	41
129001-11700	4	2
129001-12110	5	2
129001-12120	5	1
129001-21000	8	1
129001-22081	8	16
129001-22500	8	18
129001-22901	8	31
129001-22950	8	33
129001-32001	10	1
129001-35300	10	25
129001-59811	14	39
129001-59821	14	40
129001-59831	14	41
129051-11850	4	39
129051-11900	4	43
129051-11910	4	44
129051-44760	11	22
129100-01520	2	1
129100-01580	3	1
		13
	8	2
129100-01590	2	4
129100-01640	3	14
129100-11100	4	11
129100-11110	4	12
129100-23910	8	27
129100-25061	7	9
129100-51300	12	27
129100-59951	14	25
129100-61400	13	17
129100-61440	13	75
129100-61450	13	78
129100-61650	13	76
129100-61821	13	69
129107-13100	6	1
129107-13540	6	8

Parts No.	Fig. No.	Ref. No.
129107-42002	11	1
129108-52100	12	93
129118-77200	16	1
129118-77210	16	6
129126-01600	3	2
129126-01700	3	5
129126-13500	6	7
129126-21590	8	12
129128-34800	10	38
129129-14580	7	3
129129-35010	10	18
129129-35080	10	19
129129-35090	10	17
129129-77010	15	1
129129-77210	15	7
129129-77220	15	8
129129-77230	15	9
129129-77240	15	10
129129-77250	15	11
129129-77260	15	22
129129-77270	15	23
129129-77280	15	24
129129-77290	15	25
129129-77300	15	26
129129-77310	15	28
129129-77320	15	29
129129-77330	15	30
129129-77340	15	31
129129-77350	15	32
129129-77361	15	2
129129-77362	15	2 -1
129129-77380	15	34
129129-77390	15	15
129129-77400	15	18
129129-77410	15	19
129129-77420	15	20
129129-77430	15	21
129129-77440	15	16
129129-77450	15	17
129129-77460	15	4 -1
129150-01200	1	20
129150-01580	2	3
129150-01721	3	7
129150-01881	7	18
129150-02020	1	7
129150-02450	7	4
129150-02870	1	25
129150-02930	1	17
129150-02940	1	22
129150-03090	4	1

Parts No.	Fig. No.	Ref. No.
129150-03100	2	27
129150-11230	4	30
129150-11280	4	25
129150-11290	4	26
129150-11370	4	18
129150-11750	4	32
129150-11810	4	7
129150-13110	6	2
129150-14101	7	6
129150-14200	7	1
129150-14400	7	2
129150-21200	8	4
129150-21651	8	8
129150-23600	8	29
129150-23610	8	37
129150-25101	7	10
129150-25900	7	15
129150-25920	7	13
129150-26000	7	19
129150-26050	7	20
129150-32020	10	14
129150-35041	10	16
129150-35101	10	22
129150-35111	10	23
129150-35151	10	24
129150-35350	10	26
129150-39450	10	31
129150-42020	11	15
129150-42320	11	10
129150-49360	11	16
129150-49811	11	28
129150-59131	14	37
129150-59580	14	24
129150-77230	16	13
129150-77511	5	6
129150-91400	2	22
129155-11241	4	22
129155-11260	4	23
129155-11270	4	24
129155-49800	11	27
129155-51020	12	5
129155-51050	12	8
129155-51060	12	9
129155-51140	12	14
129155-51180	12	16
129155-51200	12	18
129155-51270	12	25
129155-51280	12	26
	13	2
129155-51320	12	30

## Parts No. Index

Parts No.	Fig. No.	Ref. No.
129155-51340	12	31
129155-51370	12	34
129155-51380	12	35
129155-51390	12	36
129155-51400	12	37
129155-51410	12	38
129155-51420	12	39
129155-51450	12	40
129155-51500	12	45
129155-51521	12	46
129155-51530	12	47
129155-51540	12	48
129155-51550	12	49
129155-51570	12	52
129155-51580	12	53
129155-51591	12	54
129155-51600	12	55
129155-51700	12	74
129155-51710	12	75
129155-51750	12	76
129155-51760	12	77
129155-51790	12	78
129155-51930	12	80
129155-51940	12	81
129155-52050	12	92
129155-61050	13	4
129155-61060	13	5
129155-61070	13	6
129155-61120	13	7
129155-61130	13	8
129155-61140	13	9
129155-61201	13	10
129155-61341	13	14
129155-61350	13	15
129155-61360	13	16
129155-61380	13	31
129155-61430	13	20
129155-61450	13	24
		25
129155-61480	13	26
129155-61540	13	50
129155-61810	13	52
129155-61830	13	53
129155-61950	13	54
129155-77060	15	35
129156-51910	12	79
129202-22300	8	22
129227-34810	10	40
129255-61802	13	77
129350-49530	11	25

Parts No.	Fig. No.	Ref. No.
129403-42380	11	20
129466-77331	16	16
129470-51101	12	11
129486-01670	3	6
129500-61501	13	32
129503-53000	14	2
129795-01780	3	16
129795-01800	2	6
129795-01900	16	15
129795-01950	2	11
129795-02411	1	4
129795-11120	4	13
129795-11180	4	14
129795-21661	8	9
129795-49551	11	26
135210-61090	13	90
171051-01921	1	6
171353-61710	13	84
171463-12581	5	5
174307-51170	12	15
174307-51560	12	51
174307-51700	13	33
178070-10400	9	25
178070-44000	9	22
194065-41210	9	12
194150-01370	13	85
194278-41151	9	4
194278-41160	9	6
194278-41190	9	7
194278-41210	9	13
194521-41570	9	31
194990-22050	9	2
198010-61760	4	45
198240-41110	9	3
198240-41150	9	5
22117-040000	13	56
22137-080000	13	86
22190-060002	13	66
		72
22190-080002	2	7
		21
22190-100002	13	67
22190-120002	13	68
		14
		47
22190-160002	3	12
		12
		7
22217-050000	12	89
22217-060000	12	82
22217-120000	7	16
22252-000260	8	23

Parts No.	Fig. No.	Ref. No.
22252-000300	9	21
22252-000320	9	35
22272-000040	13	51
22287-120000	13	57
22351-030016	13	73
22351-040010	8	7
22351-050010	12	83
22351-060012	4	36
22372-040000	13	58
22417-160180	13	87
22451-060000	13	91
22512-070140	7	7
	8	5
22621-300050	4	46
23414-080000	10	36
23414-100000	10	37
23414-120000	14	33
23871-010000	1	10
23887-100002	13	59
24101-063034	12	84
24105-060064	7	22
24107-062010	16	14
24311-000120	4	48
24311-000160	2	13
	10	27
24311-000320	2	14
24311-240100	10	41
	13	60
24341-000160	12	85
24341-000240	2	24
24421-153207	9	36
26014-060162	11	23
26014-060302	11	24
26014-080252	16	17
26016-080352	9	37
26022-050102	12	86
	13	61
26022-060162	12	87
26023-050102	13	62
26106-060102	13	74
26106-060162	2	25
26106-060202	13	63
26106-080122	2	9
		28
	3	8
	4	47
	10	20
26106-080142	7	8
26106-080162	2	15
		16

Parts No.	Fig. No.	Ref. No.
26106-080162	10	42
26106-080202	5	3
	10	28
	11	35
26106-080252	3	9
	4	34
26106-080352	5	7
	10	21
26106-080452	2	17
	7	14
26106-080502	4	35
	5	4
26106-080552	2	18
	11	17
26106-080602	11	18
26106-080652	6	4
26106-080802	9	38
26106-080852	2	19
	3	10
26106-081152	6	5
26106-081202	3	11
	9	39
26116-050302	12	88
26116-120202	15	36
26206-100202	3	3
26216-060202	4	9
26216-080202	6	6
	9	40
26216-080402	9	41
26226-080182	4	33
26366-060002	4	37
26366-080002	2	20
	6	3
		9
	13	89
26366-100002	16	18
26450-060252	10	15
26687-120002	13	88
26716-060002	12	4
26716-120002	7	17
26756-060002	13	64
26776-120002	13	65
27231-500000	1	11
27241-120000	1	12
27241-300000	1	13
27241-400000	4	10
27310-080001	4	15
729001-01560	1	1
729227-51360	12	1
729402-11650	4	29

# Parts No. Index

Parts No.	Fig. No.	Ref. No.
729402-23100	8	24
729503-53100	14	1
794275-41200	9	8
977770-01212	2	31
	3	17
X0280210230	15	12
X0283060061	15	3
X0283270140	15	13
X0289030010	15	4
X3A02982KA0	16	10
X9490561370	15	5
X9491200240	15	6
X9491703371	15	14
X9491730461	15	27
XM069000000	16	7
XM219230000	16	2
XM329830000	16	3
XM771860000	16	8
XM860250000	16	4
XM863720000	16	5
XYSPS400800	16	9

Parts No.	Fig. No.	Ref. No.
-----------	----------	----------

Parts No.	Fig. No.	Ref. No.
-----------	----------	----------

Parts No.	Fig. No.	Ref. No.
-----------	----------	----------