

OCR10-M34001EN

P R E F A C E

1. This Parts Catalog carries all parts incorporated in YANMAR Model 3TN82TE-G1 & 3TN82TE-G2 engines manufactured since March 1988, and 3TN82TE-S engine manufactured since June 1987.
2. Each illustration corresponds to the parts list on the following page.
3. When ordering parts, clearly write down the engine model and serial number, as well as the name and number of each part in your order sheet. This will help insure reliable delivery of the parts you have ordered.
4. Pub. No. 0 0 0 Y 0 0 R 3 2 1 0 First Published: June, 1987.
Pub. No. 0 0 0 Y 0 0 R 3 4 0 0 First Published: March, 1988.
Pub. No. 0 0 0 Y 0 0 R 3 4 0 1 First Revised : April, 1992.

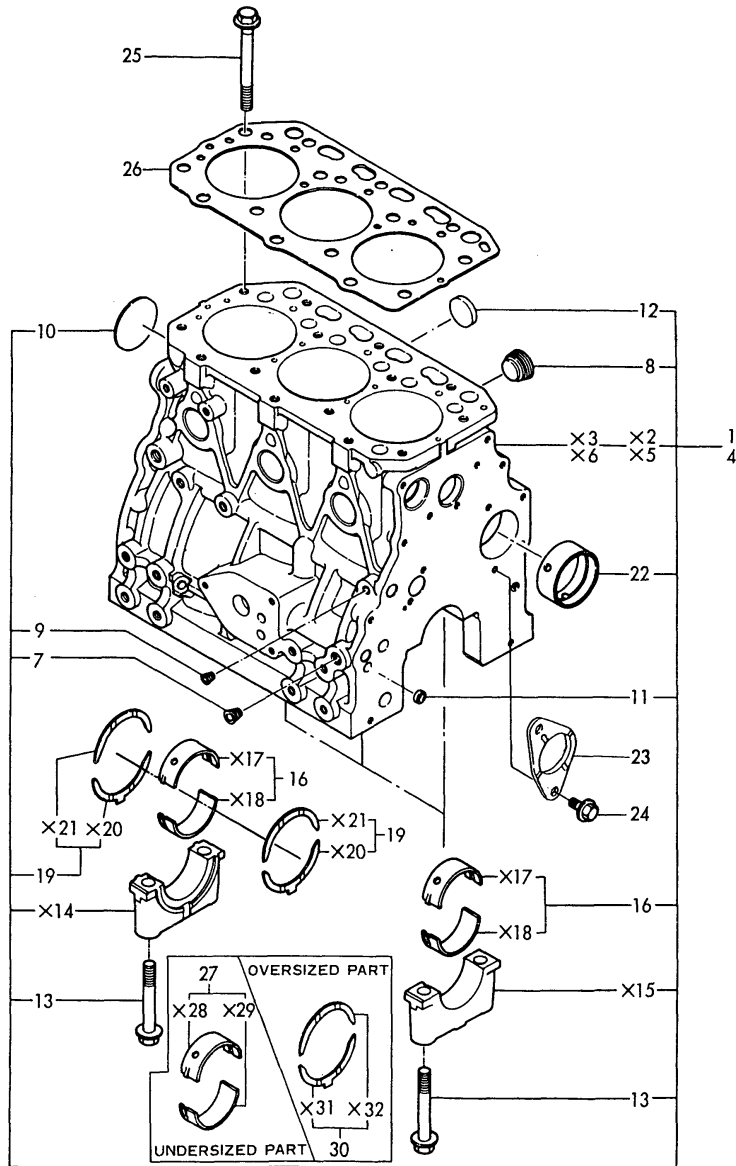
Contents

Fig. No.	Fig. Name
3TN82TE-G1,G2,S	
1.	CYLINDER BLOCK
2.	GEAR HOUSING
3.	FLYWHEEL HOUSING
4.	LUB. OIL SUMP
5.	BONNET
6.	CYLINDER HEAD
7.	INTAKE MANIFOLD & AIR CLEANER
8.	EXHAUST MANIFOLD & SILENCER
9.	INTAKE PIPE
10.	CAMSHAFT & IDLE GEAR
11.	TURBOCHARGER(COMPONENT PARTS)
12.	TURBOCHARGER(COMPONENT PARTS)
13.	CRANKSHAFT & FLYWHEEL
14.	PISTON & CONNECTING ROD
15.	LUBRICATING OIL SYSTEM
16.	LUBRICATING OIL LINE
17.	COOLING WATER PUMP
18.	COOLING WATER LINE
19.	FUEL INJECTION PUMP
20.	FUEL INJECTION LINE
21.	FUEL LINE
22.	GOVERNOR
23.	GOVERNOR CONTROL
24.	STARTING MOTOR(COMPONENT PARTS)

Fig. No.	Fig. Name
25.	STARTING MOTOR (COMPONENT PART
26.	GENERATOR(COMPONENT PARTS)
27.	INSTRUMENT PANEL
28.	TOOL

Fig.1. CYLINDER BLOCK

Fig. 1 CYLINDER BLOCK



(A)=3TN82TE-G1
(B)=3TN82TE-G2
(C)=3TN82TE-S

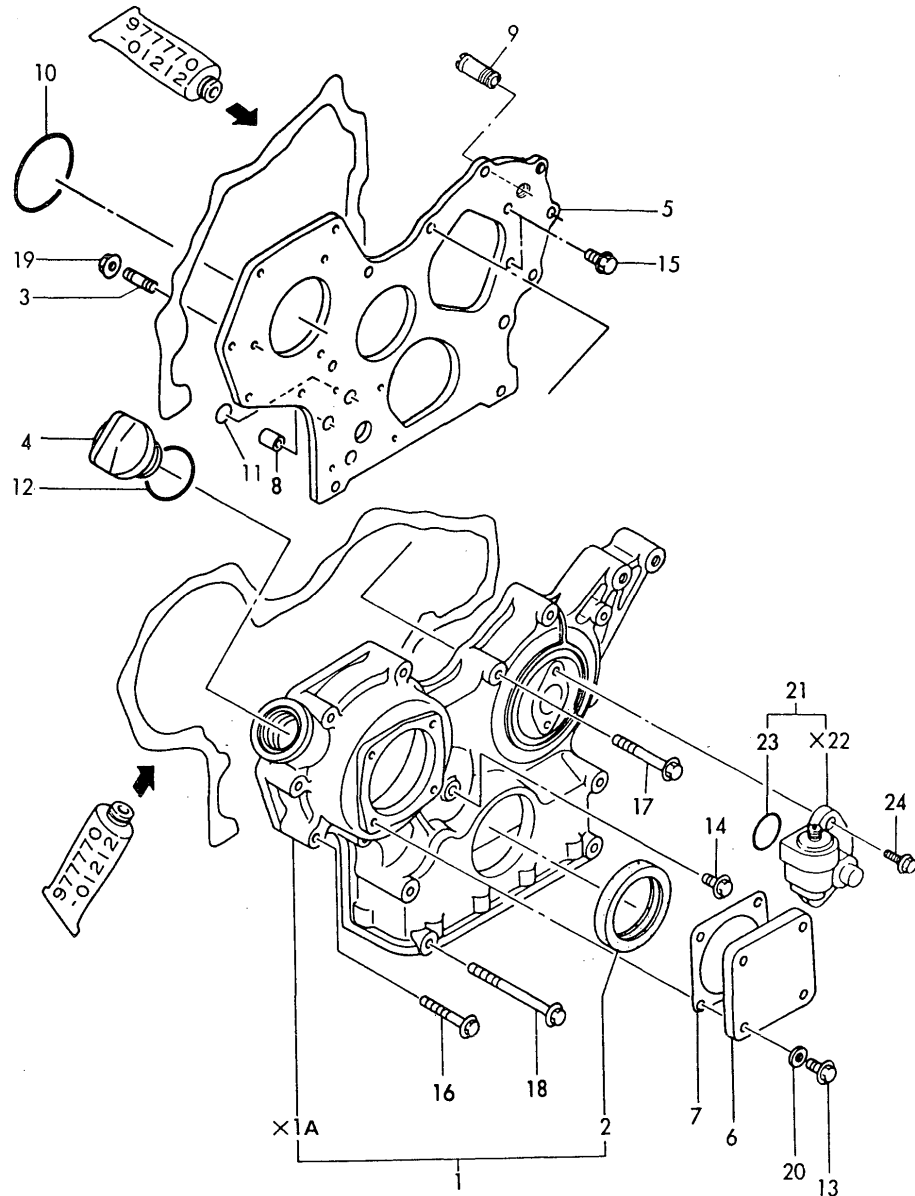
(D)=
(E)=
(F)=

No.	Lev.	Parts No.	Description	Q'ty						I	R
				(A)	(B)	(C)	(D)	(E)	(F)		
1	1	729188-01560	BLOCK ASSY, CYLINDER		1	1					
4	1	729151-01560	BLOCK ASSY, CYLINDER	1							
7	3	124160-01910	PLUG, PT1/4	3	3	3					
8	3	171051-01921	PLUG, NPTF1	1	1	1					
9	3	23871-010000	PLUG, R01	1	1	1					
10	3	27231-500000	PLUG 50	1	1	1					
11	3	27241-120000	PLUG, 12	2	2	2					
12	3	27241-300000	PLUG 30	6	6	6					
13	2	129150-02020	BOLT, METAL CAP	8	8	8					
16	2	129150-02800	BEARING, MAIN	4	4	4					
19	2	129150-02930	BEARING, THRUST	2	2	2					
22	2	129795-02411	BUSH, CAMSHAFT	1	1	1					
23	1	129150-02450	BEARING, THRUST	1	1	1					
24	1	26106-080162	BOLT, M8X 16 PLATED	2	2	2					
25	1	129150-01200	BOLT, HEAD	14	14	14					
26	1	129156-01332	GASKET, HEAD	1	1	1					
27	1	129150-02870	BEARING, 0.25 US	4	4	4					1
30	1	129150-02940	BEARING, THRUST 0.25	2	2	2					2

Remarks
(1) UNDERSIZED PART.
(2) OVERSIZED PART.

Fig.2. GEAR HOUSING

Fig. 2 GEAR HOUSING



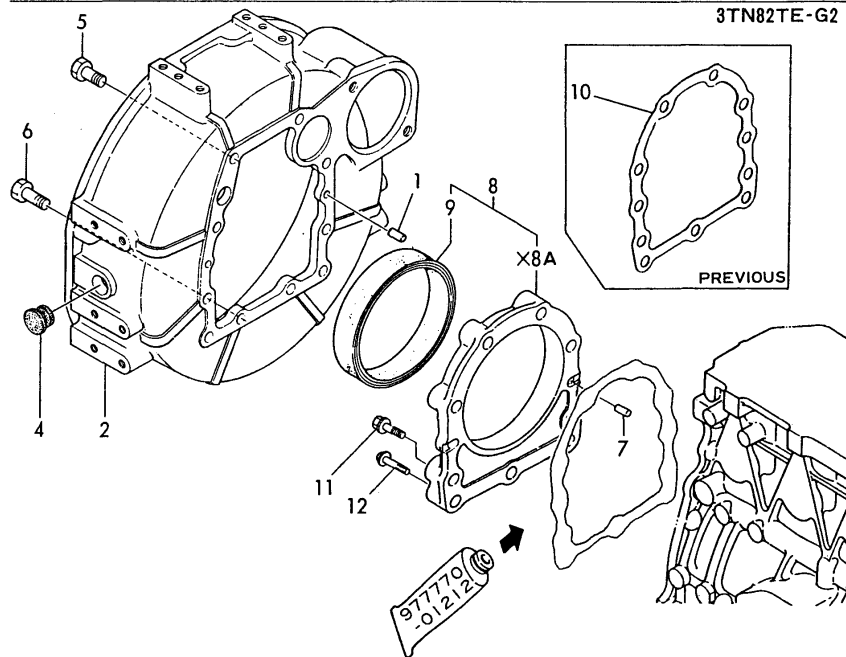
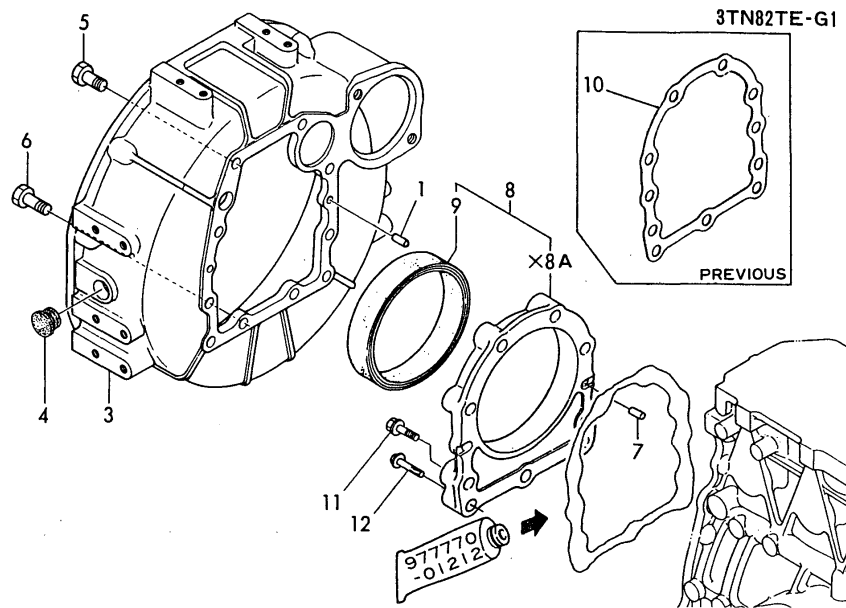
(A)=3TN82TE-G1
(B)=3TN82TE-G2
(C)=3TN82TE-S

(D)=
(E)=
(F)=

No.	Lev.	Parts No.	Description	Qty						I	R
				(A)	(B)	(C)	(D)	(E)	(F)		
1	1	129400-01590	CASE ASSY, GEAR	1	1	1					W
		(A=E/# 00164) (B=E/# 00180) (C=E/# 00169)									
2	2	129795-01800	SEAL, OIL	1	1	1					
3	1	121450-01560	STUD, M8X22	3	3	3					
4	1	124160-01751	COVER, FILLER	1	1	1					
5	1	129103-01530	FLANGE, GEAR CASE	1	1	1					
6	1	124240-01871	COVER	1	1	1					
7	1	124240-01882	GASKET	1	1	1					
7-1	1	124240-01883	GASKET	1	1	1					N
		(A=E/# 00158) (B=E/# 00160) (C=E/# 00163)									
8	1	129795-01950	PIPE, KNOCK L=18	2	2	2					
9	1	129122-44480	JOINT	1	1	1					
10	1	121850-51960	O-RING	1	1	1					
11	1	24311-000160	O-RING, 1AP16.0	2	2	2					
12	1	24311-000320	O-RING, 1AP32.0	1	1	1					
13	1	26106-080122	BOLT, M8X 12 PLATED	4	4	4					
14	1	26106-080162	BOLT, M8X 16 PLATED	1	1	1					
15	1	26106-080202	BOLT, M8X 20 PLATED	2	2	2					
16	1	26106-080452	BOLT, M8X 45 PLATED	6	6	6					
17	1	26106-080552	BOLT, M8X 55 PLATED	3	3	3					
18	1	26106-080852	BOLT, M8X 85 PLATED	4	4	4					
19	1	26366-080002	NUT, M8	3	3	3					
20	1	43400-500410	SEAL WASHER 8	4	4	4					
21	1	129150-91400	GEAR	1	1	1					
23	2	24341-000240	O-RING, 1AS24.0	1	1	1					
24	1	26106-060162	BOLT, M6X 16 PLATED	2	2	2					

Fig.3. FLYWHEEL HOUSING

Fig.3 FLYWHEEL HOUSING



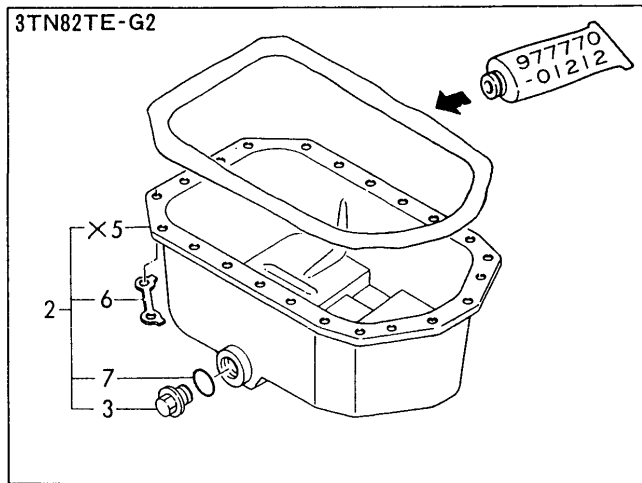
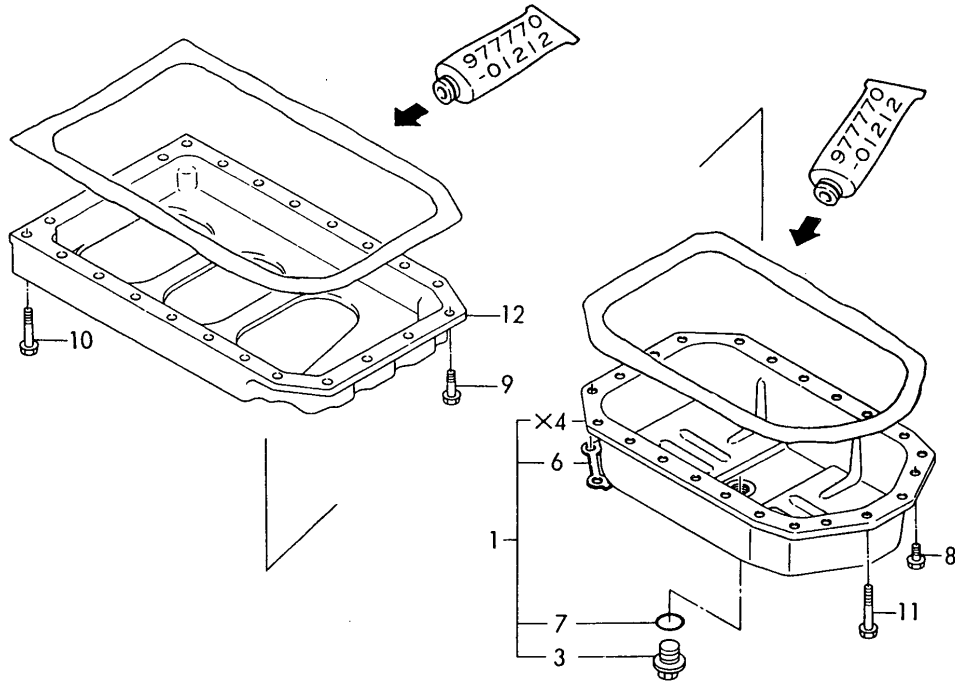
(A)=3TN82TE-G1
(B)=3TN82TE-G2
(C)=3TN82TE-S

(D)=
(E)=
(F)=

No.	Lev.	Parts No.	Description	Qty						I	R
				(A)	(B)	(C)	(D)	(E)	(F)		
1	1	129100-01580	PIN, M8X16	2	2	2					
2	1	171301-01600	HOUSING, FLYWHEEL		1						
3	1	171420-01600	HOUSING, FLYWHEEL	1							
3A	1	119888-01600	HOUSING, FLYWHEEL				1				
4	1	119620-01750	CAP	1	1	1					
5	1	26206-100252	BOLT, M10X 25 PLATED	6	6	6					
6	1	26206-100302	BOLT, M10X 30 PLATED	4	4	4					
7	1	129100-01580	PIN, M8X16	2	2	2					
8	1	129100-01640	CASE ASSY, OIL SEAL	1	1	1					W
		(A=E/# 00164) (B=E/# 00180) (C=E/# 00169)									
9	2	129795-01780	SEAL, OIL	1	1	1					
10	1	129150-01660	GASKET	1	1	1					Z
		(A=E/# 00131) (B=E/# 00148) (C=E/# 00129)									
11	1	26106-080302	BOLT, M8X 30 PLATED	6	6	6					
12	1	26106-080352	BOLT, M8X 35 PLATED	3	3	3					

Fig.4. LUB. OIL SUMP

Fig.4 LUB. OIL SUMP



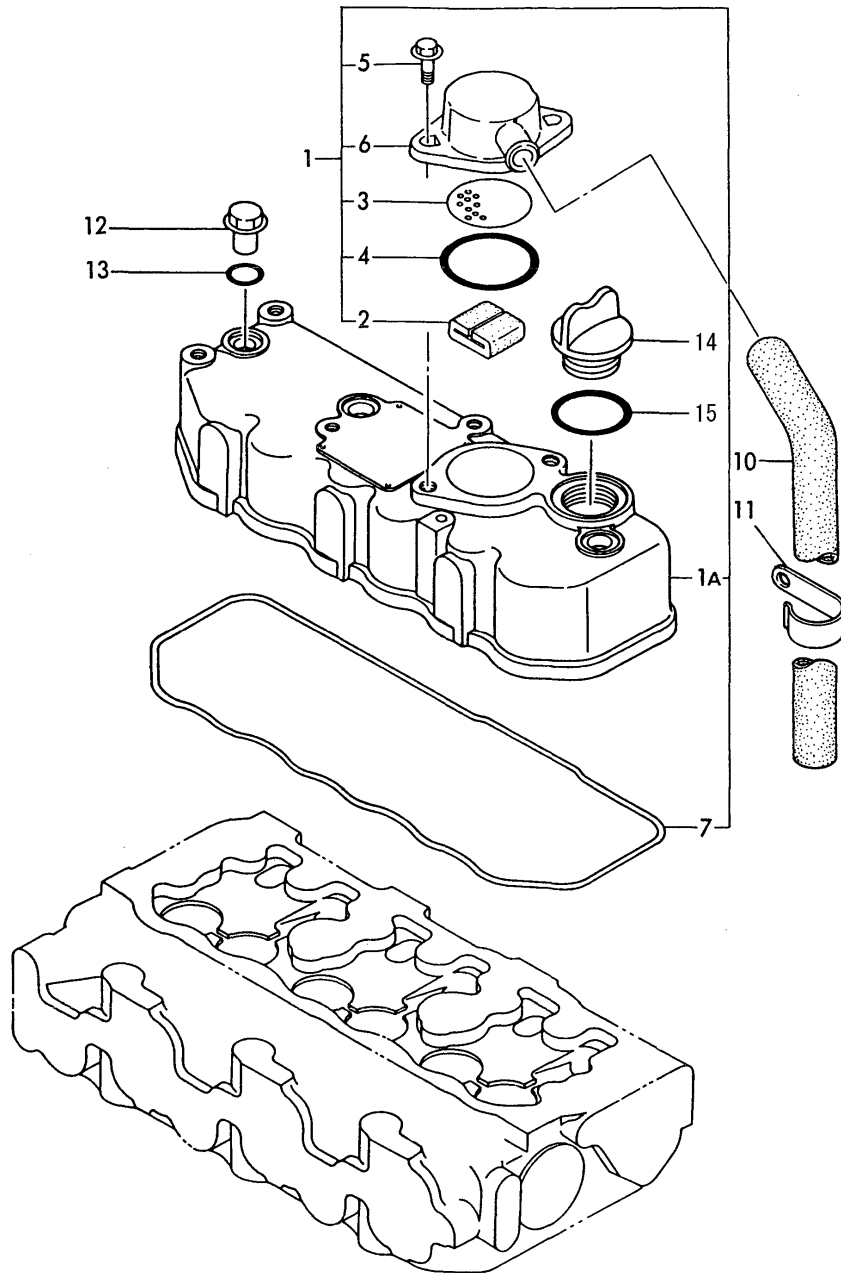
(A)=3TN82TE-G1
(B)=3TN82TE-G2
(C)=3TN82TE-S

(D)=
(E)=
(F)=

No.	Lev.	Parts No.	Description	Qty						I	R
				(A)	(B)	(C)	(D)	(E)	(F)		
1	1	729100-01540	SUMP ASSY, OIL	1	1						
1-1	1	729102-01540	SUMP ASSY, OIL	1	1						N
		(A=EXXX)	(C=EXXX)								
2	1	771341-01540	SUMP ASSY, OIL		1						
2-1	1	129100-01770	SUMP ASSY, OIL		1						N
		(B=EXXX)									
3	2	171301-01640	PLUG, 22	1	1	1					
6	2	129100-01790	RETAINER	2	2	2					
7	2	24341-000240	O-RING, 1AS24.0	1	1	1					
8	1	26106-080162	BOLT, M8X 16 PLATED	4	4	4					
9	1	26106-080252	BOLT, M8X 25 PLATED	2	2	2					
10	1	26106-080452	BOLT, M8X 45 PLATED	16	16	16					
11	1	26106-080502	BOLT, M8X 50 PLATED	4	4	4					
12	1	129100-01730	SPACER, OIL SUMP	1	1	1					

Fig.5. BONNET

Fig. 5 BONNET



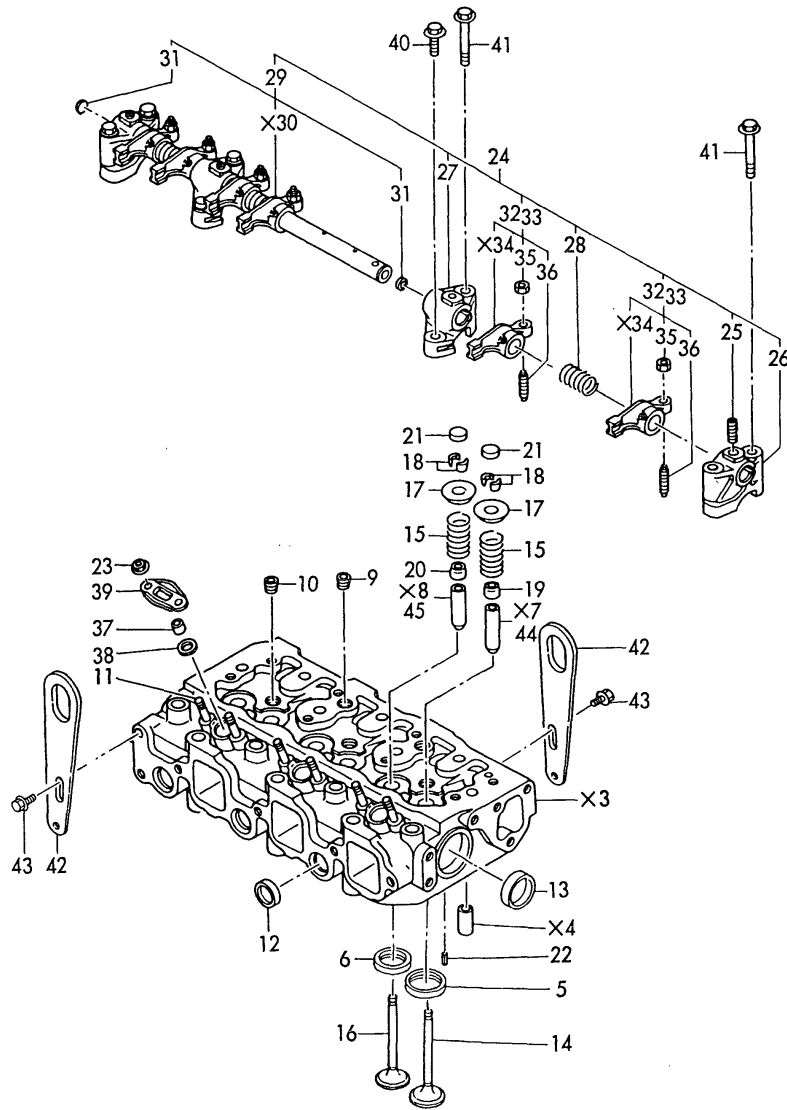
(A)=3TN82TE-G1
(B)=3TN82TE-G2
(C)=3TN82TE-S

(D)=
(E)=
(F)=

No.	Lev.	Parts No.	Description	Qty						I	R
				(A)	(B)	(C)	(D)	(E)	(F)		
1	1	129100-11350	BONNET ASSY, HEAD (A=E/# 00164) (B=E/# 00180) (C=E/# 00169)	1	1	1					W
1A	2	129100-11300	BONNET	1	1	1					
2	2	129150-03070	BAFFLE, BREATHER	1	1	1					
3	2	129150-03080	PLATE, BAFFLE	1	1	1					
4	2	24341-000500	O-RING, 1AS50.0	1	1	1					
5	2	26106-080162	BOLT, M8X 16 PLATED	2	2	2					
6	2	129150-03020	COVER, BREATHER	1	1	1					
7	2	129150-11310	GASKET, BONNET	1	1	1					
10	1	171350-03090	PIPE, BREATHER 900	1	1	1					
11	1	129150-03100	RETAINER, PIPE	1	1	1					
12	1	124160-11360	KNOB	3	3	3					
13	1	24311-000120	O-RING, 1AP12.0	3	3	3					
14	1	124160-01751	COVER, FILLER	1	1	1					
15	1	24311-000320	O-RING, 1AP32.0	1	1	1					

Fig.6. CYLINDER HEAD

Fig.6 CYLINDER HEAD



1 inc. X2(X3~13)~23

(A)=3TN82TE-G1
(B)=3TN82TE-G2
(C)=3TN82TE-S

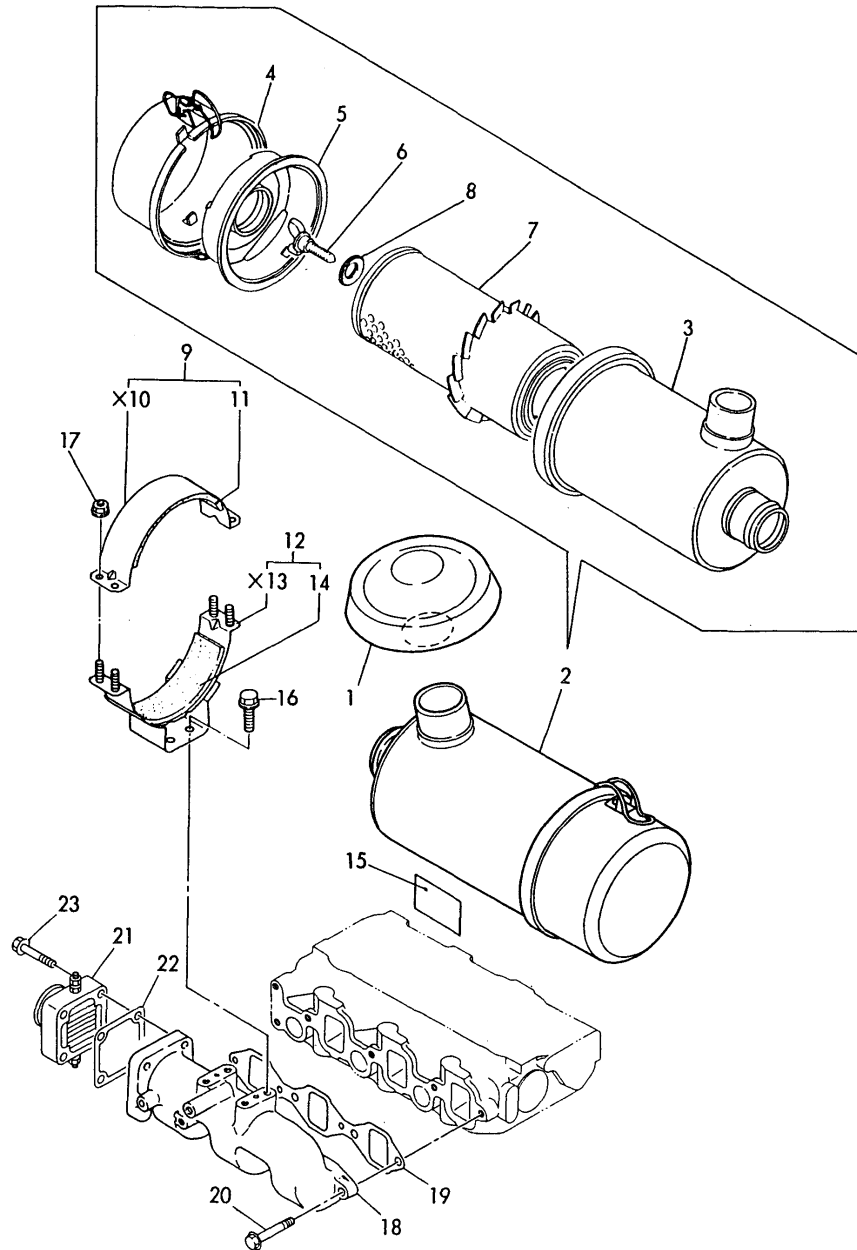
(D)=
(E)=
(F)=

No.	Lev.	Parts No.	Description	Q'ty						I	R
				(A)	(B)	(C)	(D)	(E)	(F)		
1	1	771364-11701	HEAD ASSY, CYLINDER	1	1	1					
5	3	129470-11080	SEAT, INTAKE VALVE	3	3	3					
6	3	129470-11090	SEAT, EXHAUST VALVE	3	3	3					
9	3	121850-11860	PLUG, PT1/4	2	2	2					
10	3	23871-030000	PLUG, R03	3	3	3					
11	3	26216-060202	STUD, M6X 20	6	6	6					
12	3	27241-220000	PLUG, 22	3	3	3					
13	3	27241-400000	PLUG, 40	2	2	2					
14	2	129100-11100	VALVE, INTAKE	3	3	3					
15	2	129795-11120	SPRING, VALVE	6	6	6					
16	2	129100-11130	VALVE, EXHAUST	3	3	3					
17	2	129795-11180	RETAINER, SPRING	6	6	6					
18	2	103338-11190	COTTER	6	6	6					
19	2	121400-11340	SEAL, VALVE STEM	3	3	3					
20	2	124460-11340	SEAL, VALVE STEM	3	3	3					
21	2	129150-11370	CAP, VALVE	6	6	6					
22	2	22351-060012	PIN, SPRING 6.0X12	2	2	2					
23	2	26366-060002	NUT, M6	6	6	6					
24	1	129155-11241	SHAFT ASSY, ROCKER	1	1	1					
24-1	1	129100-11240	SHAFT ASSY, ROCKER	1							N
(A=E/# 00170)											
25	2	26226-080182	STUD, M8X 18	3	3	3					
26	2	129155-11260	SUPPORT, ROCKER ARM	2	2	2					
27	2	129155-11270	SUPPORT, ROCKER ARM	2	2	2					
28	2	129150-11280	SPRING	3	3	3					
29	2	129150-11290	SHAFT, ROCKER ARM	1	1	1					
31	3	27241-100000	PLUG, 10	2	2	2					
32	2	129100-11650	ARM, ROCKER	6							W
(A=E/# 00164)											
33	2	729402-11650	ARM ASSY, ROCKER		6	6					W
(B=E/# 00180) (C=E/# 00169)											
35	3	129150-11750	NUT, M8	6	6	6					
36	3	129150-11230	SCREW, VALVE ADJUST	6	6	6					
37	1	119625-11870	PROTECTOR, NOZZLE	3	3	3					
38	1	119625-11880	SEAT, NOZZLE	3	3	3					
39	1	119625-11900	RETAINER, NOZZLE	3	3	3					
40	1	26106-080252	BOLT, M8X 25 PLATED	2	2	2					
41	1	26106-080502	BOLT, M8X 50 PLATED	6	6	6					
42	1	124736-07900	LIFTER	2	2	2					
43	1	26106-080142	BOLT, M8X 14 PLATED	4	4	4					
44	1	120130-11860	GUIDE, VALVE	3	3	3					1
45	1	129150-11810	GUIDE, VALVE	3	3	3					1

Remarks
(1) ONLY FOR REPAIR.

Fig.7. INTAKE MANIFOLD & AIR CLEANER

Fig.7 SUC. MANIFOLD & AIR CLEANER



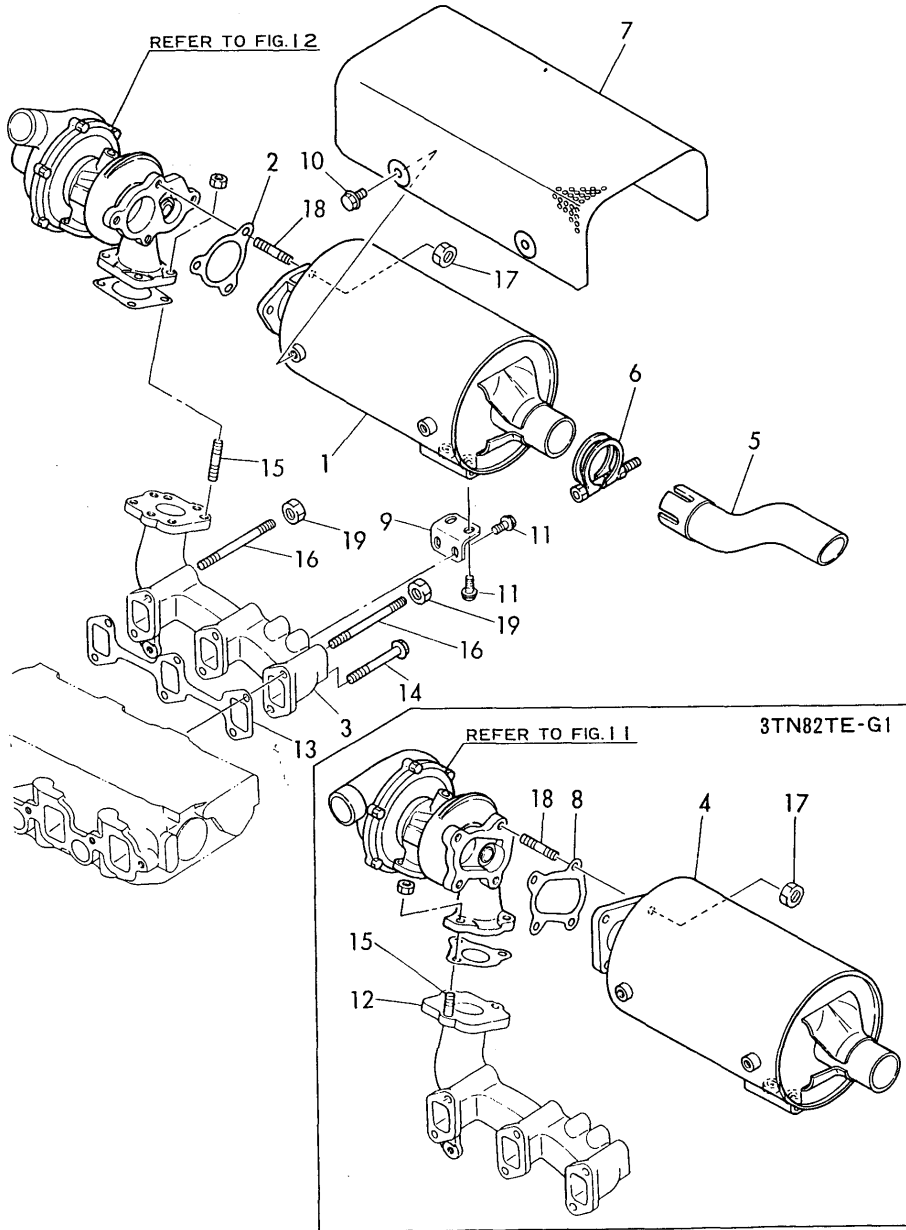
(A)=3TN82TE-G1
(B)=3TN82TE-G2
(C)=3TN82TE-S

(D)=
(E)=
(F)=

No.	Lev.	Parts No.	Description	Qty						I	R
				(A)	(B)	(C)	(D)	(E)	(F)		
1	1	121521-12400	CAP, RAIN	1	1	1					
2	1	129411-12500	CLEANER ASSY, AIR	1	1	1					
3	2	121252-12521	BODY, AIR CLEANER	1	1	1					
4	2	121120-12531	PAN, DUST	1	1	1					
5	2	121120-12541	RETAINER, ELEMENT	1	1	1					
6	2	121120-12561	BOLT	1	1	1					
7	2	121120-12901	ELEMENT	1	1	1					
8	2	121120-12571	WASHER, SEAL	1	1	1					
9	1	121400-12540	BAND ASSY, CLEANER	1	1	1					
11	2	121400-12570	SEAT, RUBBER B	1	1	1					
12	1	171351-12580	SUPPORT ASSY,CLEANER	1	1	1					
14	2	171351-12570	SEAT, RUBBER	1	1	1					
15	1	124764-12600	LABEL, AIR-CLEANER	1	1	1					
15-1	1	129136-12600	LABEL, AIR CLEANER	1	1	1					N
(A=E/# 00164) (B=E/# 00180) (C=E/# 00169)											
16	1	26106-080142	BOLT, M8X 14 PLATED	4	4	4					
17	1	26366-060002	NUT, M6	4	4	4					
18	1	129122-12100	MANIFOLD, AIR INTAKE	1	1	1					
19	1	129150-12110	GASKET, MANIFOLD	1	1	1					
19-1	1	129150-12111	GASKET, MANIFOLD	1	1	1					N
(A=E/# 00170) (B=E/# 00180) (C=E/# 00169)											
20	1	26106-080252	BOLT, M8X 25 PLATED	4	4	4					
21	1	129120-77501	HEATER	1	1	1					
22	1	129150-77510	GASKET	1	1	1					
22-1	1	129150-77511	GASKET	1	1	1					N
(A=E/# 00170) (B=E/# 00180) (C=E/# 00169)											
23	1	26106-080352	BOLT, M8X 35 PLATED	4	4	4					

Fig.8. EXHAUST MANIFOLD & SILENCER

Fig. 8 EXH. MANIFOLD & SILENCER



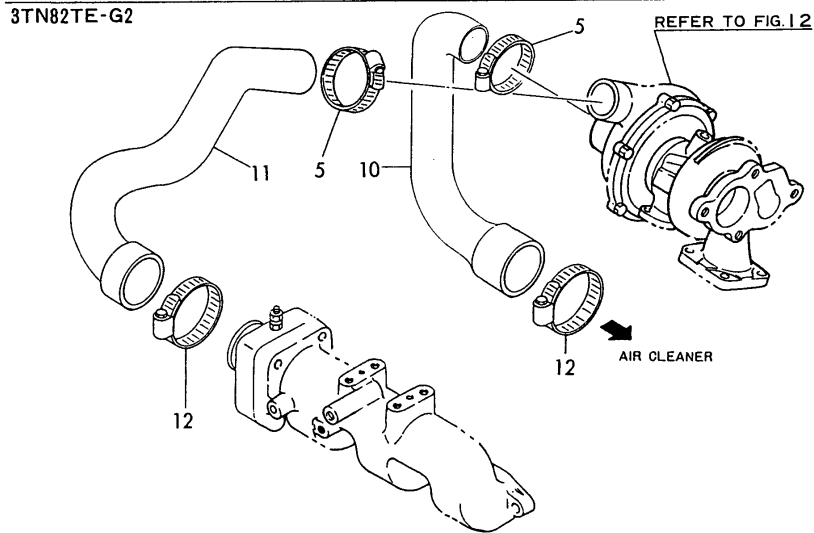
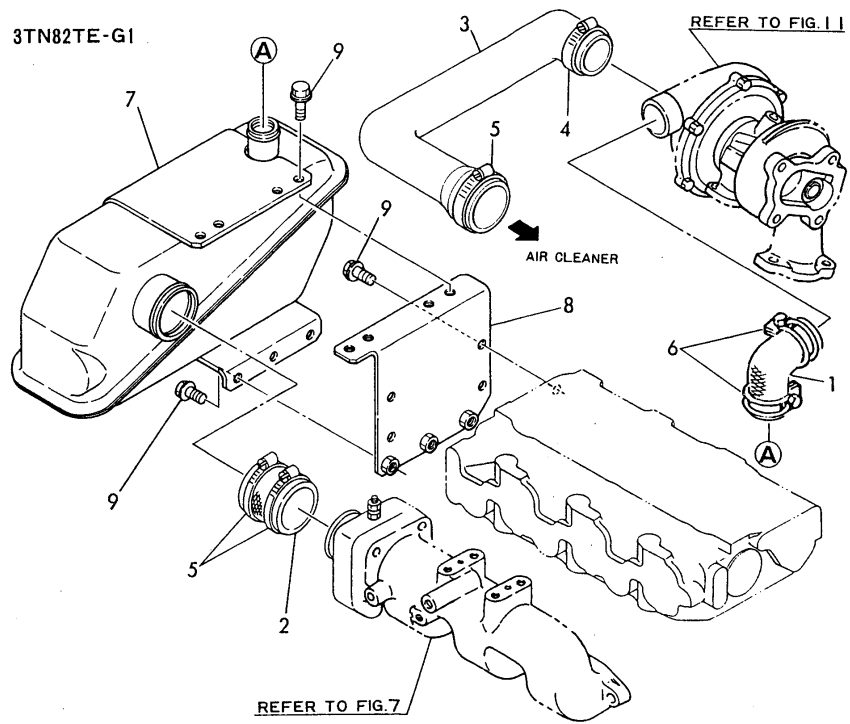
(A)=3TN82TE-G1
(B)=3TN82TE-G2
(C)=3TN82TE-S

(D)=
(E)=
(F)=

No.	Lev.	Parts No.	Description	Qty						I	R
				(A)	(B)	(C)	(D)	(E)	(F)		
1	1	129188-13510	SILENCER		1						
2	1	129412-18080	GASKET		1						
3	1	129188-13100	MANIFOLD, EXHAUST		1						
4	1	129188-13500	SILENCER	1		1					
5	1	129188-13570 (B=EXXX)	PIPE, TAIL	1	1	1					Z
6	1	121120-13580 (B=EXXX)	CLAMP	1	1	1					Z
7	1	129188-13600	COVER, SILENCER	1	1	1					
8	1	129403-18090	GASKET	1		1					
9	1	129322-18150	BRACKET	1	1	1					
10	1	26106-080122	BOLT, M8X 12 PLATED	4	4	4					
11	1	26106-080142	BOLT, M8X 14 PLATED	4	4	4					
12	1	129139-13100	MANIFOLD, EXHAUST	1		1					
13	1	129150-13110	GASKET	1	1	1					
14	1	26106-080802	BOLT, M8X 80 PLATED	4	4	4					
15	1	26216-080222	STUD, M8X 22	3	4	3					
16	1	26216-080802	STUD, M8X 80	2	2	2					
17	1	194990-22050	NUT, M8	4	3	4					
18	1	26216-080222	STUD, M8X 22	4	3	4					
19	1	194990-22050	NUT, M8	2	2	2					

Fig.9. INTAKE PIPE

Fig. 9 INTAKE PIPE



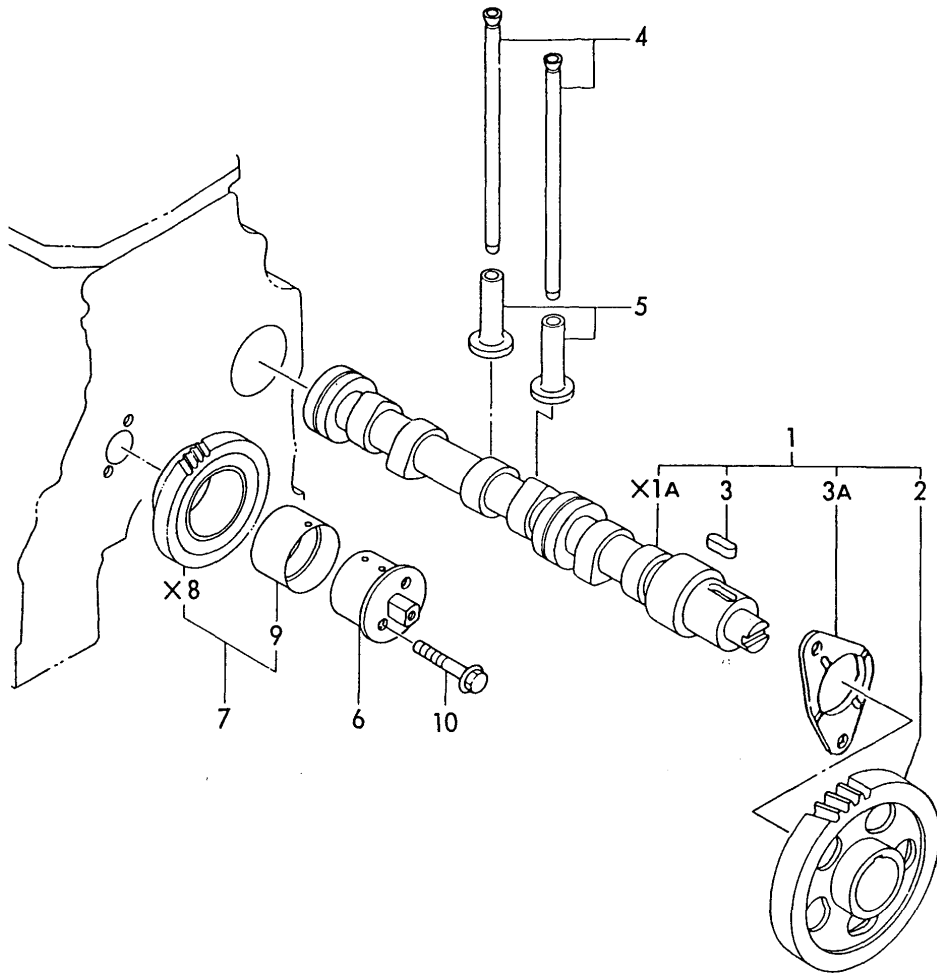
(A)=3TN82TE-G1
(B)=3TN82TE-G2
(C)=3TN82TE-S

(D)=
(E)=
(F)=

No.	Lev.	Parts No.	Description	Qty						I	R
				(A)	(B)	(C)	(D)	(E)	(F)		
1	1	129139-12050	HOSE, WATER	1	1						
2	1	129122-12060	HOSE	1	1						
3	1	129188-12070	PIPE, AIR INTAKE	1	1						
3-1	1	129188-12071 (A=E/# 00119)	PIPE, AIR INTAKE (C=E/# 00129)	1	1						N
4	1	23000-048000	CLAMP, 48	1	1						
5	1	23000-060000	CLAMP, 60	3	2	3					
6	1	23010-040000	CLAMP, 40	2	2						
6-1	1	23000-041000	CLAMP, 41	2	2						N
			(A=E/# 00158)								
7	1	129139-12200	TANK, SURGE	1	1						
8	1	129122-12211	BRACKET	1	1						
9	1	26106-080162	BOLT, M8X 16 PLATED	11	11						
10	1	129488-12070	PIPE, AIR INTAKE		1						
11	1	129488-12080	PIPE, AIR INTAKE		1						
12	1	23000-070000	CLAMP, 70		2						

Fig.10. CAMSHAFT & IDLE GEAR

Fig. **10** CAMSHAFT & DRIVING GEAR



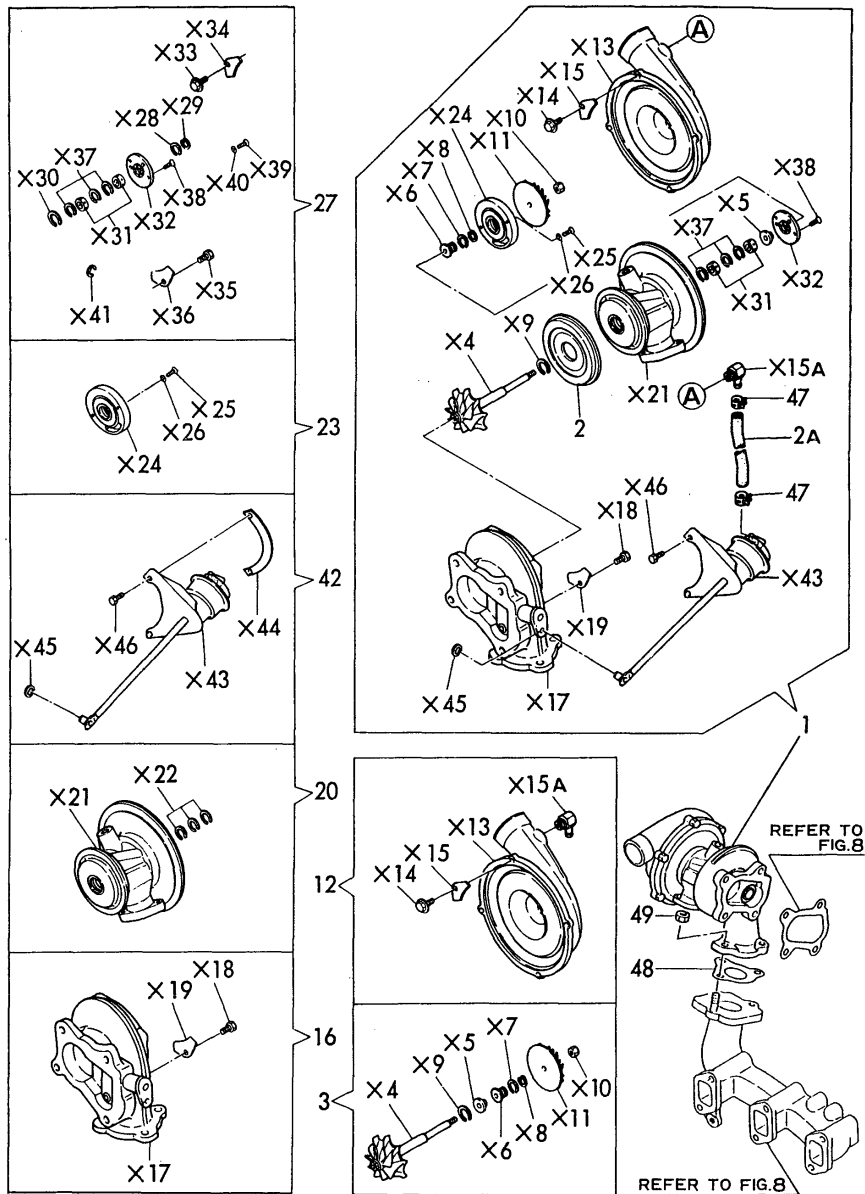
(A)=3TN82TE-G1
(B)=3TN82TE-G2
(C)=3TN82TE-S

(D)=
(E)=
(F)=

No.	Lev.	Parts No.	Description	Q'ty						I	R
				(A)	(B)	(C)	(D)	(E)	(F)		
1	1	129129-14580 (A=EXXX) (B=EXXX) (C=EXXX)	CAMSHAFT ASSY	1	1	1					W
2	2	129150-14101	GEAR, CAMSHAFT	1	1	1					
3	2	22512-070140	KEY, 7X 14	1	1	1					
3A	2	129150-02450	BEARING, THRUST	1	1	1					
4	1	129150-14400	ROD, PUSH L=178	6	6	6					
5	1	129150-14200	TAPPET	6	6	6					
6	1	129100-25061	SHAFT, IDLE	1	1	1					
7	1	129150-25101	GEAR ASSY, IDLE	1	1	1					
10	1	26106-080452	BOLT, M8X 45 PLATED	2	2	2					

Fig.11. TURBOCHARGER(COMPONENT PARTS)

Fig. 11 TURBOCHARGER



(A)=3TN82TE-G1
 (B)=3TN82TE-G2
 (C)=3TN82TE-S

(D)=
 (E)=
 (F)=

No.	Lev.	Parts No.	Description	Qty						I	R
				(A)	(B)	(C)	(D)	(E)	(F)		
1	1	129188-18010	TURBINE, RHB31	1							
1A	1	129403-18050	TURBINE, RHB31			1					
2	2	129403-18720	PROTECTOR, HEAT	1							
2A	2	129403-18750	HOSE			1					
3	2	129403-18770	ROTOR ASSY, TURBO	1		1					
12	2	129188-18780	HOUSING ASSY, BLOWER	1							
12A	2	129403-18780	HOUSING ASSY, BLOWER			1					
16	2	129188-18790	HOUSING ASSY, TURBO	1							
16A	2	129403-18790	HOUSING ASSY, TURBO			1					
20	2	129403-18800	HOUSING ASSY	1		1					
23	2	129403-18820	SEAL PLATE ASSY	1		1					
27	2	129403-18830	OVERHAUL KIT	1		1					
42	2	129403-18810	CONTROL ASSY			1					
47	2	23080-012000	CLAMP, 12			1					
48	1	129477-18100	GASKET	1		1					
49	1	26716-080002	NUT, M8	3							
49A	1	194990-22050	NUT, M8			3					

3TN82TE-G1

Fig.12. TURBOCHARGER(COMPONENT PARTS)

(A)=3TN82TE-G1
 (B)=3TN82TE-G2
 (C)=3TN82TE-S

(D)=
 (E)=
 (F)=

Fig. 12 TURBOCHARGER

No.	Lev.	Parts No.	Description	Qty						I	R
				(A)	(B)	(C)	(D)	(E)	(F)		
1	1	129503-18020	TURBINE, RHB51		1						
2	2	129404-18720	PROTECTOR, HEAT		1						
3	2	129488-18770	ROTOR ASSY, TURBO		1						
12	2	129488-18780	HOUSING ASSY		1						
16	2	129488-18790	HOUSING ASSY		1						
20	2	129404-18800	HOUSING SET		1						
23	2	129404-18820	PLATE		1						
27	2	129404-18830	OVERHAUL KIT		1						
41	1	129322-18100	GASKET		1						
42	1	26716-080002	NUT, M8		4						
42-1	1	194990-22050	NUT, M8		4						N

(B=E/# 00160)

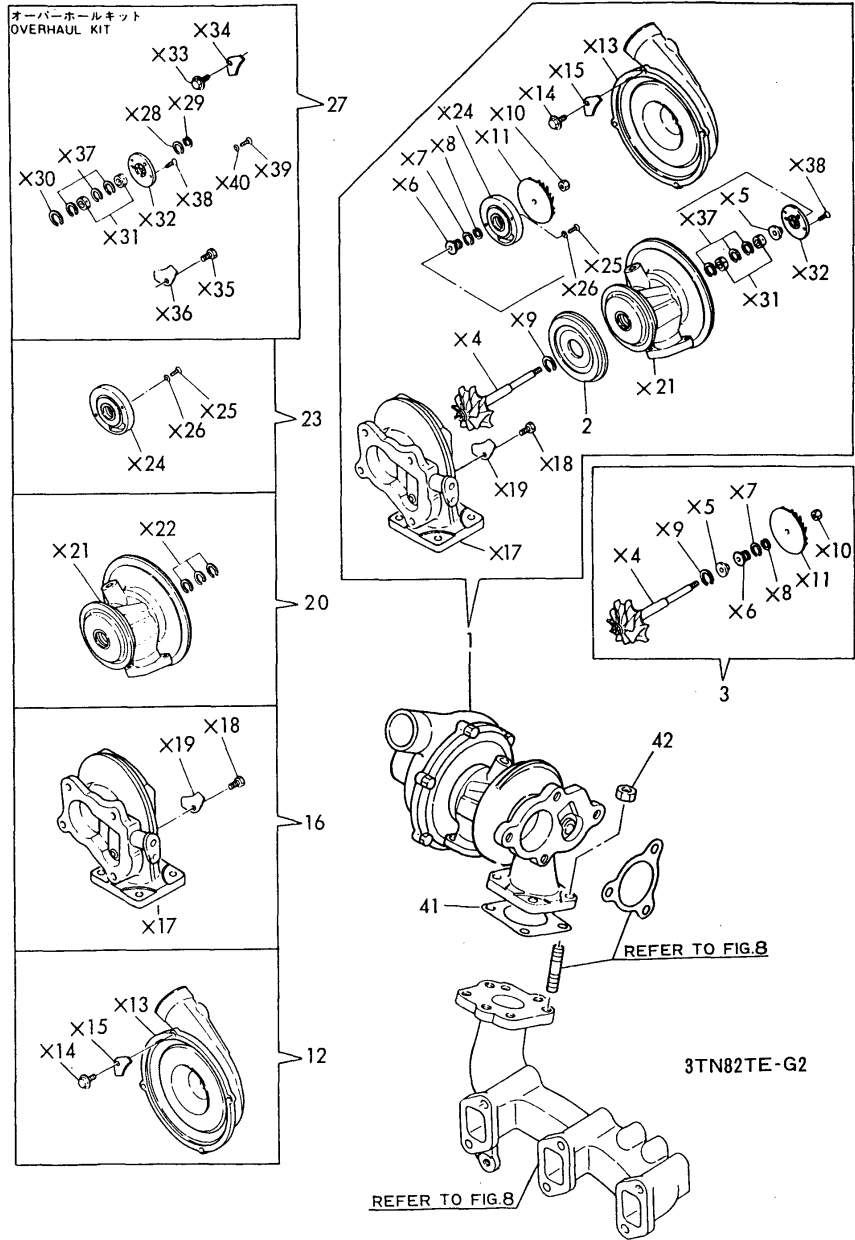
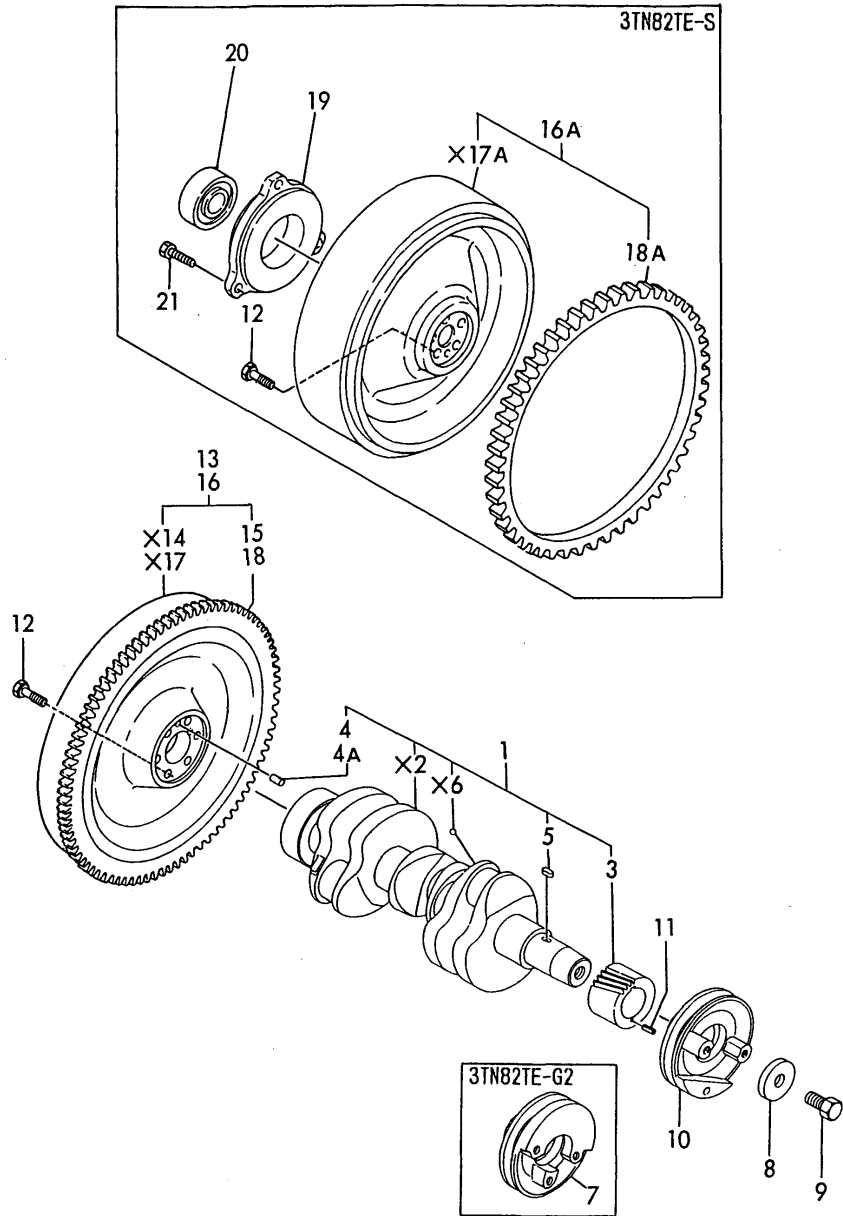


Fig.13. CRANKSHAFT & FLYWHEEL

Fig. **13** CRANKSHAFT & FLYWHEEL



(A)=3TN82TE-G1
(B)=3TN82TE-G2
(C)=3TN82TE-S

(D)=
(E)=
(F)=

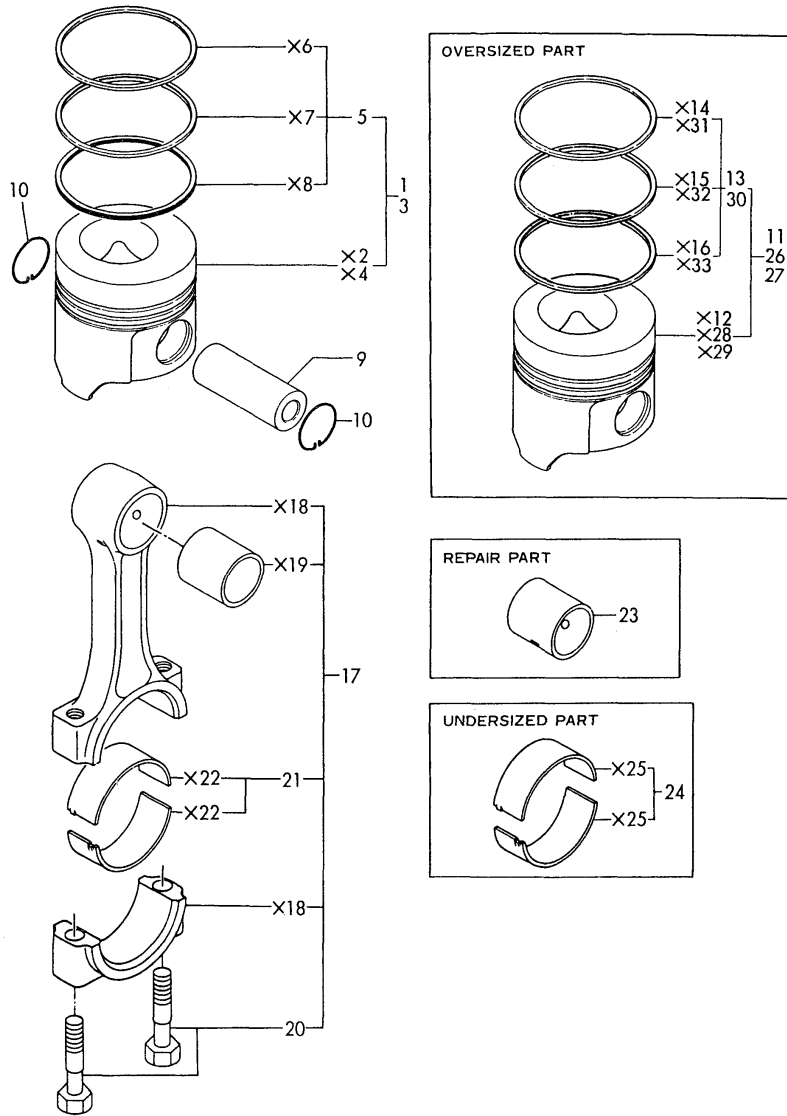
No.	Lev.	Parts No.	Description	Qty						I	R
				(A)	(B)	(C)	(D)	(E)	(F)		
1	1	729150-21700	CRANKSHAFT ASSY	1	1	1					
1-1	1	729102-21700	CRANKSHAFT ASSY	1	1	1					N
		(A=E/# 00131) (B=E/# 00148) (C=E/# 00129)									
3	2	129150-21200	GEAR, CRANKSHAFT	1	1	1					
4	2	129100-01580	PIN, M8X16		1	1					
4A	2	22312-080160	PIN, PARALLEL M8X16	1							
4A-1	2	129100-01580	PIN, M8X16	1							N
		(A=E/# 00131)									
5	2	22512-070140	KEY, 7X 14	1	1	1					
7	1	171340-21650	V-PULLEY		1						
8	1	129795-21661	WASHER	1	1	1					
9	1	121850-21680	BOLT	1	1	1					
10	1	129150-21650	V-PULLEY	1	1						
11	1	22351-040010	PIN, SPRING 4.0X10	1	1	1					
12	1	121111-21501	BOLT, FLYWHEEL	6	6	6					
13	1	171340-21580	FLYWHEEL ASSY		1						
15	2	119865-21600	GEAR, RING		1						
16	1	171340-21590	FLYWHEEL ASSY	1							
16A	1	129188-21590	FLYWHEEL ASSY			1					
18	2	124550-21600	GEAR, RING	1							
18A	2	119865-21600	GEAR, RING			1					
19	1	119888-21450	RETAINER, BEARING			1					
20	1	24104-062054	BEARING, BALL 6205UU			1					
21	1	26106-080222	BOLT, M8X 22 PLATED			3					

Fig.14. PISTON & CONNECTING ROD

(A)=3TN82TE-G1
(B)=3TN82TE-G2
(C)=3TN82TE-S

(D)=
(E)=
(F)=

Fig. **14** PISTON & CONNECTING ROD



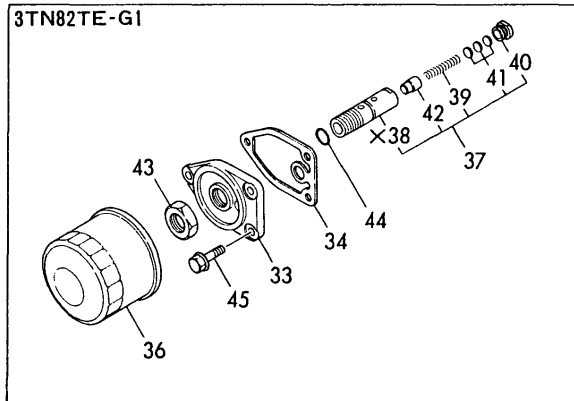
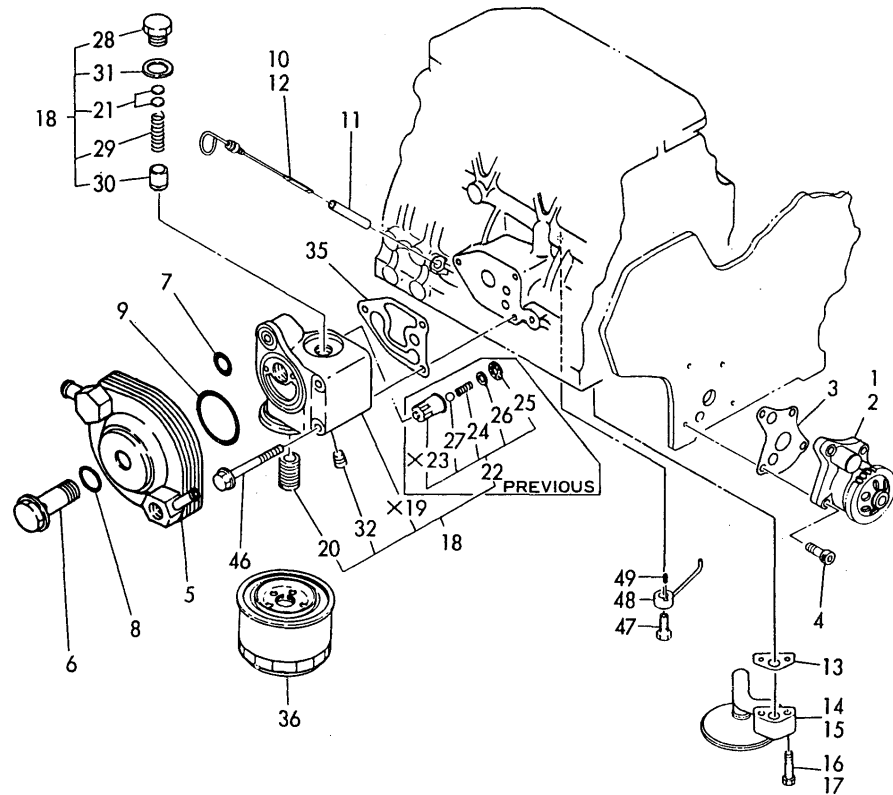
No.	Lev.	Parts No.	Description	Qty						I	R
				(A)	(B)	(C)	(D)	(E)	(F)		
1	1	129402-22090	PISTON ASSY	3		3					
3	1	129404-22080	PISTON ASSY		3						
5	2	729120-22100	RING SET, PISTON	3	3	3					
5-1	2	729120-22500 (A=E/# 00164) (B=E/# 00180) (C=E/# 00169)	RING SET, PISTON	3	3	3					N
9	1	129150-22300	PIN, PISTON D26 L66	3	3	3					
10	1	121100-22400	CIRCLIP	6	6	6					
11	1	729402-22910	PISTON ASSY, 0.25 OS	3		3					1
11A	1	729404-22900	PISTON ASSY, 0.25 OS		3						1
13	2	729156-22950 (B=E/# 00180)	RING SET, 0.25 OS	3	3	3					1
13-1	2	729120-22950	RING SET, 0.25 OS	3	3	3					N 1
17	1	729150-23700 (A=FROM 1ST) (B=FROM 1ST) (C=FROM 1ST)	ROD ASSY, CONNECTING	3	3	3					
17-1	1	729402-23100	ROD ASSY, CONNECTING	3	3	3					N
20	2	121550-23200 (A=E/# 00164) (B=E/# 00180) (C=E/# 00169)	BOLT, CONNECTING ROD	6	6	6					
21	2	129150-23600	BEARING, CRANK PIN	3	3	3					
23	1	129100-23910	BEARING, PISTON PIN	3	3	3					2
24	1	129150-23610	BEARING, 0.25 US	3	3	3					3
26	1	129402-22920	PISTON ASSY, 0.50 OS	3		3					4
27	1	129404-22920	PISTON ASSY, 0.50 OS		3						4
30	2	129402-22970	RING SET, 0.50 OS	3	3	3					4

Remarks

- (1) OVER SIZED(O.S=0.25) PART.
- (2) ONLY FOR REPAIR.
- (3) UNDER SIZED PART.
- (4) OVER SIZED(O.S=0.5) PART.

Fig.15. LUBRICATING OIL SYSTEM

Fig. 15 LUB. OIL SYSTEM



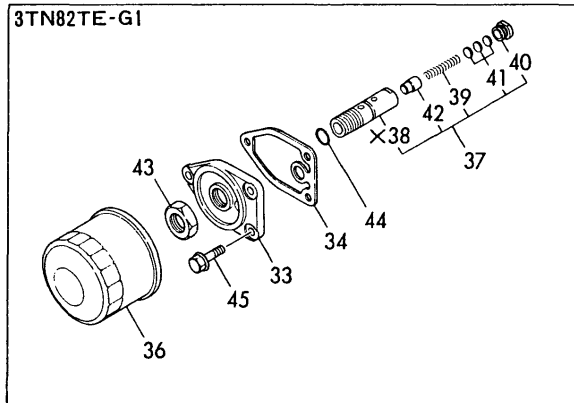
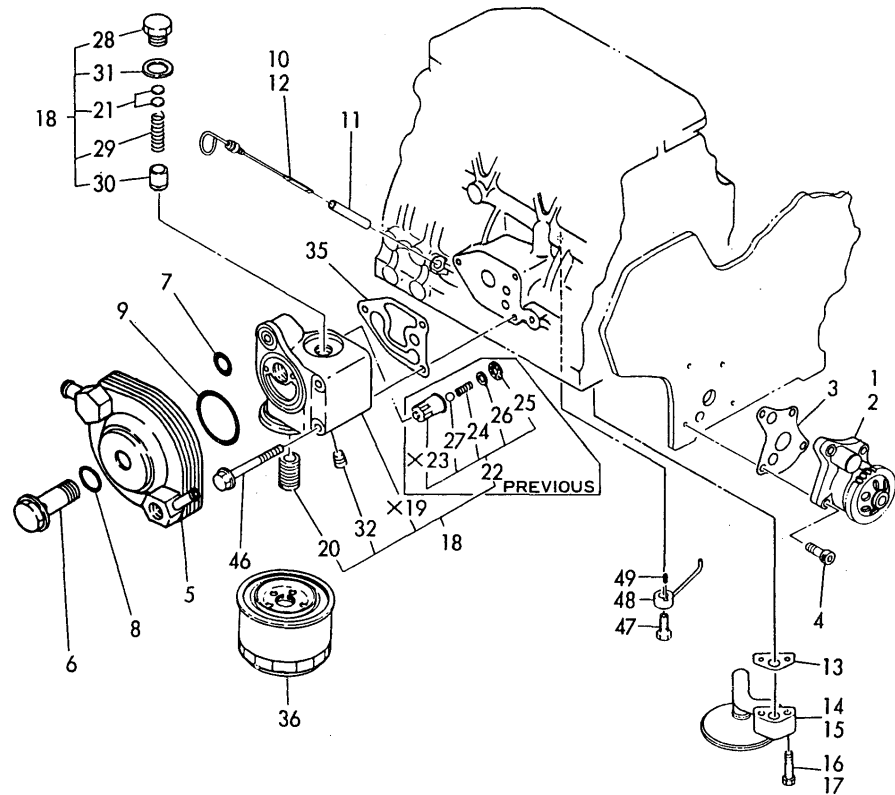
(A)=3TN82TE-G1
(B)=3TN82TE-G2
(C)=3TN82TE-S

(D)=
(E)=
(F)=

No.	Lev.	Parts No.	Description	Qty						I	R
				(A)	(B)	(C)	(D)	(E)	(F)		
1	1	129150-32000	PUMP ASSY, OIL	1							
1A	1	129553-32000	PUMP ASSY, OIL			1					
2	1	129553-32000	PUMP ASSY, OIL		1						
3	1	129150-32020	GASKET, PUMP	1	1	1					
4	1	26450-060252	BOLT, M6X 25	4	4	4					
5	1	129103-33031	COOLER, OIL		1	1					
6	1	129103-33132	BOLT		1	1					
7	1	24311-000200	O-RING, 1AP20.0		1	1					
8	1	24311-000210	O-RING, 1AP21.0		1	1					
9	1	24321-000550	O-RING, 1AG55.0		1	1					
10	1	171420-34800	DIPSTICK, OIL	1		1					
10-1	1	129403-34800	DIPSTICK, OIL			1					N
				(C=*)							
11	1	121520-34810	GUIDE, DIPSTICK	1	1	1					
12	1	171420-34820	DIPSTICK, OIL		1						
12-1	1	129403-34800	DIPSTICK, OIL		1						N
				(B=E/# 00190)							
13	1	129150-35040	GASKET	1	1	1					
13-1	1	129150-35041	GASKET	1	1	1					N
				(A=E/# 00170) (B=E/# 00180) (C=E/# 00169)							
14	1	129150-35091	PIPE ASSY, OIL INLET	1		1					
15	1	129100-35300	PIPE ASSY, OIL INLET		1						
15-1	1	129100-35301	PIPE ASSY, OIL INLET		1						N
				(B=E/# 00160)							
16	1	26106-080352	BOLT, M8X 35 PLATED	2		2					
17	1	26116-080352	BOLT, M8X 35 PLATED		2						
17-1	1	26106-080352	BOLT, M8X 35 PLATED		2						N
				(B=EXXX)							
18	1	129103-35100	BRACKET ASSY			1					
18-1	1	129103-35101	BRACKET ASSY, FILTER		1	1					N
				(C=EXXX)							
20	2	129100-35140	STUD		1	1					
21	2	121850-35200	SHIM SET		1	1					
22	2	129553-35500	VALVE ASSY, BYPASS	1	1						Z
				(B=E/# 00148) (C=E/# 00147)							
24	3	129553-35520	SPRING		1	1					Z
				(B=E/# 00148) (C=E/# 00147)							
25	3	129553-35530	RETAINER, SPRING		1	1					Z
				(B=E/# 00148) (C=E/# 00147)							
26	3	129553-35540	SHIM		1	1					Z
				(B=E/# 00148) (C=E/# 00147)							
27	3	24190-130001	BALL, STEEL 13/32		1	1					Z
				(B=E/# 00148) (C=E/# 00147)							
28	2	124223-35510	RETAINER, SPRING		1	1					
29	2	121850-35520	SPRING		1	1					
30	2	121850-35531	VALVE, CONTROL		1	1					
31	2	23414-180000	GASKET, 18X1.0		1	1					
32	2	23871-020000	PLUG, R02		1	1					
33	1	129150-35101	BRACKET, STRAINER	1							
34	1	129150-35110	GASKET	1							
34-1	1	129150-35111	GASKET	1							N

Fig.15. LUBRICATING OIL SYSTEM

Fig. 15 LUB. OIL SYSTEM



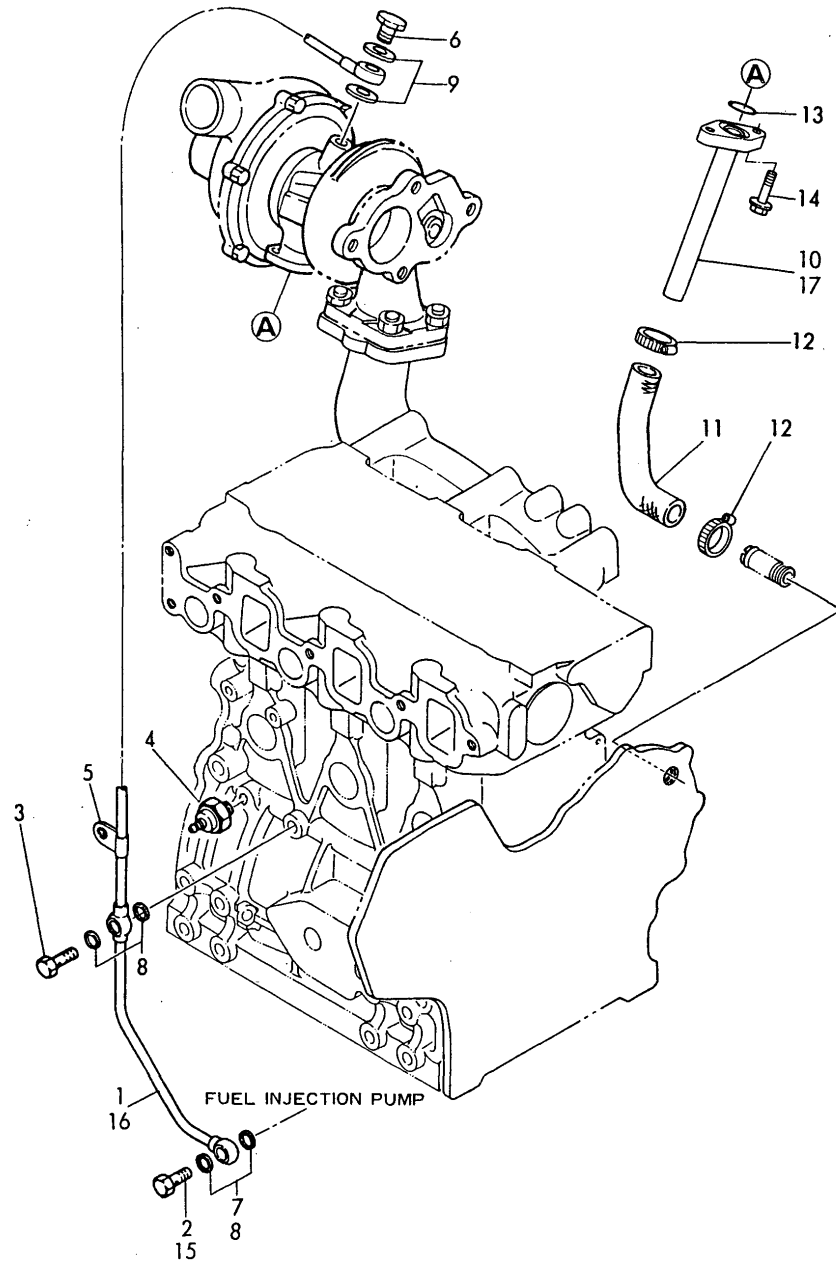
(A)=3TN82TE-G1
(B)=3TN82TE-G2
(C)=3TN82TE-S

(D)=
(E)=
(F)=

No.	Lev.	Parts No.	Description	Qty						I	R
				(A)	(B)	(C)	(D)	(E)	(F)		
(A=E/# 00170)											
35	1	129103-35121	GASKET		1						
35-1	1	129103-35120	GASKET			1					N
(C=E/# 00169)											
35-2	1	129103-35122	GASKET		1	1					N
(B=E/# 00180) (C=E/# 00169)											
36	1	129150-35150	FILTER 90X80L	1	1	1					
37	1	119865-35300	VALVE ASSY, CONTROL	1							
39	2	119865-35320	SPRING	1							
40	2	119865-35330	RETAINER	1							
41	2	129150-35340	SHIM SET	1							
42	2	119865-35350	VALVE, CONTROL	1							
43	1	129150-35350	NUT	1							
44	1	24311-000160	O-RING, 1AP16.0	1							
45	1	26106-080202	BOLT, M8X 20 PLATED	3							
46	1	26106-080752	BOLT, M8X 75 PLATED		3	3					
47	1	129792-39410	VALVE ASSY, CHECK		3	3					
48	1	129553-39650	NOZZLE		3	3					
49	1	22351-030010	PIN, SPRING 3.0X10		3	3					

Fig.16. LUBRICATING OIL LINE

Fig. 16 LUB. OIL LINE



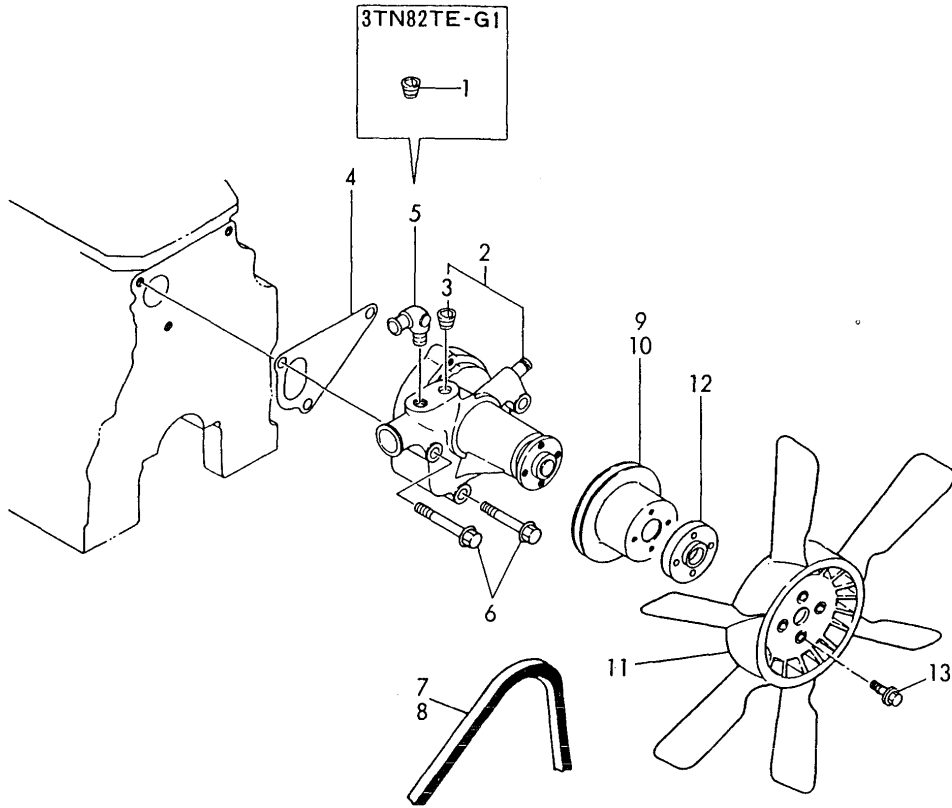
(A)=3TN82TE-G1
(B)=3TN82TE-G2
(C)=3TN82TE-S

(D)=
(E)=
(F)=

No.	Lev.	Parts No.	Description	Qty						I	R
				(A)	(B)	(C)	(D)	(E)	(F)		
1	1	129122-39030	PIPE, OIL	1	1						
2	1	105010-39140	BOLT, PIPE JOINT	1	1						
3	1	124160-39140	BOLT, PIPE JOINT M10	1	1	1					
4	1	124160-39450	SWITCH, 0.5KG	1	1	1					
5	1	124223-39900	RETAINER	1	1	1					
6	1	124550-59820	BOLT, PIPE JOINT M8	1	1	1					
7	1	23414-080000	GASKET, 8X1.0	2		2					
8	1	23414-100000	GASKET, 10X1.0	2	4	2					
9	1	43400-500410	SEAL WASHER 8	2	2	2					
10	1	129122-39600	PIPE, OIL	1		1					
11	1	129103-39610	JOINT, PIPE	1	1	1					
11-1	1	129103-39611	JOINT, PIPE	1		1					N
(A=E/# 00158) (C=E/# 00163)											
11-2	1	129403-39610	JOINT, RUBBER		1						N
(B=E/# 00160)											
12	1	23000-022000	CLAMP, 22	2	2	2					
13	1	24314-000180	O-RING, 4CP18.0	1		1					
13-1	1	24314-000160	O-RING, 4CP16.0	1		1					N
(A=E/# 00158) (C=E/# 00163)											
14	1	26106-060202	BOLT, M6X 20 PLATED	2	2	2					
14-1	1	26106-060162	BOLT, M6X 16 PLATED	2		2					N
(A=E/XXX) (C=E/XXX)											
15	1	121252-39150	BOLT, JOINT M10X1.5			1					
16	1	129103-39450	PIPE ASSY, OIL			1					
16-1	1	129188-39450	PIPE ASSY, OIL			1					N
(B=E/# 00160)											
17	1	129103-39600	PIPE, OIL			1					
17-1	1	129188-39600	PIPE, OIL			1					N
(B=E/# 00160)											

Fig.17. COOLING WATER PUMP

Fig. 17 COOLING WATER PUMP



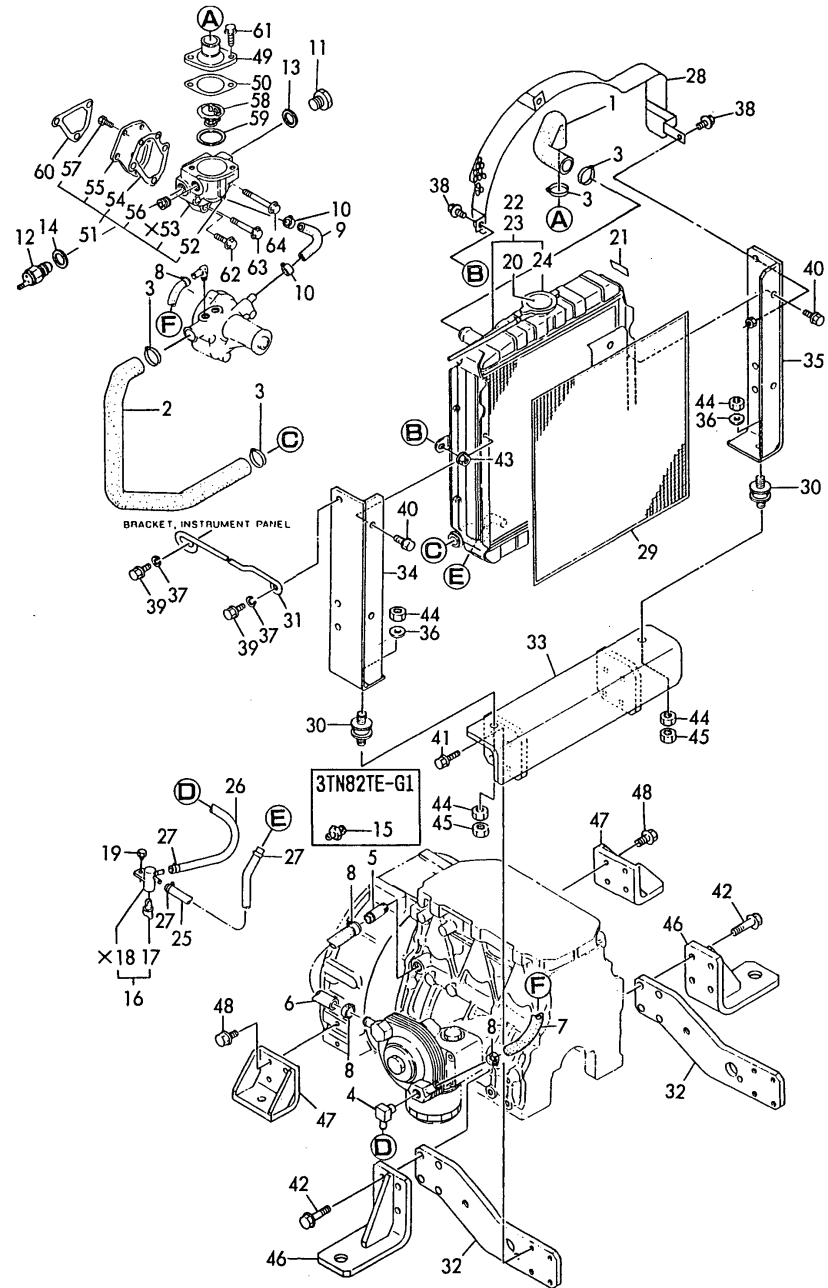
(A)=3TN82TE-G1
(B)=3TN82TE-G2
(C)=3TN82TE-S

(D)=
(E)=
(F)=

No.	Lev.	Parts No.	Description	Qty						I	R
				(A)	(B)	(C)	(D)	(E)	(F)		
1	1	121850-11860	PLUG, PT1/4	1							
2	1	129100-42001	PUMP ASSY, WATER	1	1	1					
2-1	1	129100-42002	PUMP ASSY, WATER	1	1	1					N
(A=E/# 00170) (B=E/# 00180) (C=E/# 00169)											
3	2	23871-030000	PLUG, R03	1	1	1					
4	1	129100-42020	GASKET, WATER PUMP	1	1	1					
5	1	129103-49301	ELBOW, PT1/4				1	1			
6	1	26106-080602	BOLT, M8X 60 PLATED	3	3	3					
7	1	121492-42290	V-BELT, A38				1				
8	1	124732-42290	V-BELT, AX37	1							
8A	1	121492-42290	V-BELT, A38							1	
9	1	129155-42350	V-PULLEY	1		1					
10	1	129403-42380	V-PULLEY, D=110			1					
11	1	171340-44740	FAN, COOLING D335XNF	1	1	1					
12	1	124574-44761	SPACER, FAN	1	1	1					
13	1	26014-060252	BOLT, M6X 25	4	4	4					

Fig.18. COOLING WATER LINE

Fig. 18 COOLING WATER SYSTEM



(A)=3TN82TE-G1
(B)=3TN82TE-G2
(C)=3TN82TE-S

(D)=
(E)=
(F)=

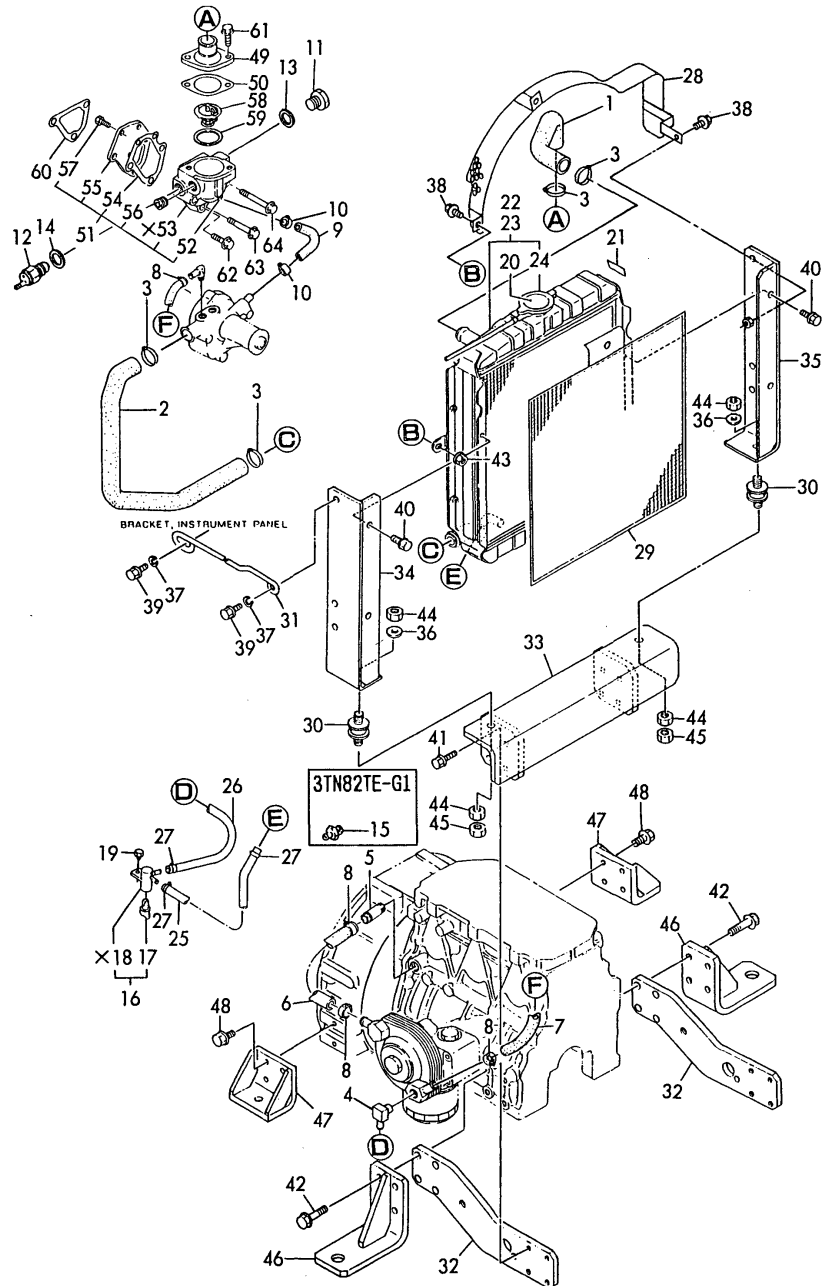
No.	Lev.	Parts No.	Description	Q'ty						I	R
				(A)	(B)	(C)	(D)	(E)	(F)		
1	1	171301-49010	PIPE, WATER	1	1	1					
2	1	171301-49020	PIPE, WATER	1	1	1					
3	1	23010-038000	CLAMP, 38	4	4	4					
4	1	121750-49110	JOINT		1	1					
5	1	129122-44480	JOINT		1	1					
6	1	129403-49031	PIPE, WATER		1	1					
7	1	129403-49050	PIPE, WATER		1	1					
7-1	1	129258-49040 (B=E-XXX) (C=E-XXX)	PIPE, WATER		1	1					N
8	1	23000-022000	CLAMP, 22		4	4					
9	1	129100-49050	PIPE, WATER	1	1	1					
10	1	23000-016000	CLAMP, 16	2	2	2					
11	1	121450-42450	PLUG, M16	1	1	1					
12	1	121250-44901	SWITCH, 110	1	1	1					
13	1	124465-44950	GASKET, 16	1	1	1					
14	1	124465-44950	GASKET, 16	1	1	1					
15	1	121550-49111	JOINT, PT1/4	1		1					
16	1	129150-49100	COCK ASSY, 3-WAY	1	1	1					
17	2	129150-49080	COCK, DRAIN (C=E-XXX)	1	1	1					W
19	1	26106-080162 (C=E-XXX)	BOLT, M8X 16 PLATED	1	1	1					W
19-1	1	26106-080162 (B=E-XXX)	BOLT, M8X 16 PLATED		1						Z
20	1	124764-44800	LABEL, RADIATOR	1	1	1					
20-1	1	124764-44800 (B=E-XXX)	LABEL, RADIATOR		1						Z
21	1	124764-44920	LABEL, ANTI-FREEZING	1	1	1					
21-1	1	124764-44920 (B=E-XXX)	LABEL, ANTI-FREEZING		1						Z
22	1	171420-44500	RADIATOR	1							
22-1	1	171440-44500 (A=E/# 00164)	RADIATOR	1							N
23	1	171440-44500	RADIATOR		1	1					
24	2	123682-44210	CAP, RADIATOR	1	1	1					
25	1	121520-49160 (C=E-XXX)	PIPE, WATER DRAIN	1	1						W
26	1	121737-49160 (C=E-XXX)	PIPE, WATER DRAIN	1		1					W
27	1	124766-59050 (C=E-XXX)	CLIP, HOSE 12	4	4						W
28	1	129188-44560 (A=E/# 00164)	PROTECTOR, FAN	1	1						W
29	1	121250-44581 (A=E/# 00164)	SCREEN, RADIATOR	1		1					W
30	1	121400-44650 (A=E/# 00164)	ABSORBER	2	2						W
31	1	129188-44940 (A=E/# 00164)	RETAINER, RADIATOR	1	1						W
32	1	129188-44950 (A=E/# 00164)	BRACKET	2	2						W

Fig.18. COOLING WATER LINE

(A)=3TN82TE-G1
(B)=3TN82TE-G2
(C)=3TN82TE-S

(D)=
(E)=
(F)=

Fig. 18 COOLING WATER SYSTEM

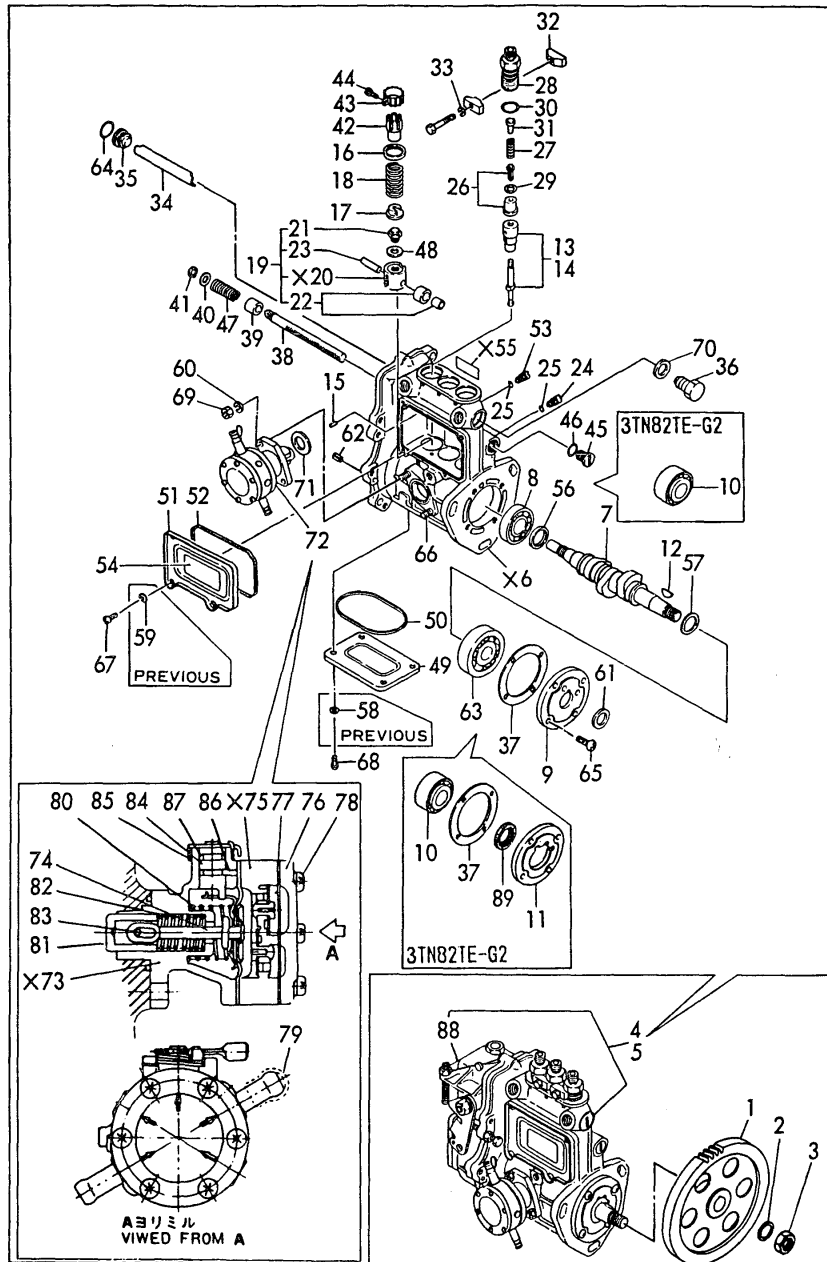


No.	Lev.	Parts No.	Description	Qty						I	R
				(A)	(B)	(C)	(D)	(E)	(F)		
33	1	129188-44960	BRACKET, RADIATOR	1	1						W
		(A=E/# 00164)									
34	1	129188-44970	SUPPORT, A	1	1						W
		(A=E/# 00164)									
35	1	129188-44980	SUPPORT, B	1	1						W
		(A=E/# 00164)									
36	1	22137-080000	WASHER, 8	2	2						W
		(A=E/# 00164)									
37	1	22217-100000	WASHER, SPRING 10	2	2						W
		(A=E/# 00164)									
38	1	26106-080122	BOLT, M8X 12 PLATED	3	3						W
		(A=E/# 00164)									
39	1	26106-080162	BOLT, M8X 16 PLATED	2	2						W
		(A=E/# 00164)									
40	1	26106-080202	BOLT, M8X 20 PLATED	4	4						W
		(A=E/# 00164)									
41	1	26106-080252	BOLT, M8X 25 PLATED	8	8						W
		(A=E/# 00164)									
42	1	26106-100302	BOLT, M10X 30 PLATED	8	8						W
		(A=E/# 00164)									
43	1	26366-080002	NUT, M8	3	3						W
		(A=E/# 00164)									
44	1	26716-100002	NUT, M10	4	4						W
		(A=E/# 00164)									
45	1	26756-100002	NUT, LOCK M10	2	2						W
		(A=E/# 00164)									
46	1	129188-08100	FOOT	2	2						W
		(A=E/XXX)									
47	1	119888-08110	FOOT	2	2						W
		(A=E/XXX)									
48	1	26106-100202	BOLT, M10X 20 PLATED	8	8						W
		(A=E/XXX)									
49	1	129350-49530	COVER, THERMOSTAT	1	1	1					
50	1	129795-49550	GASKET	1	1	1					
50-1	1	129795-49551	GASKET	1	1	1					N
		(A=E/# 00170) (B=E/# 00180) (C=E/# 00169)									
51	1	129100-49800	CASE ASSY, THERMOSTAT	1	1	1					
52	2	124770-11770	JOINT, PIPE PT1/8	1	1	1					
54	2	129100-49820	GASKET	1	1	1					
55	2	129100-49830	COVER, THERMOSTAT	1	1	1					
56	2	23871-030000	PLUG, R03	1	1	1					
57	2	26116-060162	BOLT, M6X 16 PLATED	2	2	2					
58	1	129155-49800	THERMOSTAT, 71	1	1	1					
59	1	129150-49810	GASKET, THERMOSTAT	1	1	1					
59-1	1	129150-49811	GASKET, THERMOSTAT	1	1	1					N
		(A=E/# 00170) (B=E/# 00180) (C=E/# 00169)									
60	1	129100-49840	GASKET	1	1	1					
61	1	26106-080202	BOLT, M8X 20 PLATED	2	2	2					
62	1	26106-080252	BOLT, M8X 25 PLATED	1	1	1					
63	1	26106-080502	BOLT, M8X 50 PLATED	1	1	1					
64	1	26106-080602	BOLT, M8X 60 PLATED	1	1	1					

N:Old $\xrightarrow{\text{Yes}}$ New, Q:Old $\xrightarrow{\text{No}}$ New, R:Old $\xrightarrow{\text{Yes}}$ New, S:Old $\xrightarrow{\text{No}}$ New, W:Add, Z:Discontinued, F:Interchangeable by set, K:Q'ty Change
Copyright (C) YANMAR CO., LTD. All Rights Reserved.

Fig.19. FUEL INJECTION PUMP

Fig. 19 FUEL INJECTION PUMP



(A)=3TN82TE-G1
(B)=3TN82TE-G2
(C)=3TN82TE-S

(D)=
(E)=
(F)=

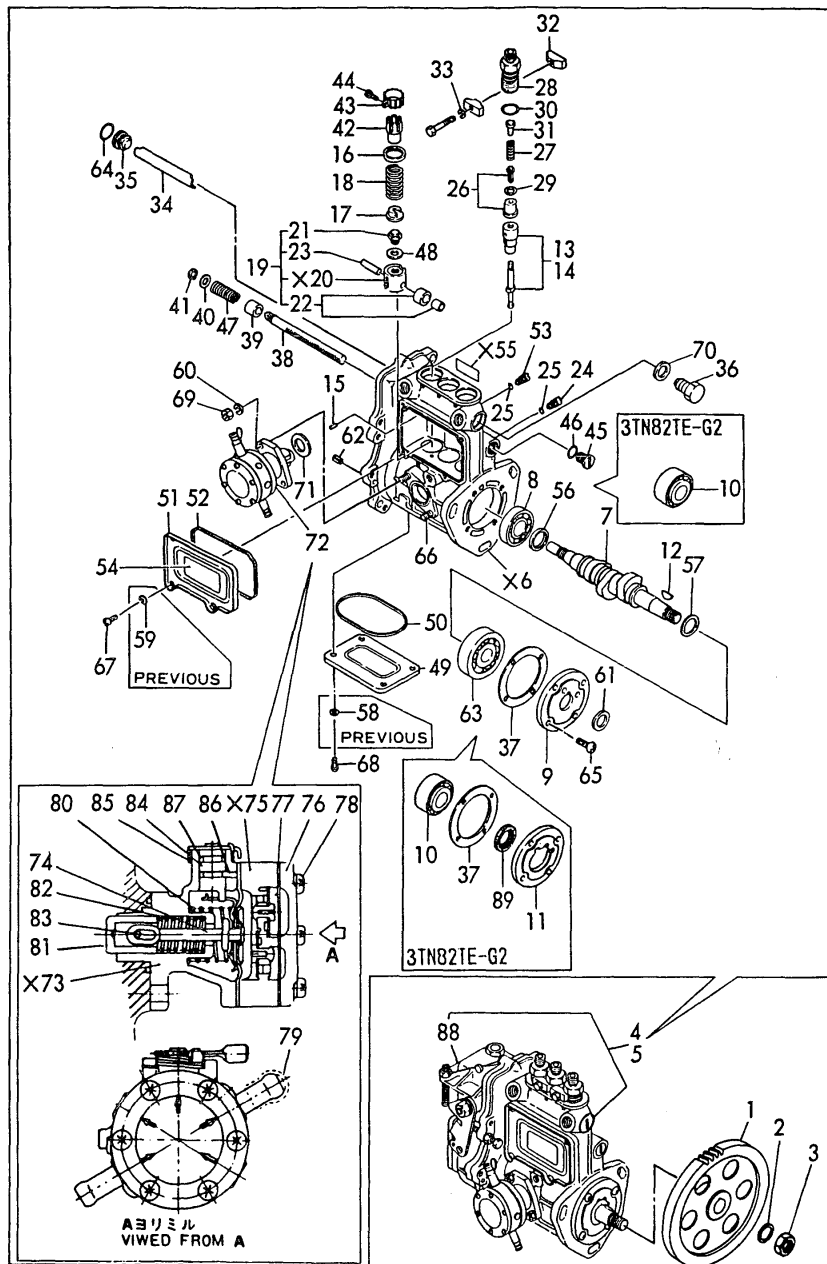
No.	Lev.	Parts No.	Description	Qty						I	R
				(A)	(B)	(C)	(D)	(E)	(F)		
1	1	129150-25900	GEAR, PUMP	1	1	1					
1-1	1	129100-25900 (B=E/# 00160)	GEAR, PUMP		1						N
2	1	22217-120000	WASHER, SPRING 12	1	1	1					
3	1	26716-120002	NUT, M12	1	1	1					
4	1	729188-51300	PUMP ASSY, INJECTION	1							
5	1	729188-51400	PUMP ASSY, INJECTION		1						
5A	1	729103-51350	PUMP ASSY, INJECTION			1					
5A-1	1	729188-51370	PUMP ASSY, INJECTION			1					N
(C=EXXX)											
7	2	119810-51040	CAMSHAFT	1	1	1					
8	2	129155-51050	BEARING, 17BM001D	1		1					
9	2	129155-51060	SUPPORT, CAMSHAFT	1		1					
10	2	122710-51050	BEARING, HR30203J		2						
11	2	129470-51060	RETAINER, BEARING		1						
12	2	122710-51090	KEY	1	1	1					
13	2	129470-51101	PLUNGER ASSY	3		3					
14	2	129403-51200	PLUNGER ASSY		3						
15	2	129155-51140	PIN	3	3	3					
16	2	174307-51170	RETAINER, SPRING A	3	3	3					
17	2	129155-51180	RETAINER, SPRING	3	3	3					
18	2	124950-51190	SPRING, PLUNGER	3	3	3					
19	2	129155-51200	TAPPET ASSY	3	3	3					
21	3	129155-51250	BOLT, ADJUSTING	3	3	3					
22	3	711100-51540	ROLLER ASSY	3	3	3					
23	3	174100-54120	PIN	3	3	3					
24	2	129155-51270	STOPPER, TAPPET	3	3	3					
25	2	129155-51280	O-RING, S6	3	3	3					
26	2	129100-51300	VALVE ASSY, DELIVERY	3	3	3					
27	2	129155-51320	SPRING, DELIVERY	3	3	3					
28	2	129155-51340	RETAINER	3	3	3					
29	2	124550-51350	GASKET, DELIVERY	3	3	3					
30	2	124550-51370	O-RING	3	3	3					
31	2	129155-51370	STOPPER, VALVE	3	3	3					
32	2	129155-51380	STOPPER	2	2	2					
33	2	129155-51390	STOPPER	2	2	2					
34	2	129155-51400	DEFLECTOR	1	1	1					
35	2	129155-51410	BOLT	1	1	1					
36	2	129155-51420	PLUG, M16	1	1	1					
37	2	129155-51450	SHIM SET, ADJUSTING	1	1	1					
38	2	129155-51500	RACK, CONTROL	1	1	1					
39	2	129155-51521	BUSH, RACK	1	1	1					
40	2	129155-51530	SPACER	1	1	1					
41	2	129155-51540	CIRCLIP	1	1	1					
42	2	129155-51550	PINION, CONTROL	3	3	3					
43	2	122117-51560	SCREW	3	3	3					
44	2	174307-51560	PINION	3	3	3					
45	2	129155-51570	PLUG, M12	1	1	1					
46	2	129155-51580	O-RING	1	1	1					
47	2	129155-51591	SPRING, RACK	1	1	1					
48	2	129155-51600	SHIM SET, ADJUSTING	3	3	3					

Fig.19. FUEL INJECTION PUMP

(A)=3TN82TE-G1
(B)=3TN82TE-G2
(C)=3TN82TE-S

(D)=
(E)=
(F)=

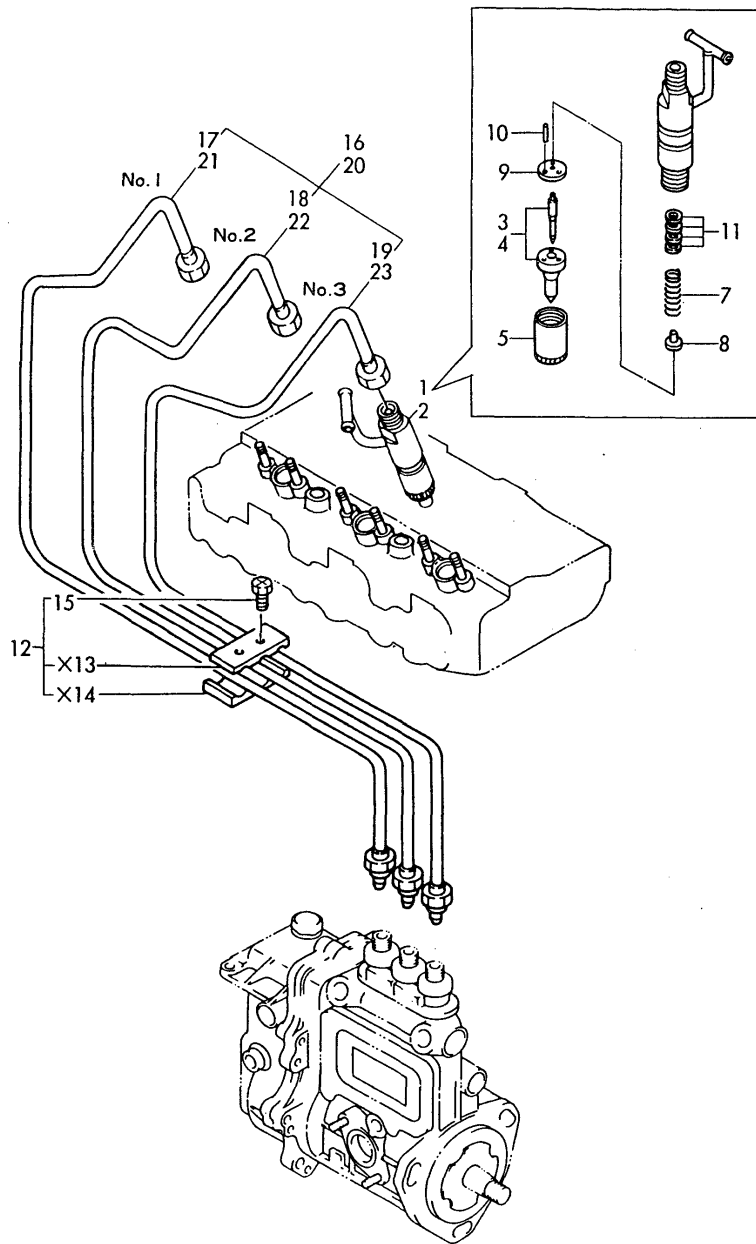
Fig. 19 FUEL INJECTION PUMP



No.	Lev.	Parts No.	Description	Qty						I	R
				(A)	(B)	(C)	(D)	(E)	(F)		
49	2	129155-51700	COVER	1	1	1					
50	2	129155-51710	GASKET	1	1	1					
51	2	129155-51750	COVER	1	1	1					
52	2	129155-51760	GASKET	1	1	1					
53	2	129155-51790	STOOPER, RACK	1	1	1					
54	2	129156-51910	LABEL, CAUTION	1	1	1					
56	2	129155-51930	SPACER, T=3.25	1		1					
57	2	129155-51940	SPACER, T=1.5	1		1					
58	2	22217-050000	WASHER, SPRING 5	4	4	4					Z
59	2	22217-050000	WASHER, SPRING 5	4	4	4					Z
60	2	22217-060000	WASHER, SPRING 6	2	2	2					
61	2	22287-120000	WASHER, 12	1	1	1					
62	2	22351-050010	PIN, SPRING 5.0X10	2	2	2					
63	2	24101-063034	BEARING, BALL 6303	1		1					
64	2	24341-000160	O-RING, 1AS16.0	1	1	1					
65	2	26022-060162	SCREW, M6X16	4	4	4					
66	2	129155-51020	STUD	2	2	2					
67	2	26557-050102	SCREW, M5X10	4	4	4					
67-1	2	26022-050102	SCREW, M5X10	4	4	4					N
		(A=EXXX) (B=EXXX) (C=EXXX)									
68	2	26557-050102	SCREW, M5X10	4	4	4					
68-1	2	26022-050102	SCREW, M5X10	4	4	4					N
		(A=EXXX) (B=EXXX) (C=EXXX)									
69	2	26716-060002	NUT, M6	2	2	2					
70	2	43400-500490	SEAL WASHER 16	1	1	1					
71	2	129155-52050	GASKET	1	1	1					
72	2	129100-52100	PUMP ASSY, FUEL FEED	1	1	1					
74	3	129158-52020	DIAPHRAGM	1	1	1					
76	3	129158-52060	COVER	1	1	1					
77	3	129158-52070	GASKET	1	1	1					
78	3	129158-52080	SCREW	6	1	6					
79	3	129158-52090	CAP	2	1	2					
80	3	129158-52160	SPRING	1	1	1					
81	3	129158-52250	TAPPET	1	1	1					
82	3	129158-52260	SPRING	1	1	1					
83	3	129158-52270	PIN	1	1	1					
84	3	129158-52350	LEVER	1	1	1					
85	3	129158-52360	SPRING, RETURN	1	1	1					
86	3	129158-52370	PIN	1	1	1					
87	3	129158-52380	O-RING	1	1	1					
89	2	129470-51080	SEAL, AF0741F0	1							

Fig.20. FUEL INJECTION LINE

Fig. **20** FUEL INJECTION DEVICE



(A)=3TN82TE-G1
(B)=3TN82TE-G2
(C)=3TN82TE-S

(D)=
(E)=
(F)=

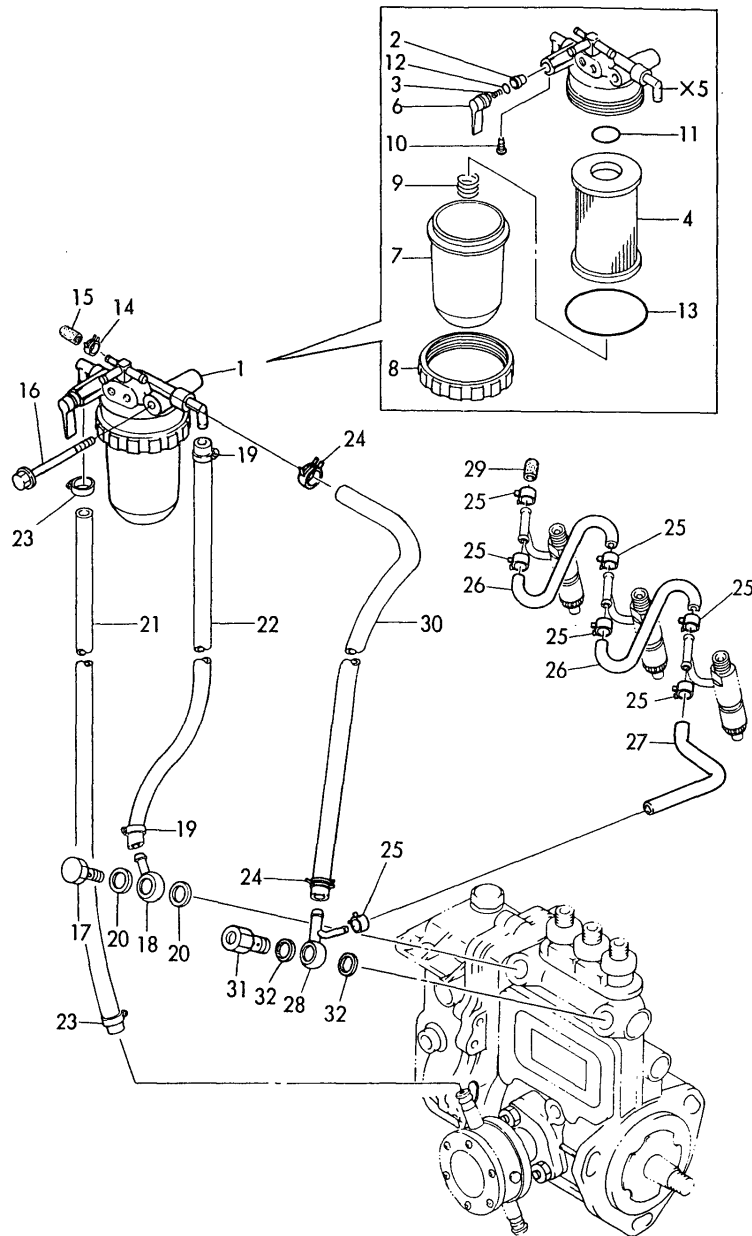
No.	Lev.	Parts No.	Description	Qty						I	R
				(A)	(B)	(C)	(D)	(E)	(F)		
1	1	729102-53100	VALVE ASSY,INJECTION	3							
1A	1	729503-53200	VALVE ASSY,INJECTION			3					
2	1	729103-53200	VALVE ASSY,INJECTION		3						
3	2	129102-53000	VALVE ASSY,INJECTION	3							
3A	2	129503-53050	VALVE ASSY,INJECTION			3					
4	2	129103-53050	VALVE ASSY,INJECTION		3						
5	2	114250-53080	NUT, NOZZLE D16.95	3	3	3					
7	2	114250-53120	SPRING, NOZZLE	3	3	3					
8	2	114250-53130	SEAT, SPRING	3	3	3					
9	2	114250-53140	PLATE	3	3	3					
10	2	114250-53210	PIN	6	6	6					
11	2	114250-53400	SHIM SET	3	3	3					
12	1	129150-59120	RETAINER, PIPE	1	1	1					
15	2	129150-59130	BOLT, M4X12	2	2	2					
16	1	129100-59800	PIPE ASSY, INJECTION		1						
17	2	129100-59810	PIPE ASSY, INJECTION		1						
18	2	129100-59820	PIPE ASSY, INJECTION		1						
19	2	129100-59830	PIPE ASSY, INJECTION		1						
20	1	129100-59900	PIPE ASSY, INJECTION	1		1					
21	2	129100-59910	PIPE ASSY, INJECTION	1		1					
22	2	129100-59920	PIPE ASSY, INJECTION	1		1					
23	2	129100-59930	PIPE ASSY, INJECTION	1		1					

Fig.21. FUEL LINE

(A)=3TN82TE-G1
(B)=3TN82TE-G2
(C)=3TN82TE-S

(D)=
(E)=
(F)=

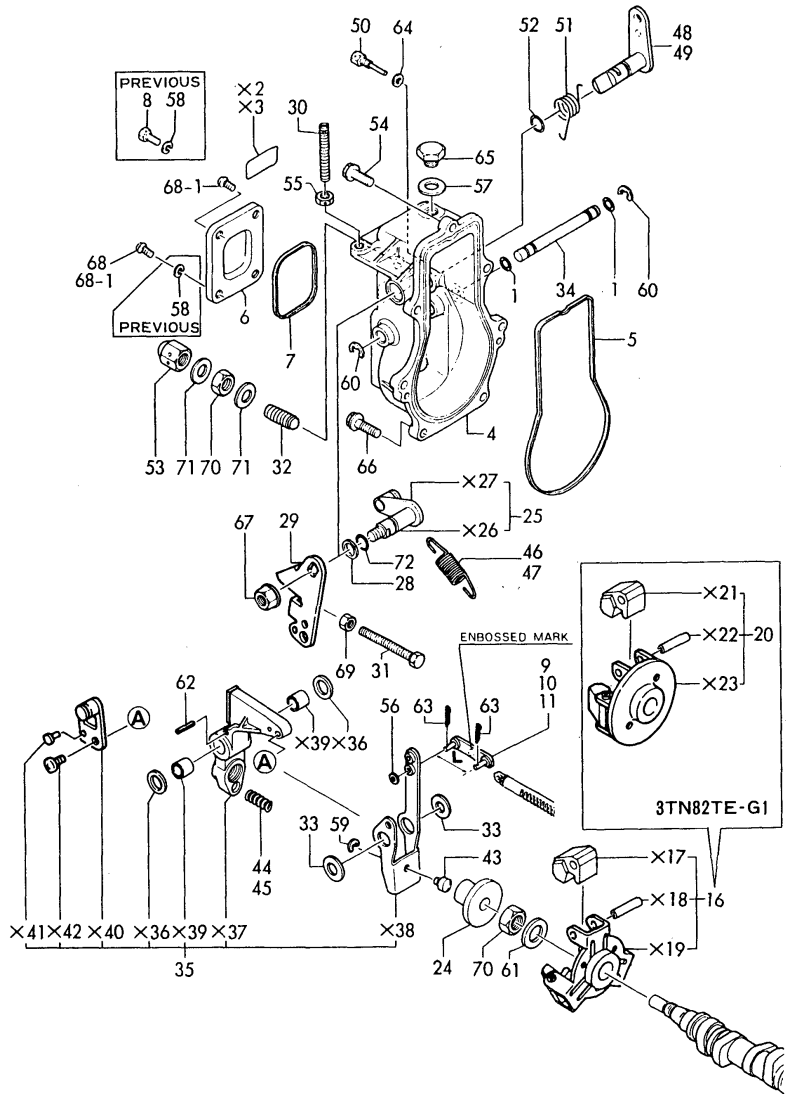
Fig.21 FUEL SYSTEM



No.	Lev.	Parts No.	Description	Qty						I	R
				(A)	(B)	(C)	(D)	(E)	(F)		
1	1	129100-55621	FILTER ASSY, FUEL	1	1	1					
2	2	104200-55321	VALVE, TAPER	1	1	1					
3	2	104200-55330	SPRING, VALVE	1	1	1					
4	2	129100-55650	ELEMENT	1	1	1					
6	2	129100-55670	LEVER	1	1	1					
7	2	129100-55680	CUP, STRAINER	1	1	1					
8	2	129100-55690	RING, RETAINING	1	1	1					
9	2	129100-55700	SPRING	1	1	1					
10	2	104200-55750	SCREW, M4	1	1	1					
11	2	24311-000160	O-RING, 1AP16.0	1	1	1					
12	2	24311-240100	O-RING, 1AP10A	1	1	1					
13	2	24321-000650	O-RING, 1AG65.0	1	1	1					
14	1	124066-59100	CLIP, HOSE 8	1	1	1					
15	1	129150-59580	CAP	1	1	1					
16	1	26106-080652	BOLT, M8X 65 PLATED	1	1	1					
16-1	1	26014-080702	BOLT, M8X 70	1	1	1					N
		(A=E/# 00131) (B=E/# 00148) (C=E/# 00129)									
17	1	103854-39140	BOLT, PIPE JOINT	1	1	1					
18	1	101304-59020	JOINT, PIPE 12	1	1	1					
19	1	124766-59050	CLIP, HOSE 12	2	2	2					
20	1	104200-59170	GASKET, 12	2	2	2					
21	1	129555-59510	PIPE, D13/7.5X180	1	1	1					
22	1	129255-59580	PIPE, FUEL	1	1	1					
22-1	1	105025-59530	PIPE, FUEL D13X400	1	1	1					N
		(A=E/# 00181) (B=E/# 00187) (C=E/# 00200)									
23	1	23000-013000	CLAMP, 13	2	2	2					Z
		(A=E/# 00202) (B=E/# 00190) (C=E/# 00200)									
24	1	124766-59050	CLIP, HOSE 12	2	2	2					
24-1	1	124766-59050	CLIP, HOSE 12	4	4	4					K
		(A=E/# 00202) (B=E/# 00190) (C=E/# 00200)									
25	1	124066-59100	CLIP, HOSE 8	7	7	7					
26	1	121250-59550	PIPE, FUEL D8X120	2	2	2					
27	1	119840-59560	PIPE, FUEL RETURN	1	1	1					
28	1	119840-59570	JOINT	1	1	1					
29	1	129150-59580	CAP	1	1	1					
30	1	129255-59580	PIPE, FUEL	1	1	1					
30-1	1	105025-59750	PIPE, FUEL	1	1	1					R
		(A=E/# 00181) (B=E/# 00187) (C=E/# 00200)									
31	1	129100-59951	VALVE ASSY, CHECK	1	1	1					
32	1	23414-120000	GASKET, 12X1.0	2	2	2					

Fig.22. GOVERNOR

Fig. **22** GOVERNOR



(A)=3TN82TE-G1
(B)=3TN82TE-G2
(C)=3TN82TE-S

(D)=
(E)=
(F)=

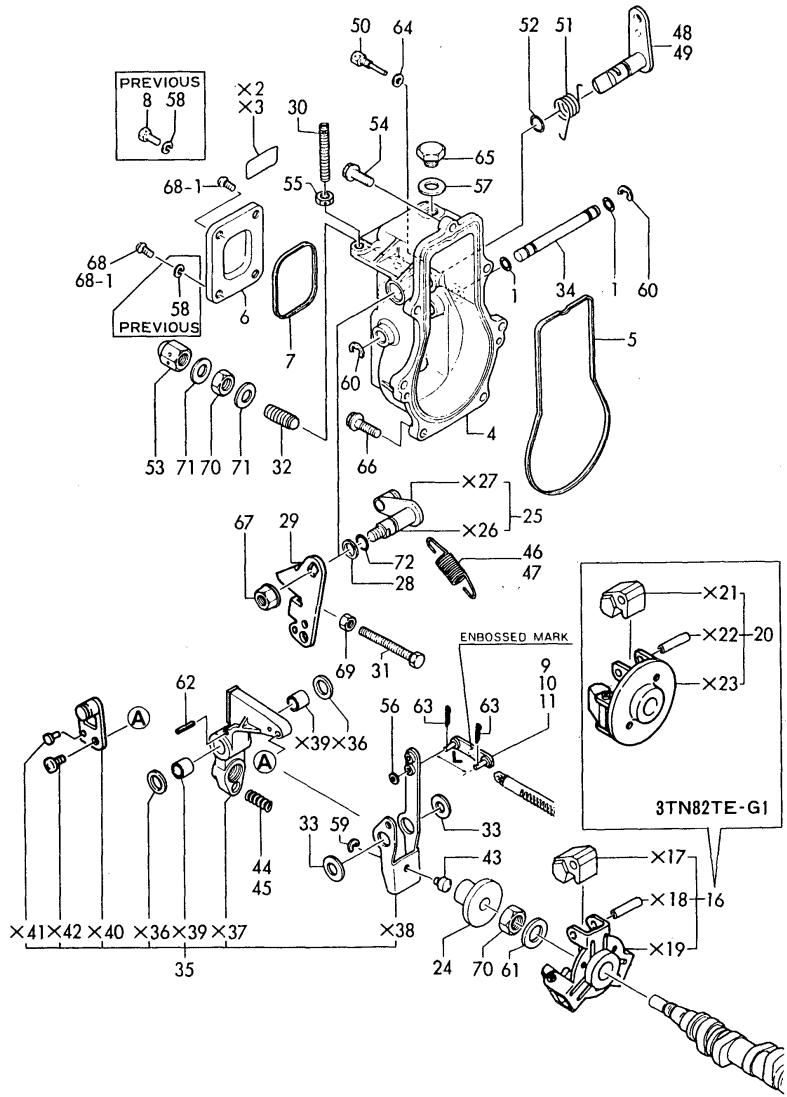
No.	Lev.	Parts No.	Description	Q'ty						I	R
				(A)	(B)	(C)	(D)	(E)	(F)		
4	2	129155-61010	CASE, GOVERNOR	1	1	1					
4-1	2	129155-61011	CASE, GOVERNOR	1	1	1					S
		(A=E/# 00131) (B=E/# 00148) (C=E/# 00129)									
5	2	129155-61050	GASKET	1	1	1					
6	2	129155-61060	COVER, GOVERNOR CASE	1	1	1					
7	2	129155-61070	GASKET	1	1	1					
8	2	129155-61090	BOLT	1	1	1					Z
		(A=E/XXX) (B=E/XXX) (C=E/XXX)									
9	2	129155-61120	LINK, L=30 MARK 0	1	1	1					1
10	2	129155-61130	LINK, L=31 MARK 1	1	1	1					1
11	2	129155-61140	LINK, L=30.5 MARK 05	1	1	1					1
16	2	129155-61201	WEIGHT ASSY,GOVERNOR			1					
20	2	171488-61200	WEIGHT ASSY,GOVERNOR	1		1					
20A	2	129155-61201	WEIGHT ASSY,GOVERNOR			1					
24	2	129155-61341	SLEEVE	1	1	1					
25	2	129100-61400	SHAFT ASSY	1	1	1					
28	2	129155-61430	SPACER	1	1	1					
29	2	129100-61440	LEVER, CONTROL	1	1	1					
30	2	129155-61450	BOLT, LIMITER	1	1	1					
31	2	129155-61460	BOLT, IDLE	1	1	1					
32	2	129155-61470	BOLT, CONTROL	1	1						
32A	2	129100-61450	LIMITER ASSY, FUEL								1
33	2	129155-61480	SPACER ASSY		2	2					2
34	2	129155-61490	SHAFT	1	1	1					
35	2	129100-61500	LEVER ASSY, GOVERNOR	1	1						
35A	2	129500-61500	LEVER ASSY, GOVERNOR			1					
40A	3	171353-61910	HOOK			1					
43	2	129155-61540	SHIFTER	1	1	1					
44	2	129100-61650	SPRING, CONTROLLER	1		1					
44-1	2	129500-61650	SPRING, FUEL CONTROL	1							N
		(A=E/XXX)									
45	2	129500-61650	SPRING, FUEL CONTROL		1						
46	2	129500-61700	SPRING, GOVERNOR		1						
47	2	129477-61720	SPRING, GOVERNOR	1							
47A	2	171353-61710	SPRING, GOVERNOR			1					
47A-1	2	171353-61700	SPRING, GOVERNOR			1					N
		(C=E/XXX)									
48	2	129155-61801	LEVER, STOP		1						
48-1	2	129155-61802	LEVER, STOP		1						S
		(B=E/# 00148)									
49	2	129400-61800	LEVER, STOP	1		1					
49-1	2	129400-61801	LEVER, STOP	1							S
		(A=E/# 00131)									
49A	2	129155-61800	LEVER, STOP			1					
49A-1	2	129155-61802	LEVER, STOP			1					S
		(C=E/# 00129)									
50	2	129155-61810	PIN	1	1	1					
51	2	129155-61820	SPRING, RETURN	1	1	1					
51-1	2	129100-61821	SPRING, RETURN	1	1	1					S
		(A=E/# 00131) (B=E/# 00148) (C=E/# 00129)									
52	2	129155-61830	O-RING, S10	3	3	3					

Remarks

(1) SELECTIVE PARTS : CERTAIN THE CLASSIFICATION MARK, THEN PLACE YOUR ORDER.(ILLUSTRATION)

Fig.22. GOVERNOR

Fig. **22** GOVERNOR



(A)=3TN82TE-G1
(B)=3TN82TE-G2
(C)=3TN82TE-S

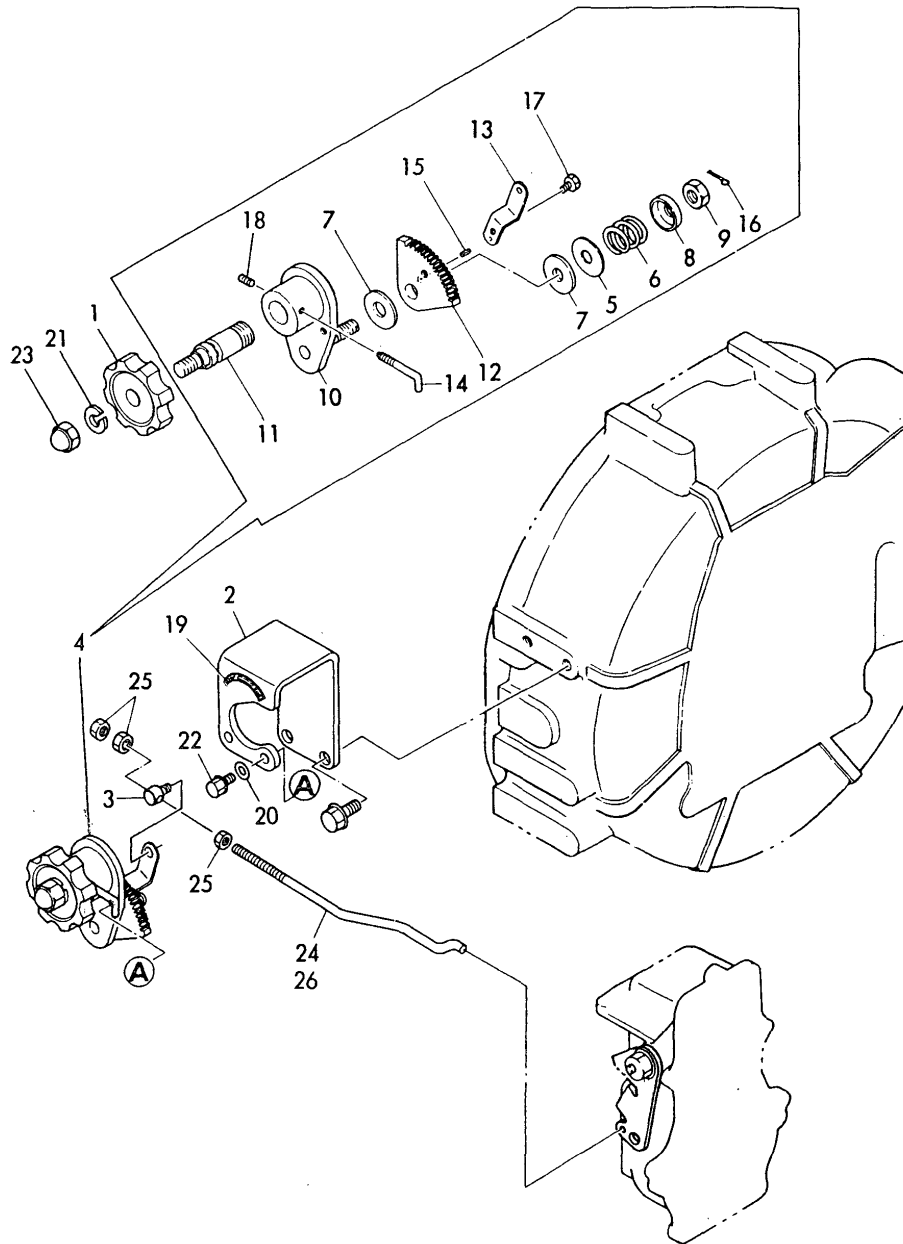
(D)=
(E)=
(F)=

No.	Lev.	Parts No.	Description	Q'ty						I	R
				(A)	(B)	(C)	(D)	(E)	(F)		
52-1	2	24311-240100 (A=E/XXX) (B=E/XXX) (C=E/XXX)	O-RING, 1AP10A	1	1	1					N
53	2	129100-61930	NUT, CAP	1	1	1					
53-1	2	26687-120002 (A=E/# 00131) (B=E/# 00148) (C=E/# 00129)	NUT, CAP M12	1	1	1					N
54	2	129155-61950	BOLT	1	1	1					
55	2	124550-66370	NUT, M6	1	1	1					
56	2	22117-040000	WASHER, 4	1	1	1					
57	2	22190-100000	WASHER, SEAL 10	1	1	1					
57-1	2	43400-500430 (A=E/XXX) (B=E/XXX) (C=E/XXX)	SEAL WASHER 10	1	1	1					N
58	2	22217-050000 (A=E/XXX) (B=E/XXX) (C=E/XXX)	WASHER, SPRING 5	1	1	1					Z
59	2	22272-000040	RING, E- 4	1	1	1					
60	2	22272-000060	RING, E- 6	2	2	2					
61	2	22287-120000	WASHER, 12	1	1	1					
62	2	22351-030016	PIN, SPRING 3.0X16	1	1	1					
63	2	22360-040000	PIN, SNAP 4	2	2	2					
63-1	2	22372-040000 (A=E/# 00202) (B=E/# 00190) (C=E/# 00200)	PIN, SNAP 4	2	2	2					N
64	2	23414-050000	GASKET, 5X1.0	1	1	1					
64-1	2	43400-500390 (A=E/XXX) (C=E/XXX)	SEAL WASHER 6	1	1	1					N
65	2	23887-100002	PLUG, 10	1	1	1					
66	2	26107-060202	BOLT M 6X 20 PLATED	6	6	6					
66-1	2	26106-060202 (A=E/XXX) (B=E/XXX) (C=E/XXX)	BOLT, M6X 20 PLATED	6	6	6					N
67	2	26366-080002	NUT, M8	1	1	1					
68	2	26557-050102	SCREW, M5X10	3	3	3					
68-1	2	26022-050102 (A=E/# 00158) (B=E/# 00160) (C=E/# 00163)	SCREW, M5X10	4	4	4					N
69	2	26757-060002	NUT, LOCK M6	1	1	1					
69-1	2	26756-060002 (A=E/XXX) (B=E/XXX) (C=E/XXX)	NUT, LOCK M6	1	1	1					N
70	2	26776-120002	NUT, LOCK M12	2	2	2					
71	2	43400-500450	SEAL WASHER 12	2	2	2					
72	2	129155-61830 (A=E/XXX) (B=E/XXX) (C=E/XXX)	O-RING, S10	1	1	1					W

Remarks
(1) SELECTIVE PARTS : CERTAIN THE CLASSIFICATION MARK, THEN PLACE YOUR ORDER.(ILLUSTRATION)

Fig.23. GOVERNOR CONTROL

Fig. **23** GOVERNOR CONTROL



(A)=3TN82TE-G1
(B)=3TN82TE-G2
(C)=3TN82TE-S

(D)=
(E)=
(F)=

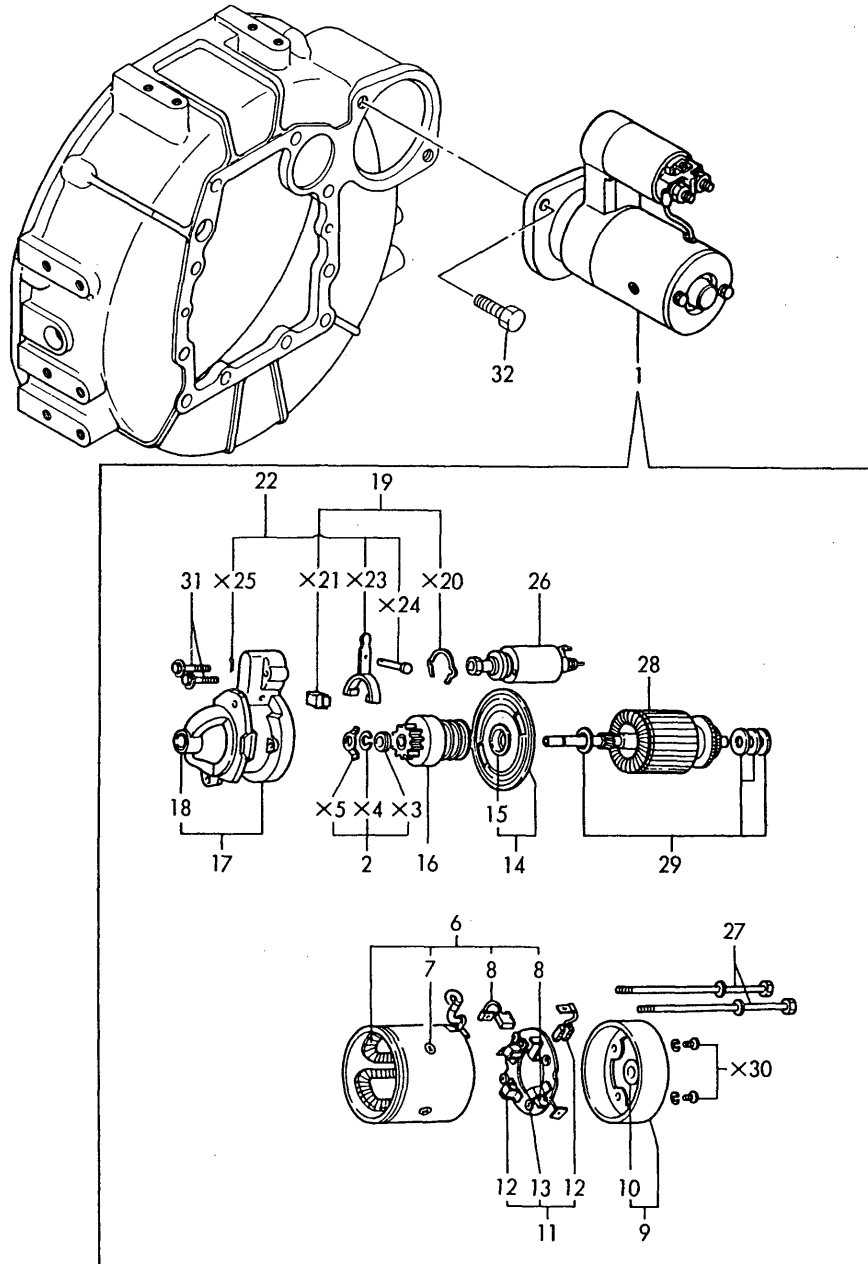
No.	Lev.	Parts No.	Description	Qty						I	R
				(A)	(B)	(C)	(D)	(E)	(F)		
1	1	126650-66020	HANDLE, REGULATOR	1	1	1					
2	1	119888-66110	BRACKET	1	1	1					
3	1	119888-66130	PIVOT	1	1	1					
4	1	171048-67010	CONTROLLER ASSY	1	1	1					
5	2	171102-66080	WASHER	1	1	1					
6	2	104200-66820	SPRING	1	1	1					
7	2	104200-66830	PLATE, FRICTION	2	2	2					
8	2	104200-66850	WASHER	1	1	1					
9	2	104200-66860	NUT	1	1	1					
10	2	171085-67100	BRACKET	1	1	1					
11	2	171085-67110	SHAFT, DRIVE	1	1	1					
12	2	171085-67120	GEAR	1	1	1					
13	2	171048-67130	LEVER	1	1	1					
14	2	171048-67140	STOPPER	1	1	1					
15	2	22351-020006	PIN, SPRING 2.0X 6	1	1	1					
16	2	22411-200150	COTTER PIN 2.0X15	1	1	1					
17	2	26116-060082	BOLT, M6X 8 PLATED	1	1	1					
18	2	26921-050122	SCREW, M5X12	1	1	1					
19	1	170064-67210	LABEL, HANDLE	1	1	1					
20	1	22117-100000	WASHER, 10	1	1	1					
21	1	22217-100000	WASHER, SPRING 10	1	1	1					
22	1	26106-060102	BOLT, M6X 10 PLATED	2	2	2					
23	1	26657-100002	NUT, CAP M10	1	1	1					
24	1	119888-66120	LINK, ENGINE CONTROL			1					
25	1	26756-050002	NUT, LOCK M5	3	3	3					
26	1	119888-66150	LINK		1						
26A	1	119888-66120	LINK, ENGINE CONTROL				1				

Fig.24. STARTING MOTOR(COMPONENT PARTS

(A)=3TN82TE-G1
 (B)=3TN82TE-G2
 (C)=3TN82TE-S

(D)=
 (E)=
 (F)=

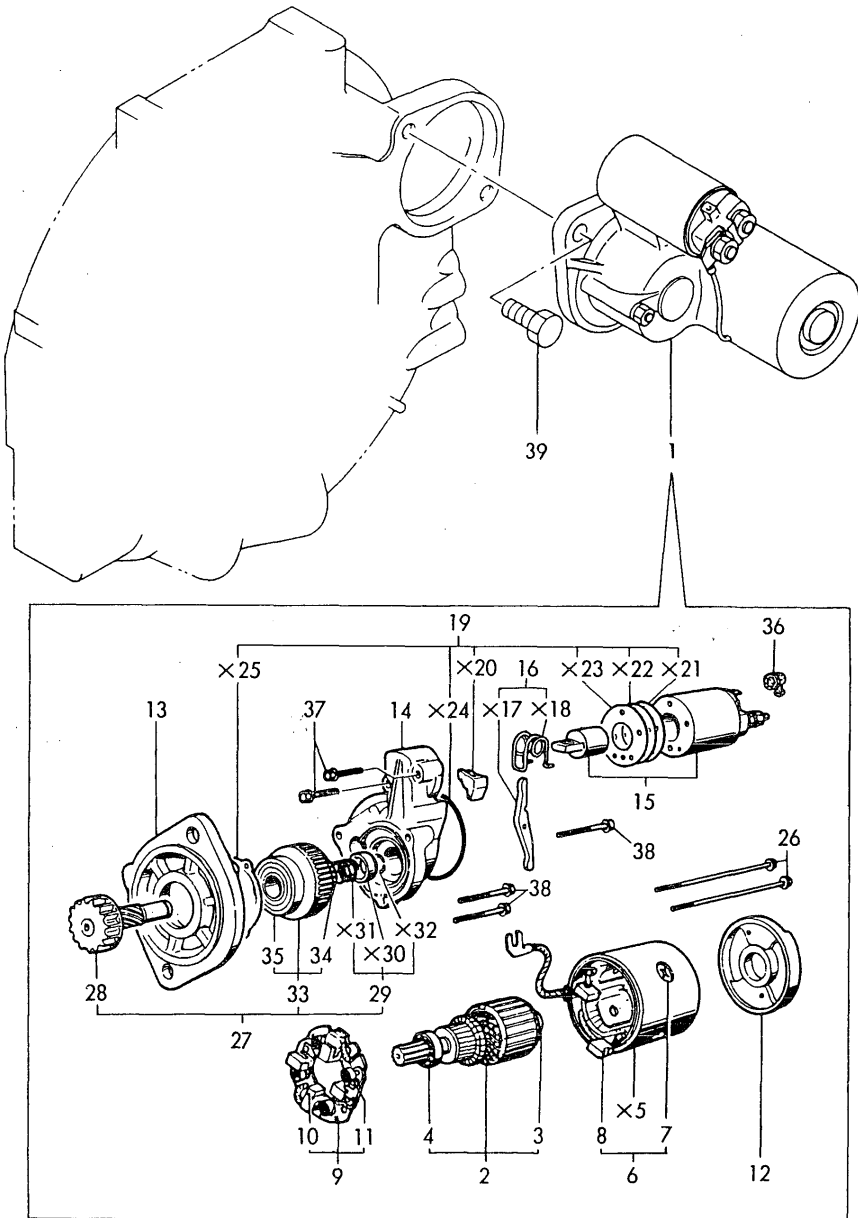
Fig. **24** STARTING MOTOR



No.	Lev.	Parts No.	Description	Q'ty						I	R
				(A)	(B)	(C)	(D)	(E)	(F)		
1	1	124250-77012	STARTER, S12-77A	1							
2	2	124250-77070	STOPPER SET, PINION	1							
6	2	124250-77110	COIL ASSY, FIELD	1							
7	3	124250-77120	SCREW SET, PORE CORE	4							
8	3	124250-77130	BRUSH (+)	2							
9	2	124250-77140	COVER ASSY, REAR	1							
10	3	124250-77150	METAL, REAR COVER	1							
11	2	124250-77160	HOLDER ASSY, BRUSH	1							
12	3	124250-77170	BRUSH (-)	2							
13	3	124250-77180	SPRING, BRUSH	4							
14	2	124250-77190	BEARING ASSY, CENTER	1							
15	3	124250-77520	BEARING	1							
16	2	124250-77210	PINION ASSY	1							
17	2	124250-77220	CASE ASSY, GEAR	1							
18	3	124250-77230	METAL, GEAR CASE	1							
19	2	124250-77240	COVER SET, DUST	1							
22	2	124250-77270	LEVER SET, SHIFT	1							
26	2	124250-77310	SWITCH, MAGNETIC	1							
27	2	124250-77320	BOLT, THROUGH	2							
28	2	124250-77500	ARMATURE ASSY	1							
29	2	124250-77510	WASHER KIT	1							
31	2	26106-060322	BOLT, M6X 32 PLATED	2							
32	1	26116-120252	BOLT, M12X 25 PLATED	2							

Fig.25. STARTING MOTOR (COMPONENT PART)

Fig. **25** STARTING MOTOR



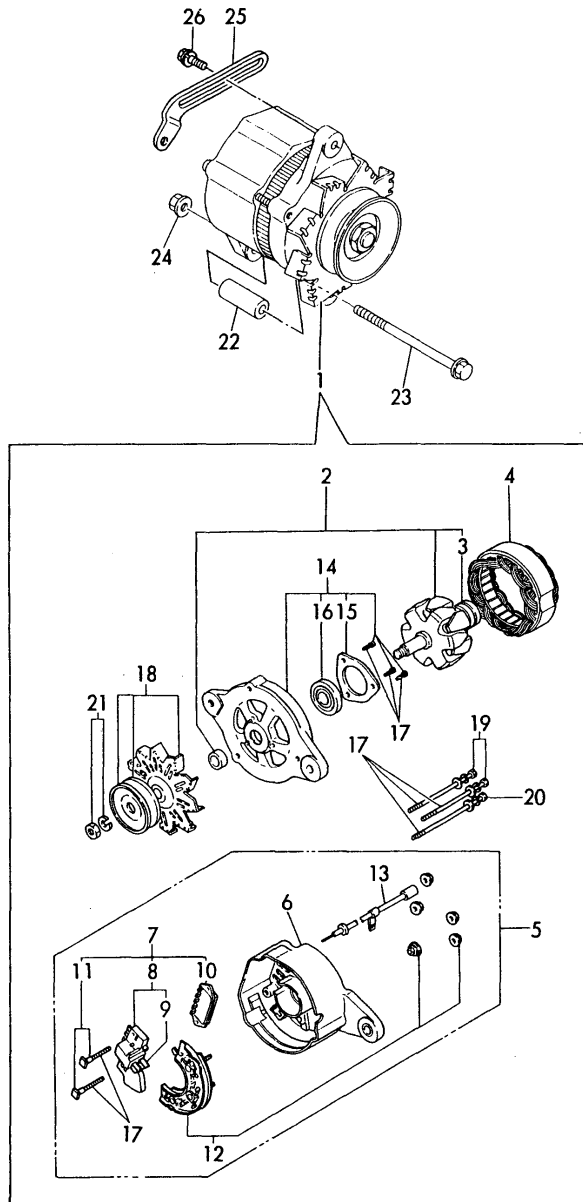
(A)=3TN82TE-G1
 (B)=3TN82TE-G2
 (C)=3TN82TE-S

(D)=
 (E)=
 (F)=

No.	Lev.	Parts No.	Description	Qty						I	R
				(A)	(B)	(C)	(D)	(E)	(F)		
1	1	171008-77010	STARTER, S114-483		1	1					
2	2	171008-77400	ARMATURE ASSY		1	1					
3	3	171008-77410	BEARING(1)		1	1					
4	3	171008-77420	BEARING(2)		1	1					
6	3	171008-77440	COIL ASSY, FIELD		1	1					
7	4	171008-77450	SCREW		4	4					
8	4	171008-77460	BRUSH (+)		2	2					
9	2	171008-77470	HOLDER ASSY, BRUSH		1	1					
10	3	171008-77480	BRUSH (-)		2	2					
11	3	171008-77490	SPRING, BRUSH		4	4					
12	2	171008-77500	COVER, REAR		1	1					
13	2	171008-77510	HOUSING ASSY, GEAR		1	1					
14	2	171008-77520	HOUSING, CENTER		1	1					
15	2	171008-77530	SWITCH, MAGNETIC		1	1					
16	2	171008-77540	LEVER SET, SHIFT		1	1					
19	2	171008-77570	COVER SET,DUST		1	1					
19-1	2	171008-77571	DUST COVER,(NON-ASB. (B=E/# 00180) (C=E/# 00169)		1	1					N
26	2	171008-77640	BOLT, THROUGH		2	2					
27	2	171008-77650	PINION ASSY		1	1					
28	3	171008-77660	SHAFT, PINION		1	1					
29	3	171008-77670	STOPPER SET, PINION		1	1					
33	3	171008-77720	CLUTCH ASSY		1	1					
34	4	171008-77730	BALL BEARING (3)		1	1					
35	4	171008-77740	BALL BEARING (4)		1	1					
36	2	171008-77750	COVER,M TERMINAL		1	1					
37	2	26106-060322	BOLT, M6X 32 PLATED		2	2					
38	2	26106-060402	BOLT, M6X 40 PLATED		3	3					
39	1	26116-120252	BOLT, M12X 25 PLATED		2	2					

Fig.26. GENERATOR(COMPONENT PARTS)

Fig. **26** GENERATOR



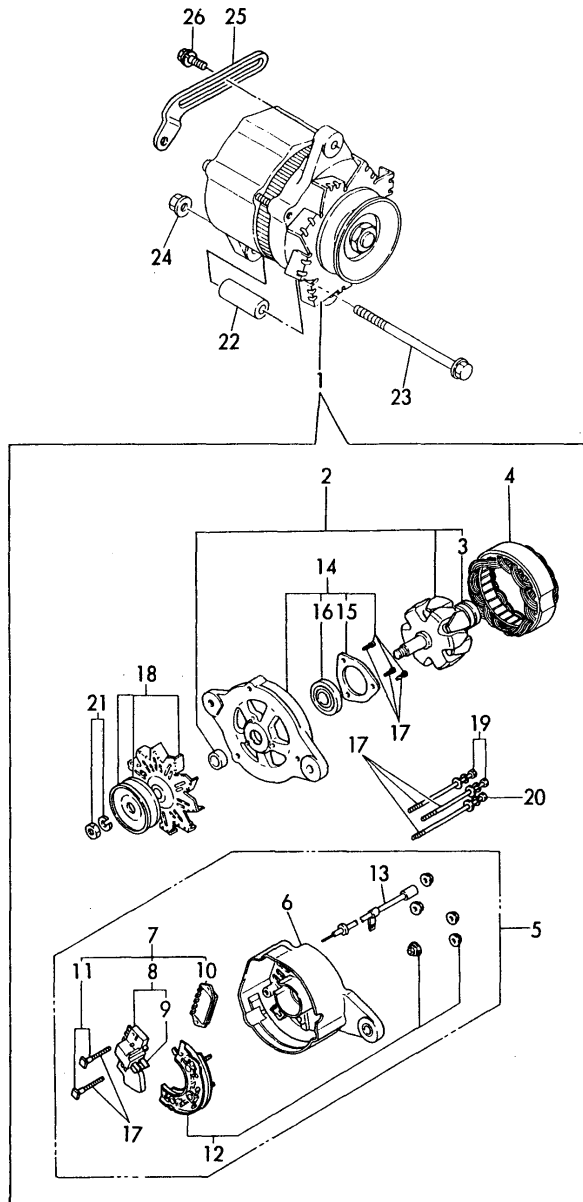
(A)=3TN82TE-G1
(B)=3TN82TE-G2
(C)=3TN82TE-S

(D)=
(E)=
(F)=

No.	Lev.	Parts No.	Description	Q'ty						I	R
				(A)	(B)	(C)	(D)	(E)	(F)		
1	1	121400-77201	GENERATOR, LR120-15C	1	1	1					
2	2	XL12031001	ROTOR ASSY	1	1	1					
3	3	X6201SD	BALL BEARING	1	1	1					
3-1	3	124080-77490	BALL BEARING	1	1	1					R
		(A=EXXX) (B=EXXX) (C=EXXX)									
4	2	XL1209200	STATOR ASSY	1	1	1					
5	2	XL13533004	COVER ASSY, REAR	1	1	1					
5-1	2	124080-77330	COVER ASSY	1	1	1					R
		(A=EXXX) (B=EXXX) (C=EXXX)									
6	3	XL12033011	COVER, REAR	1	1	1					
6-1	3	124080-77340	COVER, REAR	1	1	1					R
		(A=EXXX) (B=EXXX) (C=EXXX)									
7	3	XL13513152	REGULATOR	1	1	1					
7-1	3	124080-77350	BRUSH ASSY,REGULATOR	1	1	1					R
		(A=EXXX) (B=EXXX) (C=EXXX)									
8	4	XL1354326	BRUSH, CARBON	1	1	1					
8-1	4	124080-77360	BRUSH ASSY	1	1	1					R
		(A=EXXX) (B=EXXX) (C=EXXX)									
9	4	XL12013262	BRUSH	2	2	2					
9-1	4	124080-77380	BRUSH	2	2	2					R
		(A=EXXX) (B=EXXX) (C=EXXX)									
10	4	XTR1Z63	REGULATOR	1	1	1					
10-1	4	124080-77390	REGULATOR ASSY	1	1	1					R
		(A=EXXX) (B=EXXX) (C=EXXX)									
11	4	XL13513134	BOLT M5	2	2	2					
11-1	4	124080-77520	BOLT M5	2	2	2					R
		(A=EXXX) (B=EXXX) (C=EXXX)									
12	3	XL1358320	ARMATURE	1	1	1					
12-1	3	124080-77400	DIODE ASSY	1	1	1					R
		(A=EXXX) (B=EXXX) (C=EXXX)									
13	3	XL1356360	WIRE ASSY	1	1	1					
13-1	3	124080-77530	WIRE ASSY, LEAD	1	1	1					R
		(A=EXXX) (B=EXXX) (C=EXXX)									
14	2	XL1202401	COVER ASSY, FRONT	1	1	1					
14-1	2	124080-77420	COVER ASSY	1	1	1					R
		(A=EXXX) (B=EXXX) (C=EXXX)									
15	3	XL13514041	RETAINER	1	1	1					
15-1	3	124080-77430	RETAINER, BEARING	1	1	1					R
		(A=EXXX) (B=EXXX) (C=EXXX)									
16	3	X6202BM	BALL BEARING 6202B	1	1	1					
16-1	3	124080-77480	BEARING, 6202DDU	1	1	1					R
		(A=EXXX) (B=EXXX) (C=EXXX)									
17	3	XL12010001	SCREW KIT	1	1	1					
17-1	3	124080-77500	SCREW KIT	1	1	1					R
		(A=EXXX) (B=EXXX) (C=EXXX)									
18	2	XL1201510	PULLEY ASSY	1	1	1					
18-1	2	124080-77440	PULLEY ASSY	1	1	1					R
		(A=EXXX) (B=EXXX) (C=EXXX)									
19	2	XL1254801	BOLT, THROUGH	2	2	2					
19-1	2	124080-77450	BOLT, THROUGH	2	2	2					R
		(A=EXXX) (B=EXXX) (C=EXXX)									

Fig.26. GENERATOR(COMPONENT PARTS)

Fig. **26** GENERATOR



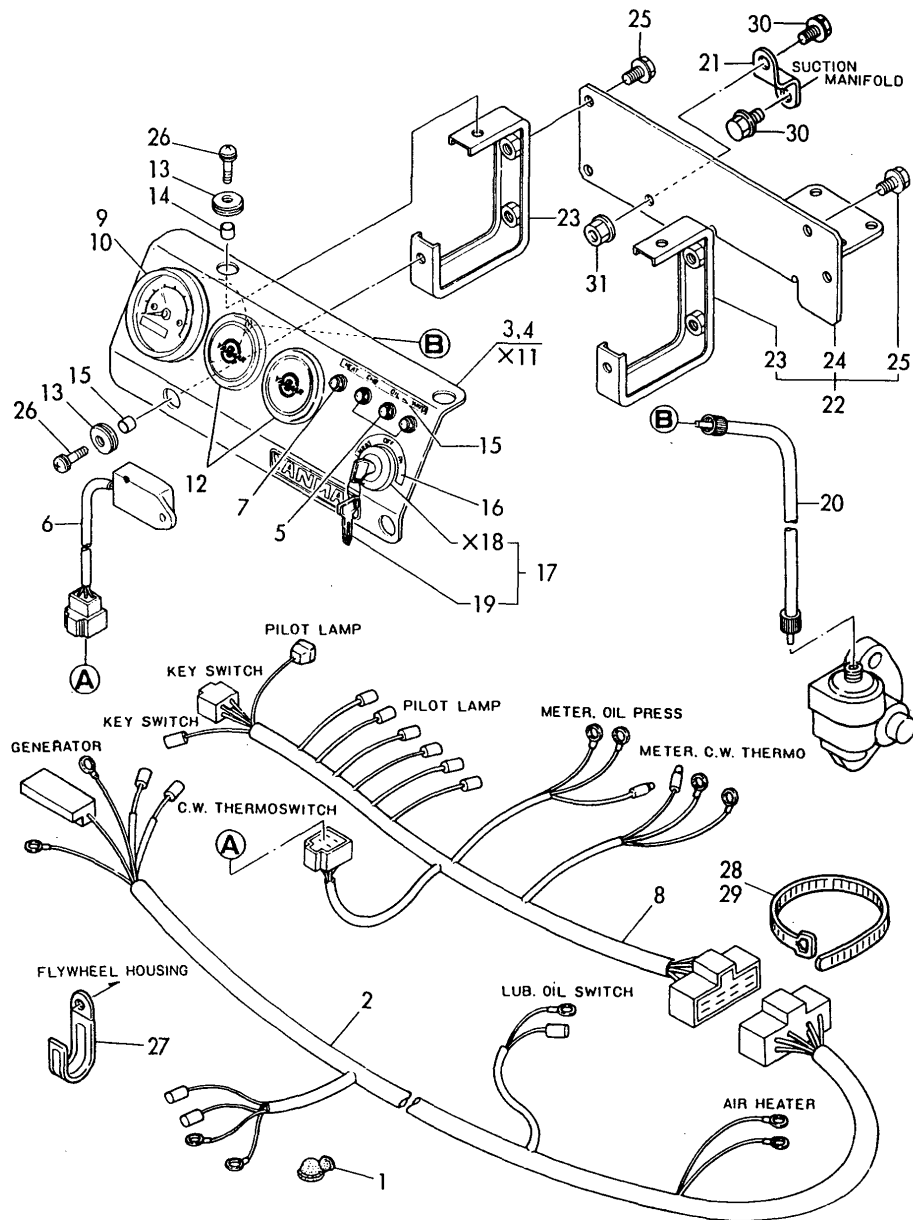
(A)=3TN82TE-G1
(B)=3TN82TE-G2
(C)=3TN82TE-S

(D)=
(E)=
(F)=

No.	Lev.	Parts No.	Description	Qty						I	R
				(A)	(B)	(C)	(D)	(E)	(F)		
20	2	XL1255801	BOLT, THROUGH	1	1	1					
20-1	2	124080-77460	BOLT, THROUGH	1	1	1					R
		(A=EXXX) (B=EXXX) (C=EXXX)									
21	2	XB495469B	NUT ASSY, PULLEY	1	1	1					
21-1	2	124080-77470	NUT ASSY, PULLEY	1	1	1					R
		(A=EXXX) (B=EXXX) (C=EXXX)									
22	1	129150-77340	SPACER	1	1	1					
23	1	26116-081202	BOLT, M8X120 PLATED	1	1	1					
24	1	26366-080002	NUT, M8	1	1	1					
25	1	129410-77330	ADJUSTER	1	1	1					
26	1	26014-080252	BOLT, M8X 25	1	1	1					

Fig.27. INSTRUMENT PANEL

Fig. **27** INSTRUMENT PANEL



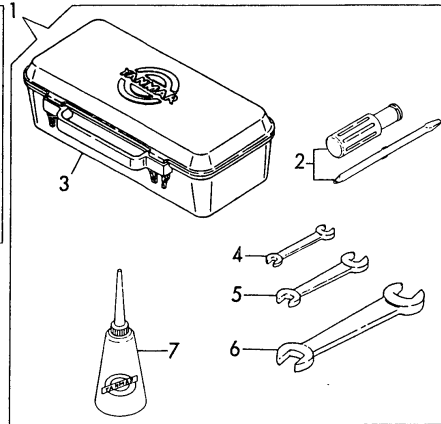
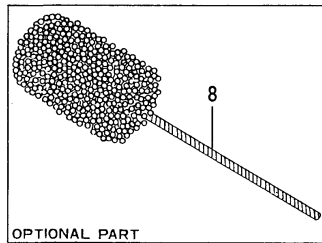
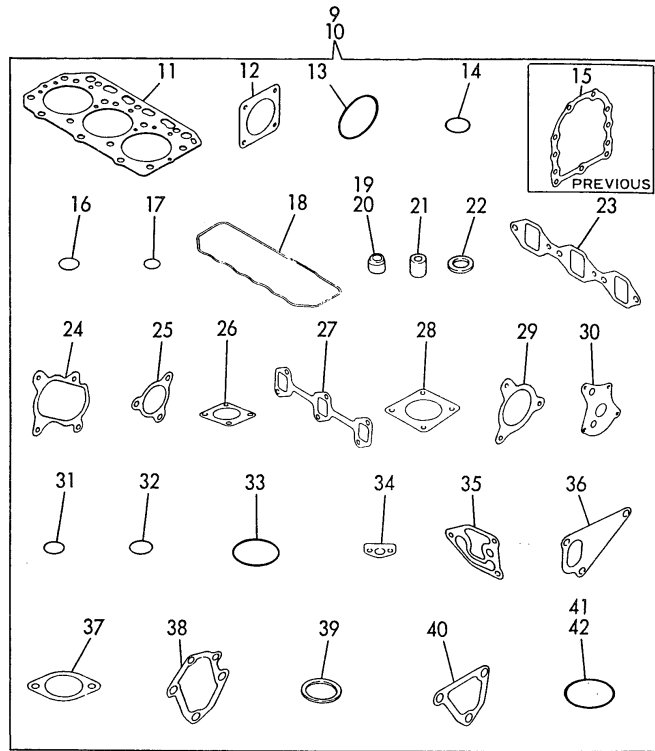
(A)=3TN82TE-G1
(B)=3TN82TE-G2
(C)=3TN82TE-S

(D)=
(E)=
(F)=

No.	Lev.	Parts No.	Description	Q'ty						I	R
				(A)	(B)	(C)	(D)	(E)	(F)		
1	1	124550-77030	COVER, TERMINAL	1	1	1					
2	1	119888-91020	HARNES, WIRE	1	1	1					
3	1	119888-91100	PANEL ASSY			1					
3A	2	22117-050000	WASHER, 5 (C=E/# 00163)			1	1				W
3B	2	22117-050000	WASHER, 5 (C=E/# 00163)			1	1				W
3C	2	26116-050102	BOLT, M5X 10 PLATED (C=E/# 00163)			1	1				W
3D	2	26716-050002	NUT, M5 (C=E/# 00163)			1	1				W
4	1	119888-91300	PANEL ASSY	1							
5	2	124732-77720	LAMP, CHARGING	3	3	3					
6	2	128300-77920	TIMER	1	1	1					
7	2	124559-77971	LAMP, PILOT	1	1	1					
8	2	119888-91030	HARNES, WIRE	1	1	1					
9	2	171080-91100	TACHOMETER			1					
10	2	171082-91100	TACHOMETER	1		1					
12	2	124770-91220	COVER	2	2	2					
13	2	121400-91520	ABSORBER	4	4	4					
14	2	121400-91530	SPACER	4	4	4					
15	2	119888-91610	LABEL, CW & OIL LAMP	1	1	1					
16	2	119888-91620	LABEL, KEY SWITCH	1	1	1					
17	2	933110-00100	SWITCH ASSY, STARTER	1	1	1					
19	3	933110-00301	KEY ASSY	1	1	1					
20	1	121400-91140	SHAFT	1	1	1					
21	1	129188-91140	BRACKET	1	1	1					
22	1	119888-91150	BRACKET ASSY	1	1	1					
23	2	119888-91120	SUPPORT	2	2	2					
24	2	119888-91130	BRACKET, PANEL	1	1	1					
25	2	26106-080122	BOLT, M8X 12 PLATED	4	4	4					
26	1	26033-060202	SCREW M 6X 20	4	4	4					
27	1	194180-51640	CLAMP, HARNES	1	1	1					
28	1	121750-59890	BAND, 140	1	1	1					
29	1	121750-59890	BAND, 140	1	1	1					Z
		(A=EXXX) (B=EXXX)									
30	1	26106-080162	BOLT, M8X 16 PLATED (B=EXXX) (C=EXXX)			2	2				W
31	1	26366-080002	NUT, M8 (B=EXXX) (C=EXXX)			1	1				W

Fig.28. TOOL

Fig.28 GASKET SET (OPTIONAL) & TOOL



(A)=3TN82TE-G1
(B)=3TN82TE-G2
(C)=3TN82TE-S

(D)=
(E)=
(F)=

No.	Lev.	Parts No.	Description	Q'ty						I	R
				(A)	(B)	(C)	(D)	(E)	(F)		
1	1	171001-93100	BOX, TOOL	1	1	1					
2	2	104200-92350	DRIVER, SCREW	1	1	1					
3	2	104200-92600	BOX, TOOL	1	1	1					
4	2	28110-100120	SPANNER, 10X12	1	1	1					
5	2	28110-140170	SPANNER, 14X17	1	1	1					
6	2	28110-190220	SPANNER, 19X22	1	1	1					
7	2	28210-000140	OILER	1	1	1					
8	1	129400-92420	FLEX HORN	1	1	1					1
9	1	729188-92620	GASKET SET	1							1
9-1	1	729188-92621	GASKET SET	1							N 1
		(A=E/# 00158)									
10	1	729188-92640	GASKET SET		1						1
10-1	1	729188-92641	GASKET SET		1						N 1
		(B=E/# 00160)									
10A	1	729188-92610	GASKET SET			1					1
10A-1	1	729188-92611	GASKET SET			1					N 1
		(C=E/# 00163)									
11	2	129156-01332	GASKET, HEAD	1	1	1					
12	2	124240-01882	GASKET	1	1	1					
12-1	2	124240-01883	GASKET	1	1	1					N
		(A=E/# 00158) (B=E/# 00160) (C=E/# 00163)									
13	2	121850-51960	O-RING	1	1	1					
14	2	24311-000320	O-RING, 1AP32.0	1	1	1					
15	2	129150-01660	GASKET	1	1	1					Z
		(A=E/# 00131) (B=E/# 00148) (C=E/# 00129)									
16	2	24341-000240	O-RING, 1AS24.0	1	1	1					
17	2	121420-01760	O-RING	1	1	1					
17-1	2	24311-000320	O-RING, 1AP32.0	1	1	1					N
		(A=E/XXX) (B=E/XXX) (C=E/XXX)									
18	2	129150-11310	GASKET, BONNET	1	1	1					
19	2	121400-11340	SEAL, VALVE STEM	3	3	3					
20	2	124460-11340	SEAL, VALVE STEM	3	3	3					
21	2	119625-11870	PROTECTOR, NOZZLE	3	3	3					
22	2	119625-11880	SEAT, NOZZLE	3	3	3					
23	2	129150-12110	GASKET, MANIFOLD	1	1	1					
23-1	2	129150-12111	GASKET, MANIFOLD	1	1	1					N
		(A=E/# 00158) (B=E/# 00160) (C=E/# 00163)									
24	2	129403-18090	GASKET	1		1					
25	2	129412-18080	GASKET		1						
26	2	129322-18100	GASKET		1						
27	2	129150-13110	GASKET	1	1	1					
28	2	129150-77510	GASKET	1	1	1					
28-1	2	129150-77511	GASKET	1	1	1					N
		(A=E/# 00158) (B=E/# 00160) (C=E/# 00163)									
29	2	129477-18100	GASKET	1		1					
30	2	129150-32020	GASKET, PUMP	1	1	1					
31	2	24311-000200	O-RING, 1AP20.0		1						
32	2	24311-000210	O-RING, 1AP21.0		1						
33	2	24311-000550	O-RING, 1AP55.0		1						
34	2	129150-35040	GASKET	1	1	1					
34-1	2	129150-35041	GASKET	1	1	1					N

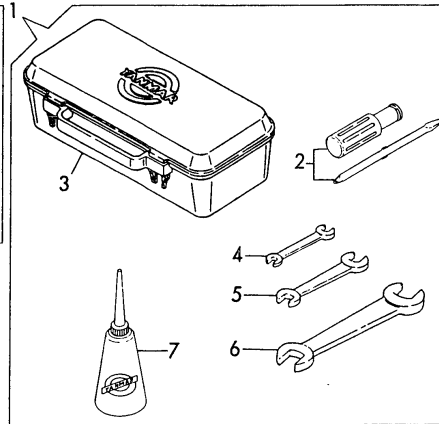
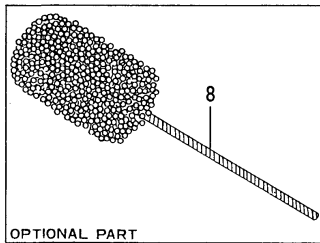
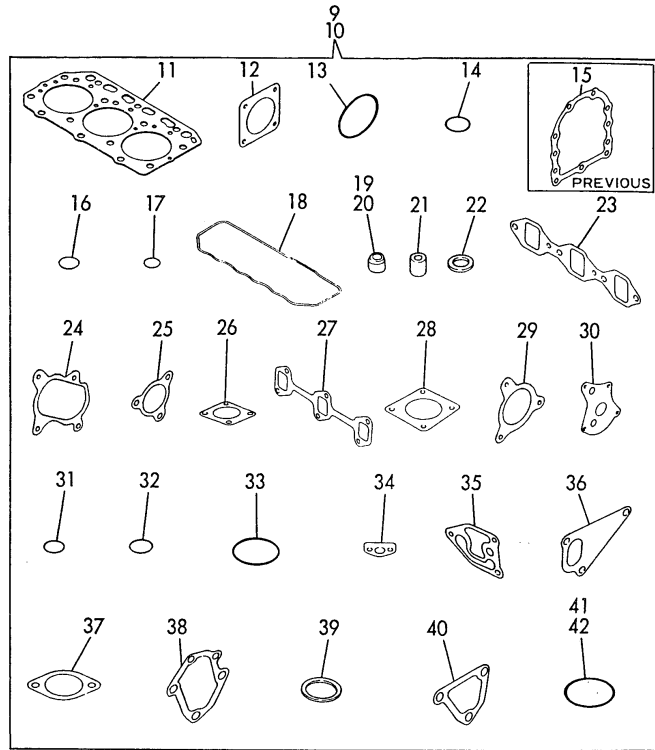
Remarks
(1) OPTIONAL PART.

Fig.28. TOOL

(A)=3TN82TE-G1
(B)=3TN82TE-G2
(C)=3TN82TE-S

(D)=
(E)=
(F)=

Fig. 28 GASKET SET (OPTIONAL) & TOOL



No.	Lev.	Parts No.	Description	Qty						I	R	
				(A)	(B)	(C)	(D)	(E)	(F)			
		(A=E/# 00170)	(B=E/# 00180)	(C=E/# 00169)								
35	2	129103-35121	GASKET		1							
35-1	2	129103-35122	GASKET		1	1						N
		(B=E/# 00180)	(C=E/# 00169)									
35A	2	129103-35121	GASKET						1			
36	2	129150-35110	GASKET		1							
36-1	2	129150-35111	GASKET		1							N
		(A=E/# 00170)										
37	2	129100-42020	GASKET, WATER PUMP		1	1	1					
38	2	129795-49550	GASKET		1	1	1					
38-1	2	129795-49551	GASKET		1	1	1					N
		(A=E/# 00170)	(B=E/# 00180)	(C=E/# 00169)								
39	2	129100-49820	GASKET		1	1	1					
40	2	129150-49810	GASKET, THERMOSTAT		1	1	1					
40-1	2	129150-49811	GASKET, THERMOSTAT		1	1	1					N
		(A=E/# 00170)	(B=E/# 00180)	(C=E/# 00169)								
41	2	129100-49840	GASKET		1	1	1					
42	2	24321-000650	O-RING, 1AG65.0		1	1	1					

Remarks
(1) OPTIONAL PART.

Parts No. Index

Parts No.	Fig. No.	Ref. No.
101304-59020	21	18
103338-11190	6	18
103854-39140	21	17
104200-55321	21	2
104200-55330	21	3
104200-55750	21	10
104200-59170	21	20
104200-66820	23	6
104200-66830	23	7
104200-66850	23	8
104200-66860	23	9
104200-92350	28	2
104200-92600	28	3
105010-39140	16	2
105025-59530	21	22 -1
105025-59750	21	30 -1
114250-53080	20	5
114250-53120	20	7
114250-53130	20	8
114250-53140	20	9
114250-53210	20	10
114250-53400	20	11
119620-01750	3	4
119625-11870	6	37
	28	21
119625-11880	6	38
	28	22
119625-11900	6	39
119810-51040	19	7
119840-59560	21	27
119840-59570	21	28
119865-21600	13	15
		18 A
119865-35300	15	37
119865-35320	15	39
119865-35330	15	40
119865-35350	15	42
119888-01600	3	3 A
119888-08110	18	47
119888-21450	13	19
119888-66110	23	2
119888-66120	23	24
		26 A
119888-66130	23	3
119888-66150	23	26
119888-91020	27	2
119888-91030	27	8
119888-91100	27	3
119888-91120	27	23
119888-91130	27	24

Parts No.	Fig. No.	Ref. No.
119888-91150	27	22
119888-91300	27	4
119888-91610	27	15
119888-91620	27	16
120130-11860	6	44
121100-22400	14	10
121111-21501	13	12
121120-12531	7	4
121120-12541	7	5
121120-12561	7	6
121120-12571	7	8
121120-12901	7	7
121120-13580	8	6
121250-44581	18	29
121250-44901	18	12
121250-59550	21	26
121252-12521	7	3
121252-39150	16	15
121400-11340	6	19
	28	19
121400-12540	7	9
121400-12570	7	11
121400-44650	18	30
121400-77201	26	1
121400-91140	27	20
121400-91520	27	13
121400-91530	27	14
121420-01760	28	17
121450-01560	2	3
121450-42450	18	11
121492-42290	17	7
		8 A
121520-34810	15	11
121520-49160	18	25
121521-12400	7	1
121550-23200	14	20
121550-49111	18	15
121737-49160	18	26
121750-49110	18	4
121750-59890	27	28
		29
121850-11860	6	9
	17	1
121850-21680	13	9
121850-35200	15	21
121850-35520	15	29
121850-35531	15	30
121850-51960	2	10
	28	13
122117-51560	19	43

Parts No.	Fig. No.	Ref. No.
122710-51050	19	10
122710-51090	19	12
123682-44210	18	24
124066-59100	21	14
		25
124080-77330	26	5 -1
124080-77340	26	6 -1
124080-77350	26	7 -1
124080-77360	26	8 -1
124080-77380	26	9 -1
124080-77390	26	10 -1
124080-77400	26	12 -1
124080-77420	26	14 -1
124080-77430	26	15 -1
124080-77440	26	18 -1
124080-77450	26	19 -1
124080-77460	26	20 -1
124080-77470	26	21 -1
124080-77480	26	16 -1
124080-77490	26	3 -1
124080-77500	26	17 -1
124080-77520	26	11 -1
124080-77530	26	13 -1
124160-01751	2	4
	5	14
124160-01910	1	7
124160-11360	5	12
124160-39140	16	3
124160-39450	16	4
124223-35510	15	28
124223-39900	16	5
124240-01871	2	6
124240-01882	2	7
	28	12
124240-01883	2	7 -1
	28	12 -1
124250-77012	24	1
124250-77070	24	2
124250-77110	24	6
124250-77120	24	7
124250-77130	24	8
124250-77140	24	9
124250-77150	24	10
124250-77160	24	11
124250-77170	24	12
124250-77180	24	13
124250-77190	24	14
124250-77210	24	16
124250-77220	24	17
124250-77230	24	18

Parts No.	Fig. No.	Ref. No.
124250-77240	24	19
124250-77270	24	22
124250-77310	24	26
124250-77320	24	27
124250-77500	24	28
124250-77510	24	29
124250-77520	24	15
124460-11340	6	20
	28	20
124465-44950	18	13
		14
124550-21600	13	18
124550-51350	19	29
124550-51370	19	30
124550-59820	16	6
124550-66370	22	55
124550-77030	27	1
124559-77971	27	7
124574-44761	17	12
124732-42290	17	8
124732-77720	27	5
124736-07900	6	42
124764-12600	7	15
124764-44800	18	20
		20 -1
124764-44920	18	21
		21 -1
124766-59050	18	27
	21	19
		24
		24 -1
124770-11770	18	52
124770-91220	27	12
124950-51190	19	18
126650-66020	23	1
128300-77920	27	6
129100-01580	3	1
		7
	13	4
		4 A-1
129100-01640	3	8
129100-01730	4	12
129100-01770	4	2 -1
129100-01790	4	6
129100-11100	6	14
129100-11130	6	16
129100-11240	6	24 -1
129100-11300	5	1 A
129100-11350	5	1
129100-11650	6	32

Parts No. Index

Parts No.	Fig. No.	Ref. No.
129100-23910	14	23
129100-25061	10	6
129100-25900	19	1 -1
129100-35140	15	20
129100-35300	15	15
129100-35301	15	15 -1
129100-42001	17	2
129100-42002	17	2 -1
129100-42020	17	4
	28	37
129100-49050	18	9
129100-49800	18	51
129100-49820	18	54
	28	39
129100-49830	18	55
129100-49840	18	60
	28	41
129100-51300	19	26
129100-52100	19	72
129100-55621	21	1
129100-55650	21	4
129100-55670	21	6
129100-55680	21	7
129100-55690	21	8
129100-55700	21	9
129100-59800	20	16
129100-59810	20	17
129100-59820	20	18
129100-59830	20	19
129100-59900	20	20
129100-59910	20	21
129100-59920	20	22
129100-59930	20	23
129100-59951	21	31
129100-61400	22	25
129100-61440	22	29
129100-61450	22	32 A
129100-61500	22	35
129100-61650	22	44
129100-61821	22	51 -1
129100-61930	22	53
129102-53000	20	3
129103-01530	2	5
129103-33031	15	5
129103-33132	15	6
129103-35100	15	18
129103-35101	15	18 -1
129103-35120	15	35 -1
129103-35121	15	35
	28	35

Parts No.	Fig. No.	Ref. No.
129103-35121	28	35 A
129103-35122	15	35 -2
	28	35 -1
129103-39450	16	16
129103-39600	16	17
129103-39610	16	11
129103-39611	16	11 -1
129103-49301	17	5
129103-53050	20	4
129120-77501	7	21
129122-12060	9	2
129122-12100	7	18
129122-12211	9	8
129122-39030	16	1
129122-39600	16	10
129122-44480	2	9
	18	5
129129-14580	10	1
129136-12600	7	15 -1
129139-12050	9	1
129139-12200	9	7
129139-13100	8	12
129150-01200	1	25
129150-01660	3	10
	28	15
129150-02020	1	13
129150-02450	1	23
	10	3 A
129150-02800	1	16
129150-02870	1	27
129150-02930	1	19
129150-02940	1	30
129150-03020	5	6
129150-03070	5	2
129150-03080	5	3
129150-03100	5	11
129150-11230	6	36
129150-11280	6	28
129150-11290	6	29
129150-11310	5	7
	28	18
129150-11370	6	21
129150-11750	6	35
129150-11810	6	45
129150-12110	7	19
	28	23
129150-12111	7	19 -1
	28	23 -1
129150-13110	8	13
	28	27

Parts No.	Fig. No.	Ref. No.
129150-14101	10	2
129150-14200	10	5
129150-14400	10	4
129150-21200	13	3
129150-21650	13	10
129150-22300	14	9
129150-23600	14	21
129150-23610	14	24
129150-25101	10	7
129150-25900	19	1
129150-32000	15	1
129150-32020	15	3
	28	30
129150-35040	15	13
	28	34
129150-35041	15	13 -1
	28	34 -1
129150-35091	15	14
129150-35101	15	33
129150-35110	15	34
	28	36
129150-35111	15	34 -1
	28	36 -1
129150-35150	15	36
129150-35340	15	41
129150-35350	15	43
129150-49080	18	17
129150-49100	18	16
129150-49810	18	59
	28	40
129150-49811	18	59 -1
	28	40 -1
129150-59120	20	12
129150-59130	20	15
129150-59580	21	15
	29	
129150-77340	26	22
129150-77510	7	22
	28	28
129150-77511	7	22 -1
	28	28 -1
129150-91400	2	21
129155-11241	6	24
129155-11260	6	26
129155-11270	6	27
129155-42350	17	9
129155-49800	18	58
129155-51020	19	66
129155-51050	19	8
129155-51060	19	9

Parts No.	Fig. No.	Ref. No.
129155-51140	19	15
129155-51180	19	17
129155-51200	19	19
129155-51250	19	21
129155-51270	19	24
129155-51280	19	25
129155-51320	19	27
129155-51340	19	28
129155-51370	19	31
129155-51380	19	32
129155-51390	19	33
129155-51400	19	34
129155-51410	19	35
129155-51420	19	36
129155-51450	19	37
129155-51500	19	38
129155-51521	19	39
129155-51530	19	40
129155-51540	19	41
129155-51550	19	42
129155-51570	19	45
129155-51580	19	46
129155-51591	19	47
129155-51600	19	48
129155-51700	19	49
129155-51710	19	50
129155-51750	19	51
129155-51760	19	52
129155-51790	19	53
129155-51930	19	56
129155-51940	19	57
129155-52050	19	71
129155-61010	22	4
129155-61011	22	4 -1
129155-61050	22	5
129155-61060	22	6
129155-61070	22	7
129155-61090	22	8
129155-61120	22	9
129155-61130	22	10
129155-61140	22	11
129155-61201	22	16
		20 A
129155-61341	22	24
129155-61430	22	28
129155-61450	22	30
129155-61460	22	31
129155-61470	22	32
129155-61480	22	33
129155-61490	22	34

Parts No. Index

Parts No.	Fig. No.	Ref. No.
129155-61540	22	43
129155-61800	22	49 A
129155-61801	22	48
129155-61802	22	48 -1 49 A-1
129155-61810	22	50
129155-61820	22	51
129155-61830	22	52 72
129155-61950	22	54
129156-01332	1	26
	28	11
129156-51910	19	54
129158-52020	19	74
129158-52060	19	76
129158-52070	19	77
129158-52080	19	78
129158-52090	19	79
129158-52160	19	80
129158-52250	19	81
129158-52260	19	82
129158-52270	19	83
129158-52350	19	84
129158-52360	19	85
129158-52370	19	86
129158-52380	19	87
129188-08100	18	46
129188-12070	9	3
129188-12071	9	3 -1
129188-13100	8	3
129188-13500	8	4
129188-13510	8	1
129188-13570	8	5
129188-13600	8	7
129188-18010	11	1
129188-18780	11	12
129188-18790	11	16
129188-21590	13	16 A
129188-39450	16	16 -1
129188-39600	16	17 -1
129188-44560	18	28
129188-44940	18	31
129188-44950	18	32
129188-44960	18	33
129188-44970	18	34
129188-44980	18	35
129188-91140	27	21
129255-59580	21	22 30
129258-49040	18	7 -1

Parts No.	Fig. No.	Ref. No.
129322-18100	12	41
	28	26
129322-18150	8	9
129350-49530	18	49
129400-01590	2	1
129400-61800	22	49
129400-61801	22	49 -1
129400-92420	28	8
129402-22090	14	1
129402-22920	14	26
129402-22970	14	30
129403-18050	11	1 A
129403-18090	8	8
	28	24
129403-18720	11	2
129403-18750	11	2 A
129403-18770	11	3
129403-18780	11	12 A
129403-18790	11	16 A
129403-18800	11	20
129403-18810	11	42
129403-18820	11	23
129403-18830	11	27
129403-34800	15	10 -1 12 -1
129403-39610	16	11 -2
129403-42380	17	10
129403-49031	18	6
129403-49050	18	7
129403-51200	19	14
129404-18720	12	2
129404-18800	12	20
129404-18820	12	23
129404-18830	12	27
129404-22080	14	3
129404-22920	14	27
129410-77330	26	25
129411-12500	7	2
129412-18080	8	2
	28	25
129470-11080	6	5
129470-11090	6	6
129470-51060	19	11
129470-51080	19	89
129470-51101	19	13
129477-18100	11	48
	28	29
129477-61720	22	47
129488-12070	9	10
129488-12080	9	11

Parts No.	Fig. No.	Ref. No.
129488-18770	12	3
129488-18780	12	12
129488-18790	12	16
129500-61500	22	35 A
129500-61650	22	44 -1 45
129500-61700	22	46
129503-18020	12	1
129503-53050	20	3 A
129553-32000	15	1 A 2
129553-35500	15	22
129553-35520	15	24
129553-35530	15	25
129553-35540	15	26
129553-39650	15	48
129555-59510	21	21
129792-39410	15	47
129795-01780	3	9
129795-01800	2	2
129795-01950	2	8
129795-02411	1	22
129795-11120	6	15
129795-11180	6	17
129795-21661	13	8
129795-49550	18	50 28 38
129795-49551	18	50 -1 38 -1
170064-67210	23	19
171001-93100	28	1
171008-77010	25	1
171008-77400	25	2
171008-77410	25	3
171008-77420	25	4
171008-77440	25	6
171008-77450	25	7
171008-77460	25	8
171008-77470	25	9
171008-77480	25	10
171008-77490	25	11
171008-77500	25	12
171008-77510	25	13
171008-77520	25	14
171008-77530	25	15
171008-77540	25	16
171008-77570	25	19
171008-77571	25	19 -1
171008-77640	25	26
171008-77650	25	27

Parts No.	Fig. No.	Ref. No.
171008-77660	25	28
171008-77670	25	29
171008-77720	25	33
171008-77730	25	34
171008-77740	25	35
171008-77750	25	36
171048-67010	23	4
171048-67130	23	13
171048-67140	23	14
171051-01921	1	8
171080-91100	27	9
171082-91100	27	10
171085-67100	23	10
171085-67110	23	11
171085-67120	23	12
171102-66080	23	5
171301-01600	3	2
171301-01640	4	3
171301-49010	18	1
171301-49020	18	2
171340-21580	13	13
171340-21590	13	16
171340-21650	13	7
171340-44740	17	11
171350-03090	5	10
171351-12570	7	14
171351-12580	7	12
171353-61700	22	47 A-1
171353-61710	22	47 A
171353-61910	22	40 A
171420-01600	3	3
171420-34800	15	10
171420-34820	15	12
171420-44500	18	22
171440-44500	18	22 -1 23
171488-61200	22	20
174100-54120	19	23
174307-51170	19	16
174307-51560	19	44
194180-51640	27	27
194990-22050	8	17 19
	11	49 A
	12	42 -1
22117-040000	22	56
22117-050000	27	3 A 3 B
22117-100000	23	20
22137-080000	18	36

Parts No. Index

Parts No.	Fig. No.	Ref. No.
22190-100000	22	57
22217-050000	19	58
		59
	22	58
22217-060000	19	60
22217-100000	18	37
	23	21
22217-120000	19	2
22272-000040	22	59
22272-000060	22	60
22287-120000	19	61
	22	61
22312-080160	13	4 A
22351-020006	23	15
22351-030010	15	49
22351-030016	22	62
22351-040010	13	11
22351-050010	19	62
22351-060012	6	22
22360-040000	22	63
22372-040000	22	63 -1
22411-200150	23	16
22512-070140	10	3
	13	5
23000-013000	21	23
23000-016000	18	10
23000-022000	16	12
	18	8
23000-041000	9	6 -1
23000-048000	9	4
23000-060000	9	5
23000-070000	9	12
23010-038000	18	3
23010-040000	9	6
23080-012000	11	47
23414-050000	22	64
23414-080000	16	7
23414-100000	16	8
23414-120000	21	32
23414-180000	15	31
23871-010000	1	9
23871-020000	15	32
23871-030000	6	10
	17	3
	18	56
23887-100002	22	65
24101-063034	19	63
24104-062054	13	20
24190-130001	15	27
24311-000120	5	13

Parts No.	Fig. No.	Ref. No.
24311-000160	2	11
	15	44
	21	11
24311-000200	15	7
	28	31
24311-000210	15	8
	28	32
24311-000320	2	12
	5	15
	28	14
		17 -1
24311-000550	28	33
24311-240100	21	12
	22	52 -1
24314-000160	16	13 -1
24314-000180	16	13
24321-000550	15	9
24321-000650	21	13
	28	42
24341-000160	19	64
24341-000240	2	23
	4	7
	28	16
24341-000500	5	4
26014-060252	17	13
26014-080252	26	26
26014-080702	21	16 -1
26022-050102	19	67 -1
		68 -1
	22	68 -1
26022-060162	19	65
26033-060202	27	26
26106-060102	23	22
26106-060162	2	24
	16	14 -1
26106-060202	16	14
	22	66 -1
26106-060322	24	31
	25	37
26106-060402	25	38
26106-080122	2	13
	8	10
	18	38
	27	25
26106-080142	6	43
	7	16
	8	11
26106-080162	1	24
	2	14
	4	8

Parts No.	Fig. No.	Ref. No.
26106-080162	5	5
	9	9
	18	19
		19 -1
		39
	27	30
26106-080202	2	15
	15	45
	18	40
		61
26106-080222	13	21
26106-080252	4	9
	6	40
	7	20
	18	41
		62
26106-080302	3	11
26106-080352	3	12
	7	23
	15	16
		17 -1
26106-080452	2	16
	4	10
	10	10
26106-080502	4	11
	6	41
	18	63
26106-080552	2	17
26106-080602	17	6
	18	64
26106-080652	21	16
26106-080752	15	46
26106-080802	8	14
26106-080852	2	18
26106-100202	18	48
26106-100302	18	42
26107-060202	22	66
26116-050102	27	3 C
26116-060082	23	17
26116-060162	18	57
26116-080352	15	17
26116-081202	26	23
26116-120252	24	32
	25	39
26206-100252	3	5
26206-100302	3	6
26216-060202	6	11
26216-080222	8	15
		18
26216-080802	8	16

Parts No.	Fig. No.	Ref. No.
26226-080182	6	25
26366-060002	6	23
	7	17
26366-080002	2	19
	18	43
	22	67
	26	24
	27	31
26450-060252	15	4
26557-050102	19	67
		68
	22	68
26657-100002	23	23
26687-120002	22	53 -1
26716-050002	27	3 D
26716-060002	19	69
26716-080002	11	49
	12	42
26716-100002	18	44
26716-120002	19	3
26756-050002	23	25
26756-060002	22	69 -1
26756-100002	18	45
26757-060002	22	69
26776-120002	22	70
26921-050122	23	18
27231-500000	1	10
27241-100000	6	31
27241-120000	1	11
27241-220000	6	12
27241-300000	1	12
27241-400000	6	13
28110-100120	28	4
28110-140170	28	5
28110-190220	28	6
28210-000140	28	7
43400-500390	22	64 -1
43400-500410	2	20
	16	9
43400-500430	22	57 -1
43400-500450	22	71
43400-500490	19	70
711100-51540	19	22
729100-01540	4	1
729102-01540	4	1 -1
729102-21700	13	1 -1
729102-53100	20	1
729103-51350	19	5 A
729103-53200	20	2
729120-22100	14	5

Parts No. Index

Parts No.	Fig. No.	Ref. No.
729120-22500	14	5 -1
729120-22950	14	13 -1
729150-21700	13	1
729150-23700	14	17
729151-01560	1	4
729156-22950	14	13
729188-01560	1	1
729188-51300	19	4
729188-51370	19	5 A-1
729188-51400	19	5
729188-92610	28	10 A
729188-92611	28	10 A-1
729188-92620	28	9
729188-92621	28	9 -1
729188-92640	28	10
729188-92641	28	10 -1
729402-11650	6	33
729402-22910	14	11
729402-23100	14	17 -1
729404-22900	14	11 A
729503-53200	20	1 A
771341-01540	4	2
771364-11701	6	1
933110-00100	27	17
933110-00301	27	19
X6201SD	26	3
X6202BM	26	16
XB495469B	26	21
XL12010001	26	17
XL12013262	26	9
XL1201510	26	18
XL1202401	26	14
XL12031001	26	2
XL12033011	26	6
XL1209200	26	4
XL1254801	26	19
XL1255801	26	20
XL13513134	26	11
XL13513152	26	7
XL13514041	26	15
XL13533004	26	5
XL1354326	26	8
XL1356360	26	13
XL1358320	26	12
XTR1Z63	26	10

Parts No.	Fig. No.	Ref. No.
-----------	----------	----------

Parts No.	Fig. No.	Ref. No.
-----------	----------	----------

Parts No.	Fig. No.	Ref. No.
-----------	----------	----------