

0CV10-M59900EN

P R E F A C E

1. This Parts Catalog carries all parts incorporated in YANMAR Model 3TNE74C - MP engine manufactured since August, 1998.
2. Each illustration corresponds to the parts list on the following page.
3. When ordering parts, clearly write down the engine model and serial number, as well as the name and number of each part in your order sheet. This will help insure reliable delivery of the parts you have ordered.

Directions for the Parts Catalog.

1. This Parts Catalog shows both standard and optional parts.
2. Parts may change without prior notice.
3. The following is an example of the Parts Catalog format.

REF.	LEV.	PARTS NO.	DESCRIPTION	Q'TY						I	R
				(A)	(B)	(C)	(D)	(E)	(F)		
1	1	729595-51390	FUEL INJECTION PUMP	1	1	1	1	1			1
1-1	1	729595-51391	FUEL INJECTION PUMP	1	1	1	1	1		N	1
		(A=E00185) (B=E00200)									
3	2	26022-060162	SCREW M 6X 16	9	9	9	9	9			
3-1	2	26022-060162	SCREW M 6X 16	4	4	4	4	4		K	
		(A=E00156) (B=E00156) (C=E00156) (D=E00156) (E=E00156)									
4	2	129470-51040	CAMSHAFT	1	1	1	1	1			
5	2	122710-51050	BEARING, ROLLER	2	2	2	2	2			
6	2	129470-51060	RETAINER	1	1	1	1	1			

Remarks
(1) BOOST COMPEMSATOR TYPE. OPTIONAL PART, TO E00155,(4JH-DT, 4JH-DTZ

① Ref. No.

The Ref. No. listed may not be in accordance with the illustration Ref. No.

(Ex.) Illustration No.

List Ref No.

1

1

(Before change)

1-1

(After change)

For interchangeable symbols N, R and K, illustrations for new parts may be abbreviated.

② Lev. (Level)

Level indication

The numbers below indicate the level of relativity towards the main part.

1 ----- Main parts (Assembly parts)

2 ----- Sub component included in " 1 ".

3 ----- Sub component included in " 2 ".

Note) Parts that are not for sale are partially illustrated but not listed.

③ Interchangeability Symbol

When a part change takes place, one of the following interchangeability symbols is indicated beside the part.

Symbol	Interchangeability	Contents note
N	Old $\begin{matrix} \leftarrow \text{Yes} \\ \text{No} \rightarrow \end{matrix}$ New	New Part is interchangeable for Old Part but Old Part is not interchangeable for New Part.
Q	Old $\begin{matrix} \leftarrow \text{No} \\ \text{Yes} \rightarrow \end{matrix}$ New	New Part is not interchangeable for Old Part but Old Part is interchangeable for New Part.
R	Old $\begin{matrix} \leftarrow \text{Yes} \\ \text{Yes} \rightarrow \end{matrix}$ New	New/ Old Parts are both interchangeable.
S	Old $\begin{matrix} \leftarrow \text{No} \\ \text{No} \rightarrow \end{matrix}$ New	New/ Old Parts are both not interchangeable.
W		Part newly added.
Z		Part discontinued.
F		Not interchangeable by a single part but interchangeable together with related parts.
K		Changes only for used parts quantities.

④ Effective Machine No.

When a part changes, the effective Machine No. will be indicated in the (A)-(F) column.

Product Symbol	Product No.	Product Symbol	Product No.
C	Clutch No. Compressor No.	F	Machine No. (Agricultural Equip.)
D	Drive No.	M	Machine No.
E	Engine No.		

Note 1) A date may follow the symbol. (Ex.) 1996.01

Note 2) "XXXXX" and "ZZZZZ" are for parts that could not be predicted or for engine models that could not be identified.

Note 3) (A=E00185) is the E (Engine Serial Number) for the column (A) model (in this case 4JH-DT) after the parts design change.

⑤ Remarks

Figures or alphabets (symbols) are entered in the remarks column.

The comments (remarks) on parts that are indicated at the bottom of the illustration are the same symbols as those stated above.

Contents

Fig. No. Fig. Name

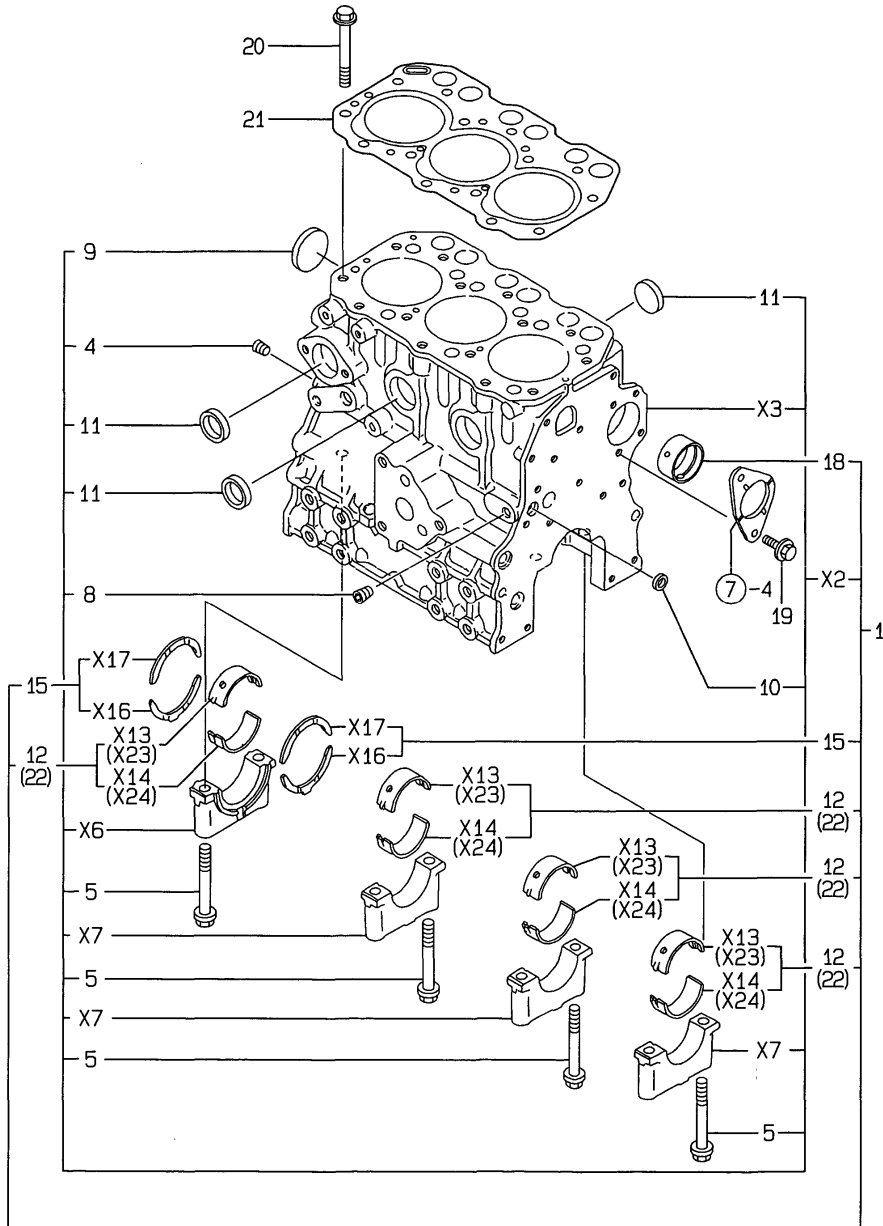
3TNE74C-MP

1. CYLINDER BLOCK
2. GEAR HOUSING
3. FLYWHEEL HOUSING & OIL SUMP
4. CYLINDER HEAD & BONNET
5. SUCTION MANIFOLD
6. EXHAUST MANIFOLD
7. CAMSHAFT & DRIVING GEAR
8. CRANKSHAFT & PISTON
9. LUB.OIL SYSTEM
10. COOLING WATER SYSTEM
11. FUEL INJECTION PUMP
12. GOVERNOR
13. FUEL INJECTION VALVE
14. FUEL LINE
15. STARTING MOTOR
16. GENERATOR
17. GASKET SET

Fig. No. Fig. Name

Fig.1. CYLINDER BLOCK

1. CYLINDER BLOCK



(A)=3TNE74C-MP

(B)=

(C)=

(D)=

(E)=

(F)=

No.	Lev.	Parts No.	Description	Q'ty						I	R
				(A)	(B)	(C)	(D)	(E)	(F)		
1	1	719623-01560	BLOCK ASSY, CYLINDER	1							
4	3	119600-01050	PLUG, PT1/4	1							
5	3	119620-02020	BOLT, METAL CAP	8							
8	3	23871-010000	PLUG, R01	1							
9	3	27231-450000	PLUG 45	1							
10	3	27241-120000	PLUG, 12	1							
11	3	27241-300000	PLUG 30	6							
12	2	719620-02800	BEARING, MAIN	4							
15	2	719620-02930	BEARING, THRUST	2							
18	2	119624-02410	BUSH	1							
19	1	26106-060122	BOLT, M6X 12 PLATED	2							
20	1	119620-01200	BOLT, HEAD	14							
21	1	119623-01330	GASKET, HEAD	1							
22	1	719620-02870	BEARING, 0.25 US	4							1

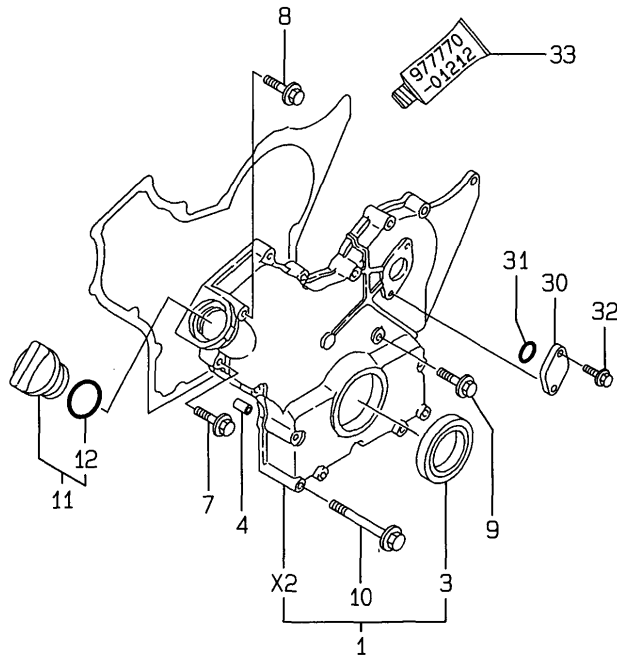
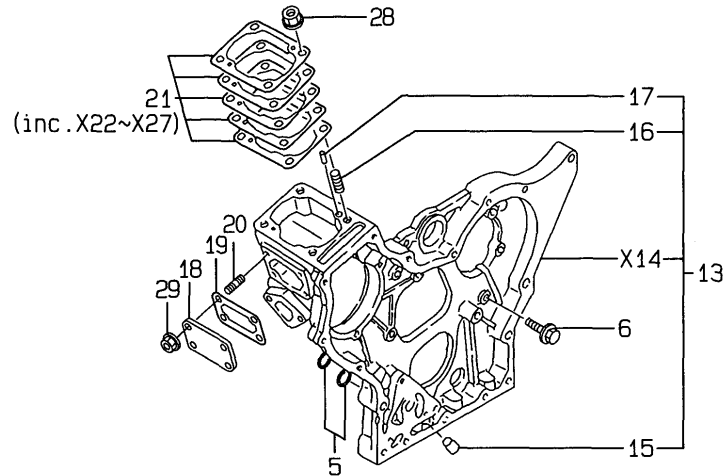
Remarks

(1)UNDER-SIZE(U.S=0.25)PART.

N:Old $\xrightarrow{\text{Yes}}$ New, Q:Old $\xrightarrow{\text{No}}$ New, R:Old $\xrightarrow{\text{Yes}}$ New, S:Old $\xrightarrow{\text{No}}$ New, W:Add, Z:Discontinued, F:Interchangeable by set, K:Q'ty Change

Fig.2. GEAR HOUSING

2.GEAR HOUSING



(A)=3TNE74C-MP

(B)=

(C)=

(D)=

(E)=

(F)=

No.	Lev.	Parts No.	Description	Q'ty						I	R
				(A)	(B)	(C)	(D)	(E)	(F)		
1	1	119610-01590	COVER ASSY,GEAR CASE	1							
3	2	119620-01800	SEAL, OIL	1							
4	1	119660-01911	PIPE, KNOCK	4							
5	1	24311-000120	O-RING, 1AP12.0	2							
6	1	26106-060162	BOLT, M6X 16 PLATED	7							
7	1	26106-060302	BOLT, M6X 30 PLATED	8							
8	1	26106-060602	BOLT, M6X 60 PLATED	1							
9	1	26106-060602	BOLT, M6X 60 PLATED	3							
10	1	26106-060802	BOLT, M6X 80 PLATED	6							
11	1	124160-01751	COVER, FILLER	1							
12	2	24311-000320	O-RING, 1AP32.0	1							
13	1	119610-01490	CASE ASSY, GEAR	1							
15	2	119660-01510	PLUG, 10X14	1							
16	2	121450-01560	STUD, M8X22	4							
17	2	22351-040010	PIN, SPRING 4.0X10	2							
18	1	119660-01551	COVER	1							
19	1	119660-01562	GASKET	1							
20	1	119660-01570	STUD, M6X12	4							
21	1	119623-01950	SHIM SET, ADJUSTING	1							
28	1	194990-22050	NUT, M8	4							
29	1	26366-060002	NUT, M6	4							
30	1	121023-01550	COVER	1							
31	1	24341-000240	O-RING, 1AS24.0	1							
32	1	26106-060162	BOLT, M6X 16 PLATED	2							
33	1	977770-01212	GASKET, LIQUID	1							1

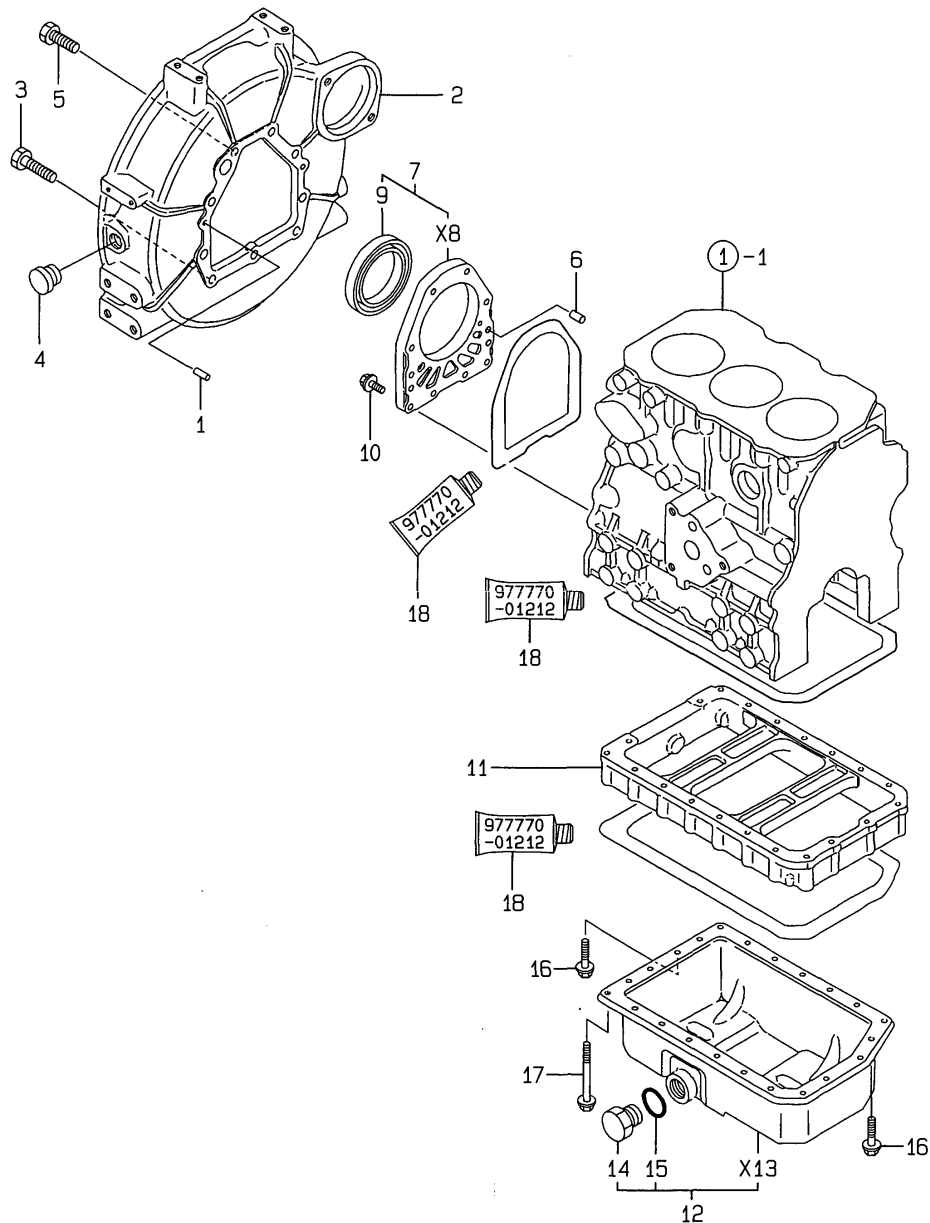
Remarks

(1) OPTIONAL PART.

N:Old $\xrightarrow{\text{Yes}}$ New, Q:Old $\xrightarrow{\text{No}}$ New, R:Old $\xrightarrow{\text{Yes}}$ New, S:Old $\xrightarrow{\text{No}}$ New, W:Add, Z:Discontinued, F:Interchangeable by set, K:Q'ty Change

Fig.3. FLYWHEEL HOUSING & OIL SUMP

3.FLYWHEEL HOUSING & LUB.OIL SUMP



(A)=3TNE74C-MP

(B)=

(C)=

(D)=

(E)=

(F)=

No.	Lev.	Parts No.	Description	Q'ty						I	R
				(A)	(B)	(C)	(D)	(E)	(F)		
1	1	129100-01580	PIN, M8X16	2							
2	1	119600-01600	HOUSING, FLYWHEEL	1							
3	1	121120-01620	BOLT, M10X28	3							
4	1	119620-01750	CAP	1							
5	1	26206-100252	BOLT, M10X 25 PLATED	6							
6	1	119620-01620	PIN, M6X10	2							
7	1	119660-01640	CASE ASSY, OIL SEAL	1							
9	2	124085-02220	SEAL, OIL	1							
10	1	26106-060222	BOLT, M6X 22 PLATED	10							
11	1	119600-01722	SPACER, OIL SUMP	1							
12	1	119600-01770	SUMP ASSY, OIL	1							
14	2	171301-01640	PLUG, 22	2							
15	2	24341-000250	O-RING, 1AS25.0	2							
16	1	26106-060122	BOLT, M6X 12 PLATED	3							
17	1	26106-060452	BOLT, M6X 45 PLATED	20							
18	1	977770-01212	GASKET, LIQUID	1							1

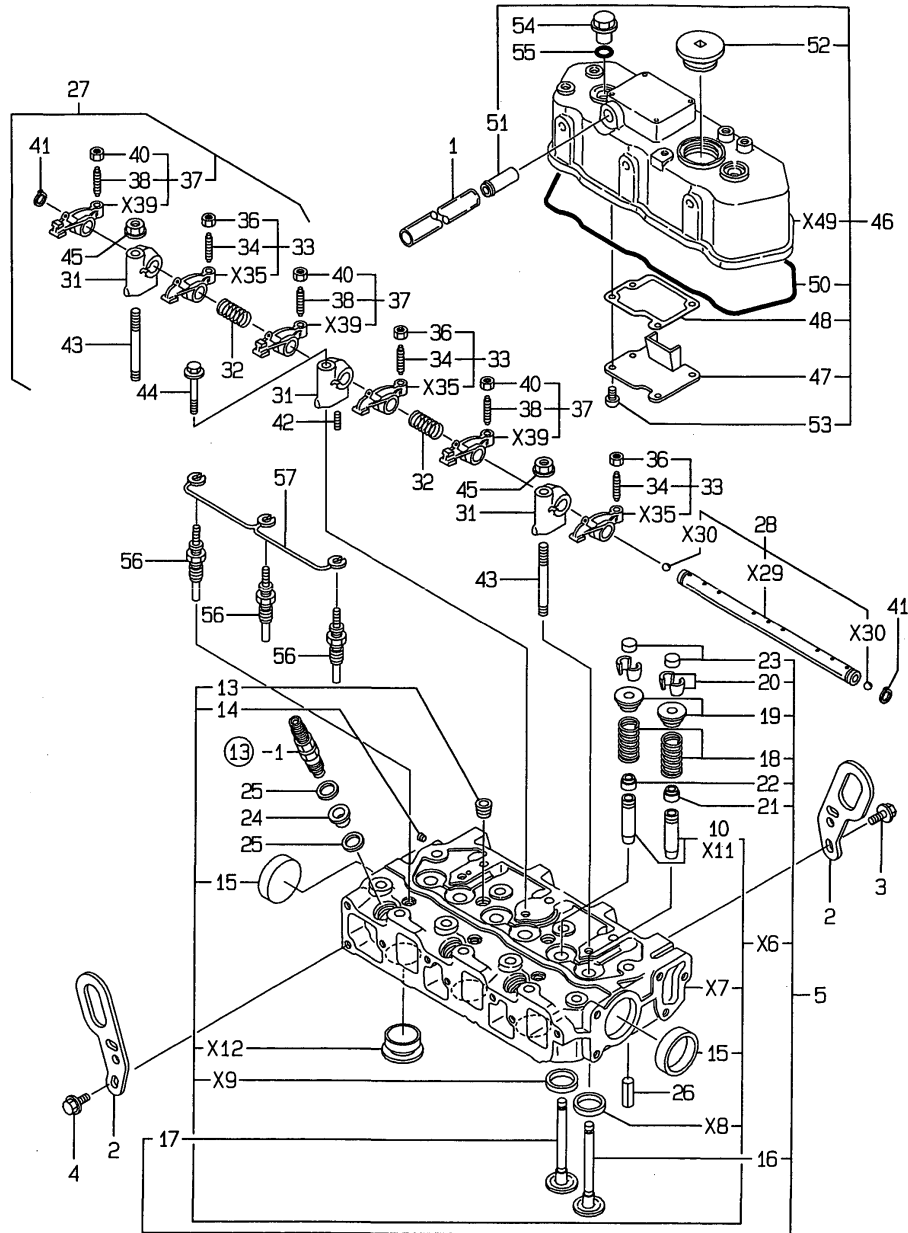
Remarks

(1) OPTIONAL PART.

N:Old $\xrightarrow{\text{Yes}}$ New, Q:Old $\xrightarrow{\text{No}}$ New, R:Old $\xrightarrow{\text{Yes}}$ New, S:Old $\xrightarrow{\text{No}}$ New, W:Add, Z:Discontinued, F:Interchangeable by set, K:Q'ty Change

Fig.4. CYLINDER HEAD & BONNET

4. CYLINDER HEAD & BONNET



(A)=3TNE74C-MP

(B)=

(C)=

(D)=

(E)=

(F)=

No.	Lev.	Parts No.	Description	Q'ty						I	R
				(A)	(B)	(C)	(D)	(E)	(F)		
1	1	23065-120500	PIPE, 12X 500	1							
2	1	119260-07900	LIFTER	2							
3	1	26106-080142	BOLT, M8X 14 PLATED	1							
4	1	26106-080142	BOLT, M8X 14 PLATED	2							
5	1	719623-11710	HEAD ASSY, CYLINDER	1							
10	3	119620-11801	GUIDE, VALVE	6							1
13	3	23871-020000	PLUG, R02	2							
14	3	27221-050080	PLUG, 5X 8	1							
15	3	27241-400000	PLUG, 40	2							
16	2	119623-11100	VALVE, INTAKE	3							
17	2	119620-11110	VALVE, EXHAUST	3							
18	2	119620-11120	SPRING, VALVE	6							
19	2	119620-11180	RETAINER, SPRING	6							
20	2	27310-070001	COTTER, 7	6							
21	2	124160-11340	SEAL, VALVE STEM	3							
22	2	124950-11340	SEAL, VALVE STEM	3							
23	2	104211-11370	CAP, VALVE	6							
24	1	119600-11450	PROTECTOR, NOZZLE	3							
25	1	119600-11460	GASKET, NOZZLE	6							
26	1	22351-060012	PIN, SPRING 6.0X12	2							
27	1	119620-11200	SUPPORT ASSY, ARM	1							
28	2	119620-11240	SHAFT ASSY, ROCKER	1							
31	2	119620-11260	SUPPORT, ROCKER ARM	3							
32	2	119620-11280	SPRING	2							
33	2	719620-11650	ARM ASSY, ROCKER	3							
34	3	105010-11230	SCREW, VALVE ADJUST	3							
36	3	26856-060002	NUT, M6	3							
37	2	719620-11660	ARM ASSY, ROCKER	3							
38	3	105010-11230	SCREW, VALVE ADJUST	3							
40	3	26856-060002	NUT, M6	3							
41	2	22242-000120	RING, 12	2							
42	2	26979-050162	SCREW, M5X16	1							
43	1	119620-11350	STUD	2							
44	1	26106-080452	BOLT, M8X 45 PLATED	1							
45	1	26366-080002	NUT, M8	2							
46	1	119657-11350	BONNET ASSY, HEAD	1							
47	2	119620-03020	PLATE, SHELTER	1							
48	2	119620-03031	GASKET	1							
50	2	119620-11310	GASKET, BONNET	1							
51	2	118400-03060	JOINT, BREATHER	1							
52	2	119807-11770	PLUG	1							
53	2	22857-500100	SCREW, 5X10	4							
54	1	124160-11360	KNOB	2							
55	1	24311-000120	O-RING, 1AP12.0	2							
56	1	129795-77800	PLUG, GLOW	3							
57	1	119620-77820	CONNECTOR, GLOW PLUG	1							

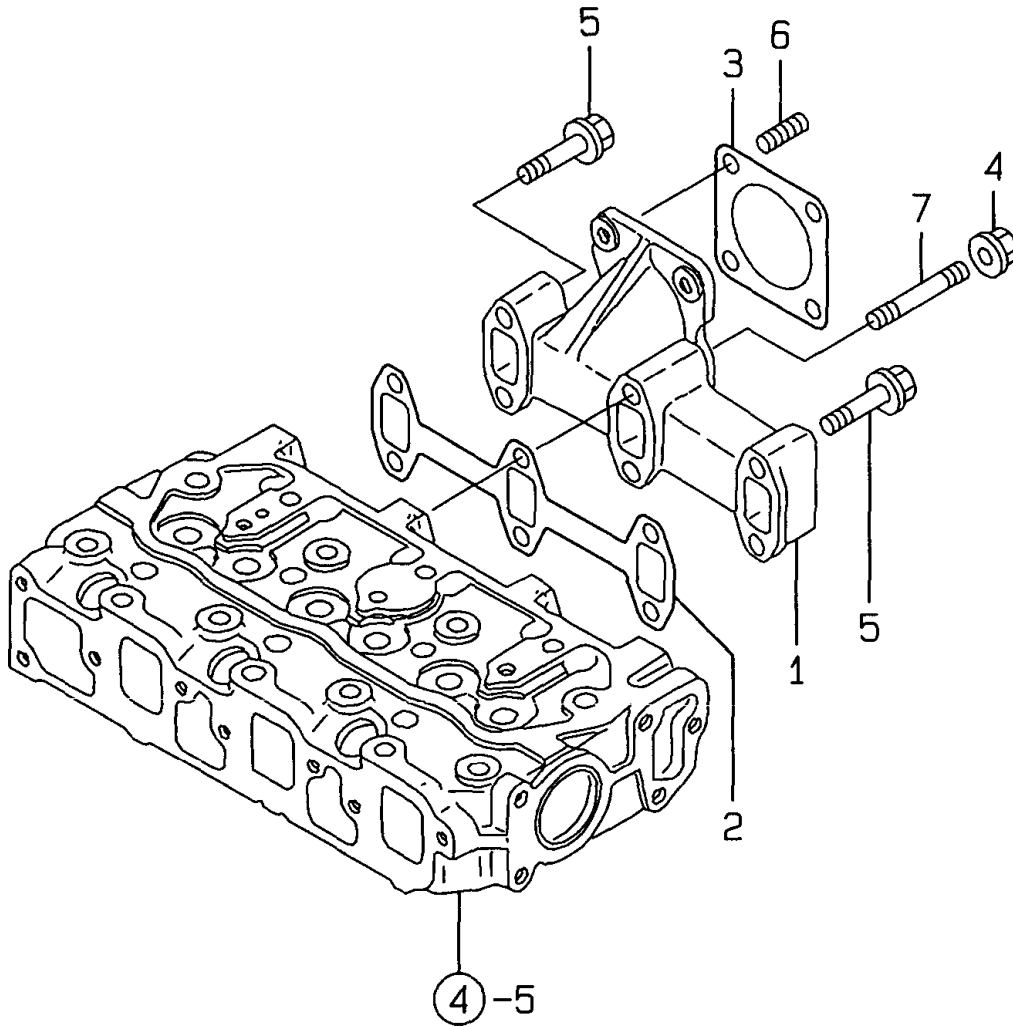
Remarks

(1) REPAIR PART.

N:Old $\xrightarrow{\text{Yes}}$ New, Q:Old $\xrightarrow{\text{No}}$ New, R:Old $\xrightarrow{\text{Yes}}$ New, S:Old $\xrightarrow{\text{No}}$ New, W:Add, Z:Discontinued, F:Interchangeable by set, K:Q'ty Change

Fig.6. EXHAUST MANIFOLD

6. EXHAUST MANIFOLD



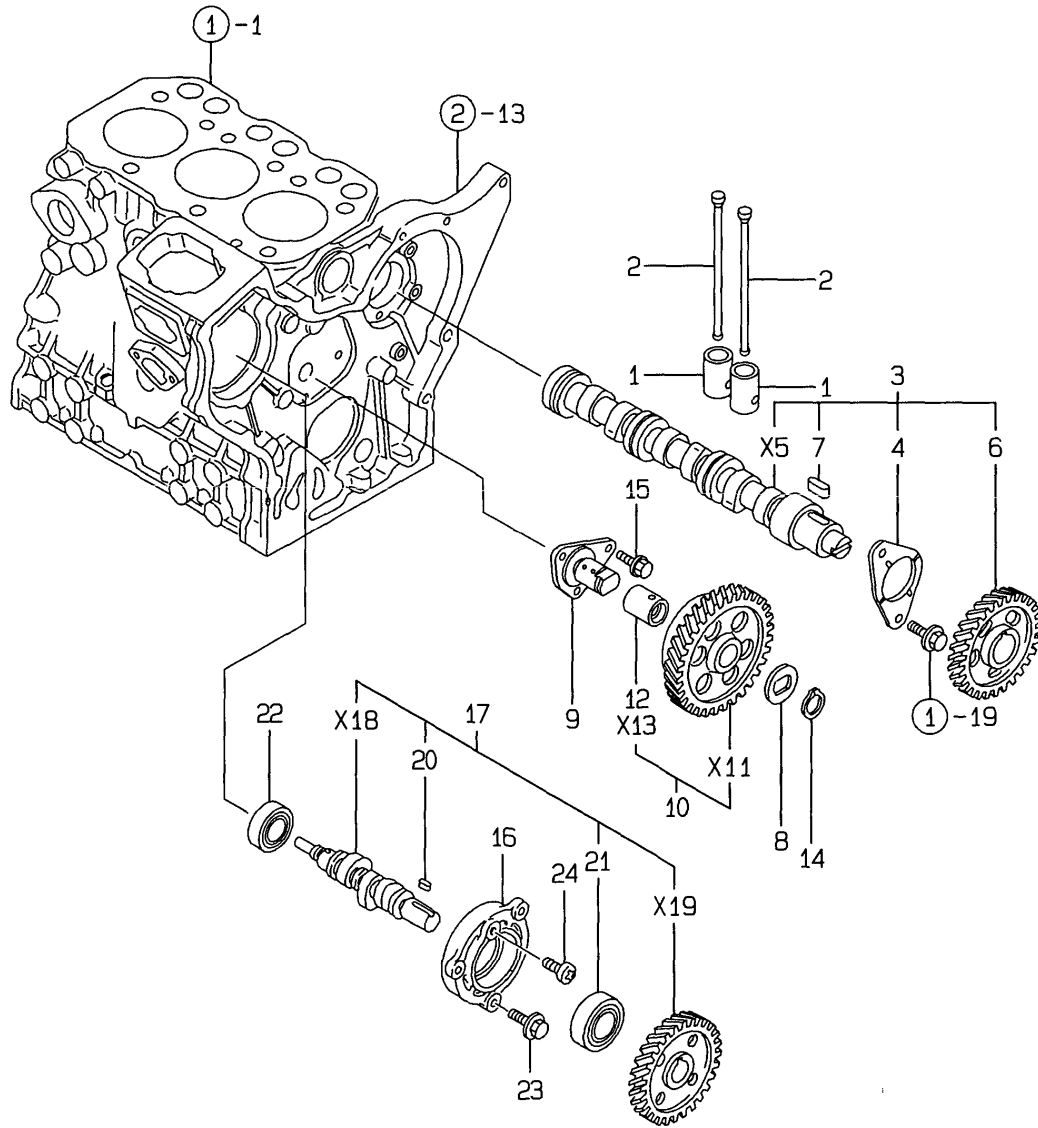
(A)=3TNE74C-MP
(B)=
(C)=

(D)=
(E)=
(F)=

No.	Lev.	Parts No.	Description	Q'ty						I	R
				(A)	(B)	(C)	(D)	(E)	(F)		
1	1	119600-13100	MANIFOLD, EXHAUST	1							
2	1	119620-13110	GASKET	1							
3	1	121000-13201	GASKET, SILENCER	1							
4	1	26366-080002	NUT, M8	2							
5	1	26106-080402	BOLT, M8X 40 PLATED	4							
6	1	119131-18320	STUD, M8X22	4							
7	1	26216-080552	STUD, M8X 55	2							

Fig.7. CAMSHAFT & DRIVING GEAR

7. CAMSHAFT & DRIVING GEAR



(A)=3TNE74C-MP

(B)=

(C)=

(D)=

(E)=

(F)=

No.	Lev.	Parts No.	Description	Q'ty						I	R
				(A)	(B)	(C)	(D)	(E)	(F)		
1	1	119620-14200	TAPPET	6							
2	1	119620-14401	ROD, PUSH	6							
3	1	119629-14580	CAMSHAFT ASSY	1							
4	2	119620-02450	BEARING, THRUST	1							
6	2	119620-14100	GEAR, CAMSHAFT	1							
7	2	22512-040120	KEY, 4X 12	1							
8	1	119660-25022	RETAINER	1							
9	1	119660-25052	SHAFT, IDLE	1							
10	1	119620-25102	GEAR ASSY, IDLE	1							
12	2	119620-25912	BUSH	1							1
14	1	22242-000200	RING, 20	1							
15	1	26106-060122	BOLT, M6X 12 PLATED	3							
16	1	119660-01821	BEARING, FUEL CAM	1							
17	1	719660-14590	CAMSHAFT	1							
20	2	22512-040120	KEY, 4X 12	1							
21	2	24102-063034	BEARING, BALL 6303U	1							
22	1	24101-062034	BEARING, BALL 6203	1							
23	1	26106-060162	BOLT, M6X 16 PLATED	3							
24	1	26587-080102	SCREW, M8X10	1							

Remarks

(1) REPAIR PART.

Fig.8. CRANKSHAFT & PISTON

(A)=3TNE74C-MP

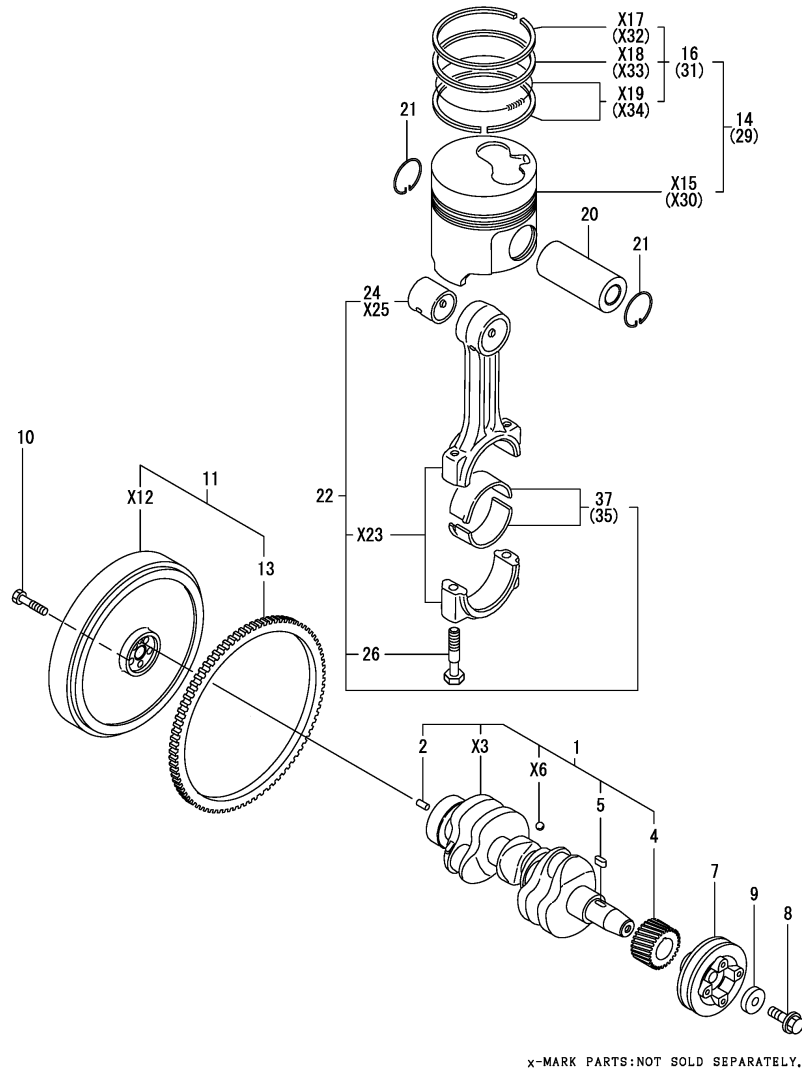
(B)=

(C)=

(D)=

(E)=

(F)=



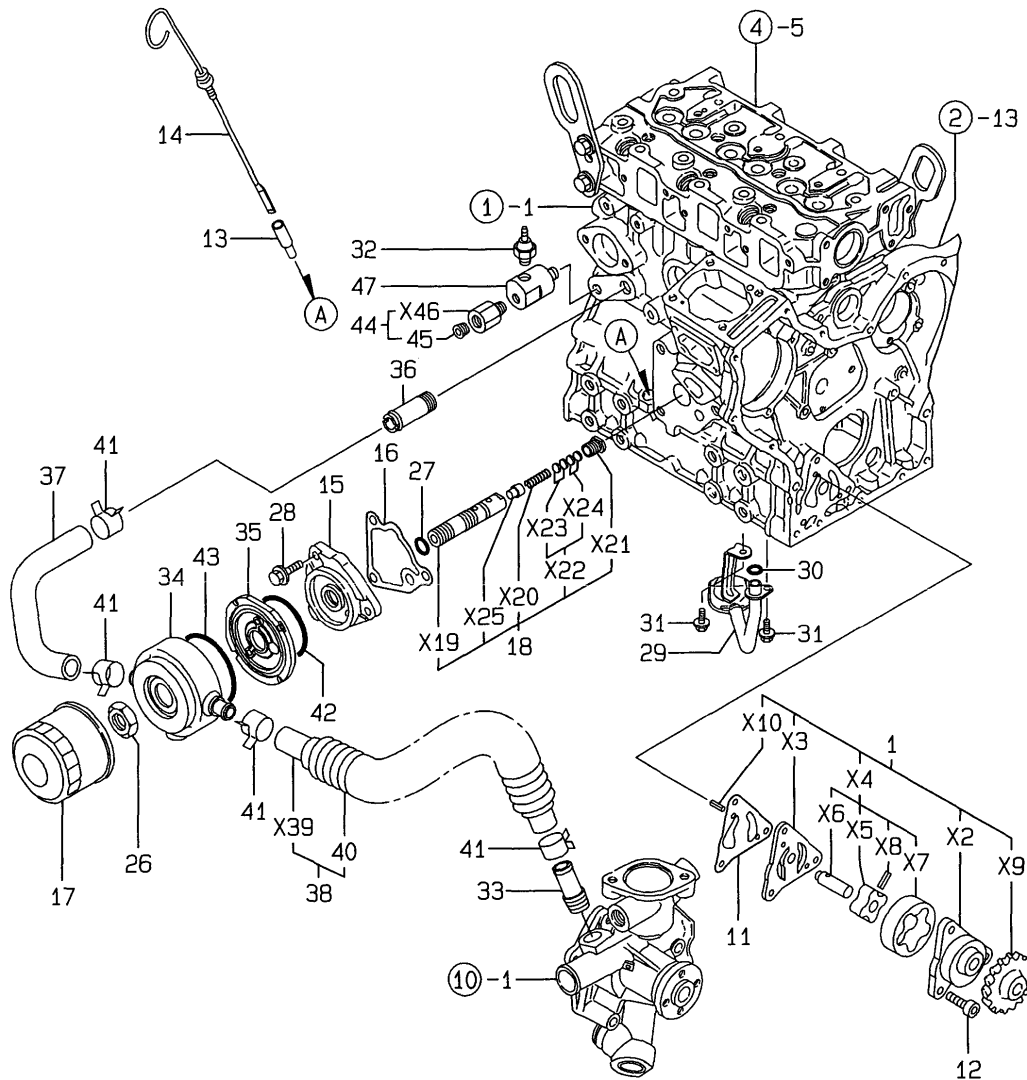
No.	Lev.	Parts No.	Description	Q'ty						I	R	
				(A)	(B)	(C)	(D)	(E)	(F)			
1	1	119623-21700	CRANKSHAFT ASSY	1								
2	2	129100-01580	PIN, M8X16	1								
4	2	119644-21200	GEAR, CRANKSHAFT	1								
5	2	22512-040120	KEY, 4X 12	1								
7	1	119660-21651	V-PULLEY	1								
8	1	119621-21680	BOLT, FLANGE 12X1.25	1								
9	1	119620-21941	WASHER	1								
10	1	121111-21501	BOLT, FLYWHEEL	5								
11	1	119600-21580	FLYWHEEL ASSY	1								
13	2	119865-21600	GEAR, RING	1								
14	1	119623-22080	PISTON ASSY	3								
16	2	119623-22500	RING SET, PISTON	3								
20	1	114350-22301	PIN, PISTON D=21	3								
21	1	22252-000210	RING, 21	6								
22	1	719620-23100	ROD ASSY, CONNECTING	3								
24	2	119620-23910	BEARING, PISTON PIN	3								1
26	2	105225-23200	BOLT, CONNECTING ROD	6								
29	1	119623-22900	PISTON ASSY, 0.25 OS	3								2
31	2	119623-22950	RING SET, 0.25 OS	3								2
35	1	719620-23610	BEARING ASSY, 0.25	3								3
37	1	719620-23600	BEARING, CRANK PIN	3								

Remarks

- (1) REPAIR PART.
- (2) OVER-SIZE(O.S=0.25)PART.
- (3) UNDER-SIZE(U.S=0.25)PART.

Fig.9. LUB.OIL SYSTEM

9.LUB.OIL SYSTEM



(A)=3TNE74C-MP

(B)=

(C)=

(D)=

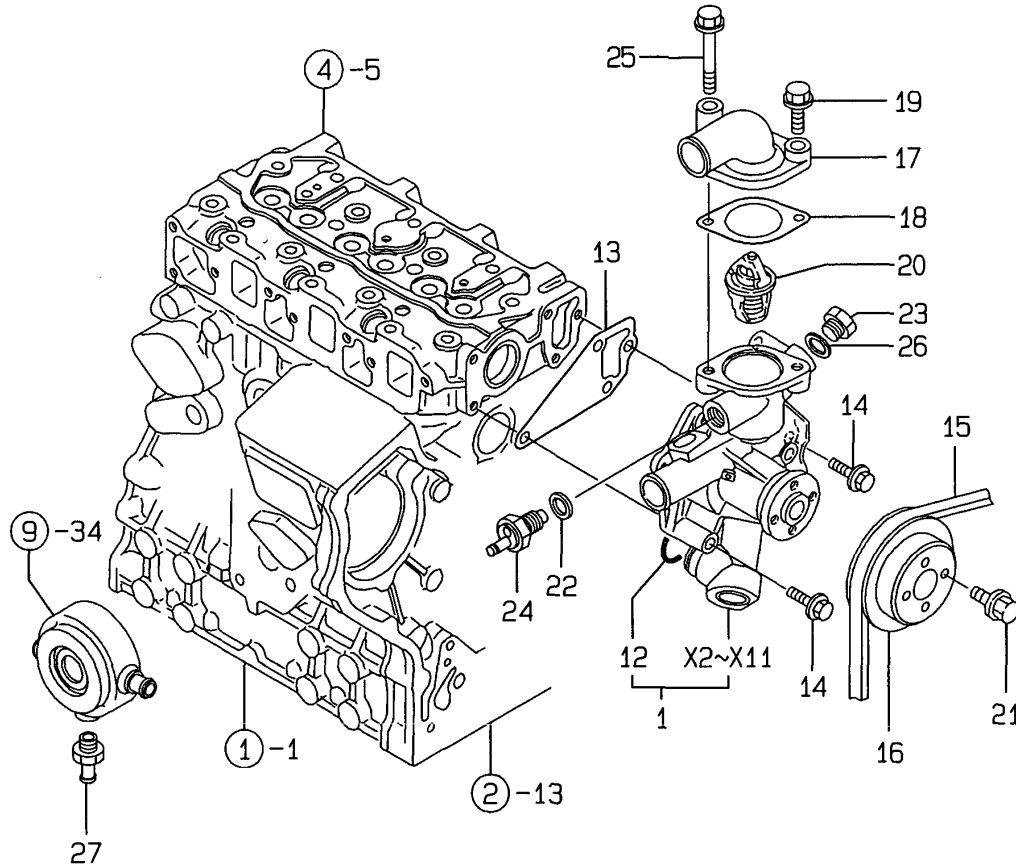
(E)=

(F)=

No.	Lev.	Parts No.	Description	Q'ty						I	R
				(A)	(B)	(C)	(D)	(E)	(F)		
1	1	119660-32001	PUMP ASSY, OIL	1							
11	1	119660-32020	GASKET, PUMP	1							
12	1	26450-060202	BOLT, M6X 20	3							
13	1	121520-34810	GUIDE, DIPSTICK	1							
14	1	119623-34820	DIPSTICK, OIL	1							
15	1	119660-35102	BRACKET, FILTER	1							
16	1	119660-35113	GASKET	1							
17	1	119305-35150	FILTER, OIL	1							
18	1	129120-35301	VALVE ASSY,OIL PRESS	1							
26	1	129150-35350	NUT	1							
27	1	24311-000160	O-RING, 1AP16.0	1							
28	1	26106-080202	BOLT, M8X 20 PLATED	3							
29	1	119600-35091	PIPE ASSY, OIL INLET	1							
30	1	119209-35030	O-RING, P11	1							
31	1	26106-060102	BOLT, M6X 10 PLATED	2							
32	1	124160-39450	SWITCH, 0.5KG	1							
33	1	121851-11970	JOINT, PIPE	1							
34	1	119642-33030	COOLER, OIL	1							
35	1	119642-33100	BRACKET, COOLER	1							
36	1	129122-44480	JOINT	1							
37	1	119642-49030	PIPE, WATER	1							
38	1	119642-49050	PIPE, WATER	1							
40	2	119642-49090	TUBE, CORRUGATED	1							
41	1	23000-022000	CLAMP, 22	4							
42	1	24321-000600	O-RING, 1AG60.0	1							
43	1	24321-000700	O-RING, 1AG70.0	1							
44	1	119285-39600	ADAPTER	1							
45	2	119285-01730	PLUG, NPT1/8	1							
47	1	171375-39601	DAMPER, 1/8	1							

Fig.10. COOLING WATER SYSTEM

10.COOLING WATER SYSTEM



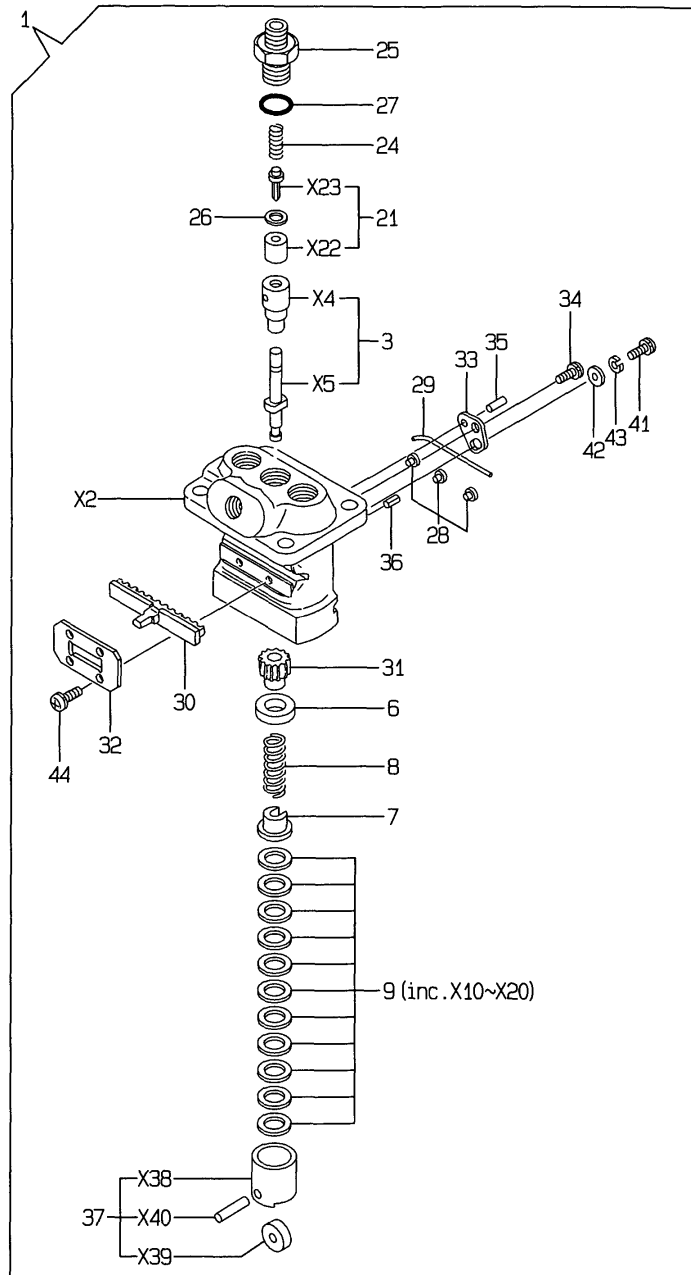
(A)=3TNE74C-MP
(B)=
(C)=

(D)=
(E)=
(F)=

No.	Lev.	Parts No.	Description	Q'ty						I	R
				(A)	(B)	(C)	(D)	(E)	(F)		
1	1	119660-42005	PUMP ASSY, WATER	1							
12	2	119620-42320	O-RING	1							
13	1	119620-42020	GASKET, WATER PUMP	1							
14	1	26106-080452	BOLT, M8X 45 PLATED	4							
15	1	119650-42291	V-BELT, 35	1							
16	1	119660-42350	V-PULLEY	1							
17	1	124101-49530	COVER, THERMOSTAT	1							
18	1	129350-49541	GASKET	1							
19	1	26106-080282	BOLT, M8X 28 PLATED	1							
20	1	129350-49800	THERMOSTAT, 71	1							
21	1	26014-060122	BOLT, M6X 12	4							
22	1	124465-44950	GASKET, 16	1							
23	1	121450-42450	PLUG, M16	1							
24	1	121250-44901	SWITCH, 110	1							
25	1	26106-080652	BOLT, M8X 65 PLATED	1							
26	1	124465-44950	GASKET, 16	1							
27	1	121550-49111	JOINT, PT1/4	1							

Fig.11. FUEL INJECTION PUMP

11.FUEL INJECTION PUMP



x-MARK PARTS: NOT SOLD SEPARATELY.

(A)=3TNE74C-MP

(B)=

(C)=

(D)=

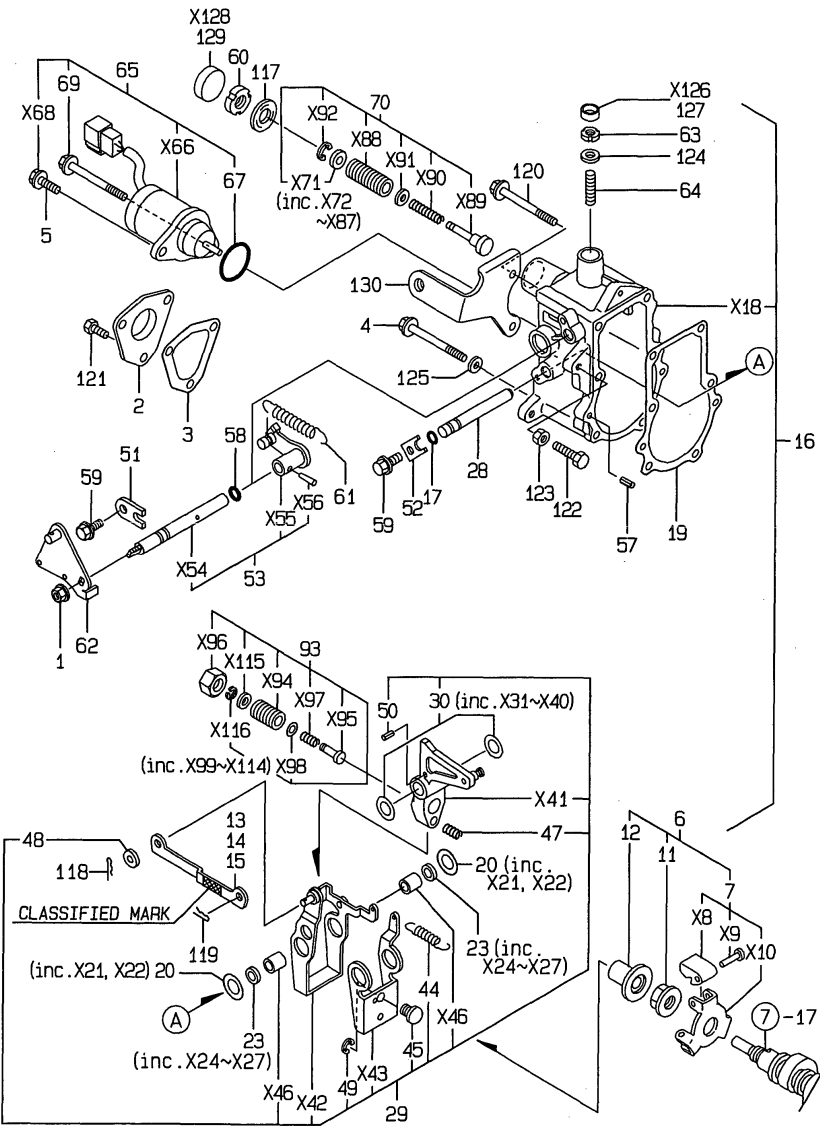
(E)=

(F)=

No.	Lev.	Parts No.	Description	Q'ty						I	R
				(A)	(B)	(C)	(D)	(E)	(F)		
1	1	719621-51100	PUMP ASSY, INJECTION	1							
3	2	119620-51101	PLUNGER ASSY	3							
6	2	119620-51170	RETAINER, SPRING A	3							
7	2	119620-51180	RETAINER, SPRING B	3							
8	2	119620-51190	SPRING, PLUNGER	3							
9	2	119620-51250	SHIM SET	3							
21	2	119620-51300	VALVE ASSY, DELIVERY	3							
24	2	105546-51330	SPRING, DELIVERY	3							
25	2	119620-51340	HOLDER, DELIVERY	3							
26	2	119620-51350	GASKET	3							
27	2	119620-51370	O-RING	3							
28	2	119620-51450	PIECE	3							
29	2	119620-51461	PIN	1							
30	2	119660-51500	RACK, CONTROL	1							
31	2	119620-51510	PINION	3							
32	2	119660-51530	RETAINER, RACK	1							
33	2	119620-51650	PLATE	2							
34	2	119620-51660	SCREW	2							
35	2	119620-51670	PIN	2							
36	2	119620-51680	PIN	1							
37	2	119620-51700	TAPPET ASSY	3							
41	2	26587-040102	SCREW, M4X10	2							
42	2	22137-040000	WASHER, 4	2							
43	2	22217-040000	WASHER, SPRING 4	2							
44	2	26022-040082	SCREW, M4X 8	4							

Fig.12. GOVERNOR

12. GOVERNOR



(A)=3TNE74C-MP

(B)=

(C)=

(D)=

(E)=

(F)=

No.	Lev.	Parts No.	Description	Q'ty						I	R
				(A)	(B)	(C)	(D)	(E)	(F)		
1	1	194990-22050	NUT, M8	1							
2	1	119660-61060	COVER, GOVERNOR CASE	1							
3	1	119660-61071	GASKET	1							
4	1	26106-060752	BOLT, M6X 75 PLATED	3							
5	1	121465-59950	BOLT, M6X16	1							
6	1	119600-61100	DRIVE ASSY	1							
7	2	119600-61200	WEIGHT ASSY,GOVERNOR	1							
11	2	119660-61300	NUT	1							
12	2	119660-61341	SLEEVE	1							
13	1	119660-61121	LINK, NO MARK	1							1
14	1	119660-61140	LINK, MARK :2	1							1
15	1	119660-61150	LINK, MARK :3	1							1
16	1	119226-61200	CASE ASSY, GOVERNOR	1							
17	2	129155-51280	O-RING, S6	1							
19	2	119660-61052	GASKET	1							
20	2	119660-61460	SHIM SET	1							
23	2	129155-61480	SPACER ASSY	2							
28	2	119660-61491	SHAFT	1							
29	2	119265-61510	LEVER ASSY, GOVERNOR	1							
30	3	174307-51700	SHIM SET	2							
44	3	119232-61540	SPRING	1							
45	3	119600-61541	SHIFTER	1							
47	3	119660-61651	SPRING, STARTING	1							
48	3	22117-040000	WASHER, 4	1							
49	3	22272-000040	RING, E- 4	1							
50	3	22351-030014	PIN, SPRING 3.0X14	1							
51	2	119600-61900	RETAINER, SHAFT	1							
52	2	119660-61901	RETAINER, SHAFT	1							
53	2	119285-66080	SHAFT ASSY	1							
57	2	22351-040010	PIN, SPRING 4.0X10	2							
58	2	24341-000070	O-RING, 1AS7.0	1							
59	2	26106-060102	BOLT, M6X 10 PLATED	2							
60	1	119685-61940	NUT, M12	1							
61	1	119600-66020	SPRING, REGULATOR	1							
62	1	119621-66051	LEVER, REGULATOR	1							
63	1	119685-61950	NUT, M6	1							
64	1	119988-61450	BOLT, LIMITER	1							
65	1	119653-66500	STOPPER ASSY	1							
67	2	24341-000280	O-RING, 1AS28.0	1							
69	2	26106-060952	BOLT, M6X 95 PLATED	1							
70	1	119621-66500	LIMITER ASSY, FUEL	1							
93	1	119260-66720	ANGLEICH ASSY	1							
117	1	22190-120002	WASHER, SEAL 12	1							
118	1	22360-040000	PIN, SNAP 4	1							
119	1	22360-060000	PIN, SNAP 6	1							
120	1	26106-060702	BOLT, M6X 70 PLATED	2							
121	1	26116-050102	BOLT, M5X 10 PLATED	3							
122	1	26116-060304	BOLT, M6X 30 PLATED	1							
123	1	26756-060002	NUT, LOCK M6	1							
124	1	22190-060003	SEAL WASHER 6	1							
125	1	22111-060000	WASHER 6	3							

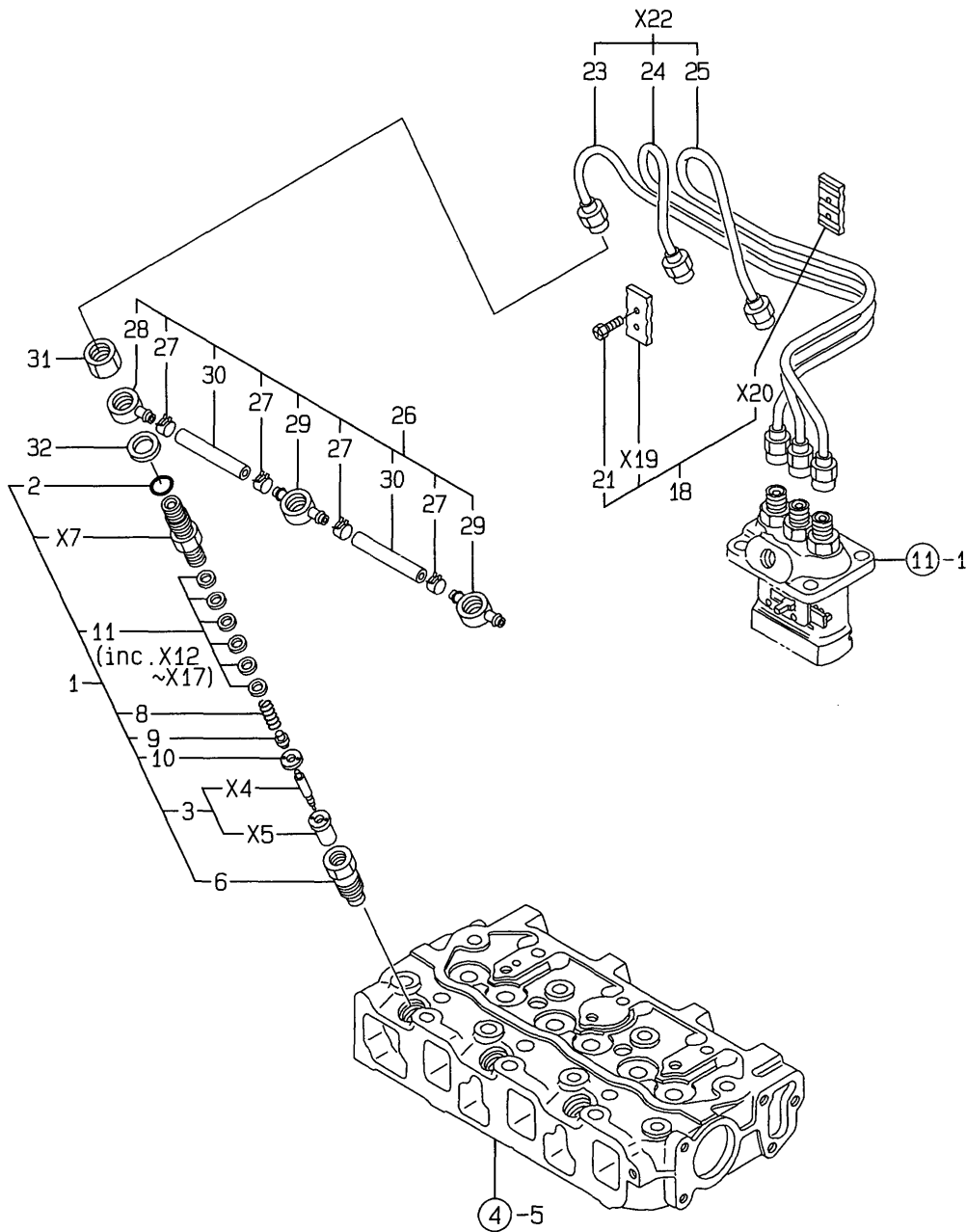
Remarks

(1) SELECTIVE PARTS: CERTAIN THE CLASSIFICATION MARK, THEN PLACE YOUR ORDER.(REFER TO ILLUSTRATION).

(2) REPAIR PART.

Fig.13. FUEL INJECTION VALVE

13.FUEL INJECTION VALVE



(A)=3TNE74C-MP

(B)=

(C)=

(D)=

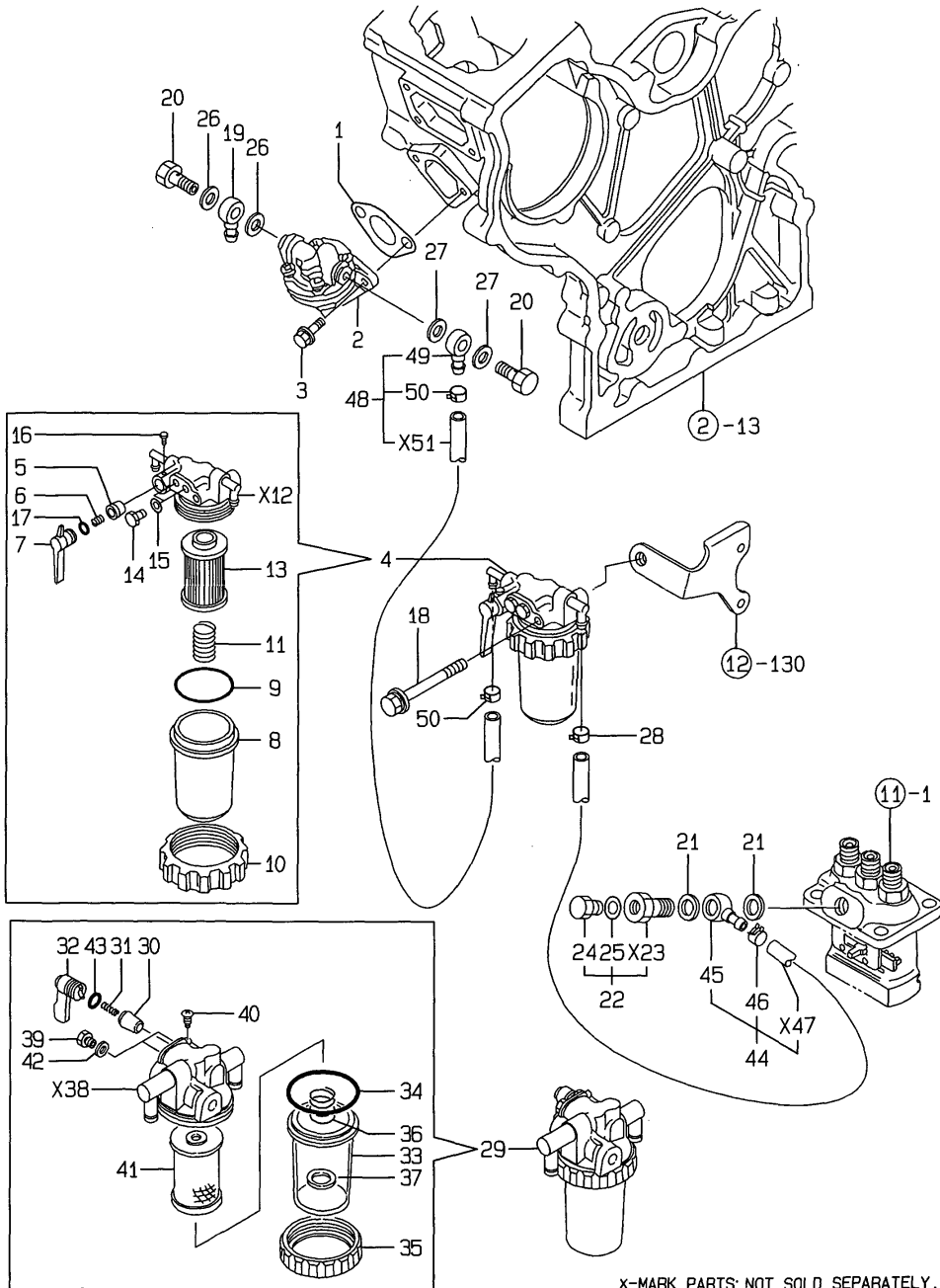
(E)=

(F)=

No.	Lev.	Parts No.	Description	Qty						I	R
				(A)	(B)	(C)	(D)	(E)	(F)		
1	1	719620-53100	VALVE ASSY,INJECTION	3							
2	2	129155-61830	O-RING, S10	3							
3	2	119620-53000	VALVE ASSY,INJECTION	3							
6	2	119620-53080	NUT, NOZZLE	3							
8	2	119620-53120	SPRING, NOZZLE	3							
9	2	114250-53130	SEAT, SPRING	3							
10	2	119620-53140	SPACER, VALVE STOP	3							
11	2	114250-53400	SHIM SET	3							
18	1	129150-59120	RETAINER, PIPE	1							
21	2	129150-59131	BOLT, M4X14	2							
23	2	119620-59811	PIPE ASSY, INJECTION	1							
24	2	119620-59821	PIPE ASSY, INJECTION	1							
25	2	119620-59831	PIPE ASSY, INJECTION	1							
26	1	119620-59540	PIPE ASSY, FUEL	1							
27	2	124066-59100	CLIP, HOSE 8	4							
28	2	119260-59520	JOINT	1							
29	2	119260-59530	JOINT	2							
30	2	105025-59550	PIPE, FUEL RETURN	2							
31	1	119620-59700	NUT, NOZZLE	3							
32	1	23414-140000	GASKET, 14X1.0	3							

Fig.14. FUEL LINE

14.FUEL LINE



X-MARK PARTS: NOT SOLD SEPARATELY.

(A)=3TNE74C-MP

(B)=

(C)=

(D)=

(E)=

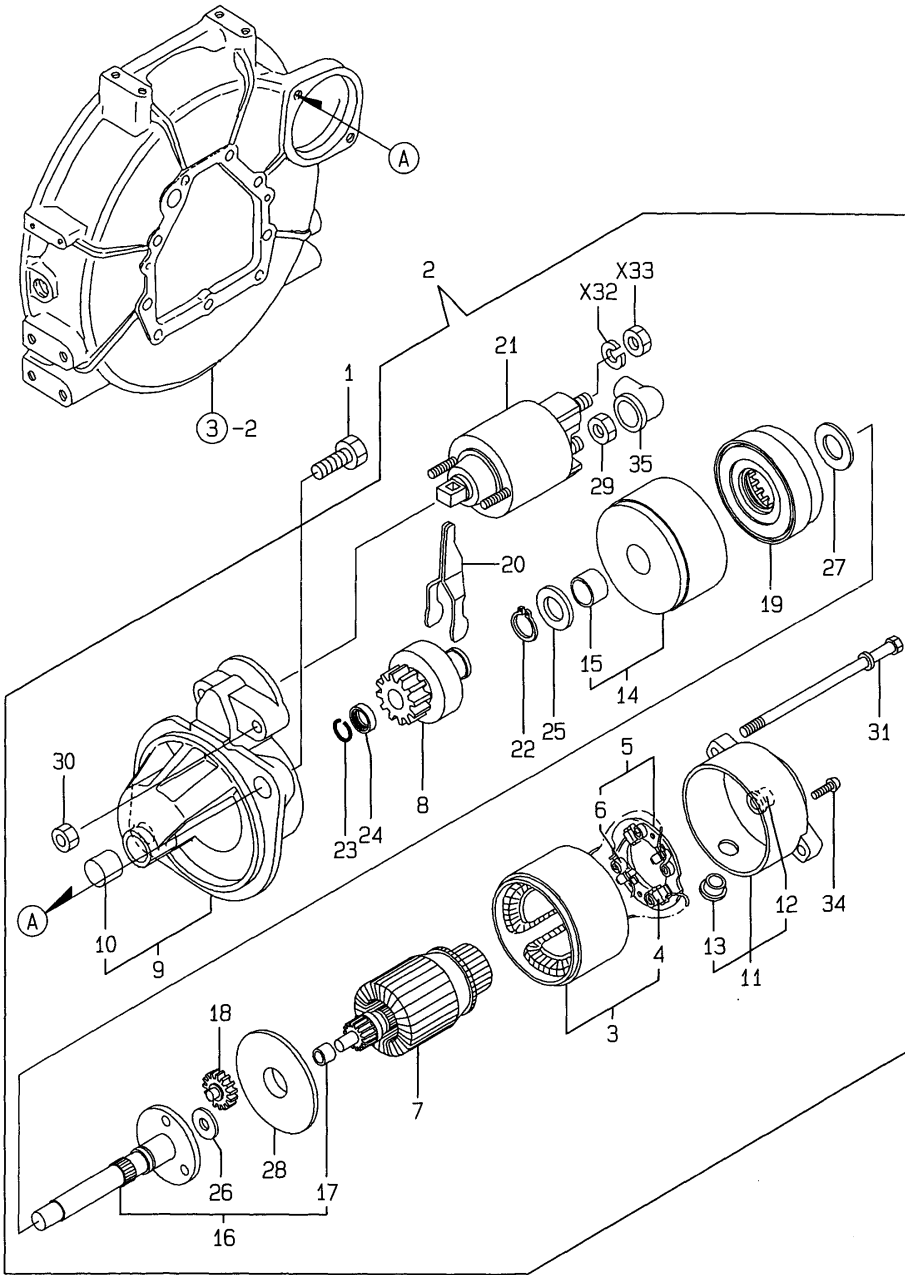
(F)=

No.	Lev.	Parts No.	Description	Q'ty						I	R
				(A)	(B)	(C)	(D)	(E)	(F)		
1	1	121520-01851	GASKET	1							
2	1	119600-52021	PUMP ASSY, FUEL FEED	1							
3	1	26106-060162	BOLT, M6X 16 PLATED	2							
4	1	171059-55600	FILTER ASSY, FUEL	1							
5	2	104200-55321	VALVE, TAPER	1							
6	2	104200-55330	SPRING, VALVE	1							
7	2	104200-55341	HANDLE	1							
8	2	121254-55510	COVER	1							
9	2	102103-55520	O-RING	1							
10	2	110250-55610	RING, RETAINING	1							
11	2	121250-55620	SPRING	1							
13	2	124550-55700	FILTER, FUEL L=90	1							
14	2	101720-55750	PLUG, 6	2							
15	2	23418-060000	GASKET, 6X1.0	2							
16	2	104200-55750	SCREW, M4	1							
17	2	24311-240100	O-RING, 1AP10A	1							
18	1	26014-080702	BOLT, M8X 70	1							
19	1	104264-59030	JOINT, PIPE 8	1							
20	1	105582-59150	BOLT, PIPE JOINT	2							
21	1	104200-59170	GASKET, 12	2							
22	1	103854-59191	BOLT ASSY, JOINT M12	1							
24	2	124060-59380	PLUG, 6	1							
25	2	22190-060002	WASHER, SEAL 6	1							
26	1	22190-080002	WASHER, SEAL 6	2							
27	1	22190-080002	WASHER, SEAL 6	2							
28	1	124766-59050	CLIP, HOSE 12	1							
29	1	129335-55700	SEPARATOR ASSY,WATER	1							
30	2	104200-55321	VALVE, TAPER	1							
31	2	104200-55330	SPRING, VALVE	1							
32	2	104200-55341	HANDLE	1							
33	2	124064-55510	COVER	1							
34	2	102103-55520	O-RING	1							
35	2	110250-55610	RING, RETAINING	1							
36	2	121257-55720	SPRING	1							
37	2	121257-55731	FLOAT	1							
39	2	101720-55750	PLUG, 6	2							
40	2	104200-55750	SCREW, M4	1							
41	2	171081-55910	SCREEN	1							
42	2	23418-060000	GASKET, 6X1.0	2							
43	2	24311-240100	O-RING, 1AP10A	1							
44	1	124160-59011	PIPE ASSY, FUEL	1							
45	2	101304-59020	JOINT, PIPE 12	1							
46	2	124766-59050	CLIP, HOSE 12	1							
48	1	119260-59020	PIPE ASSY, D12XL400	1							
49	2	104264-59030	JOINT, PIPE 8	1							
50	2	124766-59050	CLIP, HOSE 12	2							

N:Old $\xrightarrow{\text{Yes}}$ New, Q:Old $\xrightarrow{\text{No}}$ New, R:Old $\xrightarrow{\text{Yes}}$ New, S:Old $\xrightarrow{\text{No}}$ New, W:Add, Z:Discontinued, F:Interchangeable by set, K:Q'ty Change

Fig.15. STARTING MOTOR

15. STARTING MOTOR



(A)=3TNE74C-MP

(B)=

(C)=

(D)=

(E)=

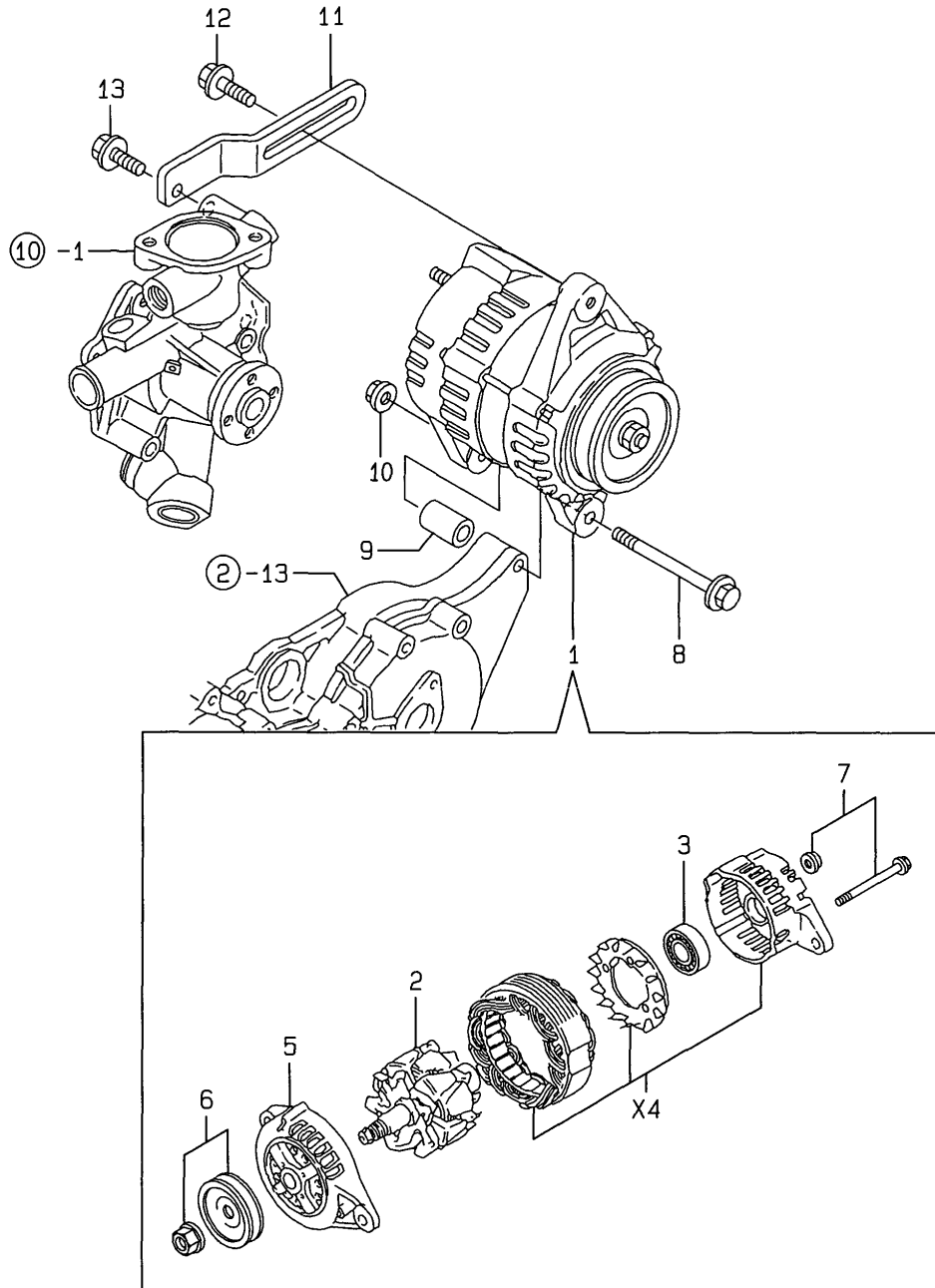
(F)=

No.	Lev.	Parts No.	Description	Q'ty						I	R
				(A)	(B)	(C)	(D)	(E)	(F)		
1	1	26116-120252	BOLT, M12X 25 PLATED	2							
2	1	119255-77010	STARTER	1							
3	2	X0281007680	YOKE ASSY	1							
4	3	X0280996180	STARTER KIT	2							
5	2	X0285105190	HOLDER ASSY	1							
6	3	X0285205030	SPRING	4							
7	2	X0282005871	ARMATURE ASSY	1							
8	2	X0283006960	CLUTCH ASSY	1							
9	2	X5128400875	HOUSING ASSY	1							
10	3	X9491050100	BEARING, NEEDLE	1							
11	2	X0285005770	FRAME ASSY	1							
12	3	X9491040990	BEARING	1							
13	3	X0280626010	COVER	1							
14	2	X0284105010	BEARING ASSY	1							
15	3	X9491034330	BEARING	1							
16	2	X0286105010	SHAFT ASSY	1							
17	3	X9491034320	BEARING	1							
18	2	X0286305010	GEAR	3							
19	2	X0286355010	GEAR	1							
20	2	X0287405140	LEVER	1							
21	2	X0534007800	SWITCH ASSY	1							
22	2	X9055715000	RING	1							
23	2	X9490721360	RING	1							
24	2	X0280210331	NUT	1							
25	2	X9490138110	WASHER	1							
26	2	X9490138090	WASHER	1							
27	2	X9490138100	WASHER	1							
28	2	X0284525010	PLATE	1							
29	2	X9490562360	NUT	1							
30	2	X9490560750	NUT	2							
31	2	X9490423520	BOLT, THROUGH	2							
34	2	X9490065670	SCREW, M4X6	2							
35	2	X0280335100	COVER, TERMINAL	1							

X-MARK PARTS: NOT SOLD SEPARATELY.

Fig.16. GENERATOR

16.GENERATOR



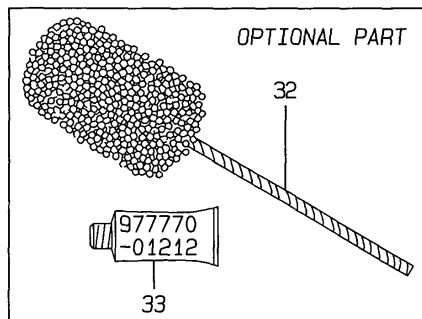
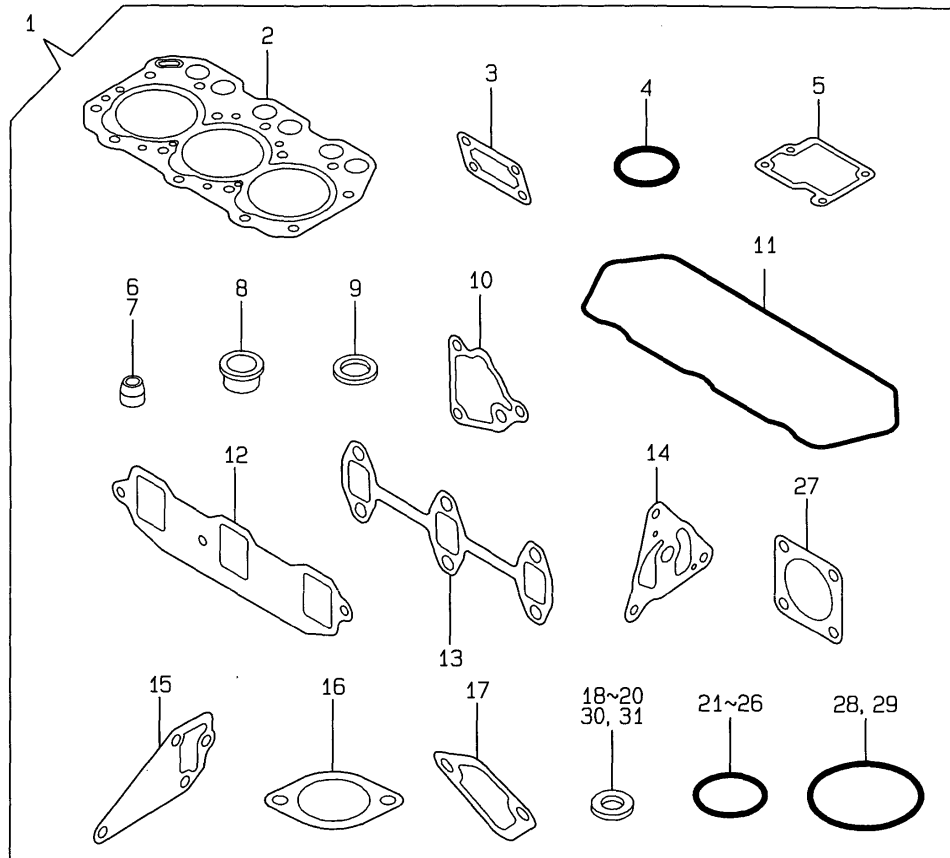
(A)=3TNE74C-MP
(B)=
(C)=

(D)=
(E)=
(F)=

No.	Lev.	Parts No.	Description	Q'ty						I	R
				(A)	(B)	(C)	(D)	(E)	(F)		
1	1	119836-77201	GENERATOR (AC)	1							
2	2	129612-77700	ROTOR ASSY	1							
3	2	129612-77710	BEARING, BALL	1							
5	2	129612-77730	BRACKET ASSY, FILTER	1							
6	2	129612-77740	PULLEY	1							
7	2	129612-77750	SCREW KIT	1							
8	1	26106-081052	BOLT, M8X105 PLATED	1							
9	1	119621-77340	PIECE, DISTANCE	1							
10	1	26366-080002	NUT, M8	1							
11	1	119621-77331	ADJUSTER	1							
12	1	26014-080202	BOLT, M8X 20	1							
13	1	26106-080162	BOLT, M8X 16 PLATED	1							

Fig.17. GASKET SET

17.GASKET SET



Remarks
(1) OPTIONAL PART.

(A)=3TNE74C-MP
(B)=
(C)=

(D)=
(E)=
(F)=

No.	Lev.	Parts No.	Description	Q'ty						I	R
				(A)	(B)	(C)	(D)	(E)	(F)		
1	1	719789-92601	GASKET SET	1							1
2	2	119623-01330	GASKET, HEAD	1							
3	2	119660-01562	GASKET	1							
4	2	24311-000320	O-RING, 1AP32.0	1							
5	2	119620-03031	GASKET	1							
6	2	124950-11340	SEAL, VALVE STEM	3							
7	2	124160-11340	SEAL, VALVE STEM	3							
8	2	119600-11450	PROTECTOR, NOZZLE	3							
9	2	119600-11460	GASKET, NOZZLE	6							
10	2	119660-35113	GASKET	1							
11	2	119620-11310	GASKET, BONNET	1							
12	2	119660-12111	GASKET, MANIFOLD	1							
13	2	119620-13110	GASKET	1							
14	2	119660-32020	GASKET, PUMP	1							
15	2	119620-42020	GASKET, WATER PUMP	1							
16	2	129350-49541	GASKET	1							
17	2	121520-01851	GASKET	1							
18	2	124465-44950	GASKET, 16	2							
19	2	104200-59170	GASKET, 12	2							
20	2	23414-140000	GASKET, 14X1.0	3							
21	2	24311-000120	O-RING, 1AP12.0	4							
22	2	129155-61830	O-RING, S10	3							
23	2	24341-000240	O-RING, 1AS24.0	1							
24	2	24341-000250	O-RING, 1AS25.0	2							
25	2	24311-000160	O-RING, 1AP16.0	1							
26	2	119209-35030	O-RING, P11	1							
27	2	121000-13201	GASKET, SILENCER	1							
28	2	24321-000600	O-RING, 1AG60.0	1							
29	2	24321-000700	O-RING, 1AG70.0	1							
30	2	22190-060002	WASHER, SEAL 6	1							
31	2	22190-080002	WASHER, SEAL 6	4							
32	1	129400-92410	FLEX HORN	1							1
33	1	97770-01212	GASKET, LIQUID	1							1

Parts No. Index

Parts No.	Fig. No.	Ref. No.
101304-59020	14	45
101720-55750	14	14
		39
102103-55520	14	9
		34
103854-59191	14	22
104200-55321	14	5
		30
104200-55330	14	6
		31
104200-55341	14	7
		32
104200-55750	14	16
		40
104200-59170	14	21
	17	19
104211-11370	4	23
104264-59030	14	19
		49
105010-11230	4	34
		38
105025-59550	13	30
105225-23200	8	26
105546-51330	11	24
105582-59150	14	20
110250-55610	14	10
		35
114250-53130	13	9
114250-53400	13	11
114350-22301	8	20
118400-03060	4	51
119131-18320	6	6
119209-35030	9	30
	17	26
119226-61200	12	16
119232-61540	12	44
119255-77010	15	2
119260-07900	4	2
119260-59020	14	48
119260-59520	13	28
119260-59530	13	29
119260-66720	12	93
119265-61510	12	29
119285-01730	9	45
119285-39600	9	44
119285-66080	12	53
119288-55901	12	130
119305-35150	9	17
119600-01050	1	4
119600-01600	3	2

Parts No.	Fig. No.	Ref. No.
119600-01722	3	11
119600-01770	3	12
119600-11450	4	24
	17	8
119600-11460	4	25
	17	9
119600-13100	6	1
119600-21580	8	11
119600-35091	9	29
119600-52021	14	2
119600-61100	12	6
119600-61200	12	7
119600-61541	12	45
119600-61900	12	51
119600-66020	12	61
119610-01490	2	13
119610-01590	2	1
119620-01200	1	20
119620-01620	3	6
119620-01750	3	4
119620-01800	2	3
119620-02020	1	5
119620-02450	7	4
119620-03020	4	47
119620-03031	4	48
	17	5
119620-11110	4	17
119620-11120	4	18
119620-11180	4	19
119620-11200	4	27
119620-11240	4	28
119620-11260	4	31
119620-11280	4	32
119620-11310	4	50
	17	11
119620-11350	4	43
119620-11801	4	10
119620-13110	6	2
	17	13
119620-14100	7	6
119620-14200	7	1
119620-14401	7	2
119620-21941	8	9
119620-23910	8	24
119620-25102	7	10
119620-25912	7	12
119620-42020	10	13
	17	15
119620-42320	10	12
119620-51101	11	3

Parts No.	Fig. No.	Ref. No.
119620-51170	11	6
119620-51180	11	7
119620-51190	11	8
119620-51250	11	9
119620-51300	11	21
119620-51340	11	25
119620-51350	11	26
119620-51370	11	27
119620-51450	11	28
119620-51461	11	29
119620-51510	11	31
119620-51650	11	33
119620-51660	11	34
119620-51670	11	35
119620-51680	11	36
119620-51700	11	37
119620-53000	13	3
119620-53080	13	6
119620-53120	13	8
119620-53140	13	10
119620-59540	13	26
119620-59700	13	31
119620-59811	13	23
119620-59821	13	24
119620-59831	13	25
119620-77820	4	57
119621-21680	8	8
119621-66051	12	62
119621-66500	12	70
119621-66610	12	129
119621-66710	12	127
119621-77331	16	11
119621-77340	16	9
119623-01330	1	21
	17	2
119623-01950	2	21
119623-11100	4	16
119623-21700	8	1
119623-22080	8	14
119623-22500	8	16
119623-22900	8	29
119623-22950	8	31
119623-34820	9	14
119624-02410	1	18
119629-14580	7	3
119642-33030	9	34
119642-33100	9	35
119642-49030	9	37
119642-49050	9	38
119642-49090	9	40

Parts No.	Fig. No.	Ref. No.
119644-21200	8	4
119650-42291	10	15
119653-66500	12	65
119657-11350	4	46
119660-01510	2	15
119660-01551	2	18
119660-01562	2	19
	17	3
119660-01570	2	20
119660-01640	3	7
119660-01821	7	16
119660-01911	2	4
119660-12101	5	1
119660-12111	5	2
	17	12
119660-21651	8	7
119660-25022	7	8
119660-25052	7	9
119660-32001	9	1
119660-32020	9	11
	17	14
119660-35102	9	15
119660-35113	9	16
	17	10
119660-42005	10	1
119660-42350	10	16
119660-51500	11	30
119660-51530	11	32
119660-61052	12	19
119660-61060	12	2
119660-61071	12	3
119660-61121	12	13
119660-61140	12	14
119660-61150	12	15
119660-61300	12	11
119660-61341	12	12
119660-61460	12	20
119660-61491	12	28
119660-61651	12	47
119660-61901	12	52
119685-61940	12	60
119685-61950	12	63
119807-11770	4	52
119836-77201	16	1
119865-21600	8	13
119988-61450	12	64
121000-13201	6	3
	17	27
121023-01550	2	30
121111-21501	8	10

Parts No. Index

Parts No.	Fig. No.	Ref. No.
121120-01620	3	3
121250-44901	10	24
121250-55620	14	11
121254-55510	14	8
121257-55720	14	36
121257-55731	14	37
121450-01560	2	16
121450-42450	10	23
121465-59950	12	5
121520-01851	14	1
	17	17
121520-34810	9	13
121550-49111	10	27
121851-11970	9	33
124060-59380	14	24
124064-55510	14	33
124066-59100	13	27
124085-02220	3	9
124101-49530	10	17
124160-01751	2	11
124160-11340	4	21
	17	7
124160-11360	4	54
124160-39450	9	32
124160-59011	14	44
124465-44950	10	22
		26
	17	18
124550-55700	14	13
124766-59050	14	28
		46
		50
124950-11340	4	22
	17	6
129100-01580	3	1
	8	2
129120-35301	9	18
129122-44480	9	36
129150-35350	9	26
129150-59120	13	18
129150-59131	13	21
129155-51280	12	17
129155-61480	12	23
129155-61830	13	2
	17	22
129335-55700	14	29
129350-49541	10	18
	17	16
129350-49800	10	20
129400-92410	17	32

Parts No.	Fig. No.	Ref. No.
129612-77700	16	2
129612-77710	16	3
129612-77730	16	5
129612-77740	16	6
129612-77750	16	7
129795-77800	4	56
171059-55600	14	4
171081-55910	14	41
171301-01640	3	14
171375-39601	9	47
174307-51700	12	30
194990-22050	2	28
	12	1
22111-060000	12	125
22117-040000	12	48
22137-040000	11	42
22190-060002	14	25
	17	30
22190-060003	12	124
22190-080002	14	26
		27
	17	31
22190-120002	12	117
22217-040000	11	43
22242-000120	4	41
22242-000200	7	14
22252-000210	8	21
22272-000040	12	49
22351-030014	12	50
22351-040010	2	17
	12	57
22351-060012	4	26
22360-040000	12	118
22360-060000	12	119
22512-040120	7	7
		20
	8	5
22857-500100	4	53
23000-022000	9	41
23065-120500	4	1
23414-140000	13	32
	17	20
23418-060000	14	15
		42
23871-010000	1	8
23871-020000	4	13
24101-062034	7	22
24102-063034	7	21
24311-000120	2	5
	4	55

Parts No.	Fig. No.	Ref. No.
24311-000120	17	21
24311-000160	9	27
	17	25
24311-000320	2	12
	17	4
24311-240100	14	17
		43
24321-000600	9	42
	17	28
24321-000700	9	43
	17	29
24341-000070	12	58
24341-000240	2	31
	17	23
24341-000250	3	15
	17	24
24341-000280	12	67
26014-060122	10	21
26014-080202	16	12
26014-080702	14	18
26022-040082	11	44
26106-060102	9	31
	12	59
26106-060122	1	19
	3	16
	7	15
26106-060162	2	6
		32
	5	3
	7	23
	14	3
26106-060222	3	10
26106-060302	2	7
26106-060402	5	4
26106-060452	3	17
26106-060602	2	8
		9
26106-060702	12	120
26106-060752	12	4
26106-060802	2	10
26106-060952	12	69
26106-080142	4	3
		4
26106-080162	16	13
26106-080202	9	28
26106-080282	10	19
26106-080402	6	5
26106-080452	4	44
	10	14
26106-080652	10	25

Parts No.	Fig. No.	Ref. No.
26106-081052	16	8
26116-050102	12	121
26116-060304	12	122
26116-120252	15	1
26206-100252	3	5
26216-080552	6	7
26366-060002	2	29
26366-080002	4	45
	6	4
	16	10
26450-060202	9	12
26587-040102	11	41
26587-080102	7	24
26756-060002	12	123
26856-060002	4	36
		40
26979-050162	4	42
27221-050080	4	14
27231-450000	1	9
27241-120000	1	10
27241-300000	1	11
27241-400000	4	15
27310-070001	4	20
719620-02800	1	12
719620-02870	1	22
719620-02930	1	15
719620-11650	4	33
719620-11660	4	37
719620-23100	8	22
719620-23600	8	37
719620-23610	8	35
719620-53100	13	1
719621-51100	11	1
719623-01560	1	1
719623-11710	4	5
719660-14590	7	17
719789-92601	17	1
977770-01212	2	33
	3	18
	17	33
X0280210331	15	24
X0280335100	15	35
X0280626010	15	13
X0280996180	15	4
X0281007680	15	3
X0282005871	15	7
X0283006960	15	8
X0284105010	15	14
X0284525010	15	28
X0285005770	15	11

Parts No. Index

Parts No.	Fig. No.	Ref. No.
X0285105190	15	5
X0285205030	15	6
X0286105010	15	16
X0286305010	15	18
X0286355010	15	19
X0287405140	15	20
X0534007800	15	21
X5128400875	15	9
X9055715000	15	22
X9490065670	15	34
X9490138090	15	26
X9490138100	15	27
X9490138110	15	25
X9490423520	15	31
X9490560750	15	30
X9490562360	15	29
X9490721360	15	23
X9491034320	15	17
X9491034330	15	15
X9491040990	15	12
X9491050100	15	10

Parts No.	Fig. No.	Ref. No.
-----------	----------	----------

Parts No.	Fig. No.	Ref. No.
-----------	----------	----------

Parts No.	Fig. No.	Ref. No.
-----------	----------	----------