

0CV10-M53401EN

PREFACE

1. This Parts Catalog carries all parts incorporated in YANMAR Model 3TNE74C-KM engine manufactured since August, 1997 & 3TNE74C-EKM, 3TNE74C-EKMB engines manufactured since March, 2000.
2. Each illustration corresponds to the parts list on the following page.
3. When ordering parts, clearly write down the engine model and serial number, as well as the name and number of each part in your order sheet. This will help insure reliable delivery of the parts you have ordered.

Directions for the Parts Catalog.

1. This Parts Catalog shows both standard and optional parts.
2. Parts may change without prior notice.
3. The following is an example of the Parts Catalog format.

REF.	LEV.	PARTS NO.	DESCRIPTION	Q'TY						I	R
				(A)	(B)	(C)	(D)	(E)	(F)		
1	1	729595-51390	FUEL INJECTION PUMP	1	1	1	1	1			1
1-1	1	729595-51391	FUEL INJECTION PUMP	1	1	1	1	1		N	1
		(A=E00185) (B=E00200)									
3	2	26022-060162	SCREW M 6X 16	9	9	9	9	9			
3-1	2	26022-060162	SCREW M 6X 16	4	4	4	4	4		K	
		(A=E00156) (B=E00156) (C=E00156) (D=E00156) (E=E00156)									
4	2	129470-51040	CAMSHAFT	1	1	1	1	1			
5	2	122710-51050	BEARING, ROLLER	2	2	2	2	2			
6	2	129470-51060	RETAINER	1	1	1	1	1			

Remarks
(1) BOOST COMPEMSATOR TYPE. OPTIONAL PART, TO E00155,(4JH-DT, 4JH-DTZ

① Ref. No.

The Ref. No. listed may not be in accordance with the illustration Ref. No.

(Ex.) Illustration No.

List Ref No.

1

1

(Before change)

1-1

(After change)

For interchangeable symbols N, R and K, illustrations for new parts may be abbreviated.

② Lev. (Level)

Level indication

The numbers below indicate the level of relativity towards the main part.

1 ----- Main parts (Assembly parts)

2 ----- Sub component included in " 1 ".

3 ----- Sub component included in " 2 ".

Note) Parts that are not for sale are partially illustrated but not listed.

③ Interchangeability Symbol

When a part change takes place, one of the following interchangeability symbols is indicated beside the part.

Symbol	Interchangeability	Contents note
N	Old $\begin{matrix} \leftarrow \text{Yes} \\ \text{No} \rightarrow \end{matrix}$ New	New Part is interchangeable for Old Part but Old Part is not interchangeable for New Part.
Q	Old $\begin{matrix} \leftarrow \text{No} \\ \text{Yes} \rightarrow \end{matrix}$ New	New Part is not interchangeable for Old Part but Old Part is interchangeable for New Part.
R	Old $\begin{matrix} \leftarrow \text{Yes} \\ \text{Yes} \rightarrow \end{matrix}$ New	New/ Old Parts are both interchangeable.
S	Old $\begin{matrix} \leftarrow \text{No} \\ \text{No} \rightarrow \end{matrix}$ New	New/ Old Parts are both not interchangeable.
W		Part newly added.
Z		Part discontinued.
F		Not interchangeable by a single part but interchangeable together with related parts.
K		Changes only for used parts quantities.

④ Effective Machine No.

When a part changes, the effective Machine No. will be indicated in the (A)-(F) column.

Product Symbol	Product No.	Product Symbol	Product No.
C	Clutch No. Compressor No.	F	Machine No. (Agricultural Equip.)
D	Drive No.	M	Machine No.
E	Engine No.		

Note 1) A date may follow the symbol. (Ex.) 1996.01

Note 2) "XXXXX" and "ZZZZZ" are for parts that could not be predicted or for engine models that could not be identified.

Note 3) (A=E00185) is the E (Engine Serial Number) for the column (A) model (in this case 4JH-DT) after the parts design change.

⑤ Remarks

Figures or alphabets (symbols) are entered in the remarks column.

The comments (remarks) on parts that are indicated at the bottom of the illustration are the same symbols as those stated above.

Contents

Fig. No. Fig. Name

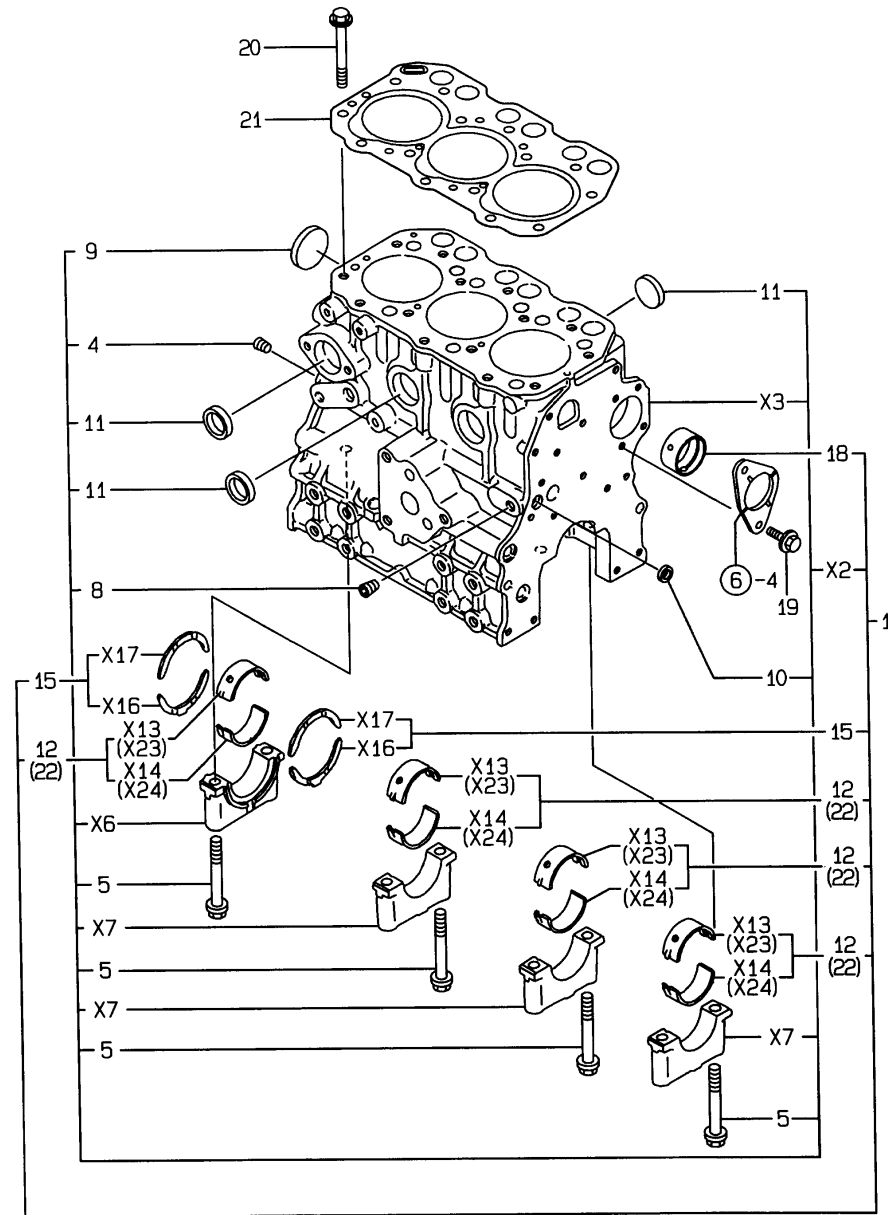
3TNE74C-(E)KM(B)

1. CYLINDER BLOCK
2. GEAR HOUSING
3. MOUNTING FLANGE & OIL SUMP
4. CYLINDER HEAD & BONNET
5. SUCTION MANIFOLD
6. CAMSHAFT & DRIVING GEAR
7. CRANKSHAFT & PISTON
8. LUB.OIL SYSTEM
9. COOLING WATER SYSTEM
10. FUEL INJECTION PUMP
11. GOVERNOR
12. FUEL INJECTION VALVE
13. FUEL LINE
14. STARTING MOTOR
15. GASKET SET

Fig. No. Fig. Name

Fig.1. CYLINDER BLOCK

1. CYLINDER BLOCK



(A)=3TNE74C-KM
 (B)=3TNE74C-EKM
 (C)=3TNE74C-EKMB

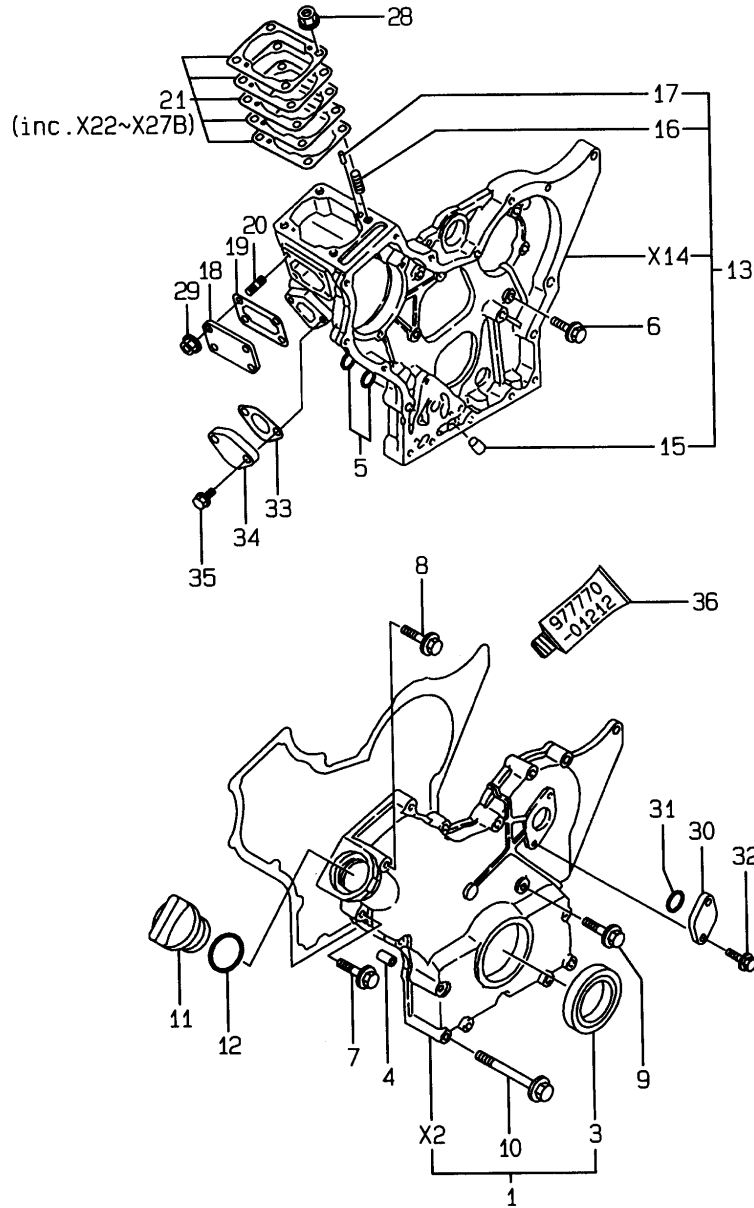
(D)=
 (E)=
 (F)=

No.	Lev.	Parts No.	Description	Qty						I	R
				(A)	(B)	(C)	(D)	(E)	(F)		
1	1	719623-01560	BLOCK ASSY, CYLINDER	1	1	1					
4	3	119600-01050	PLUG, PT1/4	1	1	1					
5	3	119620-02020	BOLT, METAL CAP	8	8	8					
8	3	23871-010000	PLUG, R01	1							
8-1	3	23876-010000	PLUG, R01	1	1	1					N
(A=EXXX)											
9	3	27231-450000	PLUG 45	1							
9-1	3	119623-01250	PLUG, 45	1	1	1					N
(A=E42183)											
10	3	27241-120000	PLUG, 12	1	1	1					
11	3	27241-300000	PLUG 30	6	6	6					
12	2	719620-02800	BEARING, MAIN	4	4	4					
15	2	719620-02930	BEARING, THRUST	2	2	2					
18	2	119624-02410	BUSH	1	1	1					
19	1	26106-060122	BOLT, M6X 12 PLATED	2	2	2					
20	1	119620-01200	BOLT, HEAD	14	14	14					
21	1	119623-01330	GASKET, HEAD	1							
21-1	1	119623-01340	GASKET, HEAD	1	1	1					R
(A=E42183)											
22	1	719620-02870	BEARING, 0.25 US	4	4	4					1

Remarks
 (1) UNDER-SIZE (U.S.=0.25) PART.

Fig.2. GEAR HOUSING

2. GEAR HOUSING



(A)=3TNE74C-KM
 (B)=3TNE74C-EKM
 (C)=3TNE74C-EKMB

(D)=
 (E)=
 (F)=

No.	Lev.	Parts No.	Description	Qty						I	R
				(A)	(B)	(C)	(D)	(E)	(F)		
1	1	119610-01590	COVER ASSY,GEAR CASE	1	1	1					
3	2	119620-01800	SEAL, OIL	1	1	1					
4	1	119660-01911	PIPE, KNOCK	4	4	4					
5	1	24311-000120	O-RING, 1AP12.0	2							
5-1	1	119624-32040	O-RING, P12.0	2	2	2					N
(A=E38707)											
6	1	26106-060162	BOLT, M6X 16 PLATED	7	7	7					
7	1	26106-060302	BOLT, M6X 30 PLATED	8	8	8					
8	1	26106-060602	BOLT, M6X 60 PLATED	1	1	1					
9	1	26106-060602	BOLT, M6X 60 PLATED	3	3	3					
10	1	26106-060802	BOLT, M6X 80 PLATED	6	6	6					
11	1	124160-01751	COVER, FILLER	1	1	1					
12	1	24311-000320	O-RING, 1AP32.0	1	1	1					
13	1	119610-01490	CASE ASSY, GEAR	1	1	1					
15	2	119660-01510	PLUG, 10X14	1	1	1					
16	2	121450-01560	STUD, M8X22	4	4	4					
17	2	22351-040010	PIN, SPRING 4.0X10	2	2	2					
18	1	119660-01551	COVER	1	1	1					
19	1	119660-01562	GASKET	1	1	1					
20	1	119660-01570	STUD, M6X12	4	4	4					
21	1	119623-01950	SHIM SET, ADJUSTING	1	1	1					
28	1	194990-22050	NUT, M8	4	4	4					
29	1	26366-060002	NUT, M6	4	4	4					
30	1	121023-01550	COVER	1	1	1					
31	1	24341-000240	O-RING, 1AS24.0	1	1	1					
32	1	26106-060182	BOLT, M6X 18 PLATED	2							
32-1	1	26106-060162	BOLT, M6X 16 PLATED	2	2	2					N
(A=EXXX)											
33	1	121520-01851	GASKET	1	1	1					
34	1	121520-01860	COVER	1	1	1					
35	1	26106-060162	BOLT, M6X 16 PLATED	2	2	2					
36	1	977770-01212	GASKET, LIQUID	1	1	1					1

Remarks
 (1) OPTIONAL PART.

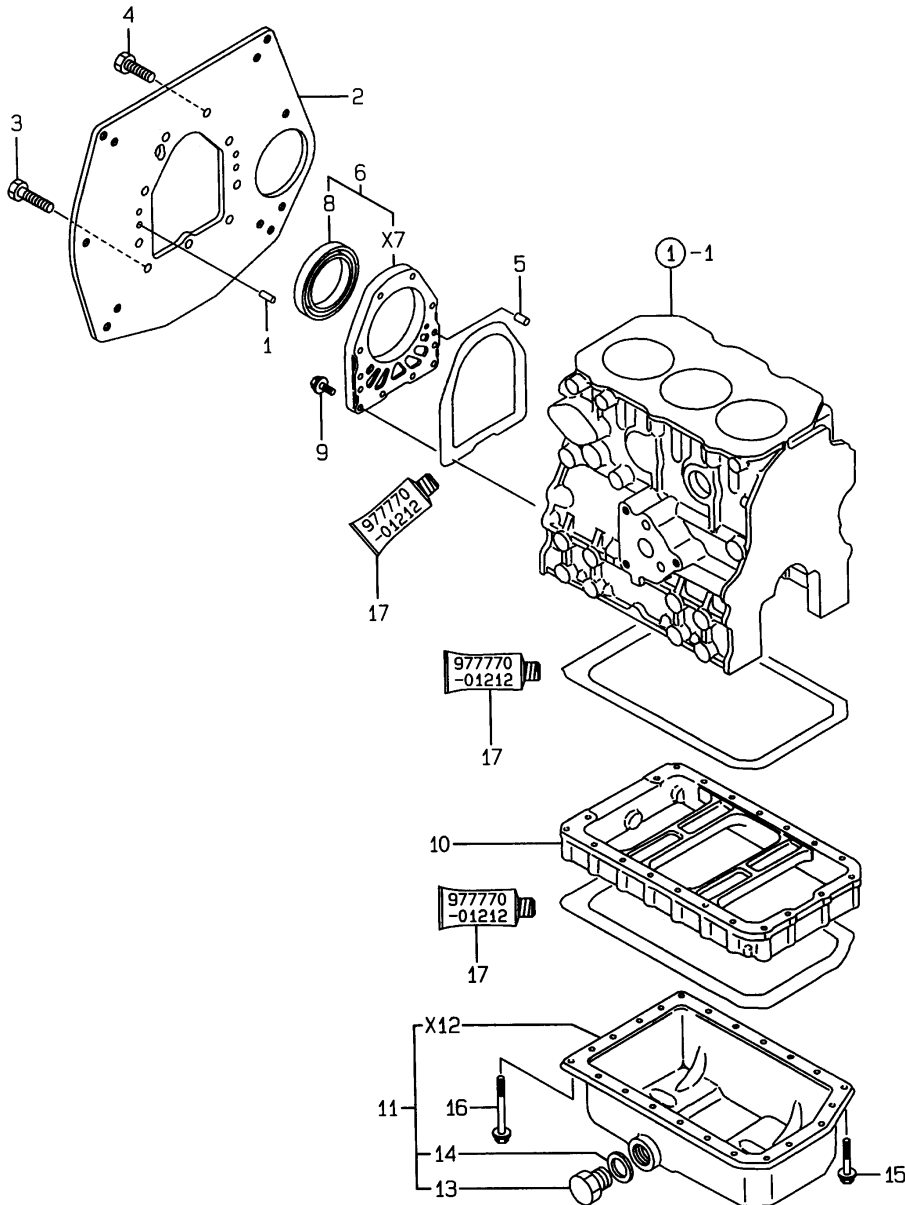
Fig.3. MOUNTING FLANGE & OIL SUMP

(A)=3TNE74C-KM
 (B)=3TNE74C-EKM
 (C)=3TNE74C-EKMB

(D)=
 (E)=
 (F)=

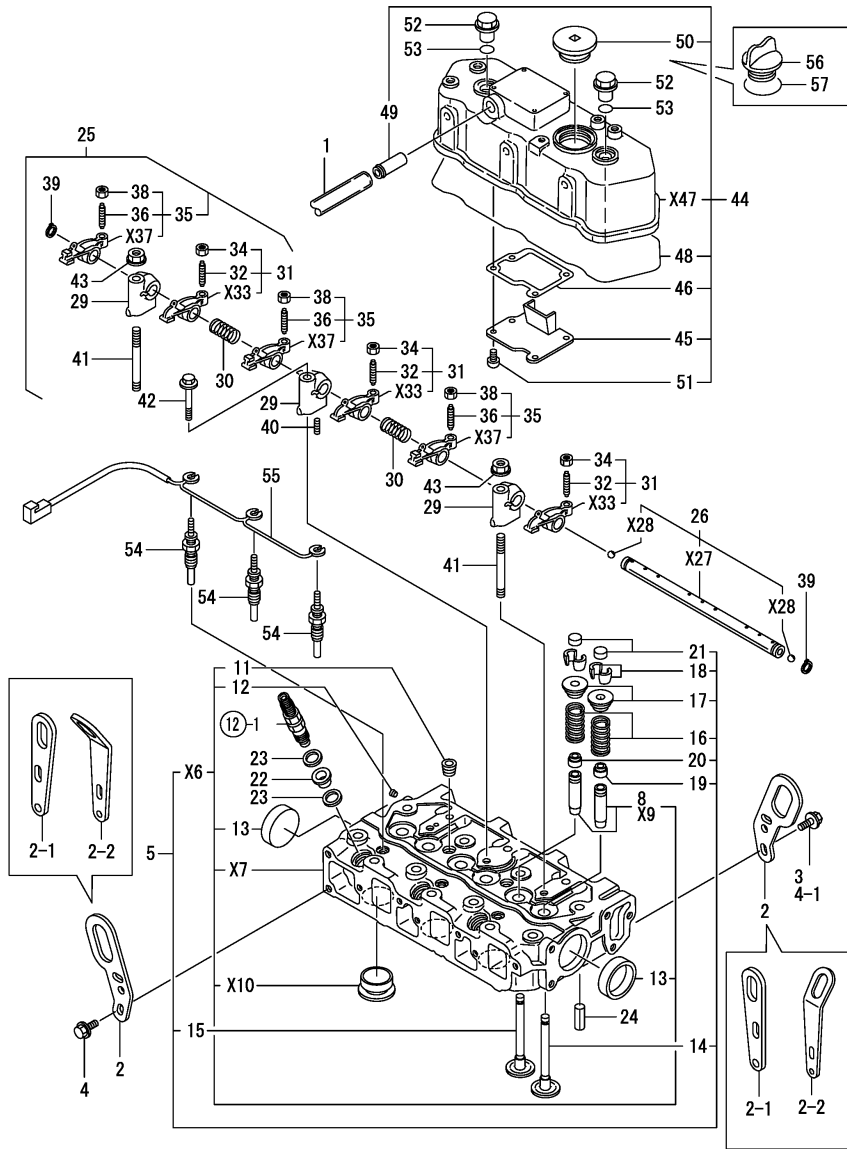
3.MOUNTING FLANGE & OIL SUMP

No.	Lev.	Parts No.	Description	Qty						I	R
				(A)	(B)	(C)	(D)	(E)	(F)		
1	1	129100-01580	PIN, M8X16	2	2	2					
2	1	119312-01600	FLANGE, MOUNTING	1	1	1					
3	1	26206-100202	BOLT, M10X 20 PLATED	6	6	6					
4	1	26206-100252	BOLT, M10X 25 PLATED	3	3	3					
5	1	119620-01620	PIN, M6X10	2	2	2					
6	1	119660-01640	CASE ASSY, OIL SEAL	1	1	1					
8	2	124085-02220	SEAL, OIL	1	1	1					
9	1	26106-060222	BOLT, M6X 22 PLATED	10	10	10					
10	1	119600-01722	SPACER, OIL SUMP	1	1	1					
11	1	719631-01540	SUMP ASSY, OIL	1	1	1					
13	2	119640-01640	PLUG, DRAIN M22	1	1	1					
14	2	22190-220002	WASHER, SEAL 22	1	1	1					
15	1	26106-060122	BOLT, M6X 12 PLATED	3	3	3					
16	1	26106-060452	BOLT, M6X 45 PLATED	20	20	20					
17	1	977770-01212	GASKET, LIQUID	1	1	1					1



Remarks
 (1) OPTIONAL PART.

Fig.4. CYLINDER HEAD & BONNET



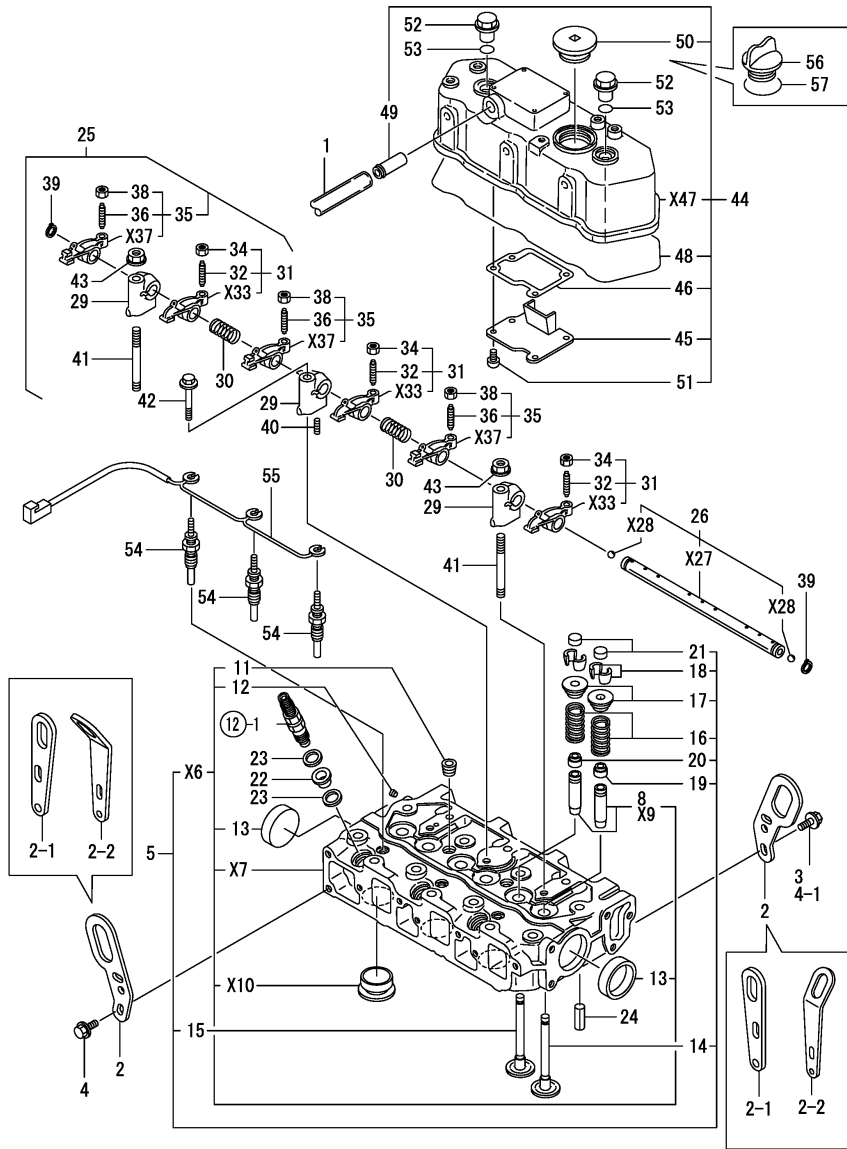
(A)=3TNE74C-KM
(B)=3TNE74C-EKM
(C)=3TNE74C-EKMB

(D)=
(E)=
(F)=

No.	Lev.	Parts No.	Description	Q'ty						I	R
				(A)	(B)	(C)	(D)	(E)	(F)		
1	1	23065-120500	PIPE, 12X 500	1	1	1					
2	1	119260-07900	LIFTER	2							
2-1	1	124736-07900	LIFTER	2	2	2					N
(A=EXXX)											
2-2	1	119266-07900	LIFTER	2	2	2					N
(A=EXXXXX)											
3	1	26106-080142	BOLT, M8X 14 PLATED	1							Z
(A=EXXX)											
4	1	26106-080142	BOLT, M8X 14 PLATED	2							
4-1	1	26106-080142	BOLT, M8X 14 PLATED	4	4	4					K
(A=EXXX)											
5	1	719623-11700	HEAD ASSY, CYLINDER	1	1	1					
8	3	119620-11801	GUIDE, VALVE	6	6	6					1
11	3	23871-020000	PLUG, R02	2							
11-1	3	23876-020000	PLUG, R02	2	2	2					N
(A=EXXX)											
12	3	27221-050080	PLUG, 5X 8	1	1	1					
13	3	27241-400000	PLUG, 40	2	2	2					
14	2	119623-11100	VALVE, INTAKE	3	3	3					
15	2	119620-11110	VALVE, EXHAUST	3	3	3					
16	2	119620-11120	SPRING, VALVE	6	6	6					
17	2	119620-11180	RETAINER, SPRING	6	6	6					
18	2	27310-070001	COTTER, 7	6	6	6					
19	2	124160-11340	SEAL, VALVE STEM	3	3	3					
20	2	124950-11340	SEAL, VALVE STEM	3	3	3					
21	2	104211-11370	CAP, VALVE	6	6	6					
22	1	119600-11450	PROTECTOR, NOZZLE	3	3	3					
23	1	119600-11460	GASKET, NOZZLE	6	6	6					
24	1	22351-060012	PIN, SPRING 6.0X12	2	2	2					
25	1	119789-11200	SUPPORT ASSY, ARM	1	1	1					
26	2	119620-11240	SHAFT ASSY, ROCKER	1	1	1					
29	2	119620-11260	SUPPORT, ROCKER ARM	3	3	3					
30	2	119620-11280	SPRING	2	2	2					
31	2	719789-11650	ARM ASSY, ROCKER	3	3	3					
32	3	105010-11230	SCREW, VALVE ADJUST	3	3	3					
34	3	26756-060002	NUT, LOCK M6	3	3	3					
35	2	719789-11660	ARM ASSY, ROCKER	3	3	3					
36	3	105010-11230	SCREW, VALVE ADJUST	3	3	3					
38	3	26756-060002	NUT, LOCK M6	3	3	3					
39	2	22242-000120	RING, 12	2	2	2					
40	2	26979-050162	SCREW, M5X16	1	1	1					
41	1	119620-11350	STUD	2	2	2					
42	1	26106-080452	BOLT, M8X 45 PLATED	1	1	1					
43	1	26366-080002	NUT, M8	2	2	2					
44	1	119657-11350	BONNET ASSY, HEAD	1							
44-1	1	719620-11521	BONNET ASSY, HEAD	1	1	1					R
(A=E42183)											
45	2	119620-03020	PLATE, SHELTER	1	1	1					
46	2	119620-03031	GASKET	1	1	1					
48	2	119620-11310	GASKET, BONNET	1	1	1					
49	2	119620-11390	JOINT	1							

Remarks
(1) REPAIR PART.

Fig.4. CYLINDER HEAD & BONNET



(A)=3TNE74C-KM
 (B)=3TNE74C-EKM
 (C)=3TNE74C-EKMB

(D)=
 (E)=
 (F)=

No.	Lev.	Parts No.	Description	Q'ty						I	R
				(A)	(B)	(C)	(D)	(E)	(F)		
49-1	2	118400-03060 (A=E36156)	JOINT, BREATHER	1	1	1					R
50	2	119807-11770	PLUG	1							
51	2	22857-500100	SCREW, 5X10	4	4	4					
52	1	124160-11360	KNOB	2	2	2					
53	1	24311-000120	O-RING, 1AP12.0	2	2	2					
54	1	129795-77800	PLUG, GLOW	3	3	3					
55	1	119620-77820	CONNECTOR, GLOW PLUG	1	1	1					
56	1	124160-01751	COVER, FILLER	1	1	1					
57	1	24311-000320	O-RING, 1AP32.0	1	1	1					

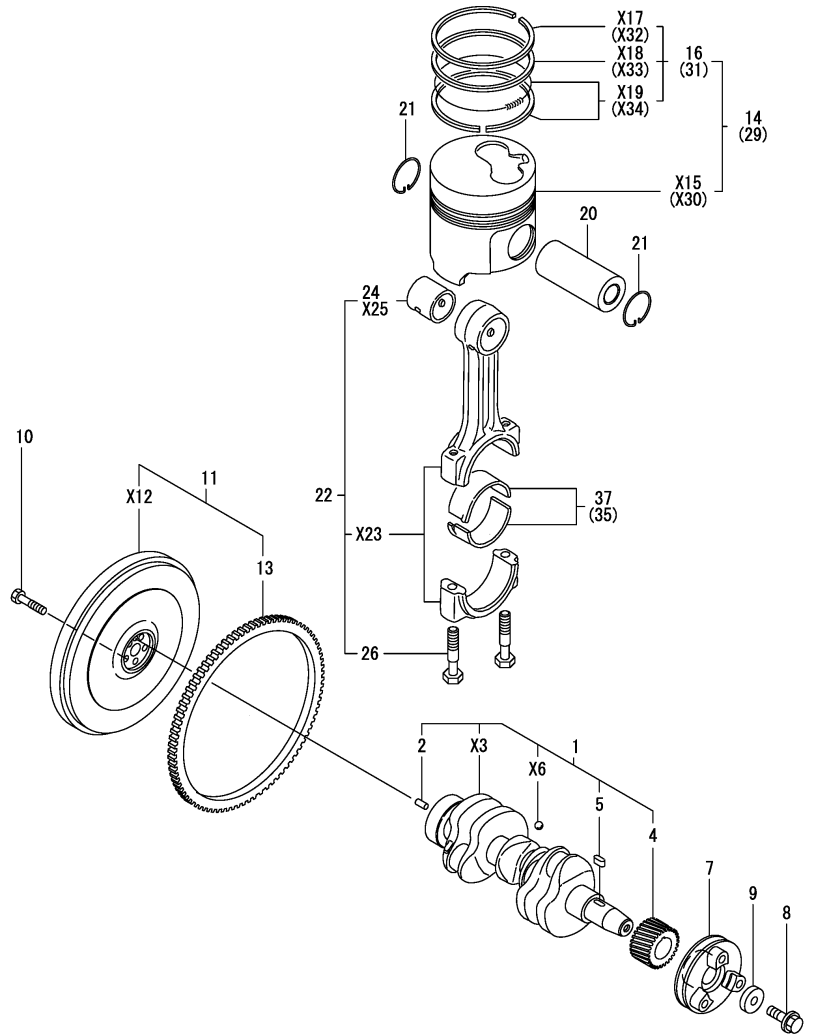
Remarks
 (1) REPAIR PART.

Fig.7. CRANKSHAFT & PISTON

(A)=3TNE74C-KM
 (B)=3TNE74C-EKM
 (C)=3TNE74C-EKMB

(D)=
 (E)=
 (F)=

No.	Lev.	Parts No.	Description	Q'ty						I	R
				(A)	(B)	(C)	(D)	(E)	(F)		
1	1	119623-21700	CRANKSHAFT ASSY	1	1	1					
2	2	129100-01580	PIN, M8X16	1	1	1					
4	2	119644-21200	GEAR, CRANKSHAFT	1	1	1					
5	2	22512-040120	KEY, 4X 12	1	1	1					
7	1	119649-21650	V-PULLEY	1	1	1					
8	1	119621-21680	BOLT, FLANGE 12X1.25	1	1	1					
9	1	119620-21941	WASHER	1	1	1					
10	1	119620-21500	BOLT, FLYWHEEL	5	5	5					
11	1	119312-21590	FLYWHEEL ASSY	1	1	1					
13	2	119867-21600	GEAR, RING	1	1	1					
13-1	2	119867-21601	GEAR, RING	1	1	1					S
		(A=EZZZZZ) (B=EZZZZZ) (C=EZZZZZ)									
14	1	119623-22080	PISTON ASSY	3	3	3					
16	2	119623-22500	RING SET, PISTON	3	3	3					
20	1	114350-22301	PIN, PISTON D=21	3							
20-1	1	114399-22300	PIN, PISTON D=21	3	3	3					R
		(A=*2000.08)									
21	1	22252-000210	RING, 21	6	6	6					
22	1	719620-23100	ROD ASSY, CONNECTING	3	3	3					
24	2	119620-23910	BEARING, PISTON PIN	3	3	3					1
26	2	105225-23200	BOLT, CONNECTING ROD	6	6	6					
29	1	119623-22900	PISTON ASSY, 0.25 OS	3	3	3					2
31	2	119623-22950	RING SET, 0.25 OS	3	3	3					2
35	1	719620-23610	BEARING ASSY, 0.25	3	3	3					3
37	1	719620-23600	BEARING, CRANK PIN	3	3	3					

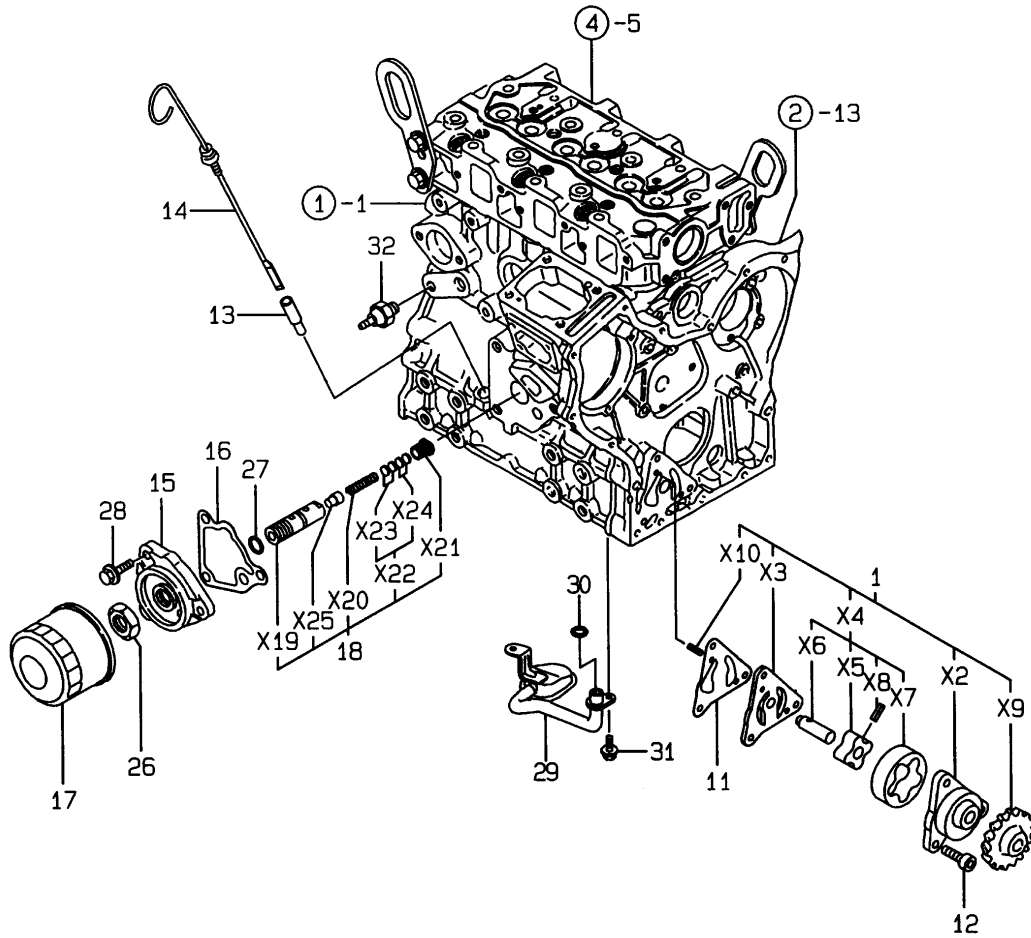


X-MARK PARTS: NOT SOLD SEPARATELY.

Remarks
 (1) REPAIR PART.
 (2) OVER-SIZE(O.S=0.25)PART.
 (3) UNDER-SIZE(U.S=0.25)PART.

Fig.8. LUB.OIL SYSTEM

8.LUB.OIL SYSTEM



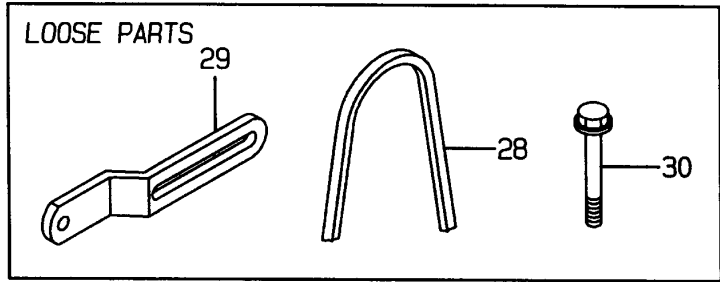
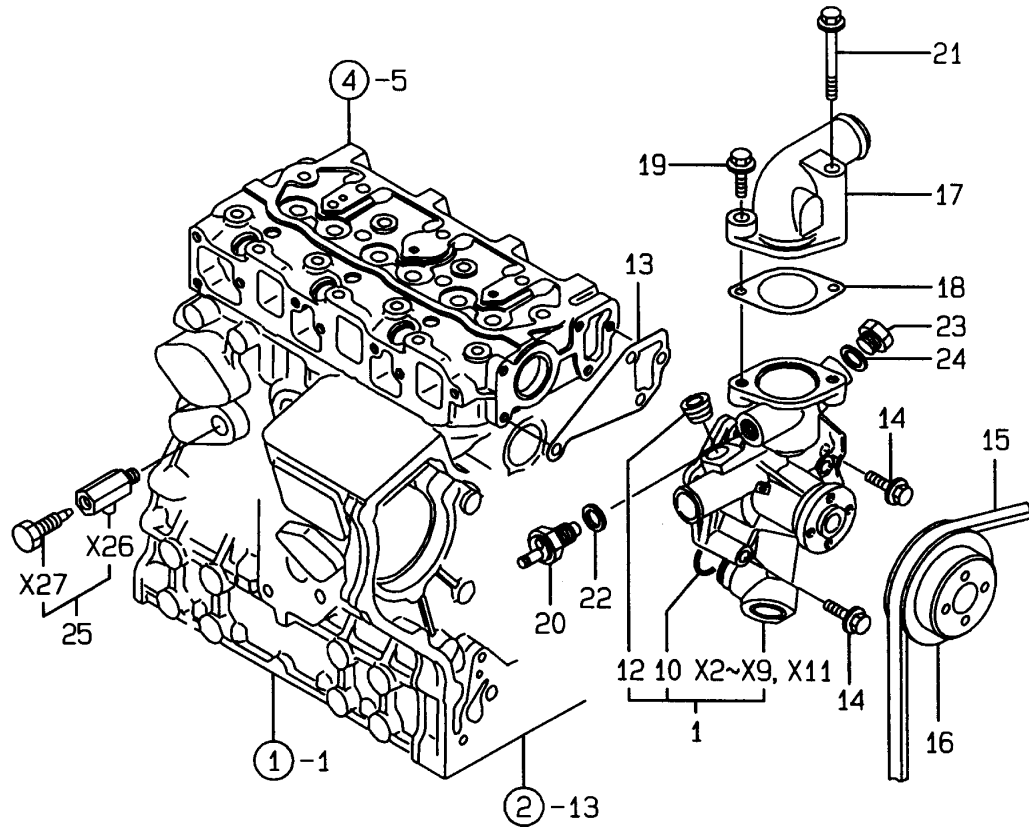
(A)=3TNE74C-KM
 (B)=3TNE74C-EKM
 (C)=3TNE74C-EKMB

(D)=
 (E)=
 (F)=

No.	Lev.	Parts No.	Description	Qty						I	R
				(A)	(B)	(C)	(D)	(E)	(F)		
1	1	119660-32001	PUMP ASSY, OIL	1	1	1					
11	1	119660-32020	GASKET, PUMP	1	1	1					
12	1	26450-060202	BOLT, M6X 20	3	3	3					
13	1	121520-34810	GUIDE, DIPSTICK	1	1	1					
14	1	119600-34800	DIPSTICK, OIL	1	1	1					
15	1	119660-35102	BRACKET, FILTER	1	1	1					
16	1	119660-35113	GASKET	1	1	1					
17	1	119305-35150	FILTER, OIL	1	1	1					
18	1	119660-35300	VALVE ASSY, CONTROL	1	1	1					
26	1	129150-35350	NUT	1	1	1					
27	1	24311-000160	O-RING, 1AP16.0	1	1	1					
28	1	26106-080202	BOLT, M8X 20 PLATED	3	3	3					
29	1	119600-35081	PIPE ASSY, OIL INLET	1							
29-1	1	119623-35080	PIPE ASSY, OIL INLET	1	1	1					S
(A=EXXX)											
30	1	119209-35030	O-RING, P11	1	1	1					
31	1	26106-060102	BOLT, M6X 10 PLATED	2	2	2					
32	1	124160-39450	SWITCH, 0.5KG	1							
32-1	1	114250-39450	SWITCH, 0.5KG	1	1	1					N
(A=E42183)											

Fig.9. COOLING WATER SYSTEM

9. COOLING WATER SYSTEM



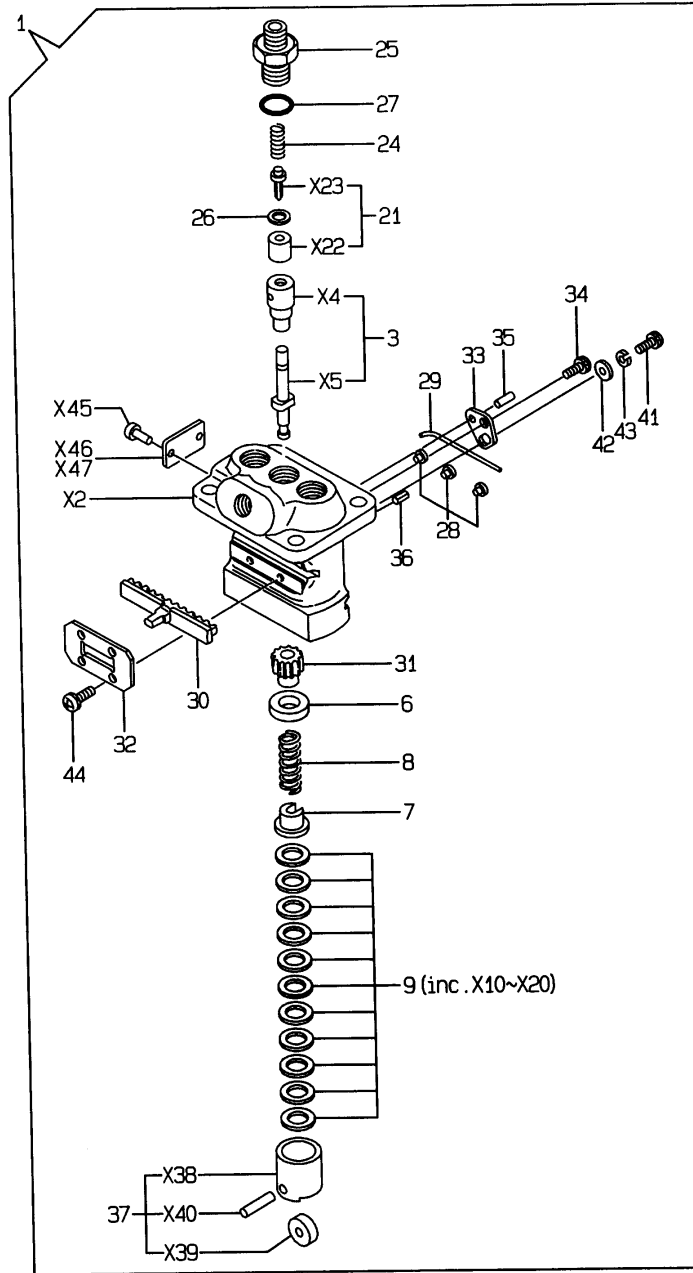
(A)=3TNE74C-KM
(B)=3TNE74C-EKM
(C)=3TNE74C-EKMB

(D)=
(E)=
(F)=

No.	Lev.	Parts No.	Description	Qty						I	R
				(A)	(B)	(C)	(D)	(E)	(F)		
1	1	119660-42005	PUMP ASSY, WATER	1							
1-1	1	119660-42006	PUMP ASSY, WATER	1	1	1					N
(A=E37333)											
10	2	119620-42320	O-RING	1	1	1					
12	2	23871-030000	PLUG, R03	1							
12-1	2	23876-030000	PLUG, R03	1	1	1					N
(A=EXXX)											
13	1	119620-42020	GASKET, WATER PUMP	1							
13-1	1	119620-42021	GASKET, WATER PUMP	1	1	1					N
(A=E42410)											
14	1	26106-080452	BOLT, M8X 45 PLATED	4	4	4					
15	1	119650-42291	V-BELT, 35	1							
15-1	1	119656-42291	V-BELT, 36	1	1	1					N
(A=E31712)											
16	1	119660-42350	V-PULLEY	1	1	1					
17	1	124101-49530	COVER, THERMOSTAT	1	1	1					
18	1	129350-49541	GASKET	1	1	1					
19	1	26106-080282	BOLT, M8X 28 PLATED	1	1	1					
20	1	121250-44901	SWITCH, 110	1	1	1					
21	1	26106-080652	BOLT, M8X 65 PLATED	1	1	1					
22	1	124465-44950	GASKET, 16	1	1	1					
23	1	121450-42450	PLUG, M16	1	1	1					
24	1	124465-44950	GASKET, 16	1	1	1					
25	1	119620-49290	COCK ASSY, 1/4	1	1	1					
28	1	104514-42780	V-BELT, HM33	1							Z
(A=EXXX)											
29	1	119660-77330	ADJUSTER	1	1	1					
30	1	26106-080652	BOLT, M8X 65 PLATED	1	1	1					

Fig.10. FUEL INJECTION PUMP

10.FUEL INJECTION PUMP



x-MARK PARTS: NOT SOLD SEPARATELY.

(A)=3TNE74C-KM
(B)=3TNE74C-EKM
(C)=3TNE74C-EKMB

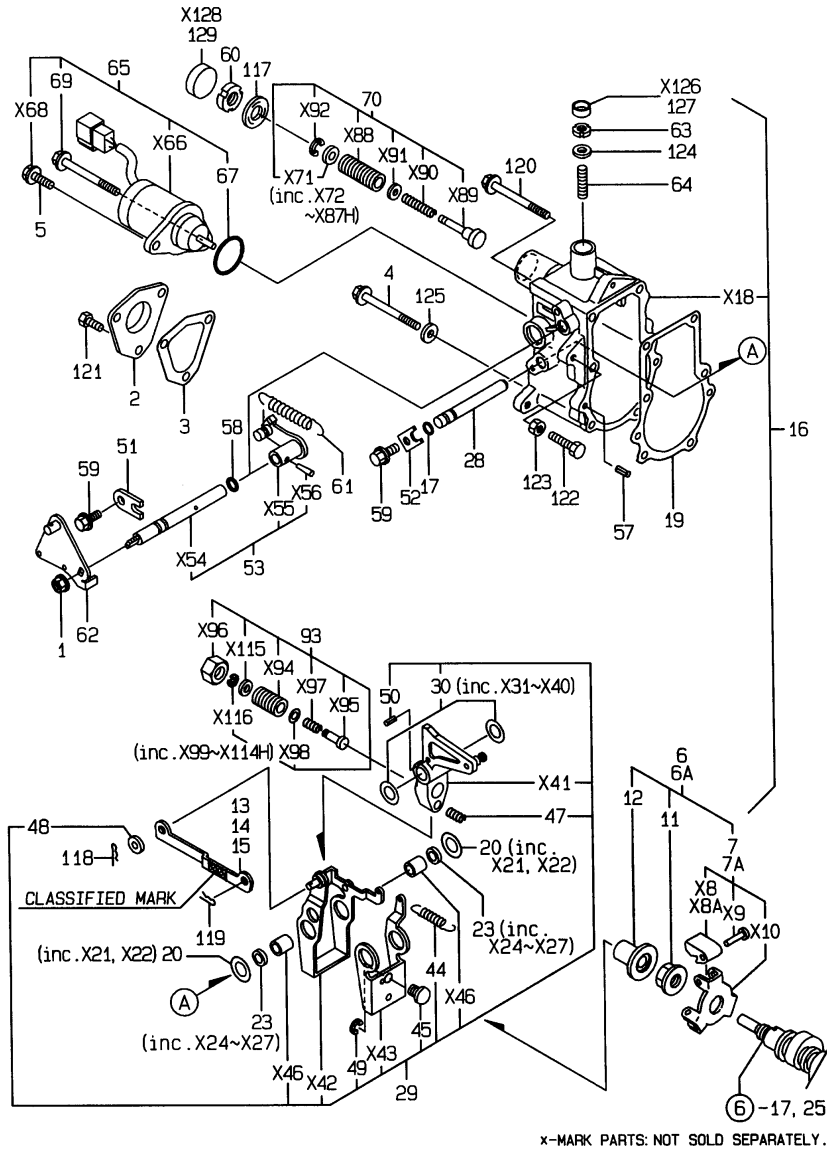
(D)=
(E)=
(F)=

No.	Lev.	Parts No.	Description	Qty						I	R
				(A)	(B)	(C)	(D)	(E)	(F)		
1	1	719621-51100	PUMP ASSY, INJECTION	1	1	1					
3	2	119620-51101	PLUNGER ASSY	3	3	3					
6	2	119620-51170	RETAINER, SPRING A	3	3	3					
7	2	119620-51180	RETAINER, SPRING B	3	3	3					
8	2	119620-51190	SPRING, PLUNGER	3	3	3					
9	2	119620-51250	SHIM SET	3	3	3					
21	2	119620-51300	VALVE ASSY, DELIVERY	3	3	3					
24	2	105546-51330	SPRING, DELIVERY	3	3	3					
25	2	119620-51340	HOLDER, DELIVERY	3	3	3					
26	2	119620-51350	GASKET	3	3	3					
27	2	119620-51370	O-RING	3	3	3					
28	2	119620-51450	PIECE	3	3	3					
29	2	119620-51461	PIN	1	1	1					
30	2	119660-51500	RACK, CONTROL	1	1	1					
31	2	119620-51510	PINION	3	3	3					
32	2	119660-51530	RETAINER, RACK	1	1	1					
33	2	119620-51650	PLATE	2	2	2					
34	2	119620-51660	SCREW	2	2	2					
35	2	119620-51670	PIN	2	2	2					
36	2	119620-51680	PIN	1	1	1					
37	2	119620-51700	TAPPET ASSY	3	3	3					
41	2	26587-040102	SCREW, M4X10	2							
41-1	2	26033-040102	SCREW, M4X10	2	2	2					R
		(A=E42410)									
42	2	22137-040000	WASHER, 4	2							Z
		(A=E42410)									
43	2	22217-040000	WASHER, SPRING 4	2							Z
		(A=E42410)									
44	2	26022-040082	SCREW, M4X 8	4	4	4					

Fig.11. GOVERNOR

(A)=3TNE74C-KM
 (B)=3TNE74C-EKM
 (C)=3TNE74C-EKMB
 (D)=
 (E)=
 (F)=

11. GOVERNOR

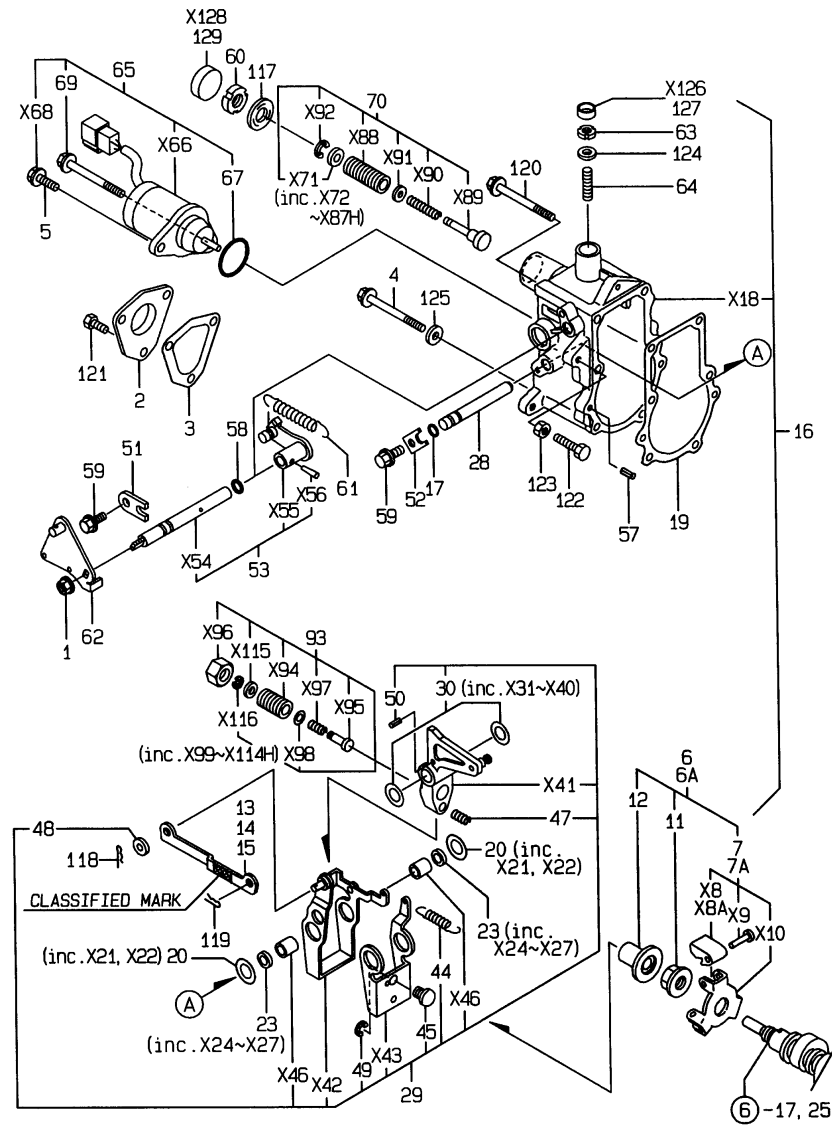


No.	Lev.	Parts No.	Description	Qty						I	R
				(A)	(B)	(C)	(D)	(E)	(F)		
1	1	194990-22050	NUT, M8	1	1	1					
2	1	119660-61060	COVER, GOVERNOR CASE	1	1	1					
3	1	119660-61071	GASKET	1	1	1					
4	1	26106-060752	BOLT, M6X 75 PLATED	3	3	3					
5	1	121465-59950	BOLT, M6X16	1	1	1					
6	1	119600-61100	DRIVE ASSY	1							
6A	1	119600-61300	DRIVE ASSY		1	1					
7	2	119600-61200	WEIGHT ASSY,GOVERNOR	1							
7A	2	119600-61400	WEIGHT ASSY,GOVERNOR		1	1					
11	2	119660-61300	NUT	1	1	1					
12	2	119660-61341	SLEEVE	1	1	1					
13	1	119660-61121	LINK, NO MARK	1	1	1					1
14	1	119660-61140	LINK, MARK :2	1	1	1					1
15	1	119660-61150	LINK, MARK :3	1	1	1					1
16	1	119623-61200	CASE ASSY, GOVERNOR	1	1	1					
17	2	129155-51280	O-RING, S6	1	1	1					
19	2	119660-61052	GASKET	1	1	1					
20	2	119660-61460	SHIM SET	1	1	1					
23	2	129155-61480	SPACER ASSY	2	2	2					
28	2	119660-61491	SHAFT	1							
28-1	2	119660-61590	SHAFT	1	1	1					N
(A=E42410)											
29	2	119232-61510	LEVER ASSY, GOVERNOR	1	1	1					
30	3	174307-51700	SHIM SET	2	2	2					
44	3	119232-61540	SPRING	1	1	1					
45	3	119600-61541	SHIFTER	1	1	1					
47	3	119660-61651	SPRING, STARTING	1	1	1					
48	3	22117-040000	WASHER, 4	1	1	1					
49	3	22272-000040	RING, E- 4	1	1	1					
50	3	22351-030014	PIN, SPRING 3.0X14	1	1	1					
51	2	119600-61900	RETAINER, SHAFT	1	1	1					
52	2	119660-61901	RETAINER, SHAFT	1	1	1					
53	2	119285-66080	SHAFT ASSY	1	1	1					
57	2	22351-040010	PIN, SPRING 4.0X10	2	2	2					
58	2	24341-000070	O-RING, 1AS7.0	1	1	1					
59	2	26106-060102	BOLT, M6X 10 PLATED	2	2	2					
60	1	119685-61940	NUT, M12	1	1	1					
61	1	119789-66010	SPRING, REGULATOR	1	1	1					
62	1	119621-66051	LEVER, REGULATOR	1	1	1					
63	1	119685-61950	NUT, M6	1	1	1					
64	1	121575-66830	SCREW	1	1	1					
65	1	119653-66500	STOPPER ASSY	1	1	1					
67	2	24341-000280	O-RING, 1AS28.0	1	1	1					
69	2	26106-060952	BOLT, M6X 95 PLATED	1	1	1					
70	1	119489-66500	LIMITER ASSY, FUEL	1	1	1					
93	1	119610-66700	ANGLEICH ASSY	1	1	1					
117	1	22190-120002	WASHER, SEAL 12	1	1	1					
118	1	22360-040000	PIN, SNAP 4	1	1	1					
119	1	22360-060000	PIN, SNAP 6	1	1	1					
120	1	26106-060702	BOLT, M6X 70 PLATED	2	2	2					
121	1	26116-050102	BOLT, M5X 10 PLATED	3	3	3					

Remarks
 (1) SELECTIVE PARTS: CERTAIN THE CLASSIFICATION MARK, THEN PLACE YOUR ORDER(REFER TO ILLUSTRATION)
 (2) REPAIR PART.

Fig.11. GOVERNOR

11. GOVERNOR



X-MARK PARTS: NOT SOLD SEPARATELY.

(A)=3TNE74C-KM
(B)=3TNE74C-EKM
(C)=3TNE74C-EKMB

(D)=
(E)=
(F)=

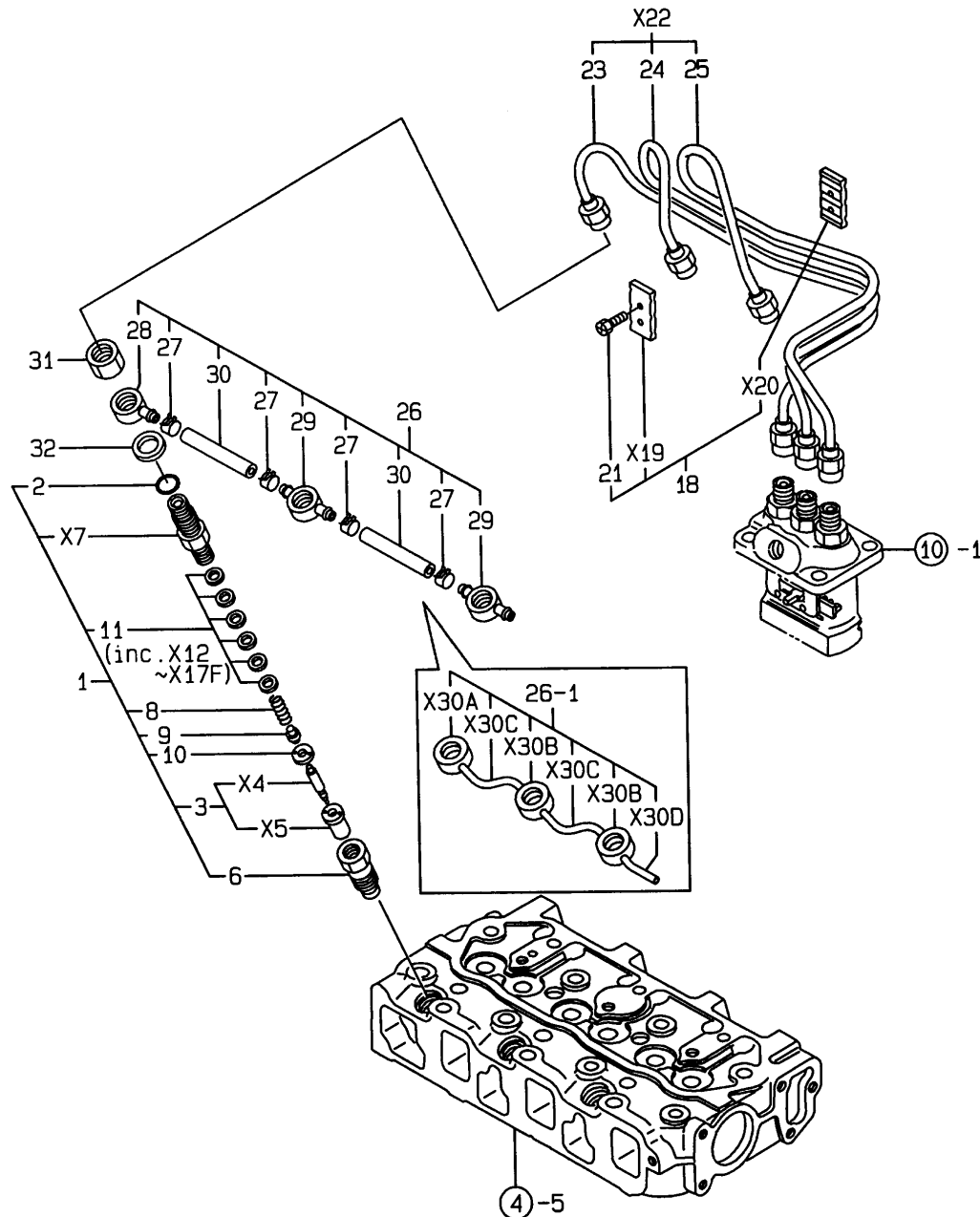
No.	Lev.	Parts No.	Description	Q'ty						I	R
				(A)	(B)	(C)	(D)	(E)	(F)		
122	1	26116-060304	BOLT, M6X 30 PLATED	1	1	1					
123	1	26756-060002	NUT, LOCK M6	1	1	1					
124	1	22190-060003	SEAL WASER 6	1	1	1					
125	1	22111-060000	WASHER 6	3	3	3					
127	1	119621-66710	PLUG, 14	1	1	1					2
129	1	119621-66610	PLUG, 22	1	1	1					2

Remarks

- (1) SELECTIVE PARTS: CERTAIN THE CLASSIFICATION MARK, THEN PLACE YOUR ORDER(REFER TO ILLUSTRATION)
- (2) REPAIR PART.

Fig.12. FUEL INJECTION VALVE

12.FUEL INJECTION VALVE



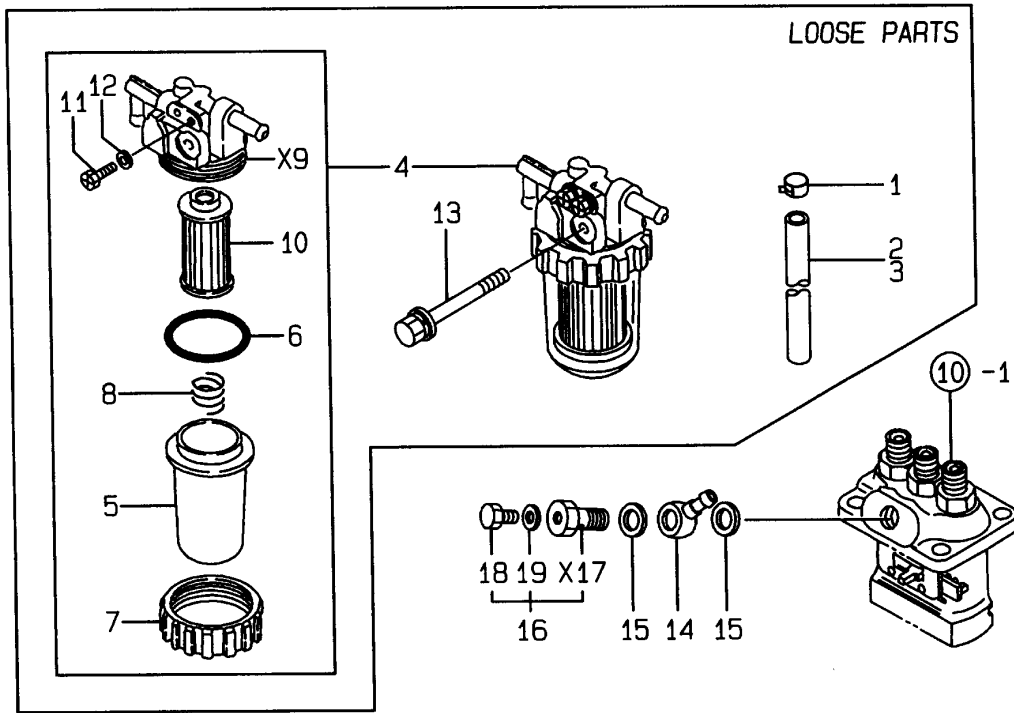
(A)=3TNE74C-KM
(B)=3TNE74C-EKM
(C)=3TNE74C-EKMB

(D)=
(E)=
(F)=

No.	Lev.	Parts No.	Description	Qty						I	R
				(A)	(B)	(C)	(D)	(E)	(F)		
1	1	719620-53100	VALVE ASSY,INJECTION	3	3	3					
2	2	129155-61830	O-RING, S10	3	3	3					
3	2	119620-53000	VALVE ASSY,INJECTION	3	3	3					
6	2	119620-53080	NUT, NOZZLE	3	3	3					
8	2	119620-53120	SPRING, NOZZLE	3	3	3					
9	2	114250-53130	SEAT, SPRING	3	3	3					
10	2	119620-53140	SPACER, VALVE STOP	3	3	3					
11	2	114250-53400	SHIM SET	3	3	3					
18	1	129150-59120	RETAINER, PIPE	1	1	1					
21	2	129150-59131	BOLT, M4X14	2	2	2					
23	2	119620-59811	PIPE ASSY, INJECTION	1	1	1					
24	2	119620-59821	PIPE ASSY, INJECTION	1	1	1					
25	2	119620-59831	PIPE ASSY, INJECTION	1	1	1					
26	1	119620-59540	PIPE ASSY, FUEL	1							
26-1	1	119789-59500	PIPE ASSY, RETURN	1	1	1					N
		(A=E34869)									
27	2	124066-59100	CLIP, HOSE 8	4							Z
		(A=E34869)									
28	2	119260-59520	JOINT	1							Z
		(A=E34869)									
29	2	119260-59530	JOINT	2							Z
		(A=E34869)									
30	2	105025-59550	PIPE, FUEL RETURN	2							Z
		(A=E34689)									
31	1	119620-59700	NUT, NOZZLE	3	3	3					
32	1	23414-140000	GASKET, 14X1.0	3							
32-1	1	22190-140002	WASHER, SEAL 14	3	3	3					N
		(A=E40382)									

Fig.13. FUEL LINE

13.FUEL LINE



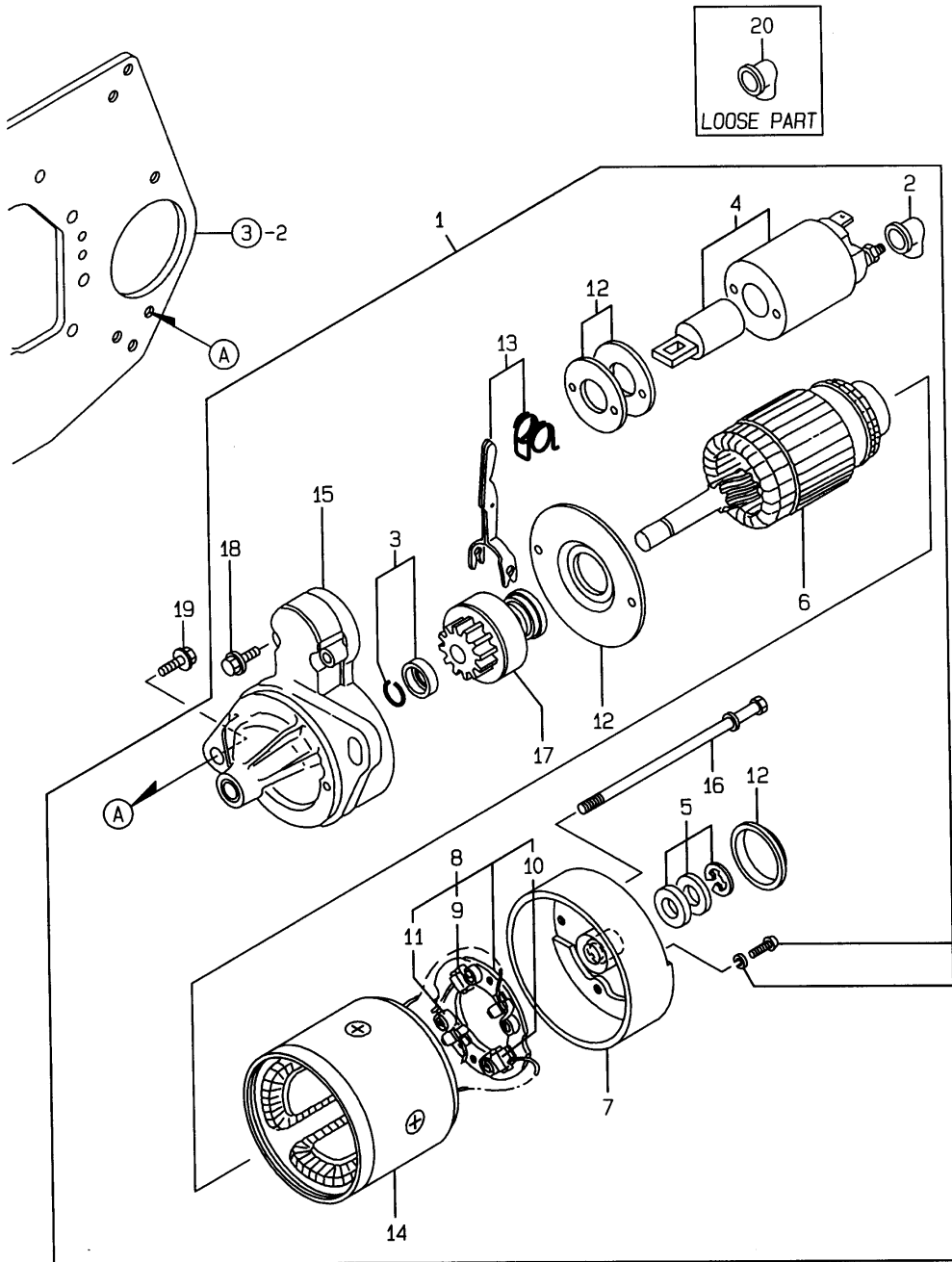
(A)=3TNE74C-KM
(B)=3TNE74C-EKM
(C)=3TNE74C-EKMB

(D)=
(E)=
(F)=

No.	Lev.	Parts No.	Description	Qty						I	R
				(A)	(B)	(C)	(D)	(E)	(F)		
1	1	124766-59050	CLIP, HOSE 12	2	2	2					
2	1	121236-59080	PIPE, FUEL D12X400	1	1	1					
3	1	105990-59560	PIPE, FUEL	1	1	1					
4	1	119225-55600	FILTER ASSY, FUEL	1	1	1					
5	2	121254-55510	COVER	1	1	1					
6	2	102103-55520	O-RING	1	1	1					
7	2	110250-55610	RING, RETAINING	1	1	1					
8	2	121250-55620	SPRING	1	1	1					
10	2	124550-55700	FILTER, FUEL L=90	1	1	1					
11	2	101720-55750	PLUG, 6	2	2	2					
12	2	23418-060000	GASKET, 6X1.0	2	2	2					
13	1	26014-080702	BOLT, M8X 70	1	1	1					
14	1	101304-59020	JOINT, PIPE 12	1	1	1					
15	1	104200-59170	GASKET, 12	2							
15-1	1	22190-120002	WASHER, SEAL 12	2	2	2					N
(A=E40382)											
16	1	103854-59191	BOLT ASSY, JOINT M12	1	1	1					
18	2	124060-59380	PLUG, 6	1	1	1					
19	2	22190-060002	WASHER, SEAL 6	1	1	1					

Fig.14. STARTING MOTOR

14.STARTING MOTOR



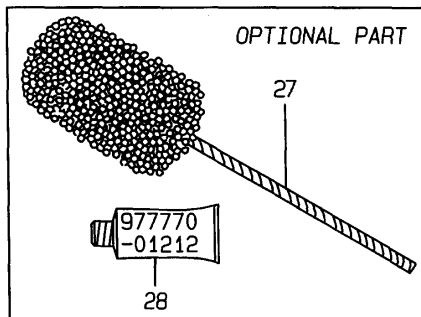
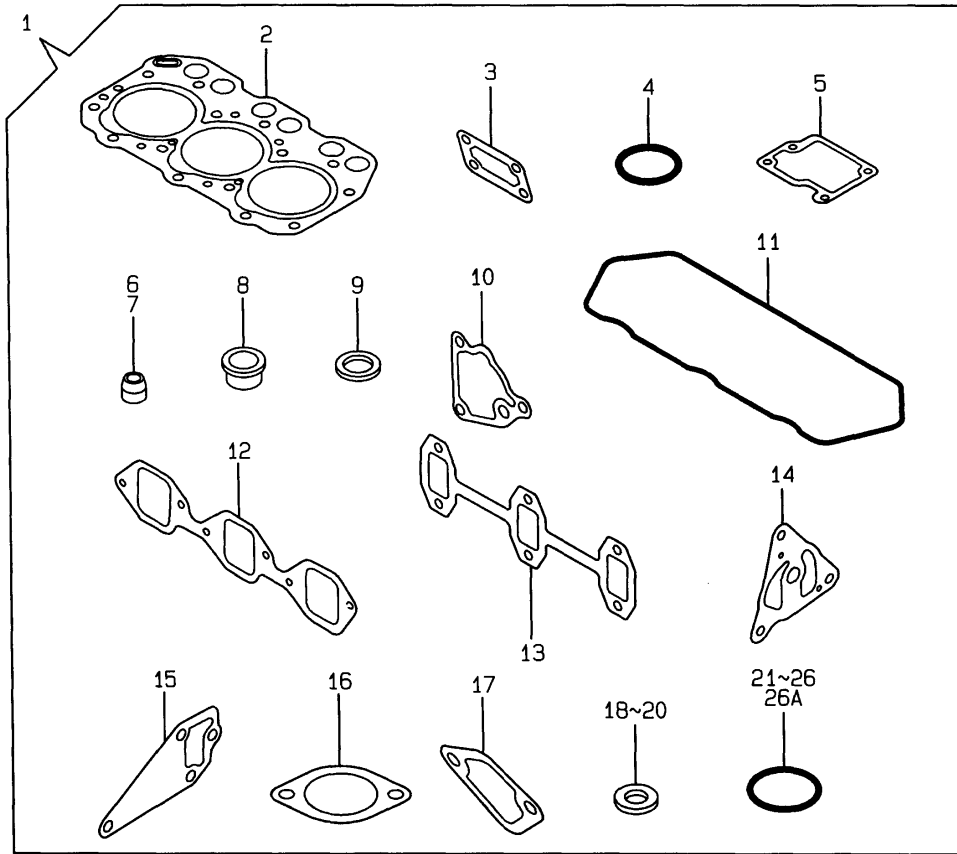
(A)=3TNE74C-KM
 (B)=3TNE74C-EKM
 (C)=3TNE74C-EKMB

(D)=
 (E)=
 (F)=

No.	Lev.	Parts No.	Description	Qty						I	R
				(A)	(B)	(C)	(D)	(E)	(F)		
1	1	119865-77012	STARTER	1	1	1					
2	2	X2114274200	COVER, TERMINAL	1	1	1					
3	2	X2114715500	STOPPER SET, PINION	1	1	1					
4	2	X2114776050	SWITCH, MAGNETIC	1	1	1					
5	2	X2114811000	WASHER KIT, THRUST	1	1	1					
6	2	114371-77110	ARMATURE	1	1	1					
7	2	114371-77140	COVER ASSY, REAR	1	1	1					
8	2	119865-77160	HOLDER COMP.,BRUSH	1	1	1					
9	3	114371-79040	BRUSH (-)	2	2	2					
10	3	119865-79050	BRUSH ASSY	1	1	1					
11	3	114371-79060	SPRING, BRUSH	4	4	4					
12	2	114371-77170	COVER KIT, DUST	1	1	1					
13	2	114371-77180	LEVER KIT, SHIFT	1	1	1					
14	2	124097-77710	YOKE ASSY	1	1	1					
15	2	119865-77760	CASE COMP.,GEAR	1	1	1					
16	2	124195-77770	THROUGH BOLT	2	2	2					
17	2	119865-77780	PINION ASSY	1	1	1					
18	2	114371-79070	BOLT M 6X 37	2	2	2					
19	1	26106-100302	BOLT, M10X 30 PLATED	2	2	2					
20	1	124550-77030	COVER, TERMINAL	1	1	1					

Fig.15. GASKET SET

15.GASKET SET



(A)=3TNE74C-KM
(B)=3TNE74C-EKM
(C)=3TNE74C-EKMB

(D)=
(E)=
(F)=

No.	Lev.	Parts No.	Description	Q'ty						I	R
				(A)	(B)	(C)	(D)	(E)	(F)		
1	1	719789-92601	GASKET SET	1	1	1					1
2	2	119623-01330	GASKET, HEAD	1							
2-1	2	119623-01340	GASKET, HEAD	1	1	1					R
(A=E42183)											
3	2	119660-01562	GASKET	1	1	1					
4	2	24311-000320	O-RING, 1AP32.0	1	1	1					
5	2	119620-03031	GASKET	1	1	1					
6	2	124950-11340	SEAL, VALVE STEM	3	3	3					
7	2	124160-11340	SEAL, VALVE STEM	3	3	3					
8	2	119600-11450	PROTECTOR, NOZZLE	3	3	3					
9	2	119600-11460	GASKET, NOZZLE	6	6	6					
10	2	119660-35113	GASKET	1	1	1					
11	2	119620-11310	GASKET, BONNET	1	1	1					
12	2	119620-12111	GASKET, MANIFOLD	1	1	1					
13	2	119620-13110	GASKET	1	1	1					
14	2	119660-32020	GASKET, PUMP	1	1	1					
15	2	119620-42020	GASKET, WATER PUMP	1							
15-1	2	119620-42021	GASKET, WATER PUMP	1	1	1					N
(A=E42410)											
16	2	129350-49541	GASKET	1	1	1					
17	2	121520-01851	GASKET	1	1	1					
18	2	124465-44950	GASKET, 16	2	2	2					
19	2	104200-59170	GASKET, 12	2							
19-1	2	22190-120002	WASHER, SEAL 12	2	2	2					N
(A=E40382)											
20	2	23414-140000	GASKET, 14X1.0	3							
20-1	2	22190-140002	WASHER, SEAL 14	3	3	3					N
(A=E40382)											
21	2	24311-000120	O-RING, 1AP12.0	4							
21-1	2	24311-000120	O-RING, 1AP12.0	2	2	2					K
(A=E38707)											
22	2	129155-61830	O-RING, S10	3	3	3					
23	2	24341-000240	O-RING, 1AS24.0	1	1	1					
24	2	24341-000250	O-RING, 1AS25.0	1	1	1					
25	2	24311-000160	O-RING, 1AP16.0	1	1	1					
26	2	119209-35030	O-RING, P11	1	1	1					
26A	2	119624-32040	O-RING, P12.0	2	2	2					W
(A=E38707)											
27	1	129400-92410	FLEX HORN	1	1	1					1
28	1	977770-01212	GASKET, LIQUID	1	1	1					1

Remarks
(1) OPTIONAL PART.

Parts No. Index

Parts No.	Fig. No.	Ref. No.
101304-59020	13	14
101720-55750	13	11
102103-55520	13	6
103854-59191	13	16
104200-59170	13	15
	15	19
104211-11370	4	21
104514-42780	9	28
105010-11230	4	32
		36
105025-59550	12	30
105225-23200	7	26
105546-51330	10	24
105990-59560	13	3
110250-55610	13	7
114250-39450	8	32 -1
114250-53130	12	9
114250-53400	12	11
114350-22301	7	20
114371-77110	14	6
114371-77140	14	7
114371-77170	14	12
114371-77180	14	13
114371-79040	14	9
114371-79060	14	11
114371-79070	14	18
114399-22300	7	20 -1
118400-03060	4	49 -1
119209-35030	8	30
	15	26
119225-55600	13	4
119232-61510	11	29
119232-61540	11	44
119260-07900	4	2
119260-59520	12	28
119260-59530	12	29
119266-07900	4	2 -2
119285-66080	11	53
119305-35150	8	17
119312-01600	3	2
119312-21590	7	11
119489-66500	11	70
119600-01050	1	4
119600-01722	3	10
119600-11450	4	22
	15	8
119600-11460	4	23
	15	9
119600-34800	8	14
119600-35081	8	29

Parts No.	Fig. No.	Ref. No.
119600-61100	11	6
119600-61200	11	7
119600-61300	11	6 A
119600-61400	11	7 A
119600-61541	11	45
119600-61900	11	51
119610-01490	2	13
119610-01590	2	1
119610-66700	11	93
119620-01200	1	20
119620-01620	3	5
119620-01800	2	3
119620-02020	1	5
119620-02450	6	4
119620-03020	4	45
119620-03031	4	46
	15	5
119620-11110	4	15
119620-11120	4	16
119620-11180	4	17
119620-11240	4	26
119620-11260	4	29
119620-11280	4	30
119620-11310	4	48
	15	11
119620-11350	4	41
119620-11390	4	49
119620-11801	4	8
119620-12111	5	2
	15	12
119620-13110	5	4
	15	13
119620-14100	6	6
119620-14200	6	1
119620-14401	6	2
119620-21500	7	10
119620-21941	7	9
119620-23910	7	24
119620-25102	6	10
119620-25912	6	12
119620-42020	9	13
	15	15
119620-42021	9	13 -1
	15	15 -1
119620-42320	9	10
119620-49290	9	25
119620-51101	10	3
119620-51170	10	6
119620-51180	10	7
119620-51190	10	8

Parts No.	Fig. No.	Ref. No.
119620-51250	10	9
119620-51300	10	21
119620-51340	10	25
119620-51350	10	26
119620-51370	10	27
119620-51450	10	28
119620-51461	10	29
119620-51510	10	31
119620-51650	10	33
119620-51660	10	34
119620-51670	10	35
119620-51680	10	36
119620-51700	10	37
119620-53000	12	3
119620-53080	12	6
119620-53120	12	8
119620-53140	12	10
119620-59540	12	26
119620-59700	12	31
119620-59811	12	23
119620-59821	12	24
119620-59831	12	25
119620-77820	4	55
119621-21680	7	8
119621-66051	11	62
119621-66610	11	129
119621-66710	11	127
119623-01250	1	9 -1
119623-01330	1	21
	15	2
119623-01340	1	21 -1
	15	2 -1
119623-01950	2	21
119623-11100	4	14
119623-21700	7	1
119623-22080	7	14
119623-22500	7	16
119623-22900	7	29
119623-22950	7	31
119623-35080	8	29 -1
119623-61200	11	16
119624-02410	1	18
119624-32040	2	5 -1
	15	26 A
119629-14580	6	3
119640-01640	3	13
119644-21200	7	4
119645-12100	5	1
119649-21650	7	7
119650-42291	9	15

Parts No.	Fig. No.	Ref. No.
119653-66500	11	65
119656-42291	9	15 -1
119657-11350	4	44
119660-01510	2	15
119660-01551	2	18
119660-01562	2	19
	15	3
119660-01570	2	20
119660-01640	3	6
119660-01821	6	16
119660-01911	2	4
119660-25022	6	8
119660-25052	6	9
119660-25920	6	28
119660-25930	6	29
119660-32001	8	1
119660-32020	8	11
	15	14
119660-35102	8	15
119660-35113	8	16
	15	10
119660-35300	8	18
119660-42005	9	1
119660-42006	9	1 -1
119660-42350	9	16
119660-51500	10	30
119660-51530	10	32
119660-61052	11	19
119660-61060	11	2
119660-61071	11	3
119660-61121	11	13
119660-61140	11	14
119660-61150	11	15
119660-61300	11	11
119660-61341	11	12
119660-61460	11	20
119660-61491	11	28
119660-61590	11	28 -1
119660-61651	11	47
119660-61901	11	52
119660-77330	9	29
119685-61940	11	60
119685-61950	11	63
119789-11200	4	25
119789-59500	12	26 -1
119789-66010	11	61
119807-11770	4	50
119865-77012	14	1
119865-77160	14	8
119865-77760	14	15

Parts No. Index

Parts No.	Fig. No.	Ref. No.
119865-77780	14	17
119865-79050	14	10
119867-21600	7	13
119867-21601	7	13 -1
121023-01550	2	30
121236-59080	13	2
121250-44901	9	20
121250-55620	13	8
121254-55510	13	5
121450-01560	2	16
121450-42450	9	23
121465-59950	11	5
121520-01851	2	33
	15	17
121520-01860	2	34
121520-34810	8	13
121575-66830	11	64
124060-59380	13	18
124066-59100	12	27
124085-02220	3	8
124097-77710	14	14
124101-49530	9	17
124160-01751	2	11
	4	56
124160-11340	4	19
	15	7
124160-11360	4	52
124160-39450	8	32
124195-77770	14	16
124465-44950	9	22
		24
	15	18
124550-55700	13	10
124550-77030	14	20
124736-07900	4	2 -1
124766-59050	13	1
124950-11340	4	20
	15	6
129100-01580	3	1
	7	2
129150-35350	8	26
129150-59120	12	18
129150-59131	12	21
129155-51280	11	17
129155-61480	11	23
129155-61830	12	2
	15	22
129350-49541	9	18
	15	16
129400-92410	15	27

Parts No.	Fig. No.	Ref. No.
129795-77800	4	54
174307-51700	11	30
194990-22050	2	28
	11	1
22111-060000	11	125
22117-040000	11	48
22137-040000	10	42
22190-060002	13	19
22190-060003	11	124
22190-120002	11	117
	13	15 -1
	15	19 -1
22190-140002	12	32 -1
	15	20 -1
22190-220002	3	14
22217-040000	10	43
22242-000120	4	39
22242-000200	6	14
22252-000210	7	21
22272-000040	11	49
22351-030014	11	50
22351-040010	2	17
	11	57
22351-060012	4	24
22360-040000	11	118
22360-060000	11	119
22512-040120	6	7
		20
		30
	7	5
22857-500100	4	51
23065-120500	4	1
23414-140000	12	32
	15	20
23418-060000	13	12
23871-010000	1	8
23871-020000	4	11
23871-030000	9	12
23876-010000	1	8 -1
23876-020000	4	11 -1
23876-030000	9	12 -1
24101-062034	6	22
24102-063034	6	21
		31
24311-000120	2	5
	4	53
	15	21
		21 -1
24311-000160	8	27
	15	25

Parts No.	Fig. No.	Ref. No.
24311-000320	2	12
	4	57
	15	4
24341-000070	11	58
24341-000240	2	31
	15	23
24341-000250	15	24
24341-000280	11	67
26014-080702	13	13
26022-040082	10	44
26033-040102	10	41 -1
26106-060102	8	31
	11	59
26106-060122	1	19
	3	15
	6	15
26106-060162	2	6
		32 -1
		35
	6	23
26106-060182	2	32
26106-060202	5	3
26106-060222	3	9
26106-060302	2	7
26106-060452	3	16
26106-060602	2	8
		9
26106-060702	11	120
26106-060752	11	4
26106-060802	2	10
26106-060952	11	69
26106-080142	4	3
		4
		4 -1
26106-080202	8	28
26106-080282	9	19
26106-080452	4	42
	9	14
26106-080652	9	21
		30
26106-100302	14	19
26116-050102	11	121
26116-060304	11	122
26206-100202	3	3
26206-100252	3	4
26366-060002	2	29
26366-080002	4	43
26450-060202	8	12
26587-040102	10	41
26587-080102	6	24

Parts No.	Fig. No.	Ref. No.
26756-060002	4	34
		38
	11	123
26979-050162	4	40
27221-050080	4	12
27231-450000	1	9
27241-120000	1	10
27241-300000	1	11
27241-400000	4	13
27310-070001	4	18
719620-02800	1	12
719620-02870	1	22
719620-02930	1	15
719620-11521	4	44 -1
719620-23100	7	22
719620-23600	7	37
719620-23610	7	35
719620-53100	12	1
719621-51100	10	1
719623-01560	1	1
719623-11700	4	5
719631-01540	3	11
719660-14590	6	17
719660-14600	6	25
719789-11650	4	31
719789-11660	4	35
719789-92601	15	1
977770-01212	2	36
	3	17
	15	28
X2114274200	14	2
X2114715500	14	3
X2114776050	14	4
X2114811000	14	5