

0CV10-M50300EN

P R E F A C E

1. This Parts Catalog carries all parts incorporated in YANMAR Model 3TNE74 - AF engine manufactured since January, 1997.
2. Each illustration corresponds to the parts list on the following page.
3. When ordering parts, clearly write down the engine model and serial number, as well as the name and number of each part in your order sheet. This will help insure reliable delivery of the parts you have ordered.

Directions for the Parts Catalog.

1. This Parts Catalog shows both standard and optional parts.
2. Parts may change without prior notice.
3. The following is an example of the Parts Catalog format.

REF.	LEV.	PARTS NO.	DESCRIPTION	Q'TY						I	R
				(A)	(B)	(C)	(D)	(E)	(F)		
1	1	729595-51390	FUEL INJECTION PUMP	1	1	1	1	1			1
1-1	1	729595-51391	FUEL INJECTION PUMP	1	1	1	1	1		N	1
		(A=E00185) (B=E00200)									
3	2	26022-060162	SCREW M 6X 16	9	9	9	9	9			
3-1	2	26022-060162	SCREW M 6X 16	4	4	4	4	4		K	
		(A=E00156) (B=E00156) (C=E00156) (D=E00156) (E=E00156)									
4	2	129470-51040	CAMSHAFT	1	1	1	1	1			
5	2	122710-51050	BEARING, ROLLER	2	2	2	2	2			
6	2	129470-51060	RETAINER	1	1	1	1	1			

Remarks
(1) BOOST COMPEMSATOR TYPE. OPTIONAL PART, TO E00155,(4JH-DT, 4JH-DTZ

① Ref. No.

The Ref. No. listed may not be in accordance with the illustration Ref. No.

(Ex.) Illustration No.

List Ref No.

1

1

(Before change)

1-1

(After change)

For interchangeable symbols N, R and K, illustrations for new parts may be abbreviated.

② Lev. (Level)

Level indication

The numbers below indicate the level of relativity towards the main part.

1 ----- Main parts (Assembly parts)

2 ----- Sub component included in " 1 ".

3 ----- Sub component included in " 2 ".

Note) Parts that are not for sale are partially illustrated but not listed.

③ Interchangeability Symbol

When a part change takes place, one of the following interchangeability symbols is indicated beside the part.

Symbol	Interchangeability	Contents note
N	Old $\begin{matrix} \leftarrow \text{Yes} \\ \text{No} \rightarrow \end{matrix}$ New	New Part is interchangeable for Old Part but Old Part is not interchangeable for New Part.
Q	Old $\begin{matrix} \leftarrow \text{No} \\ \text{Yes} \rightarrow \end{matrix}$ New	New Part is not interchangeable for Old Part but Old Part is interchangeable for New Part.
R	Old $\begin{matrix} \leftarrow \text{Yes} \\ \text{Yes} \rightarrow \end{matrix}$ New	New/ Old Parts are both interchangeable.
S	Old $\begin{matrix} \leftarrow \text{No} \\ \text{No} \rightarrow \end{matrix}$ New	New/ Old Parts are both not interchangeable.
W		Part newly added.
Z		Part discontinued.
F		Not interchangeable by a single part but interchangeable together with related parts.
K		Changes only for used parts quantities.

④ Effective Machine No.

When a part changes, the effective Machine No. will be indicated in the (A)-(F) column.

Product Symbol	Product No.	Product Symbol	Product No.
C	Clutch No. Compressor No.	F	Machine No. (Agricultural Equip.)
D	Drive No.	M	Machine No.
E	Engine No.		

Note 1) A date may follow the symbol. (Ex.) 1996.01

Note 2) "XXXXX" and "ZZZZZ" are for parts that could not be predicted or for engine models that could not be identified.

Note 3) (A=E00185) is the E (Engine Serial Number) for the column (A) model (in this case 4JH-DT) after the parts design change.

⑤ Remarks

Figures or alphabets (symbols) are entered in the remarks column.

The comments (remarks) on parts that are indicated at the bottom of the illustration are the same symbols as those stated above.

Contents

Fig. No. Fig. Name

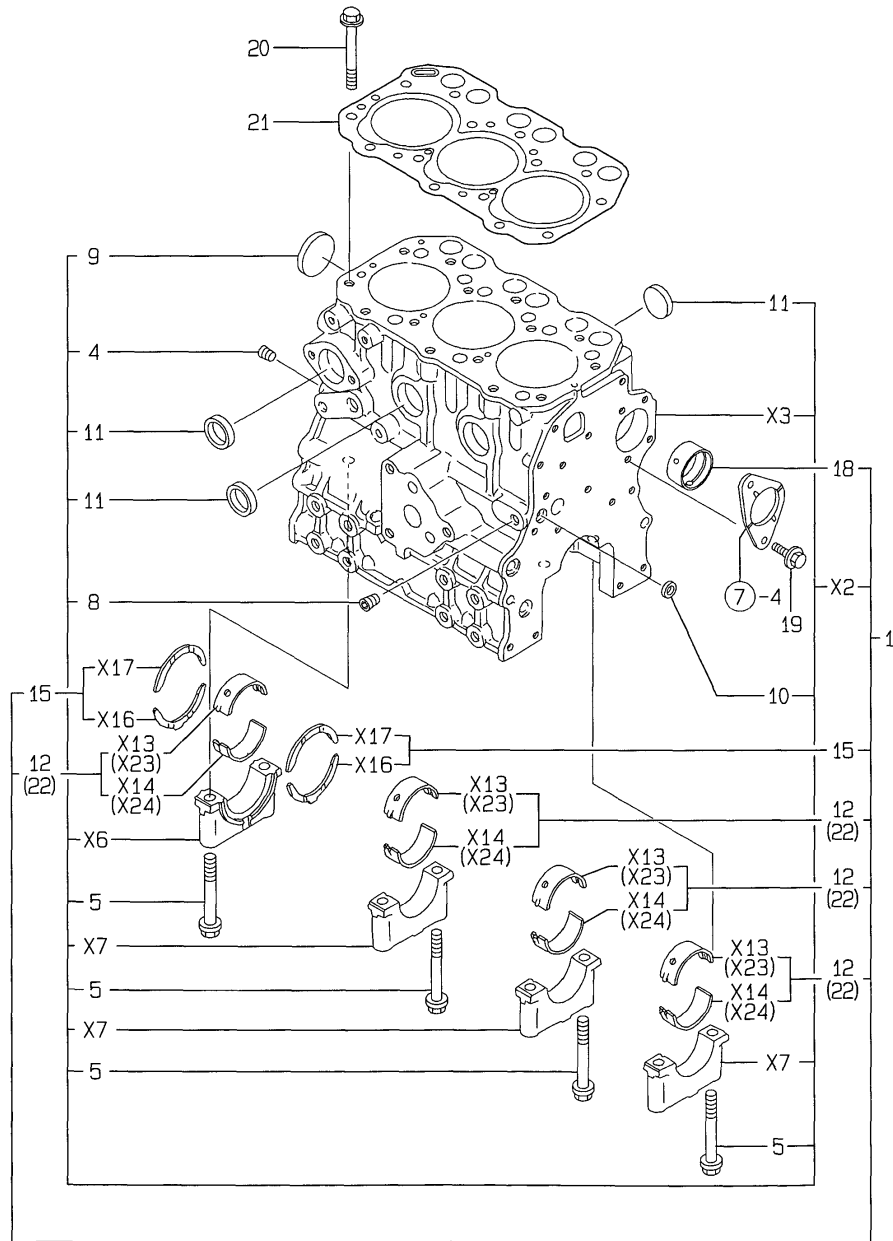
3TNE74-AF

1. CYLINDER BLOCK
2. GEAR HOUSING
3. MOUNTING FLANGE & OIL SUMP
4. CYLINDER HEAD & BONNET
5. SUCTION MANIFOLD
6. EXHAUST MANIFOLD
7. CAMSHAFT & DRIVING GEAR
8. CRANKSHAFT & PISTON
9. LUB.OIL SYSTEM
10. COOLING WATER SYSTEM
11. FUEL INJECTION PUMP
12. GOVERNOR
13. FUEL INJECTION VALVE
14. FUEL LINE
15. STARTING MOTOR
16. GENERATOR
17. GASKET SET

Fig. No. Fig. Name

Fig.1. CYLINDER BLOCK

1. CYLINDER BLOCK



(A)=3TNE74-AF

(B)=

(C)=

(D)=

(E)=

(F)=

No.	Lev.	Parts No.	Description	Q'ty						I	R
				(A)	(B)	(C)	(D)	(E)	(F)		
1	1	719623-01560	BLOCK ASSY, CYLINDER	1							
4	3	119600-01050	PLUG, PT1/4	1							
5	3	119620-02020	BOLT, METAL CAP	8							
8	3	23871-010000	PLUG, R01	1							
9	3	27231-450000	PLUG 45	1							
10	3	27241-120000	PLUG, 12	1							
11	3	27241-300000	PLUG 30	6							
12	2	719620-02800	BEARING, MAIN	4							
15	2	719620-02930	BEARING, THRUST	2							
18	2	119620-02410	BUSH, CAMSHAFT	1							
19	1	26106-060122	BOLT, M6X 12 PLATED	2							
20	1	119620-01200	BOLT, HEAD	14							
21	1	119623-01330	GASKET, HEAD	1							
22	1	719620-02870	BEARING, 0.25 US	4							1

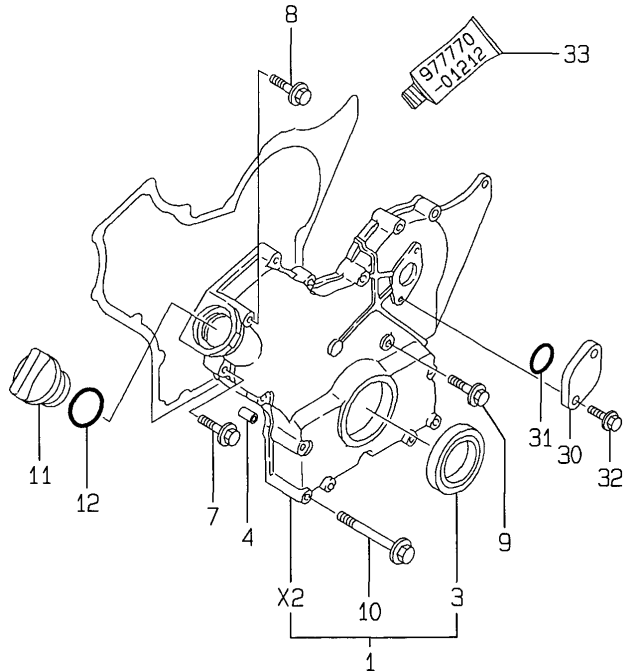
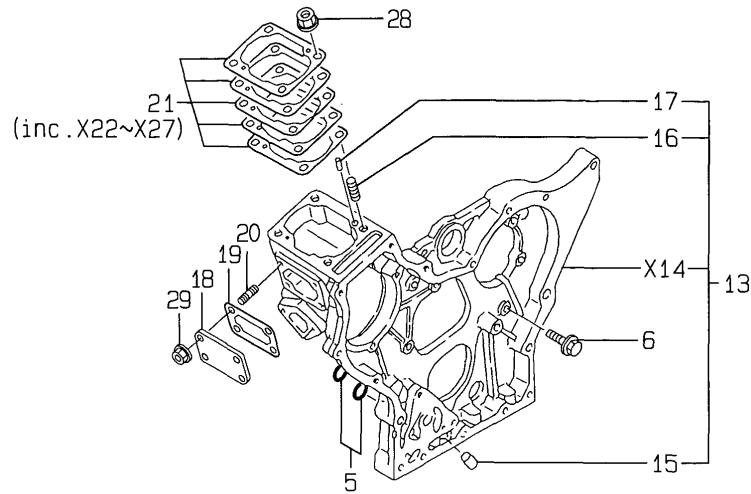
Remarks

(1)UNDER-SIZE(U.S=0.25)PART.

N:Old $\xrightarrow{\text{Yes}}$ New, Q:Old $\xrightarrow{\text{No}}$ New, R:Old $\xrightarrow{\text{Yes}}$ New, S:Old $\xrightarrow{\text{No}}$ New, W:Add, Z:Discontinued, F:Interchangeable by set, K:Q'ty Change

Fig.2. GEAR HOUSING

2. GEAR HOUSING



(A)=3TNE74-AF

(B)=

(C)=

(D)=

(E)=

(F)=

No.	Lev.	Parts No.	Description	Q'ty						I	R
				(A)	(B)	(C)	(D)	(E)	(F)		
1	1	119610-01590	COVER ASSY,GEAR CASE	1							
3	2	119620-01800	SEAL, OIL	1							
4	1	119660-01911	PIPE, KNOCK	4							
5	1	24311-000120	O-RING, 1AP12.0	2							
6	1	26106-060162	BOLT, M6X 16 PLATED	7							
7	1	26106-060302	BOLT, M6X 30 PLATED	8							
8	1	26106-060602	BOLT, M6X 60 PLATED	1							
9	1	26106-060602	BOLT, M6X 60 PLATED	3							
10	1	26106-060802	BOLT, M6X 80 PLATED	6							
11	1	124160-01751	COVER, FILLER	1							
12	1	24311-000320	O-RING, 1AP32.0	1							
13	1	119610-01490	CASE ASSY, GEAR	1							
15	2	119660-01510	PLUG, 10X14	1							
16	2	121450-01560	STUD, M8X22	4							
17	2	22351-040010	PIN, SPRING 4.0X10	2							
18	1	119660-01551	COVER	1							
19	1	119660-01562	GASKET	1							
20	1	119660-01570	STUD, M6X12	4							
21	1	119623-01950	SHIM SET, ADJUSTING	1							
28	1	194990-22050	NUT, M8	4							
29	1	26366-060002	NUT, M6	4							
30	1	121023-01550	COVER	1							
31	1	24341-000240	O-RING, 1AS24.0	1							
32	1	26106-060182	BOLT, M6X 18 PLATED	2							
33	1	977770-01212	GASKET, LIQUID	1							1

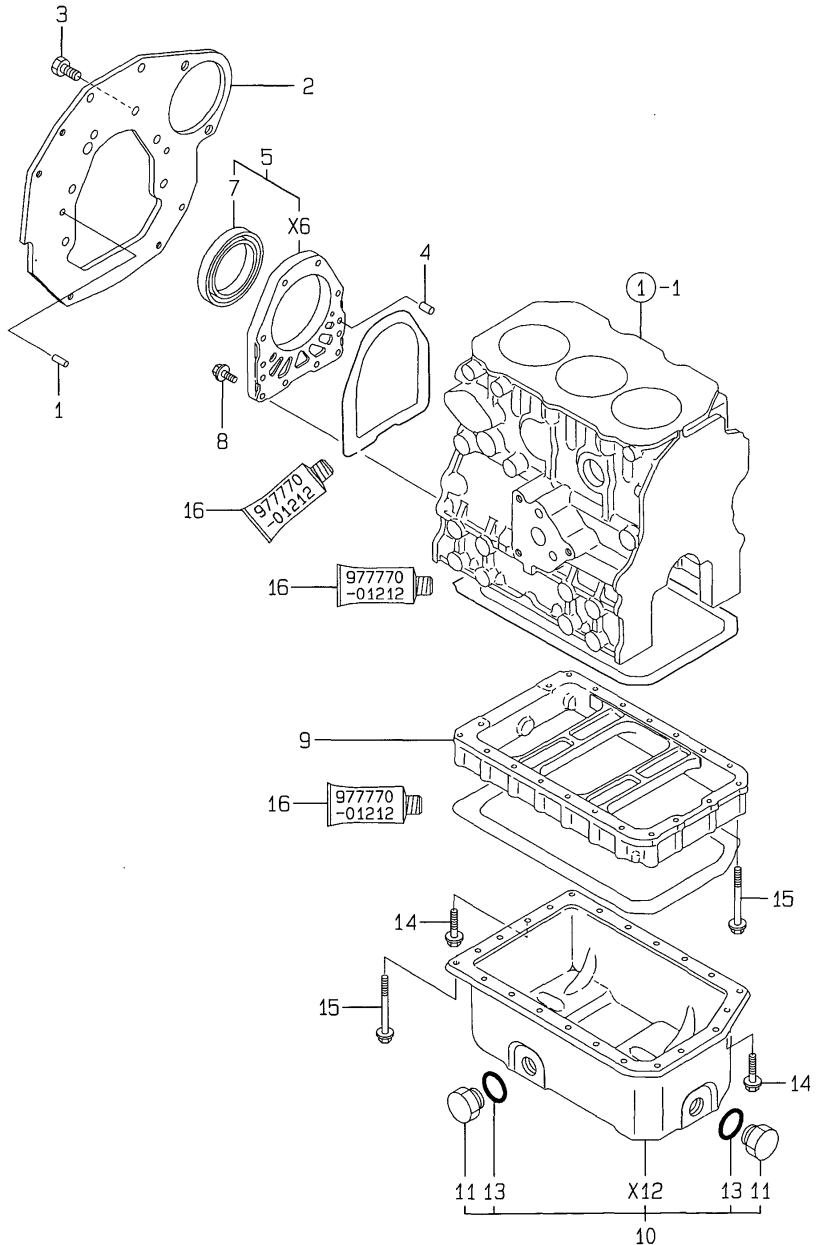
Remarks

(1) OPTIONAL PART.

N:Old $\begin{matrix} \leftarrow \text{Yes} \\ \text{No} \end{matrix}$ New, Q:Old $\begin{matrix} \leftarrow \text{No} \\ \text{Yes} \end{matrix}$ New, R:Old $\begin{matrix} \leftarrow \text{Yes} \\ \text{Yes} \end{matrix}$ New, S:Old $\begin{matrix} \leftarrow \text{No} \\ \text{No} \end{matrix}$ New, W:Add, Z:Discontinued, F:Interchangeable by set, K:Q'ty Change

Fig.3. MOUNTING FLANGE & OIL SUMP

3.MOUNTING FLANGE & OIL SUMP



(A)=3TNE74-AF

(B)=

(C)=

(D)=

(E)=

(F)=

No.	Lev.	Parts No.	Description	Q'ty						I	R
				(A)	(B)	(C)	(D)	(E)	(F)		
1	1	129100-01580	PIN, M8X16	2							
2	1	119621-01611	FLANGE, MOUNTING	1							
3	1	26116-100202	BOLT, M10X 20 PLATED	8							
4	1	119620-01620	PIN, M6X10	2							
5	1	119660-01640	CASE ASSY, OIL SEAL	1							
7	2	124085-02220	SEAL, OIL	1							
8	1	26106-060222	BOLT, M6X 22 PLATED	10							
9	1	119600-01722	SPACER, OIL SUMP	1							
10	1	119600-01770	SUMP ASSY, OIL	1							
11	2	171301-01640	PLUG, 22	2							
13	2	24341-000250	O-RING, 1AS25.0	2							
14	1	26106-060122	BOLT, M6X 12 PLATED	3							
15	1	26106-060452	BOLT, M6X 45 PLATED	20							
16	1	977770-01212	GASKET, LIQUID	1							1

Remarks

(1) OPTIONAL PART.

Fig.4. CYLINDER HEAD & BONNET

(A)=3TNE74-AF

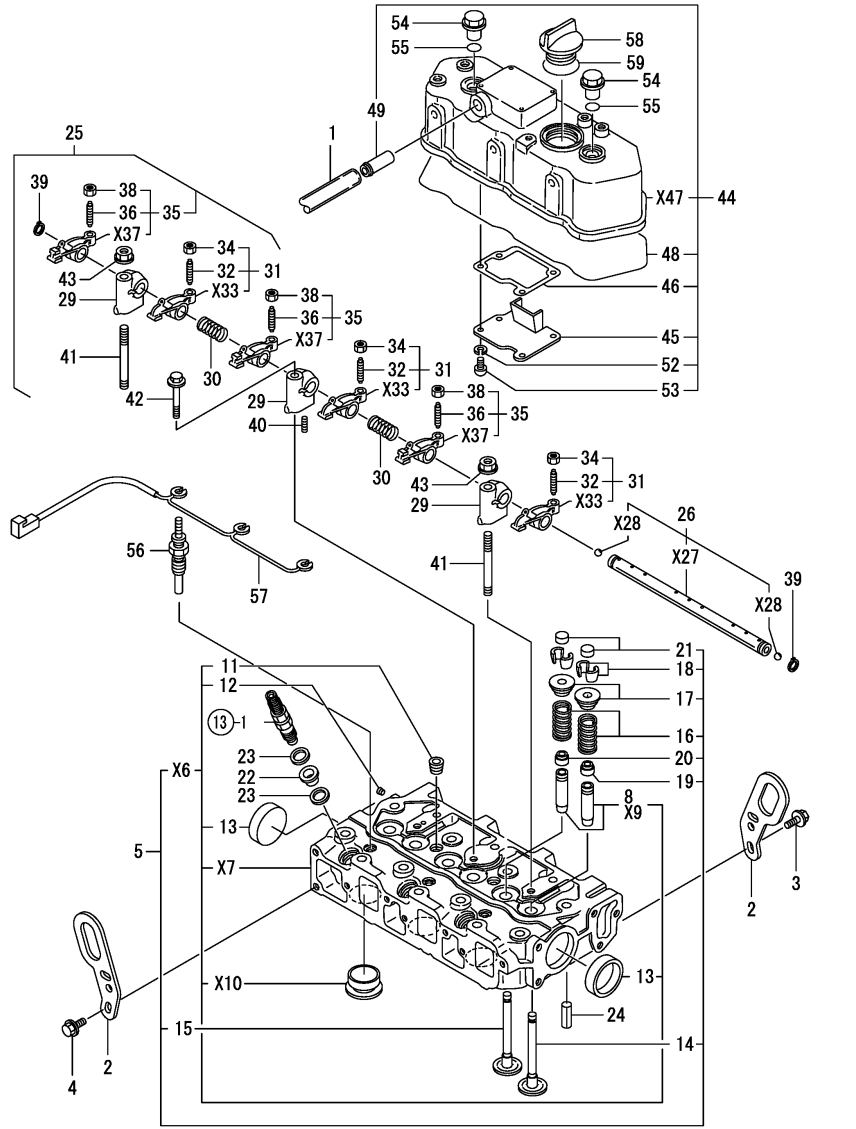
(B)=

(C)=

(D)=

(E)=

(F)=



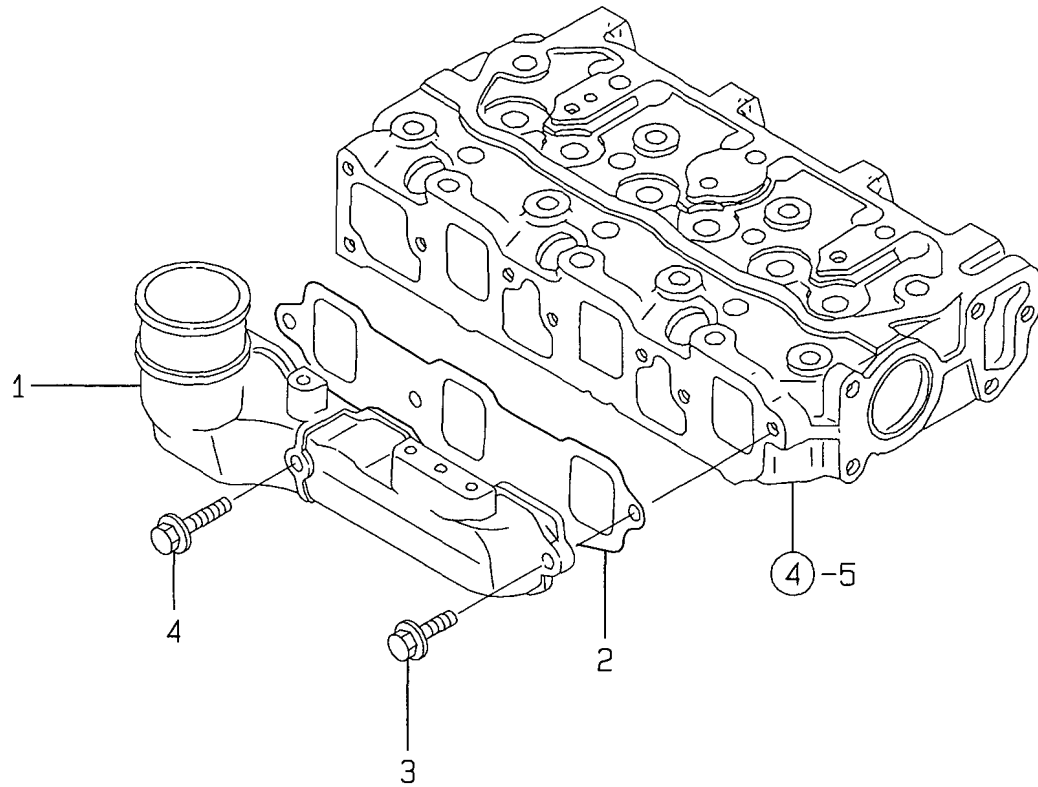
X-MARK PARTS: NOT SOLD SEPARATELY.

No.	Lev.	Parts No.	Description	Q'ty						I	R
				(A)	(B)	(C)	(D)	(E)	(F)		
1	1	23065-120500	PIPE, 12X 500	1							
2	1	119260-07900	LIFTER	2							
3	1	26106-080142	BOLT, M8X 14 PLATED	1							
4	1	26106-080142	BOLT, M8X 14 PLATED	2							
5	1	719623-11700	HEAD ASSY, CYLINDER	1							
8	3	119620-11801	GUIDE, VALVE	6							1
11	3	23871-020000	PLUG, R02	2							
12	3	27221-050080	PLUG, 5X 8	1							
13	3	27241-400000	PLUG, 40	2							
14	2	119623-11100	VALVE, INTAKE	3							
15	2	119620-11110	VALVE, EXHAUST	3							
16	2	119620-11120	SPRING, VALVE	6							
17	2	119620-11180	RETAINER, SPRING	6							
18	2	27310-070001	COTTER, 7	6							
19	2	124160-11340	SEAL, VALVE STEM	3							
20	2	124950-11340	SEAL, VALVE STEM	3							
21	2	104211-11370	CAP, VALVE	6							
22	1	119600-11450	PROTECTOR, NOZZLE	3							
23	1	119600-11460	GASKET, NOZZLE	6							
24	1	22351-060012	PIN, SPRING 6.0X12	2							
25	1	119620-11200	SUPPORT ASSY, ARM	1							
26	2	119620-11240	SHAFT ASSY, ROCKER	1							
29	2	119620-11260	SUPPORT, ROCKER ARM	3							
30	2	119620-11280	SPRING	2							
31	2	719620-11650	ARM ASSY, ROCKER	3							
32	3	105010-11230	SCREW, VALVE ADJUST	3							
34	3	26756-060002	NUT, LOCK M6	3							
35	2	719620-11660	ARM ASSY, ROCKER	3							
36	3	105010-11230	SCREW, VALVE ADJUST	3							
38	3	26756-060002	NUT, LOCK M6	3							
39	2	22242-000120	RING, 12	2							
40	2	26979-050162	SCREW, M5X16	1							
41	1	119620-11350	STUD	2							
42	1	26106-080452	BOLT, M8X 45 PLATED	1							
43	1	26366-080002	NUT, M8	2							
44	1	119620-11330	BONNET ASSY, HEAD	1							
45	2	119620-03020	PLATE, SHELTER	1							
46	2	119620-03031	GASKET	1							
48	2	119620-11310	GASKET, BONNET	1							
49	2	119620-11390	JOINT	1							
52	2	22217-050000	WASHER, SPRING 5	4							
53	2	26557-050102	SCREW, M5X10	4							
54	1	124160-11360	KNOB	2							
55	1	24311-000120	O-RING, 1AP12.0	2							
56	1	129795-77800	PLUG, GLOW	3							
57	1	119620-77820	CONNECTOR, GLOW PLUG	1							
58	1	124160-01751	COVER, FILLER	1							
59	1	24311-000320	O-RING, 1AP32.0	1							

Remarks
(1) REPAIR PART.

Fig.5. SUCTION MANIFOLD

5. SUCTION MANIFOLD



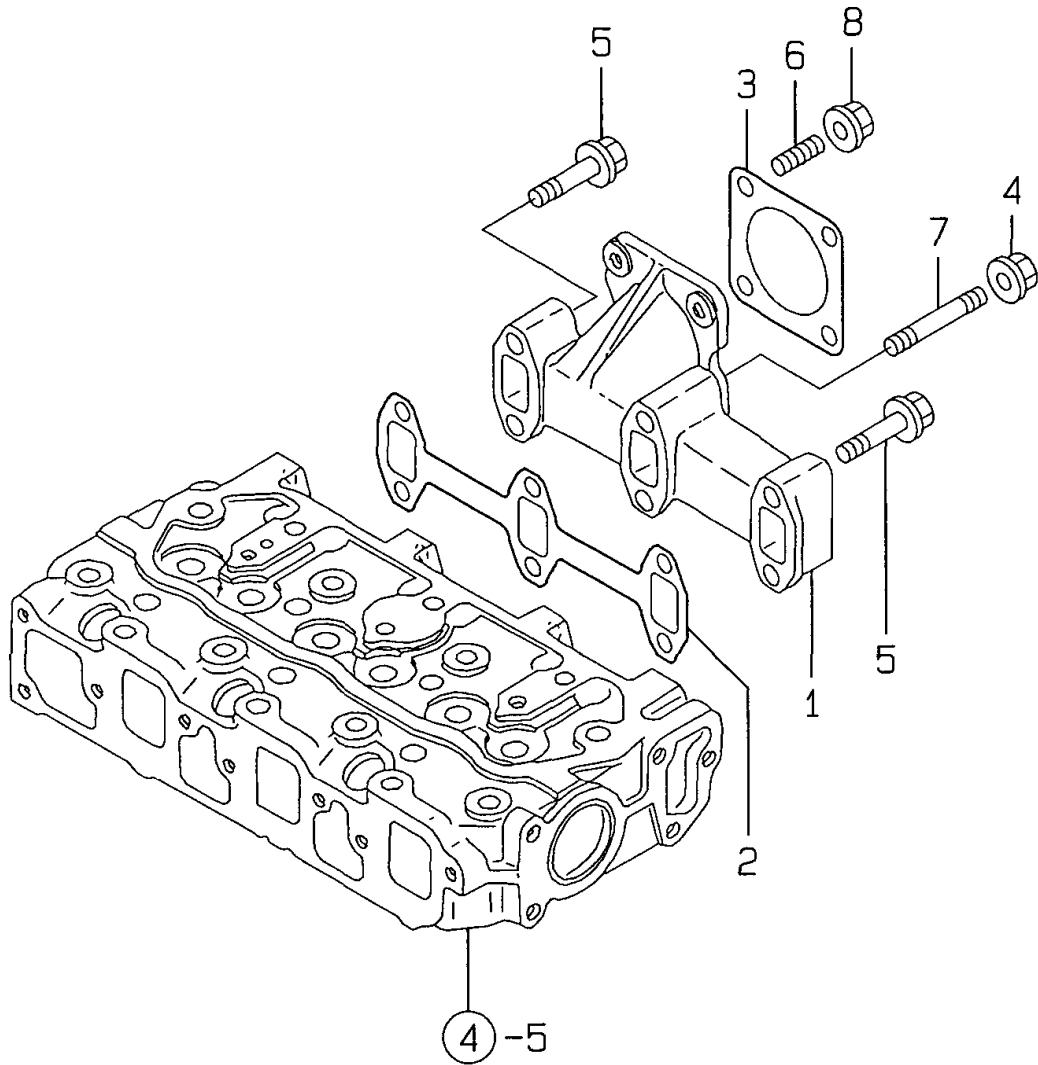
(A)=3TNE74-AF
(B)=
(C)=

(D)=
(E)=
(F)=

No.	Lev.	Parts No.	Description	Q'ty						I	R
				(A)	(B)	(C)	(D)	(E)	(F)		
1	1	119660-12101	MANIFOLD, AIR INTAKE	1							
2	1	119660-12111	GASKET, MANIFOLD	1							
3	1	26106-060162	BOLT, M6X 16 PLATED	2							
4	1	26106-060402	BOLT, M6X 40 PLATED	1							

Fig.6. EXHAUST MANIFOLD

6. EXHAUST MANIFOLD



(A)=3TNE74-AF

(B)=

(C)=

(D)=

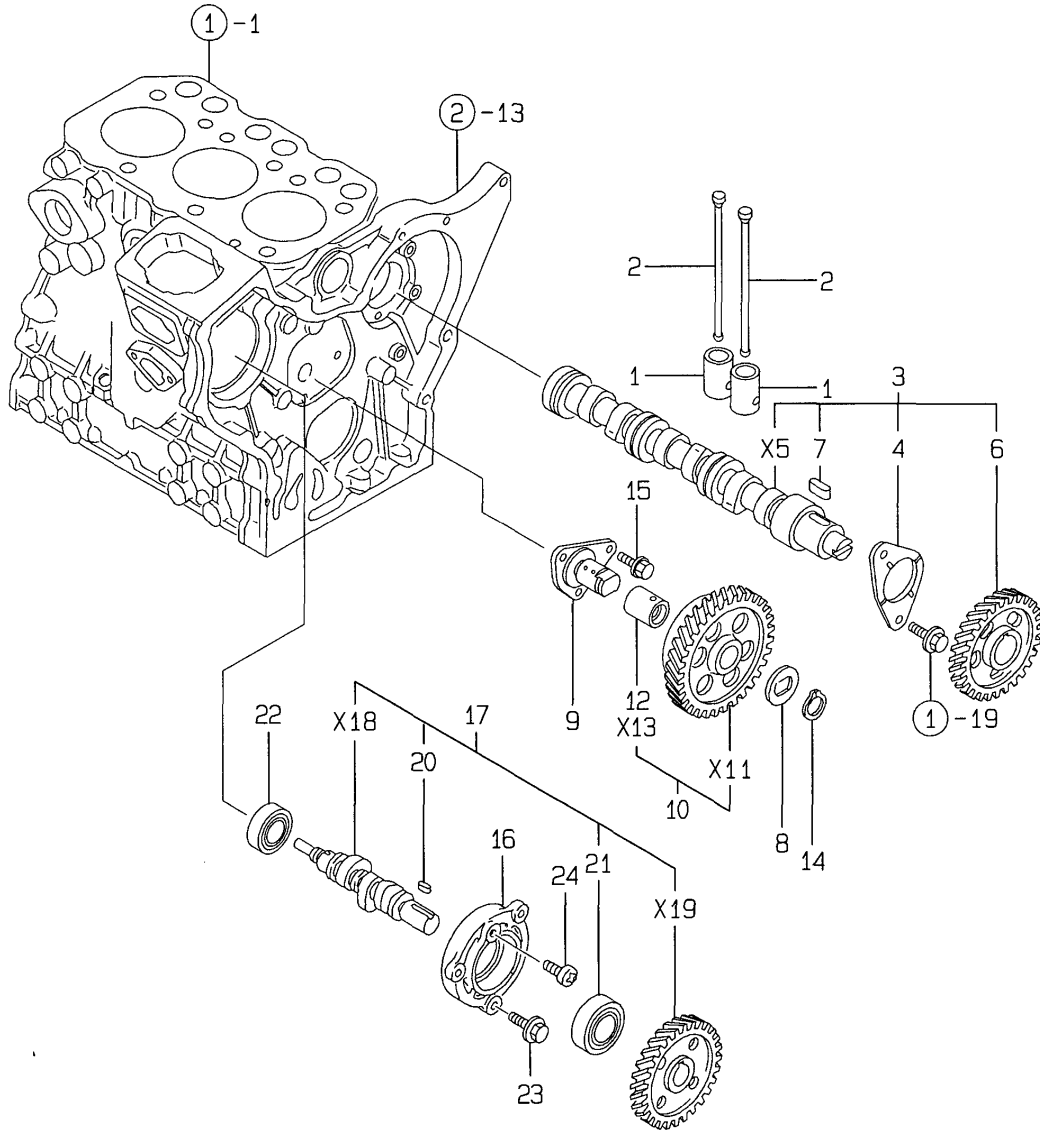
(E)=

(F)=

No.	Lev.	Parts No.	Description	Q'ty						I	R
				(A)	(B)	(C)	(D)	(E)	(F)		
1	1	119600-13100	MANIFOLD, EXHAUST	1							
2	1	119620-13110	GASKET	1							
3	1	121000-13201	GASKET, SILENCER	1							
4	1	194990-22050	NUT, M8	2							
5	1	26106-080402	BOLT, M8X 40 PLATED	4							
6	1	26216-080222	STUD, M8X 22	4							
7	1	26216-080552	STUD, M8X 55	2							
8	1	194990-22050	NUT, M8	4							

Fig.7. CAMSHAFT & DRIVING GEAR

7.CAMSHAFT & DRIVING GEAR



(A)=3TNE74-AF

(B)=

(C)=

(D)=

(E)=

(F)=

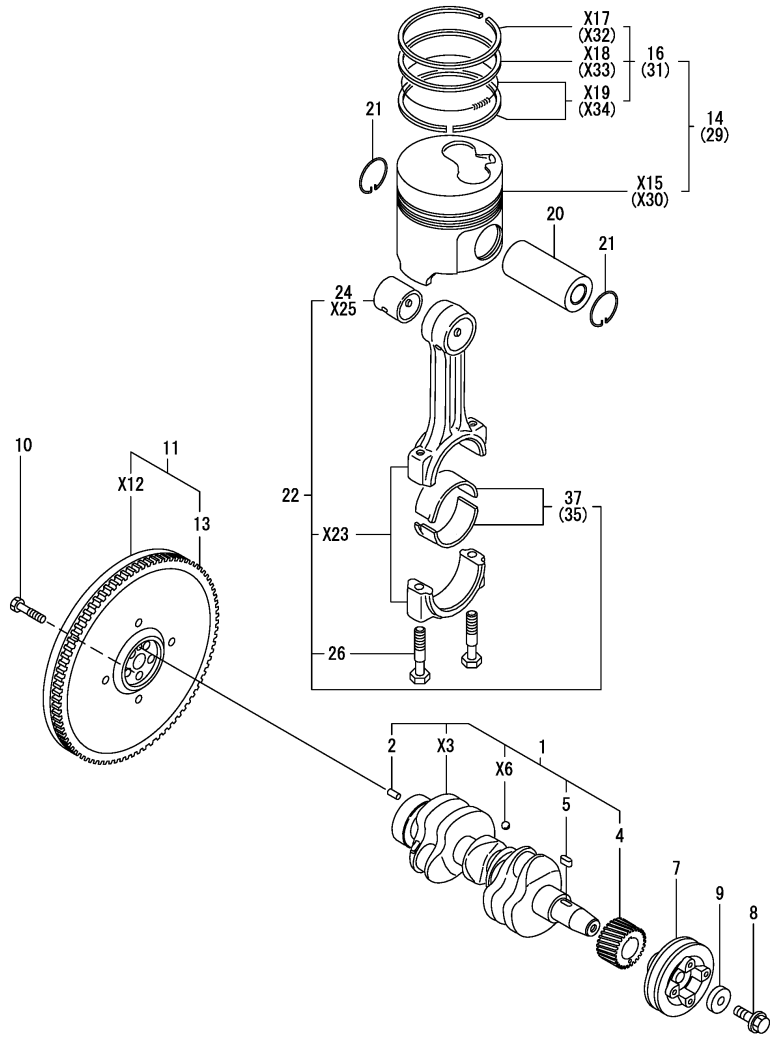
No.	Lev.	Parts No.	Description	Q'ty						I	R
				(A)	(B)	(C)	(D)	(E)	(F)		
1	1	119620-14200	TAPPET	6							
2	1	119620-14401	ROD, PUSH	6							
3	1	119629-14580	CAMSHAFT ASSY	1							
4	2	119620-02450	BEARING, THRUST	1							
6	2	119620-14100	GEAR, CAMSHAFT	1							
7	2	22512-040120	KEY, 4X 12	1							
8	1	119660-25022	RETAINER	1							
9	1	119660-25052	SHAFT, IDLE	1							
10	1	119620-25102	GEAR ASSY, IDLE	1							
12	2	119620-25912	BUSH	1							1
14	1	22242-000200	RING, 20	1							
15	1	26106-060122	BOLT, M6X 12 PLATED	3							
16	1	119660-01821	BEARING, FUEL CAM	1							
17	1	719660-14590	CAMSHAFT	1							
20	2	22512-040120	KEY, 4X 12	1							
21	2	24102-063034	BEARING, BALL 6303U	1							
22	1	24101-062034	BEARING, BALL 6203	1							
23	1	26106-060162	BOLT, M6X 16 PLATED	3							
24	1	26587-080102	SCREW, M8X10	1							

Remarks

(1) REPAIR PART.

N:Old $\xrightarrow{\text{Yes}}$ New, Q:Old $\xrightarrow{\text{No}}$ New, R:Old $\xrightarrow{\text{Yes}}$ New, S:Old $\xrightarrow{\text{No}}$ New, W:Add, Z:Discontinued, F:Interchangeable by set, K:Q'ty Change

Fig.8. CRANKSHAFT & PISTON



x-Mark PARTS : NOT SOLD SEPARATELY.

Remarks

- (1) REPAIR PART.
- (2) OVER-SIZE(O.S=0.25)PART.
- (3) UNDER-SIZE(U.S=0.25)PART.

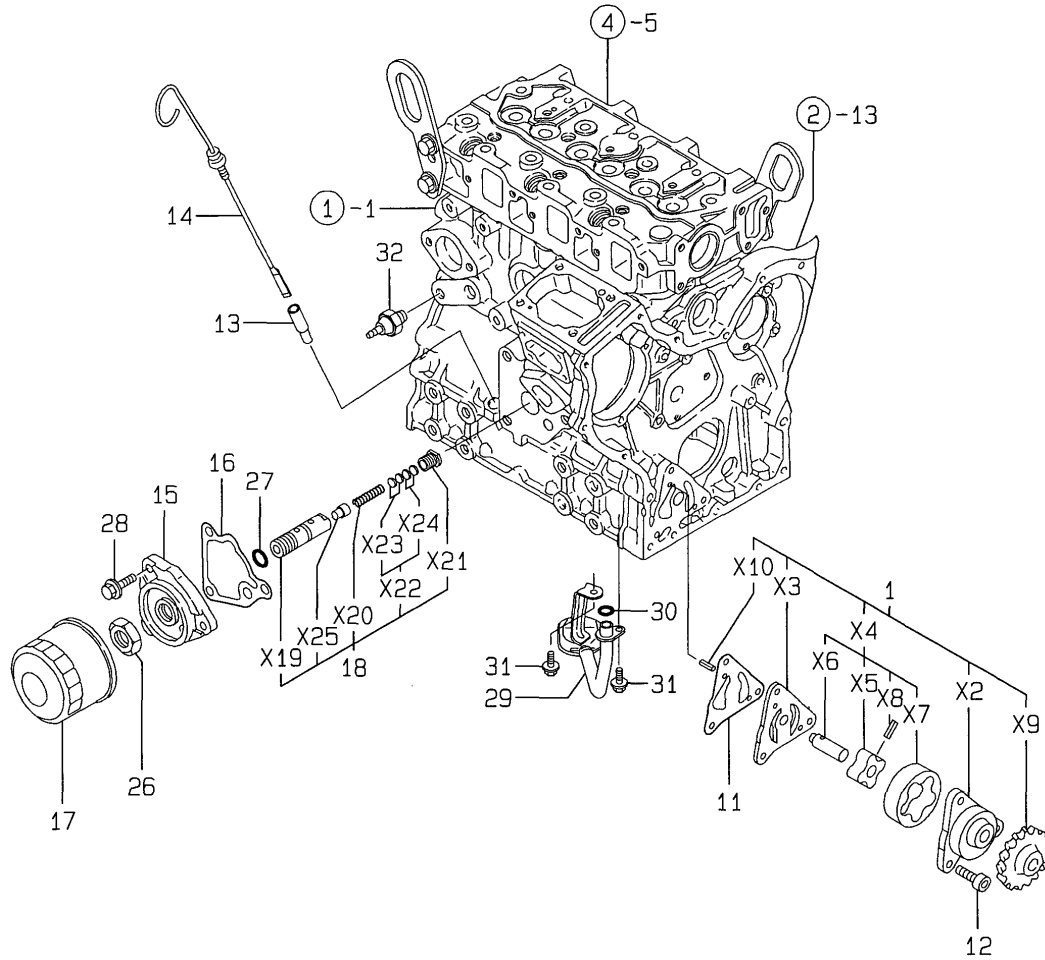
(A)=3TNE74-AF
(B)=
(C)=

(D)=
(E)=
(F)=

No.	Lev.	Parts No.	Description	Q'ty						I	R
				(A)	(B)	(C)	(D)	(E)	(F)		
1	1	119623-21700	CRANKSHAFT ASSY	1							
2	2	129100-01580	PIN, M8X16	1							
4	2	119644-21200	GEAR, CRANKSHAFT	1							
5	2	22512-040120	KEY, 4X 12	1							
7	1	119660-21651	V-PULLEY	1							
8	1	119621-21680	BOLT, FLANGE 12X1.25	1							
9	1	119620-21941	WASHER	1							
10	1	119620-21500	BOLT, FLYWHEEL	5							
11	1	119620-21591	FLYWHEEL ASSY	1							
13	2	124060-21600	GEAR, RING	1							
14	1	119623-22080	PISTON ASSY	3							
16	2	119623-22500	RING SET, PISTON	3							
20	1	114350-22301	PIN, PISTON D=21	3							
21	1	22252-000210	RING, 21	6							
22	1	719620-23100	ROD ASSY, CONNECTING	3							
24	2	119620-23910	BEARING, PISTON PIN	3							1
26	2	105225-23200	BOLT, CONNECTING ROD	6							
29	1	119623-22900	PISTON ASSY, 0.25 OS	3							2
31	2	119623-22950	RING SET, 0.25 OS	3							2
35	1	719620-23610	BEARING ASSY, 0.25	3							3
37	1	719620-23600	BEARING, CRANK PIN	3							

Fig.9. LUB.OIL SYSTEM

9.LUB.OIL SYSTEM



(A)=3TNE74-AF

(B)=

(C)=

(D)=

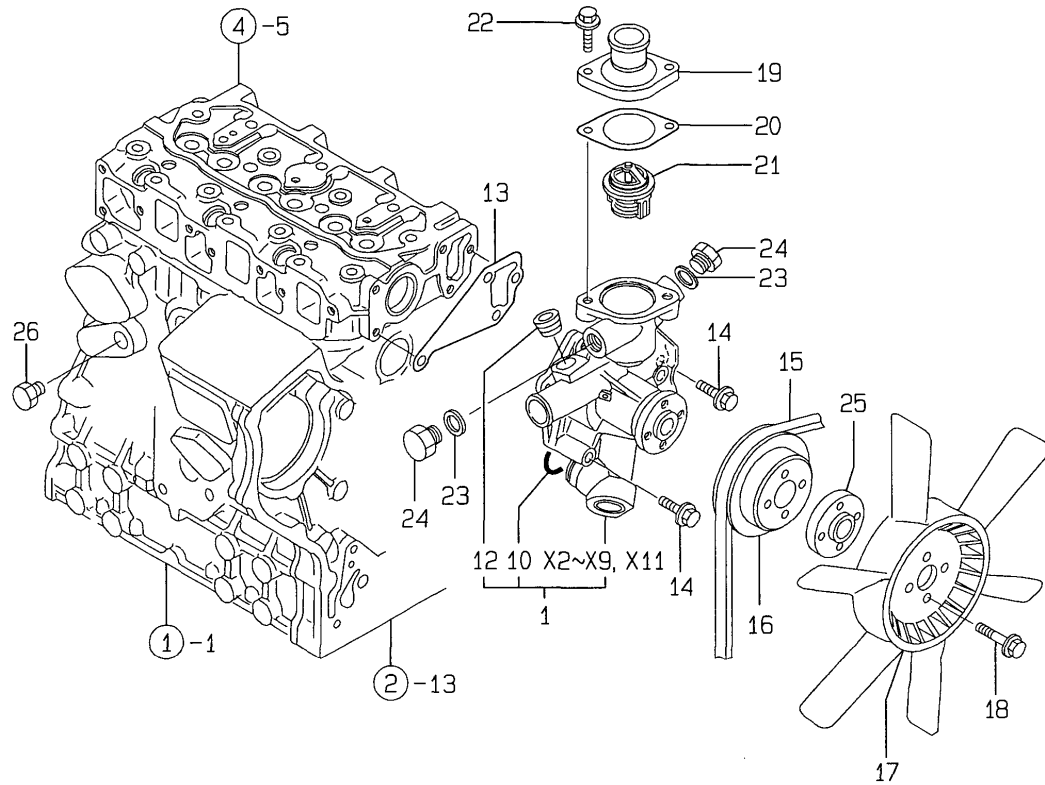
(E)=

(F)=

No.	Lev.	Parts No.	Description	Q'ty						I	R
				(A)	(B)	(C)	(D)	(E)	(F)		
1	1	119660-32001	PUMP ASSY, OIL	1							
11	1	119660-32020	GASKET, PUMP	1							
12	1	26450-060202	BOLT, M6X 20	3							
13	1	121520-34810	GUIDE, DIPSTICK	1							
14	1	119645-34800	DIPSTICK, OIL	1							
15	1	119660-35102	BRACKET, FILTER	1							
16	1	119660-35113	GASKET	1							
17	1	119305-35150	FILTER, OIL	1							
18	1	119660-35300	VALVE ASSY, CONTROL	1							
26	1	129150-35350	NUT	1							
27	1	24311-000160	O-RING, 1AP16.0	1							
28	1	26106-080202	BOLT, M8X 20 PLATED	3							
29	1	119600-35091	PIPE ASSY, OIL INLET	1							
30	1	24311-000110	O-RING, 1AP11.0	1							
31	1	26106-060102	BOLT, M6X 10 PLATED	2							
32	1	124160-39450	SWITCH, 0.5KG	1							

Fig.10. COOLING WATER SYSTEM

10. COOLING WATER SYSTEM



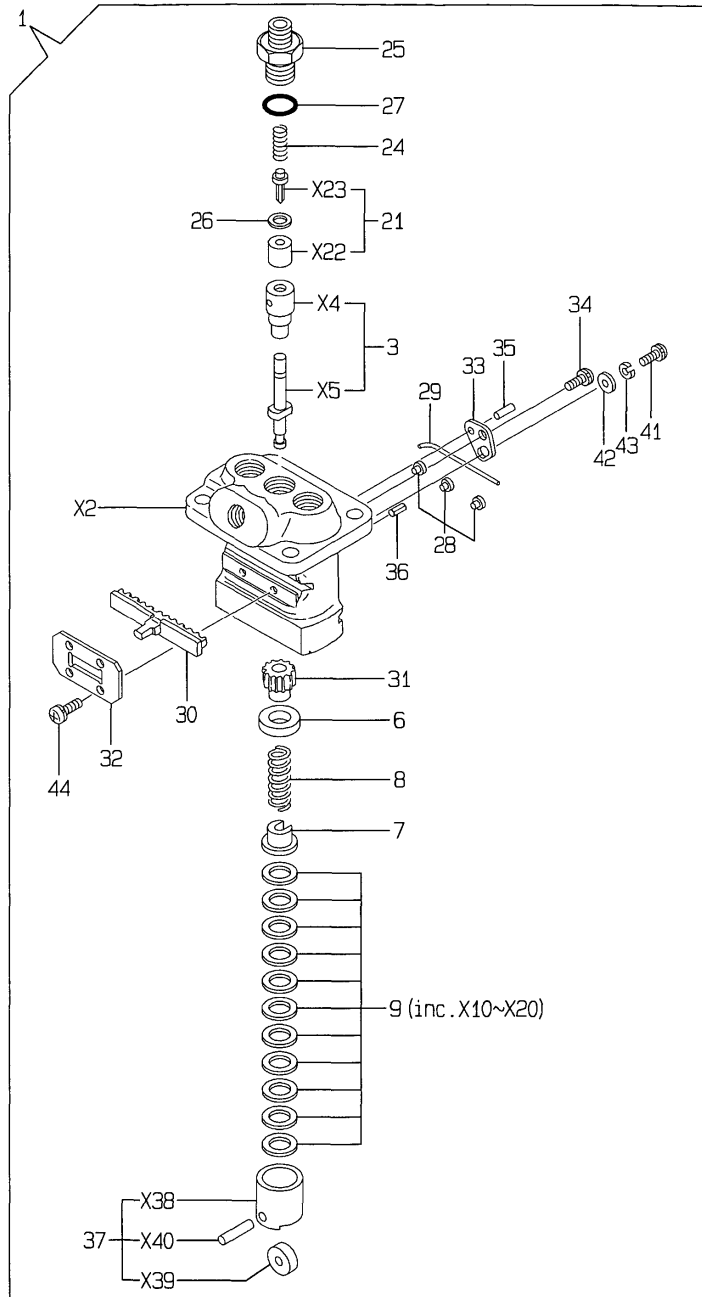
(A)=3TNE74-AF
(B)=
(C)=

(D)=
(E)=
(F)=

No.	Lev.	Parts No.	Description	Q'ty						I	R
				(A)	(B)	(C)	(D)	(E)	(F)		
1	1	119660-42005	PUMP ASSY, WATER	1							
10	2	119620-42320	O-RING	1							
12	2	23871-030000	PLUG, R03	1							
13	1	119620-42020	GASKET, WATER PUMP	1							
14	1	26106-080452	BOLT, M8X 45 PLATED	4							
15	1	119640-42290	V-BELT, FM36.5	1							
16	1	119660-42350	V-PULLEY	1							
17	1	121465-44740	FAN, COOLING	1							
18	1	26106-060202	BOLT, M6X 20 PLATED	4							
19	1	129350-49530	COVER, THERMOSTAT	1							
20	1	129350-49541	GASKET	1							
21	1	129350-49800	THERMOSTAT, 71	1							
22	1	26106-080202	BOLT, M8X 20 PLATED	2							
23	1	124465-44950	GASKET, 16	2							
24	1	121450-42450	PLUG, M16	2							
25	1	124574-44761	SPACER, FAN	1							
26	1	171056-49120	PLUG, DRAIN	1							

Fig.11. FUEL INJECTION PUMP

11.FUEL INJECTION PUMP



x-MARK PARTS: NOT SOLD SEPARATELY.

(A)=3TNE74-AF

(B)=

(C)=

(D)=

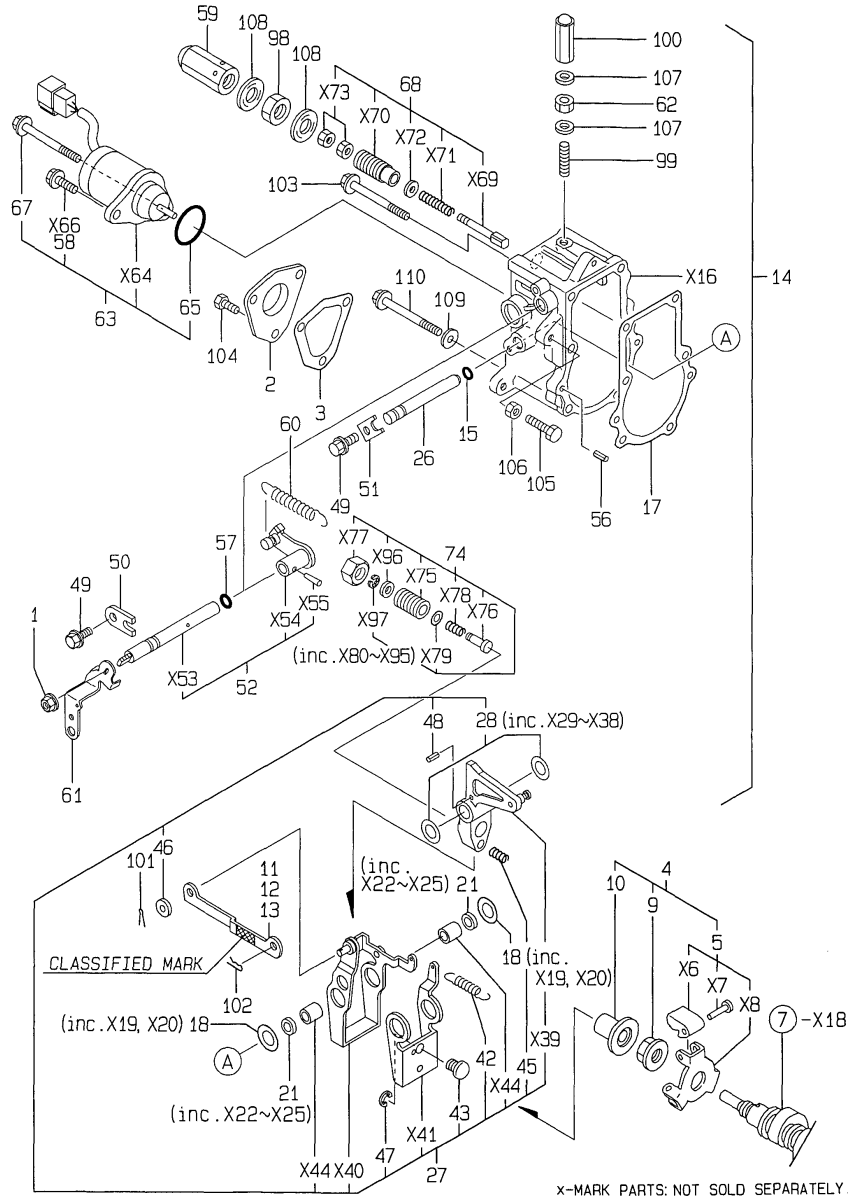
(E)=

(F)=

No.	Lev.	Parts No.	Description	Q'ty						I	R
				(A)	(B)	(C)	(D)	(E)	(F)		
1	1	719621-51100	PUMP ASSY, INJECTION	1							
3	2	119620-51101	PLUNGER ASSY	3							
6	2	119620-51170	RETAINER, SPRING A	3							
7	2	119620-51180	RETAINER, SPRING B	3							
8	2	119620-51190	SPRING, PLUNGER	3							
9	2	119620-51250	SHIM SET	3							
21	2	119620-51300	VALVE ASSY, DELIVERY	3							
24	2	105546-51330	SPRING, DELIVERY	3							
25	2	119620-51340	HOLDER, DELIVERY	3							
26	2	119620-51350	GASKET	3							
27	2	119620-51370	O-RING	3							
28	2	119620-51450	PIECE	3							
29	2	119620-51461	PIN	1							
30	2	119660-51500	RACK, CONTROL	1							
31	2	119620-51510	PINION	3							
32	2	119660-51530	RETAINER, RACK	1							
33	2	119620-51650	PLATE	2							
34	2	119620-51660	SCREW	2							
35	2	119620-51670	PIN	2							
36	2	119620-51680	PIN	1							
37	2	119620-51700	TAPPET ASSY	3							
41	2	26587-040102	SCREW, M4X10	2							
42	2	22137-040000	WASHER, 4	2							
43	2	22217-040000	WASHER, SPRING 4	2							
44	2	26022-040082	SCREW, M4X 8	4							

Fig.12. GOVERNOR

12. GOVERNOR



Remarks

(1) SELECTIVE PARTS: CERTAIN THE CLASSIFICATION MARK, THEN PLACE YOUR ORDER(REFER TO ILLUSTRATION)

(A)=3TNE74-AF

(B)=

(C)=

(D)=

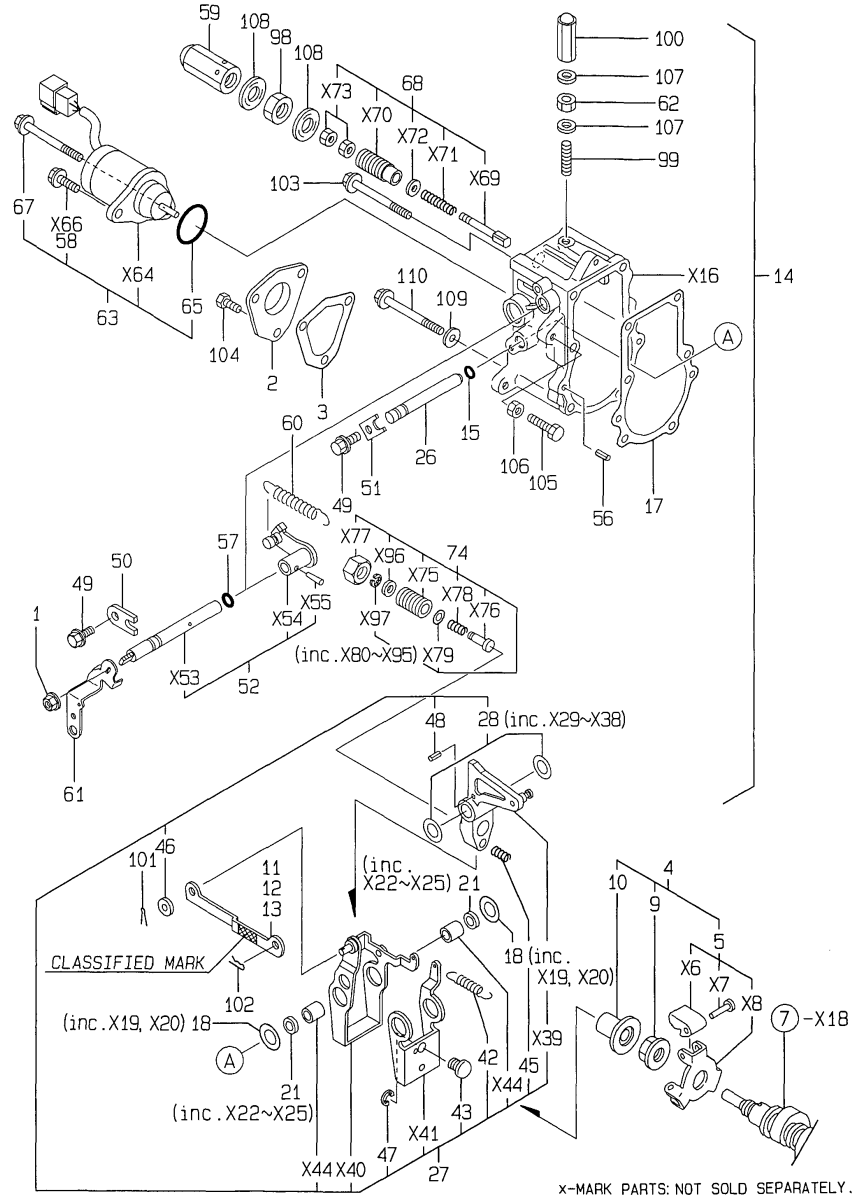
(E)=

(F)=

No.	Lev.	Parts No.	Description	Q'ty						I	R
				(A)	(B)	(C)	(D)	(E)	(F)		
1	1	194990-22050	NUT, M8	1							
2	1	119660-61060	COVER, GOVERNOR CASE	1							
3	1	119660-61071	GASKET	1							
4	1	119600-61100	DRIVE ASSY	1							
5	2	119600-61200	WEIGHT ASSY,GOVERNOR	1							
9	2	119660-61300	NUT	1							
10	2	119660-61341	SLEEVE	1							
11	1	119660-61121	LINK, NO MARK	1							1
12	1	119660-61140	LINK, MARK :2	1							1
13	1	119660-61150	LINK, MARK :3	1							1
14	1	119632-61200	CASE ASSY, GOVERNOR	1							
15	2	129155-51280	O-RING, S6	1							
17	2	119660-61052	GASKET	1							
18	2	119660-61460	SHIM SET	1							
21	2	129155-61480	SPACER ASSY	2							
26	2	119660-61491	SHAFT	1							
27	2	119232-61510	LEVER ASSY, GOVERNOR	1							
28	3	174307-51700	SHIM SET	2							
42	3	119232-61540	SPRING	1							
43	3	119600-61541	SHIFTER	1							
45	3	119660-61651	SPRING, STARTING	1							
46	3	22117-040000	WASHER, 4	1							
47	3	22272-000040	RING, E- 4	1							
48	3	22351-030014	PIN, SPRING 3.0X14	1							
49	2	26106-060102	BOLT, M6X 10 PLATED	2							
50	2	119600-61900	RETAINER, SHAFT	1							
51	2	119660-61901	RETAINER, SHAFT	1							
52	2	119285-66080	SHAFT ASSY	1							
56	2	22351-040010	PIN, SPRING 4.0X10	2							
57	2	24341-000070	O-RING, 1AS7.0	1							
58	1	121465-59950	BOLT, M6X16	1							
59	1	129100-61930	NUT, CAP	1							
60	1	119600-66020	SPRING, REGULATOR	1							
61	1	119621-66051	LEVER, REGULATOR	1							
62	1	124550-66370	NUT, M6	1							
63	1	119653-66500	STOPPER ASSY	1							
65	2	24341-000280	O-RING, 1AS28.0	1							
67	2	26106-060952	BOLT, M6X 95 PLATED	1							
68	1	119629-66510	LIMITER ASSY, FUEL	1							
74	1	119600-66720	ANGLEICH ASSY	1							
98	1	26776-120002	NUT, LOCK M12	1							
99	1	121575-66830	SCREW	1							
100	1	119600-66840	NUT, CAP	1							
101	1	22360-040000	PIN, SNAP 4	1							
102	1	22360-060000	PIN, SNAP 6	1							
103	1	26106-060702	BOLT, M6X 70 PLATED	2							
104	1	26116-050102	BOLT, M5X 10 PLATED	3							
105	1	26116-060304	BOLT, M6X 30 PLATED	1							
106	1	26756-060002	NUT, LOCK M6	1							
107	1	22190-060003	SEAL WASHER 6	2							
108	1	22190-120002	WASHER, SEAL 12	2							

Fig.12. GOVERNOR

12. GOVERNOR



(A)=3TNE74-AF

(B)=

(C)=

(D)=

(E)=

(F)=

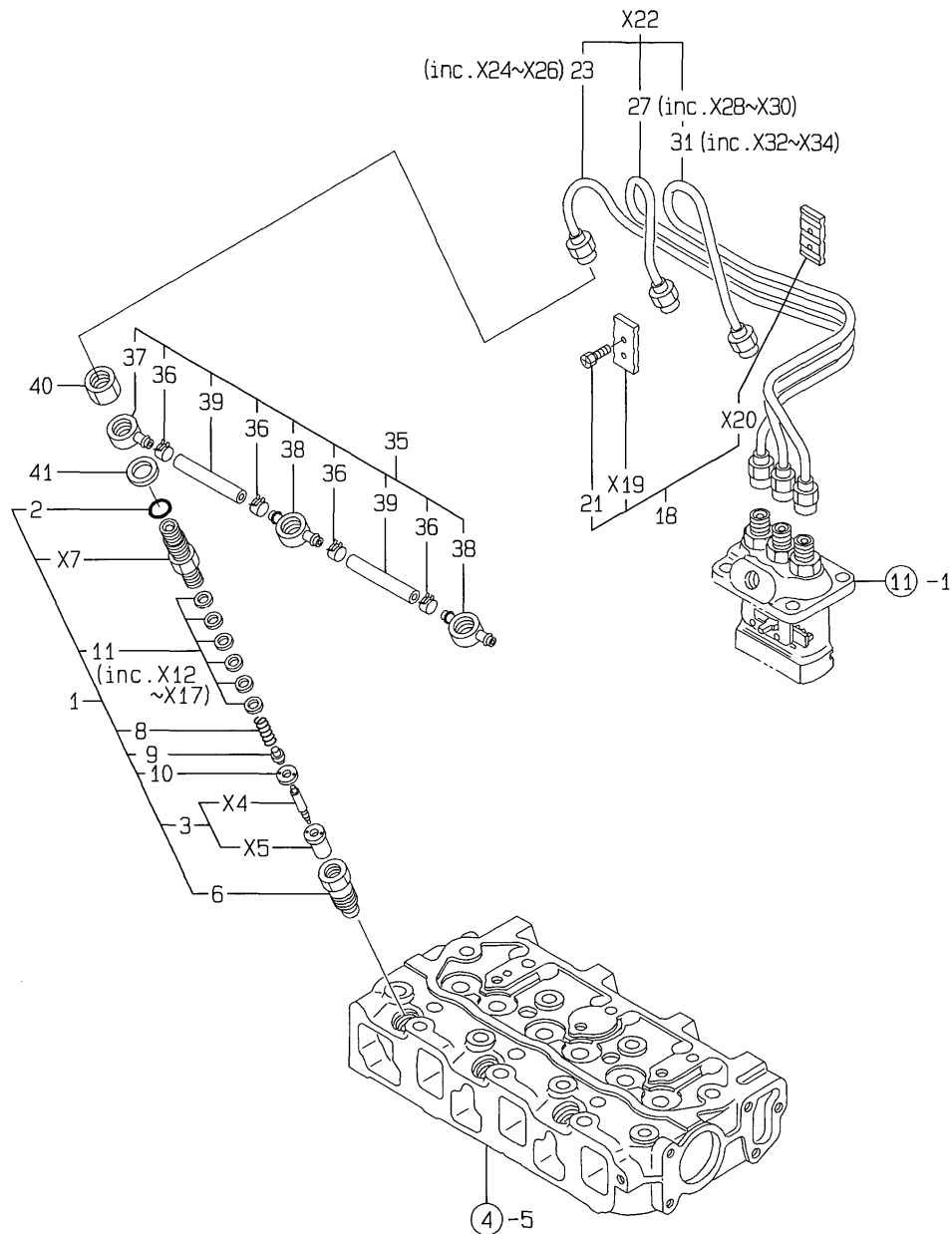
No.	Lev.	Parts No.	Description	Q'ty						I	R
				(A)	(B)	(C)	(D)	(E)	(F)		
109	1	22111-060000	WASHER	3							
110	1	26106-060752	BOLT, M6X 75 PLATED	3							

Remarks

(1) SELECTIVE PARTS: CERTAIN THE CLASSIFICATION MARK, THEN PLACE YOUR ORDER(REFER TO ILLUSTRATION)

Fig.13. FUEL INJECTION VALVE

13.FUEL INJECTION VALVE



(A)=3TNE74-AF

(B)=

(C)=

(D)=

(E)=

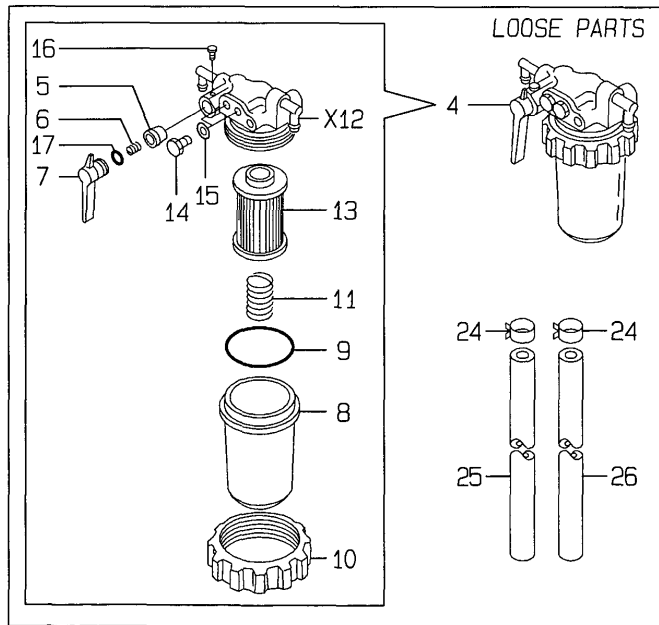
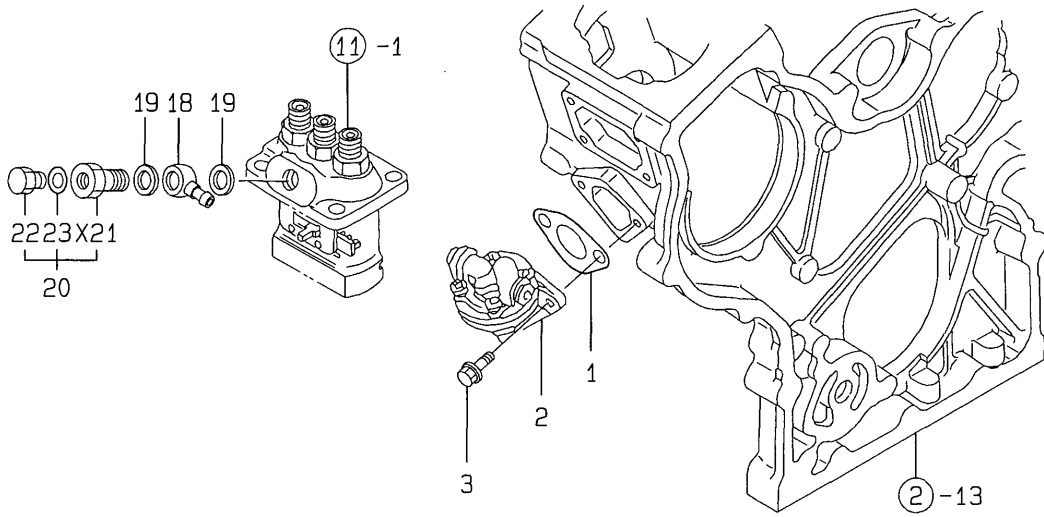
(F)=

No.	Lev.	Parts No.	Description	Q'ty						I	R
				(A)	(B)	(C)	(D)	(E)	(F)		
1	1	719255-53100	VALVE ASSY,INJECTION	3							M
1-1	1	719620-53100	VALVE ASSY,INJECTION	3							
2	2	129155-61830	O-RING, S10	3							
3	2	119620-53000	VALVE ASSY,INJECTION	3							
6	2	119620-53080	NUT, NOZZLE	3							
8	2	119620-53120	SPRING, NOZZLE	3							
9	2	114250-53130	SEAT, SPRING	3							
10	2	119620-53140	SPACER, VALVE STOP	3							
11	2	114250-53400	SHIM SET	3							
18	1	129150-59120	RETAINER, PIPE	1							
21	2	129150-59131	BOLT, M4X14	2							
23	2	119620-59811	PIPE ASSY, INJECTION	1							
27	2	119620-59821	PIPE ASSY, INJECTION	1							
31	2	119620-59831	PIPE ASSY, INJECTION	1							
35	1	119620-59540	PIPE ASSY, FUEL	1							
36	2	124066-59100	CLIP, HOSE 8	4							
37	2	119260-59520	JOINT	1							
38	2	119260-59530	JOINT	2							
39	2	105025-59550	PIPE, FUEL RETURN	2							
40	1	119620-59700	NUT, NOZZLE	3							
41	1	23414-140000	GASKET, 14X1.0	3							

Remarks
(M) MISPRINT.

Fig.14. FUEL LINE

14.FUEL LINE



(A)=3TNE74-AF

(B)=

(C)=

(D)=

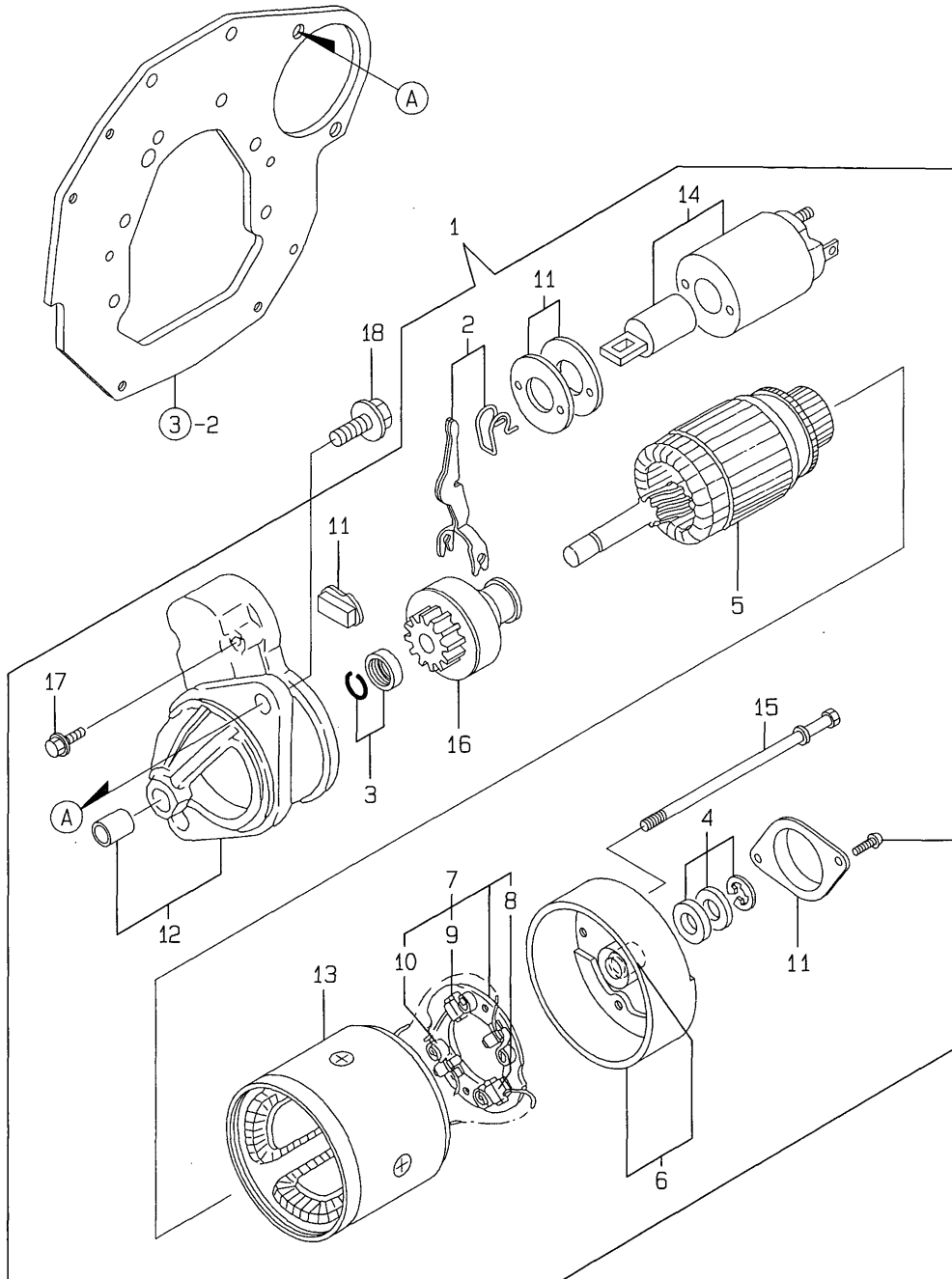
(E)=

(F)=

No.	Lev.	Parts No.	Description	Q'ty						I	R
				(A)	(B)	(C)	(D)	(E)	(F)		
1	1	121520-01851	GASKET	1							
2	1	119600-52021	PUMP ASSY, FUEL FEED	1							
3	1	26106-060162	BOLT, M6X 16 PLATED	2							
4	1	171059-55600	FILTER ASSY, FUEL	1							
5	2	104200-55321	VALVE, TAPER	1							
6	2	104200-55330	SPRING, VALVE	1							
7	2	104200-55341	HANDLE	1							
8	2	121254-55510	COVER	1							
9	2	102103-55520	O-RING	1							
10	2	110250-55610	RING, RETAINING	1							
11	2	121250-55620	SPRING	1							
13	2	124550-55700	FILTER, FUEL L=90	1							
14	2	101720-55750	PLUG, 6	2							
15	2	23418-060000	GASKET, 6X1.0	2							
16	2	104200-55750	SCREW, M4	1							
17	2	24311-240100	O-RING, 1AP10A	1							
18	1	101304-59020	JOINT, PIPE 12	1							
19	1	104200-59170	GASKET, 12	2							
20	1	103854-59191	BOLT ASSY, JOINT M12	1							
22	2	124060-59380	PLUG, 6	1							
23	2	22190-060002	WASHER, SEAL 6	1							
24	1	124766-59050	CLIP, HOSE 12	4							
25	1	121236-59080	PIPE, FUEL D12X400	1							
26	1	124160-59080	PIPE, FUEL D12X220	1							

Fig.15. STARTING MOTOR

15. STARTING MOTOR



(A)=3TNE74-AF

(B)=

(C)=

(D)=

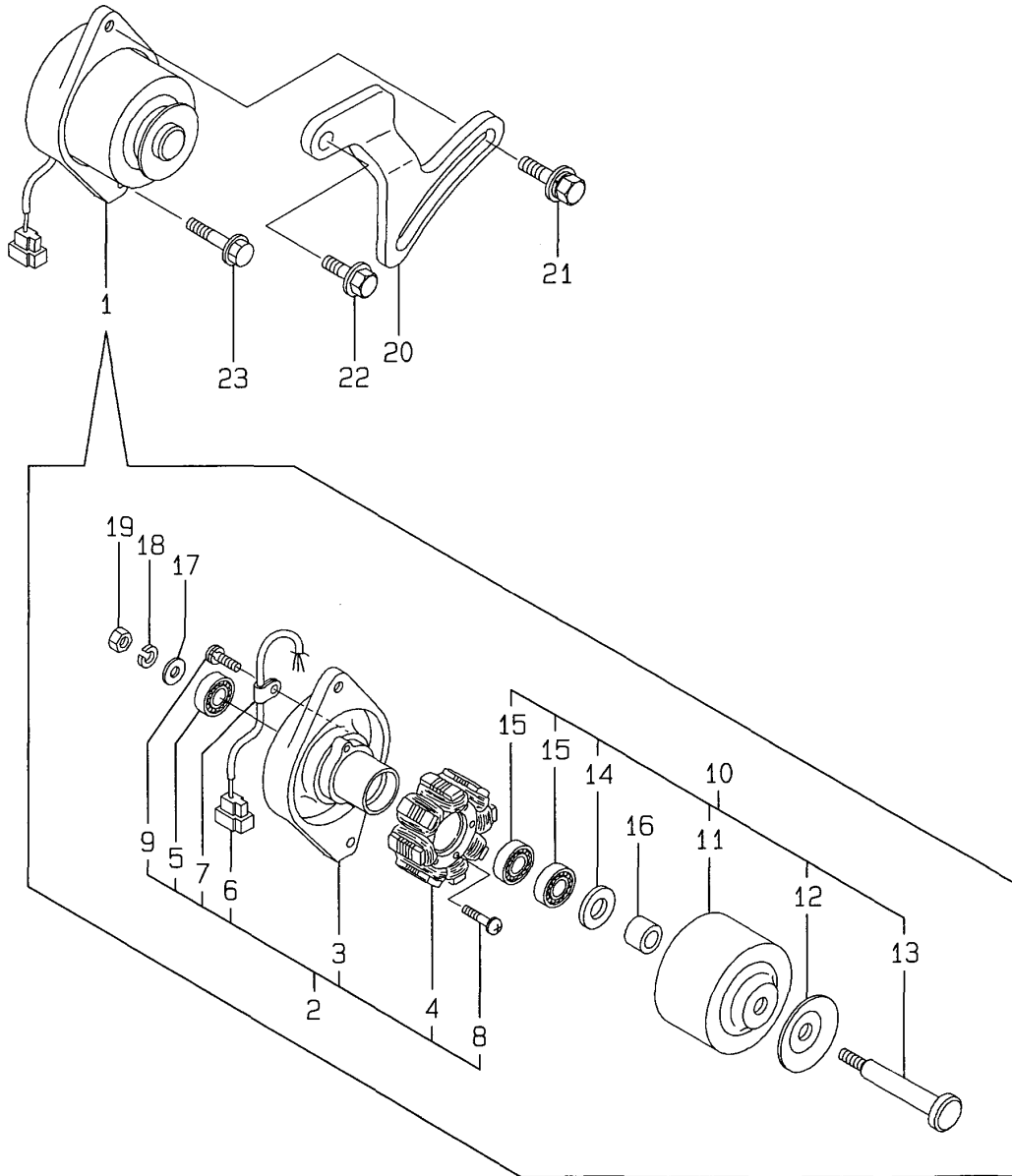
(E)=

(F)=

No.	Lev.	Parts No.	Description	Q'ty						I	R
				(A)	(B)	(C)	(D)	(E)	(F)		
1	1	119631-77011	STARTING MOTOR	1							
2	2	114371-77180	LEVER KIT, SHIFT	1							
3	2	X2114715500	STOPPER SET, PINION	1							
4	2	X2114811000	WASHER KIT, THRUST	1							
5	2	114371-77110	ARMATURE	1							
6	2	114371-77140	COVER ASSY, REAR	1							
7	2	114371-77160	HOLDER ASSY, BRUSH	1							
8	3	114371-79040	BRUSH (-)	2							
9	3	114371-79050	BRUSH (+)	1							
10	3	114371-79060	SPRING, BRUSH	4							
11	2	114371-77170	COVER KIT, DUST	1							
12	2	119631-77651	CASE ASSY, GEAR	1							
13	2	124097-77710	YOKE ASSY	1							
14	2	X2114275010	SWITCH ASSY, MAGNET	1							
15	2	124195-77770	THROUGH BOLT	2							
16	2	119631-77780	PINION ASSY	1							
17	2	114371-79070	BOLT M 6X 37	2							
18	1	26116-120252	BOLT, M12X 25 PLATED	2							

Fig.16. GENERATOR

16. GENERATOR



(A)=3TNE74-AF

(B)=

(C)=

(D)=

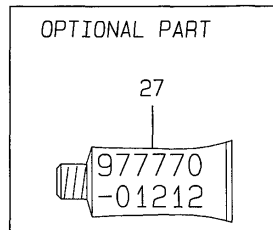
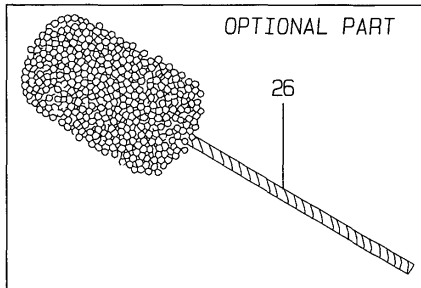
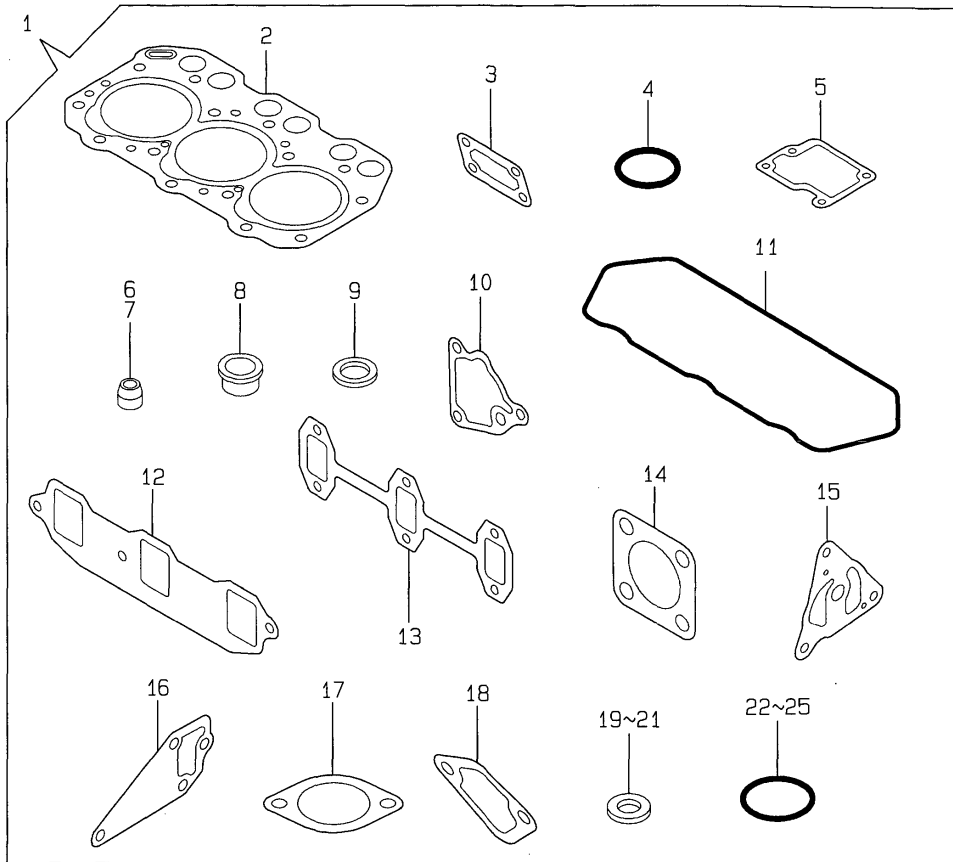
(E)=

(F)=

No.	Lev.	Parts No.	Description	Q'ty						I	R
				(A)	(B)	(C)	(D)	(E)	(F)		
1	1	171301-77201	DYNAMO ASSY, 15A	1							
2	2	XM08137	PLATE ASSY	1							
3	3	XM08138	PLATE	1							
4	3	XM08180	STATOR ASSY	1							
5	3	XM27436	BALL BEARING	1							
6	3	XM17878	COUPLER	1							
7	3	XM36410	CLAMP	1							
8	3	26022-040252	SCREW, M4X25	2							
9	3	XYSPS4008	SCREW	1							
10	2	XM82184	FLYWHEEL ASSY	1							
11	3	XM82110	FLYWHEEL	1							
12	3	XM72174	PULLEY	1							
13	3	XM72664	SHAFT	1							
14	3	XM37336	WASHER	1							
15	3	XM27436	BALL BEARING	2							
16	2	106383-44720	SPACER	1							
17	2	106383-44730	WASHER	1							
18	2	22212-100000	WASHER 10,SPRING	1							
19	2	26716-100002	NUT, M10	1							
20	1	119600-77330	ADJUSTER	1							
21	1	26014-080252	BOLT, M8X 25	1							
22	1	26106-080182	BOLT, M8X 18 PLATED	1							
23	1	26106-100402	BOLT, M10X 40 PLATED	1							

Fig.17. GASKET SET

17. GASKET SET



(A)=3TNE74-AF

(B)=

(C)=

(D)=

(E)=

(F)=

No.	Lev.	Parts No.	Description	Q'ty						I	R
				(A)	(B)	(C)	(D)	(E)	(F)		
1	1	719789-92601	GASKET SET	1							1
2	2	119623-01330	GASKET, HEAD	1							
3	2	119660-01562	GASKET	1							
4	2	24311-000320	O-RING, 1AP32.0	2							
5	2	119620-03031	GASKET	1							
6	2	124950-11340	SEAL, VALVE STEM	3							
7	2	124160-11340	SEAL, VALVE STEM	3							
8	2	119600-11450	PROTECTOR, NOZZLE	3							
9	2	119600-11460	GASKET, NOZZLE	6							
10	2	119660-35113	GASKET	1							
11	2	119620-11310	GASKET, BONNET	1							
12	2	119660-12111	GASKET, MANIFOLD	1							
13	2	119620-13110	GASKET	1							
14	2	121000-13201	GASKET, SILENCER	1							
15	2	119660-32020	GASKET, PUMP	1							
16	2	119620-42020	GASKET, WATER PUMP	1							
17	2	129350-49541	GASKET	1							
18	2	121520-01851	GASKET	1							
19	2	124465-44950	GASKET, 16	2							
20	2	104200-59170	GASKET, 12	2							
21	2	23414-140000	GASKET, 14X1.0	3							
22	2	24311-000110	O-RING, 1AP11.0	1							
23	2	24311-000120	O-RING, 1AP12.0	4							
24	2	129155-61830	O-RING, S10	3							
25	2	24341-000240	O-RING, 1AS24.0	1							
26	1	129400-92410	FLEX HORN	1							1
27	1	977770-01212	GASKET, LIQUID	1							1

Remarks

(1) OPTIONAL PART.

Parts No. Index

Parts No.	Fig. No.	Ref. No.
101304-59020	14	18
101720-55750	14	14
102103-55520	14	9
103854-59191	14	20
104200-55321	14	5
104200-55330	14	6
104200-55341	14	7
104200-55750	14	16
104200-59170	14	19
	17	20
104211-11370	4	21
105010-11230	4	32
		36
105025-59550	13	39
105225-23200	8	26
105546-51330	11	24
106383-44720	16	16
106383-44730	16	17
110250-55610	14	10
114250-53130	13	9
114250-53400	13	11
114350-22301	8	20
114371-77110	15	5
114371-77140	15	6
114371-77160	15	7
114371-77170	15	11
114371-77180	15	2
114371-79040	15	8
114371-79050	15	9
114371-79060	15	10
114371-79070	15	17
119232-61510	12	27
119232-61540	12	42
119260-07900	4	2
119260-59520	13	37
119260-59530	13	38
119285-66080	12	52
119305-35150	9	17
119600-01050	1	4
119600-01722	3	9
119600-01770	3	10
119600-11450	4	22
	17	8
119600-11460	4	23
	17	9
119600-13100	6	1
119600-35091	9	29
119600-52021	14	2
119600-61100	12	4
119600-61200	12	5

Parts No.	Fig. No.	Ref. No.
119600-61541	12	43
119600-61900	12	50
119600-66020	12	60
119600-66720	12	74
119600-66840	12	100
119600-77330	16	20
119610-01490	2	13
119610-01590	2	1
119620-01200	1	20
119620-01620	3	4
119620-01800	2	3
119620-02020	1	5
119620-02410	1	18
119620-02450	7	4
119620-03020	4	45
119620-03031	4	46
	17	5
119620-11110	4	15
119620-11120	4	16
119620-11180	4	17
119620-11200	4	25
119620-11240	4	26
119620-11260	4	29
119620-11280	4	30
119620-11310	4	48
	17	11
119620-11330	4	44
119620-11350	4	41
119620-11390	4	49
119620-11801	4	8
119620-13110	6	2
	17	13
119620-14100	7	6
119620-14200	7	1
119620-14401	7	2
119620-21500	8	10
119620-21591	8	11
119620-21941	8	9
119620-23910	8	24
119620-25102	7	10
119620-25912	7	12
119620-42020	10	13
	17	16
119620-42320	10	10
119620-51101	11	3
119620-51170	11	6
119620-51180	11	7
119620-51190	11	8
119620-51250	11	9
119620-51300	11	21

Parts No.	Fig. No.	Ref. No.
119620-51340	11	25
119620-51350	11	26
119620-51370	11	27
119620-51450	11	28
119620-51461	11	29
119620-51510	11	31
119620-51650	11	33
119620-51660	11	34
119620-51670	11	35
119620-51680	11	36
119620-51700	11	37
119620-53000	13	3
119620-53080	13	6
119620-53120	13	8
119620-53140	13	10
119620-59540	13	35
119620-59700	13	40
119620-59811	13	23
119620-59821	13	27
119620-59831	13	31
119620-77820	4	57
119621-01611	3	2
119621-21680	8	8
119621-66051	12	61
119623-01330	1	21
	17	2
119623-01950	2	21
119623-11100	4	14
119623-21700	8	1
119623-22080	8	14
119623-22500	8	16
119623-22900	8	29
119623-22950	8	31
119629-14580	7	3
119629-66510	12	68
119631-77011	15	1
119631-77651	15	12
119631-77780	15	16
119632-61200	12	14
119640-42290	10	15
119644-21200	8	4
119645-34800	9	14
119653-66500	12	63
119660-01510	2	15
119660-01551	2	18
119660-01562	2	19
	17	3
119660-01570	2	20
119660-01640	3	5
119660-01821	7	16

Parts No.	Fig. No.	Ref. No.
119660-01911	2	4
119660-12101	5	1
119660-12111	5	2
	17	12
119660-21651	8	7
119660-25022	7	8
119660-25052	7	9
119660-32001	9	1
119660-32020	9	11
	17	15
119660-35102	9	15
119660-35113	9	16
	17	10
119660-35300	9	18
119660-42005	10	1
119660-42350	10	16
119660-51500	11	30
119660-51530	11	32
119660-61052	12	17
119660-61060	12	2
119660-61071	12	3
119660-61121	12	11
119660-61140	12	12
119660-61150	12	13
119660-61300	12	9
119660-61341	12	10
119660-61460	12	18
119660-61491	12	26
119660-61651	12	45
119660-61901	12	51
121000-13201	6	3
	17	14
121023-01550	2	30
121236-59080	14	25
121250-55620	14	11
121254-55510	14	8
121450-01560	2	16
121450-42450	10	24
121465-44740	10	17
121465-59950	12	58
121520-01851	14	1
	17	18
121520-34810	9	13
121575-66830	12	99
124060-21600	8	13
124060-59380	14	22
124066-59100	13	36
124085-02220	3	7
124097-77710	15	13
124160-01751	2	11

Parts No. Index

Parts No.	Fig. No.	Ref. No.
124160-01751	4	58
124160-11340	4	19
	17	7
124160-11360	4	54
124160-39450	9	32
124160-59080	14	26
124195-77770	15	15
124465-44950	10	23
	17	19
124550-55700	14	13
124550-66370	12	62
124574-44761	10	25
124766-59050	14	24
124950-11340	4	20
	17	6
129100-01580	3	1
	8	2
129100-61930	12	59
129150-35350	9	26
129150-59120	13	18
129150-59131	13	21
129155-51280	12	15
129155-61480	12	21
129155-61830	13	2
	17	24
129350-49530	10	19
129350-49541	10	20
	17	17
129350-49800	10	21
129400-92410	17	26
129795-77800	4	56
171056-49120	10	26
171059-55600	14	4
171301-01640	3	11
171301-77201	16	1
174307-51700	12	28
194990-22050	2	28
	6	4
		8
	12	1
22111-060000	12	109
22117-040000	12	46
22137-040000	11	42
22190-060002	14	23
22190-060003	12	107
22190-120002	12	108
22212-100000	16	18
22217-040000	11	43
22217-050000	4	52
22242-000120	4	39

Parts No.	Fig. No.	Ref. No.
22242-000200	7	14
22252-000210	8	21
22272-000040	12	47
22351-030014	12	48
22351-040010	2	17
	12	56
22351-060012	4	24
22360-040000	12	101
22360-060000	12	102
22512-040120	7	7
		20
	8	5
23065-120500	4	1
23414-140000	13	41
	17	21
23418-060000	14	15
23871-010000	1	8
23871-020000	4	11
23871-030000	10	12
24101-062034	7	22
24102-063034	7	21
24311-000110	9	30
	17	22
24311-000120	2	5
	4	55
	17	23
24311-000160	9	27
24311-000320	2	12
	4	59
	17	4
24311-240100	14	17
24341-000070	12	57
24341-000240	2	31
	17	25
24341-000250	3	13
24341-000280	12	65
26014-080252	16	21
26022-040082	11	44
26022-040252	16	8
26106-060102	9	31
	12	49
26106-060122	1	19
	3	14
	7	15
26106-060162	2	6
	5	3
	7	23
	14	3
26106-060182	2	32
26106-060202	10	18

Parts No.	Fig. No.	Ref. No.
26106-060222	3	8
26106-060302	2	7
26106-060402	5	4
26106-060452	3	15
26106-060602	2	8
		9
26106-060702	12	103
26106-060752	12	110
26106-060802	2	10
26106-060952	12	67
26106-080142	4	3
		4
26106-080182	16	22
26106-080202	9	28
	10	22
26106-080402	6	5
26106-080452	4	42
	10	14
26106-100402	16	23
26116-050102	12	104
26116-060304	12	105
26116-100202	3	3
26116-120252	15	18
26216-080222	6	6
26216-080552	6	7
26366-060002	2	29
26366-080002	4	43
26450-060202	9	12
26557-050102	4	53
26587-040102	11	41
26587-080102	7	24
26716-100002	16	19
26756-060002	4	34
		38
	12	106
26776-120002	12	98
26979-050162	4	40
27221-050080	4	12
27231-450000	1	9
27241-120000	1	10
27241-300000	1	11
27241-400000	4	13
27310-070001	4	18
719255-53100	13	1
719620-02800	1	12
719620-02870	1	22
719620-02930	1	15
719620-11650	4	31
719620-11660	4	35
719620-23100	8	22

Parts No.	Fig. No.	Ref. No.
719620-23600	8	37
719620-23610	8	35
719620-53100	13	1 -1
719621-51100	11	1
719623-01560	1	1
719623-11700	4	5
719660-14590	7	17
719789-92601	17	1
977770-01212	2	33
	3	16
	17	27
X2114275010	15	14
X2114715500	15	3
X2114811000	15	4
XM08137	16	2
XM08138	16	3
XM08180	16	4
XM17878	16	6
XM27436	16	5
		15
XM36410	16	7
XM37336	16	14
XM72174	16	12
XM72664	16	13
XM82110	16	11
XM82184	16	10
XYSPS4008	16	9