

0CV10-M45002EN

# PREFACE

1. This Parts Catalog carries all parts incorporated in YANMAR Model 3TNE68C - KM engine manufactured since March, 1994 & 3TNE68C - EKM engine manufactured since January, 2000.
2. Each illustration corresponds to the parts list on the following page.
3. When ordering parts, clearly write down the engine model and serial number, as well as the name and number of each part in your order sheet. This will help insure reliable delivery of the parts you have ordered.

## Directions for the Parts Catalog.

- The parts stipulated in this Parts Catalog are not necessarily standard equipped parts.
- Parts may change without prior notice.
- The following is an example of the Parts Catalog format.

OCF10-G21601 29. FUEL INJECTION PUMP(W/BOOST)

REF.	LEV.	PARTS NO.	DESCRIPTION	Q'TY						I	R
				(A)	(B)	(C)	(D)	(E)	(F)		
1	1	729595-51390	FUEL INJECTION PUMP	1	1	1	1	1			1
1-1	1	729595-51391	FUEL INJECTION PUMP	1	1	1	1	1		N	1
		(A=E00185) (B=E00200)									
3	2	26022-060162	SCREW M 6X 16	9	9	9	9	9			
3-1	2	26022-060162	SCREW M 6X 16	4	4	4	4	4		K	
		(A=E00156) (B=E00156) (C=E00156) (D=E00156) (E=E00156)									
4	2	129470-51040	CAMSHAFT	1	1	1	1	1			
5	2	122710-51050	BEARING, ROLLER	2	2	2	2	2			
6	2	129470-51060	RETAINER	1	1	1	1	1			

Remarks

(1) BOOST COMPEMSATOR TYPE. OPTIONAL PART, TO E00155,(4JH-DT, 4JH-DTZ

### ① Ref. No.

The Ref. No. listed may not be in accordance with the illustration Ref. No.

(Ex.) Illustration No.

List Ref No.

1

1

(Before change) → 1-1 (After change)

For interchangeable symbols N, R and K, illustrations for new parts may be abbreviated.

### ② Lev. (Level)

Level indication

The numbers below indicate the level of relativity towards the main part.

1 ----- Main parts (Assembly parts)

2 ----- Sub component included in " 1 ".

3 ----- Sub component included in " 2 ".

Note) Parts that are not for sale are partially illustrated but not listed.

### ③ Interchangeability Mark

When a part change takes place, one of the following interchangeability symbols is indicated beside the part.

Symbol	Interchangeability	Contents note
N	Old $\begin{matrix} \leftarrow \text{Yes} \\ \text{No} \rightarrow \end{matrix}$ New	New Part is interchangeable for Old Part but Old Part is not interchangeable for New Part.
Q	Old $\begin{matrix} \leftarrow \text{No} \\ \text{Yes} \rightarrow \end{matrix}$ New	New Part is not interchangeable for Old Part but Old Part is interchangeable for New Part.
R	Old $\begin{matrix} \leftarrow \text{Yes} \\ \text{Yes} \rightarrow \end{matrix}$ New	New/ Old Parts are both interchangeable.
S	Old $\begin{matrix} \leftarrow \text{No} \\ \text{No} \rightarrow \end{matrix}$ New	New/ Old Parts are both not interchangeable.
W		Part newly added.
Z		Part discontinued.
F		Not interchangeable by a single part but interchangeable together with related parts.
K		Changes only for used parts quantities.

### ④ Effective Machine No.

When a part changes, the effective Machine No. will be indicated in the (A)-(F) column.

Product Symbol	Product No.	Product Symbol	Product No.
C	Clutch No. Compressor No.	F	Machine No. (Agricultural Equip.)
D	Drive No.	M	Machine No.
E	Engine No.		

Note 1) A date may follow the symbol. (Ex.) 1996.01

Note 2) "XXXXX" and "ZZZZZ" are for parts that could not be predicted or for engine models that could not be identified.

Note 3) (A=E00185) is the E (Engine Serial Number) for the column (A) model (in this case 4JH-DT) after the parts design change.

### ⑤ Remarks Mark

Figures or alphabets (symbols) are entered in the remarks column.

The comments (remarks) on parts that are indicated at the bottom of the illustration are the same symbols as those stated above.

# Contents

Fig. No.    Fig. Name

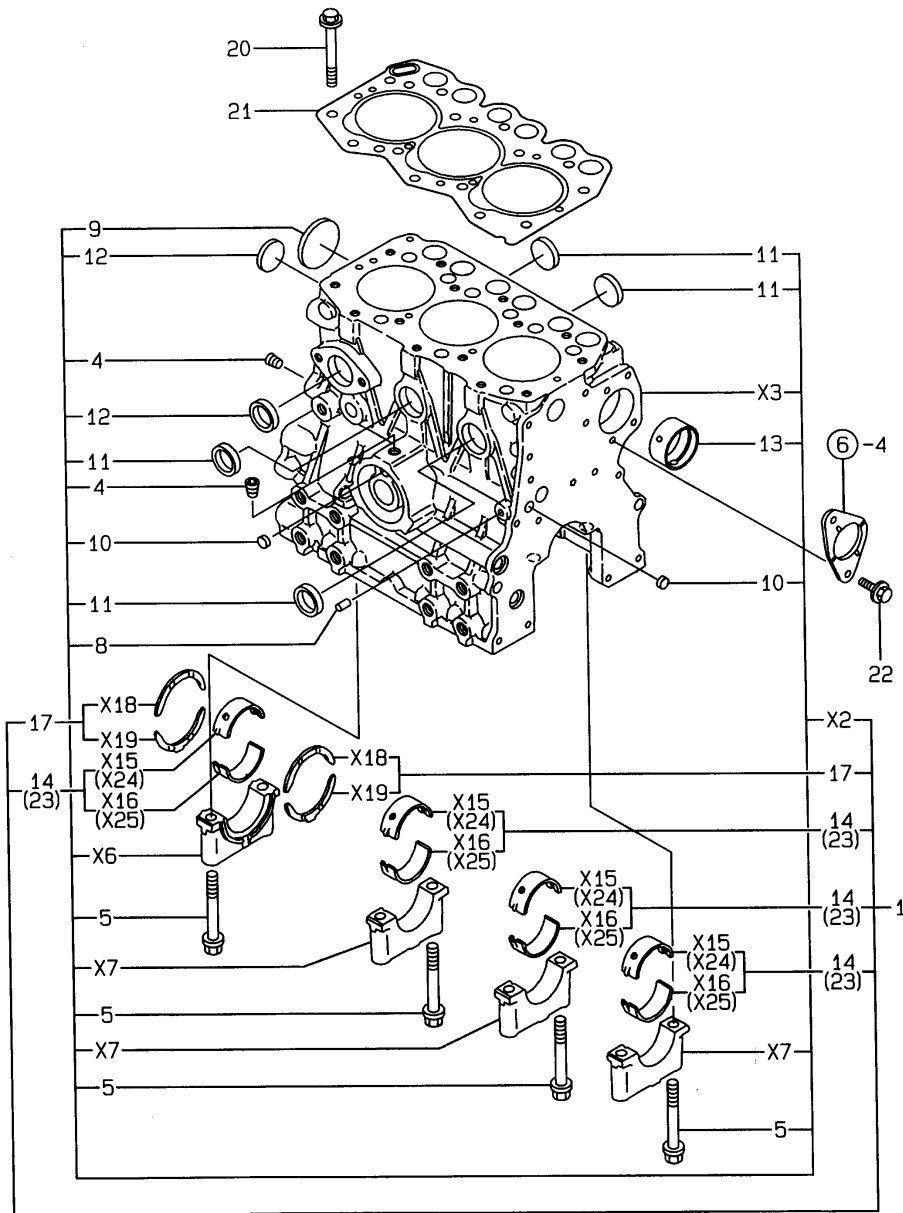
3TNE68C-(E)KM

1. CYLINDER BLOCK
2. GEAR HOUSING
3. MOUNTING FLANGE & OIL SUMP
4. CYLINDER HEAD & BONNET
5. SUCTION MANIFOLD
6. CAMSHAFT & DRIVING GEAR
7. CRANKSHAFT & PISTON
8. LUB.OIL SYSTEM
9. COOLING WATER SYSTEM
10. FUEL INJECTION PUMP
11. GOVERNOR
12. FUEL INJECTION VALVE
13. FUEL LINE
14. STARTING MOTOR
15. GASKET SET

Fig. No.    Fig. Name

# Fig.1. CYLINDER BLOCK

## 1. CYLINDER BLOCK



(A)=3TNE68C-KM  
(B)=3TNE68C-EKM  
(C)=

(D)=  
(E)=  
(F)=

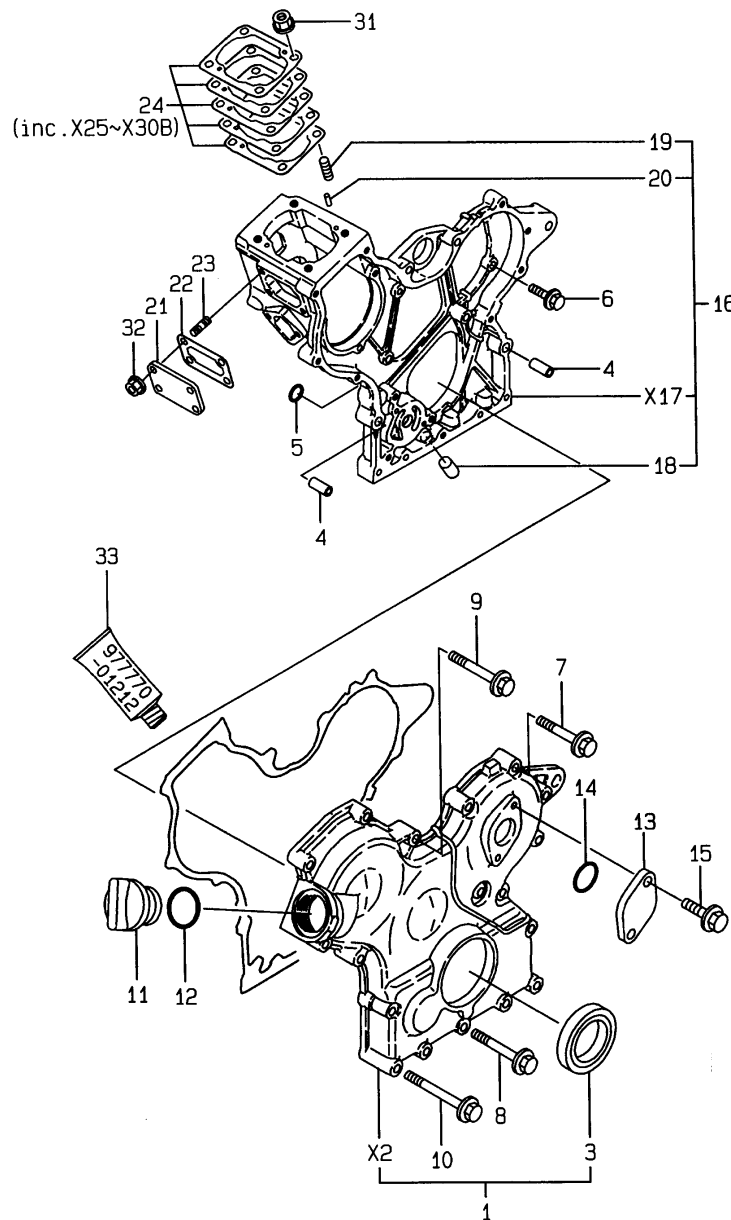
No.	Lev.	Parts No.	Description	Q'ty						I	R
				(A)	(B)	(C)	(D)	(E)	(F)		
1	1	719265-01560	BLOCK ASSY, CYLINDER	1	1						
4	3	124060-01050	PLUG, PT1/8	2	2						
5	3	119260-02020	BOLT, METAL CAP	8	8						
8	3	27221-060100	PLUG, 6X10	1	1						
9	3	27231-400000	PLUG 40	1							
9-1	3	119265-01250	PLUG, 40	1	1						N
(A=E00000)											
10	3	27241-100000	PLUG, 10	2	2						
11	3	27241-250000	PLUG, 25	4	4						
12	3	27241-300000	PLUG 30	2	2						
13	3	119260-02410	BUSH, CAMSHAFT	1							
13-1	3	119266-02410	BUSH	1	1						R
(A=E00313)											
14	2	119260-02800	BEARING, MAIN	4	4						
17	2	119260-02930	BEARING, THRUST	2	2						
20	1	119260-01200	BOLT, HEAD	14							
20-1	1	119266-01200	BOLT, HEAD	14	14						N
(A=E00806)											
21	1	119265-01340	GASKET, HEAD	1							
21-1	1	119265-01341	GASKET, HEAD	1	1						N
(A=E00504)											
22	1	26106-060122	BOLT, M6X 12 PLATED	2	2						
23	1	719260-02870	BEARING, 0.25 US	4	4						1

Remarks

(1) UNDER-SIZE(U.S=0.25)PART.

Fig.2. GEAR HOUSING

2. GEAR HOUSING



(A)=3TNE68C-KM  
(B)=3TNE68C-EKM  
(C)=

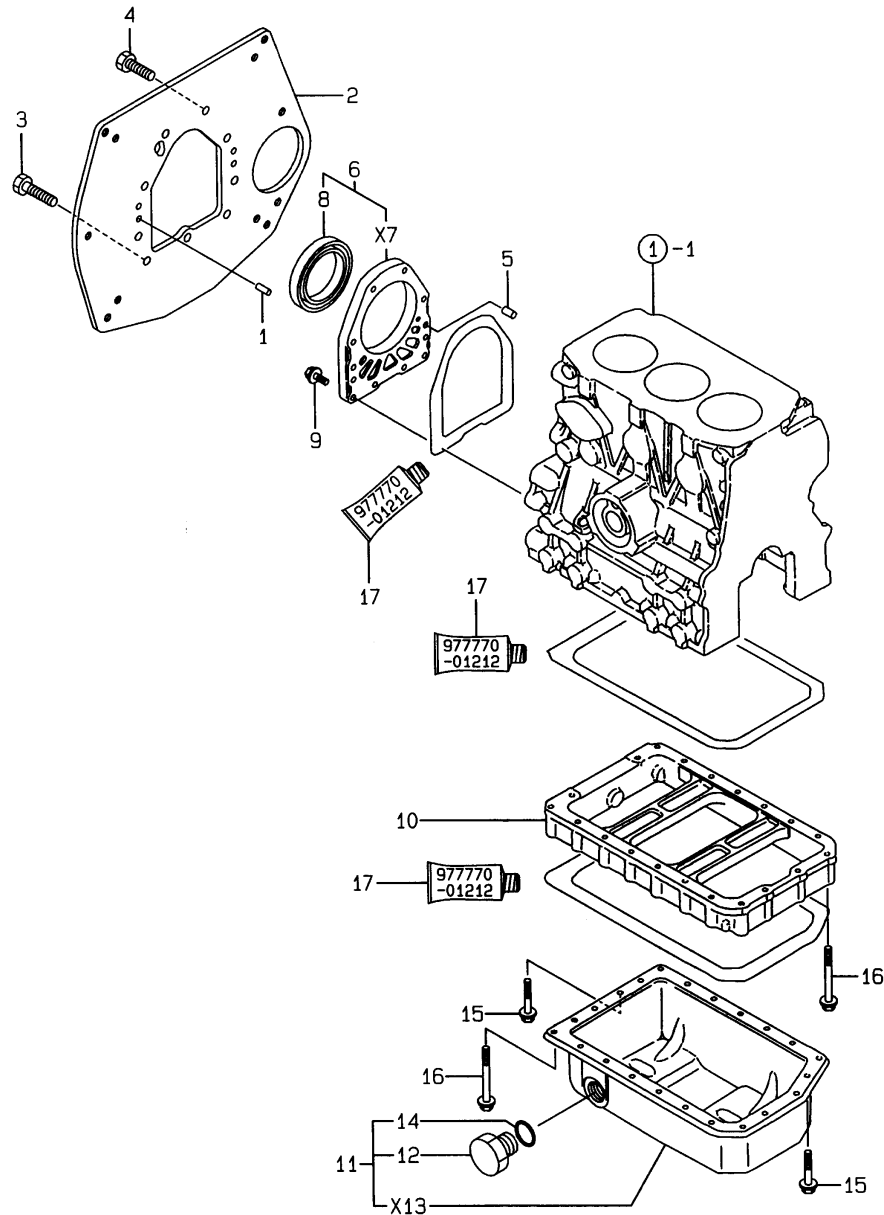
(D)=  
(E)=  
(F)=

No.	Lev.	Parts No.	Description	Q'ty						I	R
				(A)	(B)	(C)	(D)	(E)	(F)		
1	1	119260-01590	COVER ASSY,GEAR CASE	1	1						
3	2	119620-01800	SEAL, OIL	1	1						
4	1	119660-01911	PIPE, KNOCK	4	4						
5	1	24311-000120	O-RING, 1AP12.0	2							
5-1	1	119624-32040	O-RING, P12.0	2	2						N
(A=E01114)											
6	1	26106-060162	BOLT, M6X 16 PLATED	5	5						
7	1	26106-060302	BOLT, M6X 30 PLATED	5	5						
8	1	26106-060402	BOLT, M6X 40 PLATED	3	3						
9	1	26106-060502	BOLT, M6X 50 PLATED	4	4						
10	1	26106-060652	BOLT, M6X 65 PLATED	6	6						
11	1	124160-01751	COVER, FILLER	1	1						
12	1	24311-000320	O-RING, 1AP32.0	1	1						
13	1	121023-01550	COVER	1	1						
14	1	24341-000240	O-RING, 1AS24.0	1	1						
15	1	26106-060182	BOLT, M6X 18 PLATED	2							
15-1	1	26106-060162	BOLT, M6X 16 PLATED	2	2						N
(A=EXXX)											
16	1	119260-01490	CASE ASSY, GEAR	1	1						
18	2	119260-01510	PLUG	1	1						
19	2	121450-01560	STUD, M8X22	4	4						
20	2	22351-040010	PIN, SPRING 4.0X10	2	2						
21	1	119660-01551	COVER	1	1						
22	1	119660-01562	GASKET	1	1						
23	1	119660-01570	STUD, M6X12	4	4						
24	1	119623-01950	SHIM SET, ADJUSTING	1	1						
31	1	194990-22050	NUT, M8	4	4						
32	1	26366-060002	NUT, M6	4	4						
33	1	977770-01212	GASKET, LIQUID	1	1						1

Remarks  
(1) OPTIONAL PART.

Fig.3. MOUNTING FLANGE & OIL SUMP

3.MOUNTING FLANGE & OIL SUMP



(A)=3TNE68C-KM  
(B)=3TNE68C-EKM  
(C)=

(D)=  
(E)=  
(F)=

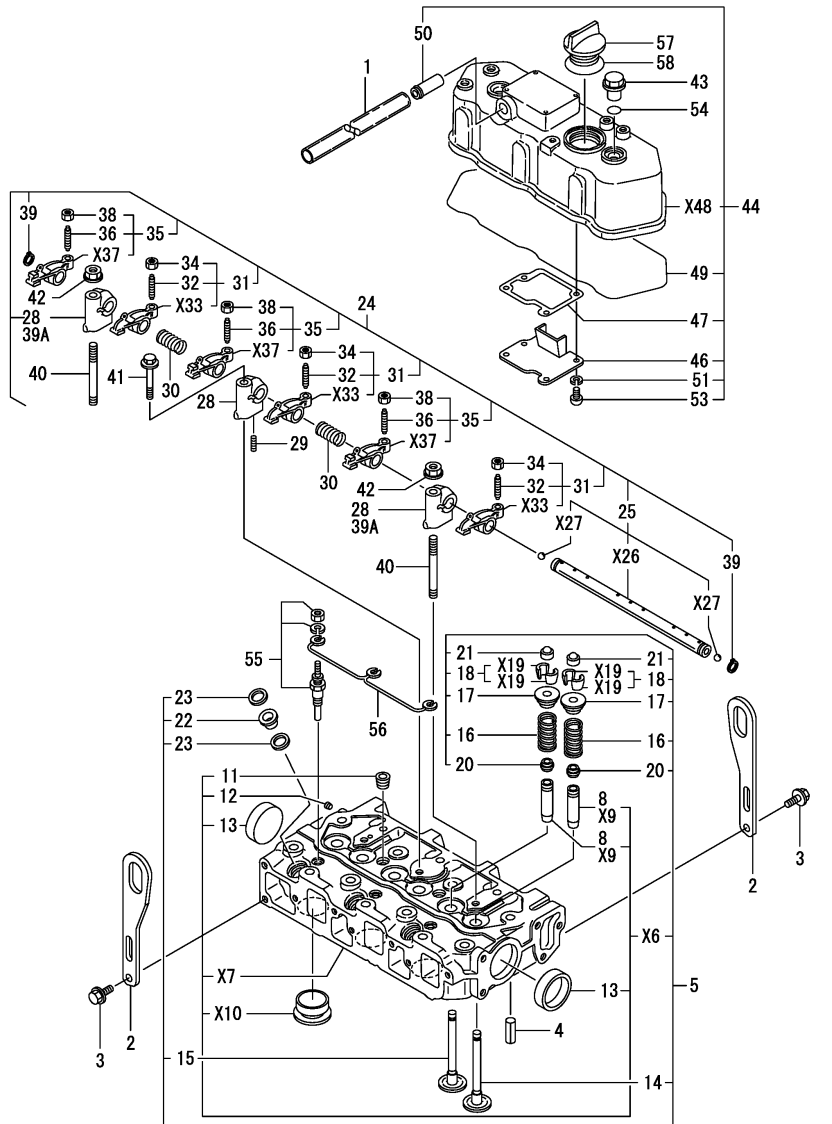
No.	Lev.	Parts No.	Description	Qty						I	R
				(A)	(B)	(C)	(D)	(E)	(F)		
1	1	129100-01580	PIN, M8X16	2	2						
2	1	119312-01600	FLANGE, MOUNTING	1	1						
3	1	26206-100202	BOLT, M10X 20 PLATED	6	6						
4	1	26206-100252	BOLT, M10X 25 PLATED	3	3						
5	1	119620-01620	PIN, M6X10	2	2						
6	1	119660-01640	CASE ASSY, OIL SEAL	1	1						
8	2	124085-02220	SEAL, OIL	1	1						
9	1	26106-060222	BOLT, M6X 22 PLATED	10	10						
10	1	119454-01721	SPACER, OIL SUMP	1	1						
11	1	119260-01770	SUMP ASSY, OIL	1	1						
12	2	121400-01640	PLUG, 16	1	1						
14	2	24311-000180	O-RING, 1AP18.0	1	1						
15	1	26106-060102	BOLT, M6X 10 PLATED	3	3						
16	1	26106-060452	BOLT, M6X 45 PLATED	20	20						
17	1	977770-01212	GASKET, LIQUID	1	1						1

Remarks  
(1) OPTIONAL PART.

Fig.4. CYLINDER HEAD & BONNET

(A)=3TNE68C-KM  
(B)=3TNE68C-EKM  
(C)=

(D)=  
(E)=  
(F)=



X-MARK PARTS: NOT SOLD SEPARATELY.

No.	Lev.	Parts No.	Description	Q'ty						I	R
				(A)	(B)	(C)	(D)	(E)	(F)		
1	1	23065-120500	PIPE, 12X 500	1	1						
2	1	124736-07900	LIFTER	2	2						
3	1	26106-080142	BOLT, M8X 14 PLATED	4	4						
4	1	22351-060012	PIN, SPRING 6.0X12	2	2						
5	1	119265-11700	HEAD ASSY, CYLINDER	1	1						
8	3	119260-11800	GUIDE, VALVE	6	6						1
11	3	23871-030000	PLUG, R03	2							
11-1	3	23876-030000	PLUG, R03	2	2						N
(A=E00198)											
12	3	27221-050080	PLUG, 5X 8	1	1						
13	3	27241-350000	PLUG, 35	2	2						
14	2	119260-11100	VALVE, INTAKE	3	3						
15	2	119260-11110	VALVE, EXHAUST	3	3						
16	2	114250-11120	SPRING, VALVE	6	6						
17	2	114250-11180	RETAINER, SPRING	6	6						
18	2	714250-11570	COTTER ASSY	6	6						
20	2	119260-11340	SEAL, VALVE STEM	6	6						
21	2	119260-11370	CAP, VALVE	6	6						
22	2	119600-11450	PROTECTOR, NOZZLE	3	3						
23	2	119600-11460	GASKET, NOZZLE	6	6						
24	1	119489-11200	SUPPORT ASSY, ARM	1	1						
25	2	119260-11240	SHAFT ASSY, ROCKER	1	1						
28	2	119260-11260	SUPPORT, ROCKER ARM	3							
28-1	2	119260-11260	SUPPORT, ROCKER ARM	1	1						K
(A=E00198)											
29	2	119260-11270	SCREW	1	1						
30	2	119260-11280	SPRING	2	2						
31	2	719489-11650	ARM ASSY, ROCKER	3	3						
32	3	105010-11230	SCREW, VALVE ADJUST	3	3						
34	3	26756-060002	NUT, LOCK M6	3	3						
35	2	719489-11660	ARM ASSY, ROCKER	3	3						
36	3	105010-11230	SCREW, VALVE ADJUST	3	3						
38	3	26756-060002	NUT, LOCK M6	3	3						
39	2	22242-000100	RING, 10	2	2						
39A	2	119265-11260	SUPPORT, ROCKER ARM	2	2						W
(A=E00198)											
40	1	119620-11350	STUD	2	2						
41	1	26106-080452	BOLT, M8X 45 PLATED	1	1						
42	1	26366-080002	NUT, M8	2	2						
43	1	124160-11360	KNOB	2	2						
44	1	719260-11520	BONNET ASSY, HEAD	1							
44-1	1	119260-11330	BONNET ASSY, HEAD	1							R
(A=E00198)											
44-2	1	119260-11331	BONNET ASSY, HEAD	1	1						N
(A=E01287)											
46	2	119260-03020	PLATE, SHELTER	1	1						
47	2	119260-03031	GASKET	1	1						
49	2	119260-11310	GASKET, BONNET	1	1						
50	2	119620-11390	JOINT	1							
50-1	2	118400-03060	JOINT, BREATHER	1	1						R
(A=E00198)											

Remarks  
(1) REPAIR PART.

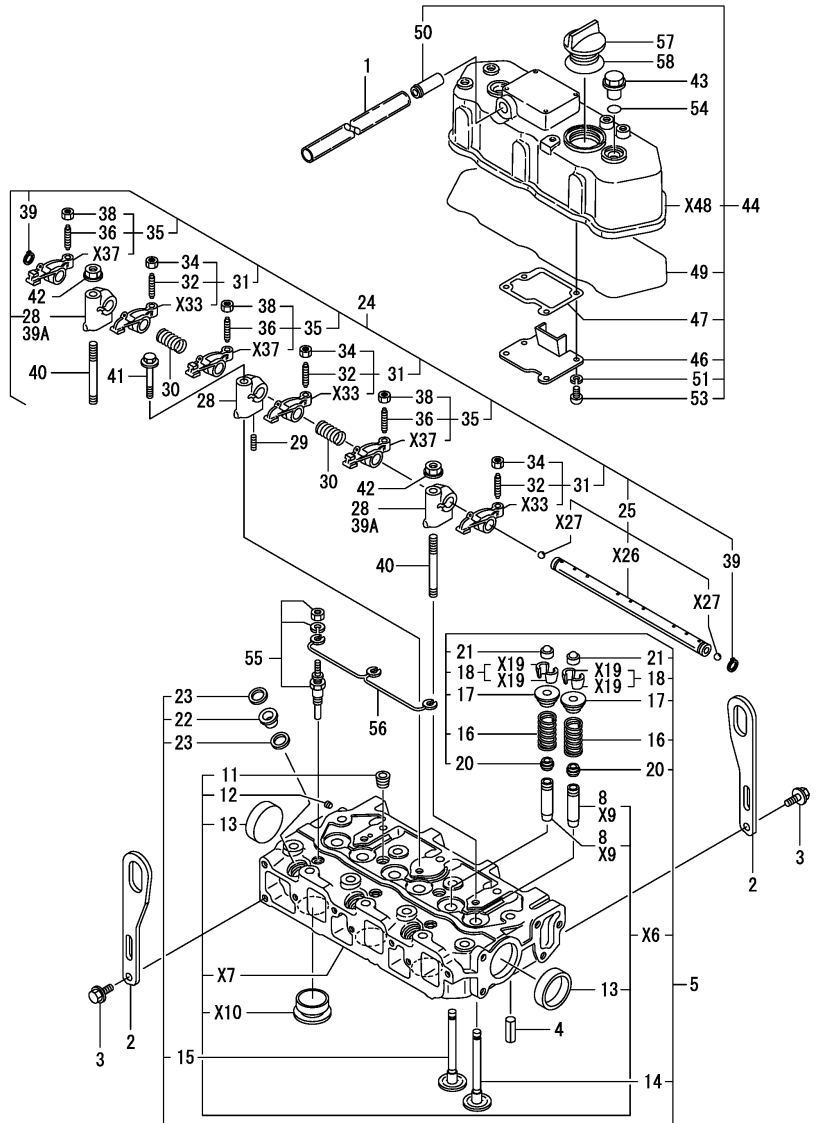
N:Old  $\frac{Yes}{No}$  New, Q:Old  $\frac{No}{Yes}$  New, R:Old  $\frac{Yes}{No}$  New, S:Old  $\frac{No}{Yes}$  New, W:Add, Z:Discontinued, F:Interchangeable by set, K:Q'ty Change  
++ CONTINUE ++



Fig.4. CYLINDER HEAD & BONNET

(A)=3TNE68C-KM  
(B)=3TNE68C-EKM  
(C)=

(D)=  
(E)=  
(F)=



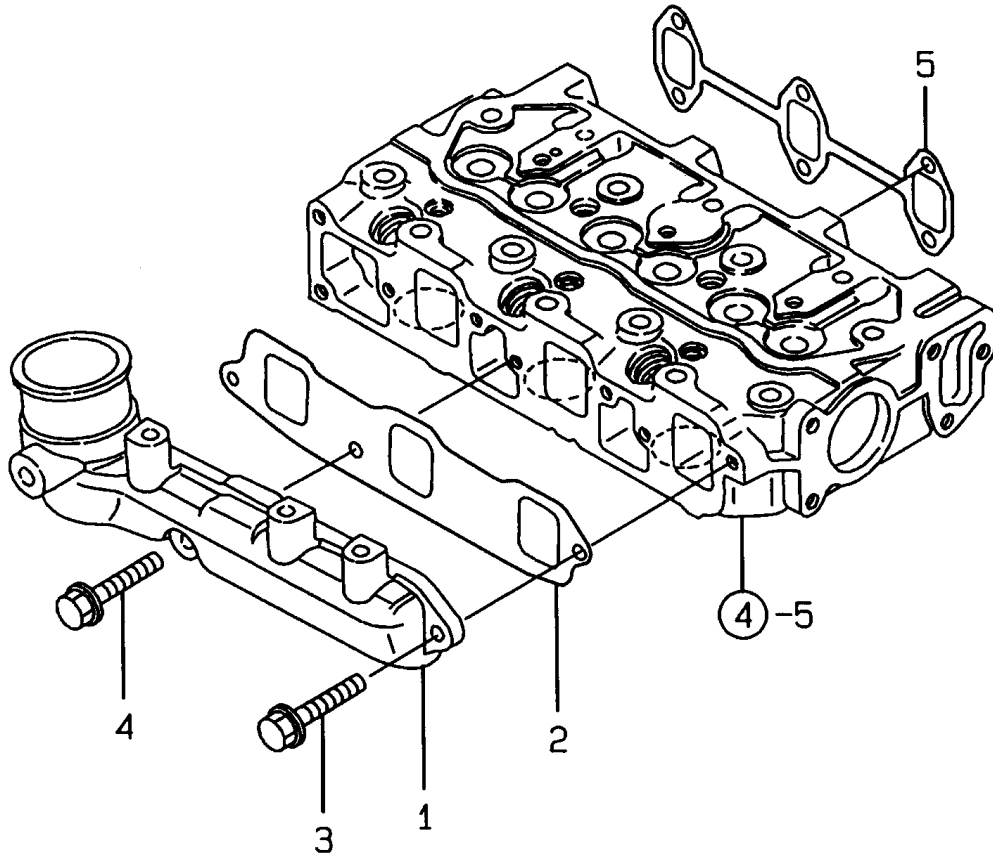
X-MARK PARTS: NOT SOLD SEPARATELY.

No.	Lev.	Parts No.	Description	Q'ty						I	R
				(A)	(B)	(C)	(D)	(E)	(F)		
51	2	22217-050000 (A=E00512)	WASHER, SPRING 5	4							Z
53	2	26557-050102	SCREW, M5X10	4							
53-1	2	22857-500100 (A=E00512)	SCREW, 5X10	4	4						R
54	1	24311-000120	O-RING, 1AP12.0	2	2						
55	1	129795-77800	PLUG, GLOW	3	3						
56	1	119620-77820	CONNECTOR, GLOW PLUG	1	1						
57	1	124160-01751	COVER, FILLER	1	1						
58	1	24311-000320	O-RING, 1AP32.0	1	1						

Remarks  
(1) REPAIR PART.

Fig.5. SUCTION MANIFOLD

# 5. SUCTION MANIFOLD



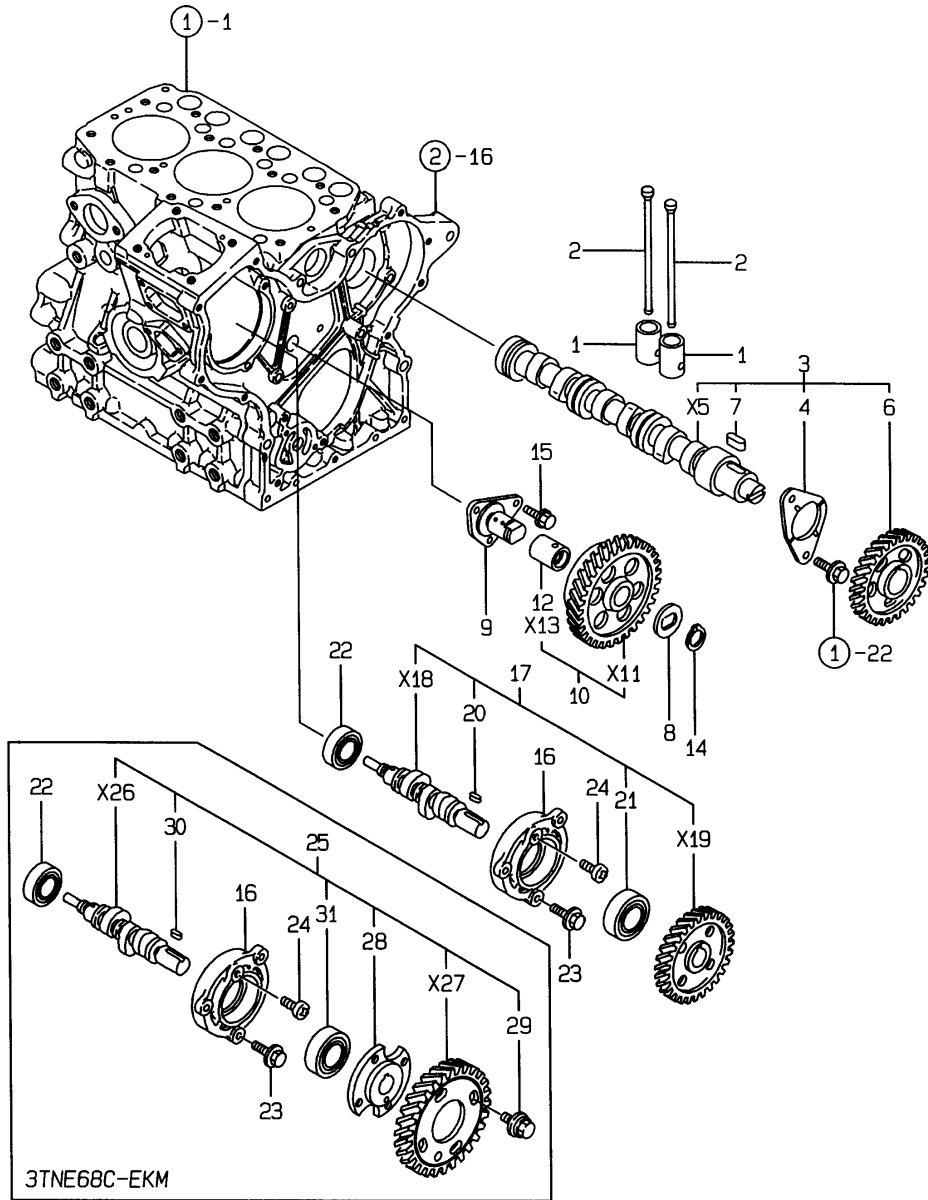
(A)=3TNE68C-KM  
(B)=3TNE68C-EKM  
(C)=

(D)=  
(E)=  
(F)=

No.	Lev.	Parts No.	Description	Q'ty						I	R
				(A)	(B)	(C)	(D)	(E)	(F)		
1	1	119270-12100	MANIFOLD, AIR INTAKE	1							
1-1	1	119275-12101	MANIFOLD, AIR INTAKE	1	1						R
(A=E01359)											
2	1	119270-12110	GASKET, MANIFOLD	1	1						
3	1	26106-060162	BOLT, M6X 16 PLATED	2	2						
4	1	26106-060282	BOLT, M6X 28 PLATED	1	1						
5	1	119260-13110	GASKET	1	1						

Fig.6. CAMSHAFT & DRIVING GEAR

6. CAMSHAFT & DRIVING GEAR

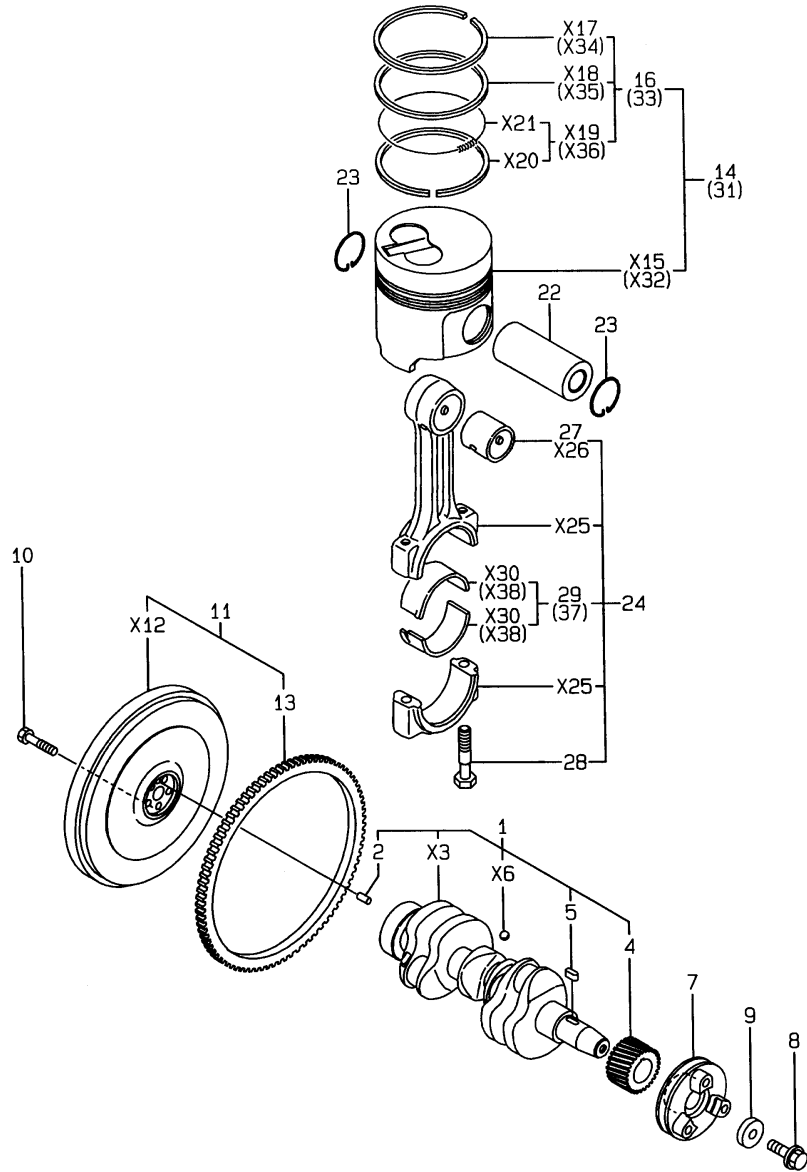


No.	Lev.	Parts No.	Description	Q'ty						I	R
				(A)	(B)	(C)	(D)	(E)	(F)		
1	1	119260-14200	TAPPET	6	6						
2	1	119260-14400	ROD, PUSH	6	6						
3	1	119260-14580	CAMSHAFT ASSY	1	1						
4	2	119620-02450	BEARING, THRUST	1	1						
6	2	119260-14100	GEAR, CAMSHAFT	1	1						
7	2	22512-040120	KEY, 4X 12	1	1						
8	1	119660-25022	RETAINER	1	1						
9	1	119660-25052	SHAFT, IDLE	1	1						
10	1	119260-25100	GEAR ASSY, IDLE	1	1						
12	2	119620-25912	BUSH	1	1						1
14	1	22242-000200	RING, 20	1	1						
15	1	26106-060122	BOLT, M6X 12 PLATED	3	3						
16	1	119660-01821	BEARING, FUEL CAM	1	1						
17	1	119225-14200	CAM ASSY	1	1						
20	2	22512-040120	KEY, 4X 12	1	1						
21	2	24102-063034	BEARING, BALL 6303U	1	1						
22	1	24101-062034	BEARING, BALL 6203	1	1						
23	1	26106-060162	BOLT, M6X 16 PLATED	3	3						
24	1	26587-080102	SCREW, M8X10	1	1						
25	1	119225-14210	CAM ASSY	1	1						
28	2	119660-25920	FLANGE	1	1						
29	2	119660-25930	BOLT	4	4						
30	2	22512-040120	KEY, 4X 12	1	1						
31	2	24102-063034	BEARING, BALL 6303U	1	1						

Remarks  
(1) REPAIR PART.

# Fig.7. CRANKSHAFT & PISTON

## 7.CRANKSHAFT & PISTON



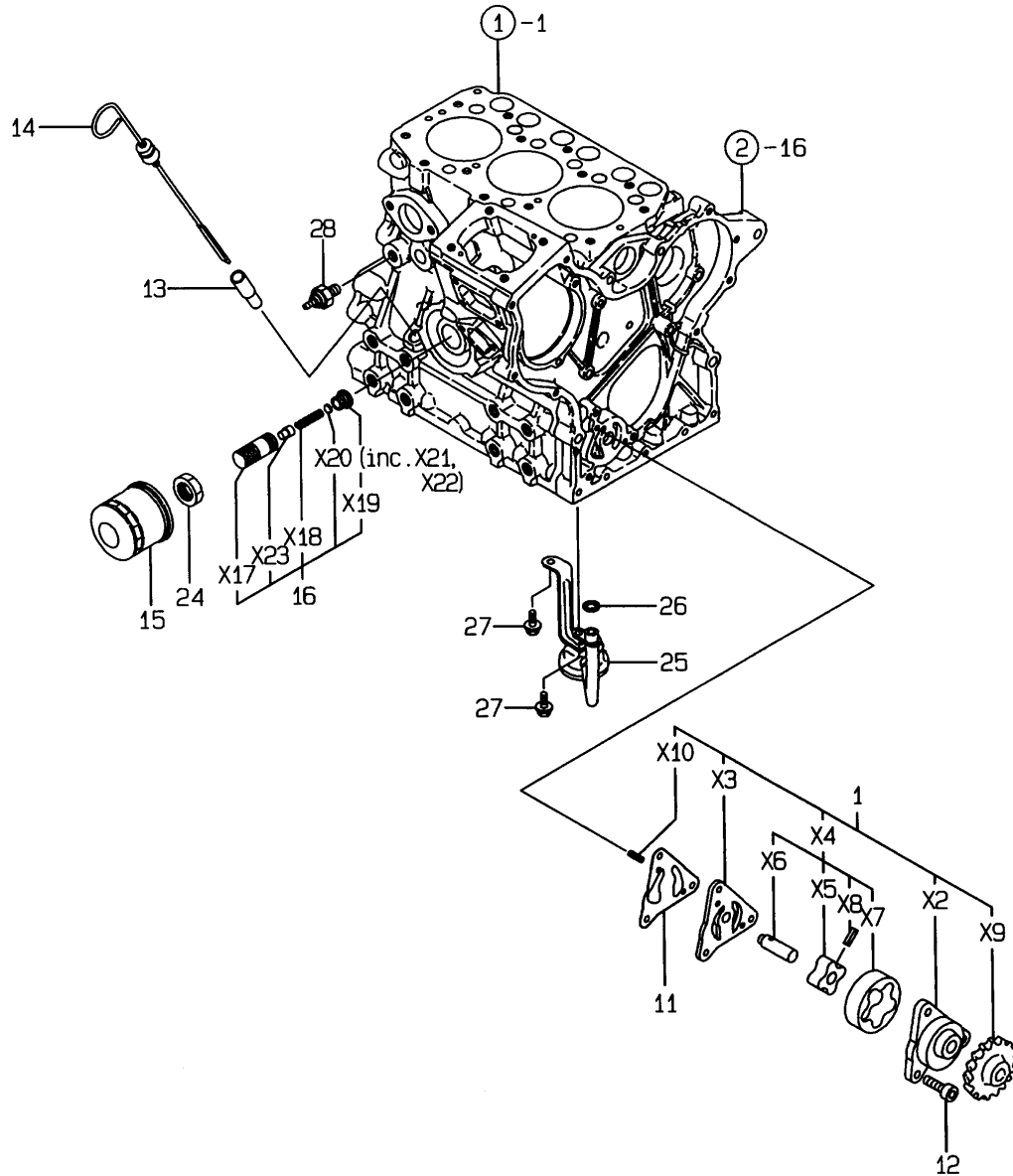
(A)=3TNE68C-KM  
 (B)=3TNE68C-EKM  
 (C)=  
 (D)=  
 (E)=  
 (F)=

No.	Lev.	Parts No.	Description	Q'ty						I	R
				(A)	(B)	(C)	(D)	(E)	(F)		
1	1	119265-21700	CRANKSHAFT ASSY	1	1						
2	2	129100-01580	PIN, M8X16	1	1						
4	2	119260-21200	GEAR, CRANKSHAFT	1	1						
5	2	22512-040120	KEY, 4X 12	1	1						
7	1	119260-21650	V-PULLEY	1	1						
8	1	119621-21680	BOLT, FLANGE 12X1.25	1	1						
9	1	119620-21941	WASHER	1	1						
10	1	119620-21500	BOLT, FLYWHEEL	5	5						
11	1	119312-21590	FLYWHEEL ASSY	1	1						
13	2	119867-21600	GEAR, RING	1	1						
13-1	2	119867-21601	GEAR, RING	1	1						S
(A=EZZZZZ) (B=EZZZZZ)											
14	1	119265-22601	PISTON ASSY	3	3						
16	2	119265-22500	RING SET, PISTON	3	3						
22	1	119265-22300	PIN, PISTON	3	3						
23	1	22252-000200	RING, 20	6	6						
24	1	119265-23100	ROD ASSY, CONNECTING	3	3						
27	2	119260-23910	BEARING, PISTON PIN	3	3						1
28	2	119265-23200	BOLT, CONNECTING ROD	6	6						
29	2	719260-23600	BEARING, CRANK PIN	3	3						
31	1	119265-22930	PISTON ASSY, 0.25 OS	3	3						2
33	2	119265-22950	RING SET, 0.25 OS	3	3						2
37	1	719260-23610	BEARING ASSY, 0.25	3	3						3

Remarks  
 (1) REPAIR PART.  
 (2) OVER-SIZE(O.S=0.25)PART.  
 (3) UNDER-SIZE(U.S=0.25)PART.

Fig.8. LUB.OIL SYSTEM

8.LUB.OIL SYSTEM



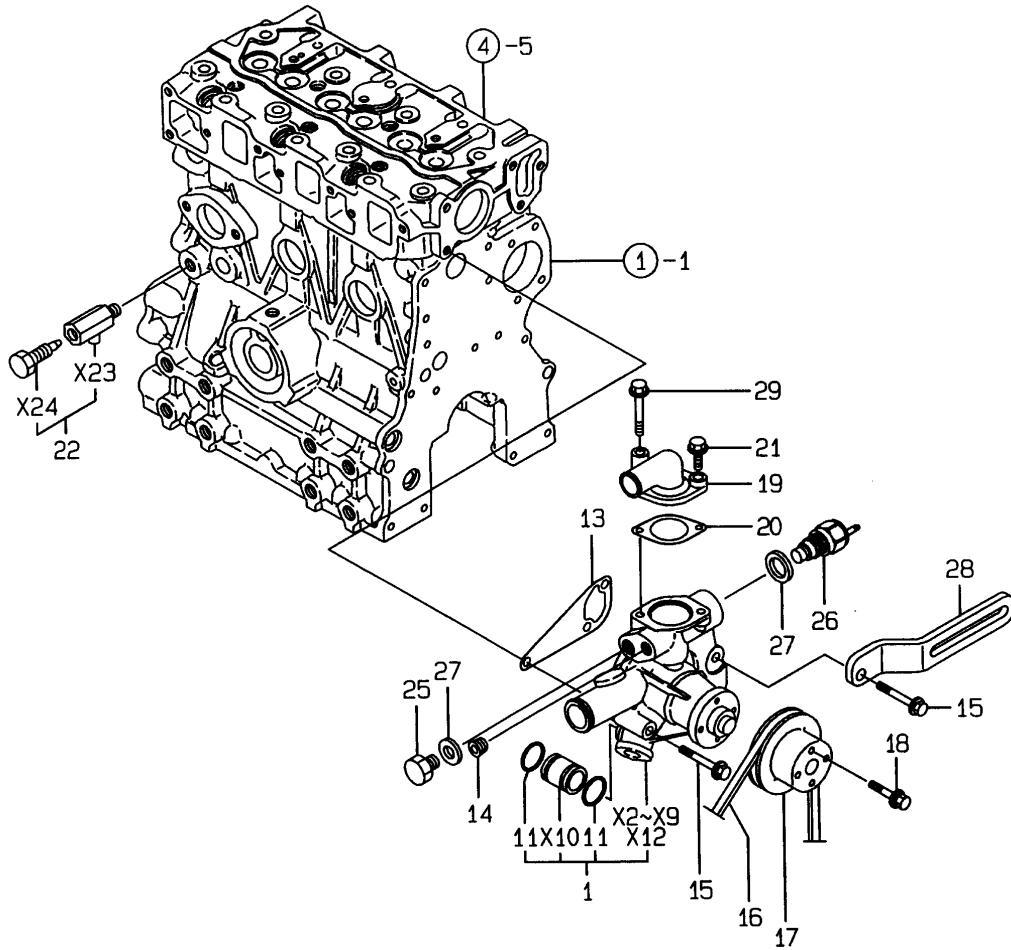
(A)=3TNE68C-KM  
(B)=3TNE68C-EKM  
(C)=

(D)=  
(E)=  
(F)=

No.	Lev.	Parts No.	Description	Q'ty						I	R
				(A)	(B)	(C)	(D)	(E)	(F)		
1	1	119260-32000	PUMP ASSY, OIL	1	1						
11	1	119660-32020	GASKET, PUMP	1	1						
12	1	26450-060202	BOLT, M6X 20	3	3						
13	1	121520-34810	GUIDE, DIPSTICK	1	1						
14	1	119600-34820	DIPSTICK, OIL	1	1						
15	1	119305-35150	FILTER, OIL	1	1						
16	1	119225-35300	VALVE ASSY,OIL PRESS	1	1						
24	1	129150-35350	NUT	1	1						
25	1	119260-35081	PIPE, OIL INLET	1	1						
26	1	24311-000120	O-RING, 1AP12.0	1							
26-1	1	24311-000110	O-RING, 1AP11.0	1							R
(A=E00512)											
26-2	1	119209-35030	O-RING, P11	1	1						N
(A=E00512)											
27	1	26106-060122	BOLT, M6X 12 PLATED	2	2						
28	1	124160-39450	SWITCH, 0.5KG	1							
28-1	1	114250-39450	SWITCH, 0.5KG	1	1						N
(A=E01288)											

# Fig.9. COOLING WATER SYSTEM

## 9. COOLING WATER SYSTEM



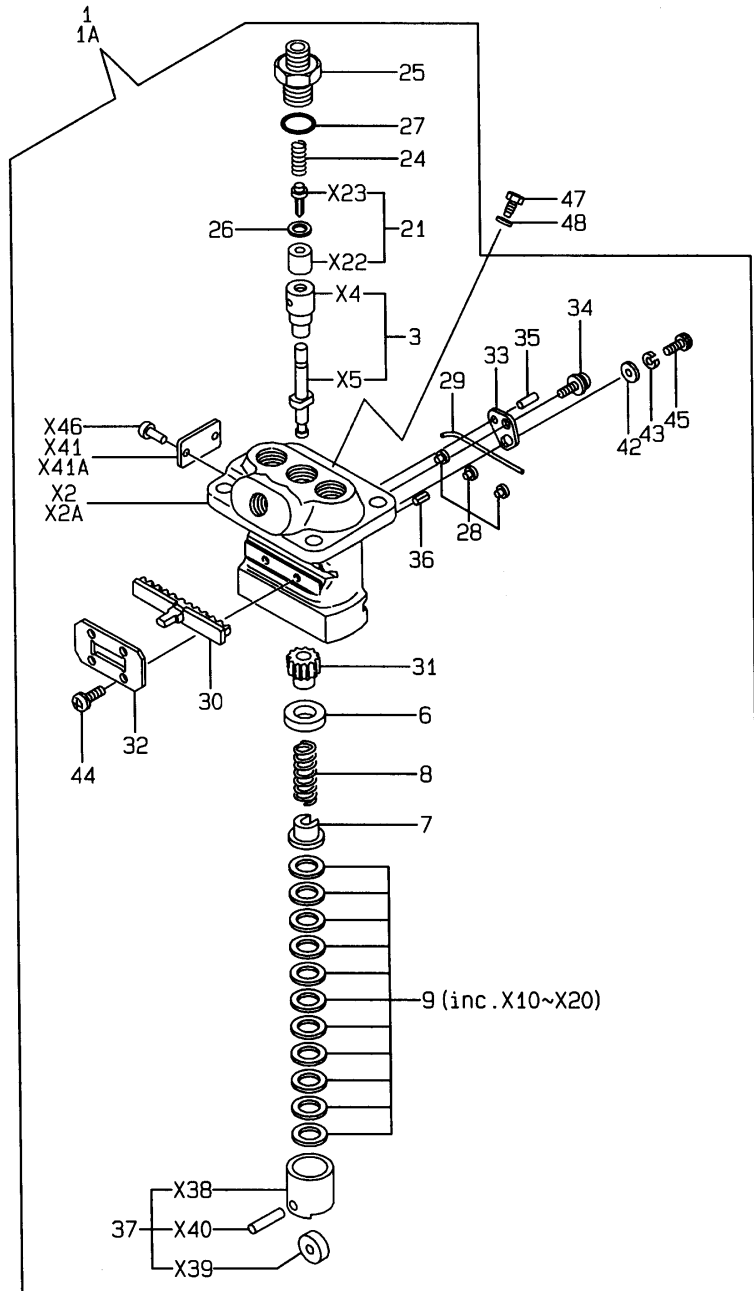
(A)=3TNE68C-KM  
(B)=3TNE68C-EKM  
(C)=

(D)=  
(E)=  
(F)=

No.	Lev.	Parts No.	Description	Q'ty						I	R
				(A)	(B)	(C)	(D)	(E)	(F)		
1	1	119265-42002	PUMP ASSY, WATER	1	1						
11	2	24311-000210	O-RING, 1AP21.0	2	2						
13	1	119260-42020	GASKET, WATER PUMP	1							
13-1	1	119260-42021 (A=E01359)	GASKET, WATER PUMP	1	1						N
14	1	171056-49120	PLUG, DRAIN	1	1						
15	1	26106-080452	BOLT, M8X 45 PLATED	3	3						
16	1	104514-42780	V-BELT, HM33	1	1						
17	1	119620-42350	V-PULLEY	1	1						
18	1	26106-060122	BOLT, M6X 12 PLATED	4	4						
19	1	124101-49530	COVER, THERMOSTAT	1	1						
20	1	129350-49541	GASKET	1	1						
21	1	26106-080252	BOLT, M8X 25 PLATED	1							
21-1	1	26106-080282 (A=E00504)	BOLT, M8X 28 PLATED	1	1						N
22	1	119620-49290	COCK ASSY, 1/4	1	1						
25	1	121450-42450	PLUG, M16	1	1						
26	1	46150-503100	SWITCH, 95	1	1						
27	1	124465-44950	GASKET, 16	2	2						
28	1	119660-77330	ADJUSTER	1	1						
29	1	26106-080552	BOLT, M8X 55 PLATED	1							
29-1	1	26106-080652 (A=E00504)	BOLT, M8X 65 PLATED	1	1						N

Fig.10. FUEL INJECTION PUMP

10.FUEL INJECTION PUMP



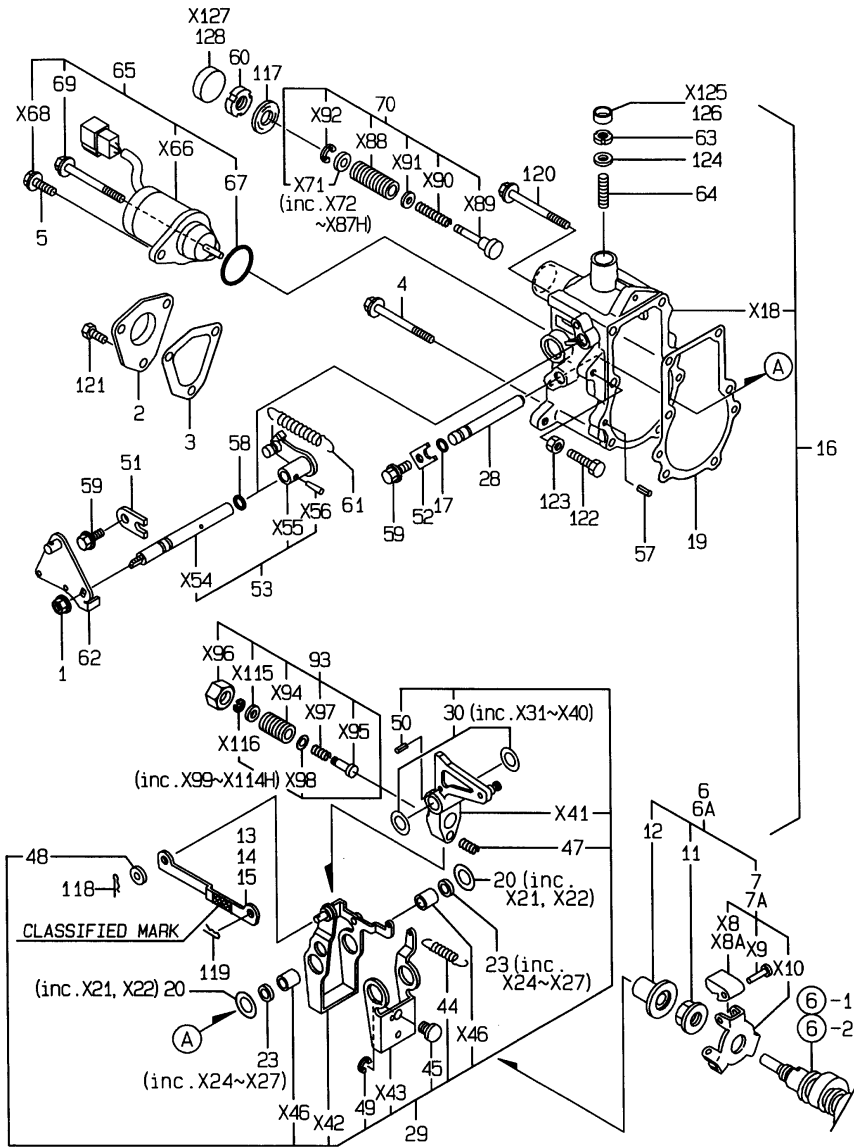
(A)=3TNE68C-KM  
(B)=3TNE68C-EKM  
(C)=

(D)=  
(E)=  
(F)=

No.	Lev.	Parts No.	Description	Q'ty						I	R
				(A)	(B)	(C)	(D)	(E)	(F)		
1	1	719225-51100	PUMP ASSY, INJECTION	1							
1A	1	719266-51100	PUMP ASSY, INJECTION		1						
3	2	119225-51100	PLUNGER ASSY	3	3						
6	2	119620-51170	RETAINER, SPRING A	3	3						
7	2	119620-51180	RETAINER, SPRING B	3	3						
8	2	119620-51190	SPRING, PLUNGER	3	3						
9	2	119620-51250	SHIM SET	3	3						
21	2	119225-51300	VALVE ASSY, DELIVERY	3	3						
24	2	105546-51330	SPRING, DELIVERY	3	3						
25	2	119620-51340	HOLDER, DELIVERY	3	3						
26	2	119620-51350	GASKET	3	3						
27	2	119620-51370	O-RING	3	3						
28	2	119620-51450	PIECE	3	3						
29	2	119620-51461	PIN	1	1						
30	2	119660-51500	RACK, CONTROL	1	1						
31	2	119620-51510	PINION	3	3						
32	2	119660-51530	RETAINER, RACK	1	1						
33	2	119620-51650	PLATE	2	2						
34	2	119620-51660	SCREW	2	2						
35	2	119620-51670	PIN	2	2						
36	2	119620-51680	PIN	1	1						
37	2	119620-51700	TAPPET ASSY	3	3						
42	2	22137-040000	WASHER, 4	2							Z
		(A=E01359)									
43	2	22217-040000	WASHER, SPRING 4	2							Z
		(A=E01359)									
44	2	26022-040082	SCREW, M4X 8	4	4						
45	2	26587-040102	SCREW, M4X10	2							
45-1	2	26033-040102	SCREW, M4X10	2	2						R
		(A=E01359)									
47	1	119266-51900	BOLT		1						
48	1	22190-080002	WASHER, SEAL 6		1						

# Fig.11. GOVERNOR

## 11. GOVERNOR



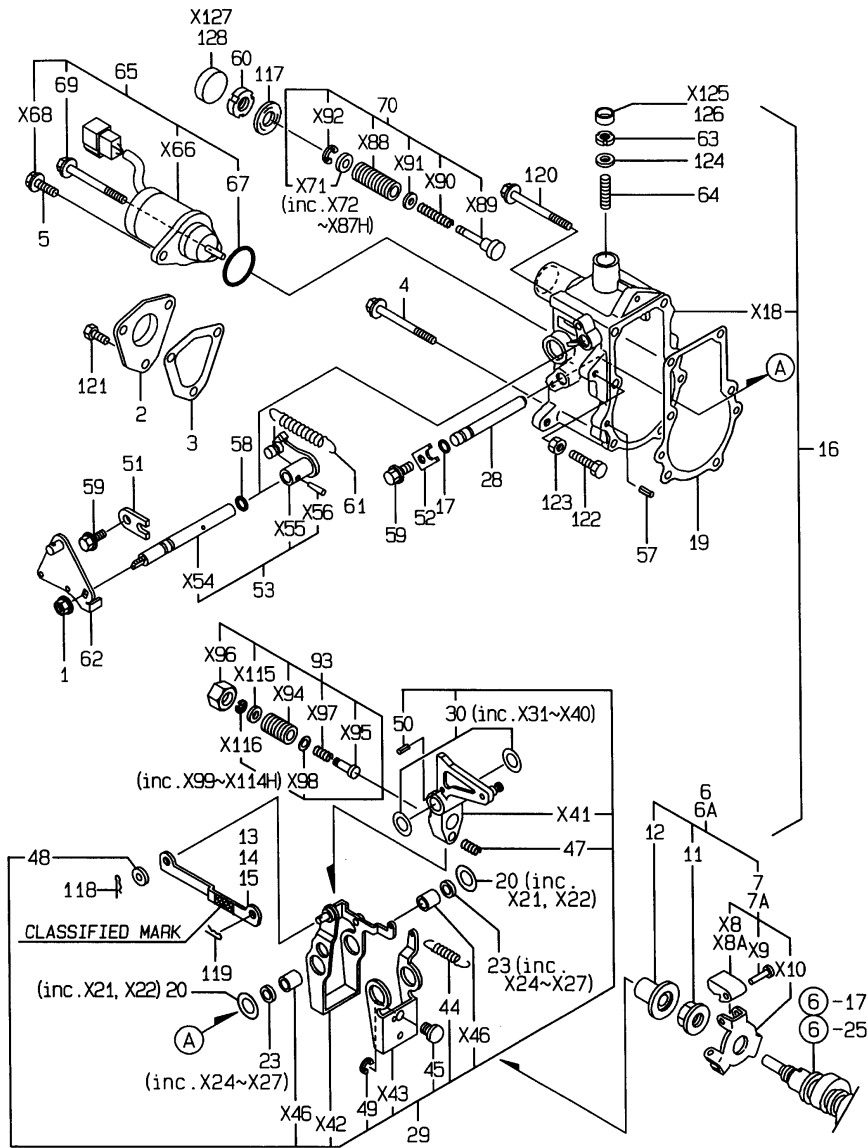
Remarks  
 (1) SELECTIVE PARTS: CERTAIN THE CLASSIFICATION MARK, THEN PLACE YOUR ORDER(REFER TO ILLUSTRATION)  
 (2) REPAIR PART.

No.	Lev.	Parts No.	Description	Q'ty						I	R
				(A)	(B)	(C)	(D)	(E)	(F)		
1	1	194990-22050	NUT, M8	1	1						
2	1	119660-61060	COVER, GOVERNOR CASE	1	1						
3	1	119660-61071	GASKET	1	1						
4	1	26106-060752	BOLT, M6X 75 PLATED	3	3						
5	1	121465-59950	BOLT, M6X16	1	1						
6	1	119600-61100	DRIVE ASSY	1							
6A	1	119600-61300	DRIVE ASSY		1						
7	2	119600-61200	WEIGHT ASSY,GOVERNOR	1							
7A	2	119600-61400	WEIGHT ASSY,GOVERNOR		1						
11	2	119660-61300	NUT	1	1						
12	2	119660-61341	SLEEVE	1	1						
13	1	119660-61121	LINK, NO MARK	1	1						1
14	1	119660-61140	LINK, MARK :2	1	1						1
15	1	119660-61150	LINK, MARK :3	1	1						1
16	1	119623-61200	CASE ASSY, GOVERNOR	1	1						
17	2	129155-51280	O-RING, S6	1	1						
19	2	119660-61052	GASKET	1	1						
20	2	119660-61460	SHIM SET	1	1						
23	2	129155-61480	SPACER ASSY	2	2						
28	2	119660-61491	SHAFT	1							
28-1	2	119660-61590	SHAFT	1	1						N
(A=E01359)											
29	2	119232-61510	LEVER ASSY, GOVERNOR	1	1						
30	3	174307-51700	SHIM SET	2	2						
44	3	119232-61540	SPRING	1	1						
45	3	119600-61541	SHIFTER	1	1						
47	3	119660-61651	SPRING, STARTING	1	1						
48	3	22117-040000	WASHER, 4	1	1						
49	3	22272-000040	RING, E- 4	1	1						
50	3	22351-030014	PIN, SPRING 3.0X14	1	1						
51	2	119600-61900	RETAINER, SHAFT	1	1						
52	2	119660-61901	RETAINER, SHAFT	1	1						
53	2	119285-66080	SHAFT ASSY	1	1						
57	2	22351-040010	PIN, SPRING 4.0X10	2	2						
58	2	24341-000070	O-RING, 1AS7.0	1	1						
59	2	26106-060102	BOLT, M6X 10 PLATED	2	2						
60	1	119685-61940	NUT, M12	1	1						
61	1	119489-66010	SPRING, REGULATOR	1	1						
62	1	119621-66051	LEVER, REGULATOR	1	1						
63	1	119685-61950	NUT, M6	1	1						
64	1	121575-66800	SCREW	1							
64-1	1	121575-66830	SCREW	1	1						N
(A=EXXXX)											
65	1	119653-66500	STOPPER ASSY	1	1						
67	2	24341-000280	O-RING, 1AS28.0	1	1						
69	2	26106-060952	BOLT, M6X 95 PLATED	1	1						
70	1	119489-66500	LIMITER ASSY, FUEL	1	1						
93	1	119610-66700	ANGLEICH ASSY	1	1						
117	1	22190-120002	WASHER, SEAL 12	1	1						
118	1	22360-040000	PIN, SNAP 4	1	1						
119	1	22360-060000	PIN, SNAP 6	1	1						



# Fig.11. GOVERNOR

## 11. GOVERNOR



(A)=3TNE68C-KM  
 (B)=3TNE68C-EKM  
 (C)=

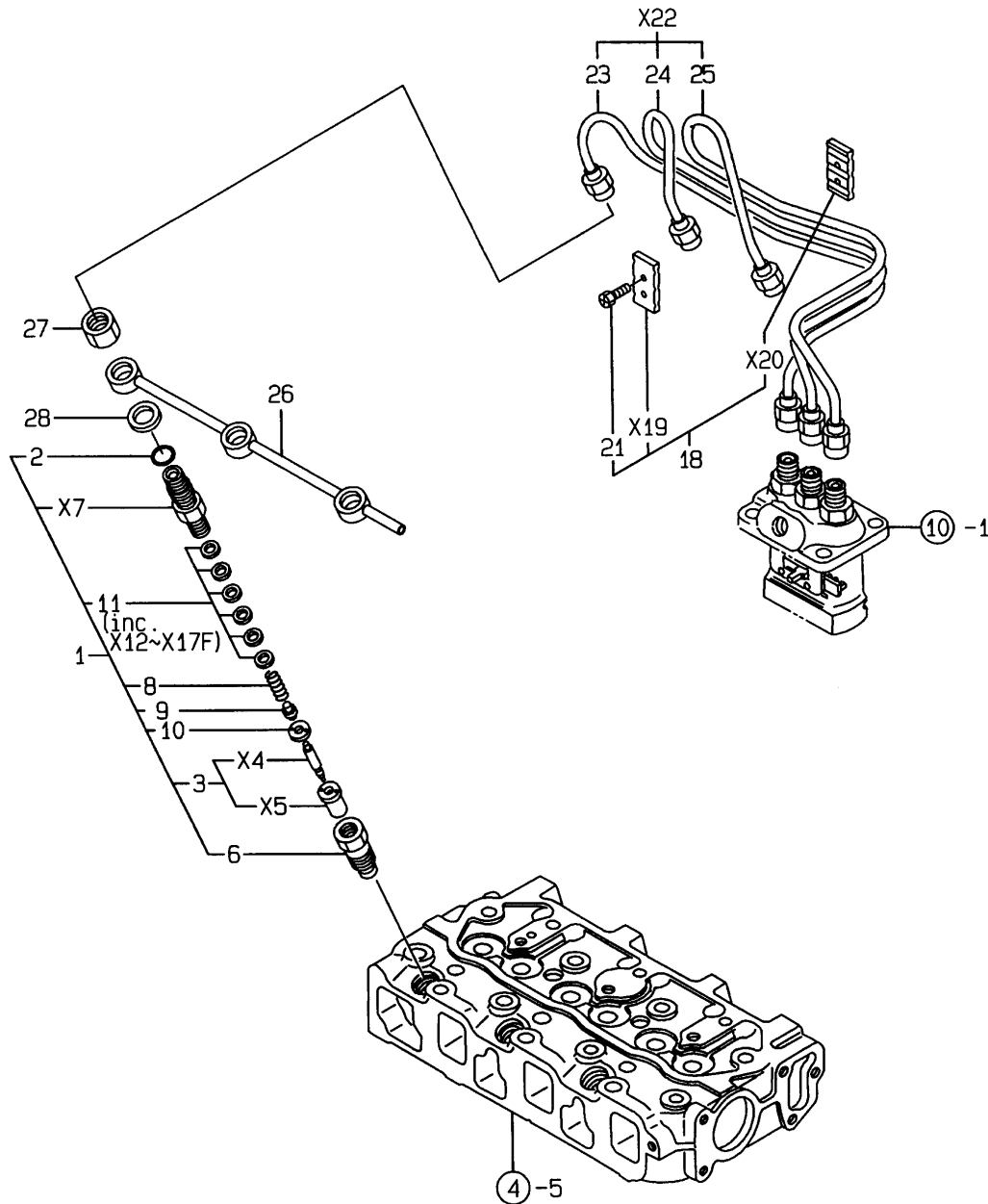
(D)=  
 (E)=  
 (F)=

No.	Lev.	Parts No.	Description	Q'ty						I	R
				(A)	(B)	(C)	(D)	(E)	(F)		
120	1	26106-060702	BOLT, M6X 70 PLATED	2	2						
121	1	26116-050202	BOLT, M5X 20 PLATED	3	3						
122	1	26116-060304	BOLT, M6X 30 PLATED	1	1						
123	1	26756-060002	NUT, LOCK M6	1	1						
124	1	22190-060003	SEAL WASER 6	1	1						
126	1	119621-66710	PLUG, 14	1	1						2
128	1	119621-66610	PLUG, 22	1	1						2

Remarks  
 (1) SELECTIVE PARTS: CERTAIN THE CLASSIFICATION MARK, THEN PLACE YOUR ORDER(REFER TO ILLUSTRATION)  
 (2) REPAIR PART.

Fig.12. FUEL INJECTION VALVE

12.FUEL INJECTION VALVE



(A)=3TNE68C-KM  
(B)=3TNE68C-EKM  
(C)=

(D)=  
(E)=  
(F)=

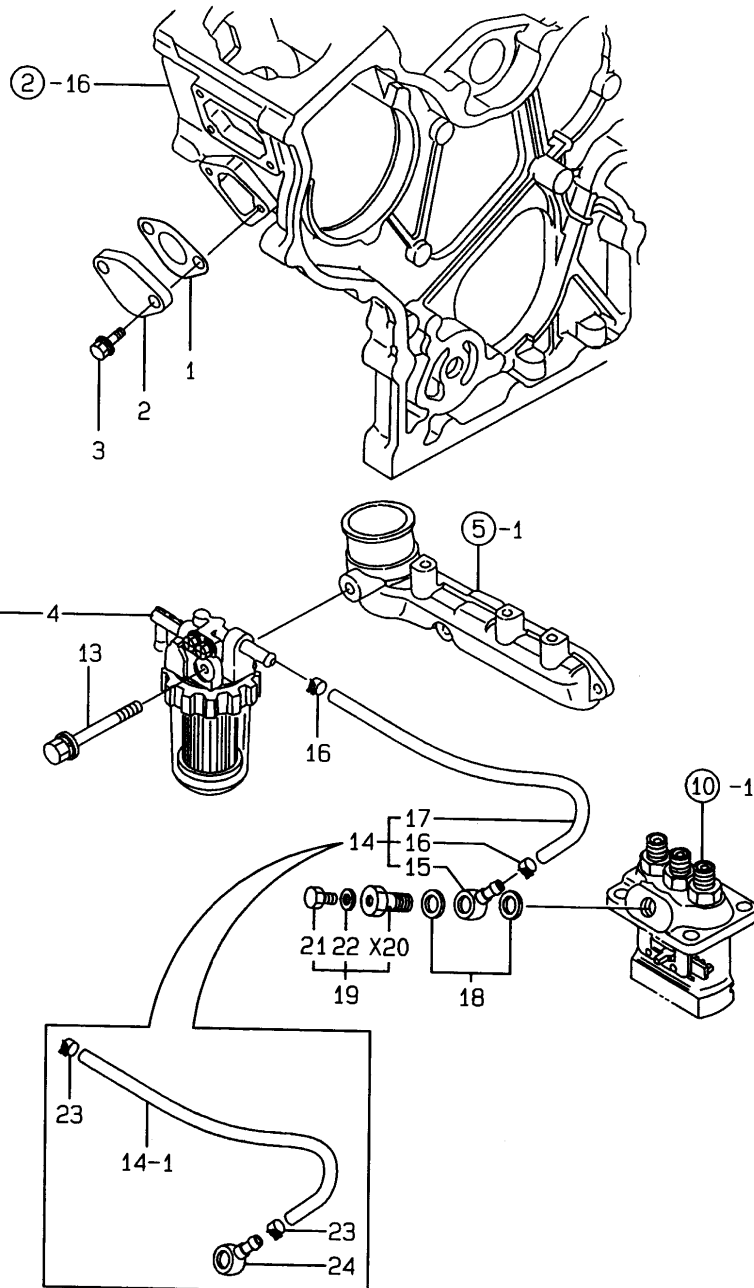
No.	Lev.	Parts No.	Description	Q'ty						I	R
				(A)	(B)	(C)	(D)	(E)	(F)		
1	1	719620-53700	VALVE ASSY,INJECTION	3	3						
2	2	129155-61830	O-RING, S10	3	3						
3	2	119620-53000	VALVE ASSY,INJECTION	3	3						
6	2	119620-53080	NUT, NOZZLE	3	3						
8	2	119620-53120	SPRING, NOZZLE	3	3						
9	2	114250-53130	SEAT, SPRING	3	3						
10	2	119620-53140	SPACER, VALVE STOP	3	3						
11	2	114250-53400	SHIM SET	3	3						
18	1	129150-59120	RETAINER, PIPE	1	1						
21	2	129150-59131	BOLT, M4X14	2	2						
23	2	119225-59810	PIPE ASSY, INJECTION	1							
23-1	2	119209-59810	PIPE ASSY, INJECTION	1	1						N
(A=E00504)											
24	2	119260-59820	PIPE ASSY, INJECTION	1							
24-1	2	119209-59820	PIPE ASSY, INJECTION	1	1						N
(A=E00504)											
25	2	119260-59830	PIPE ASSY, INJECTION	1							
25-1	2	119209-59830	PIPE ASSY, INJECTION	1	1						N
(A=E00504)											
26	1	119312-59550	PIPE ASSY, RETURN	1	1						
27	1	119620-59700	NUT, NOZZLE	3	3						
28	1	23414-140000	GASKET, 14X1.0	3							
28-1	1	22190-140002	WASHER, SEAL 14	3	3						N
(A=E01190)											

Fig.13. FUEL LINE

13.FUEL LINE

(A)=3TNE68C-KM  
(B)=3TNE68C-EKM  
(C)=

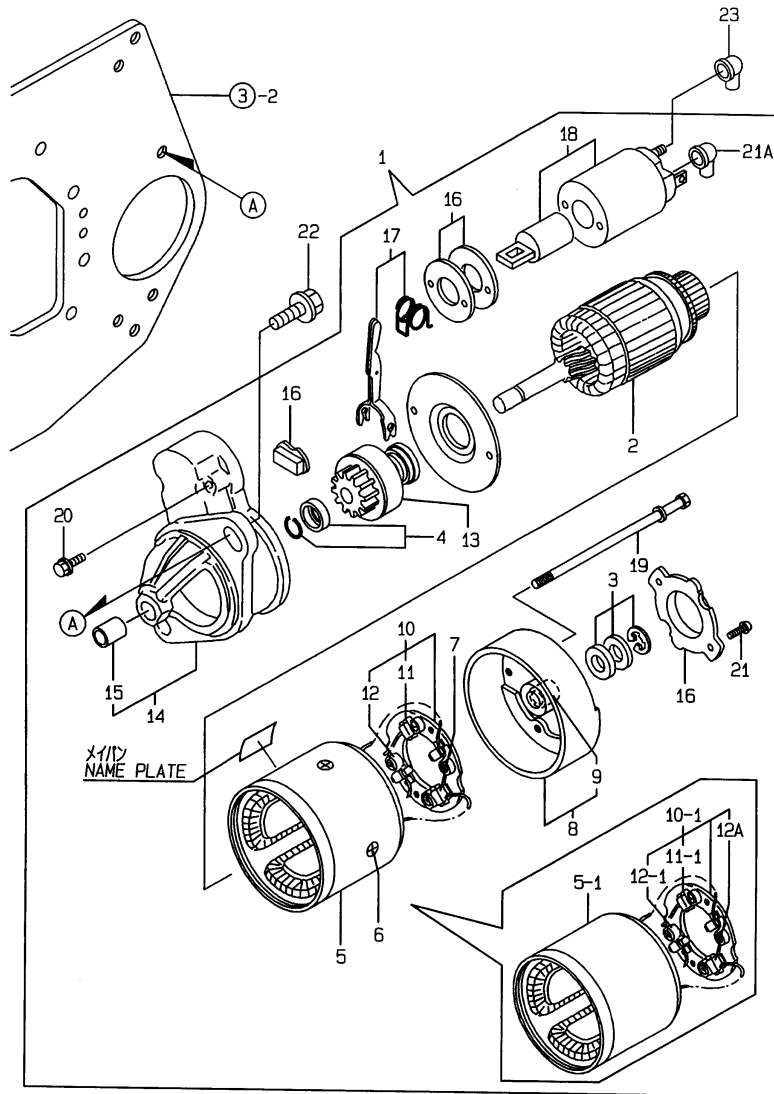
(D)=  
(E)=  
(F)=



No.	Lev.	Parts No.	Description	Q'ty						I	R
				(A)	(B)	(C)	(D)	(E)	(F)		
1	1	121520-01851	GASKET	1	1						
2	1	121520-01860	COVER	1	1						
3	1	26014-060202	BOLT, M6X 20	2	2						
4	1	119225-55600	FILTER ASSY, FUEL	1	1						
5	2	121254-55510	COVER	1	1						
6	2	102103-55520	O-RING	1	1						
7	2	110250-55610	RING, RETAINING	1	1						
8	2	121250-55620	SPRING	1	1						
10	2	124550-55700	FILTER, FUEL L=90	1	1						
11	2	101720-55750	PLUG, 6	2	2						
12	2	23418-060000	GASKET, 6X1.0	2	2						
13	1	26014-080702	BOLT, M8X 70	1	1						
14	1	119260-59030	PIPE, FUEL	1							
14-1	1	105990-59560	PIPE, FUEL	1	1						N
(A=FROM 1ST)											
15	2	101304-59020	JOINT, PIPE 12	1							Z
(A=FROM 1ST)											
16	2	124766-59050	CLIP, HOSE 12	2							Z
(A=FROM 1ST)											
17	2	105990-59560	PIPE, FUEL	1							Z
(A=FROM 1ST)											
18	1	104200-59170	GASKET, 12	2							
18-1	1	22190-120002	WASHER, SEAL 12	2	2						N
(A=E01190)											
19	1	103854-59191	BOLT ASSY, JOINT M12	1	1						
21	2	124060-59380	PLUG, 6	1	1						
22	2	22190-060002	WASHER, SEAL 6	1	1						
23	1	124766-59050	CLIP, HOSE 12	2	2						W
(A=FROM 1ST)											
24	1	101304-59020	JOINT, PIPE 12	1	1						W
(A=FROM 1ST)											

# Fig.14. STARTING MOTOR

## 14.STARTING MOTOR



**Remarks**

(1) CERTAIN THE NAME PLATE, THEN PLACE YOUR ORDER (REFER TO ILLUSTRATION)  
 \* NAME PLATE<S114-625>= REF.NO.2,8,13,14,16,17,19,20.  
 \* NAME PLATE<S114-656A>= REF.NO.2-1,8-1,13-1,14-1,16-1,17-1,19-1,20-1.

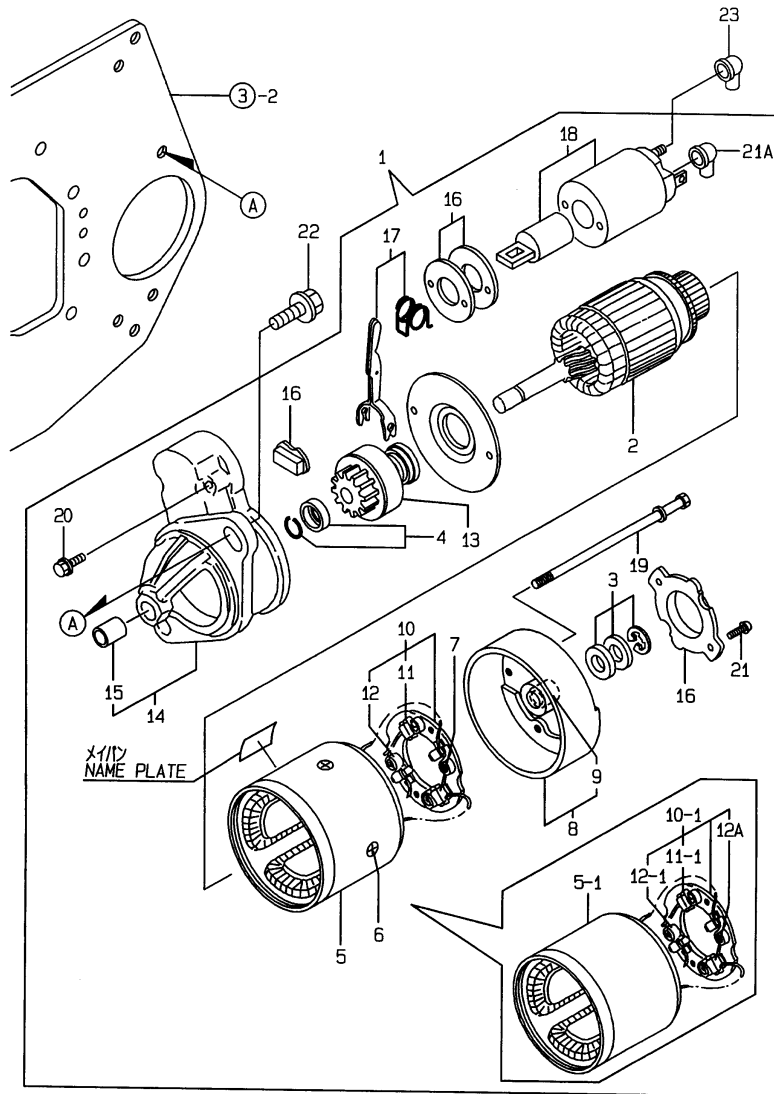
(A)=3TNE68C-KM  
 (B)=3TNE68C-EKM  
 (C)=

(D)=  
 (E)=  
 (F)=

No.	Lev.	Parts No.	Description	Q'ty						I	R
				(A)	(B)	(C)	(D)	(E)	(F)		
1	1	119865-77011	STARTER	1							
1-1	1	119865-77012	STARTER	1	1						N
(A=E00504)											
2	2	124190-77110	ARMATURE ASSY	1							
2-1	2	114371-77110	ARMATURE	1	1						S 1
(A=E00504)											
3	2	X2114811000	WASHER KIT, THRUST	1	1						
4	2	X2114715500	STOPPER SET, PINION	1	1						
5	2	X211463109	COIL ASSY, FIELD	1							
5-1	2	124097-77710	YOKE ASSY	1	1						S
(A=E00504)											
6	2	X21148215	SCREW, POLE CORE	4							Z
(A=E00504)											
7	2	X21145312	BRUSH, +	2							Z
(A=E00504)											
8	2	X211443001	COVER ASSY, REAR	1							
8-1	2	114371-77140	COVER ASSY, REAR	1	1						S 1
(A=E00504)											
9	3	X21145352	METAL	1							Z
(A=E00504)											
10	2	X211499001	HOLDER ASSY, BRUSH	1							
10-1	2	119865-77160	HOLDER COMP., BRUSH	1	1						S
(A=E00504)											
11	3	X21148313	BRUSH (-)	1							
11-1	3	114371-79040	BRUSH (-)	2	2						S
(A=E00504)											
12	3	X21149314	SPRING, BRUSH	3							
12-1	3	114371-79060	SPRING, BRUSH	4	4						S
(A=E00504)											
12A	3	119865-79050	BRUSH ASSY	1	1						W
(A=E00504)											
13	2	124190-77760	PINION ASSY	1							
13-1	2	119865-77780	PINION ASSY	1	1						S 1
(A=E00504)											
14	2	X211416614	CASE ASSY, GEAR	1							
14-1	2	119865-77760	CASE COMP., GEAR	1	1						S 1
(A=E00504)											
15	3	X21145352	METAL	1							Z
(A=E00504)											
16	2	X211478006	COVER KIT	1							
16-1	2	114371-77170	COVER KIT, DUST	1	1						S 1
(A=E00504)											
17	2	X211466013	LEVER SET	1							
17-1	2	114371-77180	LEVER KIT, SHIFT	1	1						S 1
(A=E00504)											
18	2	X2114776050	SWITCH, MAGNETIC	1	1						
19	2	X211468005	BOLT, THROUGH	2							
19-1	2	124195-77770	THROUGH BOLT	2	2						S 1
(A=E00504)											
20	2	X21145867	BOLT, M6	2							
20-1	2	114371-79070	BOLT M 6X 37	2	2						S 1

Fig.14. STARTING MOTOR

14.STARTING MOTOR



(A)=3TNE68C-KM  
 (B)=3TNE68C-EKM  
 (C)=  
 (D)=  
 (E)=  
 (F)=

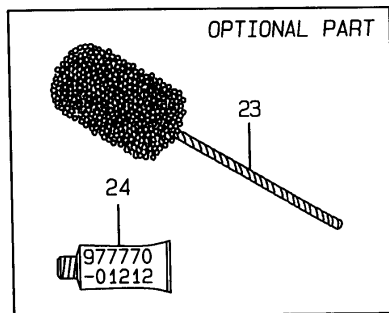
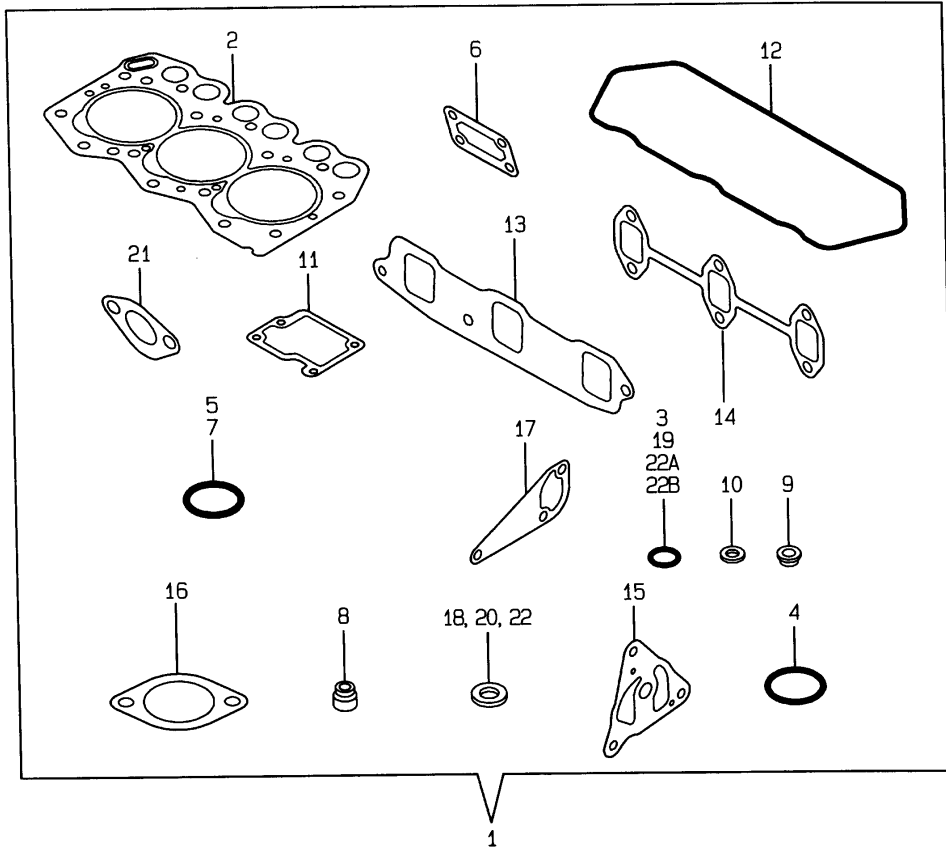
No.	Lev.	Parts No.	Description	Q'ty						I	R
				(A)	(B)	(C)	(D)	(E)	(F)		
21	2	X21142835	SCREW SET	1							Z
21A	2	X2114274200	COVER, TERMINAL	1	1						W
22	1	26106-100302	BOLT, M10X 30 PLATED	2	2						
23	1	124550-77030	COVER, TERMINAL	1	1						

Remarks

(1) CERTAIN THE NAME PLATE, THEN PLACE YOUR ORDER (REFER TO ILLUSTRATION)  
 \* NAME PLATE<S114-625>= REF.NO.2,8,13,14,16,17,19,20.  
 \* NAME PLATE<S114-656A>= REF.NO.2-1,8-1,13-1,14-1,16-1,17-1,19-1,20-1.

Fig.15. GASKET SET

15.GASKET SET



Remarks  
(1) OPTIONAL PART.

(A)=3TNE68C-KM  
(B)=3TNE68C-EKM  
(C)=

(D)=  
(E)=  
(F)=

No.	Lev.	Parts No.	Description	Q'ty						I	R
				(A)	(B)	(C)	(D)	(E)	(F)		
1	1	719265-92670	GASKET SET	1	1						1
2	2	119265-01340	GASKET, HEAD	1							
2-1	2	119265-01341	GASKET, HEAD	1	1						N
(A=E00504)											
3	2	24311-000120	O-RING, 1AP12.0	5							
3-1	2	24311-000120	O-RING, 1AP12.0	4							K
(A=E01114)											
3-2	2	24311-000120	O-RING, 1AP12.0	2	2						K
4	2	24311-000320	O-RING, 1AP32.0	2	2						
5	2	24341-000240	O-RING, 1AS24.0	1	1						
6	2	119660-01562	GASKET	1	1						
7	2	24311-000180	O-RING, 1AP18.0	1	1						
8	2	119260-11340	SEAL, VALVE STEM	6	6						
9	2	119600-11450	PROTECTOR, NOZZLE	3	3						
10	2	119600-11460	GASKET, NOZZLE	6	6						
11	2	119260-03031	GASKET	1	1						
12	2	119260-11310	GASKET, BONNET	1	1						
13	2	119270-12110	GASKET, MANIFOLD	1	1						
14	2	119260-13110	GASKET	1	1						
15	2	119660-32020	GASKET, PUMP	1	1						
16	2	129350-49541	GASKET	1	1						
17	2	119260-42020	GASKET, WATER PUMP	1							
17-1	2	119260-42021	GASKET, WATER PUMP	1	1						N
(A=E01359)											
18	2	124465-44950	GASKET, 16	2	2						
19	2	129155-61830	O-RING, S10	3	3						
20	2	23414-140000	GASKET, 14X1.0	3							
20-1	2	22190-140002	WASHER, SEAL 14	3	3						N
(A=E01190)											
21	2	121520-01851	GASKET	1	1						
22	2	104200-59170	GASKET, 12	2							
22-1	2	22190-120002	WASHER, SEAL 12	2	2						N
(A=E01190)											
22A	2	24311-000110	O-RING, 1AP11.0	1							W
(A=E00512)											
22A-1	2	119209-35030	O-RING, P11	1	1						N
(A=E01114)											
22B	2	119624-32040	O-RING, P12.0	2	2						W
(A=E01114)											
23	1	129400-92400	FLEX HORN	1	1						1
24	1	977770-01212	GASKET, LIQUID	1	1						1

## Parts No. Index

Parts No.	Fig. No.	Ref. No.
101304-59020	13	15
		24
101720-55750	13	11
102103-55520	13	6
103854-59191	13	19
104200-59170	13	18
	15	22
104514-42780	9	16
105010-11230	4	32
		36
105546-51330	10	24
105990-59560	13	14 -1
		17
110250-55610	13	7
114250-11120	4	16
114250-11180	4	17
114250-39450	8	28 -1
114250-53130	12	9
114250-53400	12	11
114371-77110	14	2 -1
114371-77140	14	8 -1
114371-77170	14	16 -1
114371-77180	14	17 -1
114371-79040	14	11 -1
114371-79060	14	12 -1
114371-79070	14	20 -1
118400-03060	4	50 -1
119209-35030	8	26 -2
	15	22 A-1
119209-59810	12	23 -1
119209-59820	12	24 -1
119209-59830	12	25 -1
119225-14200	6	17
119225-14210	6	25
119225-35300	8	16
119225-51100	10	3
119225-51300	10	21
119225-55600	13	4
119225-59810	12	23
119232-61510	11	29
119232-61540	11	44
119260-01200	1	20
119260-01490	2	16
119260-01510	2	18
119260-01590	2	1
119260-01770	3	11
119260-02020	1	5
119260-02410	1	13
119260-02800	1	14
119260-02930	1	17

Parts No.	Fig. No.	Ref. No.
119260-03020	4	46
119260-03031	4	47
	15	11
119260-11100	4	14
119260-11110	4	15
119260-11240	4	25
119260-11260	4	28
		28 -1
119260-11270	4	29
119260-11280	4	30
119260-11310	4	49
	15	12
119260-11330	4	44 -1
119260-11331	4	44 -2
119260-11340	4	20
	15	8
119260-11370	4	21
119260-11800	4	8
119260-13110	5	5
	15	14
119260-14100	6	6
119260-14200	6	1
119260-14400	6	2
119260-14580	6	3
119260-21200	7	4
119260-21650	7	7
119260-23910	7	27
119260-25100	6	10
119260-32000	8	1
119260-35081	8	25
119260-42020	9	13
	15	17
119260-42021	9	13 -1
	15	17 -1
119260-59030	13	14
119260-59820	12	24
119260-59830	12	25
119265-01250	1	9 -1
119265-01340	1	21
	15	2
119265-01341	1	21 -1
	15	2 -1
119265-11260	4	39 A
119265-11700	4	5
119265-21700	7	1
119265-22300	7	22
119265-22500	7	16
119265-22601	7	14
119265-22930	7	31
119265-22950	7	33

Parts No.	Fig. No.	Ref. No.
119265-23100	7	24
119265-23200	7	28
119265-42002	9	1
119266-01200	1	20 -1
119266-02410	1	13 -1
119266-51900	10	47
119270-12100	5	1
119270-12110	5	2
	15	13
119275-12101	5	1 -1
119285-66080	11	53
119305-35150	8	15
119312-01600	3	2
119312-21590	7	11
119312-59550	12	26
119454-01721	3	10
119489-11200	4	24
119489-66010	11	61
119489-66500	11	70
119600-11450	4	22
	15	9
119600-11460	4	23
	15	10
119600-34820	8	14
119600-61100	11	6
119600-61200	11	7
119600-61300	11	6 A
119600-61400	11	7 A
119600-61541	11	45
119600-61900	11	51
119610-66700	11	93
119620-01620	3	5
119620-01800	2	3
119620-02450	6	4
119620-11350	4	40
119620-11390	4	50
119620-21500	7	10
119620-21941	7	9
119620-25912	6	12
119620-42350	9	17
119620-49290	9	22
119620-51170	10	6
119620-51180	10	7
119620-51190	10	8
119620-51250	10	9
119620-51340	10	25
119620-51350	10	26
119620-51370	10	27
119620-51450	10	28
119620-51461	10	29

Parts No.	Fig. No.	Ref. No.
119620-51510	10	31
119620-51650	10	33
119620-51660	10	34
119620-51670	10	35
119620-51680	10	36
119620-51700	10	37
119620-53000	12	3
119620-53080	12	6
119620-53120	12	8
119620-53140	12	10
119620-59700	12	27
119620-77820	4	56
119621-21680	7	8
119621-66051	11	62
119621-66610	11	128
119621-66710	11	126
119623-01950	2	24
119623-61200	11	16
119624-32040	2	5 -1
	15	22 B
119653-66500	11	65
119660-01551	2	21
119660-01562	2	22
	15	6
119660-01570	2	23
119660-01640	3	6
119660-01821	6	16
119660-01911	2	4
119660-25022	6	8
119660-25052	6	9
119660-25920	6	28
119660-25930	6	29
119660-32020	8	11
	15	15
119660-51500	10	30
119660-51530	10	32
119660-61052	11	19
119660-61060	11	2
119660-61071	11	3
119660-61121	11	13
119660-61140	11	14
119660-61150	11	15
119660-61300	11	11
119660-61341	11	12
119660-61460	11	20
119660-61491	11	28
119660-61590	11	28 -1
119660-61651	11	47
119660-61901	11	52
119660-77330	9	28

## Parts No. Index

Parts No.	Fig. No.	Ref. No.
119685-61940	11	60
119685-61950	11	63
119865-77011	14	1
119865-77012	14	1 -1
119865-77160	14	10 -1
119865-77760	14	14 -1
119865-77780	14	13 -1
119865-79050	14	12 A
119867-21600	7	13
119867-21601	7	13 -1
121023-01550	2	13
121250-55620	13	8
121254-55510	13	5
121400-01640	3	12
121450-01560	2	19
121450-42450	9	25
121465-59950	11	5
121520-01851	13	1
	15	21
121520-01860	13	2
121520-34810	8	13
121575-66800	11	64
121575-66830	11	64 -1
124060-01050	1	4
124060-59380	13	21
124085-02220	3	8
124097-77710	14	5 -1
124101-49530	9	19
124160-01751	2	11
	4	57
124160-11360	4	43
124160-39450	8	28
124190-77110	14	2
124190-77760	14	13
124195-77770	14	19 -1
124465-44950	9	27
	15	18
124550-55700	13	10
124550-77030	14	23
124736-07900	4	2
124766-59050	13	16
		23
129100-01580	3	1
	7	2
129150-35350	8	24
129150-59120	12	18
129150-59131	12	21
129155-51280	11	17
129155-61480	11	23
129155-61830	12	2

Parts No.	Fig. No.	Ref. No.
129155-61830	15	19
129350-49541	9	20
	15	16
129400-92400	15	23
129795-77800	4	55
171056-49120	9	14
174307-51700	11	30
194990-22050	2	31
	11	1
22117-040000	11	48
22137-040000	10	42
22190-060002	13	22
22190-060003	11	124
22190-080002	10	48
22190-120002	11	117
	13	18 -1
	15	22 -1
22190-140002	12	28 -1
	15	20 -1
22217-040000	10	43
22217-050000	4	51
22242-000100	4	39
22242-000200	6	14
22252-000200	7	23
22272-000040	11	49
22351-030014	11	50
22351-040010	2	20
	11	57
22351-060012	4	4
22360-040000	11	118
22360-060000	11	119
22512-040120	6	7
		20
		30
	7	5
22857-500100	4	53 -1
23065-120500	4	1
23414-140000	12	28
	15	20
23418-060000	13	12
23871-030000	4	11
23876-030000	4	11 -1
24101-062034	6	22
24102-063034	6	21
		31
24311-000110	8	26 -1
	15	22 A
24311-000120	2	5
	4	54
	8	26

Parts No.	Fig. No.	Ref. No.
24311-000120	15	3
		3 -1
		3 -2
24311-000180	3	14
	15	7
24311-000210	9	11
24311-000320	2	12
	4	58
	15	4
24341-000070	11	58
24341-000240	2	14
	15	5
24341-000280	11	67
26014-060202	13	3
26014-080702	13	13
26022-040082	10	44
26033-040102	10	45 -1
26106-060102	3	15
	11	59
26106-060122	1	22
	6	15
	8	27
	9	18
26106-060162	2	6
		15 -1
	5	3
	6	23
26106-060182	2	15
26106-060222	3	9
26106-060282	5	4
26106-060302	2	7
26106-060402	2	8
26106-060452	3	16
26106-060502	2	9
26106-060652	2	10
26106-060702	11	120
26106-060752	11	4
26106-060952	11	69
26106-080142	4	3
26106-080252	9	21
26106-080282	9	21 -1
26106-080452	4	41
	9	15
26106-080552	9	29
26106-080652	9	29 -1
26106-100302	14	22
26116-050202	11	121
26116-060304	11	122
26206-100202	3	3
26206-100252	3	4

Parts No.	Fig. No.	Ref. No.
26366-060002	2	32
26366-080002	4	42
26450-060202	8	12
26557-050102	4	53
26587-040102	10	45
26587-080102	6	24
26756-060002	4	34
		38
	11	123
27221-050080	4	12
27221-060100	1	8
27231-400000	1	9
27241-100000	1	10
27241-250000	1	11
27241-300000	1	12
27241-350000	4	13
46150-503100	9	26
714250-11570	4	18
719225-51100	10	1
719260-02870	1	23
719260-11520	4	44
719260-23600	7	29
719260-23610	7	37
719265-01560	1	1
719265-92670	15	1
719266-51100	10	1 A
719489-11650	4	31
719489-11660	4	35
719620-53700	12	1
977770-01212	2	33
	3	17
	15	24
X211416614	14	14
X2114274200	14	21 A
X21142835	14	21
X211443001	14	8
X21145312	14	7
X21145352	14	9
		15
X21145867	14	20
X211463109	14	5
X211466013	14	17
X211468005	14	19
X2114715500	14	4
X2114776050	14	18
X211478006	14	16
X2114811000	14	3
X21148215	14	6
X21148313	14	11
X21149314	14	12