

0CV10-M96000EN

# PREFACE

- 1.This Parts Catalog carries all parts incorporated in YANMAR Model 3TNE68C-ENP engine manufactured since May, 2004.
- 2.Each illustration corresponds to the parts list on the following page.
- 3.When ordering parts,clearly write down the engine model and serial number,as well as the name and number of each part in your order sheet. This will help insure reliable delivery of the parts you have ordered.

## Directions for the Parts Catalog.

1. The parts stipulated in this Parts Catalog are not necessarily standard equipped parts.
2. Parts may change without prior notice.
3. The following is an example of the Parts Catalog format.

OCF10-G21601		29. FUEL INJECTION PUMP(W/BOOST)									
REF.	LEV.	PARTS NO.	DESCRIPTION	(A)	(B)	(C)	(D)	(E)	(F)	I	R
1	1	729595-51390	FUEL INJECTION PUMP	1	1	1	1	1			1
1-1	1	729595-51391	FUEL INJECTION PUMP	1	1	1	1	1		N	1
		(A=E00185)	(B=E00200)								
3	2	26022-060162	SCREW M 6X 16	9	9	9	9	9			
3-1	2	26022-060162	SCREW M 6X 16	4	4	4	4	4		K	
		(A=E00156)	(B=E00156)	(C=E00156)	(D=E00156)	(E=E00156)					
4	2	129470-51040	CAMSHAFT	1	1	1	1	1			
5	2	122710-51050	BEARING, ROLLER	2	2	2	2	2			
6	2	129470-51060	RETAINER	1	1	1	1	1			

Remarks	
(1)	BOOST COMPEMSATOR TYPE. OPTIONAL PART, TO E00155,(4JH-DT, 4JH-DTZ

### ① Ref. No.

The Ref. No. listed may not be in accordance with the illustration Ref. No.

(Ex.) Illustration No.

List Ref No.

1 1 (Before change) → 1-1 (After change)

For interchangeable symbols N, R and K, illustrations for new parts may be abbreviated.

### ② Lev. (Level)

Level indication

The numbers below indicate the level of relativity towards the main part.

1 ----- Main parts (Assembly parts)

2 ----- Sub component included in " 1 ".

3 ----- Sub component included in " 2 ".

Note) Parts that are not for sale are partially illustrated but not listed.

### ③ Interchangeability Mark

When a part change takes place, one of the following interchangeability symbols is indicated beside the part.

Symbol	Interchangeability	Contents note
N	Old $\begin{matrix} \leftarrow \text{Yes} \\ \text{No} \rightarrow \end{matrix}$ New	New Part is interchangeable for Old Part but Old Part is not interchangeable for New Part.
Q	Old $\begin{matrix} \leftarrow \text{No} \\ \text{Yes} \rightarrow \end{matrix}$ New	New Part is not interchangeable for Old Part but Old Part is interchangeable for New Part.
R	Old $\begin{matrix} \leftarrow \text{Yes} \\ \text{Yes} \rightarrow \end{matrix}$ New	New/ Old Parts are both interchangeable.
S	Old $\begin{matrix} \leftarrow \text{No} \\ \text{No} \rightarrow \end{matrix}$ New	New/ Old Parts are both not interchangeable.
W		Part newly added.
Z		Part discontinued.
F		Not interchangeable by a single part but interchangeable together with related parts.
K		Changes only for used parts quantities.

### ④ Effective Machine No.

When a part changes, the effective Machine No. will be indicated in the (A)-(F) column.

Product Symbol	Product No.	Product Symbol	Product No.
C	Clutch No. Compressor No.	F	Machine No. (Agricultural Equip.)
D	Drive No.	M	Machine No.
E	Engine No.		

Note 1) A date may follow the symbol. (Ex.) 1996.01

Note 2) "XXXXX" and "ZZZZZ" are for parts that could not be predicted or for engine models that could not be identified.

Note 3) (A=E00185) is the E (Engine Serial Number) for the column (A) model (in this case 4JH-DT) after the parts design change.

### ⑤ Remarks Mark

Figures or alphabets (symbols) are entered in the remarks column.

The comments (remarks) on parts that are indicated at the bottom of the illustration are the same symbols as those stated above.

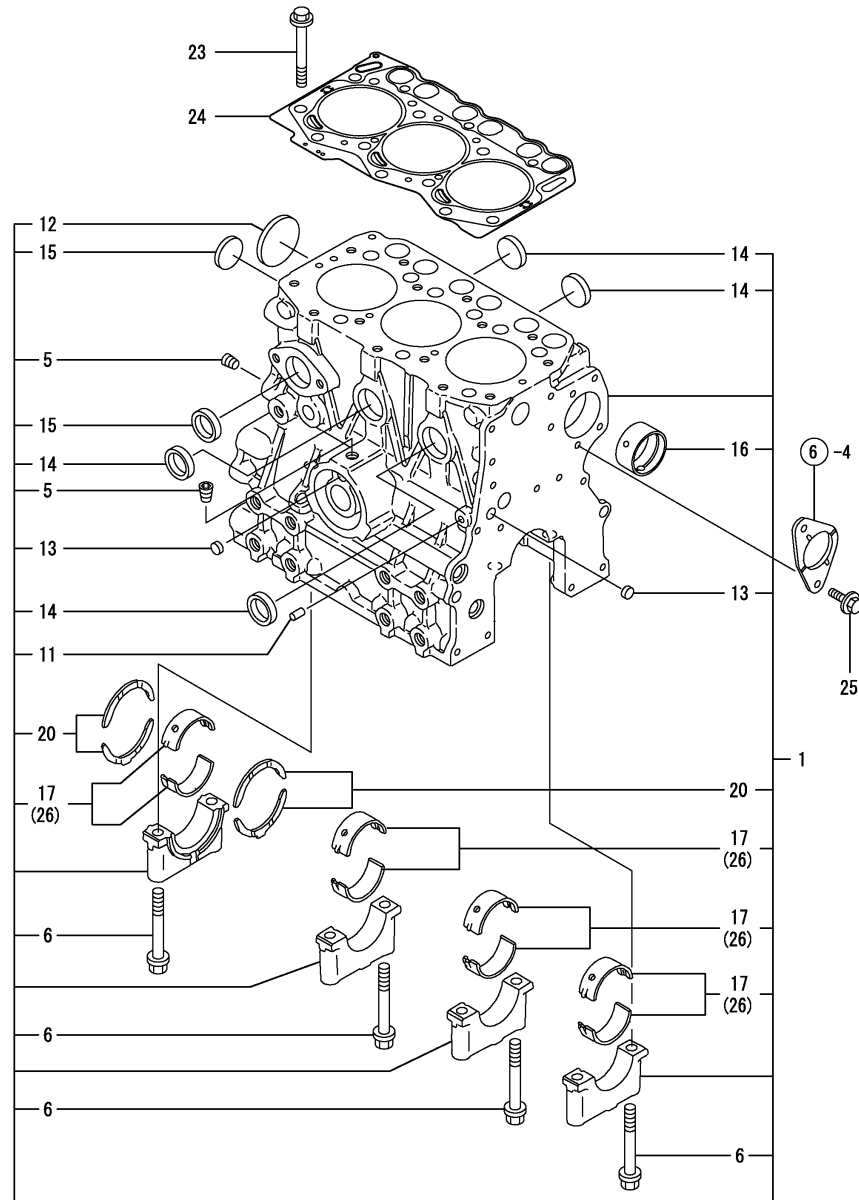
# Contents

Fig. No.    Fig. Name  
ENGINE SECTION (3TNE68C-ENP)

Fig. No.    Fig. Name

1. CYLINDER BLOCK
2. GEAR HOUSING
3. FLYWHEEL HOUSUNG & OIL SUMP
4. CYLINDER HEAD & BONNET
5. SUCTION & EXHAUST MANIFOLD
6. CAMSHAFT & DRIVING GEAR
7. CRANKSHAFT & PISTON
8. LUB.OIL SYSTEM
9. COOLING WATER SYSTEM
10. FUEL INJECTION PUMP
11. GOVERNOR
12. FUEL INJECTION VALVE
13. FUEL LINE
14. STARTING MOTOR
15. GASKET SET

Fig.1. CYLINDER BLOCK



(A)=3TNE68C-ENP

(B)=

(C)=

(D)=

(E)=

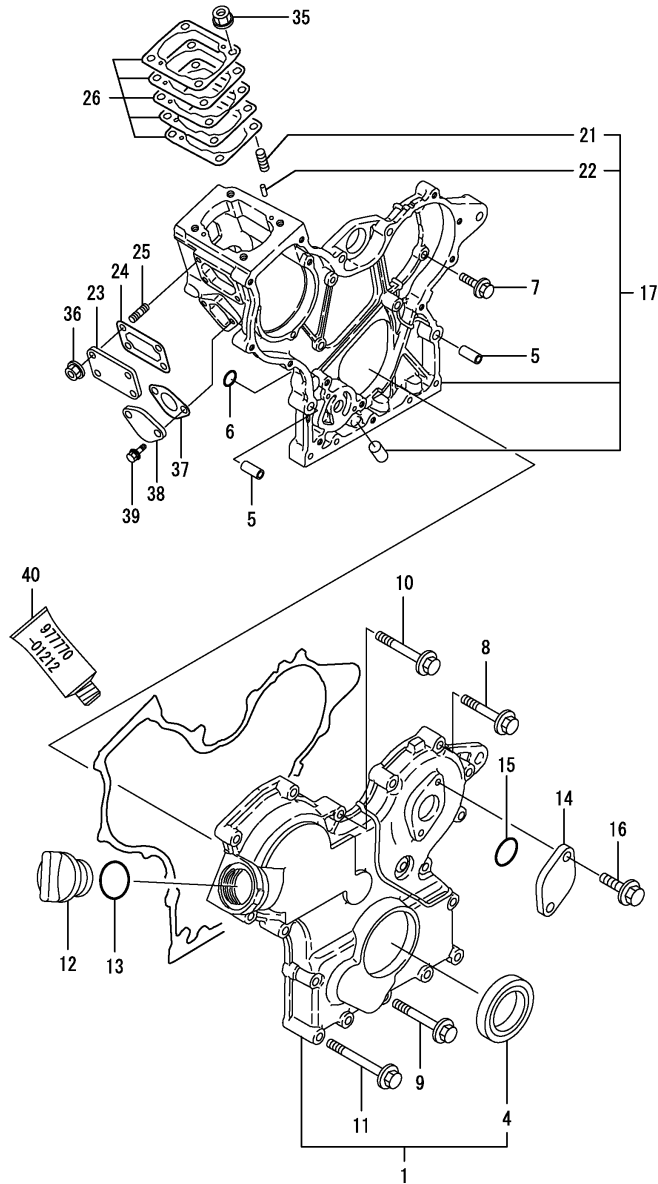
(F)=

No.	Lev.	Parts No.	Description	Qty						I	R	
				(A)	(B)	(C)	(D)	(E)	(F)			
1	1	719265-01560	BLOCK ASSY, CYLINDER	1								
5	2	124060-01050	PLUG, PT1/8	2								
6	2	119260-02020	BOLT, METAL CAP	8								
11	2	27221-060100	PLUG, 6X10	1								
12	2	119265-01250	PLUG, 40	1								
13	2	27241-100000	PLUG, 10	2								
14	2	27241-250000	PLUG, 25	4								
15	2	27241-300000	PLUG 30	2								
16	2	119266-02410	BUSH	1								
17	2	119260-02800	BEARING, MAIN	4								
20	2	119260-02930	BEARING, THRUST	2								
23	1	119266-01200	BOLT, HEAD	14								
24	1	119265-01341	GASKET, HEAD	1								
25	1	26106-060122	BOLT, M6X 12 PLATED	2								
26	1	719260-02870	BEARING, 0.25 US	4								1

Remarks

(1) UNDER-SIZE(U.S=0.25)PART.

Fig.2. GEAR HOUSING



(A)=3TNE68C-ENP

(B)=

(C)=

(D)=

(E)=

(F)=

No.	Lev.	Parts No.	Description	Q'ty						I	R
				(A)	(B)	(C)	(D)	(E)	(F)		
1	1	119260-01590	COVER ASSY,GEAR CASE	1							
4	2	119620-01800	SEAL, OIL	1							
5	1	119660-01911	PIPE, KNOCK	4							
6	1	119624-32040	O-RING, P12.0	2							
7	1	26106-060162	BOLT, M6X 16 PLATED	5							
8	1	26106-060302	BOLT, M6X 30 PLATED	5							
9	1	26106-060402	BOLT, M6X 40 PLATED	3							
10	1	26106-060502	BOLT, M6X 50 PLATED	4							
11	1	26106-060652	BOLT, M6X 65 PLATED	6							
12	1	124160-01751	COVER, FILLER	1							
13	1	24311-000320	O-RING, 1AP32.0	1							
14	1	121023-01550	COVER	1							
15	1	24341-000240	O-RING, 1AS24.0	1							
16	1	26106-060162	BOLT, M6X 16 PLATED	2							
17	1	119260-01490	CASE ASSY, GEAR	1							
21	2	121450-01560	STUD, M8X22	4							
22	2	22351-040010	PIN, SPRING 4.0X10	2							
23	1	119660-01551	COVER	1							
24	1	119660-01562	GASKET	1							
25	1	119660-01570	STUD, M6X12	4							
26	1	119623-01950	SHIM SET, ADJUSTING	1							
35	1	194990-22050	NUT, M8	4							
36	1	26366-060002	NUT, M6	4							
37	1	121520-01851	GASKET	1							
38	1	121520-01860	COVER	1							
39	1	26106-060162	BOLT, M6X 16 PLATED	2							
40	1	977770-01212	GASKET, LIQUID	1							1

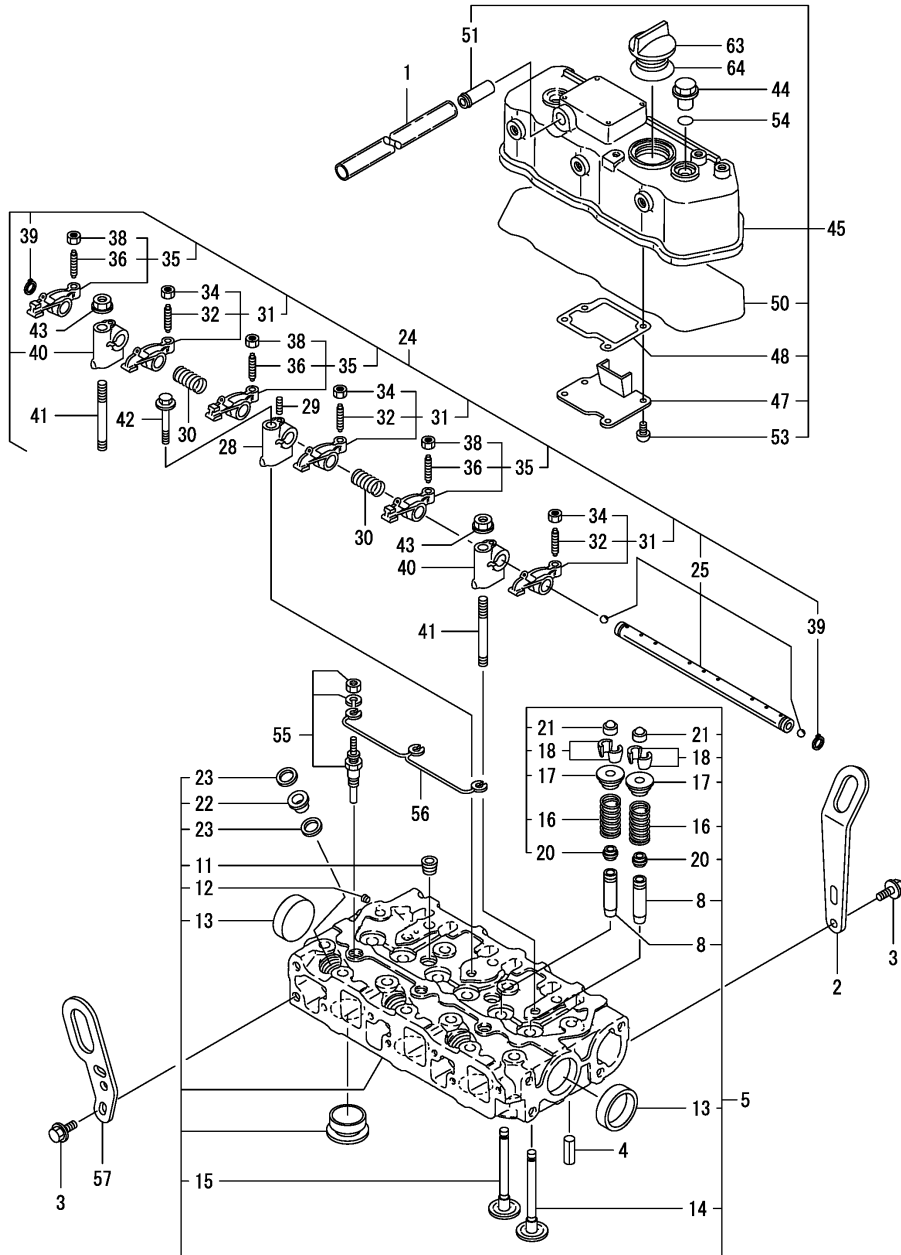
Remarks

(1) OPTIONAL PART.

N:Old  $\begin{matrix} \leftarrow \text{Yes} \\ \text{No} \end{matrix}$  New, Q:Old  $\begin{matrix} \leftarrow \text{No} \\ \text{Yes} \end{matrix}$  New, R:Old  $\begin{matrix} \leftarrow \text{Yes} \\ \text{Yes} \end{matrix}$  New, S:Old  $\begin{matrix} \leftarrow \text{No} \\ \text{No} \end{matrix}$  New, W:Add, Z:Discontinued, F:Interchangeable by set, K:Q'ty Change



Fig.4. CYLINDER HEAD & BONNET



(A)=3TNE68C-ENP

(B)=

(C)=

(D)=

(E)=

(F)=

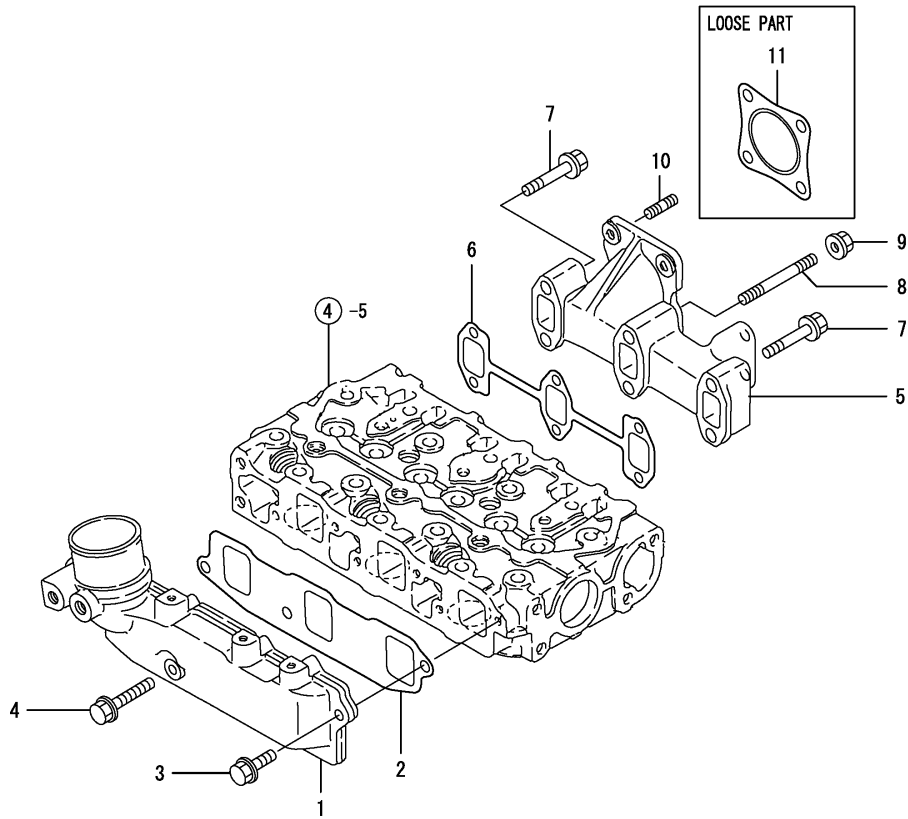
No.	Lev.	Parts No.	Description	Q'ty						I	R
				(A)	(B)	(C)	(D)	(E)	(F)		
1	1	23065-120500	PIPE, 12X 500	1							
2	1	119266-07900	LIFTER	1							
3	1	26106-080142	BOLT, M8X 14 PLATED	4							
4	1	22351-060012	PIN, SPRING 6.0X12	2							
5	1	119265-11700	HEAD ASSY, CYLINDER	1							
8	2	119260-11800	GUIDE, VALVE	6							1
11	2	23876-030000	PLUG, R03	2							
12	2	27221-050080	PLUG, 5X 8	1							
13	2	27241-350000	PLUG, 35	2							
14	2	119260-11100	VALVE, INTAKE	3							
15	2	119260-11110	VALVE, EXHAUST	3							
16	2	114250-11120	SPRING, VALVE	6							
17	2	114250-11180	RETAINER, SPRING	6							
18	2	27310-055001	COTTER, 5.5	6							
20	2	119260-11340	SEAL, VALVE STEM	6							
21	2	119260-11370	CAP, VALVE	6							
22	2	119600-11450	PROTECTOR, NOZZLE	3							
23	2	119600-11460	GASKET, NOZZLE	6							
24	1	119489-11200	SUPPORT ASSY, ARM	1							
25	2	119260-11240	SHAFT ASSY, ROCKER	1							
28	2	119260-11260	SUPPORT, ROCKER ARM	1							
29	2	119260-11270	SCREW	1							
30	2	119260-11280	SPRING	2							
31	2	719489-11650	ARM ASSY, ROCKER	3							
32	3	105010-11230	SCREW, VALVE ADJUST	3							
34	3	26756-060002	NUT, LOCK M6	3							
35	2	719489-11660	ARM ASSY, ROCKER	3							
36	3	105010-11230	SCREW, VALVE ADJUST	3							
38	3	26756-060002	NUT, LOCK M6	3							
39	2	22242-000100	RING, 10	2							
40	2	119265-11260	SUPPORT, ROCKER ARM	2							
41	1	119620-11350	STUD	2							
42	1	26106-080452	BOLT, M8X 45 PLATED	1							
43	1	26306-080002	NUT, M8	2							
44	1	124160-11360	KNOB	2							
45	1	119260-11331	BONNET ASSY, HEAD	1							
47	2	119260-03020	PLATE, SHELTER	1							
48	2	119260-03031	GASKET	1							
50	2	119260-11310	GASKET, BONNET	1							
51	2	118400-03060	JOINT, BREATHER	1							
53	2	22857-500100	SCREW, 5X10	4							
54	1	24311-000120	O-RING, 1AP12.0	2							
55	1	129155-77801	PLUG, GLOW	3							
56	1	119620-77820	CONNECTOR, GLOW PLUG	1							
57	1	119626-07900	LIFTER	1							
63	1	124160-01751	COVER, FILLER	1							
64	1	24311-000320	O-RING, 1AP32.0	1							

Remarks

(1) REPAIR PART.



Fig.5. SUCTION & EXHAUST MANIFOLD

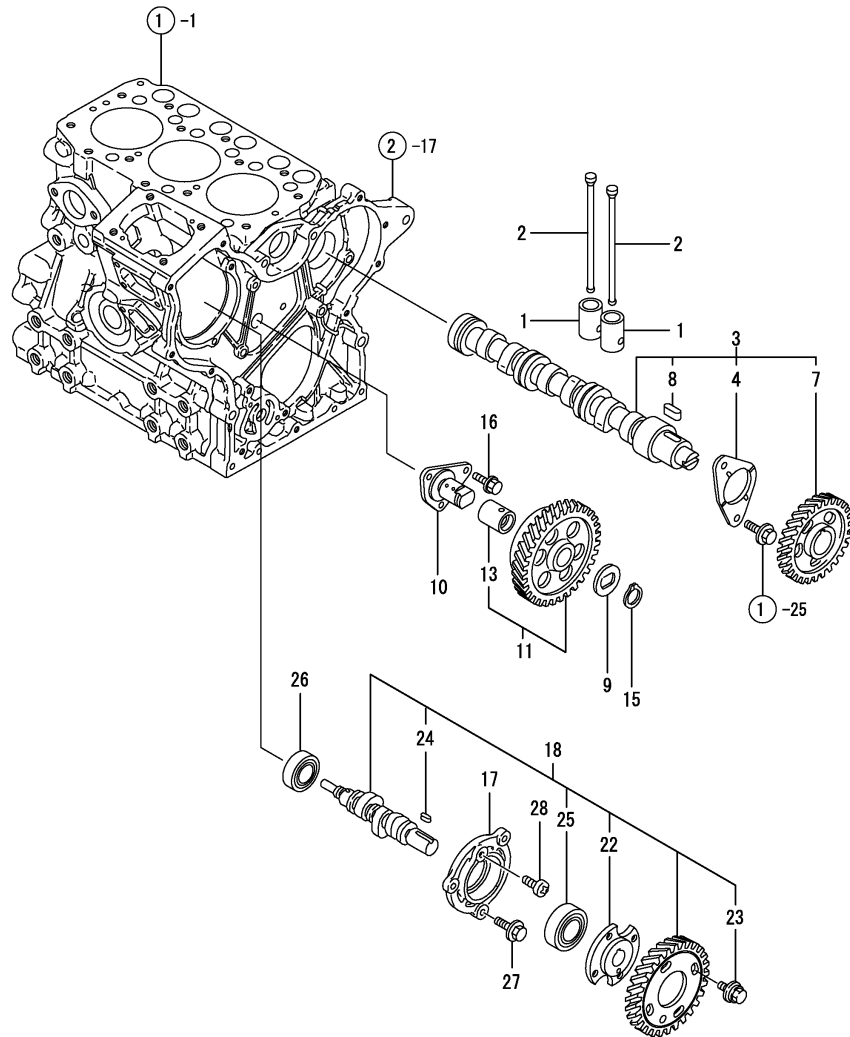


(A)=3TNE68C-ENP  
(B)=  
(C)=

(D)=  
(E)=  
(F)=

No.	Lev.	Parts No.	Description	Q'ty						I	R
				(A)	(B)	(C)	(D)	(E)	(F)		
1	1	119275-12101	MANIFOLD, AIR INTAKE	1							
2	1	119270-12110	GASKET, MANIFOLD	1							
3	1	26106-060162	BOLT, M6X 16 PLATED	2							
4	1	26106-060282	BOLT, M6X 28 PLATED	1							
5	1	119260-13100	MANIFOLD, EXHAUST	1							
6	1	119260-13110	GASKET	1							
7	1	119265-13830	BOLT, M6X35	4							
8	1	119265-13810	STUD, M6X40	2							
9	1	119265-13800	NUT, M6	2							
10	1	119131-18320	STUD, M8X22	4							
11	1	121000-13201	GASKET, SILENCER	1							

Fig.6. CAMSHAFT & DRIVING GEAR



(A)=3TNE68C-ENP

(B)=

(C)=

(D)=

(E)=

(F)=

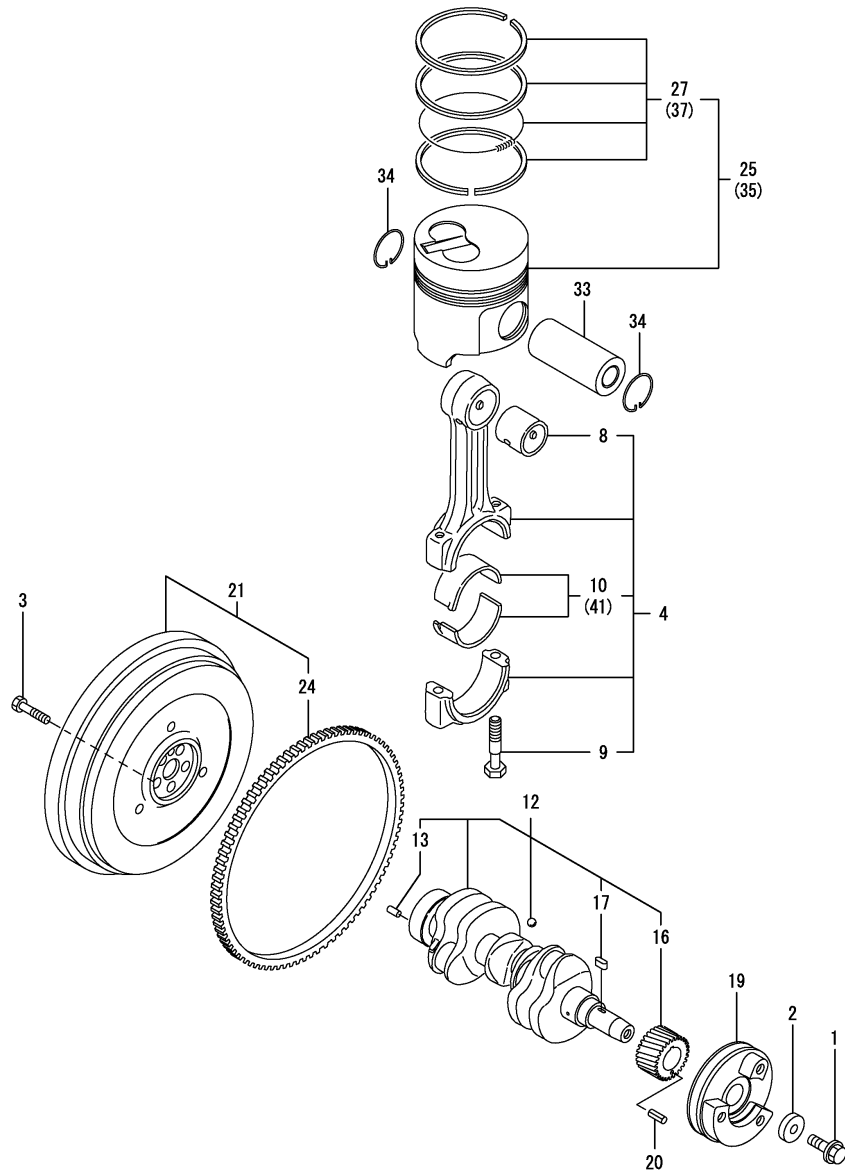
No.	Lev.	Parts No.	Description	Q'ty						I	R
				(A)	(B)	(C)	(D)	(E)	(F)		
1	1	119260-14200	TAPPET	6							
2	1	119260-14400	ROD, PUSH	6							
3	1	119260-14580	CAMSHAFT ASSY	1							
4	2	119620-02450	BEARING, THRUST	1							
7	2	119260-14100	GEAR, CAMSHAFT	1							
8	2	22512-040120	KEY, 4X 12	1							
9	1	119660-25022	RETAINER	1							
10	1	119660-25052	SHAFT, IDLE	1							
11	1	119260-25100	GEAR ASSY, IDLE	1							
13	2	119620-25912	BUSH	1							1
15	1	22242-000200	RING, 20	1							
16	1	26106-060122	BOLT, M6X 12 PLATED	3							
17	1	119660-01821	BEARING, FUEL CAM	1							
18	1	119225-14210	CAM ASSY	1							
22	2	119660-25920	FLANGE	1							
23	2	119660-25930	BOLT	4							
24	2	22512-040120	KEY, 4X 12	1							
25	2	24102-063034	BEARING, BALL 6303U	1							
26	1	24101-062034	BEARING, BALL 6203	1							
27	1	26106-060162	BOLT, M6X 16 PLATED	3							
28	1	26587-080102	SCREW, M8X10	1							

Remarks

(1) REPAIR PART.

N:Old  $\begin{matrix} \leftarrow \text{Yes} \\ \text{No} \end{matrix}$  New, Q:Old  $\begin{matrix} \leftarrow \text{No} \\ \text{Yes} \end{matrix}$  New, R:Old  $\begin{matrix} \leftarrow \text{Yes} \\ \text{No} \end{matrix}$  New, S:Old  $\begin{matrix} \leftarrow \text{No} \\ \text{Yes} \end{matrix}$  New, W:Add, Z:Discontinued, F:Interchangeable by set, K:Q'ty Change

# Fig.7. CRANKSHAFT & PISTON



(A)=3TNE68C-ENP

(B)=

(C)=

(D)=

(E)=

(F)=

No.	Lev.	Parts No.	Description	Q'ty						I	R
				(A)	(B)	(C)	(D)	(E)	(F)		
1	1	119621-21680	BOLT, FLANGE 12X1.25	1							
2	1	119620-21941	WASHER	1							
3	1	119620-21500	BOLT, FLYWHEEL	5							
4	1	119265-23100	ROD ASSY, CONNECTING	3							
8	2	119260-23910	BEARING, PISTON PIN	3							1
9	2	119265-23200	BOLT, CONNECTING ROD	6							
10	2	719260-23600	BEARING, CRANK PIN	3							
12	1	119265-21700	CRANKSHAFT ASSY	1							
13	2	129100-01580	PIN, M8X16	1							
16	2	119260-21200	GEAR, CRANKSHAFT	1							
17	2	22512-040120	KEY, 4X 12	1							
19	1	119233-21691	V-PULLEY	1							
20	1	22351-030010	PIN, SPRING 3.0X10	1							
21	1	119233-21570	FLYWHEEL ASSY	1							
24	2	124950-21600	GEAR, RING	1							
25	1	119265-22601	PISTON ASSY	3							
27	2	119265-22500	RING SET, PISTON	3							
33	1	119265-22300	PIN, PISTON	3							
34	1	22252-000200	RING, 20	6							
35	1	119265-22930	PISTON ASSY, 0.25 OS	3							2
37	2	119265-22950	RING SET, 0.25 OS	3							2
41	1	719260-23610	BEARING ASSY, 0.25	3							3

Remarks

(1) REPAIR PART.

(2) OVER-SIZE(O.S=0.25)PART.

(3) UNDER-SIZE(U.S=0.25)PART.

Fig.8. LUB.OIL SYSTEM

(A)=3TNE68C-ENP

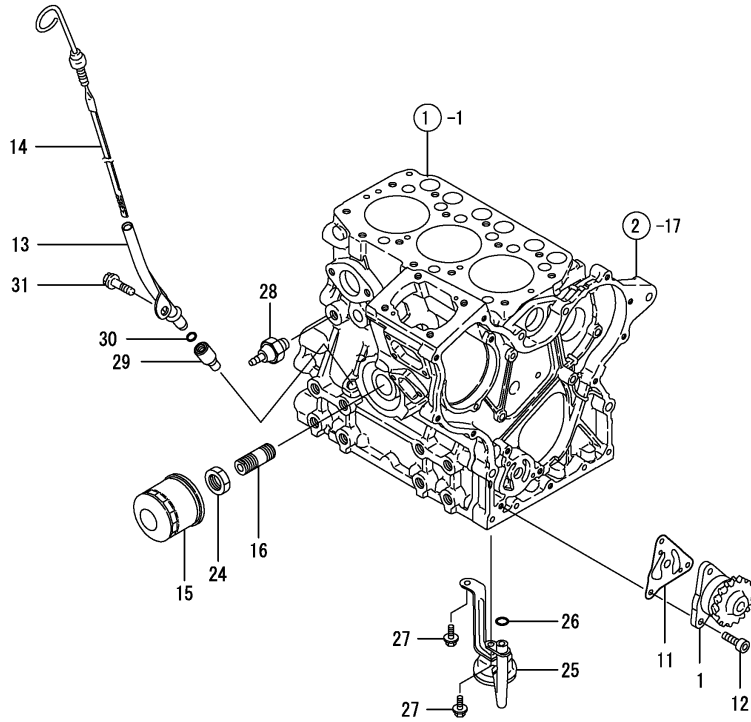
(B)=

(C)=

(D)=

(E)=

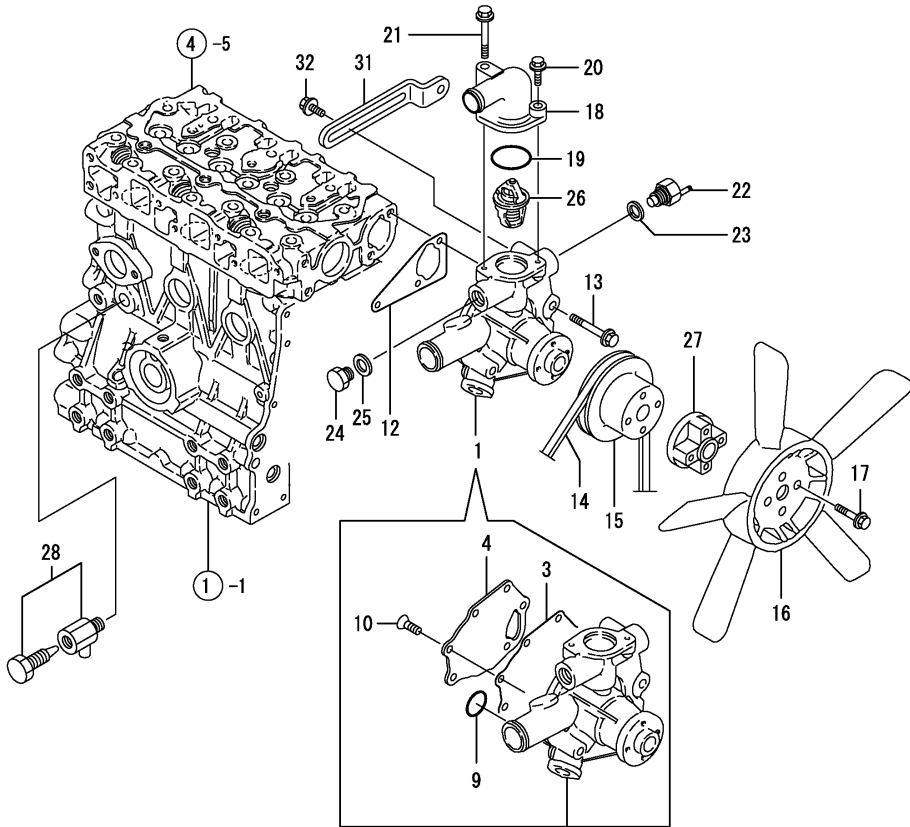
(F)=



No.	Lev.	Parts No.	Description	Q'ty						I	R
				(A)	(B)	(C)	(D)	(E)	(F)		
1	1	119260-32000	PUMP ASSY, OIL	1							
11	1	119660-32020	GASKET, PUMP	1							
12	1	26450-060202	BOLT, M6X 20	3							
13	1	119225-34810	GUIDE, DIPSTICK	1							
14	1	119285-34821	DIPSTICK, LUB. OIL	1							
15	1	119305-35151	FILTER ASSY, D68XL65	1							1
16	1	119225-35300	VALVE ASSY,OIL PRESS	1							
24	1	129150-35350	NUT	1							
25	1	119260-35081	PIPE, OIL INLET	1							
26	1	119209-35030	O-RING, P11	1							
27	1	26106-060122	BOLT, M6X 12 PLATED	2							
28	1	114250-39450	SWITCH, 0.5KG	1							
29	1	119260-34810	GUIDE, DIPSTICK	1							
30	1	24311-240100	O-RING, 1AP10A	1							
31	1	26106-060102	BOLT, M6X 10 PLATED	1							

Remarks  
(1) REPAIR PART.

Fig.9. COOLING WATER SYSTEM



(A)=3TNE68C-ENP

(B)=

(C)=

(D)=

(E)=

(F)=

No.	Lev.	Parts No.	Description	Q'ty						I	R
				(A)	(B)	(C)	(D)	(E)	(F)		
1	1	119260-42004	PUMP ASSY, WATER	1							
3	2	119285-42051	GASKET, WATER PUMP	1							
4	2	119285-42120	PLATE	1							
9	2	119209-42320	O-RING, P21 EPDM	1							
10	2	26577-060122	SCREW, M6X12	3							
12	1	119260-42021	GASKET, WATER PUMP	1							
13	1	26106-080452	BOLT, M8X 45 PLATED	3							
14	1	25157-003500	V-BELT, M35	1							
15	1	119620-42350	V-PULLEY	1							
16	1	124700-44740	FAN, COOLING 5X310	1							
17	1	26106-060352	BOLT, M6X 35 PLATED	4							
18	1	119256-49531	COVER, THERMOSTAT	1							
19	1	119209-42140	O-RING, G 35	1							
20	1	26106-060162	BOLT, M6X 16 PLATED	1							
21	1	26106-060552	BOLT, M6X 55 PLATED	1							
22	1	121250-44901	SWITCH, 110	1							
23	1	124465-44950	GASKET, 16	1							
24	1	121450-42450	PLUG, M16	1							
25	1	124465-44950	GASKET, 16	1							
26	1	119260-49801	THERMOSTAT, 71	1							
27	1	171353-44760	SPACER, FAN	1							
28	1	119620-49290	COCK ASSY, 1/4	1							
31	1	119225-77330	ADJUSTER	1							
32	1	26106-080182	BOLT, M8X 18 PLATED	1							

Fig.10. FUEL INJECTION PUMP

(A)=3TNE68C-ENP

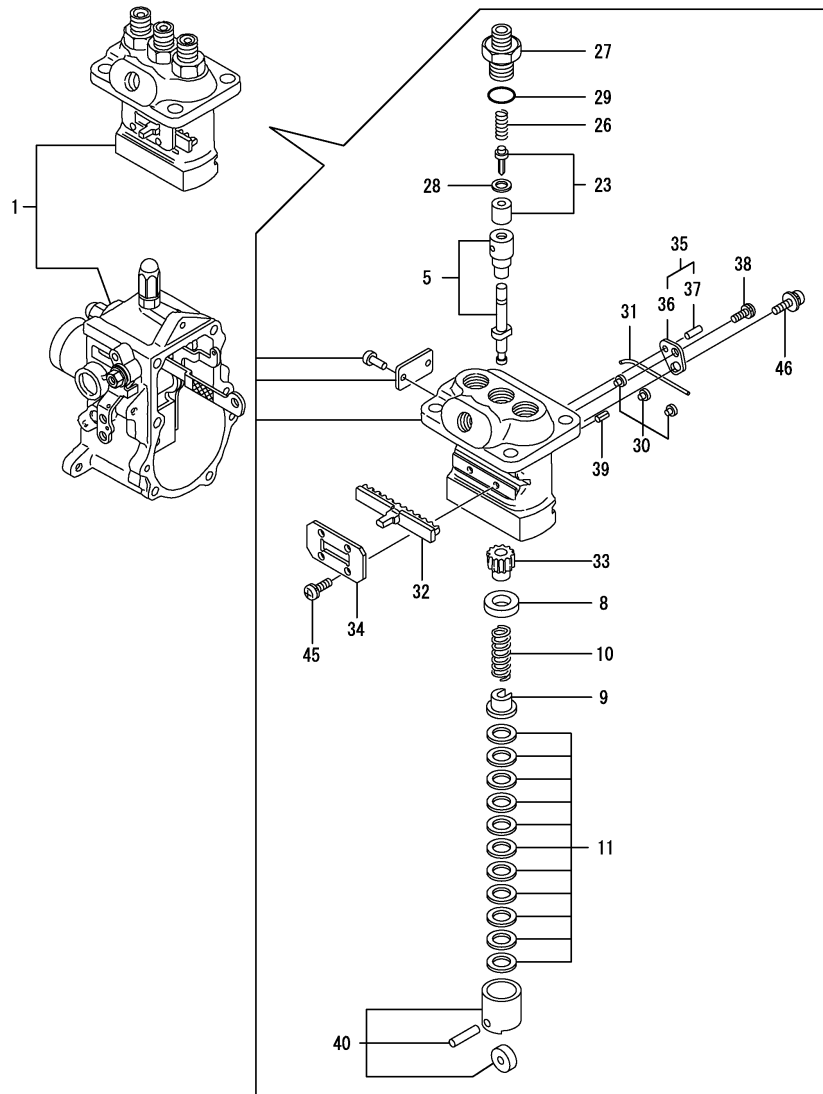
(B)=

(C)=

(D)=

(E)=

(F)=



No.	Lev.	Parts No.	Description	Q'ty						I	R
				(A)	(B)	(C)	(D)	(E)	(F)		
1	1	719265-51700	PUMP ASSY, INJECTION	1							1
5	2	119225-51100	PLUNGER ASSY	3							
8	2	119620-51170	RETAINER, SPRING A	3							
9	2	119620-51180	RETAINER, SPRING B	3							
10	2	119620-51190	SPRING, PLUNGER	3							
11	2	119620-51250	SHIM SET	3							
23	2	119225-51300	VALVE ASSY, DELIVERY	3							
26	2	105546-51330	SPRING, DELIVERY	3							
27	2	119620-51340	HOLDER, DELIVERY	3							
28	2	119620-51350	GASKET	3							
29	2	119620-51370	O-RING	3							
30	2	119620-51450	PIECE	3							
31	2	119620-51461	PIN	1							
32	2	119660-51500	RACK, CONTROL	1							
33	2	119620-51510	PINION	3							
34	2	119660-51530	RETAINER, RACK	1							
35	2	119620-51640	PLATE ASSY, ADJUST	2							
36	3	119620-51650	PLATE	2							
37	3	119620-51670	PIN	2							
38	2	119620-51660	SCREW	2							
39	2	119620-51680	PIN	1							
40	2	119620-51700	TAPPET ASSY	3							
45	2	26022-040082	SCREW, M4X 8	4							
46	2	26033-040102	SCREW, M4X10	2							

Remarks

(1) GOVERNOR ASSY(FIG.NO.11) IS INCORPORATED IN THIS FUEL INJECTION PUMP ASSY(REF.NO.1).

Fig.11. GOVERNOR

(A)=3TNE68C-ENP

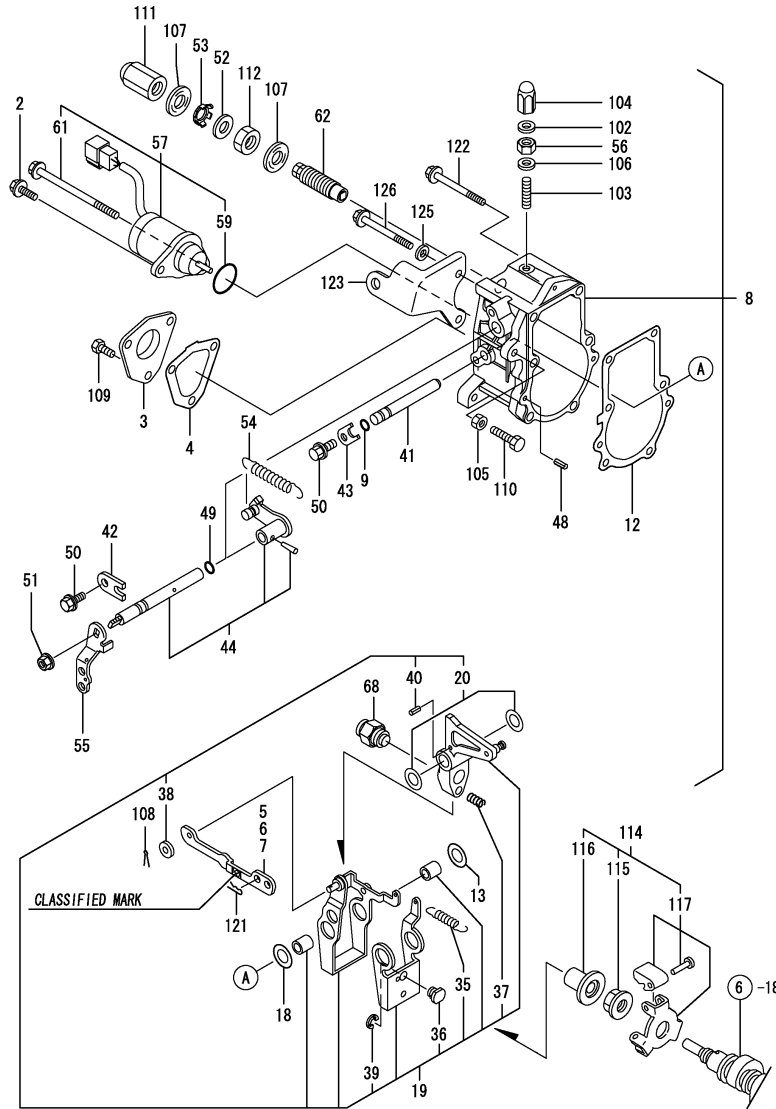
(B)=

(C)=

(D)=

(E)=

(F)=



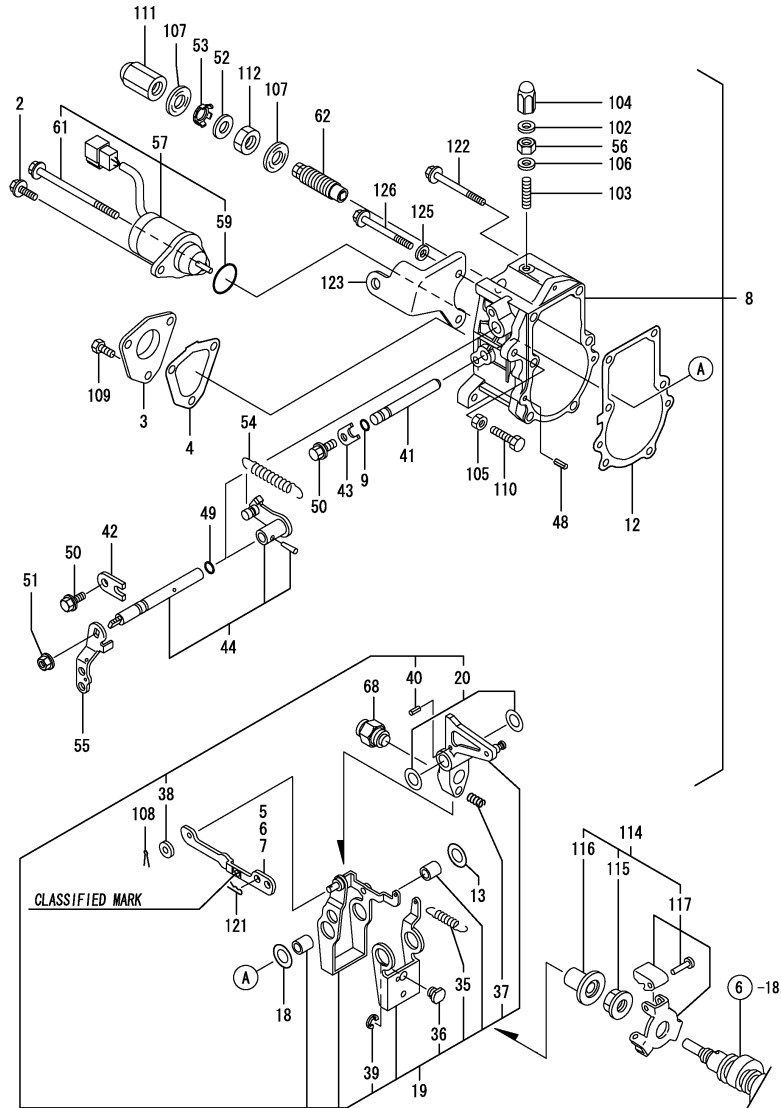
No.	Lev.	Parts No.	Description	Q'ty						I	R
				(A)	(B)	(C)	(D)	(E)	(F)		
2	2	121465-59950	BOLT, M6X16	1							
3	2	119660-61060	COVER, GOVERNOR CASE	1							
4	2	119660-61071	GASKET	1							
5	2	119660-61122	LINK, NO MARK	1							1
6	2	119660-61141	LINK, MARK A	1							1
7	2	119660-61151	LINK, MARK :B	1							1
8	2	119632-61200	CASE ASSY, GOVERNOR	1							
9	3	129155-51280	O-RING, S6	1							
12	3	119660-61053	GASKET	1							
13	3	119632-61500	SHIM SET	1							
18	3	129156-61500	SHIM, T=0.5	1							
19	3	119232-61510	LEVER ASSY, GOVERNOR	1							
20	4	174307-51700	SHIM SET	2							
35	3	119232-61540	SPRING	1							
36	3	119600-61541	SHIFTER	1							
37	3	119660-61651	SPRING, STARTING	1							
38	3	22117-040000	WASHER, 4	1							
39	3	22272-000040	RING, E- 4	1							
40	3	22351-030014	PIN, SPRING 3.0X14	1							
41	3	119660-61590	SHAFT	1							
42	3	119600-61900	RETAINER, SHAFT	1							
43	3	119660-61901	RETAINER, SHAFT	1							
44	3	119285-66080	SHAFT ASSY	1							
48	3	22351-040010	PIN, SPRING 4.0X10	2							
49	3	24341-000070	O-RING, 1AS7.0	1							
50	3	26106-060102	BOLT, M6X 10 PLATED	2							
51	2	26366-080002	NUT, M8	1							
52	2	23414-120016	GASKET, 12X1.0	1							
53	2	129209-61970	PLATE	1							
54	2	119489-66010	SPRING, REGULATOR	1							
55	2	119621-66051	LEVER, REGULATOR	1							
56	2	26857-060002	NUT, M6	1							
57	2	119653-66500	STOPPER ASSY	1							
59	3	24341-000280	O-RING, 1AS28.0	1							
61	3	119620-01530	BOLT	1							
62	2	119629-66510	LIMITER ASSY, FUEL	1							
68	2	119610-66700	ANGLEICH ASSY	1							
102	2	119285-66620	GASKET	1							
103	2	171002-66830	SCREW	1							
104	2	119285-66600	NUT, CAP M6	1							
105	2	26756-060002	NUT, LOCK M6	1							
106	2	22190-060003	WASHER, SEAL 6	1							
107	2	22190-120002	WASHER, SEAL 12	2							
108	2	22360-040000	PIN, SNAP 4	1							
109	2	26116-050102	BOLT, M5X 10 PLATED	3							
110	2	119266-61460	BOLT	1							
111	2	129100-61930	NUT, CAP	1							
112	2	26736-120002	NUT, M12	1							
114	1	119600-61300	DRIVE ASSY	1							
115	2	119660-61300	NUT	1							
116	2	119660-61341	SLEEVE	1							

Remarks

(1) SELECTIVE PARTS: CERTAIN THE CLASSIFICATION MARK, THEN PLACE YOUR ORDER.(REFER TO ILLUSTRATION).

\* THIS FIGURE(GOVERNOR ASSY) IS INCORPORATED IN THE FUEL INJECTION PUMP ASSY(FIG.10).

Fig.11. GOVERNOR



(A)=3TNE68C-ENP

(B)=

(C)=

(D)=

(E)=

(F)=

No.	Lev.	Parts No.	Description	Q'ty						I	R
				(A)	(B)	(C)	(D)	(E)	(F)		
117	2	119600-61400	WEIGHT ASSY,GOVERNOR	1							
121	1	22360-060000	PIN, SNAP 6	1							
122	1	26106-060702	BOLT, M6X 70 PLATED	3							
123	1	119288-55901	BRACKET, FILTER	1							
125	1	22111-060000	WASHER, 6	2							
126	1	26106-060752	BOLT, M6X 75 PLATED	2							

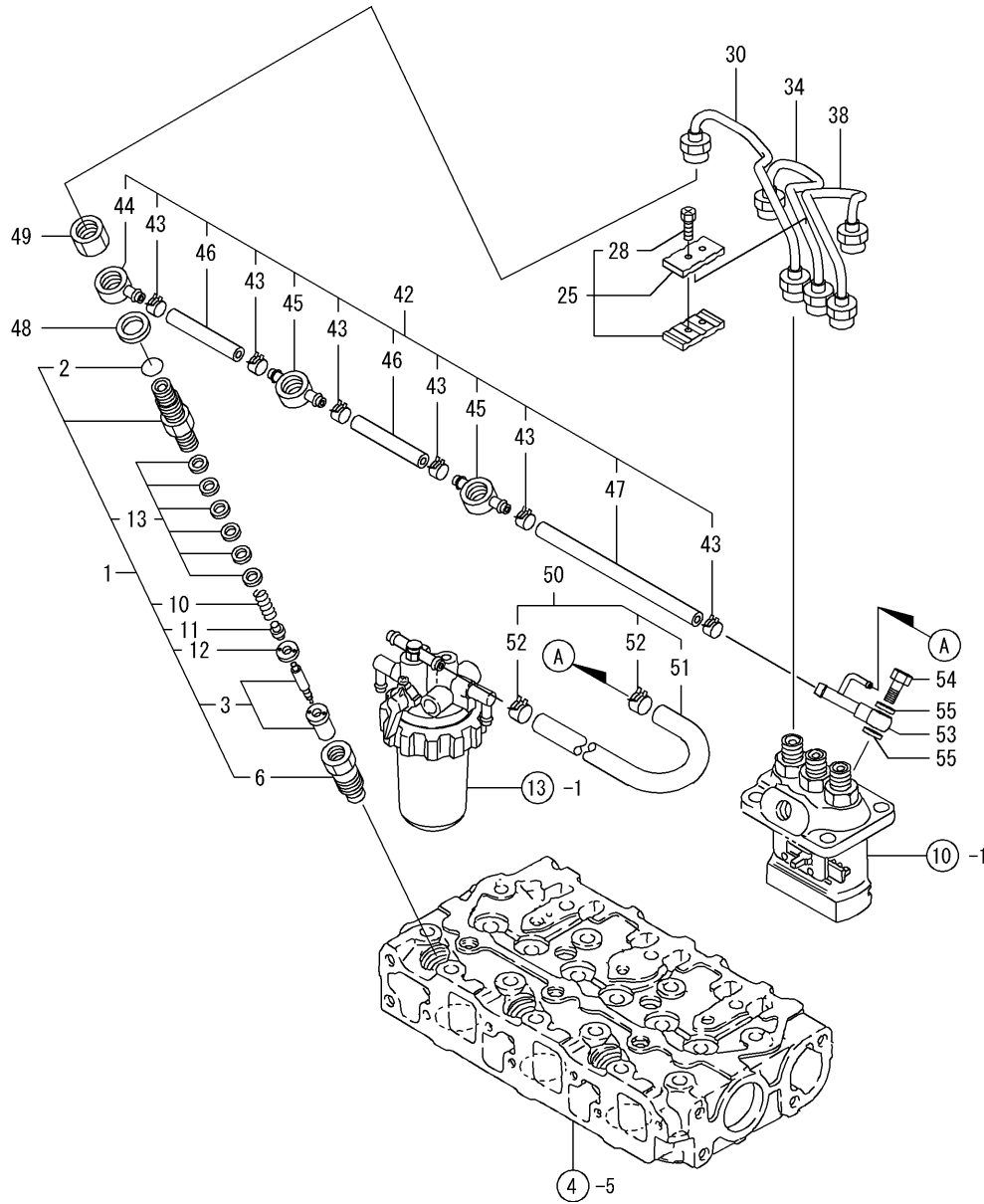
Remarks

(1) SELECTIVE PARTS: CERTAIN THE CLASSIFICATION MARK, THEN PLACE YOUR ORDER.(REFER TO ILLUSTRATION ).

\* THIS FIGURE(GOVERNOR ASSY) IS INCORPORATED IN THE FUEL INJECTION PUMP ASSY(FIG.10).



Fig.12. FUEL INJECTION VALVE



(A)=3TNE68C-ENP

(B)=

(C)=

(D)=

(E)=

(F)=

No.	Lev.	Parts No.	Description	Qty						I	R
				(A)	(B)	(C)	(D)	(E)	(F)		
1	1	719255-53100	VALVE ASSY,INJECTION	3							
2	2	129155-61830	O-RING, S10	3							
3	2	119620-53000	VALVE ASSY,INJECTION	3							
6	2	119620-53080	NUT, NOZZLE	3							
10	2	119620-53120	SPRING, NOZZLE	3							
11	2	114250-53130	SEAT, SPRING	3							
12	2	119620-53140	SPACER, VALVE STOP	3							
13	2	114250-53400	SHIM SET	3							
25	1	129150-59120	RETAINER, PIPE	1							
28	2	129150-59131	BOLT, M4X14	2							
30	1	119209-59810	PIPE ASSY, INJECTION	1							
34	1	119209-59820	PIPE ASSY, INJECTION	1							
38	1	119209-59830	PIPE ASSY, INJECTION	1							
42	1	119266-59540	PIPE ASSY, FUEL	1							
43	2	124066-59100	CLIP, HOSE 8	6							
44	2	119260-59520	JOINT	1							
45	2	119260-59530	JOINT	2							
46	2	105025-59550	PIPE, FUEL RETURN	2							
47	2	119000-59560	PIPE, FUEL RETURN	1							
48	1	22190-140002	WASHER, SEAL 14	3							
49	1	119620-59700	NUT, NOZZLE	3							
50	1	719225-59560	PIPE ASSY, FUEL	1							
51	2	119225-59560	PIPE, FUEL	1							
52	2	124766-59050	CLIP, HOSE 12	2							
53	1	119266-59570	JOINT, OVER FLOW	1							
54	1	119266-59580	BOLT, PIPE JOINT M8	1							
55	1	22190-080002	WASHER, SEAL 6	2							

Fig.13. FUEL LINE

(A)=3TNE68C-ENP

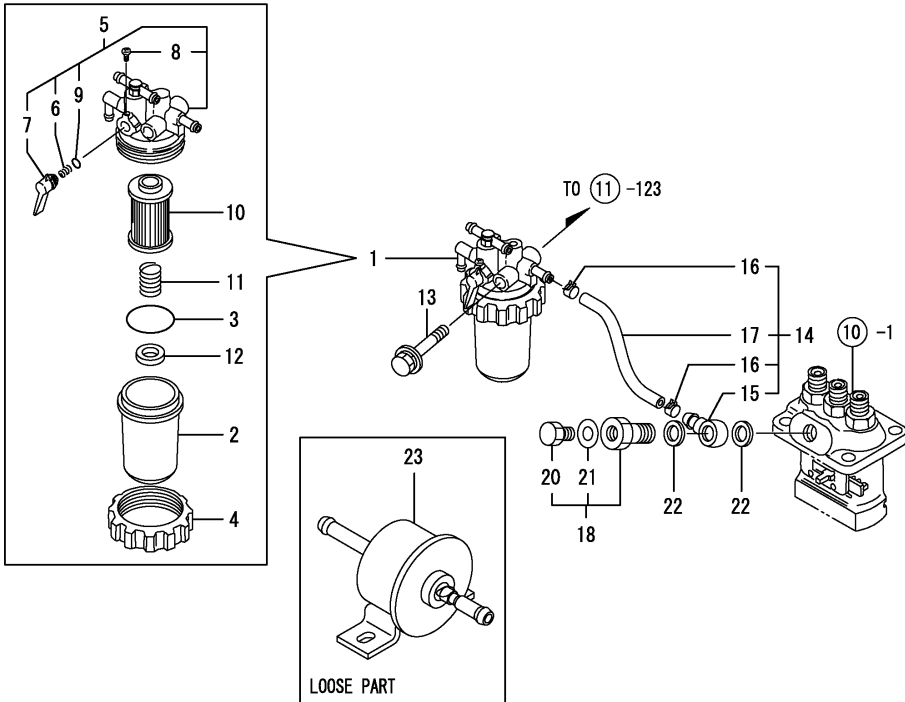
(B)=

(C)=

(D)=

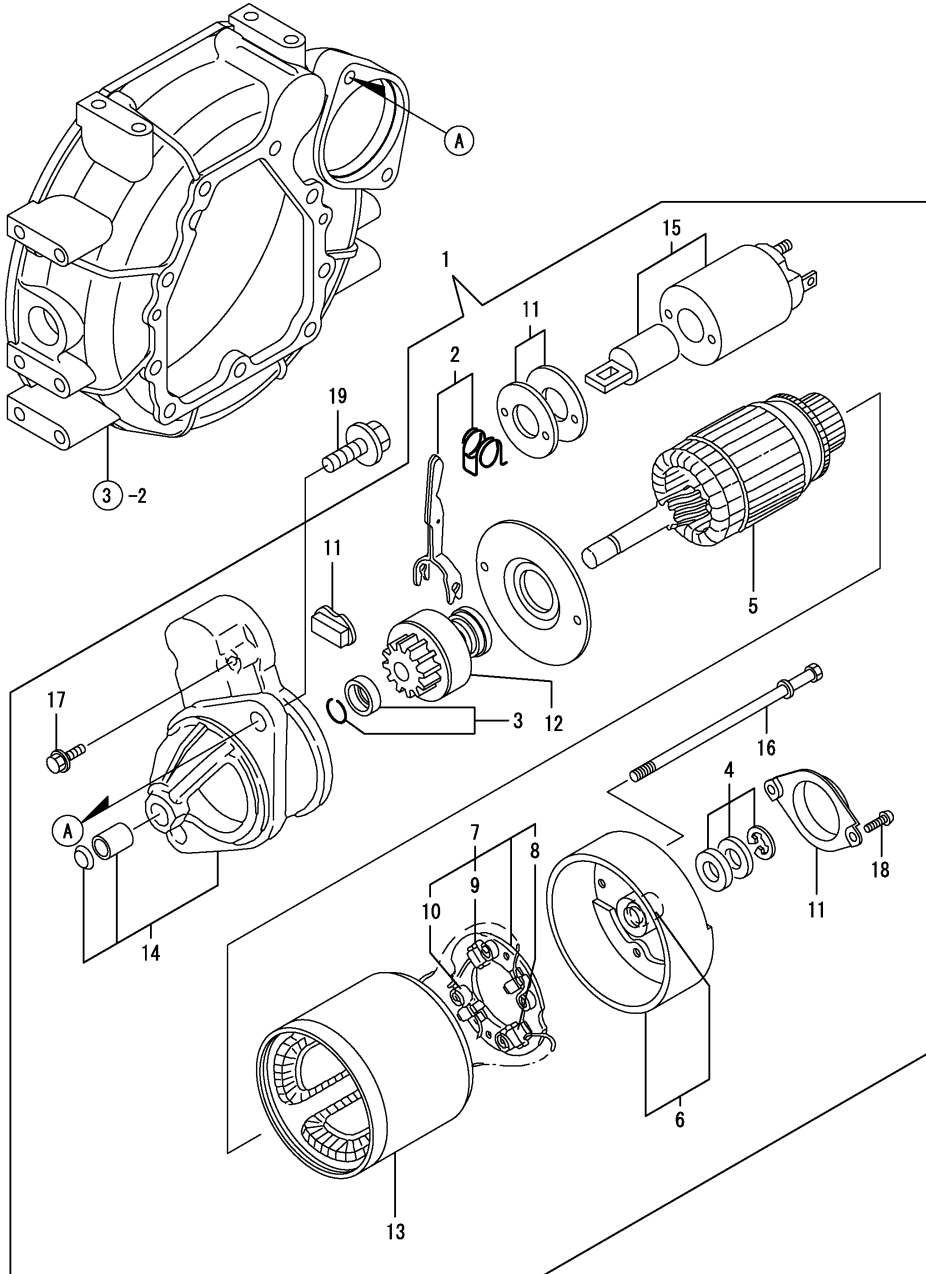
(E)=

(F)=



No.	Lev.	Parts No.	Description	Q'ty						I	R
				(A)	(B)	(C)	(D)	(E)	(F)		
1	1	119258-55622	FILTER ASSY, FUEL	1							
2	2	121254-55510	COVER	1							
3	2	102103-55520	O-RING	1							
4	2	110250-55610	RING, RETAINING	1							
5	2	119258-55610	BODY ASSY, FILTER	1							
6	3	104200-55330	SPRING, VALVE	1							
7	3	119810-55340	LEVER	1							
8	3	104200-55750	SCREW, M4	1							
9	3	24311-240100	O-RING, 1AP10A	1							
10	2	104500-55710	ELEMENT	1							
11	2	121257-55720	SPRING	1							
12	2	121257-55731	FLOAT	1							
13	1	26014-080702	BOLT, M8X 70	1							
14	1	119260-59031	PIPE, FUEL	1							
15	2	101304-59020	JOINT, PIPE 12	1							
16	2	124766-59050	CLIP, HOSE 12	2							
17	2	124767-59080	PIPE, FUEL	1							
18	1	103854-59191	BOLT ASSY, JOINT M12	1							
20	2	124060-59380	PLUG, 6	1							
21	2	22190-060002	WASHER, SEAL 6	1							
22	1	22190-120002	WASHER, SEAL 12	2							
23	1	119225-52102	PUMP ASSY, FUEL FEED	1							

Fig.14. STARTING MOTOR

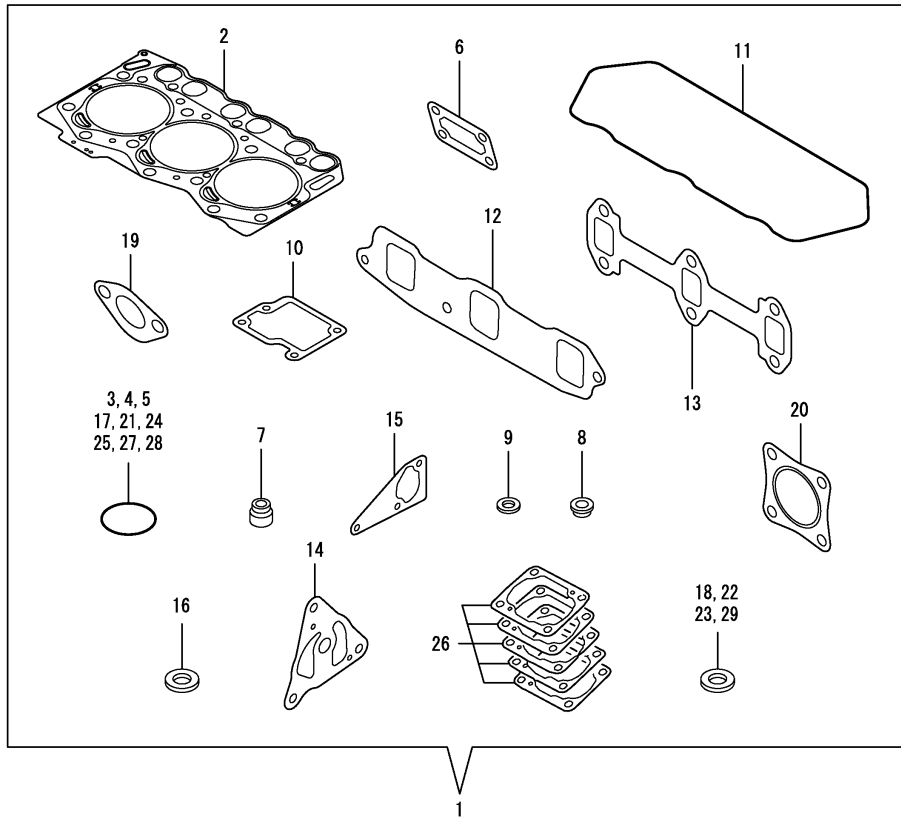


(A)=3TNE68C-ENP  
(B)=  
(C)=

(D)=  
(E)=  
(F)=

No.	Lev.	Parts No.	Description	Q'ty						I	R
				(A)	(B)	(C)	(D)	(E)	(F)		
1	1	119226-77010	STARTER,12V-0.8KW	1							
2	2	114371-77180	LEVER KIT, SHIFT	1							
3	2	X2114715500	STOPPER SET, PINION	1							
4	2	X2114811000	WASHER KIT, THRUST	1							
5	2	114371-77110	ARMATURE	1							
6	2	114371-77140	COVER ASSY, REAR	1							
7	2	114371-77160	HOLDER ASSY, BRUSH	1							
8	3	114371-79040	BRUSH (-)	2							
9	3	114371-79050	BRUSH (+)	1							
10	3	114371-79060	SPRING, BRUSH	4							
11	2	114371-77170	COVER KIT, DUST	1							
12	2	119226-77650	CLUTCH ASSY	1							
13	2	124097-77710	YOKE ASSY	1							
14	2	124097-77761	CASE ASSY, GEAR	1							
15	2	124195-77760	MAGNETIC SWITCH ASSY	1							
16	2	124195-77770	THROUGH BOLT	2							
17	2	114371-79070	BOLT M 6X 37	2							
18	2	26022-040122	SCREW, M4X12	2							
19	1	26106-100252	BOLT, M10X 25 PLATED	2							

Fig.15. GASKET SET



(A)=3TNE68C-ENP

(B)=

(C)=

(D)=

(E)=

(F)=

No.	Lev.	Parts No.	Description	Q'ty						I	R
				(A)	(B)	(C)	(D)	(E)	(F)		
1	1	719265-92830	GASKET SET	1							1
2	2	119265-01341	GASKET, HEAD	1							
3	2	24311-000120	O-RING, 1AP12.0	2							
4	2	24311-000320	O-RING, 1AP32.0	2							
5	2	24341-000240	O-RING, 1AS24.0	1							
6	2	119660-01562	GASKET	1							
7	2	119260-11340	SEAL, VALVE STEM	6							
8	2	119600-11450	PROTECTOR, NOZZLE	3							
9	2	119600-11460	GASKET, NOZZLE	6							
10	2	119260-03031	GASKET	1							
11	2	119260-11310	GASKET, BONNET	1							
12	2	119270-12110	GASKET, MANIFOLD	1							
13	2	119260-13110	GASKET	1							
14	2	119660-32020	GASKET, PUMP	1							
15	2	119260-42021	GASKET, WATER PUMP	1							
16	2	124465-44950	GASKET, 16	2							
17	2	129155-61830	O-RING, S10	3							
18	2	22190-140002	WASHER, SEAL 14	3							
19	2	121520-01851	GASKET	1							
20	2	121000-13201	GASKET, SILENCER	1							
21	2	119209-35030	O-RING, P11	1							
22	2	22190-080002	WASHER, SEAL 6	2							
23	2	22190-120002	WASHER, SEAL 12	2							
24	2	119209-42140	O-RING, G 35	1							
25	2	119624-32040	O-RING, P12.0	2							
26	2	119623-01950	SHIM SET, ADJUSTING	1							
27	2	24311-000180	O-RING, 1AP18.0	1							
28	2	24311-240100	O-RING, 1AP10A	1							
29	2	22190-060002	WASHER, SEAL 6	1							
30	1	129400-92400	FLEX HORN	1							1
31	1	977770-01212	GASKET, LIQUID	1							1

Remarks

(1) OPTIONAL PART.

## Parts No. Index

Parts No.	Fig. No.	Ref. No.
101304-59020	13	15
102103-55520	13	3
103854-59191	13	18
104200-55330	13	6
104200-55750	13	8
104500-55710	13	10
105010-11230	4	32
		36
105025-59550	12	46
105546-51330	10	26
110250-55610	13	4
114250-11120	4	16
114250-11180	4	17
114250-39450	8	28
114250-53130	12	11
114250-53400	12	13
114371-77110	14	5
114371-77140	14	6
114371-77160	14	7
114371-77170	14	11
114371-77180	14	2
114371-79040	14	8
114371-79050	14	9
114371-79060	14	10
114371-79070	14	17
118400-03060	4	51
119000-59560	12	47
119131-18320	5	10
119209-35030	8	26
	15	21
119209-42140	9	19
	15	24
119209-42320	9	9
119209-59810	12	30
119209-59820	12	34
119209-59830	12	38
119225-14210	6	18
119225-34810	8	13
119225-35300	8	16
119225-51100	10	5
119225-51300	10	23
119225-52102	13	23
119225-59560	12	51
119225-77330	9	31
119226-77010	14	1
119226-77650	14	12
119230-01600	3	2
119232-61510	11	19
119232-61540	11	35
119233-21570	7	21

Parts No.	Fig. No.	Ref. No.
119233-21691	7	19
119256-49531	9	18
119258-55610	13	5
119258-55622	13	1
119260-01490	2	17
119260-01590	2	1
119260-01770	3	10
119260-02020	1	6
119260-02800	1	17
119260-02930	1	20
119260-03020	4	47
119260-03031	4	48
	15	10
119260-11100	4	14
119260-11110	4	15
119260-11240	4	25
119260-11260	4	28
119260-11270	4	29
119260-11280	4	30
119260-11310	4	50
	15	11
119260-11331	4	45
119260-11340	4	20
	15	7
119260-11370	4	21
119260-11800	4	8
119260-13100	5	5
119260-13110	5	6
	15	13
119260-14100	6	7
119260-14200	6	1
119260-14400	6	2
119260-14580	6	3
119260-21200	7	16
119260-23910	7	8
119260-25100	6	11
119260-32000	8	1
119260-34810	8	29
119260-35081	8	25
119260-42004	9	1
119260-42021	9	12
	15	15
119260-49801	9	26
119260-59031	13	14
119260-59520	12	44
119260-59530	12	45
119265-01250	1	12
119265-01341	1	24
	15	2
119265-11260	4	40

Parts No.	Fig. No.	Ref. No.
119265-11700	4	5
119265-13800	5	9
119265-13810	5	8
119265-13830	5	7
119265-21700	7	12
119265-22300	7	33
119265-22500	7	27
119265-22601	7	25
119265-22930	7	35
119265-22950	7	37
119265-23100	7	4
119265-23200	7	9
119266-01200	1	23
119266-02410	1	16
119266-07900	4	2
119266-59540	12	42
119266-59570	12	53
119266-59580	12	54
119266-61460	11	110
119270-12110	5	2
	15	12
119275-12101	5	1
119285-34821	8	14
119285-42051	9	3
119285-42120	9	4
119285-66080	11	44
119285-66600	11	104
119285-66620	11	102
119288-55901	11	123
119305-35151	8	15
119454-01721	3	9
119489-11200	4	24
119489-66010	11	54
119600-11450	4	22
	15	8
119600-11460	4	23
	15	9
119600-61300	11	114
119600-61400	11	117
119600-61541	11	36
119600-61900	11	42
119610-66700	11	68
119620-01530	11	61
119620-01620	3	4
119620-01750	3	17
119620-01800	2	4
119620-02450	6	4
119620-11350	4	41
119620-21500	7	3
119620-21941	7	2

Parts No.	Fig. No.	Ref. No.
119620-25912	6	13
119620-42350	9	15
119620-49290	9	28
119620-51170	10	8
119620-51180	10	9
119620-51190	10	10
119620-51250	10	11
119620-51340	10	27
119620-51350	10	28
119620-51370	10	29
119620-51450	10	30
119620-51461	10	31
119620-51510	10	33
119620-51640	10	35
119620-51650	10	36
119620-51660	10	38
119620-51670	10	37
119620-51680	10	39
119620-51700	10	40
119620-53000	12	3
119620-53080	12	6
119620-53120	12	10
119620-53140	12	12
119620-59700	12	49
119620-77820	4	56
119621-21680	7	1
119621-66051	11	55
119623-01950	2	26
	15	26
119624-32040	2	6
	15	25
119626-07900	4	57
119629-66510	11	62
119632-61200	11	8
119632-61500	11	13
119653-66500	11	57
119660-01551	2	23
119660-01562	2	24
	15	6
119660-01570	2	25
119660-01640	3	5
119660-01821	6	17
119660-01911	2	5
119660-25022	6	9
119660-25052	6	10
119660-25920	6	22
119660-25930	6	23
119660-32020	8	11
	15	14
119660-51500	10	32

## Parts No. Index

Parts No.	Fig. No.	Ref. No.
119660-51530	10	34
119660-61053	11	12
119660-61060	11	3
119660-61071	11	4
119660-61122	11	5
119660-61141	11	6
119660-61151	11	7
119660-61300	11	115
119660-61341	11	116
119660-61590	11	41
119660-61651	11	37
119660-61901	11	43
119810-55340	13	7
121000-13201	5	11
	15	20
121023-01550	2	14
121120-01620	3	16
121250-44901	9	22
121254-55510	13	2
121257-55720	13	11
121257-55731	13	12
121400-01640	3	11
121450-01560	2	21
121450-42450	9	24
121465-59950	11	2
121520-01851	2	37
	15	19
121520-01860	2	38
124060-01050	1	5
124060-59380	13	20
124066-59100	12	43
124085-02220	3	7
124097-77710	14	13
124097-77761	14	14
124160-01751	2	12
	4	63
124160-11360	4	44
124195-77760	14	15
124195-77770	14	16
124465-44950	9	23
		25
	15	16
124700-44740	9	16
124766-59050	12	52
	13	16
124767-59080	13	17
124950-21600	7	24
129100-01580	3	1
	7	13
129100-61930	11	111

Parts No.	Fig. No.	Ref. No.
129150-35350	8	24
129150-59120	12	25
129150-59131	12	28
129155-51280	11	9
129155-61830	12	2
	15	17
129155-77801	4	55
129156-61500	11	18
129209-61970	11	53
129400-92400	15	30
171002-66830	11	103
171353-44760	9	27
174307-51700	11	20
194990-22050	2	35
22111-060000	11	125
22117-040000	11	38
22190-060002	13	21
	15	29
22190-060003	11	106
22190-080002	12	55
	15	22
22190-120002	11	107
	13	22
	15	23
22190-140002	12	48
	15	18
22242-000100	4	39
22242-000200	6	15
22252-000200	7	34
22272-000040	11	39
22351-030010	7	20
22351-030014	11	40
22351-040010	2	22
	11	48
22351-060012	4	4
22360-040000	11	108
22360-060000	11	121
22512-040120	6	8
		24
	7	17
22857-500100	4	53
23065-120500	4	1
23414-120016	11	52
23876-030000	4	11
24101-062034	6	26
24102-063034	6	25
24311-000120	4	54
	15	3
24311-000180	3	13
	15	27

Parts No.	Fig. No.	Ref. No.
24311-000320	2	13
	4	64
	15	4
24311-240100	8	30
	13	9
	15	28
24341-000070	11	49
24341-000240	2	15
	15	5
24341-000280	11	59
25157-003500	9	14
26014-080702	13	13
26022-040082	10	45
26022-040122	14	18
26033-040102	10	46
26106-060102	3	14
	8	31
	11	50
26106-060122	1	25
	6	16
	8	27
26106-060162	2	7
		16
		39
	5	3
	6	27
	9	20
26106-060222	3	8
26106-060282	5	4
26106-060302	2	8
26106-060352	9	17
26106-060402	2	9
26106-060452	3	15
26106-060502	2	10
26106-060552	9	21
26106-060652	2	11
26106-060702	11	122
26106-060752	11	126
26106-080142	4	3
26106-080182	9	32
26106-080452	4	42
	9	13
26106-100252	14	19
26116-050102	11	109
26206-100252	3	3
26306-080002	4	43
26366-060002	2	36
26366-080002	11	51
26450-060202	8	12
26577-060122	9	10

Parts No.	Fig. No.	Ref. No.
26587-080102	6	28
26736-120002	11	112
26756-060002	4	34
		38
	11	105
26857-060002	11	56
27221-050080	4	12
27221-060100	1	11
27241-100000	1	13
27241-250000	1	14
27241-300000	1	15
27241-350000	4	13
27310-055001	4	18
719225-59560	12	50
719255-53100	12	1
719260-02870	1	26
719260-23600	7	10
719260-23610	7	41
719265-01560	1	1
719265-51700	10	1
719265-92830	15	1
719489-11650	4	31
719489-11660	4	35
977770-01212	2	40
	3	18
	15	31
X2114715500	14	3
X2114811000	14	4