

0CV10-M94200EN

PREFACE

- 1.This Parts Catalog carries all parts incorporated in YANMAR Model 3TNE68C-EMA engine manufactured since February, 2004.
- 2.Each illustration corresponds to the parts list on the following page.
- 3.When ordering parts,clearly write down the engine model and serial number,as well as the name and number of each part in your order sheet. This will help insure reliable delivery of the parts you have ordered.

Directions for the Parts Catalog.

1. The parts stipulated in this Parts Catalog are not necessarily standard equipped parts.
2. Parts may change without prior notice.
3. The following is an example of the Parts Catalog format.

OCF10-G21601		29. FUEL INJECTION PUMP(W/BOOST)									
REF.	LEV.	PARTS NO.	DESCRIPTION	Q'TY						I	R
				(A)	(B)	(C)	(D)	(E)	(F)		
1	1	729595-51390	FUEL INJECTION PUMP	1	1	1	1	1	1		1
1-1	1	729595-51391	FUEL INJECTION PUMP	1	1	1	1	1	1	N	1
		(A=E00185)	(B=E00200)								
3	2	26022-060162	SCREW M 6X 16	9	9	9	9	9			
3-1	2	26022-060162	SCREW M 6X 16	4	4	4	4	4		K	
		(A=E00156)	(B=E00156)	(C=E00156)	(D=E00156)	(E=E00156)					
4	2	129470-51040	CAMSHAFT	1	1	1	1	1			
5	2	122710-51050	BEARING, ROLLER	2	2	2	2	2			
6	2	129470-51060	RETAINER	1	1	1	1	1			

Remarks
(1) BOOST COMPEMSATOR TYPE. OPTIONAL PART, TO E00155,(4JH-DT, 4JH-DTZ

① Ref. No.

The Ref. No. listed may not be in accordance with the illustration Ref. No.

(Ex.) Illustration No.

List Ref No.

1

1

(Before change) → 1-1 (After change)

For interchangeable symbols N, R and K, illustrations for new parts may be abbreviated.

② Lev. (Level)

Level indication

The numbers below indicate the level of relativity towards the main part.

1 ----- Main parts (Assembly parts)

2 ----- Sub component included in " 1 ".

3 ----- Sub component included in " 2 ".

Note) Parts that are not for sale are partially illustrated but not listed.

③ Interchangeability Mark

When a part change takes place, one of the following interchangeability symbols is indicated beside the part.

Symbol	Interchangeability	Contents note
N	Old $\begin{matrix} \leftarrow \text{Yes} \\ \text{No} \rightarrow \end{matrix}$ New	New Part is interchangeable for Old Part but Old Part is not interchangeable for New Part.
Q	Old $\begin{matrix} \leftarrow \text{No} \\ \text{Yes} \rightarrow \end{matrix}$ New	New Part is not interchangeable for Old Part but Old Part is interchangeable for New Part.
R	Old $\begin{matrix} \leftarrow \text{Yes} \\ \text{Yes} \rightarrow \end{matrix}$ New	New/ Old Parts are both interchangeable.
S	Old $\begin{matrix} \leftarrow \text{No} \\ \text{No} \rightarrow \end{matrix}$ New	New/ Old Parts are both not interchangeable.
W		Part newly added.
Z		Part discontinued.
F		Not interchangeable by a single part but interchangeable together with related parts.
K		Changes only for used parts quantities.

④ Effective Machine No.

When a part changes, the effective Machine No. will be indicated in the (A)-(F) column.

Product Symbol	Product No.	Product Symbol	Product No.
C	Clutch No. Compressor No.	F	Machine No. (Agricultural Equip.)
D	Drive No.	M	Machine No.
E	Engine No.		

Note 1) A date may follow the symbol. (Ex.) 1996.01

Note 2) "XXXXX" and "ZZZZZ" are for parts that could not be predicted or for engine models that could not be identified.

Note 3) (A=E00185) is the E (Engine Serial Number) for the column (A) model (in this case 4JH-DT) after the parts design change.

⑤ Remarks Mark

Figures or alphabets (symbols) are entered in the remarks column.

The comments (remarks) on parts that are indicated at the bottom of the illustration are the same symbols as those stated above.

Contents

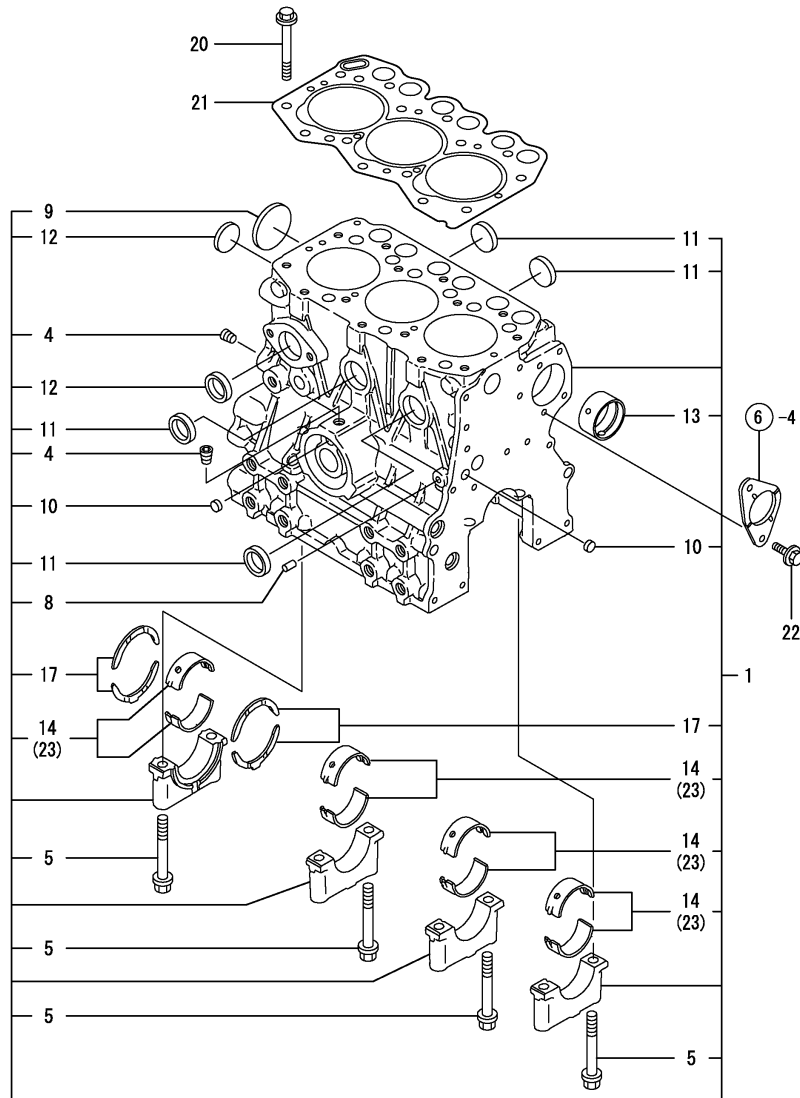
Fig. No. Fig. Name

ENGINE (3TNE68C-EMA)

1. CYLINDER BLOCK
2. GEAR HOUSING
3. FLYWHEEL HOUSING & OIL SUMP
4. CYLINDER HEAD & BONNET
5. SUCTION MANIFOLD
6. CAMSHAFT & DRIVING GEAR
7. CRANKSHAFT & PISTON
8. LUB.OIL SYSTEM
9. COOLING WATER SYSTEM
10. FUEL INJECTION PUMP
11. GOVERNOR
12. FUEL INJECTION VALVE
13. FUEL LINE
14. STARTING MOTOR
15. GENERATOR
16. GASKET SET

Fig. No. Fig. Name

Fig.1. CYLINDER BLOCK



(A)=3TNE68C-EMA

(B)=

(C)=

(D)=

(E)=

(F)=

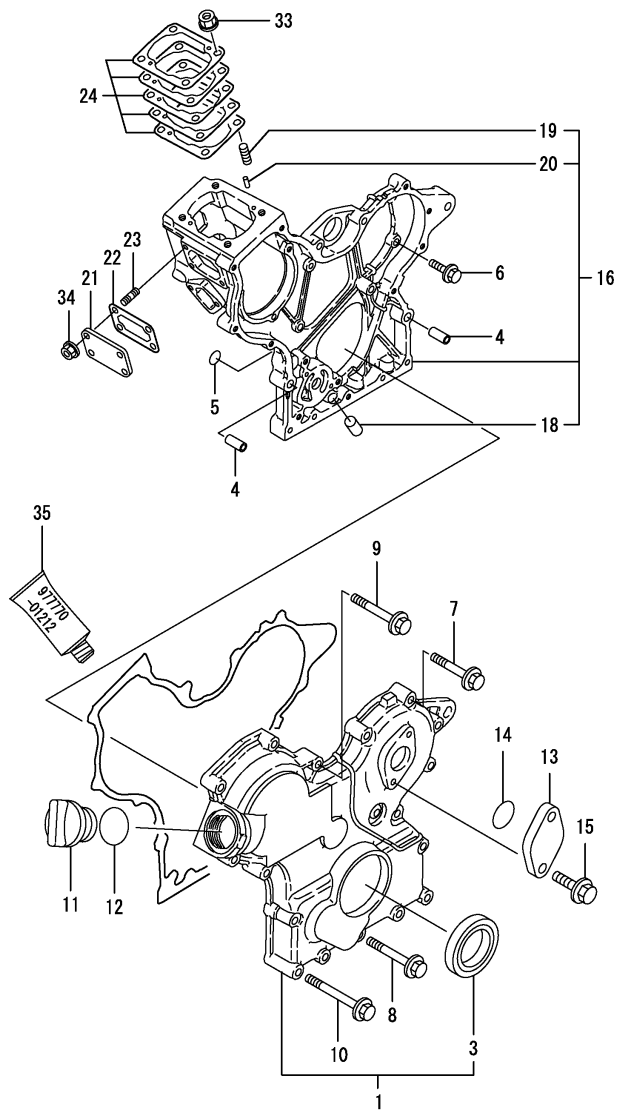
No.	Lev.	Parts No.	Description	Q'ty						I	R
				(A)	(B)	(C)	(D)	(E)	(F)		
1	1	719265-01560	BLOCK ASSY, CYLINDER	1							
4	2	124060-01050	PLUG, PT1/8	2							
5	2	119260-02020	BOLT, METAL CAP	8							
8	2	27221-060100	PLUG, 6X10	1							
9	2	119265-01250	PLUG, 40	1							
10	2	27241-100000	PLUG, 10	2							
11	2	27241-250000	PLUG, 25	4							
12	2	27241-300000	PLUG 30	2							
13	2	119266-02410	BUSH	1							
14	2	119260-02800	BEARING, MAIN	4							
17	2	119260-02930	BEARING, THRUST	2							
20	1	119266-01200	BOLT, HEAD	14							
21	1	119265-01341	GASKET, HEAD	1							
22	1	26106-060122	BOLT, M6X 12 PLATED	2							
23	1	719260-02870	BEARING, 0.25 US	4							1

Remarks

(1) UNDER-SIZE(U.S=0.25)PART.

N:Old $\xrightarrow{\text{Yes}}$ New, Q:Old $\xrightarrow{\text{No}}$ New, R:Old $\xrightarrow{\text{Yes}}$ New, S:Old $\xrightarrow{\text{No}}$ New, W:Add, Z:Discontinued, F:Interchangeable by set, K:Q'ty Change

Fig.2. GEAR HOUSING



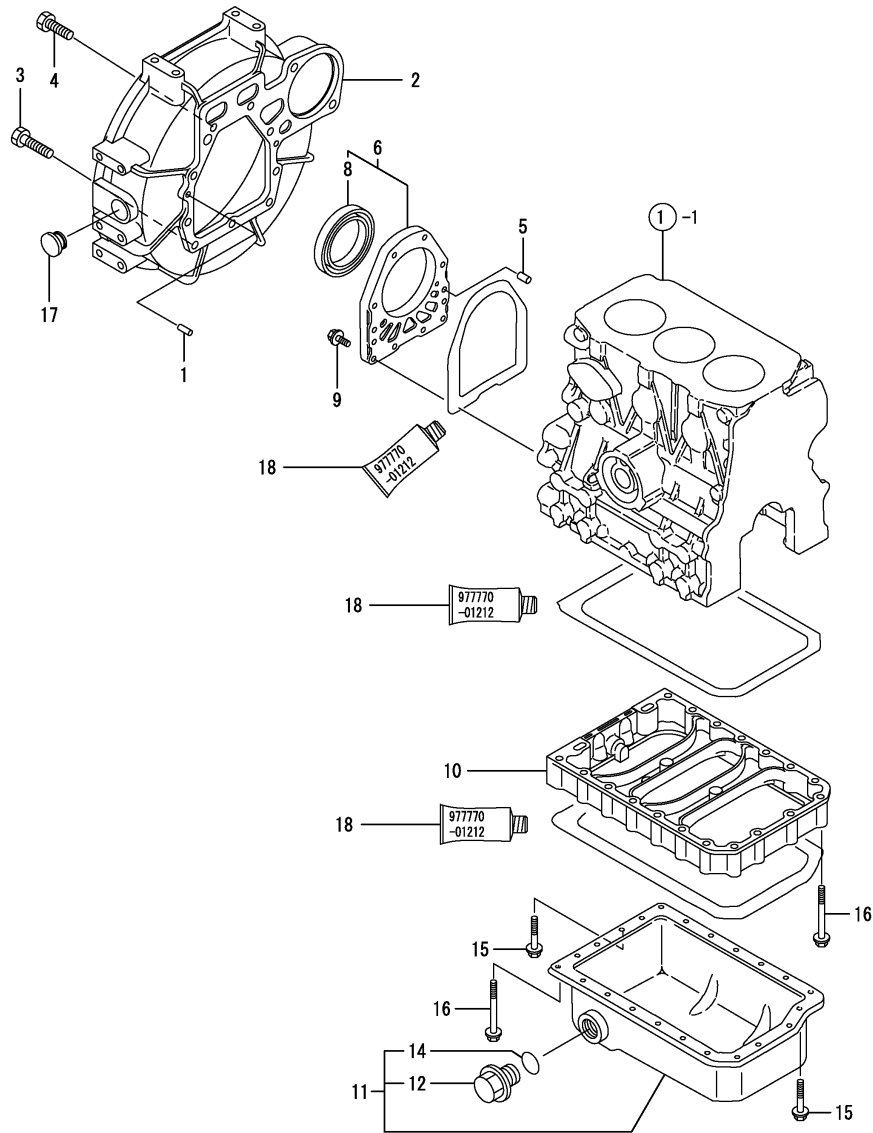
(A)=3TNE68C-EMA
(B)=
(C)=

(D)=
(E)=
(F)=

No.	Lev.	Parts No.	Description	Q'ty						I	R
				(A)	(B)	(C)	(D)	(E)	(F)		
1	1	119260-01590	COVER ASSY,GEAR CASE	1							
3	2	119620-01800	SEAL, OIL	1							
4	1	119660-01911	PIPE, KNOCK	4							
5	1	119624-32040	O-RING, P12.0	2							
6	1	26106-060162	BOLT, M6X 16 PLATED	5							
7	1	26106-060302	BOLT, M6X 30 PLATED	5							
8	1	26106-060402	BOLT, M6X 40 PLATED	3							
9	1	26106-060502	BOLT, M6X 50 PLATED	4							
10	1	26106-060652	BOLT, M6X 65 PLATED	6							
11	1	124160-01751	COVER, FILLER	1							
12	1	24311-000320	O-RING, 1AP32.0	1							
13	1	121023-01550	COVER	1							
14	1	24341-000240	O-RING, 1AS24.0	1							
15	1	26106-060162	BOLT, M6X 16 PLATED	2							
16	1	119260-01490	CASE ASSY, GEAR	1							
18	2	119260-01510	PLUG	1							
19	2	121450-01560	STUD, M8X22	4							
20	2	22351-040010	PIN, SPRING 4.0X10	2							
21	1	119660-01551	COVER	1							
22	1	119660-01562	GASKET	1							
23	1	119660-01570	STUD, M6X12	4							
24	1	119623-01950	SHIM SET, ADJUSTING	1							
33	1	194990-22050	NUT, M8	4							
34	1	26366-060002	NUT, M6	4							
35	1	977770-01212	GASKET, LIQUID	1							1

Remarks
(1) OPTIONAL PART.

Fig.3. FLYWHEEL HOUSING & OIL SUMP



(A)=3TNE68C-EMA

(B)=

(C)=

(D)=

(E)=

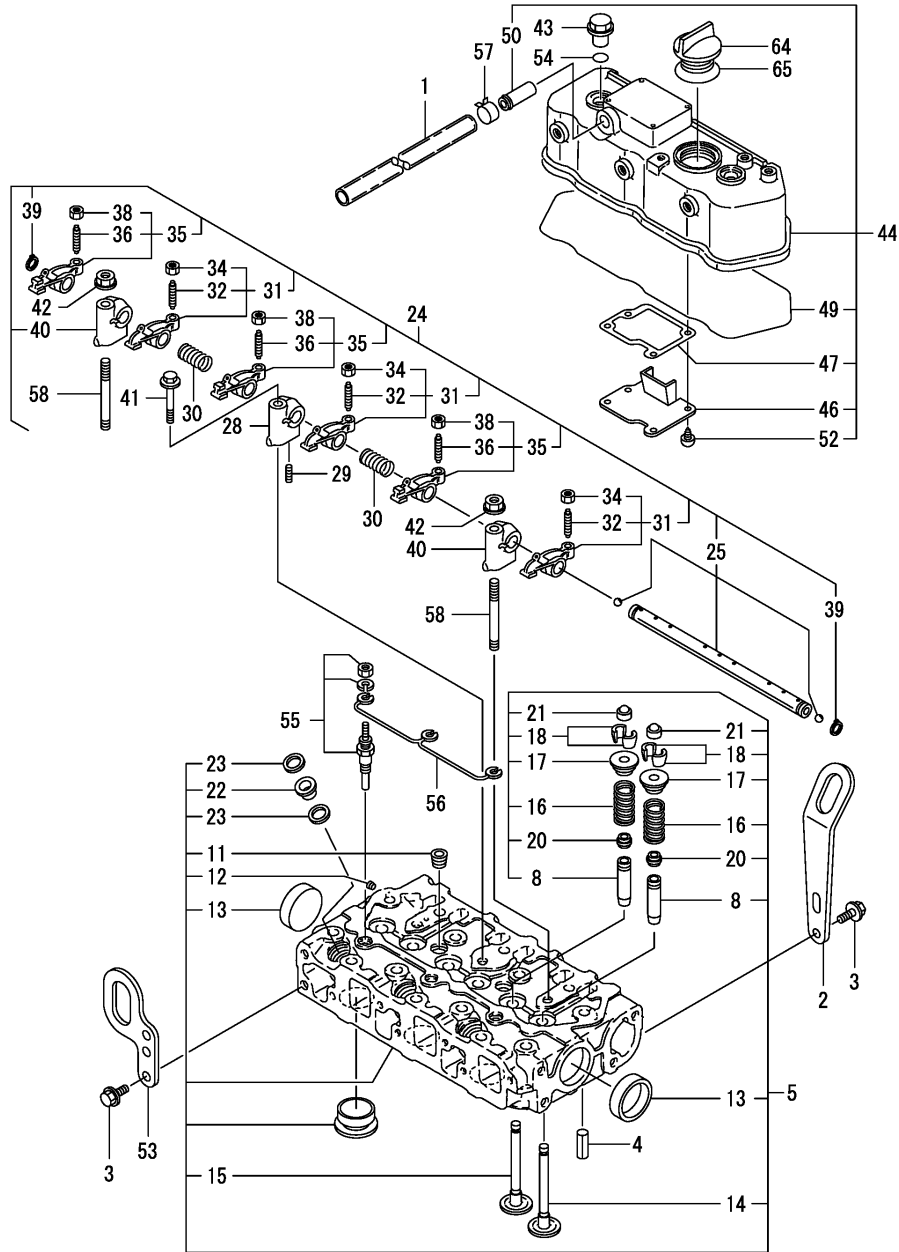
(F)=

No.	Lev.	Parts No.	Description	Q'ty						I	R
				(A)	(B)	(C)	(D)	(E)	(F)		
1	1	129100-01580	PIN, M8X16	2							
2	1	119600-01600	HOUSING, FLYWHEEL	1							
3	1	121120-01620	BOLT, M10X28	3							
4	1	26206-100252	BOLT, M10X 25 PLATED	6							
5	1	119620-01620	PIN, M6X10	2							
6	1	119660-01640	CASE ASSY, OIL SEAL	1							
8	2	124085-02220	SEAL, OIL	1							
9	1	26106-060222	BOLT, M6X 22 PLATED	10							
10	1	119454-01721	SPACER, OIL SUMP	1							
11	1	119260-01770	SUMP ASSY, OIL	1							
12	2	121400-01640	PLUG, 16	1							
14	2	24311-000180	O-RING, 1AP18.0	1							
15	1	26106-060102	BOLT, M6X 10 PLATED	3							
16	1	26106-060452	BOLT, M6X 45 PLATED	20							
17	1	119620-01750	CAP	1							
18	1	977770-01212	GASKET, LIQUID	1							1

Remarks

(1) OPTIONAL PART.

Fig.4. CYLINDER HEAD & BONNET



(A)=3TNE68C-EMA

(B)=

(C)=

(D)=

(E)=

(F)=

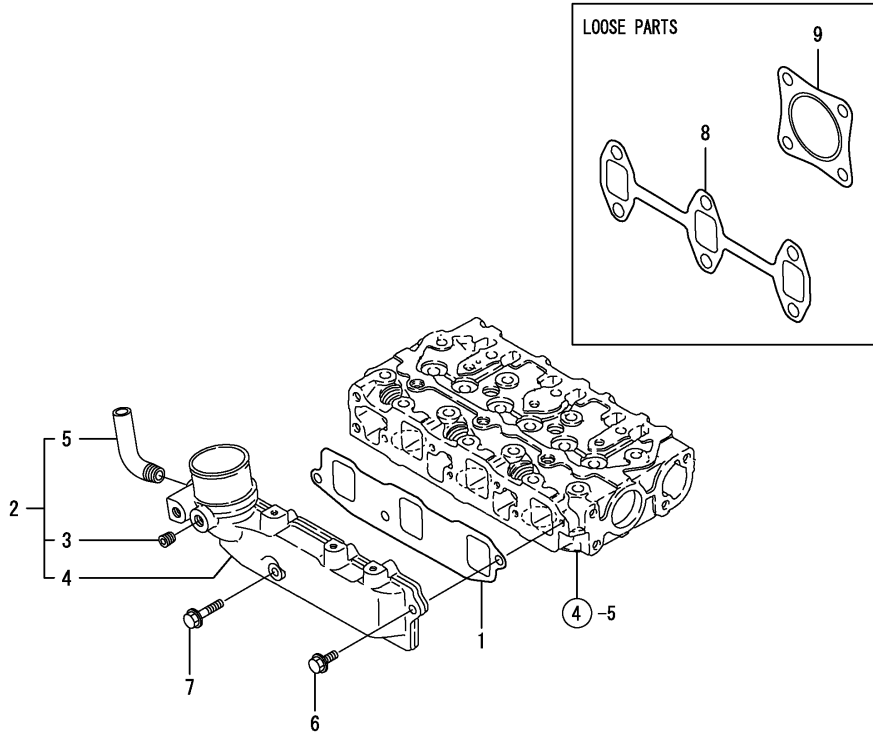
No.	Lev.	Parts No.	Description	Q'ty						I	R
				(A)	(B)	(C)	(D)	(E)	(F)		
1	1	119285-03140	PIPE , BREATHER	1							
2	1	119266-07900	LIFTER	1							
3	1	26106-080142	BOLT, M8X 14 PLATED	4							
4	1	22351-060012	PIN, SPRING 6.0X12	2							
5	1	119265-11700	HEAD ASSY, CYLINDER	1							
8	2	119260-11800	GUIDE, VALVE	6							1
11	2	23876-030000	PLUG, R03	2							
12	2	27221-050080	PLUG, 5X 8	1							
13	2	27241-350000	PLUG, 35	2							
14	2	119260-11100	VALVE, INTAKE	3							
15	2	119260-11110	VALVE, EXHAUST	3							
16	2	114250-11120	SPRING, VALVE	6							
17	2	114250-11180	RETAINER, SPRING	6							
18	2	27310-055001	COTTER, 5.5	6							
20	2	119260-11340	SEAL, VALVE STEM	6							
21	2	119260-11370	CAP, VALVE	6							
22	2	119600-11450	PROTECTOR, NOZZLE	3							
23	2	119600-11460	GASKET, NOZZLE	6							
24	1	119489-11200	SUPPORT ASSY, ARM	1							
25	2	119260-11240	SHAFT ASSY, ROCKER	1							
28	2	119260-11260	SUPPORT, ROCKER ARM	1							
29	2	119260-11270	SCREW	1							
30	2	119260-11280	SPRING	2							
31	2	719489-11650	ARM ASSY, ROCKER	3							
32	3	105010-11230	SCREW, VALVE ADJUST	3							
34	3	26756-060002	NUT, LOCK M6	3							
35	2	719489-11660	ARM ASSY, ROCKER	3							
36	3	105010-11230	SCREW, VALVE ADJUST	3							
38	3	26756-060002	NUT, LOCK M6	3							
39	2	22242-000100	RING, 10	2							
40	2	119265-11260	SUPPORT, ROCKER ARM	2							
41	1	26106-080452	BOLT, M8X 45 PLATED	1							
42	1	26306-080002	NUT, M8	2							
43	1	124160-11360	KNOB	2							
44	1	119260-11331	BONNET ASSY, HEAD	1							
46	2	119260-03020	PLATE, SHELTER	1							
47	2	119260-03031	GASKET	1							
49	2	119260-11310	GASKET, BONNET	1							
50	2	118400-03060	JOINT, BREATHER	1							
52	2	22857-500100	SCREW, 5X10	4							
53	1	119285-07900	LIFTER	1							
54	1	24311-000120	O-RING, 1AP12.0	2							
55	1	129795-77800	PLUG, GLOW	3							
56	1	119620-77820	CONNECTOR, GLOW PLUG	1							
57	1	171008-03990	CLIP, HOSE 18.5	2							
58	1	119620-11350	STUD	2							
64	1	124160-01751	COVER, FILLER	1							
65	1	24311-000320	O-RING, 1AP32.0	1							

Remarks

(1) REPAIR PART.

N:Old $\xrightarrow{\text{Yes}}$ New, Q:Old $\xrightarrow{\text{No}}$ New, R:Old $\xrightarrow{\text{Yes}}$ New, S:Old $\xrightarrow{\text{No}}$ New, W:Add, Z:Discontinued, F:Interchangeable by set, K:Q'ty Change

Fig.5. SUCTION MANIFOLD

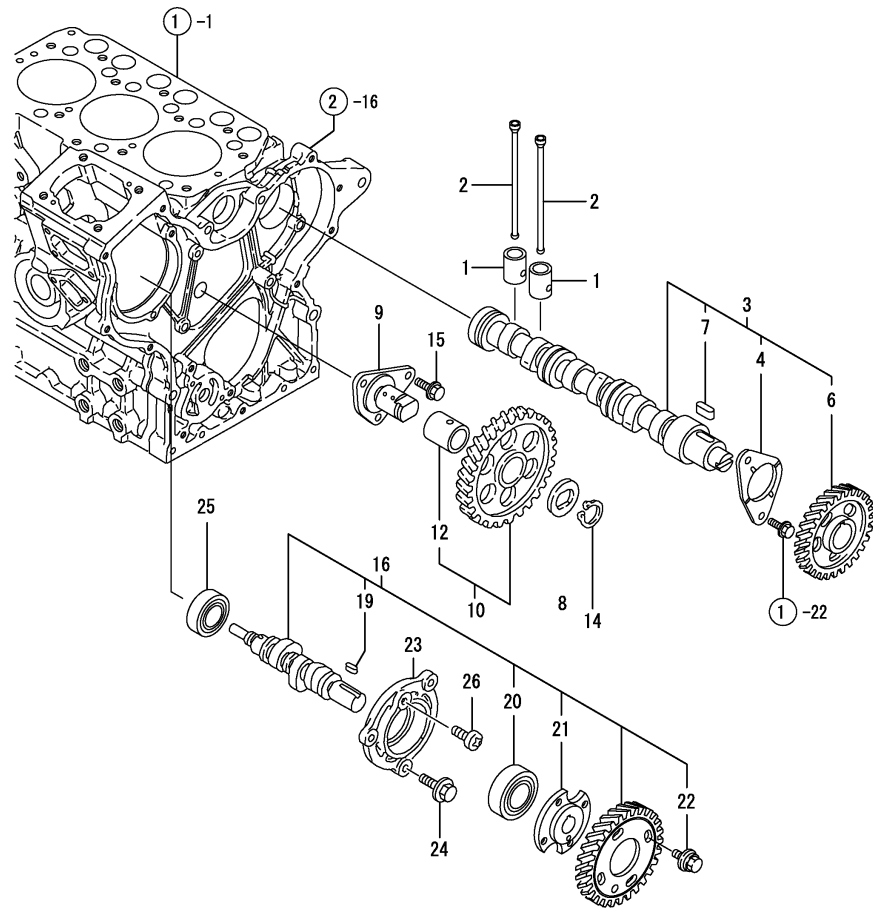


(A)=3TNE68C-EMA
(B)=
(C)=

(D)=
(E)=
(F)=

No.	Lev.	Parts No.	Description	Q'ty						I	R
				(A)	(B)	(C)	(D)	(E)	(F)		
1	1	119270-12110	GASKET, MANIFOLD	1							
2	1	119285-12730	MANIFOLD ASSY,INTAKE	1							
3	2	119285-01730	PLUG, NPT1/8	1							
4	2	119285-12100	MANIFOLD, AIR INTAKE	1							
5	2	121500-12790	JOINT, PIPE PT1/4	1							
6	1	26106-060162	BOLT, M6X 16 PLATED	2							
7	1	26106-060282	BOLT, M6X 28 PLATED	1							
8	1	119260-13110	GASKET	1							
9	1	121000-13201	GASKET, SILENCER	1							

Fig.6. CAMSHAFT & DRIVING GEAR



(A)=3TNE68C-EMA

(B)=

(C)=

(D)=

(E)=

(F)=

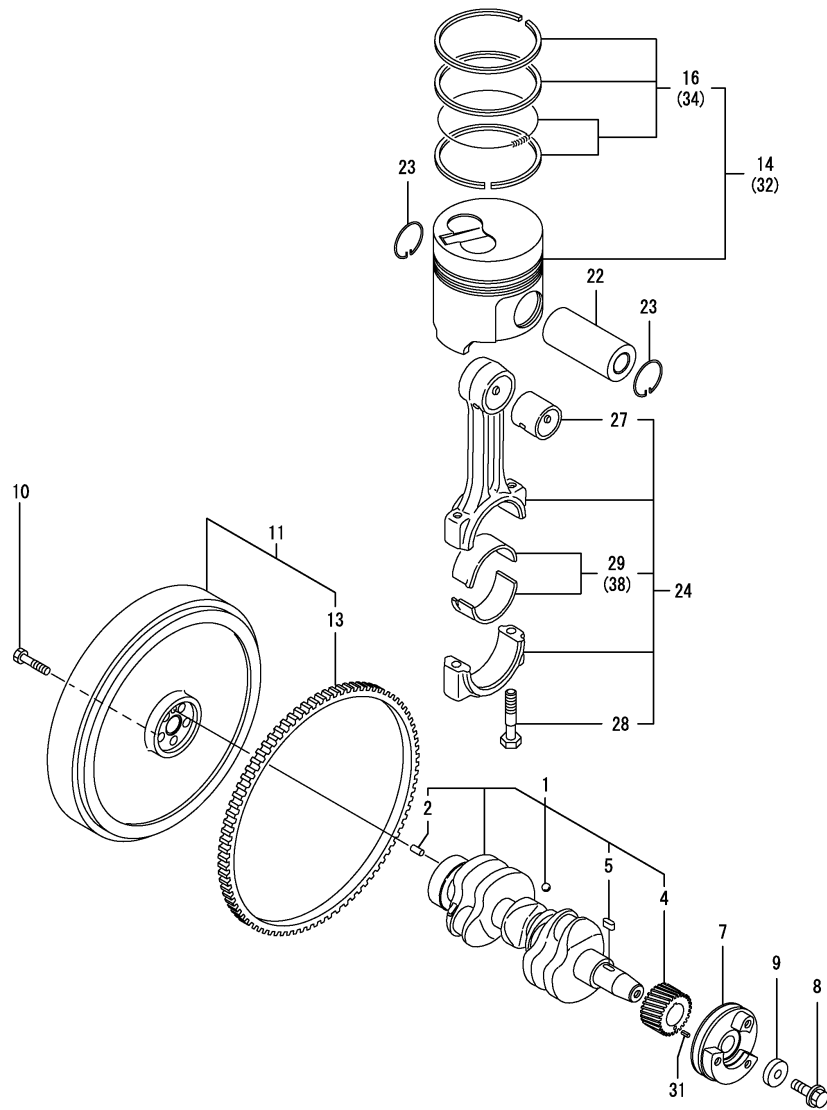
No.	Lev.	Parts No.	Description	Q'ty						I	R
				(A)	(B)	(C)	(D)	(E)	(F)		
1	1	119260-14200	TAPPET	6							
2	1	119260-14400	ROD, PUSH	6							
3	1	119260-14580	CAMSHAFT ASSY	1							
4	2	119620-02450	BEARING, THRUST	1							
6	2	119260-14100	GEAR, CAMSHAFT	1							
7	2	22512-040120	KEY, 4X 12	1							
8	1	119660-25022	RETAINER	1							
9	1	119660-25052	SHAFT, IDLE	1							
10	1	119260-25100	GEAR ASSY, IDLE	1							
12	2	119620-25912	BUSH	1							1
14	1	22242-000200	RING, 20	1							
15	1	26106-060122	BOLT, M6X 12 PLATED	3							
16	1	119225-14210	CAM ASSY	1							
19	2	22512-040120	KEY, 4X 12	1							
20	2	24102-063034	BEARING, BALL 6303U	1							
21	2	119660-25920	FLANGE	1							
22	2	119660-25930	BOLT	4							
23	1	119660-01821	BEARING, FUEL CAM	1							
24	1	26106-060162	BOLT, M6X 16 PLATED	3							
25	1	24101-062034	BEARING, BALL 6203	1							
26	1	26587-080102	SCREW, M8X10	1							

Remarks

(1) REPAIR PART.

N:Old $\xrightarrow{\text{Yes}}$ New, Q:Old $\xrightarrow{\text{No}}$ New, R:Old $\xrightarrow{\text{Yes}}$ New, S:Old $\xrightarrow{\text{No}}$ New, W:Add, Z:Discontinued, F:Interchangeable by set, K:Q'ty Change

Fig.7. CRANKSHAFT & PISTON



(A)=3TNE68C-EMA

(B)=

(C)=

(D)=

(E)=

(F)=

No.	Lev.	Parts No.	Description	Q'ty						I	R
				(A)	(B)	(C)	(D)	(E)	(F)		
1	1	119265-21700	CRANKSHAFT ASSY	1							
2	2	129100-01580	PIN, M8X16	1							
4	2	119260-21200	GEAR, CRANKSHAFT	1							
5	2	22512-040120	KEY, 4X 12	1							
7	1	119233-21691	V-PULLEY	1							
8	1	119621-21680	BOLT, FLANGE 12X1.25	1							
9	1	119620-21941	WASHER	1							
10	1	121111-21501	BOLT, FLYWHEEL	5							
11	1	119600-21580	FLYWHEEL ASSY	1							
13	2	119865-21600	GEAR, RING	1							
14	1	119265-22601	PISTON ASSY	3							
16	2	119265-22500	RING SET, PISTON	3							
22	1	119265-22300	PIN, PISTON	3							
23	1	22252-000200	RING, 20	6							
24	1	119265-23100	ROD ASSY, CONNECTING	3							
27	2	119260-23910	BEARING, PISTON PIN	3							1
28	2	119265-23200	BOLT, CONNECTING ROD	6							
29	2	719260-23600	BEARING, CRANK PIN	3							
31	1	22351-030010	PIN, SPRING 3.0X10	1							
32	1	119265-22930	PISTON ASSY, 0.25 OS	3							2
34	2	119265-22950	RING SET, 0.25 OS	3							2
38	1	719260-23610	BEARING ASSY, 0.25	3							3

Remarks

- (1) REPAIR PART.
- (2) OVER-SIZE(O.S=0.25)PART.
- (3) UNDER-SIZE(U.S=0.25)PART.

Fig.8. LUB.OIL SYSTEM

(A)=3TNE68C-EMA

(B)=

(C)=

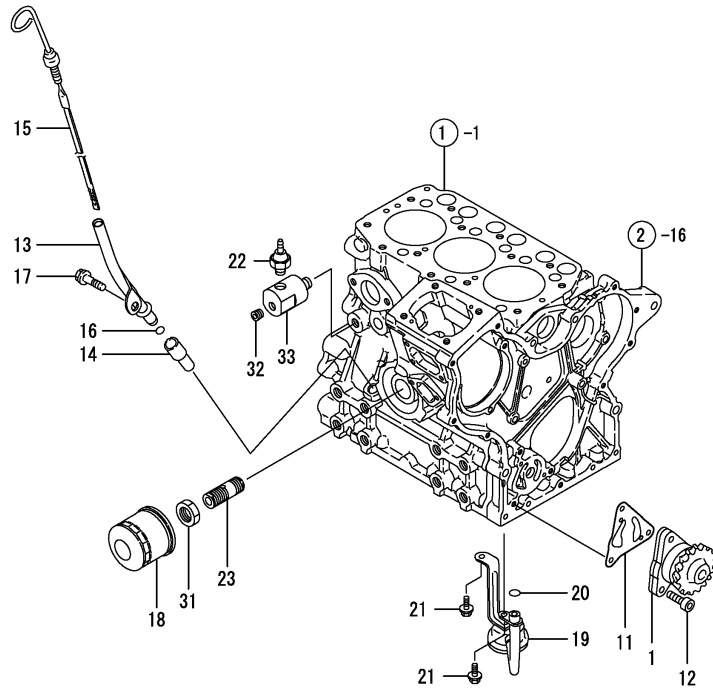
(D)=

(E)=

(F)=

Q'ty

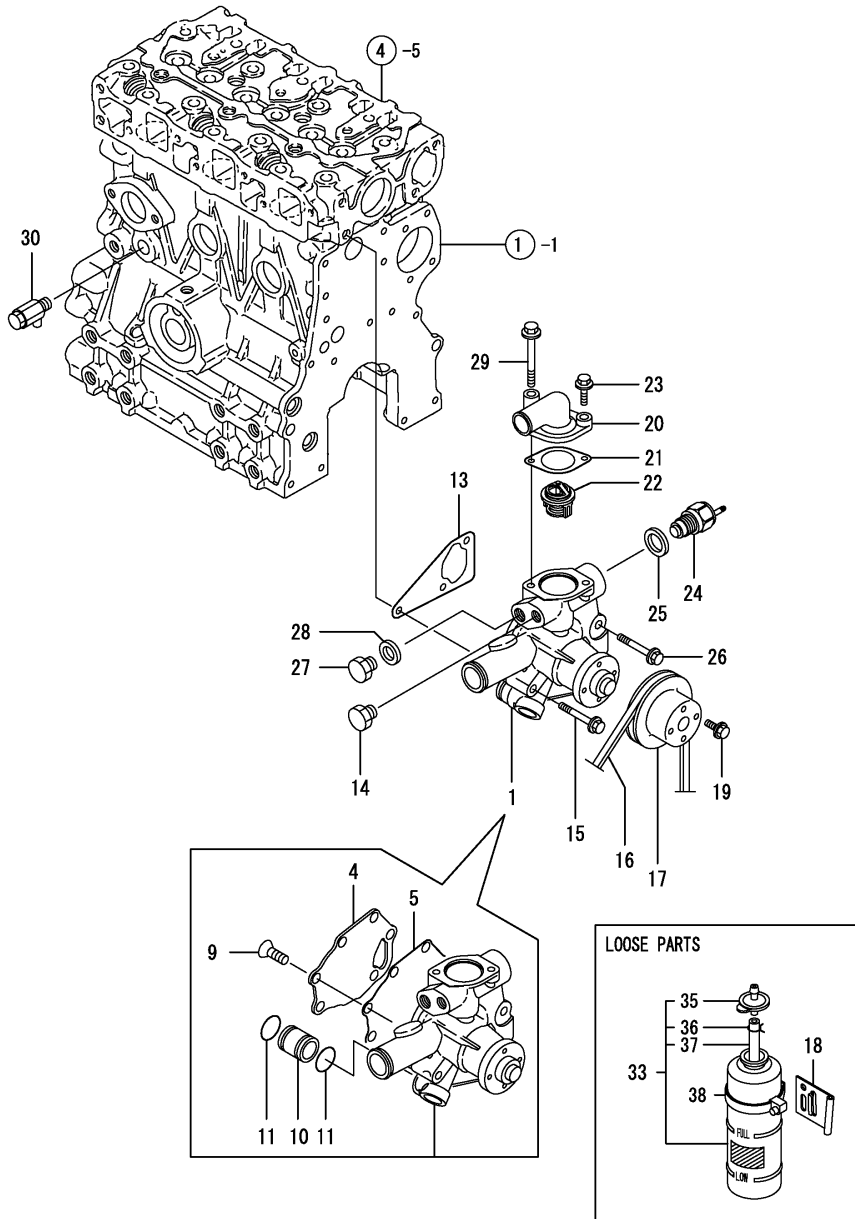
No.	Lev.	Parts No.	Description	Q'ty						I	R
				(A)	(B)	(C)	(D)	(E)	(F)		
1	1	119260-32000	PUMP ASSY, OIL	1							
11	1	119660-32020	GASKET, PUMP	1							
12	1	26450-060202	BOLT, M6X 20	3							
13	1	119225-34810	GUIDE, DIPSTICK	1							
14	1	119260-34810	GUIDE, DIPSTICK	1							
15	1	119285-34821	DIPSTICK, LUB. OIL	1							
16	1	24311-240100	O-RING, 1AP10A	1							
17	1	26106-060102	BOLT, M6X 10 PLATED	1							
18	1	119305-35151	FILTER ASSY, D68XL65	1							1
19	1	119260-35081	PIPE, OIL INLET	1							
20	1	119209-35030	O-RING, P11	1							
21	1	26106-060122	BOLT, M6X 12 PLATED	2							
22	1	114250-39450	SWITCH, 0.5KG	1							
23	1	119225-35300	VALVE ASSY,OIL PRESS	1							
31	1	129150-35350	NUT	1							
32	1	124060-01050	PLUG, PT1/8	1							
33	1	171375-39601	DAMPER, 1/8	1							



Remarks

(1) REPAIR PART.

Fig.9. COOLING WATER SYSTEM



(A)=3TNE68C-EMA

(B)=

(C)=

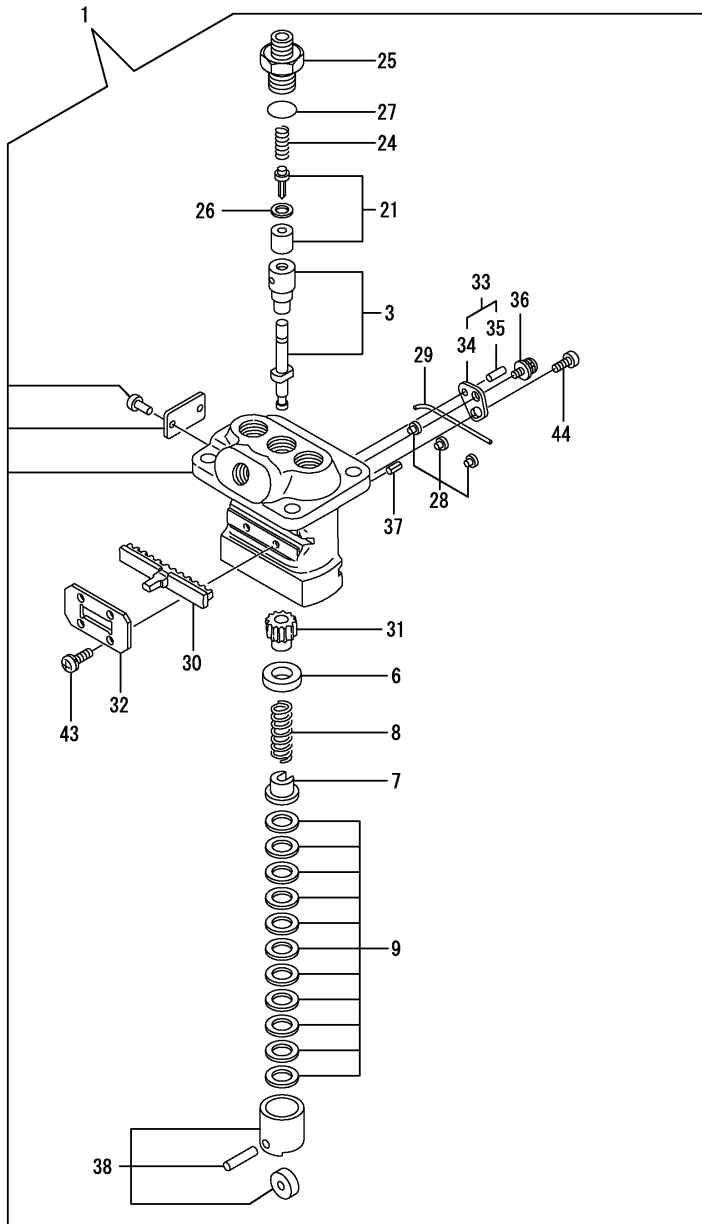
(D)=

(E)=

(F)=

No.	Lev.	Parts No.	Description	Q'ty						I	R
				(A)	(B)	(C)	(D)	(E)	(F)		
1	1	119265-42002	PUMP ASSY, WATER	1							
4	2	119285-42120	PLATE	1							
5	2	119285-42051	GASKET, WATER PUMP	1							
9	2	26577-060122	SCREW, M6X12	3							
10	2	119285-42270	NIPPLE	1							
11	2	119209-42320	O-RING, P21 EPDM	2							
13	1	119260-42021	GASKET, WATER PUMP	1							
14	1	171056-49120	PLUG, DRAIN	1							
15	1	26106-080452	BOLT, M8X 45 PLATED	2							
16	1	25157-003300	V-BELT, M33	1							
17	1	119620-42350	V-PULLEY	1							
18	1	121256-44600	BRACKET, SUB TANK	1							
19	1	26106-060122	BOLT, M6X 12 PLATED	4							
20	1	124101-49531	COVER, THERMOSTAT	1							
21	1	129350-49541	GASKET	1							
22	1	129350-49800	THERMOSTAT, 71	1							
23	1	26106-080282	BOLT, M8X 28 PLATED	1							
24	1	121250-44901	SWITCH, 110	1							
25	1	124465-44950	GASKET, 16	1							
26	1	26106-080502	BOLT, M8X 50 PLATED	1							
27	1	121450-42450	PLUG, M16	1							
28	1	124465-44950	GASKET, 16	1							
29	1	26106-080652	BOLT, M8X 65 PLATED	1							
30	1	119620-49290	COCK ASSY, 1/4	1							
33	1	124450-44510	TANK ASSY, SUB	1							
35	2	124450-44530	CAP	1							
36	2	124450-44560	RETAINER	1							
37	2	23061-070230	PIPE, 7X 230	1							
38	1	124450-44550	BAND	1							

Fig.10. FUEL INJECTION PUMP

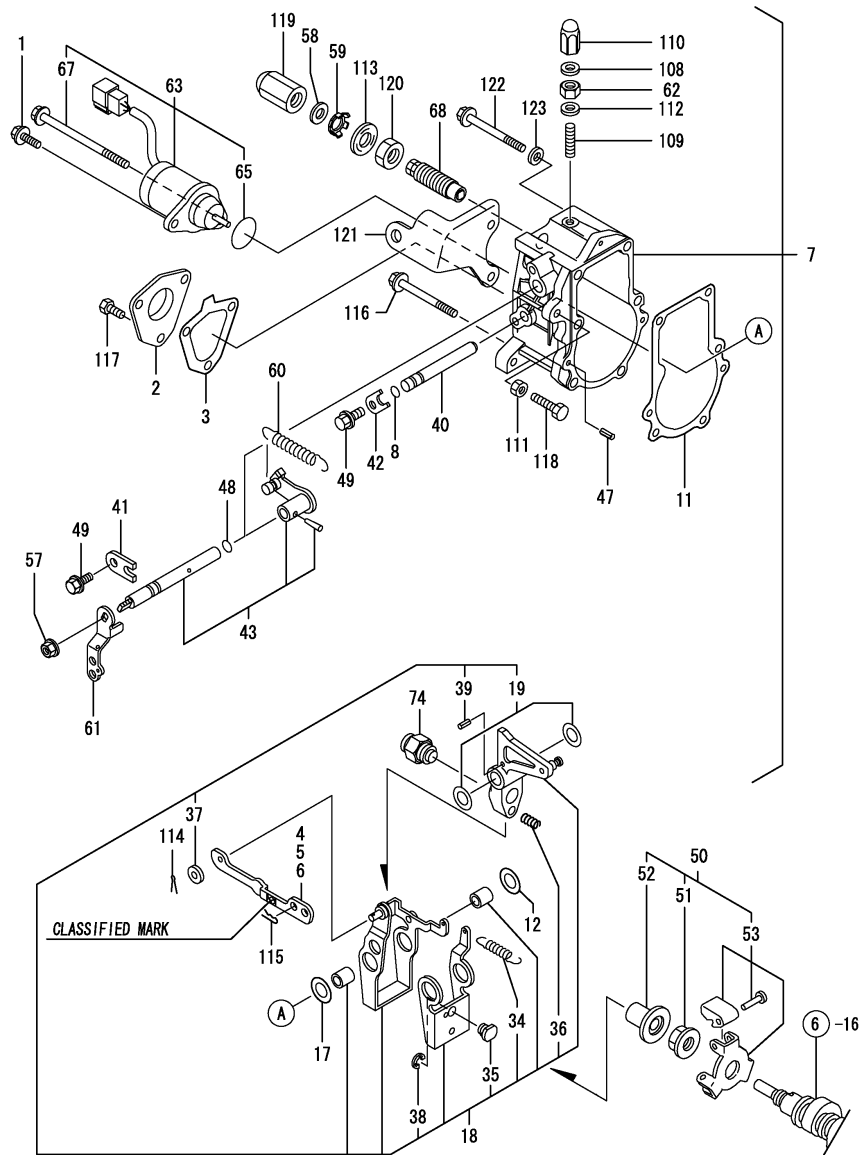


(A)=3TNE68C-EMA
(B)=
(C)=

(D)=
(E)=
(F)=

No.	Lev.	Parts No.	Description	Q'ty						I	R
				(A)	(B)	(C)	(D)	(E)	(F)		
1	1	719266-51100	PUMP ASSY, INJECTION	1							
3	2	119225-51100	PLUNGER ASSY	3							
6	2	119620-51170	RETAINER, SPRING A	3							
7	2	119620-51180	RETAINER, SPRING B	3							
8	2	119620-51190	SPRING, PLUNGER	3							
9	2	119620-51250	SHIM SET	3							
21	2	119225-51300	VALVE ASSY, DELIVERY	3							
24	2	105546-51330	SPRING, DELIVERY	3							
25	2	119620-51340	HOLDER, DELIVERY	3							
26	2	119620-51350	GASKET	3							
27	2	119620-51370	O-RING	3							
28	2	119620-51450	PIECE	3							
29	2	119620-51461	PIN	1							
30	2	119660-51500	RACK, CONTROL	1							
31	2	119620-51510	PINION	3							
32	2	119660-51530	RETAINER, RACK	1							
33	2	119620-51640	PLATE ASSY, ADJUST	2							
34	3	119620-51650	PLATE	2							
35	3	119620-51670	PIN	2							
36	2	119620-51660	SCREW	2							
37	2	119620-51680	PIN	1							
38	2	119620-51700	TAPPET ASSY	3							
43	2	26022-040082	SCREW, M4X 8	4							
44	2	26033-040102	SCREW, M4X10	2							

Fig.11. GOVERNOR



Remarks
 (1) SELECTIVE PARTS: CERTAIN THE CLASSIFICATION MARK, THEN PLACE YOUR ORDER(REFER TO ILLUSTRATION)

(A)=3TNE68C-EMA

(B)=

(C)=

(D)=

(E)=

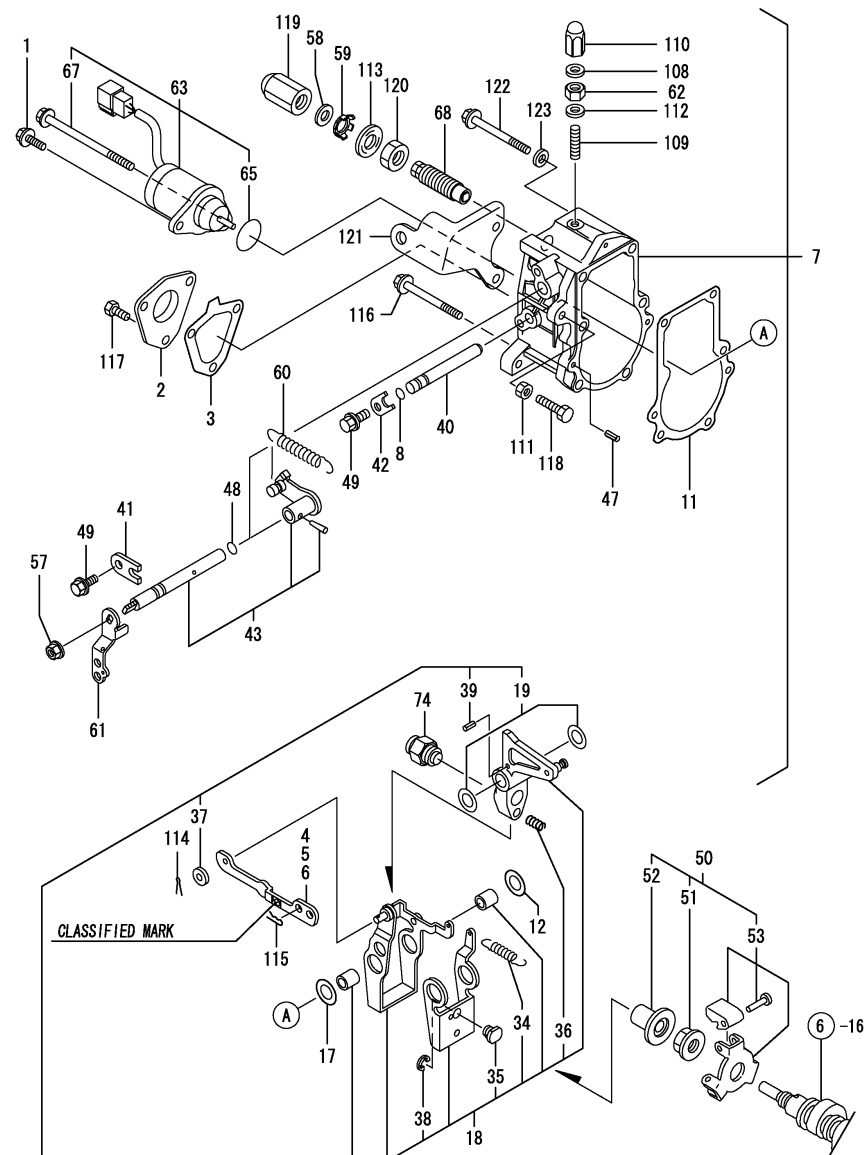
(F)=

No.	Lev.	Parts No.	Description	Q'ty						I	R
				(A)	(B)	(C)	(D)	(E)	(F)		
1	1	121465-59950	BOLT, M6X16	1							
2	1	119660-61060	COVER, GOVERNOR CASE	1							
3	1	119660-61071	GASKET	1							
4	1	119660-61122	LINK, NO MARK	1							1
5	1	119660-61141	LINK, MARK A	1							1
6	1	119660-61151	LINK, MARK :B	1							1
7	1	119632-61200	CASE ASSY, GOVERNOR	1							
8	2	129155-51280	O-RING, S6	1							
11	2	119660-61053	GASKET	1							
12	2	119632-61500	SHIM SET	1							
17	2	129156-61500	SHIM, T=0.5	1							
18	2	119232-61510	LEVER ASSY, GOVERNOR	1							
19	3	174307-51700	SHIM SET	2							
34	3	119232-61540	SPRING	1							
35	3	119600-61541	SHIFTER	1							
36	3	119660-61651	SPRING, STARTING	1							
37	3	22117-040000	WASHER, 4	1							
38	3	22272-000040	RING, E- 4	1							
39	3	22351-030014	PIN, SPRING 3.0X14	1							
40	2	119660-61590	SHAFT	1							
41	2	119600-61900	RETAINER, SHAFT	1							
42	2	119660-61901	RETAINER, SHAFT	1							
43	2	119285-66080	SHAFT ASSY	1							
47	2	22351-040010	PIN, SPRING 4.0X10	2							
48	2	24341-000070	O-RING, 1AS7.0	1							
49	2	26106-060102	BOLT, M6X 10 PLATED	2							
50	1	119600-61300	DRIVE ASSY	1							
51	2	119660-61300	NUT	1							
52	2	119660-61341	SLEEVE	1							
53	2	119600-61400	WEIGHT ASSY,GOVERNOR	1							
57	1	26366-080002	NUT, M8	1							
58	1	23414-120016	GASKET, 12X1.0	1							
59	1	129209-61970	PLATE	1							
60	1	119489-66010	SPRING, REGULATOR	1							
61	1	119621-66051	LEVER, REGULATOR	1							
62	1	26857-060002	NUT, M6	1							
63	1	119653-66500	STOPPER ASSY	1							
65	2	24341-000280	O-RING, 1AS28.0	1							
67	2	119620-01530	BOLT	1							
68	1	119629-66510	LIMITER ASSY, FUEL	1							
74	1	119610-66700	ANGLEICH ASSY	1							
108	1	119285-66620	GASKET	1							
109	1	171002-66830	SCREW	1							
110	1	119285-66600	NUT, CAP M6	1							
111	1	26756-060002	NUT, LOCK M6	1							
112	1	22190-060003	WASHER,SEAL 6	1							
113	1	22190-120002	WASHER, SEAL 12	2							
114	1	22360-040000	PIN, SNAP 4	1							
115	1	22360-060000	PIN, SNAP 6	1							
116	1	26106-060702	BOLT, M6X 70 PLATED	2							
117	1	26116-050102	BOLT, M5X 10 PLATED	3							

N:Old $\frac{Yes}{No}$ New, Q:Old $\frac{No}{Yes}$ New, R:Old $\frac{Yes}{Yes}$ New, S:Old $\frac{No}{No}$ New, W:Add, Z:Discontinued, F:Interchangeable by set, K:Q'ty Change

++ CONTINUE ++

Fig.11. GOVERNOR



(A)=3TNE68C-EMA

(B)=

(C)=

(D)=

(E)=

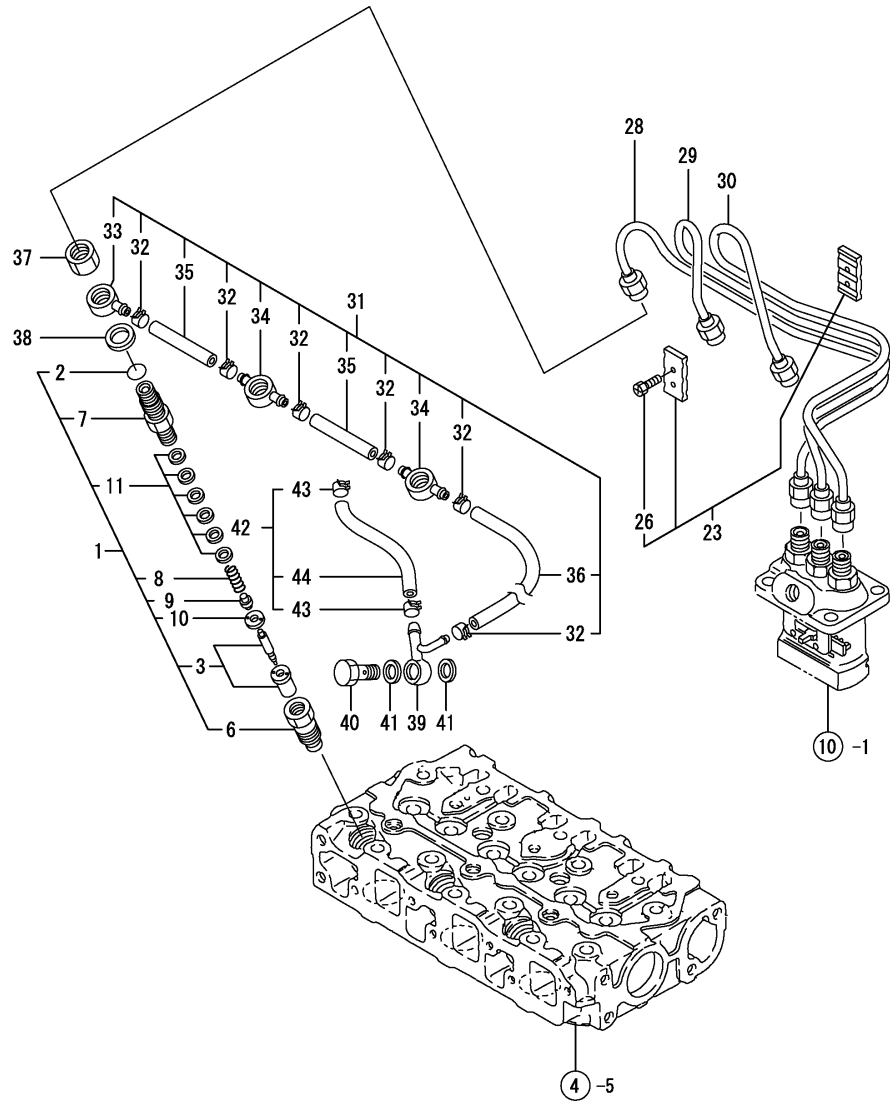
(F)=

No.	Lev.	Parts No.	Description	Q'ty						I	R
				(A)	(B)	(C)	(D)	(E)	(F)		
118	1	119266-61460	BOLT	1							
119	1	129100-61930	NUT, CAP	1							
120	1	26736-120002	NUT, M12	1							
121	1	119288-55901	BRACKET, FILTER	1							
122	1	267106-060752	BOLT, M6X 75 PLATED	3							
123	1	22111-060000	WASHER, 6	3							

Remarks

(1) SELECTIVE PARTS: CERTAIN THE CLASSIFICATION MARK, THEN PLACE YOUR ORDER(REFER TO ILLUSTRATION)

Fig.12. FUEL INJECTION VALVE



(A)=3TNE68C-EMA

(B)=

(C)=

(D)=

(E)=

(F)=

No.	Lev.	Parts No.	Description	Qty						I	R
				(A)	(B)	(C)	(D)	(E)	(F)		
1	1	719255-53100	VALVE ASSY,INJECTION	3							
2	2	129155-61830	O-RING, S10	3							
3	2	119620-53000	VALVE ASSY,INJECTION	3							
6	2	119620-53080	NUT, NOZZLE	3							
7	2	119255-53100	HOLDER ASSY, NOZZLE	3							
8	2	119620-53120	SPRING, NOZZLE	3							
9	2	114250-53130	SEAT, SPRING	3							
10	2	119620-53140	SPACER, VALVE STOP	3							
11	2	114250-53400	SHIM SET	3							
23	1	129150-59120	RETAINER, PIPE	1							
26	2	129150-59131	BOLT, M4X14	2							
28	1	119209-59810	PIPE ASSY, INJECTION	1							
29	1	119209-59820	PIPE ASSY, INJECTION	1							
30	1	119209-59830	PIPE ASSY, INJECTION	1							
31	1	119266-59540	PIPE ASSY, FUEL	1							
32	2	124066-59100	CLIP, HOSE 8	6							
33	2	119260-59520	JOINT	1							
34	2	119260-59530	JOINT	2							
35	2	105025-59550	PIPE, FUEL RETURN	2							
36	2	119000-59560	PIPE, FUEL RETURN	1							
37	1	119620-59700	NUT, NOZZLE	3							
38	1	22190-140002	WASHER, SEAL 14	3							
39	1	119266-59570	JOINT, OVER FLOW	1							
40	1	119266-59580	BOLT, PIPE JOINT M8	1							
41	1	22190-080002	WASHER, SEAL 6	2							
42	1	719225-59560	PIPE ASSY, FUEL	1							
43	2	124766-59050	CLIP, HOSE 12	2							
44	2	119225-59560	PIPE, FUEL	1							

Fig.13. FUEL LINE

(A)=3TNE68C-EMA

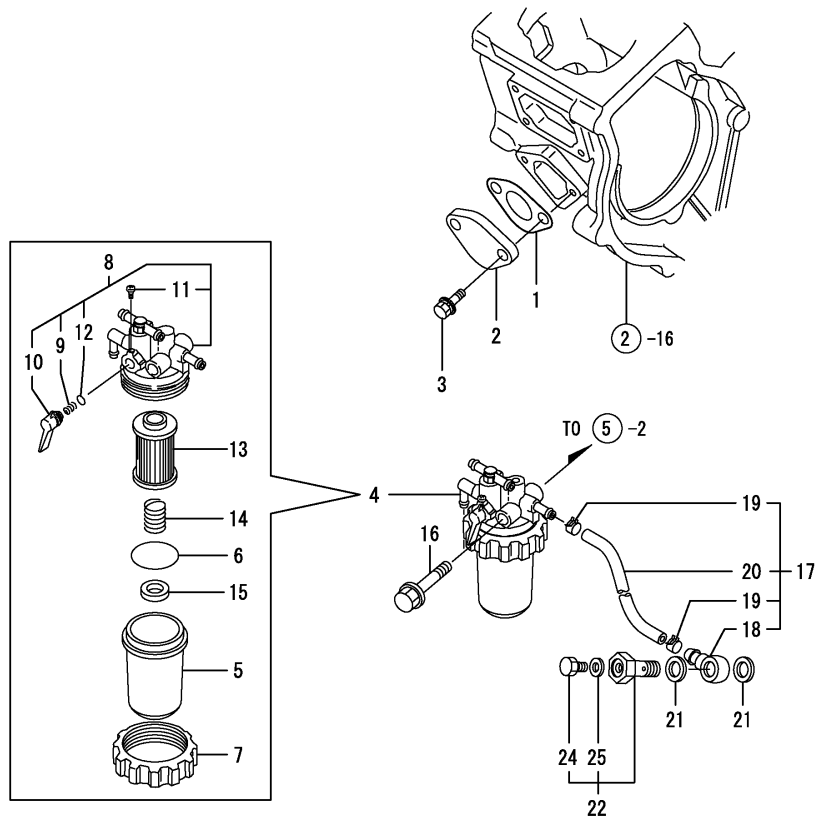
(B)=

(C)=

(D)=

(E)=

(F)=



No.	Lev.	Parts No.	Description	Q'ty						I	R
				(A)	(B)	(C)	(D)	(E)	(F)		
1	1	121520-01851	GASKET	1							
2	1	121520-01860	COVER	1							
3	1	26106-060162	BOLT, M6X 16 PLATED	2							
4	1	119258-55622	FILTER ASSY, FUEL	1							
5	2	121254-55510	COVER	1							
6	2	102103-55520	O-RING	1							
7	2	110250-55610	RING, RETAINING	1							
8	2	119258-55610	BODY ASSY, FILTER	1							
9	3	104200-55330	SPRING, VALVE	1							
10	3	119810-55340	LEVER	1							
11	3	104200-55750	SCREW, M4	1							
12	3	24311-240100	O-RING, 1AP10A	1							
13	2	104500-55710	ELEMENT	1							
14	2	121257-55720	SPRING	1							
15	2	121257-55731	FLOAT	1							
16	1	26014-080702	BOLT, M8X 70	1							
17	1	119260-59031	PIPE, FUEL	1							
18	2	101304-59020	JOINT, PIPE 12	1							
19	2	124766-59050	CLIP, HOSE 12	2							
20	2	124767-59080	PIPE, FUEL	1							
21	1	22190-120002	WASHER, SEAL 12	2							
22	1	103854-59191	BOLT ASSY, JOINT M12	1							
24	2	124060-59380	PLUG, 6	1							
25	2	22190-060002	WASHER, SEAL 6	1							

Fig.14. STARTING MOTOR

(A)=3TNE68C-EMA

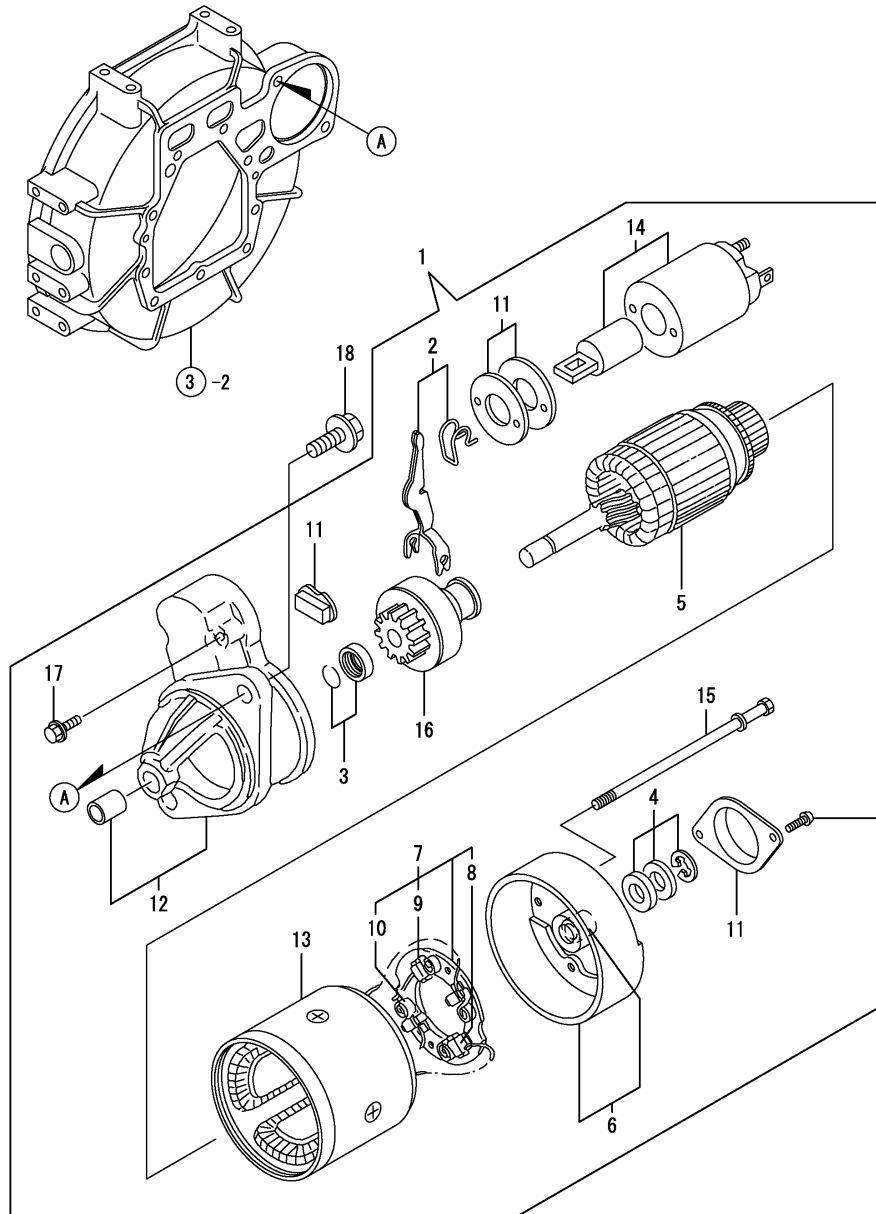
(B)=

(C)=

(D)=

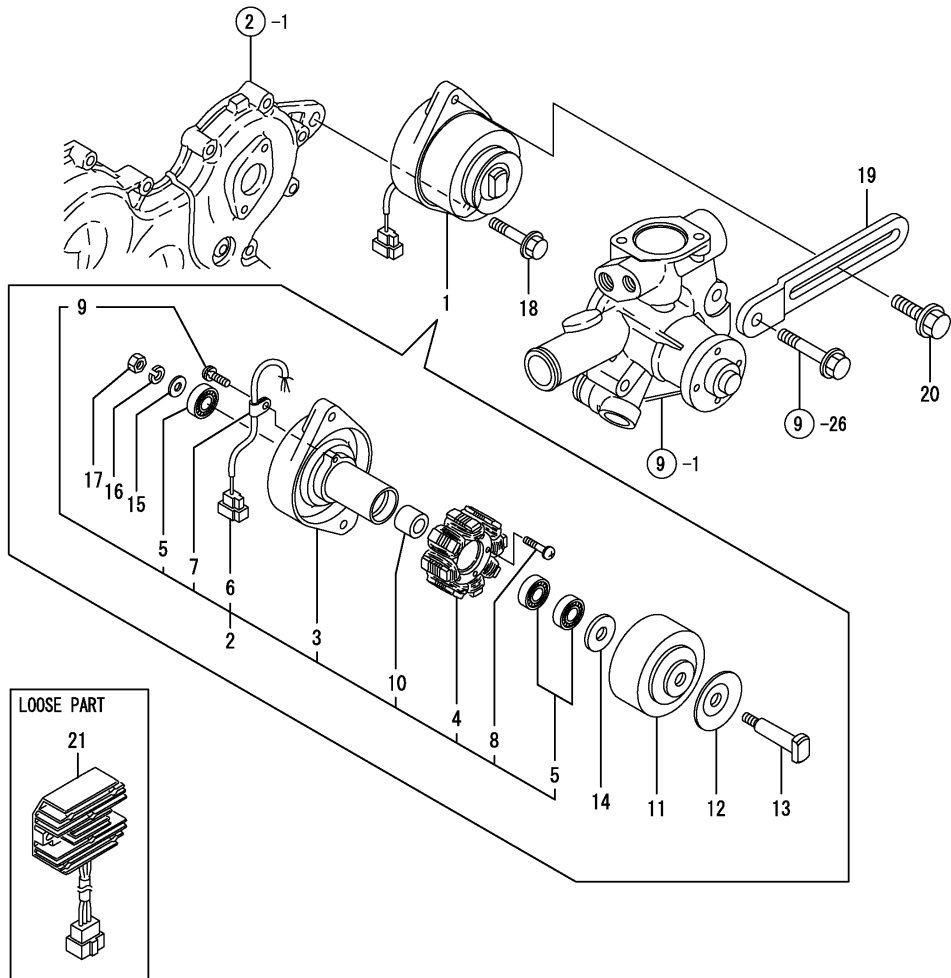
(E)=

(F)=



No.	Lev.	Parts No.	Description	Q'ty						I	R
				(A)	(B)	(C)	(D)	(E)	(F)		
1	1	119631-77011	STARTING MOTOR	1							
2	2	114371-77180	LEVER KIT, SHIFT	1							
3	2	X2114715500	STOPPER SET, PINION	1							
4	2	X2114811000	WASHER KIT, THRUST	1							
5	2	114371-77110	ARMATURE	1							
6	2	114371-77140	COVER ASSY, REAR	1							
7	2	114371-77160	HOLDER ASSY, BRUSH	1							
8	3	114371-79040	BRUSH (-)	2							
9	3	114371-79050	BRUSH (+)	1							
10	3	114371-79060	SPRING, BRUSH	4							
11	2	114371-77170	COVER KIT, DUST	1							
12	2	119631-77651	CASE ASSY, GEAR	1							
13	2	124097-77710	YOKE ASSY	1							
14	2	124298-77020	SWITCH, MAGNETIC	1							
15	2	124195-77770	THROUGH BOLT	2							
16	2	119631-77780	PINION ASSY	1							
17	2	114371-79070	BOLT M 6X 37	2							
18	1	26116-120252	BOLT, M12X 25 PLATED	2							

Fig.15. GENERATOR



(A)=3TNE68C-EMA

(B)=

(C)=

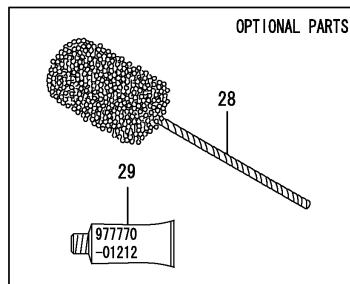
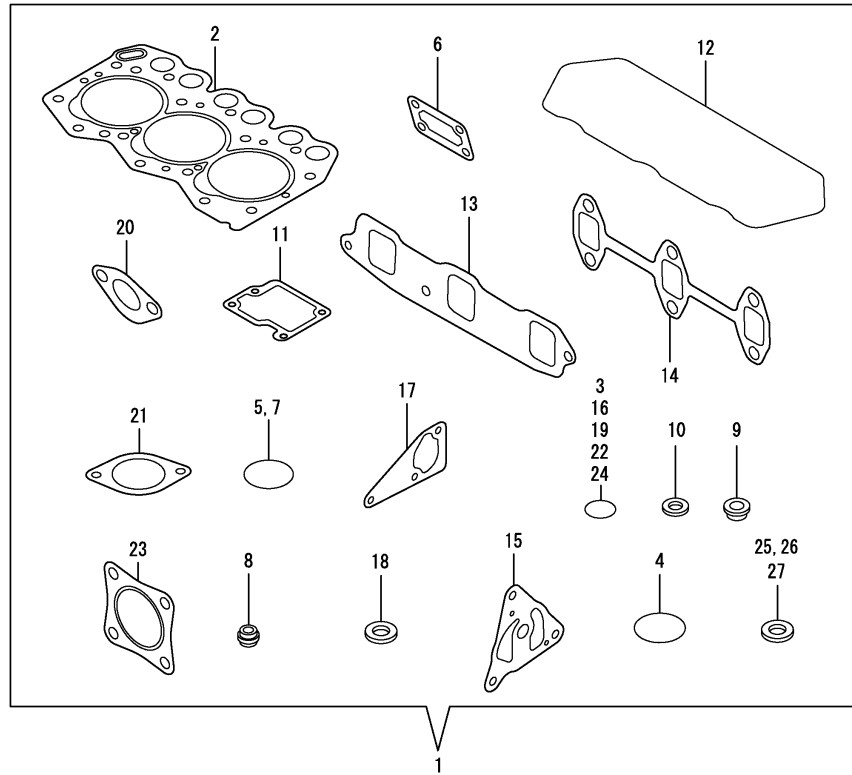
(D)=

(E)=

(F)=

No.	Lev.	Parts No.	Description	Q'ty						I	R
				(A)	(B)	(C)	(D)	(E)	(F)		
1	1	171301-77201	DYNAMO ASSY, 15A	1							
2	2	XM08137	PLATE ASSY	1							
3	3	X2A07073KA	PLATE	1							
4	3	X4A07023KB	STATOR ASSY	1							
5	3	24104-062010	BEARING, 6201UUC3	3							
6	3	X417878	COUPLER	1							
7	3	XM069000000	CLAMP	1							
8	3	XYSPS402400	SCREW	2							
9	3	XYSPS400800	SCREW	1							
10	3	XM329830000	COLLAR	1							
11	2	X3A08877KA	FLYWHEEL	1							
12	2	XM721740000	PULLEY	1							
13	2	X4A07403K01	SHAFT	1							
14	2	XM67935	WASHER	1							
15	2	XM860250000	WASHER 10	1							
16	2	XM219230000	WASHER, SPRING	1							
17	2	XM863720000	NUT	1							
18	1	26106-100402	BOLT, M10X 40 PLATED	1							
19	1	121521-77330	ADJUSTER	1							
20	1	26014-080252	BOLT, M8X 25	1							
21	1	119225-77720	LIMITER, CURRENT 20A	1							

Fig.16. GASKET SET



(A)=3TNE68C-EMA

(B)=

(C)=

(D)=

(E)=

(F)=

No.	Lev.	Parts No.	Description	Q'ty						I	R
				(A)	(B)	(C)	(D)	(E)	(F)		
1	1	719265-92820	GASKET SET	1							1
2	2	119265-01341	GASKET, HEAD	1							
3	2	24311-000120	O-RING, 1AP12.0	2							
4	2	24311-000320	O-RING, 1AP32.0	2							
5	2	24341-000240	O-RING, 1AS24.0	1							
6	2	119660-01562	GASKET	1							
7	2	24311-000180	O-RING, 1AP18.0	1							
8	2	119260-11340	SEAL, VALVE STEM	6							
9	2	119600-11450	PROTECTOR, NOZZLE	3							
10	2	119600-11460	GASKET, NOZZLE	6							
11	2	119260-03031	GASKET	1							
12	2	119260-11310	GASKET, BONNET	1							
13	2	119270-12110	GASKET, MANIFOLD	1							
14	2	119260-13110	GASKET	1							
15	2	119660-32020	GASKET, PUMP	1							
16	2	24311-240100	O-RING, 1AP10A	1							
17	2	119260-42021	GASKET, WATER PUMP	1							
18	2	124465-44950	GASKET, 16	2							
19	2	129155-61830	O-RING, S10	3							
20	2	121520-01851	GASKET	1							
21	2	129350-49541	GASKET	1							
22	2	119624-32040	O-RING, P12.0	2							
23	2	121000-13201	GASKET, SILENCER	1							
24	2	119209-35030	O-RING, P11	1							
25	2	22190-080002	WASHER, SEAL 6	2							
26	2	22190-140002	WASHER, SEAL 14	3							
27	2	22190-120002	WASHER, SEAL 12	2							
28	1	129400-92400	FLEX HORN	1							1
29	1	977770-01212	GASKET, LIQUID	1							1

Remarks

(1) OPTIONAL PART.

Parts No. Index

Parts No.	Fig. No.	Ref. No.
101304-59020	13	18
102103-55520	13	6
103854-59191	13	22
104200-55330	13	9
104200-55750	13	11
104500-55710	13	13
105010-11230	4	32
		36
105025-59550	12	35
105546-51330	10	24
110250-55610	13	7
114250-11120	4	16
114250-11180	4	17
114250-39450	8	22
114250-53130	12	9
114250-53400	12	11
114371-77110	14	5
114371-77140	14	6
114371-77160	14	7
114371-77170	14	11
114371-77180	14	2
114371-79040	14	8
114371-79050	14	9
114371-79060	14	10
114371-79070	14	17
118400-03060	4	50
119000-59560	12	36
119209-35030	8	20
	16	24
119209-42320	9	11
119209-59810	12	28
119209-59820	12	29
119209-59830	12	30
119225-14210	6	16
119225-34810	8	13
119225-35300	8	23
119225-51100	10	3
119225-51300	10	21
119225-59560	12	44
119225-77720	15	21
119232-61510	11	18
119232-61540	11	34
119233-21691	7	7
119255-53100	12	7
119258-55610	13	8
119258-55622	13	4
119260-01490	2	16
119260-01510	2	18
119260-01590	2	1
119260-01770	3	11

Parts No.	Fig. No.	Ref. No.
119260-02020	1	5
119260-02800	1	14
119260-02930	1	17
119260-03020	4	46
119260-03031	4	47
	16	11
119260-11100	4	14
119260-11110	4	15
119260-11240	4	25
119260-11260	4	28
119260-11270	4	29
119260-11280	4	30
119260-11310	4	49
	16	12
119260-11331	4	44
119260-11340	4	20
	16	8
119260-11370	4	21
119260-11800	4	8
119260-13110	5	8
	16	14
119260-14100	6	6
119260-14200	6	1
119260-14400	6	2
119260-14580	6	3
119260-21200	7	4
119260-23910	7	27
119260-25100	6	10
119260-32000	8	1
119260-34810	8	14
119260-35081	8	19
119260-42021	9	13
	16	17
119260-59031	13	17
119260-59520	12	33
119260-59530	12	34
119265-01250	1	9
119265-01341	1	21
	16	2
119265-11260	4	40
119265-11700	4	5
119265-21700	7	1
119265-22300	7	22
119265-22500	7	16
119265-22601	7	14
119265-22930	7	32
119265-22950	7	34
119265-23100	7	24
119265-23200	7	28
119265-42002	9	1

Parts No.	Fig. No.	Ref. No.
119266-01200	1	20
119266-02410	1	13
119266-07900	4	2
119266-59540	12	31
119266-59570	12	39
119266-59580	12	40
119266-61460	11	118
119270-12110	5	1
	16	13
119285-01730	5	3
119285-03140	4	1
119285-07900	4	53
119285-12100	5	4
119285-12730	5	2
119285-34821	8	15
119285-42051	9	5
119285-42120	9	4
119285-42270	9	10
119285-66080	11	43
119285-66600	11	110
119285-66620	11	108
119288-55901	11	121
119305-35151	8	18
119454-01721	3	10
119489-11200	4	24
119489-66010	11	60
119600-01600	3	2
119600-11450	4	22
	16	9
119600-11460	4	23
	16	10
119600-21580	7	11
119600-61300	11	50
119600-61400	11	53
119600-61541	11	35
119600-61900	11	41
119610-66700	11	74
119620-01530	11	67
119620-01620	3	5
119620-01750	3	17
119620-01800	2	3
119620-02450	6	4
119620-11350	4	58
119620-21941	7	9
119620-25912	6	12
119620-42350	9	17
119620-49290	9	30
119620-51170	10	6
119620-51180	10	7
119620-51190	10	8

Parts No.	Fig. No.	Ref. No.
119620-51250	10	9
119620-51340	10	25
119620-51350	10	26
119620-51370	10	27
119620-51450	10	28
119620-51461	10	29
119620-51510	10	31
119620-51640	10	33
119620-51650	10	34
119620-51660	10	36
119620-51670	10	35
119620-51680	10	37
119620-51700	10	38
119620-53000	12	3
119620-53080	12	6
119620-53120	12	8
119620-53140	12	10
119620-59700	12	37
119620-77820	4	56
119621-21680	7	8
119621-66051	11	61
119623-01950	2	24
119624-32040	2	5
	16	22
119629-66510	11	68
119631-77011	14	1
119631-77651	14	12
119631-77780	14	16
119632-61200	11	7
119632-61500	11	12
119653-66500	11	63
119660-01551	2	21
119660-01562	2	22
	16	6
119660-01570	2	23
119660-01640	3	6
119660-01821	6	23
119660-01911	2	4
119660-25022	6	8
119660-25052	6	9
119660-25920	6	21
119660-25930	6	22
119660-32020	8	11
	16	15
119660-51500	10	30
119660-51530	10	32
119660-61053	11	11
119660-61060	11	2
119660-61071	11	3
119660-61122	11	4

Parts No. Index

Parts No.	Fig. No.	Ref. No.
119660-61141	11	5
119660-61151	11	6
119660-61300	11	51
119660-61341	11	52
119660-61590	11	40
119660-61651	11	36
119660-61901	11	42
119810-55340	13	10
119865-21600	7	13
121000-13201	5	9
	16	23
121023-01550	2	13
121111-21501	7	10
121120-01620	3	3
121250-44901	9	24
121254-55510	13	5
121256-44600	9	18
121257-55720	13	14
121257-55731	13	15
121400-01640	3	12
121450-01560	2	19
121450-42450	9	27
121465-59950	11	1
121500-12790	5	5
121520-01851	13	1
	16	20
121520-01860	13	2
121521-77330	15	19
124060-01050	1	4
	8	32
124060-59380	13	24
124066-59100	12	32
124085-02220	3	8
124097-77710	14	13
124101-49531	9	20
124160-01751	2	11
	4	64
124160-11360	4	43
124195-77770	14	15
124298-77020	14	14
124450-44510	9	33
124450-44530	9	35
124450-44550	9	38
124450-44560	9	36
124465-44950	9	25
	28	18
	16	18
124766-59050	12	43
	13	19
124767-59080	13	20

Parts No.	Fig. No.	Ref. No.
129100-01580	3	1
	7	2
129100-61930	11	119
129150-35350	8	31
129150-59120	12	23
129150-59131	12	26
129155-51280	11	8
129155-61830	12	2
	16	19
129156-61500	11	17
129209-61970	11	59
129350-49541	9	21
	16	21
129350-49800	9	22
129400-92400	16	28
129795-77800	4	55
171002-66830	11	109
171008-03990	4	57
171056-49120	9	14
171301-77201	15	1
171375-39601	8	33
174307-51700	11	19
194990-22050	2	33
22111-060000	11	123
22117-040000	11	37
22190-060002	13	25
22190-060003	11	112
22190-080002	12	41
	16	25
22190-120002	11	113
	13	21
	16	27
22190-140002	12	38
	16	26
22242-000100	4	39
22242-000200	6	14
22252-000200	7	23
22272-000040	11	38
22351-030010	7	31
22351-030014	11	39
22351-040010	2	20
	11	47
22351-060012	4	4
22360-040000	11	114
22360-060000	11	115
22512-040120	6	7
		19
	7	5
22857-500100	4	52
23061-070230	9	37

Parts No.	Fig. No.	Ref. No.
23414-120016	11	58
23876-030000	4	11
24101-062034	6	25
24102-063034	6	20
24104-062010	15	5
24311-000120	4	54
	16	3
24311-000180	3	14
	16	7
24311-000320	2	12
	4	65
	16	4
24311-240100	8	16
	13	12
	16	16
24341-000070	11	48
24341-000240	2	14
	16	5
24341-000280	11	65
25157-003300	9	16
26014-080252	15	20
26014-080702	13	16
26022-040082	10	43
26033-040102	10	44
26106-060102	3	15
	8	17
	11	49
26106-060122	1	22
	6	15
	8	21
	9	19
26106-060162	2	6
		15
	5	6
	6	24
	13	3
26106-060222	3	9
26106-060282	5	7
26106-060302	2	7
26106-060402	2	8
26106-060452	3	16
26106-060502	2	9
26106-060652	2	10
26106-060702	11	116
26106-060752	11	122
26106-080142	4	3
26106-080282	9	23
26106-080452	4	41
	9	15
26106-080502	9	26

Parts No.	Fig. No.	Ref. No.
26106-080652	9	29
26106-100402	15	18
26116-050102	11	117
26116-120252	14	18
26206-100252	3	4
26306-080002	4	42
26366-060002	2	34
26366-080002	11	57
26450-060202	8	12
26577-060122	9	9
26587-080102	6	26
26736-120002	11	120
26756-060002	4	34
		38
	11	111
26857-060002	11	62
27221-050080	4	12
27221-060100	1	8
27241-100000	1	10
27241-250000	1	11
27241-300000	1	12
27241-350000	4	13
27310-055001	4	18
719225-59560	12	42
719255-53100	12	1
719260-02870	1	23
719260-23600	7	29
719260-23610	7	38
719265-01560	1	1
719265-92820	16	1
719266-51100	10	1
719489-11650	4	31
719489-11660	4	35
977770-01212	2	35
	3	18
	16	29
X2114715500	14	3
X2114811000	14	4
X2A07073KA	15	3
X3A08877KA	15	11
X417878	15	6
X4A07023KB	15	4
X4A07403K01	15	13
XM069000000	15	7
XM08137	15	2
XM219230000	15	16
XM329830000	15	10
XM67935	15	14
XM721740000	15	12
XM860250000	15	15

Parts No. Index

Parts No.	Fig. No.	Ref. No.
XM863720000	15	17
XYSPS400800	15	9
XYSPS402400	15	8

Parts No.	Fig. No.	Ref. No.
-----------	----------	----------

Parts No.	Fig. No.	Ref. No.
-----------	----------	----------

Parts No.	Fig. No.	Ref. No.
-----------	----------	----------