

0CV10-M54401EN

# P R E F A C E

1. This parts catalog is the 2nd edition of 3TNE68-HT for HWASUNG THERMO.

Pub.No. : 0CV10-G54401

Published : February, 2013

2. Model name

Engine model	Vehicle	Vehicle made by
3TNE68-HT	REFRIGERATOR	HWASUNG THERMO

## Directions for the Parts Catalog.

1. This Parts Catalog shows both standard and optional parts.
2. Parts may change without prior notice.
3. The following is an example of the Parts Catalog format.

REF.	LEV.	PARTS NO.	DESCRIPTION	Q'TY						I	R
				(A)	(B)	(C)	(D)	(E)	(F)		
1	1	729595-51390	FUEL INJECTION PUMP	1	1	1	1	1			1
1-1	1	729595-51391	FUEL INJECTION PUMP	1	1	1	1	1		N	1
		(A=E00185) (B=E00200)									
3	2	26022-060162	SCREW M 6X 16	9	9	9	9	9			
3-1	2	26022-060162	SCREW M 6X 16	4	4	4	4	4		K	
		(A=E00156) (B=E00156) (C=E00156) (D=E00156) (E=E00156)									
4	2	129470-51040	CAMSHAFT	1	1	1	1	1			
5	2	122710-51050	BEARING, ROLLER	2	2	2	2	2			
6	2	129470-51060	RETAINER	1	1	1	1	1			

Remarks
(1) BOOST COMPEMSATOR TYPE. OPTIONAL PART, TO E00155,(4JH-DT, 4JH-DTZ

### ① Ref. No.

The Ref. No. listed may not be in accordance with the illustration Ref. No.

(Ex.) Illustration No.

List Ref No.

1

1

(Before change)

1-1

(After change)

For interchangeable symbols N, R and K, illustrations for new parts may be abbreviated.

### ② Lev. (Level)

Level indication

The numbers below indicate the level of relativity towards the main part.

1 ----- Main parts (Assembly parts)

2 ----- Sub component included in " 1 ".

3 ----- Sub component included in " 2 ".

Note) Parts that are not for sale are partially illustrated but not listed.

### ③ Interchangeability Symbol

When a part change takes place, one of the following interchangeability symbols is indicated beside the part.

Symbol	Interchangeability	Contents note
N	Old $\begin{matrix} \leftarrow \text{Yes} \\ \text{No} \rightarrow \end{matrix}$ New	New Part is interchangeable for Old Part but Old Part is not interchangeable for New Part.
Q	Old $\begin{matrix} \leftarrow \text{No} \\ \text{Yes} \rightarrow \end{matrix}$ New	New Part is not interchangeable for Old Part but Old Part is interchangeable for New Part.
R	Old $\begin{matrix} \leftarrow \text{Yes} \\ \text{Yes} \rightarrow \end{matrix}$ New	New/ Old Parts are both interchangeable.
S	Old $\begin{matrix} \leftarrow \text{No} \\ \text{No} \rightarrow \end{matrix}$ New	New/ Old Parts are both not interchangeable.
W		Part newly added.
Z		Part discontinued.
F		Not interchangeable by a single part but interchangeable together with related parts.
K		Changes only for used parts quantities.

### ④ Effective Machine No.

When a part changes, the effective Machine No. will be indicated in the (A)-(F) column.

Product Symbol	Product No.	Product Symbol	Product No.
C	Clutch No. Compressor No.	F	Machine No. (Agricultural Equip.)
D	Drive No.	M	Machine No.
E	Engine No.		

Note 1) A date may follow the symbol. (Ex.) 1996.01

Note 2) "XXXXX" and "ZZZZZ" are for parts that could not be predicted or for engine models that could not be identified.

Note 3) (A=E00185) is the E (Engine Serial Number) for the column (A) model (in this case 4JH-DT) after the parts design change.

### ⑤ Remarks

Figures or alphabets (symbols) are entered in the remarks column.

The comments (remarks) on parts that are indicated at the bottom of the illustration are the same symbols as those stated above.

# Contents

Fig. No.    Fig. Name

3TNE68-HT

1. CYLINDER BLOCK
2. GEAR HOUSING
3. MOUNTING FLANGE & OIL SUMP
4. CYLINDER HEAD & BONNET
5. SUCTION MANIFOLD & AIR CLEANER
6. EXHAUST MANIFOLD
7. CAMSHAFT & DRIVING GEAR
8. CRANKSHAFT & PISTON
9. LUB. OIL SYSTEM
10. COOLING WATER SYSTEM
11. FUEL INJECTION PUMP
12. GOVERNOR
13. FUEL INJECTION VALVE
14. FUEL LINE
15. STARTING MOTOR
16. GENERATOR
17. GASKET SET

Fig. No.    Fig. Name

# Fig.1. CYLINDER BLOCK

(A)=3TNE68-HT

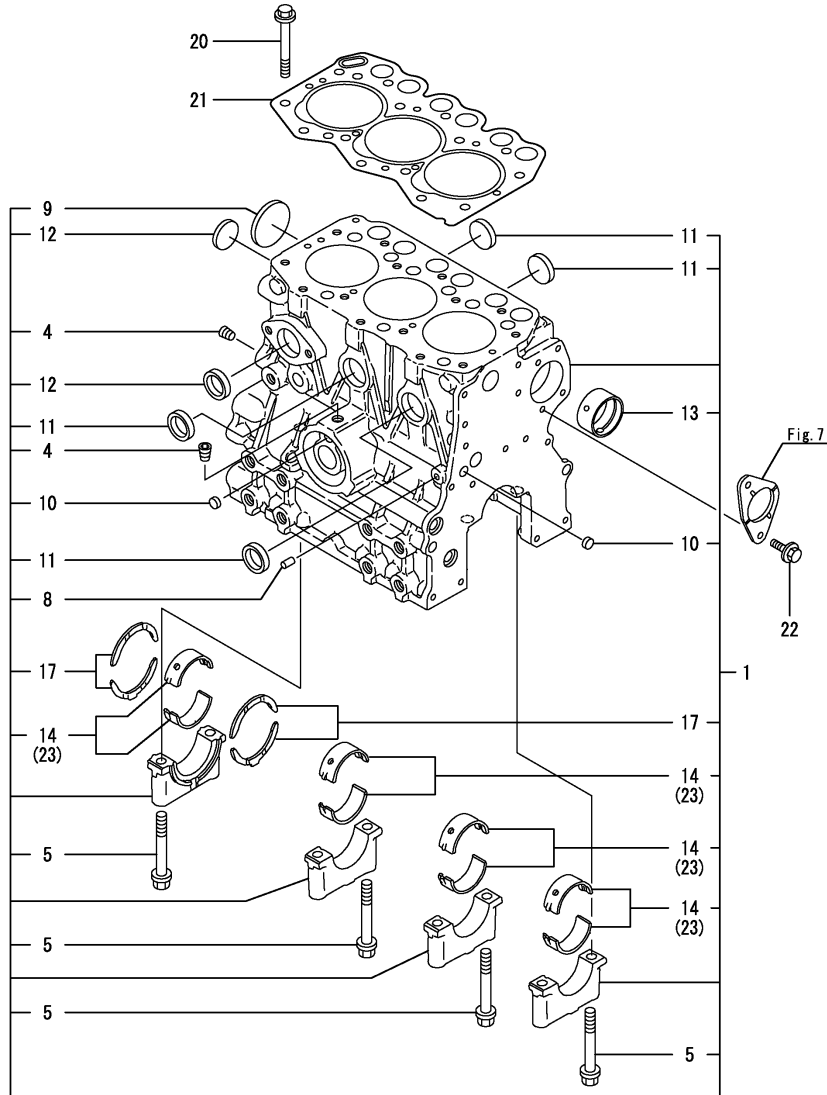
(B)=

(C)=

(D)=

(E)=

(F)=

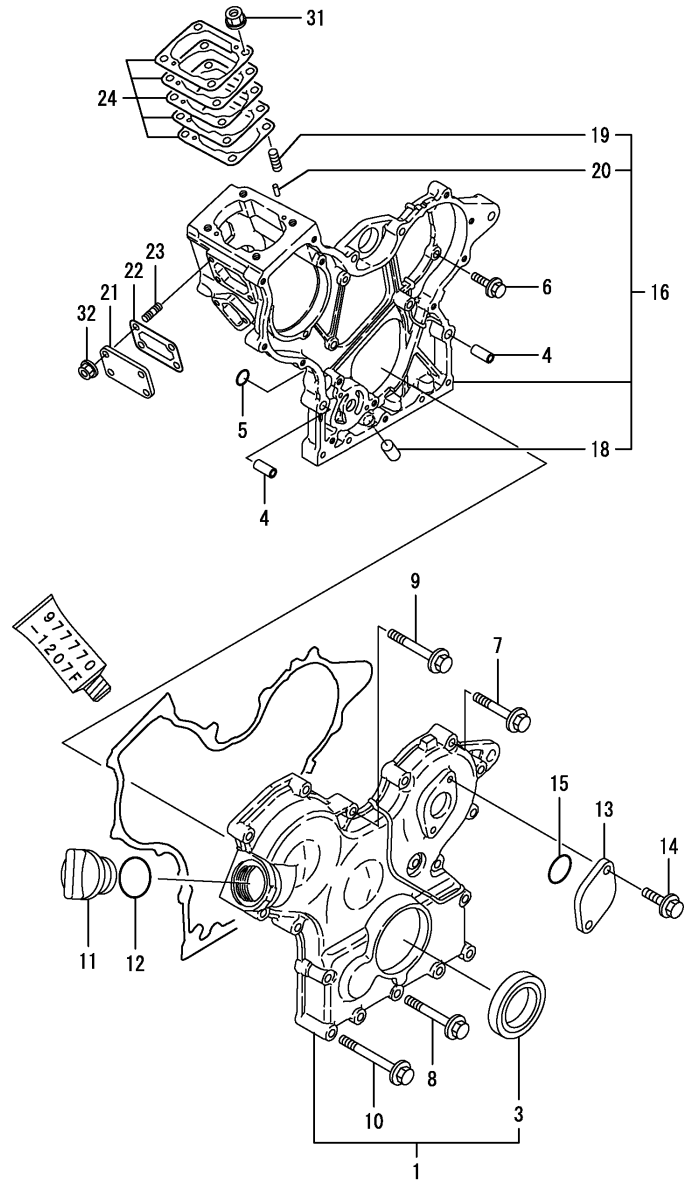


No.	Lev.	Parts No.	Description	Q'ty						I	R
				(A)	(B)	(C)	(D)	(E)	(F)		
1	1	719265-01560	BLOCK ASSY, CYLINDER	1							
4	2	124060-01050	PLUG, PT1/8	2							
5	2	119260-02020	BOLT, METAL CAP	8							
8	2	27221-060100	PLUG, 6X10	1							
9	2	27231-400000	PLUG 40	1							
9-1	2	119265-01250	PLUG, 40	1							N
(A=EXXXXX)											
10	2	27241-100000	PLUG, 10	2							
11	2	27241-250000	PLUG, 25	4							
12	2	27241-300000	PLUG 30	2							
13	2	119266-02410	BUSH	1							
14	2	119260-02800	BEARING, MAIN	4							
17	2	119260-02930	BEARING, THRUST	2							
20	1	119266-01200	BOLT, HEAD	14							
21	1	119265-01341	GASKET, HEAD	1							
22	1	26106-060122	BOLT, M6X 12 PLATED	2							
23	1	719260-02870	BEARING, 0.25 US	4							1

Remarks

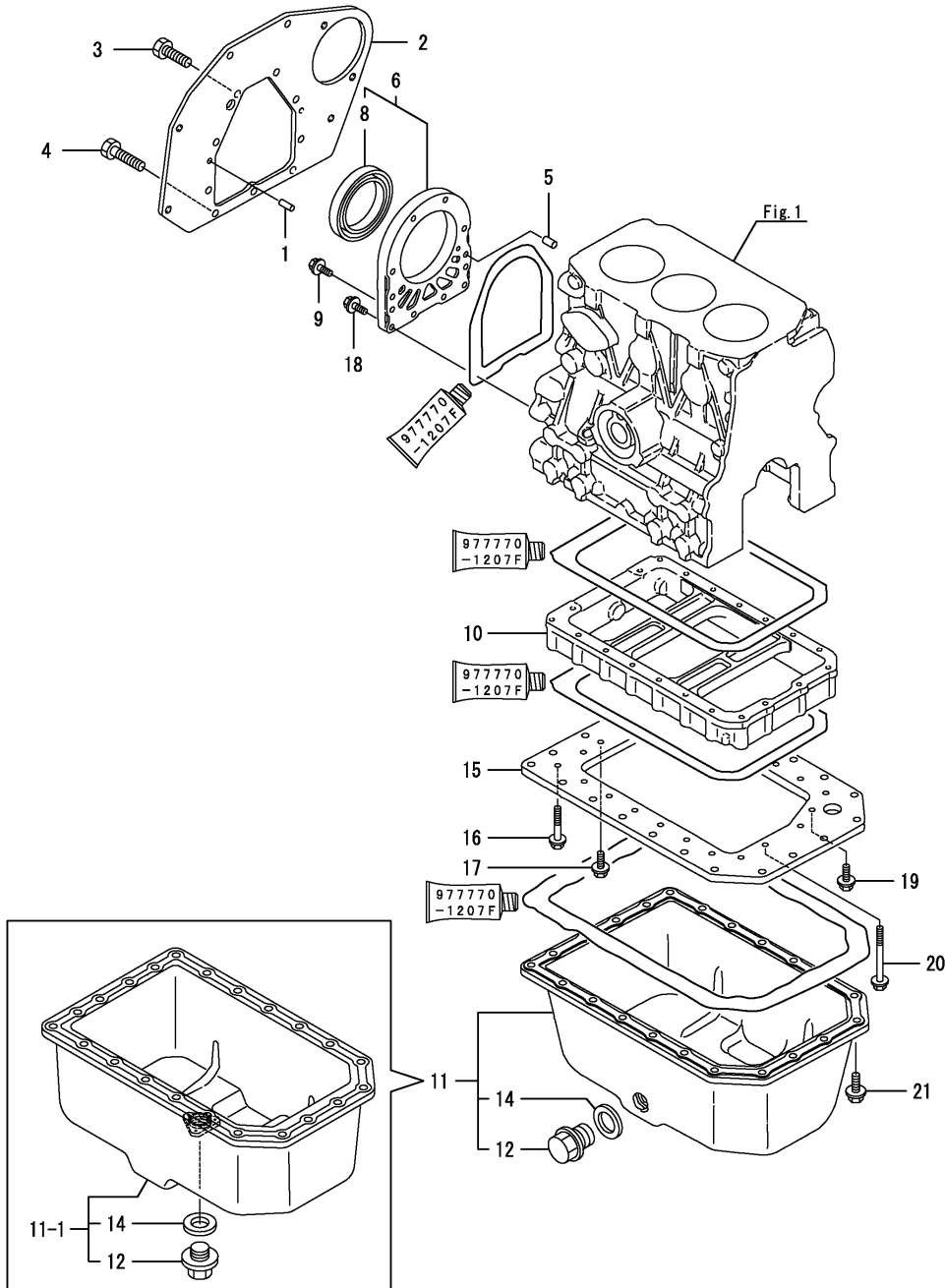
(1)Under-sized(U.S.=0.25)part.

Fig.2. GEAR HOUSING



No.	Lev.	Parts No.	Description	Q'ty						I	R
				(A)	(B)	(C)	(D)	(E)	(F)		
1	1	119260-01590	COVER ASSY,GEAR CASE	1							
3	2	119620-01800	SEAL, OIL	1							
4	1	119660-01911	PIPE, KNOCK	4							
5	1	24311-000120	O-RING, 1AP12.0	2							
5-1	1	119624-32040	O-RING, P12.0	2							N
(A=EXXXXX)											
6	1	26106-060162	BOLT, M6X 16 PLATED	5							
7	1	26106-060302	BOLT, M6X 30 PLATED	5							
8	1	26106-060402	BOLT, M6X 40 PLATED	3							
9	1	26106-060502	BOLT, M6X 50 PLATED	4							
10	1	26106-060652	BOLT, M6X 65 PLATED	6							
11	1	124160-01751	COVER, FILLER	1							
12	1	24311-000320	O-RING, 1AP32.0	1							
13	1	121023-01550	COVER	1							
13-1	1	121023-01551	COVER	1							R
(A=EC4830)											
14	1	26106-060182	BOLT, M6X 18 PLATED	2							
14-1	1	26106-060162	BOLT, M6X 16 PLATED	2							N
(A=EXXXXX)											
15	1	24341-000240	O-RING, 1AS24.0	1							
16	1	119260-01490	CASE ASSY, GEAR	1							
18	2	119260-01510	PLUG	1							
19	2	121450-01560	STUD, M8X22	4							
20	2	22351-040010	PIN, SPRING 4.0X10	2							
21	1	119660-01551	COVER	1							
22	1	119660-01562	GASKET	1							
23	1	119660-01570	STUD, M6X12	4							
24	1	119623-01950	SHIM SET, ADJUSTING	1							
31	1	194990-22050	NUT, M8	4							
32	1	26366-060002	NUT, M6	4							

Fig.3. MOUNTING FLANGE & OIL SUMP



(A)=3TNE68-HT

(B)=

(C)=

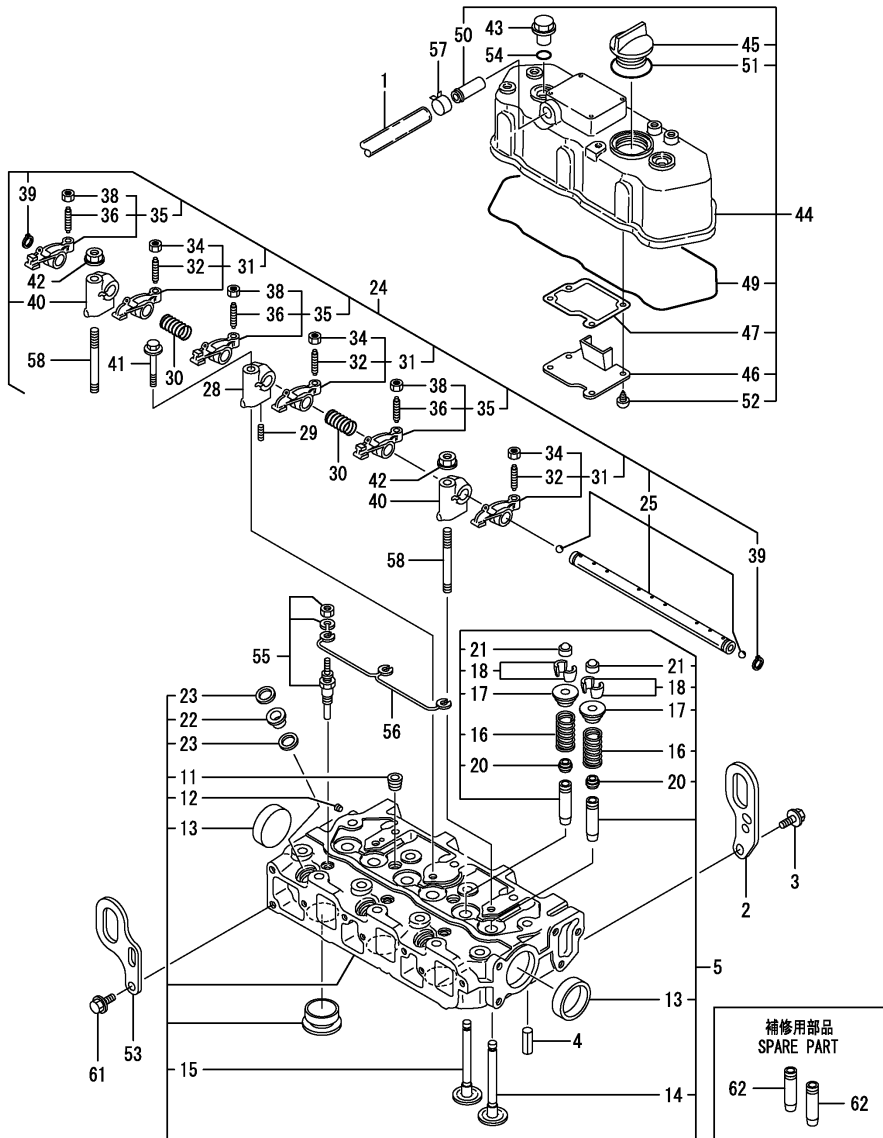
(D)=

(E)=

(F)=

No.	Lev.	Parts No.	Description	Q'ty						I	R
				(A)	(B)	(C)	(D)	(E)	(F)		
1	1	129100-01580	PIN, M8X16	2							
2	1	119285-01600	FLANGE, MOUNTING	1							
3	1	26206-100202	BOLT, M10X 20 PLATED	6							
4	1	26206-100252	BOLT, M10X 25 PLATED	3							
5	1	119620-01620	PIN, M6X10	2							
6	1	119660-01640	CASE ASSY, OIL SEAL	1							
8	2	124085-02220	SEAL, OIL	1							
9	1	26106-060222	BOLT, M6X 22 PLATED	6							
10	1	119454-01721	SPACER, OIL SUMP	1							
11	1	119810-01770	SUMP ASSY, OIL	1							
11-1	1	119823-01770	SUMP ASSY, OIL	1							N
(A=E77301)											
12	2	119640-01640	PLUG, DRAIN M22	1							
14	2	22190-220002	WASHER, SEAL 22	1							
15	1	119285-01800	PLATE, OIL SUMP	1							
16	1	26106-060452	BOLT, M6X 45 PLATED	17							
17	1	26106-060142	BOLT, M6X 14 PLATED	2							
18	1	119285-01580	BOLT, M46X22	4							
19	1	26106-060202	BOLT, M6X 20 PLATED	1							
20	1	26106-060552	BOLT, M6X 55 PLATED	3							
21	1	26106-080102	BOLT, M8X 10 PLATED	22							

Fig.4. CYLINDER HEAD & BONNET



No.	Lev.	Parts No.	Description	Q'ty						I	R
				(A)	(B)	(C)	(D)	(E)	(F)		
1	1	119285-03140	PIPE , BREATHER	1							
2	1	119260-07900	LIFTER	1							
2-1	1	119626-07900	LIFTER	1							N
(A=EB9660)											
3	1	26106-080142	BOLT, M8X 14 PLATED	1							
4	1	22351-060012	PIN, SPRING 6.0X12	2							
5	1	119265-11700	HEAD ASSY, CYLINDER	1							
11	2	23871-030000	PLUG, R03	2							
11-1	2	23876-030000	PLUG, R03	2							N
(A=EXXXXX)											
12	2	27221-050080	PLUG, 5X 8	1							
13	2	27241-350000	PLUG, 35	2							
14	2	119260-11100	VALVE, INTAKE	3							
15	2	119260-11110	VALVE, EXHAUST	3							
16	2	114250-11120	SPRING, VALVE	6							
17	2	114250-11180	RETAINER, SPRING	6							
18	2	714250-11570	COTTER ASSY	6							
20	2	119260-11340	SEAL, VALVE STEM	6							
20-1	2	119260-11341	SEAL, VALVE STEM	6							N
(A=EE0285)											
21	2	119260-11370	CAP, VALVE	6							
22	2	119600-11450	PROTECTOR, NOZZLE	3							
23	2	119600-11460	GASKET, NOZZLE	6							
24	1	119260-11200	SUPPORT ASSY, ARM	1							
25	2	119260-11240	SHAFT ASSY, ROCKER	1							
28	2	119260-11260	SUPPORT, ROCKER ARM	1							
29	2	119260-11270	SCREW	1							
30	2	119260-11280	SPRING	2							
31	2	719260-11650	ARM ASSY, ROCKER	3							
32	3	105010-11230	SCREW, VALVE ADJUST	3							
34	3	26756-060002	NUT, LOCK M6	3							
35	2	719260-11660	ARM ASSY, ROCKER	3							
36	3	105010-11230	SCREW, VALVE ADJUST	3							
38	3	26756-060002	NUT, LOCK M6	3							
39	2	22242-000100	RING, 10	2							
40	2	119265-11260	SUPPORT, ROCKER ARM	2							
41	1	26106-080452	BOLT, M8X 45 PLATED	1							
42	1	26366-080002	NUT, M8	2							
42-1	1	26306-080002	NUT, M8	2							N
(A=EXXXXX)											
43	1	124160-11360	KNOB	2							
44	1	119260-11330	BONNET ASSY, HEAD	1							
44-1	1	119260-11331	BONNET ASSY, HEAD	1							N
(A=EXXXXX)											
46	2	119260-03020	PLATE, SHELTER	1							
47	2	119260-03031	GASKET	1							
49	2	119260-11310	GASKET, BONNET	1							
50	2	119620-11390	JOINT	1							
50-1	2	118400-03060	JOINT, BREATHER	1							R
(A=EXXXXX)											
52	2	22857-500100	SCREW, 5X10	4							

Remarks  
(1) Spare part.



Fig.4. CYLINDER HEAD & BONNET

(A)=3TNE68-HT

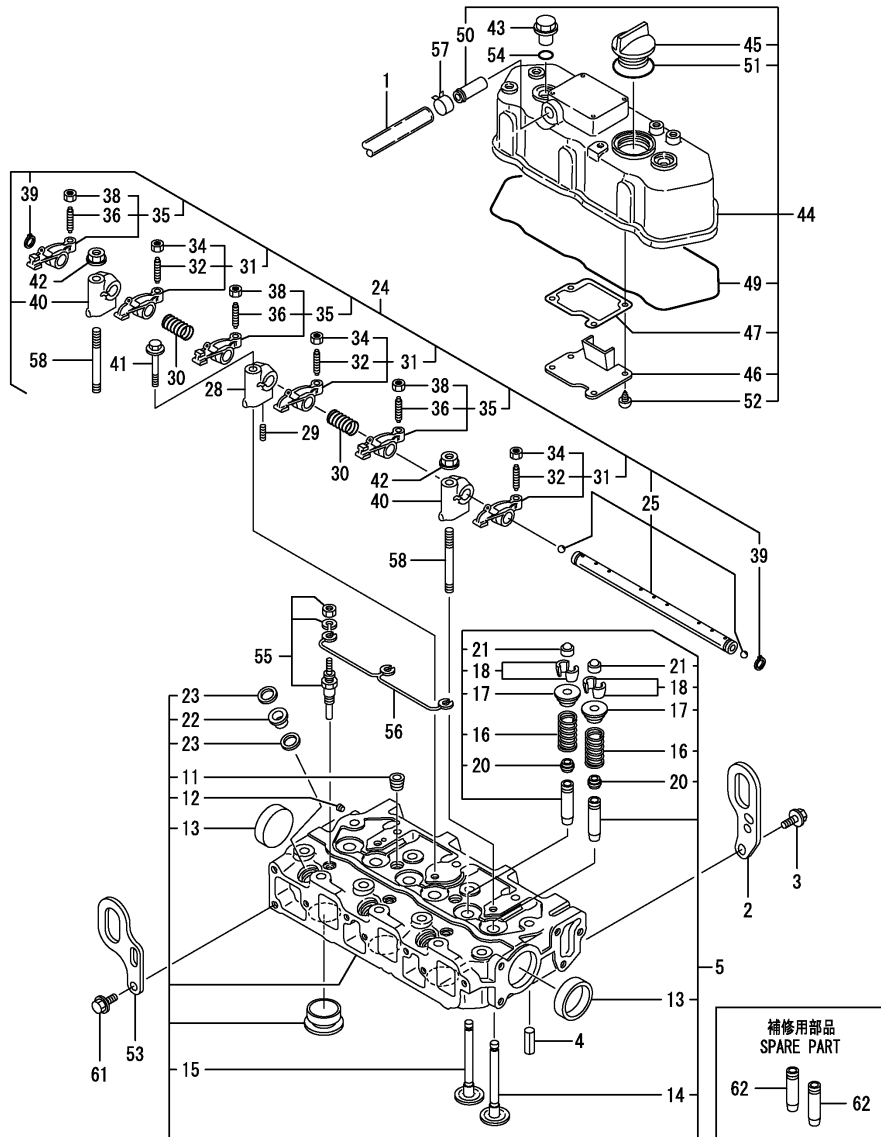
(B)=

(C)=

(D)=

(E)=

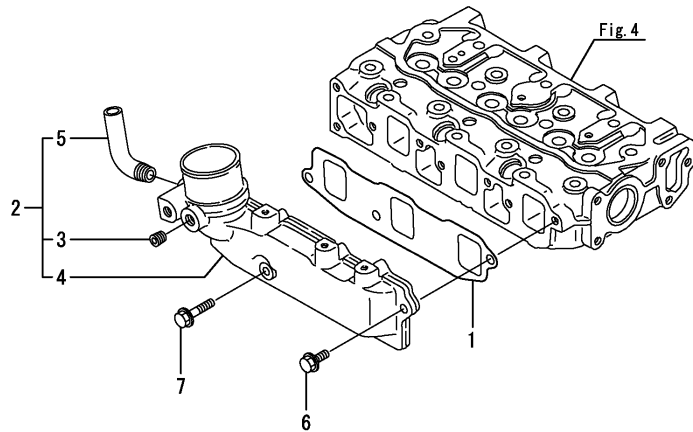
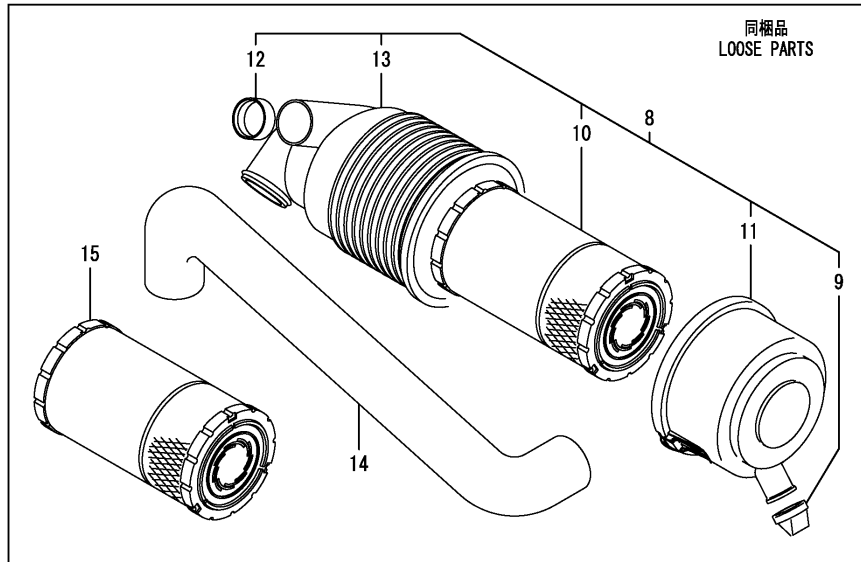
(F)=



No.	Lev.	Parts No.	Description	Q'ty						I	R
				(A)	(B)	(C)	(D)	(E)	(F)		
53	1	119285-07900	LIFTER	1							
54	1	24311-000120	O-RING, 1AP12.0	2							
55	1	129155-77800	PLUG, GLOW	3							
56	1	119620-77820	CONNECTOR, GLOW PLUG	1							
57	1	171008-03990	CLIP, HOSE 18.5	2							
58	1	119620-11350	STUD	2							
59	1	124160-01751	COVER, FILLER	1							
60	1	24311-000320	O-RING, 1AP32.0	1							
61	1	26106-080142	BOLT, M8X 14 PLATED	2							
62	1	119260-11800	GUIDE, VALVE	6							1

Remarks  
(1) Spare part.

Fig.5. SUCTION MANIFOLD & AIR CLEANER

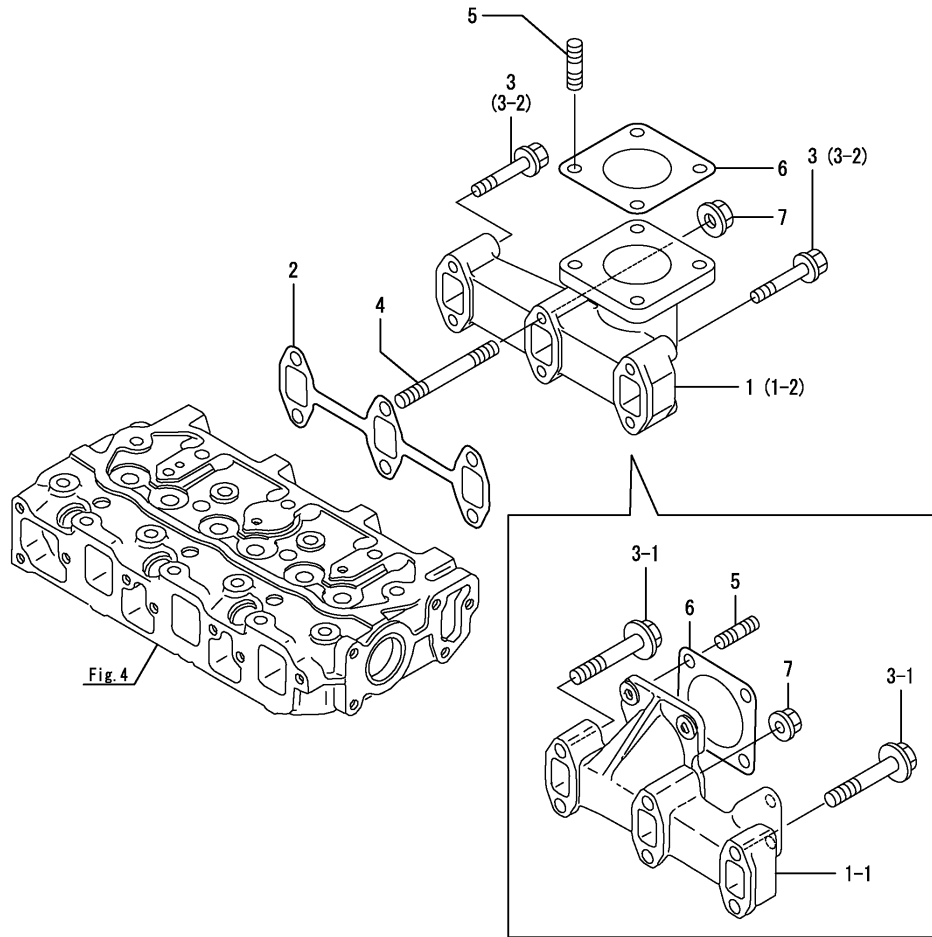


(A)=3TNE68-HT  
(B)=  
(C)=

(D)=  
(E)=  
(F)=

No.	Lev.	Parts No.	Description	Q'ty						I	R
				(A)	(B)	(C)	(D)	(E)	(F)		
1	1	119270-12110	GASKET, MANIFOLD	1							
2	1	119285-12730	MANIFOLD ASSY,INTAKE	1							
3	2	119285-01730	PLUG, NPT1/8	1							
3-1	2	119285-01731 (A=EA8579)	PLUG, NPT1/8	1							N
4	2	119285-12100	MANIFOLD, AIR INTAKE	1							
5	2	121500-12790	JOINT, PIPE PT1/4	1							
6	1	26106-060162	BOLT, M6X 16 PLATED	2							
7	1	26106-060282	BOLT, M6X 28 PLATED	1							
8	1	119233-12540	CLEANER ASSY, AIR	1							
9	2	119808-12540	VALVE, UNLOADER	1							
10	2	119655-12560	ELEMENT	1							
11	2	105027-12570	COVER, AIR CLEANER	1							
12	2	105027-12580	RING	1							
13	2	119233-12670	BODY, AIR CLEANER	1							
14	1	119632-12211	PIPE, AIR INTAKE	1							
15	1	119655-12560	ELEMENT	1							

Fig.6. EXHAUST MANIFOLD



(A)=3TNE68-HT  
(B)=  
(C)=

(D)=  
(E)=  
(F)=

No.	Lev.	Parts No.	Description	Q'ty						I	R
				(A)	(B)	(C)	(D)	(E)	(F)		
1	1	119253-13100	MANIFOLD, EXHAUST	1							
1-1	1	119260-13100	MANIFOLD, EXHAUST	1							S
(A=E48053)											
1-2	1	119253-13100	MANIFOLD, EXHAUST	1							S
(A=E49426)											
2	1	119260-13110	GASKET	1							
3	1	26106-060402	BOLT, M6X 40 PLATED	4							
3-1	1	26106-060352	BOLT, M6X 35 PLATED	4							S
(A=E48053)											
3-2	1	26106-060402	BOLT, M6X 40 PLATED	4							S
(A=E49426)											
3-3	1	119265-13840	BOLT, M6X40	4							N
(A=EXXXXX)											
4	1	26216-060402	STUD, M6X 40	2							
4-1	1	119265-13810	STUD, M6X40	2							N
(A=EXXXXX)											
5	1	119131-18320	STUD, M8X22	4							
6	1	124701-11911	GASKET, SILENCER	1							
7	1	26366-060002	NUT, M6	2							
7-1	1	119265-13800	NUT, M6	2							N
(A=EXXXXX)											

Fig.7. CAMSHAFT & DRIVING GEAR

(A)=3TNE68-HT

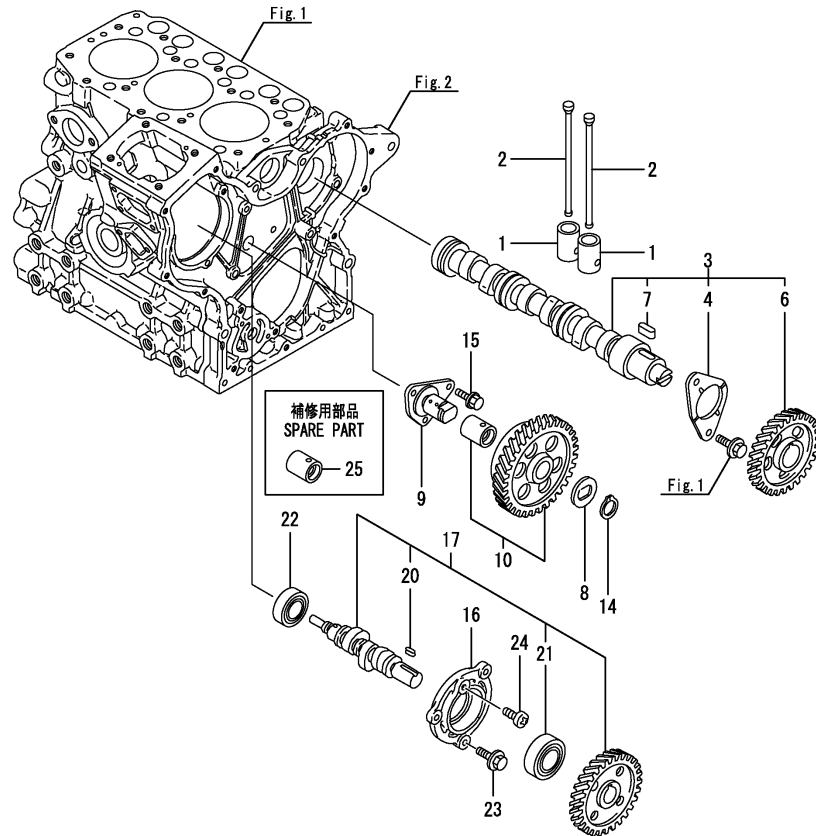
(B)=

(C)=

(D)=

(E)=

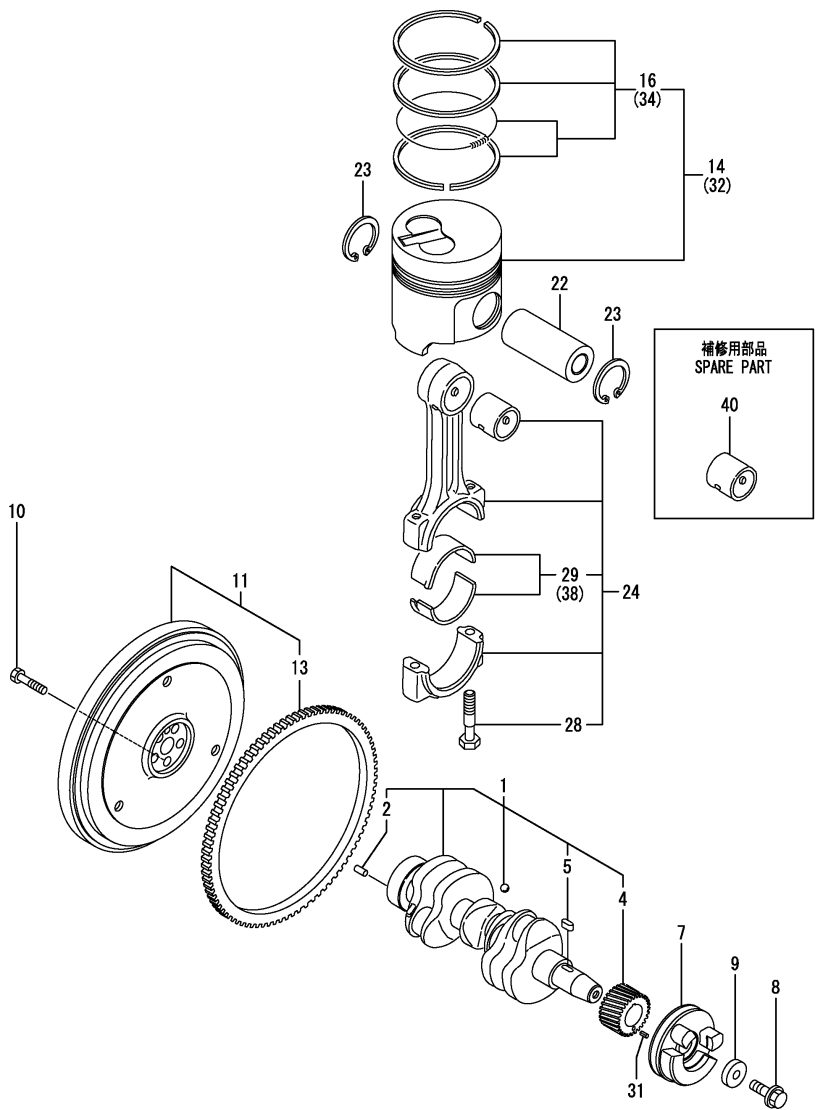
(F)=



No.	Lev.	Parts No.	Description	Q'ty						I	R
				(A)	(B)	(C)	(D)	(E)	(F)		
1	1	119260-14200	TAPPET	6							
2	1	119260-14400	ROD, PUSH	6							
3	1	119260-14580	CAMSHAFT ASSY	1							
4	2	119620-02450	BEARING, THRUST	1							
6	2	119260-14100	GEAR, CAMSHAFT	1							
7	2	22512-040120	KEY, 4X 12	1							
8	1	119660-25022	RETAINER	1							
9	1	119660-25052	SHAFT, IDLE	1							
10	1	119260-25100	GEAR ASSY, IDLE	1							
14	1	22242-000200	RING, 20	1							
15	1	26106-060122	BOLT, M6X 12 PLATED	3							
16	1	119660-01821	BEARING, FUEL CAM	1							
17	1	119225-14200	CAM ASSY	1							
20	2	22512-040120	KEY, 4X 12	1							
21	2	24102-063034	BEARING, BALL 6303U	1							
22	1	24101-062034	BEARING, BALL 6203	1							
23	1	26106-060162	BOLT, M6X 16 PLATED	3							
24	1	26587-080102	SCREW, M8X10	1							
25	1	119620-25912	BUSH	1							1

Remarks  
(1) Spare part.

Fig.8. CRANKSHAFT & PISTON



(A)=3TNE68-HT

(B)=

(C)=

(D)=

(E)=

(F)=

No.	Lev.	Parts No.	Description	Q'ty						I	R
				(A)	(B)	(C)	(D)	(E)	(F)		
1	1	119265-21700	CRANKSHAFT ASSY	1							
2	2	129100-01580	PIN, M8X16	1							
4	2	119260-21200	GEAR, CRANKSHAFT	1							
5	2	22512-040120	KEY, 4X 12	1							
7	1	119233-21690	V-PULLEY	1							
7-1	1	119233-21691	V-PULLEY	1							R
(A=E48110)											
8	1	119621-21680	BOLT, FLANGE 12X1.25	1							
8-1	1	119621-21681	BOLT, FLANGE 12X1.25	1							R
(A=ED8921)											
9	1	119620-21941	WASHER	1							
10	1	119620-21500	BOLT, FLYWHEEL	5							
11	1	119687-21590	FLYWHEEL ASSY	1							
13	2	124060-21600	GEAR, RING	1							
14	1	119265-22601	PISTON ASSY	3							
16	2	119265-22500	RING SET, PISTON	3							
22	1	119265-22300	PIN, PISTON	3							
22-1	1	119125-22300	PIN, PISTON	3							N
(A=EXXXXX)											
23	1	22252-000200	RING, 20	6							
24	1	119265-23100	ROD ASSY, CONNECTING	3							
28	2	119265-23200	BOLT, CONNECTING ROD	6							
29	2	719260-23600	BEARING, CRANK PIN	3							
31	1	22351-030010	PIN, SPRING 3.0X10	1							
32	1	119265-22930	PISTON ASSY, 0.25 OS	3							2
34	2	119265-22950	RING SET, 0.25 OS	3							2
38	1	719260-23610	BEARING ASSY, 0.25	3							3
40	1	119260-23910	BEARING, PISTON PIN	3							1

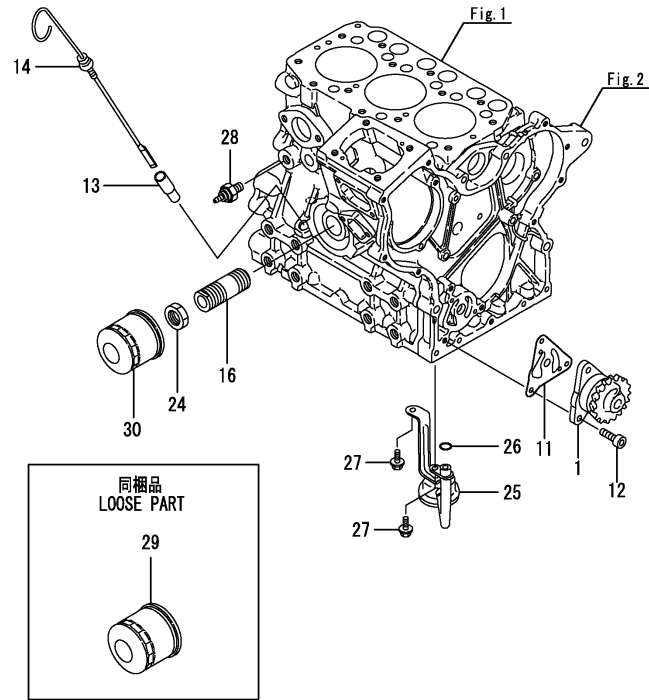
Remarks

(1) Spare part.

(2) Over-sized (O.S.=0.25) part.

(3) Under-sized (U.S.=0.25) part.

# Fig.9. LUB. OIL SYSTEM



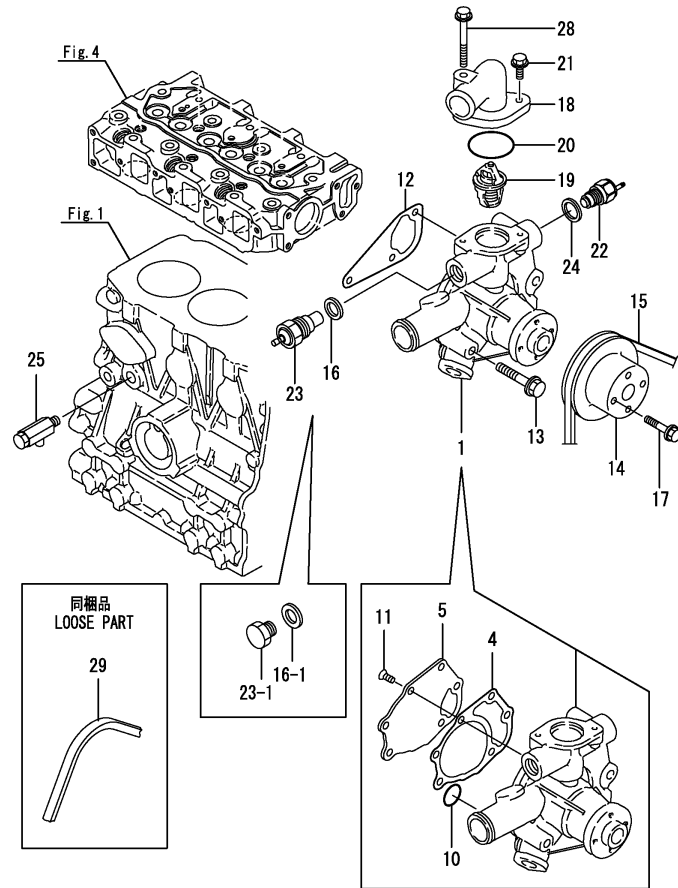
(A)=3TNE68-HT  
(B)=  
(C)=

(D)=  
(E)=  
(F)=

No.	Lev.	Parts No.	Description	Q'ty						I	R
				(A)	(B)	(C)	(D)	(E)	(F)		
1	1	119260-32000	PUMP ASSY, OIL	1							
11	1	119660-32020	GASKET, PUMP	1							
12	1	26450-060202	BOLT, M6X 20	3							
13	1	121520-34810	GUIDE, DIPSTICK	1							
14	1	119600-34820	DIPSTICK, OIL	1							
16	1	119225-35300	VALVE ASSY, CONTROL	1							
24	1	129150-35350	NUT	1							
25	1	119260-35081	PIPE, OIL INLET	1							
26	1	119209-35030	O-RING, P11	1							
27	1	26106-060122	BOLT, M6X 12 PLATED	2							
27-1	1	26106-060102	BOLT, M6X 10 PLATED	2							N
(A=EXXXXX)											
28	1	124160-39450	SWITCH, 0.5KG	1							
28-1	1	114250-39450	SWITCH, 0.5KG	1							N
(A=EXXXXX)											
29	1	119305-35151	FILTER ASSY, D68XL65	1							
30	1	119305-35151	FILTER ASSY, D68XL65	1							1

Remarks  
(1) Spare part.

Fig.10. COOLING WATER SYSTEM



(A)=3TNE68-HT

(B)=

(C)=

(D)=

(E)=

(F)=

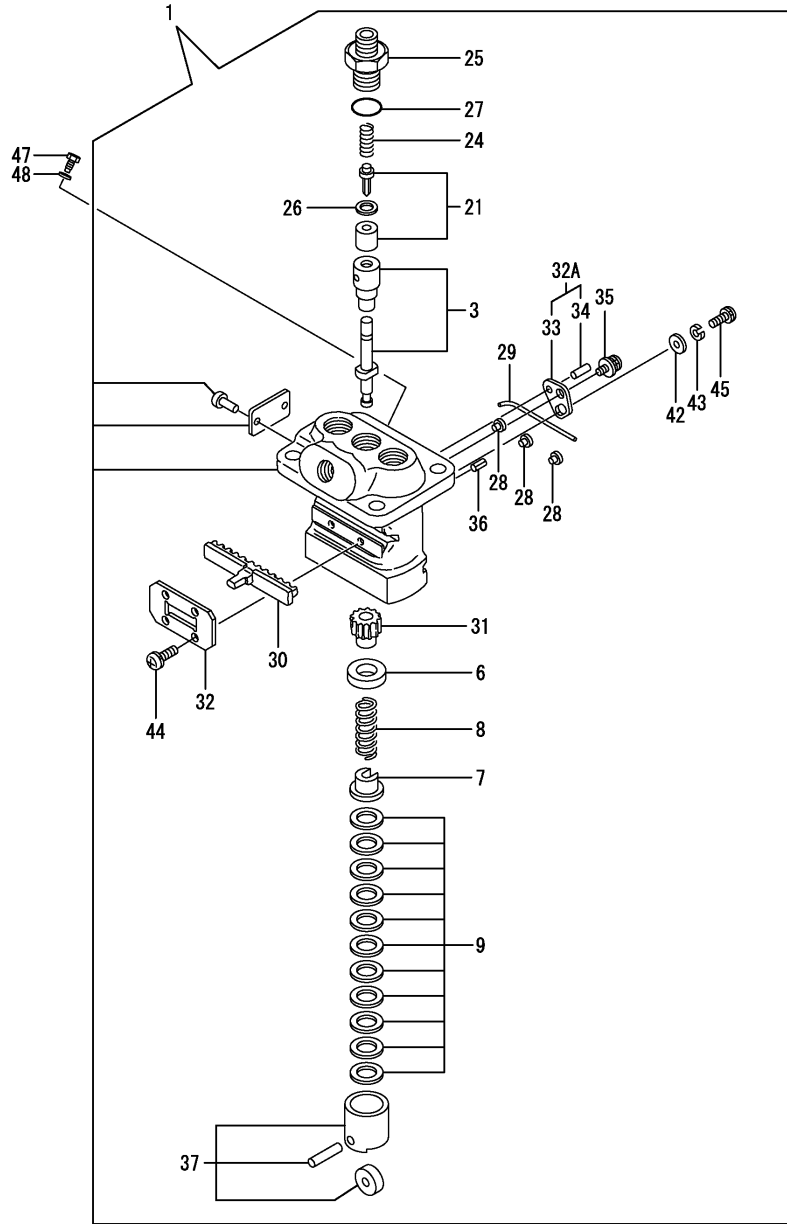
No.	Lev.	Parts No.	Description	Q'ty						I	R
				(A)	(B)	(C)	(D)	(E)	(F)		
1	1	119260-42002	PUMP ASSY, WATER	1							
1-1	1	119260-42003	PUMP ASSY, WATER	1							N
		(A=EXXXXX)									
1-2	1	119260-42004	PUMP ASSY, WATER	1							R
		(A=EXXXXX)									
4	2	119260-42051	GASKET, WATER PUMP	1							
4-1	2	119285-42052	GASKET	1							N
		(A=EXXXXX)									
4-2	2	119285-42051	GASKET, WATER PUMP	1							N
		(A=EXXXXX)									
5	2	119260-42120	PLATE	1							
5-1	2	119285-42120	PLATE	1							N
		(A=EXXXXX)									
10	2	119225-42320	O-RING	1							
10-1	2	119209-42320	O-RING, P21 EPDM	1							N
		(A=EXXXXX)									
11	2	26577-060122	SCREW, M6X12	3							
12	1	119260-42020	GASKET, WATER PUMP	1							
12-1	1	119260-42021	GASKET, WATER PUMP	1							N
		(A=EXXXXX)									
13	1	26106-080452	BOLT, M8X 45 PLATED	3							
14	1	119620-42350	V-PULLEY	1							
15	1	104514-42780	V-BELT, HM33	1							
15-1	1	25137-003300	V-BELT, M33	1							R
		(A=EXXXXX)									
15-2	1	25137-003300	V-BELT, M33	1							Z
		(A=ED2478)									
16	1	129150-49360	GASKET	1							
16-1	1	124465-44950	GASKET, 16	1							F 1
		(A=E92246)									
17	1	26106-060122	BOLT, M6X 12 PLATED	4							
18	1	119256-49530	COVER, THERMOSTAT	1							
18-1	1	119256-49531	COVER, THERMOSTAT	1							N
		(A=EXXXXX)									
19	1	119260-49800	THERMOSTAT, 71	1							
19-1	1	119260-49801	THERMOSTAT, 71	1							N
		(A=EXXXXX)									
20	1	24321-000350	O-RING, 1AG35.0	1							
20-1	1	119209-42140	O-RING, G 35	1							N
		(A=EXXXXX)									
21	1	26106-060162	BOLT, M6X 16 PLATED	1							
22	1	121250-44901	SWITCH, 110	1							
23	1	124250-49351	SENSOR	1							
23-1	1	121450-42450	PLUG, M16	1							F 1
		(A=E92246)									
24	1	124465-44950	GASKET, 16	1							
25	1	119620-49290	COCK ASSY, 1/4	1							
28	1	26106-060552	BOLT, M6X 55 PLATED	1							
29	1	25137-003300	V-BELT, M33	1							W
		(A=ED2478)									

Remarks

(1)Interchangeable by simultaneous replacement with Ref.16-1,23-1.

N:Old  $\xrightarrow{\text{Yes}}$  New, Q:Old  $\xrightarrow{\text{No}}$  New, R:Old  $\xrightarrow{\text{Yes}}$  New, S:Old  $\xrightarrow{\text{No}}$  New, W:Add, Z:Discontinued, F:Interchangeable by set, K:Q'ty Change

Fig.11. FUEL INJECTION PUMP



(A)=3TNE68-HT

(B)=

(C)=

(D)=

(E)=

(F)=

No.	Lev.	Parts No.	Description	Qty						I	R
				(A)	(B)	(C)	(D)	(E)	(F)		
1	1	719225-51100	PUMP ASSY, INJECTION	1							
1-1	1	719266-51100	PUMP ASSY, INJECTION	1							N
(A=EXXXXX)											
3	2	119225-51100	PLUNGER ASSY	3							
6	2	119620-51170	RETAINER, SPRING A	3							
7	2	119620-51180	RETAINER, SPRING B	3							
8	2	119620-51190	SPRING, PLUNGER	3							
9	2	119620-51250	SHIM SET	3							
21	2	119225-51300	VALVE ASSY, DELIVERY	3							
24	2	105546-51330	SPRING, DELIVERY	3							
25	2	119620-51340	HOLDER, DELIVERY	3							
26	2	119620-51350	GASKET	3							
27	2	119620-51370	O-RING	3							
27-1	2	24316-000125	O-RING, 4DP12.5	3							N
(A=EXXXXX)											
28	2	119620-51450	PIECE	3							
29	2	119620-51461	PIN	1							
30	2	119660-51500	RACK, CONTROL	1							
31	2	119620-51510	PINION	3							
32	2	119660-51530	RETAINER, RACK	1							
32A	2	119620-51640	PLATE ASSY, ADJUST	2							
33	3	119620-51650	PLATE	2							
34	3	119620-51670	PIN	2							
35	2	119620-51660	SCREW	2							
36	2	119620-51680	PIN	1							
37	2	119620-51700	TAPPET ASSY	3							
42	2	22137-040000	WASHER, 4	2							Z
(A=EXXXXX)											
43	2	22217-040000	WASHER, SPRING 4	2							Z
(A=EXXXXX)											
44	2	26022-040082	SCREW, M4X 8	4							
45	2	26587-040102	SCREW, M4X10	2							
45-1	2	26033-040102	SCREW, M4X10	2							R
(A=EXXXXX)											
47	1	119266-51900	BOLT	1							W
(A=EXXXXX)											
47-1	1	119266-51900	BOLT	1							Z
(A=E80640)											
48	1	22190-080002	WASHER, SEAL 6	1							W
(A=EXXXXX)											
48-1	1	22190-080002	WASHER, SEAL 6	1							Z
(A=E80640)											



Fig.12. GOVERNOR

(A)=3TNE68-HT

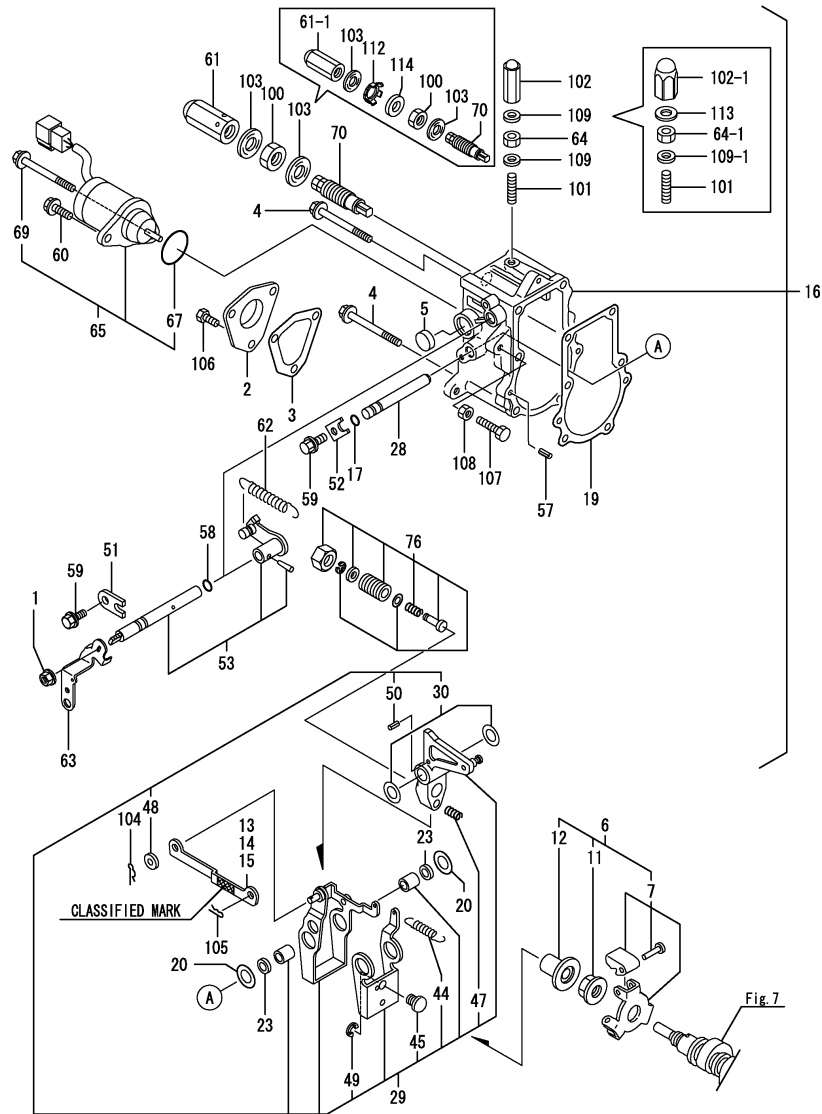
(B)=

(C)=

(D)=

(E)=

(F)=



No.	Lev.	Parts No.	Description	Qty						I	R
				(A)	(B)	(C)	(D)	(E)	(F)		
1	1	194990-22050	NUT, M8	1							
1-1	1	26366-080002	NUT, M8	1							R
(A=EXXXXX)											
2	1	119660-61060	COVER, GOVERNOR CASE	1							
3	1	119660-61071	GASKET	1							
4	1	26106-060702	BOLT, M6X 70 PLATED	5							
5	1	119640-61400	PLUG	1							Z
(A=EXXXXX)											
6	1	119600-61100	DRIVE ASSY	1							
7	2	119600-61200	WEIGHT ASSY,GOVERNOR	1							
11	2	119660-61300	NUT	1							
11-1	2	129008-61301	NUT	1							R
(A=EXXXXX)											
12	2	119660-61341	SLEEVE	1							
13	1	119660-61121	LINK, NO MARK	1							1
13-1	1	119660-61122	LINK, NO MARK	1							R 1
(A=EXXXXX)											
14	1	119660-61140	LINK, MARK :2	1							2
14-1	1	119660-61141	LINK, MARK A	1							R 3
(A=EXXXXX)											
15	1	119660-61150	LINK, MARK :3	1							4
15-1	1	119660-61151	LINK, MARK :B	1							R 5
(A=EXXXXX)											
16	1	119632-61200	CASE ASSY, GOVERNOR	1							
17	2	129155-51280	O-RING, S6	1							
19	2	119660-61052	GASKET	1							
19-1	2	119660-61053	GASKET	1							S 6
(A=EXXXXX)											
19-2	2	119660-61054	GASKET	1							R
(A=EXXXXX)											
20	2	119660-61460	SHIM SET	1							
20-1	2	129156-61500	SHIM, T=0.5	1							N
(A=EXXXXX)											
23	2	129155-61480	SPACER ASSY	2							
23-1	2	119632-61500	SHIM SET	1							N
(A=EXXXXX)											
28	2	119660-61491	SHAFT	1							
28-1	2	119660-61590	SHAFT	1							N
(A=EXXXXX)											
29	2	119232-61510	LEVER ASSY, GOVERNOR	1							
30	3	174307-51700	SHIM SET	2							
44	3	119232-61540	SPRING	1							
45	3	119600-61540	SHIFTER	1							
45-1	3	129100-61540	SHIFTER	1							N
(A=ED9482)											
47	3	119660-61651	SPRING, STARTING	1							
48	3	22117-040000	WASHER, 4	1							
49	3	22272-000040	RING, E- 4	1							
50	3	22351-030014	PIN, SPRING 3.0X14	1							
51	2	119600-61900	RETAINER, SHAFT	1							
52	2	119660-61901	RETAINER, SHAFT	1							

Remarks

- (1) Selective parts, mark; no mark
- (2) Selective parts, mark; 2
- (3) Selective parts, mark; A
- (4) Selective parts, mark; 3
- (5) Selective parts, mark; B
- (6) Material=Ref.19 SF-8500,19-1 GRC.

Fig.12. GOVERNOR

(A)=3TNE68-HT

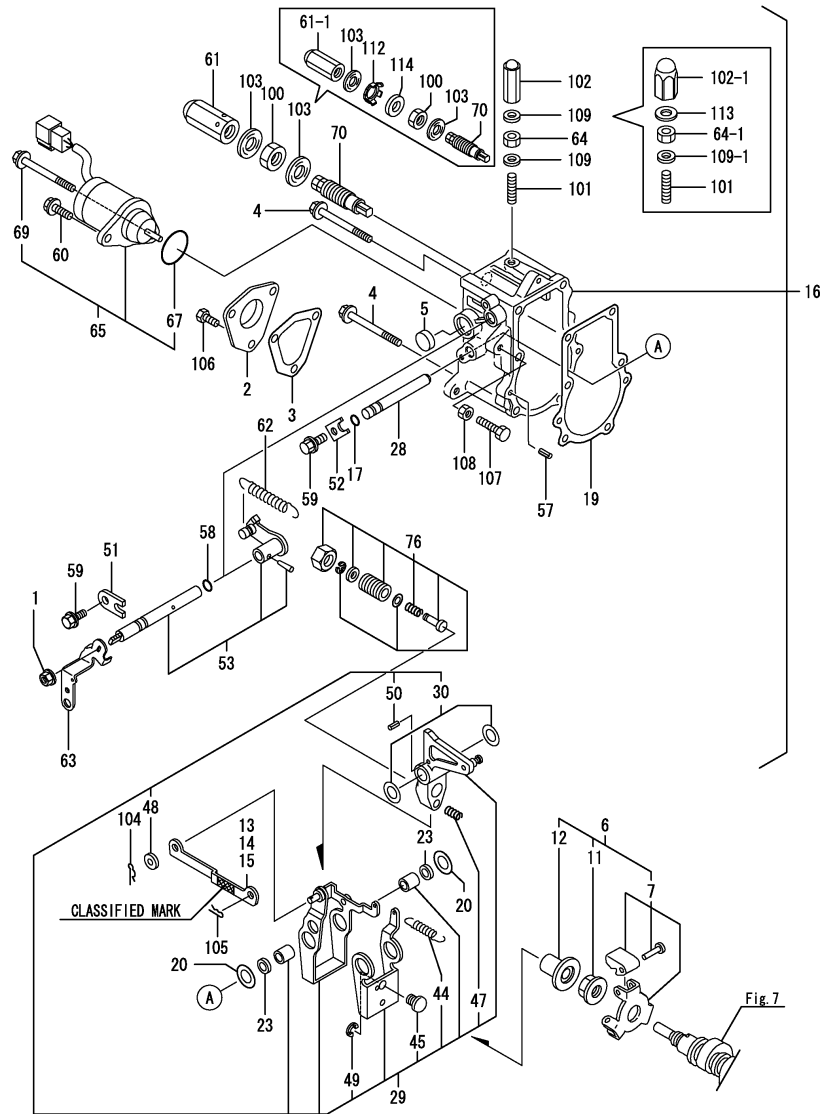
(B)=

(C)=

(D)=

(E)=

(F)=



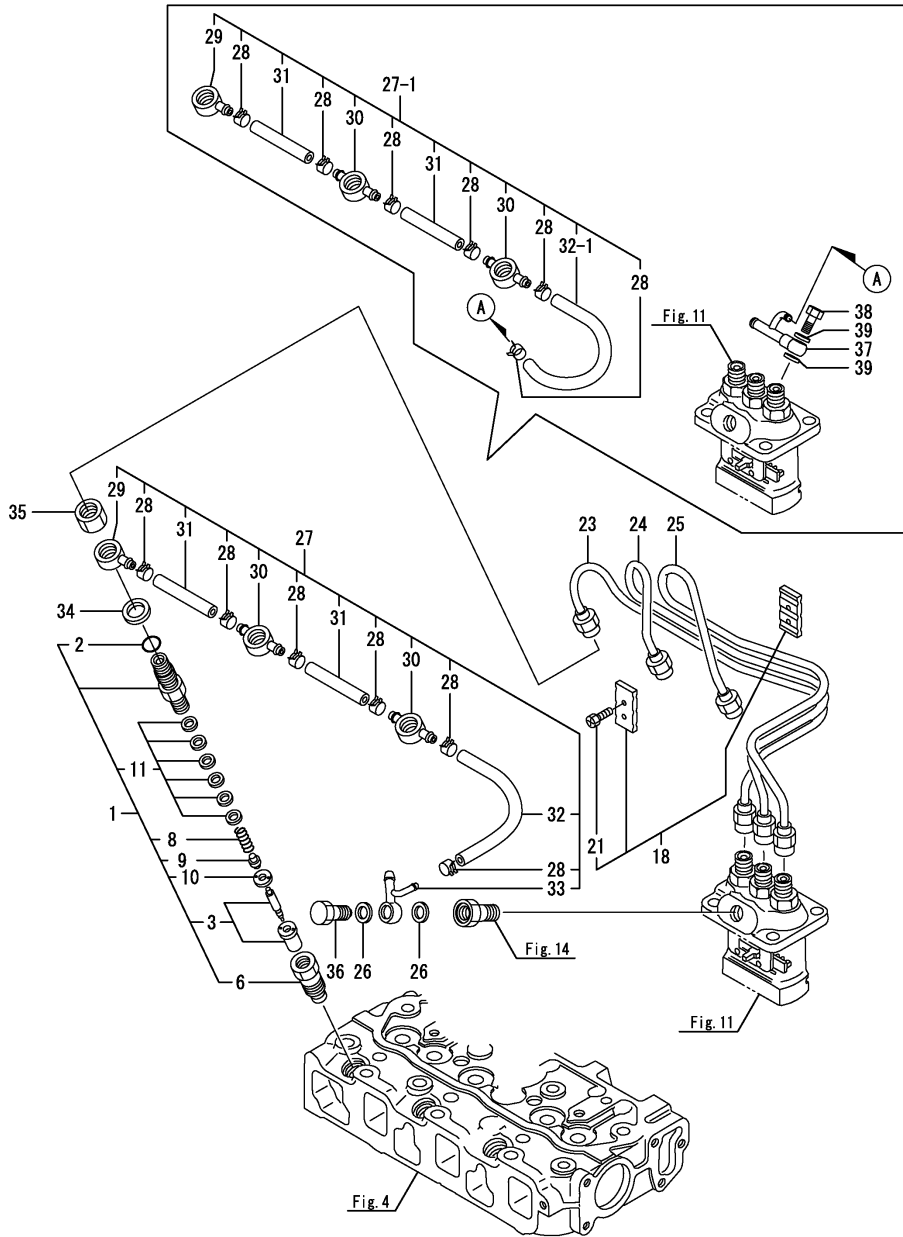
No.	Lev.	Parts No.	Description	Q'ty						I	R
				(A)	(B)	(C)	(D)	(E)	(F)		
53	2	119285-66080	SHAFT ASSY	1							
53-1	2	119285-66081	SHAFT ASSY,REGULATOR	1							N
(A=ED9042)											
57	2	22351-040010	PIN, SPRING 4.0X10	2							
58	2	24341-000070	O-RING, 1AS7.0	1							
59	2	26106-060102	BOLT, M6X 10 PLATED	2							
60	1	121465-59950	BOLT, M6X16	1							
61	1	129100-61930	NUT, CAP	1							
61-1	1	26687-120002	NUT, CAP M12	1							S
(A=E84541)											
62	1	119600-66020	SPRING, REGULATOR	1							
63	1	119621-66051	LEVER, REGULATOR	1							
64	1	124550-66370	NUT, M6	1							
64-1	1	26857-060002	NUT, M6	1							S
(A=E84541)											
65	1	119653-66500	STOPPER ASSY	1							
67	2	24341-000280	O-RING, 1AS28.0	1							
67-1	2	158552-61900	O-RING	1							R
(A=EXXXXX)											
69	2	26106-060952	BOLT, M6X 95 PLATED	1							
69-1	2	119620-01530	BOLT	1							N
(A=EXXXXX)											
70	1	119600-66530	LIMITER ASSY, FUEL	1							
76	1	119654-66700	ANGLEICH ASSY	1							
100	1	26776-120002	NUT, LOCK M12	1							
100-1	1	26736-120002	NUT, M12	1							N
(A=EXXXXX)											
100-2	1	129209-61920	NUT, ARB	1							N
(A=EXXXXX)											
101	1	121575-66830	SCREW	1							
102	1	119600-66840	NUT, CAP	1							
102-1	1	119285-66600	NUT, CAP M6	1							S
(A=E84541)											
103	1	22190-120002	WASHER, SEAL 12	2							
104	1	22360-040000	PIN, SNAP 4	1							
104-1	1	22417-120120	PIN, COTTER 1.2X12	1							R
(A=EXXXXX)											
105	1	22360-060000	PIN, SNAP 6	1							
106	1	26116-050102	BOLT, M5X 10 PLATED	3							
106-1	1	26106-050102	BOLT, M5X 10 PLATED	3							N
(A=EXXXXX)											
107	1	26116-060304	BOLT, M6X 30 PLATED	1							
107-1	1	119266-61460	BOLT	1							R
(A=EXXXXX)											
108	1	26756-060002	NUT, LOCK M6	1							
109	1	22190-060003	SEAL WASER 6	2							
109-1	1	22190-060003	SEAL WASER 6	1							K
(A=E84541)											
110	1	124250-03640	SCREW	1							
112	1	129209-61970	PLATE	1							W
(A=E84541)											

Remarks

- (1) Selective parts, mark; no mark
- (2) Selective parts, mark; 2
- (3) Selective parts, mark; A
- (4) Selective parts, mark; 3
- (5) Selective parts, mark; B
- (6) Material=Ref.19 SF-8500,19-1 GRC.



Fig.13. FUEL INJECTION VALVE



(A)=3TNE68-HT

(B)=

(C)=

(D)=

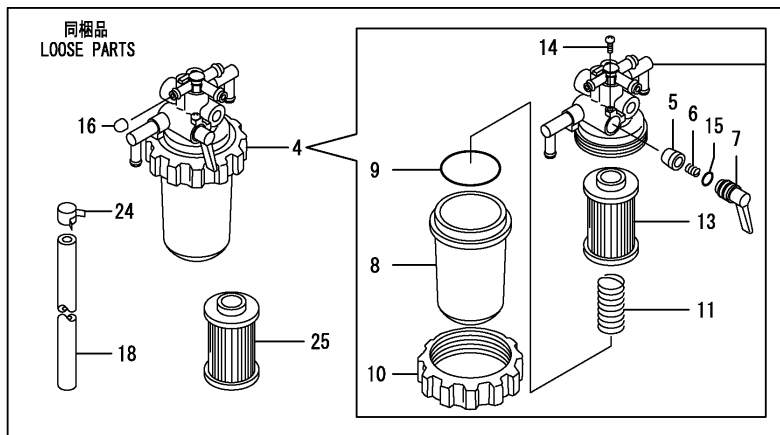
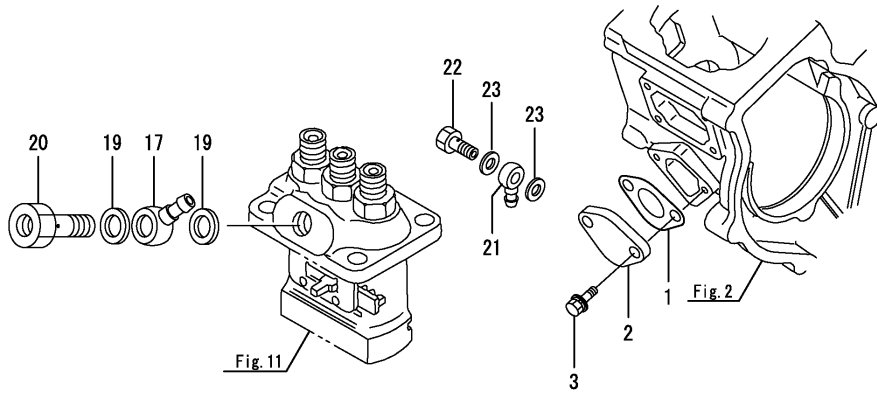
(E)=

(F)=

No.	Lev.	Parts No.	Description	Qty						I	R
				(A)	(B)	(C)	(D)	(E)	(F)		
1	1	719255-53100	VALVE ASSY,INJECTION	3							M
1-1	1	719620-53100	VALVE ASSY,INJECTION	3							
1-2	1	719255-53100	VALVE ASSY,INJECTION	3							N
(A=EXXXXX)											
2	2	129155-61830	O-RING, S10	3							
2-1	2	158552-51930	O-RING, 4D S10	3							N
(A=EXXXXX)											
3	2	119620-53000	VALVE ASSY,INJECTION	3							
6	2	119620-53080	NUT, NOZZLE	3							
8	2	119620-53120	SPRING, NOZZLE	3							
9	2	114250-53130	SEAT, SPRING	3							
10	2	119620-53140	SPACER, VALVE STOP	3							
11	2	114250-53400	SHIM SET	3							
11-1	2	119803-53400	SHIM SET	3							R
(A=EXXXXX)											
18	1	129150-59120	RETAINER, PIPE	1							
21	2	129150-59131	BOLT, M4X14	2							
23	1	119209-59810	PIPE ASSY, INJECTION	1							
24	1	119209-59820	PIPE ASSY, INJECTION	1							
25	1	119209-59830	PIPE ASSY, INJECTION	1							
26	1	23414-080012	GASKET, 8X1.0	2							
26-1	1	22190-080002	WASHER, SEAL 6	2							N
(A=EXXXXX)											
26-2	1	22190-080002	WASHER, SEAL 6	2							Z
(A=E80640)											
27	1	119642-59540	PIPE ASSY, RETURN	1							
27-1	1	119266-59540	PIPE ASSY, FUEL	1							S
(A=E80640)											
28	2	124066-59100	CLIP, HOSE 8	6							
29	2	119260-59520	JOINT	1							
30	2	119260-59530	JOINT	2							
31	2	105025-59550	PIPE, FUEL RETURN	2							
32	2	119642-59550	PIPE, FUEL RETURN	1							
32-1	2	119000-59560	PIPE, FUEL RETURN	1							S
(A=E80640)											
33	2	119642-59570	JOINT, OVER FLOW	1							Z
(A=E80640)											
34	1	23414-140000	GASKET, 14X1.0	3							
34-1	1	22190-140002	WASHER, SEAL 14	3							N
(A=EXXXXX)											
35	1	119620-59700	NUT, NOZZLE	3							
36	1	124550-59820	BOLT, PIPE JOINT M8	1							Z
(A=E80640)											
37	1	119266-59570	JOINT, OVER FLOW	1							W
(A=EXXXXX)											
38	1	119266-59580	BOLT, PIPE JOINT M8	1							W
(A=EXXXXX)											
39	1	22190-080002	WASHER, SEAL 6	2							W
(A=EXXXXX)											

Remarks  
(M)Misprint.

Fig.14. FUEL LINE



(A)=3TNE68-HT

(B)=

(C)=

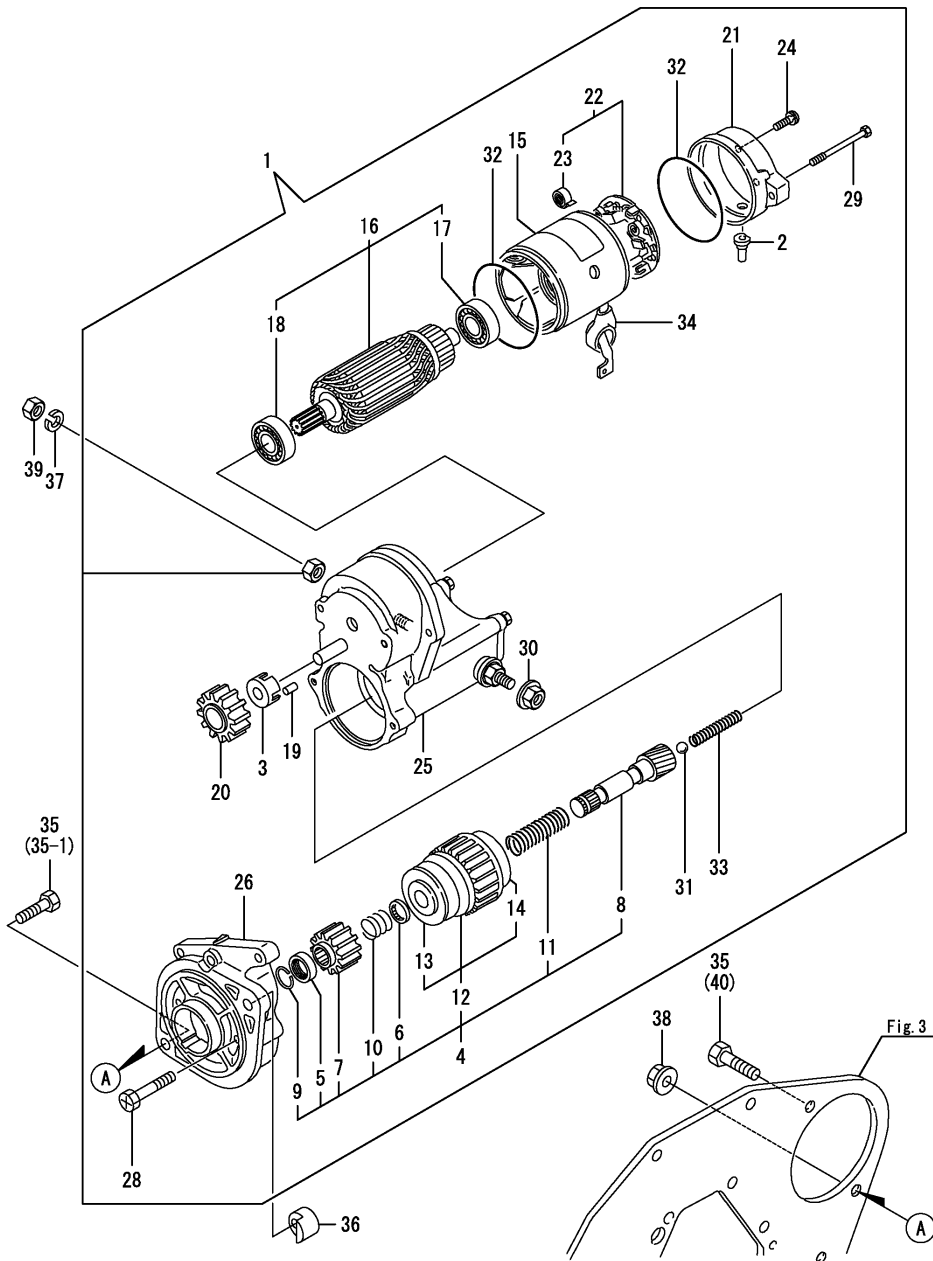
(D)=

(E)=

(F)=

No.	Lev.	Parts No.	Description	Q'ty						I	R
				(A)	(B)	(C)	(D)	(E)	(F)		
1	1	121520-01851	GASKET	1							
2	1	121520-01860	COVER	1							
3	1	26106-060162	BOLT, M6X 16 PLATED	2							
4	1	119632-55620	FILTER ASSY, FUEL	1							
5	2	104200-55321	VALVE, TAPER	1							
6	2	104200-55330	SPRING, VALVE	1							
7	2	119810-55340	LEVER	1							
8	2	121254-55510	COVER	1							
9	2	102103-55520	O-RING	1							
10	2	110250-55610	RING, RETAINING	1							
11	2	121250-55620	SPRING	1							
13	2	124550-55700	FILTER, FUEL L=90	1							
14	2	104200-55750	SCREW, M4	1							
15	2	24311-240100	O-RING, 1AP10A	1							
16	1	129150-59580	CAP	1							
17	1	101304-59020	JOINT, PIPE 12	1							
18	1	105225-59520	PIPE, FUEL	1							
19	1	104200-59170	GASKET, 12	2							
19-1	1	22190-120002	WASHER, SEAL 12	2							N
		(A=EXXXXX)									
20	1	119650-59200	BOLT, PIPE JOINT M12	1							
20-1	1	119462-59190	BOLT ASSY, JOINT	1							N
		(A=EXXXXX)									
20-2	1	105340-59190	BOLT ASSY, JOINT	1							N
		(A=E80640)									
21	1	104264-59030	JOINT, PIPE 8	2							Z
		(A=E80640)									
22	1	105582-59150	BOLT, PIPE JOINT	2							Z
		(A=E80640)									
23	1	22190-080002	WASHER, SEAL 6	4							Z
		(A=E80640)									
24	1	124766-59050	CLIP, HOSE 12	7							
25	1	124550-55700	FILTER, FUEL L=90	1							

Fig.15. STARTING MOTOR



(A)=3TNE68-HT

(B)=

(C)=

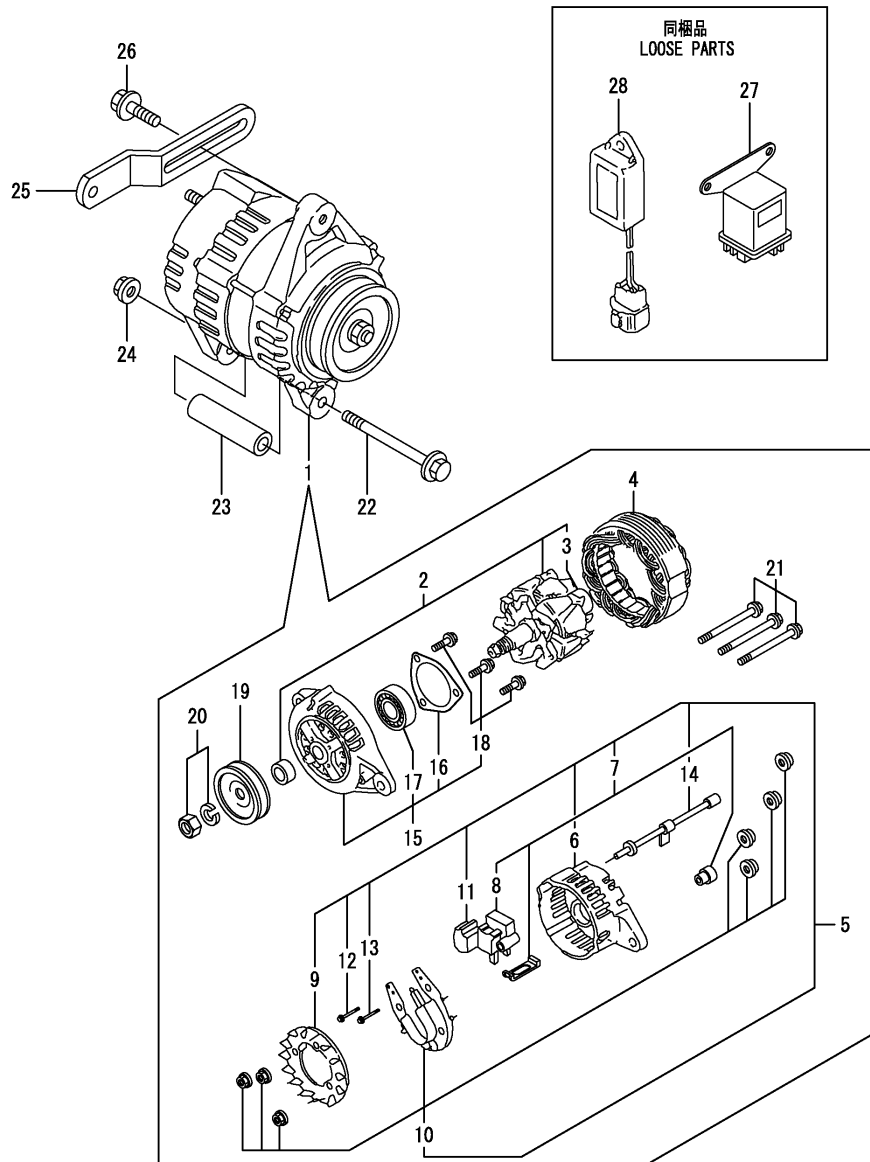
(D)=

(E)=

(F)=

No.	Lev.	Parts No.	Description	Q'ty						I	R
				(A)	(B)	(C)	(D)	(E)	(F)		
1	1	121120-77012	STARTER, RA1.4	1							
2	2	129129-77362	COVER	1							
3	2	129129-77260	RETAINER	1							
4	2	121120-77250	STARTER	1							
5	3	X0280210230	NUT	1							
6	3	X0283270140	RETAINER	1							
7	3	X0283711770	PINION	1							
8	3	129129-77400	SHAFT	1							
9	3	129129-77430	RING	1							
10	3	129407-77410	SPRING	1							
11	3	129129-77410	SPRING, COIL	1							
12	3	129129-77390	CLUTCH ASSY	1							
13	4	129129-77440	BEARING, BALL	1							
14	4	129129-77450	BEARING, BALL	1							
15	2	129407-77210	YOKE ASSY	1							
16	2	129407-77220	ARMATURE ASSY	1							
17	3	129129-77240	BEARING, BALL	1							
18	3	129129-77230	BEARING, BALL	1							
19	2	X0283060061	ROLLER	5							
20	2	129129-77270	PINION	1							
21	2	129407-77290	FRAME	1							
22	2	129407-77300	HOLDER ASSY	1							
23	3	X9491730461	SPRING	4							
24	2	129129-77460	SCREW	2							
25	2	129407-77310	SWITCH ASSY	1							
26	2	121120-77280	HOUSING	1							
28	2	129129-77320	BOLT	2							
29	2	129407-77330	BOLT	2							
30	2	X9490561370	NUT	1							
31	2	X9491200240	BALL	1							
32	2	129129-77350	O-RING	2							
33	2	129129-77340	SPRING	1							
34	2	129129-77380	CAP	1							
35	1	26156-120302	BOLT, M12X 30 PLATED	2							
35-1	1	26156-120302	BOLT, M12X 30 PLATED	1							K
		(A=E92246)									
35-2	1	26156-120352	BOLT, M12X 35 PLATED	1							R
		(A=EXXXXX)									
36	1	119285-77050	NUT	1							
37	1	22217-080000	WASHER, SPRING 8	1							Z
		(A=EXXXXX)									
38	1	26376-120002	NUT, M12	1							
39	1	26756-080002	NUT, LOCK M8	1							Z
		(A=EXXXXX)									
40	1	26156-120352	BOLT, M12X 35 PLATED	1							W
		(A=E92246)									

Fig.16. GENERATOR



(A)=3TNE68-HT

(B)=

(C)=

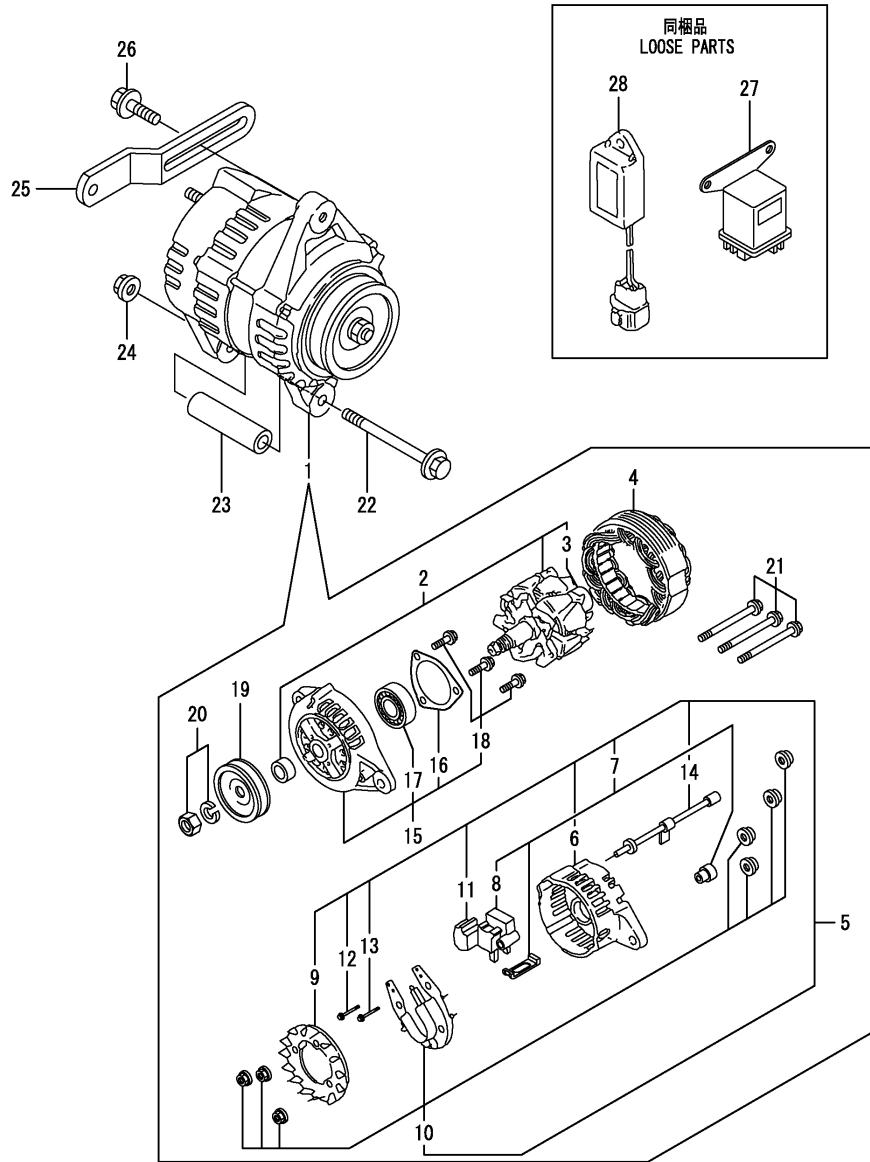
(D)=

(E)=

(F)=

No.	Lev.	Parts No.	Description	Qty						I	R
				(A)	(B)	(C)	(D)	(E)	(F)		
1	1	119836-77200	GENERATOR	1							Z
		(A=ED2478)									
2	2	119836-77700	ROTOR ASSY	1							Z
		(A=ED2478)									
3	3	119836-77850	BEARING, BALL	1							Z
		(A=ED2478)									
4	2	119836-77710	STATOR ASSY	1							Z
		(A=ED2478)									
5	2	119836-77721	COVER ASSY, REAR	1							Z
		(A=ED2478)									
6	3	119836-77730	COVER, REAR	1							Z
		(A=ED2478)									
7	3	119836-77741	BRUSH ASSY,REGULATOR	1							Z
		(A=ED2478)									
8	4	119836-77750	BRUSH ASSY	1							Z
		(A=ED2478)									
9	3	119836-77760	GUIDE, FAN SIDE	1							Z
		(A=ED2478)									
10	3	119836-77770	DIODE ASSY	1							Z
		(A=ED2478)									
11	3	119836-77780	CONDENSER	1							Z
		(A=ED2478)									
12	3	119836-77871	BOLT (1)	1							Z
		(A=ED2478)									
13	3	119836-77880	BOLT (2)	1							Z
		(A=ED2478)									
14	3	119836-77890	WIRE ASSY, LEAD	1							Z
		(A=ED2478)									
15	2	119836-77790	COVER ASSY, FRONT	1							Z
		(A=ED2478)									
16	3	119836-77800	RETAINER, BEARING	1							Z
		(A=ED2478)									
17	3	119836-77840	BEARING, BALL	1							Z
		(A=ED2478)									
18	3	119836-77860	SCREW KID	1							Z
		(A=ED2478)									
19	2	119836-77810	PULLEY	1							Z
		(A=ED2478)									
20	2	119836-77820	NUT ASSY, PULLEY	1							Z
		(A=ED2478)									
21	2	119836-77830	BOLT, THROUGH	1							Z
		(A=ED2478)									
22	1	26106-081052	BOLT, M8X105 PLATED	1							
22-1	1	129953-77201	BOLT	1							N
		(A=EXXXXX)									
22-2	1	129953-77201	BOLT	1							Z
		(A=ED2478)									
23	1	129150-77340	SPACER	1							Z
		(A=ED2478)									
24	1	26366-080002	NUT, M8	1							
24-1	1	26306-080002	NUT, M8	1							N

Fig.16. GENERATOR



No.	Lev.	Parts No.	Description	Qty						I	R	
				(A)	(B)	(C)	(D)	(E)	(F)			
		(A=EXXXXX)										
24-2	1	129612-77260	NUT, ALTERNATOR	1								N
		(A=EXXXXX)										
24-3	1	129612-77260	NUT, ALTERNATOR	1								Z
		(A=ED2478)										
25	1	119225-77330	ADJUSTER	1								
25-1	1	123500-77330	ADJUSTER	1								N
		(A=E84000)										
25-2	1	123500-77330	ADJUSTER	1								Z
		(A=ED2478)										
26	1	26106-080182	BOLT, M8X 18 PLATED	1								Z
		(A=ED2478)										
27	1	119650-77910	RELAY ASSY, GLOW	1								
27-1	1	119650-77911	RELAY ASSY, GLOW	1								N
		(A=EE0137)										
28	1	119632-77920	TIMER	1								
28-1	1	129211-77920	TIMER	1								N
		(A=EXXXXX)										



Fig.17. GASKET SET

(A)=3TNE68-HT

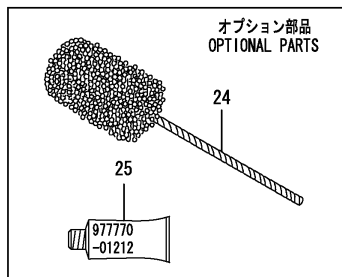
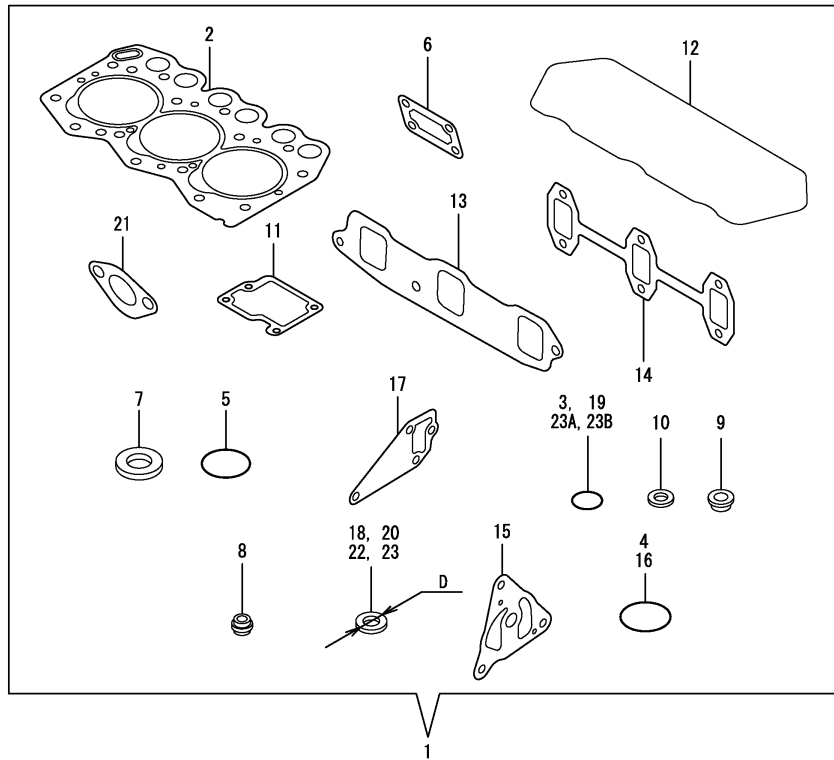
(B)=

(C)=

(D)=

(E)=

(F)=



No.	Lev.	Parts No.	Description	Q'ty						I	R
				(A)	(B)	(C)	(D)	(E)	(F)		
1	1	719265-92661	GASKET SET	1							1
1-1	1	719265-92780	GASKET SET	1							N 1
(A=E92246)											
1-2	1	119233-92600	PACKING	1							S 1
(A=E92246)											
2	2	119265-01341	GASKET, HEAD	1							
3	2	24311-000120	O-RING, 1AP12.0	2							
4	2	24311-000320	O-RING, 1AP32.0	2							
5	2	24341-000240	O-RING, 1AS24.0	1							
6	2	119660-01562	GASKET	1							
7	2	22190-220002	WASHER, SEAL 22	1							
8	2	119260-11340	SEAL, VALVE STEM	6							
8-1	2	119260-11341	SEAL, VALVE STEM	6							N
(A=EE0285)											
9	2	119600-11450	PROTECTOR, NOZZLE	3							
10	2	119600-11460	GASKET, NOZZLE	6							
11	2	119260-03031	GASKET	1							
12	2	119260-11310	GASKET, BONNET	1							
13	2	119270-12110	GASKET, MANIFOLD	1							
14	2	119260-13110	GASKET	1							
15	2	119660-32020	GASKET, PUMP	1							
16	2	24321-000350	O-RING, 1AG35.0	1							
16-1	2	119209-42140	O-RING, G 35	1							N
(A=E92246)											
17	2	119260-42020	GASKET, WATER PUMP	1							
17-1	2	119260-42021	GASKET, WATER PUMP	1							N
(A=E92246)											
18	2	124465-44950	GASKET, 16	1							
19	2	129155-61830	O-RING, S10	3							
19-1	2	158552-51930	O-RING, 4D S10	3							N
(A=E92246)											
20	2	23414-140000	GASKET, 14X1.0	3							
20-1	2	22190-140002	WASHER, SEAL 14	3							N
(A=E92246)											
21	2	121520-01851	GASKET	1							
22	2	104200-59170	GASKET, 12	2							
22-1	2	22190-120002	WASHER, SEAL 12	2							N
(A=E92246)											
23	2	129150-49360	GASKET	1							
23-1	2	124465-44950	GASKET, 16	1							S 2
(A=E92246)											
23A	2	24311-000120	O-RING, 1AP12.0	2							
23A-1	2	119624-32040	O-RING, P12.0	2							N
(A=E92246)											
23B	2	119209-35030	O-RING, P11	1							W
(A=E92246)											
24	1	129400-92400	HONE	1							1
25	1	977770-01212	GASKET, LIQUID	1							1

Remarks

(1)Optional parts.

(2)D=Ref.No.23 14M/M,23-1 24M/M.

## Parts No. Index

Parts No.	Fig. No.	Ref. No.
101304-59020	14	17
102103-55520	14	9
104200-55321	14	5
104200-55330	14	6
104200-55750	14	14
104200-59170	14	19
	17	22
104264-59030	14	21
104514-42780	10	15
105010-11230	4	32
		36
105025-59550	13	31
105027-12570	5	11
105027-12580	5	12
105225-59520	14	18
105340-59190	14	20 -2
105546-51330	11	24
105582-59150	14	22
110250-55610	14	10
114250-11120	4	16
114250-11180	4	17
114250-39450	9	28 -1
114250-53130	13	9
114250-53400	13	11
118400-03060	4	50 -1
119000-59560	13	32 -1
119125-22300	8	22 -1
119131-18320	6	5
119209-35030	9	26
	17	23 B
119209-42140	10	20 -1
	17	16 -1
		10 -1
119209-42320	10	10 -1
119209-59810	13	23
119209-59820	13	24
119209-59830	13	25
119225-14200	7	17
119225-35300	9	16
119225-42320	10	10
119225-51100	11	3
119225-51300	11	21
119225-77330	16	25
119232-61510	12	29
119232-61540	12	44
119233-12540	5	8
119233-12670	5	13
119233-21690	8	7
119233-21691	8	7 -1
119233-92600	17	1 -2
119253-13100	6	1

Parts No.	Fig. No.	Ref. No.
119253-13100	6	1 -2
119256-49530	10	18
119256-49531	10	18 -1
119260-01490	2	16
119260-01510	2	18
119260-01590	2	1
119260-02020	1	5
119260-02800	1	14
119260-02930	1	17
119260-03020	4	46
119260-03031	4	47
	17	11
119260-07900	4	2
119260-11100	4	14
119260-11110	4	15
119260-11200	4	24
119260-11240	4	25
119260-11260	4	28
119260-11270	4	29
119260-11280	4	30
119260-11310	4	49
	17	12
119260-11330	4	44
119260-11331	4	44 -1
119260-11340	4	20
	17	8
119260-11341	4	20 -1
	17	8 -1
119260-11370	4	21
119260-11800	4	62
119260-13100	6	1 -1
119260-13110	6	2
	17	14
119260-14100	7	6
119260-14200	7	1
119260-14400	7	2
119260-14580	7	3
119260-21200	8	4
119260-23910	8	40
119260-25100	7	10
119260-32000	9	1
119260-35081	9	25
119260-42002	10	1
119260-42003	10	1 -1
119260-42004	10	1 -2
119260-42020	10	12
	17	17
119260-42021	10	12 -1
	17	17 -1
119260-42051	10	4

Parts No.	Fig. No.	Ref. No.
119260-42120	10	5
119260-49800	10	19
119260-49801	10	19 -1
119260-59520	13	29
119260-59530	13	30
119265-01250	1	9 -1
119265-01341	1	21
	17	2
119265-11260	4	40
119265-11700	4	5
119265-13800	6	7 -1
119265-13810	6	4 -1
119265-13840	6	3 -3
119265-21700	8	1
119265-22300	8	22
119265-22500	8	16
119265-22601	8	14
119265-22930	8	32
119265-22950	8	34
119265-23100	8	24
119265-23200	8	28
119266-01200	1	20
119266-02410	1	13
119266-51900	11	47
		47 -1
119266-59540	13	27 -1
119266-59570	13	37
119266-59580	13	38
119266-61460	12	107 -1
119270-12110	5	1
	17	13
119285-01580	3	18
119285-01600	3	2
119285-01730	5	3
119285-01731	5	3 -1
119285-01800	3	15
119285-03140	4	1
119285-07900	4	53
119285-12100	5	4
119285-12730	5	2
119285-42051	10	4 -2
119285-42052	10	4 -1
119285-42120	10	5 -1
119285-66080	12	53
119285-66081	12	53 -1
119285-66600	12	102 -1
119285-66620	12	113
119285-77050	15	36
119305-35151	9	29
		30

Parts No.	Fig. No.	Ref. No.
119454-01721	3	10
119462-59190	14	20 -1
119600-11450	4	22
	17	9
119600-11460	4	23
	17	10
119600-34820	9	14
119600-61100	12	6
119600-61200	12	7
119600-61540	12	45
119600-61900	12	51
119600-66020	12	62
119600-66530	12	70
119600-66840	12	102
119620-01530	12	69 -1
119620-01620	3	5
119620-01800	2	3
119620-02450	7	4
119620-11350	4	58
119620-11390	4	50
119620-21500	8	10
119620-21941	8	9
119620-25912	7	25
119620-42350	10	14
119620-49290	10	25
119620-51170	11	6
119620-51180	11	7
119620-51190	11	8
119620-51250	11	9
119620-51340	11	25
119620-51350	11	26
119620-51370	11	27
119620-51450	11	28
119620-51461	11	29
119620-51510	11	31
119620-51640	11	32 A
119620-51650	11	33
119620-51660	11	35
119620-51670	11	34
119620-51680	11	36
119620-51700	11	37
119620-53000	13	3
119620-53080	13	6
119620-53120	13	8
119620-53140	13	10
119620-59700	13	35
119620-77820	4	56
119621-21680	8	8
119621-21681	8	8 -1
119621-66051	12	63

## Parts No. Index

Parts No.	Fig. No.	Ref. No.
119623-01950	2	24
119624-32040	2	5 -1
	17	23 A-1
119626-07900	4	2 -1
119632-12211	5	14
119632-55620	14	4
119632-61200	12	16
119632-61500	12	23 -1
119632-77920	16	28
119640-01640	3	12
119640-61400	12	5
119642-59540	13	27
119642-59550	13	32
119642-59570	13	33
119650-59200	14	20
119650-77910	16	27
119650-77911	16	27 -1
119653-66500	12	65
119654-66700	12	76
119655-12560	5	10
		15
119660-01551	2	21
119660-01562	2	22
	17	6
119660-01570	2	23
119660-01640	3	6
119660-01821	7	16
119660-01911	2	4
119660-25022	7	8
119660-25052	7	9
119660-32020	9	11
	17	15
119660-51500	11	30
119660-51530	11	32
119660-61052	12	19
119660-61053	12	19 -1
119660-61054	12	19 -2
119660-61060	12	2
119660-61071	12	3
119660-61121	12	13
119660-61122	12	13 -1
119660-61140	12	14
119660-61141	12	14 -1
119660-61150	12	15
119660-61151	12	15 -1
119660-61300	12	11
119660-61341	12	12
119660-61460	12	20
119660-61491	12	28
119660-61590	12	28 -1

Parts No.	Fig. No.	Ref. No.
119660-61651	12	47
119660-61901	12	52
119687-21590	8	11
119803-53400	13	11 -1
119808-12540	5	9
119810-01770	3	11
119810-55340	14	7
119823-01770	3	11 -1
119836-77200	16	1
119836-77700	16	2
119836-77710	16	4
119836-77721	16	5
119836-77730	16	6
119836-77741	16	7
119836-77750	16	8
119836-77760	16	9
119836-77770	16	10
119836-77780	16	11
119836-77790	16	15
119836-77800	16	16
119836-77810	16	19
119836-77820	16	20
119836-77830	16	21
119836-77840	16	17
119836-77850	16	3
119836-77860	16	18
119836-77871	16	12
119836-77880	16	13
119836-77890	16	14
121023-01550	2	13
121023-01551	2	13 -1
121120-77012	15	1
121120-77250	15	4
121120-77280	15	26
121250-44901	10	22
121250-55620	14	11
121254-55510	14	8
121450-01560	2	19
121450-42450	10	23 -1
121465-59950	12	60
121500-12790	5	5
121520-01851	14	1
	17	21
121520-01860	14	2
121520-34810	9	13
121575-66830	12	101
123500-77330	16	25 -1
		25 -2
124060-01050	1	4
124060-21600	8	13

Parts No.	Fig. No.	Ref. No.
124066-59100	13	28
124085-02220	3	8
124160-01751	2	11
	4	59
124160-11360	4	43
124160-39450	9	28
124250-03640	12	110
124250-49351	10	23
124465-44950	10	16 -1
		24
	17	18
		23 -1
124550-55700	14	13
		25
124550-59820	13	36
124550-66370	12	64
124701-11911	6	6
124766-59050	14	24
129008-61301	12	11 -1
129100-01580	3	1
	8	2
129100-61540	12	45 -1
129100-61930	12	61
129129-77230	15	18
129129-77240	15	17
129129-77260	15	3
129129-77270	15	20
129129-77320	15	28
129129-77340	15	33
129129-77350	15	32
129129-77362	15	2
129129-77380	15	34
129129-77390	15	12
129129-77400	15	8
129129-77410	15	11
129129-77430	15	9
129129-77440	15	13
129129-77450	15	14
129129-77460	15	24
129150-35350	9	24
129150-49360	10	16
	17	23
129150-59120	13	18
129150-59131	13	21
129150-59580	14	16
129150-77340	16	23
129155-51280	12	17
129155-61480	12	23
129155-61830	13	2
	17	19

Parts No.	Fig. No.	Ref. No.
129155-77800	4	55
129156-61500	12	20 -1
129209-61920	12	100 -2
129209-61970	12	112
129211-77920	16	28 -1
129400-92400	17	24
129407-77210	15	15
129407-77220	15	16
129407-77290	15	21
129407-77300	15	22
129407-77310	15	25
129407-77330	15	29
129407-77410	15	10
129612-77260	16	24 -2
		24 -3
129953-77201	16	22 -1
		22 -2
158552-51930	13	2 -1
	17	19 -1
158552-61900	12	67 -1
171008-03990	4	57
174307-51700	12	30
194990-22050	2	31
	12	1
22117-040000	12	48
22137-040000	11	42
22190-060003	12	109
		109 -1
22190-080002	11	48
		48 -1
	13	26 -1
		26 -2
		39
	14	23
22190-120002	12	103
	14	19 -1
	17	22 -1
22190-140002	13	34 -1
	17	20 -1
22190-220002	3	14
	17	7
22217-040000	11	43
22217-080000	15	37
22242-000100	4	39
22242-000200	7	14
22252-000200	8	23
22272-000040	12	49
22351-030010	8	31
22351-030014	12	50
22351-040010	2	20

## Parts No. Index

Parts No.	Fig. No.	Ref. No.
22351-040010	12	57
22351-060012	4	4
22360-040000	12	104
22360-060000	12	105
22417-120120	12	104 -1
22512-040120	7	7
		20
	8	5
22857-500100	4	52
23414-080012	13	26
23414-120016	12	114
23414-140000	13	34
	17	20
23871-030000	4	11
23876-030000	4	11 -1
24101-062034	7	22
24102-063034	7	21
24311-000120	2	5
	4	54
	17	3
		23 A
24311-000320	2	12
	4	60
	17	4
24311-240100	14	15
24316-000125	11	27 -1
24321-000350	10	20
	17	16
24341-000070	12	58
24341-000240	2	15
	17	5
24341-000280	12	67
25137-003300	10	15 -1
		15 -2
		29
26022-040082	11	44
26033-040102	11	45 -1
26106-050102	12	106 -1
26106-060102	9	27 -1
	12	59
26106-060122	1	22
	7	15
	9	27
	10	17
26106-060142	3	17
26106-060162	2	6
		14 -1
	5	6
	7	23
	10	21

Parts No.	Fig. No.	Ref. No.
26106-060162	14	3
26106-060182	2	14
26106-060202	3	19
26106-060222	3	9
26106-060282	5	7
26106-060302	2	7
26106-060352	6	3 -1
26106-060402	2	8
	6	3
		3 -2
26106-060452	3	16
26106-060502	2	9
26106-060552	3	20
	10	28
26106-060652	2	10
26106-060702	12	4
26106-060952	12	69
26106-080102	3	21
26106-080142	4	3
		61
26106-080182	16	26
26106-080452	4	41
	10	13
26106-081052	16	22
26116-050102	12	106
26116-060304	12	107
26156-120302	15	35
		35 -1
26156-120352	15	35 -2
		40
26206-100202	3	3
26206-100252	3	4
26216-060402	6	4
26306-080002	4	42 -1
	16	24 -1
26366-060002	2	32
	6	7
26366-080002	4	42
	12	1 -1
	16	24
26376-120002	15	38
26450-060202	9	12
26577-060122	10	11
26587-040102	11	45
26587-080102	7	24
26687-120002	12	61 -1
26736-120002	12	100 -1
26756-060002	4	34
		38
		108

Parts No.	Fig. No.	Ref. No.
26756-080002	15	39
26776-120002	12	100
26857-060002	12	64 -1
27221-050080	4	12
27221-060100	1	8
27231-400000	1	9
27241-100000	1	10
27241-250000	1	11
27241-300000	1	12
27241-350000	4	13
714250-11570	4	18
719225-51100	11	1
719255-53100	13	1
		1 -2
719260-02870	1	23
719260-11650	4	31
719260-11660	4	35
719260-23600	8	29
719260-23610	8	38
719265-01560	1	1
719265-92661	17	1
719265-92780	17	1 -1
719266-51100	11	1 -1
719620-53100	13	1 -1
977770-01212	17	25
X0280210230	15	5
X0283060061	15	19
X0283270140	15	6
X0283711770	15	7
X9490561370	15	30
X9491200240	15	31
X9491730461	15	23

Parts No.	Fig. No.	Ref. No.
-----------	----------	----------