

0CV10-M99200EN

PREFACE

1.This Parts Catalog carries all parts incorporated in YANMAR Model 3TNE68-EIKA engine manufactured since July, 2004.

2.Each illustration corresponds to the parts list on the following page.

3.When ordering parts,clearly write down the engine model and serial number,as well as the name and number of each part in your order sheet. This will help insure reliable delivery of the parts you have ordered.

Directions for the Parts Catalog.

- The parts stipulated in this Parts Catalog are not necessarily standard equipped parts.
- Parts may change without prior notice.
- The following is an example of the Parts Catalog format.

REF.	LEV.	PARTS NO.	DESCRIPTION	Q'TY						I	R
				(A)	(B)	(C)	(D)	(E)	(F)		
1	1	729595-51390	FUEL INJECTION PUMP	1	1	1	1	1			1
1-1	1	729595-51391	FUEL INJECTION PUMP	1	1	1	1	1		N	1
		(A=E00185) (B=E00200)									
3	2	26022-060162	SCREW M 6X 16	9	9	9	9	9			
3-1	2	26022-060162	SCREW M 6X 16	4	4	4	4	4		K	
		(A=E00156) (B=E00156) (C=E00156) (D=E00156) (E=E00156)									
4	2	129470-51040	CAMSHAFT	1	1	1	1	1			
5	2	122710-51050	BEARING, ROLLER	2	2	2	2	2			
6	2	129470-51060	RETAINER	1	1	1	1	1			

Remarks
(1) BOOST COMPEMSATOR TYPE. OPTIONAL PART, TO E00155,(4JH-DT, 4JH-DTZ

① Ref. No.

The Ref. No. listed may not be in accordance with the illustration Ref. No.

(Ex.) Illustration No.

List Ref No.

1

1

(Before change) → 1-1 (After change)

For interchangeable symbols N, R and K, illustrations for new parts may be abbreviated.

② Lev. (Level)

Level indication

The numbers below indicate the level of relativity towards the main part.

1 ----- Main parts (Assembly parts)

2 ----- Sub component included in " 1 ".

3 ----- Sub component included in " 2 ".

Note) Parts that are not for sale are partially illustrated but not listed.

③ Interchangeability Mark

When a part change takes place, one of the following interchangeability symbols is indicated beside the part.

Symbol	Interchangeability	Contents note
N	Old $\begin{matrix} \leftarrow \text{Yes} \\ \text{No} \rightarrow \end{matrix}$ New	New Part is interchangeable for Old Part but Old Part is not interchangeable for New Part.
Q	Old $\begin{matrix} \leftarrow \text{No} \\ \text{Yes} \rightarrow \end{matrix}$ New	New Part is not interchangeable for Old Part but Old Part is interchangeable for New Part.
R	Old $\begin{matrix} \leftarrow \text{Yes} \\ \text{Yes} \rightarrow \end{matrix}$ New	New/ Old Parts are both interchangeable.
S	Old $\begin{matrix} \leftarrow \text{No} \\ \text{No} \rightarrow \end{matrix}$ New	New/ Old Parts are both not interchangeable.
W		Part newly added.
Z		Part discontinued.
F		Not interchangeable by a single part but interchangeable together with related parts.
K		Changes only for used parts quantities.

④ Effective Machine No.

When a part changes, the effective Machine No. will be indicated in the (A)-(F) column.

Product Symbol	Product No.	Product Symbol	Product No.
C	Clutch No. Compressor No.	F	Machine No. (Agricultural Equip.)
D	Drive No.	M	Machine No.
E	Engine No.		

Note 1) A date may follow the symbol. (Ex.) 1996.01

Note 2) "XXXXX" and "ZZZZZ" are for parts that could not be predicted or for engine models that could not be identified.

Note 3) (A=E00185) is the E (Engine Serial Number) for the column (A) model (in this case 4JH-DT) after the parts design change.

⑤ Remarks Mark

Figures or alphabets (symbols) are entered in the remarks column.

The comments (remarks) on parts that are indicated at the bottom of the illustration are the same symbols as those stated above.

Contents

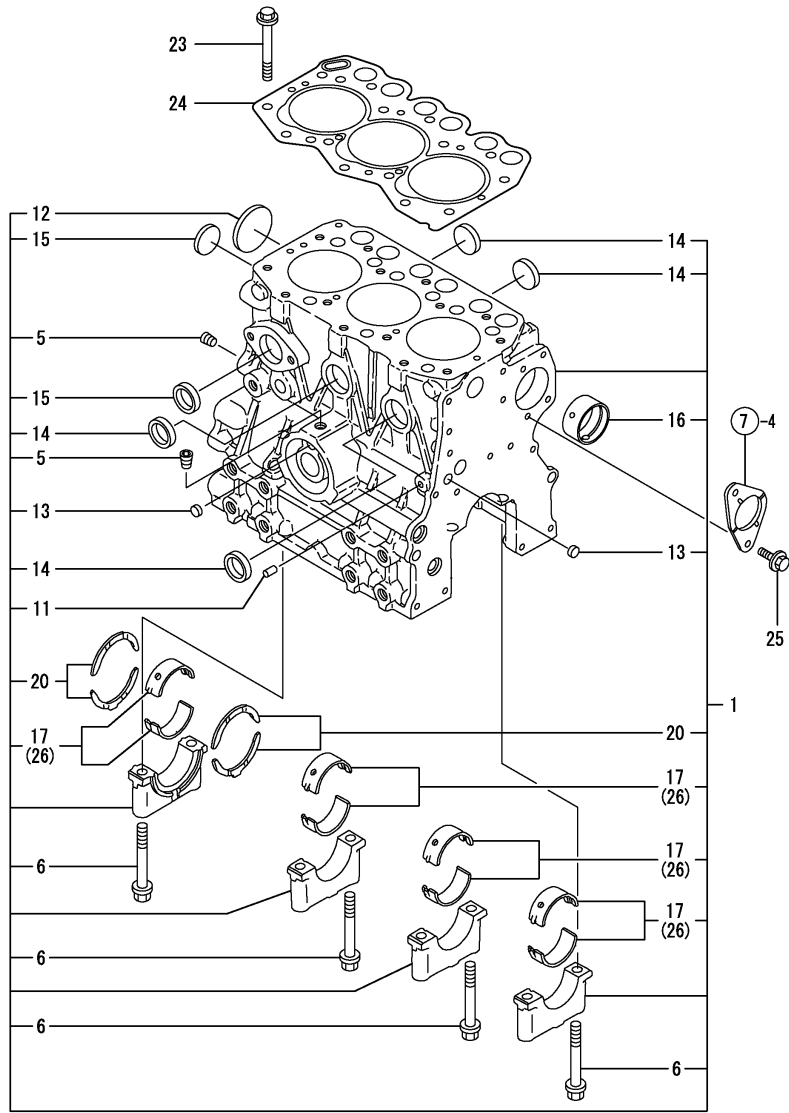
0CV10-M99200

Fig. No.	Fig. Name	Fig. No.	Fig. Name
ENGINE (3TNE68-EIKA)			
1.	CYLINDER BLOCK		
2.	GEAR HOUSING		
3.	FLYWHEEL HOUSING & OIL SUMP		
4.	CYLINDER HEAD & BONNET		
5.	SUCTION MANIFOLD & AIR CLEANER		
6.	EXHAUST MANIFOLD & SILENCER		
7.	CAMSHAFT & DRIVING GEAR		
8.	CRANKSHAFT & PISTON		
9.	LUB.OIL SYSTEM		
10.	COOLING WATER SYSTEM		
11.	FUEL INJECTION PUMP		
12.	GOVERNOR		
13.	FUEL INJECTION VALVE		
14.	FUEL LINE		
15.	STARTING MOTOR		
16.	GENERATOR		
17.	GASKET SET		

Fig.1. CYLINDER BLOCK

(A)=3TNE68-EIKA
(B)=
(C)=

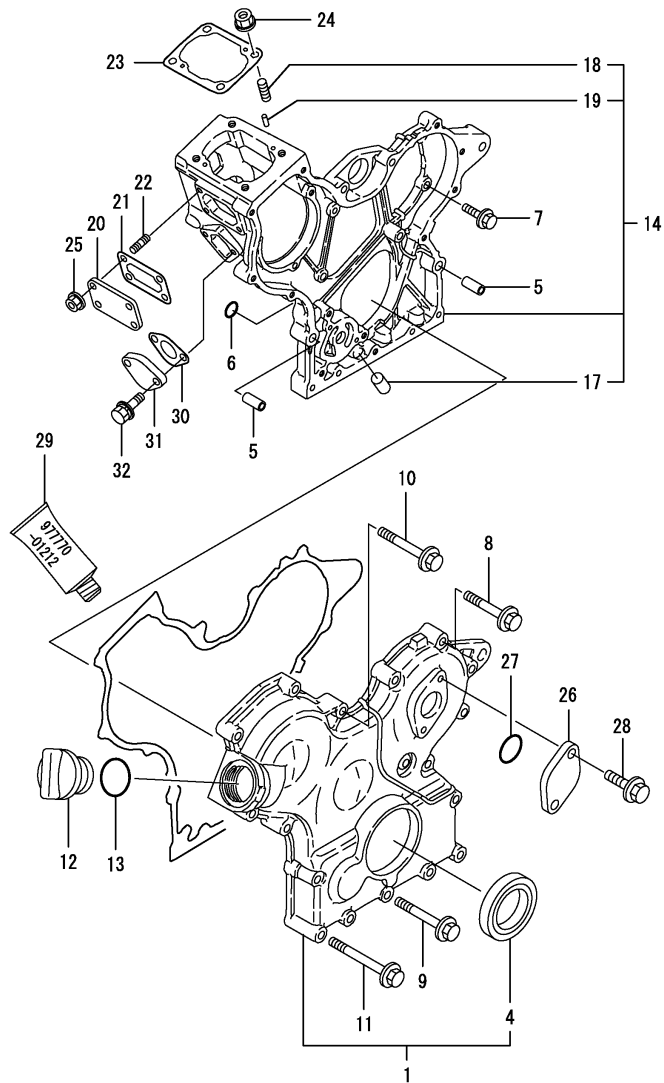
(D)=
(E)=
(F)=



No.	Lev.	Parts No.	Description	Q'ty						I	R	
				(A)	(B)	(C)	(D)	(E)	(F)			
1	1	719265-01560	BLOCK ASSY, CYLINDER	1								
5	2	124060-01050	PLUG, PT1/8	2								
6	2	119260-02020	BOLT, METAL CAP	8								
11	2	27221-060100	PLUG, 6X10	1								
12	2	119265-01250	PLUG, 40	1								
13	2	27241-100000	PLUG, 10	2								
14	2	27241-250000	PLUG, 25	4								
15	2	27241-300000	PLUG 30	2								
16	2	119266-02410	BUSH	1								
17	2	119260-02800	BEARING, MAIN	4								
20	2	119260-02930	BEARING, THRUST	2								
23	1	119266-01200	BOLT, HEAD	14								
24	1	119265-01341	GASKET, HEAD	1								
25	1	26106-060122	BOLT, M6X 12 PLATED	2								
26	1	719260-02870	BEARING, 0.25 US	4								1

Remarks
(1) UNDER-SIZE(U.S=0.25)PART.

Fig.2. GEAR HOUSING



(A)=3TNE68-EIKA
(B)=
(C)=

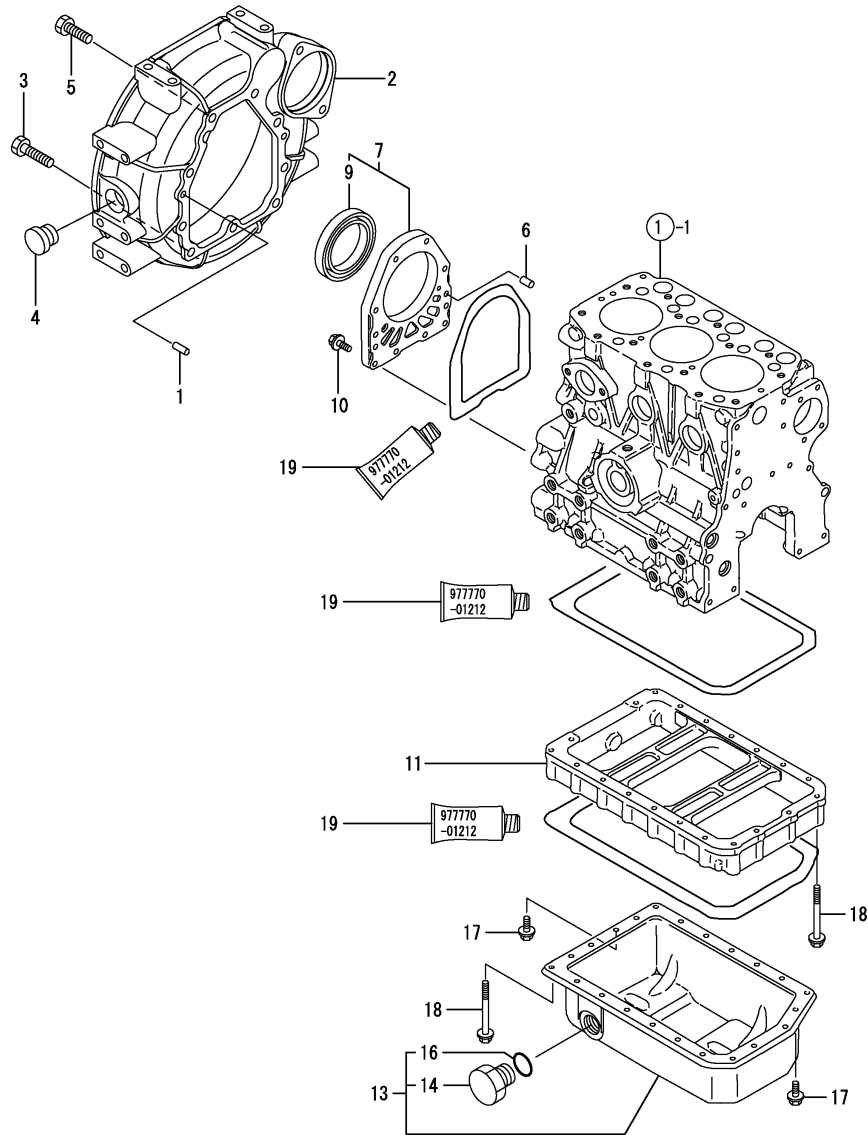
(D)=
(E)=
(F)=

No.	Lev.	Parts No.	Description	Q'ty						I	R
				(A)	(B)	(C)	(D)	(E)	(F)		
1	1	119260-01590	COVER ASSY, GEAR CASE	1							
4	2	119620-01800	SEAL, OIL	1							
5	1	119660-01911	PIPE, KNOCK	4							
6	1	119624-32040	O-RING, P12.0	2							
7	1	26106-060162	BOLT, M6X 16 PLATED	5							
8	1	26106-060302	BOLT, M6X 30 PLATED	5							
9	1	26106-060402	BOLT, M6X 40 PLATED	3							
10	1	26106-060502	BOLT, M6X 50 PLATED	4							
11	1	26106-060652	BOLT, M6X 65 PLATED	6							
12	1	124160-01751	COVER, FILLER	1							
13	1	24311-000320	O-RING, 1AP32.0	1							
14	1	119260-01490	CASE ASSY, GEAR	1							
17	2	119260-01510	PLUG	1							
18	2	121450-01560	STUD, M8X22	4							
19	2	22351-040010	PIN, SPRING 4.0X10	2							
20	1	119660-01551	COVER	1							
21	1	119660-01562	GASKET	1							
22	1	119660-01570	STUD, M6X12	4							
23	1	119623-01980	SHIM, T=0.8	1							
24	1	194990-22050	NUT, M8	4							
25	1	26366-060002	NUT, M6	4							
26	1	121023-01550	COVER	1							
27	1	24341-000240	O-RING, 1AS24.0	1							
28	1	26106-060162	BOLT, M6X 16 PLATED	2							
29	1	977770-01212	GASKET, LIQUID	1							1
30	1	121520-01851	GASKET	1							
31	1	121520-01860	COVER	1							
32	1	26106-060162	BOLT, M6X 16 PLATED	2							

Remarks

(1) OPTIONAL PART.

Fig.3. FLYWHEEL HOUSING & OIL SUMP



(A)=3TNE68-EIKA
(B)=
(C)=

(D)=
(E)=
(F)=

No.	Lev.	Parts No.	Description	Q'ty						I	R
				(A)	(B)	(C)	(D)	(E)	(F)		
1	1	129100-01580	PIN, M8X16	2							
2	1	119230-01600	HOUSING, FLYWHEEL	1							
3	1	121120-01620	BOLT, M10X28	3							
4	1	119620-01750	CAP	1							
5	1	26206-100252	BOLT, M10X 25 PLATED	6							
6	1	119620-01620	PIN, M6X10	2							
7	1	119660-01640	CASE ASSY, OIL SEAL	1							
9	2	124085-02220	SEAL, OIL	1							
10	1	26106-060222	BOLT, M6X 22 PLATED	10							
11	1	119454-01721	SPACER, OIL SUMP	1							
13	1	119265-01770	SUMP ASSY, OIL	1							
14	2	121400-01640	PLUG, 16	1							
16	2	24311-000180	O-RING, 1AP18.0	1							
17	1	26106-060102	BOLT, M6X 10 PLATED	3							
18	1	26106-060452	BOLT, M6X 45 PLATED	20							
19	1	977770-01212	GASKET, LIQUID	1							1

Remarks
(1) OPTIONAL PART.

Fig.4. CYLINDER HEAD & BONNET

(A)=3TNE68-EIKA

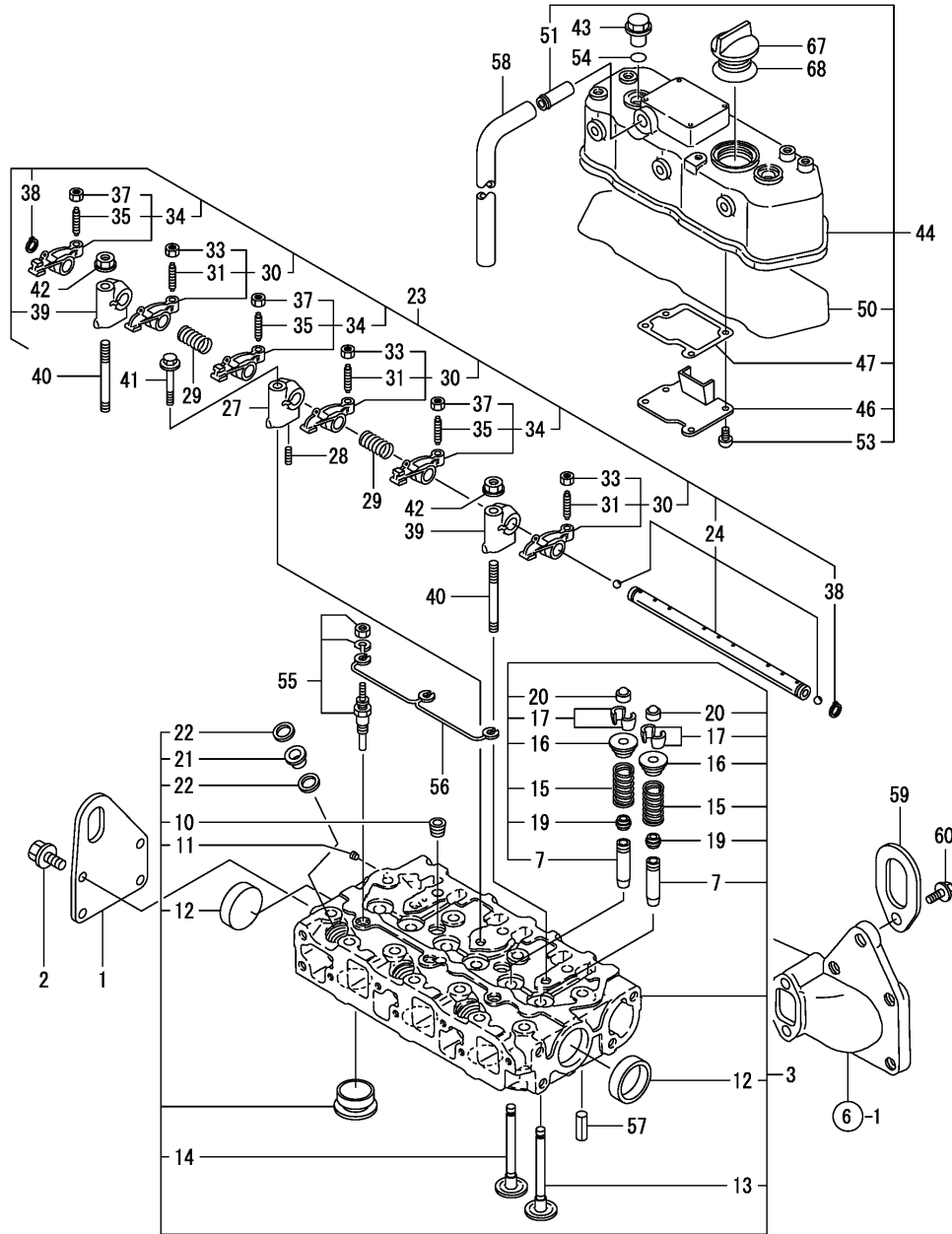
(B)=

(C)=

(D)=

(E)=

(F)=



No.	Lev.	Parts No.	Description	Q'ty						I	R
				(A)	(B)	(C)	(D)	(E)	(F)		
1	1	119632-07900	LIFTER	1							
2	1	26106-060122	BOLT, M6X 12 PLATED	4							
3	1	119265-11710	HEAD ASSY, CYLINDER	1							
7	2	119260-11800	GUIDE, VALVE	6							1
10	2	23876-030000	PLUG, R03	2							
11	2	27221-050080	PLUG, 5X 8	1							
12	2	27241-350000	PLUG, 35	2							
13	2	119260-11100	VALVE, INTAKE	3							
14	2	119260-11110	VALVE, EXHAUST	3							
15	2	114250-11120	SPRING, VALVE	6							
16	2	114250-11180	RETAINER, SPRING	6							
17	2	27310-055001	COTTER, 5.5	6							
19	2	119260-11340	SEAL, VALVE STEM	6							
20	2	119260-11370	CAP, VALVE	6							
21	2	119600-11450	PROTECTOR, NOZZLE	3							
22	2	119600-11460	GASKET, NOZZLE	6							
23	1	119260-11200	SUPPORT ASSY, ARM	1							
24	2	119260-11240	SHAFT ASSY, ROCKER	1							
27	2	119260-11260	SUPPORT, ROCKER ARM	1							
28	2	119260-11270	SCREW	1							
29	2	119260-11280	SPRING	2							
30	2	719260-11650	ARM ASSY, ROCKER	3							
31	3	105010-11230	SCREW, VALVE ADJUST	3							
33	3	26756-060002	NUT, LOCK M6	3							
34	2	719260-11660	ARM ASSY, ROCKER	3							
35	3	105010-11230	SCREW, VALVE ADJUST	3							
37	3	26756-060002	NUT, LOCK M6	3							
38	2	22242-000100	RING, 10	2							
39	2	119265-11260	SUPPORT, ROCKER ARM	2							
40	1	119620-11350	STUD	2							
41	1	26106-080452	BOLT, M8X 45 PLATED	1							
42	1	26306-080002	NUT, M8	2							
43	1	124160-11360	KNOB	2							
44	1	119260-11331	BONNET ASSY, HEAD	1							
46	2	119260-03020	PLATE, SHELTER	1							
47	2	119260-03031	GASKET	1							
50	2	119260-11310	GASKET, BONNET	1							
51	2	118400-03060	JOINT, BREATHER	1							
53	2	22857-500100	SCREW, 5X10	4							
54	1	24311-000120	O-RING, 1AP12.0	2							
55	1	129155-77801	PLUG, GLOW	3							
56	1	119620-77820	CONNECTOR, GLOW PLUG	1							
57	1	22351-060012	PIN, SPRING 6.0X12	2							
58	1	23065-120800	PIPE, 12X 800	1							
59	1	119225-07910	LIFTER	1							
60	1	26106-080142	BOLT, M8X 14 PLATED	1							
67	1	124160-01751	COVER, FILLER	1							
68	1	24311-000320	O-RING, 1AP32.0	1							

Remarks

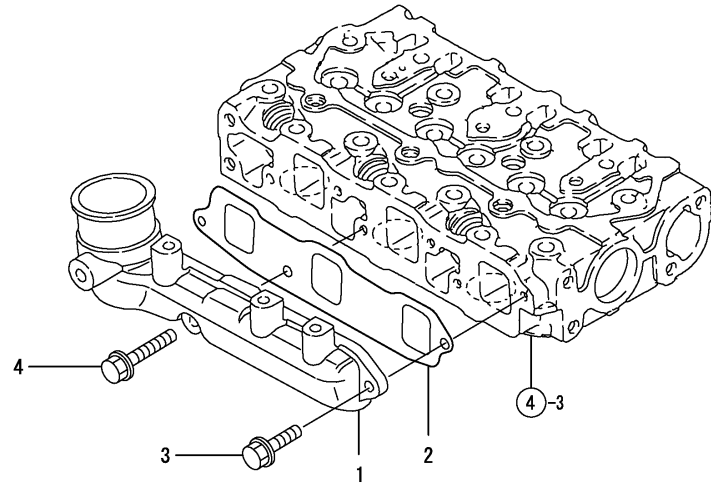
(1) REPAIR PART.

N:Old $\xrightarrow{\text{Yes}}$ New, Q:Old $\xrightarrow{\text{No}}$ New, R:Old $\xrightarrow{\text{Yes}}$ New, S:Old $\xrightarrow{\text{No}}$ New, W:Add, Z:Discontinued, F:Interchangeable by set, K:Q'ty Change

Fig.5. SUCTION MANIFOLD & AIR CLEANER

(A)=3TNE68-EIKA
(B)=
(C)=

(D)=
(E)=
(F)=



No.	Lev.	Parts No.	Description	Q'ty						I	R
				(A)	(B)	(C)	(D)	(E)	(F)		
1	1	119275-12101	MANIFOLD, AIR INTAKE	1							
2	1	119270-12110	GASKET, MANIFOLD	1							
3	1	26106-060162	BOLT, M6X 16 PLATED	2							
4	1	26106-060282	BOLT, M6X 28 PLATED	1							
5	1	119233-12680	CLEANER ASSY, AIR	1							
6	2	119808-12540	VALVE, UNLOADER	1							
7	2	119655-12560	ELEMENT	1							
8	2	119655-12570	COVER ASSY	1							
9	2	105027-12580	RING	1							
10	2	129612-12650	MARKING,(W)	1							
11	2	126650-12680	INDICATOR	1							
12	2	119233-12690	BODY	1							
13	2	119233-12700	ELEMENT	1							
14	2	119626-12800	ORIFICE	1							

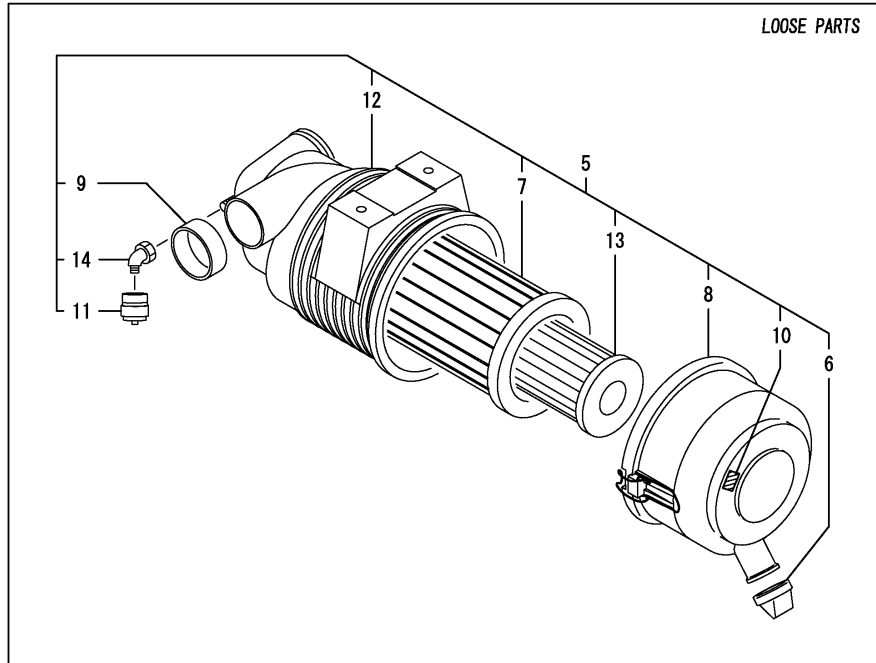


Fig.6. EXHAUST MANIFOLD & SILENCER

(A)=3TNE68-EIKA
(B)=
(C)=

(D)=
(E)=
(F)=

No.	Lev.	Parts No.	Description	Q'ty						I	R
				(A)	(B)	(C)	(D)	(E)	(F)		
1	1	119233-13100	MANIFOLD, EXHAUST	1							
2	1	119260-13110	GASKET	1							
3	1	119265-13840	BOLT, M6X40	4							
4	1	119265-13810	STUD, M6X40	2							
5	1	119131-18320	STUD, M8X22	4							
6	1	119265-13800	NUT, M6	2							
7	1	119233-13510	SILENCER	1							
8	1	124701-11911	GASKET, SILENCER	1							
9	1	103954-13201	GASKET, SILENCER	1							

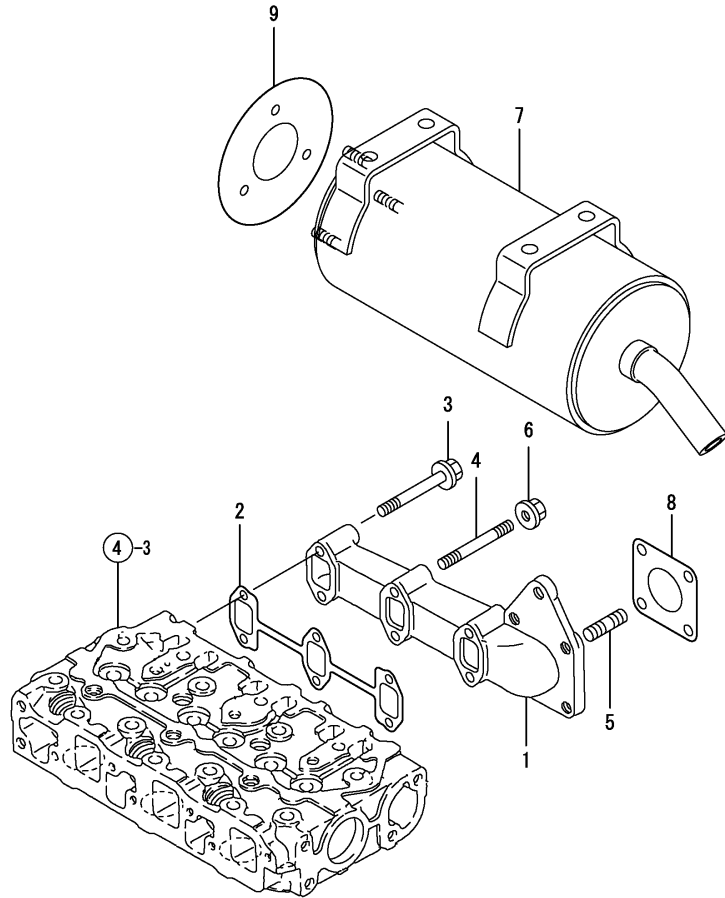
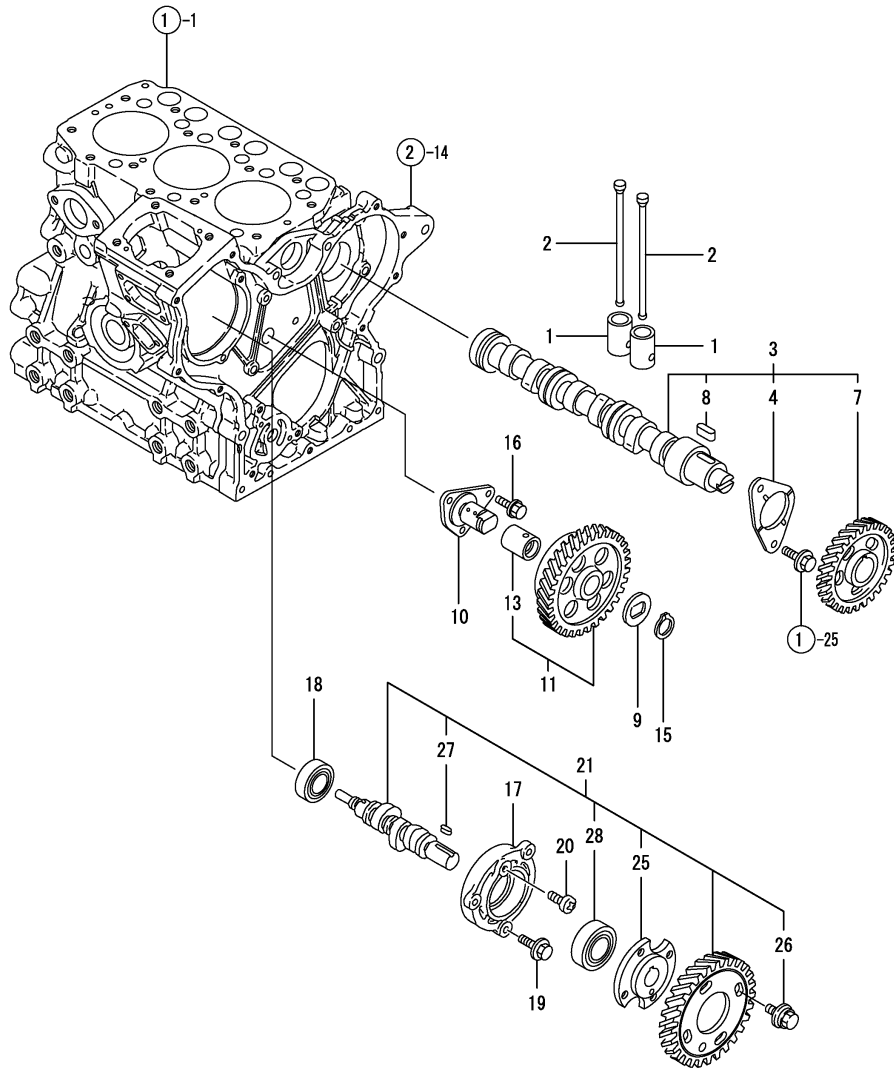


Fig.7. CAMSHAFT & DRIVING GEAR



(A)=3TNE68-EIKA
(B)=
(C)=

(D)=
(E)=
(F)=

No.	Lev.	Parts No.	Description	Q'ty						I	R
				(A)	(B)	(C)	(D)	(E)	(F)		
1	1	119260-14200	TAPPET	6							
2	1	119260-14400	ROD, PUSH	6							
3	1	119260-14580	CAMSHAFT ASSY	1							
4	2	119620-02450	BEARING, THRUST	1							
7	2	119260-14100	GEAR, CAMSHAFT	1							
8	2	22512-040120	KEY, 4X 12	1							
9	1	119660-25022	RETAINER	1							
10	1	119660-25052	SHAFT, IDLE	1							
11	1	119260-25100	GEAR ASSY, IDLE	1							
13	2	119620-25912	BUSH	1							1
15	1	22242-000200	RING, 20	1							
16	1	26106-060122	BOLT, M6X 12 PLATED	3							
17	1	119660-01821	BEARING, FUEL CAM	1							
18	1	24101-062034	BEARING, BALL 6203	1							
19	1	26106-060162	BOLT, M6X 16 PLATED	3							
20	1	26587-080102	SCREW, M8X10	1							
21	1	119225-14210	CAM ASSY	1							
25	2	119660-25920	FLANGE	1							
26	2	119660-25930	BOLT	4							
27	2	22512-040120	KEY, 4X 12	1							
28	2	24102-063034	BEARING, BALL 6303U	1							

Remarks
(1) REPAIR PART.

Fig.8. CRANKSHAFT & PISTON

(A)=3TNE68-EIKA

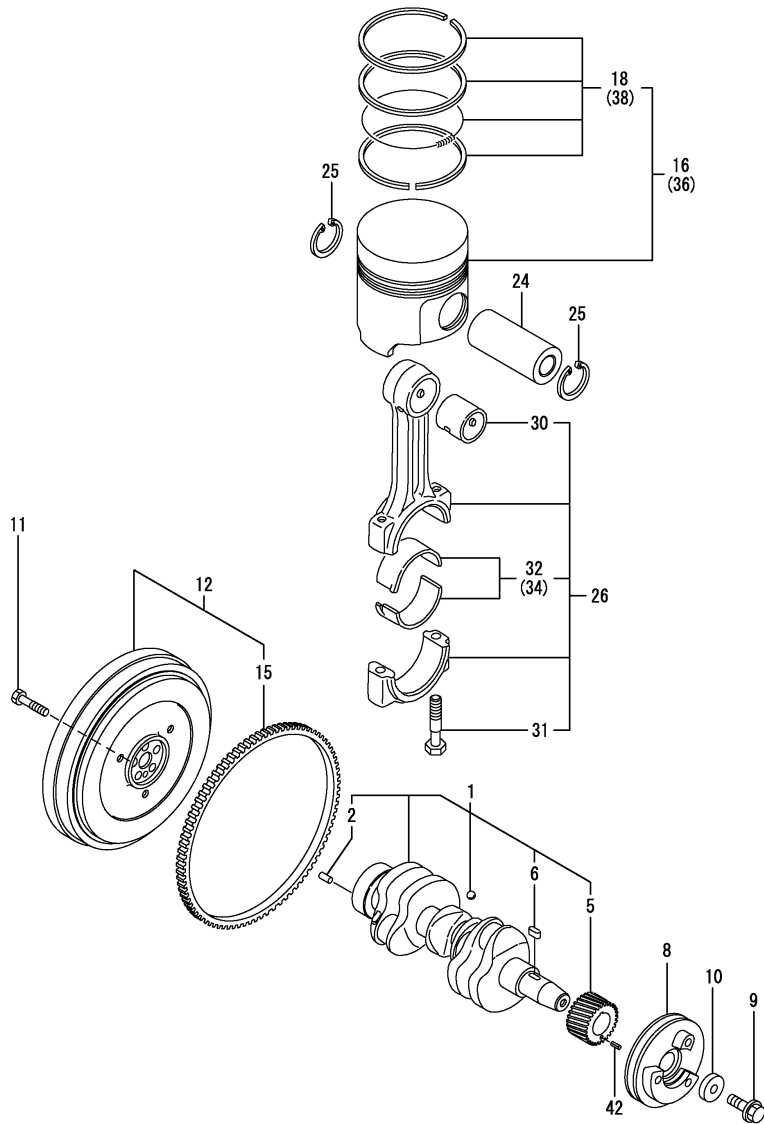
(B)=

(C)=

(D)=

(E)=

(F)=



No.	Lev.	Parts No.	Description	Q'ty						I	R
				(A)	(B)	(C)	(D)	(E)	(F)		
1	1	119265-21700	CRANKSHAFT ASSY	1							
2	2	129100-01580	PIN, M8X16	1							
5	2	119260-21200	GEAR, CRANKSHAFT	1							
6	2	22512-040120	KEY, 4X 12	1							
8	1	119233-21681	V-PULLEY	1							
9	1	119621-21680	BOLT, FLANGE 12X1.25	1							
10	1	119620-21941	WASHER	1							
11	1	119620-21500	BOLT, FLYWHEEL	5							
12	1	119253-21590	FLYWHEEL ASSY	1							
15	2	124950-21600	GEAR, RING	1							
16	1	119265-22080	PISTON ASSY	3							
18	2	119265-22500	RING SET, PISTON	3							
24	1	119265-22300	PIN, PISTON	3							
25	1	22252-000200	RING, 20	6							
26	1	119265-23100	ROD ASSY, CONNECTING	3							
30	2	119260-23910	BEARING, PISTON PIN	3							1
31	2	119265-23200	BOLT, CONNECTING ROD	6							
32	2	719260-23600	BEARING, CRANK PIN	3							
34	1	719260-23610	BEARING ASSY, 0.25	3							2
36	1	119265-22940	PISTON ASSY, 0.25 OS	3							3
38	2	119265-22950	RING SET, 0.25 OS	3							3
42	1	22351-030010	PIN, SPRING 3.0X10	1							

Remarks

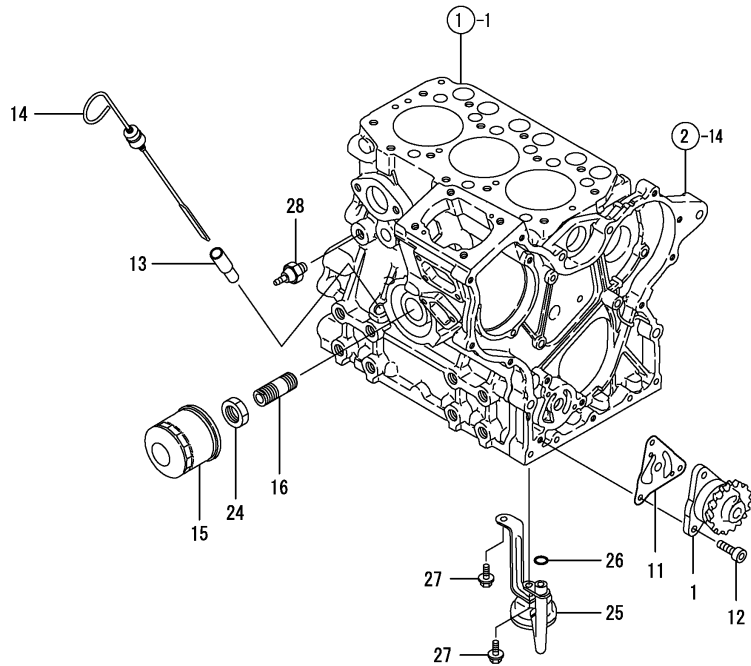
- (1) REPAIR PART.
- (2) UNDER-SIZE(U.S=0.25)PART.
- (3) OVER-SIZE(O.S=0.25)PART.

Fig.9. LUB.OIL SYSTEM

(A)=3TNE68-EIKA
(B)=
(C)=

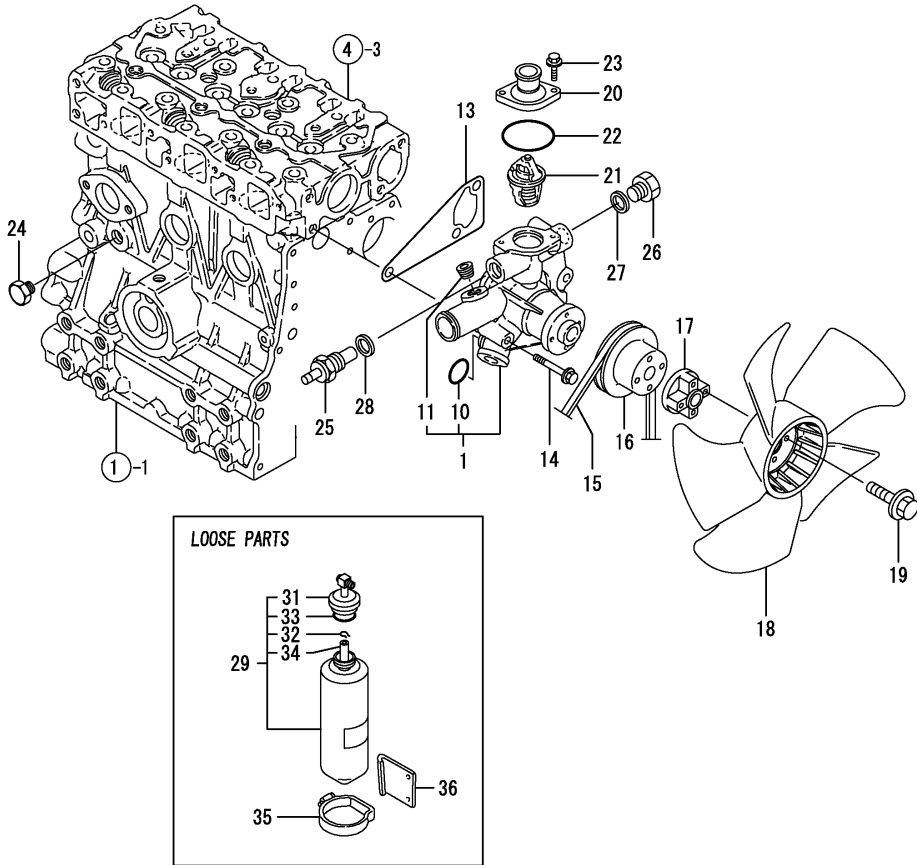
(D)=
(E)=
(F)=

No.	Lev.	Parts No.	Description	Q'ty						I	R
				(A)	(B)	(C)	(D)	(E)	(F)		
1	1	119260-32000	PUMP ASSY, OIL	1							
11	1	119660-32020	GASKET, PUMP	1							
12	1	26450-060202	BOLT, M6X 20	3							
13	1	121520-34810	GUIDE, DIPSTICK	1							
14	1	119233-34801	DIPSTICK, OIL	1							
15	1	119305-35151	FILTER ASSY, D68XL65	1							1
16	1	119225-35300	VALVE ASSY,OIL PRESS	1							
24	1	129150-35350	NUT	1							
25	1	119265-35080	PIPE, OIL INLET	1							
26	1	119209-35030	O-RING, P11	1							
27	1	26106-060122	BOLT, M6X 12 PLATED	2							
28	1	121252-39450	SWITCH, 0.5KG	1							



Remarks
(1) REPAIR PART.

Fig.10. COOLING WATER SYSTEM



(A)=3TNE68-EIKA
(B)=
(C)=

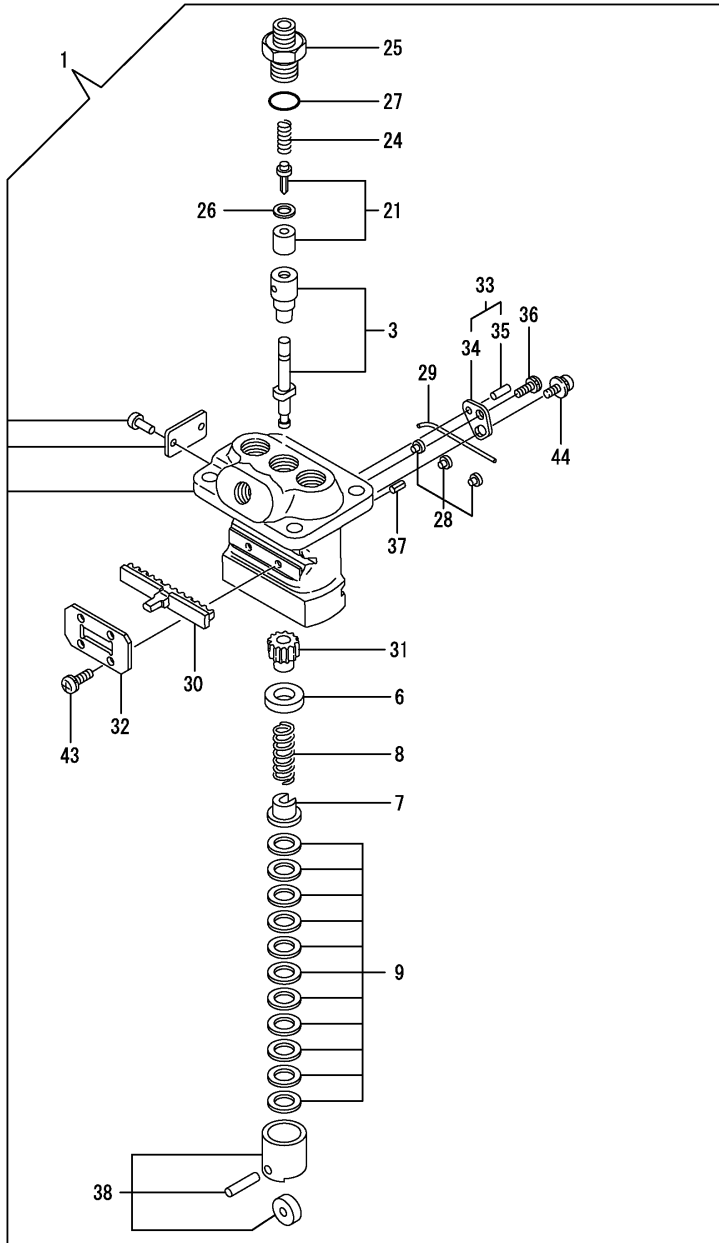
(D)=
(E)=
(F)=

No.	Lev.	Parts No.	Description	Q'ty						I	R
				(A)	(B)	(C)	(D)	(E)	(F)		
1	1	119244-42001	PUMP ASSY, WATER	1							
10	2	119225-42320	O-RING	1							
11	2	23876-030000	PLUG, R03	1							
13	1	119260-42021	GASKET, WATER PUMP	1							
14	1	26106-080452	BOLT, M8X 45 PLATED	3							
15	1	119256-42290	V-BELT, FM33.5	1							
16	1	119620-42350	V-PULLEY	1							
17	1	121267-44760	SPACER	1							
18	1	119233-44740	FAN, D=290XUH	1							
19	1	26106-060302	BOLT, M6X 30 PLATED	4							
20	1	119260-49530	COVER, THERMOSTAT	1							
21	1	119260-49801	THERMOSTAT, 71	1							
22	1	119209-42140	O-RING, G 35	1							
23	1	26106-060182	BOLT, M6X 18 PLATED	2							
24	1	171056-49120	PLUG, DRAIN	1							
25	1	171056-49351	SENSOR	1							
26	1	121450-42450	PLUG, M16	1							
27	1	124465-44950	GASKET, 16	1							
28	1	129150-49360	GASKET	1							
29	1	171064-44510	TANK ASSY, SUB	1							
31	2	121450-44531	CAP	1							
32	2	124450-44560	RETAINER	1							
33	2	121470-44581	GASKET	1							
34	2	23065-070225	PIPE 7X 225	1							
35	1	124450-44550	BAND	1							
36	1	121256-44600	BRACKET, SUB TANK	1							

Fig.11. FUEL INJECTION PUMP

(A)=3TNE68-EIKA
(B)=
(C)=

(D)=
(E)=
(F)=



No.	Lev.	Parts No.	Description	Q'ty						I	R
				(A)	(B)	(C)	(D)	(E)	(F)		
1	1	719266-51100	PUMP ASSY, INJECTION	1							
3	2	119225-51100	PLUNGER ASSY	3							
6	2	119620-51170	RETAINER, SPRING A	3							
7	2	119620-51180	RETAINER, SPRING B	3							
8	2	119620-51190	SPRING, PLUNGER	3							
9	2	119620-51250	SHIM SET	3							
21	2	119225-51300	VALVE ASSY, DELIVERY	3							
24	2	105546-51330	SPRING, DELIVERY	3							
25	2	119620-51340	HOLDER, DELIVERY	3							
26	2	119620-51350	GASKET	3							
27	2	119620-51370	O-RING	3							
28	2	119620-51450	PIECE	3							
29	2	119620-51461	PIN	1							
30	2	119660-51500	RACK, CONTROL	1							
31	2	119620-51510	PINION	3							
32	2	119660-51530	RETAINER, RACK	1							
33	2	119620-51640	PLATE ASSY, ADJUST	2							
34	3	119620-51650	PLATE	2							
35	3	119620-51670	PIN	2							
36	2	119620-51660	SCREW	2							
37	2	119620-51680	PIN	1							
38	2	119620-51700	TAPPET ASSY	3							
43	2	26022-040082	SCREW, M4X 8	4							
44	2	26033-040102	SCREW, M4X10	2							

Fig.12. GOVERNOR

(A)=3TNE68-EIKA

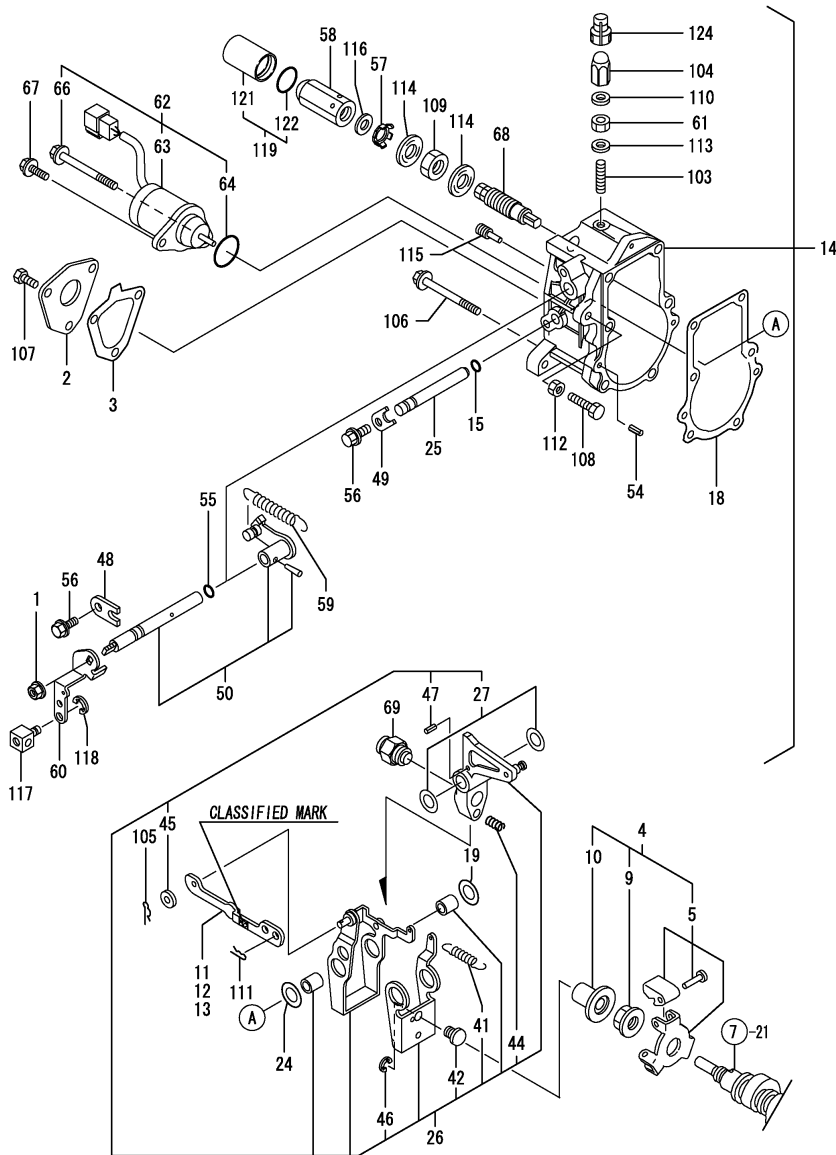
(B)=

(C)=

(D)=

(E)=

(F)=



No.	Lev.	Parts No.	Description	Q'ty						I	R
				(A)	(B)	(C)	(D)	(E)	(F)		
1	1	194990-22050	NUT, M8	1							
2	1	119660-61060	COVER, GOVERNOR CASE	1							
3	1	119660-61071	GASKET	1							
4	1	119600-61300	DRIVE ASSY	1							
5	2	119600-61400	WEIGHT ASSY, GOVERNOR	1							
9	2	119660-61300	NUT	1							
10	2	119660-61341	SLEEVE	1							
11	1	119660-61122	LINK, NO MARK	1							1
12	1	119660-61141	LINK, MARK A	1							1
13	1	119660-61151	LINK, MARK :B	1							1
14	1	119632-61200	CASE ASSY, GOVERNOR	1							
15	2	129155-51280	O-RING, S6	1							
18	2	119660-61053	GASKET	1							
19	2	119660-61460	SHIM SET	1							
24	2	129156-61500	SHIM, T=0.5	1							
25	2	119660-61590	SHAFT	1							
26	2	119232-61510	LEVER ASSY, GOVERNOR	1							
27	3	174307-51700	SHIM SET	2							
41	3	119232-61540	SPRING	1							
42	3	119600-61541	SHIFTER	1							
44	3	119660-61651	SPRING, STARTING	1							
45	3	22117-040000	WASHER, 4	1							
46	3	22272-000040	RING, E- 4	1							
47	3	22351-030014	PIN, SPRING 3.0X14	1							
48	2	119600-61900	RETAINER, SHAFT	1							
49	2	119660-61901	RETAINER, SHAFT	1							
50	2	119285-66080	SHAFT ASSY	1							
54	2	22351-040010	PIN, SPRING 4.0X10	2							
55	2	24341-000070	O-RING, 1AS7.0	1							
56	2	26106-060102	BOLT, M6X 10 PLATED	2							
57	1	129209-61970	PLATE	1							
58	1	129100-61930	NUT, CAP	1							
59	1	119245-66010	SPRING, REGULATOR	1							
60	1	119640-66051	HANDLE, REGULATOR	1							
61	1	26857-060002	NUT, M6	1							
62	1	119233-66511	STOPPER ASSY	1							
63	2	119233-77932	SOLENOID, STOP	1							
64	2	24341-000280	O-RING, 1AS28.0	1							
66	2	119620-01530	BOLT	1							
67	1	121465-59950	BOLT, M6X16	1							
68	1	119233-61450	LIMITER ASSY, FUEL	1							
69	1	119654-66700	ANGLEICH ASSY	1							
103	1	121575-66830	SCREW	1							
104	1	119285-66600	NUT, CAP M6	1							
105	1	22360-040000	PIN, SNAP 4	1							
106	1	26106-060702	BOLT, M6X 70 PLATED	5							
107	1	26116-050102	BOLT, M5X 10 PLATED	3							
108	1	119266-61460	BOLT	1							
109	1	26736-120002	NUT, M12	1							
110	1	119285-66620	GASKET	1							
111	1	22360-060000	PIN, SNAP 6	1							

Remarks

(1) SELECTIVE PARTS : CERTAIN THE CLASSIFICATION MARK, THEN PLACE YOUR ORDER.(REF. TO ILLUSTRATION)

(2) REPAIR PART

Fig.12. GOVERNOR

(A)=3TNE68-EIKA

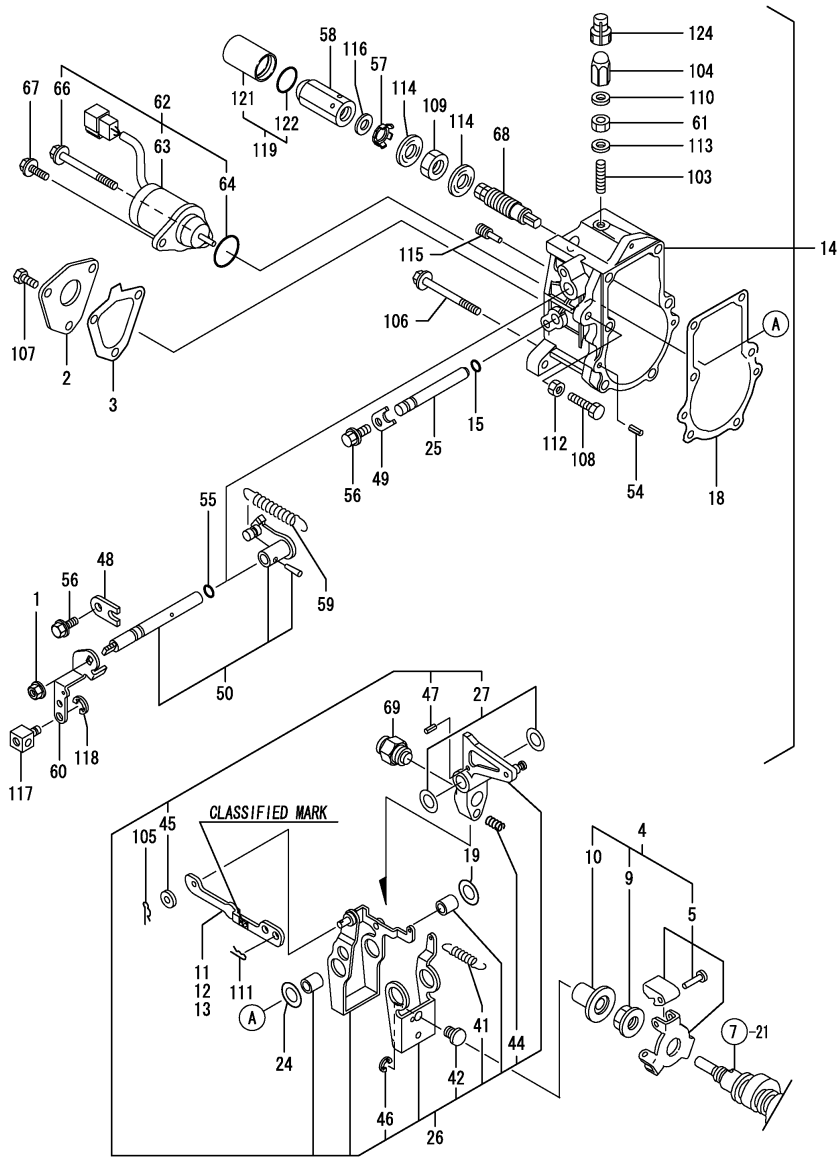
(B)=

(C)=

(D)=

(E)=

(F)=



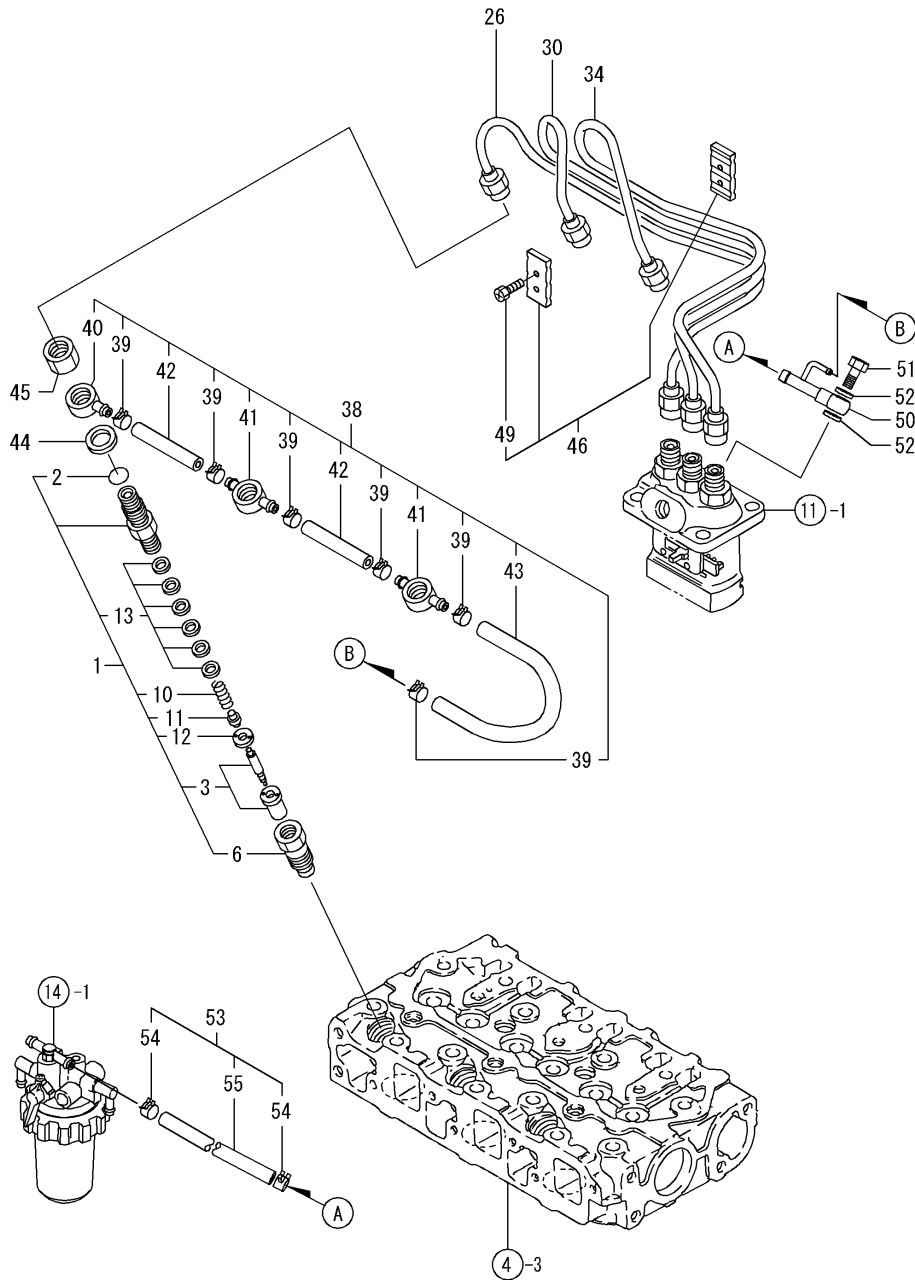
No.	Lev.	Parts No.	Description	Q'ty						I	R
				(A)	(B)	(C)	(D)	(E)	(F)		
112	1	26756-060002	NUT, LOCK M6	1							
113	1	22190-060003	SEAL WASER 6	1							
114	1	22190-120002	WASHER, SEAL 12	2							
115	1	124250-03640	SCREW	1							
116	1	23414-120016	GASKET, 12X1.0	1							
117	1	124756-67510	RETAINER	1							
118	1	22272-000070	RING, E- 7	1							
119	1	129209-61940	CASE ASSY	1							
121	2	129209-61960	CASE	1							2
122	2	24311-000150	O-RING, 1AP15.0	1							
124	1	119285-66650	CAP, HIGH-IDLE	1							2

Remarks

(1) SELECTIVE PARTS : CERTAIN THE CLASSIFICATION MARK, THEN PLACE YOUR ORDER.(REF. TO ILLUSTRATION)

(2) REPAIR PART

Fig.13. FUEL INJECTION VALVE



(A)=3TNE68-EIKA
(B)=
(C)=

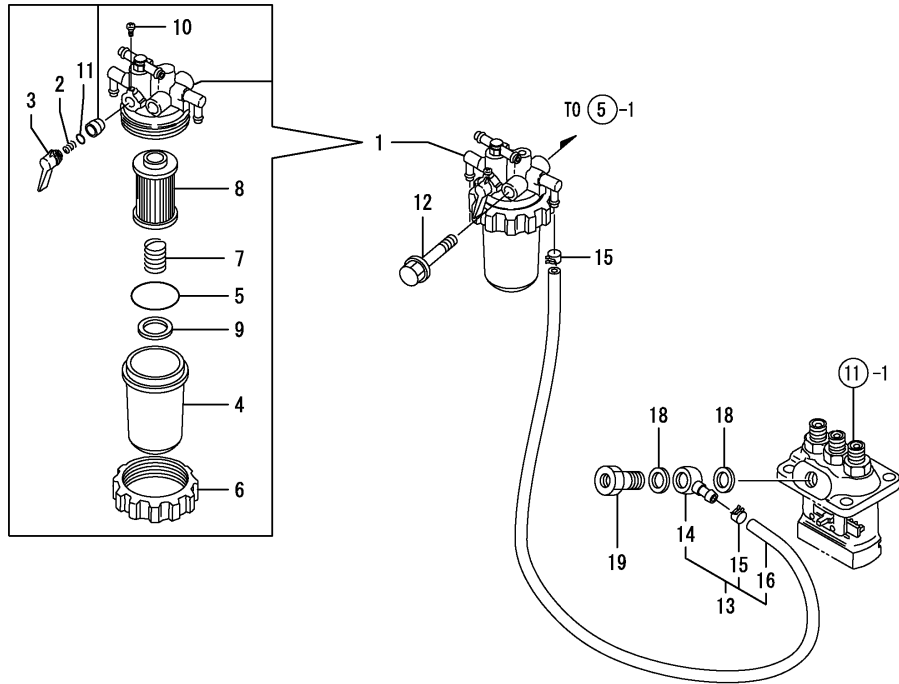
(D)=
(E)=
(F)=

No.	Lev.	Parts No.	Description	Q'ty						I	R
				(A)	(B)	(C)	(D)	(E)	(F)		
1	1	719255-53100	VALVE ASSY,INJECTION	3							
2	2	129155-61830	O-RING, S10	3							
3	2	119620-53000	VALVE ASSY,INJECTION	3							
6	2	119620-53080	NUT, NOZZLE	3							
10	2	119620-53120	SPRING, NOZZLE	3							
11	2	114250-53130	SEAT, SPRING	3							
12	2	119620-53140	SPACER, VALVE STOP	3							
13	2	114250-53400	SHIM SET	3							
26	1	119209-59810	PIPE ASSY, INJECTION	1							
30	1	119209-59820	PIPE ASSY, INJECTION	1							
34	1	119209-59830	PIPE ASSY, INJECTION	1							
38	1	119266-59540	PIPE ASSY, FUEL	1							
39	2	124066-59100	CLIP, HOSE 8	6							
40	2	119260-59520	JOINT	1							
41	2	119260-59530	JOINT	2							
42	2	105025-59550	PIPE, FUEL RETURN	2							
43	2	119000-59560	PIPE, FUEL RETURN	1							
44	1	22190-140002	WASHER, SEAL 14	3							
45	1	119620-59700	NUT, NOZZLE	3							
46	1	129150-59120	RETAINER, PIPE	1							
49	2	129150-59131	BOLT, M4X14	2							
50	1	119266-59570	JOINT, OVER FLOW	1							
51	1	119266-59580	BOLT, PIPE JOINT M8	1							
52	1	22190-080002	WASHER, SEAL 6	2							
53	1	724767-59080	PIPE ASSY, FUEL L155	1							
54	2	124766-59050	CLIP, HOSE 12	2							
55	2	124767-59080	PIPE, FUEL	1							

Fig.14. FUEL LINE

(A)=3TNE68-EIKA
(B)=
(C)=

(D)=
(E)=
(F)=



No.	Lev.	Parts No.	Description	Q'ty						I	R
				(A)	(B)	(C)	(D)	(E)	(F)		
1	1	129053-55620	FILTER ASSY, FUEL	1							
2	2	104200-55330	SPRING, VALVE	1							
3	2	119810-55340	LEVER	1							
4	2	129107-55510	CUP, STRAINER	1							
5	2	102103-55520	O-RING	1							
6	2	110250-55610	RING, RETAINING	1							
7	2	121257-55720	SPRING	1							
8	2	119810-55650	ELEMENT	1							
9	2	121257-55731	FLOAT	1							
10	2	104200-55750	SCREW, M4	1							
11	2	24311-240100	O-RING, 1AP10A	1							
12	1	26106-080652	BOLT, M8X 65 PLATED	1							
13	1	119230-59031	PIPE ASSY, FUEL	1							
14	2	101304-59020	JOINT, PIPE 12	1							
15	2	124766-59050	CLIP, HOSE 12	2							
16	2	119230-59080	PIPE, FUEL D12X185	1							
17	1	129052-55630	FILTER, FUEL	1							
18	1	22190-120002	WASHER, SEAL 12	2							
19	1	105340-59190	BOLT ASSY, JOINT	1							
22	1	198072-04320	CLAMP, FILTER	1							
23	1	119255-52102	PUMP ASSY, FUEL FEED	1							

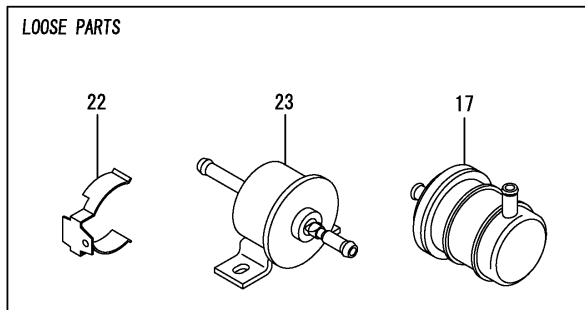
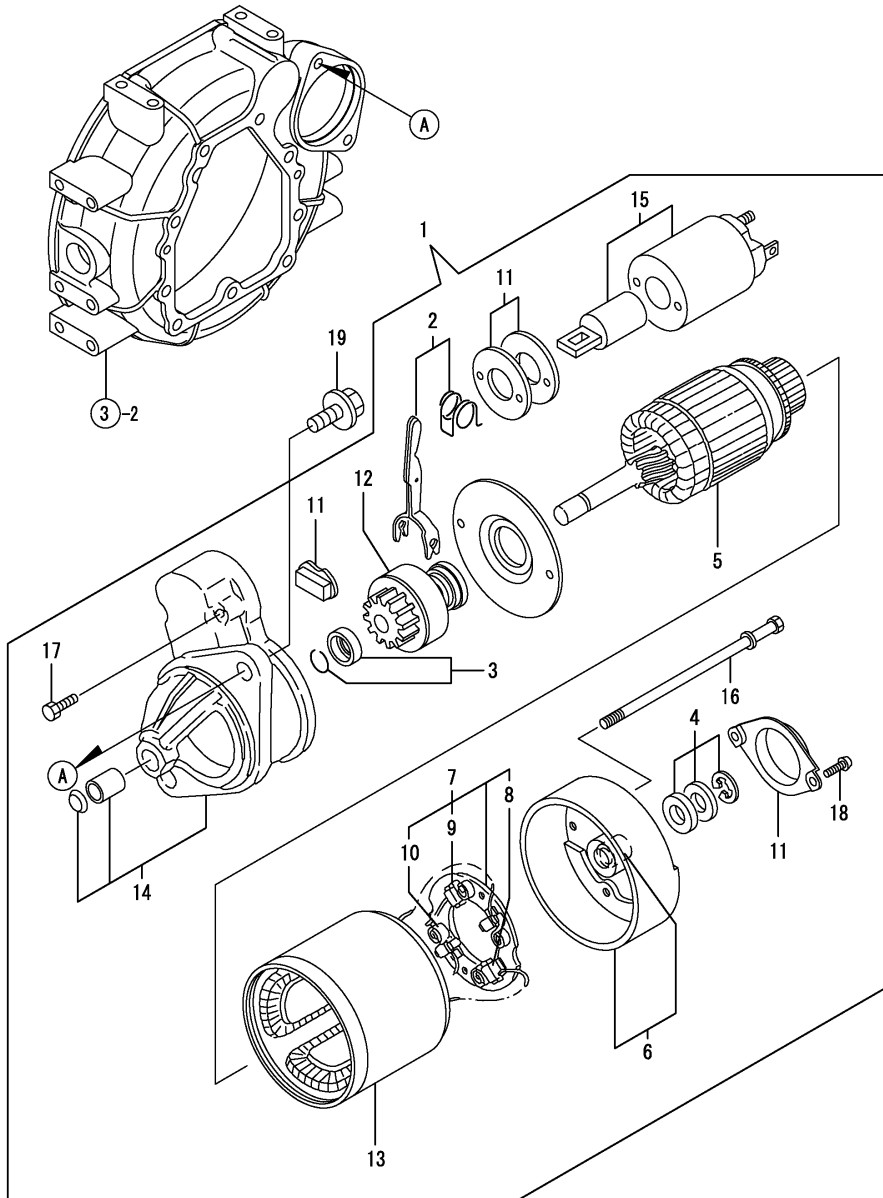


Fig.15. STARTING MOTOR

(A)=3TNE68-EIKA
(B)=
(C)=

(D)=
(E)=
(F)=

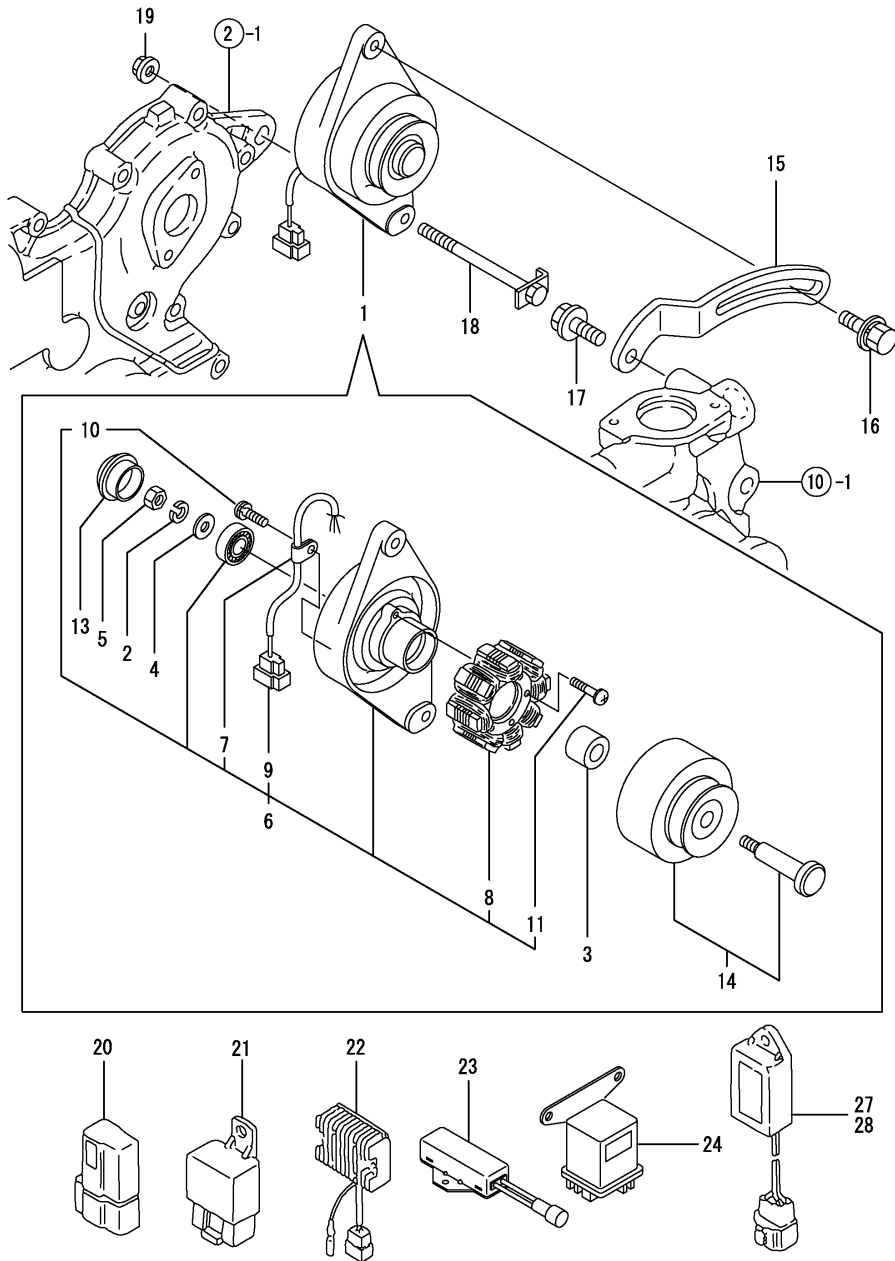


No.	Lev.	Parts No.	Description	Qty						I	R
				(A)	(B)	(C)	(D)	(E)	(F)		
1	1	119226-77010	STARTER,12V-0.8KW	1							
2	2	X2114560130	LEVER KIT, SHIFT	1							
3	2	X2114715500	STOPPER SET, PINION	1							
4	2	X2114811000	WASHER KIT, THRUST	1							
5	2	114371-77110	ARMATURE	1							
6	2	114371-77140	COVER ASSY, REAR	1							
7	2	114371-77160	HOLDER ASSY, BRUSH	1							
8	3	114371-79040	BRUSH (-)	2							
9	3	114371-79050	BRUSH (+)	1							
10	3	114371-79060	SPRING, BRUSH	4							
11	2	114371-77170	COVER KIT, DUST	1							
12	2	119226-77650	CLUTCH ASSY	1							
13	2	124097-77710	YOKE ASSY	1							
14	2	124097-77760	CASE ASSY, GEAR	1							
15	2	124195-77760	MAGNETIC SWITCH ASSY	1							
16	2	124195-77770	THROUGH BOLT	2							
17	2	114371-79070	BOLT M 6X 37	2							
18	2	26022-040122	SCREW, M4X12	2							
19	1	26106-100252	BOLT, M10X 25 PLATED	2							

Fig.16. GENERATOR

(A)=3TNE68-EIKA
(B)=
(C)=

(D)=
(E)=
(F)=

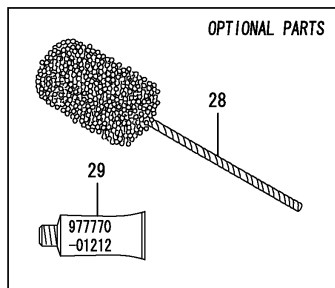
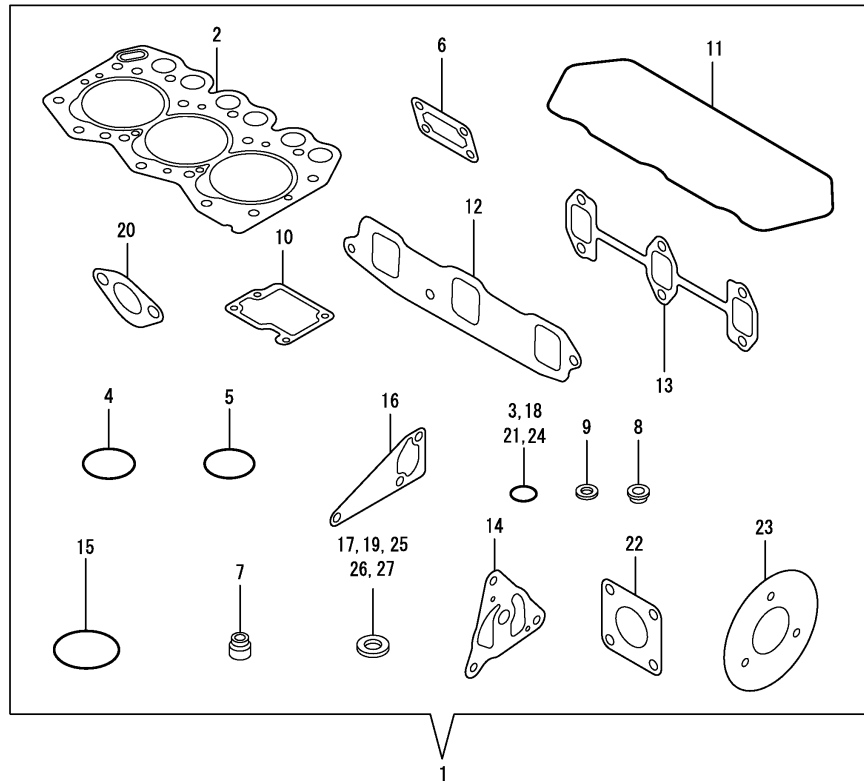


No.	Lev.	Parts No.	Description	Q'ty						I	R
				(A)	(B)	(C)	(D)	(E)	(F)		
1	1	119626-77200	DYNAMO ASSY	1							
2	2	XM219230000	WASHER, SPRING	1							
3	2	XM329830000	COLLAR	1							
4	2	XM860250000	WASHER 10	1							
5	2	XM863720000	NUT	1							
6	2	129118-77210	PLATE ASSY	1							
7	3	XM069000000	CLAMP	1							
8	3	X3A02982KA0	STATOR ASSY	1							
9	3	XM771860000	COUPLER	1							
10	3	XYSPS400800	SCREW	1							
11	3	119259-77250	SCREW	2							
13	2	XM771870000	CAP	1							
14	2	129150-77230	FLYWHEEL ASSY	1							
15	1	119650-77330	ADJUSTER	1							
16	1	26014-080252	BOLT, M8X 25	1							
17	1	26106-080202	BOLT, M8X 20 PLATED	1							
18	1	119325-77250	BOLT, M8X56	1							
19	1	26306-080002	NUT, M8	1							
20	1	119643-66900	DIODE	1							
21	1	119247-77100	RELAY, SAFETY	3							
22	1	119653-77710	LIMITER, CURRENT	1							
23	1	129155-77810	REGISTER	1							
24	1	119650-77910	RELAY ASSY, GLOW	1							
27	1	129155-77925	TIMER	1							
28	1	129211-77920	TIMER	1							

Fig.17. GASKET SET

(A)=3TNE68-EIKA
(B)=
(C)=

(D)=
(E)=
(F)=



No.	Lev.	Parts No.	Description	Q'ty						I	R
				(A)	(B)	(C)	(D)	(E)	(F)		
1	1	719265-92760	GASKET SET	1							1
2	2	119265-01341	GASKET, HEAD	1							
3	2	24311-000120	O-RING, 1AP12.0	2							
4	2	24311-000320	O-RING, 1AP32.0	2							
5	2	24341-000240	O-RING, 1AS24.0	1							
6	2	119660-01562	GASKET	1							
7	2	119260-11340	SEAL, VALVE STEM	6							
8	2	119600-11450	PROTECTOR, NOZZLE	3							
9	2	119600-11460	GASKET, NOZZLE	6							
10	2	119260-03031	GASKET	1							
11	2	119260-11310	GASKET, BONNET	1							
12	2	119270-12110	GASKET, MANIFOLD	1							
13	2	119260-13110	GASKET	1							
14	2	119660-32020	GASKET, PUMP	1							
15	2	119209-42140	O-RING, G 35	1							
16	2	119260-42021	GASKET, WATER PUMP	1							
17	2	124465-44950	GASKET, 16	2							
18	2	129155-61830	O-RING, S10	3							
19	2	22190-140002	WASHER, SEAL 14	3							
20	2	121520-01851	GASKET	1							
21	2	119624-32040	O-RING, P12.0	1							
22	2	124701-11911	GASKET, SILENCER	1							
23	2	103954-13201	GASKET, SILENCER	1							
24	2	119209-35030	O-RING, P11	1							
25	2	22190-080002	WASHER, SEAL 6	6							
26	2	22190-120002	WASHER, SEAL 12	2							
27	2	129150-49360	GASKET	1							
28	1	129400-92400	FLEX HORN	1							1
29	1	977770-01212	GASKET, LIQUID	1							1

Remarks
(1) OPTIONAL PART.

Parts No. Index

Parts No.	Fig. No.	Ref. No.
101304-59020	14	14
102103-55520	14	5
103954-13201	6	9
	17	23
104200-55330	14	2
104200-55750	14	10
105010-11230	4	31
		35
105025-59550	13	42
105027-12580	5	9
105340-59190	14	19
105546-51330	11	24
110250-55610	14	6
114250-11120	4	15
114250-11180	4	16
114250-53130	13	11
114250-53400	13	13
114371-77110	15	5
114371-77140	15	6
114371-77160	15	7
114371-77170	15	11
114371-79040	15	8
114371-79050	15	9
114371-79060	15	10
114371-79070	15	17
118400-03060	4	51
119000-59560	13	43
119131-18320	6	5
119209-35030	9	26
	17	24
119209-42140	10	22
	17	15
119209-59810	13	26
119209-59820	13	30
119209-59830	13	34
119225-07910	4	59
119225-14210	7	21
119225-35300	9	16
119225-42320	10	10
119225-51100	11	3
119225-51300	11	21
119226-77010	15	1
119226-77650	15	12
119230-01600	3	2
119230-59031	14	13
119230-59080	14	16
119232-61510	12	26
119232-61540	12	41
119233-12680	5	5
119233-12690	5	12

Parts No.	Fig. No.	Ref. No.
119233-12700	5	13
119233-13100	6	1
119233-13510	6	7
119233-21681	8	8
119233-34801	9	14
119233-44740	10	18
119233-61450	12	68
119233-66511	12	62
119233-77932	12	63
119244-42001	10	1
119245-66010	12	59
119247-77100	16	21
119253-21590	8	12
119255-52102	14	23
119256-42290	10	15
119259-77250	16	11
119260-01490	2	14
119260-01510	2	17
119260-01590	2	1
119260-02020	1	6
119260-02800	1	17
119260-02930	1	20
119260-03020	4	46
119260-03031	4	47
	17	10
119260-11100	4	13
119260-11110	4	14
119260-11200	4	23
119260-11240	4	24
119260-11260	4	27
119260-11270	4	28
119260-11280	4	29
119260-11310	4	50
	17	11
119260-11331	4	44
119260-11340	4	19
	17	7
119260-11370	4	20
119260-11800	4	7
119260-13110	6	2
	17	13
119260-14100	7	7
119260-14200	7	1
119260-14400	7	2
119260-14580	7	3
119260-21200	8	5
119260-23910	8	30
119260-25100	7	11
119260-32000	9	1
119260-42021	10	13

Parts No.	Fig. No.	Ref. No.
119260-42021	17	16
119260-49530	10	20
119260-49801	10	21
119260-59520	13	40
119260-59530	13	41
119265-01250	1	12
119265-01341	1	24
	17	2
119265-01770	3	13
119265-11260	4	39
119265-11710	4	3
119265-13800	6	6
119265-13810	6	4
119265-13840	6	3
119265-21700	8	1
119265-22080	8	16
119265-22300	8	24
119265-22500	8	18
119265-22940	8	36
119265-22950	8	38
119265-23100	8	26
119265-23200	8	31
119265-35080	9	25
119266-01200	1	23
119266-02410	1	16
119266-59540	13	38
119266-59570	13	50
119266-59580	13	51
119266-61460	12	108
119270-12110	5	2
	17	12
119275-12101	5	1
119285-66080	12	50
119285-66600	12	104
119285-66620	12	110
119285-66650	12	124
119305-35151	9	15
119325-77250	16	18
119454-01721	3	11
119600-11450	4	21
	17	8
119600-11460	4	22
	17	9
119600-61300	12	4
119600-61400	12	5
119600-61541	12	42
119600-61900	12	48
119620-01530	12	66
119620-01620	3	6
119620-01750	3	4

Parts No.	Fig. No.	Ref. No.
119620-01800	2	4
119620-02450	7	4
119620-11350	4	40
119620-21500	8	11
119620-21941	8	10
119620-25912	7	13
119620-42350	10	16
119620-51170	11	6
119620-51180	11	7
119620-51190	11	8
119620-51250	11	9
119620-51340	11	25
119620-51350	11	26
119620-51370	11	27
119620-51450	11	28
119620-51461	11	29
119620-51510	11	31
119620-51640	11	33
119620-51650	11	34
119620-51660	11	36
119620-51670	11	35
119620-51680	11	37
119620-51700	11	38
119620-53000	13	3
119620-53080	13	6
119620-53120	13	10
119620-53140	13	12
119620-59700	13	45
119620-77820	4	56
119621-21680	8	9
119623-01980	2	23
119624-32040	2	6
	17	21
119626-12800	5	14
119626-77200	16	1
119632-07900	4	1
119632-61200	12	14
119640-66051	12	60
119643-66900	16	20
119650-77330	16	15
119650-77910	16	24
119653-77710	16	22
119654-66700	12	69
119655-12560	5	7
119655-12570	5	8
119660-01551	2	20
119660-01562	2	21
	17	6
119660-01570	2	22
119660-01640	3	7

Parts No. Index

Parts No.	Fig. No.	Ref. No.
119660-01821	7	17
119660-01911	2	5
119660-25022	7	9
119660-25052	7	10
119660-25920	7	25
119660-25930	7	26
119660-32020	9	11
	17	14
119660-51500	11	30
119660-51530	11	32
119660-61053	12	18
119660-61060	12	2
119660-61071	12	3
119660-61122	12	11
119660-61141	12	12
119660-61151	12	13
119660-61300	12	9
119660-61341	12	10
119660-61460	12	19
119660-61590	12	25
119660-61651	12	44
119660-61901	12	49
119808-12540	5	6
119810-55340	14	3
119810-55650	14	8
121023-01550	2	26
121120-01620	3	3
121252-39450	9	28
121256-44600	10	36
121257-55720	14	7
121257-55731	14	9
121267-44760	10	17
121400-01640	3	14
121450-01560	2	18
121450-42450	10	26
121450-44531	10	31
121465-59950	12	67
121470-44581	10	33
121520-01851	2	30
	17	20
121520-01860	2	31
121520-34810	9	13
121575-66830	12	103
124060-01050	1	5
124066-59100	13	39
124085-02220	3	9
124097-77710	15	13
124097-77760	15	14
124160-01751	2	12
	4	67

Parts No.	Fig. No.	Ref. No.
124160-11360	4	43
124195-77760	15	15
124195-77770	15	16
124250-03640	12	115
124450-44550	10	35
124450-44560	10	32
124465-44950	10	27
	17	17
124701-11911	6	8
	17	22
124756-67510	12	117
124766-59050	13	54
	14	15
124767-59080	13	55
124950-21600	8	15
126650-12680	5	11
129052-55630	14	17
129053-55620	14	1
129100-01580	3	1
	8	2
129100-61930	12	58
129107-55510	14	4
129118-77210	16	6
129150-35350	9	24
129150-49360	10	28
	17	27
129150-59120	13	46
129150-59131	13	49
129150-77230	16	14
129155-51280	12	15
129155-61830	13	2
	17	18
129155-77801	4	55
129155-77810	16	23
129155-77925	16	27
129156-61500	12	24
129209-61940	12	119
129209-61960	12	121
129209-61970	12	57
129211-77920	16	28
129400-92400	17	28
129612-12650	5	10
171056-49120	10	24
171056-49351	10	25
171064-44510	10	29
174307-51700	12	27
194990-22050	2	24
	12	1
198072-04320	14	22
22117-040000	12	45

Parts No.	Fig. No.	Ref. No.
22190-060003	12	113
22190-080002	13	52
	17	25
22190-120002	12	114
	14	18
	17	26
22190-140002	13	44
	17	19
22242-000100	4	38
22242-000200	7	15
22252-000200	8	25
22272-000040	12	46
22272-000070	12	118
22351-030010	8	42
22351-030014	12	47
22351-040010	2	19
	12	54
22351-060012	4	57
22360-040000	12	105
22360-060000	12	111
22512-040120	7	8
		27
	8	6
22857-500100	4	53
23065-070225	10	34
23065-120800	4	58
23414-120016	12	116
23876-030000	4	10
	10	11
24101-062034	7	18
24102-063034	7	28
24311-000120	4	54
	17	3
24311-000150	12	122
24311-000180	3	16
24311-000320	2	13
	4	68
	17	4
24311-240100	14	11
24341-000070	12	55
24341-000240	2	27
	17	5
24341-000280	12	64
26014-080252	16	16
26022-040082	11	43
26022-040122	15	18
26033-040102	11	44
26106-060102	3	17
	12	56
26106-060122	1	25

Parts No.	Fig. No.	Ref. No.
26106-060122	4	2
	7	16
	9	27
26106-060162	2	7
		28
		32
	5	3
	7	19
26106-060182	10	23
26106-060222	3	10
26106-060282	5	4
26106-060302	2	8
	10	19
26106-060402	2	9
26106-060452	3	18
26106-060502	2	10
26106-060652	2	11
26106-060702	12	106
26106-080142	4	60
26106-080202	16	17
26106-080452	4	41
	10	14
26106-080652	14	12
26106-100252	15	19
26116-050102	12	107
26206-100252	3	5
26306-080002	4	42
	16	19
26366-060002	2	25
26450-060202	9	12
26587-080102	7	20
26736-120002	12	109
26756-060002	4	33
		37
	12	112
26857-060002	12	61
27221-050080	4	11
27221-060100	1	11
27241-100000	1	13
27241-250000	1	14
27241-300000	1	15
27241-350000	4	12
27310-055001	4	17
719255-53100	13	1
719260-02870	1	26
719260-11650	4	30
719260-11660	4	34
719260-23600	8	32
719260-23610	8	34
719265-01560	1	1

Parts No. Index

Parts No.	Fig. No.	Ref. No.
719265-92760	17	1
719266-51100	11	1
724767-59080	13	53
977770-01212	2	29
	3	19
	17	29
X2114560130	15	2
X2114715500	15	3
X2114811000	15	4
X3A02982KA0	16	8
XM069000000	16	7
XM219230000	16	2
XM329830000	16	3
XM771860000	16	9
XM771870000	16	13
XM860250000	16	4
XM863720000	16	5
XYSPS400800	16	10

Parts No.	Fig. No.	Ref. No.
-----------	----------	----------

Parts No.	Fig. No.	Ref. No.
-----------	----------	----------

Parts No.	Fig. No.	Ref. No.
-----------	----------	----------