

0CW10-M85800EN

# P R E F A C E

1. This parts catalog is the 1st edition of 4TNV98CT-NMSL for Manitou Americas, Inc.

Published : July, 2013

2. Model name

Engine model	Vehicle	Vehicle made by
4TNV98CT-NMSL	Track Loader	Manitou Americas, Inc.

# Contents

0CW10-M85800

Fig. No.	Fig. Name	Fig. No.	Fig. Name
4TNV98CT-NMSL			
1.	CYLINDER BLOCK		
2.	GEAR HOUSING		
3.	FLYWHEEL HOUSING & OIL SUMP		
4.	CYLINDER HEAD & BONNET		
5.	SUCTION MANIFOLD		
6.	EXHAUST MANIFOLD		
7.	DIESEL PARTICULATE FILTER(DPF)		
8.	CAMSHAFT & DRIVING GEAR		
9.	TURBINE		
10.	CRANKSHAFT & PISTON		
11.	LUB.OIL SYSTEM		
12.	LUB.OIL LINE		
13.	COOLING WATER SYSTEM		
14.	FUEL SUPPLY PUMP		
15.	FUEL INJECTION VALVE		
16.	FUEL LINE		
17.	STARTING MOTOR		
18.	ELECTRONIC CONTROL UNIT (ECU)		
19.	ELECTRIC PARTS		
20.	GASKET SET		

Fig.1. CYLINDER BLOCK

(A)=4TNV98CT-NMSL

(B)=

(C)=

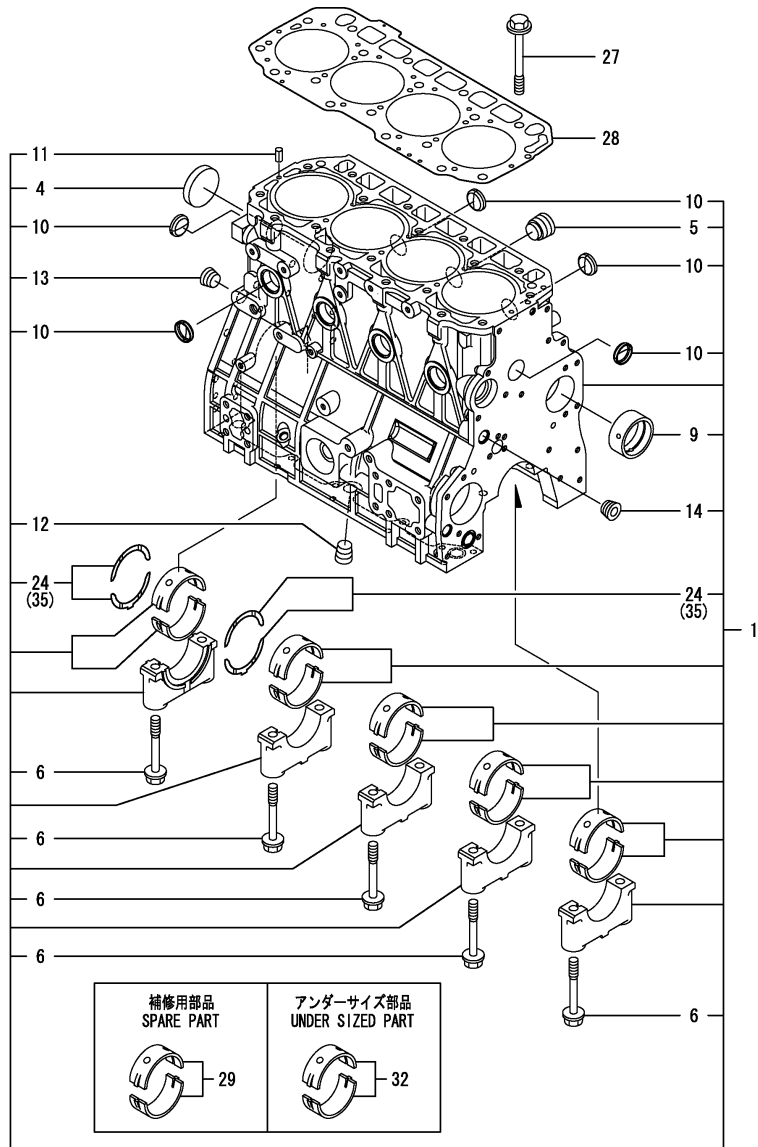
(D)=

(E)=

(F)=

Q'ty

I R



No.	Lev.	Parts No.	Description	(A)	(B)	(C)	(D)	(E)	(F)	I	R
1	1	129E32-01560	BLOCK ASSY, CYLINDER	1							
4	2	129900-01250	PLUG, 55	1							
5	2	171051-01921	PLUG, NPTF1	1							
6	2	129900-02020	BOLT, METAL CAP	10							
9	2	129900-02410	BUSH, CAMSHAFT	1							
10	2	27241-300000	PLUG 30	8							
11	2	22351-060012	PIN, SPRING 6.0X12	2							
12	2	23876-030000	PLUG, R03	1							
13	2	23876-030000	PLUG, R03	1							
14	2	23876-030000	PLUG, R03	1							
24	2	129900-02931	BEARING, THRUST	2							
27	1	129900-01200	BOLT, HEAD	18							
28	1	129E00-01330	GASKET, CYL. HEAD	1							
29	1	729900-02801	BEARING, MAIN	5							1
32	1	129900-02341	BEARING, 0.25 US	5							2
35	1	129900-02941	BEARING, THRUST 0.25	2							3

Remarks

- (1) Spare part.
- (2) Under-sized(U.S.=0.25)part.
- (3) Over-sized(O.S.=0.25)part.

Fig.2. GEAR HOUSING

(A)=4TNV98CT-NMSL

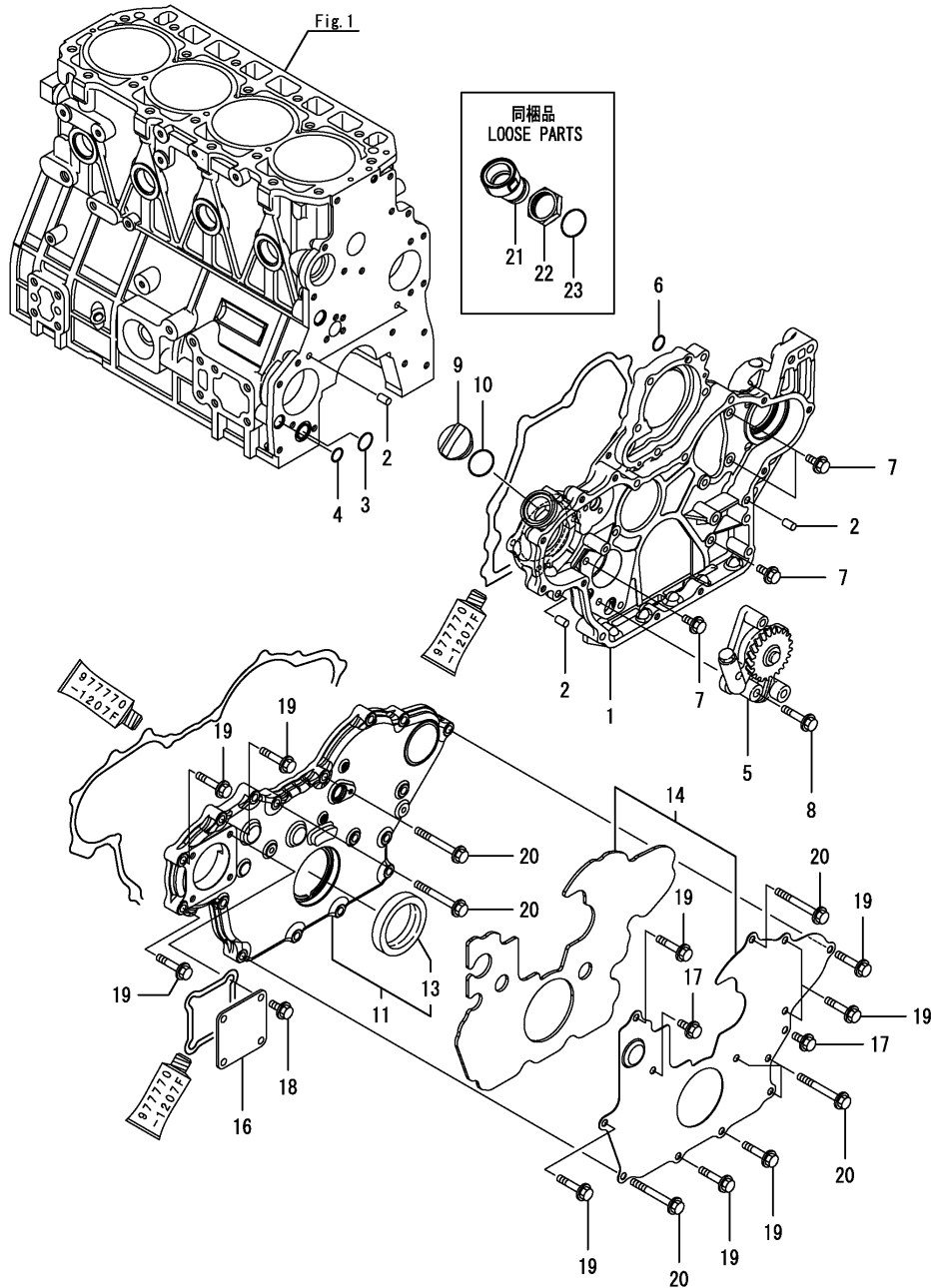
(B)=

(C)=

(D)=

(E)=

(F)=

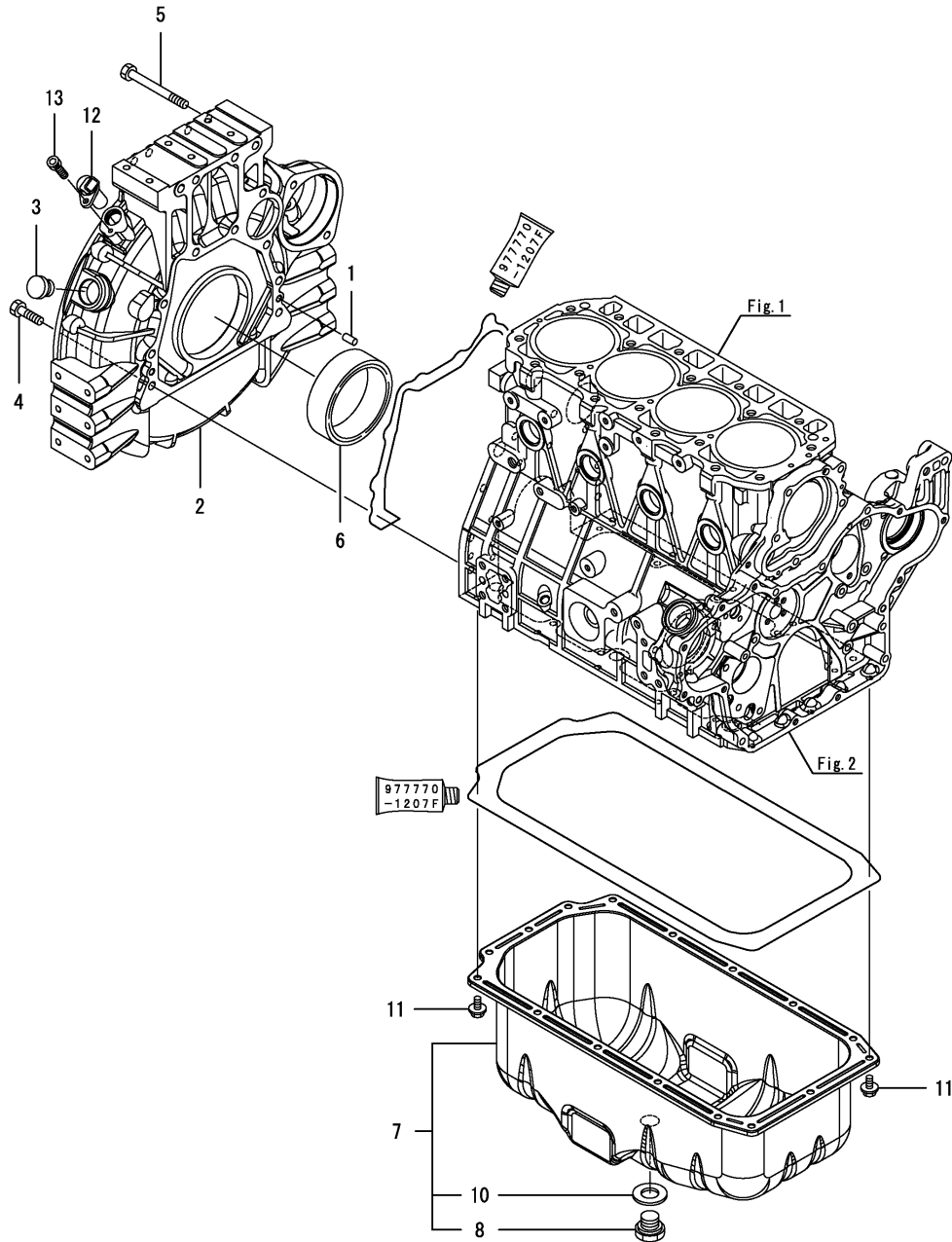


No.	Lev.	Parts No.	Description	Q'ty						I	R
				(A)	(B)	(C)	(D)	(E)	(F)		
1	1	129E30-01500	CASE, GEAR	1							
2	1	129100-01580	PIN, M8X16	4							
3	1	129900-32030	O-RING, P20	1							
4	1	129900-32040	O-RING, P14	1							
5	1	129908-32060	PUMP ASSY, OIL	1							
6	1	24311-000070	O-RING, 1AP7.0	1							
7	1	26106-080162	BOLT, M8X 16 PLATED	4							
8	1	26106-080452	BOLT, M8X 45 PLATED	3							
9	1	124160-01751	COVER, FILLER	1							
10	1	24311-000320	O-RING, 1AP32.0	1							
11	1	129E00-01580	COVER ASSY, GEARCASE	1							
13	2	129916-01800	SEAL, OIL	1							
14	1	129E00-01850	COVER ASSY, GEARCASE	1							
16	1	124240-01871	COVER	1							
17	1	26106-080162	BOLT, M8X 16 PLATED	2							
18	1	26106-080162	BOLT, M8X 16 PLATED	4							
19	1	26106-080402	BOLT, M8X 40 PLATED	10							
20	1	26106-080702	BOLT, M8X 70 PLATED	7							
21	1	119225-11740	ADAPTER	1							
22	1	119225-11750	NUT	1							
23	1	24311-000300	O-RING, 1AP30.0	1							

Fig.3. FLYWHEEL HOUSING & OIL SUMP

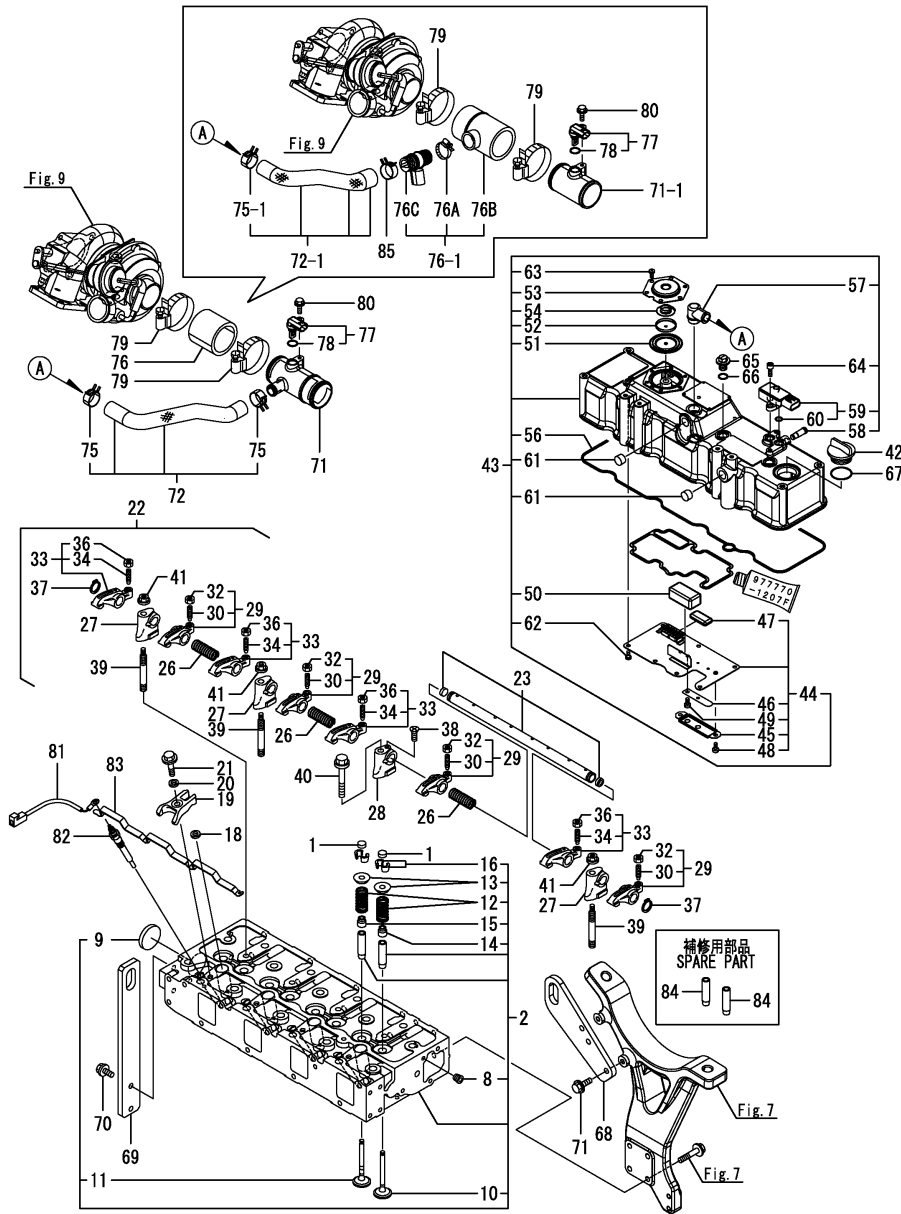
(A)=4TNV98CT-NMSL  
(B)=  
(C)=

(D)=  
(E)=  
(F)=



No.	Lev.	Parts No.	Description	Q'ty						I	R
				(A)	(B)	(C)	(D)	(E)	(F)		
1	1	129100-01580	PIN, M8X16	2							
2	1	129E00-01600	HOUSING, FLYWHEEL	1							
3	1	119620-01750	CAP	1							
4	1	26206-100352	BOLT, M10X 35 PLATED	9							
5	1	26206-100952	BOLT, M10X 95 PLATED	4							
6	1	129916-01790	SEAL, D115/95XT11	1							
7	1	129E22-01710	OIL PAN ASSY	1							
8	2	129E22-01650	PLUG, DRAIN 22	1							
10	2	22190-220002	WASHER, SEAL 22	1							
11	1	26106-080122	BOLT, M8X 12 PLATED	16							
12	1	129A00-21710	SENSOR, FLYWHEEL REV	1							
13	1	26450-060162	BOLT, M6X 16	1							

Fig.4. CYLINDER HEAD & BONNET



(A)=4TNV98CT-NMSL

(B)=

(C)=

(D)=

(E)=

(F)=

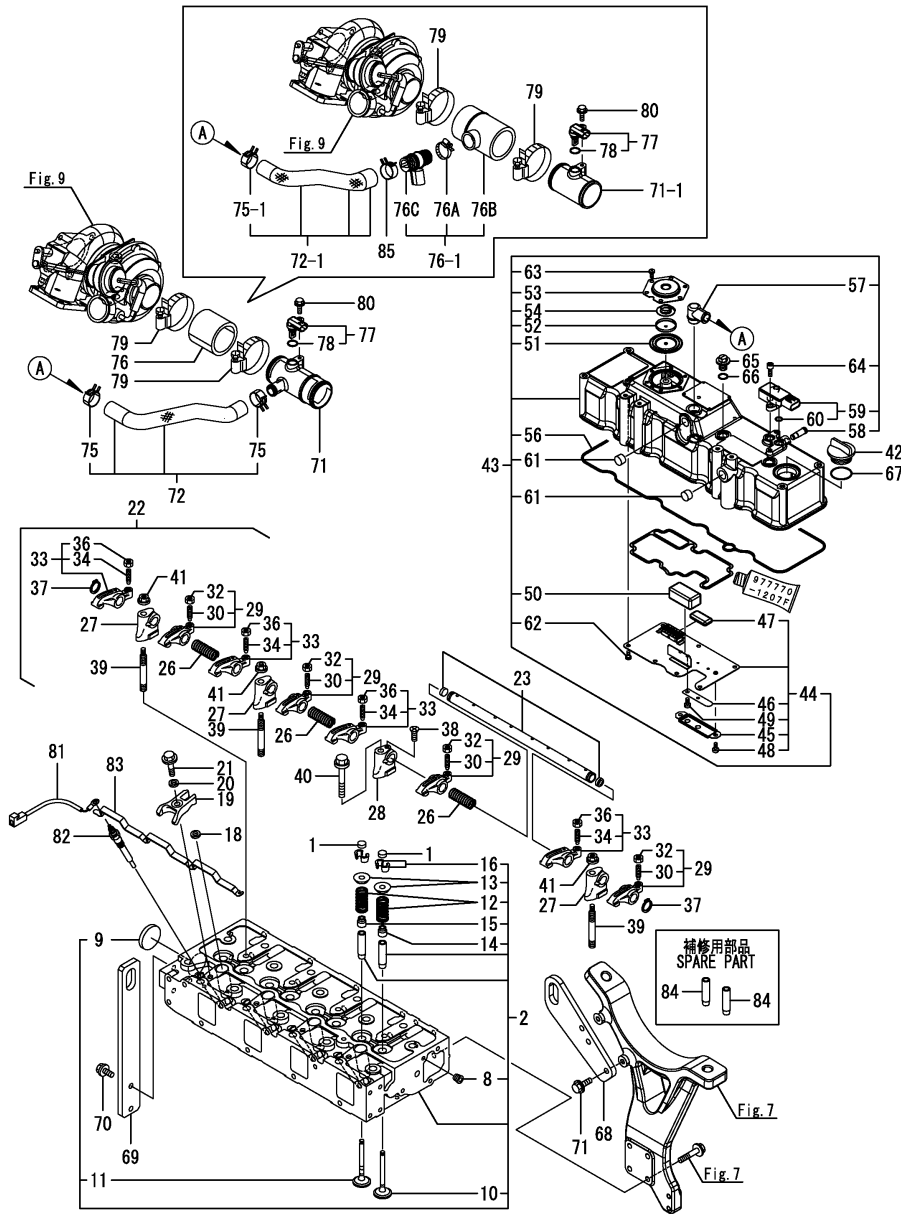
No.	Lev.	Parts No.	Description	Qty						I	R
				(A)	(B)	(C)	(D)	(E)	(F)		
1	1	129150-11370	CAP, VALVE	8							
2	1	129E01-11700	HEAD ASSY, CYLINDER	1							
8	2	23876-005000	PLUG, R005	1							
9	2	27241-400000	PLUG, 40	1							
10	2	129900-11100	VALVE, INTAKE	4							
11	2	129900-11110	VALVE, EXHAUST	4							
12	2	129900-11120	SPRING, VALVE	8							
13	2	129795-11180	RETAINER, SPRING	8							
14	2	124460-11340	SEAL, VALVE STEM	4							
15	2	129A00-11340	SEAL, VALVE STEM	4							
16	2	27310-080001	COTTER, 8	8							
18	1	129978-11871	GASKET,INJECTOR	4							
19	1	129E00-11900	RETAINER, INJECTOR	4							
20	1	120270-54410	WASHER, INJECTOR	4							
21	1	26106-080352	BOLT, M8X 35 PLATED	4							
22	1	129900-11200	SUPPORT ASSY, ARM	1							
23	2	129900-11240	SHAFT ASSY, ROCKER	1							
26	2	129900-11280	SPRING	3							
27	2	129900-11510	SUPPORT, ROCKER ARM	3							
28	2	129900-11520	SUPPORT, ROCKER ARM	1							
29	2	129900-11650	ARM, ROCKER	4							
30	3	129150-11230	SCREW, VALVE ADJUST	4							
32	3	129150-11750	NUT, M8	4							
33	2	129900-11660	ARM, ROCKER	4							
34	3	129150-11230	SCREW, VALVE ADJUST	4							
36	3	129150-11750	NUT, M8	4							
37	2	22242-000180	RING, 18	2							
38	2	26577-040162	SCREW, M4X16	1							
39	1	129900-11530	STUD	3							
40	1	26106-100652	BOLT, M10X 65 PLATED	1							
41	1	26306-100002	NUT, M10	3							
42	1	124160-01751	COVER, FILLER	1							
43	1	129E01-11350	BONNET ASSY	1							
44	2	129E00-03010	PLATE, BAFFLE	1							
45	3	129E00-03020	COVER, PLATE SPRING	1							
46	3	129978-03030	SPRING,PLATE	1							
47	3	129907-03061	BAFFLE, BREATHER	1							
48	3	26557-050082	SCREW, M5X 8	2							
49	3	26587-050102	SCREW, M5X10	1							
50	2	129907-03070	BAFFLE, BREATHER	1							
51	2	123907-03100	DIAPHRAGM	1							
52	2	123907-03110	PLATE	1							
53	2	123907-03120	PLATE, BREATHER	1							
54	2	123907-03140	SPRING, DIAPHRAGM	1							
56	2	129E00-11310	PACKING, BONNET	1							
57	2	119100-11330	ELBOW	1							
58	2	129A00-11330	JOINT	1							
59	2	129A00-12703	SENSOR,PRESSURE	1							
60	3	129A00-12780	O-RING,PRES SENSOR	2							
61	2	119640-61400	PLUG	2							
62	2	22857-500100	SCREW, 5X10	7							

Remarks

(1)Spare part.

(2)Interchangeable by simultaneous replacement with No.71-1, 72-1 76-1, 85.

Fig.4. CYLINDER HEAD & BONNET



(A)=4TNV98CT-NMSL  
(B)=  
(C)=

(D)=  
(E)=  
(F)=

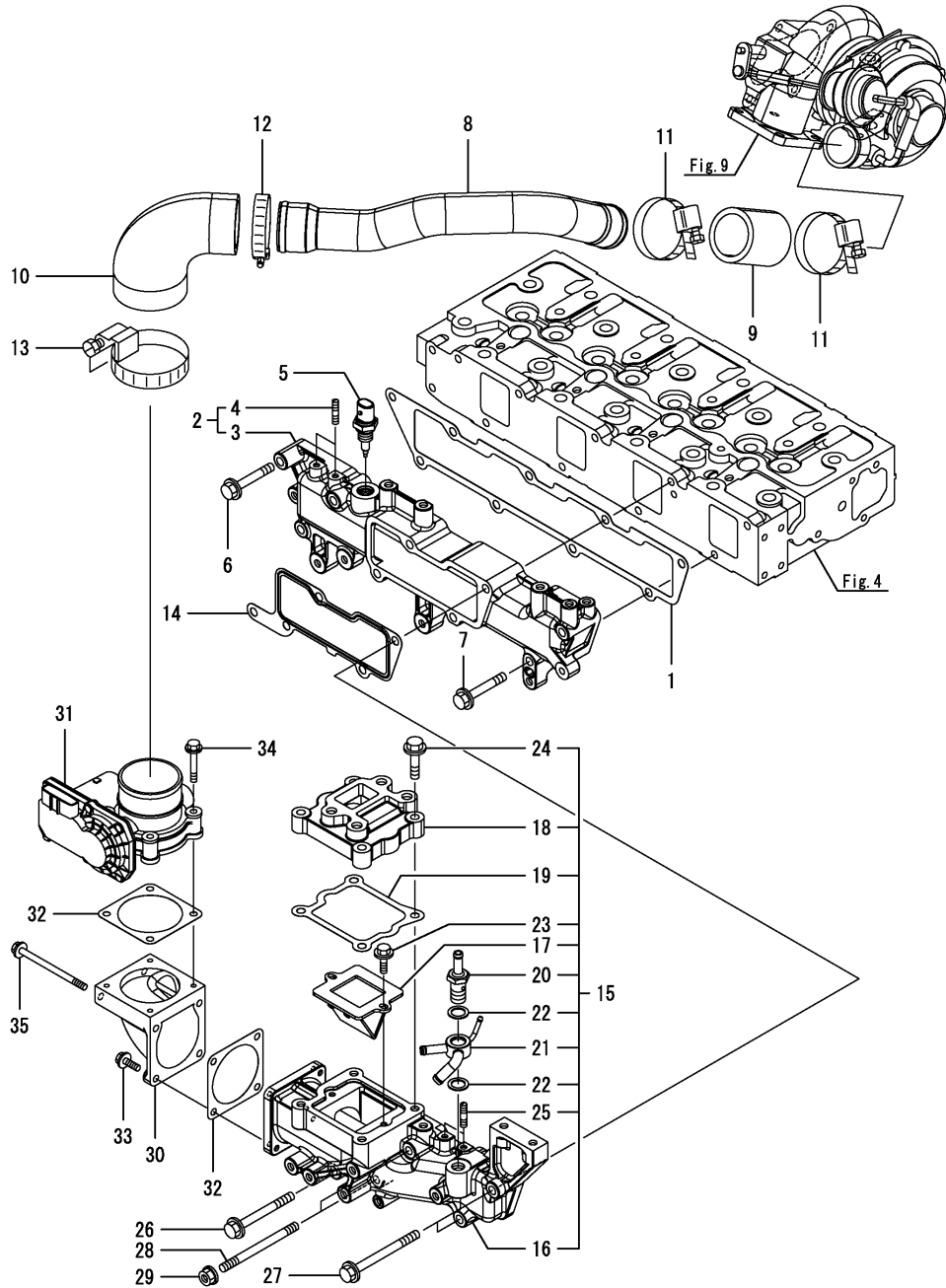
No.	Lev.	Parts No.	Description	Q'ty						I	R
				(A)	(B)	(C)	(D)	(E)	(F)		
63	2	22857-500100	SCREW, 5X10	6							
64	2	26450-060162	BOLT, M6X 16	2							
65	1	124160-11360	KNOB	3							
66	1	24311-000120	O-RING, 1AP12.0	3							
67	1	24311-000320	O-RING, 1AP32.0	1							
68	1	129E23-07900	LIFTER, ENGINE	1							
69	1	129973-07910	LIFTER	1							
70	1	26106-080202	BOLT, M8X 20 PLATED	4							
71	1	129C01-03050	JOINT,BREATHER	1							
71-1	1	129978-03380	JOINT,BREATHER	1						F	2
		(A=E10586)									
72	1	129E33-03080	HOSE ASSY, BREATHER	1							
72-1	1	129E01-03130	HOSE ASSY, BREATHER	1							F 2
		(A=E10586)									
75	2	129410-03990	CLIP	2							
75-1	2	129410-03990	CLIP,HOSE 21.5	1							K
		(A=E10586)									
76	1	129C01-12060	HOSE,INTAKE	1							
76-1	1	129E01-03140	JOINT ASSY, 3-WAY	1							F 2
		(A=E10586)									
76A	2	129978-03280	CLIP, HOSE 35.0	1							W
		(A=E10586)									
76B	2	129978-03350	JOINT, BREATHER	1							W
		(A=E10586)									
76C	2	129A01-77310	HEATER, PIPE	1							W
		(A=E10586)									
77	1	129A00-12711	SENSOR,AIR TEMP	1							
78	2	129A00-12790	O-RING,TEMP SENSOR	1							
79	1	23000-060000	CLAMP, 60	2							
80	1	26106-060142	BOLT, M6X 14 PLATED	1							
81	1	119803-77830	HARNES, WIRE	1							
82	1	129008-77800	PLUG, GLOW	4							
83	1	129E00-77820	CONNECTOR, GLOW PLUG	1							
84	1	129150-11810	GUIDE, VALVE	8							1
85	1	129978-03270	CLIP, HOSE 26.0	1							W 2
		(A=E10586)									

Remarks

- (1) Spare part.
- (2) Interchangeable by simultaneous replacement with No.71-1, 72-1 76-1, 85.



Fig.5. SUCTION MANIFOLD



(A)=4TNV98CT-NMSL

(B)=

(C)=

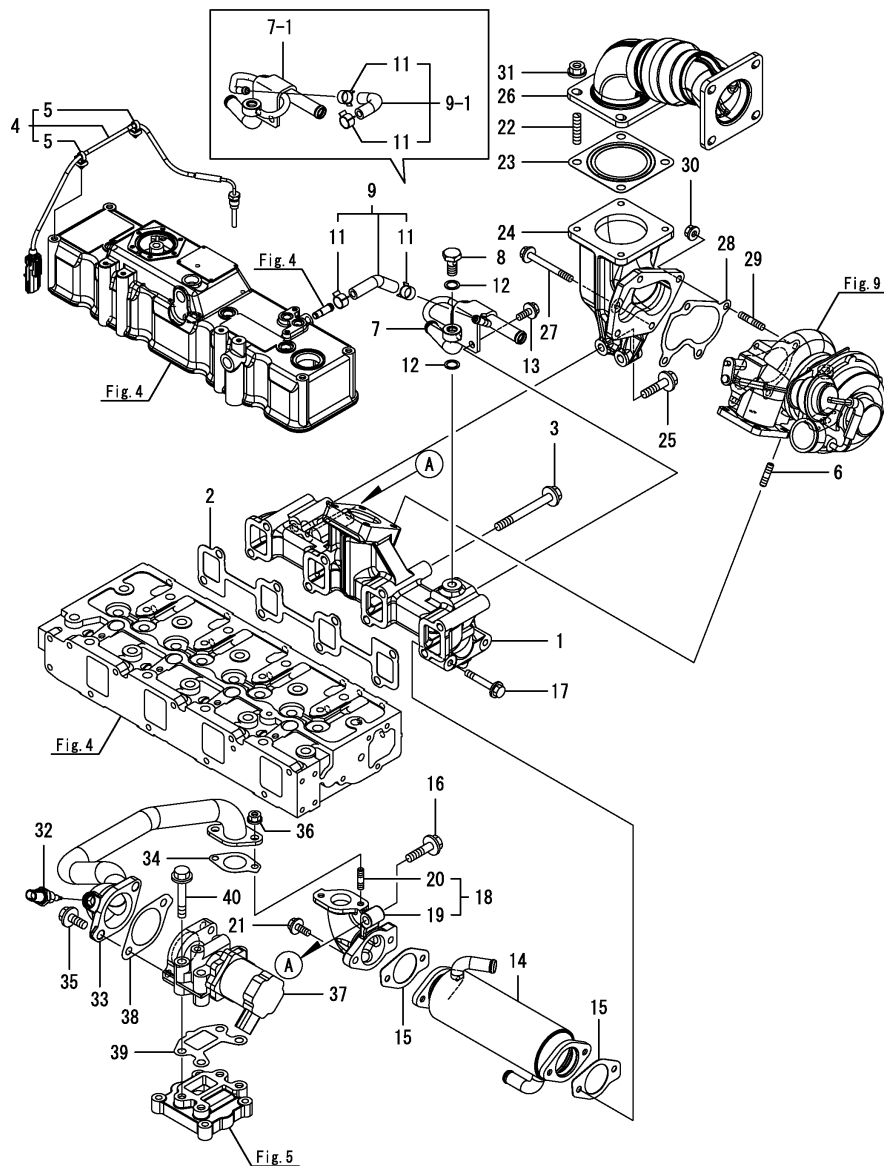
(D)=

(E)=

(F)=

No.	Lev.	Parts No.	Description	Qty						I	R
				(A)	(B)	(C)	(D)	(E)	(F)		
1	1	129E00-12110	GASKET, MANIFOLD	1							
2	1	129E01-12150	MANIFOLD ASSY,INTAKE	1							
3	2	129E01-12100	MANIFOLD, AIR INTAKE	1							
4	2	26216-060202	STUD, M6X 20	2							
5	1	129A00-12720	SENSOR,AIR TEMP	1							
6	1	26106-080452	BOLT, M8X 45 PLATED	1							
7	1	26106-080552	BOLT, M8X 55 PLATED	4							
8	1	129E01-18200	DUCT, INTAKE	1							
9	1	129A01-18210	JOINT, RUBBER	1							
10	1	129E01-18220	JOINT, HOSE	1							
11	1	23000-054000	CLAMP, 54	2							
12	1	23000-060000	CLAMP, 60	1							
13	1	23000-075000	CLAMP, 75	1							
14	1	129E00-12810	GASKET, COLLECTOR	1							
15	1	129E01-12851	COLLECTOR ASSY	1							
16	2	129E01-12800	COLLECTOR	1							
17	2	129E01-13700	VALVE, REED	1							
18	2	129E00-13710	SPACER, EGR VALVE	1							
19	2	129E00-13720	GASKET, EGR-V SPACER	1							
20	2	129A00-59110	JOINT, HOSE M14	1							
21	2	129E00-59120	JOINT, HOSE 14	1							
22	2	22190-140002	WASHER, SEAL 14	2							
23	2	26106-060142	BOLT, M6X 14 PLATED	2							
24	2	26106-080352	BOLT, M8X 35 PLATED	4							
25	2	26216-060202	STUD, M6X 20	2							
26	1	26106-080752	BOLT, M8X 75 PLATED	1							
27	1	26106-080902	BOLT, M8X 90 PLATED	2							
28	1	26216-081002	STUD, M8X100	2							
29	1	26306-080002	NUT, M8	2							
30	1	129A00-12820	BEND, INLET	1							
31	1	129A00-12900	THROTTLE BODY(INT	1							
32	1	129A00-12910	GASKET,THROTTLE	2							
33	1	26106-060202	BOLT, M6X 20 PLATED	2							
34	1	26106-060402	BOLT, M6X 40 PLATED	4							
35	1	26106-060902	BOLT, M6X 90 PLATED	2							

Fig.6. EXHAUST MANIFOLD



(A)=4TNV98CT-NMSL  
(B)=  
(C)=

(D)=  
(E)=  
(F)=

No.	Lev.	Parts No.	Description	Qty						I	R
				(A)	(B)	(C)	(D)	(E)	(F)		
1	1	129E01-13101	MANIFOLD, EXHAUST	1							
2	1	129E00-13110	GASKET, MANIFOLD	1							
3	1	129A00-13620	BOLT, M10X95 10.9T	8							
4	1	129E00-13770	SENSOR,EXH TEMP.	1							
5	2	129A00-91200	BAND CLIP	2							
6	1	129418-18320	STUD, M8X20	4							
7	1	129E00-13300	PIPE, EXH PRESSURE	1							
7-1	1	129E01-13300	PIPE, EXH PRESSURE	1						F	1
(A=E10185)											
8	1	129A00-13350	BOLT, PIPE JOINT	1							
9	1	129E00-13360	HOSE ASSY, PRES EXH	1							
9-1	1	129978-13330	HOSE ASSY, PRES EXH	1						F	1
(A=E10185)											
11	2	129A00-13380	CLIP, HOSE 14	2							
12	1	23414-120000	GASKET, 12X1.0	2							
13	1	26106-080162	BOLT, M8X 16 PLATED	2							
14	1	129E00-13400	COOLER, EGR	1							
15	1	129978-13411	GASKET, EGR COOLER	2							
16	1	129C01-13600	FLANGE BOLT, 10X40	1							
17	1	129E00-13610	BOLT, M8X50 10.9	2							
18	1	129E00-13851	BEND ASSY, EGR-C OUT	1							
19	2	129E00-13861	BEND, EGR-C OUT	1							
20	2	129418-18320	STUD, M8X20	2							
21	1	26106-080202	BOLT, M8X 20 PLATED	2							
22	1	123900-13130	STUD, M10X22	4							
23	1	128300-13230	GASKET, SILENCER	1							
24	1	129978-13351	PIPE, EXHAUST	1							
25	1	129C01-13600	FLANGE BOLT, 10X40	2							
26	1	129E33-13620	PIPE, EXHAUST	1							
27	1	119802-13660	BOLT, M8X75 10.9T	1							
28	1	123901-18080	GASKET	1							
29	1	119131-18320	STUD, M8X22	3							
30	1	26306-080002	NUT, M8	3							
31	1	26306-100002	NUT, M10	4							
32	1	129A00-13751	SENSOR,EGR GAS TEMP	1							
33	1	129E00-13800	PIPE ASSY, EGR	1							
34	1	129927-13810	GASKET	1							
35	1	26106-100252	BOLT, M10X 25 PLATED	2							
36	1	26306-080002	NUT, M8	2							
37	1	129E00-13901	VALVE, EGR	1							
38	1	129E00-13910	GASKET, EGR-V IN	1							
39	1	129E00-13920	GASKET, EGR-V OUT	1							
40	1	26106-100602	BOLT, M10X 60 PLATED	4							

Remarks

(1)Interchangeable by simultaneous replacement with No.7-1 & 9-1.

N:Old  $\xrightarrow{\text{Yes}}$  New, Q:Old  $\xrightarrow{\text{No}}$  New, R:Old  $\xrightarrow{\text{Yes}}$  New, S:Old  $\xrightarrow{\text{No}}$  New, W:Add, Z:Discontinued, F:Interchangeable by set, K:Q'ty Change

Fig.7. DIESEL PARTICULATE FILTER(DPF)

(A)=4TNV98CT-NMSL

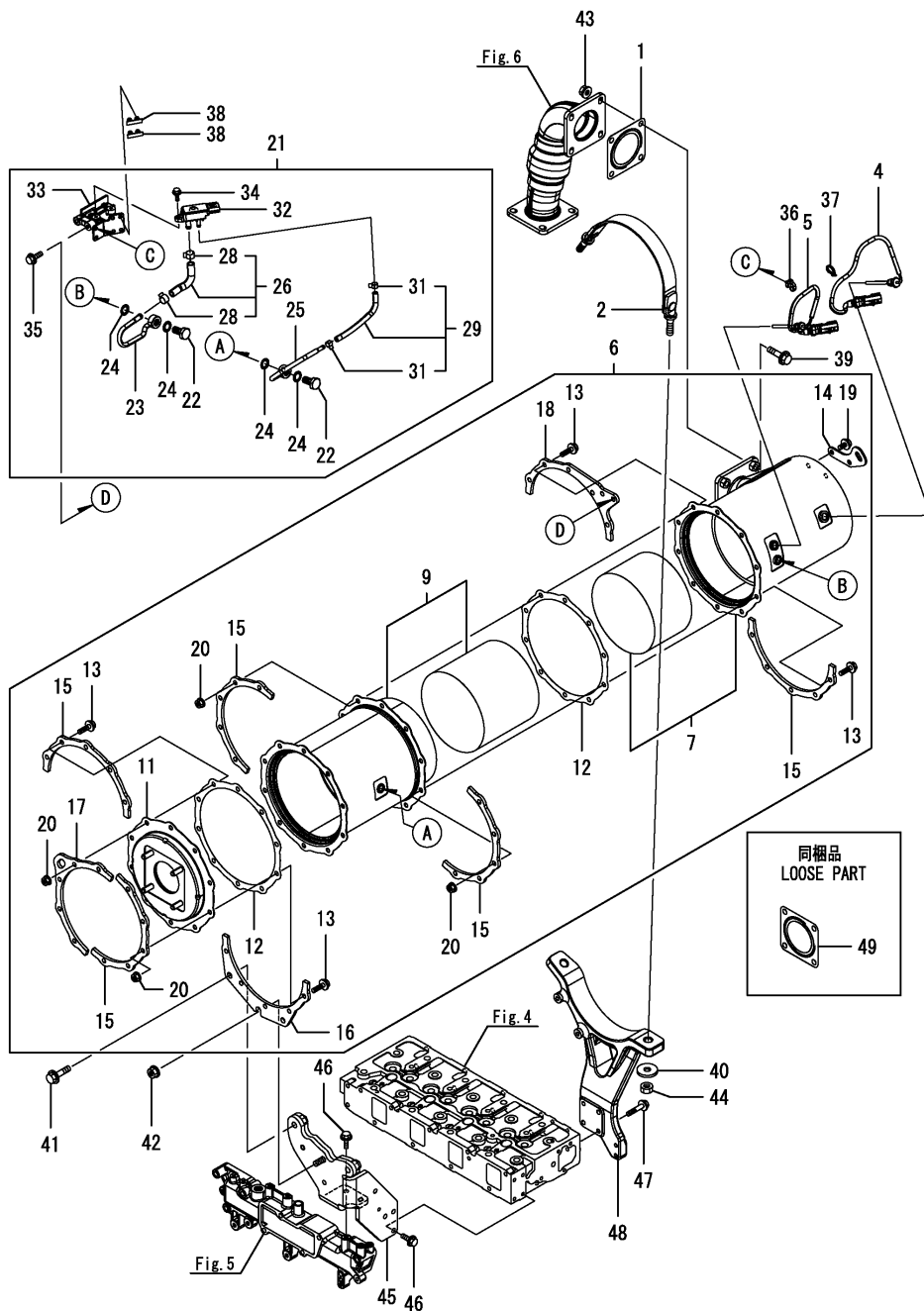
(B)=

(C)=

(D)=

(E)=

(F)=



No.	Lev.	Parts No.	Description	Q'ty						I	R
				(A)	(B)	(C)	(D)	(E)	(F)		
1	1	128300-13230	GASKET, SILENCER	1							
2	1	129E23-16850	BAND,DPF	1							
4	1	129C00-13940	SENSOR, EXH.TEMP	1							
5	1	129C00-13950	SENSOR, EXH.TEMP	1							
6	1	129E32-16000	DPF ASSY	1							
7	2	129E33-16200	CASE, DOC	1							
9	2	129E23-16400	CASE, SOOT FILTER	1							
11	2	129E23-16550	FLANGE, OUTLET	1							
12	2	129E00-16600	GASKET, DPF	2							
13	2	129A00-16610	BOLT, M8X28 10.9T	20							
14	2	129C01-16680	LIFTER, DPF	1							
15	2	129C01-16700	STIFFENER, DPF A	5							
16	2	129E00-16720	STIFFENER, DPF B	1							
17	2	129C01-16740	STIFFENER, DPF C	1							
18	2	129C01-16750	STIFFENER, DPF C	1							
19	2	26106-080142	BOLT, M8X 14 PLATED	2							
20	2	26306-080002	NUT, M8	20							
21	1	129E22-17200	SENSOR UNIT,PRESSURE	1							
22	2	129A00-13350	BOLT, PIPE JOINT	2							
23	2	129E22-17300	PIPE ASSY,PRES EXH	1							
24	2	129A00-17311	GASKET,SENSOR	4							
25	2	129E22-17310	PIPE ASSY,PRES EXH	1							
26	2	129E22-17400	HOSE ASSY,PRES EXH	1							
28	3	129A00-17520	CLIP, HOSE	2							
29	2	129A00-17650	HOSE ASSY,PRES EXH	1							
31	3	129A00-17570	CLIP, HOSE	2							
32	2	129A00-17702	SENSOR,PRESSURE	1							
33	2	129E20-17700	BRACKET, SENSOR	1							
34	2	26106-060162	BOLT, M6X 16 PLATED	2							
35	2	26106-080252	BOLT, M8X 25 PLATED	2							
36	1	129A00-91200	BAND CLIP	1							
37	1	129C00-91200	BAND	1							
38	1	129A00-91430	CLIP, CONNECTOR	2							
39	1	129695-77380	BOLT, M10X30	4							
40	1	22137-120000	WASHER, 12	2							
41	1	26106-100402	BOLT, M10X 40 PLATED	2							
42	1	26306-100002	NUT, M10	1							
43	1	26306-100002	NUT, M10	4							
44	1	26716-120002	NUT, M12	2							
45	1	129E22-16820	STAY, DPF	1							
46	1	26106-080202	BOLT, M8X 20 PLATED	5							
47	1	119802-13600	BOLT, M8X40	4							
48	1	129E23-16811	STAY,DPF	1							
49	1	128300-13230	GASKET, SILENCER	1							

Fig.8. CAMSHAFT & DRIVING GEAR

(A)=4TNV98CT-NMSL

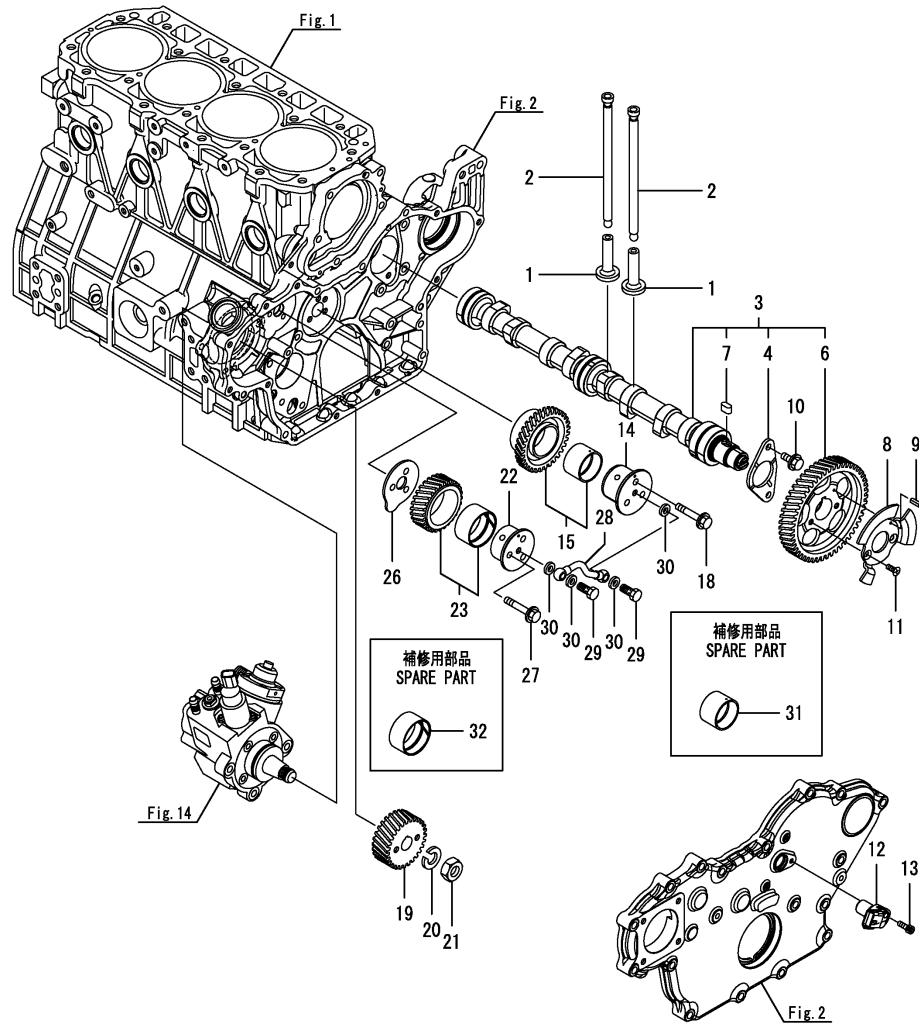
(B)=

(C)=

(D)=

(E)=

(F)=



No.	Lev.	Parts No.	Description	Q'ty						I	R
				(A)	(B)	(C)	(D)	(E)	(F)		
1	1	129150-14200	TAPPET	8							
2	1	129900-14400	ROD, PUSH	8							
3	1	129E00-14581	SHAFT ASSY, CAM	1							
4	2	129150-02450	BEARING, THRUST	1							
6	2	129E00-14101	GEAR, CAMSHAFT	1							
7	2	22512-070140	KEY, 7X 14	1							
8	1	129E00-14700	PULSER, CAM GEAR	1							
9	1	22351-030010	PIN, SPRING 3.0X10	1							
10	1	26106-080162	BOLT, M8X 16 PLATED	2							
11	1	26577-060122	SCREW, M6X12	2							
12	1	129A00-14710	SENSOR, GEAR REV	1							
13	1	26450-060162	BOLT, M6X 16	1							
14	1	129E00-25050	SHAFT, IDLE GEAR A	1							
15	1	129900-25110	GEAR ASSY, IDLE	1							
18	1	26106-080502	BOLT, M8X 50 PLATED	3							
19	1	129E00-25902	GEAR, SUPPLY PUMP	1							
20	1	22217-180000	WASHER, SPRING 18	1							
21	1	26776-180002	NUT, LOCK M18	1							
22	1	129E00-25060	SHAFT, IDLE GEAR B	1							
23	1	129E00-25121	GEAR ASSY, IDLE B	1							
26	1	129E00-25200	PLATE, IDLE SHAFT B	1							
27	1	26106-080452	BOLT, M8X 45 PLATED	3							
28	1	129E00-25400	PIPE ASSY, LO	1							
29	1	105010-39140	BOLT, PIPE JOINT	2							
30	1	22190-080002	WASHER, SEAL 6	4							
31	1	129150-25920	BUSH, IDLE GEAR	1							1
32	1	129E00-25080	BUSH	1							1

Remarks

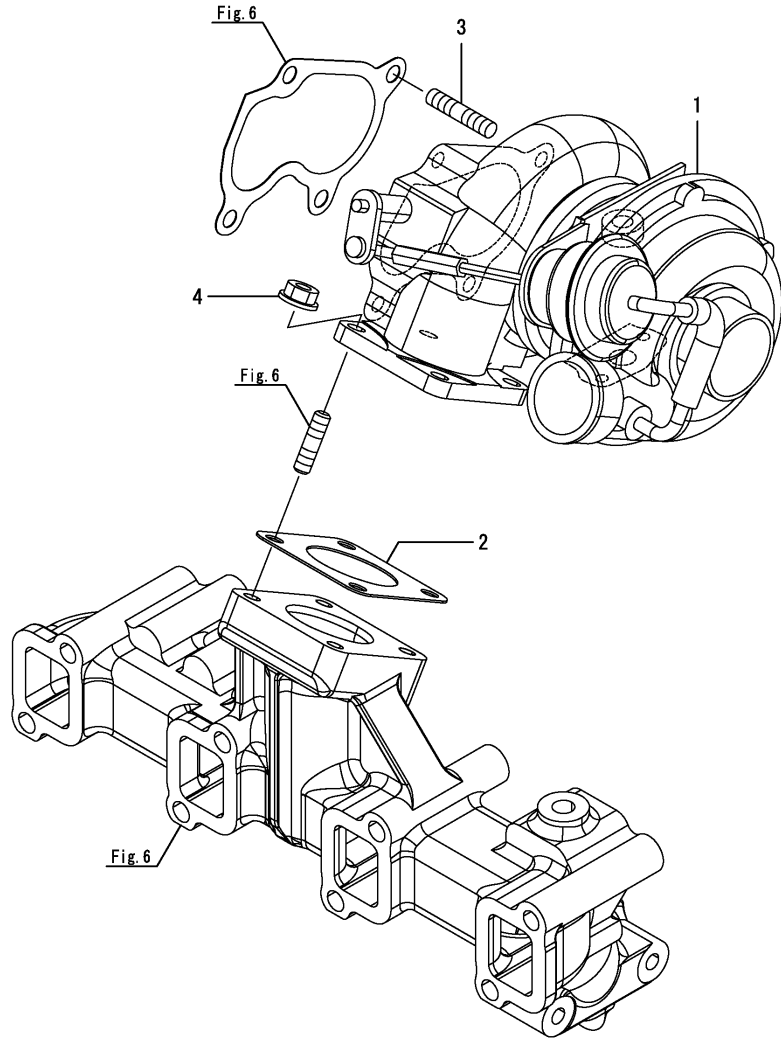
(1) Spare part.

# Fig.9. TURBINE

(A)=4TNV98CT-NMSL  
(B)=  
(C)=

(D)=  
(E)=  
(F)=

No.	Lev.	Parts No.	Description	Q'ty						I	R
				(A)	(B)	(C)	(D)	(E)	(F)		
1	1	129E01-18010	TURBOCHARGER,RHF5	1							
2	1	129472-18090	GASKET	1							
3	1	119131-18320	STUD, M8X22	4							
4	1	26306-080002	NUT, M8	4							




---

---

---

---

---

---

---

---

---

---

---

---

---

---

---

---

---

---

---

---

---

---

---

---

Fig.10. CRANKSHAFT & PISTON

(A)=4TNV98CT-NMSL

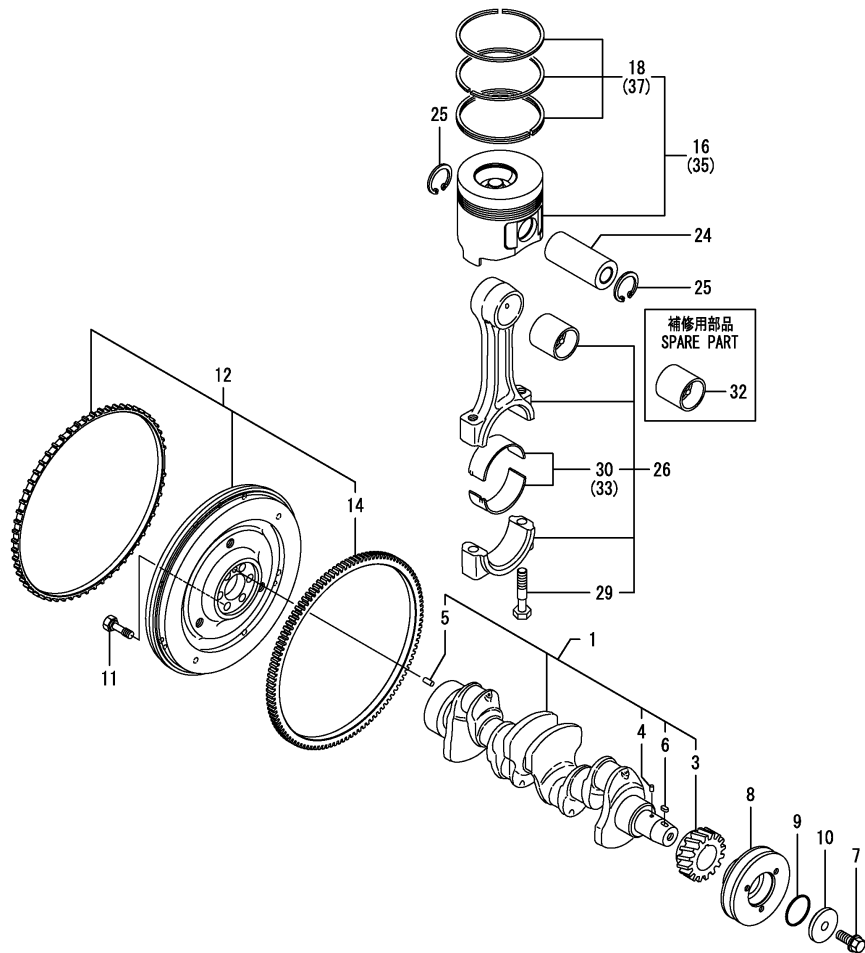
(B)=

(C)=

(D)=

(E)=

(F)=



No.	Lev.	Parts No.	Description	Q'ty						I	R
				(A)	(B)	(C)	(D)	(E)	(F)		
1	1	129908-21100	CRANKSHAFT ASSY	1							
3	2	129900-21220	GEAR, CRANKSHAFT	1							
4	2	121850-21290	PIN	1							
5	2	121850-21920	PIN, M10X22	1							
6	2	22512-070140	KEY, 7X 14	1							
7	1	129916-21610	BOLT	1							
8	1	129944-21650	V-PULLEY	1							
9	1	129960-21930	PACKING, WASHER	1							
10	1	129960-21940	WASHER, V-PULLEY	1							
11	1	121850-21130	BOLT, FLYWHEEL	6							
12	1	129E22-21580	FLYWHEEL ASSY	1							
14	2	129900-21600	GEAR, RING	1							
16	1	129E01-22080	PISTON ASSY	4							
18	2	129E00-22050	RING ASSY	4							
24	1	120130-22301	PIN, PISTON	4							
25	1	22252-000300	RING, 30	8							
26	1	129900-23001	ROD ASSY, CONNECTING	4							
29	2	129900-23200	BOLT, CONNECTING ROD	8							
30	2	129900-23601	BEARING, CRANK PIN	4							
32	1	129900-23911	BEARING, PISTON PIN	4							1
33	1	129900-23611	BEARING, 0.25 US	4							2
35	1	129E01-22900	PISTON ASSY, 0.25 OS	4							3
37	2	129E00-22950	RING ASSY, 0.25OS	4							3

Remarks

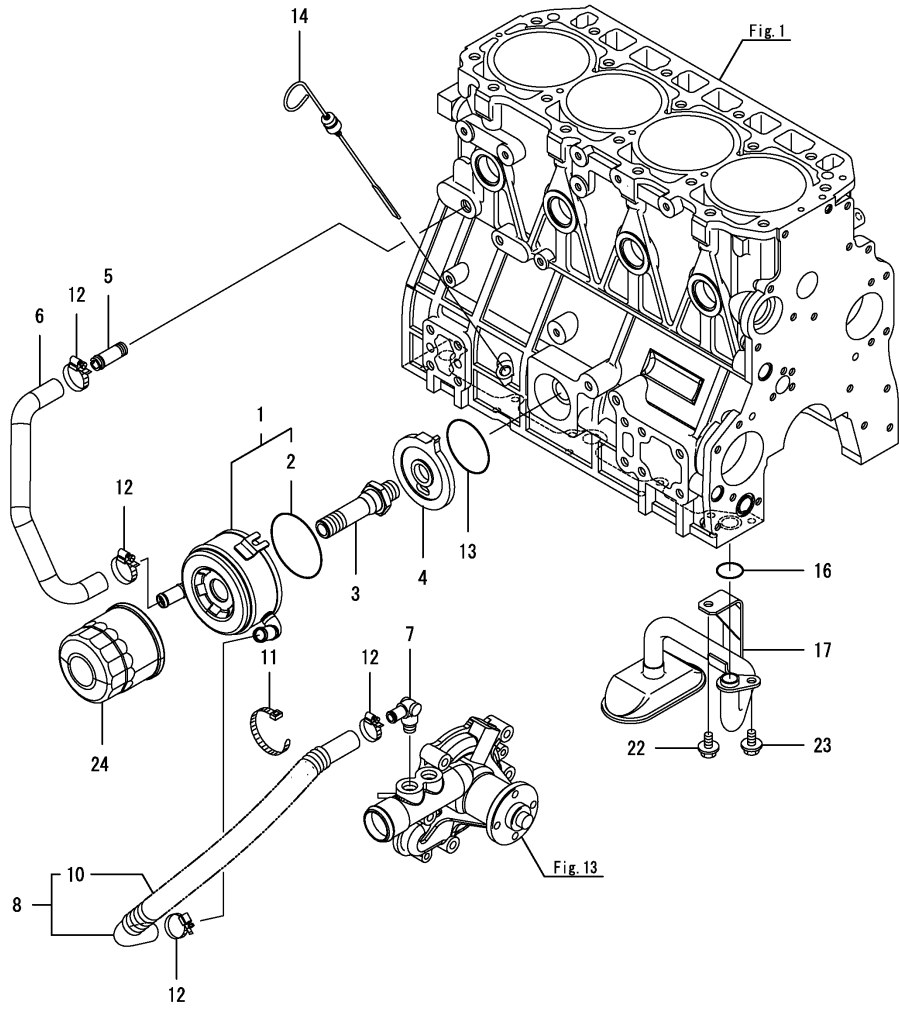
- (1) Spare part.
- (2) Under-sized(U.S.=0.25)part.
- (3) Over-sized(O.S.=0.25)part.

Fig.11. LUB.OIL SYSTEM

(A)=4TNV98CT-NMSL  
(B)=  
(C)=

(D)=  
(E)=  
(F)=

No.	Lev.	Parts No.	Description	Q'ty						I	R
				(A)	(B)	(C)	(D)	(E)	(F)		
1	1	129908-33010	COOLER ASSY, OIL	1							
2	2	123912-33050	O-RING	1							
3	1	123912-33100	BOLT, COOLER	1							
4	1	129908-33101	BRACKET, COOLER	1							
5	1	129122-44480	JOINT	1							
6	1	129908-49060	PIPE, WATER	1							
7	1	129466-49300	ELBOW, PT3/8	1							
8	1	123910-49600	PIPE, WATER	1							
10	2	123910-49610	TUBE, CORRUGATED	1							
11	1	121750-59890	BAND, 140	1							
12	1	23000-025000	CLAMP, 25	4							
13	1	24321-000600	O-RING, 1AG60.0	1							
14	1	129939-34800	DIPSTICK, OIL	1							
16	1	129900-32030	O-RING, P20	1							
17	1	129953-35000	PIPE ASSY, OIL INLET	1							
22	1	26106-080122	BOLT, M8X 12 PLATED	1							
23	1	26106-080162	BOLT, M8X 16 PLATED	1							
24	1	129150-35153	FILTER	1							1

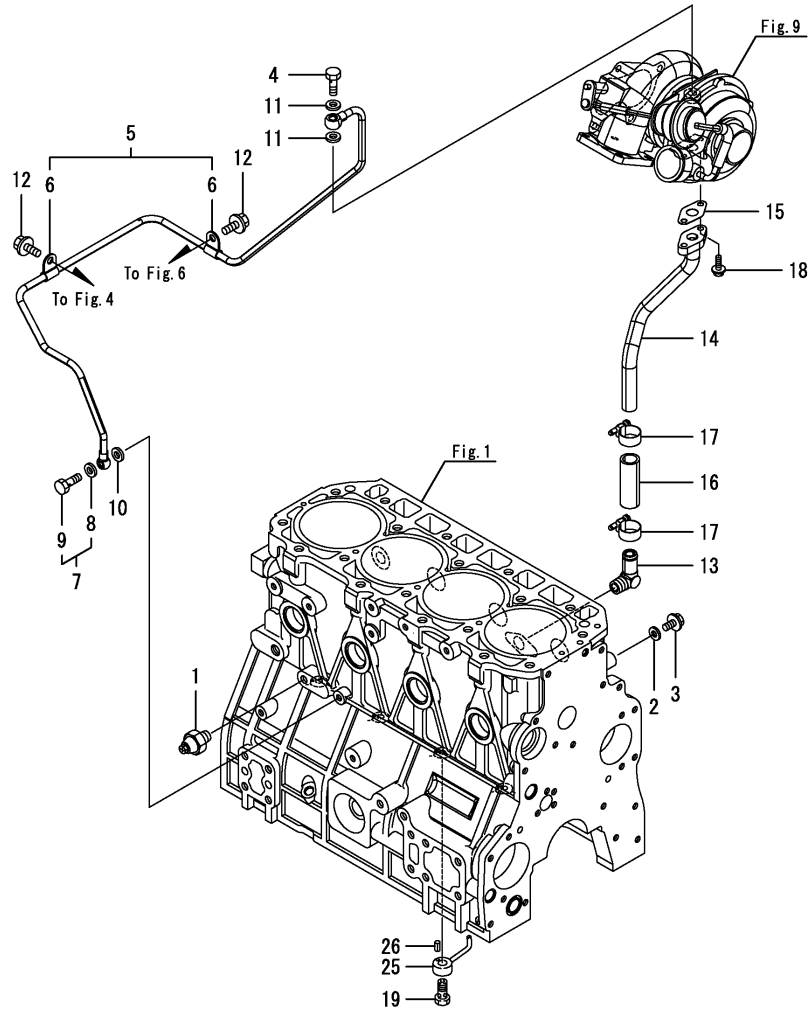


Remarks  
(1)Spare part.

Fig.12. LUB.OIL LINE

(A)=4TNV98CT-NMSL  
(B)=  
(C)=

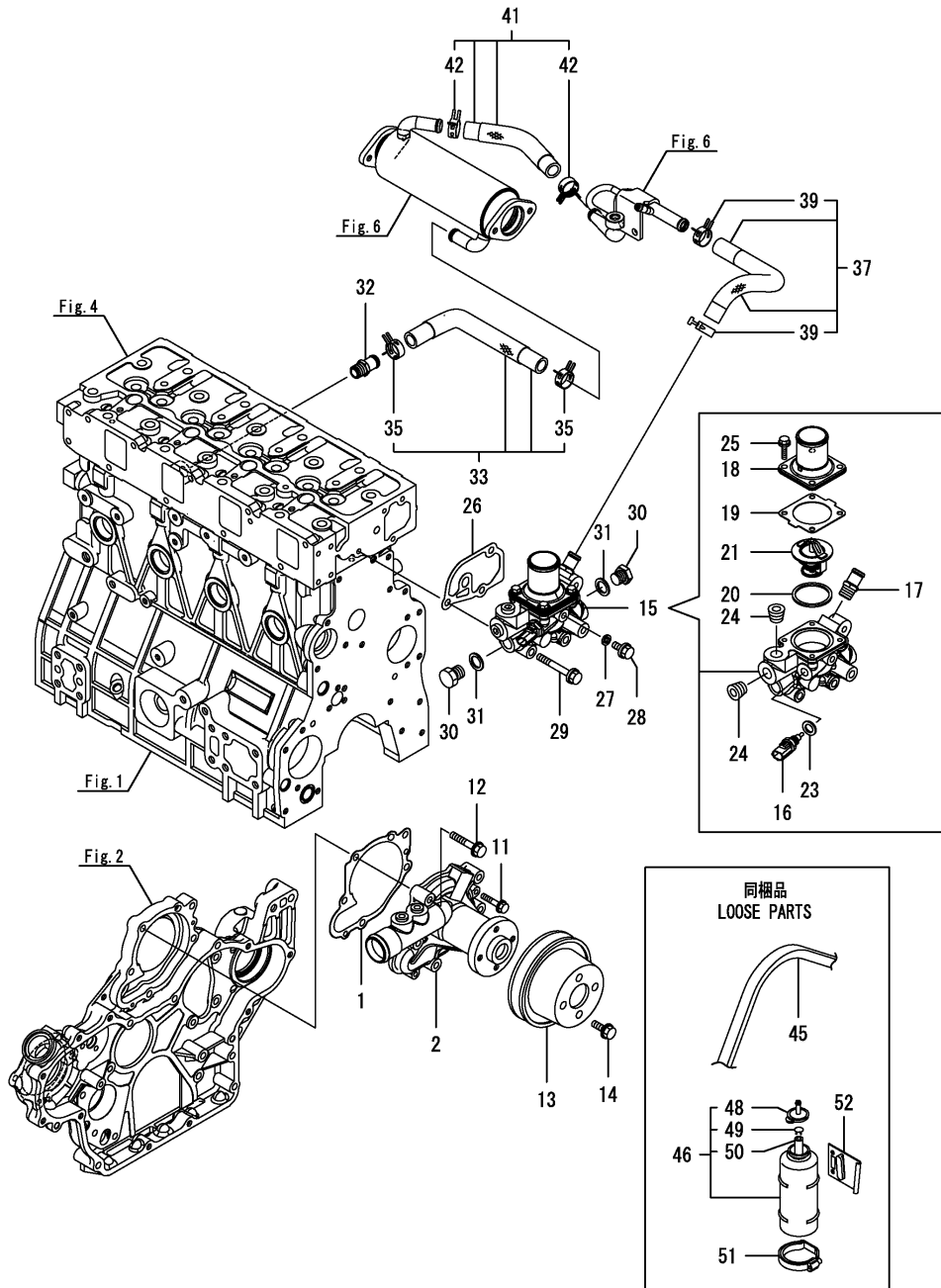
(D)=  
(E)=  
(F)=



No.	Lev.	Parts No.	Description	Q'ty						I	R
				(A)	(B)	(C)	(D)	(E)	(F)		
1	1	121252-39450	SWITCH, 0.5KG	1							
2	1	22190-080002	WASHER, SEAL 6	1							
3	1	26106-080122	BOLT, M8X 12 PLATED	1							
4	1	121252-39150	BOLT, JOINT M10X1.5	1							
5	1	129E01-39450	PIPE ASSY, LO	1							
6	2	124223-39900	RETAINER	2							
7	1	129005-59830	BOLT ASSY, JOINT M8	1							
8	2	22190-080002	WASHER, SEAL 6	1							
9	2	23857-030000	BOLT, JOINT 3	1							
10	1	22190-080002	WASHER, SEAL 6	2							
11	1	23414-100000	GASKET, 10X1.0	2							
12	1	26106-080122	BOLT, M8X 12 PLATED	2							
13	1	124070-13300	ELBOW, PT3/8	1							
14	1	129E01-39600	PIPE, LO RETURN T/C	1							
15	1	129908-39690	GASKET	1							
16	1	123901-39820	HOSE	1							
17	1	23000-025000	CLAMP, 25	2							
18	1	26106-060162	BOLT, M6X 16 PLATED	2							
19	1	129908-39410	VALVE ASSY, CHECK	4							
25	1	119000-39650	NOZZLE	4							
26	1	22351-030010	PIN, SPRING 3.0X10	4							



Fig.13. COOLING WATER SYSTEM



(A)=4TNV98CT-NMSL  
(B)=  
(C)=

(D)=  
(E)=  
(F)=

No.	Lev.	Parts No.	Description	Q'ty						I	R
				(A)	(B)	(C)	(D)	(E)	(F)		
1	1	129900-42020	GASKET, WATER PUMP	1							
2	1	129932-42100	PUMP ASSY, CW LOW	1							
11	1	26106-060302	BOLT, M6X 30 PLATED	2							
12	1	26106-080552	BOLT, M8X 55 PLATED	5							
13	1	123957-42450	V-PULLEY	1							
14	1	26106-100182	BOLT, M10X 18 PLATED	4							
15	1	129E00-49810	CASE ASSY,THERMOSTAT	1							
16	2	129927-44900	SENSOR	1							
17	2	129928-49420	JOINT	1							
18	2	129916-49530	COVER, THERMOSTAT	1							
19	2	121850-49540	GASKET, THERMOSTAT	1							
20	2	121850-49550	GASKET, THERMOSTAT	1							
21	2	121850-49801	THERMOSTAT	1							
23	2	22190-120002	WASHER, SEAL 12	1							
24	2	23875-030000	PLUG, R03	2							
25	2	26106-060202	BOLT, M6X 20 PLATED	4							
26	1	129900-49870	GASKET	1							
27	1	23414-080000	GASKET, 8X1.0	1							
28	1	26106-080122	BOLT, M8X 12 PLATED	1							
29	1	26106-080602	BOLT, M8X 60 PLATED	3							
30	1	121450-42450	PLUG, M16	2							
31	1	124465-44950	GASKET, 16	2							
32	1	129928-49420	JOINT	1							
33	1	129E00-49610	HOSE ASSY, EGR-C IN	1							
35	2	129960-03990	CLIP, HOSE 22	2							
37	1	129E23-49610	HOSE ASSY,EGRC OUT B	1							
39	2	129960-03990	CLIP, HOSE 22	2							
41	1	129E00-49620	HOSE ASSY,EGRC OUT A	1							
42	2	129960-03990	CLIP, HOSE 22	2							
45	1	129940-42240	V-BELT, B44	1							
46	1	124450-44510	TANK ASSY, SUB	1							
48	2	124450-44530	CAP	1							
49	2	124450-44560	RETAINER	1							
50	2	23061-070230	PIPE, 7X 230	1							
51	1	124450-44550	BAND	1							
52	1	121256-44600	BRACKET, SUB TANK	1							

Fig.14. FUEL SUPPLY PUMP

(A)=4TNV98CT-NMSL  
(B)=  
(C)=

(D)=  
(E)=  
(F)=

No.	Lev.	Parts No.	Description	Q'ty						I	R
				(A)	(B)	(C)	(D)	(E)	(F)		
1	1	129A00-51000	PUMP ASSY, FUEL	1							
2	2	129A00-51100	VALVE ASSY, MPROP	1							
3	3	129A00-51110	RING, SEALING	1							
4	3	129A00-51120	O-RING, MPROP	1							
5	2	129A00-51130	BOLT, MPROP	2							
6	2	129A00-51200	SENSOR, TEMPERATURE	1							
7	2	129A00-51900	O-RING, FUEL PUMP	1							
8	1	26106-080302	BOLT, M8X 30 PLATED	3							

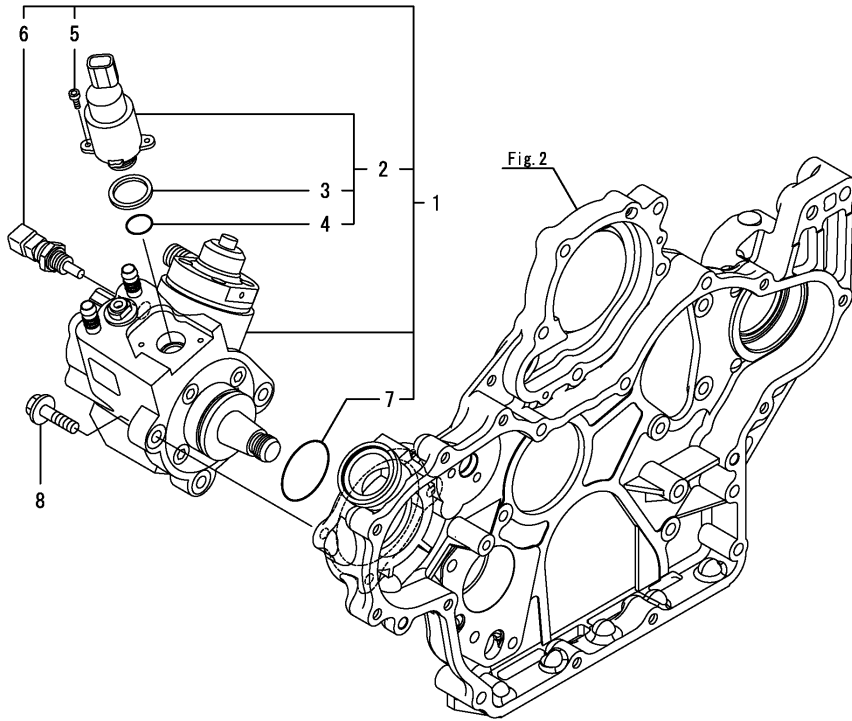
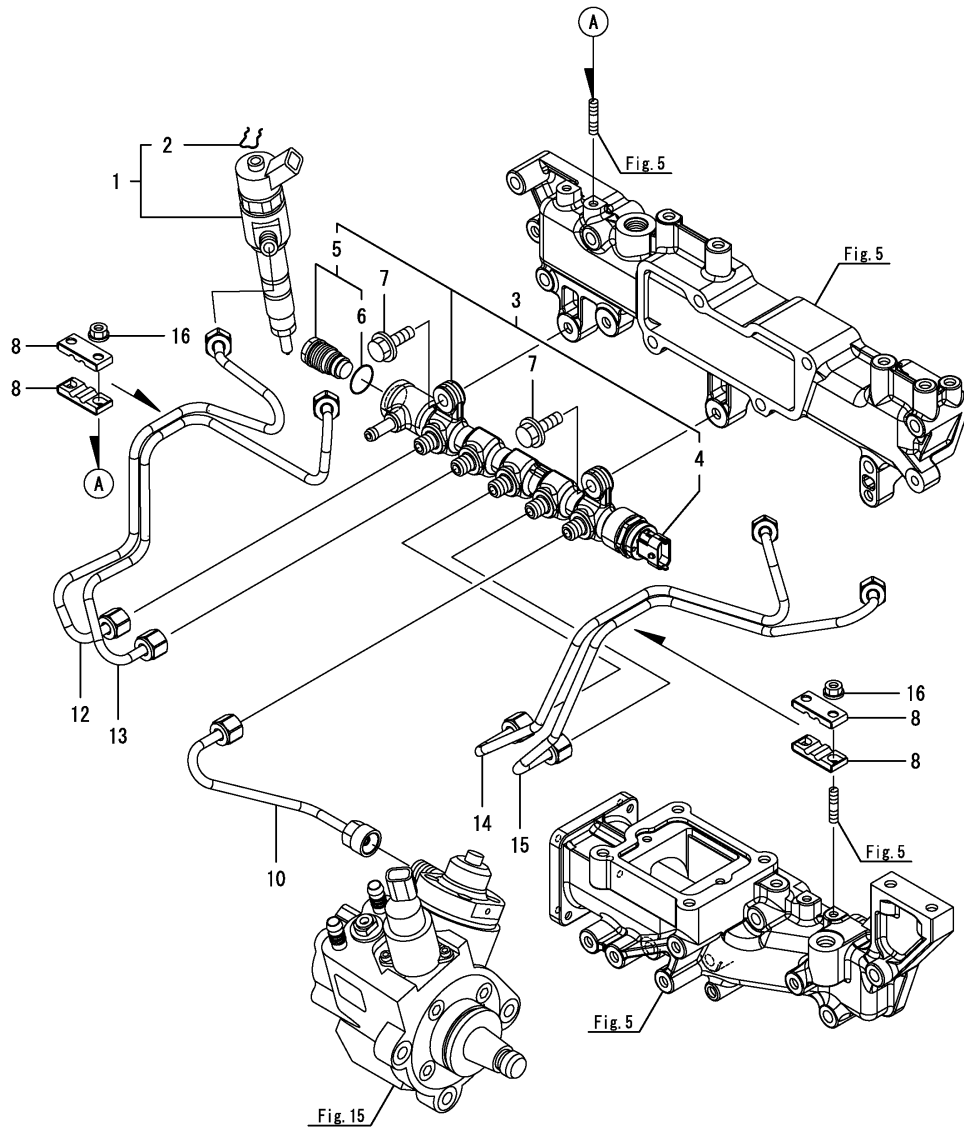


Fig.15. FUEL INJECTION VALVE

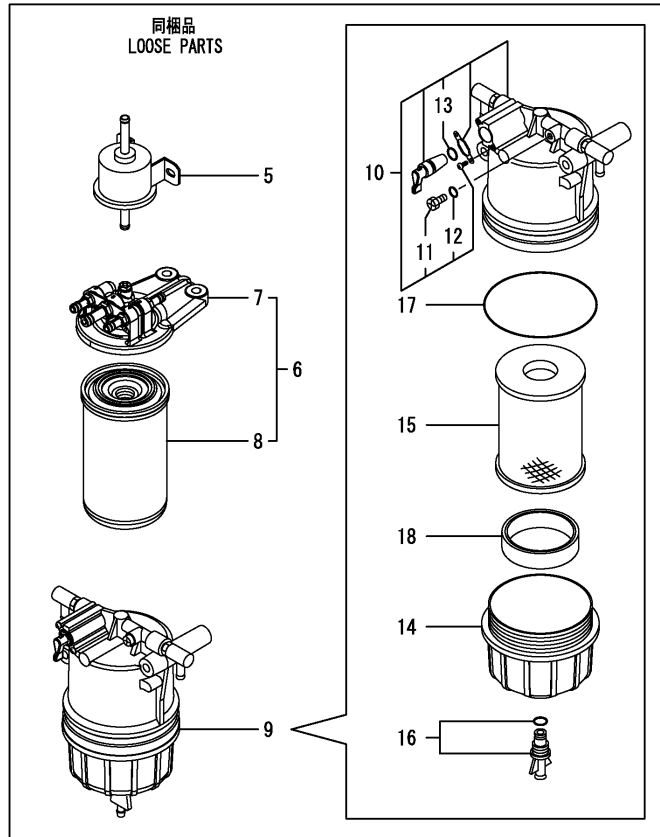
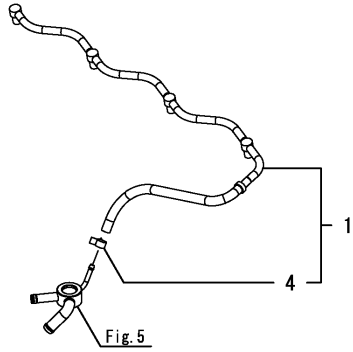
(A)=4TNV98CT-NMSL  
(B)=  
(C)=

(D)=  
(E)=  
(F)=



No.	Lev.	Parts No.	Description	Q'ty						I	R
				(A)	(B)	(C)	(D)	(E)	(F)		
1	1	129E01-53100	INJECTOR, CR	4							
2	2	129A00-53200	RING, RETAINING	4							
3	1	129C00-57000	RAIL ASSY	1							
4	2	129A00-57100	SENSOR, RAILPRESSURE	1							
5	2	129A00-57200	VALVE ASSY, PLV4	1							
6	3	129A00-57210	O-RING, PLV4	1							
7	1	26106-080252	BOLT, M8X 25 PLATED	2							
8	1	122780-59100	RETAINER	4							
10	1	129E00-59700	PIPE ASSY, RAIL IN	1							
12	1	129E00-59810	PIPE ASSY, INJ. NO1	1							
13	1	129E00-59820	PIPE ASSY, INJ. NO2	1							
14	1	129E00-59830	PIPE ASSY, INJ. NO3	1							
15	1	129E00-59840	PIPE ASSY, INJ. NO4	1							
16	1	26366-060002	NUT, M6	4							

Fig.16. FUEL LINE



(A)=4TNV98CT-NMSL  
(B)=  
(C)=

(D)=  
(E)=  
(F)=

No.	Lev.	Parts No.	Description	Q'ty						I	R
				(A)	(B)	(C)	(D)	(E)	(F)		
1	1	129E00-59500	PIPE ASSY, FO RETURN	1							
4	2	23080-007000	CLAMP, 7	1							
5	1	129612-52100	PUMP ASSY, FUEL FEED	1							
6	1	129A00-55600	FILTE ASSY,FO	1							
7	2	129A00-55610	BRACKET ASSY,FO FILT	1							
8	2	129A00-55800	FILTER, FUEL OIL	1							
9	1	129E22-55700	FILTER ASSY, FUEL	1							
10	2	129E00-55710	BODY ASSY	1							
11	3	129A00-55750	PLUG,BREATHER	1							
12	3	129A00-55760	O-RING	1							
13	3	24311-000110	O-RING, 1AP11.0	1							
14	2	129A00-55720	CUP(CLEAR	1							
15	2	129A00-55730	ELEMENT	1							
16	2	129242-55740	PLUG, DRAIN	1							
17	2	129A00-55740	O-RING	1							
18	2	129A00-55770	FLOAT	1							

Fig.17. STARTING MOTOR

(A)=4TNV98CT-NMSL

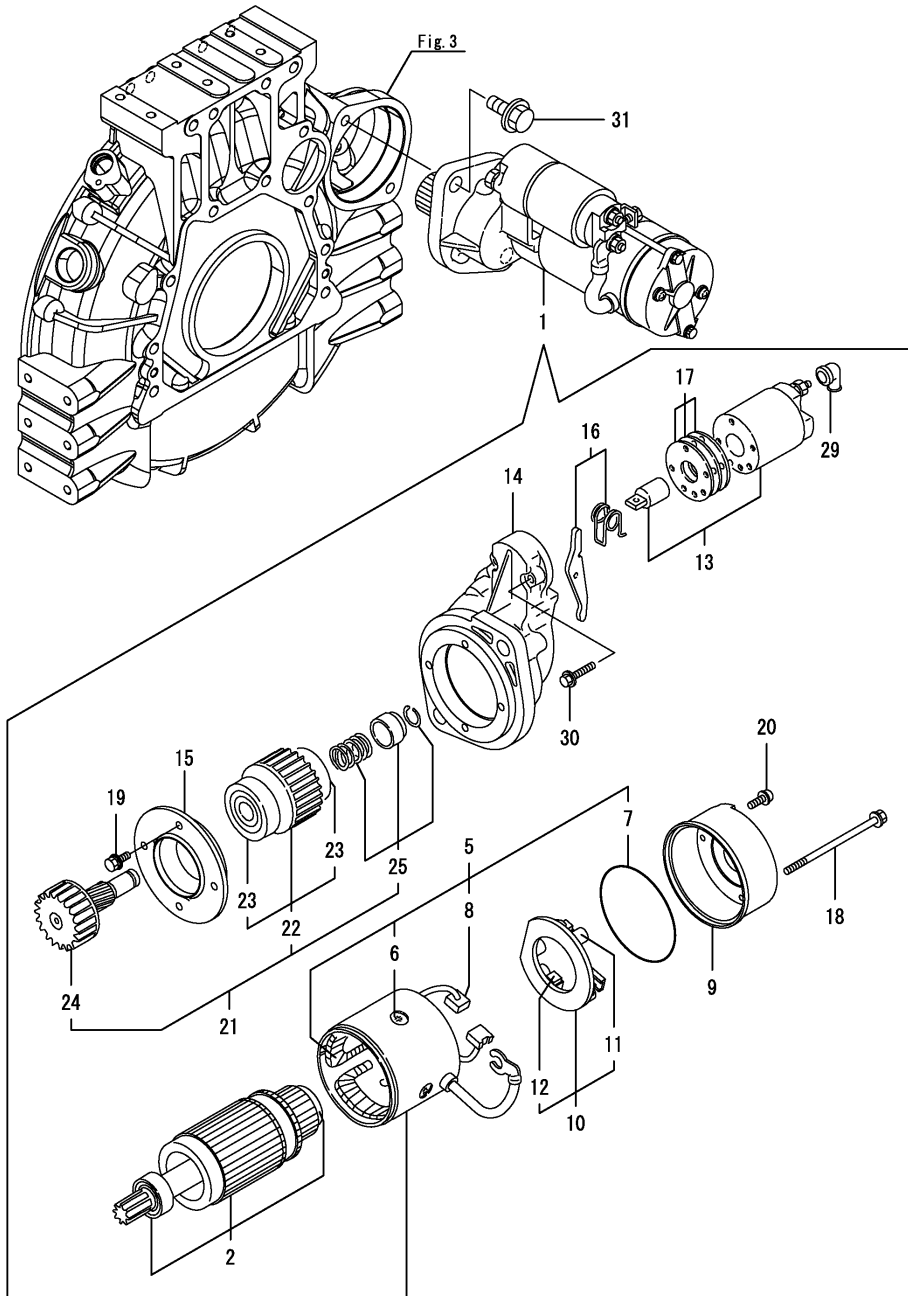
(B)=

(C)=

(D)=

(E)=

(F)=

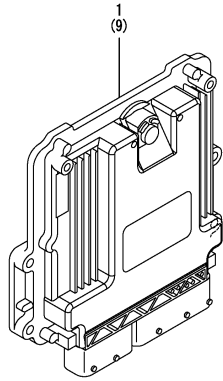


No.	Lev.	Parts No.	Description	Q'ty						I	R
				(A)	(B)	(C)	(D)	(E)	(F)		
1	1	129940-77011	STARTER	1							
2	2	129940-77100	ARMATURE ASSY	1							
5	2	129940-77130	COIL ASSY, FIELD	1							
6	3	129940-77140	SCREW	4							
7	3	129940-77150	O-RING	1							
8	3	129940-77160	BRUSH	2							
9	2	129940-77171	COVER	1							
10	2	129940-77181	HOLDER ASSY, BRUSH	1							
11	3	129940-77190	SPRING	1							
12	3	129940-77200	BRUSH	2							
13	2	129940-77210	SWITCH ASSY	1							
14	2	129940-77221	CASE, GEAR	1							
15	2	129940-77230	RETAINER	1							
16	2	129940-77240	LEVER SET	1							
17	2	129940-77250	COVER ASSY, DUST	1							
18	2	129940-77260	BOLT, THROUGH	2							
19	2	129940-77270	BOLT	4							
20	2	129940-77280	SCREW	2							
21	2	123900-77510	PINION ASSY	1							
22	3	123900-77520	CLUTCH ASSY	1							
23	4	X2240610100	BEARING, BALL	2							
24	3	123900-77540	SHAFT	1							
25	3	119131-77550	STOPPER KIT	1							
29	2	121254-77810	COVER, TERMINAL	1							
30	2	114371-79070	BOLT	2							
31	1	26106-120252	BOLT, M12X 25 PLATED	2							

Fig.18. ELECTRONIC CONTROL UNIT (ECU)

(A)=4TNV98CT-NMSL  
(B)=  
(C)=

(D)=  
(E)=  
(F)=



No.	Lev.	Parts No.	Description	Q'ty						I	R
				(A)	(B)	(C)	(D)	(E)	(F)		
1	1	129E32-75120	ECU ASSY,4V98CT-NMSL	1							1
9	1	129A00-75910	ECU ASSY,SERVICE YMR	1							2

Remarks  
 (1)Eco ECU  
 This part cannot be ordered.  
 Replace the part using a Service ECU with the proper engine information installed.  
 (2)Service ECU  
 If the proper information is not installed, the engine will not operate.  
 To install proper information, go to an authorized Distributor.

Fig.19. ELECTRIC PARTS

(A)=4TNV98CT-NMSL

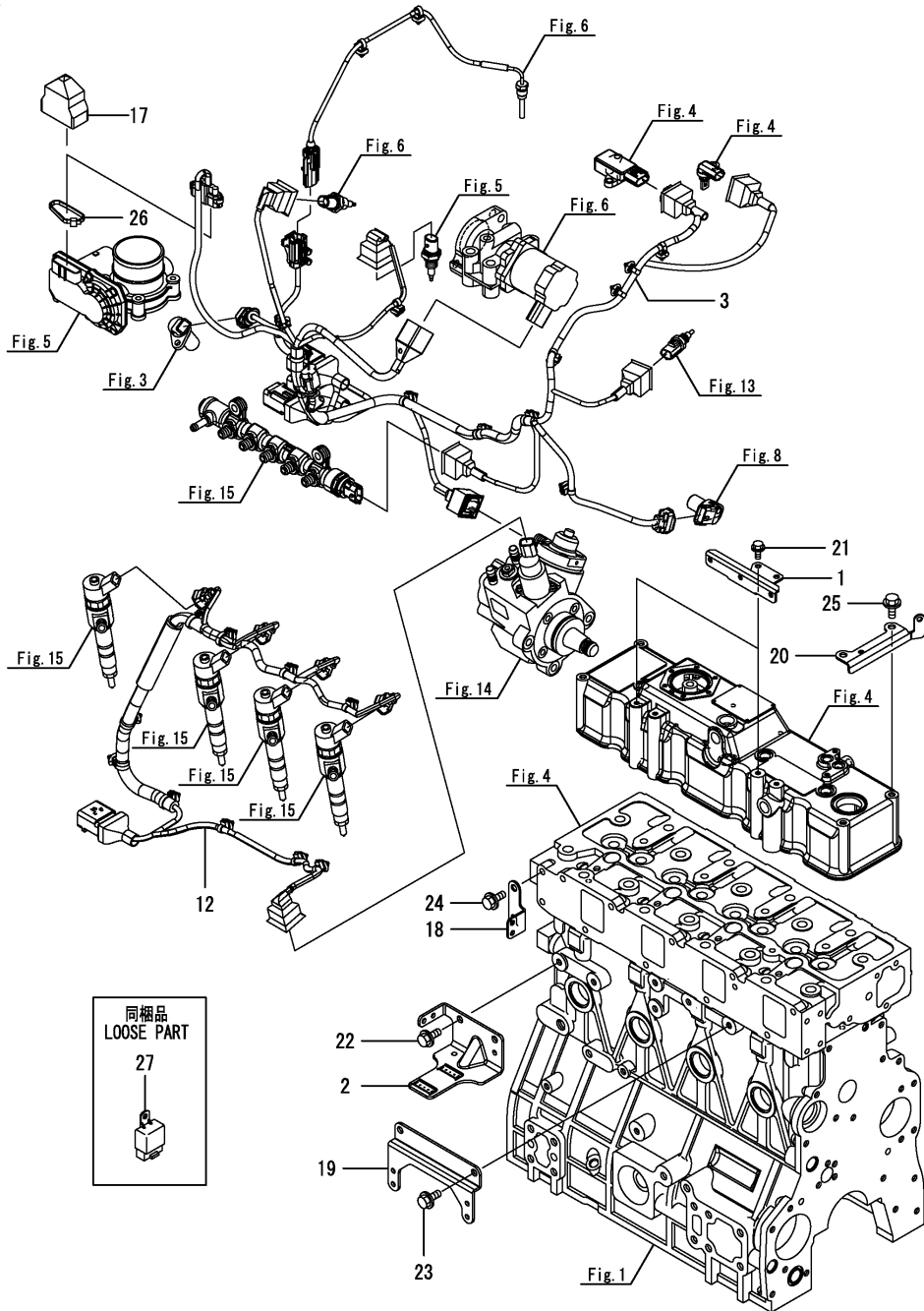
(B)=

(C)=

(D)=

(E)=

(F)=

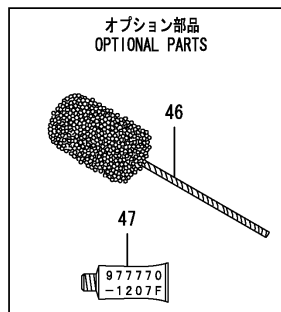
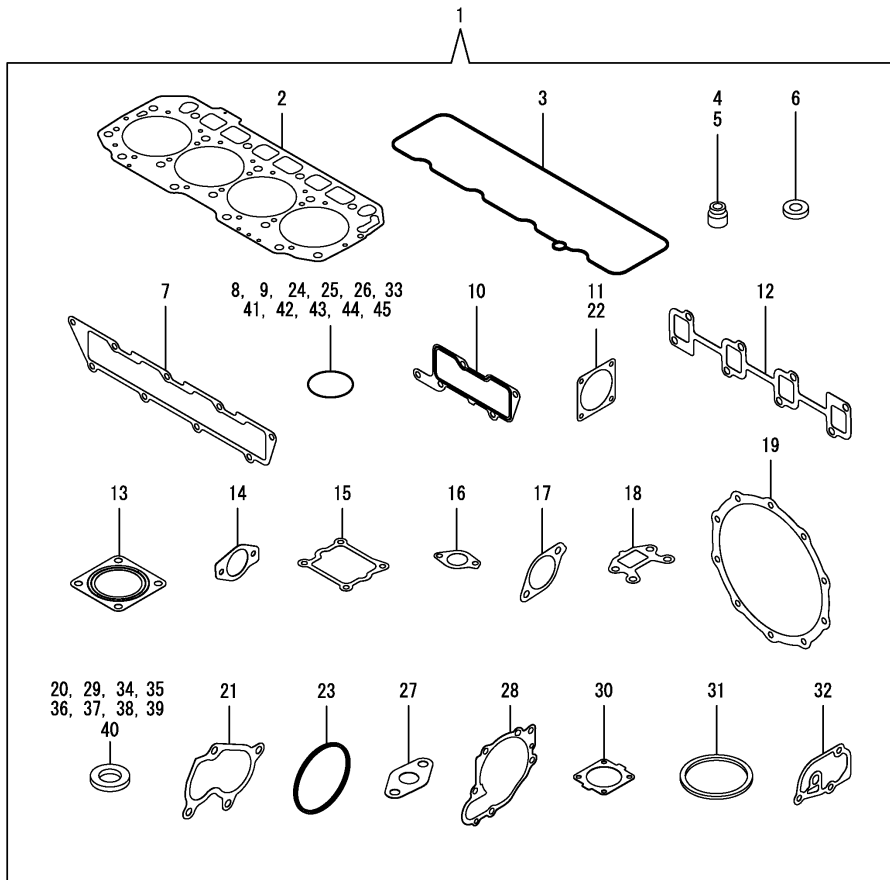


No.	Lev.	Parts No.	Description	Q'ty						I	R
				(A)	(B)	(C)	(D)	(E)	(F)		
1	1	129E00-11390	BRACKET,HAENESS	2							
2	1	129E00-77910	BRACKET,CONNECTOR	1							
3	1	129E01-91220	HARNESS, B ECO	1							
12	1	129E00-91230	HARNESS,C ECO ENGINE	1							
17	1	129A00-91451	BOOT,CAP TYPE	1							
18	1	129A00-91600	BRACKET, HARNESS	1							
19	1	129E00-91600	BRACKET, HARNESS	1							
20	1	129E01-91600	BRACKET, HARNESS	1							
21	1	26106-060122	BOLT, M6X 12 PLATED	4							
22	1	26106-080122	BOLT, M8X 12 PLATED	2							
23	1	26106-080122	BOLT, M8X 12 PLATED	2							
24	1	26106-080122	BOLT, M8X 12 PLATED	2							
25	1	26106-080122	BOLT, M8X 12 PLATED	2							
26	1	29621-200000	BAND	1							
27	1	198461-52950	RELAY, CA TYPE C	1							

Fig.20. GASKET SET

(A)=4TNV98CT-NMSL  
(B)=  
(C)=

(D)=  
(E)=  
(F)=



No.	Lev.	Parts No.	Description	Q'ty						I	R
				(A)	(B)	(C)	(D)	(E)	(F)		
1	1	129E32-92610	PACKING	1							1
2	2	129E00-01330	GASKET, CYL. HEAD	1							
3	2	129E00-11310	PACKING, BONNET	1							
4	2	124460-11340	SEAL, VALVE STEM	4							
5	2	129A00-11340	SEAL, VALVE STEM	4							
6	2	129978-11871	GASKET, INJECTOR	4							
7	2	129E00-12110	GASKET, MANIFOLD	1							
8	2	129A00-12780	O-RING, PRES SENSOR	1							
9	2	129A00-12790	O-RING, TEMP SENSOR	1							
10	2	129E00-12810	GASKET, COLLECTOR	1							
11	2	129A00-12910	GASKET, THROTTLE	2							
12	2	129E00-13110	GASKET, MANIFOLD	1							
13	2	128300-13230	GASKET, SILENCER	3							
14	2	129978-13411	GASKET, EGR COOLER	2							
15	2	129E00-13720	GASKET, EGR-V SPACER	1							
16	2	129927-13810	GASKET	1							
17	2	129E00-13910	GASKET, EGR-V IN	1							
18	2	129E00-13920	GASKET, EGR-V OUT	1							
19	2	129E00-16600	GASKET, DPF	2							
20	2	129A00-17311	GASKET, SENSOR	4							
21	2	123901-18080	GASKET	1							
22	2	129472-18090	GASKET	1							
23	2	129960-21930	PACKING, WASHER	1							
24	2	129900-32030	O-RING, P20	2							
25	2	129900-32040	O-RING, P14	1							
26	2	123912-33050	O-RING	1							
27	2	129908-39690	GASKET	1							
28	2	129900-42020	GASKET, WATER PUMP	1							
29	2	124465-44950	GASKET, 16	2							
30	2	121850-49540	GASKET, THERMOSTAT	1							
31	2	121850-49550	GASKET, THERMOSTAT	1							
32	2	129900-49870	GASKET	1							
33	2	129A00-51900	O-RING, FUEL PUMP	1							
34	2	22190-080002	WASHER, SEAL 6	7							
35	2	22190-120002	WASHER, SEAL 12	1							
36	2	22190-140002	WASHER, SEAL 14	2							
37	2	22190-220002	WASHER, SEAL 22	1							
38	2	23414-080000	GASKET, 8X1.0	1							
39	2	23414-100000	GASKET, 10X1.0	1							
40	2	23414-120000	GASKET, 12X1.0	2							
41	2	24311-000070	O-RING, 1AP7.0	1							
42	2	24311-000120	O-RING, 1AP12.0	3							
43	2	24311-000300	O-RING, 1AP30.0	1							
44	2	24311-000320	O-RING, 1AP32.0	2							
45	2	24321-000600	O-RING, 1AG60.0	1							
46	1	129400-92450	HONE	1							1
47	1	977770-1207F	GASKET, LIQUID	1							1

Remarks

(1) Optional parts.

N:Old  $\xrightarrow{\text{Yes}}$  New, Q:Old  $\xrightarrow{\text{No}}$  New, R:Old  $\xrightarrow{\text{Yes}}$  New, S:Old  $\xrightarrow{\text{No}}$  New, W:Add, Z:Discontinued, F:Interchangeable by set, K:Q'ty Change



## Parts No. Index

Parts No.	Fig. No.	Ref. No.
105010-39140	8	29
114371-79070	17	30
119000-39650	12	25
119100-11330	4	57
119131-18320	6	29
	9	3
119131-77550	17	25
119225-11740	2	21
119225-11750	2	22
119620-01750	3	3
119640-61400	4	61
119802-13600	7	47
119802-13660	6	27
119803-77830	4	81
120130-22301	10	24
120270-54410	4	20
121252-39150	12	4
121252-39450	12	1
121254-77810	17	29
121256-44600	13	52
121450-42450	13	30
121750-59890	11	11
121850-21130	10	11
121850-21290	10	4
121850-21920	10	5
121850-49540	13	19
	20	30
121850-49550	13	20
	20	31
121850-49801	13	21
122780-59100	15	8
123900-13130	6	22
123900-77510	17	21
123900-77520	17	22
123900-77540	17	24
123901-18080	6	28
	20	21
123901-39820	12	16
123907-03100	4	51
123907-03110	4	52
123907-03120	4	53
123907-03140	4	54
123910-49600	11	8
123910-49610	11	10
123912-33050	11	2
	20	26
123912-33100	11	3
123957-42450	13	13
124070-13300	12	13
124160-01751	2	9

Parts No.	Fig. No.	Ref. No.
124160-01751	4	42
124160-11360	4	65
124223-39900	12	6
124240-01871	2	16
124450-44510	13	46
124450-44530	13	48
124450-44550	13	51
124450-44560	13	49
124460-11340	4	14
	20	4
124465-44950	13	31
	20	29
128300-13230	6	23
	7	1
		49
	20	13
129005-59830	12	7
129008-77800	4	82
129100-01580	2	2
	3	1
129122-44480	11	5
129150-02450	8	4
129150-11230	4	30
		34
129150-11370	4	1
129150-11750	4	32
		36
129150-11810	4	84
129150-14200	8	1
129150-25920	8	31
129150-35153	11	24
129242-55740	16	16
129400-92450	20	46
129410-03990	4	75
		75 -1
129418-18320	6	6
		20
129466-49300	11	7
129472-18090	9	2
	20	22
129612-52100	16	5
129695-77380	7	39
129795-11180	4	13
129900-01200	1	27
129900-01250	1	4
129900-02020	1	6
129900-02341	1	32
129900-02410	1	9
129900-02931	1	24
129900-02941	1	35

Parts No.	Fig. No.	Ref. No.
129900-11100	4	10
129900-11110	4	11
129900-11120	4	12
129900-11200	4	22
129900-11240	4	23
129900-11280	4	26
129900-11510	4	27
129900-11520	4	28
129900-11530	4	39
129900-11650	4	29
129900-11660	4	33
129900-14400	8	2
129900-21220	10	3
129900-21600	10	14
129900-23001	10	26
129900-23200	10	29
129900-23601	10	30
129900-23611	10	33
129900-23911	10	32
129900-25110	8	15
129900-32030	2	3
	11	16
	20	24
129900-32040	2	4
	20	25
129900-42020	13	1
	20	28
129900-49870	13	26
	20	32
129907-03061	4	47
129907-03070	4	50
129908-21100	10	1
129908-32060	2	5
129908-33010	11	1
129908-33101	11	4
129908-39410	12	19
129908-39690	12	15
	20	27
129908-49060	11	6
129916-01790	3	6
129916-01800	2	13
129916-21610	10	7
129916-49530	13	18
129927-13810	6	34
	20	16
129927-44900	13	16
129928-49420	13	17
		32
129932-42100	13	2
129939-34800	11	14

Parts No.	Fig. No.	Ref. No.
129940-42240	13	45
129940-77011	17	1
129940-77100	17	2
129940-77130	17	5
129940-77140	17	6
129940-77150	17	7
129940-77160	17	8
129940-77171	17	9
129940-77181	17	10
129940-77190	17	11
129940-77200	17	12
129940-77210	17	13
129940-77221	17	14
129940-77230	17	15
129940-77240	17	16
129940-77250	17	17
129940-77260	17	18
129940-77270	17	19
129940-77280	17	20
129944-21650	10	8
129953-35000	11	17
129960-03990	13	35
		39
		42
129960-21930	10	9
	20	23
129960-21940	10	10
129973-07910	4	69
129978-03030	4	46
129978-03270	4	85
129978-03280	4	76 A
129978-03350	4	76 B
129978-03380	4	71 -1
129978-11871	4	18
	20	6
129978-13330	6	9 -1
129978-13351	6	24
129978-13411	6	15
	20	14
129A00-11330	4	58
129A00-11340	4	15
	20	5
129A00-12703	4	59
129A00-12711	4	77
129A00-12720	5	5
129A00-12780	4	60
	20	8
129A00-12790	4	78
	20	9
129A00-12820	5	30

## Parts No. Index

Parts No.	Fig. No.	Ref. No.
129A00-12900	5	31
129A00-12910	5	32
	20	11
129A00-13350	6	8
	7	22
129A00-13380	6	11
129A00-13620	6	3
129A00-13751	6	32
129A00-14710	8	12
129A00-16610	7	13
129A00-17311	7	24
	20	20
129A00-17520	7	28
129A00-17570	7	31
129A00-17650	7	29
129A00-17702	7	32
129A00-21710	3	12
129A00-51000	14	1
129A00-51100	14	2
129A00-51110	14	3
129A00-51120	14	4
129A00-51130	14	5
129A00-51200	14	6
129A00-51900	14	7
	20	33
129A00-53200	15	2
129A00-55600	16	6
129A00-55610	16	7
129A00-55720	16	14
129A00-55730	16	15
129A00-55740	16	17
129A00-55750	16	11
129A00-55760	16	12
129A00-55770	16	18
129A00-55800	16	8
129A00-57100	15	4
129A00-57200	15	5
129A00-57210	15	6
129A00-59110	5	20
129A00-75910	18	9
129A00-91200	6	5
	7	36
129A00-91430	7	38
129A00-91451	19	17
129A00-91600	19	18
129A01-18210	5	9
129A01-77310	4	76 C
129C00-13940	7	4
129C00-13950	7	5
129C00-57000	15	3

Parts No.	Fig. No.	Ref. No.
129C00-91200	7	37
129C01-03050	4	71
129C01-12060	4	76
129C01-13600	6	16
		25
129C01-16680	7	14
129C01-16700	7	15
129C01-16740	7	17
129C01-16750	7	18
129E00-01330	1	28
	20	2
129E00-01580	2	11
129E00-01600	3	2
129E00-01850	2	14
129E00-03010	4	44
129E00-03020	4	45
129E00-11310	4	56
	20	3
129E00-11390	19	1
129E00-11900	4	19
129E00-12110	5	1
	20	7
129E00-12810	5	14
	20	10
129E00-13110	6	2
	20	12
129E00-13300	6	7
129E00-13360	6	9
129E00-13400	6	14
129E00-13610	6	17
129E00-13710	5	18
129E00-13720	5	19
	20	15
129E00-13770	6	4
129E00-13800	6	33
129E00-13851	6	18
129E00-13861	6	19
129E00-13901	6	37
129E00-13910	6	38
	20	17
129E00-13920	6	39
	20	18
129E00-14101	8	6
129E00-14581	8	3
129E00-14700	8	8
129E00-16600	7	12
	20	19
129E00-16720	7	16
129E00-22050	10	18
129E00-22950	10	37

Parts No.	Fig. No.	Ref. No.
129E00-25050	8	14
129E00-25060	8	22
129E00-25080	8	32
129E00-25121	8	23
129E00-25200	8	26
129E00-25400	8	28
129E00-25902	8	19
129E00-49610	13	33
129E00-49620	13	41
129E00-49810	13	15
129E00-55710	16	10
129E00-59120	5	21
129E00-59500	16	1
129E00-59700	15	10
129E00-59810	15	12
129E00-59820	15	13
129E00-59830	15	14
129E00-59840	15	15
129E00-77820	4	83
129E00-77910	19	2
129E00-91230	19	12
129E00-91600	19	19
129E01-03130	4	72 -1
129E01-03140	4	76 -1
129E01-11350	4	43
129E01-11700	4	2
129E01-12100	5	3
129E01-12150	5	2
129E01-12800	5	16
129E01-12851	5	15
129E01-13101	6	1
129E01-13300	6	7 -1
129E01-13700	5	17
129E01-18010	9	1
129E01-18200	5	8
129E01-18220	5	10
129E01-22080	10	16
129E01-22900	10	35
129E01-39450	12	5
129E01-39600	12	14
129E01-53100	15	1
129E01-91220	19	3
129E01-91600	19	20
129E20-17700	7	33
129E22-01650	3	8
129E22-01710	3	7
129E22-16820	7	45
129E22-17200	7	21
129E22-17300	7	23
129E22-17310	7	25

Parts No.	Fig. No.	Ref. No.
129E22-17400	7	26
129E22-21580	10	12
129E22-55700	16	9
129E23-07900	4	68
129E23-16400	7	9
129E23-16550	7	11
129E23-16811	7	48
129E23-16850	7	2
129E23-49610	13	37
129E30-01500	2	1
129E32-01560	1	1
129E32-16000	7	6
129E32-75120	18	1
129E32-92610	20	1
129E33-03080	4	72
129E33-13620	6	26
129E33-16200	7	7
171051-01921	1	5
198461-52950	19	27
22137-120000	7	40
22190-080002	8	30
	12	2
		8
		10
	20	34
22190-120002	13	23
	20	35
22190-140002	5	22
	20	36
22190-220002	3	10
	20	37
22217-180000	8	20
22242-000180	4	37
22252-000300	10	25
22351-030010	8	9
	12	26
22351-060012	1	11
22512-070140	8	7
	10	6
22857-500100	4	62
		63
23000-025000	11	12
	12	17
23000-054000	5	11
23000-060000	4	79
	5	12
23000-075000	5	13
23061-070230	13	50
23080-007000	16	4
23414-080000	13	27

## Parts No. Index

Parts No.	Fig. No.	Ref. No.
23414-080000	20	38
23414-100000	12	11
	20	39
23414-120000	6	12
	20	40
23857-030000	12	9
23875-030000	13	24
23876-005000	4	8
23876-030000	1	12
		13
		14
24311-000070	2	6
	20	41
24311-000110	16	13
24311-000120	4	66
	20	42
24311-000300	2	23
	20	43
24311-000320	2	10
	4	67
	20	44
24321-000600	11	13
	20	45
26106-060122	19	21
26106-060142	4	80
	5	23
26106-060162	7	34
	12	18
26106-060202	5	33
	13	25
26106-060302	13	11
26106-060402	5	34
26106-060902	5	35
26106-080122	3	11
	11	22
	12	3
		12
	13	28
	19	22
		23
		24
		25
26106-080142	7	19
26106-080162	2	7
		17
		18
	6	13
	8	10
	11	23
26106-080202	4	70

Parts No.	Fig. No.	Ref. No.
26106-080202	6	21
	7	46
26106-080252	7	35
	15	7
26106-080302	14	8
26106-080352	4	21
	5	24
26106-080402	2	19
26106-080452	2	8
	5	6
	8	27
26106-080502	8	18
26106-080552	5	7
	13	12
26106-080602	13	29
26106-080702	2	20
26106-080752	5	26
26106-080902	5	27
26106-100182	13	14
26106-100252	6	35
26106-100402	7	41
26106-100602	6	40
26106-100652	4	40
26106-120252	17	31
26206-100352	3	4
26206-100952	3	5
26216-060202	5	4
		25
26216-081002	5	28
26306-080002	5	29
	6	30
		36
	7	20
	9	4
26306-100002	4	41
	6	31
	7	42
		43
26366-060002	15	16
26450-060162	3	13
	4	64
	8	13
26557-050082	4	48
26577-040162	4	38
26577-060122	8	11
26587-050102	4	49
26716-120002	7	44
26776-180002	8	21
27241-300000	1	10
27241-400000	4	9

Parts No.	Fig. No.	Ref. No.
27310-080001	4	16
29621-200000	19	26
729900-02801	1	29
977770-1207F	20	47
X2240610100	17	23

Parts No.	Fig. No.	Ref. No.
-----------	----------	----------