

0CW10-M85700EN

P R E F A C E

1. This parts catalog is the 1st edition of 4TNV98C-NMSL for Manitou Americas, Inc.

Published : July, 2013

2. Model name

Engine model	Vehicle	Vehicle made by
4TNV98C-NMSL	Track Loader	Manitou Americas, Inc.

Contents

0CW10-M85700

Fig. No. Fig. Name

Fig. No. Fig. Name

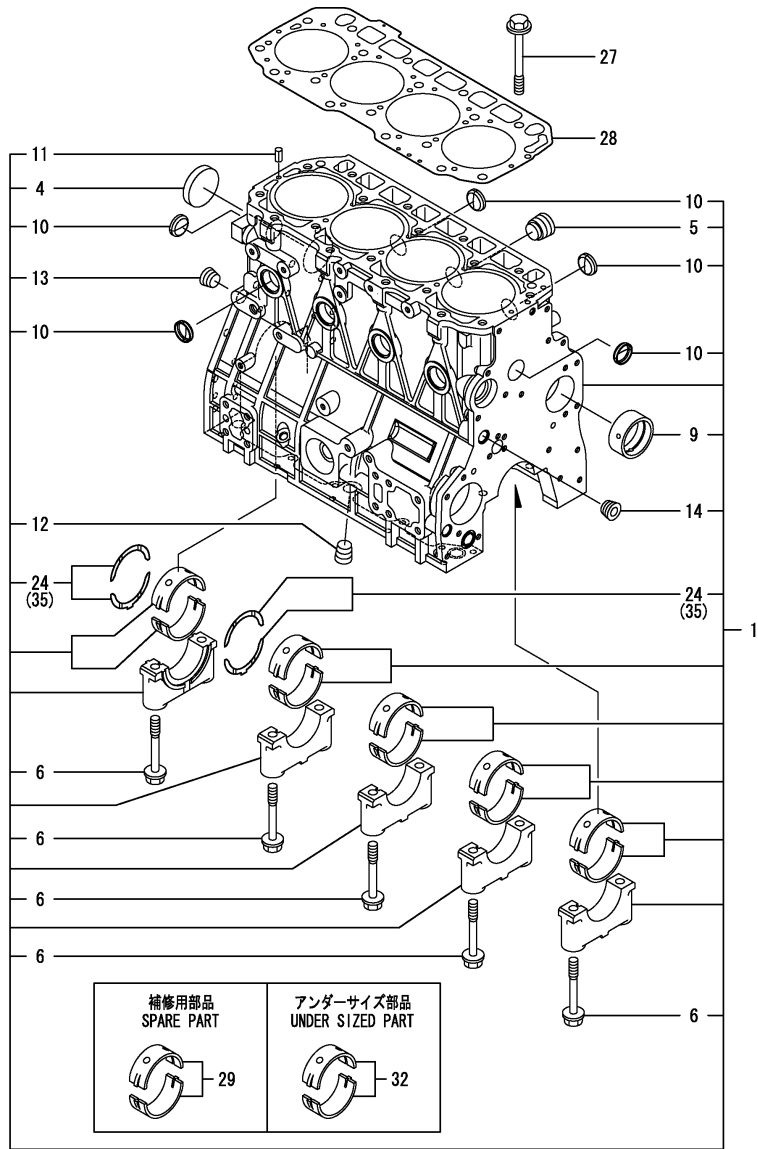
4TNV98C-NMSL

1. CYLINDER BLOCK
2. GEAR HOUSING
3. FLYWHEEL HOUSING & OIL SUMP
4. CYLINDER HEAD & BONNET
5. SUCTION MANIFOLD
6. EXHAUST MANIFOLD
7. DIESEL PARTICULATE FILTER (DPF)
8. CAMSHAFT & DRIVING GEAR
9. CRANKSHAFT & PISTON
10. LUB. OIL SYSTEM
11. COOLING WATER SYSTEM
12. FUEL SUPPLY PUMP
13. FUEL INJECTION VALVE
14. FUEL LINE
15. STARTING MOTOR
16. ELECTRONIC CONTROL UNIT (ECU)
17. ELECTRIC PARTS
18. GASKET SET

Fig.1. CYLINDER BLOCK

(A)=4TNV98C-NMSL
(B)=
(C)=

(D)=
(E)=
(F)=



No.	Lev.	Parts No.	Description	Q'ty						I	R
				(A)	(B)	(C)	(D)	(E)	(F)		
1	1	129E00-01570	BLOCK ASSY, CYLINDER	1							
4	2	129900-01250	PLUG, 55	1							
5	2	171051-01921	PLUG, NPTF1	1							
6	2	129900-02020	BOLT, METAL CAP	10							
9	2	129900-02410	BUSH, CAMSHAFT	1							
10	2	27241-300000	PLUG 30	8							
11	2	22351-060012	PIN, SPRING 6.0X12	2							
12	2	23876-030000	PLUG, R03	1							
13	2	23876-030000	PLUG, R03	1							
14	2	23876-030000	PLUG, R03	1							
24	2	129900-02931	BEARING, THRUST	2							
27	1	129900-01200	BOLT, HEAD	18							
28	1	129E00-01330	GASKET, CYL. HEAD	1							
29	1	729900-02801	BEARING, MAIN	5							1
32	1	129900-02341	BEARING, 0.25 US	5							2
35	1	129900-02941	BEARING, THRUST 0.25	2							3

Remarks

- (1) Spare part.
- (2) Under-sized(U.S.=0.25)part.
- (3) Over-sized(O.S.=0.25)part.

Fig.2. GEAR HOUSING

(A)=4TNV98C-NMSL

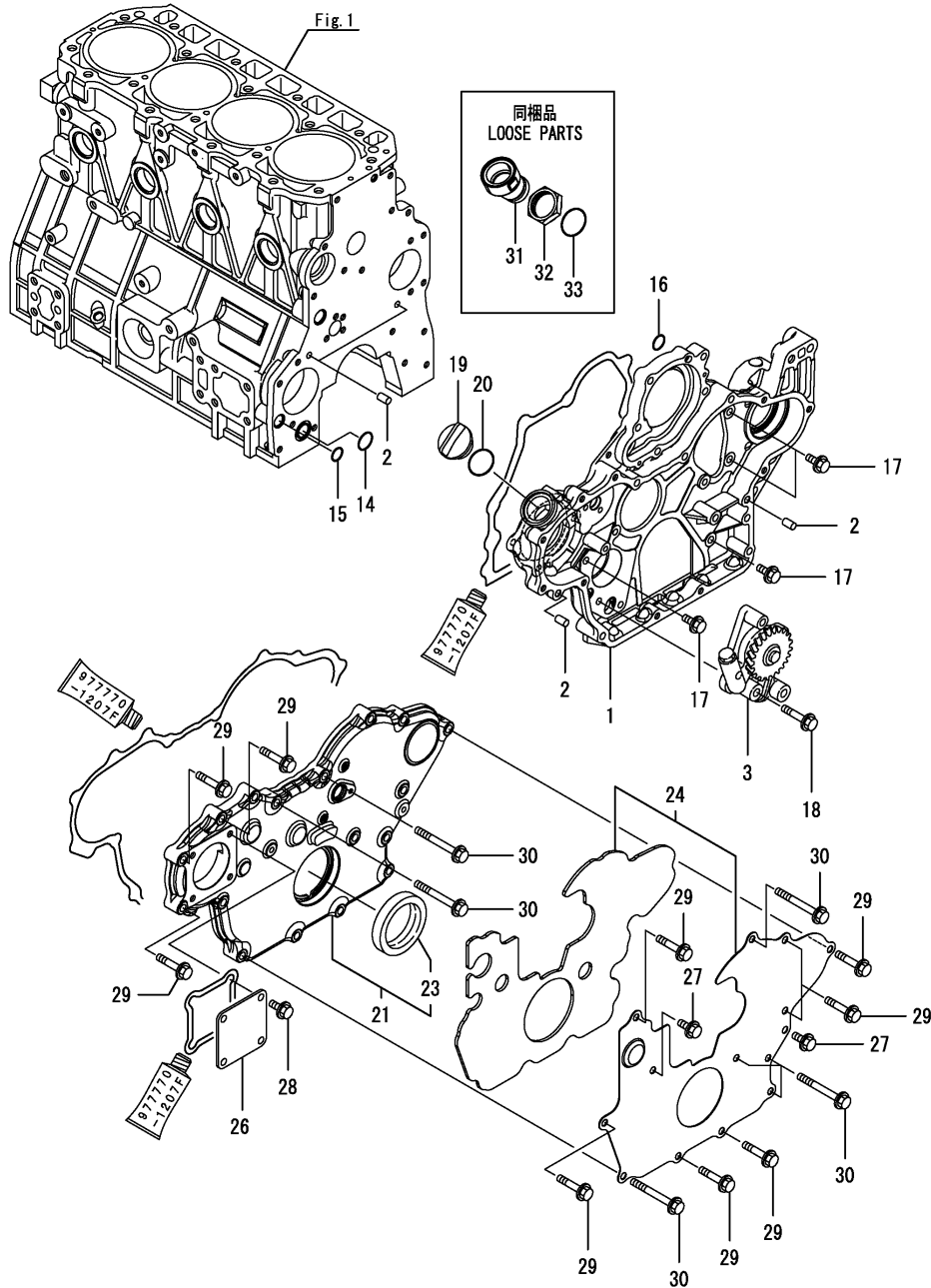
(B)=

(C)=

(D)=

(E)=

(F)=

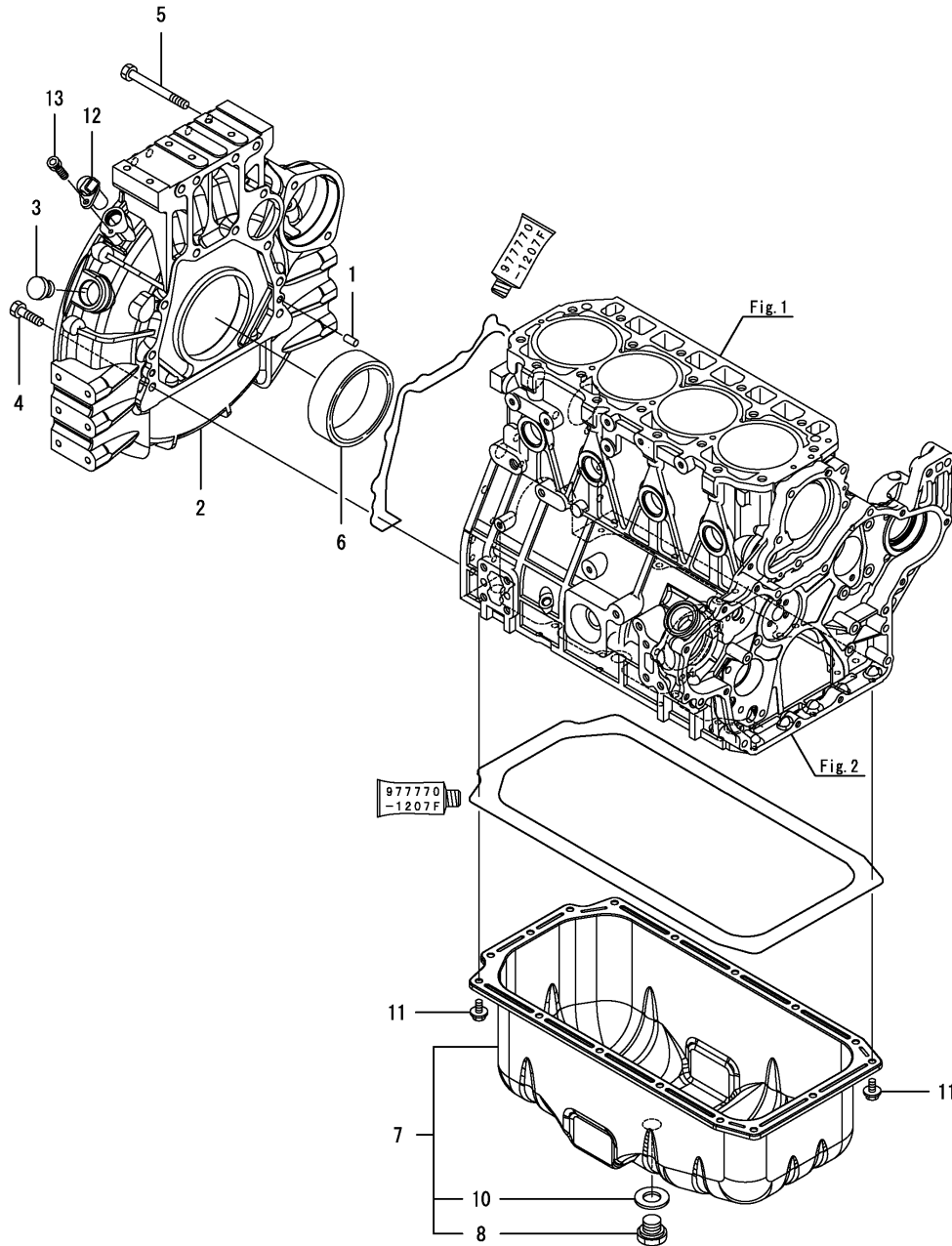


No.	Lev.	Parts No.	Description	Q'ty						I	R
				(A)	(B)	(C)	(D)	(E)	(F)		
1	1	129E20-01500	CASE, GEAR	1							
2	1	129100-01580	PIN, M8X16	4							
3	1	129900-32001	PUMP ASSY, OIL	1							
14	1	129900-32030	O-RING, P20	1							
15	1	129900-32040	O-RING, P14	1							
16	1	24311-000070	O-RING, 1AP7.0	1							
17	1	26106-080162	BOLT, M8X 16 PLATED	4							
18	1	26106-080452	BOLT, M8X 45 PLATED	3							
19	1	124160-01751	COVER, FILLER	1							
20	1	24311-000320	O-RING, 1AP32.0	1							
21	1	129E00-01580	COVER ASSY, GEARCASE	1							
23	2	129916-01800	SEAL, OIL	1							
24	1	129E00-01850	COVER ASSY, GEARCASE	1							
26	1	124240-01871	COVER	1							
27	1	26106-080162	BOLT, M8X 16 PLATED	2							
28	1	26106-080162	BOLT, M8X 16 PLATED	4							
29	1	26106-080402	BOLT, M8X 40 PLATED	10							
30	1	26106-080702	BOLT, M8X 70 PLATED	7							
31	1	119225-11740	ADAPTER	1							
32	1	119225-11750	NUT	1							
33	1	24311-000300	O-RING, 1AP30.0	1							

Fig.3. FLYWHEEL HOUSING & OIL SUMP

(A)=4TNV98C-NMSL
(B)=
(C)=

(D)=
(E)=
(F)=



No.	Lev.	Parts No.	Description	Q'ty						I	R
				(A)	(B)	(C)	(D)	(E)	(F)		
1	1	129100-01580	PIN, M8X16	2							
2	1	129E00-01600	HOUSING, FLYWHEEL	1							
3	1	119620-01750	CAP	1							
4	1	26206-100352	BOLT, M10X 35 PLATED	9							
5	1	26206-100952	BOLT, M10X 95 PLATED	4							
6	1	129916-01790	SEAL, D115/95XT11	1							
7	1	129E22-01710	OIL PAN ASSY	1							
8	2	129E22-01650	PLUG, DRAIN 22	1							
10	2	22190-220002	WASHER, SEAL 22	1							
11	1	26106-080122	BOLT, M8X 12 PLATED	16							
12	1	129A00-21710	SENSOR, FLYWHEEL REV	1							
13	1	26450-060162	BOLT, M6X 16	1							

Fig.4. CYLINDER HEAD & BONNET

(A)=4TNV98C-NMSL

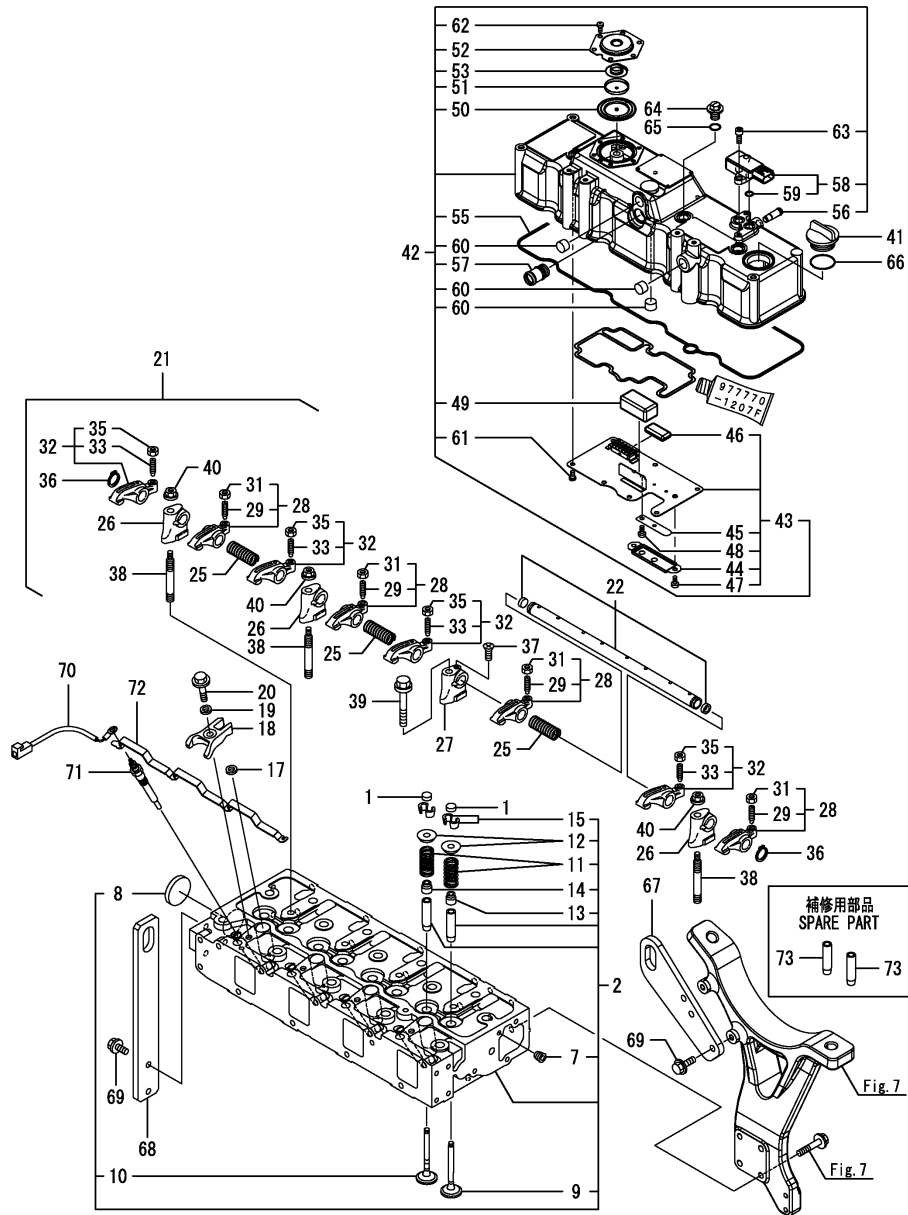
(B)=

(C)=

(D)=

(E)=

(F)=



No.	Lev.	Parts No.	Description	Q'ty						I	R
				(A)	(B)	(C)	(D)	(E)	(F)		
1	1	129150-11370	CAP, VALVE	8							
2	1	129E00-11710	HEAD ASSY, CYLINDER	1							
7	2	23876-005000	PLUG, R005	1							
8	2	27241-400000	PLUG, 40	1							
9	2	129900-11100	VALVE, INTAKE	4							
10	2	129900-11110	VALVE, EXHAUST	4							
11	2	129900-11120	SPRING, VALVE	8							
12	2	129795-11180	RETAINER, SPRING	8							
13	2	124460-11340	SEAL, VALVE STEM	4							
14	2	129A00-11340	SEAL, VALVE STEM	4							
15	2	27310-080001	COTTER, 8	8							
17	1	129978-11871	GASKET,INJECTOR	4							
18	1	129E00-11900	RETAINER, INJECTOR	4							
19	1	120270-54410	WASHER, INJECTOR	4							
20	1	26106-080352	BOLT, M8X 35 PLATED	4							
21	1	129900-11200	SUPPORT ASSY, ARM	1							
22	2	129900-11240	SHAFT ASSY, ROCKER	1							
25	2	129900-11280	SPRING	3							
26	2	129900-11510	SUPPORT, ROCKER ARM	3							
27	2	129900-11520	SUPPORT, ROCKER ARM	1							
28	2	129900-11650	ARM, ROCKER	4							
29	3	129150-11230	SCREW, VALVE ADJUST	4							
31	3	129150-11750	NUT, M8	4							
32	2	129900-11660	ARM, ROCKER	4							
33	3	129150-11230	SCREW, VALVE ADJUST	4							
35	3	129150-11750	NUT, M8	4							
36	2	22242-000180	RING, 18	2							
37	2	26577-040162	SCREW, M4X16	1							
38	1	129900-11530	STUD	3							
39	1	26106-100652	BOLT, M10X 65 PLATED	1							
40	1	26306-100002	NUT, M10	3							
41	1	124160-01751	COVER, FILLER	1							
42	1	129E00-11350	BONNET ASSY	1							
43	2	129E00-03010	PLATE, BAFFLE	1							
44	3	129E00-03020	COVER, PLATE SPRING	1							
45	3	129978-03030	SPRING,PLATE	1							
46	3	129907-03061	BAFFLE, BREATHER	1							
47	3	26557-050082	SCREW, M5X 8	2							
48	3	26587-050102	SCREW, M5X10	1							
49	2	129907-03070	BAFFLE, BREATHER	1							
50	2	123907-03100	DIAPHRAGM	1							
51	2	123907-03110	PLATE	1							
52	2	123907-03120	PLATE, BREATHER	1							
53	2	123907-03140	SPRING, DIAPHRAGM	1							
55	2	129E00-11310	PACKING, BONNET	1							
56	2	129A00-11330	JOINT	1							
57	2	129001-11340	PIPE , BREATHER	1							
58	2	129A00-12703	SENSOR,PRESSURE	1							
59	3	129A00-12780	O-RING,PRES SENSOR	2							
60	2	119640-61400	PLUG	3							
61	2	22857-500100	SCREW, 5X10	7							

Remarks
(1) Spare part.

Fig.4. CYLINDER HEAD & BONNET

(A)=4TNV98C-NMSL

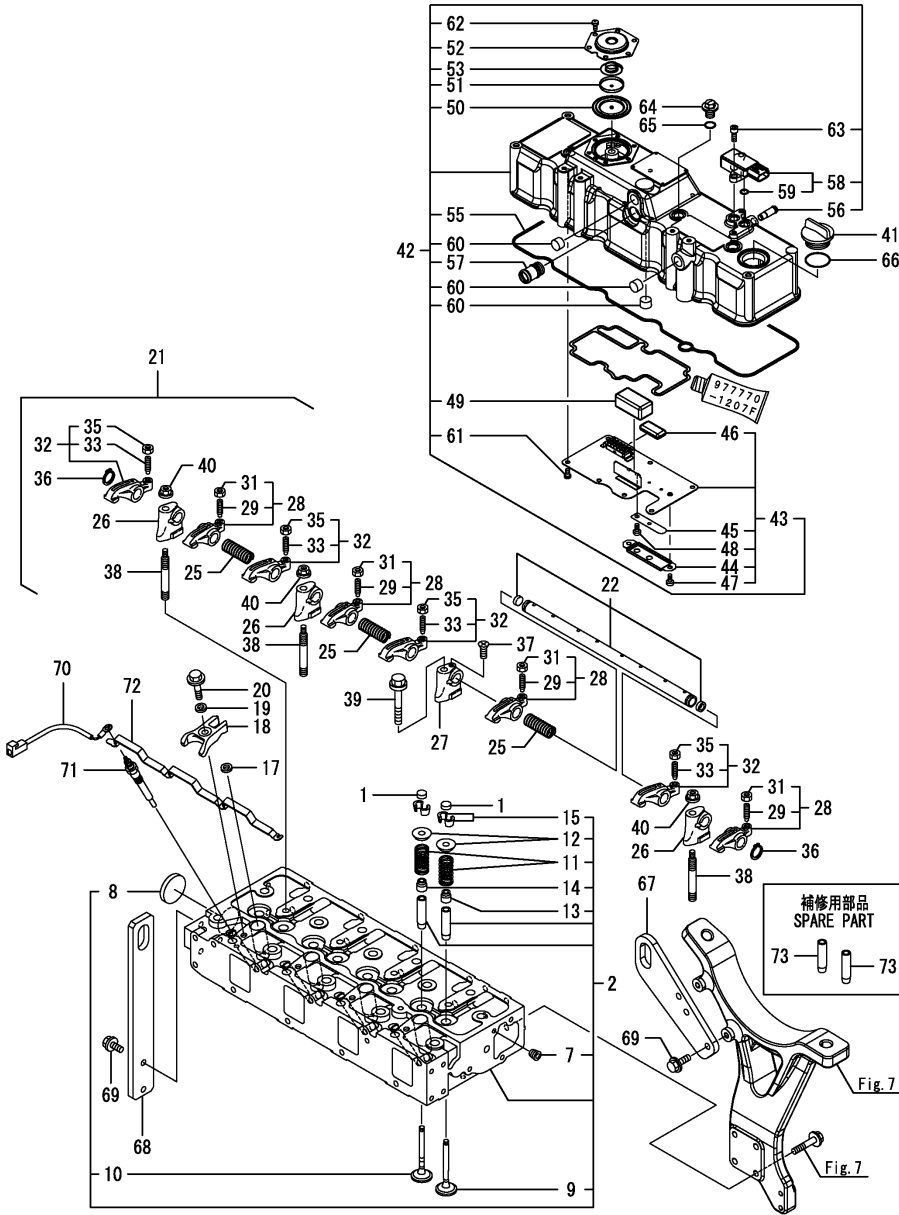
(B)=

(C)=

(D)=

(E)=

(F)=



No.	Lev.	Parts No.	Description	Q'ty						I	R
				(A)	(B)	(C)	(D)	(E)	(F)		
62	2	22857-500100	SCREW, 5X10	6							
63	2	26450-060162	BOLT, M6X 16	2							
64	1	124160-11360	KNOB	3							
65	1	24311-000120	O-RING, 1AP12.0	3							
66	1	24311-000320	O-RING, 1AP32.0	1							
67	1	129E23-07900	LIFTER, ENGINE	1							
68	1	129973-07910	LIFTER	1							
69	1	26106-080202	BOLT, M8X 20 PLATED	4							
70	1	119803-77830	HARNESS, WIRE	1							
71	1	129008-77800	PLUG, GLOW	4							
72	1	129E00-77820	CONNECTOR, GLOW PLUG	1							
73	1	129150-11810	GUIDE, VALVE	8							1

Remarks
(1) Spare part.

Fig.5. SUCTION MANIFOLD

(A)=4TNV98C-NMSL

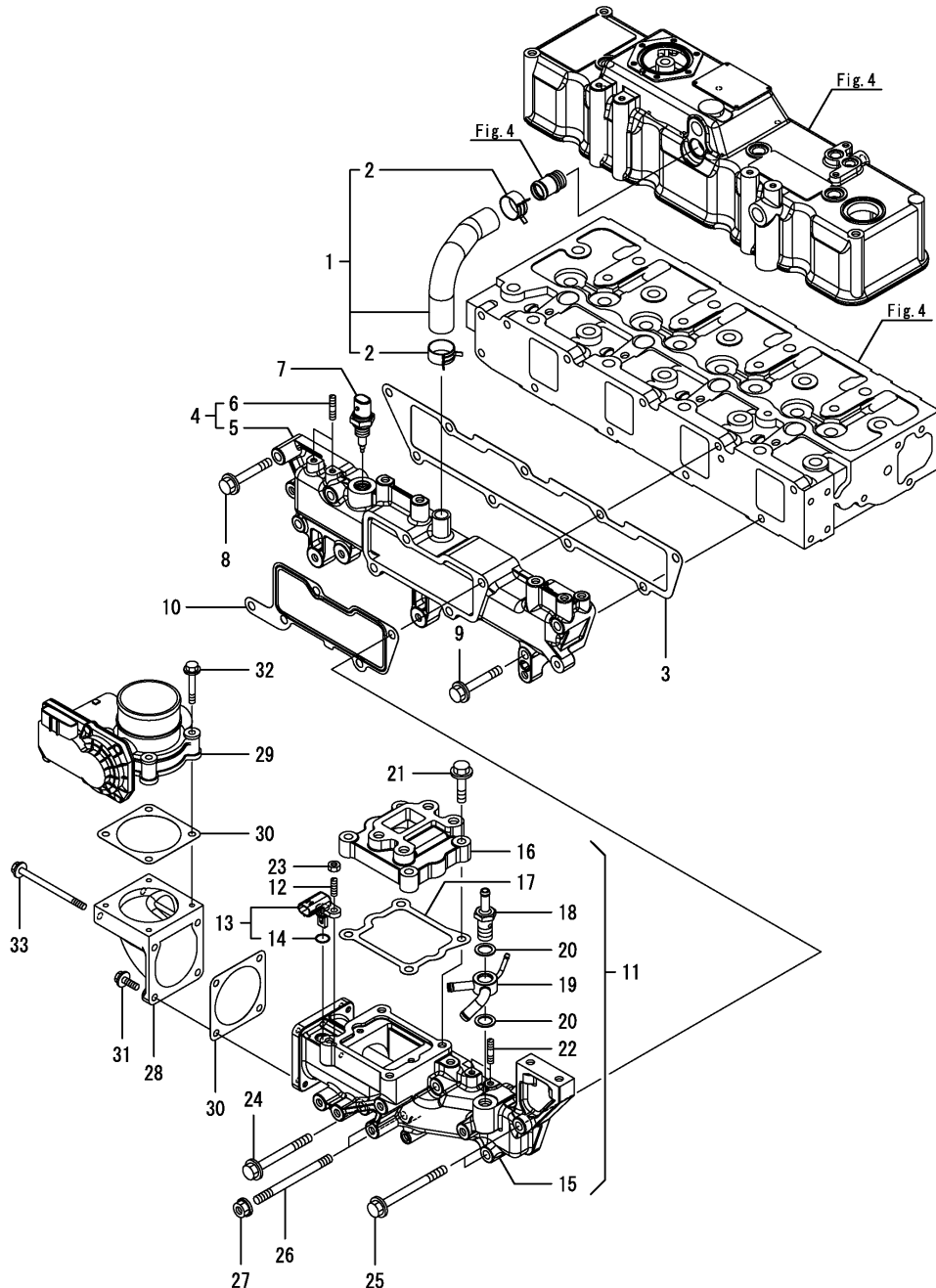
(B)=

(C)=

(D)=

(E)=

(F)=



No.	Lev.	Parts No.	Description	Q'ty						I	R
				(A)	(B)	(C)	(D)	(E)	(F)		
1	1	129005-03080	PIPE , BREATHER	1							
2	2	129410-03990	CLIP	2							
3	1	129E00-12110	GASKET, MANIFOLD								
4	1	129E00-12151	MANIFOLD ASSY,INTAKE	1							
5	2	129E00-12101	MANIFOLD, AIR INTAKE	1							
6	2	26216-060202	STUD, M6X 20	2							
7	1	129A00-12720	SENSOR,AIR TEMP	1							
8	1	26106-080452	BOLT, M8X 45 PLATED	1							
9	1	26106-080552	BOLT, M8X 55 PLATED	4							
10	1	129E00-12810	GASKET, COLLECTOR	1							
11	1	129E00-12850	COLLECTOR ASSY	1							
12	2	119660-01570	STUD, M6X12	1							
13	2	129A00-12711	SENSOR,AIR TEMP	1							
14	3	129A00-12790	O-RING,TEMP SENSOR	1							
15	2	129E00-12800	COLLECTOR	1							
16	2	129E00-13710	SPACER, EGR VALVE	1							
17	2	129E00-13720	GASKET, EGR-V SPACER	1							
18	2	129A00-59110	JOINT, HOSE M14	1							
19	2	129E00-59120	JOINT, HOSE 14	1							
20	2	22190-140002	WASHER, SEAL 14	2							
21	2	26106-080352	BOLT, M8X 35 PLATED	4							
22	2	26216-060202	STUD, M6X 20	2							
23	2	26716-060002	NUT, M6	1							
24	1	26106-080752	BOLT, M8X 75 PLATED	1							
25	1	26106-080902	BOLT, M8X 90 PLATED	2							
26	1	26216-081002	STUD, M8X100	2							
27	1	26306-080002	NUT, M8	2							
28	1	129A00-12820	BEND, INLET	1							
29	1	129A00-12900	THROTTLE BODY(INT	1							
30	1	129A00-12910	GASKET,THROTTLE	2							
31	1	26106-060202	BOLT, M6X 20 PLATED	2							
32	1	26106-060402	BOLT, M6X 40 PLATED	4							
33	1	26106-060902	BOLT, M6X 90 PLATED	2							

Fig.6. EXHAUST MANIFOLD

(A)=4TNV98C-NMSL

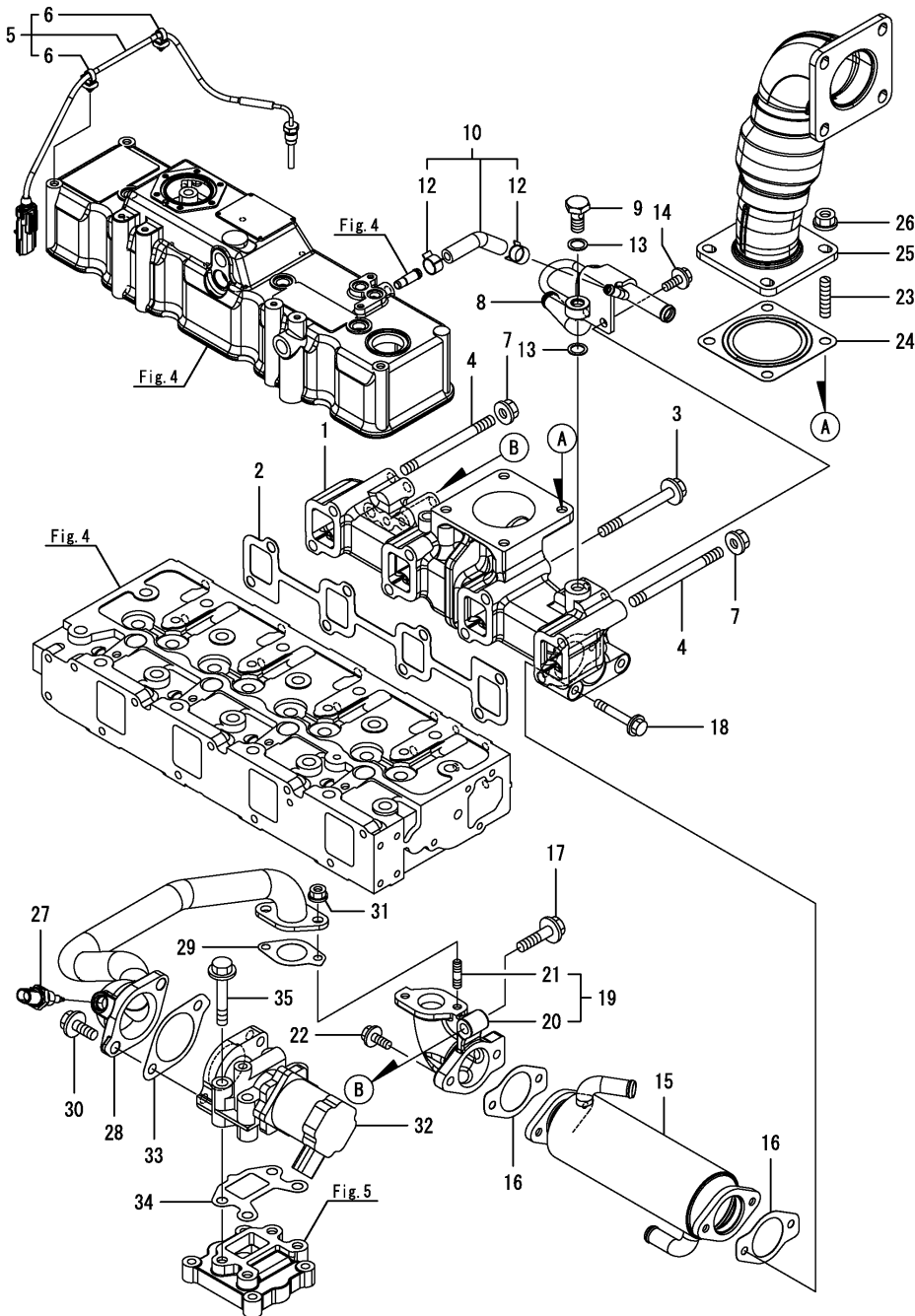
(B)=

(C)=

(D)=

(E)=

(F)=



No.	Lev.	Parts No.	Description	Q'ty						I	R
				(A)	(B)	(C)	(D)	(E)	(F)		
1	1	129E00-13101	MANIFOLD, EXHAUST	1							
2	1	129E00-13110	GASKET, MANIFOLD	1							
3	1	129A00-13620	BOLT, M10X95 10.9T	6							
4	1	129A01-13710	STUD, M10X95 10.9T	2							
5	1	129E00-13770	SENSOR,EXH TEMP.	1							
6	2	129A00-91200	BAND CLIP	2							
7	1	26306-100002	NUT, M10	2							
8	1	129E00-13300	PIPE, EXH PRESSURE	1							
9	1	129A00-13350	BOLT, PIPE JOINT	1							
10	1	129E00-13360	HOSE ASSY, PRES EXH	1							
12	2	129A00-13380	CLIP, HOSE 14	2							
13	1	23414-120000	GASKET, 12X1.0	2							
14	1	26106-080162	BOLT, M8X 16 PLATED	2							
15	1	129E00-13400	COOLER, EGR	1							
16	1	129E00-13410	GASKET, EGR COOLER	2							
17	1	129C01-13600	FLANGE BOLT, 10X40	1							
18	1	129E00-13610	BOLT, M8X50 10.9	2							
19	1	129E00-13851	BEND ASSY, EGR-C OUT	1							
20	2	129E00-13861	BEND, EGR-C OUT	1							
21	2	129418-18320	STUD, M8X20	2							
22	1	26106-080202	BOLT, M8X 20 PLATED	2							
23	1	123900-13130	STUD, M10X22	4							
24	1	128300-13230	GASKET, SILENCER	1							
25	1	129E23-13310	PIPE, EXHAUST	1							
26	1	26306-100002	NUT, M10	4							
27	1	129A00-13751	SENSOR,EGR GAS TEMP	1							
28	1	129E00-13800	PIPE ASSY, EGR	1							
29	1	129927-13810	GASKET	1							
30	1	26106-100252	BOLT, M10X 25 PLATED	2							
31	1	26306-080002	NUT, M8	2							
32	1	129E00-13901	VALVE, EGR	1							
33	1	129E00-13910	GASKET, EGR-V IN	1							
34	1	129E00-13920	GASKET, EGR-V OUT	1							
35	1	26106-100602	BOLT, M10X 60 PLATED	4							

Fig.7. DIESEL PARTICULATE FILTER (DPF)

(A)=4TNV98C-NMSL

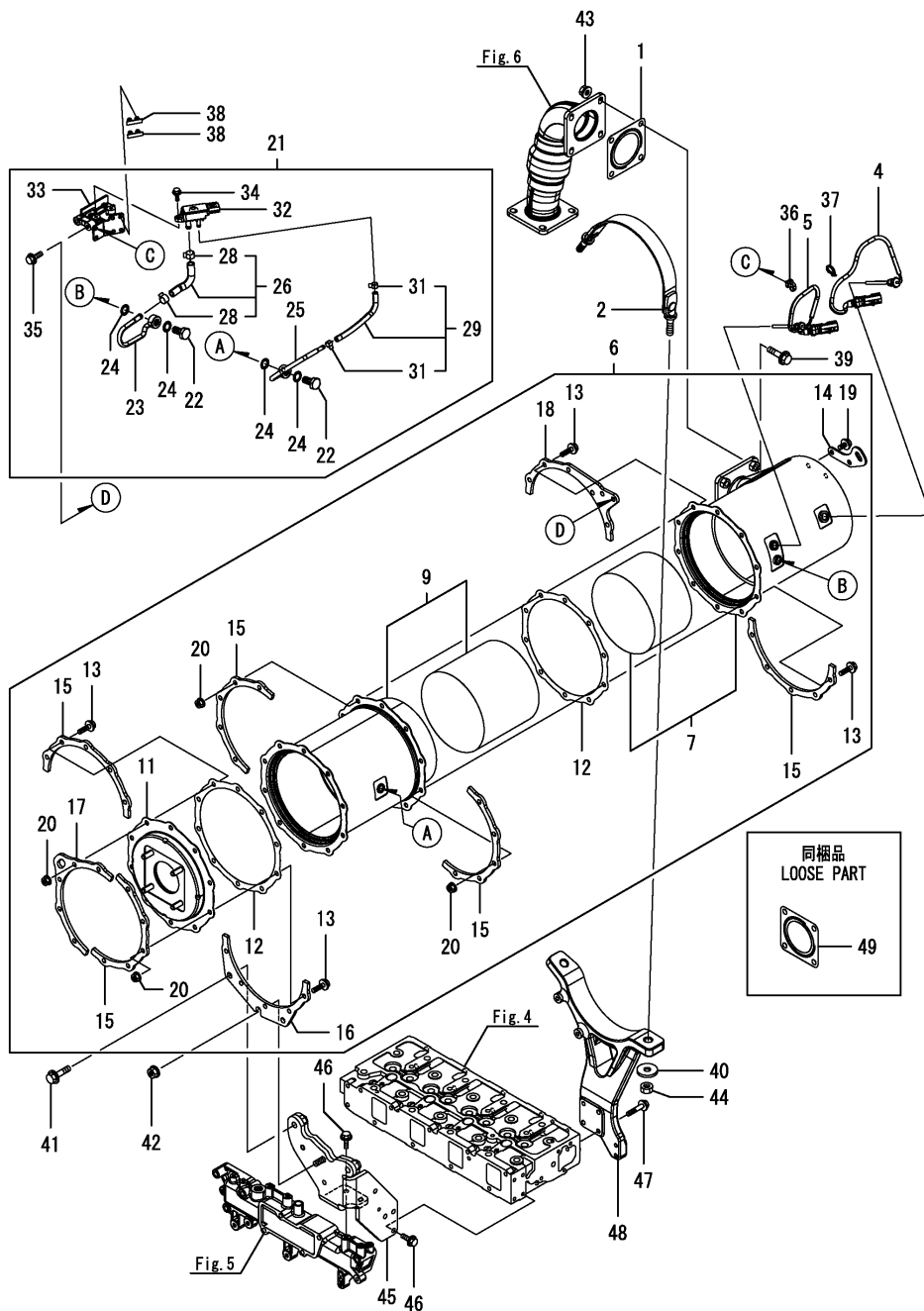
(B)=

(C)=

(D)=

(E)=

(F)=



No.	Lev.	Parts No.	Description	Q'ty						I	R
				(A)	(B)	(C)	(D)	(E)	(F)		
1	1	128300-13230	GASKET, SILENCER	1							
2	1	129E23-16850	BAND,DPF	1							
4	1	129C00-13940	SENSOR, EXH.TEMP	1							
5	1	129C00-13950	SENSOR, EXH.TEMP	1							
6	1	129E22-16000	DPF ASSY	1							
7	2	129E23-16200	CASE, DOC	1							
9	2	129E23-16400	CASE, SOOT FILTER	1							
11	2	129E23-16550	FLANGE, OUTLET	1							
12	2	129E00-16600	GASKET, DPF	2							
13	2	129A00-16610	BOLT, M8X28 10.9T	20							
14	2	129C01-16680	LIFTER, DPF	1							
15	2	129C01-16700	STIFFENER, DPF A	5							
16	2	129E00-16720	STIFFENER, DPF B	1							
17	2	129C01-16740	STIFFENER, DPF C	1							
18	2	129C01-16750	STIFFENER, DPF C	1							
19	2	26106-080142	BOLT, M8X 14 PLATED	2							
20	2	26306-080002	NUT, M8	20							
21	1	129E22-17200	SENSOR UNIT,PRESSURE	1							
22	2	129A00-13350	BOLT, PIPE JOINT	2							
23	2	129E22-17300	PIPE ASSY,PRES EXH	1							
24	2	129A00-17311	GASKET,SENSOR	4							
25	2	129E22-17310	PIPE ASSY,PRES EXH	1							
26	2	129E22-17400	HOSE ASSY,PRES EXH	1							
28	3	129A00-17520	CLIP, HOSE	2							
29	2	129A00-17650	HOSE ASSY,PRES EXH	1							
31	3	129A00-17570	CLIP, HOSE	2							
32	2	129A00-17702	SENSOR,PRESSURE	1							
33	2	129E20-17700	BRACKET, SENSOR	1							
34	2	26106-060162	BOLT, M6X 16 PLATED	2							
35	2	26106-080252	BOLT, M8X 25 PLATED	2							
36	1	129A00-91200	BAND CLIP	1							
37	1	129C00-91200	BAND	1							
38	1	129A00-91430	CLIP, CONNECTOR	2							
39	1	129695-77380	BOLT, M10X30	4							
40	1	22137-120000	WASHER, 12	2							
41	1	26106-100402	BOLT, M10X 40 PLATED	2							
42	1	26306-100002	NUT, M10	1							
43	1	26306-100002	NUT, M10	4							
44	1	26716-120002	NUT, M12	2							
45	1	129E22-16820	STAY, DPF	1							
46	1	26106-080202	BOLT, M8X 20 PLATED	5							
47	1	119802-13600	BOLT, M8X40	4							
48	1	129E23-16811	STAY,DPF	1							
49	1	128300-13230	GASKET, SILENCER	1							

Fig.8. CAMSHAFT & DRIVING GEAR

(A)=4TNV98C-NMSL

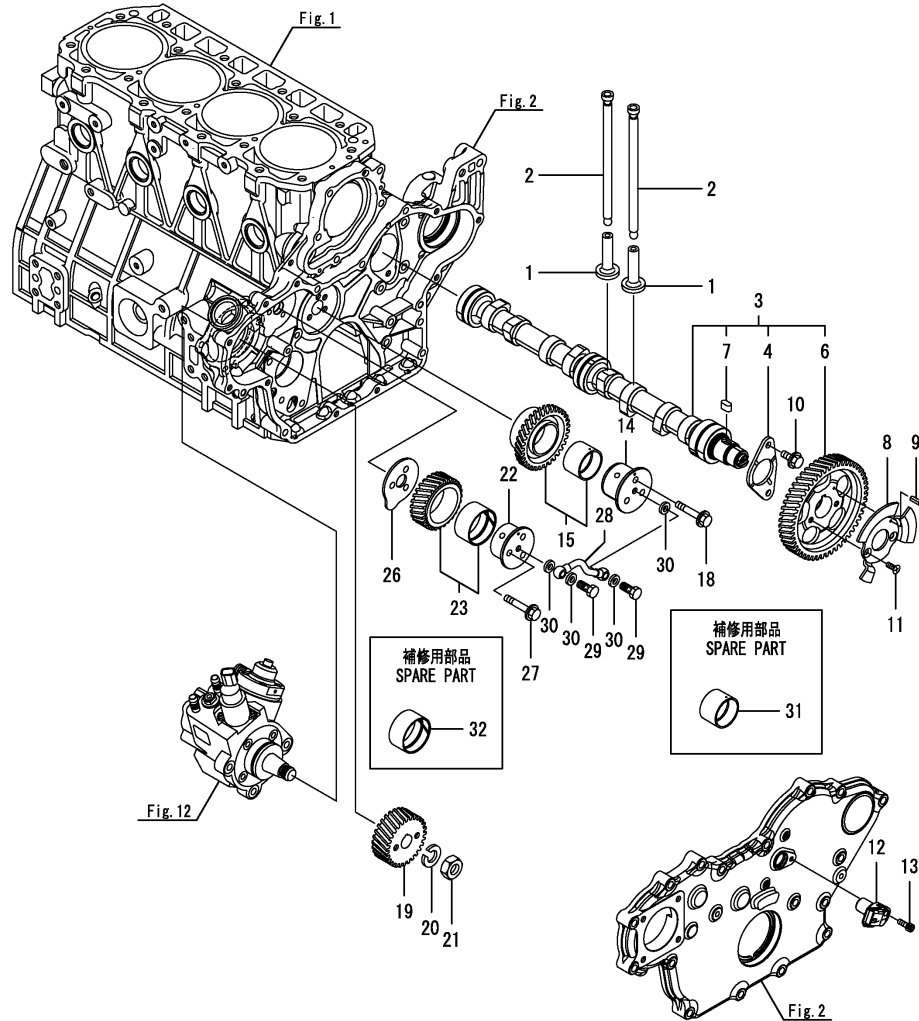
(B)=

(C)=

(D)=

(E)=

(F)=



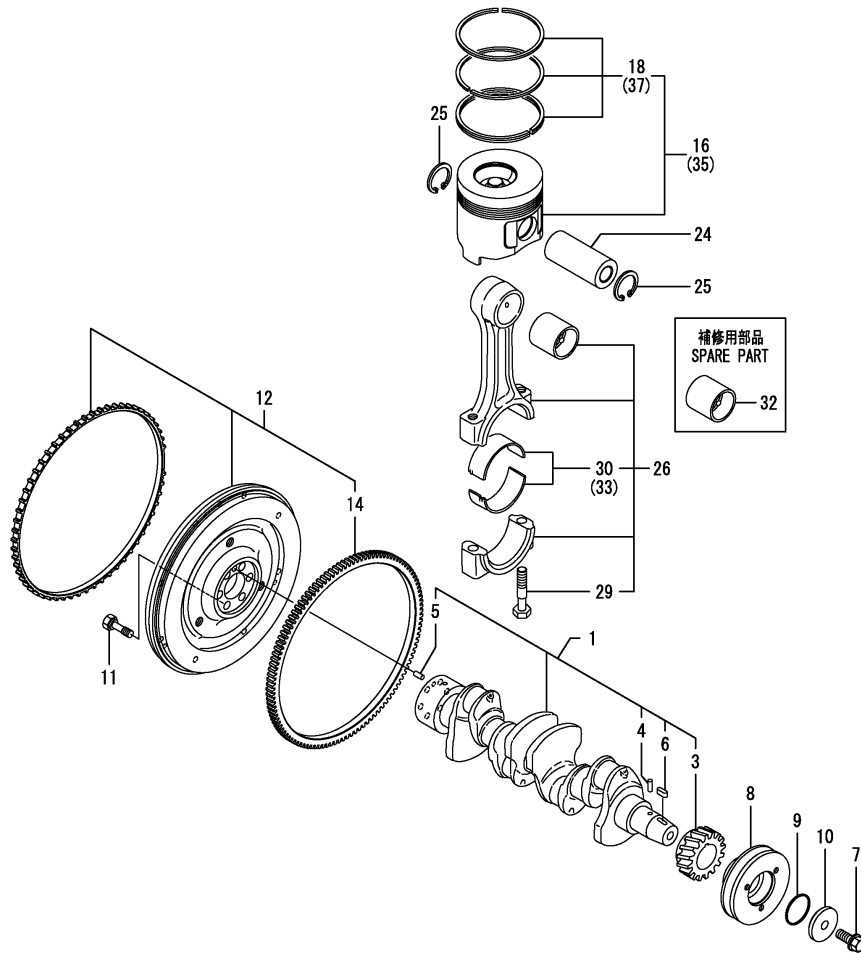
No.	Lev.	Parts No.	Description	Q'ty						I	R
				(A)	(B)	(C)	(D)	(E)	(F)		
1	1	129150-14200	TAPPET	8							
2	1	129900-14400	ROD, PUSH	8							
3	1	129E00-14581	SHAFT ASSY, CAM	1							
4	2	129150-02450	BEARING, THRUST	1							
6	2	129E00-14101	GEAR, CAMSHAFT	1							
7	2	22512-070140	KEY, 7X 14	1							
8	1	129E00-14700	PULSER, CAM GEAR	1							
9	1	22351-030010	PIN, SPRING 3.0X10	1							
10	1	26106-080162	BOLT, M8X 16 PLATED	2							
11	1	26577-060122	SCREW, M6X12	2							
12	1	129A00-14710	SENSOR, GEAR REV	1							
13	1	26450-060162	BOLT, M6X 16	1							
14	1	129E00-25050	SHAFT, IDLE GEAR A	1							
15	1	129900-25110	GEAR ASSY, IDLE	1							
18	1	26106-080502	BOLT, M8X 50 PLATED	3							
19	1	129E00-25902	GEAR, SUPPLY PUMP	1							
20	1	22217-180000	WASHER, SPRING 18	1							
21	1	26776-180002	NUT, LOCK M18	1							
22	1	129E00-25060	SHAFT, IDLE GEAR B	1							
23	1	129E00-25121	GEAR ASSY, IDLE B	1							
26	1	129E00-25200	PLATE, IDLE SHAFT B	1							
27	1	26106-080452	BOLT, M8X 45 PLATED	3							
28	1	129E00-25400	PIPE ASSY, LO	1							
29	1	105010-39140	BOLT, PIPE JOINT	2							
30	1	22190-080002	WASHER, SEAL 6	4							
31	1	129150-25920	BUSH, IDLE GEAR	1							1
32	1	129E00-25080	BUSH	1							1

Remarks
(1) Spare part.

Fig.9. CRANKSHAFT & PISTON

(A)=4TNV98C-NMSL
(B)=
(C)=

(D)=
(E)=
(F)=



No.	Lev.	Parts No.	Description	Q'ty						I	R
				(A)	(B)	(C)	(D)	(E)	(F)		
1	1	129902-21050	CRANKSHAFT ASSY	1							
3	2	129900-21220	GEAR, CRANKSHAFT	1							
4	2	121850-21290	PIN	1							
5	2	121850-21920	PIN, M10X22	1							
6	2	22512-070140	KEY, 7X 14	1							
7	1	129916-21610	BOLT	1							
8	1	129944-21650	V-PULLEY	1							
9	1	129960-21930	PACKING, WASHER	1							
10	1	129960-21940	WASHER, V-PULLEY	1							
11	1	121850-21130	BOLT, FLYWHEEL	6							
12	1	129E22-21580	FLYWHEEL ASSY	1							
14	2	129900-21600	GEAR, RING	1							
16	1	129E00-22080	PISTON ASSY	4							
18	2	129E00-22050	RING ASSY	4							
24	1	120130-22301	PIN, PISTON	4							
25	1	22252-000300	RING, 30	8							
26	1	129900-23001	ROD ASSY, CONNECTING	4							
29	2	129900-23200	BOLT, CONNECTING ROD	8							
30	2	129900-23601	BEARING, CRANK PIN	4							
32	1	129900-23911	BEARING, PISTON PIN	4							1
33	1	129900-23611	BEARING, 0.25 US	4							2
35	1	129E00-22900	PISTON ASSY, 0.25 OS	4							3
37	2	129E00-22950	RING ASSY, 0.25OS	4							3

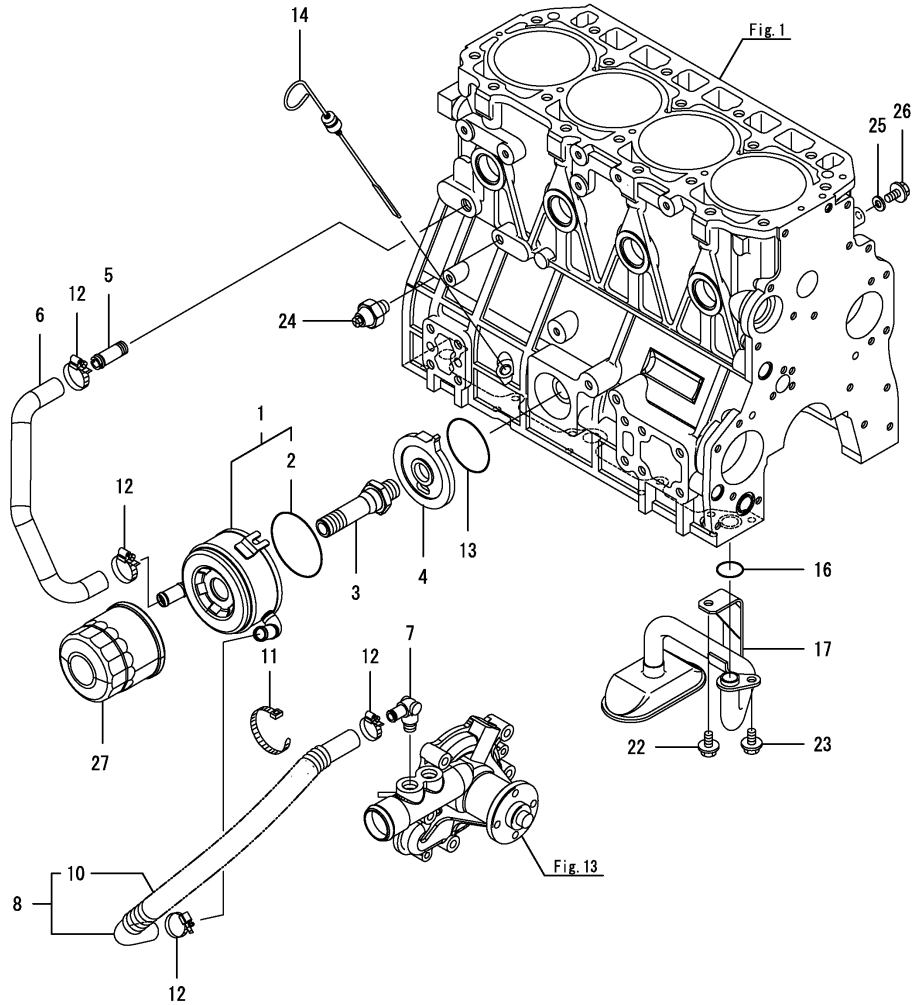
Remarks

- (1) Spare part.
- (2) Under-sized(U.S.=0.25)part.
- (3) Over-sized(O.S.=0.25)part.

Fig.10. LUB. OIL SYSTEM

(A)=4TNV98C-NMSL
(B)=
(C)=

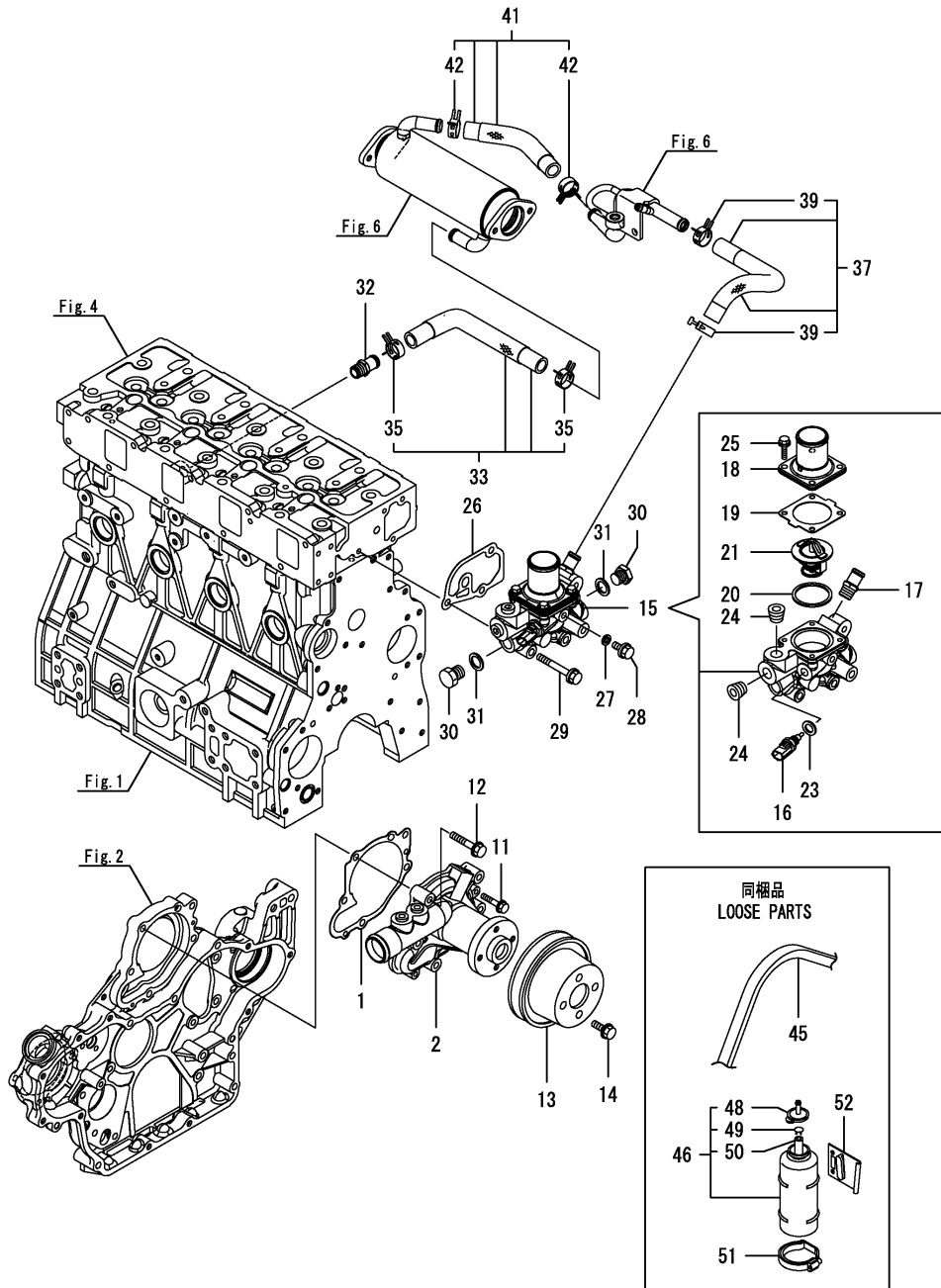
(D)=
(E)=
(F)=



No.	Lev.	Parts No.	Description	Q'ty						I	R
				(A)	(B)	(C)	(D)	(E)	(F)		
1	1	129908-33010	COOLER ASSY, OIL	1							
2	2	123912-33050	O-RING	1							
3	1	123912-33100	BOLT, COOLER	1							
4	1	129908-33101	BRACKET, COOLER	1							
5	1	129122-44480	JOINT	1							
6	1	129908-49060	PIPE, WATER	1							
7	1	129466-49300	ELBOW, PT3/8	1							
8	1	123910-49600	PIPE, WATER	1							
10	2	123910-49610	TUBE, CORRUGATED	1							
11	1	121750-59890	BAND, 140	1							
12	1	23000-025000	CLAMP, 25	4							
13	1	24321-000600	O-RING, 1AG60.0	1							
14	1	129939-34800	DIPSTICK, OIL	1							
16	1	129900-32030	O-RING, P20	1							
17	1	129953-35000	PIPE ASSY, OIL INLET	1							
22	1	26106-080122	BOLT, M8X 12 PLATED	1							
23	1	26106-080162	BOLT, M8X 16 PLATED	1							
24	1	121252-39450	SWITCH, 0.5KG	1							
25	1	22190-080002	WASHER, SEAL 6	1							
26	1	26106-080122	BOLT, M8X 12 PLATED	1							
27	1	129150-35153	FILTER	1							1

Remarks
(1) Spare part.

Fig.11. COOLING WATER SYSTEM



(A)=4TNV98C-NMSL
(B)=
(C)=

(D)=
(E)=
(F)=

No.	Lev.	Parts No.	Description	Q'ty						I	R
				(A)	(B)	(C)	(D)	(E)	(F)		
1	1	129900-42020	GASKET, WATER PUMP	1							
2	1	129932-42100	PUMP ASSY, CW LOW	1							
11	1	26106-060302	BOLT, M6X 30 PLATED	2							
12	1	26106-080552	BOLT, M8X 55 PLATED	5							
13	1	123957-42450	V-PULLEY	1							
14	1	26106-100182	BOLT, M10X 18 PLATED	4							
15	1	129E00-49810	CASE ASSY, THERMOSTAT	1							
16	2	129927-44900	SENSOR	1							
17	2	129928-49420	JOINT	1							
18	2	129916-49530	COVER, THERMOSTAT	1							
19	2	121850-49540	GASKET, THERMOSTAT	1							
20	2	121850-49550	GASKET, THERMOSTAT	1							
21	2	121850-49801	THERMOSTAT	1							
23	2	22190-120002	WASHER, SEAL 12	1							
24	2	23875-030000	PLUG, R03	2							
25	2	26106-060202	BOLT, M6X 20 PLATED	4							
26	1	129900-49870	GASKET	1							
27	1	23414-080000	GASKET, 8X1.0	1							
28	1	26106-080122	BOLT, M8X 12 PLATED	1							
29	1	26106-080602	BOLT, M8X 60 PLATED	3							
30	1	121450-42450	PLUG, M16	2							
31	1	124465-44950	GASKET, 16	2							
32	1	129928-49420	JOINT	1							
33	1	129E00-49610	HOSE ASSY, EGR-C IN	1							
35	2	129960-03990	CLIP, HOSE 22	2							
37	1	129E23-49610	HOSE ASSY, EGRC OUT B	1							
39	2	129960-03990	CLIP, HOSE 22	2							
41	1	129E00-49620	HOSE ASSY, EGRC OUT A	1							
42	2	129960-03990	CLIP, HOSE 22	2							
45	1	129940-42240	V-BELT, B44	1							
46	1	124450-44510	TANK ASSY, SUB	1							
48	2	124450-44530	CAP	1							
49	2	124450-44560	RETAINER	1							
50	2	23061-070230	PIPE, 7X 230	1							
51	1	124450-44550	BAND	1							
52	1	121256-44600	BRACKET, SUB TANK	1							

Fig.12. FUEL SUPPLY PUMP

(A)=4TNV98C-NMSL
(B)=
(C)=

(D)=
(E)=
(F)=

No.	Lev.	Parts No.	Description	Q'ty						I	R
				(A)	(B)	(C)	(D)	(E)	(F)		
1	1	129A00-51000	PUMP ASSY, FUEL	1							
2	2	129A00-51100	VALVE ASSY, MPROP	1							
3	3	129A00-51110	RING, SEALING	1							
4	3	129A00-51120	O-RING, MPROP	1							
5	2	129A00-51130	BOLT, MPROP	2							
6	2	129A00-51200	SENSOR, TEMPERATURE	1							
7	2	129A00-51900	O-RING, FUEL PUMP	1							
8	1	26106-080302	BOLT, M8X 30 PLATED	3							

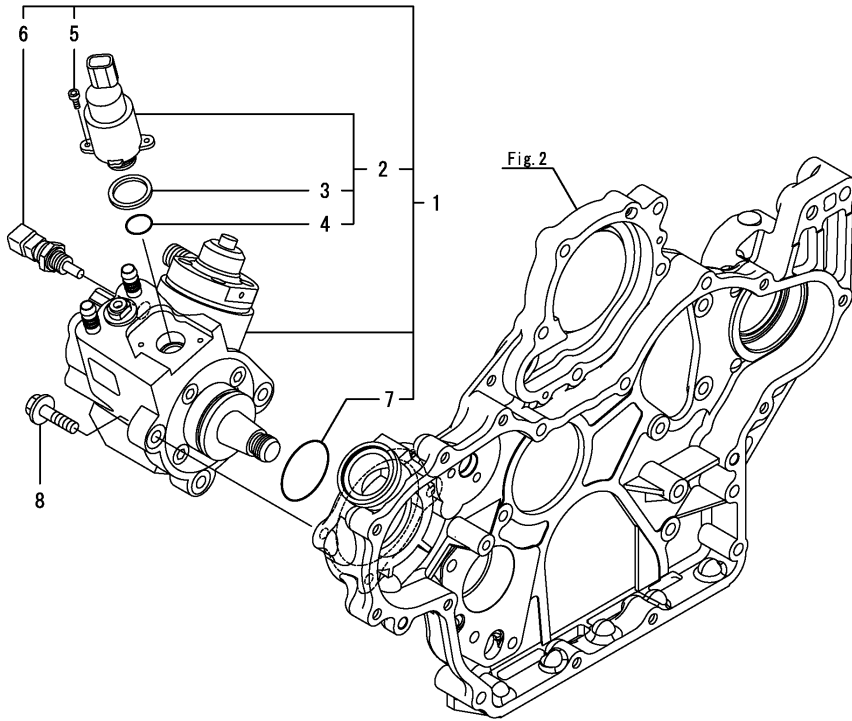
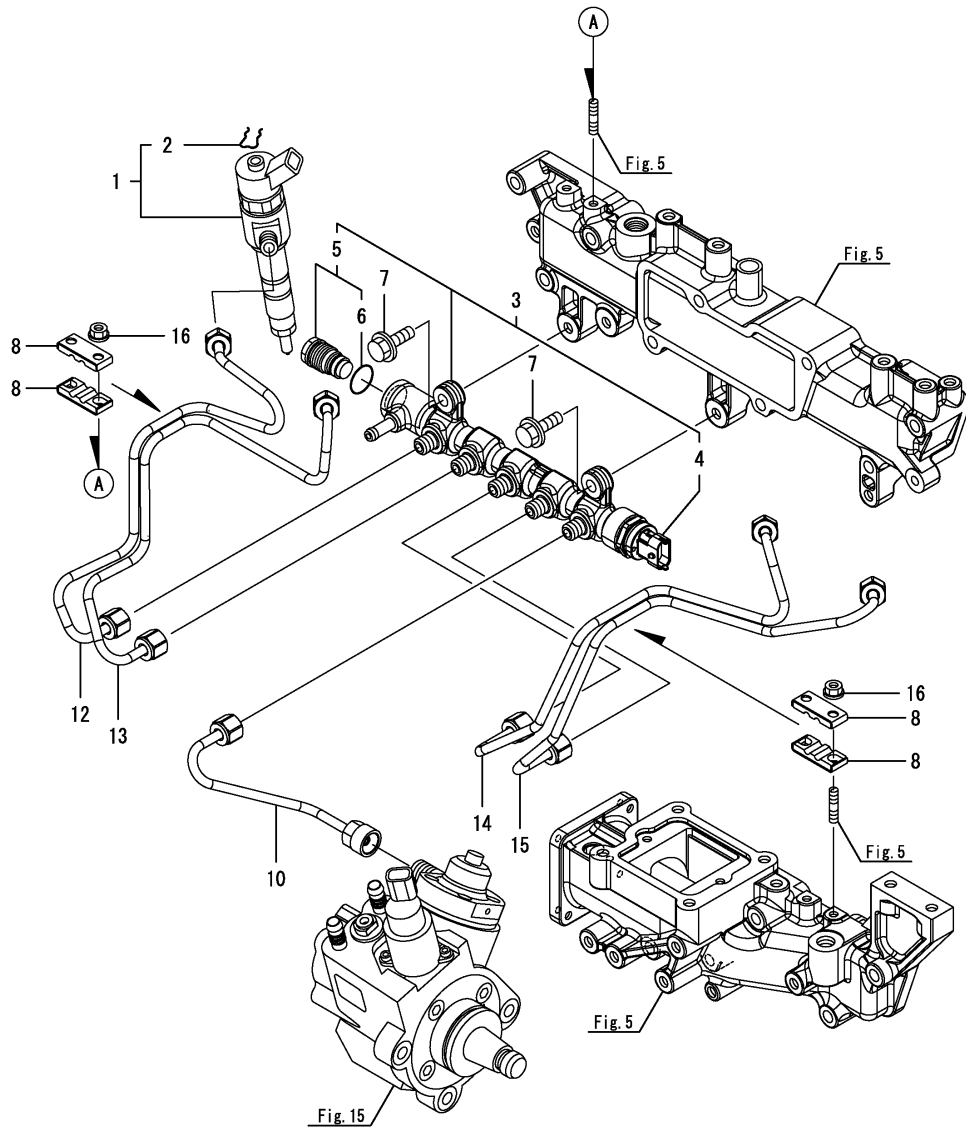


Fig.13. FUEL INJECTION VALVE

(A)=4TNV98C-NMSL
(B)=
(C)=

(D)=
(E)=
(F)=

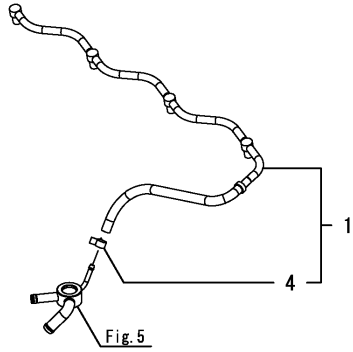


No.	Lev.	Parts No.	Description	Q'ty						I	R
				(A)	(B)	(C)	(D)	(E)	(F)		
1	1	129E00-53100	INJECTOR, CR	4							
2	2	129A00-53200	RING, RETAINING	4							
3	1	129C00-57000	RAIL ASSY	1							
4	2	129A00-57100	SENSOR, RAILPRESSURE	1							
5	2	129A00-57200	VALVE ASSY, PLV4	1							
6	3	129A00-57210	O-RING, PLV4	1							
7	1	26106-080252	BOLT, M8X 25 PLATED	2							
8	1	122780-59100	RETAINER	4							
10	1	129E00-59700	PIPE ASSY, RAIL IN	1							
12	1	129E00-59810	PIPE ASSY, INJ. NO1	1							
13	1	129E00-59820	PIPE ASSY, INJ. NO2	1							
14	1	129E00-59830	PIPE ASSY, INJ. NO3	1							
15	1	129E00-59840	PIPE ASSY, INJ. NO4	1							
16	1	26366-060002	NUT, M6	4							

Fig.14. FUEL LINE

(A)=4TNV98C-NMSL
(B)=
(C)=

(D)=
(E)=
(F)=



No.	Lev.	Parts No.	Description	Q'ty						I	R
				(A)	(B)	(C)	(D)	(E)	(F)		
1	1	129E00-59500	PIPE ASSY, FO RETURN	1							
4	2	23080-007000	CLAMP, 7	1							
5	1	129612-52100	PUMP ASSY, FUEL FEED	1							
6	1	129A00-55600	FILTE ASSY,FO	1							
7	2	129A00-55610	BRACKET ASSY,FO FILT	1							
8	2	129A00-55800	FILTER, FUEL OIL	1							
9	1	129E22-55700	FILTER ASSY, FUEL	1							
10	2	129E00-55710	BODY ASSY	1							
11	3	129A00-55750	PLUG,BREATHER	1							
12	3	129A00-55760	O-RING	1							
13	3	24311-000110	O-RING, 1AP11.0	1							
14	2	129A00-55720	CUP(CLEAR	1							
15	2	129A00-55730	ELEMENT	1							
16	2	129242-55740	PLUG, DRAIN	1							
17	2	129A00-55740	O-RING	1							
18	2	129A00-55770	FLOAT	1							

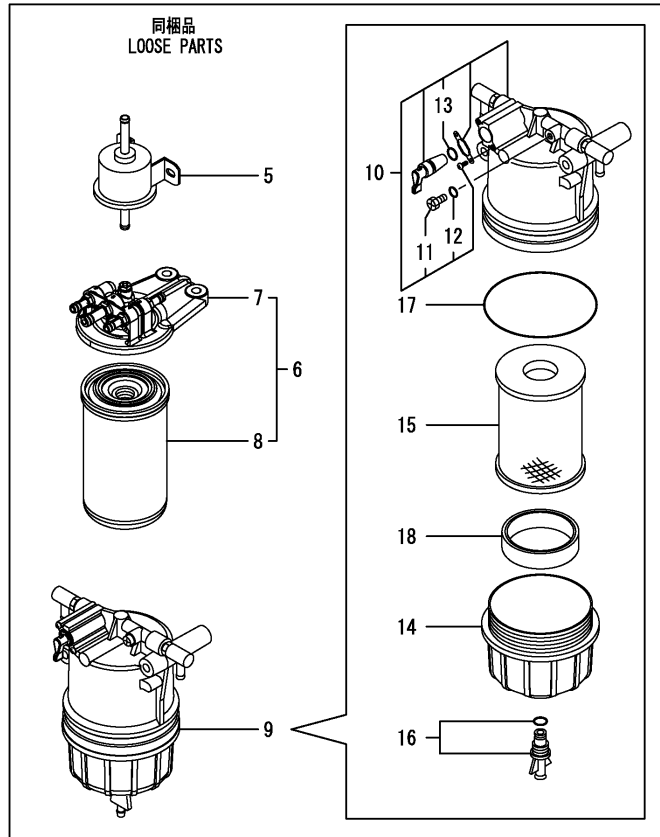
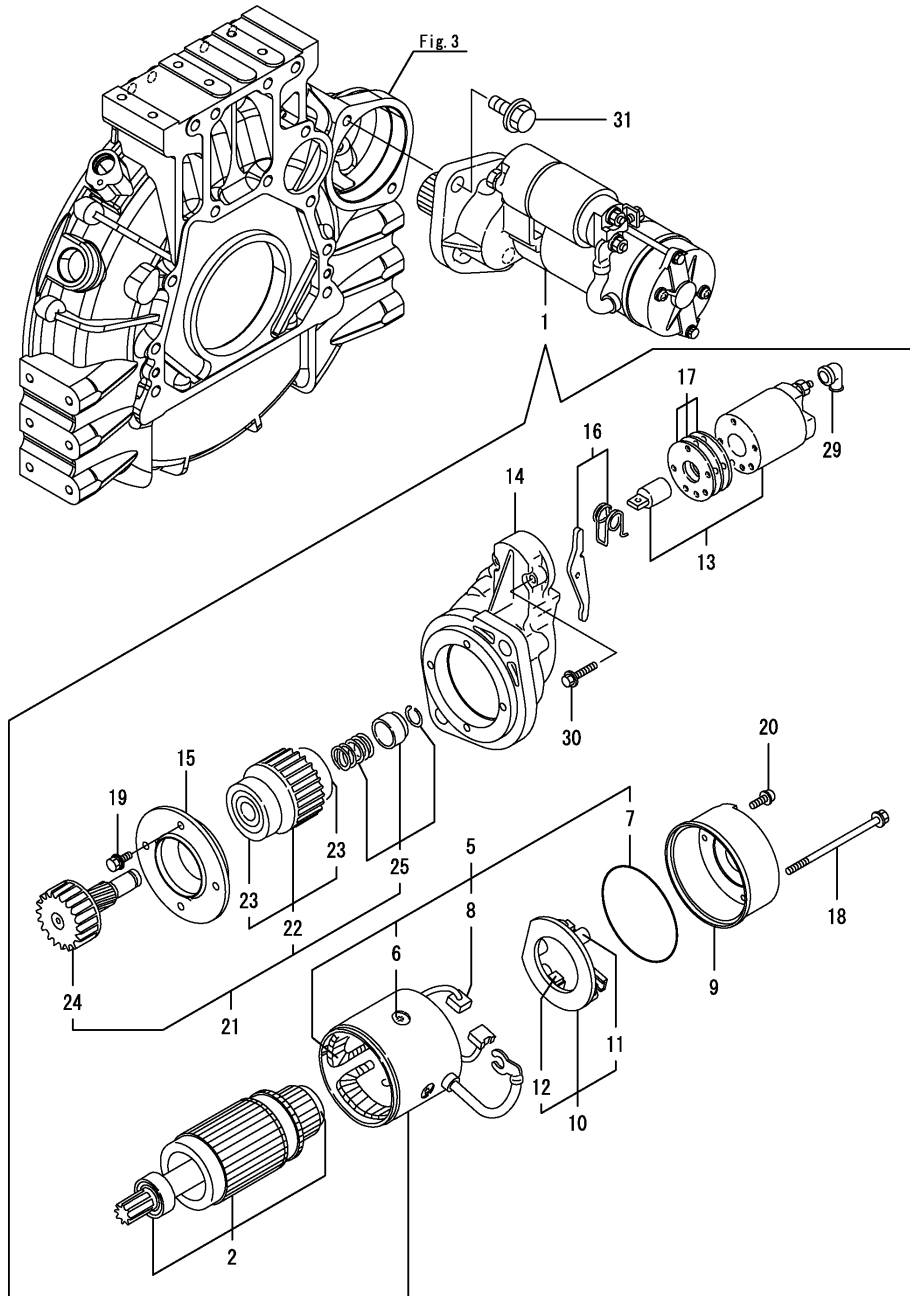


Fig.15. STARTING MOTOR

(A)=4TNV98C-NMSL
(B)=
(C)=

(D)=
(E)=
(F)=



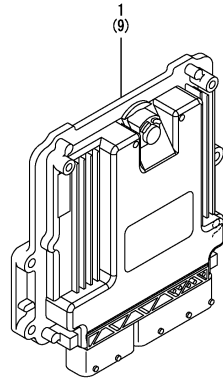
No.	Lev.	Parts No.	Description	Qty						I	R
				(A)	(B)	(C)	(D)	(E)	(F)		
1	1	129940-77011	STARTER	1							
2	2	129940-77100	ARMATURE ASSY	1							
5	2	129940-77130	COIL ASSY, FIELD	1							
6	3	129940-77140	SCREW	4							
7	3	129940-77150	O-RING	1							
8	3	129940-77160	BRUSH	2							
9	2	129940-77171	COVER	1							
10	2	129940-77181	HOLDER ASSY, BRUSH	1							
11	3	129940-77190	SPRING	1							
12	3	129940-77200	BRUSH	2							
13	2	129940-77210	SWITCH ASSY	1							
14	2	129940-77221	CASE, GEAR	1							
15	2	129940-77230	RETAINER	1							
16	2	129940-77240	LEVER SET	1							
17	2	129940-77250	COVER ASSY, DUST	1							
18	2	129940-77260	BOLT, THROUGH	2							
19	2	129940-77270	BOLT	4							
20	2	129940-77280	SCREW	2							
21	2	123900-77510	PINION ASSY	1							
22	3	123900-77520	CLUTCH ASSY	1							
23	4	X2240610100	BEARING, BALL	2							
24	3	123900-77540	SHAFT	1							
25	3	119131-77550	STOPPER KIT	1							
29	2	121254-77810	COVER, TERMINAL	1							
30	2	114371-79070	BOLT	2							
31	1	26106-120252	BOLT, M12X 25 PLATED	2							

Fig.16. ELECTRONIC CONTROL UNIT (ECU)

(A)=4TNV98C-NMSL
(B)=
(C)=

(D)=
(E)=
(F)=

No.	Lev.	Parts No.	Description	Q'ty						I	R
				(A)	(B)	(C)	(D)	(E)	(F)		
1	1	129E22-75120	ECU ASSY,4V98C-NMSL	1							1
9	1	129A00-75910	ECU ASSY,SERVICE YMR	1							2



Remarks

(1)Eco ECU
This part cannot be ordered.
Replace the part using a Service ECU with the proper engine information installed.
(2)Service ECU
If the proper information is not installed, the engine will not operate.
To install proper information, go to an authorized Distributor.

Fig.17. ELECTRIC PARTS

(A)=4TNV98C-NMSL

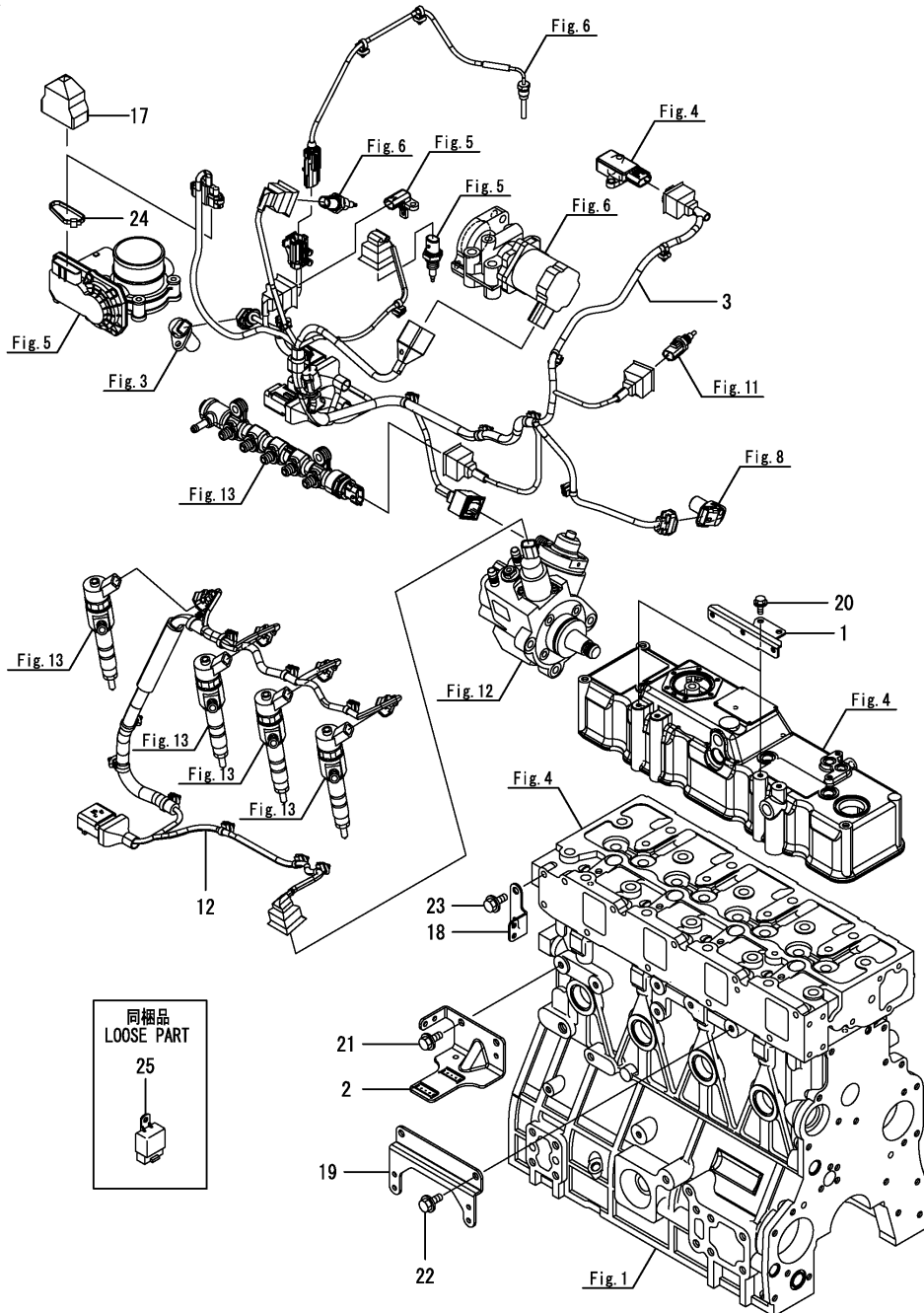
(B)=

(C)=

(D)=

(E)=

(F)=



No.	Lev.	Parts No.	Description	Q'ty						I	R
				(A)	(B)	(C)	(D)	(E)	(F)		
1	1	129E00-11390	BRACKET,HAENESS	2							
2	1	129E00-77910	BRACKET,CONNECTOR	1							
3	1	129E00-91220	HARNESS,B ECO ENGINE	1							
12	1	129E00-91230	HARNESS,C ECO ENGINE	1							
17	1	129A00-91451	BOOT,CAP TYPE	1							
18	1	129A00-91600	BRACKET, HARNESS	1							
19	1	129E00-91600	BRACKET, HARNESS	1							
20	1	26106-060122	BOLT, M6X 12 PLATED	4							
21	1	26106-080122	BOLT, M8X 12 PLATED	2							
22	1	26106-080122	BOLT, M8X 12 PLATED	2							
23	1	26106-080122	BOLT, M8X 12 PLATED	2							
24	1	29621-200000	BAND	1							
25	1	198461-52950	RELAY, CA TYPE C	1							

Fig.18. GASKET SET

(A)=4TNV98C-NMSL

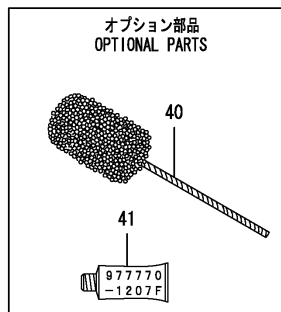
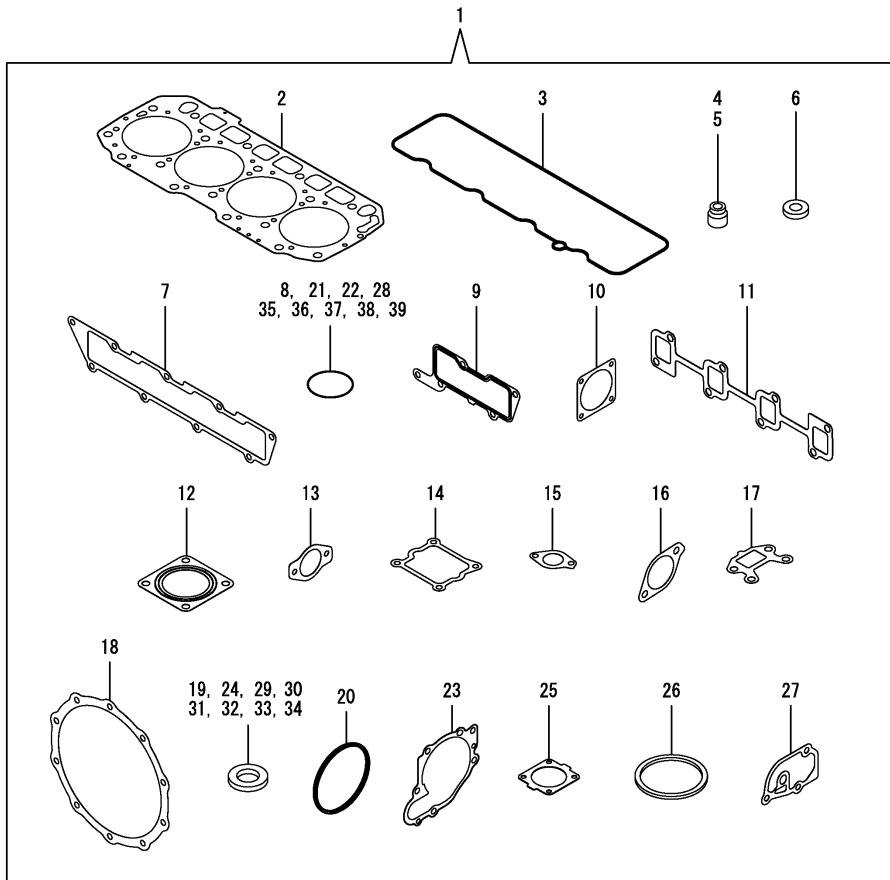
(B)=

(C)=

(D)=

(E)=

(F)=



No.	Lev.	Parts No.	Description	Q'ty						I	R
				(A)	(B)	(C)	(D)	(E)	(F)		
1	1	129E22-92610	PACKING	1							1
2	2	129E00-01330	GASKET, CYL. HEAD	1							
3	2	129E00-11310	PACKING, BONNET	1							
4	2	124460-11340	SEAL, VALVE STEM	4							
5	2	129A00-11340	SEAL, VALVE STEM	4							
6	2	129978-11871	GASKET, INJECTOR	4							
7	2	129E00-12110	GASKET, MANIFOLD	1							
8	2	129A00-12790	O-RING, TEMP SENSOR	1							
9	2	129E00-12810	GASKET, COLLECTOR	1							
10	2	129A00-12910	GASKET, THROTTLE	2							
11	2	129E00-13110	GASKET, MANIFOLD	1							
12	2	128300-13230	GASKET, SILENCER	3							
13	2	129E00-13410	GASKET, EGR COOLER	2							
14	2	129E00-13720	GASKET, EGR-V SPACER	1							
15	2	129927-13810	GASKET	1							
16	2	129E00-13910	GASKET, EGR-V IN	1							
17	2	129E00-13920	GASKET, EGR-V OUT	1							
18	2	129E00-16600	GASKET, DPF	2							
19	2	129A00-17311	GASKET, SENSOR	4							
20	2	129960-21930	PACKING, WASHER	1							
21	2	129900-32030	O-RING, P20	2							
22	2	129900-32040	O-RING, P14	1							
23	2	129900-42020	GASKET, WATER PUMP	1							
24	2	124465-44950	GASKET, 16	2							
25	2	121850-49540	GASKET, THERMOSTAT	1							
26	2	121850-49550	GASKET, THERMOSTAT	1							
27	2	129900-49870	GASKET	1							
28	2	129A00-51900	O-RING, FUEL PUMP	1							
29	2	22190-080002	WASHER, SEAL 6	5							
30	2	22190-120002	WASHER, SEAL 12	1							
31	2	22190-140002	WASHER, SEAL 14	2							
32	2	22190-220002	WASHER, SEAL 22	1							
33	2	23414-080000	GASKET, 8X1.0	1							
34	2	23414-120000	GASKET, 12X1.0	2							
35	2	24311-000070	O-RING, 1AP7.0	1							
36	2	24311-000120	O-RING, 1AP12.0	3							
37	2	24311-000300	O-RING, 1AP30.0	1							
38	2	24311-000320	O-RING, 1AP32.0	2							
39	2	24321-000600	O-RING, 1AG60.0	1							
40	1	129400-92450	HONE	1							1
41	1	977770-1207F	GASKET, LIQUID	1							1

Remarks

(1) Optional parts.

N:Old $\xrightarrow{\text{Yes}}$ New, Q:Old $\xrightarrow{\text{No}}$ New, R:Old $\xrightarrow{\text{Yes}}$ New, S:Old $\xrightarrow{\text{No}}$ New, W:Add, Z:Discontinued, F:Interchangeable by set, K:Q'ty Change

Parts No. Index

Parts No.	Fig. No.	Ref. No.
105010-39140	8	29
114371-79070	15	30
119131-77550	15	25
119225-11740	2	31
119225-11750	2	32
119620-01750	3	3
119640-61400	4	60
119660-01570	5	12
119802-13600	7	47
119803-77830	4	70
120130-22301	9	24
120270-54410	4	19
121252-39450	10	24
121254-77810	15	29
121256-44600	11	52
121450-42450	11	30
121750-59890	10	11
121850-21130	9	11
121850-21290	9	4
121850-21920	9	5
121850-49540	11	19
	18	25
121850-49550	11	20
	18	26
121850-49801	11	21
122780-59100	13	8
123900-13130	6	23
123900-77510	15	21
123900-77520	15	22
123900-77540	15	24
123907-03100	4	50
123907-03110	4	51
123907-03120	4	52
123907-03140	4	53
123910-49600	10	8
123910-49610	10	10
123912-33050	10	2
123912-33100	10	3
123957-42450	11	13
124160-01751	2	19
	4	41
124160-11360	4	64
124240-01871	2	26
124450-44510	11	46
124450-44530	11	48
124450-44550	11	51
124450-44560	11	49
124460-11340	4	13
	18	4
124465-44950	11	31

Parts No.	Fig. No.	Ref. No.
124465-44950	18	24
128300-13230	6	24
	7	1
		49
	18	12
129001-11340	4	57
129005-03080	5	1
129008-77800	4	71
129100-01580	2	2
	3	1
129122-44480	10	5
129150-02450	8	4
129150-11230	4	29
		33
129150-11370	4	1
129150-11750	4	31
		35
129150-11810	4	73
129150-14200	8	1
129150-25920	8	31
129150-35153	10	27
129242-55740	14	16
129400-92450	18	40
129410-03990	5	2
129418-18320	6	21
129466-49300	10	7
129612-52100	14	5
129695-77380	7	39
129795-11180	4	12
129900-01200	1	27
129900-01250	1	4
129900-02020	1	6
129900-02341	1	32
129900-02410	1	9
129900-02931	1	24
129900-02941	1	35
129900-11100	4	9
129900-11110	4	10
129900-11120	4	11
129900-11200	4	21
129900-11240	4	22
129900-11280	4	25
129900-11510	4	26
129900-11520	4	27
129900-11530	4	38
129900-11650	4	28
129900-11660	4	32
129900-14400	8	2
129900-21220	9	3
129900-21600	9	14

Parts No.	Fig. No.	Ref. No.
129900-23001	9	26
129900-23200	9	29
129900-23601	9	30
129900-23611	9	33
129900-23911	9	32
129900-25110	8	15
129900-32001	2	3
129900-32030	2	14
	10	16
	18	21
129900-32040	2	15
	18	22
129900-42020	11	1
	18	23
129900-49870	11	26
	18	27
129902-21050	9	1
129907-03061	4	46
129907-03070	4	49
129908-33010	10	1
129908-33101	10	4
129908-49060	10	6
129916-01790	3	6
129916-01800	2	23
129916-21610	9	7
129916-49530	11	18
129927-13810	6	29
	18	15
129927-44900	11	16
129928-49420	11	17
		32
129932-42100	11	2
129939-34800	10	14
129940-42240	11	45
129940-77011	15	1
129940-77100	15	2
129940-77130	15	5
129940-77140	15	6
129940-77150	15	7
129940-77160	15	8
129940-77171	15	9
129940-77181	15	10
129940-77190	15	11
129940-77200	15	12
129940-77210	15	13
129940-77221	15	14
129940-77230	15	15
129940-77240	15	16
129940-77250	15	17
129940-77260	15	18

Parts No.	Fig. No.	Ref. No.
129940-77270	15	19
129940-77280	15	20
129944-21650	9	8
129953-35000	10	17
129960-03990	11	35
		39
		42
129960-21930	9	9
	18	20
129960-21940	9	10
129973-07910	4	68
129978-03030	4	45
129978-11871	4	17
	18	6
129A00-11330	4	56
129A00-11340	4	14
	18	5
129A00-12703	4	58
129A00-12711	5	13
129A00-12720	5	7
129A00-12780	4	59
129A00-12790	5	14
	18	8
129A00-12820	5	28
129A00-12900	5	29
129A00-12910	5	30
	18	10
129A00-13350	6	9
	7	22
129A00-13380	6	12
129A00-13620	6	3
129A00-13751	6	27
129A00-14710	8	12
129A00-16610	7	13
129A00-17311	7	24
	18	19
129A00-17520	7	28
129A00-17570	7	31
129A00-17650	7	29
129A00-17702	7	32
129A00-21710	3	12
129A00-51000	12	1
129A00-51100	12	2
129A00-51110	12	3
129A00-51120	12	4
129A00-51130	12	5
129A00-51200	12	6
129A00-51900	12	7
	18	28
129A00-53200	13	2

Parts No. Index

Parts No.	Fig. No.	Ref. No.
129A00-55600	14	6
129A00-55610	14	7
129A00-55720	14	14
129A00-55730	14	15
129A00-55740	14	17
129A00-55750	14	11
129A00-55760	14	12
129A00-55770	14	18
129A00-55800	14	8
129A00-57100	13	4
129A00-57200	13	5
129A00-57210	13	6
129A00-59110	5	18
129A00-75910	16	9
129A00-91200	6	6
	7	36
129A00-91430	7	38
129A00-91451	17	17
129A00-91600	17	18
129A01-13710	6	4
129C00-13940	7	4
129C00-13950	7	5
129C00-57000	13	3
129C00-91200	7	37
129C01-13600	6	17
129C01-16680	7	14
129C01-16700	7	15
129C01-16740	7	17
129C01-16750	7	18
129E00-01330	1	28
	18	2
129E00-01570	1	1
129E00-01580	2	21
129E00-01600	3	2
129E00-01850	2	24
129E00-03010	4	43
129E00-03020	4	44
129E00-11310	4	55
	18	3
129E00-11350	4	42
129E00-11390	17	1
129E00-11710	4	2
129E00-11900	4	18
129E00-12101	5	5
129E00-12110	5	3
	18	7
129E00-12151	5	4
129E00-12800	5	15
129E00-12810	5	10
	18	9

Parts No.	Fig. No.	Ref. No.
129E00-12850	5	11
129E00-13101	6	1
129E00-13110	6	2
	18	11
129E00-13300	6	8
129E00-13360	6	10
129E00-13400	6	15
129E00-13410	6	16
	18	13
129E00-13610	6	18
129E00-13710	5	16
129E00-13720	5	17
	18	14
129E00-13770	6	5
129E00-13800	6	28
129E00-13851	6	19
129E00-13861	6	20
129E00-13901	6	32
129E00-13910	6	33
	18	16
129E00-13920	6	34
	18	17
129E00-14101	8	6
129E00-14581	8	3
129E00-14700	8	8
129E00-16600	7	12
	18	18
129E00-16720	7	16
129E00-22050	9	18
129E00-22080	9	16
129E00-22900	9	35
129E00-22950	9	37
129E00-25050	8	14
129E00-25060	8	22
129E00-25080	8	32
129E00-25121	8	23
129E00-25200	8	26
129E00-25400	8	28
129E00-25902	8	19
129E00-49610	11	33
129E00-49620	11	41
129E00-49810	11	15
129E00-53100	13	1
129E00-55710	14	10
129E00-59120	5	19
129E00-59500	14	1
129E00-59700	13	10
129E00-59810	13	12
129E00-59820	13	13
129E00-59830	13	14

Parts No.	Fig. No.	Ref. No.
129E00-59840	13	15
129E00-77820	4	72
129E00-77910	17	2
129E00-91220	17	3
129E00-91230	17	12
129E00-91600	17	19
129E20-01500	2	1
129E20-17700	7	33
129E22-01650	3	8
129E22-01710	3	7
129E22-16000	7	6
129E22-16820	7	45
129E22-17200	7	21
129E22-17300	7	23
129E22-17310	7	25
129E22-17400	7	26
129E22-21580	9	12
129E22-55700	14	9
129E22-75120	16	1
129E22-92610	18	1
129E23-07900	4	67
129E23-13310	6	25
129E23-16200	7	7
129E23-16400	7	9
129E23-16550	7	11
129E23-16811	7	48
129E23-16850	7	2
129E23-49610	11	37
171051-01921	1	5
198461-52950	17	25
22137-120000	7	40
22190-080002	8	30
	10	25
	18	29
22190-120002	11	23
	18	30
22190-140002	5	20
	18	31
22190-220002	3	10
	18	32
22217-180000	8	20
22242-000180	4	36
22252-000300	9	25
22351-030010	8	9
22351-060012	1	11
22512-070140	8	7
	9	6
22857-500100	4	61
		62
23000-025000	10	12

Parts No.	Fig. No.	Ref. No.
23061-070230	11	50
23080-007000	14	4
23414-080000	11	27
	18	33
23414-120000	6	13
	18	34
23875-030000	11	24
23876-005000	4	7
23876-030000	1	12
		13
		14
24311-000070	2	16
	18	35
24311-000110	14	13
24311-000120	4	65
	18	36
24311-000300	2	33
	18	37
24311-000320	2	20
	4	66
	18	38
24321-000600	10	13
	18	39
26106-060122	17	20
26106-060162	7	34
26106-060202	5	31
	11	25
26106-060302	11	11
26106-060402	5	32
26106-060902	5	33
26106-080122	3	11
	10	22
		26
	11	28
	17	21
		22
		23
26106-080142	7	19
26106-080162	2	17
		27
		28
	6	14
	8	10
	10	23
26106-080202	4	69
	6	22
	7	46
26106-080252	7	35
	13	7
26106-080302	12	8

Parts No. Index

Parts No.	Fig. No.	Ref. No.
26106-080352	4	20
	5	21
26106-080402	2	29
26106-080452	2	18
	5	8
	8	27
26106-080502	8	18
26106-080552	5	9
	11	12
26106-080602	11	29
26106-080702	2	30
26106-080752	5	24
26106-080902	5	25
26106-100182	11	14
26106-100252	6	30
26106-100402	7	41
26106-100602	6	35
26106-100652	4	39
26106-120252	15	31
26206-100352	3	4
26206-100952	3	5
26216-060202	5	6
		22
26216-081002	5	26
26306-080002	5	27
	6	31
	7	20
26306-100002	4	40
	6	7
		26
	7	42
		43
26366-060002	13	16
26450-060162	3	13
	4	63
	8	13
26557-050082	4	47
26577-040162	4	37
26577-060122	8	11
26587-050102	4	48
26716-060002	5	23
26716-120002	7	44
26776-180002	8	21
27241-300000	1	10
27241-400000	4	8
27310-080001	4	15
29621-200000	17	24
729900-02801	1	29
977770-1207F	18	41
X2240610100	15	23

Parts No.	Fig. No.	Ref. No.
-----------	----------	----------

Parts No.	Fig. No.	Ref. No.
-----------	----------	----------

Parts No.	Fig. No.	Ref. No.
-----------	----------	----------