

0CW10-M84200EN

# P R E F A C E

1. This parts catalog is the 1st edition of 4TNV98C-NGT for Manitou Americans Inc.

Pub. No. : 0CW10-G84200

Published : April, 2013

2. Model name

Engine model	Vehicle	Vehicle made by
4TNV98C-NGT	Crawler truck loader	Manitou Americans Inc

# Contents

0CW10-M84200

Fig. No. Fig. Name

Fig. No. Fig. Name

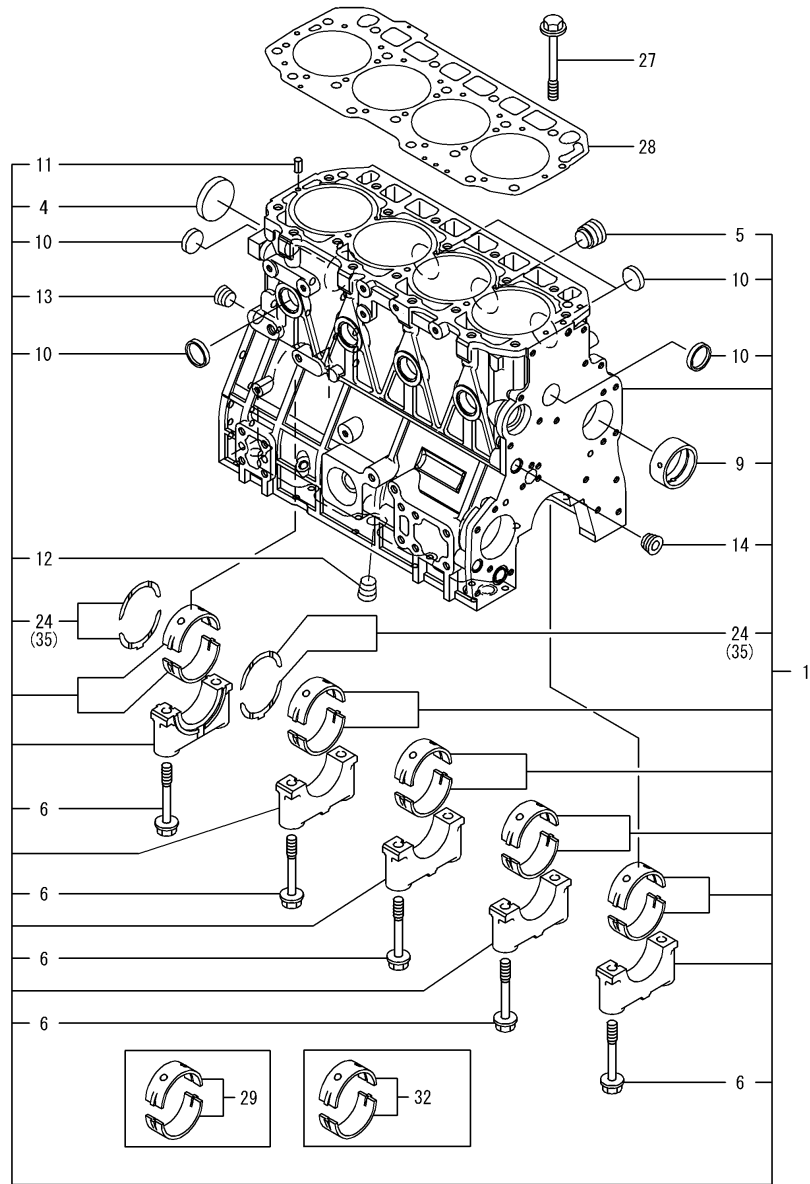
## 4TNV98C-NGT

1. CYLINDER BLOCK
2. GEAR HOUSING
3. FLYWHEEL HOUSING & OIL SUMP
4. CYLINDER HEAD & BONNET
5. SUCTION MANIFOLD
6. EXHAUST MANIFOLD
7. DPF
8. CAMSHAFT & DRIVING GEAR
9. CRANKSHAFT & PISTON
10. LUB. OIL SYSTEM
11. COOLING WATER SYSTEM
12. FUEL SUPPLY PUMP
13. FUEL INJECTION VALVE
14. FUEL LINE
15. STARTING MOTOR
16. ECU
17. ELECTRIC PARTS
18. GASKET SET

Fig.1. CYLINDER BLOCK

(A)=4TNV98C-NGT  
(B)=  
(C)=

(D)=  
(E)=  
(F)=



No.	Lev.	Parts No.	Description	Q'ty						I	R
				(A)	(B)	(C)	(D)	(E)	(F)		
1	1	129E00-01570	BLOCK ASSY, CYLINDER	1							
4	2	129900-01250	PLUG, 55	1							
5	2	171051-01921	PLUG, NPTF1	1							
6	2	129900-02020	BOLT, METAL CAP	10							
9	2	129900-02410	BUSH, CAMSHAFT	1							
10	2	27241-300000	PLUG 30	8							
11	2	22351-060012	PIN, SPRING 6.0X12	2							
12	2	23876-030000	PLUG, R03	1							
13	2	23876-030000	PLUG, R03	1							
14	2	23876-030000	PLUG, R03	1							
24	2	129900-02931	BEARING, THRUST	2							
27	1	129900-01200	BOLT, HEAD	18							
28	1	129E00-01330	GASKET, CYL. HEAD	1							
29	1	729900-02801	BEARING, MAIN	5							1
32	1	129900-02341	BEARING, 0.25 US	5							2
35	1	129900-02941	BEARING, THRUST 0.25	2							3

Remarks

- (1) Spare parts.
- (2) Under-sized (U.S.=0.25) parts.
- (3) Over-sized (O.S.=0.25) parts.

Fig.2. GEAR HOUSING

(A)=4TNV98C-NGT

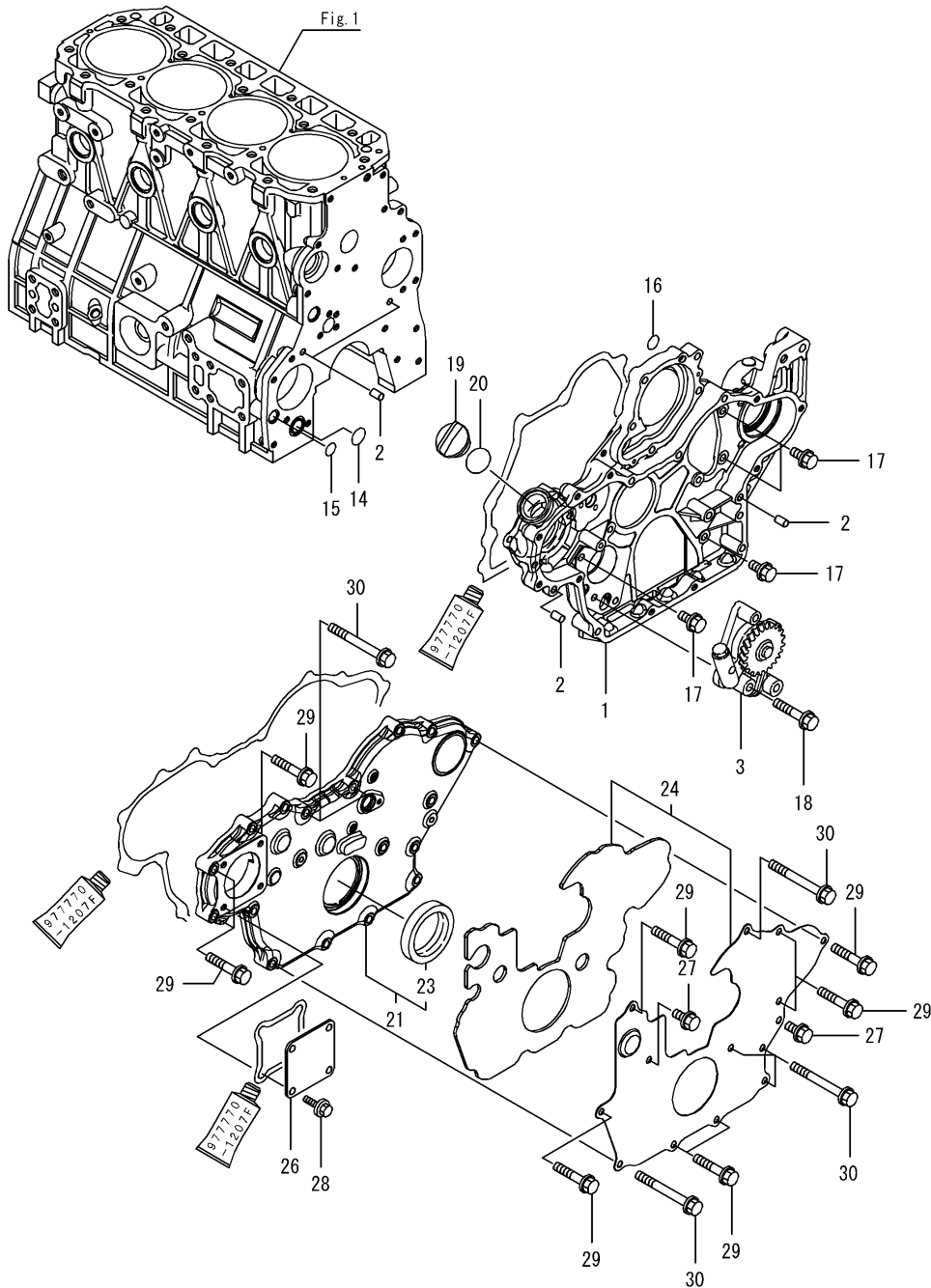
(B)=

(C)=

(D)=

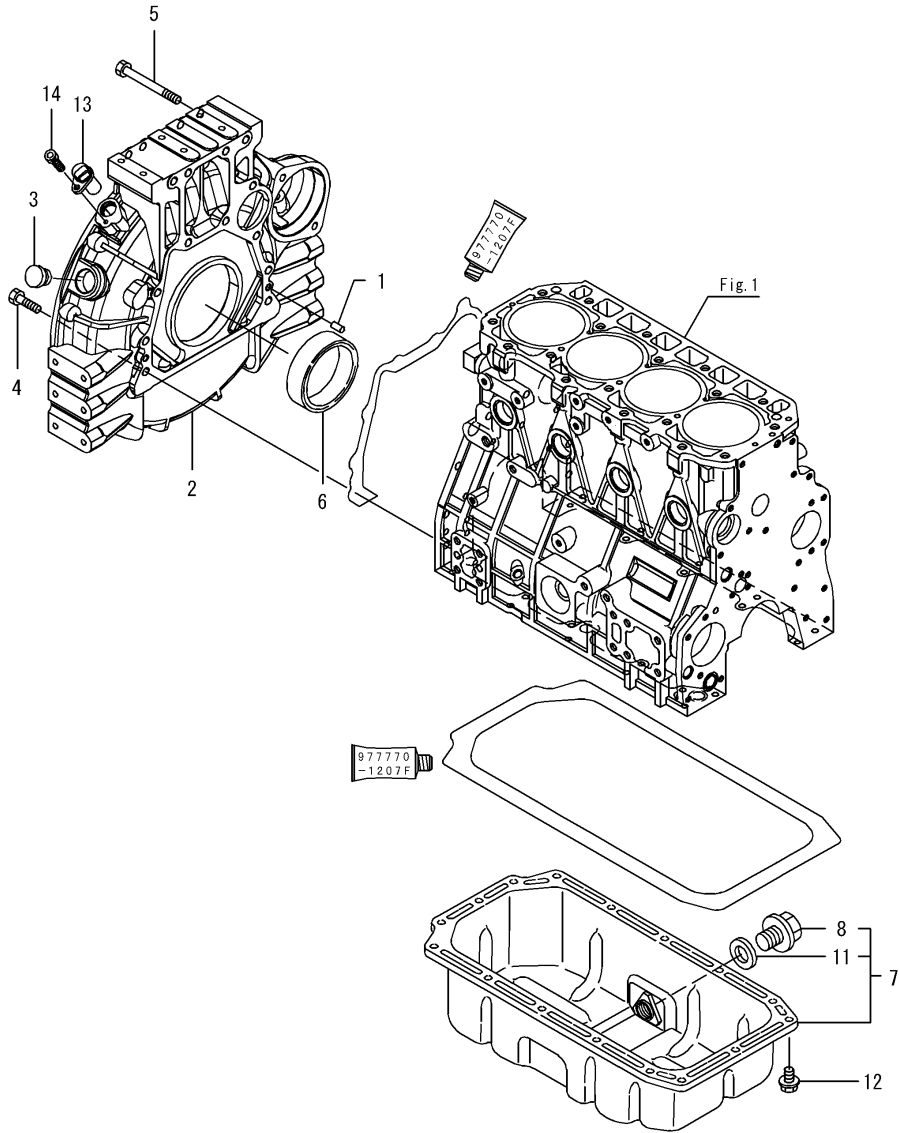
(E)=

(F)=



No.	Lev.	Parts No.	Description	Qty						I	R
				(A)	(B)	(C)	(D)	(E)	(F)		
1	1	129E00-01500	CASE, GEAR	1							
2	1	129100-01580	PIN, M8X16	4							
3	1	129900-32001	PUMP ASSY, OIL	1							
14	1	129900-32030	O-RING, P20	1							
15	1	129900-32040	O-RING, P14	1							
16	1	24311-000070	O-RING, 1AP7.0	1							
17	1	26106-080162	BOLT, M8X 16 PLATED	4							
18	1	26106-080452	BOLT, M8X 45 PLATED	3							
19	1	124160-01751	COVER, FILLER	1							
20	1	24311-000320	O-RING, 1AP32.0	1							
21	1	129E00-01580	COVER ASSY, GEARCASE	1							
23	2	129916-01800	SEAL, OIL	1							
24	1	129E00-01850	COVER ASSY,GEARCASE	1							
26	1	124240-01871	COVER	1							
27	1	26106-080162	BOLT, M8X 16 PLATED	2							
28	1	26106-080162	BOLT, M8X 16 PLATED	4							
29	1	26106-080402	BOLT, M8X 40 PLATED	10							
30	1	26106-080702	BOLT, M8X 70 PLATED	7							

Fig.3. FLYWHEEL HOUSING & OIL SUMP



(A)=4TNV98C-NGT  
(B)=  
(C)=

(D)=  
(E)=  
(F)=

No.	Lev.	Parts No.	Description	Q'ty						I	R
				(A)	(B)	(C)	(D)	(E)	(F)		
1	1	129100-01580	PIN, M8X16	2							
2	1	129E00-01600	HOUSING, FLYWHEEL	1							
3	1	119620-01750	CAP	1							
4	1	26206-100352	BOLT, M10X 35 PLATED	9							
5	1	26206-100952	BOLT, M10X 95 PLATED	4							
6	1	129916-01790	SEAL, D115/95XT11	1							
7	1	129900-01710	SUMP ASSY, OIL	1							
8	2	119640-01640	PLUG, DRAIN M22	1							
11	2	22190-220002	WASHER, SEAL 22	1							
12	1	26106-080122	BOLT, M8X 12 PLATED	16							
13	1	129A00-21710	SENSOR, FLYWHEEL REV	1							
14	1	26450-060162	BOLT, M6X 16	1							

Fig.4. CYLINDER HEAD & BONNET

(A)=4TNV98C-NGT

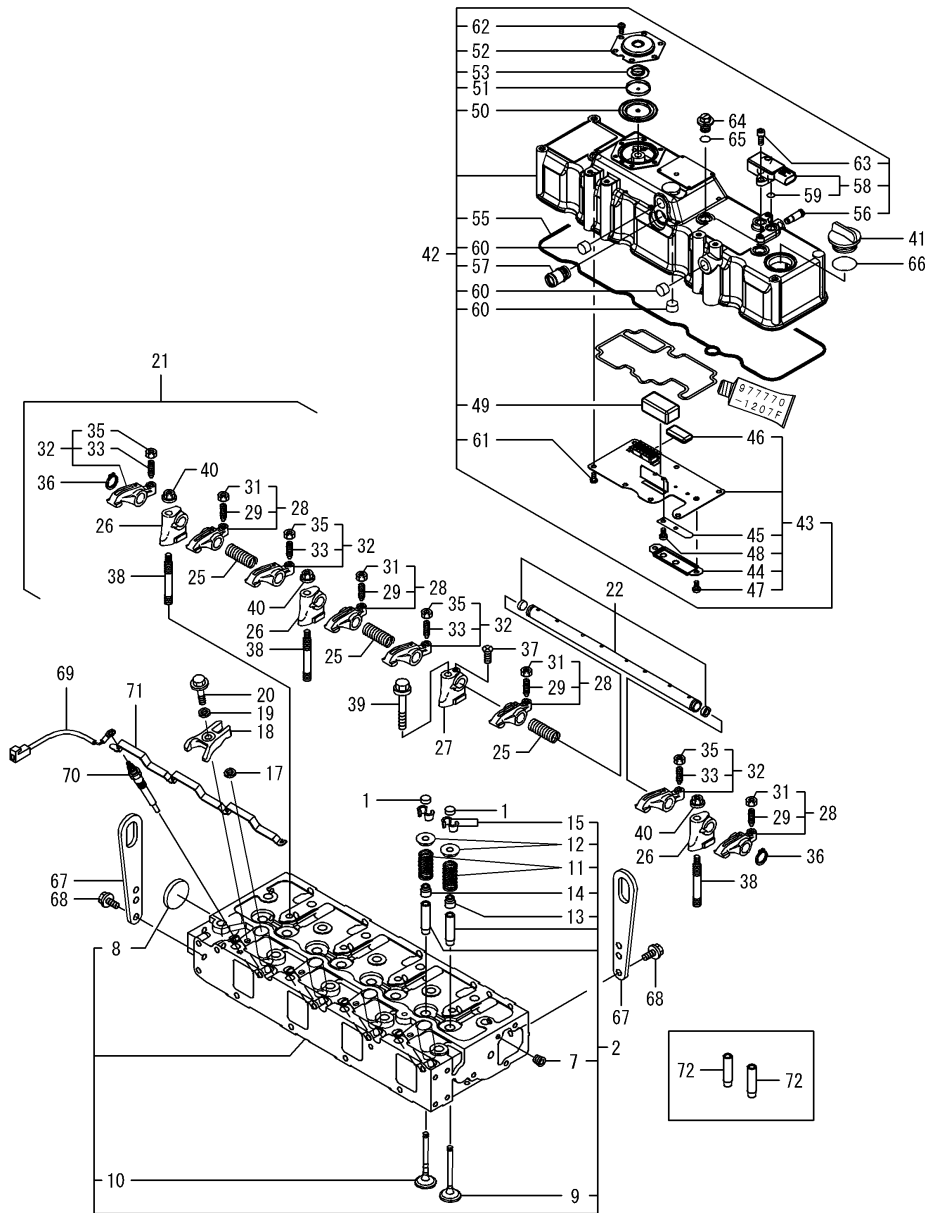
(B)=

(C)=

(D)=

(E)=

(F)=



No.	Lev.	Parts No.	Description	Qty						I	R
				(A)	(B)	(C)	(D)	(E)	(F)		
1	1	129150-11370	CAP, VALVE	8							
2	1	129E00-11710	HEAD ASSY, CYLINDER	1							
7	2	23876-005000	PLUG, R005	1							
8	2	27241-400000	PLUG, 40	1							
9	2	129900-11100	VALVE, INTAKE	4							
10	2	129900-11110	VALVE, EXHAUST	4							
11	2	129900-11120	SPRING, VALVE	8							
12	2	129795-11180	RETAINER, SPRING	8							
13	2	124460-11340	SEAL, VALVE STEM	4							
14	2	129A00-11340	SEAL, VALVE STEM	4							
15	2	27310-080001	COTTER, 8	8							
17	1	129978-11871	GASKET,INJECTOR	4							
18	1	129E00-11900	RETAINER, INJECTOR	4							
19	1	120270-54410	WASHER, INJECTOR	4							
20	1	26106-080352	BOLT, M8X 35 PLATED	4							
21	1	129900-11200	SUPPORT ASSY, ARM	1							
22	2	129900-11240	SHAFT ASSY, ROCKER	1							
25	2	129900-11280	SPRING	3							
26	2	129900-11510	SUPPORT, ROCKER ARM	3							
27	2	129900-11520	SUPPORT, ROCKER ARM	1							
28	2	129900-11650	ARM, ROCKER	4							
29	3	129150-11230	SCREW, VALVE ADJUST	4							
31	3	129150-11750	NUT, M8	4							
32	2	129900-11660	ARM, ROCKER	4							
33	3	129150-11230	SCREW, VALVE ADJUST	4							
35	3	129150-11750	NUT, M8	4							
36	2	22242-000180	RING, 18	2							
37	2	26577-040162	SCREW, M4X16	1							
38	1	129900-11530	STUD	3							
39	1	26106-100652	BOLT, M10X 65 PLATED	1							
40	1	26306-100002	NUT, M10	3							
41	1	124160-01751	COVER, FILLER	1							
42	1	129E00-11350	BONNET ASSY	1							
43	2	129E00-03010	PLATE, BAFFLE	1							
44	3	129E00-03020	COVER, PLATE SPRING	1							
45	3	129978-03030	SPRING,PLATE	1							
46	3	129907-03061	BAFFLE, BREATHER	1							
47	3	26557-050082	SCREW, M5X 8	2							
48	3	26587-050102	SCREW, M5X10	1							
49	2	129907-03070	BAFFLE, BREATHER	1							
50	2	123907-03100	DIAPHRAGM	1							
51	2	123907-03110	PLATE	1							
52	2	123907-03120	PLATE, BREATHER	1							
53	2	123907-03140	SPRING, DIAPHRAGM	1							
55	2	129E00-11310	PACKING, BONNET	1							
56	2	129A00-11330	JOINT	1							
57	2	129001-11340	PIPE , BREATHER	1							
58	2	129A00-12703	SENSOR,PRESSURE	1							
59	3	129A00-12780	O-RING,PRES SENSOR	2							
60	2	119640-61400	PLUG	3							
61	2	22857-500100	SCREW, 5X10	7							

Remarks

(1) Spare parts.

Fig.4. CYLINDER HEAD & BONNET

(A)=4TNV98C-NGT

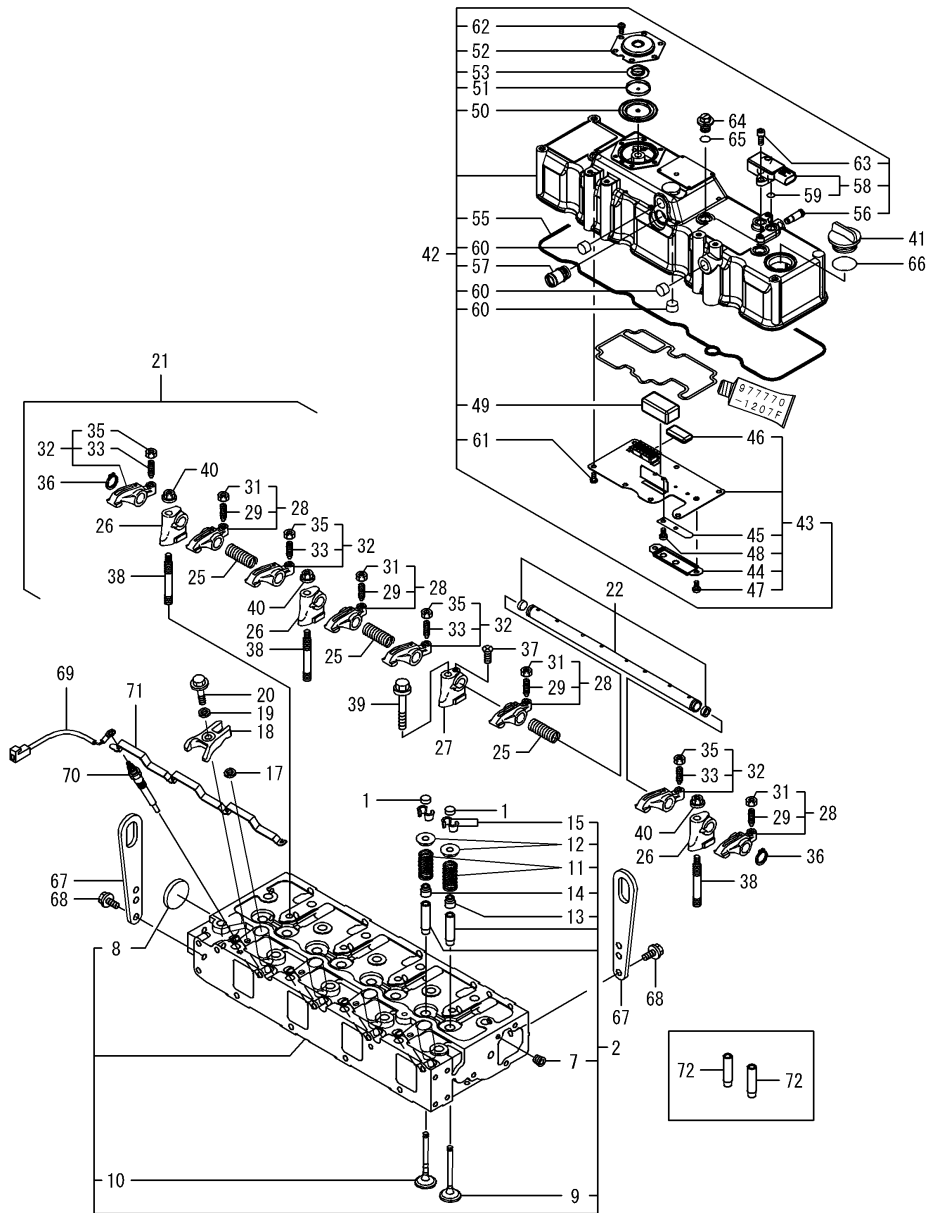
(B)=

(C)=

(D)=

(E)=

(F)=



No.	Lev.	Parts No.	Description	Q'ty						I	R
				(A)	(B)	(C)	(D)	(E)	(F)		
62	2	22857-500100	SCREW, 5X10	6							
63	2	26450-060162	BOLT, M6X 16	2							
64	1	124160-11360	KNOB	3							
65	1	24311-000120	O-RING, 1AP12.0	3							
66	1	24311-000320	O-RING, 1AP32.0	1							
67	1	129900-07900	LIFTER	2							
68	1	26106-080162	BOLT, M8X 16 PLATED	4							
69	1	119803-77830	HARNES, WIRE	1							
70	1	129008-77800	PLUG, GLOW	4							
71	1	129E00-77820	CONNECTOR, GLOW PLUG	1							
72	1	129150-11810	GUIDE, VALVE	8							1

Remarks

(1) Spare parts.

N:Old  $\xrightarrow{\text{Yes}}$  New, Q:Old  $\xrightarrow{\text{No}}$  New, R:Old  $\xrightarrow{\text{Yes}}$  New, S:Old  $\xrightarrow{\text{No}}$  New, W:Add, Z:Discontinued, F:Interchangeable by set, K:Q'ty Change



Fig.5. SUCTION MANIFOLD

(A)=4TNV98C-NGT

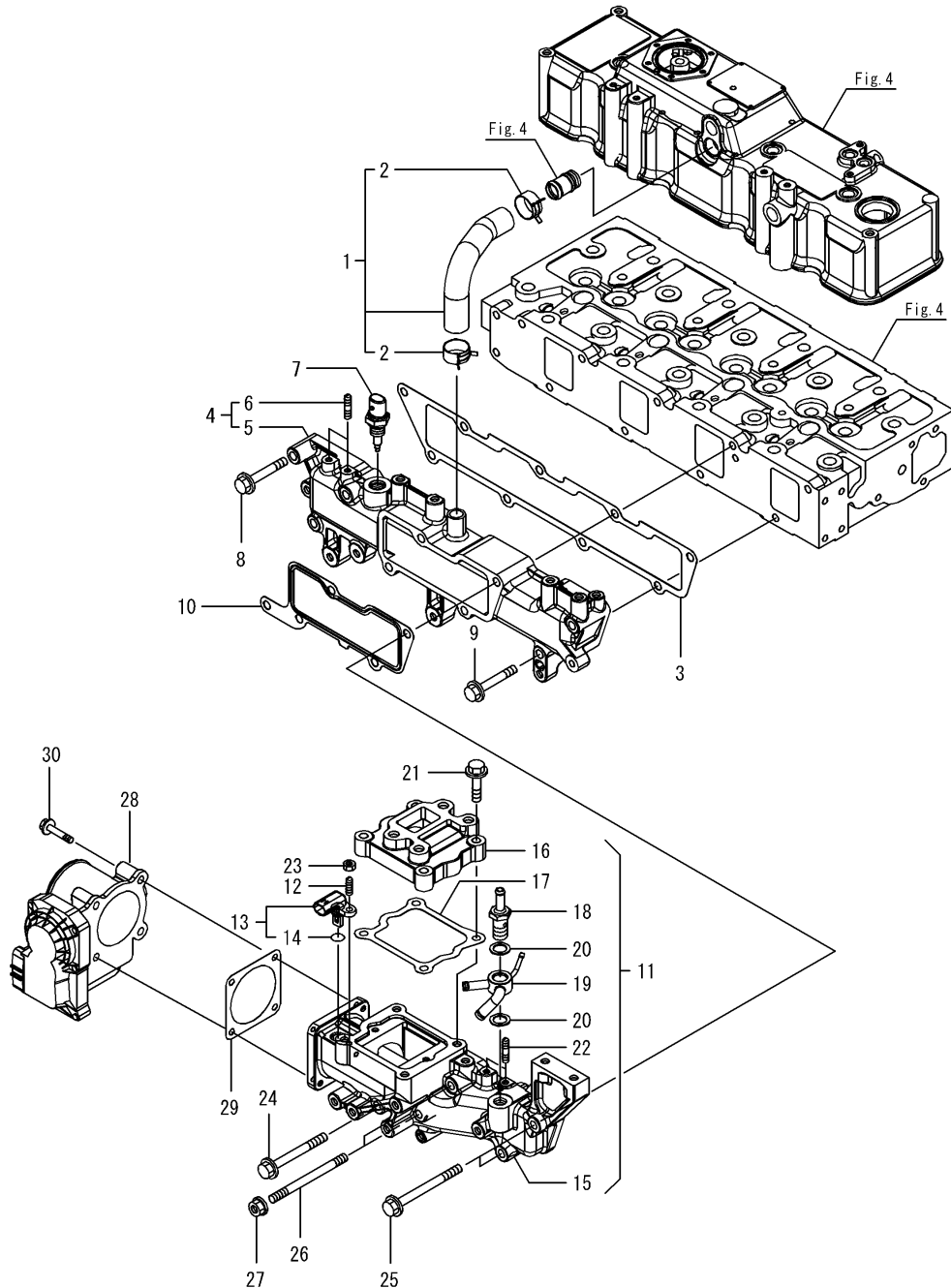
(B)=

(C)=

(D)=

(E)=

(F)=



No.	Lev.	Parts No.	Description	Q'ty						I	R
				(A)	(B)	(C)	(D)	(E)	(F)		
1	1	129005-03080	PIPE , BREATHER	1							
2	2	129410-03990	CLIP	2							
3	1	129E00-12110	GASKET, MANIFOLD	1							
4	1	129E00-12151	MANIFOLD ASSY,INTAKE	1							
5	2	129E00-12101	MANIFOLD, AIR INTAKE	1							
6	2	26216-060202	STUD, M6X 20	2							
7	1	129A00-12720	SENSOR,AIR TEMP	1							
8	1	26106-080452	BOLT, M8X 45 PLATED	1							
9	1	26106-080552	BOLT, M8X 55 PLATED	4							
10	1	129E00-12810	GASKET, COLLECTOR	1							
11	1	129E00-12850	COLLECTOR ASSY	1							
12	2	119660-01570	STUD, M6X12	1							
13	2	129A00-12711	SENSOR,AIR TEMP	1							
14	3	129A00-12790	O-RING,TEMP SENSOR	1							
15	2	129E00-12800	COLLECTOR	1							
16	2	129E00-13710	SPACER, EGR VALVE	1							
17	2	129E00-13720	GASKET, EGR-V SPACER	1							
18	2	129A00-59110	JOINT, HOSE M14	1							
19	2	129E00-59120	JOINT, HOSE 14	1							
20	2	22190-140002	WASHER, SEAL 14	2							
21	2	26106-080352	BOLT, M8X 35 PLATED	4							
22	2	26216-060202	STUD, M6X 20	2							
23	2	26716-060002	NUT, M6	1							
24	1	26106-080752	BOLT, M8X 75 PLATED	1							
25	1	26106-080902	BOLT, M8X 90 PLATED	2							
26	1	26216-081002	STUD, M8X100	2							
27	1	26306-080002	NUT, M8	2							
28	1	129A00-12900	THROTTLE BODY(INT	1							
29	1	129A00-12910	GASKET,THROTTLE	1							
30	1	26106-060402	BOLT, M6X 40 PLATED	4							

Fig.6. EXHAUST MANIFOLD

(A)=4TNV98C-NGT

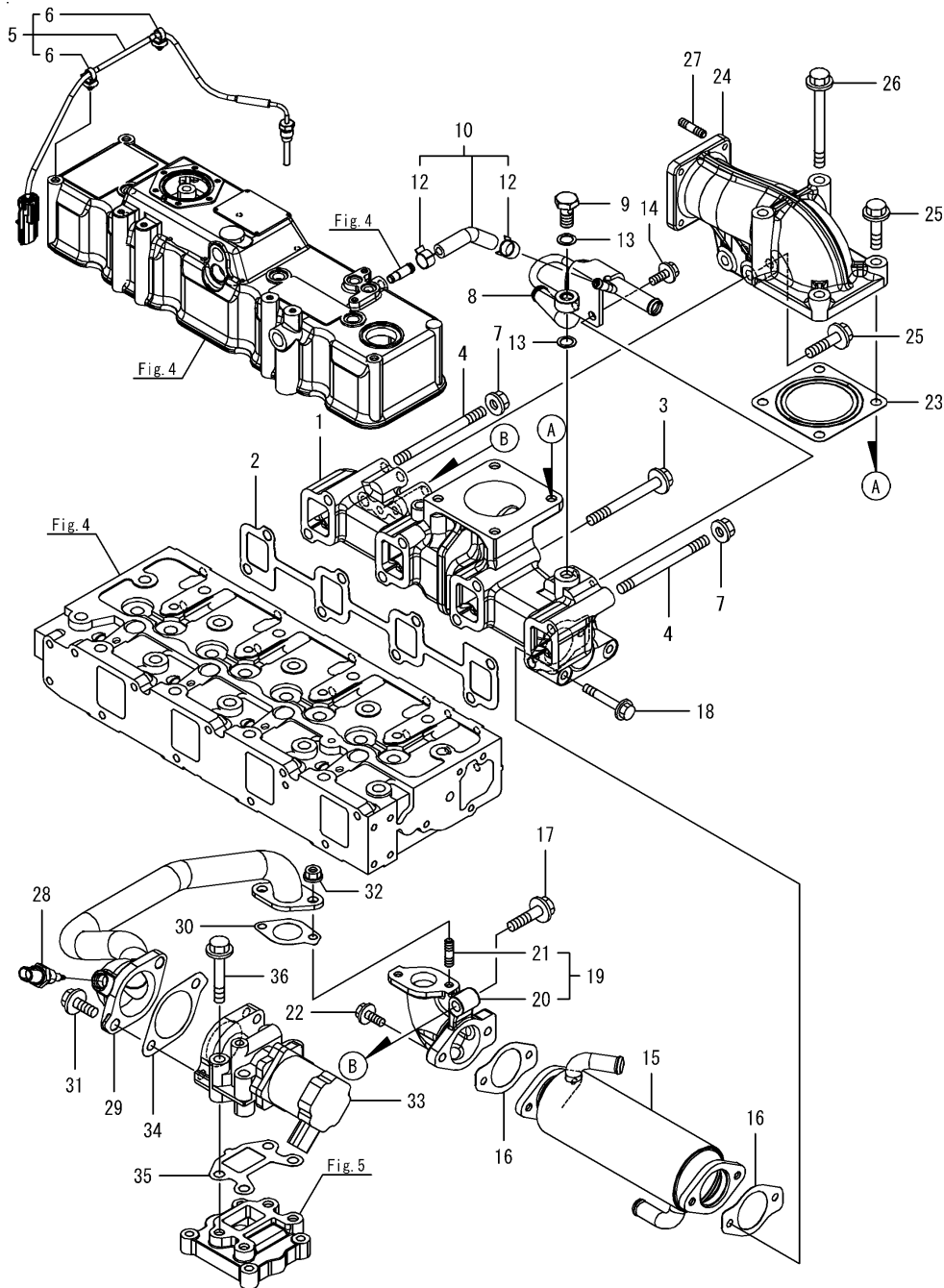
(B)=

(C)=

(D)=

(E)=

(F)=



No.	Lev.	Parts No.	Description	Q'ty						I	R
				(A)	(B)	(C)	(D)	(E)	(F)		
1	1	129E00-13101	MANIFOLD, EXHAUST	1							
2	1	129E00-13110	GASKET, MANIFOLD	1							
3	1	129A00-13620	BOLT, M10X95 10.9T	6							
4	1	129A01-13710	STUD, M10X95 10.9T	2							
5	1	129E00-13770	SENSOR, EXH TEMP.	1							
6	2	129A00-91200	BAND CLIP	2							
7	1	26306-100002	NUT, M10	2							
8	1	129E00-13300	PIPE, EXH PRESSURE	1							
9	1	129A00-13350	BOLT, PIPE JOINT	1							
10	1	129E00-13360	HOSE ASSY, PRES EXH	1							
12	2	129A00-13380	CLIP, HOSE 14	2							
13	1	23414-120000	GASKET, 12X1.0	2							
14	1	26106-080162	BOLT, M8X 16 PLATED	2							
15	1	129E00-13400	COOLER, EGR	1							
16	1	129E00-13410	GASKET, EGR COOLER	2							
17	1	129C01-13600	FLANGE BOLT, 10X40	1							
18	1	129E00-13610	BOLT, M8X50 10.9	2							
19	1	129E00-13851	BEND ASSY, EGR-C OUT	1							
20	2	129E00-13861	BEND, EGR-C OUT	1							
21	2	129418-18320	STUD, M8X20	2							
22	1	26106-080202	BOLT, M8X 20 PLATED	2							
23	1	128300-13230	GASKET, SILENCER	1							
24	1	129E00-13350	PIPE, EXHAUST	1							
25	1	129C01-13600	FLANGE BOLT, 10X40	4							
26	1	123907-13720	BOLT, M10X100	2							
27	1	119131-18320	STUD, M8X22	4							
28	1	129A00-13751	SENSOR, EGR GAS TEMP	1							
29	1	129E00-13800	PIPE ASSY, EGR	1							
30	1	129927-13810	GASKET	1							
31	1	26106-100252	BOLT, M10X 25 PLATED	2							
32	1	26306-080002	NUT, M8	2							
33	1	129E00-13901	VALVE, EGR	1							
34	1	129E00-13910	GASKET, EGR-V IN	1							
35	1	129E00-13920	GASKET, EGR-V OUT	1							
36	1	26106-100602	BOLT, M10X 60 PLATED	4							

Fig.7. DPF

(A)=4TNV98C-NGT

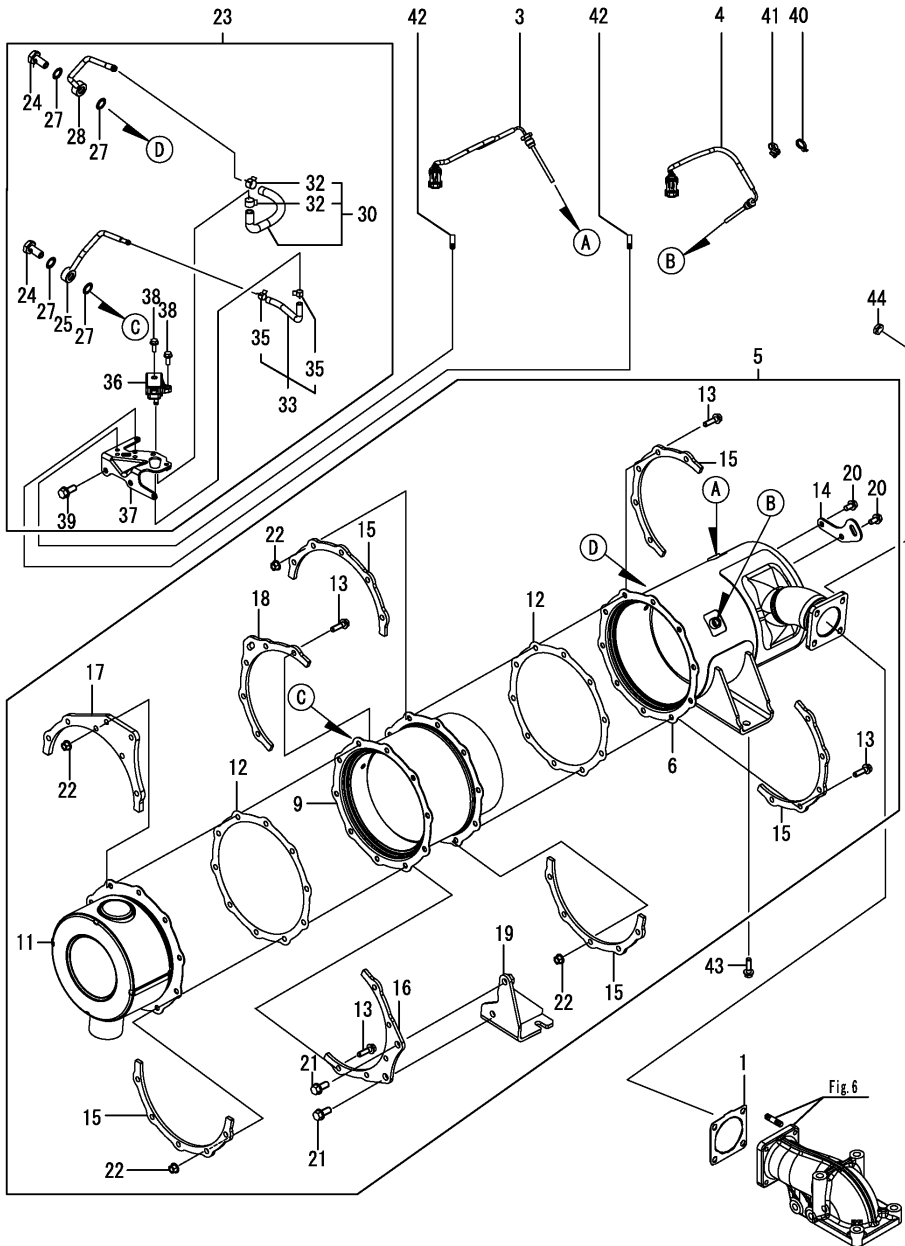
(B)=

(C)=

(D)=

(E)=

(F)=



No.	Lev.	Parts No.	Description	Q'ty						I	R
				(A)	(B)	(C)	(D)	(E)	(F)		
1	1	129930-13201	GASKET, SILENCER	1							
3	1	129C00-13940	SENSOR, EXH.TEMP	1							
4	1	129C00-13950	SENSOR, EXH.TEMP	1							
5	1	129E20-16060	DPF ASSY	1							
6	2	129E00-16201	CASE, DOC	1							
9	2	129C01-16400	CASE, SOOT FILTER	1							
11	2	129E00-16500	SILENCER, DPF	1							
12	2	129E00-16600	GASKET, DPF	2							
13	2	129A00-16610	BOLT, M8X28 10.9T	20							
14	2	129C01-16680	LIFTER, DPF	1							
15	2	129C01-16700	STIFFENER, DPF A	5							
16	2	129C01-16710	STIFFENER, DPF B	1							
17	2	129C01-16730	STIFFENER, DPF C	1							
18	2	129C01-16740	STIFFENER, DPF C	1							
19	2	129E00-16801	STAY, DPF	1							
20	2	26106-080142	BOLT, M8X 14 PLATED	2							
21	2	26106-100222	BOLT, M10X 22 PLATED	2							
22	2	26306-080002	NUT, M8	20							
23	1	129E00-17200	SENSOR UNIT,PRESSURE	1							
24	2	129A00-13350	BOLT, PIPE JOINT	2							
25	2	129E00-17300	PIPE ASSY,PRES EXH	1							
27	2	129A00-17311	GASKET,SENSOR	4							
28	2	129E00-17350	PIPE ASSY,PRES EXH	1							
30	2	129C00-17600	HOSE ASSY,PRES EXH	1							
32	3	129A00-17520	CLIP, HOSE	2							
33	2	129A00-17650	HOSE ASSY,PRES EXH	1							
35	3	129A00-17570	CLIP, HOSE	2							
36	2	129A00-17702	SENSOR,PRESSURE	1							
37	2	129A00-17760	BRACKET, PRES SENSOR	1							
38	2	26106-060162	BOLT, M6X 16 PLATED	2							
39	2	26106-080202	BOLT, M8X 20 PLATED	2							
40	1	129A00-91200	BAND CLIP	1							
41	1	129C00-91200	BAND	1							
42	1	129A00-91430	CLIP, CONNECTOR	2							
43	1	26106-100202	BOLT, M10X 20 PLATED	4							
44	1	26306-080002	NUT, M8	4							

Fig.8. CAMSHAFT & DRIVING GEAR

(A)=4TNV98C-NGT

(B)=

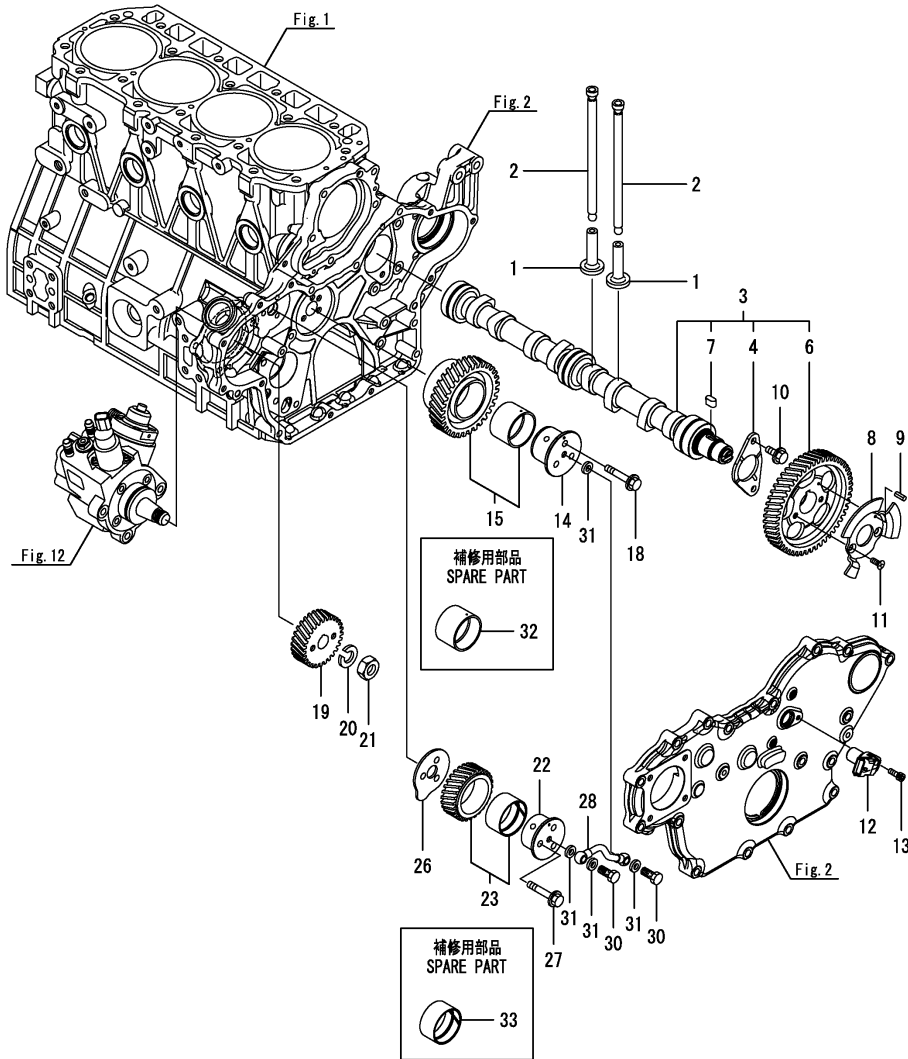
(C)=

(D)=

(E)=

(F)=

No.	Lev.	Parts No.	Description	Q'ty						I	R
				(A)	(B)	(C)	(D)	(E)	(F)		
1	1	129150-14200	TAPPET	8							
2	1	129900-14400	ROD, PUSH	8							
3	1	129E00-14581	SHAFT ASSY, CAM	1							
4	2	129150-02450	BEARING, THRUST	1							
6	2	129E00-14101	GEAR, CAMSHAFT	1							
7	2	22512-070140	KEY, 7X 14	1							
8	1	129E00-14700	PULSER, CAM GEAR	1							
9	1	22351-030010	PIN, SPRING 3.0X10	1							
10	1	26106-080162	BOLT, M8X 16 PLATED	2							
11	1	26577-060122	SCREW, M6X12	2							
12	1	129A00-14710	SENSOR, GEAR REV	1							
13	1	26450-060162	BOLT, M6X 16	1							
14	1	129E00-25050	SHAFT, IDLE GEAR A	1							
15	1	129900-25110	GEAR ASSY, IDLE	1							
18	1	26106-080502	BOLT, M8X 50 PLATED	3							
19	1	129E00-25902	GEAR, SUPPLY PUMP	1							
20	1	22217-180000	WASHER, SPRING 18	1							
21	1	26776-180002	NUT, LOCK M18	1							
22	1	129E00-25060	SHAFT, IDLE GEAR B	1							
23	1	129E00-25121	GEAR ASSY, IDLE B	1							
26	1	129E00-25200	PLATE, IDLE SHAFT B	1							
27	1	26106-080452	BOLT, M8X 45 PLATED	3							
28	1	129E00-25400	PIPE ASSY, LO	1							
30	1	105010-39140	BOLT, PIPE JOINT	2							
31	1	22190-080002	WASHER, SEAL 6	4							
32	1	129150-25920	BUSH, IDLE GEAR	1							1
33	1	129E00-25080	BUSH	1							1



Remarks

(1) Spare parts.

Fig.9. CRANKSHAFT & PISTON

(A)=4TNV98C-NGT

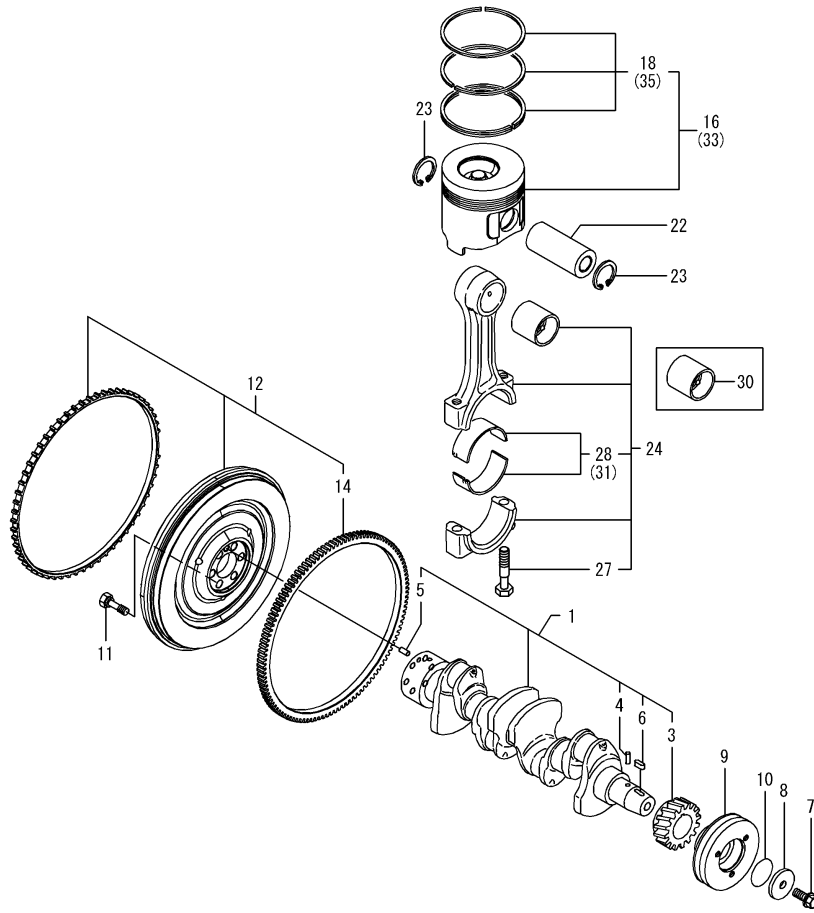
(B)=

(C)=

(D)=

(E)=

(F)=



No.	Lev.	Parts No.	Description	Q'ty						I	R
				(A)	(B)	(C)	(D)	(E)	(F)		
1	1	129902-21050	CRANKSHAFT ASSY	1							
3	2	129900-21220	GEAR, CRANKSHAFT	1							
4	2	121850-21290	PIN	1							
5	2	121850-21920	PIN, M10X22	1							
6	2	22512-070140	KEY, 7X 14	1							
7	1	129916-21610	BOLT	1							
8	1	129960-21940	WASHER, V-PULLEY	1							
9	1	129907-21650	V-PULLEY, 130	1							
10	1	129960-21930	PACKING, WASHER	1							
11	1	121850-21130	BOLT, FLYWHEEL	6							
12	1	129E00-21580	FLYWHEEL ASSY	1							
14	2	129900-21600	GEAR, RING	1							
16	1	129E00-22080	PISTON ASSY	4							
18	2	129E00-22050	RING ASSY	4							
22	1	120130-22301	PIN, PISTON	4							
23	1	22252-000300	RING, 30	8							
24	1	129900-23001	ROD ASSY, CONNECTING	4							
27	2	129900-23200	BOLT, CONNECTING ROD	8							
28	2	129900-23601	BEARING, CRANK PIN	4							
30	1	129900-23911	BEARING, PISTON PIN	4							1
31	1	129900-23611	BEARING, 0.25 US	4							2
33	1	129E00-22900	PISTON ASSY, 0.25 OS	4							3
35	2	129E00-22950	RING ASSY, 0.25OS	4							3

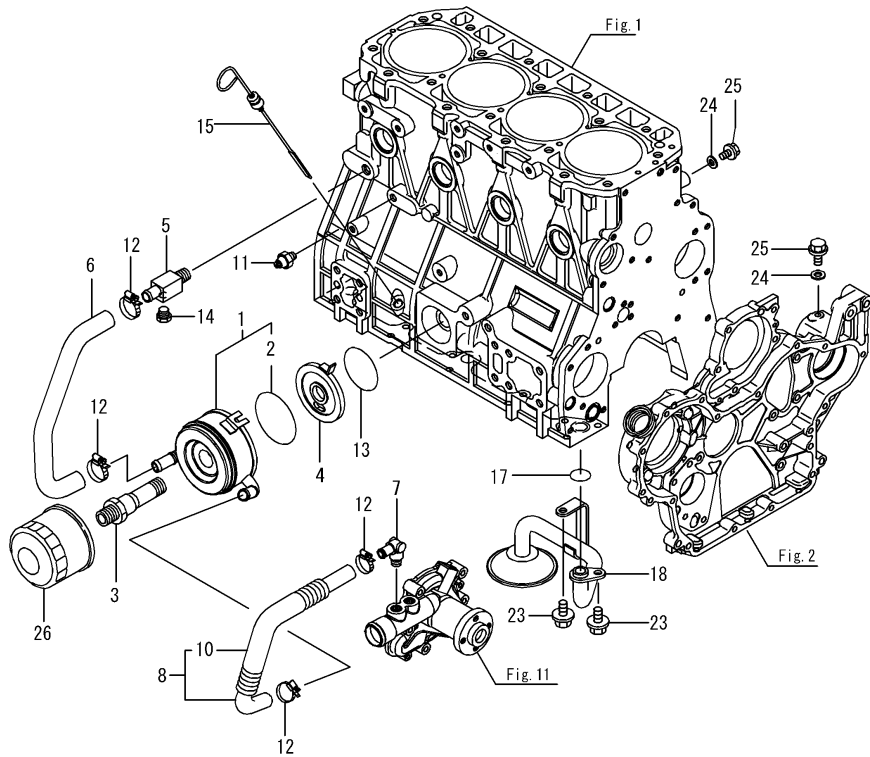
Remarks

- (1) Spare parts.
- (2) Under-sized (U.S.=0.25) parts.
- (3) Over-sized (O.S.=0.25) parts.

Fig.10. LUB. OIL SYSTEM

(A)=4TNV98C-NGT  
(B)=  
(C)=

(D)=  
(E)=  
(F)=



No.	Lev.	Parts No.	Description	Q'ty						I	R
				(A)	(B)	(C)	(D)	(E)	(F)		
1	1	129908-33010	COOLER ASSY, OIL	1							
2	2	123912-33050	O-RING	1							
3	1	123912-33100	BOLT, COOLER	1							
4	1	129908-33101	BRACKET, COOLER	1							
5	1	129006-44480	JOINT	1							
6	1	129908-49060	PIPE, WATER	1							
7	1	129466-49300	ELBOW, PT3/8	1							
8	1	123910-49600	PIPE, WATER	1							
10	2	123910-49610	TUBE, CORRUGATED	1							
11	1	121252-39450	SWITCH, 0.5KG	1							
12	1	23000-025000	CLAMP, 25	4							
13	1	24321-000600	O-RING, 1AG60.0	1							
14	1	171056-49120	PLUG, DRAIN	1							
15	1	129939-34800	DIPSTICK, OIL	1							
17	1	129900-32030	O-RING, P20	1							
18	1	129900-35000	PIPE ASSY, OIL INLET	1							
23	1	26106-080122	BOLT, M8X 12 PLATED	2							
24	1	22190-080002	WASHER, SEAL 6	2							
25	1	26106-080122	BOLT, M8X 12 PLATED	2							
26	1	129150-35153	FILTER	1							1

Remarks

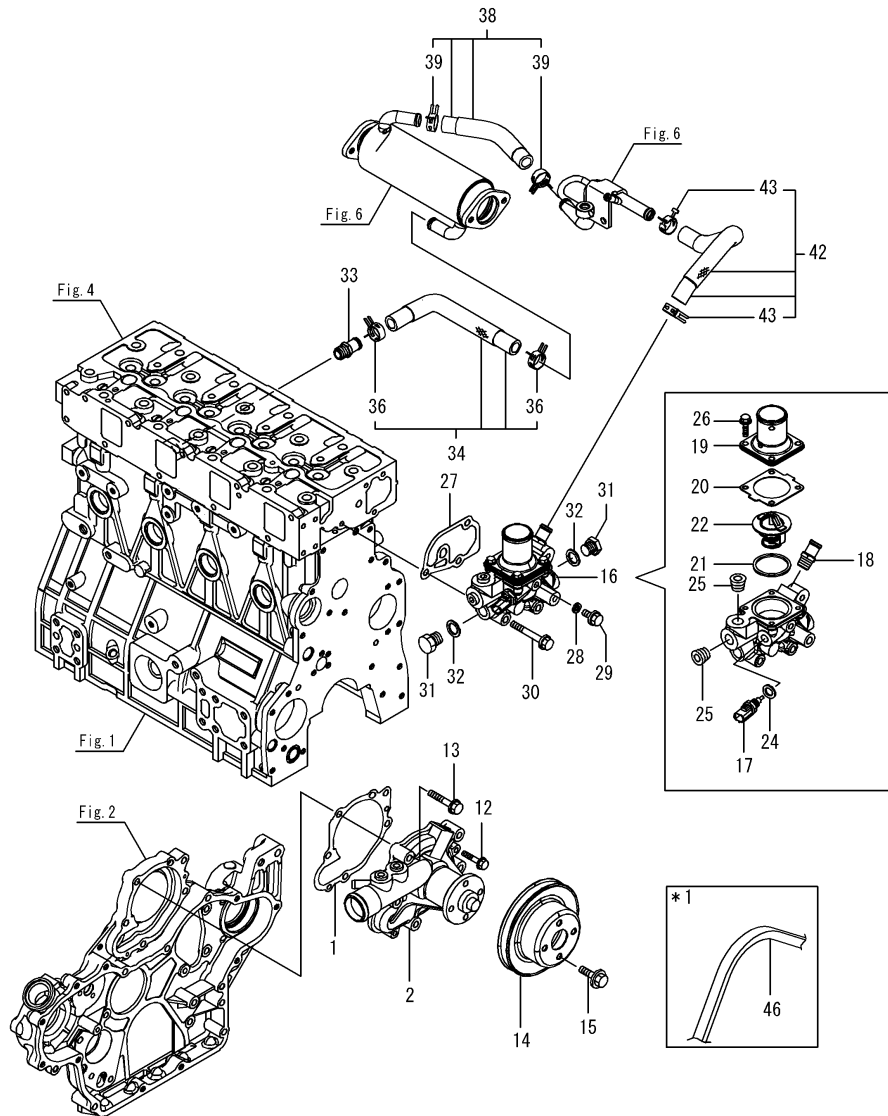
(1)Spare parts.

N:Old  $\xrightarrow{\text{Yes}}$  New, Q:Old  $\xrightarrow{\text{No}}$  New, R:Old  $\xrightarrow{\text{Yes}}$  New, S:Old  $\xrightarrow{\text{No}}$  New, W:Add, Z:Discontinued, F:Interchangeable by set, K:Q'ty Change

Fig.11. COOLING WATER SYSTEM

(A)=4TNV98C-NGT  
(B)=  
(C)=

(D)=  
(E)=  
(F)=



No.	Lev.	Parts No.	Description	Q'ty						I	R
				(A)	(B)	(C)	(D)	(E)	(F)		
1	1	129900-42020	GASKET, WATER PUMP	1							
2	1	129927-42000	PUMP ASSY, WATER	1							
12	1	26106-060302	BOLT, M6X 30 PLATED	2							
13	1	26106-080552	BOLT, M8X 55 PLATED	5							
14	1	129900-42462	V-PULLEY, CW PUMP	1							
15	1	26106-100182	BOLT, M10X 18 PLATED	4							
16	1	129E00-49800	CASE ASSY,THERMOSTAT	1							
17	2	129927-44900	SENSOR	1							
18	2	129928-49420	JOINT	1							
19	2	129916-49530	COVER, THERMOSTAT	1							
20	2	121850-49540	GASKET, THERMOSTAT	1							
21	2	121850-49550	GASKET, THERMOSTAT	1							
22	2	121850-49811	THERMOSTAT	1							
24	2	22190-120002	WASHER, SEAL 12	1							
25	2	23875-030000	PLUG, R03	2							
26	2	26106-060202	BOLT, M6X 20 PLATED	4							
27	1	129900-49870	GASKET	1							
28	1	23414-080000	GASKET, 8X1.0	1							
29	1	26106-080122	BOLT, M8X 12 PLATED	1							
30	1	26106-080602	BOLT, M8X 60 PLATED	3							
31	1	121450-42450	PLUG, M16	2							
32	1	124465-44950	GASKET, 16	2							
33	1	129928-49420	JOINT	1							
34	1	129E00-49610	HOSE ASSY, EGR-C IN	1							
36	2	129960-03990	CLIP, HOSE 22	2							
38	1	129E00-49620	HOSE ASSY,EGRC OUT A	1							
39	2	129960-03990	CLIP, HOSE 22	2							
42	1	129E00-49630	HOSE ASSY,EGRC OUT B	1							
43	2	129960-03990	CLIP, HOSE 22	2							
46	1	25132-004200	V-BELT, A42	1							

Remarks

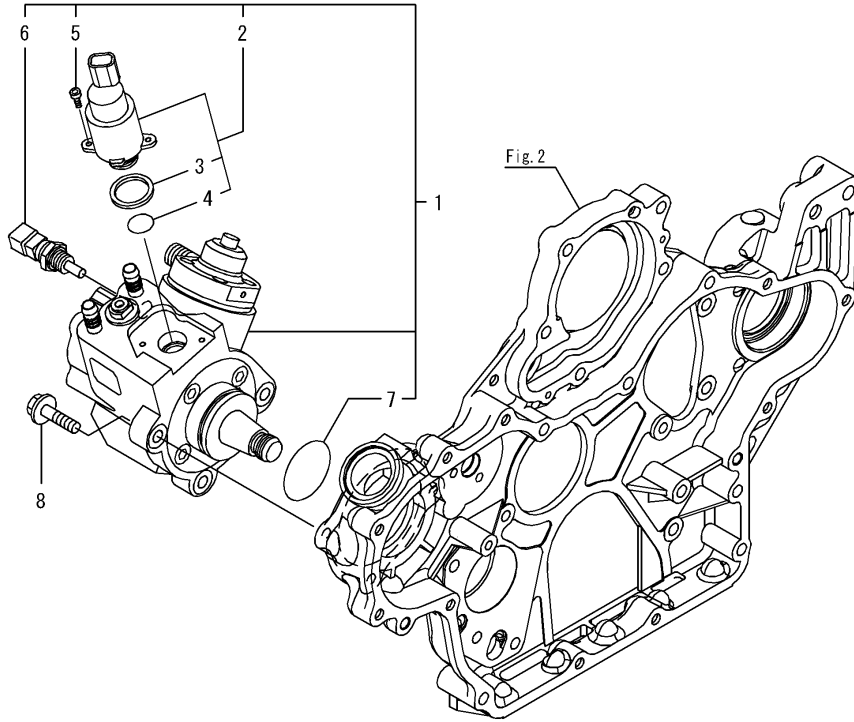
\*1 It is bundled goods.

N:Old  $\begin{matrix} \leftarrow \text{Yes} \\ \text{No} \end{matrix}$  New, Q:Old  $\begin{matrix} \leftarrow \text{No} \\ \text{Yes} \end{matrix}$  New, R:Old  $\begin{matrix} \leftarrow \text{Yes} \\ \text{Yes} \end{matrix}$  New, S:Old  $\begin{matrix} \leftarrow \text{No} \\ \text{No} \end{matrix}$  New, W:Add, Z:Discontinued, F:Interchangeable by set, K:Q'ty Change

Fig.12. FUEL SUPPLY PUMP

(A)=4TNV98C-NGT  
(B)=  
(C)=

(D)=  
(E)=  
(F)=



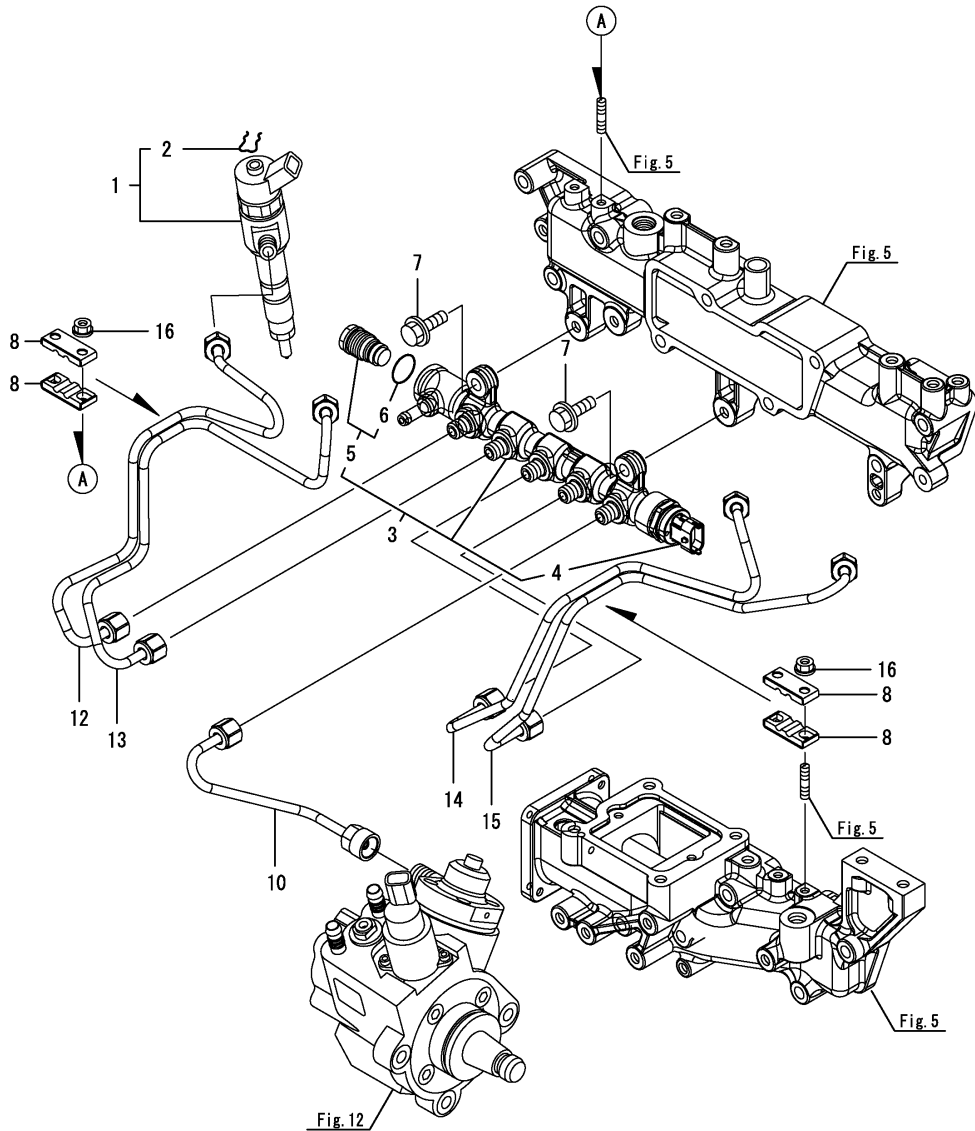
No.	Lev.	Parts No.	Description	Q'ty						I	R
				(A)	(B)	(C)	(D)	(E)	(F)		
1	1	129A00-51000	PUMP ASSY, FUEL	1							
2	2	129A00-51100	VALVE ASSY, MPROP	1							
3	3	129A00-51110	RING, SEALING	1							
4	3	129A00-51120	O-RING, MPROP	1							
5	2	129A00-51130	BOLT, MPROP	2							
6	2	129A00-51200	SENSOR, TEMPERATURE	1							
7	2	129A00-51900	O-RING, FUEL PUMP	1							
8	1	26106-080302	BOLT, M8X 30 PLATED	3							



Fig.13. FUEL INJECTION VALVE

(A)=4TNV98C-NGT  
(B)=  
(C)=

(D)=  
(E)=  
(F)=



No.	Lev.	Parts No.	Description	Qty						I	R
				(A)	(B)	(C)	(D)	(E)	(F)		
1	1	129E00-53100	INJECTOR, CR	4							
2	2	129A00-53200	RING, RETAINING	4							
3	1	129C00-57000	RAIL ASSY	1							
4	2	129A00-57100	SENSOR, RAILPRESSURE	1							
5	2	129A00-57200	VALVE ASSY, PLV4	1							
6	3	129A00-57210	O-RING, PLV4	1							
7	1	26106-080252	BOLT, M8X 25 PLATED	2							
8	1	122780-59100	RETAINER	4							
10	1	129E00-59700	PIPE ASSY, RAIL IN	1							
12	1	129E00-59810	PIPE ASSY, INJ. NO1	1							
13	1	129E00-59820	PIPE ASSY, INJ. NO2	1							
14	1	129E00-59830	PIPE ASSY, INJ. NO3	1							
15	1	129E00-59840	PIPE ASSY, INJ. NO4	1							
16	1	26366-060002	NUT, M6	4							

Fig.14. FUEL LINE

(A)=4TNV98C-NGT

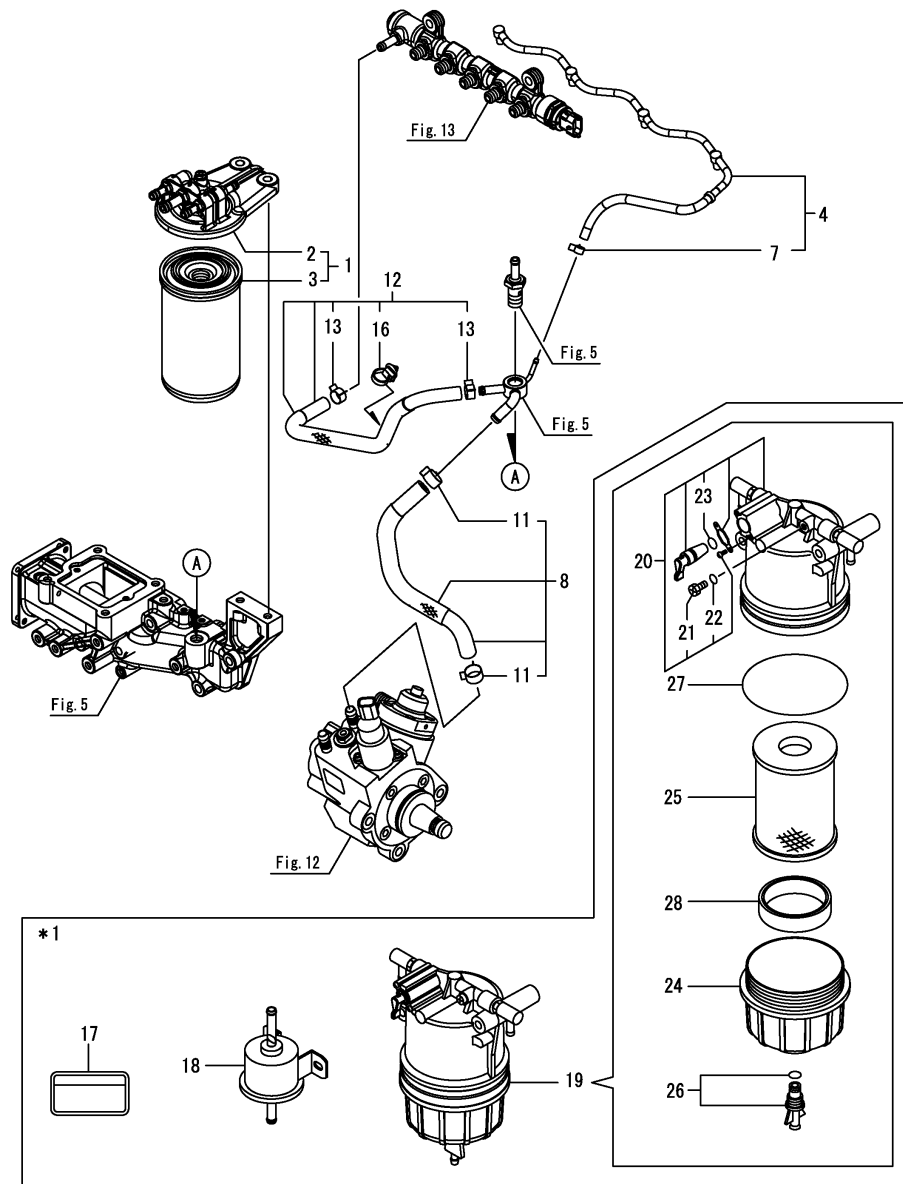
(B)=

(C)=

(D)=

(E)=

(F)=



No.	Lev.	Parts No.	Description	Q'ty						I	R
				(A)	(B)	(C)	(D)	(E)	(F)		
1	1	129A00-55600	FILTE ASSY,FO	1							
2	2	129A00-55610	BRACKET ASSY,FO FILT	1							
3	2	129A00-55800	FILTER, FUEL OIL	1							
4	1	129E00-59500	PIPE ASSY, FO RETURN	1							
7	2	23080-007000	CLAMP, 7	1							
8	1	129E00-59020	HOSE ASSY, FO RETURN	1							
11	2	23080-015000	CLAMP, 15	2							
12	1	129E00-59030	HOSE ASSY, FO RETURN	1							
13	2	114270-59010	CLIP, HOSE 12	2							
16	2	129A00-91200	BAND CLIP	1							
17	1	114110-07761	LABEL, FUEL OIL CAUT	1							
18	1	129612-52100	PUMP ASSY, FUEL FEED	1							
19	1	129E22-55700	FILTER ASSY, FUEL	1							
20	2	129E00-55710	BODY ASSY	1							
21	3	129A00-55750	PLUG,BREATHER	1							
22	3	129A00-55760	O-RING	1							
23	3	24311-000110	O-RING, 1AP11.0	1							
24	2	129A00-55720	CUP(CLEAR	1							
25	2	129A00-55730	ELEMENT	1							
26	2	129242-55740	PLUG, DRAIN	1							
27	2	129A00-55740	O-RING	1							
28	2	129A00-55770	FLOAT	1							

Remarks

\*1 It is bundled goods.

N:Old  $\xrightarrow{\text{Yes}}$  New, Q:Old  $\xrightarrow{\text{No}}$  New, R:Old  $\xrightarrow{\text{Yes}}$  New, S:Old  $\xrightarrow{\text{No}}$  New, W:Add, Z:Discontinued, F:Interchangeable by set, K:Q'ty Change

Fig.15. STARTING MOTOR

(A)=4TNV98C-NGT

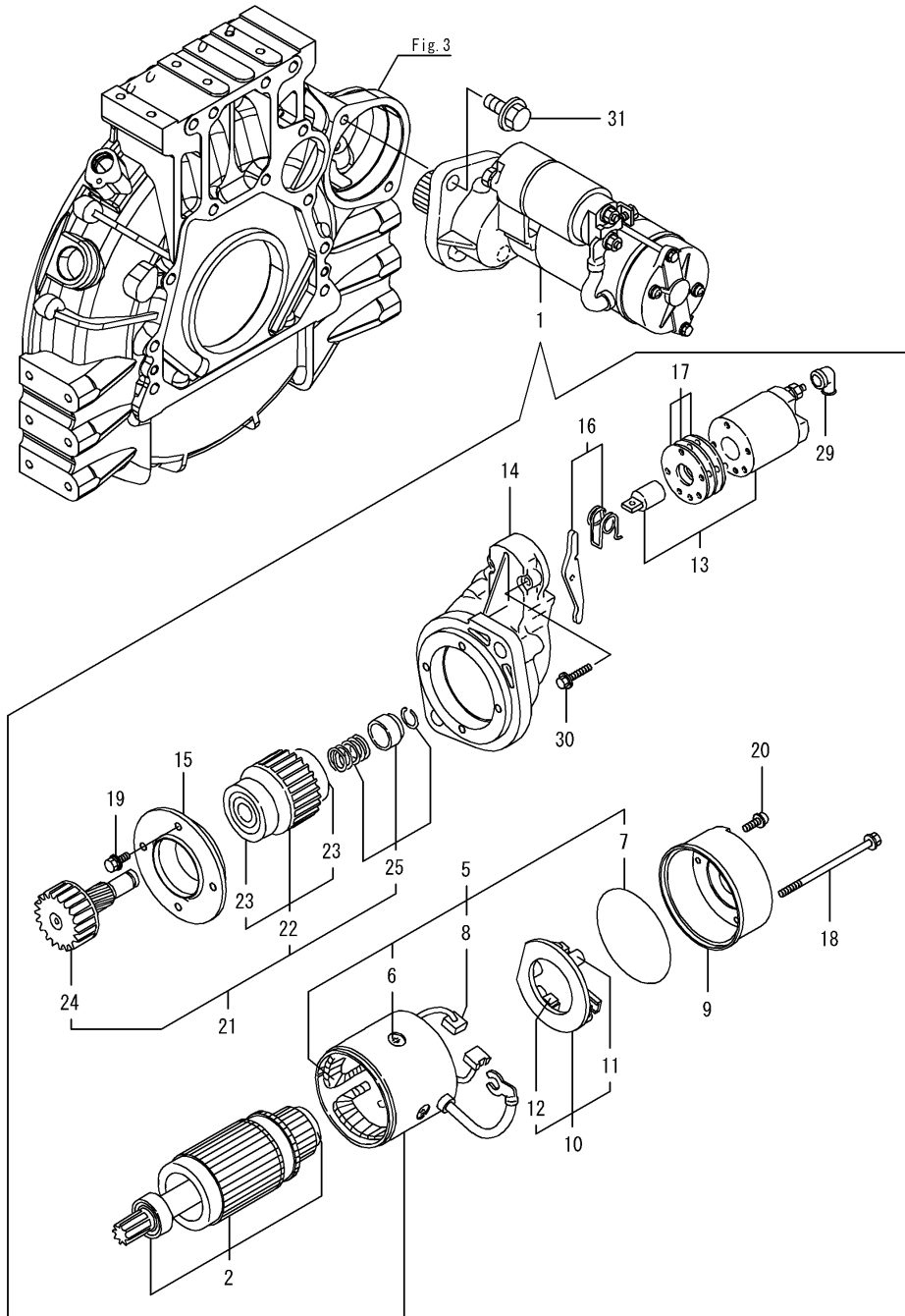
(B)=

(C)=

(D)=

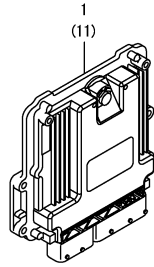
(E)=

(F)=



No.	Lev.	Parts No.	Description	Qty						I	R
				(A)	(B)	(C)	(D)	(E)	(F)		
1	1	129940-77011	STARTER	1							
2	2	129940-77100	ARMATURE ASSY	1							
5	2	129940-77130	COIL ASSY, FIELD	1							
6	3	129940-77140	SCREW	4							
7	3	129940-77150	O-RING	1							
8	3	129940-77160	BRUSH	2							
9	2	129940-77171	COVER	1							
10	2	129940-77181	HOLDER ASSY, BRUSH	1							
11	3	129940-77190	SPRING	1							
12	3	129940-77200	BRUSH	2							
13	2	129940-77210	SWITCH ASSY	1							
14	2	129940-77221	CASE, GEAR	1							
15	2	129940-77230	RETAINER	1							
16	2	129940-77240	LEVER SET	1							
17	2	129940-77250	COVER ASSY, DUST	1							
18	2	129940-77260	BOLT, THROUGH	2							
19	2	129940-77270	BOLT	4							
20	2	129940-77280	SCREW	2							
21	2	123900-77510	PINION ASSY	1							
22	3	123900-77520	CLUTCH ASSY	1							
23	4	X2240610100	BEARING, BALL	2							
24	3	123900-77540	SHAFT	1							
25	3	119131-77550	STOPPER KIT	1							
29	2	121254-77810	COVER, TERMINAL	1							
30	2	114371-79070	BOLT	2							
31	1	26106-120252	BOLT, M12X 25 PLATED	2							

Fig.16. ECU



(A)=4TNV98C-NGT  
(B)=  
(C)=

(D)=  
(E)=  
(F)=

No.	Lev.	Parts No.	Description	Q'ty						I	R
				(A)	(B)	(C)	(D)	(E)	(F)		
1	1	129E22-75110	ECU ASSY,4TNV98C-NGT	1							1
11	1	129A00-75910	ECU ASSY,SERVICE YMR	1							2

Remarks  
 (1)Eco ECU  
 This part cannot be ordered.  
 Replace the part using a Service ECU with the proper engine information installed.  
 (2)Service ECU  
 If the proper information is not installed, the engine will not operate.  
 To install proper information, go to an authorized Distributor.

Fig.17. ELECTRIC PARTS

(A)=4TNV98C-NGT

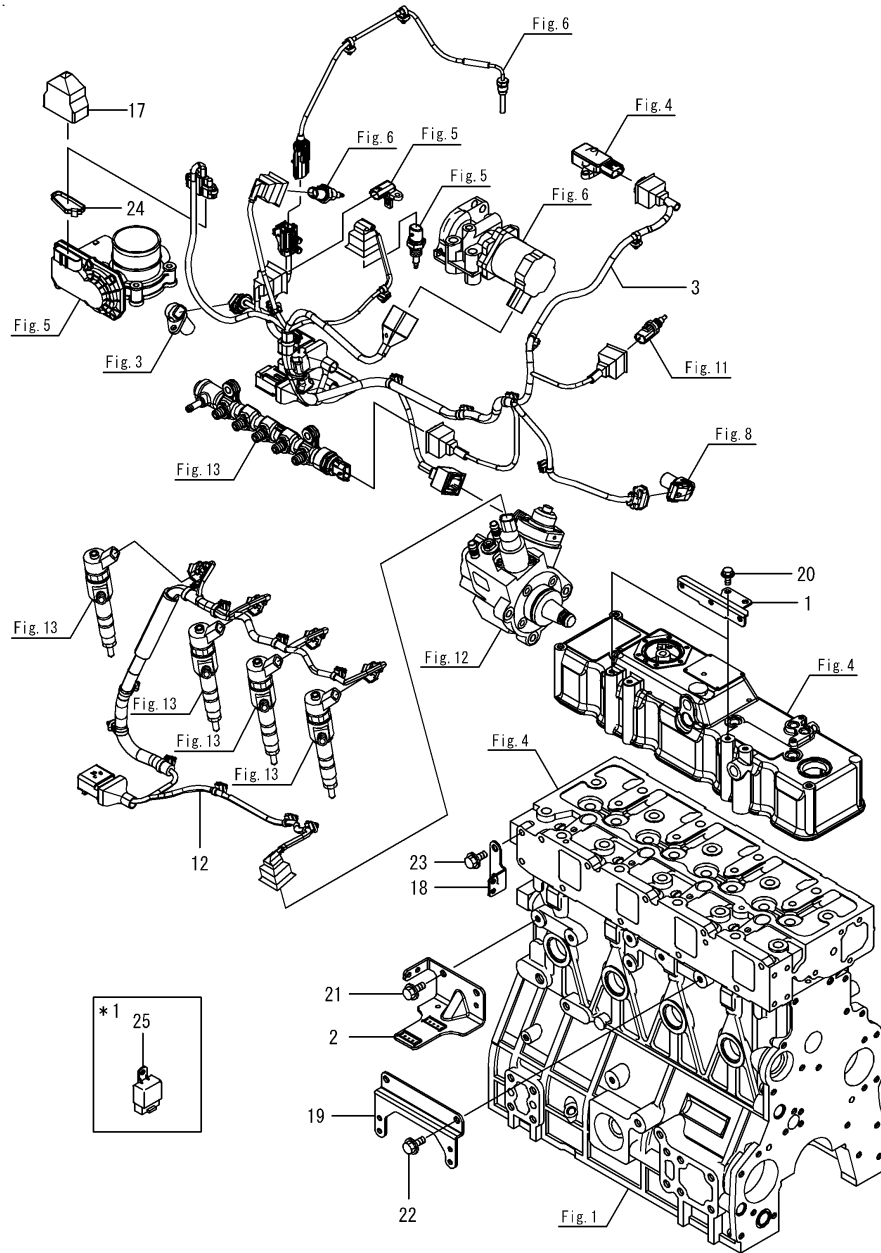
(B)=

(C)=

(D)=

(E)=

(F)=



No.	Lev.	Parts No.	Description	Qty						I	R
				(A)	(B)	(C)	(D)	(E)	(F)		
1	1	129E00-11390	BRACKET,HAENESS	2							
2	1	129E00-77910	BRACKET,CONNECTOR	1							
3	1	129E00-91220	HARNESS,B ECO ENGINE	1							
12	1	129E00-91230	HARNESS,C ECO ENGINE	1							
17	1	129A00-91451	BOOT,CAP TYPE	1							
18	1	129A00-91600	BRACKET, HARNESS	1							
19	1	129E00-91600	BRACKET, HARNESS	1							
20	1	26106-060122	BOLT, M6X 12 PLATED	4							
21	1	26106-080122	BOLT, M8X 12 PLATED	2							
22	1	26106-080122	BOLT, M8X 12 PLATED	2							
23	1	26106-080122	BOLT, M8X 12 PLATED	2							
24	1	29621-200000	BAND	1							
25	1	198461-52950	RELAY, CA TYPE C	1							

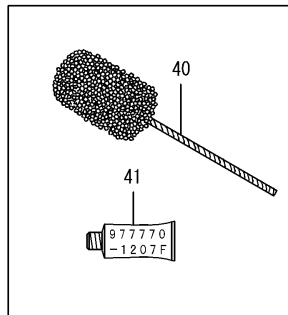
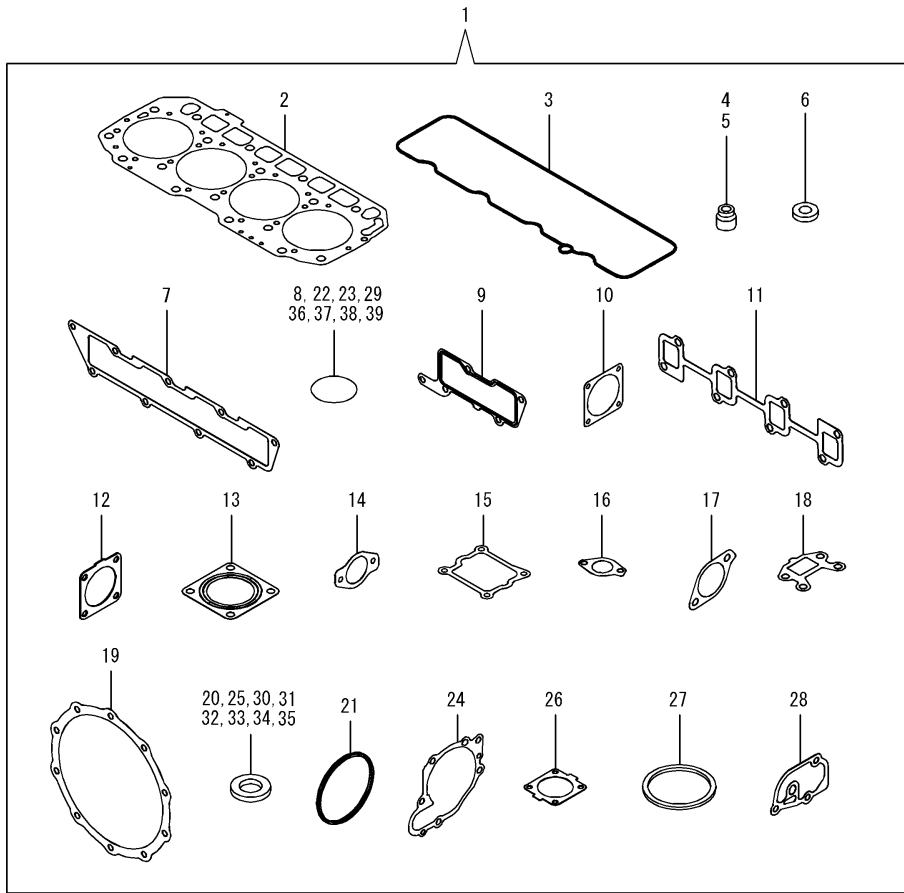
Remarks

\*1 It is bundled goods.

Fig.18. GASKET SET

(A)=4TNV98C-NGT  
(B)=  
(C)=

(D)=  
(E)=  
(F)=



No.	Lev.	Parts No.	Description	Q'ty						I	R
				(A)	(B)	(C)	(D)	(E)	(F)		
1	1	129E22-92600	PACKING	1							1
2	2	129E00-01330	GASKET, CYL. HEAD	1							
3	2	129E00-11310	PACKING, BONNET	1							
4	2	124460-11340	SEAL, VALVE STEM	4							
5	2	129A00-11340	SEAL, VALVE STEM	4							
6	2	129978-11871	GASKET, INJECTOR	4							
7	2	129E00-12110	GASKET, MANIFOLD	1							
8	2	129A00-12790	O-RING, TEMP SENSOR	1							
9	2	129E00-12810	GASKET, COLLECTOR	1							
10	2	129A00-12910	GASKET, THROTTLE	2							
11	2	129E00-13110	GASKET, MANIFOLD	1							
12	2	129930-13201	GASKET, SILENCER	1							
13	2	128300-13230	GASKET, SILENCER	1							
14	2	129E00-13410	GASKET, EGR COOLER	2							
15	2	129E00-13720	GASKET, EGR-V SPACER	1							
16	2	129927-13810	GASKET	1							
17	2	129E00-13910	GASKET, EGR-V IN	1							
18	2	129E00-13920	GASKET, EGR-V OUT	1							
19	2	129E00-16600	GASKET, DPf	2							
20	2	129A00-17311	GASKET, SENSOR	4							
21	2	129960-21930	PACKING, WASHER	1							
22	2	129900-32030	O-RING, P20	2							
23	2	129900-32040	O-RING, P14	1							
24	2	129900-42020	GASKET, WATER PUMP	1							
25	2	124465-44950	GASKET, 16	2							
26	2	121850-49540	GASKET, THERMOSTAT	1							
27	2	121850-49550	GASKET, THERMOSTAT	1							
28	2	129900-49870	GASKET	1							
29	2	129A00-51900	O-RING, FUEL PUMP	1							
30	2	22190-080002	WASHER, SEAL 6	5							
31	2	22190-120002	WASHER, SEAL 12	1							
32	2	22190-140002	WASHER, SEAL 14	2							
33	2	22190-220002	WASHER, SEAL 22	1							
34	2	23414-080000	GASKET, 8X1.0	1							
35	2	23414-120000	GASKET, 12X1.0	2							
36	2	24311-000070	O-RING, 1AP7.0	1							
37	2	24311-000120	O-RING, 1AP12.0	3							
38	2	24311-000320	O-RING, 1AP32.0	2							
39	2	24321-000600	O-RING, 1AG60.0	1							
40	1	129400-92450	HONE	1							1
41	1	977770-1207F	GASKET, LIQUID	1							1

Remarks

(1) Optional parts.

N:Old  $\begin{matrix} \leftarrow \text{Yes} \\ \text{No} \end{matrix}$  New, Q:Old  $\begin{matrix} \leftarrow \text{No} \\ \text{Yes} \end{matrix}$  New, R:Old  $\begin{matrix} \leftarrow \text{Yes} \\ \text{Yes} \end{matrix}$  New, S:Old  $\begin{matrix} \leftarrow \text{No} \\ \text{No} \end{matrix}$  New, W:Add, Z:Discontinued, F:Interchangeable by set, K:Q'ty Change

## Parts No. Index

Parts No.	Fig. No.	Ref. No.
105010-39140	8	30
114110-07761	14	17
114270-59010	14	13
114371-79070	15	30
119131-18320	6	27
119131-77550	15	25
119620-01750	3	3
119640-01640	3	8
119640-61400	4	60
119660-01570	5	12
119803-77830	4	69
120130-22301	9	22
120270-54410	4	19
121252-39450	10	11
121254-77810	15	29
121450-42450	11	31
121850-21130	9	11
121850-21290	9	4
121850-21920	9	5
121850-49540	11	20
	18	26
121850-49550	11	21
	18	27
121850-49811	11	22
122780-59100	13	8
123900-77510	15	21
123900-77520	15	22
123900-77540	15	24
123907-03100	4	50
123907-03110	4	51
123907-03120	4	52
123907-03140	4	53
123907-13720	6	26
123910-49600	10	8
123910-49610	10	10
123912-33050	10	2
123912-33100	10	3
124160-01751	2	19
	4	41
124160-11360	4	64
124240-01871	2	26
124460-11340	4	13
	18	4
124465-44950	11	32
	18	25
128300-13230	6	23
	18	13
129001-11340	4	57
129005-03080	5	1
129006-44480	10	5

Parts No.	Fig. No.	Ref. No.
129008-77800	4	70
129100-01580	2	2
	3	1
129150-02450	8	4
129150-11230	4	29
		33
129150-11370	4	1
129150-11750	4	31
		35
129150-11810	4	72
129150-14200	8	1
129150-25920	8	32
129150-35153	10	26
129242-55740	14	26
129400-92450	18	40
129410-03990	5	2
129418-18320	6	21
129466-49300	10	7
129612-52100	14	18
129795-11180	4	12
129900-01200	1	27
129900-01250	1	4
129900-01710	3	7
129900-02020	1	6
129900-02341	1	32
129900-02410	1	9
129900-02931	1	24
129900-02941	1	35
129900-07900	4	67
129900-11100	4	9
129900-11110	4	10
129900-11120	4	11
129900-11200	4	21
129900-11240	4	22
129900-11280	4	25
129900-11510	4	26
129900-11520	4	27
129900-11530	4	38
129900-11650	4	28
129900-11660	4	32
129900-14400	8	2
129900-21220	9	3
129900-21600	9	14
129900-23001	9	24
129900-23200	9	27
129900-23601	9	28
129900-23611	9	31
129900-23911	9	30
129900-25110	8	15
129900-32001	2	3

Parts No.	Fig. No.	Ref. No.
129900-32030	2	14
	10	17
	18	22
129900-32040	2	15
	18	23
129900-35000	10	18
129900-42020	11	1
	18	24
129900-42462	11	14
129900-49870	11	27
	18	28
129902-21050	9	1
129907-03061	4	46
129907-03070	4	49
129907-21650	9	9
129908-33010	10	1
129908-33101	10	4
129908-49060	10	6
129916-01790	3	6
129916-01800	2	23
129916-21610	9	7
129916-49530	11	19
129927-13810	6	30
	18	16
129927-42000	11	2
129927-44900	11	17
129928-49420	11	18
		33
129930-13201	7	1
	18	12
129939-34800	10	15
129940-77011	15	1
129940-77100	15	2
129940-77130	15	5
129940-77140	15	6
129940-77150	15	7
129940-77160	15	8
129940-77171	15	9
129940-77181	15	10
129940-77190	15	11
129940-77200	15	12
129940-77210	15	13
129940-77221	15	14
129940-77230	15	15
129940-77240	15	16
129940-77250	15	17
129940-77260	15	18
129940-77270	15	19
129940-77280	15	20
129960-03990	11	36

Parts No.	Fig. No.	Ref. No.
129960-03990	11	39
		43
129960-21930	9	10
	18	21
129960-21940	9	8
129978-03030	4	45
129978-11871	4	17
	18	6
129A00-11330	4	56
129A00-11340	4	14
	18	5
129A00-12703	4	58
129A00-12711	5	13
129A00-12720	5	7
129A00-12780	4	59
129A00-12790	5	14
	18	8
129A00-12900	5	28
129A00-12910	5	29
	18	10
129A00-13350	6	9
	7	24
129A00-13380	6	12
129A00-13620	6	3
129A00-13751	6	28
129A00-14710	8	12
129A00-16610	7	13
129A00-17311	7	27
	18	20
129A00-17520	7	32
129A00-17570	7	35
129A00-17650	7	33
129A00-17702	7	36
129A00-17760	7	37
129A00-21710	3	13
129A00-51000	12	1
129A00-51100	12	2
129A00-51110	12	3
129A00-51120	12	4
129A00-51130	12	5
129A00-51200	12	6
129A00-51900	12	7
	18	29
129A00-53200	13	2
129A00-55600	14	1
129A00-55610	14	2
129A00-55720	14	24
129A00-55730	14	25
129A00-55740	14	27
129A00-55750	14	21

## Parts No. Index

Parts No.	Fig. No.	Ref. No.
129A00-55760	14	22
129A00-55770	14	28
129A00-55800	14	3
129A00-57100	13	4
129A00-57200	13	5
129A00-57210	13	6
129A00-59110	5	18
129A00-75910	16	11
129A00-91200	6	6
	7	40
	14	16
129A00-91430	7	42
129A00-91451	17	17
129A00-91600	17	18
129A01-13710	6	4
129C00-13940	7	3
129C00-13950	7	4
129C00-17600	7	30
129C00-57000	13	3
129C00-91200	7	41
129C01-13600	6	17
		25
129C01-16400	7	9
129C01-16680	7	14
129C01-16700	7	15
129C01-16710	7	16
129C01-16730	7	17
129C01-16740	7	18
129E00-01330	1	28
	18	2
129E00-01500	2	1
129E00-01570	1	1
129E00-01580	2	21
129E00-01600	3	2
129E00-01850	2	24
129E00-03010	4	43
129E00-03020	4	44
129E00-11310	4	55
	18	3
129E00-11350	4	42
129E00-11390	17	1
129E00-11710	4	2
129E00-11900	4	18
129E00-12101	5	5
129E00-12110	5	3
	18	7
129E00-12151	5	4
129E00-12800	5	15
129E00-12810	5	10
	18	9

Parts No.	Fig. No.	Ref. No.
129E00-12850	5	11
129E00-13101	6	1
129E00-13110	6	2
	18	11
129E00-13300	6	8
129E00-13350	6	24
129E00-13360	6	10
129E00-13400	6	15
129E00-13410	6	16
	18	14
129E00-13610	6	18
129E00-13710	5	16
129E00-13720	5	17
	18	15
129E00-13770	6	5
129E00-13800	6	29
129E00-13851	6	19
129E00-13861	6	20
129E00-13901	6	33
129E00-13910	6	34
	18	17
129E00-13920	6	35
	18	18
129E00-14101	8	6
129E00-14581	8	3
129E00-14700	8	8
129E00-16201	7	6
129E00-16500	7	11
129E00-16600	7	12
	18	19
129E00-16801	7	19
129E00-17200	7	23
129E00-17300	7	25
129E00-17350	7	28
129E00-21580	9	12
129E00-22050	9	18
129E00-22080	9	16
129E00-22900	9	33
129E00-22950	9	35
129E00-25050	8	14
129E00-25060	8	22
129E00-25080	8	33
129E00-25121	8	23
129E00-25200	8	26
129E00-25400	8	28
129E00-25902	8	19
129E00-49610	11	34
129E00-49620	11	38
129E00-49630	11	42
129E00-49800	11	16

Parts No.	Fig. No.	Ref. No.
129E00-53100	13	1
129E00-55710	14	20
129E00-59020	14	8
129E00-59030	14	12
129E00-59120	5	19
129E00-59500	14	4
129E00-59700	13	10
129E00-59810	13	12
129E00-59820	13	13
129E00-59830	13	14
129E00-59840	13	15
129E00-77820	4	71
129E00-77910	17	2
129E00-91220	17	3
129E00-91230	17	12
129E00-91600	17	19
129E20-16060	7	5
129E22-55700	14	19
129E22-75110	16	1
129E22-92600	18	1
171051-01921	1	5
171056-49120	10	14
198461-52950	17	25
22190-080002	8	31
	10	24
	18	30
22190-120002	11	24
	18	31
22190-140002	5	20
	18	32
22190-220002	3	11
	18	33
22217-180000	8	20
22242-000180	4	36
22252-000300	9	23
22351-030010	8	9
22351-060012	1	11
22512-070140	8	7
	9	6
22857-500100	4	61
		62
23000-025000	10	12
23080-007000	14	7
23080-015000	14	11
23414-080000	11	28
	18	34
23414-120000	6	13
	18	35
23875-030000	11	25
23876-005000	4	7

Parts No.	Fig. No.	Ref. No.
23876-030000	1	12
		13
		14
24311-000070	2	16
	18	36
24311-000110	14	23
24311-000120	4	65
	18	37
24311-000320	2	20
	4	66
	18	38
24321-000600	10	13
	18	39
25132-004200	11	46
26106-060122	17	20
26106-060162	7	38
26106-060202	11	26
26106-060302	11	12
26106-060402	5	30
26106-080122	3	12
	10	23
		25
	11	29
	17	21
		22
		23
26106-080142	7	20
26106-080162	2	17
		27
		28
	4	68
	6	14
	8	10
26106-080202	6	22
	7	39
26106-080252	13	7
26106-080302	12	8
26106-080352	4	20
	5	21
26106-080402	2	29
26106-080452	2	18
	5	8
	8	27
26106-080502	8	18
26106-080552	5	9
	11	13
26106-080602	11	30
26106-080702	2	30
26106-080752	5	24
26106-080902	5	25



# Parts No. Index

Parts No.	Fig. No.	Ref. No.
26106-100182	11	15
26106-100202	7	43
26106-100222	7	21
26106-100252	6	31
26106-100602	6	36
26106-100652	4	39
26106-120252	15	31
26206-100352	3	4
26206-100952	3	5
26216-060202	5	6
		22
26216-081002	5	26
26306-080002	5	27
	6	32
	7	22
		44
26306-100002	4	40
	6	7
26366-060002	13	16
26450-060162	3	14
	4	63
	8	13
26557-050082	4	47
26577-040162	4	37
26577-060122	8	11
26587-050102	4	48
26716-060002	5	23
26776-180002	8	21
27241-300000	1	10
27241-400000	4	8
27310-080001	4	15
29621-200000	17	24
729900-02801	1	29
977770-1207F	18	41
X2240610100	15	23

Parts No.	Fig. No.	Ref. No.
-----------	----------	----------

Parts No.	Fig. No.	Ref. No.
-----------	----------	----------

Parts No.	Fig. No.	Ref. No.
-----------	----------	----------