

0CW10-M80900EN

# P R E F A C E

1. This parts catalog is the 1st edition of 4TNV98CT-NMS for Manitou Americas, Inc.

Pub. No. : 0CW10-G80900

Published : February, 2013

2. Model name

Engine model	Vehicle	Vehicle made by
4TNV98CT-NMS	Skid-steer loader	Manitou Americas, Inc.

## Directions for the Parts Catalog.

1. This Parts Catalog shows both standard and optional parts.
2. Parts may change without prior notice.
3. The following is an example of the Parts Catalog format.

REF.	LEV.	PARTS NO.	DESCRIPTION	Q'TY						I	R
				(A)	(B)	(C)	(D)	(E)	(F)		
1	1	729595-51390	FUEL INJECTION PUMP	1	1	1	1	1			1
1-1	1	729595-51391	FUEL INJECTION PUMP	1	1	1	1	1		N	1
		(A=E00185) (B=E00200)									
3	2	26022-060162	SCREW M 6X 16	9	9	9	9	9			
3-1	2	26022-060162	SCREW M 6X 16	4	4	4	4	4		K	
		(A=E00156) (B=E00156) (C=E00156) (D=E00156) (E=E00156)									
4	2	129470-51040	CAMSHAFT	1	1	1	1	1			
5	2	122710-51050	BEARING, ROLLER	2	2	2	2	2			
6	2	129470-51060	RETAINER	1	1	1	1	1			

Remarks
(1) BOOST COMPEMSATOR TYPE. OPTIONAL PART, TO E00155,(4JH-DT, 4JH-DTZ

### ① Ref. No.

The Ref. No. listed may not be in accordance with the illustration Ref. No.

(Ex.) Illustration No.

List Ref No.

1

1

(Before change)

1-1

(After change)

For interchangeable symbols N, R and K, illustrations for new parts may be abbreviated.

### ② Lev. (Level)

Level indication

The numbers below indicate the level of relativity towards the main part.

1 ----- Main parts (Assembly parts)

2 ----- Sub component included in " 1 ".

3 ----- Sub component included in " 2 ".

Note) Parts that are not for sale are partially illustrated but not listed.

### ③ Interchangeability Symbol

When a part change takes place, one of the following interchangeability symbols is indicated beside the part.

Symbol	Interchangeability	Contents note
N	Old $\begin{matrix} \leftarrow \text{Yes} \\ \text{No} \rightarrow \end{matrix}$ New	New Part is interchangeable for Old Part but Old Part is not interchangeable for New Part.
Q	Old $\begin{matrix} \leftarrow \text{No} \\ \text{Yes} \rightarrow \end{matrix}$ New	New Part is not interchangeable for Old Part but Old Part is interchangeable for New Part.
R	Old $\begin{matrix} \leftarrow \text{Yes} \\ \text{Yes} \rightarrow \end{matrix}$ New	New/ Old Parts are both interchangeable.
S	Old $\begin{matrix} \leftarrow \text{No} \\ \text{No} \rightarrow \end{matrix}$ New	New/ Old Parts are both not interchangeable.
W		Part newly added.
Z		Part discontinued.
F		Not interchangeable by a single part but interchangeable together with related parts.
K		Changes only for used parts quantities.

### ④ Effective Machine No.

When a part changes, the effective Machine No. will be indicated in the (A)-(F) column.

Product Symbol	Product No.	Product Symbol	Product No.
C	Clutch No. Compressor No.	F	Machine No. (Agricultural Equip.)
D	Drive No.	M	Machine No.
E	Engine No.		

Note 1) A date may follow the symbol. (Ex.) 1996.01

Note 2) "XXXXX" and "ZZZZZ" are for parts that could not be predicted or for engine models that could not be identified.

Note 3) (A=E00185) is the E (Engine Serial Number) for the column (A) model (in this case 4JH-DT) after the parts design change.

### ⑤ Remarks

Figures or alphabets (symbols) are entered in the remarks column.

The comments (remarks) on parts that are indicated at the bottom of the illustration are the same symbols as those stated above.

# Contents

0CW10-M80900

Fig. No.	Fig. Name	Fig. No.	Fig. Name
4TNV98CT-NMS			
1.	CYLINDER BLOCK		
2.	GEAR HOUSING		
3.	FLYWHEEL HOUSING & OIL SUMP		
4.	CYLINDER HEAD & BONNET		
5.	SUCTION MANIFOLD		
6.	EXHAUST MANIFOLD		
7.	DIESEL PARTICULATE FILTER(DPF)		
8.	CAMSHAFT & DRIVING GEAR		
9.	TURBINE		
10.	CRANKSHAFT & PISTON		
11.	LUB.OIL SYSTEM		
12.	LUB.OIL LINE		
13.	COOLING WATER SYSTEM		
14.	FUEL SUPPLY PUMP		
15.	FUEL INJECTION VALVE		
16.	FUEL LINE		
17.	STARTING MOTOR		
18.	ELECTRONIC CONTROL UNIT (ECU)		
19.	ELECTRIC PARTS		
20.	GASKET SET		

Fig.1. CYLINDER BLOCK

(A)=4TNV98CT-NMS

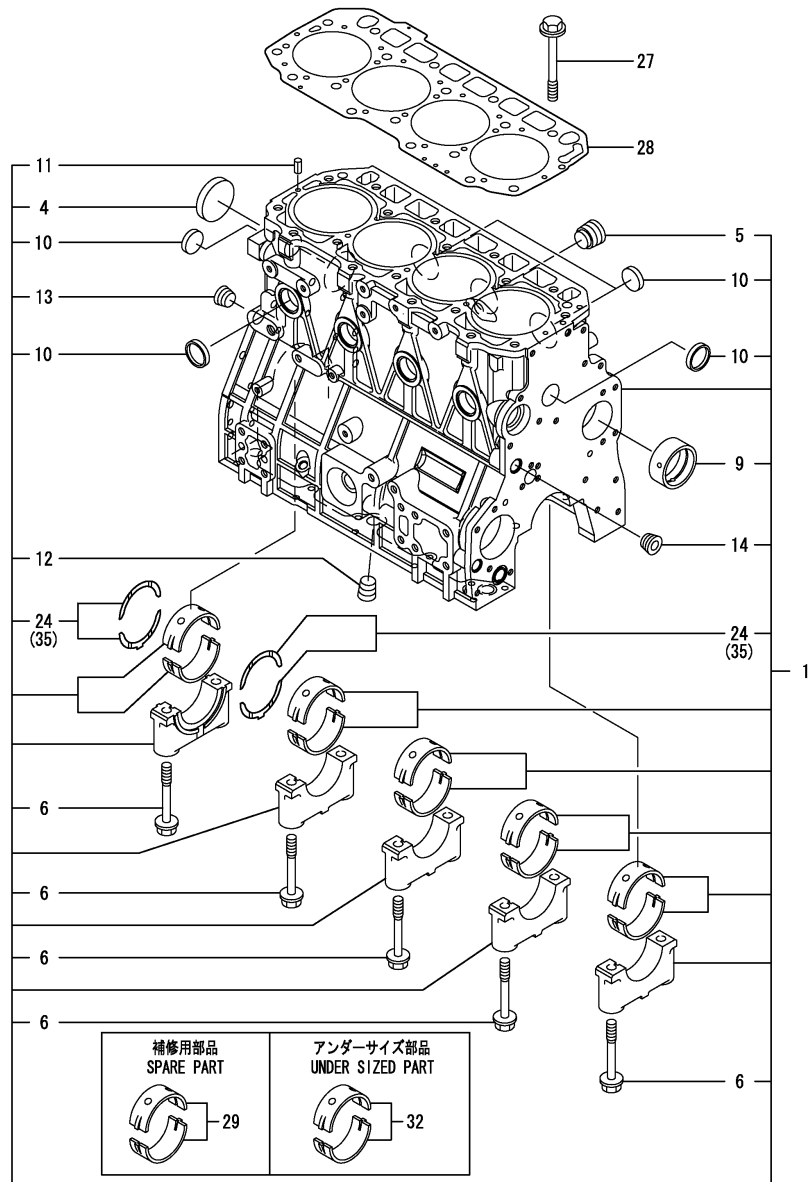
(B)=

(C)=

(D)=

(E)=

(F)=

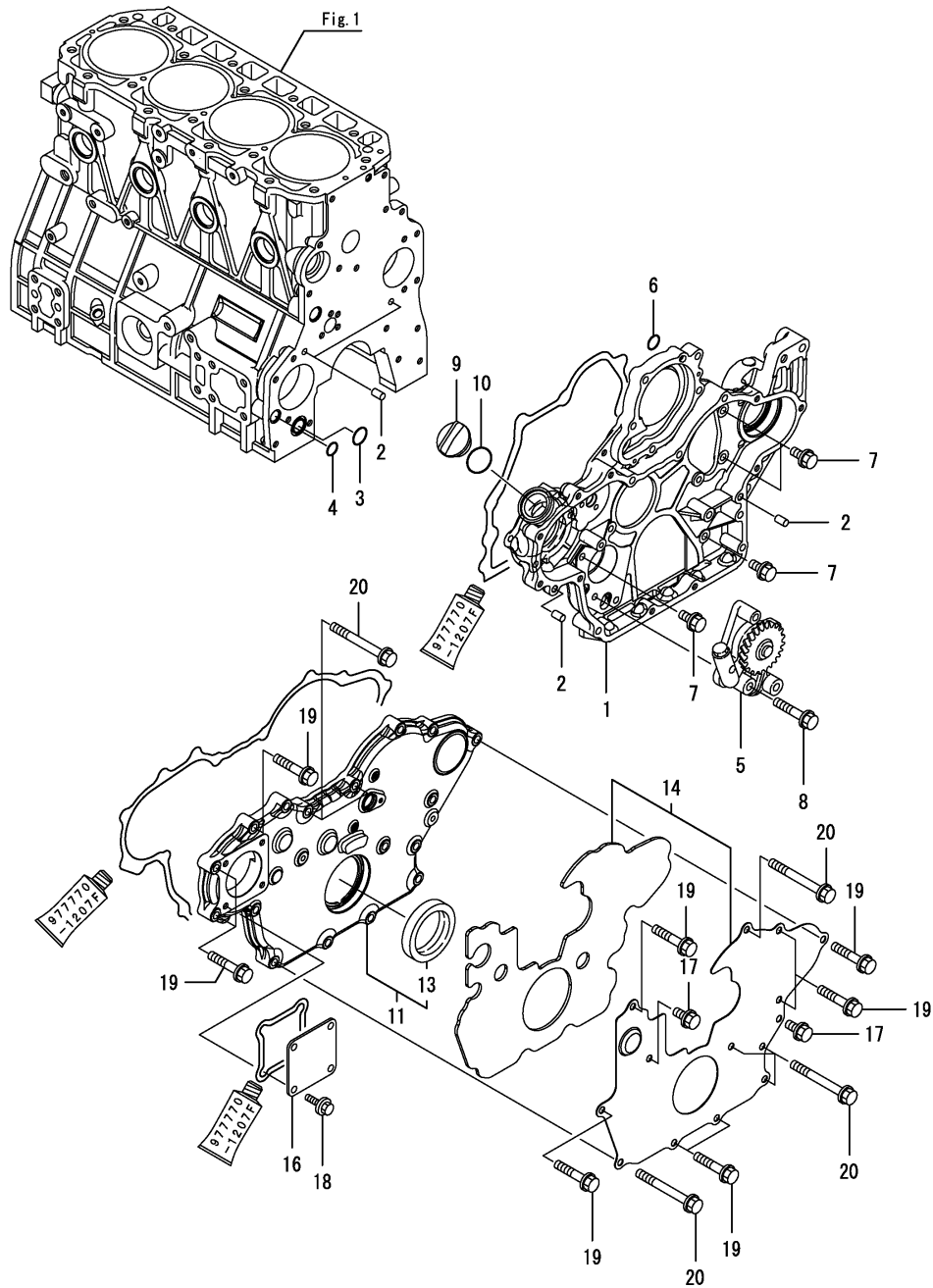


No.	Lev.	Parts No.	Description	Q'ty						I	R
				(A)	(B)	(C)	(D)	(E)	(F)		
1	1	129E32-01560	BLOCK ASSY, CYLINDER	1							
4	2	129900-01250	PLUG, 55	1							
5	2	171051-01921	PLUG, NPTF1	1							
6	2	129900-02020	BOLT, METAL CAP	10							
9	2	129900-02410	BUSH, CAMSHAFT	1							
10	2	27241-300000	PLUG 30	8							
11	2	22351-060012	PIN, SPRING 6.0X12	2							
12	2	23876-030000	PLUG, R03	1							
13	2	23876-030000	PLUG, R03	1							
14	2	23876-030000	PLUG, R03	1							
24	2	129900-02931	BEARING, THRUST	2							
27	1	129900-01200	BOLT, HEAD	18							
28	1	129E00-01330	GASKET, CYL. HEAD	1							
29	1	729900-02801	BEARING, MAIN	5							1
32	1	129900-02341	BEARING, 0.25 US	5							2
35	1	129900-02941	BEARING, THRUST 0.25	2							3

Remarks

- (1) Spare part.
- (2) Under-sized(U.S.=0.25)part.
- (3) Over-sized(O.S.=0.25)part.

Fig.2. GEAR HOUSING

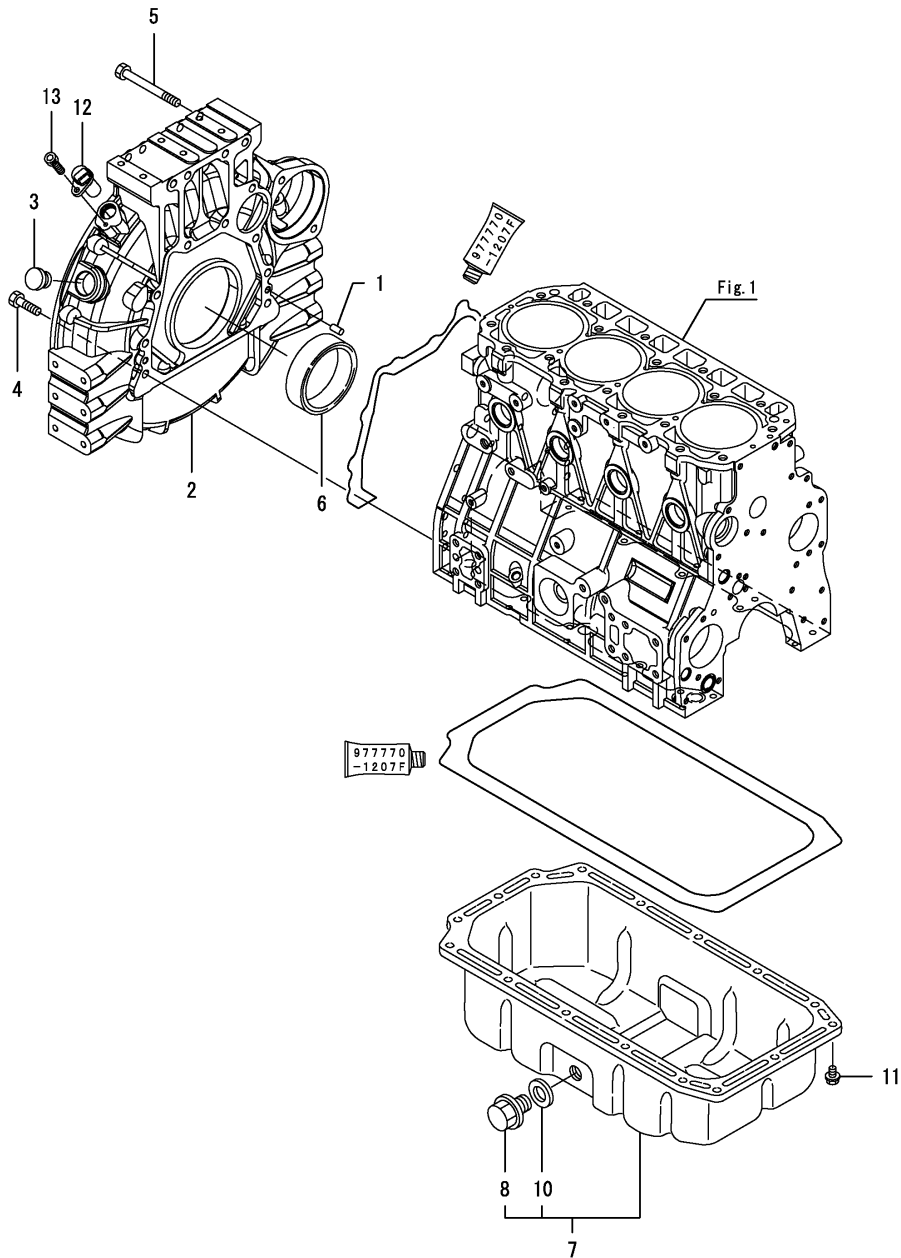


(A)=4TNV98CT-NMS  
(B)=  
(C)=

(D)=  
(E)=  
(F)=

No.	Lev.	Parts No.	Description	Qty						I	R
				(A)	(B)	(C)	(D)	(E)	(F)		
1	1	129E30-01500	CASE, GEAR	1							
2	1	129100-01580	PIN, M8X16	4							
3	1	129900-32030	O-RING, P20	1							
4	1	129900-32040	O-RING, P14	1							
5	1	129908-32060	PUMP ASSY, OIL	1							
6	1	24311-000070	O-RING, 1AP7.0	1							
7	1	26106-080162	BOLT, M8X 16 PLATED	4							
8	1	26106-080452	BOLT, M8X 45 PLATED	3							
9	1	124160-01751	COVER, FILLER	1							
10	1	24311-000320	O-RING, 1AP32.0	1							
11	1	129E00-01580	COVER ASSY, GEARCASE	1							
13	2	129916-01800	SEAL, OIL	1							
14	1	129E00-01850	COVER ASSY,GEARCASE	1							
16	1	124240-01871	COVER	1							
17	1	26106-080162	BOLT, M8X 16 PLATED	2							
18	1	26106-080162	BOLT, M8X 16 PLATED	4							
19	1	26106-080402	BOLT, M8X 40 PLATED	10							
20	1	26106-080702	BOLT, M8X 70 PLATED	7							

Fig.3. FLYWHEEL HOUSING & OIL SUMP

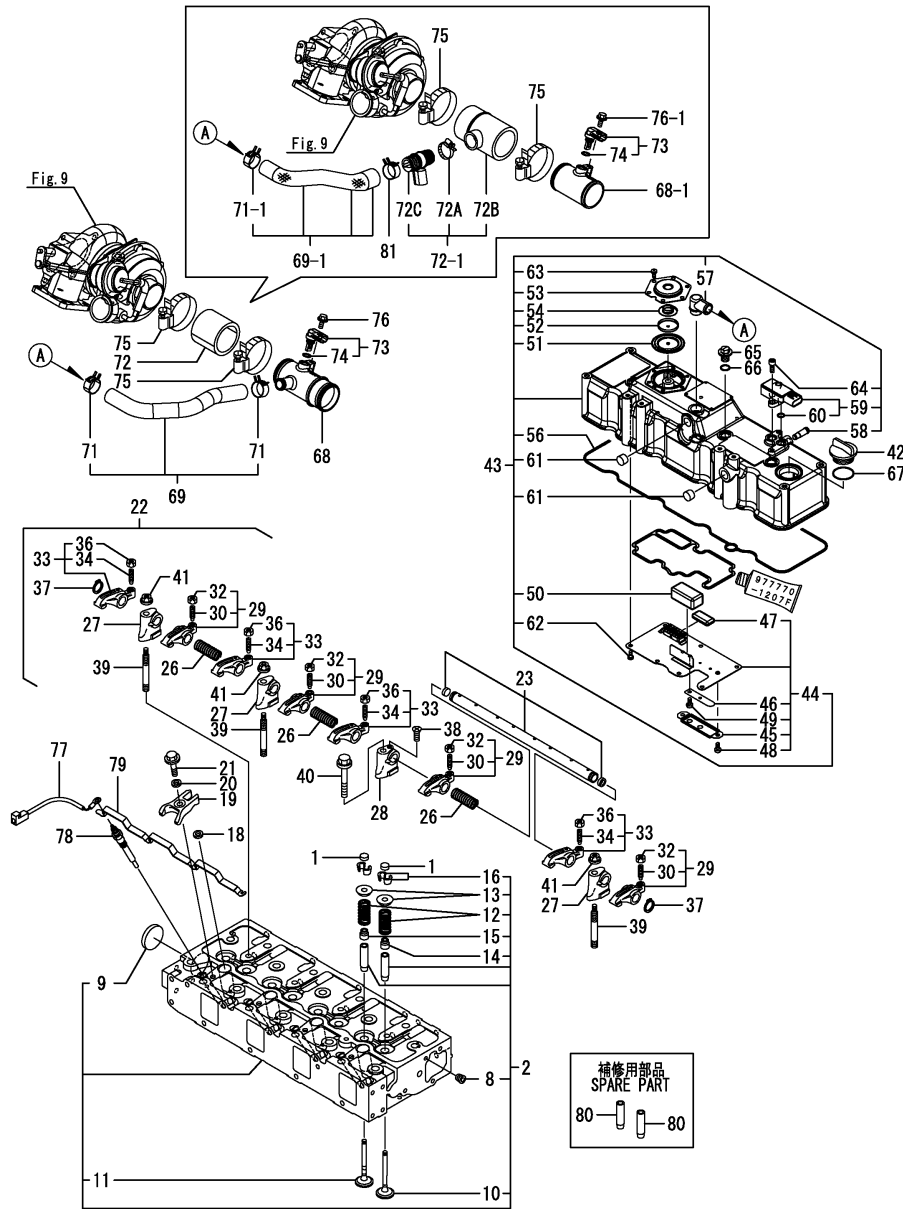


(A)=4TNV98CT-NMS  
(B)=  
(C)=

(D)=  
(E)=  
(F)=

No.	Lev.	Parts No.	Description	Q'ty						I	R
				(A)	(B)	(C)	(D)	(E)	(F)		
1	1	129100-01580	PIN, M8X16	2							
2	1	129E00-01600	HOUSING, FLYWHEEL	1							
3	1	119620-01750	CAP	1							
4	1	26206-100352	BOLT, M10X 35 PLATED	9							
5	1	26206-100952	BOLT, M10X 95 PLATED	4							
6	1	129916-01790	SEAL, D115/95XT11	1							
7	1	129982-01710	SUMP ASSY, OIL	1							
8	2	119640-01640	PLUG, DRAIN M22	1							
10	2	22190-220002	WASHER, SEAL 22	1							
11	1	26106-080122	BOLT, M8X 12 PLATED	16							
12	1	129A00-21710	SENSOR, FLYWHEEL REV	1							
13	1	26450-060162	BOLT, M6X 16	1							

Fig.4. CYLINDER HEAD & BONNET



(A)=4TNV98CT-NMS  
(B)=  
(C)=

(D)=  
(E)=  
(F)=

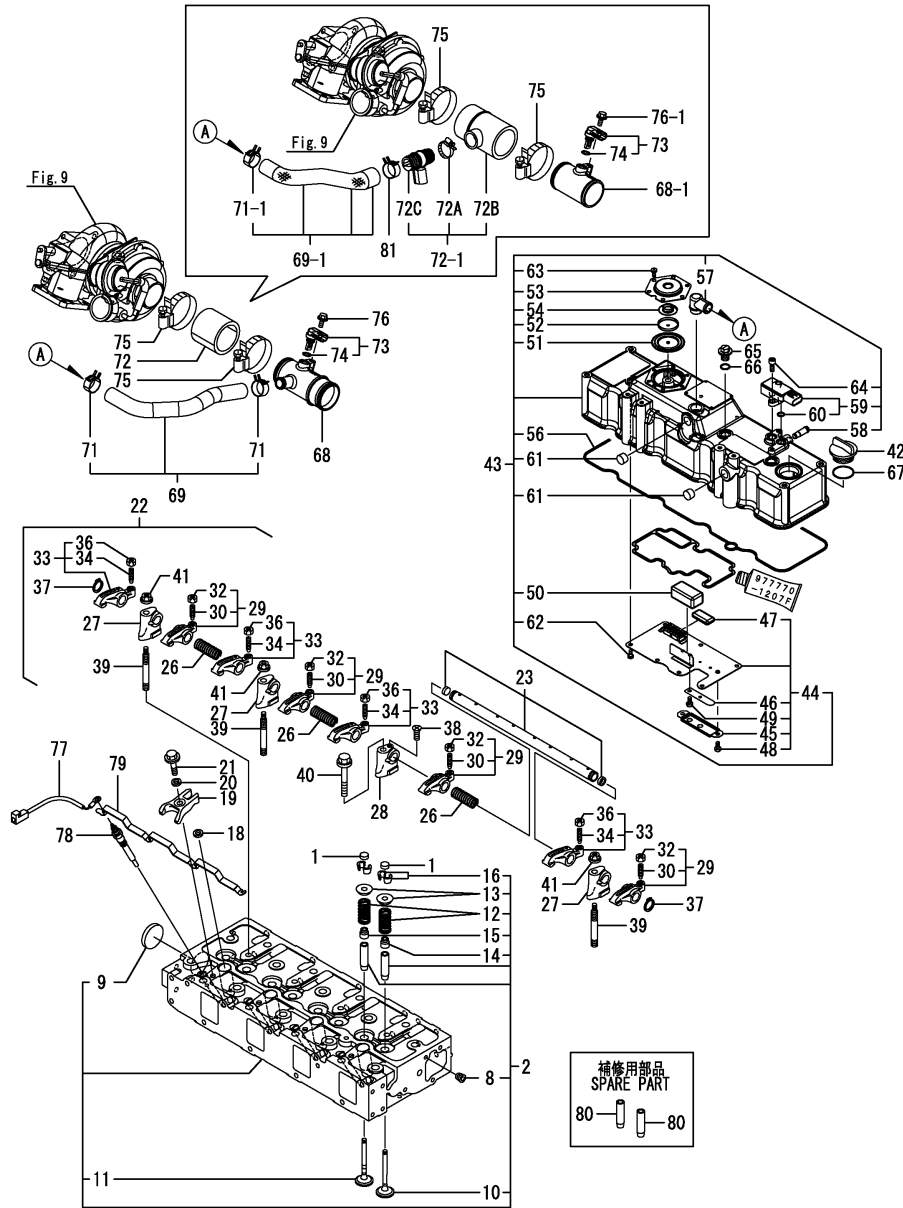
No.	Lev.	Parts No.	Description	Qty						I	R
				(A)	(B)	(C)	(D)	(E)	(F)		
1	1	129150-11370	CAP, VALVE	8							
2	1	129E01-11700	HEAD ASSY, CYLINDER	1							
8	2	23876-005000	PLUG, R005	1							
9	2	27241-400000	PLUG, 40	1							
10	2	129900-11100	VALVE, INTAKE	4							
11	2	129900-11110	VALVE, EXHAUST	4							
12	2	129900-11120	SPRING, VALVE	8							
13	2	129795-11180	RETAINER, SPRING	8							
14	2	124460-11340	SEAL, VALVE STEM	4							
15	2	129A00-11340	SEAL, VALVE STEM	4							
16	2	27310-080001	COTTER, 8	8							
18	1	129978-11871	GASKET,INJECTOR	4							
19	1	129E00-11900	RETAINER, INJECTOR	4							
20	1	120270-54410	WASHER, INJECTOR	4							
21	1	26106-080352	BOLT, M8X 35 PLATED	4							
22	1	129900-11200	SUPPORT ASSY, ARM	1							
23	2	129900-11240	SHAFT ASSY, ROCKER	1							
26	2	129900-11280	SPRING	3							
27	2	129900-11510	SUPPORT, ROCKER ARM	3							
28	2	129900-11520	SUPPORT, ROCKER ARM	1							
29	2	129900-11650	ARM, ROCKER	4							
30	3	129150-11230	SCREW, VALVE ADJUST	4							
32	3	129150-11750	NUT, M8	4							
33	2	129900-11660	ARM, ROCKER	4							
34	3	129150-11230	SCREW, VALVE ADJUST	4							
36	3	129150-11750	NUT, M8	4							
37	2	22242-000180	RING, 18	2							
38	2	26577-040162	SCREW, M4X16	1							
39	1	129900-11530	STUD	3							
40	1	26106-100652	BOLT, M10X 65 PLATED	1							
41	1	26306-100002	NUT, M10	3							
42	1	124160-01751	COVER, FILLER	1							
43	1	129E01-11350	BONNET ASSY	1							
44	2	129E00-03010	PLATE, BAFFLE	1							
45	3	129E00-03020	COVER, PLATE SPRING	1							
46	3	129978-03030	SPRING,PLATE	1							
47	3	129907-03061	BAFFLE, BREATHER	1							
48	3	26557-050082	SCREW, M5X 8	2							
49	3	26587-050102	SCREW, M5X10	1							
50	2	129907-03070	BAFFLE, BREATHER	1							
51	2	123907-03100	DIAPHRAGM	1							
52	2	123907-03110	PLATE	1							
53	2	123907-03120	PLATE, BREATHER	1							
54	2	123907-03140	SPRING, DIAPHRAGM	1							
56	2	129E00-11310	PACKING, BONNET	1							
57	2	119100-11330	ELBOW	1							
58	2	129A00-11330	JOINT	1							
59	2	129A00-12703	SENSOR,PRESSURE	1							
60	3	129A00-12780	O-RING,PRES SENSOR	2							
61	2	119640-61400	PLUG	2							
62	2	22857-500100	SCREW, 5X10	7							

Remarks

- (1) Spare part.
- (2) Interchangeable by simultaneous replacement with No.68-1, 69-1 72-1, 76-1, 81.



Fig.4. CYLINDER HEAD & BONNET



(A)=4TNV98CT-NMS  
(B)=  
(C)=

(D)=  
(E)=  
(F)=

No.	Lev.	Parts No.	Description	Q'ty						I	R
				(A)	(B)	(C)	(D)	(E)	(F)		
63	2	22857-500100	SCREW, 5X10	6							
64	2	26450-060162	BOLT, M6X 16	2							
65	1	124160-11360	KNOB	3							
66	1	24311-000120	O-RING, 1AP12.0	3							
67	1	24311-000320	O-RING, 1AP32.0	1							
68	1	129C01-03050	JOINT,BREATHER	1							
68-1	1	129978-03380	JOINT,BREATHER	1						F	2
		(A=E10609)									
69	1	129E01-03080	HOSE ASSY, BREATHER	1							
69-1	1	129E01-03130	HOSE ASSY, BREATHER	1						F	2
		(A=E10609)									
71	2	129410-03990	CLIP	2							
71-1	2	129410-03990	CLIP,HOSE 21.5	1							K
		(A=E10609)									
72	1	129C01-12060	HOSE,INTAKE	1							
72-1	1	129E01-03140	JOINT ASSY, 3-WAY	1						F	2
		(A=E10609)									
72A	2	129978-03280	CLIP, HOSE 35.0	1							W
		(A=E10609)									
72B	2	129978-03350	JOINT, BREATHER	1							W
		(A=E10609)									
72C	2	129A01-77310	HEATER, PIPE	1							W
		(A=E10609)									
73	1	129A00-12711	SENSOR,AIR TEMP	1							
74	2	129A00-12790	O-RING,TEMP SENSOR	1							
75	1	23000-060000	CLAMP, 60	2							
76	1	26106-060162	BOLT, M6X 16 PLATED	1							
76-1	1	26106-060142	BOLT, M6X 14 PLATED	1						F	2
		(A=E10609)									
77	1	119803-77830	HARNESS, WIRE	1							
78	1	129008-77800	PLUG, GLOW	4							
79	1	129E00-77820	CONNECTOR, GLOW PLUG	1							
80	1	129150-11810	GUIDE, VALVE	8							1
81	1	129978-03270	CLIP, HOSE 26.0	1						W	2
		(A=E10609)									

Remarks

- (1) Spare part.
- (2) Interchangeable by simultaneous replacement with No.68-1, 69-1 72-1, 76-1, 81.

Fig.5. SUCTION MANIFOLD

(A)=4TNV98CT-NMS

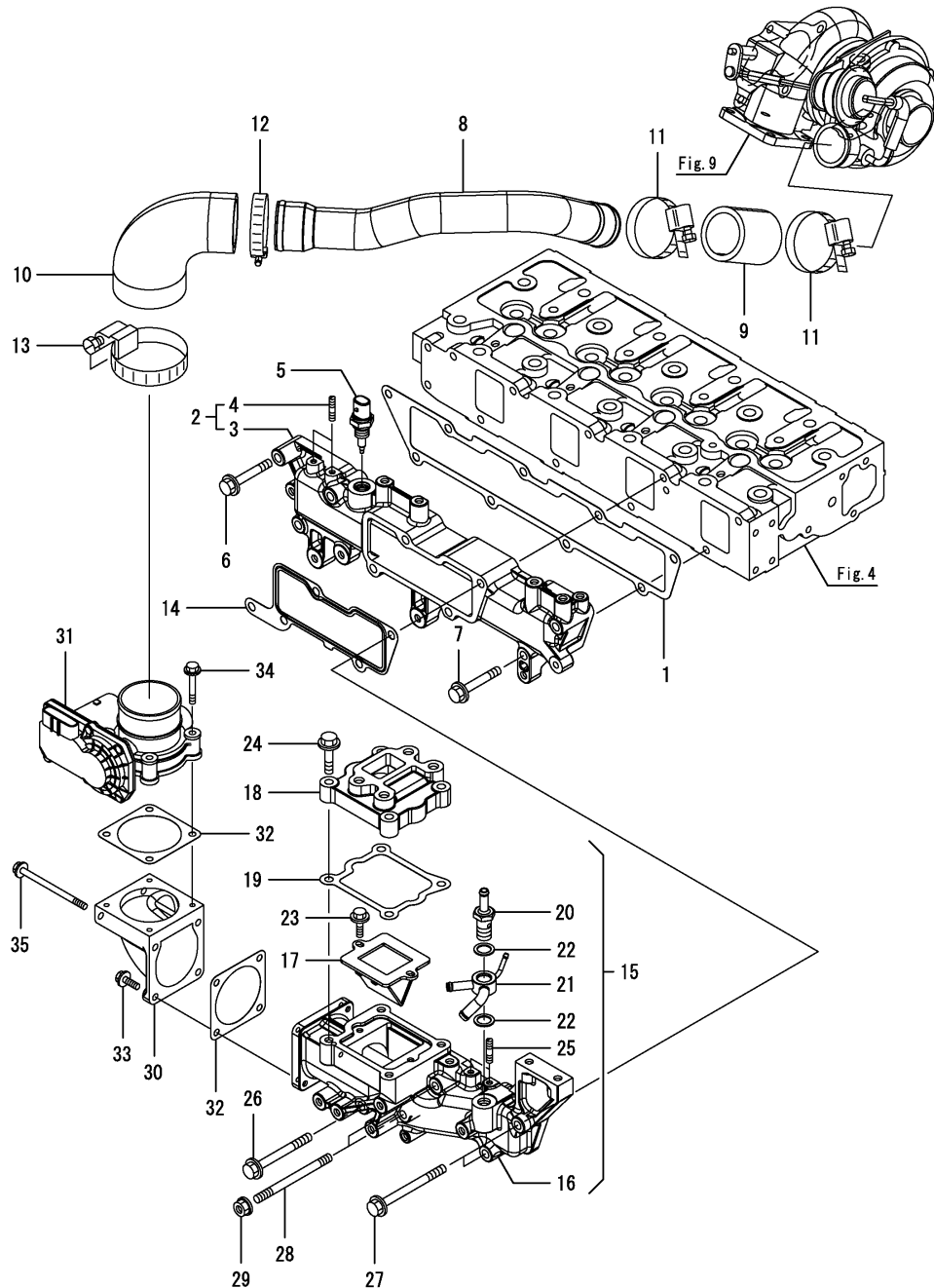
(B)=

(C)=

(D)=

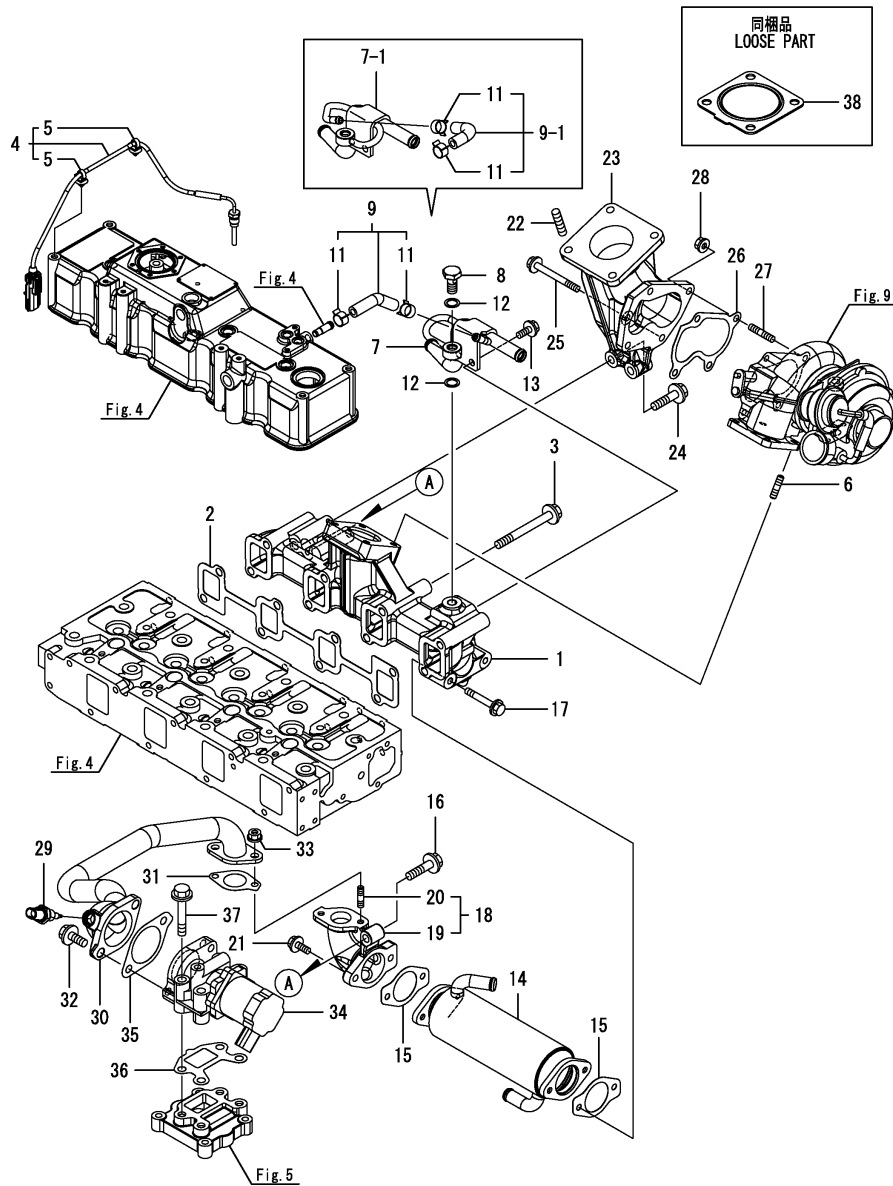
(E)=

(F)=



No.	Lev.	Parts No.	Description	Qty						I	R
				(A)	(B)	(C)	(D)	(E)	(F)		
1	1	129E00-12110	GASKET, MANIFOLD	1							
2	1	129E01-12150	MANIFOLD ASSY,INTAKE	1							
3	2	129E01-12100	MANIFOLD, AIR INTAKE	1							
4	2	26216-060202	STUD, M6X 20	2							
5	1	129A00-12720	SENSOR,AIR TEMP	1							
6	1	26106-080452	BOLT, M8X 45 PLATED	1							
7	1	26106-080552	BOLT, M8X 55 PLATED	4							
8	1	129E01-18200	DUCT, INTAKE	1							
9	1	129A01-18210	JOINT, RUBBER	1							
10	1	129E01-18220	JOINT, HOSE	1							
11	1	23000-054000	CLAMP, 54	2							
12	1	23000-060000	CLAMP, 60	1							
13	1	23000-075000	CLAMP, 75	1							
14	1	129E00-12810	GASKET, COLLECTOR	1							
15	1	129E01-12851	COLLECTOR ASSY	1							
16	2	129E01-12800	COLLECTOR	1							
17	2	129E01-13700	VALVE, REED	1							
18	2	129E00-13710	SPACER, EGR VALVE	1							
19	2	129E00-13720	GASKET, EGR-V SPACER	1							
20	2	129A00-59110	JOINT, HOSE M14	1							
21	2	129E00-59120	JOINT, HOSE 14	1							
22	2	22190-140002	WASHER, SEAL 14	2							
23	2	26106-060142	BOLT, M6X 14 PLATED	2							
24	2	26106-080352	BOLT, M8X 35 PLATED	4							
25	2	26216-060202	STUD, M6X 20	2							
26	1	26106-080752	BOLT, M8X 75 PLATED	1							
27	1	26106-080902	BOLT, M8X 90 PLATED	2							
28	1	26216-081002	STUD, M8X100	2							
29	1	26306-080002	NUT, M8	2							
30	1	129A00-12820	BEND, INLET	1							
31	1	129A00-12900	THROTTLE BODY(INT	1							
32	1	129A00-12910	GASKET,THROTTLE	2							
33	1	26106-060202	BOLT, M6X 20 PLATED	2							
34	1	26106-060402	BOLT, M6X 40 PLATED	4							
35	1	26106-060902	BOLT, M6X 90 PLATED	2							

Fig.6. EXHAUST MANIFOLD



(A)=4TNV98CT-NMS  
(B)=  
(C)=

(D)=  
(E)=  
(F)=

No.	Lev.	Parts No.	Description	Q'ty						I	R
				(A)	(B)	(C)	(D)	(E)	(F)		
1	1	129E01-13101	MANIFOLD, EXHAUST	1							
2	1	129E00-13110	GASKET, MANIFOLD	1							
3	1	129A00-13620	BOLT, M10X95 10.9T	8							
4	1	129E00-13770	SENSOR,EXH TEMP.	1							
5	2	129A00-91200	BAND CLIP	2							
6	1	129418-18320	STUD, M8X20	4							
7	1	129E00-13300	PIPE, EXH PRESSURE	1							
7-1	1	129E01-13300	PIPE, EXH PRESSURE	1						F	1
(A=E10245)											
8	1	129A00-13350	BOLT, PIPE JOINT	1							
9	1	129E00-13360	HOSE ASSY, PRES EXH	1							
9-1	1	129978-13330	HOSE ASSY, PRES EXH	1						F	1
(A=E10245)											
11	2	129A00-13380	CLIP, HOSE 14	2							
12	1	23414-120000	GASKET, 12X1.0	2							
13	1	26106-080162	BOLT, M8X 16 PLATED	2							
14	1	129E00-13400	COOLER, EGR	1							
15	1	129E00-13410	GASKET, EGR COOLER	2							
16	1	129C01-13600	FLANGE BOLT, 10X40	1							
17	1	129E00-13610	BOLT, M8X50 10.9	2							
18	1	129E00-13851	BEND ASSY, EGR-C OUT	1							
19	2	129E00-13861	BEND, EGR-C OUT	1							
20	2	129418-18320	STUD, M8X20	2							
21	1	26106-080202	BOLT, M8X 20 PLATED	2							
22	1	123900-13130	STUD, M10X22	4							
23	1	129E01-13360	PIPE, EXHAUST	1							
24	1	129C01-13600	FLANGE BOLT, 10X40	2							
25	1	119802-13660	BOLT, M8X75 10.9T	1							
26	1	123901-18080	GASKET	1							
27	1	119131-18320	STUD, M8X22	3							
28	1	26306-080002	NUT, M8	3							
29	1	129A00-13751	SENSOR,EGR GAS TEMP	1							
30	1	129E00-13800	PIPE ASSY, EGR	1							
31	1	129927-13810	GASKET	1							
32	1	26106-100252	BOLT, M10X 25 PLATED	2							
33	1	26306-080002	NUT, M8	2							
34	1	129E00-13901	VALVE, EGR	1							
35	1	129E00-13910	GASKET, EGR-V IN	1							
36	1	129E00-13920	GASKET, EGR-V OUT	1							
37	1	26106-100602	BOLT, M10X 60 PLATED	4							
38	1	129930-13201	GASKET, SILENCER	1							

Remarks

(1)Interchangeable by simultaneous replacement with No.7-1 & 9-1.

N:Old  $\xrightarrow{\text{Yes}}$  New, Q:Old  $\xrightarrow{\text{No}}$  New, R:Old  $\xrightarrow{\text{Yes}}$  New, S:Old  $\xrightarrow{\text{No}}$  New, W:Add, Z:Discontinued, F:Interchangeable by set, K:Q'ty Change

Fig.7. DIESEL PARTICULATE FILTER(DPF)

(A)=4TNV98CT-NMS

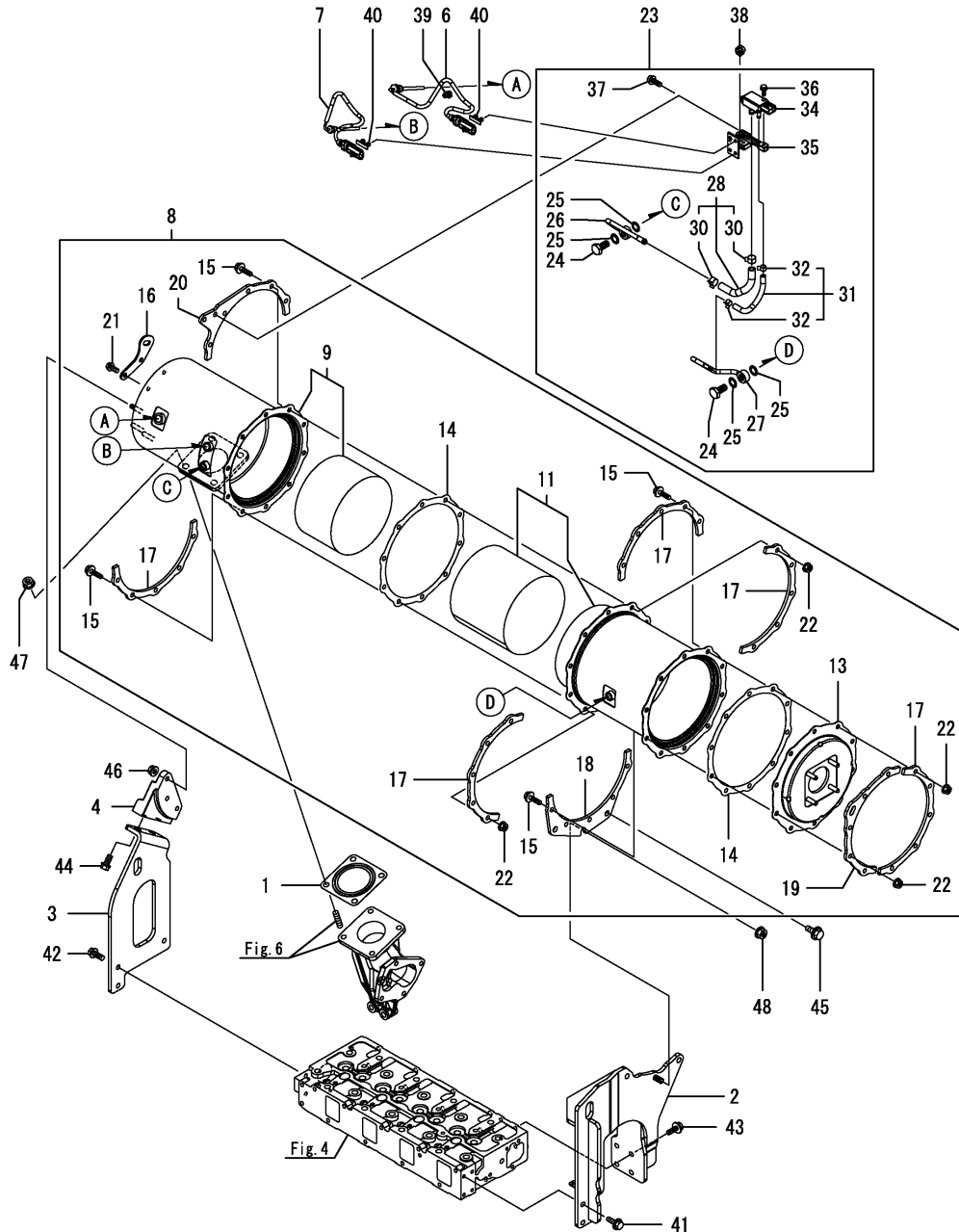
(B)=

(C)=

(D)=

(E)=

(F)=



No.	Lev.	Parts No.	Description	Q'ty						I	R
				(A)	(B)	(C)	(D)	(E)	(F)		
1	1	128300-13230	GASKET, SILENCER	1							
2	1	129E01-16810	STAY, DPF	1							
3	1	129E01-16820	STAY, DPF	1							
4	1	129C01-16830	STAY, DPF	1							
6	1	129C00-13940	SENSOR, EXH.TEMP	1							
7	1	129C00-13950	SENSOR, EXH.TEMP	1							
8	1	129E01-16010	DPF ASSY	1							
9	2	129C01-16210	CASE, DOC	1							
11	2	129E01-16410	CASE, SOOT FILTER	1							
13	2	129C01-16550	FLANGE, OUTLET	1							
14	2	129E00-16600	GASKET, DPF	2							
15	2	129A00-16610	BOLT, M8X28 10.9T	20							
16	2	129C01-16680	LIFTER, DPF	1							
17	2	129C01-16700	STIFFENER, DPF A	5							
18	2	129E00-16720	STIFFENER, DPF B	1							
19	2	129C01-16740	STIFFENER, DPF C	1							
20	2	129C01-16750	STIFFENER, DPF C	1							
21	2	26106-080142	BOLT, M8X 14 PLATED	2							
22	2	26306-080002	NUT, M8	20							
23	1	129E01-17220	SENSOR UNIT,PRESSURE	1							
24	2	129A00-13350	BOLT, PIPE JOINT	2							
25	2	129A00-17311	GASKET,SENSOR	4							
26	2	129E00-17310	PIPE ASSY, PRES EXH	1							
27	2	129E00-17360	PIPE ASSY, PRES EXH	1							
28	2	129C01-17610	HOSE ASSY,PRES EXH	1							
30	3	129A00-17520	CLIP, HOSE	2							
31	2	129A00-17670	HOSE ASSY,PRES EXH	1							
32	3	129A00-17570	CLIP, HOSE	2							
34	2	129A00-17702	SENSOR,PRESSURE	1							
35	2	129A00-17780	BRACKET, SENSOR	1							
36	2	26106-060162	BOLT, M6X 16 PLATED	2							
37	2	26106-080202	BOLT, M8X 20 PLATED	2							
38	1	129A00-91200	BAND CLIP	1							
39	1	129C00-91200	BAND	1							
40	1	129A00-91430	CLIP, CONNECTOR	2							
41	1	26106-080182	BOLT, M8X 18 PLATED	2							
42	1	26106-080182	BOLT, M8X 18 PLATED	3							
43	1	26106-080182	BOLT, M8X 18 PLATED	4							
44	1	26106-100202	BOLT, M10X 20 PLATED	2							
45	1	26106-100252	BOLT, M10X 25 PLATED	2							
46	1	26306-080002	NUT, M8	3							
47	1	26306-100002	NUT, M10	4							
48	1	26306-100002	NUT, M10	1							

Fig.8. CAMSHAFT & DRIVING GEAR

(A)=4TNV98CT-NMS

(B)=

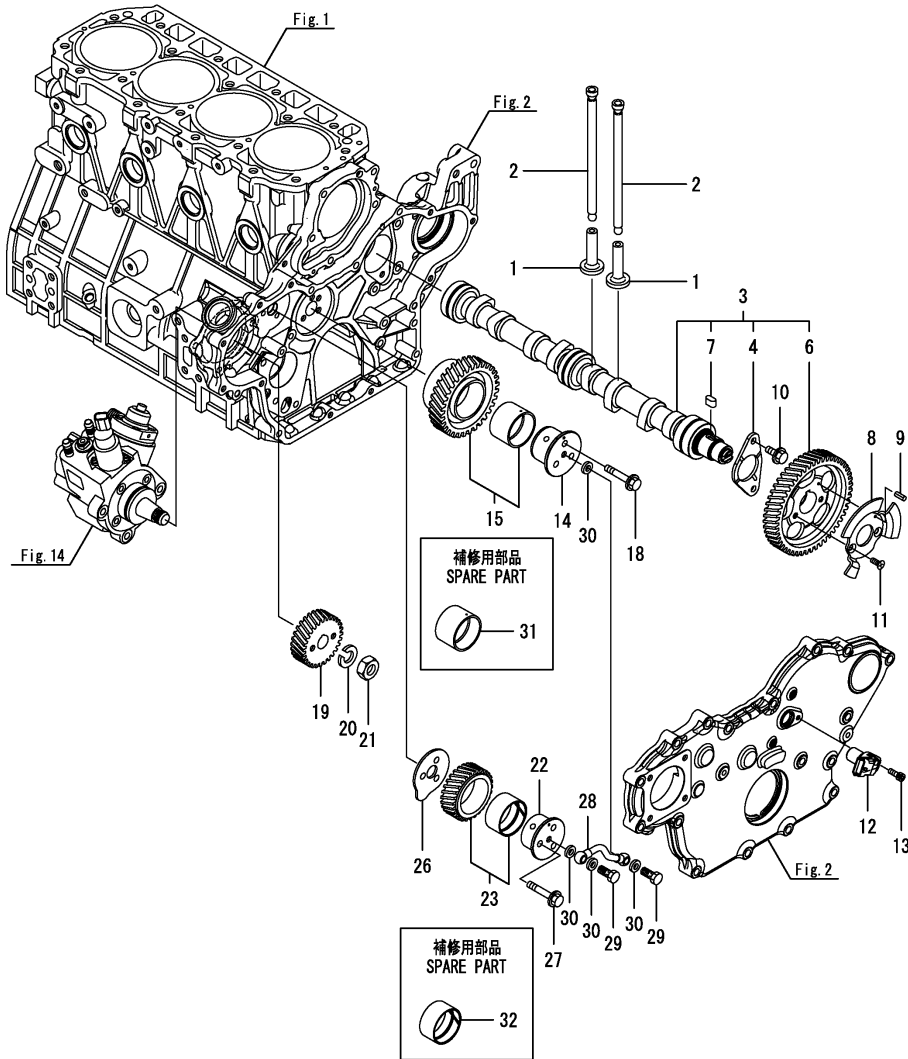
(C)=

(D)=

(E)=

(F)=

No.	Lev.	Parts No.	Description	Q'ty						I	R
				(A)	(B)	(C)	(D)	(E)	(F)		
1	1	129150-14200	TAPPET	8							
2	1	129900-14400	ROD, PUSH	8							
3	1	129E00-14581	SHAFT ASSY, CAM	1							
4	2	129150-02450	BEARING, THRUST	1							
6	2	129E00-14101	GEAR, CAMSHAFT	1							
7	2	22512-070140	KEY, 7X 14	1							
8	1	129E00-14700	PULSER, CAM GEAR	1							
9	1	22351-030010	PIN, SPRING 3.0X10	1							
10	1	26106-080162	BOLT, M8X 16 PLATED	2							
11	1	26577-060122	SCREW, M6X12	2							
12	1	129A00-14710	SENSOR, GEAR REV	1							
13	1	26450-060162	BOLT, M6X 16	1							
14	1	129E00-25050	SHAFT, IDLE GEAR A	1							
15	1	129900-25110	GEAR ASSY, IDLE	1							
18	1	26106-080502	BOLT, M8X 50 PLATED	3							
19	1	129E00-25902	GEAR, SUPPLY PUMP	1							
20	1	22217-180000	WASHER, SPRING 18	1							
21	1	26776-180002	NUT, LOCK M18	1							
22	1	129E00-25060	SHAFT, IDLE GEAR B	1							
23	1	129E00-25121	GEAR ASSY, IDLE B	1							
26	1	129E00-25200	PLATE, IDLE SHAFT B	1							
27	1	26106-080452	BOLT, M8X 45 PLATED	3							
28	1	129E00-25400	PIPE ASSY, LO	1							
29	1	105010-39140	BOLT, PIPE JOINT	2							
30	1	22190-080002	WASHER, SEAL 6	4							
31	1	129150-25920	BUSH, IDLE GEAR	1							1
32	1	129E00-25080	BUSH	1							1



Remarks  
(1) Spare part.



Fig.10. CRANKSHAFT & PISTON

(A)=4TNV98CT-NMS

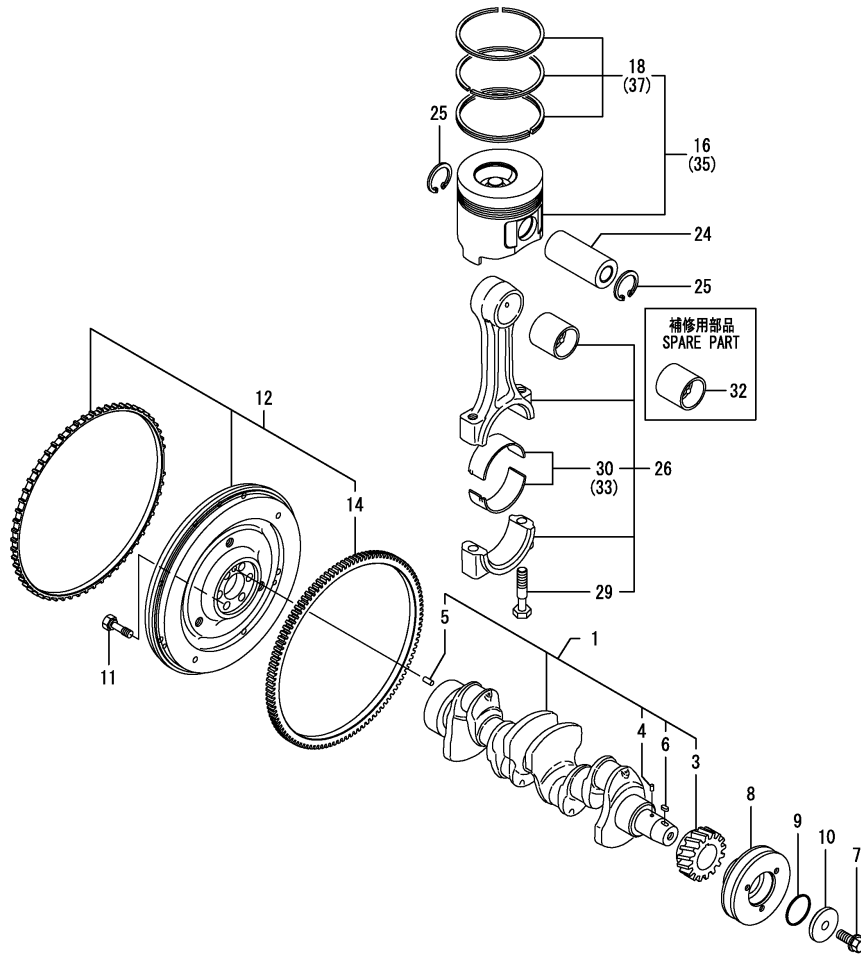
(B)=

(C)=

(D)=

(E)=

(F)=



No.	Lev.	Parts No.	Description	Q'ty						I	R
				(A)	(B)	(C)	(D)	(E)	(F)		
1	1	129908-21100	CRANKSHAFT ASSY	1							
3	2	129900-21220	GEAR, CRANKSHAFT	1							
4	2	121850-21290	PIN	1							
5	2	121850-21920	PIN, M10X22	1							
6	2	22512-070140	KEY, 7X 14	1							
7	1	129916-21610	BOLT	1							
8	1	129944-21650	V-PULLEY	1							
9	1	129960-21930	PACKING, WASHER	1							
10	1	129960-21940	WASHER, V-PULLEY	1							
11	1	121850-21130	BOLT, FLYWHEEL	6							
12	1	129E22-21580	FLYWHEEL ASSY	1							
14	2	129900-21600	GEAR, RING	1							
16	1	129E01-22080	PISTON ASSY	4							
18	2	129E00-22050	RING ASSY	4							
24	1	120130-22301	PIN, PISTON	4							
25	1	22252-000300	RING, 30	8							
26	1	129900-23001	ROD ASSY, CONNECTING	4							
29	2	129900-23200	BOLT, CONNECTING ROD	8							
30	2	129900-23601	BEARING, CRANK PIN	4							
32	1	129900-23911	BEARING, PISTON PIN	4							1
33	1	129900-23611	BEARING, 0.25 US	4							2
35	1	129E01-22900	PISTON ASSY, 0.25 OS	4							3
37	2	129E00-22950	RING ASSY, 0.25OS	4							3

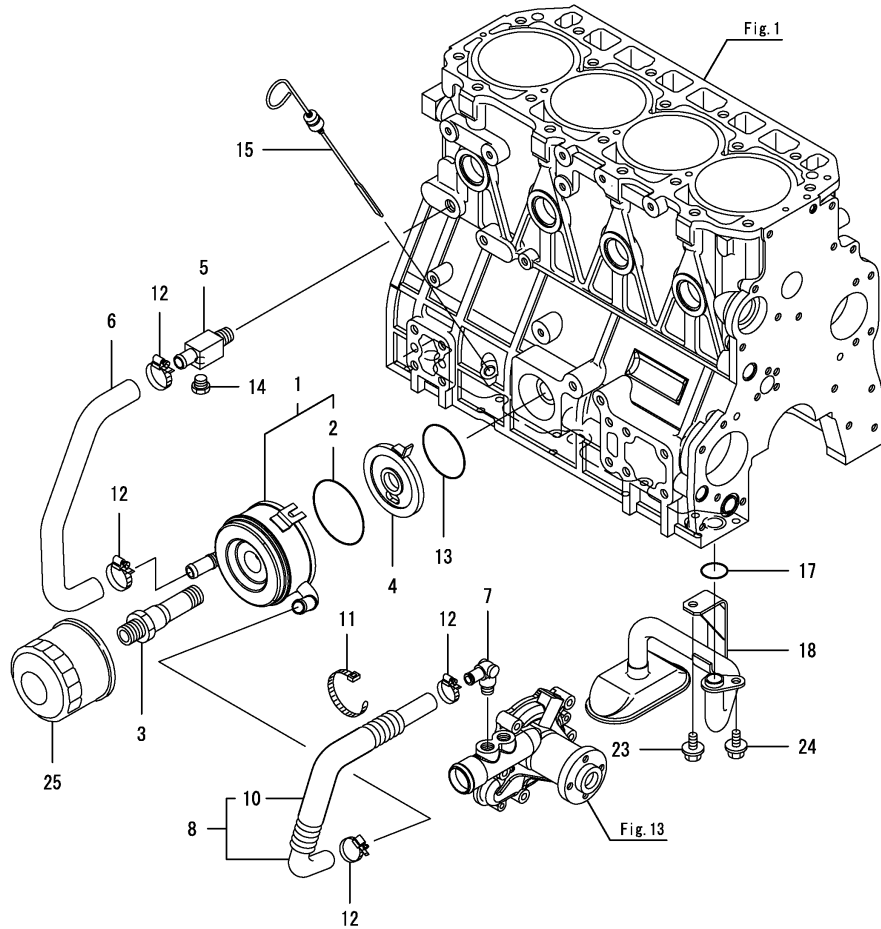
Remarks

- (1) Spare part.
- (2) Under-sized(U.S.=0.25)part.
- (3) Over-sized(O.S.=0.25)part.

Fig.11. LUB.OIL SYSTEM

(A)=4TNV98CT-NMS  
(B)=  
(C)=

(D)=  
(E)=  
(F)=



No.	Lev.	Parts No.	Description	Q'ty						I	R
				(A)	(B)	(C)	(D)	(E)	(F)		
1	1	129908-33010	COOLER ASSY, OIL	1							
2	2	123912-33050	O-RING	1							
3	1	123912-33100	BOLT, COOLER	1							
4	1	129908-33101	BRACKET, COOLER	1							
5	1	129006-44480	JOINT	1							
6	1	129908-49060	PIPE, WATER	1							
7	1	129466-49300	ELBOW, PT3/8	1							
8	1	123910-49600	PIPE, WATER	1							
10	2	123910-49610	TUBE, CORRUGATED	1							
11	1	121750-59890	BAND, 140	1							
12	1	23000-025000	CLAMP, 25	4							
13	1	24321-000600	O-RING, 1AG60.0	1							
14	1	171056-49120	PLUG, DRAIN	1							
15	1	129939-34800	DIPSTICK, OIL	1							
17	1	129900-32030	O-RING, P20	1							
18	1	129953-35000	PIPE ASSY, OIL INLET	1							
23	1	26106-080122	BOLT, M8X 12 PLATED	1							
24	1	26106-080162	BOLT, M8X 16 PLATED	1							
25	1	129150-35153	FILTER	1							1

Remarks  
(1)Spare part.



Fig.12. LUB.OIL LINE

(A)=4TNV98CT-NMS

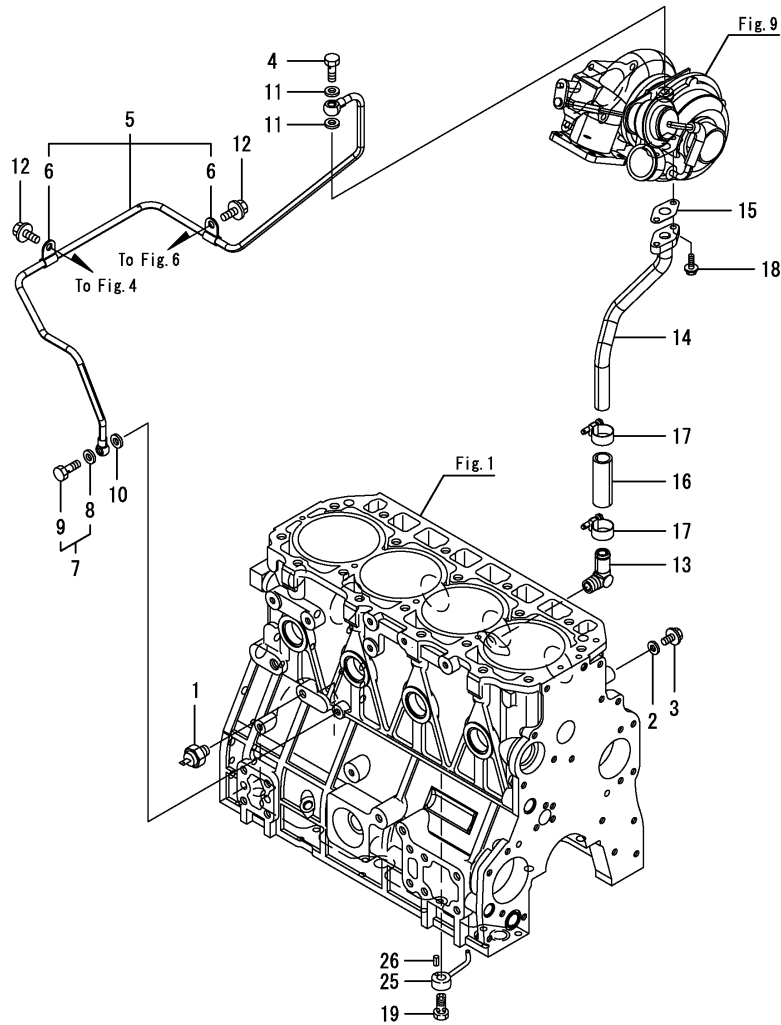
(B)=

(C)=

(D)=

(E)=

(F)=



No.	Lev.	Parts No.	Description	Qty						I	R
				(A)	(B)	(C)	(D)	(E)	(F)		
1	1	119761-39450	SWITCH, 0.5KG	1							
2	1	22190-080002	WASHER, SEAL 6	1							
3	1	26106-080122	BOLT, M8X 12 PLATED	1							
4	1	121252-39150	BOLT, JOINT M10X1.5	1							
5	1	129E01-39450	PIPE ASSY, LO	1							
6	2	129044-39900	RETAINER	2							
7	1	129005-59830	BOLT ASSY, JOINT M8	1							
8	2	22190-080002	WASHER, SEAL 6	1							
9	2	23857-030000	BOLT, JOINT 3	1							
10	1	22190-080002	WASHER, SEAL 6	2							
11	1	23414-100000	GASKET, 10X1.0	2							
12	1	26106-080122	BOLT, M8X 12 PLATED	2							
13	1	124070-13300	ELBOW, PT3/8	1							
14	1	129E01-39600	PIPE, LO RETURN T/C	1							
15	1	129908-39690	GASKET	1							
16	1	123901-39820	HOSE	1							
17	1	23000-025000	CLAMP, 25	2							
18	1	26106-060162	BOLT, M6X 16 PLATED	2							
19	1	129908-39410	VALVE ASSY, CHECK	4							
25	1	119000-39650	NOZZLE	4							
26	1	22351-030010	PIN, SPRING 3.0X10	4							

Fig.13. COOLING WATER SYSTEM

(A)=4TNV98CT-NMS

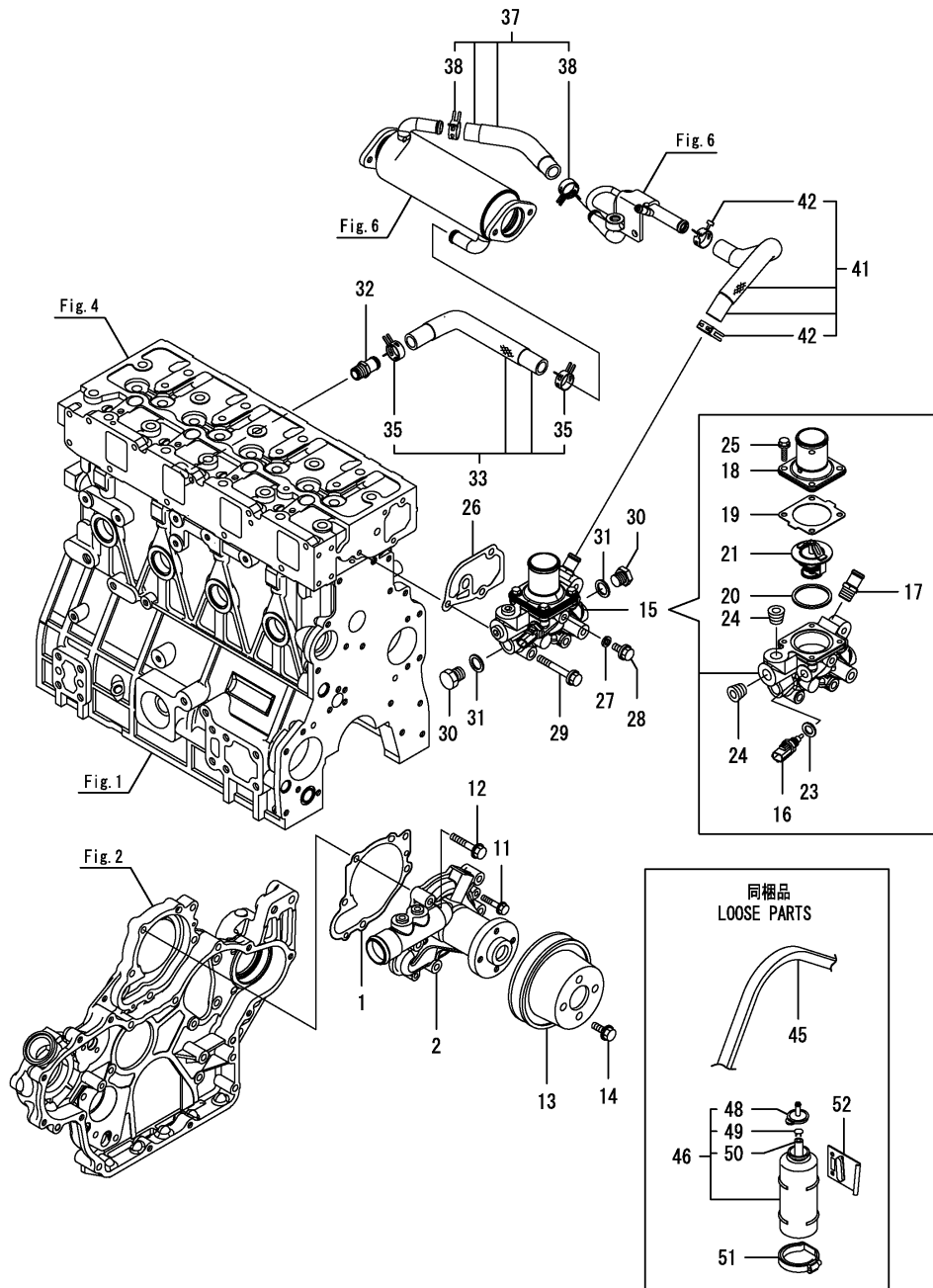
(B)=

(C)=

(D)=

(E)=

(F)=



No.	Lev.	Parts No.	Description	Q'ty						I	R
				(A)	(B)	(C)	(D)	(E)	(F)		
1	1	129900-42020	GASKET, WATER PUMP	1							
2	1	129932-42100	PUMP ASSY, CW LOW	1							
11	1	26106-060302	BOLT, M6X 30 PLATED	2							
12	1	26106-080552	BOLT, M8X 55 PLATED	5							
13	1	123957-42450	V-PULLEY	1							
14	1	26106-100182	BOLT, M10X 18 PLATED	4							
15	1	129E00-49810	CASE ASSY,THERMOSTAT	1							
16	2	129927-44900	SENSOR	1							
17	2	129928-49420	JOINT	1							
18	2	129916-49530	COVER, THERMOSTAT	1							
19	2	121850-49540	GASKET, THERMOSTAT	1							
20	2	121850-49550	GASKET, THERMOSTAT	1							
21	2	121850-49801	THERMOSTAT	1							
23	2	22190-120002	WASHER, SEAL 12	1							
24	2	23875-030000	PLUG, R03	2							
25	2	26106-060202	BOLT, M6X 20 PLATED	4							
26	1	129900-49870	GASKET	1							
27	1	23414-080000	GASKET, 8X1.0	1							
28	1	26106-080122	BOLT, M8X 12 PLATED	1							
29	1	26106-080602	BOLT, M8X 60 PLATED	3							
30	1	121450-42450	PLUG, M16	2							
31	1	124465-44950	GASKET, 16	2							
32	1	129928-49420	JOINT	1							
33	1	129E00-49610	HOSE ASSY, EGR-C IN	1							
35	2	129960-03990	CLIP, HOSE 22	2							
37	1	129E00-49620	HOSE ASSY,EGRC OUT A	1							
38	2	129960-03990	CLIP, HOSE 22	2							
41	1	129E00-49630	HOSE ASSY,EGRC OUT B	1							
42	2	129960-03990	CLIP, HOSE 22	2							
45	1	129940-42240	V-BELT, B44	1							
46	1	124450-44510	TANK ASSY, SUB	1							
48	2	124450-44530	CAP	1							
49	2	124450-44560	RETAINER	1							
50	2	23061-070230	PIPE, 7X 230	1							
51	1	124450-44550	BAND	1							
52	1	121256-44600	BRACKET, SUB TANK	1							

Fig.14. FUEL SUPPLY PUMP

(A)=4TNV98CT-NMS  
(B)=  
(C)=

(D)=  
(E)=  
(F)=

No.	Lev.	Parts No.	Description	Q'ty						I	R
				(A)	(B)	(C)	(D)	(E)	(F)		
1	1	129A00-51000	PUMP ASSY, FUEL	1							
2	2	129A00-51100	VALVE ASSY, MPROP	1							
3	3	129A00-51110	RING, SEALING	1							
4	3	129A00-51120	O-RING, MPROP	1							
5	2	129A00-51130	BOLT, MPROP	2							
6	2	129A00-51200	SENSOR, TEMPERATURE	1							
7	2	129A00-51900	O-RING, FUEL PUMP	1							
8	1	26106-080302	BOLT, M8X 30 PLATED	3							

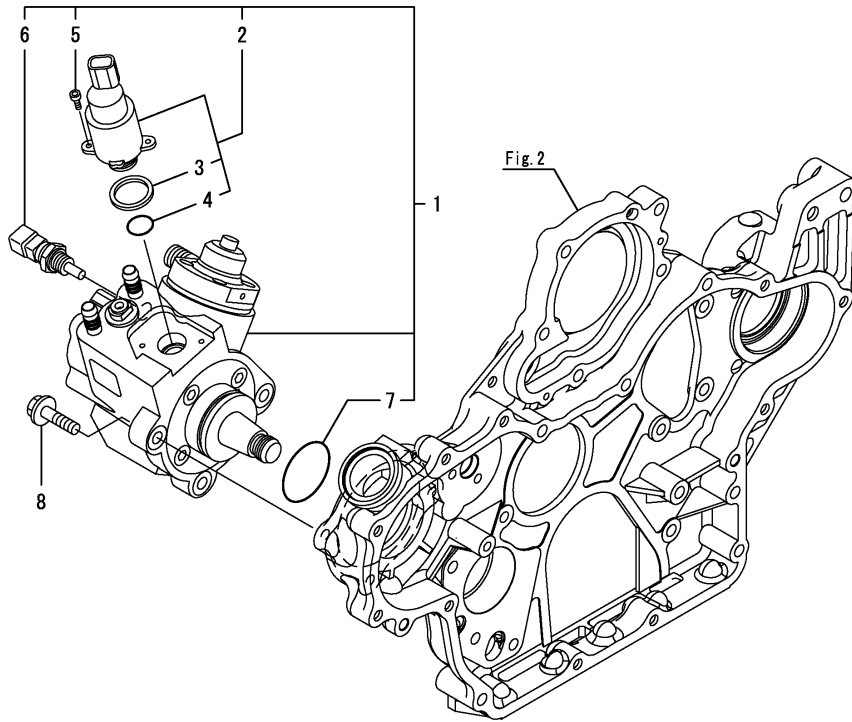


Fig.15. FUEL INJECTION VALVE

(A)=4TNV98CT-NMS

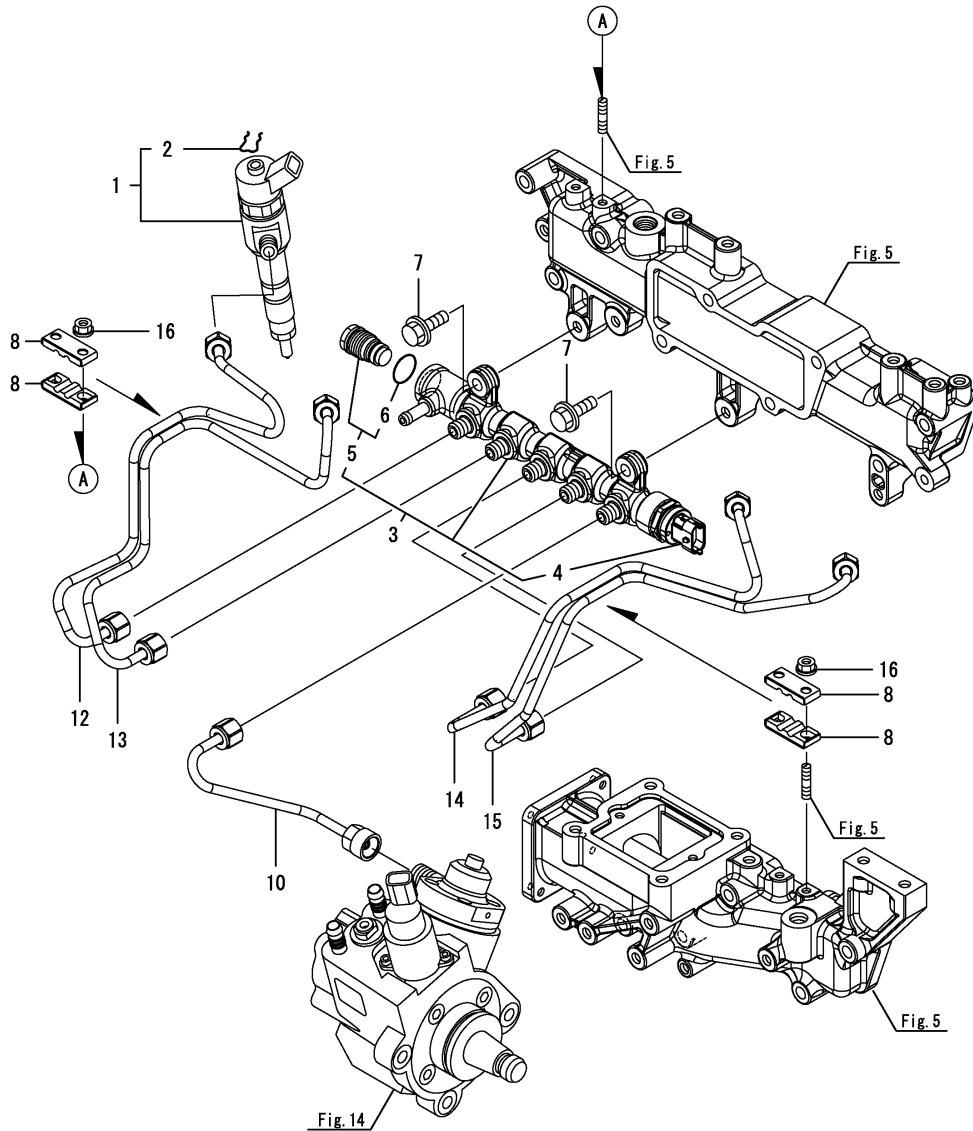
(B)=

(C)=

(D)=

(E)=

(F)=



No.	Lev.	Parts No.	Description	Qty						I	R
				(A)	(B)	(C)	(D)	(E)	(F)		
1	1	129E01-53100	INJECTOR, CR	4							
2	2	129A00-53200	RING, RETAINING	4							
3	1	129C00-57000	RAIL ASSY	1							
4	2	129A00-57100	SENSOR, RAILPRESSURE	1							
5	2	129A00-57200	VALVE ASSY, PLV4	1							
6	3	129A00-57210	O-RING, PLV4	1							
7	1	26106-080252	BOLT, M8X 25 PLATED	2							
8	1	122780-59100	RETAINER	4							
10	1	129E00-59700	PIPE ASSY, RAIL IN	1							
12	1	129E00-59810	PIPE ASSY, INJ. NO1	1							
13	1	129E00-59820	PIPE ASSY, INJ. NO2	1							
14	1	129E00-59830	PIPE ASSY, INJ. NO3	1							
15	1	129E00-59840	PIPE ASSY, INJ. NO4	1							
16	1	26366-060002	NUT, M6	4							

Fig.16. FUEL LINE

(A)=4TNV98CT-NMS

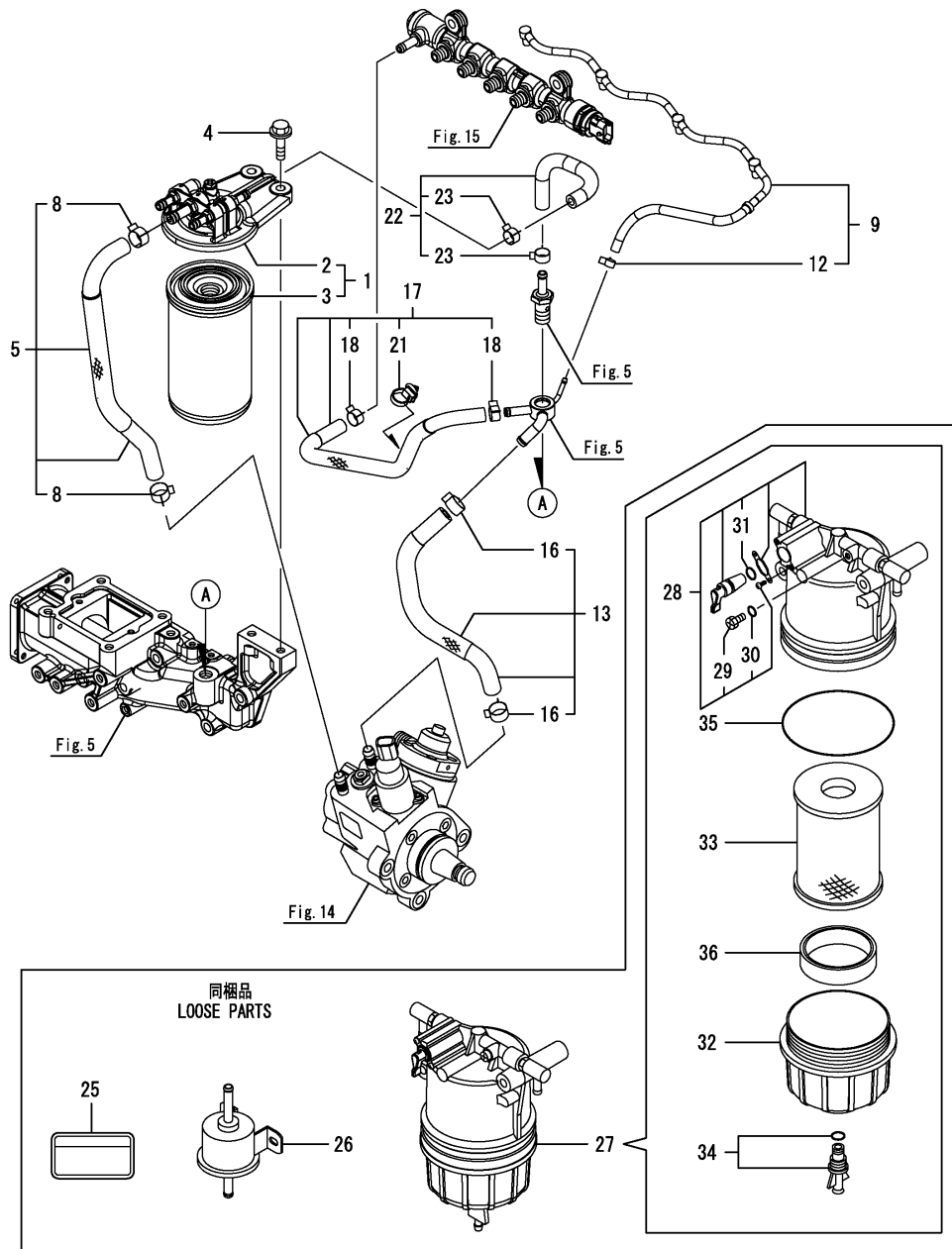
(B)=

(C)=

(D)=

(E)=

(F)=



No.	Lev.	Parts No.	Description	Q'ty						I	R
				(A)	(B)	(C)	(D)	(E)	(F)		
1	1	129A00-55600	FILTE ASSY,FO	1							
2	2	129A00-55610	BRACKET ASSY,FO FILT	1							
3	2	129A00-55800	FILTER, FUEL OIL	1							
4	1	26106-080302	BOLT, M8X 30 PLATED	2							
5	1	129E00-59010	HOSE ASSY, FO	1							
8	2	23080-015000	CLAMP, 15	2							
9	1	129E00-59500	PIPE ASSY, FO RETURN	1							
12	2	23080-007000	CLAMP, 7	1							
13	1	129E00-59020	HOSE ASSY, FO RETURN	1							
16	2	23080-015000	CLAMP, 15	2							
17	1	129E00-59030	HOSE ASSY, FO RETURN	1							
18	2	114270-59010	CLIP, HOSE 12	2							
21	2	129A00-91200	BAND CLIP	1							
22	1	129E00-59040	HOSE ASSY, FO RETURN	1							
23	2	114270-59010	CLIP, HOSE 12	2							
25	1	114110-07761	LABEL, FUEL OIL CAUT	1							
26	1	129612-52100	PUMP ASSY, FUEL FEED	1							
27	1	129E22-55700	FILTER ASSY, FUEL	1							
28	2	129E00-55710	BODY ASSY	1							
29	3	129A00-55750	PLUG,BREATHER	1							
30	3	129A00-55760	O-RING	1							
31	3	24311-000110	O-RING, 1AP11.0	1							
32	2	129A00-55720	CUP(CLEAR	1							
33	2	129A00-55730	ELEMENT	1							
34	2	129242-55740	PLUG, DRAIN	1							
35	2	129A00-55740	O-RING	1							
36	2	129A00-55770	FLOAT	1							

Fig.17. STARTING MOTOR

(A)=4TNV98CT-NMS

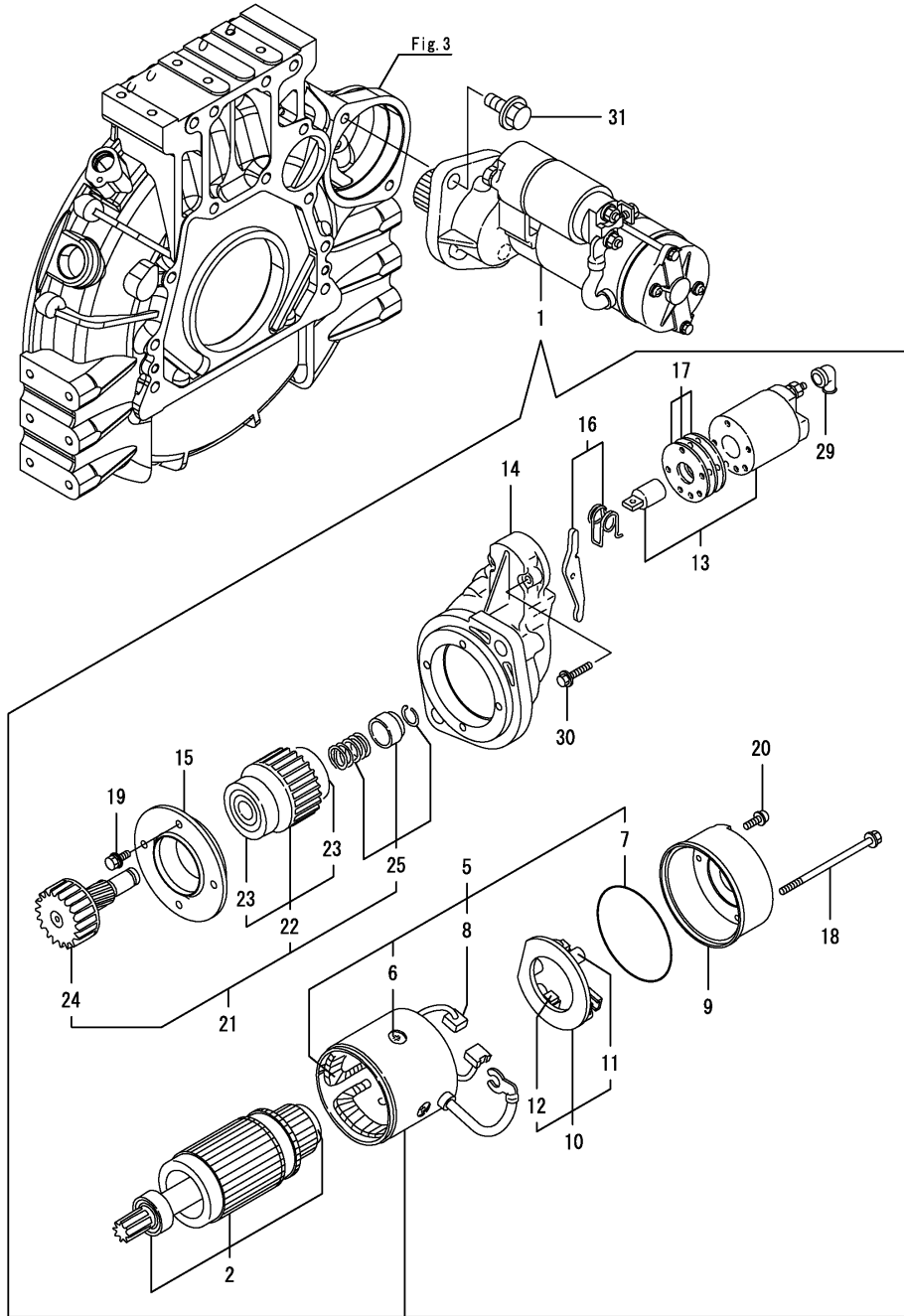
(B)=

(C)=

(D)=

(E)=

(F)=



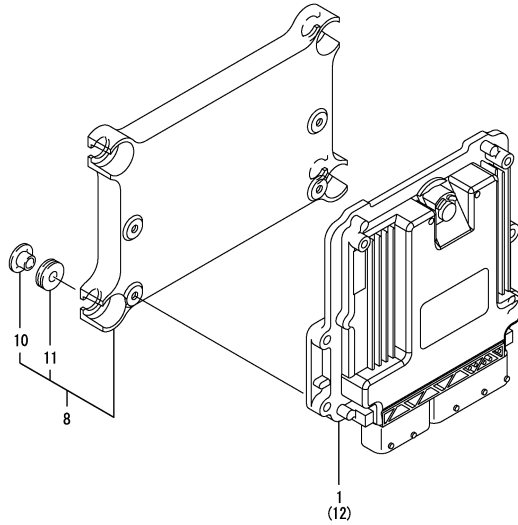
No.	Lev.	Parts No.	Description	Q'ty						I	R
				(A)	(B)	(C)	(D)	(E)	(F)		
1	1	129940-77011	STARTER	1							
2	2	129940-77100	ARMATURE ASSY	1							
5	2	129940-77130	COIL ASSY, FIELD	1							
6	3	129940-77140	SCREW	4							
7	3	129940-77150	O-RING	1							
8	3	129940-77160	BRUSH	2							
9	2	129940-77171	COVER	1							
10	2	129940-77181	HOLDER ASSY, BRUSH	1							
11	3	129940-77190	SPRING	1							
12	3	129940-77200	BRUSH	2							
13	2	129940-77210	SWITCH ASSY	1							
14	2	129940-77221	CASE, GEAR	1							
15	2	129940-77230	RETAINER	1							
16	2	129940-77240	LEVER SET	1							
17	2	129940-77250	COVER ASSY, DUST	1							
18	2	129940-77260	BOLT, THROUGH	2							
19	2	129940-77270	BOLT	4							
20	2	129940-77280	SCREW	2							
21	2	123900-77510	PINION ASSY	1							
22	3	123900-77520	CLUTCH ASSY	1							
23	4	X2240610100	BEARING, BALL	2							
24	3	123900-77540	SHAFT	1							
25	3	119131-77550	STOPPER KIT	1							
29	2	121254-77810	COVER, TERMINAL	1							
30	2	114371-79070	BOLT	2							
31	1	26106-120252	BOLT, M12X 25 PLATED	2							

Fig.18. ELECTRONIC CONTROL UNIT (ECU)

(A)=4TNV98CT-NMS  
(B)=  
(C)=

(D)=  
(E)=  
(F)=

No.	Lev.	Parts No.	Description	Q'ty						I	R
				(A)	(B)	(C)	(D)	(E)	(F)		
1	1	129E32-75100	ECU ASSY,4TNV98CT-NM	1							1
8	1	129C20-77610	BRACKET ASSY,ECU	1							
10	2	129927-77680	COLLAR	4							
11	2	119578-91351	ABSORBER	4							
12	1	129A00-75910	ECU ASSY,SERVICE YMR	1							2



Remarks  
 (1)Eco ECU  
 This part cannot be ordered.  
 Replace the part using a Service ECU with the proper engine information installed.  
 (2)Service ECU  
 If the proper information is not installed, the engine will not operate.  
 To install proper information, go to an authorized Distributor.

Fig.19. ELECTRIC PARTS

(A)=4TNV98CT-NMS

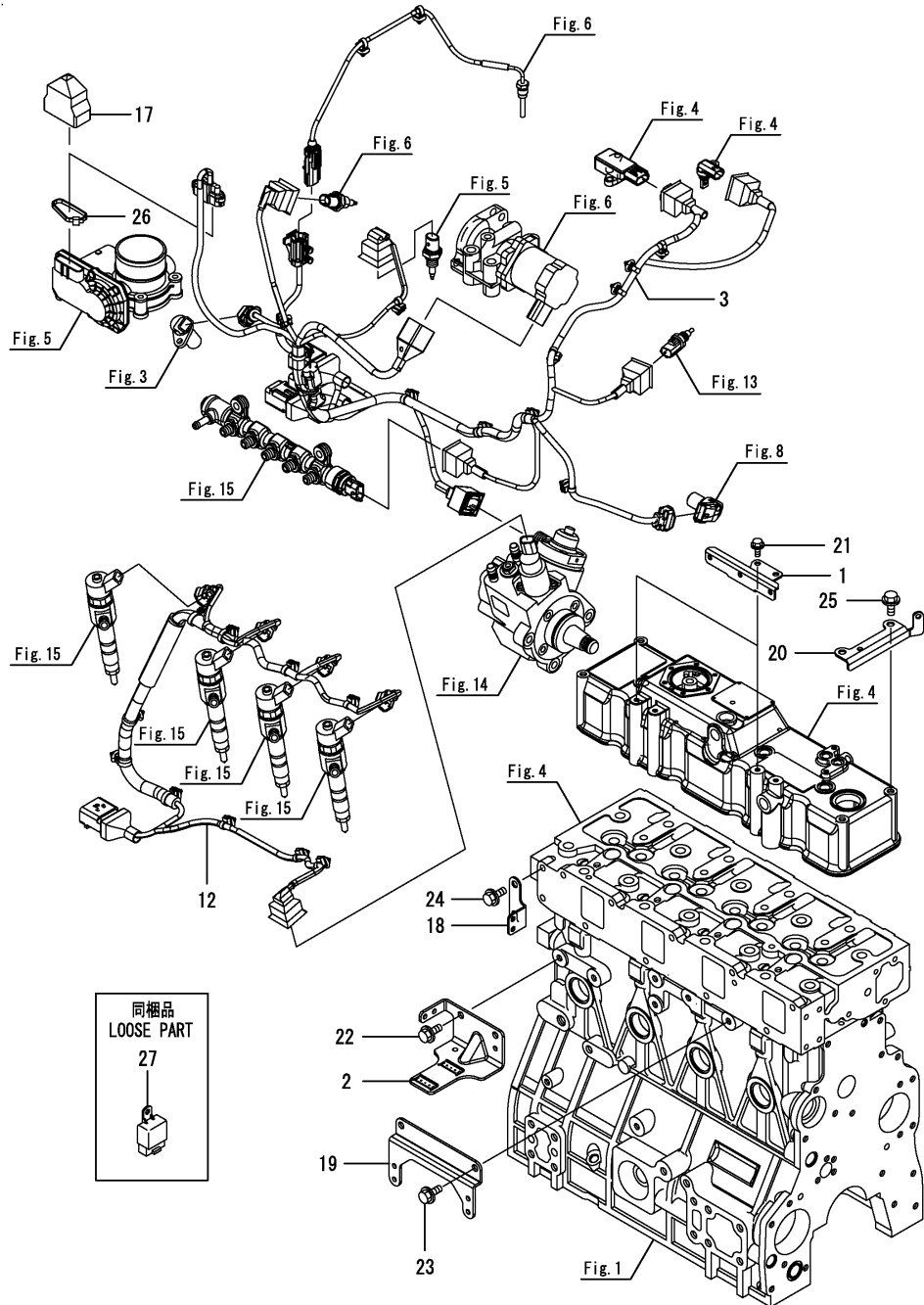
(B)=

(C)=

(D)=

(E)=

(F)=



No.	Lev.	Parts No.	Description	Q'ty						I	R
				(A)	(B)	(C)	(D)	(E)	(F)		
1	1	129E00-11390	BRACKET,HAENESS	2							
2	1	129E00-77910	BRACKET,CONNECTOR	1							
3	1	129E01-91220	HARNESS, B ECO	1							
12	1	129E00-91230	HARNESS,C ECO ENGINE	1							
17	1	129A00-91450	BOOT,CAP TYPE	1							
18	1	129A00-91600	BRACKET, HARNESS	1							
19	1	129E00-91600	BRACKET, HARNESS	1							
20	1	129E01-91600	BRACKET, HARNESS	1							
21	1	26106-060122	BOLT, M6X 12 PLATED	4							
22	1	26106-080122	BOLT, M8X 12 PLATED	2							
23	1	26106-080122	BOLT, M8X 12 PLATED	2							
24	1	26106-080122	BOLT, M8X 12 PLATED	2							
25	1	26106-080122	BOLT, M8X 12 PLATED	2							
26	1	29621-200000	BAND	1							
27	1	198461-52950	RELAY, CA TYPE C	1							



Fig.20. GASKET SET

(A)=4TNV98CT-NMS

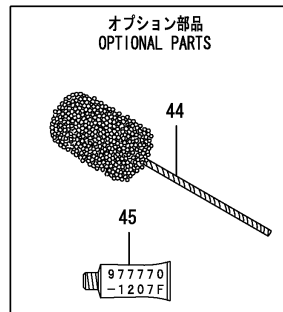
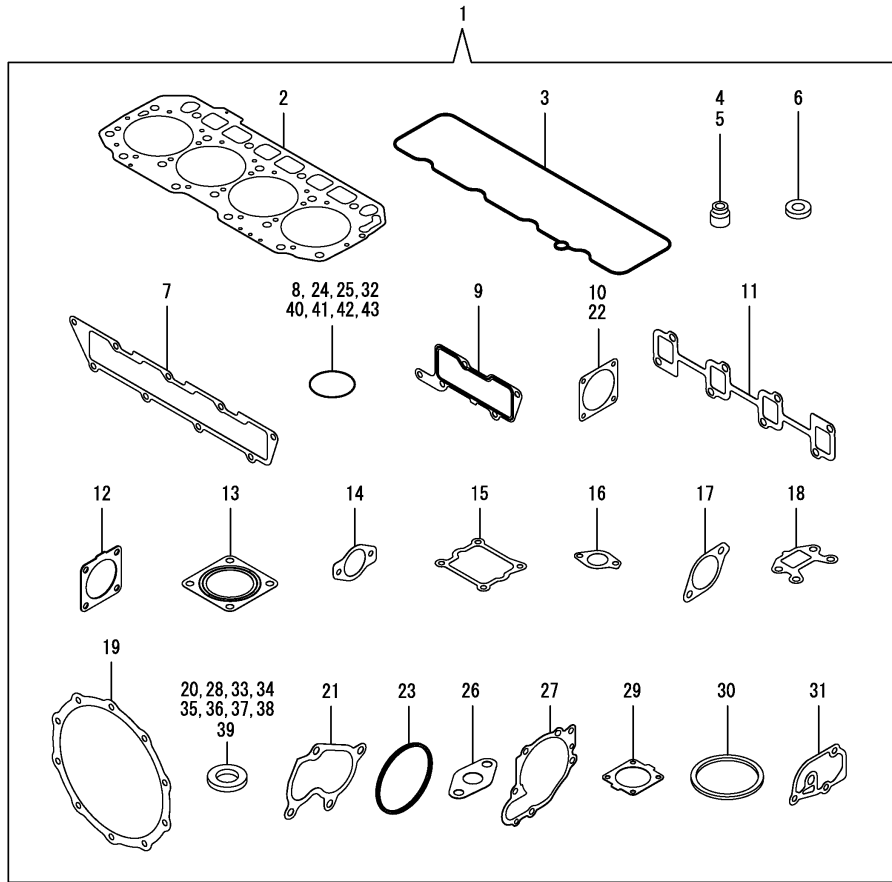
(B)=

(C)=

(D)=

(E)=

(F)=



No.	Lev.	Parts No.	Description	Q'ty						I	R
				(A)	(B)	(C)	(D)	(E)	(F)		
1	1	129E32-92600	PACKING	1							1
2	2	129E00-01330	GASKET, CYL. HEAD	1							
3	2	129E00-11310	PACKING, BONNET	1							
4	2	124460-11340	SEAL, VALVE STEM	4							
5	2	129A00-11340	SEAL, VALVE STEM	4							
6	2	129978-11871	GASKET, INJECTOR	4							
7	2	129E00-12110	GASKET, MANIFOLD	1							
8	2	129A00-12790	O-RING, TEMP SENSOR	1							
9	2	129E00-12810	GASKET, COLLECTOR	1							
10	2	129A00-12910	GASKET, THROTTLE	2							
11	2	129E00-13110	GASKET, MANIFOLD	1							
12	2	129930-13201	GASKET, SILENCER	1							
13	2	128300-13230	GASKET, SILENCER	1							
14	2	129E00-13410	GASKET, EGR COOLER	2							
15	2	129E00-13720	GASKET, EGR-V SPACER	1							
16	2	129927-13810	GASKET	1							
17	2	129E00-13910	GASKET, EGR-V IN	1							
18	2	129E00-13920	GASKET, EGR-V OUT	1							
19	2	129E00-16600	GASKET, DPF	2							
20	2	129A00-17311	GASKET, SENSOR	4							
21	2	123901-18080	GASKET	1							
22	2	129472-18090	GASKET	1							
23	2	129960-21930	PACKING, WASHER	1							
24	2	129900-32030	O-RING, P20	2							
25	2	129900-32040	O-RING, P14	1							
26	2	129908-39690	GASKET	1							
27	2	129900-42020	GASKET, WATER PUMP	1							
28	2	124465-44950	GASKET, 16	2							
29	2	121850-49540	GASKET, THERMOSTAT	2							
30	2	121850-49550	GASKET, THERMOSTAT	1							
31	2	129900-49870	GASKET	1							
32	2	129A00-51900	O-RING, FUEL PUMP	1							
33	2	22190-080002	WASHER, SEAL 6	7							
34	2	22190-120002	WASHER, SEAL 12	1							
35	2	22190-140002	WASHER, SEAL 14	2							
36	2	22190-220002	WASHER, SEAL 22	1							
37	2	23414-080000	GASKET, 8X1.0	1							
38	2	23414-100000	GASKET, 10X1.0	2							
39	2	23414-120000	GASKET, 12X1.0	2							
40	2	24311-000070	O-RING, 1AP7.0	1							
41	2	24311-000120	O-RING, 1AP12.0	3							
42	2	24311-000320	O-RING, 1AP32.0	2							
43	2	24321-000600	O-RING, 1AG60.0	1							
44	1	129400-92450	HONE	1							1
45	1	977770-1207F	GASKET, LIQUID	1							1

Remarks

(1) Optional parts.

N:Old  $\xrightarrow{\text{Yes}}$  New, Q:Old  $\xrightarrow{\text{No}}$  New, R:Old  $\xrightarrow{\text{Yes}}$  New, S:Old  $\xrightarrow{\text{No}}$  New, W:Add, Z:Discontinued, F:Interchangeable by set, K:Q'ty Change

# Parts No. Index

Parts No.	Fig. No.	Ref. No.
105010-39140	8	29
114110-07761	16	25
114270-59010	16	18
		23
114371-79070	17	30
119000-39650	12	25
119100-11330	4	57
119131-18320	6	27
	9	3
119131-77550	17	25
119578-91351	18	11
119620-01750	3	3
119640-01640	3	8
119640-61400	4	61
119761-39450	12	1
119802-13660	6	25
119803-77830	4	77
120130-22301	10	24
120270-54410	4	20
121252-39150	12	4
121254-77810	17	29
121256-44600	13	52
121450-42450	13	30
121750-59890	11	11
121850-21130	10	11
121850-21290	10	4
121850-21920	10	5
121850-49540	13	19
	20	29
121850-49550	13	20
	20	30
121850-49801	13	21
122780-59100	15	8
123900-13130	6	22
123900-77510	17	21
123900-77520	17	22
123900-77540	17	24
123901-18080	6	26
	20	21
123901-39820	12	16
123907-03100	4	51
123907-03110	4	52
123907-03120	4	53
123907-03140	4	54
123910-49600	11	8
123910-49610	11	10
123912-33050	11	2
123912-33100	11	3
123957-42450	13	13
124070-13300	12	13

Parts No.	Fig. No.	Ref. No.
124160-01751	2	9
	4	42
124160-11360	4	65
124240-01871	2	16
124450-44510	13	46
124450-44530	13	48
124450-44550	13	51
124450-44560	13	49
124460-11340	4	14
	20	4
124465-44950	13	31
	20	28
128300-13230	7	1
	20	13
129005-59830	12	7
129006-44480	11	5
129008-77800	4	78
129044-39900	12	6
129100-01580	2	2
	3	1
129150-02450	8	4
129150-11230	4	30
		34
129150-11370	4	1
129150-11750	4	32
		36
129150-11810	4	80
129150-14200	8	1
129150-25920	8	31
129150-35153	11	25
129242-55740	16	34
129400-92450	20	44
129410-03990	4	71
		71 -1
129418-18320	6	6
		20
129466-49300	11	7
129472-18090	9	2
	20	22
129612-52100	16	26
129795-11180	4	13
129900-01200	1	27
129900-01250	1	4
129900-02020	1	6
129900-02341	1	32
129900-02410	1	9
129900-02931	1	24
129900-02941	1	35
129900-11100	4	10
129900-11110	4	11

Parts No.	Fig. No.	Ref. No.
129900-11120	4	12
129900-11200	4	22
129900-11240	4	23
129900-11280	4	26
129900-11510	4	27
129900-11520	4	28
129900-11530	4	39
129900-11650	4	29
129900-11660	4	33
129900-14400	8	2
129900-21220	10	3
129900-21600	10	14
129900-23001	10	26
129900-23200	10	29
129900-23601	10	30
129900-23611	10	33
129900-23911	10	32
129900-25110	8	15
129900-32030	2	3
	11	17
	20	24
129900-32040	2	4
	20	25
129900-42020	13	1
	20	27
129900-49870	13	26
	20	31
129907-03061	4	47
129907-03070	4	50
129908-21100	10	1
129908-32060	2	5
129908-33010	11	1
129908-33101	11	4
129908-39410	12	19
129908-39690	12	15
	20	26
129908-49060	11	6
129916-01790	3	6
129916-01800	2	13
129916-21610	10	7
129916-49530	13	18
129927-13810	6	31
	20	16
129927-44900	13	16
129927-77680	18	10
129928-49420	13	17
		32
129930-13201	6	38
	20	12
129932-42100	13	2

Parts No.	Fig. No.	Ref. No.
129939-34800	11	15
129940-42240	13	45
129940-77011	17	1
129940-77100	17	2
129940-77130	17	5
129940-77140	17	6
129940-77150	17	7
129940-77160	17	8
129940-77171	17	9
129940-77181	17	10
129940-77190	17	11
129940-77200	17	12
129940-77210	17	13
129940-77221	17	14
129940-77230	17	15
129940-77240	17	16
129940-77250	17	17
129940-77260	17	18
129940-77270	17	19
129940-77280	17	20
129944-21650	10	8
129953-35000	11	18
129960-03990	13	35
		38
		42
129960-21930	10	9
	20	23
129960-21940	10	10
129978-03030	4	46
129978-03270	4	81
129978-03280	4	72 A
129978-03350	4	72 B
129978-03380	4	68 -1
129978-11871	4	18
	20	6
129978-13330	6	9 -1
129982-01710	3	7
129A00-11330	4	58
129A00-11340	4	15
	20	5
129A00-12703	4	59
129A00-12711	4	73
129A00-12720	5	5
129A00-12780	4	60
129A00-12790	4	74
	20	8
129A00-12820	5	30
129A00-12900	5	31
129A00-12910	5	32
	20	10

## Parts No. Index

Parts No.	Fig. No.	Ref. No.
129A00-13350	6	8
	7	24
129A00-13380	6	11
129A00-13620	6	3
129A00-13751	6	29
129A00-14710	8	12
129A00-16610	7	15
129A00-17311	7	25
	20	20
129A00-17520	7	30
129A00-17570	7	32
129A00-17670	7	31
129A00-17702	7	34
129A00-17780	7	35
129A00-21710	3	12
129A00-51000	14	1
129A00-51100	14	2
129A00-51110	14	3
129A00-51120	14	4
129A00-51130	14	5
129A00-51200	14	6
129A00-51900	14	7
	20	32
129A00-53200	15	2
129A00-55600	16	1
129A00-55610	16	2
129A00-55720	16	32
129A00-55730	16	33
129A00-55740	16	35
129A00-55750	16	29
129A00-55760	16	30
129A00-55770	16	36
129A00-55800	16	3
129A00-57100	15	4
129A00-57200	15	5
129A00-57210	15	6
129A00-59110	5	20
129A00-75910	18	12
129A00-91200	6	5
	7	38
	16	21
129A00-91430	7	40
129A00-91450	19	17
129A00-91600	19	18
129A01-18210	5	9
129A01-77310	4	72 C
129C00-13940	7	6
129C00-13950	7	7
129C00-57000	15	3
129C00-91200	7	39

Parts No.	Fig. No.	Ref. No.
129C01-03050	4	68
129C01-12060	4	72
129C01-13600	6	16
		24
129C01-16210	7	9
129C01-16550	7	13
129C01-16680	7	16
129C01-16700	7	17
129C01-16740	7	19
129C01-16750	7	20
129C01-16830	7	4
129C01-17610	7	28
129C20-77610	18	8
129E00-01330	1	28
	20	2
129E00-01580	2	11
129E00-01600	3	2
129E00-01850	2	14
129E00-03010	4	44
129E00-03020	4	45
129E00-11310	4	56
	20	3
129E00-11390	19	1
129E00-11900	4	19
129E00-12110	5	1
	20	7
129E00-12810	5	14
	20	9
129E00-13110	6	2
	20	11
129E00-13300	6	7
129E00-13360	6	9
129E00-13400	6	14
129E00-13410	6	15
	20	14
129E00-13610	6	17
129E00-13710	5	18
129E00-13720	5	19
	20	15
129E00-13770	6	4
129E00-13800	6	30
129E00-13851	6	18
129E00-13861	6	19
129E00-13901	6	34
129E00-13910	6	35
	20	17
129E00-13920	6	36
	20	18
129E00-14101	8	6
129E00-14581	8	3

Parts No.	Fig. No.	Ref. No.
129E00-14700	8	8
129E00-16600	7	14
	20	19
129E00-16720	7	18
129E00-17310	7	26
129E00-17360	7	27
129E00-22050	10	18
129E00-22950	10	37
129E00-25050	8	14
129E00-25060	8	22
129E00-25080	8	32
129E00-25121	8	23
129E00-25200	8	26
129E00-25400	8	28
129E00-25902	8	19
129E00-49610	13	33
129E00-49620	13	37
129E00-49630	13	41
129E00-49810	13	15
129E00-55710	16	28
129E00-59010	16	5
129E00-59020	16	13
129E00-59030	16	17
129E00-59040	16	22
129E00-59120	5	21
129E00-59500	16	9
129E00-59700	15	10
129E00-59810	15	12
129E00-59820	15	13
129E00-59830	15	14
129E00-59840	15	15
129E00-77820	4	79
129E00-77910	19	2
129E00-91230	19	12
129E00-91600	19	19
129E01-03080	4	69
129E01-03130	4	69 -1
129E01-03140	4	72 -1
129E01-11350	4	43
129E01-11700	4	2
129E01-12100	5	3
129E01-12150	5	2
129E01-12800	5	16
129E01-12851	5	15
129E01-13101	6	1
129E01-13300	6	7 -1
129E01-13360	6	23
129E01-13700	5	17
129E01-16010	7	8
129E01-16410	7	11

Parts No.	Fig. No.	Ref. No.
129E01-16810	7	2
129E01-16820	7	3
129E01-17220	7	23
129E01-18010	9	1
129E01-18200	5	8
129E01-18220	5	10
129E01-22080	10	16
129E01-22900	10	35
129E01-39450	12	5
129E01-39600	12	14
129E01-53100	15	1
129E01-91220	19	3
129E01-91600	19	20
129E22-21580	10	12
129E22-55700	16	27
129E30-01500	2	1
129E32-01560	1	1
129E32-75100	18	1
129E32-92600	20	1
171051-01921	1	5
171056-49120	11	14
198461-52950	19	27
22190-080002	8	30
	12	2
		8
		10
	20	33
22190-120002	13	23
	20	34
22190-140002	5	22
	20	35
22190-220002	3	10
	20	36
22217-180000	8	20
22242-000180	4	37
22252-000300	10	25
22351-030010	8	9
	12	26
22351-060012	1	11
22512-070140	8	7
	10	6
22857-500100	4	62
		63
23000-025000	11	12
	12	17
23000-054000	5	11
23000-060000	4	75
	5	12
23000-075000	5	13
23061-070230	13	50

## Parts No. Index

Parts No.	Fig. No.	Ref. No.
23080-007000	16	12
23080-015000	16	8
		16
23414-080000	13	27
	20	37
23414-100000	12	11
	20	38
23414-120000	6	12
	20	39
23857-030000	12	9
23875-030000	13	24
23876-005000	4	8
23876-030000	1	12
		13
		14
24311-000070	2	6
	20	40
24311-000110	16	31
24311-000120	4	66
	20	41
24311-000320	2	10
	4	67
	20	42
24321-000600	11	13
	20	43
26106-060122	19	21
26106-060142	4	76 -1
	5	23
26106-060162	4	76
	7	36
	12	18
26106-060202	5	33
	13	25
26106-060302	13	11
26106-060402	5	34
26106-060902	5	35
26106-080122	3	11
	11	23
	12	3
		12
	13	28
	19	22
		23
		24
		25
26106-080142	7	21
26106-080162	2	7
		17
		18
	6	13

Parts No.	Fig. No.	Ref. No.
26106-080162	8	10
	11	24
26106-080182	7	41
		42
		43
26106-080202	6	21
	7	37
26106-080252	15	7
26106-080302	14	8
	16	4
26106-080352	4	21
	5	24
26106-080402	2	19
26106-080452	2	8
	5	6
	8	27
26106-080502	8	18
26106-080552	5	7
	13	12
26106-080602	13	29
26106-080702	2	20
26106-080752	5	26
26106-080902	5	27
26106-100182	13	14
26106-100202	7	44
26106-100252	6	32
	7	45
26106-100602	6	37
26106-100652	4	40
26106-120252	17	31
26206-100352	3	4
26206-100952	3	5
26216-060202	5	4
		25
26216-081002	5	28
26306-080002	5	29
	6	28
		33
	7	22
		46
	9	4
26306-100002	4	41
	7	47
		48
26366-060002	15	16
26450-060162	3	13
	4	64
	8	13
26557-050082	4	48
26577-040162	4	38

Parts No.	Fig. No.	Ref. No.
26577-060122	8	11
26587-050102	4	49
26776-180002	8	21
27241-300000	1	10
27241-400000	4	9
27310-080001	4	16
29621-200000	19	26
729900-02801	1	29
977770-1207F	20	45
X2240610100	17	23

Parts No.	Fig. No.	Ref. No.
-----------	----------	----------