

0CW10-M80800EN

P R E F A C E

This parts catalog is the 1st edition of 3TNV86CT-DTR for THE TORO COMPANY.

Published : December, 2012

Contents

0CW10-M80800

Fig. No.	Fig. Name
3TNV86CT-DTR	
1.	CYLINDER BLOCK
2.	GEAR HOUSING
3.	FLYWHEEL HOUSING & OIL SUMP
4.	CYLINDER HEAD & BONNET
5.	SUCTION MANIFOLD
6.	EXHAUST MANIFOLD
7.	DIESEL PARTICULATE FILTER(DPF)
8.	CAMSHAFT & DRIVING GEAR
9.	TURBINE
10.	CRANKSHAFT & PISTON
11.	LUB.OIL SYSTEM
12.	LUB.OIL LINE
13.	COOLING WATER SYSTEM
14.	FUEL SUPPLY PUMP
15.	FUEL INJECTION VALVE
16.	FUEL LINE
17.	STARTING MOTOR
18.	GENERATOR
19.	ELECTRONIC CONTROL UNIT (ECU)
20.	ELECTRIC PARTS
21.	GASKET SET

Fig. No.	Fig. Name
----------	-----------

Fig.1. CYLINDER BLOCK

(A)=3TNV86CT-DTR

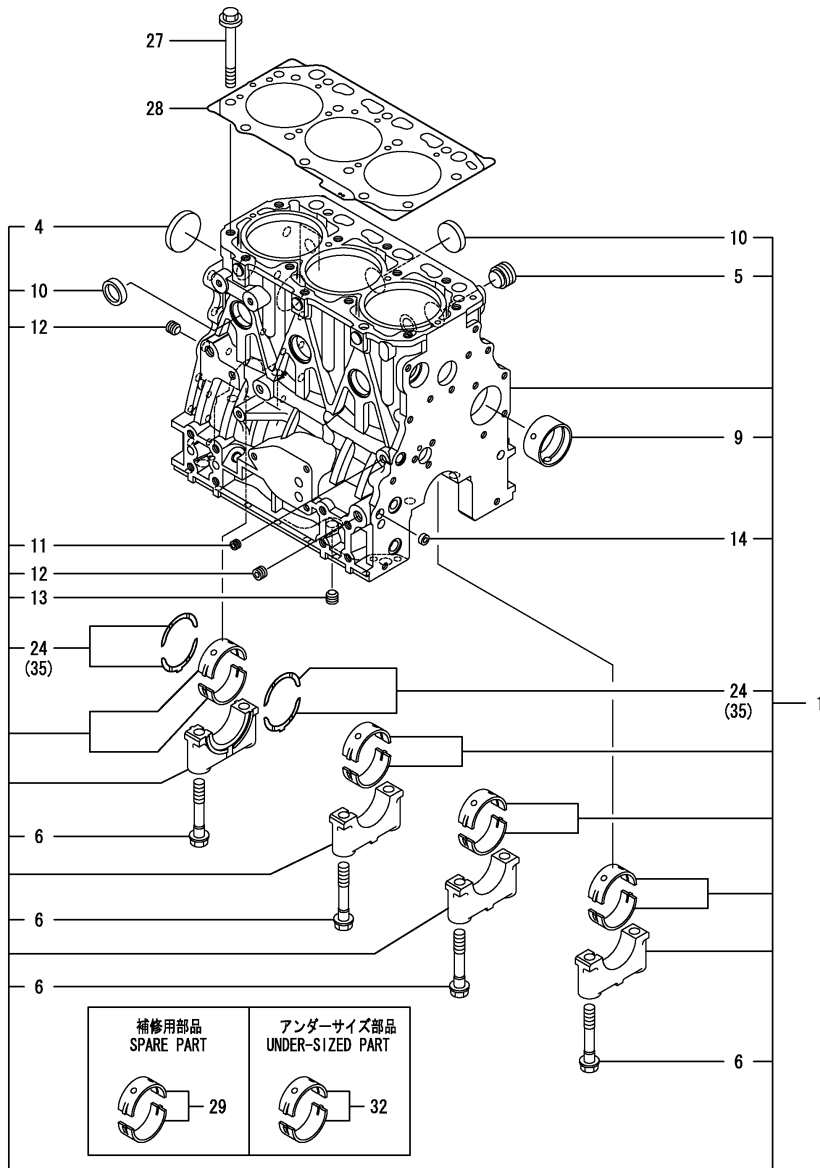
(B)=

(C)=

(D)=

(E)=

(F)=

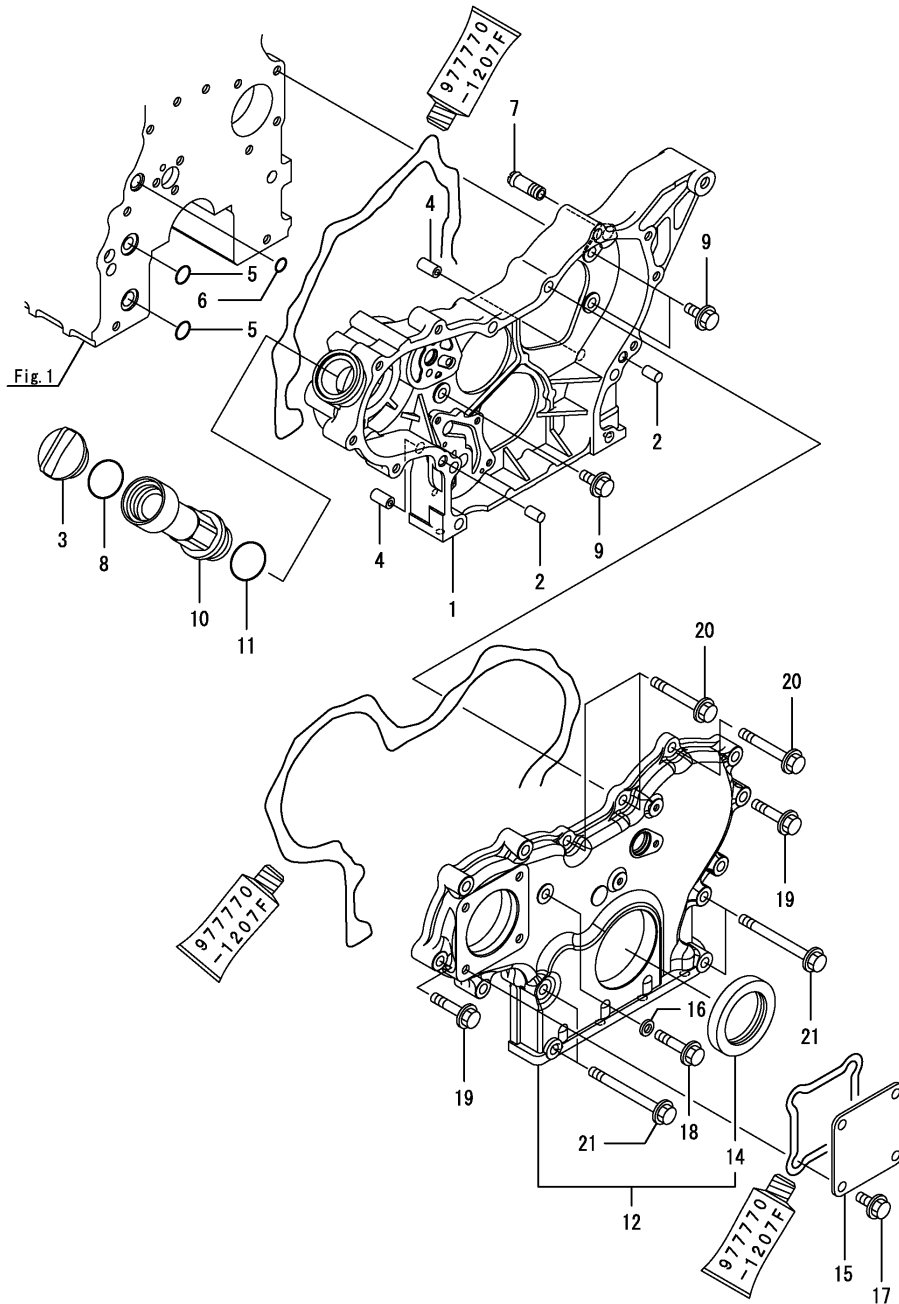


No.	Lev.	Parts No.	Description	Q'ty						I	R
				(A)	(B)	(C)	(D)	(E)	(F)		
1	1	129A01-01560	BLOCK ASSY, CYLINDER	1							
4	2	129001-01250	PLUG, 50	1							
5	2	171051-01921	PLUG, NPTF1	1							
6	2	129150-02020	BOLT, METAL CAP	8							
9	2	129795-02412	BUSH, CAMSHAFT	1							
10	2	27241-300000	PLUG 30	6							
11	2	124060-01050	PLUG, PT1/8	1							
12	2	124160-01910	PLUG, PT1/4	2							
13	2	124160-01910	PLUG, PT1/4	1							
14	2	27241-120000	PLUG, 12	1							
24	2	129150-02931	BEARING, THRUST	2							
27	1	129150-01200	BOLT, HEAD	14							
28	1	129A01-01331	GASKET ASSY, HEAD	1							
29	1	129001-02931	BEARING, MAIN	4							1
32	1	129150-02871	BEARING, 0.25 US	4							2
35	1	129150-02941	BEARING, THRUST 0.25	1							3

Remarks

- (1) Spare part.
- (2) Under-sized(U.S.=0.25)part.
- (3) Over-sized(O.S.=0.25)part.

Fig.2. GEAR HOUSING

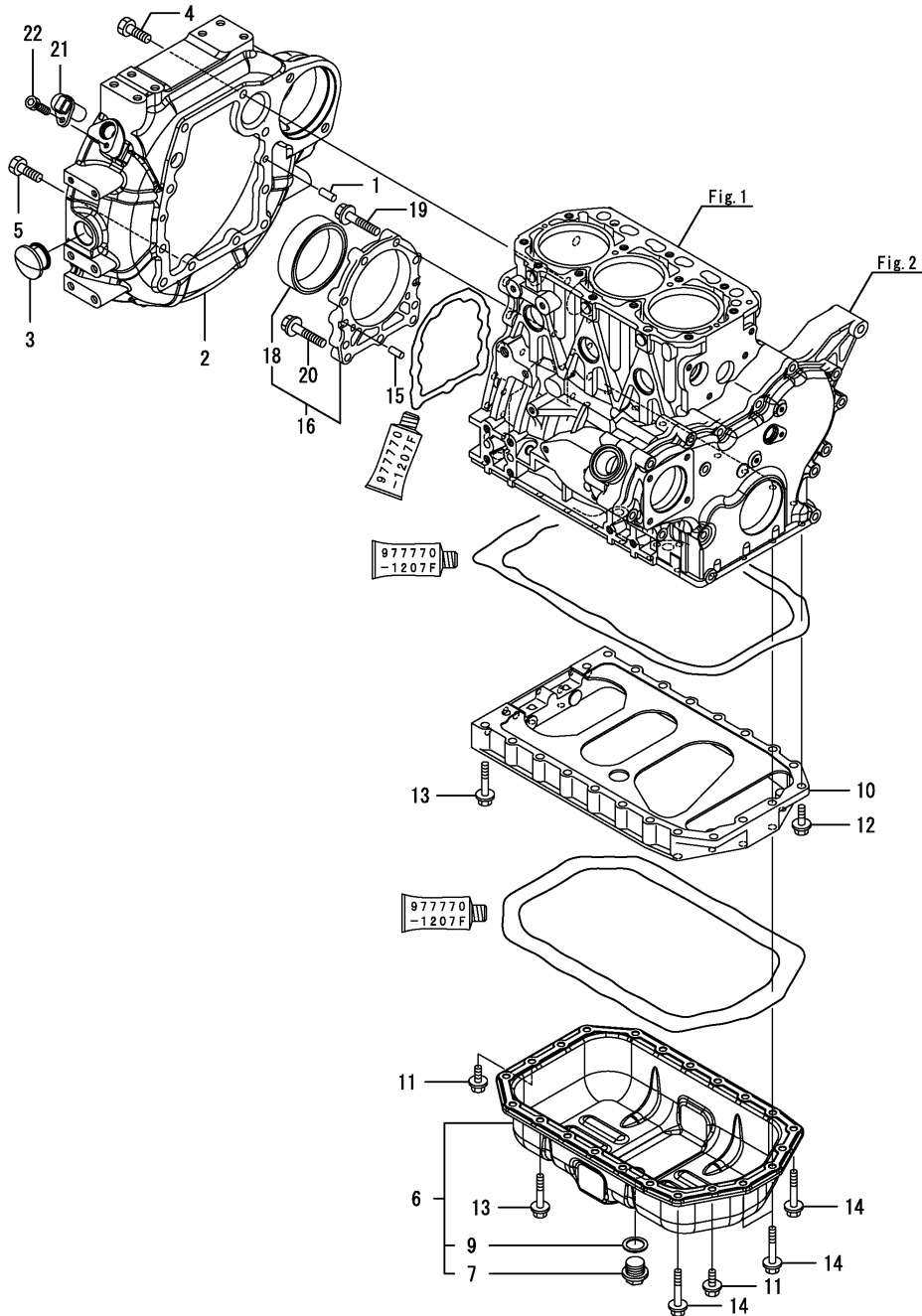


(A)=3TNV86CT-DTR
(B)=
(C)=

(D)=
(E)=
(F)=

No.	Lev.	Parts No.	Description	Qty						I	R
				(A)	(B)	(C)	(D)	(E)	(F)		
1	1	129A01-01500	CASE, GEAR	1							
2	1	129100-01580	PIN, 8X16	2							
3	1	124160-01751	COVER, FILLER	1							
4	1	129795-01950	PIPE, KNOCK L=18	2							
5	1	119609-32040	O-RING, P16	2							
6	1	119624-32040	O-RING, P12.0	1							
7	1	129122-44480	JOINT	1							
8	1	24311-000320	O-RING, 1AP32.0	1							
9	1	26106-080162	BOLT, M8X 16 PLATED	3							
10	1	121027-11743	PIPE	1							
11	1	24311-000320	O-RING, 1AP32.0	1							
12	1	129A00-01550	COVER ASSY, GEARCASE	1							
14	2	119934-01800	SEAL, OIL	1							
15	1	124240-01871	COVER	1							
16	1	22190-080002	WASHER, SEAL 8	1							
17	1	26106-080162	BOLT, M8X 16 PLATED	4							
18	1	26106-080352	BOLT, M8X 35 PLATED	1							
19	1	26106-080402	BOLT, M8X 40 PLATED	7							
20	1	26106-080602	BOLT, M8X 60 PLATED	3							
21	1	26106-080852	BOLT, M8X 85 PLATED	4							

Fig.3. FLYWHEEL HOUSING & OIL SUMP

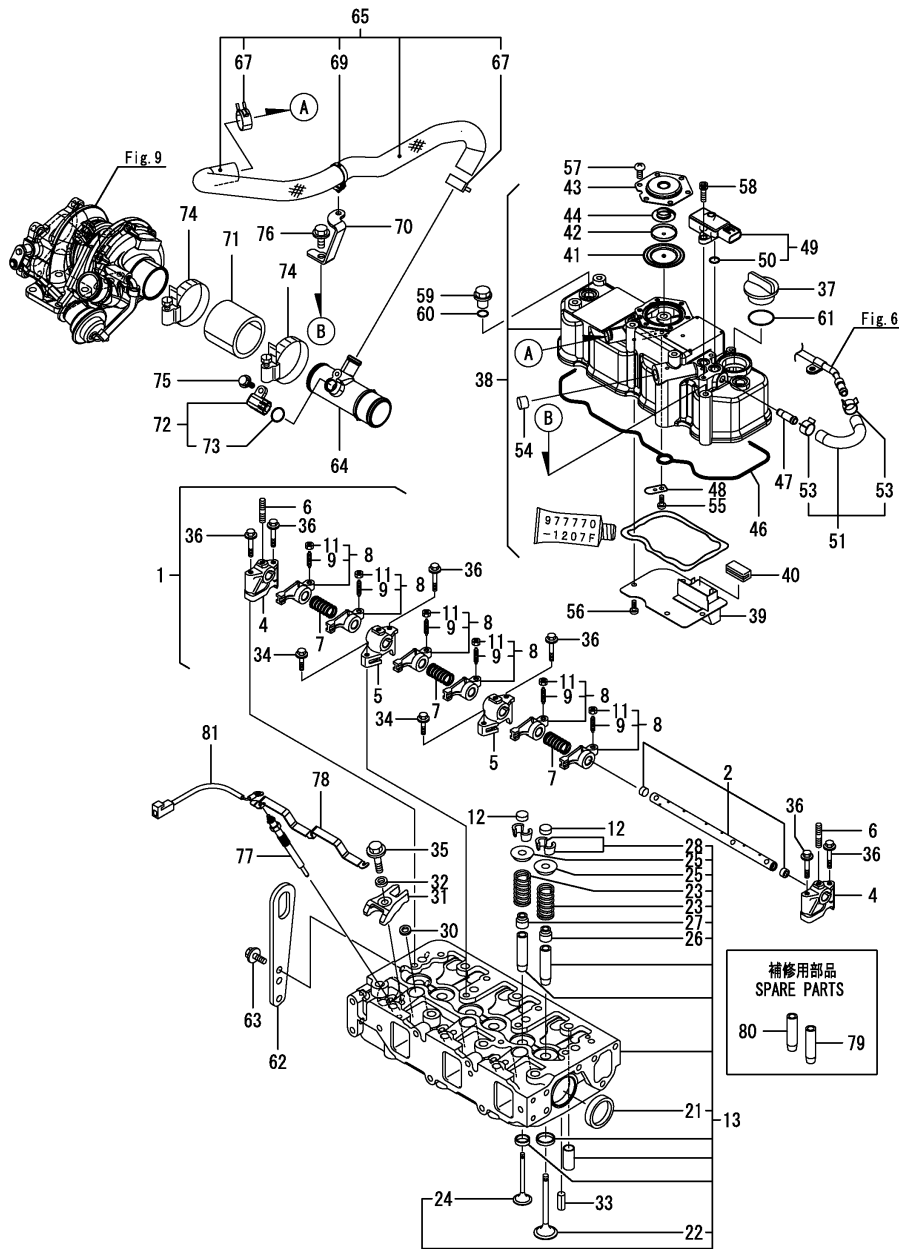


(A)=3TNV86CT-DTR
(B)=
(C)=

(D)=
(E)=
(F)=

No.	Lev.	Parts No.	Description	Q'ty						I	R
				(A)	(B)	(C)	(D)	(E)	(F)		
1	1	129100-01580	PIN, 8X16	2							
2	1	129A00-01602	HOUSING, FLYWHEEL	1							
3	1	119620-01750	CAP	1							
4	1	26206-100252	BOLT, M10X 25 PLATED	6							
5	1	26206-100302	BOLT, M10X 30 PLATED	4							
6	1	729102-01540	SUMP ASSY, OIL	1							
7	2	119640-01640	PLUG, DRAIN M22	1							
9	2	22190-220002	WASHER, SEAL 22	1							
10	1	129100-01730	SPACER, OIL SUMP	1							
11	1	26106-080162	BOLT, M8X 16 PLATED	4							
12	1	26106-080252	BOLT, M8X 25 PLATED	2							
13	1	26106-080452	BOLT, M8X 45 PLATED	16							
14	1	26106-080502	BOLT, M8X 50 PLATED	4							
15	1	129100-01580	PIN, 8X16	2							
16	1	129100-01640	CASE ASSY, OIL SEAL	1							
18	2	129795-01780	SEAL, OIL	1							
19	1	129486-01670	BOLT, M8X30	6							
20	1	26106-080352	BOLT, M8X 35 PLATED	3							
21	1	129A00-21710	SENSOR, FLYWHEEL REV	1							
22	1	26450-060162	BOLT, M6X 16	1							

Fig.4. CYLINDER HEAD & BONNET



(A)=3TNV86CT-DTR
(B)=
(C)=

(D)=
(E)=
(F)=

No.	Lev.	Parts No.	Description	Q'ty						I	R
				(A)	(B)	(C)	(D)	(E)	(F)		
1	1	129004-11241	SHAFT ASSY, ROCKER	1							
2	2	129004-11251	SHAFT, ROCKER ARM	1							
4	2	119802-11260	SUPPORT, ROCKER ARM	2							
5	2	119802-11270	SUPPORT, ROCKER ARM	2							
6	2	119802-11280	STUD	3							
7	2	129150-11280	SPRING	3							
8	2	129004-11650	ARM, ROCKER	6							
9	3	129150-11230	SCREW, VALVE ADJUST	6							
11	3	129150-11750	NUT, M8	6							
12	1	129150-11370	CAP, VALVE	6							
13	1	129A01-11700	HEAD ASSY, CYLINDER	1							
21	3	27241-400000	PLUG, 40	2							
22	2	129005-11100	VALVE, INTAKE	3							
23	2	129795-11120	SPRING, VALVE	6							
24	2	129100-11130	VALVE, EXHAUST	3							
25	2	129795-11180	RETAINER, SPRING	6							
26	2	124460-11340	SEAL, VALVE STEM	3							
27	2	129A00-11340	SEAL, VALVE STEM	3							
28	2	27310-080001	COTTER, 8	6							
30	1	129978-11871	GASKET,INJECTOR	3							
31	1	129A00-11900	RETAINER, INJECTOR	3							
32	1	120270-54410	WASHER, INJECTOR	3							
33	1	22351-060012	PIN, SPRING 6.0X12	2							
34	1	26106-080252	BOLT, M8X 25 PLATED	2							
35	1	26106-080352	BOLT, M8X 35 PLATED	3							
36	1	26106-080502	BOLT, M8X 50 PLATED	6							
37	1	124160-01751	COVER, FILLER	1							
38	1	129A01-11351	BONNET ASSY	1							
38-1	1	129A01-11360	BONNET ASSY	1							N
(A=E00218)											
39	2	129004-03010	PLATE	1							
40	2	129150-03070	BAFFLE, BREATHER	1							
41	2	123907-03100	DIAPHRAGM	1							
42	2	123907-03110	PLATE	1							
43	2	123907-03120	PLATE, BREATHER	1							
44	2	123907-03140	SPRING, DIAPHRAGM	1							
46	2	129A00-11310	GASKET, BONNET	1							
47	2	129A00-11330	JOINT	1							
48	2	129009-11340	SPRING	1							
49	2	129A00-12703	SENSOR,PRESSURE	1							
49-1	2	129978-12700	SENSOR,PRESSURE	1							N
(A=E00218)											
50	3	129A00-12780	O-RING,PRES SENSOR	2							
51	2	129A00-13360	HOSE ASSY, PRES EXH	1							
53	3	129A00-13380	CLIP, HOSE 14	2							
54	2	119640-61400	PLUG	1							
55	2	22857-500100	SCREW, 5X10	1							
56	2	22857-500100	SCREW, 5X10	4							
57	2	22857-500100	SCREW, 5X10	6							
58	2	26450-060162	BOLT, M6X 16	2							
59	1	124160-11360	KNOB	3							

Remarks
(1) Spare part.

Fig.4. CYLINDER HEAD & BONNET

(A)=3TNV86CT-DTR

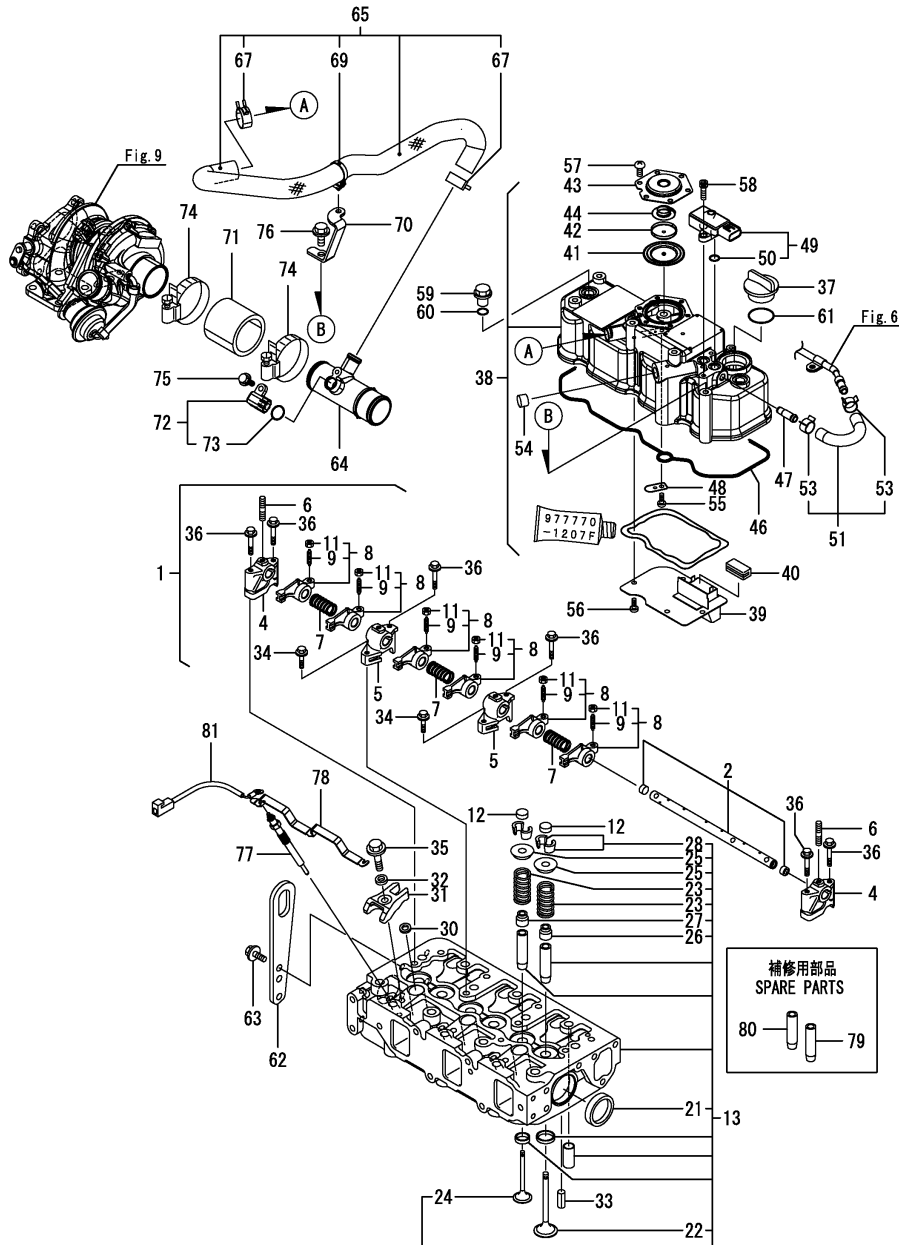
(B)=

(C)=

(D)=

(E)=

(F)=

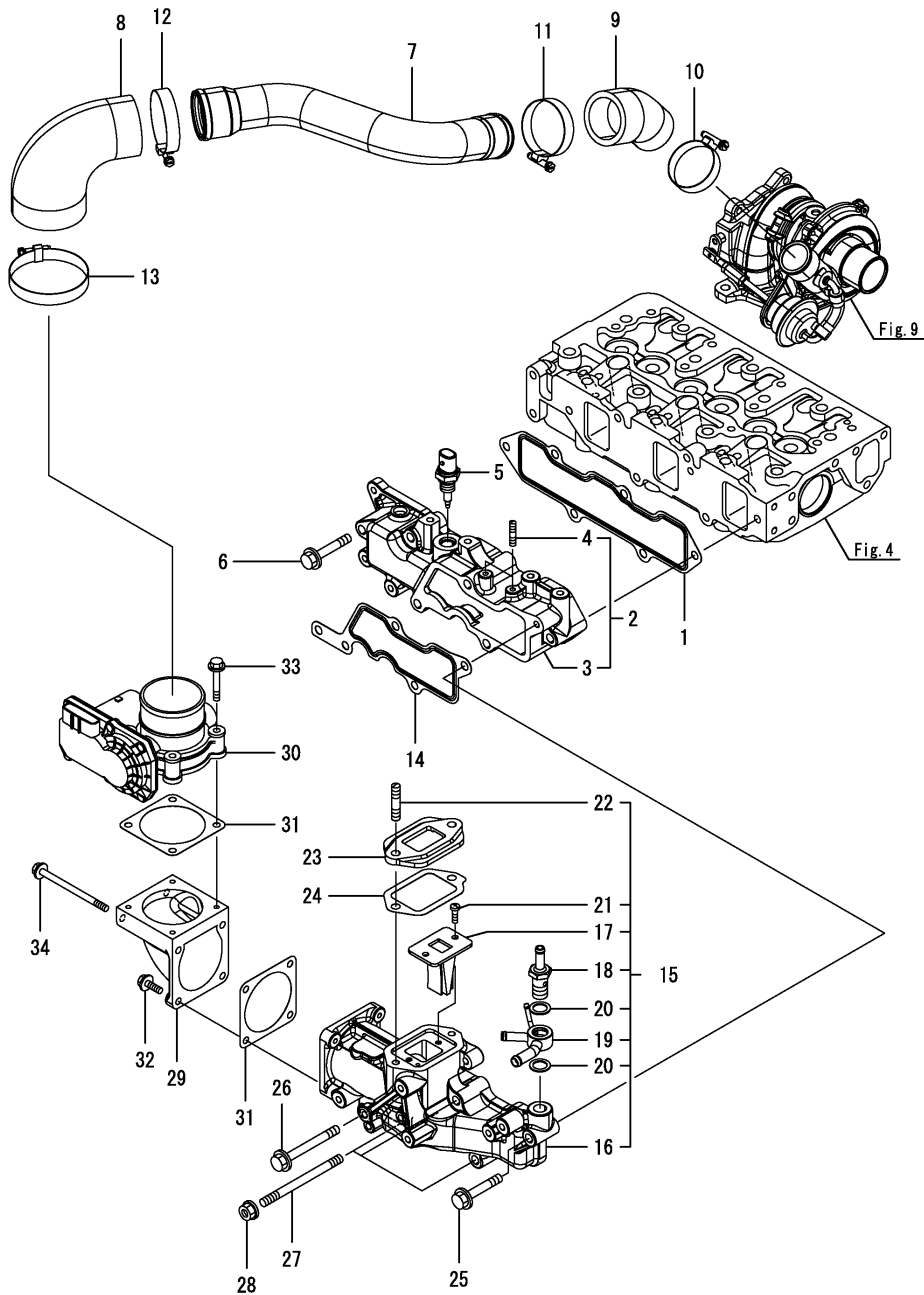


No.	Lev.	Parts No.	Description	Q'ty						I	R
				(A)	(B)	(C)	(D)	(E)	(F)		
60	1	24311-000120	O-RING, 1AP12.0	3							
61	1	24311-000320	O-RING, 1AP32.0	1							
62	1	129900-07900	LIFTER	1							
63	1	26106-080162	BOLT, M8X 16 PLATED	2							
64	1	129A01-03052	JOINT,BREATHER	1							
65	1	129A01-03080	HOSE ASSY, BREATHER	1							
67	2	129410-03990	CLIP,HOSE 21.5	2							
69	2	129A00-91200	BAND CLIP	1							
70	1	129A01-03100	STAY, BREATHER HOSE	1							
71	1	129A01-12060	HOSE, AIR	1							
72	1	129A00-12711	SENSOR,AIR TEMP	1							
73	2	129A00-12790	O-RING,TEMP SENSOR	1							
74	1	23000-050000	CLAMP 50	2							
75	1	26106-060162	BOLT, M6X 16 PLATED	1							
76	1	26106-080182	BOLT, M8X 18 PLATED	1							
77	1	129008-77800	PLUG, GLOW	3							
78	1	129A00-77820	CONNECTOR, GLOW PLUG	1							
79	1	120130-11860	GUIDE, VALVE	3							1
80	1	129150-11810	GUIDE, VALVE	3							1
81	1	119803-77830	HARNES, WIRE	1							W

(A=E00182)

Remarks
(1)Spare part.

Fig.5. SUCTION MANIFOLD



(A)=3TNV86CT-DTR

(B)=

(C)=

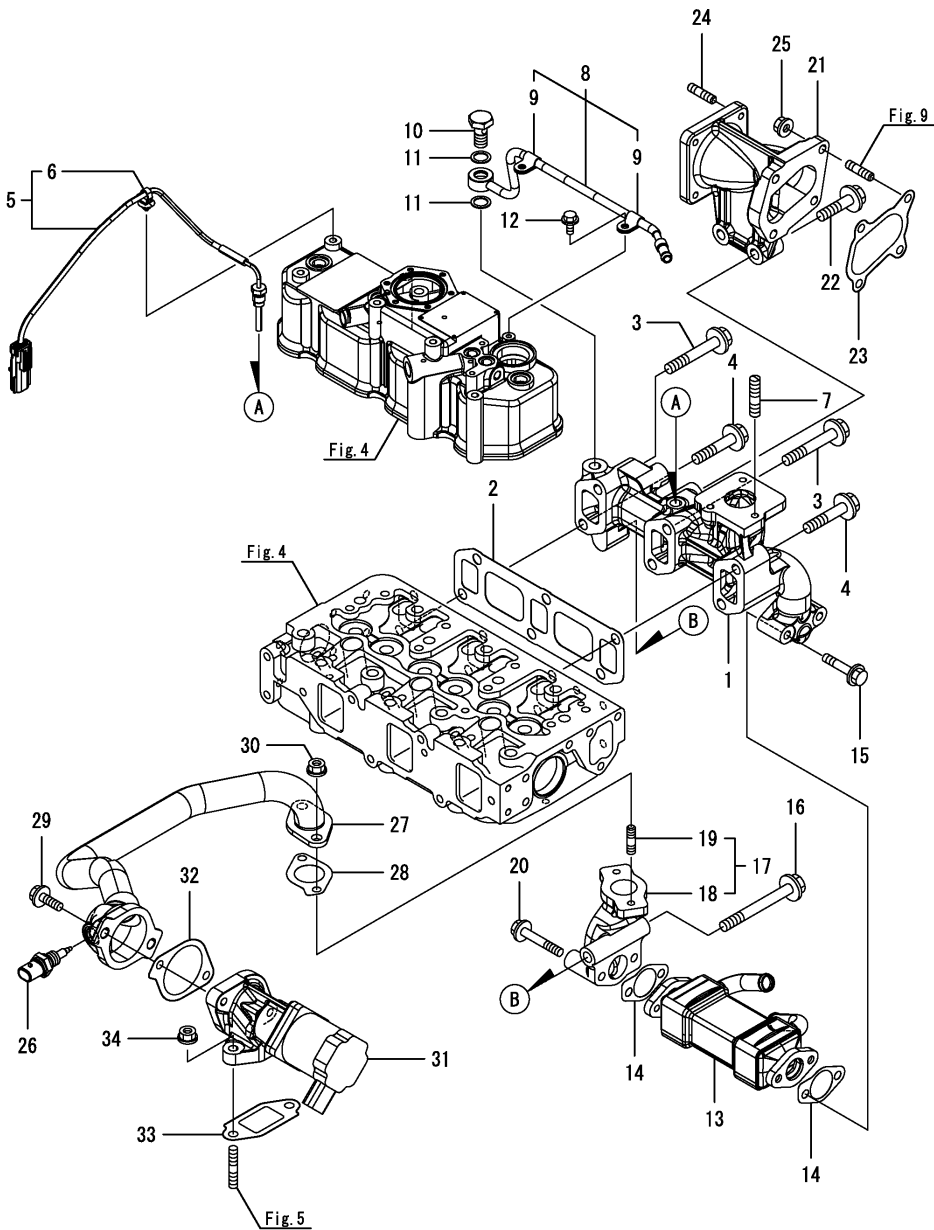
(D)=

(E)=

(F)=

No.	Lev.	Parts No.	Description	Qty						I	R
				(A)	(B)	(C)	(D)	(E)	(F)		
1	1	129A00-12110	GASKET,INT.MANIFOLD	1							
2	1	129A01-12150	MANIFOLD ASSY,INTAKE	1							
3	2	129A01-12100	MANIFOLD, AIR INTAKE	1							
4	2	26216-060202	STUD, M6X 20	2							
5	1	129A00-12720	SENSOR,AIR TEMP	1							
6	1	26106-080502	BOLT, M8X 50 PLATED	3							
7	1	129A01-18200	DUCT SUCTION	1							
8	1	129A01-18210	JOINT, RUBBER	1							
9	1	129A01-18220	JOINT, RUBBER	1							
10	1	23000-048000	CLAMP, 48	1							
11	1	23000-054000	CLAMP, 54	1							
12	1	23000-060000	CLAMP, 60	1							
13	1	23000-075000	CLAMP, 75	1							
14	1	129A00-12810	GASKET, COLLECTOR	1							
15	1	129A01-12851	COLLECTOR, INT CMP	1							
16	2	129A01-12800	COLLECTOR, INT	1							
17	2	129C01-13700	VALVE, REED	1							
18	2	129A00-59110	JOINT, HOSE M14	1							
19	2	129A00-59120	JOINT, HOSE 14	1							
20	2	22190-140002	WASHER, SEAL 14	2							
21	2	22857-500160	SCREW, 5X16	2							
22	2	26216-080302	STUD, M8X 30	2							
23	1	129A00-13710	SPACER, EGR VALVE	1							
24	1	129A00-13720	GASKET(EGR-V SPACER	1							
25	1	26106-080502	BOLT, M8X 50 PLATED	1							
26	1	26106-080752	BOLT, M8X 75 PLATED	1							
27	1	26216-081052	STUD, M8X105	3							
28	1	26306-080002	NUT, M8	3							
29	1	129A00-12820	BEND, INLET	1							
30	1	129A00-12900	THROTTLE BODY(INT	1							
31	1	129A00-12910	GASKET,THROTTLE	2							
32	1	26106-060202	BOLT, M6X 20 PLATED	2							
33	1	26106-060402	BOLT, M6X 40 PLATED	4							
34	1	26106-060902	BOLT, M6X 90 PLATED	2							

Fig.6. EXHAUST MANIFOLD



(A)=3TNV86CT-DTR

(B)=

(C)=

(D)=

(E)=

(F)=

No.	Lev.	Parts No.	Description	Q'ty						I	R
				(A)	(B)	(C)	(D)	(E)	(F)		
1	1	129A01-13101	MANIFOLD, EXHAUST	1							
2	1	129A00-13110	GASKET, EXH MANIFOLD	1							
3	1	129978-13600	BOLT, M10X65 10.9T	4							
4	1	129A01-13600	BOLT, M10X50 10.9T	2							
5	1	129A01-13760	SENSOR,EXH TEMP.	1							
6	2	129A00-91200	BAND CLIP	1							
7	1	129418-18320	STUD, M8X20	3							
8	1	129A00-13300	PIPE ASSY, EXHAUST P	1							
9	2	23297-080061	CLAMP, A8X 6	2							
10	1	129A00-13350	BOLT, PIPE JOINT	1							
11	1	23414-120000	GASKET, 12X1.0	2							
12	1	26106-060122	BOLT, M6X 12 PLATED	2							
13	1	129A00-13400	COOLER, EGR	1							
14	1	129A00-13410	GASKET, EGR COOLER	2							
15	1	119802-13600	BOLT, M8X40	2							
16	1	129978-13700	BOLT, FLANGE 10X90	1							
17	1	129A00-13851	PIPE CMP, EGR OUT	1							
18	2	129A00-13861	PIPE,EGR OUT	1							
19	2	129418-18320	STUD, M8X20	2							
20	1	26106-080502	BOLT, M8X 50 PLATED	2							
21	1	129A01-13350	PIPE ASSY, EXTENSION	1							
22	1	129C01-13600	FLANGE BOLT, 10X40	2							
23	1	129A01-18090	GASKET,TC OUT	1							
24	1	119131-18320	STUD, M8X22	4							
25	1	26306-080002	NUT, M8	4							
26	1	129A00-13751	SENSOR,EGR GAS TEMP	1							
27	1	129A00-13800	PIPE(EGR CMP	1							
28	1	129927-13810	GASKET	1							
29	1	26106-080252	BOLT, M8X 25 PLATED	2							
30	1	26306-080002	NUT, M8	2							
31	1	129A00-13901	VALVE, EGR	1							
32	1	129A00-13910	GASKET, EGR-V IN	1							
33	1	129A00-13920	GASKET(EGR-V OUT	1							
34	1	26306-080002	NUT, M8	2							

Fig.7. DIESEL PARTICULATE FILTER(DPF)

(A)=3TNV86CT-DTR

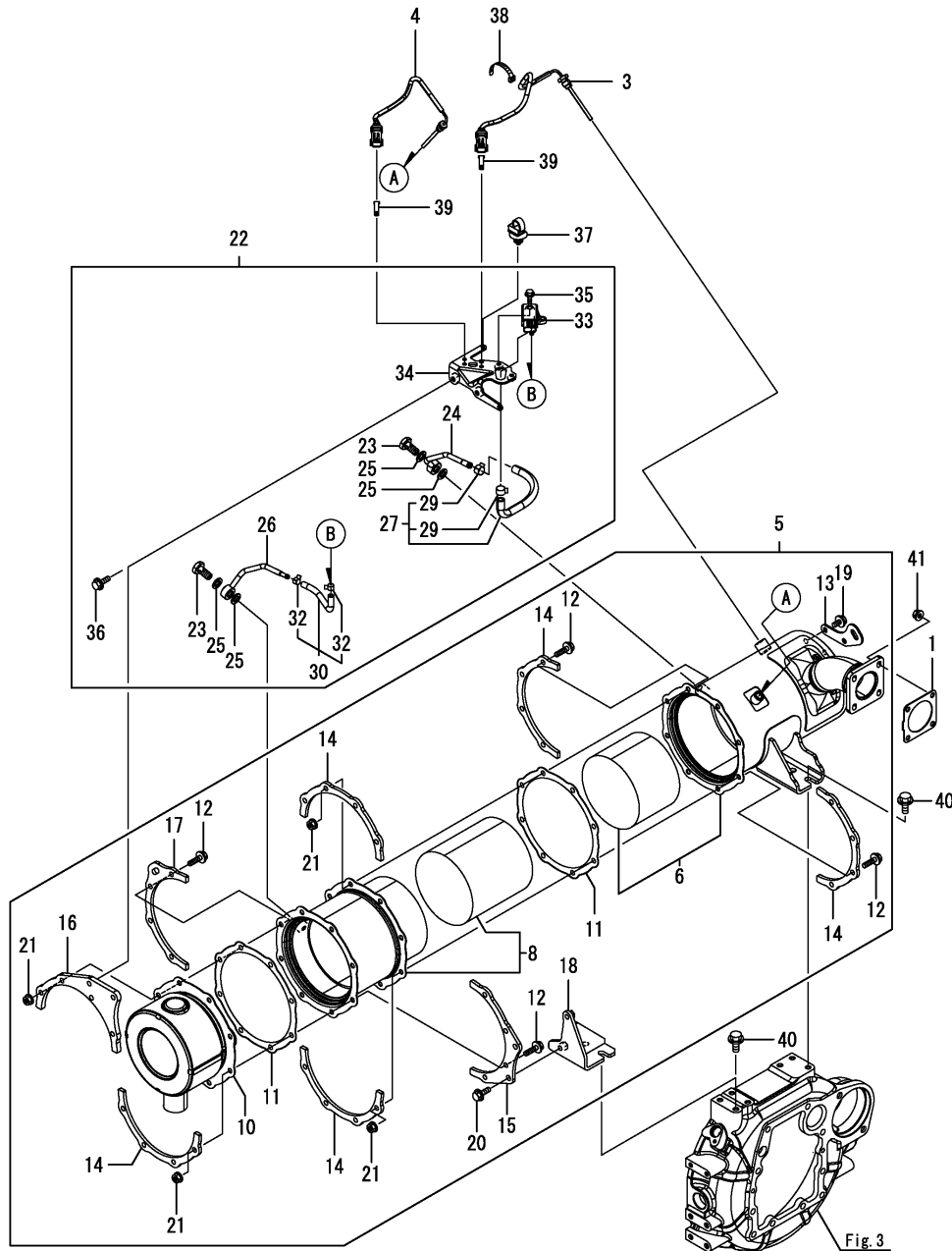
(B)=

(C)=

(D)=

(E)=

(F)=



No.	Lev.	Parts No.	Description	Q'ty						I	R
				(A)	(B)	(C)	(D)	(E)	(F)		
1	1	129930-13201	GASKET, SILENCER	1							
3	1	129C00-13940	SENSOR, EXH.TEMP	1							
4	1	129C00-13950	SENSOR, EXH.TEMP	1							
5	1	129A34-16001	DPF ASSY	1							
6	2	129A01-16201	CASE, DOC	1							
8	2	129C00-16400	CASE, SOOT FILTER	1							
10	2	129A00-16500	SILENCER, DPF	1							
11	2	129A00-16600	GASKET, DPF	2							
12	2	129A00-16610	BOLT, M8X28 10.9T	16							
13	2	129C01-16690	LIFTER, DPF	1							
14	2	129A00-16700	STIFFENER, DPF A	5							
15	2	129A00-16710	STIFFENER, DPF B	1							
16	2	129A00-16730	STIFFENER, DPF C	1							
17	2	129A00-16740	STIFFENER, DPF C	1							
18	2	129C00-16801	STAY,DPF	1							
19	2	26106-080142	BOLT, M8X 14 PLATED	2							
20	2	26106-080222	BOLT, M8X 22 PLATED	2							
21	2	26306-080002	NUT, M8	16							
22	1	129C00-17200	SENSOR UNIT,PRESSURE	1							
22-1	1	129C00-17230	SENSOR UNIT,PRESSURE	1							N
(A=E00218)											
23	2	129A00-13350	BOLT, PIPE JOINT	2							
24	2	129A00-17300	PIPE, SENSOR	1							
25	2	129A00-17311	GASKET,SENSOR	4							
26	2	129A00-17350	PIPE, SENSOR	1							
27	2	129C00-17600	HOSE ASSY,PRES EXH	1							
29	3	129A00-17520	CLIP, HOSE	2							
30	2	129A00-17650	HOSE ASSY,PRES EXH	1							
32	3	129A00-17570	CLIP, HOSE	2							
33	2	129A00-17702	SENSOR,PRESSURE	1							
33-1	2	129978-17700	SENSOR,PRESSURE	1							N
(A=E00218)											
34	2	129A00-17760	BRACKET, PRES SENSOR	1							
35	2	26106-060162	BOLT, M6X 16 PLATED	2							
36	2	26106-080202	BOLT, M8X 20 PLATED	2							
37	1	129A00-91200	BAND CLIP	1							
38	1	129C00-91200	BAND	1							
39	1	129A00-91430	CLIP, CONNECTOR	2							
40	1	26106-100202	BOLT, M10X 20 PLATED	4							
41	1	26306-080002	NUT, M8	4							

Fig.8. CAMSHAFT & DRIVING GEAR

(A)=3TNV86CT-DTR

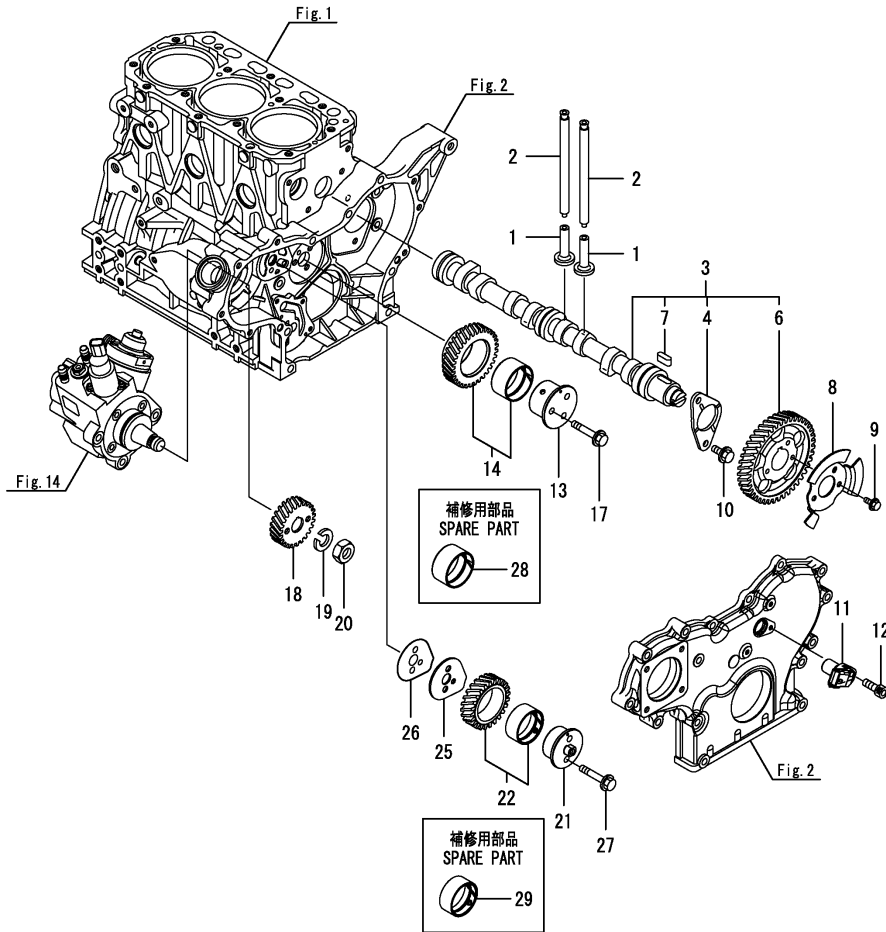
(B)=

(C)=

(D)=

(E)=

(F)=



No.	Lev.	Parts No.	Description	Q'ty						I	R
				(A)	(B)	(C)	(D)	(E)	(F)		
1	1	129150-14200	TAPPET	6							
2	1	129150-14400	ROD, PUSH L=178	6							
3	1	129A00-14580	CAMSHAFT ASSY	1							
4	2	129150-02450	BEARING, THRUST	1							
6	2	129A00-14100	GEAR,CAMSHAFT	1							
7	2	22512-070140	KEY, 7X 14	1							
8	1	129A00-14700	PULSER, CAMSHAFT	1							
9	1	26106-060102	BOLT, M6X 10 PLATED	3							
10	1	26106-080142	BOLT, M8X 14 PLATED	2							
11	1	129A00-14710	SENSOR, GEAR REV	1							
12	1	26450-060162	BOLT, M6X 16	1							
13	1	129A00-25050	SHAFT, IDLE GEAR A	1							
14	1	129A00-25110	GEAR ASSY, IDLE A	1							
17	1	26106-080452	BOLT, M8X 45 PLATED	3							
18	1	129A00-25900	GEAR, SUPPLY PUMP	1							
19	1	22217-180000	WASHER, SPRING 18	1							
20	1	26776-180002	NUT, LOCK M18	1							
21	1	129A00-25060	SHAFT, IDLE GEAR B	1							
22	1	129A00-25120	GEAR ASSY, IDLE B	1							
25	1	129A00-25200	PLATE, IDLE SHAFT B	1							
26	1	129A00-25210	GASKET, IDLE SHAFT B	1							
27	1	26106-080402	BOLT, M8X 40 PLATED	2							
28	1	119802-25071	BUSH, IDLE GEAR	1							1
29	1	129A00-25080	BUSH	1							1

Remarks

(1) Spare part.

N:Old $\begin{matrix} \leftarrow \text{Yes} \\ \text{No} \end{matrix}$ New, Q:Old $\begin{matrix} \leftarrow \text{No} \\ \text{Yes} \end{matrix}$ New, R:Old $\begin{matrix} \leftarrow \text{Yes} \\ \text{Yes} \end{matrix}$ New, S:Old $\begin{matrix} \leftarrow \text{No} \\ \text{No} \end{matrix}$ New, W:Add, Z:Discontinued, F:Interchangeable by set, K:Q'ty Change

Fig.9. TURBINE

(A)=3TNV86CT-DTR
(B)=
(C)=

(D)=
(E)=
(F)=

No.	Lev.	Parts No.	Description	Q'ty						I	R
				(A)	(B)	(C)	(D)	(E)	(F)		
1	1	129A01-18010	TURBINE, RHF3	1							
2	1	129A01-18080	GASKET,TC IN	1							
3	1	119131-18320	STUD, M8X22	4							
4	1	26306-080002	NUT, M8	3							

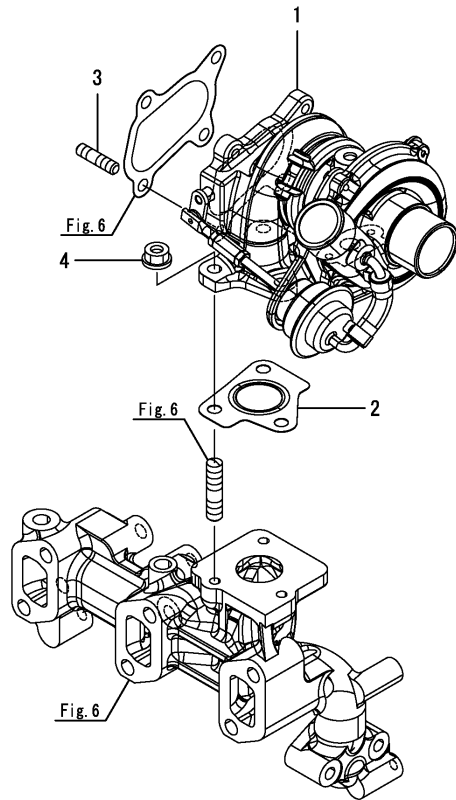


Fig.10. CRANKSHAFT & PISTON

(A)=3TNV86CT-DTR

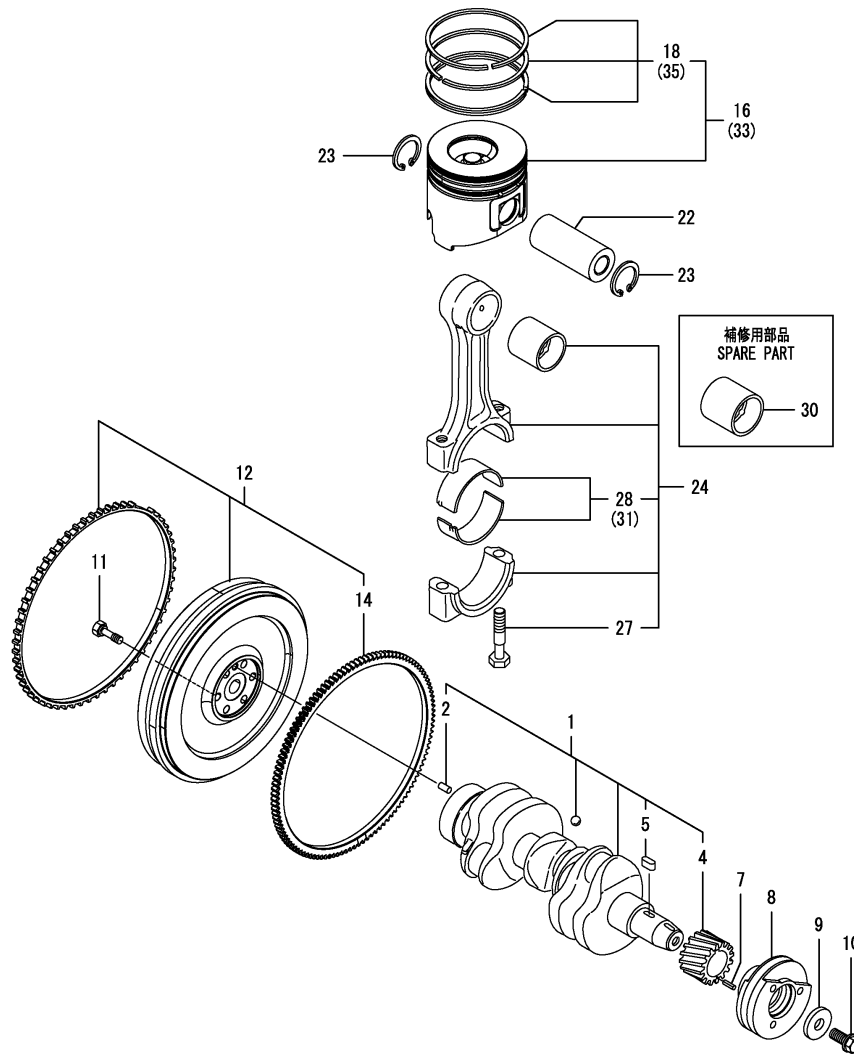
(B)=

(C)=

(D)=

(E)=

(F)=



No.	Lev.	Parts No.	Description	Q'ty						I	R
				(A)	(B)	(C)	(D)	(E)	(F)		
1	1	129008-21000	CRANKSHAFT ASSY	1							
2	2	129100-01580	PIN, 8X16	1							
4	2	119803-21200	GEAR, CRANKSHAFT	1							
5	2	22512-070140	KEY, 7X 14	1							
7	1	22351-030010	PIN, SPRING 3.0X10	1							
8	1	129004-21650	V-PULLEY, 110	1							
9	1	129795-21661	WASHER	1							
10	1	121850-21680	BOLT	1							
11	1	121111-21501	BOLT, FLYWHEEL	6							
12	1	129A24-21580	FLYWHEEL ASSY	1							
14	2	119865-21600	GEAR, RING	1							
16	1	129A01-22080	PISTON ASSY	3							
18	2	129A01-22500	RING ASSY, PISTON	3							
22	1	129202-22300	PIN, PISTON D26 L70	3							
23	1	22252-000260	RING, 26	6							
24	1	729402-23100	ROD ASSY, CONNECTING	3							
27	2	121550-23200	BOLT, CONNECTING ROD	6							
28	2	129150-23601	BEARING, CRANK PIN	3							
30	1	129100-23910	BEARING, PISTON PIN	3							1
31	1	129150-23611	BEARING, 0.25 US	3							2
33	1	129A01-22900	PISTON ASSY, 0.25 OS	3							3
35	2	129A01-22950	RING ASSY, 0.25OS	3							3

Remarks

- (1) Spare part.
- (2) Under-sized(U.S.=0.25)part.
- (3) Over-sized(O.S.=0.25)part.

Fig.11. LUB.OIL SYSTEM

(A)=3TNV86CT-DTR

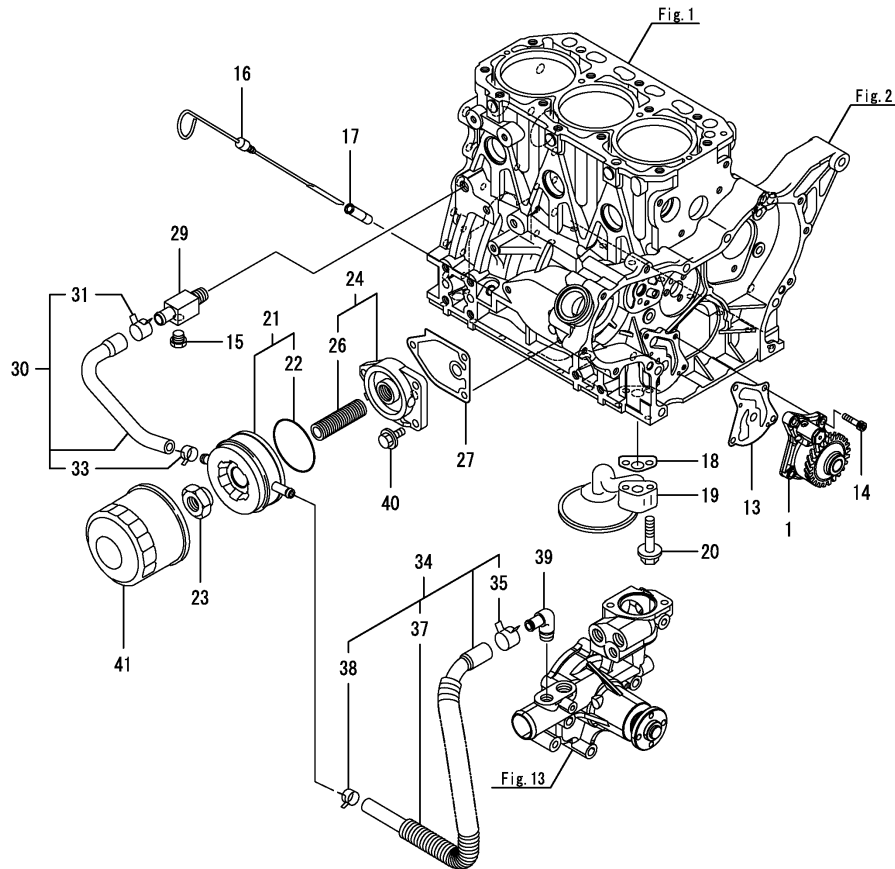
(B)=

(C)=

(D)=

(E)=

(F)=



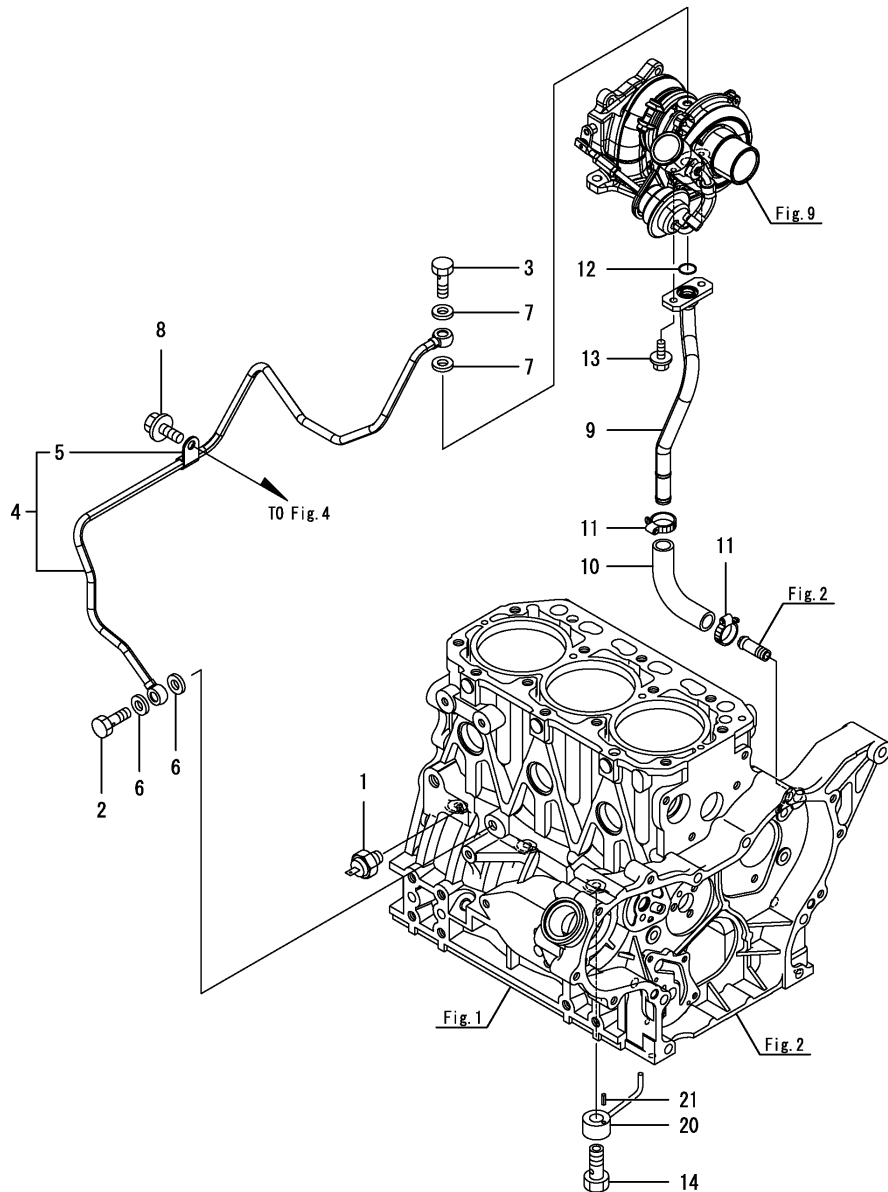
No.	Lev.	Parts No.	Description	Q'ty						I	R
				(A)	(B)	(C)	(D)	(E)	(F)		
1	1	129A01-32000	PUMP ASSY, LUB. OIL	1							
13	1	129486-32020	GASKET, PUMP	1							
14	1	26450-060252	BOLT, M6X 25	4							
15	1	171056-49120	PLUG, DRAIN	1							
16	1	129005-34802	DIPSTICK, OIL	1							
17	1	121520-34810	GUIDE, DIPSTICK	1							
18	1	129150-35042	GASKET	1							
19	1	129135-35090	PIPE ASSY, OIL INLET	1							
20	1	26106-080352	BOLT, M8X 35 PLATED	2							
21	1	129508-33010	COOLER ASSY, OIL	1							
22	2	129508-33050	O-RING	1							
23	1	129417-33111	NUT, OIL COOLER	1							
24	1	129006-35100	BRACKET ASSY, FILTER	1							
26	2	129417-35150	STUD, L=67	1							
27	1	129150-35111	GASKET	1							
29	1	129006-44480	JOINT	1							
30	1	129508-49030	PIPE ASSY, WATER	1							
31	2	171008-03990	CLIP, HOSE 18.5	1							
33	2	23080-015000	CLAMP, 15	1							
34	1	129006-49040	PIPE ASSY, WATER	1							
35	2	171008-03990	CLIP, HOSE 18.5	1							
37	2	129642-49180	TUBE, CORRUGATED	1							
38	2	23080-015000	CLAMP, 15	1							
39	1	129103-49301	ELBOW, PT1/4	1							
40	1	26106-080202	BOLT, M8X 20 PLATED	3							
41	1	129150-35153	FILTER	1							1

Remarks
(1)Spare part.

Fig.12. LUB.OIL LINE

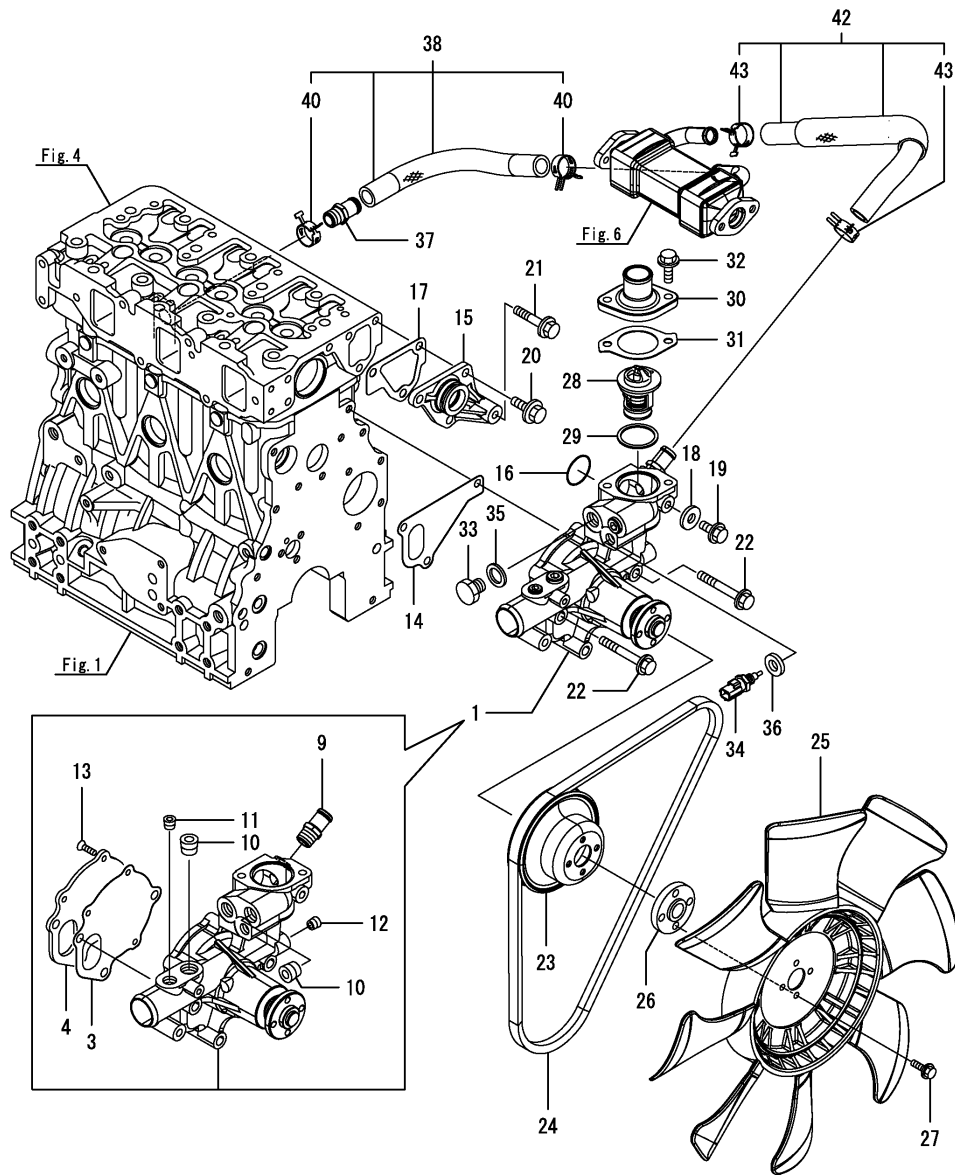
(A)=3TNV86CT-DTR
(B)=
(C)=

(D)=
(E)=
(F)=



No.	Lev.	Parts No.	Description	Q'ty						I	R
				(A)	(B)	(C)	(D)	(E)	(F)		
1	1	119761-39450	SWITCH, 0.5KG	1							
2	1	124160-39140	BOLT, PIPE JOINT M10	1							
3	1	121252-39150	BOLT, JOINT M10X1.5	1							
4	1	129A01-39450	PIPE ASSY, LO	1							
4-1	1	129A01-39460	PIPE ASSY, LO	1							N
(A=E00161)											
5	2	124223-39900	RETAINER	1							
6	1	22190-100002	WASHER, SEAL 10	2							
7	1	23414-100000	GASKET, 10X1.0	2							
8	1	26106-080122	BOLT, M8X 12 PLATED	1							
9	1	129A01-39600	PIPE, LO RETURN	1							
10	1	129266-39620	JOINT, PIPE	1							
11	1	23000-022000	CLAMP, 22	2							
12	1	24316-000160	O-RING, 4DP16.0	1							
13	1	26106-060162	BOLT, M6X 16 PLATED	2							
14	1	129792-39410	VALVE ASSY, CHECK	3							
20	1	129553-39650	NOZZLE	3							
21	1	22351-030010	PIN, SPRING 3.0X10	3							

Fig.13. COOLING WATER SYSTEM



(A)=3TNV86CT-DTR

(B)=

(C)=

(D)=

(E)=

(F)=

No.	Lev.	Parts No.	Description	Q'ty						I	R
				(A)	(B)	(C)	(D)	(E)	(F)		
1	1	129A00-42000	PUMP ASSY, WATER	1							
3	2	129100-42051	GASKET, WATER PUMP	1							
4	2	129100-42121	PLATE	1							
9	2	129928-49420	JOINT	1							
10	2	129916-49740	PLUG, R03	2							
11	2	23875-020000	PLUG, R02	1							
12	2	23876-010000	PLUG, R01	1							
13	2	26577-060142	SCREW M 6X 14	3							
14	1	129486-42021	GASKET, WATER PUMP	1							
15	1	129004-42040	JOINT	1							
16	1	129486-42140	O-RING, G30	1							
17	1	124395-49840	GASKET	1							
18	1	23414-080000	GASKET, 8X1.0	1							
19	1	26106-080122	BOLT, M8X 12 PLATED	1							
20	1	26106-080162	BOLT, M8X 16 PLATED	3							
21	1	26106-080452	BOLT, M8X 45 PLATED	1							
22	1	26106-080602	BOLT, M8X 60 PLATED	3							
23	1	129403-42380	V-PULLEY, D=110	1							
24	1	129211-42290	V-BELT, A38.5	1							
25	1	129436-44740	FAN, COOLING D410	1							
26	1	124574-44761	SPACER, FAN	1							
27	1	26106-060202	BOLT, M6X 20 PLATED	4							
28	1	129155-49801	THERMOSTAT, 71	1							
29	1	129150-49811	GASKET, THERMOSTAT	1							
30	1	129350-49530	COVER, THERMOSTAT	1							
31	1	129795-49551	GASKET	1							
32	1	26106-080222	BOLT, M8X 22 PLATED	2							
33	1	121450-42450	PLUG, M16	1							
34	1	129927-44900	SENSOR.THERMO CW	1							
35	1	124465-44950	GASKET, 16	1							
36	1	22190-120002	WASHER, SEAL 12	1							
37	1	129928-49420	JOINT	1							
38	1	129A00-49610	PIPE ASSY, WATER IN	1							
40	2	129960-03990	CLIP, HOSE 19.8	2							
42	1	129A00-49620	PIPE ASSY, CW	1							
43	2	129960-03990	CLIP, HOSE 19.8	2							

Fig.14. FUEL SUPPLY PUMP

(A)=3TNV86CT-DTR
(B)=
(C)=

(D)=
(E)=
(F)=

No.	Lev.	Parts No.	Description	Q'ty						I	R
				(A)	(B)	(C)	(D)	(E)	(F)		
1	1	129A00-51000	PUMP ASSY, FUEL	1							
2	2	129A00-51900	O-RING, FUEL PUMP	1							
3	1	26106-080302	BOLT, M8X 30 PLATED	3							

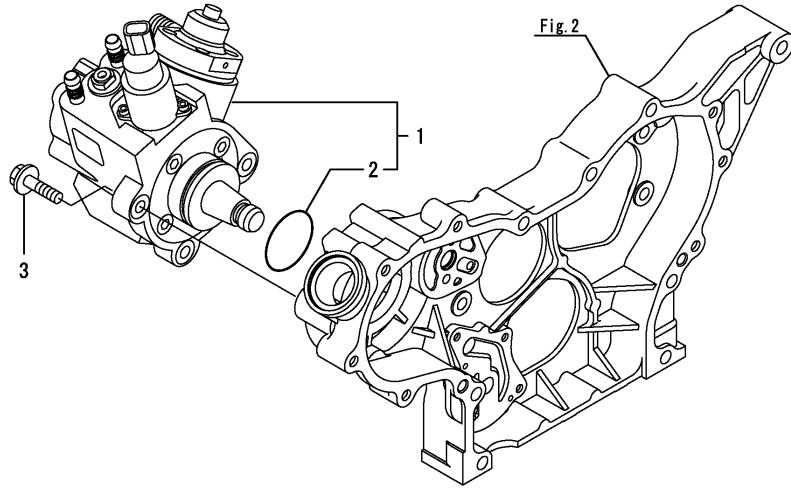
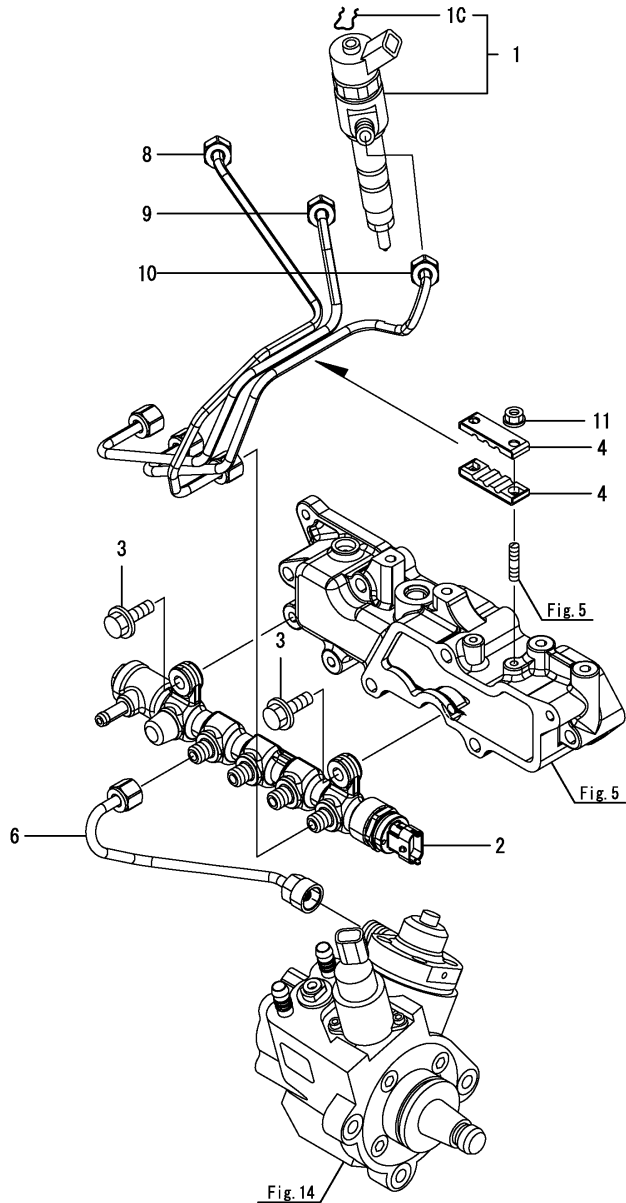


Fig.15. FUEL INJECTION VALVE

(A)=3TNV86CT-DTR
(B)=
(C)=

(D)=
(E)=
(F)=



No.	Lev.	Parts No.	Description	Q'ty						I	R
				(A)	(B)	(C)	(D)	(E)	(F)		
1	1	129A01-53100	INJECTOR, CR	3							
1C	2	129A00-53200	RING, RETAINING	3							
2	1	129A00-57000	RAIL ASSY	1							
3	1	26106-080252	BOLT, M8X 25 PLATED	2							
4	1	123372-59100	RETAINER, PIPE	2							
6	1	129A00-59700	PIPE ASSY, RAIL IN	1							
8	1	129A00-59810	PIPE ASSY, INJECTION	1							
9	1	129A00-59820	PIPE ASSY, INJECTION	1							
10	1	129A00-59830	PIPE ASSY, INJECTION	1							
11	1	26366-060002	NUT, M6	2							

Fig.16. FUEL LINE

(A)=3TNV86CT-DTR

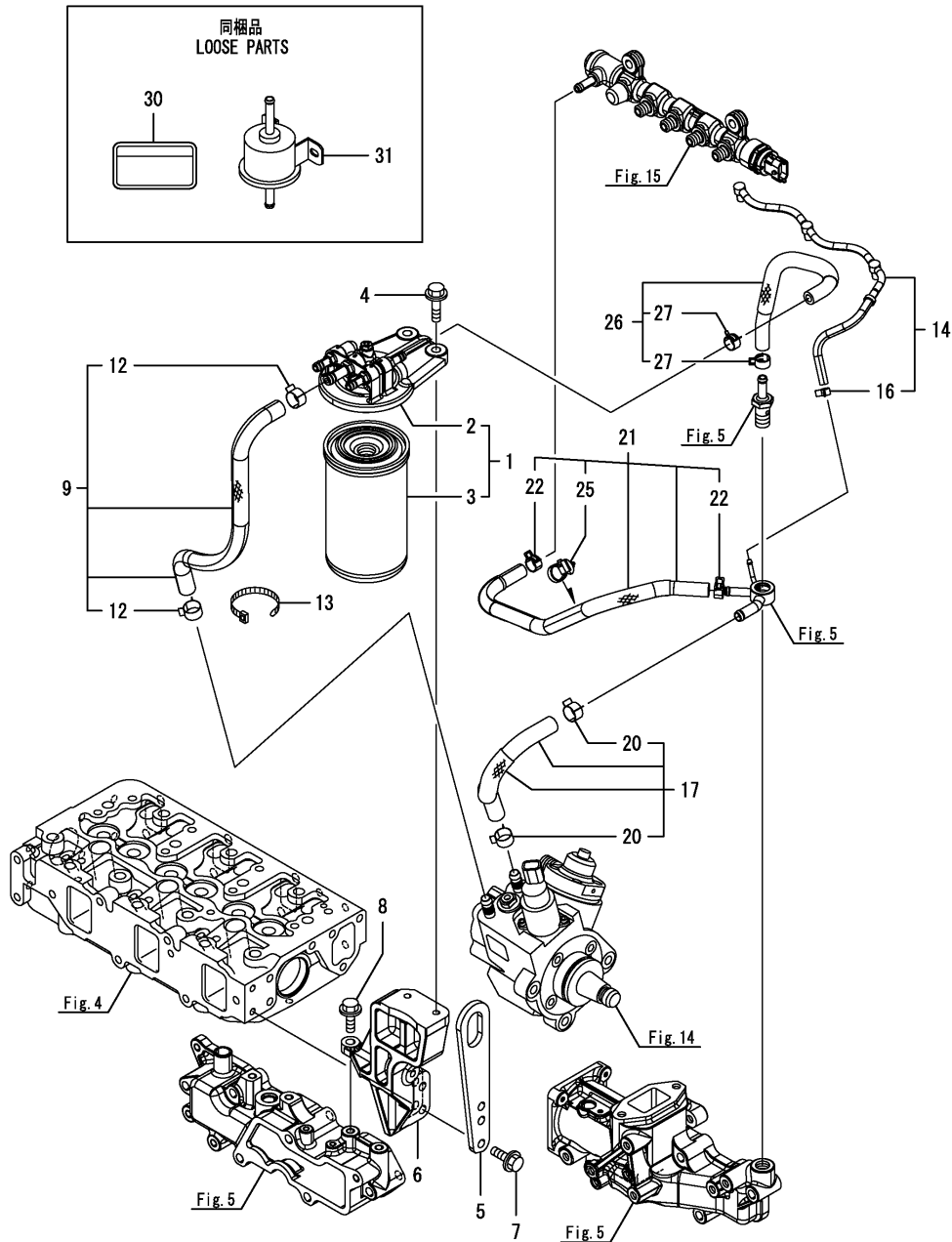
(B)=

(C)=

(D)=

(E)=

(F)=

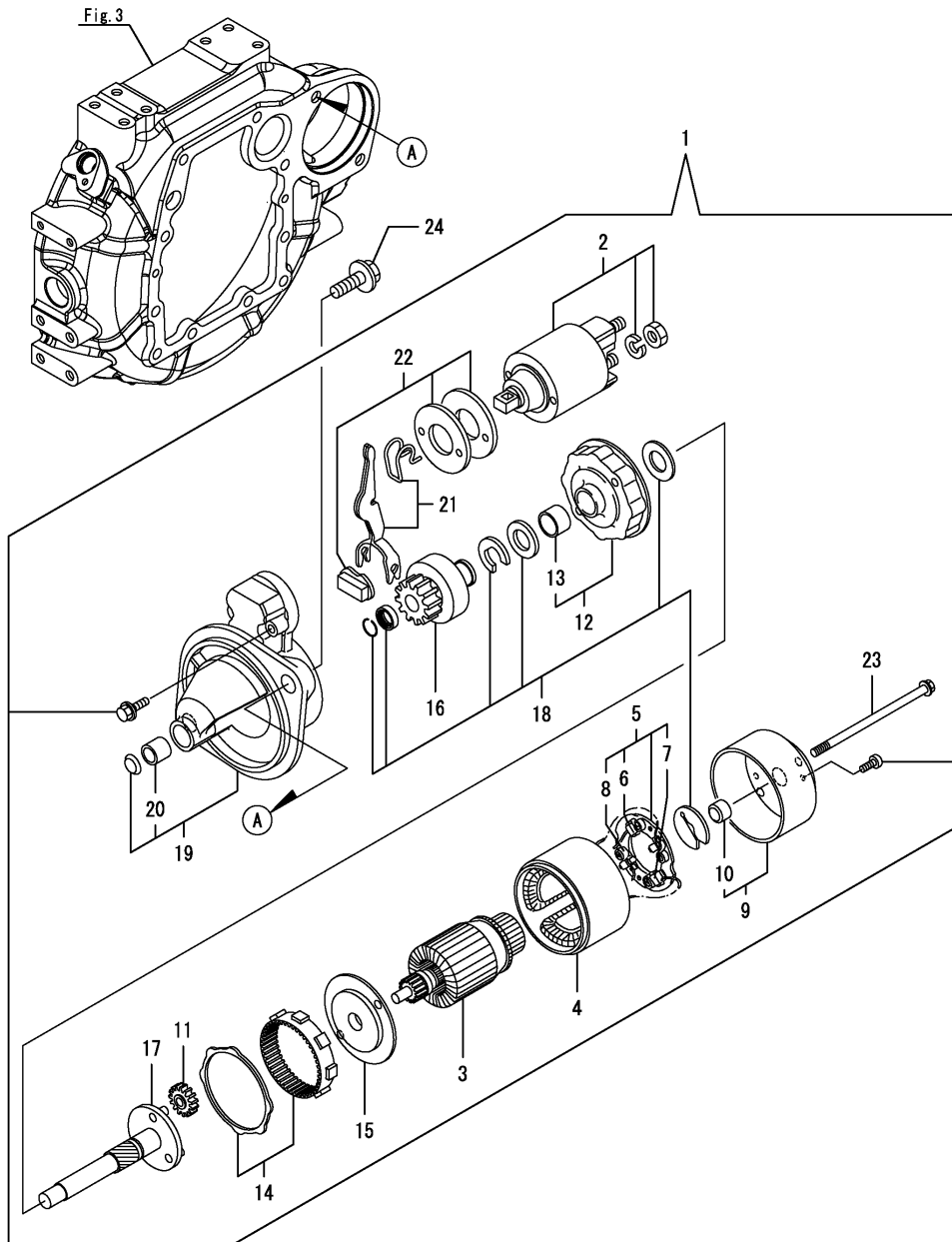


No.	Lev.	Parts No.	Description	Q'ty						I	R
				(A)	(B)	(C)	(D)	(E)	(F)		
1	1	129A00-55600	FILTE ASSY,FO	1							
2	2	129A00-55610	BRACKET ASSY,FO FILT	1							
3	2	129A00-55800	FILTER, FUEL OIL	1							
4	1	26106-080302	BOLT, M8X 30 PLATED	2							
5	1	129900-07900	LIFTER	1							
6	1	129A00-55650	BRACKET ASSY, FILTER	1							
7	1	26106-080252	BOLT, M8X 25 PLATED	2							
8	1	26106-080252	BOLT, M8X 25 PLATED	1							
9	1	129A00-59010	PIPE ASSY, FUEL	1							
12	2	23080-015000	CLAMP, 15	2							
13	1	121750-59890	BAND, 140	1							
14	1	129A00-59500	PIPE ASSY, FO RETURN	1							
16	2	23080-007000	CLAMP, 7	1							
17	1	129A00-59020	PIPE ASSY, FUEL	1							
20	2	23080-015000	CLAMP, 15	2							
21	1	129A00-59030	PIPE ASSY, FUEL	1							
22	2	114270-59010	CLIP, HOSE 12	2							
25	2	129A00-91200	BAND CLIP	1							
26	1	129A00-59040	PIPE ASSY, FUEL	1							
27	2	114270-59010	CLIP, HOSE 12	2							
30	1	114110-07761	LABEL, FUEL OIL CAUT	1							
31	1	129612-52100	PUMP ASSY, FUEL FEED	1							

Fig.17. STARTING MOTOR

(A)=3TNV86CT-DTR
(B)=
(C)=

(D)=
(E)=
(F)=



No.	Lev.	Parts No.	Description	Q'ty						I	R
				(A)	(B)	(C)	(D)	(E)	(F)		
1	1	129242-77010	STARTER, 1.7	1							
2	2	129698-77020	SWITCH ASSY	1							
3	2	129242-77100	ARMATURE ASSY	1							
4	2	129242-77110	YOKE ASSY	1							
5	2	129242-77120	HOLDER ASSY, BRUSH	1							
6	3	129242-77130	BRUSH	2							
7	3	129242-77140	BRUSH SET	1							
8	3	129242-77150	SPRING	4							
9	2	129242-77160	COVER ASSY	1							
10	3	129242-77170	METAL	1							
11	2	118400-77170	GEAR	3							
12	2	129242-77180	BRACKET	1							
13	3	129698-77190	BRACKET	1							
14	2	129698-77200	GEAR, INTERNAL	1							
15	2	129242-77210	BRACKET	1							
16	2	129698-77220	PINION ASSY	1							
17	2	129698-77230	SHAFT	1							
18	2	129698-77250	WASHER SET	1							
19	2	129242-77260	CASE ASSY	1							
20	3	X2114535200	METAL, STARTER	1							
21	2	129242-77270	LEVER SET	1							
22	2	129242-77280	COVER ASSY, DUST	1							
23	2	124195-77770	BOLT, THROUGH	2							
24	1	26106-120252	BOLT, M12X 25 PLATED	2							

Fig.18. GENERATOR

(A)=3TNV86CT-DTR

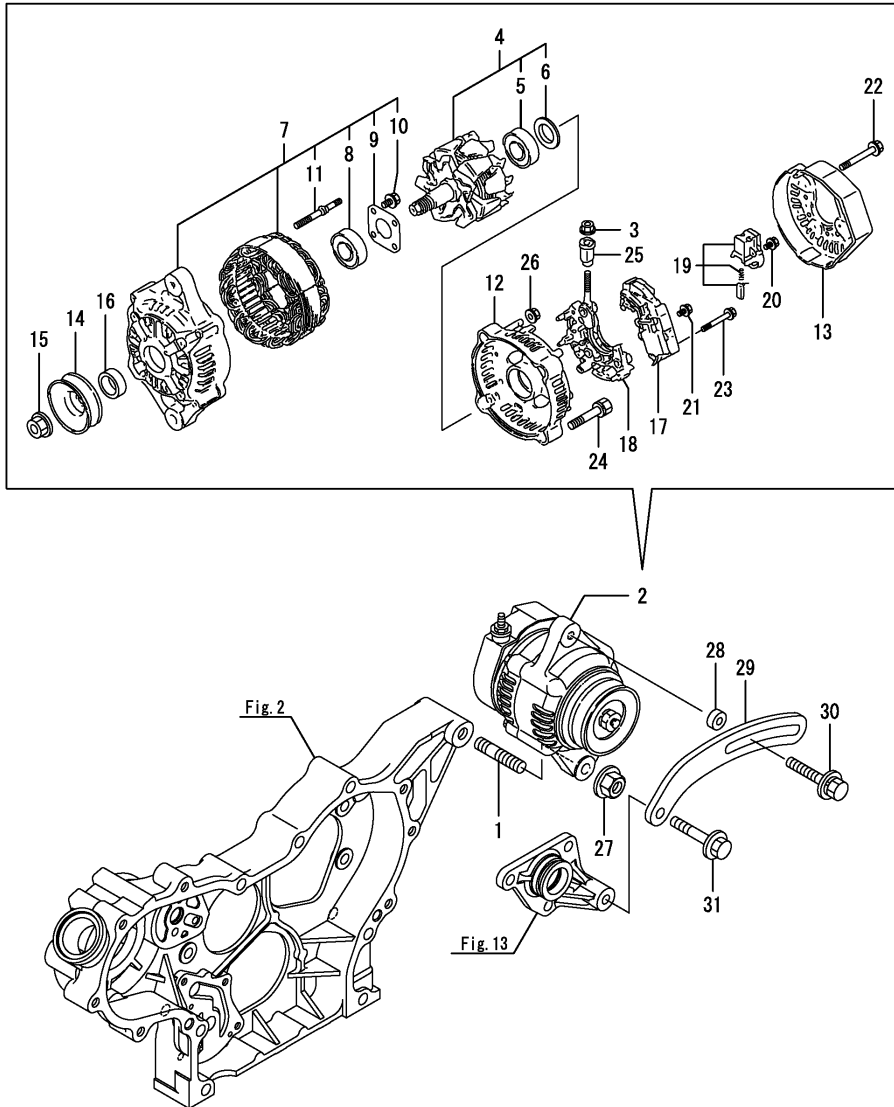
(B)=

(C)=

(D)=

(E)=

(F)=



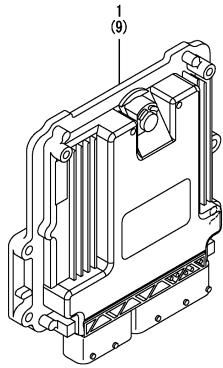
No.	Lev.	Parts No.	Description	Q'ty						I	R
				(A)	(B)	(C)	(D)	(E)	(F)		
1	1	129795-01900	STUD	1							
2	1	129961-77200	GENERATOR, 12V-55A	1							
3	2	X9490561001	NUT	1							
4	2	129052-77380	ROTOR ASSY	1							
5	3	123501-79240	BEARING, BALL	1							
6	3	119620-79250	COVER	1							
7	2	129961-77421	FRAME ASSY	1							
8	3	119620-79200	BEARING, BALL	1							
9	3	119620-79210	PLATE, RETAINER	1							
10	3	119620-79220	SCREW	4							
11	3	119620-79230	STUD	2							
12	2	128401-77440	FRAME	1							
13	2	128401-77450	COVER	1							
14	2	119620-77461	PULLEY	1							
15	2	119620-77471	NUT	1							
16	2	119620-77490	COLLAR	1							
17	2	119620-77710	REGULATOR ASSY	1							
18	2	129052-79260	HOLDER	1							
19	2	129052-79270	HOLDER, BRUSH	1							
20	2	119620-79290	SCREW	6							
21	2	119620-79300	SCREW	1							
22	2	119620-79310	BOLT	3							
23	2	119620-79320	SCREW	2							
24	2	119620-79330	BOLT	2							
25	2	119620-79340	BUSH, INSULATION	1							
26	2	119620-79350	NUT	2							
27	1	26306-100002	NUT, M10	1							
28	1	119940-77270	SPACER, GENERATOR	1							
29	1	119802-77330	ADJUSTER	1							
30	1	129972-77341	BOLT, ADJUSTER L=50	1							
31	1	26106-080452	BOLT, M8X 45 PLATED	1							

Fig.19. ELECTRONIC CONTROL UNIT (ECU)

(A)=3TNV86CT-DTR
(B)=
(C)=

(D)=
(E)=
(F)=

No.	Lev.	Parts No.	Description	Q'ty						I	R
				(A)	(B)	(C)	(D)	(E)	(F)		
1	1	129A34-75000	ECU ASSY,3-86CT-DTR	1							1
9	1	129A00-75910	ECU ASSY,SERVICE YMR	1							2



Remarks

(1)Eco ECU
This part cannot be ordered.
Replace the part using a Service ECU with the proper engine information installed.
(2)Service ECU
If the proper information is not installed, the engine will not operate.
To install proper information, go to an authorized Distributor.

Fig.20. ELECTRIC PARTS

(A)=3TNV86CT-DTR

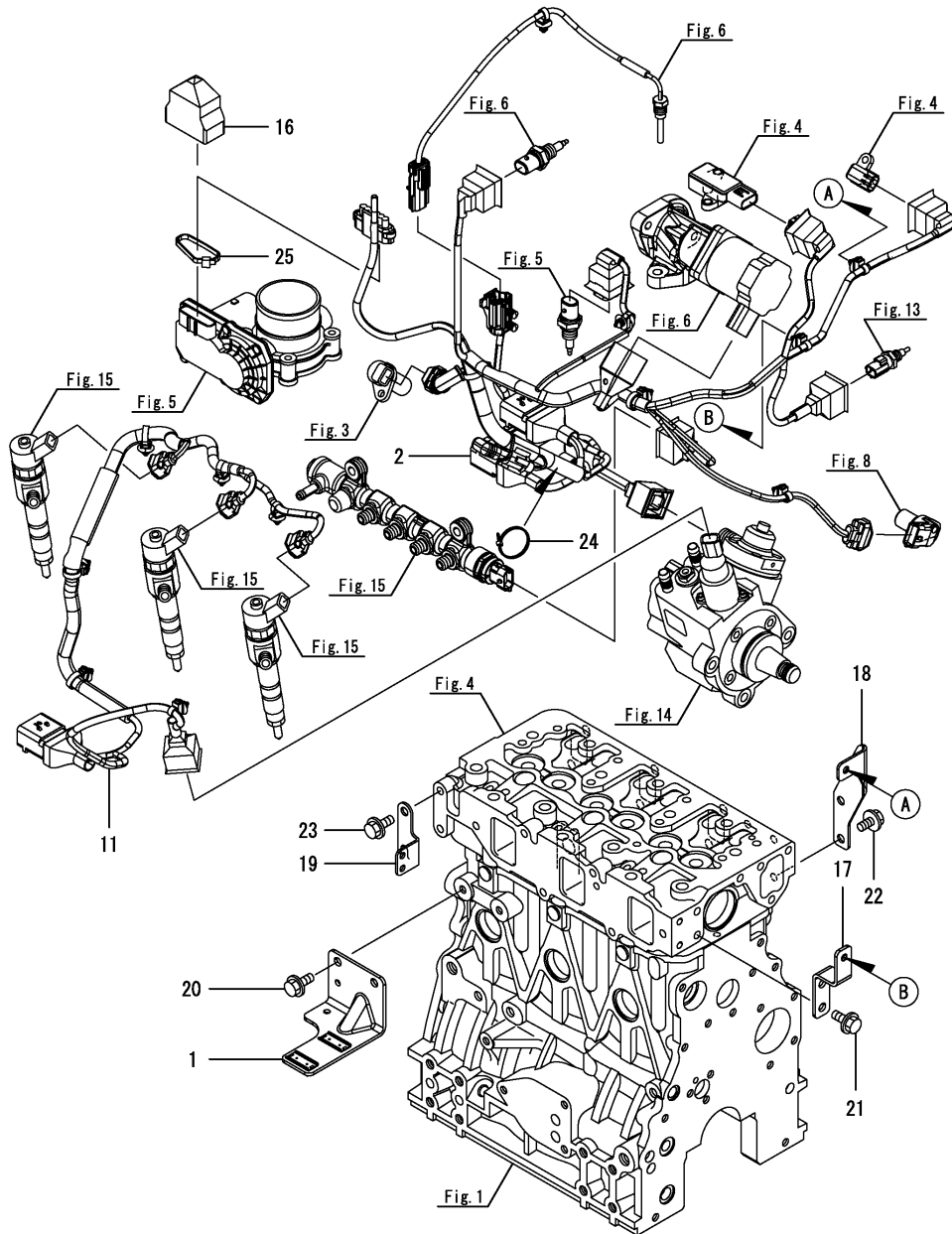
(B)=

(C)=

(D)=

(E)=

(F)=

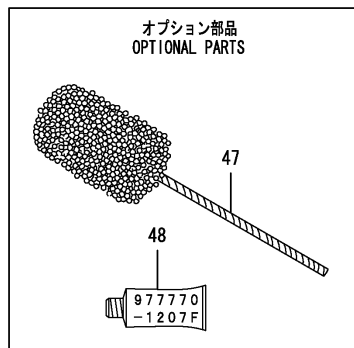
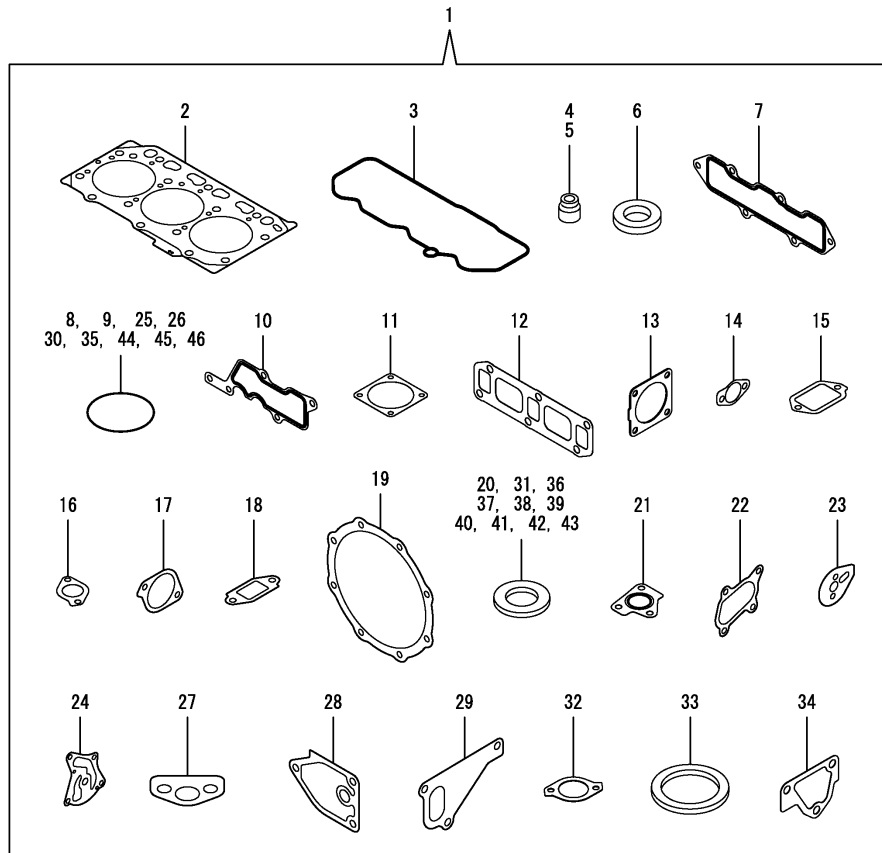


No.	Lev.	Parts No.	Description	Q'ty						I	R
				(A)	(B)	(C)	(D)	(E)	(F)		
1	1	129A00-77930	BRACKET,CONNECTOR	1							
1-1	1	129A24-77940	BRACKET, CONNECTOR	1							N
(A=E00182)											
2	1	129A01-91220	HARNESS,B ECO ENGINE	1							
11	1	129A00-91230	HARNESS	1							
16	1	129A00-91450	BOOT,CAP TYPE	1							
17	1	129A01-91500	BRACKET, HARNESS	1							
18	1	129A01-91510	BRACKET, HARNESS	1							
19	1	129A00-91600	BRACKET, HARNESS	1							
20	1	26106-080122	BOLT, M8X 12 PLATED	2							
20-1	1	26106-080142	BOLT, M8X 14 PLATED	2							N
(A=E00182)											
21	1	26106-080122	BOLT, M8X 12 PLATED	2							
22	1	26106-080122	BOLT, M8X 12 PLATED	2							
23	1	26106-080122	BOLT, M8X 12 PLATED	2							
24	1	29621-100000	BAND, TR100	1							
25	1	29621-200000	BAND	1							

Fig.21. GASKET SET

(A)=3TNV86CT-DTR
(B)=
(C)=

(D)=
(E)=
(F)=



No.	Lev.	Parts No.	Description	Q'ty						I	R
				(A)	(B)	(C)	(D)	(E)	(F)		
1	1	729A01-92600	GASKET KIT	1							1
2	2	129A01-01331	GASKET ASSY, HEAD	1							
3	2	129A00-11310	GASKET, BONNET	1							
4	2	124460-11340	SEAL, VALVE STEM	3							
5	2	129A00-11340	SEAL, VALVE STEM	3							
6	2	129978-11871	GASKET, INJECTOR	3							
7	2	129A00-12110	GASKET, INT. MANIFOLD	1							
8	2	129A00-12780	O-RING, PRES SENSOR	2							
9	2	129A00-12790	O-RING, TEMP SENSOR	1							
10	2	129A00-12810	GASKET, COLLECTOR	1							
11	2	129A00-12910	GASKET, THROTTLE	2							
12	2	129A00-13110	GASKET, EXH MANIFOLD	1							
13	2	129930-13201	GASKET, SILENCER	1							
14	2	129A00-13410	GASKET, EGR COOLER	2							
15	2	129A00-13720	GASKET(EGR-V SPACER	1							
16	2	129927-13810	GASKET	1							
17	2	129A00-13910	GASKET, EGR-V IN	1							
18	2	129A00-13920	GASKET(EGR-V OUT	1							
19	2	129A00-16600	GASKET, DPF	2							
20	2	129A00-17311	GASKET, SENSOR	4							
21	2	129A01-18080	GASKET, TC IN	1							
22	2	129A01-18090	GASKET, TC OUT	1							
23	2	129A00-25210	GASKET, IDLE SHAFT B	1							
24	2	129486-32020	GASKET, PUMP	1							
25	2	119609-32040	O-RING, P16	2							
26	2	119624-32040	O-RING, P12.0	1							
27	2	129150-35042	GASKET	1							
28	2	129150-35111	GASKET	1							
29	2	129486-42021	GASKET, WATER PUMP	1							
30	2	129486-42140	O-RING, G30	1							
31	2	124465-44950	GASKET, 16	1							
32	2	129795-49551	GASKET	1							
33	2	129150-49811	GASKET, THERMOSTAT	1							
34	2	124395-49840	GASKET	1							
35	2	129A00-51900	O-RING, FUEL PUMP	1							
36	2	22190-080002	WASHER, SEAL 8	1							
37	2	22190-100002	WASHER, SEAL 10	2							
38	2	22190-120002	WASHER, SEAL 12	1							
39	2	22190-140002	WASHER, SEAL 14	2							
40	2	22190-220002	WASHER, SEAL 22	1							
41	2	23414-080000	GASKET, 8X1.0	1							
42	2	23414-100000	GASKET, 10X1.0	2							
43	2	23414-120000	GASKET, 12X1.0	2							
44	2	24311-000120	O-RING, 1AP12.0	3							
45	2	24311-000320	O-RING, 1AP32.0	3							
46	2	24316-000160	O-RING, 4DP16.0	1							
47	1	129400-92420	HONE	1							1
48	1	977770-1207F	GASKET.LIQUID	1							1

Remarks

(1)Optional parts.

N:Old $\xrightarrow{\text{Yes}}$ New, Q:Old $\xrightarrow{\text{No}}$ New, R:Old $\xrightarrow{\text{Yes}}$ New, S:Old $\xrightarrow{\text{No}}$ New, W:Add, Z:Discontinued, F:Interchangeable by set, K:Q'ty Change

Parts No. Index

Parts No.	Fig. No.	Ref. No.
114110-07761	16	30
114270-59010	16	22
		27
118400-77170	17	11
119131-18320	6	24
	9	3
119609-32040	2	5
	21	25
119620-01750	3	3
119620-77461	18	14
119620-77471	18	15
119620-77490	18	16
119620-77710	18	17
119620-79200	18	8
119620-79210	18	9
119620-79220	18	10
119620-79230	18	11
119620-79250	18	6
119620-79290	18	20
119620-79300	18	21
119620-79310	18	22
119620-79320	18	23
119620-79330	18	24
119620-79340	18	25
119620-79350	18	26
119624-32040	2	6
	21	26
119640-01640	3	7
119640-61400	4	54
119761-39450	12	1
119802-11260	4	4
119802-11270	4	5
119802-11280	4	6
119802-13600	6	15
119802-25071	8	28
119802-77330	18	29
119803-21200	10	4
119803-77830	4	81
119865-21600	10	14
119934-01800	2	14
119940-77270	18	28
120130-11860	4	79
120270-54410	4	32
121027-11743	2	10
121111-21501	10	11
121252-39150	12	3
121450-42450	13	33
121520-34810	11	17
121550-23200	10	27
121750-59890	16	13

Parts No.	Fig. No.	Ref. No.
121850-21680	10	10
123372-59100	15	4
123501-79240	18	5
123907-03100	4	41
123907-03110	4	42
123907-03120	4	43
123907-03140	4	44
124060-01050	1	11
124160-01751	2	3
	4	37
124160-01910	1	12
		13
124160-11360	4	59
124160-39140	12	2
124195-77770	17	23
124223-39900	12	5
124240-01871	2	15
124395-49840	13	17
	21	34
124460-11340	4	26
	21	4
124465-44950	13	35
	21	31
124574-44761	13	26
128401-77440	18	12
128401-77450	18	13
129001-01250	1	4
129001-02931	1	29
129004-03010	4	39
129004-11241	4	1
129004-11251	4	2
129004-11650	4	8
129004-21650	10	8
129004-42040	13	15
129005-11100	4	22
129005-34802	11	16
129006-35100	11	24
129006-44480	11	29
129006-49040	11	34
129008-21000	10	1
129008-77800	4	77
129009-11340	4	48
129052-77380	18	4
129052-79260	18	18
129052-79270	18	19
129100-01580	2	2
	3	1
		15
	10	2
129100-01640	3	16

Parts No.	Fig. No.	Ref. No.
129100-01730	3	10
129100-11130	4	24
129100-23910	10	30
129100-42051	13	3
129100-42121	13	4
129103-49301	11	39
129122-44480	2	7
129135-35090	11	19
129150-01200	1	27
129150-02020	1	6
129150-02450	8	4
129150-02871	1	32
129150-02931	1	24
129150-02941	1	35
129150-03070	4	40
129150-11230	4	9
129150-11280	4	7
129150-11370	4	12
129150-11750	4	11
129150-11810	4	80
129150-14200	8	1
129150-14400	8	2
129150-23601	10	28
129150-23611	10	31
129150-35042	11	18
	21	27
129150-35111	11	27
	21	28
129150-35153	11	41
129150-49811	13	29
	21	33
129155-49801	13	28
129202-22300	10	22
129211-42290	13	24
129242-77010	17	1
129242-77100	17	3
129242-77110	17	4
129242-77120	17	5
129242-77130	17	6
129242-77140	17	7
129242-77150	17	8
129242-77160	17	9
129242-77170	17	10
129242-77180	17	12
129242-77210	17	15
129242-77260	17	19
129242-77270	17	21
129242-77280	17	22
129266-39620	12	10
129350-49530	13	30

Parts No.	Fig. No.	Ref. No.
129400-92420	21	47
129403-42380	13	23
129410-03990	4	67
129417-33111	11	23
129417-35150	11	26
129418-18320	6	7
		19
129436-44740	13	25
129486-01670	3	19
129486-32020	11	13
	21	24
129486-42021	13	14
	21	29
129486-42140	13	16
	21	30
129508-33010	11	21
129508-33050	11	22
129508-49030	11	30
129553-39650	12	20
129612-52100	16	31
129642-49180	11	37
129698-77020	17	2
129698-77190	17	13
129698-77200	17	14
129698-77220	17	16
129698-77230	17	17
129698-77250	17	18
129792-39410	12	14
129795-01780	3	18
129795-01900	18	1
129795-01950	2	4
129795-02412	1	9
129795-11120	4	23
129795-11180	4	25
129795-21661	10	9
129795-49551	13	31
	21	32
129900-07900	4	62
	16	5
129916-49740	13	10
129927-13810	6	28
	21	16
129927-44900	13	34
129928-49420	13	9
		37
129930-13201	7	1
	21	13
129960-03990	13	40
		43
129961-77200	18	2

Parts No. Index

Parts No.	Fig. No.	Ref. No.
129961-77421	18	7
129972-77341	18	30
129978-11871	4	30
	21	6
129978-12700	4	49 -1
129978-13600	6	3
129978-13700	6	16
129978-17700	7	33 -1
129A00-01550	2	12
129A00-01602	3	2
129A00-11310	4	46
	21	3
129A00-11330	4	47
129A00-11340	4	27
	21	5
129A00-11900	4	31
129A00-12110	5	1
	21	7
129A00-12703	4	49
129A00-12711	4	72
129A00-12720	5	5
129A00-12780	4	50
	21	8
129A00-12790	4	73
	21	9
129A00-12810	5	14
	21	10
129A00-12820	5	29
129A00-12900	5	30
129A00-12910	5	31
	21	11
129A00-13110	6	2
	21	12
129A00-13300	6	8
129A00-13350	6	10
	7	23
129A00-13360	4	51
129A00-13380	4	53
129A00-13400	6	13
129A00-13410	6	14
	21	14
129A00-13710	5	23
129A00-13720	5	24
	21	15
129A00-13751	6	26
129A00-13800	6	27
129A00-13851	6	17
129A00-13861	6	18
129A00-13901	6	31
129A00-13910	6	32

Parts No.	Fig. No.	Ref. No.
129A00-13910	21	17
129A00-13920	6	33
	21	18
129A00-14100	8	6
129A00-14580	8	3
129A00-14700	8	8
129A00-14710	8	11
129A00-16500	7	10
129A00-16600	7	11
	21	19
129A00-16610	7	12
129A00-16700	7	14
129A00-16710	7	15
129A00-16730	7	16
129A00-16740	7	17
129A00-17300	7	24
129A00-17311	7	25
	21	20
129A00-17350	7	26
129A00-17520	7	29
129A00-17570	7	32
129A00-17650	7	30
129A00-17702	7	33
129A00-17760	7	34
129A00-21710	3	21
129A00-25050	8	13
129A00-25060	8	21
129A00-25080	8	29
129A00-25110	8	14
129A00-25120	8	22
129A00-25200	8	25
129A00-25210	8	26
	21	23
129A00-25900	8	18
129A00-42000	13	1
129A00-49610	13	38
129A00-49620	13	42
129A00-51000	14	1
129A00-51900	14	2
	21	35
129A00-53200	15	1 C
129A00-55600	16	1
129A00-55610	16	2
129A00-55650	16	6
129A00-55800	16	3
129A00-57000	15	2
129A00-59010	16	9
129A00-59020	16	17
129A00-59030	16	21
129A00-59040	16	26

Parts No.	Fig. No.	Ref. No.
129A00-59110	5	18
129A00-59120	5	19
129A00-59500	16	14
129A00-59700	15	6
129A00-59810	15	8
129A00-59820	15	9
129A00-59830	15	10
129A00-75910	19	9
129A00-77820	4	78
129A00-77930	20	1
129A00-91200	4	69
	6	6
	7	37
	16	25
129A00-91230	20	11
129A00-91430	7	39
129A00-91450	20	16
129A00-91600	20	19
129A01-01331	1	28
	21	2
129A01-01500	2	1
129A01-01560	1	1
129A01-03052	4	64
129A01-03080	4	65
129A01-03100	4	70
129A01-11351	4	38
129A01-11360	4	38 -1
129A01-11700	4	13
129A01-12060	4	71
129A01-12100	5	3
129A01-12150	5	2
129A01-12800	5	16
129A01-12851	5	15
129A01-13101	6	1
129A01-13350	6	21
129A01-13600	6	4
129A01-13760	6	5
129A01-16201	7	6
129A01-18010	9	1
129A01-18080	9	2
	21	21
129A01-18090	6	23
	21	22
129A01-18200	5	7
129A01-18210	5	8
129A01-18220	5	9
129A01-22080	10	16
129A01-22500	10	18
129A01-22900	10	33
129A01-22950	10	35

Parts No.	Fig. No.	Ref. No.
129A01-32000	11	1
129A01-39450	12	4
129A01-39460	12	4 -1
129A01-39600	12	9
129A01-53100	15	1
129A01-91220	20	2
129A01-91500	20	17
129A01-91510	20	18
129A24-21580	10	12
129A24-77940	20	1 -1
129A34-16001	7	5
129A34-75000	19	1
129C00-13940	7	3
129C00-13950	7	4
129C00-16400	7	8
129C00-16801	7	18
129C00-17200	7	22
129C00-17230	7	22 -1
129C00-17600	7	27
129C00-91200	7	38
129C01-13600	6	22
129C01-13700	5	17
129C01-16690	7	13
171008-03990	11	31
		35
171051-01921	1	5
171056-49120	11	15
22190-080002	2	16
	21	36
22190-100002	12	6
	21	37
22190-120002	13	36
	21	38
22190-140002	5	20
	21	39
22190-220002	3	9
	21	40
22217-180000	8	19
22252-000260	10	23
22351-030010	10	7
	12	21
22351-060012	4	33
22512-070140	8	7
	10	5
22857-500100	4	55
		56
		57
22857-500160	5	21
23000-022000	12	11
23000-048000	5	10

Parts No. Index

Parts No.	Fig. No.	Ref. No.
23000-050000	4	74
23000-054000	5	11
23000-060000	5	12
23000-075000	5	13
23080-007000	16	16
23080-015000	11	33
		38
	16	12
		20
23297-080061	6	9
23414-080000	13	18
	21	41
23414-100000	12	7
	21	42
23414-120000	6	11
	21	43
23875-020000	13	11
23876-010000	13	12
24311-000120	4	60
	21	44
24311-000320	2	8
		11
	4	61
	21	45
24316-000160	12	12
	21	46
26106-060102	8	9
26106-060122	6	12
26106-060162	4	75
	7	35
	12	13
26106-060202	5	32
	13	27
26106-060402	5	33
26106-060902	5	34
26106-080122	12	8
	13	19
	20	20
		21
		22
		23
26106-080142	7	19
	8	10
	20	20 -1
26106-080162	2	9
		17
	3	11
	4	63
	13	20
26106-080182	4	76

Parts No.	Fig. No.	Ref. No.
26106-080202	7	36
	11	40
26106-080222	7	20
	13	32
26106-080252	3	12
	4	34
	6	29
	15	3
	16	7
		8
26106-080302	14	3
	16	4
26106-080352	2	18
	3	20
	4	35
	11	20
26106-080402	2	19
	8	27
26106-080452	3	13
	8	17
	13	21
	18	31
26106-080502	3	14
	4	36
	5	6
		25
	6	20
26106-080602	2	20
	13	22
26106-080752	5	26
26106-080852	2	21
26106-100202	7	40
26106-120252	17	24
26206-100252	3	4
26206-100302	3	5
26216-060202	5	4
26216-080302	5	22
26216-081052	5	27
26306-080002	5	28
	6	25
		30
		34
	7	21
		41
	9	4
26306-100002	18	27
26366-060002	15	11
26450-060162	3	22
	4	58
	8	12

Parts No.	Fig. No.	Ref. No.
26450-060252	11	14
26577-060142	13	13
26776-180002	8	20
27241-120000	1	14
27241-300000	1	10
27241-400000	4	21
27310-080001	4	28
29621-100000	20	24
29621-200000	20	25
729102-01540	3	6
729402-23100	10	24
729A01-92600	21	1
977770-1207F	21	48
X2114535200	17	20
X9490561001	18	3

Parts No.	Fig. No.	Ref. No.
-----------	----------	----------