

0CW10-M80700EN

P R E F A C E

1. This parts catalog is the 1st edition of 3TNV88C-DTR2 for THE TORO COMPANY.

Pub. No. : 0CW10-G80700

Published : January, 2013

2. Model name

Engine model	Vehicle	Vehicle made by
3TNV88C-DTR2	MOWER	THE TORO COMPANY

Directions for the Parts Catalog.

1. This Parts Catalog shows both standard and optional parts.
2. Parts may change without prior notice.
3. The following is an example of the Parts Catalog format.

REF.	LEV.	PARTS NO.	DESCRIPTION	Q'TY						I	R
				(A)	(B)	(C)	(D)	(E)	(F)		
1	1	729595-51390	FUEL INJECTION PUMP	1	1	1	1	1			1
1-1	1	729595-51391	FUEL INJECTION PUMP	1	1	1	1	1		N	1
		(A=E00185) (B=E00200)									
3	2	26022-060162	SCREW M 6X 16	9	9	9	9	9			
3-1	2	26022-060162	SCREW M 6X 16	4	4	4	4	4		K	
		(A=E00156) (B=E00156) (C=E00156) (D=E00156) (E=E00156)									
4	2	129470-51040	CAMSHAFT	1	1	1	1	1			
5	2	122710-51050	BEARING, ROLLER	2	2	2	2	2			
6	2	129470-51060	RETAINER	1	1	1	1	1			

Remarks
(1) BOOST COMPEMSATOR TYPE. OPTIONAL PART, TO E00155,(4JH-DT, 4JH-DTZ

① Ref. No.

The Ref. No. listed may not be in accordance with the illustration Ref. No.

(Ex.) Illustration No.

List Ref No.

1

1

(Before change)

1-1

(After change)

For interchangeable symbols N, R and K, illustrations for new parts may be abbreviated.

② Lev. (Level)

Level indication

The numbers below indicate the level of relativity towards the main part.

1 ----- Main parts (Assembly parts)

2 ----- Sub component included in " 1 ".

3 ----- Sub component included in " 2 ".

Note) Parts that are not for sale are partially illustrated but not listed.

③ Interchangeability Symbol

When a part change takes place, one of the following interchangeability symbols is indicated beside the part.

Symbol	Interchangeability	Contents note
N	Old $\begin{matrix} \leftarrow \text{Yes} \\ \text{No} \rightarrow \end{matrix}$ New	New Part is interchangeable for Old Part but Old Part is not interchangeable for New Part.
Q	Old $\begin{matrix} \leftarrow \text{No} \\ \text{Yes} \rightarrow \end{matrix}$ New	New Part is not interchangeable for Old Part but Old Part is interchangeable for New Part.
R	Old $\begin{matrix} \leftarrow \text{Yes} \\ \text{Yes} \rightarrow \end{matrix}$ New	New/ Old Parts are both interchangeable.
S	Old $\begin{matrix} \leftarrow \text{No} \\ \text{No} \rightarrow \end{matrix}$ New	New/ Old Parts are both not interchangeable.
W		Part newly added.
Z		Part discontinued.
F		Not interchangeable by a single part but interchangeable together with related parts.
K		Changes only for used parts quantities.

④ Effective Machine No.

When a part changes, the effective Machine No. will be indicated in the (A)-(F) column.

Product Symbol	Product No.	Product Symbol	Product No.
C	Clutch No. Compressor No.	F	Machine No. (Agricultural Equip.)
D	Drive No.	M	Machine No.
E	Engine No.		

Note 1) A date may follow the symbol. (Ex.) 1996.01

Note 2) "XXXXX" and "ZZZZZ" are for parts that could not be predicted or for engine models that could not be identified.

Note 3) (A=E00185) is the E (Engine Serial Number) for the column (A) model (in this case 4JH-DT) after the parts design change.

⑤ Remarks

Figures or alphabets (symbols) are entered in the remarks column.

The comments (remarks) on parts that are indicated at the bottom of the illustration are the same symbols as those stated above.

Contents

0CW10-M80700

Fig. No.	Fig. Name	Fig. No.	Fig. Name
3TNV88C-DTR2			
1.	CYLINDER BLOCK		
2.	GEAR HOUSING		
3.	FLYWHEEL HOUSING & OIL SUMP		
4.	CYLINDER HEAD & BONNET		
5.	SUCTION MANIFOLD		
6.	EXHAUST MANIFOLD		
7.	DIESEL PARTICULATE FILTER (DPF)		
8.	CAMSHAFT & DRIVING GEAR		
9.	CRANKSHAFT & PISTON		
10.	LUB. OIL SYSTEM		
11.	COOLING WATER SYSTEM		
12.	FUEL SUPPLY PUMP		
13.	FUEL INJECTION VALVE		
14.	FUEL LINE		
15.	STARTING MOTOR		
16.	GENERATOR		
17.	ELECTRONIC CONTROL UNIT (ECU)		
18.	ELECTRIC PARTS		
19.	GASKET SET		

Fig.1. CYLINDER BLOCK

(A)=3TNV88C-DTR2

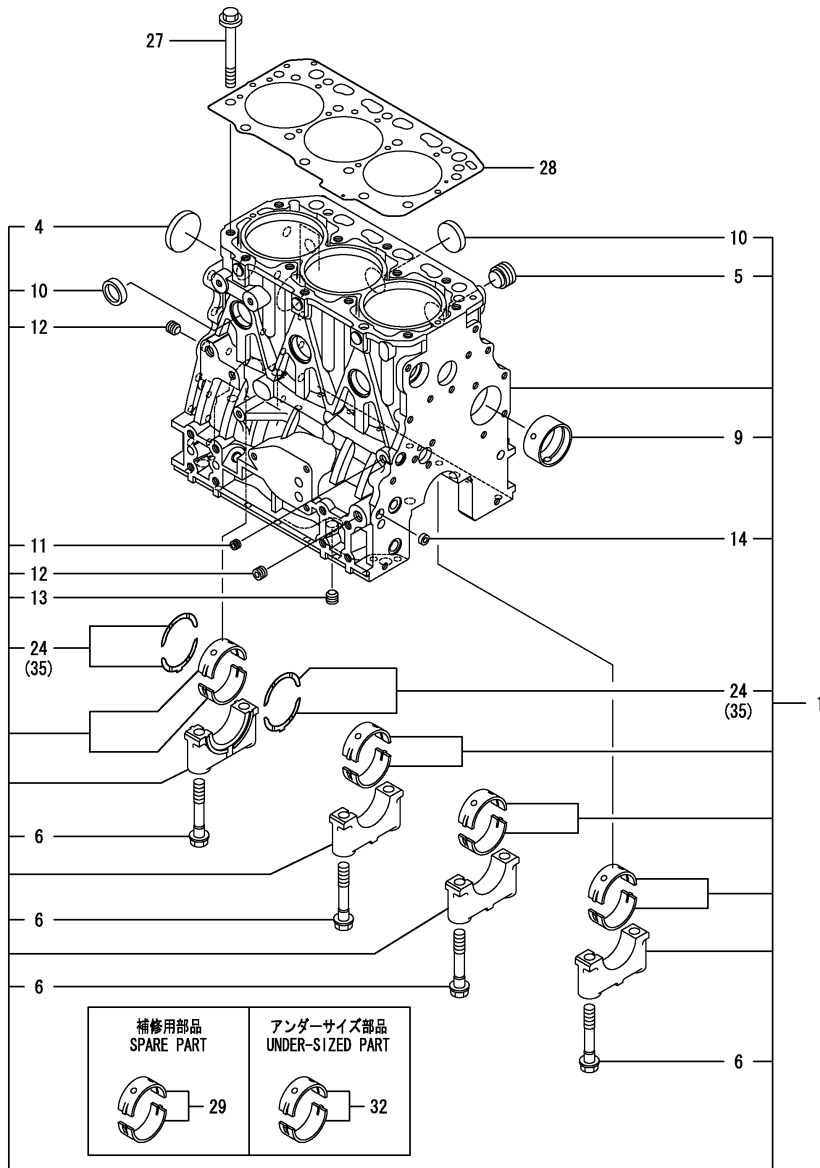
(B)=

(C)=

(D)=

(E)=

(F)=

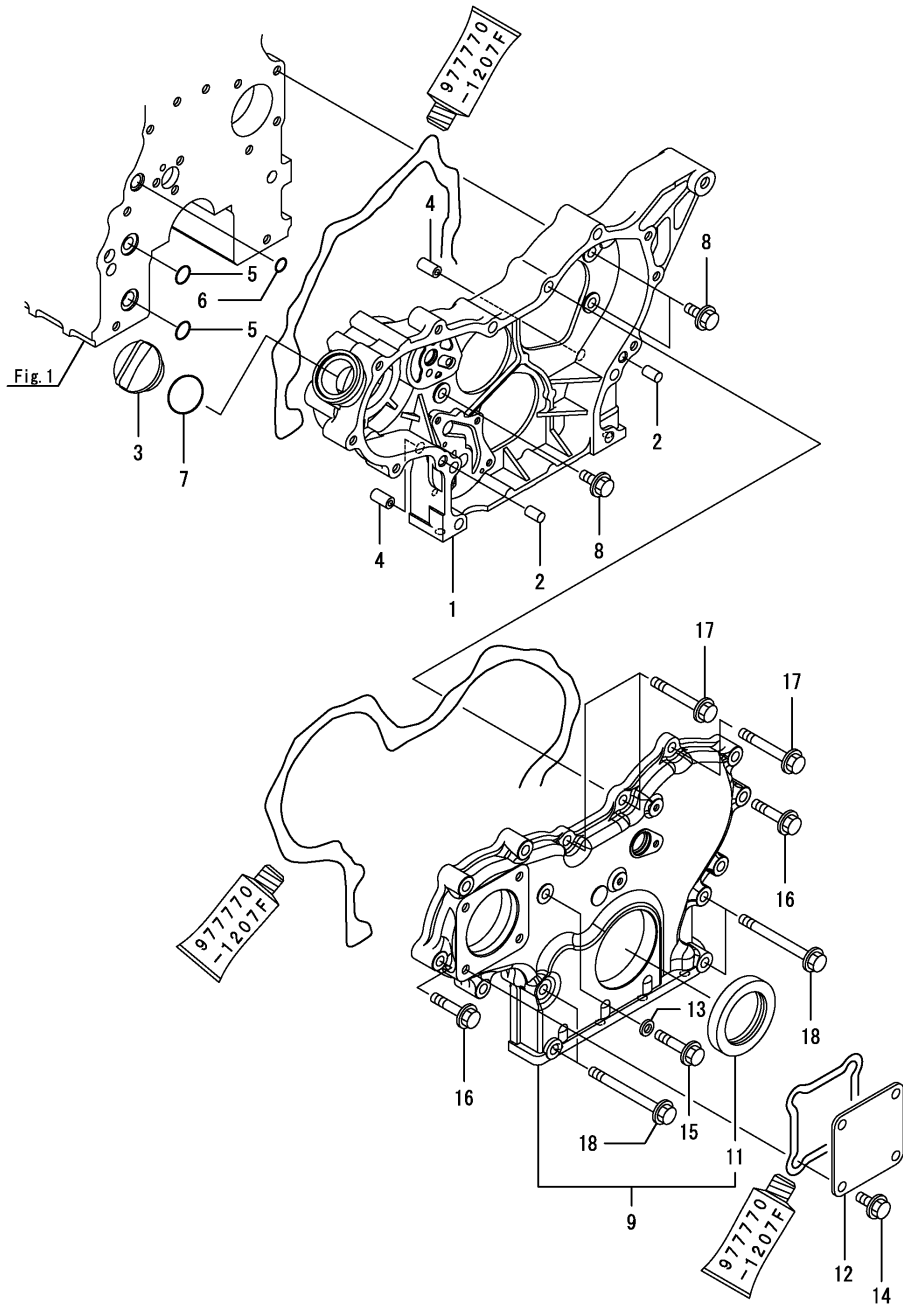


No.	Lev.	Parts No.	Description	Q'ty						I	R
				(A)	(B)	(C)	(D)	(E)	(F)		
1	1	129A00-01560	BLOCK ASSY, CYLINDER	1							
4	2	129001-01250	PLUG, 50	1							
5	2	171051-01921	PLUG, NPTF1	1							
6	2	129150-02020	BOLT, METAL CAP	8							
9	2	129795-02412	BUSH, CAMSHAFT	1							
10	2	27241-300000	PLUG 30	6							
11	2	124060-01050	PLUG, PT1/8	1							
12	2	124160-01910	PLUG, PT1/4	2							
13	2	124160-01910	PLUG, PT1/4	1							
14	2	27241-120000	PLUG, 12	1							
24	2	129150-02931	BEARING, THRUST	2							
27	1	129150-01200	BOLT, HEAD	14							
28	1	129A00-01331	GASKET ASSY, HEAD	1							
29	1	129001-02931	BEARING, MAIN	4							1
32	1	129150-02871	BEARING, 0.25 US	4							2
35	1	129150-02941	BEARING, THRUST 0.25	1							3

Remarks

- (1) Spare part.
- (2) Under-sized(U.S.=0.25)part.
- (3) Over-sized(O.S.=0.25)part.

Fig.2. GEAR HOUSING

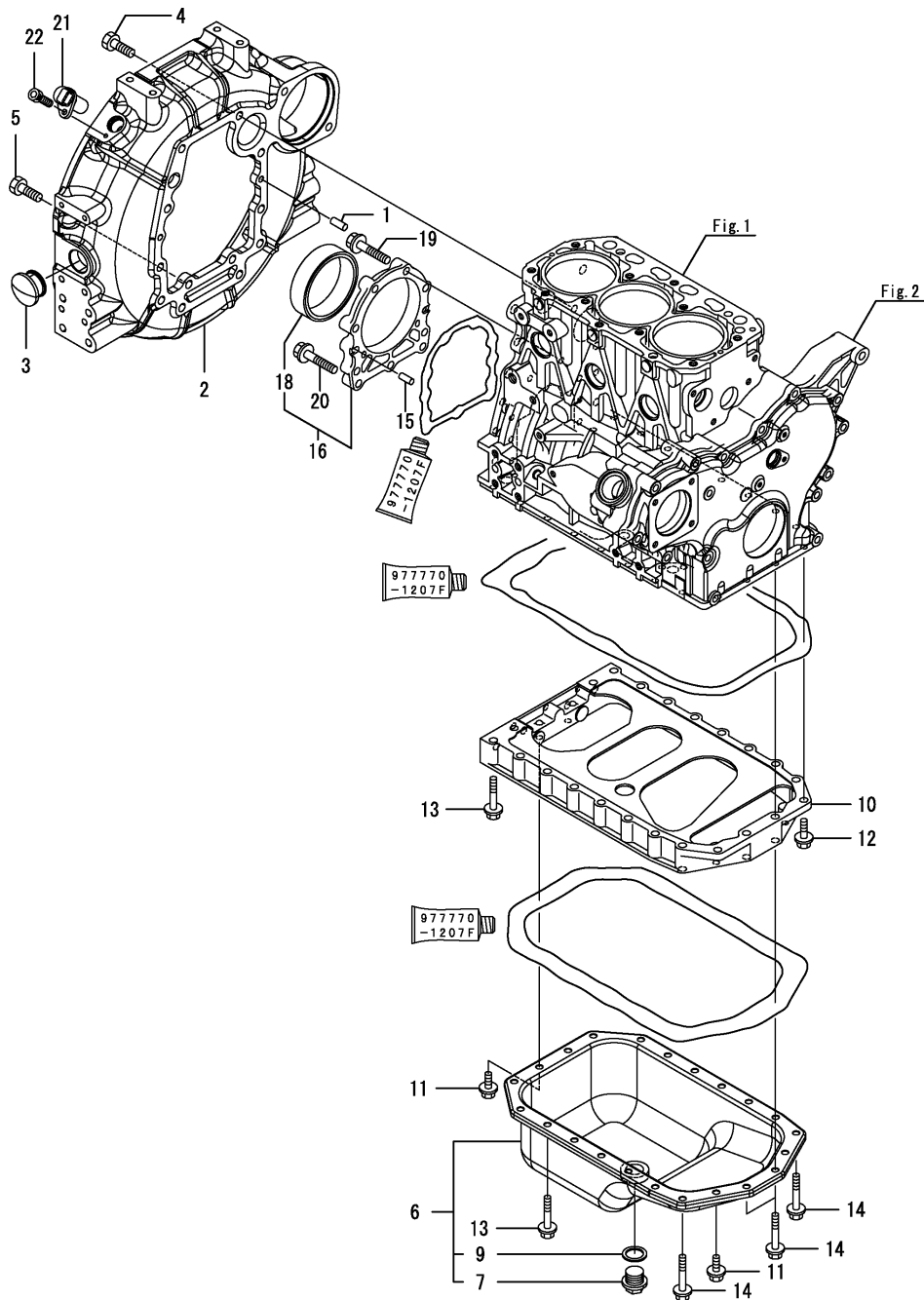


(A)=3TNV88C-DTR2
(B)=
(C)=

(D)=
(E)=
(F)=

No.	Lev.	Parts No.	Description	Qty						I	R
				(A)	(B)	(C)	(D)	(E)	(F)		
1	1	129A00-01500	CASE, GEAR	1							
2	1	129100-01580	PIN, M8X16	2							
3	1	124160-01751	COVER, FILLER	1							
4	1	129795-01950	PIPE, KNOCK L=18	2							
5	1	119609-32040	O-RING, P16	2							
6	1	119624-32040	O-RING, P12.0	1							
7	1	24311-000320	O-RING, 1AP32.0	1							
8	1	26106-080162	BOLT, M8X 16 PLATED	3							
9	1	129A00-01550	COVER ASSY, GEARCASE	1							
11	2	119934-01800	SEAL, OIL	1							
12	1	124240-01871	COVER	1							
13	1	22190-080002	WASHER, SEAL 6	1							
14	1	26106-080162	BOLT, M8X 16 PLATED	4							
15	1	26106-080352	BOLT, M8X 35 PLATED	1							
16	1	26106-080402	BOLT, M8X 40 PLATED	7							
17	1	26106-080602	BOLT, M8X 60 PLATED	3							
18	1	26106-080852	BOLT, M8X 85 PLATED	4							

Fig.3. FLYWHEEL HOUSING & OIL SUMP



(A)=3TNV88C-DTR2

(B)=

(C)=

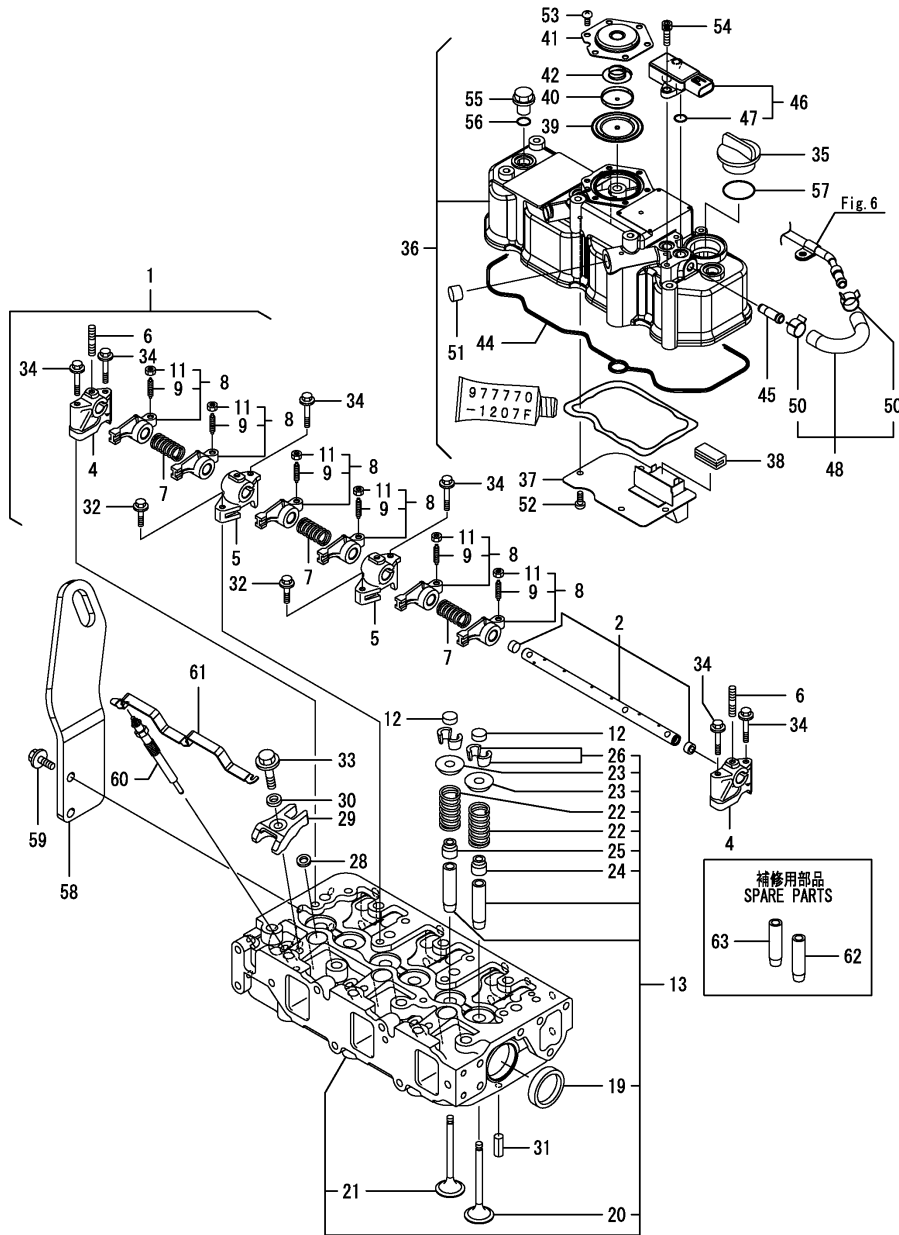
(D)=

(E)=

(F)=

No.	Lev.	Parts No.	Description	Q'ty						I	R
				(A)	(B)	(C)	(D)	(E)	(F)		
1	1	129100-01580	PIN, M8X16	2							
2	1	129A24-01600	HOUSING, FLYWHEEL	1							
3	1	119620-01750	CAP	1							
4	1	26206-100252	BOLT, M10X 25 PLATED	6							
5	1	26206-100302	BOLT, M10X 30 PLATED	4							
6	1	129121-01540	SUMP ASSY, OIL	1							
7	2	119640-01640	PLUG, DRAIN M22	1							
9	2	22190-220002	WASHER, SEAL 22	1							
10	1	129100-01730	SPACER, OIL SUMP	1							
11	1	26106-080162	BOLT, M8X 16 PLATED	4							
12	1	26106-080252	BOLT, M8X 25 PLATED	2							
13	1	26106-080452	BOLT, M8X 45 PLATED	16							
14	1	26106-080502	BOLT, M8X 50 PLATED	4							
15	1	129100-01580	PIN, M8X16	2							
16	1	129100-01640	CASE ASSY, OIL SEAL	1							
18	2	129795-01780	SEAL, OIL	1							
19	1	129486-01670	BOLT, M8X30	6							
20	1	26106-080352	BOLT, M8X 35 PLATED	3							
21	1	129A00-21710	SENSOR, FLYWHEEL REV	1							
22	1	26450-060162	BOLT, M6X 16	1							

Fig.4. CYLINDER HEAD & BONNET



(A)=3TNV88C-DTR2

(B)=

(C)=

(D)=

(E)=

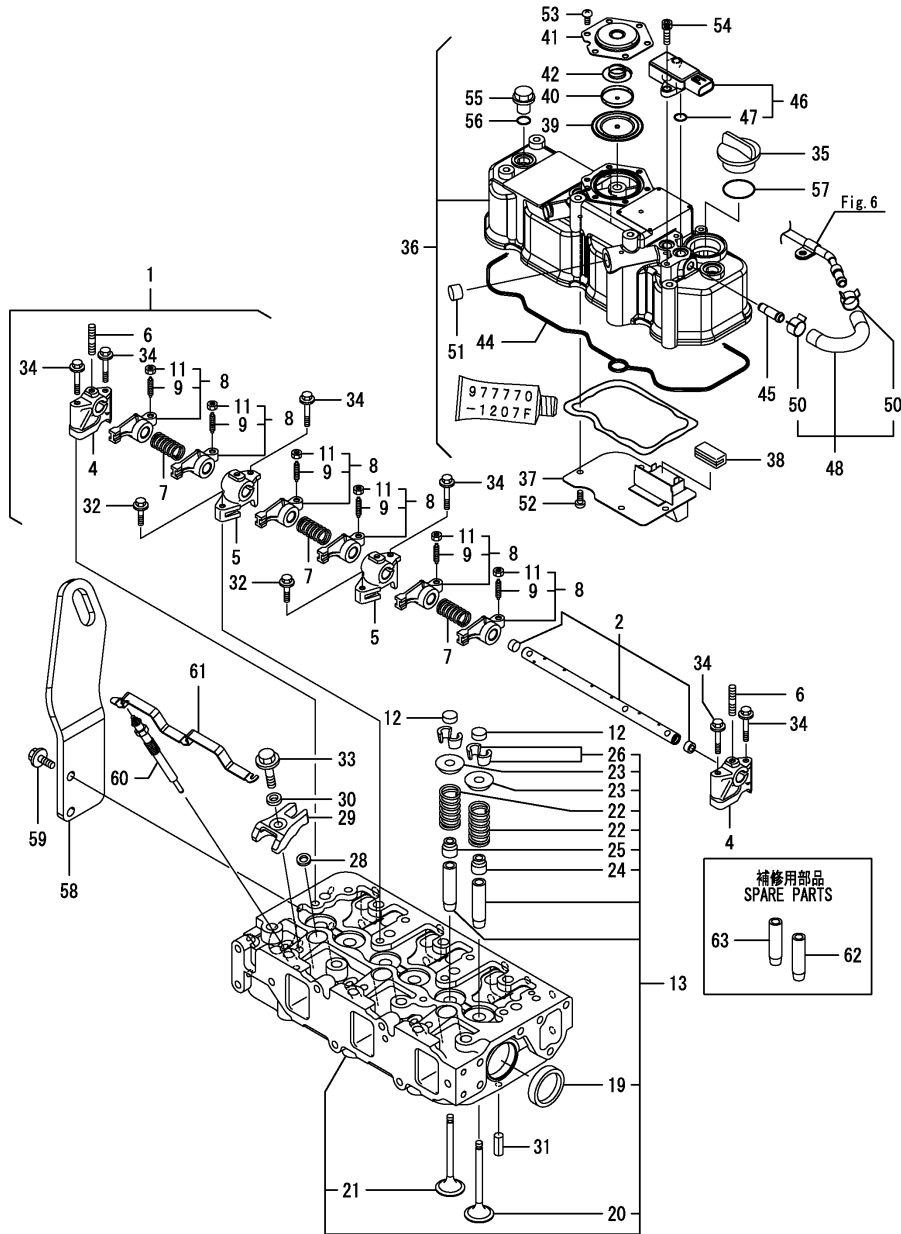
(F)=

No.	Lev.	Parts No.	Description	Qty						I	R
				(A)	(B)	(C)	(D)	(E)	(F)		
1	1	129004-11241	SHAFT ASSY, ROCKER	1							
2	2	129004-11251	SHAFT, ROCKER ARM	1							
4	2	119802-11260	SUPPORT, ROCKER ARM	2							
5	2	119802-11270	SUPPORT, ROCKER ARM	2							
6	2	119802-11280	STUD	3							
7	2	129150-11280	SPRING	3							
8	2	129004-11650	ARM, ROCKER	6							
9	3	129150-11230	SCREW, VALVE ADJUST	6							
11	3	129150-11750	NUT, M8	6							
12	1	129150-11370	CAP, VALVE	6							
13	1	129A00-11710	HEAD ASSY, CYLINDER	1							
19	2	27241-400000	PLUG, 40	2							
20	2	129005-11100	VALVE, INTAKE	3							
21	2	129100-11112	VALVE, EXHAUST	3							
22	2	129795-11120	SPRING, VALVE	6							
23	2	129795-11180	RETAINER, SPRING	6							
24	2	124460-11340	SEAL, VALVE STEM	3							
25	2	129A00-11340	SEAL, VALVE STEM	3							
26	2	27310-080001	COTTER, 8	6							
28	1	129978-11871	GASKET,INJECTOR	3							
29	1	129A00-11900	RETAINER, INJECTOR	3							
30	1	120270-54410	WASHER, INJECTOR	3							
31	1	22351-060012	PIN, SPRING 6.0X12	2							
32	1	26106-080252	BOLT, M8X 25 PLATED	2							
33	1	26106-080352	BOLT, M8X 35 PLATED	3							
34	1	26106-080502	BOLT, M8X 50 PLATED	6							
35	1	124160-01751	COVER, FILLER	1							
36	1	129A00-11350	BONNET ASSY	1							
37	2	129004-03010	PLATE	1							
38	2	129150-03070	BAFFLE, BREATHER	1							
39	2	123907-03100	DIAPHRAGM	1							
40	2	123907-03110	PLATE	1							
41	2	123907-03120	PLATE, BREATHER	1							
42	2	123907-03140	SPRING, DIAPHRAGM	1							
44	2	129A00-11310	GASKET, BONNET	1							
45	2	129A00-11330	JOINT	1							
46	2	129A00-12703	SENSOR,PRESSURE	1							
47	3	129A00-12780	O-RING,PRES SENSOR	2							
48	2	129A00-13360	HOSE ASSY, PRES EXH	1							
50	3	129A00-13380	CLIP, HOSE 14	2							
51	2	119640-61400	PLUG	1							
52	2	22857-500100	SCREW, 5X10	4							
53	2	22857-500100	SCREW, 5X10	6							
54	2	26450-060162	BOLT, M6X 16	2							
55	1	124160-11360	KNOB	3							
56	1	24311-000120	O-RING, 1AP12.0	3							
57	1	24311-000320	O-RING, 1AP32.0	1							
58	1	129A00-07900	LIFTER, ENGINE	1							
59	1	26106-080162	BOLT, M8X 16 PLATED	2							
60	1	129008-77800	PLUG, GLOW	3							
61	1	129A00-77820	CONNECTOR, GLOW PLUG	1							

Remarks

(1) Spare part.

Fig.4. CYLINDER HEAD & BONNET



(A)=3TNV88C-DTR2
(B)=
(C)=

(D)=
(E)=
(F)=

No.	Lev.	Parts No.	Description	Q'ty						I	R
				(A)	(B)	(C)	(D)	(E)	(F)		
62	1	120130-11860	GUIDE, VALVE	3							1
63	1	129150-11810	GUIDE, VALVE	3							1

Remarks
(1) Spare part.

Fig.5. SUCTION MANIFOLD

(A)=3TNV88C-DTR2

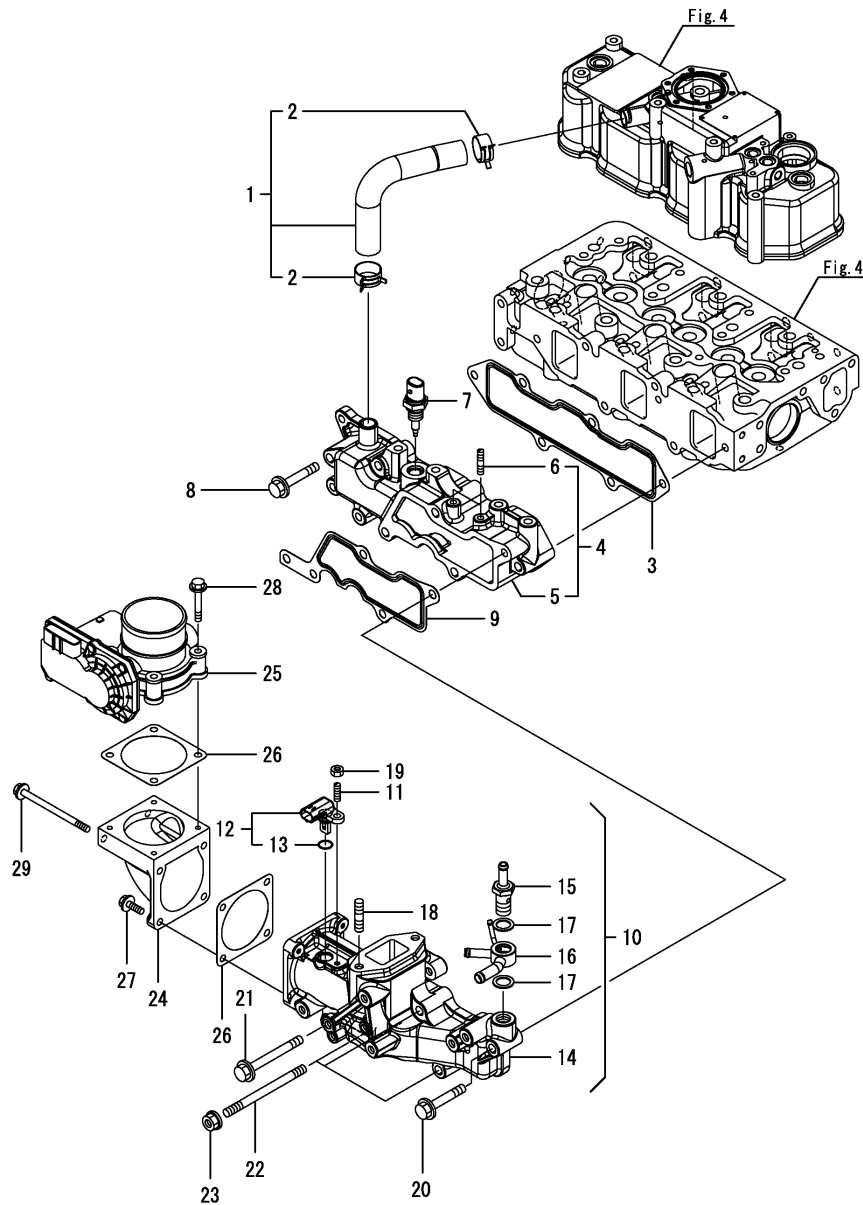
(B)=

(C)=

(D)=

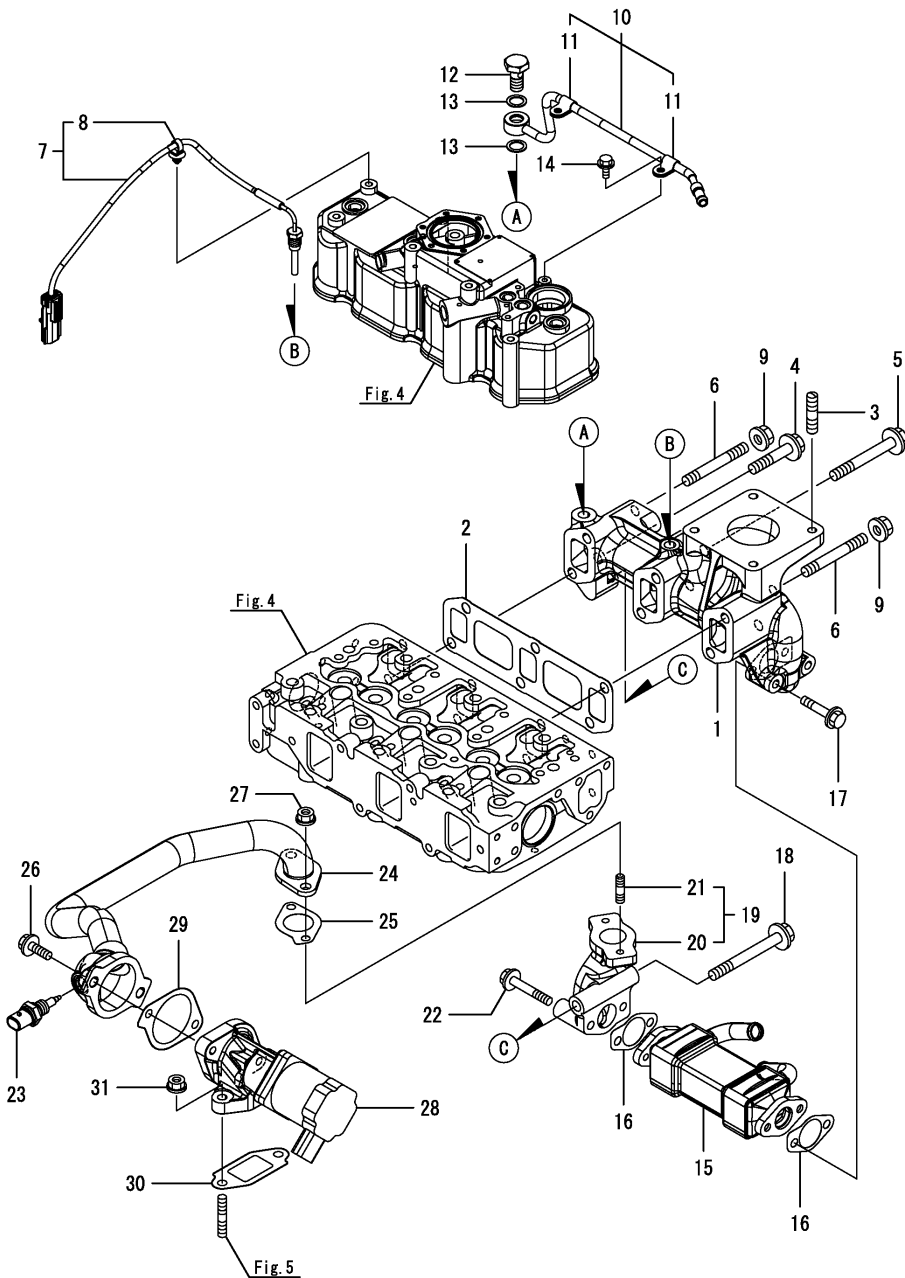
(E)=

(F)=



No.	Lev.	Parts No.	Description	Q'ty						I	R
				(A)	(B)	(C)	(D)	(E)	(F)		
1	1	129005-03080	PIPE , BREATHER	1							
2	2	129410-03990	CLIP		2						
3	1	129A00-12110	GASKET,INT.MANIFOLD	1							
4	1	129A00-12150	MANIFOLD ASSY,INTAKE	1							
5	2	129A00-12100	MANIFOLD, AIR INTAKE	1							
6	2	26216-060202	STUD, M6X 20		2						
7	1	129A00-12720	SENSOR,AIR TEMP	1							
8	1	26106-080502	BOLT, M8X 50 PLATED		3						
9	1	129A00-12810	GASKET, COLLECTOR	1							
10	1	129A00-12851	COLLECTOR, INT CMP	1							
11	2	119660-01570	STUD, M6X12		1						
12	2	129A00-12711	SENSOR,AIR TEMP	1							
13	3	129A00-12790	O-RING,TEMP SENSOR	1							
14	2	129A00-12830	COLLECTOR, INT	1							
15	2	129A00-59110	JOINT, HOSE M14	1							
16	2	129A00-59120	JOINT, HOSE 14	1							
17	2	22190-140002	WASHER, SEAL 14		2						
18	2	26216-080252	STUD, M8X 25		2						
19	2	26716-060002	NUT, M6		1						
20	1	26106-080502	BOLT, M8X 50 PLATED		1						
21	1	26106-080752	BOLT, M8X 75 PLATED		1						
22	1	26216-081052	STUD, M8X105		3						
23	1	26306-080002	NUT, M8		3						
24	1	129A00-12820	BEND, INLET	1							
25	1	129A00-12900	THROTTLE BODY(INT	1							
26	1	129A00-12910	GASKET,THROTTLE	2							
27	1	26106-060202	BOLT, M6X 20 PLATED		2						
28	1	26106-060402	BOLT, M6X 40 PLATED		4						
29	1	26106-060902	BOLT, M6X 90 PLATED		2						

Fig.6. EXHAUST MANIFOLD



(A)=3TNV88C-DTR2

(B)=

(C)=

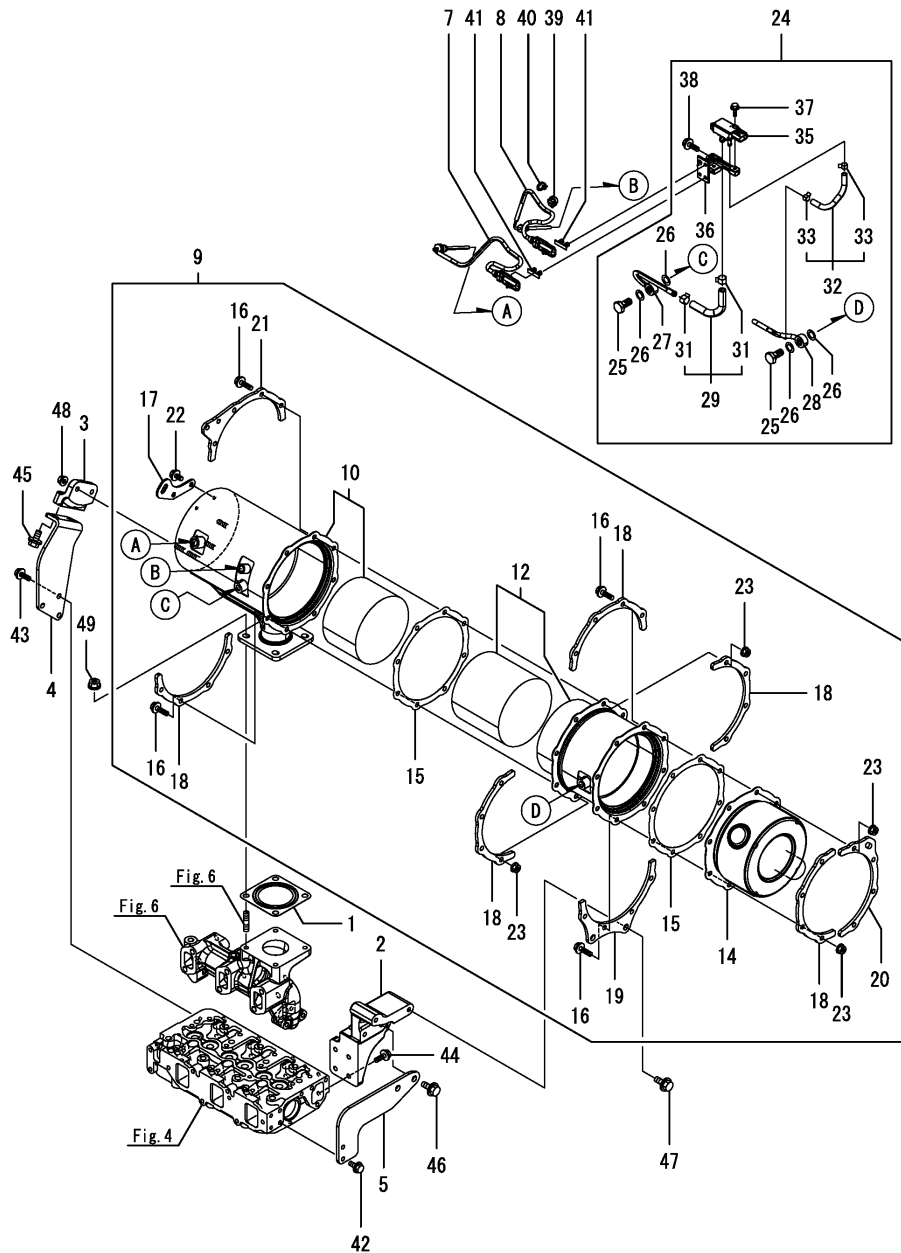
(D)=

(E)=

(F)=

No.	Lev.	Parts No.	Description	Qty						I	R
				(A)	(B)	(C)	(D)	(E)	(F)		
1	1	129A00-13100	MANIFOLD, EXHAUST	1							
2	1	129A00-13110	GASKET, EXH MANIFOLD	1							
3	1	123900-13130	STUD, M10X22	4							
4	1	129A01-13600	BOLT, M10X50 10.9T	1							
5	1	129A00-13610	BOLT, M10X80	3							
6	1	129A01-13700	STUD,10X80	2							
7	1	129A00-13770	SENSOR,EXH TEMP.	1							
8	2	129A00-91200	BAND CLIP	1							
9	1	26306-100002	NUT, M10	2							
10	1	129A00-13300	PIPE ASSY, EXHAUST P	1							
11	2	23297-080061	CLAMP, A8X 6	2							
12	1	129A00-13350	BOLT, PIPE JOINT	1							
13	1	23414-120000	GASKET, 12X1.0	2							
14	1	26106-060122	BOLT, M6X 12 PLATED	2							
15	1	129A00-13400	COOLER, EGR	1							
16	1	129A00-13410	GASKET, EGR COOLER	2							
17	1	119802-13600	BOLT, M8X40	2							
18	1	129978-13700	BOLT, FLANGE 10X90	1							
19	1	129A00-13851	PIPE CMP, EGR OUT	1							
20	2	129A00-13861	PIPE,EGR OUT	1							
21	2	129418-18320	STUD, M8X20	2							
22	1	26106-080502	BOLT, M8X 50 PLATED	2							
23	1	129A00-13751	SENSOR,EGR GAS TEMP	1							
24	1	129A00-13800	PIPE(EGR CMP	1							
25	1	129927-13810	GASKET	1							
26	1	26106-080252	BOLT, M8X 25 PLATED	2							
27	1	26306-080002	NUT, M8	2							
28	1	129A00-13901	VALVE, EGR	1							
29	1	129A00-13910	GASKET, EGR-V IN	1							
30	1	129A00-13920	GASKET(EGR-V OUT	1							
31	1	26306-080002	NUT, M8	2							

Fig.7. DIESEL PARTICULATE FILTER (DPF)



(A)=3TNV88C-DTR2
(B)=
(C)=

(D)=
(E)=
(F)=

No.	Lev.	Parts No.	Description	Qty						I	R
				(A)	(B)	(C)	(D)	(E)	(F)		
1	1	128300-13230	GASKET, SILENCER	1							
2	1	129A00-16810	STAY,DPF	1							
3	1	129A00-16820	STAY,DPF	1							
4	1	129A00-16830	STAY,DPF	1							
5	1	129A00-16840	STAY,DPF	1							
7	1	129C00-13940	SENSOR, EXH.TEMP	1							
8	1	129C00-13950	SENSOR, EXH.TEMP	1							
9	1	129A24-16000	DPF ASSY	1							
10	2	129A00-16210	CASE, DOC	1							
12	2	129A00-16410	CASE, SOOT FILTER	1							
14	2	129A00-16500	SILENCER, DPF	1							
15	2	129A00-16600	GASKET, DPF	2							
16	2	129A00-16610	BOLT, M8X28 10.9T	16							
17	2	129C01-16690	LIFTER, DPF	1							
18	2	129A00-16700	STIFFENER, DPF A	5							
19	2	129A00-16720	STIFFENER, DPF B	1							
20	2	129A00-16740	STIFFENER, DPF C	1							
21	2	129A00-16750	STIFFENER, DPF C	1							
22	2	26106-080142	BOLT, M8X 14 PLATED	2							
23	2	26306-080002	NUT, M8	16							
24	1	129A00-17220	SENSOR UNIT,PRESSURE	1							
25	2	129A00-13350	BOLT, PIPE JOINT	2							
26	2	129A00-17311	GASKET,SENSOR	4							
27	2	129A00-17330	PIPE ASSY, SENSOR	1							
28	2	129A00-17360	PIPE ASSY, SENSOR	1							
29	2	129A00-17610	HOSE ASSY,PRES EXH	1							
31	3	129A00-17520	CLIP, HOSE	2							
32	2	129A00-17670	HOSE ASSY,PRES EXH	1							
33	3	129A00-17570	CLIP, HOSE	2							
35	2	129A00-17702	SENSOR,PRESSURE	1							
36	2	129A00-17780	BRACKET, SENSOR	1							
37	2	26106-060162	BOLT, M6X 16 PLATED	2							
38	2	26106-080202	BOLT, M8X 20 PLATED	2							
39	1	129A00-91200	BAND CLIP	1							
40	1	129C00-91200	BAND	1							
41	1	129A00-91430	CLIP, CONNECTOR	2							
42	1	26106-080162	BOLT, M8X 16 PLATED	2							
43	1	26106-080162	BOLT, M8X 16 PLATED	3							
44	1	26106-080222	BOLT, M8X 22 PLATED	4							
45	1	26106-100162	BOLT, M10X 16 PLATED	2							
46	1	26106-100162	BOLT, M10X 16 PLATED	2							
47	1	26106-100162	BOLT, M10X 16 PLATED	2							
48	1	26306-080002	NUT, M8	2							
49	1	26306-100002	NUT, M10	4							

Fig.8. CAMSHAFT & DRIVING GEAR

(A)=3TNV88C-DTR2

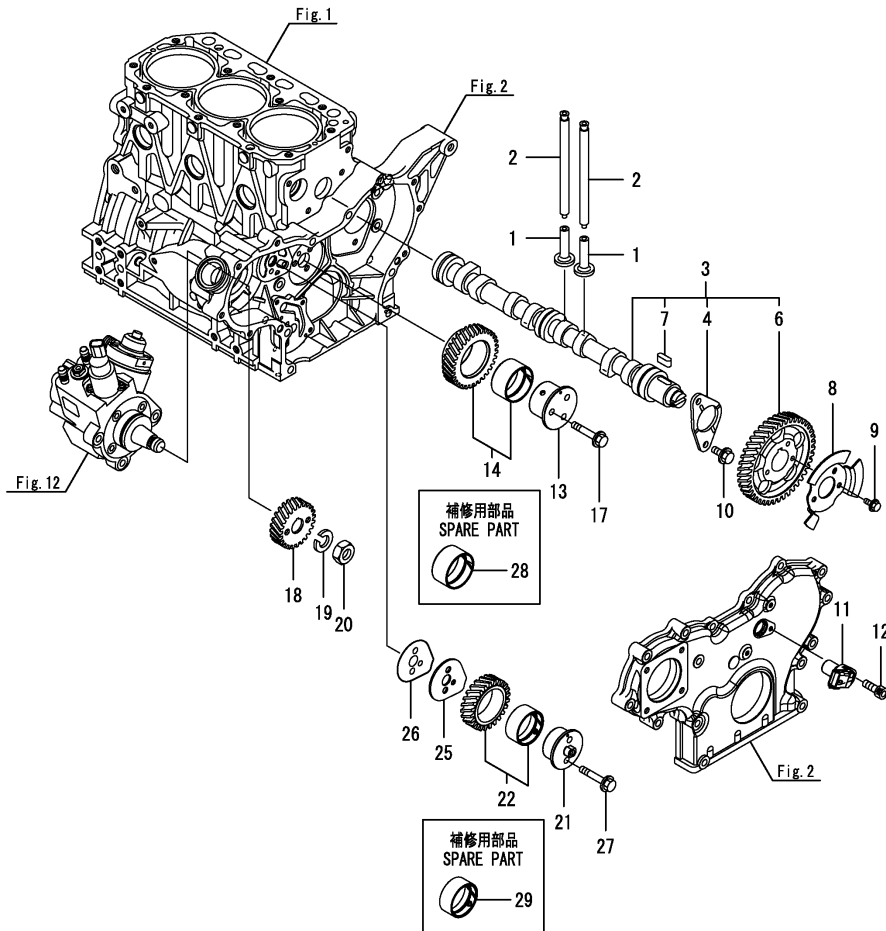
(B)=

(C)=

(D)=

(E)=

(F)=



No.	Lev.	Parts No.	Description	Q'ty						I	R
				(A)	(B)	(C)	(D)	(E)	(F)		
1	1	129150-14200	TAPPET	6							
2	1	129150-14400	ROD, PUSH L=178	6							
3	1	129A00-14580	CAMSHAFT ASSY	1							
4	2	129150-02450	BEARING, THRUST	1							
6	2	129A00-14100	GEAR,CAMSHAFT	1							
7	2	22512-070140	KEY, 7X 14	1							
8	1	129A00-14700	PULSER, CAMSHAFT	1							
9	1	26106-060102	BOLT, M6X 10 PLATED	3							
10	1	26106-080142	BOLT, M8X 14 PLATED	2							
11	1	129A00-14710	SENSOR, GEAR REV	1							
12	1	26450-060162	BOLT, M6X 16	1							
13	1	129A00-25050	SHAFT, IDLE GEAR A	1							
14	1	129A00-25110	GEAR ASSY, IDLE A	1							
17	1	26106-080452	BOLT, M8X 45 PLATED	3							
18	1	129A00-25900	GEAR, SUPPLY PUMP	1							
19	1	22217-180000	WASHER, SPRING 18	1							
20	1	26776-180002	NUT, LOCK M18	1							
21	1	129A00-25060	SHAFT, IDLE GEAR B	1							
22	1	129A00-25120	GEAR ASSY, IDLE B	1							
25	1	129A00-25200	PLATE, IDLE SHAFT B	1							
26	1	129A00-25210	GASKET, IDLE SHAFT B	1							
27	1	26106-080402	BOLT, M8X 40 PLATED	2							
28	1	119802-25071	BUSH, IDLE GEAR	1							1
29	1	129A00-25080	BUSH	1							1

Remarks
(1) Spare part.

Fig.9. CRANKSHAFT & PISTON

(A)=3TNV88C-DTR2

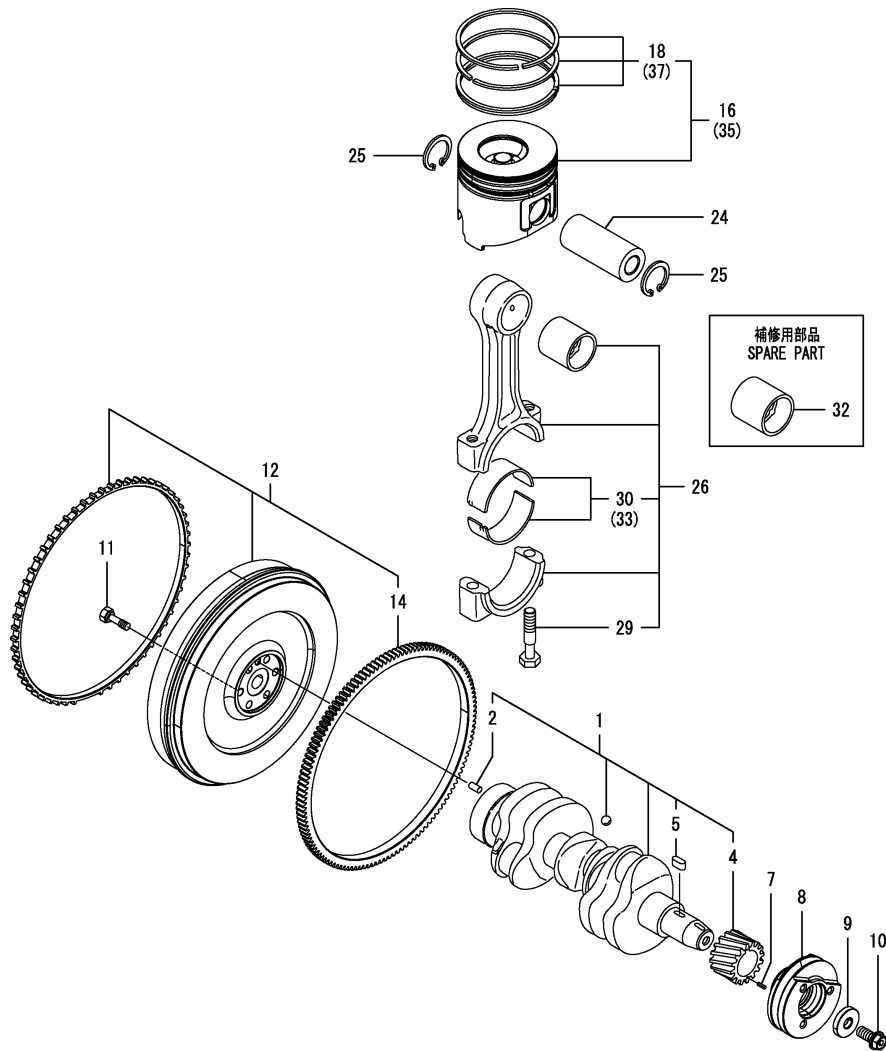
(B)=

(C)=

(D)=

(E)=

(F)=

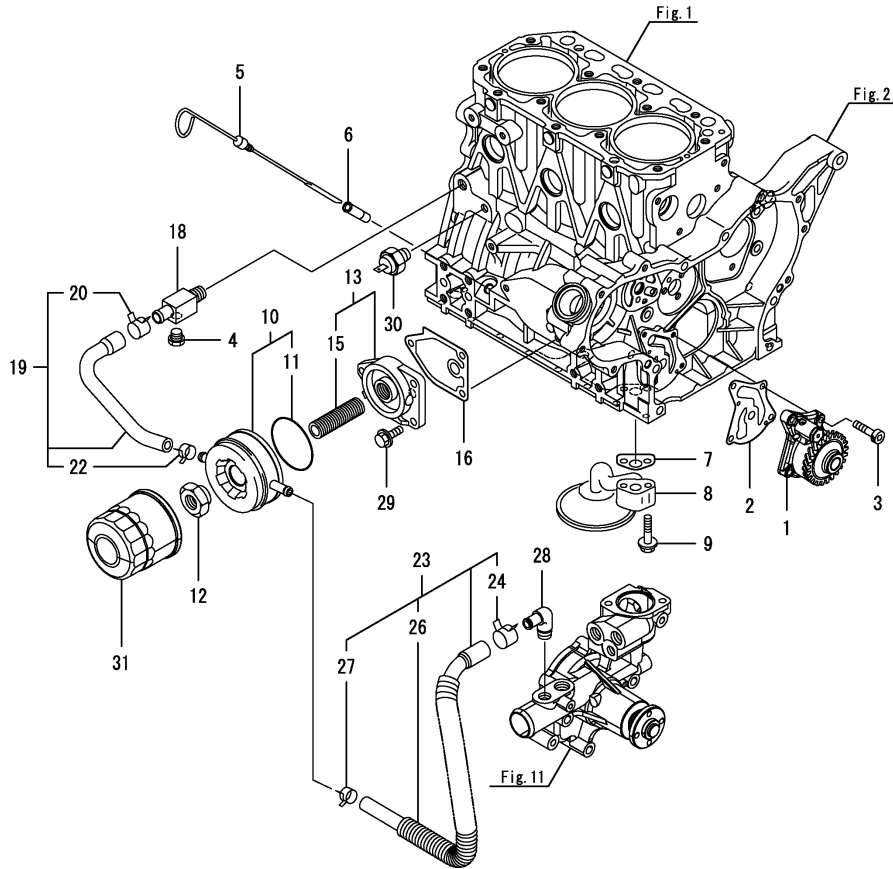


No.	Lev.	Parts No.	Description	Q'ty						I	R
				(A)	(B)	(C)	(D)	(E)	(F)		
1	1	129008-21000	CRANKSHAFT ASSY	1							
2	2	129100-01580	PIN, M8X16	1							
4	2	119803-21200	GEAR, CRANKSHAFT	1							
5	2	22512-070140	KEY, 7X 14	1							
7	1	22351-030010	PIN, SPRING 3.0X10	1							
8	1	129004-21650	V-PULLEY, 110	1							
9	1	129795-21661	WASHER	1							
10	1	121850-21680	BOLT	1							
11	1	121111-21501	BOLT, FLYWHEEL	6							
12	1	129A24-21590	FLYWHEEL ASSY	1							
14	2	124550-21600	GEAR, RING	1							
16	1	129C00-22080	PISTON ASSY	3							
18	2	129A00-22500	RING ASSY, PISTON	3							
24	1	129202-22300	PIN, PISTON D26 L70	3							
25	1	22252-000260	RING, 26	6							
26	1	729402-23100	ROD ASSY, CONNECTING	3							
29	2	121550-23200	BOLT, CONNECTING ROD	6							
30	2	129150-23601	BEARING, CRANK PIN	3							
32	1	129100-23910	BEARING, PISTON PIN	3							1
33	1	129150-23611	BEARING, 0.25 US	3							2
35	1	129C00-22900	PISTON ASSY, 0.25OS	3							3
37	2	129A00-22950	RING SET, 0.25 OS	3							3

Remarks

- (1) Spare part.
- (2) Under-sized(U.S.=0.25)part.
- (3) Over-sized(O.S.=0.25)part.

Fig.10. LUB. OIL SYSTEM



(A)=3TNV88C-DTR2

(B)=

(C)=

(D)=

(E)=

(F)=

No.	Lev.	Parts No.	Description	Q'ty						I	R
				(A)	(B)	(C)	(D)	(E)	(F)		
1	1	129A00-32000	PUMP ASSY, LUB.OIL	1							
2	1	129486-32020	GASKET, PUMP	1							
3	1	26450-060252	BOLT, M6X 25	4							
4	1	171056-49120	PLUG, DRAIN	1							
5	1	129005-34802	DIPSTICK, OIL	1							
6	1	121520-34810	GUIDE, DIPSTICK	1							
7	1	129150-35042	GASKET	1							
8	1	129135-35090	PIPE ASSY, OIL INLET	1							
9	1	26106-080352	BOLT, M8X 35 PLATED	2							
10	1	129508-33010	COOLER ASSY, OIL	1							
11	2	129508-33050	O-RING	1							
12	1	129417-33111	NUT, OIL COOLER	1							
13	1	129006-35100	BRACKET ASSY, FILTER	1							
15	2	129417-35150	STUD, L=67	1							
16	1	129150-35111	GASKET	1							
18	1	129006-44480	JOINT	1							
19	1	129508-49030	PIPE ASSY, WATER	1							
20	2	171008-03990	CLIP, HOSE 18.5	1							
22	2	23080-015000	CLAMP, 15	1							
23	1	129006-49040	PIPE ASSY, WATER	1							
24	2	171008-03990	CLIP, HOSE 18.5	1							
26	2	129642-49180	TUBE, CORRUGATED	1							
27	2	23080-015000	CLAMP, 15	1							
28	1	129103-49301	ELBOW, PT1/4	1							
29	1	26106-080202	BOLT, M8X 20 PLATED	3							
30	1	119761-39450	SWITCH, 0.5KG	1							
31	1	129150-35153	FILTER	1							1

Remarks

(1)Spare part.

N:Old $\xrightarrow{\text{Yes}}$ New, Q:Old $\xrightarrow{\text{No}}$ New, R:Old $\xrightarrow{\text{Yes}}$ New, S:Old $\xrightarrow{\text{No}}$ New, W:Add, Z:Discontinued, F:Interchangeable by set, K:Q'ty Change

Fig.11. COOLING WATER SYSTEM

(A)=3TNV88C-DTR2

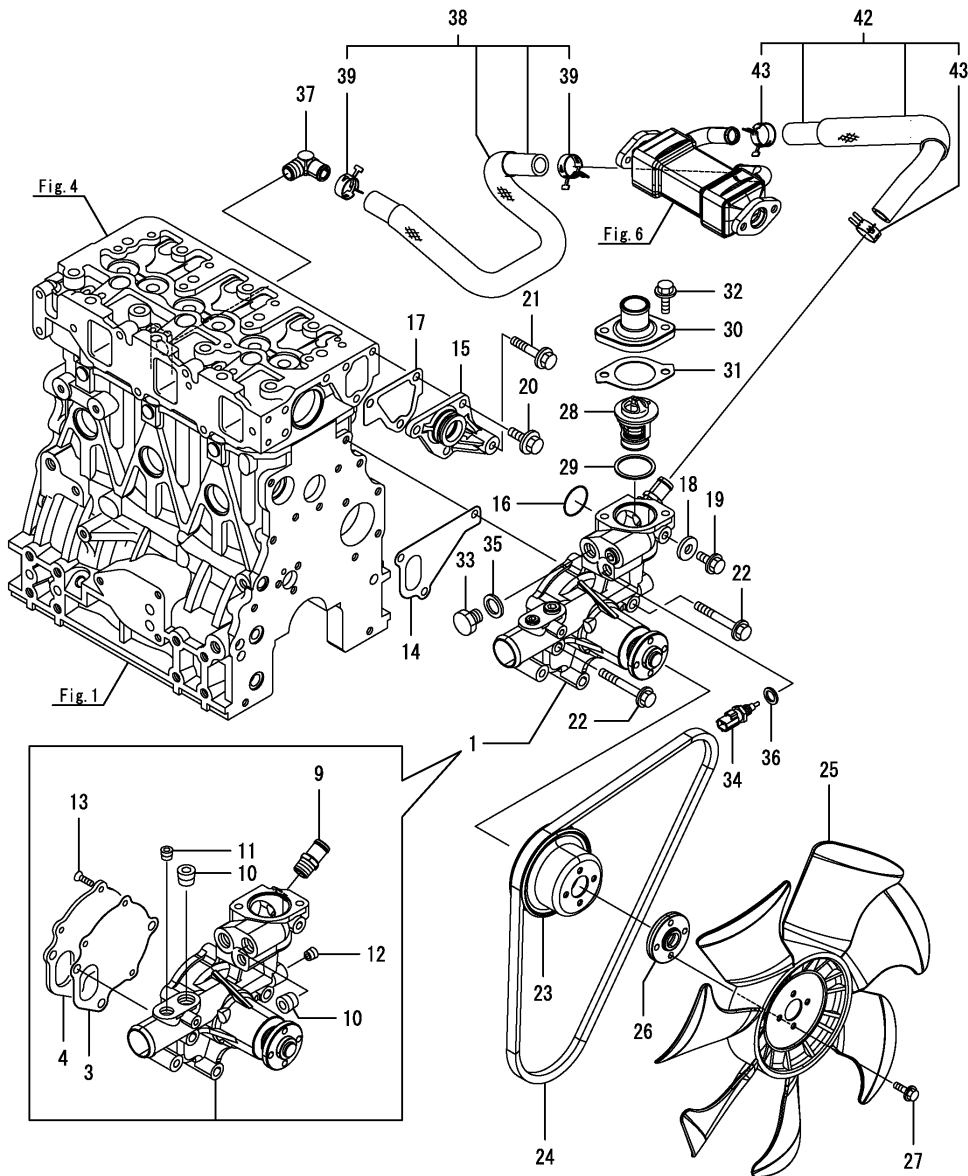
(B)=

(C)=

(D)=

(E)=

(F)=



No.	Lev.	Parts No.	Description	Qty						I	R
				(A)	(B)	(C)	(D)	(E)	(F)		
1	1	129A00-42000	PUMP ASSY, WATER	1							
3	2	129100-42051	GASKET, WATER PUMP	1							
4	2	129100-42121	PLATE	1							
9	2	129928-49420	JOINT	1							
10	2	129916-49740	PLUG, R03	2							
11	2	23875-020000	PLUG, R02	1							
12	2	23876-010000	PLUG, R01	1							
13	2	26577-060142	SCREW M 6X 14	3							
14	1	129486-42021	GASKET, WATER PUMP	1							
15	1	129004-42040	JOINT	1							
16	1	129486-42140	O-RING, G30	1							
17	1	124395-49840	GASKET	1							
18	1	23414-080000	GASKET, 8X1.0	1							
19	1	26106-080122	BOLT, M8X 12 PLATED	1							
20	1	26106-080162	BOLT, M8X 16 PLATED	3							
21	1	26106-080452	BOLT, M8X 45 PLATED	1							
22	1	26106-080602	BOLT, M8X 60 PLATED	3							
23	1	129556-42350	V-PULLEY, 96	1							
24	1	25152-003800	V-BELT, A38	1							
25	1	121267-44741	FAN, COOLING D=360	1							
26	1	124574-44761	SPACER, FAN	1							
27	1	26106-060202	BOLT, M6X 20 PLATED	4							
28	1	129155-49801	THERMOSTAT, 71	1							
29	1	129150-49811	GASKET, THERMOSTAT	1							
30	1	129350-49530	COVER, THERMOSTAT	1							
31	1	129795-49551	GASKET	1							
32	1	26106-080222	BOLT, M8X 22 PLATED	2							
33	1	121450-42450	PLUG, M16	1							
34	1	129927-44900	SENSOR	1							
35	1	124465-44950	GASKET, 16	1							
36	1	22190-120002	WASHER, SEAL 12	1							
37	1	129051-49310	ELBOW, PT3/8	1							
38	1	129A23-49610	PIPE ASSY, CW EGR-C	1							
39	2	129960-03990	CLIP, HOSE 22	2							
42	1	129A00-49620	PIPE ASSY, CW	1							
43	2	129960-03990	CLIP, HOSE 22	2							

Fig.12. FUEL SUPPLY PUMP

(A)=3TNV88C-DTR2
(B)=
(C)=

(D)=
(E)=
(F)=

No.	Lev.	Parts No.	Description	Qty						I	R
				(A)	(B)	(C)	(D)	(E)	(F)		
1	1	129A00-51000	PUMP ASSY, FUEL	1							
2	2	129A00-51900	O-RING, FUEL PUMP	1							
3	1	26106-080302	BOLT, M8X 30 PLATED	3							

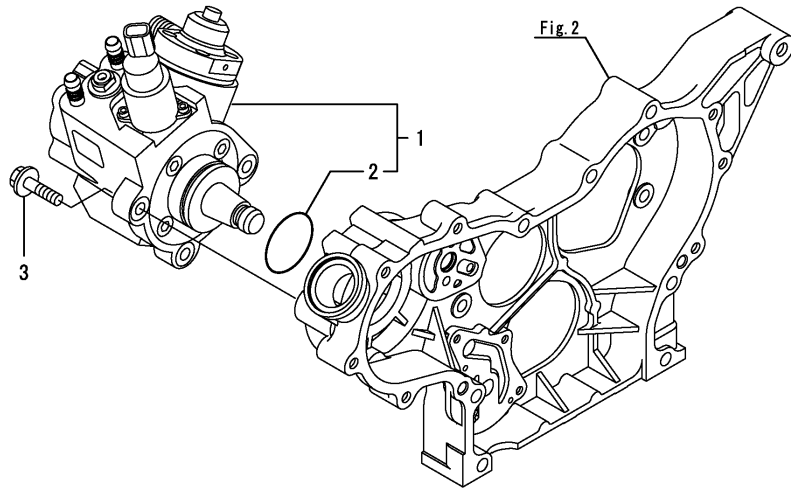
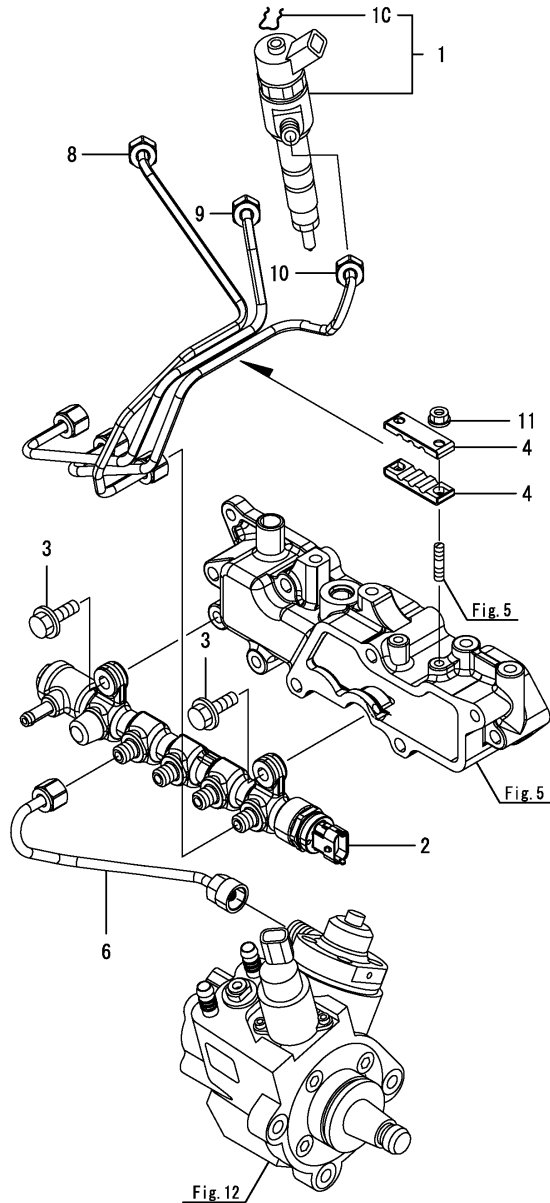


Fig.13. FUEL INJECTION VALVE

(A)=3TNV88C-DTR2
(B)=
(C)=

(D)=
(E)=
(F)=



No.	Lev.	Parts No.	Description	Q'ty						I	R
				(A)	(B)	(C)	(D)	(E)	(F)		
1	1	129A00-53100	INJECTOR ASSY	3							
1C	2	129A00-53200	RING, RETAINING	3							
2	1	129A00-57000	RAIL ASSY	1							
3	1	26106-080252	BOLT, M8X 25 PLATED	2							
4	1	123372-59100	RETAINER, PIPE	2							
6	1	129A00-59700	PIPE ASSY, RAIL IN	1							
8	1	129A00-59810	PIPE ASSY, INJECTION	1							
9	1	129A00-59820	PIPE ASSY, INJECTION	1							
10	1	129A00-59830	PIPE ASSY, INJECTION	1							
11	1	26366-060002	NUT, M6	2							

Fig.14. FUEL LINE

(A)=3TNV88C-DTR2

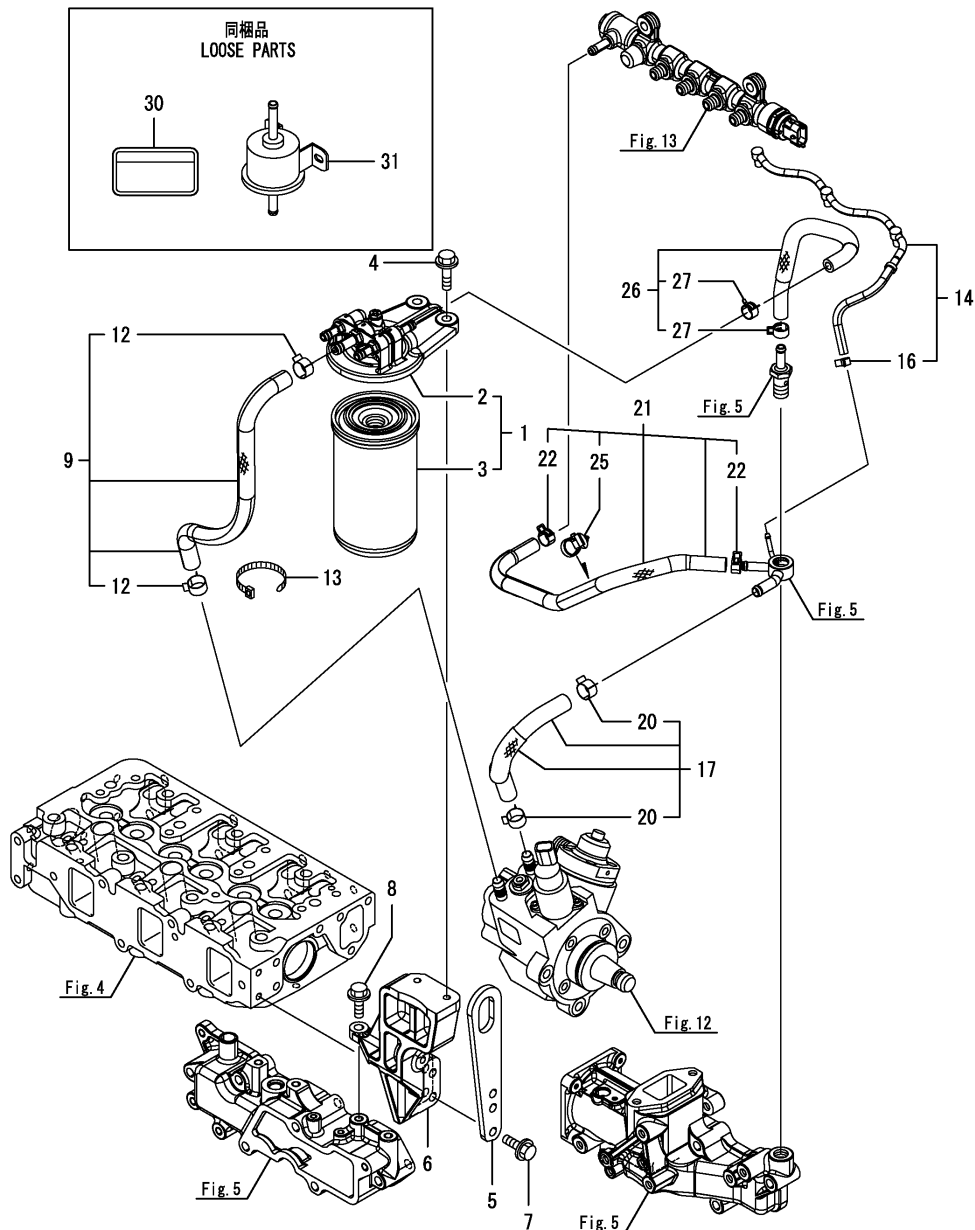
(B)=

(C)=

(D)=

(E)=

(F)=



No.	Lev.	Parts No.	Description	Qty						I	R
				(A)	(B)	(C)	(D)	(E)	(F)		
1	1	129A00-55600	FILTE ASSY,FO	1							
2	2	129A00-55610	BRACKET ASSY,FO FILT	1							
3	2	129A00-55800	FILTER, FUEL OIL	1							
4	1	26106-080302	BOLT, M8X 30 PLATED	2							
5	1	129900-07900	LIFTER	1							
6	1	129A00-55650	BRACKET ASSY, FILTER	1							
7	1	26106-080252	BOLT, M8X 25 PLATED	2							
8	1	26106-080252	BOLT, M8X 25 PLATED	1							
9	1	129A00-59010	PIPE ASSY, FUEL	1							
12	2	23080-015000	CLAMP, 15	2							
13	1	121750-59890	BAND, 140	1							
14	1	129A00-59500	PIPE ASSY, FO RETURN	1							
16	2	23080-007000	CLAMP, 7	1							
17	1	129A00-59020	PIPE ASSY, FUEL	1							
20	2	23080-015000	CLAMP, 15	2							
21	1	129A00-59030	PIPE ASSY, FUEL	1							
22	2	114270-59010	CLIP, HOSE 12	2							
25	2	129A00-91200	BAND CLIP	1							
26	1	129A00-59040	PIPE ASSY, FUEL	1							
27	2	114270-59010	CLIP, HOSE 12	2							
30	1	114110-07761	LABEL, FUEL OIL CAUT	1							
31	1	129612-52100	PUMP ASSY, FUEL FEED	1							

Fig.15. STARTING MOTOR

(A)=3TNV88C-DTR2

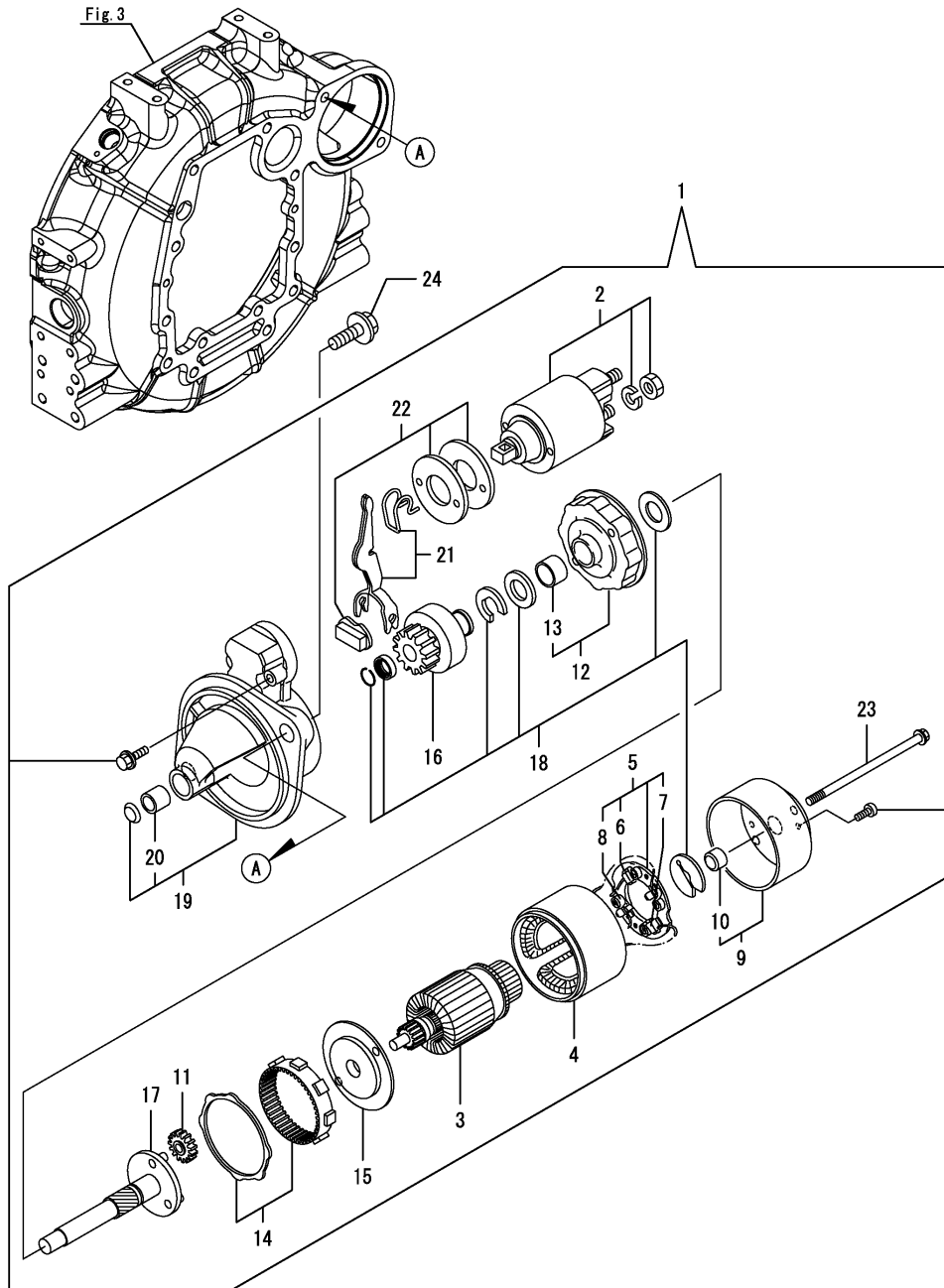
(B)=

(C)=

(D)=

(E)=

(F)=



No.	Lev.	Parts No.	Description	Q'ty						I	R
				(A)	(B)	(C)	(D)	(E)	(F)		
1	1	129242-77010	STARTER, 1.7	1							
2	2	129698-77020	SWITCH ASSY	1							
3	2	129242-77100	ARMATURE ASSY	1							
4	2	129242-77110	YOKE ASSY	1							
5	2	129242-77120	HOLDER ASSY, BRUSH	1							
6	3	129242-77130	BRUSH	2							
7	3	129242-77140	BRUSH SET	1							
8	3	129242-77150	SPRING	4							
9	2	129242-77160	COVER ASSY	1							
10	3	129242-77170	METAL	1							
11	2	118400-77170	GEAR	3							
12	2	129242-77180	BRACKET	1							
13	3	129698-77190	BRACKET	1							
14	2	129698-77200	GEAR, INTERNAL	1							
15	2	129242-77210	BRACKET	1							
16	2	129698-77220	PINION ASSY	1							
17	2	129698-77230	SHAFT	1							
18	2	129698-77250	WASHER SET	1							
19	2	129242-77260	CASE ASSY	1							
20	3	X2114535200	METAL, STARTER	1							
21	2	129242-77270	LEVER SET	1							
22	2	129242-77280	COVER ASSY, DUST	1							
23	2	124195-77770	BOLT, THROUGH	2							
24	1	26106-120252	BOLT, M12X 25 PLATED	2							

Fig.16. GENERATOR

(A)=3TNV88C-DTR2

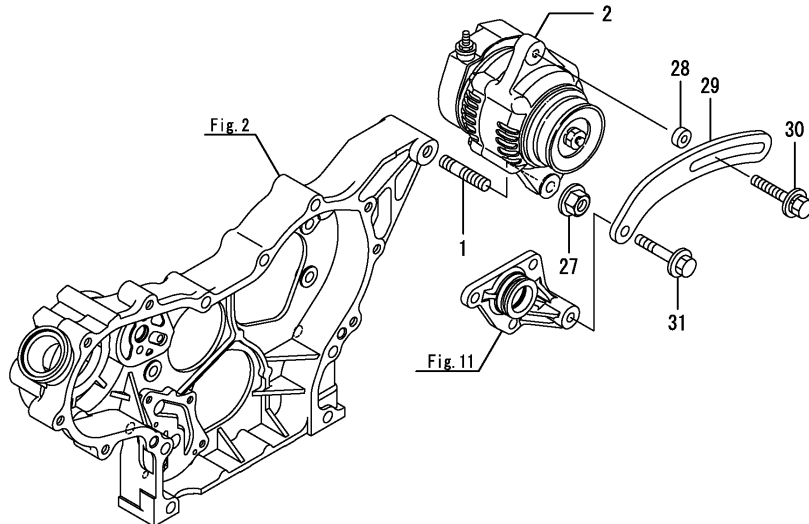
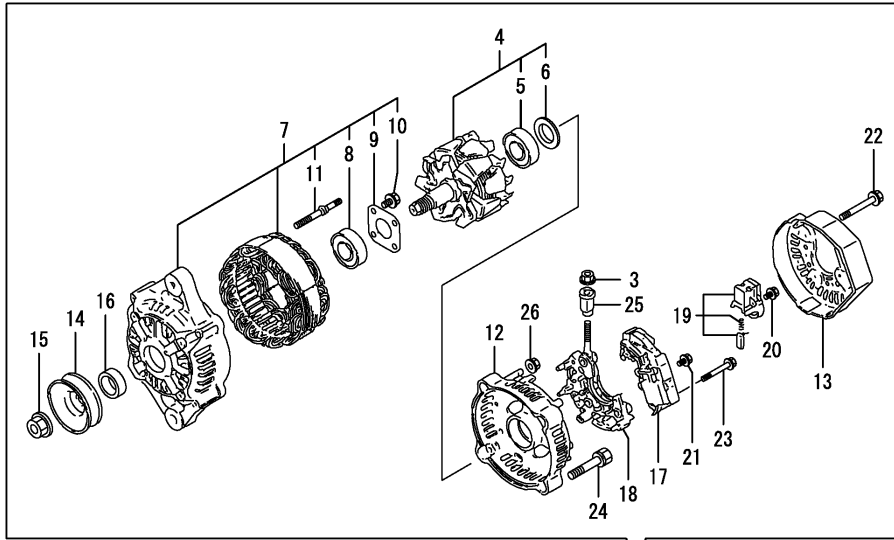
(B)=

(C)=

(D)=

(E)=

(F)=



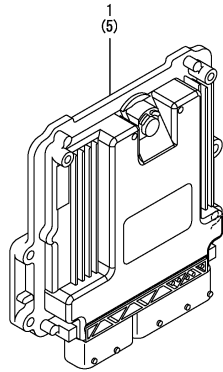
No.	Lev.	Parts No.	Description	Q'ty						I	R
				(A)	(B)	(C)	(D)	(E)	(F)		
1	1	129795-01900	STUD	1							
2	1	129961-77200	GENERATOR, 12V-55A	1							
3	2	X9490561001	NUT	1							
4	2	129052-77380	ROTOR ASSY	1							
5	3	123501-79240	BEARING, BALL	1							
6	3	119620-79250	COVER	1							
7	2	129961-77421	FRAME ASSY	1							
8	3	119620-79200	BEARING, BALL	1							
9	3	119620-79210	PLATE, RETAINER	1							
10	3	119620-79220	SCREW	4							
11	3	119620-79230	STUD	2							
12	2	128401-77440	FRAME	1							
13	2	128401-77450	COVER	1							
14	2	119620-77461	PULLEY	1							
15	2	119620-77471	NUT	1							
16	2	119620-77490	COLLAR	1							
17	2	119620-77710	REGULATOR ASSY	1							
18	2	129052-79260	HOLDER	1							
19	2	129052-79270	HOLDER, BRUSH	1							
20	2	119620-79290	SCREW	6							
21	2	119620-79300	SCREW	1							
22	2	119620-79310	BOLT	3							
23	2	119620-79320	SCREW	2							
24	2	119620-79330	BOLT	2							
25	2	119620-79340	BUSH, INSULATION	1							
26	2	119620-79350	NUT	2							
27	1	26306-100002	NUT, M10	1							
28	1	119940-77270	SPACER, GENERATOR	1							
29	1	119802-77330	ADJUSTER	1							
30	1	129972-77341	BOLT, ADJUSTER L=50	1							
31	1	26106-080452	BOLT, M8X 45 PLATED	1							

Fig.17. ELECTRONIC CONTROL UNIT (ECU)

(A)=3TNV88C-DTR2
(B)=
(C)=

(D)=
(E)=
(F)=

No.	Lev.	Parts No.	Description	Q'ty						I	R
				(A)	(B)	(C)	(D)	(E)	(F)		
1	1	129A24-75010	ECU ASSY,3-88C-DTR2	1							1
5	1	129A00-75910	ECU ASSY,SERVICE YMR	1							2



Remarks
 (1)Eco ECU
 This part cannot be ordered.
 Replace the part using a Service ECU with the proper engine information installed.
 (2)Service ECU
 If the proper information is not installed, the engine will not operate.
 To install proper information, go to an authorized Distributor.

Fig.18. ELECTRIC PARTS

(A)=3TNV88C-DTR2

(B)=

(C)=

(D)=

(E)=

(F)=

No.	Lev.	Parts No.	Description	Qty						I	R
				(A)	(B)	(C)	(D)	(E)	(F)		
1	1	129A00-77930	BRACKET,CONNECTOR	1							
2	1	129A00-91220	HARNESS	1							
11	1	129A00-91230	HARNESS	1							
16	1	129A00-91450	BOOT,CAP TYPE	1							
17	1	129A00-91600	BRACKET, HARNESS	1							
18	1	26106-080122	BOLT, M8X 12 PLATED	2							
19	1	26106-080122	BOLT, M8X 12 PLATED	2							
20	1	29621-100000	BAND, TR100	1							
21	1	29621-200000	BAND	1							

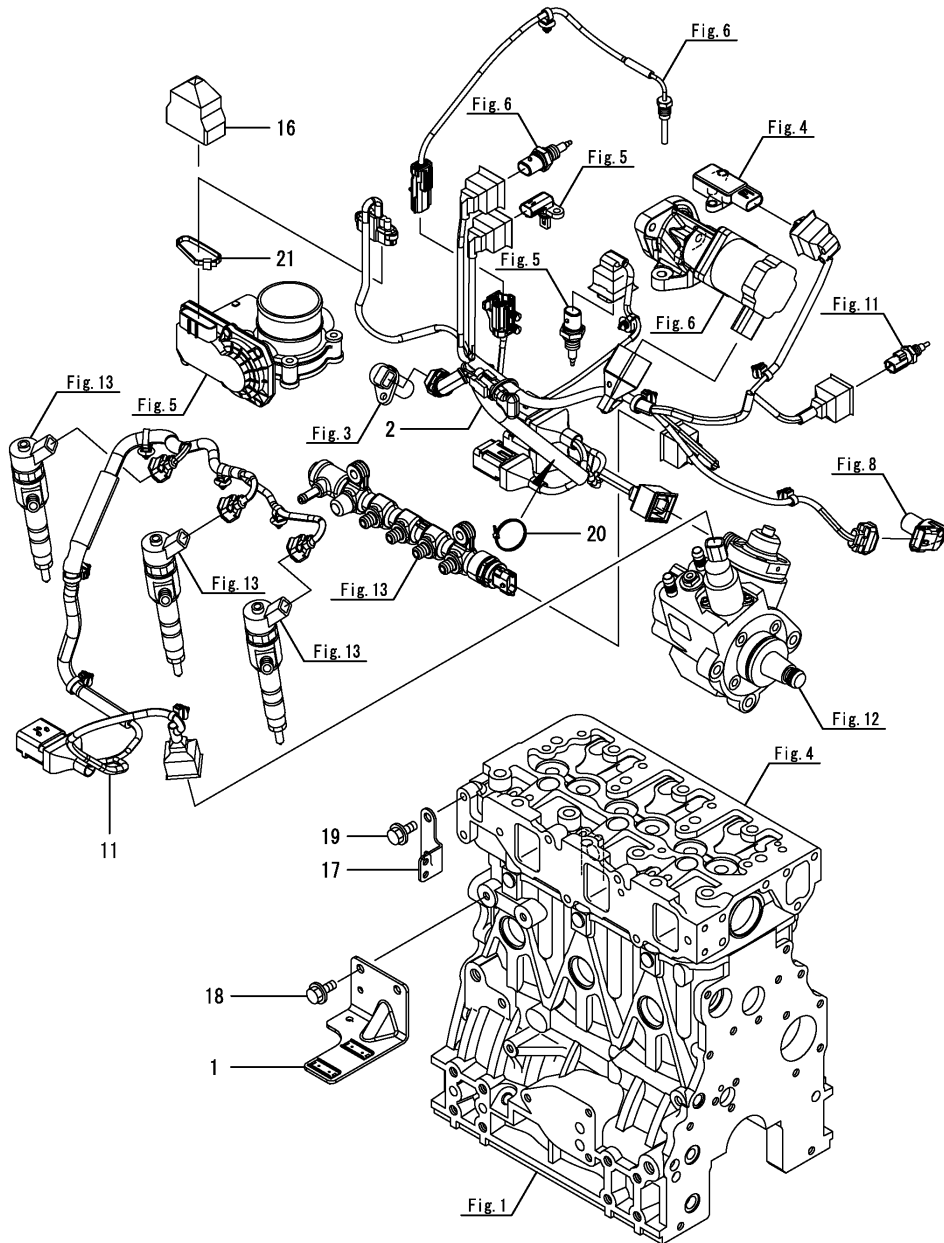


Fig.19. GASKET SET

(A)=3TNV88C-DTR2

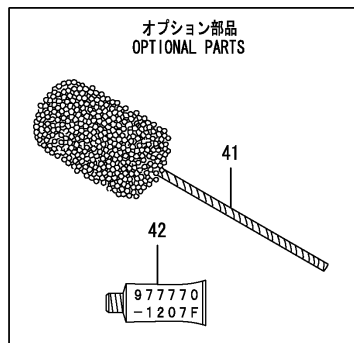
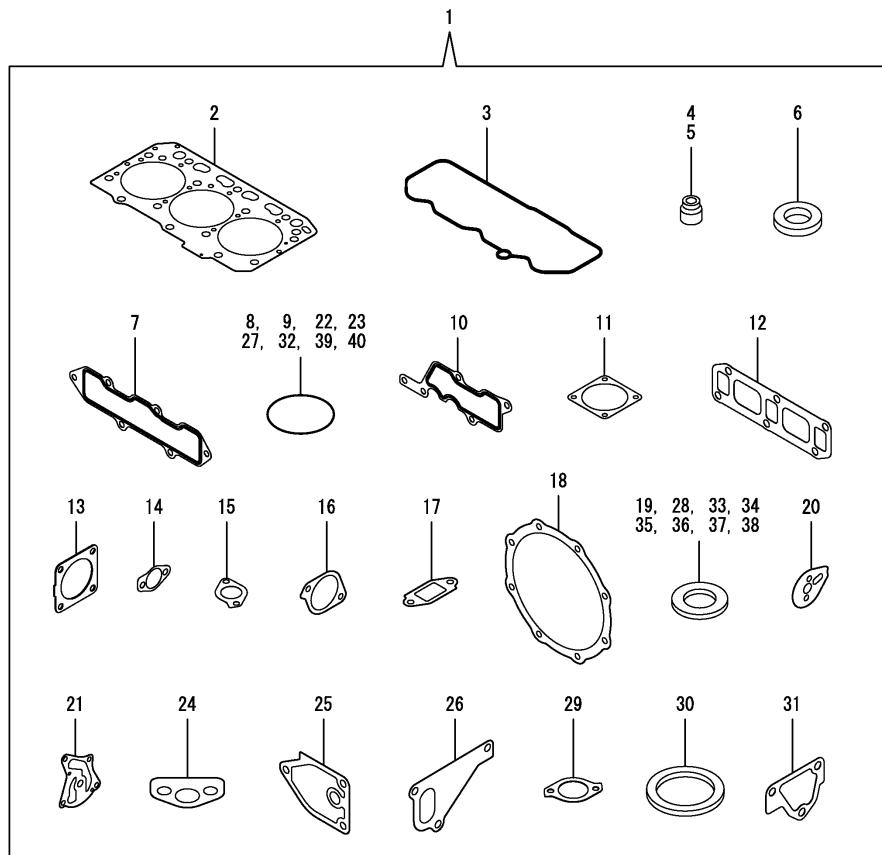
(B)=

(C)=

(D)=

(E)=

(F)=



No.	Lev.	Parts No.	Description	Q'ty						I	R
				(A)	(B)	(C)	(D)	(E)	(F)		
1	1	129A24-92600	PACKING	1							1
2	2	129A00-01331	GASKET ASSY, HEAD	1							
3	2	129A00-11310	GASKET, BONNET	1							
4	2	124460-11340	SEAL, VALVE STEM	3							
5	2	129A00-11340	SEAL, VALVE STEM	3							
6	2	129978-11871	GASKET, INJECTOR	3							
7	2	129A00-12110	GASKET, INT. MANIFOLD	1							
8	2	129A00-12780	O-RING, PRES SENSOR	2							
9	2	129A00-12790	O-RING, TEMP SENSOR	1							
10	2	129A00-12810	GASKET, COLLECTOR	1							
11	2	129A00-12910	GASKET, THROTTLE	2							
12	2	129A00-13110	GASKET, EXH MANIFOLD	1							
13	2	128300-13230	GASKET, SILENCER	1							
14	2	129A00-13410	GASKET, EGR COOLER	2							
15	2	129927-13810	GASKET	1							
16	2	129A00-13910	GASKET, EGR-V IN	1							
17	2	129A00-13920	GASKET (EGR-V OUT	1							
18	2	129A00-16600	GASKET, DPF	2							
19	2	129A00-17311	GASKET, SENSOR	4							
20	2	129A00-25210	GASKET, IDLE SHAFT B	1							
21	2	129486-32020	GASKET, PUMP	1							
22	2	119609-32040	O-RING, P16	2							
23	2	119624-32040	O-RING, P12.0	1							
24	2	129150-35042	GASKET	1							
25	2	129150-35111	GASKET	1							
26	2	129486-42021	GASKET, WATER PUMP	1							
27	2	129486-42140	O-RING, G30	1							
28	2	124465-44950	GASKET, 16	1							
29	2	129795-49551	GASKET	1							
30	2	129150-49811	GASKET, THERMOSTAT	1							
31	2	124395-49840	GASKET	1							
32	2	129A00-51900	O-RING, FUEL PUMP	1							
33	2	22190-080002	WASHER, SEAL 6	1							
34	2	22190-120002	WASHER, SEAL 12	1							
35	2	22190-140002	WASHER, SEAL 14	2							
36	2	22190-220002	WASHER, SEAL 22	1							
37	2	23414-080000	GASKET, 8X1.0	1							
38	2	23414-120000	GASKET, 12X1.0	2							
39	2	24311-000120	O-RING, 1AP12.0	3							
40	2	24311-000320	O-RING, 1AP32.0	2							
41	1	129400-92430	HONE	1							1
42	1	977770-1207F	GASKET, LIQUID	1							1

Remarks

(1) Optional parts.

N:Old $\xrightarrow{\text{Yes}}$ New, Q:Old $\xrightarrow{\text{No}}$ New, R:Old $\xrightarrow{\text{Yes}}$ New, S:Old $\xrightarrow{\text{No}}$ New, W:Add, Z:Discontinued, F:Interchangeable by set, K:Q'ty Change

Parts No. Index

Parts No.	Fig. No.	Ref. No.
114110-07761	14	30
114270-59010	14	22
		27
118400-77170	15	11
119609-32040	2	5
	19	22
119620-01750	3	3
119620-77461	16	14
119620-77471	16	15
119620-77490	16	16
119620-77710	16	17
119620-79200	16	8
119620-79210	16	9
119620-79220	16	10
119620-79230	16	11
119620-79250	16	6
119620-79290	16	20
119620-79300	16	21
119620-79310	16	22
119620-79320	16	23
119620-79330	16	24
119620-79340	16	25
119620-79350	16	26
119624-32040	2	6
	19	23
119640-01640	3	7
119640-61400	4	51
119660-01570	5	11
119761-39450	10	30
119802-11260	4	4
119802-11270	4	5
119802-11280	4	6
119802-13600	6	17
119802-25071	8	28
119802-77330	16	29
119803-21200	9	4
119934-01800	2	11
119940-77270	16	28
120130-11860	4	62
120270-54410	4	30
121111-21501	9	11
121267-44741	11	25
121450-42450	11	33
121520-34810	10	6
121550-23200	9	29
121750-59890	14	13
121850-21680	9	10
123372-59100	13	4
123501-79240	16	5
123900-13130	6	3

Parts No.	Fig. No.	Ref. No.
123907-03100	4	39
123907-03110	4	40
123907-03120	4	41
123907-03140	4	42
124060-01050	1	11
124160-01751	2	3
	4	35
124160-01910	1	12
		13
124160-11360	4	55
124195-77770	15	23
124240-01871	2	12
124395-49840	11	17
	19	31
124460-11340	4	24
	19	4
124465-44950	11	35
	19	28
124550-21600	9	14
124574-44761	11	26
128300-13230	7	1
	19	13
128401-77440	16	12
128401-77450	16	13
129001-01250	1	4
129001-02931	1	29
129004-03010	4	37
129004-11241	4	1
129004-11251	4	2
129004-11650	4	8
129004-21650	9	8
129004-42040	11	15
129005-03080	5	1
129005-11100	4	20
129005-34802	10	5
129006-35100	10	13
129006-44480	10	18
129006-49040	10	23
129008-21000	9	1
129008-77800	4	60
129051-49310	11	37
129052-77380	16	4
129052-79260	16	18
129052-79270	16	19
129100-01580	2	2
	3	1
		15
	9	2
129100-01640	3	16
129100-01730	3	10

Parts No.	Fig. No.	Ref. No.
129100-11112	4	21
129100-23910	9	32
129100-42051	11	3
129100-42121	11	4
129103-49301	10	28
129121-01540	3	6
129135-35090	10	8
129150-01200	1	27
129150-02020	1	6
129150-02450	8	4
129150-02871	1	32
129150-02931	1	24
129150-02941	1	35
129150-03070	4	38
129150-11230	4	9
129150-11280	4	7
129150-11370	4	12
129150-11750	4	11
129150-11810	4	63
129150-14200	8	1
129150-14400	8	2
129150-23601	9	30
129150-23611	9	33
129150-35042	10	7
	19	24
129150-35111	10	16
	19	25
129150-35153	10	31
129150-49811	11	29
	19	30
129155-49801	11	28
129202-22300	9	24
129242-77010	15	1
129242-77100	15	3
129242-77110	15	4
129242-77120	15	5
129242-77130	15	6
129242-77140	15	7
129242-77150	15	8
129242-77160	15	9
129242-77170	15	10
129242-77180	15	12
129242-77210	15	15
129242-77260	15	19
129242-77270	15	21
129242-77280	15	22
129350-49530	11	30
129400-92430	19	41
129410-03990	5	2
129417-33111	10	12

Parts No.	Fig. No.	Ref. No.
129417-35150	10	15
129418-18320	6	21
129486-01670	3	19
129486-32020	10	2
	19	21
129486-42021	11	14
	19	26
129486-42140	11	16
	19	27
129508-33010	10	10
129508-33050	10	11
129508-49030	10	19
129556-42350	11	23
129612-52100	14	31
129642-49180	10	26
129698-77020	15	2
129698-77190	15	13
129698-77200	15	14
129698-77220	15	16
129698-77230	15	17
129698-77250	15	18
129795-01780	3	18
129795-01900	16	1
129795-01950	2	4
129795-02412	1	9
129795-11120	4	22
129795-11180	4	23
129795-21661	9	9
129795-49551	11	31
	19	29
129900-07900	14	5
129916-49740	11	10
129927-13810	6	25
	19	15
129927-44900	11	34
129928-49420	11	9
129960-03990	11	39
		43
129961-77200	16	2
129961-77421	16	7
129972-77341	16	30
129978-11871	4	28
	19	6
129978-13700	6	18
129A00-01331	1	28
	19	2
129A00-01500	2	1
129A00-01550	2	9
129A00-01560	1	1
129A00-07900	4	58

Parts No. Index

Parts No.	Fig. No.	Ref. No.
129A00-11310	4	44
	19	3
129A00-11330	4	45
129A00-11340	4	25
	19	5
129A00-11350	4	36
129A00-11710	4	13
129A00-11900	4	29
129A00-12100	5	5
129A00-12110	5	3
	19	7
129A00-12150	5	4
129A00-12703	4	46
129A00-12711	5	12
129A00-12720	5	7
129A00-12780	4	47
	19	8
129A00-12790	5	13
	19	9
129A00-12810	5	9
	19	10
129A00-12820	5	24
129A00-12830	5	14
129A00-12851	5	10
129A00-12900	5	25
129A00-12910	5	26
	19	11
129A00-13100	6	1
129A00-13110	6	2
	19	12
129A00-13300	6	10
129A00-13350	6	12
	7	25
129A00-13360	4	48
129A00-13380	4	50
129A00-13400	6	15
129A00-13410	6	16
	19	14
129A00-13610	6	5
129A00-13751	6	23
129A00-13770	6	7
129A00-13800	6	24
129A00-13851	6	19
129A00-13861	6	20
129A00-13901	6	28
129A00-13910	6	29
	19	16
129A00-13920	6	30
	19	17
129A00-14100	8	6

Parts No.	Fig. No.	Ref. No.
129A00-14580	8	3
129A00-14700	8	8
129A00-14710	8	11
129A00-16210	7	10
129A00-16410	7	12
129A00-16500	7	14
129A00-16600	7	15
	19	18
129A00-16610	7	16
129A00-16700	7	18
129A00-16720	7	19
129A00-16740	7	20
129A00-16750	7	21
129A00-16810	7	2
129A00-16820	7	3
129A00-16830	7	4
129A00-16840	7	5
129A00-17220	7	24
129A00-17311	7	26
	19	19
129A00-17330	7	27
129A00-17360	7	28
129A00-17520	7	31
129A00-17570	7	33
129A00-17610	7	29
129A00-17670	7	32
129A00-17702	7	35
129A00-17780	7	36
129A00-21710	3	21
129A00-22500	9	18
129A00-22950	9	37
129A00-25050	8	13
129A00-25060	8	21
129A00-25080	8	29
129A00-25110	8	14
129A00-25120	8	22
129A00-25200	8	25
129A00-25210	8	26
	19	20
129A00-25900	8	18
129A00-32000	10	1
129A00-42000	11	1
129A00-49620	11	42
129A00-51000	12	1
129A00-51900	12	2
	19	32
129A00-53100	13	1
129A00-53200	13	1 C
129A00-55600	14	1
129A00-55610	14	2

Parts No.	Fig. No.	Ref. No.
129A00-55650	14	6
129A00-55800	14	3
129A00-57000	13	2
129A00-59010	14	9
129A00-59020	14	17
129A00-59030	14	21
129A00-59040	14	26
129A00-59110	5	15
129A00-59120	5	16
129A00-59500	14	14
129A00-59700	13	6
129A00-59810	13	8
129A00-59820	13	9
129A00-59830	13	10
129A00-75910	17	5
129A00-77820	4	61
129A00-77930	18	1
129A00-91200	6	8
	7	39
	14	25
129A00-91220	18	2
129A00-91230	18	11
129A00-91430	7	41
129A00-91450	18	16
129A00-91600	18	17
129A01-13600	6	4
129A01-13700	6	6
129A23-49610	11	38
129A24-01600	3	2
129A24-16000	7	9
129A24-21590	9	12
129A24-75010	17	1
129A24-92600	19	1
129C00-13940	7	7
129C00-13950	7	8
129C00-22080	9	16
129C00-22900	9	35
129C00-91200	7	40
129C01-16690	7	17
171008-03990	10	20
		24
171051-01921	1	5
171056-49120	10	4
22190-080002	2	13
	19	33
22190-120002	11	36
	19	34
22190-140002	5	17
	19	35
22190-220002	3	9

Parts No.	Fig. No.	Ref. No.
22190-220002	19	36
22217-180000	8	19
22252-000260	9	25
22351-030010	9	7
22351-060012	4	31
22512-070140	8	7
	9	5
22857-500100	4	52
		53
23080-007000	14	16
23080-015000	10	22
		27
	14	12
		20
23297-080061	6	11
23414-080000	11	18
	19	37
23414-120000	6	13
	19	38
23875-020000	11	11
23876-010000	11	12
24311-000120	4	56
	19	39
24311-000320	2	7
	4	57
	19	40
25152-003800	11	24
26106-060102	8	9
26106-060122	6	14
26106-060162	7	37
26106-060202	5	27
	11	27
26106-060402	5	28
26106-060902	5	29
26106-080122	11	19
	18	18
		19
26106-080142	7	22
	8	10
26106-080162	2	8
		14
	3	11
	4	59
	7	42
	19	43
22190-120002	11	20
26106-080202	7	38
	10	29
26106-080222	7	44
	11	32

Parts No. Index

Parts No.	Fig. No.	Ref. No.
26106-080252	3	12
	4	32
	6	26
	13	3
	14	7
26106-080302	12	3
	14	4
		8
26106-080352	2	15
	3	20
	4	33
	10	9
26106-080402	2	16
	8	27
26106-080452	3	13
	8	17
	11	21
	16	31
		31
26106-080502	3	14
	4	34
	5	8
		20
	6	22
26106-080602	2	17
	11	22
26106-080752	5	21
26106-080852	2	18
26106-100162	7	45
		46
		47
26106-120252	15	24
26206-100252	3	4
26206-100302	3	5
26216-060202	5	6
26216-080252	5	18
26216-081052	5	22
26306-080002	5	23
	6	27
		31
	7	23
		48
26306-100002	6	9
	7	49
	16	27
26366-060002	13	11
26450-060162	3	22
	4	54
	8	12
26450-060252	10	3
26577-060142	11	13

Parts No.	Fig. No.	Ref. No.
26716-060002	5	19
26776-180002	8	20
27241-120000	1	14
27241-300000	1	10
27241-400000	4	19
27310-080001	4	26
29621-100000	18	20
29621-200000	18	21
729402-23100	9	26
977770-1207F	19	42
X2114535200	15	20
X9490561001	16	3

Parts No.	Fig. No.	Ref. No.
-----------	----------	----------

Parts No.	Fig. No.	Ref. No.
-----------	----------	----------