

0CW10-M80600EN

# P R E F A C E

1. This parts catalog is the 1st edition of 4TNV86CT-DTR for THE TORO COMPANY.

Pub. No. : 0CW10-G80600

Published : December, 2012

2. Model name

Engine model	Vehicle	Vehicle made by
4TNV86CT-DTR	MOWER	THE TORO COMPANY

## Directions for the Parts Catalog.

1. This Parts Catalog shows both standard and optional parts.
2. Parts may change without prior notice.
3. The following is an example of the Parts Catalog format.

REF.	LEV.	PARTS NO.	DESCRIPTION	Q'TY						I	R
				(A)	(B)	(C)	(D)	(E)	(F)		
1	1	729595-51390	FUEL INJECTION PUMP	1	1	1	1	1			1
1-1	1	729595-51391	FUEL INJECTION PUMP	1	1	1	1	1		N	1
		(A=E00185) (B=E00200)									
3	2	26022-060162	SCREW M 6X 16	9	9	9	9	9			
3-1	2	26022-060162	SCREW M 6X 16	4	4	4	4	4		K	
		(A=E00156) (B=E00156) (C=E00156) (D=E00156) (E=E00156)									
4	2	129470-51040	CAMSHAFT	1	1	1	1	1			
5	2	122710-51050	BEARING, ROLLER	2	2	2	2	2			
6	2	129470-51060	RETAINER	1	1	1	1	1			

Remarks
(1) BOOST COMPEMSATOR TYPE. OPTIONAL PART, TO E00155,(4JH-DT, 4JH-DTZ

### ① Ref. No.

The Ref. No. listed may not be in accordance with the illustration Ref. No.

(Ex.) Illustration No.

List Ref No.

1

1

(Before change)

1-1

(After change)

For interchangeable symbols N, R and K, illustrations for new parts may be abbreviated.

### ② Lev. (Level)

Level indication

The numbers below indicate the level of relativity towards the main part.

1 ----- Main parts (Assembly parts)

2 ----- Sub component included in " 1 ".

3 ----- Sub component included in " 2 ".

Note) Parts that are not for sale are partially illustrated but not listed.

### ③ Interchangeability Symbol

When a part change takes place, one of the following interchangeability symbols is indicated beside the part.

Symbol	Interchangeability	Contents note
N	Old $\begin{matrix} \leftarrow \text{Yes} \\ \text{No} \rightarrow \end{matrix}$ New	New Part is interchangeable for Old Part but Old Part is not interchangeable for New Part.
Q	Old $\begin{matrix} \leftarrow \text{No} \\ \text{Yes} \rightarrow \end{matrix}$ New	New Part is not interchangeable for Old Part but Old Part is interchangeable for New Part.
R	Old $\begin{matrix} \leftarrow \text{Yes} \\ \text{Yes} \rightarrow \end{matrix}$ New	New/ Old Parts are both interchangeable.
S	Old $\begin{matrix} \leftarrow \text{No} \\ \text{No} \rightarrow \end{matrix}$ New	New/ Old Parts are both not interchangeable.
W		Part newly added.
Z		Part discontinued.
F		Not interchangeable by a single part but interchangeable together with related parts.
K		Changes only for used parts quantities.

### ④ Effective Machine No.

When a part changes, the effective Machine No. will be indicated in the (A)-(F) column.

Product Symbol	Product No.	Product Symbol	Product No.
C	Clutch No. Compressor No.	F	Machine No. (Agricultural Equip.)
D	Drive No.	M	Machine No.
E	Engine No.		

Note 1) A date may follow the symbol. (Ex.) 1996.01

Note 2) "XXXXX" and "ZZZZZ" are for parts that could not be predicted or for engine models that could not be identified.

Note 3) (A=E00185) is the E (Engine Serial Number) for the column (A) model (in this case 4JH-DT) after the parts design change.

### ⑤ Remarks

Figures or alphabets (symbols) are entered in the remarks column.

The comments (remarks) on parts that are indicated at the bottom of the illustration are the same symbols as those stated above.

# Contents

0CW10-M80600

Fig. No.	Fig. Name	Fig. No.	Fig. Name
4TNV86CT-DTR			
1.	CYLINDER BLOCK		
2.	GEAR HOUSING		
3.	FLYWHEEL HOUSING & OIL SUMP		
4.	CYLINDER HEAD & BONNET		
5.	SUCTION MANIFOLD		
6.	EXHAUST MANIFOLD		
7.	DIESEL PARTICULATE FILTER (DPF)		
8.	CAMSHAFT & DRIVING GEAR		
9.	TURBINE		
10.	CRANKSHAFT & PISTON		
11.	LUB. OIL SYSTEM		
12.	LUB. OIL LINE		
13.	COOLING WATER SYSTEM		
14.	FUEL SUPPLY PUMP		
15.	FUEL INJECTION VALVE		
16.	FUEL LINE		
17.	STARTING MOTOR		
18.	GENERATOR		
19.	ELECTRONIC CONTROL UNIT (ECU)		
20.	ELECTRIC PARTS		
21.	GASKET SET		

Fig.1. CYLINDER BLOCK

(A)=4TNV86CT-DTR

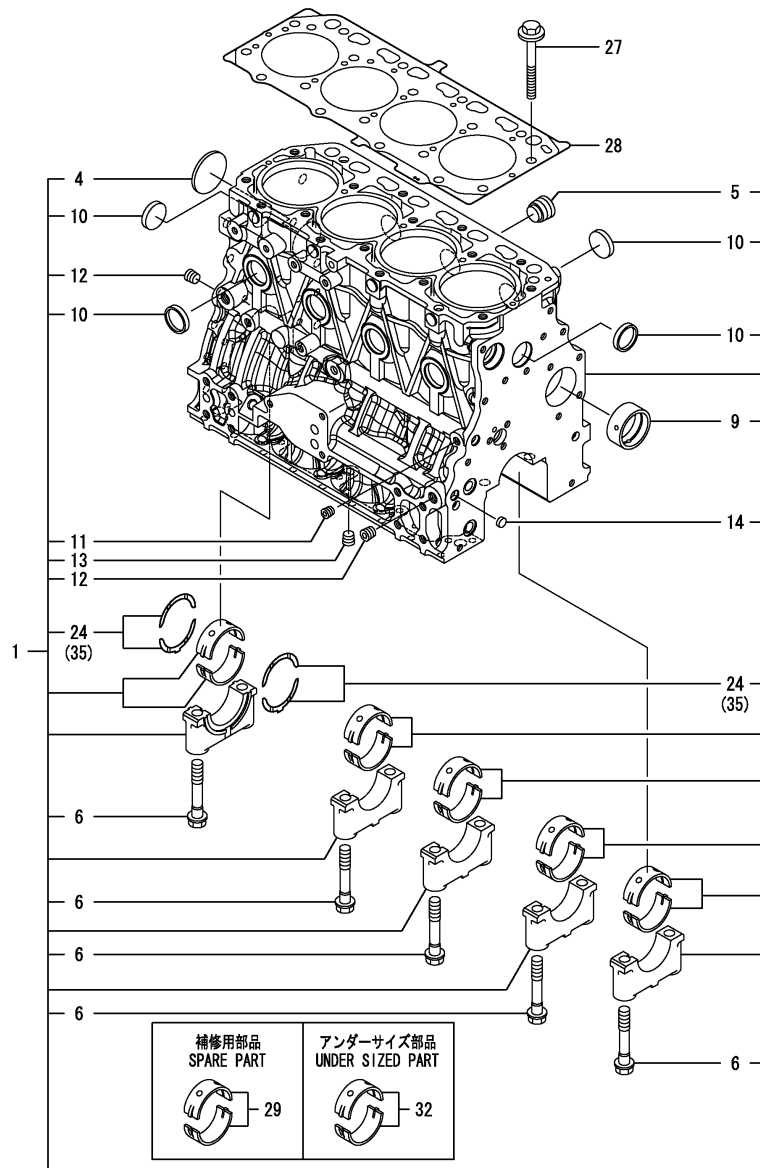
(B)=

(C)=

(D)=

(E)=

(F)=

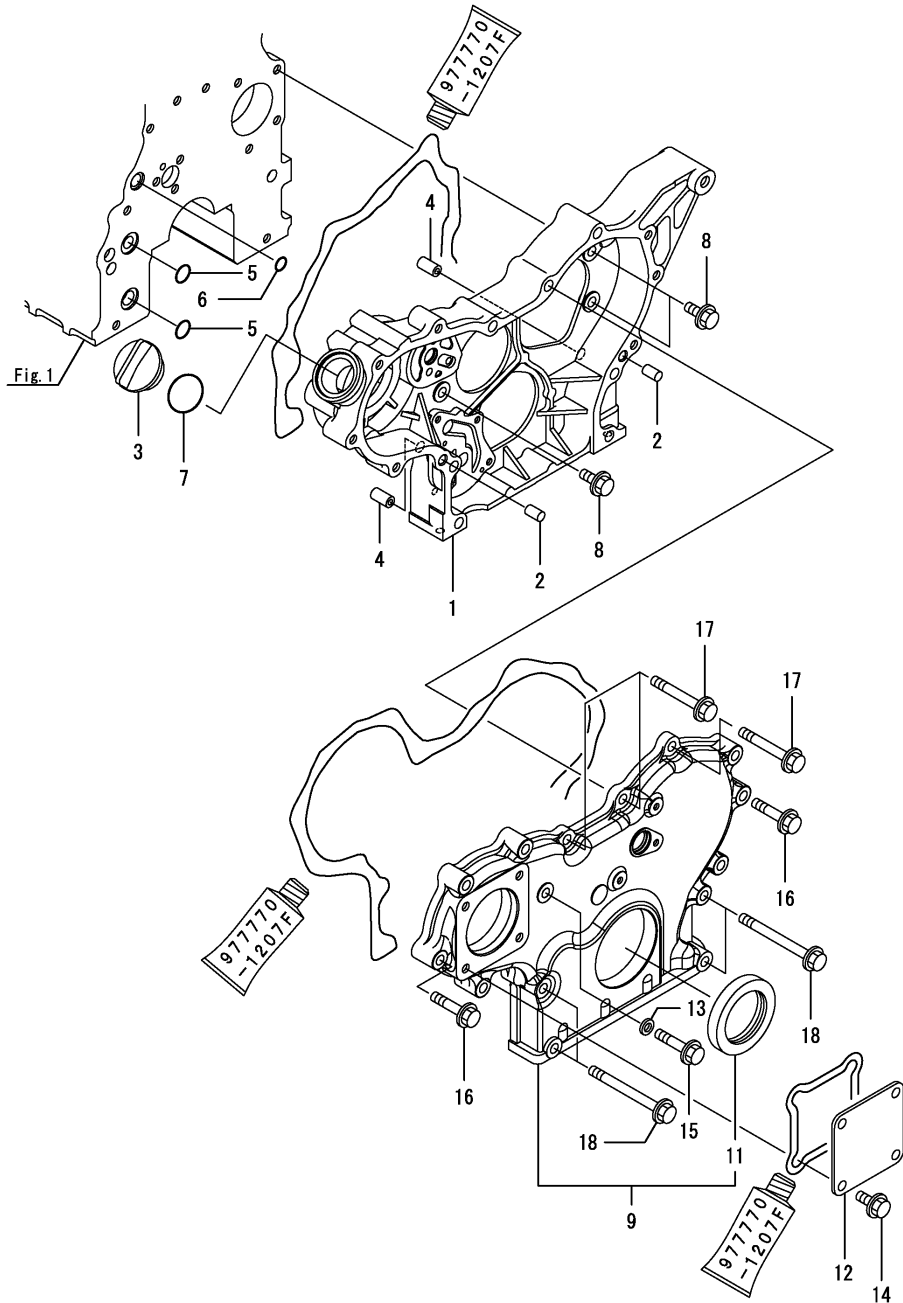


No.	Lev.	Parts No.	Description	Q'ty						I	R
				(A)	(B)	(C)	(D)	(E)	(F)		
1	1	129C01-01560	BLOCK ASSY, CYLINDER	1							
4	2	129001-01250	PLUG, 50	1							
5	2	171051-01921	PLUG, NPTF1	1							
6	2	129150-02020	BOLT, METAL CAP	10							
9	2	129795-02412	BUSH, CAMSHAFT	1							
10	2	27241-300000	PLUG 30	8							
11	2	124060-01050	PLUG, PT1/8	1							
12	2	124160-01910	PLUG, PT1/4	2							
13	2	124160-01910	PLUG, PT1/4	1							
14	2	27241-120000	PLUG, 12	1							
24	2	129150-02931	BEARING, THRUST	2							
27	1	129150-01200	BOLT, HEAD	18							
28	1	129C01-01331	GASKET, CYL. HEAD	1							
29	1	129001-02931	BEARING, MAIN	5							1
32	1	129150-02871	BEARING, 0.25 US	5							2
35	1	129150-02941	BEARING, THRUST 0.25	1							3

Remarks

- (1) Spare part.
- (2) Under-sized(U.S.=0.25)part.
- (3) Over-sized(O.S.=0.25)part.

Fig.2. GEAR HOUSING

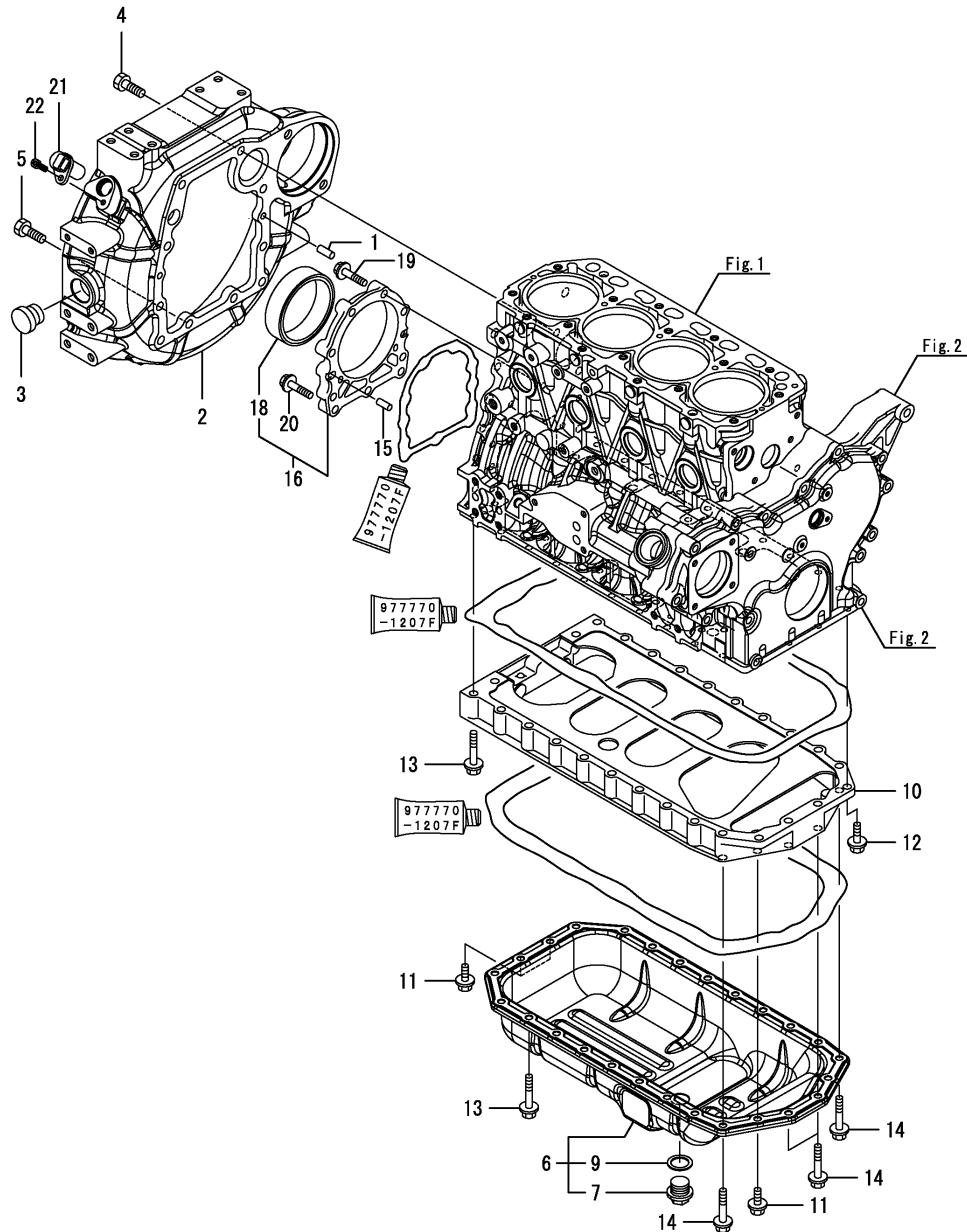


(A)=4TNV86CT-DTR  
(B)=  
(C)=

(D)=  
(E)=  
(F)=

No.	Lev.	Parts No.	Description	Q'ty						I	R
				(A)	(B)	(C)	(D)	(E)	(F)		
1	1	129A00-01500	CASE, GEAR	1							
2	1	129100-01580	PIN, M8X16	2							
3	1	124160-01751	COVER, FILLER	1							
4	1	129795-01950	PIPE, KNOCK L=18	2							
5	1	119609-32040	O-RING, P16	2							
6	1	119624-32040	O-RING, P12.0	1							
7	1	24311-000320	O-RING, 1AP32.0	1							
8	1	26106-080162	BOLT, M8X 16 PLATED	3							
9	1	129A00-01550	COVER ASSY, GEARCASE	1							
11	2	119934-01800	SEAL, OIL	1							
12	1	124240-01871	COVER	1							
13	1	22190-080002	WASHER, SEAL 6	1							
14	1	26106-080162	BOLT, M8X 16 PLATED	4							
15	1	26106-080352	BOLT, M8X 35 PLATED	1							
16	1	26106-080402	BOLT, M8X 40 PLATED	7							
17	1	26106-080602	BOLT, M8X 60 PLATED	3							
18	1	26106-080852	BOLT, M8X 85 PLATED	4							

Fig.3. FLYWHEEL HOUSING & OIL SUMP



(A)=4TNV86CT-DTR

(B)=

(C)=

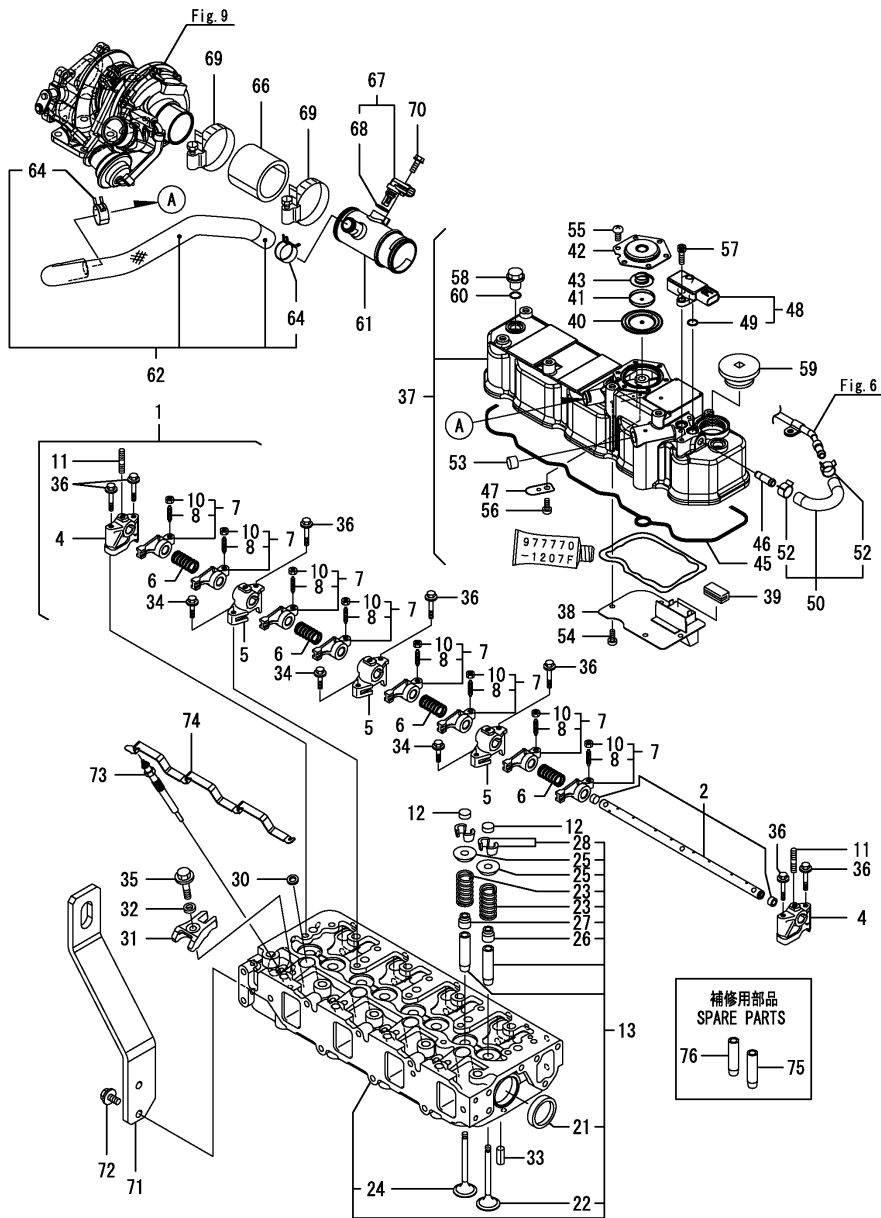
(D)=

(E)=

(F)=

No.	Lev.	Parts No.	Description	Q'ty						I	R
				(A)	(B)	(C)	(D)	(E)	(F)		
1	1	129100-01580	PIN, M8X16	2							
2	1	129A00-01602	HOUSING, FLYWHEEL	1							
3	1	119620-01750	CAP	1							
4	1	26206-100252	BOLT, M10X 25 PLATED	6							
5	1	26206-100302	BOLT, M10X 30 PLATED	4							
6	1	729402-01540	SUMP ASSY, OIL	1							
7	2	119640-01640	PLUG, DRAIN M22	1							
9	2	22190-220002	WASHER, SEAL 22	1							
10	1	129400-01730	SPACER, OIL SUMP	1							
11	1	26106-080162	BOLT, M8X 16 PLATED	4							
12	1	26106-080252	BOLT, M8X 25 PLATED	2							
13	1	26106-080452	BOLT, M8X 45 PLATED	20							
14	1	26106-080502	BOLT, M8X 50 PLATED	4							
15	1	129100-01580	PIN, M8X16	2							
16	1	129100-01640	CASE ASSY, OIL SEAL	1							
18	2	129795-01780	SEAL, OIL	1							
19	1	129486-01670	BOLT, M8X30	6							
20	1	26106-080352	BOLT, M8X 35 PLATED	3							
21	1	129A00-21710	SENSOR, FLYWHEEL REV	1							
22	1	26450-060162	BOLT, M6X 16	1							

Fig.4. CYLINDER HEAD & BONNET



(A)=4TNV86CT-DTR

(B)=

(C)=

(D)=

(E)=

(F)=

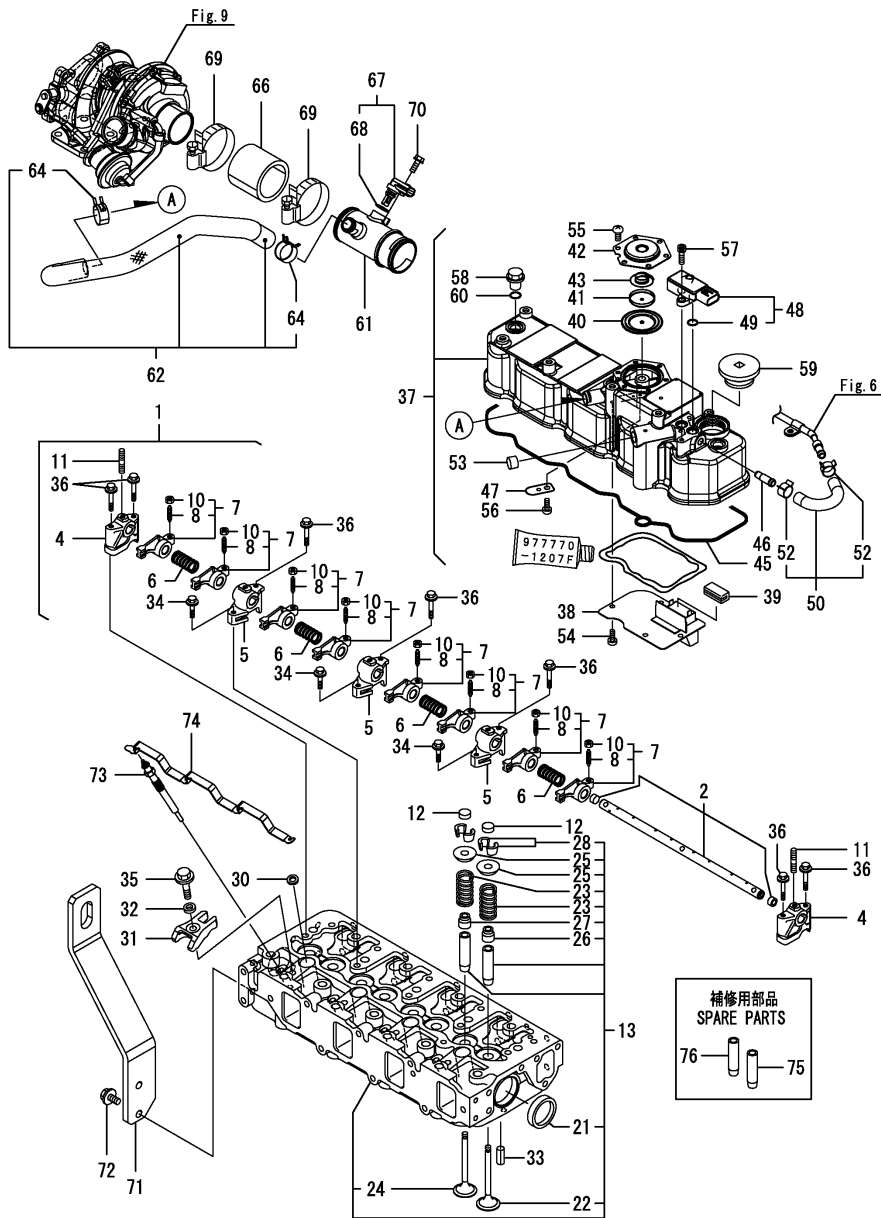
No.	Lev.	Parts No.	Description	Q'ty						I	R
				(A)	(B)	(C)	(D)	(E)	(F)		
1	1	129601-11241	SHAFT ASSY, ROCKER	1							
2	2	129601-11251	SHAFT, ROCKER ARM	1							
4	2	119802-11260	SUPPORT, ROCKER ARM	2							
5	2	119802-11270	SUPPORT, ROCKER ARM	3							
6	2	129150-11280	SPRING	4							
7	2	129004-11650	ARM, ROCKER	8							
8	3	129150-11230	SCREW, VALVE ADJUST	8							
10	3	129150-11750	NUT, M8	8							
11	2	26226-080182	STUD, M8X 18	3							
12	1	129150-11370	CAP, VALVE	8							
13	1	129C01-11700	HEAD ASSY, CYLINDER	1							
21	2	27241-400000	PLUG, 40	2							
22	2	129005-11100	VALVE, INTAKE	4							
23	2	129795-11120	SPRING, VALVE	8							
24	2	129100-11130	VALVE, EXHAUST	4							
25	2	129795-11180	RETAINER, SPRING	8							
26	2	124460-11340	SEAL, VALVE STEM	4							
27	2	129A00-11340	SEAL, VALVE STEM	4							
28	2	27310-080001	COTTER, 8	8							
30	1	129978-11871	GASKET,INJECTOR	4							
31	1	129A00-11900	RETAINER, INJECTOR	4							
32	1	120270-54410	WASHER, INJECTOR	4							
33	1	22351-060012	PIN, SPRING 6.0X12	2							
34	1	26106-080252	BOLT, M8X 25 PLATED	3							
35	1	26106-080352	BOLT, M8X 35 PLATED	4							
36	1	26106-080502	BOLT, M8X 50 PLATED	7							
37	1	129C01-11351	BONNET ASSY	1							
38	2	129004-03010	PLATE	1							
39	2	129150-03070	BAFFLE, BREATHER	1							
40	2	123907-03100	DIAPHRAGM	1							
41	2	123907-03110	PLATE	1							
42	2	123907-03120	PLATE, BREATHER	1							
43	2	123907-03140	SPRING, DIAPHRAGM	1							
45	2	129C00-11310	GASKET, COVER	1							
46	2	129A00-11330	JOINT	1							
47	2	129009-11340	SPRING	1							
48	2	129A00-12703	SENSOR,PRESSURE	1							
49	3	129A00-12780	O-RING,PRES SENSOR	2							
50	2	129A00-13360	HOSE ASSY, PRES EXH	1							
52	3	129A00-13380	CLIP, HOSE 14	2							
53	2	119640-61400	PLUG	1							
54	2	22857-500100	SCREW, 5X10	4							
55	2	22857-500100	SCREW, 5X10	6							
56	2	22857-500100	SCREW, 5X10	1							
57	2	26450-060162	BOLT, M6X 16	2							
58	1	124160-11360	KNOB	3							
59	1	119807-11770	PLUG	1							
60	1	24311-000120	O-RING, 1AP12.0	3							
61	1	129C01-03050	JOINT,BREATHER	1							
62	1	129C01-03080	HOSE ASSY, BREATHER	1							
64	2	129410-03990	CLIP	2							

Remarks

(1) Spare part.



Fig.4. CYLINDER HEAD & BONNET



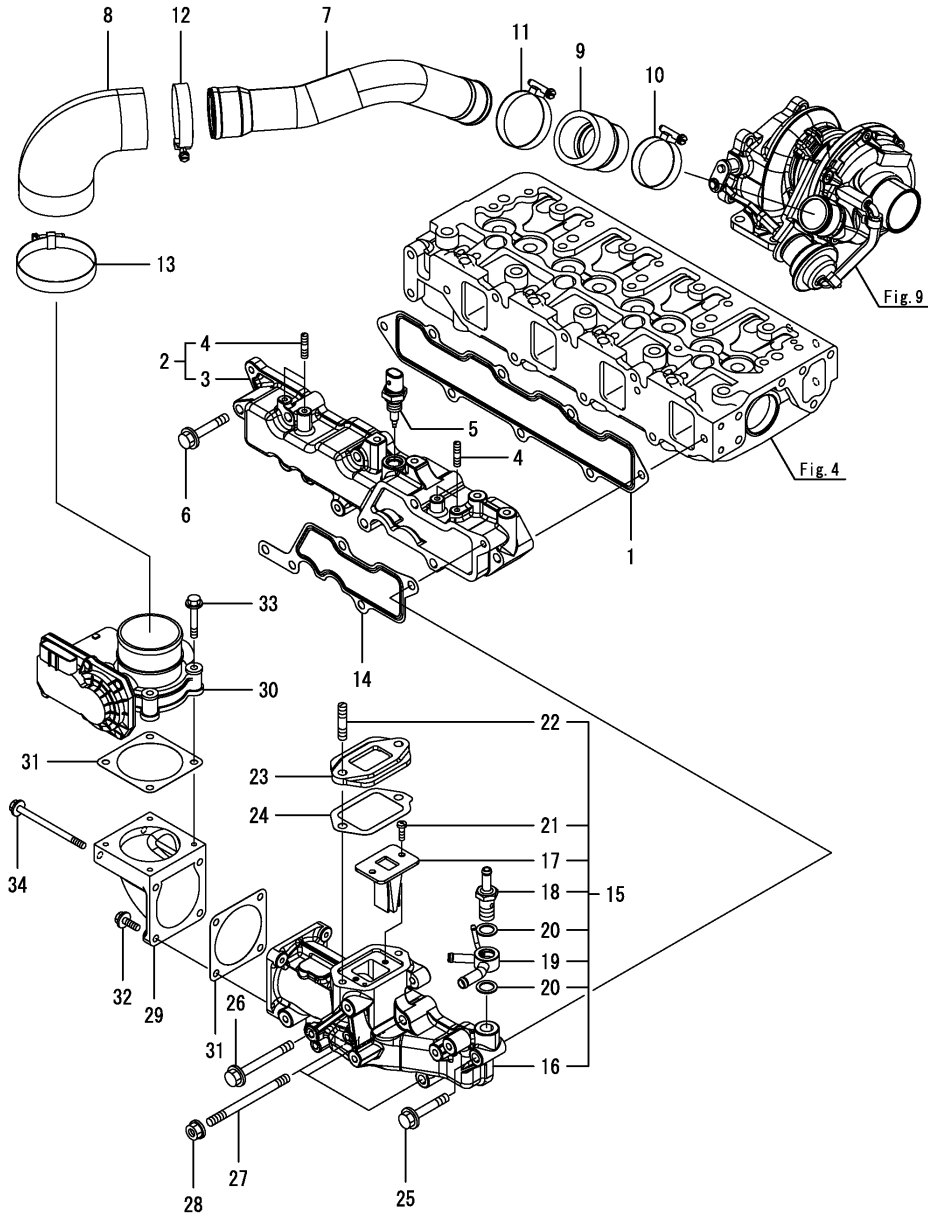
(A)=4TNV86CT-DTR  
(B)=  
(C)=

(D)=  
(E)=  
(F)=

No.	Lev.	Parts No.	Description	Q'ty						I	R
				(A)	(B)	(C)	(D)	(E)	(F)		
66	1	129C01-12060	HOSE,INTAKE	1							
67	1	129A00-12711	SENSOR,AIR TEMP	1							
68	2	129A00-12790	O-RING,TEMP SENSOR	1							
69	1	23000-060000	CLAMP, 60	2							
70	1	26106-060162	BOLT, M6X 16 PLATED	1							
71	1	129C01-07900	LIFTER, ENGINE	1							
72	1	26106-080162	BOLT, M8X 16 PLATED	2							
73	1	129008-77800	PLUG, GLOW	4							
74	1	129C00-77820	CONNECTOR, GLOW PLUG	1							
75	1	120130-11860	GUIDE, VALVE	4							1
76	1	129150-11810	GUIDE, VALVE	4							1

Remarks  
(1) Spare part.

Fig.5. SUCTION MANIFOLD



(A)=4TNV86CT-DTR

(B)=

(C)=

(D)=

(E)=

(F)=

No.	Lev.	Parts No.	Description	Q'ty						I	R
				(A)	(B)	(C)	(D)	(E)	(F)		
1	1	129C00-12110	GASKET, INT MANIFOLD	1							
2	1	129C01-12150	MANIFOLD CMP,INTAKE	1							
3	2	129C01-12100	MANIFOLD,INT	1							
4	2	26216-060202	STUD, M6X 20	4							
5	1	129A00-12720	SENSOR,AIR TEMP	1							
6	1	26106-080502	BOLT, M8X 50 PLATED	5							
7	1	129C01-18200	DUCT SUCTION	1							
8	1	129A01-18210	JOINT, RUBBER	1							
9	1	129C01-18220	JOINT, RUBBER	1							
10	1	23000-048000	CLAMP, 48	1							
11	1	23000-054000	CLAMP, 54	1							
12	1	23000-060000	CLAMP, 60	1							
13	1	23000-075000	CLAMP, 75	1							
14	1	129A00-12810	GASKET, COLLECTOR	1							
15	1	129A01-12851	COLLECTOR, INT CMP	1							
16	2	129A01-12800	COLLECTOR, INT	1							
17	2	129C01-13700	VALVE, REED	1							
18	2	129A00-59110	JOINT, HOSE M14	1							
19	2	129A00-59120	JOINT, HOSE 14	1							
20	2	22190-140002	WASHER, SEAL 14	2							
21	2	22857-500160	SCREW, 5X16	2							
22	2	26216-080302	STUD, M8X 30	2							
23	1	129A00-13710	SPACER, EGR VALVE	1							
24	1	129A00-13720	GASKET(EGR-V SPACER	1							
25	1	26106-080502	BOLT, M8X 50 PLATED	1							
26	1	26106-080752	BOLT, M8X 75 PLATED	1							
27	1	26216-081052	STUD, M8X105	3							
28	1	26306-080002	NUT, M8	3							
29	1	129A00-12820	BEND, INLET	1							
30	1	129A00-12900	THROTTLE BODY(INT	1							
31	1	129A00-12910	GASKET,THROTTLE	2							
32	1	26106-060202	BOLT, M6X 20 PLATED	2							
33	1	26106-060402	BOLT, M6X 40 PLATED	4							
34	1	26106-060902	BOLT, M6X 90 PLATED	2							

Fig.6. EXHAUST MANIFOLD

(A)=4TNV86CT-DTR

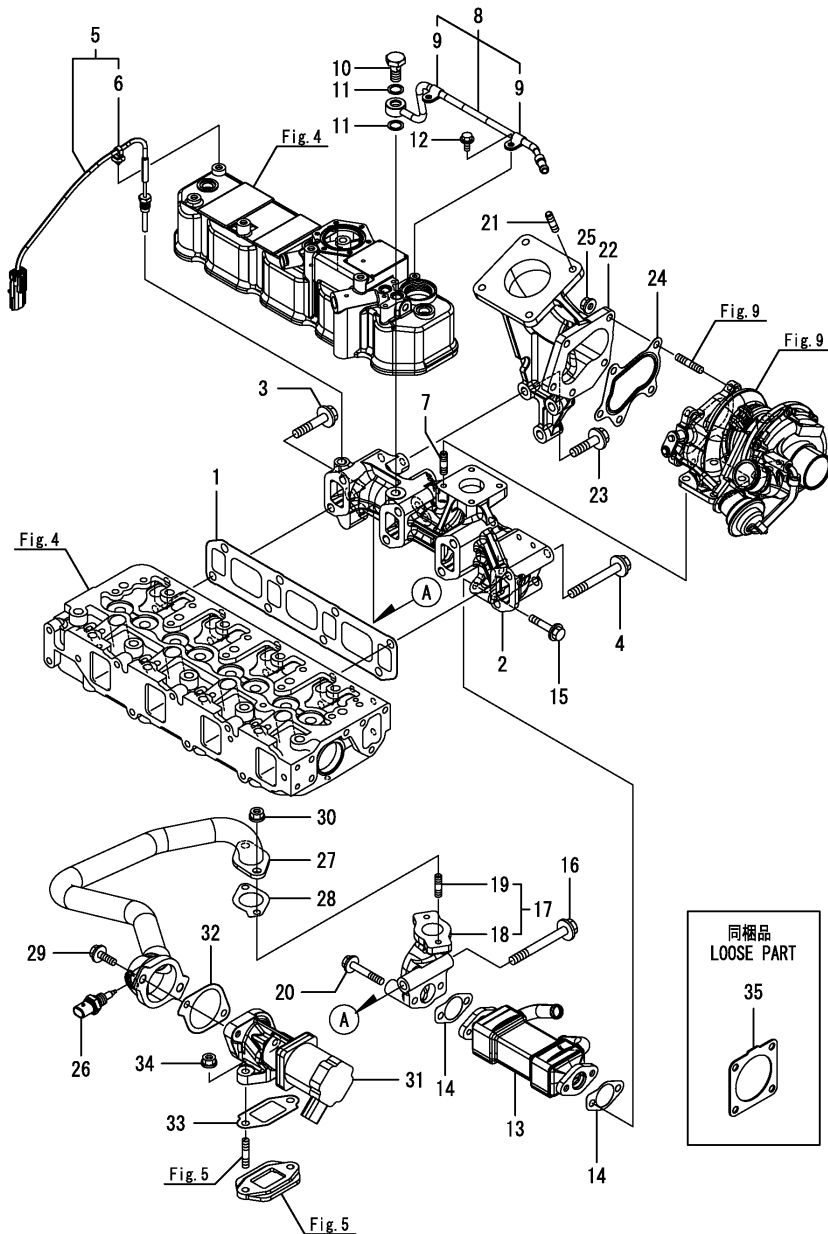
(B)=

(C)=

(D)=

(E)=

(F)=



No.	Lev.	Parts No.	Description	Qty						I	R
				(A)	(B)	(C)	(D)	(E)	(F)		
1	1	129C00-13110	GASKET, EXH MANIFOLD	1							
2	1	129C01-13110	MANIFOLD, EXHAUST	1							
3	1	129A01-13600	BOLT, M10X50 10.9T	1							
4	1	129A00-13610	BOLT, M10X80	7							
5	1	129C01-13770	SENSOR,EXH TEMP.	1							
6	2	129A00-91200	BAND CLIP	1							
7	1	129418-18320	STUD, M8X20	4							
8	1	129A00-13300	PIPE ASSY, EXHAUST P	1							
9	2	23297-080061	CLAMP, A8X 6	2							
10	1	129A00-13350	BOLT, PIPE JOINT	1							
11	1	23414-120000	GASKET, 12X1.0	2							
12	1	26106-060122	BOLT, M6X 12 PLATED	2							
13	1	129A00-13400	COOLER, EGR	1							
14	1	129A00-13410	GASKET, EGR COOLER	2							
15	1	119802-13600	BOLT, M8X40	2							
16	1	129978-13700	BOLT, FLANGE 10X90	1							
17	1	129A00-13851	PIPE CMP, EGR OUT	1							
18	2	129A00-13861	PIPE,EGR OUT	1							
19	2	129418-18320	STUD, M8X20	2							
20	1	26106-080502	BOLT, M8X 50 PLATED	2							
21	1	123900-13130	STUD, M10X22	4							
22	1	129C01-13360	PIPE, EXHAUST	1							
23	1	129C01-13600	FLANGE BOLT, 10X40	3							
24	1	129508-18090	GASKET	1							
25	1	26306-080002	NUT, M8	5							
26	1	129A00-13751	SENSOR,EGR GAS TEMP	1							
27	1	129C00-13800	PIPE(EGR CMP	1							
28	1	129927-13810	GASKET	1							
29	1	26106-080252	BOLT, M8X 25 PLATED	2							
30	1	26306-080002	NUT, M8	2							
31	1	129C00-13901	VALVE, EGR	1							
32	1	129A00-13910	GASKET, EGR-V IN	1							
33	1	129A00-13920	GASKET(EGR-V OUT	1							
34	1	26306-080002	NUT, M8	2							
35	1	129930-13201	GASKET, SILENCER	1							

同梱品  
LOOSE PART  
35

Fig.7. DIESEL PARTICULATE FILTER (DPF)

(A)=4TNV86CT-DTR

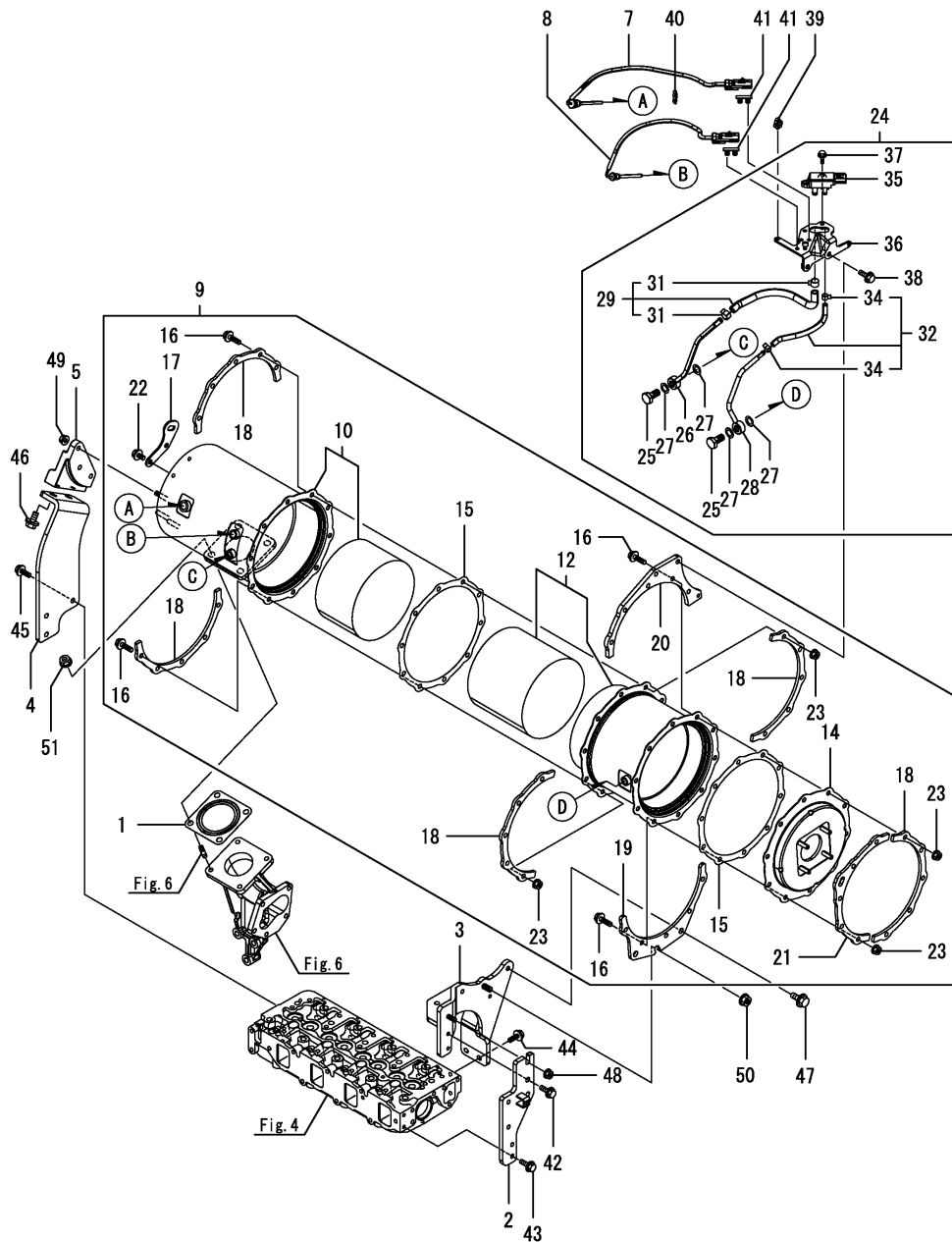
(B)=

(C)=

(D)=

(E)=

(F)=



No.	Lev.	Parts No.	Description	Q'ty						I	R
				(A)	(B)	(C)	(D)	(E)	(F)		
1	1	128300-13230	GASKET, SILENCER	1							
2	1	129A01-16810	STAY,DPF	1							
3	1	129C01-16810	STAY, DPF	1							
4	1	129C01-16820	STAY, DPF	1							
5	1	129C01-16830	STAY, DPF	1							
7	1	129C00-13910	SENSOR, EXH.TEMP	1							
8	1	129C00-13920	SENSOR, EXH.TEMP	1							
9	1	129C34-16010	DPF ASSY	1							
10	2	129C01-16210	CASE, DOC	1							
12	2	129C01-16410	CASE, SOOT FILTER	1							
14	2	129C01-16550	FLANGE, OUTLET	1							
15	2	129E00-16600	GASKET, DPF	2							
16	2	129A00-16610	BOLT, M8X28 10.9T	20							
17	2	129C01-16680	LIFTER, DPF	1							
18	2	129C01-16700	STIFFENER, DPF A	5							
19	2	129C01-16721	STIFFENER, DPF B	1							
20	2	129C34-16730	STIFFENER, DPF D	1							
21	2	129C01-16740	STIFFENER, DPF C	1							
22	2	26106-080142	BOLT, M8X 14 PLATED	2							
23	2	26306-080002	NUT, M8	20							
24	1	129E00-17200	SENSOR UNIT,PRESSURE	1							
25	2	129A00-13350	BOLT, PIPE JOINT	2							
26	2	129E00-17300	PIPE ASSY,PRES EXH	1							
27	2	129A00-17311	GASKET,SENSOR	4							
28	2	129E00-17350	PIPE ASSY,PRES EXH	1							
29	2	129C00-17600	HOSE ASSY,PRES EXH	1							
31	3	129A00-17520	CLIP, HOSE	2							
32	2	129A00-17650	HOSE ASSY,PRES EXH	1							
34	3	129A00-17570	CLIP, HOSE	2							
35	2	129A00-17702	SENSOR,PRESSURE	1							
36	2	129A00-17760	BRACKET, PRES SENSOR	1							
37	2	26106-060162	BOLT, M6X 16 PLATED	2							
38	2	26106-080202	BOLT, M8X 20 PLATED	2							
39	1	129A00-91200	BAND CLIP	1							
40	1	129C00-91200	BAND	1							
41	1	129A00-91430	CLIP, CONNECTOR	2							
42	1	26106-080202	BOLT, M8X 20 PLATED	2							
43	1	26106-080202	BOLT, M8X 20 PLATED	2							
44	1	26106-080202	BOLT, M8X 20 PLATED	2							
45	1	26106-080202	BOLT, M8X 20 PLATED	3							
46	1	26106-100202	BOLT, M10X 20 PLATED	2							
47	1	26106-100202	BOLT, M10X 20 PLATED	2							
48	1	26306-080002	NUT, M8	1							
49	1	26306-080002	NUT, M8	3							
50	1	26306-100002	NUT, M10	1							
51	1	26306-100002	NUT, M10	4							

Fig.8. CAMSHAFT & DRIVING GEAR

(A)=4TNV86CT-DTR

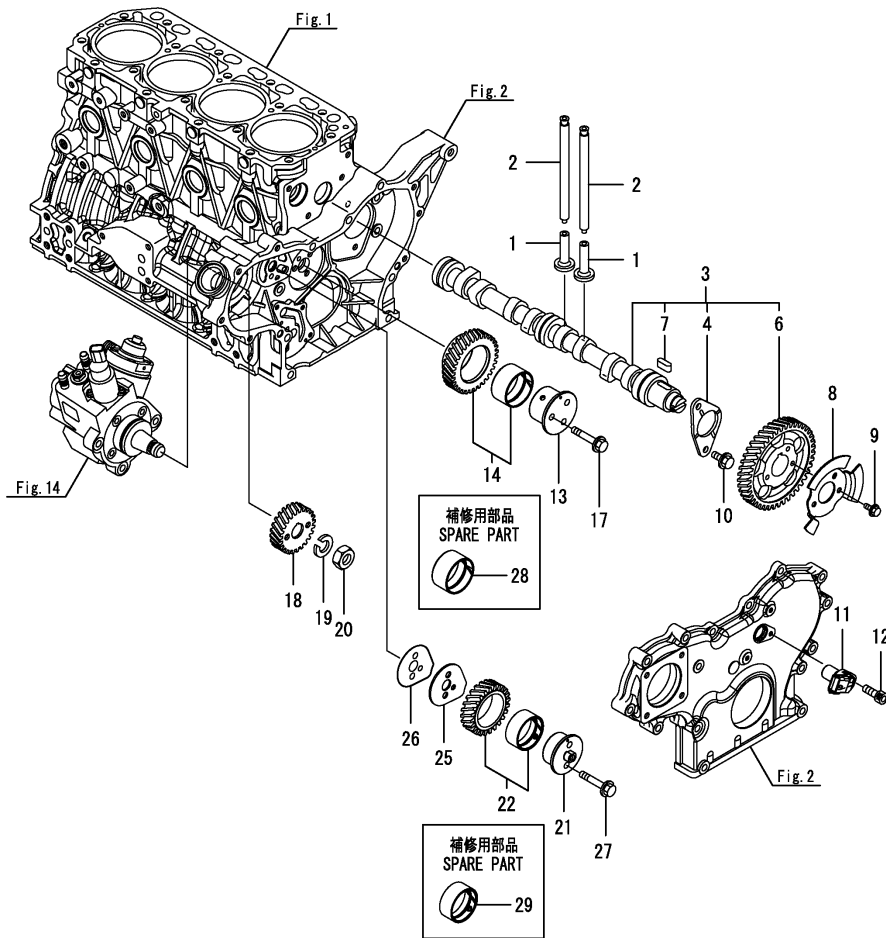
(B)=

(C)=

(D)=

(E)=

(F)=



No.	Lev.	Parts No.	Description	Q'ty						I	R
				(A)	(B)	(C)	(D)	(E)	(F)		
1	1	129150-14200	TAPPET	8							
2	1	129150-14400	ROD, PUSH L=178	8							
3	1	129C00-14580	CAMSHAFT ASSY	1							
4	2	129150-02450	BEARING, THRUST	1							
6	2	129A00-14100	GEAR,CAMSHAFT	1							
7	2	22512-070140	KEY, 7X 14	1							
8	1	129A00-14700	PULSER, CAMSHAFT	1							
9	1	26106-060102	BOLT, M6X 10 PLATED	3							
10	1	26106-080142	BOLT, M8X 14 PLATED	2							
11	1	129A00-14710	SENSOR, GEAR REV	1							
12	1	26450-060162	BOLT, M6X 16	1							
13	1	129A00-25050	SHAFT, IDLE GEAR A	1							
14	1	129A00-25110	GEAR ASSY, IDLE A	1							
17	1	26106-080452	BOLT, M8X 45 PLATED	3							
18	1	129A00-25900	GEAR, SUPPLY PUMP	1							
19	1	22217-180000	WASHER, SPRING 18	1							
20	1	26776-180002	NUT, LOCK M18	1							
21	1	129A00-25060	SHAFT, IDLE GEAR B	1							
22	1	129A00-25120	GEAR ASSY, IDLE B	1							
25	1	129A00-25200	PLATE, IDLE SHAFT B	1							
26	1	129A00-25210	GASKET, IDLE SHAFT B	1							
27	1	26106-080402	BOLT, M8X 40 PLATED	2							
28	1	119802-25071	BUSH, IDLE GEAR	1							1
29	1	129A00-25080	BUSH	1							1

Remarks

(1) Spare part.

N:Old  $\begin{matrix} \leftarrow \text{Yes} \\ \text{No} \end{matrix}$  New, Q:Old  $\begin{matrix} \leftarrow \text{No} \\ \text{Yes} \end{matrix}$  New, R:Old  $\begin{matrix} \leftarrow \text{Yes} \\ \text{Yes} \end{matrix}$  New, S:Old  $\begin{matrix} \leftarrow \text{No} \\ \text{No} \end{matrix}$  New, W:Add, Z:Discontinued, F:Interchangeable by set, K:Q'ty Change

Fig.9. TURBINE

(A)=4TNV86CT-DTR  
(B)=  
(C)=

(D)=  
(E)=  
(F)=

No.	Lev.	Parts No.	Description	Q'ty						I	R
				(A)	(B)	(C)	(D)	(E)	(F)		
1	1	129C01-18010	TURBINE ASSY, RHF4	1							
2	1	129508-18080	GASKET	1							
3	1	119131-18320	STUD, M8X22	5							
4	1	26306-080002	NUT, M8	4							

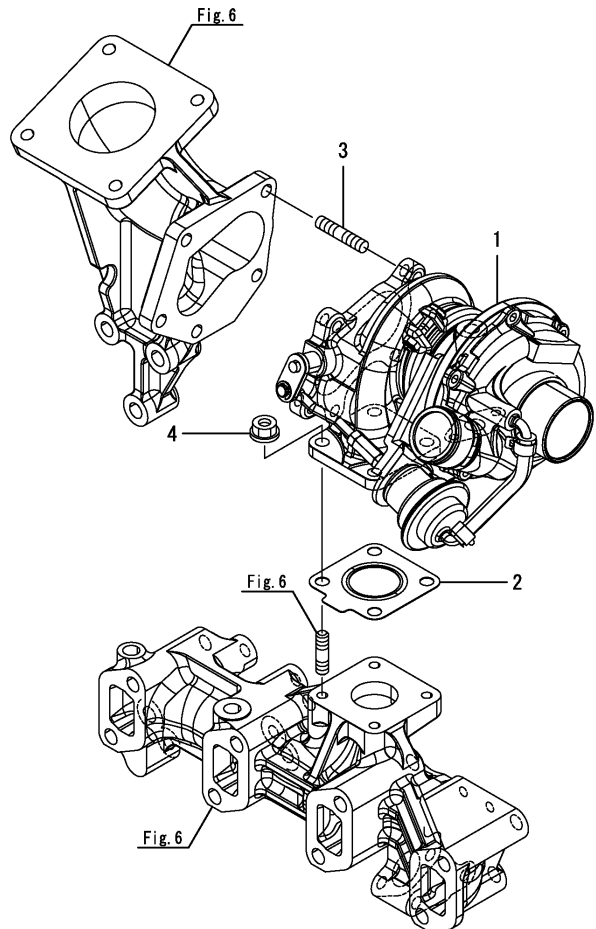


Fig.10. CRANKSHAFT & PISTON

(A)=4TNV86CT-DTR

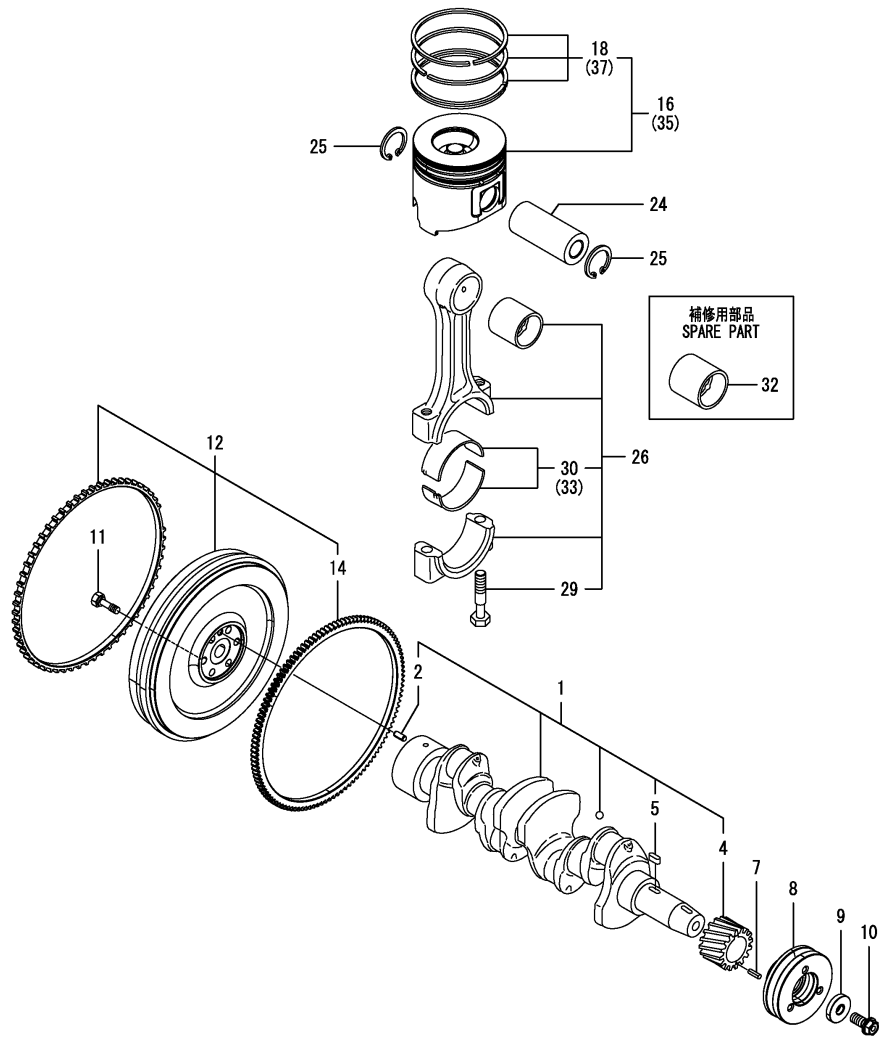
(B)=

(C)=

(D)=

(E)=

(F)=



No.	Lev.	Parts No.	Description	Q'ty						I	R
				(A)	(B)	(C)	(D)	(E)	(F)		
1	1	129509-21000	CRANKSHAFT ASSY	1							
2	2	129100-01580	PIN, M8X16	1							
4	2	119803-21200	GEAR, CRANKSHAFT	1							
5	2	22512-070140	KEY, 7X 14	1							
7	1	22351-030010	PIN, SPRING 3.0X10	1							
8	1	119802-21650	V-PULLEY, 110	1							
9	1	129795-21661	WASHER	1							
10	1	121850-21680	BOLT	1							
11	1	121111-21501	BOLT, FLYWHEEL	6							
12	1	129C34-21580	FLYWHEEL ASSY	1							
14	2	119865-21600	GEAR, RING	1							
16	1	129A01-22080	PISTON ASSY	4							
18	2	129A01-22500	RING ASSY, PISTON	4							
24	1	129202-22300	PIN, PISTON D26 L70	4							
25	1	22252-000260	RING, 26	8							
26	1	729402-23100	ROD ASSY, CONNECTING	4							
29	2	121550-23200	BOLT, CONNECTING ROD	8							
30	2	129150-23601	BEARING, CRANK PIN	4							
32	1	129100-23910	BEARING, PISTON PIN	4							1
33	1	129150-23611	BEARING, 0.25 US	4							2
35	1	129A01-22900	PISTON ASSY, 0.25 OS	4							3
37	2	129A01-22950	RING ASSY, 0.25OS	4							3

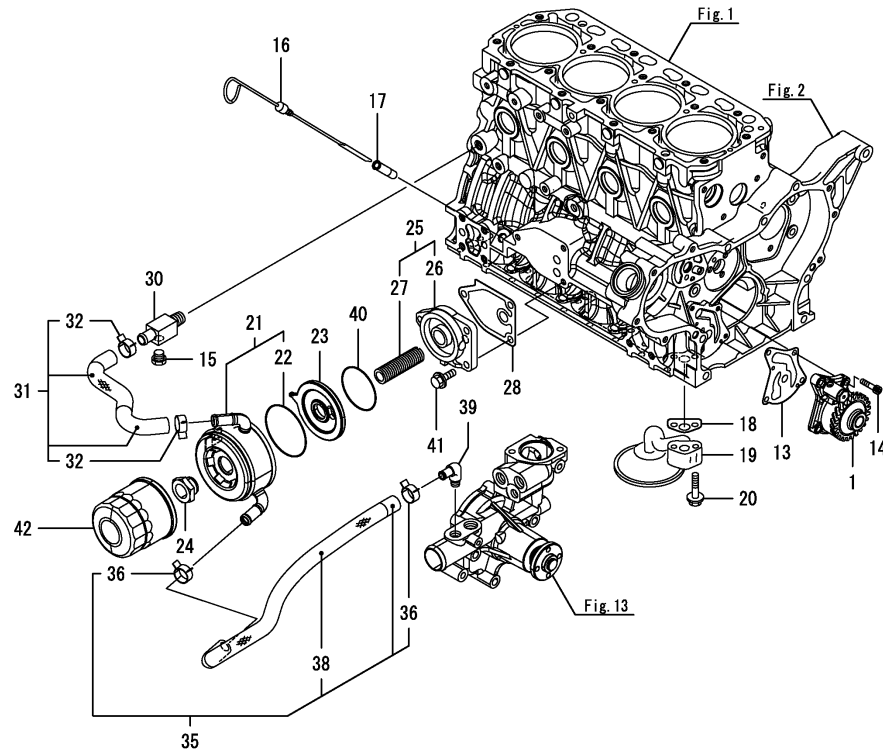
Remarks

- (1) Spare part.
- (2) Under-sized(U.S.=0.25)part.
- (3) Over-sized(O.S.=0.25)part.

Fig.11. LUB. OIL SYSTEM

(A)=4TNV86CT-DTR  
(B)=  
(C)=

(D)=  
(E)=  
(F)=



No.	Lev.	Parts No.	Description	Q'ty						I	R
				(A)	(B)	(C)	(D)	(E)	(F)		
1	1	129A01-32000	PUMP ASSY, LUB. OIL	1							
13	1	129486-32020	GASKET, PUMP	1							
14	1	26450-060252	BOLT, M6X 25	4							
15	1	171056-49120	PLUG, DRAIN	1							
16	1	129005-34802	DIPSTICK, OIL	1							
17	1	121520-34810	GUIDE, DIPSTICK	1							
18	1	129150-35042	GASKET	1							
19	1	129150-35091	PIPE ASSY, OIL INLET	1							
20	1	26106-080352	BOLT, M8X 35 PLATED	2							
21	1	129908-33010	COOLER ASSY, OIL	1							
22	2	123912-33050	O-RING	1							
23	1	129908-33101	BRACKET, COOLER	1							
24	1	129417-33111	NUT, OIL COOLER	1							
25	1	129648-35100	BRACKET ASSY, FILTER	1							
26	2	119802-35110	BRACKET, FILTER	1							
27	2	129648-35150	STUD	1							
28	1	129150-35111	GASKET	1							
30	1	129006-44480	JOINT	1							
31	1	129A01-49030	PIPE, COOLING WATER	1							
32	2	171008-03990	CLIP, HOSE 18.5	2							
35	1	129A01-49040	HOSE, COOLING WATER	1							
36	2	171008-03990	CLIP, HOSE 18.5	2							
38	2	129608-49090	TUBE, CORRUGATED	1							
39	1	129103-49301	ELBOW, PT1/4	1							
40	1	24321-000600	O-RING, 1AG60.0	1							
41	1	26106-080202	BOLT, M8X 20 PLATED	3							
42	1	129150-35153	FILTER	1							1

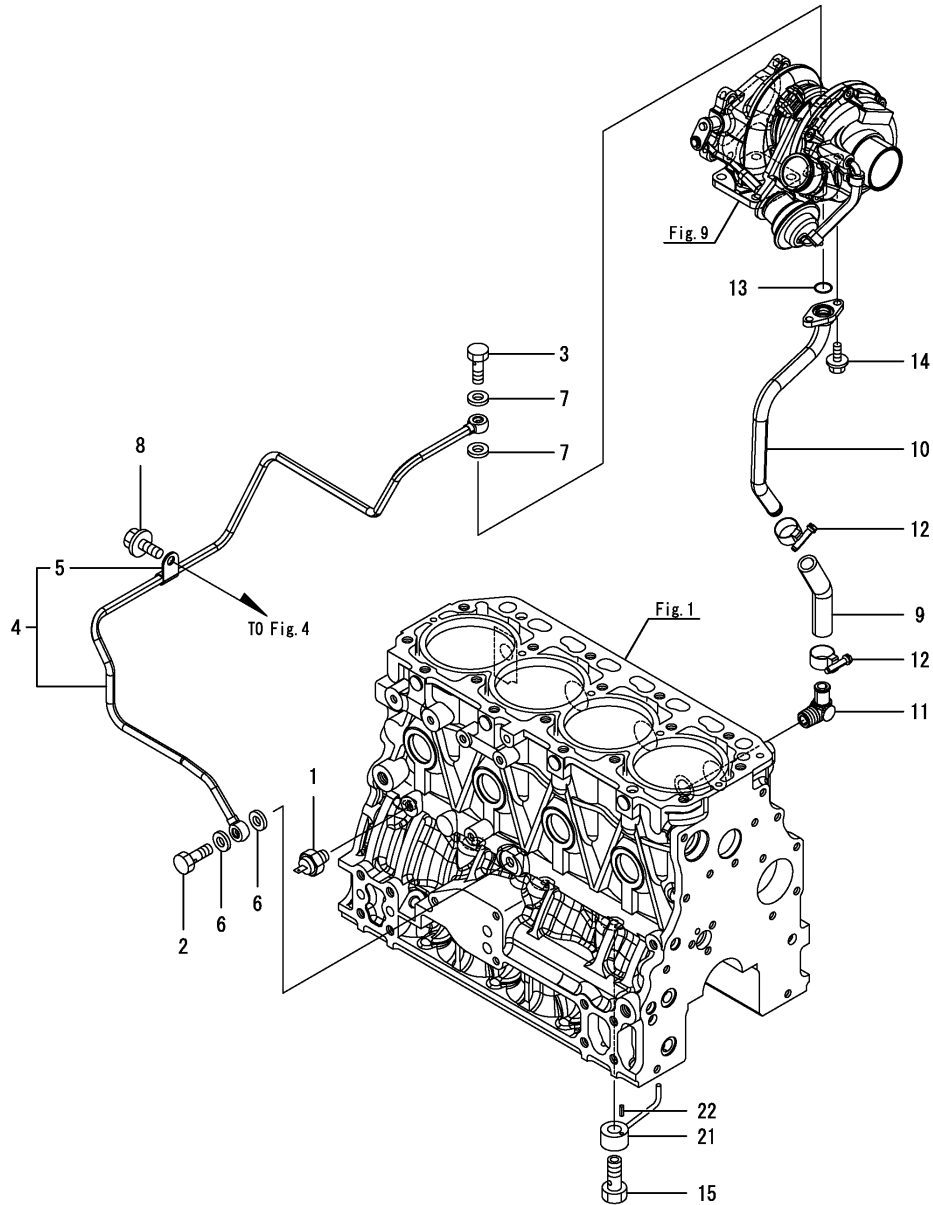
Remarks  
(1) Spare part.



Fig.12. LUB. OIL LINE

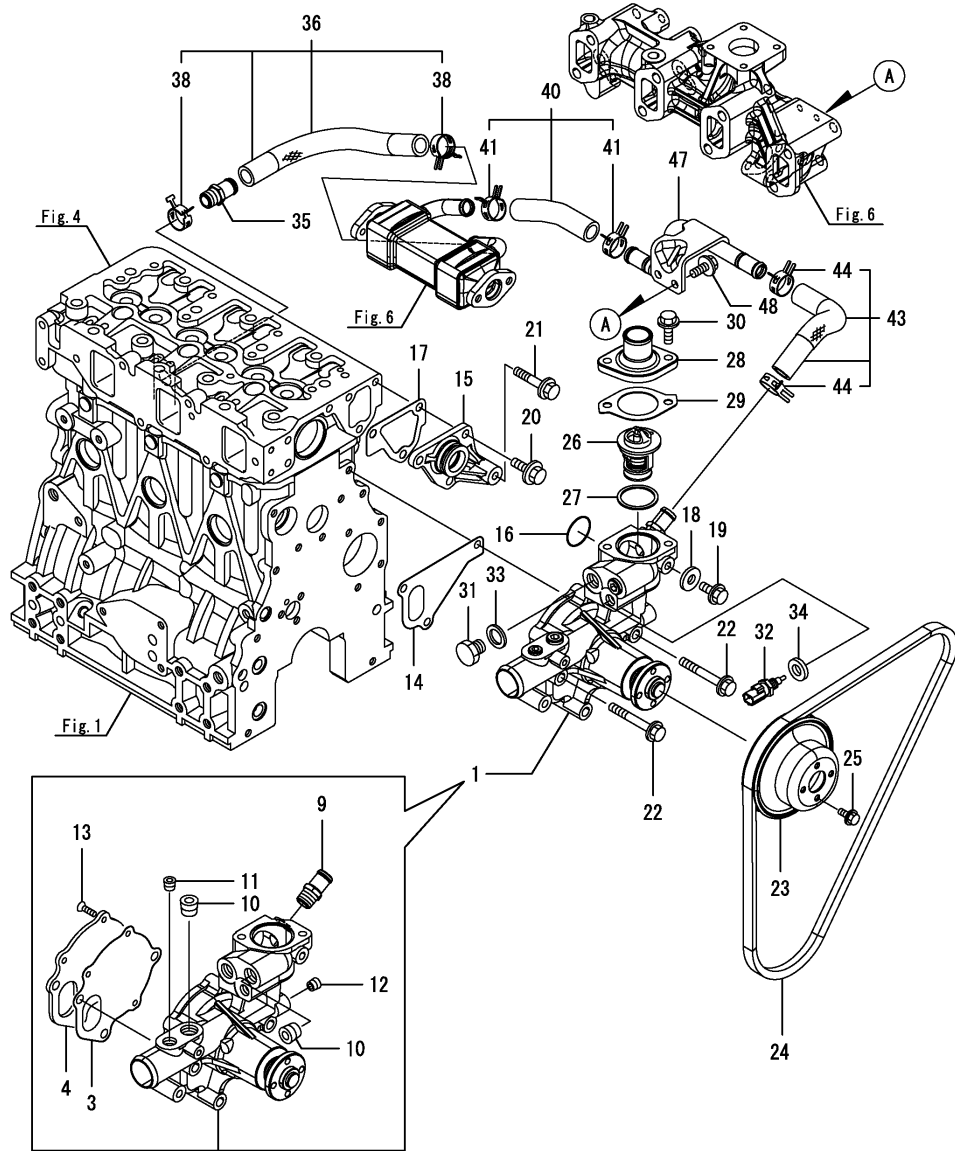
(A)=4TNV86CT-DTR  
(B)=  
(C)=

(D)=  
(E)=  
(F)=



No.	Lev.	Parts No.	Description	Q'ty						I	R
				(A)	(B)	(C)	(D)	(E)	(F)		
1	1	119761-39450	SWITCH, 0.5KG	1							
2	1	124160-39140	BOLT, PIPE JOINT M10	1							
3	1	121252-39150	BOLT, JOINT M10X1.5	1							
4	1	129C01-39450	PIPE ASSY, LUB. OIL	1							
5	2	124223-39900	RETAINER	1							
6	1	22190-100002	WASHER, SEAL 10	2							
7	1	23414-100000	GASKET, 10X1.0	2							
8	1	26106-080122	BOLT, M8X 12 PLATED	1							
9	1	129044-39610	JOINT, RUBBER	1							
10	1	129C01-39610	PIPE, LUB. OIL	1							
11	1	129466-49300	ELBOW, PT3/8	1							
12	1	23000-022000	CLAMP, 22	2							
13	1	24316-000160	O-RING, 4DP16.0	1							
14	1	26106-060162	BOLT, M6X 16 PLATED	2							
15	1	129792-39410	VALVE ASSY, CHECK	4							
21	1	129553-39650	NOZZLE	4							
22	1	22351-030010	PIN, SPRING 3.0X10	4							

Fig.13. COOLING WATER SYSTEM



(A)=4TNV86CT-DTR  
(B)=  
(C)=

(D)=  
(E)=  
(F)=

No.	Lev.	Parts No.	Description	Qty						I	R
				(A)	(B)	(C)	(D)	(E)	(F)		
1	1	129A00-42000	PUMP ASSY, WATER	1							
3	2	129100-42051	GASKET, WATER PUMP	1							
4	2	129100-42121	PLATE	1							
9	2	129928-49420	JOINT	1							
10	2	129916-49740	PLUG, R03	2							
11	2	23875-020000	PLUG, R02	1							
12	2	23876-010000	PLUG, R01	1							
13	2	26577-060142	SCREW M 6X 14	3							
14	1	129486-42021	GASKET, WATER PUMP	1							
15	1	129004-42040	JOINT	1							
16	1	129486-42140	O-RING, G30	1							
17	1	124395-49840	GASKET	1							
18	1	23414-080000	GASKET, 8X1.0	1							
19	1	26106-080122	BOLT, M8X 12 PLATED	1							
20	1	26106-080162	BOLT, M8X 16 PLATED	3							
21	1	26106-080452	BOLT, M8X 45 PLATED	1							
22	1	26106-080602	BOLT, M8X 60 PLATED	3							
23	1	129403-42380	V-PULLEY, D=110	1							
24	1	129211-42290	V-BELT, A38.5	1							
25	1	26106-060122	BOLT, M6X 12 PLATED	4							
26	1	129155-49801	THERMOSTAT, 71	1							
27	1	129150-49811	GASKET, THERMOSTAT	1							
28	1	129350-49530	COVER, THERMOSTAT	1							
29	1	129795-49551	GASKET	1							
30	1	26106-080222	BOLT, M8X 22 PLATED	2							
31	1	121450-42450	PLUG, M16	1							
32	1	129927-44900	SENSOR	1							
33	1	124465-44950	GASKET, 16	1							
34	1	22190-120002	WASHER, SEAL 12	1							
35	1	129928-49420	JOINT	1							
36	1	129A00-49610	PIPE ASSY, WATER IN	1							
38	2	129960-03990	CLIP, HOSE 22	2							
40	1	129C00-49610	PIPE ASSY, WATER OUT	1							
41	2	129960-03990	CLIP, HOSE 22	2							
43	1	129C00-49620	PIPE ASSY, WATER OUT	1							
44	2	129960-03990	CLIP, HOSE 22	2							
47	1	129C00-49700	CW PIPE OUT(EGR-C	1							
48	1	26106-080162	BOLT, M8X 16 PLATED	2							

Fig.14. FUEL SUPPLY PUMP

(A)=4TNV86CT-DTR  
(B)=  
(C)=

(D)=  
(E)=  
(F)=

No.	Lev.	Parts No.	Description	Qty						I	R
				(A)	(B)	(C)	(D)	(E)	(F)		
1	1	129A00-51000	PUMP ASSY, FUEL	1							
2	2	129A00-51900	O-RING, FUEL PUMP	1							
3	1	26106-080302	BOLT, M8X 30 PLATED	3							

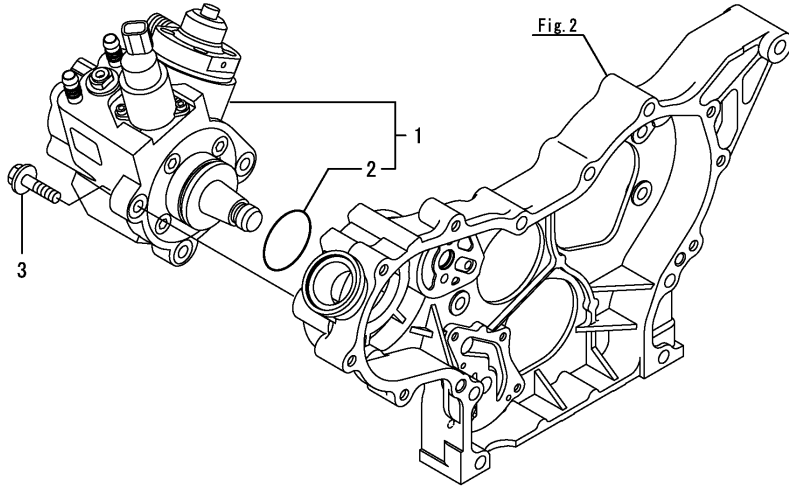
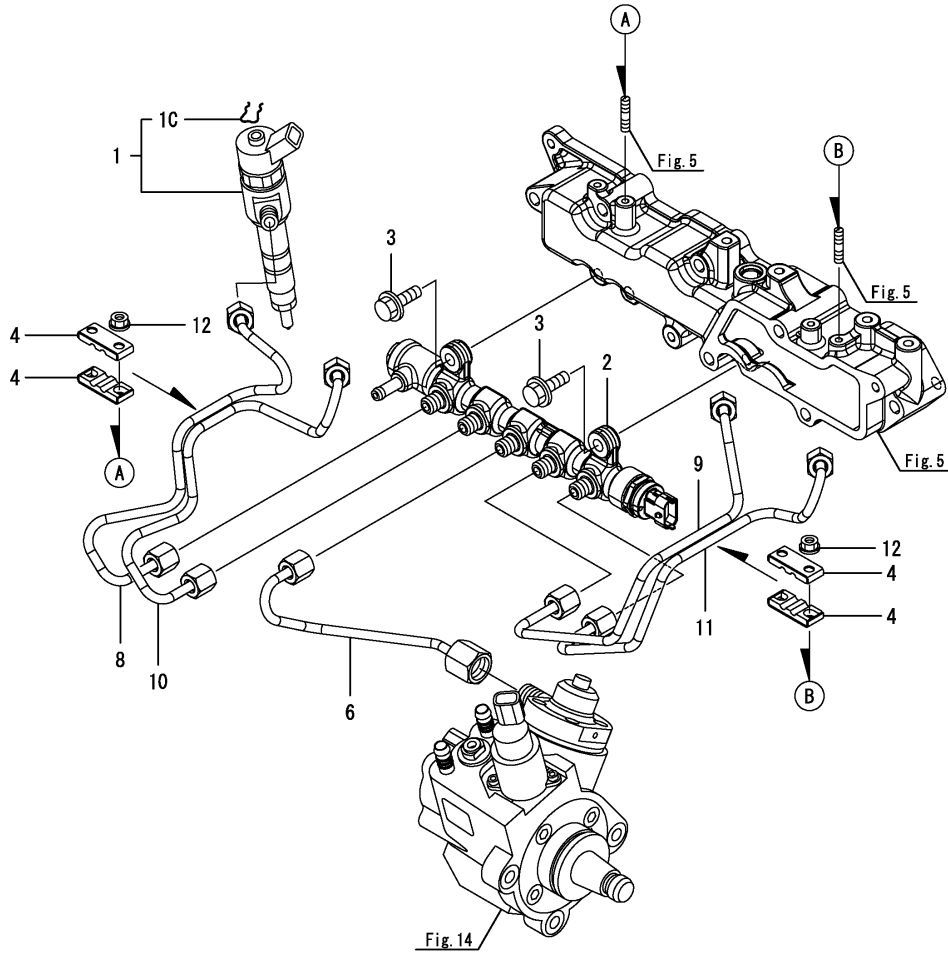


Fig.15. FUEL INJECTION VALVE

(A)=4TNV86CT-DTR  
(B)=  
(C)=

(D)=  
(E)=  
(F)=



No.	Lev.	Parts No.	Description	Q'ty						I	R
				(A)	(B)	(C)	(D)	(E)	(F)		
1	1	129A01-53100	INJECTOR ASSY	4							
1C	2	129A00-53200	RING, RETAINING	4							
2	1	129C00-57000	RAIL ASSY	1							
3	1	26106-080252	BOLT, M8X 25 PLATED	2							
4	1	122780-59100	RETAINER	4							
6	1	129A00-59700	PIPE ASSY, RAIL IN	1							
8	1	129C00-59810	PIPE ASSY, INJECTION	1							
9	1	129A00-59820	PIPE ASSY, INJECTION	1							
10	1	129C00-59820	PIPE ASSY, INJECTION	1							
11	1	129A00-59830	PIPE ASSY, INJECTION	1							
12	1	26366-060002	NUT, M6	4							

Fig.16. FUEL LINE

(A)=4TNV86CT-DTR

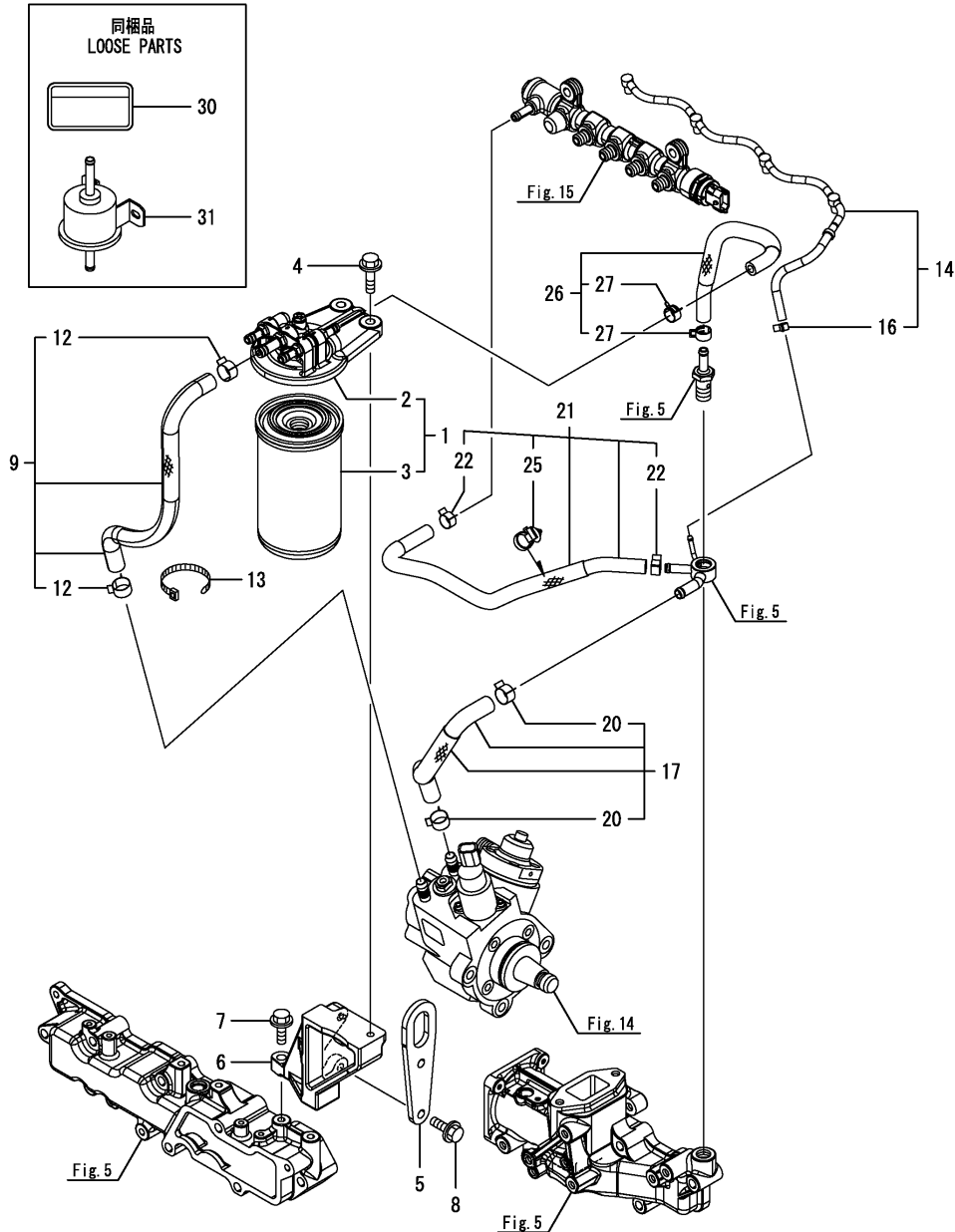
(B)=

(C)=

(D)=

(E)=

(F)=



No.	Lev.	Parts No.	Description	Q'ty						I	R
				(A)	(B)	(C)	(D)	(E)	(F)		
1	1	129A00-55600	FILTE ASSY,FO	1							
2	2	129A00-55610	BRACKET ASSY,FO FILT	1							
3	2	129A00-55800	FILTER, FUEL OIL	1							
4	1	26106-080302	BOLT, M8X 30 PLATED	2							
5	1	129A01-07900	LIFTER, ENGINE	1							
6	1	129A01-55650	STAY,FO FILTER BRACK	1							
7	1	26106-080252	BOLT, M8X 25 PLATED	1							
8	1	26106-080302	BOLT, M8X 30 PLATED	2							
9	1	129A00-59010	PIPE ASSY, FUEL	1							
12	2	23080-015000	CLAMP, 15	2							
13	1	121750-59890	BAND, 140	1							
14	1	129C00-59500	PIPE ASSY, FUEL	1							
16	2	23080-007000	CLAMP, 7	1							
17	1	129A00-59020	PIPE ASSY, FUEL	1							
20	2	23080-015000	CLAMP, 15	2							
21	1	129C00-59030	PIPE ASSY, FUEL	1							
22	2	114270-59010	CLIP, HOSE 12	2							
25	2	129A00-91200	BAND CLIP	1							
26	1	129A00-59040	PIPE ASSY, FUEL	1							
27	2	114270-59010	CLIP, HOSE 12	2							
30	1	114110-07761	LABEL, FUEL OIL CAUT	1							
31	1	129612-52100	PUMP ASSY, FUEL FEED	1							

Fig.17. STARTING MOTOR

(A)=4TNV86CT-DTR

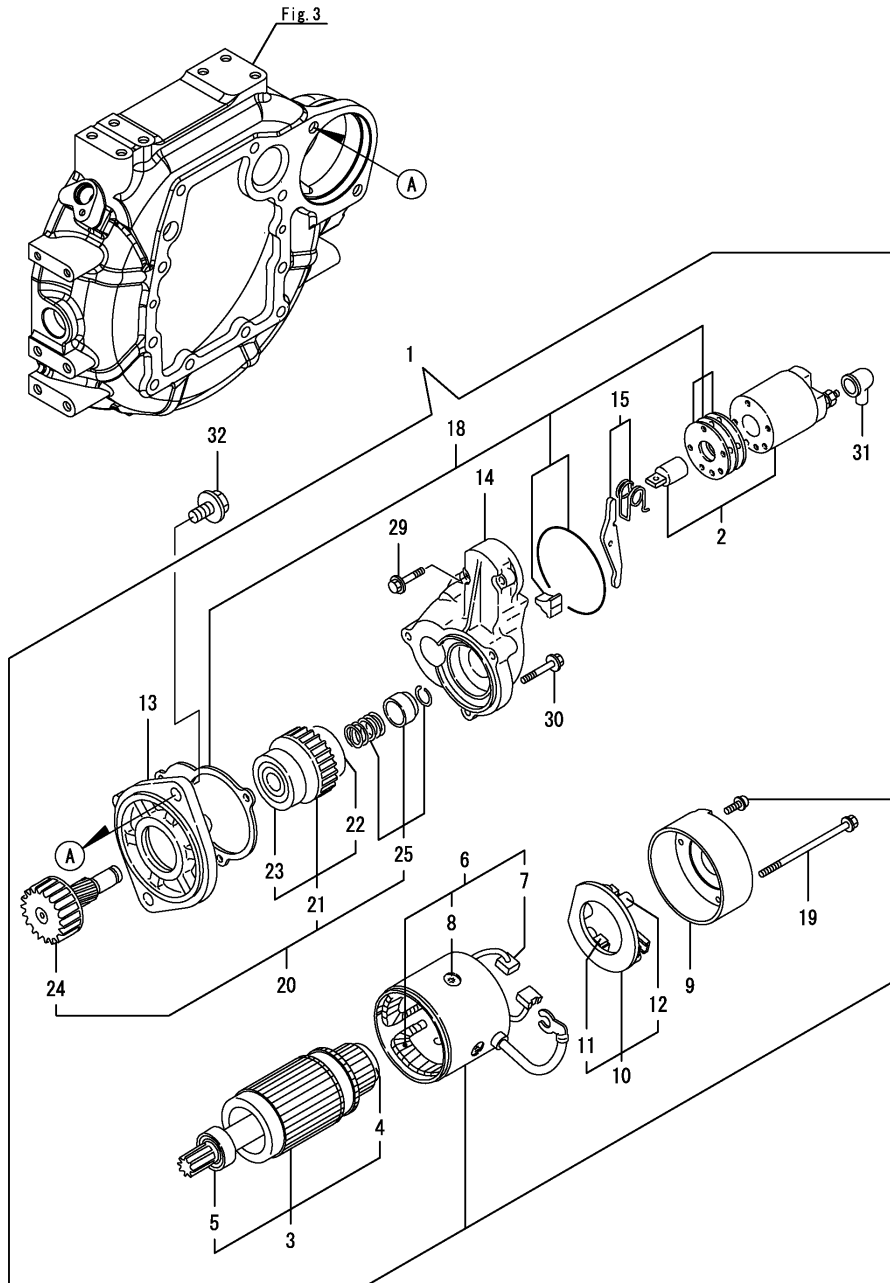
(B)=

(C)=

(D)=

(E)=

(F)=



No.	Lev.	Parts No.	Description	Q'ty						I	R
				(A)	(B)	(C)	(D)	(E)	(F)		
1	1	129136-77011	STARTER	1							
2	2	129136-77310	SWITCH ASSY	1							
3	2	129900-77400	ARMATURE ASSY	1							
4	3	X2130350900	BEARING, BALL	1							
5	3	X2114255110	BEARING, BALL	1							
6	2	129900-77440	COIL ASSY, FIELD	1							
7	3	129900-77450	BRUSH	2							
8	3	171008-77450	SCREW	4							
9	2	129900-77460	COVER	1							
10	2	129900-77480	HOLDER ASSY, BRUSH	1							
11	3	129900-77450	BRUSH	2							
12	3	129400-77490	SPRING	4							
13	2	171008-77510	CASE, GEAR	1							
14	2	129136-77520	HOUSING	1							
15	2	171008-77540	LEVER SET	1							
18	2	129400-77571	COVER ASSY, DUST	1							
19	2	129900-77640	BOLT, THROUGH	2							
20	2	171008-77650	PINION ASSY	1							
21	3	X2114555500	CLUTCH ASSY	1							
22	4	X2114955020	BEARING, BALL	1							
23	4	X2240410100	BEARING, BALL	1							
24	3	171008-77660	SHAFT	1							
25	3	171008-77670	STOPPER SET	1							
29	2	26106-060322	BOLT, M6X 32 PLATED	2							
30	2	26106-060402	BOLT, M6X 40 PLATED	3							
31	2	171008-77750	COVER	1							
32	1	26106-120252	BOLT, M12X 25 PLATED	2							

Fig.18. GENERATOR

(A)=4TNV86CT-DTR

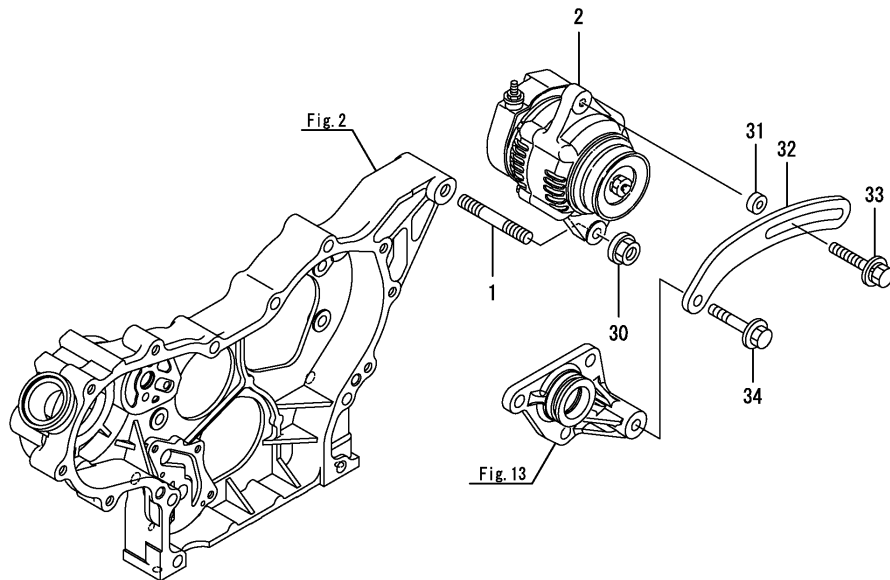
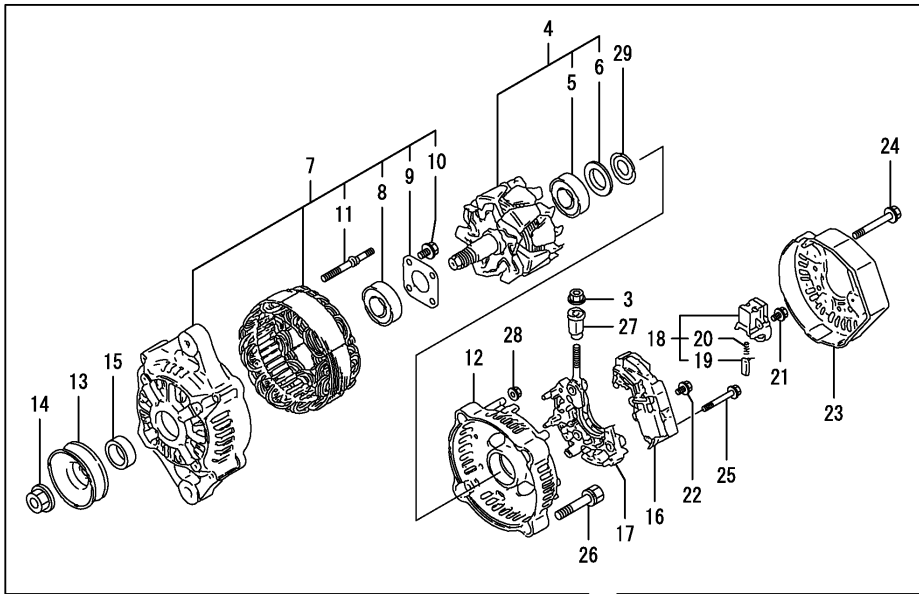
(B)=

(C)=

(D)=

(E)=

(F)=



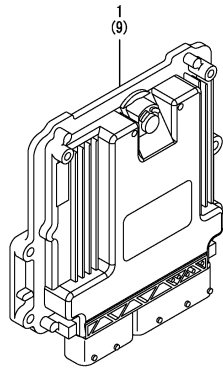
No.	Lev.	Parts No.	Description	Q'ty						I	R
				(A)	(B)	(C)	(D)	(E)	(F)		
1	1	129795-01900	STUD	1							
2	1	129423-77200	GENERATOR, 12V-40A	1							
3	2	X9490561001	NUT	1							
4	2	119620-77380	ROTOR ASSY	1							
5	3	123501-79240	BEARING, BALL	1							
6	3	119620-79250	COVER	1							
7	2	119620-77421	FRAME ASSY, DRIVE	1							
8	3	119620-79200	BEARING, BALL	1							
9	3	119620-79210	PLATE, RETAINER	1							
10	3	119620-79220	SCREW	4							
11	3	119620-79230	STUD	2							
12	2	119620-77440	FRAME ASSY	1							
13	2	119620-77461	PULLEY	1							
14	2	119620-77471	NUT	1							
15	2	119620-77490	COLLAR	1							
16	2	129423-77710	REGULATOR ASSY	1							
17	2	119620-79260	HOLDER	1							
18	2	129052-79270	HOLDER, BRUSH	1							
19	3	119620-77480	BRUSH ASSY	2							
20	3	119620-79280	SPRING	2							
21	2	119620-79290	SCREW	6							
22	2	119620-79300	SCREW	1							
23	2	129240-79300	COVER	1							
24	2	119620-79310	BOLT	3							
25	2	119620-79320	SCREW	2							
26	2	119620-79330	BOLT	2							
27	2	119620-79340	BUSH, INSULATION	1							
28	2	119620-79350	NUT	2							
29	2	119620-79360	WASHER, THRUST	1							
30	1	26306-100002	NUT, M10	1							
31	1	119940-77270	SPACER, GENERATOR	1							
32	1	119802-77330	ADJUSTER	1							
33	1	129972-77341	BOLT, ADJUSTER L=50	1							
34	1	26106-080452	BOLT, M8X 45 PLATED	1							

Fig.19. ELECTRONIC CONTROL UNIT (ECU)

(A)=4TNV86CT-DTR  
(B)=  
(C)=

(D)=  
(E)=  
(F)=

No.	Lev.	Parts No.	Description	Q'ty						I	R
				(A)	(B)	(C)	(D)	(E)	(F)		
1	1	129C34-75000	ECU ASSY,4-86CT-DTR	1							1
9	1	129A00-75910	ECU ASSY,SERVICE YMR	1							2



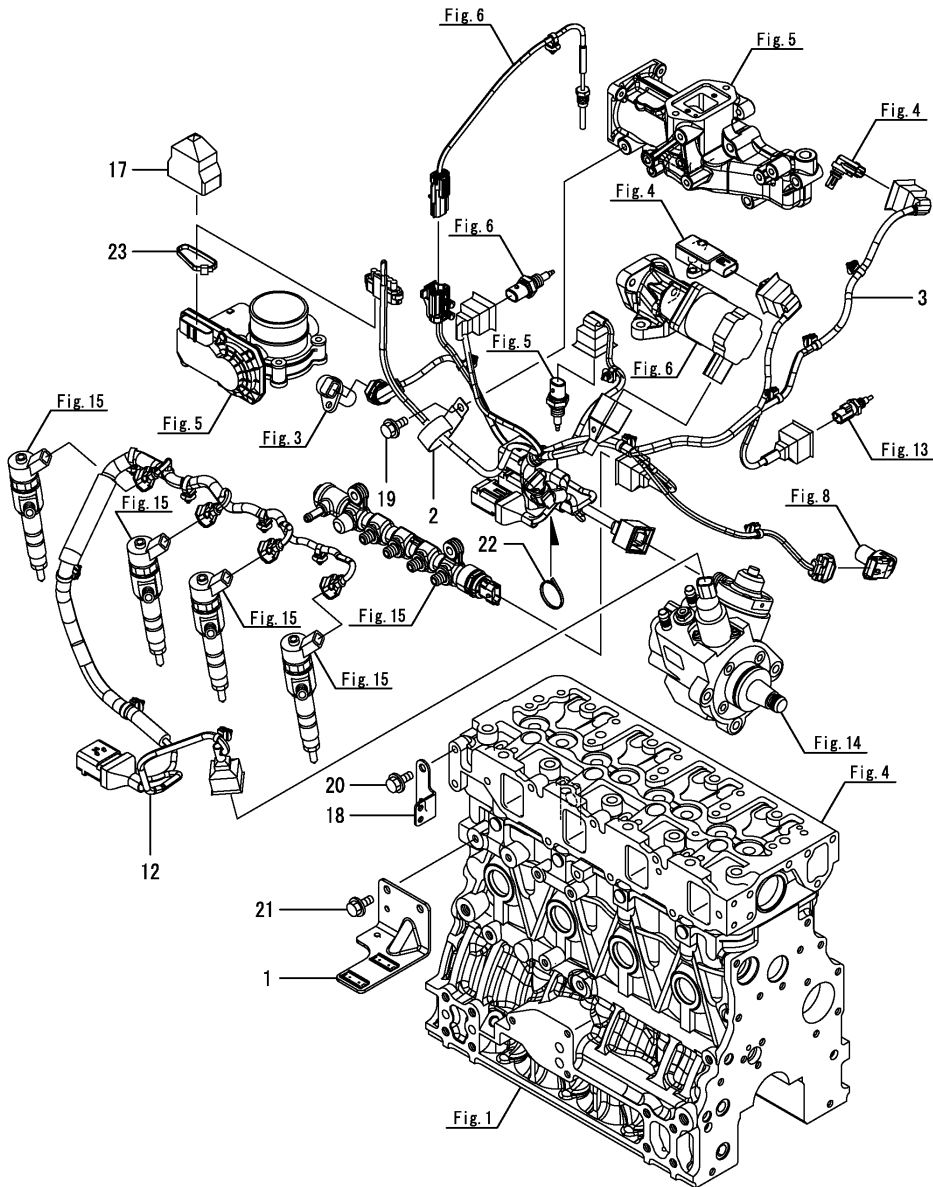
Remarks  
 (1)Eco ECU  
 This part cannot be ordered.  
 Replace the part using a Service ECU with the proper engine information installed.  
 (2)Service ECU  
 If the proper information is not installed, the engine will not operate.  
 To install proper information, go to an authorized Distributor.



Fig.20. ELECTRIC PARTS

(A)=4TNV86CT-DTR  
(B)=  
(C)=

(D)=  
(E)=  
(F)=



No.	Lev.	Parts No.	Description	Q'ty						I	R
				(A)	(B)	(C)	(D)	(E)	(F)		
1	1	129A00-77930	BRACKET,CONNECTOR	1							
2	1	129928-79700	CLIP	1							
3	1	129C01-91220	HARNESS,B ECO ENGINE	1							
12	1	129C00-91230	HARNESS C,ECO ENGINE	1							
17	1	129A00-91450	BOOT,CAP TYPE	1							
18	1	129A00-91600	BRACKET, HARNESS	1							
19	1	26106-080122	BOLT, M8X 12 PLATED	1							
20	1	26106-080122	BOLT, M8X 12 PLATED	2							
21	1	26106-080122	BOLT, M8X 12 PLATED	2							
22	1	29621-100000	BAND, TR100	1							
23	1	29621-200000	BAND	1							

Fig.21. GASKET SET

(A)=4TNV86CT-DTR

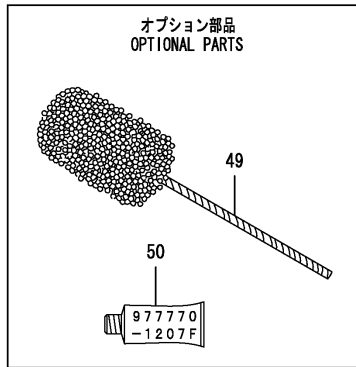
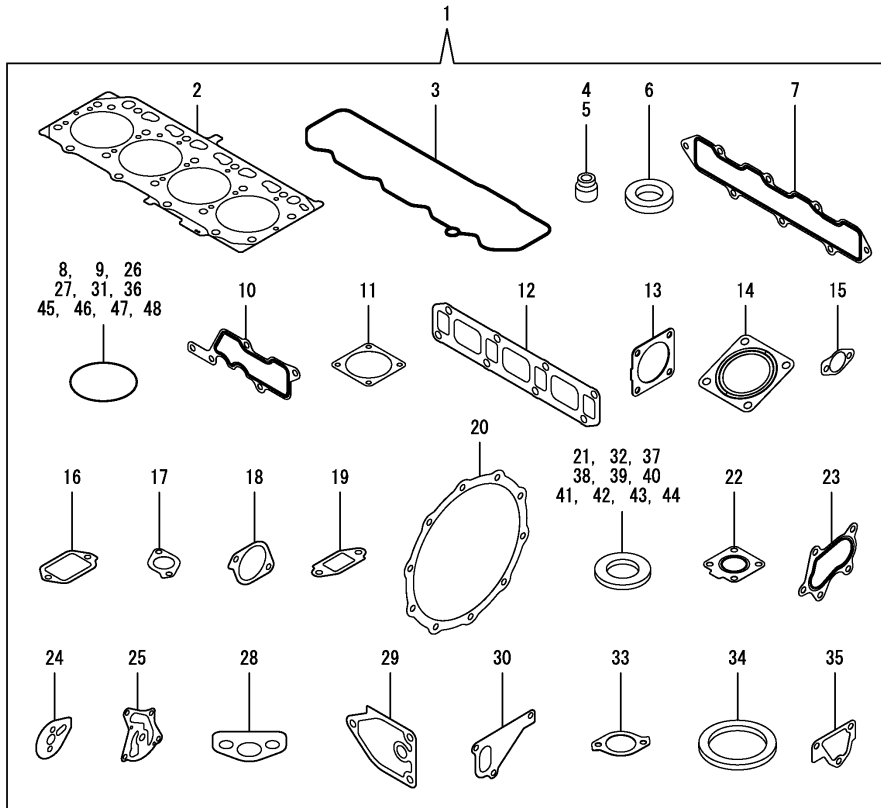
(B)=

(C)=

(D)=

(E)=

(F)=



No.	Lev.	Parts No.	Description	Q'ty						I	R
				(A)	(B)	(C)	(D)	(E)	(F)		
1	1	729C01-92600	GASKET KIT	1							1
2	2	129C01-01331	GASKET, CYL. HEAD	1							
3	2	129C00-11310	GASKET, COVER	1							
4	2	124460-11340	SEAL, VALVE STEM	4							
5	2	129A00-11340	SEAL, VALVE STEM	4							
6	2	129978-11871	GASKET,INJECTOR	4							
7	2	129C00-12110	GASKET, INT MANIFOLD	1							
8	2	129A00-12780	O-RING,PRES SENSOR	2							
9	2	129A00-12790	O-RING,TEMP SENSOR	1							
10	2	129A00-12810	GASKET, COLLECTOR	1							
11	2	129A00-12910	GASKET,THROTTLE	2							
12	2	129C00-13110	GASKET, EXH MANIFOLD	1							
13	2	129930-13201	GASKET, SILENCER	1							
14	2	128300-13230	GASKET, SILENCER	1							
15	2	129A00-13410	GASKET, EGR COOLER	2							
16	2	129A00-13720	GASKET(EGR-V SPACER	1							
17	2	129927-13810	GASKET	1							
18	2	129A00-13910	GASKET, EGR-V IN	1							
19	2	129A00-13920	GASKET(EGR-V OUT	1							
20	2	129E00-16600	GASKET, DPF	2							
21	2	129A00-17311	GASKET,SENSOR	4							
22	2	129508-18080	GASKET	1							
23	2	129508-18090	GASKET	1							
24	2	129A00-25210	GASKET, IDLE SHAFT B	1							
25	2	129486-32020	GASKET, PUMP	1							
26	2	119609-32040	O-RING, P16	2							
27	2	119624-32040	O-RING, P12.0	1							
28	2	129150-35042	GASKET	1							
29	2	129150-35111	GASKET	1							
30	2	129486-42021	GASKET, WATER PUMP	1							
31	2	129486-42140	O-RING, G30	1							
32	2	124465-44950	GASKET, 16	1							
33	2	129795-49551	GASKET	1							
34	2	129150-49811	GASKET, THERMOSTAT	1							
35	2	124395-49840	GASKET	1							
36	2	129A00-51900	O-RING, FUEL PUMP	1							
37	2	22190-080002	WASHER, SEAL 6	1							
38	2	22190-100002	WASHER, SEAL 10	2							
39	2	22190-120002	WASHER, SEAL 12	1							
40	2	22190-140002	WASHER, SEAL 14	2							
41	2	22190-220002	WASHER, SEAL 22	1							
42	2	23414-080000	GASKET, 8X1.0	1							
43	2	23414-100000	GASKET, 10X1.0	2							
44	2	23414-120000	GASKET, 12X1.0	2							
45	2	24311-000120	O-RING, 1AP12.0	3							
46	2	24311-000320	O-RING, 1AP32.0	1							
47	2	24316-000160	O-RING, 4DP16.0	1							
48	2	24321-000600	O-RING, 1AG60.0	1							
49	1	129400-92430	HONE	1							1
50	1	977770-1207F	GASKET.LIQUID	1							1

Remarks

(1)Optional parts.

N:Old  $\xrightarrow{\text{Yes}}$  New, Q:Old  $\xrightarrow{\text{No}}$  New, R:Old  $\xrightarrow{\text{Yes}}$  New, S:Old  $\xrightarrow{\text{No}}$  New, W:Add, Z:Discontinued, F:Interchangeable by set, K:Q'ty Change

## Parts No. Index

Parts No.	Fig. No.	Ref. No.
114110-07761	16	30
114270-59010	16	22
		27
119131-18320	9	3
119609-32040	2	5
	21	26
119620-01750	3	3
119620-77380	18	4
119620-77421	18	7
119620-77440	18	12
119620-77461	18	13
119620-77471	18	14
119620-77480	18	19
119620-77490	18	15
119620-79200	18	8
119620-79210	18	9
119620-79220	18	10
119620-79230	18	11
119620-79250	18	6
119620-79260	18	17
119620-79280	18	20
119620-79290	18	21
119620-79300	18	22
119620-79310	18	24
119620-79320	18	25
119620-79330	18	26
119620-79340	18	27
119620-79350	18	28
119620-79360	18	29
119624-32040	2	6
	21	27
119640-01640	3	7
119640-61400	4	53
119761-39450	12	1
119802-11260	4	4
119802-11270	4	5
119802-13600	6	15
119802-21650	10	8
119802-25071	8	28
119802-35110	11	26
119802-77330	18	32
119803-21200	10	4
119807-11770	4	59
119865-21600	10	14
119934-01800	2	11
119940-77270	18	31
120130-11860	4	75
120270-54410	4	32
121111-21501	10	11
121252-39150	12	3

Parts No.	Fig. No.	Ref. No.
121450-42450	13	31
121520-34810	11	17
121550-23200	10	29
121750-59890	16	13
121850-21680	10	10
122780-59100	15	4
123501-79240	18	5
123900-13130	6	21
123907-03100	4	40
123907-03110	4	41
123907-03120	4	42
123907-03140	4	43
123912-33050	11	22
124060-01050	1	11
124160-01751	2	3
124160-01910	1	12
		13
124160-11360	4	58
124160-39140	12	2
124223-39900	12	5
124240-01871	2	12
124395-49840	13	17
	21	35
124460-11340	4	26
	21	4
124465-44950	13	33
	21	32
128300-13230	7	1
	21	14
129001-01250	1	4
129001-02931	1	29
129004-03010	4	38
129004-11650	4	7
129004-42040	13	15
129005-11100	4	22
129005-34802	11	16
129006-44480	11	30
129008-77800	4	73
129009-11340	4	47
129044-39610	12	9
129052-79270	18	18
129100-01580	2	2
	3	1
		15
	10	2
129100-01640	3	16
129100-11130	4	24
129100-23910	10	32
129100-42051	13	3
129100-42121	13	4

Parts No.	Fig. No.	Ref. No.
129103-49301	11	39
129136-77011	17	1
129136-77310	17	2
129136-77520	17	14
129150-01200	1	27
129150-02020	1	6
129150-02450	8	4
129150-02871	1	32
129150-02931	1	24
129150-02941	1	35
129150-03070	4	39
129150-11230	4	8
129150-11280	4	6
129150-11370	4	12
129150-11750	4	10
129150-11810	4	76
129150-14200	8	1
129150-14400	8	2
129150-23601	10	30
129150-23611	10	33
129150-35042	11	18
	21	28
129150-35091	11	19
129150-35111	11	28
	21	29
129150-35153	11	42
129150-49811	13	27
	21	34
129155-49801	13	26
129202-22300	10	24
129211-42290	13	24
129240-79300	18	23
129350-49530	13	28
129400-01730	3	10
129400-77490	17	12
129400-77571	17	18
129400-92430	21	49
129403-42380	13	23
129410-03990	4	64
129417-33111	11	24
129418-18320	6	7
		19
129423-77200	18	2
129423-77710	18	16
129466-49300	12	11
129486-01670	3	19
129486-32020	11	13
	21	25
129486-42021	13	14
	21	30

Parts No.	Fig. No.	Ref. No.
129486-42140	13	16
	21	31
129508-18080	9	2
	21	22
129508-18090	6	24
	21	23
129509-21000	10	1
129553-39650	12	21
129601-11241	4	1
129601-11251	4	2
129608-49090	11	38
129612-52100	16	31
129648-35100	11	25
129648-35150	11	27
129792-39410	12	15
129795-01780	3	18
129795-01900	18	1
129795-01950	2	4
129795-02412	1	9
129795-11120	4	23
129795-11180	4	25
129795-21661	10	9
129795-49551	13	29
	21	33
129900-77400	17	3
129900-77440	17	6
129900-77450	17	7
		11
129900-77460	17	9
129900-77480	17	10
129900-77640	17	19
129908-33010	11	21
129908-33101	11	23
129916-49740	13	10
129927-13810	6	28
	21	17
129927-44900	13	32
129928-49420	13	9
		35
129928-79700	20	2
129930-13201	6	35
	21	13
129960-03990	13	38
		41
		44
129972-77341	18	33
129978-11871	4	30
	21	6
129978-13700	6	16
129A00-01500	2	1

## Parts No. Index

Parts No.	Fig. No.	Ref. No.
129A00-01550	2	9
129A00-01602	3	2
129A00-11330	4	46
129A00-11340	4	27
	21	5
129A00-11900	4	31
129A00-12703	4	48
129A00-12711	4	67
129A00-12720	5	5
129A00-12780	4	49
	21	8
129A00-12790	4	68
	21	9
129A00-12810	5	14
	21	10
129A00-12820	5	29
129A00-12900	5	30
129A00-12910	5	31
	21	11
129A00-13300	6	8
129A00-13350	6	10
	7	25
129A00-13360	4	50
129A00-13380	4	52
129A00-13400	6	13
129A00-13410	6	14
	21	15
129A00-13610	6	4
129A00-13710	5	23
129A00-13720	5	24
	21	16
129A00-13751	6	26
129A00-13851	6	17
129A00-13861	6	18
129A00-13910	6	32
	21	18
129A00-13920	6	33
	21	19
129A00-14100	8	6
129A00-14700	8	8
129A00-14710	8	11
129A00-16610	7	16
129A00-17311	7	27
	21	21
129A00-17520	7	31
129A00-17570	7	34
129A00-17650	7	32
129A00-17702	7	35
129A00-17760	7	36
129A00-21710	3	21

Parts No.	Fig. No.	Ref. No.
129A00-25050	8	13
129A00-25060	8	21
129A00-25080	8	29
129A00-25110	8	14
129A00-25120	8	22
129A00-25200	8	25
129A00-25210	8	26
	21	24
129A00-25900	8	18
129A00-42000	13	1
129A00-49610	13	36
129A00-51000	14	1
129A00-51900	14	2
	21	36
129A00-53200	15	1 C
129A00-55600	16	1
129A00-55610	16	2
129A00-55800	16	3
129A00-59010	16	9
129A00-59020	16	17
129A00-59040	16	26
129A00-59110	5	18
129A00-59120	5	19
129A00-59700	15	6
129A00-59820	15	9
129A00-59830	15	11
129A00-75910	19	9
129A00-77930	20	1
129A00-91200	6	6
	7	39
	16	25
129A00-91430	7	41
129A00-91450	20	17
129A00-91600	20	18
129A01-07900	16	5
129A01-12800	5	16
129A01-12851	5	15
129A01-13600	6	3
129A01-16810	7	2
129A01-18210	5	8
129A01-22080	10	16
129A01-22500	10	18
129A01-22900	10	35
129A01-22950	10	37
129A01-32000	11	1
129A01-49030	11	31
129A01-49040	11	35
129A01-53100	15	1
129A01-55650	16	6
129C00-11310	4	45

Parts No.	Fig. No.	Ref. No.
129C00-11310	21	3
129C00-12110	5	1
	21	7
129C00-13110	6	1
	21	12
129C00-13800	6	27
129C00-13901	6	31
129C00-13910	7	7
129C00-13920	7	8
129C00-14580	8	3
129C00-17600	7	29
129C00-49610	13	40
129C00-49620	13	43
129C00-49700	13	47
129C00-57000	15	2
129C00-59030	16	21
129C00-59500	16	14
129C00-59810	15	8
129C00-59820	15	10
129C00-77820	4	74
129C00-91200	7	40
129C00-91230	20	12
129C01-01331	1	28
	21	2
129C01-01560	1	1
129C01-03050	4	61
129C01-03080	4	62
129C01-07900	4	71
129C01-11351	4	37
129C01-11700	4	13
129C01-12060	4	66
129C01-12100	5	3
129C01-12150	5	2
129C01-13110	6	2
129C01-13360	6	22
129C01-13600	6	23
129C01-13700	5	17
129C01-13770	6	5
129C01-16210	7	10
129C01-16410	7	12
129C01-16550	7	14
129C01-16680	7	17
129C01-16700	7	18
129C01-16721	7	19
129C01-16740	7	21
129C01-16810	7	3
129C01-16820	7	4
129C01-16830	7	5
129C01-18010	9	1
129C01-18200	5	7

Parts No.	Fig. No.	Ref. No.
129C01-18220	5	9
129C01-39450	12	4
129C01-39610	12	10
129C01-91220	20	3
129C34-16010	7	9
129C34-16730	7	20
129C34-21580	10	12
129C34-75000	19	1
129E00-16600	7	15
	21	20
129E00-17200	7	24
129E00-17300	7	26
129E00-17350	7	28
171008-03990	11	32
		36
171008-77450	17	8
171008-77510	17	13
171008-77540	17	15
171008-77650	17	20
171008-77660	17	24
171008-77670	17	25
171008-77750	17	31
171051-01921	1	5
171056-49120	11	15
22190-080002	2	13
	21	37
22190-100002	12	6
	21	38
22190-120002	13	34
	21	39
22190-140002	5	20
	21	40
22190-220002	3	9
	21	41
22217-180000	8	19
22252-000260	10	25
22351-030010	10	7
	12	22
22351-060012	4	33
22512-070140	8	7
	10	5
22857-500100	4	54
		55
		56
22857-500160	5	21
23000-022000	12	12
23000-048000	5	10
23000-054000	5	11
23000-060000	4	69
	5	12

## Parts No. Index

Parts No.	Fig. No.	Ref. No.
23000-075000	5	13
23080-007000	16	16
23080-015000	16	12
		20
23297-080061	6	9
23414-080000	13	18
	21	42
23414-100000	12	7
	21	43
23414-120000	6	11
	21	44
23875-020000	13	11
23876-010000	13	12
24311-000120	4	60
	21	45
24311-000320	2	7
	21	46
24316-000160	12	13
	21	47
24321-000600	11	40
	21	48
26106-060102	8	9
26106-060122	6	12
	13	25
26106-060162	4	70
	7	37
	12	14
26106-060202	5	32
26106-060322	17	29
26106-060402	5	33
	17	30
26106-060902	5	34
26106-080122	12	8
	13	19
	20	19
		20
		21
26106-080142	7	22
	8	10
26106-080162	2	8
		14
	3	11
	4	72
	13	20
		48
		49
26106-080202	7	38
		42
		43
		44
		45

Parts No.	Fig. No.	Ref. No.
26106-080202	11	41
26106-080222	13	30
26106-080252	3	12
	4	34
	6	29
	15	3
	16	7
26106-080302	14	3
	16	4
		8
26106-080352	2	15
	3	20
	4	35
	11	20
26106-080402	2	16
	8	27
26106-080452	3	13
	8	17
	13	21
	18	34
26106-080502	3	14
	4	36
	5	6
		25
	6	20
26106-080602	2	17
	13	22
26106-080752	5	26
26106-080852	2	18
26106-100202	7	46
		47
26106-120252	17	32
26206-100252	3	4
26206-100302	3	5
26216-060202	5	4
26216-080302	5	22
26216-081052	5	27
26226-080182	4	11
26306-080002	5	28
	6	25
		30
		34
	7	23
		48
		49
	9	4
26306-100002	7	50
		51
	18	30
26366-060002	15	12

Parts No.	Fig. No.	Ref. No.
26450-060162	3	22
	4	57
	8	12
26450-060252	11	14
26577-060142	13	13
26776-180002	8	20
27241-120000	1	14
27241-300000	1	10
27241-400000	4	21
27310-080001	4	28
29621-100000	20	22
29621-200000	20	23
729402-01540	3	6
729402-23100	10	26
729C01-92600	21	1
977770-1207F	21	50
X2114255110	17	5
X2114555500	17	21
X2114955020	17	22
X2130350900	17	4
X2240410100	17	23
X9490561001	18	3

Parts No.	Fig. No.	Ref. No.
-----------	----------	----------