

0CW10-M61000EN

# P R E F A C E

1. This parts catalog is the 1st edition of 3TNM68-ASG for SAWAFUJI ELECTRIC.

Pub.No. : 0CW10-G61000

Published : April, 2010

2. Model name

Engine model	Vehicle	Vehicle made by
3TNM68-ASG	GENERATOR	SAWAFUJI ELECTRIC

## Directions for the Parts Catalog.

- The parts stipulated in this Parts Catalog are not necessarily standard equipped parts.
- Parts may change without prior notice.
- The following is an example of the Parts Catalog format.

OCF10-G21601 29. FUEL INJECTION PUMP(W/BOOST)

REF.	LEV.	PARTS NO.	DESCRIPTION	Q'TY						I	R
				(A)	(B)	(C)	(D)	(E)	(F)		
1	1	729595-51390	FUEL INJECTION PUMP	1	1	1	1	1			1
1-1	1	729595-51391	FUEL INJECTION PUMP	1	1	1	1	1		N	1
		(A=E00185) (B=E00200)									
3	2	26022-060162	SCREW M 6X 16	9	9	9	9	9			
3-1	2	26022-060162	SCREW M 6X 16	4	4	4	4	4		K	
		(A=E00156) (B=E00156) (C=E00156) (D=E00156) (E=E00156)									
4	2	129470-51040	CAMSHAFT	1	1	1	1	1			
5	2	122710-51050	BEARING, ROLLER	2	2	2	2	2			
6	2	129470-51060	RETAINER	1	1	1	1	1			

Remarks

(1) BOOST COMPEMSATOR TYPE. OPTIONAL PART, TO E00155,(4JH-DT, 4JH-DTZ

### ① Ref. No.

The Ref. No. listed may not be in accordance with the illustration Ref. No.

(Ex.) Illustration No.

List Ref No.

1

1

(Before change) → 1-1 (After change)

For interchangeable symbols N, R and K, illustrations for new parts may be abbreviated.

### ② Lev. (Level)

Level indication

The numbers below indicate the level of relativity towards the main part.

1 ----- Main parts (Assembly parts)

2 ----- Sub component included in " 1 ".

3 ----- Sub component included in " 2 ".

Note) Parts that are not for sale are partially illustrated but not listed.

### ③ Interchangeability Mark

When a part change takes place, one of the following interchangeability symbols is indicated beside the part.

Symbol	Interchangeability	Contents note
N	Old $\begin{matrix} \leftarrow \text{Yes} \\ \text{No} \rightarrow \end{matrix}$ New	New Part is interchangeable for Old Part but Old Part is not interchangeable for New Part.
Q	Old $\begin{matrix} \leftarrow \text{No} \\ \text{Yes} \rightarrow \end{matrix}$ New	New Part is not interchangeable for Old Part but Old Part is interchangeable for New Part.
R	Old $\begin{matrix} \leftarrow \text{Yes} \\ \text{Yes} \rightarrow \end{matrix}$ New	New/ Old Parts are both interchangeable.
S	Old $\begin{matrix} \leftarrow \text{No} \\ \text{No} \rightarrow \end{matrix}$ New	New/ Old Parts are both not interchangeable.
W		Part newly added.
Z		Part discontinued.
F		Not interchangeable by a single part but interchangeable together with related parts.
K		Changes only for used parts quantities.

### ④ Effective Machine No.

When a part changes, the effective Machine No. will be indicated in the (A)-(F) column.

Product Symbol	Product No.	Product Symbol	Product No.
C	Clutch No. Compressor No.	F	Machine No. (Agricultural Equip.)
D	Drive No.	M	Machine No.
E	Engine No.		

Note 1) A date may follow the symbol. (Ex.) 1996.01

Note 2) "XXXXX" and "ZZZZZ" are for parts that could not be predicted or for engine models that could not be identified.

Note 3) (A=E00185) is the E (Engine Serial Number) for the column (A) model (in this case 4JH-DT) after the parts design change.

### ⑤ Remarks Mark

Figures or alphabets (symbols) are entered in the remarks column.

The comments (remarks) on parts that are indicated at the bottom of the illustration are the same symbols as those stated above.

# Contents

0CW10-M61000

Fig. No. Fig. Name

Fig. No. Fig. Name

## 3TNM68-ASG

1. CYLINDER BLOCK
2. GEAR HOUSING
3. FLYWHEEL HOUSING & OIL SUMP
4. CYLINDER HEAD & BONNET
5. AIR CLEANER
6. EXHAUST MANIFOLD & SILENCER
7. CAMSHAFT & DRIVING GEAR
8. CRANKSHAFT & PISTON
9. LUB. OIL SYSTEM
10. COOLING WATER SYSTEM
11. FUEL INJECTION PUMP
12. GOVERNOR
13. FUEL INJECTION VALVE
14. FUEL FILTER
15. STARTING MOTOR
16. GENERATOR
17. GASKET SET

Fig.1. CYLINDER BLOCK

(A)=3TNM68-ASG

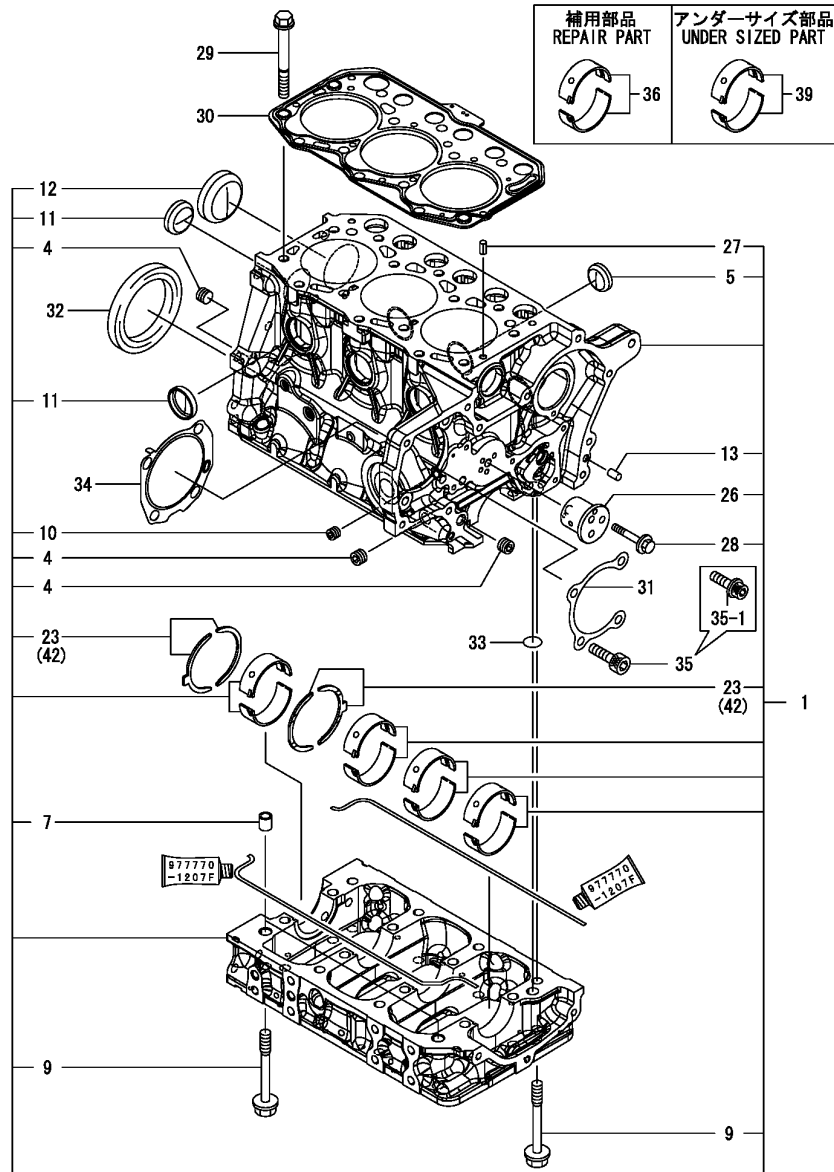
(B)=

(C)=

(D)=

(E)=

(F)=



No.	Lev.	Parts No.	Description	Q'ty						I	R
				(A)	(B)	(C)	(D)	(E)	(F)		
1	1	119127-01560	BLOCK ASSY, CYLINDER	1							
4	2	124060-01050	PLUG, PT1/8	3							
5	2	119125-01970	PLUG, 25	3							
7	2	119125-01960	PIPE, KNOCK	2							
9	2	119125-02061	BOLT, METAL CAP	16							
10	2	23876-005000	PLUG, R005	1							
11	2	27241-300000	PLUG 30	4							
12	2	27241-450000	PLUG, 45	1							
13	2	119620-01620	PIN, M6X10	2							
23	2	119125-02930	BEARING, THRUST	2							
26	2	119125-25050	SHAFT, IDLE GEAR	1							
27	2	22351-060012	PIN, SPRING 6.0X12	2							
28	2	26106-060402	BOLT, M6X 40 PLATED	3							
29	1	119266-01200	BOLT, HEAD	14							
30	1	119125-01330	GASKET, HEAD	1							
31	1	119125-01790	GASKET	1							
32	1	119734-02220	SEAL, OIL	1							
33	1	129900-32040	O-RING, P14	1							
34	1	119125-51800	GASKET	1							
35	1	26450-080252	BOLT, M8X 25	4							
35-1	1	119125-01800	BOLT	4							N
(A=EZZZZZ)											
36	1	119125-02900	BEARING, MAIN	4							1
39	1	119125-02910	BEARING, 0.25 US	4							2
42	1	119125-02940	BEARING, THRUST 0.25	2							3

Remarks

- (1)Repair part.
- (2)Under-sized(U.S.=0.25)part.
- (3)Over-sized(O.S.=0.25)part.

Fig.2. GEAR HOUSING

(A)=3TNM68-ASG  
(B)=  
(C)=

(D)=  
(E)=  
(F)=

No.	Lev.	Parts No.	Description	Qty						I	R
				(A)	(B)	(C)	(D)	(E)	(F)		
1	1	119125-01500	COVER, GEAR CASE	1							
2	1	119125-01750	COVER	1							
3	1	119717-01800	SEAL, OIL	1							
4	1	26106-080352	BOLT, M8X 35 PLATED	8							
5	1	26106-080452	BOLT, M8X 45 PLATED	5							
6	1	106760-01770	CAP	1							
7	1	24311-000180	O-RING, 1AP18.0	1							

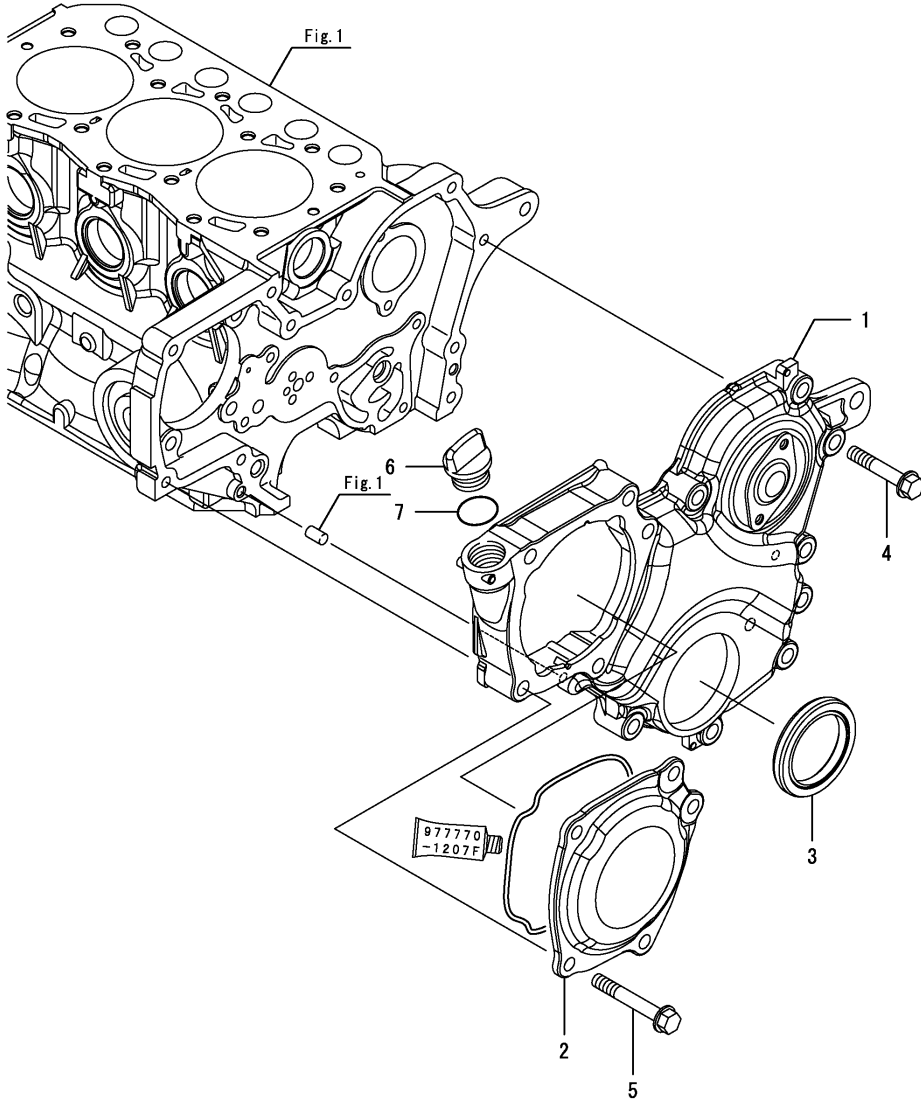
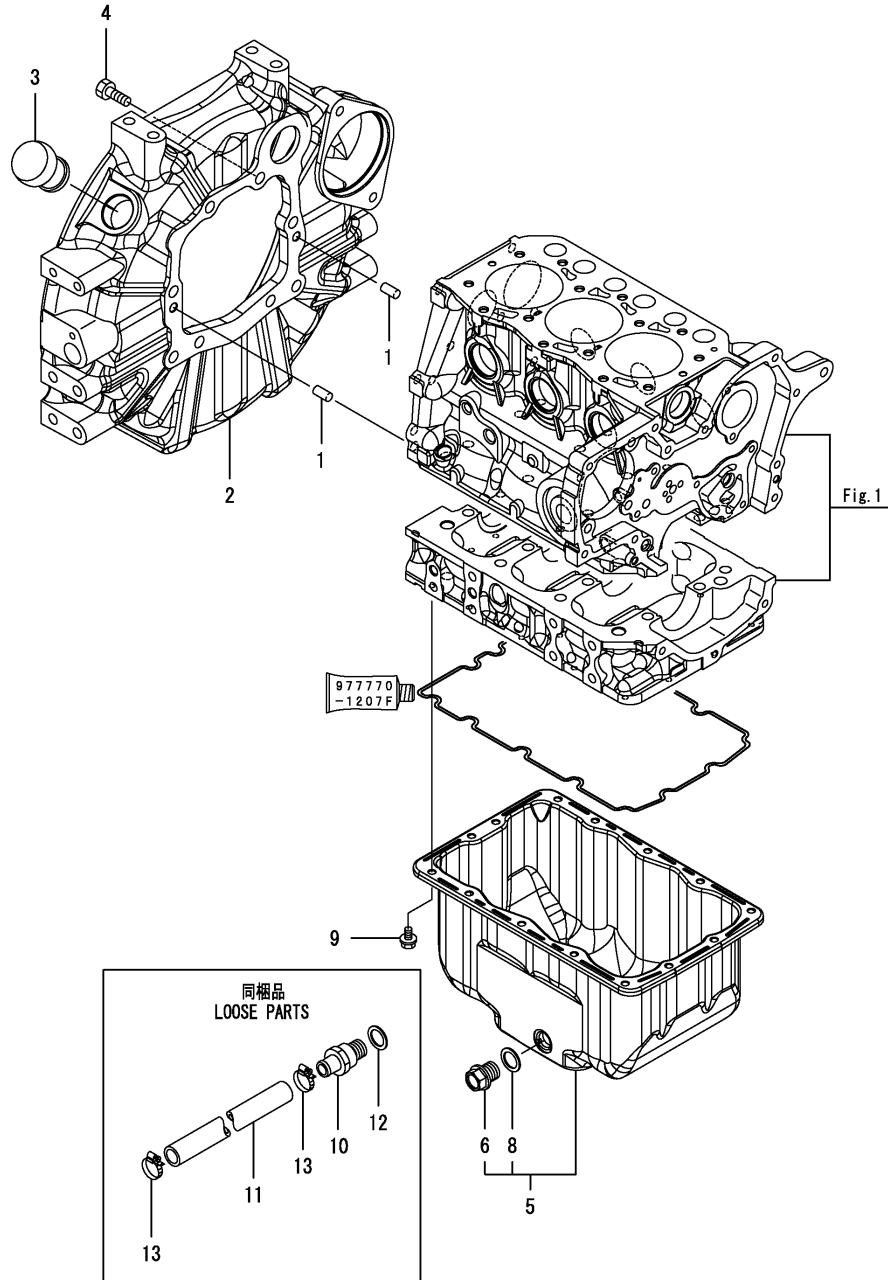


Fig.3. FLYWHEEL HOUSING & OIL SUMP



(A)=3TNM68-ASG  
(B)=  
(C)=

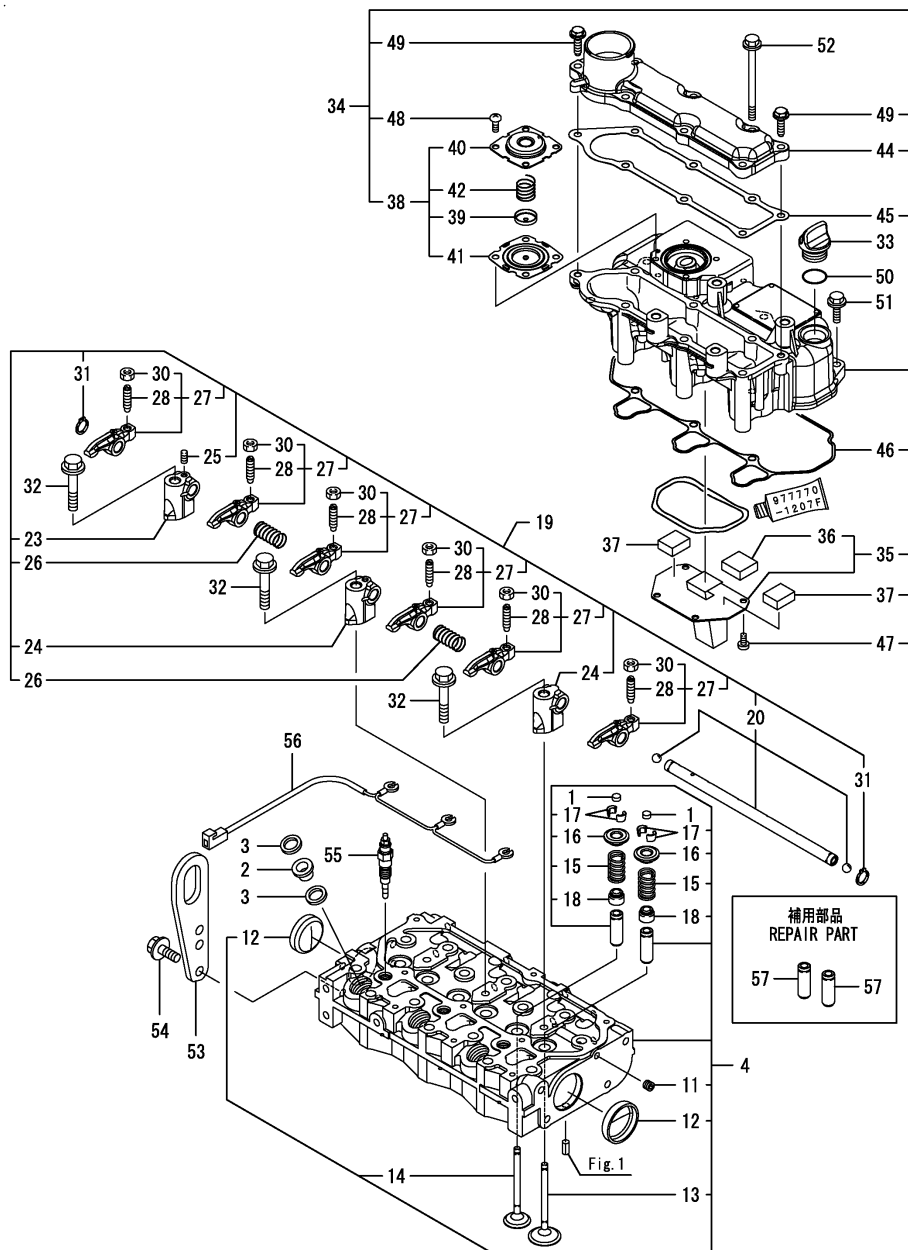
(D)=  
(E)=  
(F)=

No.	Lev.	Parts No.	Description	Qty						I	R
				(A)	(B)	(C)	(D)	(E)	(F)		
1	1	129100-01580	PIN, M8X16	2							
2	1	119128-01640	HOUSING, WHEEL	1							
3	1	119620-01750	CAP	1							
4	1	26206-100252	BOLT, M10X 25 PLATED	8							
5	1	119125-01760	SUMP ASSY, OIL	1							
6	2	105425-01690	PLUG, 16	1							
8	2	22190-160002	WASHER, SEAL 16	1							
9	1	119125-01780	BOLT, M6X10	14							
10	1	183366-08351	NIPPLE, DRAIN	1							
11	1	119446-39100	PIPE, DRAIN	1							
12	1	22190-160002	WASHER, SEAL 16	1							
13	1	23000-022000	CLAMP, 22	2							

Fig.4. CYLINDER HEAD & BONNET

(A)=3TNM68-ASG  
(B)=  
(C)=

(D)=  
(E)=  
(F)=



No.	Lev.	Parts No.	Description	Qty						I	R
				(A)	(B)	(C)	(D)	(E)	(F)		
1	1	119260-11370	CAP. VALVE	6							
2	1	129901-11450	PROTECTOR, NOZZLE	3							
3	1	119600-11460	GASKET, NOZZLE	6							
4	1	119125-11740	HEAD ASSY, CYLINDER	1							
11	2	23876-005000	PLUG, R005	1							
12	2	27241-350000	PLUG, 35	2							
13	2	119125-11100	VALVE, INTAKE	3							
14	2	119125-11110	VALVE, EXHAUST	3							
15	2	119125-11130	SPRING, VALVE	6							
16	2	119125-11180	RETAINER, SPRING	6							
17	2	119125-11190	COTTER	12							
18	2	119125-11340	SEAL, VALVE STEM	6							
19	1	119125-11200	SUPPORT ASSY, ARM	1							
20	2	119125-11240	SHAFT ASSY, ROCKER	1							
23	2	119125-11260	SUPPORT, ROCKER ARM	1							
24	2	119125-11270	SUPPORT, ROCKER ARM	2							
25	2	119260-11270	SCREW	1							
26	2	119260-11280	SPRING	2							
27	2	119125-11650	ARM, ROCKER	6							
28	3	105010-11230	SCREW, VALVE ADJUST	6							
30	3	26856-060002	NUT, M6	6							
31	2	22242-000100	RING, 10	2							
32	1	26106-080452	BOLT, M8X 45 PLATED	3							
33	1	106760-01770	CAP	1							
34	1	119125-11380	BONNET ASSY, HEAD	1							
35	2	119717-03031	PLATE	1							
36	3	119717-03070	BAFFLE, BREATHER	1							
37	2	119717-03070	BAFFLE, BREATHER	2							
38	2	119802-03100	DIAPHRAGM ASSY	1							
39	3	119802-03110	PLATE	1							
40	3	119802-03121	COVER, DIAPHRAGM	1							
41	3	119802-03131	DIAPHRAGM	1							
42	3	119802-03141	SPRING, DIAPHRAGM	1							
44	2	119125-11320	COVER, BONNET	1							
45	2	119125-11330	GASKET	1							
46	2	119125-11370	GASKET, BONNET	1							
47	2	22857-500100	SCREW, 5X10	4							
48	2	22857-500100	SCREW, 5X10	4							
49	2	26476-060202	SCREW, TAPPING M6X20	2							
50	1	24311-000180	O-RING, 1AP18.0	1							
51	1	26106-060202	BOLT, M6X 20 PLATED	3							
52	1	26106-060802	BOLT, M6X 80 PLATED	6							
53	1	119226-07900	LIFTER	1							
54	1	26106-080162	BOLT, M8X 16 PLATED	2							
55	1	119125-77800	PLUG, GLOW	3							
56	1	119125-77820	CONNECTOR, GLOW PLUG	1							
57	1	119125-11800	GUIDE, VALVE	6							

Remarks  
(1)Repair part.



Fig.5. AIR CLEANER

(A)=3TNM68-ASG  
(B)=  
(C)=

(D)=  
(E)=  
(F)=

No.	Lev.	Parts No.	Description	Qty						I	R
				(A)	(B)	(C)	(D)	(E)	(F)		
1	1	119128-12050	PIPE, AIR INTAKE	2							
2	1	119515-12501	CLEANER ASSY, AIR	1							
3	2	119515-12520	ELEMENT	1							
4	2	119808-12540	VALVE, UNLOADER	1							
5	2	119336-12570	COVER ASSY	1							
6	2	105027-12580	RING	1							
7	1	23000-060000	CLAMP, 60	3							

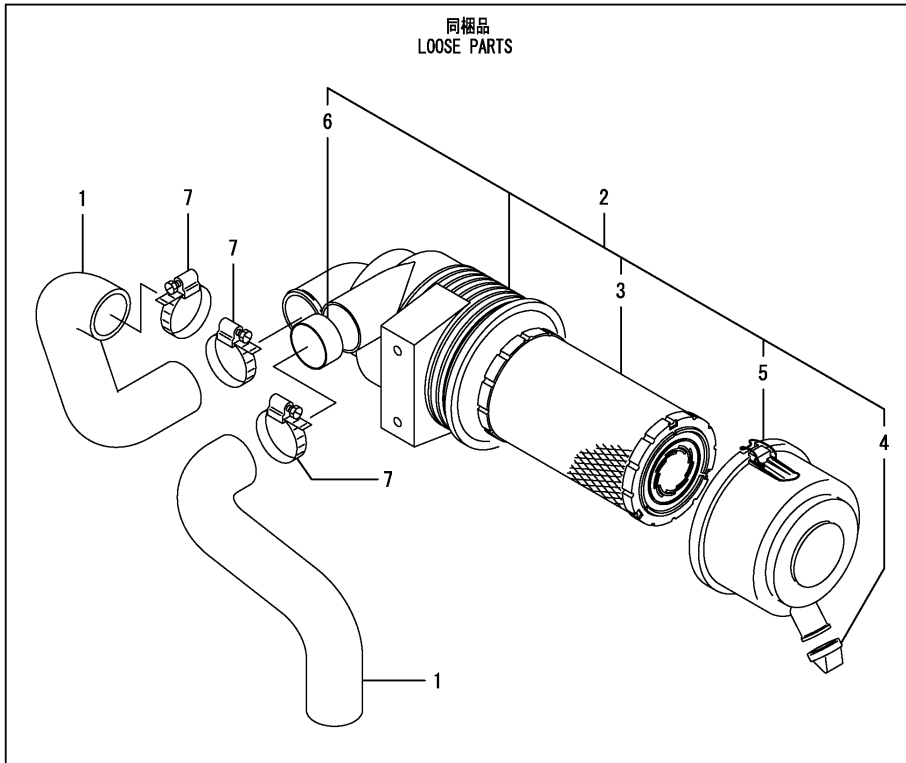
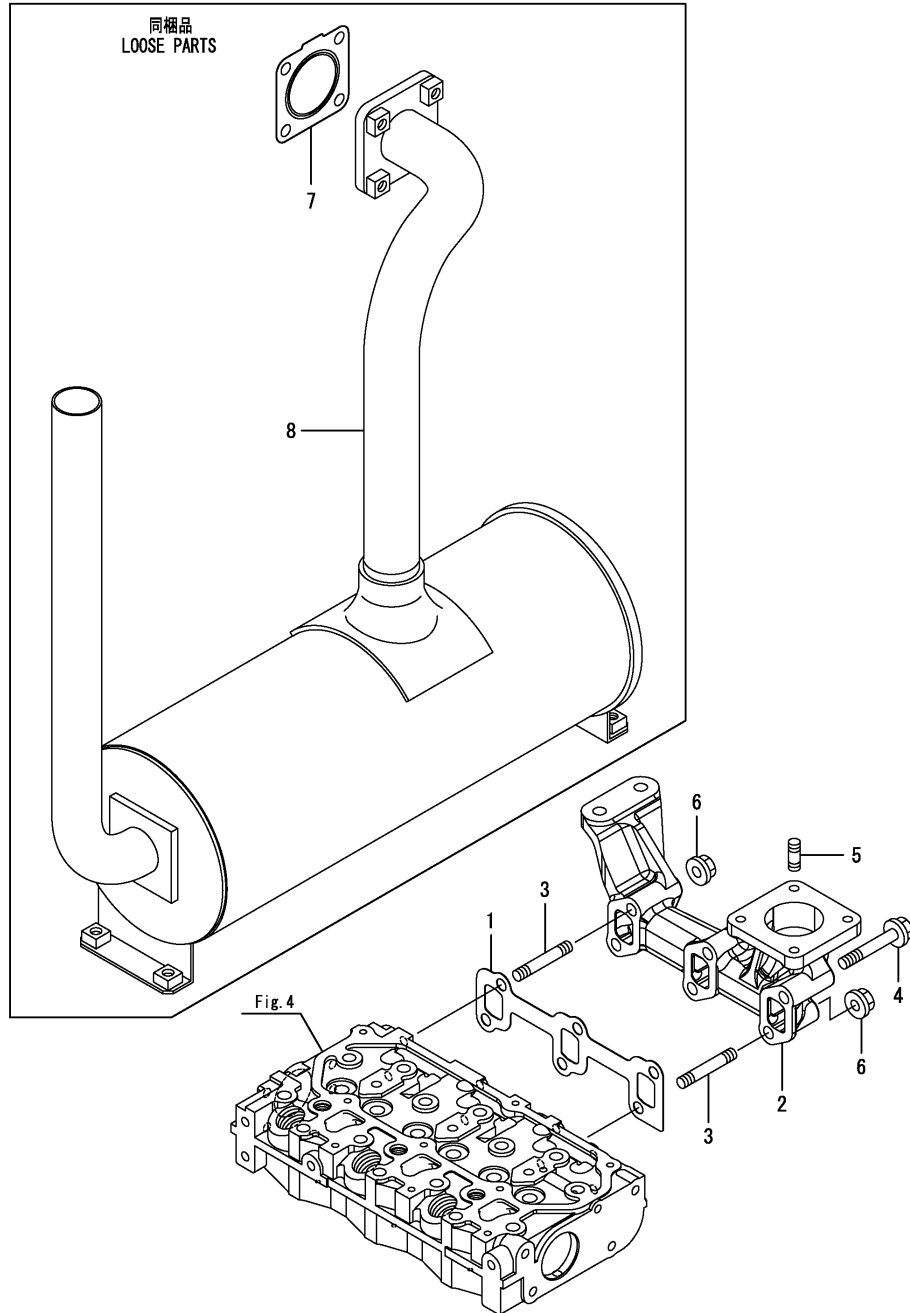


Fig.6. EXHAUST MANIFOLD & SILENCER

(A)=3TNM68-ASG  
(B)=  
(C)=

(D)=  
(E)=  
(F)=



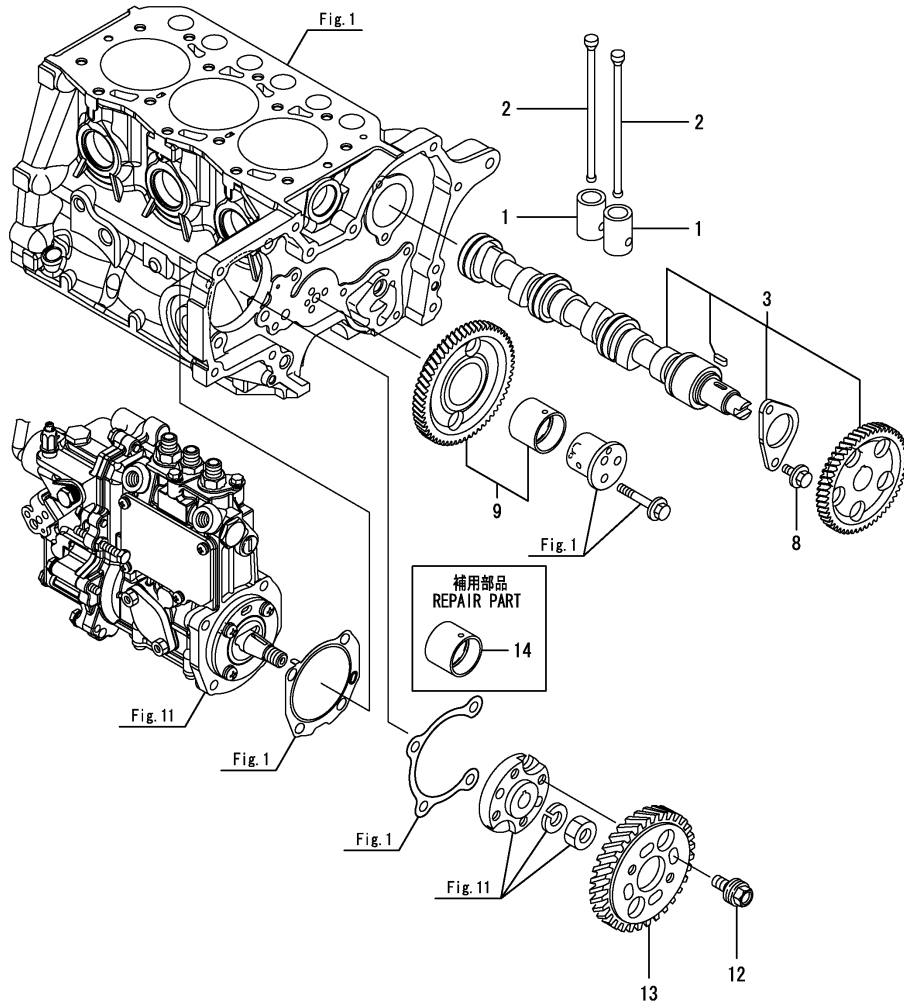
No.	Lev.	Parts No.	Description	Q'ty						I	R
				(A)	(B)	(C)	(D)	(E)	(F)		
1	1	119125-13110	GASKET	1							
2	1	119125-13140	MANIFOLD, EXHAUST	1							
3	1	119717-13600	STUD, M8X50	2							
4	1	119802-13620	BOLT, M8X50	4							
5	1	119131-18320	STUD, M8X22	4							
6	1	26306-080002	NUT, M8	2							
7	1	119515-13200	GASKET, SILENCER	3							
8	1	119128-13510	SILENCER	1							

Fig.7. CAMSHAFT & DRIVING GEAR

(A)=3TNM68-ASG  
(B)=  
(C)=

(D)=  
(E)=  
(F)=

No.	Lev.	Parts No.	Description	Q'ty						I	R
				(A)	(B)	(C)	(D)	(E)	(F)		
1	1	119260-14200	TAPPET	6							
2	1	119260-14400	ROD, PUSH	6							
3	1	119125-14580	CAMSHAFT ASSY	1							
8	1	26106-060122	BOLT, M6X 12 PLATED	2							
9	1	119125-25100	GEAR ASSY, IDLE	1							
12	1	129150-25301	BOLT	4							
13	1	119125-25930	GEAR, PUMP	1							
14	1	119125-25910	BUSH, IDLE GEAR	1							1

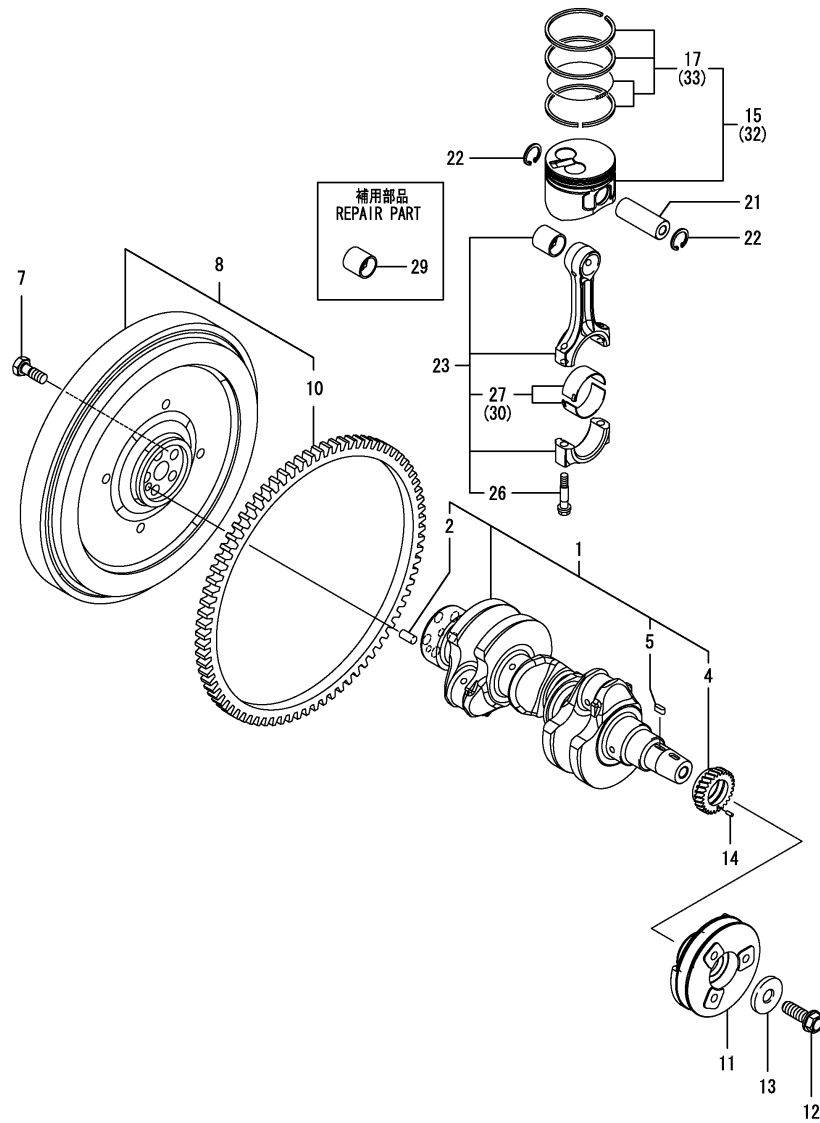


Remarks  
(1)Repair part.

Fig.8. CRANKSHAFT & PISTON

(A)=3TNM68-ASG  
(B)=  
(C)=

(D)=  
(E)=  
(F)=



No.	Lev.	Parts No.	Description	Q'ty						I	R
				(A)	(B)	(C)	(D)	(E)	(F)		
1	1	119125-21700	CRANKSHAFT ASSY	1							
2	2	129100-01580	PIN, M8X16	1							
4	2	119125-21200	GEAR, CRANKSHAFT	1							
5	2	22512-040120	KEY, 4X 12	1							
7	1	121111-21501	BOLT, FLYWHEEL	5							
8	1	119128-21560	FLYWHEEL ASSY	1							
10	2	119865-21600	GEAR, RING	1							
11	1	119125-21650	V-PULLEY	1							
12	1	119621-21681	BOLT, FLANGE 12X1.25	1							
13	1	119620-21941	WASHER	1							
14	1	22351-030010	PIN, SPRING 3.0X10	1							
15	1	119125-22080	PISTON ASSY	3							
17	2	119125-22500	RING SET, PISTON	3							
21	1	119125-22300	PIN, PISTON	3							
22	1	22252-000200	RING, 20	6							
23	1	119125-23000	ROD ASSY, CONNECTING	3							
26	2	119717-23200	BOLT, CONNECTING ROD	6							
27	2	119515-23601	BEARING, CRANK PIN	3							
29	1	119260-23910	BEARING, PISTON PIN	3							1
30	1	119515-23611	METAL ASSY, 0.25	3							2
32	1	119125-22900	PISTON ASSY, 0.25 OS	3							3
33	2	119125-22550	RING SET, 0.25 OS	3							3

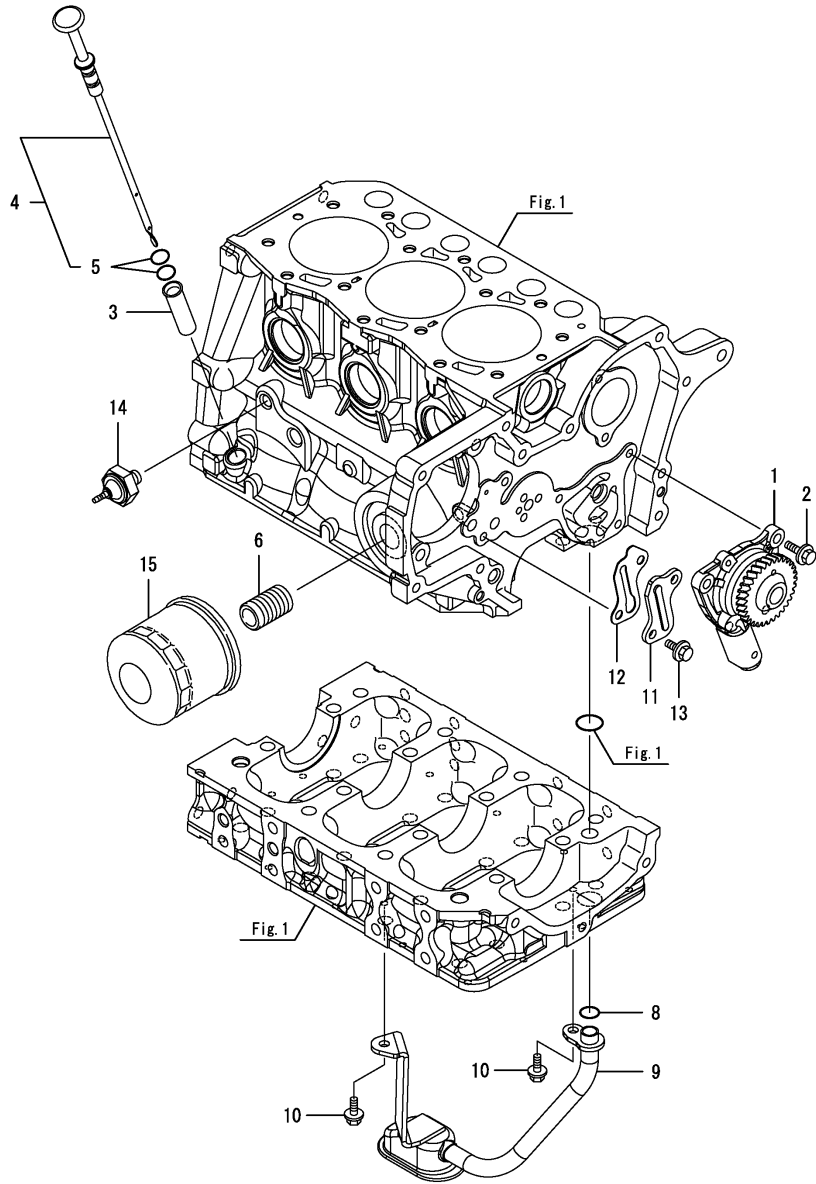
Remarks

- (1)Repair part.
- (2)Under-sized(U.S.=0.25)part.
- (3)Over-sized(O.S.=0.25)part.

Fig.9. LUB. OIL SYSTEM

(A)=3TNM68-ASG  
(B)=  
(C)=

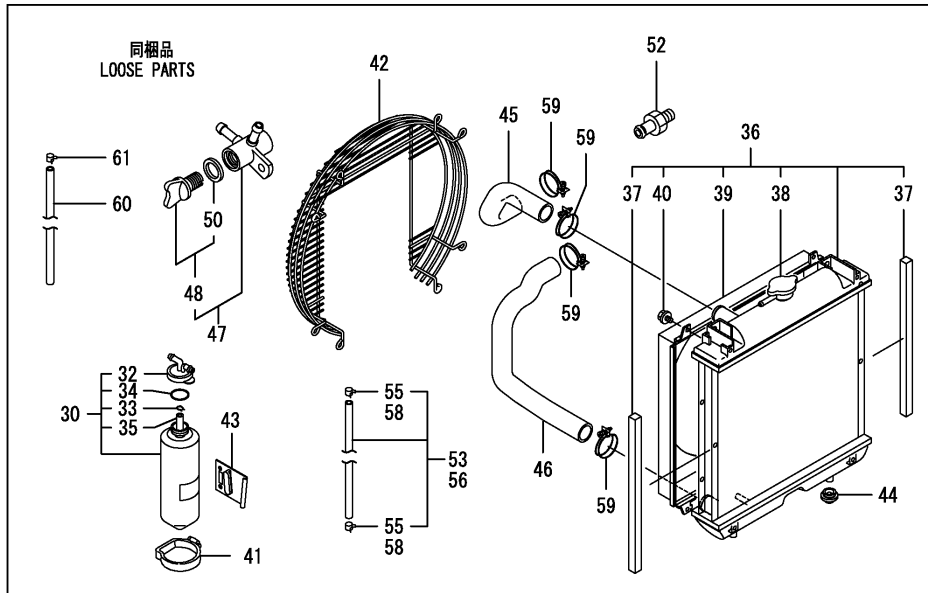
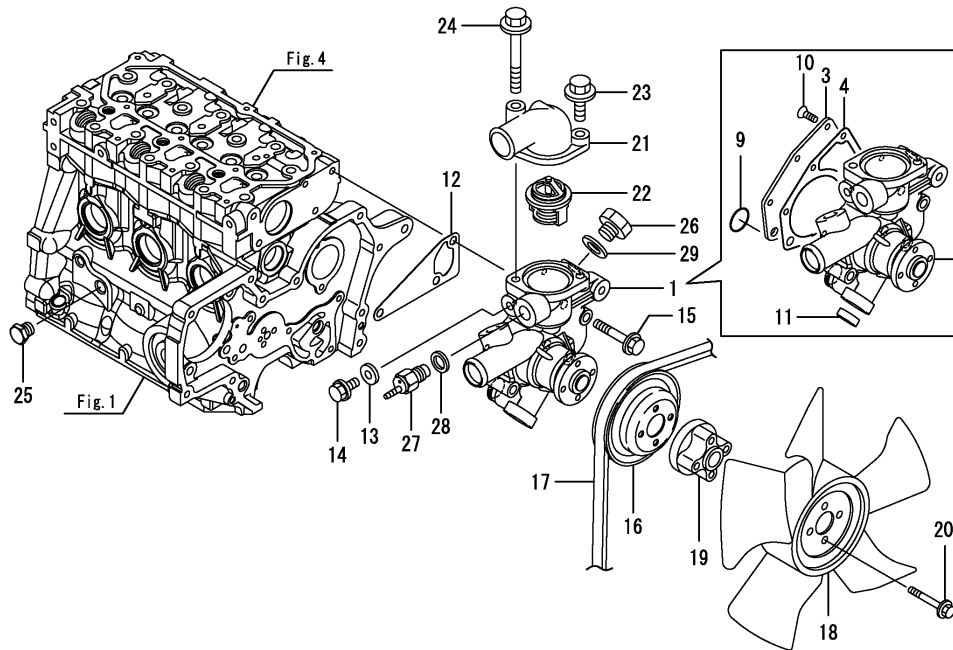
(D)=  
(E)=  
(F)=



No.	Lev.	Parts No.	Description	Q'ty						I	R
				(A)	(B)	(C)	(D)	(E)	(F)		
1	1	119125-32000	PUMP ASSY, OIL	1							
2	1	26106-060142	BOLT, M6X 14 PLATED	3							
3	1	119125-34810	GUIDE, DIPSTICK	1							
4	1	119125-34820	DIPSTICK, OIL	1							
5	2	119125-34900	O-RING	2							
6	1	129100-35140	STUD	1							
8	1	119209-35030	O-RING, P11	1							
9	1	119128-35080	PIPE ASSY, OIL INLET	1							
10	1	26106-060102	BOLT, M6X 10 PLATED	2							
11	1	119125-39200	COVER	1							
12	1	119125-39220	GASKET	1							
13	1	26106-060102	BOLT, M6X 10 PLATED	2							
14	1	114250-39450	SWITCH, 0.5KG	1							
15	1	119305-35170	FILTER ASSY, D68XL65	1							1

Remarks  
(1)Repair part.

Fig.10. COOLING WATER SYSTEM



(A)=3TNM68-ASG  
(B)=  
(C)=

(D)=  
(E)=  
(F)=

No.	Lev.	Parts No.	Description	Qty						I	R
				(A)	(B)	(C)	(D)	(E)	(F)		
1	1	119125-42000	PUMP ASSY, WATER	1							
3	2	119125-42020	COVER	1							
4	2	119125-42030	GASKET, WATER PUMP	1							
9	2	119209-42320	O-RING, P21 EPDM	1							
10	2	26577-060122	SCREW, M6X12	4							
11	2	27241-220000	PLUG, 22	1							
12	1	119260-42021	GASKET, WATER PUMP	1							
13	1	23414-080000	GASKET, 8X1.0	1							
14	1	26106-080122	BOLT, M8X 12 PLATED	1							
15	1	26106-080452	BOLT, M8X 45 PLATED	3							
16	1	119717-42350	V-PULLEY, D=100	1							
17	1	25132-003500	V-BELT, A35	1							
18	1	119265-44740	FAN, D=310X5F	1							
19	1	129457-44760	SPACER, FAN	1							
20	1	26106-060452	BOLT, M6X 45 PLATED	4							
21	1	124101-49531	COVER, THERMOSTAT	1							
22	1	119717-49800	THERMOSTAT, 71	1							
23	1	26106-080252	BOLT, M8X 25 PLATED	1							
24	1	26106-080652	BOLT, M8X 65 PLATED	1							
25	1	171056-49120	PLUG, DRAIN	1							
26	1	121450-42450	PLUG, M16	1							
27	1	121250-44901	SWITCH, 110	1							
28	1	124465-44950	GASKET, 16	1							
29	1	124465-44950	GASKET, 16	1							
30	1	171064-44510	TANK ASSY, SUB	1							
32	2	121450-44531	CAP	1							
33	2	124450-44560	RETAINER	1							
34	2	121470-44581	GASKET	1							
35	2	23065-070225	HOSE 7X 225	1							
36	1	119128-44520	RADIATOR ASSY	1							
37	2	119128-44570	GASKET	2							
38	2	129107-44590	CAP, RADIATOR	1							
39	2	119515-44600	SHROUD	1							
40	2	26014-060122	BOLT, M6X 12	4							
41	1	124450-44550	BAND	1							
42	1	119802-44560	GUARD	1							
43	1	121256-44600	BRACKET, SUB TANK	1							
44	1	119255-44660	ABSORBER	2							
45	1	119128-49030	PIPE, WATER	1							
46	1	119128-49040	PIPE, WATER	1							
47	1	129150-49100	COCK ASSY, 3-WAY	1							
48	2	129150-49080	COCK, DRAIN	1							
50	3	119629-49080	GASKET	1							
52	1	121550-49111	JOINT, PT1/4	1							
53	1	129210-49240	PIPE ASSY, DRAIN	2							
55	2	124766-59050	CLIP, HOSE 12	4							
56	1	129210-49280	PIPE ASSY, DRAIN	1							
58	2	124766-59050	CLIP, HOSE 12	2							
59	1	23010-038000	CLAMP, 38	4							
60	1	23061-060600	PIPE, 6X 600	1							
61	1	23080-007000	CLAMP, 7	1							

Fig.11. FUEL INJECTION PUMP

(A)=3TNM68-ASG

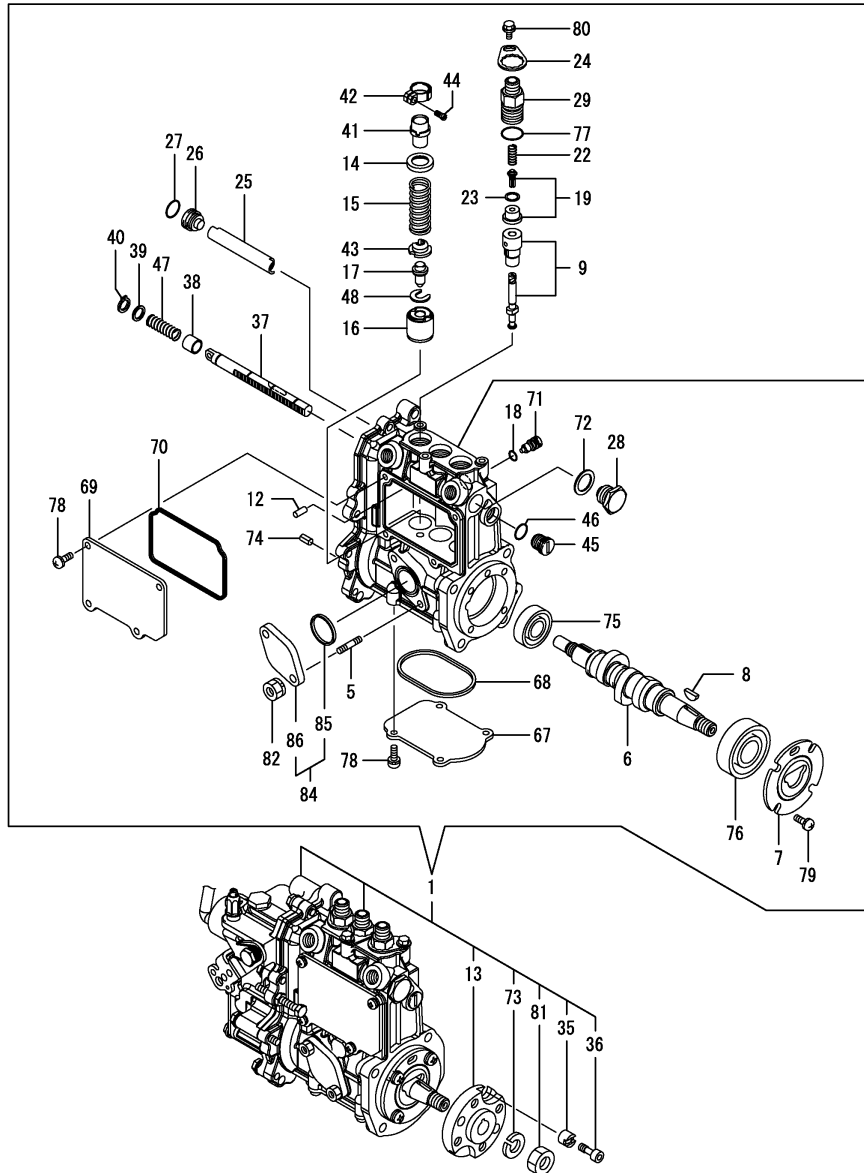
(B)=

(C)=

(D)=

(E)=

(F)=



No.	Lev.	Parts No.	Description	Q'ty						I	R
				(A)	(B)	(C)	(D)	(E)	(F)		
1	1	719128-51320	PUMP ASSY, INJECTION	1							1
5	2	129155-51020	STUD	2							
6	2	119125-51030	CAMSHAFT	1							
7	2	119125-51060	RETAINER, BEARING	1							
8	2	122710-51090	KEY	1							
9	2	119125-51100	PLUNGER ASSY	3							
12	2	129155-51140	PIN	3							
13	2	119717-51150	FLANGE	1							
14	2	158600-51170	RETAINER, SPRING	3							
15	2	119717-51190	SPRING, PLUNGER	3							
16	2	119125-51241	TAPPET	3							
17	2	119125-51250	GUIDE, TAPPET	3							
18	2	129155-51280	O-RING, S6	1							
19	2	119125-51300	VALVE ASSY, DELIVERY	3							
22	2	128990-51330	SPRING, DELIVERY	3							
23	2	124550-51350	GASKET, DELIVERY	3							
24	2	118400-51370	LOCKING	3							
25	2	129155-51400	DEFLECTOR	1							
26	2	158600-51410	PLUG, DEFLECTOR	1							
27	2	119717-51420	O-RING	1							
28	2	158600-51420	PLUG, DEFLECTOR	1							
29	2	158600-51442	VALVE ASSY, DELIVERY	3							
35	2	119125-51480	COLLAR	1							
36	2	119125-51490	BOLT	1							
37	2	119717-51500	RACK, CONTROL	1							
38	2	129155-51521	BUSH, RACK	1							
39	2	129155-51530	SPACER	1							
40	2	129155-51540	CIRCLIP	1							
41	2	129155-51550	PINION, CONTROL	3							
42	2	129100-51560	PINION	3							
43	2	119717-51570	RETAINER, SPRING	3							
44	2	129100-51570	SCREW	3							
45	2	158600-51570	PLUG	1							
46	2	129155-51580	O-RING	1							
47	2	129155-51591	SPRING, RACK	1							
48	2	129155-51600	SHIM SET, ADJUSTING	3							
67	2	119125-51700	COVER	1							
68	2	119717-51711	GASKET	1							
69	2	119717-51750	COVER	1							
70	2	119717-51761	GASKET	1							
71	2	158600-51790	STOOPER, RACK	1							
72	2	22190-160002	WASHER, SEAL 16	1							
73	2	22217-120000	WASHER, SPRING 12	1							
74	2	22351-050010	PIN, SPRING 5.0X10	2							
75	2	24101-060034	BEARING, BALL 6003	1							
76	2	24101-063034	BEARING, BALL 6303	1							
77	2	24316-000150	O-RING, 4DP15.0	3							
78	2	26022-050122	SCREW, M5X12	8							
79	2	26022-060162	SCREW, M6X16	4							
80	2	26106-050102	BOLT, M5X 10 PLATED	3							
81	2	26716-120002	NUT, M12	1							

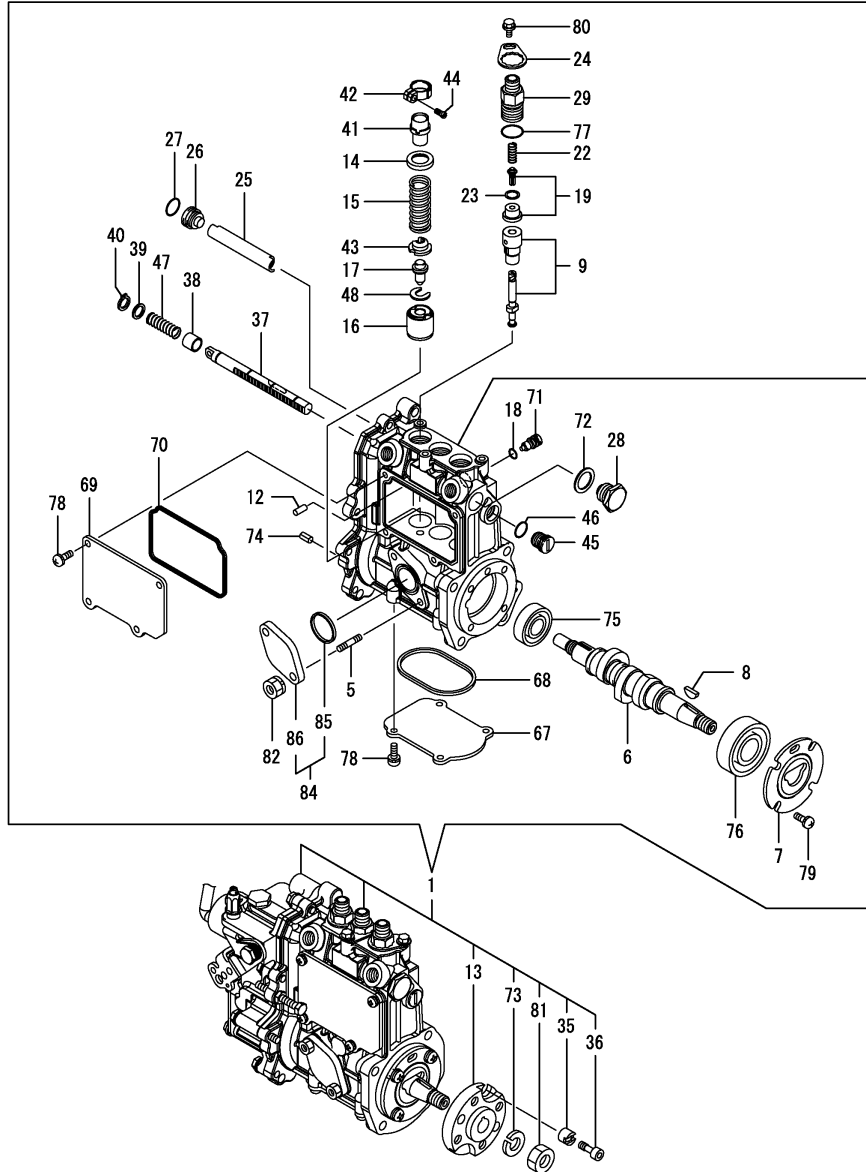
Remarks

(1)Governor(Fig.12)is incorporated in this Fuel Injection Pump (Ref.1).

Fig.11. FUEL INJECTION PUMP

(A)=3TNM68-ASG  
(B)=  
(C)=

(D)=  
(E)=  
(F)=



No.	Lev.	Parts No.	Description	Q'ty						I	R
				(A)	(B)	(C)	(D)	(E)	(F)		
82	2	119717-51860	NUT, M6	2							
84	2	129255-52000	COVER ASSY	1							
85	3	129155-52051	GASKET	1							
86	3	129100-52200	COVER	1							

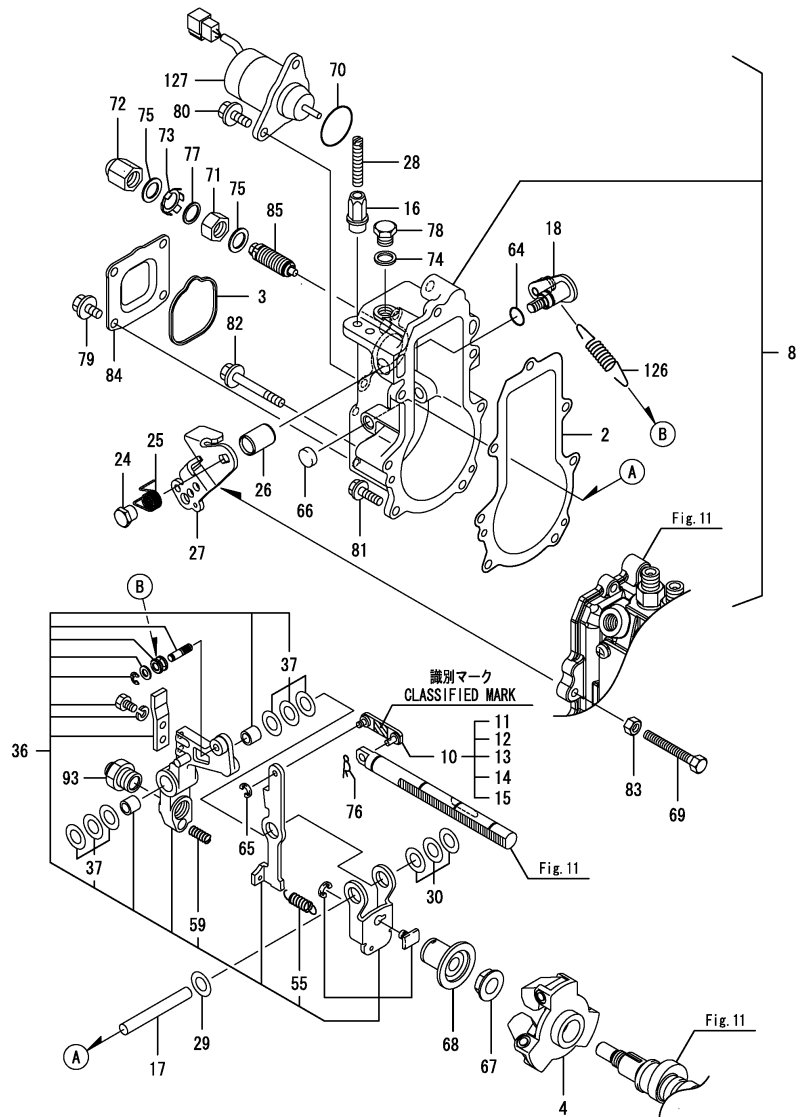
Remarks  
(1)Governor(Fig.12)is incorporated in this Fuel Injection Pump (Ref.1).



Fig.12. GOVERNOR

(A)=3TNM68-ASG  
(B)=  
(C)=

(D)=  
(E)=  
(F)=



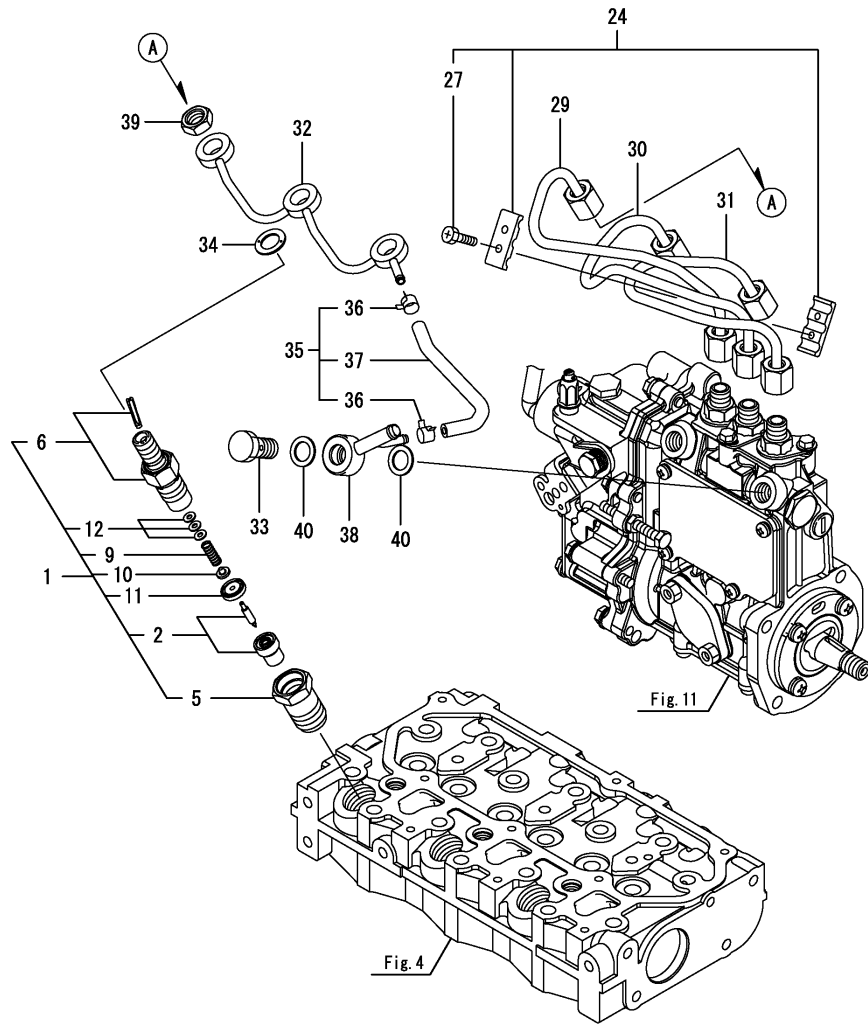
No.	Lev.	Parts No.	Description	Q'ty						I	R
				(A)	(B)	(C)	(D)	(E)	(F)		
2	2	119717-61050	GASKET	1							
3	2	119717-61070	GASKET	1							
4	2	119125-61201	WEIGHT ASSY,GOVERNOR	1							
8	2	119128-61300	CASE ASSY, GOVERNOR	1							
10	3	119125-61110	LINK ASSY	1							
11	4	119125-61120	LINK, MARK 93	1							1
12	4	119125-61130	LINK, MARK 98	1							1
13	4	119125-61140	LINK, MARK 88	1							1
14	4	119125-61150	LINK, MARK 00	1							1
15	4	119125-61160	LINK, MARK 03	1							1
16	3	129209-61370	NUT, M6	1							
17	3	119125-61390	SHAFT	1							
18	3	119125-61401	SHAFT ASSY	1							
24	3	129255-61410	NUT, LOCK	1							
25	3	119527-61420	SPRING	1							
26	3	119125-61430	BUSH	1							
27	3	119515-61440	LEVER, CONTROL	1							
28	3	129155-61450	BOLT, LIMITER	1							
29	3	129156-61460	SHIM, T=0.6	1							
30	3	129155-61480	SPACER ASSY	1							
36	3	119125-61501	LEVER ASSY, GOVERNOR	1							
37	4	174307-51700	SHIM SET	2							
55	4	129486-61540	SPRING, SET	1							
59	4	129100-61650	SPRING, CONTROLLER	1							
64	3	129155-61830	O-RING, S10	1							
65	3	22272-000030	RING, E- 3	1							
66	3	27260-120000	PLUG, 12	1							
67	2	129008-61301	NUT	1							
68	2	129155-61341	SLEEVE	1							
69	2	129155-61460	BOLT, IDLE	1							
70	2	158552-61900	O-RING	1							
71	2	129209-61920	NUT, ARB	1							
72	2	129209-61930	NUT, CAP	1							
73	2	129209-61970	PLATE	1							
74	2	22190-100002	WASHER, SEAL 10	1							
75	2	22190-120002	WASHER, SEAL 12	2							
76	2	22372-040000	PIN, SNAP 4	1							
77	2	23414-120016	GASKET, 12X1.0	1							
78	2	23887-100002	PLUG, 10	1							
79	2	26106-060102	BOLT, M6X 10 PLATED	4							
80	2	26106-060142	BOLT, M6X 14 PLATED	2							
81	2	26106-060202	BOLT, M6X 20 PLATED	4							
82	2	26106-060452	BOLT, M6X 45 PLATED	3							
83	2	26756-060002	NUT, LOCK M6	1							
84	2	119717-61060	COVER, GOVERNOR CASE	1							
85	2	119125-61450	LIMITER ASSY, FUEL	1							
93	2	119515-61560	ANGLEICH ASSY	1							
126	2	119527-61700	SPRING, GOVERNOR	1							
127	2	119653-77950	SOLENOID, STOP	1							

Remarks  
\*This figure(Governor)is incorporated in the Fuel Injection Pump (Fig.11).  
(1)Selective parts; certain the classification mark, then place your order (ref. to illustration).

Fig.13. FUEL INJECTION VALVE

(A)=3TNM68-ASG  
(B)=  
(C)=

(D)=  
(E)=  
(F)=



No.	Lev.	Parts No.	Description	Q'ty						I	R
				(A)	(B)	(C)	(D)	(E)	(F)		
1	1	719125-53100	VALVE ASSY,INJECTION	3							
2	2	119125-53001	VALVE ASSY,INJECTION	3							
5	2	119125-53080	NUT, NOZZLE	3							
6	2	119125-53100	HOLDER ASSY, NOZZLE	3							
9	2	119125-53120	SPRING, NOZZLE	3							
10	2	119125-53130	SEAT, SPRING	3							
11	2	119125-53140	SPACER, VALVE STOP	3							
12	2	114250-53400	SHIM SET	3							
24	1	129150-59120	RETAINER, PIPE	1							
27	2	129150-59131	BOLT, M4X14	2							
29	1	119125-59810	PIPE, FUEL INJECTION	1							
30	1	119125-59820	PIPE, FUEL INJECTION	1							
31	1	119125-59830	PIPE, FUEL INJECTION	1							
32	1	119125-59540	PIPE ASSY, RETURN	1							
33	1	119125-59560	BOLT, PIPE JOINT	1							
34	1	129901-59560	GASKET	3							
35	1	119125-59570	PIPE ASSY, RETURN	1							
36	2	124066-59100	CLIP, HOSE 8	2							
37	2	119000-59550	PIPE, FUEL RETURN	1							
38	1	119840-59570	JOINT	1							
39	1	119620-59700	NUT, NOZZLE	3							
40	1	22190-120002	WASHER, SEAL 12	2							

Fig.14. FUEL FILTER

(A)=3TNM68-ASG

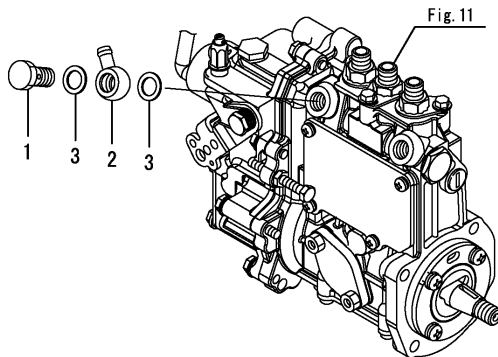
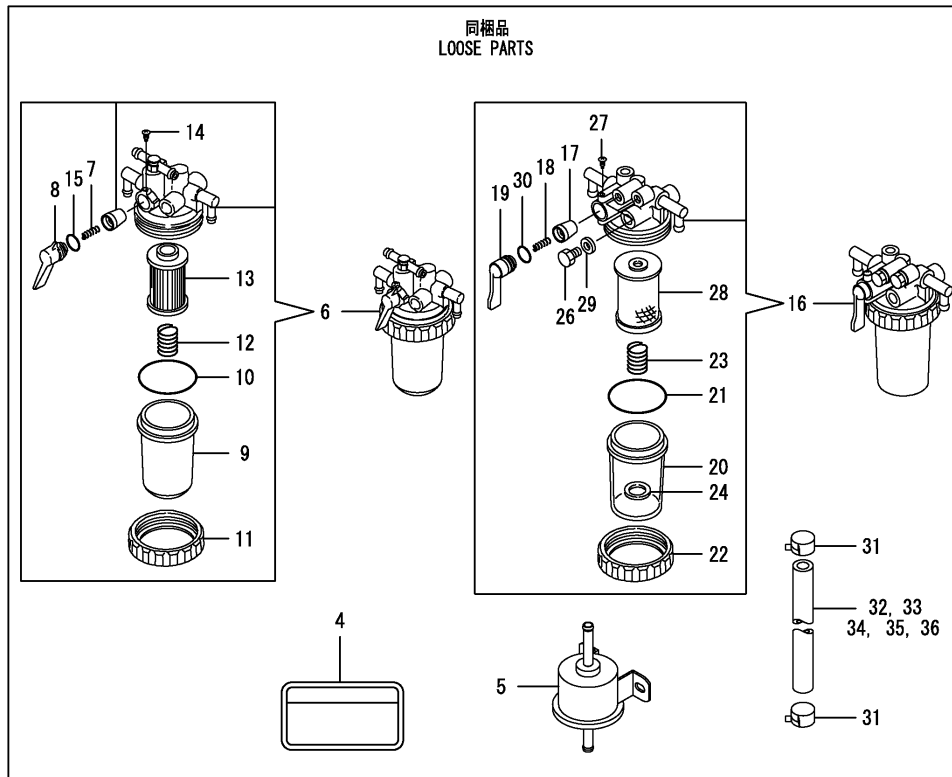
(B)=

(C)=

(D)=

(E)=

(F)=

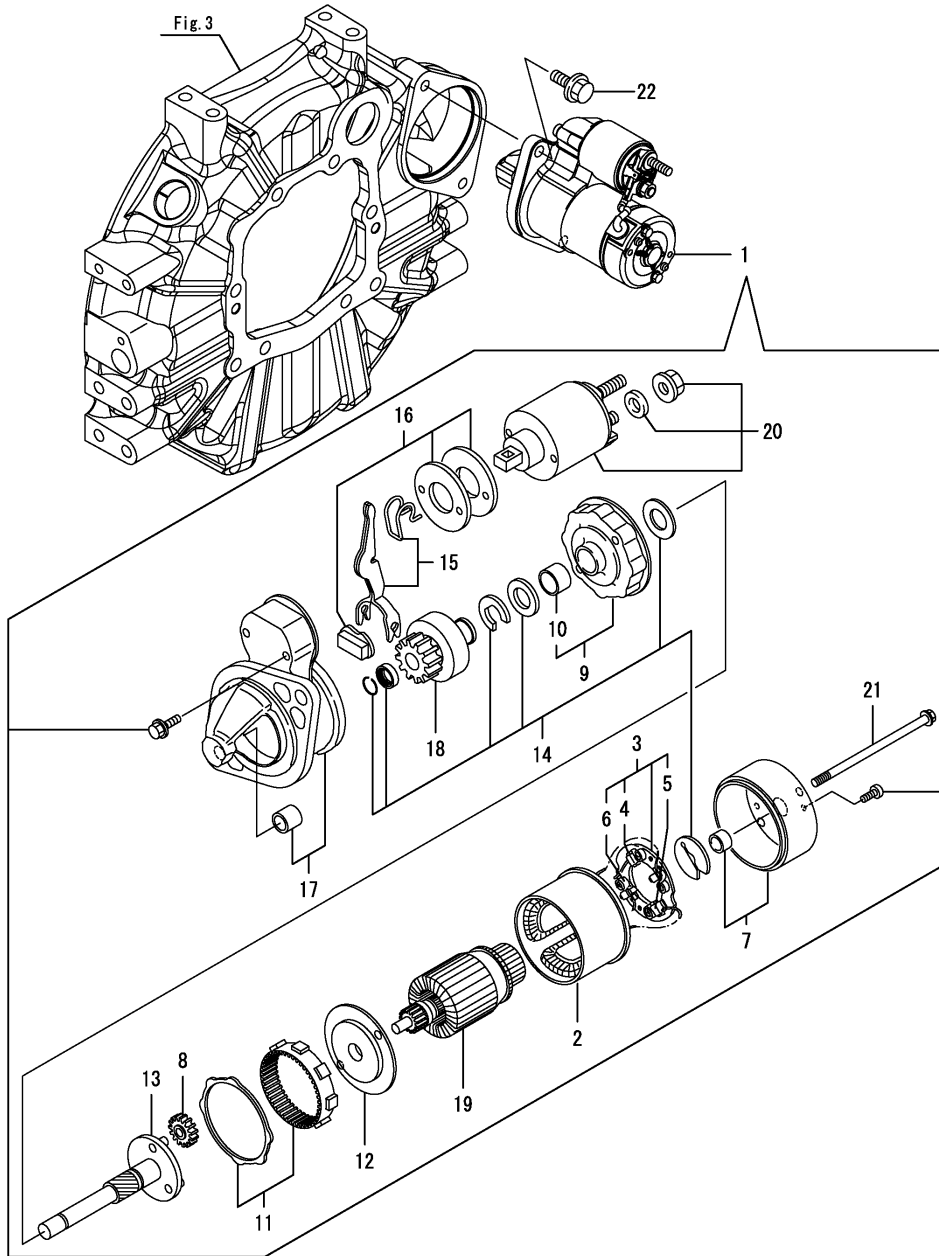


No.	Lev.	Parts No.	Description	Q'ty						I	R
				(A)	(B)	(C)	(D)	(E)	(F)		
1	1	103854-39140	BOLT, PIPE JOINT	1							
2	1	101304-59020	JOINT, PIPE 12	1							
3	1	22190-120002	WASHER, SEAL 12	2							
4	1	114110-07760	LABEL, FUEL CAUTION	1							
5	1	119225-52102	PUMP ASSY, FUEL FEED	1							
6	1	119833-55620	FILTER ASSY, FUEL	1							
7	2	104200-55330	SPRING, VALVE	1							
8	2	119810-55340	LEVER	1							
9	2	121254-55510	COVER	1							
10	2	102103-55520	O-RING	1							
11	2	110250-55610	RING, RETAINING	1							
12	2	121250-55620	SPRING	1							
13	2	119810-55650	ELEMENT	1							
14	2	104200-55750	SCREW, M4	1							
15	2	24311-240100	O-RING, 1AP10A	1							
16	1	129335-55700	SEPARATOR ASSY,WATER	1							
17	2	104200-55321	VALVE, TAPER	1							
18	2	104200-55330	SPRING, VALVE	1							
19	2	104200-55341	HANDLE	1							
20	2	124064-55510	COVER	1							
21	2	102103-55520	O-RING	1							
22	2	110250-55610	RING, RETAINING	1							
23	2	121257-55720	SPRING	1							
24	2	121257-55731	FLOAT	1							
26	2	101720-55750	PLUG, 6	2							
27	2	104200-55750	SCREW, M4	1							
28	2	171081-55910	SCREEN	1							
29	2	23418-060000	GASKET, 6X1.0	2							
30	2	24311-240100	O-RING, 1AP10A	1							
31	1	124766-59050	CLIP, HOSE 12	12							
32	1	124574-59090	PIPE, FUEL D7.5X900	1							
33	1	105230-59510	PIPE, FUEL	2							
34	1	170121-59510	PIPE, FUEL	1							
35	1	129612-59520	PIPE, FUEL	1							
36	1	105025-59760	PIPE, FUEL	1							

Fig.15. STARTING MOTOR

(A)=3TNM68-ASG  
(B)=  
(C)=

(D)=  
(E)=  
(F)=

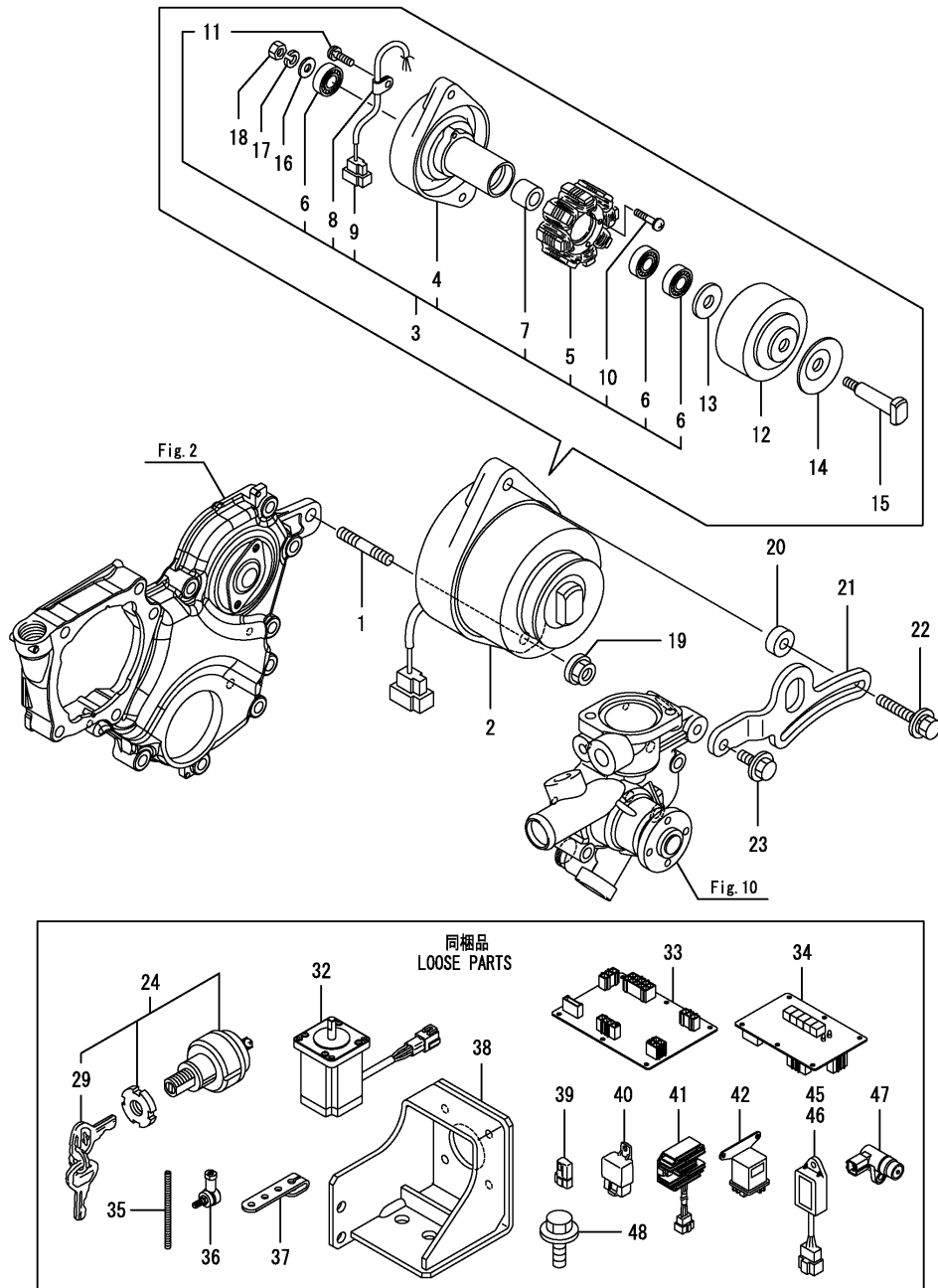


No.	Lev.	Parts No.	Description	Q'ty						I	R
				(A)	(B)	(C)	(D)	(E)	(F)		
1	1	119125-77010	STARTER ASSY, 1.2KW	1							
2	2	129698-77110	YOKE ASSY	1							
3	2	129698-77120	HOLDER ASSY, BRUSH	1							
4	3	129698-77130	BRUSH	2							
5	3	129698-77140	BRUSH SET	1							
6	3	129698-77150	SPRING, BRUSH	4							
7	2	129698-77161	COVER ASSY	1							
8	2	119125-77170	GEAR	3							
9	2	129698-77180	BRACKET	1							
10	3	129698-77190	BRACKET	1							
11	2	119125-77200	GEAR, INTERNAL	1							
12	2	119125-77210	BRACKET	1							
13	2	119125-77230	SHAFT, PINION	1							
14	2	129698-77250	WASHER SET	1							
15	2	119125-77270	LEVER SET, SHIFT	1							
16	2	119125-77280	COVER ASSY	1							
17	2	119125-77520	CASE ASSY, GEAR	1							
18	2	119125-77660	PINION ASSY	1							
19	2	119125-77710	ARMATURE ASSY	1							
20	2	119125-77760	SWITCH ASSY	1							
21	2	124195-77770	BOLT, THROUGH	2							
22	1	26106-100252	BOLT, M10X 25 PLATED	2							

Fig.16. GENERATOR

(A)=3TNM68-ASG  
(B)=  
(C)=

(D)=  
(E)=  
(F)=

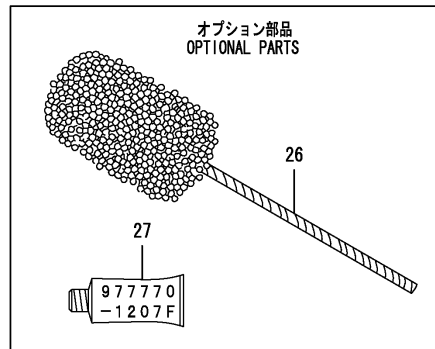
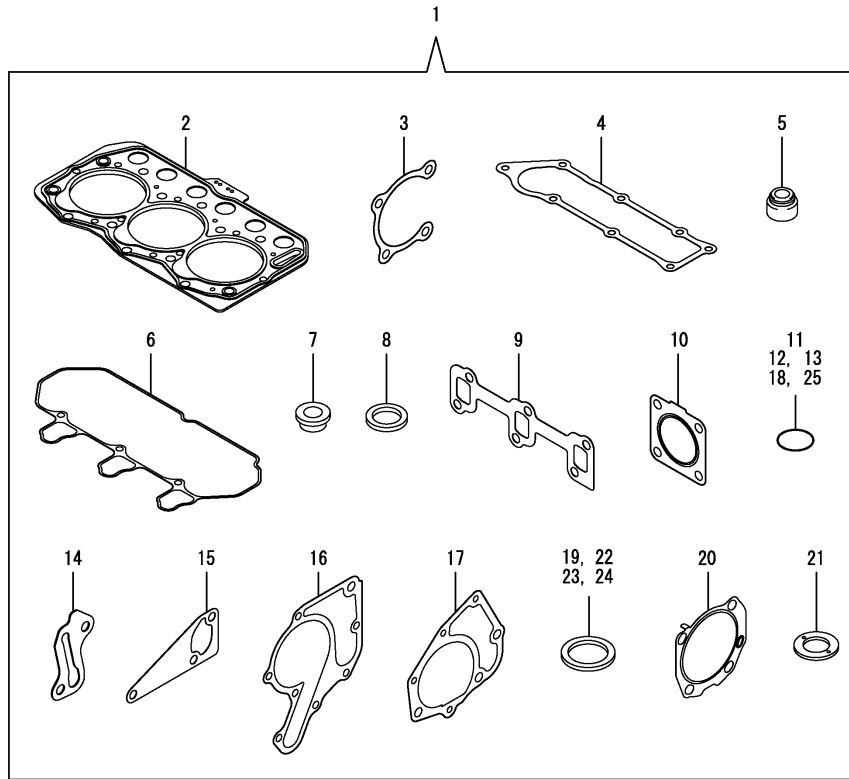


No.	Lev.	Parts No.	Description	Q'ty						I	R
				(A)	(B)	(C)	(D)	(E)	(F)		
1	1	129795-01900	STUD	1							
2	1	171301-77201	DYNAMO ASSY, 15A	1							
3	2	XM08137	PLATE ASSY	1							
4	3	X2A07073KA	PLATE	1							
5	3	X4A07023KB	STATOR ASSY	1							
6	3	24104-062010	BEARING, 6201UUC3	3							
7	3	XM329830000	COLLAR	1							
8	3	XM069000000	CLAMP	1							
9	3	X417878	COUPLER	1							
10	3	XYSPS402400	SCREW	2							
11	3	XYSPS400800	SCREW	1							
12	2	X3A08877KA	FLYWHEEL	1							
13	2	XM67935	WASHER	1							
14	2	XM721740000	PULLEY	1							
15	2	X4A07403K01	SHAFT	1							
16	2	XM860250000	WASHER	1							
17	2	XM219230000	WASHER	1							
18	2	XM863720000	NUT	1							
19	1	26306-100002	NUT, M10	1							
20	1	119940-77270	SPACER, GENERATOR	1							
21	1	119540-77310	ADJUSTER	1							
22	1	129972-77341	BOLT, ADJUSTER L=50	1							
23	1	26106-080202	BOLT, M8X 20 PLATED	1							
24	1	194215-52110	SWITCH, STARTING	1							
29	2	194155-52160	KEY ASSY	1							
32	1	183012-66020	MOTOR	1							
33	1	183012-66030	DRIVE, MOTOR	1							
34	1	183012-66040	PANEL	1							
35	1	119128-66710	ROD	1							
36	1	119446-66740	JOINT	2							
37	1	119446-66800	LEVER	1							
38	1	119128-66820	BRACKET	1							
39	1	119643-66900	DIODE	1							
40	1	119247-77100	RELAY, SAFETY	5							
41	1	119225-77721	LIMITER, CURRENT 20A	1							
42	1	119650-77910	RELAY ASSY, GLOW	1							
45	1	129155-77925	TIMER	1							
46	1	129211-77920	TIMER	1							
47	1	124593-78500	PULSAR	1							
48	1	26106-100182	BOLT, M10X 18 PLATED	2							

Fig.17. GASKET SET

(A)=3TNM68-ASG  
(B)=  
(C)=

(D)=  
(E)=  
(F)=



No.	Lev.	Parts No.	Description	Q'ty						I	R
				(A)	(B)	(C)	(D)	(E)	(F)		
1	1	119125-92600	GASKET SET	1							1
2	2	119125-01330	GASKET, HEAD	1							
3	2	119125-01790	GASKET	1							
4	2	119125-11330	GASKET	1							
5	2	119125-11340	SEAL, VALVE STEM	6							
6	2	119125-11370	GASKET, BONNET	1							
7	2	129901-11450	PROTECTOR, NOZZLE	3							
8	2	119600-11460	GASKET, NOZZLE	6							
9	2	119125-13110	GASKET	1							
10	2	119515-13200	GASKET, SILENCER	1							
11	2	129900-32040	O-RING, P14	1							
12	2	119125-34900	O-RING	1							
13	2	119209-35030	O-RING, P11	1							
14	2	119125-39220	GASKET	1							
15	2	119260-42021	GASKET, WATER PUMP	1							
16	2	119275-42020	GASKET, WATER PUMP	1							
17	2	119125-42030	GASKET, WATER PUMP	1							
18	2	119209-42320	O-RING, P21 EPDM	1							
19	2	124465-44950	GASKET, 16	1							
20	2	119125-51800	GASKET	1							
21	2	129901-59560	GASKET	3							
22	2	22190-120002	WASHER, SEAL 12	5							
23	2	22190-160002	WASHER, SEAL 16	1							
24	2	23414-080000	GASKET, 8X1.0	1							
25	2	24311-000180	O-RING, 1AP18.0	2							
26	1	129400-92400	HONE	1							1
27	1	977770-1207F	GASKET.LIQUID	1							1

Remarks

(1)Optional parts.

N:Old  $\xrightarrow{\text{Yes}}$  New, Q:Old  $\xrightarrow{\text{No}}$  New, R:Old  $\xrightarrow{\text{Yes}}$  New, S:Old  $\xrightarrow{\text{No}}$  New, W:Add, Z:Discontinued, F:Interchangeable by set, K:Q'ty Change

## Parts No. Index

Parts No.	Fig. No.	Ref. No.
101304-59020	14	2
101720-55750	14	26
102103-55520	14	10
		21
103854-39140	14	1
104200-55321	14	17
104200-55330	14	7
		18
104200-55341	14	19
104200-55750	14	14
		27
105010-11230	4	28
105025-59760	14	36
105027-12580	5	6
105230-59510	14	33
105425-01690	3	6
106760-01770	2	6
	4	33
110250-55610	14	11
		22
114110-07760	14	4
114250-39450	9	14
114250-53400	13	12
118400-51370	11	24
119000-59550	13	37
119125-01330	1	30
	17	2
119125-01500	2	1
119125-01750	2	2
119125-01760	3	5
119125-01780	3	9
119125-01790	1	31
	17	3
119125-01800	1	35 -1
119125-01960	1	7
119125-01970	1	5
119125-02061	1	9
119125-02900	1	36
119125-02910	1	39
119125-02930	1	23
119125-02940	1	42
119125-11100	4	13
119125-11110	4	14
119125-11130	4	15
119125-11180	4	16
119125-11190	4	17
119125-11200	4	19
119125-11240	4	20
119125-11260	4	23
119125-11270	4	24

Parts No.	Fig. No.	Ref. No.
119125-11320	4	44
119125-11330	4	45
	17	4
119125-11340	4	18
	17	5
119125-11370	4	46
	17	6
119125-11380	4	34
119125-11650	4	27
119125-11740	4	4
119125-11800	4	57
119125-13110	6	1
	17	9
119125-13140	6	2
119125-14580	7	3
119125-21200	8	4
119125-21650	8	11
119125-21700	8	1
119125-22080	8	15
119125-22300	8	21
119125-22500	8	17
119125-22550	8	33
119125-22900	8	32
119125-23000	8	23
119125-25050	1	26
119125-25100	7	9
119125-25910	7	14
119125-25930	7	13
119125-32000	9	1
119125-34810	9	3
119125-34820	9	4
119125-34900	9	5
	17	12
119125-39200	9	11
119125-39220	9	12
	17	14
119125-42000	10	1
119125-42020	10	3
119125-42030	10	4
	17	17
119125-51030	11	6
119125-51060	11	7
119125-51100	11	9
119125-51241	11	16
119125-51250	11	17
119125-51300	11	19
119125-51480	11	35
119125-51490	11	36
119125-51700	11	67
119125-51800	1	34

Parts No.	Fig. No.	Ref. No.
119125-51800	17	20
119125-53001	13	2
119125-53080	13	5
119125-53100	13	6
119125-53120	13	9
119125-53130	13	10
119125-53140	13	11
119125-59540	13	32
119125-59560	13	33
119125-59570	13	35
119125-59810	13	29
119125-59820	13	30
119125-59830	13	31
119125-61110	12	10
119125-61120	12	11
119125-61130	12	12
119125-61140	12	13
119125-61150	12	14
119125-61160	12	15
119125-61201	12	4
119125-61390	12	17
119125-61401	12	18
119125-61430	12	26
119125-61450	12	85
119125-61501	12	36
119125-77010	15	1
119125-77170	15	8
119125-77200	15	11
119125-77210	15	12
119125-77230	15	13
119125-77270	15	15
119125-77280	15	16
119125-77520	15	17
119125-77660	15	18
119125-77710	15	19
119125-77760	15	20
119125-77800	4	55
119125-77820	4	56
119125-92600	17	1
119127-01560	1	1
119128-01640	3	2
119128-12050	5	1
119128-13510	6	8
119128-21560	8	8
119128-35080	9	9
119128-44520	10	36
119128-44570	10	37
119128-49030	10	45
119128-49040	10	46
119128-61300	12	8

Parts No.	Fig. No.	Ref. No.
119128-66710	16	35
119128-66820	16	38
119131-18320	6	5
119209-35030	9	8
	17	13
119209-42320	10	9
	17	18
119225-52102	14	5
119225-77721	16	41
119226-07900	4	53
119247-77100	16	40
119255-44660	10	44
119260-11270	4	25
119260-11280	4	26
119260-11370	4	1
119260-14200	7	1
119260-14400	7	2
119260-23910	8	29
119260-42021	10	12
	17	15
119265-44740	10	18
119266-01200	1	29
119275-42020	17	16
119305-35170	9	15
119336-12570	5	5
119446-39100	3	11
119446-66740	16	36
119446-66800	16	37
119515-12501	5	2
119515-12520	5	3
119515-13200	6	7
	17	10
119515-23601	8	27
119515-23611	8	30
119515-44600	10	39
119515-61440	12	27
119515-61560	12	93
119527-61420	12	25
119527-61700	12	126
119540-77310	16	21
119600-11460	4	3
	17	8
119620-01620	1	13
119620-01750	3	3
119620-21941	8	13
119620-59700	13	39
119621-21681	8	12
119629-49080	10	50
119643-66900	16	39
119650-77910	16	42

## Parts No. Index

Parts No.	Fig. No.	Ref. No.
119653-77950	12	127
119717-01800	2	3
119717-03031	4	35
119717-03070	4	36
		37
119717-13600	6	3
119717-23200	8	26
119717-42350	10	16
119717-49800	10	22
119717-51150	11	13
119717-51190	11	15
119717-51420	11	27
119717-51500	11	37
119717-51570	11	43
119717-51711	11	68
119717-51750	11	69
119717-51761	11	70
119717-51860	11	82
119717-61050	12	2
119717-61060	12	84
119717-61070	12	3
119734-02220	1	32
119802-03100	4	38
119802-03110	4	39
119802-03121	4	40
119802-03131	4	41
119802-03141	4	42
119802-13620	6	4
119802-44560	10	42
119808-12540	5	4
119810-55340	14	8
119810-55650	14	13
119833-55620	14	6
119840-59570	13	38
119865-21600	8	10
119940-77270	16	20
121111-21501	8	7
121250-44901	10	27
121250-55620	14	12
121254-55510	14	9
121256-44600	10	43
121257-55720	14	23
121257-55731	14	24
121450-42450	10	26
121450-44531	10	32
121470-44581	10	34
121550-49111	10	52
122710-51090	11	8
124060-01050	1	4
124064-55510	14	20

Parts No.	Fig. No.	Ref. No.
124066-59100	13	36
124101-49531	10	21
124195-77770	15	21
124450-44550	10	41
124450-44560	10	33
124465-44950	10	28
		29
	17	19
124550-51350	11	23
124574-59090	14	32
124593-78500	16	47
124766-59050	10	55
		58
	14	31
128990-51330	11	22
129008-61301	12	67
129100-01580	3	1
	8	2
129100-35140	9	6
129100-51560	11	42
129100-51570	11	44
129100-52200	11	86
129100-61650	12	59
129107-44590	10	38
129150-25301	7	12
129150-49080	10	48
129150-49100	10	47
129150-59120	13	24
129150-59131	13	27
129155-51020	11	5
129155-51140	11	12
129155-51280	11	18
129155-51400	11	25
129155-51521	11	38
129155-51530	11	39
129155-51540	11	40
129155-51550	11	41
129155-51580	11	46
129155-51591	11	47
129155-51600	11	48
129155-52051	11	85
129155-61341	12	68
129155-61450	12	28
129155-61460	12	69
129155-61480	12	30
129155-61830	12	64
129155-77925	16	45
129156-61460	12	29
129209-61370	12	16
129209-61920	12	71

Parts No.	Fig. No.	Ref. No.
129209-61930	12	72
129209-61970	12	73
129210-49240	10	53
129210-49280	10	56
129211-77920	16	46
129255-52000	11	84
129255-61410	12	24
129335-55700	14	16
129400-92400	17	26
129457-44760	10	19
129486-61540	12	55
129612-59520	14	35
129698-77110	15	2
129698-77120	15	3
129698-77130	15	4
129698-77140	15	5
129698-77150	15	6
129698-77161	15	7
129698-77180	15	9
129698-77190	15	10
129698-77250	15	14
129795-01900	16	1
129900-32040	1	33
	17	11
129901-11450	4	2
	17	7
129901-59560	13	34
	17	21
129972-77341	16	22
158552-61900	12	70
158600-51170	11	14
158600-51410	11	26
158600-51420	11	28
158600-51442	11	29
158600-51570	11	45
158600-51790	11	71
170121-59510	14	34
171056-49120	10	25
171064-44510	10	30
171081-55910	14	28
171301-77201	16	2
174307-51700	12	37
183012-66020	16	32
183012-66030	16	33
183012-66040	16	34
183366-08351	3	10
194155-52160	16	29
194215-52110	16	24
22190-100002	12	74
22190-120002	12	75

Parts No.	Fig. No.	Ref. No.
22190-120002	13	40
	14	3
	17	22
22190-160002	3	8
		12
	11	72
	17	23
22217-120000	11	73
22242-000100	4	31
22252-000200	8	22
22272-000030	12	65
22351-030010	8	14
22351-050010	11	74
22351-060012	1	27
22372-040000	12	76
22512-040120	8	5
22857-500100	4	47
		48
23000-022000	3	13
23000-060000	5	7
23010-038000	10	59
23061-060600	10	60
23065-070225	10	35
23080-007000	10	61
23414-080000	10	13
	17	24
23414-120016	12	77
23418-060000	14	29
23876-005000	1	10
	4	11
23887-100002	12	78
24101-060034	11	75
24101-063034	11	76
24104-062010	16	6
24311-000180	2	7
	4	50
	17	25
24311-240100	14	15
		30
24316-000150	11	77
25132-003500	10	17
26014-060122	10	40
26022-050122	11	78
26022-060162	11	79
26106-050102	11	80
26106-060102	9	10
		13
	12	79
26106-060122	7	8
26106-060142	9	2



# Parts No. Index

Parts No.	Fig. No.	Ref. No.
26106-060142	12	80
26106-060202	4	51
	12	81
26106-060402	1	28
26106-060452	10	20
	12	82
26106-060802	4	52
26106-080122	10	14
26106-080162	4	54
26106-080202	16	23
26106-080252	10	23
26106-080352	2	4
26106-080452	2	5
	4	32
	10	15
26106-080652	10	24
26106-100182	16	48
26106-100252	15	22
26206-100252	3	4
26306-080002	6	6
26306-100002	16	19
26450-080252	1	35
26476-060202	4	49
26577-060122	10	10
26716-120002	11	81
26756-060002	12	83
26856-060002	4	30
27241-220000	10	11
27241-300000	1	11
27241-350000	4	12
27241-450000	1	12
27260-120000	12	66
719125-53100	13	1
719128-51320	11	1
977770-1207F	17	27
X2A07073KA	16	4
X3A08877KA	16	12
X417878	16	9
X4A07023KB	16	5
X4A07403K01	16	15
XM069000000	16	8
XM08137	16	3
XM219230000	16	17
XM329830000	16	7
XM67935	16	13
XM721740000	16	14
XM860250000	16	16
XM863720000	16	18
XYSPS400800	16	11
XYSPS402400	16	10

Parts No.	Fig. No.	Ref. No.
-----------	----------	----------

Parts No.	Fig. No.	Ref. No.
-----------	----------	----------

Parts No.	Fig. No.	Ref. No.
-----------	----------	----------