

0CW10-M26700EN

# PREFACE

1. This parts catalog is the 1st edition of 4TNV98T-ZNMS for Gehl Ltd.

Pub.No. : 000Y00W2670

Published : December,2007

## Directions for the Parts Catalog.

1. This Parts Catalog shows both standard and optional parts.
2. Parts may change without prior notice.
3. The following is an example of the Parts Catalog format.

REF.	LEV.	PARTS NO.	DESCRIPTION	Q'TY						I	R
				(A)	(B)	(C)	(D)	(E)	(F)		
1	1	729595-51390	FUEL INJECTION PUMP	1	1	1	1	1			1
1-1	1	729595-51391	FUEL INJECTION PUMP	1	1	1	1	1		N	1
		(A=E00185) (B=E00200)									
3	2	26022-060162	SCREW M 6X 16	9	9	9	9	9			
3-1	2	26022-060162	SCREW M 6X 16	4	4	4	4	4		K	
		(A=E00156) (B=E00156) (C=E00156) (D=E00156) (E=E00156)									
4	2	129470-51040	CAMSHAFT	1	1	1	1	1			
5	2	122710-51050	BEARING, ROLLER	2	2	2	2	2			
6	2	129470-51060	RETAINER	1	1	1	1	1			

Remarks
(1) BOOST COMPEMSATOR TYPE. OPTIONAL PART, TO E00155,(4JH-DT, 4JH-DTZ

### ① Ref. No.

The Ref. No. listed may not be in accordance with the illustration Ref. No.

(Ex.) Illustration No.

List Ref No.

1

1

(Before change)

1-1

(After change)

For interchangeable symbols N, R and K, illustrations for new parts may be abbreviated.

### ② Lev. (Level)

Level indication

The numbers below indicate the level of relativity towards the main part.

1 ----- Main parts (Assembly parts)

2 ----- Sub component included in " 1 ".

3 ----- Sub component included in " 2 ".

Note) Parts that are not for sale are partially illustrated but not listed.

### ③ Interchangeability Symbol

When a part change takes place, one of the following interchangeability symbols is indicated beside the part.

Symbol	Interchangeability	Contents note
N	Old $\begin{matrix} \leftarrow \text{Yes} \\ \text{No} \rightarrow \end{matrix}$ New	New Part is interchangeable for Old Part but Old Part is not interchangeable for New Part.
Q	Old $\begin{matrix} \leftarrow \text{No} \\ \text{Yes} \rightarrow \end{matrix}$ New	New Part is not interchangeable for Old Part but Old Part is interchangeable for New Part.
R	Old $\begin{matrix} \leftarrow \text{Yes} \\ \text{Yes} \rightarrow \end{matrix}$ New	New/ Old Parts are both interchangeable.
S	Old $\begin{matrix} \leftarrow \text{No} \\ \text{No} \rightarrow \end{matrix}$ New	New/ Old Parts are both not interchangeable.
W		Part newly added.
Z		Part discontinued.
F		Not interchangeable by a single part but interchangeable together with related parts.
K		Changes only for used parts quantities.

### ④ Effective Machine No.

When a part changes, the effective Machine No. will be indicated in the (A)-(F) column.

Product Symbol	Product No.	Product Symbol	Product No.
C	Clutch No. Compressor No.	F	Machine No. (Agricultural Equip.)
D	Drive No.	M	Machine No.
E	Engine No.		

Note 1) A date may follow the symbol. (Ex.) 1996.01

Note 2) "XXXXX" and "ZZZZZ" are for parts that could not be predicted or for engine models that could not be identified.

Note 3) (A=E00185) is the E (Engine Serial Number) for the column (A) model (in this case 4JH-DT) after the parts design change.

### ⑤ Remarks

Figures or alphabets (symbols) are entered in the remarks column.

The comments (remarks) on parts that are indicated at the bottom of the illustration are the same symbols as those stated above.

# Contents

Fig. No.    Fig. Name

4TNV98T-ZNMS

1. CYLINDER BLOCK
2. GEAR HOUSING
3. FLYWHEEL HOUSING & OIL SUMP
4. CYLINDER HEAD & BONNET
5. SUCTION MANIFOLD
6. EXHAUST MANIFOLD
7. CAMSHAFT & DRIVING GEAR
8. TURBINE
9. CRANKSHAFT & PISTON
10. LUB.OIL SYSTEM
11. LUB.OIL LINE
12. COOLING WATER SYSTEM
13. FUEL INJECTION PUMP
14. GOVERNOR
15. FUEL INJECTION VALVE
16. FUEL LINE
17. STARTING MOTOR
18. ELECTRONIC CONTROL UNIT (ECU)
19. GASKET SET

Fig. No.    Fig. Name

Fig.1. CYLINDER BLOCK

(A)=4TNV98T-ZNMS

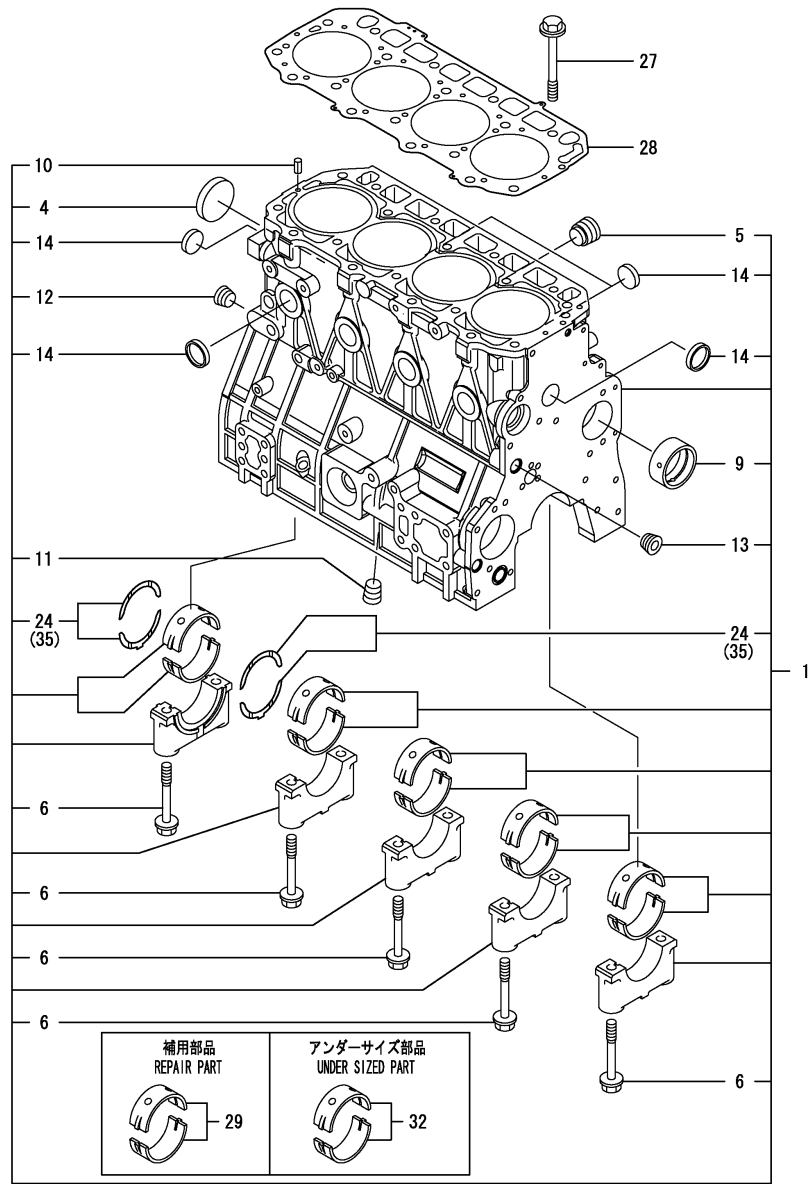
(B)=

(C)=

(D)=

(E)=

(F)=

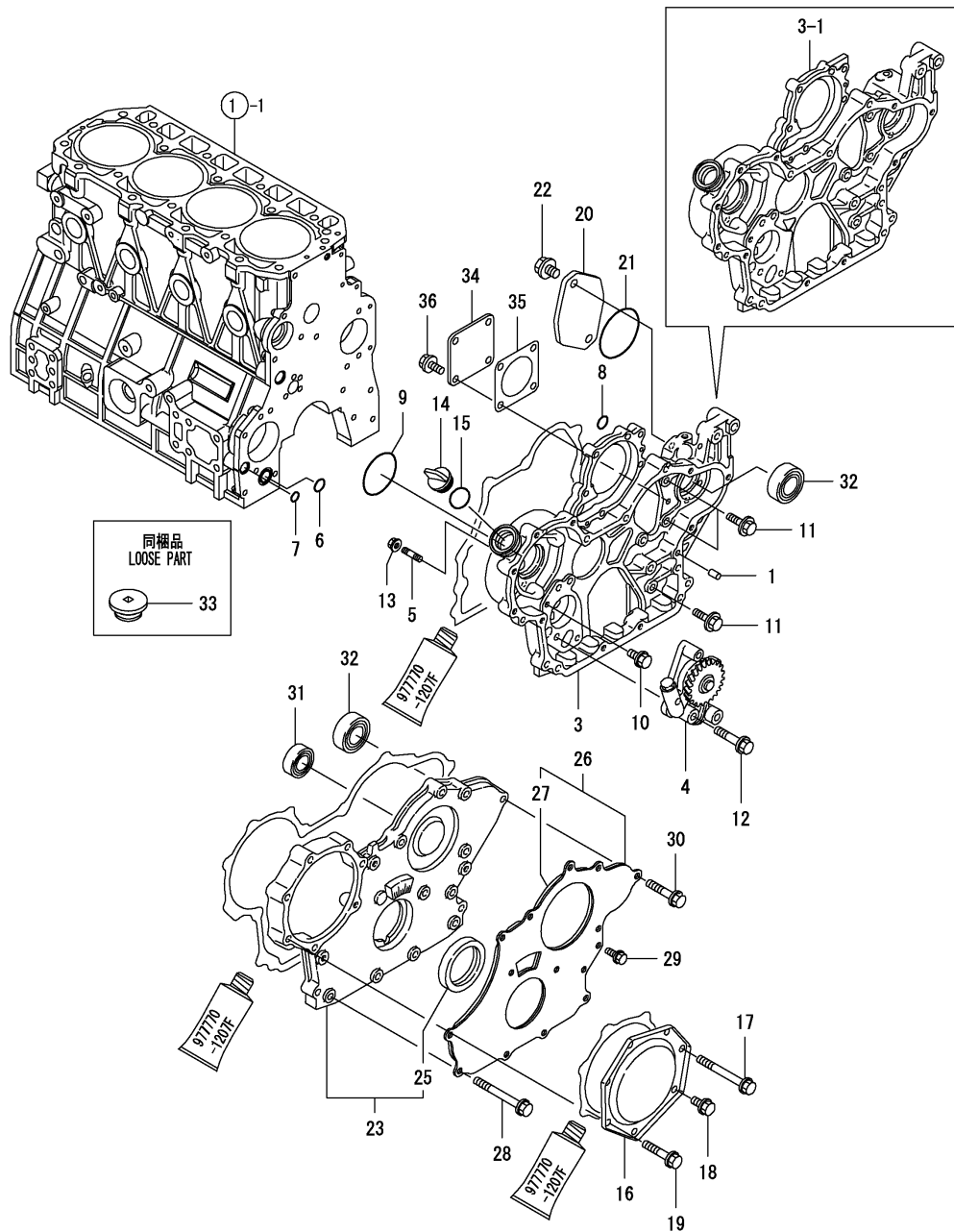


No.	Lev.	Parts No.	Description	Q'ty						I	R
				(A)	(B)	(C)	(D)	(E)	(F)		
1	1	729928-01560	BLOCK ASSY, CYLINDER	1							
4	2	129900-01250	PLUG, 55	1							
5	2	171051-01921	PLUG, NPTF1	1							
6	2	129900-02020	BOLT, METAL CAP	10							
9	2	129900-02410	BUSH, CAMSHAFT	1							
10	2	22351-060012	PIN, SPRING 6.0X12	2							
11	2	23876-030000	PLUG, R03	1							
12	2	23876-030000	PLUG, R03	1							
13	2	23876-030000	PLUG, R03	1							
14	2	27241-300000	PLUG 30	8							
24	2	129900-02931	BEARING, THRUST	2							
27	1	129900-01200	BOLT, HEAD	18							
28	1	129907-01331	GASKET, HEAD	1							
29	1	729900-02801	BEARING, MAIN	5							1
32	1	129900-02341	BEARING, 0.25 US	5							2
35	1	129900-02941	BEARING, THRUST 0.25	2							3

Remarks

- (1) REPAIR PART.
- (2) UNDER-SIZED(U.S=0.25)PART.
- (3) OVER-SIZED(O.S=0.25)PART.

Fig.2. GEAR HOUSING



(A)=4TNV98T-ZNMS

(B)=

(C)=

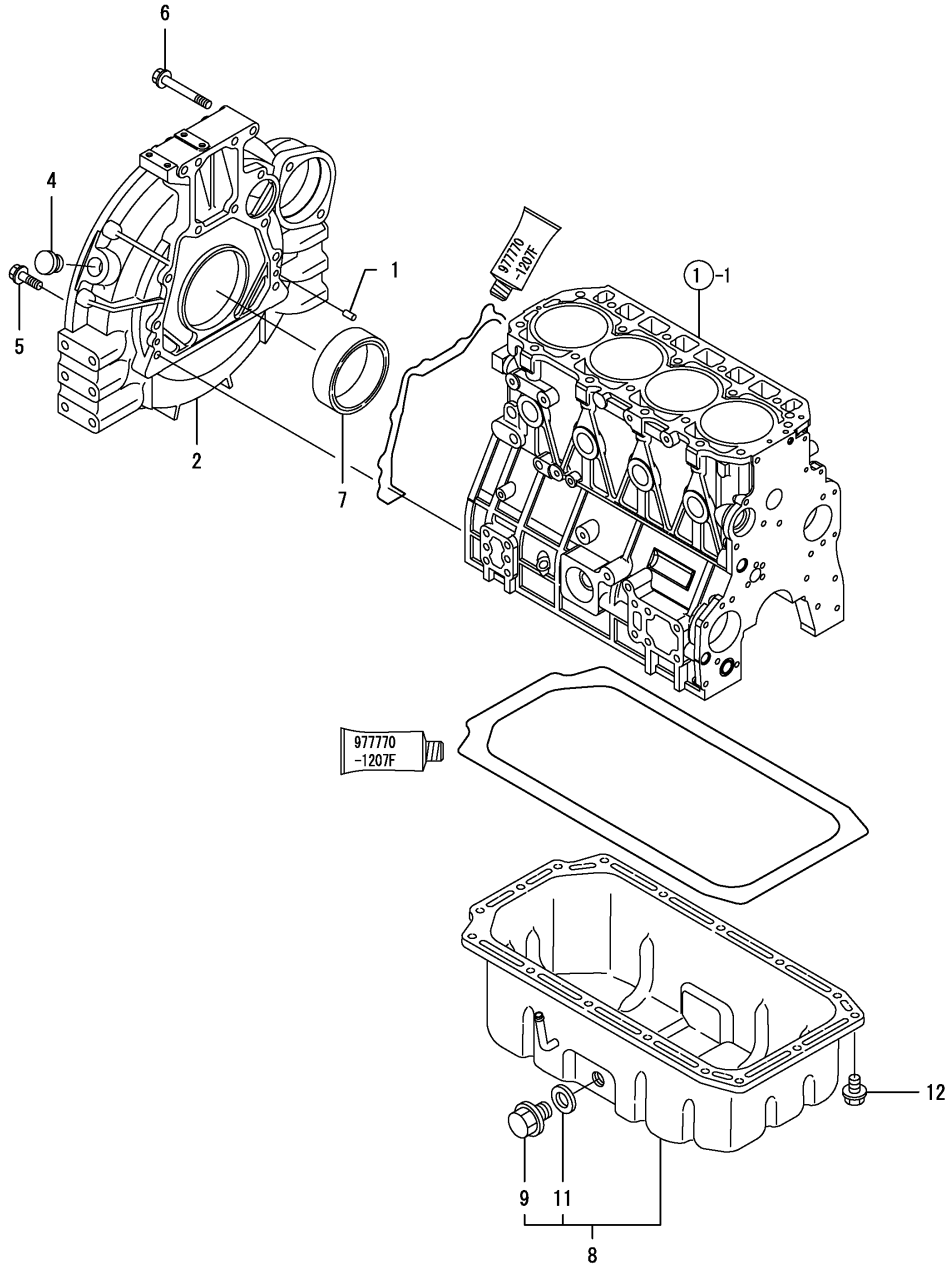
(D)=

(E)=

(F)=

No.	Lev.	Parts No.	Description	Qty						I	R
				(A)	(B)	(C)	(D)	(E)	(F)		
1	1	129100-01580	PIN, M8X16	4							
3	1	129933-01500	CASE, GEAR	1							
3-1	1	129935-01500	CASE, GEAR	1							N
(A=*2008.09.)											
3-2	1	129948-01500	CASE ASSY, GEAR	1							N
(A=*2008.10)											
4	1	129908-32060	PUMP ASSY, OIL	1							
5	1	26216-100302	STUD, M10X 30	4							
6	1	129900-32030	O-RING, P20	1							
7	1	129900-32040	O-RING, P14	1							
8	1	24311-000070	O-RING, 1AP7.0	1							
9	1	24351-030750	O-RING, 1A3075	1							
10	1	26106-080162	BOLT, M8X 16 PLATED	1							
11	1	26106-080202	BOLT, M8X 20 PLATED	3							
12	1	26106-080452	BOLT, M8X 45 PLATED	3							
13	1	26306-100002	NUT, M10	4							
14	1	124160-01751	COVER, FILLER	1							
15	1	24311-000320	O-RING, 1AP32.0	1							
16	1	129900-01740	COVER	1							
17	1	129001-91810	BOLT, M8X70	1							
18	1	26106-080162	BOLT, M8X 16 PLATED	1							
19	1	26106-080402	BOLT, M8X 40 PLATED	5							
20	1	121023-26070	COVER	1							Z
(A=*2008.09.)											
21	1	24321-000850	O-RING, 1AG85.0	1							Z
(A=*2008.09.)											
22	1	26106-100202	BOLT, M10X 20 PLATED	2							Z
(A=*2008.09.)											
23	1	729906-01550	COVER ASSY,GEAR CASE	1							
25	2	129916-01800	SEAL, OIL	1							
26	1	129900-01850	COVER ASSY,GEAR CASE	1							
27	2	129900-01870	SPONGE	1							
28	1	129001-91810	BOLT, M8X70	6							
29	1	26106-080162	BOLT, M8X 16 PLATED	3							
30	1	26106-080402	BOLT, M8X 40 PLATED	5							
31	1	129900-14140	BEARING, BALL 6205	1							Z
(A=*2008.09.)											
32	1	129900-26250	BEARING, BALL 6206C3	2							Z
(A=*2008.09.)											
33	1	119807-11770	PLUG	1							
34	1	124240-01871	COVER	1							W
(A=*2008.10)											
35	1	124240-01883	GASKET	1							W
(A=*2008.10)											
36	1	26106-080162	BOLT, M8X 16 PLATED	4							W
(A=*2008.10)											

Fig.3. FLYWHEEL HOUSING & OIL SUMP

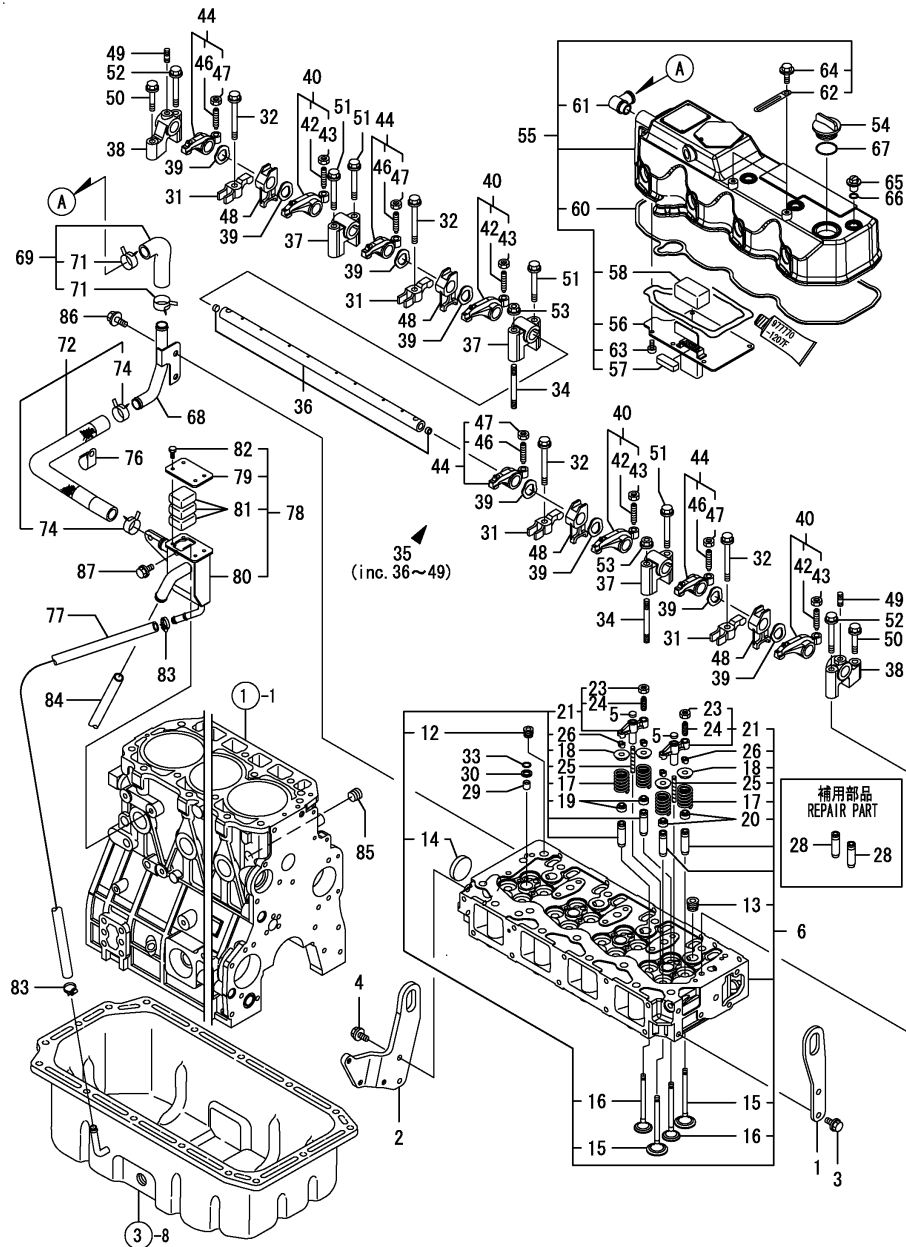


(A)=4TNV98T-ZNMS  
(B)=  
(C)=

(D)=  
(E)=  
(F)=

No.	Lev.	Parts No.	Description	Qty						I	R
				(A)	(B)	(C)	(D)	(E)	(F)		
1	1	129100-01580	PIN, M8X16	2							
2	1	129900-01620	HOUSING, FLYWHEEL	1							
4	1	119620-01750	CAP	1							
5	1	26206-100352	BOLT, M10X 35 PLATED	9							
6	1	26206-100702	BOLT, M10X 70 PLATED	4							
7	1	129916-01790	SEAL, D115/95XT11	1							
8	1	129949-01710	SUMP ASSY, OIL	1							
9	2	119640-01640	PLUG, DRAIN M22	1							
11	2	22190-220002	WASHER, SEAL 22	1							
12	1	26106-080122	BOLT, M8X 12 PLATED	16							

Fig.4. CYLINDER HEAD & BONNET



(A)=4TNV98T-ZNMS

(B)=

(C)=

(D)=

(E)=

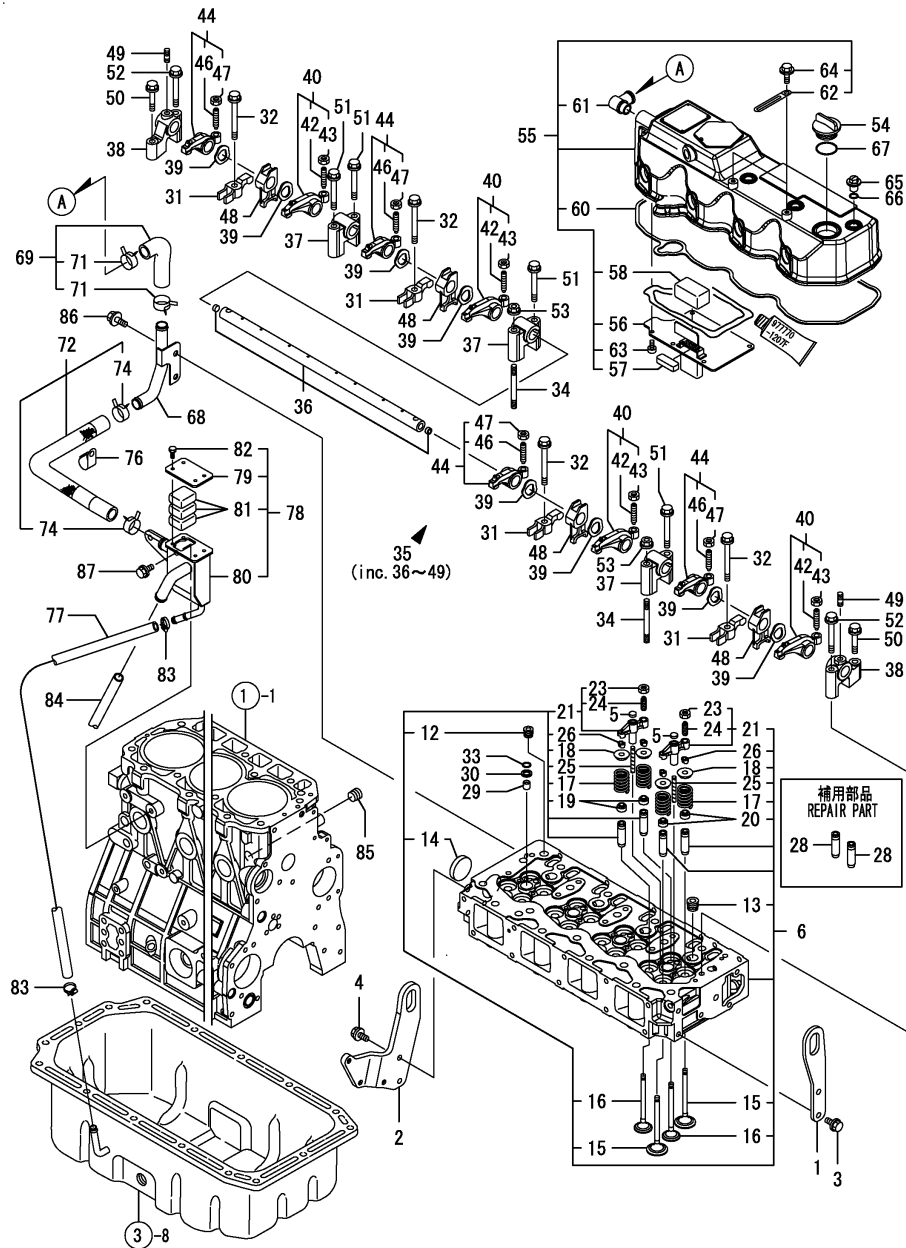
(F)=

No.	Lev.	Parts No.	Description	Q'ty						I	R
				(A)	(B)	(C)	(D)	(E)	(F)		
1	1	129907-07900	LIFTER	1							
2	1	129928-07900	LIFTER	1							
3	1	26106-080162	BOLT, M8X 16 PLATED	2							
4	1	26106-080202	BOLT, M8X 20 PLATED	2							
5	1	123907-11550	SEAT, VALVE BRIDGE	8							
6	1	129928-11700	HEAD ASSY, CYLINDER	1							
12	2	23876-020000	PLUG, R02	1							
13	2	23876-030000	PLUG, R03	4							
14	2	27241-400000	PLUG, 40	1							
15	2	129907-11100	VALVE, INTAKE	8							
16	2	129907-11110	VALVE, EXHAUST	8							
17	2	129907-11120	SPRING, VALVE	16							
18	2	119620-11180	RETAINER, SPRING	16							
19	2	119803-11340	SEAL, VALVE STEM	8							
20	2	124160-11340	SEAL, VALVE STEM	8							
21	2	129907-11510	BRIDGE ASSY, VALVE	8							
23	3	129150-11750	NUT, M8	8							
24	3	123907-11830	ADJUSTER	8							
25	2	123907-11820	GUIDE	8							
26	2	27310-070001	COTTER, 7	16							
28	1	129907-11800	GUIDE, VALVE	16							1
29	1	119802-11870	PROTECTOR, NOZZLE	4							
30	1	119625-11880	SEAT, NOZZLE	4							
31	1	129907-11910	RETAINER, NOZZLE	4							
32	1	129907-11950	BOLT, M8X75	4							
33	1	24311-000120	O-RING, 1AP12.0	4							
34	1	119593-11301	STUD, M8X80	2							
35	1	129907-11341	SHAFT ASSY, ROCKER	1							
36	2	129907-11250	SHAFT, ROCKER ARM	1							
37	2	129907-11260	SUPPORT, ROCKER ARM	3							
38	2	129907-11270	SUPPORT, ROCKER ARM	2							
39	2	123907-11280	WASHER	8							
40	2	129907-11650	ARM, ROCKER	4							
42	3	129150-11230	SCREW, VALVE ADJUST	4							
43	3	129150-11750	NUT, M8	4							
44	2	129907-11660	ARM, ROCKER	4							
46	3	129150-11230	SCREW, VALVE ADJUST	4							
47	3	129150-11750	NUT, M8	4							
48	2	129907-11920	RETAINER	4							
49	2	26226-080222	STUD, M8X 22	2							
50	1	26106-080402	BOLT, M8X 40 PLATED	2							
51	1	26106-080602	BOLT, M8X 60 PLATED	4							
52	1	26106-080602	BOLT, M8X 60 PLATED	2							
53	1	26306-080002	NUT, M8	2							
54	1	124160-01751	COVER, FILLER	1							
55	1	129928-11320	BONNET ASSY, HEAD	1							
56	2	129907-03011	PLATE	1							
57	2	129907-03061	BAFFLE, BREATHER	1							
58	2	129907-03070	BAFFLE, BREATHER	1							
60	2	129933-11310	GASKET, BONNET	1							
61	2	119100-11330	ELBOW	1							

Remarks  
(1) REPAIR PART.



Fig.4. CYLINDER HEAD & BONNET



(A)=4TNV98T-ZNMS

(B)=

(C)=

(D)=

(E)=

(F)=

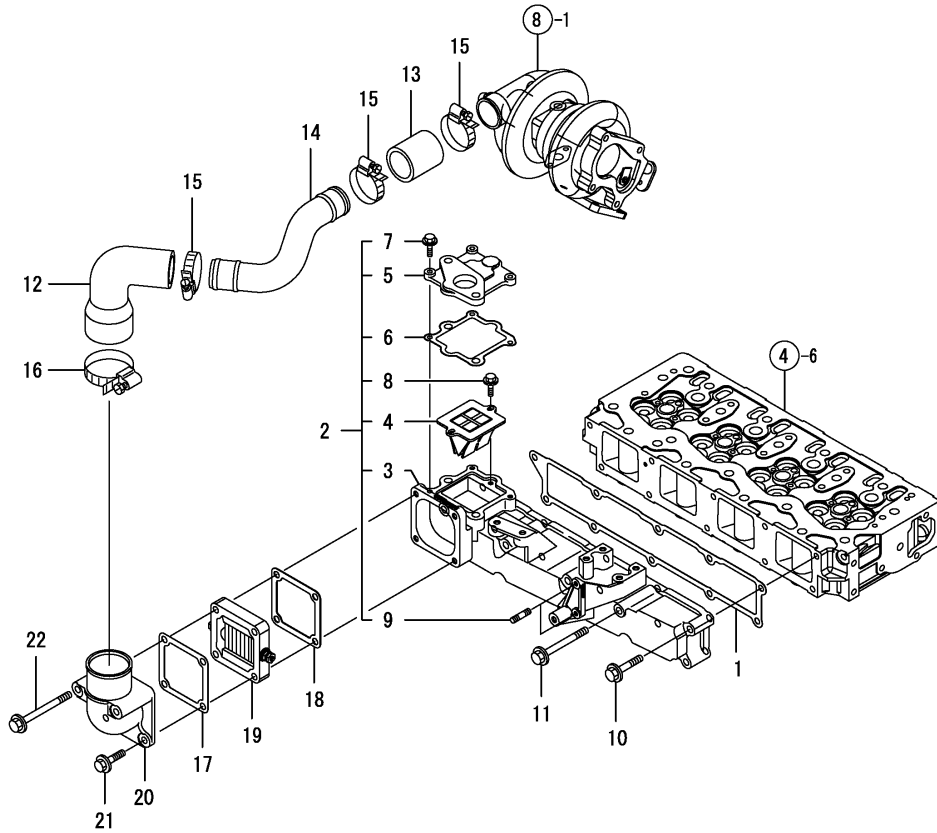
No.	Lev.	Parts No.	Description	Q'ty						I	R
				(A)	(B)	(C)	(D)	(E)	(F)		
62	2	129509-79700	CLIP	2							
63	2	22857-500100	SCREW, 5X10	6							
64	2	26106-060122	BOLT, M6X 12 PLATED	2							
65	1	124160-11360	KNOB	4							
66	1	24311-000120	O-RING, 1AP12.0	4							
67	1	24311-000320	O-RING, 1AP32.0	1							
68	1	129928-03050	PIPE, BREATHER	1							
69	1	129928-03060	HOSE ASSY, BREATHER	1							
71	2	129410-03990	CLIP	2							
72	1	129928-03080	HOSE ASSY, BREATHER	1							
74	2	129410-03990	CLIP	2							
76	1	129150-03100	RETAINER, PIPE	1							
77	1	129949-03200	HOSE, RUBBER	1							
78	1	129972-03240	SEPARATOR ASSY, MIST	1							
79	2	129972-03220	COVER, SEPARATOR	1							
80	2	129972-03230	SEPARATOR, MIST	1							
81	2	123901-03240	FILTER	3							
82	2	26116-050102	BOLT, M5X 10 PLATED	4							
83	1	23000-022000	CLAMP, 22	2							
84	1	23065-160250	PIPE, 16X 250	1							
85	1	23876-030000	PLUG, R03	1							
86	1	26106-080122	BOLT, M8X 12 PLATED	2							
87	1	26106-080142	BOLT, M8X 14 PLATED	2							

Remarks

(1) REPAIR PART.

N:Old  $\begin{matrix} \text{Yes} \\ \text{No} \end{matrix}$  New, Q:Old  $\begin{matrix} \text{No} \\ \text{Yes} \end{matrix}$  New, R:Old  $\begin{matrix} \text{Yes} \\ \text{Yes} \end{matrix}$  New, S:Old  $\begin{matrix} \text{No} \\ \text{No} \end{matrix}$  New, W:Add, Z:Discontinued, F:Interchangeable by set, K:Q'ty Change

Fig.5. SUCTION MANIFOLD

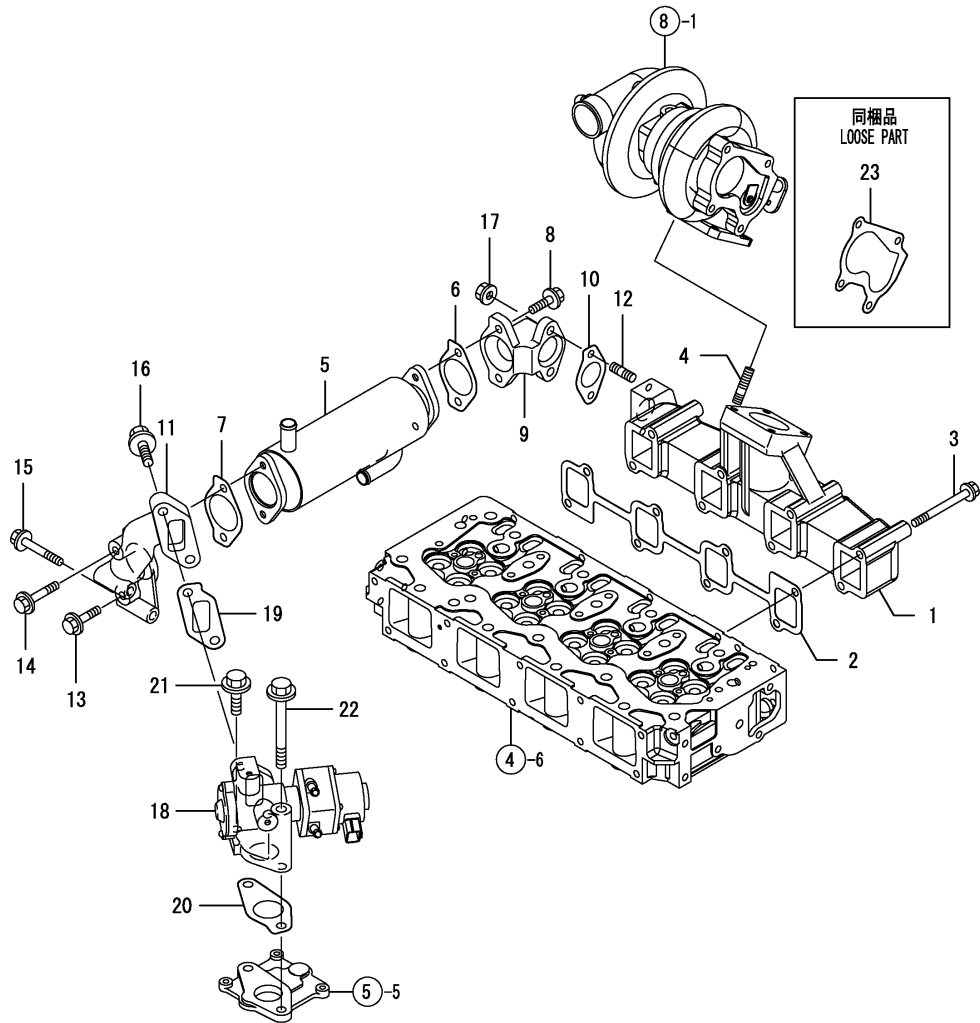


(A)=4TNV98T-ZNMS  
(B)=  
(C)=

(D)=  
(E)=  
(F)=

No.	Lev.	Parts No.	Description	Q'ty						I	R
				(A)	(B)	(C)	(D)	(E)	(F)		
1	1	129907-12110	GASKET, MANIFOLD	1							
2	1	129928-12150	MANIFOLD ASSY,INTAKE	1							
3	2	129928-12100	MANIFOLD, AIR INTAKE	1							
4	2	129928-13700	VALVE	1							
5	2	129928-13710	SPACER	1							
6	2	129928-13720	GASKET	1							
7	2	26106-060202	BOLT, M6X 20 PLATED	3							
8	2	26106-060202	BOLT, M6X 20 PLATED	2							
9	2	26216-060202	STUD, M6X 20	2							
10	1	26106-080452	BOLT, M8X 45 PLATED	6							
11	1	26106-080802	BOLT, M8X 80 PLATED	4							
12	1	129974-18210	JOINT, RUBBER	1							
13	1	123951-18220	JOINT, RUBBER	1							
14	1	129949-18220	DUCT, AIR	1							
15	1	23000-054000	CLAMP, 54	3							
16	1	23000-070000	CLAMP, 70	1							
17	1	119129-77020	GASKET	1							
18	1	121850-77021	GASKET	1							
19	1	119005-77050	HEATER	1							
20	1	119129-77520	BEND	1							
21	1	26106-080402	BOLT, M8X 40 PLATED	2							
22	1	26106-080902	BOLT, M8X 90 PLATED	2							

Fig.6. EXHAUST MANIFOLD



(A)=4TNV98T-ZNMS  
(B)=  
(C)=

(D)=  
(E)=  
(F)=

No.	Lev.	Parts No.	Description	Q'ty						I	R
				(A)	(B)	(C)	(D)	(E)	(F)		
1	1	129948-13100	MANIFOLD, EXHAUST	1							
2	1	129900-13251	GASKET	1							
3	1	123900-13630	BOLT, M8X80	8							
4	1	119131-18320	STUD, M8X22	4							
5	1	129928-13400	COOLER, EGR	1							
6	1	129928-13410	GASKET	1							
7	1	129928-13410	GASKET	1							
8	1	119802-13790	BOLT, M8X25 10.9T	2							
9	1	129928-13800	PIPE	1							
10	1	129927-13810	GASKET	1							
11	1	129928-13810	PIPE	1							
12	1	129418-18320	STUD, M8X20	2							
13	1	26106-080352	BOLT, M8X 35 PLATED	1							
14	1	26106-080452	BOLT, M8X 45 PLATED	1							
15	1	26106-080552	BOLT, M8X 55 PLATED	2							
16	1	26106-100252	BOLT, M10X 25 PLATED	2							
17	1	26306-080002	NUT, M8	2							
18	1	129927-13900	VALVE	1							
19	1	129927-13910	GASKET	1							
20	1	129927-13920	GASKET	1							
21	1	26106-100402	BOLT, M10X 40 PLATED	1							
22	1	26106-101052	BOLT, M10X105 PLATED	1							
23	1	123901-18080	GASKET	1							

Fig.7. CAMSHAFT & DRIVING GEAR

(A)=4TNV98T-ZNMS

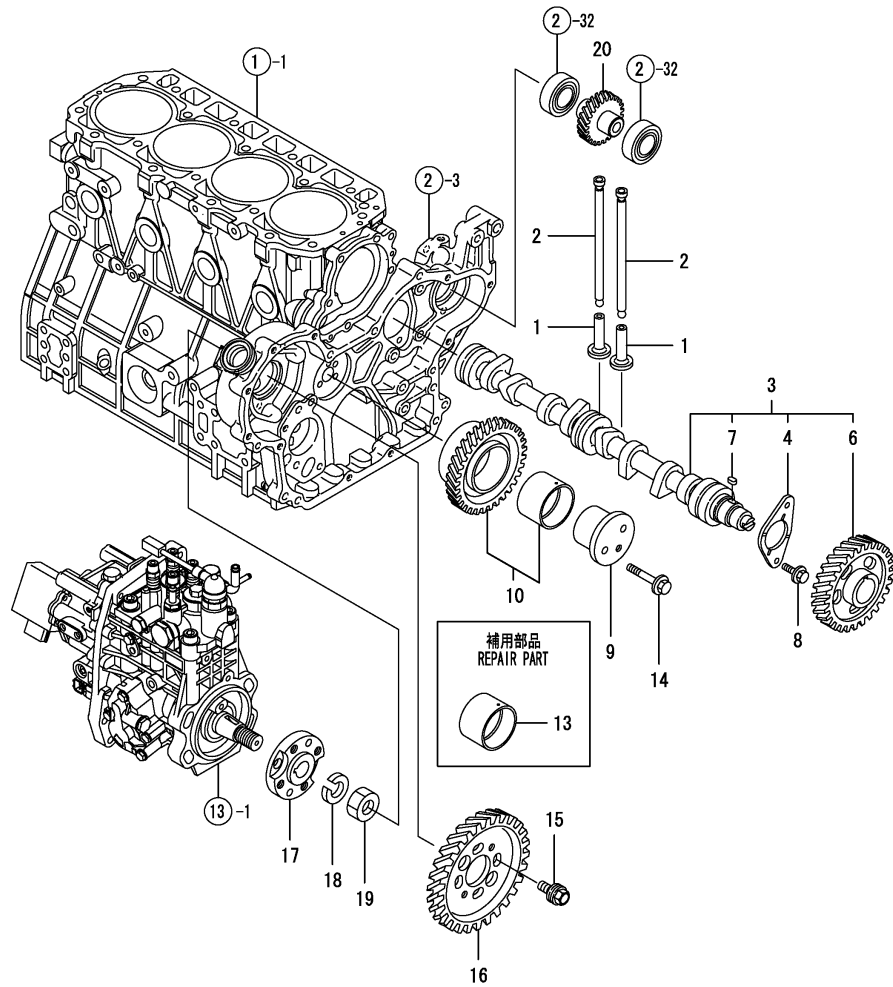
(B)=

(C)=

(D)=

(E)=

(F)=



No.	Lev.	Parts No.	Description	Q'ty						I	R
				(A)	(B)	(C)	(D)	(E)	(F)		
1	1	129150-14200	TAPPET	8							
2	1	129907-14400	ROD, PUSH	8							
3	1	129908-14581	CAMSHAFT ASSY	1							
4	2	129150-02450	BEARING, THRUST	1							
6	2	129900-14100	GEAR, CAMSHAFT	1							
7	2	22512-070140	KEY, 7X 14	1							
8	1	26106-080162	BOLT, M8X 16 PLATED	2							
9	1	123900-25060	SHAFT, IDLE GEAR	1							
10	1	129900-25100	GEAR ASSY, IDLE	1							
13	1	129150-25920	BUSH, IDLE GEAR	1							1
14	1	26106-080552	BOLT, M8X 55 PLATED	3							
15	1	129953-25300	BOLT	4							
16	1	129907-25900	GEAR, PUMP	1							
17	1	158563-51150	FLANGE	1							
18	1	22217-180000	WASHER, SPRING 18	1							
19	1	26776-180002	NUT, LOCK M18	1							
20	1	129980-26200	GEAR, PUMP	1							Z

(A=\*2008.09.)

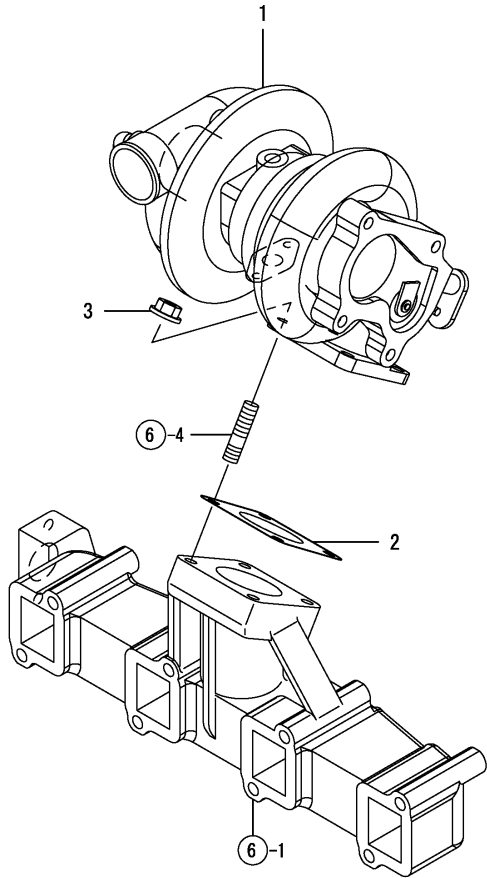
Remarks  
(1) REPAIR PART.

Fig.8. TURBINE

(A)=4TNV98T-ZNMS  
(B)=  
(C)=

(D)=  
(E)=  
(F)=

No.	Lev.	Parts No.	Description	Q'ty						I	R
				(A)	(B)	(C)	(D)	(E)	(F)		
1	1	129935-18010	TURBINE, RHF5	1							
2	1	129472-18090	GASKET	1							
3	1	26306-080002	NUT, M8	4							




---

---

---

---

---

---

---

---

---

---

---

---

---

---

---

---

---

---

---

---

---

---

---

---

---

# Fig.9. CRANKSHAFT & PISTON

(A)=4TNV98T-ZNMS

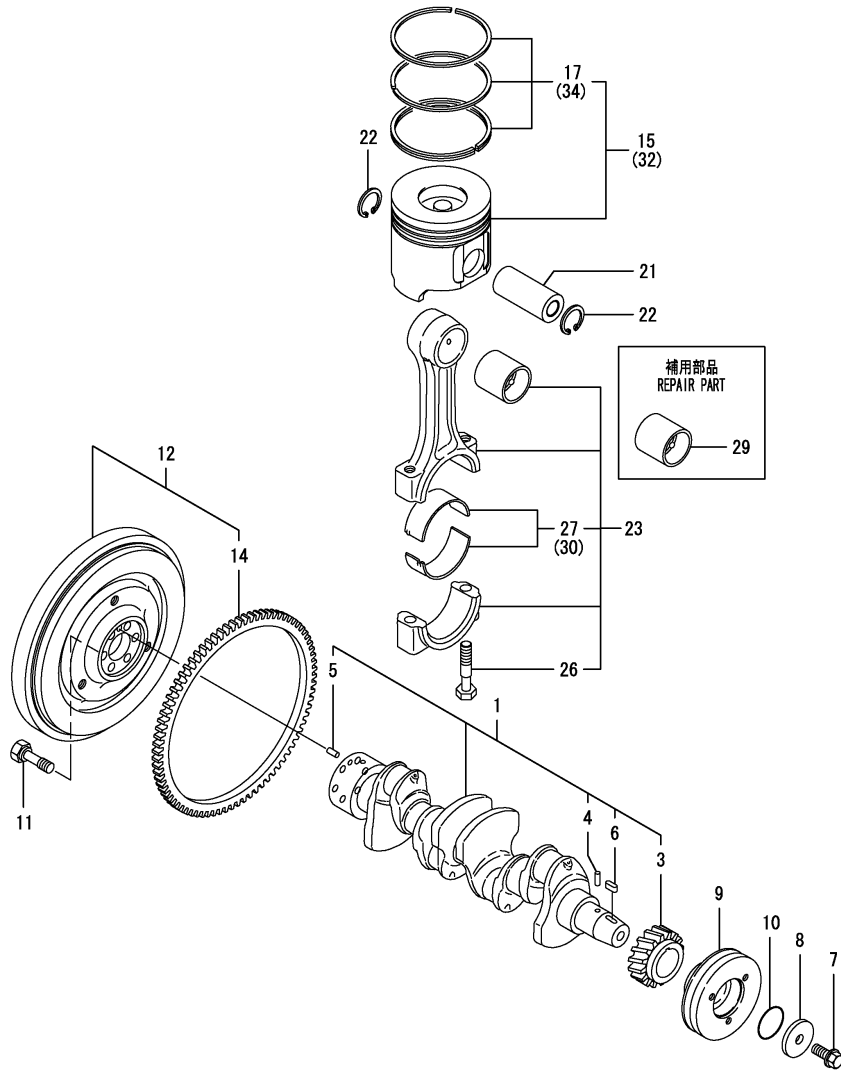
(B)=

(C)=

(D)=

(E)=

(F)=



No.	Lev.	Parts No.	Description	Q'ty						I	R
				(A)	(B)	(C)	(D)	(E)	(F)		
1	1	129908-21000	CRANKSHAFT ASSY	1							
3	2	129900-21200	GEAR, CRANKSHAFT	1							
4	2	121850-21290	PIN	1							
5	2	121850-21920	PIN, M10X22	1							
6	2	22512-070140	KEY, 7X 14	1							
7	1	129916-21610	BOLT	1							
8	1	129960-21640	WASHER	1							
9	1	129907-21650	V-PULLEY, 130	1							
9-1	1	129944-21650	V-PULLEY	1							S
(A=*2008.09)											
10	1	24341-000530	O-RING, 1AS53.0	1							
11	1	121850-21130	BOLT, FLYWHEEL	6							
12	1	129953-21570	FLYWHEEL ASSY	1							
14	2	129900-21600	GEAR, RING	1							
15	1	129928-22080	PISTON ASSY	4							
17	2	129927-22050	RING SET, PISTON	4							
21	1	120130-22301	PIN, PISTON	4							
22	1	22252-000300	RING, 30	8							
23	1	129900-23001	ROD ASSY, CONNECTING	4							
26	2	129900-23200	BOLT, CONNECTING ROD	8							
27	2	129900-23601	BEARING, CRANK PIN	4							
29	1	129900-23911	BEARING, PISTON PIN	4							1
30	1	129900-23611	BEARING, 0.25 US	4							2
32	1	729928-22900	PISTON ASSY, 0.25 OS	4							3
34	2	729927-22950	RING SET, 0.25 OS	4							3

Remarks

- (1) REPAIR PART.
- (2) UNDER-SIZED(U.S=0.25)PART.
- (3) OVER-SIZED(O.S=0.25)PART.

Fig.10. LUB.OIL SYSTEM

(A)=4TNV98T-ZNMS

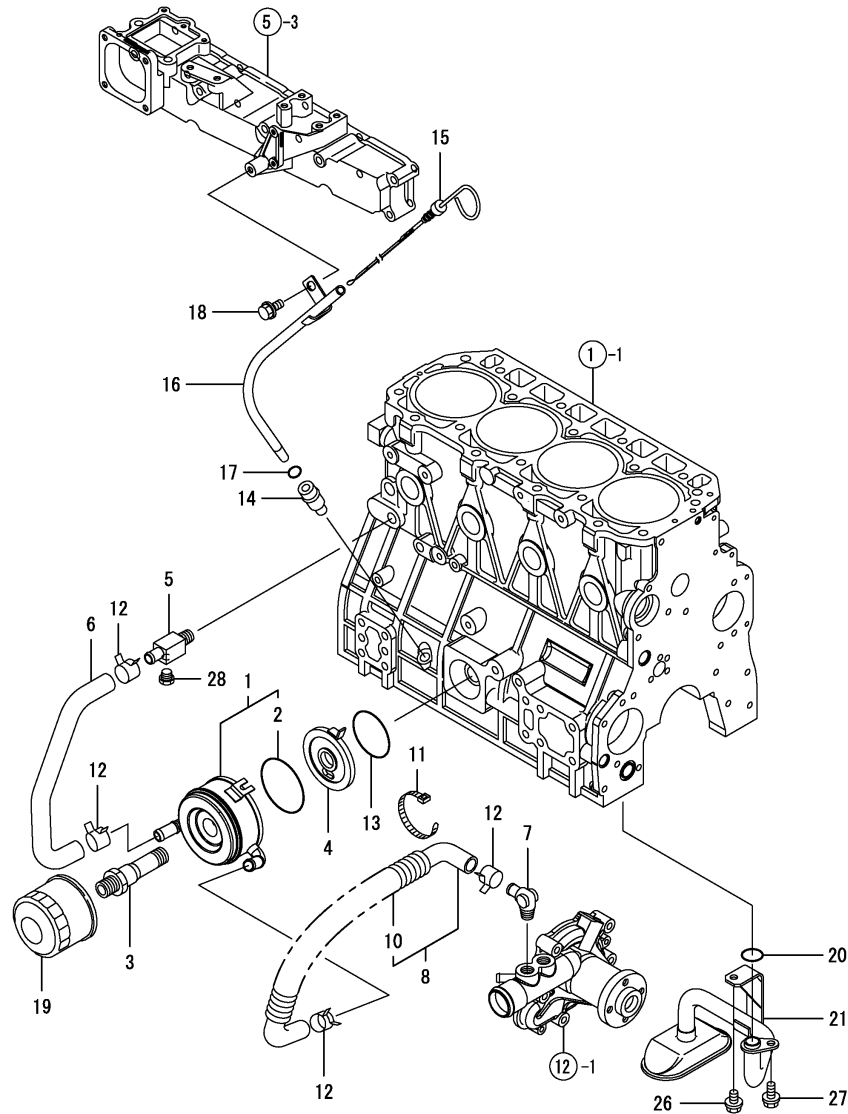
(B)=

(C)=

(D)=

(E)=

(F)=



No.	Lev.	Parts No.	Description	Q'ty						I	R
				(A)	(B)	(C)	(D)	(E)	(F)		
1	1	129908-33010	COOLER ASSY, OIL	1							
2	2	123912-33050	O-RING	1							
3	1	123912-33100	BOLT, COOLER	1							
4	1	129908-33101	BRACKET, COOLER	1							
5	1	129006-44480	JOINT	1							
6	1	129908-49060	PIPE, WATER	1							
7	1	129466-49300	ELBOW, PT3/8	1							
8	1	123910-49600	PIPE, WATER	1							
10	2	123910-49610	TUBE, CORRUGATED	1							
11	1	121750-59890	BAND, 140	1							
12	1	23000-025000	CLAMP, 25	4							
13	1	24321-000600	O-RING, 1AG60.0	1							
14	1	119260-34810	GUIDE, DIPSTICK	1							
15	1	129907-34811	DIPSTICK, OIL	1							
16	1	129928-34850	GUIDE, DIPSTICK	1							
17	1	24311-240100	O-RING, 1AP10A	1							
18	1	26106-080162	BOLT, M8X 16 PLATED	1							
19	1	129150-35153	FILTER	1							1
20	1	129900-32030	O-RING, P20	1							
21	1	129953-35000	PIPE ASSY, OIL INLET	1							
26	1	26106-080122	BOLT, M8X 12 PLATED	1							
27	1	26106-080162	BOLT, M8X 16 PLATED	1							
28	1	171056-49120	PLUG, DRAIN	1							

Remarks  
(1) REPAIR PART.

Fig.11. LUB.OIL LINE

(A)=4TNV98T-ZNMS

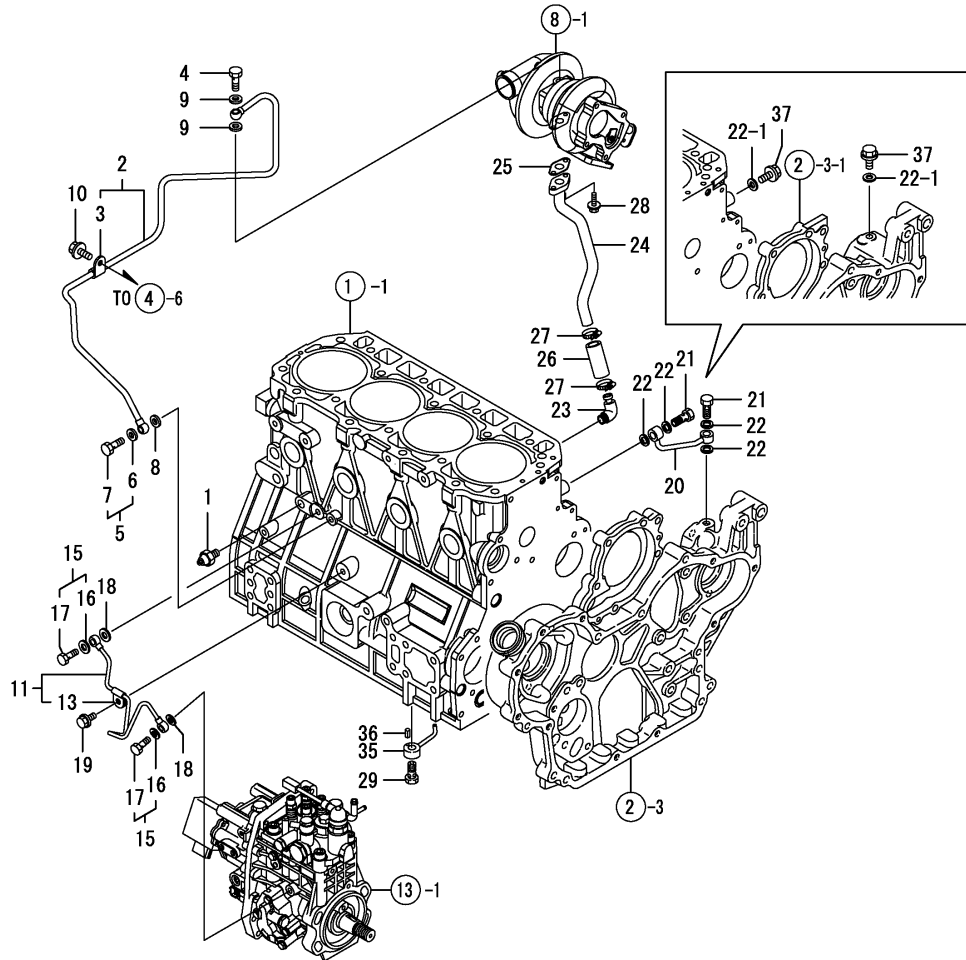
(B)=

(C)=

(D)=

(E)=

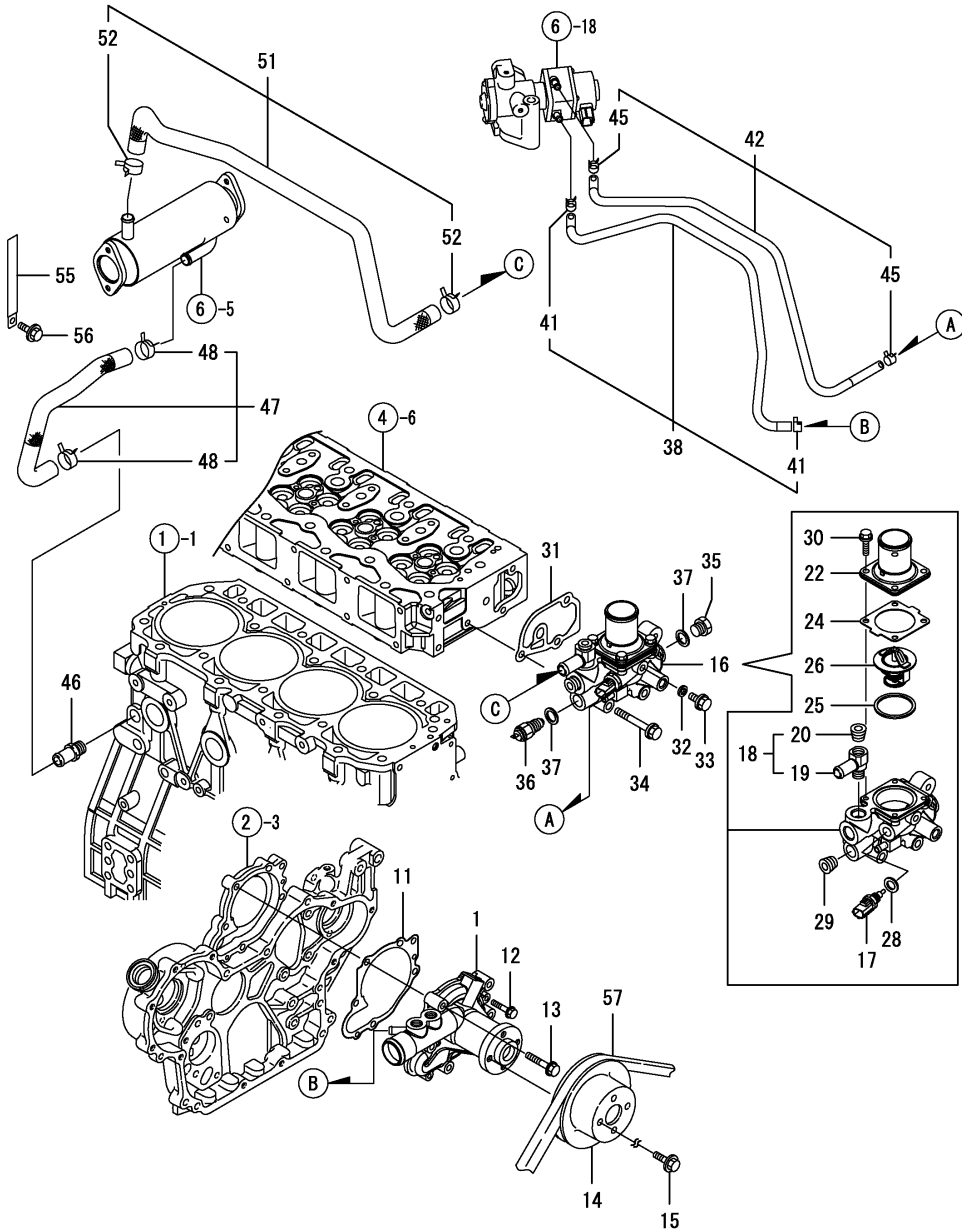
(F)=



No.	Lev.	Parts No.	Description	Q'ty						I	R
				(A)	(B)	(C)	(D)	(E)	(F)		
1	1	121252-39450	SWITCH, 0.5KG	1							
2	1	129949-39060	PIPE ASSY, OIL	1							
3	2	124223-39900	RETAINER	1							
4	1	121252-39150	BOLT, JOINT M10X1.5	1							
5	1	129005-59830	BOLT ASSY, JOINT M8	1							
6	2	22190-080002	WASHER, SEAL 6	1							
7	2	23857-030000	BOLT, JOINT 3	1							
8	1	22190-080002	WASHER, SEAL 6	1							
9	1	23414-100000	GASKET, 10X1.0	2							
10	1	26106-080122	BOLT, M8X 12 PLATED	1							
11	1	129927-39060	PIPE ASSY, OIL	1							
13	2	123907-39500	RETAINER	1							
15	1	129005-59830	BOLT ASSY, JOINT M8	2							
16	2	22190-080002	WASHER, SEAL 6	2							
17	2	23857-030000	BOLT, JOINT 3	2							
18	1	22190-080002	WASHER, SEAL 6	2							
19	1	26106-080122	BOLT, M8X 12 PLATED	1							
20	1	129930-39050	PIPE, OIL	1							Z
(A=*2008.09.)											
21	1	105010-39140	BOLT, PIPE JOINT	2							Z
(A=*2008.09.)											
22	1	22190-080002	WASHER, SEAL 6	4							
22-1	1	22190-080002	WASHER, SEAL 6	2							K
(A=*2008.09.)											
23	1	124070-13300	ELBOW, PT3/8	1							
24	1	129974-39600	PIPE ASSY, OIL	1							
25	1	129908-39690	GASKET	1							
26	1	123901-39820	HOSE	1							
26-1	1	129974-39820	HOSE	1							N
(A=EZZZZZ)											
27	1	23000-025000	CLAMP, 25	2							
28	1	26106-060162	BOLT, M6X 16 PLATED	2							
29	1	129908-39410	VALVE ASSY, CHECK	4							
35	1	119000-39650	NOZZLE	4							
36	1	22351-030010	PIN, SPRING 3.0X10	4							
37	1	26106-080122	BOLT, M8X 12 PLATED	2							W
(A=*2008.09.)											



Fig.12. COOLING WATER SYSTEM



(A)=4TNV98T-ZNMS

(B)=

(C)=

(D)=

(E)=

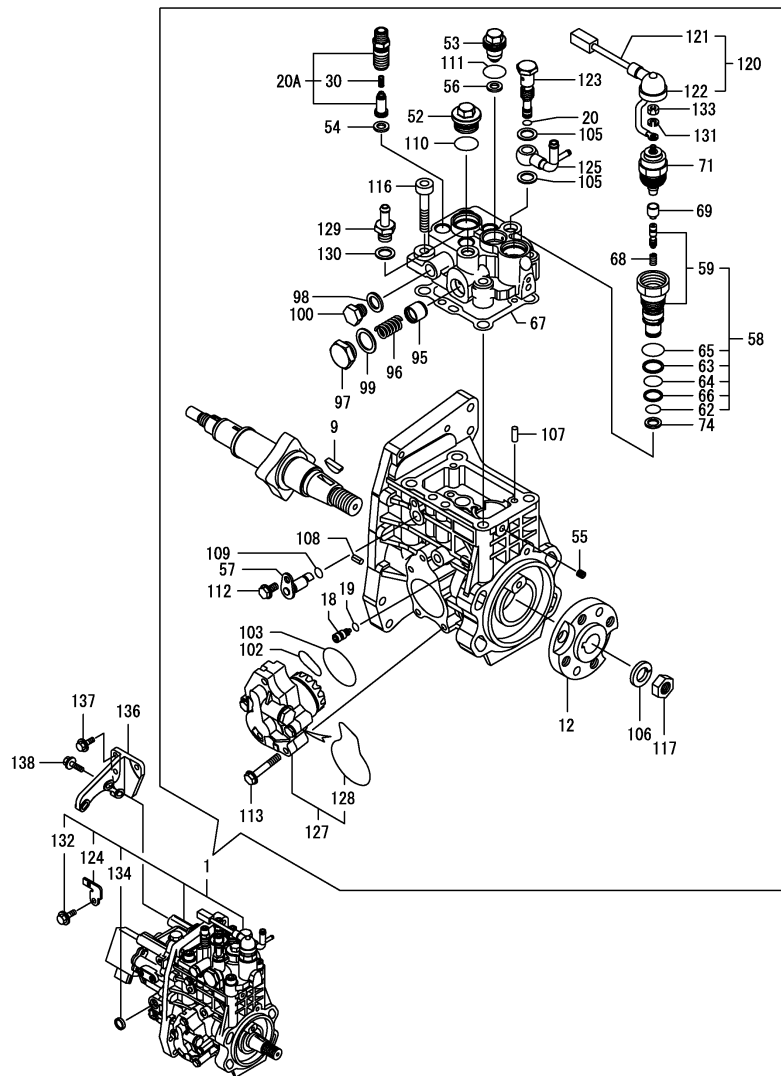
(F)=

No.	Lev.	Parts No.	Description	Qty						I	R
				(A)	(B)	(C)	(D)	(E)	(F)		
1	1	129927-42000	PUMP ASSY, WATER	1							
1-1	1	129948-42100	PUMP ASSY, WATER	1							S
(A=*2008.09)											
11	1	129900-42020	GASKET, WATER PUMP	1							
12	1	26106-060302	BOLT, M6X 30 PLATED	2							
13	1	26106-080552	BOLT, M8X 55 PLATED	5							
14	1	129930-42400	V-PULLEY	1							
14-1	1	123957-42450	V-PULLEY	1							S
(A=*2008.09)											
15	1	26106-060122	BOLT, M6X 12 PLATED	4							
15-1	1	26106-100182	BOLT, M10X 18 PLATED	4							S
(A=*2008.09)											
16	1	129928-49800	CASE ASSY,THERMOSTAT	1							
16-1	1	129949-49810	CASE ASSY,THERMOSTAT	1							N
(A=E66644)											
17	2	129927-44900	SENSOR	1							
18	2	129928-49400	JOINT ASSY	1							
19	3	129928-49410	JOINT	1							
20	3	23875-030000	PLUG, R03	1							
22	2	129916-49530	COVER, THERMOSTAT	1							
24	2	121850-49540	GASKET, THERMOSTAT	1							
25	2	121850-49550	GASKET, THERMOSTAT	1							
26	2	121850-49810	THERMOSTAT, 71	1							
26-1	2	121850-49811	THERMOSTAT	1							
(A=EZZZZZ)											
26-2	2	121850-49801	THERMOSTAT	1							S
(A=E66644)											
28	2	22190-120002	WASHER, SEAL 12	1							
29	2	23875-030000	PLUG, R03	1							
30	2	26106-060202	BOLT, M6X 20 PLATED	4							
31	1	129900-49870	GASKET	1							
32	1	23414-080000	GASKET, 8X1.0	1							
33	1	26106-080122	BOLT, M8X 12 PLATED	1							
34	1	26106-080602	BOLT, M8X 60 PLATED	3							
35	1	121450-42450	PLUG, M16	1							
36	1	119761-44900	SWITCH, 111	1							
37	1	124465-44950	GASKET, 16	2							
38	1	129927-49610	PIPE, WATER	1							
41	2	23080-012000	CLAMP, 12	2							
42	1	129927-49620	PIPE ASSY, WATER	1							
45	2	23080-012000	CLAMP, 12	2							
46	1	129928-49420	JOINT	1							
47	1	129948-49610	PIPE ASSY, WATER	1							
48	2	129960-03990	CLIP, HOSE 22	2							
51	1	129928-49620	PIPE ASSY, WATER	1							
52	2	129960-03990	CLIP, HOSE 22	2							
55	1	129928-79700	CLIP	1							
56	1	26106-080122	BOLT, M8X 12 PLATED	1							
57	1	25132-004400	V-BELT, A44	1							
57-1	1	129940-42240	V-BELT, B44	1							S
(A=*2008.09)											

Fig.13. FUEL INJECTION PUMP

(A)=4TNV98T-ZNMS  
(B)=  
(C)=

(D)=  
(E)=  
(F)=



No.	Lev.	Parts No.	Description	Qty						I	R
				(A)	(B)	(C)	(D)	(E)	(F)		
1	1	729949-51320	PUMP ASSY, INJECTION	1							1
9	2	144626-51090	KEY, 5X19	1							
12	2	158563-51150	FLANGE	1							
18	2	158600-51270	STOPPER, TAPPET	1							
19	2	158563-51281	O-RING, 4D S6	1							
20	2	158563-51281	O-RING, 4D S6	1							
20A	2	129928-51390	VALVE ASSY, DELIVERY	4							W
		(A=*2008.04.)									
30	3	158563-51330	SPRING, DELIVERY	4							
52	2	158601-51550	PLUG	1							
53	2	129907-51560	PLUG, BARREL	1							
54	2	158552-51570	GASKET	4							
55	2	158557-51570	PLUG	1							
56	2	129906-51580	GASKET	1							
57	2	158552-51580	LIFTER	1							
58	2	129657-51590	TIMER SET	1							
59	3	129657-51600	TIMER ASSY	1							
62	3	158553-51670	O-RING, 1011	1							
63	3	119802-51680	RING, BACK UP	1							
64	3	119802-51690	O-RING	1							
65	3	24356-010200	O-RING, 4D1020	1							
66	3	24372-000150	RING, BACK UP T2P15	1							
67	2	158560-51600	GASKET	1							
68	2	119852-51630	SPRING, TIMER	1							
69	2	119852-51640	CAP	1							
71	2	119852-51650	VALVE ASSY	1							
74	2	158553-51680	GASKET	1							
95	2	158601-51770	PISTON	1							
96	2	158552-51781	SPRING	1							
97	2	158601-51790	PLUG	1							
98	2	22190-120002	WASHER, SEAL 12	1							
99	2	22190-180002	WASHER, SEAL 18	1							
100	2	23887-120002	PLUG, 12	1							
102	2	158552-52310	O-RING	1							
103	2	158552-52400	O-RING, 4E S42	1							
105	2	22190-120002	WASHER, SEAL 12	2							
106	2	22217-180000	WASHER, SPRING 18	1							
107	2	22312-050140	PIN, PARALLEL M5X14	2							
108	2	22351-050010	PIN, SPRING 5.0X10	2							
109	2	24311-000070	O-RING, 1AP7.0	1							
110	2	24356-010200	O-RING, 4D1020	1							
111	2	24356-020210	O-RING, 4D2021	1							
112	2	26106-060102	BOLT, M6X 10 PLATED	1							
113	2	26106-060352	BOLT, M6X 35 PLATED	4							
116	2	26450-100452	BOLT, M10X 45	4							
117	2	26776-180002	NUT, LOCK M18	1							
120	2	129927-51650	HARNESS ASSY, WIRE	1							
121	3	129927-51660	HARNESS	1							
122	3	129263-77941	CAP, RUBBER	1							
123	2	158601-51650	JOINT, OVER FLOW	1							
124	2	129927-51670	BRACKET	1							

Remarks

(1) GOVERNOR ASSY(FIG.14) IS INCORPORATED IN THIS FUEL INJECTION PUMP.(REF.NO.1).

\* ECO PUMP

MAKE SURE TO UPDATE THE ENGINES ECU INFORMATION WHEN REPLACING THE ECO PUMP.

FAILING TO DO SO WILL RESULT IN ENGINE MALFUNCTION.

Fig.13. FUEL INJECTION PUMP

(A)=4TNV98T-ZNMS

(B)=

(C)=

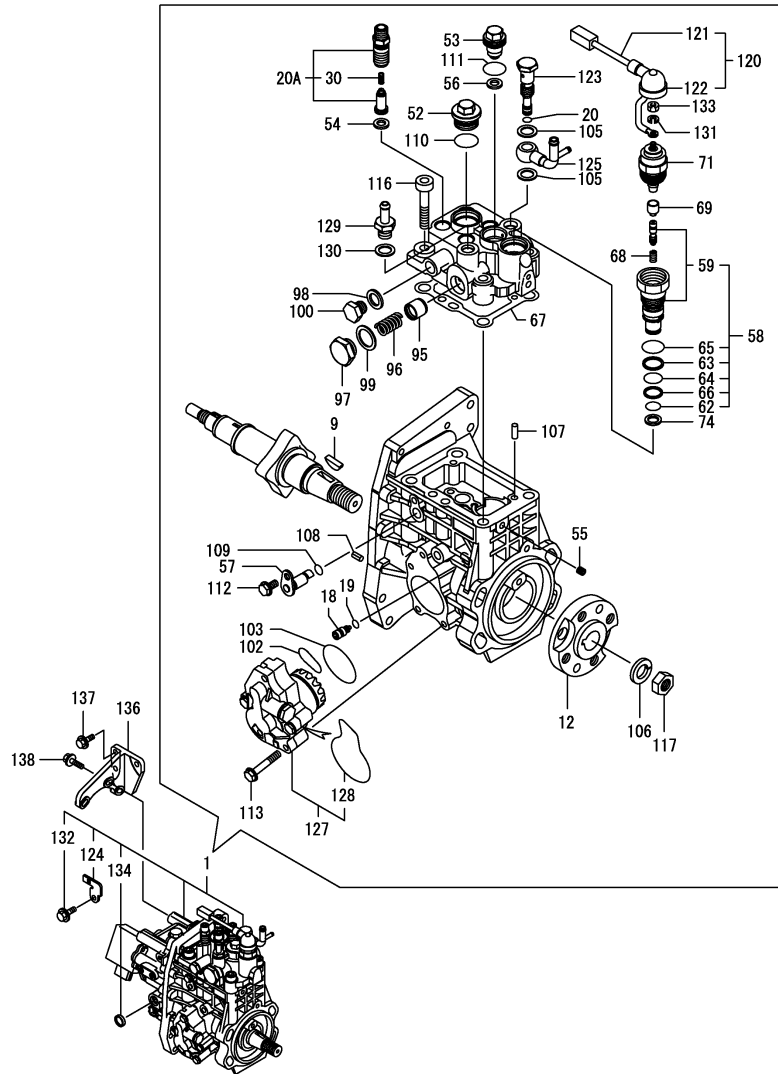
(D)=

(E)=

(F)=

Q'ty

I R



No.	Lev.	Parts No.	Description	Q'ty						I	R
				(A)	(B)	(C)	(D)	(E)	(F)		
125	2	158552-51670	JOINT, OVER FLOW	1							
127	2	158552-52100	PUMP ASSY, FUEL FEED	1							
128	3	158552-52500	O-RING	1							
129	2	119934-59910	JOINT, PIPE	1							
130	2	22190-120002	WASHER, SEAL 12	1							
131	2	22217-050000	WASHER, SPRING 5	1							
132	2	26106-060122	BOLT, M6X 12 PLATED	1							
133	2	26716-050002	NUT, M5	1							
134	2	27241-160000	PLUG, 16	1							
136	1	129927-51250	RETAINER, PUMP	1							
137	1	26106-080202	BOLT, M8X 20 PLATED	3							
138	1	26106-080302	BOLT, M8X 30 PLATED	3							

Remarks

(1) GOVERNOR ASSY(FIG.14) IS INCORPORATED IN THIS FUEL INJECTION PUMP.(REF.NO.1).

\* ECO PUMP

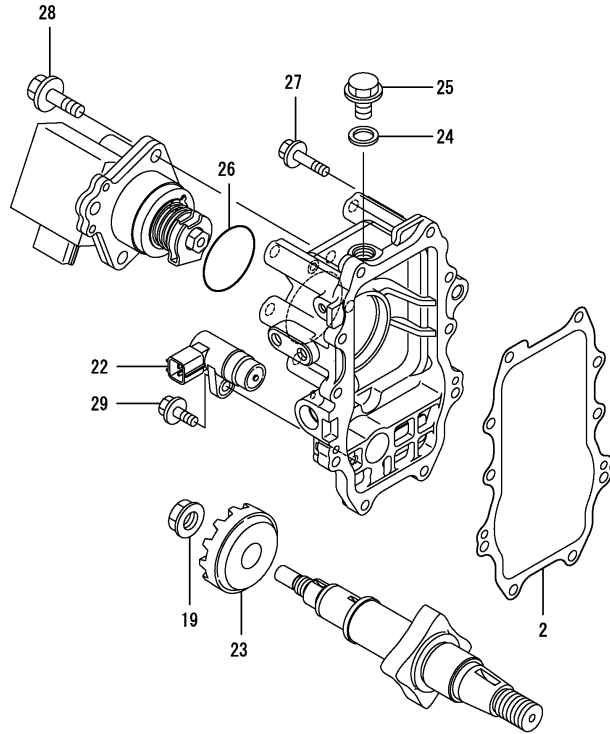
MAKE SURE TO UPDATE THE ENGINES ECU INFORMATION WHEN REPLACING THE ECO PUMP.

FAILING TO DO SO WILL RESULT IN ENGINE MALFUNCTION.

Fig.14. GOVERNOR

(A)=4TNV98T-ZNMS  
(B)=  
(C)=

(D)=  
(E)=  
(F)=

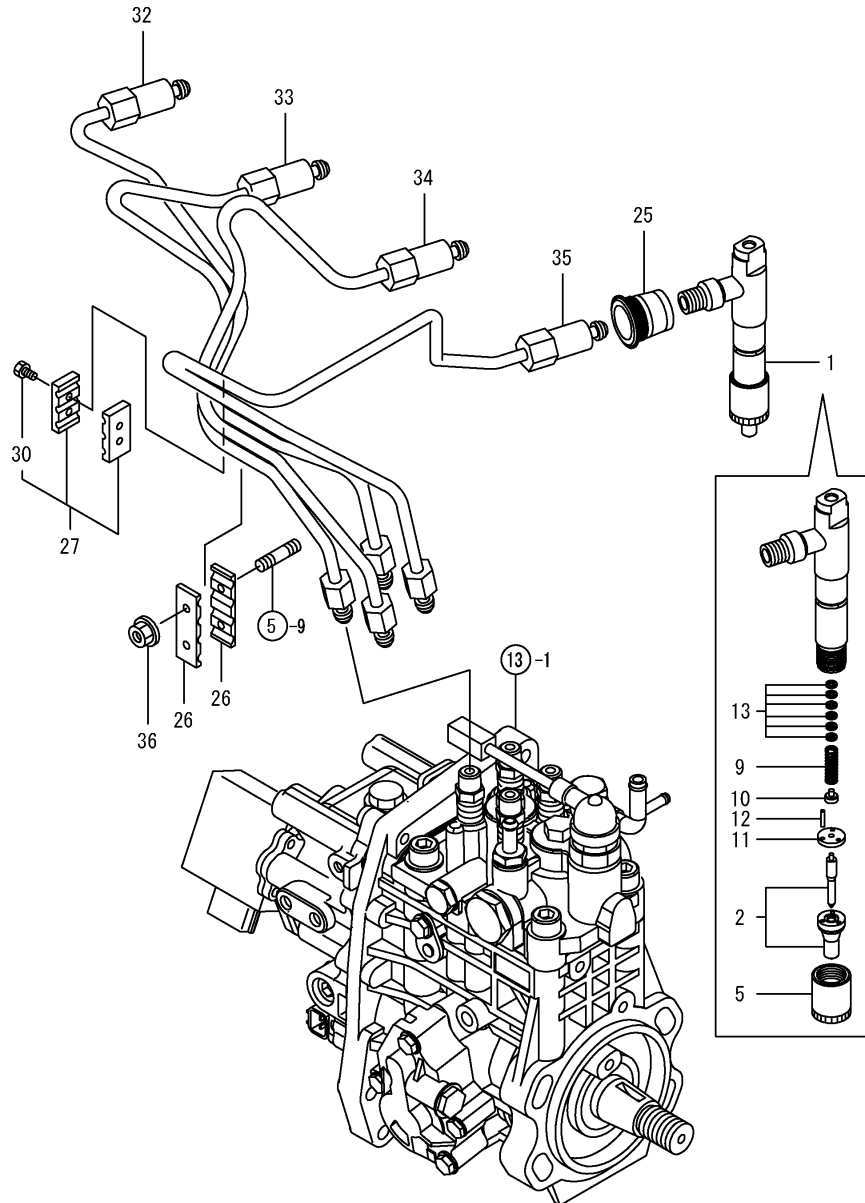


No.	Lev.	Parts No.	Description	Q'ty						I	R
				(A)	(B)	(C)	(D)	(E)	(F)		
2	2	158560-61050	GASKET	1							
19	2	119660-61300	NUT	1							
22	2	158557-61720	SENSOR	1							
23	2	158553-61780	GEAR, SENSOR	1							
24	2	23414-120000	GASKET, 12X1.0	1							
25	2	23887-120002	PLUG, 12	1							
26	2	24341-000480	O-RING, 1AS48.0	1							
27	2	26106-060252	BOLT, M6X 25 PLATED	10							
28	2	26106-080252	BOLT, M8X 25 PLATED	3							

Remarks

\* THIS FIGURE(GOVERNOR ASSY)IS INCORPORATED IN THE FUEL INJECTION PUMP ASSY(FIG.13).

Fig.15. FUEL INJECTION VALVE

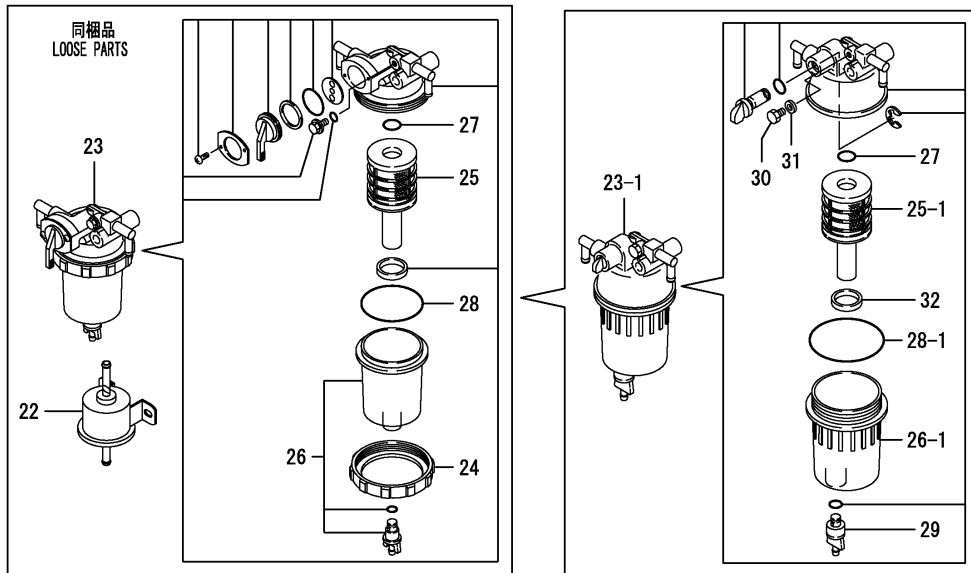
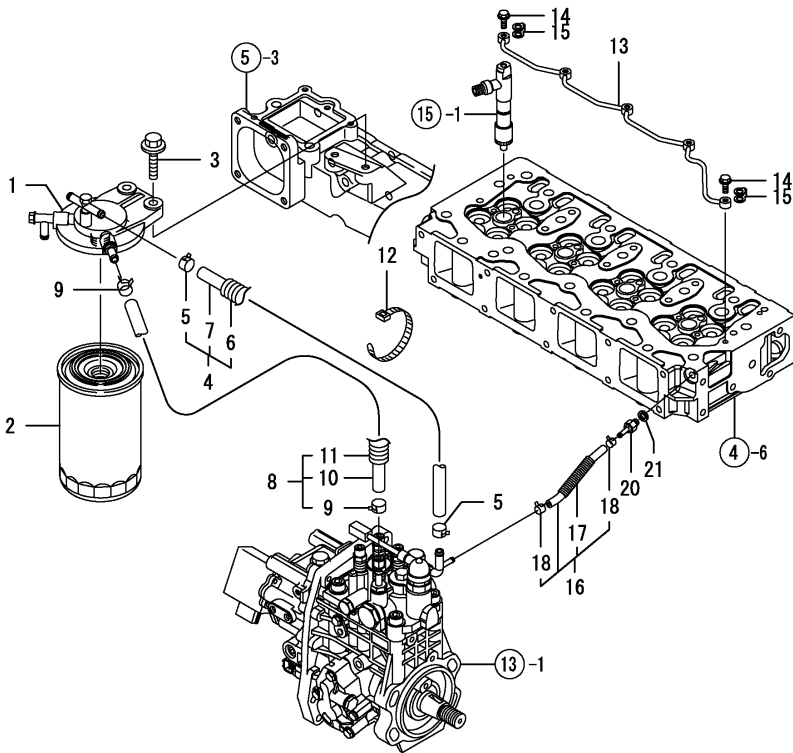


(A)=4TNV98T-ZNMS  
(B)=  
(C)=

(D)=  
(E)=  
(F)=

No.	Lev.	Parts No.	Description	Q'ty						I	R
				(A)	(B)	(C)	(D)	(E)	(F)		
1	1	729928-53100	VALVE ASSY,INJECTION	4							
2	2	129928-53000	VALVE ASSY,INJECTION	4							
5	2	114250-53080	NUT, NOZZLE D16.95	4							
9	2	114250-53120	SPRING, NOZZLE	4							
10	2	114250-53130	SEAT, SPRING	4							
11	2	114250-53140	PLATE	4							
12	2	114250-53210	PIN	8							
13	2	114250-53400	SHIM SET	4							
25	1	123907-11601	SEAL	4							
26	1	123472-59120	RETAINER, PIPE	2							
27	1	129150-59120	RETAINER, PIPE	1							
30	2	129150-59131	BOLT, M4X14	2							
32	1	129927-59810	PIPE ASSY, INJECTION	1							
33	1	129927-59820	PIPE ASSY, INJECTION	1							
34	1	129927-59830	PIPE ASSY, INJECTION	1							
35	1	129927-59840	PIPE ASSY, INJECTION	1							
36	1	26366-060002	NUT, M6	2							

Fig.16. FUEL LINE



(A)=4TNV98T-ZNMS

(B)=

(C)=

(D)=

(E)=

(F)=

No.	Lev.	Parts No.	Description	Qty						I	R
				(A)	(B)	(C)	(D)	(E)	(F)		
1	1	129004-55612	BRACKET, FILTER	1							
2	1	129907-55801	FILTER, FUEL	1							
3	1	26106-080302	BOLT, M8X 30 PLATED	2							
4	1	129457-59010	PIPE ASSY, FUEL	1							
5	2	124766-59050	CLIP, HOSE 12	2							
6	2	129957-59120	TUBE, CORRUGATED	1							
7	2	105025-59750	PIPE, FUEL	1							
8	1	129961-59310	PIPE ASSY, FUEL	1							
9	2	124766-59050	CLIP, HOSE 12	2							
10	2	129136-59110	PIPE, D13/7.5X270	1							
11	2	129961-59110	TUBE, CORRUGATED	1							
12	1	121750-59890	BAND, 140	1							
13	1	129907-59140	PIPE ASSY, RETURN	1							
14	1	123907-59540	BOLT, PIPE JOINT M6	5							
15	1	123907-59550	GASKET	5							
16	1	129927-59550	PIPE ASSY, RETURN	1							
17	2	129263-49750	TUBE, CORRUGATED	1							
18	2	124722-59050	CLIP, HOSE 9	2							
20	1	123907-59560	JOINT	1							
21	1	22190-080002	WASHER, SEAL 6	1							
22	1	119225-52102	PUMP ASSY, FUEL FEED	1							
23	1	129906-55700	SEPARATOR ASSY	1							
23-1	1	129242-55710	SEPARATOR ASSY	1							R
(A=*2008.07.)											
24	2	129100-55690	RING, RETAINING	1							Z
(A=*2008.07.)											
25	2	119802-55710	ELEMENT	1							
25-1	2	129242-55730	ELEMENT	1							S
(A=*2008.07.)											
26	2	119802-55730	CUP ASSY	1							
26-1	2	129242-55720	CUP	1							S
(A=*2008.07.)											
27	2	24311-000160	O-RING, 1AP16.0	1							
28	2	24321-000650	O-RING, 1AG65.0	1							
28-1	2	24321-000750	O-RING, 1AG75.0	1							S
(A=*2008.07.)											
29	2	129242-55740	PLUG, DRAIN	1							W
(A=*2008.07.)											
30	2	129242-55750	VALVE, AIR VENT	1							W
(A=*2008.07.)											
31	2	129242-55760	GASKET	1							W
(A=*2008.07.)											
32	2	129242-55770	FLOAT	1							W
(A=*2008.07.)											

Fig.17. STARTING MOTOR

(A)=4TNV98T-ZNMS

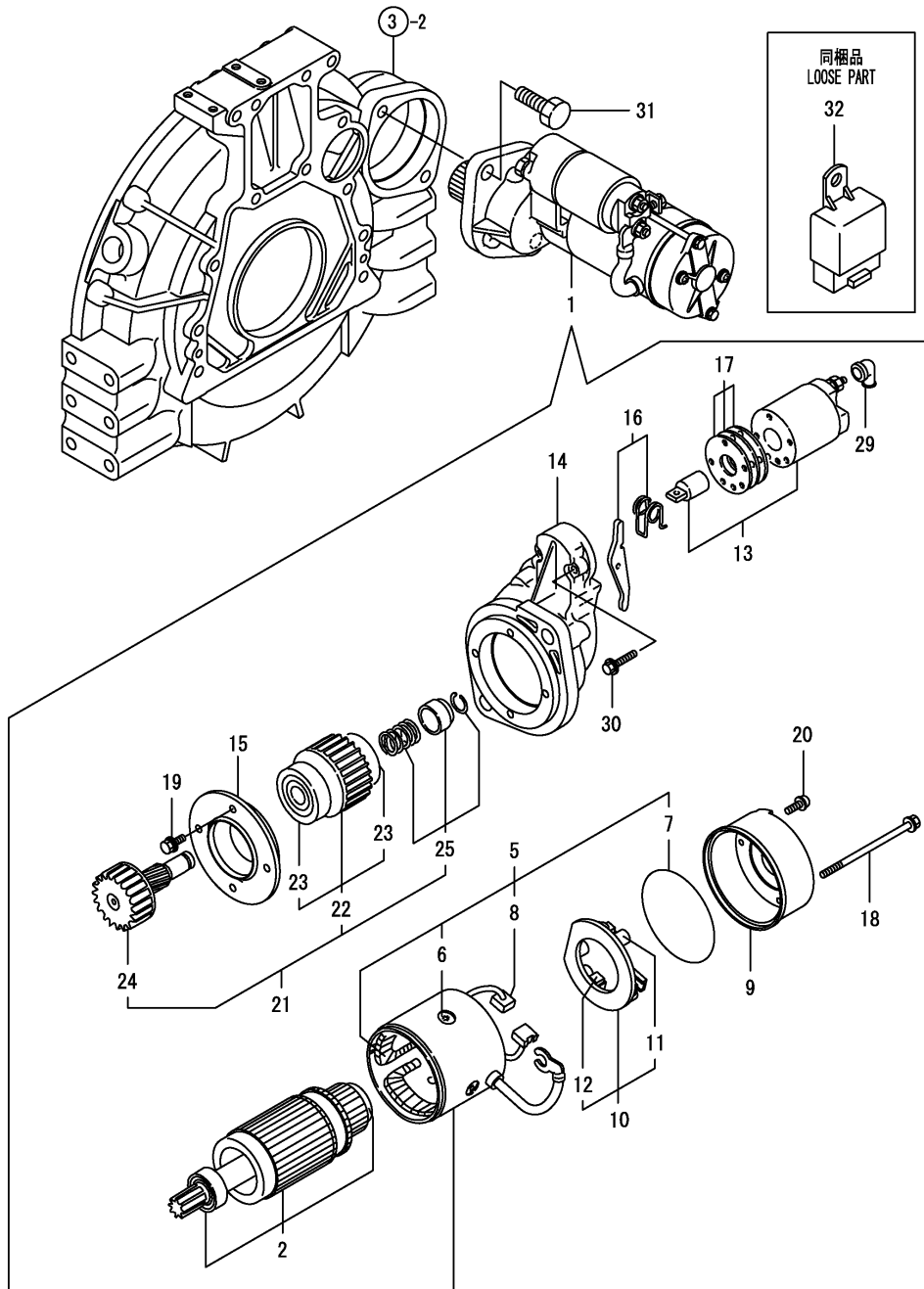
(B)=

(C)=

(D)=

(E)=

(F)=

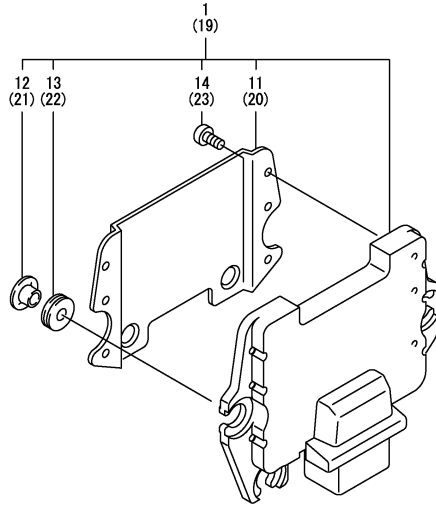


No.	Lev.	Parts No.	Description	Qty						I	R
				(A)	(B)	(C)	(D)	(E)	(F)		
1	1	129940-77010	STARTER	1							
2	2	129940-77100	ARMATURE ASSY	1							
5	2	129940-77130	COIL ASSY, FIELD	1							
6	3	129940-77140	SCREW	4							
7	3	129940-77150	O-RING	1							
8	3	129940-77160	BRUSH	2							
9	2	129940-77170	COVER	1							
10	2	129940-77180	HOLDER ASSY, BRUSH	1							
11	3	129940-77190	SPRING	1							
12	3	129940-77200	BRUSH	2							
13	2	129940-77210	SWITCH ASSY	1							
14	2	129940-77220	CASE, GEAR	1							
15	2	129940-77230	RETAINER	1							
16	2	129940-77240	LEVER SET	1							
17	2	129940-77250	COVER ASSY, DUST	1							
18	2	129940-77260	BOLT, THROUGH	2							
19	2	129940-77270	BOLT	4							
20	2	129940-77280	SCREW	2							
21	2	123900-77510	PINION ASSY	1							
22	3	123900-77520	CLUTCH ASSY	1							
23	4	X2240610100	BEARING, BALL	2							
24	3	123900-77540	SHAFT	1							
25	3	119131-77550	STOPPER KIT	1							
29	2	121254-77810	COVER, TERMINAL	1							
30	2	114371-79070	BOLT	2							
31	1	26116-120252	BOLT, M12X 25 PLATED	2							
32	1	198461-52950	RELAY, CA TYPE C	2							

Fig.18. ELECTRONIC CONTROL UNIT (ECU)

(A)=4TNV98T-ZNMS  
(B)=  
(C)=

(D)=  
(E)=  
(F)=



No.	Lev.	Parts No.	Description	Q'ty						I	R
				(A)	(B)	(C)	(D)	(E)	(F)		
1	1	129949-75010	CONTROLLER ASSY, EUC	1							1
11	2	129927-77600	SHIELD	1							
12	2	129927-77680	COLLAR	3							
13	2	119578-91351	ABSORBER	3							
14	2	22877-500080	SCREW, 5X 8	6							
19	1	129927-75900	CONTROLLER ASSY, EUC	1							2
20	2	129927-77600	SHIELD	1							
21	2	129927-77680	COLLAR	3							
22	2	119578-91351	ABSORBER	3							
23	2	22877-500080	SCREW, 5X 8	6							

Remarks

(1)ECO ECU  
THIS PART CANNOT BE ORDERED.  
REPLACE THE PART USING A SERVICE  
ECU WITH THE PROPER ENGINE  
INFORMATION INSTALLED.

(2)SERVICE ECU  
IF THE PROPER INFORMATION IS NOT  
INSTALLED, THE ENGINE WILL NOT  
OPERATE.

TO INSTALL PROPER INFORMATION,  
GO TO AN AUTHORIZED DISTRIBUTOR.



Fig.19. GASKET SET

(A)=4TNV98T-ZNMS

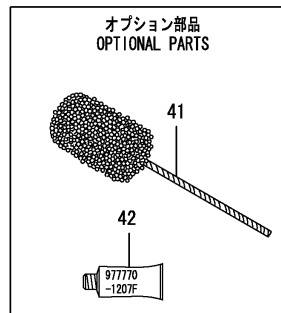
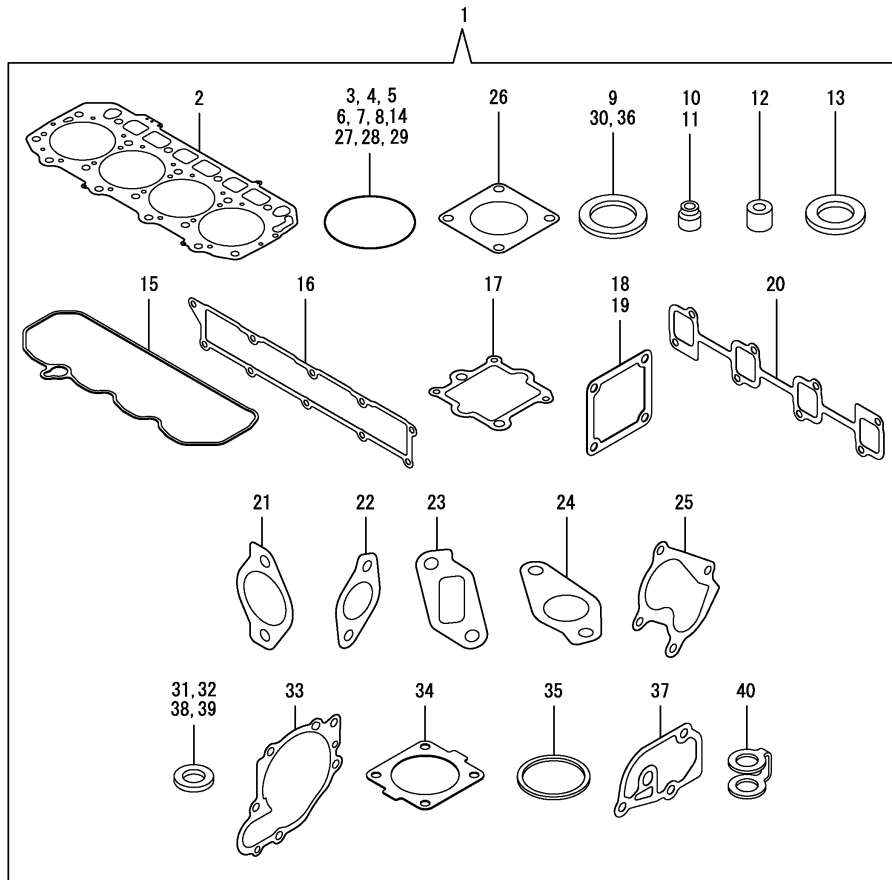
(B)=

(C)=

(D)=

(E)=

(F)=



No.	Lev.	Parts No.	Description	Qty						I	R
				(A)	(B)	(C)	(D)	(E)	(F)		
1	1	729928-92630	GASKET SET	1							1
2	2	129907-01331	GASKET, HEAD	1							
3	2	129900-32030	O-RING, P20	2							
4	2	129900-32040	O-RING, P14	1							
5	2	24311-000070	O-RING, 1AP7.0	1							
6	2	24351-030750	O-RING, 1A3075	1							
7	2	24311-000320	O-RING, 1AP32.0	2							
8	2	24321-000850	O-RING, 1AG85.0	1							
9	2	22190-220002	WASHER, SEAL 22	1							
10	2	119803-11340	SEAL, VALVE STEM	8							
11	2	124160-11340	SEAL, VALVE STEM	8							
12	2	119802-11870	PROTECTOR, NOZZLE	4							
13	2	119625-11880	SEAT, NOZZLE	4							
14	2	24311-000120	O-RING, 1AP12.0	8							
15	2	129933-11310	GASKET, BONNET	1							
16	2	129907-12110	GASKET, MANIFOLD	1							
17	2	129928-13720	GASKET	1							
18	2	119129-77020	GASKET	1							
19	2	121850-77021	GASKET	1							
20	2	129900-13251	GASKET	1							
21	2	129928-13410	GASKET	2							
22	2	129927-13810	GASKET	1							
23	2	129927-13910	GASKET	1							
24	2	129927-13920	GASKET	1							
25	2	123901-18080	GASKET	1							
26	2	129472-18090	GASKET	1							
27	2	24341-000530	O-RING, 1AS53.0	1							
28	2	24321-000600	O-RING, 1AG60.0	1							
29	2	24311-240100	O-RING, 1AP10A	1							
30	2	22190-080002	WASHER, SEAL 6	11							
31	2	23414-100000	GASKET, 10X1.0	2							
32	2	129908-39690	GASKET	1							
33	2	129900-42020	GASKET, WATER PUMP	1							
34	2	121850-49540	GASKET, THERMOSTAT	1							
35	2	121850-49550	GASKET, THERMOSTAT	1							
36	2	22190-120002	WASHER, SEAL 12	1							
37	2	129900-49870	GASKET	1							
38	2	23414-080000	GASKET, 8X1.0	1							
39	2	124465-44950	GASKET, 16	2							
40	2	123907-59550	GASKET	5							
41	1	129400-92450	HONE	1							1
42	1	977770-1207F	GASKET.LIQUID	1							1

Remarks  
(1) OPTIONAL PART.

## Parts No. Index

Parts No.	Fig. No.	Ref. No.
105010-39140	11	21
105025-59750	16	7
114250-53080	15	5
114250-53120	15	9
114250-53130	15	10
114250-53140	15	11
114250-53210	15	12
114250-53400	15	13
114371-79070	17	30
119000-39650	11	35
119005-77050	5	19
119100-11330	4	61
119129-77020	5	17
	19	18
119129-77520	5	20
119131-18320	6	4
119131-77550	17	25
119225-52102	16	22
119260-34810	10	14
119578-91351	18	13
		22
119593-11301	4	34
119620-01750	3	4
119620-11180	4	18
119625-11880	4	30
	19	13
119640-01640	3	9
119660-61300	14	19
119761-44900	12	36
119802-11870	4	29
	19	12
119802-13790	6	8
119802-51680	13	63
119802-51690	13	64
119802-55710	16	25
119802-55730	16	26
119803-11340	4	19
	19	10
119807-11770	2	33
119852-51630	13	68
119852-51640	13	69
119852-51650	13	71
119934-59910	13	129
120130-22301	9	21
121023-26070	2	20
121252-39150	11	4
121252-39450	11	1
121254-77810	17	29
121450-42450	12	35
121750-59890	10	11

Parts No.	Fig. No.	Ref. No.
121750-59890	16	12
121850-21130	9	11
121850-21290	9	4
121850-21920	9	5
121850-49540	12	24
	19	34
121850-49550	12	25
	19	35
121850-49801	12	26 -2
121850-49810	12	26
121850-49811	12	26 -1
121850-77021	5	18
	19	19
123472-59120	15	26
123900-13630	6	3
123900-25060	7	9
123900-77510	17	21
123900-77520	17	22
123900-77540	17	24
123901-03240	4	81
123901-18080	6	23
	19	25
123901-39820	11	26
123907-11280	4	39
123907-11550	4	5
123907-11601	15	25
123907-11820	4	25
123907-11830	4	24
123907-39500	11	13
123907-59540	16	14
123907-59550	16	15
	19	40
123907-59560	16	20
123910-49600	10	8
123910-49610	10	10
123912-33050	10	2
123912-33100	10	3
123951-18220	5	13
123957-42450	12	14 -1
124070-13300	11	23
124160-01751	2	14
	4	54
124160-11340	4	20
	19	11
124160-11360	4	65
124223-39900	11	3
124240-01871	2	34
124240-01883	2	35
124465-44950	12	37
	19	39

Parts No.	Fig. No.	Ref. No.
124722-59050	16	18
124766-59050	16	5
		9
129001-91810	2	17
		28
129004-55612	16	1
129005-59830	11	5
		15
129006-44480	10	5
129100-01580	2	1
	3	1
129100-55690	16	24
129136-59110	16	10
129150-02450	7	4
129150-03100	4	76
129150-11230	4	42
		46
129150-11750	4	23
		43
		47
129150-14200	7	1
129150-25920	7	13
129150-35153	10	19
129150-59120	15	27
129150-59131	15	30
129242-55710	16	23 -1
129242-55720	16	26 -1
129242-55730	16	25 -1
129242-55740	16	29
129242-55750	16	30
129242-55760	16	31
129242-55770	16	32
129263-49750	16	17
129263-77941	13	122
129400-92450	19	41
129410-03990	4	71
		74
129418-18320	6	12
129457-59010	16	4
129466-49300	10	7
129472-18090	8	2
	19	26
129509-79700	4	62
129657-51590	13	58
129657-51600	13	59
129900-01200	1	27
129900-01250	1	4
129900-01620	3	2
129900-01740	2	16
129900-01850	2	26

Parts No.	Fig. No.	Ref. No.
129900-01870	2	27
129900-02020	1	6
129900-02341	1	32
129900-02410	1	9
129900-02931	1	24
129900-02941	1	35
129900-13251	6	2
	19	20
129900-14100	7	6
129900-14140	2	31
129900-21200	9	3
129900-21600	9	14
129900-23001	9	23
129900-23200	9	26
129900-23601	9	27
129900-23611	9	30
129900-23911	9	29
129900-25100	7	10
129900-26250	2	32
129900-32030	2	6
	10	20
	19	3
129900-32040	2	7
	19	4
129900-42020	12	11
	19	33
129900-49870	12	31
	19	37
129906-51580	13	56
129906-55700	16	23
129907-01331	1	28
	19	2
129907-03011	4	56
129907-03061	4	57
129907-03070	4	58
129907-07900	4	1
129907-11100	4	15
129907-11110	4	16
129907-11120	4	17
129907-11250	4	36
129907-11260	4	37
129907-11270	4	38
129907-11341	4	35
129907-11510	4	21
129907-11650	4	40
129907-11660	4	44
129907-11800	4	28
129907-11910	4	31
129907-11920	4	48
129907-11950	4	32

## Parts No. Index

Parts No.	Fig. No.	Ref. No.
129907-12110	5	1
	19	16
129907-14400	7	2
129907-21650	9	9
129907-25900	7	16
129907-34811	10	15
129907-51560	13	53
129907-55801	16	2
129907-59140	16	13
129908-14581	7	3
129908-21000	9	1
129908-32060	2	4
129908-33010	10	1
129908-33101	10	4
129908-39410	11	29
129908-39690	11	25
	19	32
129908-49060	10	6
129916-01790	3	7
129916-01800	2	25
129916-21610	9	7
129916-49530	12	22
129927-13810	6	10
	19	22
129927-13900	6	18
129927-13910	6	19
	19	23
129927-13920	6	20
	19	24
129927-22050	9	17
129927-39060	11	11
129927-42000	12	1
129927-44900	12	17
129927-49610	12	38
129927-49620	12	42
129927-51250	13	136
129927-51650	13	120
129927-51660	13	121
129927-51670	13	124
129927-59550	16	16
129927-59810	15	32
129927-59820	15	33
129927-59830	15	34
129927-59840	15	35
129927-75900	18	19
129927-77600	18	11
		20
129927-77680	18	12
		21
129928-03050	4	68

Parts No.	Fig. No.	Ref. No.
129928-03060	4	69
129928-03080	4	72
129928-07900	4	2
129928-11320	4	55
129928-11700	4	6
129928-12100	5	3
129928-12150	5	2
129928-13400	6	5
129928-13410	6	6
		7
	19	21
129928-13700	5	4
129928-13710	5	5
129928-13720	5	6
	19	17
129928-13800	6	9
129928-13810	6	11
129928-22080	9	15
129928-34850	10	16
129928-49400	12	18
129928-49410	12	19
129928-49420	12	46
129928-49620	12	51
129928-49800	12	16
129928-51390	13	20 A
129928-53000	15	2
129928-79700	12	55
129930-39050	11	20
129930-42400	12	14
129933-01500	2	3
129933-11310	4	60
	19	15
129935-01500	2	3 -1
129935-18010	8	1
129940-42240	12	57 -1
129940-77010	17	1
129940-77100	17	2
129940-77130	17	5
129940-77140	17	6
129940-77150	17	7
129940-77160	17	8
129940-77170	17	9
129940-77180	17	10
129940-77190	17	11
129940-77200	17	12
129940-77210	17	13
129940-77220	17	14
129940-77230	17	15
129940-77240	17	16
129940-77250	17	17

Parts No.	Fig. No.	Ref. No.
129940-77260	17	18
129940-77270	17	19
129940-77280	17	20
129944-21650	9	9 -1
129948-01500	2	3 -2
129948-13100	6	1
129948-42100	12	1 -1
129948-49610	12	47
129949-01710	3	8
129949-03200	4	77
129949-18220	5	14
129949-39060	11	2
129949-49810	12	16 -1
129949-75010	18	1
129953-21570	9	12
129953-25300	7	15
129953-35000	10	21
129957-59120	16	6
129960-03990	12	48
		52
129960-21640	9	8
129961-59110	16	11
129961-59310	16	8
129972-03220	4	79
129972-03230	4	80
129972-03240	4	78
129974-18210	5	12
129974-39600	11	24
129974-39820	11	26 -1
129980-26200	7	20
144626-51090	13	9
158552-51570	13	54
158552-51580	13	57
158552-51670	13	125
158552-51781	13	96
158552-52100	13	127
158552-52310	13	102
158552-52400	13	103
158552-52500	13	128
158553-51670	13	62
158553-51680	13	74
158553-61780	14	23
158557-51570	13	55
158557-61720	14	22
158560-51600	13	67
158560-61050	14	2
158563-51150	7	17
	13	12
158563-51281	13	19
		20

Parts No.	Fig. No.	Ref. No.
158563-51330	13	30
158600-51270	13	18
158601-51550	13	52
158601-51650	13	123
158601-51770	13	95
158601-51790	13	97
171051-01921	1	5
171056-49120	10	28
198461-52950	17	32
22190-080002	11	6
		8
		16
		18
		22
		22 -1
	16	21
	19	30
22190-120002	12	28
	13	98
		105
		130
	19	36
22190-180002	13	99
22190-220002	3	11
	19	9
22217-050000	13	131
22217-180000	7	18
	13	106
22252-000300	9	22
22312-050140	13	107
22351-030010	11	36
22351-050010	13	108
22351-060012	1	10
22512-070140	7	7
	9	6
22857-500100	4	63
22877-500080	18	14
		23
23000-022000	4	83
23000-025000	10	12
	11	27
23000-054000	5	15
23000-070000	5	16
23065-160250	4	84
23080-012000	12	41
		45
23414-080000	12	32
	19	38
23414-100000	11	9
	19	31

## Parts No. Index

Parts No.	Fig. No.	Ref. No.
23414-120000	14	24
23857-030000	11	7
		17
23875-030000	12	20
		29
23876-020000	4	12
23876-030000	1	11
		12
		13
	4	13
		85
23887-120002	13	100
	14	25
24311-000070	2	8
	13	109
	19	5
24311-000120	4	33
		66
	19	14
24311-000160	16	27
24311-000320	2	15
	4	67
	19	7
24311-240100	10	17
	19	29
24321-000600	10	13
	19	28
24321-000650	16	28
24321-000750	16	28 -1
24321-000850	2	21
	19	8
24341-000480	14	26
24341-000530	9	10
	19	27
24351-030750	2	9
	19	6
24356-010200	13	65
		110
24356-020210	13	111
24372-000150	13	66
25132-004400	12	57
26106-060102	13	112
26106-060122	4	64
	12	15
	13	132
26106-060162	11	28
26106-060202	5	7
		8
	12	30
26106-060252	14	27

Parts No.	Fig. No.	Ref. No.
26106-060302	12	12
26106-060352	13	113
26106-080122	3	12
	4	86
	10	26
	11	10
		19
		37
	12	33
		56
26106-080142	4	87
26106-080162	2	10
		18
		29
		36
	4	3
	7	8
	10	18
		27
26106-080202	2	11
	4	4
	13	137
26106-080252	14	28
26106-080302	13	138
	16	3
26106-080352	6	13
26106-080402	2	19
		30
	4	50
	5	21
26106-080452	2	12
	5	10
	6	14
26106-080552	6	15
	7	14
	12	13
26106-080602	4	51
		52
	12	34
26106-080802	5	11
26106-080902	5	22
26106-100182	12	15 -1
26106-100202	2	22
26106-100252	6	16
26106-100402	6	21
26106-101052	6	22
26116-050102	4	82
26116-120252	17	31
26206-100352	3	5
26206-100702	3	6

Parts No.	Fig. No.	Ref. No.
26216-060202	5	9
26216-100302	2	5
26226-080222	4	49
26306-080002	4	53
	6	17
	8	3
26306-100002	2	13
26366-060002	15	36
26450-100452	13	116
26716-050002	13	133
26776-180002	7	19
	13	117
27241-160000	13	134
27241-300000	1	14
27241-400000	4	14
27310-070001	4	26
729900-02801	1	29
729906-01550	2	23
729927-22950	9	34
729928-01560	1	1
729928-22900	9	32
729928-53100	15	1
729928-92630	19	1
729949-51320	13	1
977770-1207F	19	42
X2240610100	17	23

Parts No.	Fig. No.	Ref. No.
-----------	----------	----------