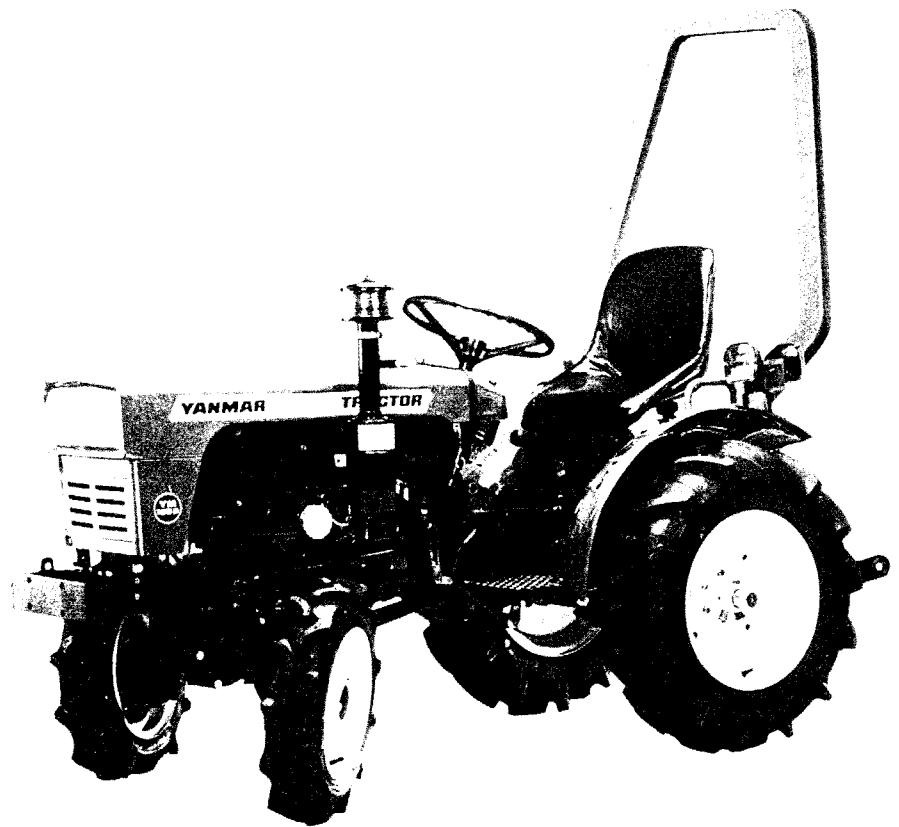


PARTS CATALOG

Pub. No. 000Y00T2371



MODEL

YANMAR DIESEL TRACTOR

MODEL **YM135**
YM135 D
YM155
YM155 D

	First Published :	March, 1976
	First Revised :	November, 1976
	Second Revised :	May, 1978
	Third Revised :	March, 1980
Pub. No. 2K001E1121	Forth Revised :	March, 1986
Pub. No. 000Y00T1588	Fifth Revised :	April, 1990
Pub. No. 000Y00T2371	Fifth	

YANMAR DIESEL ENGINE CO.,LTD.

HOW TO USE THIS PARTS CATALOG

This Parts CATALOG contains all parts of YANMAR Model YM155(D)/YM135(D) tractors manufactured after February, 1976 and is classifying those parts into groups as shown by the index.

Each illustration is followed by the corresponding page of text (list of parts).

In your order sheet, never fail to clear the pertinent tractor model, tractor serial number, engine model and engine serial number as well as the name and part number of the parts you want so that you will be supplied with the right parts.

Model		
YM155	2-wheel drive
YM155D	4-wheel drive
YM135	2-wheel drive
YM135D	4-wheel drive

- NOTE :

Parts of which Part No., Description (Part Name) and Q'ty/Unit are crossed out with single line in each case are abolished and no longer available. Please order your replacement parts by new Part Nos.

Example:

Part No.	Description	Q'ty/Unit	Inter-change-ability
194340-26360	SHAFT, connecting	1	Z
194340-26361	SHAFT, connecting	1	N

The part of which Part No. is 194340-26360 is abolished and no longer available. Order the corresponding replacement part by 194340-26361.

At Text (list of parts)

- Column "Refer. No." "Refer. No." is corresponded with a sketch bearing the same number in the illustration.
- Column "Description" "Description" column includes Part Name, Dimensions, etc.

A) Part Name

In case of an assembly of part, each component part is listed in the "Remarks" column and marked Refer. No.

B) Dimensions

Abbreviations representing dimensions in this parts list are as follows:

c : circumference	PF : pipe screw diameter (parallel)
d : diameter	PT : pipe screw diameter (taper)
h : high or height	sd : screw diameter
id : inner diameter	t : thickness
ℓ : length or long	w : width or wide
ℓoa : length, overall	z : number of teeth
od : outer diameter	

- Column "Q'ty"

The quantity in this column shows the pieces of the part used in the section of each engine.

- Column "Sales Unit"

"Sales Unit" column indicates the pieces which are contained in a packing case. Accordingly, place an order at sales unit or multiple of it.

(Example: Sales unit 10 ----- make your order by 10, 20, 30 -----.)

- Column "Interchangeability"

The interchangeability of parts for the current type of the YANMAR YM135(D) YM155(D) with those of the previous type is classified as follows:

R : Interchangeable.

S : Not interchangeable.

N : Interchangeable, however the part with its given part number is different but the part for the old type will not longer be available.

Z : Discontinued part.

W : Part incorporated only onto the current type, not existing on the old type.

F : Interchangeable, but subject to the "Remarks"

K : Changed quantity.

- Column "Remarks"

This column shows the modified part and the assembly sales part.

- Under the "Remarks" column, Tractor No. from which a particular change is made is indicated with the pertinent mark [1], [2], [3], [4] or [5] having the following reference.

Mark Model	[1]	[2]	[3]	[4]	[5]
YM155	50001 ~	—	50030 ~	51001 ~	51949 ~
YM155D	50001 ~	—	50304 ~	51001 ~	55799 ~
YM135	50001 ~	—	50002 ~	51001 ~	51532 ~
YM135D	50001 ~	50082 ~	50151 ~	51001 ~	51682 ~

COLORING

Some parts are painted in colors according to the models, specifications, and their destinations. In this parts catalog, coloring is classified into ten variations and shown in abbreviated codes as below.

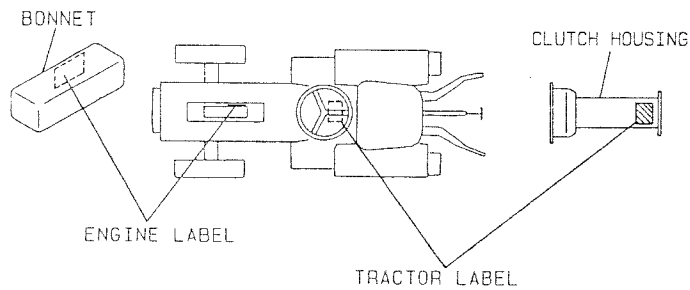
Colour code	Color
K	Metallic calm green
M	Silver
P	Green
Q	Cream
R	Red
W	Frosted black
X	Black
Y	Yellow
U	Plating

The colour of a part is denoted by the colour code suffixed to an ordinary part number :

Example : Fender (L) 194195-62110-R
 |
 Red

When ordering painted parts, please designate part colours in your order sheet by suffixing one of these color codes to the part number you want to order.

LOCATION OF ENGINE LABEL & TRACTOR LABEL



CONTENTS (1)

	Page
Specifications	i
Power Transmission Structural Drawing	iii
Engine Sectional View (1)	v
Engine Sectional View (2)	vi
Engine Sectional View (3)	vii
Engine Sectional View (4)	viii
Wiring Diagram	ix
Travelling Transmission Sectional View (1)	xii
Travelling Transmission Sectional View (2)	xiii
Travelling Transmission Sectional View (3)	xiv

—Components—

1. Cylinder Block.....	1
2. Gear Case	7
3. Cylinder Head	11
4. Air Cleaner & Silencer	17
4A. Air Cleaner (with Pre-cleaner) [Optional Parts]	21
5. Camshaft	25
6. Main Bearing & Crankshaft	27
7. Piston & Connecting Rod.....	31
8. Lubricating Oil System	33
9. Cooling Water System	37
10. Fuel Injection Pump	41
11. Fuel Injection Valve	45
12. Fuel Oil System	47
13. Governor System	51
14. Electric Starting System.....	55
15. Starting Motor (Maker : HITACHI)	57
16. Generator (Maker : KOKUSAN)	61
17. Thermostating Equipment & Silencer (Optional)	63

CONTENTS (2)

	Page
103. Repair Kit (For Engine)	67
104. Gasket Kit (For Engine)	69
18. Engine Control (Except ENGLAND) [YM155, YM155D]	73
19. Engine Control (ENGLAND) [YM155, YM155D]	75
20. Engine Control [YM135, YM135D]	79
21. Fuel Tank [YM155, YM155D]	81
22. Fuel Tank [YM135, YM135D]	85
23. Front Axle (For YM155)	89
24. Front Axle (For YM135)	93
25. Front Axle (For YM155D)	97
26. Front Axle (For YM135D)	103
27. Front Axle Interior (YM155D, YM135D).....	109
28. Steering System (YM155, YM155D)	117
29. Steering System (YM135, YM135D)	121
30. Clutch (Except FRANCE & PORTUGAL) [YM155, YM155D]	125
31. Clutch (FRANCE & PORTUGAL) [YM155, YM155D]	131
32. Clutch (U.S.A) [YM135, YM135D]	137
33. Clutch (FRANCE) [YM135, YM135D]	143
34. Transmission Case & Cover (Except ENGLAND)	149
35. Transmission Case & Cover (ENGLAND) [YM155, YM155D]	155
36. Transmission Interior (Except ENGLAND) [YM155, YM155D]	159
37. Transmission Interior (ENGLAND) [YM155, YM155D]	165
38. Transmission Interior [YM135, YM135D]	169
39. Transmission Control [YM155, YM155D]	175
40. Transmission Control [YM135, YM135D]	181
41. Rear Axle (Except ENGLAND) [YM155, YM155D]	187
42. Rear Axle (ENGLAND) [YM155, YM155D]	193
43. Rear Axle [YM135, YM135D]	197
44. Differential Lock (Except ENGLAND) [YM155, YM155D]	203
45. Differential Lock (ENGLAND) [YM155, YM155D]	207

CONTENTS (3)

	Page
46. Differential Lock [YM135, YM135D]	209
47. Brakes (Except PORTUGAL) [YM155, YM155D]	213
48. Brakes (PORTUGAL) [YM155, YM155D]	217
49. Brakes [YM135, YM135D]	221
50. Front & Rear Tires (U.S.A & S.AFRICA) [YM155].....	225
51. Front & Rear Tires (U.S.A & S.AFRICA) [YM155D].....	229
52. Front & Rear Tires (FRANCE, ENGLAND & PORTUGAL) [YM155].....	233
53. Front & Rear Tires (FRANCE, ENGLAND & PORTUGAL) [YM155D]	237
54. Front & Rear Tires (U.S.A) [YM135]	241
55. Front & Rear Tires (U.S.A) [YM135D]	245
56. Front & Rear Tires (FRANCE) [YM135]	249
57. Front & Rear Tires (FRANCE) [YM135D]	253
58. Hydraulic Lift	257
59. Hydraulic Control Valve	261
60. Hydraulic Piping	265
61. Electric Parts (U.S.A & S. AFRICA) [YM155, YM155D].....	267
62. Electric Parts (FRANCE) [YM155, YM155D]	271
63. Electric Parts (ENGLAND) [YM155, YM155D]	275
64. Electric Parts (PORTUGAL) [YM155, YM155D]	281
65. Electric Parts (U.S.A) [YM135, YM135D]	285
66. Electric Parts (FRANCE) [YM135, YM135D]	289
67. Hood (U.S.A. & S. AFRICA) [YM155, YM155D]	293
68. Hood (FRANCE) [YM155, YM155D]	299
69. Hood (ENGLAND) [YM155, YM155D]	303
70. Hood (PORTUGAL) [YM155, YM155D]	305
71. Hood (U.S.A) [YM135, YM135D]	309
72. Hood (FRANCE) [YM135, YM135D]	313
73. Fenders, Steps & Seat (U.S.A. & S. AFRICA) [YM155, YM155D]	317

CONTENTS (4)

	Page
74. Fenders, Steps & Seat (FRANCE) [YM155, YM155D]	323
75. Fenders, Steps & Seat (ENGLAND) [YM155, YM155D]	329
76. Fenders, Steps & Seat (PORTUGAL) [YM155, YM155D]	333
77. Fenders, Steps & Seat (U.S.A) [YM135, YM135D]	339
78. Fenders, Steps & Seat (FRANCE) [YM135, YM135D]	343
79. Rear Hitch (Except ENGLAND & PORTUGAL) [YM155, YM155D]	349
80. Rear Hitch (ENGLAND & PORTUGAL) [YM155, YM155D]	351
81. Three-Point Hitch Category 1 (U.S.A. & S. AFRICA)	353
82. Three-Point Hitch Category 0 (Except, S. AFRICA).....	357
83. Throttle Pedal System (Except ENGLAND)	361
84. Turn Signal Light (U.S.A) [YM135, YM135D].....	363
85. Work Light	365
86. Rear-View Mirror(Portugal) [YM155, YM155D].....	367
87. Rear-View Mirror(Except Portugal) [YM155, YM155D].....	369
88. Rear-View Mirror[YM135, YM135D]	371
89. Rear Wheel Weight & Front Weight (Optional).....	373
90. TOOLS	375
91. Turf Tires [YM155]	377
92. Turf Tires [YM155D]	379
93. Turf Tires [YM135, YM135D]	381
94. Front P.T.O. [YM155, YM155D]	383
95. Front P.T.O. [YM135, YM135D]	387
96. Labels (U.S.A) [YM155, YM155D]	391
97. Labels (S. AFRICA) [YM155, YM155D]	395
98. Labels (FRANCE) [YM155, YM155D]	399
99. Labels (ENGLAND) [YM155, YM155D]	403
100. Labels (Portugal) [YM155, YM155D]	407
101. Labels (U.S.A) [YM135, YM135D]	411
102. Labels (FRANCE) [YM135, YM135D]	416
105. ROLL BAR (OPTIONAL)	420

CONTENTS (ALPHABETICAL)

<u>GROUP No.</u>	<u>GROUP NAME</u>
4	AIR CLEANER & SILENCER
4A	AIR CLEANER (WITH PRE-CLEANER) [OPTIONAL PARTS]
47	BRAKES (EXCEPT PORTUGAL) [YM155, YM155D]
48	BRAKES (PORTUGAL) [YM155, YM155D]
49	BRAKES [YM135, YM135D]
5	CAMSHAFT
30	CLUTCH (EXCEPT FRANCE & PORTUGAL) [YM155, YM155D]
33	CLUTCH (FRANCE) [YM135, YM135D]
31	CLUTCH (FRANCE & PORTUGAL) [YM155, YM155D]
32	CLUTCH (U.S.A) [YM135, YM135D]
9	COOLING WATER SYSTEM
1	CYLINDER BLOCK
3	CYLINDER HEAD
45	DIFFERENTIAL LOCK (ENGLAND) [YM155, YM155D]
44	DIFFERENTIAL LOCK (EXCEPT ENGLAND) [YM155, YM155D]
46	DIFFERENTIAL LOCK [YM135, YM135D]
63	ELECTRIC PARTS (ENGLAND) [YM155, YM155D]
66	ELECTRIC PARTS (FRANCE) [YM135, YM135D]
62	ELECTRIC PARTS (FRANCE) [YM155, YM155D]
64	ELECTRIC PARTS (PORTUGAL) [YM155, YM155D]
65	ELECTRIC PARTS (U.S.A) [YM135, YM135D]
61	ELECTRIC PARTS (U.S.A. & S.AFRICA) [YM155, YM155D]
14	ELECTRIC STARTING SYSTEM
19	ENGINE CONTROL (ENGLAND) [YM155, YM155D]
18	ENGINE CONTROL (EXCEPT ENGLAND) [YM155, YM155D]
20	ENGINE CONTROL [YM135, YM135D]
75	FENDERS, STEPS & SEAT (ENGLAND) [YM155, YM155D]
78	FENDERS, STEPS & SEAT (FRANCE) [YM135, YM135D]
74	FENDERS, STEPS & SEAT (FRANCE) [YM155, YM155D]
76	FENDERS, STEPS & SEAT (PORTUGAL) [YM155, YM155D]
77	FENDERS, STEPS & SEAT (U.S.A) [YM135, YM135D]
73	FENDERS, STEPS & SEAT (U.S.A. & S.AFRICA) [YM155, YM155D]
24	FRONT AXLE (FOR YM135)
26	FRONT AXLE (FOR YM135D)
23	FRONT AXLE (FOR YM155)
25	FRONT AXLE (FOR YM155D)

CONTENTS (ALPHABETICAL)

<u>GROUP No.</u>	<u>GROUP NAME</u>
27	FRONT AXLE INTERIOR (YM155D, YM135D)
95	FRONT P.T.O. [YM135, YM135D]
94	FRONT P.T.O. [YM155, YM155D]
56	FRONT & REAR TIRES (FRANCE) [YM135]
57	FRONT & REAR TIRES (FRANCE) [YM135D]
52	FRONT & REAR TIRES (FRANCE, ENGLAND & PORTUGAL) [YM155]
53	FRONT & REAR TIRES (FRANCE, ENGLAND & PORTUGAL) [YM155D]
54	FRONT & REAR TIRES (U.S.A.) [YM135]
55	FRONT & REAR TIRES (U.S.A.) [YM135D]
50	FRONT & REAR TIRES (U.S.A. & S.AFRICA) [YM155]
51	FRONT & REAR TIRES (U.S.A. & S.AFRICA) [YM155D]
10	FUEL INJECTION PUMP
11	FUEL INJECTION VALVE
12	FUEL SYSTEM
22	FUEL TANK [YM135, 135D]
21	FUEL TANK [YM155, 155D]
104	GASKET KIT (FOR ENGINE)
2	GEAR CASE
16	GENERATOR (MAKER : KOKUSAN)
13	GOVERNDR SYSTEM
69	HOOD (ENGLAND) [YM155, YM155D]
72	HOOD (FRANCE) [YM135, YM135D]
68	HOOD (FRANCE) [YM155, YM155D]
70	HOOD (PORTUGAL) [YM155, YM155D]
71	HOOD (U.S.A.) [YM135, YM135D]
67	HOOD (U.S.A. & S.AFRICA) [YM155, YM155D]
59	HYDRAULIC CONTROL VALVE
58	HYDRAULIC LIFT
60	HYDRAULIC PIPING
99	LABELS (ENGLAND) [YM155, YM155D]
102	LABELS (FRANCE) [YM135, YM135D]
98	LABELS (FRANCE) [YM155, YM155D]
100	LABELS (PORTUGAL) [YM155, YM155D]
97	LABELS (S.AFRICA) [YM155, YM155D]
101	LABELS (U.S.A.) [YM135, YM135D]
96	LABELS (U.S.A.) [YM155, YM155D]

CONTENTS (ALPHABETICAL)

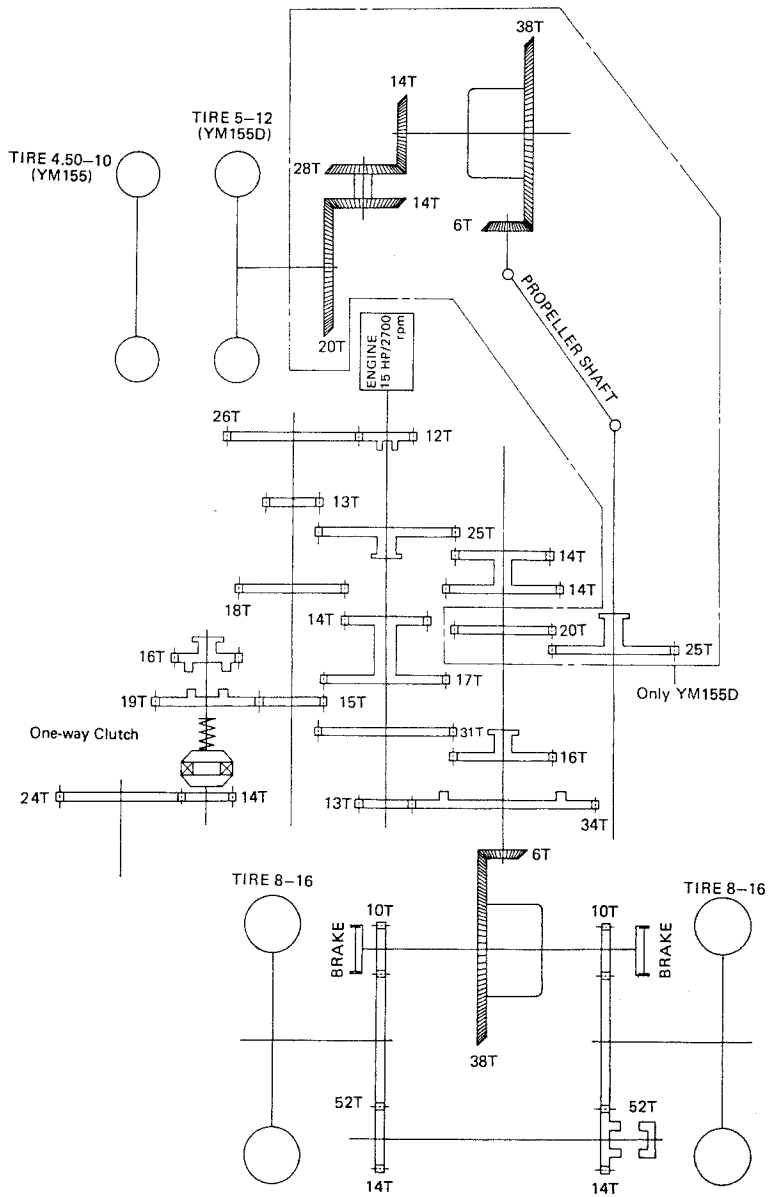
<u>GROUP No.</u>	<u>GROUP NAME</u>
8	LABBRICATING OIL SYSTEM
6	MAIN BEARING & CRANKSHAFT
7	PISTON & CONNECTING ROD
42	REAR AXLE (ENGLAND) [YM155, YM155D]
41	REAR AXLE (EXCEPT ENGLAND) [YM155, YM155D]
43	REAR AXLE [YM135, YM135D]
80	REAR HITCH (ENGLAND & PORTUGAL) [YM155, YM155D]
79	REAR HITCH (EXCEPT ENGLAND & PORTUGAL) [YM155, YM155D]
87	REAR VIEW MIRROR (EXCEPT PORTUGAL) [YM155, YM155D]
86	REAR-VIEW MIRROR (PORTUGAL) [YM155, YM155D]
88	REAR-VIEW MIRROR [YM135, YM135D]
89	REAR WHEEL WEIGHT & FRONT WEIGHT (OPTIONAL)
103	REPAIR KIT (FOR ENGINE)
105	ROLL BAR (OPTIONAL)
15	STARTING MOTOR (MAKER : HITACHI)
29	STEERING SYSTEM (YM135, YM135D)
28	STEERING SYSTEM (YM155, YM155D)
17	THERMOSTARTING EQUIPMENT & SILENCER (OPTIONAL)
82	THREE-POINT HITCH CATEGORY 0 (EXCEPT S.AFRICA)
81	THREE POINT HITCH CATEGORY 1 (U.S.A.& S.AFRICA)
83	THROTTLE PEDAL SYSTEM (EXCEPT ENGLAND)
90	TOOLS
35	TRANSMISSION CASE & COVER (ENGLAND) [YM155, YM155D]
34	TRANSMISSION CASE & COVER (EXCEPT ENGLAND)
40	TRANSMISSION CONTROL [YM135, YM135D]
39	TRANSMISSION CONTROL [YM155, YM155D]
37	TRANSMISSION INTERIOR (ENGLAND) [YM155, YM155D]
36	TRANSMISSION INTERIOR (EXCEPT ENGLAND) [YM155, YM155D]
38	TRANSMISSION INTERIOR [YM135, YM135D]
93	TURF TIRES [YM135, YM135D]
91	TURF TIRES [YM155]
92	TURF TIRES [YM155D]
84	TURN SIGNAL LIGHT (U.S.A.) [YM135, YM135D]
85	WORK LIGHT

SPECIFICATIONS

Model	YM155	YM155D	YM135	YM135D
	2-wheel drive		4-wheel drive	
Dimensions				
Overall length				
with 3-point hitch	99.2"		91.7"	93.1"
without 3-point hitch	81.3"		73.0"	74.4"
Overall width	37.6"		35.4"	
Overall height				
to muffler end	64.8"			
to steering wheel	45.7"		44.5"	
Wheel base	48.8"		45.7"	48.9"
Tread front	28.7"	29.3"	26.4"	29.3"
Tread rear	27.6 ~ 33.5"		23.6 ~ 31.6"	
Ground clearance				
Front axle	12.0"	9.8"	12.2"	9.6"
Drawbar	10.4"	10.4"	9.6"	9.6"
Weights				
Total weight	1057.3 lbs.	1145.4 lbs.	991.2 lbs.	1090.3 lbs.
Front	480.2 lbs.	563.9 lbs.	449.3 lbs.	535.2 lbs.
Rear	577.1 lbs.	581.5 lbs.	541.9 lbs.	555.1 lbs.
Engine				
Model	2TR13A		2T73A	
Type	Vertical, water cooled, 4-cycle diesel			
No. of cylinders	2			
Piston displacement	40.4 cu. inch		38.3 cu. inch	
Bore x stroke	2.953" x 2.953"		2.874" x 2.953"	
Max. bare horse power	15 HP at 2700 rpm		13 HP at 2700 rpm	
Compression ratio	23 : 1			
Capacity				
Fuel tank	4.0 U.S. gal.	(15 ltr.)	2.5 U.S. gal.	(9.5 ltr.)
Cooling system	0.8 U.S. gal.	(3.2 ltr.)	0.8 U.S. gal.	(3.2 ltr.)
Crankcase	0.6 U.S. gal.	(2.4 ltr.)	0.6 U.S. gal.	(2.4 ltr.)
Air cleaner	Dry type		Dry type	
Transmission-hydraulic system	2.5 U.S. gal.	2.4 U.S. gal.	2.5 U.S. gal.	2.4 U.S. gal.

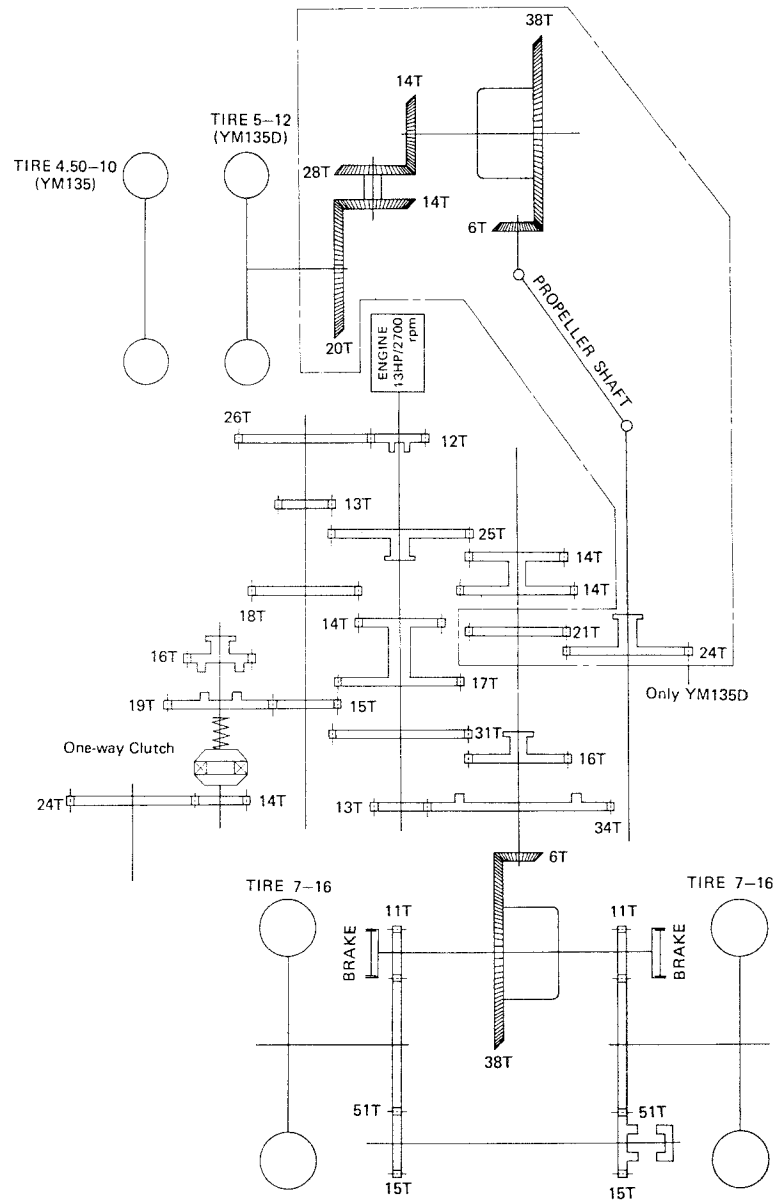
Model	YM155	YM155D	YM135	YM135D
Electrical system				
Battery		12 V - 35 AH		
A.C. generator		12 V - 110 W		
Starter motor		12 V - 1.2 kW		
Thermostart (Optional)		12 V - 13 A		
Clutch		Dry single disc, mechanical type		
Transmission		Mechanical, constant-mesh/selective-mesh gears combination		
		6-speed for forward, 2-speed for reverse		
Final drive		Spiral gears reduction drive		
Differential lock		Foot operated mechanical lock		
Travel speed				
Forward				
1st	0.67 mph	(1.07 kph)	0.71 mph	(1.14 kph)
2nd	1.13 mph	(1.82 kph)	1.20 mph	(1.93 kph)
3rd	1.65 mph	(2.65 kph)	1.75 mph	(2.81 kph)
4th	3.37 mph	(5.43 kph)	3.57 mph	(5.75 kph)
5th	5.73 mph	(9.22 kph)	6.07 mph	(9.76 kph)
6th	8.36 mph	(13.43 kph)	8.84 mph	(14.23 kph)
Reverse				
1st	0.92 mph	(1.48 kph)	0.98 mph	(1.57 kph)
2nd	4.67 mph	(7.52 kph)	4.95 mph	(7.97 kph)
Brakes		Dry, internal expansion mechanical type		
Tires				
Front	4.50-10-2	5-12-2	4.50-10-2	5-12-2
Rear	ply rating	ply rating	ply rating	ply rating
	8-16-4	8-16-4	7-16-4	7-16-4
	ply rating	ply rating	ply rating	ply rating
P.T.O.				
Spline				SAE 1-3/8 inch
Direction of rotation				Clock wise viewed from driving end
Speed				540 and 770 rpm (at 2540 rpm engine speed)
Power lift				
Type				Hydraulic, 3-point hitch
Max. lift capacity				Category O or 1 with select control
				926 lbs. (420 kg)
Drawbar		Offset type		

YM155/YM155D POWER TRANSMISSION STRUCTURAL DRAWING



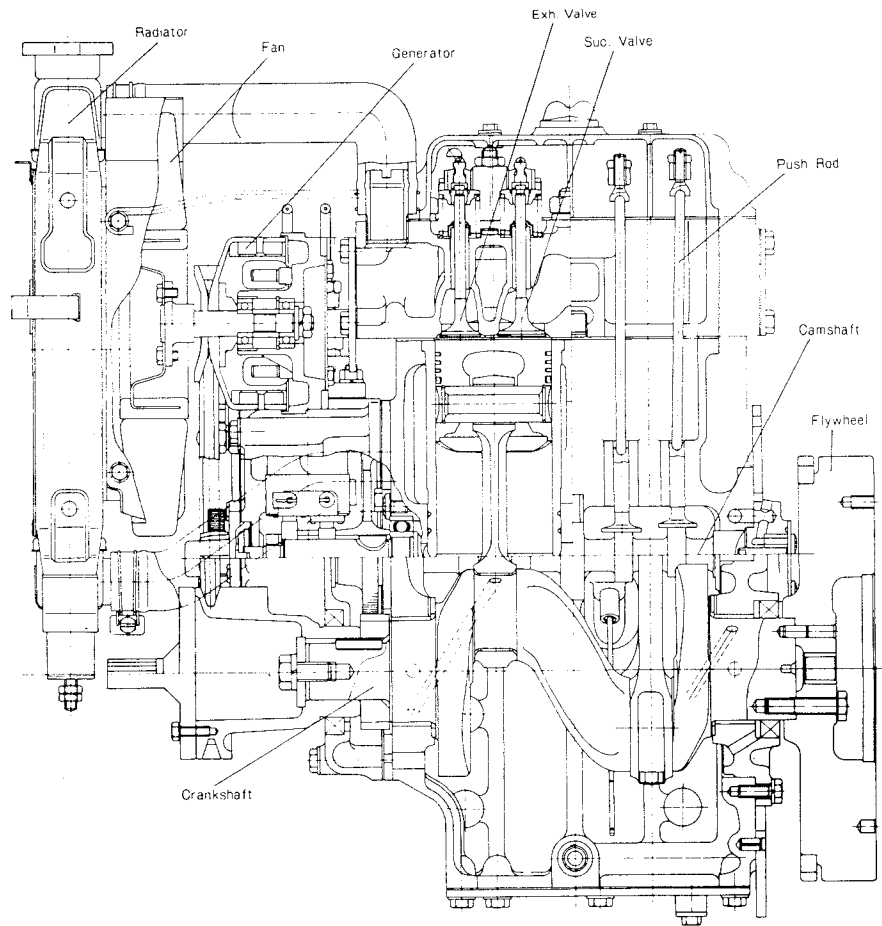
iii

YM135/YM135D POWER TRANSMISSION STRUCTURAL DRAWING

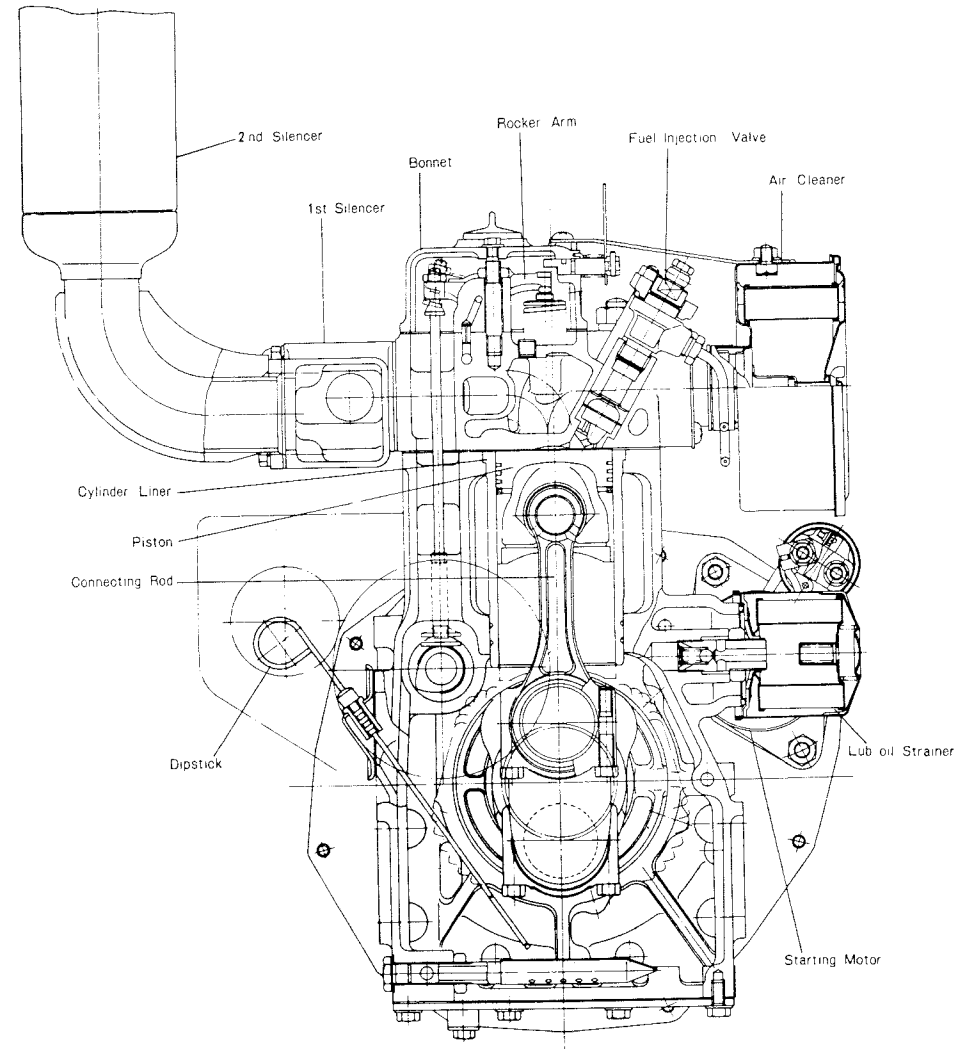


iv

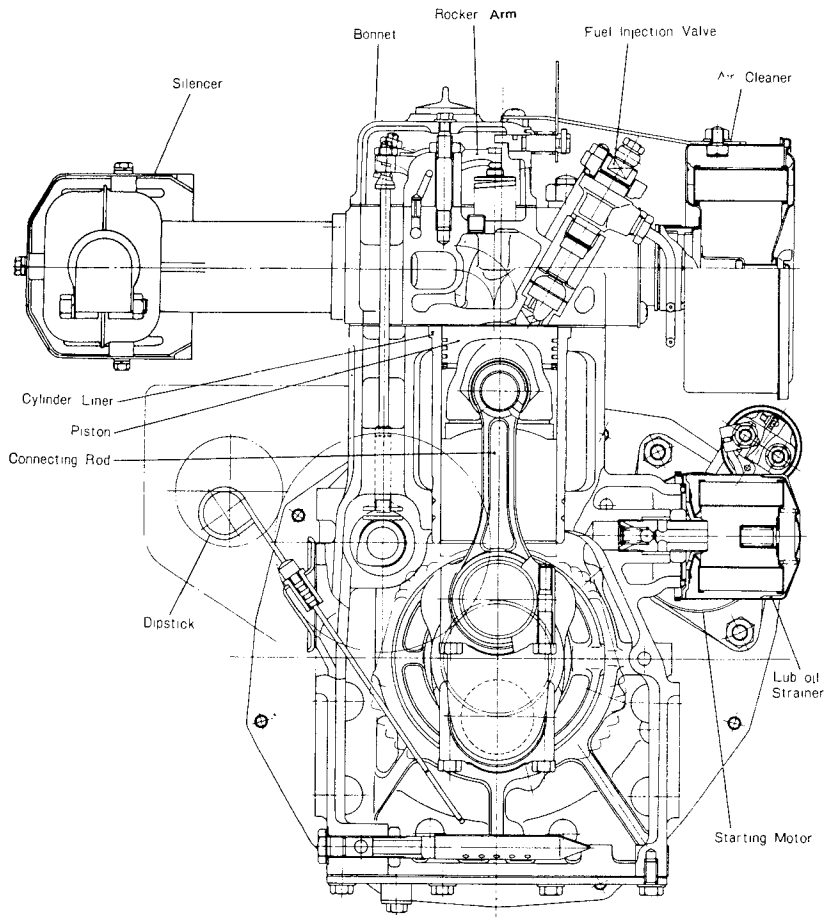
2T73A-2TR13A ENGINE SECTIONAL VIEW (1)



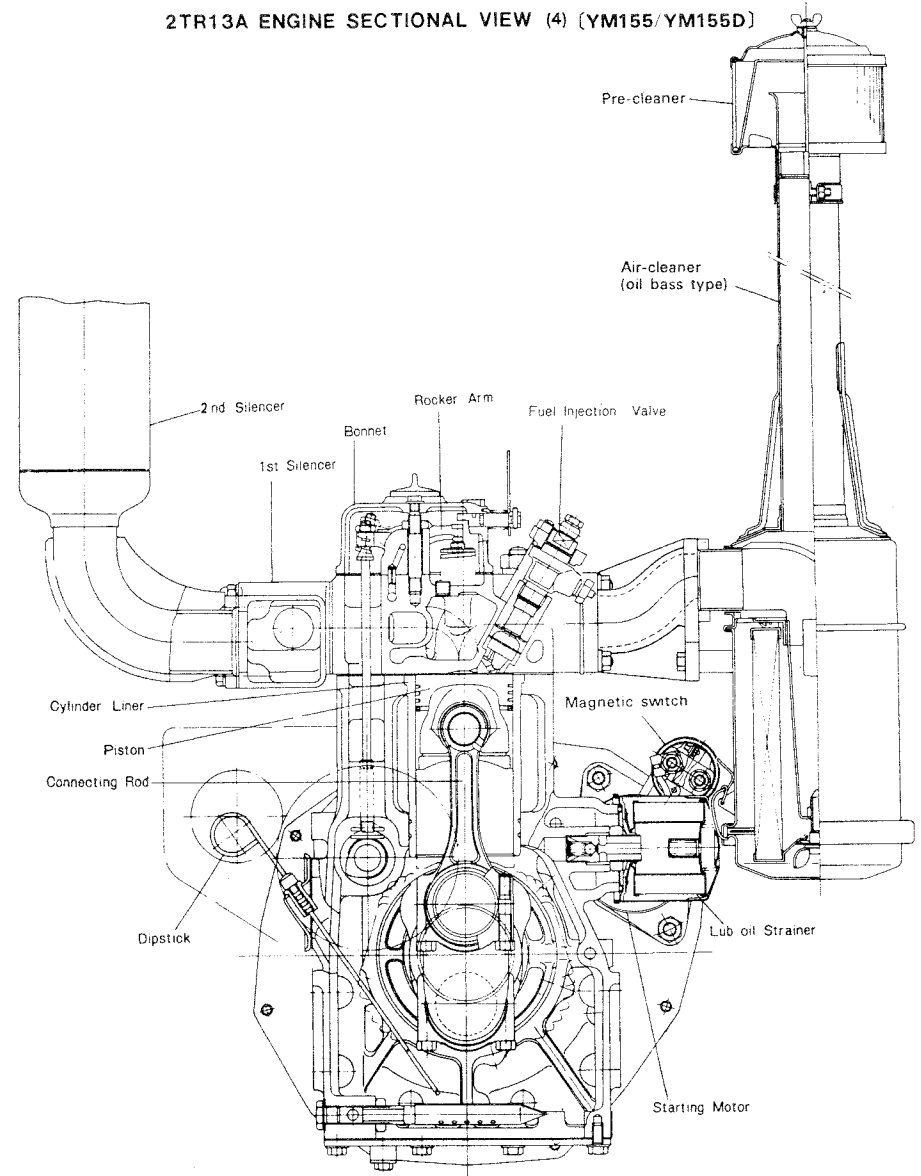
2TR13A ENGINE SECTIONAL VIEW (2) (YM155/YM155D)



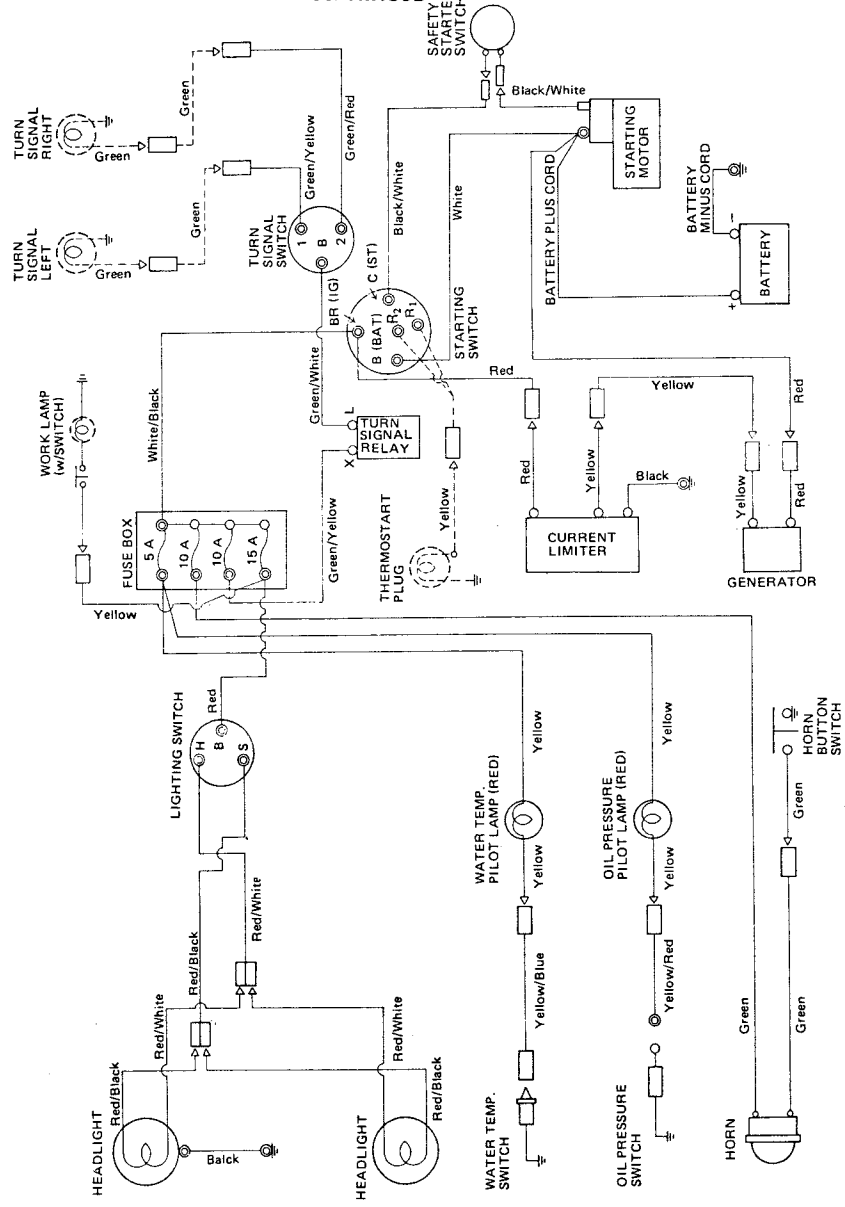
2T73A ENGINE SECTIONAL VIEW (3) (YM135/YM135D)



2TR13A ENGINE SECTIONAL VIEW (4) (YM155/YM155D)

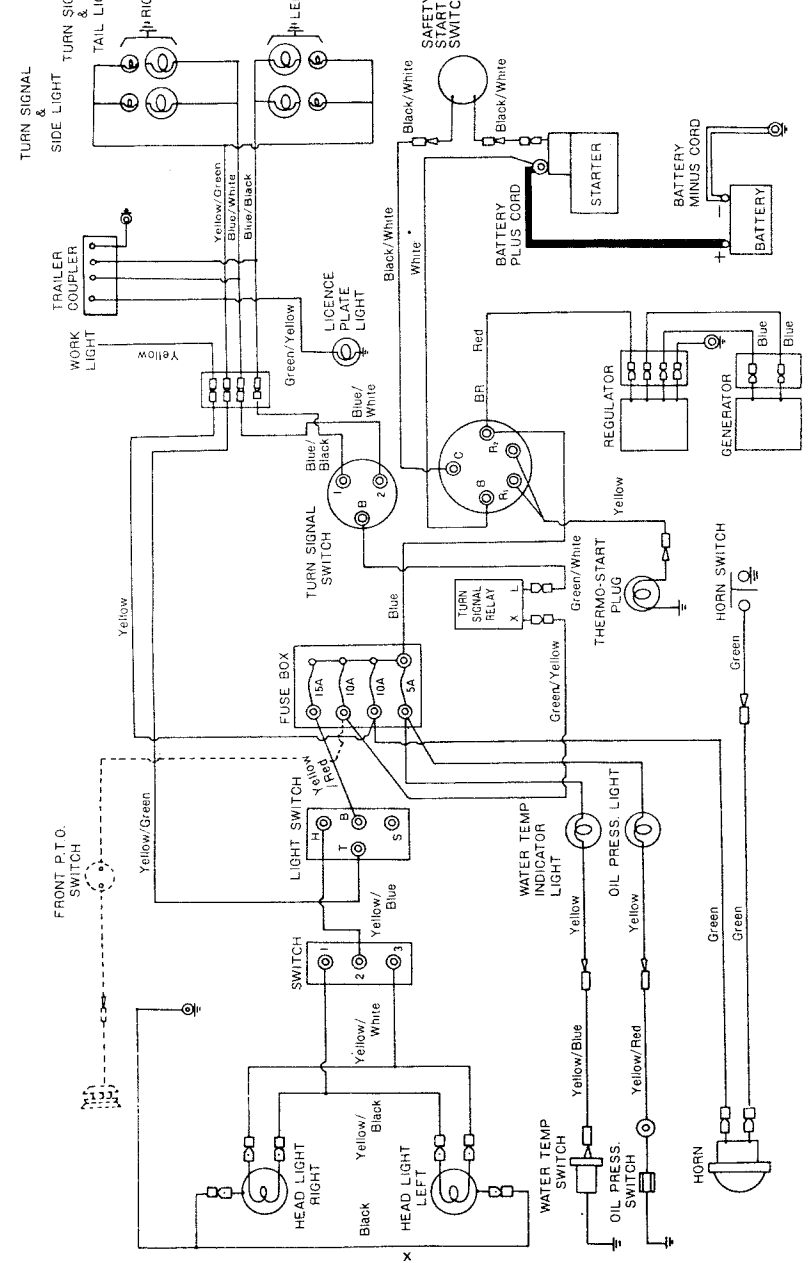


YM155/YM155D WIRING DIAGRAM
YM135/YM135D

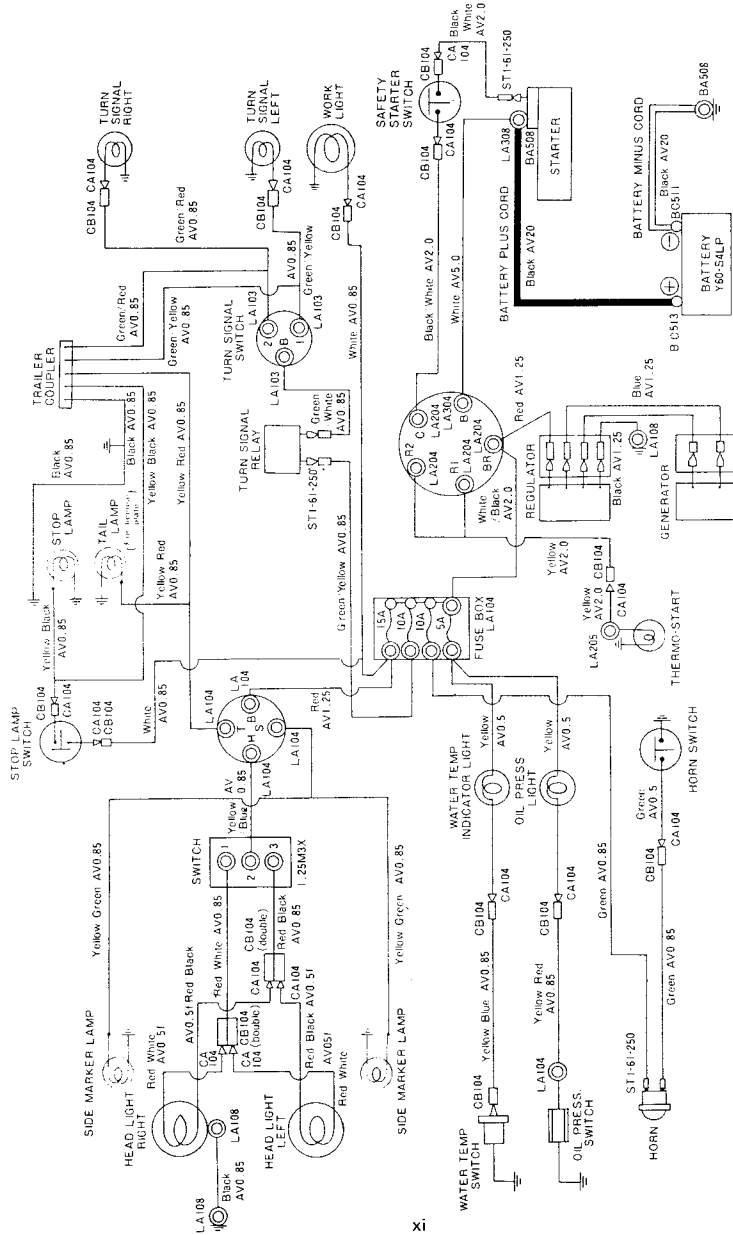


F

WIRING DIAGRAM FOR MODEL YM135-F/YM135D-F
YM155-F/YM155D-F

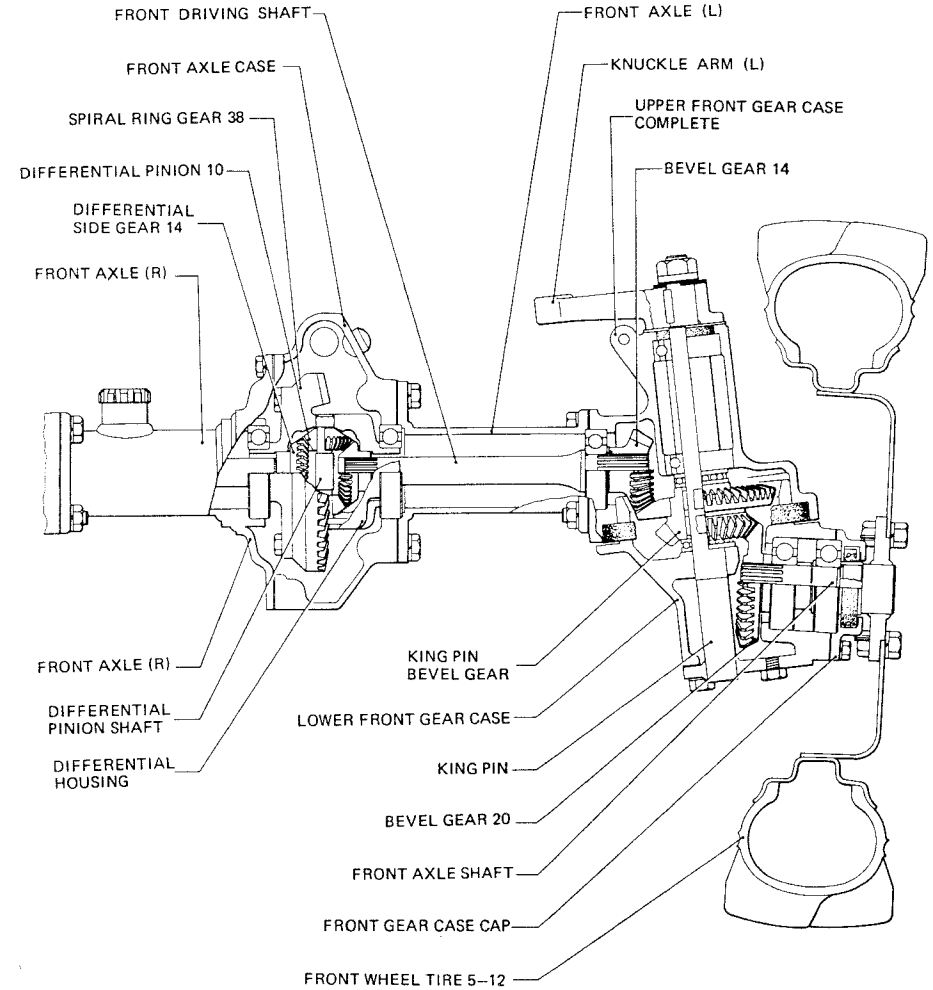


YM135-P/YM135D-P
 WIRING DIAGRAM FOR MODEL
 YM155-P/YM155D-P

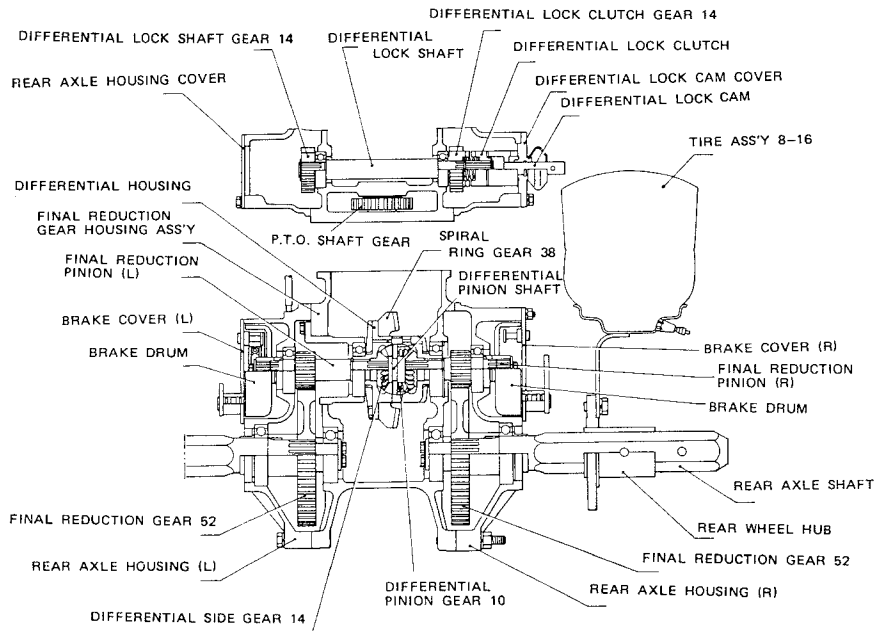


XI

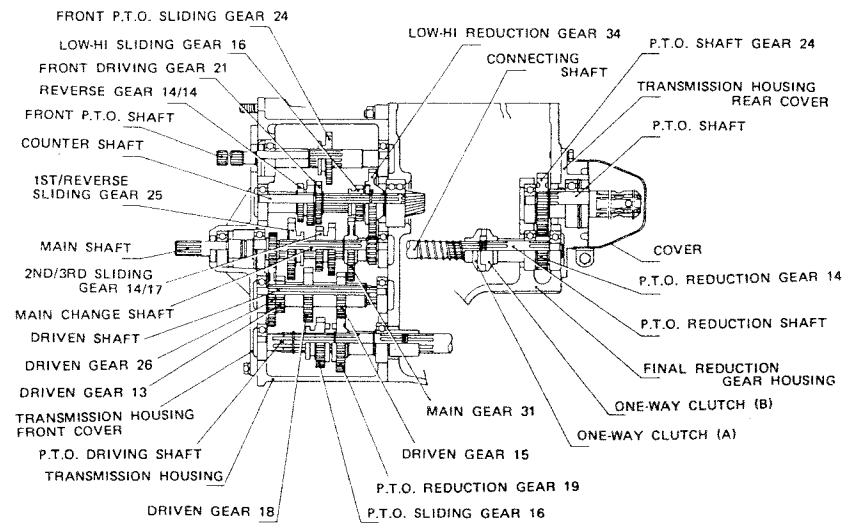
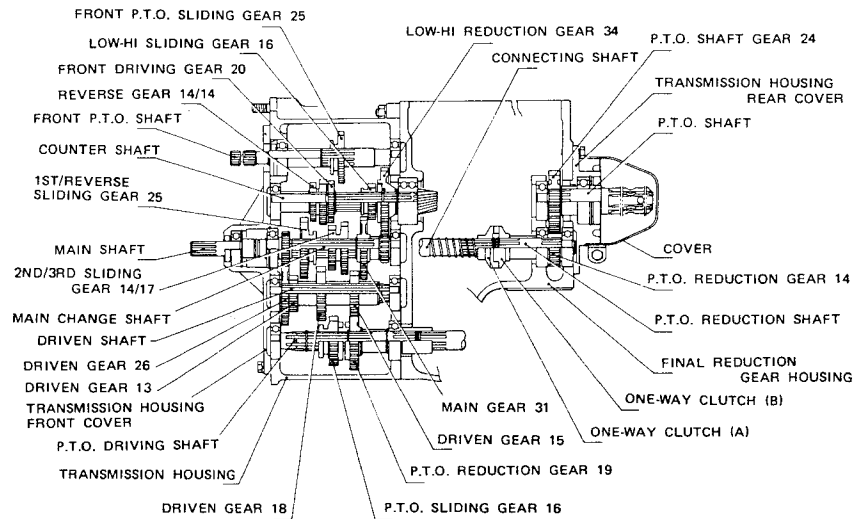
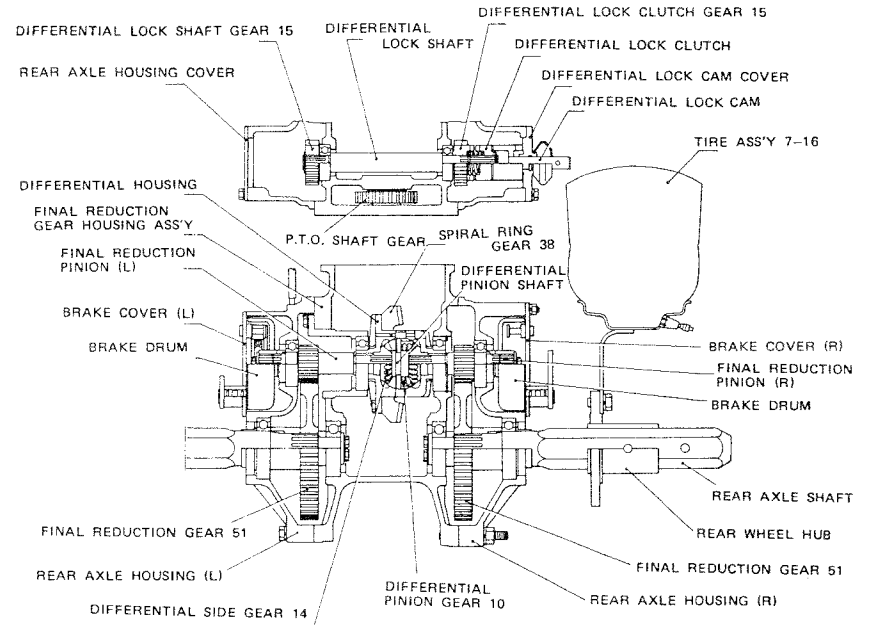
YM155D, YM135D TRAVELLING TRANSMISSION SECTIONAL VIEW (1)



YM155/YM155D TRAVELLING TRANSMISSION SECTIONAL VIEW (2)



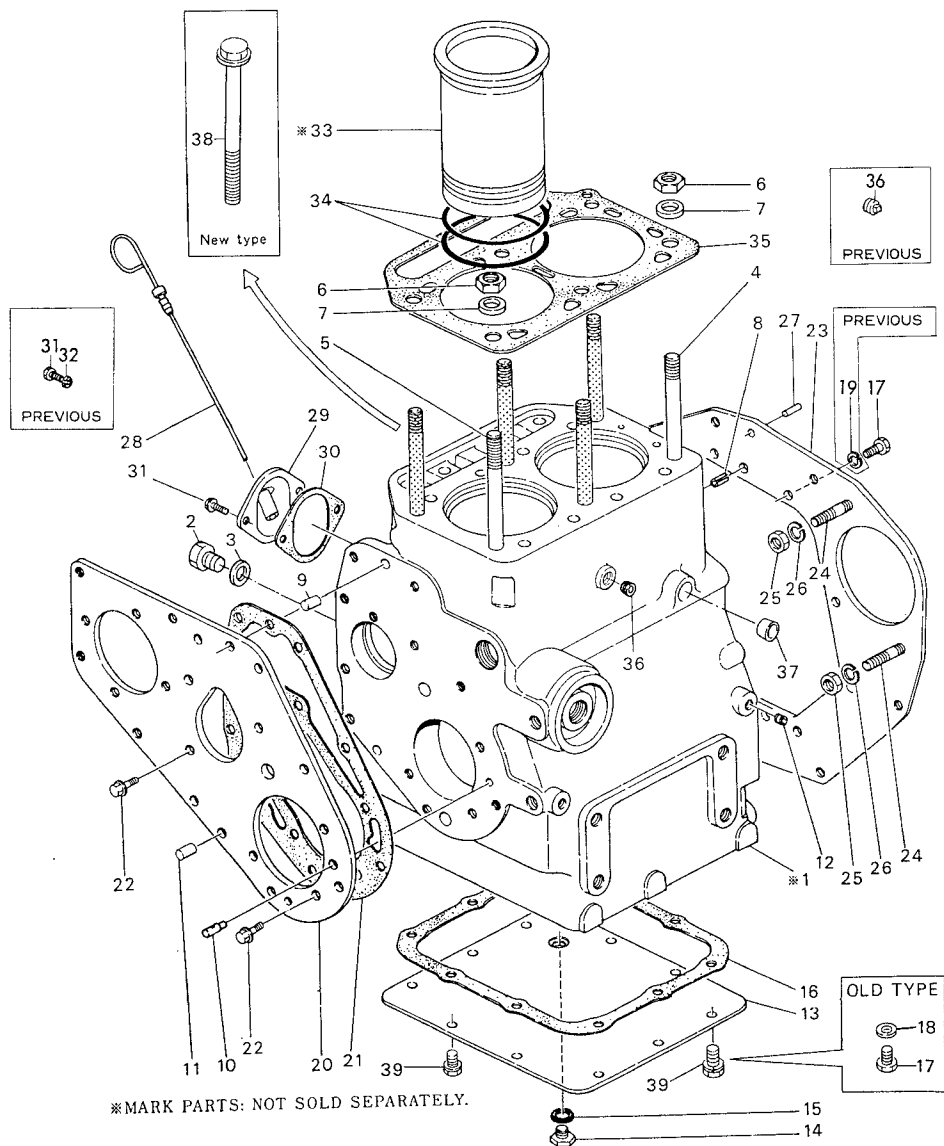
YM135/YM135D TRAVELLING TRANSMISSION SECTIONAL VIEW (2)



ENGINE PARTS

Model **2TR13A(YM155)**
2TR13A(YM155D)
2T73A (YM135)
2T73A (YM135D)

1. CYLINDER BLOCK



1. CYLINDER BLOCK

Refer. No.	Description	Part No.	Qty./Unit		Interchangeability	Design-change Mark	Remarks
			2T13A	2T13A			
			Sales Unit				
	BLOCK ASS'Y	724060-01561	1	1			Inc. 1-1 19, 36, 37, 9-6, 6-10 13, 15 17
	BLOCK ASS'Y	724064-01560	1	1	N		Inc. 1-1 19, 36 39, 9-6, 6-10 13, 15 17
1- 1	CYLINDER BLOCK	*	1	1			Not Sold Separately. (124064-01010)
1- 2	PLUG P#1/4	23893-020002	1	1	10		
	PLUG P#1/4	121450-01960	1	1	10	N	
1- 3	PACKING 12	23414-120000	1	1	10		
1- 4	STUD(A), cylinder head	124060-01200	5	5			
	STUD(A), cylinder head	124060-01200	1	1		K	\$
1- 5	STUD(B), cylinder head	124160-01210	1	1			
1- 6	NUT, cylinder head lock	104300-01220	6	6	10		
	NUT, cylinder head lock	104300-01220	2	2	10	K	\$
1- 7	WASHER, lock nut	103338-01240	6	6	10		
	WASHER, lock nut	103338-01240	2	2	10	K	\$
1- 8	SPRING PIN 8 x 14	22351-080014	2	2	10		
1- 9	PARALLEL PIN 8 x 22	124060-01660	1	1	10		
	PARALLEL PIN 8 x 22	22312-080120	1	1	10		
1- 10	CONNECTOR, lub. oil feed	124060-01540	1	1			
1- 11	PARALLEL PIN 8 x 22	22312-080220	1	1	10		
1- 12	PLUG P#1/8	124060-01050	6	6	10		
	COVER ASS'Y, cyl. lower	724060-01542	1	1			
1- 13	.COVER, cylinder lower	124060-01732	1	1			
1- 14	.PLUG	124060-01640	1	1			
1- 15	.O-RING 14-P	24311-000140	1	1	10		
Remarks:							
\$-marked parts: From Nov. 1979							
STUD(A) (P/#124060-01200) 4 pcs. to fit the cylinder head changed to HEX. BOLT (Refer. No. 1-38, P/#124060-01201). Simultaneously, NUT (P/#104300-01220) 4 pcs. and WASHER (P/#103338-01240) 4 pcs. is continued.							
Interchangeable if these changes are put into practice simultaneously.							

1. CYLINDER BLOCK

Refer. No.	Description	Part No.	Q'ty/Unit		Sales Unit	Inter-change-ability	Design-change Mark	Remarks
			2TR13A	2T73A				
1- 16	PACKING, cylinder lower cover	124060-01741	1	1				Misprint
	PACKING, cylinder lower cover	124060-01742	1	1	10			
1- 17	BOLT M8 x 16, plated	26116-080162	21	21	10			
	BOLT M8 x 16, plated	26116-080162	9	9	10	K	E	
1- 18	WASHER 8	22137-080000	12	12	10	Z	E	
1- 19	SPRING WASHER 8	22217-080000	9	9	10	Z		
1- 20	FLANGE, timing gear case	124060-01550	1	1				
	FLANGE, timing gear case	124060-01551	1	1		F		
1- 21	PACKING, flange	124060-01560	1	1	10			
1- 22	BOLT M8 x 14	26116-080142	7	7	10			
	BOLT M8 x 14	26106-080142	7	7	10	N		
1- 23	FLANGE, mounting	124060-01601	1	1				
	FLANGE, mounting	124060-01602	1	1		S	\$	
1- 24	STUD, starter motor	124060-01650	2	2	10			
	STUD, starter motor	121462-01650	2	2	10	S	\$	
1- 25	NUT M10, plated	26736-100002	2	2	10			
	NUT M10, plated	26716-100002	2	2	10	S	\$	
1- 26	SPRING WASHER 10	22217-100000	2	2	10			
1- 27	SPRING PIN 6AW x 16	22351-060016	2	2	10			
1- 28	DIPSTICK	124060-34800	1					
	DIPSTICK	124660-34800	1	1		N		2TR13A E/#-23860
1- 29	BRACKET, dipstick	124060-34830	1	1				

Remarks

\$: Interchangeable with Old Type FLANGE (124060-01601) by simultaneous replacement of New Type FLANGE (124060-01602) together with STUD9121462-01650) 2 pcs. and NUT M10 (26716-10002) 2 pcs. Applicable engine serial number: E/#24105 -, 2TR13A (From Jan. 1980).

E: Changed to BOLT (Ref. No. 1-39) (121250-01710) 12 pcs. but interchangeable.

1. CYLINDER BLOCK

Refer. No.	Description	Part No.	Q'ty/Unit		Sales Unit	Inter-change-ability	Design-change Mark	Remarks
			2TR13A	2T73A				
1- 30	PACKING, bracket	124060-34840	1	1				
	PACKING, bracket	124060-34841	1	1	10	N		
	PACKING, bracket	124060-34842	1	1	10	N		
1- 31	BOLT M6 x 12	26116-060122	2	2	10			
	BOLT M6 x 10	26106-060102	2	2	10	N		
1- 32	SPRING WASHER 6	22217-060000	2	2	10	Z		
	CYLINDER LINER, w/rubber packing	724060-01900	2					
	CYLINDER LINER, w/rubber packing	724660-01900	2					
1- 33	.LINER, cylinder	*	2					Not Sold Separately.
	.LINER, cylinder	*	2					Not Sold Separately.
1- 34	.PACKING, cylinder liner	124060-01300	4	4	10			
1- 35	GASKET, cylinder head	124060-01330	1		5			
	GASKET, cylinder head	124660-01330	1		5			
1- 36	PLUG	121750-01920	1	1	10	W		
	PLUG NPTF1	171051-01920	1	1	10	N		
1- 37	PLUG 30	27243-300000	1	1	10	W		
1- 38	BOLT, cyl. head	124060-01201	4	4	10	W		\$
1- 39	BOLT M8 x 14, lower cover	121250-01710	12	12	10	W		E 2TR13A E/#22083 2T73A E/#81243
		26106-080142	12	12	10	N		

Remarks:

\$-marked parts: From Nov. 1979

STUD(A) (Refer. No. 1-4 P/#124060-01200) 4 pcs. to fit the cylinder head changed to HEX. BOLT (P/#124060-01201). Simultaneously, NUT (Refer. No. 1-6, P/#104300-01220) 4 pcs, and WASHER (Refer. No. 1-7, P/#103338-01240) 4 pcs. is continued.

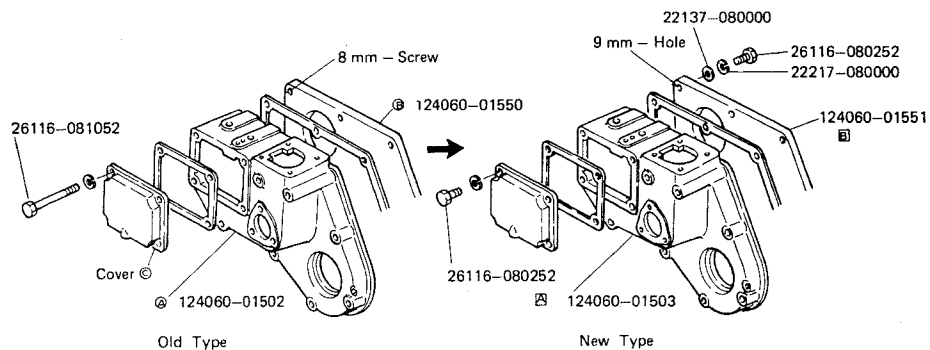
Interchangeable if these changes are put into practice simultaneously.

E: Changed from BOLT (Ref. No. 1-17) (26116-080162) 12 pcs. and WASHER (Ref. No. 1-18) (22137-080000) but interchangeable.

Re. Parts Supply of Timing Gear Case & Its Flange

These parts are changed as shown below from May, 1976:

M E M O



	Old Type	New Type
TIMING GEAR CASE ASS'Y	724060-01502	724060-01613
TIMING GEAR CASE	⊗ 124060-01502	⊠ 124060-01503
FLANGE, timing gear case	⊗ 124060-01550	⊠ 124060-01551

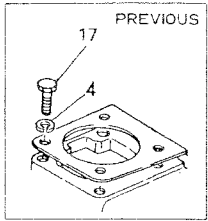
Although we shall supply you with these parts of both the Old Type and the New Type, it is possible to achieve interchangeability between these two types by the following parts replacement and additional processing:

1. In the case where the flange is of the Old Type and the case ass'y is of the New Type....
Adopt the same fitting method as for the New Type.
 - (a) Part required:

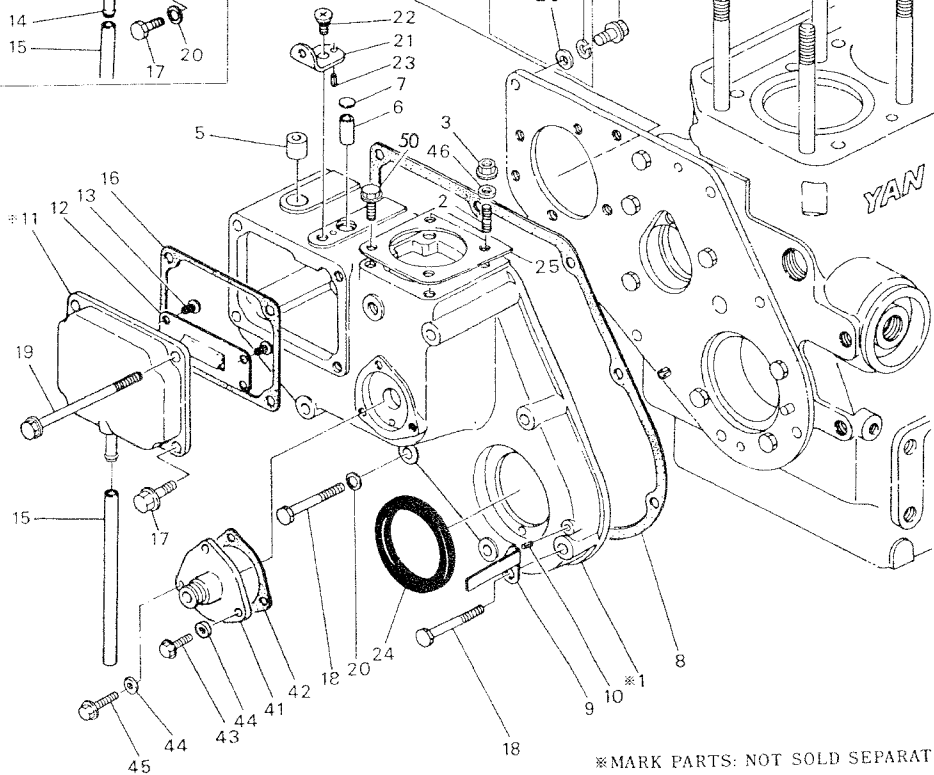
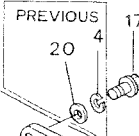
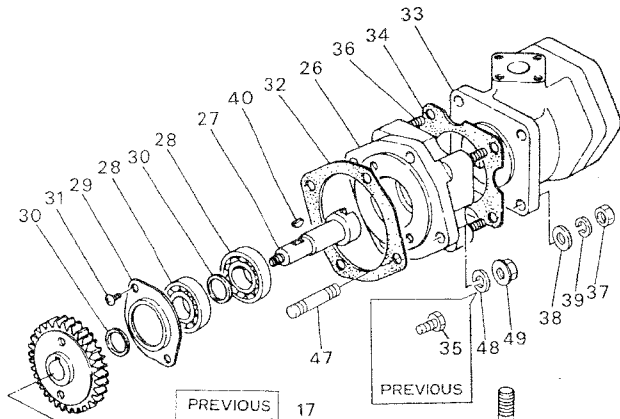
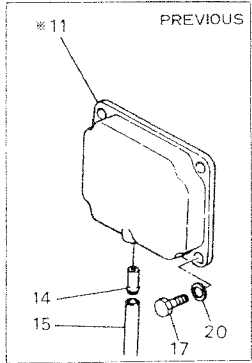
BOLT M8 x 25	(26116-080252)	2 pcs.
WASHER 8	(22137-080000)	1 pc.
SPRING WASHER 8	(22217-080000)	1 pc.
 - (b) Additional processing & fitting method: Process the 8 mm screw part of the (Old Type) flange to the 9 mm screw hole, and tighten the flange together with the case cover ⊗ to the case by means of M8 x 25 bolts, WASHER 8 and SPRING WASHER 8.

2. In the case where the flange is of the New Type and the case ass'y is of the Old Type ...
Adopt the same fitting method as the Old Type.
 - (a) Parts required:

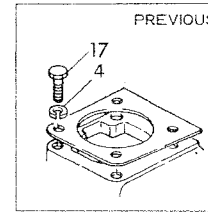
BOLT M8 x 115	(26116-081152)	1 pc.
NUT M8	(26716-080002)	1 pc.
SPRING WASHER 8	(22217-080000)	1 pc.
WASHER 8	(22137-080000)	1 pc.
 - (b) Fitting method: Tighten the flange together with the cover ⊗ to the case by means of M8 x 115 bolt and M8 nut.



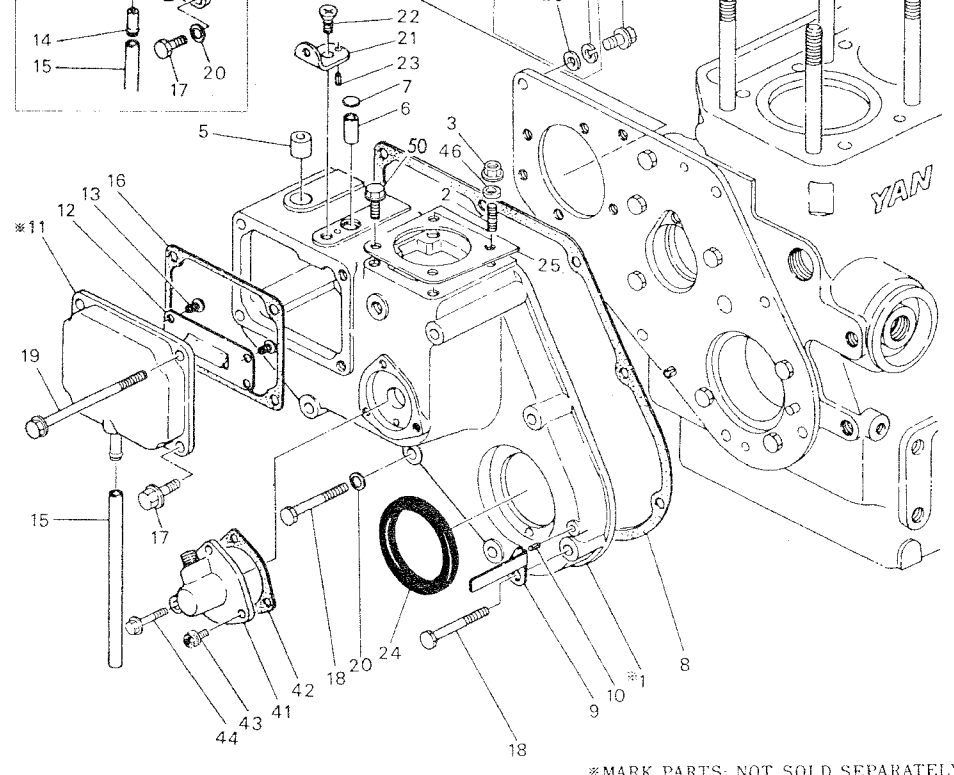
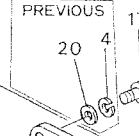
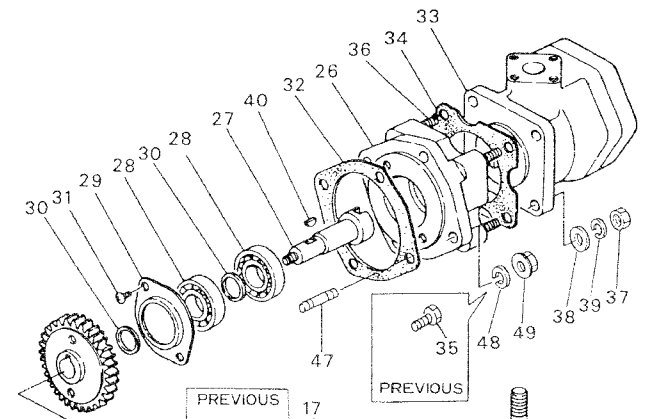
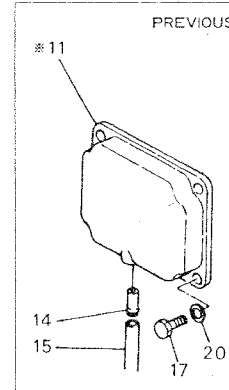
2. GEAR CASE (2T73A·YM135/YM135D)



※MARK PARTS: NOT SOLD SEPARATELY.



2. GEAR CASE (2TR13A·YM155/YM155D)



※MARK PARTS: NOT SOLD SEPARATELY.

2. GEAR CASE

Refer. No.	Description	Part No.	Qty/Unit		Interchangeability	Design-change Mark	Remarks
			2TR13A	2T73A			
	CASE ASS'Y, timing gear	724060-01502	1	1			
	CASE ASS'Y, timing gear	724060-01613	1	1	F		
2- 1	.GEAR CASE	*	1	1			Not Sold Separately. (124060-01503)
2- 2	.STUD M8 x 22	26226-080222	2	2	10		
2- 3	.NUT M8	26716-080002	2	2	10		
	.NUT M8	26366-080002	2	2	10	N	
2- 4	.SPRING WASHER 8	22217-080000	3	3	10	Z	
2- 5	.BUSH, regulator handle shaft	124060-01900	1	1	10		
2- 6	.BUSH, governor lever shaft	124060-01910	1	1	10		
2- 7	.PLUG 15	27233-150000	1	1	10		
2- 8	PACKING, gear case	124060-01511	1	1			
	PACKING, gear case	124060-01512	1	1	10	N	
	PACKING, gear case	104060-01511	1	1	10	N	
2- 9	POINTER, V-pulley	124060-07300	1	1			
2- 10	SPRING PIN 4AW x 8	22351-040008	1	1	10		
	COVER ASS'Y, pump timing adjust	724060-01520	1	1			
2- 11	.COVER	*	1	1			Not Sold Separately. (124060-01520)
2- 12	.PLATE, breather baffle	124060-03080	1	1			
2- 13	.SCREW M6 x 10	26557-060102	4	4	10		
2- 14	.JOINT, pipe	124060-03200	1	1		Z	
2- 15	.PIPE 9d-150L	23065-090150	1	1			
	.PIPE 14d-150L	23065-140150	1	1		S	
2- 16	PACKING, cover	124060-01530	1	1			
	PACKING, cover	124060-01531	1	1	10	N	
	PACKING, cover	124060-01532	1	1	10	N	

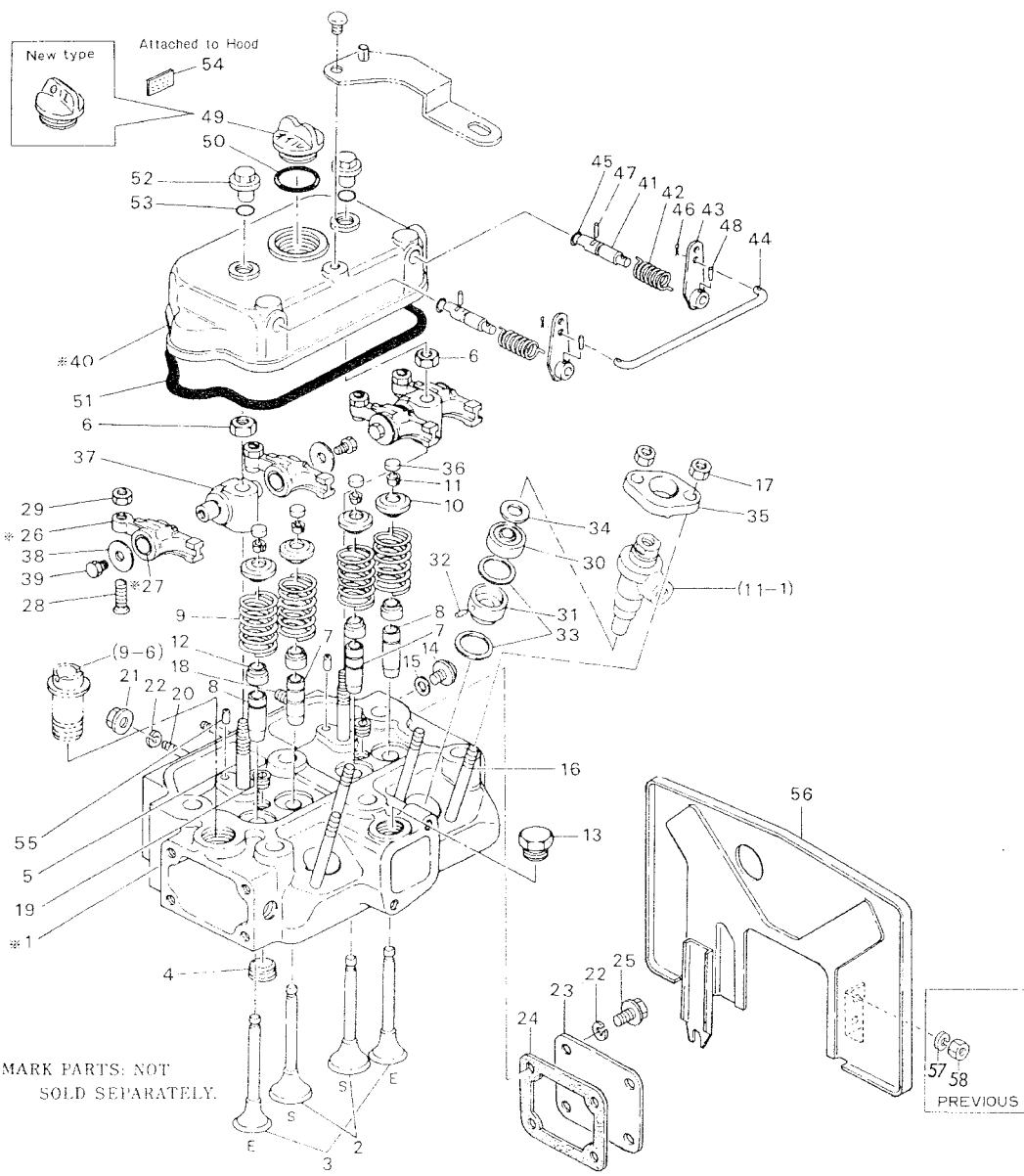
2. GEAR CASE

Refer. No.	Description	Part No.	Qty/Unit		Interchangeability	Design-change Mark	Remarks
			2TR13A	2T73A			
2- 17	BOLT M8 x 25, plated	26116-080252	5	5	10		
	BOLT M8 x 22	26106-080222	3	3	10	N	
2- 18	BOLT M8 x 55, plated	26116-080552	4	4	10		
	BOLT M8 x 55	26106-080552	4	4	10	N	
2- 19	BOLT M8 x 105	26116-081052	5	5	10		
	BOLT M8 x 105	26106-081052	4	4	10	N	
2- 20	WASHER 8	22137-080000	10	10	10	Z	
2- 21	BRACKET, bolt	124060-01570	1	1			
2- 22	SCREW M8 x 18, plated	26557-080182	1	1	10		
	SCREW M8 x 12	26557-080122	1	1	10	N	
2- 23	SPRING PIN 4BV x 8	22354-040008	1	1	10		
	SPRING PIN 4AW x 8	22351-040008	1	1	10	N	
2- 24	OIL SEAL	124450-01800	1	1	10		
2- 25	SHIM, f.i. pump	124550-51950	1	1	5		
	SHIM, f.i. pump	124550-51951	1	1	10	N	
	DRIVING ASS'Y, hydraulic pump	124060-26101	1	1		W	
2- 26	BRACKET, hydraulic pump	124060-26051	1	1			
	BRACKET, hydraulic pump	124060-26052	1	1		N	
2- 27	SHAFT, pump driving	124060-26401	1	1			
2- 28	BALL BEARING 6203ZZ	24107-062034	2	2			
2- 29	RETAINER, bearing	124060-26410	1	1			
2- 30	SPACER, bearing	124060-26420	2	2	10		
2- 31	SCREW M5 x 8	26587-080082	2	2	10		
2- 32	PACKING, bracket	124060-26061	1	1	10		
	PACKING, bracket	124060-26062	1	1	10	N	
	PACKING, bracket	124060-26063	1	1	10	N	
2- 33	PUMP ASS'Y, hydraulic oil	124064-26020	1	1			

2. GEAR CASE

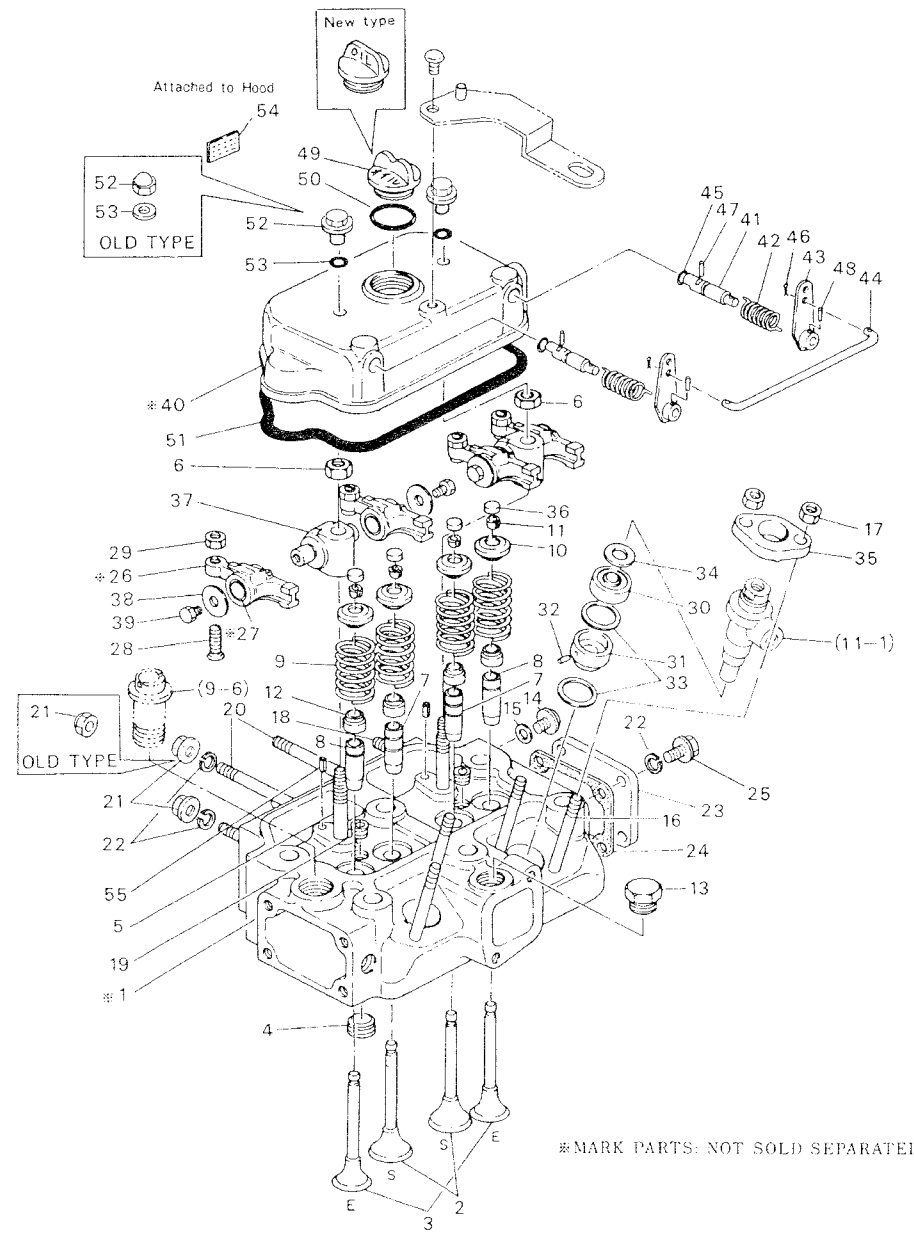
Refer. No.	Description	Part No.	Qty/Unit			Inter-change-ability	Design-change Mark	Remarks
			2FR13A	2T73A	Sales Unit			
2- 34	PACKING, hydraulic oil pump	124060-01881	1	1	10			
	PACKING, hydraulic	124060-01882	1	1	10	N		
	PACKING, hydraulic	124060-01883	1	1	10	N		
2- 35	BOLT M8 x 20	26116-080202	4	4	10	Z		
2- 36	STUD M8 x 22	26216-080222	4	4	10			
2- 37	NUT M8	26716-080002	4	4	10			
2- 38	WASHER 8	22137-080000	4	4	10			
2- 39	SPRING WASHER 8	22217-080000	4	4	10			
2- 40	KEY 4 x 13	22522-040130	1	1	10			
2- 41	GEAR UNIT, tachometer or hour meter	124250-91400	1					
	CONNECTOR, tachometer	124756-01550	1					
2- 42	PACKING, gear unit	124250-91411	1	1				
	PACKING, gear unit	124250-91412	1	1	10	N		
2- 43	BOLT M6 x 12	26116-060122	2			Z		
	BOLT M6 x 16	26116-060162	3	10				
	BOLT M6 x 16	26116-060162	2	2	10	K&N	[4]	
	BOLT M6 x 14	26106-060142	2	2	10	N		
2- 44	BOLT M6 x 30	26116-060306	1		10			
	BOLT M6 x 32	26116-060326	1		10	N		
	BOLT M6 x 30	26106-060302	1		10	N		
	PACKING 6	23414-060000	3	3	10			
	WASHER 6	22117-060000	3	3	10			
2- 45	BOLT M6 x 16	26116-060166	1	10		W	[4]	
	BOLT M6 x 14	26106-060142	1	10		N		
2- 46	SEAL WASHER 8	43400-500410	2	2	10	W		
2- 47	STUD	124060-01580	4	4	10	W		
2- 48	SPRING WASHER 8	22217-080000	4	4	10	W		
2- 49	NUT M8	26716-080002	4	4	10	W		
	NUT M8	26366-080002	4	10		N		
2- 50	BOLT M8 x 25	26106-080252	2	2	10	W		

3. CYLINDER HEAD (2T73A·YM135/YM135D)



*MARK PARTS: NOT SOLD SEPARATELY.

3. CYLINDER HEAD (2TR13A·YM155/YM155D)



*MARK PARTS: NOT SOLD SEPARATELY.

3. CYLINDER HEAD

Refer. No.	Description	Part No.	Q'ty/Unit			Inter-change-ability	Design-change Mark	Remarks
			2TR13A	2T73A	Sales Unit			
	HEAD ASS'Y, cylinder	724660-11700		1				Inc. 3-1 22, 9-6, 3-55
	HEAD ASS'T, cylinder	724060-11701		1				Inc. 3-1 22, 9-6, 3-55
3- 1	HEAD, cylinder	*		1				Not Sold Separately. (124660-11010)
	HEAD, cylinder	*		1				Not Sold Separately. (124060-11010)
3- 2	VALVE, suction	104200-11100	2	2	10			
3- 3	VALVE, exhaust	104200-11110	2	2	10			
3- 4	PLUG PTL/2	124060-11510	1	1	10			
	PLUG PTL/2	23873-040000	1	1	1	N		
3- 5	STUD,	104200-11350	2	2	10			
	valve rocket arm support							
	STUD	106100-11350	2	2	10	N		
3- 6	NUT M10	26736-100002	2	2	10			
	NUT M10	26602-100002	2	2	10	N		
3- 7	VALVE GUIDE, suction	124060-11160	2	2	10			
3- 8	VALVE GUIDE, exhaust	124060-11170	2	2	10			
	VALVE GUIDE, exhaust	128272-11170	2	2	10	S	2TR13A-E/# 30559	
3- 9	SPRING,	124060-11120	4	4	10			
	suction & exhaust valve							
3- 10	RETAINER, valve spring	104200-11180	4	4	10			
3- 11	COTTER, valve	101158-11190	4	4	10			
	COTTER, valve	27310-070000	4	4	10	N		
3- 12	SEAL, valve stem	124160-11340	4	4	10			
3- 13	PLUG	124450-11320	(1)	1	10		For 2TR13A Up to May, 1978.	
3- 14	SCREW M8 x 10	26587-080102	1	1	10			
	BOLT M8 x 10	26106-080102	1	1	10	N		
3- 15	PACKING 8	23414-080000	1	1	10			
3- 16	STUD M8 x 70	26216-080002	4	4	10			
3- 17	NUT M8	26716-080002	4	4	10			
3- 18	STUD M8 x 16	26216-080162	2	2	10			

3. CYLINDER HEAD

Refer. No.	Description	Part No.	Q'ty/Unit			Inter-change-ability	Design-change Mark	Remarks
			2TR13A	2T73A	Sales Unit			
3- 19	PLUG PTL/4	23873-020000	2	2	10			
3- 20	STUD M8 x 22	26216-080802	4	4	10			
	STUD M8 x 80	26216-080222	4	4	10	Z	[5]	
	STUD M8 x 22	26212-080222	4	4	10	W	[5]	
3- 21	NUT M8	26716-080002	4	4	10			
	NUT M8	26366-080002	4	4	10	N		
	CAP NUT M8	26657-080002	4	4	10			
	NUT M8	26716-080002	4	4	10	N	[5]	
3- 22	SPRING WASHER 8	22212-080000	4	4	10			
	SPRING WASHER 8	22217-080000	8	8	10	N&K		
	SPRING WASHER 8	22217-080000	4	4	10	K		
3- 23	COVER, flywheel side	124450-11671	1					
	COVER, flywheel side	124450-11671	1			W	[3]	
3- 24	PACKING	124450-11681	1	1	10			
3- 25	BOLT M8 x 12	26116-080122	4	4	10	Z		
	BOLT M8 x 14	26116-080142	4	4	10	W		
	BOLT M8 x 12	26106-080122	4	4	10	N		
(9- 6)	FOINT, cooling water pipe	(124160-49480)	1	1	*			
	ARM ASS'Y, valve rocker	724060-11650	4	4				
3- 26	.ARM, rocker	*	4	4				Not Sold Separately. (124060-11200)
3- 27	.BUSH, rocker arm	*	4	4				Not Sold Separately. (124060-11220)
3- 28	.SCREW, valve clearance	101158-11230	4	4	10			
3- 29	.LOK NUT M8	26756-080002	4	4	10			
3- 30	CHAMBER (REAR), pre-combustion	124660-11410	2					
	CHAMBER (REAR), pre-combustion	104200-11410	2					

3. CYLINDER HEAD

Refer. No.	Description	Part No.	Qty/Unit		Inter-changeability	Design-change Mark	Remarks
			2TR13A	2T73A			
3- 31	CHAMBER (FRONT) w/PIN	104200-11420	2	2			
	CHAMBER (FRONT) w/PIN	106200-11400	2	2	N		
3- 32	.PIN, front pre-combustion chamber	103338-11430	2	2	10	Z	Up to Aug. 1979.
3- 33	PACKING	101204-11450	4	4	10		
	PACKING	101204-11452	4	4	10	N	
3- 34	INSULATOR	103854-11490	2	2	10		
3- 35	FLANGE, fuel injection valve	103854-11900	2	2			
3- 36	RETAINER, valve	104211-11370	2	2	10		
3- 37	SUPPORT, valve rocker arm	124060-11260	2	2			
3- 38	WASHER, valve rocker arm	124060-11290	4	4	10		
3- 39	BOLT M6 x 8	26116-060082	4	4	10		
	BONNET ASS'Y	724060-11520	1				
	BONNET ASS'Y	424060-11521	1	1		F	\$ Inc. 3-40 50
3- 40	BONNET	*	1				Not Sold Separately. (124060-11300)
	BONNET	*	1	1		S	Not Sold Separately. (124060-11301)
3- 41	SHAFT, decompression	104200-03600	2	2			
3- 42	SPRING, decompression	104200-03641	2	2	10		
3- 43	LEVER, decompression	124060-03750	2	2			
3- 44	CONNECTOR, decompression lever	124060-03760	1	1			
3- 45	O-RING 7-P	24311-000070	2	2	10		
3- 46	COTTER PIN 2 x 10	22411-200100	2	2	10		
	COTTER PIN 2 x 20	22417-200200	2	2	10	N	
3- 47	PARALLEL PIN 3 x 18	22312-030180	2	2	10		
3- 48	TAPER PIN 3 x 16	22322-03-160	2	2	10		

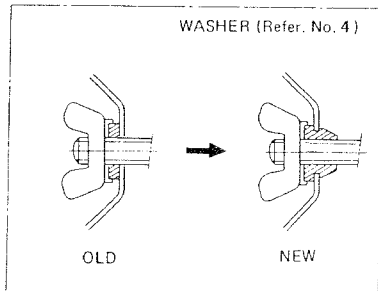
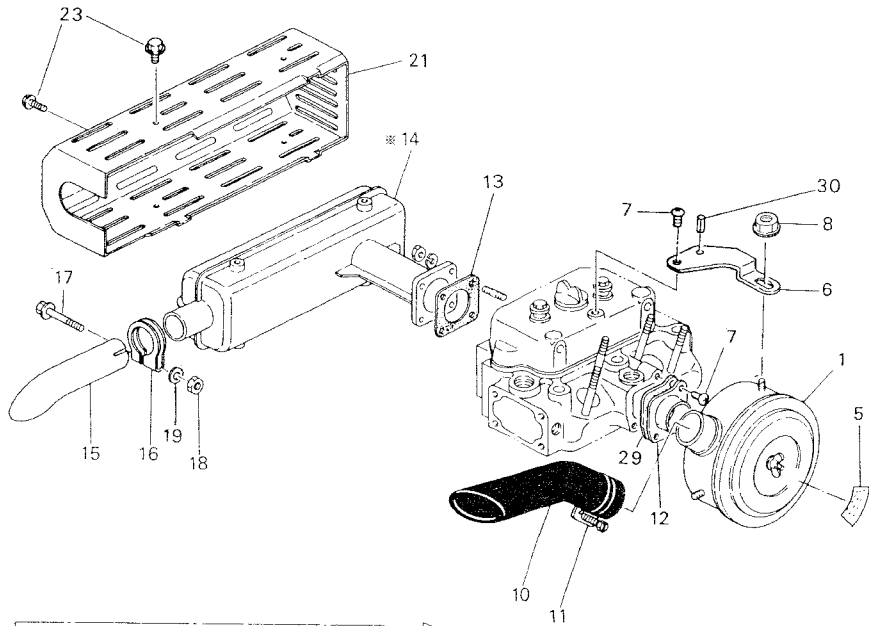
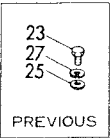
Remarks:
 &-marked parts: From May, 1975.
 Interchangeable provided CAP (Refer. No. 3-52 P/124160-11360) 2 pcs. and O-RING 12-P (Refer. No. 3-53 P/#24311-000120) 2 pcs. re replace together to with the original type.

3. CYLINDER HEAD

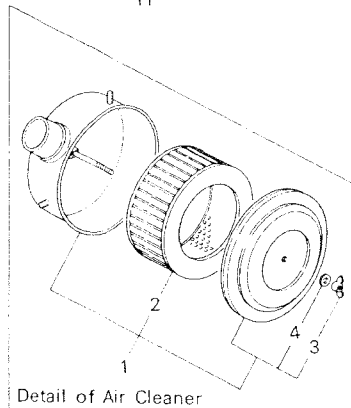
Refer. No.	Description	Part No.	Qty/Unit		Inter-changeability	Design-change Mark	Remarks
			2TR13A	2T73A			
3- 49	CAP, oil feed	124160-01750	1	1			
	CAP, oil feed	124160-01751	1	1		N	
3- 50	O-RING 35-G	24321-000350	1	1	10		
	O-RING 32-P	24311-000320	1	1	10	N	
3- 51	PACKING, bonnet (Sheet type)	124060-11310	1	1	10		
	PACKING, bonnet (O-Ring type)	124060-11311	1	1	10	S	[1]
3- 52	CAP, bonnet	124250-11811	2				
	CAP, bonnet	124160-11360	2	2		S	\$ From May, 1975
3- 53	PACKING 8	23414-080000	2				
	O-RING 12-P	24311-000120	2	2	10	S	\$ From May, 1975
3- 54	LABEL, draining engine coolant	124064-07150	1	1			
3- 55	SPRING PIN 6AW x 12	22351-060012	2	2	10		
	PIN, support	124060-11280	2	2	10	N	
3- 56	PLATE, shelter	124660-11670		1			
	PLATE, shelter	124660-11680		1		S	[3]
3- 57	SPRING WASHER 8	22217-080000		2		Z	
3- 58	NUT M8	26716-080002		2		Z	

Remarks:
 \$-marked parts: From May, 1975.
 Interchangeable provided CAP (Refer. No. 3-52 P/#124160-11360) 2 pcs., and O-ring 12-P (Refer. No. 3-53 P/#24311-000120) 2 pcs. and BONNET ASS'Y (P/#72060-11521) 1 set are replaced together with the original type.

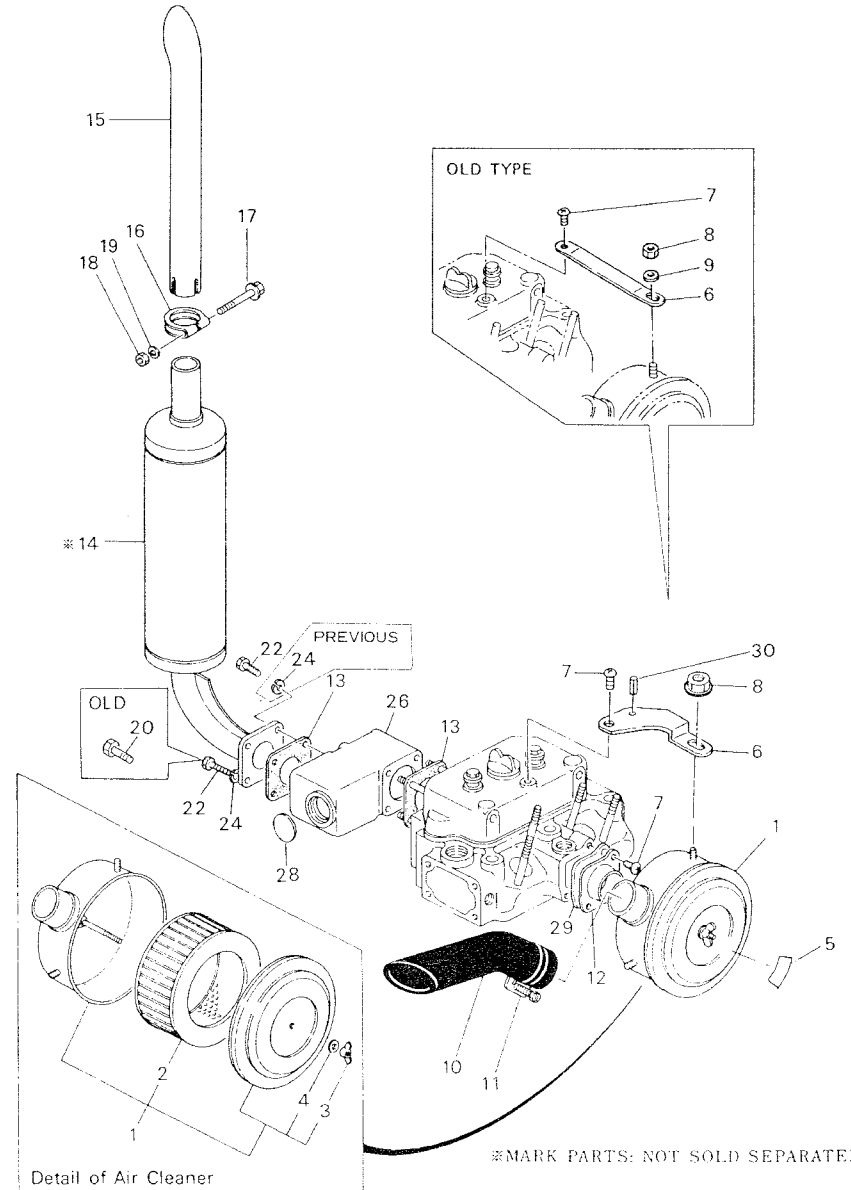
4. AIR CLEANER & SILENCER
 (2T73A·YM135/YM135D) & (2TR13A·YM155 NEW TYPE)
 From E/# 22344



*MARK PARTS: NOT SOLD SEPARATELY



4. AIR CLEANER & SILENCER
 (2TR13A·YM155/YM155D) & (2TR13A OLDTYPE)
 Up to E/# 22343



Detail of Air Cleaner

*MARK PARTS: NOT SOLD SEPARATELY

4. AIR CLEANER & SILENCER

Refer. No.	Description	Part No.	Qty/Unit		Inter-changeability	Design-change Mark	Remarks
			2TR13A	2T73A			
4- 1	AIR CLEANER	124060-12501	1	1			
	AIR CLEANER	124060-12502	1	1	N		2TR13A E/#02537 2T73A E/#00494
4- 2	ELEMENT, air cleaner	124060-12510	1	1			
4- 3	WING NUT	101147-12550	1	1			
4- 4	WASHER	124450-12570	1	1			Up to July, 1977
	WASHER	124450-12571	1	1	10	S	2TR13A G01966
4- 5	LABEL, cleaner caution	124064-12600	1	1			
4- 6	RETAINER, air cleaner	124060-12520	1	1			
	RETAINER, air cleaner	124060-12521	1	1	N		
4- 7	SCRE M8 x 12, plate	26557-080122	3	3	10		
	BOLT M8 x 12	26116-080122	3	3	10	N	
	BOLT M8 x 12	26106-080122	2	2	10	N	
4- 8	NUT M8, plate	26716-080002	1	1	10		
	NUT M8, plate	26366-080002	1	1	10	N	
4- 9	WASHER 8	22137-080000	1	1	10	Z	
4- 10	PIPE, air intake to cleaner	124060-12530	1	1			
4- 11	CLAMP 50	23010-050000	1	1	10		
4- 12	BRACKET, air cleaner	124060-12020	1	1			
4- 13	GASKET, silencer	124450-11900	2	1	10		
	GASKET, silencer	124450-11900	1	10	K	[5]	
	GASKET, silencer	124701-11910	1	1	10	N	
	2nd SILENCER ASS'Y, exhaust	724160-13700	1			Z	[5] Inc. 4-14 23
	2nd SILENCER ASS'Y, exhaust	724660-13700	1			W	[5] 2TR13A E/#22343 2TR13A E/#22344
	SILENCER ASS'Y, exhaust	721454-13700	1			N	
	SILENCER ASS'Y, exhaust	724660-13700		1			2TR73A E/#81025
	SILENCER ASS'Y, exhaust	724664-13700		1		N	
4- 14	BODY, silencer	*	1			Z	Not Sold Separately.
	BODY, silencer	*	1			W	Not Sold Separately.
	BODY, silencer	*	1				Not Sold Separately.

4. AIR CLEANER & SILENCER

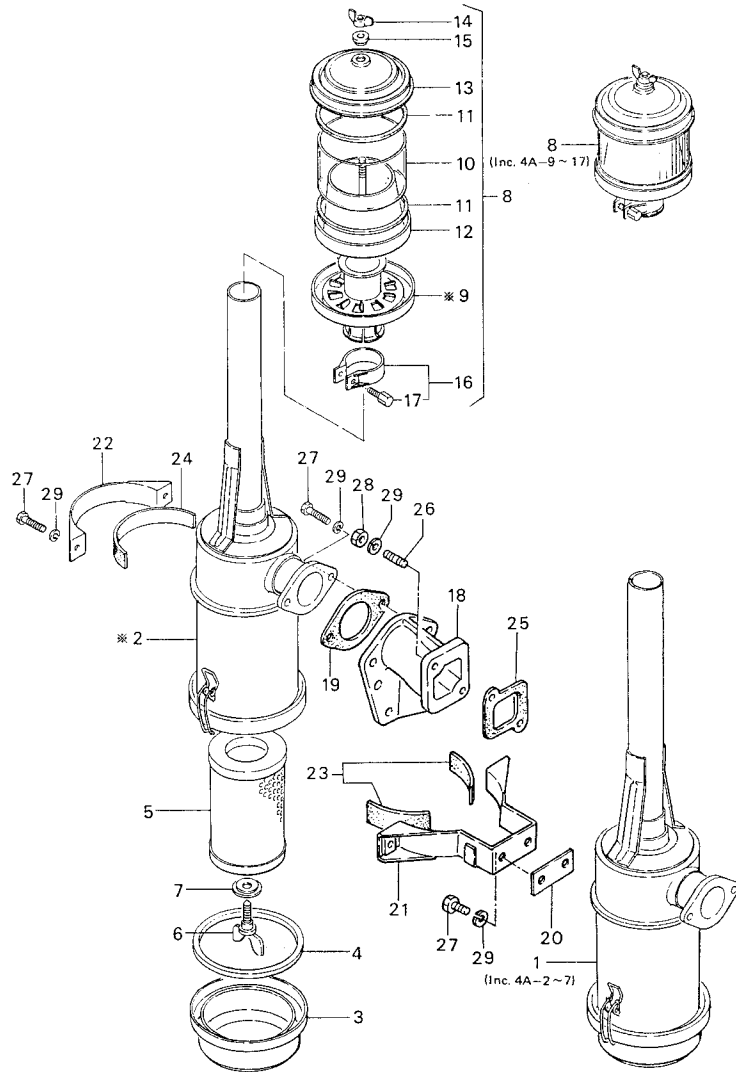
Refer. No.	Description	Part No.	Qty/Unit		Inter-changeability	Design-change Mark	Remarks
			2TR13A	2T73A			
4- 15	PIPE, 2nd silencer	124160-13570	1				
	PIPE, 2nd silencer	121250-13571	1			N	
	PIPE, 2nd silencer	121250-13571	1			Z	[5] E/#22344
	PIPE, silencer	121454-13651	1			W	
	PIPE, silencer	124600-13520		1			[5] E/#81025
	PIPE, silencer	121250-13571	1	1		W	[5] E/#22344
4- 16	CLAMP	121250-13580	1			Z	[5]
	CLAMP	124660-13530		1			Up to Oct. 1977
	CLAMP	103854-13580		1		N,Z	Up to E/#81024
	CLAMP	124664-13580	1			W	[5]
	CLAMP	121470-13580	1			N	
4- 17	BOLT M10 x 65	26116-100652	1	10		Z	[5]
	BOLT M10 x 50	26116-100502	1	10		W	[5]
	BOLT M10 x 50	26116-100502	1	10		W	[5]
	BOLT M8 x 60	26116-080602	1	1	10	W	[5]
	BOLT M8 x 65	26106-100652	1	10		N	
	BOLT M8 x 60	26106-080602		1	10	N	
4- 18	NUT M10	26716-100002	1	1	10	Z	
	NUT M8	26716-080002	1	1	10	W	[5]
	NUT M10	26706-100002	1	10		N	
	NUT M8	26366-080002		1	10	N	
4- 19	SPRING WASHER 10	22217-100000	1	1	10	Z	
	SPRING WASHER 8	22217-080000	1	1	10	W	
	SPRING WASHER 10	22217-100000	1	10		N	
4- 20	BOLT M8 x 25, plated	26116-080252	1	10		Z	[4]
4- 21	COVER, silencer	124660-13540		1			
	COVER, silencer	124660-13540	1			W,Z	[5]
	COVER, silencer	124664-13540		1		N	

4. AIR CLEANER & SILENCER

Refer. No.	Description	Part No.	Qty/Unit		Inter-change-ability	Design-change Mark	Remarks
			2TR13A	2T73A			
4- 22	BOLT M8 x 22, plated	26117-080222	3	10			
	BOLT M8 x 22, plated	26116-080222	4	10	N&K	[4]	
	BOLT M8 x 22, plated	26116-080222	4		Z	[5]	
4- 23	BOLT M6 x 10, plated	26116-060102	6	10			
	BOLT M6 x 10, plated	26116-060102	5	10	W	[5]	
	BOLT M6 x 10, plated	26106-060102	6	10	N		
4- 24	SPRING WASHER 8	22217-080000	4	10	Z	[5]	
4- 25	WASHER 6	22137-060000	6	10			
	WASHER 6	22137-060000	6	10	W,Z		
4- 26	1st SILENCER, exhaust	124060-13811	1		Z	[5]	
4- 27	SPRING WASHER 6	22217-060000	6	10			
	SPRING WASHER 6	22217-060000	6	10	W,Z	[5]	
4- 28	PLUG 35	27231-350000	2	10			
	PLUG 35	27233-350000	2	10	N		
	PLUG 35	27233-350000	2		Z	[5]	
4- 29	PACKING, bracket	124060-12030	1	1 10	W		2TR13A E/#01031 2T73A E/#00282
4- 30	SPRING PIN 4AW x 12	22351-040012	1	1 10	W		
4- 31	BOLT M8 x 14	26106-080142	1	1 10	W		

4A. AIR CLEANER (With Pre-cleaner)

4A. AIR CLEANER (With Pre-cleaner)



*MARK PARTS: NOT SOLD SEPARATELY.

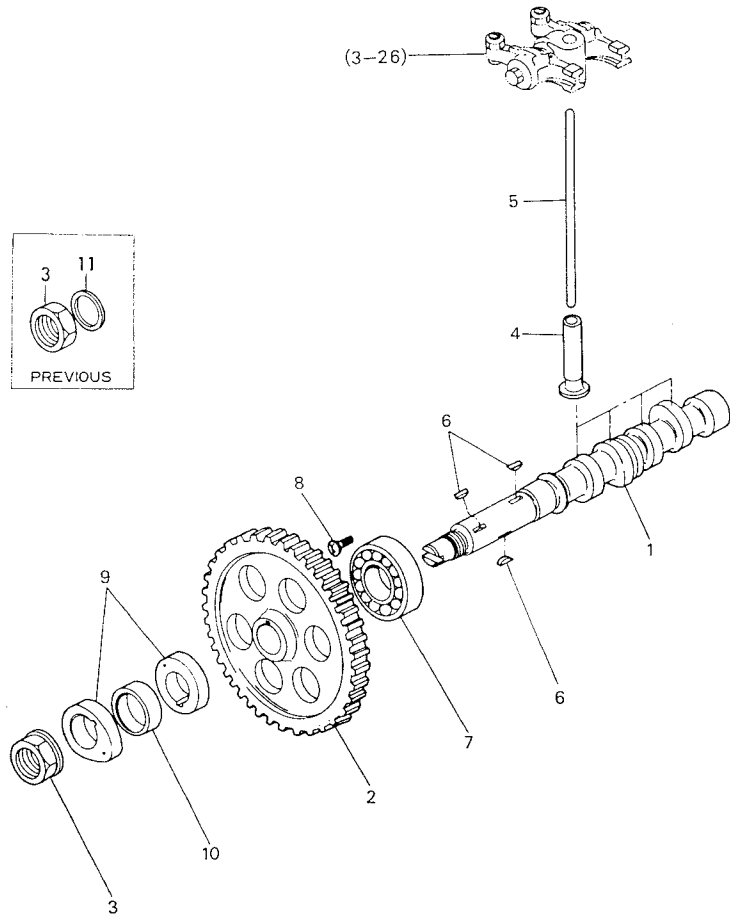
Refer. No.	Description	Part No.	Qty/Unit		Inter-change-ability	Design-change Mark	Remarks
			2TR13A	2T73A			
4A-1	CLEANER ASS'Y, air	124064-12500	1	1			
4A-2	.BODY, cyclon type cleaner	*	1	1	*		Not Sold Separately. (124064-12650)
4A-3	.PAN, dust	124064-12660	1	1			
4A-4	.BAFFLE	124064-12670	1	1			
4A-5	.ELEMENT	124064-12510	1	1			
4A-6	.BOLT, wing	124064-12680	1	1			
4A-7	.WASHER, seal	124064-12690	1	1	10		
4A-8	PRE-CLEANER ASS'Y 115h	124064-12400	1	1			
4A-9	.BODY, pre-cleaner 129d	*	1	1	*		Not Sold Separately. (124064-12410)
4A-10	.TUBE 124d	124064-12420	1	1			
4A-11	.GASKET, tube	124064-12430	2	2	10		
4A-12	.CASE w/GASKET	124064-12470	1	1			Inc. 4A-11
4A-13	.COVER (UPPER) w/GASKET	124064-12440	1	1			Inc. 4A-11
4A-14	.WING NUT	101147-12550	1	1	10		
4A-15	.WASHER, seal	124450-12571	1	1	10		
4A-16	.CLAMP, pre-cleaner	124064-12450	1	1			Inc. 4A-17
4A-17	.BOLT, clamp	124064-12460	1	1	10		
4A-18	BRACKET, air cleaner	124067-12100	1	1			
4A-19	PACKING, air cleaner	124067-12050	1	1	10		
4A-20	PACKING, cleaner bracket	124067-12060	1	1	10	Z	Up to May, 1978.
4A-21	BRACE(A), cleaner	124064012550	1	1			
4A-22	BRACE(B), cleaner	124064012560	1	1			

4A. AIR CLEANER (With Pre-cleaner)

MEMO

Refer. No.	Description	Part No.	Qty/Unit		Inter-change-ability	Design-change Mark	Remarks
			2TRISA	2T73A			
4A-23	SEAT(A), brace	124064-12570	2	2	10		
4A-24	SEAT(B), brace	124064-12580	1	1	10		
4A-25	PACKING, bracket	124064 -12030	1	1	10		Misprint
4A-26	STUD M8 x 22	124060- 26216-080222	2	2	10		
4A-27	BOLT M8 x 22	26116-080222	6	6	10		
4A-28	NUT M8	26714-080002	4	4			
4A-29	SPRING WASHER 8	22217-080000	8	8	10		

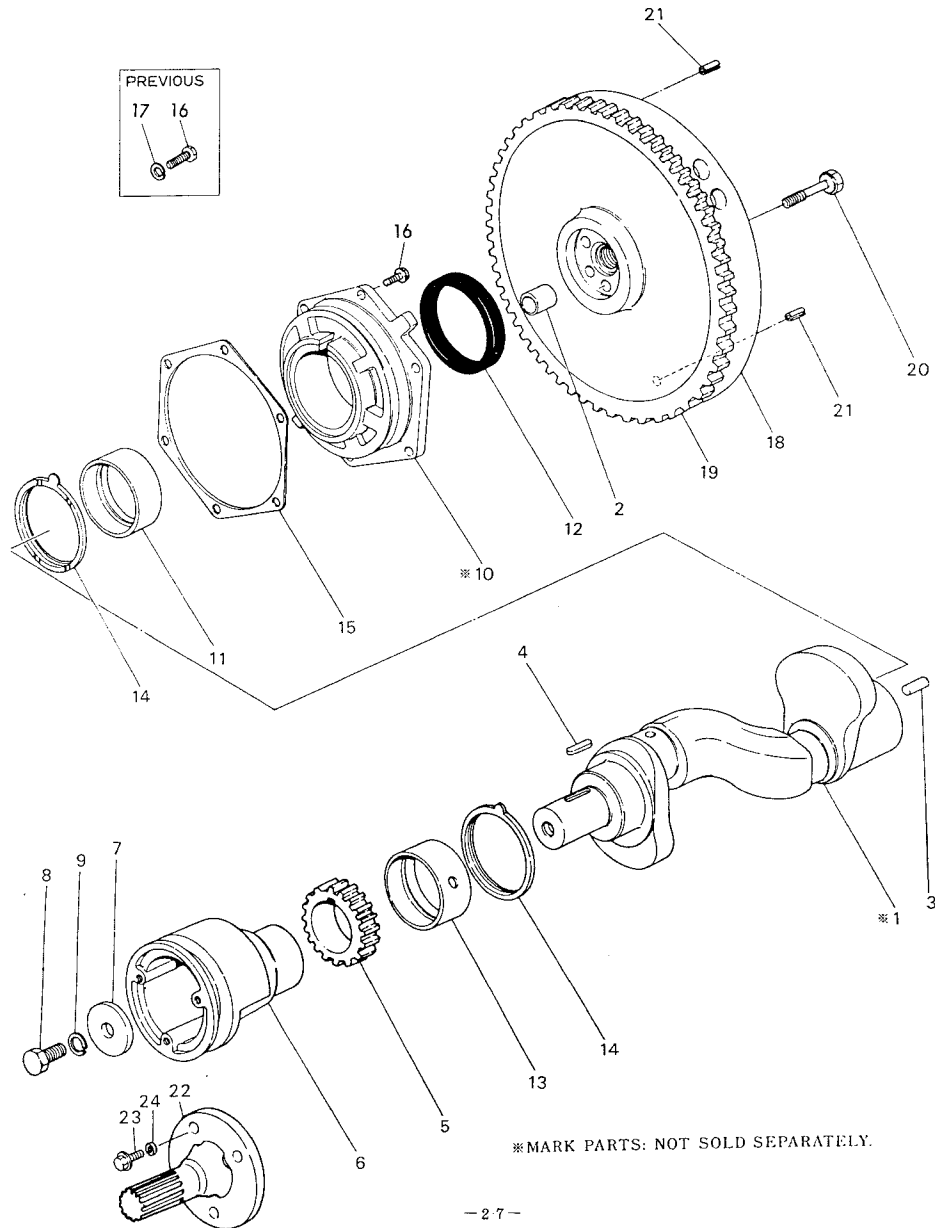
5. CAMSHAFT



5. CAMSHAFT

Refer. No.	Description	Part No.	Qty/Unit		Inter-change-ability	Design-change Mark	Remarks
			2TR13A	2T73A			
5- 1	CAMSHAFT	124060-14010	1	1			
5- 2	GEAR, camshaft	124060-14100	1	1			
5- 3	NUT, camshaft gear fitting	104300-76460	1	1			
	NUT	121450-14120	1	1	N		
5- 4	TAPPET	104200-14200	4	4			
5- 5	PUSH ROD, valve	124060-14400	4	4			
5- 6	KEY 5 x 19	22522-050190	3	3	10		
5- 7	BALL BEARING, camshaft	24101-062054	1	1			
5- 8	SCREW M8 x 10	26487-080102	1	1	10		
5- 9	CAM, fuel	124060-14090	2	2			
5- 10	SPACER, fuel cam	124060-14950	1	1			
5- 11	WASHER	124060-14470	1	1	Z		

6. MAIN BEARING & CRANKSHAFT



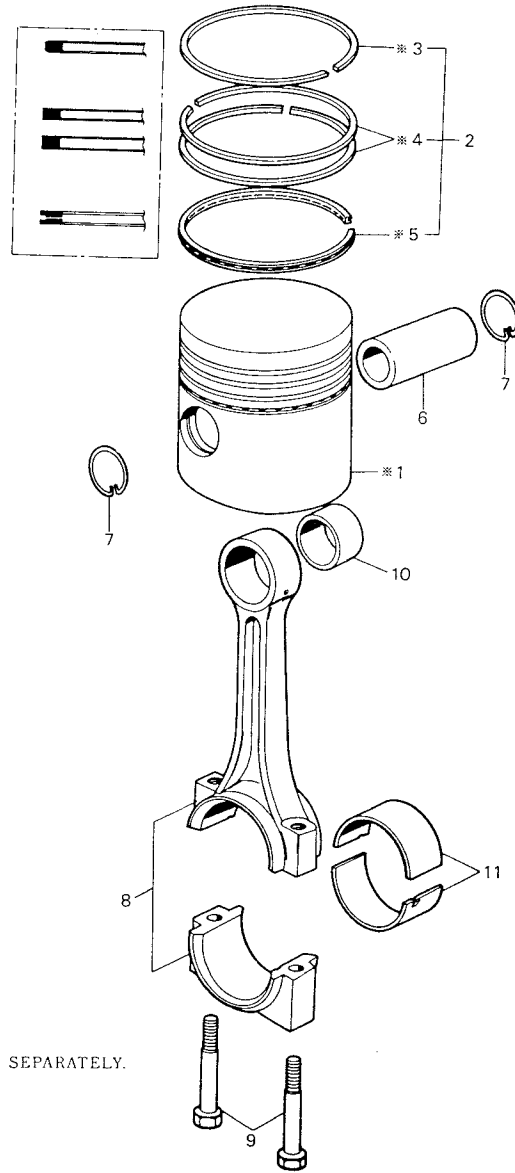
6. MAIN BEARING & CRANKSHAFT

Refer. No.	Description	Part No.	Qty/Unit		Inter-change-ability	Design-change Mark	Remarks
			2TRISA	2T7DA			
	CRANKSHAFT ASS'Y	724060-21700	1	1			
6- 1	.CRANKSHAFT	*	1	1			Not Sold Separately.
6- 2	.BUSH, pilot	124450-21230	1	1			
6- 3	.PARALLEL PIN 8 x 16	22312-080160	1	1	10		
6- 4	.KEY 7 x 30	22512-070330	1	1	10		
	.KEY 7 x 28	22512-070282	1	1	10	N	
6- 5	GEAR, crankshaft	124060-21200	1	1			
6- 6	V-PULLEY, P.T.O. to crankshaft	124060-21650	1	1			
6- 7	WASHER, V-pulley	114060-21660	1	1			
6- 8	BOLT M12 x 25	26156-120252	1	1	10		
	BOLT, V-pulley	105582-21950	1	1	10	N	
6- 9	SPRING WASHER 12	22217-120000	1	1	10		
	HOUSING ASS'Y, main bearing	724060-02500	1	1			
6- 10	.HOUSING	*	1	1			Not Sold Separately. (124060-02010)
6- 11	.MAIN BEARING	124060-02100	1	1			
	.MAIN BEARING	124060-02101	1	1		N	
	.MAIN BEARING	121550-02110	1	1		N	
6- 12	.OIL SEAL, crankshaft	124060-02220	1	1	10		
6- 13	MAIN BEARING, V-pulley side	124060-02100	1	1			
	MAIN BEARING, V-pulley side	124060-02101	1	1		N	
	MAIN BEARING, V-pulley side	121550-02110	1	1		N	
6- 14	THRUST BEARING	124060-02110	2	2	10		
6- 15	BACKING, main bearing housing	124060-02020	1	1	10		
6- 16	BOLT M8 x 22, plated	26116-080222	6	6	10		
	BOLT M8 x 22	26013-080222	6	6	10	N	
6- 17	SPRING WASHER 8	22217-08000	6	6	10	Z	

6. MAIN BEARING & CRANKSHAFT

Refer. No.	Description	Part No.	Q'ty/Unit		Sales Unit	Inter-changeability	Design-change Mark	Remarks
			2TR13A	2T73A				
6- 18	FLYWHEEL w/RING GEAR	124060-21590	1	1				
6- 19	.RING GEAR	124060-21600	1	1				
6- 20	BOLT, flywheel fitting	124160-21500	5	5	10			
	BOLT	124160-21501	5	5	10	N		
6- 21	SPRING PIN 8AW x 16	(22351-080016)	2	2	10			
6- 22	SHAFT, front P.T.O.	124060-21680	1	1				
6- 23	BOLT M10 x 25	26116-100252	3	3	10			
	BOLT M10 x 25	26106-100252	3	3	10	N		
6- 24	SPRING WASHER 10	22217-100000	3	3	10			
6- 25	"Exclusive Spare Parts" (Undersize Bearing) MAIN BEARING (0.25 US)	124064-02130	2	2				

7. PISTON & CONNECTING ROD

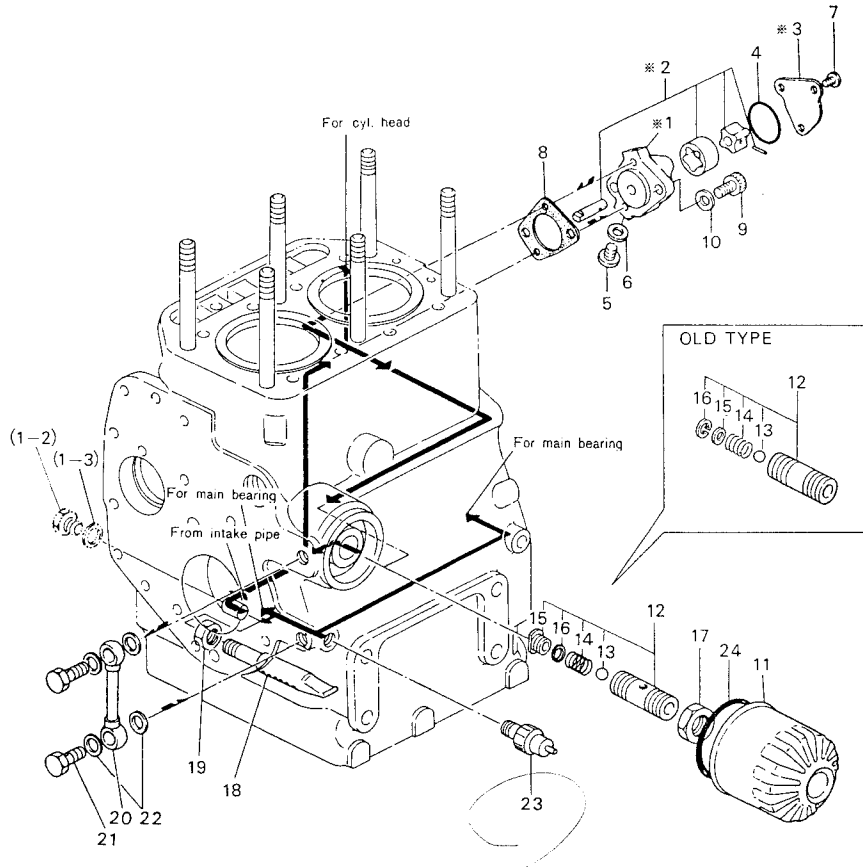


*MARK PARTS: NOT SOLD SEPARATELY.

7. PISTON & CONNECTING ROD

Refer. No.	Description	Part No.	Q'ty/Unit			Inter-changeability	Design-change Mark	Remarks
			2173A	2173A	Sales Unit			
7- 1	PISTON w/RINGS	124060-22090	2					
	PISTON w/RINGS	724060-22721	2			N		
	PISTON w/RINGS	724060-22722	2			N		
	PISTON w/RINGS	724660-22722	2					
7- 2	.PISTON	*	2					Not Sold Separately.
	.PISTON	*	2					Not Sold Separately.
	.PISTON RING SET	704200-22500	2	5				
	.PISTON RING SET	724066-22510- 22501	2	5		N		Misprint
7- 3	.PISTON RING SET	724066-22500 724660-	2	5				Misprint
	PISTON RING, No. 1	*	2					Not Sold Separately.
	PISTON RING, No. 1	*	2					Not Sold Separately.
7- 4	PISTON RING, No. 2 & 3	*	4					Not Sold Separately.
	PISTON RING, No. 2 & 3	*	4					Not Sold Separately.
7- 5	OIL RING	*	2					Not Sold Separately.
	OIL RING	*	2					Not Sold Separately.
7- 6	PIN, piston	104200-22300	2					
	PIN, piston	104660-22300 124060-	2					Misprint
7- 7	CIRCLIP, piston pin	172100-22400	4	4	10			
7- 8	CONNECTING ROD ASS'Y	724660-23100	2	2				
	CONNECTING ROD ASS'Y	724060-23100	2			N		
7- 9	.BOLT, connecting rod	124060-23201	4	4	2			
	.BOLT	104500-23201	4	2		N		
7- 10	.BUSH, piston pin	124060-23100	2	2				
7- 11	.CRANK PIN BEARING	124060-23300	2	2				
7- 12	"Exclusive Spare Parts" (Undersize Bearing)							
	CRANK PIN BEARING (0.25US)	124064-23350	2	2				
	CRANK PIN BEARING (0.25US)	724064-23610	2	2		N		

8. LUBRICATING OIL SYSTEM



*MARK PARTS: NOT SOLD SEPARATELY.

8. LUBRICATING OIL SYSTEM

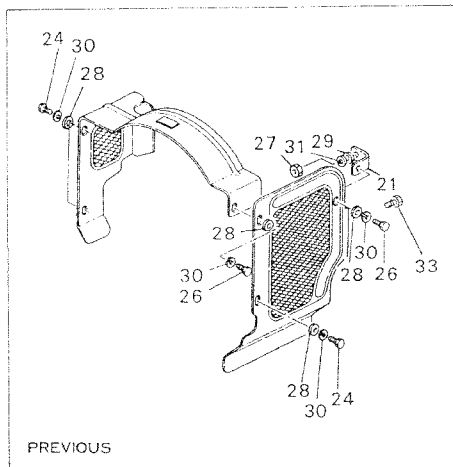
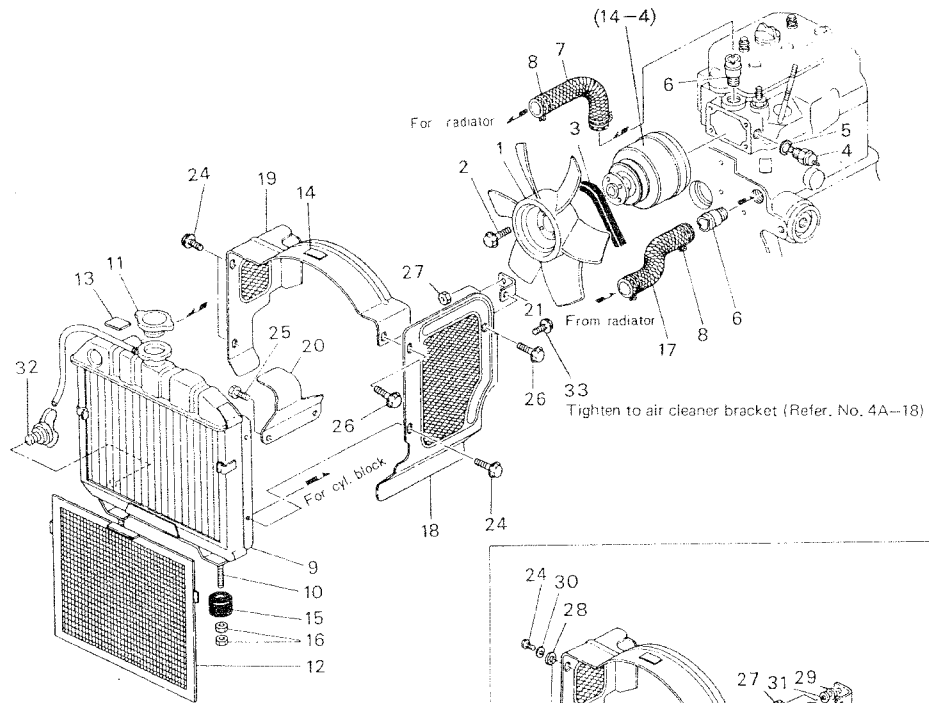
Refer. No.	Description	Part No.	Qty/Unit		Interchangeability	Design-change Mark	Remarks
			2TR13A	2TV3A			
	PUMP ASS'Y, lub. oil	724060-32701	1	1			
8- 1	.PUMP BODY, lub. oil	*	1	1			Not Sold Separately. (124060-32000)
8- 2	.ROTOR ASS'Y	*	1	1			Not Sold Separately. (124060-32011)
8- 3	.COVER, pump	*	1	1			Not Sold Separately. (124060-32070)
8- 4	.O-RING	103338-32570	1	1	10		
8- 5	.PLUG	124060-32990	2	2	10		
8- 6	.PACKING 8	23414-080000	2	2	10		
8- 7	.SCREW M6 x 10	26587-060102	3	3	10		
8- 8	PACKING, Lub. oil pump	124060-32091	1	1	10		
	PACKING, Lub. oil pump	124060-32092	1	1	10	N	
8- 9	BOLT M8 x 25	26450-080252	2	2	10		
8- 10	WASHER	124060-32130	2	2	10		
8- 11	STRAINER, lub. oil	124450-35100	1	1			Inc. 8-24
8- 12	VALVE ASS'Y, pressure regulating	124450-35301	1	1			Up to Oct. 1977
	VALVE ASS'Y, pressure control	121250-35300	1	1		N	2TR13A E/#02368
	VALVE ASS'Y, pressure control	124085-35300	1	1		N	
8- 13	STEEL BALL 5/16	24190-100001	1	1	10		
8- 14	SPRING, pressure adjusting	124450-35320	1	1	10		
	SPRING, pressure adjusting	121250-35320	1	1	10	S	
8- 15	SPRING SHOE, pressure adjusting	124450-35330	1	1	10		
	SPRING SHOE, pressure adjusting	121250-35330	1	1	10	S	
8- 16	CIRCLIP 10	22252-000100	1	1	10		Z
	SHIM	121250-35340	1	1	10		W
8- 17	LOCK NUT	124450-35350	1	1	10		
	LOCK NUT	124085-35350	1	1	10	N	

8. LUBRICATING OIL SYSTEM

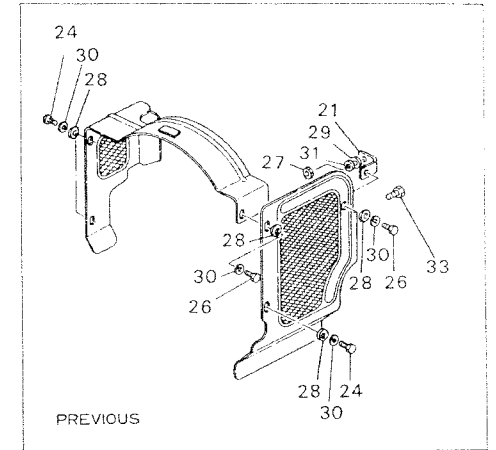
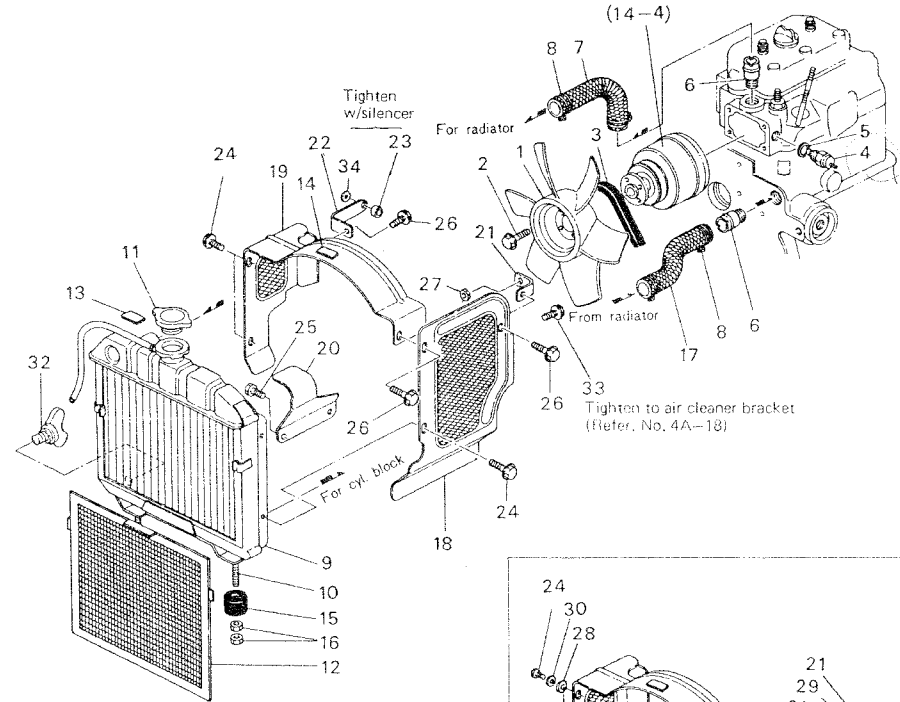
M E M O

Refer. No.	Description	Part No.	Qty/Unit		Sales Unit	Inter-change-ability	Design-change Mark	Remarks
			2TR13A	2173A				
8- 18	PIPE, lub. oil intake	124060-35060	1	1				
	PIPE, lub. oil intake	124732-35090	1	1		N		
8- 19	LOCK NUT PFL/4	124450-35070	1	1	10			
8- 20	PIPE, lub. oil	124060-39200	1	1				
8- 21	BOLT, pipe joint	124450-39140	2	2				
8- 22	PACKING 12, copper	23414-120000	4	4	10			
8- 23	SENDER, oil pressure	124060-39451	1	1				
8- 24	O-RING, lub. oil strainer	124450-35110	1	1	10			

9. COOLING WATER SYSTEM (2T73A·YM135·YM135D)



9. COOLING WATER SYSTEM (2TR13A·YM155·YM155D)



9. COOLING WATER SYSTEM

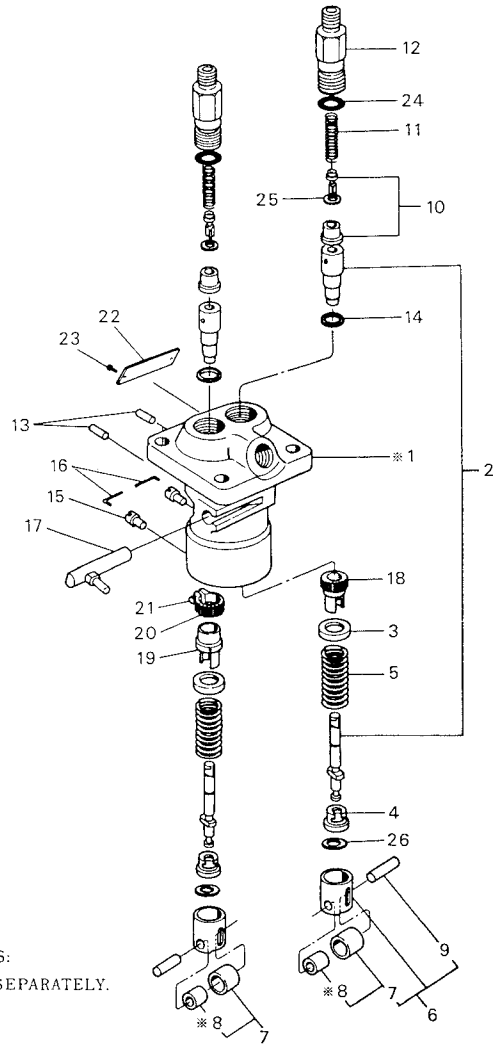
Refer. No.	Description	Part No.	Qty/Unit		Inter-change-ability	Design-change Mark	Remarks
			2TR13A	2T73A			
9- 1	FAN	124750-44740	1	1			
	FAN	124450-44740	1	1	S	[4]	
9- 2	BOLT M6 x 10, plated	26116-060102	4	4	10		
	BOLT M6 x 10	26106-060102	4	4	10	N	
9- 3	V-BELT (A-28 inch)	124060-44290	1	1			
	V-BELT (A-28 inch)	124064-44290	1	1		N	
9- 4	SENDER, temperature	124450-44901	1	1			
	SENDER, temperature	124450-44902	1	1		N	
9- 5	PACKING 16, copper	23414-160000	1	1	10		
	PACKING 16, copper	124465-44950	1	1	10	N	
9- 6	JOINT, cooling water	124160-49480	2	2			
9- 7	PIPE(A), cooling water (head radiator)	124060-49010	1	1			
9- 8	CLAMP 38	23010-03800	4	4	10		
9- 9	RADIATOR	124060-44500	1	1			
	RADIATOR	124064-44500	1	1		S	[4]
9- 10	STUD	124060-44800	2	2	10		
9- 11	CAP, radiator	124756-44590	1	1			
9- 12	SCREEN, radiator	124160-44580	1	1			
		124064-44580	1	1		S	[4]
9- 13	LABEL, anti-freezing caution	124764-44920	1	1			
9- 14	LABEL, radiator caution	124064-44910	1	1			
9- 15	SHOCK ABSORBER, radiator	124060-44650	2	2			
9- 16	LOCK NUT M8, plated	26756-080002	4	4	10		
9- 17	PIPE(B), cooling water (radiator block)	124060-49020	1	1			
9- 18	COVER(A), air cleaner side	124060-44660	1	1			
	COVER(A), air cleaner side	124064-44660	1	1		S	[4]

9. COOLING WATER SYSTEM

Refer. No.	Description	Part No.	Qty/Unit		Inter-change-ability	Design-change Mark	Remarks
			2TR13A	2T73A			
9- 19	COVER(B), exhaust silencer side	124060-44670	1	1			
9- 19	COVER(B), exhaust silencer side	124064-44670	1	1		S	[4]
9- 20	COVER(C), exhaust silencer side	124060-44680	1	1		Z	[4]
9- 21	BRACKET(A), cover (A)	124060-44690	1	1			
	BRACKET(A), cover (A)	124064-44690	1	1		Z	2TR13A: E/#G03370 2T73A: E/#G00777
9- 22	BRACKET(B), cover (B)	124060-44700	1	1		Z	[4]
9- 23	SPACER, between cover (B) & bracket (B)	124060-44710	1	1		Z	[4]
9- 24	BOLT M6 x 10	26116-060102	3	3	10		
	BOLT M6 x 10	26014-060102	3	3	10	N	
9- 25	BOLT M8 x 14	26116-080142	2	2	10	Z	[4]
9- 26	BOLT M6 x 12	26116-060122	3	2	10		
	BOLT M6 x 12	26116-060122	2	2	10	K	[4]
	BOLT M6 x 12	26014-060122	1	1	10	N	
9- 27	LOCK NUT M8	26756-080002	1	1	10		
	LOCK NUT M8	26756-080002	1	1	10	Z	2TR13A: E/#G03370 2T73A: E/#G00777
9- 28	WASHER 6	22137-060000	6	5	10		
	WASHER 6	22137-060000	5	5	10	K	[4]
9- 29	WASHER 8	22137-080000	1	1	10		
9- 30	SPRING WASHER 6	22212-060000	6	5	10		
	SPRING WASHER 6	22217-060000	5	5	10	N&K	[4]
	SPRING WASHER 6	22217-060000	5	5		Z	
9- 31	SPRING WASHER 8	22217-080000	1	1	10		
9- 32	COCK w/PACKING	124550-44690	1	1	10		
	COCK	124060-44510	1	1	10	N	
9- 33	BOLT M8 x 12	26116-080122	1	1	10	W	2TR13A: E/#G03370 2T73A: E/#G00777
	BOLT M8 x 12	26014-080122	1	1	10	N	
9- 34	WASHER 8	22137-080000	1	1	10	Z	[4]

10. FUEL INJECTION PUMP

10. FUEL INJECTION PUMP



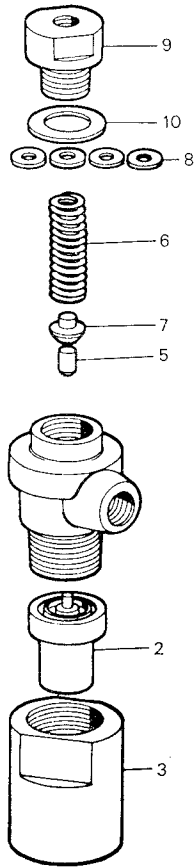
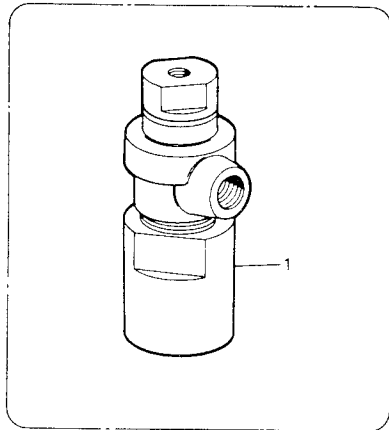
*MARK PARTS:
NOT SOLD SEPARATELY.

Refer. No.	Description	Part No.	Qty/Unit		Inter-changeability	Design-change Mark	Remarks
			21713A	2173A			
	PUMP ASS'Y, fuel injection	724060-51701	1				Inc. 10-1 26
	PUMP ASS'Y, fuel injection	724660-51701		1			Inc. 10-1 26
10- 1	BODY, fuel injection pump	*	1	1			Not Sold Separately.
10- 2	PLUNGER & BARREL	124060-51100		2			
	PLUNGER & BARREL	124230-51100		2			
10- 3	RETAINER, plunger spring	174307-51170	2	2 10			
10- 4	RETAINER, plunger spring	174307-51180	2	2 10			
	RETAINER, plunger spring	174307-51181	2	2 10	N		
10- 5	SPRING, plunger	174307-51190	2	2 10			
10- 6	GUIDE, plunger	124550-51200	2	2			Misprint
	GUIDE ASS'Y, plunger	724550-51520	2	2			Inc. 10-7 9
10- 7	ROLLER ASS'Y, plunger guide outer	711100-51540	2	2			Inc. 10-8
10- 8	ROLLER, plunger guide inner	*	2	2			Not Sold Separately.
10- 9	PIN, plunger guide roller	174100-54120	2	2 10			
10- 10	VALVE, delivery	124060-51320	2	2 10			
10- 11	SPRING, delivery valve	124550-51300	2	2 10			
10- 12	HOLDER, delivery valve	124550-51340	2	2 10			
10- 13	PIN, plunger barrel stopping	174307-51250	2	2 10			
10- 14	PACKING, plunger barrel	174307-51450	2	2 10			
10- 15	STOPPER, plunger guide	174307-51450	2	2			
10- 16	PIN, lock screw	174307-51460	2	2			
10- 17	RACK ASS'Y, fuel control	124060-51500	1	1			
	RACK ASS'Y, fuel control	724240-51530	1	1			
10- 18	PINION(A), fuel control toothed	174307-51410	1	1	N		

10. FUEL INJECTION PUMP

Refer. No.	Description	Part No.	Qty/Unit		Inter-change-ability	Design-change Mark	Remarks
			2TR13A	2TR3A			
10- 19	SLEEVE, fuel control pinion(B)	174307-51550	1	1			
10- 20	PINION(B), fuel control toothed	174307-51560	1	1			
10- 21	LOCK SCREW, fuel control toothed clamp	122117-51560	1	1			
10- 22	LABEL, fuel injection pump	124064-51920	1				
	LABEL, fuel injection pump	124664-51920		1			
10- 23	RIVET 2.3 x 3	22624-230030	2	2	10		
	RIVET	124220-51890	2	2	10	N	
10- 24	O-RING	124550-51370	2	2	10		
10- 25	PACKING, delivery valve seat	124550-51350	2	2			
10- 26	SHIM, plunger position adjusting	174307-51700	2	2			

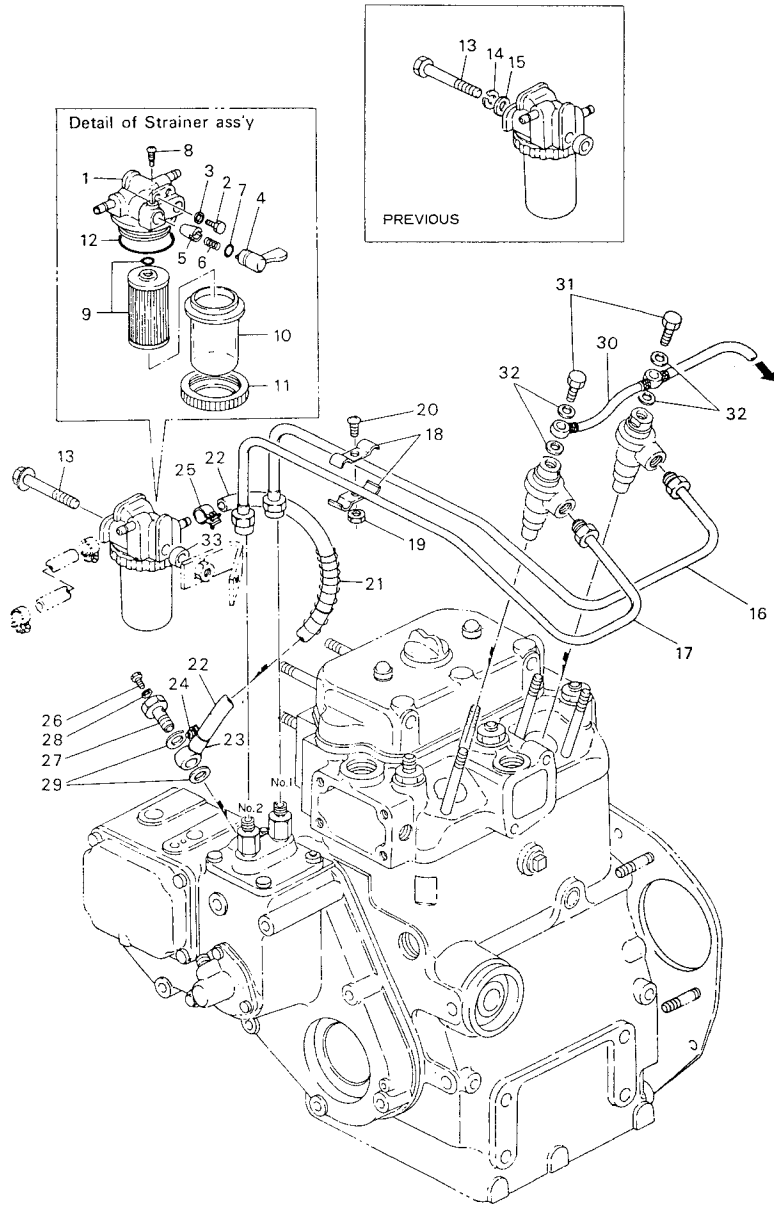
11. FUEL INJECTION VALVE



11. FUEL INJECTION VALVE

Refer. No.	Description	Part No.	Qty/Unit		Inter-change-ability	Design-change Mark	Remarks
			21713A	2173A			
11- 1	VALVE ASS'Y. fuel injection	724060-53101	2	2			Inc. 11-2 10
11- 2	VALVE w/CASE	124770-53000	2	2	10		
11- 3	NUT, valve fitting	104200-53080	2	2			
11- 5	SPINDLE, inter	113200-53110	2	2	10		
11- 6	SPRING, valve	103854-53120	2	2	10		
11- 7	SPRING SHOE, valve	113200-53120	2	2	10		
11- 8	SHIM, valve spring adjusting	110250-53150	2	2	10		
11- 9	RETAINER, valve spring	103854-53180	2	2			
11- 10	PACKING, valve spring retainer	172100-53200	2	2	10		

12. FUEL OIL SYSTEM



12. FUEL OIL SYSTEM

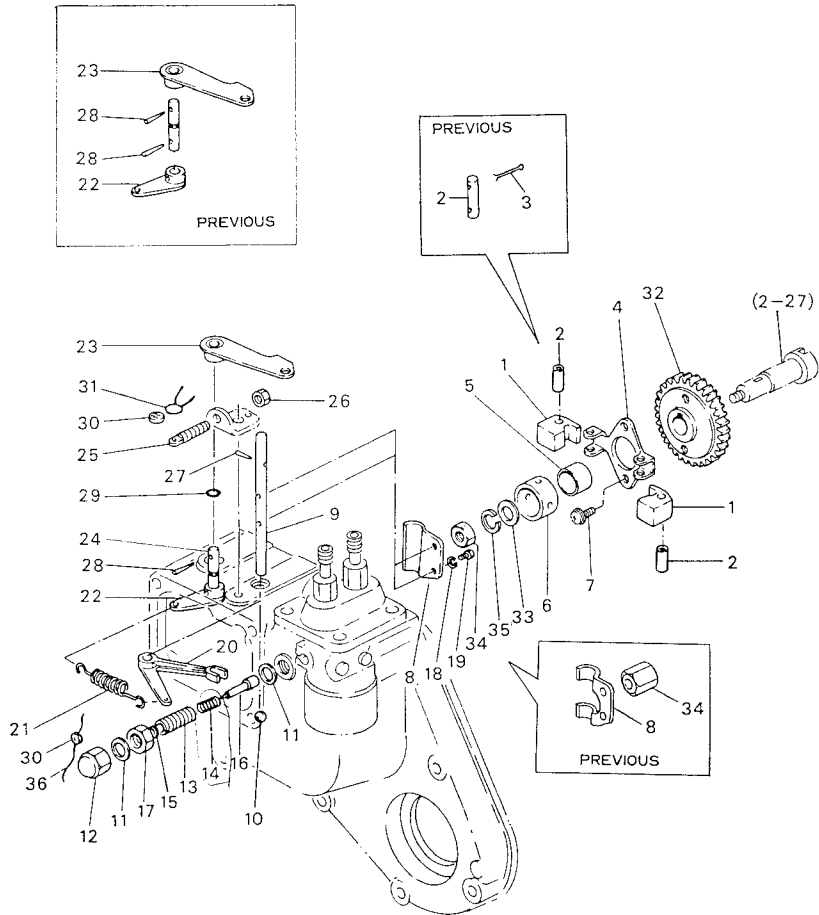
Refer. No.	Description	Part No.	Q'ty/Unit		Inter-changeability	Design-change Mark	Remarks
			2TR13A	2T73A			
	STRAINER ASS'Y, fuel	724160-55501	1	1			Inc. 12-1 12
	STRAINER ASS'Y, fuel	124060-55600 124064-	1	1	N		Inc. 12-1 12
12- 1	COCK ASS'Y, fuel	724260-55200	1	1			2TR13A: E/#G03030 Inc. 12-2 8
12- 2	PLUG, fuel strainer	101720-55750	2	2			
12- 3	PACKING 6, nylon	23418-06000	2	2			
12- 4	HANDLE, fuel cock	104299-55341 104200-	1	1			Misprint
12- 5	TAPER VALVE	104200-55321	1	1			
12- 6	VALVE SPRING	104200-55330	1	1			
12- 7	O-RING P10A	24311-240100	1	1	10		
12- 8	LOCK SCREW, cock handle	104200-55750	1	1	10		
12- 9	ELEMENT, fuel strainer	104500-55710	1	1			
12- 10	BOWL, fuel strainer	104500-55510	1	1			
	BOWL, fuel strainer	124064-55510	1	1	N		
12- 11	RETAINER, strainer element	110250-55610	1	1			
12- 12	O-RING, fuel strainer cover	102103-55520	1	1			
12- 13	BOLT M8 x 70, plated	26116-080702	1	1	10		
	BOLT M8 x 60	26106-080602	1	1	10	N	
12- 14	SPRING WASHER 8	22217-080000	1	1	10		
12- 15	WASHER 8, plain	22137-080000	1	1	10		
12- 16	PIPE, fuel injection, No. 1 cylinder	124060-59801	1	1			
12- 17	PIPE, fuel injection, No. 2 cylinder	124060-59811	1	1			
12- 18	CLAMP, fuel injection pipe	124060-59900	2	2			
12- 19	NUT M6	26716-060002	1	1	10		

12. FUEL OIL SYSTEM

M E M O

Refer. No.	Description	Part No.	Qty/Unit		Inter-change-ability	Design-change Mark	Remarks
			2TR13A	2TT3A			
			Sales Unit				
12- 20	SCREW M6 x 12, plated	26557-060122	1	1	10		
	PIPE ASS'Y	124060-59012	1	1	10	N	
12- 21	SPRING, fuel oil pipe	124060-59101	1	1			
12- 22	PIPE, fuel oil (strainer injection pump)	124160-59080	1	1			
12- 23	JOINT, swivel pipe	124250-59260	1	1			
	JOINT, swivel pipe	101304-59020	1	1		N	
12- 24	CLAMP, pump side	124460-59050	1	1	10		
	CLAMP, pump side	124766-59050	1	1	10	N	
12- 25	CLAMP, strainer side	124460-59060	1	1	10		
	CLAMP, strainer side	124766-59050	1	1	10	N	
	BOLT ASS'Y	103854-59191	1	1	10	N	
12- 26	PLUG, air venting	124060-59380	1	1	10		
12- 27	BOLT, pipe joint	124060-59391	1	1	10		
12- 28	SEAL WASHER 6, air venting plug	43400-500390	1	1	10		
12- 29	PACKING 12, copper	104200-59170	2	2	10		
12- 30	PIPE, fuel return	124160-59500	1	1			
12- 31	BOLT, swivel pipe joint	101147-59810	2	2			
12- 32	PACKING 8, copper	234140-80000	4	4	10		
	PACKING 8, copper	23414-080012	4	4	10	N	
12- 33	SPACER, strainer	124060-61130	1	1			

13. GOVERNOR SYSTEM



13. GOVERNOR SYSTEM

Refer. No.	Description	Part No.	Qty/Unit		Inter-changeability	Design-change Mark	Remarks
			2TR13A	2T73A			
	SUPPORT ASS'Y, governor weight	724060-61520	1	1			Inc. 13-1 4
13- 1	WEIGHT, governor	104200-61200	2	2			
13- 2	PIN, governor weight 6d-31L	f04200-61220	2	2			
	PIN, (Caulking type) 6d-26.5L	172200-61220	2	2	S		2TR13A: E/#22010 2T73A: E/#80953 2TR13A: E/#22010
13- 3	COTTER PIN 2 x 20	22417-200200	4	4	10	Z	
13- 4	SUPPORT, governor weight	124060-61110	1	1			
13- 5	GUIDE, sleeve	124060-61100	1	1			
13- 6	SLLEEVE, governor	124060-61100	1	1			Misprint
	SLLEEVE, governor	124060-61600	1	1			
13- 7	BOLT M6 x 10	26116-060109	2	2	10		
	BOLT M6 x 10	26106-060102	2	2	10	N	
13- 8	1st LEVER	124060-61500-66150	1	1			Misprint
	1st LEVER	124060-61501	1	1	F		\$
13- 9	SHAFT, 1st lever	124060-61610	1	1			
13- 10	STEEL BALL 9/32	24190-090001	1	1	10		
13- 11	SEAL WASHER 10	43400-500430	2	2	10		
13- 12	CAP NUT M10, plated	26667-100002	1	1	10		
	CONTROLLER ASS'Y,	124060-66550	1	1			Inc. 13-13 16
	CAP NUT M10	124060-66950	1	1		N	
	fuel injection						
	CONTROLLER ASS'Y,	124060-66551	1	1		S	2TR13A: E/#22766 2T73A: E/#81123
	fuel injection						
13- 13	SPRING BODY, fuel injection control	124060-66560	1	1			
13- 14	SPRING, fuel injection control	124060-66580	1	1			
13- 15	WASHER, fuel injection control	124060-66590	1	1	10		
13- 16	PIN, fuel injection control	124060-66570	1	1			
	PIN, fuel injection control	124060-66571	1	1		S	2TR13A: E/#22766 2T73A: E/#81123

Remarks:

\$: Interchangeable provided New Type 1st Lever (124060-61501) and Nut M8 (26716-080002) 1 pc. are replaced together.

13. GOVERNOR SYSTEM

MEMO

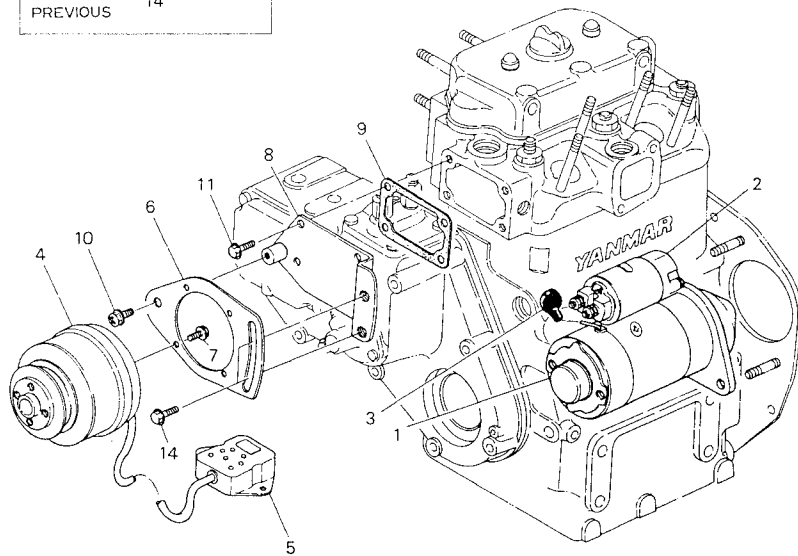
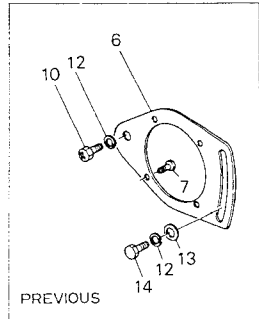
Refer. No.	Description	Part No.	Q'sy/Unit		Inter-change-ability	Design-change Mark	Remarks
			2F713A	2F73A			
			Sales Unit				
13- 17	NUT M10	26716-100002	1	1			
	LOCK NUT	124064-66890	1	1	N	[4]	
13- 18	SPRING WASHER 4	22217-040000	2	2	10		
13- 19	BOLT M4 x 10	26116-040102	2	2	10		
13- 20	2nd LEVER, governor	124060-66150 724060-61650	1	1			Misprint
13- 21	SPRING, regulator	124060-66010	1	1			
	HANDLE ASS'Y, regulator	724060-66531	1	1	S		
13- 22	LEVER, regulator	124060-66090	1	1			
	LEVER, regulator	124060-66070	1	1	S		
13- 23	HANDLE, regulator	124060-66060	1	1			
13- 24	SHAFT, regulator handle	124060-66040	1	1	Z		
13- 25	BOLT, regulator	103854-66420	1	1			Misprint
	handle adjusting						
	BOLT, regulator	103854-66420	1	1			
	handle adjusting						
13- 26	LOCK NUT, adjusting bolt	124240-66371	1	1			
13- 27	TAPER PIN 3 x 18	22322-030180	1	1	10		
13- 28	TAPER PIN 3 x 16	22322-030160	2	2	10		
	TAPER PIN 3 x 16	22322-030160	1	1	10	K	
13- 29	O-RING 5-P	24311-000050	2	2	10		
13- 30	LEAD, sealing	135210-61090	2	2		K	[4]
13- 31	WIRE 0.6	22451-060000	1	1	10		
13- 32	GEAR, governor	124060-61120	1	1			
13- 33	WASHER, gear	124060-61130	1	1			
13- 34	NUT, governor gear	124060-61550	1	1			
	NUT M8	26716-080002	1	1	F		\$
13- 35	SPRING WASHER 8	22217-080000	1	1	10		
13- 36	WIRE 1.0	22451-100000	1	1	1-	W	[4]
	WIRE 0.6	22451-060000	1	1		S	

Remarks:

\$: Interchangeable provided New Type 1st Lever (124060-61501) and Nut M8 (26716-080002) 1 pc. are replaced together.

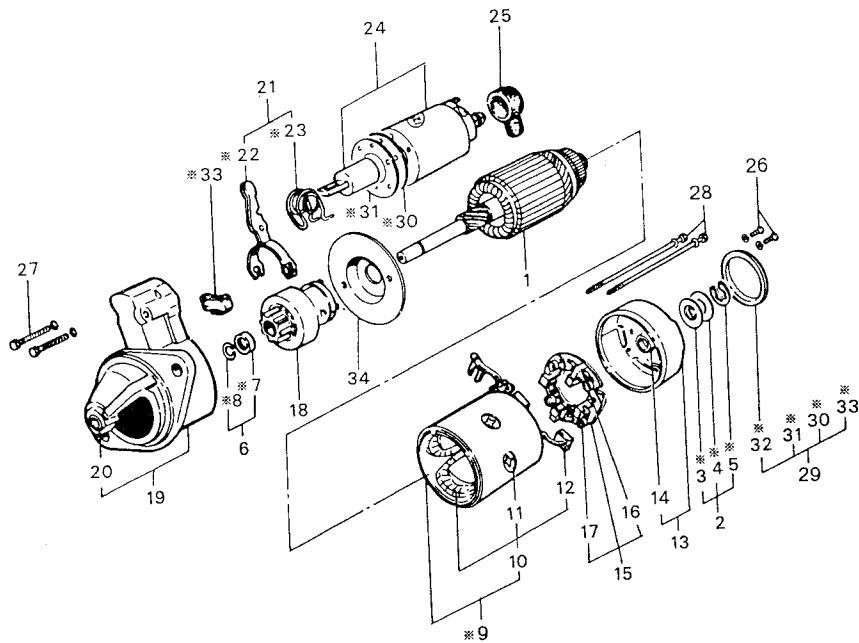
14. ELECTRIC STARTING SYSTEM

14. ELECTRIC STARTING SYSTEM



Refer. No.	Description	Part No.	Qty/Unit		Inter-change-ability	Design-change Mark	Remarks
			2TR13A	2TR3A			
14- 1	MOTOR (1.0kW), starting	124060-77010	1	1			
	MOTOR (1.2kW), starting	124060-77011	1	1	N		\$ 2TR13A: E/#12618
14- 2	SWITCH, magnet	124060-77300	1	1			
14- 3	COVER, terminal to starter	124160-77020	1	1			
14- 4	GENERATOR (8A), charging	124064-77200	1	1			
	GENERATOR (8.5A), charging	124660-77990	1	1	N		2TR13A: E/#15101 (From Nov. 1976)
14- 5	LIMITER, current	124064-77710	1	1			
	LIMITER (14.5V), current	124660-77710	1	1	N		2TR13A: E/#15101 (From Nov. 1976)
14- 6	FITTINGS, charging generator	124060-77110	1	1			
14- 7	BOLT M6 x 12	26117-060122	4	4			
	BOLT M6 x 12	26116-060122	4	4	10	N	
	BOLT M6 x 16	26106-060162	4	4	10	N	
14- 8	BRACKET, generator	124060-77151	1	1			
14- 9	PACKING, bracket	124060-77170	1	1	10		
	PACKING, bracket	124060-77171	1	1	10	N	
14- 10	BOLT M8 x 16, plated	26116-080169	1	1	10		
	BOLT M8 x 12	26106-080122	1	1	10	N	
14- 11	BOLT M8 x 14, plated	26117-080142	4	4			
	BOLT M8 x 14, plated	26116-080142	4	4	10	N	
	BOLT M8 x 16	26116-080162	4	4	10	N	
	BOLT M8 x 16	26106-080162	4	4	10	N	
14- 12	SPRING WASHER 8	22217-080000	7	7	10		
14- 13	WASHER 8, plain	22137-080000	2	2	10		
14- 14	BOLT M8 x 25	26117-080252	2	2			
	BOLT M8 x 25	26116-080252	2	2	10	N	
	BOLT M8 x 20	26106-080202	2	2	10	N	

15. STARTING MOTOR (Maker: HITACHI)



*MARK PARTS: NOT SOLD SEPARATELY.

15. STARTING MOTOR (Maker: HITACHI)

Refer. No.	Description	Part No.	Q'ty/Unit		Inter-changeability	Design-change Mark	Remarks
			2TR13A	2T73A			
	STARTING MOTOR (S144-203)	124060-77010	1	1			
	STARTING MOTOR (S114-219)	124060-77011	1	1	N		\$
15- 1	ARMATURE ASS'Y	X211421002 (947704-49221)	1	1			
	ARMATURE ASS'Y	X211491001 (947704-49229)	1	1	S		\$
15- 2	WASHER KIT, thrust	X21148110 (947704-47026)	1	1	10		Inc. 15-3 5
15- 3	WASHER (B)	*	3	3	*		Not Sold Separately.
15- 4	WASHER (C)	*	1	1	*		Not Sold Separately.
15- 5	E-RING	*	1	1	*		Not Sold Separately.
15- 6	STOPPER SET, pinion	X22147155 (947704-47027)	1	1	5		Inc. 15-7, 8
15- 7	STOPPER, pinion	*	1	1	*		Not Sold Separately.
15- 8	CIRCLIP, pinion	*	1	1	*		Not Sold Separately.
15- 9	YOKE ASS'Y	*	1	1	*		
15- 10	COIL ASS'Y, field	X211462001 (947704-47042)	1	1			Inc. 15-11, 12
	COIL ASS'Y, field	X211432001 (947844-70600)	1	1	S		\$ Inc. 15-11, 12
15- 11	SCREW, pole core	X21148215 (947704-47043)	4	4	10		
	SCREW, pole core	X21147215 (947844-70290)	4	4	10	S	\$

Remarks:

\$-marked parts: STARTING MOTOR was changed in Type from S114-203 to S114-219, effective from Sept. 1976 for 2TR13A and from Oct 1976 for 2T73A.

Interchangeable between: Old Type and New Type by STARTING MOTOR ASS'Y. However, some component parts of Old Type (S114-203) and new Type (S114-219) are not interchangeable. Consequently, when ordering individual parts, confirm of Type of STARTING MOTOR with LABEL provided to the article in question.

Beside, parts supply for STARTING MOTOR ASS'Y shall be operated with New Type (S114-219) in the future to replace the motor of Old Type engine with New Type Motor; thus pay much attention to this regard in your parts ordering.

15. STARTING MOTOR (Maker: HITACHI)

Refer. No.	Description	Part No.	Qty/Unit		Inter-changeability	Design-change Mark	Remarks
			2TR13A	2T73A			
15- 12	BRUSH (+)	X21145312 (947704-47003)	2	2	10		
15- 13	COVER ASS'Y, rear	X211443001 (947704-47044)	1	1		[4]	Inc. 15-14
	COVER ASS'Y, rear	X211453002	1	1	S	[4]	\$ Inc. 15-14
15- 14	BUSH, rear cover	X21145352 (947704-47031)	1	1	10		
15- 15	HOLDER ASS'Y, brush	X21141360 (947704-47032)	1	1			Inc. 15-16, 17
15- 16	BRUSH (-)	X21145313 (947704-47004)	2	2	10		
15- 17	SPRING, brush	X21144314 (947704-41296)	4	4	10		
15- 18	PINION ASS'Y	X211455003 (947704-49307)	1	1			
15- 19	CASE ASS'Y, gear	X211456005 (947704-49307)	1	1			Inc. 15-20
	CASE ASS'Y, gear	X211416007	1	1	S	[4]	\$ Inc. 15-20
15- 20	BUSH	X21144661 (947704-47035)	1	1	10		
15- 21	LEVER SET, shift	X211426011 (947704047045)	1	1			Inc. 15-22, 23
	LEVER SET, shift	X21148652 (947844-70370)	1	1	S	[4]	\$ Inc. 15-22, 23
15- 22	LEVER, shift	*	1	1	*		Not Sold Separately.
15- 23	SPRING torsion	*	1	1	*		Not Sold Separately.

Remarks:

\$-marked parts: STARTING MOTOR was changed in Type from S114-203 to S114-219, effective from Sept. 1976 for 2TR13A and from Oct 1976 for 2T73A.

Interchangeable between: Old Type and New Type by STARTING MOTOR ASS'Y. However, some component parts of Old Type (S114-203) and new Type (S114-219) are not interchangeable. Consequently, when ordering individual parts, confirm of Type of STARTING MOTOR with LABEL provided to the article in question.

Beside, parts supply for STARTING MOTOR ASS'Y shall be operated with New Type (S114-219) in the future to replace the motor of Old Type engine with New Type Motor; thus pay much attention to this regard in your parts ordering.

15. STARTING MOTOR (Maker: HITACHI)

Refer. No.	Description	Part No.	Qty/Unit		Inter-changeability	Design-change Mark	Remarks
			2TR13A	2T73A			
15- 24	SWITCH ASS'Y, magnetic	X211437002 (947704-49902)	1	1			
15- 25	COVER	X21142742 (947704-47024)	1	1	10		
15- 26	SCREW M4 x 12	26557-040122	2	2	10		
15- 27	BOLT M6 x 32	26116-060322	2	2	10		
15- 28	BOLT	X21148854 (947704-47050)	2	2			
	BOLT	X21147854- X21146815 (947844-12240)	2	2	S		\$ Misprint
15- 29	COVER KIT, dust	X21143963 (947704-47036)	1	1	10		Inc. 15-30 33
15- 30	COVER (A), dust	*	1	1	*		Not Sold Separately.
15- 31	COVER (B), dust	*	1	1	*		Not Sold Separately.
15- 32	COVER (C), dust	*	1	1	*		Not Sold Separately.
15- 33	COVER (D), dust	*	1	1	*		Not Sold Separately.
15- 34	PLATE, center	X21143454 (947844-70730)	1	1		W	\$

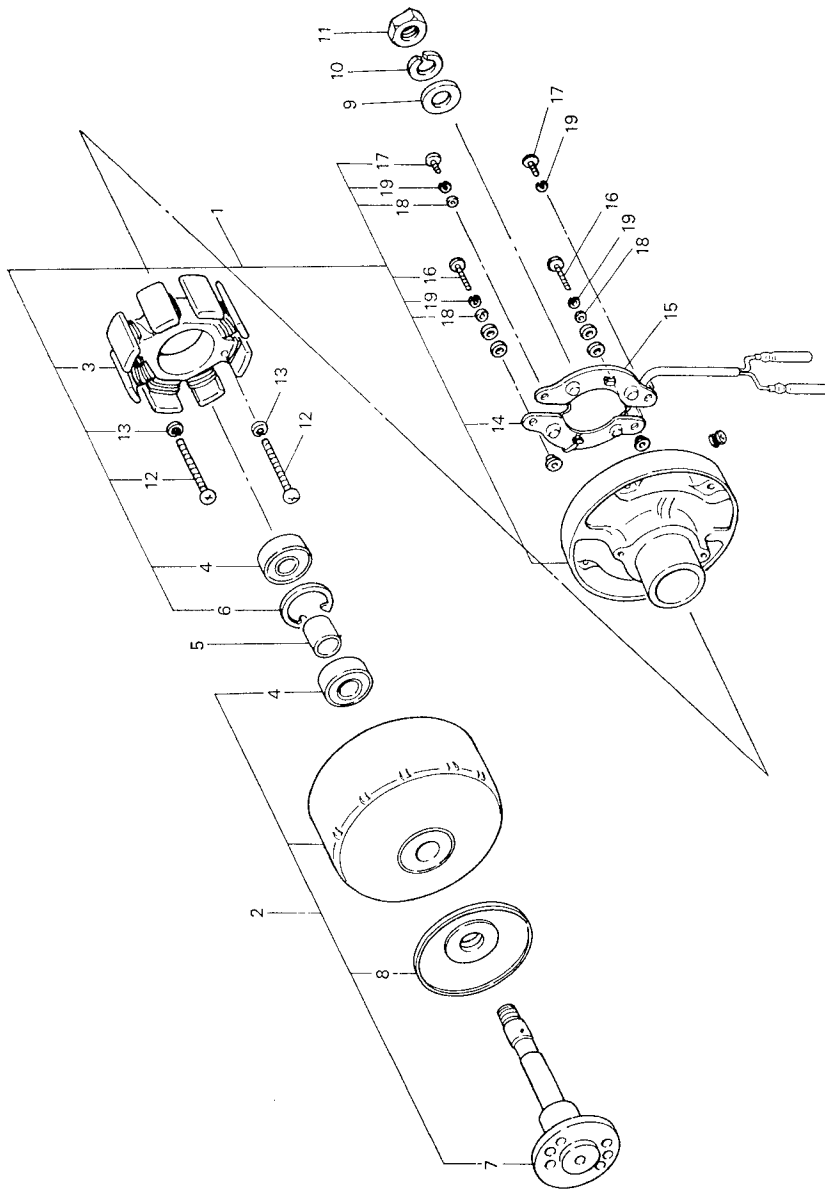
Remarks:

\$-marked parts: STARTING MOTOR was changed in Type from S114-203 to S114-219, effective from Sept. 1976 for 2TR13A and from Oct 1976 for 2T73A.

Interchangeable between: Old Type and New Type by STARTING MOTOR ASS'Y. However, some component parts of Old Type (S114-203) and new Type (S114-219) are not interchangeable. Consequently, when ordering individual parts, confirm of Type of STARTING MOTOR with LABEL provided to the article in question.

Beside, parts supply for STARTING MOTOR ASS'Y shall be operated with New Type (S114-219) in the future to replace the motor of Old Type engine with New Type Motor; thus pay much attention to this regard in your parts ordering.

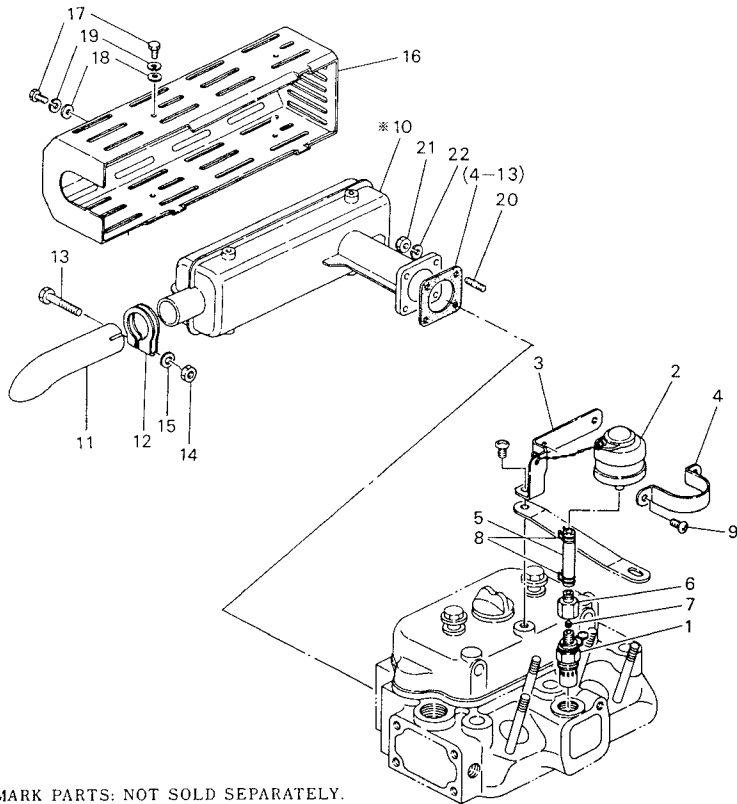
16. GENERATOR (Maker: KOKUSAN)



16. GENERATOR (Maker: KOKUSAN)

Refer. No.	Description	Part No.	Qty/Unit		Sales Unit	Inter-changeability	Design-change Mark	Remarks
			2TR13A	2T73A				
16- 1	GENERATOR	124064-77200	1	1				Inc. 16-1 19
	GENERATOR	124660-77900	1	1		N		Inc. 16-1 19
	PLATE ASS'Y	942701-41407	1	1				Inc. 16-3, 4, 5, 12 19, 16- 2
	MAGNET WHEEL ASS'Y	942741-42299	1	1				Inc. 16-4, 7, 8.
	MAGNET WHEEL ASS'Y	94270M-42875-42788	1	1		N		Misprint
	CORE ASS'Y	942131-41410	1	1				
16- 4	BEARING #6201Z	942141-86124	2	2				
16- 5	SPACER	942151-32093	1	1				
16- 6	CIRCLIP	942151-86024	1	1	10			Up to E/# 2TR13A: 02444 2T73A: 00478
16- 7	SHAFT	(42141042303	1	1				
16- 8	V-PULLEY	942141-42306	1	1				
16- 9	WASHER	(42151-86025	1	1	10			
16- 10	SPRING WASHER	(42151-21923	1	1	10			
16- 11	NUT	942151-86372	1	1	10			
16- 12	SCREW M4 x 20	26557-040202	2	2	10			
16- 13	SPRING WASHER 4	22217-040000	2	2	10			
16- 14	CONTROL UNIT (A), (+)	942141-41416	1	1				
16- 15	CONTROL UNIT (B), (-)	942141-41417	1	1				
16- 16	SCREW M4 x 15	26557-040152	2	2	10			
16- 17	SCREW M4 x 8	26557-040082	2	2	10			
16- 18	WASHER 4	22137-040000	3	3	10			
16- 19	SPRING WASHER 4	22217-040000	4	4	10			

17. THERMOSTARTING EQUIPMENT & SILENCER (OPTIONAL)



*MARK PARTS: NOT SOLD SEPARATELY.

Refer to page 189.

17. THERMOSTARTING EQUIPMENT & SILENCER (OPTIONAL)

Refer. No.	Description	Part No.	Qty/Unit		Interchangeability	Design-change Mark	Remarks
			2173A	2173A			
17- 1	PLUG, thermostart	124450-77910	1	1			
	PLUG, thermostart	121023-77910	1	1	F		\$
17- 2	TANK ASS'Y, header	124060-77802 124460-	1	1			Misprint
17- 3	SET PIECE (A), header tank	124060-77811	1	1			
17- 4	SET PIECE (B), header tank	124460-77820	1	1			
17- 5	PIPE, fuel oil	124060-77700	1	1			
	PIPE, fuel oil	124160-77701	1	1	S		\$
17- 6	JOINT, fuel oil pipe	124460-77660	1	1			
17- 7	CONNECTOR	124450-77980	1	1	Z		\$
17- 8	CLAMP, fuel oil pipe	124060-77680	2	2			
17- 9	SCREW M6 x 8	26557-060082	2	2	10		
	SILENCER ASS'Y, exhaust	724660-13700	1				
17- 10	BODY, silencer	*	1				Not Sold Separately.
17- 11	PIPE, silencer	124660-13520	1				
	PIPE, silencer	124664-13520	1		S		E
17- 12	CLAMP	124660-13530	1				
	CLAMP	124664-13580	1		S		E
17- 13	BOLT M10 x 50	26116-100502	1	10			
	BOLT M8 x 60	26116-080602	1	10	S		E
17- 14	NUT M10	26716-100002	1	10			
	NUT M8	26716-080002	1	10	S		E
17- 15	SPRING WASHER 10	22217-100000	1	10			
	SPRING WASHER 8	22217-080000	1	10	S		E

Remarks:

\$-marked parts: Changed in June 1979. Interchangeable provided New Type PIPE (P/#124160-77701) is replaced together to the original type.

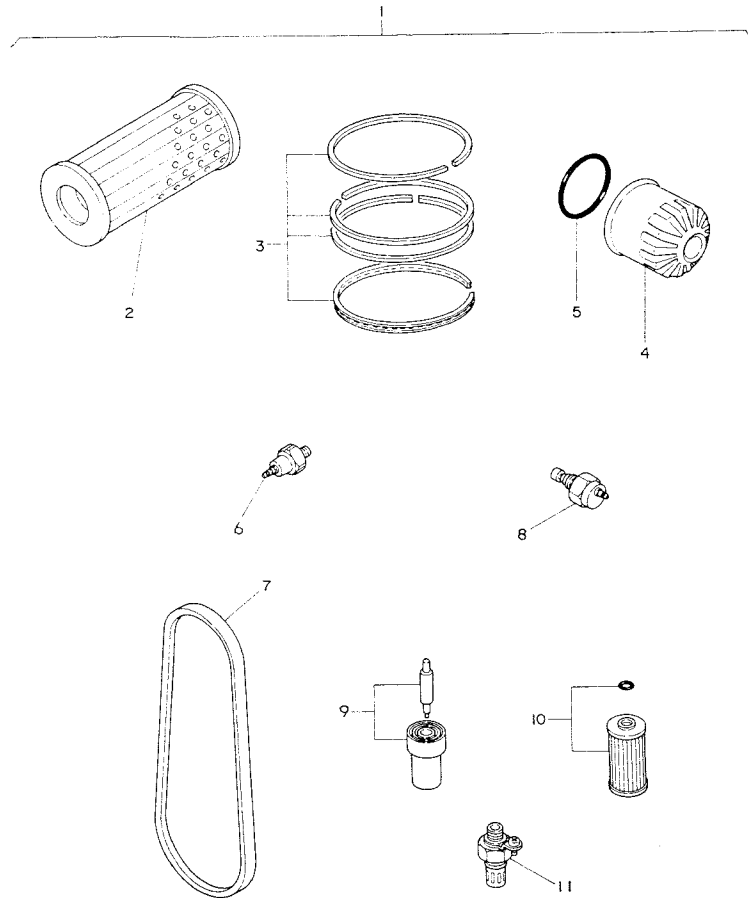
E-marked parts: Changed in Oct., 1977. Interchangeable provided E-marked parts (4 items) are replaced together to with the original type. Change effective engine serial number: From E/#22344.

17. THERMOSTARTING EQUIPMENT & SILENCER (OPTIONAL)

M E M O

Refer. No.	Description	Part No.	Qty/Unit		Inter-change-ability	Design-change Mark	Remarks
			2TR13A	2TT3A			
17- 16	COVER, silencer	124660-13540	1				
17- 17	BOLT M6 x 10	26116-060102	6	10			
17- 18	WASHER 6	22137-060000	6	10			
17- 19	SPRING WASHER 6	22217-060000	6	10			
17- 20	STUD M8 x 20	26216-080202	4	10			
17- 21	NUT M8	26716-080002	4	10			
17- 22	SPRING WASHER 8	22217-080000	4	10			

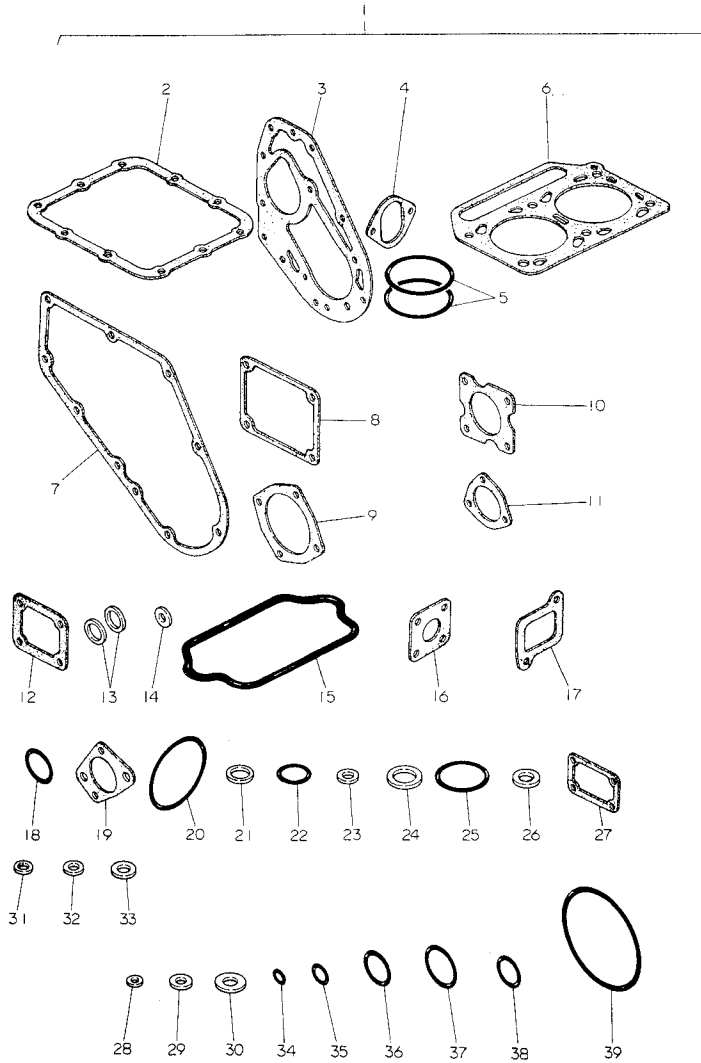
103. REPAIR KIT [FOR ENGINE]



103. REPAIR KIT [FOR ENGINE]

Refer. No.	Description	Part No.	Qty/Unit		Inter-change-ability	Design-change Mark	Remarks
			27R13A	27T3A			
103- 1	REPAIR KIT (A), engine	724060-92501	1				
	REPAIR KIT (A), engine	724664-92730		1			
103- 2	.ELEMENT, air cleaner	124064-12510	1	1			
103- 3	.RING SET, piston	724066-22501	2				
		724660-22500		2			
103- 4	.STRAINER, lub. oil	124450-35100	1	1			
103- 5	.O-RING, lub. oil strainer	124450-35110	1	1			
103- 6	.SENDER, oil pressure	124060-39451	1	1			
103- 7	.V-BELT (A-28 inch)	124064-42290	1	1			
103- 8	.SENDER, temperature	124450-44902	1	1			
103- 9	.VALVE w/CASE	124770-53000	2	2			
103-10	.ELEMENT, fuel strainer	104500-55710	1	1			
103-11	.PLUG, thermostart	121023-77910	1	1			

104. GASKET KIT [FOR ENGINE]



104. GASKET KIT [FOR ENGINE]

Refer. No.	Description	Part No.	Q'ty/Unit		Inter-changeability	Design-change Mark	Remarks
			2TR13A	2T73A			
104- 1	GASKET KIT (A), engine	724060-92600	1				
	GASKET KIT (A), engine	724660-92600		1			
104- 2	.PACKING, cyl. lower cover	124060-01741	1	1			
	.PACKING, cyl. lower cover	124060-01742	1	1	N		
104- 3	.PACKING, flange	124060-01560	1	1			
104- 4	.PACKING, bracket	124060-34841	1	1			
	.PACKING, bracket	124060-34842	1	1	N		
104- 5	.PACKING, cyl. liner	124060-01300	4	4			
104- 6	.GASKET, cyl. head	124060-01330	1				
	.GASKET, cyl. head	124660-01330		1			
104- 7	.PACKING, gear case	124060-01511	1	1			
	.PACKING, gear case	124060-01512	1	1	N		
104- 8	.PACKING, cover	124060-01531	1	1			
	.PACKING, cover	124060-01532	1	1	N		
104- 9	.PACKING, bracket	124060-26062	1	1			
	.PACKING, bracket	124060-26063	1	1	N		
104-10	.PACKING, oil pump	124060-01882	1	1			
	.PACKING, oil pump	124060-01883	1	1	N		
104-11	.PACKING, gear unit	124250-91411	1	1			
	.PACKING, gear unit	124250-91412	1	1	N		
104-12	.PACKING, side cover	124250-11681	1	1			
104-13	.PACKING, chamber	101204-11450	4	4			
	.PACKING, chamber	101204-11452	4	4	N		
104-14	.INSULATOR	103854-11490	2	2			
104-15	.PACKING, bonnet	124060-11311	1	1			

104. GASKET KIT [FOR ENGINE]

Refer. No.	Description	Part No.	Qty/Unit		Inter-change-ability	Design-change Mark	Remarks
			2TR13A	2TT3A			
			Sales Unit				
104-16	.GASKET, silencer	124450-11900	2	1			
	.GASKET, silencer	124450-11900	1	1	K		
	.GASKET, silencer	124701-11910	1	1	N		
104-17	.PACKING, cleaner bracket	124060-12030	1	1			
104-18	.O-RING, lub. oil pump	103338-32570	1	1			
104-19	.PACKING, lub. oil pump	124060-32091	1	1			
	.PACKING, lub. oil pump	124060-32092	1	1	N		
104-20	.O-RING, strainer	124450-35110	1	1			
104-21	.PACKING, plunger barrel	174307-51270	2	2			
104-22	.O-RING, holder	124550-51370	2	2			
104-23	.PACKING, delivery valve	124550-51350	2	2			
104-24	.PACKING, retainer	172100-53200	2	2			
104-25	.O-RING, fuel strainer	102103-55520	1	1			
104-26	.PACKING, pipe	104200-59170	2	2			
104-27	.PACKING, bracket	124060-77170	1	1			
		124060-77171	1	1	N		
104-28	.SEAL WASHER 6	43400-500390	1	1			
104-29	.SEAL WASHER 8	43400-500410	2	2			
104-30	.SEAL WASHER 10	43400-500430	2	2			
104-31	.PACKING 8	23414-080000	7	7			
104-32	.PACKING 12	23414-120000	7	5			
104-33	.PACKING 16	23414-160000	1	1			
	.PACKING 16	124465-44950	1	1	N		

104. GASKET KIT [FOR ENGINE]

Refer. No.	Description	Part No.	Qty/Unit		Inter-change-ability	Design-change Mark	Remarks
			2TR13A	2TT3A			
			Sales Unit				
104-34	.O-RING 5-P	24311-000050	2	2			
104-35	.O-RING 7-P	24311-000070	2	2			
104-36	.O-RING 12-P	24311-000120	2	2			
104-37	.O-RING 14-P	24311-000140	1	1			
104-38	.O-RING P10A	24311-240100	1	1			
104-39	.O-RING 35-G	24321-000350	1	1			
	.O-RING 35-P	24311-000350	1	1	S		

Fig. 18 ENGINE CONTROL (EXCEPT ENGLAND) [YM155, YM155D]

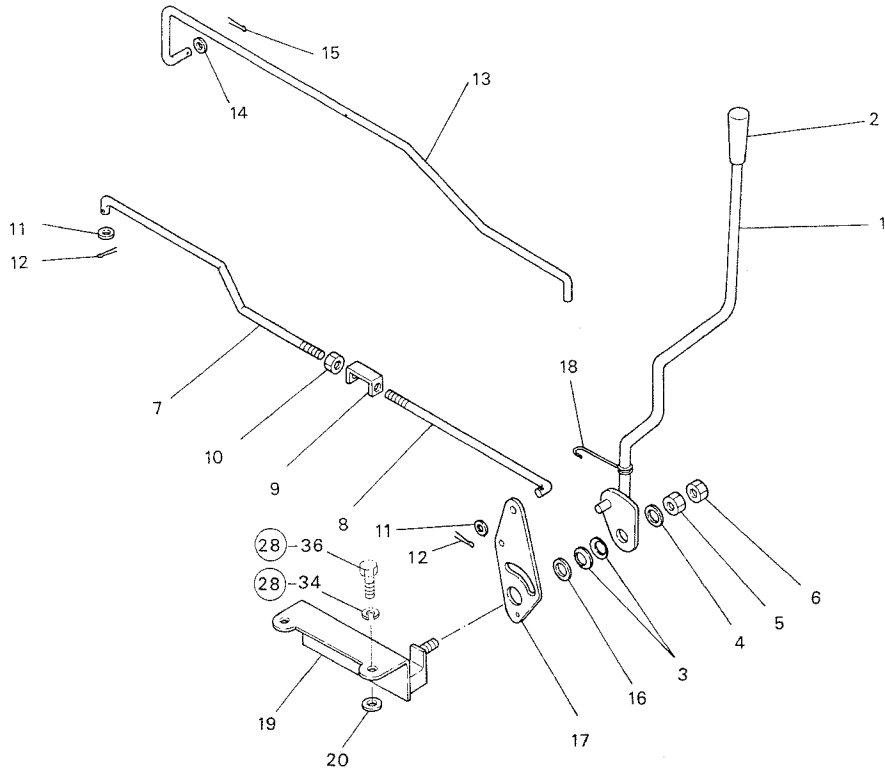


Fig. 18 ENGINE CONTROL (EXCEPT ENGLAND) [YM155, YM155D]

Refer. No.	Description	Part No.	Q'ty/Unit				Inter-changeability	Design-change Mark	Remarks
			YM155	YM155D	YM135	YM135D			
18- 1	LEVER, throttle	194340-01100	1	1					
18- 2	KNOB, throttle lever	194150-01190	1	1					
18- 3	SPRING 10, belleville	194200-01150	2	2		10			
18- 4	WASHER 10, plain	22117-100000	1	1		10			
	WASHER 10, plain	22137-100000	1	1		10	N		
18- 5	NUT M10	26716-100002	1	1		10			
18- 6	LOCK NUT M10	26756-100002	1	1		10			
18- 7	ROD (front), throttle	194200-01172	1	1					
18- 8	ROD (rear), throttle	194349-01180	1	1					
18- 9	ADJUSTER, throttle	194200-01190	1	1					
18- 10	NUT M8	26716-080002	1	1		10			
18- 11	WASHER 8, plain	22117-080000	2	2		10			
18- 12	COTTER PIN 2 x 12	22417-200120	2	2		10			
18- 13	LEVER, decompression	194200-01200	1	1					
18- 14	WASHER 6, plain	22117-060000	1	1		10			
18- 15	COTTER PIN 2 x 10	22417-200100	1	1		10			
18- 16	WASHER 10, plain	22117-100000	1	1		10			
	WASHER 10, plain	22137-100000	1	1		10	N		
18- 17	PLATE, throttle arm	194340-01650	1	1					
18- 18	HOOK	194340-01260	1	1			W	[1]	
18- 19	SUPPORT, throttle	194340-15530	1	1					
18- 20	WASHER 10, plain	22137-100000	2	2		10			

Fig. 19 ENGINE CONTROL (ENGLAND) [YM155,YM155D]

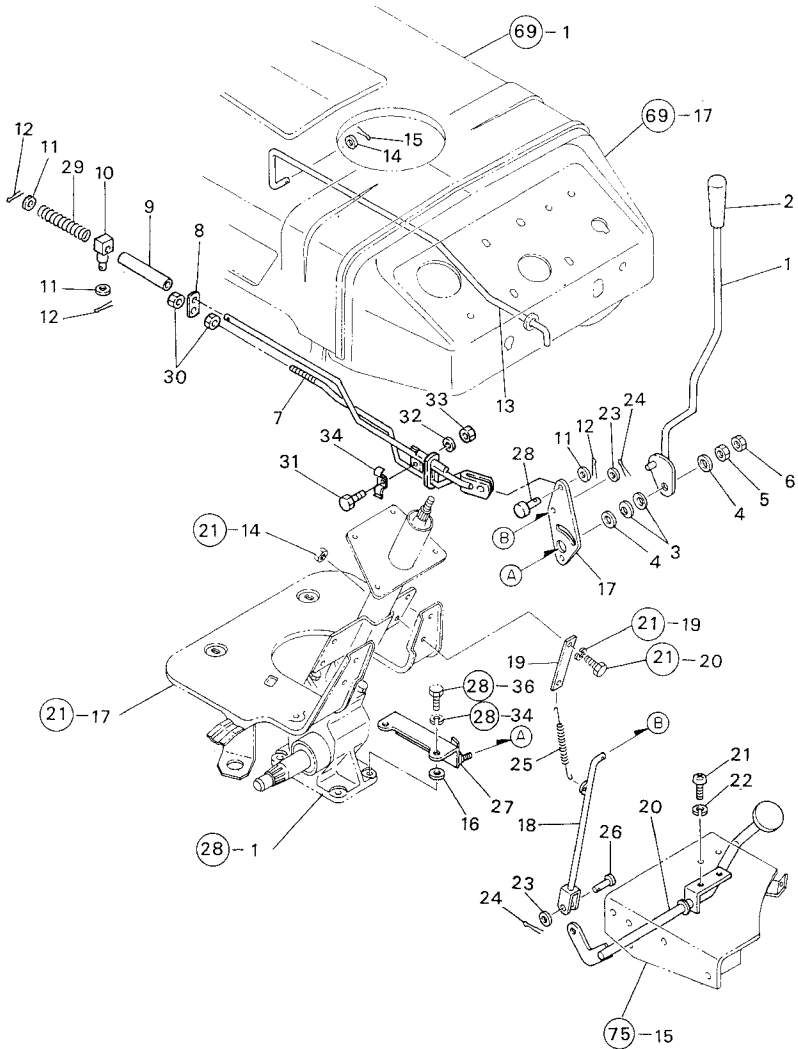


Fig. 19 ENGINE CONTROL (ENGLAND) [YM155,YM155D]

Refer. No.	Description	Part No.	Qty./Unit			Inter-changeability	Design-change Mark	Remarks
			YM155	YM155D	YM135			
19- 1	LEVER, throttle	194340-01100	1	1				
19- 2	KNOB, throttle lever	194150-01190	1	1				
19- 3	SPRING 10, belleville	194200-01150	2	2		10		
19- 4	WASHER 10, plain	22137-100000	2	2		10		
19- 5	NUT M10	26716-100002	1	1		10		
19- 6	LOCK NUT M10	26756-100002	1	1		10		
19- 7	ROD, throttle	194340-02210	1	1				
19- 8	HOOK, engine stop	194340-02310	1	1				
19- 9	COLLAR	194340-02320	1	1				
19- 10	SHIFTER	194340-02330	1	1				
19- 11	WASHER 8, plain	22117-080000	2	2		10		
19- 12	COTTER PIN 2 x 12	22417-200120	2	2		10		
19- 13	LEVER, decompression	194200-01200	1	1				
19- 14	WASHER 6, plain	22117-060000	1	1		10		
19- 15	COTTER PIN 2 x 10	22417-200100	1	1		10		
19- 16	WASHER 10, plain	22117-100000	1	1		10		
19- 17	PLATE, throttle arm	194340-01650	1	1				
19- 18	ROD, throttle pedal	194340-01660	1	1				
19- 19	HOOK, pedal spring	194200-01710	1	1				
19- 20	PEDAL, throttle	194200-01541-X	1	1				

Fig. 19 ENGINE CONTROL (ENGLAND) [YM155, YM155D]

Refer. No.	Description	Part No.	Qty/Unit				Sales Unit	Inter-change ability	Design-change Mark	Remarks
			YM155	YM155D	YM135	YM135D				
19- 21	SCREW M8 x 16	26557-080162	2	2			10			
19- 22	SPRING WASHER 8	22217-080000	2	2			10			
19- 23	WASHER 6	22137-060000	2	2			10			
19- 24	COTTER PIN 2 x 10	22417-200100	2	2			10			
19- 25	SPRING, pedal	194200-01680	1	1						
19- 26	PIN 6 x 14	1A1030-55480	1	1						
19- 27	SUPPORT, throttle	194340-15530	1	1						
19- 28	PIN 8 x 17.5	194200-37800	1	1						
19- 29	SPRING	194340-02340	1	1						
19- 30	NUT M8	26716-080002	2	2			10			
19- 31	BOLT M6 x 12	26116-060122	1	1			10			
19- 32	SPRING WASHER 6	22217-060000	1	1			10			
19- 33	NUT M6	26716-060002	1	1			10			
19- 34	HOLDER, rod	194340-02390	1	1						

Fig. 20 ENGINE CONTROL (YM135, YM135D)

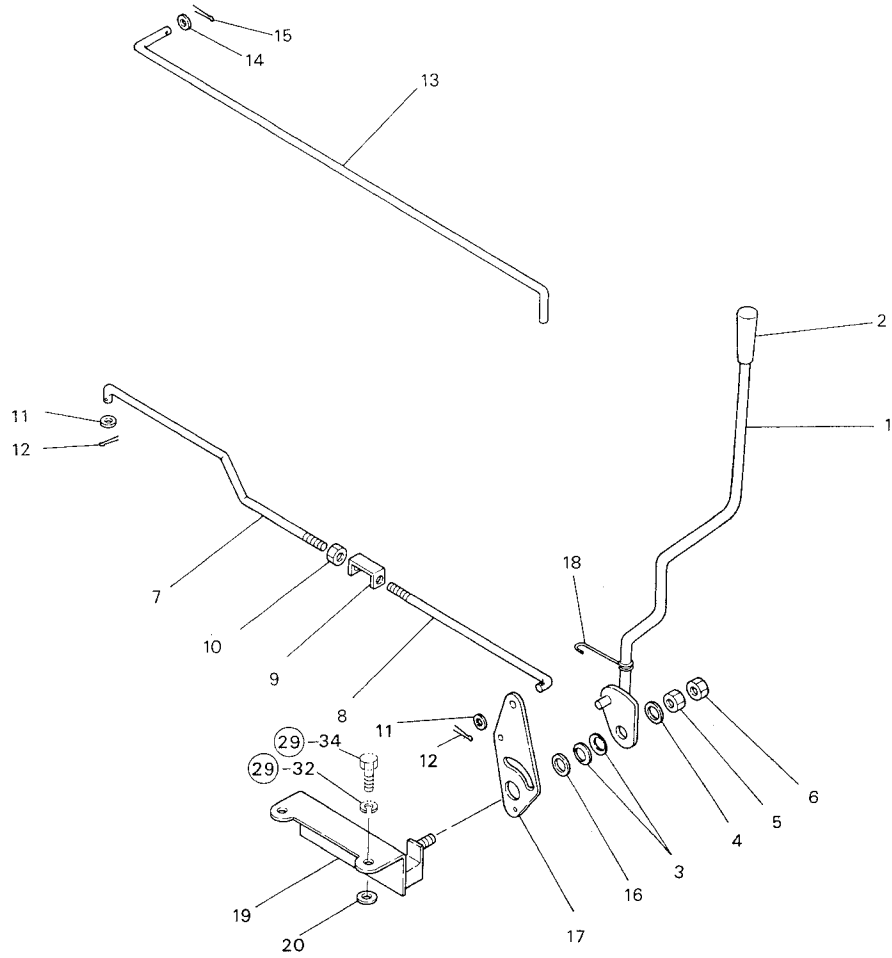


Fig. 20 ENGINE CONTROL (YM135, YM135D)

Refer. No.	Description	Part No.	Qty/Unit			Sales Unit	Inter-changeability	Design-change Mark	Remarks
			YM135	YM135D	YM135				
20- 1	LEVER, throttle	194340-01100			1	1			
20- 2	KNOB, throttle lever	195150-01190			1	1			
20- 3	SPRING 10, belleville	194200-01150			2	2	10		
20- 4	WASHER 10, plain	22117-100000			1	1	10		
	WASHER 10, plain	22137-100000			1	1	10	N	
20- 5	NUT M10	26716-100002			1	1	10		
20- 6	LOCK NUT M10	26756-100002			1	1	10		
20- 7	ROD (front), throttle	194200-01172			1	1			
20- 8	ROD (rear), throttle	194349-01180			1	1			
20- 9	ADJUSTER, throttle	194200-01190			1	1			
20- 10	NUT M8	26716-080002			1	1	10		
20- 11	WASHER 8, plain	22117-080000			2	2	10		
20- 12	COTTER PIN 2 x 12	22417-200120			2	2	10		
20- 13	LEVER, decompression	194262-01200			1	1			
	LEVER, decompression	194262-01201			1	1		N	
20- 14	WASHER 6, plain	22117-060000			1	1	10		
20- 15	COTTER PIN 2 x 10	22417-200100			1	1	10		
20- 16	WASHER 10, plain	22117-100000			1	1	10		
	WASHER 10, plain	22137-100000			1	1	10	N	
20- 17	PLATE, throttle arm	194340-01650			1	1			
20- 18	HOOK	194340-01260			1	1		W	[1]
20- 19	SUPPORT, throttle	194340-15530			1	1			
20- 20	WASHER 10, plain	22137-100000			2	2	10		

Fig. 21 FUEL TANK [YM155,YM155D]

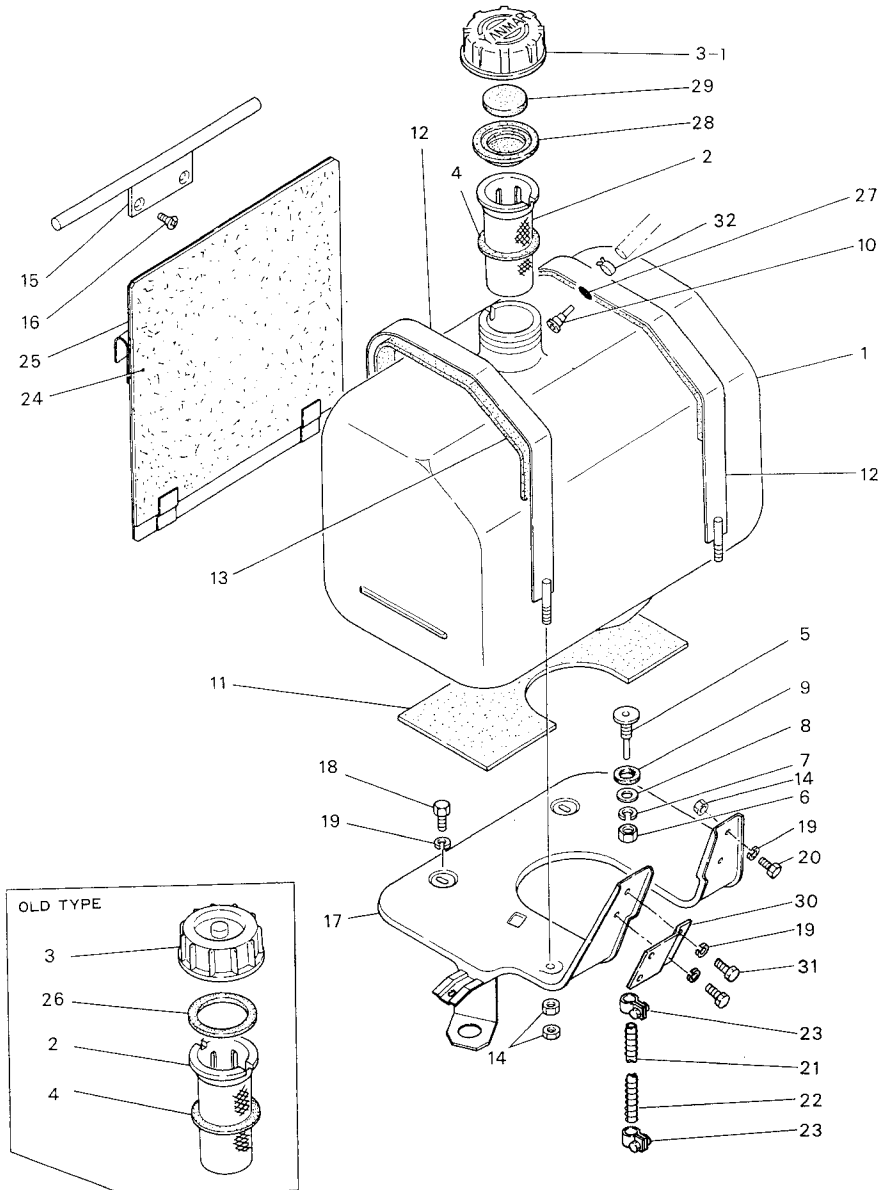


Fig. 21 FUEL TANK [YM155,YM155D]

Refer. No.	Description	Part No.	Qty/Unit			Sales Unit	Inter-changeability	Design-change Mark	Remarks
			YM155	YM155D	YM135				
21- 1	FUEL OIL TANK	194340-04100	1	1					
	FUEL OIL TANK	194340-04101	1	1			N		YM155 -T/# 52260 YM155D-T/# 57524
21- 2	STRAINER, fuel oil tank	194151-04140	1	1					
	STRAINER, fuel oil tank	194151-04141	1	1			N		
21- 3	CAP, fuel oil tank	194151-04120	1	1				[1]	
	CAP, fuel oil tank	194150-04121	1	1			N		
21-3-1	CAP, fuel oil tank	194155-04720	1	1			F		Interchangeable by set with 21-28 21-29 YM155 -T/# 52260 YM155D-T/# 57524
	CAP, fuel oil tank	194155-04120	1	1			N		
21- 4	PACKING, cap	194151-04150	1	1					
21- 5	PIPE, tank outlet	194200-04251	1	1					
21- 6	NUT M10	26716-100002	1	1		10			
21- 7	SPRING WASHER 10	22217-100000	1	1		10			
21- 8	WASHER 10, plain	22117-100000	1	1		10			
21- 9	PACKING 10	194200-04280	1	1					
21- 10	JOINT, pipe	194150-04760	1	1				[3]	
	JOINT, pipe	194200-04260	1	1			N		[3]
	JOINT, pipe 8d x 30L	197000-06020	1	1			N		[3]
	JOINT, pipe 8d x 33.5L	194240-04760	1	1			F		Interchangeable by set with 21-27
	JOINT, pipe 8d x 29.5L	194200-04261	1	1			N		[5]
21- 11	FELT 300 x 120 x 3	194200-04270	1	1				[5]	
	FELT 300 x 120 x 3	194200-04270	1	1			Z		[5]
21- 12	BAND, fuel oil tank	194200-04301	2	2					
	BAND, fuel oil tank	194200-04301-X	2	2			N		
21- 13	FELT 300 x 30 x 3	194200-04340	2	2				[5]	
	FELT 300 x 30 x 3	194200-04340	2	2			Z		[5]

Fig. 21 FUEL TANK [YM155,YM155D]

Refer. No.	Description	Part No.	Qty/Unit				Sales Unit	Inter-change ability	Design-change Mark	Remarks
			YM155	YM155D	YM135	YM135D				
21- 14	NUT M8	26716-080002	6	6			10			
21- 15	LATCH, band	194200-04350-X	1	1						
21- 16	SCREW M8 x 16	26577-080162	2	2			10			
21- 17	BRACKET, fuel oil tank	194200-04503	1	1					Misprint	
	BRACKET, fuel oil tank	194340-04500	1	1						
21- 18	BOLT M8 x 20	26116-080202	2	2			10			
	BOLT M8 x 12	26116-080122	2	2			10	S	[4]	
	BOLT M8 x 12	26013-080122	2	2			10	N		
21- 19	SPRING WASHER 8	22217-080000	6	6			10			
21- 20	BOLT M8 x 16	26116-080162	4	4			10			
	BOLT M8 x 16	26013-080162	2	2			10	N		
21- 21	FUEL PIPE	194200-04650	1	1						
21- 22	SPRING, pipe protection	194200-04660	1	1						
21- 23	BAND, hose	124460-59060	2	2			10			
21- 24	ASBESTOS 190 x 190 x 3.2	194340-04490	1	1				w	[1]	
21- 25	COVER, fuel oil tank	194340-04390-X	1	1				w	[1]	
21- 26	PACKING, cap	194150-04130	1	1				z	[1]	
21- 27	O-ring 4-S	24341-000040	1	1			10	w	[3]	
21- 28	BAFFLE PACKING, cap	194155-04160	1	1				F		
21- 29	BAFFLE FORM	194155-04170	1	1				F	YM155 -T/# 52260 YM155D-T/# 57524	
21- 30	BRACKET, fuse box	194345-52490-X	1	1				w		
21- 31	BOLT M8 x 20	26116-080202	2	2			10			
21- 32	CLIP	124060-77680	1	1			10			

Fig. 22 FUEL TANK [YM135,YM135D]

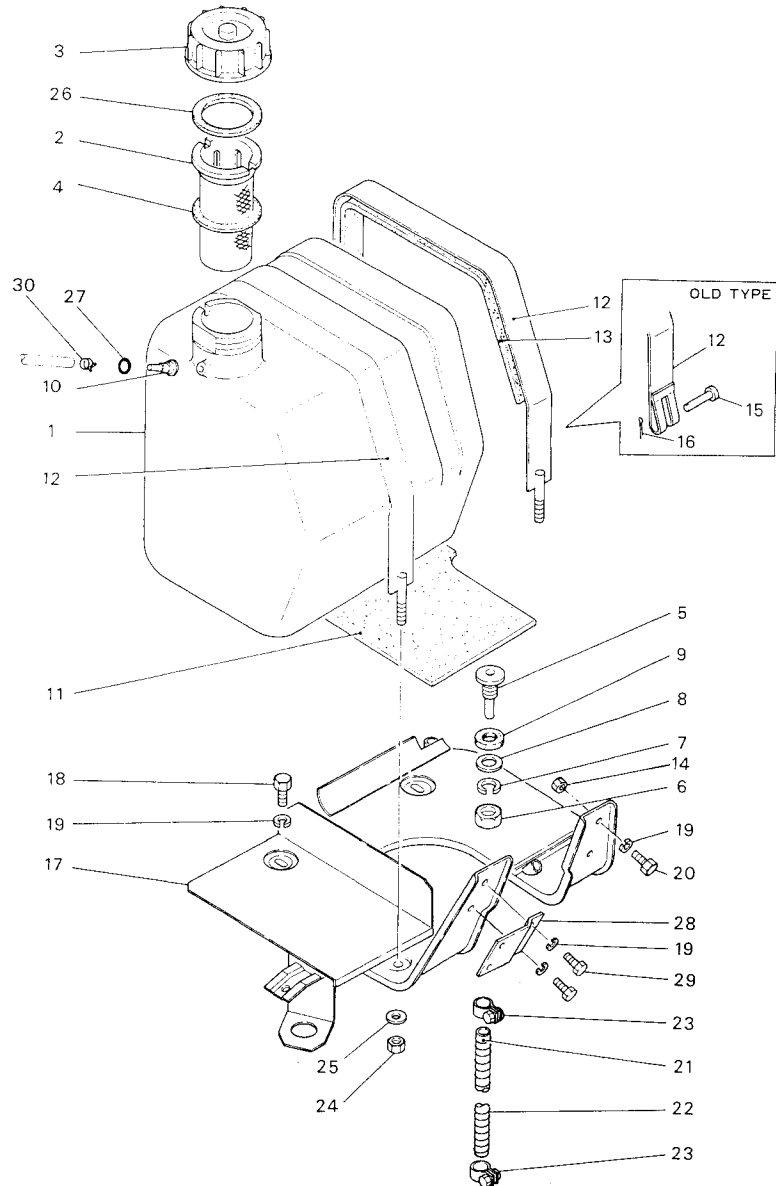


Fig. 22 FUEL TANK [YM135,YM135D]

Refer. No.	Description	Part No.	Qty/Unit				Sales Unit	Inter-changeability	Design-change Mark	Remarks
			YM155	YM155D	YM135	YM135D				
22- 1	FUEL OIL TANK	194390-04100			1	1				
22- 2	STRAINER, fuel oil tank	194151-04140			1	1				
	STRAINER, fuel oil tank	194151-04141			1	1		N		
22- 3	CAP, fuel oil tank	194151-04120			1	1				
	CAP, fuel oil tank	194150-04121			1	1		N	[1]	
22- 4	PACKING, cap	194151-04150			1	1				
22- 5	PIPE, tank outlet	194200-04251			1	1				
22- 6	NUT M10	26716-100002			1	1	10			
22- 7	SPRING WASHER 10	22217-100000			1	1	10			
22- 8	WASHER 10, plain	22117-100000			1	1	10			
22- 9	PACKING 10	194200-04280			1	1				
22- 10	JOINT, pipe	194150-04760			1	1				
	JOINT, pipe	194200-04260			1	1		N	[3]	
	JOINT, pipe 8d x 30L	197000-06020			1	1		N	[3]	
	JOINT, pipe 8d x 33.5L	194240-04760			1	1		F		Interchangeable by set with 22-27
	JOINT, pipe 8d x 29.5L	194200-04261			1	1		N	[5]	
22- 11	FELT 285 x 160 x 3	194262-04270			1	1				
	FELT 285 x 160 x 3	194262-04270			1	1		Z	[5]	
22- 12	BAND, fuel oil tank	194262-04300-X			2	2				
22- 13	FELT 380 x 34 x 3	194262-04280			2	2				
	FELT 380 x 34 x 3	194262-04280			2	2		Z	[5]	

Fig. 22 FUEL TANK [YM135,YM135D]

Refer. No.	Description	Part No.	Qty/Unit				Sales Unit	Inter-changeability	Design-change Mark	Remarks
			YM155	YM155D	YM135	YM135D				
22- 14	NUT M8	26716-080002			2	2	10			
22- 15	ROD 6 x 50	194262-04330			2	2				
	LOCK PIN, band	194262-04331			2	2		N	[1]	
22- 16	COTTER PIN 2 x 15	22417-200150			4	4	10			
	COTTER PIN 2 x 15	22417-200150			2	2	10	K	[1]	
22- 17	BRACKET, fuel oil tank	194390-04500			1	1				
22- 18	BOLT M8 x 20	26116-080202			2	2	10			
	BOLT M8 x 12	26116-080122			2	2	10	S	[4]	
	BOLT M8 x 12	26013-080122			2	2	10	N		
22- 19	SPRING WASHER 8	22217-080000			6	6	10			
22- 20	BOLT M8 x 16	26116-080162			4	4	10			
	BOLT M8 x 16	26013-080162			2	2	10	N		
22- 21	FUEL PIPE	194200-04650			1	1				
22- 22	SPRING, pipe protection	194200-04660			1	1				
22- 23	BAND, hose	124460-59060			2	2	10			
22- 24	LOCK NUT M8	26716-080002			4	4	10			
	U-NUT M8	26346-080002			2	2	10	N		
22- 25	WASHER 8, plain	22117-080000			2	2	10	W	[1]	
22- 26	PACKING, cap	194150-04130			1	1		Z	[1]	
22- 27	O-RING 4-S	24341-000040			1	1	10	W	[3]	
22- 28	BRACKET, fuse box	194345-52490-X			2	2				
22- 29	BOLT M8 x 20	26116-080202			1	1	10			
22- 30	CLIP	124060-77680			1	1				

Fig. 23 FRONT AXLE (FOR YM155)

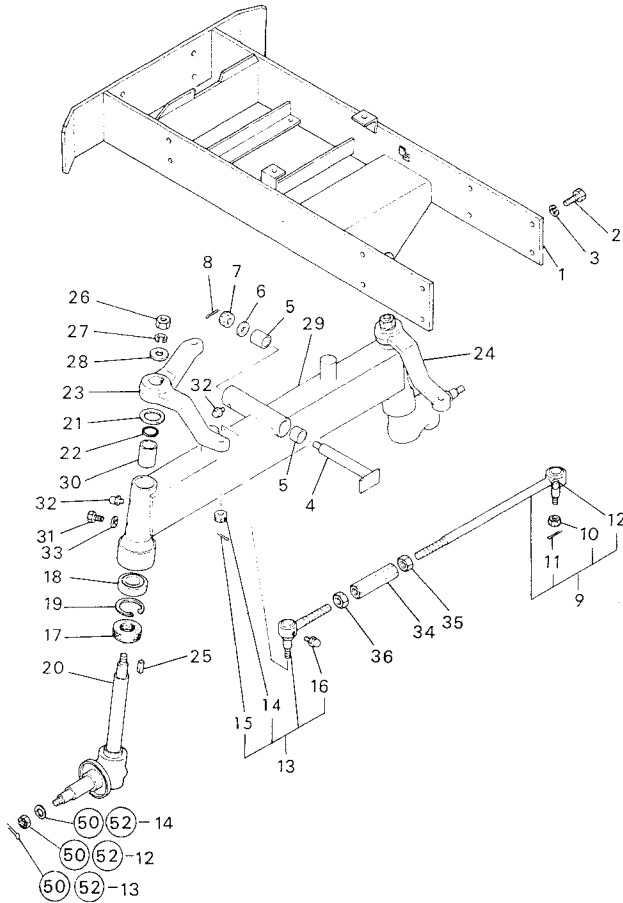


Fig. 23 FRONT AXLE (FOR YM155)

Refer. No.	Description	Part No.	Q'ty/Unit			Sales Unit	Inter-changeability	Design-change Mark	Remarks
			YM155	YM155D	YM135				
23- 1	BRACKET, front axle	194340-11350-X	1						
23- 2	BOLT M12 x 30	26116-120302	8			10			
	BOLT M12 x 30	26013-120302	8			10	N		
23- 3	SPRING WASHER 12	22217-120000	8				Z		
23- 4	CENTER PIN	194210-13212	1						
	CENTER PIN	194210-13212-X	1				N		
	CENTER PIN	194340-13212-X	1				S	Misprint	
	CENTER PIN	194340-13210	1				S	YM155-T/# 52292	
23- 5	BUSH 25d x 24L	194200-11570	2						
	BUSH 25d x 24L	194200-11570	2				Z	[1]	
23- 6	WASHER 16, plain	22137-160000	1			10			
	WASHER 20, plain	22137-200000	1				S	YM155 -T/# 52292	
23- 7	CASTLE NUT M16	194210-13250	1						
	CASTLE NUT M20	26877-200002	1				S	YM155 -T/# 52292	
23- 8	COTTER PIN 4 x 30	22417-400300	1			10			
	COTTER PIN 4 x 40	22417-400400	1			10	N	YM155-T/# 52292	
23- 9	TIE-ROD, complete	194200-14611	1						
	TIE-ROD, complete	194200-14611-X	1				N		
23- 10	.CASTLE NUT 11	194730-57241	2						
23- 11	.COTTER PIN 3 x 25	22417-300250	2			10			
23- 12	.GREASE NIPPLE	194730-57411	2			10			
	.GREASE NIPPLE MT6 x 1	24761-060000	1			10	N		
23- 13	TIE-ROD END ASS'Y (RL)	794730-57122	1						
	TIE-ROD END ASS'Y (RL)	794730-57122-X	1				N		
23- 14	.CASTLE NUT 11	194730-57241	2						
23- 15	.COTTER PIN 3 x 25	22417-300250	2			10			
23- 16	.GREASE NIPPLE	194730-57411	2			10			
	.GREASE NIPPLE MT6 x 1	24761-060000	1			10	N		

Fig. 23 FRONT AXLE (FOR YM155)

MEMO

Refer. No.	Description	Part No.	Q'ty/Unit			Sales Unit	Inter-change ability	Design-change Mark	Remarks
			YM155	YM155D	YM155				
23- 17	OIL SEAL TC35 52 11	194150-12720	2			10			
23- 18	BALL BEARING 6205	24101-062054	2						
23- 19	WASHER 42 x 51.8 x 1	194151-11670	2			10		Selective	
	CIRCLIP 48-H	22252-000480	2			10			
23- 20	KING PIN, complete	194151-11600	2						
	KING PIN, complete	194151-11600-X	2				N		
23- 21	COVER,king pin upper 40d x 3w	194151-11840	2						
23- 22	O-RING 1A-2025	194151-11860	2			10			
23- 23	ARM (L), knuckle	194200-11782	1						
	ARM (L), knuckle	194200-11782-X	1				N		
23- 24	ARM (R), knuckle	194200-11792	1						
	ARM (R), knuckle	194200-11792-X	1				N		
23- 25	KEY 7 x 26, feather	194151-11660	2			10			
23- 26	NUT M10	194151-11640	2			10			
23- 27	SPRING WASHER 18	22217-180000	2			10			
23- 28	WASHER, plain 36d x 2.3w	194151-11650	2						
23- 29	AXLE, front	194340-11500-X	1						
	AXLE, front	194200-11502	1				N		
23- 30	BUSH 29d x 38L	194151-11360	1						
	BUSH 29d x 38L	194151-11360	2				K	[1]	
	BUSH 25 x 29 x 30	194440-11360	2				N	YM155 -T/# 52509	
23- 31	BOLT M6 x 6	194151-11490	2			10			
	BOLT M6 x 5	194145-11350	2			10	N		
23- 32	GREASE NIPPLE	194151-11480	3			10			
	GREASE NIPPLE MT6 x 1	24761-060000	3			10	N		
23- 33	PACKING 6	23418-060000	1				W	[1]	
23- 34	TURNBUCKLE 17 x 1.5	194150-12410	1						
23- 35	NUT M17 (LH screw)	194990-22830	1			10			
23- 36	NUT M17 (RH screw)	194990-22840	1			10			

Fig. 24 FRONT AXLE (FOR YM135)

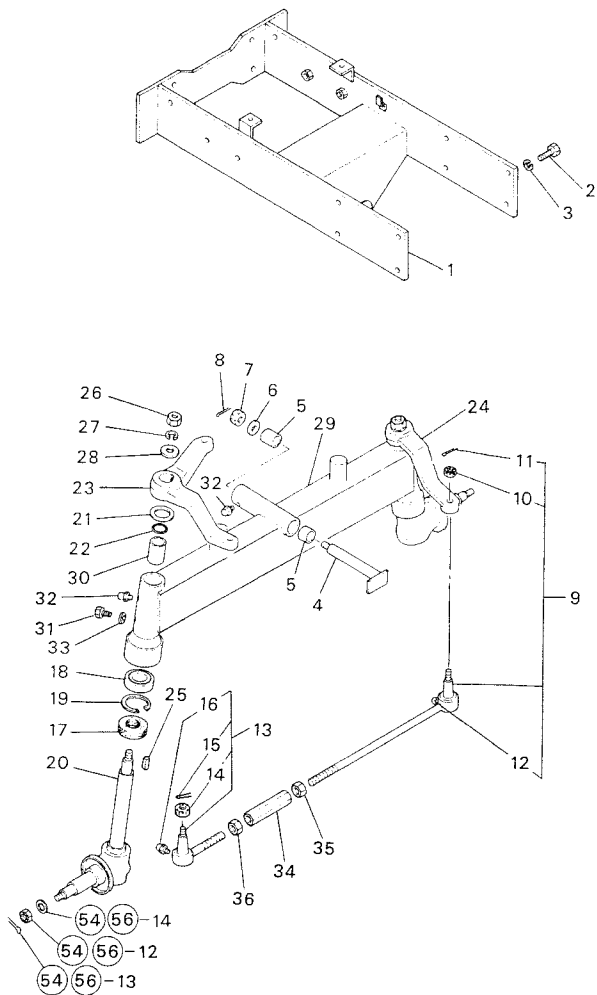


Fig. 24 FRONT AXLE (FOR YM135)

Refer. No.	Description	Part No.	Q'ty/Unit				Inter-changeability	Design-change Mark	Remarks
			YM155	YM155D	YM135	YM135D			
24- 1	BRACKET, front axle	194262-11352			1				
	BRACKET, front axle	194262-11352-X			1		N		
24- 2	BOLT M12 x 30	26116-120302			8	10			
24- 3	SPRING WASHER 12	22217-120000			8	10			
24- 4	CENTER PIN	194210-13212			1				
	CENTER PIN	194210-13212-X			1		N		
24- 5	BUSH	194151-11520			2				
	BUSH 25d x 25L	194190-11520			2		S	[1]	
24- 6	WASHER 16, plain	22137-160000			1	10			
24- 7	CASTLE NUT M16	194210-13250			1				
24- 8	COTTER PIN 4 x 30	22417-400300			1	10			
24- 9	TIE-ROD, complete	194262-14610			1				
	TIE-ROD, complete	194262-14610-X			1		N		
24- 10	.CASTLE NUT 11	194730-57241			2				
24- 11	.COTTER PIN 3 x 25	22417-300250			2	10			
24- 12	.GREASE NIPPLE	194730-57411			2	10			
	.GREASE NIPPLE MT6 x 1	24761-060000			1	10	N		
24- 13	TIE-ROD END ASS'Y (RL)	794730-57122			1				
	TIE-ROD END ASS'Y (RL)	794730-57122-X			1		N		
24- 14	.CASTLE NUT 11	194730-57241			2				
24- 15	.COTTER PIN 3 x 25	22417-300250			2	10			
24- 16	.GREASE NIPPLE	194730-57411			2	10			
	.GREASE NIPPLE MT6 x 1	24761-060000			1	10	N		

Fig. 24 FRONT AXLE (FOR YM135)

Refer. No.	Description	Part No.	Q'ty/Unit				Sales Unit	Inter-change ability	Design-change Mark	Remarks
			YM155	YM155D	YM135	YM135D				
24- 17	OIL SEAL TC35 52 11	194150-12720			2	10				
24- 18	BALL BEARING 6205	24101-062054			2					
24- 19	WASHER 42 x 51.8 x 1	194151-11670			2	10			Selective	
	CIRCLIP 48-H	22252-000480			2	10				
24- 20	KING PIN, complete	194151-11600			2					
	KING PIN, complete	194151-11600-X			2		N			
24- 21	COVER,king pin upper 40d x 3w	194151-11840			2					
24- 22	O-RING 1A-2025	194151-11860			2	10				
24- 23	ARM (L), knuckle	194262-11781			1					
	ARM (L), knuckle	194262-11781-X			1		N			
24- 24	ARM (R), knuckle	194262-11790			1					
	ARM (R), knuckle	194262-11790-X			1		N			
24- 25	KEY 7 x 26, feather	194151-11660			2	10				
24- 26	NUT M10	194151-11640			2	10				
24- 27	SPRING WASHER 18	22217-180000			2	10				
24- 28	WASHER, plain 36d x 2.3w	194151-11650			2					
24- 29	AXLE, front	194262-11500			1					
	AXLE, front	194262-11500-X			1		N			
24- 30	BUSH 29d x 38L	194151-11360			1					
	BUSH 29d x 38L	194151-11360			2		K	[1]		
24- 31	BOLT M6 x 6	194151-11490			2	10				
	BOLT M6 x 5	194145-11350			2	10	N			
24- 32	GREASE NIPPLE	194151-11480			3	10				
	GREASE NIPPLE MT6 x 1	24761-060000			3	10	N			
24- 33	PACKING 6	23418-060000			1		W	[1]		
24- 34	TURNBUCKLE 17 x 1.5	194150-12410			1					
24- 35	NUT M17 (LH screw)	194990-22830			1	10				
24- 36	NUT M17 (RH screw)	194990-22840			1	10				

Fig. 25 FRONT AXLE (FOR YM155D)

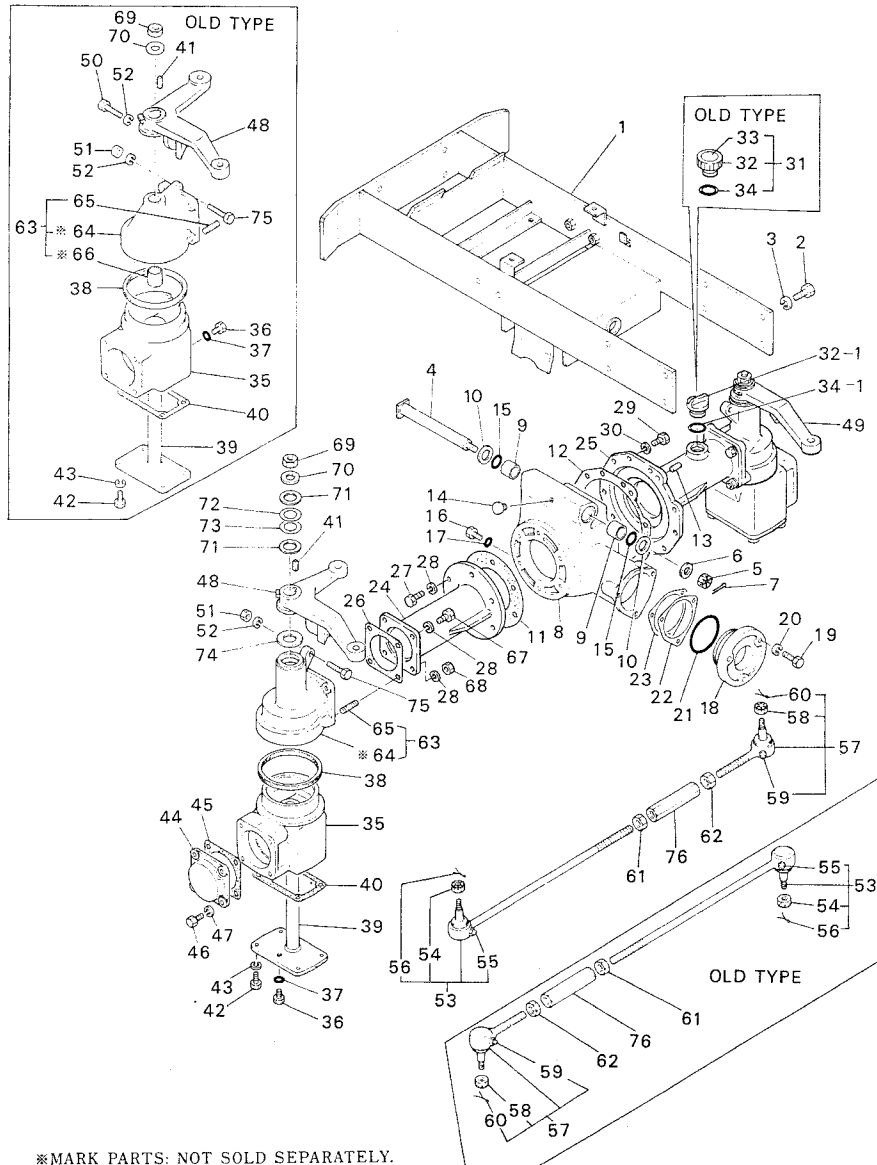


Fig. 25 FRONT AXLE (FOR YM155D)

Refer. No.	Description	Part No.	Q'ty/Unit				Inter-changeability	Design-change Mark	Remarks
			YM155	YM155D	YM135	YM135D			
25- 1	BRACKET, front axle	194341-11100-X	1						
	BRACKET, front axle	194341-11101-X	1				N		
25- 2	BOLT M12 x 30	26116-120302	8			10			
	BOLT M12 x 30	26013-120302	8			10	N		
25- 3	SPRING WASHER 12	22217-120000	8				Z		
25- 4	CENTER PIN	194210-13212	1						
	CENTER PIN	194210-13212-X	1				N		
	CENTER PIN	194340-13210-X	1				S	YM155D-T/# 57929	
25- 5	CASTLE NUT M16	194210-13250	1			10			
	CASTLE NUT M20	26877-200002	1				S	YM155D-T/# 57929	
25- 6	WASHER 16	22137-160000	1			10			
	WASHER 20	22137-200000	1				S	YM155D-T/# 57929	
25- 7	COTTER PIN 4 x 30	22417-400300	1			10			
	COTTER PIN 4 x 40	22417-400400	1			10	N	YM155D-T/# 57929	
25- 8	CASE, front axle	194210-13512	1						
	CASE, front axle	194210-13512-X	1				N		
25- 9	METAL 22 x 28 x 22	194210-13520	2						
25- 10	LINER 22.5 x 34 x 2	194210-13530	2						
25- 11	PACKING(L), front axle flange	194210-13540	1			10			
25- 12	PACKING(R), front axle flange	194210-13551	1			10			
25- 13	PIN 8 x 28, straight	1A1040-26060	2			10			
25- 14	BREATHER 10	194210-13561	1						
25- 15	O-RING P22A	24311-350220	2			10			
25- 16	OIL PLUG 10	1A1040-48070	2						
25- 17	O-RING 12-P	24311-000120	2			10			
25- 18	CAP, front axle case	194210-13570	1						
	CAP, front axle case	194210-13570-X	1				N		
	CAP, front axle case	194212-13450	1				F	YM155D-57457	
	CAP, front axle case	194212-13450-X	1				N		

*MARK PARTS: NOT SOLD SEPARATELY.

Fig. 25 FRONT AXLE (FOR YM155D)

Refer. No.	Description	Part No.	Q'ty/Unit			Sales Unit	Inter-change ability	Design-change Mark	Remarks
			YM155	YM155D	YM135				
25- 19	BOLT M8 x 30	26116-080302		3		10			
	BOLT M8 x 30	26013-080302		3		10	N		
25- 20	SPRING WASHER 8	22217-080000		3			Z		
25- 21	O-RING 60-G	24322-000600		1		10			
	O-RING 60-G	24321-000600		1		10	N		
25- 22	SHIM 0.1, front axle case	194210-14450		-		10		Selective	
25- 23	SHIM 0.2, front axle case	194210-14460		-		10			
25- 24	AXLE (L), front	194210-13610		1				[4]	
	AXLE (L), front	194210-13610-X		1			N		
	AXLE (L), front	194341-13610		1			S		
	AXLE (L), front	194341-13610-X		1			N		
25- 25	AXLE (R), front	194210-13621		1				[4]	
	AXLE (R), front	194210-13621-X		1			N		
	AXLE (R), front	194341-13621		1			S		
	AXLE (R), front	194341-13621-X		1			N		
	AXLE (R), front	194346-13620-X		1			S	YM155D-T/#57524	
25- 26	PACKING, front axle outer flange	194210-13740		2		10		[4]	
	PACKING, front axle outer flange	194341-13740		2		10	S		
25- 27	BOLT M10 x 28	26116-100282		6		10		[4]	
	BOLT M10 x 28	26013-100282		6		10	N		
25- 28	SPRING WASHER 10	22217-100000		14		10		[4]	
	SPRING WASHER 10	22217-100000		4		10	N		
25- 29	BOLT M8 x 22	26116-080222		11		10		[4]	
	BOLT M8 x 25	26116-080252		11		10	S		
	BOLT M8 x 25	26013-080252		11		10	N		
25- 30	SPRING WASHER 8	22217-080000		11			Z		

Fig. 25 FRONT AXLE (FOR YM155D)

Refer. No.	Description	Part No.	Q'ty/Unit			Sales Unit	Inter-change ability	Design-change Mark	Remarks
			YM155	YM155D	YM135				
25- 31	OIL PLUG 30 w/PLATE	794210-13750		1					
	OIL PLUG 30 w/PLATE	794341-13750		1				S	[4]
25- 32	OIL PLUG 30	194200-24380		1					
25- 32-1	OIL PLUG 20	194346-13630		1				S	YM155D-T/# 57524
25- 33	.LABEL, front axle oiling instruction	194210-65310		1					
	.LABEL, front axle oiling instruction	194341-65310		1				N	[1]
	.LABEL, front axle oiling instruction	194341-65311		1				S	[4]
	.LABEL, front axle oiling instruction	194341-65311		1				Z	
25- 34	O-RING 30-S	24341-000300		2		10			
	O-RING 30-S	24341-000300		1		10		K	[1]
25- 34-1	O-RING 18-P	24341-000180		1				S	YM155D-T/# 57524
	O-RING 18-P	24311-000180		1		10		N	
25- 35	GEAR CASE, lower front	194210-13822		2					
	GEAR CASE, lower front	194341-13820		2				S	[4]
	GEAR CASE, lower front	194341-13820-X		2				N	
25- 36	OIL PLUG 10	1A1040-48070		2		10			
25- 37	O-RING 12-P	24311-000120		2		10			
25- 38	OIL SEAL 100 x 120 x 12	194210-13841		2		10			
	OIL SEAL TC135 x 165 x 14	194341-13840		2		10		S	[4]
25- 39	KING PIN	194210-13902		2					
	KING PIN	194210-13902-X		2				N	
	KING PIN	194341-13900		2				S	[4]
	KING PIN	194341-13900-X		2				N	
25- 40	PACKING, front gear case bottom	194210-13950		2		10			
	PACKING, front gear case bottom	194341-13950		2		10		S	[4]
25- 41	KEY 7 x 26, feather	22512-070260		2		10			
	KEY 7 x 26, feather	194151-11660		2		10		N	[1]

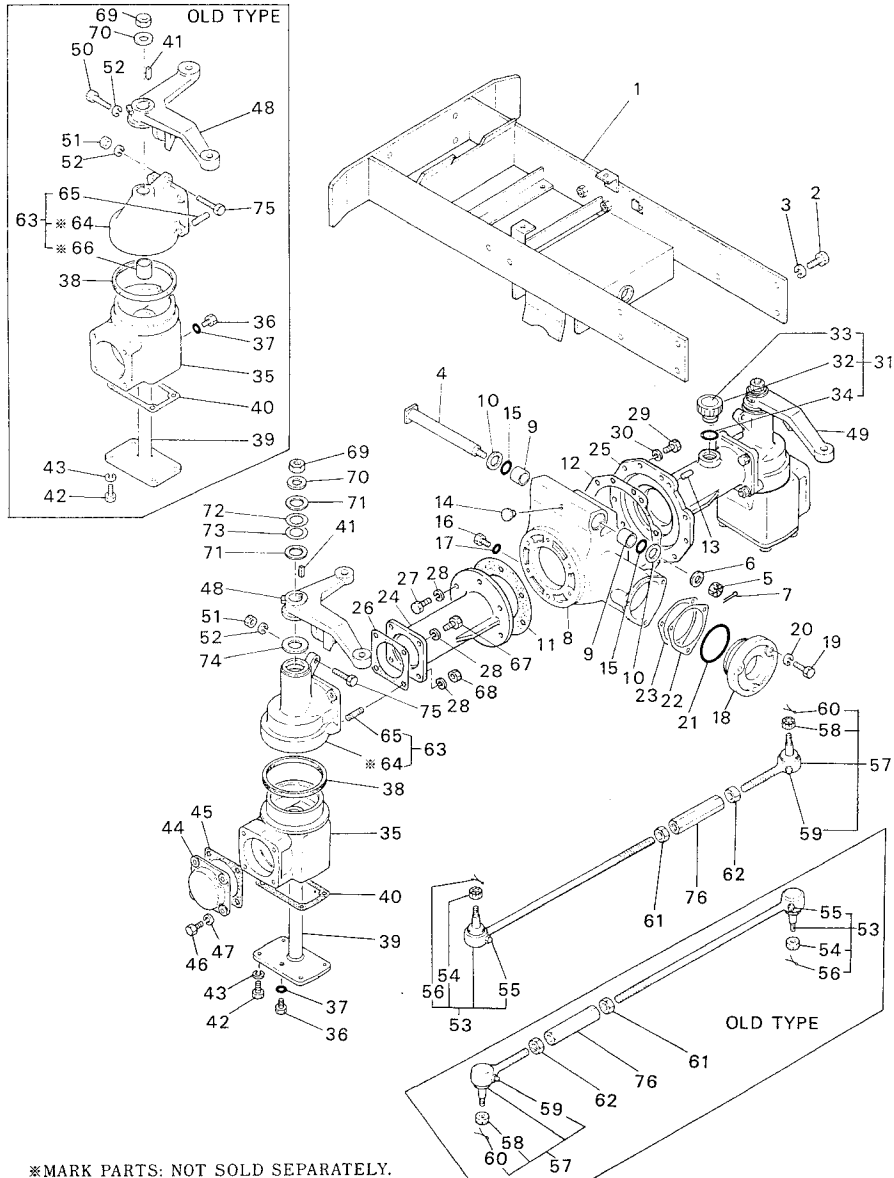
Fig. 25 FRONT AXLE (FOR YM155D)

Refer. No.	Description	Part No.	Q'ty/Unit			Sales Unit	Inter-changeability	Design-change Mark	Remarks
			YM155	YM155D	YM135				
25- 42	BOLT M10 x 22	26116-100222	8			10			
	BOLT M10 x 28	26116-100282	8			10	S [4]		
	BOLT M10 x 28	26013-100282	8			10	N		
25- 43	SPRING WASHER 10	22217-100000	8				Z		
25- 44	CAP, front gear case	194210-13930-X	2						
25- 45	PACKING, front gear case cap	194210-13940	2			10			
25- 46	BOLT M8 x 22	26116-080222	8			10			
	BOLT M8 x 22	26013-080222	8			10	N		
25- 47	SPRING WASHER 8	22217-080000	8				Z		
25- 48	ARM (L), knuckle	194210-14510	1						
	ARM (L), knuckle	194341-14510-X	1				S [4]		
	ARM (L), knuckle	194341-14530-X	1				N [5]		
25- 49	ARM (R), knuckle	194210-14520-X	1						
	ARM (R), knuckle	194341-14520-X	1				S [4]		
25- 50	BOLT M10 x 38	26116-100384	4			10			
	BOLT M10 x 40	194210-14550	4			10	N [1]		
	BOLT M10 x 40	194210-14550	2			10	K [4]		
25- 51	LOCK NUT M10	26756-100002	2			10			
25- 52	SPRING WASHER 10	22217-100000	4			10			
	SPRING WASHER 10	22217-100000	2				K [4]		
25- 53	TIE-ROD	194200-14611-X	1				S [4]		
25- 54	.CASTLE NUT M11	194730-57241	1			10			
25- 55	.GREASE NIPPLE 1/4	194730-57411	2			10			
	.GREASE NIPPLE MT6x1	24761-060000	1			10	N		
25- 56	.COTTER PIN 3 x 25	22417-300250	1			10			
25- 57	TIE-ROD END ASS'Y (RL)	794730-57122-X	1						
25- 58	.CASTLE NUT M11	194730-57241	1			10			
25- 59	.GREASE NIPPLE 1/4	194730-57411	2			10			
	.GREASE NIPPLE MT6x1	24761-060000	1			10	N		
25- 60	.COTTER PIN 3 x 25	22417-300250	1			10			

Fig. 25 FRONT AXLE (FOR YM155D)

Refer. No.	Description	Part No.	Q'ty/Unit			Sales Unit	Inter-changeability	Design-change Mark	Remarks
			YM155	YM155D	YM135				
25- 61	NUT M17 (LH screw)	194990-22830	1			10			
25- 62	NUT M17 (RH screw)	194990-22840	1			10			
25- 63	GEAR CASE ASS'Y, upper front	794210-13802-X	2						
	GEAR CASE ASS'Y, upper front	794341-13800-X	2				S [4]		
25- 64	.GEAR CASE, upper front	*	2				*	Not Sold Separately.	
	.GEAR CASE, upper front	*	2				* S [4]	Not Sold Separately. (194341-13810)	
25- 65	.STUD M10 x 20	194210-13880	4			10			
	.STUD M10 x 23	194210-13881	4			10	S [4]		
25- 66	.METAL 22 x 25 x 50	194210-13831	2				Z [4]		
25- 67	BOLT M10 x 28	26116-100282	4			10			
	BOLT M10 x 28	26013-100282	4			10	N		
25- 68	NUT M10	26716-100002	4			10			
25- 69	NUT M18 x 1.5	194151-11640	2			10			
	NUT M18 x 1.5	26736-180002	2			10	N [4]		
5- 70	PLATE, washer	194151-11650	2						
	WASHER 18	22117-180000	2				N [4]		
25- 71	LINER 22.5 x 40 x 1	194341-13790	4			10	W [4]		
25- 72	SHIM 22.5 x 40 x 0.3	194341-13980	-			- 10	W [4]	} Selective	
25- 73	SHIM 22.5 x 40 x 0.1	194341-13990	-			- 10	W [4]		
25- 74	LINER 25.5 x 60 x 1.6	194341-13960	2			10	W [4]		
25- 75	BOLT M10 x 40	26116-100404	2			10	[1]		

Fig. 26 FRONT AXLE (FOR YM135D)



*MARK PARTS: NOT SOLD SEPARATELY.

Fig. 26 FRONT AXLE (FOR YM135D)

Refer. No.	Description	Part No.	Q'ty/Unit			Inter-changeability	Design-change Mark	Remarks
			YM155	YM155D	YM135			
26- 1	BRACKET, front axle	194263-11102			1			
26- 2	BOLT M12 x 30	26116-120302			8	10		
26- 3	SPRING WASHER 12	22217-120000			8	10		
26- 4	CENTER PIN	194210-13212			1			
	CENTER PIN	194210-13212-X			1		N	
26- 5	CASTLE NUT M16	194210-13250			1	10		
26- 6	WASHER 16	22137-160000			1	10		
26- 7	COTTER PIN 4 x 30	22417-400300			1	10		
26- 8	CASE, front axle	194210-13512			1			
	CASE, front axle	194210-13512-X			1		N	
26- 9	METAL 22 x 28 x 22	194210-13520			2			
26- 10	LINER 22.5 x 34 x 2	194210-13530			2			
26- 11	PACKING(L), front axle flange	194210-13540			1	10		
26- 12	PACKING(R), front axle flange	194210-13551			1	10		
26- 13	PIN 8 x 28, straight	1A1040-26060			2	10		
26- 14	BREATHER 10	194210-13561			1			
26- 15	O-RING P22A	24311-350220			2	10		
26- 16	OIL PLUG 10	1A1040-48070			2			
26- 17	O-RING 12-P	24311-000120			2	10		
26- 18	CAP, front axle case	194210-13570			1			
	CAP, front axle case	194210-13570-X			1		N	
	CAP, front axle case	194212-13450					F	
	CAP, front axle case	194212-13450-X					N	

Fig. 26 FRONT AXLE (FOR YM135D)

Refer. No.	Description	Part No.	Q ^{1/2} /Unit			Sales Unit	Inter-change ability	Design-change Mark	Remarks
			YM155	YM155D	YM135				
26- 19	BOLT M8 x 30	26116-080302				3 10			
	BOLT M8 x 30	26013-080302				3 10	N		
26- 20	SPRING WASHER 8	22217-080000				3	Z		
26- 21	O-RING 60-G	24322-000600				1 10			
	O-RING 60-G	24321-000600				1 10	N		
26- 22	SHIM 0.1, front axle case	194210-14450				- 10		Selective	
26- 23	SHIM 0.2, front axle case	194210-14460				- 10			
26- 24	AXLE (L), front	194263-13610-X				1			
	AXLE (L), front	194263-13611				1	N	[1]	
	AXLE (L), front	194263-13611-X				1	N		
	AXLE (L), front	194341-13610				1	S	[4]	
	AXLE (L), front	194341-13610-X				1	N		
26- 25	AXLE (R), front	194346-13620-X				1	N		
	AXLE (R), front	194263-13620-X				1	N		
	AXLE (R), front	194263-13621				1	N	[4]	
	AXLE (R), front	194263-13621-X				1	N		
	AXLE (R), front	194341-13621				1	S	[4]	
	AXLE (R), front	194341-13621-X				1	N		
26- 26	PACKING, front axle outer flange	194210-13740				2 10			
	PACKING, front axle outer flange	194341-13740				2 10	S	[4]	
26- 27	BOLT M10 x 28	26116-100282				6 10			
	BOLT M10 x 28	26013-100282				6 10	N		
26- 28	SPRING WASHER 10	22217-100000				14 10			
	SPRING WASHER 10	22217-100000				4 10	K		
26- 29	BOLT M8 x 22	26116-080222				11 10			
	BOLT M8 x 25	26116-080252				11 10	S	[4]	
	BOLT M8 x 25	26013-080252				11 10	N		
26- 30	SPRING WASHER 8	22217-080000				11	Z		

Fig. 26 FRONT AXLE (FOR YM135D)

Refer. No.	Description	Part No.	Q ^{1/2} /Unit			Sales Unit	Inter-change ability	Design-change Mark	Remarks
			YM155	YM155D	YM135				
26- 31	OIL PLUG 30 w/PLATE	794210-13750				1			
	OIL PLUG 30 w/PLATE	794341-13750				1	S	[4]	
26- 32	OIL PLUG 30	194200-24380				1			
26- 33	.LABEL, front axle oiling instruction	194210-65310				1			
	.LABEL, front axle oiling instruction	194341-65310				1	N	[1]	
	.LABEL, front axle oiling instruction	194341-65311				1	S	[4]	
	.LABEL, front axle oiling instruction	194341-65311				1	Z		
26- 34	O-RING 30-S	24341-000300				2 10			
	O-RING 30-S	24341-000300				1 10	K	[1]	
26- 35	GEAR CASE, lower front	194210-13822				2			
	GEAR CASE, lower front	194341-13820				2	S	[4]	
	GEAR CASE, lower front	194341-13820-X				2	N		
26- 36	OIL PLUG 10	1A1040-48070				2 10			
26- 37	O-RING 12-P	24311-000120				2 10			
26- 38	OIL SEAL 100 x 120 x 12	194210-13841				2 10			
	OIL SEAL TC135 x 165 x 14	194341-13840				2 10	S	[4]	
26- 39	KING PIN	194210-13902				2			
	KING PIN	194210-13902-X				2	N		
	KING PIN	194341-13900				2	S	[4]	
	KING PIN	194341-13900-X				2	N		
26- 40	PACKING, front gear case bottom	194210-13950				2 10			
	PACKING, front gear case bottom	194341-13950				2 10	S	[4]	
26- 41	KEY 7 x 26, feather	22512-070260				2 10			
	KEY 7 x 26, feather	194151-11660				2 10	N	[1]	
26- 42	BOLT M10 x 22	26116-100222				8 10			
	BOLT M10 x 28	26116-100282				8 10	S	[4]	
	BOLT M10 x 28	26013-100282				8 10	N		
26- 43	SPRING WASHER 10	22217-100000				8	Z		
26- 44	CAP, front gear case	194210-13930-X				2			
26- 45	PACKING, front gear case cap	194210-13940				2 10			

Fig. 26 FRONT AXLE (FOR YM135D)

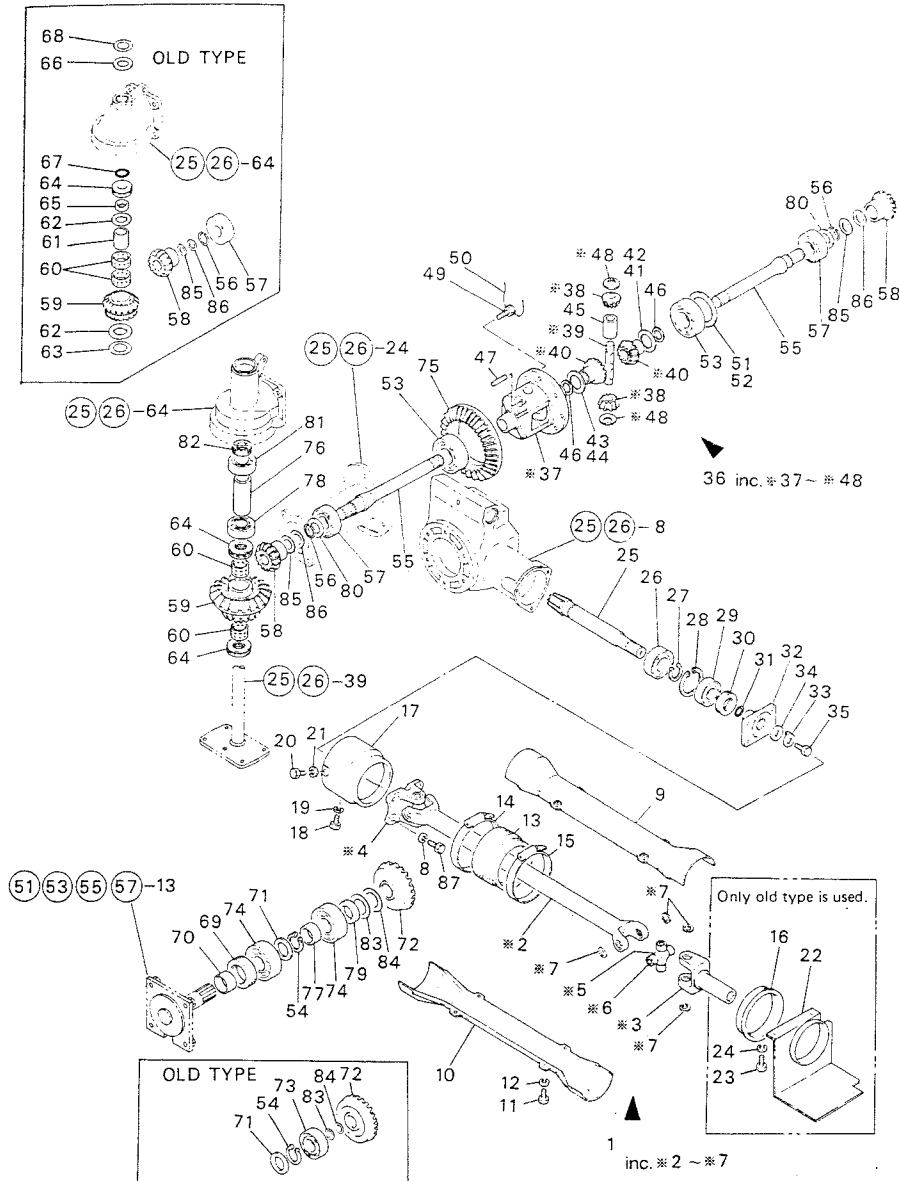
Refer. No.	Description	Part No.	Q'ty/Unit				Inter-changeability	Design-change Mark	Remarks
			YM155	YM155D	YM135	YM135D			
26- 46	BOLT M8 x 22	26116-080222				8 10			
	BOLT M8 x 22	26013-080222				8 10	N		
26- 47	SPRING WASHER 8	22217-080000				8	Z		
26- 48	ARM (L), knuckle	194263-14511				1			
	ARM (L), knuckle	194341-14510-X				1	S [4]		
26- 49	ARM (R), knuckle	194210-1520				1			
	ARM (R), knuckle	194341-14520-X				1	S [4]		
26- 50	BOLT M10 x 38	26116-100384				4 10			
	BOLT M10 x 40	194210-14550				4 10	N [1]		
	BOLT M10 x 40	194210-14550				2 10	K [4]		
26- 51	LOCK NUT M10	26756-100002				2 10			
26- 52	SPRING WASHER 10	22217-100000				4 10			
	SPRING WASHER 10	22217-100000				2	K [4]		
26- 53	TIE-ROD	194262-14610-X				1			
	TIE-ROD	194200-14611				1	S [4]		
26- 54	.CASTLE NUT M11	194730-57241				1 10			
26- 55	.GREASE NIPPLE 1/4	194730-57411				2 10			
	.GREASE NIPPLE MT6x1	24761-060000				1 10	N		
26- 56	.COTTER PIN 3 x 25	22417-300250				1 10			
26- 57	TIE-ROD END ASS'Y (RL)	794730-57122-X				1			
26- 58	.CASTLE NUT M11	194730-57241				1 10			
26- 59	.GREASE NIPPLE 1/4	194730-57411				2 10			
	.GREASE NIPPLE MT6x1	24761-060000				1 10	N		
26- 60	.COTTER PIN 3 x 25	22417-300250				1 10			
26- 61	NUT M17 (LH screw)	194990-22830				1 10			
26- 62	NUT M17 (RH screw)	194990-22840				1 10			

Fig. 26 FRONT AXLE (FOR YM135D)

Refer. No.	Description	Part No.	Q'ty/Unit				Sales Unit	Inter-changeability	Design-change Mark	Remarks
			YM155	YM155D	YM135	YM135D				
26- 63	GEAR CASE ASS'Y, upper front	794210-13802-X				2				
	GEAR CASE ASS'Y, upper front	794341-13800-X				2	S	[4]		
26- 64	.GEAR CASE, upper front	*				2 *			Not Sold Separately.	
	.GEAR CASE, upper front	*				2 *	S	[4]	Not Sold Separately. (194341-13810)	
26- 65	.STUD M10 x 20	194210-13880				4 10				
	.STUD M10 x 23	194210-13881				4 10	N	[4]		
26- 66	.METAL 22 x 25 x 50	*				2 *	Z	[4]	Not Sold Separately.	
26- 67	BOLT M10 x 28	26116-100282				4 10				
	BOLT M10 x 28	26013-100282				4 10	N			
26- 68	NUT M10	26716-100002				4 10				
26- 69	NUT M18 x 1.5	194151-11640				2 10				
	NUT M18 x 1.5	26736-180002				2 10	N	[4]		
26- 70	PLATE, washer	194151-11650				2				
	WASHER 18	22117-180000				2	N	[4]		
26- 71	LINER 22.5 x 40 x 1	194341-13790				4 10	W	[4]		
26- 72	SHIM 22.5 x 40 x 0.3	194341-13980	-			- 10	W	[4]	Selective	
26- 73	SHIM 22.5 x 40 x 0.1	194341-13990	-			- 10	W	[4]		
26- 74	LINER 25.5 x 60 x 1.6	194341-13960				2 10	W	[4]		
26- 75	BOLT M10 x 40	26116-100404				2 10		[1]		
26- 76	TURNBUCKLE 17 x 1.5	194150-12410				1				

Fig. 27 FRONT AXLE INTERIOR (YM155D, YM135D)

Fig. 27 FRONT AXLE INTERIOR (YM155D, YM135D)



Refer. No.	Description	Part No.	Q'ty/Unit			Inter-changeability	Design-change Mark	Remarks
			YM155	YM155D	YM135D			
27- 1	PROPELLER SHAFT ASS'Y	794210-13300	1	1	1			
27- 2	PROPELLER SHAFT ASS'Y	794210-13300-X	1	1	1	N		
27- 2	.SHAFT, propeller	*	1	1	1	*		Not Sold Separately. (194210-13320)
27- 3	.SHAFT, propeller	194210-13321-X	1	1	1	*		
27- 3	.YOKE, sleeve	*	1	1	1	*		Not Sold Separately. (194210-13350)
27- 4	.YOKE, sleeve	194210-13351-X	1	1	1	*	S	
27- 4	.YOKE, flange	*	1	1	1	*		Not Sold Separately. (194210-13360)
27- 5	.YOKE, flange	194210-13361-X	1	1	1	*	S	
27- 5	.JOINT, cross	*	2	2	2	*		Not Sold Separately. (194210-13370)
27- 6	.JOINT, cross	194210-13371-X	2	2	2	*	S	
27- 6	.NEEDLE BEARING	*	8	8	8	*		Not Sold Separately. (194210-13380)
27- 7	.NEEDLE BEARING	*	8	8	8	*	S	Not Sold Separately. (194210-13381)
27- 7	.SNAP RING 20	*	8	8	10	W		Not Sold Separately. (22252-000200)
27- 8	SPRING WASHER 8	22217-080000	4	4	4	Z		
27- 9	COVER, propeller shaft, complete	194210-13410	1	1	1			
27- 10	COVER, propeller shaft, complete	194210-13410-X	1	1	1	N		
27- 10	COVER, propeller shaft	194210-13420	1	1	1			
27- 11	COVER, propeller shaft	194210-13420-X	1	1	1	N		
27- 11	BOLT M6 x 10	26116-060102	4	4	10			
27- 12	BOLT M6 x 10	26013-060129	4	4	10	N		
27- 12	SPRING WASHER 6	22217-060000	4	4	4	Z		
27- 13	RUBBER (A), setting	194210-13430	1	1	1			
27- 13	RUBBER (A), setting	194212-14650	1	1	1	S		
27- 14	BAND, hose	194210-13490	1	1	10			YM155D-T/#57457

Fig. 27 FRONT AXLE INTERIOR (YM155D, YM135D)

Refer. No.	Description	Part No.	Q'ty/Unit			Sales Unit	Inter-changeability	Design-change Mark	Remarks	
			YM155	YM155D	YM135					YM135D
	BAND, hose	23010-115000	1		10	S				
27- 15	CLAMP	23010-100000	1	1	10					
	CLAMP	23010-105000	1		10	S				
27- 16	RUBBER (B), setting	194210-13440	1	1		Z	[4]	Interchangeable by set with 27-22.		
27- 17	SUPPORTER (A), propeller shaft cover	194210-13451	1	1		Z				
27- 18	BOLT M8 x 10	26116-080102	1	1	10	Z				
27- 19	SPRING WASHER 8	22217-080000	1	1	10	Z		YM155D-T/#57457		
27- 20	BOLT M6 x 16	26116-060162	4	4	10	Z				
27- 21	SPRING WASHER 6	22217-060000	4	4	10	Z				
27- 22	SUPPORTER (B), propeller shaft cover	194210-13460	1	1						
	SUPPORTER (B), propeller shaft cover	194210-13461	1	1		F	[4]	Interchangeable by set with 27-16.		
	SUPPORTER (B), propeller shaft cover	194210-13461	1	1		Z	[5]			
27- 23	BOLT M8 x 16	26116-080162	4	4	10					
	BOLT M8 x 16	26116-080162	4	4		Z	[5]			
27- 24	SPRING WASHER 8	22217-080000	4	4	10					
	SPRING WASHER 8	22217-080000	4	4		Z	[5]			
27- 25	SHAFT, spiral pinion	194210-14100	1	1						
27- 26	BALL BEARING 6305	24101-063054	1	1						
27- 27	CIRCLIP 25-S	22242-000250	1	1	10					
27- 28	CIRCLIP 52-H	22252-000520	1	1	10					

Fig. 27 FRONT AXLE INTERIOR (YM155D, YM135D)

Refer. No.	Description	Part No.	Q'ty/Unit				Sales Unit	Inter-changeability	Design-change Mark	Remarks
			YM155	YM155D	YM135	YM135D				
27- 29	BALL BEARING 6304	24101-063044	1		1					
27- 30	OIL SEAL TC30 45 8	194210-13590	1		10					
27- 31	O-RING 20-P	24311-000200	1		10					
27- 32	FLANGE, universal	194210-14121	1		10					
	FLANGE, universal	194210-14121-X	1				N			
27- 33	LOCK PLATE	194200-14160	1							
27- 34	WASHER, lock plate 31d x 3.2w	194200-14171	1							
27- 35	BOLT M8 x 16	26116-080162	1		10					
27- 36	HOUSING ASS'Y, differential	794200-31550	1							
	HOUSING ASS'Y, differential	794200-31551	1				N		In common with 28-1.	
27- 37	.HOUSING, differential 14id	*	1						\$ Not Sold Separately.	
	.HOUSING, differential 15id	*	1				S		\$ Not Sold Separately.	
27- 38	.PINION 10, differential 14id	*	2						(194200-31751) Not Sold Separately.	
	.PINION 10, differential 15id	*	2				S		\$ Not Sold Separately.	
27- 39	.SHAFT, differential pinion 14d x 85L	*	1						(194200-31811) Not Sold Separately.	
	.SHAFT, differential pinion 15d x 87L	*	1				S		\$ Not Sold Separately.	
27- 40	.GEAR 14, differential side 51.49d	*	2						(194200-31821) Not Sold Separately.	
	.GEAR 14, differential side 56.26d	*	2				S		\$ Not Sold Separately.	
	\$: Change effective units									
	YM155D - from No. 51482									
	YM135D - from No. 51101									

Fig. 27 FRONT AXLE INTERIOR (YM155D, YM135D)

Refer. No.	Description	Part No.	Qty/Unit			Sales Unit	Inter-change ability	Design-change Mark	Remarks
			YM155	YM155D	YM135				
27- 41	.SPACER 0.9, differential gear 42d	194200-31850	-	-	-	10			
	.SPACER 0.9, differential gear 49d	194200-31851	-	-	-	10	S	\$	
27- 42	.SPACER 1.0, differential gear 42d	194200-31860	-	-	-	10			
	.SPACER 1.0, differential gear 49d	194200-31861	-	-	-	10	S	\$	
27- 43	.SPACER 1.1, differential gear 42d	194200-31870	-	-	-	10		Selective	
	.SPACER 1.1, differential gear 49d	194200-31871	-	-	-	10	S	\$	
27- 44	.SPACER 1.2, differential gear 42d	194200-31880	-	-	-	10			
	.SPACER 1.2, differential gear 49d	194200-31881	-	-	-	10	S	\$	
27- 45	.THRUST COLLAR, differential 14id	194200-31900	1	1					
	.THRUST COLLAR, differential 15id	194200-31901	1	1			S	\$	
27- 46	.LINER 22.5 x 30 x 1	194200-31910	2	2					
27- 47	.PIN 4, differential lock	194200-31940	1	1	10				
27- 48	.LINER, differential pinion	*	2	2			W	{1} In common with 28-63. Not Sold Separately. (194200-31931)	
27- 49	BOLT M8 x 18	26116-080186	8	8	10				
	SEAL BOLT M8 x 18	194201-32150	8	8	10		N	{5}	
27- 50	WIRE 0.8 x 180	194200-32110	1	1	10				
	WIRE 0.8 x 180	194200-32110	1	1	10		Z	{5}	
27- 51	SHIM 72 x 0.1	194200-32330	-	-	-	10		Selective	
27- 52	SHIM 72 x 0.3	194200-32340	-	-	-	10			

\$: Change effective units
 YM155D - from No. 51482
 YM135D - from No. 51101

Fig. 27 FRONT AXLE INTERIOR (YM155D, YM135D)

Refer. No.	Description	Part No.	Qty/Unit			Sales Unit	Inter-change ability	Design-change Mark	Remarks
			YM155	YM155D	YM135				
27- 53	BALL BEARING 6207	24101-062074	2			2			
27- 54	CIRCLIP 30-S	22242-000300	2			2	10		
27- 55	SHAFT, front driving 30d x 245.8L	194341-14200	2						
	SHAFT, front driving 30d x 230L	194390-14200				2			
	SHAFT, front driving 30d x 230L	194391-14200				2		N {1}	
	SHAFT, front driving 30d x 229.3L	194341-14201	2			2		S {4}	
27- 56	RING 25, circular	194210-14210	2			2			
27- 57	BALL BEARING 6305	24101-063054	2			2			
27- 58	BEVEL GEAR 14 60d x 30.5L	194210-14230	2			2			
	BEVEL GEAR 14 64d x 33L	194341-14230	2			2		S {4}	
27- 59	BEVEL GEAR, king pin 73d	194210-14251	2			2			
	BEVEL GEAR, king pin 111d	194341-14250	2			2		S {4}	
27- 60	NEEDLE BEARING 29 x 33 x 16	194210-14260	4			4			
	NEEDLE BEARING KT25 x 31 x 20	194341-14260	4			4		S {4}	
27- 61	INNER COLLAR 22 x 28 x 33	194210-14270	2			2		Z {4}	
27- 62	LINER 22 x 41 x 2.3	194210-14280	4			4		Z {4}	
27- 63	SHIM 0.1, king pin	194210-14290	-			-	10	Z {4}	
27- 64	THRUST BEARING 51105	194210-14300	2			2			
	THRUST BEARING 51105	194210-14300	4			4		K {4}	
27- 65	COLLAR 22 x 25 x 10	194210-14310	2			2	5	Z {4}	
27- 66	LINER 22 x 34 x 1	194210-13960	2			2		Z {4}	
27- 67	O-RING 22-P	24311-000220	2			2	10	Z {4}	
27- 68	SHIM 22 x 34 x 0.5	194210-13970	2			2	10	Z {4}	
27- 69	OIL SEAL TC40 62 12 6	1A1040-28810	2			2	10		

Fig. 27 FRONT AXLE INTERIOR (YM155D, YM135D)

M E M O

Refer. No.	Description	Part No.	Q'ty/Unit			Sales Unit	Inter-change ability	Design-change Mark	Remarks
			YM155	YM155D	YM135				
27- 70	SEAL RING 35 x 42 x 17	194210-14400 194210-		2	2				Misprint
27- 71	LINER 30 x 42 x 2	194210-14410		2	2				
27- 72	BEVEL GEAR 27	194210-14420		2	2				
	BEVEL GEAR 20	194341-14420		2	2		S	[4]	
27- 73	BALL BEARING 6305	24101-063054		2	2		Z	[4]	
27- 74	BALL BEARING 6306	24101-063064		2	2				
	BALL BEARING 6306	24101-063064		4	4		K	[4]	
27- 75	GEAR 38, spiral ring	194200-32100		1	1				
27- 76	COLLAR 25 x 34 x 70.67	194341-13970		2	2		W	[4]	
27- 77	COLLAR 30 x 38 x 13.5	194341-14430		2	2		W	[4]	
27- 78	BALL BEARING 6205	24101-062054		2	2		W	[4]	
	BALL BEARING 6205	24101-062050		2	2		N		
27- 79	COLLAR 30.5 x 45 x 9.5	194341-14480		2	2		W	[4]	
27- 80	LINER 25.5 x 32 x 1	194341-14210		2	2	10	W	[4]	
27- 81	BALL BEARING 6205U	24102-062054		2	2		W	[4]	
27- 82	OIL SEAL, TC25 x 45 x 8	194341-14340		2	2	10	W	[4]	
27- 83	SHIM 30 x 40 x 0.1	195140-13700		-	-	10	W		Selective
27- 84	SHIM 30 x 40 x 0.3	195140-13710		-	-	10	W		
27- 85	SHIM 26 x 33 x 0.1	194341-14220		-	-	10	W		
27- 86	SHIM 26 x 33 x 0.3	194341-14240		-	-	10	W		
27- 87	BOLT M8 x 20	26116-080202		4	4	10			
	BOLT M8 x 20	26013-080202		4	4	10	N		

Fig. 28 STEERING SYSTEM (YM155, YM155D)

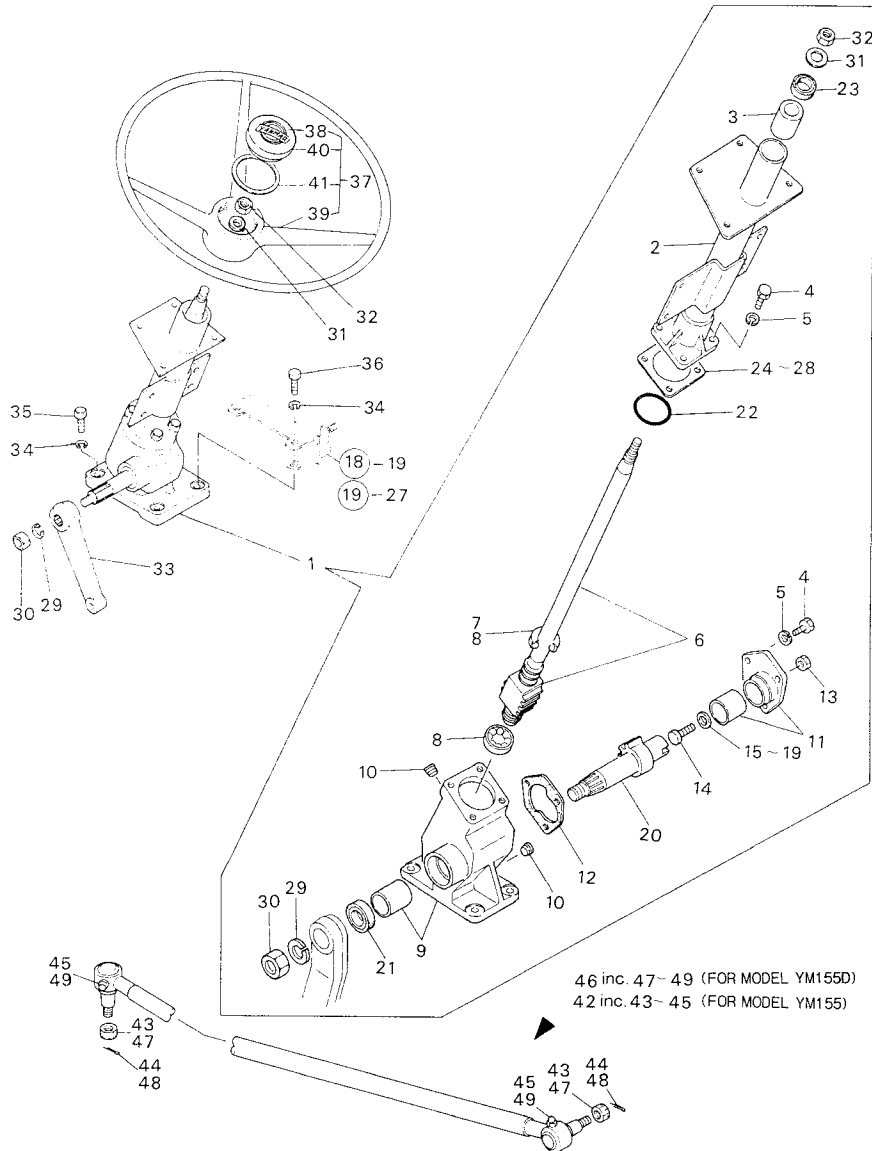


Fig. 28 STEERING SYSTEM (YM155, YM155D)

Refer. No.	Description	Part No.	Qty/Unit				Sales Unit	Interchangeability	Design-Mark	Remarks
			YM155	YM155D	YM135	YM155D				
28- 1	STEERING GEAR ASS'Y	794200-15101-X	1	1						
	STEERING GEAR ASS'Y	794340-15100-X	1	1			N	[4]		
28- 2	.COLUMN	794200-15200-X	1	1						
	.COLUMN	194340-15200-X	1	1			S	[4]		
28- 3	.BUSH, column	194200-15311	1	1						
	.BUSH, column	194340-15310	1	1			S	[4]		
28- 4	.BOLT, MS x 22	26116-080222	8	8		10				
	.BOLT, MS x 22	26116-080222	7	7		10	K	[4]		
28- 5	.SPRING WASHER 8	22217-080000	8	8		10				
	.SPRING WASHER 8	22217-080000	7	7		10	K	[4]		
28- 6	.BALL NUT COMP.	794200-15500	1	1						
	.BALL NUT COMP.	794340-15500	1	1			S	[4]		
28- 7	.BALL BEARING	194200-15410	1	1				Z		
28- 8	.BALL BEARING	194200-15420	1	1						
	.BALL BEARING	194750-15520	2	2			S	[4]		
28- 9	.BODY w/BUSH	794200-15100-X	1	1						
	.BODY w/BUSH	794340-15110-X	1	1			S	[4]		
28- 10	.PLUG	194200-15170	1	1						
	.PLUG	194262-15170-X	2	2			S	[4]		
28- 11	.COVER, side	794200-15150-X	1	1						
	.COVER, side	794340-15150-X	1	1			S	[4]		
28- 12	.PACKING, side cover	194200-15330	1	1						
	.PACKING, side cover	194340-15330	1	1			S	[4]		
28- 13	.NUT M10, P=1.5	26716-100002	1	1		10				
	.NUT M10, P=1.25	26776-100002	1	1		10	S	[4]		
28- 14	.ADJUST SCREW	194200-15470	1	1						
	.ADJUST SCREW	194130-15470	1	1			S	[4]		

Fig. 28 STEERING SYSTEM (YM155,YM155D)

Refer. No.	Description	Part No.	Qty/Unit			Sales Unit	Inter-change ability	Design-change Mark	Remarks
			YM155	YM155D	YM155				
			YM155	YM155D	YM155D				
28- 15	.SHIM, adjust screw	194200-15420	1	1				Misprint	
	.SHIM, adjust screw	194200-15390	1	1		N			
	.SHIM, adjust screw	194080-15420	1	1		S	[4]		
28- 16	.SHIM, adjust screw	194200-15430	1	1					
	.SHIM, adjust screw	194080-15430	1	1		S	[4]		
28- 17	.SHIM, adjust screw	194200-15440	1	1					
	.SHIM, adjust screw	194080-15440	1	1		S	[4]		
28- 18	.SHIM, adjust screw	194080-15450	1	1				[4]	
28- 19	.SHIM, adjust screw	194080-15460	1	1				[4]	
28- 20	.SHAFT, sector	194200-15140	1	1					
	.SHAFT, sector	194340-15140	1	1		S	[4]		
28- 21	.OIL SEAL	194200-15220	1	1					
	.OIL SEAL	194740-55620	1	1		S	[4]		
28- 22	.O-RING	194340-15230	1	1				W [4]	
28- 23	.OIL SEAL	194340-15210	1	1				W [4]	
28- 24	.SHIM	194200-15250	1	1					
	.SHIM	194750-15250	1	1		S	[4]		
28- 25	.SHIM	194200-15260	1	1					
	.SHIM	194750-15260	1	1		S	[4]		
28- 26	.SHIM	194200-15270	1	1					
	.SHIM	194750-15270	1	1		S	[4]		
28- 27	.SHIM	194200-15280	1	1					
	.SHIM	194750-15280	1	1		S	[4]		
28- 28	.SHIM	194200-15290	1	1					
	.SHIM	194750-15290	1	1		S	[4]		
28- 29	.SPRING WASHER 20	22217-200000	1	1	10				
28- 30	.NUT M20	26776-200002	1	1	10				
28- 31	.WASHER 14	22117-140000	1	1	10				
28- 32	.NUT M14	26776-140002	1	1	10				

Fig. 28 STEERING SYSTEM (YM155,YM155D)

Refer. No.	Description	Part No.	Qty/Unit				Sales Unit	Inter-change ability	Design-change Mark	Remarks
			YM155	YM155D	YM155	YM155D				
			YM155	YM155D	YM155D	YM155D				
28- 33	ARM, pitman	194200-15611	1	1						
	ARM, pitman	194340-15610-X	1	1			F	[3]	Interchangeable by set with 28-45.	
	ARM, pitman	194341-15610-X		1			F	[5]	Interchangeable by set with 28-45.	
28- 34	SPRING WASHER 10	22217-100000	4	4	10					
28- 35	BOLT M10 x 30	26116-100302	2	2	10					
	BOLT M10 x 30	26013-100302	2	2	10	N				
28- 36	BOLT M10 x 40	26116-100402	2	2	10					
	BOLT M10 x 40	26013-100402	2	2	10	N				
28- 37	STEERING WHEEL COMPLETE	794200-15710	1	1						
28- 38	.LABEL, steering wheel	194200-65100	1	1						
	.LABEL, steering wheel	194345-65100	1	1		N			YM155 -T/#52260 YM155D-T/#57524	
28- 39	.STEERING WHEEL	194200-15730	1	1						
28- 40	.CAP, steering wheel	194200-15740	1	1						
28- 41	.PACKING, wheel cap	194200-15750	1	1						
28- 42	DRAG-ROD	194200-16111	1							
	DRAG-ROD	194200-16111-X	1				N			
	DRAG-ROD	194340-16110-X	1				F	[3]	Interchangeable by set with 23-34.	
28- 43	.CASTLE NUT M11	194730-57241	2		10					
28- 44	.COTTER PIN 3 x 25	22417-300250	2		10					
28- 45	.GREASE NIPPLE 1/4	194730-57411	2		10					
	.GREASE NIPPLE MT6x1	24761-060000	2		10	N				
28- 46	DRAG-ROD	194200-16111	1							
	DRAG-ROD	194200-16111-X	1				N			
	DRAG-ROD	194340-16110	1				F	[3]	Interchangeable by set with 23-34.	
	DRAG-ROD	194341-16110-X	1				F	[5]	do.	
28- 47	.CASTLE NUT M11	194730-57241	2		10					
28- 48	.COTTER PIN 3 x 25	22417-300250	2		10					
28- 49	.GREASE NIPPLE 1/4	194730-57411	2		10					
	.GREASE NIPPLE MT6x1	24761-060000	2		10	N				

Fig. 29 STEERING SYSTEM (YM135,YM135D)

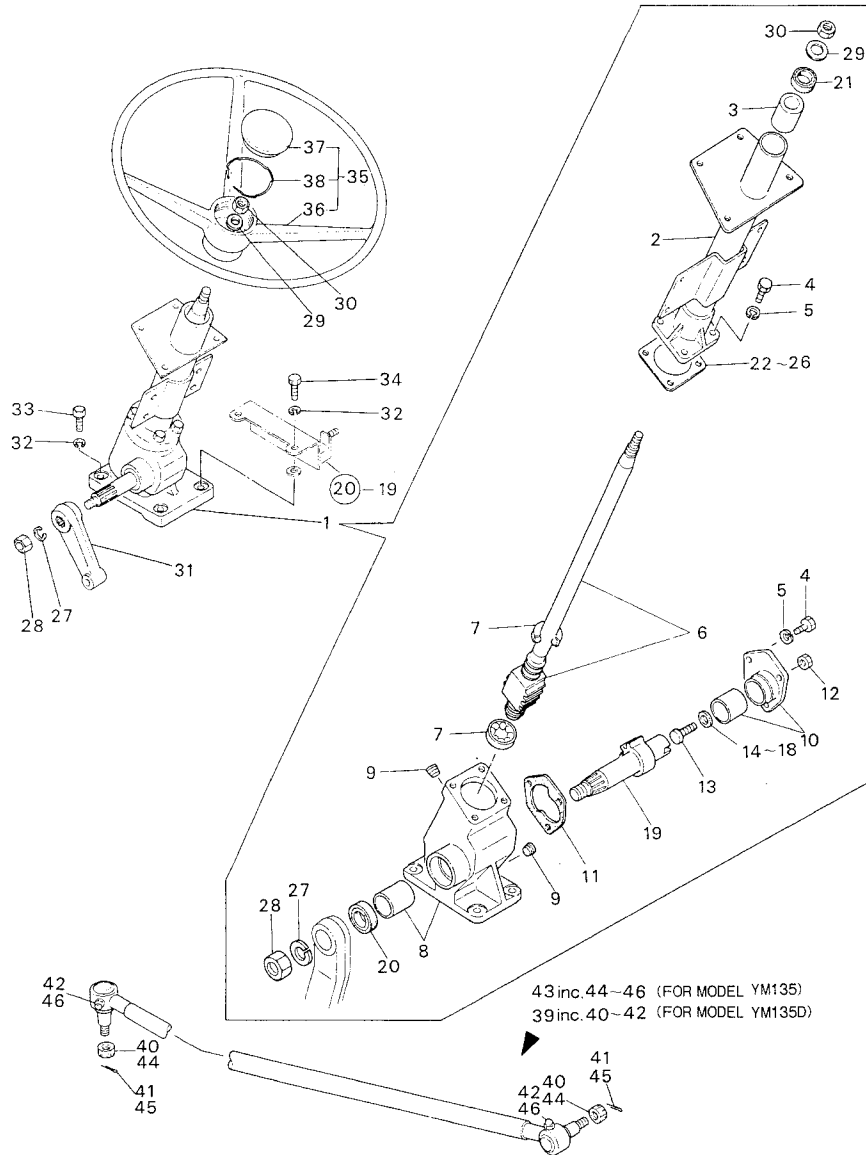


Fig. 29 STEERING SYSTEM (YM135,YM135D)

Refer. No.	Description	Part No.	Qty/Unit				Sales Unit	Inter-changeability	Design-change Mark	Remarks
			YM135	YM135D	YM135	YM135D				
29- 1	STEERING GEAR ASS'Y	194262-15100-X			1	1				
29- 2	.COLUMN	194262-15200-X			1	1				
29- 3	.BUSH, column	194262-15310			1	1				
29- 4	.BOLT, M8 x 22	26116-080222			7	7	10			
29- 5	.SPRING WASHER Ø	22217-080000			7	7	10			
29- 6	.BALL NUT COMP.	794262-15500			1	1				
29- 7	.BALL BEARING	194262-15520			2	2				
29- 8	.BODY w/BUSH	794262-15110-X			1	1				
29- 9	.PLUG	194262-15170			2	2				
29- 10	.COVER, side	194262-15150-X			1	1				
29- 11	.PACKING, side cover	194262-15330			1	1				
29- 12	.NUT M8, P=1.25	26756-080002			1	1	10			
29- 13	.ADJUST SCREW	194262-15470			1	1				
29- 14	.SHIM, adjust screw	194262-15420			1	1				
29- 15	.SHIM, adjust screw	194262-15430			1	1				
29- 16	.SHIM, adjust screw	194262-15440			1	1				
29- 17	.SHIM, adjust screw	194262-15450			1	1				
29- 18	.SHIM, adjust screw	194262-15460			1	1				
29- 19	.SHAFT, sector	194262-15140 15410			1	1				Misprint
29- 20	.OIL SEAL	194262-15220			1	1				
29- 21	.OIL SEAL	194262-15210			1	1				
29- 22	.SHIM	194750-15250			1	1				
29- 23	.SHIM	194750-15260			1	1				
29- 24	.SHIM	194750-15270			1	1				
29- 25	.SHIM	194750-15280			1	1				
29- 26	.SHIM	194750-15290			1	1		w	[4]	Selective

Fig. 29 STEERING SYSTEM (YM135, YM135D)

M E M O

Refer. No.	Description	Part No.	Q'ty/Unit			Sales Unit	Interchangeability	Design-change Mark	Remarks
			YM155	YM155D	YM135				
29- 27	.SPRING WASHER 16	22217-160000		1	1	10			
29- 28	.NUT M16	26776-160002		1	1	10			
29- 29	.WASHER 12	22222-120000		1	1	10			
29- 30	.NUT M12	26776-120002		1	1	10			
29- 31	ARM, pitman	194262-15610-X		1	1				
	ARM, pitman	194262-15611-X		1			N	{1}	
	ARM, pitman	194391-15610-X			1		F	{4}	Interchangeable by set with 29-45.
29- 32	SPRING WASHER 10	22217-100000		4	4	10			
29- 33	BOLT M10 x 30	26116-100302		2	2	10			
29- 34	BOLT M10 x 40	26116-100402		2	2	10			
29- 35	STEERING WHEEL COMPLETE	794262-15710		1	1				
29- 36	.STEERING WHEEL	194262-15730		1	1				
29- 37	.CAP, steering wheel	194262-15740		1	1				
29- 38	.LOCKING, spring retainer	194262-15750		1	1				
29- 39	DRAG-ROD	194262-16110			1				
	DRAG-ROD	194262-16110-X			1		N		
29- 40	.CASTLE NUT M11	194730-57241		2	10				
29- 41	.COTTER PIN 3 x 25	22417-300250		2	10				
29- 42	.GREASE NIPPLE 1/4	194730-57411		2	10				
	.GREASE NIPPLE MT6x1	24761-060000		2	10		N		
29- 43	DRAG-ROD	194200-16111		1					
	DRAG-ROD	194200-16111-X		1			N		
	DRAG-ROD	194340-16110-X		1			F	{4}	
29- 44	.CASTLE NUT M11	194730-57241		2	10				
29- 45	.COTTER PIN 3 x 25	22417-300250		2	10				
29- 46	.GREASE NIPPLE 1/4	194730-57411		2	10				
	.GREASE NIPPLE MT6x1	24761-060000		2	10		N		

Fig. 30 CLUTCH (EXCEPT FRANCE & PORTUGAL) [YM155, YM155D]

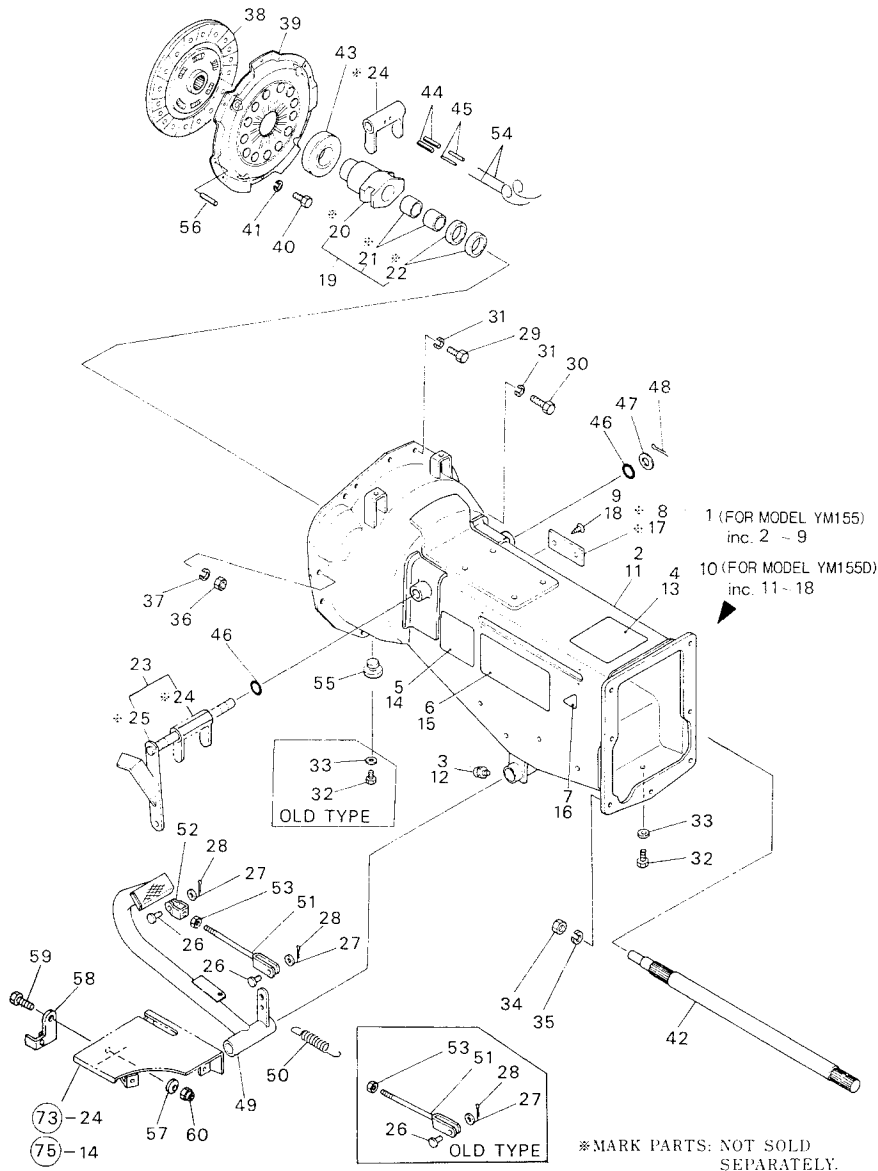


Fig. 30 CLUTCH (EXCEPT FRANCE & PORTUGAL) [YM155, YM155D]

Refer. No.	Description	Part No.	Qty/Unit			Sales Unit	Inter-changeability	Design-change Mark	Remarks
			YM155	YM155D	YM135				
30- 1	HOUSING ASS'Y, clutch	794340-21000-X	1						
	HOUSING ASS'Y, clutch	794340-21001-X	1				F	[5]	
30- 2	.HOUSING, complete, clutch	194200-21102-X	1				F	[5]	
	.HOUSING, complete, clutch	194200-21003-X	1						
30- 3	.GREASE NIPPLE A-M6F	24761-010000	1				N		
	.GREASE NIPPLE A-PT6F	24764-010000	1						
30- 4	.LABEL, tractor model	194340-65151	1				N		YM155 from No. 51375
	.LABEL, tractor model	194340-65152	1				Z		
	.LABEL, tractor model	194340-65152	1				Z		
30- 5	.LABEL, tractor oiling instruction	194340-65320	1				Z		
30- 6	.LABEL, handling instruction	194340-65200	1				Z		
30- 7	.LABEL, caution	194240-65720	1				W	[3]	
	.LABEL, caution	194240-65720	1				Z		
30- 8	.LABEL, tractor No.	*	1				W		YM155 from No. 51375
	.LABEL, tractor No.	*	1				Z		
30- 9	.SCREW 4 x 10, tapping	22857-400100	2				W		
30- 10	HOUSING ASS'Y, clutch	794241-21000	1				N	[1]	
	HOUSING ASS'Y, clutch	794341-21000-X	1						
30- 11	.HOUSING, complete, clutch	194210-21103-X	1				F	[5]	
	.HOUSING, complete, clutch	194210-21104-X	1						
30- 12	.GREASE NIPPLE A-M6F	24761-010000	1				N		
	.GREASE NIPPLE A-PT6F	24764-010000	1						
30- 13	.LABEL, tractor model	194341-65151	1				N		YM155D from No. 52536
	.LABEL, tractor model	194341-65152	1				Z		
	.LABEL, tractor model	194341-65152	1				Z		
30- 14	.LABEL, tractor oiling instruction	194341-65320	1				Z		

Fig. 30 CLUTCH (EXCEPT FRANCE & PORTUGAL) [YM155,YM155D]

Refer. No.	Description	Part No.	Q'ty/Unit				Sales Unit	Inter-change ability	Design-change Mark	Remarks
			YM155	YM155D	YM135	YM135D				
30- 15	.LABEL, handling instruction	194340-65200		1				Z		
30- 16	.LABEL, caution	194240-65720		1				W [3]		
	.LABEL, caution	194240-65720		1				Z		
30- 17	.LABEL, tractor No.	*		1				W	YM155D from No. 52536	
	.LABEL, tractor No.	*		1				Z		
30- 18	.SCREW 4 x 10, tapping	22857-400100		2				W		
30- 19	BEARING SLEEVE ASS'Y	794200-22050	1	1				W [3]		
30- 20	.BEARING SLEEVE	194200-22150	1	1			*	Z		
	.BEARING SLEEVE	*	1	1			*	F [3]	Not Sold Separately. (194200-22150)	
30- 21	.METAL 22 x 25 x 20	194200-22170	1	1				Z		
	.METAL 22.4 x 28 x 22.4	*	2	2			*	F&K [3]	Not Sold Separately. (194150-22160)	
	.METAL 22.4 x 28 x 22.4	*	2	2			*	N	Not Sold Separately. (194150-22160) YM155 - from No. 51264 YM155D - from No. 51968	
30- 22	.FELT, clutch release	194200-22190	1	1			*	Z		
	.FELT, clutch release	*	2	2			*	F&K [3]	Not Sold Separately. (194200-22191)	
30- 23	CLUTCH RELEASE SHAFT ASS'Y	794340-22100	1	1				W [3]		
30- 24	.FORK, clutch shift	194200-22310	1	1				Z		
	.FORK, clutch shift	*	1	1			*	F [3]	Not Sold Separately. (194200-22311)	
30- 25	.SHAFT, clutch release	194340-22330	1	1				Z		
	.SHAFT, clutch release	*	1	1			*	F [3]	Not Sold Separately. (194340-22331)	
30- 26	PIN 8 x 17.5	194200-37800	2	2						
30- 27	WASHER 8, plain	22117-080000	2	2		10				
30- 28	COTTER PIN 2 x 15	22417-200150	2	2		10				
30- 29	BOLT M8 x 16	26116-080162	6	6		10				
	BOLT M8 x 16	26013-080162	6	6		10	N			
30- 30	BOLT M8 x 20	26116-080202	1	1		10				
	BOLT M8 x 20	26013-080162	1	1		10	N			
30- 31	SPRING WASHER 8	22217-080000	7	7		10		Z		

Fig. 30 CLUTCH (EXCEPT FRANCE & PORTUGAL) [YM155,YM155D]

Refer. No.	Description	Part No.	Q'ty/Unit				Sales Unit	Inter-change ability	Design-change Mark	Remarks
			YM155	YM155D	YM135	YM135D				
30- 32	BOLT M6 x 10	26116-060102	2	1			10			
	BOLT M6 x 10	26116-060102	1					K	[5]	
30- 33	WASHER 6, plain	22117-060000	2	1			10			
	WASHER 6, plain	22117-060000	1					K	[5]	
30- 34	NUT M12	26716-120002	7	7			10			
30- 35	SPRING WASHER 12	22217-120000	7	7			10			
30- 36	NUT M10	26736-100002	2	2			10			
	NUT M10	26716-100002	2	2				S	YM155 -T/#52028 YM155D-T/#56405	
30- 37	SPRING WASHER 10	22217-100000	2	2						
30- 38	CLUTCH DISK ASS'Y	794200-21400	1	1						
	CLUTCH DISK ASS'Y	194340-21400	1	1				N	[5]	
	CLUTCH DISK ASS'Y	194340-21410	1	1				N	YM155 -T/#52182 YM155D-T/#57428	
30- 39	PRESSURE PLATE ASS'Y	794200-21700	1	1						
	PRESSURE PLATE ASS'Y	194340-21700	1	1				N	[5]	
30- 40	BOLT M8 x 20	26116-080202	6	6			10			
	BOLT M8 x 20	26013-080202	6	6			10	N		
30- 41	SPRING WASHER 8	22217-080000	6	6			10			
30- 42	SHAFT, main driving 22dx442L	194200-22110	1	1						
30- 43	BEARING, clutch release	194200-22180	1	1						
30- 44	SPRING PIN .5 x 28	22351-050028	1	1			10			
	SPRING PIN 5 x 28	22351-050028	2	2			10	K	[3]	
30- 45	SPRING PIN 3 x 28	22351-030028	1	1			10			
	SPRING PIN 3 x 28	22351-03028	2	2			10	K	[3]	
30- 46	O-RING 14-P	24311-000140	2	2			10			
30- 47	WASHER 14, plain	22117-140000	1	1			10			
30- 48	COTTER PIN 3 x 25	22417-300250	1	1			10			
30- 49	CLUTCH PEDAL	194200-22410	1	1						
30- 50	SPRING, brake pedal return	194200-37510	1	1						
30- 51	ROD, clutch	194200-22460	1	1						
	ROD, clutch	194340-22460	1	1				N	[5]	
30- 52	JOINT (B), clutch rod	194200-22490	1	1						

Fig. 30 CLUTCH (EXCEPT FRANCE & PORTUGAL) [YM155, YM155D]

M E M O

Refer. No.	Description	Part No.	Qty/Unit			Sales Unit	Inter-change ability	Design-change Mark	Remarks
			YM155	YM155D	YM155				
30- 53	LOCK NUT M10	26756-100002	1	1		10			
30- 54	WIRE 0.9 x 140	194200-22380	2	2			w		
30- 55	CAP 20, rubber	194300-21450	1	1			w	[5]	
30- 56	SPRING PIN 8x16	22351-080016	2	2		10	w		
30- 57	SPRING WASHER 8	194200-37390	1	1			w		
30- 58	PLATE, lock	194340-62810	1	1			w		
30- 59	BOLT M 8x 20	26116-080202	1	1		10	w		
30- 60	U-NUT M 8	26346-080002	1	1		10	w		

Fig. 31 CLUTCH (FRANCE & PORTUGAL) [YM155, YM155D]

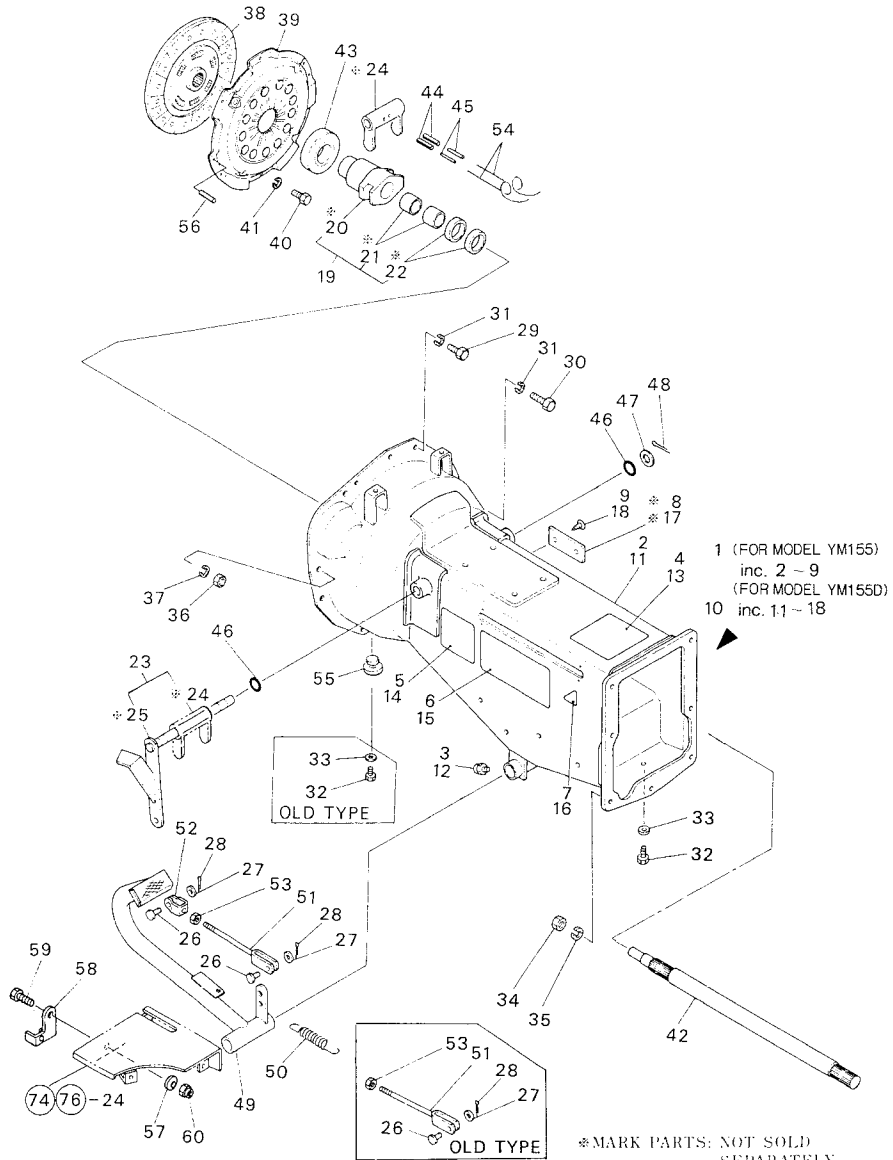


Fig. 31 CLUTCH (FRANCE & PORTUGAL) [YM155, YM155D]

Refer. No.	Description	Part No.	Qty/Unit			Interchangeability	Design Change Mark	Remarks
			YM155	YM155D	YM155			
31- 1	HOUSING ASS'Y, clutch	794340-21000-X	1					
	HOUSING ASS'Y, clutch	794340-21001-X	1			F	[5]	
31- 2	.HOUSING, complete, clutch	194200-21102-X	1			F	[5]	
	.HOUSING, complete, clutch	194200-21003-X	1			F	[5]	
	.HOUSING, complete, clutch	194340-21110-X	1			N		
31- 3	.GREASE NIPPLE A-M6F	24751-010000	1			N		
	.GREASE NIPPLE A-PT6F	24764-010000	1			N		
31- 4	.LABEL, tractor model	194340-65151	1					
	.LABEL, tractor model	194340-65152	1			N		YM155 from No. 51375
	.LABEL, tractor model	194340-65152	1			Z		
31- 5	.LABEL, tractor oiling instruction	194340-65320	1			Z		
31- 6	.LABEL, handling instruction	194340-65200	1			Z		
31- 7	.LABEL, caution	194240-65720	1			W	[3]	
	.LABEL, caution	194240-65720	1			Z		
31- 8	.LABEL, tractor No.	*	1			W		
	.LABEL, tractor No.	*	1			Z		
31- 9	.SCREW 4 x 10, tapping	22857-400100	2			W		
31- 10	HOUSING ASS'Y, clutch	794241-21000	1					
	HOUSING ASS'Y, clutch	794341-21000-X	1			N	[1]	
	HOUSING ASS'Y, clutch	794341-21001-X	1			F	[5]	
31- 11	.HOUSING, complete, clutch	194210-21103-X	1			F	[5]	
	.HOUSING, complete, clutch	194210-21104-X	1			F	[5]	
	.HOUSING, complete, clutch	194341-21110	1					
31- 12	.GREASE NIPPLE A-M6F	24761-010000	1					
	.GREASE NIPPLE A-PT6F	24764-010000	1			N		
31- 13	.LABEL, tractor model	194341-65151	1					
	.LABEL, tractor model	194341-65152	1			N		YM155D from No. 52536
	.LABEL, tractor model	194341-65152	1			Z		
31- 14	.LABEL, tractor oiling instruction	194341-65320	1			Z		

Fig. 31 CLUTCH (FRANCE & PORTUGAL) [YM155, YM155D]

Refer. No.	Description	Part No.	Qty/Unit				Inter-change ability	Design-change Mark	Remarks
			YM155	YM155D	YM135	YM135D			
31- 15	.LABEL, handling instruction	194340-65200	1				Z		
31- 16	.LABEL, caution	194240-65720	1				Z		
31- 17	.LABEL, tractor No.	*	1				W	YM155D from No. 52536	
	.LABEL, tractor No.	*	1				Z		
31- 18	.SCREW 4 x 10, tapping	22857-400100	2				Z		
31- 19	BEARING SLEEVE ASS'Y	794200-22050	1	1			W	[3]	
31- 20	.BEARING SLEEVE	194200-22150	1	1		*	Z		
	.BEARING SLEEVE	*	1	1		*	F	[3] Not Sold Separately. (194200-22151)	
31- 21	.METAL 22 x 25 x 20	194200-22170	1	1			Z		
	.METAL 22.4 x 28 x 22.4	*	2	2		*	F&K	[3] Not Sold Separately.	
	.METAL 22.4 x 28 22.4	*	2	2		*	N	Not Sold Separately. (194150-22160) YM155 - from No. 51264 YM155D - from No. 51968	
31- 22	.FELT, clutch release	194200-22190	1	1		*	Z		
	.FELT, clutch release	*	2	2		*	F&K	[3] Not Sold Separately. (194200-22191)	
31- 23	CLUTCH RELEASE SHAFT ASS'Y	794340-22100	1	1			W	[3]	
31- 24	.FORK, clutch shift	194200-22310	1	1			Z		
	.FORK, clutch shift	*	1	1		*	F	[3] Not Sold Separately. (194200-22311)	
31- 25	.SHAFT, clutch release	194340-22330	1	1		*	Z		
	.SHAFT, clutch release	*	1	1		*	F	[3] Not Sold Separately. (194340-22331)	
31- 26	PIN 8 x 17.5	194200-37800	2	2					
31- 27	WASHER 8, plain	22117-080000	2	2		10			
31- 28	COTTER PIN 2 x 15	22417-200150	2	2		10			
31- 29	BOLT M8 x 16	26116-080162	6	6		10			
	BOLT M8 x 16	26013-080162	6	6		10	N		
31- 30	BOLT M8 x 20	26116-080202	1	1		10			
	BOLT M8 x 20	26013-080162	1	1		10	N		
31- 31	SPRING WASHER 8	22217-080000	7	7			Z		

Fig. 31 CLUTCH (FRANCE & PORTUGAL) [YM155, YM155D]

Refer. No.	Description	Part No.	Qty/Unit				Inter-change ability	Design-change Mark	Remarks
			YM155	YM155D	YM135	YM135D			
31- 32	BOLT M6 x 10	26116-060102	2	1			10		
	BOLT M6 x 10	26116-060102	1				10	K [5]	
31- 33	WASHER 6, plain	22117-060000	2	1			10		
	WASHER 6, plain	22117-060000	1				10	K [5]	
31- 34	NUT M12	26716-120002	7	7			10		
31- 35	SPRING WASHER 12	22217-120000	7	7			10		
31- 36	NUT M10	26736-100002	2	2			10		
	NUT M10	26716-100002	2	2				S YM155-52028 YM155D-56405	
31- 37	SPRING WASHER 10	22217-100000	2	2					
31- 38	CLUTCH DISK ASS'Y	794200-21400	1	1					
	CLUTCH DISK ASS'Y	194262-21400						N [1]	
	CLUTCH DISK ASS'Y	194340-21400	1	1				N [5]	
	CLUTCH DISK ASS'Y	194340-21410	1	1				N YM155-52182 YM155D-57428	
31- 39	PRESSURE PLATE ASS'Y	794200-21700	1	1					
	PRESSURE PLATE ASS'Y	194340-21700	1	1				N [5]	
31- 40	BOLT M8 x 20	26116-080202	6	6			10		
	BOLT M8 x 20	26013-080202	6	6			10	N	
31- 41	SPRING WASHER 8	22217-080000	6	6				Z	
31- 42	SHAFT, main driving 22dx442L	194200-22110	1	1					
31- 43	BEARING, clutch release	194200-22180	1	1					
31- 44	SPRING PIN 5 x 28	22351-050028	1	1			10		
	SPRING PIN 5 x 28	22351-050028	2	2			10	K [3]	
31- 45	SPRING PIN 3 x 28	22351-030028	1	1			10		
	SPRING PIN 3 x 28	22351-03028	2	2			10	K [3]	
31- 46	O-RING 14-P	24311-000140	2	2			10		
31- 47	WASHER 14, plain	22117-140000	1	1			10		
31- 48	COTTER PIN 3 x 25	22417-300250	1	1			10		

Fig. 31 CLUTCH (FRANCE & PORTUGAL) [YM155, YM155D]

M E M O

Refer. No.	Description	Part No.	Q'ty/Unit				Sales Unit	Inter-change ability	Design-change Mark	Remarks
			YM155	YM155D	YM135	YM135D				
31- 49	CLUTCH PEDAL	194200-22410	1	1						
31- 50	SPRING, brake pedal return	194200-37510	1	1						
31- 51	ROD, clutch	194200-22460	1	1						
	ROD, clutch	194340-22460	1	1			N	[5]		
31- 52	JOINT (B), clutch rod	194200-22490	1	1						
31- 53	LOCK NUT M10	26756-100002	2	2		10				
31- 54	WIRE 0.9 x 140	194200-22380	2	2			W			
31- 55	CAP 20, rubber	194300-21450	1	1			W	[5]		
31- 56	SPRING PIN 8x16	22351-080016	2	2		10	W			
31- 57	SPRING WASHER 8	194200-37390	1	1			W			
31- 58	PLATE, lock	194340-62810	1	1			W			
31- 59	BOLT M 8x 20	26116-080202	1	1		10	W			
31- 60	U-NUT M 8	26346-080002	1	1		10	W			

Fig. 32 CLUTCH (U.S.A.) [YM135,YM135D]

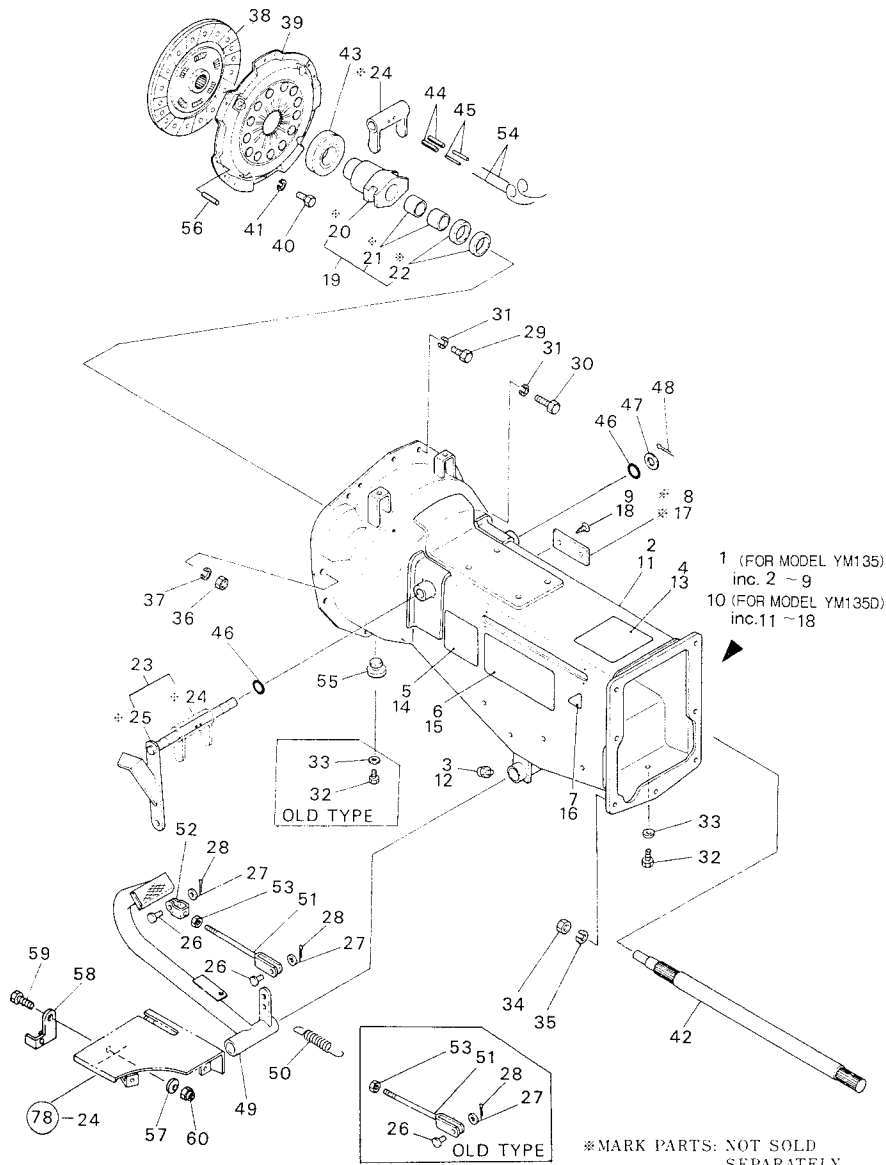


Fig. 32 CLUTCH (U.S.A.) [YM135,YM135D]

Refer. No.	Description	Part No.	Qty/Unit			Sales Unit	Interchangeability	Design-change Mark	Remarks
			YM135	YM135D	YM135				
32- 1	HOUSING ASS'Y, clutch	794390-21000-X			1				
	HOUSING ASS'Y, clutch	794390-21001-X			1		F	[5]	
32- 2	HOUSING, complete, clutch	194200-21102-X			1				
	HOUSING, complete clutch	194200-21003-X			1		F	[5]	
32- 3	GREASE NIPPLE A-M6F	24761-010000			1				
	GREASE NIPPLE A-PT6F	24764-010000			1		N		
32- 4	LABEL, tractor model	194390-65150			1				
	LABEL, tractor model	194340-65152			1		N		YM135 from No. 51173
	LABEL, tractor model	194340-65152			1		Z		
32- 5	LABEL, tractor oiling instruction	194340-65320			1		Z		
32- 6	LABEL, handling instruction	194390-65200			1		Z		
32- 7	LABEL, caution	194240-65720			1		W	[3]	
	LABEL, caution	194240-65720			1		Z		
32- 8	LABEL, tractor No.	*			1		W		YM135 - from No. 51173 YM135D - from No. 51209
	LABEL, tractor No.	*			1		Z		
32- 9	SCREW 4 x 10, tapping	22857-400100			2		W		
	SCREW 4 x 10, tapping	22857-400100			2		Z		
32- 10	HOUSING ASS'Y, clutch	794391-21000-X			1				
	HOUSING ASS'Y, clutch	794391-21001-X			1		F	[5]	Interchangeable by set with 32-55.
32- 11	HOUSING, complete, clutch	194210-21103-X			1				
	HOUSING, complete, clutch	194210-21104-X			1		F	[5]	
32- 12	GREASE NIPPLE A-M6F	24761-010000			1				
	GREASE NIPPLE A-PT6F	24764-010000			1		N		
32- 13	LABEL, tractor model	194391-65150			1				
	LABEL, tractor model	194341-65152			1		N		YM135D from No. 51209
	LABEL, tractor model	194341-65152			1		Z		
	LABEL, tractor oiling instruction	194341-65320			1		Z		

Fig. 32 CLUTCH (U.S.A.) [YM135, YM135D]

Refer. No.	Description	Part No.	Q'ty/Unit			Sales Unit	Inter-changeability	Design-change Mark	Remarks
			YM155	YM155D	YM135				
32- 15	.LABEL, handling instruction	194390-65200			1		Z		
32- 16	.LABEL, caution	194240-65720			1		Z		
32- 17	.LABEL, tractor No.	*			1		W	YM135D from No. 51209	
	.LABEL, tractor No.	*			1		Z		
32- 18	.SCREW 4 x 10, tapping	22857-400100			2		Z		
32- 19	BEARING SLEEVE ASS'Y	794200-22050			1		W	[2]	
	BEARING SLEEVE ASS'Y	794200-22050		1			W	[3]	
32- 20	.BEARING SLEEVE	194200-22150		1	1	*	Z		
	.BEARING SLEEVE	*		1	1	*	F	[3] Not Sold Separately. (194200-22151)	
32- 21	.METAL 22 x 25 x 20	194200-22170		1	1		Z		
	.METAL 22.4 x 28 x 22.4	*		2	2	*	F&K	[3] Not Sold Separately. (194150-22160)	
	.METAL 22.4 x 28 22.4	*		2	2	*	N	YM135 from No. 51142 YM135D from No. 51154	
32- 22	.FELT, clutch release	194200-22190		1	1	*	Z		
	.FELT, clutch release	*		2		*	F&K	[2] Not Sold Separately.	
	.FELT, clutch release	*		2		*	F&K	[3] Not Sold Separately. (194200-22191)	
32- 23	CLUTCH RELEASE SHAFT ASS'Y	794340-22100		1	1		W	[3]	
32- 24	.FORK, clutch shift	194200-22310		1	1		Z		
	.FORK, clutch shift	*		1	1	*	F	[3] Not Sold Separately. (194200-22311)	
32- 25	.SHAFT, clutch release	194340-22330		1	1	*	Z		
	.SHAFT, clutch release	*		1	1	*	F	[3] Not Sold Separately.	
32- 26	PIN 8 x 17.5	194200-37800		2	2				
32- 27	WASHER 8, plain	22117-080000		2	2	10			
32- 28	COTTER PIN 2 x 15	22417-200150		2	2	10			
32- 29	BOLT M8 x 16	26116-080162		6	6	10			
	BOLT M8 x 16	26013-080162		6	6	10	N		
32- 30	BOLT M8 x 20	26116-080202		1	1	10			
	BOLT M8 x 20	26013-080162		1	1	10	N		
32- 31	SPRING WASHER 8	22217-080000		7	7		Z		

Fig. 32 CLUTCH (U.S.A.) [YM135, YM135D]

Refer. No.	Description	Part No.	Q'ty/Unit				Sales Unit	Inter-changeability	Design-change Mark	Remarks
			YM155	YM155D	YM135	YM135D				
32- 32	BOLT M6 x 10	26116-060102			2	1	10			
	BOLT M6 x 10	26116-060102			1			K	[5]	
32- 33	WASHER 6, plain	22117-060000			2	1	10			
	WASHER 6, plain	22117-060000			1			K	[5]	
32- 34	NUT M12	26716-120002			7	7	10			
32- 35	SPRING WASHER 12	22217-120000			7	7	10			
32- 36	NUT M10	26736-100002			2	2	10			
	NUT M10	26716-100002			2	2		S	YM135 from No. 52028 YM135D from No. 56405	
32- 37	SPRING WASHER 10	22217-100000			2	2				
32- 38	CLUTCH DISK ASS'Y	794200-21400		1	1					
	CLUTCH DISK ASS'Y	194262-21400		1	1			N	[1]	
	CLUTCH DISK ASS'Y	194340-21410		1	1			N	YM135 from No. 52182 YM135D from No. 57428	
32- 39	PRESSURE PLATE ASS'Y	794200-21700		1	1					
	PRESSURE PLATE ASS'Y	194262-21700		1	1			N	[1]	
	PRESSURE PLATE ASS'Y	194340-21700		1	1			N	[5]	
32- 40	BOLT M8 x 20	26116-080202		6	6	10				
	BOLT M8 x 20	26013-080202		6	6	10		N		
32- 41	SPRING WASHER 8	22217-080000		6	6			Z		
32- 42	SHAFT, main driving 22dx442L	194200-22110		1	1					
32- 43	BEARING, clutch release	194200-22180		1	1					
32- 44	SPRING PIN 5 x 28	22351-050028		1	1	10		K	[3]	
	SPRING PIN 5 x 28	22351-050028		2	2	10				
32- 45	SPRING PIN 3 x 28	22351-030028		1	1	10				
	SPRING PIN 3 x 28	22351-03028		2	2	10		K	[3]	
32- 46	O-RING 14-P	24311-000140		2	2	10				
32- 47	WASHER 14, plain	22117-140000		1	1	10				
32- 48	COTTER PIN 3 x 25	22417-300250		1	1	10				

Fig. 32 CLUTCH (U.S.A.) [YM135,YM135D]

M E M O

Refer. No.	Description	Part No.	Q'ty/Unit				Sales Unit	Inter-changeability	Design-change Mark	Remarks
			YM155	YM155D	YM135	YM135D				
32- 49	CLUTCH PEDAL	194200-22410			1	1				
32- 50	SPRING, brake pedal return	194200-37510			1	1				
32- 51	ROD, clutch	194200-22460			1	1				
32- 52	JOINT (B), clutch rod	194200-22490			1	1				
32- 53	LOCK NUT M10	26756-100002			1	1				
32- 54	WIRE 0.9 x 140	194200-22380			2	2				
32- 55	CAP 20, rubber	194300-21450			1	1				
32- 56	SPRING PIN 8 x 16	22351-080016			2	2	10	W		
32- 57	SPRING WASHER 8	194200-37390			1	1		W		
32- 58	LOCK PLATE	194340-62810			1	1		W		
32- 59	BOLT M8 x 20	26116-080202			1	1	10	W		
32- 60	U-NUT M8	26346-080002			1	1	10	W		

Fig. 33 CLUTCH (FRANCE) [YM135, YM135D]

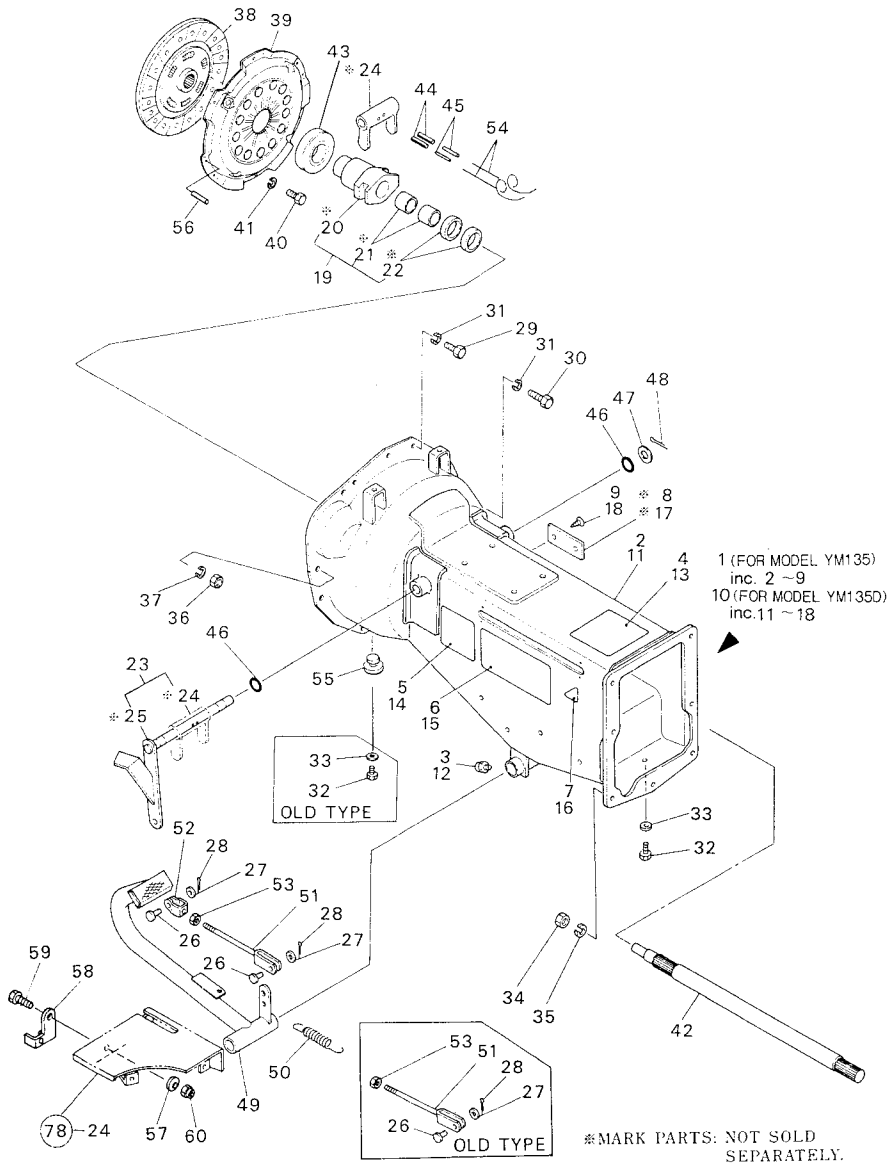


Fig. 33 CLUTCH (FRANCE) [YM135, YM135D]

Refer. No.	Description	Part No.	Qty/Unit			Sales Unit	Interchangeability	Design-change Mark	Remarks
			YM135	YM135D	YM135				
33- 1	HOUSING ASS'Y, clutch	794390-21000-X			1				
	HOUSING ASS'Y, clutch	794390-21001-X			1		F	[5]	
33- 2	.HOUSING, complete, clutch	194200-21102-X			1				
	.HOUSING, complete, clutch	194200-21003-X			1		F	[5]	
33- 3	.GREASE NIPPLE A-M6F	24761-010000			1				
	.GREASE NIPPLE A-PT6F	24764-010000			1		N		
33- 4	.LABEL, tractor model	194390-65150			1				
	.LABEL, tractor model	194340-65152			1		N	YM135 from No. 51173	
33- 5	.LABEL, tractor oiling instruction	194340-65320			1				
33- 6	.LABEL, handling instruction	194390-65200			1				
33- 7	.LABEL, caution	194240-65720			1		W	[3]	
33- 8	.LABEL, tractor No.	*			1		W	YM135 from No. 51173	
33- 9	.SCREW 4 x 10, tapping	22857-400100			2		W	YM135 from No. 51173	
33- 10	HOUSING ASS'Y, clutch	794391-21000-X			1				
	HOUSING ASS'Y, clutch	794391-21001-X			1		F	[5] Interchangeable by set with 33-55.	
33- 11	.HOUSING, complete, clutch	194210-21103-X			1				
	.HOUSING, complete, clutch	194210-21104-X			1		F	[5]	
33- 12	.GREASE NIPPLE A-M6F	24761-010000			1				
	.GREASE NIPPLE A-PT6F	24764-010000			1		N		
33- 13	.LABEL, tractor model	194391-65150			1				
	.LABEL, tractor model	194341-65152			1		N	YM135D from No. 51209	
33- 14	.LABEL, tractor oiling instruction	194341-65320			1				

Fig. 33 CLUTCH (FRANCE) [YM135,YM135D]

Refer. No.	Description	Part No.	Qty/Unit			Sales Unit	Inter-change ability	Design-change Mark	Remarks
			YM135	YM135D	YM135				
33- 15	.LABEL, handling instruction	194390-65200			1				
33- 16	.LABEL, caution	194240-65720			1		Z		
33- 17	.LABEL, tractor No.	*			1		W	YM135D from No. 51209	
	.LABEL, tractor No.	*			1		Z		
33- 18	.SCREW 4 x 10, tapping	22857-400100			2		Z		
33- 19	BEARING SLEEVE ASS'Y	794200-22050			1		W [2]		
	BEARING SLEEVE ASS'Y	794200-22050		1			W [3]		
33- 20	.BEARING SLEEVE	194200-22150		1	1	*	Z		
	.BEARING SLEEVE	*		1	1	*	F [3]	Not Sold Separately. (194200-22151)	
33- 21	.METAL 22 x 25 x 20	194200-22170		1	1		Z		
	.METAL 22.4 x 28 x 22.4	*		2	2	*	F&K [3]	Not Sold Separately. (194150-22160)	
	.METAL 22.4 x 28 22.4	*		2	2	*	N	Not Sold Separately. (194150-22160) YM135 from No. 51142 YM135D from No. 51154	
33- 22	.FELT, clutch release	194200-22190		1	1	*	Z		
	.FELT, clutch release	*		2	*		F&K [2]	Not Sold Separately.	
	.FELT, clutch release	*		2	*		F&K [3]	Not Sold Separately. (194200-22191)	
33- 23	CLUTCH RELEASE SHAFT ASS'Y	794340-22100		1	1		W [3]		
33- 24	.FORK, clutch shift	194200-22310		1	1		Z		
	.FORK, clutch shift	*		1	1	*	F [3]	Not Sold Separately. (194200-22311)	
33- 25	.SHAFT, clutch release	194340-22330		1	1	*	Z		
	.SHAFT, clutch release	*		1	1	*	F [3]	Not Sold Separately.	
33- 26	PIN 8 x 17.5	194200-37800		2	2				
33- 27	WASHER 8, plain	22117-080000		2	2	10			
33- 28	COTTER PIN 2 x 15	22417-200150		2	2	10			

Fig. 33 CLUTCH (FRANCE) [YM135,YM135D]

Refer. No.	Description	Part No.	Qty/Unit			Sales Unit	Inter-change ability	Design-change Mark	Remarks
			YM135	YM135D	YM135				
33- 29	BOLT M8 x 16	26116-080162		6	6	10			
	BOLT M8 x 16	26013-080162		6	6	10	N		
33- 30	BOLT M8 x 20	26116-080202		1	1	10			
	BOLT M8 x 20	26013-080162		1	1	10	N		
33- 31	SPRING WASHER 8	22217-080000		7	7		Z		
33- 32	BOLT M6 x 10	26116-060102		2	1	10			
	BOLT M6 x 10	26116-060102		1			K	[5]	
33- 33	WASHER 6, plain	22117-060000		2	1	10			
	WASHER 6, plain	22117-060000		1			K	[5]	
33- 34	NUT M12	26716-120002		7	7	10			
33- 35	SPRING WASHER 12	22217-120000		7	7	10			
33- 36	NUT M10	26736-100002		2	2	10			
	NUT M10	26716-100002		2	2		S		
33- 37	SPRING WASHER 10	22217-100000		2	2				
33- 38	CLUTCH DISK ASS'Y	794200-21400		1	1				
	CLUTCH DISK ASS'Y	194262-21400		1	1		N	[1]	
	CLUTCH DISK ASS'Y	194340-21410		1	1		N		
33- 39	PRESSURE PLATE ASS'Y	794200-21700		1	1				
	PRESSURE PLATE ASS'Y	194262-21700		1	1		N	[1]	
	PRESSURE PLATE ASS'Y	194340-21700		1	1		N	[5]	
33- 40	BOLT M8 x 20	26116-080202		6	6	10			
	BOLT M8 x 20	26013-080202		6	6	10	N		
33- 41	SPRING WASHER 8	22217-080000		6	6		Z		
33- 42	SHAFT, main driving 22dx442L	194200-22110		1	1				
33- 43	BEARING, clutch release	194200-22180		1	1				
33- 44	SPRING PIN 5 x 28	22351-050028		1	1	10			
	SPRING PIN 5 x 28	22351-050028		2	2	10	K	[3]	
33- 45	SPRING PIN 3 x 28	22351-030028		1	1	10			
	SPRING PIN 3 x 28	22351-03028		2	2	10	K	[3]	

Fig. 33 CLUTCH (FRANCE) [YM135, YM135D]

M E M O

Refer. No.	Description	Part No.	Qty/Unit				Sales Unit	Inter-changeability	Design-change Mark	Remarks
			YM135	YM135D	YM135	YM135D				
33- 46	O-RING 14-P	24311-000140			2	2	10			
33- 47	WASHER 14, plain	22117-140000			1	1	10			
33- 48	COTTER PIN 3 x 25	22417-300250			1	1	10			
33- 49	CLUTCH PEDAL	194200-22410			1	1				
33- 50	SPRING, brake pedal return	194200-37510			1	1				
33- 51	ROD, clutch	194200-22460			1	1				
33- 52	JOINT (B), clutch rod	194200-22490			1	1				
33- 53	LOCK NUT M10	26756-100002			1	1				
33- 54	WIRE 0.9 x 140	194200-22380			2	2				
33- 55	CAP 20, rubber	194300-21450			1	1				
33- 56	SPRING PIN 8 x 16	22351-080016			2	2	10	W		
33- 57	SPRING WASHER 8	194200-37390			1	1		W		
33- 58	LOCK PLATE	194340-62810			1	1		W		
33- 59	BOLT M8 x 20	26116-080202			1	1	10	W		
33- 60	U-NUT M8	26346-080002			1	1	10	W		

Fig. 34 TRANSMISSION CASE & COVER (EXCEPT ENGLAND)

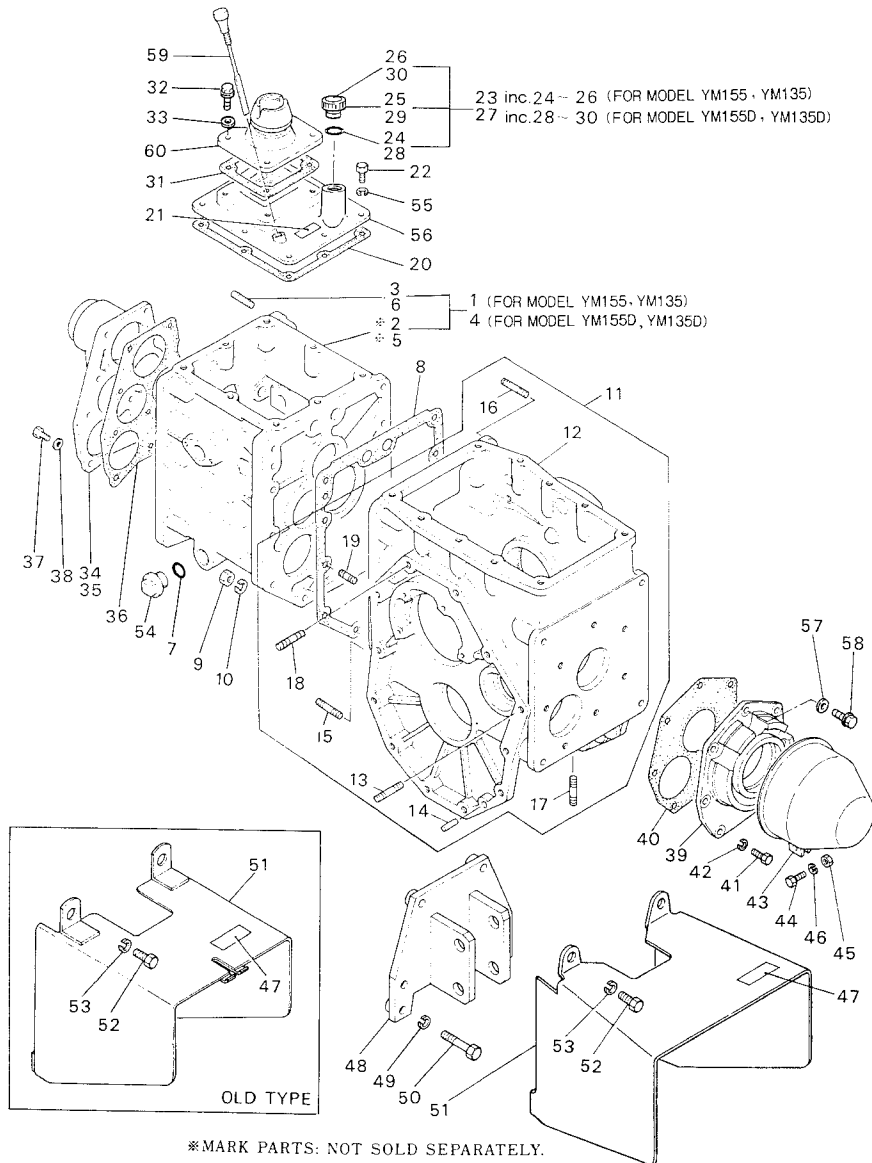


Fig. 34 TRANSMISSION CASE & COVER (EXCEPT ENGLAND)

Refer. No.	Description	Part No.	Q'ty/Unit				Sales Unit	Inter-changeability	Design Mark	Remarks
			YM155	YM155D	YM135	YM135D				
34- 1	HOUSING ASS'Y, transmission	794200-24100-X	1	1						
	HOUSING ASS'Y, transmission	794340-24100-X	1	1			N			
34- 2	.HOUSING, transmission	*	1	1					Not Sold Separately.	
	.HOUSING, transmission	*	1	1			N		Not Sold Separately. (194340-24110)	
34- 3	.STUD M12x 23	194200-24120	7	7		10				
34- 4	HOUSING ASS'Y, transmission	794210-24100-X	1	1						
	HOUSING ASS'Y, transmission	794341-24100-X	1	1			N			
34- 5	.HOUSING, transmission	*	1	1					Not Sold Separately.	
	.HOUSING, transmission	*	1	1			N		Not Sold Separately. (194341-24110)	
34- 6	.STUD M12 x 23	194200-24120	7	7		10				
34- 7	O-RING 20-P	24311-000200	1	1	1	10				
	O-RING 18-P	24311-000180	1	1	1	10	S			
34- 8	PACKING, transmission case	194200-24130	1	1	1	5				
34- 9	NUT M10	194200-24140	10	10	10	10				
34- 10	SPRING WASHER 10	22217-100000	10	10	10	10				
34- 11	GEAR HOUSING ASS'Y, final reduction	794340-24150-X	1	1	1	1				
34- 12	.GEAR HOUSING, final reduction	194200-24160	1	1	1	1				
34- 13	.STUD M12 x 64	194200-24180	4	4	4	10				
34- 14	.PIN 8 x 28, straight	1A1040-26060	6	6	6	10				
34- 15	.STUD M10 x 32	26226-100322	7	7	7	10				
34- 16	.STUD M10 x 50	26226-100502	1	1	1	10				
34- 17	.STUD M14 x 32	26226-140322	4	4	1	10				
34- 18	.STUD M10 x 55	194200-24200	2	2	2	2	W		YM155 from No. 50030 YM155D from No. 50304 YM135 from No. 50002 YM135D from No. 50151	

Fig. 34 TRANSMISSION CASE & COVER (EXCEPT ENGLAND)

Refer. No.	Description	Part No.	Qty/Unit				Sales Unit	Inter-change ability	Design-change Mark	Remarks
			YMI55	YMI55D	YMI35	YMI35D				
34- 19	STUD M10x 32	194201-24190	2	2	2	2				
34- 20	PACKING, transmission housing upper cover	194200-24360	1	1	1	1	10			
34- 21	LABEL, stop valve	194340-65750	1	1	1	1		Z		
34- 22	BOLT M8 x 16	26116-080162	8	8	8	8	10			
	BOLT M8 x 16	26013-080162	8	8	8	8	10	N		
34- 23	OIL PLUG 30 w/PLATE	794200-24350	1	1			10			
	OIL PLUG 30 w/PLATE	794340-24350	1	1			10	N		
34- 24	.O-RING 30-S	24341-000300	1	1			10			
	.O-RING 28-S	24341-000280	1	1				S		
34- 25	.OIL PLUG 30	194200-24380	1	1						
34- 26	.LABEL, transmission oiling instruction	194200-65300	1	1						
	.LABEL, transmission oiling instruction	194340-65300	1	1				N	[3]	
	.LABEL, transmission oiling instruction	194340-65300	1	1				Z		
34- 27	OIL PLUG 30 w/PLATE	794210-24350		1		1	10			
	OIL PLUG 30 w/PLATE	794341-24350		1		1	10	N		
34- 28	.O-RING 30-S	24341-000300		1		1	10			
	.O-RING 28-S	24341-000280		1		1		S		
34- 29	.OIL PLUG 30	194200-24380		1		1				
34- 30	.LABEL, transmission oiling instruction	194210-65300		1		1				
	.LABEL, transmission oiling instruction	194341-65300		1		1		N	[3]	
	.LABEL, transmission oiling instruction	194341-65300		1		1		Z		
34- 31	PACKING, transmission housing cover	194200-24220	1	1	1	1	10			
34- 32	BOLT M8 x 20	26116-080202	4	4	4	4	10			
	BOLT M8 x 20	26106-080202	4	4	4	4	10	N		
34- 33	PACKING 8, copper	1A1040-28900	4	4	4	4	10			
	PACKING 8	23414-080000	4	4	4	4	10	N		

Fig. 34 TRANSMISSION CASE & COVER (EXCEPT ENGLAND)

Refer. No.	Description	Part No.	Qty/Unit				Sales Unit	Inter-change ability	Design-change Mark	Remarks
			YMI55	YMI55D	YMI35	YMI35D				
34- 34	COVER, transmission housing front	194200-24401	1		1					
34- 35	COVER, transmission housing front	194210-24401		1		1				
34- 36	PACKING, transmission housing front cover	194200-24410	1	1	1	1	10			
34- 37	BOLT M8 x 20	26116-080202	10	10	10	10	10			
	BOLT M8 x 20	26106-080202	10	10	10	10	10	N		
34- 38	PACKING 8	23414-080000	10	10	10	10	10			
34- 39	COVER, transmission housing rear	194200-24450	1	1	1	1				
34- 40	PACKING, transmission housing rear cover	194200-24460	1	1	1	1	10			
34- 41	BOLT M8 x 25	26116-080252	7	7	7	7	10			
	BOLT M8 x 25	26013-080252	6	6	6	6	10	N		
34- 42	SPRING WASHER 8	22217-080000	7	7	7	7	10	Z		
34- 43	COVER, complete, P.T.O. shaft	194200-24270-X	1	1	1	1				
34- 44	BOLT M8 x 20	26116-080202	1	1	1	1	10			
34- 45	NUT M8	26716-080002	1	1	1	1	10			
34- 46	SPRING WASHER 8	22217-080000	1	1	1	1	10			
34- 47	LABEL, P.T.O. cover	194240-65710	1	1	1	1		Z		
34- 48	HINGE, top link	A21550-10010	1	1	1	1				
	HINGE, top link	194340-10010	1	1	1	1		N	[4]	
34- 49	SPRING WASHER 12	22217-120000	4	4	4	4	10	Z		
34- 50	BOLT M12 x 45	26116-120452	4	4	4	4	10			
	BOLT M12 x 45	26013-120452	4	4	4	4	10	N		
34- 51	COVER, safety	194340-24510	1	1	1	1				
	COVER, safety	194340-24550-X	1	1	1	1		N		

Fig. 34 TRANSMISSION CASE & COVER (EXCEPT ENGLAND)

Refer. No.	Description	Part No.	Qty/Unit				Sales Unit	Inter-changeability	Design-change Mark	Remarks
			YMI55	YMI55D	YMI35	YMI35D				
34- 52	BOLT M12 x 20	26116-120202	4	4	4	4	10			
	BOLT M12 x 20	26013-120202	4	4	4	4	10	N		
34- 53	SPRING WASHER 12	22217-120000	4	4	4	4	10	Z		
34- 54	OIL PLUG 20	1A1040-28040	1	1	1	1				
34- 55	SPRING WASHER 8	22217-080000	8	8	8	8	10	Z		
34- 56	COVER, transmission housing upper	194200-24300-X	1	1	1	1				
34- 57	PACKING 8	23414-080000	1	1			10			
34- 58	BOLT M 8x 25	26106-080252	1	1			10			
34- 59	DIPSTICK	194200-24250	1	1	1	1				
34- 60	COVER, transmission housing	194200-24210-X	1	1	1	1				

Fig. 35 TRANSMISSION CASE & COVER (ENGLAND) [YM155, YM155D]

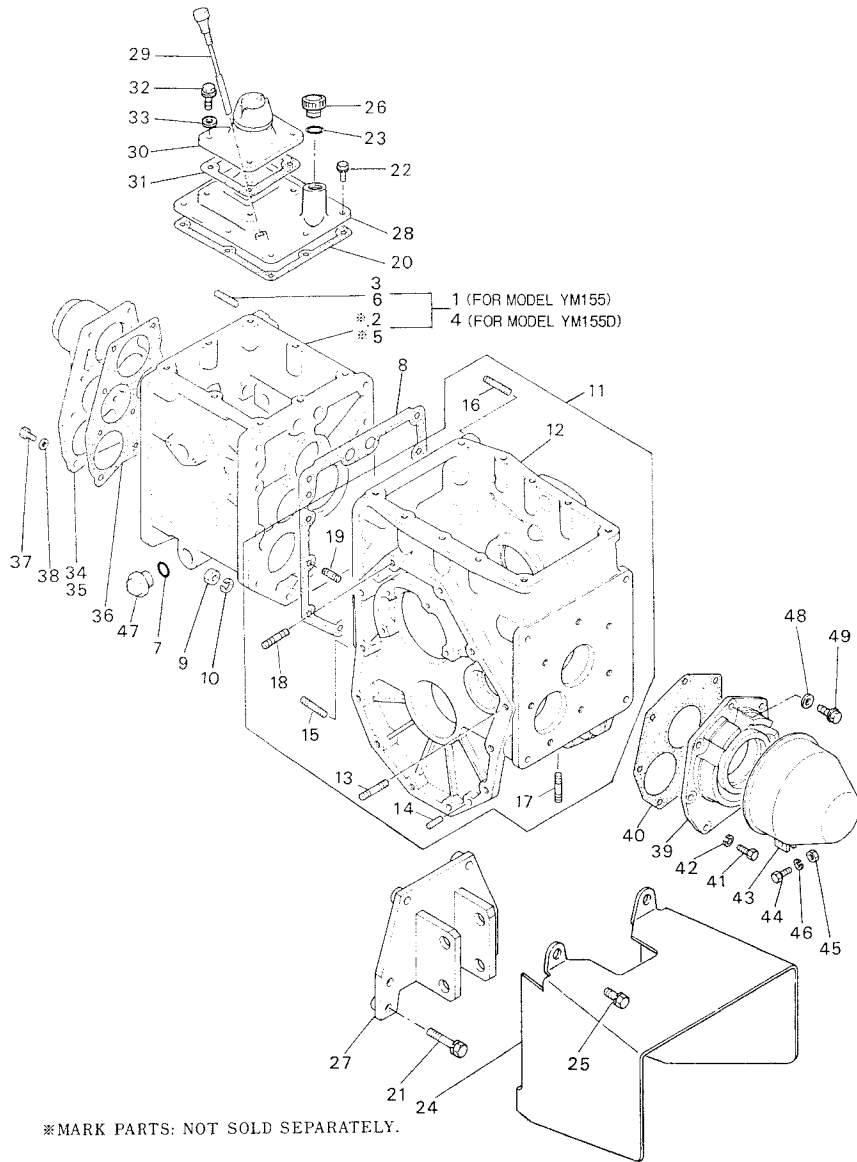


Fig. 35 TRANSMISSION CASE & COVER (ENGLAND) [YM155, YM155D]

Refer. No.	Description	Part No.	Qty/Unit				Inter-changeability	Design-change Mark	Remarks
			YM155	YM155D	YM135	YM135D			
35- 1	HOUSING ASS'Y, transmission	794340-24100-X	1						
35- 2	.HOUSING, transmission	*	1					Not Sold Separately. (194340-24110)	
35- 3	.STUD M12x 23	194200-24120	7			10			
35- 4	HOUSING ASS'Y, transmission	794341-24100-X		1					
35- 5	.HOUSING, transmission	*		1				Not Sold Separately. (194341-24110)	
35- 6	.STUD M12 x 23	194200-24120		7		10			
35- 7	O-RING 18-P	24311-000180	1	1		10			
35- 8	PACKING, transmission case	194200-24130	1	1		5			
35- 9	NUT M10	194200-24140	10	10		10			
35- 10	SPRING WASHER 10	22217-100000	10	10		10			
35- 11	GEAR HOUSING ASS'Y, final reduction	794340-24150-X	1	1					
35- 12	.GEAR HOUSING, final reduction	194200-24160	1	1					
35- 13	.STUD M12 x 64	194200-24180	4	4		10			
35- 14	.PIN 8 x 28, straight	1A1040-26060	6	6		10			
35- 15	.STUD M10 x 32	26226-100322	7	7		10			
35- 16	.STUD M10 x 50	26226-100502	1	1		10			
35- 17	.STUD M14 x 32	26226-140322	4	4		10			
35- 18	.STUD M10 x 55	194200-24200	2	2			W	YM155 from No. 50030 YM155D from No. 50304	
35- 19	STUD M10x 32	194201-24190	2	2					
35- 20	PACKING, transmission housing upper cover	194200-24360	1	1		10			
35- 21	BOLT M12 x 45	26013-120452	4	4		10			
35- 22	BOLT M8 x 16	26013-080162	8	8		10			
35- 23	O-RING 28-S	24341-000280	1	1		10			
35- 24	COVER, safety	194340-24550-X	1	1			N	[5]	
35- 25	BOLT M12 x 20	26013-120202	4	4		10	W	[4]	

Fig. 35 TRANSMISSION CASE & COVER (ENGLAND) [YM155, YM155D]

M E M O

Refer. No.	Description	Part No.	Qty/Unit				Sales Unit	Inter-change ability	Design-change Mark	Remarks
			YM155	YM155D	YM135	YM135D				
35- 26	OIL PLUG 30	194200-24380	1	1						
35- 27	HINGE, top link	194340-10010	1	1			N	[4]		
35- 28	COVER, transmission housing upper	194200-24300-X	1	1						
35- 29	DIPSTICK	194200-24250	1	1						
35- 30	COVER, transmission housing	194200-24210-X	1	1						
35- 31	PACKING, transmission housing cover	194200-24220	1	1		10				
35- 32	BOLT M8 x 20	26106-080202	4	4		10				
35- 33	PACKING 8, copper	1A1040-28900	4	4		10				
35- 34	COVER, transmission housing front	194200-24401	1							
35- 35	COVER, transmission housing front	194210-24401		1						
35- 36	PACKING, transmission housing front cover	194200-24410	1	1		10				
35- 37	BOLT M8 x 20	26106-080202	10	10		10				
35- 38	PACKING 8, copper	23414-080000	10	10		10				
35- 39	COVER, transmission housing rear	194200-24450	1	1						
35- 40	PACKING, transmission housing rear cover	194200-24460	1	1		10				
35- 41	BOLT M8 x 25	26013-080252	6	6		10				
35- 42	SPRING WASHER 8	22217-080000	7	7		10	Z			
35- 43	COVER, complete, P.T.O. shaft	194200-24270-X	1	1						
35- 44	BOLT M8 x 20	26116-080202	1	1		10				
35- 45	NUT M8	26716-080002	1	1		10				
35- 46	SPRING WASHER 8	22217-080000	1	1		10				
35- 47	OIL PLUG 20	1A1040-28040	1	1						
35- 48	PACKING 8	23414-080000	1	1		10				
35- 49	BOLT M 8x 25	26106-080252	1	1		10				

Fig. 36 TRANSMISSION INTERIOR (EXCEPT ENGLAND) [YM155, YM155D]

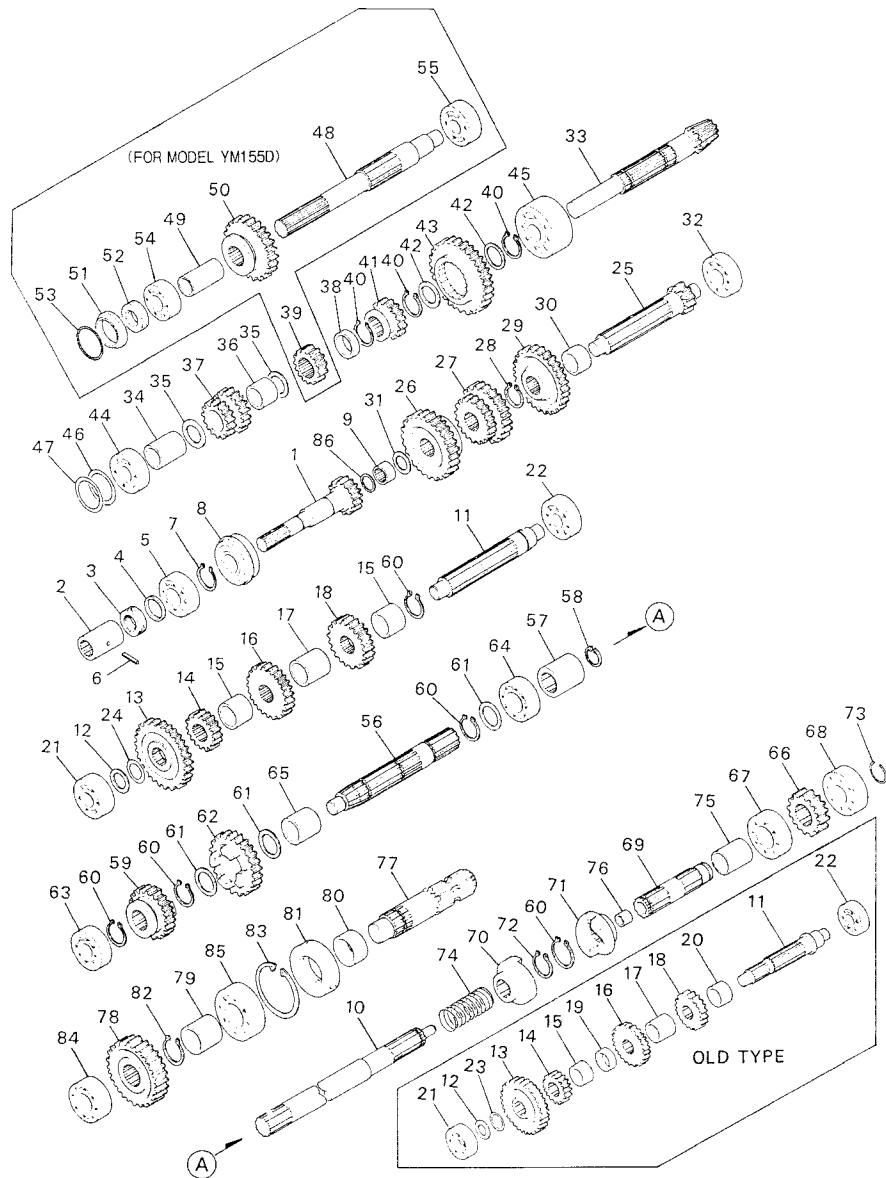


Fig. 36 TRANSMISSION INTERIOR (EXCEPT ENGLAND) [YM155, YM155D]

Refer. No.	Description	Part No.	Q'ty/Unit			Sales Unit	Inter-changeability	Design-change Mark	Remarks
			YM155	YM155D	YM135				
36- 1	SHAFT, main	194200-25201	1	1					
	SHAFT, main	194340-25200	1	1			S [4]	2 grooves provided at the 250 outer dia. part.	
36- 2	JOINT, main shaft 30d x 66L	194200-25220	1	1					
36- 3	OIL SEAL TC20357	194200-25240	1	1		10			
36- 4	SPACER, main shaft 30d x 1.0W	194200-25270	1	1					
36- 5	BALL BEARING 6204	24101-062044	1	1					
36- 6	SPRING PIN 4 x 32	22351-040032	1	1		10			
36- 7	CIRCLIP 25-S	22242-000250	1	1		10			
36- 8	BALL BEARING 6205NR	194200-25260	1	1					
36- 9	NEEDLE BEARING 15 x 21 x 12	194200-25250	1	1					
	NEEDLE BEARING KT152111	194340-25250	1	1			S [4]		
36- 10	SHAFT, connecting	194340-26360	1	1					
	SHAFT, connecting	194340-26361	1	1			N [1]		
36- 11	SHAFT, driven 24.667d x 169L	194200-25301	1	1					
	SHAFT, driven 32d x 169L	194340-25302	1	1			N [1]		
	SHAFT, driven 24.667d x 169L	194340-25303	1	1			S [4]		
36- 12	LINER 17 x 30 x 1	1A1040-23210	1	1		10			
	LINER 18 x 30 x 1	194200-25280	1	1		10	N [4]		
36- 13	GEAR 26, driven	194200-25310	1	1					
	GEAR 26, driven 83.7d x 18.35id	194340-25310	1	1			S [4]		
36- 14	GEAR 12, driven 45d x 18.35id	194200-25320	1	1					
	GEAR 13, driven 48d x 21.7id	194340-25320	1	1			S [4]		
36- 15	COLLAR 21.4 x 32 x 25	194200-25331	1	1					
	COLLAR 21.4 x 32 x 15	194340-25332	1	1			N [1]		
	COLLAR 25 x 32 x 24	194340-25660	2	2			S [4]		
36- 16	GEAR 21, driven 68.7d x 11w	194200-25340	1	1					
	GEAR 21, driven 68.7d x 11w	194340-25340	1	1			N [1]	" 5 " stamped on gear lateral.	
	GEAR 18, driven 70.9d x 12w	194340-25341	1	1			S [4]		

Fig. 36 TRANSMISSION INTERIOR (EXCEPT ENGLAND) [YM155, YM155D]

Refer. No.	Description	Part No.	Qty/Unit			Sales Unit	Inter-change ability	Design-change Mark	Remarks	
			YM155	YM155D	YM135					YM135D
36- 17	COLLAR 25 x 32 x 30	194200-25350	1	1						
	COLLAR 25 x 32 x 31	194340-25351	1	1		S	[4]			
	COLLAR 25 x 32 x 31	194340-25350	1	1		N	[4]			
36- 18	GEAR 17, driven 57d x 11w	194340-25360	1	1						
	GEAR 17, driven 59.12d x 11w	194340-25361	1	1		N	[1]			
	GEAR 15, driven 61.55d x 12w	194340-25362	1	1		S	[4]			
36- 19	LINER 20 x 32 x 2	194200-25370	1	1						
	COLLAR 25 x 32 x 10	194340-25371	1	1		N	[1]			
	COLLAR 25 x 32 x 10	194340-25371	1	1		Z	[4]			
36- 20	COLLAR 20 x 26 x 39.5	194200-25380	1	1						
	COLLAR 25 x 32 x 20.5	194340-25381	1	1		N	[1]			
	COLLAR 25 x 32 x 20.5	194340-25381	1	1		Z	[4]			
36- 21	BALL BEARING 6303	24101-063034	1	1						
36- 22	BALL BEARING 6303	24101-063034	1	1						
36- 23	SHIM 22, driven shaft adjusting	194200-25460	-	-	10	Z	[4]			
36- 24	SHIM 25, driven shaft adjusting	194200-25470	-	-	10					
36- 25	SHAFT, main change 40d x 154L	194200-25400	1	1						
	SHAFT, main change 40d x 154L	194340-25400	1	1		S	[4]	2 grooves provided to the shaft.		
36- 26	GEAR 26, 1st/reverse sliding	194200-25410	1	1						
	GEAR 25, 1st/reverse sliding	194340-25410	1	1		S	[4]			
36- 27	GEAR 17/21, 2nd/3rd sliding	194340-25420	1	1		N	[1]			
	GEAR 14/17, 2nd/3rd sliding	194340-25421	1	1		S	[4]			
36- 28	CIRCLIP 25-S	22242-000250	1	1	10					
36- 29	GEAR 31, main 82.3d x 16w	194200-25430	1	1						
	GEAR 31, main 82.3d x 14w	194340-25430	1	1		S	[4]			
36- 30	COLLAR 25 x 30 x 13	194200-25440	1	1						
36- 31	LINER 15.5 x 28 x 1	194200-25450	1	1	10					

Fig. 36 TRANSMISSION INTERIOR (EXCEPT ENGLAND) [YM155, YM155D]

Refer. No.	Description	Part No.	Qty/Unit			Sales Unit	Inter-change ability	Design-change Mark	Remarks	
			YM155	YM155D	YM135					YM135D
36- 32	BALL BEARING 6303	24101-063034	1	1						
36- 33	COUNTER SHAFT	194200-25500	1	1						
36- 34	COLLAR 21 x 27 x 36.5	194200-25510	1	1						
36- 35	LINER 20 x 35 x 1	1A1040-23220	2	2	10					
36- 36	METAL 20 x 25 x 22	194200-25520	1	1						
36- 37	GEAR 13/18, reverse	194200-25530	1	1						
	GEAR 14/14, reverse	194340-25530	1	1		S	[4]			
36- 38	COLLAR 25 x 32 x 9	194200-25610	1	1				In place of 36-39.		
36- 39	GEAR 16, front driving	194210-25540	1	1						
	GEAR 20, front driving	194341-25540	1	1		S	[4]			
36- 40	CIRCLIP 25-S	22242-000250	3	3	10					
36- 41	GEAR 16, low-hi sliding	194200-25550	1	1						
36- 42	LINER 25 x 33 x 1.6	194200-25560	2	2	10					
36- 43	GEAR 34, low-hi reduction	194200-25810	1	1						
36- 44	BALL BEARING 7204, angular	194200-25570	1	1						
36- 45	BALL BEARING, double-row angular	194200-25581	1	1						
36- 46	SHIM 0.1, counter shaft adjusting	194200-25590	-	-	10					
36- 47	SHIM 0.3, counter shaft adjusting	194200-25600	-	-	10					
36- 48	SHAFT, front P.T.O.	194210-26100	1	1						
36- 49	COLLAR 20.5 x 25 x 40	194210-26110	1	1						
36- 50	GEAR 29, front P.T.O. sliding	194210-26120	1	1						
	GEAR 25, front P.T.O. sliding	194341-26120	1	1		S	[4]			
36- 51	RETAINER, bearing	194210-26130	1	1						
36- 52	OIL SEAL TC20357	194210-25240	1	1	10					

Fig. 36 TRANSMISSION INTERIOR (EXCEPT ENGLAND) [YM155, YM155D]

Refer. No.	Description	Part No.	Q'ty/Unit				Sales Unit	Inter-change ability	Design-change Mark	Remarks
			YM155	YM155D	YM135	YM135D				
36- 53	O-RING 41-P	24311-000410		1		10				
36- 54	BALL BEARING 6204	24101-062044		1						
36- 55	BALL BEARING 6303	24101-063034		1						
36- 56	SHAFT, P.T.O. driving	194340-26310		1						
	SHAFT, P.T.O. driving	194340-26311		1			S	[4]		
36- 57	JOINT, P.T.O. driving shaft	194200-26320		1						
36- 58	CIRCLIP 22-H	22252-000220		1		10				
36- 59	GEAR 19, P.T.O. sliding	194340-26340		1						
	GEAR 16, P.T.O. sliding	194340-26341		1			S	[4]		
36- 60	CIRCLIP 25-S	22242-000250		5		10		[4]		
36- 61	LINER 25 x 33 x 1.6	194200-25560		3		10			In common with 36-42.	
36- 62	GEAR 23, P.T.O. reduction	194340-26350		1						
	GEAR 23, P.T.O. reduction	194340-26351		1			N	[1]		
	GEAR 19, P.T.O. reduction	194340-26352		1			S	[4]		
36- 63	BALL BEARING 6303	24101-063034		1						
36- 64	BALL BEARING 6205	24101-062054		1						
36- 65	COLLAR 25 x 32 x 32.2	194200-26331		1						
	COLLAR 25 x 32 x 31	194340-25350		1			S	[4]		
36- 66	GEAR 15, P.T.O. reduction	194262-26390		1						
	51d x 17w	194340-26391		1			N	[1]		
	GEAR 15, P.T.O. reduction	194340-26392		1						
	51.9d x 17w									
	GEAR 14, P.T.O. reduction	194340-26392		1			P	[4]	Interchangeable by set with 36-78.	
	50.4d x 17w									
36- 67	BALL BEARING 6205	24101-062054		1						
36- 68	BALL BEARING 6304	24101-063044		1						
36- 69	SHAFT, P.T.O. reduction	194340-26380		1						
36- 70	CLUTCH (A)	194340-26510		1						
	CLUTCH (A)	194340-26511		1			N	[1]		
36- 71	CLUTCH (B)	194340-26520		1						

Fig. 36 TRANSMISSION INTERIOR (EXCEPT ENGLAND) [YM155, YM155D]

Refer. No.	Description	Part No.	Q'ty/Unit				Sales Unit	Inter-change ability	Design-change Mark	Remarks
			YM155	YM155D	YM135	YM135D				
36- 72	CIRCLIP 20-S	22242-000200		1		10				
	CIRCLIP 21-S	22242-000210		1		10	N	[1]		
36- 73	RING, differential lock shaft	194200-35320		1		10				
36- 74	SPRING	194240-26451		1						
	SPRING	194340-26450		1			N	[1]		
36- 75	COLLAR 25 x 30 x 34	194340-26370		1						
36- 76	BUSH	194240-26280		1						
36- 77	SHAFT, P.T.O.	194340-26410		1						
36- 78	GEAR 25	194200-26241		1					Misprint	
	GEAR 24	194340-26240		1			S	[1]	Misprint	
	GEAR 24	194340-26241		1			S	[4]	Misprint	
	GEAR 24	194340-26421		1			S	[4]		
36- 79	COLLAR 30.5 x 37.5 x 20.5	194200-26450		1						
36- 80	SEAL COLLAR 30 x 40 x 15	194200-26460		1						
36- 81	OIL SEAL TC 40628	195140-13650		1		10				
36- 82	CIRCLIP 30-S	22242-000300		1		10				
36- 83	CIRCLIP 62-H	22252-000620		1		10				
36- 84	BALL BEARING 6205	24101-062054		1						
36- 85	BALL BEARING 6208	24101-062064		1						
36- 86	LINER 16 x 21 x 1	194340-25290		1		10	W	[4]		

Fig. 37 TRANSMISSION INTERIOR (ENGLAND) [YM155,YM155D]

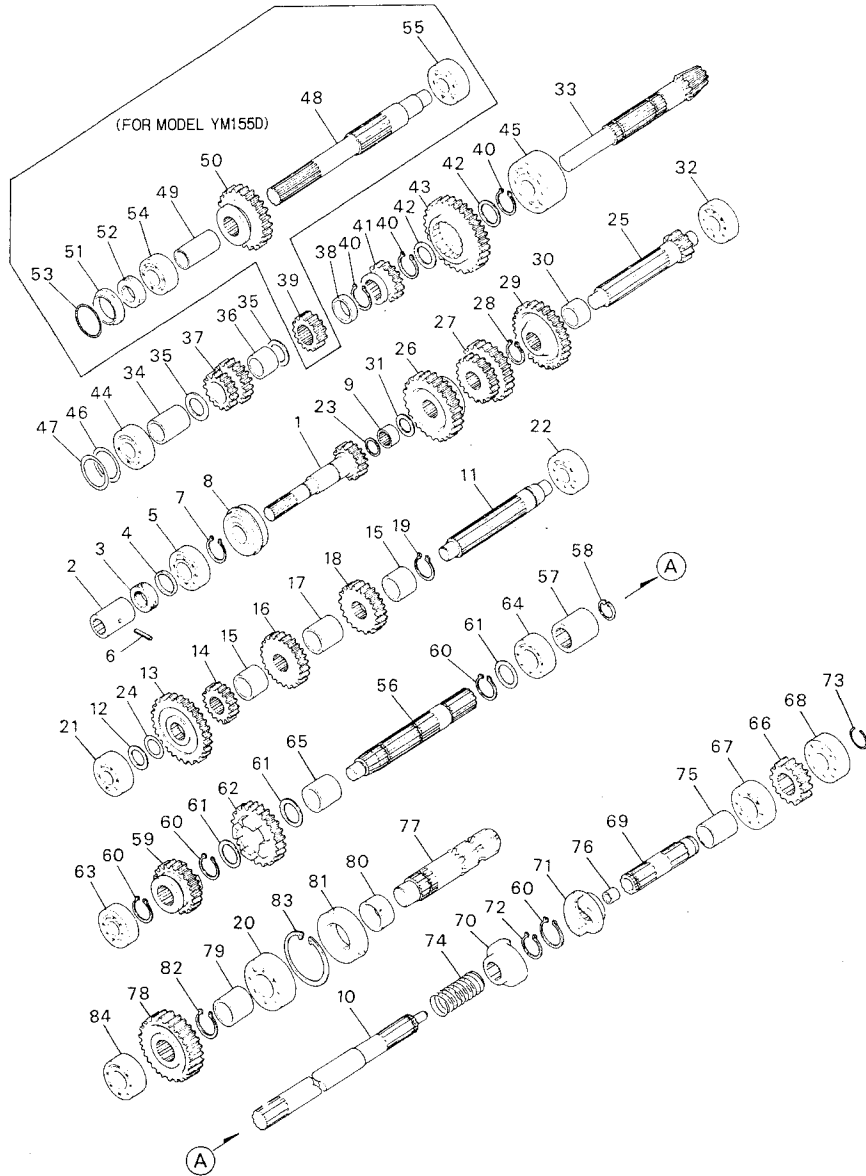


Fig. 37 TRANSMISSION INTERIOR (ENGLAND) [YM155,YM155D]

Refer. No.	Description	Part No.	Q'ty/Unit				Inter-changeability	Design-change Mark	Remarks
			YM155	YM155D	YM135	YM135D			
37- 1	SHAFT, main	194340-25200	1	1					
37- 2	JOINT, main shaft 30d x 66L	194200-25220	1	1					
37- 3	OIL SEAL TC20357	194200-25240	1	1		10			
37- 4	SPACER, main shaft 30d x 1.0w	194200-25270	1	1					
37- 5	BALL BEARING 6204	24101-062044	1	1					
37- 6	SPRING PIN 4 x 32	22351-040032	1	1		10			
37- 7	CIRCLIP 25-S	22242-000250	1	1		10			
37- 8	BALL BEARING 6205NR	194200-25260	1	1					
37- 9	NEEDLE BEARING KT152111	194340-25250	1	1					
37- 10	SHAFT, connecting	194340-26361	1	1					
37- 11	SHAFT, driven 24.667d x 169L	194340-25303	1	1					
37- 12	LINER 18 x 30 x 1	194200-25280	1	1		10			
37- 13	GEAR 26, driven 83.7d x 21.7id	194340-25310	1	1					
37- 14	GEAR 13, driven 48d x 21.7id	194340-25320	1	1					
37- 15	COLLAR 25 x 32 x 24	194340-25660	2	2					
37- 16	GEAR 18, driven 70.9d x 12w	194340-25341	1	1					
37- 17	COLLAR 25 x 32 x 31	194340-25350	1	1					
37- 18	GEAR 15, driven 61.55d x 12w	194340-25362	1	1					
37- 19	CIRCLIP 25-S	22242-000250	1	1					
37- 20	BALL BEARING 6206	24101-062064	1	1					
37- 21	BALL BEARING 6303	24101-063034	1	1					
37- 22	BALL BEARING 6303	24101-063034	1	1					
37- 23	LINER 16 x 21 x 1	194340-25290	1	1		10			
37- 24	SHIM 25, driven shaft adjusting	194200-25470	-	-		10			
37- 25	SHAFT, main change 40d x 154L	194340-25400	1	1					
37- 26	GEAR 25, 1st/reverse sliding	194340-25410	1	1					
37- 27	GEAR 14/17, 2nd/3rd sliding	194340-25421	1	1					
37- 28	CIRCLIP 25-S	22242-000250	1	1		10			
37- 29	GEAR 31, main 82.3d x 14w	194340-25430	1	1					

Fig. 37 TRANSMISSION INTERIOR (ENGLAND) [YM155,YM155D]

Refer. No.	Description	Part No.	Q'ty/Unit				Sales Unit	Inter-changeability	Design-change Mark	Remarks
			YM155	YM155D	YM135	YM135D				
37- 30	COLLAR 25 x 30 x 13	194200-25440	1	1						
37- 31	LINER 15.5 x 28 x 1	194200-25450	1	1		10				
37- 32	BALL BEARING 6303	24101-063034	1	1						
37- 33	COUNTER SHAFT	194200-25500	1	1						
37- 34	COLLAR 21 x 27 x 36.5	194200-25510	1	1						
37- 35	LINER 20 x 35 x 1	1A1040-23220	2	2		10				
37- 36	METAL 20 x 25 x 22	194200-25520	1	1						
37- 37	GEAR 14/14, reverse	194340-25530	1	1						
37- 38	COLLAR 25 x 32 x 9	194200-25610	1						In place of 37-39.	
37- 39	GEAR 20, front driving	194341-25540	1							
37- 40	CIRCLIP 25-S	22242-000250	3	3		10				
37- 41	GEAR 16, low-hi sliding	194200-25550	1	1						
37- 42	LINER 25 x 33 x 1.6	194200-25560	2	2		10				
37- 43	GEAR 34, low-hi reduction	194200-25810	1	1						
37- 44	BALL BEARING 7204, angular	194200-25570	1	1						
37- 45	BALL BEARING, double-row angular	194200-25581	1	1						
37- 46	SHIM 0.1, counter shaft adjusting	194200-25590	-	-		10				
37- 47	SHIM 0.3, counter shaft adjusting	194200-25600	-	-		10				
37- 48	SHAFT, front P.T.O.	194210-26100	1							
37- 49	COLLAR 20.5 x 25 x 40	194210-26110	1							
37- 50	GEAR 25, front P.T.O. sliding	194341-26120	1	50						
37- 51	RETAINER, bearing	194210-26130	1							
37- 52	OIL SEAL TC20357	194210-25240	1			10				
37- 53	O-RING 41-P	24311-000410	1			10				
37- 54	BALL BEARING 6204	24101-062044	1							
37- 55	BALL BEARING 6303	24101-063034	1							
37- 56	SHAFT, P.T.O. driving	194340-26311	1	1						

Fig. 37 TRANSMISSION INTERIOR (ENGLAND) [YM155,YM155D]

Refer. No.	Description	Part No.	Q'ty/Unit				Sales Unit	Inter-changeability	Design-change Mark	Remarks
			YM155	YM155D	YM135	YM135D				
37- 57	JOINT, P.T.O. driving shaft	194200-26320	1	1						
37- 58	CIRCLIP 22-H	22252-000220	1	1		10				
37- 59	GEAR 16, P.T.O. sliding	194340-26341	1	1						
37- 60	CIRCLIP 25-S	22242-000250	4	4		10				
37- 61	LINER 25 x 33 x 1.6	194200-25560	3	3		10			In common with 37-42.	
37- 62	GEAR 19, P.T.O. reduction	194340-26352	1	1						
37- 63	BALL BEARING 6303	24101-063034	1	1						
37- 64	BALL BEARING 6205	24101-062054	1	1						
37- 65	COLLAR 25 x 32 x 31	194340-25350	1	1						
37- 66	GEAR 14, P.T.O. reduction 50.4d x 17w	194340-26392	1	1					by set with 37-78.	
37- 67	BALL BEARING 6205	24101-062054	1	1						
37- 68	BALL BEARING 6304	24101-063044	1	1						
37- 69	SHAFT, P.T.O. reduction	194340-26390	1	1						
37- 70	CLUTCH (A)	194340-26511	1	1						
37- 71	CLUTCH (B)	194340-26520	1	1						
37- 72	CIRCLIP 21-S	22242-000210	1	1		10				
37- 73	RING, differential lock shaft	194200-35320	1	1		10				
37- 74	SPRING	194340-26450	1	1						
37- 75	COLLAR 25 x 30 x 34	194340-26370	1	1						
37- 76	BUSH	194240-26280	1	1						
37- 77	SHAFT, P.T.O.	194200-26410	1	1						
37- 78	GEAR 24	194340-26421	1	1						
37- 79	COLLAR 30.5 x 37.5 x 20.5	194200-26450	1	1						
37- 80	SEAL COLLAR 30 x 40 x 15	194200-26460	1	1						
37- 81	OIL SEAL TC 40628	195140-13660	1	1		10				
37- 82	CIRCLIP 30-S	22242-000300	1	1		10				
37- 83	CIRCLIP 62-H	22252-000620	1	1		10				
37- 84	BALL BEARING 6205	24101-062054	1	1						

Fig. 38 TRANSMISSION INTERIOR [YM135,YM135D]

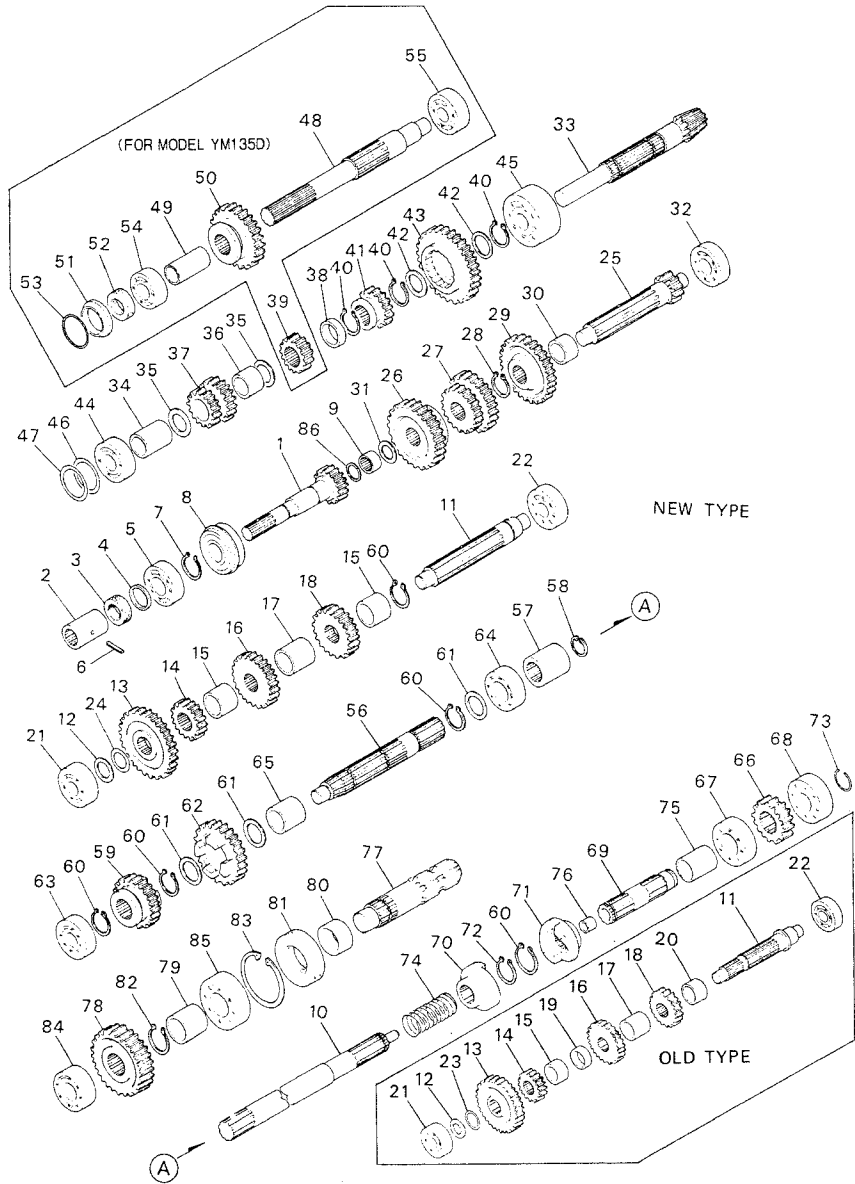


Fig. 38 TRANSMISSION INTERIOR [YM135,YM135D]

Refer. No.	Description	Part No.	Qty/Unit			Sales Unit	Inter-change ability	Design Mark	Remarks
			YM135	YM135D	YM135				
38- 1	SHAFT, main	194200-25201			1	1			
	SHAFT, main	194340-25200			1	1	S	[4] 2 grooves provided at the 25o outer dia. part.	
38- 2	JOINT, main shaft 30d x 66L	194200-25220			1	1			
38- 3	OIL SEAL TC20357	194200-25240			1	10			
38- 4	SPACER, main shaft 30d x 1.0w	194200-25270			1	1			
38- 5	BALL BEARING 6204	24101-062044			1	1			
38- 6	SPRING PIN 4 x 32	22351-040032			1	10			
38- 7	CIRCLIP 25-S	22242-000250			1	10			
38- 8	BALL BEARING 6205NR	194200-25260			1	1			
38- 9	NEEDLE BEARING 15 x 21 x 12	194200-25250			1	1			
	NEEDLE BEARING KT152111	194340-25250			1	1	S	[4]	
38- 10	SHAFT, connecting	194340-26360			1	1			
	SHAFT, connecting	194340-26361			1	1	N	[1]	
38- 11	SHAFT, driven 24.667d x 169L	194200-25301			1	1			
	SHAFT, driven 32d x 169L	194340-25302			1	1	N	[1]	
	SHAFT, driven 24.667d x 169L	194340-25303			1	1	S	[4]	
38- 12	LINER 17 x 30 x 1	1A1040-23210			1	10			
	LINER 18 x 30 x 1	194200-25280			1	10	N	[4]	
38- 13	GEAR 26, driven 83.7d x 18.35id	194200-25310			1	1			
	GEAR 26, driven 83.7d x 21.7id	194340-25310			1	1	S	[4]	
38- 14	GEAR 12, driven 45d x 18.35id	194200-25320			1	1			
	GEAR 13, driven 48d x 21.7id	194340-25320			1	1	S	[4]	
38- 15	COLLAR 21.4 x 32 x 25	194200-25331			1	1			
	COLLAR 21.4 x 32 x 15	194340-25332			1	1	N	[1]	
	COLLAR 25 x 32 x 24	194340-25660			2	2	S	[4]	
38- 16	GEAR 21, driven 68.7d x 11w	194200-25340			1	1			
	GEAR 21, driven 68.7d x 11w	194340-25340			1	1	N	[1] * 5 * stamped on gear lateral.	
	GEAR 18, driven 70.9d x 12w	194340-25341			1	1	S	[4]	

Fig. 38 TRANSMISSION INTERIOR [YM135,YM135D]

Refer. No.	Description	Part No.	Qty/Unit			Sales Unit	Inter-change ability	Design-change Mark	Remarks
			YM135	YM135D	YM135				
38- 17	COLLAR 25 x 32 x 30	194200-25350		1	1				
	COLLAR 25 x 32 x 31	194340-25351		1	1		S	Misprint	
	COLLAR 25 x 32 x 31	194340-25350		1	1		N [4]		
38- 18	GEAR 17, driven 57d x 11w	194340-25360		1	1				
	GEAR 17, driven 59.12d x 11w	194340-25361		1	1		N [1]		
	GEAR 15, driven 61.55d x 12w	194340-25362		1	1		S [4]		
38- 19	LINER 20 x 32 x 2	194200-25370		1	1				
	COLLAR 25 x 32 x 10	194340-25371		1	1		N [1]		
	COLLAR 25 x 32 x 10	194340-25371		1	1		Z [4]		
38- 20	COLLAR 20 x 26 x 39.5	194200-25380		1	1				
	COLLAR 25 x 32 x 20.5	194340-25381		1	1		N [1]		
	COLLAR 25 x 32 x 20.5	194340-25381		1	1		Z [4]		
38- 21	BALL BEARING 6303	24101-063034		1	1				
38- 22	BALL BEARING 6303	24101-063034		1	1				
38- 23	SHIM 22, driven shaft adjusting	194200-25460		-	-	10	Z [4]		
38- 24	SHIM 25, driven shaft adjusting	194200-25470		-	-	10			
38- 25	SHAFT, main change 40d x 154L	194200-25400		1	1				
	SHAFT, main change 40d x 154L	194340-25400		1	1		S [4]	2 grooves provided to the shaft.	
38- 26	GEAR 26, 1st/reverse sliding	194200-25410		1	1				
	GEAR 25, 1st/reverse sliding	194340-25410		1	1		S [4]		
38- 27	GEAR 17/21, 2nd/3rd sliding	194340-25420		1	1		N [1]		
	GEAR 14/17, 2nd/3rd sliding	194340-25421		1	1		S [4]		
38- 28	CIRCLIP 25-S	22242-000250		1	1	10			
38- 29	GEAR 31, main 82.3d x 16w	194200-25430		1	1				
	GEAR 31, main 82.3d x 14w	194340-25430		1	1		S [4]		
38- 30	COLLAR 25 x 30 x 13	194200-25440		1	1				
38- 31	LINER 15.5 x 28 x 1	194200-25450		1	1	10			

Fig. 38 TRANSMISSION INTERIOR [YM135,YM135D]

Refer. No.	Description	Part No.	Qty/Unit			Sales Unit	Inter-change ability	Design-change Mark	Remarks
			YM135	YM135D	YM135				
38- 32	BALL BEARING 6303	24101-063034		1	1				
38- 33	COUNTER SHAFT	194200-25500		1	1				
38- 34	COLLAR 21 x 27 x 36.5	194200-25510		1	1				
38- 35	LINER 20 x 35 x 1	1A1040-23220		2	2	10			
38- 36	METAL 20 x 25 x 22	194200-25520		1	1				
38- 37	GEAR 13/18, reverse	194200-25530		1	1				
	GEAR 14/14, reverse	194340-25530		1	1		S [4]		
38- 38	COLLAR 25 x 32 x 9	194200-25610		1				In place of 38-39.	
38- 39	GEAR 17, front driving	194391-25540			1				
	GEAR 16, front driving	194210-25540			1		S [1]		
	GEAR 21, front driving	194391-25541			1		S [4]		
38- 40	CIRCLIP 25-S	22242-000250		3	3	10			
38- 41	GEAR 16, low-hi sliding	194200-25550		1	1				
38- 42	LINER 25 x 33 x 1.6	194200-25560		2	2	10			
38- 43	GEAR 34, low-hi reduction	194200-25810		1	1				
38- 44	BALL BEARING 7204, angular	194200-25570		1	1				
38- 45	BALL BEARING, double-row angular	194200-25581		1	1				
38- 46	SHIM 0.1, counter shaft	194200-25590		-	-	10			
38- 47	SHIM 0.3, counter shaft	194200-25600		-	-	10		Selective	
38- 48	SHAFT, front P.T.O.	194210-26100			1				
38- 49	COLLAR 20.5 x 25 x 40	194210-26110			1				
38- 50	GEAR 29, front P.T.O. sliding	194210-26120			1				
	GEAR 24, front P.T.O. sliding	194391-26120			1		S [4]		
38- 51	RETAINER, bearing	194210-26130			1				
38- 52	OIL SEAL TC20357	194210-25240			1	10			

Fig. 38 TRANSMISSION INTERIOR [YM135,YM135D]

Refer. No.	Description	Part No.	Qty/Unit				Sales Unit	Inter-change ability	Design-change Mark	Remarks
			YM155	YM155D	YM135	YM135D				
38- 53	O-RING 41-P	24311-000410			1	10				
38- 54	BALL BEARING 6204	24101-062044			1					
38- 55	BALL BEARING 6303	24101-063034			1					
38- 56	SHAFT, P.T.O. driving	194340-26310			1	1				
	SHAFT, P.T.O. driving	194340-26311			1	1	S	[4]		
38- 57	JOINT, P.T.O. driving shaft	194200-26320			1	1				
38- 58	CIRCLIP 22-H	22252-000220			1	10				
38- 59	GEAR 19, P.T.O. sliding	194340-26340			1	1				
	GEAR 16, P.T.O. sliding	194340-26341			1	1	S	[4]		
38- 60	CIRCLIP 25-S	22242-000250			5	5	10	[4]		
38- 61	LINER 25 x 33 x 1.6	194200-25560			3	3	10		In common with 38-42.	
38- 62	GEAR 23, P.T.O. reduction	194340-26350			1	1				
	GEAR 23, P.T.O. reduction	194340-26351			1	1	N	[1]		
	GEAR 19, P.T.O. reduction	194340-26352			1	1	S	[4]		
38- 63	BALL BEARING 6303	24101-063034			1	1				
38- 64	BALL BEARING 6205	24101-062054			1	1				
38- 65	COLLAR 25 x 32 x 32.2	194200-26331			1	1				
	COLLAR 25 x 32 x 31	194340-25350			1	1	S	[4]		
38- 66	GEAR 15, P.T.O. reduction 51d x 17w	194262-26390			1	1				
	GEAR 15, P.T.O. reduction 51.9d x 17w	194340-26391			1	1	N	[1]		
	GEAR 14, P.T.O. reduction 50.4d x 17w	194340-26392			1	1	F	[4]	Interchangeable by set with 38-78.	
38- 67	BALL BEARING 6205	24101-062054			1	1				
38- 68	BALL BEARING 6304	24101-063044			1	1				
38- 69	SHAFT, P.T.O. reduction	194340-26380			1	1				
38- 70	CLUTCH (A)	194340-26510			1	1				
	CLUTCH (A)	194340-26511			1	1	N	[1]		
38- 71	CLUTCH (B)	194340-26520			1	1				

Fig. 38 TRANSMISSION INTERIOR [YM135,YM135D]

Refer. No.	Description	Part No.	Qty/Unit				Sales Unit	Inter-change ability	Design-change Mark	Remarks
			YM155	YM155D	YM135	YM135D				
38- 72	CIRCLIP 20-S	22242-000200			1	1	10			
	CIRCLIP 21-S	22242-000210			1	1	10	N	[1]	
38- 73	RING, differential lock shaft	194200-35320			1	1	10			
38- 74	SPRING	194240-26451			1	1				
	SPRING	194340-26450			1	1	N	[1]		
38- 75	COLLAR 25 x 30 x 34	194340-26370			1	1				
38- 76	BUSH	194240-26280			1	1				
38- 77	SHAFT, P.T.O.	194340-26410			1	1				
38- 78	GEAR 25	194200-26241			1	1				
	GEAR 24	194340-26240			1	1	S	[1]		
	GEAR 24	194340-26241			1	1	S	[4]		
	GEAR 24	194340-26421			1	1	S	[4]		
38- 79	COLLAR 30.5 x 37.5 x 20.5	194200-26450			1	1				
38- 80	SEAL COLLAR 30 x 40 x 15	194200-26460			1	1				
38- 81	OIL SEAL TC 40628	195140-13660			1	1	10			
38- 82	CIRCLIP 30-S	22242-000300			1	1	10			
38- 83	CIRCLIP 62-H	22252-000620			1	1	10			
38- 84	BALL BEARING 6205	24101-062054			1	1				
38- 85	BALL BEARING 6208	24101-062064			1	1				
38- 86	LINER 16 x 21 x 1	194340-25290			1	1	10	W	[4]	

Fig. 39 TRANSMISSION CONTROL [YM155,YM155D]

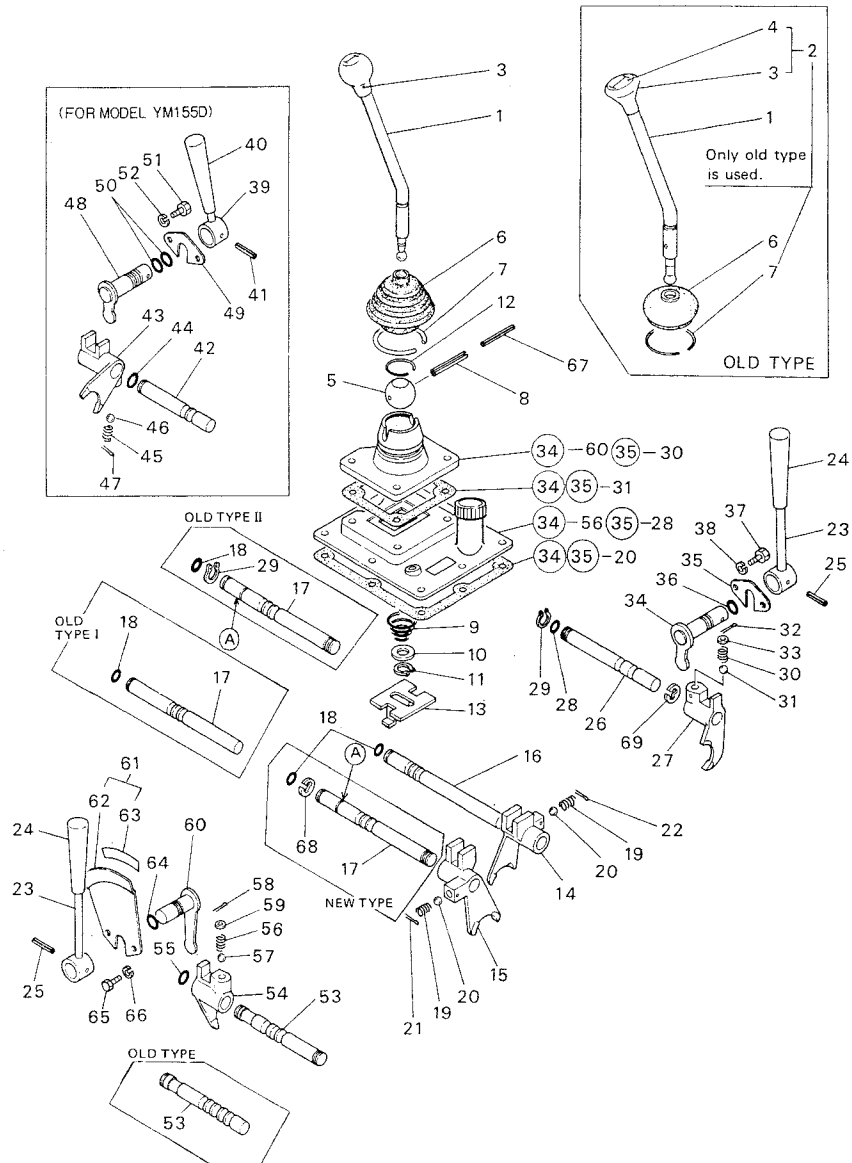


Fig. 39 TRANSMISSION CONTROL [YM155,YM155D]

Refer. No.	Description	Part No.	Q'ty Unit				Interchangeability	Design Mark	Remarks
			YM155	YM155D	YM155	YM155D			
39- 1	LEVER, main change	194200-27110-X	1	1					
	LEVER, main change	194201-27111-X	1	1			F [5]	Interchangeable by set with 39-3.	
39- 2	KNOB w/LABEL, main change lever	194200-27140	1	1			Z [5]		
39- 3	.KNOB, main change lever	194200-27150	1	1					
	.KNOB, main change lever	194201-27150	1	1			F [5]	Interchangeable by set with 39-1.	
39- 4	.LABEL, main speed change indication	194200-65700	1	1			Z [5]		
39- 5	BALL, speed change shifter	1E4030-27340	1	1					
39- 6	BOOT, rubber	1A1040-28180	1	1					
	BOOT, rubber	194201-27170	1	1			N	YM155 from No. 51851 YM155D from No. 55325	
39- 7	CIRCLIP 50	1A1040-26190	1	1			10 Z		
39- 8	SPRING PIN 5 x 40	22351-050040	1	1			10		
39- 9	SPRING, change lever	194200-27160	1	1					
39- 10	WASHER 12, plain	22117-120000	1	1			10		
39- 11	CIRCLIP 12	22242-000120	1	1			10		
39- 12	CIRCLIP 30	1A1040-26320	1	1			10		
39- 13	GUIDE, safety	194200-27181	1	1					
39- 14	FORK, reverse/1st speed shift	194200-27310	1	1					
39- 15	FORK, 2nd/3rd speed shift	194200-27320	1	1			S [4]		
	FORK, 2nd/3rd speed shift	194340-27320	1	1					
39- 16	SHAFT, reverse/1st fork	194200-27350	1	1					
39- 17	SHAFT, 2nd/3rd fork	194200-27360	1	1			S [4]	Interchangeable by set with 39-68.	
	SHAFT, 2nd/3rd fork, A part groove dia. = 140	194340-27360	1	1				Misprint	
	SHAFT, 2nd/3rd fork, A part groove dia. = 120	194340-27361	1	1					
	SHAFT, 2nd/3rd fork, A part groove dia. = 120	194340-27631	1	1			F	YM155 from No. 51108 YM155D from No. 51281	

Fig. 39 TRANSMISSION CONTROL [YM155, YM155D]

Refer. No.	Description	Part No.	Qty/Unit				Inter-change ability	Design-change Mark	Remarks
			YM155	YM155D	YM135	YM135D			
39- 18	O-RING 11-P	24311-000110	2	2		10			
39- 19	SPRING, shift fork	194200-27330	2	2					
	SPRING, shift fork	1A1040-26750	2	2			N		
39- 20	BALL 5/16	1A1120-27770	2	2		10			
	BALL 5/16	24190-100002	2	2			N		
39- 21	COTTER PIN 3 x 25	22417-300250	1	1		10			
39- 22	COTTER PIN 3 x 20	22417-300200	1	1		10			
39- 23	LEVER, low-hi change	194200-27510	2	2					
	LEVER, low-hi change	194200-27510-X	2	2			N		
39- 24	GRIP, lever	193884-30247	2	2					
39- 25	SPRING PIN 6 x 25	22351-060025	2	1		10			
39- 26	SHAFT, low-hi fork	194200-27600	1	1					
	SHAFT, low-hi fork	194340-27600	1	1			S	[4]	
39- 27	FORK, low-hi shift	194200-27610	1	1					
39- 28	O-RING 11-P	24311-000110	1	1		10			
39- 29	CIRCLIP 15-S	22242-000150	2	2		10			
	CIRCLIP 15-S	22242-000150	1	1		10	K	YM155 - from No. 51108 YM155D - from No. 51281	
39- 30	SPRING, low-hi shift fork	194200-27620	1	1					
39- 31	BALL 5/16	1A1120-27770	1	1		10			
	BALL 5/16	24190-100002	1	1			N		
39- 32	COTTER PIN 3 x 20	22417-300200	1	1		10			
39- 33	SPRING WASHER, shift fork	194200-27630	1	1		10			
39- 34	SHIFTER, low-hi change	194200-27650	1	1					
39- 35	STOPPER, shifter	194200-27680	1	1					
39- 36	O-RING 14-P	24311-000140	1	1		10			
39- 37	BOLT M6 x 14	26116-060142	2	2		10			
	BOLT M6 x 14	26013-060149	2	2			Z		
39- 38	SPRING WASHER 6	22217-060000	2	2		10			
39- 39	LEVER, front P.T.O. change	194210-27701	1						

Fig. 39 TRANSMISSION CONTROL [YM155, YM155D]

Refer. No.	Description	Part No.	Qty/Unit				Inter-change ability	Design-change Mark	Remarks
			YM155	YM155D	YM135	YM135D			
39- 40	GRIP, lever	194210-27550		1					
39- 41	SPRING PIN 6 x 25	22351-060025		1		10			
39- 42	SHAFT, front P.T.O. fork	194210-27750		1					
39- 43	FORK, front P.T.O. shift	194210-27760		1					
39- 44	O-RING 11-P	24311-000110		1		10			
39- 45	SPRING, shift fork	194200-27330		1				In common with 39-56.	
	SPRING, shift fork	1A1040-26750		1			N		
39- 46	BALL 5/16	1A1120-27770		1		10			
	BALL 5/16	24190-100002		1			N		
39- 47	COTTER PIN 3 x 20	22417-300200		1		10			
39- 48	SHIFTER, front P.T.O. change	194210-27780		1					
39- 49	STOPPER, shifter	194200-27680		1				In common with 39-35.	
39- 50	O-RING 14-P	24311-000140		2		10			
39- 51	BOLT M6 x 14	26116-060142		2		10			
	BOLT M6 x 14	26013-060149		2			N		
39- 52	SPRING WASHER 6	22217-060000		2		10	Z		
39- 53	SHAFT, P.T.O. fork	194200-27830		1	1		S	[4]	
	SHAFT, P.T.O. fork	194340-27830		1	1				
39- 54	FORK, P.T.O. shift	194200-27840		1	1				
39- 55	O-RING 11-P	24311-000110		1	1	10			
39- 56	SPRING, shift fork	194200-27330		1	1				
	SPRING, shift fork	1A1040-26750		1	1		N		
39- 57	BALL 5/16	1A1120-27770		1	1	10			
	BALL 5/16	24190-100002		1	1		N		
39- 58	COTTER PIN 3 x 25	22417-300250		1	1	10			
39- 59	SPRING WASHER, shift fork	194200-27630		1	1				
39- 60	SHIFTER, P.T.O. change	194200-27860		1	1				

Fig. 39 TRANSMISSION CONTROL [YM155,YM155D]

Refer. No.	Description	Part No.	Q'ty/Unit				Sales Unit	Inter-change ability	Design-change Mark	Remarks
			YM155	YM155D	YM135	YM135D				
39- 61	GUIDE w/LABEL, P.T.O. change lever	194200-27890	1	1						
	GUIDE w/LABEL, P.T.O. change lever	194340-27890	1	1			N	[1]		
	GUIDE w/LABEL, P.T.O. change lever	194340-27891	1	1			S	[4]		
	GUIDE w/LABEL, P.T.O. change lever	194340-27891	1	1			Z			
39- 62	.GUIDE, P.T.O. change lever	194200-27900	1	1						
39- 63	.LABEL, P.T.O. speed change	194340-65673	1	1						
	.LABEL, P.T.O. speed change	194340-65674	1	1			N	[1]		
	.LABEL, P.T.O. speed change	194340-65675	1	1			S	[4]		
	.LABEL, P.T.O. speed change	194340-65675	1	1			Z			
39- 64	O-RING 14-P	24311-000140	1	1		10				
39- 65	BOLT M6 x 14	26116-060142	2	2		10				
	BOLT M6 x 14	26013-060149	2	2			N			
39- 66	SPRING WASHER 6	22217-060000	2	2		10	Z			
39- 67	SPRING PIN 3 x 40	22351-030040	1	1		10	W	[3]		
39- 68	SNAP RING E-12	22272-000120	1	1		10	W		YM155 from No. 51108 YM155D - from No. 51281	
39- 69	SNAP RING E-12	22272-000120	1	1		10	W			

Fig. 40 TRANSMISSION CONTROL [YM135,YM135D]

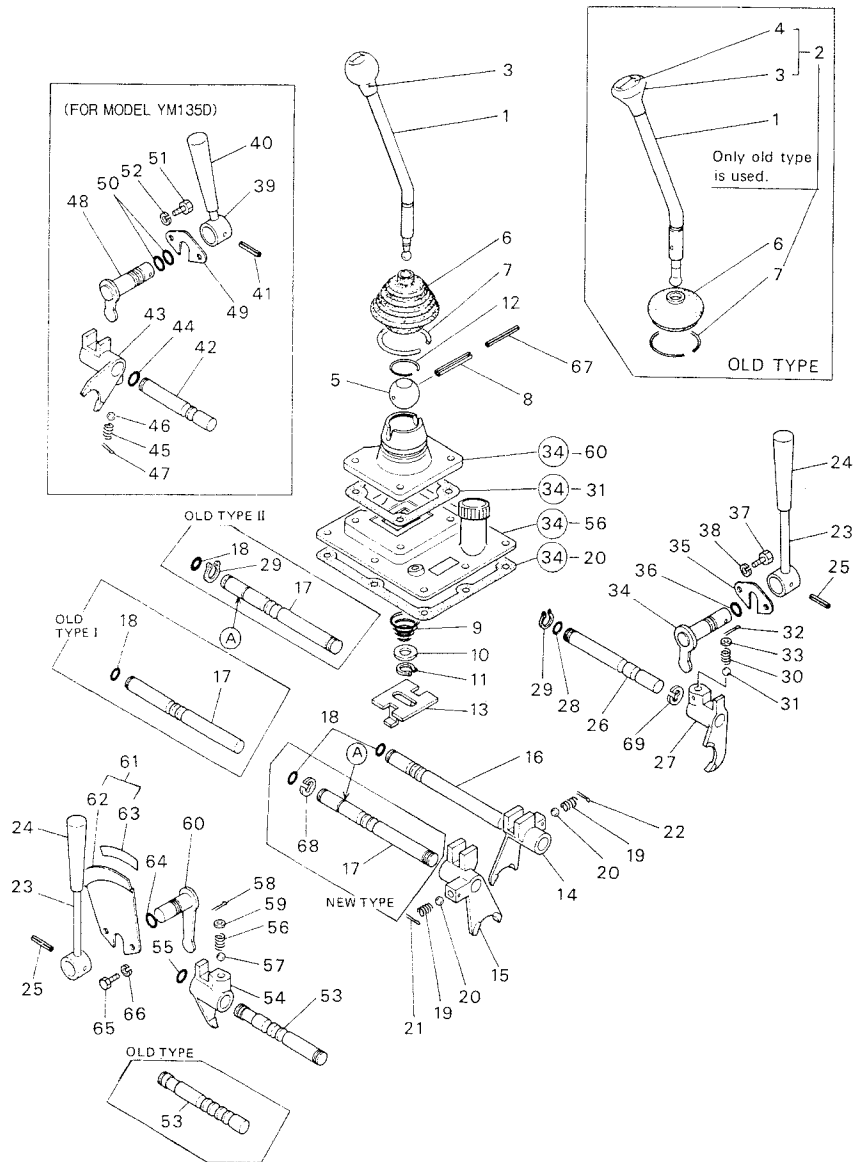


Fig. 40 TRANSMISSION CONTROL [YM135,YM135D]

Refer. No.	Description	Part No.	Qty/Unit			Sales Unit	Inter-changeability	Design-change Mark	Remarks
			YM135	YM135D	YM135				
40- 1	LEVER, main change	194200-27110-X			1	1			
	LEVER, main change	194201-27111-X			1	1	F	[5]	Interchangeable by set with 40-3.
40- 2	KNOB w/LABEL, main change lever	194200-27140			1	1	Z	[5]	
40- 3	.KNOB, main change lever	194200-27150			1	1			
	.KNOB, main change lever	194201-27150			1	1	F	[5]	Interchangeable by set with 40-1.
40- 4	.LABEL, main speed change indication	194200-65700			1	1	Z	[5]	
40- 5	BALL, speed change shifter	1E4030-27340			1	1			
40- 6	BOOT, rubber	1A1040-28180			1	1			
	BOOT, rubber	194201-27170			1	1	N		YM135 from No. 51481 YM135D from No. 51642
40- 7	CIRCLIP 50	1A1040-26190			1	1	10	Z	
40- 8	SPRING PIN 5 x 40	22351-050040			1	1	10		
40- 9	SPRING, change lever	194200-27160			1	1			
40- 10	WASHER 12, plain	22117-120000			1	1	10		
40- 11	CIRCLIP 12	22242-000120			1	1	10		
40- 12	CIRCLIP 30	1A1040-26320			1	1	10		
40- 13	GUIDE, safety	194200-27181			1	1			
40- 14	FORK, reverse/1st speed shift	194200-27310			1	1			
40- 15	FORK, 2nd/3rd speed shift	194200-27320			1	1			
	FORK, 2nd/3rd speed sift	194340-27320			1	1	S	[4]	
40- 16	SHAFT, reverse/1st fork	194200-27350			1	1			
40- 17	SHAFT, 2nd/3rd fork	194200-27360			1	1			
	SHAFT, 2nd/3rd fork, A part groove dia. = 140	194340-27360			1	1	S	[4]	Interchangeable by set with 40-68.
	SHAFT, 2nd/3rd fork, A part groove dia. = 120	194340-27631			1	1			Misprint
	SHAFT, 2nd/3rd fork, A part groove dia. = 120	194340-27361			1	1	F		YM135 from No. 51067 YM135D from No. 51064

Fig. 40 TRANSMISSION CONTROL [YM135,YM135D]

Refer. No.	Description	Part No.	Qty/Unit				Inter-change ability	Design-change Mark	Remarks
			YM155	YM155D	YM135	YM135D			
40- 18	O-RING 11-P	24311-000110			2	2	10		
40- 19	SPRING, shift fork	194200-27330			2	2			
	SPRING, shift fork	1A1040-26750			2	2		N	
40- 20	BALL 5/16	1A1120-27770			2	2	10		
	BALL 5/16	24190-100002			1	1	10	N	
40- 21	COTTER PIN 3 x 25	22417-300250			1	1	10		
40- 22	COTTER PIN 3 x 20	22417-300200			1	1	10		
40- 23	LEVER, low-hi change	194200-27510			2	2			
	LEVER, low-hi change	194200-27510-X			2	2		N	
40- 24	GRIP, lever	193884-30247			2	2			
40- 25	SPRING PIN 6 x 25	22351-060025			2	1	10		
40- 26	SHAFT, low-hi fork	194200-27600			1	1			
	SHAFT, low-hi fork	194340-27600			1	1		S	[4]
40- 27	FORK, low-hi shift	194200-27610			1	1			
40- 28	O-RING 11-P	24311-000110			1	1	10		
40- 29	CIRCLIP 15-S	22242-000150			2	2	10		
	CIRCLIP 15-S	22242-000150			1	1	10	K	YM135 from No. 51067 YM135D from No. 51064
40- 30	SPRING, low-hi shift fork	194200-27620			1	1			
40- 31	BALL 5/16	1A1120-27770			1	1	10		
	BALL 5/16	24190-100002			1	1	10	N	
40- 32	COTTER PIN 3 x 20	22417-300200			1	1	10		
40- 33	SPRING WASHER, shift fork	194200-27630			1	1	10		
40- 34	SHIFTER, low-hi change	194200-27650			1	1			
40- 35	STOPPER, shifter	194200-27680			1	1			
40- 36	O-RING 14-P	24311-000140			1	1	10		
40- 37	BOLT M6 x 14	26116-060142			2	2	10		
	BOLT M6 x 14	26013-060149			2	2	10	N	
40- 38	SPRING WASHER 6	22217-060000			2	2	10		
40- 39	LEVER, front P.T.O. change	194210-27701			1				

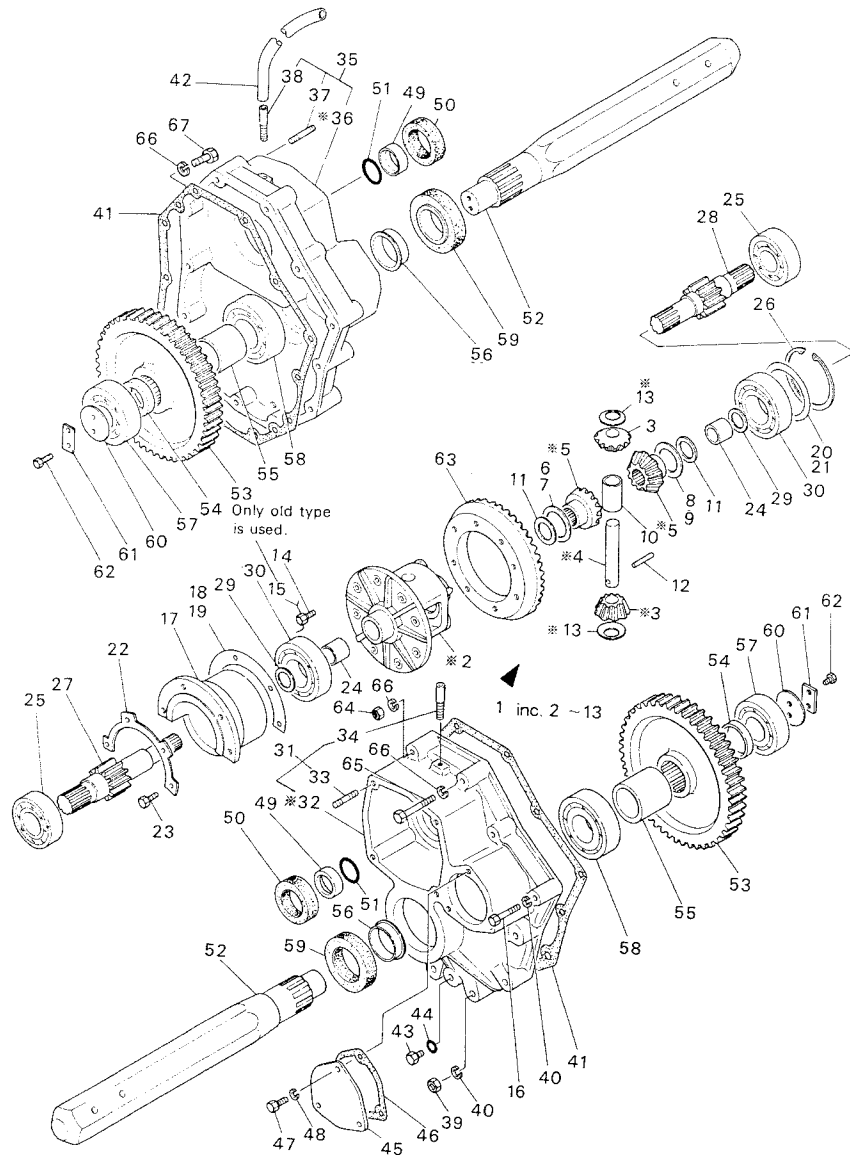
Fig. 40 TRANSMISSION CONTROL [YM135,YM135D]

Refer. No.	Description	Part No.	Qty/Unit				Inter-change ability	Design-change Mark	Remarks
			YM155	YM155D	YM135	YM135D			
40- 40	GRIP, lever	194210-27550					1		
40- 41	SPRING PIN 6 x 25	22351-060025					1	10	
40- 42	SHAFT, front P.T.O. fork	194210-27750					1		
40- 43	FORK, front P.T.O. shift	194210-27760					1		
40- 44	O-RING 11-P	24311-000110					1	10	
40- 45	SPRING, shift fork	194200-27330					1		In common with 40-56.
40- 46	BALL 5/16	1A1120-27770					1	10	
	BALL 5/16	24190-100002					1	10	N
40- 47	COTTER PIN 3 x 20	22417-300200					1	10	
40- 48	SHIFTER, front P.T.O. change	194210-27780					1		
40- 49	STOPPER, shifter	194200-27680					1		In common with 40-35.
40- 50	O-RING 14-P	24311-000140					2	10	
40- 51	BOLT M6 x 14	26116-060142					2	10	
	BOLT M6 x 14	26013-060149					2	10	N
40- 52	SPRING WASHER 6	22217-060000					2	10	Z
40- 53	SHAFT, P.T.O. fork	194200-27830					1	1	
	SHAFT, P.T.O. fork	194340-27830					1	1	S [4]
40- 54	FORK, P.T.O. shift	194200-27840					1	1	
40- 55	O-RING 11-P	24311-000110					1	1	10
40- 56	SPRING, shift fork	194200-27330					1	1	
	SPRING, shift fork	1A1040-26750					1	1	N
40- 57	BALL 5/16	1A1120-27770					1	1	10
	BALL 5/16	24190-100002					1	1	10
40- 58	COTTER PIN 3 x 25	22417-300250					1	1	10
40- 59	SPRING WASHER, shift fork	194200-27630					1	1	
40- 60	SHIFTER, P.T.O. change	194200-27860					1	1	

Fig. 40 TRANSMISSION CONTROL [YM135,YM135D]

Refer. No.	Description	Part No.	Qty/Unit				Sales Unit	Inter-change ability	Design-change Mark	Remarks
			YM155	YM155D	YM135	YM135D				
40- 61	GUIDE w/LABEL, P.T.O. change lever	194200-27890			1	1				
	GUIDE w/LABEL, P.T.O. change lever	194340-27890			1	1	N	[1]		
	GUIDE w/LABEL, P.T.O. change lever	194340-27891			1	1	S	[4]		
	GUIDE w/LABEL, P.T.O. change lever	194340-27891			1	1	Z			
40- 62	.GUIDE, P.T.O. change lever	194200-27900			1	1				
40- 63	.LABEL, P.T.O. speed change	194340-65673			1	1				
	.LABEL, P.T.O. speed change	194340-65674			1	1	N	[1]		
	.LABEL, P.T.O. speed change	194340-65675			1	1	S	[4]		
	.LABEL, P.T.O. speed change	194340-65675			1	1	Z			
40- 64	O-RING 14-P	24311-000140			1	1	10			
40- 65	BOLT M6 x 14	26116-060142			2	2	10			
	BOLT M6 x 14	26013-060149			2	2	10	N		
40- 66	SPRING WASHER 6	22217-060000			2	2	10	Z		
40- 67	SPRING PIN 3 x 40	22351-030040			1	1	10	W	[3]	
40- 68	SNAP RING E-12	22272-000120			1	1	10	W	YM135 from No. 51067 YM135D from No. 51064	
40- 69	SNAP RING E-12	22272-000120			1	1	10	W		

Fig. 41 REAR AXLE (EXCEPT ENGLAND) [YM155,YM155D]



※MARK PARTS: NOT SOLD SEPARATELY.

Fig. 41 REAR AXLE (EXCEPT ENGLAND) [YM155,YM155D]

Refer. No.	Description	Part No.	Qty/Unit				Sales Unit	Inter-changeability	Design-change Mark	Remarks
			YM155	YM155D	YM155	YM155D				
41- 1	HOUSING ASS'Y, differential	794200-31550	1	1						
	HOUSING ASS'Y, differential	794200-31551	1	1				N	In common with 22-36.	
41- 2	.HOUSING, differential 14id	*	1	1					\$ In common with 22-36. Not Sold Separately.	
	.HOUSING, differential 15id	*	1	1				S	\$ Not Sold Separately. (194200-31751)	
41- 3	.PINION 10,differential 41.33d	*	2	2					Not Sold Separately.	
	.PINION 10,differential 45.16d	*	2	2				S	\$ Not Sold Separately. (194200-31811)	
41- 4	.SHAFT, differential pinion, 14d x 85L	*	1	1					Not Sold Separately.	
	.SHAFT, differential pinion, 15d x 87L	*	1	1				S	\$ Not Sold Separately. (194200-31821)	
41- 5	.GEAR 14, differential side 51.49d	*	2	2					Not Sold Separately.	
	.GEAR 14, differential side 56.26d	*	2	2				S	\$ Not Sold Separately. (194200-31831)	
41- 6	.SPACER 0.9, differential side gear 42d	194200-31850	-	-			10			
	.SPACER 0.9, differential side gear 49d	194200-31851	-	-			10	S	\$	
41- 7	.SPACER 1.0, differential side gear 42d	194200-31860	-	-			10			
	.SPACER 1.0, differential side gear 49d	194200-31861	-	-			10	S	\$	
41- 8	.SPACER 1.1, differential side gear 42d	194200-31870	-	-			10			
	.SPACER 1.1, differential side gear 49d	194200-31871	-	-			10	S	\$	
41- 9	.SPACER 1.2, differential side gear 42d	194200-31880	-	-			10			
	.SPACER 1.2, differential side gear 49d	194200-31881	-	-			10	S	\$	
41- 10	.THRUST COLLAR, differential 14id	194200-31900	1	1						
	.THRUST COLLAR, differential 15id	194200-31901	1	1				S	\$	
41- 11	.LINER 22.5 x 30 x 1	194200-31910	2	2						
41- 12	.PIN 4, differential lock	194200-31940	1	1						
41- 13	.LINER,differential pinion 30d	*	2	2				W	[1] Not Sold Separately.	
	.LINER,differential pinion 33d	*	2	2				S	YM155 from No. 51195 YM155D from No.51482 Not Sold Separately. (194200-31931)	
\$: Change effective units YM155 - from No. 51195 YM155D - from No. 51482										

Fig. 41 REAR AXLE (EXCEPT ENGLAND) [YM155, YM155D]

Refer. No.	Description	Part No.	Qty/Unit				Sales Unit	Inter-change ability	Design-change Mark	Remarks
			YM155	YM155D	YM135	YM135D				
41- 14	BOLT M8 x 28	26116-080186	8	8			10			
	SEAL BOLT M8 x 18	194201-32150	8	8			10	N	[5]	
41- 15	WIRE 0.8 x 180	194200-32110	1	1			10			
	WIRE 0.8 x 180	194200-32110	1	1			10	Z	[5]	
41- 16	BOLT M12 x 60	26116-120602	2	2			10			
41- 17	CASE, differential bearing	194200-32250	1	1						
41- 18	SHIM 0.1, differential case	194200-32300	-	-			10			
41- 19	SHIM 0.3, differential case	194200-32310	-	-			10			
41- 20	SHIM 72 x 0.1	194200-32330	-	-			10			
41- 21	SHIM 72 x 0.3	194200-32340	-	-			10			
41- 22	STOPPER, bearing case	194200-32370	1	1						
41- 23	BOLT M8 x 25	26116-080252	4	4			10			
41- 24	METAL 22 x 27 x 22.5	194200-32461	2	2						
41- 25	BALL BEARING 6206	24101-062064	2	2						
41- 26	CIRCLIP 72-H	22252-000720	1	1			10			
41- 27	PINION (L), final reduction 45.5d x 175.5L	194200-33411	1	1						
	PINION (L), final reduction	194201-33410	1	1				S	\$	
41- 28	PINION (R), final reduction 45.5d x 137.5L	194200-33421	1	1						
	PINION (R), final reduction	194201-33420	1	1				S	\$	
41- 29	LINER 22.5 x 30 x 1	194200-31910	2	2						
41- 30	BALL BEARING 6207	24101-062074	2	2						
Remarks:										
\$-marked parts: Applicable tractor serial number T/#52068 for YM155										
T/#56803 for YM155D										
Not interchangeable to the original type. However, interchangeable provided PINION (L) (194201-33410) or PINION (R) (194201-33420), WASHER (Refer. No. 47-50 P/#194201-36620), PLATE (Refer. No. 47-15 P/#194201-36610) and BOLT (Refer. No. 47-16 P/#26116-100162) are replace together.										

Fig. 41 REAR AXLE (EXCEPT ENGLAND) [YM155, YM155D]

Refer. No.	Description	Part No.	Qty/Unit				Sales Unit	Inter-change ability	Design-change Mark	Remarks
			YM155	YM155D	YM135	YM135D				
41- 31	HOUSING (L) ASS'Y, rear axle	794200-32500	1	1						
	HOUSING (L) ASS'Y, rear axle	794200-32500-X	1	1				N		
41- 32	.HOUSING (L), rear axle	*	1	1				*		Not Sold Separately. (194200-32611)
41- 33	.STUD M8 x 17	194200-32630	8	8						
	.STUD M8 x 16	26216-080162	4	4				N		
41- 34	.PIPE 6 x 40, beathing	194200-32510	2	2						
41- 35	HOUSING (R) ASS'Y, rear axle	794200-32600	1	1						
	HOUSING (R) ASS'Y, rear axle	794200-32600-X	1	1				N		
41- 36	.HOUSING (R), rear axle	*	1	1				*		Not Sold Separately. (194200-32621)
41- 37	.STUD M8 x 17	194200-32630	8	8						
	.STUD M8 x 16	26216-080162	4	4				N		
41- 38	.PIPE 6 x 40, beathing	194200-32510	2	2						
41- 39	NUT M12	26716-120002	4	4			10			
41- 40	SPRING WASHER 12	22217-120000	6	6			10			
41- 41	PACKING, rear axle housing	194200-32640	2	2			5			
41- 42	PIPE 5 x 430, breathing	23061-050430	2	2						
	PIPE 5 x 360, breathing	23065-050360	2	2				N		YM155 -T/#52202 YM155D-T/#57449
41- 43	OIL PLUG 10	1A1040-48070	2	2			10			
41- 44	O-RING 12-P	24311-000120	2	2			10			
41- 45	COVER, rear axle housing	194200-32660	1	1				Z		
41- 46	PACKING, rear axle housing cover	194200-32670	1	1			10	Z		YM155 from No.51095 YM155D from No.51098
41- 47	BOLT M8 x 20	26116-080202	3	3			10	Z		
41- 48	SPRING WASHER 8	22217-080000	3	3			10	Z		
41- 49	SEAL COLLAR 25 x 35 x 11	194200-33451	2	2						
41- 50	OIL SEAL TC 35 50 8	194200-33460	2	2			10			
41- 51	O-RING 25-P	24311-000250	2	2			10			
41- 52	SHAFT, rear axle	194200-34132	2	2						

Fig. 41 REAR AXLE (EXCEPT ENGLAND) [YM155, YM155D]

M E M O

Refer. No.	Description	Part No.	Qty/Unit				Sales Unit	Inter-change ability	Design-change Mark	Remarks
			YM155	YM155D	YM135	YM135D				
41- 53	GEAR 52, final reduction	194200-34140	2	2						
41- 54	COLLAR 30.2 x 45 x 10	194200-34360	2	2						
41- 55	COLLAR 40 x 50 x 39	194200-34371	2	2						
41- 56	SLEEVE 45 x 50 x 20	194200-34382	2	2			Z		YM155 from No. 51295 YM155D from No. 52086	
41- 57	BALL BEARING 6306	24101-063064	2	2						
41- 58	BALL BEARING 45 x 80 x 18	194200-34200	2	2						
41- 59	OIL SEAL TC 50 70 10	194200-34411	2	2		10				
	OIL SEAL TC 45 70 12	194200-34412	2	2			F		Interchangeable by set with 41-56. YM155 from No. 51295 YM155D from No. 52086	
41- 60	WASHER, rear axle shaft	194200-34390	2	2						
41- 61	LOCKING 46	194200-34400	2	2						
41- 62	BOLT M8 x 16	26117-080169	4	4		10				
	BOLT M8 x 16	26116-080162	4	4		10	N			
41- 63	GEAR 38, spiral ring	194200-32100	1	1					In common with 22-48.	
41- 64	NUT M10	26716-100002	2	2		10	W		YM155 from No. 50030 YM155D from No. 50304	
41- 65	BOLT M10 x 60	26116-100602	16	16		10				
	BOLT M10 x 60	26116-100602	14	14		10	K		YM155 from No. 50030 YM155D from No. 50304	
41- 66	SPRING WASHER 10	22217-100000	16	16		10				
41- 67	BOLT M10 x 65	26116-100652	2	2		10	W			

Fig. 42 REAR AXLE (ENGLAND) [YM155, YM155D]

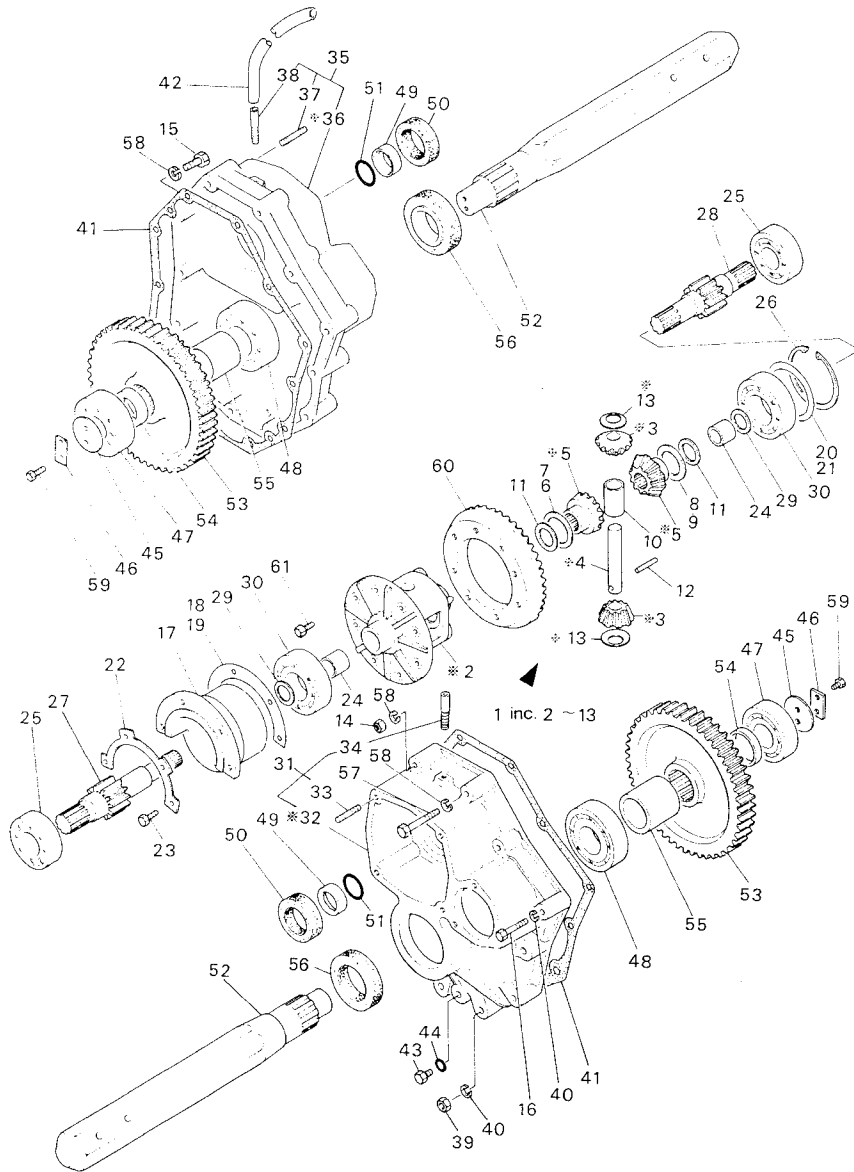


Fig. 42 REAR AXLE (ENGLAND) [YM155, YM155D]

Refer. No.	Description	Part No.	Qty/Unit				Inter-changeability	Design-change Mark	Remarks
			YM155	YM155D	YM135	YM135D			
42- 1	.HOUSING ASS'Y, differential	794200-31551	1	1				\$ In common with 22-36.	
42- 2	.HOUSING, differential 15id	*	1	1				\$ Not Sold Separately. (194200-31751)	
42- 3	.PINION 10, differential 45.16d	*	2	2				\$ Not Sold Separately. (194200-31811)	
42- 4	.SHAFT, differential pinion,	*	1	1				\$ Not Sold Separately. (194200-31821)	
42- 5	.GEAR 14, differential side	*	2	2				\$ Not Sold Separately. (194200-31831)	
42- 6	.SPACER 0.9, differential side gear 49d	194200-31851	-	-		10		\$	
42- 7	.SPACER 1.0, differential side gear 49d	194200-31861	-	-		10		\$ Selective	
42- 8	.SPACER 1.1, differential side gear 49d	194200-31871	-	-		10		\$	
42- 9	.SPACER 1.2, differential side gear 49d	194200-31881	-	-		10		\$	
42- 10	.THRUST COLLAR, differential 15id	194200-31901	1	1				\$	
42- 11	.LINER 22.5 x 30 x 1	194200-31910	2	2					
42- 12	.PIN 4, differential lock	194200-31940	1	1					
42- 13	.LINER, differential pinion 33d	*	2	2				Not Sold Separately (194200-31931)	
42- 14	NUT M10	26716-100002	2	2		10			
42- 15	BOLT M10 x 65	26116-100652	2	2		10			
42- 16	BOLT M12 x 60	26116-120602	2	2		10			
42- 17	CASE, differential bearing	194200-32250	1	1					
42- 18	SHIM 0.1, differential case	194200-32300	-	-		10			
42- 19	SHIM 0.3, differential case	194200-32310	-	-		10			
42- 20	SHIM 72 x 0.1	194200-32330	-	-		10		In common with 22-51.	
42- 21	SHIM 72 x 0.3	194200-32340	-	-		10		In common with 22-52.	
\$: Change effective units YM155 - from No. 51195 YM155D - from No. 51482									

Fig. 42 REAR AXLE (ENGLAND) [YM155, YM155D]

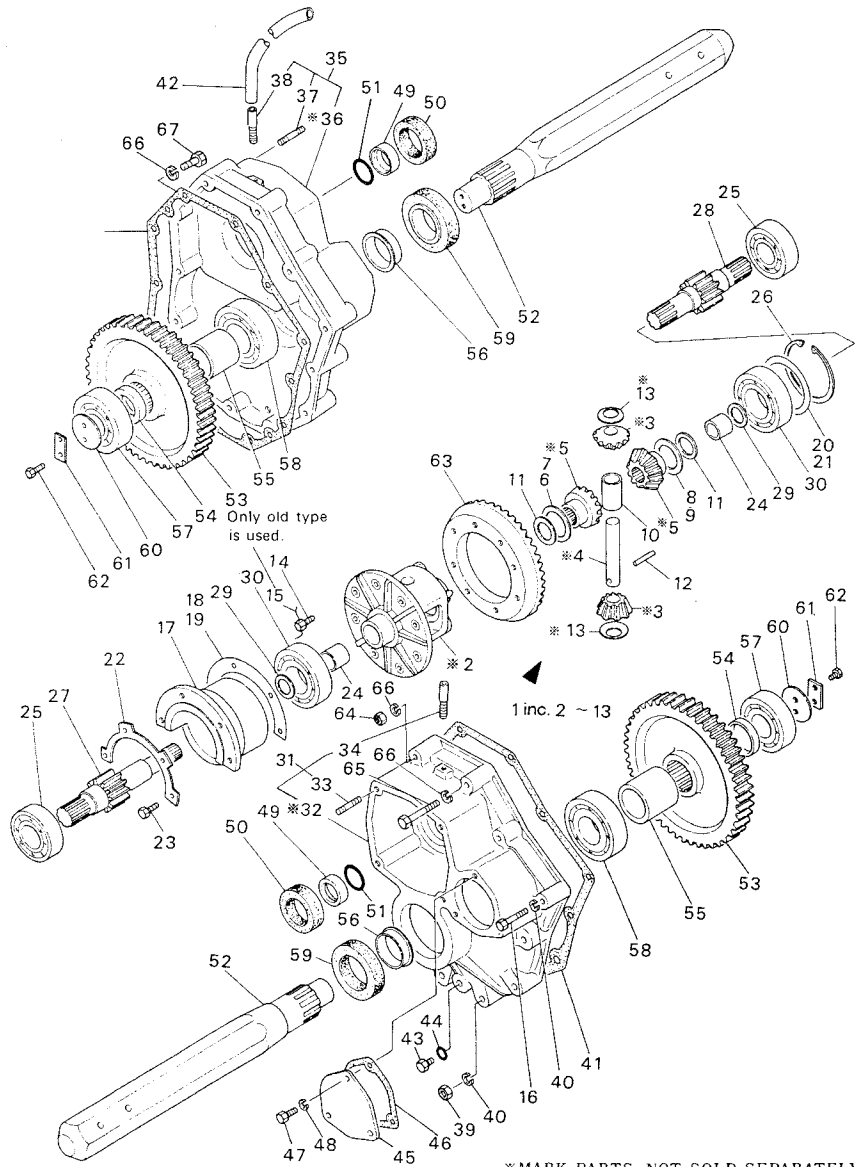
Refer. No.	Description	Part No.	Q'ty/Unit				Sales Unit	Inter-changeability	Design-change Mark	Remarks
			YM155	YM155D	YM135	YM135D				
42- 22	STOPPER, bearing case	194200-32370	1	1						
42- 23	BOLT M8 x 25	26116-080252	4	4		10				
42- 24	METAL 22 x 27 x 22.5	194200-32461	2	2						
42- 25	BALL BEARING 6206	24101-062064	2	2						
42- 26	CIRCLIP 72-H	22252-000720	1	1		10				
42- 27	PINION (L), final reduction	194201-33410	1	1					\$	
42- 28	PINION (R), final reduction	194201-33420	1	1					\$	
42- 29	LINER 22.5 x 30 x 1	194200-31910	2	2						
42- 30	BALL BEARING 6207	24101-062074	2	2						
42- 31	HOUSING (L) ASS'Y, rear axle	794200-32500-X	1	1						
42- 32	HOUSING (L), rear axle	*	1	1		*			Not Sold Separately. (194200-32611)	
42- 33	STUD M8 x 16	26216-080162	4	4						
42- 34	PIPE 6 x 40, breathing	194200-32510	2	2						
42- 35	HOUSING (R) ASS'Y, rear axle	194340-32650	1	1						
42- 36	HOUSING (R), rear axle	*	1	1		*			Not Sold Separately. (194200-32621)	
42- 37	STUD M8 x 16	26216-080162	4	4						
42- 38	PIPE 6 x 40, breathing	194200-32510	2	2						
42- 39	NUT M12	26716-120002	4	4		10				
42- 40	SPRING WASHER 12	22217-120000	6	6		10				
42- 41	PACKING, rear axle housing	194200-32640	2	2		5				
42- 42	PIPE 5 x 360, breathing	23065-050360	2	2			N		YM155 from No. 52202 YM155D from No. 57449	
42- 43	OIL PLUG 10	1A1040-48070	2	2		10				
42- 44	O-RING 12-P	24311-000120	2	2		10				
42- 45	WASHER, rear axle shaft	194200-34390	2	2						
42- 46	LOCKING 46	194200-34400	2	2						

Remarks:
 \$-marked parts: Applicable tractor serial number T/#52068 for YM155
 T/#56803 for YM155D
 Not interchangeable to the original type. However, interchangeable provided PINION (L) (194201-33410) or PINION (R) (194201-33420), WASHER (Refer. No. 47-50 P/#194201-36620), PLATE (Refer. No. 47-15 P/#194201-36610) and BOLT (Refer. No. 47-16 P/#26116-100162) are replace together.

Fig. 42 REAR AXLE (ENGLAND) [YM155, YM155D]

Refer. No.	Description	Part No.	Q'ty/Unit				Sales Unit	Inter-changeability	Design-change Mark	Remarks
			YM155	YM155D	YM135	YM135D				
42- 47	BALL BEARING 6306	24101-063064	2	2						
42- 48	BALL BEARING 45 x 80 x 18	194200-34200	2	2						
42- 49	SEAL COLLAR 25 x 35 x 11	194200-33451	2	2						
42- 50	OIL SEAL TC 35 50 8	194200-33460	2	2		10				
42- 51	O-RING 25-P	24311-000250	2	2		10				
42- 52	SHAFT, rear axle	194200-34132	2	2						
42- 53	GEAR 52, final reduction	194200-34140	2	2						
42- 54	COLLAR 30.2 x 45 x 10	194200-34360	2	2						
42- 55	COLLAR 40 x 50 x 39	194200-34371	2	2						
42- 56	OIL SEAL TC 45 70 12	194200-34412	2	2				F	Interchangeable by set with 42-56. YM155 from No. 51295 YM155D from No. 52086	
42- 57	BOLT M10 x 60	26116-100602	16	16		10				
	BOLT M10 x 60	26116-100602	14	14		10	K		YM155 from No. 50030 YM155D from No. 50304	
42- 58	SPRING WASHER 10	22217-100000	16	16		10				
42- 59	BOLT M8 x 16	26117-080159	4	4		10				
42- 60	GEAR 38, spiral ring	194200-32100	1	1						
42- 61	SEAL BOLT M8 x 18	194201-32150	8	8		10				

Fig. 43 REAR AXLE [YM135,YM135D]



*MARK PARTS: NOT SOLD SEPARATELY.

Fig. 43 REAR AXLE [YM135,YM135D]

Refer. No.	Description	Part No.	Qty/Unit				Interchangeability	Design change Mark	Remarks
			YM135	YM135D	YM135	YM135D			
43- 1	.HOUSING ASS'Y, differential	794200-31550			1	1			In common with 22-36.
	.HOUSING ASS'Y, differential	794200-31551			1	1	N		\$ In common with 22-36.
43- 2	.HOUSING, differential 14id	*			1	1			Not Sold Separately.
	.HOUSING, differential 15id	*			1	1	S		\$ Not Sold Separately. (194200-31751)
43- 3	.PINION 10,differential 41.33d	*			2	2			Not Sold Separately.
	.PINION 10,differential 45.16d	*			2	2	S		\$ Not Sold Separately. (194200-31811)
43- 4	.SHAFT, differential pinion, 14d x 85L	*			1	1			Not Sold Separately.
	.SHAFT, differential pinion, 15d x 87L	*			1	1	S		\$ Not Sold Separately. (194200-31821)
43- 5	.GEAR 14, differential side 51.49d	*			2	2			Not Sold Separately.
	.GEAR 14, differential side 56.26d	*			2	2	S		\$ Not Sold Separately. (194200-31831)
43- 6	.SPACER 0.9, differential side gear 42d	194200-31850			-	-	10		
	.SPACER 0.9, differential side gear 49d	194200-31851			-	-	10	S	\$
43- 7	.SPACER 1.0, differential side gear 42d	194200-31860			-	-	10		
	.SPACER 1.0, differential side gear 49d	194200-31861			-	-	10	S	\$
43- 8	.SPACER 1.1, differential side gear 42d	194200-31870			-	-	10		Selective
	.SPACER 1.1, differential side gear 49d	194200-31871			-	-	10	S	\$
43- 9	.SPACER 1.2, differential side gear 42d	194200-31880			-	-	10		
	.SPACER 1.2, differential side gear 49d	194200-31881			-	-	10	S	\$
	\$: Change effective units YM135 - from No. 51092	YM135D - from No. 51101							

Fig. 43 REAR AXLE [YM135,YM135D]

Refer. No.	Description	Part No.	Qty/Unit			Sales Unit	Interchangeability	Design-change Mark	Remarks
			YM155	YM155D	YM135				
43- 10	.THRUST COLLAR, differential 14id	194200-31900			1	1			
	.THRUST COLLAR, differential 15id	194200-31901			1	1	S	\$	
43- 11	.LINER 22.5 x 30 x 1	194200-31910			2	2			
43- 12	.PIN 4, differential lock	194200-31940			1	1			
43- 13	.LINER,differential pinion 30d	*			2	2	W	[1] Not Sold Separately.	
	.LINER,differential pinion 33d	*			2	2	S	YM135 from No. 51092 YM135D from No. 51101 Not Sold Separately. (194200-31931)	
	\$: Change effective units YM135 - from No. 51092		YM135D - from No. 51101						
43- 14	BOLT M8 x 28	26116-080186			8	8	10		
	SEAL BOLT M8 x 18	194201-32150			8	8	10	N [5]	
43- 15	WIRE 0.8 x 180	194200-32110			1	1	10		
	WIRE 0.8 x 180	194200-32110			1	1	10	Z [5]	
43- 16	BOLT M12 x 60	26116-120602			2	2	10		
43- 17	CASE, differential bearing	194200-32250			1	1			
43- 18	SHIM 0.1, differential case	194200-32300			-	-	10	Selective	
43- 19	SHIM 0.3, differential case	194200-32310			-	-	10		
43- 20	SHIM 72 x 0.1	194200-32330			-	-	10		
43- 21	SHIM 72 x 0.3	194200-32340			-	-	10		
43- 22	STOPPER, bearing case	194200-32370			1	1			
43- 23	BOLT M8 x 25	26116-080252			4	4	10		
43- 24	METAL 22 x 27 x 22.5	194200-32461			2	2			
43- 25	BALL BEARING 6206	24101-062064			2	2			
43- 26	CIRCLIP 72-H	22252-000720			1	1	10		
	Not interchangeable to the original type. However, interchangeable provided PINION (L) (194200-33411) or PINION (R) (194262-33420), WASHER (Refer. No. 49-50 P/194200-14171), PLATE (Refer. No. 49-15 P/194200-14160) and BOLT (Refer. No. 49-16 P/26116-080162) are replace together.								

Fig. 43 REAR AXLE [YM135,YM135D]

Refer. No.	Description	Part No.	Qty/Unit				Sales Unit	Interchangeability	Design-change Mark	Remarks
			YM155	YM155D	YM135	YM135D				
43- 27	PINION (L), final reduction 49d x 175.5L	194200-33411			1	1				
43- 28	PINION (R), final reduction 49d x 137.5L	194262-33420			1	1				
43- 29	LINER 22.5 x 30 x 1	194200-31910			2	2				
43- 30	BALL BEARING 6207	24101-062074			2	2				
43- 31	HOUSING (L) ASS'Y, rear axle	794200-32500			1	1				
	HOUSING (L) ASS'Y, rear axle	794200-32500-X			1	1		N		
43- 32	.HOUSING (L), rear axle	*			1	1	*		Not Sold Separately. (194200-32611)	
43- 33	.STUD M8 x 17	194200-32630			8	8				
	.STUD M8 x 16	26216-080162			4	4		N		
43- 34	.PIPE 6 x 40, breathing	194200-32510			2	2				
43- 35	HOUSING (R) ASS'Y, rear axle	794200-32600			1	1				
	HOUSING (R) ASS'Y, rear axle	794200-32600-X			1	1		N		
43- 36	.HOUSING (R), rear axle	*			1	1	*		Not Sold Separately. (194200-32621)	
43- 37	.STUD M8 x 17	194200-32630			8	8				
	.STUD M8 x 16	26216-080162			4	4		N		
43- 38	.PIPE 6 x 40, breathing	194200-32510			2	2				
43- 39	NUT M12	26716-120002			4	4	10			
43- 40	SPRING WASHER 12	22217-120000			6	6	10			
43- 41	PACKING, rear axle housing	194200-32640			2	2	5			
43- 42	PIPE 5 x 430, breathing	23061-050430			2	2				
43- 43	OIL PLUG 10	1A1040-48070			2	2	10			
43- 44	O-RING 12-P	24311-000120			2	2	10			
43- 45	COVER, rear axle housing	194200-32660			1	1		Z	In common with 43-2.	
43- 46	PACKING, rear axle housing cover	194200-32670			1	1	10	Z	YM135 from No. 51015 YM135D from No. 51107	
43- 47	BOLT M8 x 20	26116-080202			3	3	10	Z		
43- 48	SPRING WASHER 8	22217-080000			3	3	10	Z		

Fig. 43 REAR AXLE [YM135, YM135D]

M E M O

Refer. No.	Description	Part No.	Qty/Unit			Sales Unit	Interchangeability	Design-change Mark	Remarks
			YM155	YM155D	YM135				
43- 49	SEAL COLLAR 25 x 35 x 11	194200-33451			2	2			
43- 50	OIL SEAL TC 35 50 8	194200-33460			2	2	10		
43- 51	O-RING 25-P	24311-000250			2	2	10		
43- 52	SHAFT, rear axle	194262-34130			2	2			
43- 53	GEAR 51, final reduction	194262-34140			2	2			
43- 54	COLLAR 30.2 x 45 x 10	194200-34360			2	2			
43- 55	COLLAR 40 x 50 x 39	194200-34371			2	2			
43- 56	SLEEVE 45 x 50 x 20	194200-34382			2	2	Z	YM135 from No. 51158 YM135D from No. 51189	
43- 57	BALL BEARING 6306	24101-063064			2	2			
43- 58	BALL BEARING 45 x 80 x 18	194200-34200			2	2			
43- 59	OIL SEAL TC 50 70 10	194200-34411			2	2	10		
	OIL SEAL TC 45 70 12	194200-34412			2	2	F	Interchangeable by set with 43-56. YM135 from No. 51158 YM135D from No. 51189	
43- 60	WASHER, rear axle shaft	194200-34390			2	2			
43- 61	LOCKING 46	194200-34400			2	2			
43- 62	BOLT M8 x 16	26117-080169			4	4	10		
	BOLT M8 x 16	26116-080169			4	4	10	N	
43- 63	GEAR 38, spiral ring	194200-32100			1	1			
43- 64	NUT M10	26716-100002			2	2	10	W	
43- 65	BOLT M10 x 60	26116-100602			16	16	10		
	BOLT M10 x 60	26116-100602			14	14	10	K	
43- 66	SPRING WASHER 10	22217-100000			16	16	10		
43- 67	BOLT M10 x 65	26116-100652			2	2	10	W	

Fig. 44 DIFFERENTIAL LOCK (EXCEPT ENGLAND) [YM155,YM155D]

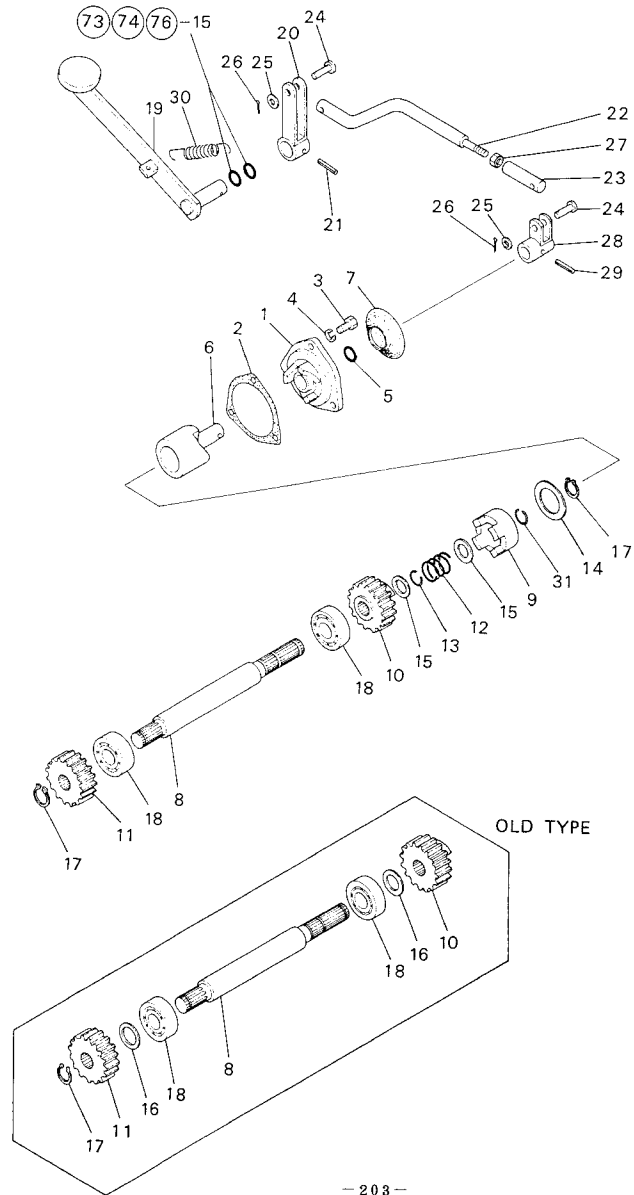


Fig. 44 DIFFERENTIAL LOCK (EXCEPT ENGLAND) [YM155,YM155D]

Refer. No.	Description	Part No.	Q'ty/Unit			Sales Unit	Inter-changeability	Design-Mark	Remarks
			YM155	YM155D	YM135				
44- 1	COVER, differential lock cam	194200-35100	1	1					
44- 2	PACKING, rear axle housing cover	194200-32670	1	1		10			
44- 3	BOLT M8 x 25	26116-080252	3	3		10			
	BOLT M8 x 25	26013-080252	3	3		10	N		
44- 4	SPRING WASHER 8	22217-080000	3	3		10	Z		
44- 5	O-RING 16-P	24311-000160	1	1		10			
44- 6	CAM, differential lock	194200-35130-X	1	1					
44- 7	BOOT, cam cover	194200-35180	1	1					
44- 8	SHAFT, differential lock	194200-35250	1	1					
44- 9	CLUTCH, differential lock	194200-35271	1	1					
44- 10	GEAR 14, differential lock clutch	194200-35280	1	1					
	GEAR 14, differential lock clutch	194200-35281	1	1			F	[4] Interchangeable by set with 44-16.	
44- 11	GEAR 14, differential lock shaft	194200-35290	1	1					
	GEAR 14, differential lock shaft	194200-35291	1	1			F	[4] Interchangeable by set with 44-16.	
44- 12	SPRING, differential lock	194200-35310	1	1					
44- 13	RING, differential lock shaft	194200-35320	1	1					
44- 14	LINER 30.5 x 46 x 1.5	194200-35340	1	1					
44- 15	LINER 20.5 x 29 x 1.5	194200-35350	2	2					
44- 16	LINER 20 x 35 x 1	1A1040-23220	2	2			Z	[4]	
44- 17	CIRCLIP 20-S	22242-000200	2	2		10			
44- 18	BALL BEARING 6204	24101-062044	2	2					
44- 19	PEDAL, differential lock	194200-35400-X	1	1					
44- 20	ARM (A), differential lock	194200-35470	1	1					
44- 21	SPRING PIN 6 x 32	22351-060032	1	1		10			

Fig. 44 DIFFERENTIAL LOCK (EXCEPT ENGLAND) [YM155, YM155D]

Refer. No.	Description	Part No.	Q ₆ /Unit				Sales Unit	Inter-change ability	Design-change Mark	Remarks
			YM155	YM155D	YM155	YM155D				
44- 22	ROD, differential lock	194200-35500	1	1						
44- 23	JOINT, differential lock rod	194200-35510	1	1						
44- 24	PIN 8 x 28	194200-35610	2	2						
44- 25	WASHER 8, plain	22117-080000	2	2		10				
44- 26	COTTER PIN 2 x 20	22417-200200	2	2		10				
	COTTER PIN 2 x 15	22417-200150	2	2		10	N			
44- 27	NUT M10	26716-100002	1	1		10				
44- 28	ARM (B), differential lock	194200-35550	1	1						
44- 29	SPRING PIN 6 x 28	22351-060028	1	1		10				
44- 30	SPRING, differential	194200-35600	1	1						
	lock pedal return									
44- 31	RING, differential lock clutch	194200-35330	1	1						

Fig. 45 DIFFERENTIAL LOCK (ENGLAND) [YM155,YM155D]

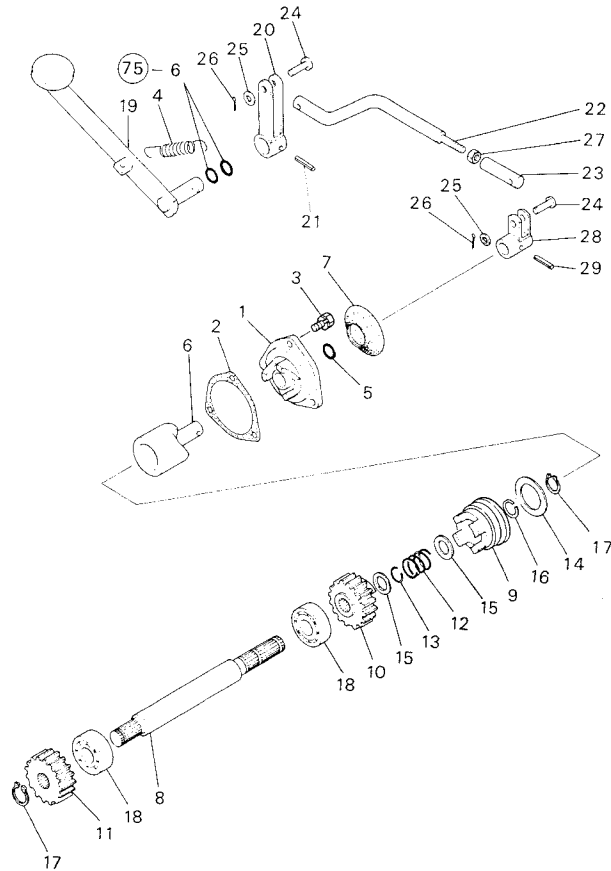


Fig. 45 DIFFERENTIAL LOCK (ENGLAND) [YM155,YM155D]

Refer. No.	Description	Part No.	Qty/Unit				Inter-changeability	Design-change Mark	Remarks
			YM155	YM155D	YM155	YM155D			
45- 1	COVER, differential lock cam	194200-35100	1	1					
45- 2	PACKING, rear axle housing cover	194200-32670	1	1		10			
45- 3	BOLT M8 x 25	26013-080252	3	3		10			
45- 4	SPRING, differential lock pedal return	194200-35600	1	1					
45- 5	O-RING 16-P	24311-000160	1	1		10			
45- 6	CAM, differential lock	194200-35130-X	1	1					
45- 7	BOOT, cam cover	194200-35180	1	1					
45- 8	SHAFT, differential lock	194200-35250	1	1					
45- 9	CLUTCH, differential lock	194340-33110	1	1					
45- 10	GEAR 14, differential lock clutch	194200-35281	1	1			F	[4] Interchangeable by set with 45-16.	
45- 11	GEAR 14, differential lock shaft	194200-35291	1	1			F	[4] Interchangeable by set with 45-16.	
45- 12	SPRING, differential lock	194200-35310	1	1					
45- 13	RING, differential lock shaft	194200-35320	1	1					
45- 14	LINER 30.5 x 46 x 1.5	194200-35340	1	1					
45- 15	LINER 20.5 x 29 x 1.5	194200-35350	2	2					
45- 16	RING, differential lock clutch	194200-35330	1	1					
45- 17	CIRCLIP 20-S	22242-000200	2	2		10			
45- 18	BALL BEARING 6204	24101-062044	2	2					
45- 19	PEDAL, differential lock	194200-35400-X	1	1					
45- 20	ARM (A), differential lock	194200-35470	1	1					
45- 21	SPRING PIN 6 x 32	22351-060032	1	1		10			
45- 22	ROD, differential lock	194200-35500	1	1					
45- 23	JOINT, differential lock rod	194200-35510	1	1					
45- 24	PIN 8 x 28	194200-35610	2	2					
45- 25	WASHER 8, plain	22117-080000	2	2		10			
45- 26	COTTER PIN 2 x 15	22417-200150	2	2		10			
45- 27	NUT M10	26716-100002	1	1		10			
45- 28	ARM (B), differential lock	194200-35550	1	1					
45- 29	SPRING PIN 6 x 28	22351-060028	1	1		10			

Fig. 46 DIFFERENTIAL LOCK [YM135,YM135D]

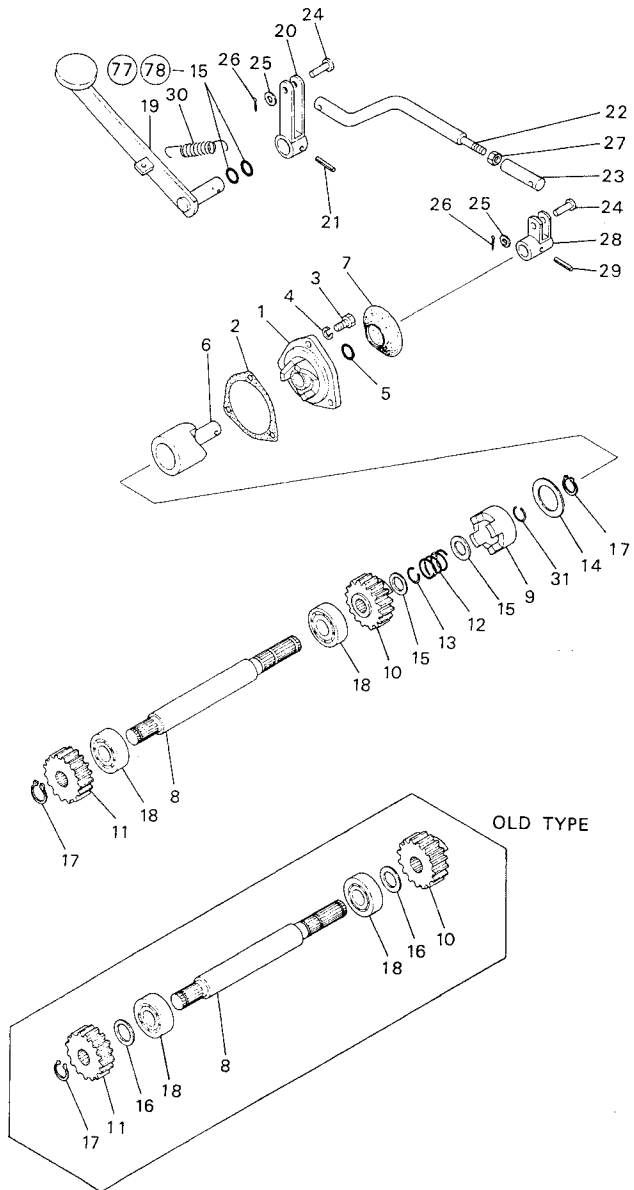


Fig. 46 DIFFERENTIAL LOCK [YM135,YM135D]

Refer. No.	Description	Part No.	Qty/Unit				Sales Unit	Inter-changeability	Design-change Mark	Remarks
			YM135	YM135D	YM135	YM135D				
46- 1	COVER, differential lock cam	194200-35100			1	1				
46- 2	PACKING, rear axle housing cover	194200-32670			1	1	10			
46- 3	BOLT M8 x 25	26116-080252			3	3	10			
46- 4	SPRING WASHER 8	22217-080000			3	3	10			
46- 5	O-RING 16-P	24311-000160			1	1	10			
46- 6	CAM, differential lock	194200-35130-X			1	1				
46- 7	BOOT, cam cover	194200-35180			1	1				
46- 8	SHAFT, differential lock	194200-35250			1	1				
46- 9	CLUTCH, differential lock	194200-35271			1	1				
46- 10	GEAR 15, differential lock clutch	194262-35280			1	1				
	GEAR 15, differential lock clutch	194262-35281			1	1		F	[4] Interchangeable by set with 46-16.	
46- 11	GEAR 15, differential lock shaft	194262-35290			1	1				
	GEAR 15, differential lock shaft	194262-35291			1	1		F	[4] Interchangeable by set with 46-16.	
46- 12	SPRING, differential lock	194200-35310			1	1				
46- 13	RING, differential lock shaft	194200-35320			1	1				
46- 14	LINER 30.5 x 46 x 1.5	194200-35340			1	1				
46- 15	LINER 20.5 x 29 x 1.5	194200-35350			2	2				
46- 16	LINER 20 x 35 x 1	1A1040-23220			2	2		Z	[4]	
46- 17	CIRCLIP 20-S	22242-000200			2	2	10			
46- 18	BALL BEARING 6204	24101-062044			2	2				
46- 19	PEDAL, differential lock	194200-35400-X			1	1				
46- 20	ARM (A), differential lock	194200-35470			1	1				
46- 21	SPRING PIN 6 x 32	22351-060032			1	1	10			

Fig. 46 DIFFERENTIAL LOCK [YM135, YM135D]

M E M O

Refer. No.	Description	Part No.	Qty/Unit				Sales Unit	Inter-changeability	Design-change Mark	Remarks
			YM155	YM155D	YM135	YM135D				
46- 22	ROD, differential lock	194200-35500			1	1				
46- 23	JOINT, differential lock rod	194200-35510			1	1				
46- 24	PIN 8 x 28	194200-35610			2	2				
46- 25	WASHER 8, plain	22117-080000			2	2	10			
46- 26	COTTER PIN 2 x 20	22417-200200			2	2	10			
	COTTER PIN 2 x 15	22417-200150			2	2	10	N		
46- 27	NUT M10	26716-100002			1	1	10			
46- 28	ARM (B), differential lock	194200-35550			1	1				
46- 29	SPRING PIN 6 x 28	22351-060028			1	1	10			
46- 30	SPRING, differential lock pedal return	194200-35600			1	1				
46- 31	RING, differential lock clutch	194200-35330			1	1				

Fig. 47 BRAKES (EXCEPT PORTUGAL) [YM155, YM155D]

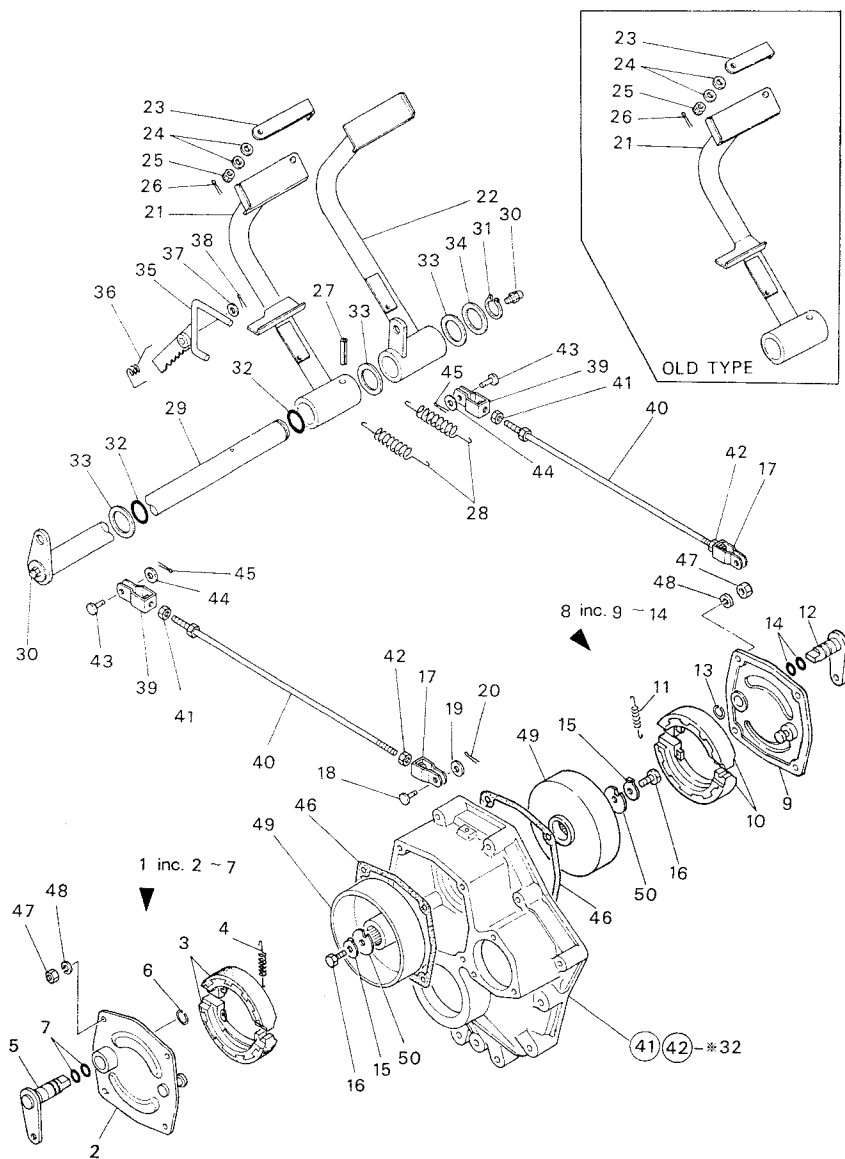


Fig. 47 BRAKES (EXCEPT PORTUGAL) [YM155, YM155D]

Refer. No.	Description	Part No.	Qty./Unit				Inter-changeability	Design-change Mark	Remarks
			YM155	YM155D	YM155	YM155D			
47- 1	BRAKE (L) ASS'Y	794200-36001-X	1	1					
47- 2	.COVER, brake	194200-36351-X	1	1					
47- 3	.BRAKE SHOE, complete	194200-36512	2	2					
47- 4	.SPRING, brake shoe return	194200-36551	2	2					
47- 5	.CAMSHAFT (L), brake	194200-36701	1	1					
47- 6	.RING, brake camshaft	194200-36790	1	1		10			
47- 7	.O-RING 16-S	194200-36780	2	2		10			
47- 8	BRAKE (R) ASS'Y	794200-36011-X	1	1					
47- 9	.COVER, brake	194200-36351-X	1	1					
47- 10	.BRAKE SHOE, complete	194200-36512	2	2					
47- 11	.SPRING, brake shoe return	194200-36551	2	2					
47- 12	.CAMSHAFT (R), brake	194200-36711-X	1	1					
47- 13	.RING, brake camshaft	194200-36790	1	1		10			
47- 14	.O-RING 16-S	194200-36780	2	2		10			
47- 15	PLATE, lock	194200-14160	2	2					
	PLATE, lock	194201-36610	2	2			S	\$	
47- 16	BOLT M8 x 16	26116-080162	2	2		10		\$	
	BOLT M10 x 16	26116-100162	2	2		10	S	\$	
47- 17	JOINT, brake arm	194200-36740	2	2					
47- 18	PIN 8 x 17.5	194200-37800	2	2					
	PIN 8 x 20.5	194200-37810	2	2			S		
47- 19	WASHER 8, plain	22117-080000	2	2		10			
47- 20	COTTER PIN 2 x 20	22417-200200	2	2		10			
	COTTER PIN 2 x 15	22417-200150	2	2		10	N		
Remarks:									
\$-marked parts: Applicable tractor serial number T/#52068 for YM155 T/#56803 for YM155D									
Not interchangeable to the original type. However, interchangeable provided PINION (L) (Refer. No. 41-27 P/#194201-33410) or PINION (R) (Refer. No. 41-28 194201-33420), WASHER (194201-36620), PLATE (194201-36610) and BOLT M10 x 16 (26116-100162) are replaced together.									

Fig. 47 BRAKES (EXCEPT PORTUGAL) [YM155,YM155D]

Refer. No.	Description	Part No.	Q'ty/Unit				Sales Unit	Inter-changeability	Design-change Mark	Remarks
			YM155	YM155D	YM135	YM135D				
47- 21	PEDAL (L), brake	194200-37302-X	1	1						
	PEDAL (L), brake	194200-37303-X	1	1			F	[3]	Interchangeable by set with 47-22.	
	PEDAL (L), brake	194200-37304-X	1	1			F	[5]	Interchangeable by set with 47-22, 47-23.	
47- 22	PEDAL (R), brake	194200-37400-X	1	1						
	PEDAL (R), brake	194200-37401-X	1	1			F	[3]	Interchangeable by set with 47-21.	
47- 23	CONNECTOR, brake	194200-37350-R	1	1						
	CONNECTOR, brake	194340-37350-R	1	1			F	[5]	Interchangeable by set with 47-21.	
47- 24	SPRING 8, belleville	194200-37390	2	2						
47- 25	CASTLE NUT M8	26817-080002	1	1		10				
47- 26	COTTER PIN 2 x 20	22417-200200	1	1		10				
	COTTER PIN 2 x 18	22417-200180	1	1		10	N			
47- 27	SPRING PIN 8 x 40	22351-080040	1	1		10				
47- 28	SPRING, brake pedal return	194200-37510	2	2						
47- 29	SHAFT, brake pedal	194200-37550	1	1						
47- 30	GREASE NIPPLE A-M6F	24761-010000	2	2		10				
	GREASE NIPPLE A-M6F	24764-010000	2	2			N			
47- 31	CIRCLIP 25-S	22242-000250	1	1		10				
47- 32	O-RING 25-P	24311-000250	2	2		10				
47- 33	LINER 26 x 36 x 2.3	194200-37600	3	3						
47- 34	LINER 26 x 36 x 1	194200-37620	1	1						
47- 35	LEVER, brake pedal lock	194200-37652-X	1	1						
47- 36	SPRING, lock lever return	194200-37690	1	1						
	SPRING, lock lever return	194200-37691	1	1			S		YM155 from No. 51506 YM155D from No. 53372	
	SPRING, lock lever return	194200-37692	1	1			S		YM155 from No. 51506 YM155D from No. 54922	

Fig. 47 BRAKES (EXCEPT PORTUGAL) [YM155,YM155D]

Refer. No.	Description	Part No.	Q'ty/Unit				Sales Unit	Inter-changeability	Design-change Mark	Remarks
			YM155	YM155D	YM135	YM135D				
47- 37	WASHER 12, plain	22117-120000	1	1						
47- 38	COTTER PIN 2 x 20	22417-200200	1	1						
47- 39	JOINT, brake rod front	194200-37740	2	2						
47- 40	ROD, brake	194200-37770	2	2						
47- 41	LS-NUT M8	194200-37780	2	2		10				
47- 42	NUT M8	26716-080002	2	2		10				
47- 43	PIN 8 x 17.5	194200-37800	2	2						
	PIN 8 x 20.5	194200-37810	2	2		10	N			
47- 44	WASHER 8, plain	22117-080000	2	2		10				
47- 45	COTTER PIN 2 x 20	22417-200200	2	2		10				
	COTTER PIN 2 x 15	22417-200150	2	2		10	N			
47- 46	PACKING, brake cover	194200-36420	2	2		5				
47- 47	NUT M8	26716-080002	8	8		10				
47- 48	SPRING WASHER 8	22217-080000	8	8		10				
47- 49	DRUM, brake	194200-36571	2	2						
47- 50	WASHER, lock plate	194200-14171	2	2						
	WASHER, lock plate	194201-36620	2	2			S		\$	

Fig. 48 BRAKES (PORTUGAL) [YM155,YM155D]

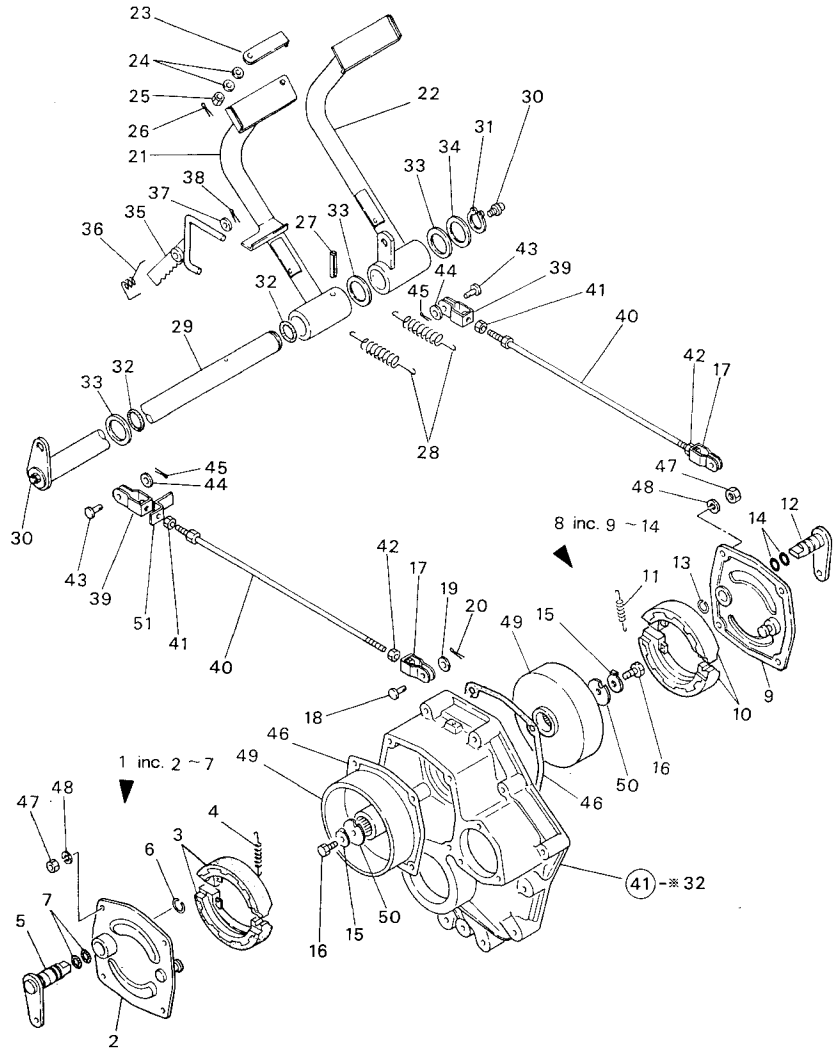


Fig. 48 BRAKES (PORTUGAL) [YM155,YM155D]

Refer. No.	Description	Part No.	Q'ty/Unit				Interchangeability	Design Mark	Remarks
			YM155	YM155D	YM155	YM155D			
48- 1	BRAKE (L) ASS'Y	794200-36001-X	1	1					
48- 2	.COVER, brake	194200-36351-X	1	1					
48- 3	.BRAKE SHOE, complete	194200-36512	2	2					
48- 4	.SPRING, brake shoe return	194200-36551	2	2					
48- 5	.CAMSHAFT (L), brake	194200-36701	1	1					
48- 6	.RING, brake camshaft	194200-36790	1	1		10			
48- 7	.O-RING 16-S	194200-36780	2	2		10			
48- 8	BRAKE (R) ASS'Y	794200-36011-X	1	1					
48- 9	.COVER, brake	194200-36351-X	1	1					
48- 10	.BRAKE SHOE, complete	194200-36512	2	2					
48- 11	.SPRING, brake shoe return	194200-36551	2	2					
48- 12	.CAMSHAFT (R), brake	194200-36711-X	1	1					
48- 13	.RING, brake camshaft	194200-36790	1	1		10			
48- 14	.O-RING 16-S	194200-36780	2	2		10			
48- 15	PLATE, lock	194201-36610	2	2					
48- 16	BOLT M10 x 16	26116-100162	2	2		10			
48- 17	JOINT, brake arm	194200-36740	2	2					
48- 18	PIN 8 x 20.5	194200-37810	2	2					
48- 19	WASHER 8, plain	22117-080000	2	2		10			
48- 20	COTTER PIN 2 x 15	22417-200150	2	2		10			
48- 21	PEDAL (L), brake	194200-37304-X	1	1					
48- 22	PEDAL (R), brake	194200-37401-X	1	1					

Remarks:
 Not interchangeable to the original type. However, interchangeable provided PINION (L) (Refer. No. 41-27 P/#194201-33410) or PINION (R) (Refer. No. 41-28 194201-33420), WASHER (194201-36620), PLATE (194201-36610) and BOLT M10 x 16 (26116-100162) are replaced together.

Fig. 48 BRAKES (PORTUGAL) [YM155, YM155D]

M E M O

Refer. No.	Description	Part No.	Q'ty/Unit			Sales Unit	Inter-changeability	Design-change Mark	Remarks
			YM155	YM155D	YM135				
48- 23	CONNECTOR, brake	194340-37350-R	1	1					
48- 24	SPRING 8, belleville	194200-37390	2	2					
48- 25	CASTLE NUT M8	26817-080002	1	1		10			
48- 26	COTTER PIN 2 x 18	22417-200180	1	1		10			
48- 27	SPRING PIN 8 x 40	22351-080040	1	1		10			
48- 28	SPRING, brake pedal return	194200-37510	2	2					
48- 29	SHAFT, brake pedal	194200-37550	1	1					
48- 30	GREASE NIPPLE A-M6F	24764-010000	2	2		10			
48- 31	CIRCLIP 25-S	22242-000250	1	1		10			
48- 32	O-RING 25-P	24311-000250	2	2		10			
48- 33	LINER 26 x 36 x 2.3	194200-37600	3	3					
48- 34	LINER 26 x 36 x 1	194200-37620	1	1					
48- 35	LEVER, brake pedal lock	194200-37652-X	1	1					
48- 36	SPRING, lock lever return	194200-37692	1	1					
48- 37	WASHER 12, plain	22117-120000	1	1		10			
48- 38	COTTER PIN 2 x 20	22417-200200	1	1		10			
48- 39	JOINT, brake rod front	194200-37740	2	2					
48- 40	ROD, brake	194200-37770	2	2					
48- 41	LS-NUT M8	194200-37780	2	2		10			
48- 42	NUT M8	26716-080002	2	2		10			
48- 43	PIN 8 x 20.5	194200-37810	2	2		10			
48- 44	WASHER 8, plain	22117-080000	2	2		10			
48- 45	COTTER PIN 2 x 15	22417-200150	2	2		10			
48- 46	PACKING, brake cover	194200-36420	2	2		5			
48- 47	NUT M8	26716-080002	8	8		10			
48- 48	SPRING WASHER 8	22217-080000	8	8		10			
48- 49	DRUM, brake	194200-36571	2	2					
48- 50	WASHER, lock plate	194201-36620	2	2					
48- 51	PLATE, switch	194340-52330	1	1					

Fig. 49 BRAKES [YM135,YM135D]

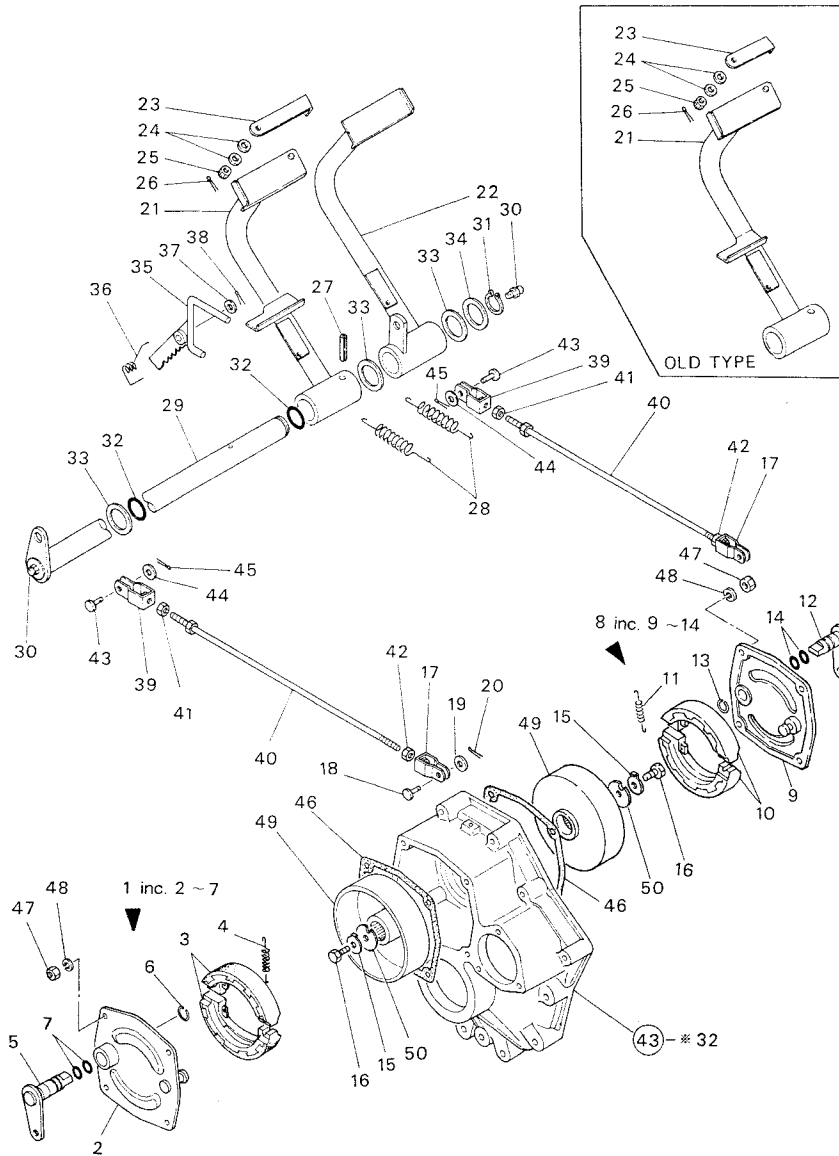


Fig. 49 BRAKES [YM135,YM135D]

Refer. No.	Description	Part No.	Qty/Unit				Interchangeability	Design Mark	Remarks
			YM155	YM155D	YM135	YM135D			
49- 1	BRAKE (L) ASS'Y	794200-36001-X			1	1			
49- 2	.COVER, brake	194200-36351-X			1	1			
49- 3	.BRAKE SHOE, complete	194200-36512			2	2			
49- 4	.SPRING, brake shoe return	194200-36551			2	2			
49- 5	.CAMSHAFT (L), brake	194200-36701			1	1			
49- 6	.RING, brake camshaft	194200-36790			1	1	10		
49- 7	.O-RING 16-S	194200-36780			2	2	10		
49- 8	BRAKE (R) ASS'Y	794200-36011-X			1	1			
49- 9	.COVER, brake	194200-36351-X			1	1			
49- 10	.BRAKE SHOE, complete	194200-36512			2	2			
49- 11	.SPRING, brake shoe return	194200-36551			2	2			
49- 12	.CAMSHAFT (R), brake	194200-36711-X			1	1			
49- 13	.RING, brake camshaft	194200-36790			1	1	10		
49- 14	.O-RING 16-S	194200-36780			2	2	10		
49- 15	PLATE, lock	194200-14160			2	2			
49- 16	BOLT M8 x 16	26116-080162			2	2	10		
49- 17	JOINT, brake arm	194200-36740			2	2			
49- 18	PIN 8 x 17.5	194200-37800			2	2			
	PIN 8 x 20.5	194200-37810			2	2			S
49- 19	WASHER 8, plain	22117-080000			2	2	10		
49- 20	COTTER PIN 2 x 20	22417-200200			2	2	10		
	COTTER PIN 2 x 15	22417-200150			2	2	10		N
Remarks: Not interchangeable to the original type. However, interchangeable provided PINION (L) (Refer. No. 43-27 P/#194200-33411) or PINION (R) (Refer. No.43-28 194262-33420), WASHER (194200-14171), PLATE (194200-14160) and BOLT M8 x 16 (26116-080162) are replaced together.									

Fig. 49 BRAKES [YM135,YM135D]

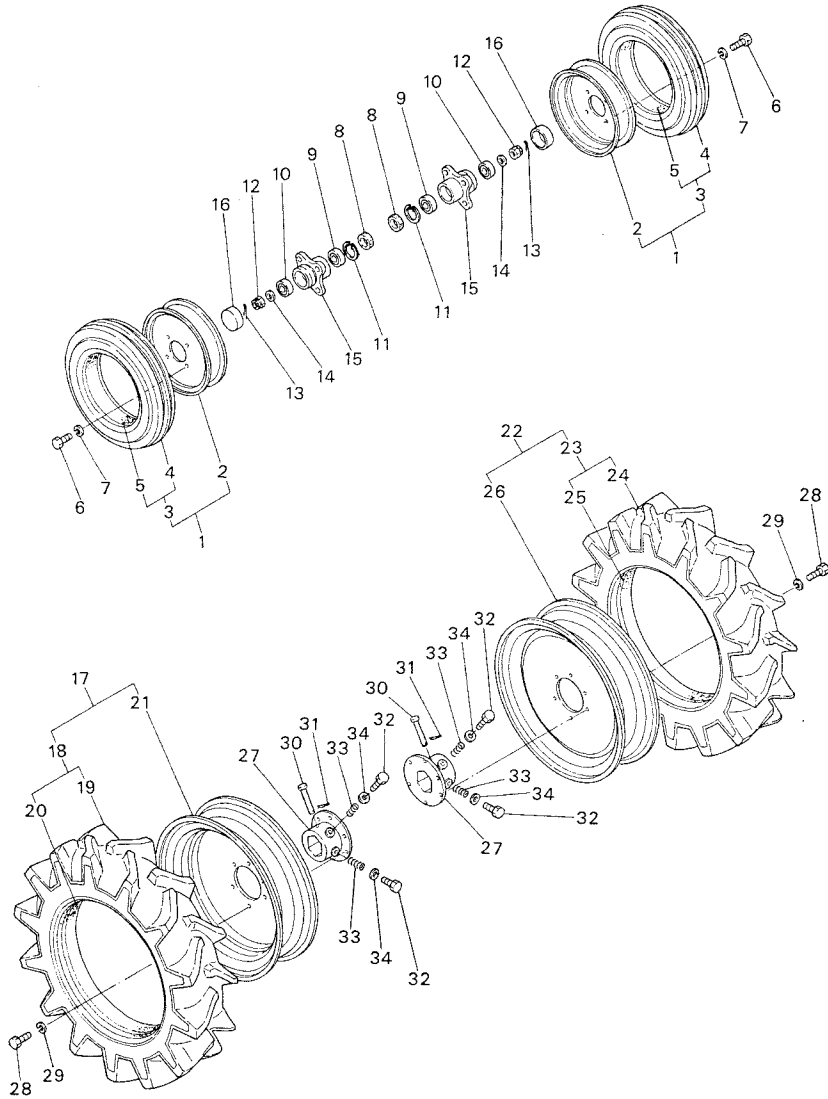
Refer. No.	Description	Part No.	Qty/Unit				Sales Unit	Inter-change ability	Design-change Mark	Remarks
			YM135	YM135D	YM135	YM135D				
49- 21	PEDAL (L), brake	194200-37302-X			1	1				
	PEDAL (L), brake	194200-37303-X			1	1	F	[3]	Interchangeable by set with 49-22.	
	PEDAL (L), brake	194200-37304-X			1	1	F	[5]	Interchangeable by set with 49-22, 49-23.	
49- 22	PEDAL (R), brake	194200-37400-X			1	1				
	PEDAL (R), brake	194200-37401-X			1	1	F	[3]	Interchangeable by set with 49-21.	
49- 23	CONNECTOR, brake	194200-37350-R			1	1				
	CONNECTOR, brake	194340-37350-R			1	1	F	[5]	Interchangeable by set with 49-21.	
49- 24	SPRING 8, belleville	194200-37390			2	2				
49- 25	CASTLE NUT M8	26817-080002			1	1	10			
49- 26	COTTER PIN 2 x 20	22417-200200			1	1	10			
	COTTER PIN 2 x 18	22417-200180			1	1	10	N		
49- 27	SPRING PIN 8 x 40	22351-080040			1	1	10			
49- 28	SPRING, brake pedal return	194200-37510			2	2				
49- 29	SHAFT, brake pedal	194200-37550			1	1				
49- 30	GREASE NIPPLE A-M6F	24761-010000			2	2	10			
	GREASE NIPPLE A-M6F	24764-010000			2	2	10	N		
49- 31	CIRCLIP 25-S	22242-000250			1	1	10			
49- 32	O-RING 25-P	24311-000250			2	2	10			
49- 33	LINER 26 x 36 x 2.3	194200-37600			3	3				
49- 34	LINER 26 x 36 x 1	194200-37620			1	1				
49- 35	LEVER, brake pedal lock	194200-37652-X			1	1				
49- 36	SPRING, lock lever return	194200-37690			1	1				
	SPRING, lock lever return	194200-37691			1	1		S	YM135 from No. 51263 YM135D from No. 51305	
	SPRING, lock lever return	194200-37692			1	1		S	YM135 from No. 51421 YM135D from No. 51581	

Fig. 49 BRAKES [YM135,YM135D]

Refer. No.	Description	Part No.	Qty/Unit				Sales Unit	Inter-change ability	Design-change Mark	Remarks
			YM135	YM135D	YM135	YM135D				
49- 37	WASHER 12, plain	22117-120000			1	1	10			
49- 38	COTTER PIN 2 x 20	22417-200200			1	1	10			
49- 39	JOINT, brake rod front	194200-37740			2	2				
49- 40	ROD, brake	194200-37770			2	2				
49- 41	LS-NUT M8	194200-37780			2	2	10			
49- 42	NUT M8	26716-080002			2	2	10			
49- 43	PIN 8 x 17.5	194200-37800			2	2				
	PIN 8 x 20.5	194200-37810			2	2	10	N		
49- 44	WASHER 8, plain	22117-080000			2	2	10			
49- 45	COTTER PIN 2 x 20	22417-200200			2	2	10			
	COTTER PIN 2 x 15	22417-200150			2	2	10	N		
49- 46	PACKING, brake cover	194200-36420			2	2	5			
49- 47	NUT M8	26716-080002			8	8	10			
49- 48	SPRING WASHER 8	22217-080000			8	8	10			
49- 49	DRUM, brake	194200-36571			2	2				
49- 50	WASHER, lock plate	194200-14171			2	2				

Fig. 50 FRONT & REAR TIRES (U.S.A. & S.AFRICA) [YM155]

Fig. 50 FRONT & REAR TIRES (U.S.A. & S.AFRICA) [YM155]



Refer. No.	Description	Part No.	Qty/Unit			Sales Unit	Inter-changeability	Design-change Mark	Remarks
			YM155	YM155D	YM135				
50- 1	TIRE ASS'Y, front wheel	794200-11850-P	2						
	TIRE ASS'Y, front wheel	794200-11850-Q	2				S		YM155 -T/#52400
50- 2	.WHEEL 3.508 x 10GA, disc	194200-11880-P	2						
	.WHEEL 3.508 x 10GA, disc	194200-11880-Q	2				S		YM155 -T/#52400
50- 3	.TIRE ASS'Y 4.50-10, front	194200-11900	2						
50- 4	..TIRE 4.50-10	194200-11910	2						
50- 5	..TUBE, tire	194200-11920	2						
50- 6	BOLT M12 x 25	26116-120252	8			10			
	BOLT M12 x 25	26013-120252	8				N		
50- 7	SPRING WASHER 12	22217-120000	8			10	Z		
50- 8	OIL SEAL TC 35 52 11	194150-12720	2			10			
50- 9	BALL BEARING 6205	24101-062054	2						
50- 10	BALL BEARING 6204	24101-062044	2						
50- 11	CIRCLIP 48-H	22252-000480	2			10			Selective
	WASHER 42 x 51.8 x 1	194151-11670	2			10			
50- 12	CASTLE NUT M20	26837-200002	2			10			
	CASTLE NUT M20	26877-200002	2				N		
50- 13	COTTER PIN 4 x 40	22417-400400	2			10			
50- 14	WASHER 20, plain	194151-12640	2						
50- 15	HUB, front wheel	194200-11801-P	2						
	HUB, front wheel	194200-11801-Q	2				S		YM115 -T/#52400
50- 16	COVER, front wheel hub.	194151-12620-X	2						
50- 17	TIRE ASS'Y (L), rear wheel	794340-34810	1						
50- 18	.TIRE ASS'Y, rear	794340-34930	1						
50- 19	..TIRE	194340-34940	1						
50- 20	..TUBE, tire	194200-34950	1						
50- 21	.WHEEL, disc	194200-34960-P	1						
	.WHEEL, disc	194200-34960-Q	1				S		YM155 -T/#52400

Fig. 50 FRONT & REAR TIRES (U.S.A. & S.AFRICA) [YM155]

M E M O

Refer. No.	Description	Part No.	Q'ty/Unit			Sales Unit	Inter-changeability	Design-change Mark	Remarks
			YM155	YM155D	YM135				
50- 22	TIRE ASS'Y (R), rear wheel	794340-34820	1						
50- 23	.TIRE ASS'Y, rear	794340-34930	1						
50- 24	..TIRE	194340-34940	1						
50- 25	..TUBE, tire	194200-34950	1						
50- 26	.WHEEL, disc	194200-34960-P	1						
	.WHEEL, disc	194200-34960-Q	1				S	YM155 -T/#52400	
50- 27	HUB, rear wheel	194200-34711	1						
	HUB, rear wheel	194202-34710	2				N		
50- 28	BOLT M12 x 25	26116-120252	12			10			
	BOLT M12 x 25	26013-120252	12				N		
50- 29	SPRING WASHER 12	22217-120000	12			10	Z		
50- 30	PIN 10 x 78, rear wheel hub	194200-34750	2						
50- 31	SNAP PIN 10	22360-100000	2			10			
50- 32	BOLT, flange	1A1040-36010	4						
50- 33	SPRING, flange bolt	1A1040-36040	4						
50- 34	WASHER 16, plain	22117-160000	4			10			

Fig. 51 FRONT & REAR TIRES (U.S.A. & S.AFRICA) [YM155D]

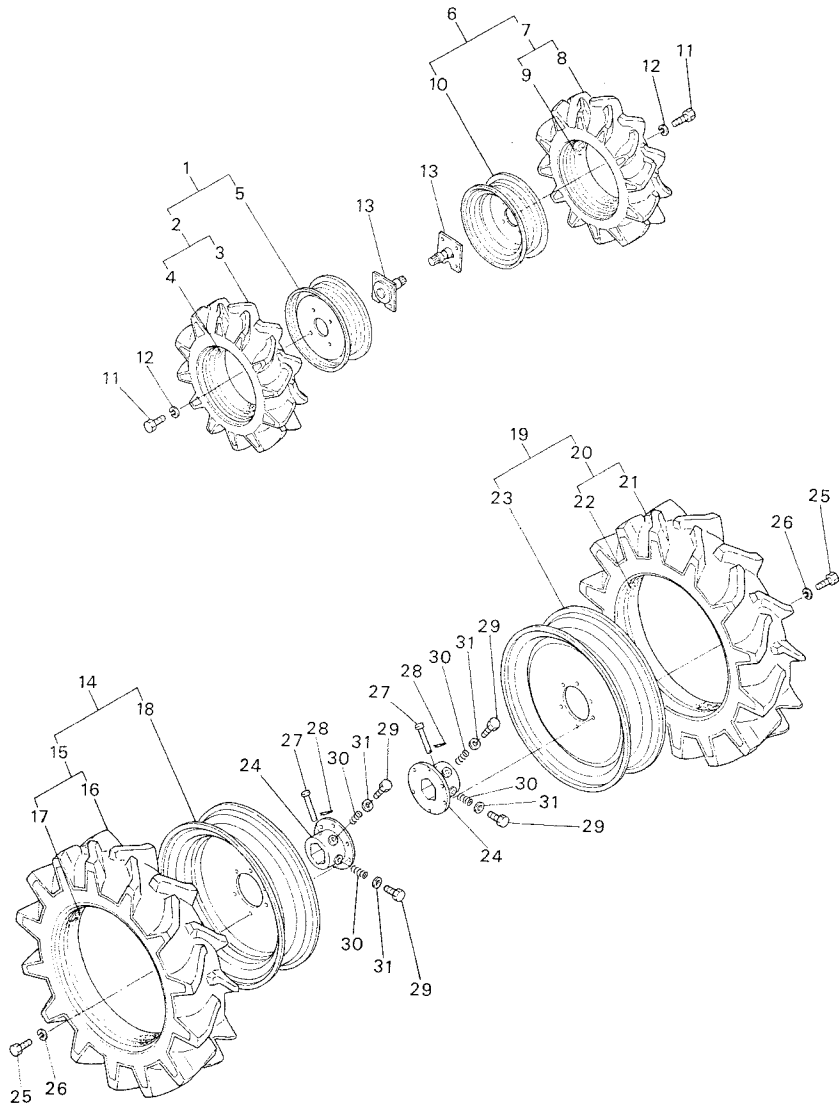


Fig. 51 FRONT & REAR TIRES (U.S.A. & S.AFRICA) [YM155D]

Refer. No.	Description	Part No.	Qty/Unit			Inter-changeability	Design-Mark	Remarks
			YM155	YM155D	YM155			
51- 1	TIRE ASS'Y (L), front wheel	794210-12910		1				
	TIRE ASS'Y (L), front wheel	794341-12910-P		1		N		
	TIRE ASS'Y (L), front wheel	794341-12910-Q		1		S		YM155D from No. 58304
51- 2	.TIRE ASS'Y 5-12, front wheel	794210-12930		2				
	.TIRE ASS'Y 5-12, front wheel	794341-12930		2		N		
	.TIRE ASS'Y 5-12, front wheel	194341-12930		1		N		
51- 3	..TIRE 5-12, front wheel	1A1030-34200		1				
	..TIRE 5-12, front wheel	194341-12870		1		N		YM155D from No. 55106
51- 4	..TUBE 5-12, tire	1A1030-34250		1				
51- 5	.WHEEL 4JA-12, disc	194210-12850-P		1				
	.WHEEL 4JA-12, disc	194210-12850-Q		1		S		YM155D from No. 58304
51- 6	TIRE ASS'Y (R), front wheel	794210-12920		1				
	TIRE ASS'Y (R), front wheel	794341-12920-P		1		N		
	TIRE ASS'Y (R), front wheel	794341-12920-Q		1		S		YM155D from No. 58304
51- 7	.TIRE ASS'Y 5-12, front wheel	794210-12930		2				
	.TIRE ASS'Y 5-12, front wheel	794341-12930		2		N		
	.TIRE ASS'Y 5-12, front wheel	194341-12930		1		N		
51- 8	..TIRE 5-12, front wheel	1A1030-34200		1				
	..TIRE 5-12, front wheel	194341-12870		1		N		YM155D from No. 55106
51- 9	..TUBE 5-12, tire	1A1030-34250		1				
51- 10	.WHEEL 4JA-12, disc	194210-12850-P		1				
	.WHEEL 4JA-12, disc	194210-12850-Q		1		S		YM155D from No. 58304
51- 11	BOLT M12 x 25	26116-120252		8			10	
	BOLT M12 x 25	26013-120252		8		N		
51- 12	SPRING WASHER 12	22217-120000		8			10	Z
51- 13	SHAFT, front axle	194210-14350		2				
	SHAFT, front axle	194341-14350		2		S		[4]

Fig. 51 FRONT & REAR TIRES (U.S.A & S. AFRICA) [YM155D]

M E M O

Refer. No.	Description	Part No.	Qty/Unit			Sales Unit	Inter-changeability	Design-change Mark	Remarks
			YM155	YM155D	YM135				
51- 14	TIRE ASS'Y (L), rear wheel	794340-34810		1					
51- 15	.TIRE ASS'Y, rear	794340-34930		1					
51- 16	..TIRE	194340-34940		1					
51- 17	..TUBE, tire	194200-34950		1					
51- 18	.WHEEL, disc	194200-34960-Q		1					
51- 19	TIRE ASS'Y (R), rear wheel	794340-34820		1					
51- 20	.TIRE ASS'Y, rear	794340-34930		1					
51- 21	..TIRE	194340-34940		1					
51- 22	..TUBE, tire	194200-34950		1					
51- 23	.WHEEL, disc	194200-34960-Q		1					
51- 24	HUB, rear wheel	194200-34711		2					
	HUB, rear wheel	194202-34710		2			N		
51- 25	BOLT M12 x 35	26116-120352		12	10				
	BOLT M12 x 35	26013-120352		12	10		N		
51- 26	SPRING WASHER 12	22217-120000		12	10		Z		
51- 27	PIN 10 x 78, rear wheel hub	194200-34750		2					
51- 28	SNAP PIN 10	22360-100000		2	10				
51- 29	BOLT, flange	1A1040-36010		4					
51- 30	SPRING, flange bolt	1A1040-36040		4					
51- 31	WASHER 16, plain	22117-160000		4	10				

Fig. 52 FRONT & REAR TIRES (FRANCE, ENGLAND & PORTUGAL) [YM155]

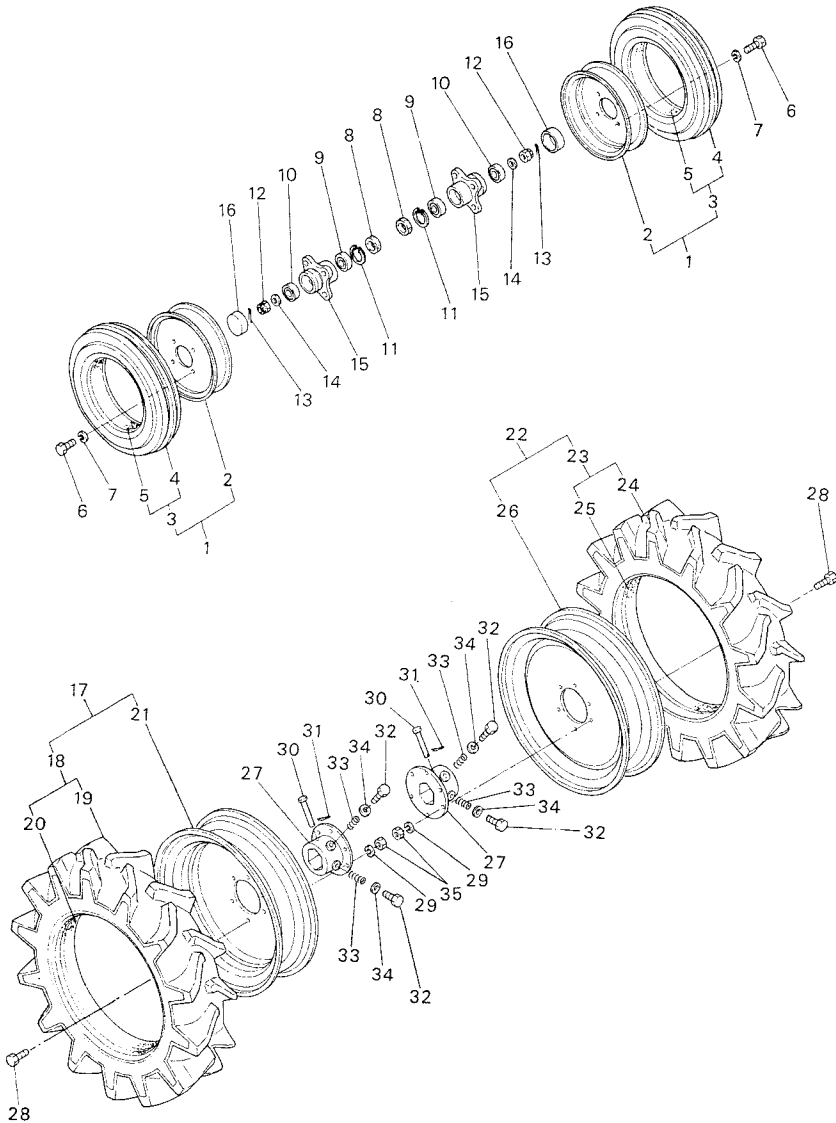


Fig. 52 FRONT & REAR TIRES (FRANCE, ENGLAND & PORTUGAL) [YM155]

Refer. No.	Description	Part No.	Qty/Unit				Sales Unit	Inter-change ability	Design-change Mark	Remarks
			YM155	YM155D	YM135	YM135D				
52- 1	TIRE ASS'Y, front wheel	794200-11850-Q	2							
52- 2	.WHEEL 3.50B x 10GA, disc	194200-11880-Q	2							
52- 3	.TIRE ASS'Y 4.50-10, front	194200-11900	2							
52- 4	..TIRE 4.50-10	194200-11910	2							
52- 5	..TUBE, tire	194200-11920	2							
52- 6	BOLT M12 x 25	26116-120252	8				10			
	BOLT M12 x 25	26013-120252	8				10	N		
52- 7	SPRING WASHER 12	22217-120000	8				10	Z		
52- 8	OIL SEAL TC 35 52 11	194150-12720	2				10			
52- 9	BALL BEARING 6205	24101-062054	2							
52- 10	BALL BEARING 6204	24101-062044	2							
52- 11	CIRCLIP 48-H	22252-000480	2				10			
	WASHER 42 x 51.8 x 1	194151-11670	2				10		Selective	
52- 12	CASTLE NUT M20	26837-200002	2				10			
	CASTLE NUT M20	26877-200002	2				10	N		
52- 13	COTTER PIN 4 x 40	22417-400400	2				10			
52- 14	WASHER 20, plain	194151-12640	2							
52- 15	HUB, front wheel	194200-11801-Q	2							
52- 16	COVER, front wheel hub.	194151-12620-X	2							
52- 17	TIRE ASS'Y (L), rear wheel	794340-34810	1							
52- 18	.TIRE ASS'Y, rear	794340-34930	1							
52- 19	..TIRE	194340-34940	1							
52- 20	..TUBE, tire	194200-34950	1							
52- 21	.WHEEL, disc	194200-34960-Q	1							

Fig. 52 FRONT & REAR TIRES (FRANCE, ENGLAND & PORTUGAL) {YM155}

M E M O

Refer. No.	Description	Part No.	Qty/Unit			Sales Unit	Inter-change ability	Design-change Mark	Remarks
			YM155	YM155D	YM135				
52- 22	TIRE ASS'Y (R), rear wheel	794340-34820	1						
52- 23	.TIRE ASS'Y, rear	794340-34930	1						
52- 24	..TIRE	194340-34940	1						
52- 25	..TUBE, tire	194200-34950	1						
52- 26	.WHEEL, disc	194200-34960-Q	1						
52- 27	HUB, rear wheel	194200-34711	1						
	HUB, rear wheel	194202-34710	2				N		
52- 28	BOLT M12 x 35	26116-120352	12			10			
	BOLT M12 x 35	26013-120352	12			10	N		
52- 29	SPRING WASHER 12	22217-120000	12			10	Z		
52- 30	PIN 10 x 78, rear wheel hub	194200-34750	2						
52- 31	SNAP PIN 10	22360-100000	2			10			
52- 32	BOLT, flange	1A1040-36010	4						
52- 33	SPRING, flange bolt	1A1040-36040	4						
52- 34	WASHER 16, plain	22117-160000	4			10			
52- 35	NUT M10	26716-120002	12			10			

Fig. 53 FRONT & REAR TIRES (FRANCE, ENGLAND & PORTUGAL) [YM155D]

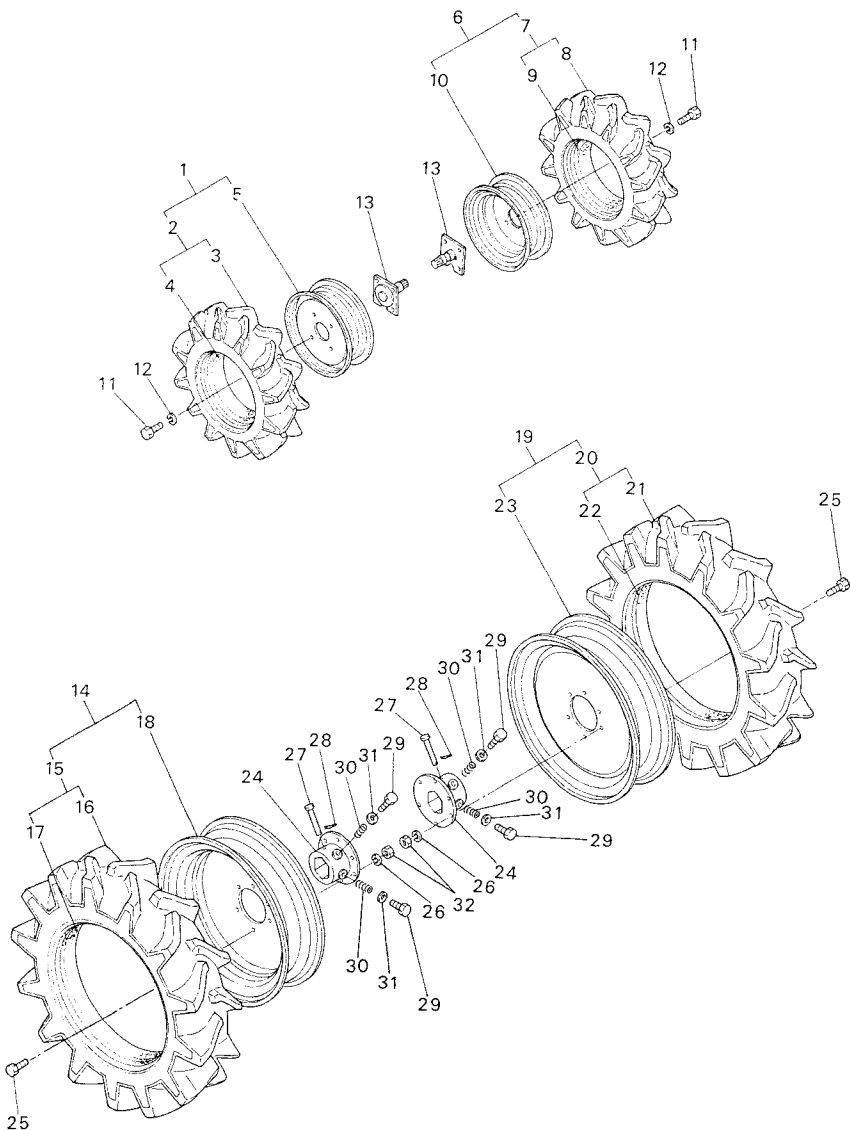


Fig. 53 FRONT & REAR TIRES (FRANCE, ENGLAND & PORTUGAL) [YM155D]

Refer. No.	Description	Part No.	Qy/Unit				Inter-changeability	Design-change Mark	Remarks
			YM155	YM155D	YM135	YM135D			
53- 1	TIRE ASS'Y (L), front wheel	794210-12910		1					
	TIRE ASS'Y (L), front wheel	794341-12910-Q		1			N		
53- 2	.TIRE ASS'Y 5-12, front wheel	794210-12930		2					
	.TIRE ASS'Y 5-12, front wheel	794341-12930		2			N		
	.TIRE ASS'Y 5-12, front wheel	194341-12930		1			N		
53- 3	..TIRE 5-12, front wheel	1A1030-34200		1					
	..TIRE 5-12, front wheel	194341-12870		1			N	YM155D from No. 55106	
53- 4	..TUBE 5-12, tire	1A1030-34250		1					
53- 5	.WHEEL 4JA-12, disc	194210-12850-Q		1					
53- 6	TIRE ASS'Y (R), front wheel	794210-12920		1					
	TIRE ASS'Y (R), front wheel	794341-12920-Q		1			N		
53- 7	.TIRE ASS'Y 5-12, front wheel	794210-12930		2					
	.TIRE ASS'Y 5-12, front wheel	794341-12930		2			N		
	.TIRE ASS'Y 5-12, front wheel	194341-12930		1			N		
53- 8	..TIRE 5-12, front wheel	1A1030-34200		1					
	..TIRE 5-12, front wheel	194341-12870		1			N	YM155D from No. 55106	
53- 9	..TUBE 5-12, tire	1A1030-34250		1					
53- 10	.WHEEL 4JA-12, disc	194210-12850-Q		1					
53- 11	BOLT M12 x 25	26116-120252		8		10			
	BOLT M12 x 25	26013-120252		8		10	N		
53- 12	SPRING WASHER 12	22217-120000		8		10	Z		
53- 13	SHAFT, front axle	194210-14350		2					
	SHAFT, front axle	194341-14350		2			S	[4]	

Fig. 53 FRONT & REAR TIRES (FRANCE, ENGLAND & PORTUGAL) [YM155D]

M E M O

Refer. No.	Description	Part No.	Q'ty/Unit			Sales Unit	Inter-change ability	Design-change Mark	Remarks
			YM155	YM155D	YM135				
53- 14	TIRE ASS'Y (L), rear wheel	794340-34810		1					
53- 15	.TIRE ASS'Y, rear	794340-34930		1					
53- 16	..TIRE	194340-34940		1					
53- 17	..TUBE, tire	194200-34950		1					
53- 18	.WHEEL, disc	194200-34960-Q		1					
53- 19	TIRE ASS'Y (R), rear wheel	794340-34820		1					
53- 20	.TIRE ASS'Y, rear	794340-34930		1					
53- 21	..TIRE	194340-34940		1					
53- 22	..TUBE, tire	194200-34950		1					
53- 23	.WHEEL, disc	194200-34960-Q		1					
53- 24	HUB, rear wheel	194200-34711		2					
	HUB, rear wheel	194202-34710		2			N		
53- 25	BOLT M12 x 35	26116-120352		12	10				
	BOLT M12 x 35	26013-120352		12	10		N		
53- 26	SPRING WASHER 12	22217-120000		12	10		Z		
53- 27	PIN 10 x 78, rear wheel hub	194200-34750		2					
53- 28	SNAP PIN 10	22360-100000		2	10				
53- 29	BOLT, flange	1A1040-36010		4					
53- 30	SPRING, flange bolt	1A1040-36040		4					
53- 31	WASHER 16, plain	22117-160000		4	10				
53- 32	NUT M10	26716-100002		12	10				

Fig. 54 FRONT & REAR TIRES (U.S.A.) [YM135]

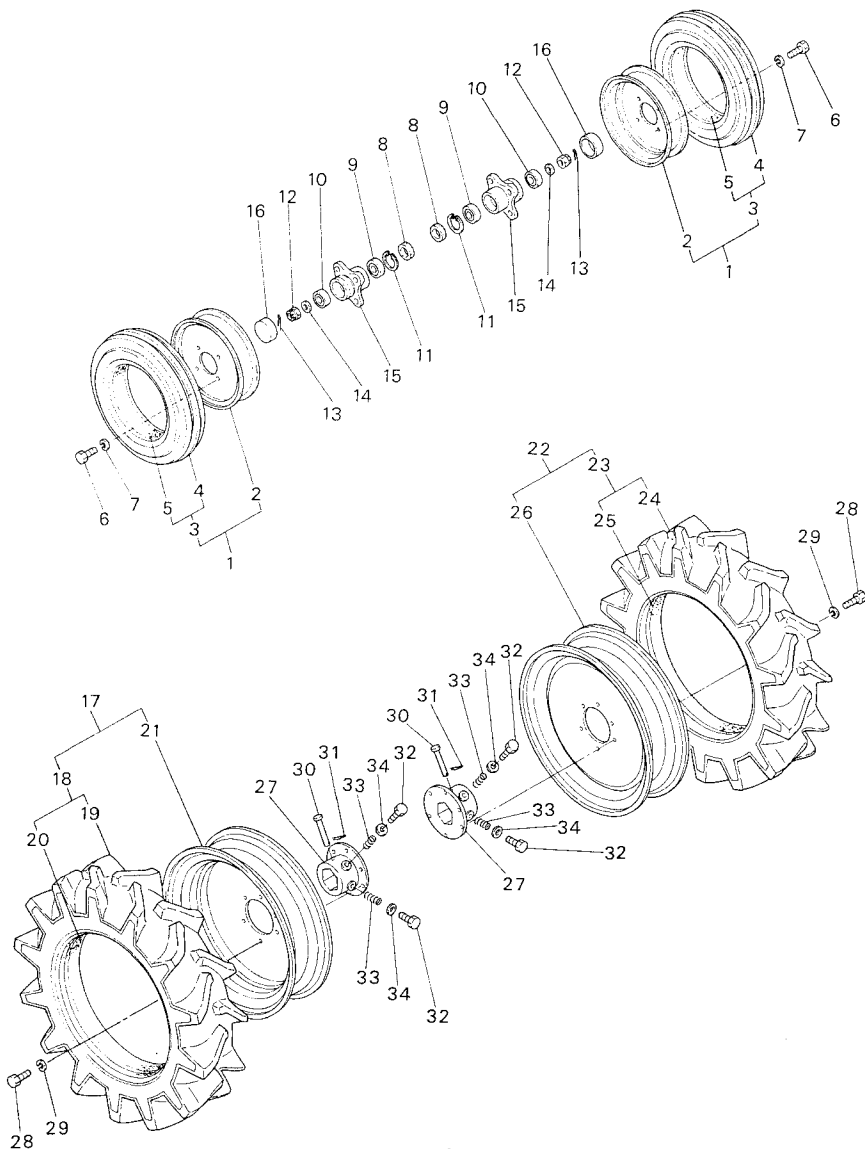


Fig. 54 FRONT & REAR TIRES (U.S.A.) [YM135]

Refer. No.	Description	Part No.	Q'ty/Unit				Interchangeability	Design Mark	Remarks
			YM155	YM155D	YM135	YM135D			
54- 1	TIRE ASS'Y, front wheel	794200-11850-P			2				
54- 2	.WHEEL 3.50B x 10GA, disc	194200-11880-P			2				
54- 3	.TIRE ASS'Y 4.50-10, front	194200-11900			2				
54- 4	..TIRE 4.50-10	194200-11910			2				
54- 5	..TUBE, tire	194200-11920			2				
54- 6	BOLT M12 x 25	26116-120252			8	10			
	BOLT M12 x 25	26013-120252			8	10	N		
54- 7	SPRING WASHER 12	22217-120000			8	10	Z		
54- 8	OIL SEAL TC 35 52 11	194150-12720			2	10			
54- 9	BALL BEARING 6205	24101-062054			2				
54- 10	BALL BEARING 6204	24101-062044			2				
54- 11	CIRCLIP 48-H	22252-000480			2	10			
	WASHER 42 x 51.8 x 1	194151-11670			2	10		Selective	
54- 12	CASTLE NUT M20	26837-200002			2	10			
	CASTLE NUT M20	26877-200002			2	10	N		
54- 13	COTTER PIN 4 x 40	22417-400400			2	10			
54- 14	WASHER 20, plain	194151-12640			2				
54- 15	HUB, front wheel	194200-11801-P			2				
54- 16	COVER, front wheel hub.	194151-12620-X			2				
54- 17	TIRE ASS'Y (L), rear wheel	194390-34900			1				
	TIRE ASS'Y (L), rear wheel	194390-34810			1		N	[1]	
	TIRE ASS'Y (L), rear wheel	794390-34810			1		N		
54- 18	.TIRE ASS'Y, rear	194390-34930			1				
54- 19	..TIRE	194390-34940			1				
54- 20	..TUBE, tire	194390-34950			1				
	..TUBE, tire	194200-34950			1		N		
54- 21	.WHEEL, disc	194200-34960-P			1				

Fig. 54 FRONT & REAR TIRES (U.S.A.) [YM135]

M E M O

Refer. No.	Description	Part No.	Q'ty/Unit				Sales Unit	Inter-change ability	Design-change Mark	Remarks
			YM155	YM155D	YM135	YM135D				
54- 22	TIRE ASS'Y (R), rear wheel	194390-34950			1					
	TIRE ASS'Y (R), rear wheel	194390-34820			1		N	[1]		
	TIRE ASS'Y (R), rear wheel	794390-34820			1		N			
54- 23	.TIRE ASS'Y, rear	194390-34930			1					
54- 24	..TIRE	194390-34940			1					
54- 25	..TUBE, tire	194390-34950			1					
	..TUBE, tire	194200-34950			1		N			
54- 26	.WHEEL, disc	194200-34960-P			1					
54- 27	HUB, rear wheel	194200-34711			2					
	HUB, rear wheel	194202-34710			2		N			
54- 28	BOLT M12 x 25	26116-120252			12	10				
54- 29	SPRING WASHER 12	22217-120000			12	10				
54- 30	PIN 10 x 78, rear wheel hub	194200-34750			2					
54- 31	SNAP PIN 10	22360-100000			2	10				
54- 32	BOLT, flange	1A1040-36010			4					
54- 33	SPRING, flange bolt	1A1040-36040			4					
54- 34	WASHER 16, plain	22117-160000			4	10				

Fig. 55 FRONT & REAR TIRES (U.S.A.) [YM135D]

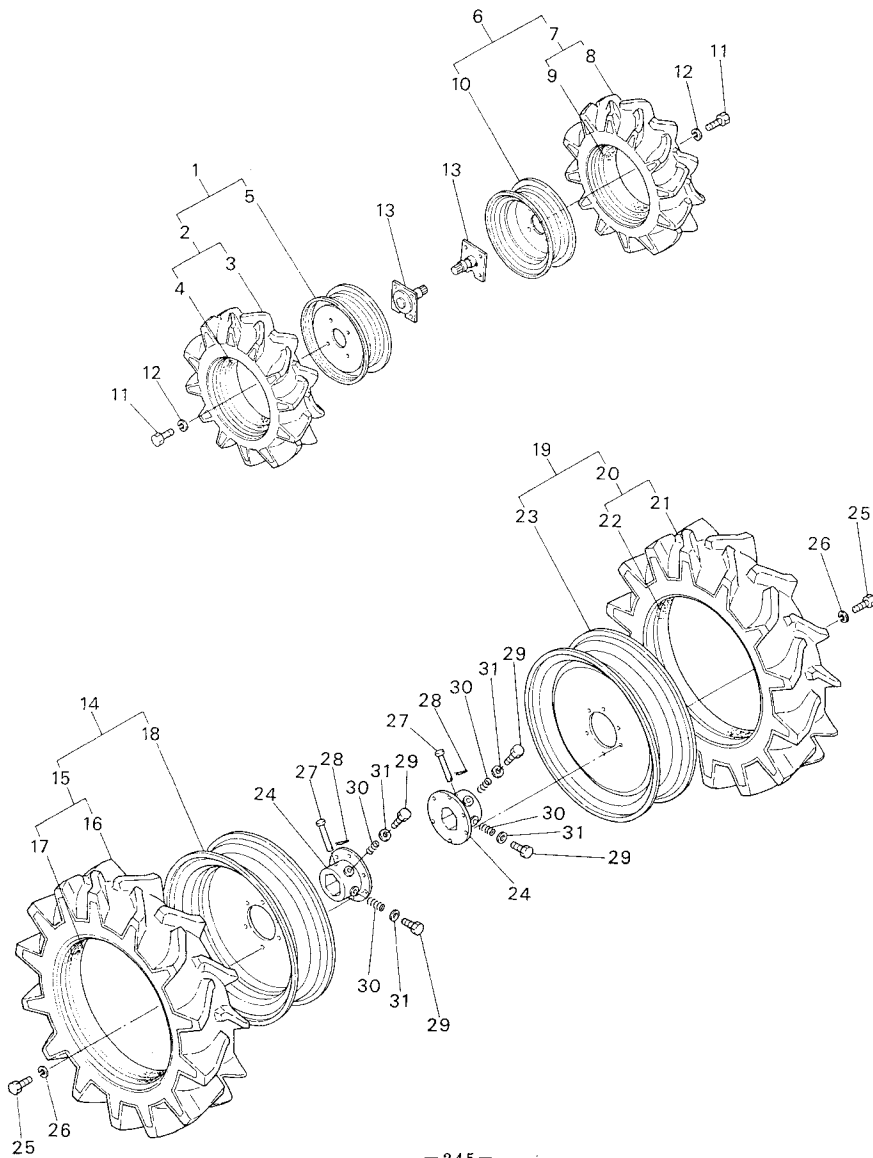


Fig. 55 FRONT & REAR TIRES (U.S.A.) [YM135D]

Refer. No.	Description	Part No.	Qty/Unit			Sales Unit	Inter-changeability	Design-change Mark	Remarks
			YM155	YM155D	YM135				
55- 1	TIRE ASS'Y (L), front wheel	794210-12910-P				1			
	TIRE ASS'Y (L), front wheel	794341-12910-P				1	N		
55- 2	.TIRE ASS'Y 5-12, front wheel	794210-12930				2			
	.TIRE ASS'Y 5-12, front wheel	794341-12930				2	N		
	.TIRE ASS'Y 5-12, front wheel	194341-12930				1	N		
55- 3	..TIRE 5-12, front wheel	1A1030-34200				1			
	..TIRE 5-12, front wheel	194341-12870				1	N		YM135D from No. 51614
55- 4	..TUBE 5-12, tire	1A1030-34250				1			
55- 5	.WHEEL 4JA-12, disc	194210-12850-P				1			
55- 6	TIRE ASS'Y (R), front wheel	794210-12920-P				1			
	TIRE ASS'Y (R), front wheel	794341-12920-P				1	N		
55- 7	.TIRE ASS'Y 5-12, front wheel	794210-12930				2			
	.TIRE ASS'Y 5-12, front wheel	794341-12930				2	N		
	.TIRE ASS'Y 5-12, front wheel	194341-12930				1	N		
55- 8	..TIRE 5-12, front wheel	1A1030-34200				1			
	..TIRE 5-12, front wheel	194341-12870				1	N		YM135D from No. 51614
55- 9	..TUBE 5-12, tire	1A1030-34250				1			
55- 10	.WHEEL 4JA-12, disc	194210-12850-P				1			
55- 11	BOLT M12 x 25	26116-120252				8	10		
	BOLT M12 x 25	26013-120252				8	10	N	
55- 12	SPRING WASHER 12	22217-120000				8	10	Z	
55- 13	SHAFT, front axle	194210-14350				2			
	SHAFT, front axle	194341-14350				2	S	[4]	

Fig. 55 FRONT & REAR TIRES (U.S.A.) [YM135D]

M E M O

Refer. No.	Description	Part No.	Q'ty/Unit			Sales Unit	Inter-changeability	Design-change Mark	Remarks
			YM155	YM155D	YM135				
55- 14	TIRE ASS'Y (L), rear wheel	194390-34900				1			
	TIRE ASS'Y (L), rear wheel	194390-34810				1	N	[1]	
55- 15	.TIRE ASS'Y, rear	194390-34930				1			
55- 16	..TIRE	194390-34940				1			
55- 17	..TUBE, tire	194390-34950				1			
55- 18	.WHEEL, disc	194200-34960-P				1			
55- 19	TIRE ASS'Y (R), rear wheel	194390-34950				1			
	TIRE ASS'Y (R), rear wheel	194390-34820				1	N	[1]	
55- 20	.TIRE ASS'Y, rear	194390-34930				1			
55- 21	..TIRE	194390-34940				1			
55- 22	..TUBE, tire	194390-34950				1			
55- 23	.WHEEL, disc	194200-34960-P				1			
55- 24	HUB, rear wheel	194200-34711				2			
	HUB, rear wheel	194202-34710				2	N		
55- 25	BOLT M12 x 25	26116-120252				12	10		
55- 26	SPRING WASHER 12	22217-120000				12	10		
55- 27	PIN 10 x 78, rear wheel hub	194200-34750				2			
55- 28	SNAP PIN 10	22360-100000				2	10		
55- 29	BOLT, flange	1A1040-36010				4			
55- 30	SPRING, flange bolt	1A1040-36040				4			
55- 31	WASHER 16, plain	22117-160000				4	10		

Fig. 56 FRONT & REAR TIRES (FRANCE) [YM135]

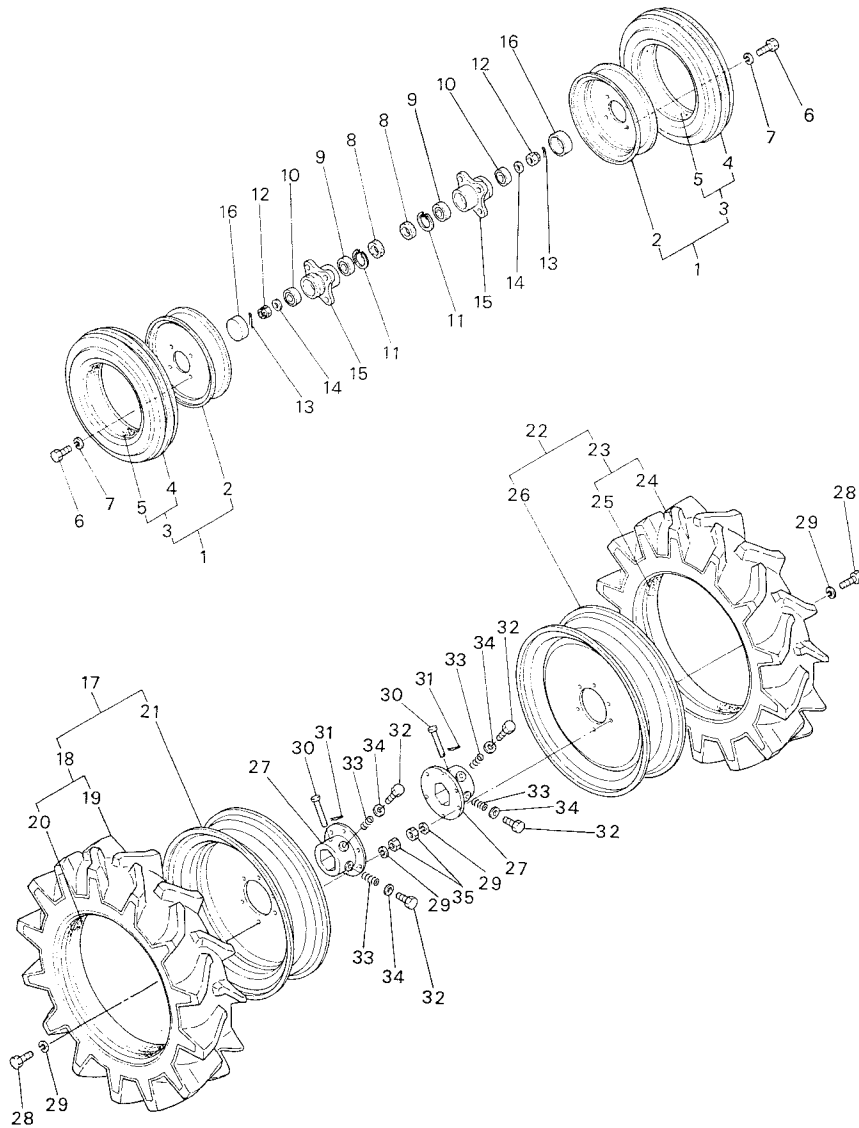


Fig. 56 FRONT & REAR TIRES (FRANCE) [YM135]

Refer. No.	Description	Part No.	Qty/Unit				Inter-changeability	Design-change Mark	Remarks
			YM135	YM155D	YM135	YM135D			
56- 1	TIRE ASS'Y, front wheel	794200-11850-P			2				
56- 2	.WHEEL 3.50B x 10GA, disc	194200-11880-P			2				
56- 3	.TIRE ASS'Y 4.50-10, front	194200-11900			2				
56- 4	..TIRE 4.50-10	194200-11910			2				
56- 5	..TUBE, tire	194200-11920			2				
56- 6	BOLT M12 x 25	26116-120252			8	10			
	BOLT M12 x 25	26013-120252			8	10	N		
56- 7	SPRING WASHER 12	22217-120000			8	10	Z		
56- 8	OIL SEAL TC 35 52 11	194150-12720			2	10			
56- 9	BALL BEARING 6205	24101-062054			2				
56- 10	BALL BEARING 6204	24101-062044			2				
56- 11	CIRCLIP 48-H	22252-000480			2	10			
	WASHER 42 x 51.8 x 1	194151-11670			2	10		Selective	
56- 12	CASTLE NUT M20	26837-200002			2	10			
	CASTLE NUT M20	26877-200002			2	10	N		
56- 13	COTTER PIN 4 x 40	22417-400400			2	10			
56- 14	WASHER 20, plain	194151-12640			2				
56- 15	HUB, front wheel	194200-11801-P			2				
56- 16	COVER, front wheel hub.	194151-12620-X			2				
56- 17	TIRE ASS'Y (L), rear wheel	194390-34900			1				
	TIRE ASS'Y (L), rear wheel	194390-34810			1		N	[1]	
	TIRE ASS'Y (L), rear wheel	794390-34810			1		N		
56- 18	.TIRE ASS'Y, rear	194390-34930			1				
56- 19	..TIRE	194390-34940			1				
56- 20	..TUBE, tire	194390-34950			1				
56- 21	.WHEEL, disc	194200-34960-P			1				

Fig. 56 FRONT & REAR TIRES (FRANCE) [YM135]

Refer. No.	Description	Part No.	Q'ty/Unit				Sales Unit	Inter-change ability	Design-change Mark	Remarks
			YM135	YM135D	YM135	YM135D				
56- 22	TIRE ASS'Y (R), rear wheel	194390-34950			1					
	TIRE ASS'Y (R), rear wheel	194390-34820			1		N	[1]		
	TIRE ASS'Y (R), rear wheel	794390-34820			1		N			
56- 23	.TIRE ASS'Y, rear	194390-34930			1					
56- 24	..TIRE	194390-34940			1					
56- 25	..TUBE, tire	194390-34950			1					
56- 26	.WHEEL, disc	194200-34960-P			1					
56- 27	HUB, rear wheel	194200-34711			2					
	HUB, rear wheel	194202-34710			2		N			
56- 28	BOLT M12 x 25	26116-120252			12	10				
	BOLT M12 x 25	26013-120252			12	10	N			
56- 29	SPRING WASHER 12	22217-120000			12	10	Z			
56- 30	PIN 10 x 78, rear wheel hub	194200-34750			2					
56- 31	SNAP PIN 10	22360-100000			2	10				
56- 32	BOLT, flange	1A1040-36010			4					
56- 33	SPRING, flange bolt	1A1040-36040			4					
56- 34	WASHER 16, plain	22117-160000			4	10				
56- 35	NUT M10	26716-100002			12	10				

Fig. 57 FRONT & REAR TIRES (FRANCE) [YM135D]

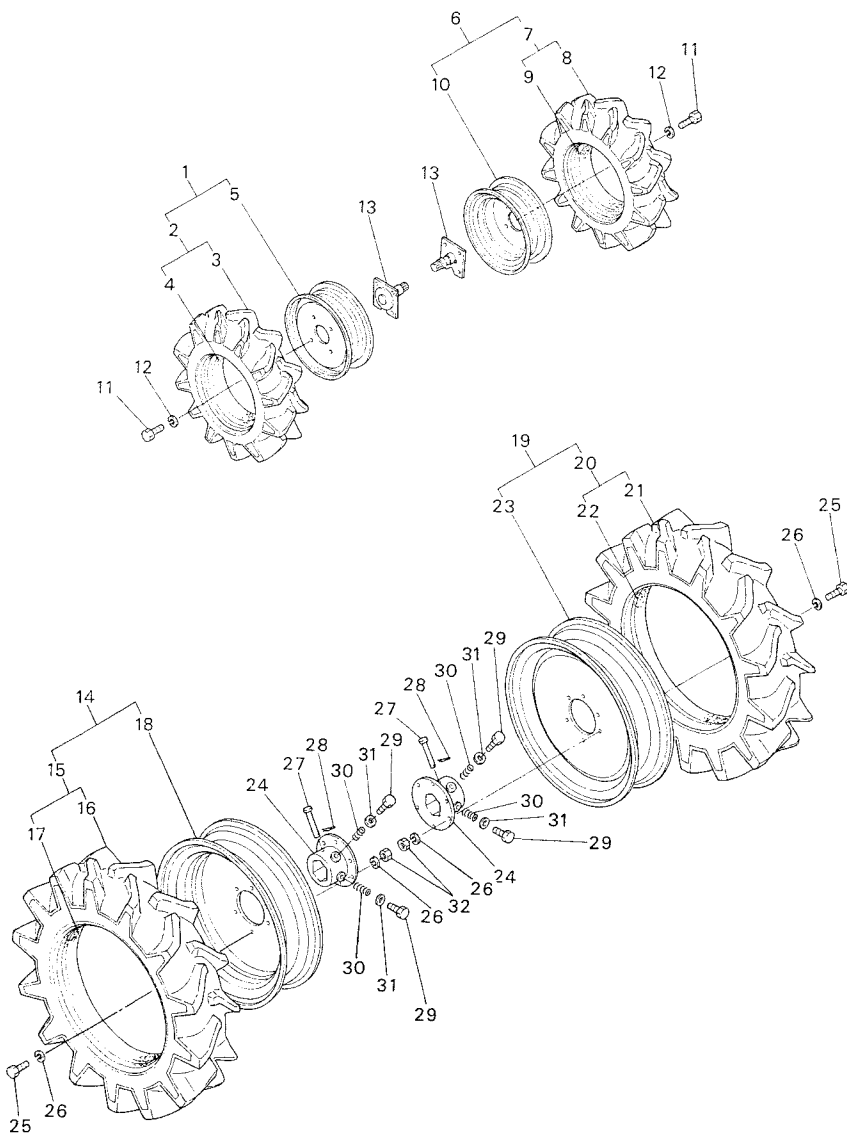


Fig. 57 FRONT & REAR TIRES (FRANCE) [YM135D]

Refer. No.	Description	Part No.	Qty/Unit			Sales Unit	Inter-changeability	Design-change Mark	Remarks
			YM135	YM135D	YM135				
57- 1	TIRE ASS'Y (L), front wheel	794210-12910				1			
	TIRE ASS'Y (L), front wheel	794341-12910-P				1	N		
57- 2	.TIRE ASS'Y 5-12, front wheel	794210-12930				2			
	.TIRE ASS'Y 5-12, front wheel	794341-12930				2	N		
	.TIRE ASS'Y 5-12, front wheel	194341-12930				1	N		
57- 3	..TIRE 5-12, front wheel	1A1030-34200				1			
	..TIRE 5-12, front wheel	194341-12870				1	N		YM135D from No. 51614
57- 4	..TUBE 5-12, tire	1A1030-34250				1			
57- 5	.WHEEL 4JA-12, disc	194210-12850-P				1			
57- 6	TIRE ASS'Y (R), front wheel	794210-12920				1			
	TIRE ASS'Y (R), front wheel	794341-12920-P				1	N		
57- 7	.TIRE ASS'Y 5-12, front wheel	794210-12930				2			
	.TIRE ASS'Y 5-12, front wheel	794341-12930				2	N		
	.TIRE ASS'Y 5-12, front wheel	194341-12930				1	N		
57- 8	..TIRE 5-12, front wheel	1A1030-34200				1			
	..TIRE 5-12, front wheel	194341-12870				1	N		YM135D from No. 51614
57- 9	..TUBE 5-12, tire	1A1030-34250				1			
57- 10	.WHEEL 4JA-12, disc	194210-12850-P				1			
57- 11	BOLT M12 x 25	26116-120252				8	10		
	BOLT M12 x 25	26013-120252				8	10	N	
57- 12	SPRING WASHER 12	22217-120000				8	10	Z	
57- 13	SHAFT, front axle	194210-14350				2			
	SHAFT, front axle	194341-14350				2	S	[4]	

Fig. 57 FRONT & REAR TIRES (FRANCE) [YM135D]

Refer. No.	Description	Part No.	Q'ty/Unit				Sales Unit	Inter-change ability	Design-change Mark	Remarks
			YM155	YM159D	YM135	YM135D				
57- 14	TIRE ASS'Y (L), rear wheel	194390-34900				1				
	TIRE ASS'Y (L), rear wheel	194390-34810				1	N	[1]		
	TIRE ASS'Y (L), rear wheel	794390-34810				1	N			
57- 15	.TIRE ASS'Y, rear	194390-34930				1				
57- 16	..TIRE	194390-34940				1				
57- 17	..TUBE, tire	194390-34950				1				
57- 18	.WHEEL, disc	194200-34960-P				1				
57- 19	TIRE ASS'Y (R), rear wheel	194390-34950				1				
	TIRE ASS'Y (R), rear wheel	194390-34820				1	N	[1]		
	TIRE ASS'Y (R), rear wheel	794390-34820				1	N			
57- 20	.TIRE ASS'Y, rear	194390-34930				1				
57- 21	..TIRE	194390-34940				1				
57- 22	..TUBE, tire	194390-34950				1				
57- 23	.WHEEL, disc	194200-34960-P				1				
57- 24	HUB, rear wheel	194200-34711				2				
	HUB, rear wheel	194202-34710				2	N			
57- 25	BOLT M12 x 35	26116-120352				12	10			
	BOLT M12 x 35	26013-120352				12	10	N		
57- 26	SPRING WASHER 12	22217-120000				12	10	Z		
57- 27	PIN 10 x 78, rear wheel hub	194200-34750				2				
57- 28	SNAP PIN 10	22360-100000				2	10			
57- 29	BOLT, flange	1A1040-36010				4				
57- 30	SPRING, flange bolt	1A1040-36040				4				
57- 31	WASHER 16, plain	22117-160000				4	10			
57- 32	NUT M10	26716-100002				12	10			

Fig. 58 HYDRAULIC LIFT

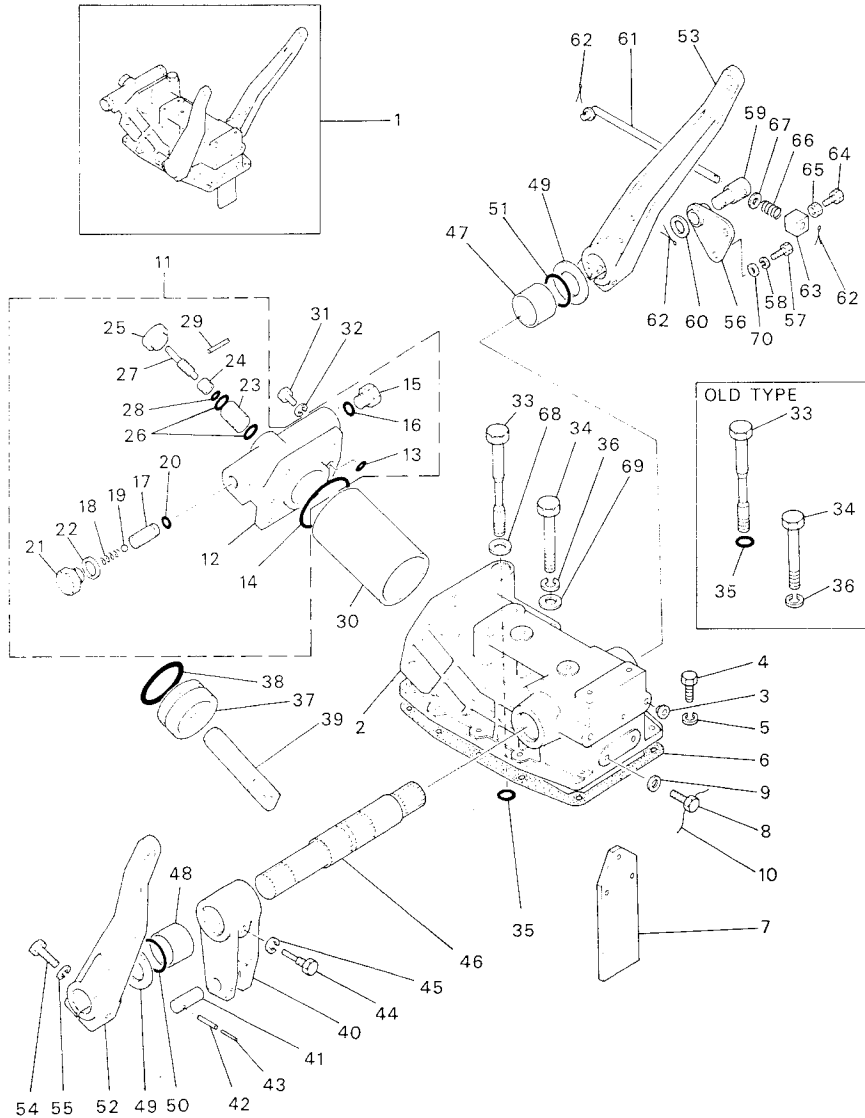


Fig. 58 HYDRAULIC LIFT

Refer. No.	Description	Part No.	Q'ty/Unit				Inter-changeability	Design-change Mark	Remarks
			YMI55	YMI5D	YMI35	YMI3D			
58- 1	LIFT ASS'Y, hydraulic	794200-42000-X	1	1	1	1			
58- 2	HOUSING, hydraulic cylinder	194200-42101-X	1	1	1	1			
	HOUSING, hydraulic cylinder	194200-42102-X	1	1	1	1	F	[2]	Interchangeable by set with 58-33, 68, 69. do.
	HOUSING, hydraulic cylinder	194200-42102-X	1	1	1	1	F	[3]	
58- 3	PLUG 11	194150-21910	2	2	2	2			
58- 4	BOLT M10 x 35	26116-100352	10	10	10	10			
	BOLT M10 x 35	26013-100352	10	10	10	10	N		
58- 5	SPRING WASHER 10	22217-100000	10	10	10	10			Z
58- 6	PACKING, cylinder case	194200-42150	1	1	1	1			
58- 7	PROTECTOR, cylinder case	194200-42171	1	1	1	1			
58- 8	BOLT M8 x 22	26116-080226	3	3	3	3			10
	BOLT M8 x 22	26206-080226	3	3	3	3	N		
58- 9	PACKING 8, copper	23414-080000	3	3	3	3			10
58- 10	WIRE 0.6 x 220	194200-42180	1	1	1	1			10
58- 11	HEAD ASS'Y, cylinder	794200-43100-X	1	1	1	1			
	HEAD ASS'Y, cylinder	794200-43080	1	1	1	1	N		
58- 12	HEAD, cylinder	194200-43121	1	1	1	1			
58- 13	O-RING 14-P	24311-000140	1	1	1	1			10
58- 14	O-RING 63-S	194200-43140	1	1	1	1			
58- 15	PLUG 18	194200-43161-X	1	1	1	1			
58- 16	O-RING 15-P	24311-000150	1	1	1	1			10
58- 17	VALVE SEAT, safety	194200-46410	1	1	1	1			
58- 18	SPRING, safety valve	194200-46420	1	1	1	1			
58- 19	BALL 3/16	24190-060001	1	1	1	1			10
	BALL 3/16	24190-060003	1	1	1	1	N		
58- 20	O-RING 9-P	24311-000090	1	1	1	1			10
58- 21	PLUG 16, safety valve	194200-46450-X	1	1	1	1			
58- 22	PACKING 16, copper	23414-160000	1	1	1	1			10
58- 23	VALVE SEAT, stop	194200-46520	1	1	1	1			
58- 24	VALVE (A), stop	194200-46531	1	1	1	1			

Fig. 58 HYDRAULIC LIFT

Refer. No.	Description	Part No.	Qty/Unit				Sales Unit	Inter-change ability	Design-change Mark	Remarks
			YMI55	YMI55D	YMI35	YMI35D				
58- 25	.GUIDE, stop valve	194200-46540-X	1	1	1	1				
58- 26	.O-RING 16-S	194200-46550	2	2	2	2	10			
58- 27	.VALVE (B), stop	194200-46560-X	1	1	1	1				
58- 28	.O-RING 9-P	24311-000090	1	1	1	1	10			
58- 29	.SPRING PIN 5 x 50	22351-050050	1	1	1	1	10			
58- 30	PIPE, cylinder	194200-43110	1	1	1	1				
58- 31	BOLT M12 x 35	26116-120352	4	4	4	4	10			
	BOLT M12 x 35	26013-120352	4	4	4	4	10	N		
58- 32	SPRING WASHER 12	22217-120000	4	4	4	4	10	Z		
58- 33	SETBOLT, control valve	194200-43210	1	1	1	1				
	SETBOLT, control valve	194200-43211			1			N	[2]	
	SETBOLT, control valve	194200-43211	1	1	1			N	[3]	
58- 34	SETBOLT, control valve	194200-43220	1	1	1	1				
58- 35	O-RING 14-P	24311-000140	2	2	2	2	10			
	O-RING 14-P	24311-000140			1		10	K	[2]	
	O-RING 14-P	24311-000140	1	1	1		10	K	[3]	
58- 36	SPRING WASHER 12	22217-120000	1	1	1	1	10			
58- 37	PISTON, hydraulic	194200-43300	1	1	1	1	10			
58- 38	O-RING P50A	24311-570500	1	1	1	1	10			
58- 39	ROD, hydraulic piston	194200-43411	1	1	1	1				
58- 40	CRANK, lift	194200-44111	1	1	1	1				
58- 41	PIN, lift crank	194200-44151	1	1	1	1				
58- 42	SPRING PIN 5 x 28	22351-050028	1	1	1	1	10			
58- 43	SPRING PIN 3 x 28	22351-030028	1	1	1	1	10			
58- 44	SETBOLT, lift crank	194200-44170	1	1	1	1				
58- 45	SPRING WASHER 8	22217-080000	1	1	1	1	10			
58- 46	SHAFT, lift	194200-44210	1	1	1	1				
58- 47	BUSH 35 x 30, rod	194200-44250	1	1	1	1				
58- 48	BUSH 30 x 30, rod	194200-44260	1	1	1	1				

Fig. 58 HYDRAULIC LIFT

Refer. No.	Description	Part No.	Qty/Unit				Sales Unit	Inter-change ability	Design-change Mark	Remarks
			YMI55	YMI55D	YMI35	YMI35D				
58- 49	LINER 30.5 x 45 x 1	194200-44280	2	2	2	2				
58- 50	O-RING 30-P	24311-000300	1	1	1	1	10			
58- 51	O-RING 35-P	24311-000350	1	1	1	1	10			
58- 52	ARM (L), lift	194200-44411-X	1	1	1	1				
	ARM (L), lift	194340-44410-X	1	1	1	1		F	[4]	
58- 53	ARM (R), lift	194200-44421-X	1	1	1	1				
	ARM (R), lift	194340-44420-X	1	1	1	1		F	[4]	
58- 54	BOLT M10 x 45	26116-100452	2	2	2	2	10			
	BOLT M10 x 45	26013-100452	2	2	2	2	10	N		
58- 55	SPRING WASHER 10	22217-100000	2	2	2	2	10	Z		
58- 56	SUPPORT, auto-return rod	194200-47510	1	1	1	1				
58- 57	BOLT M8 x 20	26116-080202	2	2	2	2	10			
	BOLT M8 x 20	26013-080202	2	2	2	2	10	N		
58- 58	SPRING WASHER 8	22217-080000	2	2	2	2	10	Z		
58- 59	PIN, auto-return support	194200-47550	1	1	1	1				
58- 60	WASHER 12, plain	22137-120000	1	1	1	1	10			
58- 61	ROD, auto-return	194200-47610	1	1	1	1				
58- 62	COTTER PIN 3 x 20	22417-300200	3	3	3	3	10			
58- 63	STOPPER, auto-return	194200-47620	2	2	2	2				
58- 64	BOLT M6 x 18	26116-060182	2	2	2	2	10			
58- 65	NUT M6	26716-060002	2	2	2	2	10			
58- 66	SPRING, lock pin	1A1040-46890	1	1	1	1				
58- 67	WASHER 8, plain	22117-080000	1	1	1	1	10			
58- 68	SEAL WASHER	194200-43230				1		W	[2]	
	SEAL WASHER	194200-43230	1	1	1			W	[3]	
58- 69	WASHER 12, plain	22137-120000				1	10	W	[2]	
	WASHER 12, plain	22137-120000	1	1	1		10	W	[3]	
	WASHER 12, plain	22117-120000	1	1	1	1	10	N		
58- 70	WASHER 8, plain	22137-080000	1	1	1	1	10	W		

Fig. 59 HYDRAULIC CONTROL VALVE

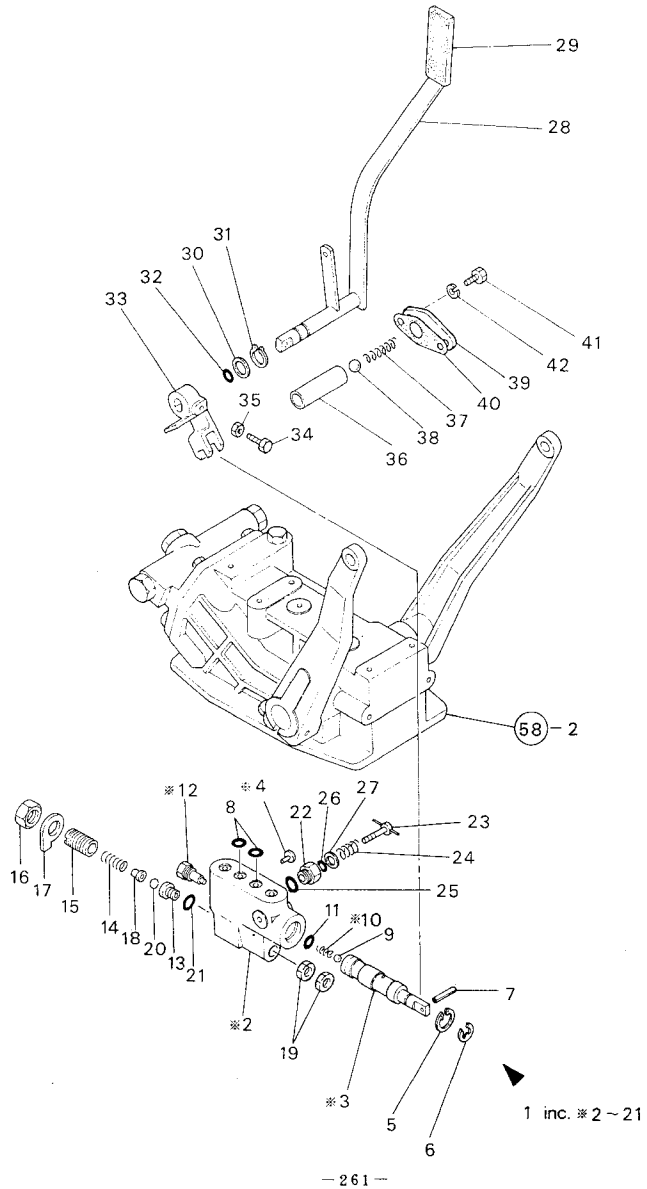


Fig. 59 HYDRAULIC CONTROL VALVE

Refer. No.	Description	Part No.	Q'ty/Unit				Sales Unit	Interchangeability	Design Change Mark	Remarks
			YM155	YM155D	YM135	YM135D				
59- 1	VALVE ASS'Y, control	794200-45100	1	1	1	1				
59- 2	.BODY w/SPOOL, control valve	*	1	1	1	1			Not Sold Separately. (194200-45130)	
59- 3	.SPOOL	*	1	1	1	1			Not Sold Separately. (194200-45140)	
59- 4	.ADJUSTER	*	1	1	1	1			Not Sold Separately. (194200-45150)	
59- 5	.RING, stop	194200-45200	1	1	1	1				
59- 6	.CIRCLIP 9, E-shape	22272-000090	1	1	1	1	10			
59- 7	.SPRING PIN 6 x 25	22351-060025	1	1	1	1	10			
59- 8	.O-RING 14-P	24311-000140	2	2	2	2	10			
59- 9	.BALL 5/16	24190-100002	1	1	1	1	10			
59- 10	.SPRING	*	1	1	1	1			Not Sold Separately. (194200-45260)	
59- 11	.O-RING P10A	24311-240100	1	1	1	1	10			
59- 12	.PLUG	*	1	1	1	1			Not Sold Separately. (194200-45270)	
59- 13	.SEAT, valve	194200-45160	1	1	1	1		W		
59- 14	.SPRING	194200-45170	1	1	1	1		W		
59- 15	.ADJUSTER	194200-45180	1	1	1	1		W		
59- 16	.NUT	194200-45190	1	1	1	1		W		
59- 17	.PLATE, lock	194200-45210	1	1	1	1		W		
59- 18	.HOLDER, spring	194200-45240	1	1	1	1		W		
59- 19	.LOCK NUT	194200-45250	2	2	2	2		W		
59- 20	.BALL 3/8	24190-120002	1	1	1	1		W		
59- 21	.O-RING 8-P	24311-000080	1	1	1	1		W		
59- 22	PLUG 16, slow return	194200-46100	1	1	1	1				
59- 23	BOLT, slow return adjusting	194200-46121	1	1	1	1				
59- 24	SPRING, slow return bolt	194200-46130	1	1	1	1				

Fig. 59 HYDRAULIC CONTROL VALVE

Refer. No.	Description	Part No.	Qty/Unit				Sales Unit	Inter-change ability	Design-change Mark	Remarks
			YM155	YM155D	YM135	YM135D				
59- 25	O-RING 12.5-S	194200-46150	1	1	1	1	10			
	O-RING 12.5-P	24311-000125	1	1	1	1	10	N		
59- 26	O-RING 8-P	24311-000080	1	1	1	1	10			
59- 27	WASHER 8, plain	22137-080000	1	1	1	1	10			
59- 28	LEVER, hydraulic control	194200-47112-X	1	1	1	1				
59- 29	GRIP, control lever	194150- 57621 47621	1	1	1	1			Misprint	
59- 30	LINER, control lever	194200-47180	1	1	1	1				
59- 31	CIRCLIP 14-S	22242-000140	1	1	1	1	10			
59- 32	O-RING S12	194200-47190	1	1	1	1	10			
59- 33	FORK, hydraulic control	194200-47210	1	1	1	1				
59- 34	SETBOLT M6 x 30	194200-47220	1	1	1	1				
59- 35	NUT M6	26716-060002	1	1	1	1	10			
59- 36	SUPPORT, lock spring	194200-47310	1	1	1	1				
59- 37	SPRING, lock	194200-47330	1	1	1	1				
59- 38	BALL 13/32	24190-130001	1	1	1	1	10			
59- 39	COVER, lock spring	194200-47350-X	1	1	1	1				
59- 40	PACKING, lock spring cover	194200-47360	1	1	1	1	10			
59- 41	BOLT M8 x 20	26116-080202	2	2	2	2	10			
	BOLT M8 x 20	26013-080202	2	2	2	2	10	N		
59- 42	SPRING WASHER 8	22217-080000	2	2	2	2	10	Z		

Fig. 60 HYDRULIC PIPING

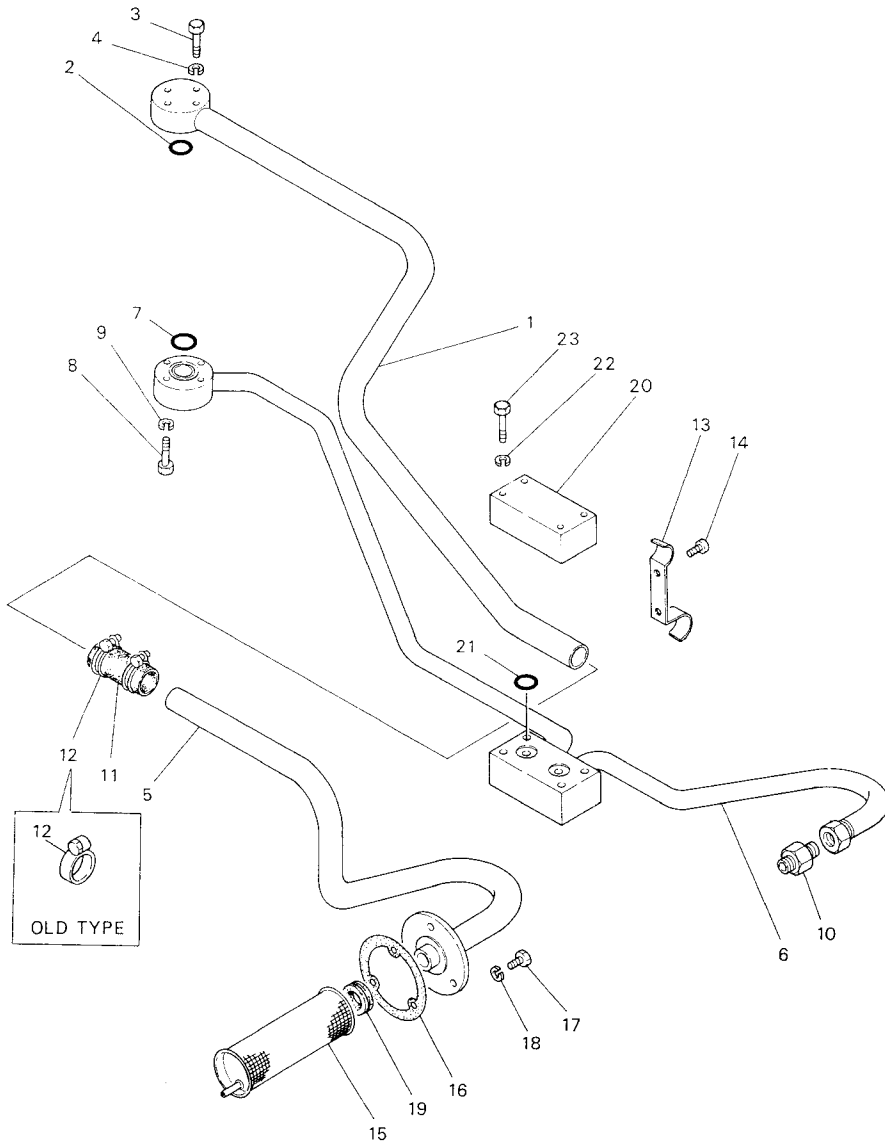
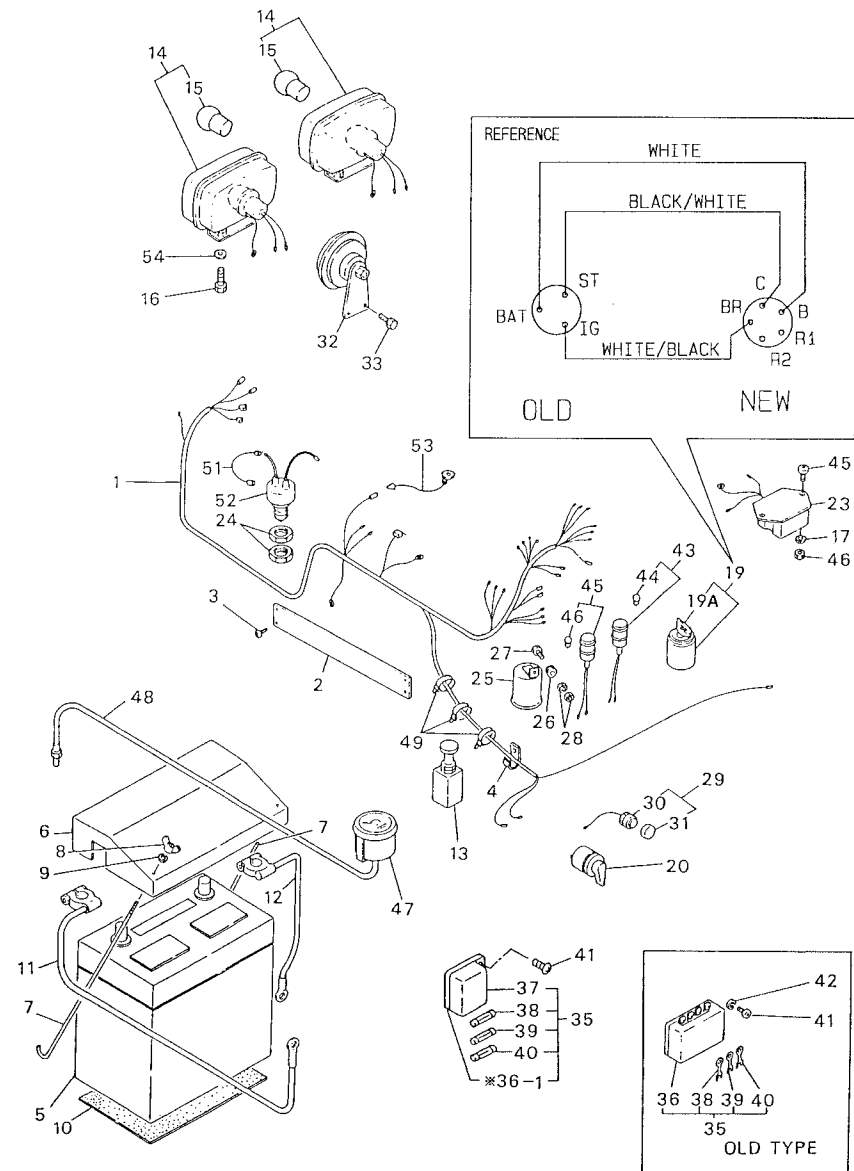


Fig. 60 HYDRULIC PIPING

Refer. No.	Description	Part No.	Qty/Unit				Sales Unit	Inter-changeability	Design-change Mark	Remarks
			YM35D	YM35	YM35D	YM35D				
60- 1	PIPE (A), low-pressure	194200-48110-X	1	1	1	1				
60- 2	O-RING 20-P	24311-000200	1	1	1	10				
60- 3	BOLT M6 x 45	26116-060452	3	3	3	10				
	BOLT M6 x 45	26013-060452	3	3	3	10	N			
60- 4	SPRING WASHER 6	22217-060000	3	3	3	10	Z			
60- 5	PIPE (B), low-pressure	194262-48120-X	1	1	1	1				
60- 6	PIPE, high-pressure	194340-48210-X	1	1	1	1				
	PIPE, high-pressure	194340-48211-X	1	1	1	1	F	[3]	Interchangeable by set with 60-21.	
60- 7	O-RING 20-P	24311-000200	1	1	1	10				
60- 8	BOLT M6 x 45	26116-060452	4	4	4	10				
	BOLT M6 x 45	26013-060452	4	4	4	10	N			
60- 9	SPRING WASHER 6	22217-060000	4	4	4	10	Z			
60- 10	ADAPTER (A)	194200-48570	1	1	1	1				
60- 11	RUBBER HOSE, low-pressure	194150-48230	1	1	1	1				
60- 12	CLAMP	194150-48700	2	2	2	2				
	CLAMP	194200-48810	2	2	2	2	N	[1]		
	BAND, hose	194151-48710	2	2	2	2	N			
60- 13	CLAMP, pipe	194200-48820	1	1	1	1				
60- 14	SCREW M4 x 10, tapping	22857-400100	2	2	2	10				
60- 15	FILTER, oil	194200-48911	1	1	1	1				
60- 16	PACKING, oil filter	194200-48921	1	1	1	1				
60- 17	BOLT M6 x 18	26116-060182	3	3	3	10				
	BOLT M6 x 18	26013-060182	3	3	3	10	N			
60- 18	SPRING WASHER 6	22217-060000	3	3	3	10	Z			
60- 19	GROMMET 22	194200-48930	1	1	1	1				
60- 20	COVER, hydraulic adapter	194340-48140	1	1	1	1			Misprint	
	COVER, hydraulic adapter	194240-48140	1	1	1	1				
60- 21	O-RING 14-P	24311-000140	2	2	2	10				
	O-RING 20-P	24311-000200	2	2	2	10	S	[3]		
60- 22	SPRING WASHER 8	22217-080000	4	4	4	10	Z			
60- 23	BOLT M8 x 45	26116-080452	4	4	4	10				
	BOLT M8 x 45	26013-080452	4	4	4	10	N			

Fig. 61 ELECTRIC PARTS (U.S.A. & S.AFRICA) [YM155,YM155D]



*MARK PARTS: NOT SOLD SEPARATELY.

Fig. 61 ELECTRIC PARTS (U.S.A. & S.AFRICA) [YM155,YM155D]

Refer. No.	Description	Part No.	Q'ty/Unit				Inter-changeability	Design-change Mark	Remarks
			YM155	YM155D	YM155E	YM155D			
61- 1	WIRE HARNESS, main	194340-51101	1	1					
	WIRE HARNESS, main	194340-51102	1	1			N		
	WIRE HARNESS, main	194340-51103	1	1			N		
61- 2	COVER, cable	194200-55470	1	1					
61- 3	SCREW 4 x 10, tapping	22857-400100	4	4		10			
61- 4	CLAMP	194200-56400	1	1					
61- 5	BATTERY Y60-S4LP	194200-51301	1	1					
	BATTERY Y60-S4GL (DRY TYPE)	194340-51300	1	1			N		
61- 6	COVER, battery	194200-51351	1	1					
61- 7	LOCK BOLT, battery	194200-51400	2	2					
61- 8	NUT M6, wing	26337-060002	2	2		10			
	NUT M6, wing	26637-060002	2	2		10	N		
61- 9	SPRING WASHER 6	22217-060000	2	2		10			
61- 10	CUSHION, battery	194200-51440	1	1					
61- 11	CABLE, battery plus	194200-51201	1	1					
61- 12	CABLE, battery earth	194200-51211	1	1					
61- 13	SWITCH, lighting	194130-52121	1	1					
61- 14	LIGHT ASS'Y, head	194262-53050	2	2					
	LIGHT ASS'Y, head	194262-53051	2	2			N		
61- 15	BULB 12V-25W	194262-53080	2	2					
61- 16	BOLT M 6 x 12	26097-060123	4	4					
	BOLT M 6 x 12	26013-060123	4	4					
	BOLT M 6 x 12	26013-060129	4	4					
61- 17	WASHER 6, plain	22117-060000	4	4					
61- 18	TUBE 7 x130, vinyl	23061-070130	2	2			2		
61- 19	SWITCH, starting	794750-52050	1	1				3-TERMINAL(OLD)	
	SWITCH, starting	194155-52110	1	1			N	5-TERMINAL(NEW)	
61- 20	SWITCH, turn signal	194080-52131	1	1					
	SWITCH, turn signal	194080-52132	1	1			N		
19A	KEY	194155-52190	1	1					
	KEY	194155-52160	1	1			N		

(REFERENCE) DESCRIPTION FOR WIRING WHEN YOU REPLACE THE NEW SWITCH.
BR TO IG, C TO ST & BAT TO B TERMINAL. R1 & R2 TERMINAL ARE OPEN.

Fig. 61 ELECTRIC PARTS (U.S.A. & S.AFRICA) [YM155, YM155D]

Refer. No.	Description	Part No.	Qty/Unit				Inter-change ability	Design-change Mark	Remarks
			YM155	YM155D	YM135	YM135D			
61- 21	CABLE (L), turn signal	194200-51130	1	1				Z	
61- 22	CABLE (R), turn signal	194200-51180	1	1				Z	
61- 23	CURRENT LIMITER	121450-77710	1	1					
	CURRENT LIMITER	124660-77710	1	1				N	
61- 24	NUT M22	194240-52210	2	2		10			
61- 25	RELAY, turn signal	194080-57202	1	1					
61- 26	GROMMET 6	194200-57210	1	1		10			
61- 27	BOLT M5 x 16	26116-050162	1	1		10			
61- 28	NUT M5	26716-050002	2	2		10			
61- 29	SWITCH ASS'Y, horn	794200-52100	1	1				W	
61- 30	SWITCH, horn	194150-52160	1	1					
61- 31	CAP, horn switch	194150-52170	1	1					
61- 32	HORN	194151-57100	1	1					
61- 33	BOLT M6 x 12	26097-060123	2	2		10			
	BOLT M6 x 12	26013-060123	2	2		10	N		
	BOLT M6 x 12	26013-060129	2	2		10	N		
61- 34	CLAMP (B)	194200-56410	1	1				Z	
61- 35	FUSE BOX ASS'Y	794340-52200	1	1					
	FUSE BOX ASS'Y	794345-52400	1	1				N	
61- 36	.FUSE BOX	194200-52210	1	1					
61- 36-1	.FUSE BOX	*	1	1		*	S		Not Sold Separately. (194440-52410)
61- 37	.COVER, fuse box	194440-52420	1	1				W	
61- 38	.FUSE 5A	194200-52220	3	3		10			Inc. 2 pcs. for spares.
	.FUSE 5A	194145-52820	1	1		10	S		
61- 39	.FUSE 10A	194200-52230	6	6		10			Inc. 4 pcs. for spares.
	.FUSE 10A	194145-52830	2	2		10	S		
61- 40	.FUSE 15A	194200-52240	3	3		10			Inc. 2 pcs. for spares.
	.FUSE 15A	194145-52840	2	2		10	S		
61- 41	SCREW M5 x 10	21557-050102	2	2		10			
	SCREW M6 x 10	26587-060202	2	2		10	S		
61- 42	SPRING WASHER 5	22217-050000	2	2		10	Z		

Fig. 61 ELECTRIC PARTS (U.S.A. & S.AFRICA) [YM155, YM155D]

Refer. No.	Description	Part No.	Qty/Unit				Inter-change ability	Design-change Mark	Remarks
			YM155	YM155D	YM135	YM135D			
61- 43	PILOT LAMP ASS'Y, water	794150-55400	1	1					
	PILOT LAMP ASS'Y, water	794340-55400	1	1					
	PILOT LAMP ASS'Y, water	194345-55110	1	1				N	
61- 44	.BULB 12V-3W	194080-55840	2	2					
61- 45	LAMP ASS'Y, oil pressure	794130-55100	1	1					
	LAMP ASS'Y, oil pressure	194345-55120	1	1				N	
61- 46	.BULB 12V-3W	194080-55840	2	2		10			
61- 47	HOOR METER	194340-56050	1	1					
61- 48	CABLE, hour meter	194190-56100	1	1					
	CABLE, hour meter	194190-56900	1	1					
61- 49	BAND, wire locking	1A1040-55310	1	1				Z	
61- 50	CLAMP, speed	194202-56450	3	3				W	
61- 51	CABLE, connecting	194340-51190	1	1				Z	
61- 52	SWITCH, safety starter	194240-52190	1	1					
	SWITCH, safety starter	194440-52190	1	1				N	
61- 53	WIRE, lead	194200-51162	1	1				W	
61- 54	WASHER 6, plain	22137-060000	4	4		10		W	

Fig. 62 ELECTRIC PARTS (FRANCE) [YM155,YM155D]

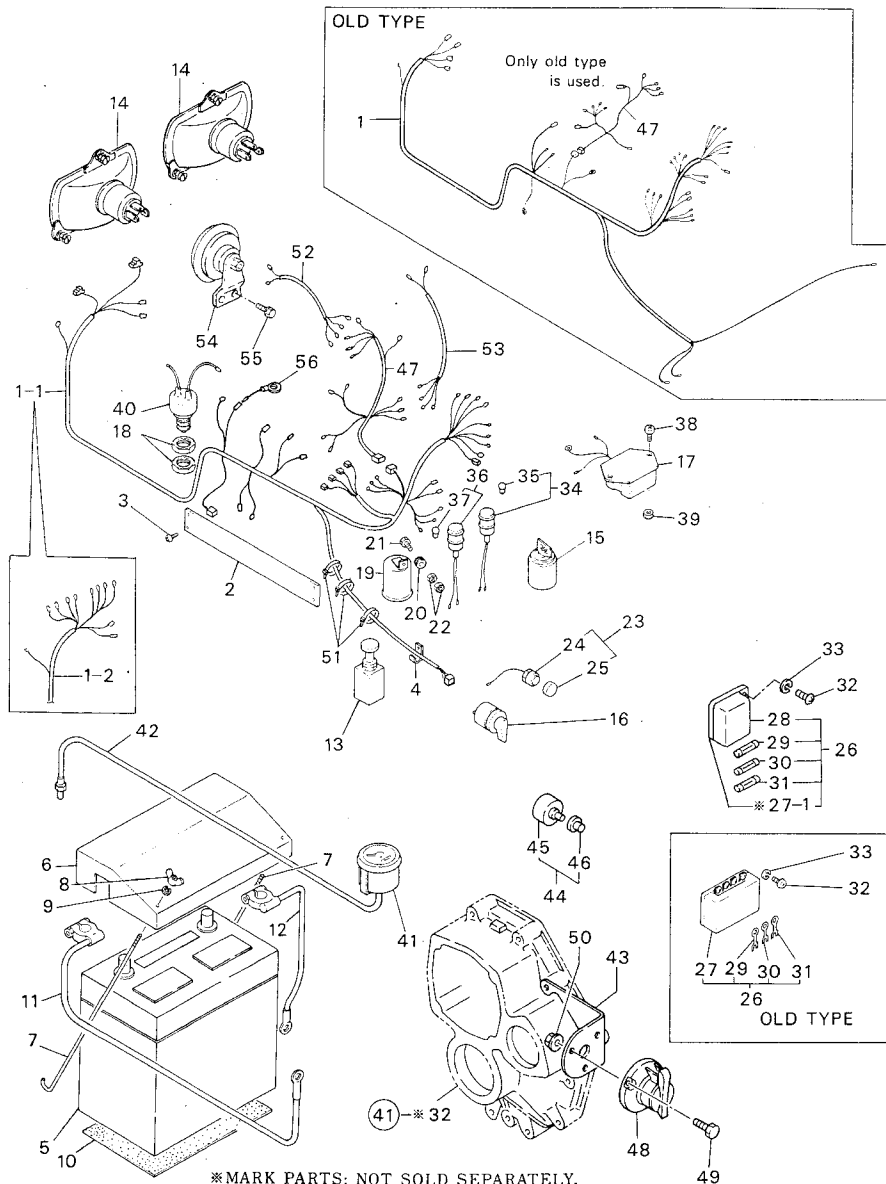


Fig. 62 ELECTRIC PARTS (FRANCE) [YM155,YM155D]

Refer. No.	Description	Part No.	Qty/Unit				Inter-changeability	Design-change Mark	Remarks
			YM155	YM155D	YM135	YM135D			
62- 1	WIRE HARNESS, main	194340-51050	1	1					
62- 1- 1	WIRE HARNESS, main	194340-51051	1	1			S	YM155 -T/# 52166 YM155D-T/# 57367	
62- 1- 2	WIRE HARNESS, main	194340-51052	1	1			S	YM155 -T/# 52182 YM155D-T/# 57428	
62- 2	COVER, cable	194200-55470	1	1					
62- 3	SCREW 4 x 10, tapping	22857-400100	4	4		10			
62- 4	CLAMP	194200-56400	1	1					
62- 5	BATTERY Y60-S4LP	194200-51301	1	1					
	BATTERY Y60-S4GL	194340-51300	1	1			N		
62- 6	COVER, battery	194200-51351	1	1					
62- 7	LOCK BOLT, battery	194200-51400	2	2					
62- 8	NUT M6, wing	26337-060002	2	2		10			
62- 9	SPRING WASHER 6	22217-060000	2	2		10			
62- 10	CUSHION, battery	194200-51440	1	1					
62- 11	CABLE, battery plus	194200-51201	1	1					
62- 12	CABLE, battery earth	194200-51211	1	1					
62- 13	SWITCH, lighting	194130-52121	1	1					
62- 14	LIGHT ASS'Y, head	Local prepare (59.10.001.00)	2	2					
62- 15	SWITCH, starting	194155-52110	1	1					
62- 16	SWITCH, turn signal	194080-52131	1	1					
	SWITCH, turn signal	194080-52132	1	1			N		
62- 17	CURRENT LIMITER	121450-77710	1	1					
62- 18	NUT M22	194240-52210	2	2		10			
62- 19	RELAY, turn signal	194080-57202	1	1					
62- 20	GROMMET 6	194200-57210	1	1		10			
62- 21	BOLT M5 x 16	26116-050162	1	1		10			
62- 22	NUT M5	26716-050002	2	2		10			
62- 23	SWITCH ASS'Y, horn	794200-52100	1	1				W	
62- 24	SWITCH, horn	194150-52160	1	1					
62- 25	CAP, horn switch	194150-52170	1	1					

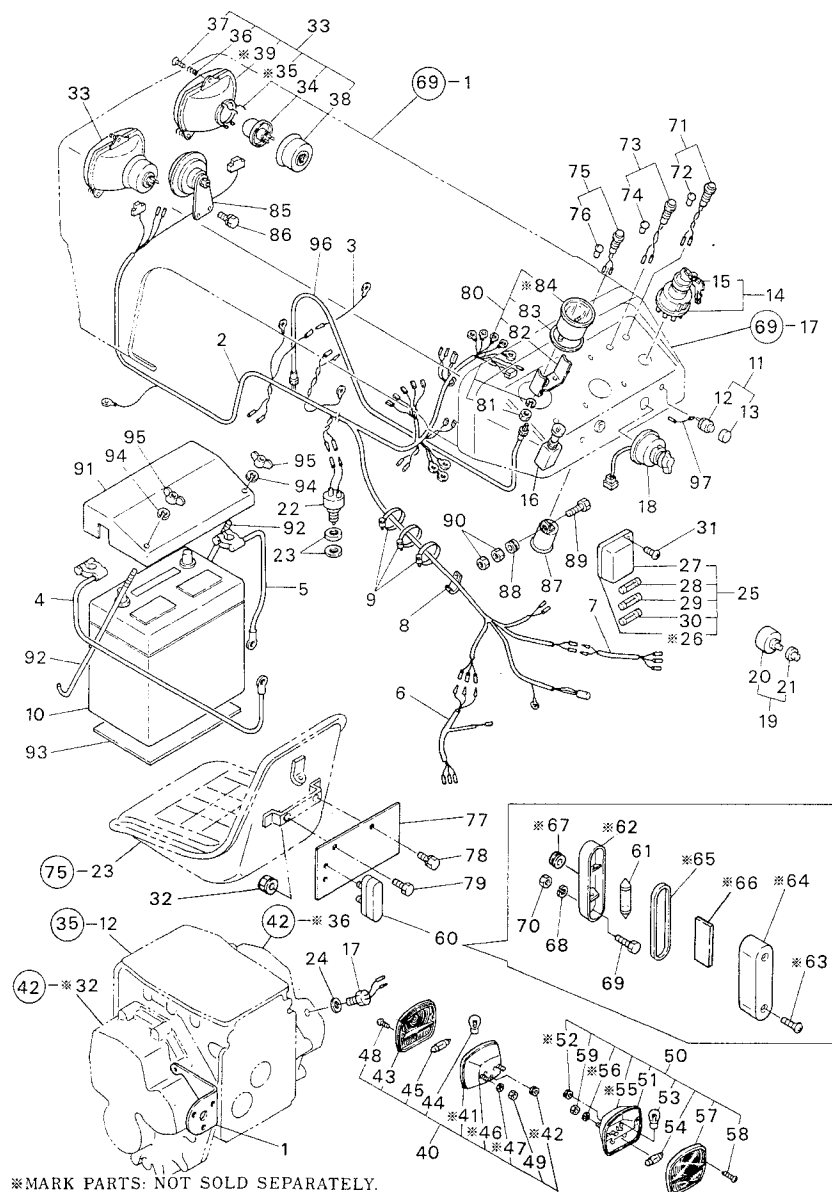
Fig. 62 ELECTRIC PARTS (FRANCE) [YM155,YM155D]

Refer. No.	Description	Part No.	Q'ty/Unit			Sales Unit	Inter-change ability	Design-change Mark	Remarks
			YM155	YM155D	YM135				
62- 26	FUSE BOX ASS'Y	794340-52200	1	1					
	FUSE BOX ASS'Y	794345-52400	1	1			N		
	FUSE BOX ASS'Y	194440-52400	1	1			N		
62- 27	.FUSE BOX	194200-52210	1	1					
62- 27-1	.FUSE BOX	*	1	1		*	S	Not Sold Separately. (194440-52410)	
62- 28	.COVER, fuse box	194440-52420	1	1			W		
62- 29	.FUSE 5A	194200-52220	3	3		10		Inc. 2 pcs. or spares.	
	.FUSE 5A	194145-52820	1	1		10	S		
62- 30	.FUSE 10A	194200-52230	6	6		10		Inc. 4 pcs. for spares.	
	.FUSE 10A	194145-52830	2	2		10	S		
62- 31	.FUSE 15A	194200-52240	3	3		10		Inc. 2 pcs. or spares.	
	.FUSE 15A	194145-52840	2	2		10	S		
62- 32	SCREW M5 x 10	21557-050102	2	2		10			
	SCREW M6 x 20	26587-060202	2	2		10	S		
62- 33	SPRING WASHER 5	22217-050000	2	2		10			
62- 34	PILOT LAMP ASS'Y, water	794340-55400	1	1					
	PILOT LAMP ASS'Y, water	194345-55110	1	1			N		
62- 35	.BULB 12V-3W	194080-55840	1	1		10			
62- 36	LAMP ASS'Y, oil pressure	794130-55100	1	1					
62- 37	.BULB 12V-3W	194080-55840	1	1		10			
62- 38	SCREW 6 x 12	26587-060122	2	2		10			
62- 39	NUT M6	26716-060002	2	2		10			
62- 40	SWITCH, safety starter	194240-52190	1	1					
	SWITCH, safety starter	194440-52190	1	1			N		
62- 41	HOOR METER	194340-56050	1	1					

Fig. 62 ELECTRIC PARTS (FRANCE) [YM155,YM155D]

Refer. No.	Description	Part No.	Q'ty/Unit			Sales Unit	Inter-change ability	Design-change Mark	Remarks
			YM155	YM155D	YM135				
62- 42	CABLE, hour meter	194190-56900	1	1					
62- 43	BRACKET, socket	194340-32810	1	1					
62- 44	DIMMER SWITCH ASS'Y	194340-52150	1	1					
62- 45	.DIMMER SWITCH	194340-52160	1	1					
62- 46	.CAP, dimmer switch	194340-52170	1	1					
62- 47	WIRE HARNESS, sub	194340-51060	1	1					
	WIRE HARNESS, sub	194340-51061	1	1			S	YM155 -T/# 52340 YM155D-T/# 58047	
62- 48	COUPLER, elec.	Local prepare (59.10.026.00)	1	1					
62- 49	BOLT M6 x 20	26116-060202	3	3					
62- 50	NUT M6	26716-060002	3	3					
62- 51	CLAMP	194202-56450	3	3			W		
62- 52	CABLE, side lamp (L)	194340-51320	1	1			W		
62- 53	CABLE, side lamp (R)	194340-51330	1	1			W		
62- 54	HORN	194340-57100	1	1					
62- 55	BOLT M6 x 12	26097-060123	2	2		10			
	BOLT M6 x 12	26013-060129	2	2		10	N		
62- 56	WIRE, lead	194200-51162	1	1			W		

Fig. 63 ELECTRIC PARTS (ENGLAND) [YM155, YM155D]



*MARK PARTS: NOT SOLD SEPARATELY.

Fig. 63 ELECTRIC PARTS (ENGLAND) [YM155, YM155D]

Refer. No.	Description	Part No.	Qty./Unit				Inter-change ability	Design-change Mark	Remarks
			YM155	YM155D	YM155	YM155D			
63- 1	BRACKET, coupler	194340-32810	1	1					
63- 2	HARNES, wire	194340-51091	1	1					
63- 3	WIRE, lead	194200-51162	1	1					
63- 4	CABLE, battery	194200-51201	1	1					
63- 5	CABLE, battery earth	194200-51211	1	1					
63- 6	CABLE, side lamp (L)	194340-51320	1	1					
63- 7	CABLE, side lamp (R)	194340-51330	1	1					
63- 8	CLAMP	194200-56400	1	1					
63- 9	CLAMP, speed	194202-56450	3	3					
63- 10	BATTERY (Y60-S4GL)	194340-51300	1	1					
63- 11	SWITCH ASS'Y, horn	794200-52100	1	1					
63- 12	.SWITCH, horn	194150-52160	1	1					
63- 13	.CAP, horn switch	194150-52170	1	1					
63- 14	SWITCH, starting	194155-52110	1	1					
63- 15	.KEY, start switch	194155-52190	1	1					
63- 16	SWITCH, lighting	194130-52121	1	1					
63- 17	SWITCH, diff. lock	194340-52120	1	1					
63- 18	SWITCH, turn signal	194170-52130	1	1					
63- 19	SWITCH ASS'Y, dimmer	194340-52150	1	1					
63- 20	.SWITCH, dimmer	194340-52160	1	1					
63- 21	.CAP, dimmer switch	194340-52170	1	1					
63- 22	SWITCH, safety starter	194240-52190	1	1					
63- 23	NUT M22	194240-52210	2	2					
63- 24	PACKING 14	23414-140000	1	1		10			

Fig. 63 ELECTRIC PARTS (ENGLAND) [YM155, YM155D]

Refer. No.	Description	Part No.	Q'ty/Unit				Sales Unit	Inter-change ability	Design-change Mark	Remarks
			YM155	YM155D	YM135	YM135D				
63- 25	FUSE BOX ASS'Y	794345-52400	1	1						
	FUSE BOX ASS'Y	194440-52400	1	1				N		
63- 26	.FUSE BOX	*	1	1			*		Not Sold Separately. (194440-52410)	
63- 27	.COVER, fuse box	194440-52420	1	1						
63- 28	.FUSE 5A	194145-52820	1	1			10			
63- 29	.FUSE 10A	194145-52830	2	2			10			
63- 30	.FUSE 15A	194145-52840	2	2			10			
63- 31	SCREW M6 x 20	26587-060202	2	2						
63- 32	NUT M6	194990-22130	1	1			10			
63- 33	LIGHT ASS'Y, head	194436-53100	2	2						
63- 34	.BULB 12V-45/40W	194436-53110	2	2						
63- 35	.CLIP	*	2	2			*		Not Sold Separately. (194436-53120)	
63- 36	.SPRING	194436-53130	6	6						
63- 37	.SCREW	194436-53140	6	6						
63- 38	.BOOT, rubber	194436-53150	2	2						
63- 39	.BODY	*	2	2			*		Not Sold Separately. (194436-53160)	
63- 40	LAMP ASS'Y, clearance (F)	194436-53600	2	2						
63- 41	.PACKING	*	2	2			*		Not Sold Separately. (194436-53610)	
63- 42	.GROMMET	*	2	2			*		Not Sold Separately. (194436-53620)	
63- 43	.LENS	194436-53630	2	2						
63- 44	.BULB 12V-21W	194436-53640	2	2						
63- 45	.BULB 12V-4W	194436-53650	2	2						
63- 46	.BODY	*	2	2			*		Not Sold Separately. (194436-53660)	
63- 47	.WASHER 5	*	4	4			*		Not Sold Separately. (194436-53670)	
63- 48	.SCREW M4 x 20	26557-040202	4	4						
63- 49	.NUT M5	26716-050002	4	4						

Fig. 63 ELECTRIC PARTS (ENGLAND) [YM155, YM155D]

Refer. No.	Description	Part No.	Q'ty/Unit				Sales Unit	Inter-change ability	Design-change Mark	Remarks
			YM155	YM155D	YM135	YM135D				
63- 50	LAMP ASS'Y, clearance (R)	194436-53700	2	2						
63- 51	.PACKING	194436-53610	2	2						
63- 52	.GROMMET	*	2	2			*		Not Sold Separately. (194436-53620)	
63- 53	.BULB 12V-21W	194436-53640	2	2						
63- 54	.BULB 12V-4W	194436-53650	2	2						
63- 55	.BODY	*	2	2			*		Not Sold Separately. (194436-53660)	
63- 56	.WASHER 5	*	4	4			*		Not Sold Separately. (194436-53670)	
63- 57	.LENS	194436-53710	2	2						
63- 58	.SCREW M4 x 20	26557-040202	4	4						
63- 59	.NUT M5	26716-050002	4	4						
63- 60	LAMP ASS'Y, liscence	194436-53800	1	1						
63- 61	.BULB 12V-4W	194436-53650	1	1						
63- 62	.BODY	*	1	1			*		Not Sold Separately. (194436-53810)	
63- 63	.SCREW	*	2	2			*		Not Sold Separately. (194436-53820)	
63- 64	.COVER	*	1	1			*		Not Sold Separately. (194436-53830)	
63- 65	.PACKING	*	1	1			*		Not Sold Separately. (194436-53840)	
63- 66	.LENS	*	1	1			*		Not Sold Separately. (194436-53850)	
63- 67	.GROMMET	*	1	1			*		Not Sold Separately. (194436-53860)	
63- 68	.SPRING WASHER 5	22217-050000	2	2						
63- 69	.BOLT M5 x 16	26116-050162	2	2						
63- 70	.NUT M5	26716-050002	2	2						
63- 71	PILOT LAMP ASS'Y, water	194345-55110	1	1					CV 3-70	
63- 72	.BULB 12V-3W	194080-55840	1	1						
63- 73	LAMP ASS'Y, oil pressure	194345-55120	1	1					CV 3-70	
63- 74	.BULB 12V-3W	194080-55840	1	1						
63- 75	PILOT LAMP ASS'Y, heater	194312-55500	1	1					CV 3-70	
63- 76	.BULB 12V-3.4W	194151-55820	1	1						

Fig. 63 ELECTRIC PARTS (ENGLAND) [YM155, YM155D]

M E M O

Refer. No.	Description	Part No.	Q ^{ty} /Unit				Sales Unit	Inter-change ability	Design-change Mark	Remarks
			YM155	YM155D	YM155	YM155D				
63- 77	PLATE, licence	194436-64510	1	1						
63- 78	BOLT M6 x 12	26013-060122	1	1						
63- 79	BOLT M6 x 12	26116-060122	1	1						
63- 80	HOUR METER	194340-56050	1	1						
63- 81	.NUT M4	194990-22020	2	2						
63- 82	.FITTINGS	194200-56060	1	1						
63- 83	.SHEET	194200-56070	1	1						
63- 84	.HOUR METER	*	1	1			*		Not Sold Separately (194200-56080)	
63- 85	HORN	194340-57100	1	1						
63- 86	BOLT M6 x 12	26013-060122	2	2						
63- 87	RELAY, turn signal	194080-57202	1	1						
63- 88	GROMMET 6	194200-57210	1	1						
63- 89	BOLT M5 x 16	26116-050162	1	1						
63- 90	NUT M5	26716-050002	2	2						
63- 91	COVER, battery	194200-51351	1	1						
63- 92	LOCK BOLT	194200-51400	2	2						
63- 93	CUSHION	194200-51440	1	1						
63- 94	SPRING WASHER 6	22217-060000	2	2						
63- 95	NUT M6, wing	26637-060002	2	2						
63- 96	CABLE, hour meter	194190-56900	1	1						
63- 97	CORD	194340-51310	1	1						

Fig. 64 ELECTRIC PARTS (PORTUGAL) [YM155, YM155D]

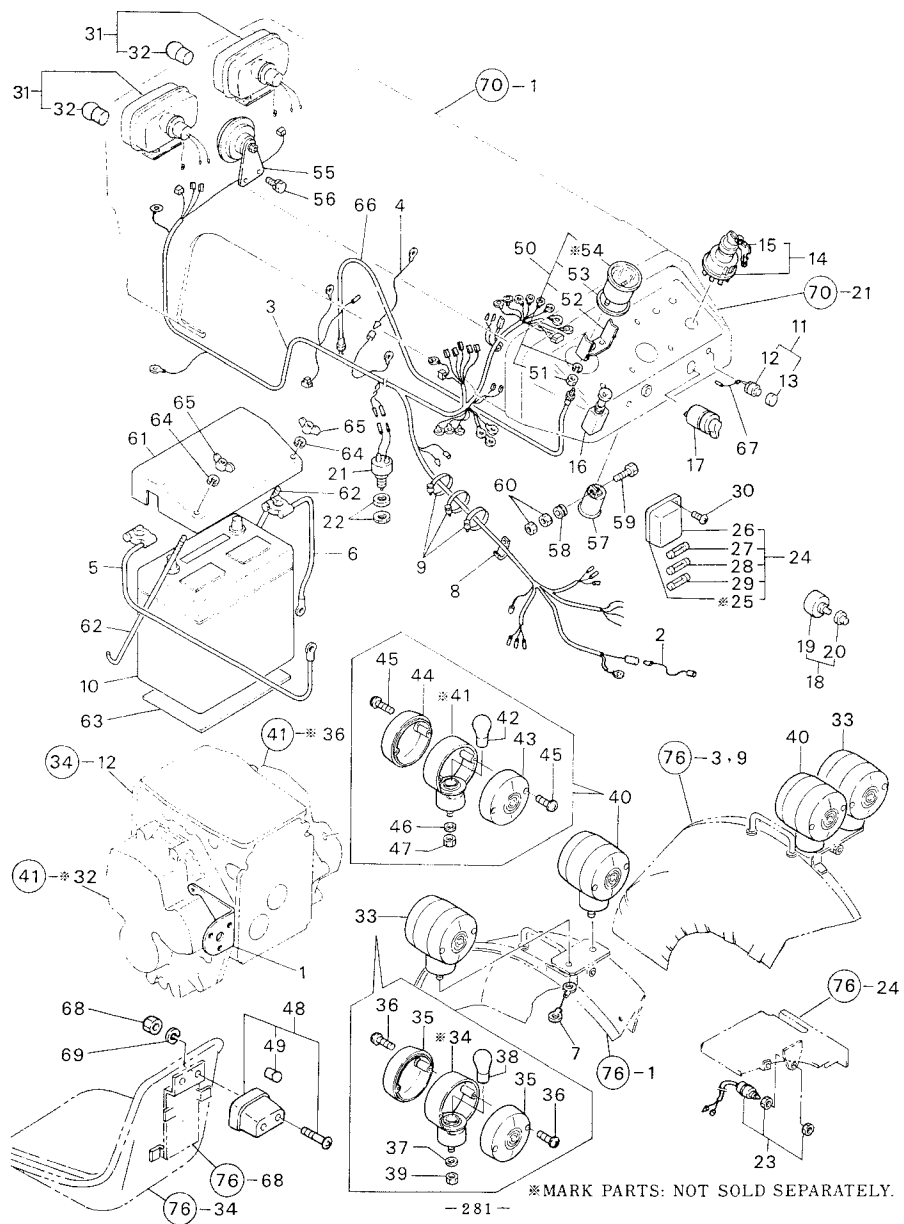


Fig. 64 ELECTRIC PARTS (PORTUGAL) [YM155, YM155D]

Refer. No.	Description	Part No.	Q'y/Unit			Sales Unit	Inter-change ability	Design-change Mark	Remarks
			YM155	YM155D	YM155				
64- 1	BRACKET, coupler	194340-32810	1	1					
64- 2	CORD, liscence lamp	194340-51070	1	1					
64- 3	HARNES, wire	194340-51082	1	1					
64- 4	WIRE, lead	194200-51162	1	1					
64- 5	CABLE, battery	194200-51201	1	1					
64- 6	CABLE, battery earth	194200-51211	1	1					
64- 7	CORD, side lamp earth	194340-51210	1	1					
64- 8	CLAMP	194200-56400	1	1					
64- 9	CLAMP, speed	194202-56450	3	3					
64- 10	BATTERY (Y60-S4GL)	194340-51300	1	1					
64- 11	SWITCH ASS'Y, horn	794200-52100	1	1					
64- 12	.SWITCH, horn	194150-52160	1	1					
64- 13	.CAP, horn switch	194150-52170	1	1					
64- 14	SWITCH, starting	194155-52110	1	1					
64- 15	.KEY, start switch	194155-52190	1	1					
64- 16	SWITCH, lighting	194130-52121	1	1					
64- 17	SWITCH, turn signal	194080-52132	1	1					
64- 18	SWITCH ASS'Y, dimmer	194340-52150	1	1					
64- 19	.SWITCH, dimmer	194340-52160	1	1					
64- 20	.CAP, dimmer switch	194340-52170	1	1					
64- 21	SWITCH, safety starter	194240-52190	1	1					
64- 22	NUT M22	194240-52210	2	2					
64- 23	SWITCH ASS'Y, stop	194340-52300	1	1					

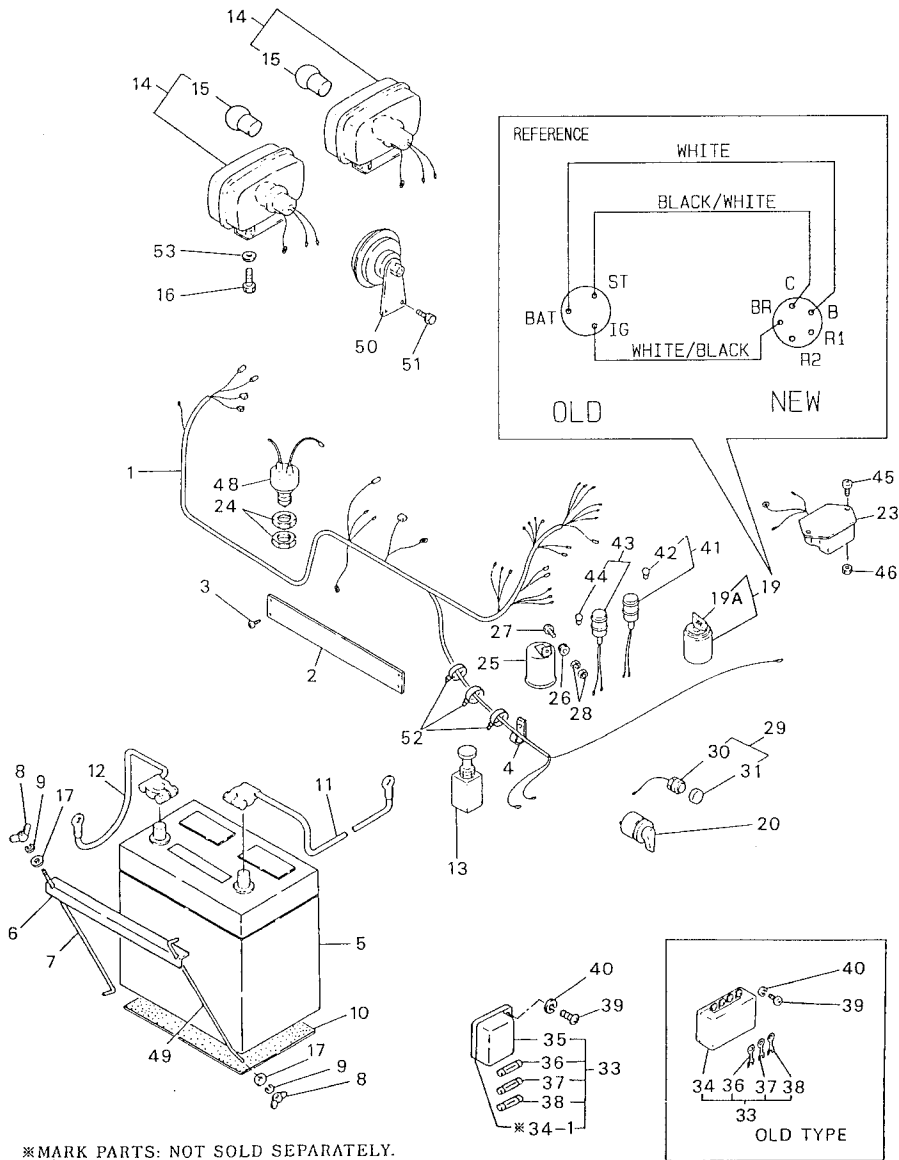
Fig. 64 ELECTRIC PARTS (PORTUGAL) [YM155,YM155D]

Refer. No.	Description	Part No.	Q'ty/Unit				Inter-change ability	Design-change Mark	Remarks
			YM155	YM155D	YM135	YM135D			
			Sales Unit						
64- 24	FUSE BOX ASS'Y	194440-52400	1	1					
64- 25	.FUSE BOX	*	1	1		*		Not Sold Separately. (194440-52410)	
64- 26	.COVER, fuse box	194440-52420	1	1					
64- 27	.FUSE 5A	194145-52820	1	1		10			
64- 28	.FUSE 10A	194145-52830	2	2		10			
64- 29	.FUSE 15A	194145-52840	2	2		10			
64- 30	SCREW M6 x 20	26587-060202	2	2					
64- 31	LIGHT ASS'Y, head	194262-53051	2	2					
64- 32	.BULB	194262-53080	2	2					
64- 33	LAMP ASS'Y, flasher	194242-53400	2	2					
64- 34	.BODY	*	2	2		*		Not Sold Separately. (194242-53410)	
64- 35	.LENS	194242-55420	4	4					
64- 36	.SCREW	194242-55430	8	8					
64- 37	.WASHER 12	194242-55440	2	2					
64- 38	.BULB 12V-20W	194081-55820	2	2					
64- 39	.LOCK NUT M12	26776-120002	2	2					
64- 40	LAMP ASS'Y, stop	194242-53600	2	2					
64- 41	.BODY	*	2	2		*		Not Sold Separately. (194242-53610)	
64- 42	.BULB 12V-21/5W	194242-53620	2	2					
64- 43	.LENS (RED)	194242-53630	2	2					
64- 44	.LENS (CLEAR)	194242-53640	2	2					
64- 45	.SCREW	194242-55430	8	8					
64- 46	.WASHER 12	194242-55440	2	2					
64- 47	.LOCK NUT M12	26776-120002	2	2					
64- 48	LAMP ASS'Y, lisence	194450-53800	1	1					
64- 49	.BULB 12V-4W	194450-53810	1	1					

Fig. 64 ELECTRIC PARTS (PORTUGAL) [YM155,YM155D]

Refer. No.	Description	Part No.	Q'ty/Unit				Inter-change ability	Design-change Mark	Remarks
			YM155	YM155D	YM135	YM135D			
			Sales Unit						
64- 50	HOOR METER	194340-56050	1	1					
64- 51	.NUT M4	194990-22020	2	2					
64- 52	.FITTINGS	194200-56060	1	1					
64- 53	.SHEET	194200-56070	1	1					
64- 54	.HOOR METER	*	1	1		*		Not Sold Separately (194200-56080)	
64- 55	HORN	194340-57100	1	1					
64- 56	BOLT M6 x 12	26013-060129	2	2					
64- 57	RELAY, turn signal	194080-57202	1	1					
64- 58	GROMMET 6	194200-57210	1	1					
64- 59	BOLT M5 x 16	26116-050162	1	1					
64- 60	NUT M5	26716-050002	2	2					
64- 61	COVER, battery	194200-51351	1	1					
64- 62	LOCK BOLT	194200-51400	2	2					
64- 63	CUSHION	194200-51440	1	1					
64- 64	SPRING WASHER 6	22217-060000	2	2					
64- 65	NUT M6, wing	26637-060002	2	2					
64- 66	CABLE, hour meter	194190-56900	1	1					
64- 67	CORD	194340-51310	1	1					
64- 68	NUT M22	Local prepare	2	2					
64- 69	WASHER 22	Local prepare	2	2					

Fig. 65 ELECTRIC PARTS (U.S.A.) [YM135, YM135D]



*MARK PARTS: NOT SOLD SEPARATELY.

Fig. 65 ELECTRIC PARTS (U.S.A.) [YM135, YM135D]

Refer. No.	Description	Part No.	Q'ty/Unit			Inter-changeability	Design-change Mark	Remarks
			YM135	YM135D	YM135			
65- 1	WIRE HARNESS, main	194340-51101			1	1		
	WIRE HARNESS, main	194340-51102			1	1	N	
	WIRE HARNESS, main	194340-51103			1	1	N	
65- 2	COVER, cable	194200-55470			1	1		
65- 3	SCREW 4 x 10, tapping	22857-400100			4	4	10	
65- 4	CLAMP	194200-56400			1	1		
65- 5	BATTERY NS40Z	194262-51300			1	1		
	BATTERY Y60-S4P	194262-51301			1	1	N	
	BATTERY Y60-S4P (DRY TYPE)	194390-51300			1	1	N	
65- 6	CLAMP, battery	194262-51350			1	1		
65- 7	ROD, battery clamp	194262-51370			2	1		
65- 8	NUT M6, wing	26337-060002			2	2	10	
	NUT M6, wing	26637-060002			2	2	10	N
65- 9	SPRING WASHER 6	22217-060000			2	2	10	
65- 10	FELT 190x105x3	194262-51360			1	1		
65- 11	CABLE, battery plus	194262-51200			1	1		
65- 12	CABLE, battery earth	194200-51211			1	1		
65- 13	SWITCH, lighting	194130-52121			1	1		
65- 14	LIGHT ASS'Y, head	194262-53050			2	2		
	LIGHT ASS'Y, head	194262-53051			2	2		N
65- 15	BULB 12V-25W	194262-53080			2	2		
65- 16	BOLT M 6 x 12	26097-060123			4	4		
	BOLT M 6 x 12	26013-060123			4	4		
	BOLT M 6 x 12	26013-060129			4	4		
65- 17	WASHER 6, plain	22117-060000			6	6		
	WASHER 6, plain	22137-060000			2	2	10	N
65- 18	TUBE 7 x130, vinyl	23061-070130			2	2		Z
65- 19	SWITCH, starting	794750-52050			1	1		3-TERMINAL (OLD)
	SWITCH, starting	194155-52110			1	1		N
65- 20	SWITCH, turn signal	194080-52131			1	1		
	SWITCH, turn signal	194080-52132			1	1		N
19A	KEY	194155-52190			1	1		
	KEY	194155-52160			1	1		N

(REFERENCE) BR TO IG, C TO ST, BAT TO B TERMINAL, R1 & R2 ARE OPEN.

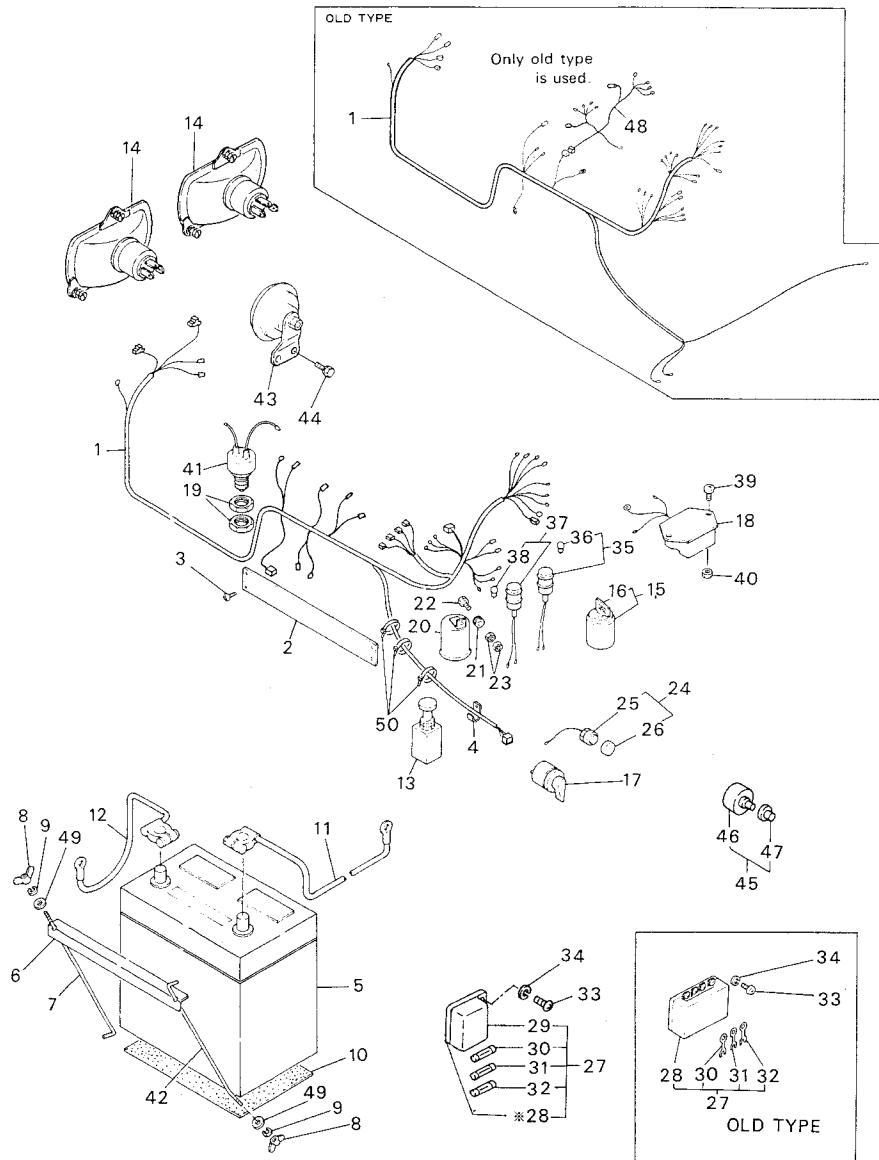
Fig. 65 ELECTRIC PARTS (U.S.A.) [YM135,YM135D]

Refer. No.	Description	Part No.	Q'ty/Unit				Sales Unit	Inter-change ability	Design-change Mark	Remarks
			YM155	YM155D	YM135	YM135D				
65- 21	CABLE (L), turn signal	194200-51130			1	1			Z	
65- 22	CABLE (R), turn signal	194200-51180			1	1			Z	
65- 23	CURRENT LIMITER	121450-77710			1	1				
	CURRENT LIMITER	124660-77710			1	1			N	
65- 24	NUT M22	194240-52210			2	2	10			
65- 25	RELAY, turn signal	194080-57202			1	1				
65- 26	GROMMET 6	194200-57210			1	1	10			
65- 27	BOLT M5 x 16	26116-050162			1	1	10			
65- 28	NUT M5	26716-050002			2	2	10			
65- 29	SWITCH ASS'Y, horn	794200-52100			1	1			W	
65- 30	.SWITCH, horn	194150-52160			1	1				
65- 31	.CAP, horn switch	194150-52170			1	1				
65- 32	CLAMP (B)	194200-56410			1	1			Z	
65- 33	FUSE BOX ASS'Y	794340-52200			1	1				Inc. 35-28 31
	FUSE BOX ASS'Y	794345-52400			1	1			N	
65- 34	.FUSE BOX	194200-52210			1	1				
65- 34-1	.FUSE BOX	*			1	1		*	S	Not Sold Separately. (194440-52410)
65- 35	.COVER, fuse box	194440-52420			1	1			W	
65- 36	.FUSE 5A	194200-52220			3	3	10			Inc. 2 pcs. or spares.
	.FUSE 5A	194145-52820			1	1	10		S	
65- 37	.FUSE 10A	194200-52230			6	6	10			Inc. 4 pcs. for spares.
	.FUSE 10A	194145-52830			2	2	10		S	
65- 38	.FUSE 15A	194200-52240			3	3	10			Inc. 2 pcs. or spares.
	.FUSE 15A	194145-52840			2	2	10		S	

Fig. 65 ELECTRIC PARTS (U.S.A.) [YM135,YM135D]

Refer. No.	Description	Part No.	Q'ty/Unit				Sales Unit	Inter-change ability	Design-change Mark	Remarks
			YM155	YM155D	YM135	YM135D				
65- 39	SCREW M5 x 10	21557-050102			2	2	10			
	SCREW M6 x 10	26587-060202			2	2	10		S	
65- 40	SPRING WASHER 5	22217-050000			2	2	10		Z	
65- 41	PILOT LAMP ASS'Y, water	794150-55400			1	1				
	PILOT LAMP ASS'Y, water	794340-55400			1	1				
	PILOT LAMP ASS'Y, water	194345-55100			1	1			N	
65- 42	.BULB 12V-3W	194080-55840			2	2				
65- 43	LAMP ASS'Y, oil pressure	794130-55100			1	1				
	LAMP ASS'Y, oil pressure	194345-55120			1	1			N	
65- 44	.BULB 12V-3W	194080-55840			2	2	10			
65- 45	SCREW M6 x 12	26587-060202			2	2	10			
65- 46	NUT M6	26716-060002			2	2	10			
65- 47	CABLE, connecting	194340-51190			1	1			Z	
65- 48	SWITCH, safety starter	194240-52190			1	1				N
	SWITCH, safety starter	194440-52190			1	1				
65- 49	ROD (R), battery clamp	194262-51380			1	1				
	ROD (R), battery clamp	194262-51381			1	1			N	
65- 50	HORN	194151-57100			1	1				
65- 51	BOLT M6 x 12	26097-060123			2	2	10			
	BOLT M6 x 12	26013-060123			2	2	10		N	
	BOLT M6 x 12	26013-060129			2	2	10		N	
65- 52	CLAMP, speed	194202-56450			3	3			W	
65- 53	WASHER 6, plain	22137-060000			4	4	10		W	

Fig. 66 ELECTRIC PARTS FRANCE) [YM135,YM135D]



*MARK PARTS: NOT SOLD SEPARATELY.

Fig. 66 ELECTRIC PARTS FRANCE) [YM135,YM135D]

Refer. No.	Description	Part No.	Qty/Unit			Inter-changeability	Design-change Mark	Remarks
			YM135	YM135D	YM135D			
66- 1	WIRE HARNESS, main	194340-51102		1	1			
	WIRE HARNESS, main	194340-51051		1	1	S		YM135 -T/# 51621 YM135D-T/# 51716
66- 2	COVER, cable	194200-55470		1	1	Z		
66- 3	SCREW 4 x 10, tapping	22857-400100		4	4	10	Z	
66- 4	CLAMP	194200-56400		1	1			
66- 5	BATTERY Y60-S4P	194262-51301		1	1			
	BATTERY Y60-S4G	194390-51300		1	1	N		
66- 6	CLAMP, battery	194262-51350		1	1			
66- 7	ROD, battery clamp	194262-51370		1	1			
66- 8	NUT M6, wing	26337-060002		2	2	10		
66- 9	SPRING WASHER 6	22217-060000		2	2	10		
66- 10	FELT 190x105x3	194262-51360		1	1			
66- 11	CABLE, battery plus	194262-51200		1	1			
66- 12	CABLE, battery earth	194200-51211		1	1			
66- 13	SWITCH, lighting	194130-52121		1	1			
66- 14	LIGHT ASS'Y, head	194262-53050		2	2			
66- 15	SWITCH, starting	194155-52110		1	1			
66- 16	.KEY, starting switch	194155-52190		1	1			
66- 17	SWITCH, turn signal	194080-52131		1	1			
	SWITCH, turn signal	194080-52132		1	1	N		
66- 18	CURRENT LIMITER	124660-77710		1	1			
66- 19	NUT M22	194240-52210		2	2	10		
66- 20	RELAY, turn signal	194080-57202		1	1			
66- 21	GROMMET 6	194200-57210		1	1	10		

Fig. 66 ELECTRIC PARTS FRANCE) [YM135,YM135D]

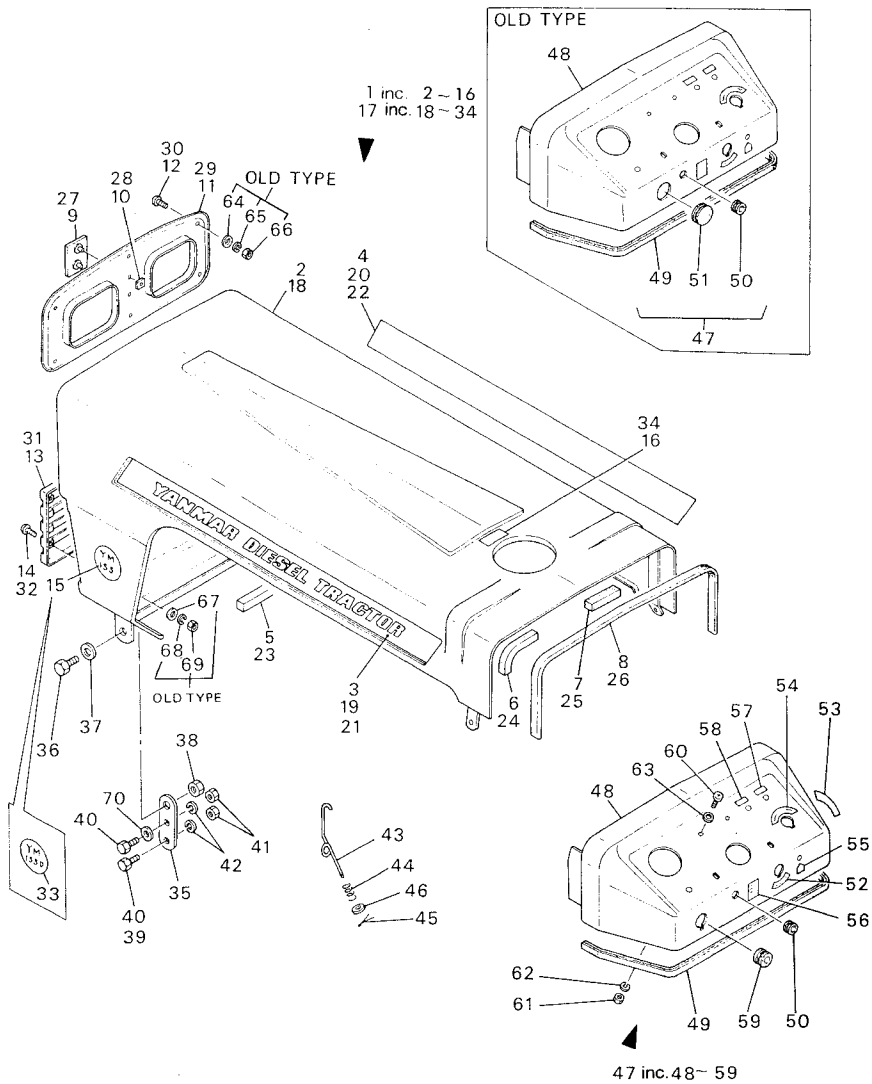
Refer. No.	Description	Part No.	Qty/Unit				Sales Unit	Interchangeability	Design-change Mark	Remarks
			YM155	YM155D	YM135	YM135D				
66- 22	BOLT M5 x 16	26116-050162			1	1	10			
66- 23	NUT M5	26716-050002			2	2	10			
66- 24	SWITCH ASS'Y, horn	794200-52100			1	1		W		
66- 25	.SWITCH, horn	194150-52160			1	1				
66- 26	.CAP, horn switch	194150-52170			1	1				
66- 27	FUSE BOX ASS'Y	794340-52200			1	1				
	FUSE BOX ASS'Y	794345-52400			1	1		N		
	FUSE BOX ASS'Y	194440-52400			1	1		N		
66- 28	.FUSE BOX	194200-52210			1	1				
	.FUSE BOX	*			1	1	*	S	Not Sold Separately. (194440-52410)	
66- 29	.COVER, fuse box	194440-52420			1	1		W		
66- 30	.FUSE 5A	194200-52220			3	3	10		Inc. 2 pcs. or spares.	
	.FUSE 5A	194145-52820			1	1	10	S		
66- 31	.FUSE 10A	194200-52230			6	6	10		Inc. 4 pcs. for spares.	
	.FUSE 10A	194145-52830			2	2	10	S		
66- 32	.FUSE 15A	194200-52240			3	3	10		Inc. 2 pcs. or spares.	
	.FUSE 15A	194145-52840			2	2	10	S		
66- 33	SCREW M5 x 10	21557-050102			2	2	10			
	SCREW M6 x 20	26587-060202			2	2	10	S		
66- 34	SPRING WASHER 5	22217-050000			2	2	10			
66- 35	PILOT LAMP ASS'Y, water	794340-55400			1	1				
	PILOT LAMP ASS'Y, water	194345-55110			1	1		N		
66- 36	.BULB 12V-3W	194080-55840			1	1	10			
66- 37	LAMP ASS'Y, oil pressure	794130-55100			1	1				
66- 38	.BULB 12V-3W	194080-55840			1	1	10			

Fig. 66 ELECTRIC PARTS FRANCE) [YM135,YM135D]

Refer. No.	Description	Part No.	Qty/Unit				Sales Unit	Interchangeability	Design-change Mark	Remarks
			YM155	YM155D	YM135	YM135D				
66- 39	SCREW 6 x 12	26587-060122			2	2	10			
66- 40	NUT M6	26716-060002			2	2	10			
66- 41	SWITCH, safety starter	194240-52190			1	1				
	SWITCH, safety starter	194440-52190			1	1		N		
66- 42	ROD (R), battery clamp	194262-51380			1	1				
	ROD (R), battery clamp	194262-51381			1	1		N		
66- 43	HORN	194340-57100			1	1				
66- 44	BOLT M6 x 12	26097-060123			2	2	10			
	BOLT M6 x 12	26013-060129			2	2	10	N		
66- 45	DIMMER SWITCH ASS'Y	194340-52150			1	1				
66- 46	.DIMMER SWITCH	194340-52160			1	1				
66- 47	.CAP, dimmer switch	194340-52170			1	1				
66- 48	WIPE HARNESS, sub	194340-51060			1	1		Z		
66- 49	WASHER 6	22137-060000			2	2				
66- 50	CLAMP	194202-56450			3	3				

Fig. 67 HOOD (U.S.A. & S.AFRICA) [YM155,YM155D]

Fig. 67 HOOD (U.S.A. & S.AFRICA) [YM155,YM155D]



Refer. No.	Description	Part No.	Q'ty/Unit			Inter-changeability	Design-change Mark	Remarks
			YM155	YM155D	YM135			
67- 1	HOOD ASS'Y	194340-61000-P	1					
	HOOD ASS'Y	194340-61000-R	1				S	
67- 2	HOOD	194340-61100-P	1					
	HOOD	194340-61100-R	1				S	
67- 3	MODEL PLATE (L)	194340-65501	1					
	MODEL PLATE (L)	194340-65502	1				Z	
67- 4	MODEL PLATE (R)	194340-65511	1					
	MODEL PLATE (R)	194340-65512	1				Z	
67- 5	LINNING, hood front	194200-61220	1					
	LINNING, hood front	194345-61220	1				N	
67- 6	LINNING, hood left	194200-61230	1					
	LINNING, hood left	194345-61230	1				N	
67- 7	LINNING, hood right	194200-61240	1					
	LINNING, hood right	194345-61240	1				N	
67- 8	RUBBER, hood insulating	194200-61250	1					
67- 9	EMBLEM, front	194262-61350	1					
67- 10	NUT M5	194200-65610	2					
67- 11	PANEL, hood upper	194262-61330	1					
67- 12	SCREW M4 x 12	26557-040122	6			10		
	SCREW M4 x 10, tapping	22857-400100	6			10	N	
67- 13	GRILLE, front	194262-61240	1					
67- 14	SCREW M4 x 12	26557-040122	6			10		
	SCREW M4 x 10, tapping	22857-400100	6			10	N	
67- 15	LABEL, side	194340-64720	2				Z	
67- 16	LABEL, fuel indicating	194240-65670	1				Z	

Fig. 67 HOOD (U.S.A. & S.AFRICA) [YM155,YM155D]

Refer. No.	Description	Part No.	Q'ty/Unit				Sales Unit	Inter-change ability	Design-change Mark	Remarks
			YM155	YM155D	YM135	YM135D				
67- 17	HOOD ASS'Y	194341-61000	1							
67- 18	.HOOD	194340-61100-P	1							
	.HOOD	194340-61100-R	1				S			
67- 19	.MODEL PLATE (L)	194340-65502	1				Z			
67- 20	.MODEL PLATE (R)	194340-65512	1				Z			
67- 21	.MODEL PLATE (L)	194341-65501	1				Z			
67- 22	.MODEL PLATE (R)	194340-65511	1				Z			
67- 23	.LINING, hood front	194200-61220	1							
	.LINING, hood front	194345-61220	1				N			
67- 24	.LINING, hood left	194200-61230	1							
	.LINING, hood left	194345-61230	1				N			
67- 25	.LINING, hood right	194200-61240	1							
	.LINING, hood right	194345-61240	1				N			
67- 26	.RUBBER, hood insulating	194200-61250	1							
67- 27	.EMBLEM, front	194262-61350	1							
67- 28	.NUT M5	194200-65610	2							
67- 29	.PANEL, hood upper	194262-61330	1							
67- 30	.SCREW M4 x 12	26557-040122	6			10				
	.SCREW M4 x 10, tapping	22857-040100	6			10				
67- 31	.GRILLE, front	194262-61240	1							
67- 32	.SCREW M4 x 12	26557-040122	6			10				
	.SCREW M4 x 10, tapping	22857-040100	6			10				
67- 33	.LABEL, side	194340-64720	2				Z			
	.LABEL, side	194341-64720	2				Z			
67- 34	.LABEL, fuel indicating	194240-65670	1				Z			
67- 35	PLATE, hood fulcrum	194200-61260	2	2						

Fig. 67 HOOD (U.S.A. & S.AFRICA) [YM155,YM155D]

Refer. No.	Description	Part No.	Q'ty/Unit				Sales Unit	Inter-change ability	Design-change Mark	Remarks
			YM155	YM155D	YM135	YM135D				
67- 36	BOLT M12 x 25	26116-120252	2	2			10			
67- 37	WASHER 12, plain	22117-120000	2	2			10			
67- 38	U-NUT M12	26347-120002	2	2			10			
	U-NUT M12	26346-120002	2	2			10	N		
67- 39	BOLT M8 x 20	26116-080202	3	3			10	Z		
67- 40	BOLT M8 x 25	26116-080252	1	1			10			
	BOLT M8 x 25	26116-080252	4	4			10	K		
67- 41	NUT M8	26716-080002	4	4			10			
67- 42	SPRING WASHER 8	22217-080000	4	4			10			
67- 43	HOOK, hood	194200-61450	2	2						
67- 44	SPRING, hook	194200-61490	2	2						
67- 45	COTTER PIN 2 x 10	22417-200100	2	2			10			
67- 46	WASHER 10, plain	22117-100000	2	2			10			
67- 47	PANEL BOX ASS'Y	194340-61500	1	1						
	PANEL BOX ASS'Y	794340-61501	1	1				N		
67- 48	.INSTRUMENT PANEL	194200-61520	1	1						
	.INSTRUMENT PANEL	194200-61521	1	1				N		
	.INSTRUMENT PANEL	194200-61522	1	1				N		
67- 49	.RUBBER, panel box insulating	194200-61550	1	1						
67- 50	.GROMMET 9	1A1040-59470	1	1						
67- 51	.CAP 27, rubber	194200-61560	1	1				Z		
67- 52	.LABEL, turn signal	194150-65360	1	1				Z		
67- 53	.LABEL, throttle lever	194240-65430	1	1				Z		
67- 54	.LABEL, key switch	194740-99300	1	1						
	.LABEL, key switch	194340-65720	1	1				N		
	.LABEL, key switch	194340-65720	1	1				Z		

Fig. 67 HOOD (U.S.A. & S.AFRICA) [YM155, YM155D]

M E M O

Refer. No.	Description	Part No.	Qty/Unit				Sales Unit	Inter-change-ability	Design-change Mark	Remarks
			YM155	YM155D	YM155	YM155D				
67- 55	.LABEL, horn switch	194130-65380	1	1				Z		
67- 56	.LABEL, decompression indication	194340-65590	1	1				Z		
67- 57	.LABEL, pilot lamp	194190-99240	1	1				Z		
67- 58	.LABEL, oil pressure lamp	194081-99230	1	1				Z		
67- 59	.CAP 20, rubber	194300-21450	1	1				N	YM155 from No. 51417	
	.CAP 20, rubber	194340-61610	1	1				Z	YM155D from No. 52799	
67- 60	SCREW M6 x 16	26587-060162	4	4		10				
67- 61	NUT M6	26716-060002	4	4		10				
67- 62	SPRING WASHER 6	22217-060000	4	4		10				
67- 63	WASHER 6, plain	22117-060000	4	4		10				
67- 64	WASHER 4, plain	22137-040000	6	6		10	Z			
67- 65	SPRING WASHER 4	22217-040000	6	6		10	Z			
67- 66	NUT M4	26716-040002	6	6		10	Z			
67- 67	WASHER 4, plain	22137-040000	6	6		10	Z			
67- 68	SPRING WASHER 4	22217-040000	6	6		10	Z			
67- 69	NUT M4	26716-040002	6	6		10	Z			

Fig. 68 HOOD (FRANCE) [YM155,YM155D]

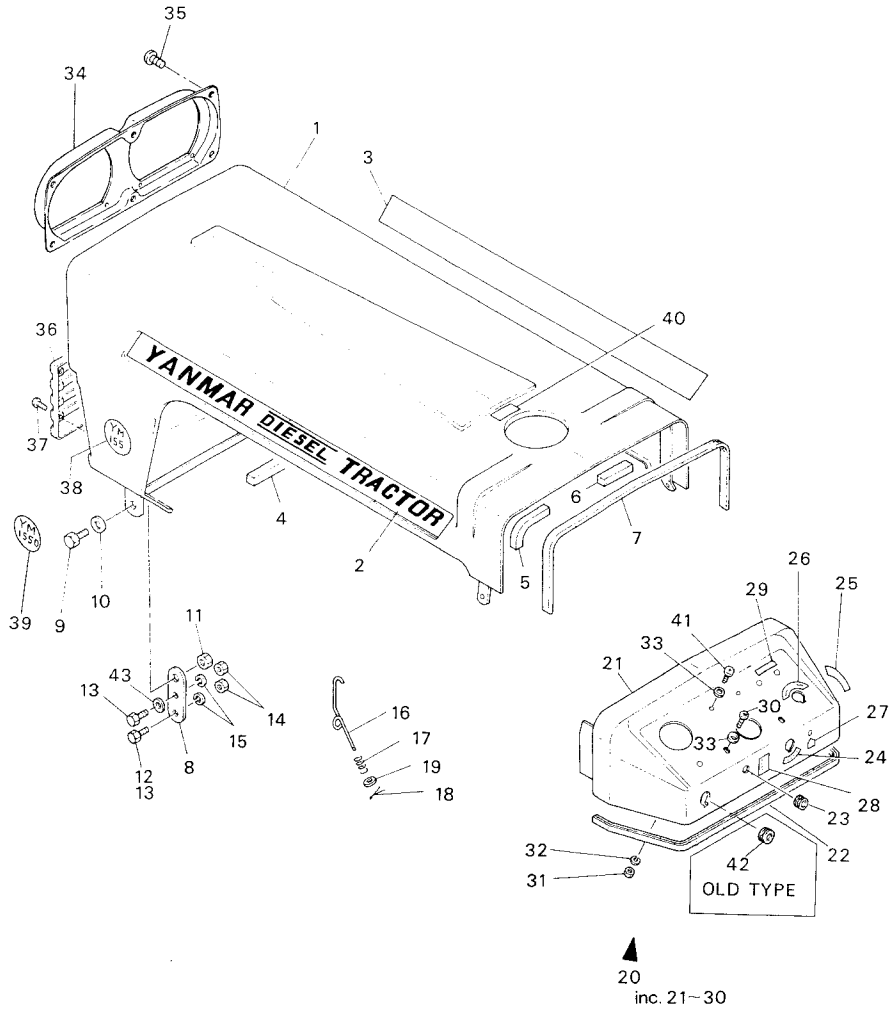


Fig. 68 HOOD (FRANCE) [YM155,YM155D]

Refer. No.	Description	Part No.	Qty/Unit				Inter-changeability	Design-change Mark	Remarks
			YM155	YM155D	YM135	YM135D			
68- 1	HOOD	194340-61100-R	1	1					
68- 2	MODEL PLATE (L)	194340-65502	1	1				As to change history, refer to item "LABEL".	
68- 3	MODEL PLATE (R)	194340-65512	1	1					
68- 4	LINING, hood front	194200-61220	1	1					
	LINING, hood front	194345-61220	1	1			N		
68- 5	LINING, hood left	194200-61230	1	1					
	LINING, hood left	194345-61230	1	1			N		
68- 6	LINING, hood right	194200-61240	1	1					
	LINING, hood right	194345-61240	1	1			N		
68- 7	RUBBER, hood insulating	194200-61250	1	1					
68- 8	PLATE, hood fulcrum	194200-61260	2	2					
68- 9	BOLT M12 x 25	26116-120252	2	2		10			
68- 10	WASHER 12, plain	22117-120000	2	2		10			
68- 11	U-NUT M12	26347-120002	2	2		10	N		
	U-NUT M12	26346-120002	2	2		10			
68- 12	BOLT M8 x 20	26116-080202	3	3		10	Z		
68- 13	BOLT M8 x 25	26116-080252	1	1		10			
	BOLT M8 x 25	26116-080252	4	4		10	K		
68- 14	NUT M8	26716-080002	4	4		10			
68- 15	SPRING WASHER 8	22217-080000	4	4		10			
68- 16	HOOK, hood	194200-61450	2	2					
68- 17	SPRING, hook	194200-61490	2	2					
68- 18	COTTER PIN 2 x 10	22417-200100	2	2		10			
68- 19	WASHER 10, plain	22117-100000	2	2		10			

Fig. 68 HOOD (FRANCE) [YM155, YM155D]

M E M O

Refer. No.	Description	Part No.	Qty/Unit				Sales Unit	Inter-change ability	Design-change Mark	Remarks
			YM155	YM155D	YM135	YM135D				
68- 20	PANEL BOX ASS'Y	794340-61501	1	1						
68- 21	.INSTRUMENT PANEL	194200-61522	1	1						
68- 22	.RUBBER, panel box insulating	194200-61550	1	1						
68- 23	.GROMMET 9	1A1040-59470	1	1						
68- 24	.LABEL, turn signal	194240-98260	1	1						
68- 25	.LABEL, throttle lever	194240-65431	1	1						
68- 26	.LABEL, key switch	194240-98250	1	1						
68- 27	.LABEL, horn switch	194130-65380	1	1						
68- 28	.LABEL, decompression indication	194340-98270	1	1						
68- 29	.LABEL, pilot lamp	194340-98240	1	1						
68- 30	.SCREW M6 x 16	26587-060162	2	2		10				
68- 31	NUT M6	26716-060002	4	4		10				
68- 32	SPRING WASHER 6	22217-060000	4	4		10				
68- 33	WASHER 6, plain	22117-060000	4	4		10				
68- 34	PANEL, hood upper	194340-61330	1	1						
68- 35	SCREW M4 x 10, tapping	22857-040100	6	6		10				
	SCREW M4 x 10, tapping	22857-400100	6	6		10	N			
68- 36	GRILLE, front	194262-61240	1	1						
68- 37	SCREW M4 x 10, tapping	22857-040100	6	6		10				
	SCREW M4 x 10, tapping	22857-400100	6	6		10	N			
68- 38	LABEL, side	194340-64720	2							
68- 39	LABEL, side	194341-64720		2						
68- 40	LABEL, fuel indicating	194240-98220	1	1						
68- 41	SCREW M6 x 30	26587-060302	2	2		10			51456	
	SCREW M6 x 35	26587-060352	2	2		10	S		YM155 from No. 51447 YM155D from No. 51172	
68- 42	CAP 20, rubber	194300-21450	1	1					51417	
	CAP 20, rubber	194340-61610	1	1			N		YM155 from No. 51450 YM155D from No. 52799	
	CAP 20, rubber	194340-61610	1	1			Z		YM135 from No. 51183 YM135D from No. 51209	
68- 43	WASHER 8	22117-080000	2	2		10				

Fig. 69 HOOD (ENGLAND) [YM155,YM155D]

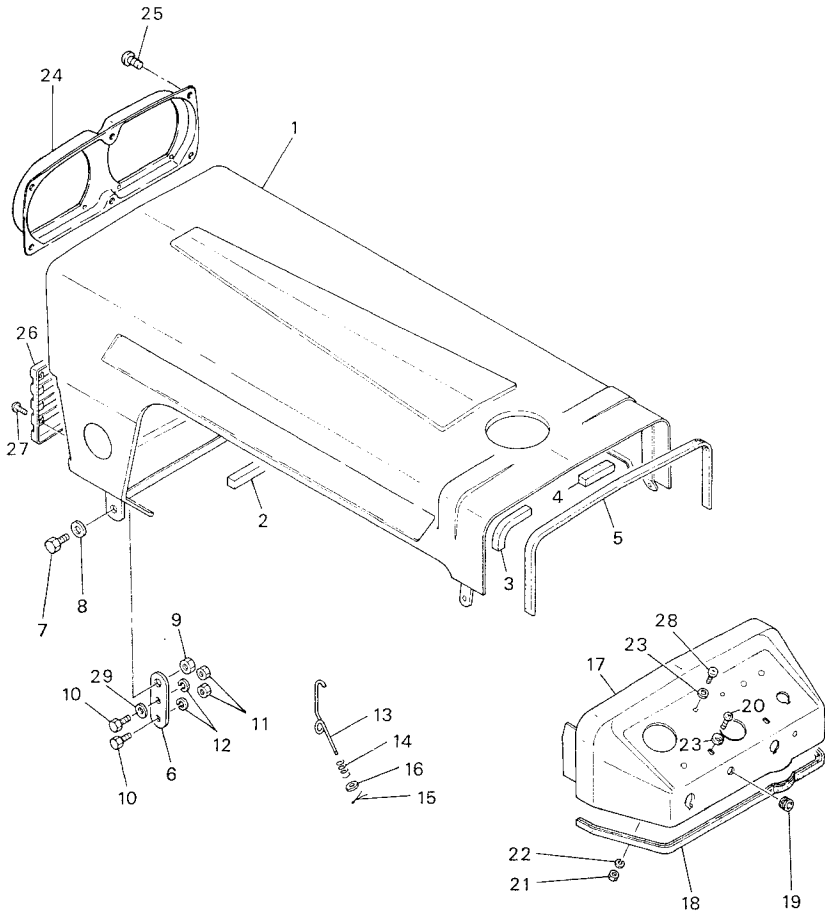


Fig. 69 HOOD (ENGLAND) [YM155,YM155D]

Refer. No.	Description	Part No.	Q'ty./Unit			Sales Unit	Inter-changeability	Design-change Mark	Remarks
			YM155	YM155D	YM155				
69- 1	HOOD	194340-61100-R	1	1					
69- 2	LINING, hood front	194345-61220	1	1					
69- 3	LINING, hood left	194345-61230	1	1					
69- 4	LINING, hood right	194345-61240	1	1					
69- 5	RUBBER, hood insulating	194200-61250	1	1					
69- 6	PLATE, hood fulcrum	194200-61260	2	2					
69- 7	BOLT M12 x 25	26116-120252	2	2		10			
69- 8	WASHER 12, plain	22117-120000	2	2		10			
69- 9	U-NUT M12	26346-120002	2	2		10			
69- 10	BOLT M8 x 25	26116-080252	4	4		10			
69- 11	NUT M8	26716-080002	4	4		10			
69- 12	SPRING WASHER 8	22217-080000	4	4		10			
69- 13	HOOK, hood	194200-61450	2	2					
69- 14	SPRING, hook	194200-61490	2	2					
69- 15	COTTER PIN 2 x 10	22417-200100	2	2		10			
69- 16	WASHER 10, plain	22117-100000	2	2		10			
69- 17	INSTRUMENT PANEL	194340-61520	1	1					
69- 18	RUBBER, panel box insulating	194200-61550	1	1					
69- 19	GROMMET 9	1A1040-59470	1	1					
69- 20	SCREW M6 x 16	26587-060162	2	2		10			
69- 21	NUT M6	26716-060002	4	4		10			
69- 22	SPRING WASHER 6	22217-060000	4	4		10			
69- 23	WASHER 6, plain	22117-060000	4	4		10			
69- 24	PANEL, hood upper	194340-61330	1	1					
69- 25	SCREW M4 x 10, tapping	22857-400100	6	6		10			
69- 26	GRILL, front	194262-61240	1	1					
69- 27	SCREW M4 x 10, tapping	22857-400100	6	6		10			
69- 28	SCREW M6 x 35	26587-060352	2	2		10			
69- 29	WASHER 8	22117-080000	2	2					

Fig. 70 HOOD (PORTUGAL) [YM155,YM155D]

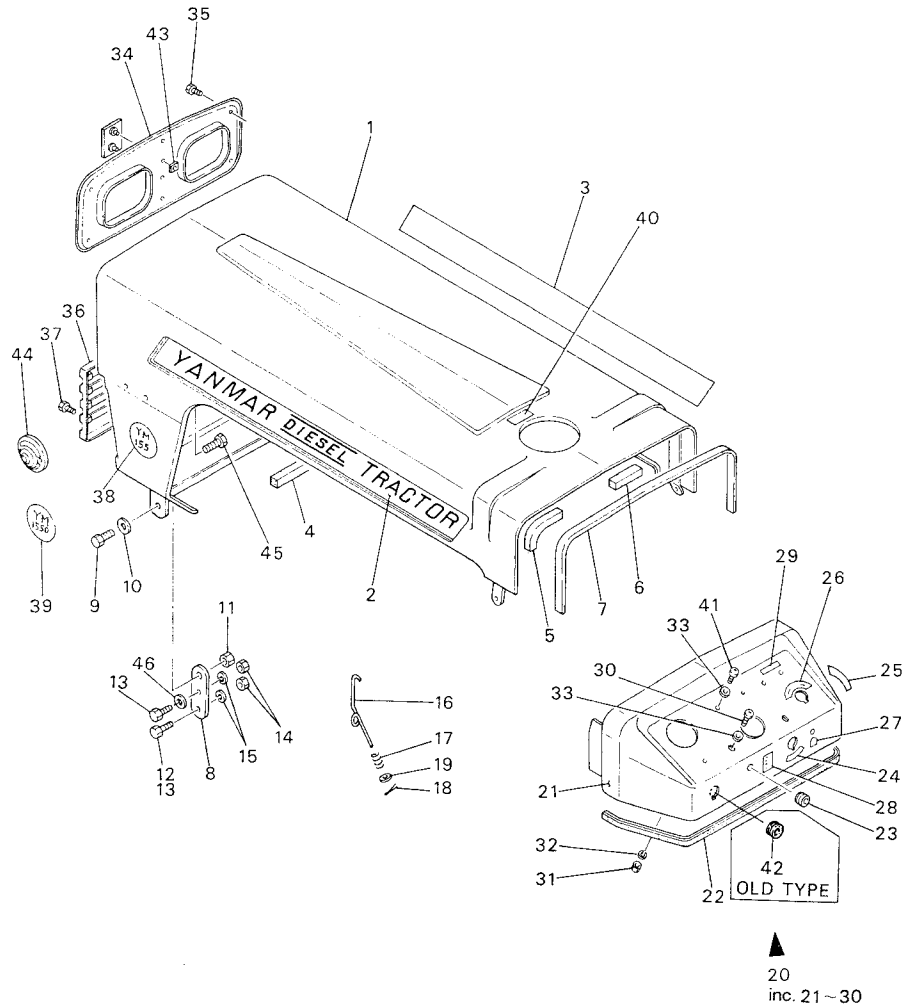


Fig. 70 HOOD (PORTUGAL) [YM155,YM155D]

Refer. No.	Description	Part No.	Q'ty/Unit			Sales Unit	Inter-changeability	Design-change Mark	Remarks
			YM155	YM155D	YM135				
70- 1	HOOD	194340-61100-R	1	1					
	HOOD	194340-61400	1	1					
70- 2	MODEL PLATE (L)	194340-65502	1	1			2	As to change history, refer to item "LABEL".	
70- 3	MODEL PLATE (R)	194340-65512	1	1			2		
70- 4	LINING, hood front	194200-61220	1	1					
	LINING, hood front	194345-61220	1	1					
70- 5	LINING, hood left	194200-61230	1	1					
	LINING, hood left	194345-61230	1	1					
70- 6	LINING, hood right	194200-61240	1	1					
	LINING, hood right	194345-61240	1	1					
70- 7	RUBBER, hood insulating	194200-61250	1	1					
70- 8	PLATE, hood fulcrum	194200-61260	2	2					
70- 9	BOLT M12 x 25	26116-120252	2	2		10			
70- 10	WASHER 12, plain	22117-120000	2	2		10			
70- 11	U-NUT M12	26347-120002	2	2		10	N		
	U-NUT M12	26346-120002	2	2		10			
70- 12	BOLT M8 x 20	26116-080202	3	3		10			
70- 13	BOLT M8 x 25	26116-080252	1	1		10			
	BOLT M8 x 25	26116-080252	4	4		10	K		
70- 14	NUT M8	26716-080002	4	4		10			
70- 15	SPRING WASHER 8	22217-080000	4	4		10			
70- 16	HOOK, hood	194200-61450	2	2					
70- 17	SPRING, hook	194200-61490	2	2					
70- 18	COTTER PIN 2 x 10	22417-200100	2	2		10			
70- 19	WASHER 10, plain	22117-100000	2	2		10			

Fig. 70 HOOD (PORTUGAL) [YM155, YM155D]

Refer. No.	Description	Part No.	Q'ty/Unit				Sales Unit	Inter-change ability	Design-change Mark	Remarks
			YM155	YM155D	YM135	YM135D				
70- 20	PANEL BOX ASS'Y	794340-61501	1	1						
70- 21	.INSTRUMENT PANEL	194200-61522	1	1						
70- 22	.RUBBER, panel box insulating	194200-61550	1	1						
70- 23	.GROMMET 9	1A1040-59470	1	1						
70- 24	.LABEL, turn signal	194240-98260	1	1			Z			
70- 25	.LABEL, throttle lever	194240-65431	1	1			Z			
70- 26	.LABEL, key switch	194240-98250	1	1			Z			
70- 27	.LABEL, horn switch	194130-65380	1	1			Z			
70- 28	.LABEL, decompression	194340-98270	1	1			Z			
70- 29	.LABEL, pilot lamp indication	194340-98240	1	1			Z			
70- 30	.SCREW M6 x 16	26587-060162	2	2		10				
70- 31	NUT M6	26716-060002	4	4		10				
70- 32	SPRING WASHER 6	22217-060000	4	4		10				
70- 33	WASHER 6, plain	22117-060000	4	4		10				
70- 34	PANEL, hood upper	194340-61330	1	1						
70- 35	SCREW M4 x 10, tapping	22857-040100	6	6		10				
70- 36	GRILL, front	194262-61240	1	1						
70- 37	SCREW M4 x 10, tapping	22857-040100	6	6		10				
70- 38	LABEL, side	194340-64720	2				Z			
70- 39	LABEL, side	194341-64720		2			Z			
70- 40	LABEL, fuel indicating	194240-98220	1	1			Z			
70- 41	SCREW M6 x 30	26587-060302	2	2		10				
70- 42	CAP 20, rubber	194300-21450	1	1						
	CAP 20, rubber	194340-61610	1	1			N		YM155 from No. 51417 YM155D from No. 52799	
	CAP 20, rubber	194340-61610	1	1			Z			
70- 43	NUT M5	194200-65610	2	2		10				
70- 44	LIGHT, side mark	Local Prepare	2	2						
70- 45	BOLT	Local Prepare	4	4						
70- 46	WASHER 8	22117-080000	2	2		10				

Fig. 71 HOOD (U.S.A.) [YM135,YM135D]

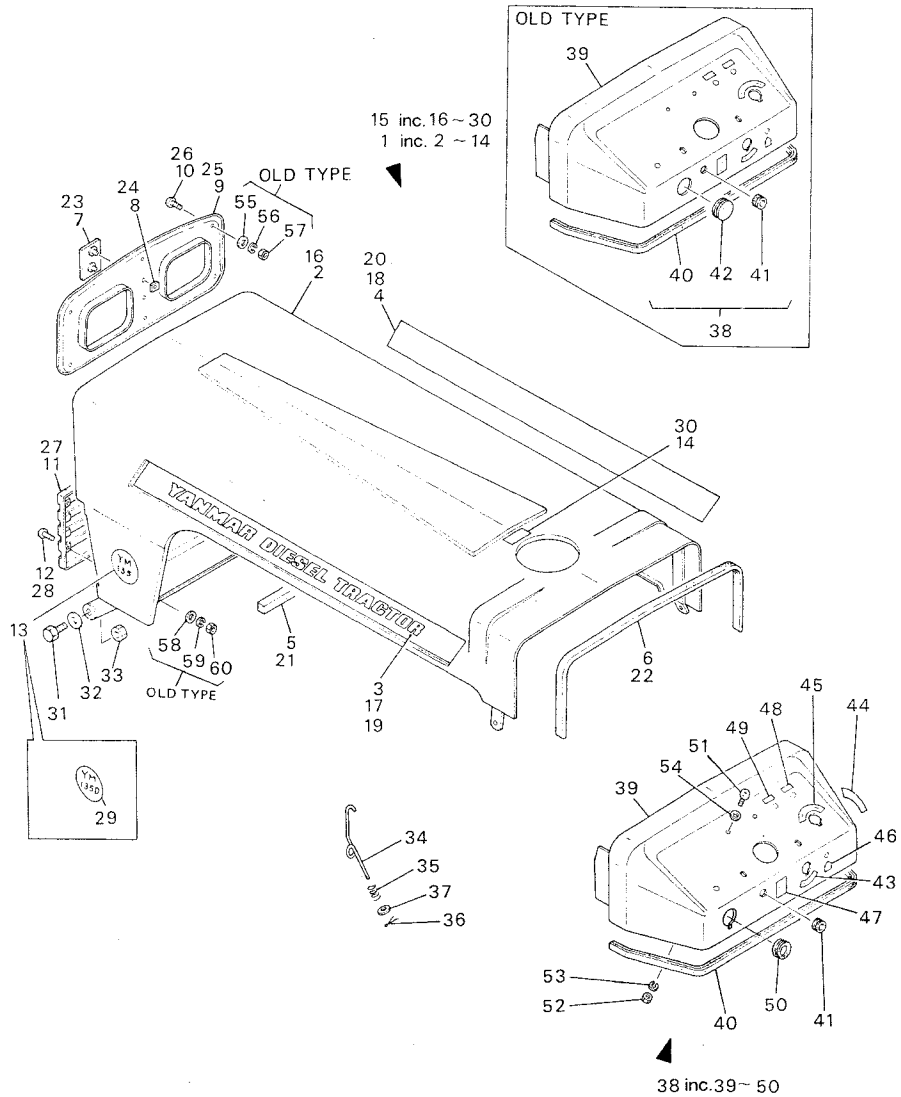


Fig. 71 HOOD (U.S.A.) [YM135,YM135D]

Refer. No.	Description	Part No.	Qty/Unit				Inter-changeability	Design-change Mark	Remarks
			YM155	YM135D	YM135	YM135D			
71- 1	.HOOD ASS'Y	194390-61000-P			1				
71- 2	.HOOD	194390-61100-P			1				
	.HOOD	194262-61101-P			1			[1]	
71- 3	.MODEL PLATE (L)	194390-65500			1			[1]	
	.MODEL PLATE (L)	194390-65501			1		Z		
71- 4	.MODEL PLATE (R)	194390-65510			1			[1]	
	.MODEL PLATE (R)	194390-65511			1		Z		
71- 5	.LINING, hood front	194200-61220			2				
71- 6	.RUBBER, hood insulating	194200-61250			1				
71- 7	.EMBLEM, front	194262-61350			1				
71- 8	.NUT M5	194200-65610			2				
71- 9	.PANEL, hood upper	194262-61330			1				
71- 10	.SCREW M4 x 12	26557-040122			6	10			
	.SCREW M4 x 10, tapping	22857-400100			6	10	N		
71- 11	.GRILLE, front	194262-61240			1	10			
71- 12	.SCREW M4 x 12	26557-040122			6	10			
	.SCREW M4 x 10, tapping	22857-400100			6	10	N		
71- 13	.LABEL, side	194340-64720			2	10	Z		
71- 14	.LABEL, fuel indicating	194240-65670			1	10	Z		
71- 15	HOOD ASS'Y	194391-61000			1				
71- 16	.HOOD	194390-61100			1				
	.HOOD	194262-61101-P			1		N	[1]	
71- 17	.MODEL PLATE (L)	194390-65501			1		Z		
71- 18	.MODEL PLATE (R)	194390-65511			1		Z		
71- 19	.MODEL PLATE (L)	194391-65500			1		Z		
	.MODEL PLATE (L)	194391-65501			1		Z		
71- 20	.MODEL PLATE (R)	194391-65510			1		Z		
	.MODEL PLATE (R)	194391-65511			1		Z		

Fig. 71 HOOD (U.S.A.) [YM135, YM135D]

Refer. No.	Description	Part No.	Qty/Unit				Interchangeability	Design-change Mark	Remarks
			YM155	YM155D	YM135	YM135D			
71- 21	.LINNING, hood front	194200-61220			2				
71- 22	.RUBBER, hood insulating	194200-61250			1				
71- 23	.EMBLEM, front	194262-61350			1				
71- 24	.NUT M5	194200-65610			2				
71- 25	.PANEL, hood upper	194262-61330			1				
71- 26	.SCREW M4 x 12	26557-040122			6 10				
	.SCREW M4 x 10, tapping	22857-400100			6 10	N			
71- 27	.GRILLE, front	194262-61240			1 10				
71- 28	.SCREW M4 x 12	26557-040122			6 10				
	.SCREW M4 x 10, tapping	22857-400100			6 10	N			
71- 29	.LABEL, side	194340-64720			2 10	Z			
71- 30	.LABEL, fuel indicating	194240-65670			1 10	Z			
71- 31	BOLT M12 x 35	26116-120352		2	2 10				
71- 32	WASHER 12, plain	22117-120000		2	2 10				
71- 33	U-NUT M12	26347-120002		2	2 10				
	U-NUT M12	26346-120002		2	2 10	N			
71- 34	HOOK, hood	194262-61450		2	2				
71- 35	SPRING, hook	194262-61490		2	2				
71- 36	COTTER PIN 3 x 10	22417-200100		2	2 10				
71- 37	WASHER 10, plain	22117-100000		2	2 10				

Fig. 71 HOOD (U.S.A.) [YM135, YM135D]

Refer. No.	Description	Part No.	Qty/Unit				Interchangeability	Design-change Mark	Remarks
			YM155	YM155D	YM135	YM135D			
71- 38	PANEL BOX ASS'Y	794390-61501			1 1				
	PANEL BOX ASS'Y	794390-61502			1 1	N		YM135 from No. 51183 YM135D from No. 51209	
71- 39	.INSTRUMENT PANEL	194262-61501			1 1				
	.INSTRUMENT PANEL	194262-61502			1 1	N		YM135 from No. 51183 YM135D from No. 51209	
71- 40	.RUBBER, panel box insulating	194200-61550			1 1				
71- 41	.GROMMET 9	1A1040-59470			1 1				
71- 42	.CAP 27, rubber	194200-61560			1 1	Z			
71- 43	.LABEL, turn signal	194150-65360			1 1	Z			
71- 44	.LABEL, throttle lever	194240-65430			1 1	Z			
71- 45	.LABEL, key switch	194340-65720			1 1	Z			
71- 46	.LABEL, horn switch	194130-65380			1 1	Z			
71- 47	.LABEL, decompression indication	194340-65590			1 1	Z			
71- 48	.LABEL, pilot lamp	194190-99240			1 1	Z			
71- 49	.LABEL, oil pressure lamp	194081-99230			1 1	Z			
71- 50	.CAP 20, rubber	194340-61610			1 1	W		YM135 from No. 51183 YM135D from No. 51209	
	.CAP 20, rubber	194340-61610			1 1	Z			
71- 51	SCREW M6 x 16	26587-060162		4	4 10				
71- 52	NUT M6	26716-060002		4	4 10				
71- 53	SPRING WASHER 6	22217-060000		4	4 10				
71- 54	WASHER 6, plain	22117-060000		4	4 10				
71- 55	WASHER 4, plain	22137-040000		6	6 10	Z			
71- 56	SPRING WASHER 4	22217-040000		6	6 10	Z			
71- 57	NUT M4	26716-040002		6	6 10	Z			
71- 58	WASHER 4, plain	22137-040000		6	6 10	Z			
71- 59	SPRING WASHER 4	22217-040000		6	6 10	Z			
71- 60	NUT M4	26716-040002		6	6 10	Z			

Fig. 72 HOOD (FRANCE) [YM135,YM135D]

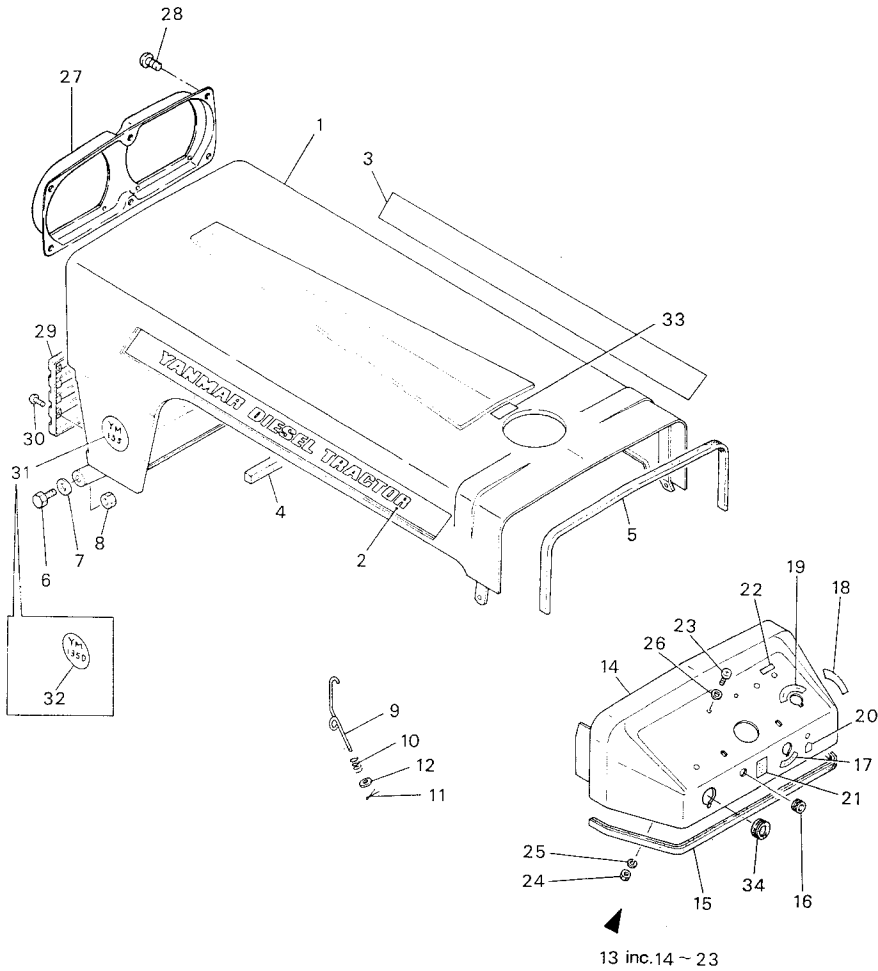


Fig. 72 HOOD (FRANCE) [YM135,YM135D]

Refer. No.	Description	Part No.	Qty/Unit				Inter-changeability	Design-change Mark	Remarks
			YM135	YM135D	YM135	YM135D			
72- 1	HOOD	194262-61101-P			1	1			
72- 2	MODEL PLATE (L)	194390-65501			1	1	Z		As to change history, refer to item "LABEL".
72- 3	MODEL PLATE (R)	194390-65511			1	1	Z		
72- 4	LINNING, hood front	194200-61220			2	2			
72- 5	RUBBER, hood insulating	194200-61250			1	1			
72- 6	BOLT M12 x 35	26116-120352			2	2	10		
72- 7	WASHER 12, plain	22117-120000			2	2	10		
72- 8	U-NUT M12	26347-120002			2	2	10		
	U-NUT M12	26346-120002			2	2	10	N	
72- 9	HOOK, hood	194262-61450			2	2			
72- 10	SPRING, hook	194262-61490			2	2			
72- 11	COTTER PIN 2 x 10	22417-200100			2	2	10		
72- 12	WASHER 10, plain	22117-100000			2	2	10		
72- 13	PANEL BOX ASS'Y	794390-61501			1	1			YM135 from No. 51183
	PANEL BOX ASS'Y	794390-61502			1	1		N	YM135D from No. 51209
72- 14	.INSTRUMENT PANEL	194262-61501			1	1			
	.INSTRUMENT PANEL	194262-61502			1	1		N	YM135 from No. 51183
					1	1		N	YM135D from No. 51209
72- 15	.RUBBER, panel box insulating	194200-61550			1	1			
72- 16	.GROMMET 9	1A1040-59470			1	1			
72- 17	.LABEL, turn signal	194150-65360			1	1	Z		
72- 18	.LABEL, throttle lever	194240-65430			1	1	Z		
72- 19	.LABEL, key switch	194340-65720			1	1	Z		
72- 20	.LABEL, horn switch	194130-65380			1	1	Z		
72- 21	.LABEL, decompression indication	194340-65590			1	1	Z		
72- 22	.LABEL, pilot lamp	194190-99240			1	1	Z		
72- 23	.SCREW M6 x 16	26587-060162			4	4	10		

Fig. 72 HOOD (FRANCE) [YM135, YM135D]

M E M O

Refer. No.	Description	Part No.	Qty/Unit				Sales Unit	Inter-change ability	Design-change Mark	Remarks
			YM135	YM135D	YM135	YM135D				
72- 24	NUT M6	26716-060002			4	4	10			
72- 25	SPRING WASHER 6	22217-060000			4	4	10			
72- 26	WASHER 6, plain	22117-060000			4	4	10			
72- 27	PANEL, hood upper	194262-61330			1	1				
	PANEL, hood upper	194340-61330			1	1		N		
72- 28	SCREW M4 x 10, tapping	22857-040100			6	6	10			
	SCREW M4 x 10, tapping	22857-400100			6	6	10	N		
72- 29	GRILLE, front	194262-61240			1	1				
72- 30	SCREW M4 x 10, tapping	22857-040100			6	6	10			
	SCREW M4 x 10, tapping	22857-400100			6	6	10	N		
72- 31	LABEL, side	194390-64720			2				Z	
72- 32	LABEL, side	194391-64720			2				Z	
72- 33	LABEL, fuel indicating	194240-65670			1	1			Z	
72- 34	CAP 20, rubber	194340-61610			1	1			W	YM135 from No. 51183
	CAP 20, rubber	194340-61610			1	1			Z	YM135D from No. 51209

Fig. 73 FENDERS, STEPS & SEAT (U.S.A. & S.AFRICA) [YM155,YM155D]

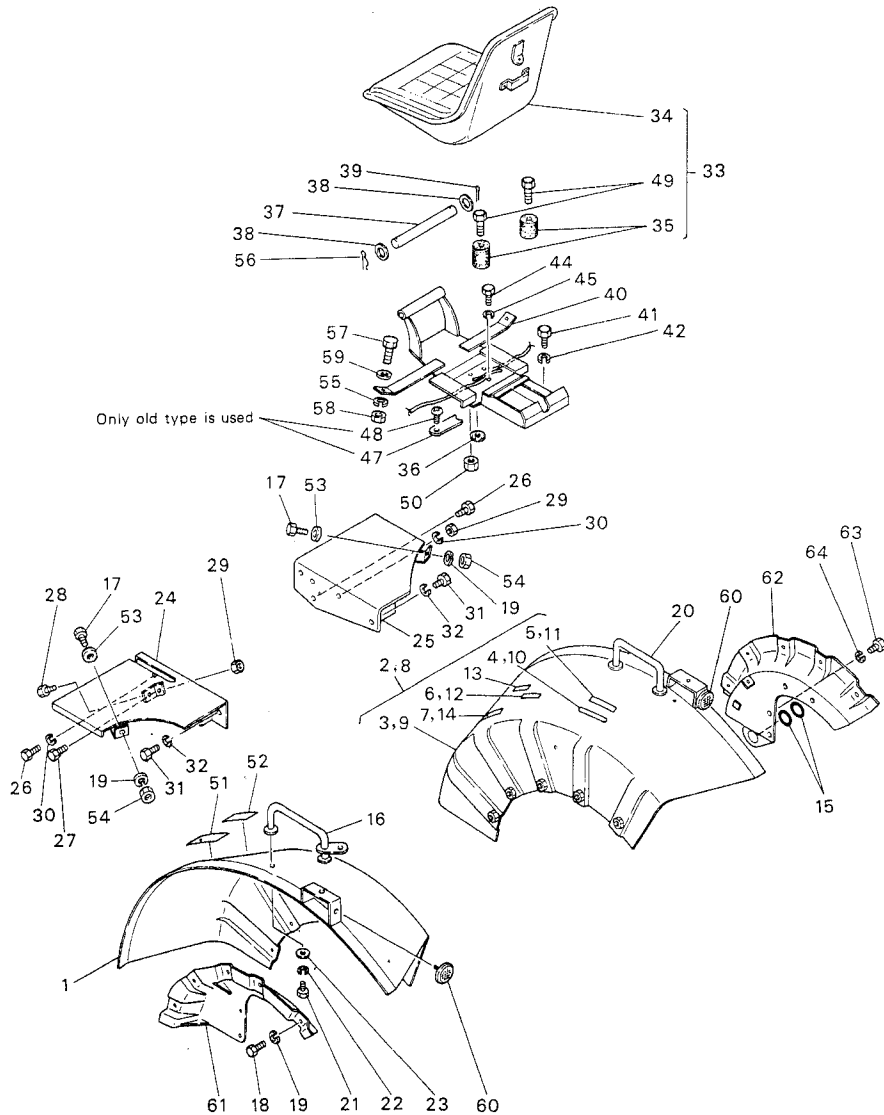


Fig. 73 FENDERS, STEPS & SEAT (U.S.A. & S.AFRICA) [YM155,YM155D]

Refer. No.	Description	Part No.	Qty/Unit				Inter-change ability	Design-change Mark	Remarks
			YM155	YM155D	YM135	YM155D			
73- 1	FENDER (L)	194200-62101-P	1	1					
	FENDER (L)	194200-62101-R	1	1			S		
73- 2	FENDER (R) w/LABELS	794340-62040-P	1					Inc. 73-4~7, 9	
	FENDER (R) w/LABELS	794340-62040-R	1				S	Inc. 73-4~7, 9	
73- 3	FENDER (R)	194200-62111-P	1						
	FENDER (R)	194200-62111-R	1				S		
73- 4	LABEL, slow return valve	194340-65690	1				Z		
73- 5	LABEL, hydraulic lift indication	194240-65510	1				Z		
73- 6	LABEL, L.H. indication	194340-65601	1				Z		
73- 7	LABEL, differential lock	194340-65441	1				Z		
73- 8	FENDER (R) w/LABELS	794341-62040	1					Inc. 73-4~9	
73- 9	FENDER (R)	194200-62111-P	1						
	FENDER (R)	194200-62111-R	1				S		
73- 10	LABEL, slow return valve	194340-65690	1				Z		
73- 11	LABEL, hydraulic lift indication	194240-65510	1				Z		
73- 12	LABEL, L.H. indication	194340-65601	1				Z		
73- 13	LABEL, front P.T.O.	194341-65661	1				Z		
73- 14	LABEL, differential lock	194340-65441	1				Z		
73- 15	O-RING 18-P	24311-000180	1	1		10			
	O-RING 18-P	24311-000180	2	2		10	K	[1]	
73- 16	BAR (L), assist	194340-62430-P	1	1					
	BAR (L), assist	194340-62430-R	1	1					
73- 17	BOLT M8 x 20	26116-080202	2	2		10			
73- 18	BOLT M8 x 16	26116-080162	10	10		10			
	BOLT M8 x 16	26013-080162	10	10		10	N		
73- 19	SPRING WASHER 8	22217-080000	14	14		10			

Fig. 73 FENDERS, STEPS & SEAT (U.S.A. & S.AFRICA) [YM155,YM155D]

Refer. No.	Description	Part No.	Qty/Unit				Sales Unit	Inter-change ability	Design-change Mark	Remarks
			YM155	YM155D	YM135	YM135D				
			73- 20	BAR (R), assist	194200-62401	1				
	BAR (R), assist	194200-62401-R	1	1						
73- 21	BOLT M8 x 16	26116-080162	4	4		10				
	BOLT M8 x 16	26013-080162	4	4		10	N			
73- 22	SPRING WASHER 8	22217-080000	4	4		10	Z			
73- 23	WASHER 8, plain	22117-080000	4	4		10				
73- 24	STEP (L)	194200-62511-X	1	1						
73- 25	STEP (R)	194200-62521-X	1	1						
73- 26	BOLT M10 x 20	26116-100202	4	4		10				
	BOLT M10 x 20	26013-100202	4	4		10	N			
73- 27	BOLT M10 x 25	26116-100252	1	1		10				
	BOLT M10 x 25	26013-100252	1	1		10	N			
73- 28	BOLT M10 x 40	26116-100404	1	1		10				
73- 29	NUT M10	26716-100002	2	2		10				
73- 30	SPRING WASHER 10	22217-100000	5	5		10				
	SPRING WASHER 10	22217-100000	1	1		10	K			
73- 31	BOLT M8 x 20	26116-080202	2	2		10				
	BOLT M8 x 20	26013-080202	2	2		10	N			
73- 32	SPRING WASHER 8	22217-080000	2	2		10	Z			
73- 33	SEAT, complete, operator's	794200-63100	1	1					E	
73- 34	.SEAT, operator's	194151-63112	1	1						
	.SEAT, operator's	194240-63102-X	1	1			S		E	
73- 35	.CUSHION, seat	194200-63140	2	2						
	E: Change effective units YM155 - from No. 51397	YM155D - from No. 52639								

Fig. 73 FENDERS, STEPS & SEAT (U.S.A. & S.AFRICA) [YM155,YM155D]

Refer. No.	Description	Part No.	Qty/Unit				Sales Unit	Inter-change ability	Design-change Mark	Remarks
			YM155	YM155D	YM135	YM135D				
			73- 36	PACKING, breather pipe saddle	194200-63310	1				
73- 37	PIN 8 x 165, seat hinge	194200-63180	1	1						
	PIN 8 x 205, seat hinge	194140-63221	1	1				S	E	
73- 38	WASHER 8, plain	22117-080000	2	2		10				
73- 39	COTTER PIN 2 x 20	22417-200200	2	2		10				
	COTTER PIN 2 x 15	22417-200150	1	1		10	N			
73- 40	BRACKET, operator's seat	194200-63210-X	1	1						
	BRACKET, operator's seat	194340-63210-X	1	1				S	E	
73- 41	BOLT M12 x 25	26116-120252	2	2		10				
	BOLT M12 x 25	26013-120252	2	2		10	N			
73- 42	SPRING WASHER 12	22217-120000	2	2		10	Z			
73- 43	CLAMP (B)	194200-56410	1	1				Z	[1]	
73- 44	BOLT M10 x 20	26116-100202	3	3		10				
	BOLT M10 x 20	26013-100202	3	3		10	N			
73- 45	SPRING WASHER 10	22217-100000	3	3		10	Z			
73- 46	WASHER 10, plain	22117-100000	1	1		10	Z		[1]	
73- 47	PLATE, cushion	194200-63300	1	1						
	PLATE, cushion	194200-63301	1	1				N	[3]	
	PLATE, cushion	194200-63301	1	1				Z	[5]	
73- 48	SCREW M6 x 12	26557-060122	1	1		10	Z		[5]	
73- 49	BOLT M8 x 30	26116-080302	2	2		10	W		YM155 from No. 51397 YM155D from No. 52639	
73- 50	NUT M8	26347-080002	2	2		10	W			
	U-NUT M8	26346-080002	2	2		10	N			
73- 51	LABEL, caution	194240-65620	1	1				W		
	LABEL, caution	194240-65620	1	1				Z		
73- 52	LABEL, P.T.O.	194340-65780	1	1				W	YM155 from No. 51295 YM155D from No. 52086	
	LABEL, P.T.O.	194340-65780	1	1				Z		
	E: Change effective units YM155 - from No. 51397	YM155D - from No. 52639								

Fig. 73 FENDERS, STEPS & SEAT (U.S.A. & S.AFRICA) [YM155, YM155D]

MEMO

Refer. No.	Description	Part No.	Qty/Unit				Sales Unit	Inter-change ability	Design-change Mark	Remarks
			YM155	YM155D	YM155	YM155D				
73- 53	WASHER 8	22117-080000	2	2			10	W		
73- 54	NUT M8	26716-080002	2	2			10	W		
73- 55	SPRING WASHER 8	22217-080000	2	2			10	W		
73- 56	SNAP PIN 8	22360-080000	1	1			10	W		
73- 57	BOLT M8 x 20	26116-080202	2	2			10	W		
73- 58	NUT M8	26716-080002	2	2			10	W		
73- 59	WASHER 8	22117-080000	2	2			10	W		
73- 60	REFLECTOR, complete	194200-62220	2	2						
73- 61	BRACKET (L), fender	194200-62300	1	1						
	BRACKET (L), fender	194200-62300-R	1	1						
73- 62	BRACKET (R), fender	194200-62311	1	1						
	BRACKET (R), fender	194200-62311-R	1	1						
73- 63	BOLT M10 x 65	26116-100652	2	2			10			
73- 64	SPRING WASHER 10	22217-100000	2	2			10			

Fig. 74 FENDERS, STEPS & SEAT (FRANCE) [YM155, YM155D]

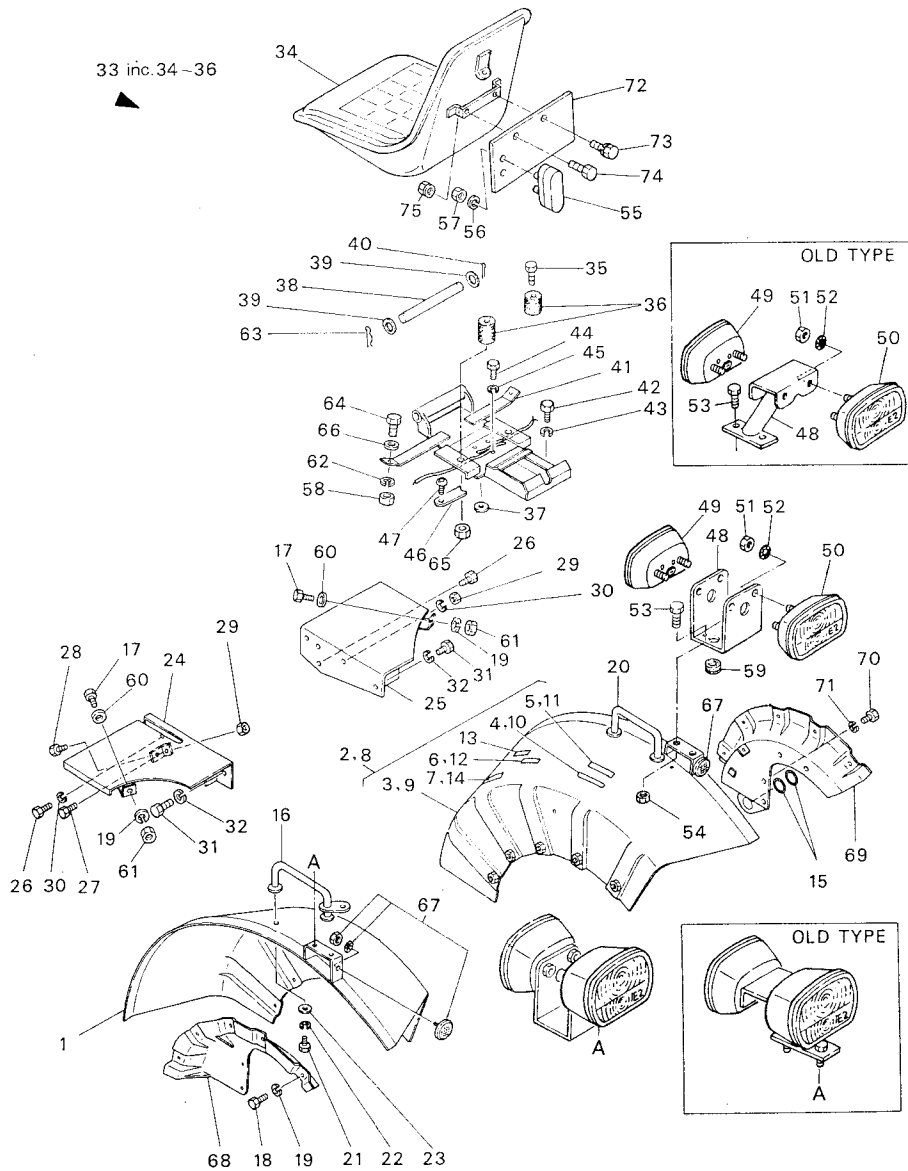


Fig. 74 FENDERS, STEPS & SEAT (FRANCE) [YM155, YM155D]

Refer. No.	Description	Part No.	Q'ty/Unit				Interchangeability	Designation Mark	Remarks
			YM155	YM155D	YM135	YM135D			
74- 1	FENDER (L)	194200-62101-R	1	1					
74- 2	FENDER (R) w/LABELS	794340-62050	1						
74- 3	FENDER (R)	194200-62111-R	1						
74- 4	.LABEL, slow return valve	194340-98420	1				Z		
74- 5	.LABEL, hydraulic lift indication	194240-98380	1				Z		
74- 6	.LABEL, L.H. indication	194340-98370	1				Z		
74- 7	.LABEL, differential lock	194240-98360	1				Z		
74- 8	FENDER (R) w/LABELS	794341-62050		1					
74- 9	FENDER (R)	194200-62111-R		1					
74- 10	.LABEL, slow return valve	194340-98420		1			Z		
74- 11	.LABEL, hydraulic lift indication	194240-98380		1			Z		
74- 12	.LABEL, L.H. indication	194340-98370		1			Z		
74- 13	.LABEL, front P.T.O.	194341-98350		1			Z		
74- 14	.LABEL, differential lock	194240-98360		1			Z		
74- 15	O-RING 18-P	24311-000180	2	2			10		
74- 16	BAR (L), assist	194340-62430-R	1	1					
74- 17	BOLT M8 x 20	26116-080202	2	2			10		
74- 18	BOLT M8 x 16	26116-080162	10	10			10		
	BOLT M8 x 16	26013-080162	10	10			10	N	
74- 19	SPRING WASHER 8	22217-080000	14	14			10		
	SPRING WASHER 8	22217-080000	2	2			10	K	
74- 20	BAR (R), assist	194200-62401	1	1					
74- 21	BOLT M8 x 16	26116-080162	4	4			10		
	BOLT M8 x 16	26013-080162	4	4			10	N	
74- 22	SPRING WASHER 8	22217-080000	4	4			10	Z	
74- 23	WASHER 8, plain	22117-080000	4	4			10		

Fig. 74 FENDERS, STEPS & SEAT (FRANCE) [YM155,YM155D]

Refer. No.	Description	Part No.	Qty/Unit				Sales Unit	Inter-changeability	Design-change Mark	Remarks
			YM155							
			YM155D	YM135	YM135D	YM135D				
74- 24	STEP (L)	194200-62511-X	1	1						
74- 25	STEP (R)	194200-62521-X	1	1						
74- 26	BOLT M10 x 20	26116-100202	4	4		10				
	BOLT M10 x 20	26013-100202	4	4		10	N			
74- 27	BOLT M10 x 25	26116-100252	1	1		10				
	BOLT M10 x 25	26013-100252	1	1		10	N			
74- 28	BOLT M10 x 40	26116-100404	1	1		10				
74- 29	NUT M10	26716-100002	2	2		10				
74- 30	SPRING WASHER 10	22217-100000	5	5		10				
74- 31	BOLT M8 x 20	26116-080202	2	2		10				
	BOLT M8 x 20	26013-080202	2	2		10	N			
74- 32	SPRING WASHER 8	22217-080000	2	2		10	Z			
74- 33	SEAT, complete, operator's	794200-63100	1	1					E Inc. 37-34 35	
74- 34	.SEAT, operator's	194151-63112	1	1						
	.SEAT, operator's	194240-63102-X	1	1			S		E	
74- 35	.BOLT M8 x 30	26116-080302	2	2						
74- 36	.CUSHION, seat	194200-63140	2	2						
74- 37	PACKING, breather pipe saddle	194200-63310	1	1						
74- 38	PIN 8 x 165, seat hinge	194200-63180	1	1						
	PIN 8 x 205, seat hinge	194140-63221	1	1			S		E	
74- 39	WASHER 8, plain	22117-080000	2	2		10				
74- 40	COTTER PIN 2 x 20	22417-200200	2	2		10				
	COTTER PIN 2 x 15	22417-200150	1	1		10	N			
74- 41	BRACKET, operator's seat	194340-63210-X	1	1			Z		E	
	E: Change effective units YM155 - from No. 51397	YM155D - from No. 52639								

Fig. 74 FENDERS, STEPS & SEAT (FRANCE) [YM155,YM155D]

Refer. No.	Description	Part No.	Qty/Unit				Sales Unit	Inter-changeability	Design-change Mark	Remarks
			YM155							
			YM155D	YM135	YM135D	YM135D				
74- 42	BOLT M12 x 25	26116-120252	2	2		10				
	BOLT M12 x 25	26013-120252	2	2		10	N			
74- 43	SPRING WASHER 12	22217-120000	2	2		10	Z			
74- 44	BOLT M10 x 20	26116-100202	3	3		10				
	BOLT M10 x 20	26013-100202	3	3		10	N			
74- 45	SPRING WASHER 10	22217-100000	3	3		10	Z			
74- 46	PLATE, cushion	194200-63301	1	1						
74- 47	SCREW M6 x 12	26557-060122	1	1		10	Z	[5]		
74- 48	BRACKET, signal lamp	194340-62250	2	2						
	BRACKET, signal lamp	194240-62250	2	2			N			
74- 49	SIGNAL LAMP (E633)	Local prepare (59.10.01700)	2	2						
74- 50	SIGNAL LAMP (E631)	Local prepare (59.10.00800)	2	2						
74- 51	NUT	Local prepare (59.10.01200)	4	4						
74- 52	WASHER	Local prepare (59.10.01500)	4	4						
74- 53	BOLT M6 x 16	26116-060162	4	4		10				
	BOLT M6 x 16	26013-060162	4	4		10	N			
74- 54	NUT M6	26716-060002	4	4		10				
74- 55	LIGHT ASS'Y, licence plate	194436-53800	1	1						
74- 56	SPRING WASHER 5	22217-050000	2	2						
74- 57	NUT M5	26716-050002	2	2		10				
74- 58	NUT M8	26716-080002	2	2		10				
74- 59	GROMMET 8	194080-58810	2	2						
74- 60	WASHER 8	22117-080000	2	2		10	W			
74- 61	NUT M8	26716-080002	2	2		10	W			
74- 62	SPRING WASHER 8	22217-080000	2	2		10	W			
74- 63	SNAP PIN 8	22360-080000	1	1		10	W			
74- 64	BOLT M8 x 20	26116-080202	2	2		10	W			
74- 65	U-NUT M8	26346-080002	2	2		10	W			
74- 66	WASHER 8	22117-080000	2	2		10	W			

Fig. 74 FENDERS, STEPS & SEAT (FRANCE) [YM155, YM155D]

M E M O

Refer. No.	Description	Part No.	Qty/Unit				Interchangeability	Design-change Mark	Remarks
			YM155	YM155D	YM135	YM135D			
74- 67	REFLECTOR, complete	194200-62220	2	2					
74- 68	BRACKET (L), fender	194200-62300-R	1	1					
74- 69	BRACKET (R), fender	194200-62311-R	1	1					
74- 70	BOLT M10 x 65	26116-100652	2	2		10			
74- 71	SPRING WASHER 10	22217-100000	2	2		10			
74- 72	PLATE, licence	194436-64510	1	1					
74- 73	BOLT M6 x 12	26013-060122	1	1		10			
74- 74	BOLT M6 x 12	26116-060122	1	1		10			
74- 75	NUT M	194990-22130	1	1		10			

Fig. 75 FENDERS, STEPS & SEAT (ENGLAND) [YM155, YM155D]

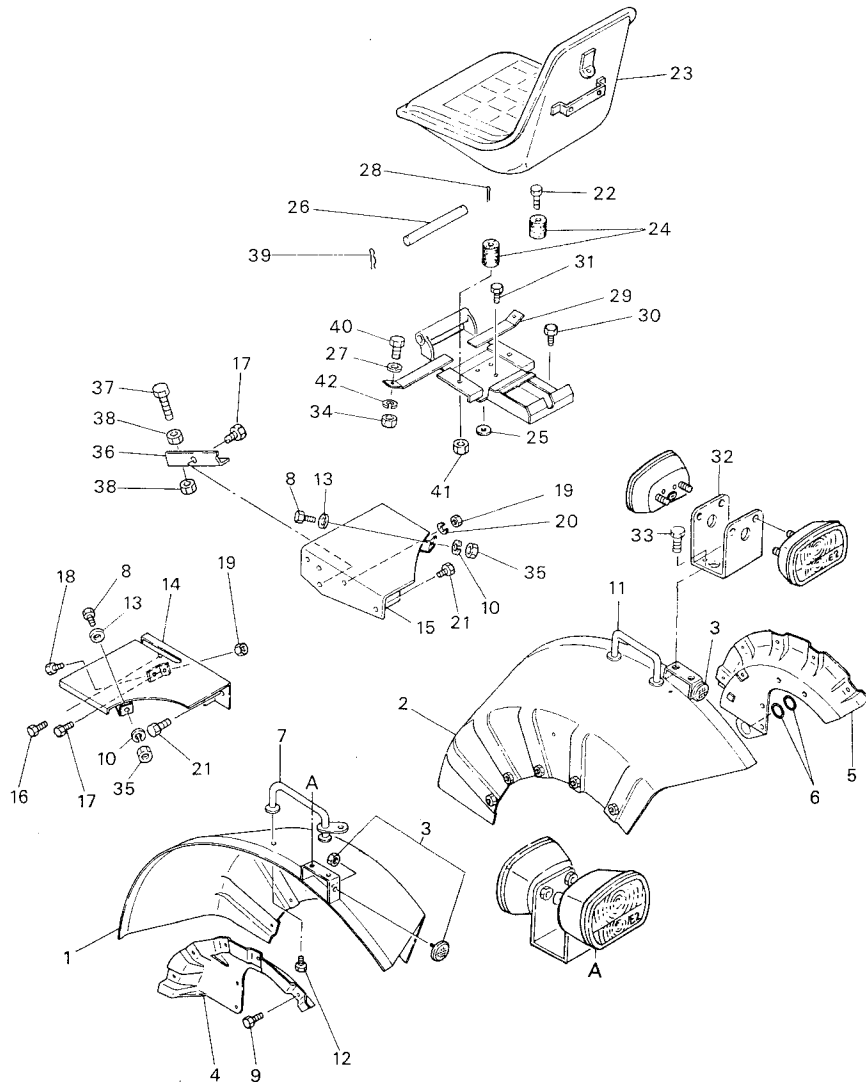


Fig. 75 FENDERS, STEPS & SEAT (ENGLAND) [YM155, YM155D]

Refer. No.	Description	Part No.	Qty/Lmt				Sales Unit	Inter-changeability	Design-change Mark	Remarks
			YM155	YM155D	YM135	YM135D				
75- 1	FENDER (L)	194200-62101-R	1	1						
75- 2	FENDER (R)	194200-62111-R	1	1						
75- 3	REFLECTOR, complete	194436-64200	2	2						
75- 4	BRACKET (L), fender	194200-62300	1	1						
75- 5	BRACKET (R), fender	194200-62311	1	1						
75- 6	O-RING 18-P	24311-000180	2	2			10			
75- 7	BAR (L), assist	194340-62430-R	1	1						
75- 8	BOLT M8 x 20	26116-080202	2	2			10			
75- 9	BOLT M8 x 16	26013-080162	10	10			10			
75- 10	SPRING WASHER 8	22217-080000	2	2			10			
75- 11	BAR (R), assist	194200-62401	1	1						
75- 12	BOLT M8 x 16	26013-080162	4	4			10			
75- 13	WASHER 8, plain	22117-080000	4	4			10			
75- 14	STEP (L)	194200-62511-X	1	1						
75- 15	STEP (R)	194200-62521-X	1	1						
75- 16	BOLT M10 x 20	26013-100202	4	4			10			
75- 17	BOLT M10 x 25	26013-100252	1	1			10			
75- 18	BOLT M10 x 40	26116-100404	1	1			10			
75- 19	NUT M10	26716-100002	2	2			10			
75- 20	SPRING WASHER 10	22217-100000	1	1			10			
75- 21	BOLT M8 x 20	26013-080202	2	2			10			
75- 22	BOLT M8 x 30	26116-080302	2	2			10			
75- 23	SEAT, operator's	194240-63102-X	1	1						
75- 24	CUSHION, seat	194200-63140	2	2						
75- 25	PACKING, breather pipe saddle	194200-63310	1	1						
75- 26	PIN 8 x 205, seat hinge	194140-63221	1	1						
75- 27	WASHER 8, plain	22117-080000	2	2			10			

Fig. 75 FENDERS, STEPS & SEAT (ENGLAND) [YM155, YM155D]

M E M O

Refer. No.	Description	Part No.	Qty/Unit				Sales Unit	Inter-changeability	Design-change Mark	Remarks
			YM155	YM155D	YM135	YM135D				
75- 28	COTTER PIN 2 x 15	22417-200150	2	2			10			
75- 29	BRACKET, operator's seat	194340-63210-X	1	1						
75- 30	BOLT M12 x 25	26013-120252	2	2			10			
75- 31	BOLT M10 x 20	26013-100202	3	3			10			
75- 32	BRACKET, signal lamp	194240-62250	2	2						
75- 33	BOLT M6 x 16	26013-060162	4	4			10			
75- 34	NUT M8	26716-080002	2	2			10			
75- 35	NUT M8	26716-080002	2	2			10			
75- 36	STOPPER, throttle	194340-02450	1	1						
75- 37	BOLT M10 x 50	26116-100502	1	1			10			
75- 38	NUT M10	26716-100002	2	2			10			
75- 39	SNAP PIN 8	22360-080000	1	1			10			
75- 40	BOLT M8 x 20	26116-080202	2	2			10			
75- 41	U-NUT M8	26346-080002	2	2			10			
75- 42	SPRING WASHER 8	22217-080000	2	2			10			

Fig. 76 FENDERS, STEPS & SEAT (PORTUGAL) [YM155, YM155D]

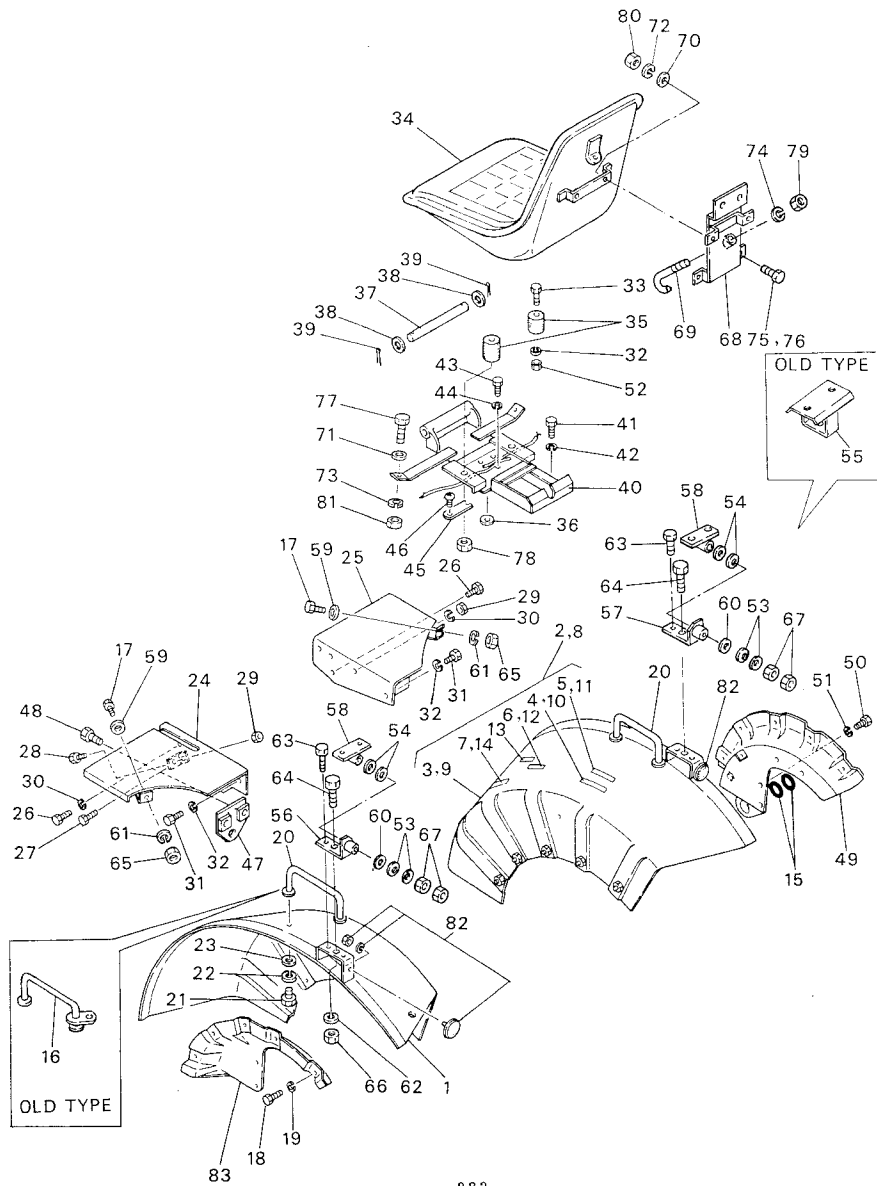


Fig. 76 FENDERS, STEPS & SEAT (PORTUGAL) [YM155, YM155D]

Refer. No.	Description	Part No.	Qty/Unit				Sales Unit	Interchangeability	Design Change Mark	Remarks
			YM155	YM155D	YM155	YM155D				
76- 1	FENDER (L)	194200-62101-R	1	1						
	FENDER (L)	194340-62150	1	1			N			
76- 2	FENDER (R) w/LABELS	794340-62050	1							
76- 3	FENDER (R)	194200-62111-R	1							
76- 4	LABEL, slow return valve	194340-98420	1				Z			
76- 5	LABEL, hydraulic lift indication	194240-98380	1				Z			
76- 6	LABEL, L.H. indication	194340-98370	1				Z			
76- 7	LABEL, differential lock	194240-98360	1				Z			
76- 8	FENDER (R) w/LABELS	794341-62050		1						
76- 9	FENDER (R)	194200-62111-R		1						
76- 10	LABEL, slow return valve	194340-98420		1			Z			
76- 11	LABEL, hydraulic lift indication	194240-98380		1			Z			
76- 12	LABEL, L.H. indication	194340-98370		1			Z			
76- 13	LABEL, front P.T.O.	194341-98350		1			Z			
76- 14	LABEL, differential lock	194240-98360		1			Z			
76- 15	O-RING 18-P	24311-000180	2	2		10				
76- 16	BAR (L), assist	194340-62430-R	1	1			Z			
76- 17	BOLT M8 x 20	26116-080202	2	2		10				
76- 18	BOLT M8 x 16	26116-080162	10	10		10				
	BOLT M8 x 16	26013-080162	10	10		10	N			
76- 19	SPRING WASHER 8	22217-080000	14	14		10	Z			
76- 20	BAR (R), assist	194200-62401-R	1	1						
	BAR (R), assist	194200-62401-R	2	2			K			
76- 21	BOLT M8 x 16	26116-080162	4	4		10				
	BOLT M8 x 16	26013-080162	4	4		10	N			
76- 22	SPRING WASHER 8	22217-080000	4	4		10	Z			
76- 23	WASHER 8, plain	22117-080000	4	4		10				

Fig. 76 FENDERS, STEPS & SEAT (PORTUGAL) [YM155, YM155D]

Refer. No.	Description	Part No.	Qty/Unit				Inter-changeability	Design-change Mark	Remarks
			YM155	YM155D	YM135	YM135D			
76- 24	STEP (L)	194200-62511-X	1	1					
76- 25	STEP (R)	194200-62521-X	1	1					
76- 26	BOLT M10 x 20	26116-100202	4	4		10			
	BOLT M10 x 20	26013-100202	4	4		10	N		
76- 27	BOLT M10 x 25	26116-100252	1	1		10			
	BOLT M10 x 25	26013-100252	1	1		10	N		
76- 28	BOLT M10 x 40	26116-100404	1	1		10			
76- 29	NUT M10	26716-100002	2	2		10			
76- 30	SPRING WASHER 10	22217-100000	5	5		10			
	SPRING WASHER 10	22217-100000	1	1		10	K		
76- 31	BOLT M8 x 20	26116-080202	2	2		10			
	BOLT M8 x 20	26013-080202	2	2		10	N		
76- 32	SPRING WASHER 8	22217-080000	2	2		10	Z		
76- 33	BOLT M8 x 30	26116-080302	2	2					
76- 34	SEAT, operator's	194240-63102-X	1	1					
76- 35	CUSHION, seat	194200-63140	2	2					
76- 36	PACKING, breather pipe saddle	194200-63310	1	1					
76- 37	PIN 8 x 205, seat hinge	194140-63221	1	1					
76- 38	WASHER 8, plain	22117-080000	2	2		10			
76- 39	COTTER PIN 2 x 20	22417-200200	2	2		10			
	COTTER PIN 2 x 15	22417-200150	2	2		10	N		
76- 40	BRACKET, operator's seat	194340-63210-X	1	1					
76- 41	BOLT M12 x 25	26116-120252	2	2		10			
	BOLT M12 x 25	26013-120252	2	2		10	N		
76- 42	SPRING WASHER 12	22217-120000	2	2		10	Z		
76- 43	BOLT M10 x 20	26116-100202	3	3		10			
	BOLT M10 x 20	26013-100202	3	3		10	N		
76- 44	SPRING WASHER 10	22217-100000	3	3		10	Z		

Fig. 76 FENDERS, STEPS & SEAT (PORTUGAL) [YM155, YM155D]

Refer. No.	Description	Part No.	Qty/Unit				Inter-changeability	Design-change Mark	Remarks
			YM155	YM155D	YM135	YM135D			
76- 45	PLATE, cushion	194200-63301	1	1					
76- 46	SCREW M6 x 12	26557-060122	1	1		10			
76- 47	BRACKET, switch	194340-52310	1	1					
76- 48	BOLT M8 x 16	26013-080162	2	2		10			
76- 49	BRACKET (R), fender	194200-62311-R	1	1					
76- 50	BOLT M10 x 65	26116-100652	2	2		10			
76- 51	SPRING WASHER 10	22217-100000	2	2		10			
76- 52	NUT M8	26716-080002	2	2		10			
76- 53	WASHER, conical	194151-47760	4	4				W	
76- 54	PLATE, friction	194202-47790	4	4				W	
76- 55	BRACKET, side lamp	194340-62450	2	2				Z	
76- 56	STAY, side lamp	194340-62451	1	1				W	
76- 57	STAY, side lamp	194340-62510	1	1				W	
76- 58	STAY, side lamp	194340-62550	2	2				W	
76- 59	WASHER 8	22117-080000	2	2		10		W	
76- 60	WASHER 12	22137-120000	4	4		10		W	
76- 61	SPRING WASHER 8	22217-080000	2	2		10		W	
76- 62	SPRING WASHER 8	22217-080000	2	2		10		W	
76- 63	BOLT M6 x 16	26013-060162	4	4		10		W	
76- 64	BOLT M8 x 16	26116-080162	2	2		10		W	
76- 65	NUT M8	26716-080002	2	2		10		W	
76- 66	NUT M8	26716-080002	2	2		10		W	
76- 67	NUT M12	26716-120002	4	4		10		W	
76- 68	BRACKET, licence plate	194340-63610	1	1				W	
76- 69	STAY, licence plate	194340-63680	1	1				W	
76- 70	WASHER 6	22117-060000	1	1		10		W	
76- 71	WASHER 8	22117-080000	2	2		10		W	

Fig. 76 FENDERS, STEPS & SEAT (PORTUGAL) [YM155, YM155D]

Refer. No.	Description	Part No.	Qty/Unit			Sales Unit	Inter-changeability	Design-change Mark	Remarks
			YM155	YM155D	YM135				
76- 72	SPRING WASHER 6	22217-060000	1	1		10	w		
76- 73	SPRING WASHER 8	22217-080000	2	2		10	w		
76- 74	SPRING WASHER 8	22217-080000	1	1		10	w		
76- 75	BOLT M6 x 16	26013-060162	1	1		10	w		
76- 76	BOLT M6 x 16	26116-060162	1	1		10	w		
76- 77	BOLT M8 x 20	26116-080202	2	2		10	w		
76- 78	U-NUT M8	26346-080002	2	2		10	w		
76- 79	U-NUT M8	26346-080002	1	1		10	w		
76- 80	NUT M6	26716-060002	1	1		10	w		
76- 81	NUT M8	26716-080002	2	2		10	w		
76- 82	REFLECTOR, complete	194200-62220	2	2					
76- 83	BRACKET (L), fender	194200-62300-R	1	1					

Fig. 77 FENDERS, STEPS & SEAT (U.S.A.) [YM135, YM135D]

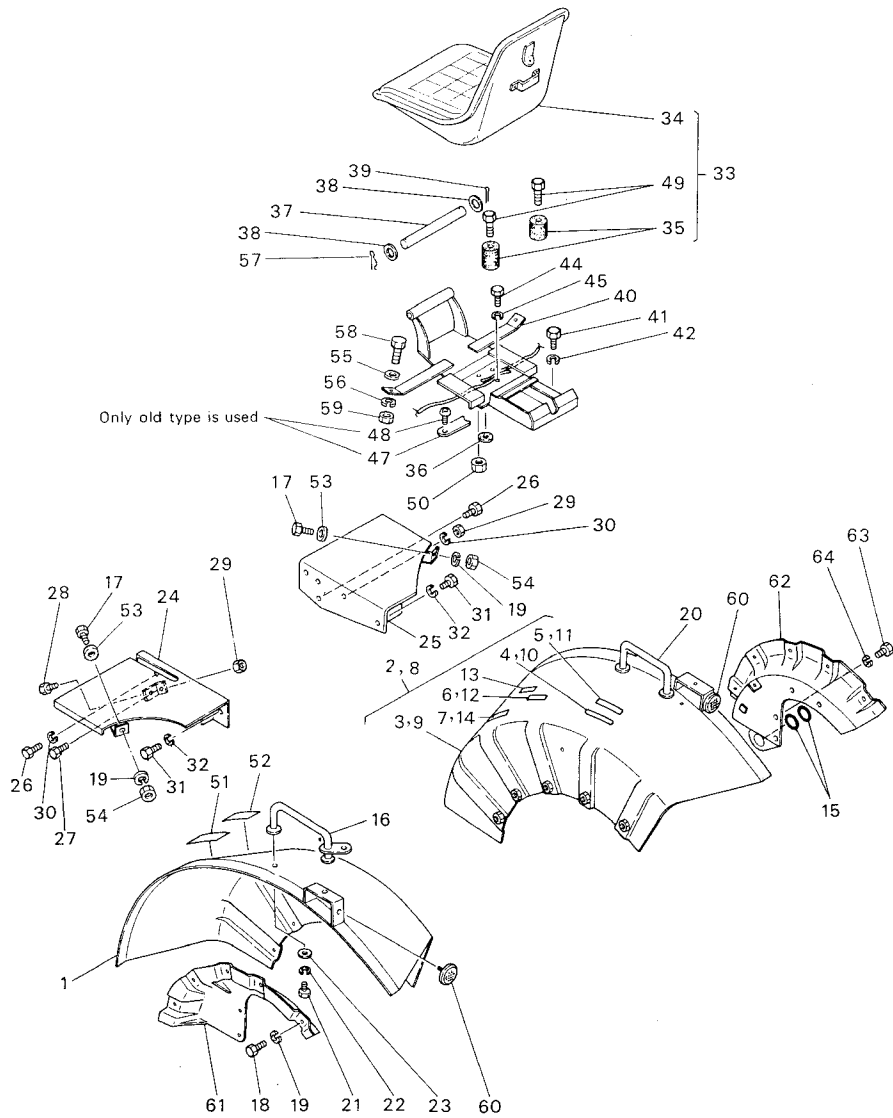


Fig. 77 FENDERS, STEPS & SEAT (U.S.A.) [YM135, YM135D]

Refer. No.	Description	Part No.	Qty/Unit				Interchangeability	Design Change Mark	Remarks
			YM155	YM155D	YM135	YM135D			
77- 1	FENDER (L)	194262-62101			1	1			
77- 2	FENDER (R) w/LABELS	794390-62040			1				
77- 3	FENDER (R)	194262-62111			1				
77- 4	LABEL, slow return valve	194340-65690			1		Z		
77- 5	LABEL, hydraulic lift indication	194240-65510			1		Z		
77- 6	LABEL, L.H. indication	194340-65601			1		Z		
77- 7	LABEL, differential lock	194340-65441			1		Z		
77- 8	FENDER (R) w/LABELS	794391-62040				1			
77- 9	FENDER (R)	194262-62111				1			
77- 10	LABEL, slow return valve	194340-65690			1		Z		
77- 11	LABEL, hydraulic lift indication	194240-65510			1		Z		
77- 12	LABEL, L.H. indication	194340-65601			1		Z		
77- 13	LABEL, front P.T.O.	194341-65661			1		Z		
77- 14	LABEL, differential lock	194340-65441			1		Z		
77- 15	O-RING 18-P	24311-000180			1	10			
	O-RING 19-P	24311-000180			2	10	K	[1]	
77- 16	BAR (L), assist	194390-62430			1	1			
77- 17	BOLT M8 x 20	26116-080202			2	10			
77- 18	BOLT M8 x 16	26116-080162			8	10			
	BOLT M8 x 16	26013-080162			8	10	N		
77- 19	SPRING WASHER 8	22217-080000			10	10			
	SPRING WASHER 8	22217-080000			2	10	K		

Fig. 77 FENDERS, STEPS & SEAT (U.S.A.) [YM135, YM135D]

Refer. No.	Description	Part No.	Qty/Unit			Sales Unit	Inter-change ability	Design-change Mark	Remarks
			YM155	YM155D	YM135				
			YM135D	YM135	YM135D				
77- 20	BAR (R), assist	194262-62400			1 1				
77- 21	BOLT M8 x 16	26116-080162			4 4 10				
	BOLT M8 x 16	26013-080162			4 4 10	N			
77- 22	SPRING WASHER 8	22217-080000			4 4 10	Z			
77- 23	WASHER 8, plain	22117-080000			4 4 10				
77- 24	STEP (L)	194262-62510			1 1				
77- 25	STEP (R)	194262-62520			1 1				
	STEP (R)	194262-62521			1 1	N		YM135 from No. 51183 YM135D from No. 51209	
77- 26	BOLT M10 x 20	26116-100202			4 4 10				
77- 27	BOLT M10 x 25	26116-100252			1 1 10				
77- 28	BOLT M10 x 40	26116-100404			1 1 10				
77- 29	NUT M10	26716-100002			2 2 10				
77- 30	SPRING WASHER 10	22217-100000			6 6 10				
77- 31	BOLT M8 x 20	26116-080202			2 2 10				
77- 32	SPRING WASHER 8	22217-080000			2 2 10				
77- 33	SEAT, complete, operator's	794200-63100			1 1	Z	E		
77- 34	.SEAT, operator's	194151-63112			1 1				
	.SEAT, operator's	194240-63102-X			1 1	S	E		
77- 35	.CUSHION, seat	194200-63140			2 2				
77- 36	PACKING, breather pipe saddle	194200-63310			1 1				
77- 37	PIN 8 x 165, seat hinge	194200-63180			1 1				
	PIN 8 x 205, seat hinge	194140-63221			1 1	S	E		
77- 38	WASHER 8, plain	22117-080000			2 2 10				
77- 39	COTTER PIN 2 x 20	22417-200200			2 2 10				
	COTTER PIN 2 x 15	22417-200150			1 1 10	N			
77- 40	BRACKET, operator's seat	194262-63210			1 1				
	BRACKET, operator's seat	194262-63211			1 1	S	[3]		
	BRACKET, operator's seat	194390-63210			1 1	S	E		
E: Change effective units YM135 - from No. 51183		YM135D - from No. 51209							

Fig. 77 FENDERS, STEPS & SEAT (U.S.A.) [YM135, YM135D]

Refer. No.	Description	Part No.	Qty/Unit			Sales Unit	Inter-change ability	Design-change Mark	Remarks
			YM155	YM155D	YM135				
			YM135D	YM135	YM135D				
77- 41	BOLT M12 x 25	26116-120252			2 2 10				
77- 42	SPRING WASHER 12	22217-120000			2 2 10				
77- 43	CLAMP (8)	194200-56410			1 1	Z		[1]	
77- 44	BOLT M10 x 20	26116-100202			3 3 10				
77- 45	SPRING WASHER 10	22217-100000			3 3 10				
77- 46	WASHER 10, plain	22117-100000			1 1 10	Z		[1]	
77- 47	PLATE, cushion	194200-63300			1 1				
	PLATE, cushion	194200-63301			1	N		[2]	
	PLATE, cushion	194200-63301			1	N		[3]	
	PLATE, cushion	194200-63301			1 1	Z		[5]	
77- 48	SCREW M6 x 12	26557-060122			1 1 10	Z		[5]	
77- 49	BOLT M8 x 30	26116-080302			2 2 10	W		YM135 from No. 51183 YM135D from No. 51209	
77- 50	NUT M8	26347-080002			2 2 10	W			
	U-NUT M8	26346-080002			2 2 10	N			
77- 51	LABEL, caution	194240-65620			1 1	W			
	LABEL, caution	194240-65620			1 1	Z			
77- 52	LABEL, P.T.O.	194340-65780			1 1	W		YM135 from No. 51158 YM135D from No. 51189	
	LABEL, P.T.O.	194340-65780			1 1	Z			
77- 53	WASHER 8	22117-080000			2 2 10	W			
77- 54	NUT M8	26716-080002			2 2 10	W			
77- 55	WASHER 8	22117-080000			2 2 10	W			
77- 56	SPRING WASHER 8	22217-080000			2 2 10	W			
77- 57	SNAP PIN 8	22360-080000			1 1 10	W			
77- 58	BOLT M8 x 20	26116-080202			2 2 10	W			
77- 59	NUT M8	26716-080002			2 2 10	W			
77- 60	REFLECTOR, complete	194200-62220			2 2				
77- 61	BRACKET (L), fender	194262-62300			1 1				
77- 62	BRACKET (R), fender	194262-62310			1 1				
77- 63	BOLT M10 x 65	26116-100652			2 2 10				
77- 64	SPRING WASHER 10	22217-100000			2 2 10				

Fig. 78 FENDERS, STEPS & SEAT (FRANCE) [YM135,YM135D]

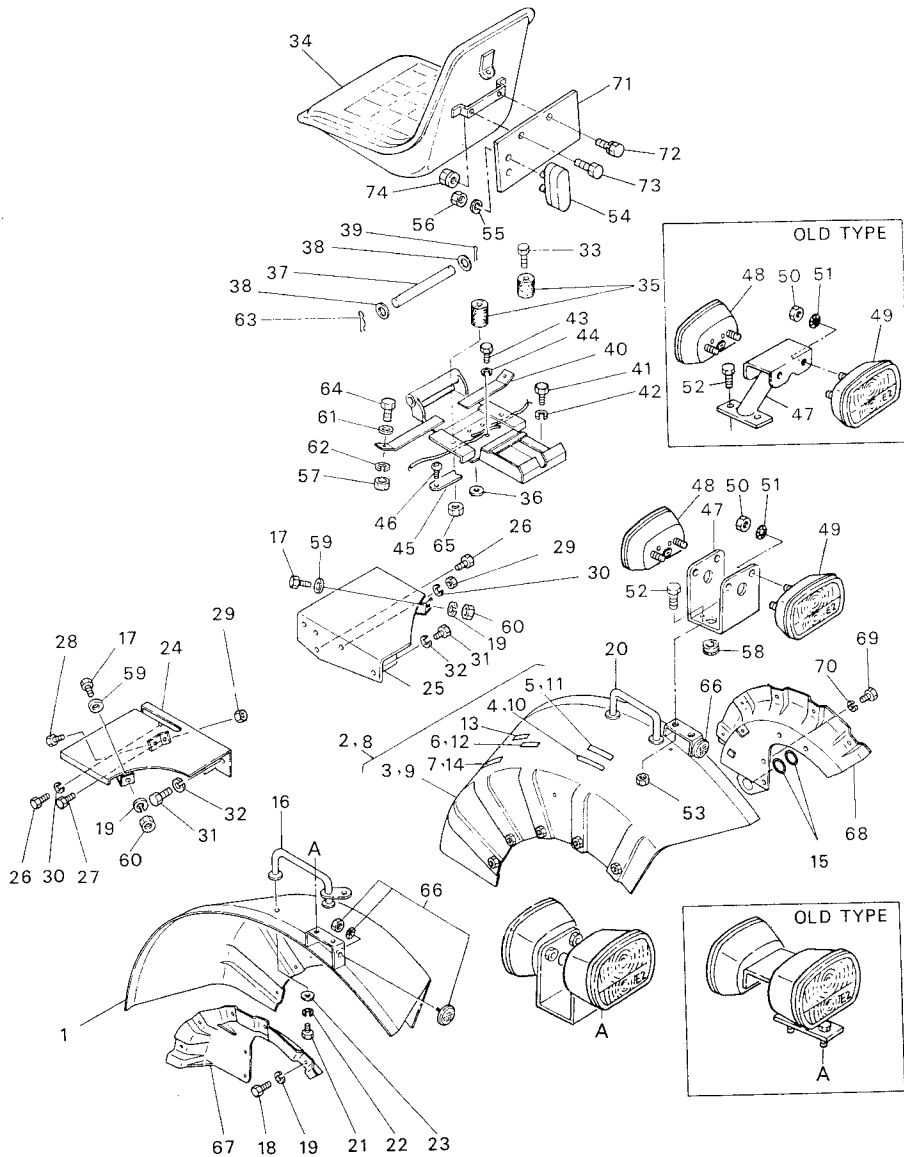


Fig. 78 FENDERS, STEPS & SEAT (FRANCE) [YM135,YM135D]

Refer. No.	Description	Part No.	Q'ty/Unit				Inter-changeability	Design-change Mark	Remarks
			YM135	YM135D	YM135	YM135D			
78- 1	FENDER (L)	194262-62101			1	1			
78- 2	FENDER (R) w/LABELS	794390-62040			1	1			
78- 3	FENDER (R)	194262-62111			1	1			
78- 4	LABEL, slow return valve	194340-98420			1	1	Z		
78- 5	LABEL, hydraulic lift indication	194240-98380			1	1	Z		
78- 6	LABEL, L.H. indication	194340-98370			1	1	Z		
78- 7	LABEL, differential lock	194240-98360			1	1	Z		
78- 8	FENDER (R) w/LABELS	794391-62040			1	1			
78- 9	FENDER (R)	194262-62111			1	1			
78- 10	LABEL, slow return valve	194340-98420			1	1	Z		
78- 11	LABEL, hydraulic lift indication	194240-98380			1	1	Z		
78- 12	LABEL, L.H. indication	194340-98370			1	1	Z		
78- 13	LABEL, front P.T.O.	194341-98350			1	1	Z		
78- 14	LABEL, differential lock	194240-98360			1	1	Z		
78- 15	O-RING 18-P	24311-000180			2	2	10		
78- 16	BAR (L), assist	194390-62430			1	1			
78- 17	BOLT M8 x 20	26116-080202			2	2	10		
78- 18	BOLT M8 x 16	26116-080162			8	8	10		
	BOLT M8 x 16	26013-080162			8	8	10	N	
78- 19	SPRING WASHER 8	22217-080000			10	10	10		
	SPRING WASHER 8	22217-080000			2	2	10	K	

Fig. 78 FENDERS, STEPS & SEAT (FRANCE) [YM135, YM135D]

Refer. No.	Description	Part No.	Q'ty/Unit				Inter-change ability	Design-change Mark	Remarks
			YM155	YM155D	YM135	YM135D			
78- 20	BAR (R), assist	194262-62400			1	1			
78- 21	BOLT M8 x 16	26116-080162			4	4	10		
	BOLT M8 x 16	26013-080162			4	4	10	N	
78- 22	SPRING WASHER 8	22217-080000			4	4	10	Z	
78- 23	WASHER 8, plain	22117-080000			4	4	10		
78- 24	STEP (L)	194262-62510			1	1			
78- 25	STEP (R)	194262-62521			1	1		YM135 from No. 51183 YM135D from No. 51209	
78- 26	BOLT M10 x 20	26116-100202			4	4	10		
78- 27	BOLT M10 x 25	26116-100252			1	1	10		
78- 28	BOLT M10 x 40	26116-100404			1	1	10		
78- 29	NUT M10	26716-100002			2	2	10		
78- 30	SPRING WASHER 10	22217-100000			6	6	10		
78- 31	BOLT M8 x 20	26116-080202			2	2	10		
78- 32	SPRING WASHER 8	22217-080000			2	2	10		
78- 33	BOLT M8 x 30	26116-080302			2	2	10		
78- 34	SEAT, operator's	194240-63102-X			1	1			
78- 35	CUSHION, seat	194200-63140			2	2			
78- 36	PACKING, breather pipe saddle	194200-63310			1	1			
78- 37	PIN 8 x 205, seat hinge	194140-63221			1	1			
78- 38	WASHER 8, plain	22117-080000			2	2	10		
78- 39	COTTER PIN 2 x 20	22417-200200			2	2	10		
	COTTER PIN 2 x 15	22417-200150			1	1	10	N	
78- 40	BRACKET, operator's seat	194390-63210			1	1			
78- 41	BOLT M12 x 25	26116-120252			2	2	10		
78- 42	SPRING WASHER 12	22217-120000			2	2	10		
78- 43	BOLT M10 x 20	26116-100202			3	3	10		
78- 44	SPRING WASHER 10	22217-100000			3	3	10		

Fig. 78 FENDERS, STEPS & SEAT (FRANCE) [YM135, YM135D]

Refer. No.	Description	Part No.	Q'ty/Unit				Inter-change ability	Design-change Mark	Remarks
			YM155	YM155D	YM135	YM135D			
78- 45	PLATE, cushion	194200-63301			1	1		Z [5]	
78- 46	SCREW M6 x 12	26557-060122			1	1	10	Z [5]	
78- 47	BRACKET, signal lamp	194340-62250			2	2			
	BRACKET, signal lamp	194240-62250			2	2			
78- 48	SIGNAL LAMP (E633)	Local prepare (59.10.01700)			2	2			
78- 49	SIGNAL LAMP (E631)	Local prepare (59.10.00800)			2	2			
78- 50	NUT	Local prepare (59.10.01200)			4	4			
78- 51	WASHER	Local prepare (59.10.01500)			4	4			
78- 52	BOLT M6 x 16	26116-060162			4	4	10		
	BOLT M6 x 16	26013-060162			4	4	10	N	
78- 53	NUT M6	26716-060002			4	4	10		
78- 54	LIGHT ASS'Y, licence plate	194436-53800			1	1			
78- 55	SPRING WASHER 5	22217-050000			2	2			
78- 56	NUT M5	26716-050002			2	2	10		
78- 57	NUT M8	26716-080002			2	2	10		
78- 58	GROMMET 8	194080-58810			2	2			
78- 59	WASHER 8	22117-080000			2	2	10	W	
78- 60	NUT M8	26716-080002			2	2	10	W	
78- 61	WASHER 8	22117-080000			2	2	10	W	
78- 62	SPRING WASHER 8	22217-080000			2	2	10	W	
78- 63	SNAP PIN 8	22360-080000			1	1	10	W	
78- 64	BOLT M8 x 20	26116-080202			2	2	10	W	
78- 65	U-NUT M8	26346-080002			2	2	10	W	

Fig. 78 FENDERS, STEPS & SEAT (FRANCE) [YM135, YM135D]

Refer. No.	Description	Part No.	Qty/Unit				Inter-change ability	Design-change Mark	Remarks
			YM155	YM155D	YM135	YM135D			
78- 66	REFLECTOR, complete	Local prepare (59.10.02500)			2	2			
78- 67	BRACKET (L), fender	194200-62300			1	1			
78- 68	BRACKET (R), fender	194200-62311			1	1			
78- 69	BOLT M10 x 65	26116-100652			2	2	10		
78- 70	SPRING WASHER 10	22217-100000			2	2	10		
78- 71	PLATE, licence	194436-64510			1	1			
78- 72	BOLT M6 x 12	26013-060122			1	1	10		
78- 73	BOLT M6 x 12	26116-060122			1	1	10		
78- 74	NUT M	194990-22130			1	1	10		

Fig. 79 REAR HITCH (EXCEPT ENGLAND & PORTUGAL) [YM155,YM155D]

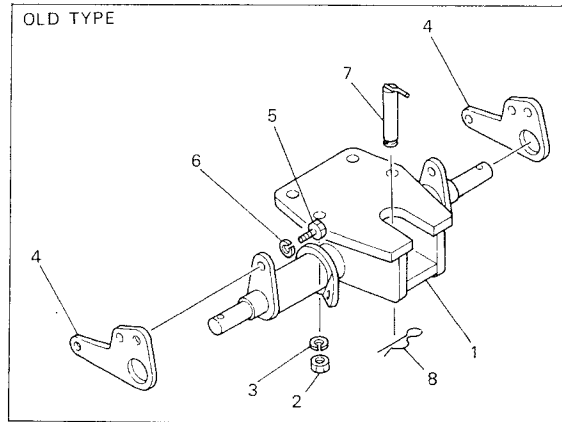
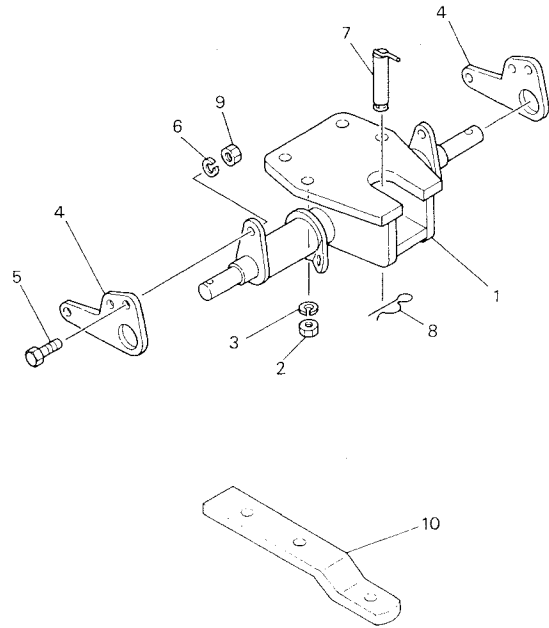


Fig. 79 REAR HITCH (EXCEPT ENGLAND & PORTUGAL) [YM155,YM155D]

Refer. No.	Description	Part No.	Qty/Unit				Sales Unit	Interchangeability	Design Mark	Remarks
			YM155	YM155D	YM135	YM135D				
79- 1	HITCH, complete, rear	194340-75410-X	1	1						
79- 2	NUT M14	26716-140002	4	4			10			
79- 3	SPRING WASHER 14	22217-140000	4	4			10			
79- 4	HINGE, lower link	194200-75510	2	2				F	[4]	
	HINGE, lower link	194200-75502-X	2	2						
79- 5	BOLT M12 x 25	26116-120252	2	2			10			
	BOLT M12 x 35	26116-120352	2	2			10	S	[4]	
79- 6	SPRING WASHER 12	22217-120000	2	2			10			
79- 7	PIN, rear hitch	194340-75530	1	1						
79- 8	SNAP PIN 19	22360-190000	1	1			10			
79- 9	NUT M12	26716-120002	2	2			10	W	[4]	
79- 10	HITCH, drawbar	194340-75650	1	1						

Fig. 80 REAR HITCH (ENGLAND & PORTUGAL) [YM155,YM155D]

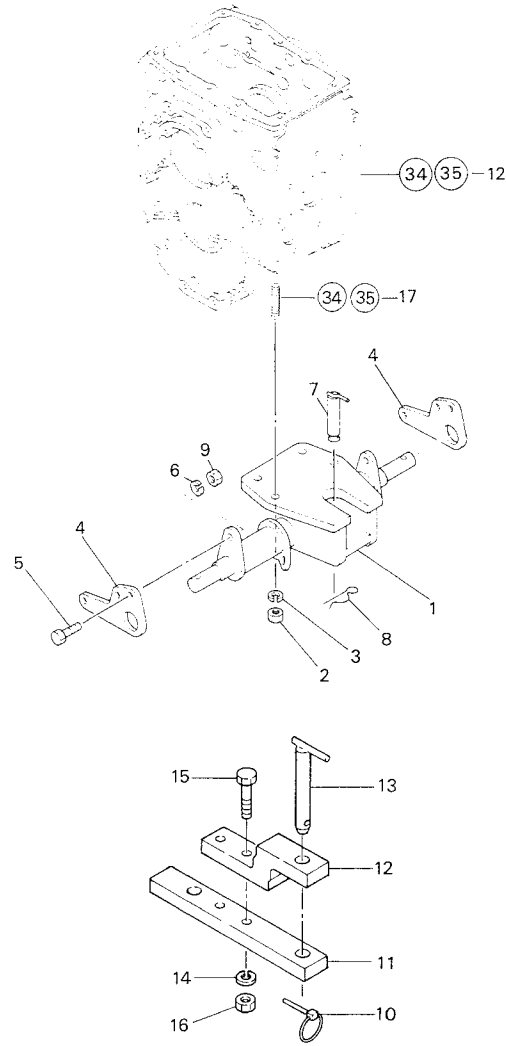


Fig. 80 REAR HITCH (ENGLAND & PORTUGAL) [YM155,YM155D]

Refer. No.	Description	Part No.	Qty. Unit				Interchangeability	Design-change Mark	Remarks
			YM155	YM155D	YM135	YM135D			
80- 1	HITCH, complete, rear	194340-75410-X	1	1					
80- 2	NUT M14	26716-140002	4	4					
80- 3	SPRING WASHER 14	22217-140000	4	4					
80- 4	HINGE, lower link	194200-75510	2	2					
	HINGE, lower link	194200-75502-X	2	2			F [4]	Interchangeable by set with 80-5, 9.	
80- 5	BOLT M12 x 35	26116-120352	2	2					
80- 6	SPRING WASHER 12	22217-120000	2	2					
80- 7	PIN, rear hitch	194340-75560	1	1					
80- 8	SNAP PIN 19	22360-190000	1	1					
80- 9	NUT M12	26716-120002	2	2			W [4]		
80- 10	PIN, ball socket	794130-74140	1	1					
80- 11	HITCH (A), drawbar	194340-75670	1	1					
80- 12	HITCH (B), drawbar	194340-75680	1	1					
80- 13	PIN 22 x163.5, hitch	194242-75740	1	1					
80- 14	SPRING WASHER 16	22217-160000	2	2					
80- 15	BOLT M16 x 70	26116-160702	2	2					
80- 16	NUT M16	26716-160002	2	2					

Fig. 81 THREE-POINT HITCH CATEGORY 1 (U.S.A. & S.AFRICA)

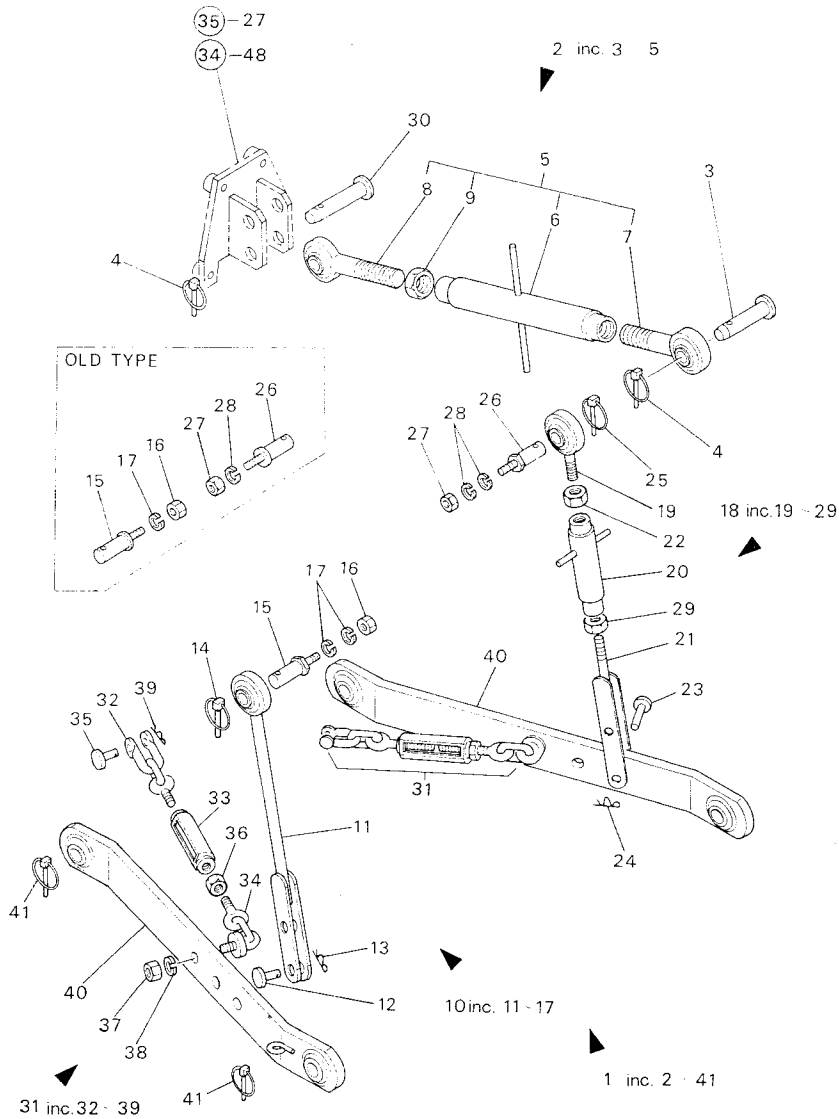


Fig. 81 THREE-POINT HITCH CATEGORY 1 (U.S.A. & S.AFRICA)

Refer. No.	Description	Part No.	Q'ty/Unit			Sales Unit	Inter-changeability	Design-change Mark	Remarks
			YMI55	YMI55D	YMI35				
81- 1	3-POINT HITCH ASS'Y	794340-00010-X	1	1	1	1			Inc. 81-2~41
81- 2	LINK ASS'Y, top	794340-00040-X	1	1	1	1			
81- 3	.PIN, top link	194150-71230	2	2	2	2			
	.PIN, top link	194150-71230	1	1	1	1		K	
81- 4	.PIN ASS'Y, ball & socket	794130-71410	2	2	2	2			
81- 5	.LINK, complete, top	794340-71090-X	1	1	1	1			
81- 6	.TURN BUCKLE, top link	194340-71110-X	1	1	1	1			6
81- 7	.EYE BOLT(L) w/BALL, top link	794150-71260-X	1	1	1	1			
81- 8	.EYE BOLR(R) w/BALL, top link	794150-71360-X	1	1	1	1			
81- 9	.NUT M24, top link	194150-71140	1	1	1	1			
	.NUT M24	26756-240002	1	1	1	10		N	
81- 10	LINK ASS'Y (L), lift	G21550-00050-X	1	1	1	1			
	LINK ASS'Y (L), lift	794340-00050-X	1	1	1	1		S	[4]
81- 11	.LINK (L), complete, lift	194190-72300	1	1	1	1			
	.LINK (L), complete, lift	194190-72301-X	1	1	1	1		N	
81- 12	.PIN, lift yoke	194150-72460	1	1	1	1			
81- 13	.SNAP PIN 2.4	194150-74850	1	1	1	10			
81- 14	.PIN ASS'Y, ball & socket	794130-71410	1	1	1	1			
81- 15	.PIN, lift arm	AZ1550-10050	1	1	1	1			
	.PIN, lift arm	194340-10050	1	1	1	1		S	[4]
81- 16	.NUT M12	26716-120002	1	1	1	10			
	.NUT M14	26716-140002	1	1	1	10		S	[4]
81- 17	.SPRING WASHER 12	22217-120000	1	1	1	10			
	.SPRING WASHER 14	22217-140000	1	1	1	10		S	[4]
81- 18	LINK ASS'Y (R), lift	794340-10060-X	1	1	1	1			
	LINK ASS'Y (R), lift	794340-10061-X	1	1	1	1		S	[4]
81- 19	.BOLT(R), complete, lift link	194340-72200-X	1	1	1	1			Misprint
	.BOLT(R), complete, lift link	194190-72200-X	1	1	1	1			
81- 20	.TURNBUCKLE, lift link	194340-72230-X	1	1	1	1			
81- 21	.LINK (R), lift	194190-72240	1	1	1	1			Misprint
	.LINK (R), lift	194340-72240-X	1	1	1	1			Misprint
	.LINK (R), lift	194190-72241-X	1	1	1	1			Misprint

Fig. 81 THREE-POINT HITCH CATEGORY 1 (U.S.A. & S.AFRICA)

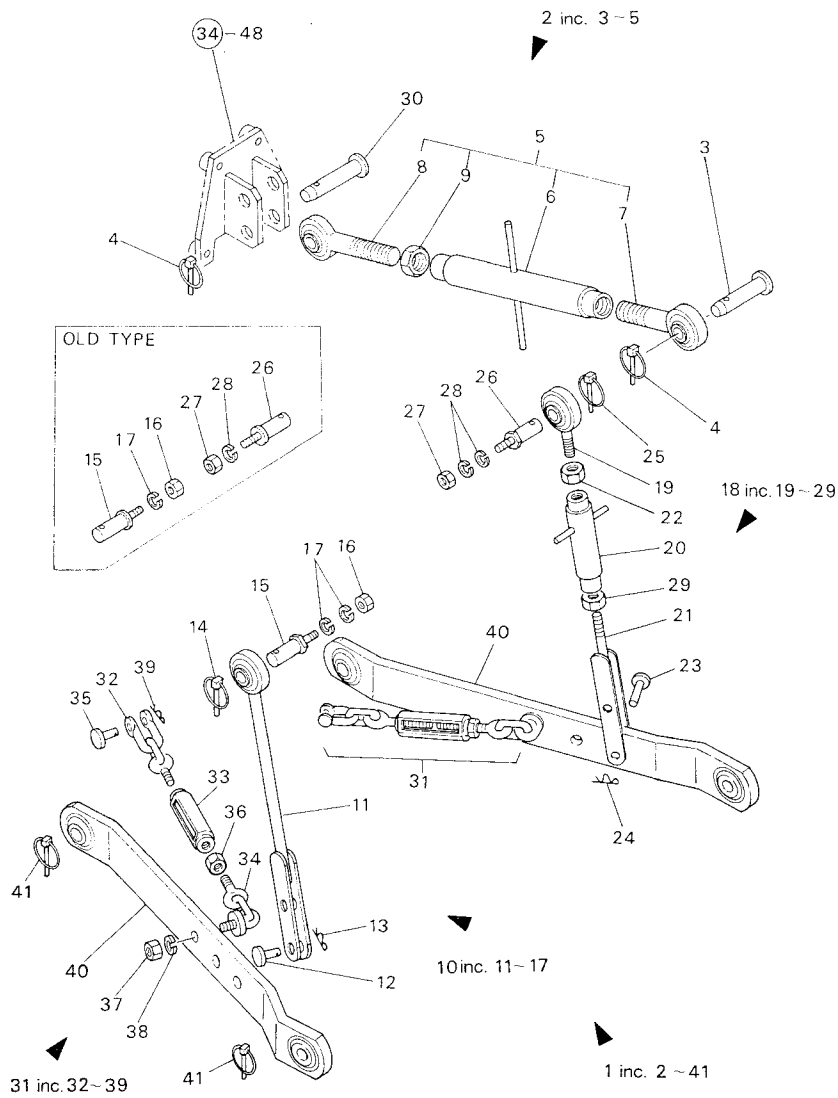
Refer. No.	Description	Part No.	Qty/Unit				Sales Unit	Inter-change ability	Design-change Mark	Remarks
			YM155	YM155D	YM135	YM135D				
81- 22	.LOCK NUT M18	194150-72241	1	1	1	1	10			Misprint
	.LOCK NUT M18 x 1.5	194150-72240	1	1	1	1	10			
	.LOCK NUT M18	26737-180002	1	1	1	1	10	N	[1]	
	.LOCK NUT M18	26736-180002	1	1	1	1	10	N		
81- 23	.PIN, lift yoke	194150-72460	1	1	1	1				
81- 24	.SNAP PIN 2.4	194150-74850	1	1	1	1	10			
81- 25	.PIN ASS'Y, ball & socket	794130-71410	1	1	1	1				
81- 26	.PIN, lift arm	A21550-10050	1	1	1	1				
	.PIN, lift arm	194340-10050	1	1	1	1		S	[4]	
81- 27	.NUT M12	26716-120002	1	1	1	1	10			
	.NUT M14	26716-140002	1	1	1	1	10	S	[4]	
81- 28	.SPRING WASHER 12	22217-120000	1	1	1	1	10			
	.SPRING WASHER 14	22217-140000	2	2	2	2	10	S	[4]	
81- 29	.LS-LOCK NUT M18 x 1.5	194340-75740	1	1	1	1	10	W	[4]	
81- 30	.PIN, hitch	195080-15060	1	1	1	1		W		
81- 31	CHECK CHAIN ASS'Y	794150-74601	2	2	2	2				
	CHECK CHAIN ASS'Y	794340-74600	2	2	2	2		N	[1]	
81- 32	.CHECK CHAIN, complete, front	794150-74700	2	2	2	2				
	.CHECK CHAIN, complete, front	194340-74700-X	2	2	2	2		N	[1]	
81- 33	.TURNBUCKLE, check chain	194150-74670	2	2	2	2				
	.TURNBUCKLE, check chain	194150-74672-X	2	2	2	2		N	[4]	
81- 34	.CHECK CHAIN, complete, rear	794150-74801-X	2	2	2	2				
	.CHECK CHAIN, complete, rear	194340-74800-X	2	2	2	2		N	[1]	

Fig. 81 THREE-POINT HITCH CATEGORY 1 (U.S.A. & S.AFRICA)

Refer. No.	Description	Part No.	Qty/Unit				Sales Unit	Inter-change ability	Design-change Mark	Remarks
			YM155	YM155D	YM135	YM135D				
81- 35	.PIN, shackle	194150-74630	2	2	2	2				
81- 36	.LOCK NUT M14	26757-140002	2	2	2	2	10			
	.LOCK NUT M14	26756-140002	2	2	2	2	10	N		
		26736- 26716-160002	2	2	2	2	10			Misprint
81- 37	.NUT M16	22217-160000	2	2	2	2	10			
81- 38	.SPRING WASHER 16	22217-160000	2	2	2	2	10			
81- 39	.SNAP PIN 2.4	194150-74850	2	2	2	2	10			
81- 40	LINK, complete, lower	194340-10100-X	2	2	2	2				
81- 41	PIN ASS'Y, ball & socket	794130-71410	4	4	4	4				

Fig. 82 THREE-POINT HITCH CATEGORY 0 (EXCEPT S.AFRICA)

Fig. 82 THREE-POINT HITCH CATEGORY 0 (EXCEPT S.AFRICA)



Refer. No.	Description	Part No.	Q'ty/Unit			Sales Unit	Inter-changeability	Design Mark	Remarks
			YM55	YM55D	YM35				
82- 1	3-POINT HITCH ASS'Y	794340-00000-X	1	1	1	1			
82- 2	LINK ASS'Y, top	794340-00030-X	1	1	1	1			
82- 3	.PIN, top link	194150-71230	2	2	2	2			
	.PIN, top link	194150-71230	1	1	1	1		K	
82- 4	.PIN ASS'Y, ball & socket	794130-71410	2	2	2	2			
82- 5	.LINK, complete, top	794150-71090-X	1	1	1	1			
82- 6	.TURNBUCKLE, top link	194150-71110-X	1	1	1	1			
82- 7	.EYE BOLT(L) w/BALL, top link	794150-71260-X	1	1	1	1			
82- 8	.EYE BOLT(R) w/BALL, top link	794150-71360-X	1	1	1	1			
82- 9	.NUT M24, top link	194150-71140	1	1	1	1	10		
	.LOCK NUT M24	26756-240002	1	1	1	1	10		N
82- 10	LINK ASS'Y (L), lift	GZ1550-00050-X	1	1	1	1			
	LINK ASS'Y (L), lift	794340-00050-X	1	1	1	1		S	{4}
82- 11	.LINK (L), complete, lift	194190-72300	1	1	1	1			
	.LINK (L), complete, lift	194190-72301-X	1	1	1	1			N
82- 12	.PIN, lift yoke	194150-72460	1	1	1	1			
82- 13	.SNAP PIN 2.4	194150-74850	1	1	1	1	10		
82- 14	.PIN ASS'Y, ball & socket	794130-71410	1	1	1	1			
82- 15	.PIN, lift arm	A21550-10050	1	1	1	1			
	.PIN, lift arm	194340-10050	1	1	1	1		S	{4}
82- 16	.NUT M12	26716-120002	1	1	1	1	10		
	.NUT M14	26716-140002	1	1	1	1	10		S {4}
82- 17	.SPRING WASHER 12	22217-120000	1	1	1	1	10		
	.SPRING WASHER 14	22217-140000	2	2	2	2	10		S {4}
82- 18	LINK ASS'Y (R), lift	794340-10060-X	1	1	1	1			
	LINK ASS'Y (R), lift	794340-10061-X	1	1	1	1		S	{4}
82- 19	.BOLT(R), complete, lift link	194340-194190-72200-X	1	1	1	1			Misprint
82- 20	.TURNBUCKLE, lift link	194340-72230-X	1	1	1	1			
82- 21	.LINK (R), lift	194190-72240-X	1	1	1	1			Misprint
	.LINK (R), lift	194340-72240-X 194190-72241-X	1	1	1	1			Misprint

Fig. 82 THREE-POINT HITCH CATEGORY 0 (EXCEPT S.AFRICA)

Refer. No.	Description	Part No.	Q'ty/Unit				Sales Unit	Inter-change ability	Design-change Mark	Remarks
			YM155	YM155D	YM135	YM135D				
82- 22	.LOCK NUT M18	194150-72241	1	1	1	1	10		Misprint	
	.LOCK NUT M18 x 1.5	194150-72240	1	1	1	1	10			
	.LOCK NUT M18 x 1.5	26736-180002	1	1	1	1	10	N	[1]	
82- 23	.PIN, lift yoke	194150-72460	1	1	1	1				
82- 24	.SNAP PIN 2.4	194150-74850	1	1	1	1	10			
82- 25	.PIN ASS'Y, ball & socket	794130-71410	1	1	1	1				
82- 26	.PIN, lift arm	AZ1550-10050	1	1	1	1				
	.PIN, lift arm	194340-10050	1	1	1	1		S	[4]	
82- 27	.NUT M12	26716-120002	1	1	1	1	10			
	.NUT M14	26716-140002	1	1	1	1	10	S	[4]	
82- 28	.SPRING WASHER 12	22217-120000	1	1	1	1	10			
	.SPRING WASHER 14	22217-140000	1	1	1	1	10	S	[4]	
82- 29	.LS-LOCK NUT M18 x 1.5	194340-75740	1	1	1	1		W	[4]	
82- 30	.PIN, hitch	195080-15060	1	1	1	1		W		
82- 31	CHECK CHAIN ASS'Y	794150-74601	2	2	2	2				
	CHECK CHAIN ASS'Y	794340-74600	2	2	2	2		N	[1]	
82- 32	.CHECK CHAIN, complete, front	794150-74700	2	2	2	2				
	.CHECK CHAIN, complete, front	194340-74700-X	2	2	2	2		N	[1]	
82- 33	.TURNBUCKLE, check chain	194150-74670	2	2	2	2		Z		
	.TURNBUCKLE, check chain	194150-74672-X	2	2	2	2		N	[4]	
82- 34	.CHECK CHAIN, complete, rear	794150-74801-X	2	2	2	2		Z		
	.CHECK CHAIN, complete, rear	194340-74800-X	2	2	2	2		N	[1]	
82- 35	.PIN, shackle	194150-74630	2	2	2	2				
82- 36	.LOCK NUT M14	26756-140002	2	2	2	2	10			
82- 37	.NUT M16	26816-160002	2	2	2	2	10			
82- 38	.SPRING WASHER 16	22217-160000	2	2	2	2	10			
82- 39	.SNAP PIN 2.4	194150-74850	2	2	2	2	10			
82- 40	LINK, complete, lower	AZ1550-10010	2	2	2	2			Misprint	
	LINK ASS'Y, lower	194340-10200-X	2	2	2	2				
82- 41	PIN ASS'Y, ball & socket	794130-71410	4	4	4	4				

Fig. 83 THROTTLE PEDAL SYSTEM (EXCEPT ENGLAND)

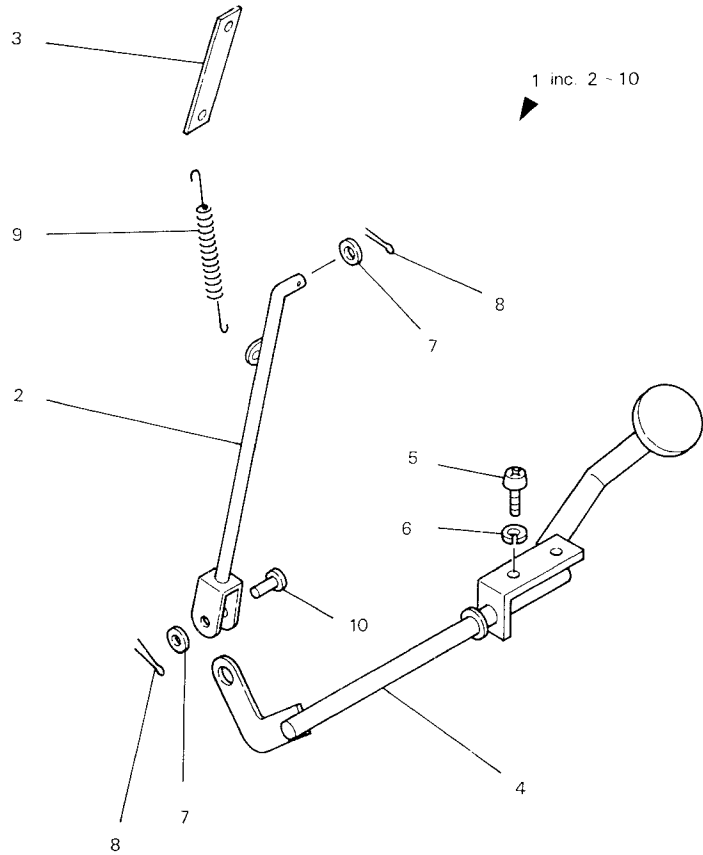


Fig. 83 THROTTLE PEDAL SYSTEM (EXCEPT ENGLAND)

Refer. No.	Description	Part No.	Qty. Unit				Inter-change ability	Design change Mark	Remarks
			YM55	YM55D	YM35	YM35D			
83- 1	PEDAL ASS'Y, throttle	794340-01450	1	1	1	1			
83- 2	.ROD, throttle pedal	194340-01660	1	1	1	1			
83- 3	.HOOK, pedal spring	194200-01710	1	1	1	1			
83- 4	.PEDAL, throttle	194200-01541-X	1	1	1	1			
83- 5	.SCREW M8 x 16	26557-080162	2	2	2	2	10		
83- 6	.SPRING WASHER 8	22217-080000	2	2	2	2	10		
83- 7	.WASHER 6, plain	22117-060000	2	2	2	2	10		
83- 8	.COTTER PIN 2 x 10	22417-200100	2	2	2	2	10		
83- 9	.SPRING, pedal	194200-01680	1	1	1	1			
83- 10	.PIN 6x 14	1A1030-55480	1	1	1	1			

Fig. 84 TURN SIGNAL LIGHT (U.S.A.) [YM135, YM135D]

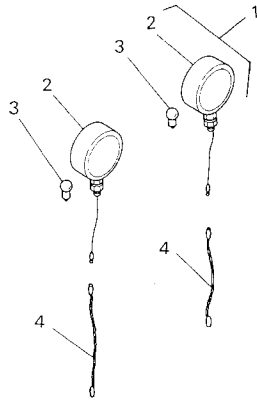


Fig. 84 TURN SIGNAL LIGHT (U.S.A.) [YM135, YM135D]

Refer. No.	Description	Part No.	Qty/Unit				Sales Unit	Inter-changeability	Design-change Mark	Remarks
			YM155	YM155D	YM135	YM135D				
84- 1	TURN SIGNAL ASS'Y	794340-53350			2	2		W	(1)	
84- 2	.TURN SIGNAL, complete	794200-53350			2	2				
84- 3	.BULB 12V 20W	194200-53400			2	2	10			
84- 4	.CORD (L), turn signal	194200-51130			2	2		W	(1)	

Fig. 85 WORK LIGHT

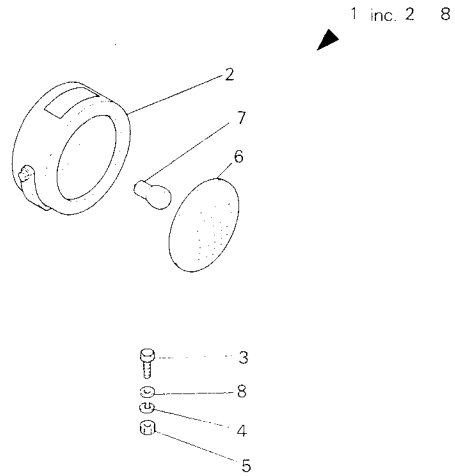


Fig. 85 WORK LIGHT

Refer. No.	Description	Part No.	Qty/Unit				Sales Unit	Inter-change ability	Design-change Mark	Remarks
			YM55	YM155D	YM135	YM135D				
85- 1	WORK LIGHT ASS'Y	794340-54100	1	1	1	1		w	[1]	
85- 2	.WORK LIGHT	194340-57500	1	1	1	1				
	.WORK LIGHT	794081-54101	1	1	1	1		s	[1]	
85- 3	.BOLT M8 x 20	26116-080202	1	1	1	1	10	w	[1]	
85- 4	.SPRING WASHER 8	22217-080000	1	1	1	1	10	w	[1]	
85- 5	.NUT M8	26716-080002	1	1	1	1	10	w	[1]	
85- 6	.LENS, work light	194081-54110	1	1	1	1			[1]	
85- 7	.BULB 12V 20w	194081-55820	1	1	1	1	10		[1]	
85- 8	.WASHER 8	22157-080000	1	1	1	1	10	w		

Fig. 86 REAR-VIEW MIRROR (PORTUGAL) [YM155,YM155D]

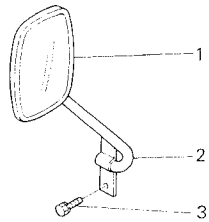


Fig. 86 REAR-VIEW MIRROR (PORTUGAL) [YM155,YM155D]

Refer. No.	Description	Part No.	Qty/Unit			Sales Unit	Inter-changeability	Design-change Mark	Remarks
			YM155	YM155D	YM155				
86- 1	HEAD, rear-view mirror	194201-64100	1	1					
86- 2	STAY, rear-view mirror	194340-64350	1	1					
86- 3	BOLT M6 x 12	26013-060129	2	2					

Fig. 87 REAR-VIEW MIRROR (EXCEPT PORTUGAL) [YM155,YM155D]

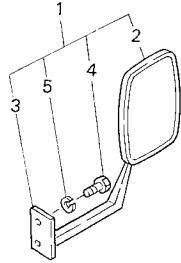


Fig. 87 REAR-VIEW MIRROR (EXCEPT PORTUGAL) [YM155,YM155D]

Refer. No.	Description	Part No.	Qty/Unit				Inter-changeability	Design-change Mark	Remarks
			YM155	YM155D	YM135	YM135D			
87- 1	REAR-VIEW MIRROR ASS'Y	794200-64200	1	1					
87- 2	.REAR-VIEW MIRROR, complete	794200-64100	1	1					
87- 3	.STAY, rear-view mirror	194200-64150	1	1					
87- 4	.BOLT M6 x 20	26116-080202	1	1		10			
87- 5	.SPRING WASHER 8	22217-080000	1	1					

Fig. 88 REAR-VIEW MIRROR [YM135,YM135D]

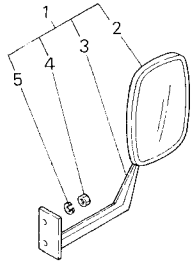


Fig. 88 REAR-VIEW MIRROR [YM135,YM135D]

Refer. No.	Description	Part No.	Qty Unit				Sales Unit	Inter-change ability	Design-change Mark	Remarks
			YM135	YM135D	YM135	YM135D				
88- 1	REAR-VIEW MIRROR ASS'Y	794262-64200			1	1			[1]	
88- 2	.REAR-VIEW MIRROR, complete	794200-64100	1	1	1	1				
88- 3	.STAY, rear-view mirror	194200-64150	1	1	1	1				
88- 4	.NUT M8	26716-080002			1	1	10		[1]	
	.NUT M8	26716-080002			1	1		z		
88- 5	.SPRING WASHER 8	22217-080000	1	1	1	1	10		[1]	
	.SPRING WASHER 8	22217-080000			1	1		z		

Fig. 89 REAR WHEEL WEIGHT & FRONT WEIGHT (OPTIONAL)

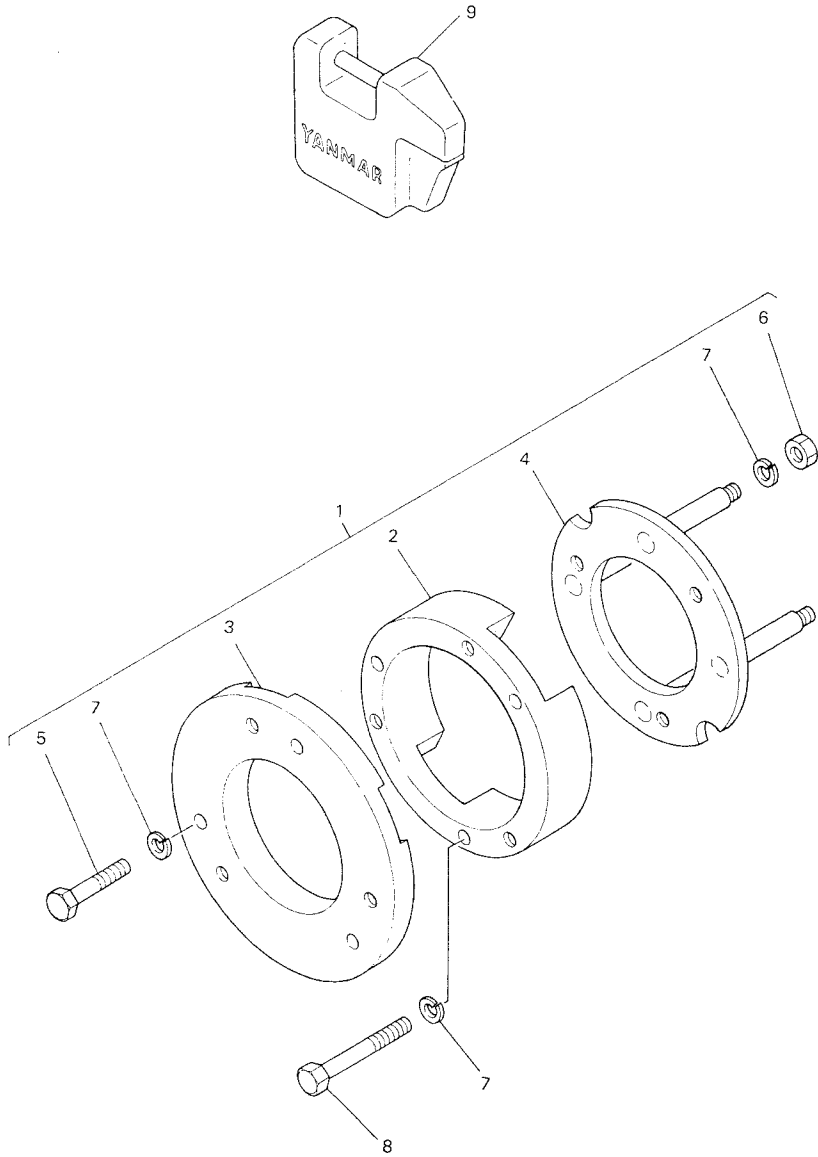
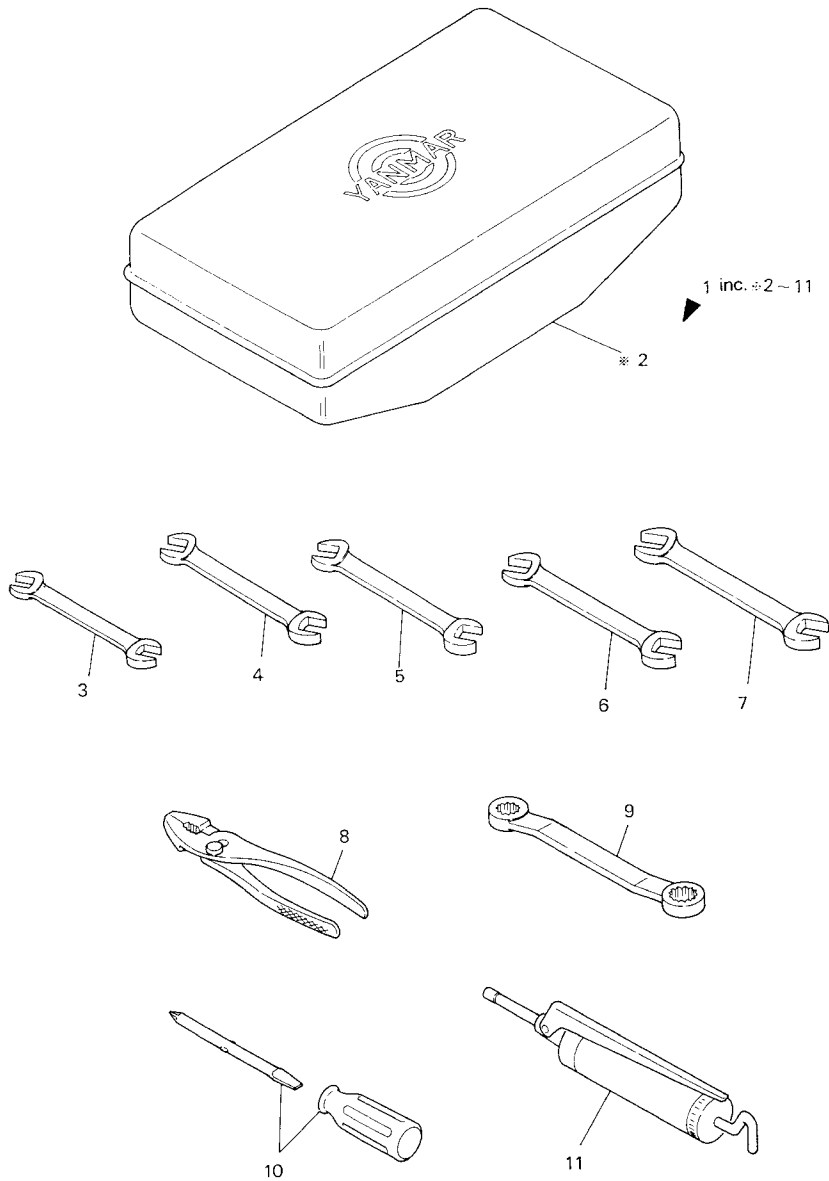


Fig. 89 REAR WHEEL WEIGHT & FRONT WEIGHT (OPTIONAL)

Refer. No.	Description	Part No.	Qty/Unit				Sales Unit	Inter-changeability	Design-change Mark	Remarks
			YM155	YM155D	YM135	YM135D				
89- 1	WEIGHT w/FITTINGS, small dia. rear wheel	G20550-00000	2	2	2	2				
89- 2	.WEIGHT 20, rear wheel	A20552-10010	2	2	2	2				
	.WEIGHT 20, rear wheel	194080-81230	2	2	2	2		N		
89- 3	.WEIGHT 25, rear wheel	A20552-10020	2	2	2	2				
	.WEIGHT 25, rear wheel	194080-81212	2	2	2	2		N		
89- 4	.FITTINGS, rear wheel weight	A20550-10070	2	2	2	2				
	.FITTINGS, rear wheel weight	194200-81240	2	2	2	2		N		
89- 5	.BOLT M16 x 65	26116-160652	6	6	6	6	10			
89- 6	.NUT M16	26716-160002	8	8	8	8	10			
89- 7	.SPRING WASHER 16	22217-160000	20	20	20	20	10			
89- 8	.BOLT M16 x 100	26116-161002	6	6	6	6	10			
89- 9	WEIGHT 20, front	A20502-10010	3	3	3	3				
	WEIGHT 20, front	194080-81111	3	3	3	3		N		

Fig. 90 TOOLS



- 375 - *MARK PARTS: NOT SOLD SEPARATELY.

Fig. 90 TOOLS

Refer. No.	Description	Part No.	Qty. Unit			Sales Unit	Inter-changeability	Design-change Mark	Remarks
			YMI55	YMI55D	YMI35				
90- 1	TOOL KIT	794340-82100	1	1	1	1			
	TOOL KIT	794200-82100	1	1	1	1	N	{1}	
90- 2	.TOOL BOX	*	1	1	1	1	*		Not Sold Separately. (1A1040-83000)
90- 3	.WRENCH 8 x 10	28110-080100	1	1	1	1			
90- 4	.WRENCH 10 x 13	28110-100130	1	1	1	1			
90- 5	.WRENCH 12 x 14	28110-120140	1	1	1	1	W		
90- 6	.WRENCH 17 x 19	28110-170190	1	1	1	1			
90- 7	.WRENCH 22 x 24	28110-220240	1	1	1	1			
90- 8	.PLIER 200	194200-82100	1	1	1	1			
90- 9	.BOX WRENCH 17 x 19	1A1040-83010	1	1	1	1			
90- 10	.SCREW DRIVER 6 x 100	194200-82150	1	1	1	1			
90- 11	.GREASE GUN	794200-82200	1	1	1	1			

- 376 -

Fig. 91 TURF TIRES [YM155]

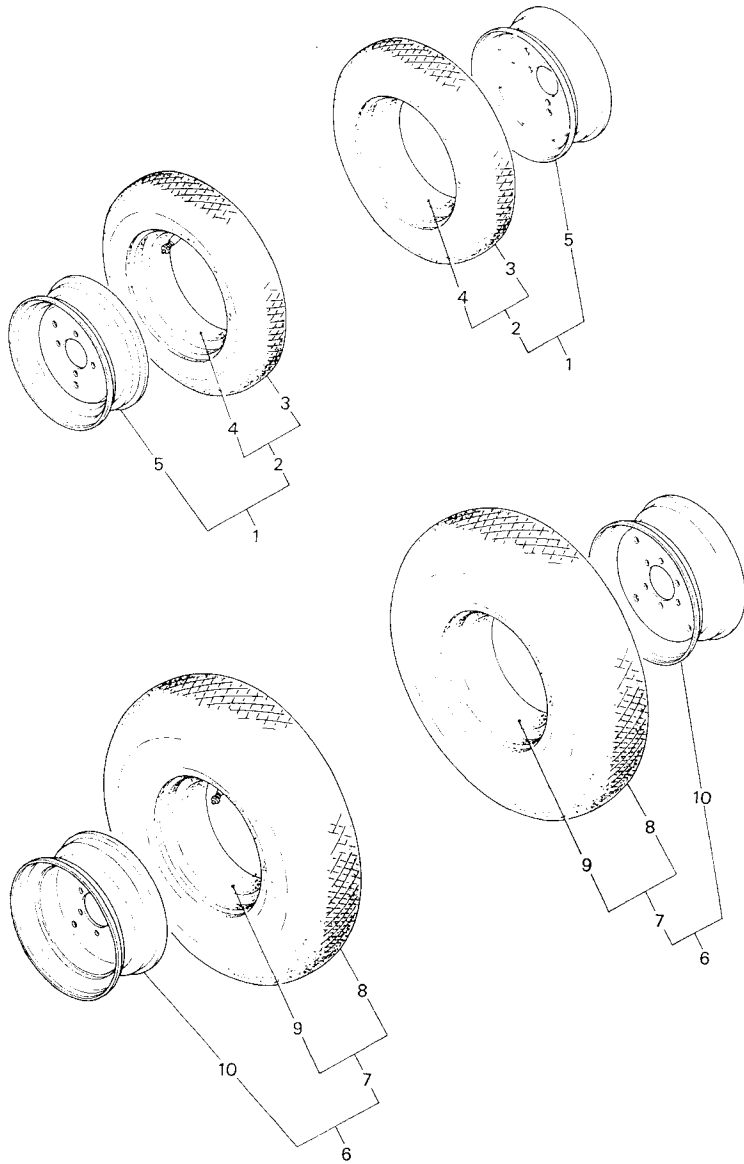


Fig. 91 TURF TIRES [YM155]

Refer. No.	Description	Part No.	Q'ty/Usr				Sales Unit	Inter-change-ability	Design-change Mark	Remarks
			YM155	YM155D	YM135	YM135D				
91- 1	FRONT TIRE ASS'Y (TURF)	794340-12900	2							
91- 2	.TIRE ASS'Y (TURF), 6-12F.D.	794340-11900	2							
91- 3	..TIRE (TURF)	194340-11920	2							
91- 4	..TUBE, tire	1A1050-34250	2							
91- 5	.WHEEL, disc	194340-11880	2							
91- 6	REAR TIRE ASS'Y (TURF)	794340-34700	2							
91- 7	.TIRE ASS'Y (TURF), 8-16F.D.	794340-34600	2							
91- 8	..TIRE (TURF)	194340-34610	2							
91- 9	..TUBE, tire	194200-34950	2							
91- 10	.WHEEL, disc	194200-34960-Q	2							

Fig. 92 TURF TIRES [YM155D]

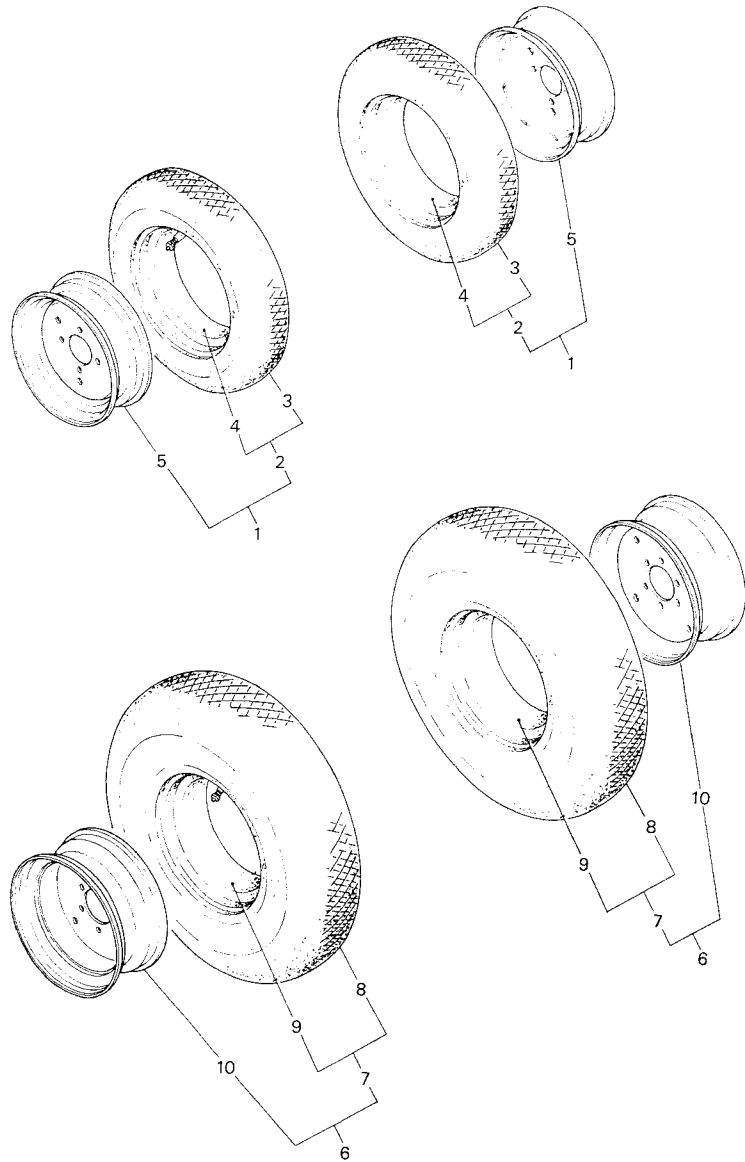


Fig. 92 TURF TIRES [YM155D]

Refer. No.	Description	Part No.	Qty./Unit			Inter-changeability	Design-change Mark	Remarks
			YM155	YM155D	YM135			
92- 1	FRONT TIRE ASS'Y (TURF)	794340-12900		2				
92- 2	.TIRE ASS'Y (TURF), 6-12F.D.	794340-11900		2				
92- 3	..TIRE (TURF)	194340-11920		2				
92- 4	..TUBE, tire	1A1050-34250		2				
92- 5	.WHEEL, disc 5-JA x 12WDC	194341-11880		2				
92- 6	REAR TIRE ASS'Y (TURF)	794340-34700		2				
92- 7	.TIRE ASS'Y (TURF), 8-16F.D.	794340-34600		2				
92- 8	..TIRE (TURF)	194340-34610		2				
92- 9	..TUBE, tire	194200-34950		2				
92- 10	.WHEEL, disc	194200-34960-Q		2				

Fig. 93 TURF TIRES [YM135,YM135D]

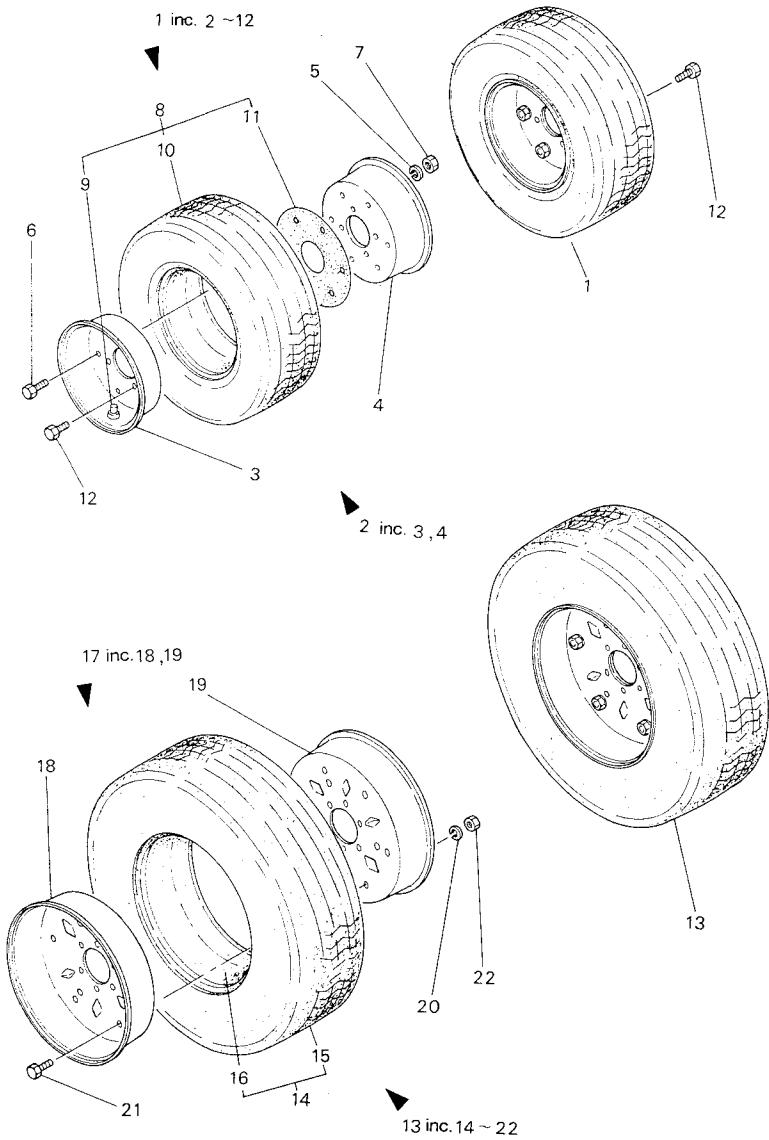
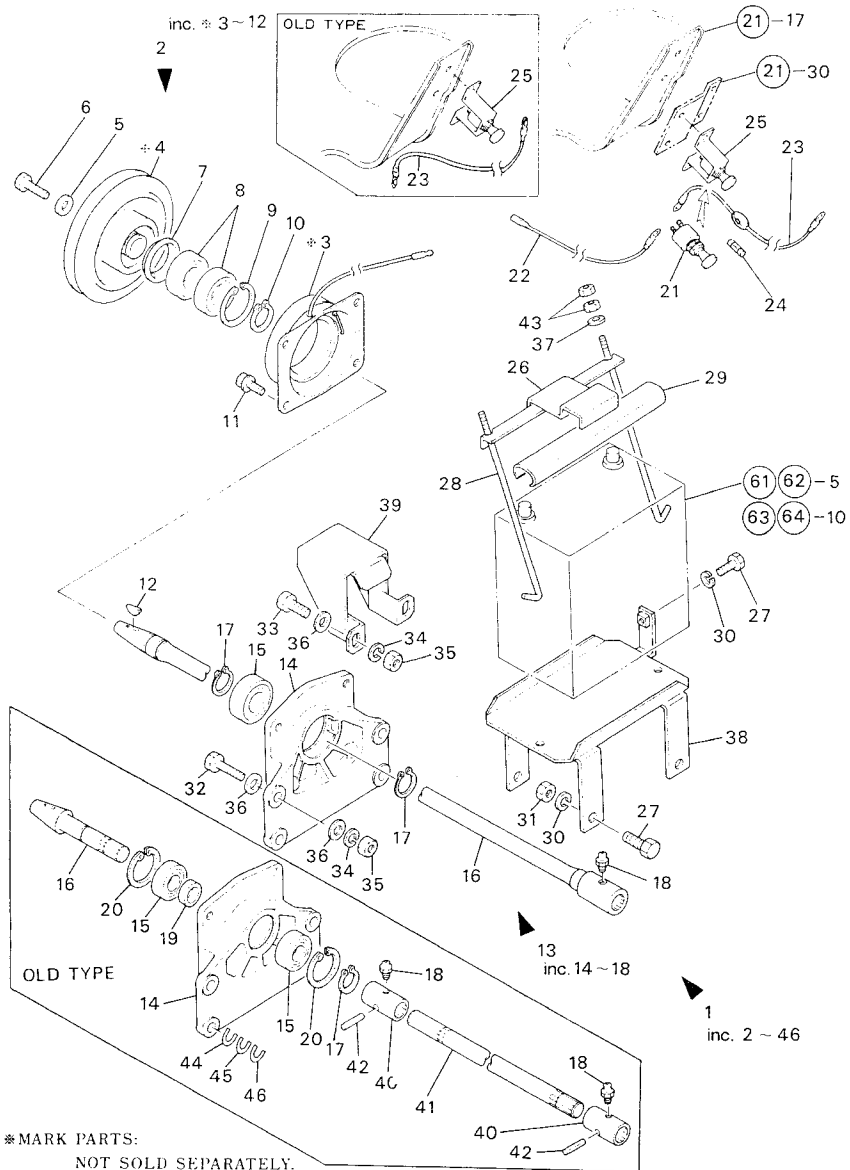


Fig. 93 TURF TIRES [YM135,YM135D]

Refer. No.	Description	Part No.	Q'ty/Unit			Inter-changeability	Design-change Mark	Remarks
			YM155	YM135D	YM135			
93- 1	FRONT WHEEL TIRE ASS'Y (TURF)	794390-12900			2	2		
93- 2	.WHEEL 6.00 x 10 DT, disc	194390-12910			2	2		
93- 3	..WHEEL (A)	194390-12920			2	2		
93- 4	..WHEEL (B)	194390-12930			2	2		
93- 5	.SPRING WASHER 10	22217-100000			12	12	10	
93- 6	.BOLT M10 x 20	26116-100202			12	12	10	
93- 7	.NUT M10	26716-100002			12	12	10	
93- 8	.FRONT TIRE ASS'Y (TURF)	194240-12970			2	2		
93- 9	..VALVE TR413	194136-12880			2	2		w
93- 10	..TIRE (TURF), 20 x 8.00 -10PD	194240-12950			2	2		
93- 11	..PACKING, tube	194240-12960			2	2		
93- 12	.BOLT M12 x 28	26116-120282			8	8	10	
93- 13	REAR WHEEL TIRE ASS'Y (TURF)	794390-34700			2	2		
93- 14	.TIRE (TURF), 27 x 8.50 - 15PD	194390-34610			2	2		
93- 15	..REAR TIRE (TURF)	194390-34620			2	2		
93- 16	..TUBE	194390-34630			2	2		
93- 17	.WHEEL, disc 7.001 x 15DT	194390-34750			2	2		
93- 18	..WHEEL (A)	194390-34760			2	2		
93- 19	..WHEEL (B)	194390-34770			2	2		
93- 20	.SPRING WASHER 10	22217-100000			12	12	10	
93- 21	.BOLT M10 x 20	26116-100202			12	12	10	
93- 22	.NUT M10	26716-100002			12	12	10	

Fig. 94 FRONT P.T.O. [YM155,YM155D]



*MARK PARTS:
NOT SOLD SEPARATELY.

Fig. 94 FRONT P.T.O. [YM155,YM155D]

Refer. No.	Description	Part No.	Q'n/Unit				Sales Unit	Inter-changeability	Design-change Mark	Remarks
			YM155	YM155D	YM135	YM135D				
94- 1	FRONT P.T.O. ASS'Y	794340-83101	1	1						
94- 2	CLUTCH ASS'Y	194240-83200	1	1						
94- 3	.COIL	*	1	1					Not Sold Separately.	
94- 4	.V-PULLEY, clutch	*	1	1					Not Sold Separately.	
94- 5	.WASHER	194240-83220	1	1						
94- 6	.BOLT M8 x 34	194240-83230	1	1						
94- 7	.PLATE	194240-83240	1	1						
94- 8	.BALL BEARING	24105-060064	2	2						
94- 9	.CIRCLIP 55-H	22252-000550	1	1						
94- 10	.CIRCLIP 30-S	22242-000300	1	1						
94- 11	.BOLT M6 x 8	194240-83250	4	4						
94- 12	.KEY 4 x 16	22522-040160	1	1			10			
94- 13	UNIT BRACKET ASS'Y	194340-83171	1	1						
94- 14	.UNIT BRACKET	194340-83280	1	1					Up to Apr. 1978.	
	.UNIT BRACKET	194340-83281	1	1				S	YM155 -T/# 51564 YM155D-T/# 53832	
94- 15	.BALL BEARING	194340-83340	2	2					Up to Apr. 1978.	
	.BALL BEARING	194340-83341	1	1				S	YM155 -T/# 51564 YM155D-T/# 53832	
94- 16	.SHAFT, P.T.O.	194340-83270	1	1					Up to Apr. 1978.	
	.SHAFT, P.T.O.	194340-83270-X	1	1				N		
	.SHAFT, P.T.O.	194340-83271	1	1				S	YM155 -T/# 51564 YM155D-T/# 53832	
	.SHAFT, P.T.O.	194340-83271-X	1	1				N		
94- 17	.CIRCLIP 20-S	22242-000200	1	1					Up to Apr. 1978.	
	.CIRCLIP 25-S	22242-000250	2	2				S	YM155 -T/# 51564 YM155D-T/# 53832	
94- 18	.GREASE NIPPLE A-M6F	24764-010000	2	2					Up to Apr. 1978.	
	.GREASE NIPPLE A-M6F	24764-010000	1	1				K		
94- 19	COLLAR 20 x 25 x 8.5	194340-83290	1	1				Z	Up to Apr. 1978.	
94- 20	CIRCLIP 47-H	22252-000470	2	2				Z	Up to Apr. 1978.	
94- 21	SWITCH FRONT P.T.O.	194240-83300	1	1						

Fig. 94 FRONT P.T.O. [YM155,YM155D]

M E M O

Refer. No.	Description	Part No.	Qty/Unit			Sales Unit	Inter-change ability	Design-change Mark	Remarks
			YM155	YM155D	YM135				
94- 22	CABLE (A)	194340-83310	1	1					
94- 23	CABLE (B)	194340-83320	1	1					
	CABLE	194345-83320	1	1			N	YM155 from No. 52182 YM155D from No. 57428	
94- 24	FUSE 10A	194145-52830	1	1					
94- 25	BRACKET, switch	194340-83350	1	1					
	BRACKET, switch	194340-83350-X	1	1			N		
94- 26	COVER, battery	194340-83150	1	1					
	COVER, battery	194340-83150-X	1	1			N		
94- 27	BOLT M8 x 16	26116-080162	5	5		10			
94- 28	ROD, battery clamp	194262-51370	2	2					
94- 29	COVER, battery fluid inlet	194440-51550	1	1					
94- 30	SPRING WASHER 8	22217-080000	5	5		10			
94- 31	NUT M8	26716-080002	3	3		10			
94- 32	BOLT M10 x 40	26116-100402	4	4		10			
94- 33	BOLT M10 x 20	26116-100202	2	2		10			
94- 34	SPRING WASHER 10	22217-100000	6	6		10			
94- 35	NUT M10	26716-100002	6	6		10			
94- 36	WASHER 10	22137-100000	10	10		10			
94- 37	WASHER 6	22137-060000	2	2		10			
94- 38	BRACKET, battery	194340-83330	1	1					
94- 39	COVER	194340-83450	1	1					
94- 40	JOINT, front P.T.O.	194340-83390	2	2			Z	Up to Apr. 1978.	
94- 41	SHAFT, connecting	194340-83370	1	1			Z	Up to Apr. 1978.	
94- 42	SPRING PIN 4 x 32	22351-040032	2	2		10	Z	Up to Apr. 1978.	
94- 43	NUT M6	26716-060002	4	4		10			
94- 44	SHIM 1.0	194340-83130	4	4		10	Z	Up to Apr. 1978.	
94- 45	SHIM 0.5	194340-83140	4	4		10	Z	Up to Apr. 1978.	
94- 46	SHIM 0.2	194340-83120	4	4		10	Z	Up to Apr. 1978.	

Fig. 95 FRONT P.T.O. [YM135,YM135D]

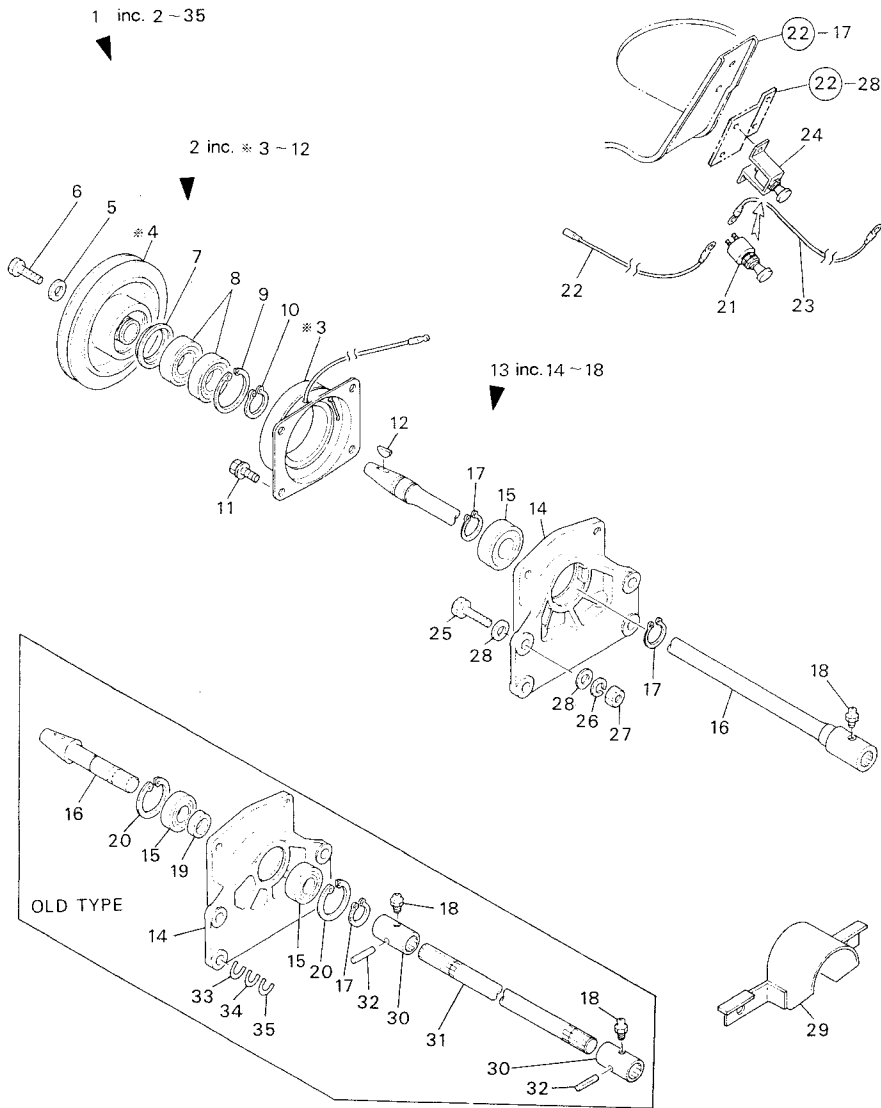


Fig. 95 FRONT P.T.O. [YM135,YM135D]

Refer. No.	Description	Part No.	Qty/Unit				Inter. change ability	Design change Mark	Remarks
			YM135	YM135D	YM135	YM135D			
95- 1	FRONT P.T.O. ASS'Y	794390-83100			1	1			Up to Apr. 1978.
	FRONT P.T.O. ASS'Y	794390-83101			1	1	N		
95- 2	CLUTCH ASS'Y	194240-83200			1	1			Not Sold Separately. Not Sold Separately.
95- 3	.COIL	*			1	1			
95- 4	.V-PULLEY, clutch	*			1	1			
95- 5	.WASHER	194240-83220			1	1			
95- 6	.BOLT MB x 34	194240-83230			1	1			
95- 7	.PLATE	194240-83240			1	1			
95- 8	.BALL BEARING	24105-060064			2	2			
95- 9	.CIRCLIP 55-H	22252-000550			1	1			
95- 10	.CIRCLIP 30-S	22242-000300			1	1			
95- 11	.BOLT M6 x 8	194240-83250			4	4			
95- 12	.KEY 4 x 16	22522-040160			1	1	10		
95- 13	UNIT BRACKET ASS'Y	194340-83170			1	1			Up to Apr. 1978.
	UNIT BRACKET ASS'Y	194390-83170			1	1	S	YM135 -T/# 51337 YM135D-T/# 51429	
95- 14	.UNIT BRACKET	194340-83280			1	1			Up to Apr. 1978.
	.UNIT BRACKET	194340-83281			1	1	S	YM135 -T/# 51337 YM135D-T/# 51429	
95- 15	.BALL BEARING	194340-83340			2	2			Up to Apr. 1978.
	.BALL BEARING	194340-83341			1	1	S	YM135 -T/# 51337 YM135D-T/# 51429	
95- 16	.SHAFT, P.T.O.	194340-83270			1	1			Up to Apr. 1978.
	.SHAFT, P.T.O.	194340-83270-X			1	1	N		
	.SHAFT, P.T.O.	194390-83270			1	1	S	YM135 -T/# 51337 YM135D-T/# 51429	
	.SHAFT, P.T.O.	194390-83270-X			1	1	N		
95- 17	.CIRCLIP 20-S	22242-000200			1	1			Up to Apr. 1978.
	.CIRCLIP 25-S	22242-000250			2	2	S	YM135 -T/# 51337 YM135D-T/# 51429	
95- 18	.GREASE NIPPLE A-M6F	24764-010000			2	2			Up to Apr. 1978.
	.GREASE NIPPLE A-M6F	24764-010000			1	1	K		

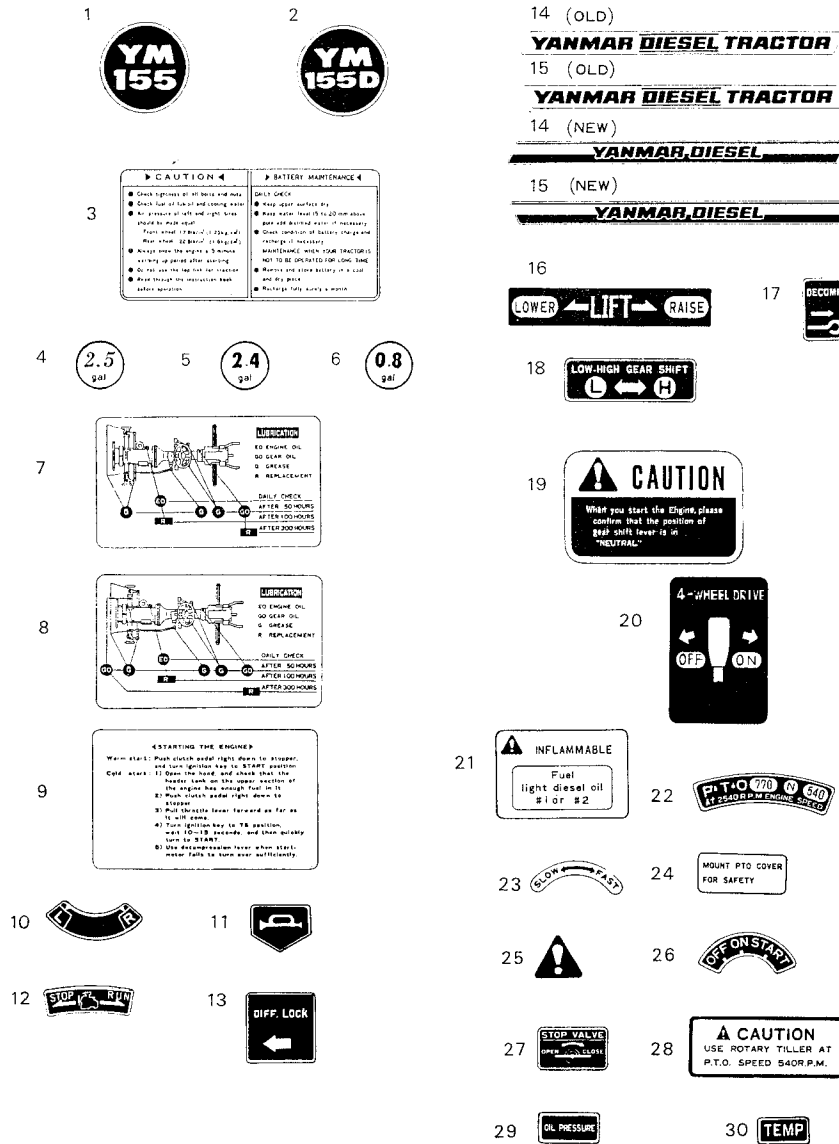
*MARK PARTS: NOT SOLD SEPARATELY.

Fig. 95 FRONT P.T.O. [YM135,YM135D]

MEMO

Refer. No.	Description	Part No.	Qty/Unit			Sales Unit	Inter-change ability	Design-change Mark	Remarks
			YM135	YM135D	YM135				
95- 19	COLLAR 20 x 25 x 8.5	194340-83290		1	1		Z	Up to Apr. 1978.	
95- 20	CIRCLIP 47-H	22252-000470		2	2		Z	Up to Apr. 1978.	
95- 21	SWITCH FRONT P.T.O.	194240-83300		1	1				
95- 22	CABLE (A)	194340-83310		1	1				
95- 23	CABLE (B)	194340-83320		1	1				
95- 24	BRACKET, switch	194340-83350		1	1				
	BRACKET, switch	194340-83350-X		1	1		N		
95- 25	BOLT M10 x 40	26116-100402		4	4	10			
95- 26	SPRING WASHER 10	22217-100000		4	4	10			
95- 27	NUT M10	26716-100002		4	4	10			
95- 28	WASHER 10	22137-100000		8	8	10			
95- 29	COVER	194390-83450		1	1				
95- 30	JOINT, front P.T.O.	194340-83390		2	2		Z	Up to Apr. 1978.	
95- 31	SHAFT, connecting	194390-83370		1	1		Z	Up to Apr. 1978.	
95- 32	SPRING PIN 4 x 32	22351-040032		2	2	10	Z	Up to Apr. 1978.	
95- 33	SHIM 1.0	194340-83130		4	4	10	Z	Up to Apr. 1978.	
95- 34	SHIM 0.5	194340-83140		4	4	10	Z	Up to Apr. 1978.	
95- 35	SHIM 0.2	194340-83120		4	4	10	Z	Up to Apr. 1978.	

Fig. 96 LABELS (U.S.A.) [YM155, YM155D]



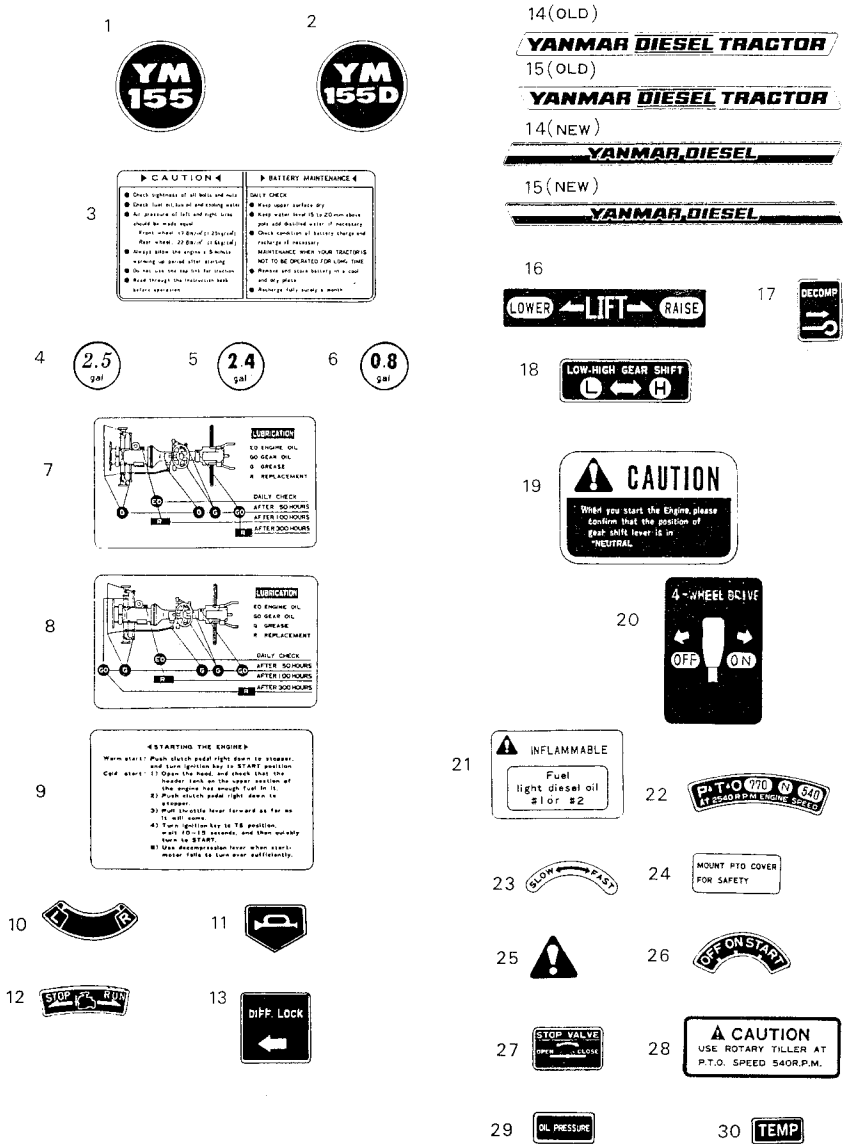
Refer. No.	Description	Part No.	Qty/Unit				Sales Unit	Inter-change ability	Design-change Mark	Remarks
			YM155	YM155D	YM135	YM135D				
96- 1	LABEL, side mark	194340-64720	2							
96- 2	LABEL, side mark	194341-64720		2						
96- 3	LABEL, caution	194340-65200	1	1						
96- 4	LABEL, gear oil	194340-65300	1							
96- 5	LABEL, gear oil	194341-65300		1						
96- 6	LABEL, 4-wheel oil	194341-65311		1						
96- 7	LABEL, lubrication	194340-65320	1							
96- 8	LABEL, lubrication	194341-65320		1						
96- 9	LABEL, engine starting	194370-65350	1	1						
96- 10	LABEL, flusher	194150-65360	1	1						
96- 11	LABEL, horn switch	194130-65380	1	1						
96- 12	LABEL, throttle lever	194240-65430	1	1						
96- 13	LABEL, differential lock	194340-65441	1	1						
96- 14	LABEL (L)	194345-65500	1	1					YANMAR DIESEL TRACTOR	
	LABEL (L)	194345-65501	1	1			N		YANMAR DIESEL	
96- 15	LABEL (R)	194340-65510	1	1						
	LABEL (R)	194345-65511	1	1						
96- 16	LABEL, hyd. lift indication	194240-65510	1	1						
96- 17	LABEL, decompression indication	194340-65590	1	1						
96- 18	LABEL, subtransmission	194340-65601	1	1						
96- 19	LABEL, transmission caution	194240-65620	1	1						
96- 20	LABEL, 4-wheel driving	194341-65661	1							

Fig. 96 LABELS (U.S.A.) [YM155,YM155D]

M E M O

Refer. No.	Description	Part No.	Q'ty/Unit			Sales Unit	Inter-changeability	Design-change Mark	Remarks
			YM155	YM155D	YM135				
96- 21	LABEL, fuel	194240-65670	1	1					
96- 22	LABEL, P.T.O.	194340-65670	1	1					
96- 23	LABEL, slow return	194340-65690	1	1					
96- 24	LABEL, PTO cover	194240-65710	1	1					
96- 25	LABEL, caution	194240-65720	1	1					
96- 26	LABEL, key switch	194340-65720	1	1					
96- 27	LABEL, oil press. stop	194340-65750	1	1					
96- 28	LABEL, P.T.O. caution	194340-65780	1	1					
96- 29	LABEL, oil pressure	194081-99230	1	1					
96- 30	LABEL, water pilot	194190-99240	1	1					

Fig. 97 LABELS (S.AFRICA) [YM155,YM155D]



Refer. No.	Description	Part No.	Qty. Unit				Sales Unit	Inter-change ability	Design-change Mark	Remarks
			YM155	YM155D	YM125	YM135D				
97- 1	LABEL, side mark	194340-64720	2							
97- 2	LABEL, side mark	194341-64720		2						
97- 3	LABEL, caution	194340-65200	1	1						
97- 4	LABEL, gear oil	194340-65300	1							
97- 5	LABEL, gear oil	194341-65300		1						
97- 6	LABEL, 4-wheel oil	194341-65311		1						
97- 7	LABEL, lubrication	194340-65320	1							
97- 8	LABEL, lubrication	194341-65320		1						
97- 9	LABEL, engine starting	194370-65350	1	1						
97- 10	LABEL, flusher	194150-65360	1	1						
97- 11	LABEL, horn switch	194130-65380	1	1						
97- 12	LABEL, throttle lever	194240-65430	1	1						
97- 13	LABEL, differential lock	194340-65441	1	1						
97- 14	LABEL (L)	194345-65500	1	1						YANMAR DIESEL TRACTOR
	LABEL (L)	194345-65501	1	1			N			YANMAR DIESEL
97- 15	LABEL (R)	194340-65510	1	1						
	LABEL (R)	194345-65511	1	1						
97- 16	LABEL, hyd. lift indication	194240-65510	1	1						
97- 17	LABEL, decompression indication	194340-65590	1	1						
97- 18	LABEL, subtransmission	194340-65601	1	1						
97- 19	LABEL, transmission caution	194240-65620	1	1						
97- 20	LABEL, 4-wheel driving	194341-65661	1							

Fig. 97 LABELS (S.AFRICA) [YM155,YM155D]

M E M O

Refer. No.	Description	Part No.	Qty/Unit			Sales Unit	Inter-change ability	Design-change Mark	Remarks
			YM155	YM155D	YM135				
97- 21	LABEL, fuel	194240-65670	1	1					
97- 22	LABEL, P.T.O.	194340-65670	1	1					
97- 23	LABEL, slow return	194340-65690	1	1					
97- 24	LABEL, PTO cover	194240-65710	1	1					
97- 25	LABEL, caution	194240-65720	1	1					
97- 26	LABEL, key switch	194340-65720	1	1					
97- 27	LABEL, oil press. stop	194340-65750	1	1					
97- 28	LABEL, P.T.O. caution	194340-65780	1	1					
97- 29	LABEL, oil pressure	194081-99230	1	1					
97- 30	LABEL, water pilot	194190-99240	1	1					

Fig. 98 LABELS (FRANCE) [YM155, YM155D]

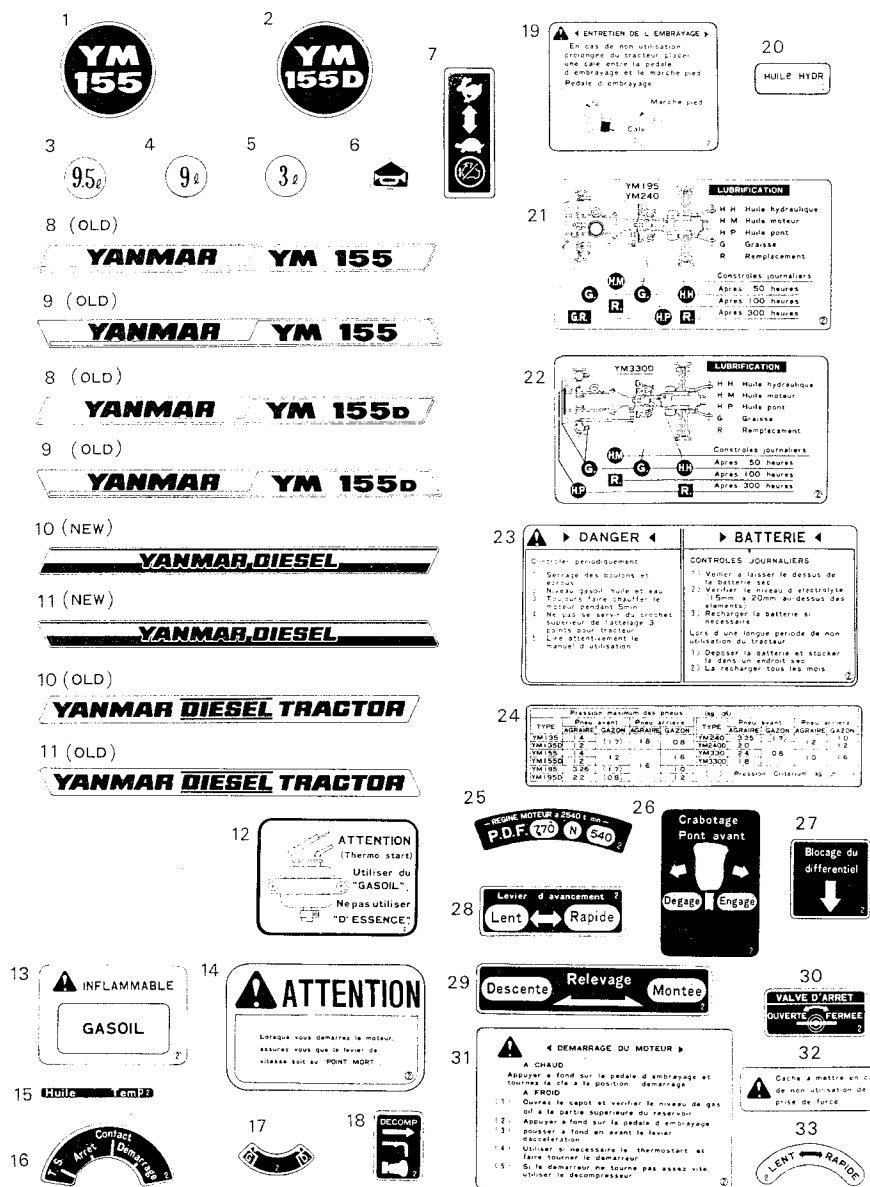


Fig. 98 LABELS (FRANCE) [YM155, YM155D]

Refer. No.	Description	Part No.	q.t. Unit				Sales Unit	Inter-change ability	Design-change Mark	Remarks
			YM155	YM155D	YM155	YM155D				
98- 1	LABEL, side mark	194340-64720	2							
98- 2	LABEL, side mark	194341-64720		2						
98- 3	LABEL, gear oil	194200-65300	1							
98- 4	LABEL, gear oil	194210-65300		1						
98- 5	LABEL, 4-wheel oil	194211-65310		1						
98- 6	LABEL, horn switch	194130-65380	1	1						
98- 7	LABEL, throttle lever	194240-65432	1	1						
98- 8	LABEL (D)	194340-65501	1							
	LABEL (L)	194341-65501		1						
98- 9	LABEL (R)	194340-65511	1							
	LABEL (R)	194341-65511		1						
98- 10	LABEL (D)	194340-65502	1	1					YANMAR DIESEL TRACTOR	
	LABEL (L)	194345-65501		1					YANMAR DIESEL	
98- 11	LABEL (R)	194340-65512	1	1						
	LABEL (R)	194345-65511		1						
98- 12	LABEL, fuel	194340-66320	1	1						
98- 13	LABEL, fuel level indication	194240-98220	1	1						
98- 14	LABEL, transmission caution	194240-98230	1	1						
98- 15	LABEL, pilot	194340-98240	1	1						
98- 16	LABEL, key switch	194240-98250	1	1						
98- 17	LABEL, flusher	194240-98260	1	1						

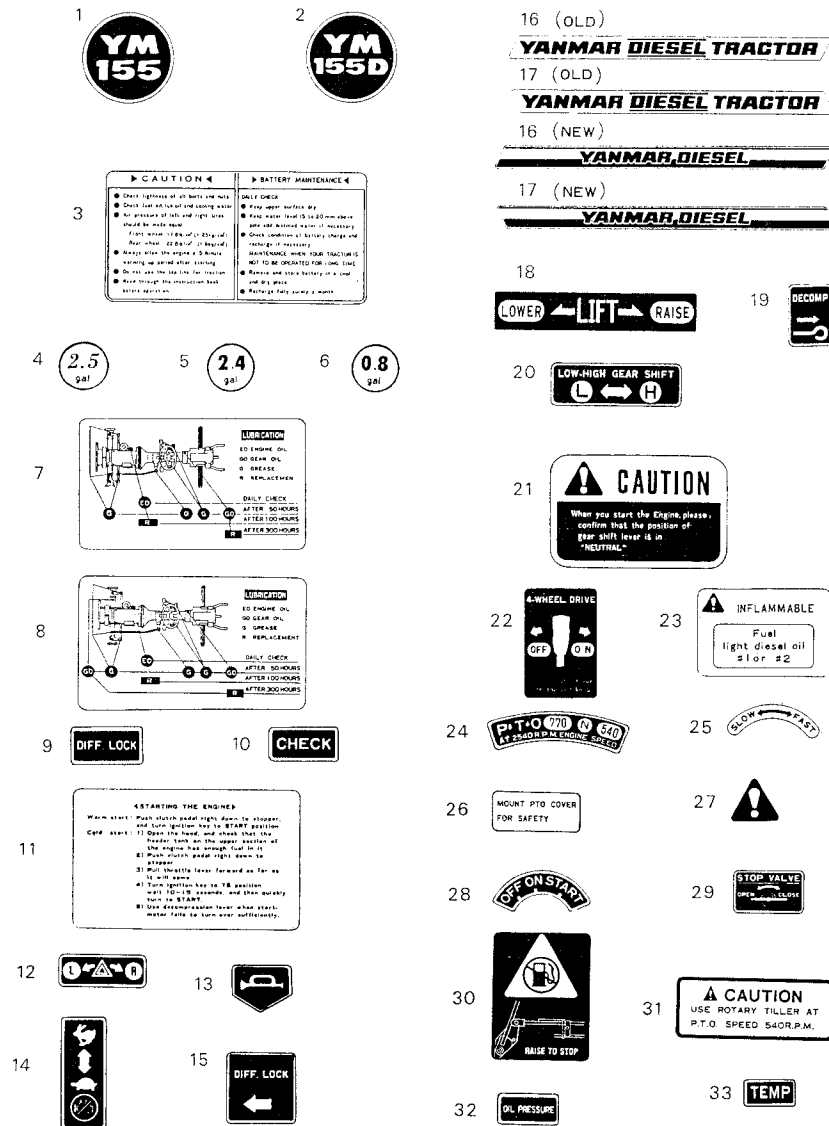
Fig. 98 LABELS (FRANCE) [YM155, YM155D]

M E M O

Refer. No.	Description	Part No.	Qty/Unit			Sales Unit	Inter-changeability	Design-change Mark	Remarks
			YM155	YM155D	YM135				
98- 18	LABEL, decompression indication	194340-98270	1	1					
98- 19	LABEL, clutch handling	194340-98280	1	1					
98- 20	LABEL, gear oil indication	194240-98290	1	1					
98- 21	LABEL, lubrication	194240-98300	1						
98- 22	LABEL, lubrication	194240-98310		1					
98- 23	LABEL, handling caution	194240-98320	1	1					
98- 24	LABEL, air pressure	194240-98330	1	1					
98- 25	LABEL, PDF	194340-98340	1	1					
98- 26	LABEL, 4-wheel driving	194341-98350		1					
98- 27	LABEL, differential lock	194240-98360	1	1					
98- 28	LABEL, subtransmission	194340-98370	1	1					
98- 29	LABEL, hyd. lift indication	194240-98380	1	1					
98- 30	LABEL, oil press. stop	194340-98390	1	1					
	LABEL, oil press. stop	194340-98391	1	1		N			
98- 31	LABEL, engine starting	194240-98400	1	1					
98- 32	LABEL, PTO cover	194240-98410	1	1					
98- 33	LABEL, slow return	194340-98420	1	1					
	LABEL, slow return	194340-98421	1	1		N			

Fig. 99 LABELS (ENGLAND) [YM155, YM155D]

Fig. 99 LABELS (ENGLAND) [YM155, YM155D]



Refer. No.	Description	Part No.	Qty. Unit				Interchangeability	Design-change Mark	Remarks
			YM155	YM155D	YM155	YM155D			
99- 1	LABEL, side mark	194340-64720	2						
99- 2	LABEL, side mark	194341-64720		2					
99- 3	LABEL, caution	194340-65200	1	1					
99- 4	LABEL, gear oil	194340-65300	1						
99- 5	LABEL, gear oil	194341-65300		1					
99- 6	LABEL, 4-wheel oil	194341-65311	1						
99- 7	LABEL, lubrication	194340-65320	1						
99- 8	LABEL, lubrication	194341-65320		1					
99- 9	LABEL, diff. pilot	194340-65330	1	1					
99- 10	LABEL, check	194340-65340	1	1					
99- 11	LABEL, engine starting	194370-65350	1	1					
99- 12	LABEL, flusher	194150-65360	1	1					
99- 13	LABEL, horn switch	194130-65380	1	1					
99- 14	LABEL, throttle lever	194240-65432	1	1					
99- 15	LABEL, differential lock	194340-65441	1	1					
99- 16	LABEL (L)	194345-65500	1	1				YANMAR DIESEL TRACTOR	
	LABEL (L)	194345-65501	1	1			N	YANMAR DIESEL	
99- 17	LABEL (R)	194340-65510	1	1					
	LABEL (R)	194345-65511	1	1			N		
99- 18	LABEL, hyd. lift indication	194240-65510	1	1					
99- 19	LABEL, decompression indication	194340-65590	1	1					
99- 20	LABEL, subtransmission	194340-65601	1	1					
99- 21	LABEL, transmission caution	194240-65620	1	1					
99- 22	LABEL, 4-wheel driving	194341-65661		1					

Fig. 99 LABELS (ENGLAND) [YM155, YM155D]

M E M O

Refer. No.	Description	Part No.	Qty/Unit			Sales Unit	Inter-change ability	Design-change Mark	Remarks
			YM155	YM155D	YM155				
99- 23	LABEL, fuel	194240-65670	1	1					
99- 24	LABEL, P.T.O.	194340-65670	1	1					
99- 25	LABEL, slow return	194340-65690	1	1					
99- 26	LABEL, PTO cover	194240-65710	1	1					
99- 27	LABEL, caution	194240-65720	1	1					
99- 28	LABEL, key switch	194340-65720	1	1					
99- 29	LABEL, oil press. stop	194340-65750	1	1					
99- 30	LABEL, engine stop	194340-65770	1	1					
99- 31	LABEL, P.T.O. caution	194340-65780	1	1					
99- 32	LABEL, oil pressure	194081-99230	1	1					
99- 33	LABEL, water pilot	194190-99240	1	1					

Fig. 100 LABELS (PORTUGAL) [YM155,YM155D]

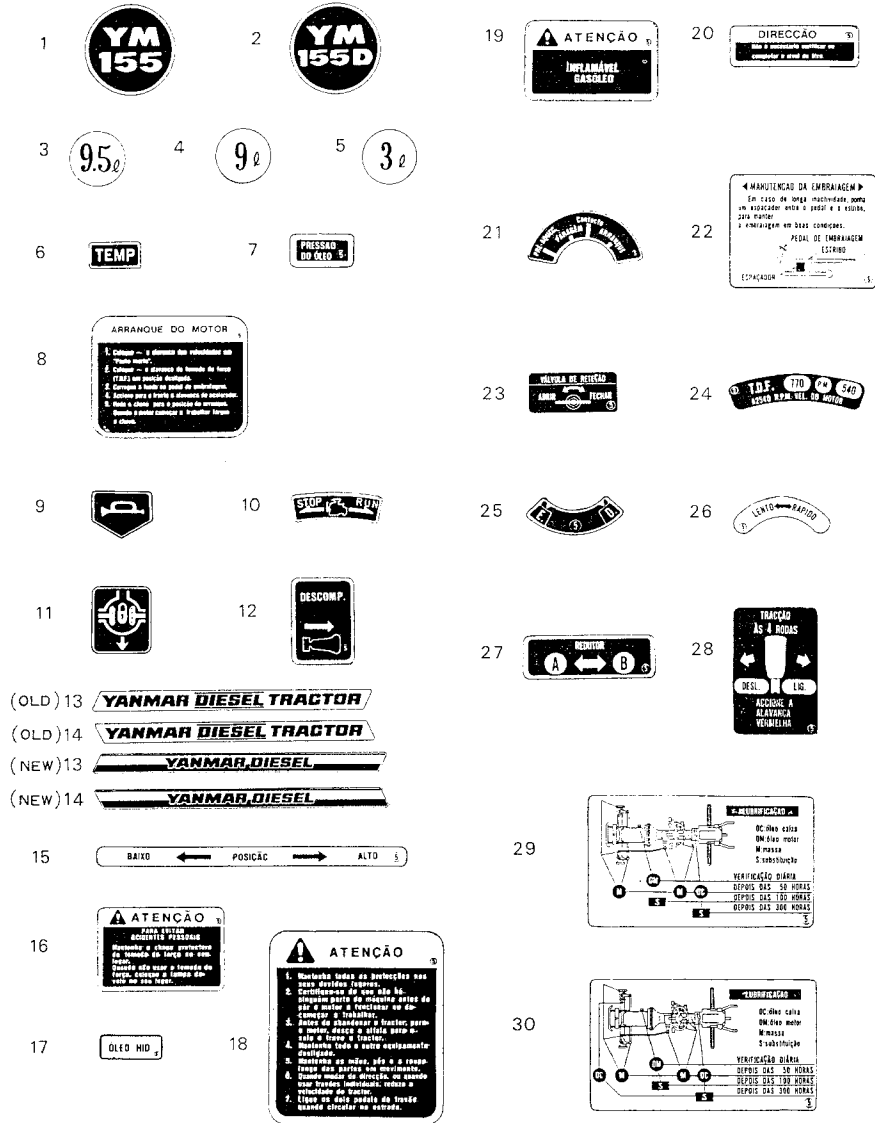


Fig. 100 LABELS (PORTUGAL) [YM155,YM155D]

Refer. No.	Description	Part No.	Qty. Unit				Sales Unit	Inter-change ability	Design-change Mark	Remarks
			YM155	YM155D	YM155	YM155D				
100- 1	LABEL, side mark	194340-64720	2							
100- 2	LABEL, side mark	194341-64720		2						
100- 3	LABEL, gear oil	194200-65300	1							
100- 4	LABEL, gear oil	194210-65300		1						
100- 5	LABEL, 4-wheel oil	194211-65310		1						
100- 6	LABEL, water pilot	194446-65321	1	1						
100- 7	LABEL, oil pressure	194242-65330	1	1						
100- 8	LABEL, engine starting	194242-65350	1	1						
100- 9	LABEL, horn switch	194130-65380	1	1						
100-10	LABEL, throttle lever	194240-65432	1	1						
100-11	LABEL, differential lock	194340-65441	1	1						
100-12	LABEL, decompression indication	194242-65450	1	1						
100-13	LABEL (L)	194345-65500	1	1					YANMAR DIESEL TRACTOR	
	LABEL (L)	194345-65501	1	1				N	YANMAR DIESEL	
100-14	LABEL (R)	194340-65510	1	1						
	LABEL (R)	194345-65511	1	1				N		
100-15	LABEL, hyd. lift indication	194242-65510	1	1						
100-16	LABEL, caution	194242-65620	1	1						
100-17	LABEL, gear oil	194242-65630	1	1						
100-18	LABEL, caution	194242-65660	1	1						
100-19	LABEL, fuel	194242-65670	1	1						
100-20	LABEL, steering	194242-65690	1	1						
100-21	LABEL, key switch	194242-65720	1	1						
100-22	LABEL, clutch caution	194340-65810	1	1						

Fig. 100 LABELS (PORTUGAL) [YM155, YM155D]

M E M O

Refer. No.	Description	Part No.	Q'ty/Unit				Sales Unit	Inter-change ability	Design-change Mark	Remarks
			YM155	YM155D	YM135	YM135D				
100-23	LABEL, oil press. stop	194340-65820	1	1						
100-24	LABEL, T.D.F.	194340-65830	1	1						
100-25	LABEL, flusher	194340-65840	1	1						
100-26	LABEL, slow return	194340-65850	1	1						
100-27	LABEL, subtransmission	194340-65860	1	1						
100-28	LABEL, 4-wheel driving	194341-65870		1						
100-29	LABEL, lubrication	194340-65880	1							
100-30	LABEL, lubrication	194341-65880		1						

Fig. 101 LABELS (U.S.A.) [YM135, YM135D]

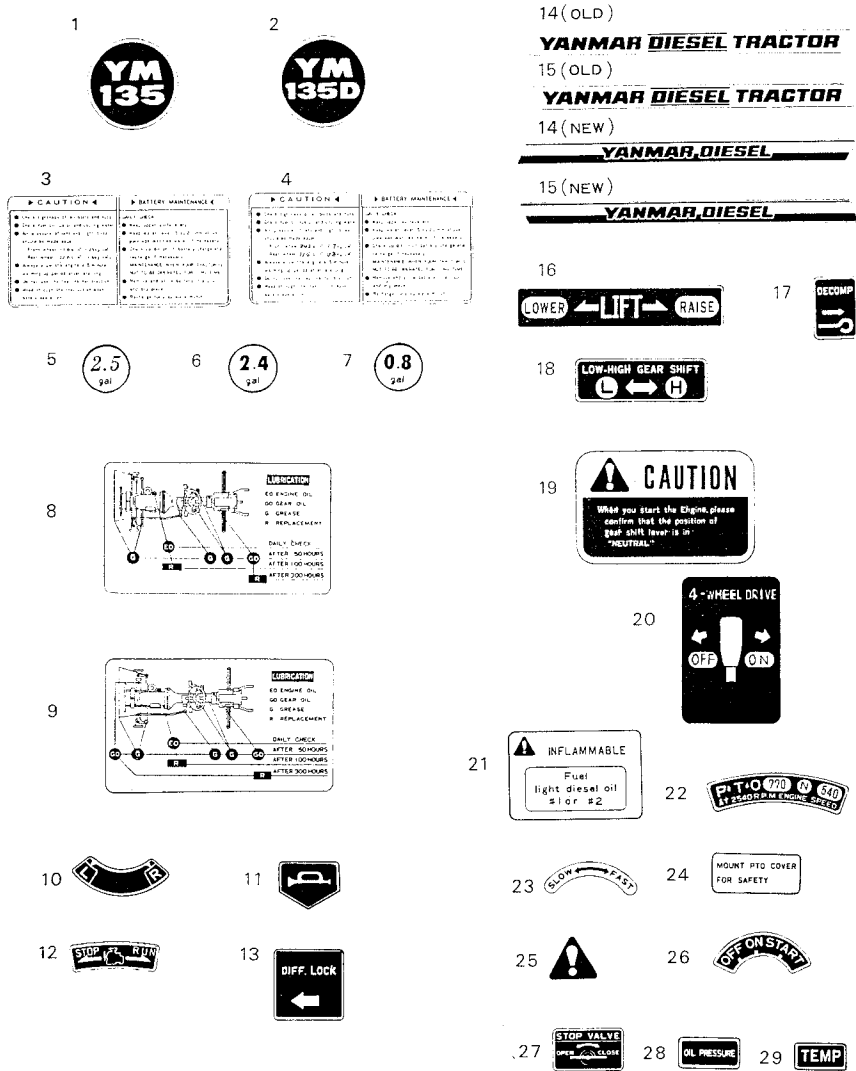


Fig. 101 LABELS (U.S.A.) [YM135, YM135D]

Refer. No.	Description	Part No.	Qty/Unit				Sales Unit	Inter-changeability	Design-change Mark	Remarks
			YM135	YM135D	YM135	YM135D				
101- 1	LABEL, side mark	194390-64720			2					
101- 2	LABEL, side mark	194391-64720			2					
101- 3	LABEL, caution	194390-65200								
101- 4	LABEL, caution	194390-65210			1	1				
101- 5	LABEL, gear oil	194340-65300			1					
101- 6	LABEL, gear oil	194341-65300				1				
101- 7	LABEL, 4-wheel oil	194341-65311				1				
101- 8	LABEL, lubrication	194340-65320			1					
101- 9	LABEL, lubrication	194341-65320				1				
101-10	LABEL, flusher	194150-65360			1	1				
101-11	LABEL, horn switch	194130-65380			1	1				
101-12	LABEL, throttle lever	194240-65430			1	1				
101-13	LABEL, differential lock	194340-65441			1	1				
101-14	LABEL (L)	194345-65500			1	1			YANMAR DIESEL TRACTOR	
	LABEL (L)	194390-65501			1	1		N	YANMAR DIESEL	
101-15	LABEL (R)	194340-65510			1	1				
	LABEL (R)	194390-65511			1	1		N		
101-16	LABEL, hyd. lift indication	194240-65510			1	1				
101-17	LABEL, decompression indication	194340-65590			1	1				
101-18	LABEL, subtransmission	194340-65601			1	1				
101-19	LABEL, transmission caution	194240-65620			1	1				
101-20	LABEL, 4-wheel driving	194341-65661				1				

Fig. 101 LABELS (U.S.A.) [YM135, YM135D]

M E M O

Refer. No.	Description	Part No.	Q'ty/Unit			Sales Unit	Inter-change ability	Design-change Mark	Remarks
			YM135	YM135D	YM135				
101-21	LABEL, fuel	194240-65670			1	1			
101-22	LABEL, P.T.O.	194340-65670			1	1			
101-23	LABEL, slow return	194340-65690			1	1			
101-24	LABEL, PTO cover	194240-65710			1	1			
101-25	LABEL, caution	194240-65720			1	1			
101-26	LABEL, key switch	194340-65720			1	1			
101-27	LABEL, oil press. stop	194340-65750			1	1			
101-28	LABEL, oil pressure	194081-99230			1	1			
101-29	LABEL, water pilot	194190-99240			1	1			

Fig. 102 LABELS (FRANCE) [YM135,YM135D]

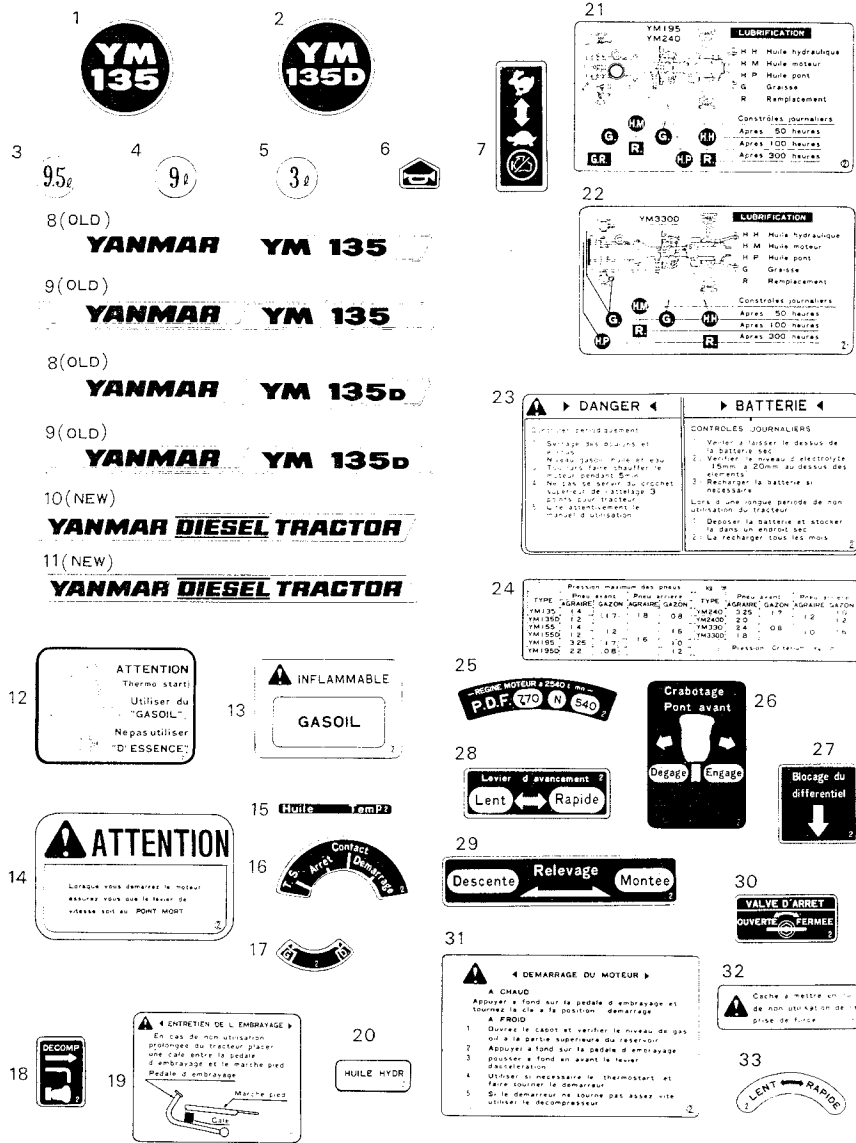


Fig. 102 LABELS (FRANCE) [YM135,YM135D]

Refer. No.	Description	Part No.	Qty/Unit				Sales Unit	Inter-changeability	Design-change Mark	Remarks
			YM135	YM135D	YM135	YM135D				
102- 1	LABEL, side mark	194390-64720			2					
102- 2	LABEL, side mark	194391-64720			2					
102- 3	LABEL, gear oil	194200-65300			1					
102- 4	LABEL, gear oil	194210-65300			1					
102- 5	LABEL, 4-wheel oil	194211-65310			1					
102- 6	LABEL, horn switch	194130-65380			1					
102- 7	LABEL, throttle lever	194240-65431			1					
	LABEL, throttle lever	194240-65432			1			N		
102- 8	LABEL (L)	194390-65500			1					
	LABEL (L)	194391-65500			1					
102- 9	LABEL (R)	194390-65510			1					
	LABEL (R)	194391-65510			1					
102-10	LABEL (L)	194390-65501			1					
102-11	LABEL (R)	194390-65511			1					
102-12	LABEL, fuel	194340-66320			1					
102-13	LABEL, fuel level indication	194240-98220			1					
102-14	LABEL, transmission caution	194240-98230			1					
102-15	LABEL, pilot	194340-98240			1					
102-16	LABEL, key switch	194240-98250			1					
102-17	LABEL, flusher	194240-98260			1					

Fig. 102 LABELS (FRANCE) [YM135,YM135D]

M E M O

Refer. No.	Description	Part No.	Q'ty/Unit			Sales Unit	Inter-change ability	Design-change Mark	Remarks
			YM155	YM155D	YM135				
102-18	LABEL, decompression indication	194340-98270			1	1			
102-19	LABEL, clutch handling	194340-98280			1	1			
102-20	LABEL, gear oil indication	194240-98290			1	1			
102-21	LABEL, lubrication	194240-98300			1				
102-22	LABEL, lubrication	194240-98310				1			
102-23	LABEL, handling caution	194240-98320			1	1			
102-24	LABEL, air pressure	194240-98330			1	1			
102-25	LABEL, PDF	194340-98340			1	1			
102-26	LABEL, 4-wheel driving	194341-98350				1			
102-27	LABEL, differential lock	194240-98360			1	1			
102-28	LABEL, subtransmission	194340-98370			1	1			
102-29	LABEL, hyd. lift indication	194240-98380			1	1			
102-30	LABEL, oil press. stop	194340-98390			1	1			
	LABEL, oil press. stop	194340-98391			1	1	N		
102-31	LABEL, engine starting	194240-98400			1	1			
102-32	LABEL, PTO cover	194240-98410			1	1			
102-33	LABEL, slow return	194340-98421			1	1			

Fig. 105 ROLL BAR

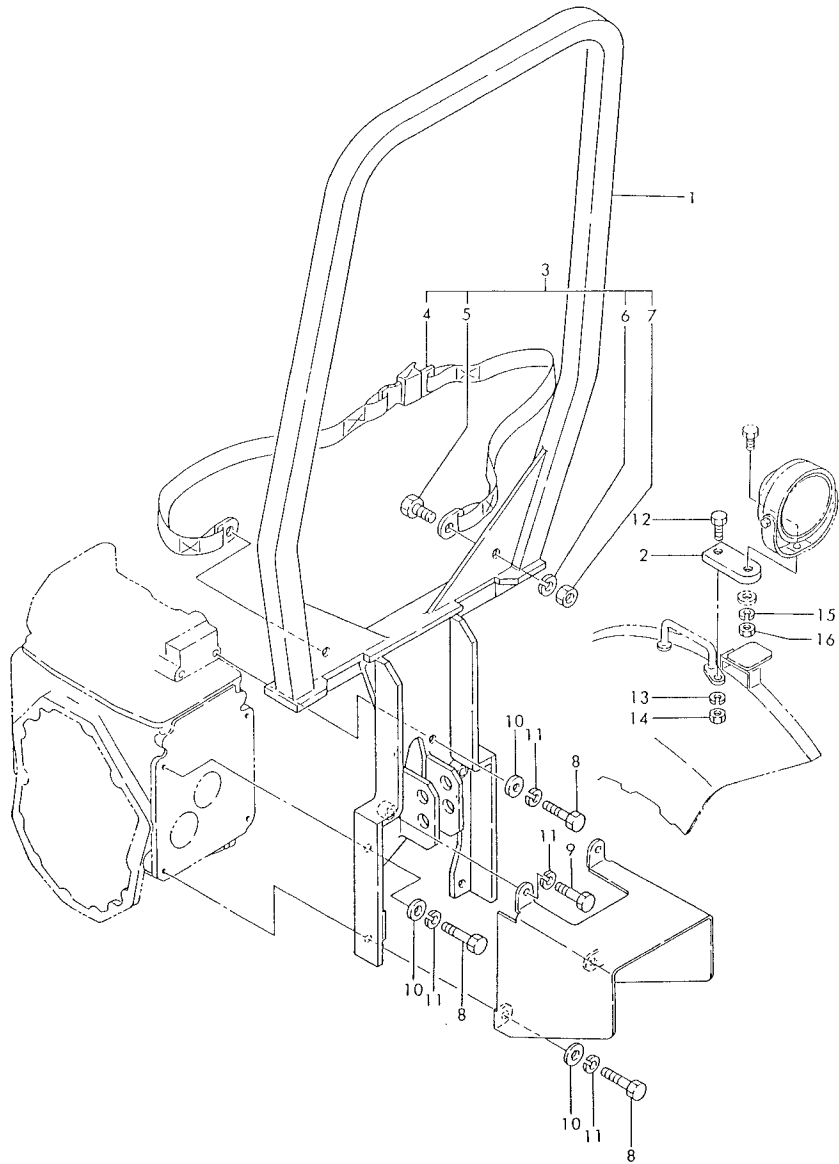


Fig. 105 ROLL BAR

(A)=YM155 (C)=YM135
(B)=YM155D (D)=YM135D

Ref No.	lev.	O	PART NO.	DESCRIPTION	A	B	C	D	P/U	REMARKS
1	.		2 - 12840	ROLL BAR WELDMENT	1	1	1	1		
2	.		1 - 26629	BRACKET, LIGHT	1	1	1	1		
3	.		4 - 11790	SEAT BELT KIT	1	1	1	1		
4	..		3 - 10287	SEAT BELT	1	1	1	1		
5	..		3 - 10045	SCREW, HEX CAP 0,437-14X1,00	2	2	2	2		
6	..		3 - 10152	WASHER, LOCK 0,437	2	2	2	2		
7	..		3 - 10066	NUT, HEX 0,437-14NC	2	2	2	2		
8	.		3 - 12356	SCREW M12X35X1,75	6	6	6	6		
9	.		3 - 10046	SCREW, HEX CAP	2	2	2	2		
10	.		3 - 10087	WASHER, FLAT 0,500	6	6	6	6		
11	.		3 - 10079	WASHER, LOCK 0,500	8	8	8	8		
12	.		3 - 10386	SCREW, HEX CAP 0,312X18X0,750	1	1	1	1		
13	.		3 - 10077	WASHER, LOCK 0,312	1	1	1	1		
14	.		3 - 10064	NUT, HEX 0,312X18NC	1	1	1	1		
15	.		22217 - 080000	SPRING WASHER 8	1	1	1	1		
16	.		26716 - 080002	NUT M8	1	1	1	1		

Alphabetical Index

Fig.No

A			C conti.			F			H		
81	Adjustment Shaft, Lift link	81	Check chains	9	Fan	61, 65	Harness, wiring rear lights				
14, 15	Aid, starting	4, 4A	Cleaner, Air	9	Fan belt	1	Head gasket				
4, 4A	Air Cleaner	30, 32	Clutch disc	73, 77	Fenders	3	Head, cylinder				
14	Alternator	30, 32	Clutch drive shaft	12	Filter, fuel	81	Hitch, 3 point				
16	Alternator components	30, 32	Clutch housing	8	Filter, oil	67, 71	Hood				
14	Alternator, bracket adjusting	30, 32	Clutch pedal	60	Filter, hyd. oil	9	Hose, radiator				
14	Alternator, strap	7	Connecting rod	41, 43	Final drive gear	61, 65	Hourmeter				
39, 40	Arm, shifter range box	59	Control valve, lift arm	84	Flasher	25, 26	Housing, front Axle 135D,155D				
58	Arm, lift	67, 71	Cover, front light	6	Flywheel	47	Housing, brake				
81	Arm, 3 point	3	Cover, rocker arm	39, 40	Fork, PTO shifter	30, 32	Housing, clutch				
3	Arm, rocker	34	Cover, transmission	39, 40	Fork, Range shifter	59	Housing, control valve				
28, 29	Arm, steering	67, 71	Cowl	23,24,25,26	Frame, side	41, 43	Housing, differential (Rear)				
15	Armature, starter	6	Crankshaft	23, 24	Front axle 135,155	41, 43	Housing, rear axle				
58	Arms, rockshaft	1	Cylinder block	25, 26	Front axle 135D, 155D	58	Housing, lift arm				
41,43	Axle housing, rear	3	Cylinder head	50, 54	Front hub, wheel 135, 155	50, 54	Hub, front 135, 155				
23, 24	Axle, front 135,155	1	Cylinder liner	51, 55	Front hub, wheel 135D, 155D	51, 55	Hub, front 135D, 155D				
25, 26, 27	Axle, front 135D,155D			61, 65	Front lights	59	Hydraulic control valve				
41, 43	Axle, rear			94, 95	Front PTO electric	58	Hydraulic lift cylinder				
		96, 101	D								
		18, 20	Decals, chassis	23,24,25,26	Front weight support						
		3	Decompression control	39, 40	Front wheel dr. shifter						
61, 65	Battery	27, 41, 43	Decompression linkage	50, 54	Front wheel bearings 135, 155	67, 71					
61, 65	Battery, cable	41, 43	Differential bevel gear	51, 55	Front wheel bearings 135D, 155D						
61, 65	Battery, clamp	27	Differential housing, rear	12	Fuel filter						
6	Bearing, main	44, 46	Differential housing, front	11	Fuel injection nozzle	61, 65					
50, 54	Bearing, front wheel 135,155	44, 46	Differential lock pedal	12	Fuel injection lines	103					
27	Bearing, front wheel 135D,155D	44, 46	Differential lock shaft	10	Fuel injection pump	104					
9	Belt, fan	1	Dipstick, engine	11	Fuel injector holder						
1	Block, Cylinder	34	Dipstick, transmission	21, 22	Fuel tank						
1	Block, Cylinder parts	30, 32	Disc, clutch	61, 65	Fuse box	96,101					
73, 77	Bracket, seat	81	Draft link support	61, 65	Fuses	59					
47, 49	Brake drum	28, 29	Drag link			39, 40					
41, 43	Brake housin g	79	Drawbar			58					
47, 49	Brake pedal	79	Drawbar support	104							
47, 49	Brake shaft	27	Drive shaft, front	1	G						
47, 49	Brake shoes	47, 49	Drum, brake	5	Gasket, replacement kit	61, 65					
61, 65	Bulds			2	Gasket, head	61, 65					
		4	E								
61, 65	Cable, battery	12	Element, air cleaner	27, 41, 43	Gear, differential bevel	1					
5	Camshaft	4	Element, fuel filter	41, 43	Gear, final drive	60					
34	Case, transmission	4	Exhaust manifold	36, 38	Gear, front drive	81, 82					
15	Center housing, starter	4	Exhaust pipe	36, 38	Gear, transmission	18, 20					
				13	Governor, fuel						
				67, 71	Grille						

	M		R		S conti.
6	Main bearing	9	Radiator	61, 65	Switch, light
4	Manifold, exhaust	9	Radiator hose	23	Switch, pressure
34	Master PTO shield	23, 24, 25, 26	Radiator support	94	Switch, PTO front
4	Muffler	41, 43	Rear axle	61, 65	Switch, Starter
		41, 43	Rear axle housing	9	Switch, temperature
	N	13	Regulator		
11	Nozzle, fuel injection	50, 51, 54, 55	Rim, ag tire		T
		91, 92, 93	Rim, turf tire	21, 22	Tank, fuel
	O	7	Rings, piston	17	Tank, starting aid
8	Oil filter element, engine	3	Rocker arm & shaft	9	Temperature switch
60	Oil filter, hydraulic	3	Rocker arm cover	17	Thermostat
8	Oil lines, engine	58	Rockshaft arms	18, 20	Throttle
60	Oil lines, hydraulic	59	Rockshaft control valve	23, 24, 25, 26	Tie rod
1	Oil pan	58	Rockshaft housing cover	2	Timing gear housing
8	Oil pump, engine	58	Rockshaft piston	50, 51, 54, 55	Tires, Ag
2	Oil pump, hydraulic	7	Rod, connecting	91, 92, 93	Tires, turf
		105	Roll Bar	90	Tools
	P			81, 82	Top link
1	Pan, oil		-S-	34	Transmission case
67, 71	Panci, instrument	61, 65	Safety switch	28, 29	Tube, steering
47, 49	Pedal, brake	73, 77	Seat	61, 65	Turn signal switch
30, 32	Pedal, clutch	36, 38	Shaft, main drive		
44, 46	Pedal, dif lock	39, 40	Shaft, speed shifter		V
27, 41, 43	Pinion, bevel	34	Shield, PTO master	3	Valve, engine
7	Piston	39, 40	Shifter fork	59	Valve, rockshaft control
7	Piston rings	39, 40	Shifter, range arm		
58	Piston, rockshaft	47, 49	Shoe, brake		W
4A	Pre cleaner	23, 24, 25, 26	Side frame	50, 52	Wheel bearing 135, 155(Front)
8	Pressure switch, oil	19, 20	Speed control linkages	27	Wheel bearing 135D, 155D(Front)
94, 95	PTO, front	2	Speed hour meter drive	41, 43	Wheel bearing (Rear)
34	PTO, master shield	55	Spindle 135D	28, 29	Wheel, steering
33	PTO, overrunning clutch	51	Spindle 155D	85	Working Light
33	PTO, shaft	14, 15	Starter		
39, 40	PTO, shifter fork	15	Starter, armature		
6	Pulley, crankshaft	61, 65	Starter switch		
10	Pump, fuel injection	14	Starting aid		
2	Pump, hydraulic	28, 29	Steering housing		
9	Pump, engine oil	28, 29	Steering tube		
5	Push rod	73, 77	Steps		
		14	Strap, alternator		
		79	Support, drawbar		
		61, 65	Switch, key		

NUMERICAL PART NO. LIST

ENGINE PARTS

NUMERICAL PART NO. LIST

Part No.	Description	Refer. No.	Qty/Unit		Remarks
			2T13A	2T73A	
101147-12550	WING NUT	4- 3	1	1	
101147-12550	WING NUT	4A-14	1	1	
101147-59810	BOLT, swivel pipe joint	12- 31	2	2	
101158-11190	COTTER, valve	3- 11	4	4	
101158-11230	SCREW, valve clearance	3- 28	4	4	
101204-11450	PACKING	3- 33	4	4	
101204-11450	PACKING, chamber	104-13	4	4	
101204-11452	PACKING	3- 33	4	4	
101204-11452	PACKING, chamber	104-13	4	4	
101304-59020	JOINT, swivel pipe	12- 23	1	1	
101720-55750	PLUG, fuel strainer air venting	12- 2	2	2	
102103-55520	O-RING, fuel strainer cover	12- 12	1	1	
102103-55520	O-RING, fuel strainer	104-25	1	1	
103338-01240	WASHER, lock nut	1- 7	6	6	
103338-01240	WASHER, lock nut	1- 7	2	2	
103338-11430	PIN, front pre-combustion	3- 32	2	2	
103338-32570	O-RING	8- 4	1	1	
103338-32570	O-RING, lub. oil pump	104-18	1	1	
103854-11490	INSULATOR	3- 34	2	2	
103854-11490	INSULATOR	104-14	2	2	
103854-11900	FLANGE, fuel injection valve	3- 35	2	2	
103854-13580	CLAMP	4- 16	1	1	
103854-53100	BODY, valve holder	11- 4	2	2	
103854-53120	SPRING, valve	11- 6	2	2	
103854-53180	RETAINER, valve spring	11- 9	2	2	
103854-59191	BOLT ASS'Y	12- 25	1	1	
103854-66420	BOLT, regulator	13- 25	1	1	
104200-59170	PACKING 12, copper	12- 29	2	2	
104060-01511	PACKING, gear case	2- 8	1	1	
104200-03600	SHAFT, decompression	3- 41	2	2	
104200-03641	SPRING, decompression	3- 42	2	2	
104200-11100	VALVE, suction	3- 2	2	2	
104200-11110	VALVE, exhaust	3- 3	2	2	
104200-11180	RETAINER, valve spring	3- 10	4	4	
104200-11350	STUD	3- 5	2	2	
104200-11410	CHAMBER (REAR),	3- 30	2	2	
104200-11420	CHAMBER (FRONT) w/PIN	3- 31	2	2	
104200-14200	TAPPET	5- 4	4	4	
104200-22300	PIN, piston	7- 6	2	2	
104200-53080	NUT, valve fitting	11- 3	2	2	
104200-55321	TAPER VALVE	12- 5	1	1	
104200-55330	VALVE SPRING	12- 6	1	1	
104200-55750	LOCK SCREW, cock handle	12- 8	1	1	
104200-59170	PACKING, pipe	104-26	2	2	
104200-61200	WEIGHT, governor	13- 1	2	2	

NUMERICAL PART NO. LIST

Part No.	Description	Refer. No.	Qty/Unit		Remarks
			2T13A	2T73A	
104211-11370	RETAINER, valve	3- 36	2	2	
104299-55341	HANDLE, fuel cock	12- 4	1	1	
104300-01220	NUT, cylinder head lock	1- 6	6	6	
104300-01220	NUT, cylinder head lock	1- 6	2	2	
104300-76460	NUT, camshaft gear fitting	5- 3	1	1	
104500-23201	BOLT	7- 9	4	4	
104500-55510	BOWL, fuel strainer	12- 10	1	1	
104500-55710	ELEMENT, fuel strainer	12- 9	1	1	
104500-55710	ELEMENT, fuel strainer	103-10	1	1	
104660-22300	PIN, piston	7- 6	2	2	
105582-21950	BOLT, V-pulley	6- 8	1	1	
106100-11350	STUD	3- 5	2	2	
106200-11400	CHAMBER (FRONT) w/PIN	3- 31	2	2	
110250-53150	SHIM, valve spring adjusting	11- 8	2	2	
110250-55610	RETAINER, strainer element	12- 11	1	1	
113200-53110	SPINDLE, inter	11- 5	2	2	
113200-53120	SPRING SHOE, valve	11- 7	2	2	
114060-21660	WASHER, V-pulley	6- 7	1	1	
121023-77910	PLUG, thermostart	17- 1	1	1	
121023-77910	PLUG, thermostart	103-11	1	1	
121250-01710	BOLT M8 x 14, lower cover	1- 39	12	12	
121250-13571	PIPE, 2nd silencer	4- 15	1	1	
121250-13571	PIPE, 2nd silencer	4- 15	1	1	
121250-13571	PIPE, silencer	4- 15	1	1	
121250-13580	CLAMP	4- 16	1	1	
121250-35300	VALVE ASS'Y, pressure control	8- 12	1	1	
121250-35320	SPRING, pressure adjusting	8- 14	1	1	
121250-35330	SPRING SHOE, pressure	8- 15	1	1	
121250-35340	SHIM	8- 16	1	1	
121450-01960	PLUG PFI/4	1- 2	1	1	
121450-14120	NUT	5- 3	1	1	
121454-13651	PIPE, silencer	4- 15	1	1	
121462-01650	STUD, starter motor	1- 24	2	2	
121470-13580	CLAMP	4- 16	1	1	
121550-02110	MAIN BEARING	6- 11	1	1	
121550-02110	MAIN BEARING, V-pulley side	6- 13	1	1	
121750-01920	PLUG	1- 36	1	1	
122117-51560	LOCK SCREW, fuel control	10- 21	1	1	
124060-01050	PLUG PFI/8	1- 12	6	6	
124060-01200	STUD(A), cylinder head	1- 4	5	5	
124060-01200	STUD(A), cylinder head	1- 4	1	1	
124060-01201	BOLT, cyl. head	1- 38	4	4	
124060-01300	PACKING, cylinder liner	1- 34	4	4	
124060-01300	PACKING, cyl. liner	104- 5	4	4	
124060-01330	GASKET, cylinder head	1- 35	1	1	

NUMERICAL PART NO. LIST

Part No.	Description	Refer. No.	Qty/Unit		Remarks
			2TR13A	2T73A	
124060-01330	GASKET, cyl. head	104- 6	1		
124060-01511	PACKING, gear case	2- 8	1	1	
124060-01511	PACKING, gear case	104- 7	1	1	
124060-01512	PACKING, gear case	2- 8	1	1	
124060-01512	PACKING, gear case	104- 7	1	1	
124060-01530	PACKING, cover	2- 16	1	1	
124060-01531	PACKING, cover	2- 16	1	1	
124060-01531	PACKING, cover	104- 8	1	1	
124060-01532	PACKING, cover	2- 16	1	1	
124060-01532	PACKING, cover	104- 8	1	1	
124060-01540	CONNECTOR, lub. oil feed	1- 10	1	1	
124060-01550	FLANGE, timing gear case	1- 20	1	1	
124060-01551	FLANGE, timing gear case	1- 20	1	1	
124060-01560	PACKING, flange	1- 21	1	1	
124060-01560	PACKING, flange	104- 3	1	1	
124060-01570	BRACKET, bolt	2- 21	1	1	
124060-01580	STUD	2- 47	4	4	
124060-01601	FLANGE, mounting	1- 23	1	1	
124060-01602	FLANGE, mounting	1- 23	1	1	
124060-01640	PLUG	1- 14	1	1	
124060-01650	STUD, starter motor	1- 24	2	2	
124060-01660	PARALLEL PIN 8 x 22	1- 9	1	1	
124060-01732	COVER, cylinder lower	1- 13	1	1	
124060-01741	PACKING, cyl. lower cover	104- 2	1	1	
124060-01742	PACKING, cylinder lower cover	1- 16	1	1	
124060-01742	PACKING, cyl. lower cover	104- 2	1	1	
124060-01881	PACKING, hydraulic oil pump	2- 34	1	1	
124060-01882	PACKING, hydraulic	2- 34	1	1	
124060-01882	PACKING, oil pump	104-10	1	1	
124060-01883	PACKING, hydraulic	2- 34	1	1	
124060-01883	PACKING, oil pump	104-10	1	1	
124060-01900	BUSH, regulator handle shaft	2- 5	1	1	
124060-01910	BUSH, governor lever shaft	2- 6	1	1	
124060-02020	BACKING, main bearing housing	6- 15	1	1	
124060-02100	MAIN BEARING	6- 11	1	1	
124060-02100	MAIN BEARING, V-pulley side	6- 13	1	1	
124060-02101	MAIN BEARING	6- 11	1	1	
124060-02101	MAIN BEARING, V-pulley side	6- 13	1	1	
124060-02110	THRUST BEARING	6- 14	2	2	
124060-02220	OIL SEAL, crankshaft	6- 12	1	1	
124060-03080	PLATE, breather baffle	2- 12	1	1	
124060-03200	JOINT, pipe	2- 14	1	1	
124060-03750	LEVER, decompression	3- 43	2	2	
124060-03760	CONNECTOR	3- 44	1	1	
124060-07300	POINTER, V-pulley	2- 9	1	1	

NUMERICAL PART NO. LIST

Part No.	Description	Refer. No.	Qty/Unit		Remarks
			2TR13A	2T73A	
124060-11120	SPRING	3- 9	4	4	
124060-11160	VALVE GUIDE, suction	3- 7	2	2	
124060-11170	VALVE GUIDE, exhaust	3- 8	2	2	
124060-11260	SUPPORT, valve rocker arm	3- 37	2	2	
124060-11280	PIN, support	3- 55	2	2	
124060-11290	WASHER, valve rocker arm	3- 38	4	4	
124060-11310	PACKING, bonnet (Sheet type)	3- 51	1	1	
124060-11311	PACKING, bonnet (O-Ring type)	3- 51	1	1	
124060-11311	PACKING, bonnet	104-15	1	1	
124060-11510	PLUG PT1/2	3- 4	1	1	
124060-12020	BRACKET, air cleaner	4- 12	1	1	
124060-12030	PACKING, bracket	4- 29	1	1	
124060-12030	PACKING, cleaner bracket	104-17	1	1	
124060-12501	AIR CLEANER	4- 1	1	1	
124060-12502	AIR CLEANER	4- 1	1	1	
124060-12510	ELEMENT, air cleaner	4- 2	1	1	
124060-12520	RETAINER, air cleaner	4- 6	1	1	
124060-12521	RETAINER, air cleaner	4- 6	1	1	
124060-12530	PIPE, air intake to cleaner	4- 10	1	1	
124060-13811	1st SILENCER, exhaust	4- 26	1		
124060-14010	CAMSHAFT	5- 1	1	1	
124060-14090	CAM, fuel	5- 9	2	2	
124060-14100	GEAR, camshaft	5- 2	1	1	
124060-14400	PUSH ROD, valve	5- 5	4	4	
124060-14470	WASHER	5- 11	1	1	
124060-14950	SPACER, fuel cam	5- 10	1	1	
124060-21200	GEAR, crankshaft	6- 5	1	1	
124060-21590	PLYWHEEL w/RING GEAR	6- 18	1	1	
124060-21600	RING GEAR	6- 19	1	1	
124060-21680	SHAFT, front P.T.O.	6- 22	1	1	
124060-22090	PISTON w/RINGS	7-	2		
124060-23100	BUSH, piston pin	7- 10	2	2	
124060-23201	BOLT, connecting rod	7- 9	4	4	
124060-23300	CRANK PIN BEARING	7- 11	2	2	
124060-26051	BRACKET, hydraulic pump	2- 26	1	1	
124060-26052	BRACKET, hydraulic pump	2- 26	1	1	
124060-26061	PACKING, bracket	2- 32	1	1	
124060-26062	PACKING, bracket	2- 32	1	1	
124060-26062	PACKING, bracket	104- 9	1	1	
124060-26063	PACKING, bracket	2- 32	1	1	
124060-26063	PACKING, bracket	104- 9	1	1	
124060-26101	DRIVING ASS'Y, hydraulic pump	2-	1	1	
124060-26401	SHAFT, pump driving	2- 27	1	1	
124060-26410	RETAINER, bearing	2- 29	1	1	
124060-26420	SPACER, bearing	2- 30	2	2	

NUMERICAL PART NO. LIST

NUMERICAL PART NO. LIST

Part No.	Description	Refer. No.	Qty/Unit		Remarks
			2TR13A	2T73A	
124060-32091	PACKING, Lub. oil pump	8- 8	1	1	
124060-32091	PACKING, lub. oil pump	104-19	1	1	
124060-32092	PACKING, Lub. oil pump	8- 8	1	1	
124060-32092	PACKING, lub. oil pump	104-19	1	1	
124060-32130	WASHER	8- 10	2	2	
124060-32990	PLUG	8- 5	2	2	
124060-34800	DIPSTICK	1- 28	1		
124060-34830	BRACKET, dipstick	1- 29	1	1	
124060-34840	PACKING, bracket	1- 30	1	1	
124060-34841	PACKING, bracket	1- 30	1	1	
124060-34841	PACKING, bracket	104- 4	1	1	
124060-34842	PACKING, bracket	1- 30	1	1	
124060-34842	PACKING, bracket	104- 4	1	1	
124060-35060	PIPE, lub. oil intake	8- 18	1	1	
124060-39200	PIPE, lub. oil	8- 20	1	1	
124060-39451	SENDER, oil pressure	8- 23	1	1	
124060-39451	SENDER, oil pressure	103- 6	1	1	
124060-44290	V-BELT (A-28 inch)	9- 3	1	1	
124060-44500	RADIATOR	9- 9	1	1	
124060-44510	COCK	9- 32	1	1	
124060-44650	SHOCK ABSORBER, radiator	9- 15	2	2	
124060-44660	COVER(A), air cleaner side	9- 18	1	1	
124060-44670	COVER(B), exhaust silencer	9- 19	1	1	
124060-44680	COVER(C), exhaust silencer	9- 20	1	1	
124060-44690	BRACKET(A), cover (A)	9- 21	1	1	
124060-44700	BRACKET(B), cover (B)	9- 22	1		
124060-44710	SPACER	9- 23	1		
124060-44800	STUD	9- 10	2	2	
124060-49010	PIPE(A), cooling water	9- 7	1	1	
124060-49020	PIPE(B), cooling water	9- 17	1	1	
124060-51100	PLUNGER & BARREL	10- 2	2		
124060-51320	VALVE, delivery	10- 10	2	2	
124060-51500	RACK ASS'Y, fuel control	10- 17	1	1	
124060-55600	STRAINER ASS'Y, fuel	12- 1	1	1	
124060-59012	PIPE ASS'Y	12- 20	1	1	
124060-59101	SPRING, fuel oil pipe	12- 21	1	1	
124060-59380	PLUG, air venting	12- 26	1	1	
124060-59391	BOLT, pipe joint	12- 27	1	1	
124060-59801	PIPE, fuel injection	12- 16	1	1	
124060-59811	PIPE, fuel injection	12- 17	1	1	
124060-59900	CLAMP, fuel injection pipe	12- 18	2	2	
124060-61100	GUIDE, sleeve	13- 5	1	1	
124060-61110	SUPPORT, governor weight	13- 4	1	1	
124060-61120	GEAR, governor	13- 32	1	1	
124060-61130	SPACER, strainer	12- 33	1	1	

Part No.	Description	Refer. No.	Qty/Unit		Remarks
			2TR13A	2T73A	
124060-61130	WASHER, gear	13- 33	1	1	
124060-61500	1st LEVER	13- 8	1	1	
124060-61501	1st LEVER	13- 8	1	1	
124060-61550	NUT, governor gear	13- 34	1	1	
124060-61600	SLEEVE, governor	13- 6	1	1	
124060-61610	SHAFT, 1st lever	13- 9	1	1	
124060-66010	SPRING, regulator	13- 21	1	1	
124060-66040	SHAFT, regulator handle	13- 24	1	1	
124060-66060	HANDLE, regulator	13- 23	1	1	
124060-66070	LEVER, regulator	13- 22	1	1	
124060-66090	LEVER, regulator	13- 22	1	1	
124060-66150	2nd LEVER, governor	13- 20	1	1	
124060-66550	CONTROLLER ASS'Y	13- 12	1	1	
124060-66551	CONTROLLER ASS'Y	13- 12	1	1	
124060-66560	SPRING BODY,	13- 13	1	1	
124060-66570	PIN, fuel injection control	13- 16	1	1	
124060-66571	PIN, fuel injection control	13- 16	1	1	
124060-66580	SPRING, fuel injection control	13- 14	1	1	
124060-66590	WASHER, fuel injection control	13- 15	1	1	
124060-66950	CAP NUT M10	13- 12	1	1	
124060-77010	MOTOR (1.0kW), starting	14- 1	1	1	
124060-77010	STARTING MOTOR (S144-203)	15-	1	1	
124060-77011	MOTOR (1.2kW), starting	14- 1	1	1	
124060-77011	STARTING MOTOR (S114-219)	15-	1	1	
124060-77110	FITTINGS, charging generator	14- 6	1	1	
124060-77151	BRACKET, generator	14- 8	1	1	
124060-77170	PACKING, bracket	14- 9	1	1	
124060-77170	PACKING, bracket	104-27	1	1	
124060-77171	PACKING, bracket	14- 9	1	1	
124060-77171	PACKING, bracket	104-27	1	1	
124060-77300	SWITCH, magnet	14- 2	1	1	
124060-77680	CLAMP, fuel oil pipe	17- 8	2	2	
124060-77700	PIPE, fuel oil	17- 5	1	1	
124060-77802	TANK ASS'Y, header	17- 2	1	1	
124060-77811	SET PIECE(A), header tank	17- 3	1	1	
124064-02130	MAIN BEARING (0.25 US)	6- 13	2	2	
124064-07150	LABEL, draining engine coolant	3- 54	1	1	
124064-12030	PACKING, bracket	4A-25	1	1	
124064-12400	PRE-CLEANER ASS'Y 115h	4A- 8	1	1	
124064-12420	TUBE 124d	4A-10	1	1	
124064-12430	GASKET, tube	4A-11	2	2	
124064-12440	CASE w/GASKET	4A-12	1	1	
124064-12440	COVER (UPPER) w/GASKET	4A-13	1	1	
124064-12450	CLAMP, pre-cleaner	4A-16	1	1	
124064-12460	BOLT, clamp	4A-17	1	1	

NUMERICAL PART NO. LIST

Part No.	Description	Refer. No.	Q'ty/Unit		Remarks
			2TR13A	2T73A	
124064-12500	CLEANER ASS'Y, air	4A- 1	1	1	
124064-12510	ELEMENT	4A- 5	1	1	
124064-12510	ELEMENT, air cleaner	103- 2	1	1	
124064-12570	SEAT(A), brace	4A-23	2	2	
124064-12580	SEAT(B), brace	4A-24	1	1	
124064-12600	LABEL, cleaner caution	4- 5	1	1	
124064-12660	PAN, dust	4A- 3	1	1	
124064-12670	BAFFLE	4A- 4	1	1	
124064-12680	BOLT, wing	4A- 6	1	1	
124064-12690	WASHER, seal	4A- 7	1	1	
124064-23350	CRANK PIN BEARING (0.25US)	7- 11	2	2	
124064-26020	PUMP ASS'Y, hydraulic oil	2- 33	1	1	
124064-42290	V-BELT (A-28 inch)	103- 7	1	1	
124064-44290	V-BELT (A-28 inch)	9- 3	1	1	
124064-44500	RADIATOR	9- 9	1	1	
124064-44660	COVER(A), air cleaner side	9- 18	1	1	
124064-44670	COVER(B), exhaust silencer	9- 19	1	1	
124064-44690	BRACKET(A), cover (A)	9- 21	1	1	
124064-44910	LABEL, radiator caution	9- 14	1	1	
124064-51920	LABEL, fuel injection pump	10- 22	1		
124064-55510	BOWL, fuel strainer	12- 10	1	1	
124064-66890	LOCK NUT	13- 17	1	1	
124064-77200	GENERATOR (8A), charging	14- 4	1	1	
124064-77200	GENERATOR	16-	1	1	
124064-77710	LIMITER, current	14- 5	1	1	
124064012550	BRACE(A), cleaner	4A-21	1	1	
124064012560	BRACE(B), cleaner	4A-22	1	1	
124067-12050	PACKING, air cleaner	4A-19	1	1	
124067-12060	PACKING, cleaner bracket	4A-20	1	1	
124067-12100	BRACKET, air cleaner	4A-18	1	1	
124085-35300	VALVE ASS'Y, pressure control	8- 12	1	1	
124085-35350	LOCK NUT	8- 17	1	1	
124160-01210	STUD(B), cylinder head	1- 5	1	1	
124160-01750	CAP, oil feed	3- 49	1	1	
124160-01751	CAP, oil feed	3- 49	1	1	
124160-11340	SEAL, valve stem	3- 12	4	4	
124160-11360	CAP, bonnet	3- 52	2	2	
124160-13570	PIPE, 2nd silencer	4- 15	1		
124160-21500	BOLT, flywheel fitting	6- 20	5	5	
124160-21501	BOLT	6- 20	5	5	
124160-44580	SCREEN, radiator	9- 12	1	1	
124160-49480	JOINT, cooling water	9- 6	2	2	
124160-59080	PIPE, fuel oil	12- 22	1	1	
124160-59500	PIPE, fuel return	12- 30	1	1	
124160-77020	COVER, terminal to starter	14- 3	1	1	

NUMERICAL PART NO. LIST

Part No.	Description	Refer. No.	Q'ty/Unit		Remarks
			2TR13A	2T73A	
124160-77701	PIPE, fuel oil	17- 5	1	1	
124220-51890	RIVET	10- 23	2	2	
124230-51100	PLUNGER & BARREL	10- 2		2	
124240-66371	LOCK NUT, adjusting bolt	13- 26	1	1	
124250-11681	PACKING, side cover	104-12	1	1	
124250-11811	CAP, bonnet	3- 52	2		
124250-59260	JOINT, swivel pipe	12- 23	1	1	
124250-91400	GEAR UNIT	2- 41	1		
124250-91411	PACKING, gear unit	2- 42	1	1	
124250-91411	PACKING, gear unit	104-11	1	1	
124250-91412	PACKING, gear unit	2- 42	1	1	
124250-91412	PACKING, gear unit	104-11	1	1	
124450-01800	OIL SEAL	2- 24	1	1	
124450-11320	PLUG	3- 13	(1)	1	
124450-11671	COVER, flywheel side	3- 23	1		
124450-11671	COVER, flywheel side	3- 23		1	
124450-11681	PACKING	3- 24	1	1	
124450-11900	GASKET, silencer	4- 13	2	1	
124450-11900	GASKET, silencer	4- 13	1		
124450-11900	GASKET, silencer	104-16	2	1	
124450-11900	GASKET, silencer	104-16	1	1	
124450-12570	WASHER	4- 4	1	1	
124450-12571	WASHER	4- 4	1	1	
124450-12571	WASHER, seal	4A-15	1	1	
124450-21230	BUSH, pilot	6- 2	1	1	
124450-35070	LOCK NUT PFI/4	8- 19	1	1	
124450-35100	STRAINER, lub. oil	8- 11	1	1	
124450-35100	STRAINER, lub. oil	103- 4	1	1	
124450-35110	O-RING, lub. oil strainer	8- 24	1	1	
124450-35110	O-RING, lub. oil strainer	103- 5	1	1	
124450-35110	O-RING, strainer	104-20	1	1	
124450-35301	VALVE ASS'Y	8- 12	1	1	
124450-35320	SPRING, pressure adjusting	8- 14	1	1	
124450-35330	SPRING SHOE, pressure	8- 15	1	1	
124450-35350	LOCK NUT	8- 17	1	1	
124450-39140	BOLT, pipe joint	8- 21	2	2	
124450-44740	PAN	9- 1	1	1	
124450-44901	SENDER, temperature	9- 4	1	1	
124450-44902	SENDER, temperature	9- 4	1	1	
124450-44902	SENDER, temperature	103- 8	1	1	
124450-77910	PLUG, thermostart	17- 1	1	1	
124460-59050	CLAMP, pump side	12- 24	1	1	
124460-59060	CLAMP, strainer side	12- 25	1	1	
124460-77660	CONNECTOR	17- 7	1	1	
124460-77820	SET PIECE(B), header tank	17- 4	1	1	

NUMERICAL PART NO. LIST

NUMERICAL PART NO. LIST

Part No.	Description	Refer. No.	Q 17/Umt		Remarks
			2173A	2173A	
124460-77820	JOINT, fuel oil pipe	17- 6	1	1	
124465-44950	PACKING 16, copper	9- 5	1	1	
124465-44950	PACKING 16	104-33	1	1	
124550-44690	COCK w/PACKING	9- 32	1	1	
124550-51200	GUIDE, plunger	10- 6	2	2	
124550-51300	SPRING, delivery valve	10- 11	2	2	
124550-51340	HOLDER, delivery valve	10- 12	2	2	
124550-51350	PACKING, delivery valve seat	10- 25	2	2	
124550-51350	PACKING, delivery valve	104-23	2	2	
124550-51370	O-RING	10- 24	2	2	
124550-51370	O-RING, holder	104-22	2	2	
124550-51950	SHIM, f.i. pump	2- 25	1	1	
124550-51951	SHIM, f.i. pump	2- 25	1	1	
124600-13520	PIPE, silencer	4- 15	1	1	
124660-01330	GASKET, cylinder head	1- 35	1	1	
124660-01330	GASKET, cyl. head	104- 6	1	1	
124660-11410	CHAMBER (REAR)	3- 30	2	2	
124660-11670	PLATE, shelter	3- 56	1	1	
124660-11680	PLATE, shelter	3- 56	1	1	
124660-13520	PIPE, silencer	17- 11	1	1	
124660-13530	CLAMP	4- 16	1	1	
124660-13530	CLAMP	17- 12	1	1	
124660-13540	COVER, silencer	4- 21	1	1	
124660-13540	COVER, silencer	4- 21	1	1	
124660-13540	COVER, silencer	17- 16	1	1	
124660-34800	DIPSTICK	1- 28	1	1	
124660-77710	LIMITER (14.5V), current	14- 5	1	1	
124660-77900	GENERATOR	16-	1	1	
124660-77990	GENERATOR (8.5A), charging	14- 4	1	1	
124664-13520	PIPE, silencer	17- 11	1	1	
124664-13540	COVER, silencer	4- 21	1	1	
124664-13580	CLAMP	4- 16	1	1	
124664-13580	CLAMP	17- 12	1	1	
124664-51920	LABEL, fuel injection pump	10- 22	1	1	
124701-11910	GASKET, silencer	4- 13	1	1	
124701-11910	GASKET, silencer	104-16	1	1	
124732-35090	PIPE, lub. oil intake	8- 18	1	1	
124750-44740	FAN	9- 1	1	1	
124756-01550	CONNECTOR, tachometer	2- 41	1	1	
124756-44590	CAP, radiator	9- 11	1	1	
124764-44920	LABEL, anti-freezing caution	9- 13	1	1	
124766-59050	CLAMP, pump side	12- 24	1	1	
124766-59050	CLAMP, strainer side	12- 25	1	1	
124770-53000	VALVE w/CASE	11- 2	2	2	
124770-53000	VALVE w/CASE	103- 9	2	2	

Part No.	Description	Refer. No.	Q 17/Umt		Remarks
			2173A	2173A	
128272-11170	VALVE GUIDE, exhaust	3- 8	2	2	
135210-61090	LEAD, sealing	13- 30	2	2	
171051-01920	PLUG NPTF1	1- 36	1	1	
172100-22400	CIRCLIP, piston pin	7- 7	4	4	
172100-53200	PACKING, valve spring retainer	11- 10	2	2	
172100-53200	PACKING, retainer	104-24	2	2	
172200-61220	PIN, (Caulking type) 6d-26.5L	13- 2	2	2	
174100-54120	PIN, plunger guide roller	10- 9	2	2	
174307-51170	RETAINER, plunger spring	10- 3	2	2	
174307-51180	RETAINER, plunger spring	10- 4	2	2	
174307-51181	RETAINER, plunger spring	10- 4	2	2	
174307-51190	SPRING, plunger	10- 5	2	2	
174307-51250	PIN, plunger barrel stopping	10- 13	2	2	
174307-51270	PACKING, plunger barrel	104-21	2	2	
174307-51410	PINION(A)	10- 18	1	1	
174307-51450	PACKING, plunger barrel	10- 14	2	2	
174307-51450	STOPPER, plunger guide	10- 15	2	2	
174307-51460	PIN, lock screw	10- 16	2	2	
174307-51550	SLEEVE, fuel control pinion(B)	10- 19	1	1	
174307-51560	PINION(B),	10- 20	1	1	
174307-51700	SHIM, plunger position	10- 26	2	2	

NUMERICAL PART NO. LIST

Part No.	Description	Refer. No.	Q ty/Unit		Remarks
			2TR13A	2T73A	
22117-060000	WASHER 6	2-	3	3	
22137-040000	WASHER 4	16- 18	3	3	
22137-060000	WASHER 6	4- 25		6	
22137-060000	WASHER 6	4- 25	6		
22137-060000	WASHER 6	9- 28	6	5	
22137-060000	WASHER 6	9- 28	5	5	
22137-060000	WASHER 6	17- 18	6		
22137-080000	WASHER 8	1- 18	12	12	
22137-080000	WASHER 8	2- 20	10	10	
22137-080000	WASHER 8	2- 38	4	4	
22137-080000	WASHER 8	4- 9	1	1	
22137-080000	WASHER 8	9- 29	1	1	
22137-080000	WASHER 8	9- 34	1		
22137-080000	WASHER 8	12- 15	1	1	
22137-080000	WASHER 8	14- 13	2	2	
22212-060000	SPRING WASHER 6	9- 30	6	5	
22212-080000	SPRING WASHER 8	3- 22	4	4	
22217-040000	SPRING WASHER 4	13- 18	2	2	
22217-040000	SPRING WASHER 4	16- 13	2	2	
22217-040000	SPRING WASHER 4	16- 19	4	4	
22217-060000	SPRING WASHER 6	1- 32	2	2	
22217-060000	SPRING WASHER 6	4- 27		6	
22217-060000	SPRING WASHER 6	4- 27	6		
22217-060000	SPRING WASHER 6	9- 30	5	5	
22217-060000	SPRING WASHER 6	9- 30	5	5	
22217-060000	SPRING WASHER 6	17- 19	6		
22217-080000	SPRING WASHER 8	6- 17	6	6	
22217-080000	SPRING WASHER 8	1- 19	9	9	
22217-080000	SPRING WASHER 8	2- 4	3	3	
22217-080000	SPRING WASHER 8	2- 39	4	4	
22217-080000	SPRING WASHER 8	2- 48	4	4	
22217-080000	SPRING WASHER 8	3- 22	8	8	
22217-080000	SPRING WASHER 8	3- 22		4	
22217-080000	SPRING WASHER 8	3- 57		2	
22217-080000	SPRING WASHER 8	4- 19	1	1	
22217-080000	SPRING WASHER 8	4- 24	4		
22217-080000	SPRING WASHER 8	4A-29	8	8	
22217-080000	SPRING WASHER 8	9- 31	1	1	
22217-080000	SPRING WASHER 8	12- 14	1	1	
22217-080000	SPRING WASHER 8	13- 35	1	1	
22217-080000	SPRING WASHER 8	14- 12	7	7	
22217-080000	SPRING WASHER 8	17- 15	1		
22217-080000	SPRING WASHER 8	17- 22	4		
22217-100000	SPRING WASHER 10	1- 26	2	2	
22217-100000	SPRING WASHER 10	4- 19	1	1	

— 6 —

NUMERICAL PART NO. LIST

Part No.	Description	Refer. No.	Q ty/Unit		Remarks
			2TR13A	2T73A	
22217-100000	SPRING WASHER 10	4- 19	1		
22217-100000	SPRING WASHER 10	6- 24	3	3	
22217-100000	SPRING WASHER 10	17- 15	1		
22217-120000	SPRING WASHER 12	6- 9	1	1	
22252-000100	CIRCLIP 10	8- 16	1	1	
22312-030180	PARALLEL PIN 3 x 18	3- 47	2	2	
22312-080120	PARALLEL PIN 8 x 22	1- 9	1	1	
22312-080220	PARALLEL PIN 8 x 22	1- 11	1	1	
22322-03-160	TAPER PIN 3 x 16	3- 48	2	2	
22322-030160	TAPER PIN 3 x 16	13- 28	2	2	
22322-030160	TAPER PIN 3 x 16	13- 28	1	1	
22322-030180	TAPER PIN 3 x 18	13- 27	1	1	
22351-040008	SPRING PIN 4AW x 8	2- 10	1	1	
22351-040008	SPRING PIN 4AW x 8	2- 23	1	1	
22351-040012	SPRING PIN 4AW x 12	4- 30	1	1	
22351-060012	SPRING PIN 6AW x 12	3- 55	2	2	
22351-060016	SPRING PIN 6AW x 16	1- 27	2	2	
22351-080014	SPRING PIN 8 x 14	1- 8	2	2	
22354-040008	SPRING PIN 4BV x 8	2- 23	1	1	
22312-080160	PARALLEL PIN 8 x 16	6- 3	1	1	
22411-200100	COTTER PIN 2 x 10	3- 46	2	2	
22417-200200	COTTER PIN 2 x 20	3- 46	2	2	
22417-200200	COTTER PIN 2 x 20	13- 3	4	4	
22451-060000	WIRE 0.6	13- 31	1	1	
22451-060000	WIRE 0.6	13- 36	1	1	
22451-100000	WIRE 1.0	13- 36	1	1	
22512-070282	KEY 7 x 28	6- 4	1	1	
22512-070330	KEY 7 x 30	6- 4	1	1	
22522-040130	KEY 4 x 13	2- 40	1	1	
22522-050190	KEY 5 x 19	5- 6	3	3	
22624-230030	RIVET 2.3 x 3	10- 23	2	2	
23010-038000	CLAMP 38	9- 8	4	4	
23010-050000	CLAMP 50	4- 11	1	1	
23065-090150	PIPE 9d-150L	2- 15	1	1	
23065-140150	PIPE 14d-150L	2- 15	1	1	
23414-060000	PACKING 6		3	3	
23414-080000	PACKING 8	3- 15	1	1	
23414-080000	PACKING 8	3- 53	2	2	
23414-080000	PACKING 8	8- 6	2	2	
23414-080000	PACKING 8	104-31	7	7	
23414-080012	PACKING 8	12- 32	4	4	
23414-120000	PACKING 12	8- 22	4	4	
23414-120000	PACKING 12	1- 3	1	1	
23414-120000	PACKING 12	104-32	7	5	
23414-160000	PACKING 16	9- 5	1	1	

NUMERICAL PART NO. LIST

NUMERICAL PART NO. LIST

Part No.	Description	Refer. No.	Qty/Unit		Remarks
			2T13A	2T73A	
23414-160000	PACKING 16	104-33	1	1	
234140-80000	PACKING 8	12- 32	4	4	
23418-060000	PACKING 6	12- 3	2	2	
23873-020000	PLUG PT1/4	3- 19	2	2	
23873-040000	PLUG PT1/2	3- 4	1	1	
23893-020002	PLUG PF1/4	1- 2	1	1	
24101-062054	BALL BEARING	5- 7	1	1	
24107-062034	BALL BEARING 6203ZZ	2- 28	2	2	
24190-090001	STEEL BALL 9/32	13- 10	1	1	
24190-100001	STEEL BALL 5/16	8- 13	1	1	
24311-000050	O-RING 5-P	13- 29	2	2	
24311-000050	O-RING 5-P	104-34	2	2	
24311-000070	O-RING 7-P	3- 45	2	2	
24311-000070	O-RING 7-P	104-35	2	2	
24311-000120	O-RING 12-P	3- 53	2	2	
24311-000120	O-RING 12-P	104-36	2	2	
24311-000140	O-RING 14-P	1- 15	1	1	
24311-000140	O-RING 14-P	104-37	1	1	
24311-000320	O-RING 32-P	3- 50	1	1	
24311-000350	O-RING 35-P	104-39	1	1	
24311-240100	O-RING P10A	12- 7	1	1	
24311-240100	O-RING P10A	104-38	1	1	
24321-000350	O-RING 35-G	3- 50	1	1	
24321-000350	O-RING 35-G	104-39	1	1	
26013-080222	BOLT M8 x 22	6- 16	6	6	
26014-060102	BOLT M6 x 10	9- 24	3	3	
26014-060122	BOLT M6 x 12	9- 26	1	1	
26014-080122	BOLT M8 x 12	9- 33	1	1	
26106-060102	BOLT M6 x 10	1- 31	2	2	
26106-060102	BOLT M6 x 10	4- 23		6	
26106-060102	BOLT M6 x 10	9- 2	4	4	
26106-060102	BOLT M6 x 10	13- 7	2	2	
26106-060142	BOLT M6 x 14	2- 43	2	2	
26106-060142	BOLT M6 x 14	2- 45	1		
26106-060162	BOLT M6 x 16	14- 7	4	4	
26106-060302	BOLT M6 x 30	2- 44	1		
26106-080102	BOLT M8 x 10	3- 14	1	1	
26106-080122	BOLT M8 x 12	3- 25	4	4	
26106-080122	BOLT M8 x 12	4- 7	2	2	
26106-080122	BOLT M8 x 12	14- 10	1	1	
26106-080142	BOLT M8 x 14	1- 22	7	7	
26106-080142	BOLT M8 x 14	1- 39	12	12	
26106-080142	BOLT M8 x 14	4- 31	1	1	
26106-080162	BOLT M8 x 16	14- 11	4	4	
26106-080202	BOLT M8 x 20	14- 14	2	2	

Part No.	Description	Refer. No.	Qty/Unit		Remarks
			2T13A	2T73A	
26106-080222	BOLT M8 x 22	2- 17	3	3	
26106-080252	BOLT M8 x 25	2- 50	2	2	
26106-080552	BOLT M8 x 55	2- 18	4	4	
26106-080602	BOLT M8 x 60	4- 17		1	
26106-080602	BOLT M8 x 60	12- 13	1	1	
26106-081052	BOLT M8 x105	2- 19	4	4	
26106-100252	BOLT M10 x 25	6- 23	3	3	
26106-100652	BOLT M10 x 65	4- 17	1		
26116-040102	BOLT M4 x 10	13- 19	2	2	
26116-060082	BOLT M6 x 8	3- 39	4	4	
26116-060102	BOLT M6 x 10	4- 23		6	
26116-060102	BOLT M6 x 10	4- 23	5		
26116-060102	BOLT M6 x 10	9- 2	4	4	
26116-060102	BOLT M6 x 10	9- 24	3	3	
26116-060102	BOLT M6 x 10	17- 17	6		
26116-060109	BOLT M6 x 10	13- 7	2	2	
26116-060122	BOLT M6 x 12	1- 31	2	2	
26116-060122	BOLT M6 x 12	2- 43	2		
26116-060122	BOLT M6 x 12	9- 26	3	2	
26116-060122	BOLT M6 x 12	9- 26	2	2	
26116-060122	BOLT M6 x 12	14- 7	4	4	
26116-060162	BOLT M6 x 16	2- 43		3	
26116-060162	BOLT M6 x 16	2- 43	2	2	
26116-060166	BOLT M6 x 16	2- 45		1	
26116-060306	BOLT M6 x 30	2- 44	1		
26116-060322	BOLT M6 x 32	15- 27	2	2	
26116-060326	BOLT M6 x 32	2- 44	1		
26116-080122	BOLT M8 x 12	3- 25	4		
26116-080122	BOLT M8 x 12	4- 7	3	3	
26116-080122	BOLT M8 x 12	9- 33	1	1	
26116-080142	BOLT M8 x 14	1- 22	7	7	
26116-080142	BOLT M8 x 14	3- 25	4	4	
26116-080142	BOLT M8 x 14	9- 25	2	2	
26116-080142	BOLT M8 x 14	14- 11	4	4	
26116-080162	BOLT M8 x 16	1- 17	9	9	
26116-080162	BOLT M8 x 16	14- 11	4	4	
26116-080162	BOLT M8 x 16	1- 17	21	21	
26116-080169	BOLT M8 x 16	14- 10	1	1	
26116-080202	BOLT M8 x 20	2- 35	4	4	
26116-080222	BOLT M8 x 22	4- 22	4		
26116-080222	BOLT M8 x 22	4- 22	4		
26116-080222	BOLT M8 x 22	4A-27	6	6	
26116-080222	BOLT M8 x 22	6- 16	6	6	
26116-080252	BOLT M8 x 25	2- 17	5	5	
26116-080252	BOLT M8 x 25	4- 20	1		

NUMERICAL PART NO. LIST

Part No.	Description	Refer. No.	Qty/Unit		Remarks
			2TR13A	2T73A	
26116-080252	BOLT M8 x 25	14- 14	2	2	
26116-080552	BOLT M8 x 55	2- 18	4	4	
26116-080602	BOLT M8 x 60	4- 17	1	1	
26116-080602	BOLT M8 x 60	17- 13	1	1	
26116-080702	BOLT M8 x 70	12- 13	1	1	
26116-081052	BOLT M8 x105	2- 19	5	5	
26116-100252	BOLT M10 x 25	6- 23	3	3	
26116-100502	BOLT M10 x 50	4- 17	1	1	
26116-100502	BOLT M10 x 50	4- 17	1	1	
26116-100502	BOLT M10 x 50	17- 13	1	1	
26116-100652	BOLT M10 x 65	4- 17	1	1	
26117-060122	BOLT M6 x 12	14- 7	4	4	
26117-080142	BOLT M8 x 14	14- 11	4	4	
26117-080222	BOLT M8 x 22	4- 22	3	3	
26117-080252	BOLT M8 x 25	14- 14	2	2	
26156-120252	BOLT M12 x 25	6- 8	1	1	
26216-080002	STUD M8 x 70	3- 16	4	4	
26216-080162	STUD M8 x 16	3- 18	2	2	
26216-080202	STUD M8 x 20	17- 20	4	4	
26216-080222	STUD M8 x 22	2- 36	4	4	
26216-080222	STUD M8 x 80	3- 20	4	4	
26216-080222	STUD M8 x 22	4A-26	2	2	
26216-080802	STUD M8 x 22	3- 20	4	4	
26226-080222	STUD M8 x 22	2- 2	2	2	
26212-080222	STUD M8 x 22	3- 20	4	4	
26366-080002	NUT M8	2- 3	2	2	
26366-080002	NUT M8	2- 49	4	4	
26366-080002	NUT M8	3- 21	4	4	
26366-080002	NUT M8	4- 8	1	1	
26366-080002	NUT M8	4- 18	1	1	
26450-080252	BOLT M8 x 25	8- 9	2	2	
26487-080102	SCREW M8 x 10	5- 8	1	1	
26557-040082	SCREW M4 x 8	16- 17	2	2	
26557-040122	SCREW M4 x 12	15- 26	2	2	
26557-040152	SCREW M4 x 15	16- 16	2	2	
26557-040202	SCREW M4 x 20	16- 12	2	2	
26557-060082	SCREW M6 x 8	17- 9	2	2	
26557-060102	SCREW M6 x 10	2- 13	4	4	
26557-060122	SCREW M6 x 12	12- 20	1	1	
26557-080122	SCREW M8 x 12	2- 22	1	1	
26557-080122	SCREW M8 x 12	4- 7	3	3	
26557-080182	SCREW M8 x 18	2- 22	1	1	
26587-060102	SCREW M6 x 10	8- 7	3	3	
26587-080082	SCREW M5 x 8	2- 31	2	2	
26587-080102	SCREW M8 x 10	3- 14	1	1	

NUMERICAL PART NO. LIST

Part No.	Description	Refer. No.	Qty/Unit		Remarks
			2TR13A	2T73A	
26602-100002	NUT M10	3- 6	2	2	
26657-080002	CAP NUT M8	3- 21	4	4	
26667-100002	CAP NUT M10	13- 12	1	1	
26706-100002	NUT M10	4- 18	1	1	
26714-080002	NUT M8	4A-28	4	4	
26716-060002	NUT M6	12- 19	1	1	
26716-080002	NUT M8	2- 3	2	2	
26716-080002	NUT M8	2- 37	4	4	
26716-080002	NUT M8	2- 49	4	4	
26716-080002	NUT M8	3- 17	4	4	
26716-080002	NUT M8	3- 21	4	4	
26716-080002	NUT M8	3- 21	4	4	
26716-080002	NUT M8	3- 58	2	2	
26716-080002	NUT M8	4- 8	1	1	
26716-080002	NUT M8	4- 18	1	1	
26716-080002	NUT M8	13- 34	1	1	
26716-080002	NUT M8	17- 14	1	1	
26716-080002	NUT M8	17- 21	4	4	
26716-100002	NUT M10	1- 25	2	2	
26716-100002	NUT M10	4- 18	1	1	
26716-100002	NUT M10	13- 17	1	1	
26716-100002	NUT M10	17- 14	1	1	
26736-100002	NUT M10	1- 25	2	2	
26736-100002	NUT M10	3- 6	2	2	
26756-080002	LOCK NUT M8	3- 29	4	4	
26756-080002	LOCK NUT M8	9- 16	4	4	
26756-080002	LOCK NUT M8	9- 27	1	1	
26756-080002	LOCK NUT M8	9- 27	1	1	
27231-350000	PLUG 35	4- 28	2	2	
27233-150000	PLUG 15	2- 7	1	1	
27233-350000	PLUG 35	4- 28	2	2	
27233-350000	PLUG 35	4- 28	2	2	
27243-300000	PLUG 30	1- 37	1	1	
27310-070000	COTTER, valve	3- 11	4	4	

NUMERICAL PART NO. LIST

CHASSIS PARTS

NUMERICAL PART NO. LIST

Part No.	Description	Refer. No.	Qty/Unit		Remarks
			2173A	2173A	
43400-500390	SEAL WASHER 6	12- 28	1	1	
43400-500390	SEAL WASHER 6	104-28	1	1	
43400-500410	SEAL WASHER 8	2- 46	2	2	
43400-500410	SEAL WASHER 8	104-29	2	2	
43400-500430	SEAL WASHER 10	13- 11	2	2	
43400-500430	SEAL WASHER 10	104-30	2	2	
704200-22500	PISTON RING SET	7- 2	2	2	
711100-51540	ROLLER ASS'Y, plunger	10- 7	2	2	
721454-13700	SILENCER ASS'Y, exhaust	4-	1	1	
724060-01502	CASE ASS'Y, timing gear	2-	1	1	
724060-01520	COVER ASS'Y	2-	1	1	
724060-01542	COVER ASS'Y, cyl. lower	1- 12	1	1	
724060-01561	BLOCK ASS'Y	1-	1	1	
724060-01613	CASE ASS'Y, timing gear	2-	1	1	
724060-01900	CYLINDER LINER	1-	2	2	
724060-02500	HOUSING ASS'Y, main bearing	6-	1	1	
724060-11520	BONNET ASS'Y	3-	1	1	
724060-11650	ARM ASS'Y, valve rocker	3-	4	4	
724060-11701	HEAD ASS'T, cylinder	3-	1	1	
724060-21700	CRANKSHAFT ASS'Y	6-	1	1	
724060-22100	CONNECTING ROD ASS'Y	7- 8	2	2	
724060-22721	PISTON w/RINGS	7-	2	2	
724060-22722	PISTON w/RINGS	7-	2	2	
724060-32701	PUMP ASS'Y, lub. oil	8-	1	1	
724060-51701	PUMP ASS'Y, fuel injection	10-	1	1	
724060-53101	VALVE ASS'Y, fuel injection	11- 1	2	2	
724060-61520	SUPPORT ASS'Y, governor weight	13-	1	1	
724060-66531	HANDLE ASS'Y, regulator	13- 21	1	1	
724060-92501	REPAIR KIT (A), engine	103- 1	1	1	
724060-92600	GASKET KIT (A), engine	104- 1	1	1	
724064-01560	BLOCK ASS'Y	1-	1	1	
724064-23610	CRANK PIN BEARING (0.25US)	7- 11	2	2	
724066-22500	PISTON RING SET	7- 2	2	2	
724066-22501	RING SET, piston	103- 3	2	2	
724066-22510	PISTON RING SET	7- 2	2	2	
724160-13700	2nd SILENCER ASS'Y, exhaust	4-	1	1	
724160-55501	STRAINER ASS'Y, fuel	12-	1	1	
724240-51530	RACK ASS'Y, fuel control	10- 17	1	1	
724260-55200	COCK ASS'Y, fuel	12- 1	1	1	
724550-51520	GUIDE ASS'Y, plunger	10- 6	2	2	
724660-01900	CYLINDER LINER	1-	2	2	
724660-11700	HEAD ASS'Y, cylinder	3-	1	1	
724660-13700	2nd SILENCER ASS'Y, exhaust	4-	1	1	
724660-13700	SILENCER ASS'Y, exhaust	4-	1	1	
724660-13700	SILENCER ASS'Y, exhaust	17-	1	1	

— 6 —

NUMERICAL PART NO. LIST

Part No.	Description	Refer. No.	Qty/Unit		Remarks
			2173A	2173A	
724660-22500	RING SET, piston	103- 3	2	2	
724660-22722	PISTON w/RINGS	7-	2	2	
724660-23100	CONNECTING ROD ASS'Y	7- 8	2	2	
724660-51701	PUMP ASS'Y, fuel injection	10-	1	1	
724660-92600	GASKET KIT (A), engine	104- 1	1	1	
724664-13700	SILENCER ASS'Y, exhaust	4-	1	1	
724664-92730	REPAIR KIT (A), engine	103- 1	1	1	

NUMERICAL PART NO. LIST

NUMERICAL PART NO. LIST

Part No.	Description	Refer. No.	Qty/Unit		Remarks
			ZTR3A	ZT3A	
942131-41410	CORE ASS'Y	16- 3	1	1	
942141-41416	CONTROL UNIT (A), (+)	16- 14	1	1	
942141-41417	CONTROL UNIT (B), (-)	16- 15	1	1	
942141-42306	V-PULLEY	16- 8	1	1	
942141-86124	BEARING #6201Z	16- 4	2	2	
942151-32093	SPACER	16- 5	1	1	
942151-86024	CIRCLIP	16- 6	1	1	
942151-86372	NUT	16- 11	1	1	
942701-41407	PLATE ASS'Y	16- 1	1	1	
94270M-42875	MAGNET WHEEL ASS'Y	16-	1	1	
942741-42299	MAGNET WHEEL ASS'Y	16-	1	1	
X21141360	HOLDER ASS'Y, brush	15- 15	1	1	
X211416007	CASE ASS'Y, gear	15- 19	1	1	
X211421002	ARMATURE ASS'Y	15- 1	1	1	
X211426011	LEVER SET, shift	15- 21	1	1	
X21142742	COVER	15- 25	1	1	
X211432001	COIL ASS'Y, field	15- 10	1	1	
X21143454	PLATE, center	15- 34	1	1	
X211437002	SWITCH ASS'Y, magnetic	15- 24	1	1	
X21143963	COVER KIT, dust	15- 29	1	1	
X211443001	COVER ASS'Y, rear	15- 13	1	1	
X21144314	SPRING, brush	15- 17	4	4	
X21144661	BUSH	15- 20	1	1	
X211453002	COVER ASS'Y, rear	15- 13	1	1	
X21145312	BRUSH (+)	15- 12	2	2	
X21145313	BRUSH (-)	15- 16	2	2	
X21145352	BUSH, rear cover	15- 14	1	1	
X211455003	PINION ASS'Y	15- 18	1	1	
X211456005	CASE ASS'Y, gear	15- 19	1	1	
X211462001	COIL ASS'Y, field	15- 10	1	1	
X21147215	SCREW, pole core	15- 11	4	4	
X21147854	BOLT	15- 28	2	2	
X21148110	WASHER KIT, thrust	15- 2	1	1	
X21148215	SCREW, pole core	15- 11	4	4	
X21148652	LEVER SET, shift	15- 21	1	1	
X21148854	BOLT	15- 28	2	2	
X211491001	ARMATURE ASS'Y	15- 1	1	1	
X22147155	STOPPER SET, pinion	15- 6	1	1	

Part No.	Description	Refer. No.	Qty/Unit				Remarks
			YM155	YM155D	YM135	YM135D	
104210-14400	SEAL RING 35 x 42 x 17	27- 70		2		2	
121450-77710	CURRENT LIMITER	61- 23	1	1			
121450-77710	CURRENT LIMITER	62- 17	1	1			
121450-77710	CURRENT LIMITER	65- 23			1	1	
124060-77680	CLIP	21- 32	1	1			
124060-77680	CLIP	22- 30			1	1	
124460-59060	BAND, hose	21- 23	2	2			
124460-59060	BAND, hose	22- 23			2	2	
124660-77710	CURRENT LIMITER	61- 23	1	1			
124660-77710	CURRENT LIMITER	65- 23			1	1	
124660-77710	CURRENT LIMITER	66- 18			1	1	
193884-30247	GRIP, lever	39- 24	2	2			
193884-30247	GRIP, lever	40- 24			2	2	

NUMERICAL PART NO. LIST

Part No.	Description	Refer. No.	Q'ty/Unit				Remarks
			YM155	YM155D	YM135	YM135D	
194080-15420	SHIM, adjust screw	28- 15	1	1			
194080-15440	SHIM, adjust screw	28- 17	1	1			
194080-15450	SHIM, adjust screw	28- 18	1	1			
194080-15460	SHIM, adjust screw	28- 19	1	1			
194080-52131	SWITCH, turn signal	61- 20	1	1			
194080-52131	SWITCH, turn signal	62- 16	1	1			
194080-52131	SWITCH, turn signal	65- 20			1	1	
194080-52131	SWITCH, turn signal	66- 17			1	1	
194080-52132	SWITCH, turn signal	61- 20	1	1			
194080-52132	SWITCH, turn signal	62- 16	1	1			
194080-52132	SWITCH, turn signal	64- 17	1	1			
194080-52132	SWITCH, turn signal	65- 20			1	1	
194080-52132	SWITCH, turn signal	66- 17			1	1	
194080-55840	BULB 12V-3W	61- 44	2	2			
194080-55840	BULB 12V-3W	61- 46	2	2			
194080-55840	BULB 12V-3W	62- 35	1	1			
194080-55840	BULB 12V-3W	62- 37	1	1			
194080-55840	BULB 12V-3W	63- 72	1	1			
194080-55840	BULB 12V-3W	63- 74	1	1			
194080-55840	BULB 12V-3W	65- 42			2	2	
194080-55840	BULB 12V-3W	65- 44			2	2	
194080-55840	BULB 12V-3W	66- 36	1	1			
194080-55840	BULB 12V-3W	66- 38	1	1			
194080-57202	RELAY, turn signal	61- 25	1	1			
194080-57202	RELAY, turn signal	62- 19	1	1			
194080-57202	RELAY, turn signal	63- 87	1	1			
194080-57202	RELAY, turn signal	64- 57	1	1			
194080-57202	RELAY, turn signal	65- 25			1	1	
194080-57202	RELAY, turn signal	66- 20			1	1	
194080-58810	GROMMET 8	74- 58	2	2			
194080-58810	GROMMET 8	78- 58			2	2	
194080-81111	WEIGHT 20, front	89- 9	3	3	3	3	
194080-81212	WEIGHT 25, rear wheel	89- 3	2	2	2	2	
194080-81230	WEIGHT 20, rear wheel	89- 2	2	2	2	2	
194081-54110	LENS, work light	85- 6	1	1	1	1	
194081-55820	BULB 12V-20W	64- 38	2	2			
194081-55820	BULB 12V 20W	85- 7	1	1	1	1	
194081-99230	LABEL, oil pressure lamp	67- 58	1	1			
194081-99230	LABEL, oil pressure lamp	71- 49			1	1	
194081-99230	LABEL, oil pressure lamp	96- 29	1	1			
194081-99230	LABEL, oil pressure lamp	97- 29	1	1			
194081-99230	LABEL, oil pressure lamp	99- 32	1	1			
194081-99230	LABEL, oil pressure lamp	101-28			1	1	
194130-15470	ADJUST SCREW	28- 14	1	1			
194130-52121	SWITCH, lighting	61- 13	1	1			

- 1 -

NUMERICAL PART NO. LIST

Part No.	Description	Refer. No.	Q'ty/Unit				Remarks
			YM155	YM155D	YM135	YM135D	
194130-52121	SWITCH, lighting	62- 13	1	1			
194130-52121	SWITCH, lighting	63- 16	1	1			
194130-52121	SWITCH, lighting	64- 16	1	1			
194130-52121	SWITCH, lighting	65- 13			1	1	
194130-52121	SWITCH, lighting	66- 13			1	1	
194130-65380	LABEL, horn switch	67- 55	1	1			
194130-65380	LABEL, horn switch	68- 27	1	1			
194130-65380	LABEL, horn switch	70- 27	1	1			
194130-65380	LABEL, horn switch	71- 46			1	1	
194130-65380	LABEL, horn switch	72- 20			1	1	
194130-65380	LABEL, horn switch	96- 11	1	1			
194130-65380	LABEL, horn switch	97- 11	1	1			
194130-65380	LABEL, horn switch	98- 6	1	1			
194130-65380	LABEL, horn switch	99- 13	1	1			
194130-65380	LABEL, horn switch	100- 9	1	1			
194130-65380	LABEL, horn switch	101-11			1	1	
194130-65380	LABEL, horn switch	102- 6			1	1	
194136-12880	VALVE TR413	93- 9			2	2	
194140-63221	PIN 8 x 205, seat hinge	73- 37	1	1			
194140-63221	PIN 8 x 205, seat hinge	74- 37	1	1			
194140-63221	PIN 8 x 205, seat hinge	75- 26	1	1			
194140-63221	PIN 8 x 205, seat hinge	76- 37	1	1			
194140-63221	PIN 8 x 205, seat hinge	77- 37			1	1	
194140-63221	PIN 8 x 205, seat hinge	78- 37			1	1	
194145-11350	BOLT M6 x 5	23- 31	2				
194145-11350	BOLT M6 x 5	24- 31			2		
194145-52820	FUSE 5A	61- 38	1	1			
194145-52820	FUSE 5A	62- 29	1	1			
194145-52820	FUSE 5A	63- 28	1	1			
194145-52820	FUSE 5A	64- 27	1	1			
194145-52820	FUSE 5A	65- 36			1	1	
194145-52820	FUSE 5A	66- 30			1	1	
194145-52830	FUSE 10A	61- 39	2	2			
194145-52830	FUSE 10A	62- 30	2	2			
194145-52830	FUSE 10A	63- 29	2	2			
194145-52830	FUSE 10A	64- 28	2	2			
194145-52830	FUSE 10A	65- 37			2	2	
194145-52830	FUSE 10A	66- 31			2	2	
194145-52830	FUSE 10A	94- 24	1	1			
194145-52840	FUSE 15A	61- 40	2	2			
194145-52840	FUSE 15A	62- 31	2	2			
194145-52840	FUSE 15A	63- 30	2	2			
194145-52840	FUSE 15A	64- 29	2	2			
194145-52840	FUSE 15A	65- 38			2	2	
194145-52840	FUSE 15A	66- 32			2	2	

NUMERICAL PART NO. LIST

Part No.	Description	Refer. No.	Qty/Unit				Remarks
			YMI55	YMI55D	YMI35	YMI35D	
194150-01190	KNOB, throttle lever	18- 2	1	1			
194150-01190	KNOB, throttle lever	19- 2	1	1			
194150-04121	CAP, fuel oil tank	21- 3	1	1			
194150-04121	CAP, fuel oil tank	22- 3			1	1	
194150-04130	PACKING, cap	21- 26	1	1			
194150-04130	PACKING, cap	22- 26			1	1	
194150-04760	JOINT, pipe	21- 10	1	1			
194150-04760	JOINT, pipe	22- 10			1	1	
194150-12410	TURNBUCKLE 17 x 1.5	23- 34	1				
194150-12410	TURNBUCKLE 17 x 1.5	24- 34			1		
194150-12410	TURNBUCKLE 17 x 1.5	25- 76		1			
194150-12410	TURNBUCKLE 17 x 1.5	26- 76				1	
194150-12720	OIL SEAL TC35 52 11	23- 17	2				
194150-12720	OIL SEAL TC35 52 11	24- 17			2		
194150-12720	OIL SEAL TC 35 52 11	50- 8	2				
194150-12720	OIL SEAL TC 35 52 11	52- 8	2				
194150-12720	OIL SEAL TC 35 52 11	54- 8		2			
194150-12720	OIL SEAL TC 35 52 11	56- 8		2			
194150-21910	PLUG 11	58- 3	2	2	2	2	
194150-48230	RUBBER HOSE, low-pressure	60- 11	1	1	1	1	
194150-48700	CLAMP	60- 12	2	2	2	2	
194150-52160	SWITCH, horn	61- 30	1	1			
194150-52160	SWITCH, horn	62- 24	1	1			
194150-52160	SWITCH, horn	63- 12	1	1			
194150-52160	SWITCH, horn	64- 12	1	1			
194150-52160	SWITCH, horn	65- 30			1	1	
194150-52160	SWITCH, horn	66- 25			1	1	
194150-52170	CAP, horn switch	61- 31	1	1			
194150-52170	CAP, horn switch	62- 25	1	1			
194150-52170	CAP, horn switch	63- 13	1	1			
194150-52170	CAP, horn switch	64- 13	1	1			
194150-52170	CAP, horn switch	65- 31			1	1	
194150-52170	CAP, horn switch	66- 26			1	1	
194150-57621	GRIP, control lever	59- 29	1	1	1	1	
194150-65360	LABEL, turn signal	67- 52	1	1			
194150-65360	LABEL, turn signal	71- 43			1	1	
194150-65360	LABEL, turn signal	72- 17			1	1	
194150-65360	LABEL, flusher	96- 10	1	1			
194150-65360	LABEL, flusher	97- 10	1	1			
194150-65360	LABEL, flusher	99- 12	1	1			
194150-65360	LABEL, flusher	101-10			1	1	
194150-71110-X	TURNBUCKLE, top link	82- 6	1	1	1	1	
194150-71140	NUT M24, top link	81- 9	1	1	1	1	
194150-71140	NUT M24, top link	82- 9	1	1	1	1	
194150-71230	PIN, top link	81- 3	2	2	2	2	

NUMERICAL PART NO. LIST

Part No.	Description	Refer. No.	Qty/Unit				Remarks
			YMI55	YMI55D	YMI35	YMI35D	
194150-71230	PIN, top link	81- 3	1	1	1	1	
194150-71230	PIN, top link	82- 3	2	2	2	2	
194150-71230	PIN, top link	82- 3	1	1	1	1	
194150-72240	LOCK NUT M18 x 1.5	81- 22	1	1	1	1	
194150-72240	LOCK NUT M18 x 1.5	82- 22	1	1	1	1	
194150-72241	LOCK NUT M18	81- 22	1	1	1	1	
194150-72460	PIN, lift yoke	81- 12	1	1	1	1	
194150-72460	PIN, lift yoke	81- 23	1	1	1	1	
194150-72460	PIN, lift yoke	82- 12	1	1	1	1	
194150-72460	PIN, lift yoke	82- 23	1	1	1	1	
194150-74630	PIN, shackle	81- 35	2	2	2	2	
194150-74630	PIN, shackle	82- 35	2	2	2	2	
194150-74670	TURNBUCKLE, check chain	81- 33	2	2	2	2	
194150-74670	TURNBUCKLE, check chain	82- 33	2	2	2	2	
194150-74672-X	TURNBUCKLE, check chain	81- 33	2	2	2	2	
194150-74672-X	TURNBUCKLE, check chain	82- 33	2	2	2	2	
194150-74850	SNAP PIN 2.4	81- 13	1	1	1	1	
194150-74850	SNAP PIN 2.4	81- 24	1	1	1	1	
194150-74850	SNAP PIN 2.4	81- 39	2	2	2	2	
194150-74850	SNAP PIN 2.4	82- 13	1	1	1	1	
194150-74850	SNAP PIN 2.4	82- 24	1	1	1	1	
194150-74850	SNAP PIN 2.4	82- 39	2	2	2	2	
194151-04120	CAP, fuel oil tank	21- 3	1	1			
194151-04120	CAP, fuel oil tank	22- 3			1	1	
194151-04140	STRAINER, fuel oil tank	21- 2	1	1			
194151-04140	STRAINER, fuel oil tank	22- 2			1	1	
194151-04141	STRAINER, fuel oil tank	21- 2	1	1			
194151-04141	STRAINER, fuel oil tank	22- 2			1	1	
194151-04150	PACKING, cap	21- 4	1	1			
194151-04150	PACKING, cap	22- 4			1	1	
194151-11360	BUSH 29d x 38L	23- 30	1				
194151-11360	BUSH 29d x 38L	23- 30	2				
194151-11360	BUSH 29d x 38L	24- 30			1		
194151-11360	BUSH 29d x 38L	24- 30			2		
194151-11480	GREASE NIPPLE	23- 32	3				
194151-11480	GREASE NIPPLE	24- 32			3		
194151-11490	BOLT M6 x 6	23- 31	2				
194151-11490	BOLT M6 x 6	24- 31			2		
194151-11520	BUSH	24- 5			2		
194151-11600	KING PIN, complete	23- 20	2				
194151-11600	KING PIN, complete	24- 20			2		
194151-11600-X	KING PIN, complete	23- 20	2				
194151-11600-X	KING PIN, complete	24- 20			2		
194151-11640	NUT M10	23- 26	2				
194151-11640	NUT M10	24- 26			2		

NUMERICAL PART NO. LIST

Part No.	Description	Refer. No.	Q'ty/Unit				Remarks
			YMI55	YMI55D	YMI35	YMI35D	
194151-11640	NUT M18 x 1.5	25- 69		2			
194151-11640	NUT M18 x 1.5	26- 69				2	
194151-11650	WASHER, plain 36d x 2.3w	23- 28	2				
194151-11650	WASHER, plain 36d x 2.3w	24- 28		2			
194151-11650	PLATE, washer	25- 70	2				
194151-11650	PLATE, washer	26- 70				2	
194151-11660	KEY 7 x 26, feather	23- 25	2				
194151-11660	KEY 7 x 26, feather	24- 25		2			
194151-11660	KEY 7 x 26, feather	25- 41		2			
194151-11660	KEY 7 x 26, feather	26- 41				2	
194151-11670	WASHER 42 x 51.8 x 1	23- 19	2				
194151-11670	WASHER 42 x 51.8 x 1	24- 19		2			
194151-11670	WASHER 42 x 51.8 x 1	50- 11	2				
194151-11670	WASHER 42 x 51.8 x 1	52- 11	2				
194151-11670	WASHER 42 x 51.8 x 1	54- 11		2			
194151-11670	WASHER 42 x 51.8 x 1	56- 11		2			
194151-11840	COVER,king pin upper 40d x 3w	23- 21	2				
194151-11840	COVER,king pin upper 40d x 3w	24- 21		2			
194151-11860	O-RING 1A-2025	23- 22	2				
194151-11860	O-RING 1A-2025	24- 22		2			
194151-12620-X	COVER, front wheel hub.	52- 16	2				
194151-12620-X	COVER, front wheel hub.	56- 16		2			
194151-12620-X	COVER, front wheel hub.	50- 16	2				
194151-12620-X	COVER, front wheel hub.	54- 16		2			
194151-12640	WASHER 20, plain	50- 14	2				
194151-12640	WASHER 20, plain	52- 14	2				
194151-12640	WASHER 20, plain	54- 14		2			
194151-12640	WASHER 20, plain	56- 14		2			
194151-47760	WASHER, conical	76- 53	4	4			
194151-48710	BAND, hose	60- 12	2	2	2	2	
194151-55820	BULB 12V-3.4W	63- 76	1	1			
194151-57100	HORN	61- 32	1	1			
194151-57100	HORN	65- 50			1	1	
194151-63112	SEAT, operator's	73- 34	1	1			
194151-63112	SEAT, operator's	74- 34	1	1			
194151-63112	SEAT, operator's	77- 34			1	1	
194155-04120	CAP, fuel oil tank	21-3-1	1	1			
194155-04160	BAFFLE PACKING, cap	21- 28	1	1			
194155-04170	BAFFLE FORM	21- 29	1	1			
194155-04720	CAP, fuel oil tank	21-3-1	1	1			
194155-52110	SWITCH, starting	61- 19	1	1			
194155-52110	SWITCH, starting	62- 15	1	1			
194155-52110	SWITCH, starting	63- 14	1	1			
194155-52110	SWITCH, starting	64- 14	1	1			
194155-52110	SWITCH, starting	65- 19			1	1	

NUMERICAL PART NO. LIST

Part No.	Description	Refer. No.	Q'ty/Unit				Remarks
			YMI55	YMI55D	YMI35	YMI35D	
194155-52110	SWITCH, starting	66- 15			1	1	
194170-52130	SWITCH, turn signal	63- 18	1	1			
194190-11520	BUSH 25d x 25L	24- 5				2	
194190-56100	CABLE, hour meter	61- 48	1	1			
194190-56900	CABLE, hour meter	61- 48	1	1			
194190-56900	CABLE, hour meter	62- 42	1	1			
194190-56900	CABLE, hour meter	63- 96	1	1			
194190-56900	CABLE, hour meter	64- 66	1	1			
194190-72200-X	BOLT(R), complete, lift link	81- 19	1	1	1	1	
194190-72200-X	BOLT(R), complete, lift link	82- 19	1	1	1	1	
194190-72240	LINK (R), lift	81- 21	1	1	1	1	
194190-72241	LINK (R), lift	81- 21	1	1	1	1	
194190-72241-X	LINK (R), lift	81- 21	1	1	1	1	
194190-72241-X	LINK (R), lift	82- 21	1	1	1	1	
194190-72300-X	LINK (L), complete, lift	81- 11	1	1	1	1	
194190-72300-X	LINK (L), complete, lift	82- 11	1	1	1	1	
194190-72301-X	LINK (L), complete, lift	81- 11	1	1	1	1	
194190-72301-X	LINK (L), complete, lift	82- 11	1	1	1	1	
194190-99240	LABEL, pilot lamp	67- 57	1	1			
194190-99240	LABEL, pilot lamp	71- 48			1	1	
194190-99240	LABEL, pilot lamp	72- 22			1	1	
194190-99240	LABEL, water pilot	96- 30	1	1			
194190-99240	LABEL, water pilot	97- 30	1	1			
194190-99240	LABEL, water pilot	99- 33	1	1			
194190-99240	LABEL, water pilot	101-29			1	1	
194200-01150	SPRING 10, belleville	18- 3	2	2			
194200-01150	SPRING 10, belleville	19- 3	2	2			
194200-01150	SPRING 10, belleville	20- 3			2	2	
194200-01172	ROD (front), throttle	18- 7	1	1			
194200-01172	ROD (front), throttle	20- 7			1	1	
194200-01190	ADJUSTER, throttle	18- 9	1	1			
194200-01190	ADJUSTER, throttle	20- 9			1	1	
194200-01200	LEVER, decompression	18- 13	1	1			
194200-01200	LEVER, decompression	19- 13	1	1			
194200-01541-X	PEDAL, throttle	19- 20	1	1			
194200-01541-X	PEDAL, throttle	83- 4	1	1	1	1	
194200-01680	SPRING, pedal	19- 25	1	1			
194200-01680	SPRING, pedal	83- 9	1	1	1	1	
194200-01710	HOOK, pedal spring	19- 19	1	1			
194200-01710	HOOK, pedal spring	83- 3	1	1	1	1	
194200-04251	PIPE, tank outlet	21- 5	1	1			
194200-04251	PIPE, tank outlet	22- 5			1	1	
194200-04260	JOINT, pipe	21- 10	1	1			
194200-04260	JOINT, pipe	22- 10			1	1	
194200-04261	JOINT, pipe 8d x 29.5L	21- 10	1	1			

NUMERICAL PART NO. LIST

Part No.	Description	Refer. No.	Q'ty/Unit				Remarks
			YMI55	YMI55D	YMI35	YMI35D	
194200-04261	JOINT, pipe 8d x 29.5L	22- 10			1	1	
194200-04270	FELT 300 x 120 x 3	21- 11	1	1			
194200-04270	FELT 300 x 120 x 3	21- 11	1	1			
194200-04280	PACKING 10	21- 9	1	1			
194200-04280	PACKING 10	22- 9			1	1	
194200-04301	BAND, fuel oil tank	21- 12	2	2			
194200-04301-X	BAND, fuel oil tank	21- 12	2	2			
194200-04340	FELT 300 x 30 x 3	21- 13	2	2			
194200-04340	FELT 300 x 30 x 3	21- 13	2	2			
194200-04350-X	LATCH, band	21- 15	1	1			
194200-04650	FUEL PIPE	21- 21	1	1			
194200-04650	FUEL PIPE	22- 21			1	1	
194200-04660	SPRING, pipe protection	21- 22	1	1			
194200-04660	SPRING, pipe protection	22- 22			1	1	
194200-11502	AXLE, front	23- 29	1				
194200-11570	BUSH 25d x 24L	23- 5	2				
194200-11570	BUSH 25d x 24L	23- 5	2				
194200-11782	ARM (L), knuckle	23- 23	1				
194200-11782-X	ARM (L), knuckle	23- 23	1				
194200-11792	ARM (R), knuckle	23- 24	1				
194200-11792-X	ARM (R), knuckle	23- 24	1				
194200-11801-P	HUB, front wheel	50- 15	2				
194200-11801-Q	HUB, front wheel	52- 15	2				
194200-11801-P	HUB, front wheel	56- 15			2		
194200-11801-P	HUB, front wheel	54- 15			2		
194200-11880-Q	WHEEL 3.50B x 10GA, disc	52- 2	2				
194200-11880-P	WHEEL 3.50B x 10GA, disc	56- 2			2		
194200-11880-P	WHEEL 3.50B x 10GA, disc	50- 2	2				
194200-11880-P	WHEEL 3.50B x 10GA, disc	54- 2			2		
194200-11880-Q	WHEEL 3.50B x 10GA, disc	50- 2	2				
194200-11900	TIRE ASS'Y 4.50-10, front	50- 3	2				
194200-11900	TIRE ASS'Y 4.50-10, front	52- 3	2				
194200-11900	TIRE ASS'Y 4.50-10, front	54- 3			2		
194200-11900	TIRE ASS'Y 4.50-10, front	56- 3			2		
194200-11910	TIRE 4.50-10	50- 4	2				
194200-11910	TIRE 4.50-10	52- 4	2				
194200-11910	TIRE 4.50-10	54- 4			2		
194200-11910	TIRE 4.50-10	56- 4			2		
194200-11920	TUBE, tire	50- 5	2				
194200-11920	TUBE, tire	52- 5	2				
194200-11920	TUBE, tire	54- 5			2		
194200-11920	TUBE, tire	56- 5			2		
194200-14160	PLATE, lock	27- 33			1	1	
194200-14160	PLATE, lock	47- 15	2	2			
194200-14160	PLATE, lock	49- 15			2	2	

- 14 -

NUMERICAL PART NO. LIST

Part No.	Description	Refer. No.	Q'ty/Unit				Remarks
			YMI55	YMI55D	YMI35	YMI35D	
194200-14171	WASHER, lock plate	27- 34			1	1	
194200-14171	WASHER, lock plate	47- 50	2	2			
194200-14171	WASHER, lock plate	49- 50			2	2	
194200-14611	TIE-ROD, complete	23- 9	1				
194200-14611	TIE-ROD	26- 53				1	
194200-14611-X	TIE-ROD, complete	23- 9	1				
194200-14611-X	TIE-ROD	25- 53			1		
194200-15140	SHAFT, sector	28- 20	1	1			
194200-15170	PLUG	28- 10	1	1			
194200-15220	OIL SEAL	28- 21	1	1			
194200-15250	SHIM	28- 24	1	1			
194200-15260	SHIM	28- 26	1	1			
194200-15270	SHIM	28- 27	1	1			
194200-15280	SHIM	28- 28	1	1			
194200-15290	SHIM	28- 29	1	1			
194200-15311	BUSH, column	28- 3	1	1			
194200-15330	PACKING, side cover	28- 12	1	1			
194200-15390	SHIM, adjust screw	28- 15	1	1			
194200-15410	BALL BEARING	28- 7	1	1			
194200-15420	BALL BEARING	28- 8	1	1			
194200-15430	SHIM, adjust screw	28- 16	1	1			
194200-15440	SHIM, adjust screw	28- 17	1	1			
194200-15470	ADJUST SCREW	28- 14	1	1			
194200-15611	ARM, pitman	28- 34	1	1			
194200-15730	STEERING WHEEL	28- 40	1	1			
194200-15740	CAP, steering wheel	28- 41	1	1			
194200-15750	PACKING, wheel cap	28- 42	1	1			
194200-16111	DRAG-ROD	28- 43	1				
194200-16111	DRAG-ROD	28- 47			1		
194200-16111	DRAG-ROD	29- 43				1	
194200-16111-X	DRAG-ROD	28- 43	1				
194200-16111-X	DRAG-ROD	28- 47			1		
194200-16111-X	DRAG-ROD	29- 43			1		
194200-21003-X	HOUSING, complete clutch	30- 2	1				
194200-21003-X	HOUSING, complete, clutch	31- 2	1				
194200-21003-X	HOUSING, complete clutch	32- 2				1	
194200-21003-X	HOUSING, complete clutch	33- 2				1	
194200-21102-X	HOUSING, complete, clutch	30- 2	1				
194200-21102-X	HOUSING, complete, clutch	31- 2	1				
194200-21102-X	HOUSING, complete, clutch	32- 2				1	
194200-21102-X	HOUSING, complete, clutch	33- 2				1	
194200-22110	SHAFT, main driving 22dx442L	30- 42	1	1			
194200-22110	SHAFT, main driving 22dx442L	31- 42	1	1			
194200-22110	SHAFT, main driving 22dx442L	32- 42			1	1	
194200-22110	SHAFT, main driving 22dx442L	33- 42			1	1	

NUMERICAL PART NO. LIST

Part No.	Description	Refer. No.	Qty/Unit				Remarks
			YMI55	YMI55D	YMI35	YMI35D	
194200-22150	BEARING SLEEVE	30- 20	1	1			
194200-22150	BEARING SLEEVE	31- 20	1	1			
194200-22150	BEARING SLEEVE	32- 20			1	1	
194200-22150	BEARING SLEEVE	33- 20			1	1	
194200-22170	METAL 22 x 25 x 20	30- 21	1	1			
194200-22170	METAL 22 x 25 x 20	31- 21	1	1			
194200-22170	METAL 22 x 25 x 20	32- 21			1	1	
194200-22170	METAL 22 x 25 x 20	33- 21			1	1	
194200-22180	BEARING, clutch release	30- 43	1	1			
194200-22180	BEARING, clutch release	31- 43	1	1			
194200-22180	BEARING, clutch release	32- 43			1	1	
194200-22180	BEARING, clutch release	33- 43			1	1	
194200-22190	FELT, clutch release	30- 22	1	1			
194200-22190	FELT, clutch release	31- 22	1	1			
194200-22190	FELT, clutch release	32- 22			1	1	
194200-22190	FELT, clutch release	33- 22			1	1	
194200-22310	FORK, clutch shift	31- 24	1	1			
194200-22310	FORK, clutch shift	32- 24			1	1	
194200-22310	FORK, clutch shift	33- 24			1	1	
194200-22380	WIRE 0.9 x 140	30- 54	2	2			
194200-22380	WIRE 0.9 x 140	31- 54	2	2			
194200-22380	WIRE 0.9 x 140	32- 54			2	2	
194200-22380	WIRE 0.9 x 140	33- 54			2	2	
194200-22410	CLUTCH PEDAL	30- 49	1	1			
194200-22410	CLUTCH PEDAL	31- 49	1	1			
194200-22410	CLUTCH PEDAL	32- 49			1	1	
194200-22410	CLUTCH PEDAL	33- 49			1	1	
194200-22460	ROD, clutch	30- 51	1	1			
194200-22460	ROD, clutch	31- 51	1	1			
194200-22460	ROD, clutch	32- 51			1	1	
194200-22460	ROD, clutch	33- 51			1	1	
194200-22490	JOINT (B), clutch rod	30- 52	1	1			
194200-22490	JOINT (B), clutch rod	31- 52	1	1			
194200-22490	JOINT (B), clutch rod	32- 52			1	1	
194200-22490	JOINT (B), clutch rod	33- 52			1	1	
194200-24120	STUD M12 x 23	34- 3	7	7			
194200-24120	STUD M12 x 23	34- 6		7		7	
194200-24120	STUD M12 x 23	35- 3	7				
194200-24120	STUD M12 x 23	35- 6		7			
194200-24130	PACKING, transmission case	34- 8	1	1	1	1	
194200-24130	PACKING, transmission case	35- 8	1	1			
194200-24140	NUT M10	34- 9	10	10	10	10	
194200-24140	NUT M10	35- 9	10	10			
194200-24160	GEAR HOUSING, final reduction	34- 12	1	1	1	1	
194200-24160	GEAR HOUSING, final reduction	35- 12	1	1			

- 15 -

NUMERICAL PART NO. LIST

Part No.	Description	Refer. No.	Qty/Ur				Remarks
			YMI55	YMI55D	YMI35	YMI35D	
194200-24180	STUD M12 x 64	34- 13	4	4	4	4	
194200-24180	STUD M12 x 64	35- 13	4	4			
194200-24200	STUD M10 x 55	34- 18	2	2	2	2	
194200-24200	STUD M10 x 55	35- 18	2	2			
194200-24210-X	COVER, transmission housing	35- 30	1	1			
194200-24210-X	COVER, transmission housing	34- 60	1	1	1	1	
194200-24220	PACKING, transmission	34- 31	1	1	1	1	
194200-24220	PACKING, transmission	35- 31	1	1			
194200-24250	DIPSTICK	34- 59	1	1	1	1	
194200-24250	DIPSTICK	35- 29	1	1			
194200-24270-X	COVER, complete, P.T.O. shaft	34- 43	1	1	1	1	
194200-24270-X	COVER, complete, P.T.O. shaft	35- 43	1	1			
194200-24300-X	COVER, transmission housing	35- 28	1	1			
194200-24300-X	COVER, transmission housing	34- 56	1	1	1	1	
194200-24360	PACKING, transmission	34- 20	1	1	1	1	
194200-24360	PACKING, transmission	35- 20	1	1			
194200-24380	OIL PLUG 30	25- 32		1			
194200-24380	OIL PLUG 30	26- 32				1	
194200-24380	OIL PLUG 30	34- 25	1		1		
194200-24380	OIL PLUG 30	34- 29		1		1	
194200-24380	OIL PLUG 30	35- 26	1	1			
194200-24401	COVER, transmission housing	34- 34	1		1		
194200-24401	COVER, transmission housing	35- 34	1				
194200-24410	PACKING, transmission	34- 36	1	1	1	1	
194200-24410	PACKING, transmission	35- 36	1	1			
194200-24450	COVER, transmission housing	34- 39	1	1	1	1	
194200-24450	COVER, transmission housing	35- 39	1	1			
194200-24460	PACKING, transmission	34- 40	1	1	1	1	
194200-24460	PACKING, transmission	35- 40	1	1			
194200-25201	SHAFT, main	36- 1	1	1			
194200-25201	SHAFT, main	38- 1			1	1	
194200-25220	JOINT, main shaft 30d x 66L	36- 2	1	1			
194200-25220	JOINT, main shaft 30d x 66L	37- 2	1	1			
194200-25220	JOINT, main shaft 30d x 66L	38- 2			1	1	
194200-25240	OIL SEAL TC20357	36- 3	1	1			
194200-25240	OIL SEAL TC20357	37- 3	1	1			
194200-25240	OIL SEAL TC20357	38- 3			1	1	
194200-25250	NEEDLE BEARING 15 x 21 x 12	36- 9	1	1			
194200-25250	NEEDLE BEARING 15 x 21 x 12	38- 9			1	1	
194200-25260	BALL BEARING 6205NR	36- 8	1	1			
194200-25260	BALL BEARING 6205NR	37- 8	1	1			
194200-25260	BALL BEARING 6205NR	38- 8			1	1	
194200-25270	SPACER, main shaft 30d x 1.0w	36- 4	1	1			
194200-25270	SPACER, main shaft 30d x 1.0w	37- 4	1	1			
194200-25270	SPACER, main shaft 30d x 1.0w	38- 4			1	1	

NUMERICAL PART NO. LIST

Part No.	Description	Refer. No.	Qty/Unit				Remarks
			YMI55	YMI55D	YMI35	YMI35D	
194200-25280	LINER 18 x 30 x 1	36- 12	1	1			
194200-25280	LINER 18 x 30 x 1	37- 12	1	1			
194200-25280	LINER 18 x 30 x 1	38- 12			1	1	
194200-25301	SHAFT, driven 24.667d x 169L	36- 11	1	1			
194200-25301	SHAFT, driven 24.667d x 169L	38- 11			1	1	
194200-25310	GEAR 26, driven	36- 13	1	1			
194200-25310	GEAR 26, driven	38- 13			1	1	
194200-25320	GEAR 12, driven 45d x 18.35id	36- 14	1	1			
194200-25320	GEAR 12, driven 45d x 18.35id	38- 14			1	1	
194200-25331	COLLAR 21.4 x 32 x 25	36- 15	1	1			
194200-25331	COLLAR 21.4 x 32 x 25	38- 15			1	1	
194200-25340	GEAR 21, driven 68.7d x 11w	36- 16	1	1			
194200-25340	GEAR 21, driven 68.7d x 11w	38- 16			1	1	
194200-25350	COLLAR 25 x 32 x 30	36- 17	1	1			
194200-25350	COLLAR 25 x 32 x 30	38- 17			1	1	
194200-25370	LINER 20 x 32 x 2	36- 19	1	1			
194200-25370	LINER 20 x 32 x 2	38- 19			1	1	
194200-25380	COLLAR 20 x 26 x 39.5	36- 20	1	1			
194200-25380	COLLAR 20 x 26 x 39.5	38- 20			1	1	
194200-25400	SHAFT, main change 40d x 154L	36- 25	1	1			
194200-25400	SHAFT, main change 40d x 154L	38- 25			1	1	
194200-25410	GEAR 26, 1st/reverse sliding	36- 26	1	1			
194200-25410	GEAR 26, 1st/reverse sliding	38- 26			1	1	
194200-25430	GEAR 31, main 82.3d x 16w	36- 29	1	1			
194200-25430	GEAR 31, main 82.3d x 16w	38- 29			1	1	
194200-25440	COLLAR 25 x 30 x 13	36- 30	1	1			
194200-25440	COLLAR 25 x 30 x 13	37- 30	1	1			
194200-25440	COLLAR 25 x 30 x 13	38- 30			1	1	
194200-25450	LINER 15.5 x 28 x 1	36- 31	1	1			
194200-25450	LINER 15.5 x 28 x 1	37- 31	1	1			
194200-25450	LINER 15.5 x 28 x 1	38- 31			1	1	
194200-25460	SHIM 22, driven shaft	36- 23	-	-			
194200-25460	SHIM 22, driven shaft	38- 23			-	-	
194200-25470	SHIM 25, driven shaft	36- 24	-	-			
194200-25470	SHIM 25, driven shaft	37- 24	-	-			
194200-25470	SHIM 25, driven shaft	38- 24			-	-	
194200-25500	COUNTER SHAFT	36- 33	1	1			
194200-25500	COUNTER SHAFT	37- 33	1	1			
194200-25500	COUNTER SHAFT	38- 33			1	1	
194200-25510	COLLAR 21 x 27 x 36.5	36- 34	1	1			
194200-25510	COLLAR 21 x 27 x 36.5	37- 34	1	1			
194200-25510	COLLAR 21 x 27 x 36.5	38- 34			1	1	
194200-25520	METAL 20 x 25 x 22	36- 36	1	1			
194200-25520	METAL 20 x 25 x 22	37- 36	1	1			
194200-25520	METAL 20 x 25 x 22	38- 36			1	1	

NUMERICAL PART NO. LIST

Part No.	Description	Refer. No.	Qty/Unit				Remarks
			YMI55	YMI55D	YMI35	YMI35D	
194200-25530	GEAR 13/18, reverse	36- 37	1	1			
194200-25530	GEAR 13/18, reverse	38- 37			1	1	
194200-25550	GEAR 16, low-hi sliding	36- 41	1	1			
194200-25550	GEAR 16, low-hi sliding	37- 41	1	1			
194200-25550	GEAR 16, low-hi sliding	38- 41			1	1	
194200-25560	LINER 25 x 33 x 1.6	36- 42	2	2			
194200-25560	LINER 25 x 33 x 1.6	36- 61	3	3			
194200-25560	LINER 25 x 33 x 1.6	37- 42	2	2			
194200-25560	LINER 25 x 33 x 1.6	37- 61	3	3			
194200-25560	LINER 25 x 33 x 1.6	38- 42			2	2	
194200-25560	LINER 25 x 33 x 1.6	38- 61			3	3	
194200-25570	BALL BEARING 7204, angular	36- 44	1	1			
194200-25570	BALL BEARING 7204, angular	37- 44	1	1			
194200-25570	BALL BEARING 7204, angular	38- 44			1	1	
194200-25581	BALL BEARING,	36- 45	1	1			
194200-25581	BALL BEARING,	37- 45	1	1			
194200-25581	BALL BEARING,	38- 45			1	1	
194200-25590	SHIM 0.1, counter shaft	36- 46	-	-			
194200-25590	SHIM 0.1, counter shaft	37- 46	-	-			
194200-25590	SHIM 0.1, counter shaft	38- 46	-	-			
194200-25600	SHIM 0.3, counter shaft	36- 47	-	-			
194200-25600	SHIM 0.3, counter shaft	37- 47	-	-			
194200-25600	SHIM 0.3, counter shaft	38- 47			-	-	
194200-25610	COLLAR 25 x 32 x 9	36- 38	1				
194200-25610	COLLAR 25 x 32 x 9	37- 38	1				
194200-25610	COLLAR 25 x 32 x 9	38- 38			1		
194200-25810	GEAR 34, low-hi reduction	36- 43	1	1			
194200-25810	GEAR 34, low-hi reduction	37- 43	1	1			
194200-25810	GEAR 34, low-hi reduction	38- 43			1	1	
194200-26241	GEAR 25	36- 78	1	1			
194200-26241	GEAR 25	38- 78			1	1	
194200-26320	JOINT, P.T.O. driving shaft	36- 57	1	1			
194200-26320	JOINT, P.T.O. driving shaft	37- 57	1	1			
194200-26320	JOINT, P.T.O. driving shaft	38- 57			1	1	
194200-26331	COLLAR 25 x 32 x 32.2	36- 65	1	1			
194200-26331	COLLAR 25 x 32 x 32.2	38- 65			1	1	
194200-26410	SHAFT, P.T.O.	37- 77	1	1			
194200-26450	COLLAR 30.5 x 37.5 x 20.5	36- 79	1	1			
194200-26450	COLLAR 30.5 x 37.5 x 20.5	37- 79	1	1			
194200-26450	COLLAR 30.5 x 37.5 x 20.5	38- 79			1	1	
194200-26460	SEAL COLLAR 30 x 40 x 15	36- 80	1	1			
194200-26460	SEAL COLLAR 30 x 40 x 15	37- 80	1	1			
194200-26460	SEAL COLLAR 30 x 40 x 15	38- 80			1	1	
194200-27110-X	LEVER, main change	40- 1			1	1	
194200-27110-X	LEVER, main change	39- 1	1	1			

NUMERICAL PART NO. LIST

Part No.	Description	Refer. No.	Q'ty/Unit				Remarks
			YMI55	YMI55D	YMI35	YMI35D	
194200-27140	KNOB w/LABEL,	39- 2	1	1			
194200-27140	KNOB w/LABEL,	40- 2			1	1	
194200-27150	KNOB, main change lever	39- 3	1	1			
194200-27150	KNOB, main change lever	40- 3			1	1	
194200-27160	SPRING, change lever	39- 9	1	1			
194200-27160	SPRING, change lever	40- 9			1	1	
194200-27181	GUIDE, safety	39- 13	1	1			
194200-27181	GUIDE, safety	40- 13			1	1	
194200-27310	FORK, reverse/1st speed shift	39- 14	1	1			
194200-27310	FORK, reverse/1st speed shift	40- 14			1	1	
194200-27320	FORK, 2nd/3rd speed shift	39- 15	1	1			
194200-27320	FORK, 2nd/3rd speed shift	40- 15			1	1	
194200-27330	SPRING, shift fork	39- 19	2	2			
194200-27330	SPRING, shift fork	39- 45		1			
194200-27330	SPRING, shift fork	39- 56	1	1			
194200-27330	SPRING, shift fork	40- 19			2	2	
194200-27330	SPRING, shift fork	40- 45				1	
194200-27330	SPRING, shift fork	40- 56			1	1	
194200-27350	SHAFT, reverse/1st fork	39- 16	1	1			
194200-27350	SHAFT, reverse/1st fork	40- 16			1	1	
194200-27360	SHAFT, 2nd/3rd fork	39- 17	1	1			
194200-27360	SHAFT, 2nd/3rd fork	40- 17			1	1	
194200-27510	LEVER, low-hi change	39- 23	2	2			
194200-27510	LEVER, low-hi change	40- 23			2	2	
194200-27510-X	LEVER, low-hi change	39- 23	2	2			
194200-27510-X	LEVER, low-hi change	40- 23			2	2	
194200-27600	SHAFT, low-hi fork	39- 26	1	1			
194200-27600	SHAFT, low-hi fork	40- 26			1	1	
194200-27610	FORK, low-hi shift	39- 27	1	1			
194200-27610	FORK, low-hi shift	40- 27			1	1	
194200-27620	SPRING, low-hi shift fork	39- 30	1	1			
194200-27620	SPRING, low-hi shift fork	40- 30			1	1	
194200-27630	SPRING WASHER, shift fork	39- 33	1	1			
194200-27630	SPRING WASHER, shift fork	39- 59	1	1			
194200-27630	SPRING WASHER, shift fork	40- 33			1	1	
194200-27630	SPRING WASHER, shift fork	40- 59			1	1	
194200-27650	SHIFTER, low-hi change	39- 34	1	1			
194200-27650	SHIFTER, low-hi change	40- 34			1	1	
194200-27680	STOPPER, shifter	39- 35	1	1			
194200-27680	STOPPER, shifter	39- 49		1			
194200-27680	STOPPER, shifter	40- 35			1	1	
194200-27680	STOPPER, shifter	40- 49				1	
194200-27830	SHAFT, P.T.O. fork	39- 53	1	1			
194200-27830	SHAFT, P.T.O. fork	40- 53			1	1	
194200-27840	FORK, P.T.O. shift	39- 54	1	1			

- 17 -

NUMERICAL PART NO. LIST

Part No.	Description	Refer. No.	Q'ty/Unit				Remarks
			YMI55	YMI55D	YMI35	YMI35D	
194200-27840	FORK, P.T.O. shift	40- 54			1	1	
194200-27860	SHIFTER, P.T.O. change	39- 60	1	1			
194200-27860	SHIFTER, P.T.O. change	40- 60			1	1	
194200-27890	GUIDE w/LABEL,	39- 61	1	1			
194200-27890	GUIDE w/LABEL,	40- 61			1	1	
194200-27900	GUIDE, P.T.O. change lever	39- 62	1	1			
194200-27900	GUIDE, P.T.O. change lever	40- 62			1	1	
194200-31850	SPACER 0.9, differential	27- 41	-	-	-	-	
194200-31850	SPACER 0.9, differential	41- 6	-	-	-	-	
194200-31850	SPACER 0.9, differential	43- 6	-	-	-	-	
194200-31851	SPACER 0.9, differential	27- 41	-	-	-	-	
194200-31851	SPACER 0.9, differential	41- 6	-	-	-	-	
194200-31851	SPACER 0.9, differential	42- 6	-	-	-	-	
194200-31851	SPACER 0.9, differential	43- 6	-	-	-	-	
194200-31860	SPACER 1.0, differential	27- 42	-	-	-	-	
194200-31860	SPACER 1.0, differential	41- 7	-	-	-	-	
194200-31860	SPACER 1.0, differential	43- 7	-	-	-	-	
194200-31861	SPACER 1.0, differential	27- 42	-	-	-	-	
194200-31861	SPACER 1.0, differential	41- 7	-	-	-	-	
194200-31861	SPACER 1.0, differential	42- 7	-	-	-	-	
194200-31861	SPACER 1.0, differential	43- 7	-	-	-	-	
194200-31870	SPACER 1.1, differential	27- 43	-	-	-	-	
194200-31870	SPACER 1.1, differential	41- 8	-	-	-	-	
194200-31870	SPACER 1.1, differential	43- 8	-	-	-	-	
194200-31871	SPACER 1.1, differential	27- 43	-	-	-	-	
194200-31871	SPACER 1.1, differential	41- 8	-	-	-	-	
194200-31871	SPACER 1.1, differential	42- 8	-	-	-	-	
194200-31871	SPACER 1.1, differential	43- 8	-	-	-	-	
194200-31880	SPACER 1.2, differential	27- 44	-	-	-	-	
194200-31880	SPACER 1.2, differential	41- 9	-	-	-	-	
194200-31880	SPACER 1.2, differential	43- 9	-	-	-	-	
194200-31881	SPACER 1.2, differential	27- 44	-	-	-	-	
194200-31881	SPACER 1.2, differential	41- 9	-	-	-	-	
194200-31881	SPACER 1.2, differential	42- 9	-	-	-	-	
194200-31881	SPACER 1.2, differential	43- 9	-	-	-	-	
194200-31900	THRUST COLLAR, differential	27- 45			1	1	
194200-31900	THRUST COLLAR, differential	41- 10	1	1			
194200-31900	THRUST COLLAR, differential	43- 10			1	1	
194200-31901	THRUST COLLAR, differential	27- 45			1	1	
194200-31901	THRUST COLLAR, differential	41- 10	1	1			
194200-31901	THRUST COLLAR, differential	42- 10	1	1			
194200-31901	THRUST COLLAR, differential	43- 10			1	1	
194200-31910	LINER 22.5 x 30 x 1	27- 46			2	2	
194200-31910	LINER 22.5 x 30 x 1	41- 11	2	2			
194200-31910	LINER 22.5 x 30 x 1	41- 29	2	2			

NUMERICAL PART NO. LIST

NUMERICAL PART NO. LIST

Part No.	Description	Refer. No.	Q'ty/Unit				Remarks
			YMI55	YMI55D	YMI35	YMI35D	
194200-31910	LINER 22.5 x 30 x 1	42- 11	2	2			
194200-31910	LINER 22.5 x 30 x 1	42- 29	2	2			
194200-31910	LINER 22.5 x 30 x 1	43- 11			2	2	
194200-31910	LINER 22.5 x 30 x 1	43- 29			2	2	
194200-31940	PIN 4, differential lock	27- 47	1			1	
194200-31940	PIN 4, differential lock	41- 12	1	1			
194200-31940	PIN 4, differential lock	42- 12	1	1			
194200-31940	PIN 4, differential lock	43- 12			1	1	
194200-32100	GEAR 38, spiral ring	27- 75	1			1	
194200-32100	GEAR 38, spiral ring	41- 63	1	1			
194200-32100	GEAR 38, spiral ring	42- 60	1	1			
194200-32100	GEAR 38, spiral ring	43- 63			1	1	
194200-32110	WIRE 0.8 x 180	27- 50	1			1	
194200-32110	WIRE 0.8 x 180	27- 50	1			1	
194200-32110	WIRE 0.8 x 180	41- 15	1	1			
194200-32110	WIRE 0.8 x 180	41- 15	1	1			
194200-32110	WIRE 0.8 x 180	43- 15			1	1	
194200-32110	WIRE 0.8 x 180	43- 15			1	1	
194200-32250	CASE, differential bearing	41- 17	1	1			
194200-32250	CASE, differential bearing	42- 17	1	1			
194200-32250	CASE, differential bearing	43- 17			1	1	
194200-32300	SHIM 0.1, differential case	41- 18	-	-			
194200-32300	SHIM 0.1, differential case	42- 18	-	-			
194200-32300	SHIM 0.1, differential case	43- 18	-	-			
194200-32310	SHIM 0.3, differential case	41- 19	-	-			
194200-32310	SHIM 0.3, differential case	42- 19	-	-			
194200-32310	SHIM 0.3, differential case	43- 19	-	-			
194200-32330	SHIM 72 x 0.1	27- 51	-	-			
194200-32330	SHIM 72 x 0.1	41- 20	-	-			
194200-32330	SHIM 72 x 0.1	42- 20	-	-			
194200-32330	SHIM 72 x 0.1	43- 20	-	-			
194200-32340	SHIM 72 x 0.3	27- 52	-	-			
194200-32340	SHIM 72 x 0.3	41- 21	-	-			
194200-32340	SHIM 72 x 0.3	42- 21	-	-			
194200-32340	SHIM 72 x 0.3	43- 21	-	-			
194200-32370	STOPPER, bearing case	41- 22	1	1			
194200-32370	STOPPER, bearing case	42- 22	1	1			
194200-32370	STOPPER, bearing case	43- 22			1	1	
194200-32461	METAL 22 x 27 x 22.5	41- 24	2	2			
194200-32461	METAL 22 x 27 x 22.5	42- 24	2	2			
194200-32461	METAL 22 x 27 x 22.5	43- 24			2	2	
194200-32510	PIPE 6 x 40, beathing	41- 34	2	2			
194200-32510	PIPE 6 x 40, beathing	41- 38	2	2			
194200-32510	PIPE 6 x 40, beathing	42- 34	2	2			
194200-32510	PIPE 6 x 40, beathing	42- 38	2	2			

Part No.	Description	Refer. No.	Q'ty/Unit				Remarks
			YMI55	YMI55D	YMI35	YMI35D	
194200-32510	PIPE 6 x 40, beathing	43- 34			2	2	
194200-32510	PIPE 6 x 40, beathing	43- 38			2	2	
194200-32630	STUD M8 x 17	41- 33	8	8			
194200-32630	STUD M8 x 17	41- 37	8	8			
194200-32630	STUD M8 x 17	43- 33			8	8	
194200-32630	STUD M8 x 17	43- 37			8	8	
194200-32640	PACKING, rear axle housing	41- 41	2	2			
194200-32640	PACKING, rear axle housing	42- 41	2	2			
194200-32640	PACKING, rear axle housing	43- 41			2	2	
194200-32660	COVER, rear axle housing	41- 45	1	1			
194200-32660	COVER, rear axle housing	43- 45			1	1	
194200-32670	PACKING, rear axle housing	41- 46	1	1			
194200-32670	PACKING, rear axle housing	43- 46			1	1	
194200-32670	PACKING, rear axle housing	44- 2	1	1			
194200-32670	PACKING, rear axle housing	45- 2	1	1			
194200-32670	PACKING, rear axle housing	46- 2			1	1	
194200-33411	PINION (L), final reduction	41- 27	1	1			
194200-33411	PINION (L), final reduction	43- 27			1	1	
194200-33421	PINION (R), final reduction	41- 28	1	1			
194200-33451	SEAL COLLAR 25 x 35 x 11	41- 49	2	2			
194200-33451	SEAL COLLAR 25 x 35 x 11	42- 49	2	2			
194200-33451	SEAL COLLAR 25 x 35 x 11	43- 49			2	2	
194200-33460	OIL SEAL TC 35 50 8	41- 50	2	2			
194200-33460	OIL SEAL TC 35 50 8	42- 50	2	2			
194200-33460	OIL SEAL TC 35 50 8	43- 50			2	2	
194200-34132	SHAFT, rear axle	41- 52	2	2			
194200-34132	SHAFT, rear axle	42- 52	2	2			
194200-34140	GEAR 52, final reduction	41- 53	2	2			
194200-34140	GEAR 52, final reduction	42- 53	2	2			
194200-34200	BALL BEARING 45 x 80 x 18	41- 58	2	2			
194200-34200	BALL BEARING 45 x 80 x 18	42- 48	2	2			
194200-34200	BALL BEARING 45 x 80 x 18	43- 58			2	2	
194200-34360	COLLAR 30.2 x 45 x 10	41- 54	2	2			
194200-34360	COLLAR 30.2 x 45 x 10	42- 54	2	2			
194200-34360	COLLAR 30.2 x 45 x 10	43- 54			2	2	
194200-34371	COLLAR 40 x 50 x 39	41- 55	2	2			
194200-34371	COLLAR 40 x 50 x 39	42- 55	2	2			
194200-34371	COLLAR 40 x 50 x 39	43- 55			2	2	
194200-34382	SLEEVE 45 x 50 x 20	41- 56	2	2			
194200-34382	SLEEVE 45 x 50 x 20	43- 56			2	2	
194200-34390	WASHER, rear axle shaft	41- 60	2	2			
194200-34390	WASHER, rear axle shaft	42- 45	2	2			
194200-34390	WASHER, rear axle shaft	43- 60			2	2	
194200-34400	LOCKING 46	41- 61	2	2			
194200-34400	LOCKING 46	42- 46	2	2			

NUMERICAL PART NO. LIST

Part No.	Description	Refer. No.	Q'ty/Unit				Remarks
			YMI55	YMI55D	YMI35	YMI35D	
194200-34400	LOCKING 46	43- 61			2	2	
194200-34411	OIL SEAL TC 50 70 10	41- 59	2	2			
194200-34411	OIL SEAL TC 50 70 10	43- 59			2	2	
194200-34412	OIL SEAL TC 45 70 12	41- 59	2	2			
194200-34412	OIL SEAL TC 45 70 12	42- 56	2	2			
194200-34412	OIL SEAL TC 45 70 12	43- 59			2	2	
194200-34711	HUB, rear wheel	50- 27	1				
194200-34711	HUB, rear wheel	51- 24		2			
194200-34711	HUB, rear wheel	52- 27	1				
194200-34711	HUB, rear wheel	53- 24		2			
194200-34711	HUB, rear wheel	54- 27			2		
194200-34711	HUB, rear wheel	55- 24			2		
194200-34711	HUB, rear wheel	56- 27		2			
194200-34711	HUB, rear wheel	57- 24			2		
194200-34750	PIN 10 x 78, rear wheel hub	50- 30	2				
194200-34750	PIN 10 x 78, rear wheel hub	51- 27		2			
194200-34750	PIN 10 x 78, rear wheel hub	52- 30	2				
194200-34750	PIN 10 x 78, rear wheel hub	53- 27		2			
194200-34750	PIN 10 x 78, rear wheel hub	54- 30			2		
194200-34750	PIN 10 x 78, rear wheel hub	55- 27			2		
194200-34750	PIN 10 x 78, rear wheel hub	56- 30			2		
194200-34750	PIN 10 x 78, rear wheel hub	57- 27			2		
194200-34950	TUBE, tire	50- 20	1				
194200-34950	TUBE, tire	50- 25	1				
194200-34950	TUBE, tire	51- 17		1			
194200-34950	TUBE, tire	51- 22		1			
194200-34950	TUBE, tire	52- 20	1				
194200-34950	TUBE, tire	52- 25	1				
194200-34950	TUBE, tire	53- 17		1			
194200-34950	TUBE, tire	53- 22		1			
194200-34950	TUBE, tire	54- 20			1		
194200-34950	TUBE, tire	54- 25			1		
194200-34950	TUBE, tire	91- 9	2	2			
194200-34950	TUBE, tire	92- 9	2	2			
194200-34960-Q	WHEEL, disc	52- 21	1				
194200-34960-Q	WHEEL, disc	52- 26	1				
194200-34960-Q	WHEEL, disc	53- 18		1			
194200-34960-Q	WHEEL, disc	53- 23		1			
194200-34960-P	WHEEL, disc	54- 21			1		
194200-34960-P	WHEEL, disc	56- 21			1		
194200-34960-P	WHEEL, disc	56- 26			1		
194200-34960-P	WHEEL, disc	57- 18			2		
194200-34960-P	WHEEL, disc	57- 23			2		
194200-34960-Q	WHEEL, disc	91- 10	2	2			
194200-34960-Q	WHEEL, disc	92- 10	2	2			

NUMERICAL PART NO. LIST

Part No.	Description	Refer. No.	Q'ty/Unit				Remarks
			YMI55	YMI55D	YMI35	YMI35D	
194200-34960-P	WHEEL, disc	50- 21	1				
194200-34960-P	WHEEL, disc	50- 26	1				
194200-34960-P	WHEEL, disc	51- 18		1			
194200-34960-P	WHEEL, disc	51- 23		1			
194200-34960-P	WHEEL, disc	54- 26			1		
194200-34960-P	WHEEL, disc	55- 18				2	
194200-34960-P	WHEEL, disc	55- 23				2	
194200-34960-Q	WHEEL, disc	50- 21	1				
194200-34960-Q	WHEEL, disc	50- 26	1				
194200-34960-Q	WHEEL, disc	51- 18		1			
194200-34960-Q	WHEEL, disc	51- 23		1			
194200-35100	COVER, differential lock cam	44- 1	1	1			
194200-35100	COVER, differential lock cam	45- 1	1	1			
194200-35100	COVER, differential lock cam	46- 1			1	1	
194200-35130-X	CAM, differential lock	45- 6	1	1			
194200-35130-X	CAM, differential lock	46- 6			1	1	
194200-35130-X	CAM, differential lock	44- 6	1	1			
194200-35180	BOOT, cam cover	44- 7	1	1			
194200-35180	BOOT, cam cover	45- 7	1	1			
194200-35180	BOOT, cam cover	46- 7			1	1	
194200-35250	SHAFT, differential lock	44- 8	1	1			
194200-35250	SHAFT, differential lock	45- 8	1	1			
194200-35250	SHAFT, differential lock	46- 8			1	1	
194200-35271	CLUTCH, differential lock	44- 9	1	1			
194200-35271	CLUTCH, differential lock	46- 9			1	1	
194200-35280	GEAR 14, differential lock	44- 10	1	1			
194200-35281	GEAR 14, differential lock	44- 10	1	1			
194200-35281	GEAR 14, differential lock	45- 10	1	1			
194200-35290	GEAR 14, differential lock	44- 11	1	1			
194200-35291	GEAR 14, differential lock	44- 11	1	1			
194200-35291	GEAR 14, differential lock	45- 11	1	1			
194200-35310	SPRING, differential lock	44- 12	1	1			
194200-35310	SPRING, differential lock	45- 12	1	1			
194200-35310	SPRING, differential lock	46- 12			1	1	
194200-35320	RING, differential lock shaft	36- 73	1	1			
194200-35320	RING, differential lock shaft	37- 73	1	1			
194200-35320	RING, differential lock shaft	38- 73			1	1	
194200-35320	RING, differential lock shaft	44- 13	1	1			
194200-35320	RING, differential lock shaft	45- 13	1	1			
194200-35320	RING, differential lock shaft	46- 13			1	1	
194200-35330	RING, differential lock	44- 31	1	1			
194200-35330	RING, differential lock	45- 16	1	1			
194200-35330	RING, differential lock	46- 31			1	1	
194200-35340	LINER 30.5 x 46 x 1.5	44- 14	1	1			
194200-35340	LINER 30.5 x 46 x 1.5	45- 14	1	1			

NUMERICAL PART NO. LIST

Part No.	Description	Refer. No.	Q'ty/Unit				Remarks
			YMI55	YMI55D	YMI35	YMI35D	
194200-35340	LINER 30.5 x 46 x 1.5	46- 14			1	1	
194200-35350	LINER 20.5 x 29 x 1.5	44- 15	2	2			
194200-35350	LINER 20.5 x 29 x 1.5	45- 15	2	2			
194200-35350	LINER 20.5 x 29 x 1.5	46- 15			2	2	
194200-35400-X	PEDAL, differential lock	45- 19	1	1			
194200-35400-X	PEDAL, differential lock	46- 19			1	1	
194200-35400-X	PEDAL, differential lock	44- 19	1	1			
194200-35470	ARM (A), differential lock	44- 20	1	1			
194200-35470	ARM (A), differential lock	45- 20	1	1			
194200-35470	ARM (A), differential lock	46- 20			1	1	
194200-35500	ROD, differential lock	44- 22	1	1			
194200-35500	ROD, differential lock	45- 22	1	1			
194200-35500	ROD, differential lock	46- 22			1	1	
194200-35510	JOINT, differential lock rod	44- 23	1	1			
194200-35510	JOINT, differential lock rod	45- 23	1	1			
194200-35510	JOINT, differential lock rod	46- 23			1	1	
194200-35550	ARM (B), differential lock	44- 28	1	1			
194200-35550	ARM (B), differential lock	45- 28	1	1			
194200-35550	ARM (B), differential lock	46- 28			1	1	
194200-35600	SPRING, differential	44- 30	1	1			
194200-35600	SPRING, differential	45- 4	1	1			
194200-35600	SPRING, differential	46- 30			1	1	
194200-35610	PIN 8 x 28	44- 24	2	2			
194200-35610	PIN 8 x 28	45- 24	2	2			
194200-35610	PIN 8 x 28	46- 24			2	2	
194200-36351-X	COVER, brake	47- 9	2	2			
194200-36351-X	COVER, brake	48- 2	2	2			
194200-36351-X	COVER, brake	48- 9	2	2			
194200-36351-X	COVER, brake	49- 9			2	2	
194200-36351-X	COVER, brake	47- 2	2	2			
194200-36351-X	COVER, brake	49- 2			2	2	
194200-36420	PACKING, brake cover	47- 46	2	2			
194200-36420	PACKING, brake cover	48- 46	2	2			
194200-36420	PACKING, brake cover	49- 46			2	2	
194200-36512	BRAKE SHOE, complete	47- 3	4	4			
194200-36512	BRAKE SHOE, complete	47- 10	4	4			
194200-36512	BRAKE SHOE, complete	48- 3	4	4			
194200-36512	BRAKE SHOE, complete	48- 10	4	4			
194200-36512	BRAKE SHOE, complete	49- 3			4	4	
194200-36512	BRAKE SHOE, complete	49- 10			4	4	
194200-36551	SPRING, brake shoe return	47- 4	4	4			
194200-36551	SPRING, brake shoe return	47- 11	4	4			
194200-36551	SPRING, brake shoe return	48- 4	4	4			
194200-36551	SPRING, brake shoe return	48- 11	4	4			
194200-36551	SPRING, brake shoe return	49- 4			4	4	

- 20 -

NUMERICAL PART NO. LIST

Part No.	Description	Refer. No.	Q'ty/Unit				Remarks
			YMI55	YMI55D	YMI35	YMI35D	
194200-36551	SPRING, brake shoe return	49- 11			4	4	
194200-36571	DRUM, brake	47- 49	2	2			
194200-36571	DRUM, brake	48- 49	2	2			
194200-36571	DRUM, brake	49- 49			2	2	
194200-36701	CAMSHAFT (L), brake	47- 5	1	1			
194200-36701	CAMSHAFT (L), brake	48- 5	1	1			
194200-36701	CAMSHAFT (L), brake	49- 5			1	1	
194200-36711-X	CAMSHAFT (R), brake	47- 12	1	1			
194200-36711-X	CAMSHAFT (R), brake	48- 12	1	1			
194200-36711-X	CAMSHAFT (R), brake	49- 12			1	1	
194200-36740	JOINT, brake arm	47- 17	2	2			
194200-36740	JOINT, brake arm	48- 17	2	2			
194200-36740	JOINT, brake arm	49- 17			2	2	
194200-36780	O-RING 16-S	47- 7	4	4			
194200-36780	O-RING 16-S	47- 14	4	4			
194200-36780	O-RING 16-S	48- 7	4	4			
194200-36780	O-RING 16-S	48- 14	4	4			
194200-36780	O-RING 16-S	49- 7			4	4	
194200-36780	O-RING 16-S	49- 14			4	4	
194200-36790	RING, brake camshaft	47- 6	2	2			
194200-36790	RING, brake camshaft	47- 13	2	2			
194200-36790	RING, brake camshaft	48- 6	2	2			
194200-36790	RING, brake camshaft	48- 13	2	2			
194200-36790	RING, brake camshaft	49- 6			2	2	
194200-36790	RING, brake camshaft	49- 13			2	2	
194200-36792	SPRING, lock lever return	47- 36	1	1			
194200-36792	SPRING, lock lever return	48- 36	1	1			
194200-36792	SPRING, lock lever return	49- 36			1	1	
194200-37302-X	PEDAL (L), brake	47- 21	1	1			
194200-37302-X	PEDAL (L), brake	49- 21			1	1	
194200-37303-X	PEDAL (L), brake	47- 21	1	1			
194200-37303-X	PEDAL (L), brake	49- 21			1	1	
194200-37304-X	PEDAL (L), brake	48- 21	1	1			
194200-37304-X	PEDAL (L), brake	47- 21	1	1			
194200-37304-X	PEDAL (L), brake	49- 21			1	1	
194200-37350-R	CONNECTOR, brake	47- 23	1	1			
194200-37350-R	CONNECTOR, brake	49- 23			1	1	
194200-37390	SPRING 8	30- 57	1	1			
194200-37390	SPRING 8	31- 57	1	1			
194200-37390	SPRING 8	32- 57			1	1	
194200-37390	SPRING 8	33- 57			1	1	
194200-37390	SPRING 8	47- 24	2	2			
194200-37390	SPRING 8	48- 24	2	2			
194200-37390	SPRING 8	49- 24			2	2	
194200-37400-X	PEDAL (R), brake	47- 22	1	1			

NUMERICAL PART NO. LIST

Part No.	Description	Refer. No.	Qty/Unit				Remarks
			YMI55	YMI55D	YMI35	YMI35D	
194200-37400-X	PEDAL (R), brake	49- 22			1	1	
194200-37401-X	PEDAL (R), brake	48- 22	1	1			
194200-37401-X	PEDAL (R), brake	47- 22	1	1			
194200-37401-X	PEDAL (R), brake	49- 22			1	1	
194200-37510	SPRING, brake pedal return	30- 50	1	1			
194200-37510	SPRING, brake pedal return	31- 50	1	1			
194200-37510	SPRING, brake pedal return	32- 50			1	1	
194200-37510	SPRING, brake pedal return	33- 50			1	1	
194200-37510	SPRING, brake pedal return	47- 28	2	2			
194200-37510	SPRING, brake pedal return	48- 28	2	2			
194200-37510	SPRING, brake pedal return	49- 28			2	2	
194200-37550	SHAFT, brake pedal	47- 29	1	1			
194200-37550	SHAFT, brake pedal	48- 29	1	1			
194200-37550	SHAFT, brake pedal	49- 29			1	1	
194200-37600	LINER 26 x 36 x 2.3	47- 33	3	3			
194200-37600	LINER 26 x 36 x 2.3	48- 33	3	3			
194200-37600	LINER 26 x 36 x 2.3	49- 33			3	3	
194200-37620	LINER 26 x 36 x 1	47- 34	1	1			
194200-37620	LINER 26 x 36 x 1	48- 34	1	1			
194200-37620	LINER 26 x 36 x 1	49- 34			1	1	
194200-37652-X	LEVER, brake pedal lock	48- 35	1	1			
194200-37652-X	LEVER, brake pedal lock	47- 35	1	1			
194200-37652-X	LEVER, brake pedal lock	49- 35			1	1	
194200-37690	SPRING, lock lever return	47- 36	1	1			
194200-37690	SPRING, lock lever return	49- 36			1	1	
194200-37691	SPRING, lock lever return	47- 36	1	1			
194200-37691	SPRING, lock lever return	49- 36			1	1	
194200-37740	JOINT, brake rod front	47- 39	2	2			
194200-37740	JOINT, brake rod front	48- 39	2	2			
194200-37740	JOINT, brake rod front	49- 39			2	2	
194200-37770	ROD, brake	47- 40	2	2			
194200-37770	ROD, brake	48- 40	2	2			
194200-37770	ROD, brake	49- 40			2	2	
194200-37780	LS-NUT M8	47- 41	2	2			
194200-37780	LS-NUT M8	48- 41	2	2			
194200-37780	LS-NUT M8	49- 41			2	2	
194200-37800	PIN 8 x 17.5	19- 28	1	1			
194200-37800	PIN 8 x 17.5	30- 26	2	2			
194200-37800	PIN 8 x 17.5	31- 26	2	2			
194200-37800	PIN 8 x 17.5	32- 26			2	2	
194200-37800	PIN 8 x 17.5	33- 26			2	2	
194200-37800	PIN 8 x 17.5	47- 18	2	2			
194200-37800	PIN 8 x 17.5	47- 43	2	2			
194200-37800	PIN 8 x 17.5	49- 18			2	2	
194200-37800	PIN 8 x 17.5	49- 43			2	2	

- 21 -

NUMERICAL PART NO. LIST

Part No.	Description	Refer. No.	Qty/Unit				Remarks
			YMI55	YMI55D	YMI35	YMI35D	
194200-37810	PIN 8 x 20.5	47- 18	2	2			
194200-37810	PIN 8 x 20.5	47- 43	2	2			
194200-37810	PIN 8 x 20.5	48- 18	2	2			
194200-37810	PIN 8 x 20.5	48- 43	2	2			
194200-37810	PIN 8 x 20.5	49- 18			2	2	
194200-37810	PIN 8 x 20.5	49- 43			2	2	
194200-42101-X	HOUSING, hydraulic cylinder	58- 2	1	1	1	1	
194200-42102-X	HOUSING, hydraulic cylinder	58- 2	1	1	1	1	
194200-42102-X	HOUSING, hydraulic cylinder	58- 2	1	1	1	1	
194200-42150	PACKING, cylinder case	58- 6	1	1	1	1	
194200-42171	PROTECTOR, cylinder case	58- 7	1	1	1	1	
194200-42180	WIRE 0.6 x 220	58- 10	1	1	1	1	
194200-43110	PIPE, cylinder	58- 30	1	1	1	1	
194200-43121	HEAD, cylinder	58- 12	1	1	1	1	
194200-43140	O-RING 63-S	58- 14	1	1	1	1	
194200-43161-X	PLUG 18	58- 15	1	1	1	1	
194200-43210	SETBOLT, control valve	58- 33	1	1	1	1	
194200-43211	SETBOLT, control valve	58- 33			1		
194200-43211	SETBOLT, control valve	58- 33	1	1	1	1	
194200-43220	SETBOLT, control valve	58- 34	1	1	1	1	
194200-43230	SEAL WASHER	58- 68					1
194200-43230	SEAL WASHER	58- 68	1	1	1	1	
194200-43300	PISTON, hydraulic	58- 37	1	1	1	1	
194200-43411	ROD, hydraulic piston	58- 39	1	1	1	1	
194200-44111	CRANK, lift	58- 40	1	1	1	1	
194200-44151	PIN, lift crank	58- 41	1	1	1	1	
194200-44170	SETBOLT, lift crank	58- 44	1	1	1	1	
194200-44210	SHAFT, lift	58- 46	1	1	1	1	
194200-44250	BUSH 35 x 30, rod	58- 47	1	1	1	1	
194200-44260	BUSH 30 x 30, rod	58- 48	1	1	1	1	
194200-44280	LINER 30.5 x 45 x 1	58- 49	2	2	2	2	
194200-44411-X	ARM (L), lift	58- 52	1	1	1	1	
194200-44421-X	ARM (R), lift	58- 53	1	1	1	1	
194200-45160	SEAT, valve	59- 13	1	1	1	1	
194200-45170	SPRING	59- 14	1	1	1	1	
194200-45180	ADJUSTER	59- 15	1	1	1	1	
194200-45190	NUT	59- 16	1	1	1	1	
194200-45200	RING, stop	59- 5	1	1	1	1	
194200-45210	PLATE, lock	59- 17	1	1	1	1	
194200-45240	HOLDER, spring	59- 18	1	1	1	1	
194200-45250	LOCK NUT	59- 19	2	2	2	2	
194200-46100	PLUG 16, slow return	59- 22	1	1	1	1	
194200-46121	BOLT, slow return adjusting	59- 23	1	1	1	1	
194200-46130	SPRING, slow return bolt	59- 24	1	1	1	1	
194200-46150	O-RING 12.5-S	59- 25	1	1	1	1	

NUMERICAL PART NO. LIST

NUMERICAL PART NO. LIST

Part No.	Description	Refer. No.	Q'ty/Unit				Remarks
			YMI55	YMI55P	YMI35	YMI35P	
194200-46410	VALVE SEAT, safety	58- 17	1	1	1	1	
194200-46420	SPRING, safety valve	58- 18	1	1	1	1	
194200-46450-X	PLUG 16, safety valve	58- 21	1	1	1	1	
194200-46520	VALVE SEAT, stop	58- 23	1	1	1	1	
194200-46531	VALVE (A), stop	58- 24	1	1	1	1	
194200-46540-X	GUIDE, stop valve	58- 25	1	1	1	1	
194200-46550	O-RING 16-S	58- 26	2	2	2	2	
194200-46560-X	VALVE (B), stop	58- 27	1	1	1	1	
194200-47112-X	LEVER, hydraulic control	59- 28	1	1	1	1	
194200-47180	LINER, control lever	59- 30	1	1	1	1	
194200-47190	O-RING S12	59- 32	1	1	1	1	
194200-47210	FORK, hydraulic control	59- 33	1	1	1	1	
194200-47220	SETBOLT M6 x 30	59- 34	1	1	1	1	
194200-47310	SUPPORT, lock spring	59- 36	1	1	1	1	
194200-47330	SPRING, lock	59- 37	1	1	1	1	
194200-47350-X	COVER, lock spring	59- 39	1	1	1	1	
194200-47360	PACKING, lock spring cover	59- 40	1	1	1	1	
194200-47510	SUPPORT, auto-return rod	58- 56	1	1	1	1	
194200-47550	PIN, auto-return support	58- 59	1	1	1	1	
194200-47610	ROD, auto-return	58- 61	1	1	1	1	
194200-47620	STOPPER, auto-return	58- 63	2	2	2	2	
194200-48110-X	PIPE (A), low-pressure	60- 1	1	1	1	1	
194200-48570	ADAPTER (A)	60- 10	1	1	1	1	
194200-48810	CLAMP	60- 12	2	2	2	2	
194200-48820	CLAMP, pipe	60- 13	1	1	1	1	
194200-48911	FILTER, oil	60- 15	1	1	1	1	
194200-48921	PACKING, oil filter	60- 16	1	1	1	1	
194200-48930	GROMMET 22	60- 19	1	1	1	1	
194200-51130	CABLE (L), turn signal	61- 21	1	1			
194200-51130	CABLE (L), turn signal	65- 21			1	1	
194200-51130	CORD (L), turn signal	84- 4			2	2	
194200-51162	WIRE, lead	61- 53	1	1			
194200-51162	WIRE, lead	62- 56	1	1			
194200-51162	WIRE, lead	63- 3	1	1			
194200-51162	WIRE, lead	64- 4	1	1			
194200-51180	CABLE (R), turn signal	61- 22	1	1			
194200-51180	CABLE (R), turn signal	65- 22			1	1	
194200-51201	CABLE, battery plus	61- 11	1	1			
194200-51201	CABLE, battery plus	62- 11	1	1			
194200-51201	CABLE, battery	63- 4	1	1			
194200-51201	CABLE, battery	64- 5	1	1			
194200-51211	CABLE, battery earth	61- 12	1	1			
194200-51211	CABLE, battery earth	62- 12	1	1			
194200-51211	CABLE, battery earth	63- 5	1	1			
194200-51211	CABLE, battery earth	64- 6	1	1			

Part No.	Description	Refer. No.	Q'ty/Unit				Remarks
			YMI55	YMI55P	YMI35	YMI35P	
194200-51211	CABLE, battery earth	65- 12			1	1	
194200-51211	CABLE, battery earth	66- 12			1	1	
194200-51301	BATTERY Y60-S4LP	61- 5	1	1			
194200-51301	BATTERY Y60-S4LP	62- 5	1	1			
194200-51351	COVER, battery	61- 6	1	1			
194200-51351	COVER, battery	62- 6	1	1			
194200-51351	COVER, battery	63- 91	1	1			
194200-51351	COVER, battery	64- 61	1	1			
194200-51400	LOCK BOLT, battery	61- 7	2	2			
194200-51400	LOCK BOLT, battery	62- 7	2	2			
194200-51400	LOCK BOLT	63- 92	2	2			
194200-51400	LOCK BOLT	64- 62	2	2			
194200-51440	CUSHION, battery	61- 10	1	1			
194200-51440	CUSHION, battery	62- 10	1	1			
194200-51440	CUSHION	63- 93	1	1			
194200-51440	CUSHION	64- 63	1	1			
194200-52210	FUSE BOX	61- 36	1	1			
194200-52210	FUSE BOX	62- 27	1	1			
194200-52210	FUSE BOX	65- 34			1	1	
194200-52210	FUSE BOX	66- 28			1	1	
194200-52220	FUSE 5A	61- 38	3	3			
194200-52220	FUSE 5A	62- 29	3	3			
194200-52220	FUSE 5A	65- 36			3	3	
194200-52220	FUSE 5A	66- 30			3	3	
194200-52230	FUSE 10A	61- 39	6	6			
194200-52230	FUSE 10A	62- 30	6	6			
194200-52230	FUSE 10A	65- 37			6	6	
194200-52230	FUSE 10A	66- 31			6	6	
194200-52240	FUSE 15A	61- 40	3	3			
194200-52240	FUSE 15A	62- 31	3	3			
194200-52240	FUSE 15A	65- 38			3	3	
194200-52240	FUSE 15A	66- 32			3	3	
194200-53400	BULB 12V 20W	84- 3			2	2	
194200-55470	COVER, cable	61- 2	1	1			
194200-55470	COVER, cable	62- 2	1	1			
194200-55470	COVER, cable	65- 2			1	1	
194200-55470	COVER, cable	66- 2			1	1	
194200-56060	FITTINGS	63- 82	1	1			
194200-56060	FITTINGS	64- 52	1	1			
194200-56070	SHEET	63- 83	1	1			
194200-56070	SHEET	64- 53	1	1			
194200-56400	CLAMP	61- 4	1	1			
194200-56400	CLAMP	62- 4	1	1			
194200-56400	CLAMP	63- 8	1	1			
194200-56400	CLAMP	64- 8	1	1			

1
2
1

NUMERICAL PART NO. LIST

Part No.	Description	Refer. No.	Q'ty/Unit				Remarks
			YMI55	YMI55D	YMI35	YMI35D	
194200-56400	CLAMP	65- 4			1	1	
194200-56400	CLAMP	66- 4			1	1	
194200-56410	CLAMP (B)	61- 34	1	1			
194200-56410	CLAMP (B)	65- 32			1	1	
194200-56410	CLAMP (B)	73- 43	1	1			
194200-56410	CLAMP (B)	77- 43			1	1	
194200-57210	GROMMET 6	61- 26	1	1			
194200-57210	GROMMET 6	62- 20	1	1			
194200-57210	GROMMET 6	63- 88	1	1			
194200-57210	GROMMET 6	64- 58	1	1			
194200-57210	GROMMET 6	65- 26			1	1	
194200-57210	GROMMET 6	66- 21			1	1	
194200-61220	LINNING, hood front	67- 5	1	1			
194200-61220	LINNING, hood front	67- 23	1	1			
194200-61220	LINNING, hood front	68- 4	1	1			
194200-61220	LINNING, hood front	70- 4	1	1			
194200-61220	LINNING, hood front	71- 5			2	2	
194200-61220	LINNING, hood front	71- 21			2	2	
194200-61220	LINNING, hood front	72- 4			2	2	
194200-61230	LINNING, hood left	67- 6	1	1			
194200-61230	LINNING, hood left	67- 24	1	1			
194200-61230	LINNING, hood left	68- 5	1	1			
194200-61230	LINNING, hood left	70- 5	1	1			
194200-61240	LINNING, hood right	67- 7	1	1			
194200-61240	LINNING, hood right	67- 25	1	1			
194200-61240	LINNING, hood right	68- 6	1	1			
194200-61240	LINNING, hood right	70- 6	1	1			
194200-61250	RUBBER, hood insulating	67- 8	1	1			
194200-61250	RUBBER, hood insulating	67- 26	1	1			
194200-61250	RUBBER, hood insulating	68- 7	1	1			
194200-61250	RUBBER, hood insulating	69- 5	1	1			
194200-61250	RUBBER, hood insulating	70- 7	1	1			
194200-61250	RUBBER, hood insulating	71- 6			1	1	
194200-61250	RUBBER, hood insulating	71- 22			1	1	
194200-61250	RUBBER, hood insulating	72- 5			1	1	
194200-61260	PLATE, hood fulcrum	67- 35	2	2			
194200-61260	PLATE, hood fulcrum	68- 8	2	2			
194200-61260	PLATE, hood fulcrum	69- 6	2	2			
194200-61260	PLATE, hood fulcrum	70- 8	2	2			
194200-61450	HOOK, hood	67- 43	2	2			
194200-61450	HOOK, hood	68- 16	2	2			
194200-61450	HOOK, hood	69- 13	2	2			
194200-61450	HOOK, hood	70- 16	2	2			
194200-61490	SPRING, hook	67- 44	2	2			
194200-61490	SPRING, hook	68- 17	2	2			

- 23 -

NUMERICAL PART NO. LIST

Part No.	Description	Refer. No.	Q'ty/Unit				Remarks
			YMI55	YMI55D	YMI35	YMI35D	
194200-61490	SPRING, hook	69- 14	2	2			
194200-61490	SPRING, hook	70- 17	2	2			
194200-61520	INSTRUMENT PANEL	67- 48	1	1			
194200-61521	INSTRUMENT PANEL	67- 48	1	1			
194200-61522	INSTRUMENT PANEL	67- 48	1	1			
194200-61522	INSTRUMENT PANEL	68- 21	1	1			
194200-61522	INSTRUMENT PANEL	70- 21	1	1			
194200-61550	RUBBER, panel box insulating	67- 49	1	1			
194200-61550	RUBBER, panel box insulating	68- 22	1	1			
194200-61550	RUBBER, panel box insulating	69- 18	1	1			
194200-61550	RUBBER, panel box insulating	70- 22	1	1			
194200-61550	RUBBER, panel box insulating	71- 40				1	1
194200-61550	RUBBER, panel box insulating	72- 15				1	1
194200-61560	CAP 27, rubber	67- 51	1	1			
194200-61560	CAP 27, rubber	71- 42				1	1
194200-62101-R	FENDER (L)	74- 1	1	1			
194200-62101-R	FENDER (L)	75- 1	1	1			
194200-62101-R	FENDER (L)	76- 1	1	1			
194200-62101-P	FENDER (L)	73- 1	1	1			
194200-62101-R	FENDER (L)	73- 1	1	1			
194200-62111-P	FENDER (R)	73- 9	1	1			
194200-62111-R	FENDER (R)	74- 3	1	1			
194200-62111-R	FENDER (R)	74- 9	1	1			
194200-62111-R	FENDER (R)	75- 2	1	1			
194200-62111-R	FENDER (R)	76- 3	1	1			
194200-62111-R	FENDER (R)	76- 9	1	1			
194200-62111-P	FENDER (R)	73- 3	1	1			
194200-62111-R	FENDER (R)	73- 3	1	1			
194200-62220	REFLECTOR, complete	73- 60	2	2			
194200-62220	REFLECTOR, complete	74- 66	2	2			
194200-62220	REFLECTOR, complete	76- 82	2	2			
194200-62220	REFLECTOR, complete	77- 60			2	2	
194200-62300	BRACKET (L), fender	73- 61	1	1			
194200-62300-R	BRACKET (L), fender	74- 67	1	1			
194200-62300	BRACKET (L), fender	75- 4	1	1			
194200-62300-R	BRACKET (L), fender	76- 83	1	1			
194200-62300	BRACKET (L), fender	78- 67			1	1	
194200-62300-R	BRACKET (L), fender	73- 61	1	1			
194200-62311	BRACKET (R), fender	73- 62	1	1			
194200-62311-R	BRACKET (R), fender	74- 68	1	1			
194200-62311	BRACKET (R), fender	75- 5	1	1			
194200-62311-R	BRACKET (R), fender	76- 49	1	1			
194200-62311	BRACKET (R), fender	78- 68			1	1	
194200-62311-R	BRACKET (R), fender	73- 62	1	1			
194200-62401	BAR (R), assist	73- 20	1	1			

NUMERICAL PART NO. LIST

NUMERICAL PART NO. LIST

Part No.	Description	Refer. No.	Q'ty/Unit				Remarks
			YMI55	YMI55D	YMI35	YMI35D	
194200-62401	BAR (R), assist	74- 20	1	1			
194200-62401	BAR (R), assist	75- 11	1	1			
194200-62401-R	BAR (R), assist	76- 20	1	1			
194200-62401	BAR (R), assist	76- 20	2	2			
194200-62401-R	BAR (R), assist	73- 20	1	1			
194200-62511-X	STEP (L)	74- 24	1	1			
194200-62511-X	STEP (L)	75- 14	1	1			
194200-62511-X	STEP (L)	76- 24	1	1			
194200-62511-X	STEP (L)	73- 24	1	1			
194200-62521-X	STEP (R)	74- 25	1	1			
194200-62521-X	STEP (R)	75- 15	1	1			
194200-62521-X	STEP (R)	76- 25	1	1			
194200-62521-X	STEP (R)	73- 25	1	1			
194200-63140	CUSHION, seat	73- 35	2	2			
194200-63140	CUSHION, seat	74- 35	2	2			
194200-63140	CUSHION, seat	75- 24	2	2			
194200-63140	CUSHION, seat	76- 35	2	2			
194200-63140	CUSHION, seat	77- 35			2	2	
194200-63140	CUSHION, seat	78- 35			2	2	
194200-63180	PIN 8 x 165, seat hinge	73- 37	1	1			
194200-63180	PIN 8 x 165, seat hinge	74- 37	1	1			
194200-63180	PIN 8 x 165, seat hinge	77- 37			1	1	
194200-63210-X	BRACKET, operator's seat	73- 40	1	1			
194200-63300	PLATE, cushion	73- 47	1	1			
194200-63300	PLATE, cushion	77- 47			1	1	
194200-63301	PLATE, cushion	73- 47	1	1			
194200-63301	PLATE, cushion	73- 47	1	1			
194200-63301	PLATE, cushion	74- 45	1	1			
194200-63301	PLATE, cushion	76- 45	1	1			
194200-63301	PLATE, cushion	77- 47				1	
194200-63301	PLATE, cushion	77- 47			1		
194200-63301	PLATE, cushion	77- 47			1	1	
194200-63301	PLATE, cushion	78- 45			1	1	
194200-63310	PACKING, breather pipe saddle	73- 36	1	1			
194200-63310	PACKING, breather pipe saddle	74- 36	1	1			
194200-63310	PACKING, breather pipe saddle	75- 25	1	1			
194200-63310	PACKING, breather pipe saddle	76- 36	1	1			
194200-63310	PACKING, breather pipe saddle	77- 36			1	1	
194200-63310	PACKING, breather pipe saddle	78- 36			1	1	
194200-64150	STAY, rear-view mirror	87- 3	1	1			
194200-64150	STAY, rear-view mirror	88- 3	1	1	1	1	
194200-65100	LABEL, steering wheel	28- 39	1	1			
194200-65300	LABEL, transmission	34- 26	1		1		
194200-65300	LABEL, gear oil	98- 3	1				
194200-65300	LABEL, gear oil	100- 3	1				

Part No.	Description	Refer. No.	Q'ty/Unit				Remarks
			YMI55	YMI55D	YMI35	YMI35D	
194200-65300	LABEL, gear oil	102- 3				1	
194200-65610	NUT M5	67- 10	2	2			
194200-65610	NUT M5	67- 28	2	2			
194200-65610	NUT M5	70- 43	2	2			
194200-65610	NUT M5	71- 8			2	2	
194200-65610	NUT M5	71- 24			2	2	
194200-65700	LABEL, main speed change	39- 4	1	1			
194200-65700	LABEL, main speed change	40- 4			1	1	
194200-75502-X	HINGE, lower link	79- 4	2	2			
194200-75502-X	HINGE, lower link	80- 4	2	2			
194200-75510	HINGE, lower link	79- 4	2	2			
194200-75510	HINGE, lower link	80- 4	2	2			
194200-81240	FITTINGS, rear wheel weight	89- 4	2	2	2	2	
194200-82100	PLIER 200	90- 8	1	1	1	1	
194200-82150	SCREW DRIVER 6 x 100	90- 10	1	1	1	1	
194201-24190	STUD M10x 32	34- 19	2	2	2	2	
194201-24190	STUD M10x 32	35- 19	2	2			
194201-27111-X	LEVER, main change	40- 1			1	1	
194201-27111-X	LEVER, main change	39- 1	1	1			
194201-27150	KNOB, main change lever	39- 3	1	1			
194201-27150	KNOB, main change lever	40- 3			1	1	
194201-27170	BOOT, rubber	39- 6	1	1			
194201-27170	BOOT, rubber	40- 6			1	1	
194201-32150	SEAL BOLT M8 x 18	27- 49			8		8
194201-32150	SEAL BOLT M8 x 18	41- 14	8	8			
194201-32150	SEAL BOLT M8 x 18	42- 61	8	8			
194201-32150	SEAL BOLT M8 x 18	43- 14			8	8	
194201-33410	PINION (L), final reduction	41- 27	1	1			
194201-33410	PINION (L), final reduction	42- 27	1	1			
194201-33420	PINION (R), final reduction	41- 28	1	1			
194201-33420	PINION (R), final reduction	42- 28	1	1			
194201-36610	PLATE, lock	47- 15	2	2			
194201-36610	PLATE, lock	48- 15	2	2			
194201-36620	WASHER, lock plate	47- 50	2	2			
194201-36620	WASHER, lock plate	48- 50	2	2			
194201-64100	HEAD, rear-view mirror	86- 1	1	1			
194202-34710	HUB, rear wheel	50- 27	2				
194202-34710	HUB, rear wheel	51- 24		2			
194202-34710	HUB, rear wheel	52- 27	2				
194202-34710	HUB, rear wheel	53- 24		2			
194202-34710	HUB, rear wheel	54- 27			2		
194202-34710	HUB, rear wheel	55- 24				2	
194202-34710	HUB, rear wheel	56- 27			2		
194202-34710	HUB, rear wheel	57- 24				2	
194202-47790	PLATE, friction	76- 54	4	4			

NUMERICAL PART NO. LIST

Part No.	Description	Refer. No.	Qty/Unit				Remarks
			YMI55	YMI55D	YMI35	YMI35D	
194202-56450	CLAMP, speed	61- 50	3	3			
194202-56450	CLAMP	62- 51	3	3			
194202-56450	CLAMP, speed	63- 9	3	3			
194202-56450	CLAMP, speed	64- 9	3	3			
194202-56450	CLAMP, speed	65- 52			3	3	
194202-56450	CLAMP	66- 50			3	3	
194210-12850-P	WHEEL 4JA-12, disc	51- 5	2	2			
194210-12850-Q	WHEEL 4JA-12, disc	51- 10	2	2			
194210-12850-Q	WHEEL 4JA-12, disc	53- 5	2	2			
194210-12850-Q	WHEEL 4JA-12, disc	53- 10	2	2			
194210-12850-P	WHEEL 4JA-12, disc	57- 5			2		
194210-12850-P	WHEEL 4JA-12, disc	57- 10			2		
194210-12850-P	WHEEL 4JA-12, disc	55- 5			2		
194210-12850-P	WHEEL 4JA-12, disc	55- 10			2		
194210-13212	CENTER PIN	23- 4	1				
194210-13212	CENTER PIN	24- 4		1			
194210-13212	CENTER PIN	25- 4	1				
194210-13212	CENTER PIN	26- 4			1		
194210-13212-X	CENTER PIN	23- 4	1				
194210-13212-X	CENTER PIN	24- 4		1			
194210-13212-X	CENTER PIN	25- 4	1				
194210-13212-X	CENTER PIN	26- 4			1		
194210-13250	CASTLE NUT M16	23- 7	1				
194210-13250	CASTLE NUT M16	24- 7			1		
194210-13250	CASTLE NUT M16	25- 5	1				
194210-13250	CASTLE NUT M16	26- 5			1		
194210-13321-X	SHAFT, propeller	27- 2	1	1			
194210-13351-X	YOKE, sleeve	27- 3	1	1			
194210-13361-X	YOKE, flange	27- 4	1	1			
194210-13371-X	JOINT, cross	27- 5	2	2			
194210-13410	COVER, propeller shaft,	27- 9	1	1			
194210-13410-X	COVER, propeller shaft,	27- 9	1	1			
194210-13420	COVER, propeller shaft	27- 10	1	1			
194210-13420-X	COVER, propeller shaft	27- 10	1	1			
194210-13430	RUBBER (A), setting	27- 13	1	1			
194210-13440	RUBBER (B), setting	27- 16	1	1			
194210-13451	SUPPORTER (A),	27- 17	1	1			
194210-13460	SUPPORTER (B),	27- 22	1	1			
194210-13461	SUPPORTER (B),	27- 22	1	1			
194210-13461	SUPPORTER (B),	27- 22	1	1			
194210-13490	BAND, hose	27- 14	1	1			
194210-13512	CASE, front axle	25- 8	1				
194210-13512	CASE, front axle	26- 8			1		
194210-13512-X	CASE, front axle	25- 8	1				
194210-13512-X	CASE, front axle	26- 8			1		

- 5 -

NUMERICAL PART NO. LIST

Part No.	Description	Refer. No.	Qty/Unit				Remarks
			YMI55	YMI55D	YMI35	YMI35D	
194210-13520	METAL 22 x 28 x 22	25- 9	2				
194210-13520	METAL 22 x 28 x 22	26- 9				2	
194210-13530	LINER 22.5 x 34 x 2	25- 10	2				
194210-13530	LINER 22.5 x 34 x 2	26- 10				2	
194210-13540	PACKING(L), front axle flange	25- 11	1				
194210-13540	PACKING(L), front axle flange	26- 11				1	
194210-13551	PACKING(R), front axle flange	25- 12	1				
194210-13551	PACKING(R), front axle flange	26- 12				1	
194210-13561	BREATHER 10	25- 14	1				
194210-13561	BREATHER 10	26- 14				1	
194210-13570	CAP, front axle case	25- 18	1				
194210-13570	CAP, front axle case	26- 18				1	
194210-13570-X	CAP, front axle case	25- 18	1				
194210-13570-X	CAP, front axle case	26- 18				1	
194210-13590	OIL SEAL TC30 45 8	27- 30	1	1			
194210-13610	AXLE (L), front	25- 24	1				
194210-13610-X	AXLE (L), front	25- 24	1				
194210-13621	AXLE (R), front	25- 25	1				
194210-13621-X	AXLE (R), front	25- 25	1				
194210-13740	CENTER PIN,	25- 26	2				
194210-13740	PACKING,	26- 26				2	
194210-13822	GEAR CASE, lower front	25- 35	2				
194210-13822	GEAR CASE, lower front	26- 35				2	
194210-13841	OIL SEAL 100 x 120 x 12	25- 38	2				
194210-13841	OIL SEAL 100 x 120 x 12	26- 38				2	
194210-13880	STUD M10 x 20	25- 65	4				
194210-13880	STUD M10 x 20	26- 65				4	
194210-13881	STUD M10 x 23	25- 65	4				
194210-13881	STUD M10 x 23	26- 65				4	
194210-13902	KING PIN	25- 39	2				
194210-13902	KING PIN	26- 39				2	
194210-13902-X	KING PIN	25- 39	2				
194210-13902-X	KING PIN	26- 39				2	
194210-13930-X	CAP, front gear case	26- 44				2	
194210-13930-X	CAP, front gear case	25- 44	2				
194210-13940	PACKING, front gear case cap	25- 45	2				
194210-13940	PACKING, front gear case cap	26- 45				2	
194210-13950	PACKING, front gear	25- 40	2				
194210-13950	PACKING, front gear	26- 40				2	
194210-13960	LINER 22 x 34 x 1	27- 66	2				
194210-13970	SHIM 22 x 34 x 0.5	27- 68	2				
194210-14100	SHAFT, spiral pinion	27- 25	1	1			
194210-14121	FLANGE, universal	27- 32	1	1			
194210-14121-X	FLANGE, universal	27- 32	1	1			
194210-14210	RING 25, circular	27- 56	2				

NUMERICAL PART NO. LIST

NUMERICAL PART NO. LIST

Part No.	Description	Refer. No.	Q'ty/Unit				Remarks
			YMI55	YMI55D	YMI35	YMI35D	
194210-14230	BEVEL GEAR 14 60d x 30.5L	27- 58	2		2		
194210-14251	BEVEL GEAR, king pin 73d	27- 59	2		2		
194210-14260	NEEDLE BEARING 29 x 33 x 16	27- 60	4		4		
194210-14270	INNER COLLAR 22 x 28 x 33	27- 61	2		2		
194210-14280	LINER 22 x 41 x 2.3	27- 62	4		4		
194210-14290	SHIM 0.1, king pin	27- 63	-		-		
194210-14300	THRUST BEARING 51105	27- 64	2		2		
194210-14300	THRUST BEARING 51105	27- 64	4		4		
194210-14310	COLLAR 22 x 25 x 10	27- 65	2		2		
194210-14350	SHAFT, front axle	51- 13	2		2		
194210-14350	SHAFT, front axle	53- 13	2		2		
194210-14350	SHAFT, front axle	55- 13			2		
194210-14350	SHAFT, front axle	57- 13			2		
194210-14410	LINER 30 x 42 x 2	27- 71	2		2		
194210-14420	BEVEL GEAR 27	27- 72	2		2		
194210-14450	SHIM 0.1, front axle case	25- 22	-		-		
194210-14450	SHIM 0.1, front axle case	26- 22	-		-		
194210-14460	SHIM 0.2, front axle case	25- 23	-		-		
194210-14460	SHIM 0.2, front axle case	26- 23	-		-		
194210-14510	ARM (L), knuckle	25- 48	1				
194210-14520-X	ARM (R), knuckle	25- 49	1				
194210-14550	BOLT M10 x 40	25- 50	4				
194210-14550	BOLT M10 x 40	25- 50	2				
194210-14550	BOLT M10 x 40	26- 50			4		
194210-14550	BOLT M10 x 40	26- 50			2		
194210-1520	ARM (R), knuckle	26- 49			1		
194210-21103-X	HOUSING, complete, clutch	32- 11			1		
194210-21103-X	HOUSING, complete, clutch	30- 11	1				
194210-21103-X	HOUSING, complete, clutch	31- 11	1				
194210-21103-X	HOUSING, complete, clutch	33- 11			1		
194210-21104-X	HOUSING, complete, clutch	32- 11			1		
194210-21104-X	HOUSING, complete, clutch	30- 11	1				
194210-21104-X	HOUSING, complete, clutch	31- 11	1				
194210-21104-X	HOUSING, complete, clutch	33- 11			1		
194210-24401	COVER, transmission housing	34- 35	1		1		
194210-24401	COVER, transmission housing	35- 35	1				
194210-25240	OIL SEAL TC20357	36- 52	1				
194210-25240	OIL SEAL TC20357	37- 52	1				
194210-25240	OIL SEAL TC20357	38- 52			1		
194210-25540	GEAR 16, front driving	36- 39	1				
194210-25540	GEAR 16, front driving	38- 39			1		
194210-26100	SHAFT, front P.T.O.	36- 48	1				
194210-26100	SHAFT, front P.T.O.	37- 48	1				
194210-26100	SHAFT, front P.T.O.	38- 48			1		
194210-26110	COLLAR 20.5 x 25 x 40	36- 49	1				

Part No.	Description	Refer. No.	Q'ty/Unit				Remarks
			YMI55	YMI55D	YMI35	YMI35D	
194210-26110	COLLAR 20.5 x 25 x 40	37- 49			1		
194210-26110	COLLAR 20.5 x 25 x 40	38- 49				1	
194210-26120	GEAR 29, front P.T.O. sliding	36- 50			1		
194210-26120	GEAR 29, front P.T.O. sliding	38- 50				1	
194210-26130	RETAINER, bearing	36- 51			1		
194210-26130	RETAINER, bearing	37- 51			1		
194210-26130	RETAINER, bearing	38- 51				1	
194210-27550	GRIP, lever	39- 40			1		
194210-27550	GRIP, lever	40- 40				1	
194210-27701	LEVER, front P.T.O. change	39- 39			1		
194210-27701	LEVER, front P.T.O. change	40- 39				1	
194210-27750	SHAFT, front P.T.O. fork	39- 42			1		
194210-27750	SHAFT, front P.T.O. fork	40- 42				1	
194210-27760	FORK, front P.T.O. shift	39- 43			1		
194210-27760	FORK, front P.T.O. shift	40- 43				1	
194210-27780	SHIFTER, front P.T.O. change	39- 48			1		
194210-27780	SHIFTER, front P.T.O. change	40- 48				1	
194210-65300	LABEL, transmission	34- 30			1		
194210-65300	LABEL, gear oil	98- 4			1		
194210-65300	LABEL, gear oil	100- 4			1		
194210-65300	LABEL, gear oil	102- 4				1	
194210-65310	LABEL, front axle oiling	25- 33			1		
194210-65310	LABEL, front axle oiling	26- 33				1	
194211-65310	LABEL, 4-wheel oil	98- 5			1		
194211-65310	LABEL, 4-wheel oil	100- 5			1		
194211-65310	LABEL, 4-wheel oil	102- 5				1	
194212-13450	CAP, front axle case	25- 18			1		
194212-13450	CAP, front axle case	26- 18				1	
194212-13450-X	CAP, front axle case	25- 18			1		
194212-13450-X	CAP, front axle case	26- 18				1	
194212-14650	RUBBER (A), setting	27- 13			1		
194240-04760	JOINT, pipe 8d x 33.5L	21- 10	1		1		
194240-04760	JOINT, pipe 8d x 33.5L	22- 10				1	
194240-12950	TIRE (TURF), 20 x 8.00 -10PD	93- 10				2	
194240-12960	PACKING, tube	93- 11				2	
194240-12970	FRONT TIRE ASS'Y (TURF)	93- 8				2	
194240-26280	BUSH	36- 76	1		1		
194240-26280	BUSH	37- 76	1		1		
194240-26280	BUSH	38- 76				1	
194240-26451	SPRING	36- 74	1		1		
194240-26451	SPRING	38- 74				1	
194240-48140-U	COVER, hydraulic adapter	60- 20	1		1	1	
194240-52190	SWITCH, safety starter	61- 52	1		1		
194240-52190	SWITCH, safety starter	62- 40	1		1		
194240-52190	SWITCH, safety starter	63- 22	1		1		

NUMERICAL PART NO. LIST

Part No.	Description	Refer. No.	Q'ty/Unit				Remarks
			YMI55	YMI55D	YMI35	YMI35D	
194240-52190	SWITCH, safety starter	64- 21	1	1			
194240-52190	SWITCH, safety starter	65- 48			1	1	
194240-52190	SWITCH, safety starter	66- 41			1	1	
194240-52210	NUT M22	61- 24	2	2			
194240-52210	NUT M22	62- 18	2	2			
194240-52210	NUT M22	63- 23	2	2			
194240-52210	NUT M22	64- 22	2	2			
194240-52210	NUT M22	65- 24			2	2	
194240-52210	NUT M22	66- 19			2	2	
194240-62250	BRACKET, signal lamp	74- 47	2	2			
194240-62250	BRACKET, signal lamp	75- 32	2	2			
194240-62250	BRACKET, signal lamp	78- 47			2	2	
194240-63102-X	SEAT, operator's	74- 34	1	1			
194240-63102-X	SEAT, operator's	75- 23	1	1			
194240-63102-X	SEAT, operator's	76- 34	1	1			
194240-63102-X	SEAT, operator's	77- 34			1	1	
194240-63102-X	SEAT, operator's	78- 34			1	1	
194240-63102-X	SEAT, operator's	73- 34	1	1			
194240-65430	LABEL, throttle lever	67- 53	1	1			
194240-65430	LABEL, throttle lever	71- 44			1	1	
194240-65430	LABEL, throttle lever	72- 18			1	1	
194240-65430	LABEL, throttle lever	96- 12	1	1			
194240-65430	LABEL, throttle lever	97- 12	1	1			
194240-65430	LABEL, throttle lever	101-12			1	1	
194240-65431	LABEL, throttle lever	68- 25	1	1			
194240-65431	LABEL, throttle lever	70- 25	1	1			
194240-65431	LABEL, throttle lever	102- 7			1	1	
194240-65432	LABEL, throttle lever	98- 7	1	1			
194240-65432	LABEL, throttle lever	99- 14	1	1			
194240-65432	LABEL, throttle lever	100-10	1	1			
194240-65432	LABEL, throttle lever	102- 7			1	1	
194240-65510	LABEL, hydraulic lift	73- 5	1	1			
194240-65510	LABEL, hydraulic lift	73- 11	1	1			
194240-65510	LABEL, hydraulic lift	77- 5			1	1	
194240-65510	LABEL, hydraulic lift	77- 11			1	1	
194240-65510	LABEL, hyd. lift indication	96- 16	1	1			
194240-65510	LABEL, hyd. lift indication	97- 16	1	1			
194240-65510	LABEL, hyd. lift indication	99- 18	1	1			
194240-65510	LABEL, hyd. lift indication	101-16			1	1	
194240-65620	LABEL, caution	73- 51	1	1			
194240-65620	LABEL, caution	73- 51	1	1			
194240-65620	LABEL, caution	77- 51			1	1	
194240-65620	LABEL, caution	77- 51			1	1	
194240-65620	LABEL, transmission caution	96- 19	1	1			
194240-65620	LABEL, transmission caution	97- 19	1	1			

- 27 -

NUMERICAL PART NO. LIST

Part No.	Description	Refer. No.	Q'ty/Unit				Remarks
			YMI55	YMI55D	YMI35	YMI35D	
194240-65620	LABEL, transmission caution	99- 21	1	1			
194240-65620	LABEL, transmission caution	101-19			1	1	
194240-65670	LABEL, fuel indicating	67- 16	1	1			
194240-65670	LABEL, fuel indicating	67- 34	1	1			
194240-65670	LABEL, fuel indicating	71- 14			1	1	
194240-65670	LABEL, fuel indicating	71- 30			1	1	
194240-65670	LABEL, fuel indicating	72- 33			1	1	
194240-65670	LABEL, fuel	96- 21	1	1			
194240-65670	LABEL, fuel	97- 21	1	1			
194240-65670	LABEL, fuel	99- 23	1	1			
194240-65670	LABEL, fuel	101-21			1	1	
194240-65710	LABEL, P.T.O. cover	34- 47	1	1	1	1	
194240-65710	LABEL, PTO cover	96- 24	1	1			
194240-65710	LABEL, PTO cover	97- 24	1	1			
194240-65710	LABEL, PTO cover	99- 26	1	1			
194240-65710	LABEL, PTO cover	101-24			1	1	
194240-65720	LABEL, caution	30- 7	1				
194240-65720	LABEL, caution	30- 7	1				
194240-65720	LABEL, caution	30- 16			1		
194240-65720	LABEL, caution	30- 16			1		
194240-65720	LABEL, caution	31- 7	1				
194240-65720	LABEL, caution	31- 7	1				
194240-65720	LABEL, caution	31- 16			1		
194240-65720	LABEL, caution	32- 7			1		
194240-65720	LABEL, caution	32- 7			1		
194240-65720	LABEL, caution	32- 16				1	
194240-65720	LABEL, caution	33- 7			1		
194240-65720	LABEL, caution	33- 16				1	
194240-65720	LABEL, caution	96- 25	1	1			
194240-65720	LABEL, caution	97- 25	1	1			
194240-65720	LABEL, caution	99- 27	1	1			
194240-65720	LABEL, caution	101-25			1	1	
194240-83200	CLUTCH ASS'Y	94- 2	1	1			
194240-83200	CLUTCH ASS'Y	95- 2			1	1	
194240-83220	WASHER	94- 5	1	1			
194240-83220	WASHER	95- 5			1	1	
194240-83230	BOLT M8 x 34	94- 6	1	1			
194240-83230	BOLT M8 x 34	95- 6			1	1	
194240-83240	PLATE	94- 7	1	1			
194240-83240	PLATE	95- 7			1	1	
194240-83250	BOLT M6 x 8	94- 11	4	4			
194240-83250	BOLT M6 x 8	95- 11			4	4	
194240-83300	SWITCH FRONT P.T.O.	94- 21	1	1			
194240-83300	SWITCH FRONT P.T.O.	95- 21			1	1	
194240-98220	LABEL, fuel indicating	68- 40	1	1			

NUMERICAL PART NO. LIST

Part No.	Description	Refer. No.	Qty/Unit				Remarks
			YMI55	YMI55D	YMI35	YMI35D	
194240-98220	LABEL, fuel indicating	70- 40	1	1			
194240-98220	LABEL, fuel level indication	98- 13	1	1			
194240-98220	LABEL, fuel level indication	102-13			1	1	
194240-98230	LABEL, transmission caution	98- 14	1	1			
194240-98230	LABEL, transmission caution	102-14			1	1	
194240-98250	LABEL, key switch	68- 26	1	1			
194240-98250	LABEL, key switch	70- 26	1	1			
194240-98250	LABEL, key switch	98- 16	1	1			
194240-98250	LABEL, key switch	102-16			1	1	
194240-98260	LABEL, turn signal	68- 24	1	1			
194240-98260	LABEL, turn signal	70- 24	1	1			
194240-98260	LABEL, flusher	98- 17	1	1			
194240-98260	LABEL, flusher	102-17			1	1	
194240-98290	LABEL, gear oil indication	98- 20	1	1			
194240-98290	LABEL, gear oil indication	102-20			1	1	
194240-98300	LABEL, lubrication	98- 21	1				
194240-98300	LABEL, lubrication	102-21			1		
194240-98310	LABEL, lubrication	98- 22		1			
194240-98310	LABEL, lubrication	102-22				1	
194240-98320	LABEL, handling caution	98- 23	1	1			
194240-98320	LABEL, handling caution	102-23			1	1	
194240-98330	LABEL, air pressure	98- 24	1	1			
194240-98330	LABEL, air pressure	102-24			1	1	
194240-98360	LABEL, differential lock	74- 7	1	1			
194240-98360	LABEL, differential lock	74- 14	1	1			
194240-98360	LABEL, differential lock	76- 7	1	1			
194240-98360	LABEL, differential lock	76- 14	1	1			
194240-98360	LABEL, differential lock	78- 7		1	1		
194240-98360	LABEL, differential lock	78- 14		1	1		
194240-98360	LABEL, differential lock	98- 27	1	1			
194240-98360	LABEL, differential lock	102-27			1	1	
194240-98380	LABEL, hydraulic lift	74- 5	1	1			
194240-98380	LABEL, hydraulic lift	74- 11	1	1			
194240-98380	LABEL, hydraulic lift	76- 5	1	1			
194240-98380	LABEL, hydraulic lift	76- 11	1	1			
194240-98380	LABEL, hydraulic lift	78- 5		1	1		
194240-98380	LABEL, hydraulic lift	78- 11		1	1		
194240-98380	LABEL, hyd. lift indication	98- 29	1	1			
194240-98380	LABEL, hyd. lift indication	102-29			1	1	
194240-98400	LABEL, engine starting	98- 31	1	1			
194240-98400	LABEL, engine starting	102-31			1	1	
194240-98410	LABEL, PTO cover	98- 32	1	1			
194240-98410	LABEL, PTO cover	102-32			1	1	
194242-53400	LAMP ASS'Y, flasher	64- 33	2	2			
194242-53600	LAMP ASS'Y, stop	64- 40	2	2			

NUMERICAL PART NO. LIST

Part No.	Description	Refer. No.	Qty/Unit				Remarks
			YMI55	YMI55D	YMI35	YMI35D	
194242-53620	BULB 12V-21/5W	64- 42	2	2			
194242-53630	LENS (RED)	64- 43	2	2			
194242-53640	LENS (CLEAR)	64- 44	2	2			
194242-55420	LENS	64- 35	4	4			
194242-55430	SCREW	64- 36	8	8			
194242-55430	SCREW	64- 45	8	8			
194242-55440	WASHER 12	64- 37	2	2			
194242-55440	WASHER 12	64- 46	2	2			
194242-65330	LABEL, oil pressure	100- 7	1	1			
194242-65350	LABEL, engine starting	100- 8	1	1			
194242-65450	LABEL, decompression	100-12	1	1			
194242-65510	LABEL, hyd. lift indication	100-15	1	1			
194242-65620	LABEL, caution	100-16	1	1			
194242-65630	LABEL, gear oil	100-17	1	1			
194242-65660	LABEL, caution	100-18	1	1			
194242-65670	LABEL, fuel	100-19	1	1			
194242-65690	LABEL, steering	100-20	1	1			
194242-65720	LABEL, key switch	100-21	1	1			
194242-75740	PIN 22 x163.5, hitch	80- 13	1	1			
194262-01200	LEVER, decompression	20- 13			1	1	
194262-01201	LEVER, decompression	20- 13			1	1	
194262-04270	FELT 285 x 160 x 3	22- 11			1	1	
194262-04270	FELT 285 x 160 x 3	22- 11			1	1	
194262-04280	FELT 380 x 34 x 3	22- 13			2	2	
194262-04280	FELT 380 x 34 x 3	22- 13			2	2	
194262-04300-X	BAND, fuel oil tank	22- 12			2	2	
194262-04330	ROD 6 x 50	22- 15			2	2	
194262-04331	LOCK PIN, band	22- 15			2	2	
194262-11352	BRACKET, front axle	24- 1			1		
194262-11352-X	BRACKET, front axle	24- 1			1		
194262-11500	AXLE, front	24- 29			1		
194262-11500-X	AXLE, front	24- 29			1		
194262-11781	ARM (L), knuckle	24- 23			1		
194262-11781-X	ARM (L) knuckle	24- 23			1		
194262-11790	ARM (R), knuckle	24- 24			1		
194262-11790-X	ARM (R), knuckle	24- 24			1		
194262-14610	TIE-ROD, complete	24- 9			1		
194262-14610-X	TIE-ROD	26- 53				1	
194262-14610-X	TIE-ROD, complete	24- 9			1		
194262-15100-X	STEERING GEAR ASS'Y	29- 1			1	1	
194262-15140	SHAFT, sector	29- 19			1	1	
194262-15150-X	COVER, side	29- 10			1	1	
194262-15170	PLUG	29- 9			2	2	
194262-15170-X	PLUG	28- 10	2	2			
194262-15200-X	COLUMN	29- 2			1	1	

NUMERICAL PART NO. LIST

Part No.	Description	Refer. No.	Q'ty/Unit				Remarks
			YMI55	YMI55D	YMI35	YMI35D	
194262-15210	OIL SEAL	29- 21			1	1	
194262-15220	OIL SEAL	29- 20			1	1	
194262-15310	BUSH, column	29- 3			1	1	
194262-15330	PACKING, side cover	29- 11			1	1	
194262-15420	SHIM, adjust screw	29- 14			1	1	
194262-15430	SHIM, adjust screw	29- 15			1	1	
194262-15440	SHIM, adjust screw	29- 16			1	1	
194262-15450	SHIM, adjust screw	29- 17			1	1	
194262-15460	SHIM, adjust screw	29- 18			1	1	
194262-15470	ADJUST SCREW	29- 13			1	1	
194262-15520	BALL BEARING	29- 7			2	2	
194262-15610-X	ARM, pitman	29- 31			1	1	
194262-15611-X	ARM, pitman	29- 31			1	1	
194262-15730	STEERING WHEEL	29- 36			1	1	
194262-15740	CAP, steering wheel	29- 37			1	1	
194262-15750	LOCKING, spring retainer	29- 38			1	1	
194262-16110	DRAG-ROD	29- 39			1	1	
194262-16110-X	DRAG-ROD	29- 39			1	1	
194262-21400	CLUTCH DISK ASS'Y	31- 38			1	1	
194262-21400	CLUTCH DISK ASS'Y	32- 38			1	1	
194262-21400	CLUTCH DISK ASS'Y	33- 38			1	1	
194262-21700	PRESSURE PLATE ASS'Y	32- 39			1	1	
194262-21700	PRESSURE PLATE ASS'Y	33- 39			1	1	
194262-26390	GEAR 15, P.T.O. reduction	36- 66	1	1			
194262-26390	GEAR 15, P.T.O. reduction	38- 66			1	1	
194262-33420	PINION (R), final reduction	43- 28			1	1	
194262-34130	SHAFT, rear axle	43- 52			2	2	
194262-34140	GEAR 51, final reduction	43- 53			2	2	
194262-35280	GEAR 15, differential lock	46- 10			1	1	
194262-35281	GEAR 15, differential lock	46- 10			1	1	
194262-35290	GEAR 15, differential lock	46- 11			1	1	
194262-35291	GEAR 15, differential lock	46- 11			1	1	
194262-48120-X	PIPE (B), low-pressure	60- 5	1	1	1	1	
194262-51200	CABLE, battery plus	65- 11			1	1	
194262-51200	CABLE, battery plus	66- 11			1	1	
194262-51300	BATTERY NS40Z	65- 5			1	1	
194262-51301	BATTERY Y60-S4P	65- 5			1	1	
194262-51301	BATTERY Y60-S4P	66- 5			1	1	
194262-51350	CLAMP, battery	65- 6			1	1	
194262-51350	CLAMP, battery	66- 6			1	1	
194262-51360	FELT 190x105x3	65- 10			1	1	
194262-51360	FELT 190x105x3	66- 10			1	1	
194262-51370	ROD, battery clamp	65- 7			1	1	
194262-51370	ROD, battery clamp	66- 7			1	1	
194262-51370	ROD, battery clamp	94- 28	2	2			

NUMERICAL PART NO. LIST

Part No.	Description	Refer. No.	Q'ty/Unit				Remarks
			YMI55	YMI55D	YMI35	YMI35D	
194262-51380	ROD (R), battery clamp	65- 49			1	1	
194262-51380	ROD (R), battery clamp	66- 42			1	1	
194262-51381	ROD (R), battery clamp	65- 49			1	1	
194262-51381	ROD (R), battery clamp	66- 42			1	1	
194262-53050	LIGHT ASS'Y, head	61- 14	2	2			
194262-53050	LIGHT ASS'Y, head	65- 14			2	2	
194262-53050	LIGHT ASS'Y, head	66- 14			2	2	
194262-53051	LIGHT ASS'Y, head	61- 14	2	2			
194262-53051	LIGHT ASS'Y, head	64- 31	2	2			
194262-53051	LIGHT ASS'Y, head	65- 14			2	2	
194262-53080	BULB 12V-25W	61- 15	2	2			
194262-53080	BULB	64- 32	2	2			
194262-53080	BULB 12V-25W	65- 15			2	2	
194262-61101-P	HOOD	71- 16			1	1	
194262-61101-P	HOOD	72- 1			1	1	
194262-61101-P	HOOD	71- 2			1	1	
194262-61240	GRILL, front	67- 13	1	1			
194262-61240	GRILL, front	67- 31	1	1			
194262-61240	GRILL, front	68- 36	1	1			
194262-61240	GRILL, front	69- 26	1	1			
194262-61240	GRILL, front	70- 36	1	1			
194262-61240	GRILL, front	71- 11			1	1	
194262-61240	GRILL, front	71- 27			1	1	
194262-61240	GRILL, front	72- 29			1	1	
194262-61330	PANEL, hood upper	67- 11	1	1			
194262-61330	PANEL, hood upper	67- 29	1	1			
194262-61330	PANEL, hood upper	71- 9			1	1	
194262-61330	PANEL, hood upper	71- 25			1	1	
194262-61330	PANEL, hood upper	72- 27			1	1	
194262-61350	EMBLEM, front	67- 9	1	1			
194262-61350	EMBLEM, front	67- 27	1	1			
194262-61350	EMBLEM, front	71- 7			1	1	
194262-61350	EMBLEM, front	71- 23			1	1	
194262-61450	HOOK, hood	71- 34			2	2	
194262-61450	HOOK, hood	72- 9			2	2	
194262-61490	SPRING, hook	71- 35			2	2	
194262-61490	SPRING, hook	72- 10			2	2	
194262-61501	INSTRUMENT PANEL	71- 39			1	1	
194262-61501	INSTRUMENT PANEL	72- 14			1	1	
194262-61502	INSTRUMENT PANEL	71- 39			1	1	
194262-61502	INSTRUMENT PANEL	72- 14			1	1	
194262-62101	FENDER (L)	77- 1			1	1	
194262-62101	FENDER (L)	78- 1			1	1	
194262-62111	FENDER (R)	77- 3			1	1	
194262-62111	FENDER (R)	77- 9			1	1	

NUMERICAL PART NO. LIST

NUMERICAL PART NO. LIST

Part No.	Description	Refer. No.	Qty/Unit				Remarks
			YMI55	YMI55D	YMI35	YMI35D	
194262-62111	FENDER (R)	78- 3		1	1		
194262-62111	FENDER (R)	78- 9		1	1		
194262-62300	BRACKET (L), fender	77- 61		1	1		
194262-62310	BRACKET (R), fender	77- 62		1	1		
194262-62400	BAR (R), assist	77- 20		1	1		
194262-62400	BAR (R), assist	78- 20		1	1		
194262-62510	STEP (L)	77- 24		1	1		
194262-62510	STEP (L)	78- 24		1	1		
194262-62520	STEP (R)	77- 25		1	1		
194262-62521	STEP (R)	77- 25		1	1		
194262-62521	STEP (R)	78- 25		1	1		
194262-63210	BRACKET, operator's seat	77- 40		1	1		
194262-63211	BRACKET, operator's seat	77- 40		1	1		
194263-11102	BRACKET, front axle	26- 1		1	1		
194263-13610-X	AXLE (L), front	26- 24		1	1		
194263-13611	AXLE (L), front	26- 24		1	1		
194263-13611-X	AXLE (L), front	26- 24		1	1		
194263-13620-X	AXLE (R), front	26- 25		1	1		
194263-13621	AXLE (R), front	26- 25		1	1		
194263-13621-X	AXLE (R), front	26- 25		1	1		
194263-14511	ARM (L), knuckle	26- 48		1	1		

Part No.	Description	Refer. No.	Qty/Unit				Remarks
			YMI55	YMI55D	YMI35	YMI35D	
194300-21450	CAP 20, rubber	30- 55	1	1			
194300-21450	CAP 20, rubber	31- 55	1	1			
194300-21450	CAP 20, rubber	32- 55			1	1	
194300-21450	CAP 20, rubber	33- 55			1	1	
194300-21450	CAP 20, rubber	67- 59	1	1			
194300-21450	CAP 20, rubber	68- 42	1	1			
194300-21450	CAP 20, rubber	70- 42	1	1			
194312-55500	PILOT LAMP ASS'Y, heater	63- 75	1	1			
194340-01100	LEVER, throttle	18- 1	1	1			
194340-01100	LEVER, throttle	19- 1	1	1			
194340-01100	LEVER, throttle	20- 1			1	1	
194340-01260	HOOK	16- 18	1	1			
194340-01260	HOOK	20- 18			1	1	
194340-01650	PLATE, throttle arm	16- 17	1	1			
194340-01650	PLATE, throttle arm	19- 17	1	1			
194340-01650	PLATE, throttle arm	20- 17			1	1	
194340-01660	ROD, throttle pedal	19- 18	1	1			
194340-01660	ROD, throttle pedal	83- 2	1	1	1	1	
194340-02210	ROD, throttle	19- 7	1	1			
194340-02310	HOOK, engine stop	19- 8	1	1			
194340-02320	COLLAR	19- 9	1	1			
194340-02330	SHIFTER	19- 10	1	1			
194340-02340	SPRING	19- 29	1	1			
194340-02390	HOLDER, rod	19- 34	1	1			
194340-02450	STOPPER, throttle	75- 36	1	1			
194340-04100	FUEL OIL TANK	21- 1	1	1			
194340-04101	FUEL OIL TANK	21- 1	1	1			
194340-04390-X	COVER, fuel oil tank	21- 25	1	1			
194340-04490	ASBESTOS 190 x 190 x 3.2	21- 24	1	1			
194340-04500	BRACKET, fuel oil tank	21- 17	1	1			
194340-10010	HINGE, top link	34- 48	1	1	1	1	
194340-10010	HINGE, top link	35- 27	1	1			
194340-10050	PIN, lift arm	81- 15	1	1	1	1	
194340-10050	PIN, lift arm	81- 26	1	1	1	1	
194340-10050	PIN, lift arm	82- 15	1	1	1	1	
194340-10050	PIN, lift arm	82- 26	1	1	1	1	
194340-10100-X	LINK, complete, lower	81- 40	2	2	2	2	
194340-10200-X	LINK ASS'Y, lower	82- 40	2	2	2	2	
194340-11500-X	AXLE, front	23- 29	1				
194340-11880	WHEEL, disc	91- 5	2	2			
194340-11920	TIRE (TURF)	91- 3	2	2			
194340-11920	TIRE (TURF)	92- 3	2	2			
194340-13210	CENTER PIN	23- 4	1				
194340-13210-X	CENTER PIN	25- 4		1			
194340-13212-X	CENTER PIN	23- 4	1				

NUMERICAL PART NO. LIST

Part No.	Description	Refer. No.	Q'ty/Unit				Remarks
			YMI55	YMI55D	YMI35	YMI35D	
194340-15140	SHAFT, sector	28- 20	1	1			
194340-15200-X	COLUMN	28- 2	1	1			
194340-15210	OIL SEAL	28- 23	1	1			
194340-15230	O-RING	28- 22	1	1			
194340-15310	BUSH, column	28- 3	1	1			
194340-15330	PACKING, side cover	28- 12	1	1			
194340-15530	SUPPORT, throttle	18- 19	1	1			
194340-15530	SUPPORT, throttle	19- 27	1	1			
194340-15530	SUPPORT, throttle	20- 19			1	1	
194340-15610-X	ARM, pitman	28- 34	1	1			
194340-16110	DRAG-ROD	28- 47		1			
194340-16110-X	DRAG-ROD	28- 43	1				
194340-16110-X	DRAG-ROD	29- 43			1		
194340-21110-X	HOUSING, complete, clutch	31- 2	1				
194340-21400	CLUTCH DISK ASS'Y	30- 38	1	1			
194340-21400	CLUTCH DISK ASS'Y	31- 38	1	1			
194340-21410	CLUTCH DISK ASS'Y	30- 38	1	1			
194340-21410	CLUTCH DISK ASS'Y	31- 38	1	1			
194340-21410	CLUTCH DISK ASS'Y	32- 38			1	1	
194340-21410	CLUTCH DISK ASS'Y	33- 38			1	1	
194340-21700	PRESSURE PLATE ASS'Y	30- 39	1	1			
194340-21700	PRESSURE PLATE ASS'Y	31- 39	1	1			
194340-21700	PRESSURE PLATE ASS'Y	32- 39			1	1	
194340-21700	PRESSURE PLATE ASS'Y	33- 39			1	1	
194340-22330	SHAFT, clutch release	30- 25	1	1			
194340-22330	SHAFT, clutch release	31- 25	1	1			
194340-22330	SHAFT, clutch release	32- 25			1	1	
194340-22330	SHAFT, clutch release	33- 25			1	1	
194340-22460	ROD, clutch	30- 51	1	1			
194340-22460	ROD, clutch	31- 51	1	1			
194340-24510	COVER, safety	34- 51	1	1	1	1	
194340-24550-X	COVER, safety	35- 24	1	1			
194340-24550-X	COVER, safety	34- 51	1	1	1	1	
194340-25200	SHAFT, main	36- 1	1	1			
194340-25200	SHAFT, main	37- 1	1	1			
194340-25200	SHAFT, main	38- 1			1	1	
194340-25250	NEEDLE BEARING KT152111	36- 9	1	1			
194340-25250	NEEDLE BEARING KT152111	37- 9	1	1			
194340-25250	NEEDLE BEARING KT152111	38- 9			1	1	
194340-25290	LINER 16 x 21 x 1	36- 86	1	1			
194340-25290	LINER 16 x 21 x 1	37- 23	1	1			
194340-25290	LINER 16 x 21 x 1	38- 86			1	1	
194340-25302	SHAFT, driven 32d x 169L	36- 11	1	1			
194340-25302	SHAFT, driven 32d x 169L	38- 11			1	1	
194340-25303	SHAFT, driven 24.667d x 169L	36- 11	1	1			

NUMERICAL PART NO. LIST

Part No.	Description	Refer. No.	Q'ty/Unit				Remarks
			YMI55	YMI55D	YMI35	YMI35D	
194340-25303	SHAFT, driven 24.667d x 169L	37- 11	1	1			
194340-25303	SHAFT, driven 24.667d x 169L	38- 11			1	1	
194340-25310	GEAR 26, driven	36- 13	1	1			
194340-25310	GEAR 26, driven	37- 13	1	1			
194340-25310	GEAR 26, driven	38- 13			1	1	
194340-25320	GEAR 13, driven 48d x 21.7id	36- 14	1	1			
194340-25320	GEAR 13, driven 48d x 21.7id	37- 14	1	1			
194340-25320	GEAR 13, driven 48d x 21.7id	38- 14			1	1	
194340-25332	COLLAR 21.4 x 32 x 15	36- 15	1	1			
194340-25332	COLLAR 21.4 x 32 x 15	38- 15			1	1	
194340-25340	GEAR 21, driven 68.7d x 11w	36- 16	1	1			
194340-25340	GEAR 21, driven 68.7d x 11w	38- 16			1	1	
194340-25341	GEAR 18, driven 70.9d x 12w	36- 16	1	1			
194340-25341	GEAR 18, driven 70.9d x 12w	37- 16	1	1			
194340-25341	GEAR 18, driven 70.9d x 12w	38- 16			1	1	
194340-25350	COLLAR 25 x 32 x 31	37- 65	1	1			
194340-25350	COLLAR 25 x 32 x 31	36- 17	1	1			
194340-25350	COLLAR 25 x 32 x 31	36- 65	1	1			
194340-25350	COLLAR 25 x 32 x 31	37- 17	1	1			
194340-25350	COLLAR 25 x 32 x 31	38- 17			1	1	
194340-25351	COLLAR 25 x 32 x 31	36- 17	1	1			
194340-25351	COLLAR 25 x 32 x 31	38- 17			1	1	
194340-25360	GEAR 17, driven 57d x 11w	36- 18	1	1			
194340-25360	GEAR 17, driven 57d x 11w	38- 18			1	1	
194340-25361	GEAR 17, driven 59.12d x 11w	36- 18	1	1			
194340-25361	GEAR 17, driven 59.12d x 11w	38- 18			1	1	
194340-25362	GEAR 15, driven 61.55d x 12w	36- 18	1	1			
194340-25362	GEAR 15, driven 61.55d x 12w	37- 18	1	1			
194340-25362	GEAR 15, driven 61.55d x 12w	38- 18			1	1	
194340-25371	COLLAR 25 x 32 x 10	36- 19	1	1			
194340-25371	COLLAR 25 x 32 x 10	36- 19	1	1			
194340-25371	COLLAR 25 x 32 x 10	38- 19			1	1	
194340-25371	COLLAR 25 x 32 x 10	38- 19			1	1	
194340-25381	COLLAR 25 x 32 x 20.5	36- 20	1	1			
194340-25381	COLLAR 25 x 32 x 20.5	36- 20	1	1			
194340-25381	COLLAR 25 x 32 x 20.5	38- 20			1	1	
194340-25400	SHAFT, main change 40d x 154L	36- 25	1	1			
194340-25400	SHAFT, main change 40d x 154L	37- 25	1	1			
194340-25400	SHAFT, main change 40d x 154L	38- 25			1	1	
194340-25410	GEAR 25, 1st/reverse sliding	36- 26	1	1			
194340-25410	GEAR 25, 1st/reverse sliding	37- 26	1	1			
194340-25410	GEAR 25, 1st/reverse sliding	38- 26			1	1	
194340-25420	GEAR 17/21, 2nd/3rd sliding	36- 27	1	1			

NUMERICAL PART NO. LIST

NUMERICAL PART NO. LIST

Part No.	Description	Refer. No.	Qty/Unit				Remarks
			YM155	YM155D	SEM35	YM135D	
194340-25420	GEAR 17/21, 2nd/3rd sliding	38- 27			1	1	
194340-25421	GEAR 14/17, 2nd/3rd sliding	36- 27	1	1			
194340-25421	GEAR 14/17, 2nd/3rd sliding	37- 27	1	1			
194340-25421	GEAR 14/17, 2nd/3rd sliding	38- 27			1	1	
194340-25430	GEAR 31, main 82.3d x 14w	36- 29	1	1			
194340-25430	GEAR 31, main 82.3d x 14w	37- 29	1	1			
194340-25430	GEAR 31, main 82.3d x 14w	38- 29			1	1	
194340-25530	GEAR 14/14, reverse	36- 37	1	1			
194340-25530	GEAR 14/14, reverse	37- 37	1	1			
194340-25530	GEAR 14/14, reverse	38- 37			1	1	
194340-25660	COLLAR 25 x 32 x 24	36- 15	2	2			
194340-25660	COLLAR 25 x 32 x 24	37- 15	2	2			
194340-25660	COLLAR 25 x 32 x 24	38- 15			2	2	
194340-26240	GEAR 24	36- 78	1	1			
194340-26240	GEAR 24	38- 78			1	1	
194340-26241	GEAR 24	36- 78	1	1			
194340-26241	GEAR 24	38- 78			1	1	
194340-26310	SHAFT, P.T.O. driving	36- 56	1	1			
194340-26310	SHAFT, P.T.O. driving	38- 56			1	1	
194340-26311	SHAFT, P.T.O. driving	36- 56	1	1			
194340-26311	SHAFT, P.T.O. driving	37- 56	1	1			
194340-26311	SHAFT, P.T.O. driving	38- 56			1	1	
194340-26340	GEAR 19, P.T.O. sliding	36- 59	1	1			
194340-26340	GEAR 19, P.T.O. sliding	38- 59			1	1	
194340-26341	GEAR 16, P.T.O. sliding	36- 59	1	1			
194340-26341	GEAR 16, P.T.O. sliding	37- 59	1	1			
194340-26341	GEAR 16, P.T.O. sliding	38- 59			1	1	
194340-26350	GEAR 23, P.T.O. reduction	36- 62	1	1			
194340-26350	GEAR 23, P.T.O. reduction	38- 62			1	1	
194340-26351	GEAR 23, P.T.O. reduction	36- 62	1	1			
194340-26351	GEAR 23, P.T.O. reduction	38- 62			1	1	
194340-26352	GEAR 19, P.T.O. reduction	36- 62	1	1			
194340-26352	GEAR 19, P.T.O. reduction	37- 62	1	1			
194340-26352	GEAR 19, P.T.O. reduction	38- 62			1	1	
194340-26360	SHAFT, connecting	36- 10	1	1			
194340-26360	SHAFT, connecting	38- 10			1	1	
194340-26361	SHAFT, connecting	36- 10	1	1			
194340-26361	SHAFT, connecting	37- 10	1	1			
194340-26361	SHAFT, connecting	38- 10			1	1	
194340-26370	COLLAR 25 x 30 x 34	36- 75	1	1			
194340-26370	COLLAR 25 x 30 x 34	37- 75	1	1			
194340-26370	COLLAR 25 x 30 x 34	38- 75			1	1	
194340-26380	SHAFT, P.T.O. reduction	36- 69	1	1			
194340-26380	SHAFT, P.T.O. reduction	37- 69	1	1			
194340-26380	SHAFT, P.T.O. reduction	38- 69			1	1	

Part No.	Description	Refer. No.	Qty/Unit				Remarks
			YM155	YM155D	SEM35	YM135D	
194340-26391	GEAR 15, P.T.O. reduction	36- 66	1	1			
194340-26391	GEAR 15, P.T.O. reduction	38- 66			1	1	
194340-26392	GEAR 14, P.T.O. reduction	36- 66	1	1			
194340-26392	GEAR 14, P.T.O. reduction	37- 66	1	1			
194340-26392	GEAR 14, P.T.O. reduction	38- 66			1	1	
194340-26410	SHAFT, P.T.O.	36- 77	1	1			
194340-26410	SHAFT, P.T.O.	38- 77			1	1	
194340-26421	GEAR 24	36- 78	1	1			
194340-26421	GEAR 24	37- 78	1	1			
194340-26421	GEAR 24	38- 78			1	1	
194340-26450	SPRING	36- 74	1	1			
194340-26450	SPRING	37- 74	1	1			
194340-26450	SPRING	38- 74			1	1	
194340-26510	CLUTCH (A)	36- 70	1	1			
194340-26510	CLUTCH (A)	38- 70			1	1	
194340-26511	CLUTCH (A)	36- 70	1	1			
194340-26511	CLUTCH (A)	37- 70	1	1			
194340-26511	CLUTCH (A)	38- 70			1	1	
194340-26520	CLUTCH (B)	36- 71	1	1			
194340-26520	CLUTCH (B)	37- 71	1	1			
194340-26520	CLUTCH (B)	38- 71			1	1	
194340-27320	FORK, 2nd/3rd speed sift	39- 15	1	1			
194340-27320	FORK, 2nd/3rd speed sift	40- 15			1	1	
194340-27360	SHAFT, 2nd/3rd fork,	39- 17	1	1			
194340-27360	SHAFT, 2nd/3rd fork,	40- 17			1	1	
194340-27361	SHAFT, 2nd/3rd fork,	40- 17			1	1	
194340-27600	SHAFT, low-hi fork	39- 26	1	1			
194340-27600	SHAFT, low-hi fork	40- 26			1	1	
194340-27631	SHAFT, 2nd/3rd fork,	39- 17	1	1			
194340-27631	SHAFT, 2nd/3rd fork,	40- 17			1	1	
194340-27830	SHAFT, P.T.O. fork	39- 53	1	1			
194340-27830	SHAFT, P.T.O. fork	40- 53			1	1	
194340-27890	GUIDE w/LABEL,	39- 61	1	1			
194340-27890	GUIDE w/LABEL,	40- 61			1	1	
194340-27891	GUIDE w/LABEL,	39- 61	1	1			
194340-27891	GUIDE w/LABEL,	40- 61			1	1	
194340-32650	HOUSING (R) ASS'Y, rear axle	42- 35	1	1			
194340-32810	BRACKET, socket	62- 43	1	1			
194340-32810	BRACKET, coupler	63- 1	1	1			
194340-32810	BRACKET, coupler	64- 1	1	1			
194340-33110	CLUTCH, differential lock	45- 9	1	1			
194340-34610	TIRE (TURF)	91- 8	2	2			
194340-34610	TIRE (TURF)	92- 8	2	2			

NUMERICAL PART NO. LIST

Part No.	Description	Refer. No.	Q'ty/Unit				Remarks
			YMI55	YMI55D	YMI35	YMI35D	
194340-34940	TIRE	50- 19	1				
194340-34940	TIRE	50- 24	1				
194340-34940	TIRE	51- 16		1			
194340-34940	TIRE	51- 21		1			
194340-34940	TIRE	52- 19	1				
194340-34940	TIRE	52- 24	1				
194340-34940	TIRE	53- 16		1			
194340-34940	TIRE	53- 21		1			
194340-37350-R	CONNECTOR, brake	47- 23	1	1			
194340-37350-R	CONNECTOR, brake	48- 23	1	1			
194340-37350-R	CONNECTOR, brake	49- 23			1	1	
194340-44410-X	ARM (L), lift	58- 52	1	1	1	1	
194340-44420-X	ARM (R), lift	58- 53	1	1	1	1	
194340-48140	COVER, hydraulic adapter	60- 20	1	1	1	1	
194340-48210-X	PIPE, high-pressure	60- 6	1	1	1	1	
194340-48211-X	PIPE, high-pressure	60- 6	1	1	1	1	
194340-51050	WIRE HARNESS, main	62- 1	1	1			
194340-51051	WIRE HARNESS, main	62- 1	1	1			
194340-51051	WIRE HARNESS, main	66- 1			1	1	
194340-51052	WIRE HARNESS, main	62- 1	1	1			
194340-51060	WIRE HARNESS, sub	62- 47	1	1			
194340-51060	WIRE HARNESS, sub	66- 48			1	1	
194340-51061	WIRE HARNESS, sub	62- 47	1	1			
194340-51070	CORD, lisece lamp	64- 2	1	1			
194340-51082	HARNESS, wire	64- 3	1	1			
194340-51091	HARNESS, wire	63- 2	1	1			
194340-51101	WIRE HARNESS, main	61- 1	1	1			
194340-51101	WIRE HARNESS, main	65- 1			1	1	
194340-51102	WIRE HARNESS, main	61- 1	1	1			
194340-51102	WIRE HARNESS, main	65- 1			1	1	
194340-51102	WIRE HARNESS, main	66- 1			1	1	
194340-51103	WIRE HARNESS, main	61- 1	1	1			
194340-51103	WIRE HARNESS, main	65- 1			1	1	
194340-51190	CABLE, connecting	61- 51	1	1			
194340-51190	CABLE, connecting	65- 47			1	1	
194340-51210	CORD, side lamp earth	64- 7	1	1			
194340-51300	BATTERY Y60-S4GL (DRY TYPE)	61- 5	1	1			
194340-51300	BATTERY Y60-S4GL	62- 5	1	1			
194340-51300	BATTERY (Y60-S4GL)	63- 10	1	1			
194340-51300	BATTERY (Y60-S4GL)	64- 10	1	1			
194340-51310	CORD	63- 97	1	1			
194340-51310	CORD	64- 67	1	1			
194340-51320	CABLE, side lamp (L)	62- 52	1	1			
194340-51320	CABLE, side lamp (L)	63- 6	1	1			
194340-51330	CABLE, side lamp (R)	62- 53	1	1			

3
3

NUMERICAL PART NO. LIST

Part No.	Description	Refer. No.	Q'ty/Unit				Remarks
			YMI55	YMI55D	YMI35	YMI35D	
194340-51330	CABLE, side lamp (R)	63- 7	1	1			
194340-52120	SWITCH, diff. lock	63- 17	1	1			
194340-52150	DIMMER SWITCH ASS'Y	62- 44	1	1			
194340-52150	SWITCH ASS'Y, dimmer	63- 19	1	1			
194340-52150	SWITCH ASS'Y, dimmer	64- 18	1	1			
194340-52150	DIMMER SWITCH ASS'Y	66- 45			1	1	
194340-52160	DIMMER SWITCH	62- 45	1	1			
194340-52160	SWITCH, dimmer	63- 20	1	1			
194340-52160	SWITCH, dimmer	64- 19	1	1			
194340-52160	DIMMER SWITCH	66- 46			1	1	
194340-52170	CAP, dimmer switch	62- 46	1	1			
194340-52170	CAP, dimmer switch	63- 21	1	1			
194340-52170	CAP, dimmer switch	64- 20	1	1			
194340-52170	CAP, dimmer switch	66- 47			1	1	
194340-52300	LAMP ASS'Y, stop	64- 23	1	1			
194340-52310	BRACKET, switch	76- 47	1	1			
194340-52330	PLATE, switch	48- 51	1	1			
194340-56050	HOUR METER	61- 47	1	1			
194340-56050	HOUR METER	62- 41	1	1			
194340-56050	HOUR METER	63- 80	1	1			
194340-56050	HOUR METER	64- 50	1	1			
194340-57100	HORN	62- 54	1	1			
194340-57100	HORN	63- 85	1	1			
194340-57100	HORN	64- 55	1	1			
194340-57100	HORN	66- 43			1	1	
194340-57500	WORK LIGHT	85- 2	1	1	1	1	
194340-61000-P	HOOD	67- 1	1	1			
194340-61000-R	HOOD	67- 1	1	1			
194340-61100-P	HOOD	67- 18			1		
194340-61100-R	HOOD	68- 1	1	1			
194340-61100-R	HOOD	69- 1	1	1			
194340-61100-R	HOOD	70- 1	1	1			
194340-61100-P	HOOD	67- 2			1		
194340-61100-R	HOOD	67- 2			1		
194340-61330	PANEL, hood upper	68- 34	1	1			
194340-61330	PANEL, hood upper	69- 24	1	1			
194340-61330	PANEL, hood upper	70- 34	1	1			
194340-61330	PANEL, hood upper	72- 27			1	1	
194340-61400	HOOD	70- 1	1	1			
194340-61500	PANEL BOX ASS'Y	67- 47	1	1			
194340-61520	INSTRUMENT PANEL	69- 17	1	1			
194340-61610	CAP 20, rubber	67- 59	1	1			
194340-61610	CAP 20, rubber	68- 42	1	1			
194340-61610	CAP 20, rubber	68- 42	1	1			
194340-61610	CAP 20, rubber	70- 42	1	1			

NUMERICAL PART NO. LIST

Part No.	Description	Refer. No.	Qty/Unit				Remarks
			YMI55	YMI55D	YMI35	YMI35D	
194340-61610	CAP 20, rubber	70- 42	1	1			
194340-61610	CAP 20, rubber	71- 50			1	1	
194340-61610	CAP 20, rubber	71- 50			1	1	
194340-61610	CAP 20, rubber	72- 34			1	1	
194340-61610	CAP 20, rubber	72- 34			1	1	
194340-62150	FENDER (L)	76- 1	1	1			
194340-62250	BRACKET, signal lamp	74- 47	2	2			
194340-62250	BRACKET, signal lamp	78- 47			2	2	
194340-62430-R	BAR (L), assist	74- 16	1	1			
194340-62430-R	BAR (L), assist	75- 7	1	1			
194340-62430-R	BAR (L), assist	76- 16	1	1			
194340-62430-P	BAR (L), assist	73- 16	1	1			
194340-62430-R	BAR (L), assist	73- 16	1	1			
194340-62450	BRACKET, side lamp	76- 55	2	2			
194340-62451	STAY, side lamp	76- 56	1	1			
194340-62510	STAY, side lamp	76- 57	1	1			
194340-62550	STAY, side lamp	76- 58	2	2			
194340-62810	PLATE, lock	30- 58	1	1			
194340-62810	PLATE, lock	31- 58	1	1			
194340-62810	LOCK PLATE	32- 58			1	1	
194340-62810	LOCK PLATE	33- 58			1	1	
194340-63210-X	BRACKET, operator's seat	74- 40	1	1			
194340-63210-X	BRACKET, operator's seat	75- 29	1	1			
194340-63210-X	BRACKET, operator's seat	76- 40	1	1			
194340-63210-X	BRACKET, operator's seat	73- 40	1	1			
194340-63610	BRACKET, licence plate	76- 68	1	1			
194340-63680	STAY, licence plate	76- 69	1	1			
194340-64350	STAY, rear-view mirror	86- 2	1	1			
194340-64720	LABEL, side	67- 15	2				
194340-64720	LABEL, side	67- 33		2			
194340-64720	LABEL, side	68- 38	2				
194340-64720	LABEL, side	70- 38	2				
194340-64720	LABEL, side	71- 13		2			
194340-64720	LABEL, side	71- 29			2		
194340-64720	LABEL, side mark	96- 1	2				
194340-64720	LABEL, side mark	97- 1	2				
194340-64720	LABEL, side mark	98- 1	2				
194340-64720	LABEL, side mark	99- 1	2				
194340-64720	LABEL, side mark	100- 1	2				
194340-65151	LABEL, tractor model	30- 4	1				
194340-65151	LABEL, tractor model	31- 4	1				
194340-65152	LABEL, tractor model	30- 4	1				
194340-65152	LABEL, tractor model	30- 4	1				
194340-65152	LABEL, tractor model	31- 4	1				
194340-65152	LABEL, tractor model	31- 4	1				

NUMERICAL PART NO. LIST

Part No.	Description	Refer. No.	Qty/Unit				Remarks
			YMI55	YMI55D	YMI35	YMI35D	
194340-65152	LABEL, tractor model	32- 4				1	
194340-65152	LABEL, tractor model	32- 4				1	
194340-65152	LABEL, tractor model	33- 4				1	
194340-65200	LABEL, handling instruction	30- 6	1				
194340-65200	LABEL, handling instruction	30- 15		1			
194340-65200	LABEL, handling instruction	31- 6	1				
194340-65200	LABEL, handling instruction	31- 15		1			
194340-65200	LABEL, caution	96- 3	1	1			
194340-65200	LABEL, caution	97- 3	1	1			
194340-65200	LABEL, caution	99- 3	1	1			
194340-65300	LABEL, transmission	34- 26	1			1	
194340-65300	LABEL, gear oil	96- 4	1				
194340-65300	LABEL, gear oil	97- 4	1				
194340-65300	LABEL, gear oil	99- 4	1				
194340-65300	LABEL, gear oil	101- 5				1	
194340-65320	LABEL, tractor oiling	30- 5	1				
194340-65320	LABEL, tractor oiling	31- 5	1				
194340-65320	LABEL, tractor oiling	32- 5				1	
194340-65320	LABEL, tractor oiling	33- 5				1	
194340-65320	LABEL, lubrication	96- 7	1				
194340-65320	LABEL, lubrication	97- 7	1				
194340-65320	LABEL, lubrication	99- 7	1				
194340-65320	LABEL, lubrication	101- 8				1	
194340-65330	LABEL, diff. pilot	99- 9	1	1			
194340-65340	LABEL, check	99- 10	1	1			
194340-65441	LABEL, differential lock	73- 7	1	1			
194340-65441	LABEL, differential lock	73- 14	1	1			
194340-65441	LABEL, differential lock	77- 7				1	1
194340-65441	LABEL, differential lock	77- 14				1	1
194340-65441	LABEL, differential lock	96- 13	1	1			
194340-65441	LABEL, differential lock	97- 13	1	1			
194340-65441	LABEL, differential lock	99- 15	1	1			
194340-65441	LABEL, differential lock	100-11	1	1			
194340-65441	LABEL, differential lock	101-13				1	1
194340-65501	MODEL PLATE (L)	67- 3	1				
194340-65501	LABEL (L)	98- 8	1				
194340-65502	MODEL PLATE (L)	67- 3	1	1			
194340-65502	MODEL PLATE (L)	67- 19				1	
194340-65502	MODEL PLATE (L)	68- 2	1	1			
194340-65502	MODEL PLATE (L)	70- 2	1	1			
194340-65502	LABEL (L)	98- 10	1	1			
194340-65510	LABEL (R)	96- 15	1	1			
194340-65510	LABEL (R)	97- 15	1	1			
194340-65510	LABEL (R)	99- 17	1	1			
194340-65510	LABEL (R)	100-14	1	1			

NUMERICAL PART NO. LIST

Part No.	Description	Refer. No.	Q'ty/Unit				Remarks
			YMI55	YMI55D	YMI35	YMI35D	
194340-65510	LABEL (R)	101-15			1	1	
194340-65511	MODEL PLATE (R)	67- 4	1				
194340-65511	MODEL PLATE (R)	67- 22		1			
194340-65511	LABEL (R)	98- 9	1				
194340-65512	MODEL PLATE (R)	67- 4	1	1			
194340-65512	MODEL PLATE (R)	67- 20		1			
194340-65512	MODEL PLATE (R)	68- 3	1	1			
194340-65512	MODEL PLATE (R)	70- 3	1	1			
194340-65512	LABEL (R)	98- 11	1	1			
194340-65590	LABEL, decompression	67- 56	1	1			
194340-65590	LABEL, decompression	71- 47			1	1	
194340-65590	LABEL, decompression	72- 21			1	1	
194340-65590	LABEL, decompression	96- 17	1	1			
194340-65590	LABEL, decompression	97- 17	1	1			
194340-65590	LABEL, decompression	99- 19	1	1			
194340-65590	LABEL, decompression	101-17			1	1	
194340-65601	LABEL, L.H. indication	73- 6	1	1			
194340-65601	LABEL, L.H. indication	73- 12	1	1			
194340-65601	LABEL, L.H. indication	77- 6			1	1	
194340-65601	LABEL, L.H. indication	77- 12			1	1	
194340-65601	LABEL, subtransmission	96- 18	1	1			
194340-65601	LABEL, subtransmission	97- 18	1	1			
194340-65601	LABEL, subtransmission	99- 20	1	1			
194340-65601	LABEL, subtransmission	101-18			1	1	
194340-65670	LABEL, P.T.O.	96- 22	1	1			
194340-65670	LABEL, P.T.O.	97- 22	1	1			
194340-65670	LABEL, P.T.O.	99- 24	1	1			
194340-65670	LABEL, P.T.O.	101-22			1	1	
194340-65673	LABEL, P.T.O. speed change	39- 63	1	1			
194340-65673	LABEL, P.T.O. speed change	40- 63			1	1	
194340-65674	LABEL, P.T.O. speed change	39- 63	1	1			
194340-65674	LABEL, P.T.O. speed change	40- 63			1	1	
194340-65675	LABEL, P.T.O. speed change	39- 63	1	1			
194340-65675	LABEL, P.T.O. speed change	39- 63	1	1			
194340-65675	LABEL, P.T.O. speed change	40- 63			1	1	
194340-65675	LABEL, P.T.O. speed change	40- 63			1	1	
194340-65690	LABEL, slow return valve	73- 4	1	1			
194340-65690	LABEL, slow return valve	73- 10	1	1			
194340-65690	LABEL, slow return valve	77- 4			1	1	
194340-65690	LABEL, slow return valve	77- 10			1	1	
194340-65690	LABEL, slow return	96- 23	1	1			
194340-65690	LABEL, slow return	97- 23	1	1			
194340-65690	LABEL, slow return	99- 25	1	1			
194340-65690	LABEL, slow return	101-23			1	1	
194340-65720	LABEL, key switch	67- 54	1	1			

1
3
1

NUMERICAL PART NO. LIST

Part No.	Description	Refer. No.	Q'ty/Unit				Remarks
			YMI55	YMI55D	YMI35	YMI35D	
194340-65720	LABEL, key switch	67- 54	1	1			
194340-65720	LABEL, key switch	71- 45			1	1	
194340-65720	LABEL, key switch	72- 19			1	1	
194340-65720	LABEL, key switch	96- 26	1	1			
194340-65720	LABEL, key switch	97- 26	1	1			
194340-65720	LABEL, key switch	99- 28	1	1			
194340-65720	LABEL, key switch	101-26			1	1	
194340-65750	LABEL, stop valve	34- 21	1	1	1	1	
194340-65750	LABEL, oil press. stop	96- 27	1	1			
194340-65750	LABEL, oil press. stop	97- 27	1	1			
194340-65750	LABEL, oil press. stop	99- 29	1	1			
194340-65750	LABEL, oil press. stop	101-27			1	1	
194340-65770	LABEL, engine stop	99- 30	1	1			
194340-65780	LABEL, P.T.O.	73- 52	1	1			
194340-65780	LABEL, P.T.O.	73- 52	1	1			
194340-65780	LABEL, P.T.O.	77- 52			1	1	
194340-65780	LABEL, P.T.O.	77- 52			1	1	
194340-65780	LABEL, P.T.O. caution	96- 28	1	1			
194340-65780	LABEL, P.T.O. caution	97- 28	1	1			
194340-65780	LABEL, P.T.O. caution	99- 31	1	1			
194340-65810	LABEL, clutch caution	100-22	1	1			
194340-65820	LABEL, oil press. stop	100-23	1	1			
194340-65830	LABEL, T.D.F.	100-24	1	1			
194340-65840	LABEL, flusher	100-25	1	1			
194340-65850	LABEL, slow return	100-26	1	1			
194340-65860	LABEL, subtransmission	100-27	1	1			
194340-65880	LABEL, lubrication	100-29	1	1			
194340-66320	LABEL, fuel	98- 12	1	1			
194340-66320	LABEL, fuel	102-12			1	1	
194340-72230-X	TURNBUCKLE, lift link	81- 20	1	1	1	1	
194340-72230-X	TURNBUCKLE, lift link	82- 20	1	1	1	1	
194340-74700-X	CHECK CHAIN, complete, front	81- 32	2	2	2	2	
194340-74700-X	CHECK CHAIN, complete, front	82- 32	2	2	2	2	
194340-74800-X	CHECK CHAIN, complete, rear	81- 34	2	2	2	2	
194340-74800-X	CHECK CHAIN, complete, rear	82- 34	2	2	2	2	
194340-75410-X	HITCH, complete, rear	79- 1	1	1			
194340-75410-X	HITCH, complete, rear	80- 1	1	1			
194340-75530	PIN, rear hitch	79- 7	1	1			
194340-75560	PIN, rear hitch	80- 7	1	1			
194340-75650	HITCH, drawbar	79- 10	1	1			
194340-75670	HITCH (A), drawbar	80- 11	1	1			
194340-75680	HITCH (B), drawbar	80- 12	1	1			
194340-75740	LS-LOCK NUT M18 x 1.5	81- 29	1	1	1	1	
194340-75740	LS-LOCK NUT M18 x 1.5	82- 29	1	1	1	1	
194340-83120	SHIM 0.2	94- 47	4	4			

NUMERICAL PART NO. LIST

NUMERICAL PART NO. LIST

Part No.	Description	Refer. No.	Q'ty/Unit				Remarks
			YMI55	YMI55D	YMI35	YMI35D	
194340-83120	SHIM 0.2	95- 35			4	4	
194340-83130	SHIM 1.0	94- 45	4	4			
194340-83130	SHIM 1.0	95- 33			4	4	
194340-83140	SHIM 0.5	94- 46	4	4			
194340-83140	SHIM 0.5	95- 34			4	4	
194340-83150	COVER, battery	94- 26	1	1			
194340-83150-X	COVER, battery	94- 26	1	1			
194340-83170	UNIT BRACKET ASS'Y	95- 13			1	1	
194340-83171	UNIT BRACKET ASS'Y	94- 13	1	1			
194340-83270	SHAFT, P.T.O.	94- 16	1	1			
194340-83270	SHAFT, P.T.O.	95- 16			1	1	
194340-83270-X	SHAFT, P.T.O.	94- 16	1	1			
194340-83270-X	SHAFT, P.T.O.	95- 16			1	1	
194340-83271	SHAFT, P.T.O.	94- 16	1	1			
194340-83271-X	SHAFT, P.T.O.	94- 16	1	1			
194340-83280	UNIT BRACKET	94- 14	1	1			
194340-83280	UNIT BRACKET	95- 14			1	1	
194340-83281	UNIT BRACKET	94- 14	1	1			
194340-83281	UNIT BRACKET	95- 14			1	1	
194340-83290	COLLAR 20 x 25 x 8.5	94- 19	1	1			
194340-83290	COLLAR 20 x 25 x 8.5	95- 19			1	1	
194340-83310	CABLE (A)	94- 22	1	1			
194340-83310	CABLE (A)	95- 22			1	1	
194340-83320	CABLE (B)	94- 23	1	1			
194340-83320	CABLE (B)	95- 23			1	1	
194340-83330	BRACKET, battery	94- 38	1	1			
194340-83340	BALL BEARING	94- 15	2	2			
194340-83340	BALL BEARING	95- 15			2	2	
194340-83341	BALL BEARING	94- 15	1	1			
194340-83341	BALL BEARING	95- 15			1	1	
194340-83350	BRACKET, switch	94- 25	1	1			
194340-83350	BRACKET, switch	95- 24			1	1	
194340-83350-X	BRACKET, switch	94- 25	1	1			
194340-83350-X	BRACKET, switch	95- 24			1	1	
194340-83370	SHAFT, connecting	94- 41	1	1			
194340-83390	JOINT, front P.T.O.	94- 40	2	2			
194340-83390	JOINT, front P.T.O.	95- 30			2	2	
194340-83450	COVER	94- 39	1	1			
194340-98240	LABEL, pilot lamp	68- 29	1	1			
194340-98240	LABEL, pilot lamp	70- 29	1	1			
194340-98240	LABEL, pilot	98- 15	1	1			
194340-98240	LABEL, pilot	102-15			1	1	
194340-98270	LABEL, decompression	68- 28	1	1			
194340-98270	LABEL, decompression	70- 28	1	1			
194340-98270	LABEL, decompression	98- 18	1	1			

Part No.	Description	Refer. No.	Q'ty/Unit				Remarks
			YMI55	YMI55D	YMI35	YMI35D	
194340-98270	LABEL, decompression	102-18			1	1	
194340-98280	LABEL, clutch handling	98- 19	1	1			
194340-98280	LABEL, clutch handling	102-19			1	1	
194340-98340	LABEL, PDF	98- 25	1	1			
194340-98340	LABEL, PDF	102-25			1	1	
194340-98370	LABEL, L.H. indication	74- 6	1	1			
194340-98370	LABEL, L.H. indication	74- 12	1	1			
194340-98370	LABEL, L.H. indication	76- 6	1	1			
194340-98370	LABEL, L.H. indication	76- 12	1	1			
194340-98370	LABEL, L.H. indication	78- 6			1	1	
194340-98370	LABEL, L.H. indication	78- 12			1	1	
194340-98370	LABEL, subtransmission	98- 28	1	1			
194340-98370	LABEL, subtransmission	102-28			1	1	
194340-98390	LABEL, oil press. stop	98- 30	1	1			
194340-98390	LABEL, oil press. stop	102-30			1	1	
194340-98391	LABEL, oil press. stop	98- 30	1	1			
194340-98391	LABEL, oil press. stop	102-30			1	1	
194340-98420	LABEL, slow return valve	74- 4	1	1			
194340-98420	LABEL, slow return valve	74- 10	1	1			
194340-98420	LABEL, slow return valve	76- 4	1	1			
194340-98420	LABEL, slow return valve	76- 10	1	1			
194340-98420	LABEL, slow return valve	78- 4			1	1	
194340-98420	LABEL, slow return valve	78- 10			1	1	
194340-98420	LABEL, slow return	98- 33	1	1			
194340-98421	LABEL, slow return	98- 33	1	1			
194340-98421	LABEL, slow return	102-33			1	1	
194341-11100-X	BRACKET, front axle	25- 1			1		
194341-11101-X	BRACKET, front axle	25- 1			1		
194341-11880	WHEEL, disc 5-JA x 12WDC	92- 5	2	2			
194341-12870	TIRE 5-12, front wheel	51- 3			2		
194341-12870	TIRE 5-12, front wheel	51- 8			2		
194341-12870	TIRE 5-12, front wheel	53- 3			2		
194341-12870	TIRE 5-12, front wheel	53- 8			2		
194341-12870	TIRE 5-12, front wheel	55- 3				2	
194341-12870	TIRE 5-12, front wheel	55- 8				2	
194341-12870	TIRE 5-12, front wheel	57- 3				2	
194341-12870	TIRE 5-12, front wheel	57- 8				2	
194341-12930	TIRE ASS'Y 5-12, front wheel	51- 2			1		
194341-12930	TIRE ASS'Y 5-12, front wheel	51- 7			1		
194341-12930	TIRE ASS'Y 5-12, front wheel	53- 2			1		
194341-12930	TIRE ASS'Y 5-12, front wheel	53- 7			1		
194341-12930	TIRE ASS'Y 5-12, front wheel	55- 2				1	
194341-12930	TIRE ASS'Y 5-12, front wheel	55- 7				1	
194341-12930	TIRE ASS'Y 5-12, front wheel	57- 2				1	
194341-12930	TIRE ASS'Y 5-12, front wheel	57- 7				1	

NUMERICAL PART NO. LIST

Part No.	Description	Refer. No.	Q'ty/Unit				Remarks
			YMI55	YMI55D	YMI35	YMI35D	
194341-13610	AXLE (L), front	25- 24	1				
194341-13610	AXLE (L), front	26- 24		1			
194341-13610-X	AXLE (L), front	25- 24	1				
194341-13610-X	AXLE (L), front	26- 24		1			
194341-13621	AXLE (R), front	25- 25	1				
194341-13621	AXLE (R), front	26- 25		1			
194341-13621-X	AXLE (R), front	25- 25	1				
194341-13621-X	AXLE (R), front	26- 25		1			
194341-13740	PACKING,	25- 26	2				
194341-13740	PACKING,	26- 26		2			
194341-13790	LINER 22.5 x 40 x 1	25- 71	4				
194341-13790	LINER 22.5 x 40 x 1	26- 71		4			
194341-13820	GEAR CASE, lower front	25- 35	2				
194341-13820	GEAR CASE, lower front	26- 35		2			
194341-13820-X	GEAR CASE, lower front	25- 35	2				
194341-13820-X	GEAR CASE, lower front	26- 35		2			
194341-13840	OIL SEAL TC135 x 165 x 14	25- 38	2				
194341-13840	OIL SEAL TC135 x 165 x 14	26- 38		2			
194341-13900	KING PIN	25- 39	2				
194341-13900	KING PIN	26- 39		2			
194341-13900-X	KING PIN	25- 39	2				
194341-13900-X	KING PIN	26- 39		2			
194341-13950	PACKING, front gear	25- 40	2				
194341-13950	PACKING, front gear	26- 40		2			
194341-13960	LINER 25.5 x 60 x 1.6	25- 74	2				
194341-13960	LINER 25.5 x 60 x 1.6	26- 74		2			
194341-13970	COLLAR 25 x 34 x 70.67	27- 76	2	2			
194341-13980	SHIM 22.5 x 40 x 0.3	25- 72	-	-			
194341-13980	SHIM 22.5 x 40 x 0.3	26- 72	-	-			
194341-13990	SHIM 22.5 x 40 x 0.1	25- 73	-	-			
194341-13990	SHIM 22.5 x 40 x 0.1	26- 73	-	-			
194341-14200	SHAFT, front driving	27- 55	2				
194341-14201	SHAFT, front driving	27- 55	2	2			
194341-14210	LINER 25.5 x 32 x 1	27- 80	2	2			
194341-14220	SHIM 26 x 33 x 0.1	27- 85	-	-			
194341-14230	BEVEL GEAR 14 64d x 33L	27- 58	2	2			
194341-14240	SHIM 26 x 33 x 0.3	27- 86	-	-			
194341-14250	BEVEL GEAR, king pin l1ld	27- 59	2	2			
194341-14260	NEEDLE BEARING KT25 x 31 x 20	27- 60	4	4			
194341-14340	OIL SEAL, TC25 x 45 x 8	27- 82	2	2			
194341-14350	SHAFT, front axle	51- 13	2				
194341-14350	SHAFT, front axle	53- 13	2				
194341-14350	SHAFT, front axle	55- 13		2			
194341-14350	SHAFT, front axle	57- 13		2			
194341-14420	BEVEL GEAR 20	27- 72	2	2			

- 37 -

NUMERICAL PART NO. LIST

Part No.	Description	Refer. No.	Q'ty/Unit				Remarks
			YMI55	YMI55D	YMI35	YMI35D	
194341-14430	COLLAR 30 x 38 x 13.5	27- 77		2		2	
194341-14480	COLLAR 30.5 x 45 x 9.5	27- 79		2		2	
194341-14510-X	ARM (L), knuckle	26- 48				1	
194341-14510-X	ARM (L), knuckle	25- 48	1				
194341-14520-X	ARM (R), knuckle	26- 49				1	
194341-14520-X	ARM (R), knuckle	25- 49		1			
194341-14530-X	ARM (L), knuckel	25- 48		1			
194341-15610-X	ARM, pitman	28- 34		1			
194341-16110-X	DRAG-ROD	28- 47		1			
194341-21110	HOUSING, complete, clutch	31- 11		1			
194341-25540	GEAR 20, front driving	36- 39		1			
194341-25540	GEAR 20, front driving	37- 39		1			
194341-26120	GEAR 25, front P.T.O. sliding	36- 50		1			
194341-26120	GEAR 25, front P.T.O. sliding	37- 50		1			
194341-61000	HOOD ASS'Y	67- 17		1			
194341-64720	LABEL, side	67- 33		2			
194341-64720	LABEL, side	68- 39		2			
194341-64720	LABEL, side	70- 39		2			
194341-64720	LABEL, side mark	96- 2		2			
194341-64720	LABEL, side mark	97- 2		2			
194341-64720	LABEL, side mark	98- 2		2			
194341-64720	LABEL, side mark	99- 2		2			
194341-64720	LABEL, side mark	100- 2		2			
194341-65151	LABEL, tractor model	30- 13		1			
194341-65151	LABEL, tractor model	31- 13		1			
194341-65152	LABEL, tractor model	30- 13		1			
194341-65152	LABEL, tractor model	30- 13		1			
194341-65152	LABEL, tractor model	31- 13		1			
194341-65152	LABEL, tractor model	31- 13		1			
194341-65152	LABEL, tractor model	32- 13				1	
194341-65152	LABEL, tractor model	32- 13				1	
194341-65152	LABEL, tractor model	33- 13				1	
194341-65300	LABEL, transmission	34- 30		1		1	
194341-65300	LABEL, gear oil	96- 5		1			
194341-65300	LABEL, gear oil	97- 5		1			
194341-65300	LABEL, gear oil	99- 5		1			
194341-65300	LABEL, gear oil	101- 6				1	
194341-65310	LABEL, front axle oiling	25- 33		1			
194341-65310	LABEL, front axle oiling	26- 33				1	
194341-65311	LABEL, front axle oiling	25- 33		1			
194341-65311	LABEL, front axle oiling	25- 33		1			
194341-65311	LABEL, front axle oiling	26- 33				1	
194341-65311	LABEL, front axle oiling	26- 33				1	
194341-65311	LABEL, 4-wheel oil	96- 6		1			
194341-65311	LABEL, 4-wheel oil	97- 6		1			

NUMERICAL PART NO. LIST

Part No.	Description	Refer. No.	Q'ty/Unit				Remarks
			YMI55	YMI55P	YMI35	YMI35P	
194341-65311	LABEL, 4-wheel oil	99- 6	1				
194341-65311	LABEL, 4-wheel oil	101- 7		1			
194341-65320	LABEL, tractor oiling	30- 14	1				
194341-65320	LABEL, tractor oiling	31- 14	1				
194341-65320	LABEL, tractor oiling	32- 14		1			
194341-65320	LABEL, tractor oiling	33- 14		1			
194341-65320	LABEL, lubrication	96- 8	1				
194341-65320	LABEL, lubrication	97- 8	1				
194341-65320	LABEL, lubrication	99- 8	1				
194341-65320	LABEL, lubrication	101- 9		1			
194341-65501	MODEL PLATE (L)	67- 21	1				
194341-65501	LABEL (L)	98- 8	1				
194341-65511	LABEL (R)	98- 9	1				
194341-65661	LABEL, front P.T.O.	73- 13	1				
194341-65661	LABEL, front P.T.O.	77- 13		1			
194341-65661	LABEL, 4-wheel driving	96- 20	1				
194341-65661	LABEL, 4-wheel driving	97- 20	1				
194341-65661	LABEL, 4-wheel driving	99- 22	1				
194341-65661	LABEL, 4-wheel driving	101-20		1			
194341-65870	LABEL, 4-wheel driving	100-28	1				
194341-65880	LABEL, lubrication	100-30	1				
194341-98350	LABEL, front P.T.O.	74- 13	1				
194341-98350	LABEL, front P.T.O.	76- 13	1				
194341-98350	LABEL, front P.T.O.	78- 13		1			
194341-98350	LABEL, 4-wheel driving	98- 26	1				
194341-98350	LABEL, 4-wheel driving	102-26		1			
194345-52490-X	BRACKET, fuse box	21- 30	1	1			
194345-52490-X	BRACKET, fuse box	22- 28		2	2		
194345-55100	PILOT LAMP ASS'Y, water	65- 41		1	1		
194345-55110	PILOT LAMP ASS'Y, water	61- 43	1	1			
194345-55110	PILOT LAMP ASS'Y, water	62- 34	1	1			
194345-55110	PILOT LAMP ASS'Y, water	63- 71	1	1			
194345-55110	PILOT LAMP ASS'Y, water	66- 35		1	1		
194345-55120	LAMP ASS'Y, oil pressure	61- 45	1	1			
194345-55120	LAMP ASS'Y, oil pressure	63- 73	1	1			
194345-55120	LAMP ASS'Y, oil pressure	65- 43		1	1		
194345-61220	LINNING, hood front	67- 5	1	1			
194345-61220	LINNING, hood front	67- 23	1	1			
194345-61220	LINNING, hood front	68- 4	1	1			
194345-61220	LINNING, hood front	69- 2	1	1			
194345-61220	LINNING, hood front	70- 4	1	1			
194345-61230	LINNING, hood left	67- 6	1	1			
194345-61230	LINNING, hood left	67- 24	1	1			
194345-61230	LINNING, hood left	68- 5	1	1			
194345-61230	LINNING, hood left	69- 3	1	1			

- 8 -

NUMERICAL PART NO. LIST

Part No.	Description	Refer. No.	Q'ty/Unit				Remarks
			YMI55	YMI55P	YMI35	YMI35P	
194345-61230	LINNING, hood left	70- 5	1	1			
194345-61240	LINNING, hood right	67- 7	1	1			
194345-61240	LINNING, hood right	67- 25	1	1			
194345-61240	LINNING, hood right	68- 6	1	1			
194345-61240	LINNING, hood right	69- 4	1	1			
194345-61240	LINNING, hood right	70- 6	1	1			
194345-65100	LABEL, steering wheel	28- 39	1	1			
194345-65500	LABEL (L)	96- 14	1	1			
194345-65500	LABEL (L)	97- 14	1	1			
194345-65500	LABEL (L)	99- 16	1	1			
194345-65500	LABEL (L)	100-13	1	1			
194345-65500	LABEL (L)	101-14		1	1		
194345-65501	LABEL (L)	96- 14	1	1			
194345-65501	LABEL (L)	97- 14	1	1			
194345-65501	LABEL (L)	98- 10	1	1			
194345-65501	LABEL (L)	99- 16	1	1			
194345-65501	LABEL (L)	100-13	1	1			
194345-65501	LABEL (L)	100-13	1	1			
194345-65511	LABEL (R)	96- 15	1	1			
194345-65511	LABEL (R)	97- 15	1	1			
194345-65511	LABEL (R)	98- 11	1	1			
194345-65511	LABEL (R)	99- 17	1	1			
194345-65511	LABEL (R)	100-14	1	1			
194345-83320	CABLE	94- 23	1	1			
194346-13620-X	AXLE (R), front	25- 25		1			
194346-13620-X	AXLE (R), front	26- 25			1		
194346-13630	OIL PLUG 20	32-1		1			
194349-01180	ROD (rear), throttle	18- 8	1	1			
194349-01180	ROD (rear), throttle	20- 8		1	1		
194370-65350	LABEL, engine starting	96- 9	1	1			
194370-65350	LABEL, engine starting	97- 9	1	1			
194370-65350	LABEL, engine starting	99- 11	1	1			
194390-04100	FUEL OIL TANK	22- 1		1	1		
194390-04500	BRACKET, fuel oil tank	22- 17		1	1		
194390-12910	WHEEL 6.00 x 10 DT, disc	93- 2		2	2		
194390-12920	WHEEL (A)	93- 3		2	2		
194390-12930	WHEEL (B)	93- 4		2	2		
194390-14200	SHAFT, front driving	27- 55		2			
194390-34610	TIRE (TURF), 27 x 8.50 - 15PD	93- 14		2	2		
194390-34620	REAR TIRE ASS'Y (TURF)	93- 15		2	2		
194390-34630	TUBE	93- 16		2	2		
194390-34750	WHEEL, disc 7.001 x 15DT	93- 17		2	2		
194390-34760	WHEEL (A)	93- 18		2	2		
194390-34770	WHEEL (B)	93- 19		2	2		
194390-34810	TIRE ASS'Y (L), rear wheel	54- 17		1			
194390-34810	TIRE ASS'Y (L), rear wheel	55- 14			1		

NUMERICAL PART NO. LIST

Part No.	Description	Refer. No.	Q'ty/Unit				Remarks
			YMI55	YMI55D	YMI35	YMI35D	
194390-34810	TIRE ASS'Y (L), rear wheel	56- 17			1		
194390-34810	TIRE ASS'Y (L), rear wheel	57- 14			1		
194390-34820	TIRE ASS'Y (R), rear wheel	54- 22			1		
194390-34820	TIRE ASS'Y (R), rear wheel	55- 19			1		
194390-34820	TIRE ASS'Y (R), rear wheel	56- 22			1		
194390-34820	TIRE ASS'Y (R), rear wheel	57- 19			1		
194390-34900	TIRE ASS'Y (L), rear wheel	54- 17			1		
194390-34900	TIRE ASS'Y (L), rear wheel	55- 14			1		
194390-34900	TIRE ASS'Y (L), rear wheel	56- 17			1		
194390-34900	TIRE ASS'Y (L), rear wheel	57- 14			1		
194390-34930	TIRE ASS'Y, rear	54- 18			1		
194390-34930	TIRE ASS'Y, rear	54- 23			1		
194390-34930	TIRE ASS'Y, rear	55- 15			2		
194390-34930	TIRE ASS'Y, rear	55- 20			2		
194390-34930	TIRE ASS'Y, rear	56- 18			1		
194390-34930	TIRE ASS'Y, rear	56- 23			1		
194390-34930	TIRE ASS'Y, rear	57- 15			2		
194390-34930	TIRE ASS'Y, rear	57- 20			2		
194390-34940	TIRE	54- 19			1		
194390-34940	TIRE	54- 24			1		
194390-34940	TIRE	55- 16			2		
194390-34940	TIRE	55- 21			2		
194390-34940	TIRE	56- 19			1		
194390-34940	TIRE	56- 24			1		
194390-34940	TIRE	57- 16			2		
194390-34940	TIRE	57- 21			2		
194390-34950	TUBE, tire	54- 20			1		
194390-34950	TIRE ASS'Y (R), rear wheel	54- 22			1		
194390-34950	TUBE, tire	54- 25			1		
194390-34950	TUBE, tire	55- 17			2		
194390-34950	TIRE ASS'Y (R), rear wheel	55- 19			1		
194390-34950	TUBE, tire	55- 22			2		
194390-34950	TUBE, tire	56- 20			1		
194390-34950	TIRE ASS'Y (R), rear wheel	56- 22			1		
194390-34950	TUBE, tire	56- 25			1		
194390-34950	TUBE, tire	57- 17			2		
194390-34950	TIRE ASS'Y (R), rear wheel	57- 19			1		
194390-34950	TUBE, tire	57- 22			2		
194390-51300	BATTERY Y60-S4P (DRY TYPE)	65- 5			1		
194390-51300	BATTERY Y60-S4G	66- 5			1		
194390-61000-P	HOOD ASS'Y	71- 1			1		
194390-61100	HOOD	71- 16			1		
194390-61100-P	HOOD	71- 2			1		
194390-62430	BAR (L), assist	77- 16			1		
194390-62430	BAR (L), assist	78- 16			1		

NUMERICAL PART NO. LIST

Part No.	Description	Refer. No.	Q'ty/Unit				Remarks
			YMI55	YMI55D	YMI35	YMI35D	
194390-63210	BRACKET, operator's seat	77- 40			1		
194390-63210	BRACKET, operator's seat	78- 40			1		
194390-64720	LABEL, side	72- 31			2		
194390-64720	LABEL, side mark	101- 1			2		
194390-64720	LABEL, side mark	102- 1			2		
194390-65150	LABEL, tractor model	32- 4			1		
194390-65150	LABEL, tractor model	33- 4			1		
194390-65200	LABEL, handling instruction	32- 6			1		
194390-65200	LABEL, handling instruction	32- 15			1		
194390-65200	LABEL, handling instruction	33- 6			1		
194390-65200	LABEL, handling instruction	33- 15			1		
194390-65200	LABEL, caution	101- 3			1		
194390-65210	LABEL, caution	101- 4			1		
194390-65500	MODEL PLATE (L)	71- 3			1		
194390-65500	LABEL (L)	102- 8			1		
194390-65501	MODEL PLATE (L)	71- 3			1		
194390-65501	MODEL PLATE (L)	71- 17			1		
194390-65501	MODEL PLATE (L)	72- 2			1		
194390-65501	LABEL (L)	101-14			1		
194390-65501	LABEL (L)	102-10			1		
194390-65510	MODEL PLATE (R)	71- 4			1		
194390-65510	LABEL (R)	102- 9			1		
194390-65511	MODEL PLATE (R)	71- 4			1		
194390-65511	MODEL PLATE (R)	71- 18			1		
194390-65511	MODEL PLATE (R)	72- 3			1		
194390-65511	LABEL (R)	101-15			1		
194390-65511	LABEL (R)	102-11			1		
194390-83170	UNIT BRACKET ASS'Y	95- 13			1		
194390-83270	SHAFT, P.T.O.	95- 16			1		
194390-83270-X	SHAFT, P.T.O.	95- 16			1		
194390-83370	SHAFT, connecting	95- 31			1		
194390-83450	COVER	95- 29			1		
194391-14200	SHAFT, front driving	27- 55			2		
194391-15610-X	ARM, pitman	29- 31			1		
194391-25540	GEAR 17, front driving	38- 39			1		
194391-25541	GEAR 21, front driving	38- 39			1		
194391-26120	GEAR 24, front P.T.O. sliding	38- 50			1		
194391-61000	HOOD ASS'Y	71- 15			1		
194391-64720	LABEL, side	72- 32			2		
194391-64720	LABEL, side mark	101- 2			2		
194391-64720	LABEL, side mark	102- 2			2		
194391-65150	LABEL, tractor model	32- 13			1		
194391-65150	LABEL, tractor model	33- 13			1		
194391-65500	MODEL PLATE (L)	71- 19			1		
194391-65500	LABEL (L)	102- 8			1		

NUMERICAL PART NO. LIST

NUMERICAL PART NO. LIST

Part No.	Description	Refer. No.	Q'ty/Unit				Remarks
			YMI55	YMI55D	YMI35	YMI35D	
194391-65501	MODEL PLATE (L)	71- 19			1	1	
194391-65510	MODEL PLATE (R)	71- 20			1	1	
194391-65510	LABEL (R)	102- 9			1	1	
194391-65511	MODEL PLATE (R)	71- 20			1	1	
194436-53100	LIGHT ASS'Y, head	63- 33	2	2			
194436-53110	BULB 12V-45/40W	63- 34	2	2			
194436-53130	SPRING	63- 36	6	6			
194436-53140	SCREW	63- 37	6	6			
194436-53150	BOOT, rubber	63- 38	2	2			
194436-53600	LAMP ASS'Y, clearance (F)	63- 40	2	2			
194436-53610	PACKING	63- 51	2	2			
194436-53630	LENS	63- 43	2	2			
194436-53640	BULB 12V-21W	63- 44	2	2			
194436-53640	BULB 12V-21W	63- 53	2	2			
194436-53650	BULB 12V-4W	63- 45	2	2			
194436-53650	BULB 12V-4W	63- 54	2	2			
194436-53650	BULB 12V-4W	63- 61	1	1			
194436-53700	LAMP ASS'Y, clearance (R)	63- 50	2	2			
194436-53710	LENS	63- 57	2	2			
194436-53800	LAMP ASS'Y, licence	63- 60	1	1			
194436-53800	LIGHT ASS'Y, licence plate	74- 54	1	1			
194436-53800	LIGHT ASS'Y, licence plate	78- 54			1	1	
194436-64200	REFLECTOR, complete	75- 3	2	2			
194436-64510	PLATE, licence	63- 77	1	1			
194436-64510	PLATE, licence	74- 71	1	1			
194436-64510	PLATE, licence	78- 71			1	1	
194440-11360	BUSH 25 x 29 x 30	23- 30	2				
194440-51550	COVER, battery fluid inlet	94- 29	1	1			
194440-52190	SWITCH, safety starter	61- 52	1	1			
194440-52190	SWITCH, safety starter	62- 40	1	1			
194440-52190	SWITCH, safety starter	65- 48			1	1	
194440-52190	SWITCH, safety starter	66- 41			1	1	
194440-52400	FUSE BOX ASS'Y	62- 26	1	1			
194440-52400	FUSE BOX ASS'Y	63- 25	1	1			
194440-52400	FUSE BOX ASS'Y	64- 24	1	1			
194440-52400	FUSE BOX ASS'Y	66- 27			1	1	
194440-52420	COVER, fuse box	61- 37	1	1			
194440-52420	COVER, fuse box	62- 28	1	1			
194440-52420	COVER, fuse box	63- 27	1	1			
194440-52420	COVER, fuse box	64- 26	1	1			
194440-52420	COVER, fuse box	65- 35			1	1	
194440-52420	COVER, fuse box	66- 29			1	1	
194446-65321	LABEL, water pilot	100- 6	1	1			
194450-53800	LAMP ASS'Y, licence	64- 48	1	1			
194450-53810	BULB 12V-4W	64- 49	1	1			

Part No.	Description	Refer. No.	Q'ty/Unit				Remarks
			YMI55	YMI55D	YMI35	YMI35D	
194730-57241	CASTLE NUT 11	23- 10	2				
194730-57241	CASTLE NUT 11	23- 14	2				
194730-57241	CASTLE NUT 11	24- 10			2		
194730-57241	CASTLE NUT 11	24- 14			2		
194730-57241	CASTLE NUT M11	25- 54		1			
194730-57241	CASTLE NUT M11	25- 58		1			
194730-57241	CASTLE NUT M11	26- 54				1	
194730-57241	CASTLE NUT M11	26- 58				1	
194730-57241	CASTLE NUT M11	28- 44	2				
194730-57241	CASTLE NUT M11	28- 48		2			
194730-57241	CASTLE NUT M11	29- 40				2	
194730-57241	CASTLE NUT M11	29- 44			2		
194730-57411	GREASE NIPPLE	23- 12	2				
194730-57411	GREASE NIPPLE	23- 16	2				
194730-57411	GREASE NIPPLE	24- 12			2		
194730-57411	GREASE NIPPLE	24- 16			2		
194730-57411	GREASE NIPPLE 1/4	25- 55		2			
194730-57411	GREASE NIPPLE 1/4	25- 59		2			
194730-57411	GREASE NIPPLE 1/4	26- 55				2	
194730-57411	GREASE NIPPLE 1/4	26- 59				2	
194730-57411	GREASE NIPPLE 1/4	28- 46	2				
194730-57411	GREASE NIPPLE 1/4	28- 50		2			
194730-57411	GREASE NIPPLE 1/4	29- 42				2	
194730-57411	GREASE NIPPLE 1/4	29- 46			2		
194740-55620	OIL SEAL	28- 21	1	1			
194740-99300	LABEL, key switch	67- 54	1	1			
194750-15250	SHIM	28- 24	1	1			
194750-15250	SHIM	29- 22			1	1	
194750-15260	SHIM	28- 26	1	1			
194750-15260	SHIM	29- 23			1	1	
194750-15270	SHIM	28- 27	1	1			
194750-15270	SHIM	29- 24			1	1	
194750-15280	SHIM	28- 28	1	1			
194750-15280	SHIM	29- 25			1	1	
194750-15290	SHIM	28- 29	1	1			
194750-15290	SHIM	29- 26			1	1	
194750-15520	BALL BEARING	28- 8	2	2			
194990-22020	NUT M4	63- 81	2	2			
194990-22020	NUT M4	64- 51	2	2			
194990-22130	NUT M6	63- 32	1	1			
194990-22130	NUT M	74- 74	1	1			
194990-22130	NUT M	78- 74			1	1	
194990-22830	NUT M17 (LH screw)	23- 35	1				
194990-22830	NUT M17 (LH screw)	24- 35			1		
194990-22830	NUT M17 (LH screw)	25- 61		1			

NUMERICAL PART NO. LIST

Part No.	Description	Refer. No.	Q'ty/Unit				Remarks
			YMI55	YMI55D	YMI35	YMI35D	
194990-22830	NUT M17 (LH screw)	26- 61				1	
194990-22840	NUT M17 (RH screw)	23- 36	1				
194990-22840	NUT M17 (RH screw)	24- 36		1			
194990-22840	NUT M17 (RH screw)	25- 62	1				
194990-22840	NUT M17 (RH screw)	26- 62				1	
195080-15060	PIN, hitch	81- 30	1	1	1	1	
195080-15060	PIN, hitch	82- 30	1	1	1	1	
195140-13660	OIL SEAL TC 40628	36- 81	1	1			
195140-13660	OIL SEAL TC 40628	37- 81	1	1			
195140-13660	OIL SEAL TC 40628	38- 81			1	1	
195140-13700	SHIM 30 x 40 x 0.1	27- 83	-	-			
195140-13710	SHIM 30 x 40 x 0.3	27- 84	-	-			
195150-01190	KNOB, throttle lever	20- 2			1	1	
197000-06020	JOINT, pipe 8d x 30L	21- 10	1	1			
197000-06020	JOINT, pipe 8d x 30L	22- 10			1	1	
1A1030-34200	TIRE 5-12, front wheel	51- 3		2			
1A1030-34200	TIRE 5-12, front wheel	51- 8		2			
1A1030-34200	TIRE 5-12, front wheel	53- 3		2			
1A1030-34200	TIRE 5-12, front wheel	53- 8		2			
1A1030-34200	TIRE 5-12, front wheel	55- 3				2	
1A1030-34200	TIRE 5-12, front wheel	55- 8				2	
1A1030-34200	TIRE 5-12, front wheel	57- 3				2	
1A1030-34200	TIRE 5-12, front wheel	57- 8				2	
1A1030-34250	TUBE 5-12, tire	51- 4		2			
1A1030-34250	TUBE 5-12, tire	51- 9		2			
1A1030-34250	TUBE 5-12, tire	53- 4		2			
1A1030-34250	TUBE 5-12, tire	53- 9		2			
1A1030-34250	TUBE 5-12, tire	55- 4				2	
1A1030-34250	TUBE 5-12, tire	55- 9				2	
1A1030-34250	TUBE 5-12, tire	57- 4				2	
1A1030-34250	TUBE 5-12, tire	57- 9				2	
1A1030-55480	PIN 6 x 14	19- 26	1	1			
1A1030-55480	PIN 6x 14	83- 10	1	1	1	1	
1A1040-23210	LINER 17 x 30 x 1	36- 12	1	1			
1A1040-23210	LINER 17 x 30 x 1	38- 12			1	1	
1A1040-23220	LINER 20 x 35 x 1	36- 35	2	2			
1A1040-23220	LINER 20 x 35 x 1	37- 35	2	2			
1A1040-23220	LINER 20 x 35 x 1	38- 35			2	2	
1A1040-23220	LINER 20 x 35 x 1	44- 16	2	2			
1A1040-23220	LINER 20 x 35 x 1	46- 16			2	2	
1A1040-26060	PIN 8 x 28, straight	25- 13		2			
1A1040-26060	PIN 8 x 28, straight	26- 13				2	
1A1040-26060	PIN 8 x 28, straight	34- 14	6	6	6	6	
1A1040-26060	PIN 8 x 28, straight	35- 14	6	6			
1A1040-26190	CIRCLIP 50	39- 7	1	1			

- 4 1 -

NUMERICAL PART NO. LIST

Part No.	Description	Refer. No.	Q'ty/Unit				Remarks
			YMI55	YMI55D	YMI35	YMI35D	
1A1040-26190	CIRCLIP 50	40- 7			1	1	
1A1040-26320	CIRCLIP 30	39- 12	1	1			
1A1040-26320	CIRCLIP 30	40- 12			1	1	
1A1040-26750	SPRING, shift fork	39- 19	2	2			
1A1040-26750	SPRING, shift fork	39- 45	1				
1A1040-26750	SPRING, shift fork	39- 56	1	1			
1A1040-26750	SPRING, shift fork	40- 19			2	2	
1A1040-26750	SPRING, shift fork	40- 56			1	1	
1A1040-28040	OIL PLUG 20	34- 54	1	1	1	1	
1A1040-28040	OIL PLUG 20	35- 47	1	1			
1A1040-28180	BOOT, rubber	39- 6	1	1			
1A1040-28180	BOOT, rubber	40- 6			1	1	
1A1040-28810	OIL SEAL TC40 62 12 6	27- 69		2		2	
1A1040-28900	PACKING 8, copper	34- 33	4	4	4	4	
1A1040-28900	PACKING 8, copper	35- 33	4	4			
1A1040-36010	BOLT, flange	50- 32		4			
1A1040-36010	BOLT, flange	51- 29		4			
1A1040-36010	BOLT, flange	52- 32		4			
1A1040-36010	BOLT, flange	53- 29		4			
1A1040-36010	BOLT, flange	54- 32				4	
1A1040-36010	BOLT, flange	55- 29				4	
1A1040-36010	BOLT, flange	56- 32				4	
1A1040-36010	BOLT, flange	57- 29				4	
1A1040-36040	SPRING, flange bolt	50- 33		4			
1A1040-36040	SPRING, flange bolt	51- 30		4			
1A1040-36040	SPRING, flange bolt	52- 33		4			
1A1040-36040	SPRING, flange bolt	53- 30		4			
1A1040-36040	SPRING, flange bolt	54- 33				4	
1A1040-36040	SPRING, flange bolt	55- 30				4	
1A1040-36040	SPRING, flange bolt	56- 33				4	
1A1040-36040	SPRING, flange bolt	57- 30				4	
1A1040-46890	SPRING, lock pin	58- 66	1	1	1	1	
1A1040-48070	OIL PLUG 10	25- 16		2			
1A1040-48070	OIL PLUG 10	25- 36		2			
1A1040-48070	OIL PLUG 10	26- 16				2	
1A1040-48070	OIL PLUG 10	26- 36				2	
1A1040-48070	OIL PLUG 10	41- 43	2	2			
1A1040-48070	OIL PLUG 10	42- 43	2	2			
1A1040-48070	OIL PLUG 10	43- 43			2	2	
1A1040-55310	BAND, wire locking	61- 49	1	1			
1A1040-59470	GROMMET 9	67- 50	1	1			
1A1040-59470	GROMMET 9	68- 23	1	1			
1A1040-59470	GROMMET 9	69- 19	1	1			
1A1040-59470	GROMMET 9	70- 23	1	1			
1A1040-59470	GROMMET 9	71- 41			1	1	

NUMERICAL PART NO. LIST

Part No.	Description	Refer. No.	Q'ty/Unit				Remarks
			YMI55	YMI55D	YMI35	YMI35D	
			21557-050102	SCREW M5 x 10	61- 41	2	
21557-050102	SCREW M5 x 10	62- 32	2	2			
21557-050102	SCREW M5 x 10	65- 39			2	2	
21557-050102	SCREW M5 x 10	66- 33			2	2	
22117-060000	WASHER 6, plain	18- 14	1	1			
22117-060000	WASHER 6, plain	19- 14	1	1			
22117-060000	WASHER 6, plain	20- 14			1	1	
22117-060000	WASHER 6, plain	30- 33	2	1			
22117-060000	WASHER 6, plain	30- 33	1				
22117-060000	WASHER 6, plain	31- 33	2	1			
22117-060000	WASHER 6, plain	31- 33	1				
22117-060000	WASHER 6, plain	32- 33			2	1	
22117-060000	WASHER 6, plain	32- 33	1		1		
22117-060000	WASHER 6, plain	33- 33			2	1	
22117-060000	WASHER 6, plain	33- 33			1		
22117-060000	WASHER 6, plain	61- 17	4	4			
22117-060000	WASHER 6, plain	65- 17			6	6	
22117-060000	WASHER 6, plain	67- 63	4	4			
22117-060000	WASHER 6, plain	68- 33	4	4			
22117-060000	WASHER 6, plain	69- 23	4	4			
22117-060000	WASHER 6, plain	70- 33	4	4			
22117-060000	WASHER 6, plain	71- 54			4	4	
22117-060000	WASHER 6, plain	72- 26			4	4	
22117-060000	WASHER 6, plain	76- 70	1	1			
22117-060000	WASHER 6, plain	83- 7	2	2	2	2	
22117-080000	WASHER 8, plain	18- 11	2	2			
22117-080000	WASHER 8, plain	19- 11	2	2			
22117-080000	WASHER 8, plain	20- 11			2	2	
22117-080000	WASHER 8, plain	22- 25			2	2	
22117-080000	WASHER 8, plain	30- 27	2	2			
22117-080000	WASHER 8, plain	31- 27	2	2			
22117-080000	WASHER 8, plain	32- 27			2	2	
22117-080000	WASHER 8, plain	33- 27			2	2	
22117-080000	WASHER 8, plain	44- 25	2	2			
22117-080000	WASHER 8, plain	45- 25	2	2			
22117-080000	WASHER 8, plain	46- 25			2	2	
22117-080000	WASHER 8, plain	47- 19	2	2			
22117-080000	WASHER 8, plain	47- 44	2	2			
22117-080000	WASHER 8, plain	48- 19	2	2			
22117-080000	WASHER 8, plain	48- 44	2	2			
22117-080000	WASHER 8, plain	49- 19			2	2	
22117-080000	WASHER 8, plain	49- 44			2	2	
22117-080000	WASHER 8, plain	58- 67	1	1	1	1	
22117-080000	WASHER 8, plain	68- 43	2	2			
22117-080000	WASHER 8, plain	69- 29	2	2			

- 42 -

NUMERICAL PART NO. LIST

Part No.	Description	Refer. No.	Q'ty/Unit				Remarks
			YMI55	YMI55D	YMI35	YMI35D	
			22117-080000	WASHER 8, plain	70- 46	2	
22117-080000	WASHER 8, plain	73- 23	4	4			
22117-080000	WASHER 8, plain	73- 38	2	2			
22117-080000	WASHER 8, plain	73- 53	2	2			
22117-080000	WASHER 8, plain	73- 59	2	2			
22117-080000	WASHER 8, plain	74- 23	4	4			
22117-080000	WASHER 8, plain	74- 38	2	2			
22117-080000	WASHER 8, plain	74- 59	2	2			
22117-080000	WASHER 8, plain	74- 65	2	2			
22117-080000	WASHER 8, plain	75- 13	4	4			
22117-080000	WASHER 8, plain	75- 27	2	2			
22117-080000	WASHER 8, plain	76- 23	4	4			
22117-080000	WASHER 8, plain	76- 38	2	2			
22117-080000	WASHER 8, plain	76- 59	2	2			
22117-080000	WASHER 8, plain	76- 71	2	2			
22117-080000	WASHER 8, plain	77- 23			4	4	
22117-080000	WASHER 8, plain	77- 38			2	2	
22117-080000	WASHER 8, plain	77- 53			2	2	
22117-080000	WASHER 8, plain	77- 55			2	2	
22117-080000	WASHER 8, plain	78- 23			4	4	
22117-080000	WASHER 8, plain	78- 38			2	2	
22117-080000	WASHER 8, plain	78- 59			2	2	
22117-080000	WASHER 8, plain	78- 61			2	2	
22117-100000	WASHER 10, plain	18- 4	1	1			
22117-100000	WASHER 10, plain	18- 16	1	1			
22117-100000	WASHER 10, plain	19- 16	1	1			
22117-100000	WASHER 10, plain	20- 4			1	1	
22117-100000	WASHER 10, plain	20- 16			1	1	
22117-100000	WASHER 10, plain	21- 8	1	1			
22117-100000	WASHER 10, plain	22- 8			1	1	
22117-100000	WASHER 10, plain	67- 46	2	2			
22117-100000	WASHER 10, plain	68- 19	2	2			
22117-100000	WASHER 10, plain	69- 16	2	2			
22117-100000	WASHER 10, plain	70- 19	2	2			
22117-100000	WASHER 10, plain	71- 37			2	2	
22117-100000	WASHER 10, plain	72- 12			2	2	
22117-100000	WASHER 10, plain	73- 46	1	1			
22117-100000	WASHER 10, plain	77- 46			1	1	
22117-120000	WASHER 12, plain	39- 10	1	1			
22117-120000	WASHER 12, plain	40- 10			1	1	
22117-120000	WASHER 12, plain	47- 37	1	1			
22117-120000	WASHER 12, plain	48- 37	1	1			
22117-120000	WASHER 12, plain	49- 37			1	1	
22117-120000	WASHER 12, plain	58- 69	1	1	1	1	
22117-120000	WASHER 12, plain	67- 37	2	2			

NUMERICAL PART NO. LIST

Part No.	Description	Refer. No.	Qty/Unit				Remarks
			YMI55	YMI55D	YMI35	YMI35D	
22117-120000	WASHER 12, plain	68- 10	2	2			
22117-120000	WASHER 12, plain	69- 8	2	2			
22117-120000	WASHER 12, plain	70- 10	2	2			
22117-120000	WASHER 12, plain	71- 32			2	2	
22117-120000	WASHER 12, plain	72- 7			2	2	
22117-140000	WASHER 14, plain	28- 32	1	1			
22117-140000	WASHER 14, plain	30- 47	1	1			
22117-140000	WASHER 14, plain	31- 47	1	1			
22117-140000	WASHER 14, plain	32- 47			1	1	
22117-140000	WASHER 14, plain	33- 47			1	1	
22117-160000	WASHER 16, plain	50- 34	4				
22117-160000	WASHER 16, plain	51- 31		4			
22117-160000	WASHER 16, plain	52- 34	4				
22117-160000	WASHER 16, plain	53- 31		4			
22117-160000	WASHER 16, plain	54- 34			4		
22117-160000	WASHER 16, plain	55- 31				4	
22117-160000	WASHER 16, plain	56- 34		4			
22117-160000	WASHER 16, plain	57- 31			4		
22117-180000	WASHER 18, plain	25- 70		2			
22117-180000	WASHER 18, plain	26- 70				2	
22137-040000	WASHER 4, plain	67- 64	6	6			
22137-040000	WASHER 4, plain	67- 67	6	6			
22137-040000	WASHER 4, plain	71- 55			6	6	
22137-040000	WASHER 4, plain	71- 58			6	6	
22137-060000	WASHER 6, plain	19- 23	2	2			
22137-060000	WASHER 6, plain	61- 54	4	4			
22137-060000	WASHER 6, plain	65- 17			2	2	
22137-060000	WASHER 6, plain	65- 53			4	4	
22137-060000	WASHER 6, plain	66- 49			2	2	
22137-060000	WASHER 6, plain	94- 37	2	2			
22137-080000	WASHER 8, plain	58- 70	1	1	1	1	
22137-080000	WASHER 8, plain	59- 27	1	1	1	1	
22137-100000	WASHER 10, plain	18- 4	1	1			
22137-100000	WASHER 10, plain	18- 16	1	1			
22137-100000	WASHER 10, plain	18- 20	2	2			
22137-100000	WASHER 10, plain	19- 4	2	2			
22137-100000	WASHER 10, plain	20- 4			1	1	
22137-100000	WASHER 10, plain	20- 16			1	1	
22137-100000	WASHER 10, plain	20- 20			2	2	
22137-100000	WASHER 10, plain	94- 36	10	10			
22137-100000	WASHER 10, plain	95- 28			8	8	
22137-120000	WASHER 12, plain	58- 60	1	1	1	1	
22137-120000	WASHER 12, plain	58- 69				1	
22137-120000	WASHER 12, plain	58- 69	1	1	1		
22137-120000	WASHER 12, plain	76- 60	4	4			

- 43 -

NUMERICAL PART NO. LIST

Part No.	Description	Refer. No.	Qty/Unit				Remarks
			YMI55	YMI55D	YMI35	YMI35D	
22137-160000	WASHER 16, plain	23- 6	1				
22137-160000	WASHER 16, plain	24- 6			1		
22137-160000	WASHER 16, plain	25- 6		1			
22137-160000	WASHER 16, plain	26- 6				1	
22137-200000	WASHER 20, plain	23- 6	1				
22137-200000	WASHER 20, plain	25- 6		1			
22157-080000	WASHER 8, plain	85- 8	1	1	1	1	
22217-040000	SPRING WASHER 4	67- 65	6	6			
22217-040000	SPRING WASHER 4	67- 68	6	6			
22217-040000	SPRING WASHER 4	71- 56			6	6	
22217-040000	SPRING WASHER 4	71- 59			6	6	
22217-050000	SPRING WASHER 5	61- 42	2	2			
22217-050000	SPRING WASHER 5	62- 33	2	2			
22217-050000	SPRING WASHER 5	63- 68	2	2			
22217-050000	SPRING WASHER 5	65- 40			2	2	
22217-050000	SPRING WASHER 5	66- 34			2	2	
22217-050000	SPRING WASHER 5	74- 55	2	2			
22217-050000	SPRING WASHER 5	78- 55			2	2	
22217-060000	SPRING WASHER 6	19- 32	1	1			
22217-060000	SPRING WASHER 6	27- 12		4		4	
22217-060000	SPRING WASHER 6	27- 21		4		4	
22217-060000	SPRING WASHER 6	39- 38	2	2			
22217-060000	SPRING WASHER 6	39- 52		2			
22217-060000	SPRING WASHER 6	39- 66	2	2			
22217-060000	SPRING WASHER 6	40- 38			2	2	
22217-060000	SPRING WASHER 6	40- 52				2	
22217-060000	SPRING WASHER 6	40- 66			2	2	
22217-060000	SPRING WASHER 6	60- 4	3	3	3	3	
22217-060000	SPRING WASHER 6	60- 9	4	4	4	4	
22217-060000	SPRING WASHER 6	60- 18	3	3	3	3	
22217-060000	SPRING WASHER 6	61- 9	2	2			
22217-060000	SPRING WASHER 6	62- 9	2	2			
22217-060000	SPRING WASHER 6	63- 94	2	2			
22217-060000	SPRING WASHER 6	64- 64	2	2			
22217-060000	SPRING WASHER 6	65- 9			2	2	
22217-060000	SPRING WASHER 6	66- 9			2	2	
22217-060000	SPRING WASHER 6	67- 62	4	4			
22217-060000	SPRING WASHER 6	68- 32	4	4			
22217-060000	SPRING WASHER 6	69- 22	4	4			
22217-060000	SPRING WASHER 6	70- 32	4	4			
22217-060000	SPRING WASHER 6	71- 53			4	4	
22217-060000	SPRING WASHER 6	72- 25			4	4	
22217-060000	SPRING WASHER 6	76- 72	1	1			
22217-080000	SPRING WASHER 8	19- 22	2	2			
22217-080000	SPRING WASHER 8	21- 19	6	6			

NUMERICAL PART NO. LIST

NUMERICAL PART NO. LIST

Part No.	Description	Refer. No.	Qty/Unit				Remarks
			YMI55	YMI55D	YMI35	YMI35D	
22217-080000	SPRING WASHER 8	22- 19			6	6	
22217-080000	SPRING WASHER 8	25- 20		3			
22217-080000	SPRING WASHER 8	25- 30		11			
22217-080000	SPRING WASHER 8	25- 47		8			
22217-080000	SPRING WASHER 8	26- 20				3	
22217-080000	SPRING WASHER 8	26- 30				11	
22217-080000	SPRING WASHER 8	26- 47				8	
22217-080000	SPRING WASHER 8	27- 8		4		4	
22217-080000	SPRING WASHER 8	27- 19		1		1	
22217-080000	SPRING WASHER 8	27- 24		4		4	
22217-080000	SPRING WASHER 8	27- 24		4		4	
22217-080000	SPRING WASHER 8	28- 5	8	8			
22217-080000	SPRING WASHER 8	28- 5	7	7			
22217-080000	SPRING WASHER 8	29- 5			7	7	
22217-080000	SPRING WASHER 8	30- 31	7	7			
22217-080000	SPRING WASHER 8	30- 41	6	6			
22217-080000	SPRING WASHER 8	31- 31	7	7			
22217-080000	SPRING WASHER 8	31- 41	6	6			
22217-080000	SPRING WASHER 8	32- 31			7	7	
22217-080000	SPRING WASHER 8	32- 41			6	6	
22217-080000	SPRING WASHER 8	33- 31			7	7	
22217-080000	SPRING WASHER 8	33- 41			6	6	
22217-080000	SPRING WASHER 8	34- 42	7	7	7	7	
22217-080000	SPRING WASHER 8	34- 46	1	1	1	1	
22217-080000	SPRING WASHER 8	34- 55	8	8	8	8	
22217-080000	SPRING WASHER 8	35- 42	7	7			
22217-080000	SPRING WASHER 8	35- 46	1	1			
22217-080000	SPRING WASHER 8	41- 48	3	3			
22217-080000	SPRING WASHER 8	43- 48			3	3	
22217-080000	SPRING WASHER 8	44- 4	3	3			
22217-080000	SPRING WASHER 8	46- 4			3	3	
22217-080000	SPRING WASHER 8	47- 48	8	8			
22217-080000	SPRING WASHER 8	48- 48	8	8			
22217-080000	SPRING WASHER 8	49- 48			8	8	
22217-080000	SPRING WASHER 8	58- 45	1	1	1	1	
22217-080000	SPRING WASHER 8	58- 58	2	2	2	2	
22217-080000	SPRING WASHER 8	59- 42	2	2	2	2	
22217-080000	SPRING WASHER 8	60- 22	4	4	4	4	
22217-080000	SPRING WASHER 8	67- 42	4	4			
22217-080000	SPRING WASHER 8	68- 15	4	4			
22217-080000	SPRING WASHER 8	69- 12	4	4			
22217-080000	SPRING WASHER 8	70- 15	4	4			
22217-080000	SPRING WASHER 8	73- 19	14	14			
22217-080000	SPRING WASHER 8	73- 22	4	4			
22217-080000	SPRING WASHER 8	73- 32	2	2			

Part No.	Description	Refer. No.	Qty/Unit				Remarks
			YMI55	YMI55D	YMI35	YMI35D	
22217-080000	SPRING WASHER 8	73- 55	2	2			
22217-080000	SPRING WASHER 8	74- 19	14	14			
22217-080000	SPRING WASHER 8	74- 19	2	2			
22217-080000	SPRING WASHER 8	74- 22	4	4			
22217-080000	SPRING WASHER 8	74- 32	2	2			
22217-080000	SPRING WASHER 8	74- 61	2	2			
22217-080000	SPRING WASHER 8	75- 10	2	2			
22217-080000	SPRING WASHER 8	75- 42	2	2			
22217-080000	SPRING WASHER 8	76- 19	14	14			
22217-080000	SPRING WASHER 8	76- 22	4	4			
22217-080000	SPRING WASHER 8	76- 32	2	2			
22217-080000	SPRING WASHER 8	76- 61	2	2			
22217-080000	SPRING WASHER 8	76- 62	2	2			
22217-080000	SPRING WASHER 8	76- 73	2	2			
22217-080000	SPRING WASHER 8	76- 74	1	1			
22217-080000	SPRING WASHER 8	77- 19			10	10	
22217-080000	SPRING WASHER 8	77- 19			2	2	
22217-080000	SPRING WASHER 8	77- 22			4	4	
22217-080000	SPRING WASHER 8	77- 32			2	2	
22217-080000	SPRING WASHER 8	77- 56			2	2	
22217-080000	SPRING WASHER 8	78- 19			10	10	
22217-080000	SPRING WASHER 8	78- 19			2	2	
22217-080000	SPRING WASHER 8	78- 22			4	4	
22217-080000	SPRING WASHER 8	78- 32			2	2	
22217-080000	SPRING WASHER 8	83- 6	2	2	2	2	
22217-080000	SPRING WASHER 8	85- 4	1	1	1	1	
22217-080000	SPRING WASHER 8	87- 5	1	1			
22217-080000	SPRING WASHER 8	88- 5	1	1	1	1	
22217-080000	SPRING WASHER 8	88- 5			1	1	
22217-080000	SPRING WASHER 8	94- 30	5	5			
22217-080000	SPRING WASHER 8	78- 62			2	2	
22217-100000	SPRING WASHER 10	21- 7	1	1			
22217-100000	SPRING WASHER 10	22- 7			1	1	
22217-100000	SPRING WASHER 10	25- 28		14			
22217-100000	SPRING WASHER 10	25- 28		4			
22217-100000	SPRING WASHER 10	25- 43			8		
22217-100000	SPRING WASHER 10	25- 52			4		
22217-100000	SPRING WASHER 10	25- 52			2		
22217-100000	SPRING WASHER 10	26- 28				14	
22217-100000	SPRING WASHER 10	26- 28				4	
22217-100000	SPRING WASHER 10	26- 43				8	
22217-100000	SPRING WASHER 10	26- 52				4	
22217-100000	SPRING WASHER 10	26- 52				2	
22217-100000	SPRING WASHER 10	28- 35	4	4			
22217-100000	SPRING WASHER 10	29- 32			4	4	

NUMERICAL PART NO. LIST

Part No.	Description	Refer. No.	Q'ty/Unit				Remarks
			YMI55	YMI55D	YMI35	YMI35D	
22217-100000	PSRING WASHER 10	30- 37	2	2			
22217-100000	PSRING WASHER 10	31- 37	2	2			
22217-100000	SPRING WASHER 10	32- 37			2	2	
22217-100000	PSRING WASHER 10	33- 37			2	2	
22217-100000	SPRING WASHER 10	34- 10	10	10	10	10	
22217-100000	SPRING WASHER 10	35- 10	10	10			
22217-100000	SPRING WASHER 10	41- 66	16	16			
22217-100000	SPRING WASHER 10	42- 58	16	16			
22217-100000	SPRING WASHER 10	43- 66			16	16	
22217-100000	SPRING WASHER 10	58- 5	10	10	10	10	
22217-100000	SPRING WASHER 10	58- 55	2	2	2	2	
22217-100000	SPRING WASHER 10	73- 30	5	5			
22217-100000	SPRING WASHER 10	73- 30	1	1			
22217-100000	SPRING WASHER 10	73- 45	3	3			
22217-100000	SPRING WASHER 10	73- 64	2	2			
22217-100000	SPRING WASHER 10	74- 30	5	5			
22217-100000	SPRING WASHER 10	74- 44	3	3			
22217-100000	SPRING WASHER 10	74- 70	2	2			
22217-100000	SPRING WASHER 10	75- 20	1	1			
22217-100000	SPRING WASHER 10	76- 30	5	5			
22217-100000	SPRING WASHER 10	76- 30	1	1			
22217-100000	SPRING WASHER 10	76- 44	3	3			
22217-100000	SPRING WASHER 10	76- 51	2	2			
22217-100000	SPRING WASHER 10	77- 30			6	6	
22217-100000	SPRING WASHER 10	77- 45			3	3	
22217-100000	SPRING WASHER 10	77- 64			2	2	
22217-100000	SPRING WASHER 10	78- 30			6	6	
22217-100000	SPRING WASHER 10	78- 44			3	3	
22217-100000	SPRING WASHER 10	78- 70			2	2	
22217-100000	SPRING WASHER 10	93- 5			12	12	
22217-100000	SPRING WASHER 10	93- 20			12	12	
22217-100000	SPRING WASHER 10	94- 34	6	6			
22217-100000	SPRING WASHER 10	95- 26			4	4	
22217-120000	SPRING WASHER 12	23- 3	8				
22217-120000	SPRING WASHER 12	24- 3			8		
22217-120000	SPRING WASHER 12	25- 3			8		
22217-120000	SPRING WASHER 12	26- 3				8	
22217-120000	SPRING WASHER 12	30- 35	7	7			
22217-120000	SPRING WASHER 12	31- 35	7	7			
22217-120000	SPRING WASHER 12	32- 35			7	7	
22217-120000	SPRING WASHER 12	33- 35			7	7	
22217-120000	SPRING WASHER 12	34- 49	4	4	4	4	
22217-120000	SPRING WASHER 12	34- 53	4	4	4	4	
22217-120000	SPRING WASHER 12	41- 40	6	6			
22217-120000	SPRING WASHER 12	42- 40	6	6			

- 45 -

NUMERICAL PART NO. LIST

Part No.	Description	Refer. No.	Q'ty/Unit				Remarks
			YMI55	YMI55D	YMI35	YMI35D	
22217-120000	SPRING WASHER 12	43- 40			6	6	
22217-120000	SPRING WASHER 12	50- 7	8				
22217-120000	SPRING WASHER 12	50- 29	12				
22217-120000	SPRING WASHER 12	51- 12			8		
22217-120000	SPRING WASHER 12	51- 26			12		
22217-120000	SPRING WASHER 12	52- 7	8				
22217-120000	SPRING WASHER 12	52- 29	12				
22217-120000	SPRING WASHER 12	53- 12			8		
22217-120000	SPRING WASHER 12	53- 26			12		
22217-120000	SPRING WASHER 12	54- 7				8	
22217-120000	SPRING WASHER 12	54- 29				12	
22217-120000	SPRING WASHER 12	55- 12					8
22217-120000	SPRING WASHER 12	55- 26					12
22217-120000	SPRING WASHER 12	56- 7				8	
22217-120000	SPRING WASHER 12	56- 29				12	
22217-120000	SPRING WASHER 12	57- 12					8
22217-120000	SPRING WASHER 12	57- 26					12
22217-120000	SPRING WASHER 12	58- 32	4	4	4	4	
22217-120000	SPRING WASHER 12	58- 36	1	1	1	1	
22217-120000	SPRING WASHER 12	73- 42	2	2			
22217-120000	SPRING WASHER 12	74- 42	2	2			
22217-120000	SPRING WASHER 12	76- 42	2	2			
22217-120000	SPRING WASHER 12	77- 42				2	2
22217-120000	SPRING WASHER 12	78- 42				2	2
22217-120000	SPRING WASHER 12	79- 6	2	2			
22217-120000	SPRING WASHER 12	80- 6	2	2			
22217-120000	SPRING WASHER 12	81- 17	1	1	1	1	
22217-120000	SPRING WASHER 12	81- 28	1	1	1	1	
22217-120000	SPRING WASHER 12	82- 17	1	1	1	1	
22217-120000	SPRING WASHER 12	82- 28	1	1	1	1	
22217-140000	SPRING WASHER 14	79- 3	4	4			
22217-140000	SPRING WASHER 14	80- 3	4	4			
22217-140000	SPRING WASHER 14	81- 17	1	1	1	1	
22217-140000	SPRING WASHER 14	81- 28	2	2	2	2	
22217-140000	SPRING WASHER 14	82- 17	2	2	2	2	
22217-140000	SPRING WASHER 14	82- 28	1	1	1	1	
22217-160000	SPRING WASHER 16	29- 27				1	1
22217-160000	SPRING WASHER 16	80- 14	2	2			
22217-160000	SPRING WASHER 16	81- 38	2	2	2	2	
22217-160000	SPRING WASHER 16	82- 38	2	2	2	2	
22217-160000	SPRING WASHER 16	89- 7	20	20	20	20	
22217-180000	SPRING WASHER 18	23- 27	2				
22217-180000	SPRING WASHER 18	24- 27			2		
22217-200000	SPRING WASHER 20	28- 30	1	1			
22222-120000	WASHER 12	29- 29			1	1	

NUMERICAL PART NO. LIST

Part No.	Description	Refer. No.	Qty/Unit				Remarks
			YMI55	YMI55D	YMI35	YMI35D	
22242-000120	CIRCLIP 12	39- 11	1	1			
22242-000120	CIRCLIP 12	40- 11			1	1	
22242-000140	CIRCLIP 14-S	59- 31	1	1	1	1	
22242-000150	CIRCLIP 15-S	39- 29	2	2			
22242-000150	CIRCLIP 15-S	39- 29	1	1			
22242-000150	CIRCLIP 15-S	40- 29			2	2	
22242-000150	CIRCLIP 15-S	40- 29			1	1	
22242-000200	CIRCLIP 20-S	36- 72	1	1			
22242-000200	CIRCLIP 20-S	38- 72			1	1	
22242-000200	CIRCLIP 20-S	44- 17	2	2			
22242-000200	CIRCLIP 20-S	45- 17	2	2			
22242-000200	CIRCLIP 20-S	46- 17			2	2	
22242-000200	CIRCLIP 20-S	94- 17	1	1			
22242-000200	CIRCLIP 20-S	95- 17			1	1	
22242-000210	CIRCLIP 21-S	36- 72	1	1			
22242-000210	CIRCLIP 21-S	37- 72	1	1			
22242-000210	CIRCLIP 21-S	38- 72			1	1	
22242-000250	CIRCLIP 25-S	27- 27			1	1	
22242-000250	CIRCLIP 25-S	36- 7	1	1			
22242-000250	CIRCLIP 25-S	36- 28	1	1			
22242-000250	CIRCLIP 25-S	36- 40	3	3			
22242-000250	CIRCLIP 25-S	36- 60	5	5			
22242-000250	CIRCLIP 25-S	37- 7	1	1			
22242-000250	CIRCLIP 25-S	37- 19	1	1			
22242-000250	CIRCLIP 25-S	37- 28	1	1			
22242-000250	CIRCLIP 25-S	37- 40	3	3			
22242-000250	CIRCLIP 25-S	37- 60	4	4			
22242-000250	CIRCLIP 25-S	38- 7			1	1	
22242-000250	CIRCLIP 25-S	38- 28			1	1	
22242-000250	CIRCLIP 25-S	38- 40			3	3	
22242-000250	CIRCLIP 25-S	38- 60			5	5	
22242-000250	CIRCLIP 25-S	47- 31	1	1			
22242-000250	CIRCLIP 25-S	48- 31	1	1			
22242-000250	CIRCLIP 25-S	49- 31			1	1	
22242-000250	CIRCLIP 25-S	94- 17	2	2			
22242-000250	CIRCLIP 25-S	95- 17			2	2	
22242-000300	CIRCLIP 30-S	27- 54			2	2	
22242-000300	CIRCLIP 30-S	36- 82	1	1			
22242-000300	CIRCLIP 30-S	37- 82	1	1			
22242-000300	CIRCLIP 30-S	38- 82			1	1	
22242-000300	CIRCLIP 30-S	94- 10	1	1			
22242-000300	CIRCLIP 30-S	95- 10			1	1	
22252-000220	CIRCLIP 22-H	36- 58	1	1			
22252-000220	CIRCLIP 22-H	37- 58	1	1			
22252-000220	CIRCLIP 22-H	38- 58			1	1	

- 46 -

NUMERICAL PART NO. LIST

Part No.	Description	Refer. No.	Qty/Unit				Remarks
			YMI55	YMI55D	YMI35	YMI35D	
22252-000470	CIRCLIP 47-H	94- 20	2	2			
22252-000470	CIRCLIP 47-H	95- 20			2	2	
22252-000480	CIRCLIP 48-H	23- 19	2				
22252-000480	CIRCLIP 48-H	24- 19			2		
22252-000480	CIRCLIP 48-H	50- 11	2				
22252-000480	CIRCLIP 48-H	52- 11	2				
22252-000480	CIRCLIP 48-H	54- 11			2		
22252-000480	CIRCLIP 48-H	56- 11			2		
22252-000520	CIRCLIP 52-H	27- 28			1	1	
22252-000550	CIRCLIP 55-H	94- 9	1	1			
22252-000550	CIRCLIP 55-H	95- 9			1	1	
22252-000620	CIRCLIP 62-H	36- 83	1	1			
22252-000620	CIRCLIP 62-H	37- 83	1	1			
22252-000620	CIRCLIP 62-H	38- 83			1	1	
22252-000720	CIRCLIP 72-H	41- 26	1	1			
22252-000720	CIRCLIP 72-H	42- 26	1	1			
22252-000720	CIRCLIP 72-H	43- 26			1	1	
22272-000090	CIRCLIP 9, E-shape	59- 6	1	1	1	1	
22272-000120	SNAP RING E-12	39- 68	1	1			
22272-000120	SNAP RING E-12	39- 69	1	1			
22272-000120	SNAP RING E-12	40- 68			1	1	
22272-000120	SNAP RING E-12	40- 69			1	1	
22351-030028	SPRING PIN 3 x 28	30- 45	1	1			
22351-030028	SPRING PIN 3 x 28	31- 45	1	1			
22351-030028	SPRING PIN 3 x 28	32- 45			1	1	
22351-030028	SPRING PIN 3 x 28	33- 45			1	1	
22351-030028	SPRING PIN 3 x 28	58- 43	1	1	1	1	
22351-030040	SPRING PIN 3 x 40	39- 67	1	1			
22351-030040	SPRING PIN 3 x 40	40- 67			1	1	
22351-03028	SPRING PIN 3 x 28	30- 45	2	2			
22351-03028	SPRING PIN 3 x 28	31- 45	2	2			
22351-03028	SPRING PIN 3 x 28	32- 45			2	2	
22351-03028	SPRING PIN 3 x 28	33- 45			2	2	
22351-040032	SPRING PIN 4 x 32	36- 6	1	1			
22351-040032	SPRING PIN 4 x 32	37- 6	1	1			
22351-040032	SPRING PIN 4 x 32	38- 6			1	1	
22351-040032	SPRING PIN 4 x 32	94- 42	2	2			
22351-040032	SPRING PIN 4 x 32	95- 32			2	2	
22351-050028	SPRING PIN 5 x 28	30- 44	1	1			
22351-050028	SPRING PIN 5 x 28	30- 44	2	2			
22351-050028	SPRING PIN 5 x 28	31- 44	1	1			
22351-050028	SPRING PIN 5 x 28	31- 44	2	2			
22351-050028	SPRING PIN 5 x 28	32- 44			1	1	
22351-050028	SPRING PIN 5 x 28	32- 44			2	2	
22351-050028	SPRING PIN 5 x 28	33- 44			1	1	

NUMERICAL PART NO. LIST

Part No.	Description	Refer. No.	Q'ty/Unit				Remarks
			YMI55	YMI55D	YMI35	YMI35D	
22351-050028	SPRING PIN 5 x 28	33- 44			2	2	
22351-050028	SPRING PIN 5 x 28	58- 42	1	1	1	1	
22351-050040	SPRING PIN 5 x 40	39- 8	1	1			
22351-050040	SPRING PIN 5 x 40	40- 8			1	1	
22351-050050	SPRING PIN 5 x 50	58- 29	1	1	1	1	
22351-060025	SPRING PIN 6 x 25	39- 25	2	1			
22351-060025	SPRING PIN 6 x 25	39- 41		1			
22351-060025	SPRING PIN 6 x 25	40- 25			2	1	
22351-060025	SPRING PIN 6 x 25	40- 41				1	
22351-060025	SPRING PIN 6 x 25	59- 7	1	1	1	1	
22351-060028	SPRING PIN 6 x 28	44- 29	1	1			
22351-060028	SPRING PIN 6 x 28	45- 29	1	1			
22351-060028	SPRING PIN 6 x 28	46- 29			1	1	
22351-060032	SPRING PIN 6 x 32	44- 21	1	1			
22351-060032	SPRING PIN 6 x 32	45- 21	1	1			
22351-060032	SPRING PIN 6 x 32	46- 21			1	1	
22351-080016	SPRING PIN 8 x 16	30- 56	2	2			
22351-080016	SPRING PIN 8 x 16	31- 56	2	2			
22351-080016	SPRING PIN 8 x 16	32- 56			2	2	
22351-080016	SPRING PIN 8 x 16	33- 56			2	2	
22351-080040	SPRING PIN 8 x 40	47- 27	1	1			
22351-080040	SPRING PIN 8 x 40	48- 27	1	1			
22351-080040	SPRING PIN 8 x 40	49- 27			1	1	
22360-080000	SNAP PIN 8	73- 56	1	1			
22360-080000	SNAP PIN 8	74- 62	1	1			
22360-080000	SNAP PIN 8	75- 39	1	1			
22360-080000	SNAP PIN 8	77- 57			1	1	
22360-080000	SNAP PIN 8	78- 63			1	1	
22360-100000	SNAP PIN 10	50- 31	2				
22360-100000	SNAP PIN 10	51- 28		2			
22360-100000	SNAP PIN 10	52- 31	2				
22360-100000	SNAP PIN 10	53- 28		2			
22360-100000	SNAP PIN 10	54- 31			2		
22360-100000	SNAP PIN 10	55- 28				2	
22360-100000	SNAP PIN 10	56- 31			2		
22360-100000	SNAP PIN 10	57- 28				2	
22360-190000	SNAP PIN 19	79- 8	1	1			
22360-190000	SNAP PIN 19	80- 8	1	1			
22417-200100	COTTER PIN 2 x 10	18- 15	1	1			
22417-200100	COTTER PIN 2 x 10	19- 15	1	1			
22417-200100	COTTER PIN 2 x 10	19- 24	2	2			
22417-200100	COTTER PIN 2 x 10	20- 15			1	1	
22417-200100	COTTER PIN 2 x 10	67- 45	2	2			
22417-200100	COTTER PIN 2 x 10	68- 18	2	2			
22417-200100	COTTER PIN 2 x 10	69- 15	2	2			

- 47 -

NUMERICAL PART NO. LIST

Part No.	Description	Refer. No.	Q'ty/Unit				Remarks
			YMI55	YMI55D	YMI35	YMI35D	
22417-200100	COTTER PIN 2 x 10	70- 18	2	2			
22417-200100	COTTER PIN 3 x 10	71- 36			2	2	
22417-200100	COTTER PIN 2 x 10	72- 11			2	2	
22417-200100	COTTER PIN 2 x 10	83- 8	2	2	2	2	
22417-200120	COTTER PIN 2 x 12	18- 12	2	2			
22417-200120	COTTER PIN 2 x 12	19- 12	2	2			
22417-200120	COTTER PIN 2 x 12	20- 12			2	2	
22417-200150	COTTER PIN 2 x 15	22- 16			4	4	
22417-200150	COTTER PIN 2 x 15	22- 16			2	2	
22417-200150	COTTER PIN 2 x 15	30- 28	2	2			
22417-200150	COTTER PIN 2 x 15	31- 28	2	2			
22417-200150	COTTER PIN 2 x 15	32- 28			2	2	
22417-200150	COTTER PIN 2 x 15	33- 28			2	2	
22417-200150	COTTER PIN 2 x 15	44- 26	2	2			
22417-200150	COTTER PIN 2 x 15	45- 26	2	2			
22417-200150	COTTER PIN 2 x 15	46- 26			2	2	
22417-200150	COTTER PIN 2 x 15	47- 20	2	2			
22417-200150	COTTER PIN 2 x 15	47- 45	2	2			
22417-200150	COTTER PIN 2 x 15	48- 20	2	2			
22417-200150	COTTER PIN 2 x 15	48- 45	2	2			
22417-200150	COTTER PIN 2 x 15	49- 20			2	2	
22417-200150	COTTER PIN 2 x 15	49- 45			2	2	
22417-200150	COTTER PIN 2 x 15	73- 39	1	1			
22417-200150	COTTER PIN 2 x 15	74- 39	1	1			
22417-200150	COTTER PIN 2 x 15	75- 28	2	2			
22417-200150	COTTER PIN 2 x 15	76- 39	2	2			
22417-200150	COTTER PIN 2 x 15	77- 39			1	1	
22417-200150	COTTER PIN 2 x 15	78- 39			1	1	
22417-200180	COTTER PIN 2 x 18	47- 26	1	1			
22417-200180	COTTER PIN 2 x 18	48- 26	1	1			
22417-200180	COTTER PIN 2 x 18	49- 26			1	1	
22417-200200	COTTER PIN 2 x 20	44- 26	2	2			
22417-200200	COTTER PIN 2 x 20	46- 26			2	2	
22417-200200	COTTER PIN 2 x 20	47- 20	2	2			
22417-200200	COTTER PIN 2 x 20	47- 26	1	1			
22417-200200	COTTER PIN 2 x 20	47- 38	1	1			
22417-200200	COTTER PIN 2 x 20	47- 45	2	2			
22417-200200	COTTER PIN 2 x 20	48- 38	1	1			
22417-200200	COTTER PIN 2 x 20	49- 20			2	2	
22417-200200	COTTER PIN 2 x 20	49- 26			1	1	
22417-200200	COTTER PIN 2 x 20	49- 38			1	1	
22417-200200	COTTER PIN 2 x 20	49- 45			2	2	
22417-200200	COTTER PIN 2 x 20	73- 39	2	2			
22417-200200	COTTER PIN 2 x 20	74- 39	2	2			
22417-200200	COTTER PIN 2 x 20	76- 39	2	2			

NUMERICAL PART NO. LIST

Part No.	Description	Refer. No.	Qty/Unit				Remarks
			YMI55	YMI55D	YMI35	YMI35D	
22417-200200	COTTER PIN 2 x 20	77- 39			2	2	
22417-200200	COTTER PIN 2 x 20	78- 39			2	2	
22417-300200	COTTER PIN 3 x 20	39- 22	1	1			
22417-300200	COTTER PIN 3 x 20	39- 32	1	1			
22417-300200	COTTER PIN 3 x 20	39- 47		1			
22417-300200	COTTER PIN 3 x 20	40- 22			1	1	
22417-300200	COTTER PIN 3 x 20	40- 32			1	1	
22417-300200	COTTER PIN 3 x 20	40- 47				1	
22417-300200	COTTER PIN 3 x 20	58- 62	3	3	3	3	
22417-300250	COTTER PIN 3 x 25	23- 11	2				
22417-300250	COTTER PIN 3 x 25	23- 15	2				
22417-300250	COTTER PIN 3 x 25	24- 11		2			
22417-300250	COTTER PIN 3 x 25	24- 15		2			
22417-300250	COTTER PIN 3 x 25	25- 56		1			
22417-300250	COTTER PIN 3 x 25	25- 60		1			
22417-300250	COTTER PIN 3 x 25	26- 56				1	
22417-300250	COTTER PIN 3 x 25	26- 60				1	
22417-300250	COTTER PIN 3 x 25	28- 45	2				
22417-300250	COTTER PIN 3 x 25	28- 49		2			
22417-300250	COTTER PIN 3 x 25	29- 41				2	
22417-300250	COTTER PIN 3 x 25	29- 45			2		
22417-300250	COTTER PIN 3 x 25	30- 48	1	1			
22417-300250	COTTER PIN 3 x 25	31- 48	1	1			
22417-300250	COTTER PIN 3 x 25	32- 48			1	1	
22417-300250	COTTER PIN 3 x 25	33- 48			1	1	
22417-300250	COTTER PIN 3 x 25	39- 21	1	1			
22417-300250	COTTER PIN 3 x 25	39- 58	1	1			
22417-300250	COTTER PIN 3 x 25	40- 21			1	1	
22417-300250	COTTER PIN 3 x 25	40- 58			1	1	
22417-400300	COTTER PIN 4 x 30	23- 8	1				
22417-400300	COTTER PIN 4 x 30	24- 8		1			
22417-400300	COTTER PIN 4 x 30	25- 7		1			
22417-400300	COTTER PIN 4 x 30	26- 7				1	
22417-400400	COTTER PIN 4 x 40	23- 8	1				
22417-400400	COTTER PIN 4 x 40	25- 7		1			
22417-400400	COTTER PIN 4 x 40	50- 13	2				
22417-400400	COTTER PIN 4 x 40	52- 13	2				
22417-400400	COTTER PIN 4 x 40	54- 13			2		
22417-400400	COTTER PIN 4 x 40	56- 13			2		
22512-070260	KEY 7 x 26, feather	25- 41		2			
22512-070260	KEY 7 x 26, feather	26- 41				2	
22522-040160	KEY 4 x 16	94- 12	1	1			
22522-040160	KEY 4 x 16	95- 12			1	1	
22857-040100	SCREW M4 x 10, tapping	67- 30	6	6			
22857-040100	SCREW M4 x 10, tapping	67- 32	6	6			

- 48 -

NUMERICAL PART NO. LIST

Part No.	Description	Refer. No.	Qty/Unit				Remarks
			YMI55	YMI55D	YMI35	YMI35D	
22857-040100	SCREW M4 x 10, tapping	68- 35	6	6			
22857-040100	SCREW M4 x 10, tapping	68- 37	6	6			
22857-040100	SCREW M4 x 10, tapping	70- 35	6	6			
22857-040100	SCREW M4 x 10, tapping	70- 37	6	6			
22857-040100	SCREW M4 x 10, tapping	72- 28			6	6	
22857-040100	SCREW M4 x 10, tapping	72- 30			6	6	
22857-400100	SCREW M4 x 10, tapping	30- 9	2				
22857-400100	SCREW M4 x 10, tapping	30- 18		2			
22857-400100	SCREW M4 x 10, tapping	31- 9	2				
22857-400100	SCREW M4 x 10, tapping	31- 18		2			
22857-400100	SCREW M4 x 10, tapping	32- 9			2		
22857-400100	SCREW M4 x 10, tapping	32- 9			2		
22857-400100	SCREW M4 x 10, tapping	32- 18				2	
22857-400100	SCREW M4 x 10, tapping	33- 9			2		
22857-400100	SCREW M4 x 10, tapping	33- 18				2	
22857-400100	SCREW M4 x 10, tapping	60- 14	2	2	2	2	
22857-400100	SCREW M4 x 10, tapping	61- 3	4	4			
22857-400100	SCREW M4 x 10, tapping	62- 3	4	4			
22857-400100	SCREW M4 x 10, tapping	65- 3			4	4	
22857-400100	SCREW M4 x 10, tapping	66- 3			4	4	
22857-400100	SCREW M4 x 10, tapping	67- 12	6	6			
22857-400100	SCREW M4 x 10, tapping	67- 14	6	6			
22857-400100	SCREW M4 x 10, tapping	68- 35	6	6			
22857-400100	SCREW M4 x 10, tapping	68- 37	6	6			
22857-400100	SCREW M4 x 10, tapping	69- 25	6	6			
22857-400100	SCREW M4 x 10, tapping	69- 27	6	6			
22857-400100	SCREW M4 x 10, tapping	71- 10			6	6	
22857-400100	SCREW M4 x 10, tapping	71- 12			6	6	
22857-400100	SCREW M4 x 10, tapping	71- 26			6	6	
22857-400100	SCREW M4 x 10, tapping	71- 28			6	6	
22857-400100	SCREW M4 x 10, tapping	72- 28			6	6	
22857-400100	SCREW M4 x 10, tapping	72- 30			6	6	
23010-100000	CLAMP	27- 15		1		1	
23010-105000	CLAMP	27- 15		1			
23010-115000	BAND, hose	27- 14		1			
23061-050430	PIPE 5 x 430, breathing	41- 42	2	2			
23061-050430	PIPE 5 x 430, breathing	43- 42			2	2	
23061-070130	TUBE 7 x130, vinyl	61- 18	2	2			
23061-070130	TUBE 7 x130, vinyl	65- 18			2	2	
23065-050360	PIPE 5 x 360, breathing	41- 42	2	2			
23065-050360	PIPE 5 x 360, breathing	42- 42	2	2			
23414-080000	PACKING 8	34- 33	4	4	4	4	
23414-080000	PACKING 8	34- 38	10	10	10	10	
23414-080000	PACKING 8	34- 57	1	1			
23414-080000	PACKING 8	35- 38	10	10			

NUMERICAL PART NO. LIST

Part No.	Description	Refer. No.	Q'ty/Unit				Remarks
			YMI55	YMI55D	YMI35	YMI35D	
23414-080000	PACKING 8	35- 48	1	1			
23414-080000	PACKING 8	58- 9	3	3	3	3	
23414-140000	PACKING 14	63- 24	1	1			
23414-160000	PACKING 16	58- 22	1	1	1	1	
23418-060000	PACKING 6	23- 33	1				
23418-060000	PACKING 6	24- 33			1		
24101-062044	BALL BEARING 6204	36- 5	1	1			
24101-062044	BALL BEARING 6204	36- 54		1			
24101-062044	BALL BEARING 6204	37- 5	1	1			
24101-062044	BALL BEARING 6204	37- 54		1			
24101-062044	BALL BEARING 6204	38- 5			1	1	
24101-062044	BALL BEARING 6204	38- 54				1	
24101-062044	BALL BEARING 6204	44- 18	2	2			
24101-062044	BALL BEARING 6204	45- 18	2	2			
24101-062044	BALL BEARING 6204	46- 18			2	2	
24101-062044	BALL BEARING 6204	50- 10	2				
24101-062044	BALL BEARING 6204	52- 10	2				
24101-062044	BALL BEARING 6204	54- 10			2		
24101-062044	BALL BEARING 6204	56- 10			2		
24101-062050	BALL BEARING 6205	27- 78		2		2	
24101-062054	BALL BEARING 6205	23- 18	2				
24101-062054	BALL BEARING 6205	24- 18			2		
24101-062054	BALL BEARING 6205	27- 78			2	2	
24101-062054	BALL BEARING 6205	36- 64	1	1			
24101-062054	BALL BEARING 6205	36- 67	1	1			
24101-062054	BALL BEARING 6205	36- 84	1	1			
24101-062054	BALL BEARING 6205	37- 64	1	1			
24101-062054	BALL BEARING 6205	37- 67	1	1			
24101-062054	BALL BEARING 6205	37- 84	1	1			
24101-062054	BALL BEARING 6205	38- 64			1	1	
24101-062054	BALL BEARING 6205	38- 67			1	1	
24101-062054	BALL BEARING 6205	38- 84			1	1	
24101-062054	BALL BEARING 6205	50- 9	2				
24101-062054	BALL BEARING 6205	52- 9	2				
24101-062054	BALL BEARING 6205	54- 9			2		
24101-062054	BALL BEARING 6205	56- 9			2		
24101-062064	BALL BEARING 6208	36- 85	1	1			
24101-062064	BALL BEARING 6206	37- 20	1	1			
24101-062064	BALL BEARING 6208	38- 85			1	1	
24101-062064	BALL BEARING 6206	41- 25	2	2			
24101-062064	BALL BEARING 6206	42- 25	2	2			
24101-062064	BALL BEARING 6206	43- 25			2	2	
24101-062074	BALL BEARING 6207	27- 53		2		2	
24101-062074	BALL BEARING 6207	41- 30	2	2			
24101-062074	BALL BEARING 6207	42- 30	2	2			

- 49 -

NUMERICAL PART NO. LIST

Part No.	Description	Refer. No.	Q'ty/Unit				Remarks
			YMI55	YMI55D	YMI35	YMI35D	
24101-062074	BALL BEARING 6207	43- 30			2	2	
24101-063034	BALL BEARING 6303	36- 21	1	1			
24101-063034	BALL BEARING 6303	36- 22	1	1			
24101-063034	BALL BEARING 6303	36- 32	1	1			
24101-063034	BALL BEARING 6303	36- 55		1			
24101-063034	BALL BEARING 6303	36- 63	1	1			
24101-063034	BALL BEARING 6303	37- 21	1	1			
24101-063034	BALL BEARING 6303	37- 22	1	1			
24101-063034	BALL BEARING 6303	37- 32	1	1			
24101-063034	BALL BEARING 6303	37- 55		1			
24101-063034	BALL BEARING 6303	37- 63	1	1			
24101-063034	BALL BEARING 6303	38- 21			1	1	
24101-063034	BALL BEARING 6303	38- 22			1	1	
24101-063034	BALL BEARING 6303	38- 32			1	1	
24101-063034	BALL BEARING 6303	38- 55				1	
24101-063034	BALL BEARING 6303	38- 63			1	1	
24101-063044	BALL BEARING 6304	27- 29		1		1	
24101-063044	BALL BEARING 6304	36- 68	1	1			
24101-063044	BALL BEARING 6304	37- 68	1	1			
24101-063044	BALL BEARING 6304	38- 68			1	1	
24101-063054	BALL BEARING 6305	27- 26		1		1	
24101-063054	BALL BEARING 6305	27- 57		2		2	
24101-063054	BALL BEARING 6305	27- 73		2		2	
24101-063064	BALL BEARING 6306	27- 74		2		2	
24101-063064	BALL BEARING 6306	27- 74		4		4	
24101-063064	BALL BEARING 6306	41- 57	2	2			
24101-063064	BALL BEARING 6306	42- 47	2	2			
24101-063064	BALL BEARING 6306	43- 57			2	2	
24102-062054	BALL BEARING 6205U	27- 81		2		2	
24105-060064	BALL BEARING 6006	94- 8	2	2			
24105-060064	BALL BEARING 6006	95- 8			2	2	
24190-060001	BALL 3/16	58- 19	1	1	1	1	
24190-060003	BALL 3/16	58- 19	1	1	1	1	
24190-100002	BALL 5/16	39- 20	2	2			
24190-100002	BALL 5/16	39- 31	1	1			
24190-100002	BALL 5/16	39- 46		1			
24190-100002	BALL 5/16	39- 57	1	1			
24190-100002	BALL 5/16	40- 20			1	1	
24190-100002	BALL 5/16	40- 31			1	1	
24190-100002	BALL 5/16	40- 46				1	
24190-100002	BALL 5/16	40- 57			1	1	
24190-100002	BALL 5/16	59- 9	1	1	1	1	
24190-120002	BALL 3/8	59- 20	1	1	1	1	
24190-130001	BALL 13/32	59- 38	1	1	1	1	
24311-000080	O-RING 8-P	59- 21	1	1	1	1	

NUMERICAL PART NO. LIST

Part No.	Description	Refer. No.	Q'ty/Unit				Remarks
			YMI55	YMI55D	YMI35	YMI35D	
24311-000080	O-RING 8-P	59- 26	1	1	1	1	
24311-000090	O-RING 9-P	58- 20	1	1	1	1	
24311-000090	O-RING 9-P	58- 28	1	1	1	1	
24311-000110	O-RING 11-P	39- 18	2	2			
24311-000110	O-RING 11-P	39- 28	1	1			
24311-000110	O-RING 11-P	39- 44		1			
24311-000110	O-RING 11-P	39- 55	1	1			
24311-000110	O-RING 11-P	40- 18			2	2	
24311-000110	O-RING 11-P	40- 28		1	1		
24311-000110	O-RING 11-P	40- 44			1		
24311-000110	O-RING 11-P	40- 55			1	1	
24311-000120	O-RING 12-P	25- 17		2			
24311-000120	O-RING 12-P	25- 37		2			
24311-000120	O-RING 12-P	26- 17			2		
24311-000120	O-RING 12-P	26- 37			2		
24311-000120	O-RING 12-P	41- 44	2	2			
24311-000120	O-RING 12-P	42- 44	2	2			
24311-000120	O-RING 12-P	43- 44			2	2	
24311-000125	O-RING 12.5-P	59- 25	1	1	1	1	
24311-000140	O-RING 14-P	30- 46	2	2			
24311-000140	O-RING 14-P	31- 46	2	2			
24311-000140	O-RING 14-P	32- 46			2	2	
24311-000140	O-RING 14-P	33- 46			2	2	
24311-000140	O-RING 14-P	39- 36	1	1			
24311-000140	O-RING 14-P	39- 50		2			
24311-000140	O-RING 14-P	39- 64	1	1			
24311-000140	O-RING 14-P	40- 36			1	1	
24311-000140	O-RING 14-P	40- 50			1	2	
24311-000140	O-RING 14-P	40- 64			1	1	
24311-000140	O-RING 14-P	58- 13	1	1	1	1	
24311-000140	O-RING 14-P	58- 35	2	2	2	2	
24311-000140	O-RING 14-P	58- 35		1			
24311-000140	O-RING 14-P	58- 35	1	1	1		
24311-000140	O-RING 14-P	59- 8	2	2	2	2	
24311-000140	O-RING 14-P	60- 21	2	2	2	2	
24311-000150	O-RING 15-P	58- 16	1	1	1	1	
24311-000160	O-RING 16-P	44- 5	1	1			
24311-000160	O-RING 16-P	45- 5	1	1			
24311-000160	O-RING 16-P	46- 5			1	1	
24311-000180	O-RING 18-P	34-1		1			
24311-000180	O-RING 18-P	34- 7	1	1	1	1	
24311-000180	O-RING 18-P	35- 7	1	1			
24311-000180	O-RING 18-P	73- 15	1	1			
24311-000180	O-RING 18-P	73- 15	2	2			
24311-000180	O-RING 18-P	74- 15	2	2			

NUMERICAL PART NO. LIST

Part No.	Description	Refer. No.	Q'ty/Unit				Remarks
			YMI55	YMI55D	YMI35	YMI35D	
24311-000180	O-RING 18-P	75- 6	2	2			
24311-000180	O-RING 18-P	76- 15	2	2			
24311-000180	O-RING 18-P	77- 15			1	1	
24311-000180	O-RING 18-P	77- 15			2	2	
24311-000180	O-RING 18-P	78- 15			2	2	
24311-000200	O-RING 20-P	27- 31		1		1	
24311-000200	O-RING 20-P	34- 7	1	1	1	1	
24311-000200	O-RING 20-P	60- 2	1	1	1	1	
24311-000200	O-RING 20-P	60- 7	1	1	1	1	
24311-000200	O-RING 20-P	60- 21	2	2	2	2	
24311-000220	O-RING 22-P	27- 67		2		2	
24311-000250	O-RING 25-P	41- 51	2	2			
24311-000250	O-RING 25-P	42- 51	2	2			
24311-000250	O-RING 25-P	43- 51			2	2	
24311-000250	O-RING 25-P	47- 32	2	2			
24311-000250	O-RING 25-P	48- 32	2	2			
24311-000250	O-RING 25-P	49- 32			2	2	
24311-000300	O-RING 30-P	58- 50	1	1	1	1	
24311-000350	O-RING 35-P	58- 51	1	1	1	1	
24311-000410	O-RING 41-P	36- 53		1			
24311-000410	O-RING 41-P	37- 53		1			
24311-000410	O-RING 41-P	38- 53			1	1	
24311-240100	O-RING P10A	59- 11	1	1	1	1	
24311-350220	O-RING P22A	25- 15		2			
24311-350220	O-RING P22A	26- 15				2	
24311-570500	O-RING P50A	58- 38	1	1	1	1	
24321-000600	O-RING 60-G	25- 21		1			
24321-000600	O-RING 60-G	26- 21				1	
24322-000600	O-RING 60-G	25- 21		1			
24322-000600	O-RING 60-G	26- 21				1	
24341-000040	O-RING 4-S	21- 27	1	1			
24341-000040	O-RING 4-S	22- 27			1	1	
24341-000180	O-RING 18-P	34-1		1			
24341-000280	O-RING 28-S	34- 24	1		1		
24341-000280	O-RING 28-S	34- 28		1		1	
24341-000280	O-RING 28-S	35- 23	1	1			
24341-000300	O-RING 30-S	25- 34		2			
24341-000300	O-RING 30-S	25- 34		1			
24341-000300	O-RING 30-S	26- 34				2	
24341-000300	O-RING 30-S	26- 34				1	
24341-000300	O-RING 30-S	34- 24	1		1		
24341-000300	O-RING 30-S	34- 28		1		1	
24761-010000	GREASE NIPPLE A-M6F	30- 3	1				
24761-010000	GREASE NIPPLE A-M6F	30- 12		1			
24761-010000	GREASE NIPPLE A-M6F	31- 3	1				

NUMERICAL PART NO. LIST

Part No.	Description	Refer. No.	Q'ty/Unit				Remarks
			YMI55	YMI55D	YMI35	YMI35D	
24761-010000	GREASE NIPPLE A-M6F	31- 12		1			
24761-010000	GREASE NIPPLE A-M6F	32- 3			1		
24761-010000	GREASE NIPPLE A-M6F	32- 12				1	
24761-010000	GREASE NIPPLE A-M6F	33- 3			1		
24761-010000	GREASE NIPPLE A-M6F	33- 12				1	
24761-010000	GREASE NIPPLE A-M6F	47- 30	2	2			
24761-010000	GREASE NIPPLE A-M6F	48- 30	2	2			
24761-010000	GREASE NIPPLE A-M6F	49- 30			2	2	
24761-060000	GREASE NIPPLE MT6x1	23- 12	1				
24761-060000	GREASE NIPPLE MT6x1	23- 16	1				
24761-060000	GREASE NIPPLE MT6x1	23- 32	3				
24761-060000	GREASE NIPPLE MT6x1	24- 12		1			
24761-060000	GREASE NIPPLE MT6x1	24- 16		1			
24761-060000	GREASE NIPPLE MT6x1	24- 32			3		
24761-060000	GREASE NIPPLE MT6x1	25- 55		1			
24761-060000	GREASE NIPPLE MT6x1	25- 59		1			
24761-060000	GREASE NIPPLE MT6x1	26- 55			1		
24761-060000	GREASE NIPPLE MT6x1	26- 59			1		
24761-060000	GREASE NIPPLE MT6x1	28- 46	2				
24761-060000	GREASE NIPPLE MT6x1	28- 50	2				
24761-060000	GREASE NIPPLE MT6x1	29- 42				2	
24761-060000	GREASE NIPPLE MT6x1	29- 46		2			
24764-010000	GREASE NIPPLE A-PT6F	30- 3	1				
24764-010000	GREASE NIPPLE A-PT6F	30- 12		1			
24764-010000	GREASE NIPPLE A-PT6F	31- 3	1				
24764-010000	GREASE NIPPLE A-PT6F	31- 12		1			
24764-010000	GREASE NIPPLE A-PT6F	32- 3		1			
24764-010000	GREASE NIPPLE A-PT6F	32- 12			1		
24764-010000	GREASE NIPPLE A-PT6F	33- 3		1			
24764-010000	GREASE NIPPLE A-PT6F	33- 12			1		
24764-010000	GREASE NIPPLE A-M6F	47- 30	2	2			
24764-010000	GREASE NIPPLE A-M6F	48- 30	2	2			
24764-010000	GREASE NIPPLE A-M6F	49- 30			2	2	
24764-010000	GREASE NIPPLE A-M6F	94- 18	2	2			
24764-010000	GREASE NIPPLE A-M6F	94- 18	1	1			
24764-010000	GREASE NIPPLE A-M6F	95- 18		2	2		
24764-010000	GREASE NIPPLE A-M6F	95- 18		1	1		
26013-060122	BOLT M6 x 12	63- 78	1	1			
26013-060122	BOLT M6 x 12	63- 86	2	2			
26013-060122	BOLT M6 x 12	74- 72	1	1			
26013-060122	BOLT M6 x 12	78- 72		1	1		
26013-060123	BOLT M6 x 12	61- 16	4	4			
26013-060123	BOLT M6 x 12	61- 33	2	2			
26013-060123	BOLT M6 x 12	65- 16		4	4		
26013-060123	BOLT M6 x 12	65- 51		2	2		

- 51 -

NUMERICAL PART NO. LIST

Part No.	Description	Refer. No.	Q'ty/Unit				Remarks
			YMI55	YMI55D	YMI35	YMI35D	
26013-060129	BOLT M6 x 10	27- 11		4		4	
26013-060129	BOLT M6 x 12	61- 16	4	4			
26013-060129	BOLT M6 x 12	61- 33	2	2			
26013-060129	BOLT M6 x 12	62- 55	2	2			
26013-060129	BOLT M6 x 12	64- 56	2	2			
26013-060129	BOLT M6 x 12	65- 16			4	4	
26013-060129	BOLT M6 x 12	65- 51			2	2	
26013-060129	BOLT M6 x 12	66- 44			2	2	
26013-060129	BOLT M6 x 12	86- 3	2	2			
26013-060149	BOLT M6 x 14	39- 37	2	2			
26013-060149	BOLT M6 x 14	39- 51		2			
26013-060149	BOLT M6 x 14	39- 65	2	2			
26013-060149	BOLT M6 x 14	40- 37			2	2	
26013-060149	BOLT M6 x 14	40- 51			2	2	
26013-060149	BOLT M6 x 14	40- 65			2	2	
26013-060162	BOLT M6 x 16	74- 52	4	4			
26013-060162	BOLT M6 x 16	75- 33	4	4			
26013-060162	BOLT M6 x 16	76- 63	4	4			
26013-060162	BOLT M6 x 16	76- 75	1	1			
26013-060162	BOLT M6 x 16	78- 52			4	4	
26013-060182	BOLT M6 x 18	60- 17	3	3	3	3	
26013-060452	BOLT M6 x 45	60- 3	3	3	3	3	
26013-060452	BOLT M6 x 45	60- 8	4	4	4	4	
26013-080122	BOLT M8 x 12	21- 18	2	2			
26013-080122	BOLT M8 x 12	22- 18			2	2	
26013-080162	BOLT M8 x 16	21- 20	2	2			
26013-080162	BOLT M8 x 16	22- 20			2	2	
26013-080162	BOLT M8 x 16	30- 29	6	6			
26013-080162	BOLT M8 x 20	30- 30	1	1			
26013-080162	BOLT M8 x 16	31- 29	6	6			
26013-080162	BOLT M8 x 20	31- 30	1	1			
26013-080162	BOLT M8 x 16	32- 29			6	6	
26013-080162	BOLT M8 x 20	32- 30			1	1	
26013-080162	BOLT M8 x 16	33- 29			6	6	
26013-080162	BOLT M8 x 20	33- 30			1	1	
26013-080162	BOLT M8 x 16	34- 22	8	8	8	8	
26013-080162	BOLT M8 x 16	35- 22	8	8			
26013-080162	BOLT M8 x 16	73- 18	10	10			
26013-080162	BOLT M8 x 16	73- 21	4	4			
26013-080162	BOLT M8 x 16	74- 18	10	10			
26013-080162	BOLT M8 x 16	74- 21	4	4			
26013-080162	BOLT M8 x 16	75- 9	10	10			
26013-080162	BOLT M8 x 16	75- 12	4	4			
26013-080162	BOLT M8 x 16	76- 18	10	10			
26013-080162	BOLT M8 x 16	76- 21	4	4			

NUMERICAL PART NO. LIST

Part No.	Description	Refer. No.	Q'ty/Unit				Remarks
			YMI55	YMI55D	YMI35	YMI35D	
26013-080162	BOLT M8 x 16	76- 48	2	2			
26013-080162	BOLT M8 x 16	77- 18			8	8	
26013-080162	BOLT M8 x 16	77- 21			4	4	
26013-080162	BOLT M8 x 16	78- 18			8	8	
26013-080162	BOLT M8 x 16	78- 21			4	4	
26013-080202	BOLT M8 x 20	27- 87			4	4	
26013-080202	BOLT M8 x 20	30- 40	6	6			
26013-080202	BOLT M8 x 20	31- 40	6	6			
26013-080202	BOLT M8 x 20	32- 40			6	6	
26013-080202	BOLT M8 x 20	33- 40			6	6	
26013-080202	BOLT M8 x 20	58- 57	2	2	2	2	
26013-080202	BOLT M8 x 20	59- 41	2	2	2	2	
26013-080202	BOLT M8 x 20	73- 31	2	2			
26013-080202	BOLT M8 x 20	74- 31	2	2			
26013-080202	BOLT M8 x 20	75- 21	2	2			
26013-080202	BOLT M8 x 20	76- 31	2	2			
26013-080222	BOLT M8 x 22	25- 46		8			
26013-080222	BOLT M8 x 22	26- 46				8	
26013-080252	BOLT M8 x 25	25- 29		11			
26013-080252	BOLT M8 x 25	26- 29				11	
26013-080252	BOLT M8 x 25	34- 41	6	6	6	6	
26013-080252	BOLT M8 x 25	35- 41	6	6			
26013-080252	BOLT M8 x 25	44- 3	3	3			
26013-080252	BOLT M8 x 25	45- 3	3	3			
26013-080302	BOLT M8 x 30	25- 19		3			
26013-080302	BOLT M8 x 30	26- 19				3	
26013-080452	BOLT M8 x 45	60- 23	4	4	4	4	
26013-100202	BOLT M10 x 20	73- 26	4	4			
26013-100202	BOLT M10 x 20	73- 44	3	3			
26013-100202	BOLT M10 x 20	74- 26	4	4			
26013-100202	BOLT M10 x 20	74- 43	3	3			
26013-100202	BOLT M10 x 20	75- 16	4	4			
26013-100202	BOLT M10 x 20	75- 31	3	3			
26013-100202	BOLT M10 x 20	76- 26	4	4			
26013-100202	BOLT M10 x 20	76- 43	3	3			
26013-100252	BOLT M10 x 25	73- 27	1	1			
26013-100252	BOLT M10 x 25	74- 27	1	1			
26013-100252	BOLT M10 x 25	75- 17	1	1			
26013-100252	BOLT M10 x 25	76- 27	1	1			
26013-100282	BOLT M10 x 28	25- 27		6			
26013-100282	BOLT M10 x 28	25- 42		8			
26013-100282	BOLT M10 x 28	25- 67		4			
26013-100282	BOLT M10 x 28	26- 27				6	
26013-100282	BOLT M10 x 28	26- 42				8	
26013-100282	BOLT M10 x 28	26- 67				4	

- 52 -

NUMERICAL PART NO. LIST

Part No.	Description	Refer. No.	Q'ty/Unit				Remarks
			YMI55	YMI55D	YMI35	YMI35D	
26013-100302	BOLT M10 x 30	28- 36	2	2			
26013-100352	BOLT M10 x 35	58- 4	10	10	10	10	
26013-100402	BOLT M10 x 40	28- 37	2	2			
26013-100452	BOLT M10 x 45	58- 54	2	2	2	2	
26013-120202	BOLT M12 x 20	34- 52	4	4	4	4	
26013-120202	BOLT M12 x 20	35- 25	4	4			
26013-120252	BOLT M12 x 25	50- 6		8			
26013-120252	BOLT M12 x 25	50- 28		12			
26013-120252	BOLT M12 x 25	51- 11			8		
26013-120252	BOLT M12 x 25	51- 25			12		
26013-120252	BOLT M12 x 25	52- 6		8			
26013-120252	BOLT M12 x 25	53- 11			8		
26013-120252	BOLT M12 x 25	54- 6				8	
26013-120252	BOLT M12 x 25	55- 11					8
26013-120252	BOLT M12 x 25	56- 6				8	
26013-120252	BOLT M12 x 25	56- 28				12	
26013-120252	BOLT M12 x 25	57- 11					8
26013-120252	BOLT M12 x 25	73- 41	2	2			
26013-120252	BOLT M12 x 25	74- 41	2	2			
26013-120252	BOLT M12 x 25	75- 30	2	2			
26013-120252	BOLT M12 x 25	76- 41	2	2			
26013-120302	BOLT M12 x 30	23- 2		8			
26013-120302	BOLT M12 x 30	25- 2			8		
26013-120352	BOLT M12 x 35	52- 28		12			
26013-120352	BOLT M12 x 35	53- 25			12		
26013-120352	BOLT M12 x 35	57- 25					12
26013-120352	BOLT M12 x 35	58- 31	4	4	4	4	
26013-120452	BOLT M12 x 45	34- 50	4	4	4	4	
26013-120452	BOLT M12 x 45	35- 21	4	4			
26097-060123	BOLT M6 x 12	61- 16	4	4			
26097-060123	BOLT M6 x 12	61- 33	2	2			
26097-060123	BOLT M6 x 12	62- 55	2	2			
26097-060123	BOLT M6 x 12	65- 16				4	4
26097-060123	BOLT M6 x 12	65- 51				2	2
26097-060123	BOLT M6 x 12	66- 44				2	2
26106-080202	BOLT M8 x 20	34- 32	4	4	4	4	
26106-080202	BOLT M8 x 20	34- 37	10	10	10	10	
26106-080202	BOLT M8 x 20	35- 32	4	4			
26106-080202	BOLT M8 x 20	35- 37	10	10			
26106-080252	BOLT M8 x 25	34- 58	1	1			
26106-080252	BOLT M8 x 25	35- 49	1	1			
26116-050162	BOLT M5 x 16	61- 27	1	1			
26116-050162	BOLT M5 x 16	62- 21	1	1			
26116-050162	BOLT M5 x 16	63- 69	2	2			
26116-050162	BOLT M5 x 16	63- 89	1	1			

NUMERICAL PART NO. LIST

Part No.	Description	Refer. No.	Q'ty/Unit				Remarks
			YMI55	YMI55D	YMI35	YMI35D	
26116-050162	BOLT M5 x 16	64- 59	1	1			
26116-050162	BOLT M5 x 16	65- 27			1	1	
26116-050162	BOLT M5 x 16	66- 22			1	1	
26116-060102	BOLT M6 x 10	27- 11		4			
26116-060102	BOLT M6 x 10	30- 32	2	1			
26116-060102	BOLT M6 x 10	30- 32	1				
26116-060102	BOLT M6 x 10	31- 32	2	1			
26116-060102	BOLT M6 x 10	31- 32	1				
26116-060102	BOLT M6 x 10	32- 32			2	1	
26116-060102	BOLT M6 x 10	32- 32			1		
26116-060102	BOLT M6 x 10	33- 32			2	1	
26116-060102	BOLT M6 x 10	33- 32			1		
26116-060122	BOLT M6 x 12	19- 31	1	1			
26116-060122	BOLT M6 x 12	63- 79	1	1			
26116-060122	BOLT M6 x 12	74- 73	1	1			
26116-060122	BOLT M6 x 12	78- 73			1	1	
26116-060142	BOLT M6 x 14	39- 37	2	2			
26116-060142	BOLT M6 x 14	39- 51		2			
26116-060142	BOLT M6 x 14	39- 65	2	2			
26116-060142	BOLT M6 x 14	40- 37			2	2	
26116-060142	BOLT M6 x 14	40- 51				2	
26116-060142	BOLT M6 x 14	40- 65			2	2	
26116-060162	BOLT M6 x 16	27- 20		4		4	
26116-060162	BOLT M6 x 16	74- 52	4	4			
26116-060162	BOLT M6 x 16	76- 76	1	1			
26116-060162	BOLT M6 x 16	78- 52			4	4	
26116-060182	BOLT M6 x 18	58- 64	2	2	2	2	
26116-060182	BOLT M6 x 18	60- 17	3	3	3	3	
26116-060202	BOLT M6 x 20	62- 49	3	3			
26116-060452	BOLT M6 x 45	60- 3	3	3	3	3	
26116-060452	BOLT M6 x 45	60- 8	4	4	4	4	
26116-080102	BOLT M8 x 10	27- 18			1	1	
26116-080122	BOLT M8 x 12	21- 18	2	2			
26116-080122	BOLT M8 x 12	22- 18			2	2	
26116-080162	BOLT M8 x 16	21- 20	4	4			
26116-080162	BOLT M8 x 16	22- 20			4	4	
26116-080162	BOLT M8 x 16	27- 23		4		4	
26116-080162	BOLT M8 x 16	27- 23		4		4	
26116-080162	BOLT M8 x 16	27- 35		1		1	
26116-080162	BOLT M8 x 16	30- 29	6	6			
26116-080162	BOLT M8 x 16	31- 29	6	6			
26116-080162	BOLT M8 x 16	32- 29			6	6	
26116-080162	BOLT M8 x 16	33- 29			6	6	
26116-080162	BOLT M8 x 16	34- 22	8	8	8	8	
26116-080162	BOLT M8 x 16	41- 62	4	4			

- 53 -

NUMERICAL PART NO. LIST

Part No.	Description	Refer. No.	Q'ty/Unit				Remarks
			YMI55	YMI55D	YMI35	YMI35D	
26116-080162	BOLT M8 x 16	47- 16	2	2			
26116-080162	BOLT M8 x 16	49- 16			2	2	
26116-080162	BOLT M8 x 16	73- 18	10	10			
26116-080162	BOLT M8 x 16	73- 21	4	4			
26116-080162	BOLT M8 x 16	74- 18	10	10			
26116-080162	BOLT M8 x 16	74- 21	4	4			
26116-080162	BOLT M8 x 16	76- 18	10	10			
26116-080162	BOLT M8 x 16	76- 21	4	4			
26116-080162	BOLT M8 x 16	76- 64	2	2			
26116-080162	BOLT M8 x 16	77- 18			8	8	
26116-080162	BOLT M8 x 16	77- 21			4	4	
26116-080162	BOLT M8 x 16	78- 18			8	8	
26116-080162	BOLT M8 x 16	78- 21			4	4	
26116-080162	BOLT M8 x 16	94- 27	5	5			
26116-080169	BOLT M8 x 16	43- 62			4	4	
26116-080186	BOLT M8 x 18	27- 49			8	8	
26116-080186	BOLT M8 x 28	41- 14	8	8			
26116-080186	BOLT M8 x 28	43- 14			8	8	
26116-080202	BOLT M8 x 20	21- 18	2	2			
26116-080202	BOLT M8 x 20	21- 31	2	2			
26116-080202	BOLT M8 x 20	22- 18			2	2	
26116-080202	BOLT M8 x 20	22- 29			1	1	
26116-080202	BOLT M8 x 20	27- 87			4	4	
26116-080202	BOLT M8 x 20	30- 30	1	1			
26116-080202	BOLT M8 x 20	30- 40	6	6			
26116-080202	BOLT M8 x 20	30- 59	1	1			
26116-080202	BOLT M8 x 20	31- 30	1	1			
26116-080202	BOLT M8 x 20	31- 40	6	6			
26116-080202	BOLT M8 x 20	31- 59	1	1			
26116-080202	BOLT M8 x 20	32- 30			1	1	
26116-080202	BOLT M8 x 20	32- 40			6	6	
26116-080202	BOLT M8 x 20	32- 59			1	1	
26116-080202	BOLT M8 x 20	33- 30			1	1	
26116-080202	BOLT M8 x 20	33- 40			6	6	
26116-080202	BOLT M8 x 20	33- 59			1	1	
26116-080202	BOLT M8 x 20	34- 32	4	4	4	4	
26116-080202	BOLT M8 x 20	34- 37	10	10	10	10	
26116-080202	BOLT M8 x 20	34- 44	1	1	1	1	
26116-080202	BOLT M8 x 20	35- 44	1	1			
26116-080202	BOLT M8 x 20	41- 47	3	3			
26116-080202	BOLT M8 x 20	43- 47			3	3	
26116-080202	BOLT M8 x 20	58- 57	2	2	2	2	
26116-080202	BOLT M8 x 20	59- 41	2	2	2	2	
26116-080202	BOLT M8 x 20	67- 39	3	3			
26116-080202	BOLT M8 x 20	68- 12	3	3			

NUMERICAL PART NO. LIST

Part No.	Description	Refer. No.	Q'ty/Unit				Remarks
			YMI55	YMI55D	YMI35	YMI35D	
26116-080202	BOLT M8 x 20	70- 12	3	3			
26116-080202	BOLT M8 x 20	73- 17	2	2			
26116-080202	BOLT M8 x 20	73- 31	2	2			
26116-080202	BOLT M8 x 20	73- 57	2	2			
26116-080202	BOLT M8 x 20	74- 17	2	2			
26116-080202	BOLT M8 x 20	74- 31	2	2			
26116-080202	BOLT M8 x 20	74- 63	2	2			
26116-080202	BOLT M8 x 20	75- 8	2	2			
26116-080202	BOLT M8 x 20	75- 40	2	2			
26116-080202	BOLT M8 x 20	76- 17	2	2			
26116-080202	BOLT M8 x 20	76- 31	2	2			
26116-080202	BOLT M8 x 20	76- 77	2	2			
26116-080202	BOLT M8 x 20	77- 17			2	2	
26116-080202	BOLT M8 x 20	77- 31			2	2	
26116-080202	BOLT M8 x 20	77- 58			2	2	
26116-080202	BOLT M8 x 20	78- 17			2	2	
26116-080202	BOLT M8 x 20	78- 31			2	2	
26116-080202	BOLT M8 x 20	78- 64			2	2	
26116-080202	BOLT M8 x 20	85- 3	1	1	1	1	
26116-080202	BOLT M8 x 20	87- 4	1	1			
26116-080222	BOLT M8 x 22	25- 29		11			
26116-080222	BOLT M8 x 22	25- 46		8			
26116-080222	BOLT M8 x 22	26- 29			11		
26116-080222	BOLT M8 x 22	26- 46			8		
26116-080222	BOLT M8 x 22	28- 4	8	8			
26116-080222	BOLT M8 x 22	28- 4	7	7			
26116-080222	BOLT M8 x 22	29- 4		7	7		
26116-080226	BOLT M8 x 22	58- 8	3	3	3	3	
26116-080252	BOLT M8 x 25	25- 29		11			
26116-080252	BOLT M8 x 25	26- 29			11		
26116-080252	BOLT M8 x 25	34- 41	7	7	7	7	
26116-080252	BOLT M8 x 25	41- 23	4	4			
26116-080252	BOLT M8 x 25	42- 23	4	4			
26116-080252	BOLT M8 x 25	43- 23			4	4	
26116-080252	BOLT M8 x 25	44- 3	3	3			
26116-080252	BOLT M8 x 25	46- 3			3	3	
26116-080252	BOLT M8 x 25	67- 40	1	1			
26116-080252	BOLT M8 x 25	67- 40	4	4			
26116-080252	BOLT M8 x 25	68- 13	1	1			
26116-080252	BOLT M8 x 25	68- 13	4	4			
26116-080252	BOLT M8 x 25	69- 10	4	4			
26116-080252	BOLT M8 x 25	70- 13	1	1			
26116-080252	BOLT M8 x 25	70- 13	4	4			
26116-080302	BOLT M8 x 30	25- 19		3			
26116-080302	BOLT M8 x 30	26- 19			3		

- 54 -

NUMERICAL PART NO. LIST

Part No.	Description	Refer. No.	Q'ty/Unit				Remarks
			YMI55	YMI55D	YMI35	YMI35D	
26116-080302	BOLT M8 x 30	73- 49	2	2			
26116-080302	BOLT M8 x 30	75- 22	2	2			
26116-080302	BOLT M8 x 30	76- 33	2	2			
26116-080302	BOLT M8 x 30	77- 49			2	2	
26116-080302	BOLT M8 x 30	78- 33			2	2	
26116-080452	BOLT M8 x 45	60- 23	4	4	4	4	
26116-100162	BOLT M10 x 16	47- 16	2	2			
26116-100162	BOLT M10 x 16	48- 16	2	2			
26116-100202	BOLT M10 x 20	73- 26	4	4			
26116-100202	BOLT M10 x 20	73- 44	3	3			
26116-100202	BOLT M10 x 20	74- 26	4	4			
26116-100202	BOLT M10 x 20	74- 43	3	3			
26116-100202	BOLT M10 x 20	76- 26	4	4			
26116-100202	BOLT M10 x 20	76- 43	3	3			
26116-100202	BOLT M10 x 20	77- 26			4	4	
26116-100202	BOLT M10 x 20	77- 44			3	3	
26116-100202	BOLT M10 x 20	78- 26			4	4	
26116-100202	BOLT M10 x 20	78- 43			3	3	
26116-100202	BOLT M10 x 20	93- 6			12	12	
26116-100202	BOLT M10 x 20	93- 21			12	12	
26116-100202	BOLT M10 x 20	94- 33	2	2			
26116-100222	BOLT M10 x 22	25- 42		8			
26116-100222	BOLT M10 x 22	26- 42				8	
26116-100252	BOLT M10 x 25	73- 27	1	1			
26116-100252	BOLT M10 x 25	74- 27	1	1			
26116-100252	BOLT M10 x 25	76- 27	1	1			
26116-100252	BOLT M10 x 25	77- 27			1	1	
26116-100252	BOLT M10 x 25	78- 27			1	1	
26116-100282	BOLT M10 x 28	25- 27		6			
26116-100282	BOLT M10 x 28	25- 42		8			
26116-100282	BOLT M10 x 28	25- 67		4			
26116-100282	BOLT M10 x 28	26- 27				6	
26116-100282	BOLT M10 x 28	26- 42				8	
26116-100282	BOLT M10 x 28	26- 67				4	
26116-100302	BOLT M10 x 30	28- 36	2	2			
26116-100302	BOLT M10 x 30	29- 33			2	2	
26116-100352	BOLT M10 x 35	58- 4	10	10	10	10	
26116-100384	BOLT M10 x 38	25- 50		4			
26116-100384	BOLT M10 x 38	26- 50				4	
26116-100402	BOLT M10 x 40	28- 37	2	2			
26116-100402	BOLT M10 x 40	29- 34			2	2	
26116-100402	BOLT M10 x 40	94- 32	4	4			
26116-100402	BOLT M10 x 40	95- 25			4	4	
26116-100404	BOLT M10 x 40	25- 75		2			
26116-100404	BOLT M10 x 40	26- 75				2	

NUMERICAL PART NO. LIST

Part No.	Description	Refer. No.	Q'ty/Unit				Remarks
			YMI55	YMI55D	YMI35	YMI35D	
26116-100404	BOLT M10 x 40	73- 28	1	1			
26116-100404	BOLT M10 x 40	74- 28	1	1			
26116-100404	BOLT M10 x 40	75- 18	1	1			
26116-100404	BOLT M10 x 40	76- 28	1	1			
26116-100404	BOLT M10 x 40	77- 28			1	1	
26116-100404	BOLT M10 x 40	78- 28			1	1	
26116-100452	BOLT M10 x 45	58- 54	2	2	2	2	
26116-100502	BOLT M10 x 50	75- 37	1	1			
26116-100504	BOLT M10 x 50	25- 75		2			
26116-100602	BOLT M10 x 60	41- 65	16	16			
26116-100602	BOLT M10 x 60	41- 65	14	14			
26116-100602	BOLT M10 x 60	42- 57	16	16			
26116-100602	BOLT M10 x 60	42- 57	14	14			
26116-100602	BOLT M10 x 60	43- 65			16	16	
26116-100602	BOLT M10 x 60	43- 65			14	14	
26116-100652	BOLT M10 x 65	41- 67	2	2			
26116-100652	BOLT M10 x 65	42- 15	2	2			
26116-100652	BOLT M10 x 65	43- 67			2	2	
26116-100652	BOLT M10 x 65	73- 63	2	2			
26116-100652	BOLT M10 x 65	74- 69	2	2			
26116-100652	BOLT M10 x 65	76- 50	2	2			
26116-100652	BOLT M10 x 65	77- 63			2	2	
26116-100652	BOLT M10 x 65	78- 69			2	2	
26116-120202	BOLT M12 x 20	34- 52	4	4	4	4	
26116-120252	BOLT M12 x 25	50- 6	8				
26116-120252	BOLT M12 x 25	50- 28	12				
26116-120252	BOLT M12 x 25	51- 11		8			
26116-120252	BOLT M12 x 25	51- 25		12			
26116-120252	BOLT M12 x 25	52- 6	8				
26116-120252	BOLT M12 x 25	53- 11		8			
26116-120252	BOLT M12 x 25	54- 6		8			
26116-120252	BOLT M12 x 25	54- 28		12			
26116-120252	BOLT M12 x 25	55- 11		8			
26116-120252	BOLT M12 x 25	55- 25		12			
26116-120252	BOLT M12 x 25	56- 6		8			
26116-120252	BOLT M12 x 25	56- 28		12			
26116-120252	BOLT M12 x 25	57- 11		8			
26116-120252	BOLT M12 x 25	67- 36	2	2			
26116-120252	BOLT M12 x 25	68- 9	2	2			
26116-120252	BOLT M12 x 25	69- 7	2	2			
26116-120252	BOLT M12 x 25	70- 9	2	2			
26116-120252	BOLT M12 x 25	73- 41	2	2			
26116-120252	BOLT M12 x 25	74- 41	2	2			
26116-120252	BOLT M12 x 25	76- 41	2	2			
26116-120252	BOLT M12 x 25	77- 41		2	2		

- 55 -

NUMERICAL PART NO. LIST

Part No.	Description	Refer. No.	Q'ty/Unit				Remarks
			YMI55	YMI55D	YMI35	YMI35D	
26116-120252	BOLT M12 x 25	78- 41			2	2	
26116-120252	BOLT M12 x 25	79- 5	2	2			
26116-120282	BOLT M12 x 28	93- 12			8	8	
26116-120302	BOLT M12 x 30	23- 2	8				
26116-120302	BOLT M12 x 30	24- 2			8		
26116-120302	BOLT M12 x 30	25- 2			8		
26116-120302	BOLT M12 x 30	26- 2				8	
26116-120352	BOLT M12 x 35	52- 28	12				
26116-120352	BOLT M12 x 35	53- 25		12			
26116-120352	BOLT M12 x 35	57- 25				12	
26116-120352	BOLT M12 x 35	58- 31	4	4	4	4	
26116-120352	BOLT M12 x 35	71- 31			2	2	
26116-120352	BOLT M12 x 35	72- 6			2	2	
26116-120352	BOLT M12 x 35	79- 5	2	2			
26116-120352	BOLT M12 x 35	80- 5	2	2			
26116-120452	BOLT M12 x 45	34- 50	4	4	4	4	
26116-120602	BOLT M12 x 60	41- 16	2	2			
26116-120602	BOLT M12 x 60	42- 16	2	2			
26116-120602	BOLT M12 x 60	43- 16			2	2	
26116-160652	BOLT M16 x 65	89- 5	6	6	6	6	
26116-160702	BOLT M16 x 70	80- 15	2	2			
26116-161002	BOLT M16 x100	89- 8	6	6	6	6	
26117-080169	BOLT M8 x 16	41- 62	4	4			
26117-080169	BOLT M8 x 16	42- 59	4	4			
26117-080169	BOLT M8 x 16	43- 62			4	4	
26206-080226	BOLT M8 x 22	58- 8	3	3	3	3	
26216-080162	STUD M8 x 16	41- 33	4	4			
26216-080162	STUD M8 x 16	41- 37	4	4			
26216-080162	STUD M8 x 16	42- 33	4	4			
26216-080162	STUD M8 x 16	42- 37	4	4			
26216-080162	STUD M8 x 16	43- 33			4	4	
26216-080162	STUD M8 x 16	43- 37			4	4	
26226-100322	STUD M10 x 32	34- 15	7	7	7	7	
26226-100322	STUD M10 x 32	35- 15	7	7			
26226-100502	STUD M10 x 50	34- 16	1	1	1	1	
26226-100502	STUD M10 x 50	35- 16	1	1			
26226-140322	STUD M14 x 32	34- 17	4	4	1	1	
26226-140322	STUD M14 x 32	35- 17	4	4			
26337-060002	NUT M6, wing	61- 8	2	2			
26337-060002	NUT M6, wing	62- 8	2	2			
26337-060002	NUT M6, wing	65- 8			2	2	
26337-060002	NUT M6, wing	66- 8			2	2	
26346-080002	U-NUT M8	22- 24			2	2	
26346-080002	U-NUT M8	30- 60	1	1			
26346-080002	U-NUT M8	31- 60	1	1			

NUMERICAL PART NO. LIST

NUMERICAL PART NO. LIST

Part No.	Description	Refer. No.	Qty/Unit				Remarks
			YMI55	YMI55D	YMI35	YMI35D	
26346-080002	U-NUT M8	32- 60			1	1	
26346-080002	U-NUT M8	33- 60			1	1	
26346-080002	U-NUT M8	73- 50	2	2			
26346-080002	U-NUT M8	74- 64	2	2			
26346-080002	U-NUT M8	75- 41	2	2			
26346-080002	U-NUT M8	76- 78	2	2			
26346-080002	U-NUT M8	76- 79	1	1			
26346-080002	U-NUT M8	77- 50			2	2	
26346-080002	U-NUT M8	78- 65			2	2	
26346-120002	U-NUT M12	67- 38	2	2			
26346-120002	U-NUT M12	68- 11	2	2			
26346-120002	U-NUT M12	69- 9	2	2			
26346-120002	U-NUT M12	70- 11	2	2			
26346-120002	U-NUT M12	71- 33			2	2	
26346-120002	U-NUT M12	72- 8			2	2	
26347-080002	U-NUT M8	73- 50	2	2			
26347-080002	U-NUT M8	77- 50			2	2	
26347-120002	U-NUT M12	67- 38	2	2			
26347-120002	U-NUT M12	68- 11	2	2			
26347-120002	U-NUT M12	70- 11	2	2			
26347-120002	U-NUT M12	71- 33			2	2	
26347-120002	U-NUT M12	72- 8			2	2	
26557-040122	SCREW M4 x 12	67- 12	6	6			
26557-040122	SCREW M4 x 12	67- 14	6	6			
26557-040122	SCREW M4 x 12	67- 30	6	6			
26557-040122	SCREW M4 x 12	67- 32	6	6			
26557-040122	SCREW M4 x 12	71- 10			6	6	
26557-040122	SCREW M4 x 12	71- 12			6	6	
26557-040122	SCREW M4 x 12	71- 26			6	6	
26557-040122	SCREW M4 x 12	71- 28			6	6	
26557-040202	SCREW M4 x 20	63- 48	4	4			
26557-040202	SCREW M4 x 20	63- 58	4	4			
26557-040202	SCREW M4 x 20	64- 48	4	4			
26557-060122	SCREW M6 x 12	73- 48	1	1			
26557-060122	SCREW M6 x 12	74- 46	1	1			
26557-060122	SCREW M6 x 12	76- 46	1	1			
26557-060122	SCREW M6 x 12	77- 48			1	1	
26557-060122	SCREW M6 x 12	78- 46			1	1	
26557-080162	SCREW M8 x 16	19- 21	2	2			
26557-080162	SCREW M8 x 16	83- 5	2	2	2	2	
26577-080162	SCREW M8 x 16	21- 16	2	2			
26587-060122	SCREW M6 x 12	62- 38	2	2			
26587-060122	SCREW M6 x 12	66- 39			2	2	
26587-060162	SCREW M6 x 16	67- 60	4	4			
26587-060162	SCREW M6 x 16	68- 30	2	2			

Part No.	Description	Refer. No.	Qty/Unit				Remarks
			YMI55	YMI55D	YMI35	YMI35D	
26587-060162	SCREW M6 x 16	69- 20	2	2			
26587-060162	SCREW M6 x 16	70- 30	2	2			
26587-060162	SCREW M6 x 16	71- 51			4	4	
26587-060162	SCREW M6 x 16	72- 23			4	4	
26587-060202	SCREW M6 x 10	61- 41	2	2			
26587-060202	SCREW M6 x 20	62- 32	2	2			
26587-060202	SCREW M6 x 20	63- 31	2	2			
26587-060202	SCREW M6 x 20	64- 30	2	2			
26587-060202	SCREW M6 x 10	65- 39			2	2	
26587-060202	SCREW M6 x 12	65- 45			2	2	
26587-060202	SCREW M6 x 20	66- 33			2	2	
26587-060302	SCREW M6 x 30	68- 41	2	2			
26587-060302	SCREW M6 x 30	70- 41	2	2			
26587-060352	SCREW M6 x 35	68- 41	2	2			
26587-060352	SCREW M6 x 35	69- 28	2	2			
26637-060002	NUT M6, wing	61- 8	2	2			
26637-060002	NUT M6, wing	63- 95	2	2			
26637-060002	NUT M6, wing	64- 65	2	2			
26637-060002	NUT M6, wing	65- 8			2	2	
26716-040002	NUT M4	67- 66	6	6			
26716-040002	NUT M4	67- 69	6	6			
26716-040002	NUT M4	71- 57			6	6	
26716-040002	NUT M4	71- 60			6	6	
26716-050002	NUT M5	61- 28	2	2			
26716-050002	NUT M5	62- 22	2	2			
26716-050002	NUT M5	63- 49	4	4			
26716-050002	NUT M5	63- 59	4	4			
26716-050002	NUT M5	63- 70	2	2			
26716-050002	NUT M5	63- 90	2	2			
26716-050002	NUT M5	64- 60	2	2			
26716-050002	NUT M5	65- 28			2	2	
26716-050002	NUT M5	66- 23			2	2	
26716-050002	NUT M5	74- 56	2	2			
26716-050002	NUT M5	78- 56			2	2	
26716-060002	NUT M6	19- 33	1	1			
26716-060002	NUT M6	58- 65	2	2	2	2	
26716-060002	NUT M6	59- 35	1	1	1	1	
26716-060002	NUT M6	62- 39	2	2			
26716-060002	NUT M6	62- 50	3	3			
26716-060002	NUT M6	65- 46			2	2	
26716-060002	NUT M6	66- 40			2	2	
26716-060002	NUT M6	67- 61	4	4			
26716-060002	NUT M6	68- 31	4	4			
26716-060002	NUT M6	69- 21	4	4			
26716-060002	NUT M6	70- 31	4	4			

NUMERICAL PART NO. LIST

Part No.	Description	Refer. No.	Q'ty/Unit				Remarks
			YMI55	YMI55D	YMI35	YMI35D	
26716-060002	NUT M6	71- 52			4	4	
26716-060002	NUT M6	72- 24			4	4	
26716-060002	NUT M6	74- 53	4	4			
26716-060002	NUT M6	76- 80	1	1			
26716-060002	NUT M6	78- 53			4	4	
26716-060002	NUT M6	94- 43	4	4			
26716-080002	NUT M8	18- 10	1	1			
26716-080002	NUT M8	19- 30	2	2			
26716-080002	NUT M8	20- 10			1	1	
26716-080002	NUT M8	21- 14	6	6			
26716-080002	NUT M8	22- 14			2	2	
26716-080002	NUT M8	22- 24			4	4	
26716-080002	NUT M8	34- 45	1	1	1	1	
26716-080002	NUT M8	35- 45	1	1			
26716-080002	NUT M8	47- 42	2	2			
26716-080002	NUT M8	47- 47	8	8			
26716-080002	NUT M8	48- 42	2	2			
26716-080002	NUT M8	48- 47	8	8			
26716-080002	NUT M8	49- 42			2	2	
26716-080002	NUT M8	49- 47			8	8	
26716-080002	NUT M8	67- 41	4	4			
26716-080002	NUT M8	68- 14	4	4			
26716-080002	NUT M8	69- 11	4	4			
26716-080002	NUT M8	70- 14	4	4			
26716-080002	NUT M8	73- 54	2	2			
26716-080002	NUT M8	73- 58	2	2			
26716-080002	NUT M8	74- 57	2	2			
26716-080002	NUT M8	74- 60	2	2			
26716-080002	NUT M8	75- 34	2	2			
26716-080002	NUT M8	75- 35	2	2			
26716-080002	NUT M8	76- 52	2	2			
26716-080002	NUT M8	76- 65	2	2			
26716-080002	NUT M8	76- 66	2	2			
26716-080002	NUT M8	76- 81	2	2			
26716-080002	NUT M8	77- 54			2	2	
26716-080002	NUT M8	77- 59			2	2	
26716-080002	NUT M8	78- 57			2	2	
26716-080002	NUT M8	78- 60			2	2	
26716-080002	NUT M8	85- 5	1	1	1	1	
26716-080002	NUT M8	88- 4			1	1	
26716-080002	NUT M8	88- 4			1	1	
26716-080002	NUT M8	94- 31	3	3			
26716-100002	NUT M10	18- 5	1	1			
26716-100002	NUT M10	19- 5	1	1			
26716-100002	NUT M10	20- 5			1	1	

- 57 -

NUMERICAL PART NO. LIST

Part No.	Description	Refer. No.	Q'ty/Unit				Remarks
			YMI55	YMI55D	YMI35	YMI35D	
26716-100002	NUT M10	21- 6	1	1			
26716-100002	NUT M10	22- 6			1	1	
26716-100002	NUT M10	25- 68		4			
26716-100002	NUT M10	26- 68				4	
26716-100002	NUT M10	28- 13	1	1			
26716-100002	NUT M10	30- 36	2	2			
26716-100002	NUT M10	31- 36	2	2			
26716-100002	NUT M10	32- 36			2	2	
26716-100002	NUT M10	33- 36			2	2	
26716-100002	NUT M10	41- 64	2	2			
26716-100002	NUT M10	42- 14	2	2			
26716-100002	NUT M10	43- 64			2	2	
26716-100002	NUT M10	44- 27	1	1			
26716-100002	NUT M10	45- 27	1	1			
26716-100002	NUT M10	46- 27			1	1	
26716-100002	NUT M10	53- 32		12			
26716-100002	NUT M10	56- 35			12		
26716-100002	NUT M10	57- 32				12	
26716-100002	NUT M10	73- 29	2	2			
26716-100002	NUT M10	74- 29	2	2			
26716-100002	NUT M10	75- 19	2	2			
26716-100002	NUT M10	75- 38	2	2			
26716-100002	NUT M10	76- 29	2	2			
26716-100002	NUT M10	77- 29			2	2	
26716-100002	NUT M10	78- 29			2	2	
26716-100002	NUT M10	93- 7			12	12	
26716-100002	NUT M10	93- 22			12	12	
26716-100002	NUT M10	94- 35	6	6			
26716-100002	NUT M10	95- 27			4	4	
26716-120002	NUT M12	30- 34	7	7			
26716-120002	NUT M12	31- 34	7	7			
26716-120002	NUT M12	32- 34			7	7	
26716-120002	NUT M12	33- 34			7	7	
26716-120002	NUT M12	41- 39	4	4			
26716-120002	NUT M12	42- 39	4	4			
26716-120002	NUT M12	43- 39			4	4	
26716-120002	NUT M10	52- 35	12				
26716-120002	NUT M12	76- 67	4	4			
26716-120002	NUT M12	79- 9	2	2			
26716-120002	NUT M12	80- 9	2	2			
26716-120002	NUT M12	81- 16	1	1	1	1	
26716-120002	NUT M12	81- 27	1	1	1	1	
26716-120002	NUT M12	82- 16	1	1	1	1	
26716-120002	NUT M12	82- 27	1	1	1	1	
26716-140002	NUT M14	79- 2	4	4			

NUMERICAL PART NO. LIST

NUMERICAL PART NO. LIST

Part No.	Description	Refer. No.	Q'ty/Unit				Remarks
			YMI55	YMI55D	YMI35	YMI35D	
26716-140002	NUT M14	80- 2	4	4			
26716-140002	NUT M14	81- 16	1	1	1	1	
26716-140002	NUT M14	81- 27	1	1	1	1	
26716-140002	NUT M14	82- 16	1	1	1	1	
26716-140002	NUT M14	82- 27	1	1	1	1	
26716-160002	NUT M16	80- 16	2	2			
26716-160002	NUT M16	81- 37	2	2	2	2	
26716-160002	NUT M16	89- 6	8	8	8	8	
26736-100002	LOCK NUT M10	30- 36	2	2			
26736-100002	LOCK NUT M10	31- 36	2	2			
26736-100002	LOCK NUT M10	32- 36		2	2		
26736-100002	LOCK NUT M10	33- 36		2	2		
26736-180002	LOCK NUT M18	25- 69	2				
26736-180002	LOCK NUT M18	26- 69			2		
26736-180002	LOCK NUT M18	81- 22	1	1	1	1	
26736-180002	LOCK NUT M18	81- 22	1	1	1	1	
26736-180002	LOCK NUT M18	82- 22	1	1	1	1	
26737-180002	LOCK NUT M18	81- 22	1	1	1	1	
26737-180002	LOCK NUT M18	81- 22	1	1	1	1	
26756-080002	LOCK NUT M8	29- 12		1	1		
26756-100002	LOCK NUT M10	18- 6	1	1			
26756-100002	LOCK NUT M10	19- 6	1	1			
26756-100002	LOCK NUT M10	20- 6		1	1		
26756-100002	LOCK NUT M10	25- 51		2			
26756-100002	LOCK NUT M10	26- 51			2		
26756-100002	LOCK NUT M10	30- 53	1	1			
26756-100002	LOCK NUT M10	31- 53	2	2			
26756-100002	LOCK NUT M10	32- 53		1	1		
26756-100002	LOCK NUT M10	33- 53		1	1		
26756-140002	LOCK NUT M14	81- 36	2	2	2	2	
26756-140002	LOCK NUT M14	82- 36	2	2	2	2	
26756-240002	LOCK NUT M24	81- 9	1	1	1	1	
26756-240002	LOCK NUT M24	82- 9	1	1	1	1	
26757-140002	LOCK NUT M14	81- 36	2	2	2	2	
26776-100002	NUT M10	28- 13	1	1			
26776-120002	NUT M12	29- 30		1	1		
26776-120002	NUT M12	64- 39	2	2			
26776-120002	NUT M12	64- 47	2	2			
26776-140002	NUT M14	28- 33	1	1			
26776-160002	NUT M16	29- 28		1	1		
26776-200002	NUT M20	28- 31	1	1			
26816-160002	NUT M16	82- 37	2	2	2	2	
26817-080002	CASTLE NUT M8	47- 25	1	1			
26817-080002	CASTLE NUT M8	48- 25	1	1			
26817-080002	CASTLE NUT M8	49- 25		1	1		

Part No.	Description	Refer. No.	Q'ty/Unit				Remarks
			YMI55	YMI55D	YMI35	YMI35D	
26837-200002	CASTLE NUT M20	50- 12	2				
26837-200002	CASTLE NUT M20	52- 12	2				
26837-200002	CASTLE NUT M20	54- 12			2		
26837-200002	CASTLE NUT M20	56- 12			2		
26877-200002	CASTLE NUT M20	23- 7	1				
26877-200002	CASTLE NUT M20	25- 5		1			
26877-200002	CASTLE NUT M20	50- 12	2				
26877-200002	CASTLE NUT M20	52- 12	2				
26877-200002	CASTLE NUT M20	54- 12			2		
26877-200002	CASTLE NUT M20	56- 12			2		
28110-080100	WRENCH 8 x 10	90- 3	1	1	1	1	
28110-100130	WRENCH 10 x 13	90- 4	1	1	1	1	
28110-120140	WRENCH 12 x 14	90- 5	1	1	1	1	
28110-170190	WRENCH 17 x 19	90- 6	1	1	1	1	
28110-220240	WRENCH 22 x 24	90- 7	1	1	1	1	

85

NUMERICAL PART NO. LIST

Part No.	Description	Refer. No.	Q'ty/Unit				Remarks
			YMI55	YMI55D	YMI35	YMI35D	
794081-54101	WORK LIGHT	85- 2	1	1	1	1	
794130-55100	LAMP ASS'Y, oil pressure	61- 45	1	1			
794130-55100	LAMP ASS'Y, oil pressure	62- 36	1	1			
794130-55100	LAMP ASS'Y, oil pressure	65- 43			1	1	
794130-55100	LAMP ASS'Y, oil pressure	66- 37			1	1	
794130-71410	PIN ASS'Y, ball & socket	81- 4	2	2	2	2	
794130-71410	PIN ASS'Y, ball & socket	81- 14	1	1	1	1	
794130-71410	PIN ASS'Y, ball & socket	81- 25	1	1	1	1	
794130-71410	PIN ASS'Y, ball & socket	81- 41	4	4	4	4	
794130-71410	PIN ASS'Y, ball & socket	82- 4	2	2	2	2	
794130-71410	PIN ASS'Y, ball & socket	82- 14	1	1	1	1	
794130-71410	PIN ASS'Y, ball & socket	82- 25	1	1	1	1	
794130-71410	PIN ASS'Y, ball & socket	82- 41	4	4	4	4	
794130-74140	PIN, ball socket	80- 10	1	1			
794150-55400	PILOT LAMP ASS'Y, water	61- 43	1	1			
794150-55400	PILOT LAMP ASS'Y, water	65- 41			1	1	
794150-71090-X	LINK, complete, top	82- 5	1	1	1	1	
794150-71260-X	EYE BOLT(L) w/BALL, top link	81- 7	1	1	1	1	
794150-71260-X	EYE BOLT(L) w/BALL, top link	82- 7	1	1	1	1	
794150-71360-X	EYE BOLR(R) w/BALL, top link	81- 8	1	1	1	1	
794150-71360-X	EYE BOLT(R) w/BALL, top link	82- 8	1	1	1	1	
794150-74601	CHECK CHAIN ASS'Y	81- 31	2	2	2	2	
794150-74601	CHECK CHAIN ASS'Y	82- 31	2	2	2	2	
794150-74700	CHECK CHAIN, complete, front	81- 32	2	2	2	2	
794150-74700	CHECK CHAIN, complete, front	82- 32	2	2	2	2	
794150-74801-X	CHECK CHAIN, complete, rear	81- 34	2	2	2	2	
794150-74801-X	CHECK CHAIN, complete, rear	82- 34	2	2	2	2	
794200-11850-Q	TIRE ASS'Y, front wheel	52- 1	2				
794200-11850-P	TIRE ASS'Y, front wheel	56- 1			2		
794200-11850-P	TIRE ASS'Y, front wheel	50- 1	2				
794200-11850-P	TIRE ASS'Y, front wheel	54- 1			2		
794200-11850-Q	TIRE ASS'Y, front wheel	50- 1	2				
794200-15100-X	BODY w/BUSH	28- 9	1	1			
794200-15101-X	STEERING GEAR ASS'Y	28- 1	1	1			
794200-15150-X	COVER, side	28- 11	1	1			
794200-15200-X	COLUMN	28- 2	1	1			
794200-15500	BALL NUT COMP.	28- 6	1	1			
794200-15710	STEERING WHEEL COMPLETE	28- 38	1	1			
794200-21400	CLUTCH DISK ASS'Y	30- 38	1	1			
794200-21400	CLUTCH DISK ASS'Y	31- 38	1	1			
794200-21400	CLUTCH DISK ASS'Y	32- 38			1	1	
794200-21400	CLUTCH DISK ASS'Y	33- 38			1	1	
794200-21700	PRESSURE PLATE ASS'Y	30- 39	1	1			
794200-21700	PRESSURE PLATE ASS'Y	31- 39	1	1			
794200-21700	PRESSURE PLATE ASS'Y	32- 39			1	1	

- 59 -

NUMERICAL PART NO. LIST

Part No.	Description	Refer. No.	Q'ty/Unit				Remarks
			YMI55	YMI55D	YMI35	YMI35D	
794200-21700	PRESSURE PLATE ASS'Y	33- 39			1	1	
794200-22050	BEARING SLEEVE ASS'Y	30- 19	1	1			
794200-22050	BEARING SLEEVE ASS'Y	31- 19	1	1			
794200-22050	BEARING SLEEVE ASS'Y	32- 19				1	
794200-22050	BEARING SLEEVE ASS'Y	32- 19			1		
794200-22050	BEARING SLEEVE ASS'Y	33- 19				1	
794200-22050	BEARING SLEEVE ASS'Y	33- 19			1		
794200-24100-X	HOUSING ASS'Y, transmission	34- 1	1		1		
794200-24350	OIL PLUG 30 w/PLATE	34- 23	1		1		
794200-31550	HOUSING ASS'Y, differential	27- 36		1		1	
794200-31550	HOUSING ASS'Y, differential	41- 1	1	1			
794200-31550	HOUSING ASS'Y, differential	43- 1		1		1	
794200-31551	HOUSING ASS'Y, differential	27- 36		1		1	
794200-31551	HOUSING ASS'Y, differential	41- 1	1	1			
794200-31551	HOUSING ASS'Y, differential	42- 1	1	1			
794200-31551	HOUSING ASS'Y, differential	43- 1			1	1	
794200-32500	HOUSING (L) ASS'Y, rear axle	41- 31	1	1			
794200-32500-X	HOUSING (L) ASS'Y, rear axle	42- 31	1	1			
794200-32500	HOUSING (L) ASS'Y, rear axle	43- 31			1	1	
794200-32500-X	HOUSING (L) ASS'Y, rear axle	41- 31	1	1			
794200-32500-X	HOUSING (L) ASS'Y, rear axle	43- 31			1	1	
794200-32600	HOUSING (R) ASS'Y, rear axle	41- 35	1	1			
794200-32600	HOUSING (R) ASS'Y, rear axle	43- 35			1	1	
794200-32600-X	HOUSING (R) ASS'Y, rear axle	41- 35	1	1			
794200-32600-X	HOUSING (R) ASS'Y, rear axle	43- 35			1	1	
794200-36001-X	BRAKE (L) ASS'Y	48- 1	1	1			
794200-36001-X	BRAKE (L) ASS'Y	47- 1	1	1			
794200-36001-X	BRAKE (L) ASS'Y	49- 1			1	1	
794200-36011-X	BRAKE (R) ASS'Y	47- 8	1	1			
794200-36011-X	BRAKE (R) ASS'Y	48- 8	1	1			
794200-36011-X	BRAKE (R) ASS'Y	49- 8			1	1	
794200-42000-X	LIFT ASS'Y, hydraulic	58- 1	1	1	1	1	
794200-43080	HEAD ASS'Y, cylinder	58- 11	1	1	1	1	
794200-43100-X	HEAD ASS'Y, cylinder	58- 11	1	1	1	1	
794200-45100	VALVE ASS'Y, control	59- 1	1	1	1	1	
794200-52100	SWITCH ASS'Y, horn	61- 29	1	1			
794200-52100	SWITCH ASS'Y, horn	62- 23	1	1			
794200-52100	SWITCH ASS'Y, horn	63- 11	1	1			
794200-52100	SWITCH ASS'Y, horn	64- 11	1	1			
794200-52100	SWITCH ASS'Y, horn	65- 29			1	1	
794200-52100	SWITCH ASS'Y, horn	66- 24			1	1	
794200-53350	TURN SIGNAL, complete	84- 2			2	2	
794200-63100	SEAT, complete, operator's	73- 33	1	1			
794200-63100	SEAT, complete, operator's	74- 33	1	1			
794200-63100	SEAT, complete, operator's	77- 33			1	1	

NUMERICAL PART NO. LIST

Part No.	Description	Refer. No.	Q'ty/Unit				Remarks
			YMI55	YMI55D	YMI35	YMI35D	
794200-64100	REAR-VIEW MIRROR, complete	87- 2	1	1			
794200-64100	REAR-VIEW MIRROR, complete	88- 2	1	1	1	1	
794200-64200	REAR-VIEW MIRROR ASS'Y	87- 1	1	1			
794200-82100	TOOL KIT	90- 1	1	1	1	1	
794210-12910	TIRE ASS'Y (L), front wheel	51- 1		1			
794210-12910	TIRE ASS'Y (L), front wheel	53- 1		1			
794210-12910	TIRE ASS'Y (L), front wheel	57- 1			1		
794210-12910-P	TIRE ASS'Y (L), front wheel	55- 1			1		
794210-12920	TIRE ASS'Y (R), front wheel	51- 6		1			
794210-12920	TIRE ASS'Y (R), front wheel	53- 6		1			
794210-12920	TIRE ASS'Y (R), front wheel	57- 6			1		
794210-12920-P	TIRE ASS'Y (R), front wheel	55- 6			1		
794210-12930	TIRE ASS'Y 5-12, front wheel	51- 2		2			
794210-12930	TIRE ASS'Y 5-12, front wheel	51- 7		2			
794210-12930	TIRE ASS'Y 5-12, front wheel	53- 2		2			
794210-12930	TIRE ASS'Y 5-12, front wheel	53- 7		2			
794210-12930	TIRE ASS'Y 5-12, front wheel	55- 2			2		
794210-12930	TIRE ASS'Y 5-12, front wheel	55- 7			2		
794210-12930	TIRE ASS'Y 5-12, front wheel	57- 2			2		
794210-12930	TIRE ASS'Y 5-12, front wheel	57- 7			2		
794210-13300	PROPELLER SHAFT ASS'Y	27- 1		1	1		
794210-13300-X	PROPELLER SHAFT ASS'Y	27- 1		1	1		
794210-13750	OIL PLUG 30 w/PLATE	25- 31		1			
794210-13750	OIL PLUG 30 w/PLATE	26- 31			1		
794210-13802-X	GEAR CASE ASS'Y, upper front	26- 63			2		
794210-13802-X	GEAR CASE ASS'Y, upper front	25- 63		2			
794210-24100-X	HOUSING ASS'Y, transmission	34- 4		1	1		
794210-24350	OIL PLUG 30 w/PLATE	34- 27		1	1		
794241-21000	HOUSING ASS'Y, clutch	30- 10		1			
794241-21000	HOUSING ASS'Y, clutch	31- 10		1			
794262-15110-X	BODY w/BUSH	29- 8			1	1	
794262-15500	BALL NUT COMP.	29- 6		1	1		
794262-15710	STEERING WHEEL COMPLETE	29- 35		1	1		
794262-64200	REAR-VIEW MIRROR ASS'Y	88- 1		1	1		
794340-00000-X	3-POINT HITCH ASS'Y	82- 1	1	1	1	1	
794340-00010	3-POINT HITCH ASS'Y	81- 1	1	1	1	1	
794340-00030-X	LINK ASS'Y, top	82- 2	1	1	1	1	
794340-00040	LINK ASS'Y, top	81- 2	1	1	1	1	
794340-00050-X	LINK ASS'Y (L), lift	81- 10	1	1	1	1	
794340-00050-X	LINK ASS'Y (L), lift	82- 10	1	1	1	1	
794340-01450-X	PEDAL ASS'Y, throttle	83- 1	1	1	1	1	
794340-10060-X	LINK ASS'Y (R), lift	81- 18	1	1	1	1	
794340-10060-X	LINK ASS'Y (R), lift	82- 18	1	1	1	1	
794340-10061-X	LINK ASS'Y (R), lift	81- 18	1	1	1	1	
794340-10061-X	LINK ASS'Y (R), lift	82- 18	1	1	1	1	

- 09 -

NUMERICAL PART NO. LIST

Part No.	Description	Refer. No.	Q'ty/Unit				Remarks
			YMI55	YMI55D	YMI35	YMI35D	
794340-11900	TIRE ASS'Y (TURF), 6-12F.D.	91- 2	2	2			
794340-11900	TIRE ASS'Y (TURF), 6-12F.D.	92- 2	2	2			
794340-12900	FRONT TIRE ASS'Y (TURF)	91- 1	2	2			
794340-12900	FRONT TIRE ASS'Y (TURF)	92- 1	2	2			
794340-15100-X	STEERING GEAR ASS'Y	28- 1	1	1			
794340-15110-X	BODY w/BUSH	28- 9	1	1			
794340-15150-X	COVER, side	28- 11	1	1			
794340-15500	BALL NUT COMP.	28- 6	1	1			
794340-21000-X	HOUSING ASS'Y, clutch	30- 1	1				
794340-21000-X	HOUSING ASS'Y, clutch	31- 1	1				
794340-21001-X	HOUSING ASS'Y, clutch	30- 1	1				
794340-21001-X	HOUSING ASS'Y, clutch	31- 1	1				
794340-22100	CLUTCH RELEASE SHAFT ASS'Y	30- 23	1	1			
794340-22100	CLUTCH RELEASE SHAFT ASS'Y	31- 23	1	1			
794340-22100	CLUTCH RELEASE SHAFT ASS'Y	32- 23			1	1	
794340-22100	CLUTCH RELEASE SHAFT ASS'Y	33- 23			1	1	
794340-24100-X	HOUSING ASS'Y, transmission	34- 1	1		1		
794340-24100-X	HOUSING ASS'Y, transmission	35- 1	1		1		
794340-24150-X	GEAR HOUSING ASS'Y,	34- 11	1	1	1	1	
794340-24150-X	GEAR HOUSING ASS'Y,	35- 11	1	1			
794340-24350	OIL PLUG 30 w/PLATE	34- 23	1		1		
794340-34600	TIRE ASS'Y (TURF), 8-16F.D.	91- 7	2	2			
794340-34600	TIRE ASS'Y (TURF), 8-16F.D.	92- 7	2	2			
794340-34700	REAR TIRE ASS'Y (TURF)	91- 6	2	2			
794340-34700	REAR TIRE ASS'Y (TURF)	92- 6	2	2			
794340-34810	TIRE ASS'Y (L), rear wheel	50- 17	1				
794340-34810	TIRE ASS'Y (L), rear wheel	51- 14		1			
794340-34810	TIRE ASS'Y (L), rear wheel	52- 17	1				
794340-34810	TIRE ASS'Y (L), rear wheel	53- 14		1			
794340-34820	TIRE ASS'Y (R), rear wheel	50- 22	1				
794340-34820	TIRE ASS'Y (R), rear wheel	51- 19		1			
794340-34820	TIRE ASS'Y (R), rear wheel	52- 22	1				
794340-34820	TIRE ASS'Y (R), rear wheel	53- 19		1			
794340-34930	TIRE ASS'Y, rear	50- 18	1				
794340-34930	TIRE ASS'Y, rear	50- 23	1				
794340-34930	TIRE ASS'Y, rear	51- 15		1			
794340-34930	TIRE ASS'Y, rear	51- 20		1			
794340-34930	TIRE ASS'Y, rear	52- 18	1				
794340-34930	TIRE ASS'Y, rear	52- 23	1				
794340-34930	TIRE ASS'Y, rear	53- 15		1			
794340-34930	TIRE ASS'Y, rear	53- 20		1			
794340-52200	FUSE BOX ASS'Y	61- 35	1	1			
794340-52200	FUSE BOX ASS'Y	62- 26	1	1			
794340-52200	FUSE BOX ASS'Y	65- 33			1	1	
794340-52200	FUSE BOX ASS'Y	66- 27			1	1	

NUMERICAL PART NO. LIST

Part No.	Description	Refer. No.	Q'ty/Unit				Remarks
			YMI55	YMI55D	YMI35	YMI35D	
794340-53350	TURN SIGNAL ASS'Y	84- 1			2	2	
794340-54100	WORK LIGHT ASS'Y	85- 1	1	1	1	1	
794340-55400	PILOT LAMP ASS'Y, water	61- 43	1	1			
794340-55400	PILOT LAMP ASS'Y, water	62- 34	1	1			
794340-55400	PILOT LAMP ASS'Y, water	65- 41			1	1	
794340-55400	PILOT LAMP ASS'Y, water	66- 35			1	1	
794340-61501	PANEL BOX ASS'Y	67- 47	1	1			
794340-61501	PANEL BOX ASS'Y	68- 20	1	1			
794340-61501	PANEL BOX ASS'Y	70- 20	1	1			
794340-62040-P	FENDER (R) w/LABELS	73- 2	1				
794340-62040-R	FENDER (R) w/LABELS	73- 2	1				
794340-62050	FENDER (R) w/LABELS	74- 2	1				
794340-62050	FENDER (R) w/LABELS	76- 2	1				
794340-71090-X	LINK, complete, top	81- 5	1	1	1	1	
794340-74600	CHECK CHAIN ASS'Y	81- 31	2	2	2	2	
794340-74600	CHECK CHAIN ASS'Y	82- 31	2	2	2	2	
794340-82100	TOOL KIT	90- 1	1	1	1	1	
794340-83101	FRONT P.T.O. ASS'Y	94- 1	1	1			
794341-12910-Q	TIRE ASS'Y (L), front wheel	53- 1		1			
794341-12910-P	TIRE ASS'Y (L), front wheel	57- 1			1		
794341-12910-P	TIRE ASS'Y (L), front wheel	51- 1		1			
794341-12910-P	TIRE ASS'Y (L), front wheel	55- 1			1		
794341-12910-Q	TIRE ASS'Y (L), front wheel	51- 1		1			
794341-12920-Q	TIRE ASS'Y (R), front wheel	53- 6		1			
794341-12920-P	TIRE ASS'Y (R), front wheel	57- 6			1		
794341-12920-P	TIRE ASS'Y (R), front wheel	51- 6		1			
794341-12920-P	TIRE ASS'Y (R), front wheel	55- 6			1		
794341-12920-Q	TIRE ASS'Y (R), front wheel	51- 6		1			
794341-12930	TIRE ASS'Y 5-12, front wheel	51- 2		2			
794341-12930	TIRE ASS'Y 5-12, front wheel	51- 7		2			
794341-12930	TIRE ASS'Y 5-12, front wheel	53- 2		2			
794341-12930	TIRE ASS'Y 5-12, front wheel	53- 7		2			
794341-12930	TIRE ASS'Y 5-12, front wheel	55- 2			2		
794341-12930	TIRE ASS'Y 5-12, front wheel	55- 7			2		
794341-12930	TIRE ASS'Y 5-12, front wheel	57- 2			2		
794341-12930	TIRE ASS'Y 5-12, front wheel	57- 7			2		
794341-13750	OIL PLUG 30 w/PLATE	25- 31		1			
794341-13750	OIL PLUG 30 w/PLATE	26- 31			1		
794341-13800-X	GEAR CASE ASS'Y, upper front	26- 63			2		
794341-13800-X	GEAR CASE ASS'Y, upper front	25- 63		2			
794341-21000-X	HOUSING ASS'Y, clutch	30- 10		1			
794341-21000-X	HOUSING ASS'Y, clutch	31- 10		1			
794341-21001-X	HOUSING ASS'Y, clutch	31- 10		1			
794341-24100-X	HOUSING ASS'Y, transmission	34- 4		1	1		
794341-24100-X	HOUSING ASS'Y, transmission	35- 4		1			

- 61 -

NUMERICAL PART NO. LIST

Part No.	Description	Refer. No.	Q'ty/Unit				Remarks
			YMI55	YMI55D	YMI35	YMI35D	
794341-24350	OIL PLUG 30 w/PLATE	34- 27		1		1	
794341-62040	FENDER (R) w/LABELS	73- 8		1			
794341-62050	FENDER (R) w/LABELS	74- 8		1			
794341-62050	FENDER (R) w/LABELS	76- 8		1			
794345-52400	FUSE BOX ASS'Y	61- 35	1	1			
794345-52400	FUSE BOX ASS'Y	62- 26	1	1			
794345-52400	FUSE BOX ASS'Y	63- 25	1	1			
794345-52400	FUSE BOX ASS'Y	65- 33			1	1	
794345-52400	FUSE BOX ASS'Y	66- 27			1	1	
794390-12900	FRONT WHEEL TIRE ASS'Y (TURF)	93- 1			2	2	
794390-21000-X	HOUSING ASS'Y, clutch	32- 1			1		
794390-21000-X	HOUSING ASS'Y, clutch	33- 1			1		
794390-21001-X	HOUSING ASS'Y, clutch	32- 1			1		
794390-21001-X	HOUSING ASS'Y, clutch	33- 1			1		
794390-34700	REAR WHEEL TIRE ASS'Y (TURF)	93- 13			2	2	
794390-34810	TIRE ASS'Y (L), rear wheel	54- 17			1		
794390-34810	TIRE ASS'Y (L), rear wheel	56- 17			1		
794390-34810	TIRE ASS'Y (L), rear wheel	57- 14				1	
794390-34820	TIRE ASS'Y (R), rear wheel	54- 22			1		
794390-34820	TIRE ASS'Y (R), rear wheel	56- 22			1		
794390-34820	TIRE ASS'Y (R), rear wheel	57- 19				1	
794390-61501	PANEL BOX ASS'Y	71- 38			1	1	
794390-61501	PANEL BOX ASS'Y	72- 13			1	1	
794390-61502	PANEL BOX ASS'Y	71- 38			1	1	
794390-61502	PANEL BOX ASS'Y	72- 13			1	1	
794390-62040	FENDER (R) w/LABELS	77- 2			1		
794390-62040	FENDER (R) w/LABELS	78- 2			1		
794390-83100	FRONT P.T.O. ASS'Y	95- 1			1	1	
794390-83101	FRONT P.T.O. ASS'Y	95- 1			1	1	
794391-21000-X	HOUSING ASS'Y, clutch	32- 10				1	
794391-21000-X	HOUSING ASS'Y, clutch	33- 10				1	
794391-21001-X	HOUSING ASS'Y, clutch	32- 10				1	
794391-21001-X	HOUSING ASS'Y, clutch	33- 10				1	
794391-62040	FENDER (R) w/LABELS	77- 8				1	
794391-62040	FENDER (R) w/LABELS	78- 8				1	
794730-57122	TIE-ROD END ASS'Y (RL)	23- 13		1			
794730-57122	TIE-ROD END ASS'Y (RL)	24- 13			1		
794730-57122-X	TIE-ROD END ASS'Y (RL)	26- 57				1	
794730-57122-X	TIE-ROD END ASS'Y (RL)	23- 13		1			
794730-57122-X	TIE-ROD END ASS'Y (RL)	24- 13				1	
794730-57122-X	TIE-ROD END ASS'Y (RL)	25- 57			1		
794750-52050	SWITCH, starting	61- 19		1	1		
794750-52050	SWITCH, starting	65- 19				1	1
AZ0502-10010	WEIGHT 20, front	89- 9	3	3	3	3	
AZ0550-10070	FITTINGS, rear wheel weight	89- 4	2	2	2	2	

NUMERICAL PART NO. LIST

Part No.	Description	Refer. No.	Q'ty/Unit				Remarks
			YMI55	YMI55D	YMI35	YMI35D	
AZ0552-10010	WEIGHT 20, rear wheel	89- 2	2	2	2	2	
AZ0552-10020	WEIGHT 25, rear wheel	89- 3	2	2	2	2	
AZ1550-10010	HINGE, top link	34- 48	1	1	1	1	
AZ1550-10010	LINK, complete, lower	82- 40	2	2	2	2	
AZ1550-10050	PIN, lift arm	81- 15	1	1	1	1	
AZ1550-10050	PIN, lift arm	81- 26	1	1	1	1	
AZ1550-10050	PIN, lift arm	82- 15	1	1	1	1	
AZ1550-10050	PIN, lift arm	82- 26	1	1	1	1	
GZ0550-00000	WEIGHT w/FITTINGS	89- 1	2	2	2	2	
GZ1550-00050-X	LINK ASS'Y (L), lift	81- 10	1	1	1	1	
GZ1550-00050-X	LINK ASS'Y (L), lift	82- 10	1	1	1	1	