

0CS10-M52500EN

P R E F A C E

1. This Parts Catalog carries Yanmar crawler carrier C30RUS-2B for U. S. A.

2. Parts catalog history

		Parts catalog NO.	Published	Remarks
1st edition	Vehicle	000Y00S5250	Mar. , 2008	
	Engine	000Y00B7630		

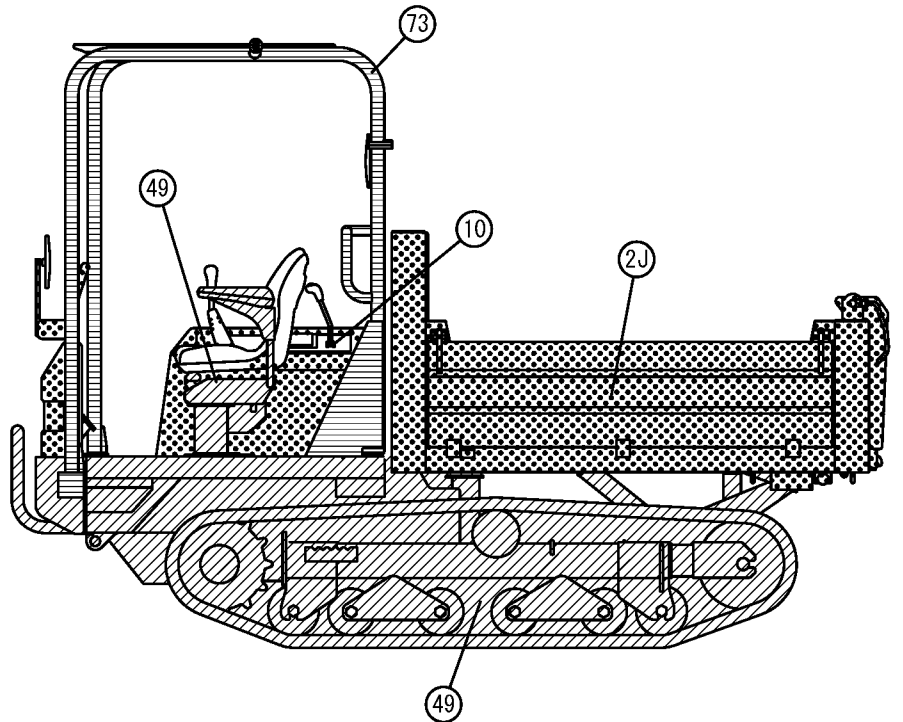
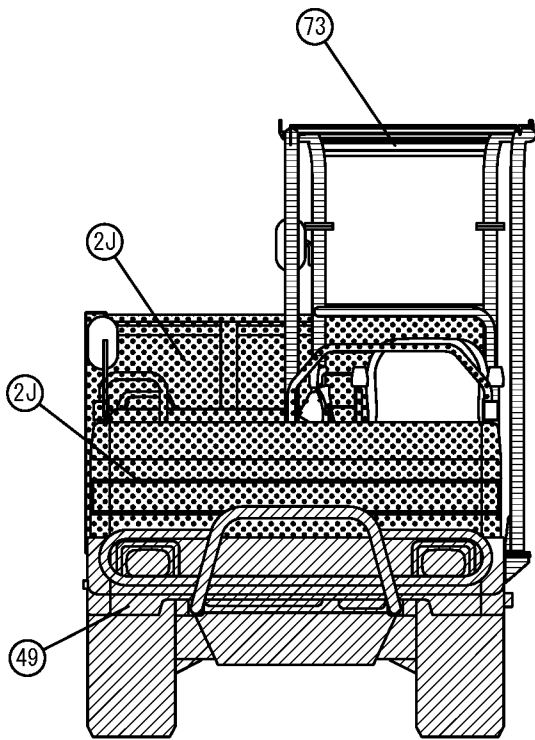
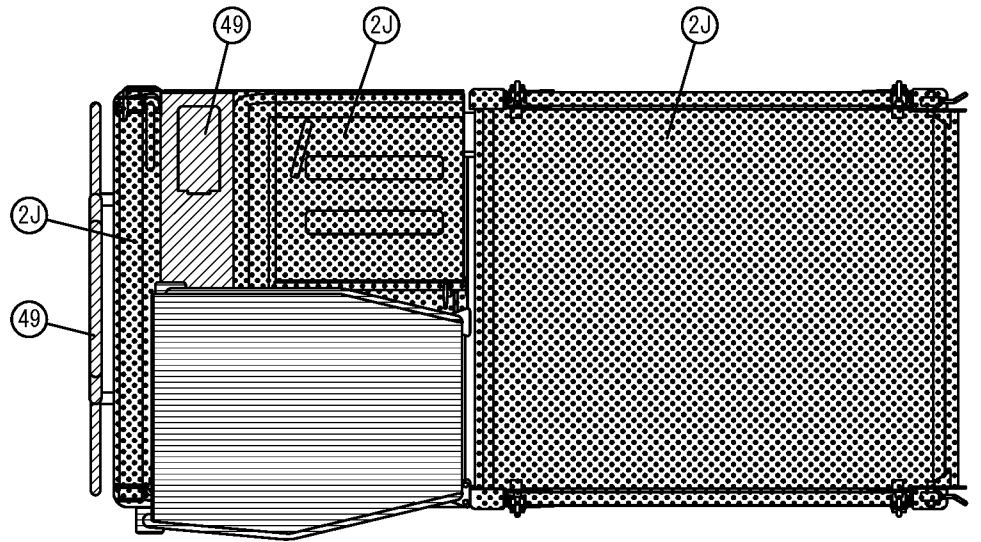
3. Model name





SECTION	Column	Model name	M/#	Manufactured
I (Vehicle)	(A)	C30RUS-2B	01001~	2008/02~
II (Engine)	(A)	3TNV88-BDFW	84643~	2008/02~

4. Your understanding is asking that this parts catalog is not a technical data manual setting forth as servicing procedures, This parts catalog is using simplified illustration.

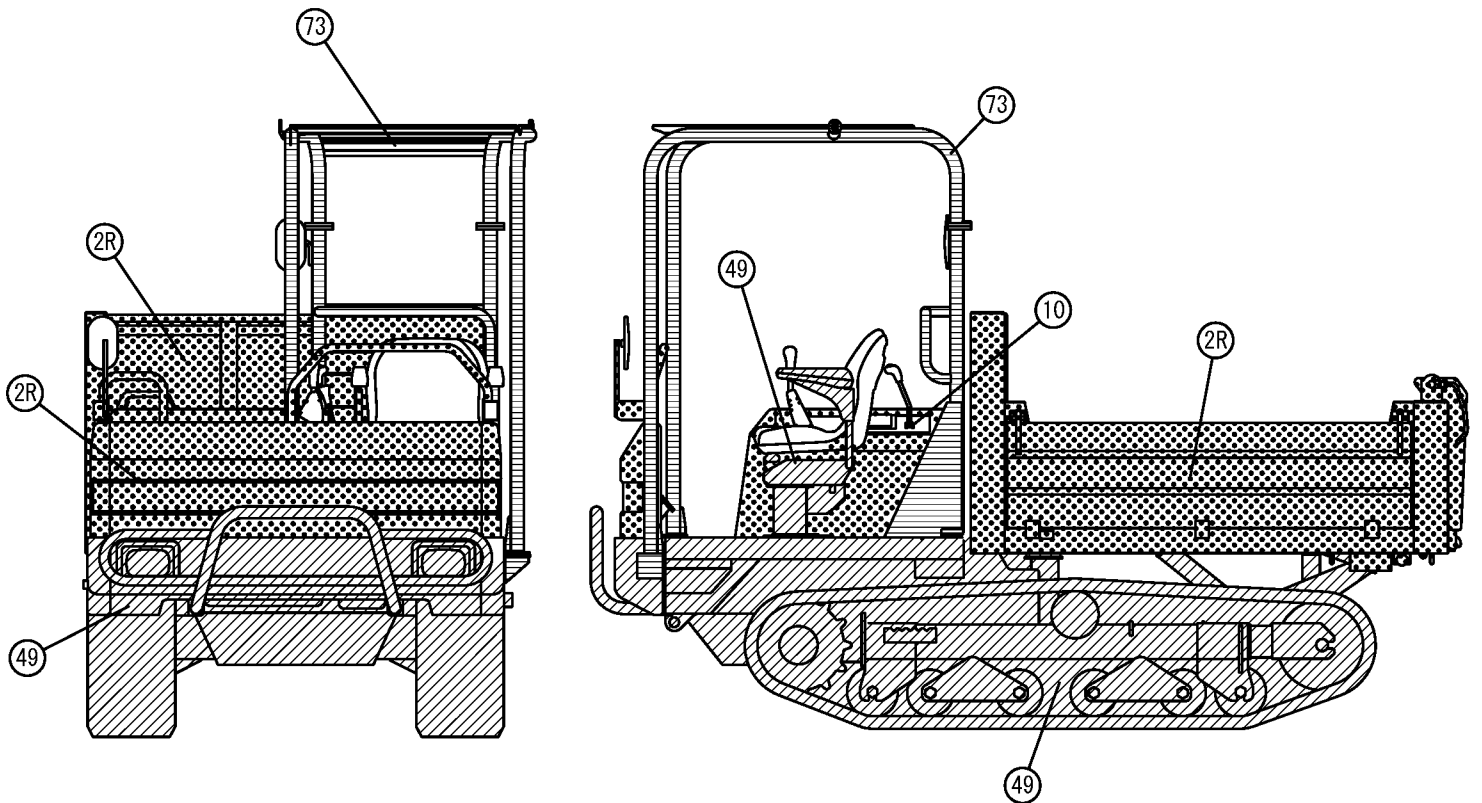
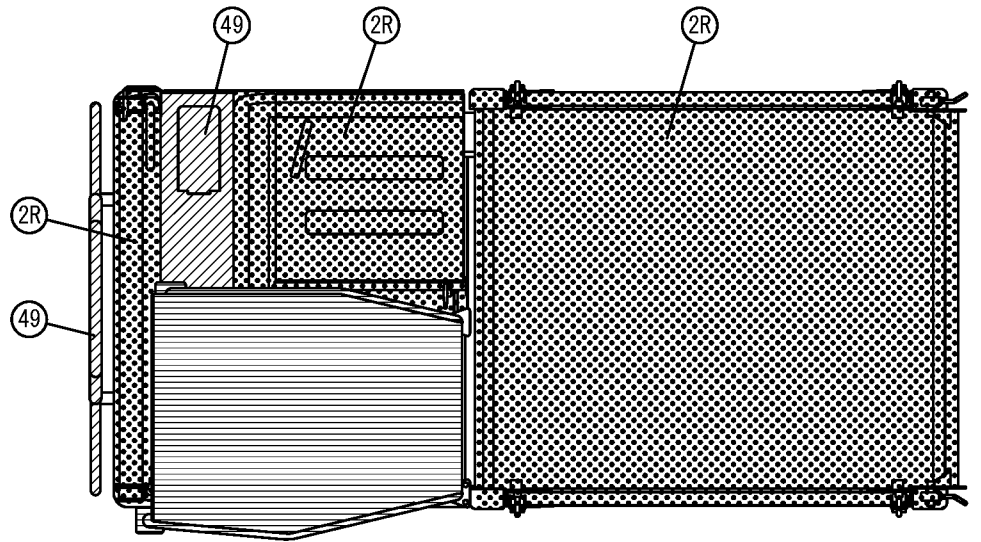
Be sure to use Yanmar Genuine Parts in your maintenance servicing of Yanmar products. Be careful not to use the simple parts available in the market, otherwise their use in repairing causes such as an early breakage, for instance.





VEHICLE PAINTED COLOR (TO M02049)



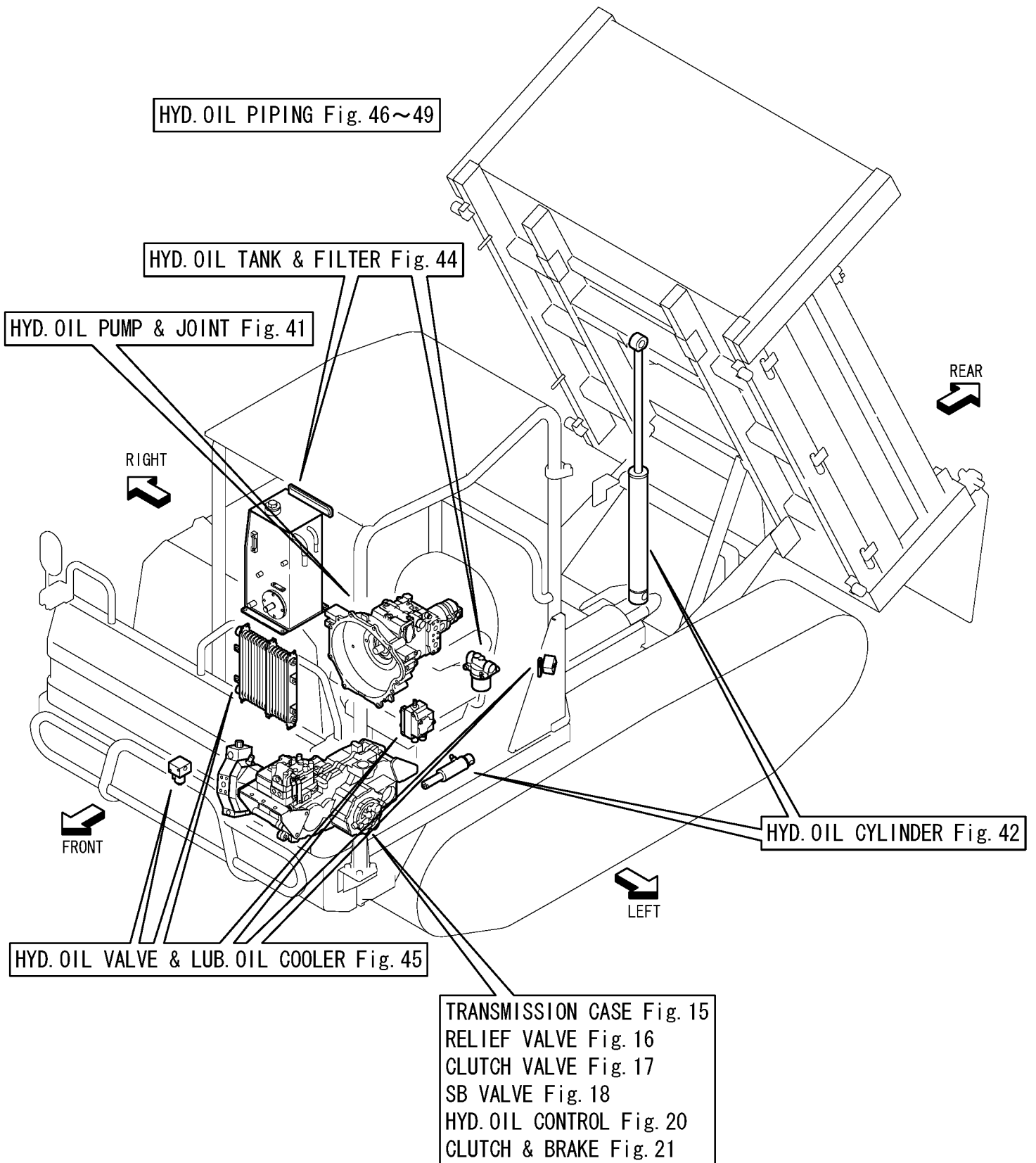
Color Code	Description	Painted Color	Paint Part No.		
			16L Can	4L Can	SPRAY
49		YANMAR Navy Gray	-----	TOR-91390000	TOR-94800490
2J		YANMAR New Permanent Yellow 2	981101-09520	977620-40871	977620-30872
73		YANMAR Warm Gray	-----	-----	TOR-94800730
10		YANMAR Red 2	-----	TOR-91000002	TOR-94800100

VEHICLE PAINTED COLOR (FROM M02050)



Color Code	Description	Painted Color	Paint Part No.		
			16L Can	4L Can	SPRAY
49		YANMAR Navy Gray	-----	TOR-91390000	TOR-94800490
2R		YANMAR Turmeric Yellow	-----	977620-41001	977620-41002
73		YANMAR Warm Gray	-----	-----	TOR-94800730
10		YANMAR Red 2	-----	TOR-91000002	TOR-94800100

PICTURESQUE INDEX (2) · · · HYDRAULIC SECTION



Contents

OCS10-M52500

Fig. No.	Fig. Name	Fig. No.	Fig. Name
VEHICLE C30RUS-2B		24.	TRACK ROLLER & CRAWLER
1.	LABEL	25.	FR LEVER
51.	(1A)LABEL(FOR CANADA)(OPTIONAL)	26.	INCHING LINK
2.	SAFETY LABEL	27.	BRAKE(PARKING)
3.	ACCESSORY	28.	BRAKE(PEDAL & ROD)(REAR)
4.	REARVIEW MIRROR	29.	BRAKE(PEDAL & ROD)(FRONT)
5.	EXHAUST PIPE	30.	BRAKE(LINK)
6.	SUCTION PIPE	31.	HYD.OIL LEVER
7.	FOOT ACCELERTOR	32.	LINK PLATE
8.	ENGINE MOUNT	33.	STEERING LEVER
9.	RADIATOR & MOUNT	34.	STEERING LINK
10.	FUEL TANK	35.	FRAME & BUMPER
11.	FUEL PIPE	36.	COVER
12.	BATTERY	37.	STEP & INSTRUMENT PANEL
13.	ELECTRIC PART(WIRING)	38.	SEAT & MOUNT
14.	ELECTRIC PART(EQUIPMENT)	39.	BONNET
15.	TRANSMISSION CASE	40.	CANOPY(ROPS)
16.	RELIEF VALVE	41.	HYD.OIL PUMP & JOINT
17.	CLUTCH VALVE	42.	HYD.OIL CYLINDER
18.	SB VALVE	43.	MOTOR
19.	TRANSMISSION GEAR	44.	HYD.OIL TANK & FILTER
20.	HYD.OIL CONTROL	45.	HYD.OIL VALVE & LUB.OIL COOLER
21.	CLUTCH & BRAKE	46.	HYD.OIL PIPING(TANK - PUMP , MOTOR)
22.	TRAVELLING WHEEL	47.	HYD.OIL PIPING(PUMP - CONTROL VALVE - CYLINDER)
23.	IDLER & CRAWLER ADJUST	48.	HYD.OIL PIPING(PUMP - TRAVEL MOTOR - NEGATIVE CYLINDER)

Contents

0CS10-M52500

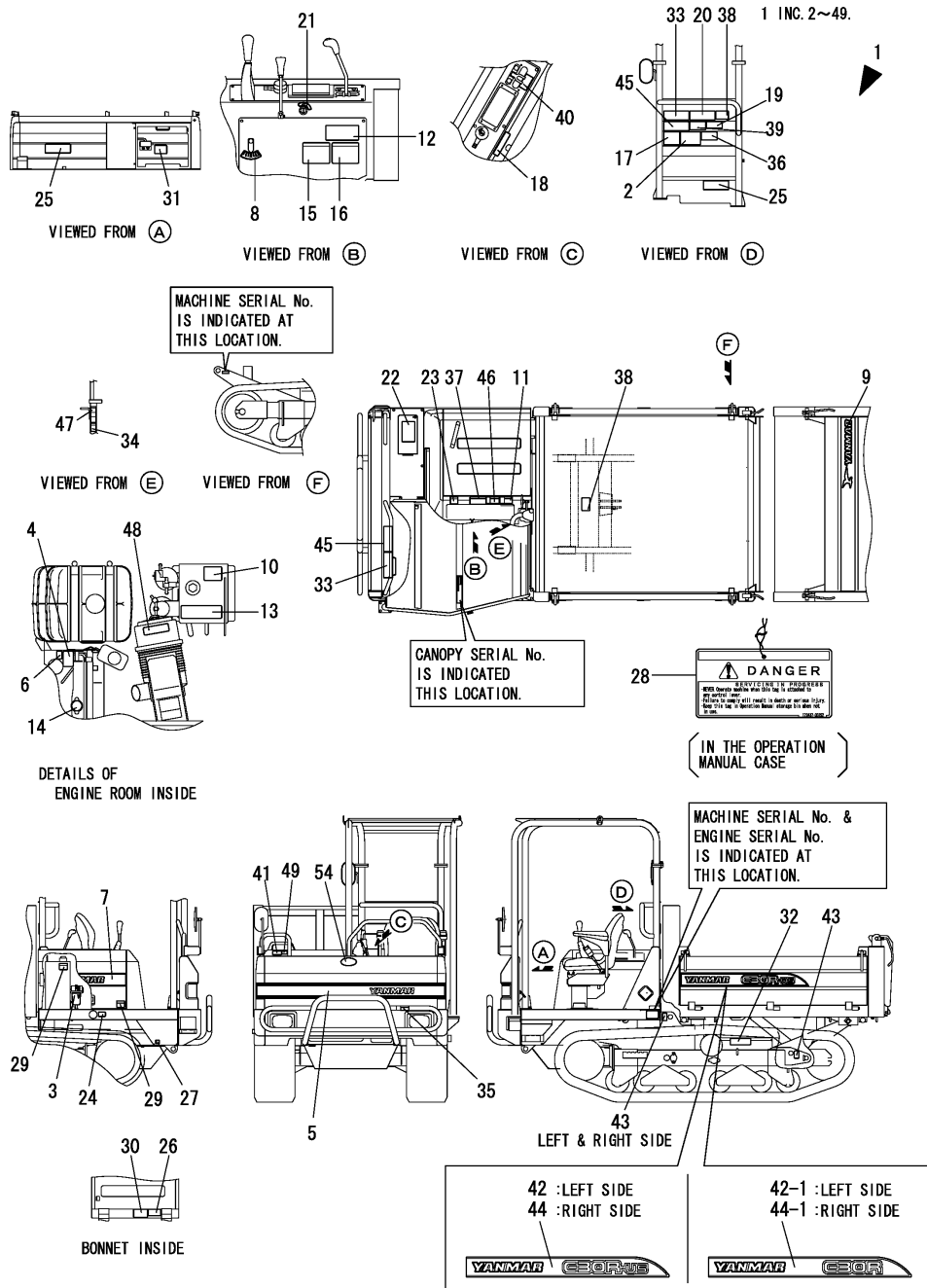
Fig. No. Fig. Name

49. HYD.OIL PIPING(REDUCTION)

50. WAGON

Fig. No. Fig. Name

Fig.1. LABEL



(A)=C30RUS-2B

(B)=

(C)=

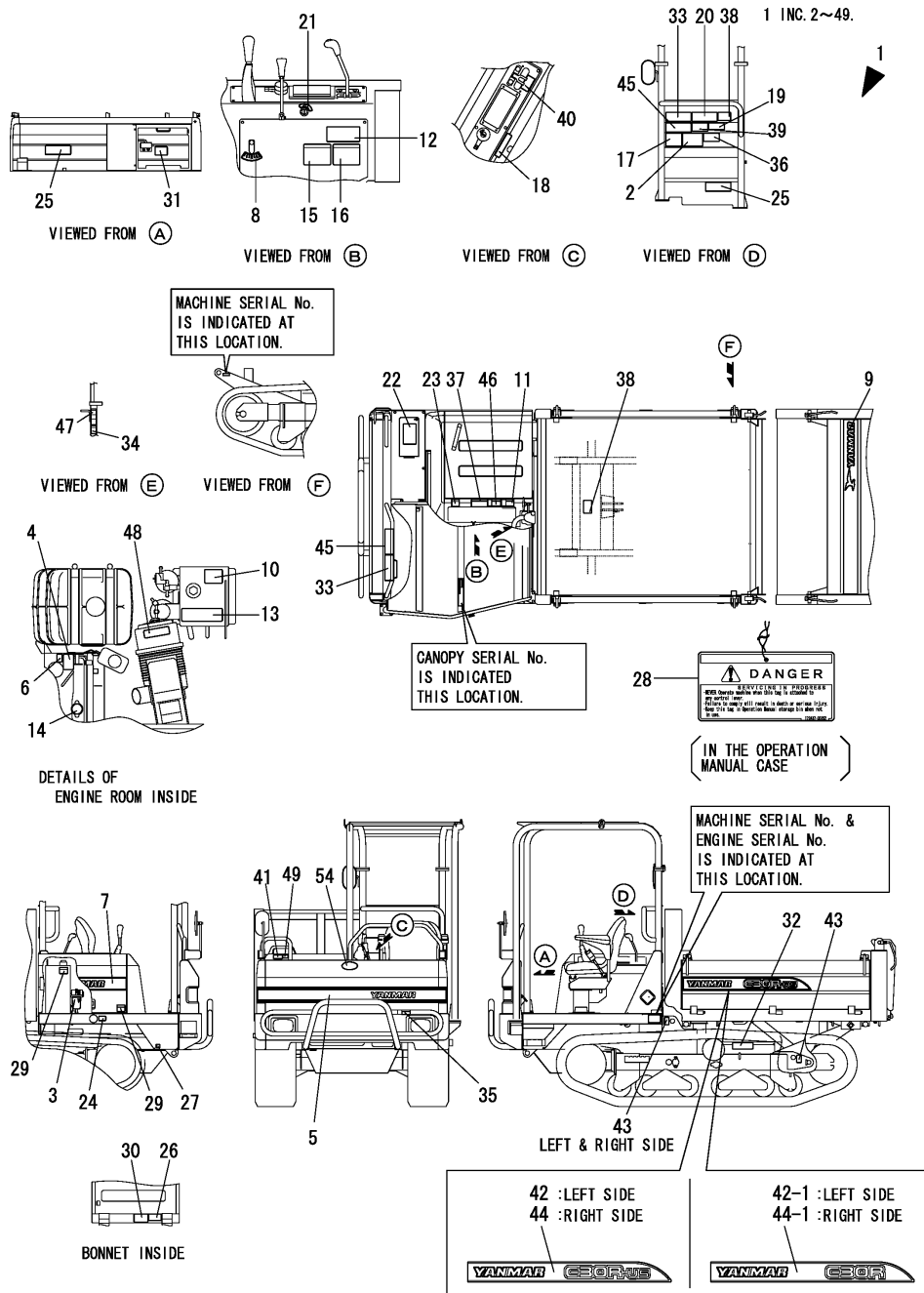
(D)=

(E)=

(F)=

No.	Lev.	Parts No.	Description	Q'ty						I	R
				(A)	(B)	(C)	(D)	(E)	(F)		
1	1	172659-03150	LABEL KIT(C30RUS-2B	1							
2	2	172472-03141	LABEL, SUPPORT	1							
3	2	172A07-03160	LABEL	1							
4	2	172A38-03201	LABEL, SUB TANK	1							
5	2	172653-03200	LABEL, YANMAR	1							
6	2	172A38-03211	LABEL, ANTI-FREEZING	1							
7	2	172653-03210	LABEL, YANMAR	1							
8	2	172652-03220	LABEL, ANGEL	1							
9	2	172A55-03310	LABEL, BRAND 450	1							
9-1	2	172A86-03310	LABEL, YANMAR	1							N
(A=M02050)											
10	2	172463-03290	LABEL, HYD.OIL	1							
11	2	172437-03302	LABEL, MANUAL	1							
12	2	172659-03310	LABEL, SPECIFICATION	1							
13	2	172437-03322	LABEL, RESEVOIR	1							
14	2	172462-03320	LABEL, RADIATOR	1							
15	2	172653-03320	LABEL, OIL/WATER	1							
16	2	172653-03330	LABEL, GREASING US	1							
17	2	172437-03343	LABEL, TRANSPORT	1							
18	2	172653-03340	LABEL, CHANGE US	1							
19	2	172437-03352	LABEL, CYLINDER	1							
20	2	172653-03350	LABEL, LIFT US	1							
21	2	172A64-03700	LABEL, START SWITCH	1							
22	2	172437-03361	LABEL, BATTERY	1							
23	2	172653-03360	LABEL, STEERING US	1							
24	2	172653-03370	LABEL, DRAIN US	1							
25	2	172653-03380	LABEL, OPERATION US	2							
26	2	172437-03391	LABEL, RADIATOR	1							
27	2	172653-03390	LABEL, DRAIN US	1							
28	2	172437-03252	TAG ASSY, CAUTION	1							
29	2	172437-03402	LABEL, ENGINE COVER	2							
30	2	172A36-03411	LABEL, ENGINE ROOM	1							
31	2	172653-03410	LABEL, FUSE US	1							
32	2	172437-03422	LABEL, MUFFLER	1							
33	2	172653-03430	LABEL, PK BRAKE US	2							
34	2	172437-03441	LABEL, ROPS	1							
35	2	172653-03440	LABEL, BUMPER US	1							
36	2	172653-03450	LABEL, PLACES US	1							
37	2	172653-03460	LABEL, NEUTRAL US	1							
38	2	172653-03470	LABEL, WAGON US	2							
39	2	172653-03480	LABEL, SLOPE US	1							
40	2	172653-03490	LABEL, LEVER US	1							
41	2	172437-03501	LABEL, FUEL	1							
42	2	172653-03500	LABEL MODEL, L US	1							
42-1	2	172653-03220	LABEL, MODEL L	1							S
(A=MZZZZZ)											
43	2	172437-03511	LABEL, HOOK	3							
44	2	172653-03510	LABEL MODEL, R US	1							
44-1	2	172653-03230	LABEL, MODEL R	1							S
(A=MZZZZZ)											
45	2	172653-03520	LABEL, BRAKE US	2							

Fig.1. LABEL



(A)=C30RUS-2B

(B)=

(C)=

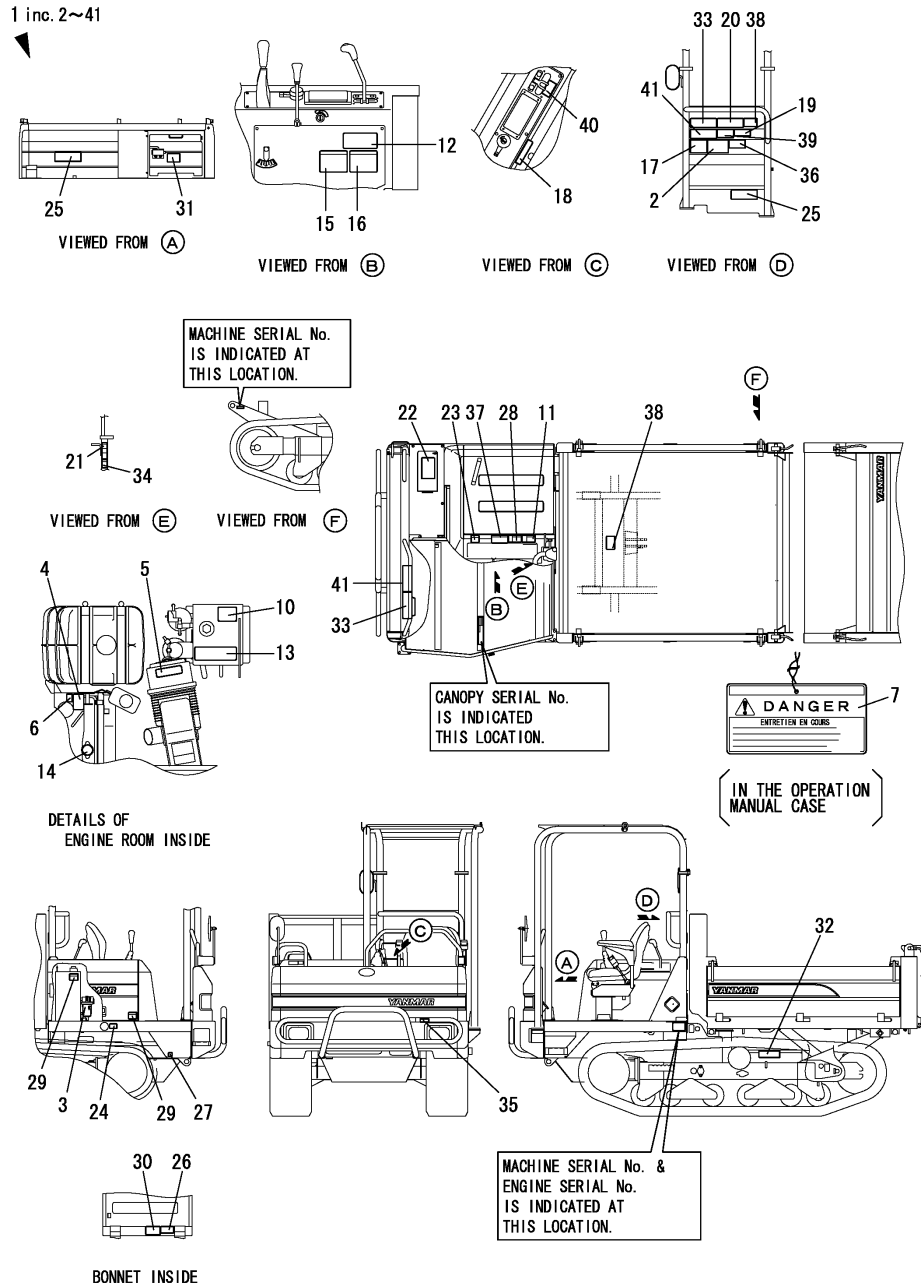
(D)=

(E)=

(F)=

No.	Lev.	Parts No.	Description	Q'ty						I	R
				(A)	(B)	(C)	(D)	(E)	(F)		
46	2	172652-03661	LABEL,CAUTION-OPE.US	1							
47	2	172652-03681	LABEL, SEAT BELT US	1							
48	2	172125-03951	LABEL, AIR CLEANER	1							
49	2	114110-07760	LABEL, FUEL CAUTION	1							
54	1	172533-03300	EMBLEM ASSY	1							W
(A=M02050)											

Fig.51. (1A)LABEL(FOR CANADA)(OPTIONAL)



(A)=C30RUS-2B
(B)=
(C)=

(D)=
(E)=
(F)=

No.	Lev.	Parts No.	Description	Q'ty						I	R
				(A)	(B)	(C)	(D)	(E)	(F)		
1	1	172659-03010 (A=MXXXXX)	CA LABEL KIT,C30R-US	1							W
2	2	172A37-03500	LABEL,SUPPORT CA	1							
3	2	172A07-03410	LABEL,WATER DRAIN	1							
4	2	172A37-03150	LABEL,SUB-TANK CA	1							
5	2	172A37-03180	LABEL J, AIR CLEANER	1							
6	2	172A37-03160	LABEL,ANTI-FREEZE CA	1							
7	2	172469-03261	TAG ASSY, SERVICING	1							
10	2	172469-03360	LABEL,OIL	1							
11	2	172A37-03231	LABEL,MANUAL CA.	1							
12	2	172659-03700	LABEL,SPECIFICATION	1							
13	2	172A37-03250	LABEL,RESERVOIR CA	1							
14	2	172469-03320	LABEL,RADIATOR CAP	1							
15	2	172653-03710	LABEL,OIL/WATER	1							
16	2	172653-03720	LABEL,GREASING CA	1							
17	2	172A37-03271	LABEL,TRANSPORT CA.	1							
18	2	172653-03730	LABEL,CHANGE CA	1							
19	2	172A37-03280	LABEL,GREASE CYL CA	1							
20	2	172653-03740	LABEL,LIFT CA	1							
21	2	172652-03891	LABEL,SEAT BELT CA	1							
22	2	172A37-03290	LABEL,BATTERY CA	1							
23	2	172653-03750	LABEL,STEERING CA	1							
24	2	172653-03760	LABEL,DRAIN CA	1							
25	2	172653-03770	LABEL,OPERATION CA	2							
26	2	172A37-03410	LABEL,RADIATOR CA	1							
27	2	172653-03780	LABEL,DRAIN CA	1							
28	2	172652-03871	LABEL,OPERATION CA	1							
29	2	172A37-03330	LABEL,ENGINE COVER	2							
30	2	172A37-03710	LABEL,ENGROOM CA	1							
31	2	172653-03790	LABEL,FUSE CA	1							
32	2	172A37-03350	LABEL,SILENCER CA	1							
33	2	172653-03800	LABEL,PK BRAKE CA	2							
34	2	172A37-03370	LABEL,ROPS CA	1							
35	2	172653-03810	LABEL,BUMPER CA	1							
36	2	172653-03820	LABEL,PLACES CA	1							
37	2	172653-03830	LABEL,NEUTRAL CA	1							
38	2	172653-03840	LABEL,WAGON CA	2							
39	2	172653-03850	LABEL,SLOPE CA	1							
40	2	172653-03860	LABEL,LEVER CA	1							
41	2	172653-03870	LABEL,BRAKE CA	2							

Fig.2. SAFETY LABEL

(A)=C30RUS-2B

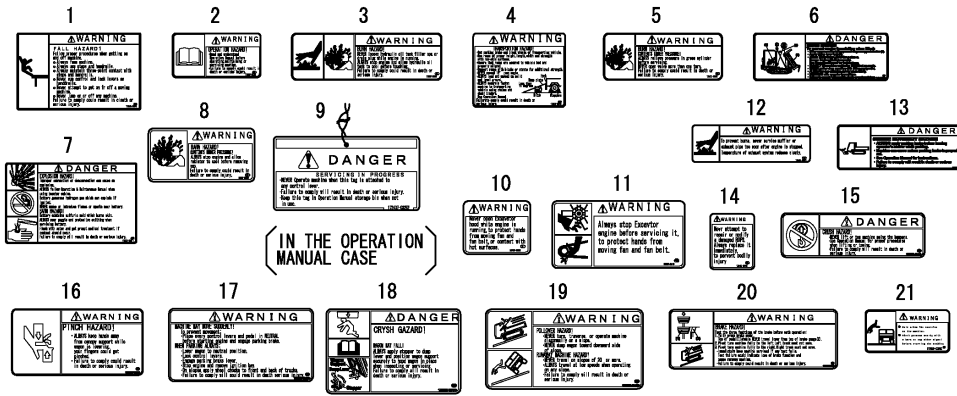
(B)=

(C)=

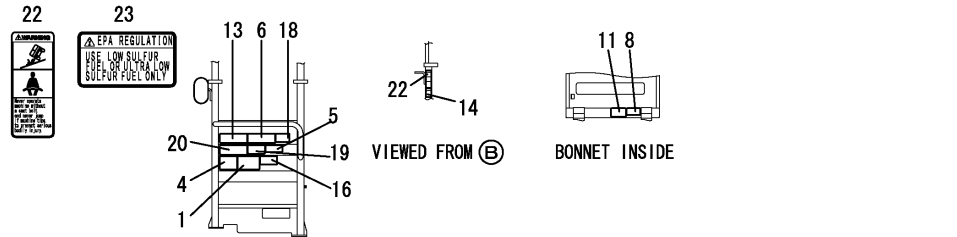
(D)=

(E)=

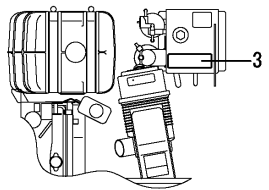
(F)=



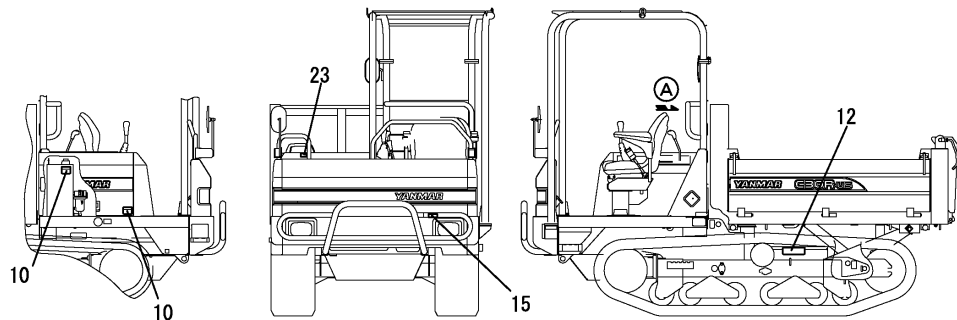
(IN THE OPERATION
MANUAL CASE)



VIEWED FROM (A)



DETAILS OF
ENGINE ROOM INSIDE

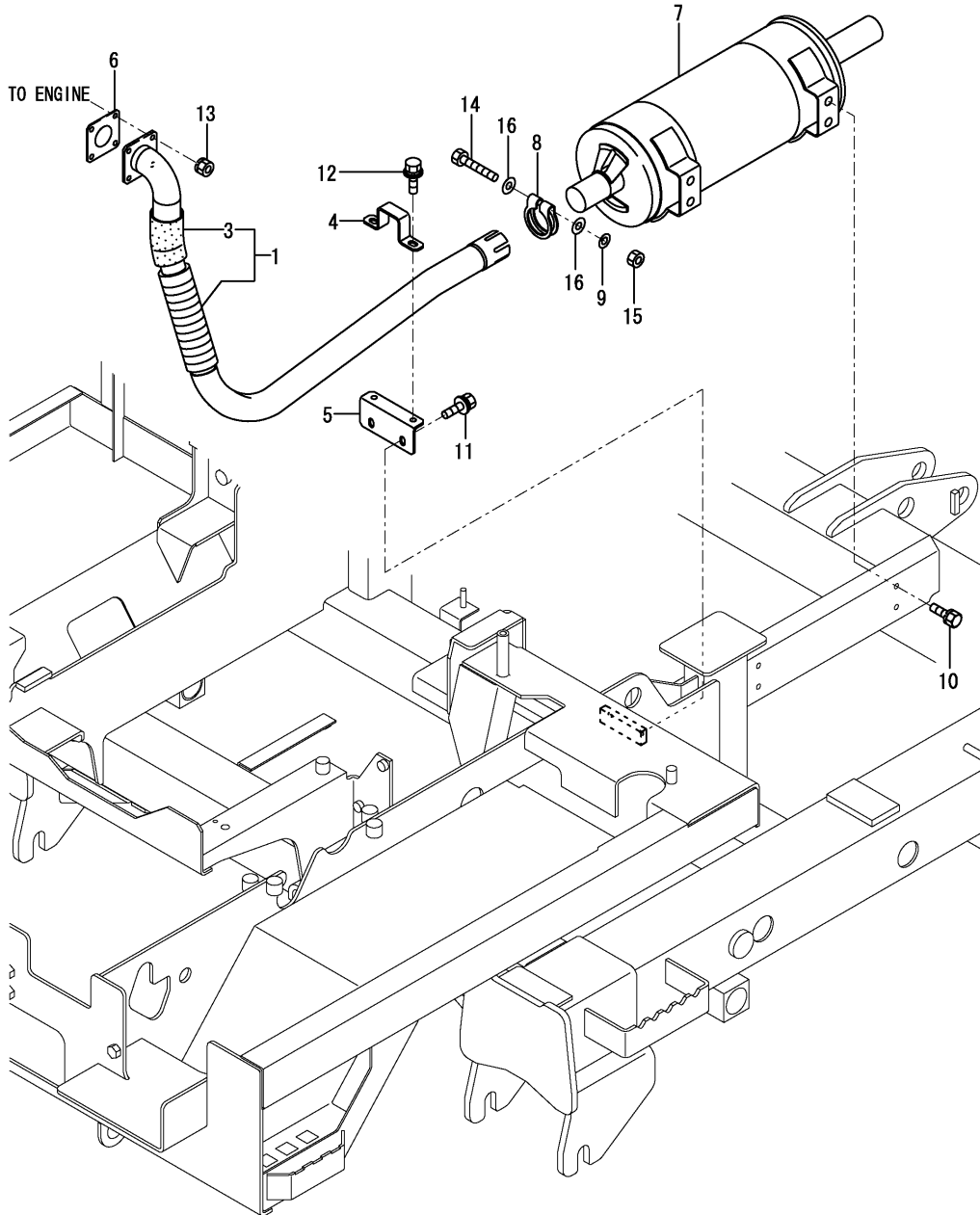


No.	Lev.	Parts No.	Description	Q'ty						I	R
				(A)	(B)	(C)	(D)	(E)	(F)		
1	1	172472-03141	LABEL, SUPPORT	1							
2	1	172437-03302	LABEL, MANUAL	1							
3	1	172437-03322	LABEL, RESEVOIR	1							
4	1	172437-03343	LABEL, TRANSPORT	1							
5	1	172437-03352	LABEL, CYLINDER	1							
6	1	172653-03350	LABEL,LIFT US	1							
7	1	172437-03361	LABEL, BATTERY	1							
8	1	172437-03391	LABEL, RADIATOR	1							
9	1	172437-03252	TAG ASSY, CAUTION	1							
10	1	172437-03402	LABEL, ENGINE COVER	2							
11	1	172A36-03411	LABEL, ENGINE ROOM	1							
12	1	172437-03422	LABEL, MUFFLER	1							
13	1	172653-03430	LABEL,PK BRAKE US	2							
14	1	172437-03441	LABEL, ROPS	1							
15	1	172653-03440	LABEL,BUMPER US	1							
16	1	172653-03450	LABEL,PLACES US	1							
17	1	172653-03460	LABEL,NEUTRAL US	1							
18	1	172653-03470	LABEL,WAGON US	2							
19	1	172653-03480	LABEL,SLOPE US	1							
20	1	172653-03520	LABEL,BRAKE US	2							
21	1	172652-03661	LABEL,CAUTION-OPE.US	1							
22	1	172652-03681	LABEL, SEAT BELT US	1							
23	1	114110-07760	LABEL, FUEL CAUTION	1							

Fig.5. EXHAUST PIPE

(A)=C30RUS-2B
(B)=
(C)=

(D)=
(E)=
(F)=

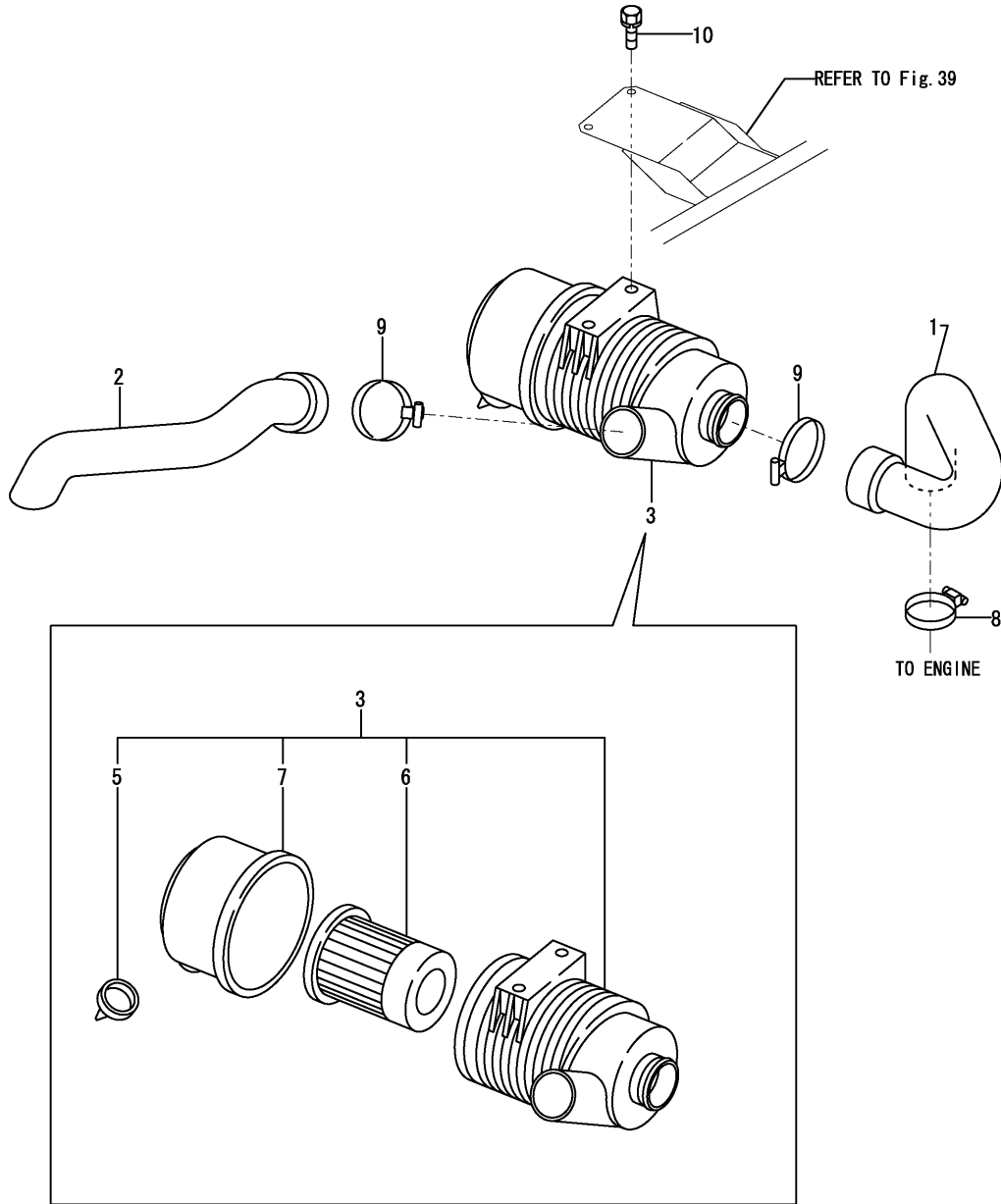


No.	Lev.	Parts No.	Description	Q'ty						I	R
				(A)	(B)	(C)	(D)	(E)	(F)		
1	1	172649-11300	TUBE, EXHAUST	1							
3	2	172649-11360	MAT	1							
4	1	172653-11361	BAND	1							
5	1	172653-11371	PLATE ASSY	1							
6	1	124701-11911	GASKET, SILENCER	1							
7	1	129030-13550	SILENCER	1							
8	1	121120-13580	CLAMP	1							
9	1	22217-100000	WASHER, SPRING 10	1							
10	1	26013-080202	BOLT, M8X 20	4							
11	1	26014-080162	BOLT, M8X 16	2							
12	1	26014-080162	BOLT, M8X 16	2							
13	1	26051-080002	NUT, M8	4							
14	1	26116-100652	BOLT, M10X 65 PLATED	1							
15	1	26716-100002	NUT, M10	1							
16	1	22137-100000	WASHER, 10	2							

Fig.6. SUCTION PIPE

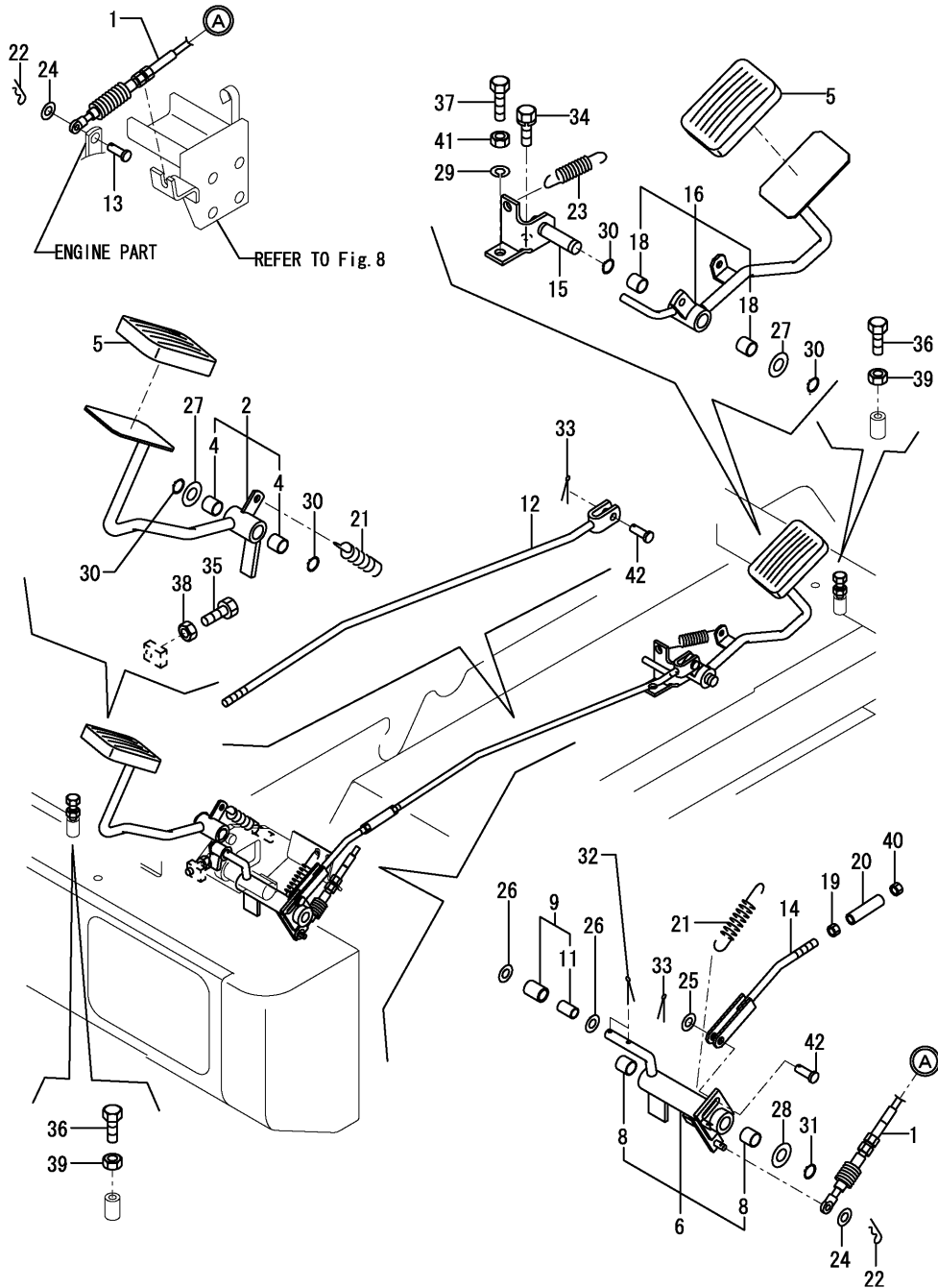
(A)=C30RUS-2B
(B)=
(C)=

(D)=
(E)=
(F)=



No.	Lev.	Parts No.	Description	Q'ty						I	R
				(A)	(B)	(C)	(D)	(E)	(F)		
1	1	172653-11510	HOSE, AIR INTAKE	1							
2	1	172653-11520	HOSE,AIR INTAKE	1							
3	1	172649-11551	CLEANER ASSY, AIR	1							
5	2	119808-12540	VALVE, UNLOADER	1							
6	2	129062-12560	ELEMENT	1							
7	2	129062-12570	COVER ASSY	1							
8	1	23000-070000	CLAMP, 70	1							
9	1	23000-080000	CLAMP, 80	2							
10	1	26013-080202	BOLT, M8X 20	2							

Fig.7. FOOT ACCELERATOR



(A)=C30RUS-2B
(B)=
(C)=

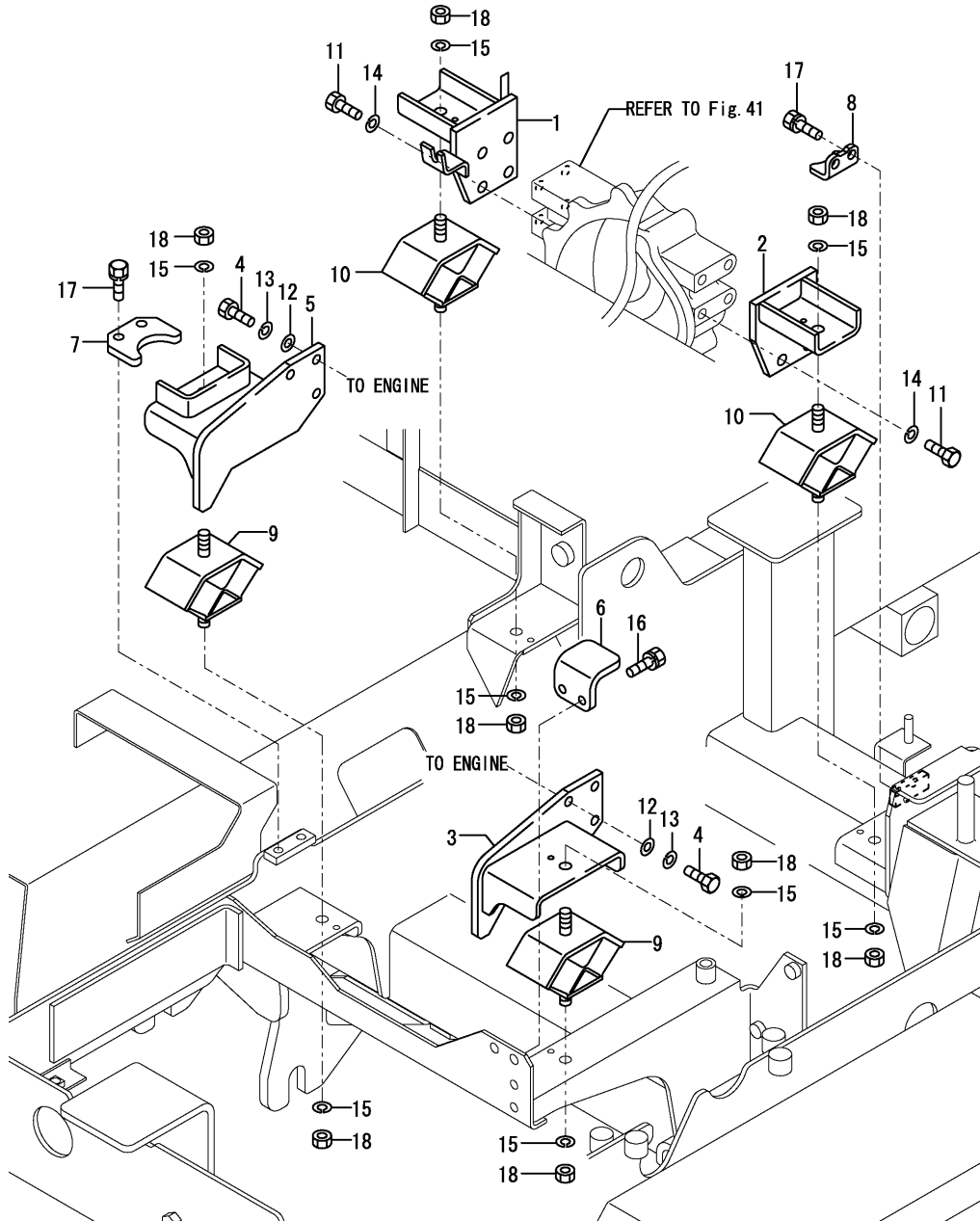
(D)=
(E)=
(F)=

No.	Lev.	Parts No.	Description	Qty						I	R
				(A)	(B)	(C)	(D)	(E)	(F)		
1	1	172649-12300	CABLE, ACCELERATOR	1							
2	1	172653-12310	PEDAL F ASSY, ACCEL.	1							
4	2	24550-014150	BUSH, 14X15				2				
5	1	172649-12390	PEDAL PAD	2							
6	1	172649-12401	LINK ACCELERATOR	1							
8	2	24550-014150	BUSH, 14X15				2				
9	1	172649-12480	ROLLER	1							
11	2	24550-010200	BUSH, 10X20				1				
12	1	172649-12510	ROD ACCELERATOR	1							
13	1	172113-12522	PIN, CABLE	1							
14	1	172649-12530	ROD 125	1							
15	1	172649-12551	BRACKET	1							
16	1	172653-12600	PEDAL R ASSY, ACCELE	1							
18	2	24550-014150	BUSH, 14X15				2				
19	1	194990-20170	NUT, M8	1							
20	1	195412-33280	TURNBUCKLE	1							
21	1	1E6460-42771	SPRING, SWING FIN	2							
22	1	1C6281-52310	PIN, SNAP 6	2							
23	1	1E8100-63750	SPRING, 1.6X16X55	1							
24	1	22137-060000	WASHER, 6	2							
25	1	22137-080000	WASHER, 8	1							
26	1	22137-100000	WASHER, 10	2							
27	1	22137-140000	WASHER, 14	2							
28	1	22137-140000	WASHER, 14	1							
29	1	22217-100000	WASHER, SPRING 10	1							
30	1	22242-000140	RING, 14	4							
31	1	22242-000140	RING, 14	1							
32	1	22417-200200	PIN, COTTER 2.0X20	2							
33	1	22417-200200	PIN, COTTER 2.0X20	1							
34	1	26013-100202	BOLT, M10X 20	1							
35	1	26116-080452	BOLT, M8X 45 PLATED	1							
36	1	26116-080604	BOLT, M8X 60 PLATED	2							
37	1	26116-100354	BOLT, M10X 35 PLATED	1							
38	1	26716-080002	NUT, M8	1							
39	1	26716-080002	NUT, M8	2							
40	1	26716-080002	NUT, M8	1							
41	1	26716-100002	NUT, M10	1							
42	1	933171-21700	PIN (B), SPOOL LINK	2							

Fig.8. ENGINE MOUNT

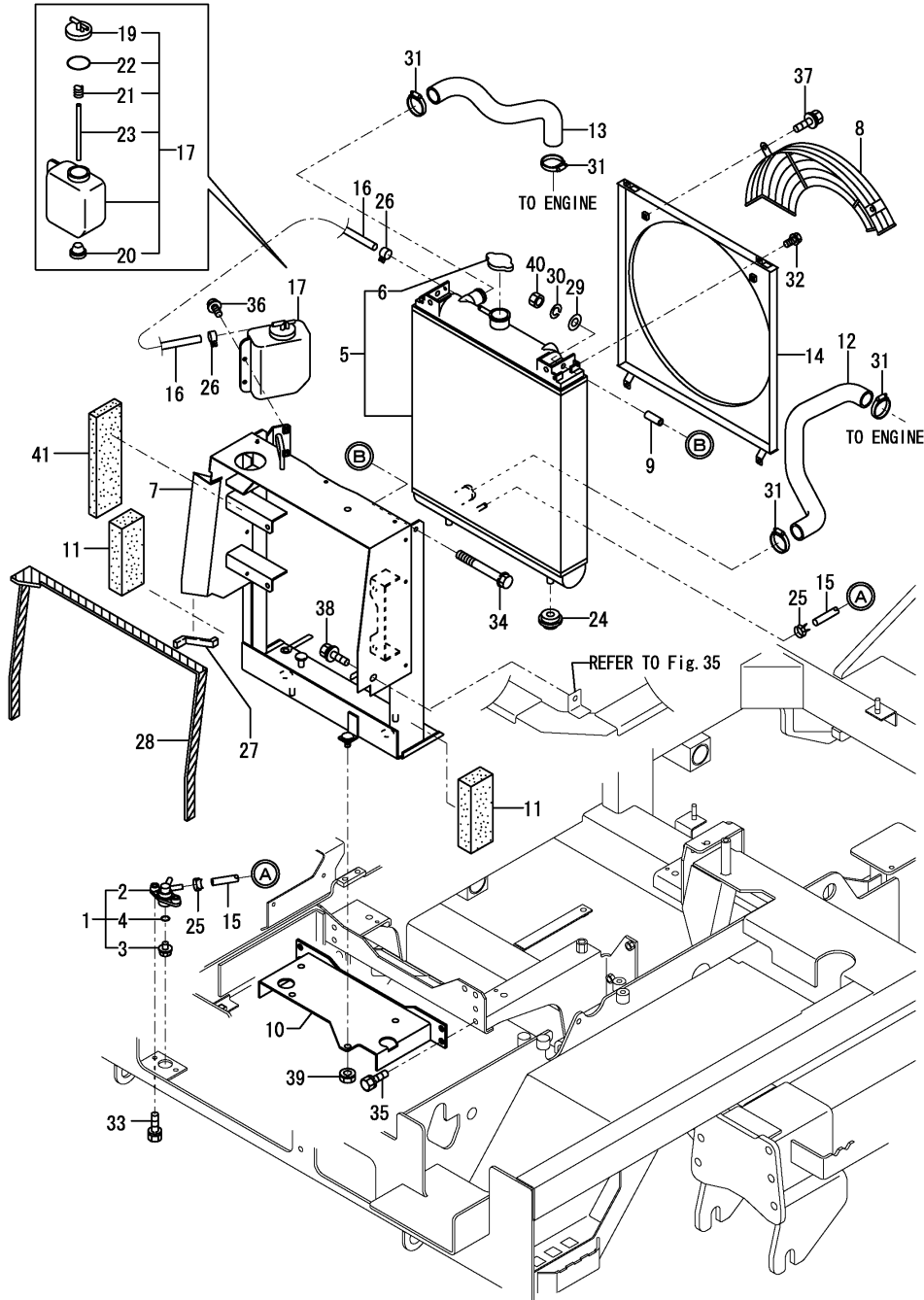
(A)=C30RUS-2B
(B)=
(C)=

(D)=
(E)=
(F)=



No.	Lev.	Parts No.	Description	Q'ty						I	R
				(A)	(B)	(C)	(D)	(E)	(F)		
1	1	172653-13100	MOUNT A(R)	1							
2	1	172649-13150-1	MOUNT ASSY	1							
3	1	172649-13171-1	MOUNT ASSY	1							
4	1	172162-13200	BOLT	6							
5	1	172649-13201-1	MOUNT ASSY	1							
6	1	172649-13220-1	STOPPER	1							
7	1	172649-13230-1	STOPPER	1							
8	1	172653-13240	STOPPER	1							
9	1	172649-13260	ABSORBER 180	2							
10	1	172649-13270	ABSORBER 230	2							
11	1	172131-37170	BOLT M12X 30	8							
12	1	172137-46042	SEAT, SPRING	6							
13	1	22217-100000	WASHER, SPRING 10	6							
14	1	22217-120000	WASHER, SPRING 12	8							
15	1	22217-120000	WASHER, SPRING 12	8							
16	1	26013-100162	BOLT, M10X 16	2							
17	1	26013-100252	BOLT, M10X 25	4							
18	1	26716-120002	NUT, M12	8							

Fig.9. RADIATOR & MOUNT



(A)=C30RUS-2B

(B)=

(C)=

(D)=

(E)=

(F)=

No.	Lev.	Parts No.	Description	Q'ty						I	R
				(A)	(B)	(C)	(D)	(E)	(F)		
1	1	172444-13210	COCK ASSY, 2-WAY	1							
2	2	172444-13220	BODY	1							
3	2	121250-49121	PLUG, DRAIN	1							
4	2	24311-000160	O-RING, 1AP16.0	1							
5	1	172653-13300	RADIATOR ASSY	1							
6	2	129107-44590	CAP, RADIATOR	1							
7	1	172653-13350	MOUNT,RADIATOR	1							
8	1	172527-13370	GUARD, FAN	1							
9	1	172653-13470	COLLAR	2							
10	1	172653-13480	BRACKET ASSY	1							
11	1	172649-13510	SPONGE	2							
12	1	172653-13540	HOSE A, RADIATOR	1							
13	1	172653-13550	HOSE B, RADIATOR	1							
14	1	172653-13570	SHROUD ASSY	1							
15	1	172141-14610	HOSE, FUEL	1							
16	1	172171-14610	HOSE, FUEL	1							
17	1	121468-44510	TANK ASSY	1							
19	2	121450-44531	CAP	1							
20	2	121468-44540	PLUG	1							
21	2	124450-44560	RETAINER	1							
22	2	121470-44581	GASKET	1							
23	2	23065-070130	PIPE, 7X 130	1							
24	1	184015-44680	ABSORBER, SHOCK	2							
25	1	124766-59050	CLIP, HOSE 12	2							
26	1	124766-59050	CLIP, HOSE 12	2							
27	1	172165-62630	RUBBER 90,EDGE	1							
28	1	172164-65720	RUBBER, SEAL	1							
29	1	22137-080000	WASHER, 8	2							
30	1	22217-080000	WASHER, SPRING 8	2							
31	1	23001-041000	CLAMP, HOSE 41	4							
32	1	26013-060162	BOLT, M6X 16	4							
33	1	26013-080202	BOLT, M8X 20	2							
34	1	26013-080602	BOLT, M8X 60	2							
35	1	26013-100202	BOLT, M10X 20	4							
36	1	26014-060202	BOLT, M6X 20	2							
37	1	26014-080162	BOLT, M8X 16	2							
38	1	26014-100202	BOLT, M10X 20	1							
39	1	26051-100002	NUT, M10	4							
40	1	26716-080002	NUT, M8	2							
41	1	172653-13520	EV,SHROUD	1							

Fig.10. FUEL TANK

(A)=C30RUS-2B

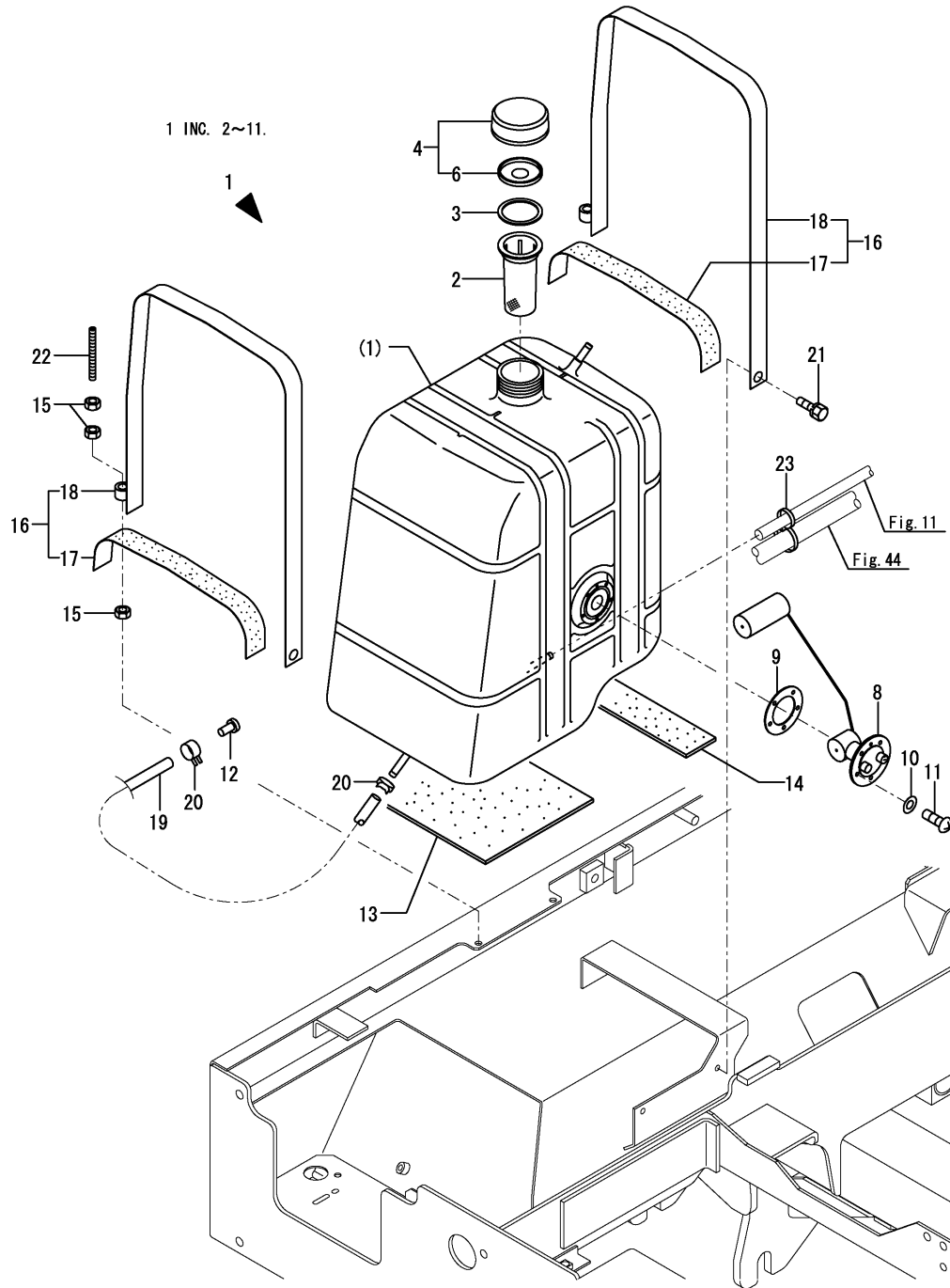
(B)=

(C)=

(D)=

(E)=

(F)=



No.	Lev.	Parts No.	Description	Q'ty						I	R
				(A)	(B)	(C)	(D)	(E)	(F)		
1	1	772649-14100	TANK ASSY, FUEL	1							
2	2	194151-04141	STRAINER, FUEL	1							
3	2	194151-04150	GASKET, STRAINER	1							
4	2	194250-04301	CAP ASSY, TANK	1							
6	3	194250-04321	VALVE, VENT	1							
8	2	172162-14180	GAUGE, FUEL	1							
9	2	172162-14200	GASKET	1							
10	2	22190-050001	WASHER, SEAL 5	5							
11	2	26557-050122	SCREW, M5X12	5							
12	1	22487-080160	PIN, H 8X 16	1							
13	1	172649-14190	PLATE	1							
14	1	172649-14200	PLATE	1							
15	1	26716-080002	NUT, M8	6							
16	1	172649-14402	BAND ASSY,FUEL TANK	2							
17	2	172649-14410	PLATE	2							
18	2	172649-14422	BAND, FUEL TANK	2							
19	1	172142-14620	HOSE, FUEL	1							
20	1	124766-59050	CLIP, HOSE 12	2							
21	1	26013-080162	BOLT, M8X 16	2							
22	1	172653-14450	SCREW,8X80	2							
23	1	172137-16560	BAND	1							W

(A=M26119)

Fig.11. FUEL PIPE

(A)=C30RUS-2B

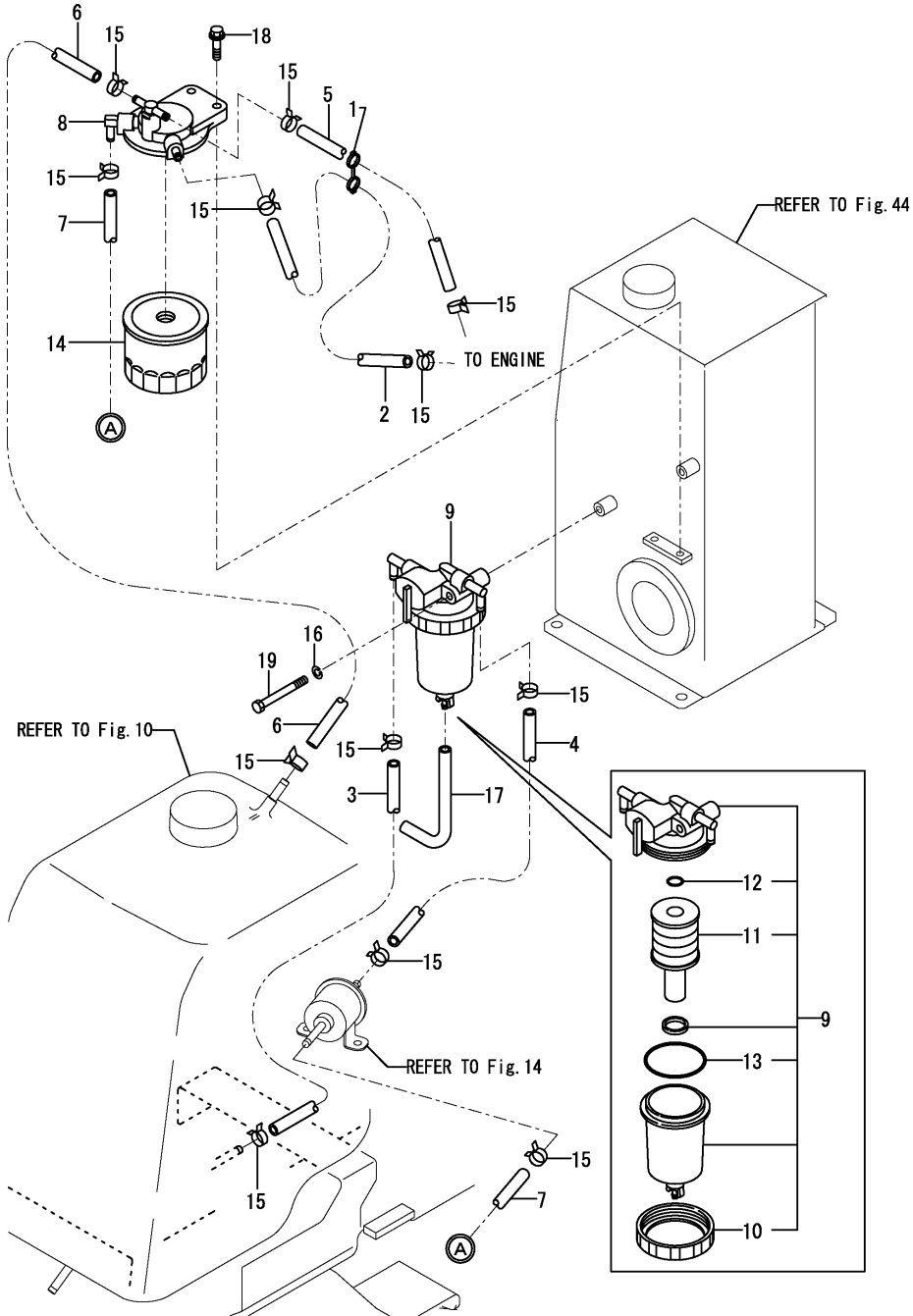
(B)=

(C)=

(D)=

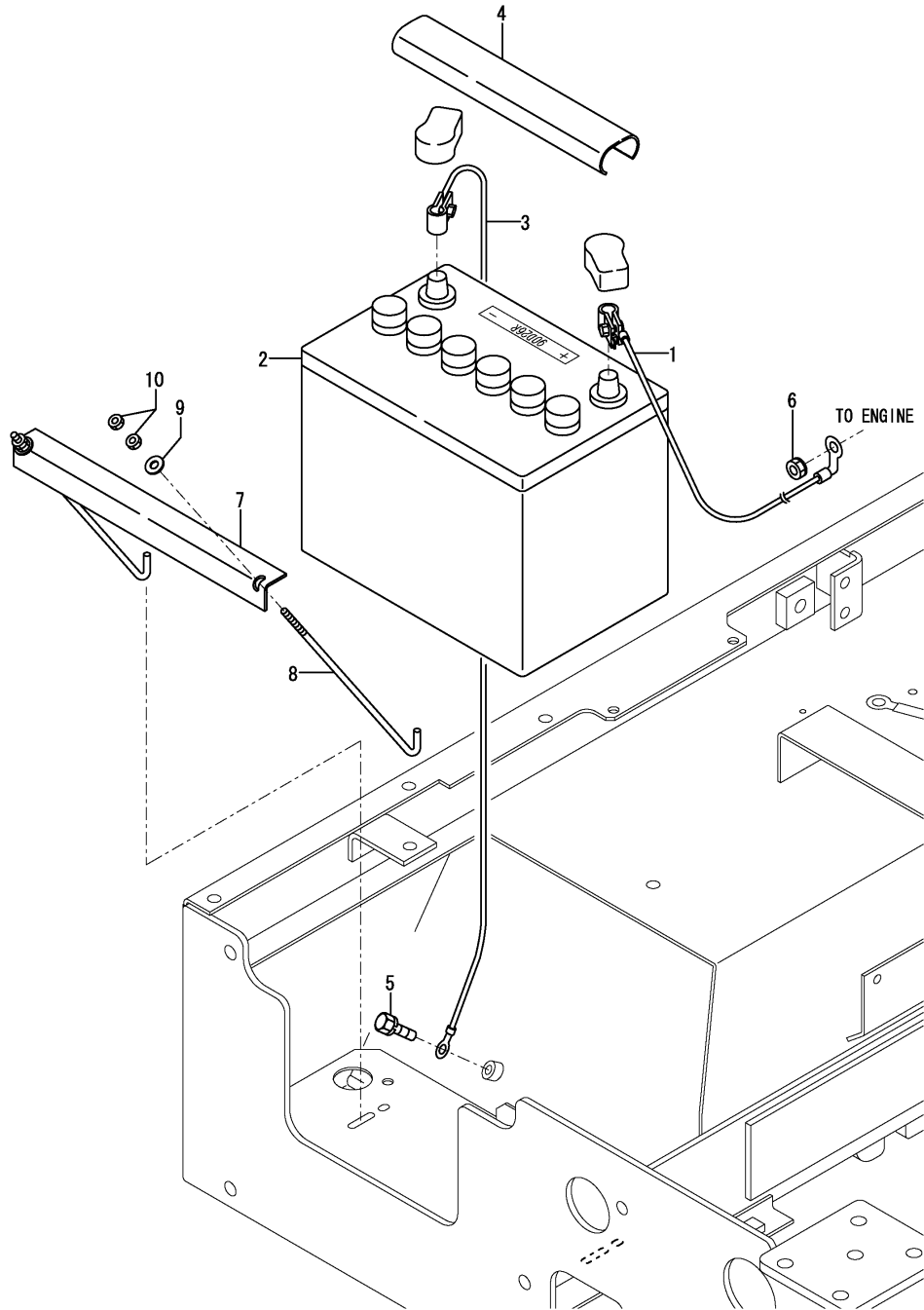
(E)=

(F)=



No.	Lev.	Parts No.	Description	Q'ty						I	R
				(A)	(B)	(C)	(D)	(E)	(F)		
1	1	172171-14300	CLAMP	1							
2	1	172171-14610	HOSE, FUEL	1							
3	1	172116-14620	PIPE, FUEL	1							
4	1	172734-14620	HOSE, FUEL	1							
5	1	172734-14620	HOSE, FUEL	1							
6	1	172164-14630	HOSE, FUEL	1							
7	1	172120-14680	HOSE	1							
8	1	129004-55612	BRACKET, FILTER	1							
9	1	184016-55700	SEPARATOR ASSY,WATER	1							
9-1	1	184016-55701	SEPARATOR ASSY	1							N
		(A=MXXXXX)									
10	2	129100-55690	RING, RETAINING	1							
11	2	119802-55710	ELEMENT	1							
12	2	24311-000160	O-RING, 1AP16.0	1							
13	2	24321-000650	O-RING, 1AG65.0	1							
14	1	119802-55810	FILTER,FO	1							
15	1	124766-59050	CLIP, HOSE 12	12							
16	1	22217-080000	WASHER, SPRING 8	1							
17	1	23061-050300	PIPE, 5X 300	1							
18	1	26014-080302	BOLT, M8X 30	2							
19	1	26116-080702	BOLT, M8X 70 PLATED	1							

Fig.12. BATTERY

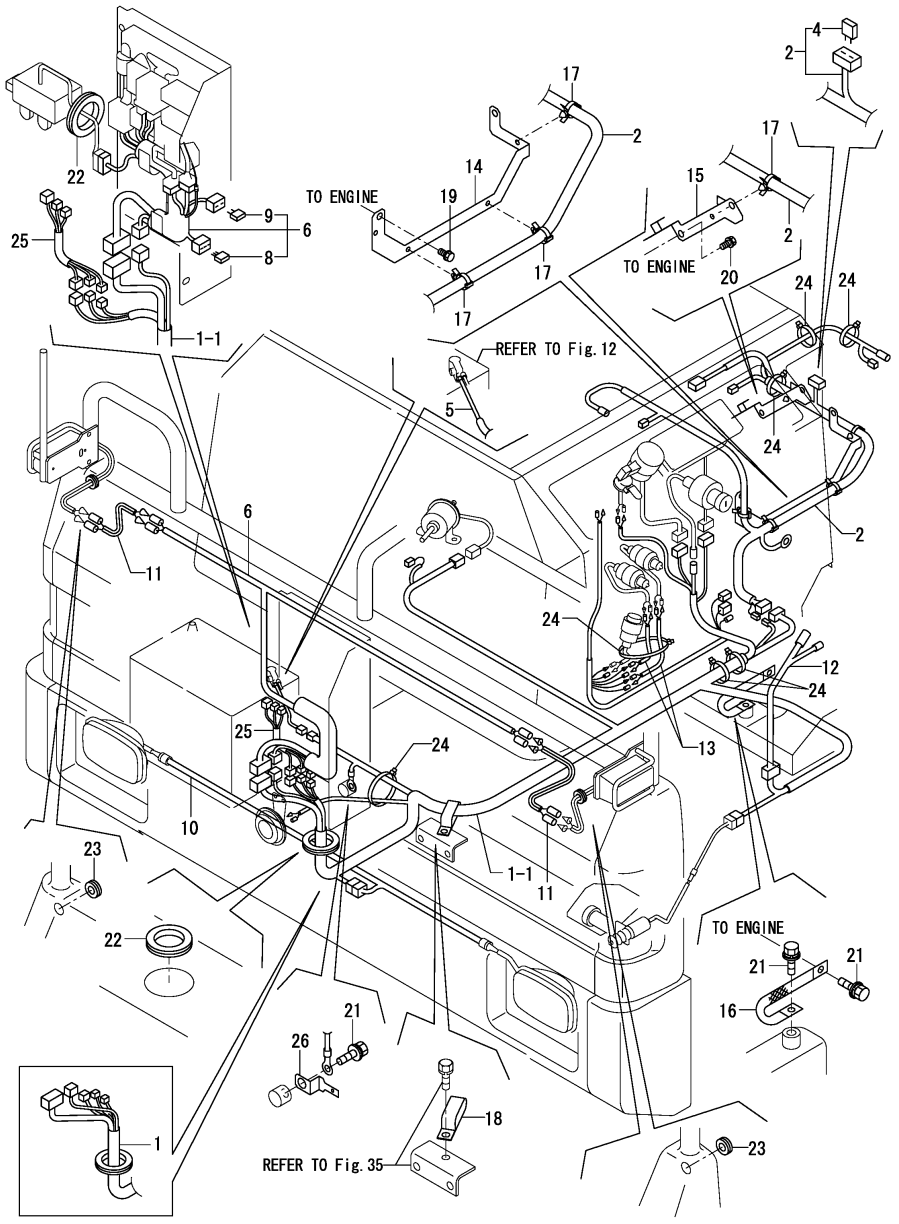


(A)=C30RUS-2B
(B)=
(C)=

(D)=
(E)=
(F)=

No.	Lev.	Parts No.	Description	Q'ty						I	R
				(A)	(B)	(C)	(D)	(E)	(F)		
1	1	172649-16100	CORD, BATTERY	1							
2	1	172653-16100	BATTERY	1							
3	1	172647-16110	CORD, BATTERY	1							
4	1	194432-51550	COVER, BATTERY	1							
5	1	26013-080162	BOLT, M8X 16	1							
6	1	26051-080002	NUT, M8	1							
7	1	172647-16310	CLAMP, BATTERY	1							
8	1	172647-16320	ROD, BATTERY CLAMP	2							
9	1	144220-99901	WASHER, 6.5X16.1.6	2							
10	1	26716-060002	NUT, M6	4							

Fig.13. ELECTRIC PART(WIRING)



(A)=C30RUS-2B
(B)=
(C)=

(D)=
(E)=
(F)=

No.	Lev.	Parts No.	Description	Q'ty						I	R
				(A)	(B)	(C)	(D)	(E)	(F)		
1	1	172659-16500	HARNESS A	1							
1-1	1	172659-16501	HARNESS A	1							F 1
(A=*2008.08)											
1-2	1	172659-16502	HARNESS A	1							N
(A=MZZZZZ)											
2	1	172659-16510	HARNESS B ASSY	1							
4	2	172648-16600	DIODE	1							
5	1	172183-16540	LINK,FUSIBLE	1							
6	1	172649-16540	HARNESS(C) ASSY	1							
8	2	172649-16560	DIODE, 1.5-3PA	1							
9	2	172648-16600	DIODE	1							
10	1	172649-16580	HARNESS(D), WIRE	1							
11	1	172649-16590	HARNESS(E), WIRE	2							
12	1	172649-16600	HARNESS(F), WIRE	1							
13	1	172649-16610	HARNESS(G), WIRE	2							
14	1	172653-16701	SUPPORT A,HURNESS	1							
15	1	172653-16710	SUPPORT ASSY	1							
16	1	933171-15801	CORD, ENGINE EARTH	1							
17	1	194680-51670	BAND, CLIP	5							
18	1	1A1380-59480	CLAMP, CORD	1							
19	1	26013-080162	BOLT, M8X 16	2							
20	1	26013-080162	BOLT, M8X 16	2							
21	1	26014-100202	BOLT, M10X 20	3							
22	1	933110-58400	GROMMET, 43	2							
23	1	933160-09220	GROMMET	2							
24	1	933168-55770	BAND	8							
24-1	1	933168-55770	BAND	7							K
(A=*2008.03)											
24-2	1	933168-55770	BAND	6							K
(A=M26001)											
25	1	172659-16530	HARNESS C	1							W
(A=*2008.08)											
26	1	172A23-14200	SUPPORT, CONNECTOR	1							W
(A=M26001)											

Remarks
(1)Interchangeable by simultaneous replacement with No.1-1 and No.25.

Fig.14. ELECTRIC PART(EQUIPMENT)

(A)=C30RUS-2B

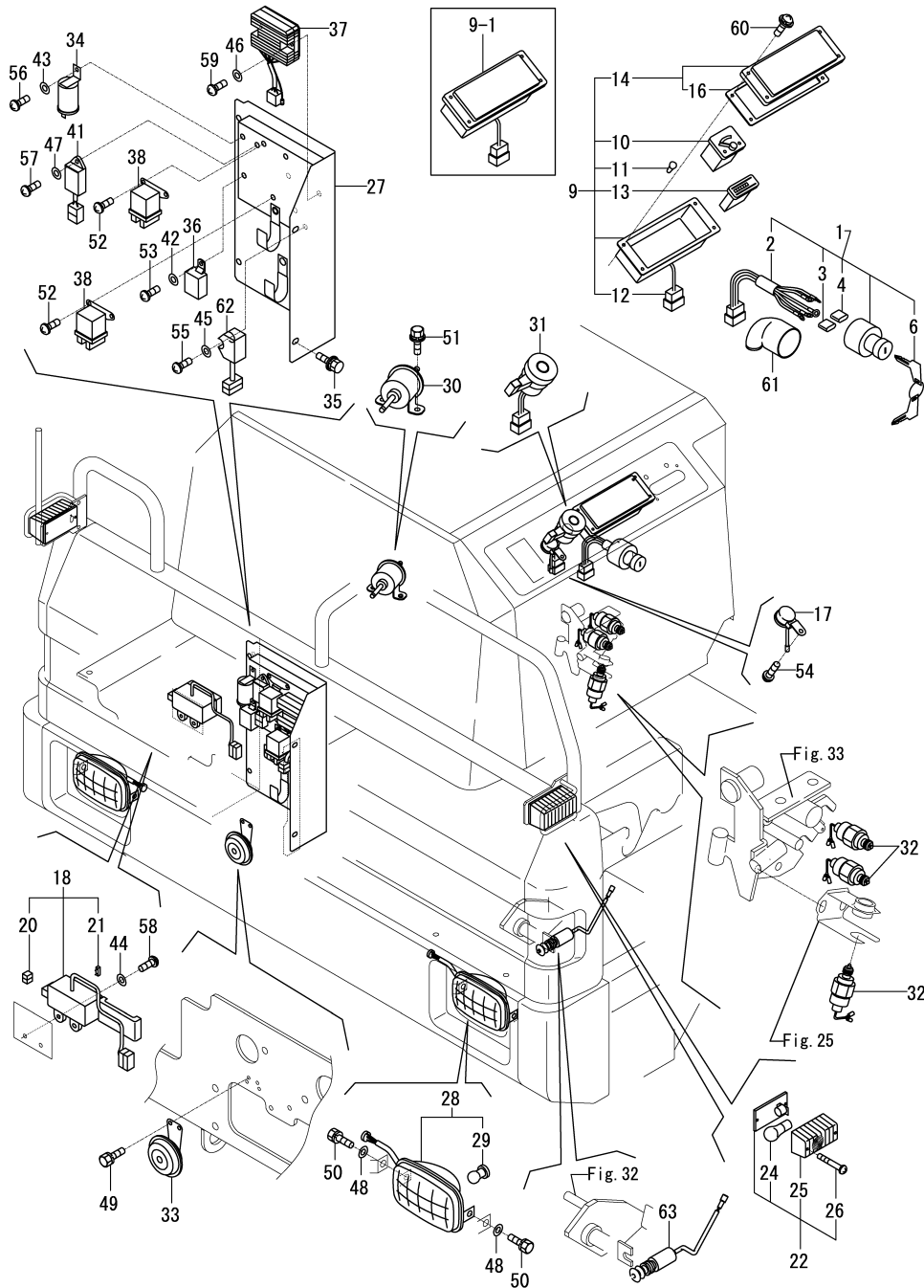
(B)=

(C)=

(D)=

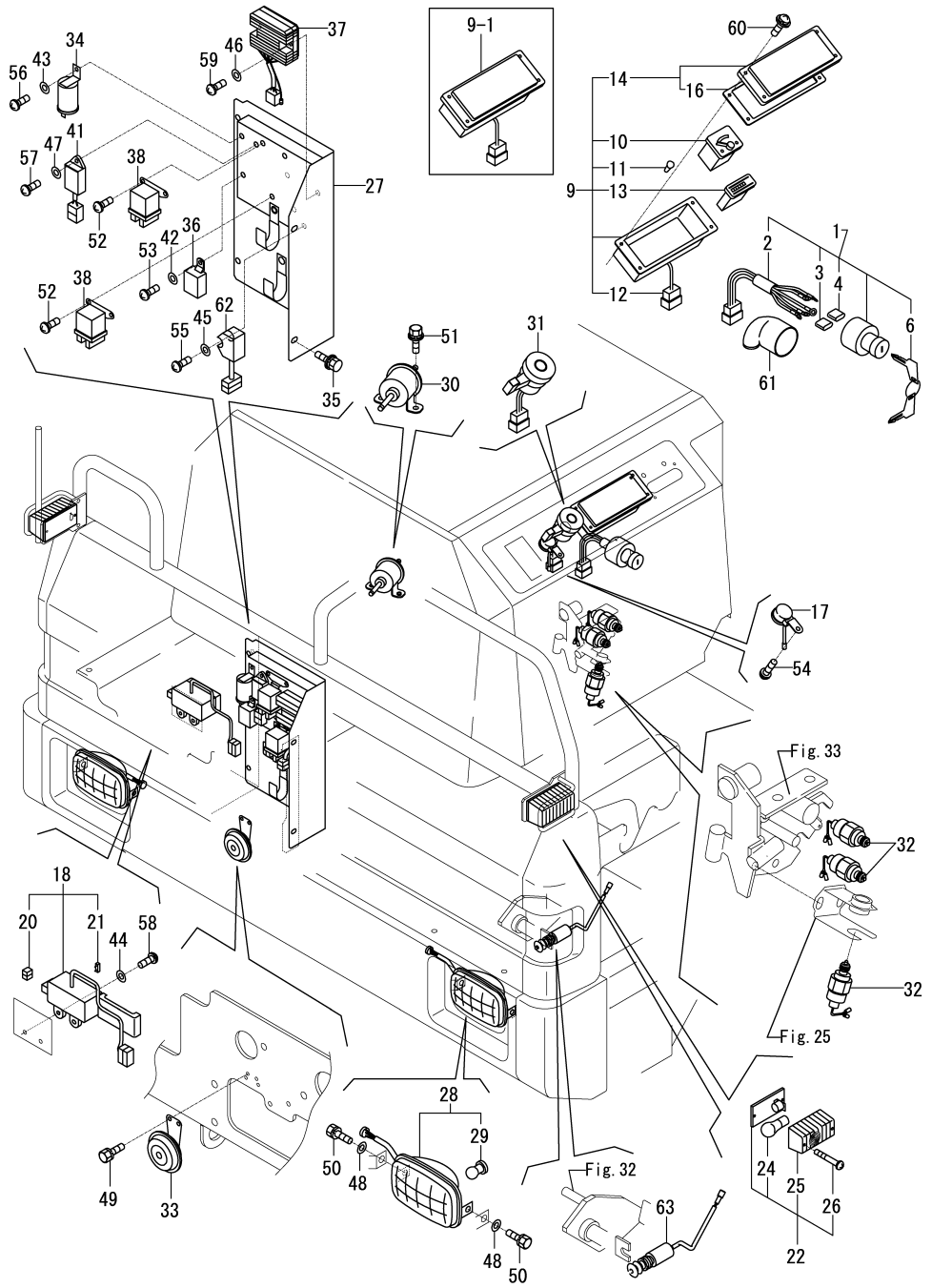
(E)=

(F)=



No.	Lev.	Parts No.	Description	Q'ty						I	R
				(A)	(B)	(C)	(D)	(E)	(F)		
1	1	172187-17100	SWITCH ASSY, STARTER	1							
2	2	172187-17070	CORD ASSY	1							
3	2	172187-17080	COVER	3							
4	2	172187-17090	COVER	2							
6	2	933110-00301	KEY ASSY	1							
9	1	172649-17100	INDICATOR BOX	1							
9-1	1	172649-17101	INDICATER BOX	1							N
		(A=M02024)									
10	2	172649-17110	F.O. METER	1							Z
		(A=M02024)									
11	2	172162-17120	VALVE	5							Z
		(A=M02024)									
12	2	172649-17120	HARNESS	1							Z
		(A=M02024)									
13	2	172162-17130	METER, HOUR	1							Z
		(A=M02024)									
14	2	172162-17270	COVER ASSY	1							Z
		(A=M02024)									
16	3	172162-17260	GASKET	1							Z
		(A=M02024)									
17	1	172141-17150	BUZZER	1							
18	1	172649-17150	HUSE BOX	1							
20	2	172175-17120	PULLER	1							
21	2	29420-150000	FUSE, B 15A	7							
22	1	172653-17170	LAMP ASSY,TURN	2							
24	2	172734-17190	BULB, 12V 23W	2							
25	2	172734-17200	LENS	2							
26	2	26557-040452	SCREW, M4X45	4							
27	1	172659-17200-2	COVER ASSY	1							
27-1	1	172659-17200-Y	COVER ASSY	1							S
		(A=M02050)									
28	1	172647-17311	LIGHT,HEAD COMP	2							
29	2	29220-788200	BULB, 12V 25W	2							
30	1	129612-52100	PUMP ASSY, FUEL FEED	1							
31	1	194940-52200	SWITCH, FUEL LEVEL	1							
32	1	1A6260-52500	SWITCH, SAFETY START	3							
33	1	194151-57100	HORN	1							
34	1	194080-57202	RELAY, FLASHER	1							
35	1	172162-68370	BOLT, M8X12	4							
36	1	119247-77100	RELAY, SAFETY	1							
37	1	119653-77710	LIMITER, CURRENT	1							
38	1	119650-77910	RELAY ASSY, GLOW	2							
41	1	129211-77920	TIMER	1							
42	1	22137-060000	WASHER, 6	1							
43	1	22137-060000	WASHER, 6	1							
44	1	22137-060000	WASHER, 6	2							
45	1	22137-060000	WASHER, 6	1							
46	1	22137-060000	WASHER, 6	2							
47	1	22137-060000	WASHER, 6	1							
48	1	22137-100000	WASHER, 10	4							
49	1	26013-060122	BOLT, M6X 12	2							

Fig.14. ELECTRIC PART(EQUIPMENT)

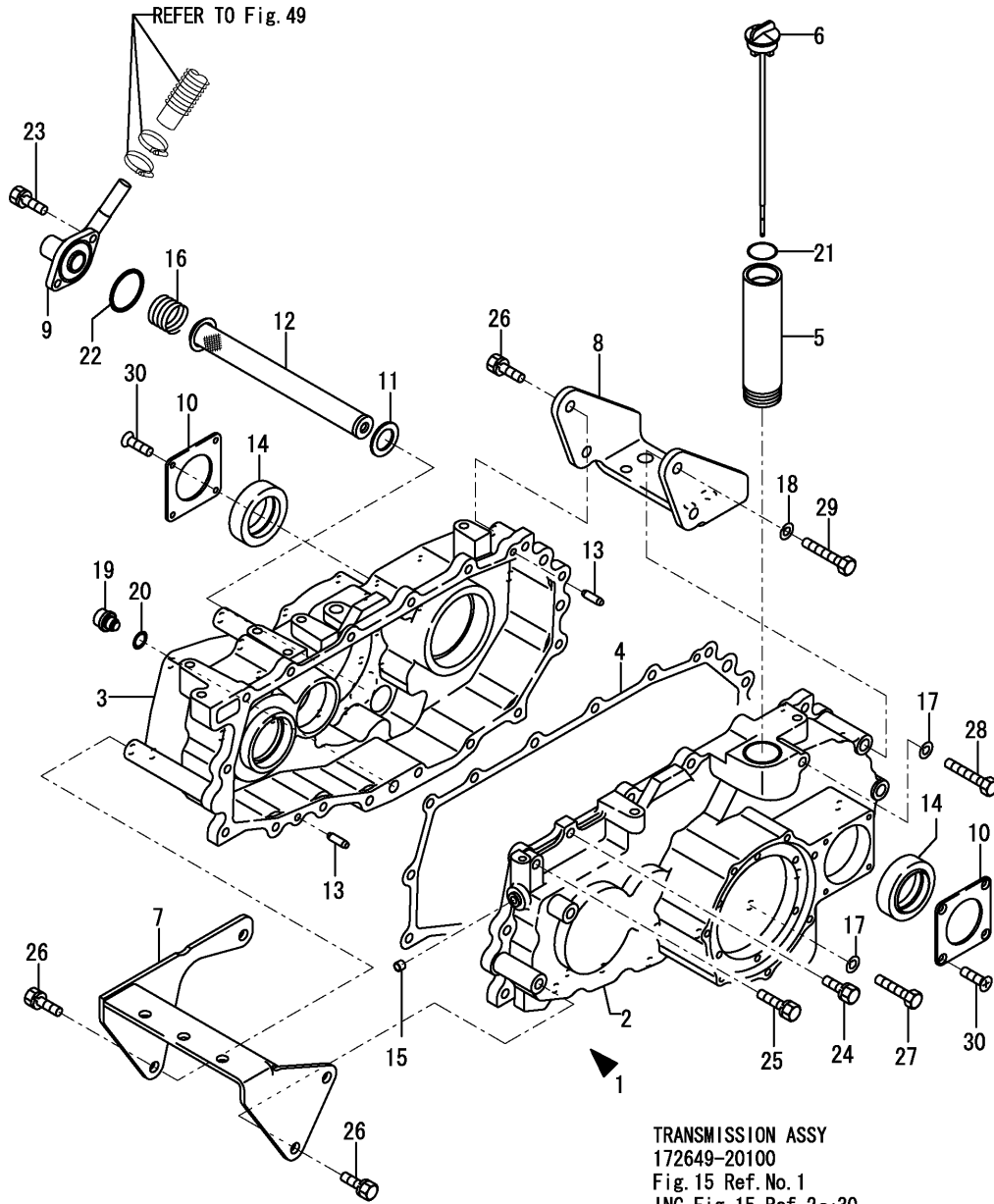


(A)=C30RUS-2B
(B)=
(C)=

(D)=
(E)=
(F)=

No.	Lev.	Parts No.	Description	Q'ty						I	R
				(A)	(B)	(C)	(D)	(E)	(F)		
50	1	26013-100162	BOLT, M10X 16	4							
51	1	26014-060162	BOLT, M6X 16	2							
52	1	26022-060122	SCREW, M6X12	4							
53	1	26022-060122	SCREW, M6X12	1							
54	1	26022-060122	SCREW, M6X12	1							
55	1	26022-060162	SCREW, M6X16	1							
56	1	26022-060162	SCREW, M6X16	1							
57	1	26022-060162	SCREW, M6X16	1							
58	1	26022-060202	SCREW, M6X20	2							
59	1	26022-060252	SCREW, M6X25	2							
60	1	26589-040202	SCREW, M4X20	4							
61	1	933113-15900	COVER, TERMINAL	1							
62	1	172141-17141	CHECKER	1							
63	1	172649-17140	SWITCH, SAFETY	1							

Fig.15. TRANSMISSION CASE



TRANSMISSION ASSY
172649-20100
Fig. 15 Ref. No. 1
INC. Fig. 15 Ref. 2~30.
Fig. 19 Ref. 1~23.
Fig. 20 Ref. 1~39.
Fig. 21 Ref. 1~56.
Fig. 49 Ref. 1~10.

(A)=C30RUS-2B
(B)=
(C)=

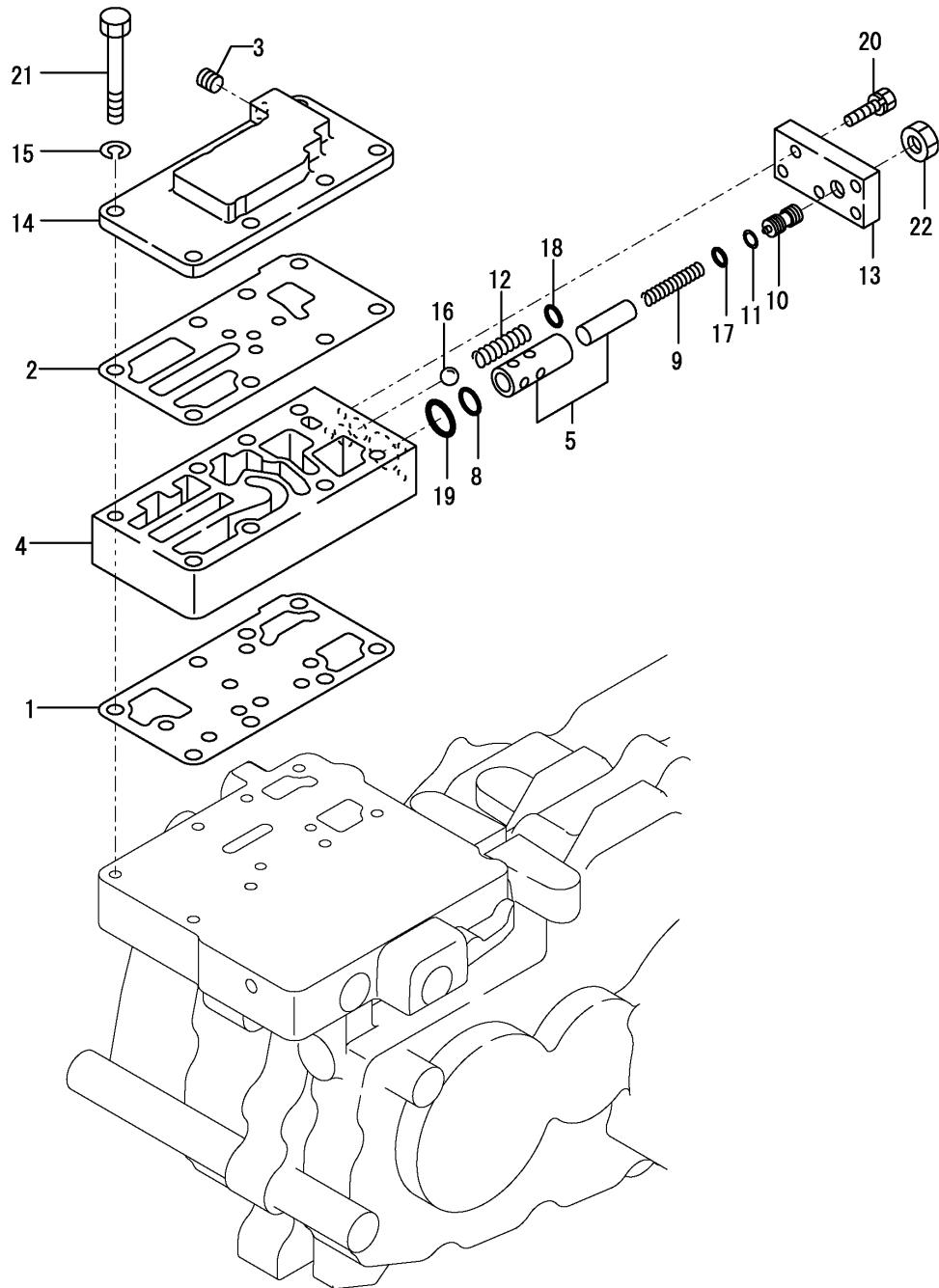
(D)=
(E)=
(F)=

No.	Lev.	Parts No.	Description	Q'ty						I	R
				(A)	(B)	(C)	(D)	(E)	(F)		
1	1	172649-20100	TRANSMISSION ASSY	1							
2	2	172649-22101	HOUSING(L)	1							
3	2	172649-22151	HOUSING(R)	1							
4	2	172649-22181	GASKET	1							
5	2	172649-22190	OIL HOLE	1							
6	2	172649-22200	OIL DRAIN 33X250	1							
7	2	172649-22210	PLATE	1							
8	2	172649-22250	PLATE	1							
9	2	172649-22261	FRANGE, SUCTION	1							
10	2	172649-22300	COVER	2							
11	2	172649-22320	GASKET 27X40X2	1							
12	2	1A6260-24910	STRAINER	1							
13	2	1A1040-26060	PIN, 8X28	2							
14	2	172649-28210	SEAL	2							
15	2	1E6710-53040	PLUG 1/8,TAPER SCREW	1							
16	2	1E6440-55230	SPRING, STRAINER	1							
17	2	22217-100000	WASHER, SPRING 10	3							
18	2	22217-120000	WASHER, SPRING 12	2							
19	2	23491-140002	PLUG, 14	1							
20	2	24311-000150	O-RING, 1AP15.0	1							
21	2	24341-000280	O-RING, 1AS28.0	1							
22	2	24341-000460	O-RING, 1AS46.0	1							
23	2	26013-080252	BOLT, M8X 25	2							
24	2	26013-100352	BOLT, M10X 35	12							
25	2	26013-100502	BOLT, M10X 50	1							
26	2	26013-120302	BOLT, M12X 30	6							
27	2	26116-100702	BOLT, M10X 70 PLATED	2							
28	2	26116-101152	BOLT, M10X115 PLATED	1							
29	2	26116-121102	BOLT, M12X110 PLATED	2							
30	2	26577-060122	SCREW, M6X12	8							

Fig.16. RELIEF VALVE

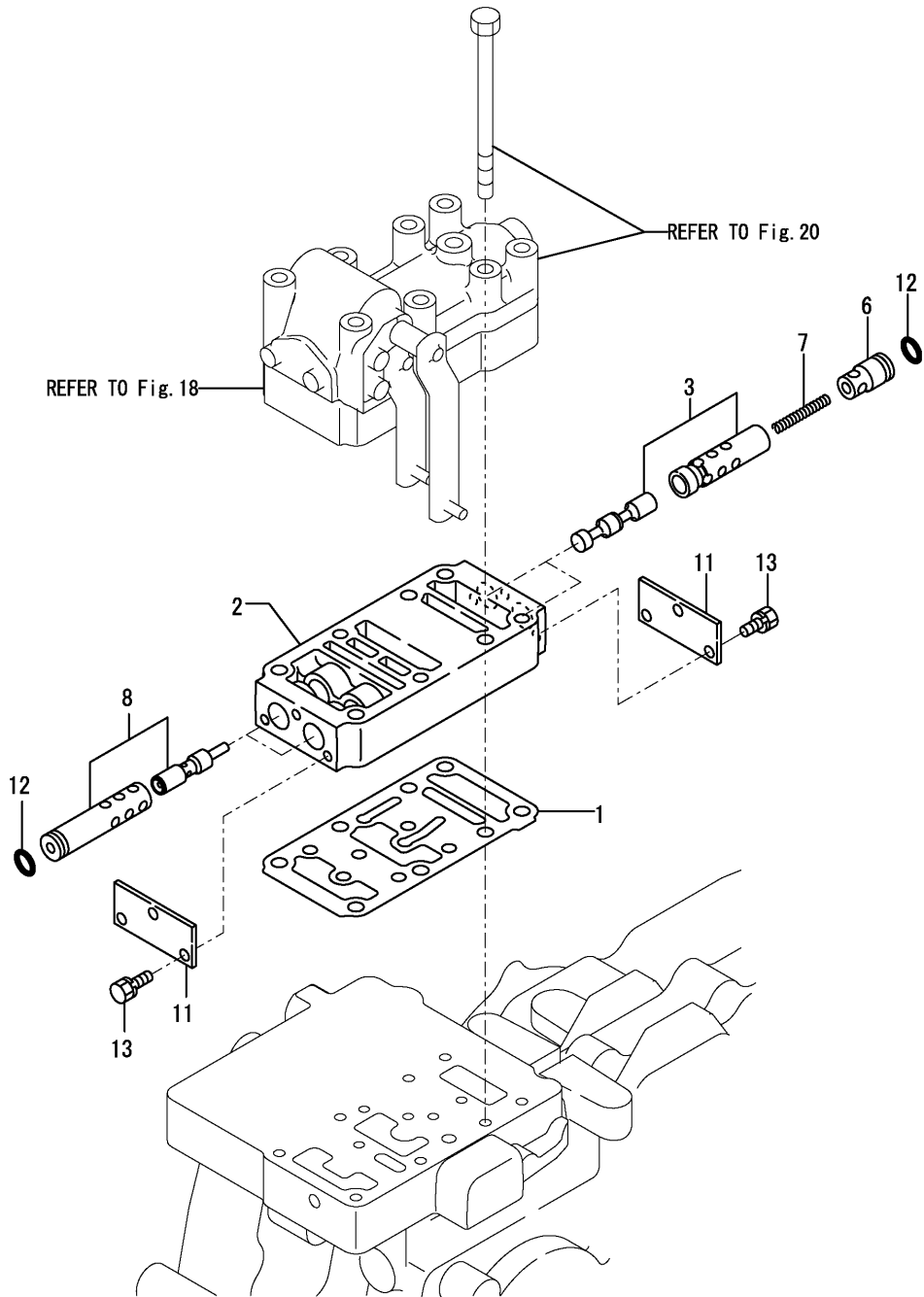
(A)=C30RUS-2B
(B)=
(C)=

(D)=
(E)=
(F)=



No.	Lev.	Parts No.	Description	Q'ty						I	R
				(A)	(B)	(C)	(D)	(E)	(F)		
1	1	172649-22550	GASKET, VALVE CASE	1							
2	1	172649-22560	GASKET, PLATE	1							
3	1	1E6710-53040	PLUG 1/8,TAPER SCREW	1							
4	1	1E8050-56810	CASE, VALVE	1							
5	1	772649-22500	VALVE,RELIFE SET	1							
8	1	1E8080-56850	O-RING, 4D S11.2	1							
9	1	1E8050-56860	SPRING, VALVE	1							
10	1	1E8050-56880	BOLT, ADJUST	1							
11	1	1E8050-56890	RING, BACK-UP P7	1							
12	1	1E8050-56900	SPRING, CHECK	2							
13	1	1E8050-56920	COVER, RELIEF VALVE	1							
14	1	1E8050-56960	COVER, CASE	1							
15	1	22217-080000	WASHER, SPRING 8	8							
16	1	24190-120002	BALL, STEEL 3/8	2							
17	1	24316-000070	O-RING, 4DP7.0	1							
18	1	24316-000100	O-RING, 4DP10.0	2							
19	1	24316-000180	O-RING, 4DP18.0	1							
20	1	26013-060202	BOLT, M6X 20	5							
21	1	26116-080602	BOLT, M8X 60 PLATED	8							
22	1	26756-100002	NUT, LOCK M10	1							

Fig.17. CLUTCH VALVE



(A)=C30RUS-2B
(B)=
(C)=

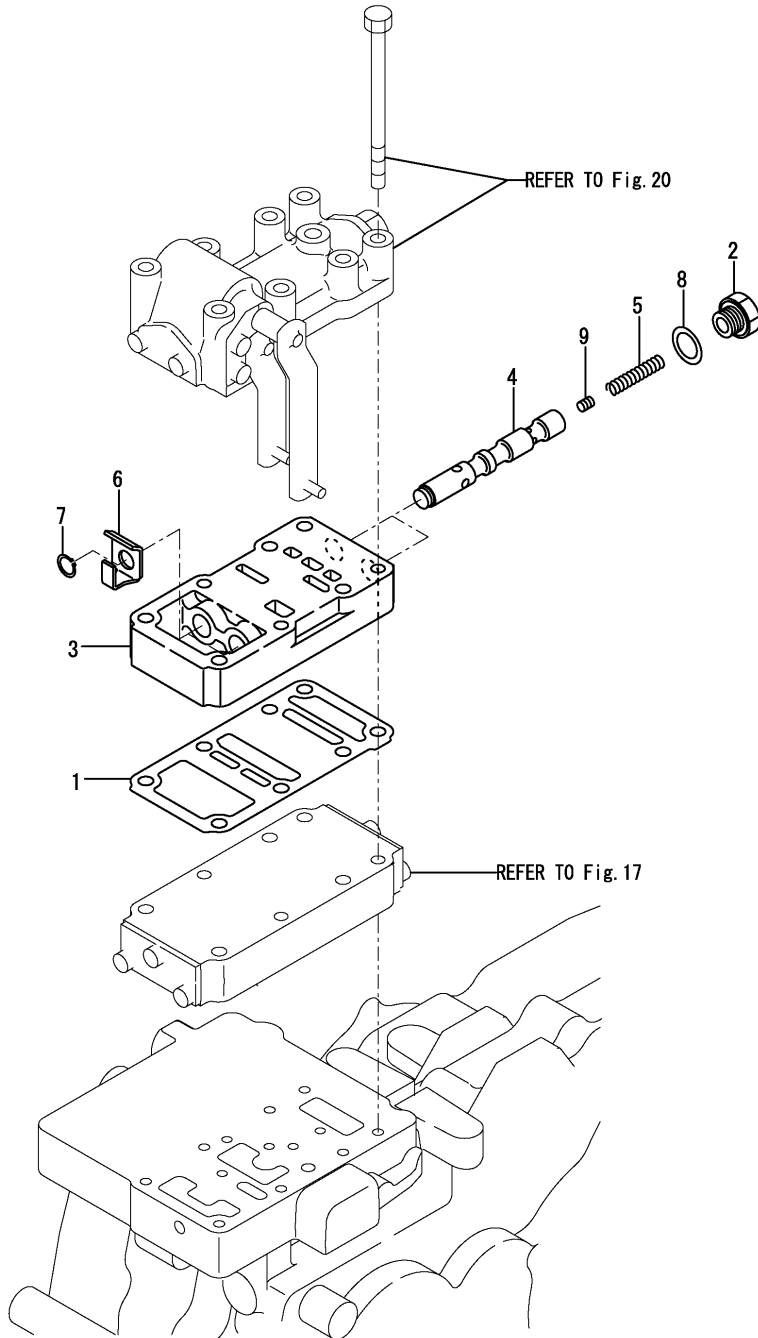
(D)=
(E)=
(F)=

No.	Lev.	Parts No.	Description	Q'ty						I	R
				(A)	(B)	(C)	(D)	(E)	(F)		
1	1	172649-22540	GASKET, CASE	1							
2	1	1E8050-56710	CASE, VALVE	1							
3	1	772649-22600	VALVE,SEQUENCE SET	2							
6	1	1E8050-56740	STOPPER, SEQUENCE	2							
7	1	1E8050-56750	SPRING, SPOOL RETURN	2							
8	1	772649-22610	SPOOL SET	2							
11	1	1E8050-56780	COVER, VALVE	2							
12	1	24316-000120	O-RING, 4DP12.0	4							
13	1	26013-060122	BOLT, M6X 12	6							

Fig.18. SB VALVE

(A)=C30RUS-2B
(B)=
(C)=

(D)=
(E)=
(F)=



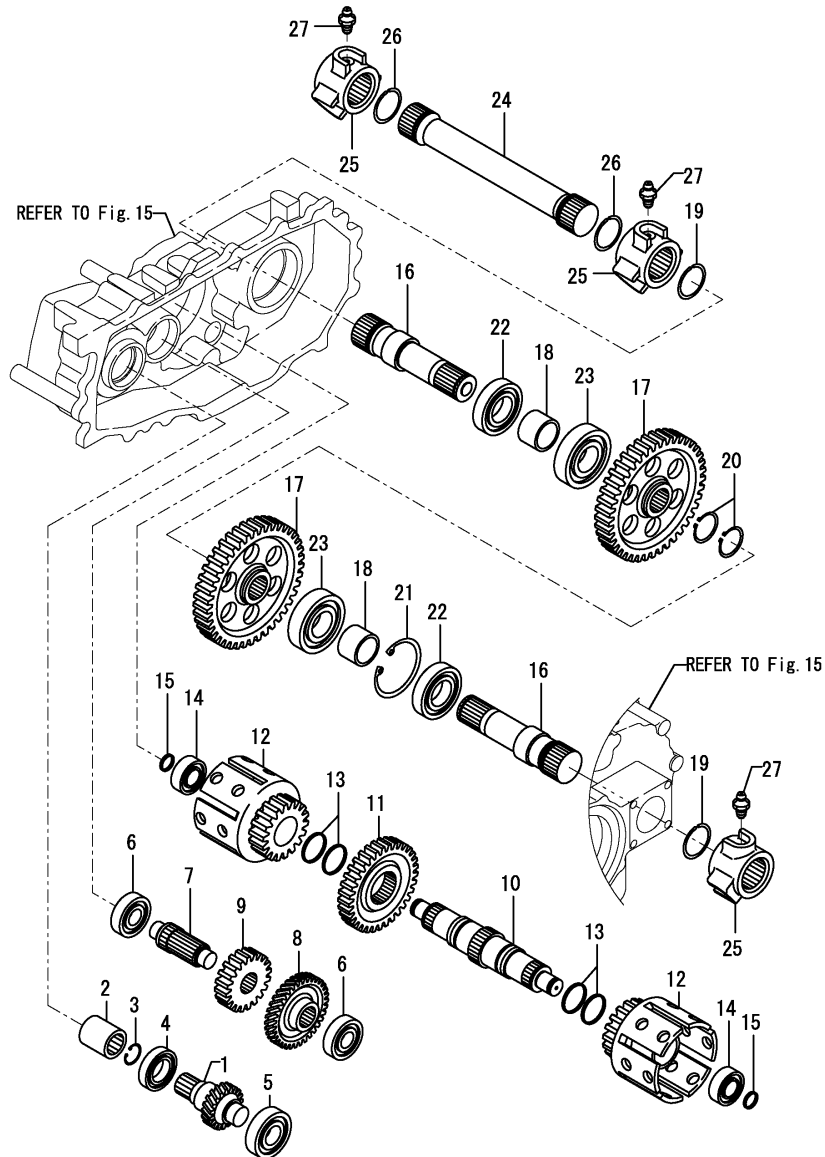
No.	Lev.	Parts No.	Description	Q'ty						I	R
				(A)	(B)	(C)	(D)	(E)	(F)		
1	1	172649-22510	GASKET,	1							
2	1	1E6210-55820	PLUG 16	2							
3	1	1E8050-56310	CASE, VALVE	1							
4	1	1E8050-56320	SPOOL, VALVE	2							
5	1	1E8050-56330	SPRING, SPOOL RETURN	2							
6	1	1E8080-56350	PLATE	2							
7	1	22242-000110	RING, 11	2							
8	1	23414-160000	GASKET, 16X1.0	2							
9	1	26911-060082	SCREW, M6X 8	2							

Fig.19. TRANSMISSION GEAR

(A)=C30RUS-2B
(B)=
(C)=

(D)=
(E)=
(F)=

TRANSMISSION ASSY
172649-20100
Fig. 15 Ref. No. 1
INC. Fig. 15 Ref. 2~30.
Fig. 19 Ref. 1~23.
Fig. 20 Ref. 1~39.
Fig. 21 Ref. 1~56.
Fig. 49 Ref. 1~10.



No.	Lev.	Parts No.	Description	Q'ty						I	R
				(A)	(B)	(C)	(D)	(E)	(F)		
1	2	172649-23110	SHAFT, 1ST	1							
2	2	172649-23130	COUPLING	1							
3	2	22252-000280	RING, 28	1							
4	2	24101-060074	BEARING, BALL 6007	1							
5	2	24101-063064	BEARING, BALL 6306	1							
6	2	172725-21420	BEARING	2							
7	2	172649-23210	SHAFT, 2ND	1							
8	2	172649-23220	GEAR 34	1							
9	2	172649-23230	GEAR 20	1							
10	2	172649-23311	SHAFT, 3RD	1							
11	2	172649-23321	GEAR 33	1							
12	2	172649-23331	GEAR 18, SIDE	2							
13	2	172649-23351	SEAL RING 45	4							
14	2	172649-23360	BEARING NUPK2205	2							
15	2	1E8540-59370	RING, SEAL 25	2							
16	2	172649-23410	SHAFT, 4TH	2							
17	2	172649-23420	GEAR 41	2							
18	2	172649-23430	COLLAR 49X40X33.5	2							
19	2	172649-23500	RING 50X3.2	2							
20	2	22242-000400	RING, 40	2							
21	2	22252-000800	RING, 80	1							
22	2	24101-062084	BEARING, BALL 6208	2							
23	2	24149-003084	BEARING, NH308	2							
24	1	172649-23451	SHAFT, OUTER 4TH	1							
25	1	172649-23460	COUPLING, PINION	3							
26	1	172649-23500	RING 50X3.2	2							
27	1	24761-020000	NIPPLE, GREASE PT1/8	9							

Fig.20. HYD.OIL CONTROL

(A)=C30RUS-2B

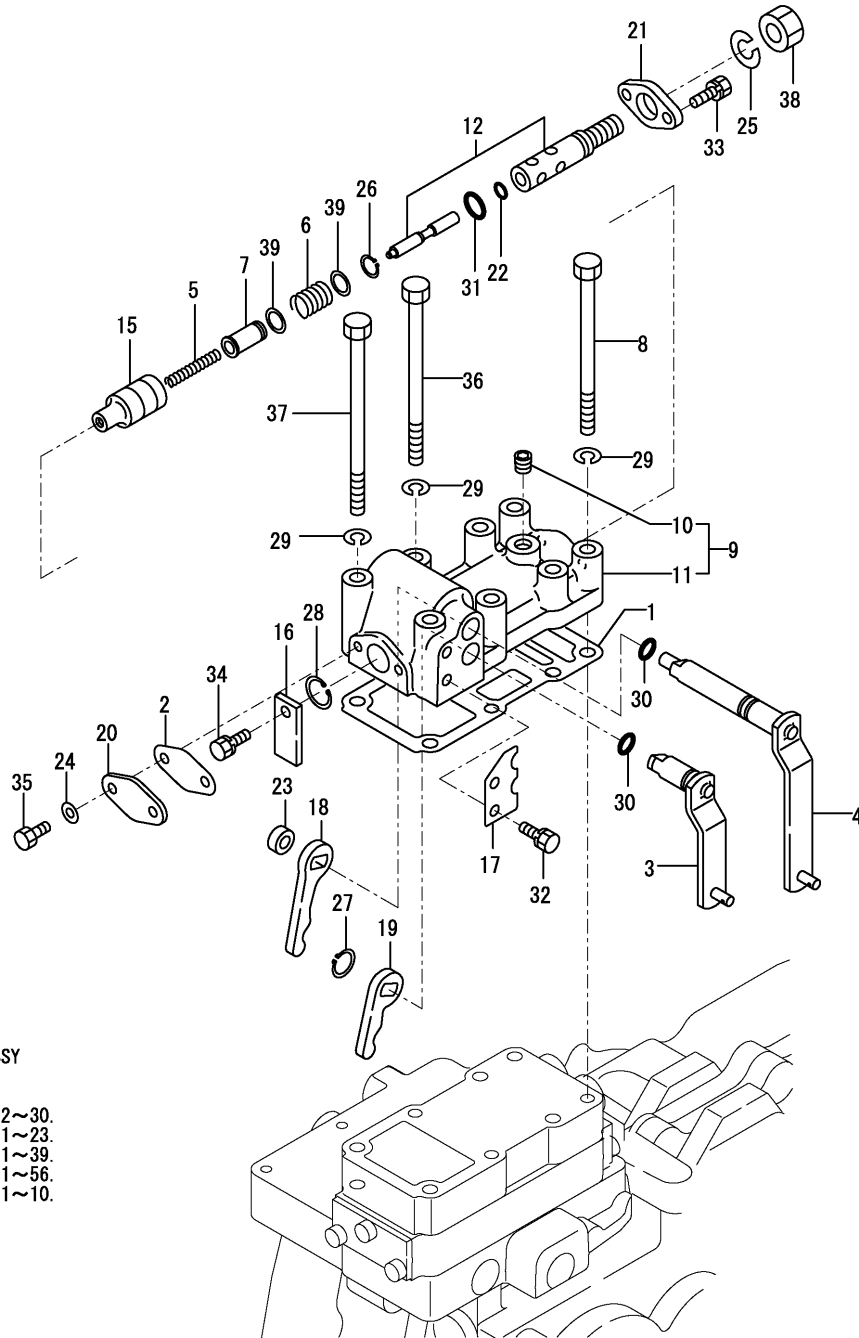
(B)=

(C)=

(D)=

(E)=

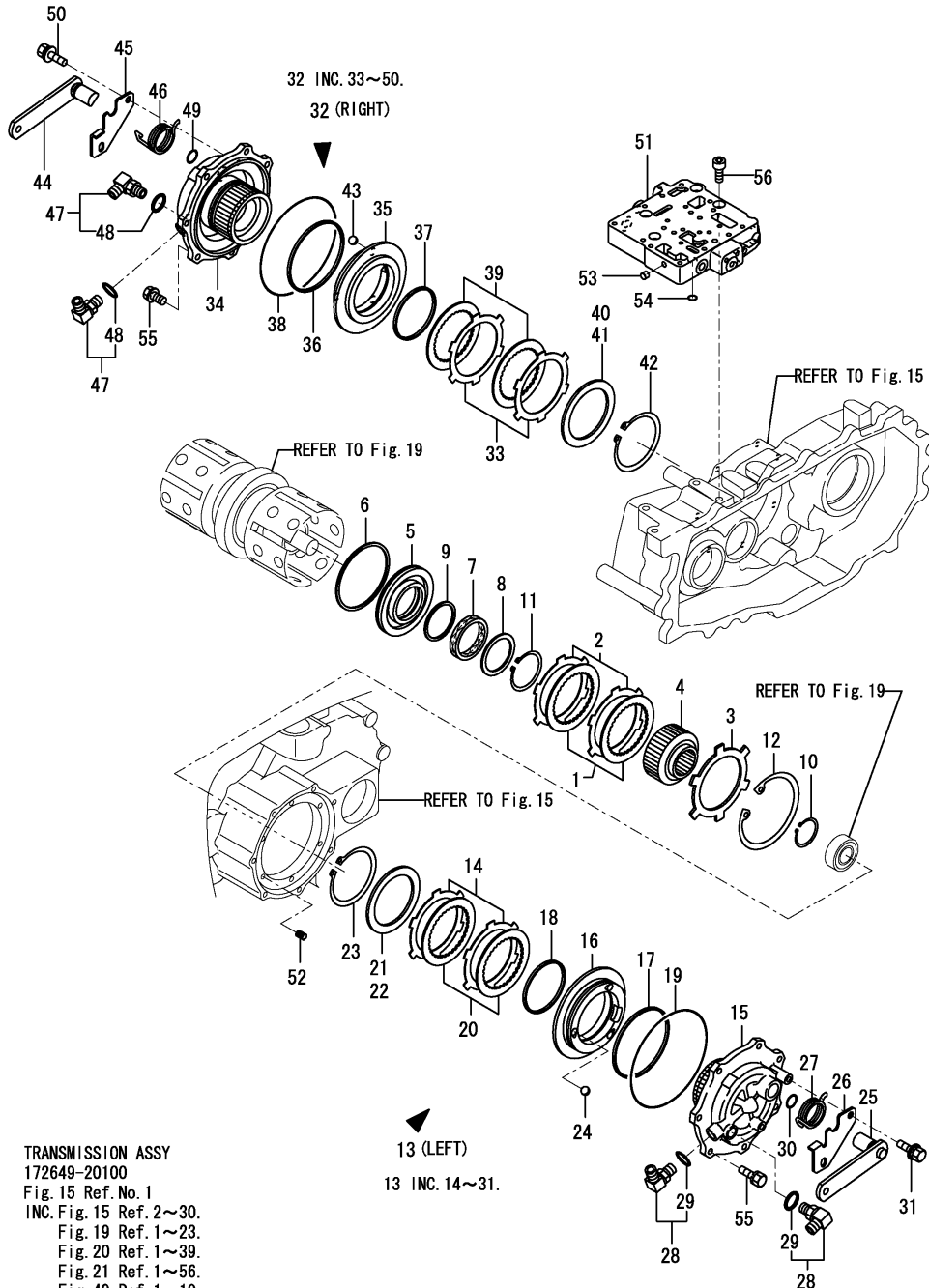
(F)=



TRANSMISSION ASSY
172649-20100
Fig.15 Ref.No.1
INC. Fig.15 Ref.2~30.
Fig.19 Ref.1~23.
Fig.20 Ref.1~39.
Fig.21 Ref.1~56.
Fig.49 Ref.1~10.

No.	Lev.	Parts No.	Description	Q'ty						I	R
				(A)	(B)	(C)	(D)	(E)	(F)		
1	2	172649-22520	GASKET, CASE	1							
2	2	172649-22530	GASKET, COVER	1							
3	2	172649-25310	SIDE LEVER(L)	1							
4	2	172649-25320	SIDE LEVER(R)	1							
5	2	172649-25340	SPRING 1.0	1							
6	2	172649-25350	SPRING 1.4	1							
7	2	172649-25360	SPRING HOLDER	1							
8	2	1E8050-53640	BOLT, M8X115	4							
9	2	1E8080-56400	CASE ASSY, REGULATOR	1							
10	3	1E6710-53040	PLUG 1/8,TAPER SCREW	1							
11	3	1E8080-56410	CASE, REGULATOR	1							
12	2	772649-25300	VALVE,SD RELIEF SET	1							
15	2	1E8080-56470	NUT, ADJUST	1							
16	2	1E8050-56520	PLATE, PAD	1							
17	2	1E8050-56530	PLATE, LEVER KEEP	1							
18	2	1E8080-56550	ROCKER, LEVER L	1							
19	2	1E8080-56590	ROCKER, LEVER R	1							
20	2	1E8050-56630	COVER, SPOOL	1							
21	2	1E8080-56650	COVER, RELIEF VALVE	1							
22	2	1E8080-56660	O-RING, 4D S7	1							
23	2	1E8050-56690	COLLAR, 8X14X6.5	1							
24	2	22190-060000	WASHER, SEAL 6	2							
25	2	22217-120000	WASHER, SPRING 12	1							
26	2	22242-000110	RING, 11	1							
27	2	22242-000140	RING, 14	1							
28	2	22252-000210	RING, 21	1							
29	2	22287-080000	WASHER, 8	8							
30	2	24316-000100	O-RING, 4DP10.0	2							
31	2	24316-000120	O-RING, 4DP12.0	1							
32	2	26013-060122	BOLT, M6X 12	2							
33	2	26013-060162	BOLT, M6X 16	2							
34	2	26013-060162	BOLT, M6X 16	1							
35	2	26116-060122	BOLT, M6X 12 PLATED	2							
36	2	26116-081202	BOLT, M8X120 PLATED	2							
37	2	26116-081302	BOLT, M8X130 PLATED	2							
38	2	26736-120002	NUT, M12	1							
39	2	1E8050-56470	LINER, 11.5X16X1	2							

Fig.21. CLUTCH & BRAKE



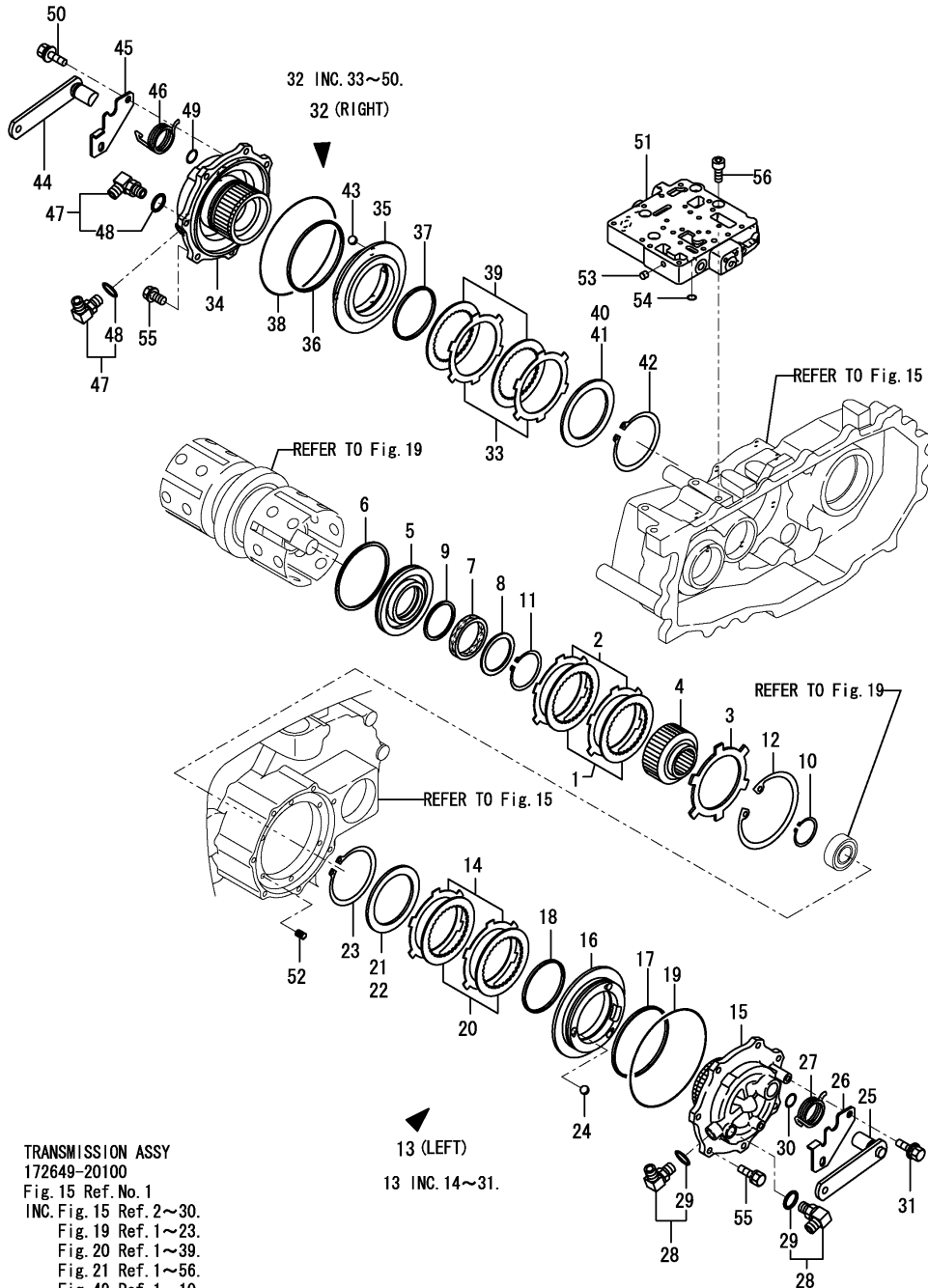
TRANSMISSION ASSY
172649-20100
Fig. 15 Ref. No. 1
INC. Fig. 15 Ref. 2~30.
Fig. 19 Ref. 1~23.
Fig. 20 Ref. 1~39.
Fig. 21 Ref. 1~56.
Fig. 49 Ref. 1~10.

(A)=C30RUS-2B
(B)=
(C)=

(D)=
(E)=
(F)=

No.	Lev.	Parts No.	Description	(A)	(B)	(C)	(D)	(E)	(F)	Q'ty	I	R
1	2	172649-23390	PLATE 110, FRICTION							14		
2	2	194335-25640	PLATE, STEEL 1.2							14		
3	2	194065-26270	PLATE, STEEL 5.5							2		
4	2	172649-27311	BOSS							2		
5	2	172649-27321	PISTON 110							2		
6	2	194066-28260	RING							2		
7	2	1E8540-59321	SPRING							2		
8	2	1E8540-59330	LINER, 54X68X2.6							2		
9	2	1E8540-59380	RING, 55							2		
10	2	22242-000400	RING, 40							2		
11	2	22242-000550	RING, 55							2		
12	2	22252-001101	RING, 110							2		
13	2	172653-27510	BRAKE DISK ASSY, L							1		
14	3	194335-25640	PLATE, STEEL 1.2							7		
15	3	172649-27511	HOUSING(L)							1		
16	3	172649-27531	ACTUATER(L)							1		
17	3	172649-27591	SEAL RING 115							1		
18	3	172649-27601	SEAL RING 85							1		
19	3	172649-27610	O-RING 158							1		
20	3	172649-27620	PLATE, FRICTION							7		
21	3	172649-27641	PRESSURE PLATE 5							1		
22	3	172649-27690	PLATE, PRESSURE							1		
23	3	22242-000820	RING, 82							1		
24	3	24190-130001	BALL, STEEL 13/32							3		
25	3	172649-34111	BRAKE LEVER(L)							1		
26	3	172649-34170	HOLDER, BRAKE L							1		
27	3	172649-34200	SPRING, CAM RETURN L							1		
28	3	172141-76181	CONNECTOR ASSY, O2FF							2		
29	4	41851-000110	O-RING							2		
30	3	24315-000180	O-RING, 1BP18.0							1		
31	3	26014-080162	BOLT, M8X 16							2		
32	2	172653-27520	BRAKE DISK ASSY, R							1		
33	3	194335-25640	PLATE, STEEL 1.2							7		
34	3	172649-27521	HOUSING(R)							1		
35	3	172649-27541	ACTUATER(R)							1		
36	3	172649-27591	SEAL RING 115							1		
37	3	172649-27601	SEAL RING 85							1		
38	3	172649-27610	O-RING 158							1		
39	3	172649-27620	PLATE, FRICTION							7		
40	3	172649-27641	PRESSURE PLATE 5							1		
41	3	172649-27690	PLATE, PRESSURE							1		
42	3	22242-000820	RING, 82							1		
43	3	24190-130001	BALL, STEEL 13/32							3		
44	3	172649-34121	BRAKE LEVER(R)							1		
45	3	172649-34180	HOLDER, BRAKE R							1		
46	3	172649-34210	SPRING, CAM RETURN R							1		
47	3	172141-76181	CONNECTOR ASSY, O2FF							2		
48	4	41851-000110	O-RING							2		
49	3	24315-000180	O-RING, 1BP18.0							1		
50	3	26014-080162	BOLT, M8X 16							2		
51	2	172649-27550	PLATE, VALVE							1		

Fig.21. CLUTCH & BRAKE



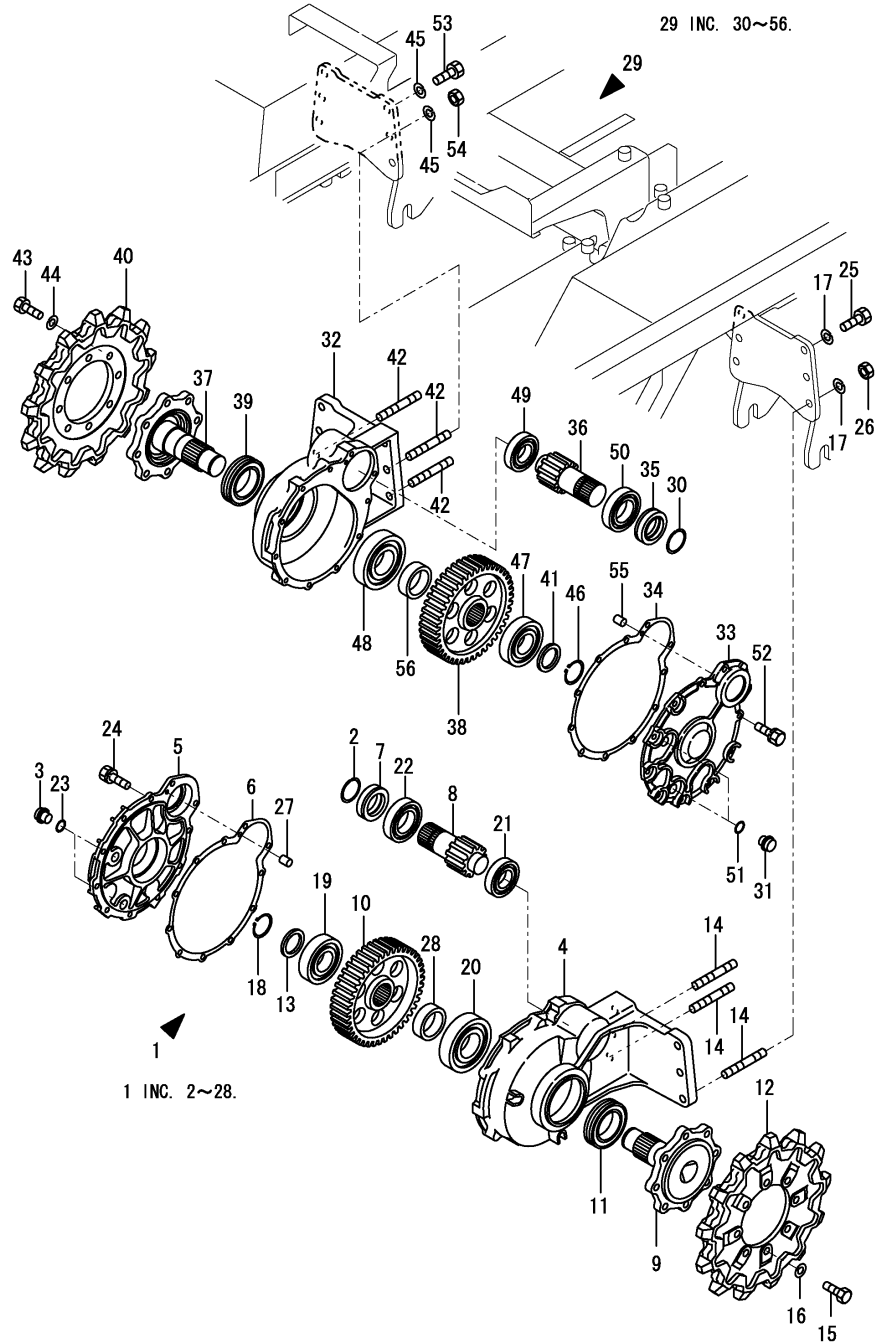
TRANSMISSION ASSY
 172649-20100
 Fig. 15 Ref. No. 1
 INC. Fig. 15 Ref. 2~30.
 Fig. 19 Ref. 1~23.
 Fig. 20 Ref. 1~39.
 Fig. 21 Ref. 1~56.
 Fig. 49 Ref. 1~10.

(A)=C30RUS-2B
 (B)=
 (C)=

(D)=
 (E)=
 (F)=

No.	Lev.	Parts No.	Description	Qty						I	R
				(A)	(B)	(C)	(D)	(E)	(F)		
52	2	172649-27570	SPRING 7.8X22	12							
53	2	1E6710-53040	PLUG 1/8,TAPER SCREW	5							
54	2	24311-000100	O-RING, 1AP10.0	1							
55	2	26013-080302	BOLT, M8X 30	14							
56	2	26455-100352	BOLT, M10X35	4							

Fig.22. TRAVELLING WHEEL



(A)=C30RUS-2B

(B)=

(C)=

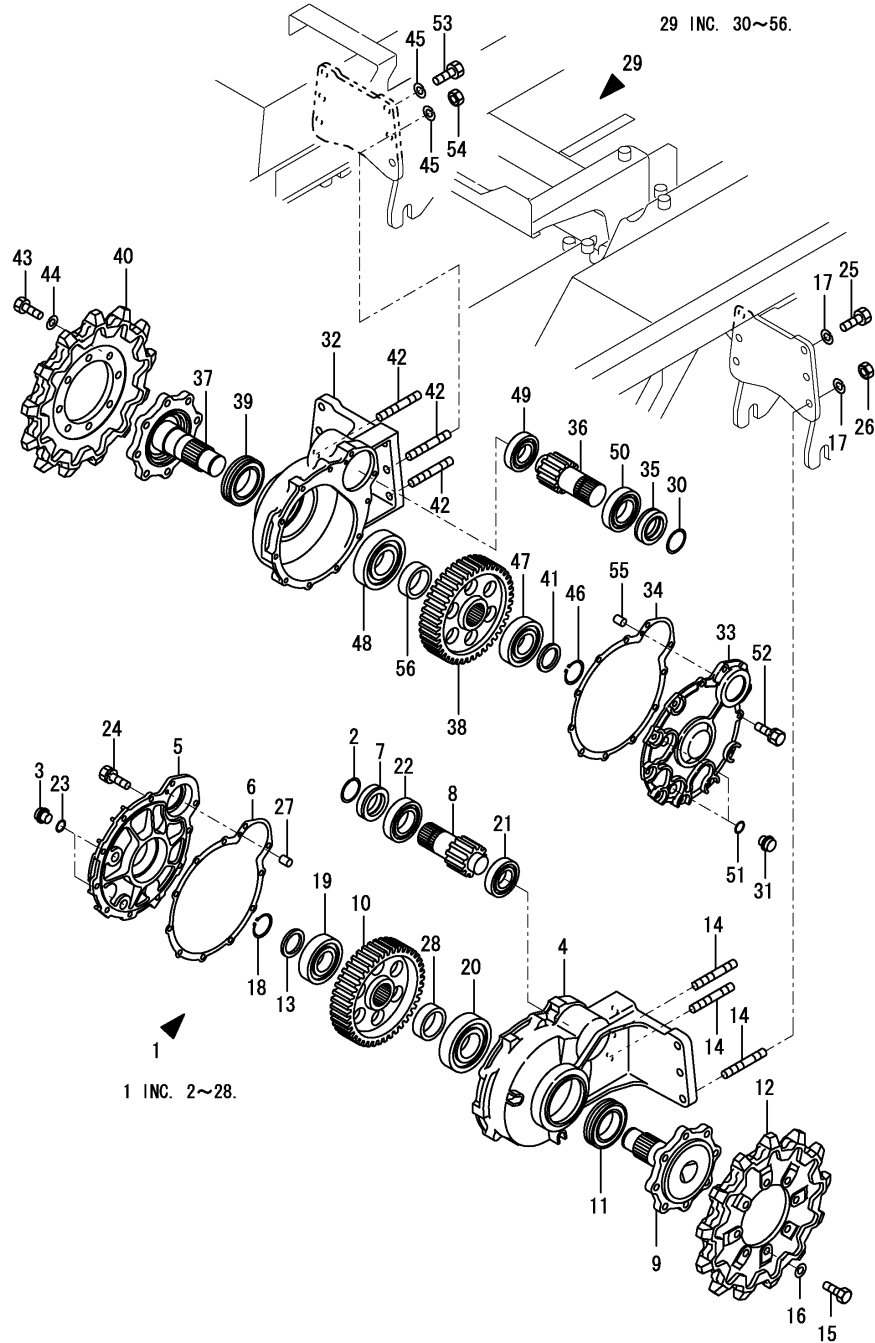
(D)=

(E)=

(F)=

No.	Lev.	Parts No.	Description	Q'ty						I	R
				(A)	(B)	(C)	(D)	(E)	(F)		
1	1	172649-20301-2	CASE, FINAL	1							
2	2	172649-23500	RING 50X3.2	1							
3	2	1A1380-28040	PLUG, OIL 20X13.5	2							
4	2	172649-28100-2	CASE, FINAL	1							
5	2	172649-28150-2	COVER, FINAL CASE	1							
6	2	172649-28171	GASKET, CASE	1							
7	2	172649-28210	SEAL	1							
8	2	172649-28300	PINION, FINAL	1							
9	2	172637-28310	SHAFT, DRIVE WHEEL	1							
10	2	172649-28330	GEAR, FINAL	1							
11	2	172653-28340	SEAL, ES764-7310122	1							
12	2	172637-29111-2	SPROCKET	1							
13	2	172734-29120	COLLAR, 45X60X6	1							
14	2	172725-52300	STUD, M16X35	3							
15	2	172165-68180	BOLT, M14X 35	8							
16	2	22217-140000	WASHER, SPRING 14	8							
17	2	22217-160000	WASHER, SPRING 16	6							
18	2	22242-000451	RING, 45	1							
19	2	24101-063094	BEARING, BALL 6309	1							
20	2	24101-063114	BEARING, BALL 6311	1							
21	2	24145-002084	BEARING, NF208	1							
22	2	24145-002104	BEARING, NF210	1							
23	2	24311-000210	O-RING, 1AP21.0	2							
24	2	26013-100302	BOLT, M10X 30	11							
25	2	26116-160402	BOLT, M16X 40 PLATED	3							
26	2	26716-160002	NUT, M16	3							
27	2	933110-22800	PIN 8X10	1							
28	2	933172-13530	COLLAR, SHAFT	1							
29	1	172649-20401-2	CASE, FINAL	1							
30	2	172649-23500	RING 50X3.2	1							
31	2	1A1380-28040	PLUG, OIL 20X13.5	2							
32	2	172649-28120-2	CASE, FINAL	1							
33	2	172649-28160-2	COVER, FINAL CASE	1							
34	2	172649-28171	GASKET, CASE	1							
35	2	172649-28210	SEAL	1							
36	2	172649-28300	PINION, FINAL	1							
37	2	172637-28310	SHAFT, DRIVE WHEEL	1							
38	2	172649-28330	GEAR, FINAL	1							
39	2	172653-28340	SEAL, ES764-7310122	1							
40	2	172637-29111-2	SPROCKET	1							
41	2	172734-29120	COLLAR, 45X60X6	1							
42	2	172725-52300	STUD, M16X35	3							
43	2	172165-68180	BOLT, M14X 35	8							
44	2	22217-140000	WASHER, SPRING 14	8							
45	2	22217-160000	WASHER, SPRING 16	6							
46	2	22242-000451	RING, 45	1							
47	2	24101-063094	BEARING, BALL 6309	1							
48	2	24101-063114	BEARING, BALL 6311	1							
49	2	24145-002084	BEARING, NF208	1							
50	2	24145-002104	BEARING, NF210	1							
51	2	24311-000210	O-RING, 1AP21.0	2							

Fig.22. TRAVELLING WHEEL

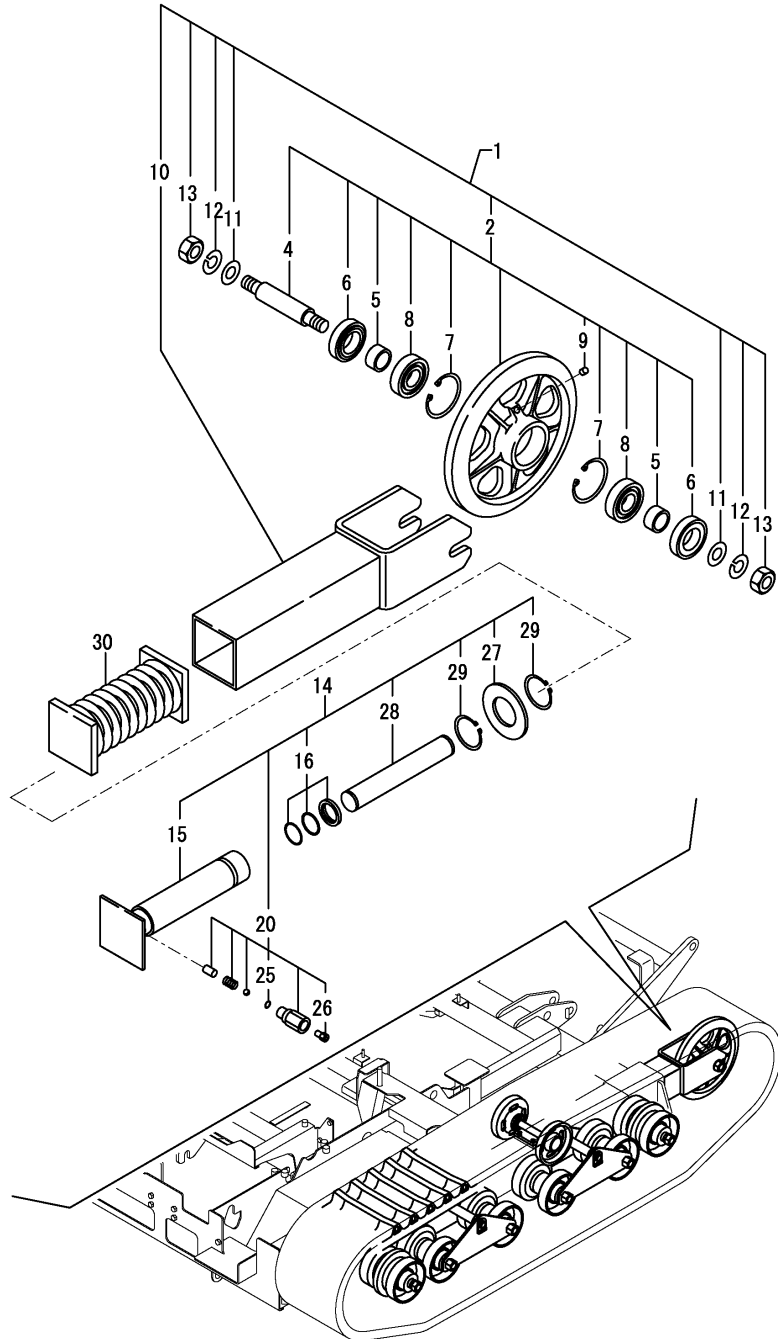


(A)=C30RUS-2B
(B)=
(C)=

(D)=
(E)=
(F)=

No.	Lev.	Parts No.	Description	Qty						I	R
				(A)	(B)	(C)	(D)	(E)	(F)		
52	2	26013-100302	BOLT, M10X 30	11							
53	2	26116-160402	BOLT, M16X 40 PLATED	3							
54	2	26716-160002	NUT, M16	3							
55	2	933110-22800	PIN 8X10	1							
56	2	933172-13530	COLLAR, SHAFT	1							

Fig.23. IDLER & CRAWLER ADJUST

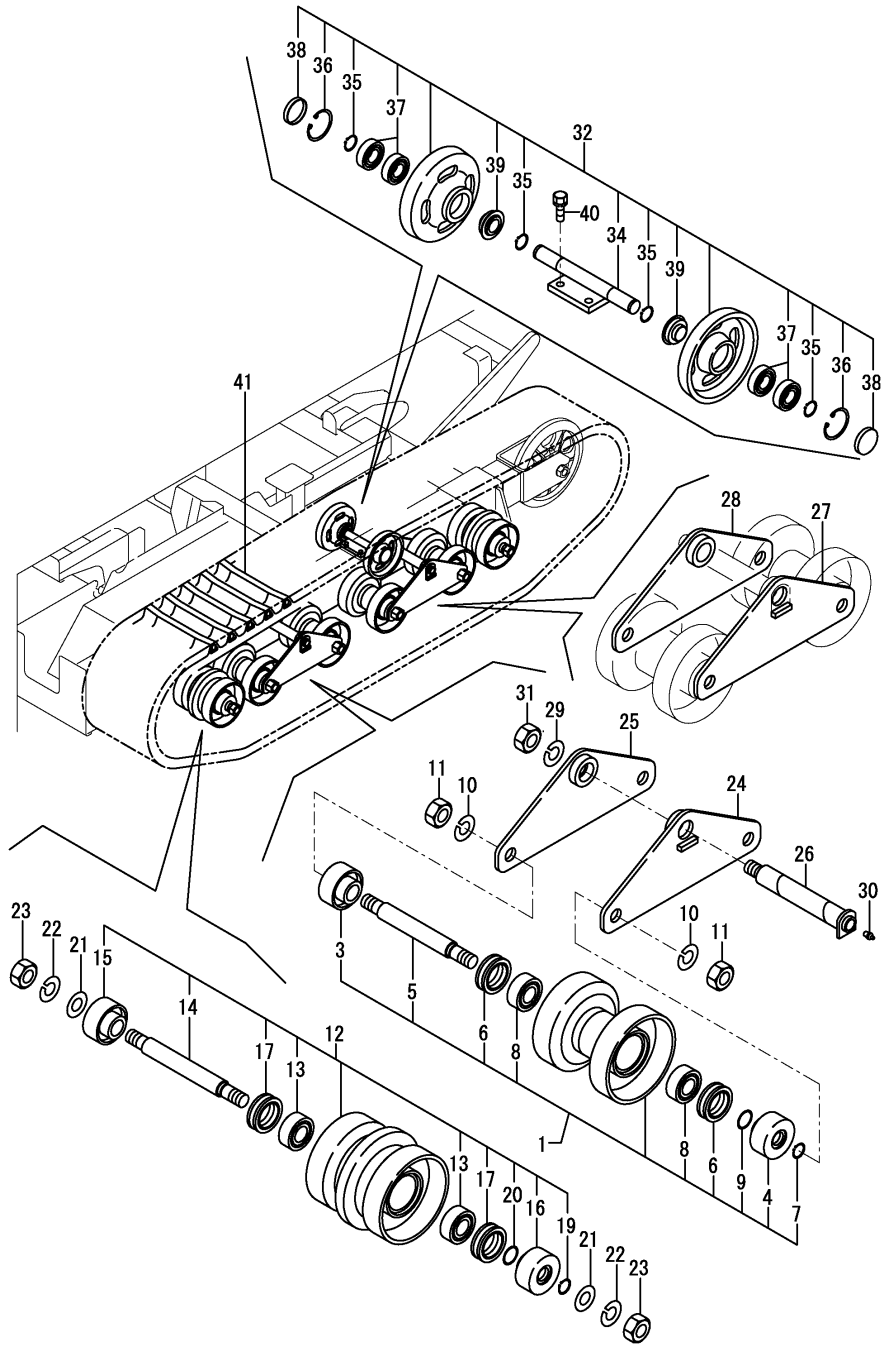


(A)=C30RUS-2B
(B)=
(C)=

(D)=
(E)=
(F)=

No.	Lev.	Parts No.	Description	Qty						I	R
				(A)	(B)	(C)	(D)	(E)	(F)		
1	1	172649-37090-1	IDLER ASSY	2							
2	2	772649-37100-2	IDLER ASSY	2							
4	3	172649-37110	SHAFT, IDLER	2							
5	3	172631-37160	COLLAR, 35X45X22.5	4							
6	3	172631-37170	SEAL, WATER 45X80X18	4							
7	3	22252-000800	RING, 80	4							
8	3	24101-063074	BEARING, BALL 6307	4							
9	3	933171-13691	PLUG	2							
10	2	172649-37150-2	FORK, IDLER	2							
11	2	22137-240000	WASHER, 24	4							
12	2	22217-240000	WASHER, SPRING 24	4							
13	2	26716-240002	NUT, M24	4							
14	1	172637-37751	CYLINDER ASSY	2							
15	2	172637-37781	TUBE ASSY, ADJUST	2							
16	2	172122-37820	SEAL SET, ADJUST	2							
20	2	172122-37844	VALVE ASSY, NIPPLE	2							
25	3	24315-000140	O-RING, 1BP14.0	2							
26	3	24761-020000	NIPPLE, GREASE PT1/8	2							
27	2	172637-37850	HOLDER, ADJUSTER	2							
28	2	172637-37860	PISTON	2							
29	2	22242-000601	CIRCLIP 60-S	4							
30	1	172637-37880	SPRING ASSY, ADJUST	2							

Fig.24. TRACK ROLLER & CRAWLER

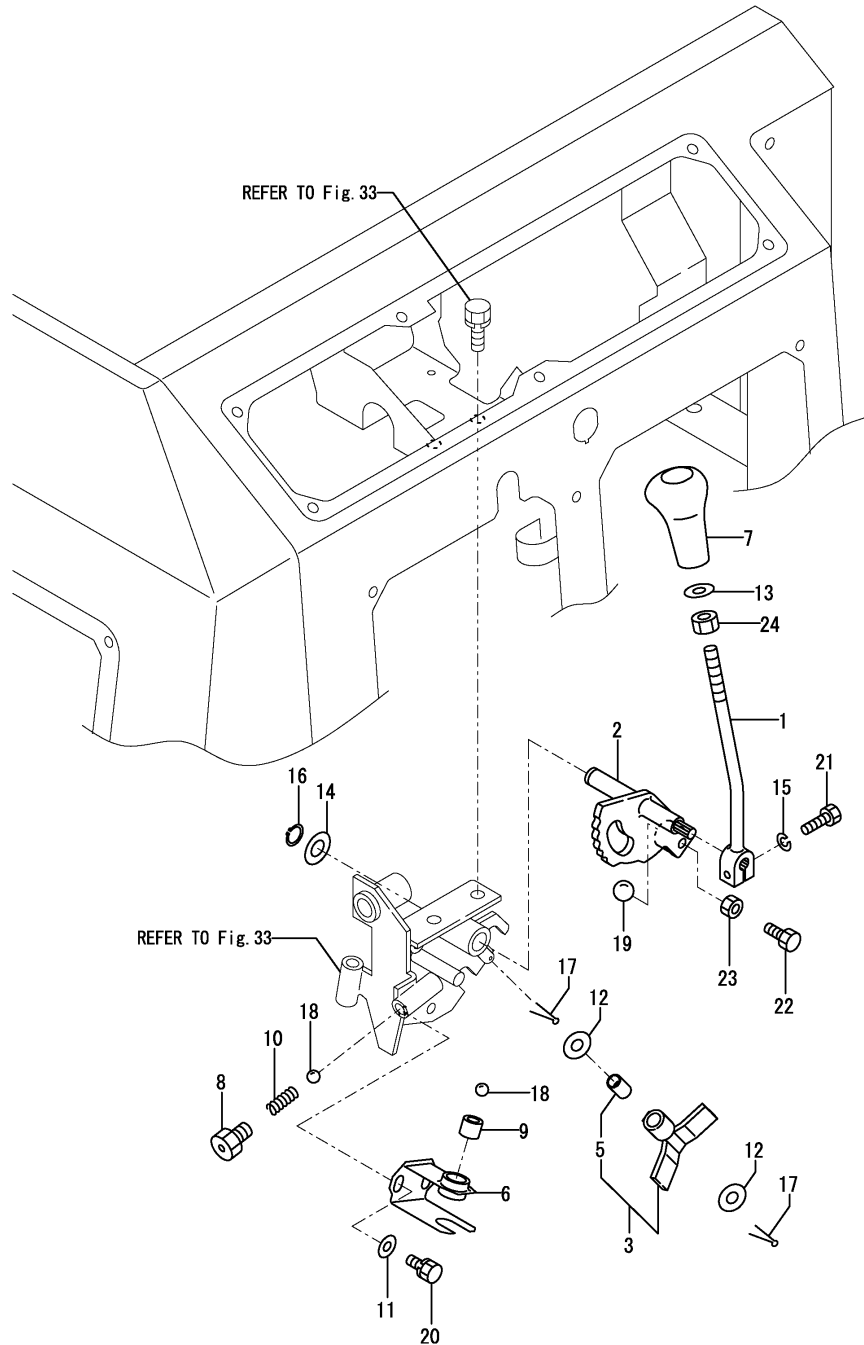


(A)=C30RUS-2B
(B)=
(C)=

(D)=
(E)=
(F)=

No.	Lev.	Parts No.	Description	Qty						I	R
				(A)	(B)	(C)	(D)	(E)	(F)		
1	1	772637-37300-2	ROLLER ASSY, TRACK	8							
3	2	172637-37340	COVER, SEAL	8							
4	2	172637-37350	COVER, SEAL	8							
5	2	172637-37380	SHAFT, ROLLER	8							
6	2	172653-37400	SEAL, ES764-466620	16							
7	2	22242-000240	RING, 24	8							
8	2	24101-062064	BEARING, BALL 6206	16							
9	2	24321-000300	O-RING, 1AG30.0	8							
10	1	22217-240000	WASHER, SPRING 24	16							
11	1	26716-240002	NUT, M24	16							
12	1	772649-37310-2	ROLLER ASSY, TRACK	4							
13	2	194150-31460	BEARING, BALL	8							
14	2	172649-37330	SHAFT, TRACK ROLLER	4							
15	2	172637-37340	COVER, SEAL	4							
16	2	172637-37350	COVER, SEAL	4							
17	2	172653-37400	SEAL, ES764-466620	8							
19	2	22242-000240	RING, 24	4							
20	2	24321-000300	O-RING, 1AG30.0	4							
21	1	22137-240000	WASHER, 24	8							
22	1	22217-240000	WASHER, SPRING 24	8							
23	1	26716-240002	NUT, M24	8							
24	1	172649-37350-2	PLATE ASSY, OUTER	2							
25	1	172649-37380-2	PLATE ASSY, INNER	2							
26	1	172649-37400	SHAFT ASSY	4							
27	1	172649-37420-2	PLATE ASSY, OUTER	2							
28	1	172649-37430-2	PLATE ASSY, INNER	2							
29	1	22217-240000	WASHER, SPRING 24	4							
30	1	24761-020000	NIPPLE, GREASE PT1/8	4							
31	1	26716-240002	NUT, M24	4							
32	1	772649-37500-2	ROLLER ASSY, CARRIER	2							
34	2	172649-37510-2	SHAFT, ROLLER	2							
35	2	22242-000250	RING, 25	8							
36	2	22252-000521	RING, 52	4							
37	2	24104-062054	BEARING, BALL 6205UU	8							
38	2	27260-520000	PLUG, 52	4							
39	2	933147-10350	SEAL, QLF25471121	4							
40	1	26013-120302	BOLT, M12X 30	4							
41	1	172649-38600	CRAWLER ASSY, RUBBER	2							

Fig.25. FR LEVER



(A)=C30RUS-2B
(B)=
(C)=

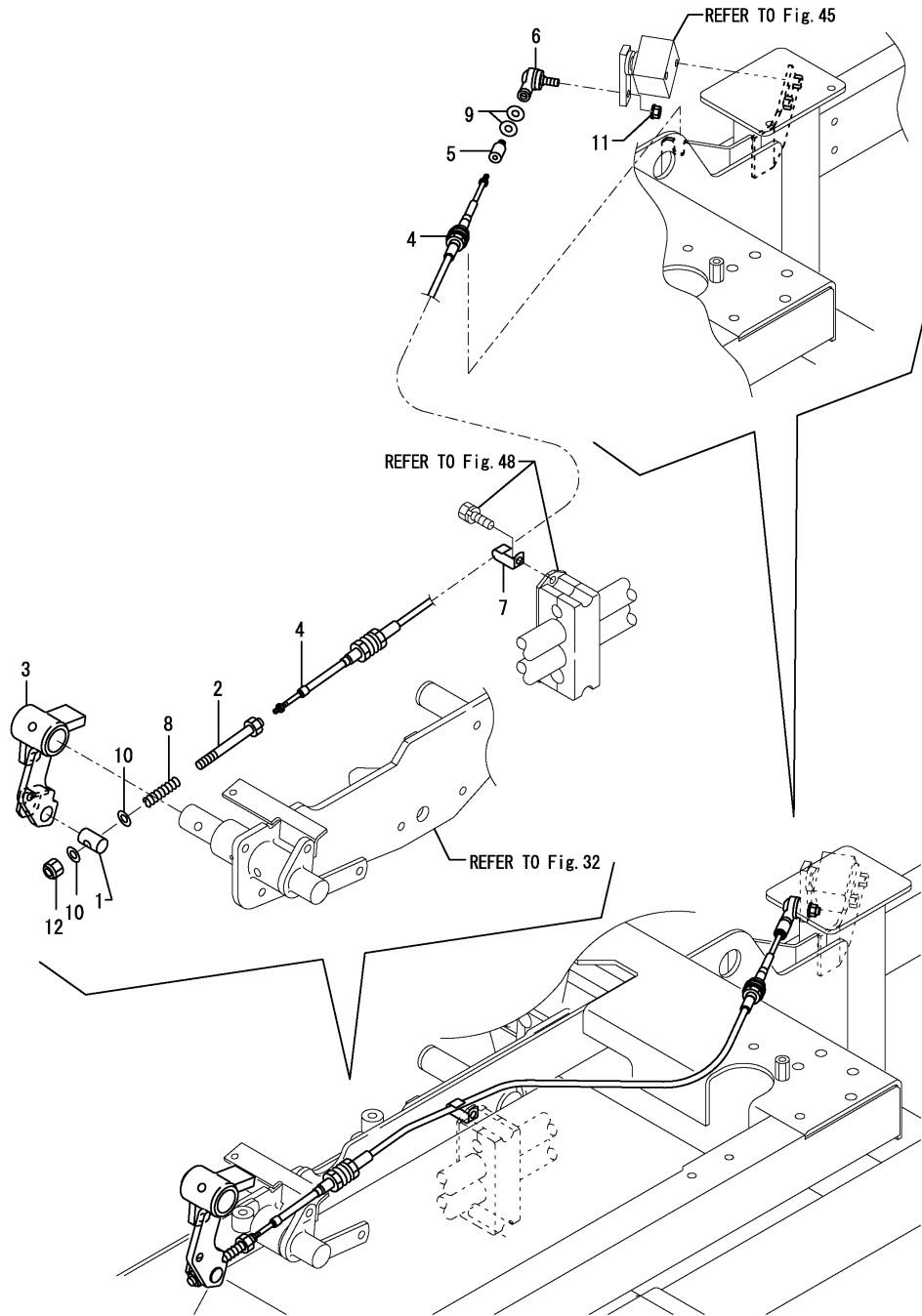
(D)=
(E)=
(F)=

No.	Lev.	Parts No.	Description	Q'ty						I	R
				(A)	(B)	(C)	(D)	(E)	(F)		
1	1	172649-41400-1	LEVER ASSY	1							
1-1	1	172649-41401-1	LEVER(FR)	1							N
(A=MZZZZZ)											
2	1	172653-41420	ARM	1							
3	1	172649-41500	ARM	1							
5	2	24550-010200	BUSH, 10X20	1							
6	1	172649-41550	BRACKET	1							
7	1	172649-41600	KNOB	1							
8	1	172649-41610	PLUG 12	1							
9	1	172649-41620	BAR	1							
10	1	1E8050-63130	SPRING, 1.6X9.4X25	1							
11	1	22117-080000	WASHER, 8	2							
12	1	22117-100000	WASHER, 10	2							
13	1	22137-100000	WASHER, 10	1							
14	1	22137-140000	WASHER, 14	1							
15	1	22217-060000	WASHER, SPRING 6	1							
16	1	22242-000140	RING, 14	1							
17	1	22417-200160	PIN, COTTER 2.0X16	2							
18	1	24190-120001	BALL, STEEL 3/8	2							
19	1	24190-200001	BALL, STEEL 5/8	1							
20	1	26013-080162	BOLT, M8X 16	2							
21	1	26076-060202	BOLT, 10.96X 20	1							
22	1	26116-080202	BOLT, M8X 20 PLATED	1							
23	1	26716-080002	NUT, M8	1							
24	1	26716-100002	NUT, M10	1							

Fig.26. INCHING LINK

(A)=C30RUS-2B
(B)=
(C)=

(D)=
(E)=
(F)=



No.	Lev.	Parts No.	Description	Q'ty						I	R
				(A)	(B)	(C)	(D)	(E)	(F)		
1	1	172730-01370	PIN 18X30	1							
2	1	172649-42150	ROD, INCHING	1							
3	1	172649-42252	LINK, INCHING A	1							
4	1	172653-42300	CABLE ASSY, INCHING	1							
5	1	172141-42960	JOINT, CABLE	1							
6	1	172122-46590	ELBOW	1							
7	1	194440-51620	CLAMP	1							
8	1	172155-58860	SPRING, TURNING	1							
9	1	22117-080000	WASHER, 8	2							
10	1	22117-100000	WASHER, 10	2							
11	1	26051-080002	NUT, M8	1							
12	1	26346-100002	NUT, M10	1							

Fig.27. BRAKE(PARKING)

(A)=C30RUS-2B

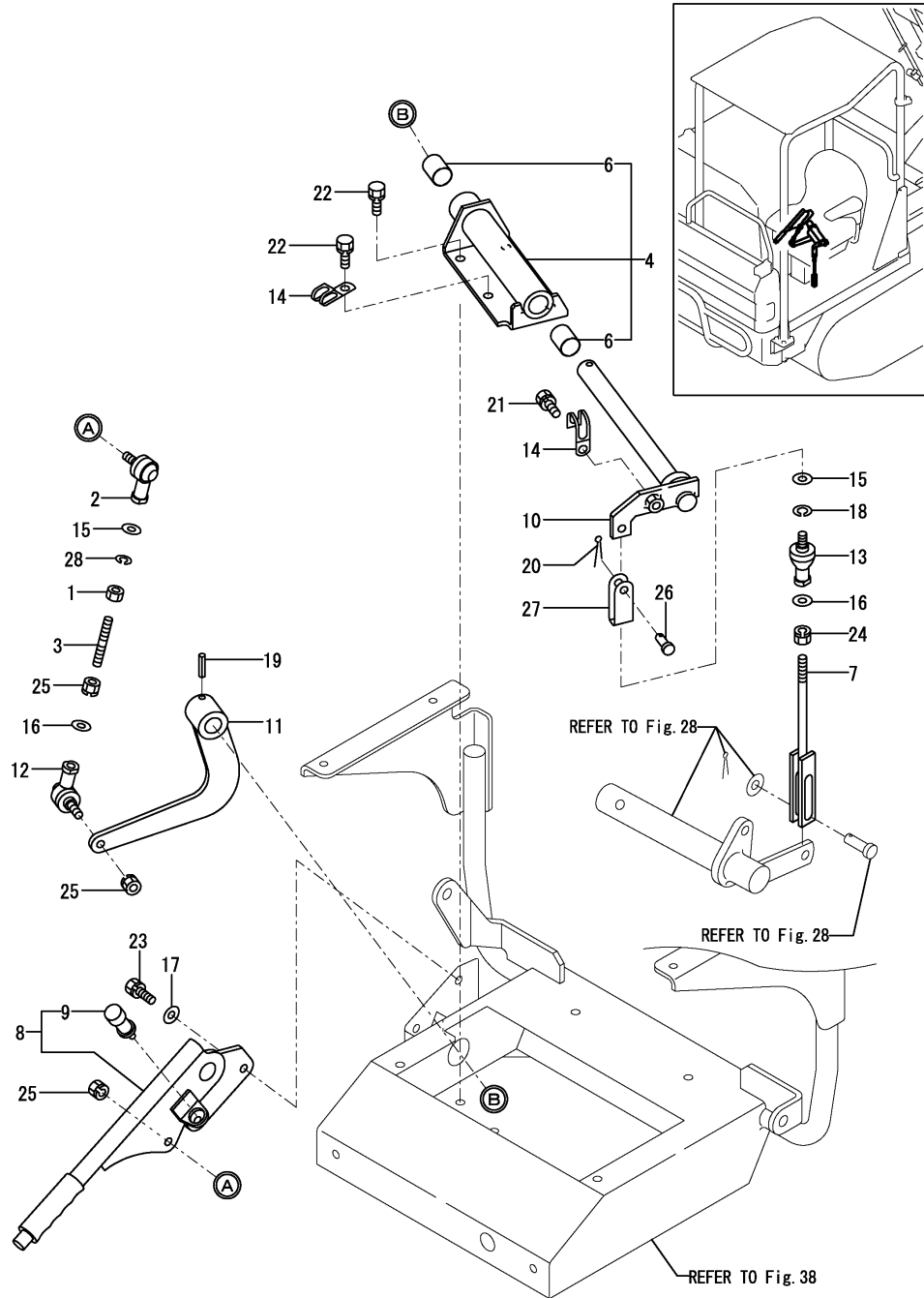
(B)=

(C)=

(D)=

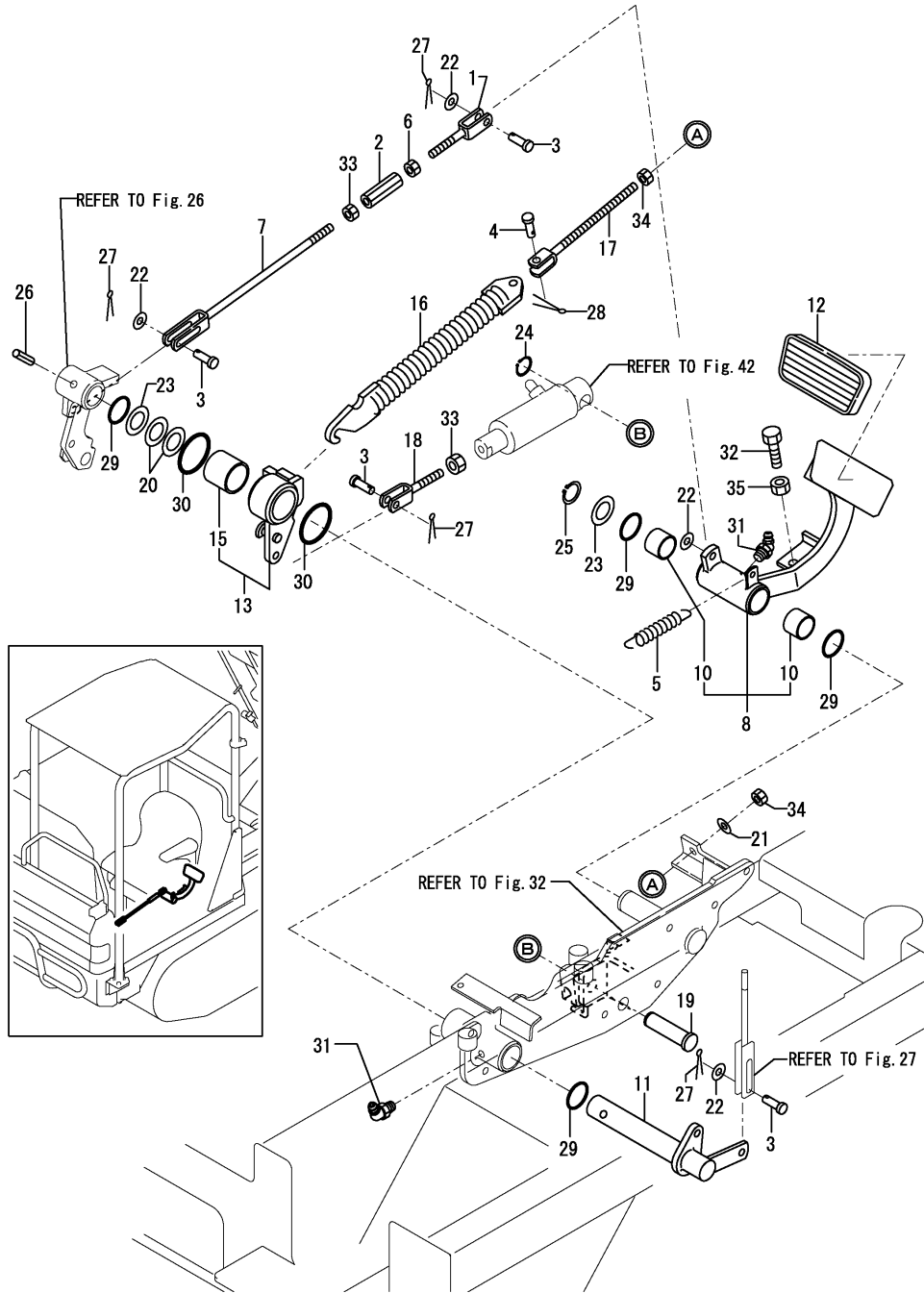
(E)=

(F)=



No.	Lev.	Parts No.	Description	Q'ty						I	R
				(A)	(B)	(C)	(D)	(E)	(F)		
1	1	194990-20170	NUT, M8	1							
2	1	172734-41300	JOINT, BALL	1							
3	1	172732-42450	ROD	1							
4	1	172649-42581	BOSS, PARKING	1							
6	2	24550-020250	BUSH, 20X25	2							
7	1	172649-42680	ROD, PARKING	1							
8	1	172649-42720-1	LEVER, PARKING	1							
9	2	172649-42740	SWITCH, LEVER	1							
10	1	172649-42731	SHAFT, PARKING	1							
11	1	172649-43010	ARM ASSY	1							
12	1	172122-46590	ELBOW	1							
13	1	172122-47250	BALL 8, LINK	1							
14	1	1A1686-57850	CLAMP, 80	2							
15	1	22117-080000	WASHER, 8	2							
16	1	22117-080000	WASHER, 8	2							
17	1	22137-080000	WASHER, 8	2							
18	1	22217-080000	WASHER, SPRING 8	1							
19	1	22351-060032	PIN, SPRING 6.0X32	1							
20	1	22417-200200	PIN, COTTER 2.0X20	1							
21	1	26013-080162	BOLT, M8X 16	1							
22	1	26013-080202	BOLT, M8X 20	4							
23	1	26013-080252	BOLT, M8X 25	2							
24	1	26051-080002	NUT, M8	1							
25	1	26051-080002	NUT, M8	3							
26	1	933171-21700	PIN (B), SPOOL LINK	1							
27	1	933171-21950	JOINT, ROD	1							
28	1	22217-080000	WASHER, SPRING 8	1							

Fig.28. BRAKE(PEDAL & ROD)(REAR)



(A)=C30RUS-2B
(B)=
(C)=

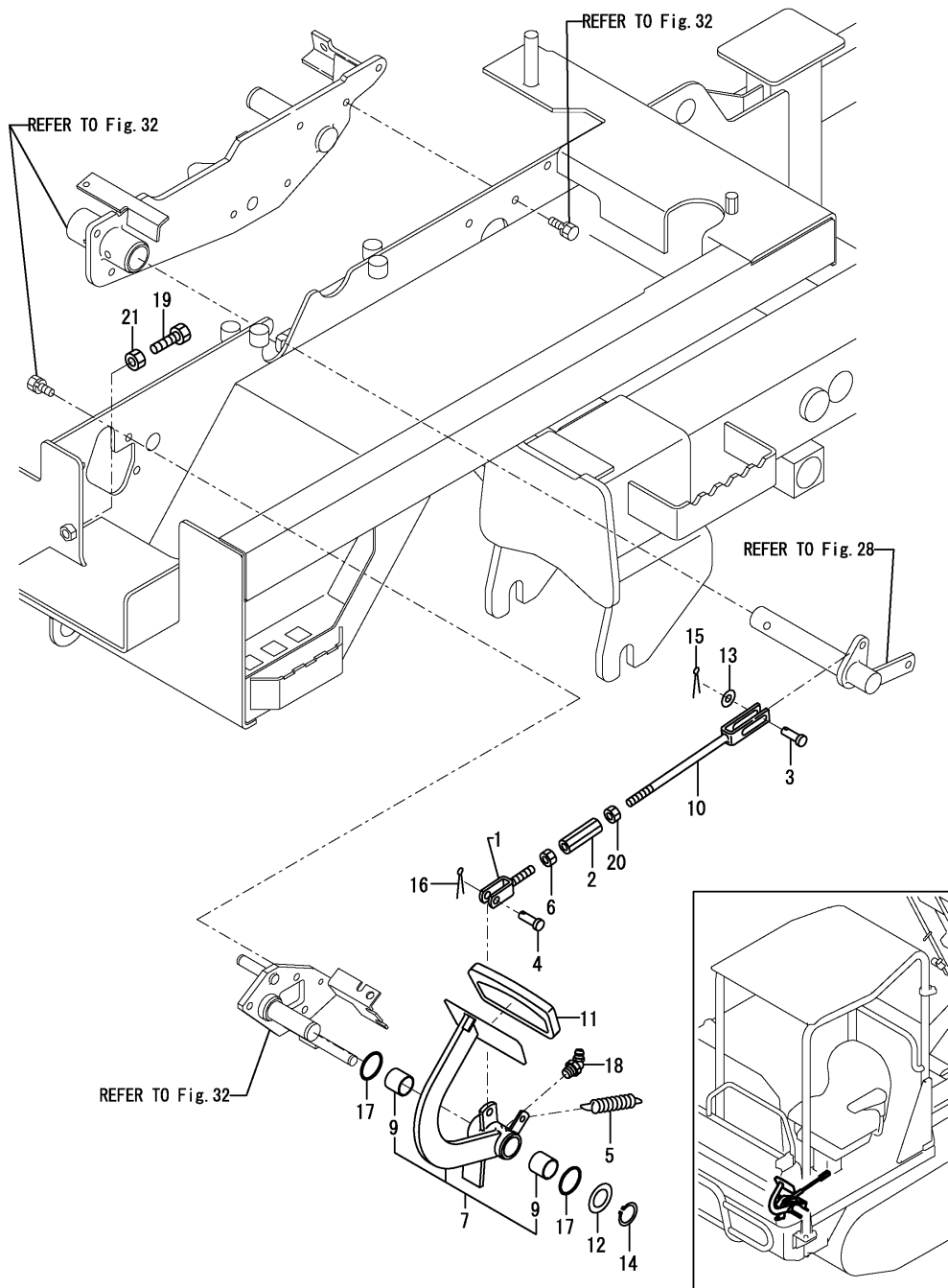
(D)=
(E)=
(F)=

No.	Lev.	Parts No.	Description	Qty						I	R
				(A)	(B)	(C)	(D)	(E)	(F)		
1	1	172730-11411	ROD ASSY, LINK	1							
2	1	172730-11440	TURNBUCKLE	1							
3	1	172730-11451	PIN 10.25.29	4							
4	1	172730-11451	PIN 10.25.29	1							
5	1	172162-12480	SPRING, RETURN	1							
6	1	194150-22480	NUT, M10 L	1							
7	1	172653-42200	ROD ASSY	1							
8	1	172649-42420-1	PEDAL ASSY, BRAKE	1							
10	2	24550-030250	BUSH, 30X25	2							
11	1	172649-42572	ARM, BRAKE	1							
12	1	172649-42650	PEDAL PAD, BRAKE	1							
13	1	172649-43251	ARM ASSY	1							
15	2	24550-045400	BUSH, 45X40	1							
16	1	172649-43300	SPRING, BRAKE	1							
17	1	172649-43350	ROD, BRAKE	1							
18	1	172649-43380	ROD, BRAKE	1							
19	1	172649-45630	PIN, CYLINDER	1							
20	1	172983-86161	SHIM	2							
21	1	22137-100000	WASHER, 10	1							
22	1	22137-100000	WASHER, 10	4							
23	1	22137-300000	WASHER, 30	2							
24	1	22242-000200	RING, 20	1							
25	1	22242-000300	RING, 30	1							
26	1	22351-100045	PIN, SPRING 10.0X45	1							
27	1	22417-320200	PIN, COTTER 3.2X20	4							
28	1	22417-320200	PIN, COTTER 3.2X20	1							
29	1	24311-000350	O-RING, 1AP35.0	4							
30	1	24321-000500	O-RING, 1AG50.0	2							
31	1	24761-040000	NIPPLE, GREASE B	2							
32	1	26116-120504	BOLT, M12X 50 PLATED	1							
33	1	26716-100002	NUT, M10	2							
34	1	26716-100002	NUT, M10	2							
35	1	26716-120002	NUT, M12	1							

Fig.29. BRAKE(PEDAL & ROD)(FRONT)

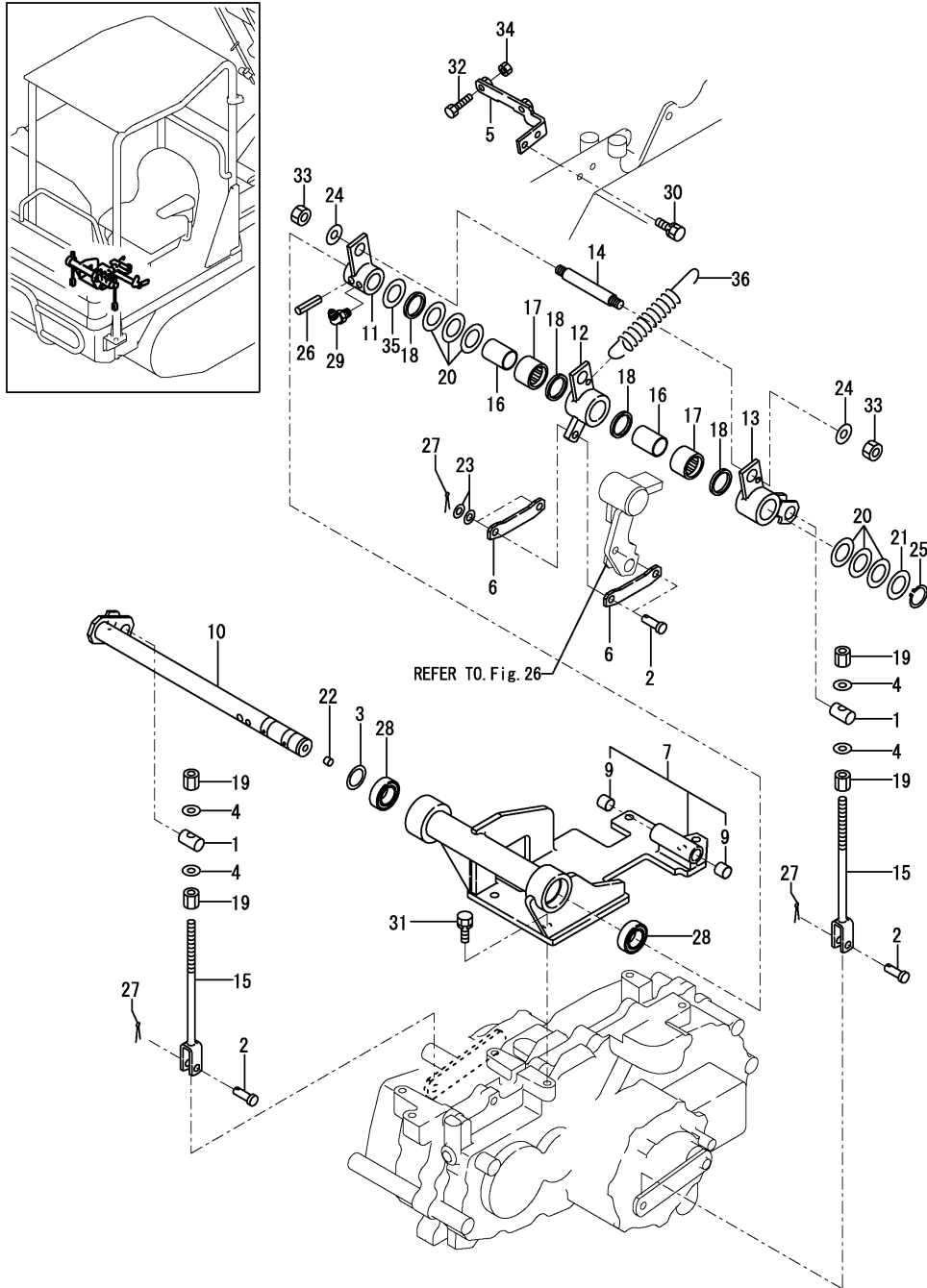
(A)=C30RUS-2B
(B)=
(C)=

(D)=
(E)=
(F)=



No.	Lev.	Parts No.	Description	Q'ty						I	R
				(A)	(B)	(C)	(D)	(E)	(F)		
1	1	172730-11411	ROD ASSY, LINK	1							
2	1	172730-11440	TURNBUCKLE	1							
3	1	172730-11451	PIN 10.25.29	1							
4	1	172730-11451	PIN 10.25.29	1							
5	1	172162-12480	SPRING, RETURN	1							
6	1	194150-22480	NUT, M10 L	1							
7	1	172649-42390-1	PEDAL ASSY, BRAKE	1							
9	2	24550-025250	BUSH, 25X25	2							
10	1	172649-42521	ROD, BRAKE	1							
11	1	172649-42650	PEDAL PAD, BRAKE	1							
12	1	172165-47990	WASHER	1							
13	1	22137-100000	WASHER, 10	1							
14	1	22242-000250	RING, 25	1							
15	1	22417-320200	PIN, COTTER 3.2X20	1							
16	1	22417-320200	PIN, COTTER 3.2X20	1							
17	1	24311-000320	O-RING, 1AP32.0	2							
18	1	24761-040000	NIPPLE, GREASE B	1							
19	1	26116-120504	BOLT, M12X 50 PLATED	1							
20	1	26716-100002	NUT, M10	1							
21	1	26716-120002	NUT, M12	1							

Fig.30. BRAKE(LINK)



(A)=C30RUS-2B

(B)=

(C)=

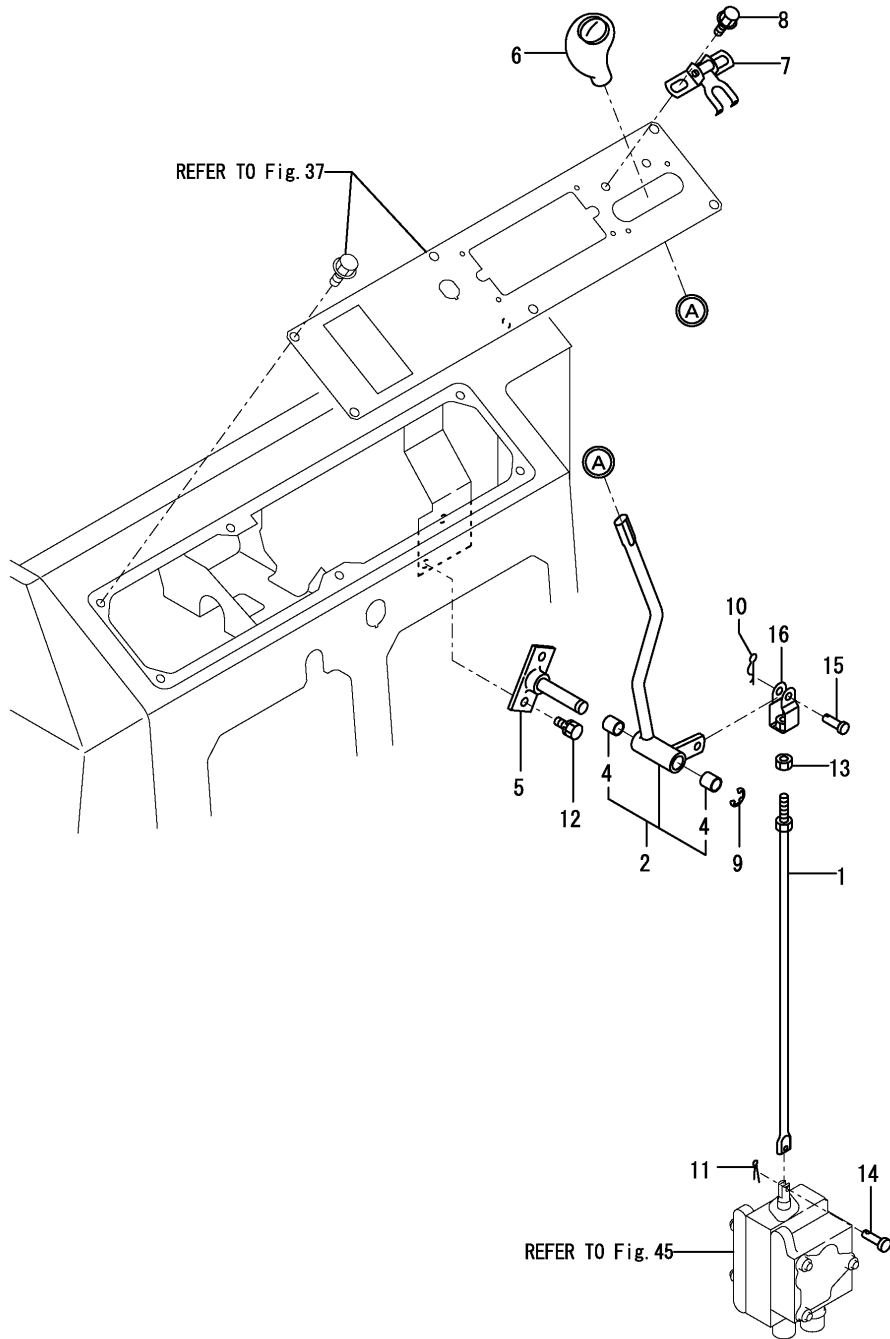
(D)=

(E)=

(F)=

No.	Lev.	Parts No.	Description	Qty						I	R
				(A)	(B)	(C)	(D)	(E)	(F)		
1	1	172730-01370	PIN 18X30	2							
2	1	172730-11451	PIN 10.25.29	4							
3	1	172644-23350	LINER 25X34X1.5	1							
4	1	172653-42100	WASHER	4							
5	1	172649-42480	STOPPER, ARM	1							
6	1	172649-42512	PLATE, BRAKE	2							
7	1	172649-42791-1	BRACKET ASSY, SHAFT	1							
9	2	24550-016150	BUSH, 16X15	2							
10	1	172649-42841	ARM, BRAKE	1							
11	1	172649-42871	ARM, BALANCER	1							
12	1	172649-42911	ARM, BRAKE	1							
13	1	172649-42941	ARM, BRAKE	1							
14	1	172649-42970	PIN, BALANCER	1							
15	1	172649-42981	ROD, BRAKE	2							
16	1	172649-43200	RING, 25X30X38.5	2							
17	1	172649-43210	BEARING	2							
18	1	172649-43220	SEAL, DS30374	4							
19	1	172738-47860	NUT, M10	4							
20	1	172165-47980	SHIM	6							
21	1	172165-47990	WASHER	1							
22	1	1E6710-53040	PLUG 1/8,TAPER SCREW	1							
23	1	22137-100000	WASHER, 10	4							
24	1	22137-120000	WASHER, 12	2							
25	1	22242-000250	RING, 25	1							
26	1	22351-100045	PIN, SPRING 10.0X45	1							
27	1	22417-320200	PIN, COTTER 3.2X20	4							
28	1	24104-060054	BEARING, BALL 6005UU	2							
29	1	24761-040000	NIPPLE, GREASE B	1							
30	1	26013-080202	BOLT, M8X 20	2							
31	1	26013-100252	BOLT, M10X 25	4							
32	1	26116-080304	BOLT, M8X 30 PLATED	2							
33	1	26346-120002	NUT, M12	2							
34	1	26716-080002	NUT, M8	2							
35	1	933147-02550	WASHER 2542	1							
36	1	933153-01280	SPRING, RETURN	1							

Fig.31. HYD.OIL LEVER

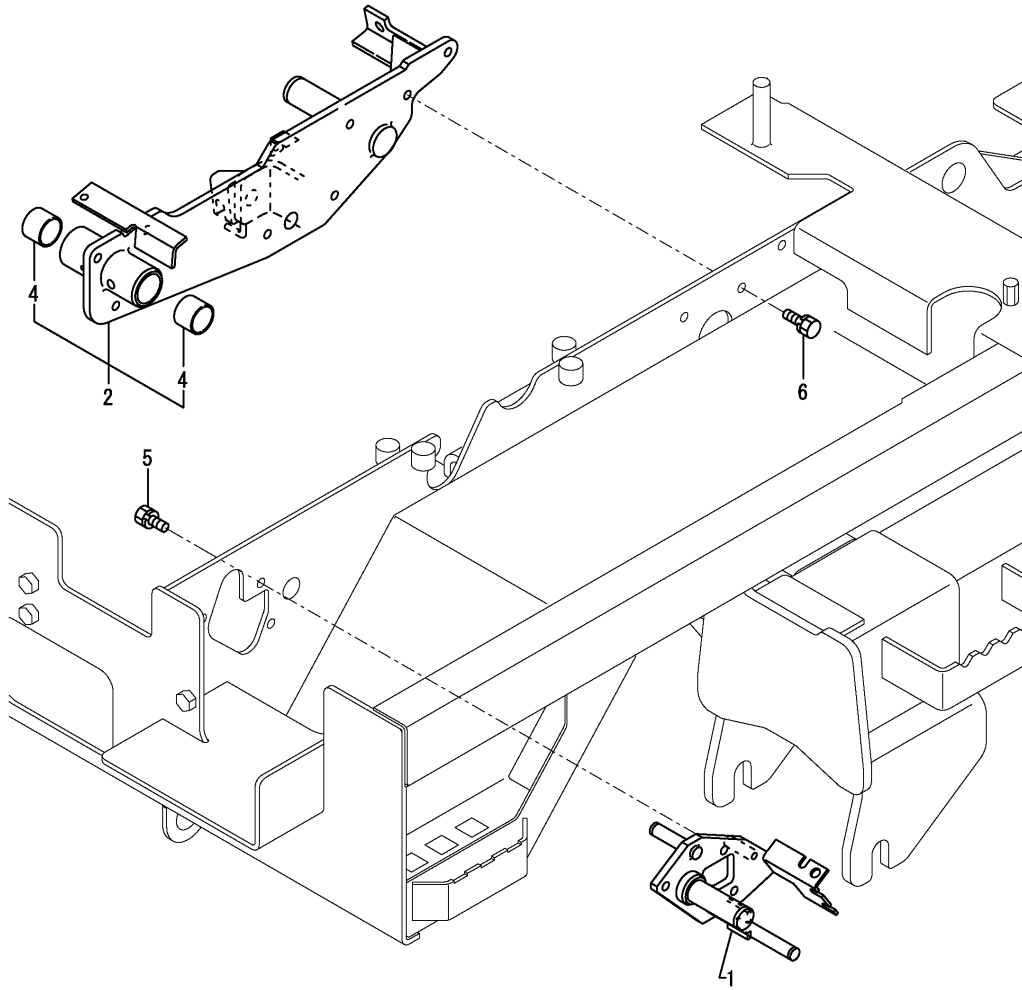


(A)=C30RUS-2B
(B)=
(C)=

(D)=
(E)=
(F)=

No.	Lev.	Parts No.	Description	Q'ty						I	R
				(A)	(B)	(C)	(D)	(E)	(F)		
1	1	172150-42730	LOD(B), SPOOL	1							
2	1	172653-45100-1	LEVER ASSY, DUMP	1							
4	2	24550-013150	BUSH, 13X15	2							
5	1	172649-45130	SHAFT, LEVER	1							
6	1	172649-45200	KNOB, LEVER	1							
7	1	172730-62250-1	STOPPER, LEVER	1							
8	1	172519-63240	BOLT	2							
9	1	22272-000100	RING, E-10	1							
10	1	22372-080000	PIN, SNAP 8	1							
11	1	22417-160160	PIN, COTTER 1.6X16	1							
12	1	26013-080162	BOLT, M8X 16	2							
13	1	26716-080002	NUT, M8	1							
14	1	933110-54100	PIN	1							
15	1	933171-21700	PIN (B), SPOOL LINK	1							
16	1	933171-21950	JOINT, ROD	1							

Fig.32. LINK PLATE



(A)=C30RUS-2B
(B)=
(C)=

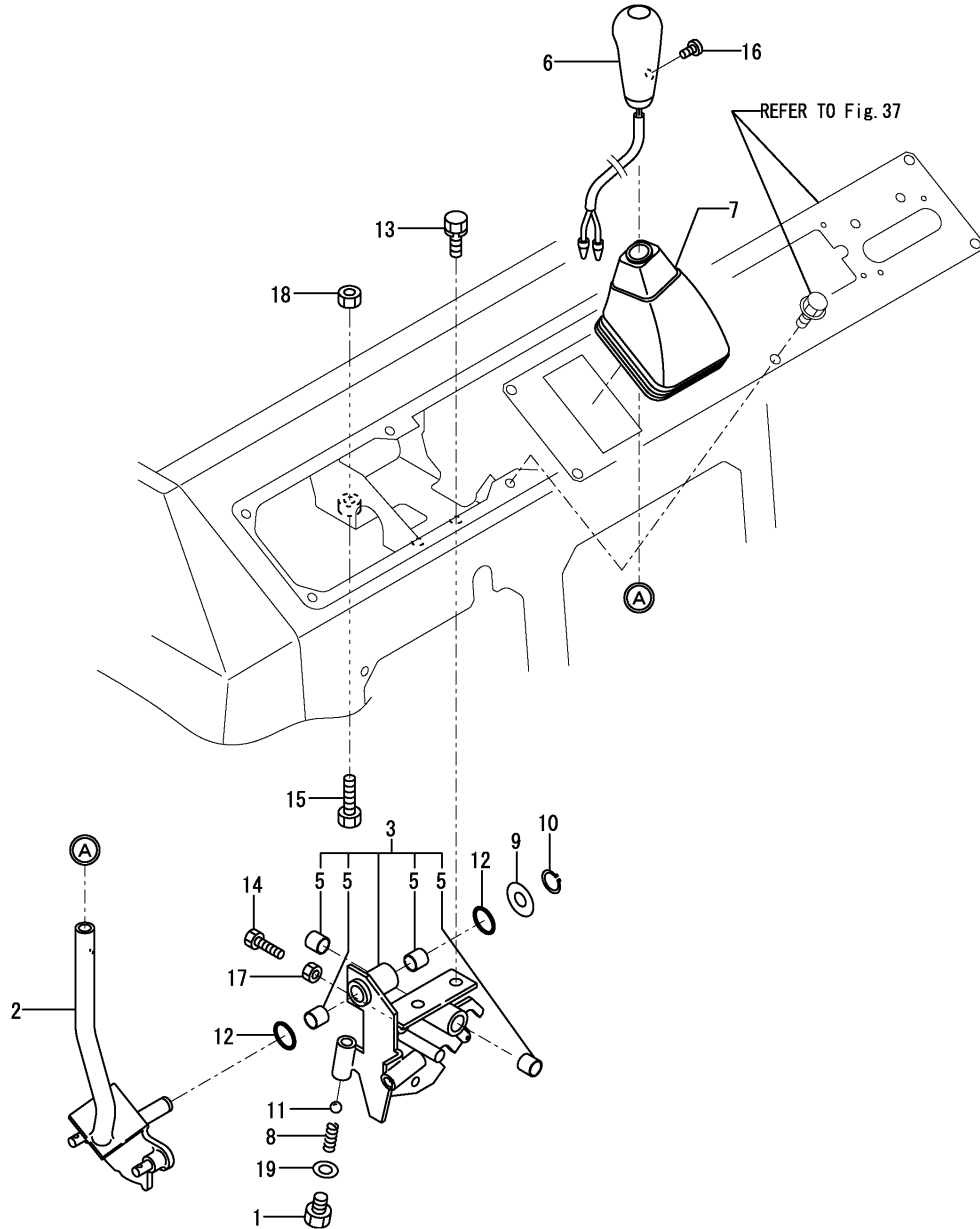
(D)=
(E)=
(F)=

No.	Lev.	Parts No.	Description	Q'ty						I	R
				(A)	(B)	(C)	(D)	(E)	(F)		
1	1	172649-45401-1	PLATE ASSY, LINK	1							
2	1	172649-45491-1	PLATE ASSY, LINK	1							
4	2	24550-030250	BUSH, 30X25	2							
5	1	26013-100202	BOLT, M10X 20	3							
6	1	26013-100202	BOLT, M10X 20	8							

Fig.33. STEERING LEVER

(A)=C30RUS-2B
(B)=
(C)=

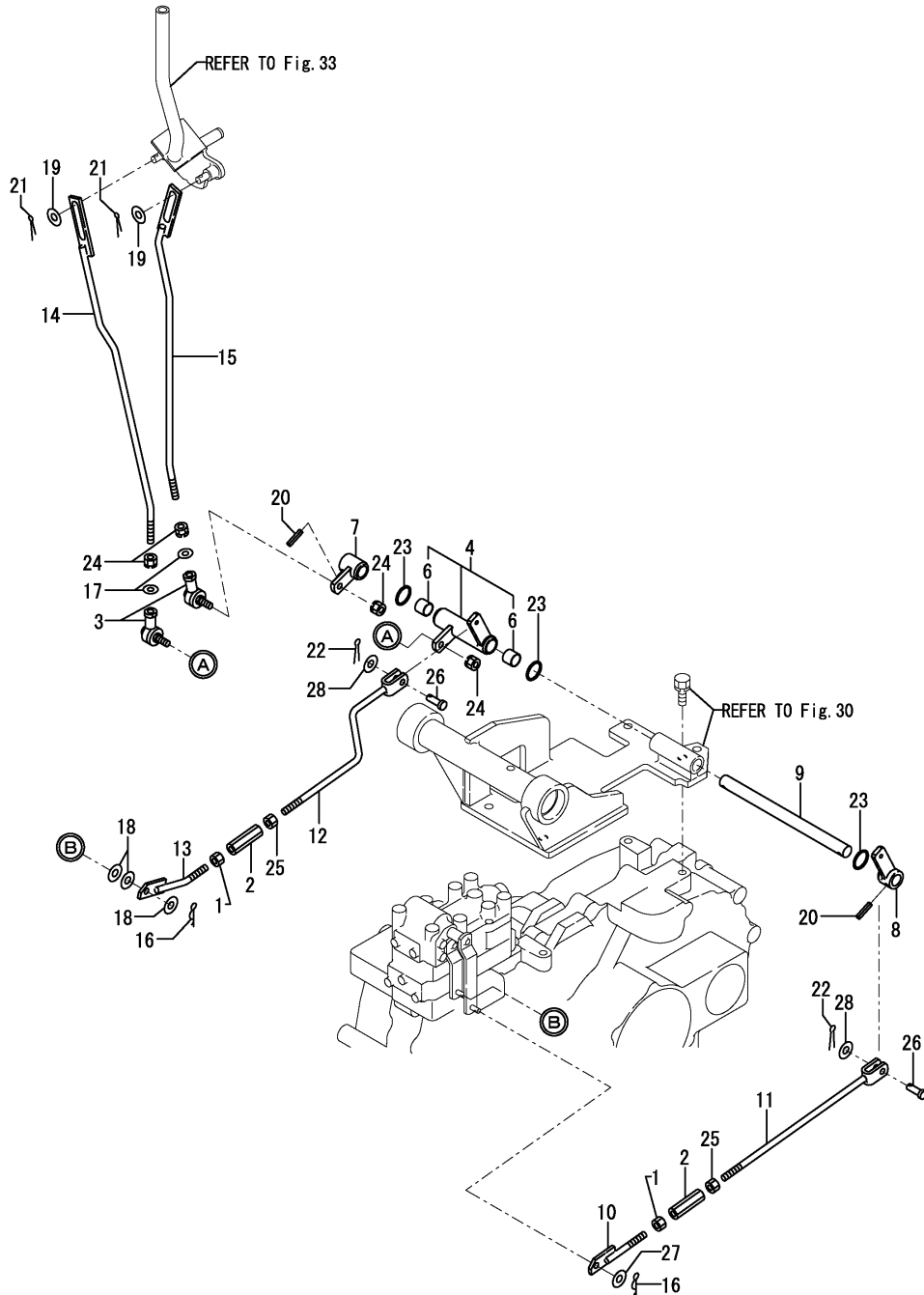
(D)=
(E)=
(F)=



No.	Lev.	Parts No.	Description	Q'ty						I	R
				(A)	(B)	(C)	(D)	(E)	(F)		
1	1	172649-41610	PLUG 12	1							
2	1	172649-47102-1	LEVER, STEERING	1							
3	1	172653-47191	BRACKET ASSY, LEVER	1							
5	2	24550-014150	BUSH, 14X15	4							
6	1	172165-47871	KNOB ASSY	1							1
7	1	1E8050-61850	BOOT, STEERING	1							
8	1	1E8050-63130	SPRING, 1.6X9.4X25	1							
9	1	22137-140000	WASHER, 14	1							
10	1	22242-000140	RING, 14	1							
11	1	24190-120001	BALL, STEEL 3/8	1							
12	1	24311-000220	O-RING, 1AP22.0	2							
13	1	26013-100252	BOLT, M10X 25	2							
14	1	26116-080304	BOLT, M8X 30 PLATED	1							
15	1	26116-100354	BOLT, M10X 35 PLATED	1							
16	1	26587-040062	SCREW, M4X 6	1							
17	1	26716-080002	NUT, M8	1							
18	1	26716-100002	NUT, M10	1							
19	1	22117-120000	WASHER, 12	1							

Remarks
(1)A KNOB WITH A BUILT-IN HORN SWITCH.

Fig.34. STEERING LINK

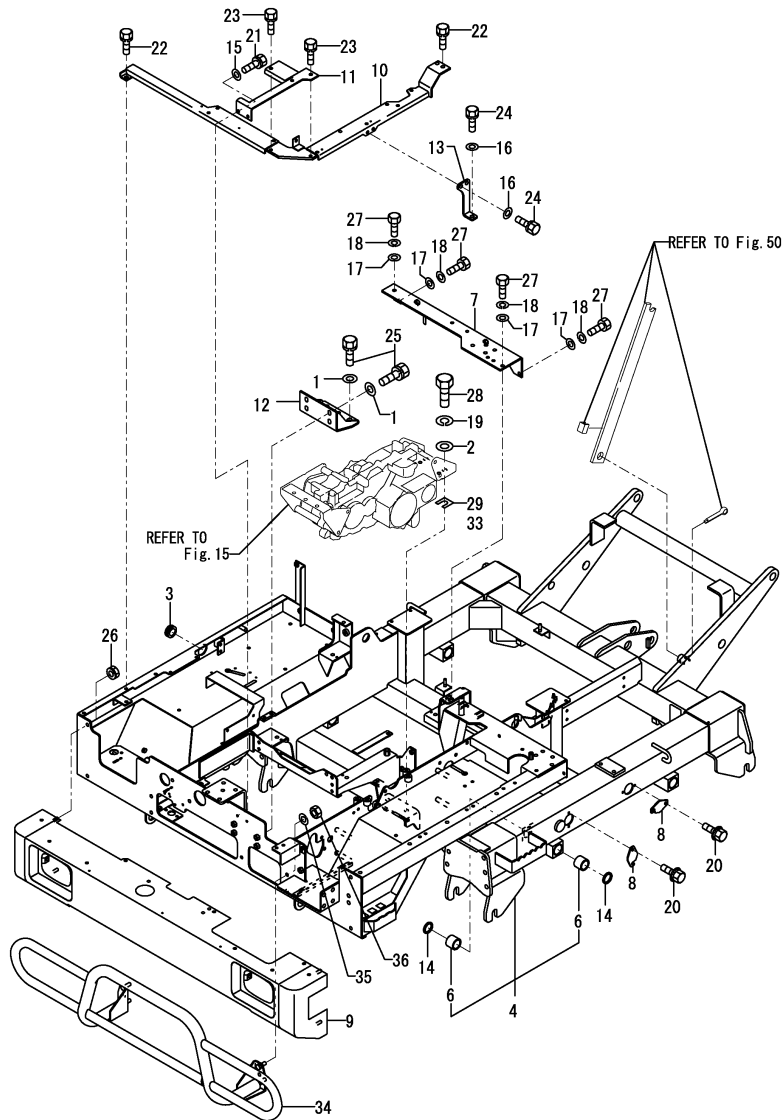


(A)=C30RUS-2B
(B)=
(C)=

(D)=
(E)=
(F)=

No.	Lev.	Parts No.	Description	Q'ty						I	R
				(A)	(B)	(C)	(D)	(E)	(F)		
1	1	194990-20170	NUT, M8	2							
2	1	195412-33280	TURNBUCKLE	2							
3	1	172122-46590	ELBOW	2							
4	1	172649-47320	BOSS A, STEERING	1							
6	2	24550-016150	BUSH, 16X15	2							
7	1	172649-47410	ARM ASSY, STEERING	1							
8	1	172649-47420	ARM ASSY, STEERING	1							
9	1	172649-47440	SHAFT	1							
10	1	172649-47451	ROD L, STEERING	1							
11	1	172649-47481	ROD R, STEERING	1							
12	1	172649-47501	ROD R, STEERING	1							
13	1	172649-47530	ROD R F, STEERING	1							
14	1	172649-47550	ROD A, STEERING	1							
15	1	172649-47580	ROD B, STEERING	1							
16	1	1C6281-52310	PIN, SNAP 6	2							
17	1	22117-080000	WASHER, 8	2							
18	1	22137-060000	WASHER, 6	3							
19	1	22137-100000	WASHER, 10	2							
20	1	22351-060025	PIN, SPRING 6.0X25	2							
21	1	22417-200200	PIN, COTTER 2.0X20	2							
22	1	22417-200200	PIN, COTTER 2.0X20	2							
23	1	24311-000210	O-RING, 1AP21.0	3							
24	1	26051-080002	NUT, M8	4							
25	1	26716-080002	NUT, M8	2							
26	1	933171-21700	PIN (B), SPOOL LINK	2							
27	1	22137-060000	WASHER, 6	1							
28	1	22137-080000	WASHER, 8	2							

Fig.35. FRAME & BUMPER



(A)=C30RUS-2B
(B)=
(C)=

(D)=
(E)=
(F)=

No.	Lev.	Parts No.	Description	Q'ty						I	R
				(A)	(B)	(C)	(D)	(E)	(F)		
1	1	172730-05250	WASHER	7							
2	1	172649-22330	WASHER 15X32	2							
3	1	172141-50890	GROMMET	1							
4	1	172653-51092-1	FRAME ASSY	1							1
6	2	172110-81570	BUSH 135X35	8							
7	1	172653-51700-2	MEMBER, CROSS	1							
8	1	172653-51800-2	COVER, FRAME	4							
9	1	172653-52100-2	FRAME ASSY, FRONT	1							
10	1	172649-52300-2	BRACKET ASSY, STEP	1							
11	1	172653-52300-2	BRACKET ASSY, STEP	1							
12	1	172649-52400-2	BRACKET ASSY	1							
13	1	172649-52450-2	PLATE	1							
14	1	172448-81610	SEAL, DUST 35X45X4	8							
15	1	22137-080000	WASHER, 8	2							
16	1	22137-100000	WASHER, 10	3							
17	1	22137-100000	WASHER, 10	4							
18	1	22217-100000	WASHER, SPRING 10	4							
19	1	22217-140000	WASHER, SPRING 14	2							
20	1	26014-080122	BOLT, M8X 12	8							
20-1	1	26106-080102	BOLT, M8X 10 PLATED	8							N
(A=MXXXXX)											
21	1	26013-080162	BOLT, M8X 16	2							
22	1	26013-100252	BOLT, M10X 25	3							
23	1	26013-100252	BOLT, M10X 25	2							
24	1	26013-100252	BOLT, M10X 25	3							
25	1	26013-120302	BOLT, M12X 30	7							
26	1	26051-100002	NUT, M10	4							
27	1	26076-100252	BOLT, 10.910X 25	4							
28	1	26076-140502	BOLT, 10.914X 50	2							
29	1	172117-53320	SPACER ASSY	2							
33	1	172423-68350	SHIM	5							
34	1	172649-53100-2	BUMPER ASSY	1							2
35	1	22217-120000	WASHER, SPRING 12	4							
36	1	26716-120002	NUT, M12	4							
37A	1	172437-03422	LABEL, MUFFLER	1							3
38A	1	172653-03440	LABEL, BUMPER US	1							3

Remarks

(1)PLEASE USE THIS PART WITH FOLLOWING LABELS AT THE SAME TIME.

REF.NO.37A.

(2)PLEASE USE THIS PART WITH FOLLOWING LABELS AT THE SAME TIME.

REF.NO.38A.

(3)LABELS ARE NOT ILLUSTRATED.

Fig.36. COVER

(A)=C30RUS-2B

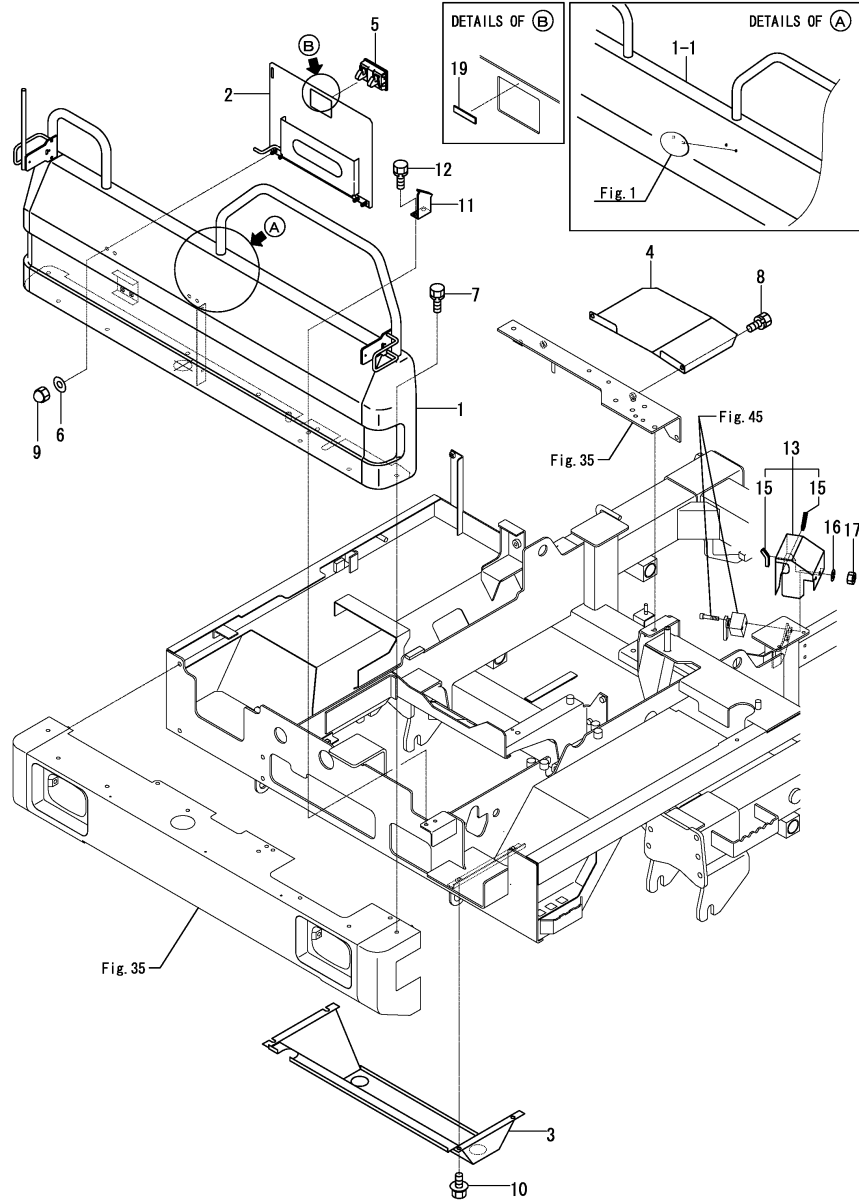
(B)=

(C)=

(D)=

(E)=

(F)=



No.	Lev.	Parts No.	Description	Q'ty						I	R
				(A)	(B)	(C)	(D)	(E)	(F)		
1	1	172653-61101-2	COVER	1							1
1-1	1	172659-61100	COVER ASSY	1							S 1
(A=M02050)											
2	1	172649-61280-1	COVER, TOOL BOX	1							
2-1	1	172649-61280-Y	COVER, TOOL BOX	1							S
(A=M02050)											
3	1	172653-61350-2	COVER	1							
4	1	172653-61400-2	COVER, PUMP	1							
5	1	172187-61421	HANDLE, LOCK	1							
6	1	22137-080000	WASHER, 8	4							
7	1	26013-100202	BOLT, M10X 20	8							
8	1	26013-100252	BOLT, M10X 25	2							
9	1	26657-080002	NUT, CAP M8	4							
10	1	26106-100202	BOLT, M10X 20 PLATED	4							
11	1	172653-61500-1	PLATE, GAUGE	1							
12	1	26013-100252	BOLT, M10X 25	2							
13	1	172653-61600	COVER, INCHING	1							
15	2	172445-62010	TRIM	2							
16	1	22217-080000	WASHER, SPRING 8	2							
17	1	26716-080002	NUT, M8	2							
18A	1	172653-03430	LABEL,PK BRAKE US	1							2
18B	1	172653-03520	LABEL,BRAKE US	1							2
19	1	172655-62140	RUBBER PLATE, STEP	1							W
(A=MZZZZZ)											

Remarks

(1)Please use this part with following labels at the same time.

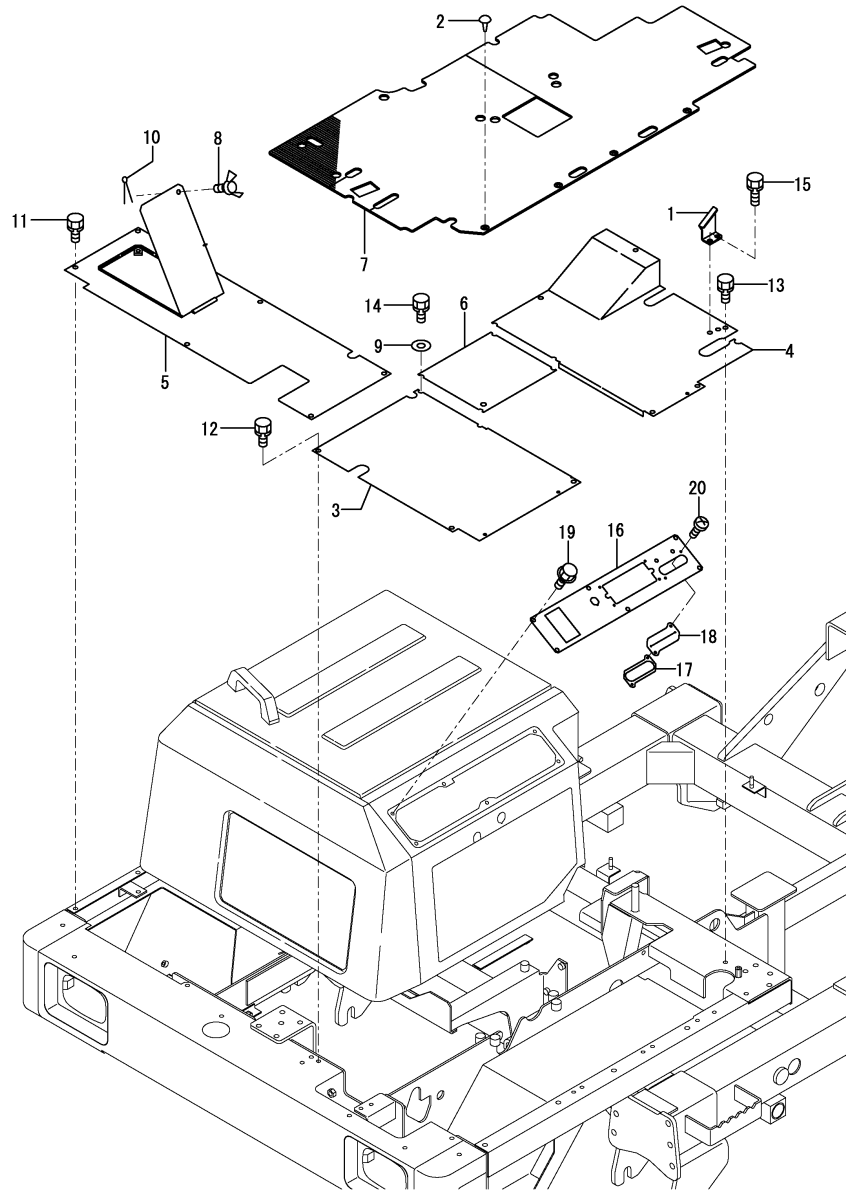
Ref.No.18A & 18B.

(2)Labels are not illustrated.

Fig.37. STEP & INSTRUMENT PANEL

(A)=C30RUS-2B
(B)=
(C)=

(D)=
(E)=
(F)=

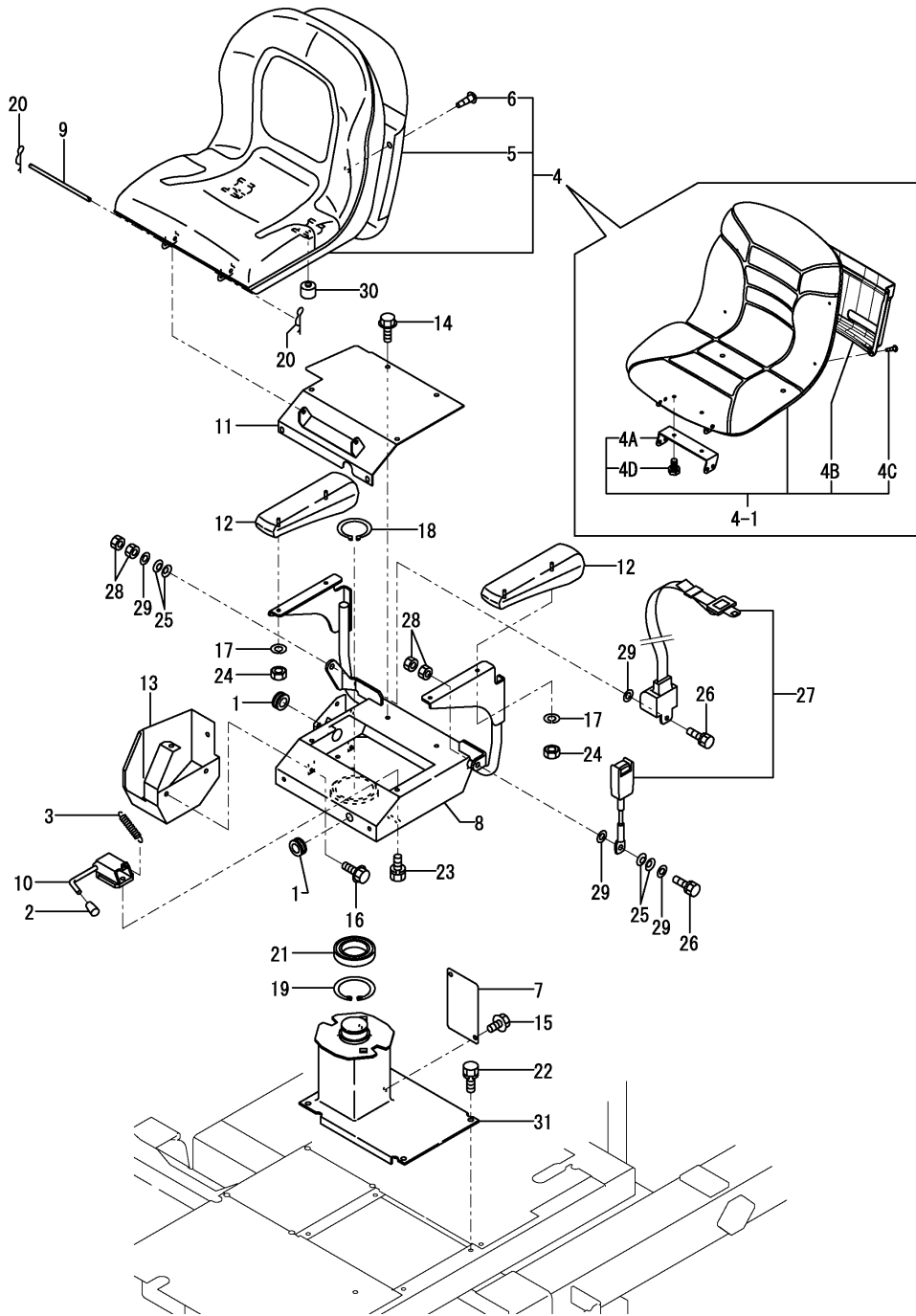


No.	Lev.	Parts No.	Description	Q'ty						I	R
				(A)	(B)	(C)	(D)	(E)	(F)		
1	1	172653-61510-1	PLATE, GAUGE	1							
2	1	172527-61980	CLIP	4							
3	1	172649-62101-1	STEP	1							
4	1	172649-62113-1	STEP	1							
5	1	172653-62150-2	STEP	1							1
6	1	172649-62190-1	STEP	1							
7	1	172653-62250	FLOOR MAT,US	1							
8	1	172142-62300	BOLT, WING	1							
9	1	22137-100000	WASHER, 10	4							
10	1	22417-320200	PIN, COTTER 3.2X20	1							
11	1	26013-100202	BOLT, M10X 20	6							
12	1	26013-100202	BOLT, M10X 20	3							
13	1	26013-100202	BOLT, M10X 20	5							
14	1	26013-100202	BOLT, M10X 20	4							
15	1	26013-100252	BOLT, M10X 25	2							
16	1	172649-63100-1	PANEL ASSY	1							
17	1	172649-63120-1	PLATE, GUIDE	1							
18	1	172649-63140	PLATE, RUBBER	1							
19	1	172162-68370	BOLT, M8X12	6							
20	1	26589-040122	SCREW, M4X12	2							
21A	1	172437-03361	LABEL, BATTERY	1							2

Remarks

- (1)PLEASE USE THIS PART WITH FOLLOWING LABELS AT THE SAME TIME. REF.NO.21A.
- (2)LABELS ARE NOT ILLUSTRATED.

Fig.38. SEAT & MOUNT



(A)=C30RUS-2B
(B)=
(C)=

(D)=
(E)=
(F)=

No.	Lev.	Parts No.	Description	Q'ty						I	R
				(A)	(B)	(C)	(D)	(E)	(F)		
1	1	172725-16380	GROMMET	2							
2	1	172116-46630	KNOB, LEVER	1							
3	1	1E8100-63750	SPRING, 1.6X16X55	1							
4	1	172A54-64100	SEAT ASSY, OPERATOR	1							
4-1	1	172A64-64010	SEAT ASSY	1							N
		(A=MZZZZZ)									
4A	2	172A64-64020	STAY, SEAT	1							W
		(A=MZZZZZ)									
4B	2	172A64-64030	CASE, LETTER	1							W
		(A=MZZZZZ)									
4C	2	172A64-64050	SCREW, M6.0X16	4							W
		(A=MZZZZZ)									
4D	2	26013-080202	BOLT, M8X 20	2							W
		(A=MZZZZZ)									
5	2	172A54-64110	COVER	1							Z
		(A=MZZZZZ)									
6	2	172A54-64120	SCREW, M5X16	4							Z
		(A=MZZZZZ)									
7	1	172649-64261-1	COVER	1							
8	1	172653-64311	BRACKET, SEAT	1							
9	1	172156-64420	PIN	1							
10	1	172649-64452-1	STOPPER, SEAT	1							
11	1	172649-64491-1	COVER ASSY, MOUNT	1							
12	1	172649-64580	ARMREST	2							
13	1	172649-64650-1	COVER, LEVER	1							
14	1	172162-68370	BOLT, M8X12	7							
15	1	172162-68370	BOLT, M8X12	2							
16	1	172162-68370	BOLT, M8X12	2							
17	1	22217-060000	WASHER, SPRING 6	4							
18	1	22242-000600	RING, 60	1							
19	1	22252-000950	RING, 95	1							
20	1	22372-080000	PIN, SNAP 8	2							
21	1	24104-060124	BEARING, BALL 6012UU	1							
22	1	26013-100202	BOLT, M10X 20	4							
23	1	26013-100202	BOLT, M10X 20	2							
24	1	26716-060002	NUT, M6	4							
25	1	172652-64220	SPRING	4							
26	1	172433-64511	BOLT	2							
27	1	172A23-64770	BELT ASSY, SEAT	1							
28	1	172187-64831	NUT	4							
29	1	22137-120000	WASHER, 12	4							
30	1	172649-64150	CUSHION, SEAT	2							
31	1	172649-64203-1	MOUNT, SEAT	1							

Fig.39. BONNET

(A)=C30RUS-2B

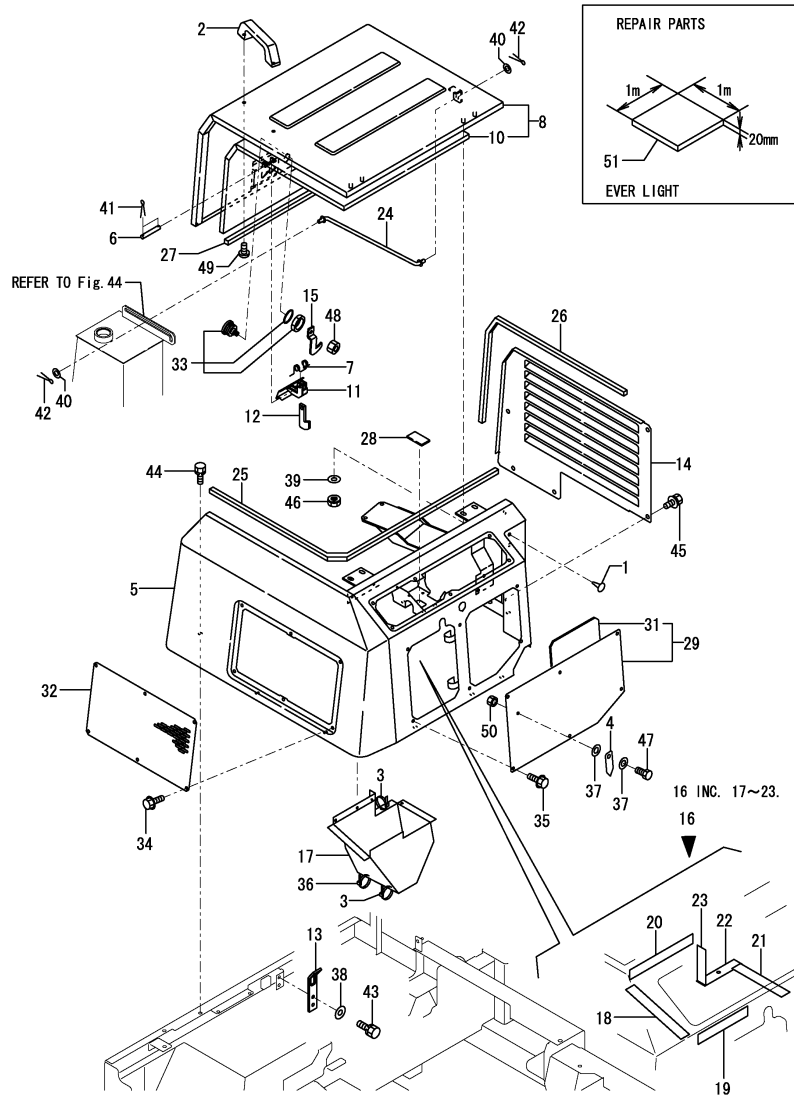
(B)=

(C)=

(D)=

(E)=

(F)=



No.	Lev.	Parts No.	Description	(A)	(B)	(C)	Q'ty	(D)	(E)	(F)	I	R
1	1	172122-17190	CLIP, TREE	2								
2	1	172164-45980	GRIP, BONNET	1								
3	1	1A1380-55310	CLAMP, WIRE	2								
4	1	172652-63150-2	STAY, GAUGE	1								
5	1	172653-65110-2	BONNET ASSY	1								1
5-1	1	172653-65110-Y	BONNET ASSY	1							S	1
(A=M02050)												
6	1	172734-65260	PIN, BONNET LEVER	1								
7	1	172734-65270	SPRING, CATCH	1								
8	1	172653-65400-2	COVER, BONNET	1								2
8-1	1	172653-65400-Y	COVER, BONNET	1							S	2
(A=M02050)												
10	2	172649-65521	SPONGE	1								
11	1	172124-65450	LEVER ASSY, LOCK	1								
12	1	172124-65480	CATCHER	1								
13	1	172124-65490	PLATE, CATCH	1								
14	1	172649-65540-1	BONNET, REAR	1								
14-1	1	172649-65540-Y	BONNET, REAR	1								S
(A=M02050)												
15	1	172126-65571	WASHER LOCK	1								
16	1	772649-65570	MAGIC CLOTH SET	1								
17	2	172649-65570	COVER, CONTROL	1								
18	2	172649-65580	MAGIC CLOTH 130	1								
19	2	172649-65590	MAGIC CLOTH 145	1								
20	2	172649-65630	MAGIC CLOTH 185	1								
21	2	172649-65640	MAGIC CLOTH 145	1								
22	2	172649-65650	MAGIC CLOTH 110	1								
23	2	172649-65660	MAGIC CLOTH 90	1								
24	1	172653-65600	ROD ASSY, STOPPER	1								
25	1	172649-65750	RUBBER, SEAL	1								
26	1	172649-65760	RUBBER, SEAL	1								
27	1	172649-65770	RUBBER, SEAL	1								
28	1	172649-65780	PLATE, SPONGE	1								
29	1	172653-65800-2	COVER, BONNET	1								
29-1	1	172653-65800-Y	COVER, BONNET	1								S
(A=M02050)												
31	2	172649-65840	WOOL, GLASS	1								
32	1	172649-65900-1	GRILLE	1								
32-1	1	172649-65900-Y	GRILLE	1								S
(A=M02050)												
33	1	172164-66170	KEY ASSY, CYLINDER	1								
34	1	172162-68370	BOLT, M8X12	6								
35	1	172162-68370	BOLT, M8X12	6								
36	1	1E6102-84970	BAND 140, WIRE LOCK	1								
37	1	22137-080000	WASHER, 8	2								
38	1	22137-100000	WASHER, 10	2								
39	1	22137-100000	WASHER, 10	4								
40	1	22137-100000	WASHER, 10	2								
41	1	22417-200200	PIN, COTTER 2.0X20	2								
42	1	22417-200200	PIN, COTTER 2.0X20	2								
43	1	26013-100252	BOLT, M10X 25	2								

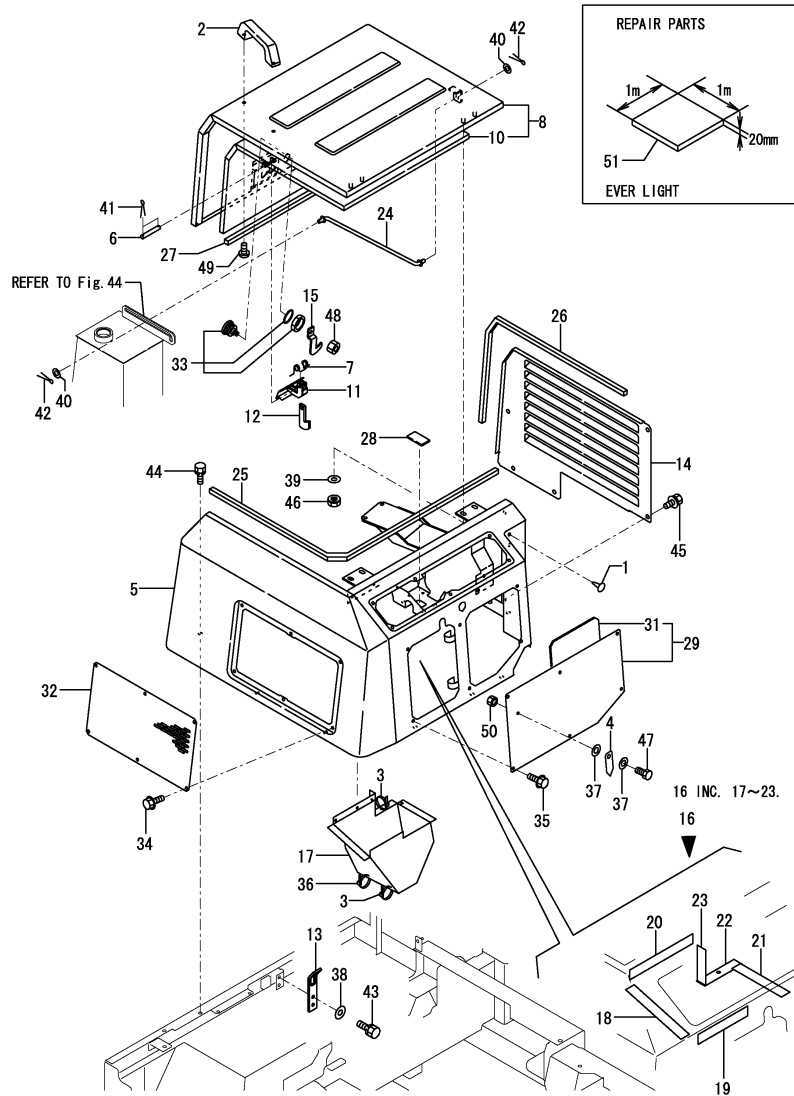
Remarks

- (1) PLEASE USE THIS PART WITH FOLLOWING LABELS AT THE SAME TIME. REF.NO.52A,52B,52C & 52D.
- (2) PLEASE USE THIS PART WITH FOLLOWING LABELS AT THE SAME TIME. REF.NO.53A,53B & 53C.
- (3) LABELS ARE NOT ILLUSTRATED.
- (4) REPAIR PARTS.

Fig.39. BONNET

(A)=C30RUS-2B
(B)=
(C)=

(D)=
(E)=
(F)=



No.	Lev.	Parts No.	Description	Q'ty						I	R
				(A)	(B)	(C)	(D)	(E)	(F)		
44	1	26013-100252	BOLT, M10X 25	8							
45	1	26014-100252	BOLT, M10X 25	5							
46	1	26051-100002	NUT, M10	4							
47	1	26116-080202	BOLT, M8X 20 PLATED	1							
48	1	26347-100002	NUT, M10	1							
49	1	26557-080202	SCREW, M8X20	2							
50	1	26756-080002	NUT, LOCK M8	1							
51	1	172478-65750	SPONGE	1							4
52A	1	172437-03302	LABEL, MANUAL	1							3
52B	1	172653-03460	LABEL, NEUTRAL US	1							3
52C	1	172652-03661	LABEL, CAUTION-OPE.US	1							3
52D	1	114110-07760	LABEL, FUEL CAUTION	1							3
53A	1	172437-03391	LABEL, RADIATOR	1							3
53B	1	172437-03402	LABEL, ENGINE COVER	1							3
53C	1	172A36-03411	LABEL, ENGINE ROOM	1							3

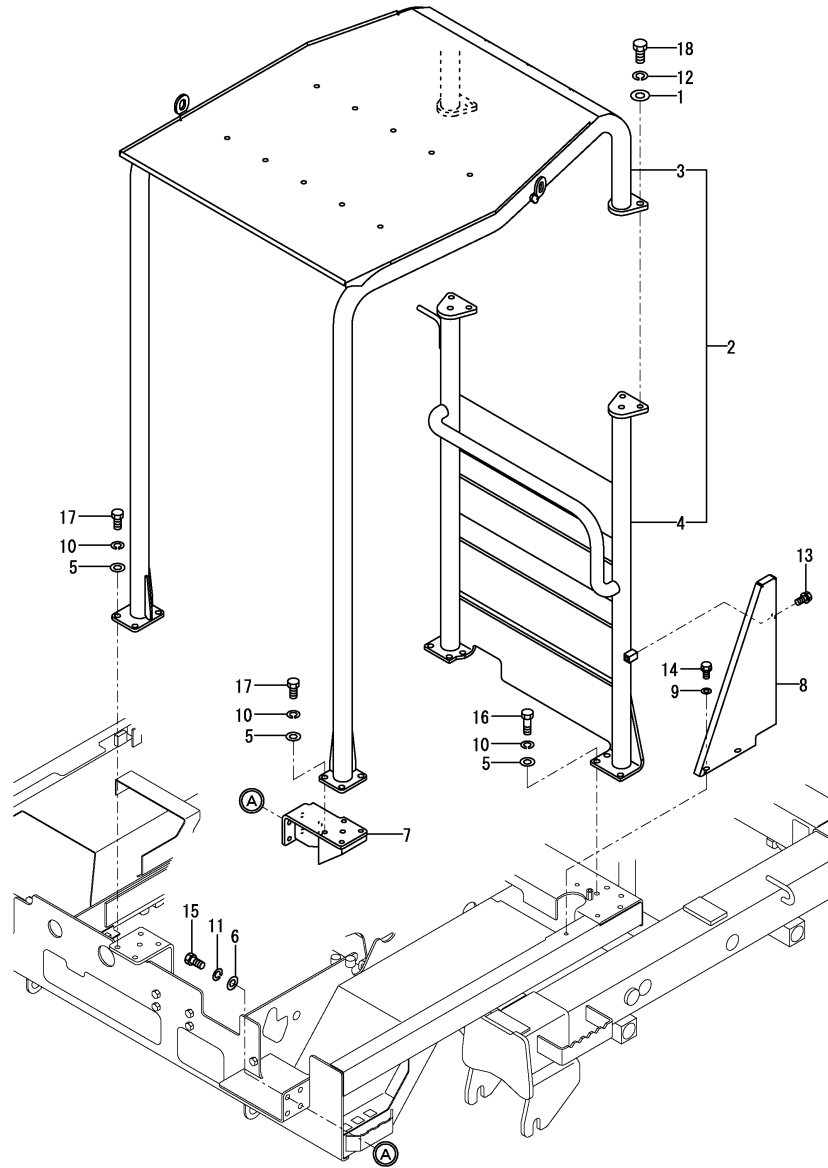
Remarks

- (1) PLEASE USE THIS PART WITH FOLLOWING LABELS AT THE SAME TIME.
REF.NO.52A,52B,52C & 52D.
- (2) PLEASE USE THIS PART WITH FOLLOWING LABELS AT THE SAME TIME.
REF.NO.53A,53B & 53C.
- (3) LABELS ARE NOT ILLUSTRATED.
- (4) REPAIR PARTS.

Fig.40. CANOPY(ROPS)

(A)=C30RUS-2B
(B)=
(C)=

(D)=
(E)=
(F)=



No.	Lev.	Parts No.	Description	Q'ty						I	R
				(A)	(B)	(C)	(D)	(E)	(F)		
1	1	172649-22330	WASHER 15X32	4							
2	1	772653-66300-1	CANOPY SET	1							
3	2	172653-66300-2	CANOPY ASSY, ROPS	1							
4	2	172653-66500-2	MOUNT ASSY, ROPS	1							1
5	1	172149-66550	WASHER	14							
6	1	172149-66550	WASHER	6							
7	1	172653-66600-2	BRACKET, ROPS	1							
8	1	172653-66700-3	COVER	1							
8-1	1	172653-66700-Y	COVER	1							S
(A=M02050)											
9	1	22137-100000	WASHER, 10	2							
10	1	22217-120000	WASHER, SPRING 12	14							
11	1	22217-120000	WASHER, SPRING 12	6							
12	1	22217-140000	WASHER, SPRING 14	4							
13	1	26013-100202	BOLT, M10X 20	1							
14	1	26013-100252	BOLT, M10X 25	2							
15	1	26076-120302	BOLT, 10.912X 30	6							
16	1	26076-120352	BOLT, 10.912X 35	6							
17	1	26076-120402	BOLT, 10.912X 40	8							
18	1	26076-140402	BOLT, 10.914X 40	4							
19A	1	172472-03141	LABEL, SUPPORT	1							2
19B	1	172437-03343	LABEL, TRANSPORT	1							2
19C	1	172437-03352	LABEL, CYLINDER	1							2
19D	1	172653-03350	LABEL, LIFT US	1							2
19E	1	172653-03430	LABEL, PK BRAKE US	1							2
19F	1	172437-03441	LABEL, ROPS	1							2
19G	1	172653-03450	LABEL, PLACES US	1							2
19H	1	172653-03470	LABEL, WAGON US	1							2
19I	1	172653-03480	LABEL, SLOPE US	1							2
19J	1	172653-03520	LABEL, BRAKE US	1							2
19K	1	172652-03681	LABEL, SEAT BELT US	1							2

Remarks

- (1) PLEASE USE THIS PART WITH FOLLOWING LABELS AT THE SAME TIME. REF.NO. 19A, 19B, 19C, 19D, 19E, 19F, 19G, 19H, 19I, 19J & 19K.
- (2) LABELS ARE NOT ILLUSTRATED.

Fig.41. HYD.OIL PUMP & JOINT

(A)=C30RUS-2B

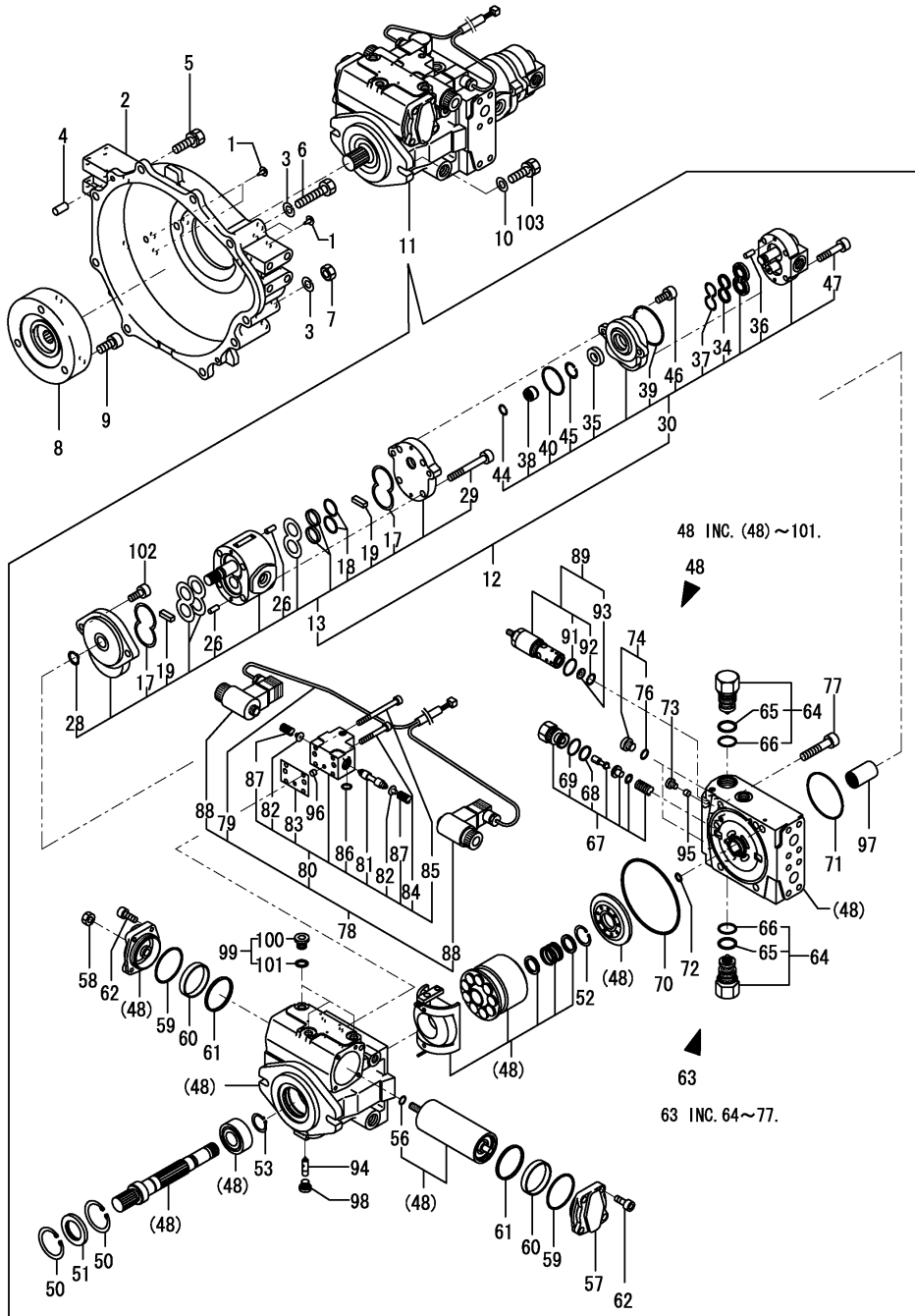
(B)=

(C)=

(D)=

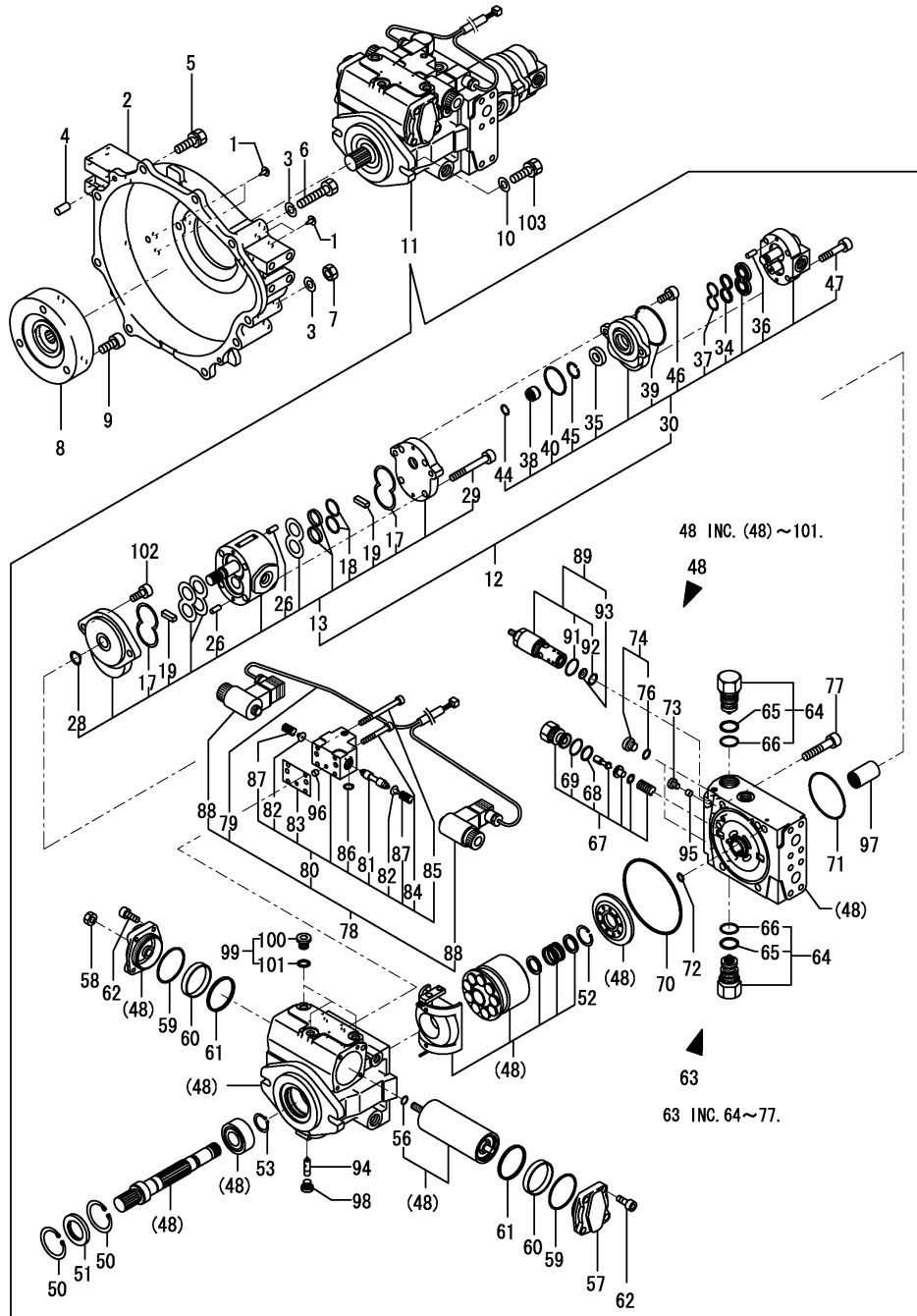
(E)=

(F)=



No.	Lev.	Parts No.	Description	Q'ty						I	R
				(A)	(B)	(C)	(D)	(E)	(F)		
1	1	172122-17190	CLIP, TREE	4							
2	1	172649-71100-2	CASE, FLYWHEEL	1							
3	1	22217-120000	WASHER, SPRING 12	5							
4	1	22351-080016	PIN, SPRING 8.0X16	2							
5	1	26013-120352	BOLT, M12X 35	4							
6	1	26116-120852	BOLT, M12X 85 PLATED	4							
7	1	26716-120002	NUT, M12	1							
8	1	172653-71200	COUPLING	1							
9	1	26450-120402	BOLT, M12X 40	3							
10	1	172165-13220	WASHER	2							
11	1	172653-73100	PUMP ASSY	1							
12	2	172649-71210	PUMP, GEAR	1							
13	3	172649-72660	PUMP, GEAR	1							
17	4	172141-71520	RING	2							
18	4	172141-71550	O-RING	2							
19	4	172141-71560	RING	2							
26	4	172141-73240	PIN, PARALLEL	4							
28	4	22242-000180	RING, 18	1							
29	4	26450-100802	BOLT, M10X 80	4							
30	3	172649-72670	GEAR PUMP	1							
34	4	172649-72750	RING	1							
35	4	172649-72760	SEAL, OIL	1							
36	4	172141-73240	PIN, PARALLEL	2							
37	4	172165-73850	RING, BUCK UP	1							
38	4	172164-73870	COUPLING	1							
39	4	172165-73870	O-RING	1							
40	4	172165-73880	O-RING	1							
44	4	22252-000120	RING, 12	1							
45	4	22252-000280	RING, 28	1							
46	4	26450-080182	BOLT, M8X 18	2							
47	4	26450-080402	BOLT, M8X 40	4							
48	2	172653-71300	PUMP, PISTON	1							
50	4	172653-71420	RING, RETANING	2							
51	4	172653-71430	RING, SEAL	1							
52	4	172653-71440	RING, RETANING	1							
53	4	22242-000250	RING, 25	1							
56	5	172179-73540	O-RING	1							
57	4	172653-71460	COVER	1							
58	4	172653-71470	NUT, M12	1							
59	4	172653-71480	O-RING	2							
60	4	172653-71490	RING, GUIDE	2							
61	4	172653-71500	RING	2							
62	4	26450-060162	BOLT, M6X 16	8							
63	3	172653-71330	PORT PLATE	1							
64	4	172653-71510	VALVE	2							
65	5	172651-73610	BACK-UP RING	2							
66	5	172650-73640	O-RING, NBR HS90	2							
67	4	172653-71520	VALVE	1							
68	5	172653-71550	PISTON RING	1							
69	5	172650-73640	O-RING, NBR HS90	1							
70	4	172653-71530	O-RING	1							

Fig.41. HYD.OIL PUMP & JOINT



(A)=C30RUS-2B
(B)=
(C)=

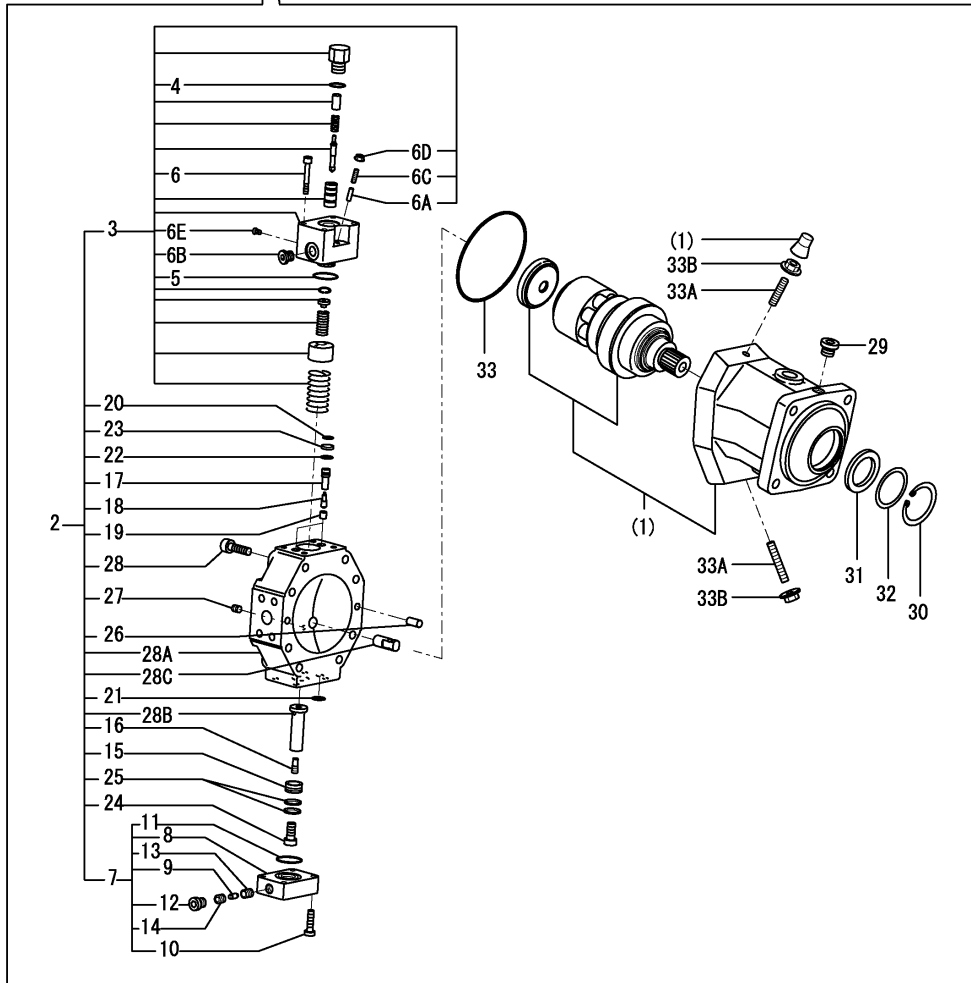
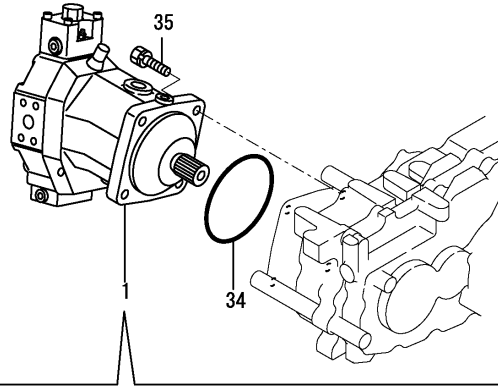
(D)=
(E)=
(F)=

No.	Lev.	Parts No.	Description	Q'ty						I	R
				(A)	(B)	(C)	(D)	(E)	(F)		
71	4	172653-71540	O-RING	1							
72	4	172179-73540	O-RING	1							
73	4	172162-73630	PLUG	1							
74	4	172142-74600	PLUG	2							
76	5	24315-000110	O-RING, 1BP11.0	2							
77	4	26450-120702	BOLT, M12X 70	4							
78	3	172653-71340	CONTROLMODULE	1							
79	4	172649-71250	WIRE, ELECTRIC	1							
80	4	172653-71560	HOUSING, VALVE	1							
81	5	172653-71580	PISTON,CONTROL	1							
82	5	172653-71590	COLLAR, SPRING	2							
83	5	172653-71600	GASKET	1							
84	5	172653-71610	BOLT	3							
85	5	172653-71620	BOLT	2							
86	5	172653-71630	O-RING	1							
87	5	172649-72600	SPRING	2							
88	4	172653-71570	SOLENOID, CONTROL	2							
89	3	172653-71350	CARTRIDGE,CONTROL	1							
91	5	172650-73640	O-RING, NBR HS90	1							
92	5	22252-000140	RING, 14	1							
93	4	172653-71650	ORIFICE	1							
94	3	172653-71360	PIN,JOINT	1							
95	3	172653-71390	ORIFICE	1							
96	3	172653-71400	ORIFICE	1							
97	3	172653-71410	JOINT	1							
98	3	172649-73680	PLUG	1							
99	3	172142-74600	PLUG	3							
100	4	172142-74660	PLUG	3							
101	4	24315-000110	O-RING, 1BP11.0	3							
102	2	26450-100202	BOLT, M10X 20	2							
103	1	26013-120402	BOLT, M12X 40	2							

Fig.43. MOTOR

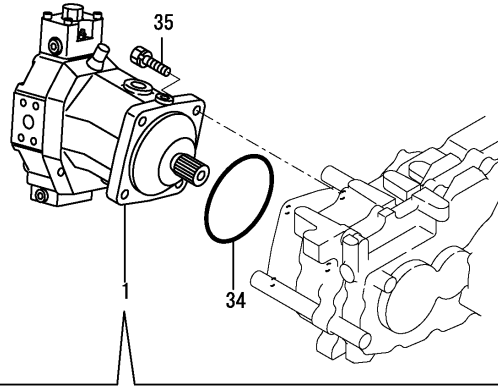
(A)=C30RUS-2B
(B)=
(C)=

(D)=
(E)=
(F)=



No.	Lev.	Parts No.	Description	Q'ty						I	R
				(A)	(B)	(C)	(D)	(E)	(F)		
1	1	172653-73300	MOTOR ASSY	1							
2	2	172653-73310	CONTROL	1							
3	3	172653-73370	VALVE,CONTROL	1							
4	4	172653-73520	O-RING	1							
5	4	172653-73530	O-RING	1							
6	4	26450-060452	BOLT, M6X 45	4							
6A	4	172653-73590	CYLINDER PIN	1							W
		(A=MXXXXX)									
6B	4	172653-73600	PLUG	1							W
		(A=MXXXXX)									
6C	4	172534-73710	SCREW, M6X30	1							W
		(A=MXXXXX)									
6D	4	172534-73730	NUT, SEAL LOCK	1							W
		(A=MXXXXX)									
6E	4	172141-74720	PLUG	1							W
		(A=MXXXXX)									
7	3	172653-73380	COVER ASSY	1							
8	4	172653-73540	COVER	1							
9	4	172653-73550	ORIFICE	1							
10	4	172653-73560	BOLT 8X30	4							
11	4	172653-73570	O-RING	1							
12	4	172653-73580	PLUG ASSY	1							
13	4	172649-73740	GUIDE	1							
14	4	172649-73810	GUIDE	1							
15	3	172653-73390	PISTON	1							
16	3	172653-73400	PIN,THREAD	1							
17	3	172653-73410	GUIDE,VALVE	2							
18	3	172653-73420	POPPET	2							
19	3	172653-73430	SEAT,VALVE	2							
20	3	172653-73440	O-RING	2							
21	3	172653-73450	O-RING	6							
22	3	172653-73460	O-RING	2							
23	3	172653-73470	RING,BACKUP	2							
24	3	172653-73480	BOLT,10X25	1							
25	3	172653-73490	RING,PISTON	3							
26	3	172653-73500	PIN, 8H6X16	2							
27	3	172164-73650	PLUG	1							
28	3	172650-73870	SOCKET BOLT M10X 60	8							
28A	3	172534-73670	PORT PLATE	1							W
		(A=MXXXXX)									
28B	3	172534-73680	POSITIONING PISTON	1							W
		(A=MXXXXX)									
28C	3	172534-73690	POSITIONING TRANNION	1							W
		(A=MXXXXX)									
29	2	172653-73320	PLUG ASSY	1							
30	2	172653-73330	RING,62	1							
31	2	172653-73340	SEAL, OIL	1							
32	2	172653-73350	SHIM	1							
33	2	172653-73360	O-RING	1							
33A	2	172534-73620	THREADED PIN	1							W
		(A=MXXXXX)									

Fig.43. MOTOR



(A)=C30RUS-2B
(B)=
(C)=

(D)=
(E)=
(F)=

No.	Lev.	Parts No.	Description	Q'ty						I	R
				(A)	(B)	(C)	(D)	(E)	(F)		
33A-1	2	172534-73620 (A=M26119)	THREADED PIN	2							K
33B	2	172534-73630 (A=MXXXXX)	NUT, SEAL LOCK	1							W
33B-1	2	172534-73630 (A=M26119)	NUT, SEAL LOCK	2							K
34	1	24321-001300	O-RING, 1AG130.0	1							
35	1	26013-120402	BOLT, M12X 40	4							

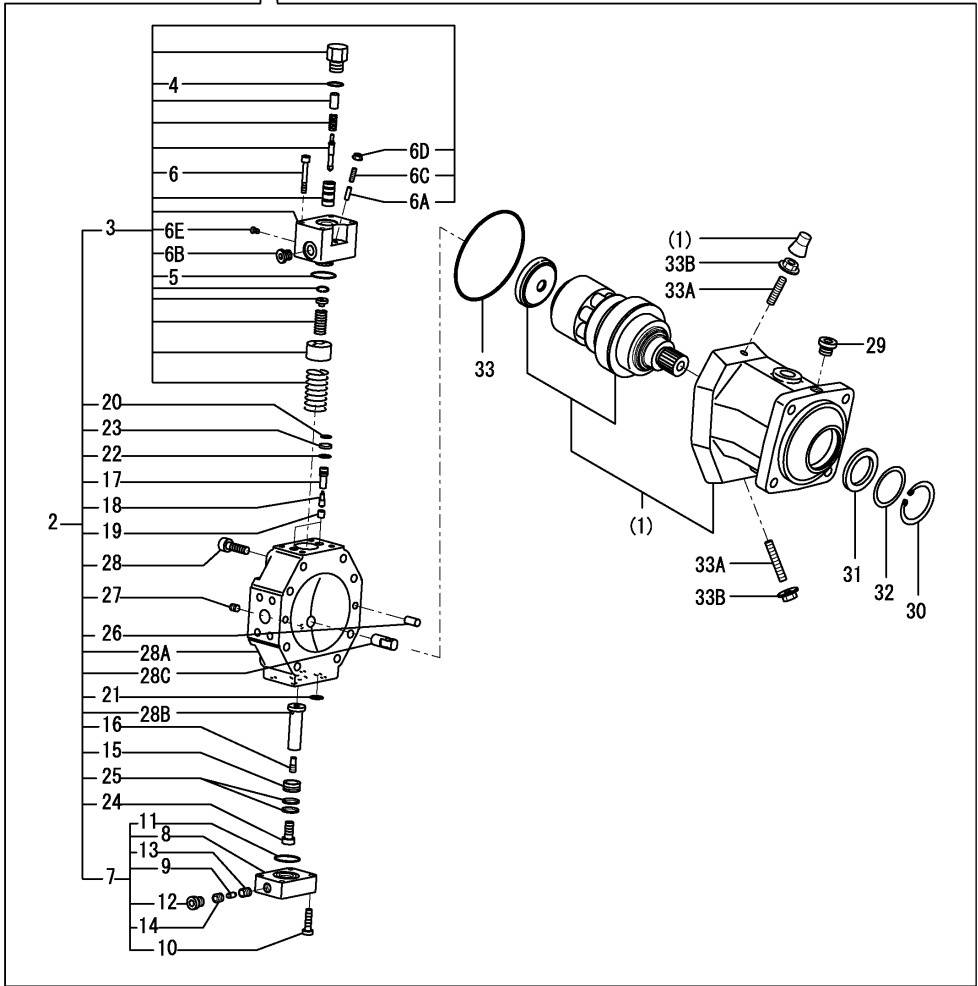
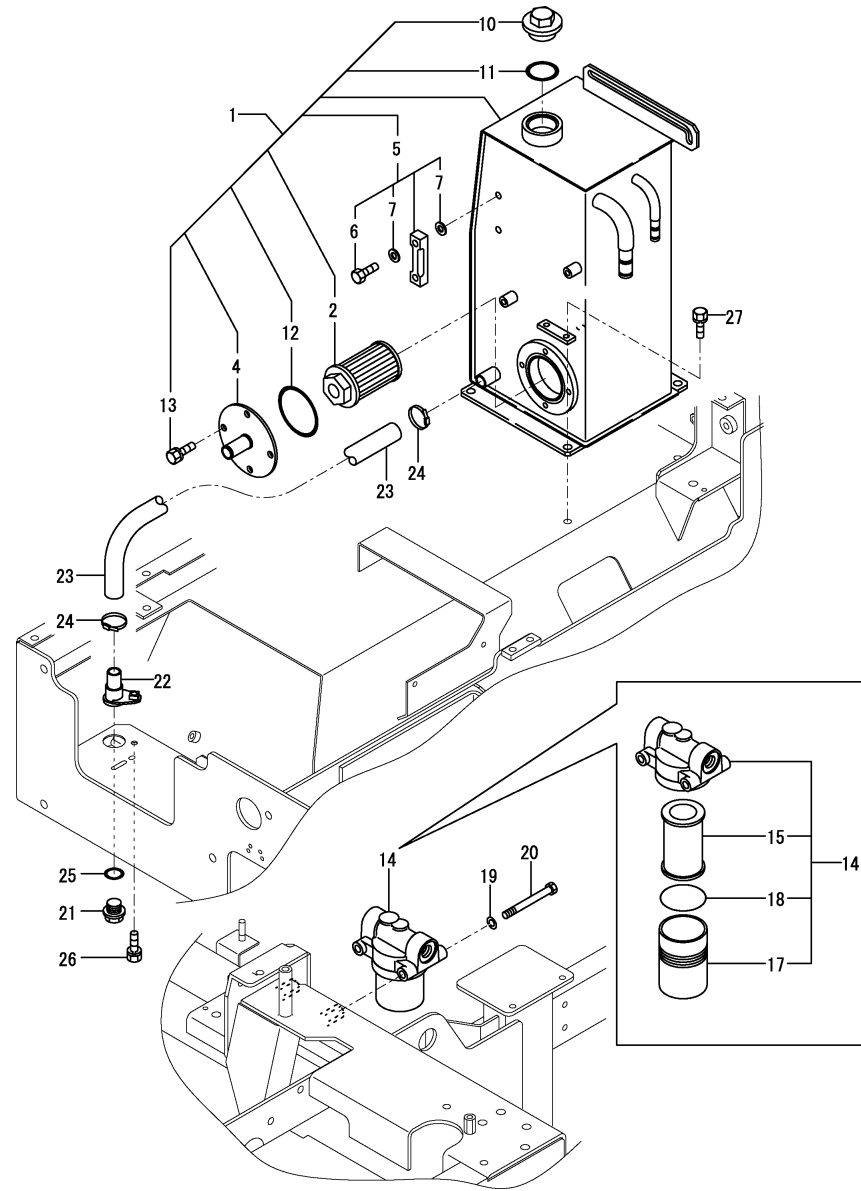


Fig.44. HYD.OIL TANK & FILTER



(A)=C30RUS-2B
(B)=
(C)=

(D)=
(E)=
(F)=

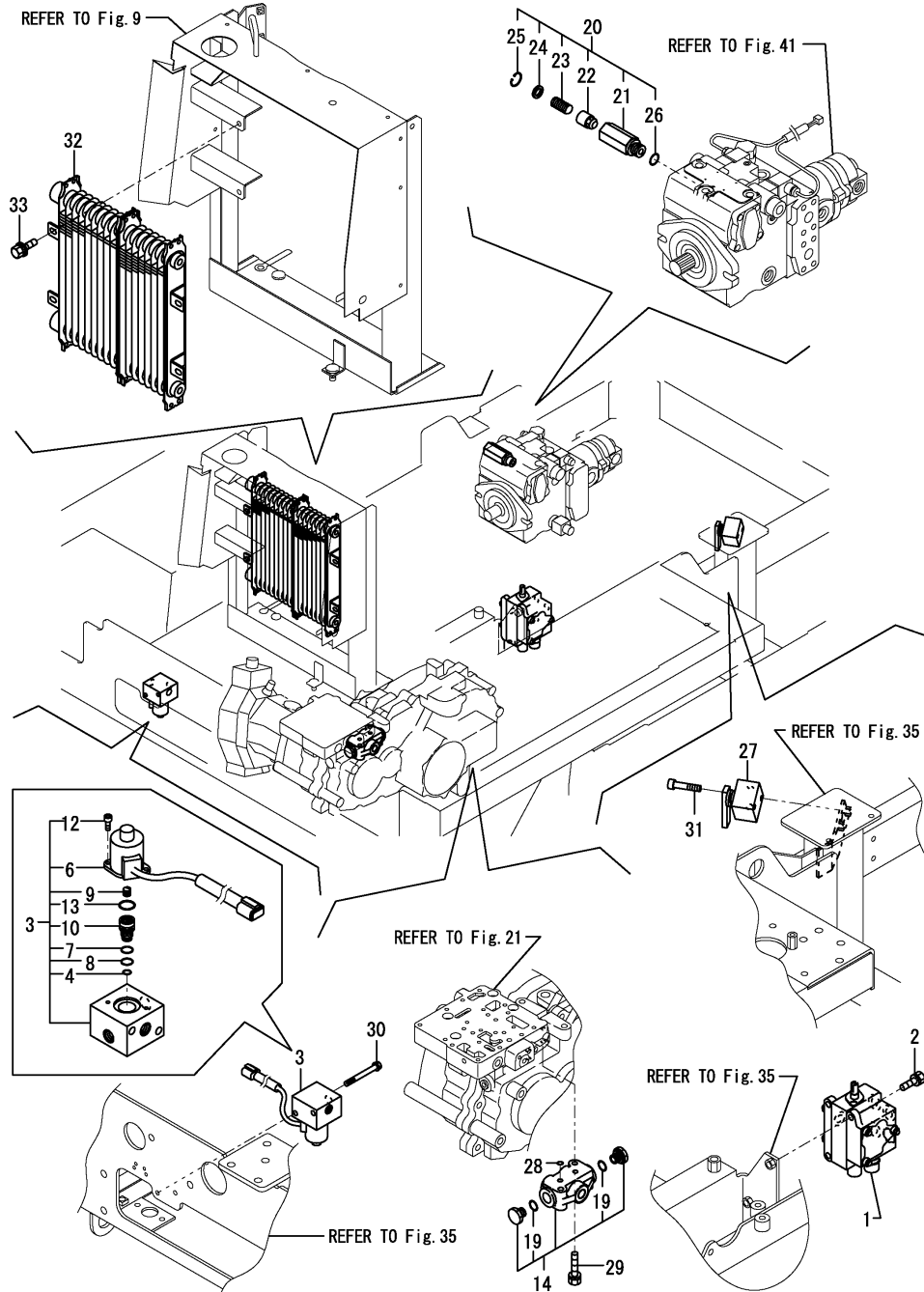
No.	Lev.	Parts No.	Description	Q'ty						I	R
				(A)	(B)	(C)	(D)	(E)	(F)		
1	1	772653-75100	TANK ASSY,RESERVOIR	1							1
2	2	172732-73700	FILTER, SUCTION	1							
4	2	172649-75250-1	FLANGE ASSY	1							
5	2	172447-75600	GAUGE ASSY	1							
6	3	172455-75290	BOLT	2							
7	3	172455-75300	O-RING	4							
10	2	172116-75850-B	PLUG, OIL FEED	1							
11	2	24311-000380	O-RING, 1AP38.0	1							
12	2	24325-000700	O-RING, 1BG70.0	1							
13	2	26013-080162	BOLT, M8X 16	4							
14	1	172527-73950	FILTER, LINE	1							
15	2	172527-73970	ELEMENT, FILTER	1							
17	2	172527-73990	CASE	1							
18	2	24321-000600	O-RING, 1AG60.0	1							
19	1	22217-100000	WASHER, SPRING 10	2							
20	1	26116-100902	BOLT, M10X 90 PLATED	2							
21	1	1A1380-28040	PLUG, OIL 20X13.5	1							
22	1	172649-75310	BASE ASSY, DRAIN	1							
23	1	172649-78480	HOSE	1							
24	1	23001-035000	CLAMP, HOSE 35	2							
25	1	24311-000210	O-RING, 1AP21.0	1							
26	1	26013-080162	BOLT, M8X 16	1							
27	1	26013-100252	BOLT, M10X 25	4							
28A	1	172437-03322	LABEL, RESEVOIR	1							2
28B	1	172437-03402	LABEL, ENGINE COVER	1							2

Remarks

(1)PLEASE USE THIS PART WITH FOLLOWING LABELS AT THE SAME TIME.
REF.NO.28A & 28B.

(2)LABELS ARE NOT ILLUSTRATED.

Fig.45. HYD.OIL VALVE & LUB.OIL COOLER

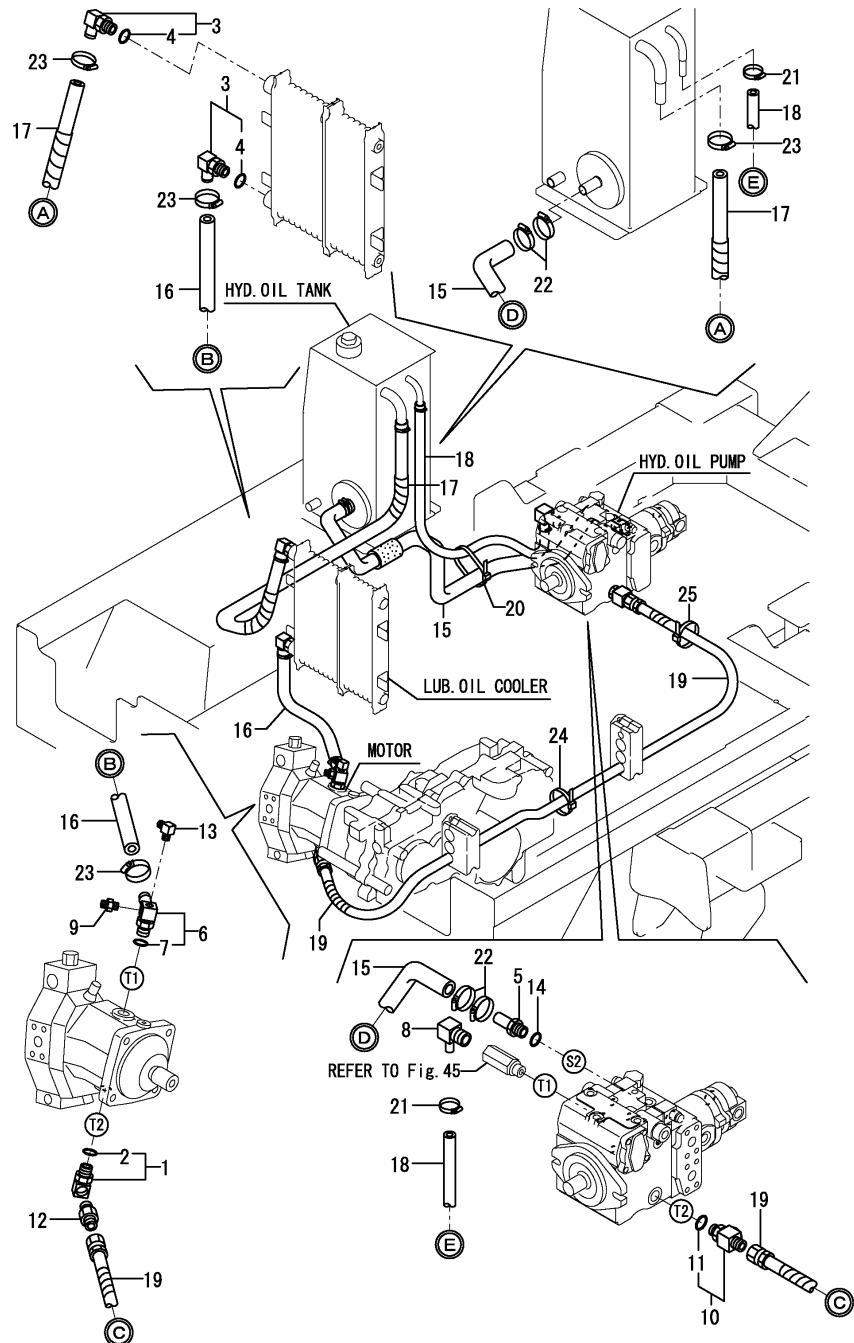


(A)=C30RUS-2B
(B)=
(C)=

(D)=
(E)=
(F)=

No.	Lev.	Parts No.	Description	Q'ty						I	R
				(A)	(B)	(C)	(D)	(E)	(F)		
1	1	172647-74100	VALVE ASSY, CONTROL	1							
2	1	26013-100302	BOLT, M10X 30	2							
3	1	172186-74140	VALVE ASSY, PILOT	1							
4	2	172179-73540	O-RING	1							
6	2	172186-74610	SOLENOID	1							
7	2	172186-74620	O-RING, 011	1							
8	2	172186-74630	O-RING, 010	1							
9	2	172186-74640	SPRING	1							
10	2	172186-74650	SPOOL KIT	1							
12	2	172162-74860	BOLT	2							
13	2	24311-000180	O-RING, 1AP18.0	1							
14	1	172649-74400	DIVIDER, FLOW	1							
19	2	24311-000140	O-RING, 1AP14.0	2							
20	1	172649-74451	VALVE ASSY, RELIEF	1							
21	2	172649-74461	BODY, VALVE	1							
22	2	172649-74470	POPPET VALVE	1							
23	2	172649-74480	SPRING, VALVE	1							
24	2	172649-74490	SEAT, SPRING	1							
25	2	22252-000220	RING, 22	1							
26	2	24315-000180	O-RING, 1BP18.0	1							
27	1	172653-74501	VALVE ASSY, INCHING	1							
28	1	24311-000100	O-RING, 1AP10.0	2							
29	1	26013-080502	BOLT, M8X 50	2							
30	1	26013-080702	BOLT, M8X 70	2							
31	1	26455-080502	BOLT, M8X50	2							
32	1	172649-74800	COOLER, OIL	1							
33	1	26014-080202	BOLT, M8X 20	4							

Fig.46. HYD.OIL PIPING(TANK - PUMP , MOTOR)

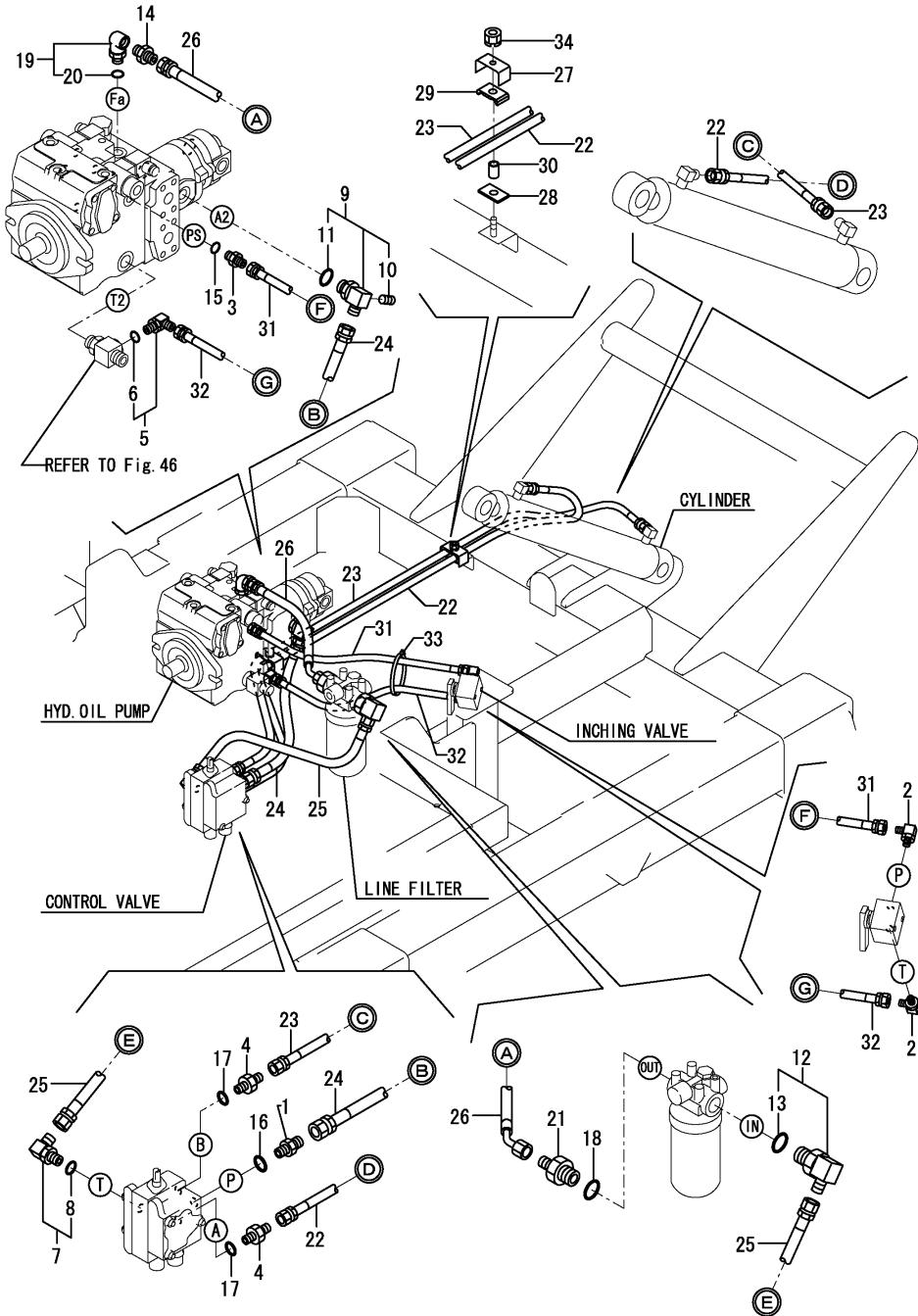


(A)=C30RUS-2B
(B)=
(C)=

(D)=
(E)=
(F)=

No.	Lev.	Parts No.	Description	Q'ty						I	R
				(A)	(B)	(C)	(D)	(E)	(F)		
1	1	172122-76131	CONNECTOR, PT1/2X45	1							
2	2	24315-000180	O-RING, 1BP18.0	1							
3	1	172164-76131	ELBOW	2							
4	2	24315-000180	O-RING, 1BP18.0	2							
5	1	172183-76190	JOINT, PF1/2	1							
6	1	172653-76200	ELBOW ASSY 1/2	1							
7	2	24315-000180	O-RING, 1BP18.0	1							
8	1	172649-76230	NIPPLE, ELBOW 3/4	1							
9	1	172649-76290	NIPPLE, PT PF1/4	1							
10	1	172187-76300	TEE, ADJUSTABLE	1							
11	2	24315-000180	O-RING, 1BP18.0	1							
12	1	23391-040000	JOINT, RGI-1/2	1							
13	1	23393-020000	JOINT, 90RGI-1/4	1							
14	1	24315-000180	O-RING, 1BP18.0	1							
15	1	172653-78120	HOSE, SUCTION	1							
16	1	172649-78140	HOSE	1							
17	1	172649-78160	HOSE	1							
18	1	172649-78180	HOSE	1							
19	1	172649-78280	HOSE	1							
20	1	172122-79930	CLAMP, HOSE	1							
21	1	23001-022000	CLAMP, HOSE 22	2							
22	1	23001-035000	CLAMP, HOSE 35	4							
23	1	23001-035000	CLAMP, HOSE 35	4							
24	1	933168-55770	BAND	1							
25	1	172126-11510	BAND	1							

Fig.47. HYD.OIL PIPING(PUMP - CONTROL VALVE - CYLINDER)

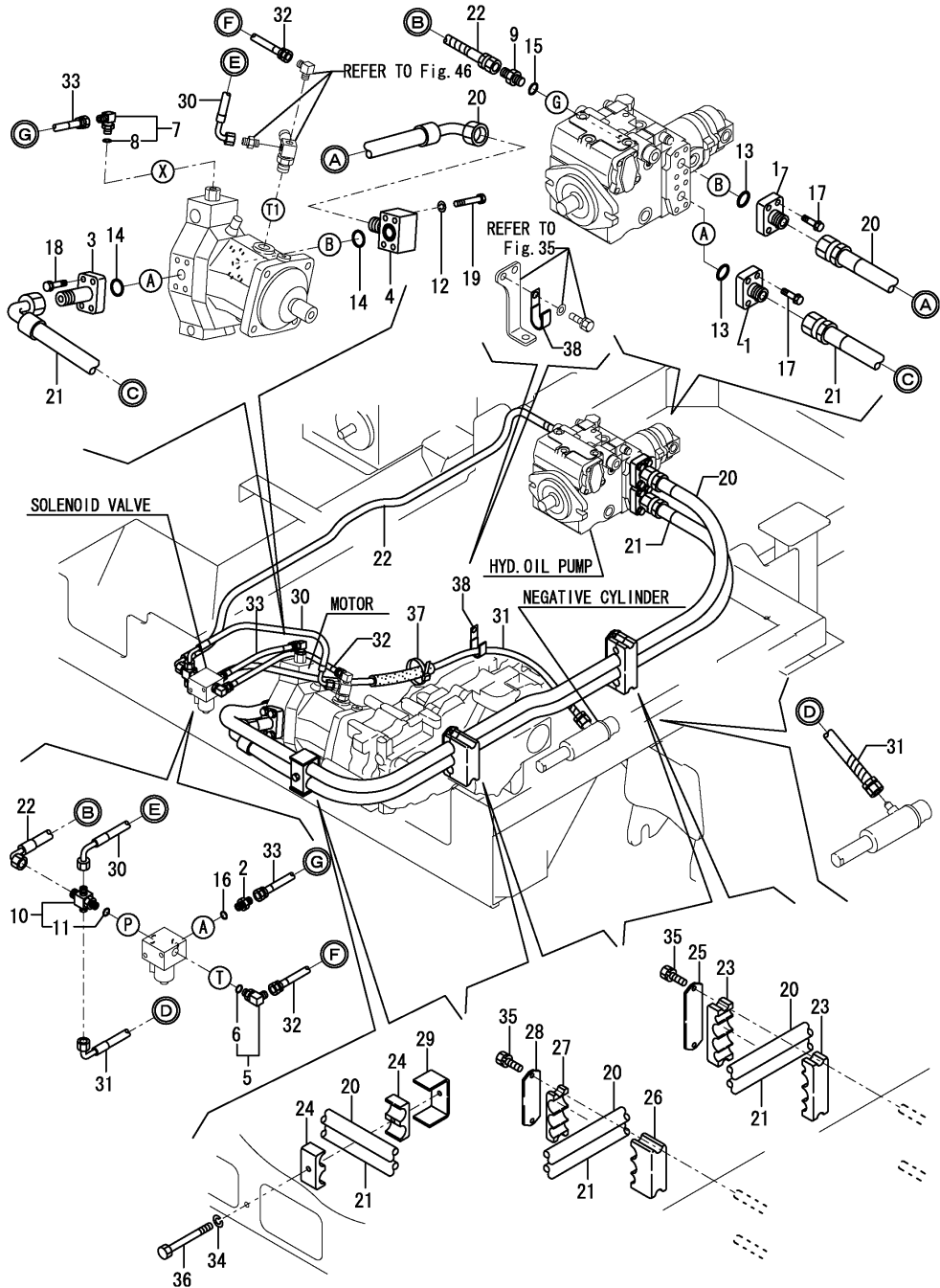


(A)=C30RUS-2B
(B)=
(C)=

(D)=
(E)=
(F)=

No.	Lev.	Parts No.	Description	Q'ty						I	R
				(A)	(B)	(C)	(D)	(E)	(F)		
1	1	172730-75141	ADAPTER	1							
2	1	172823-76110	ELBOW	2							
3	1	172123-76121	ADAPTER	1							
4	1	172124-76160	CONNECTOR	2							
5	1	172141-76181	CONNECTOR ASSY, 02FF	1							
6	2	41851-000110	O-RING	1							
7	1	172142-76181	JOINT ASSY	1							
8	2	24315-000140	O-RING, 1BP14.0	1							
9	1	172653-76220	ELBOW ASSY	1							
10	2	172460-76570	PLUG, SCREW	1							
11	2	24315-000180	O-RING, 1BP18.0	1							
12	1	172157-76300	ELBOW ASSY	1							
13	2	24315-000180	O-RING, 1BP18.0	1							
14	1	23391-030000	JOINT, RGI-3/8	1							
15	1	24315-000110	O-RING, 1BP11.0	1							
16	1	24315-000140	O-RING, 1BP14.0	1							
17	1	24315-000140	O-RING, 1BP14.0	2							
18	1	24315-000180	O-RING, 1BP18.0	1							
19	1	933111-50001	CONNECTOR	1							
20	2	24315-000140	O-RING, 1BP14.0	1							
21	1	933160-01370	CONNECTOR,PF1/2PF3/8	1							
22	1	172649-78231	HOSE	1							
23	1	172649-78241	HOSE	1							
24	1	172653-78250	HOSE	1							
25	1	172649-78260	HOSE	1							
26	1	172653-78270	HOSE	1							
27	1	172156-78460-2	CLAMP, HOSE	2							
28	1	172156-78490	PLATE, RUBBER (B)	2							
29	1	172156-78520	SUPPORT, HOSE	2							
30	1	172156-78540	COLLAR, 9X18	2							
31	1	172653-78920	HOSE	1							
32	1	172653-78930	HOSE	1							
33	1	172126-11510	BAND	1							
34	1	26051-080002	NUT, M8	2							

Fig.48. HYD.OIL PIPING(PUMP - TRAVEL MOTOR - NEGATIVE CYLINDER)



(A)=C30RUS-2B

(B)=

(C)=

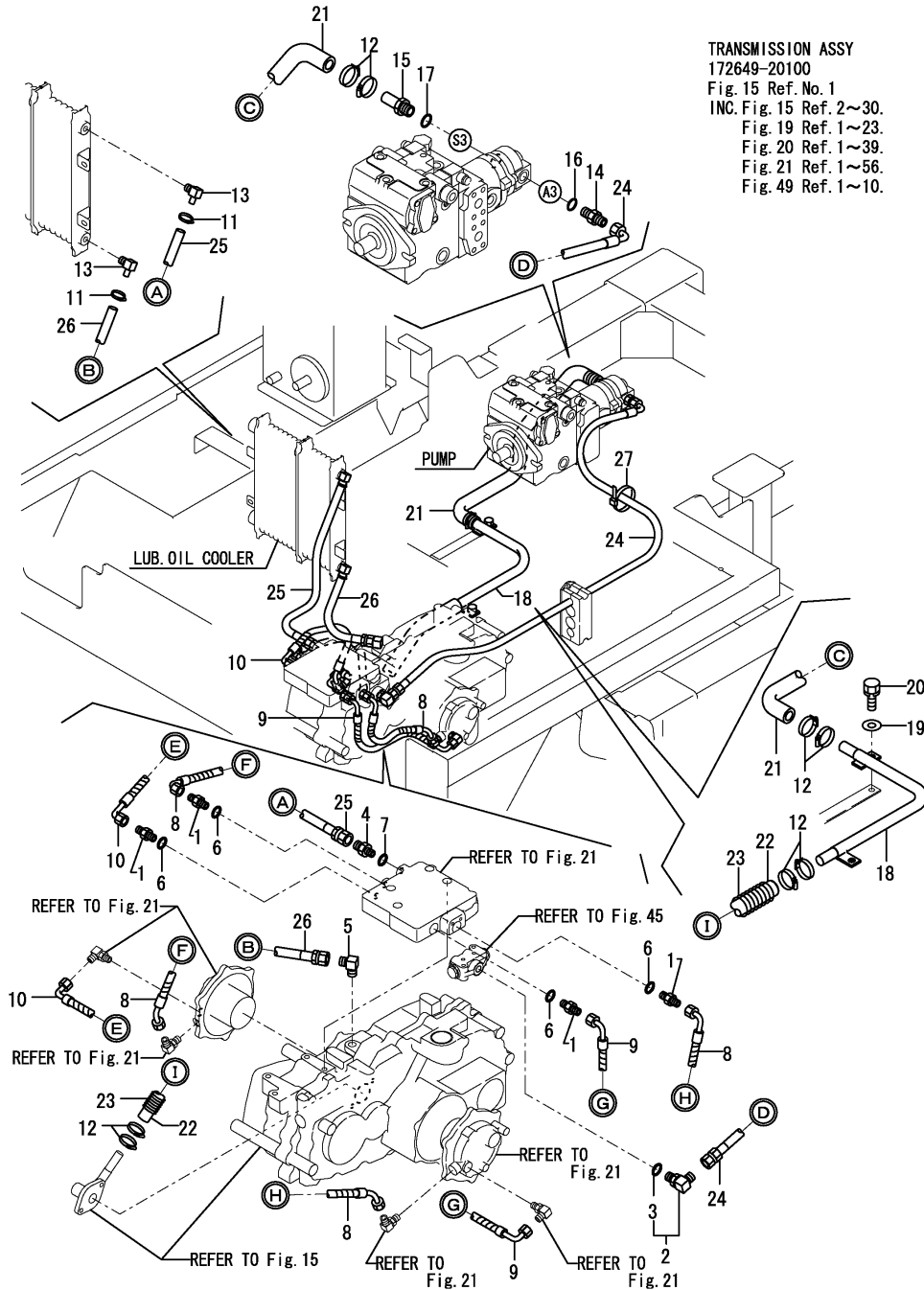
(D)=

(E)=

(F)=

No.	Lev.	Parts No.	Description	Qty						I	R
				(A)	(B)	(C)	(D)	(E)	(F)		
1	1	172653-76110	NIPPLE, FLANGE	2							
2	1	172123-76121	ADAPTER	1							
3	1	172653-76120	NIPPLE, FLANGE	1							
4	1	172653-76170	NIPPLE, FLANGE	1							
5	1	172141-76181	CONNECTOR ASSY, 02FF	1							
6	2	41851-000110	O-RING	1							
7	1	172141-76181	CONNECTOR ASSY, 02FF	1							
8	2	41851-000110	O-RING	1							
9	1	172157-76220	CONNECTOR, 1/4X3/8	1							
10	1	172649-76270	CONNECTOR, PF1/4X3/8	1							
11	2	24315-000110	O-RING, 1BP11.0	1							
12	1	22217-100000	WASHER, SPRING 10	4							
13	1	24311-000260	O-RING, 1AP26.0	2							
14	1	24311-000260	O-RING, 1AP26.0	2							
15	1	24315-000110	O-RING, 1BP11.0	1							
16	1	24315-000110	O-RING, 1BP11.0	1							
17	1	26013-100352	BOLT, M10X 35	8							
18	1	26013-100352	BOLT, M10X 35	4							
19	1	26116-100552	BOLT, M10X 55 PLATED	4							
20	1	172649-78200	HOSE	1							
21	1	172649-78210	HOSE	1							
22	1	172653-78300	HOSE	1							
23	1	172649-78310	CLAMP, HOSE	2							
24	1	172649-78320	CLAMP, HOSE	2							
25	1	172649-78330	PLATE, CLAMP(C)	1							
26	1	172649-78351	CLAMP, HOSE	1							
27	1	172649-78360	CLAMP, HOSE	1							
28	1	172649-78370	PLATE, CLAMP(C)	1							
29	1	172649-78380	CLAMP, HOSE	1							
30	1	172653-78500	HOSE	1							
31	1	172653-78510	HOSE	1							
32	1	172653-78900	HOSE	1							
33	1	172653-78910	HOSE	1							
34	1	22217-080000	WASHER, SPRING 8	1							
35	1	26013-080202	BOLT, M8X 20	4							
36	1	26116-080752	BOLT, M8X 75 PLATED	1							
37	1	933168-55770	BAND	1							
38	1	1A1380-59480	CLAMP, CORD	1							

Fig.49. HYD.OIL PIPING(REDUCTION)



(A)=C30RUS-2B

(B)=

(C)=

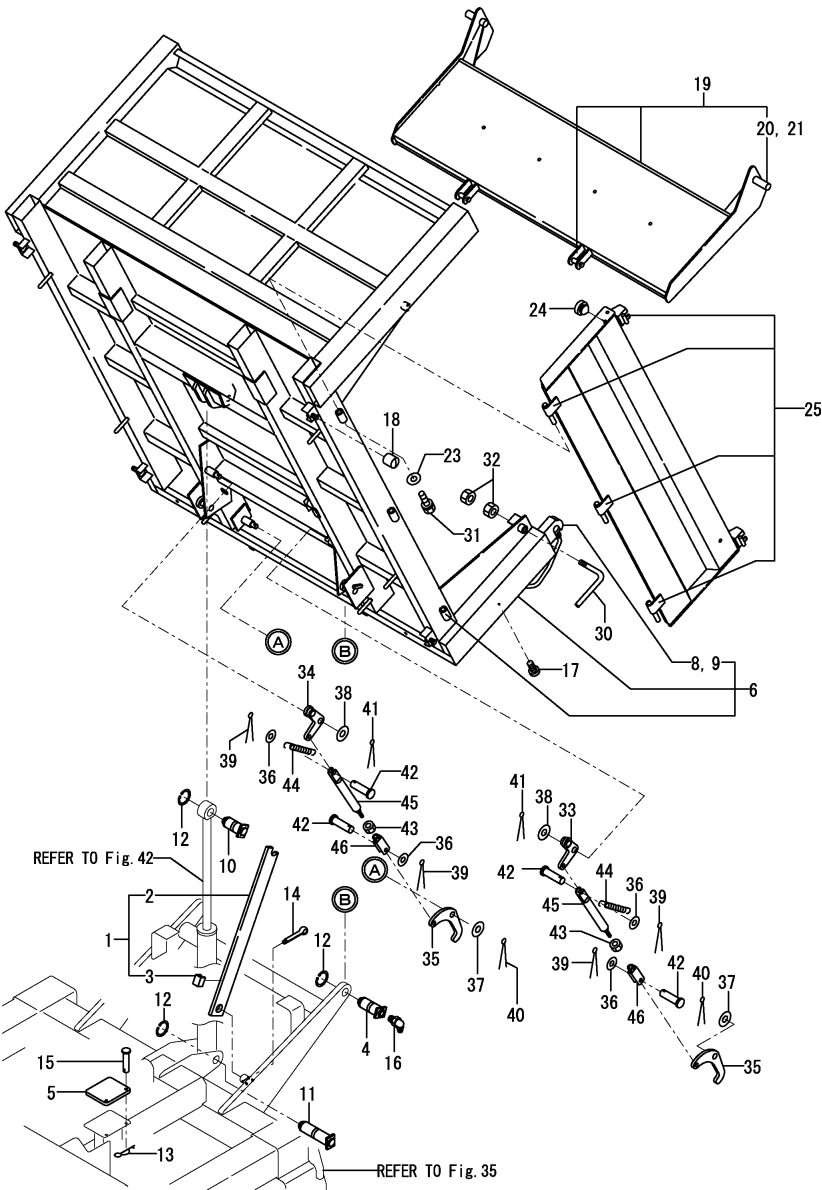
(D)=

(E)=

(F)=

No.	Lev.	Parts No.	Description	Q'ty						I	R
				(A)	(B)	(C)	(D)	(E)	(F)		
1	2	172123-76121	ADAPTER	4							
2	2	172142-76181	JOINT ASSY	1							
3	3	24315-000140	O-RING, 1BP14.0	1							
4	2	172131-76200	CONNECTOR, 3/8 1/4	1							
5	2	23393-030000	JOINT, 90RGI-3/8	1							
6	2	24315-000110	O-RING, 1BP11.0	4							
7	2	24315-000110	O-RING, 1BP11.0	1							
8	2	172649-78410	HOSE	2							
9	2	172649-78420	HOSE	1							
10	2	172649-78430	HOSE	1							
11	1	23001-016000	CLAMP, HOSE 16	2							
12	1	23001-035000	CLAMP, HOSE 35	8							
13	1	172155-11120	ELBOW	2							
14	1	172730-75141	ADAPTER	1							
15	1	172183-76190	JOINT, PF1/2	1							
16	1	24315-000140	O-RING, 1BP14.0	1							
17	1	24315-000180	O-RING, 1BP18.0	1							
18	1	172649-76401	TUBE ASSY, SUCTION	1							
19	1	22137-100000	WASHER, 10	2							
20	1	26013-100202	BOLT, M10X 20	2							
21	1	172649-78130	HOSE, SUCTION	1							
22	1	172649-78190	HOSE	1							
23	1	172649-78220	SPRING	1							
24	1	172649-78290	HOSE	1							
25	1	172649-78450	HOSE	1							
26	1	172649-78460	HOSE	1							
27	1	172126-11510	BAND	1							

Fig.50. WAGON



(A)=C30RUS-2B
(B)=
(C)=

(D)=
(E)=
(F)=

No.	Lev.	Parts No.	Description	Q'ty						I	R
				(A)	(B)	(C)	(D)	(E)	(F)		
1	1	172637-51950-1	BLOCK, FRAME SUPPORT	1							
2	2	172637-51500-1	BLOCK, FRAME SUPPORT	1							
3	2	172637-51750	RUBBER, SUPPORT	1							
4	1	172739-52851-W	PIN,CYLINDER	2							
5	1	172725-85870	RUBBER, INTERVENTION	2							
6	1	172649-95100-1	VESSEL ASSY	1							1
6-1	1	172649-95101-1	VESSEL ASSY	1							N 1
(A=MXXXXX)											
6-2	1	172649-95101-Y	VESSEL ASSY	1							S 1
(A=M02050)											
8	2	172647-95450-2	FULCRUM, BOARD	1							
9	2	172647-95460-2	FULCRUM, BOARD	1							
10	1	172649-95850	PIN 30.3X64.5	1							
11	1	172649-95870	PIN 30.3X109	1							
12	1	22242-000300	RING, 30	4							
13	1	22372-080000	PIN, SNAP 8	4							
14	1	22417-800450	PIN, COTTER 8.0X45	2							
15	1	22487-080300	PIN, H 8X 30	4							
16	1	24761-050000	NIPPLE, GREASE C	2							
17	1	26557-050082	SCREW, M5X 8	2							
18	1	933172-27150	RUBBER, SUPPORT	4							
19	1	172649-95900-1	GATE	1							
19-1	1	172649-95900-Y	GATE	1							S
(A=M02050)											
20	2	172647-95650	FULCRUM PIN, BOARD	1							
21	2	172647-95650	FULCRUM PIN, BOARD	1							
23	1	1C6053-32020	WASHER, 8.5X20X3.2	2							
24	1	1E8080-81880	RUBBER, STOPPER	4							
25	1	172649-95701-2	GATE	2							
25-1	1	172649-95701-Y	GATE	2							S
(A=M02050)											
30	1	172647-95730	LEVER, OPEN & SHUT	4							
31	1	26013-080162	BOLT, M8X 16	2							
32	1	26716-160002	NUT, M16	8							
33	1	172649-95950-1	ARM, HOOK	1							
33-1	1	172649-95950-Y	ARM, HOOK	1							S
(A=M02050)											
34	1	172649-95960-1	ARM, HOOK	1							
34-1	1	172649-95960-Y	ARM, HOOK	1							S
(A=M02050)											
35	1	172649-95980-1	HOOK, OPEN/CLOSE	2							
35-1	1	172649-95980-Y	HOOK	2							S
(A=M02050)											
36	1	22137-100000	WASHER, 10	4							
37	1	22137-160000	WASHER, 16	2							
38	1	22137-160000	WASHER, 16	2							
39	1	22417-200200	PIN, COTTER 2.0X20	4							
39-1	1	22417-400250	PIN, COTTER 4.0X25	4							N
(A=MZZZZZ)											
40	1	22417-400320	PIN, COTTER 4.0X32	2							
41	1	22417-400320	PIN, COTTER 4.0X32	2							

Remarks

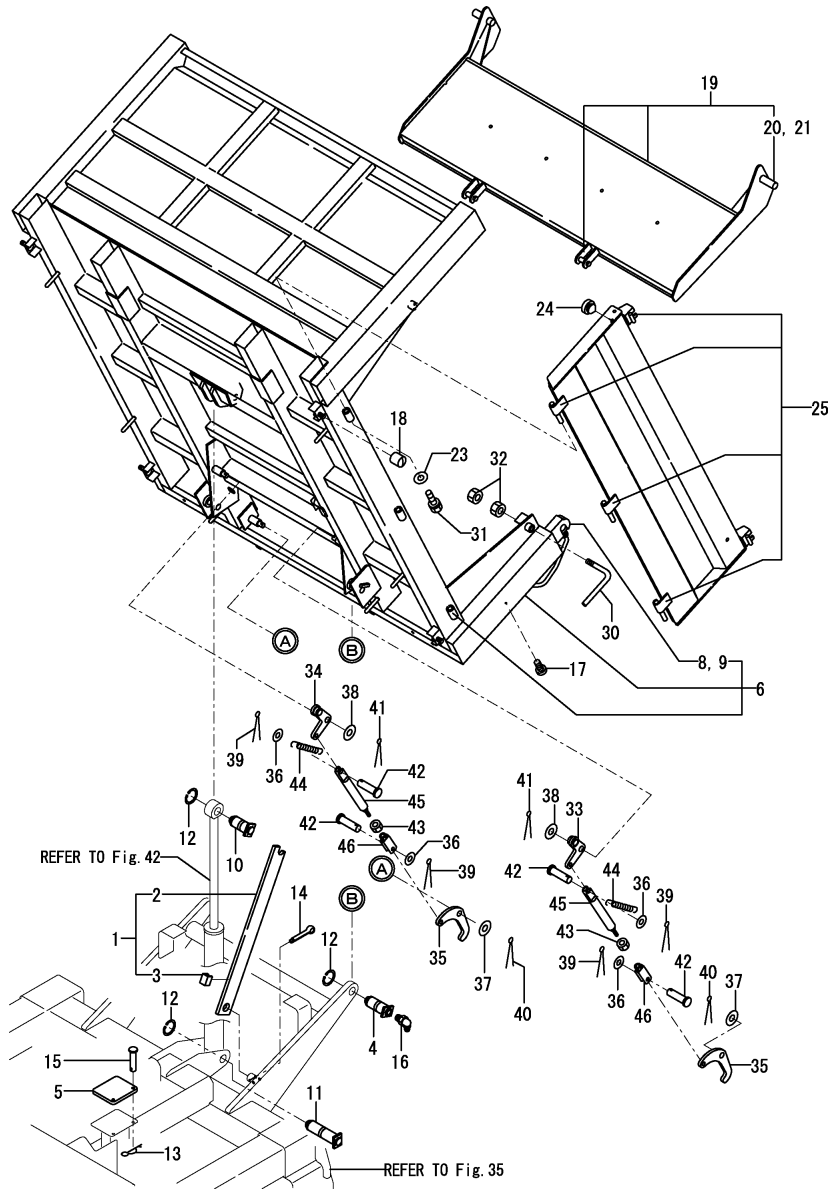
(1)PLEASE USE THIS PART WITH FOLLOWING LABELS AT THE SAME TIME. REF.NO.47A.

(2)LABELS ARE NOT ILLUSTRATED.

Fig.50. WAGON

(A)=C30RUS-2B
(B)=
(C)=

(D)=
(E)=
(F)=



No.	Lev.	Parts No.	Description	Q'ty						I	R
				(A)	(B)	(C)	(D)	(E)	(F)		
42	1	22487-100300	PIN, H10X 30	4							
42-1	1	172730-11451	PIN 10.25.29	4							N
(A=MZZZZZ)											
43	1	26716-100002	NUT, M10	2							
44	1	933153-01280	SPRING, RETURN	2							
45	1	933168-51700-2	ROD, HOOK DRIVE	2							
45-1	1	933168-51700-Y	ROD,MOOK DRIVE	2							S
(A=M02050)											
46	1	933168-51780	JOINT, ROD	2							
47A	1	172653-03470	LABEL,WAGON US	1							2

Remarks

(1)PLEASE USE THIS PART WITH FOLLOW-
ING LABELS AT THE SAME TIME.
REF.NO.47A.

(2)LABELS ARE NOT ILLUSTRATED.

Parts No. Index

Parts No.	Fig. No.	Ref. No.
114110-07760	1	49
	2	23
	39	52 D
119247-77100	14	36
119650-77910	14	38
119653-77710	14	37
119802-55710	11	11
119802-55810	11	14
119808-12540	6	5
121120-13580	5	8
121250-49121	9	3
121450-44531	9	19
121468-44510	9	17
121468-44540	9	20
121470-44581	9	22
124450-44560	9	21
124701-11911	5	6
124766-59050	9	25
		26
	10	20
	11	15
	11	8
129004-55612	11	8
129030-13550	5	7
129062-12560	6	6
129062-12570	6	7
129100-55690	11	10
129107-44590	9	6
129211-77920	14	41
129612-52100	14	30
144220-99901	12	9
172110-81570	35	6
172113-12522	7	13
172116-14620	11	3
172116-46630	38	2
172116-75850-B	44	10
172117-53320	35	29
172120-14680	11	7
172122-17190	39	1
	41	1
172122-37820	23	16
172122-37844	23	20
172122-46590	26	6
	27	12
	34	3
172122-47250	27	13
172122-76131	46	1
172122-79930	46	20
172123-76121	47	3
	48	2
	49	1

Parts No.	Fig. No.	Ref. No.
172124-65450	39	11
172124-65480	39	12
172124-65490	39	13
172124-76160	47	4
172125-03951	1	48
172126-11510	46	25
	47	33
	49	27
172126-65571	39	15
172131-37170	8	11
172131-76200	49	4
172137-16560	10	23
172137-46042	8	12
172141-14610	9	15
172141-17141	14	62
172141-17150	14	17
172141-42960	26	5
172141-50890	35	3
172141-71520	41	17
172141-71550	41	18
172141-71560	41	19
172141-72580	42	12
172141-73240	41	26
		36
172141-74720	43	6 E
172141-76181	21	28
		47
	47	5
	48	5
		7
172142-14620	10	19
172142-62300	37	8
172142-74600	41	74
		99
172142-74660	41	100
172142-76181	47	7
	49	2
172149-66550	40	5
		6
172150-42730	31	1
172155-11120	49	13
172155-58860	26	8
172156-64420	38	9
172156-78460-2	47	27
172156-78490	47	28
172156-78520	47	29
172156-78540	47	30
172157-76220	48	9
172157-76300	47	12
172162-12480	28	5

Parts No.	Fig. No.	Ref. No.
172162-12480	29	5
172162-13200	8	4
172162-14180	10	8
172162-14200	10	9
172162-17120	14	11
172162-17130	14	13
172162-17260	14	16
172162-17270	14	14
172162-68370	14	35
	37	19
	38	14
		15
		16
	39	34
		35
172162-73630	41	73
172162-74860	45	12
172164-14630	11	6
172164-45980	39	2
172164-65720	9	28
172164-66170	39	33
172164-73650	43	27
172164-73870	41	38
172164-76131	46	3
172165-13220	41	10
172165-47871	33	6
172165-47980	30	20
172165-47990	29	12
	30	21
172165-62630	9	27
172165-68180	22	15
		43
172165-73850	41	37
172165-73870	41	39
172165-73880	41	40
172171-14300	11	1
172171-14610	9	16
	11	2
172175-17120	14	20
172179-73540	41	56
		72
	45	4
172183-16540	13	5
172183-76190	46	5
	49	15
172186-74140	45	3
172186-74610	45	6
172186-74620	45	7
172186-74630	45	8
172186-74640	45	9

Parts No.	Fig. No.	Ref. No.
172186-74650	45	10
172187-17070	14	2
172187-17080	14	3
172187-17090	14	4
172187-17100	14	1
172187-61421	36	5
172187-64831	38	28
172187-76300	46	10
172423-68350	35	33
172433-64511	38	26
172437-03252	1	28
	2	9
172437-03302	1	11
	2	2
	39	52 A
172437-03322	1	13
	2	3
	44	28 A
172437-03343	1	17
	2	4
	40	19 B
172437-03352	1	19
	2	5
	40	19 C
172437-03361	1	22
	2	7
	37	21 A
172437-03391	1	26
	2	8
	39	53 A
172437-03402	1	29
	2	10
	39	53 B
	44	28 B
172437-03422	1	32
	2	12
	35	37 A
172437-03441	1	34
	2	14
	40	19 F
172437-03501	1	41
172437-03511	1	43
172444-13210	9	1
172444-13220	9	2
172445-62010	36	15
172447-75600	44	5
172448-81610	35	14
172455-75290	44	6
172455-75300	44	7
172460-76570	47	10

Parts No. Index

Parts No.	Fig. No.	Ref. No.
172462-03320	1	14
172463-03290	1	10
172469-03261	51	7
172469-03320	51	14
172469-03360	51	10
172472-03141	1	2
	2	1
	40	19 A
172478-65750	3	1
	39	51
172519-63240	31	8
172527-13370	9	8
172527-61980	37	2
172527-73950	44	14
172527-73970	44	15
172527-73990	44	17
172533-03300	1	54
172534-73620	43	33 A
		33 A-1
172534-73630	43	33 B
		33 B-1
172534-73670	43	28 A
172534-73680	43	28 B
172534-73690	43	28 C
172534-73710	43	6 C
172534-73730	43	6 D
172631-37160	23	5
172631-37170	23	6
172637-28310	22	9
		37
172637-29111-2	22	12
		40
172637-37340	24	3
		15
172637-37350	24	4
		16
172637-37380	24	5
172637-37751	23	14
172637-37781	23	15
172637-37850	23	27
172637-37860	23	28
172637-37880	23	30
172637-51500-1	50	2
172637-51750	50	3
172637-51950-1	50	1
172638-72201	42	4
172644-23350	30	3
172647-16110	12	3
172647-16310	12	7
172647-16320	12	8

Parts No.	Fig. No.	Ref. No.
172647-17311	14	28
172647-74100	45	1
172647-95450-2	50	8
172647-95460-2	50	9
172647-95650	50	20
		21
172647-95730	50	30
172648-16600	13	4
		9
172648-72300	42	7
172649-11300	5	1
172649-11360	5	3
172649-11551	6	3
172649-12300	7	1
172649-12390	7	5
172649-12401	7	6
172649-12480	7	9
172649-12510	7	12
172649-12530	7	14
172649-12551	7	15
172649-13150-1	8	2
172649-13171-1	8	3
172649-13201-1	8	5
172649-13220-1	8	6
172649-13230-1	8	7
172649-13260	8	9
172649-13270	8	10
172649-13510	9	11
172649-14190	10	13
172649-14200	10	14
172649-14402	10	16
172649-14410	10	17
172649-14422	10	18
172649-16100	12	1
172649-16540	13	6
172649-16560	13	8
172649-16580	13	10
172649-16590	13	11
172649-16600	13	12
172649-16610	13	13
172649-17100	14	9
172649-17101	14	9 -1
172649-17110	14	10
172649-17120	14	12
172649-17140	14	63
172649-17150	14	18
172649-20100	15	1
172649-20301-2	22	1
172649-20401-2	22	29
172649-22101	15	2

Parts No.	Fig. No.	Ref. No.
172649-22151	15	3
172649-22181	15	4
172649-22190	15	5
172649-22200	15	6
172649-22210	15	7
172649-22250	15	8
172649-22261	15	9
172649-22300	15	10
172649-22320	15	11
172649-22330	35	2
	40	1
172649-22510	18	1
172649-22520	20	1
172649-22530	20	2
172649-22540	17	1
172649-22550	16	1
172649-22560	16	2
172649-23110	19	1
172649-23130	19	2
172649-23210	19	7
172649-23220	19	8
172649-23230	19	9
172649-23311	19	10
172649-23321	19	11
172649-23331	19	12
172649-23351	19	13
172649-23360	19	14
172649-23390	21	1
172649-23410	19	16
172649-23420	19	17
172649-23430	19	18
172649-23451	19	24
172649-23460	19	25
172649-23500	19	19
		26
	22	2
		30
172649-25310	20	3
172649-25320	20	4
172649-25340	20	5
172649-25350	20	6
172649-25360	20	7
172649-27311	21	4
172649-27321	21	5
172649-27511	21	15
172649-27521	21	34
172649-27531	21	16
172649-27541	21	35
172649-27550	21	51
172649-27570	21	52

Parts No.	Fig. No.	Ref. No.
172649-27591	21	17
		36
172649-27601	21	18
		37
172649-27610	21	19
		38
172649-27620	21	20
		39
172649-27641	21	21
		40
172649-27690	21	22
		41
172649-28100-2	22	4
172649-28120-2	22	32
172649-28150-2	22	5
172649-28160-2	22	33
172649-28171	22	6
		34
172649-28210	15	14
	22	7
		35
172649-28300	22	8
		36
172649-28330	22	10
		38
172649-34111	21	25
172649-34121	21	44
172649-34170	21	26
172649-34180	21	45
172649-34200	21	27
172649-34210	21	46
172649-37090-1	23	1
172649-37110	23	4
172649-37150-2	23	10
172649-37330	24	14
172649-37350-2	24	24
172649-37380-2	24	25
172649-37400	24	26
172649-37420-2	24	27
172649-37430-2	24	28
172649-37510-2	24	34
172649-38600	24	41
172649-41400-1	25	1
172649-41401-1	25	1 -1
172649-41500	25	3
172649-41550	25	6
172649-41600	25	7
172649-41610	25	8
	33	1
172649-41620	25	9

Parts No. Index

Parts No.	Fig. No.	Ref. No.
172649-42150	26	2
172649-42252	26	3
172649-42390-1	29	7
172649-42420-1	28	8
172649-42480	30	5
172649-42512	30	6
172649-42521	29	10
172649-42572	28	11
172649-42581	27	4
172649-42650	28	12
	29	11
172649-42680	27	7
172649-42720-1	27	8
172649-42731	27	10
172649-42740	27	9
172649-42791-1	30	7
172649-42841	30	10
172649-42871	30	11
172649-42911	30	12
172649-42941	30	13
172649-42970	30	14
172649-42981	30	15
172649-43010	27	11
172649-43200	30	16
172649-43210	30	17
172649-43220	30	18
172649-43251	28	13
172649-43300	28	16
172649-43350	28	17
172649-43380	28	18
172649-45130	31	5
172649-45200	31	6
172649-45401-1	32	1
172649-45491-1	32	2
172649-45630	28	19
172649-47102-1	33	2
172649-47320	34	4
172649-47410	34	7
172649-47420	34	8
172649-47440	34	9
172649-47451	34	10
172649-47481	34	11
172649-47501	34	12
172649-47530	34	13
172649-47550	34	14
172649-47580	34	15
172649-52300-2	35	10
172649-52400-2	35	12
172649-52450-2	35	13
172649-53100-2	35	34

Parts No.	Fig. No.	Ref. No.
172649-61280-1	36	2
172649-61280-Y	36	2 -1
172649-62101-1	37	3
172649-62113-1	37	4
172649-62190-1	37	6
172649-63100-1	37	16
172649-63120-1	37	17
172649-63140	37	18
172649-64150	38	30
172649-64203-1	38	31
172649-64261-1	38	7
172649-64452-1	38	10
172649-64491-1	38	11
172649-64580	38	12
172649-64650-1	38	13
172649-65521	39	10
172649-65540-1	39	14
172649-65540-Y	39	14 -1
172649-65570	39	17
172649-65580	39	18
172649-65590	39	19
172649-65630	39	20
172649-65640	39	21
172649-65650	39	22
172649-65660	39	23
172649-65750	39	25
172649-65760	39	26
172649-65770	39	27
172649-65780	39	28
172649-65840	39	31
172649-65900-1	39	32
172649-65900-Y	39	32 -1
172649-71100-2	41	2
172649-71210	41	12
172649-71250	41	79
172649-72100-2	42	1
172649-72110-2	42	2
172649-72150	42	3
172649-72203-2	42	19
172649-72600	41	87
172649-72660	41	13
172649-72670	41	30
172649-72750	41	34
172649-72760	41	35
172649-73680	41	98
172649-73740	43	13
172649-73810	43	14
172649-74400	45	14
172649-74451	45	20
172649-74461	45	21

Parts No.	Fig. No.	Ref. No.
172649-74470	45	22
172649-74480	45	23
172649-74490	45	24
172649-74800	45	32
172649-75250-1	44	4
172649-75310	44	22
172649-76230	46	8
172649-76270	48	10
172649-76290	46	9
172649-76401	49	18
172649-78130	49	21
172649-78140	46	16
172649-78160	46	17
172649-78180	46	18
172649-78190	49	22
172649-78200	48	20
172649-78210	48	21
172649-78220	49	23
172649-78231	47	22
172649-78241	47	23
172649-78260	47	25
172649-78280	46	19
172649-78290	49	24
172649-78310	48	23
172649-78320	48	24
172649-78330	48	25
172649-78351	48	26
172649-78360	48	27
172649-78370	48	28
172649-78380	48	29
172649-78410	49	8
172649-78420	49	9
172649-78430	49	10
172649-78450	49	25
172649-78460	49	26
172649-78480	44	23
172649-95100-1	50	6
172649-95101-1	50	6 -1
172649-95101-Y	50	6 -2
172649-95701-2	50	25
172649-95701-Y	50	25 -1
172649-95850	50	10
172649-95870	50	11
172649-95900-1	50	19
172649-95900-Y	50	19 -1
172649-95950-1	50	33
172649-95950-Y	50	33 -1
172649-95960-1	50	34
172649-95960-Y	50	34 -1
172649-95980-1	50	35

Parts No.	Fig. No.	Ref. No.
172649-95980-Y	50	35 -1
172650-73640	41	66
		69
		91
172650-73870	43	28
172651-73610	41	65
172652-03220	1	8
172652-03661	1	46
	2	21
	39	52 C
172652-03681	1	47
	2	22
	40	19 K
172652-03871	51	28
172652-03891	51	21
172652-63150-2	39	4
172652-64220	38	25
172653-03200	1	5
172653-03210	1	7
172653-03220	1	42 -1
172653-03230	1	44 -1
172653-03320	1	15
172653-03330	1	16
172653-03340	1	18
172653-03350	1	20
	2	6
	40	19 D
172653-03360	1	23
172653-03370	1	24
172653-03380	1	25
172653-03390	1	27
172653-03410	1	31
172653-03430	1	33
	2	13
	36	18 A
	40	19 E
172653-03440	1	35
	2	15
	35	38 A
172653-03450	1	36
	2	16
	40	19 G
172653-03460	1	37
	2	17
	39	52 B
172653-03470	1	38
	2	18
	40	19 H
	50	47 A
172653-03480	1	39

Parts No. Index

Parts No.	Fig. No.	Ref. No.
172653-03480	2	19
	40	19 I
172653-03490	1	40
172653-03500	1	42
172653-03510	1	44
172653-03520	1	45
	2	20
	36	18 B
	40	19 J
172653-03710	51	15
172653-03720	51	16
172653-03730	51	18
172653-03740	51	20
172653-03750	51	23
172653-03760	51	24
172653-03770	51	25
172653-03780	51	27
172653-03790	51	31
172653-03800	51	33
172653-03810	51	35
172653-03820	51	36
172653-03830	51	37
172653-03840	51	38
172653-03850	51	39
172653-03860	51	40
172653-03870	51	41
172653-11361	5	4
172653-11371	5	5
172653-11510	6	1
172653-11520	6	2
172653-12310	7	2
172653-12600	7	16
172653-13100	8	1
172653-13240	8	8
172653-13300	9	5
172653-13350	9	7
172653-13470	9	9
172653-13480	9	10
172653-13520	9	41
172653-13540	9	12
172653-13550	9	13
172653-13570	9	14
172653-14450	10	22
172653-16100	12	2
172653-16701	13	14
172653-16710	13	15
172653-17170	14	22
172653-27510	21	13
172653-27520	21	32
172653-28340	22	11

Parts No.	Fig. No.	Ref. No.
172653-28340	22	39
172653-37400	24	6
		17
172653-41420	25	2
172653-42100	30	4
172653-42200	28	7
172653-42300	26	4
172653-45100-1	31	2
172653-47191	33	3
172653-51092-1	35	4
172653-51700-2	35	7
172653-51800-2	35	8
172653-52100-2	35	9
172653-52300-2	35	11
172653-61101-2	36	1
172653-61350-2	36	3
172653-61400-2	36	4
172653-61500-1	36	11
172653-61510-1	37	1
172653-61600	36	13
172653-62150-2	37	5
172653-62250	37	7
172653-64311	38	8
172653-65110-2	39	5
172653-65110-Y	39	5 -1
172653-65400-2	39	8
172653-65400-Y	39	8 -1
172653-65600	39	24
172653-65800-2	39	29
172653-65800-Y	39	29 -1
172653-66300-2	40	3
172653-66500-2	40	4
172653-66600-2	40	7
172653-66700-3	40	8
172653-66700-Y	40	8 -1
172653-71200	41	8
172653-71300	41	48
172653-71330	41	63
172653-71340	41	78
172653-71350	41	89
172653-71360	41	94
172653-71390	41	95
172653-71400	41	96
172653-71410	41	97
172653-71420	41	50
172653-71430	41	51
172653-71440	41	52
172653-71460	41	57
172653-71470	41	58
172653-71480	41	59

Parts No.	Fig. No.	Ref. No.
172653-71490	41	60
172653-71500	41	61
172653-71510	41	64
172653-71520	41	67
172653-71530	41	70
172653-71540	41	71
172653-71550	41	68
172653-71560	41	80
172653-71570	41	88
172653-71580	41	81
172653-71590	41	82
172653-71600	41	83
172653-71610	41	84
172653-71620	41	85
172653-71630	41	86
172653-71650	41	93
172653-73100	41	11
172653-73300	43	1
172653-73310	43	2
172653-73320	43	29
172653-73330	43	30
172653-73340	43	31
172653-73350	43	32
172653-73360	43	33
172653-73370	43	3
172653-73380	43	7
172653-73390	43	15
172653-73400	43	16
172653-73410	43	17
172653-73420	43	18
172653-73430	43	19
172653-73440	43	20
172653-73450	43	21
172653-73460	43	22
172653-73470	43	23
172653-73480	43	24
172653-73490	43	25
172653-73500	43	26
172653-73520	43	4
172653-73530	43	5
172653-73540	43	8
172653-73550	43	9
172653-73560	43	10
172653-73570	43	11
172653-73580	43	12
172653-73590	43	6 A
172653-73600	43	6 B
172653-74501	45	27
172653-76110	48	1
172653-76120	48	3

Parts No.	Fig. No.	Ref. No.
172653-76170	48	4
172653-76200	46	6
172653-76220	47	9
172653-78120	46	15
172653-78250	47	24
172653-78270	47	26
172653-78300	48	22
172653-78500	48	30
172653-78510	48	31
172653-78900	48	32
172653-78910	48	33
172653-78920	47	31
172653-78930	47	32
172655-62140	36	19
172659-03010	51	1
172659-03150	1	1
172659-03310	1	12
172659-03700	51	12
172659-16500	13	1
172659-16501	13	1 -1
172659-16502	13	1 -2
172659-16510	13	2
172659-16530	13	25
172659-17200-2	14	27
172659-17200-Y	14	27 -1
172659-61100	36	1 -1
172725-16380	38	1
172725-21420	19	6
172725-52300	22	14
		42
172725-85870	50	5
172730-01370	26	1
	30	1
172730-05250	35	1
172730-11411	28	1
	29	1
172730-11440	28	2
	29	2
172730-11451	28	3
		4
	29	3
		4
	30	2
	50	42 -1
172730-62250-1	31	7
172730-75141	47	1
	49	14
172732-42450	27	3
172732-73700	44	2
172734-14620	11	4

Parts No. Index

Parts No.	Fig. No.	Ref. No.
172734-14620	11	5
172734-17190	14	24
172734-17200	14	25
172734-29120	22	13
		41
172734-41300	27	2
172734-65260	39	6
172734-65270	39	7
172738-47860	30	19
172739-52851-W	50	4
172823-76110	47	2
172983-86161	28	20
172A07-03160	1	3
172A07-03410	51	3
172A23-14200	13	26
172A23-64770	38	27
172A36-03411	1	30
	2	11
	39	53 C
172A37-03150	51	4
172A37-03160	51	6
172A37-03180	51	5
172A37-03231	51	11
172A37-03250	51	13
172A37-03271	51	17
172A37-03280	51	19
172A37-03290	51	22
172A37-03330	51	29
172A37-03350	51	32
172A37-03370	51	34
172A37-03410	51	26
172A37-03500	51	2
172A37-03710	51	30
172A38-03201	1	4
172A38-03211	1	6
172A54-64100	38	4
172A54-64110	38	5
172A54-64120	38	6
172A55-03310	1	9
172A64-03700	1	21
172A64-64010	38	4 -1
172A64-64020	38	4 A
172A64-64030	38	4 B
172A64-64050	38	4 C
172A86-03310	1	9 -1
184015-44680	9	24
184016-55700	11	9
184016-55701	11	9 -1
194065-26270	21	3
194066-28260	21	6

Parts No.	Fig. No.	Ref. No.
194080-57202	14	34
194150-22480	28	6
	29	6
194150-31460	24	13
194151-04141	10	2
194151-04150	10	3
194151-57100	14	33
194250-04301	10	4
194250-04321	10	6
194335-25640	21	2
		14
		33
194432-51550	12	4
194440-51620	26	7
194630-64110	4	1
194680-51670	13	17
194940-52200	14	31
194990-20170	7	19
	27	1
	34	1
195412-33280	7	20
	34	2
1A1040-26060	15	13
1A1380-28040	22	3
		31
	44	21
1A1380-55310	39	3
1A1380-59480	13	18
	48	38
1A1686-57850	27	14
1A6260-24910	15	12
1A6260-52500	14	32
1C6053-32020	50	23
1C6281-52310	7	22
	34	16
1E6102-84970	39	36
1E6210-55820	18	2
1E6440-55230	15	16
1E6460-42771	7	21
1E6710-53040	15	15
	16	3
	20	10
	21	53
	30	22
1E8050-53640	20	8
1E8050-56310	18	3
1E8050-56320	18	4
1E8050-56330	18	5
1E8050-56470	20	39
1E8050-56520	20	16

Parts No.	Fig. No.	Ref. No.
1E8050-56530	20	17
1E8050-56630	20	20
1E8050-56690	20	23
1E8050-56710	17	2
1E8050-56740	17	6
1E8050-56750	17	7
1E8050-56780	17	11
1E8050-56810	16	4
1E8050-56860	16	9
1E8050-56880	16	10
1E8050-56890	16	11
1E8050-56900	16	12
1E8050-56920	16	13
1E8050-56960	16	14
1E8050-61850	33	7
1E8050-63130	25	10
	33	8
1E8080-56350	18	6
1E8080-56400	20	9
1E8080-56410	20	11
1E8080-56470	20	15
1E8080-56550	20	18
1E8080-56590	20	19
1E8080-56650	20	21
1E8080-56660	20	22
1E8080-56850	16	8
1E8080-81880	50	24
1E8100-63750	7	23
	38	3
1E8540-59321	21	7
1E8540-59330	21	8
1E8540-59370	19	15
1E8540-59380	21	9
22117-080000	25	11
	26	9
	27	15
		16
	34	17
22117-100000	25	12
	26	10
22117-120000	33	19
22137-060000	7	24
	14	42
		43
		44
		45
		46
		47
	34	18
		27

Parts No.	Fig. No.	Ref. No.
22137-080000	7	25
	9	29
	27	17
	34	28
	35	15
	36	6
	39	37
22137-100000	5	16
	7	26
	14	48
	25	13
	28	21
		22
	29	13
	30	23
	34	19
	35	16
		17
	37	9
	39	38
		39
		40
	40	9
	49	19
	50	36
22137-120000	30	24
	38	29
22137-140000	7	27
		28
	25	14
	33	9
22137-160000	50	37
		38
22137-240000	23	11
	24	21
22137-300000	28	23
22190-050001	10	10
22190-060000	20	24
22217-060000	25	15
	38	17
22217-080000	9	30
	11	16
	16	15
	27	18
		28
	36	16
	48	34
22217-100000	5	9
	7	29
	8	13

Parts No. Index

Parts No.	Fig. No.	Ref. No.
22217-100000	15	17
	35	18
	44	19
	48	12
22217-120000	8	14
		15
	15	18
	20	25
	35	35
	40	10
22217-140000		11
	41	3
	22	16
		44
	35	19
22217-160000	40	12
	22	17
22217-240000		45
	23	12
	24	10
22242-000110		22
		29
	18	7
	20	26
22242-000140	7	30
		31
	20	27
	25	16
	33	10
22242-000180	41	28
22242-000200	28	24
22242-000240	24	7
22242-000250		19
	24	35
	29	14
	30	25
	41	53
22242-000300	28	25
22242-000400	50	12
	19	20
22242-000451	21	10
	22	18
22242-000550		46
	21	11
	38	18
	23	29
	21	23
		42
22252-000120	41	44
22252-000140	41	92

Parts No.	Fig. No.	Ref. No.
22252-000210	20	28
22252-000220	45	25
22252-000280	19	3
		41
		45
22252-000521	24	36
22252-000800	19	21
	23	7
22252-000950	38	19
22252-001101	21	12
22272-000100	31	9
22287-080000	20	29
22351-060025	34	20
22351-060032	27	19
22351-080016	41	4
		28
22351-100045	28	26
		30
22372-080000	31	10
		38
		20
	50	13
22417-160160	31	11
22417-200160	25	17
22417-200200		7
		32
		33
	27	20
	34	21
		22
	39	41
		42
	50	39
22417-320200	28	27
		28
	29	15
		16
	30	27
	37	10
22417-400250	50	39
22417-400320	50	40
		41
22417-800450	50	14
22487-080160	10	12
22487-080300	50	15
22487-100300	50	42
23000-070000	6	8
23000-080000	6	9
23001-016000	49	11
23001-022000	46	21
23001-035000	44	24
		46
		22
		23
	49	12

Parts No.	Fig. No.	Ref. No.
23001-041000	9	31
23061-050300	11	17
23065-070130	9	23
23391-030000	47	14
23391-040000	46	12
23393-020000	46	13
23393-030000	49	5
23414-160000	18	8
23491-140002	15	19
24101-060074	19	4
24101-062064	24	8
24101-062084	19	22
24101-063064	19	5
24101-063074	23	8
24101-063094	22	19
		47
24101-063114	22	20
		48
24104-060054	30	28
24104-060124	38	21
24104-062054	24	37
24145-002084	22	21
		49
24145-002104	22	22
		50
24149-003084	19	23
24190-120001	25	18
	33	11
24190-120002	16	16
24190-130001	21	24
		43
24190-200001	25	19
24311-000100	21	54
		45
		28
24311-000140	45	19
24311-000150	15	20
24311-000160	9	4
		11
		12
24311-000180	45	13
24311-000210	22	23
		51
	34	23
		44
		25
24311-000220	33	12
24311-000260	48	13
		14
24311-000320	29	17
24311-000350	28	29
24311-000380	44	11
24315-000110	41	76

Parts No.	Fig. No.	Ref. No.
24315-000110	41	101
	47	15
	48	11
		15
		16
	49	6
		7
24315-000140	23	25
	47	8
		16
		17
		20
	49	3
		16
24315-000180	21	30
		49
		26
	45	2
	46	4
		7
		11
		14
	47	11
		13
		18
	49	17
24316-000070	16	17
24316-000100	16	18
	20	30
24316-000120	17	12
	20	31
24316-000180	16	19
24321-000300	24	9
		20
24321-000500	28	30
24321-000600	44	18
24321-000650	11	13
24321-001300	43	34
24325-000700	44	12
24341-000280	15	21
24341-000460	15	22
24550-010200	7	11
		25
		5
24550-013150	31	4
24550-014150	7	4
		8
		18
	33	5
24550-016150	30	9
	34	6

Parts No. Index

Parts No.	Fig. No.	Ref. No.
24550-020250	27	6
24550-025250	29	9
24550-030250	28	10
	32	4
24550-030300	42	17
24550-045400	28	15
24761-020000	19	27
	23	26
	24	30
	42	13
24761-040000	28	31
	29	18
	30	29
	42	14
24761-050000	50	16
26013-060122	14	49
	17	13
	20	32
26013-060162	9	32
	20	33
		34
26013-060202	16	20
26013-080162	10	21
	12	5
	13	19
		20
	25	20
	27	21
	31	12
	35	21
	44	13
		26
	50	31
26013-080202	5	10
	6	10
	9	33
	27	22
	30	30
	38	4 D
	48	35
26013-080252	15	23
	27	23
26013-080302	21	55
26013-080502	45	29
26013-080602	9	34
26013-080702	45	30
26013-100162	8	16
	14	50
26013-100202	7	34
	9	35

Parts No.	Fig. No.	Ref. No.
26013-100202	32	5
		6
	36	7
	37	11
		12
		13
		14
	38	22
		23
	40	13
	49	20
26013-100252	8	17
	30	31
	33	13
	35	22
		23
		24
	36	8
		12
	37	15
	39	43
		44
	40	14
	44	27
26013-100302	22	24
		52
	45	2
26013-100352	15	24
	48	17
		18
26013-100502	15	25
26013-120302	15	26
	24	40
	35	25
26013-120352	41	5
26013-120402	41	103
	43	35
26014-060162	14	51
26014-060202	9	36
26014-080122	35	20
26014-080162	5	11
		12
	9	37
	21	31
		50
26014-080202	45	33
26014-080302	11	18
26014-100202	9	38
	13	21
26014-100252	39	45

Parts No.	Fig. No.	Ref. No.
26022-060122	14	52
		53
		54
26022-060162	14	55
		56
		57
26022-060202	14	58
26022-060252	14	59
26051-080002	5	13
	12	6
	26	11
	27	24
		25
	34	24
	47	34
26051-100002	9	39
	35	26
	39	46
26076-060202	25	21
26076-100252	35	27
26076-120302	40	15
26076-120352	40	16
26076-120402	40	17
26076-140402	40	18
26076-140502	35	28
26106-080102	35	20 -1
26106-100202	36	10
26116-060122	20	35
26116-080202	25	22
	39	47
26116-080304	30	32
	33	14
26116-080452	7	35
26116-080602	16	21
26116-080604	7	36
26116-080702	11	19
26116-080752	48	36
26116-081202	20	36
26116-081302	20	37
26116-100354	7	37
	33	15
26116-100552	48	19
26116-100652	5	14
26116-100702	15	27
26116-100902	44	20
26116-101152	15	28
26116-120504	28	32
	29	19
26116-120852	41	6
26116-121102	15	29

Parts No.	Fig. No.	Ref. No.
26116-160402	22	25
		53
26346-100002	26	12
26346-120002	30	33
26347-100002	39	48
26450-060162	41	62
26450-060452	43	6
26450-080182	41	46
26450-080402	41	47
26450-100202	41	102
26450-100802	41	29
26450-120402	41	9
26450-120702	41	77
26455-080502	45	31
26455-100352	21	56
26557-040452	14	26
26557-050082	50	17
26557-050122	10	11
26557-080202	39	49
26577-060122	15	30
26587-040062	33	16
26589-040122	37	20
26589-040202	14	60
26657-080002	36	9
26716-060002	12	10
	38	24
26716-080002	7	38
		39
		40
	9	40
	10	15
	25	23
	30	34
	31	13
	33	17
	34	25
	36	17
26716-100002	5	15
	7	41
	25	24
	28	33
		34
	29	20
	33	18
	50	43
26716-120002	8	18
	28	35
	29	21
	35	36
	41	7

Parts No. Index

Parts No.	Fig. No.	Ref. No.
26716-160002	22	26
		54
26716-240002	23	32
		13
		11
		23
26736-120002	20	31
		38
		50
		22
		9
		38
		29
		21
		29
		48
		6
6		
8		
772637-37300-2	24	1
772649-14100	10	1
772649-22500	16	5
772649-22600	17	3
772649-22610	17	8
772649-25300	20	12
772649-37100-2	23	2
772649-37310-2	24	12
772649-37500-2	24	32
772649-65570	39	16
772653-66300-1	40	2
772653-75100	44	1
933110-00301	14	6
933110-22800	22	27
		55
933110-54100	31	14
933110-58400	13	22
933111-50001	47	19
933113-15900	14	61
933123-73902	42	15
933133-96300	42	16
933147-02550	30	35
933147-10350	24	39
933153-01280	30	36
		44
933160-01370	47	21
933160-09220	13	23
933168-51700-2	50	45
933168-51700-Y	50	45 -1
933168-51780	50	46
933168-55770	13	24

Parts No.	Fig. No.	Ref. No.
933168-55770	13	24 -1
		24 -2
		24
		37
933171-13691	23	9
		16
933171-15801	13	42
		26
933171-21700	7	15
		26
933171-21950	27	27
		16
		28
933172-13530	22	56
		18
933172-27150	50	18

Parts No.	Fig. No.	Ref. No.
-----------	----------	----------

Parts No.	Fig. No.	Ref. No.
-----------	----------	----------