

0CS10-M42701EN

P R E F A C E

1. This Parts Catalog carries Yanmar crawler carrier C12R for U. S. A.

2. Parts catalog history

| | Parts catalog NO. | Published | Remarks |
|-------------|-------------------|------------|--------------------|
| 1st edition | 000Y00S4270 | Jun., 2003 | Disuse old edition |
| 1st revised | 000Y00S4271 | Dec., 2005 | |

3. Model name

| | Column | Model name | M/# | Manufactured |
|-------------|--------|------------|-------------|---------------|
| I (Vehicle) | (A) | C12R (US) | 20505~21048 | 2003/3~2004/8 |
| II (Engine) | (A) | 2TNE68-EFW | 32259~42886 | 2003/2~2004/8 |

4. Your understanding is asking that this parts catalog is not a technical data manual setting forth as servicing procedures, This parts catalog is using simplified illustration. Be sure to use Yanmar Genuine Parts in your maintenance servicing of Yanmar products. Be careful not to use the simple parts available in the market, otherwise their use in repairing causes such as an early breakage, for instance.

Directions for the Parts Catalog.

1. The parts stipulated in this Parts Catalog are not necessarily standard equipped parts.
2. Parts may change without prior notice.
3. The following is an example of the Parts Catalog format.

| OCF10-G21601 | | 29. FUEL INJECTION PUMP(W/BOOST) | | | | | | | | | |
|--------------|------|----------------------------------|---------------------|------------|------------|------------|-----|-----|-----|---|---|
| REF. | LEV. | PARTS NO. | DESCRIPTION | (A) | (B) | (C) | (D) | (E) | (F) | I | R |
| 1 | 1 | 729595-51390 | FUEL INJECTION PUMP | 1 | 1 | 1 | 1 | 1 | | | 1 |
| 1-1 | 1 | 729595-51391 | FUEL INJECTION PUMP | 1 | 1 | 1 | 1 | 1 | | N | 1 |
| | | (A=E00185) | (B=E00200) | | | | | | | | |
| 3 | 2 | 26022-060162 | SCREW M 6X 16 | 9 | 9 | 9 | 9 | 9 | | | |
| 3-1 | 2 | 26022-060162 | SCREW M 6X 16 | 4 | 4 | 4 | 4 | 4 | | K | |
| | | (A=E00156) | (B=E00156) | (C=E00156) | (D=E00156) | (E=E00156) | | | | | |
| 4 | 2 | 129470-51040 | CAMSHAFT | 1 | 1 | 1 | 1 | 1 | | | |
| 5 | 2 | 122710-51050 | BEARING, ROLLER | 2 | 2 | 2 | 2 | 2 | | | |
| 6 | 2 | 129470-51060 | RETAINER | 1 | 1 | 1 | 1 | 1 | | | |

| |
|---|
| Remarks |
| (1) BOOST COMPEMSATOR TYPE. OPTIONAL PART, TO E00155,(4JH-DT, 4JH-DTZ |

① Ref. No.

The Ref. No. listed may not be in accordance with the illustration Ref. No.

(Ex.) Illustration No.

List Ref No.

1

1

(Before change)

1-1

(After change)

For interchangeable symbols N, R and K, illustrations for new parts may be abbreviated.

② Lev. (Level)

Level indication

The numbers below indicate the level of relativity towards the main part.

1 ----- Main parts (Assembly parts)

2 ----- Sub component included in " 1 ".

3 ----- Sub component included in " 2 ".

Note) Parts that are not for sale are partially illustrated but not listed.

③ Interchangeability Mark

When a part change takes place, one of the following interchangeability symbols is indicated beside the part.

| Symbol | Interchangeability | Contents note |
|--------|---|--|
| N | Old $\begin{matrix} \leftarrow \text{Yes} \\ \text{No} \rightarrow \end{matrix}$ New | New Part is interchangeable for Old Part but Old Part is not interchangeable for New Part. |
| Q | Old $\begin{matrix} \leftarrow \text{No} \\ \text{Yes} \rightarrow \end{matrix}$ New | New Part is not interchangeable for Old Part but Old Part is interchangeable for New Part. |
| R | Old $\begin{matrix} \leftarrow \text{Yes} \\ \text{Yes} \rightarrow \end{matrix}$ New | New/ Old Parts are both interchangeable. |
| S | Old $\begin{matrix} \leftarrow \text{No} \\ \text{No} \rightarrow \end{matrix}$ New | New/ Old Parts are both not interchangeable. |
| W | | Part newly added. |
| Z | | Part discontinued. |
| F | | Not interchangeable by a single part but interchangeable together with related parts. |
| K | | Changes only for used parts quantities. |

④ Effective Machine No.

When a part changes, the effective Machine No. will be indicated in the (A)-(F) column.

| Product Symbol | Product No. | Product Symbol | Product No. |
|----------------|---------------------------|----------------|-----------------------------------|
| C | Clutch No. Compressor No. | F | Machine No. (Agricultural Equip.) |
| D | Drive No. | M | Machine No. |
| E | Engine No. | | |

Note 1) A date may follow the symbol. (Ex.) 1996.01

Note 2) "XXXXX" and "ZZZZZ" are for parts that could not be predicted or for engine models that could not be identified.

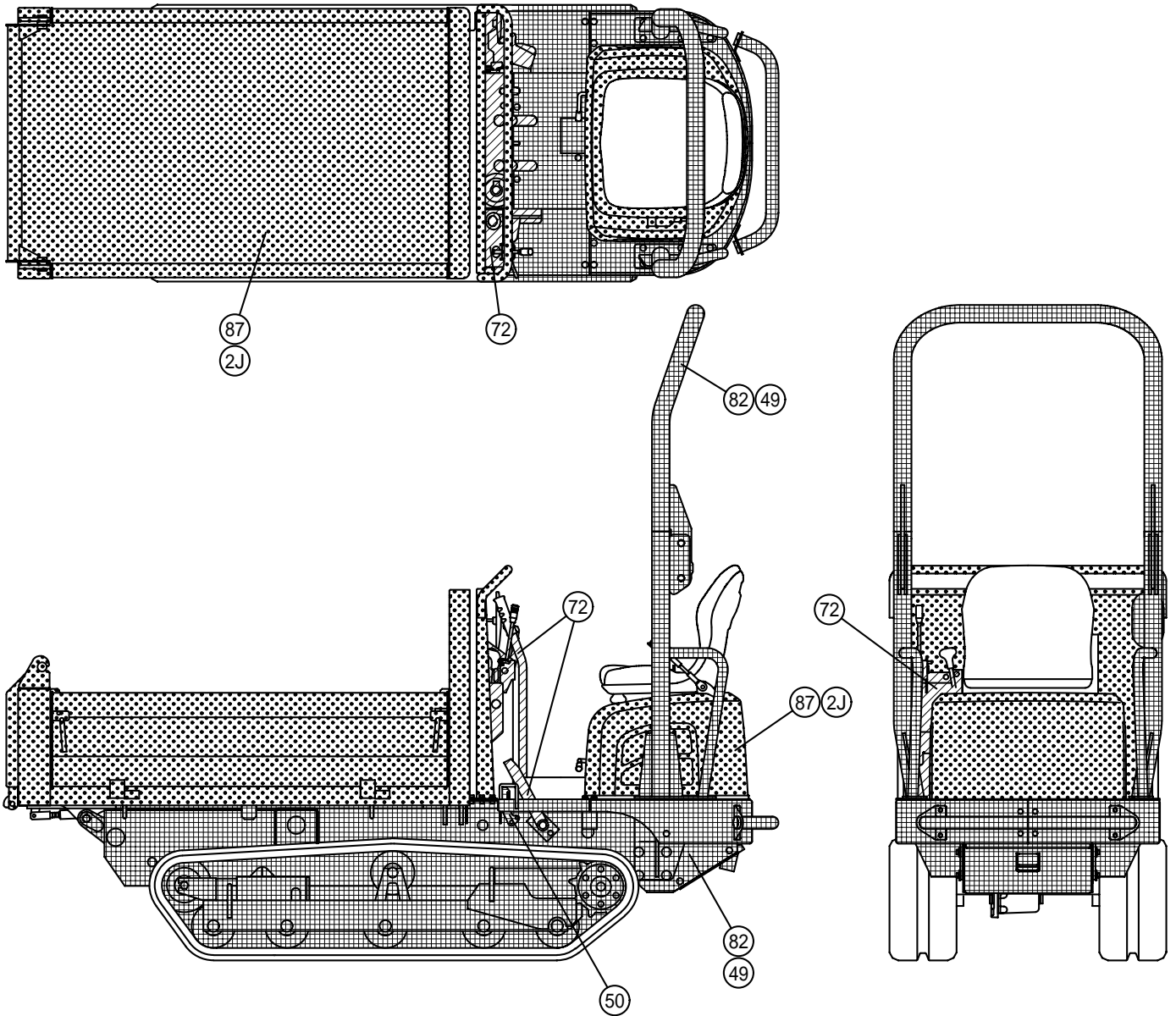
Note 3) (A=E00185) is the E (Engine Serial Number) for the column (A) model (in this case 4JH-DT) after the parts design change.





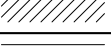
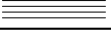
⑤ Remarks Mark

Figures or alphabets (symbols) are entered in the remarks column.

The comments (remarks) on parts that are indicated at the bottom of the illustration are the same symbols as those stated above.

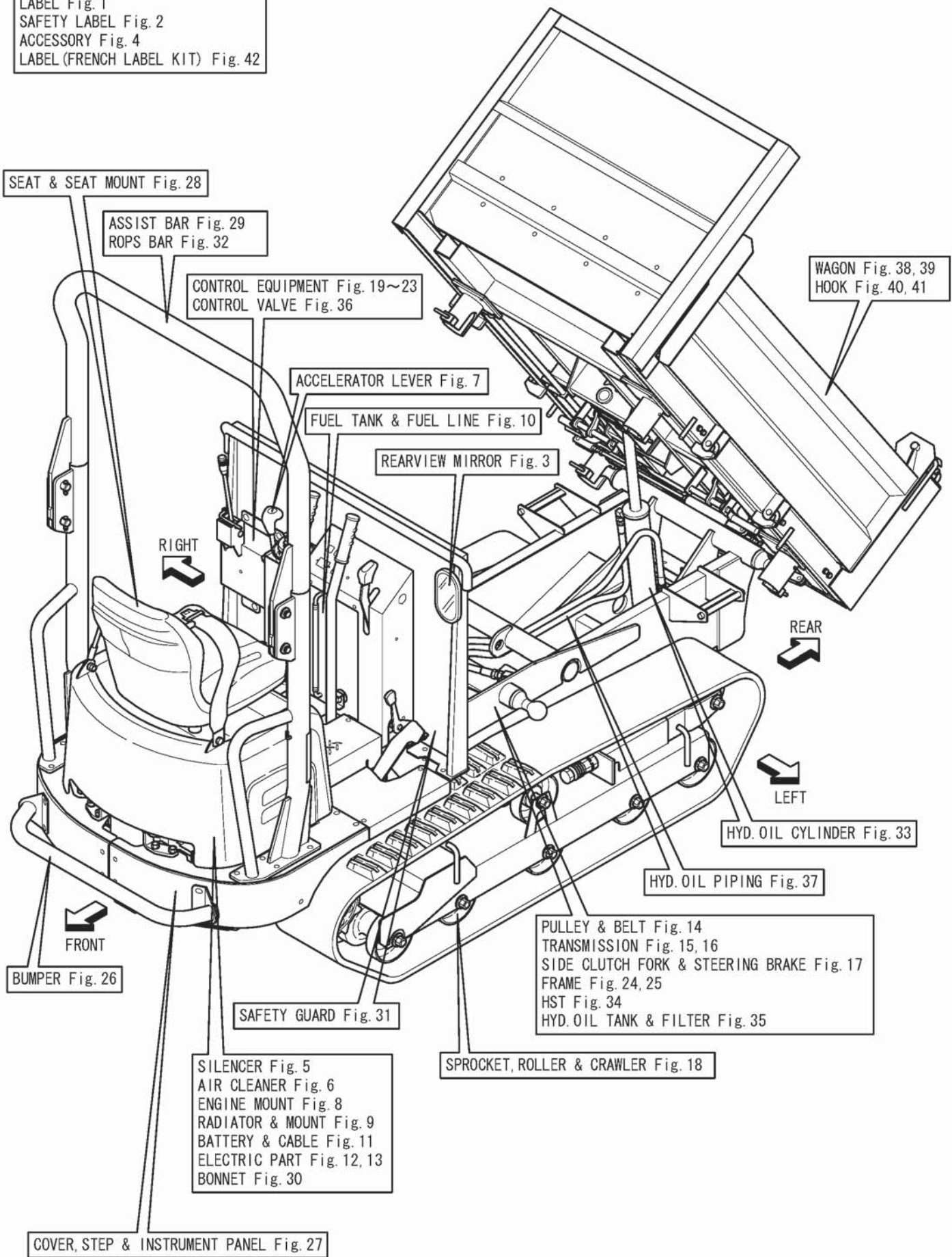
VEHICLE PAINTED COLOR



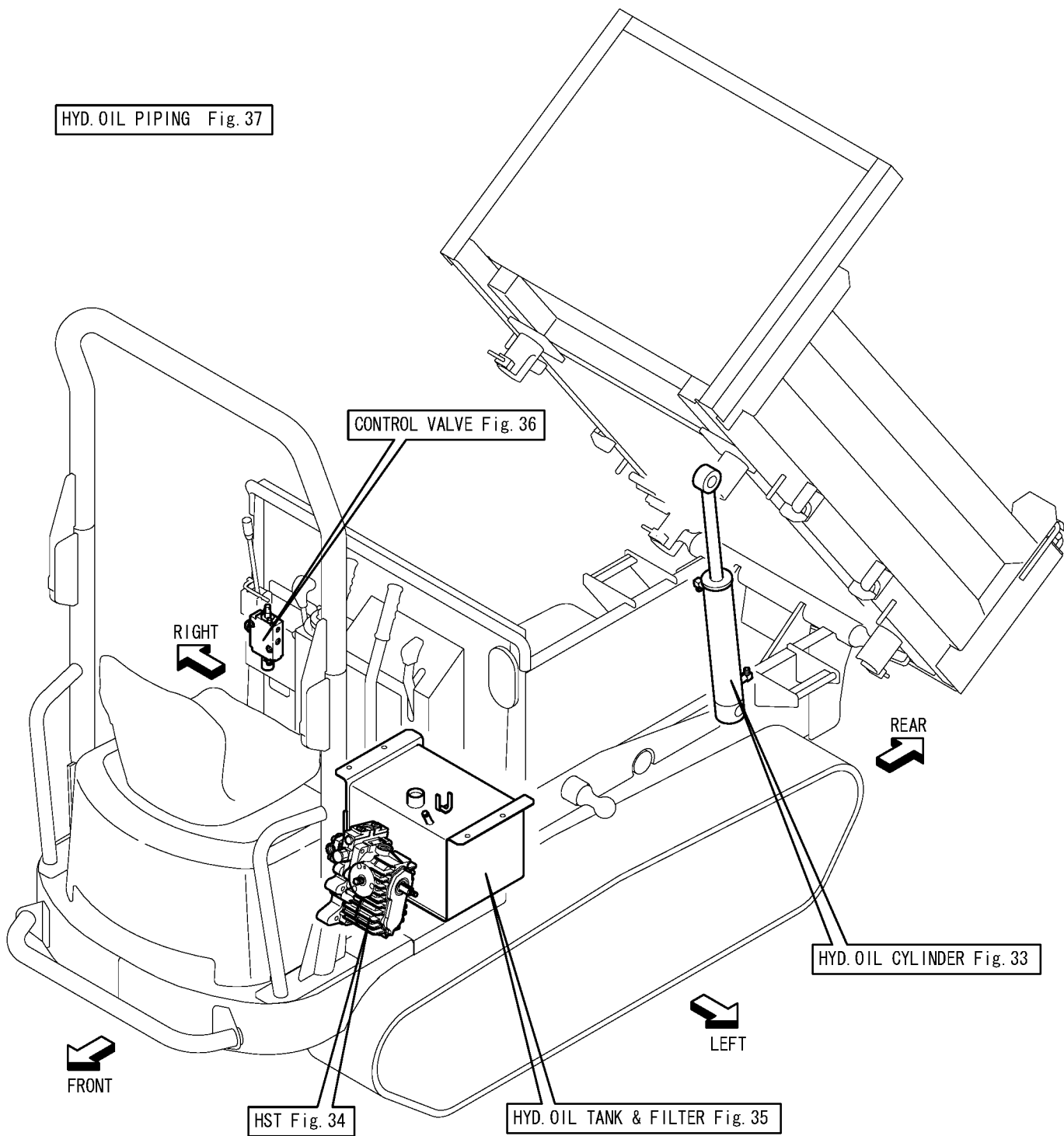
| Color Code | Description | Painted Color | Paint Part No. | | |
|------------|---|-------------------------------|----------------|--------------|--------------|
| | | | 16L Can | 4L Can | SPRAY |
| 87 |  | YANMAR New Permanent Yellow | 981101-09519 | 977620-40870 | 977620-30871 |
| 2J |  | YANMAR New Permanent Yellow 2 | 981101-09520 | 977620-40871 | 977620-30872 |
| 82 |  | YANMAR Deep Green | 981101-09517 | 977620-40820 | 977620-30N31 |
| 49 |  | YANMAR Navy Gray | ----- | TOR-91390000 | TOR-94800490 |
| 72 |  | YANMAR Dark Olive Gray | ----- | 977620-40720 | TOR-94800720 |
| 50 |  | YANMAR Red 1 | ----- | 977620-40500 | TOR-94800500 |

PICTURESQUE INDEX (1) · · · MAIN PARTS

LABEL Fig. 1
 SAFETY LABEL Fig. 2
 ACCESSORY Fig. 4
 LABEL (FRENCH LABEL KIT) Fig. 42



PICTURESQUE INDEX (2) . . . HYDRAULIC SECTION



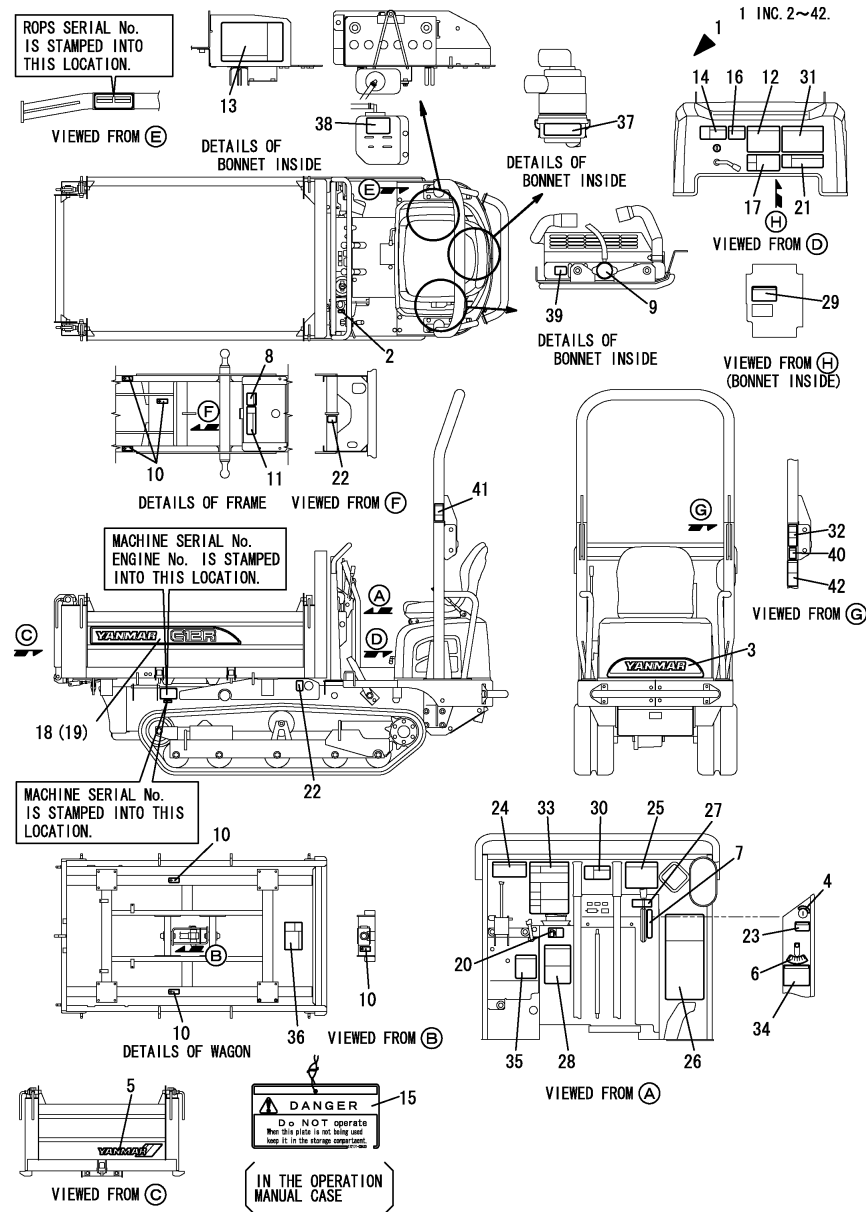
Contents

OCS10-M42701

| Fig. No. | Fig. Name |
|----------|--|
| C12R(US) | |
| 1. | LABEL |
| 2. | SAFETY LABEL |
| 3. | REARVIEW MIRROR |
| 4. | ACCESSORY |
| 5. | SILENCER |
| 6. | AIR CLEANER |
| 7. | ACCELERATOR LEVER |
| 8. | ENGINE MOUNT |
| 9. | RADIATOR & MOUNT |
| 10. | FUEL TANK & FUEL LINE |
| 11. | BATTERY & CABEL |
| 12. | ELECTRIC PART(WIRING) |
| 13. | ELECTRIC PART(EQUIPMENT) |
| 14. | PULLEY & BELT |
| 15. | TRANSMISSION(CASE) |
| 16. | TRANSMISSION(SHAFT & GEAR) |
| 17. | SIDE CLUTCH FORK & STEERING BRAKE |
| 18. | SPROCKET, ROLLER & CRAWLER |
| 19. | CONTROL EQUIPMENT(F.R.LEVER) |
| 20. | CONTROL EQUIPMENT(TRAVEL PEDAL) |
| 21. | CONTROL EQUIPMENT(BRAKE PEDAL & PARKING LEVER) |
| 22. | CONTROL EQUIPMENT(DUMP LEVER) |
| 23. | CONTROL EQUIPMENT(STEERING LEV |
| 24. | FRAME(STANDARD SPEC.) |

| Fig. No. | Fig. Name |
|----------|--------------------------------|
| 25. | FRAME(3WD SPEC.) |
| 26. | BUMPER |
| 27. | COVER, STEP & INSTRUMENT PANEL |
| 28. | SEAT & SEAT MOUNT |
| 29. | ASSIST BAR |
| 30. | BONNET |
| 31. | SAFETY GUARD |
| 32. | ROPS BAR |
| 33. | HYD.OIL CYLINDER |
| 34. | HST |
| 35. | HYD.OIL TANK & FILTER |
| 36. | CONTROL VALVE |
| 37. | HYD.OIL PIPING |
| 38. | WAGON(3WD SPEC.) |
| 39. | WAGON(STANDARD SPEC.) |
| 40. | HOOK(3WD SPEC.) |
| 41. | HOOK(STANDARD SPEC.) |
| 42. | LABEL(FRENCH LABEL KIT) |

Fig.1. LABEL



(A)=C12R(US)
(B)=
(C)=

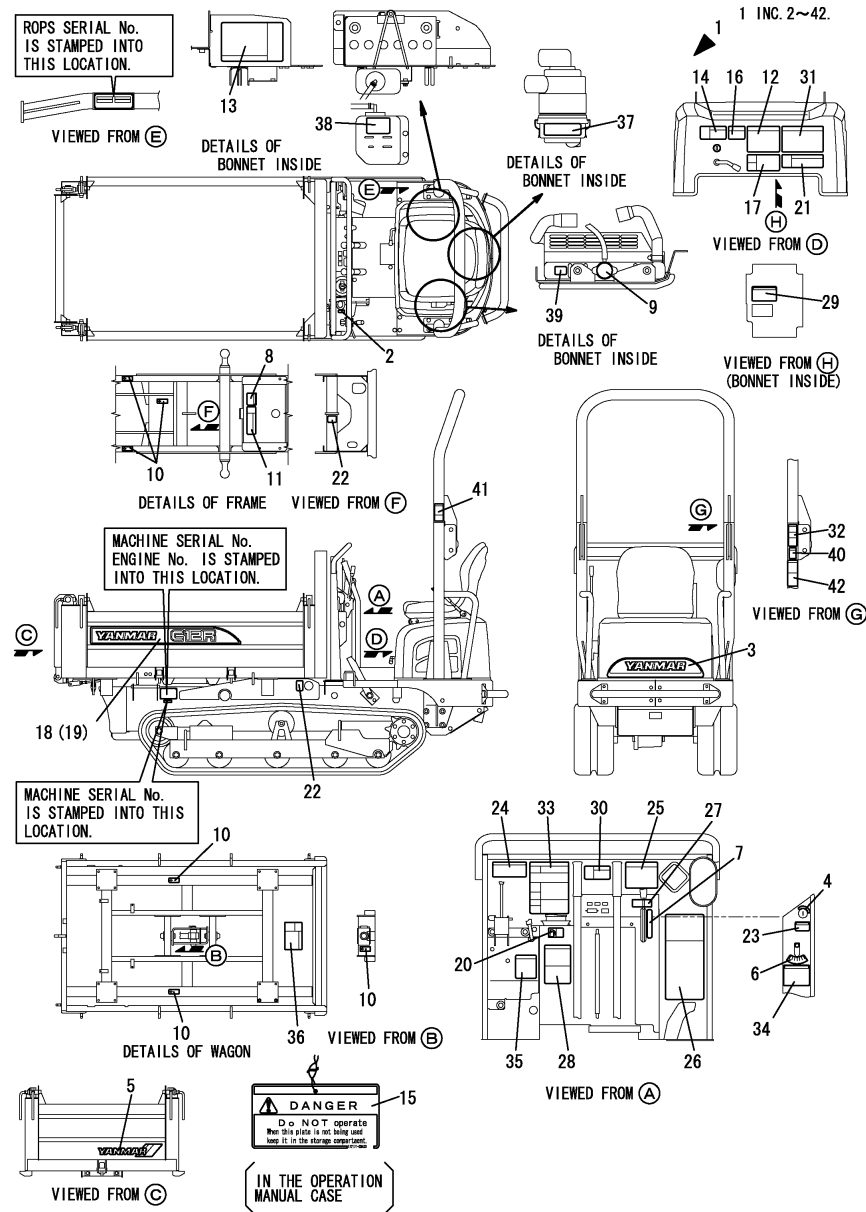
(D)=
(E)=
(F)=

| No. | Lev. | Parts No. | Description | Q'ty | | | | | | I | R |
|--------------|------|--------------|----------------------|------|-----|-----|-----|-----|-----|---|-----|
| | | | | (A) | (B) | (C) | (D) | (E) | (F) | | |
| 1 | 1 | 772652-03130 | LABEL SET,C12R-US | 1 | | | | | | | |
| 2 | 2 | 172519-03151 | LABEL,ACCELERATOR | 1 | | | | | | | |
| 3 | 2 | 172652-03150 | LABEL | 1 | | | | | | | |
| 4 | 2 | 172157-03170 | LABEL, KEY SWITCH | 1 | | | | | | | |
| 5 | 2 | 172186-03200 | LABEL,BRAND | 1 | | | | | | | |
| 6 | 2 | 172652-03220 | LABEL,ANGEL | 1 | | | | | | | |
| 7 | 2 | 172652-03260 | LABEL | 1 | | | | | | | |
| 8 | 2 | 172463-03290 | LABEL,HYD.OIL US | 1 | | | | | | | |
| 9 | 2 | 172462-03320 | LABEL | 1 | | | | | | | |
| 10 | 2 | 172648-03330 | LABEL | 2 | | | | | | | 1 |
| 10-1 | 2 | 172648-03330 | LABEL | 6 | | | | | | | K 1 |
| (A=M/#20914) | | | | | | | | | | | |
| 11 | 2 | 172437-03321 | LABEL,HYD.OIL TANK | 1 | | | | | | | |
| 11-1 | 2 | 172437-03322 | LABEL, HYD.OIL TANK | 1 | | | | | | | N |
| (A=M/#21213) | | | | | | | | | | | |
| 12 | 2 | 172437-03341 | LABEL,TRANSPORT | 1 | | | | | | | |
| 12-1 | 2 | 172437-03342 | LABEL, TRANSPORT US | 1 | | | | | | | N |
| (A=M/#21213) | | | | | | | | | | | |
| 13 | 2 | 172437-03360 | LABEL,BATTERY | 1 | | | | | | | |
| 13-1 | 2 | 172437-03361 | LABEL, BATTERY US | 1 | | | | | | | N |
| (A=M/#21213) | | | | | | | | | | | |
| 14 | 2 | 172437-03390 | LABEL,RADIATOR | 1 | | | | | | | |
| 14-1 | 2 | 172437-03391 | LABEL, RADIATOR US | 1 | | | | | | | N |
| (A=M/#21213) | | | | | | | | | | | |
| 15 | 2 | 172171-03400 | TAG ASSY, CAUTION | 1 | | | | | | | |
| 16 | 2 | 172437-03401 | LABEL (ENG COVER US | 1 | | | | | | | |
| 16-1 | 2 | 172437-03402 | LABEL, ENG,COVER US | 1 | | | | | | | N |
| (A=M/#21213) | | | | | | | | | | | |
| 17 | 2 | 172437-03411 | LABEL (ENG ROOM US | 1 | | | | | | | |
| 18 | 2 | 172652-03410 | LABEL L,STRIPE | 1 | | | | | | | |
| 19 | 2 | 172652-03420 | LABEL R,STRIPE | 1 | | | | | | | |
| 20 | 2 | 172437-03500 | LABEL,FUEL | 1 | | | | | | | |
| 20-1 | 2 | 172437-03501 | LABEL, FUEL US | 1 | | | | | | | N |
| (A=M/#21213) | | | | | | | | | | | |
| 21 | 2 | 172437-03421 | LABEL,MUFFLER | 1 | | | | | | | |
| 21-1 | 2 | 172437-03422 | LABEL, MUFFLER US | 1 | | | | | | | N |
| (A=M/#21213) | | | | | | | | | | | |
| 22 | 2 | 172437-03510 | LABEL,HOOK | 3 | | | | | | | |
| 22-1 | 2 | 172437-03511 | LABEL, HOOK US | 3 | | | | | | | N |
| (A=M/#21213) | | | | | | | | | | | |
| 23 | 2 | 172437-03530 | LABEL,RE-START | 1 | | | | | | | |
| 24 | 2 | 172652-03611 | LABEL,SPECIFICATION | 1 | | | | | | | |
| 24-1 | 2 | 172652-03612 | LABEL, SPECIFICATION | 1 | | | | | | | N |
| (A=M/#21187) | | | | | | | | | | | |
| 25 | 2 | 172638-03622 | LABEL | 1 | | | | | | | 2 |
| 25-1 | 2 | 172638-03623 | LABEL, DUMP US | 1 | | | | | | | N 2 |
| (A=M/#21213) | | | | | | | | | | | |
| 26 | 2 | 172652-03620 | LABEL,OPERATION | 1 | | | | | | | |
| 26-1 | 2 | 172652-03621 | LABEL, OPERATION US | 1 | | | | | | | N |
| (A=M/#21213) | | | | | | | | | | | |
| 27 | 2 | 172652-03630 | LABEL,F E CAUTION | 1 | | | | | | | |

Remarks

- (1)STANDARD SPEC. USED 1 PIECE.
- (2)NOT APPLIED FOR STANDARD SPEC.
- (3)ROPS BAR SPEC.

Fig.1. LABEL



(A)=C12R(US)
(B)=
(C)=

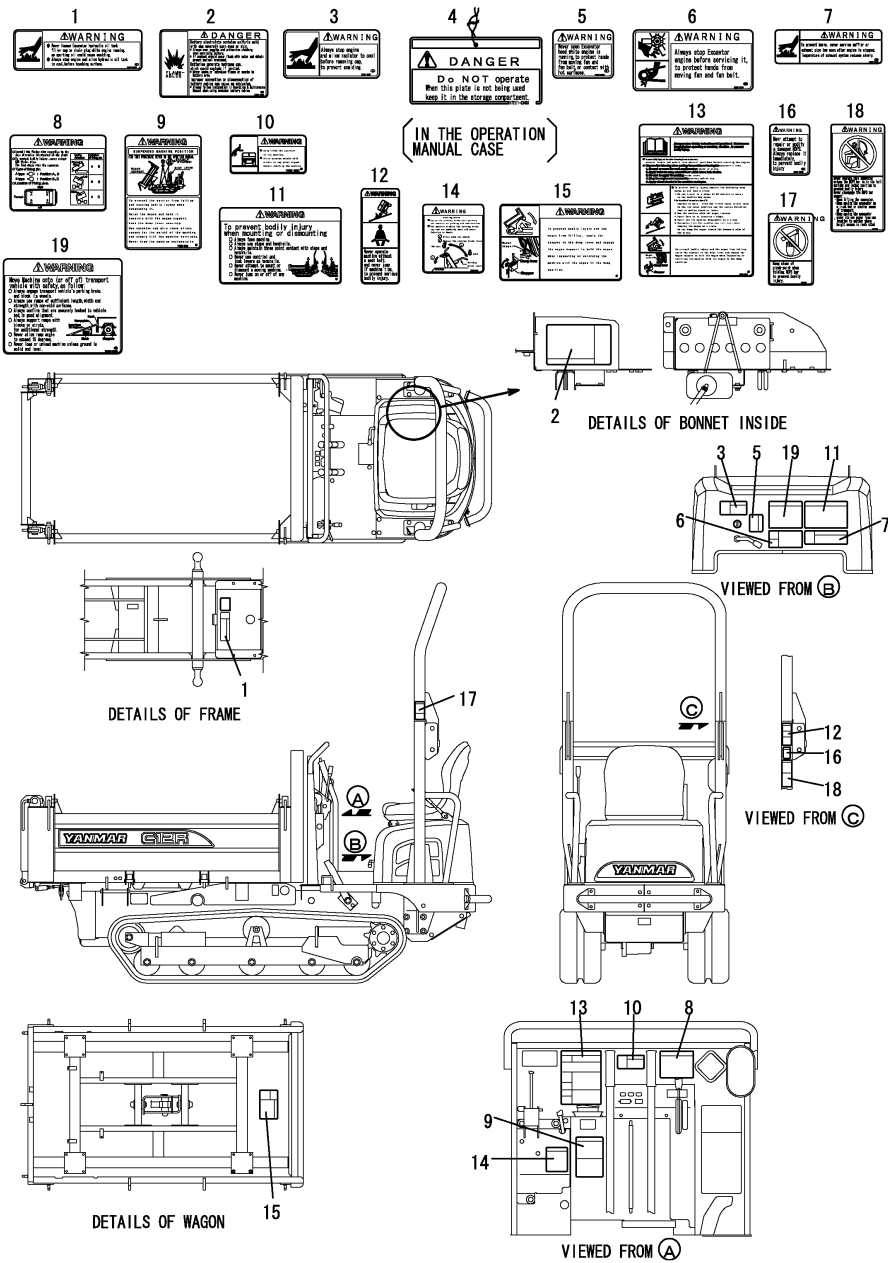
(D)=
(E)=
(F)=

| No. | Lev. | Parts No. | Description | (A) | (B) | (C) | Q'ty | (D) | (E) | (F) | I | R |
|------|------|--------------|----------------------|-----|-----|-----|------|-----|-----|-----|---|-----|
| 28 | 2 | 172652-03640 | LABEL,LIFT POSITION | 1 | | | | | | | | |
| 28-1 | 2 | 172652-03641 | LABEL, LIFT US | 1 | | | | | | | | N |
| | | (A=M/#21213) | | | | | | | | | | |
| 28-2 | 2 | 172652-03642 | LABEL, LIFT US | 1 | | | | | | | | N |
| | | (A=M/#21213) | | | | | | | | | | |
| 29 | 2 | 172652-03650 | LABEL,FUSE | 1 | | | | | | | | |
| 29-1 | 2 | 172652-03651 | LABEL, FUSE US | 1 | | | | | | | | N |
| | | (A=M/#21213) | | | | | | | | | | |
| 30 | 2 | 172652-03660 | LABEL,CAUTION-OPE. | 1 | | | | | | | | |
| 30-1 | 2 | 172652-03661 | LABEL,CAUTION-OPE.US | 1 | | | | | | | | N |
| | | (A=M/#21213) | | | | | | | | | | |
| 31 | 2 | 172652-03670 | LABEL,SUPPORT E | 1 | | | | | | | | |
| 31-1 | 2 | 172472-03141 | LABEL, SUPPORT US | 1 | | | | | | | | N |
| | | (A=M/#21213) | | | | | | | | | | |
| 32 | 2 | 172652-03680 | LABEL,SEAT BELT | 1 | | | | | | | | 3 |
| 32-1 | 2 | 172652-03681 | LABEL, SEAT BELT US | 1 | | | | | | | | N 3 |
| | | (A=M/#21213) | | | | | | | | | | |
| 33 | 2 | 172652-03690 | LABEL,OPERATE | 1 | | | | | | | | |
| 33-1 | 2 | 172652-03691 | LABEL, OPERATE US | 1 | | | | | | | | N |
| | | (A=M/#21213) | | | | | | | | | | |
| 34 | 2 | 172652-03700 | LABEL,CONTROL | 1 | | | | | | | | |
| 34-1 | 2 | 172652-03701 | LABEL, SPEED SELECT | 1 | | | | | | | | N |
| | | (A=M/#21213) | | | | | | | | | | |
| 35 | 2 | 172652-03710 | LABEL,PARKING | 1 | | | | | | | | |
| 35-1 | 2 | 172652-03711 | LABEL, PARKING US | 1 | | | | | | | | N |
| | | (A=M/#21213) | | | | | | | | | | |
| 36 | 2 | 172652-03730 | LABEL,WAGON | 1 | | | | | | | | |
| 36-1 | 2 | 172652-03731 | LABEL, WAGON US | 1 | | | | | | | | N |
| | | (A=M/#21213) | | | | | | | | | | |
| 37 | 2 | 172125-03950 | LABEL, AIR CLEANER | 1 | | | | | | | | |
| 37-1 | 2 | 172125-03951 | LABEL, AIR CLEANER | 1 | | | | | | | | N |
| | | (A=M/#21213) | | | | | | | | | | |
| 38 | 2 | 124764-44810 | LABEL,SUB-TANK | 1 | | | | | | | | |
| 38-1 | 2 | 172A38-03200 | LABEL, SUB-TANK US | 1 | | | | | | | | N |
| | | (A=M/#21213) | | | | | | | | | | |
| 39 | 2 | 124764-44920 | LABEL, ANTI-FREEZING | 1 | | | | | | | | |
| 39-1 | 2 | 172A38-03210 | LABEL,ANTI-FREEZING | 1 | | | | | | | | N |
| | | (A=M/#21213) | | | | | | | | | | |
| 40 | 2 | 172437-03440 | LABEL,ROPS | 1 | | | | | | | | 3 |
| 40-1 | 2 | 172437-03441 | LABEL, ROPS US | 1 | | | | | | | | N 3 |
| | | (A=M/#21213) | | | | | | | | | | |
| 41 | 2 | 172446-03740 | LABEL,PINCH | 2 | | | | | | | | 3 |
| 41-1 | 2 | 172A29-03740 | LABEL, PINCH ROPS | 2 | | | | | | | | N 3 |
| | | (A=M/#21213) | | | | | | | | | | |
| 42 | 2 | 172446-03751 | LABEL, FOLDING | 1 | | | | | | | | 3 |
| 42-1 | 2 | 172A29-03750 | LABEL, FOLDING ROPS | 1 | | | | | | | | N 3 |
| | | (A=M/#21213) | | | | | | | | | | |

Remarks

- (1)STANDARD SPEC. USED 1 PIECE.
- (2)NOT APPLIED FOR STANDARD SPEC.
- (3)ROPS BAR SPEC.

Fig.2. SAFETY LABEL



(A)=C12R(US)
(B)=
(C)=

(D)=
(E)=
(F)=

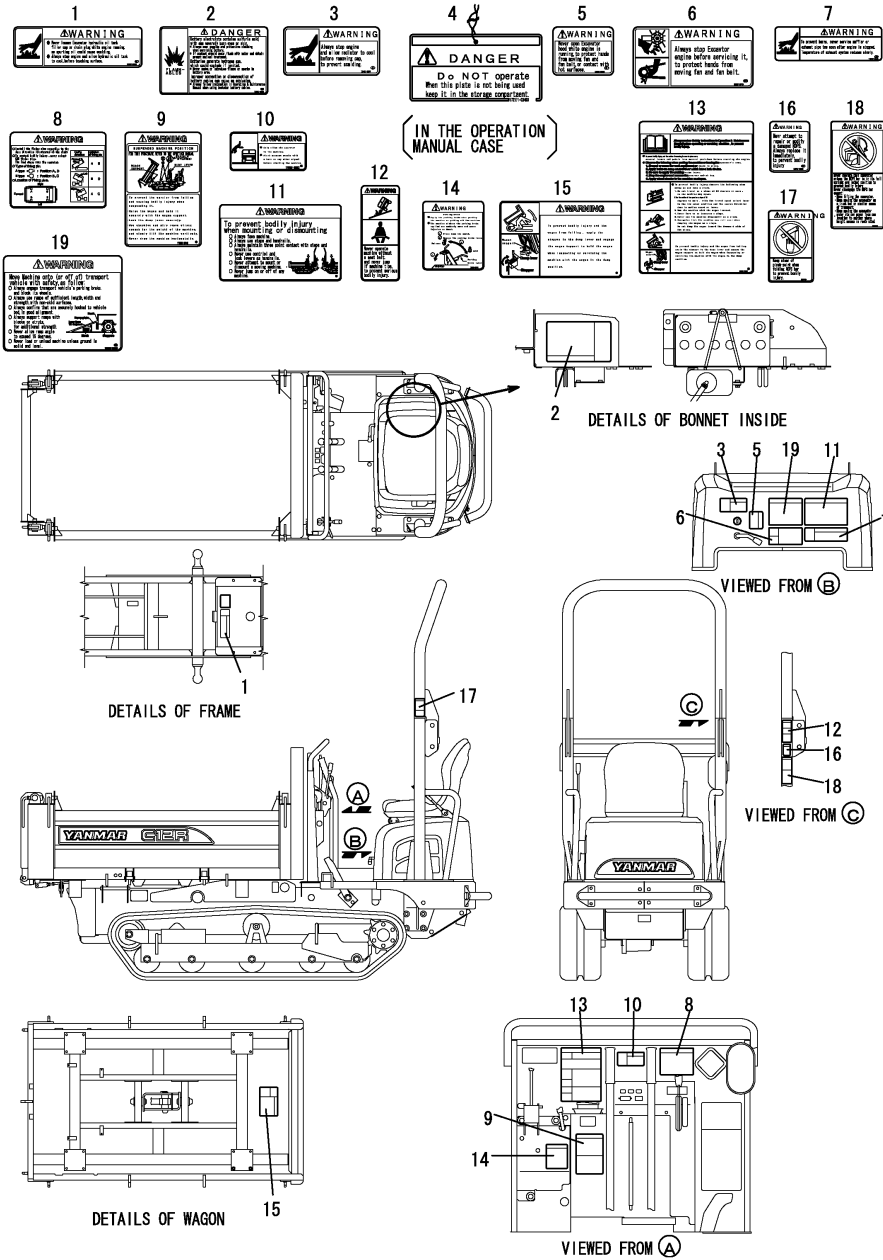
| No. | Lev. | Parts No. | Description | Q'ty | | | | | | I | R |
|------|------|--------------|------------------------|--------------|-----|-----|-----|-----|-----|---|-----|
| | | | | (A) | (B) | (C) | (D) | (E) | (F) | | |
| 1 | 1 | 172437-03321 | LABEL, HYD. OIL TANK | 1 | | | | | | | |
| 1-1 | 1 | 172437-03322 | LABEL, HYD. OIL TANK | 1 | | | | | | | N |
| | | | | (A=M/#21213) | | | | | | | |
| 2 | 1 | 172437-03360 | LABEL, BATTERY | 1 | | | | | | | |
| 2-1 | 1 | 172437-03361 | LABEL, BATTERY US | 1 | | | | | | | N |
| | | | | (A=M/#21213) | | | | | | | |
| 3 | 1 | 172437-03390 | LABEL, RADIATOR | 1 | | | | | | | |
| 3-1 | 1 | 172437-03391 | LABEL, RADIATOR US | 1 | | | | | | | N |
| | | | | (A=M/#21213) | | | | | | | |
| 4 | 1 | 172171-03400 | TAG ASSY, CAUTION | 1 | | | | | | | |
| 5 | 1 | 172437-03401 | LABEL (ENG COVER US | 1 | | | | | | | |
| 5-1 | 1 | 172437-03402 | LABEL, ENG. COVER US | 1 | | | | | | | N |
| | | | | (A=M/#21213) | | | | | | | |
| 6 | 1 | 172437-03411 | LABEL (ENG ROOM US | 1 | | | | | | | |
| 7 | 1 | 172437-03421 | LABEL, MUFFLER | 1 | | | | | | | |
| 7-1 | 1 | 172437-03422 | LABEL, MUFFLER US | 1 | | | | | | | N |
| | | | | (A=M/#21213) | | | | | | | |
| 8 | 1 | 172638-03622 | LABEL | 1 | | | | | | | |
| 8-1 | 1 | 172638-03623 | LABEL, DUMP US | 1 | | | | | | | N |
| | | | | (A=M/#21213) | | | | | | | |
| 9 | 1 | 172652-03640 | LABEL, LIFT POSITION | 1 | | | | | | | |
| 9-1 | 1 | 172437-03511 | LABEL, HOOK US | 3 | | | | | | | N |
| | | | | (A=M/#21213) | | | | | | | |
| 10 | 1 | 172652-03660 | LABEL, CAUTION-OPE. | 1 | | | | | | | |
| 10-1 | 1 | 172652-03661 | LABEL, CAUTION-OPE. US | 1 | | | | | | | N |
| | | | | (A=M/#21213) | | | | | | | |
| 11 | 1 | 172652-03670 | LABEL, SUPPORT E | 1 | | | | | | | |
| 11-1 | 1 | 172472-03141 | LABEL, SUPPORT US | 1 | | | | | | | N |
| | | | | (A=M/#21213) | | | | | | | |
| 12 | 1 | 172652-03680 | LABEL, SEAT BELT | 1 | | | | | | | 1 |
| 12-1 | 1 | 172652-03681 | LABEL, SEAT BELT US | 1 | | | | | | | N 1 |
| | | | | (A=M/#21213) | | | | | | | |
| 13 | 1 | 172652-03690 | LABEL, OPERATE | 1 | | | | | | | |
| 13-1 | 1 | 172652-03691 | LABEL, OPERATE US | 1 | | | | | | | N |
| | | | | (A=M/#21213) | | | | | | | |
| 14 | 1 | 172652-03710 | LABEL, PARKING | 1 | | | | | | | |
| 14-1 | 1 | 172652-03711 | LABEL, PARKING US | 1 | | | | | | | N |
| | | | | (A=M/#21213) | | | | | | | |
| 15 | 1 | 172652-03730 | LABEL, WAGON | 1 | | | | | | | |
| 15-1 | 1 | 172652-03731 | LABEL, WAGON US | 1 | | | | | | | N |
| | | | | (A=M/#21213) | | | | | | | |
| 16 | 1 | 172437-03440 | LABEL, ROPS | 1 | | | | | | | 1 |
| 16-1 | 1 | 172437-03441 | LABEL, ROPS US | 1 | | | | | | | N 1 |
| | | | | (A=M/#21213) | | | | | | | |
| 17 | 1 | 172446-03740 | LABEL, PINCH | 2 | | | | | | | 1 |
| 17-1 | 1 | 172A29-03740 | LABEL, PINCH ROPS | 2 | | | | | | | N 1 |
| | | | | (A=M/#21213) | | | | | | | |
| 18 | 1 | 172446-03751 | LABEL, FOLDING | 1 | | | | | | | 1 |
| 18-1 | 1 | 172A29-03750 | LABEL, FOLDING ROPS | 1 | | | | | | | N 1 |
| | | | | (A=M/#21213) | | | | | | | |
| 19 | 1 | 172437-03341 | LABEL, TRANSPORT | 1 | | | | | | | |

Remarks
(1)ROPS BAR SPEC.

Fig.2. SAFETY LABEL

(A)=C12R(US)
(B)=
(C)=

(D)=
(E)=
(F)=



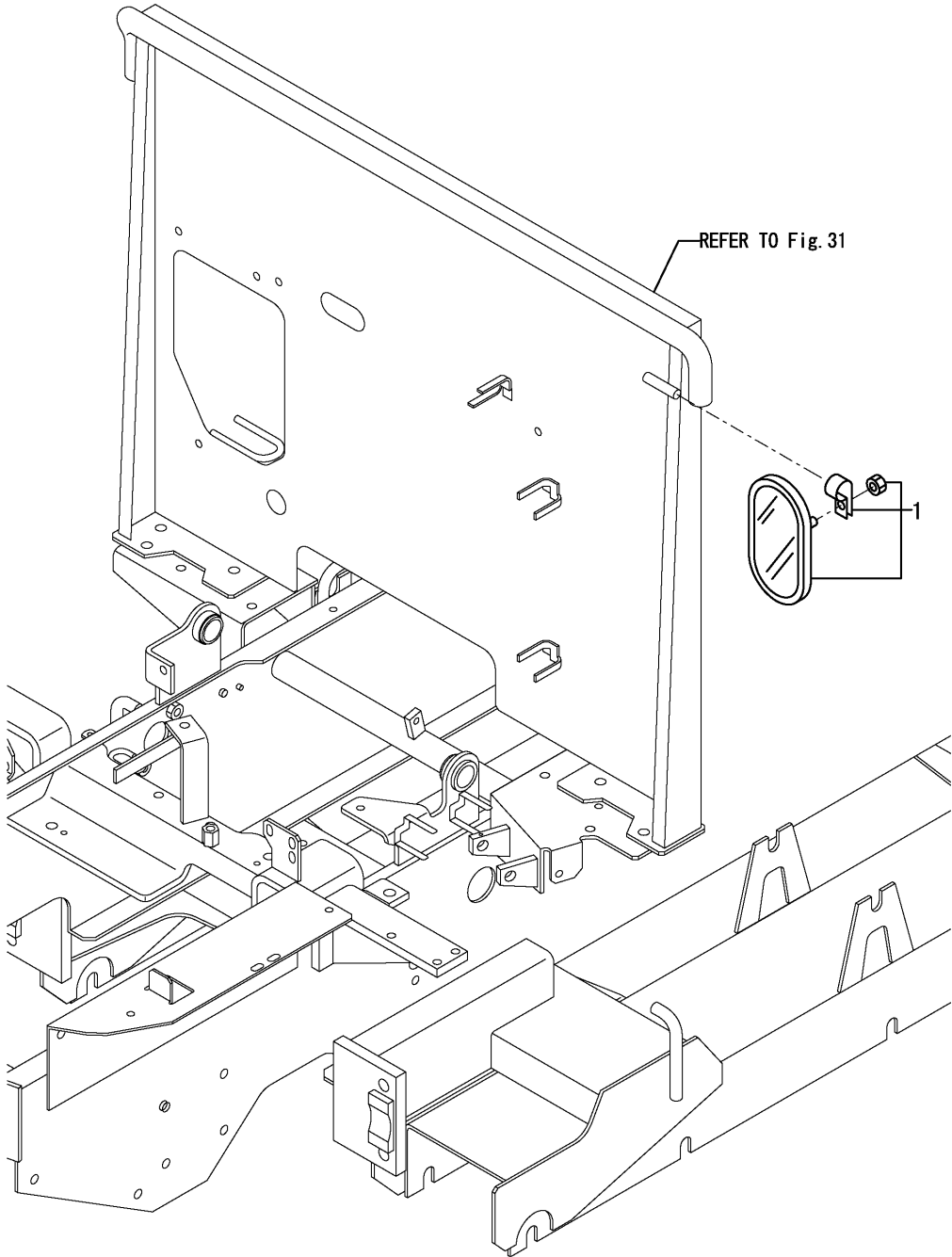
| No. | Lev. | Parts No. | Description | Q'ty | | | | | | I | R |
|------|------|--------------|---------------------|------|-----|-----|-----|-----|-----|---|---|
| | | | | (A) | (B) | (C) | (D) | (E) | (F) | | |
| 19-1 | 1 | 172437-03342 | LABEL, TRANSPORT US | 1 | | | | | | | N |
| | | (A=M/#21213) | | | | | | | | | |

Remarks
(1)ROPS BAR SPEC.

Fig.3. REARVIEW MIRROR

(A)=C12R(US)
(B)=
(C)=

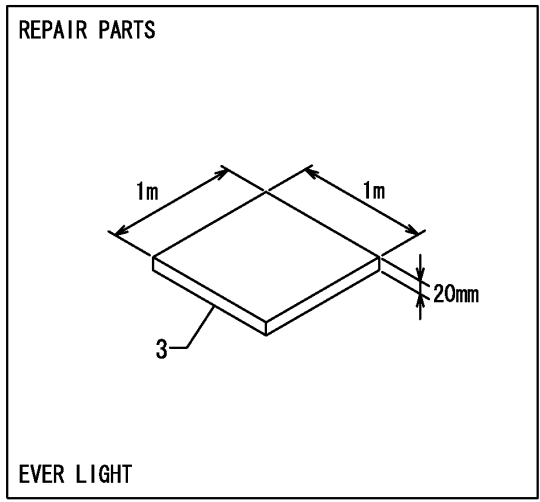
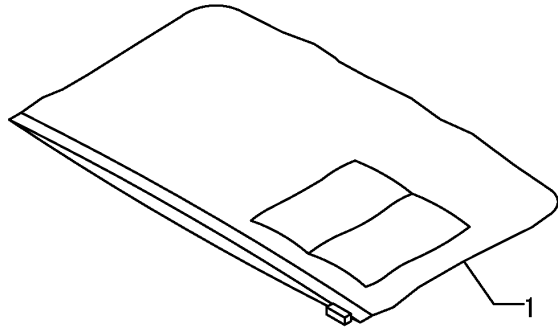
(D)=
(E)=
(F)=



| No. | Lev. | Parts No. | Description | Q'ty | | | | | | I | R |
|-----|------|--------------|--------------|------|-----|-----|-----|-----|-----|---|---|
| | | | | (A) | (B) | (C) | (D) | (E) | (F) | | |
| 1 | 1 | 194630-64110 | HEAD, MIRROR | 1 | | | | | | | |
| | | | | | | | | | | | |
| | | | | | | | | | | | |
| | | | | | | | | | | | |
| | | | | | | | | | | | |
| | | | | | | | | | | | |
| | | | | | | | | | | | |
| | | | | | | | | | | | |
| | | | | | | | | | | | |
| | | | | | | | | | | | |
| | | | | | | | | | | | |
| | | | | | | | | | | | |
| | | | | | | | | | | | |
| | | | | | | | | | | | |
| | | | | | | | | | | | |
| | | | | | | | | | | | |
| | | | | | | | | | | | |
| | | | | | | | | | | | |
| | | | | | | | | | | | |
| | | | | | | | | | | | |
| | | | | | | | | | | | |
| | | | | | | | | | | | |
| | | | | | | | | | | | |
| | | | | | | | | | | | |
| | | | | | | | | | | | |
| | | | | | | | | | | | |
| | | | | | | | | | | | |

N:Old $\xleftrightarrow[No]{Yes}$ New, Q:Old $\xleftrightarrow[Yes]{No}$ New, R:Old $\xleftrightarrow[Yes]{No}$ New, S:Old $\xleftrightarrow[No]{Yes}$ New, W:Add, Z:Discontinued, F:Interchangeable by set, K:Q'ty Change
Copyright (C) YANMAR CO., LTD. All Rights Reserved.

Fig.4. ACCESSORY



(A)=C12R(US)
(B)=
(C)=

(D)=
(E)=
(F)=

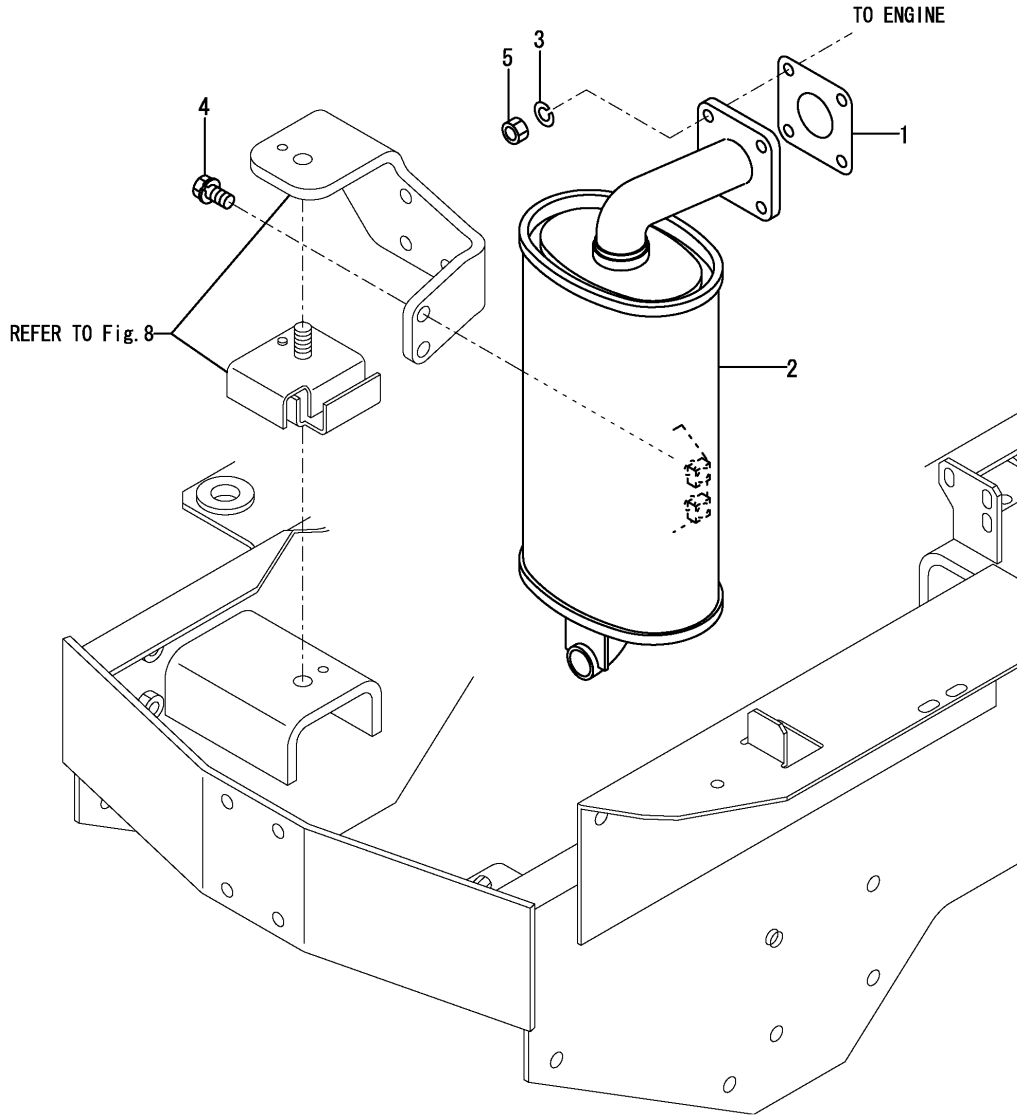
| No. | Lev. | Parts No. | Description | Qty | | | | | | I | R | |
|-----|------|--------------|-------------|-----|-----|-----|-----|-----|-----|---|---|---|
| | | | | (A) | (B) | (C) | (D) | (E) | (F) | | | |
| 1 | 1 | 172176-07330 | BAG, MANUAL | 1 | | | | | | | | |
| 3 | 1 | 172478-65750 | SPONGE | 1 | | | | | | | | 1 |

Remarks
(1)REPAIR PARTS.

Fig.5. SILENCER

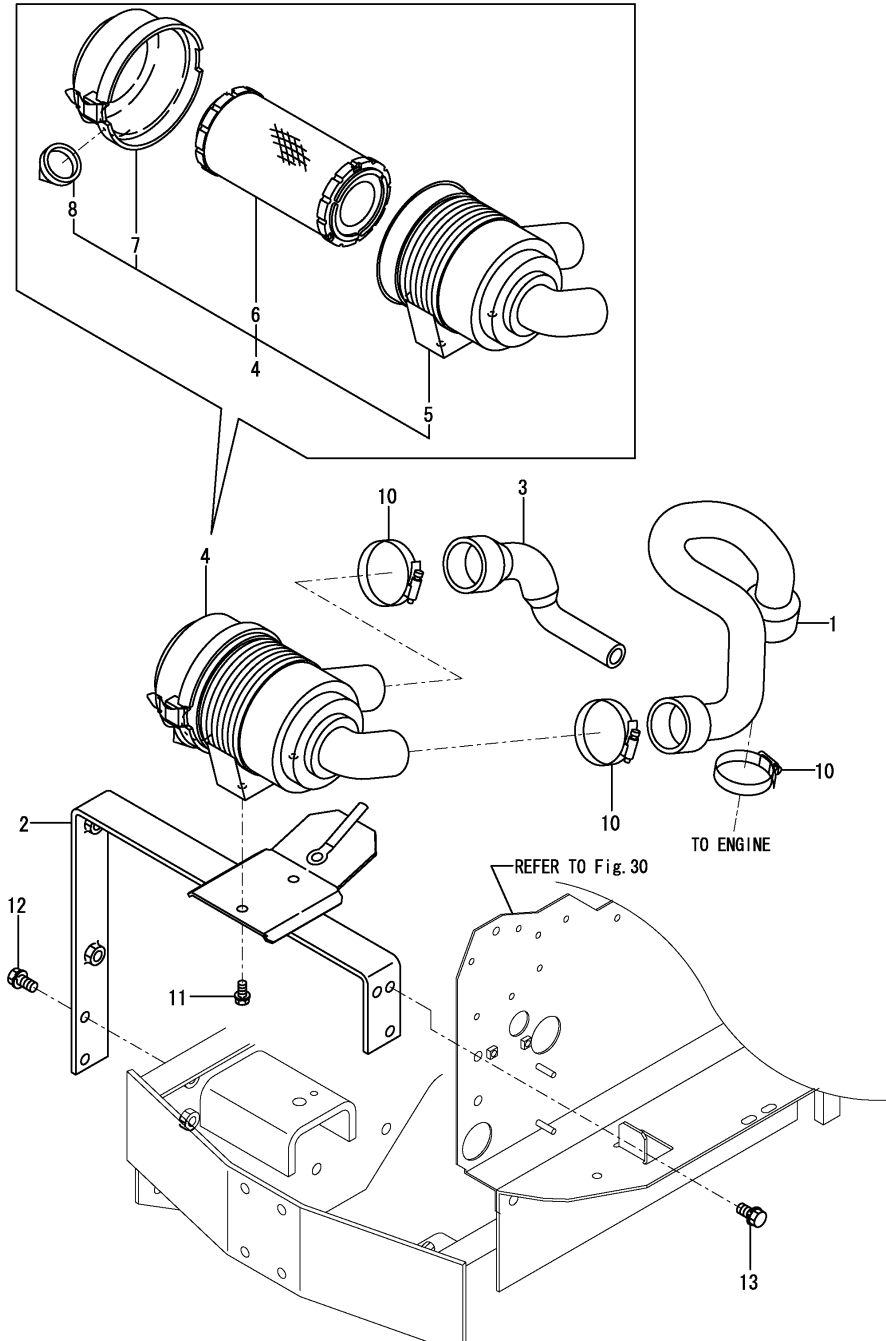
(A)=C12R(US)
(B)=
(C)=

(D)=
(E)=
(F)=



| No. | Lev. | Parts No. | Description | Q'ty | | | | | | I | R |
|-----|------|--------------|------------------|------|-----|-----|-----|-----|-----|---|---|
| | | | | (A) | (B) | (C) | (D) | (E) | (F) | | |
| 1 | 1 | 124701-11911 | GASKET, SILENCER | 1 | | | | | | | |
| 2 | 1 | 119325-13540 | SILENCER | 1 | | | | | | | |
| 3 | 1 | 22217-080000 | WASHER, SPRING 8 | 4 | | | | | | | |
| 4 | 1 | 26013-100252 | BOLT, M10X 25 | 2 | | | | | | | |
| 5 | 1 | 26716-080002 | NUT, M8 | 4 | | | | | | | |

Fig.6. AIR CLEANER



(A)=C12R(US)
(B)=
(C)=

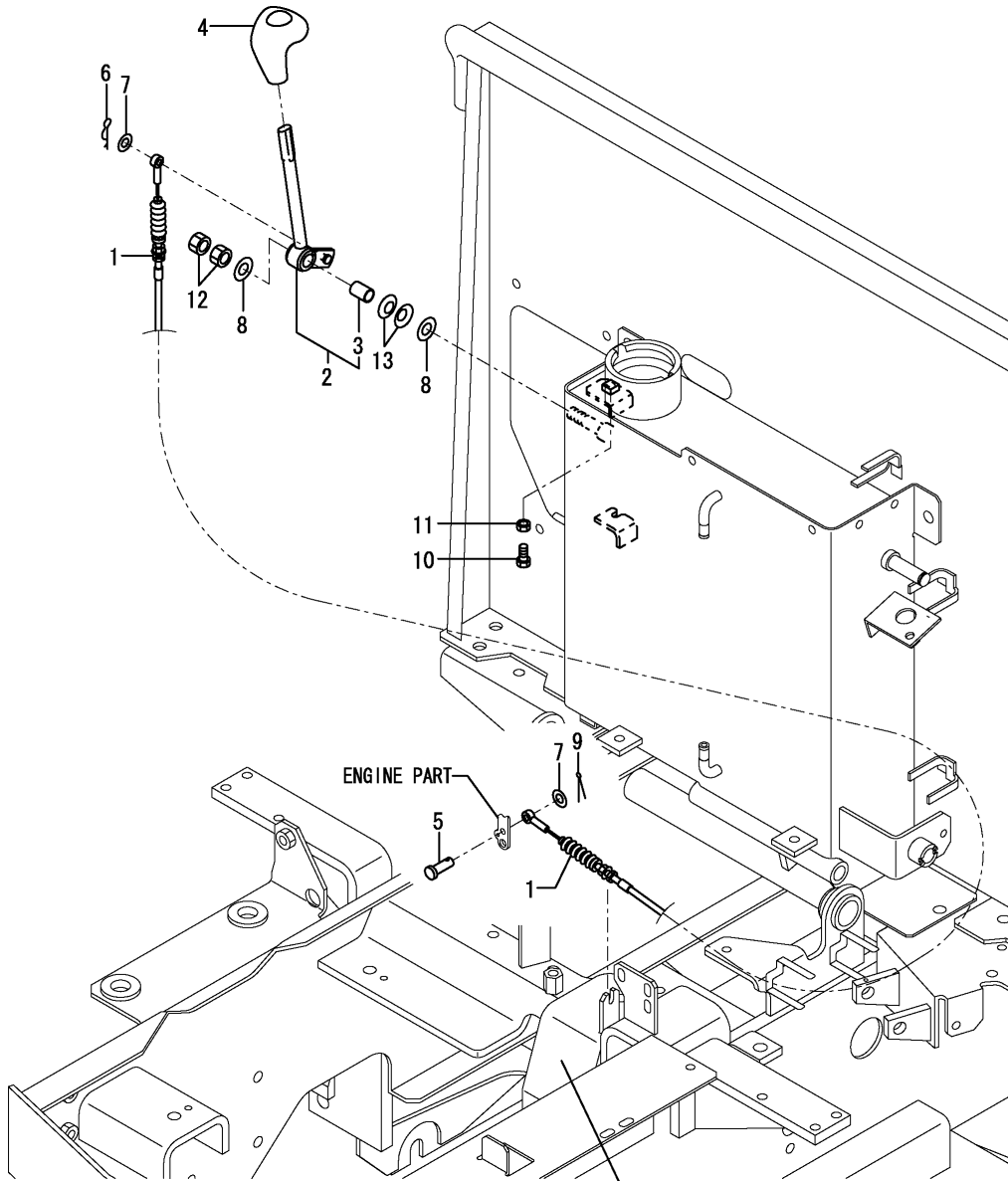
(D)=
(E)=
(F)=

| No. | Lev. | Parts No. | Description | Q'ty | | | | | | I | R |
|-----|------|--------------|----------------------|------|-----|-----|-----|-----|-----|---|---|
| | | | | (A) | (B) | (C) | (D) | (E) | (F) | | |
| 1 | 1 | 172446-11500 | HOSE, AIR CLEANER | 1 | | | | | | | |
| 2 | 1 | 172652-11500 | MOUNT,AIR CLEANER(72 | 1 | | | | | | | |
| 3 | 1 | 172446-11510 | HOSE, AIR CLEANER | 1 | | | | | | | |
| 4 | 1 | 119325-12530 | CLEANER ASSY, AIR | 1 | | | | | | | |
| 5 | 2 | 105027-12550 | BODY, AIR CLEANER | 1 | | | | | | | |
| 6 | 2 | 119655-12560 | ELEMENT | 1 | | | | | | | |
| 7 | 2 | 119655-12570 | COVER ASSY | 1 | | | | | | | |
| 8 | 2 | 119808-12540 | VALVE, UNLOADER | 1 | | | | | | | |
| 10 | 1 | 23000-060000 | CLAMP, 60 | 3 | | | | | | | |
| 11 | 1 | 26013-080162 | BOLT, M8X 16 | 2 | | | | | | | |
| 12 | 1 | 26013-100252 | BOLT, M10X 25 | 2 | | | | | | | |
| 13 | 1 | 26013-100202 | BOLT, M10X 20 | 2 | | | | | | | |

Fig.7. ACCELERATOR LEVER

(A)=C12R(US)
(B)=
(C)=

(D)=
(E)=
(F)=

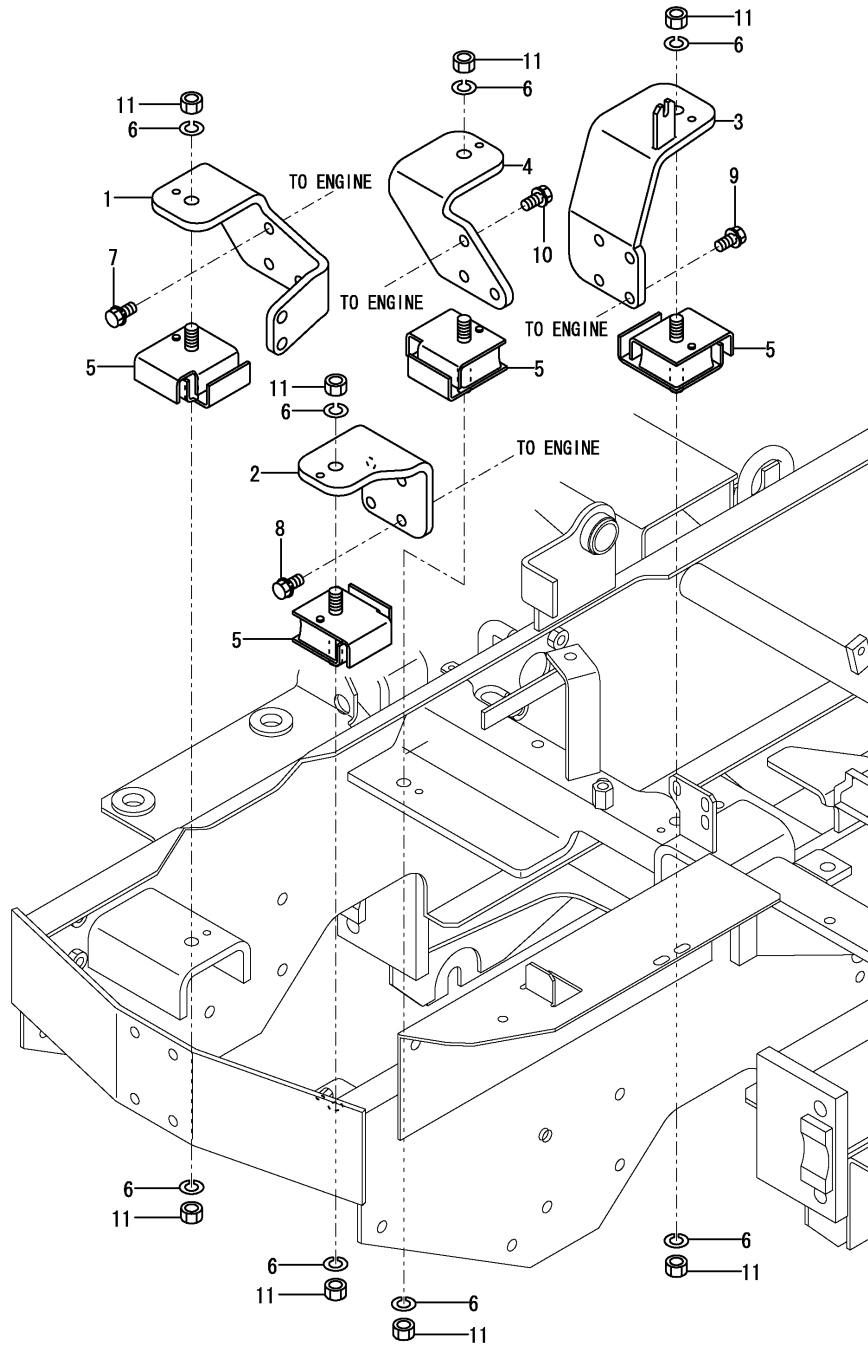


| No. | Lev. | Parts No. | Description | Q'ty | | | | | | I | R |
|-----|------|--------------|----------------------|------|-----|-----|-----|-----|-----|---|---|
| | | | | (A) | (B) | (C) | (D) | (E) | (F) | | |
| 1 | 1 | 172652-12100 | CABLE, ACCELERATOR | 1 | | | | | | | |
| 2 | 1 | 172652-12110 | LEVER,ACCELERATOR(72 | 1 | | | | | | | |
| 3 | 2 | 24550-012200 | BUSH, 12X20 | 1 | | | | | | | |
| 4 | 1 | 172146-12150 | GRIP, ACCELERATOR | 1 | | | | | | | |
| 5 | 1 | 172113-12522 | PIN | 1 | | | | | | | |
| 6 | 1 | 1C6281-52310 | PIN, SNAP 6 | 1 | | | | | | | |
| 7 | 1 | 22137-060000 | WASHER, 6 | 2 | | | | | | | |
| 8 | 1 | 22137-120000 | WASHER, 12 | 2 | | | | | | | |
| 9 | 1 | 22417-200160 | PIN, COTTER 2.0X16 | 1 | | | | | | | |
| 10 | 1 | 26116-080304 | BOLT, M8X 30 PLATED | 1 | | | | | | | |
| 11 | 1 | 26756-080002 | NUT, LOCK M8 | 1 | | | | | | | |
| 12 | 1 | 26756-120002 | NUT, LOCK M12 | 2 | | | | | | | |
| 13 | 1 | 933170-01490 | SPRING | 2 | | | | | | | |

Fig.8. ENGINE MOUNT

(A)=C12R(US)
(B)=
(C)=

(D)=
(E)=
(F)=



| No. | Lev. | Parts No. | Description | Q'ty | | | | | | I | R |
|-----|------|--------------|----------------------|------|-----|-----|-----|-----|-----|---|---|
| | | | | (A) | (B) | (C) | (D) | (E) | (F) | | |
| 1 | 1 | 172652-13100 | MOUNT RR,ENGINE (72) | 1 | | | | | | | |
| 2 | 1 | 172652-13110 | MOUNT FR,ENGINE (72) | 1 | | | | | | | |
| 3 | 1 | 172652-13120 | MOUNT FL,ENGINE (72) | 1 | | | | | | | |
| 4 | 1 | 172652-13150 | MOUNT RE,ENGINE (72) | 1 | | | | | | | |
| 5 | 1 | 172652-13200 | ABSORBER,SHOCK | 4 | | | | | | | |
| 6 | 1 | 22217-120000 | WASHER, SPRING 12 | 8 | | | | | | | |
| 7 | 1 | 26013-100252 | BOLT, M10X 25 | 3 | | | | | | | |
| 8 | 1 | 26013-100252 | BOLT, M10X 25 | 4 | | | | | | | |
| 9 | 1 | 26013-100252 | BOLT, M10X 25 | 4 | | | | | | | |
| 10 | 1 | 26013-100252 | BOLT, M10X 25 | 3 | | | | | | | |
| 11 | 1 | 26716-120002 | NUT, M12 | 8 | | | | | | | |

Fig.9. RADIATOR & MOUNT

(A)=C12R(US)

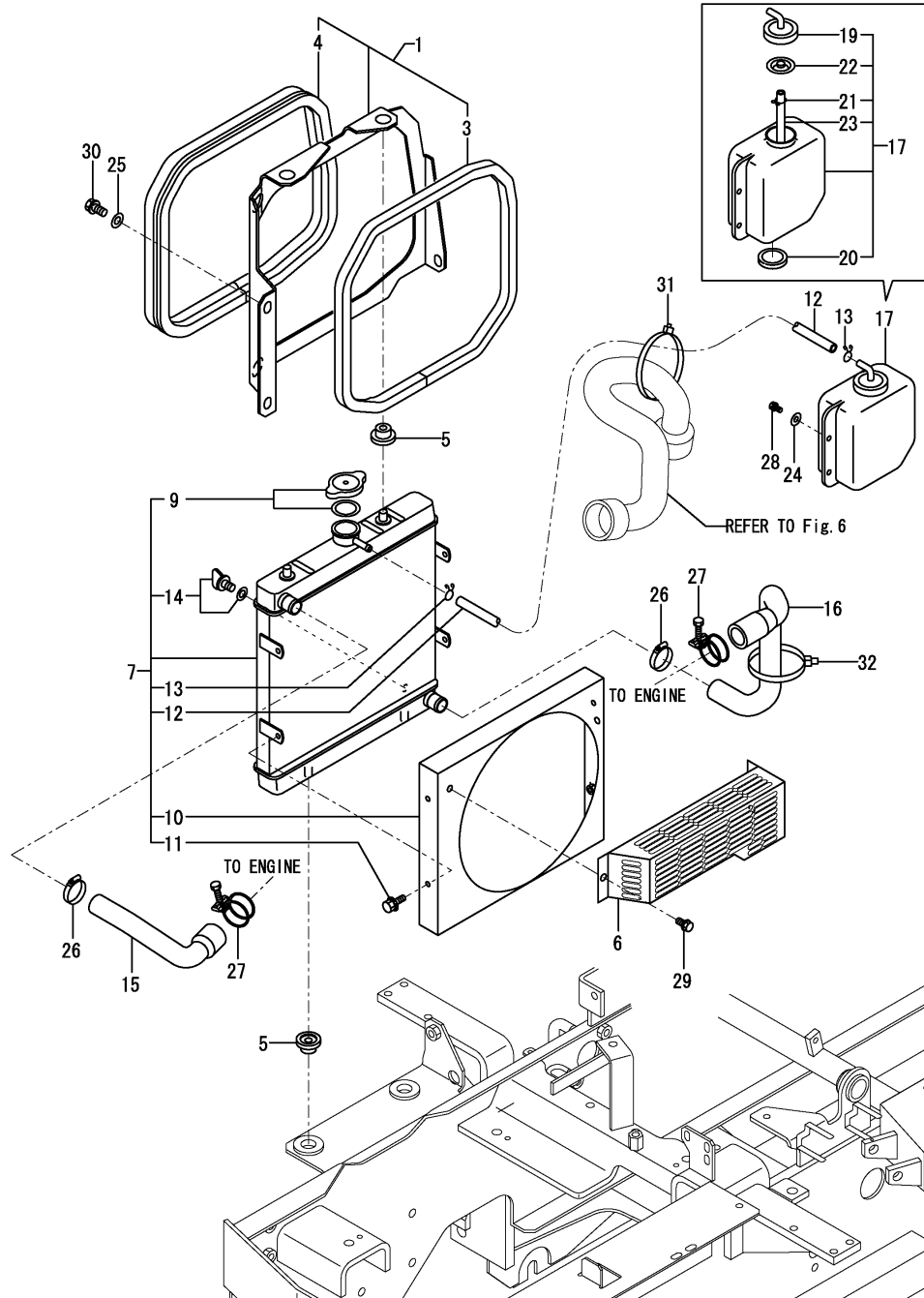
(B)=

(C)=

(D)=

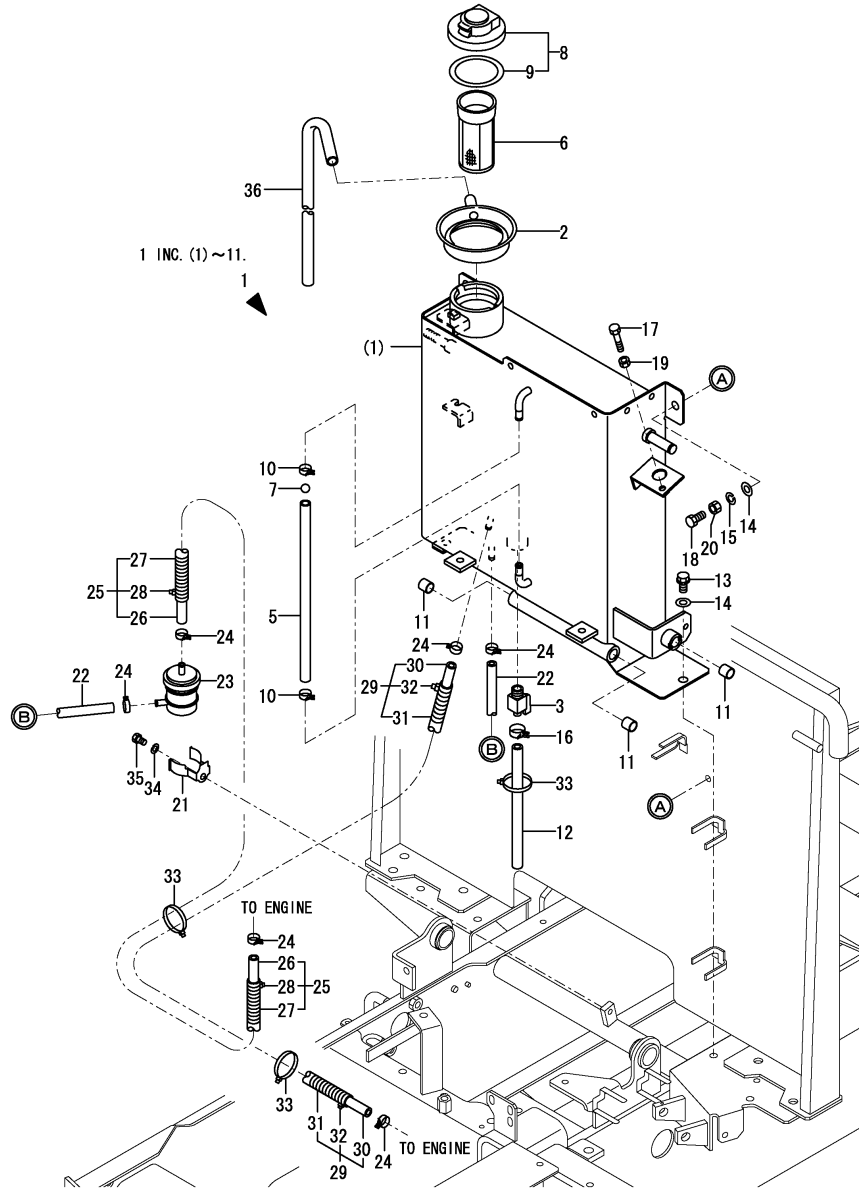
(E)=

(F)=



| No. | Lev. | Parts No. | Description | Q'ty | | | | | | I | R |
|--------------|------|--------------|---------------------|------|-----|-----|-----|-----|-----|---|---|
| | | | | (A) | (B) | (C) | (D) | (E) | (F) | | |
| 1 | 1 | 172652-13300 | MOUNT,RADIATOR (72) | 1 | | | | | | | |
| 1-1 | 1 | 172652-13301 | MOUNT,RADIATOR (72) | 1 | | | | | | | N |
| (A=M/#21213) | | | | | | | | | | | |
| 3 | 2 | 172652-13320 | SEAL, RADIATOR | 1 | | | | | | | |
| 4 | 2 | 172652-13330 | RUBBER 1060 | 1 | | | | | | | |
| 4-1 | 2 | 172447-65480 | RUBBER, SEAL 1050 | 1 | | | | | | | N |
| (A=M/#21213) | | | | | | | | | | | |
| 5 | 1 | 172446-13330 | ABSOBER,SHOCK | 4 | | | | | | | |
| 6 | 1 | 172446-13350 | GUARD, FAN | 1 | | | | | | | |
| 7 | 1 | 172446-13430 | RADIATOR ASSY | 1 | | | | | | | |
| 9 | 2 | 172446-13450 | CAP, PRESSURE | 1 | | | | | | | |
| 10 | 2 | 172446-13460 | SHROUD ASSY | 1 | | | | | | | |
| 11 | 2 | 172446-13470 | BOLT ASSY | 4 | | | | | | | |
| 12 | 2 | 172446-13480 | HOSE, RUBBER | 1 | | | | | | | |
| 13 | 2 | 172446-13490 | CLIP | 2 | | | | | | | |
| 14 | 2 | 172446-13500 | COCK ASSY | 1 | | | | | | | |
| 15 | 1 | 172447-13600 | HOSE, RADIATOR | 1 | | | | | | | |
| 16 | 1 | 172447-13610 | HOSE, RADIATOR | 1 | | | | | | | |
| 17 | 1 | 121468-44510 | SUB-TANK ASSY | 1 | | | | | | | |
| 19 | 2 | 121450-44531 | CAP | 1 | | | | | | | |
| 20 | 2 | 121468-44540 | PLUG, SUB-TANK | 1 | | | | | | | |
| 21 | 2 | 124450-44560 | RETAINER | 1 | | | | | | | |
| 22 | 2 | 121470-44581 | GASKET | 1 | | | | | | | |
| 23 | 2 | 23065-070130 | PIPE, 7X 130 | 1 | | | | | | | |
| 24 | 1 | 22137-060000 | WASHER, 6 | 2 | | | | | | | |
| 25 | 1 | 22137-100000 | WASHER, 10 | 3 | | | | | | | |
| 26 | 1 | 23001-025000 | CLAMP, HOSE 25 | 2 | | | | | | | |
| 27 | 1 | 23010-038000 | CLAMP, 38 | 2 | | | | | | | |
| 28 | 1 | 26013-060162 | BOLT, M6X 16 | 2 | | | | | | | |
| 29 | 1 | 26013-080162 | BOLT, M8X 16 | 2 | | | | | | | |
| 30 | 1 | 26013-100252 | BOLT, M10X 25 | 3 | | | | | | | |
| 31 | 1 | 933152-09280 | BAND 170 | 1 | | | | | | | |
| 32 | 1 | 933168-55770 | BAND 146 | 1 | | | | | | | |

Fig.10. FUEL TANK & FUEL LINE



(A)=C12R(US)
(B)=
(C)=

(D)=
(E)=
(F)=

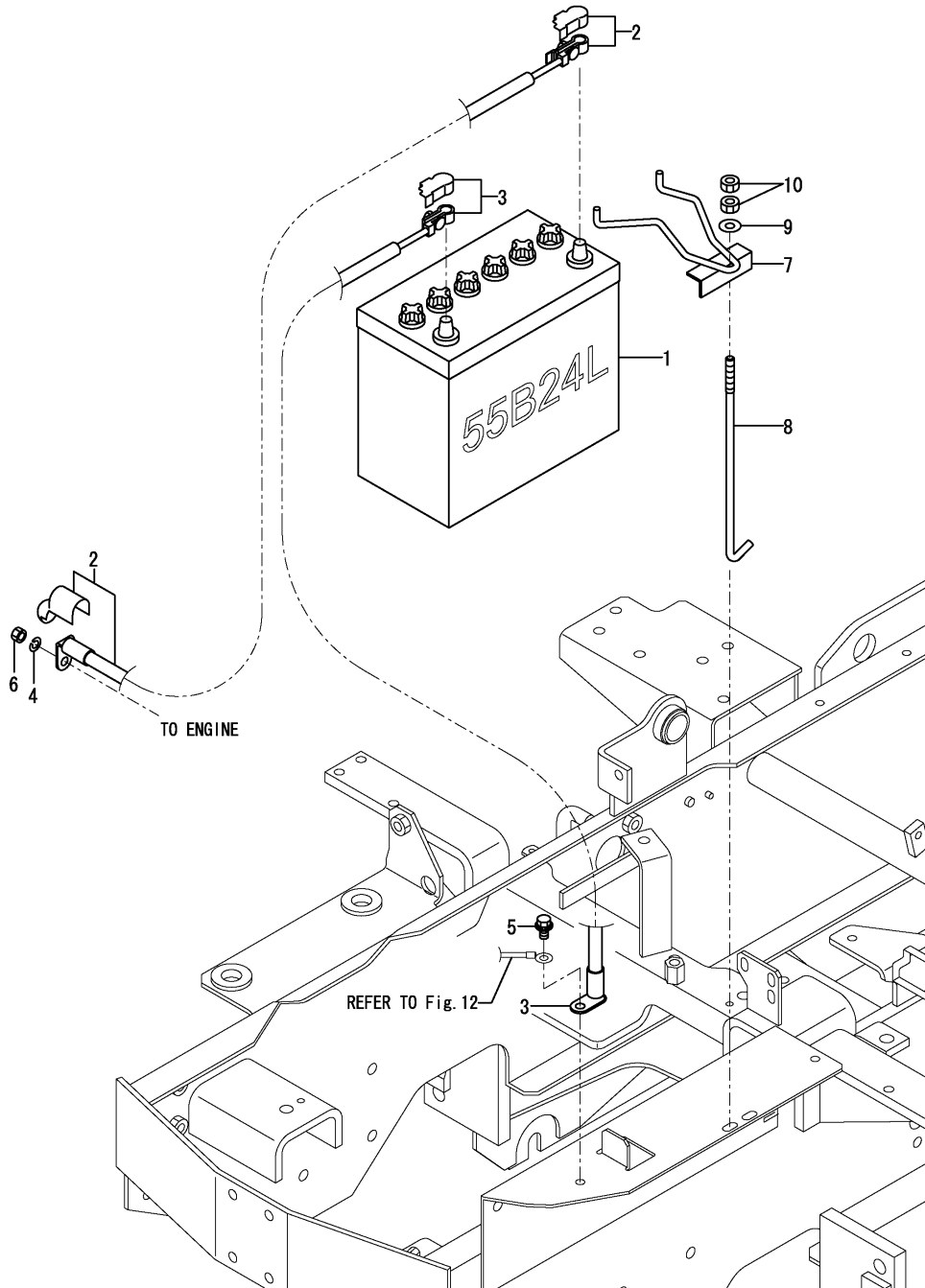
| No. | Lev. | Parts No. | Description | Q'ty | | | | | | I | R |
|--------------|------|--------------|----------------------|------|-----|-----|-----|-----|-----|---|-----|
| | | | | (A) | (B) | (C) | (D) | (E) | (F) | | |
| 1 | 1 | 772652-14100 | TANK ASSY, FUEL | 1 | | | | | | | 1 |
| 2 | 2 | 194940-04240 | SUMP, TANK | 1 | | | | | | | |
| 3 | 2 | 104200-11920 | COCK, WATER | 1 | | | | | | | |
| 5 | 2 | 172149-14251 | HOSE, FUEL GAUGE | 1 | | | | | | | |
| 6 | 2 | 172183-14250 | FILTER (FUEL | 1 | | | | | | | |
| 7 | 2 | 172141-14260 | FLOAT | 1 | | | | | | | |
| 8 | 2 | 172122-14301 | CAP ASSY, TANK | 1 | | | | | | | |
| 9 | 3 | 172122-14350 | GASKET | 1 | | | | | | | |
| 10 | 2 | 23010-014000 | CLAMP, 14 | 2 | | | | | | | |
| 10-1 | 2 | 23000-013000 | CLAMP, 13 | 2 | | | | | | | R |
| (A=M/#21213) | | | | | | | | | | | |
| 11 | 2 | 24550-014150 | BUSH, 14X15 | 3 | | | | | | | |
| 12 | 1 | 172149-14251 | HOSE, FUEL GAUGE | 1 | | | | | | | |
| 13 | 1 | 26013-100202 | BOLT, M10X 20 | 3 | | | | | | | |
| 14 | 1 | 22137-100000 | WASHER, 10 | 4 | | | | | | | |
| 15 | 1 | 22217-100000 | WASHER, SPRING 10 | 1 | | | | | | | |
| 16 | 1 | 23080-013000 | CLAMP, 13 | 1 | | | | | | | |
| 17 | 1 | 26116-080404 | BOLT, M8X 40 PLATED | 1 | | | | | | | |
| 18 | 1 | 26116-100304 | BOLT, M10X 30 PLATED | 1 | | | | | | | |
| 19 | 1 | 26716-080002 | NUT, M8 | 1 | | | | | | | |
| 20 | 1 | 26716-100002 | NUT, M10 | 1 | | | | | | | |
| 21 | 1 | 198072-04320 | CLAMP, FILTER | 1 | | | | | | | |
| 22 | 1 | 172124-14610 | HOSE, FUEL OIL | 1 | | | | | | | |
| 23 | 1 | 129052-55630 | FILTER, FUEL | 1 | | | | | | | |
| 24 | 1 | 124766-59050 | CLIP, HOSE 12 | 6 | | | | | | | |
| 25 | 1 | 184015-59190 | HOSE ASSY, FUEL | 1 | | | | | | | |
| 26 | 2 | 172120-14660 | HOSE | 1 | | | | | | | |
| 27 | 2 | 184015-59200 | TUBE, CORRUGATED | 1 | | | | | | | |
| 28 | 2 | 933168-55770 | BAND 146 | 2 | | | | | | | |
| 29 | 1 | 184015-59190 | HOSE ASSY, FUEL | 1 | | | | | | | |
| 30 | 2 | 172120-14660 | HOSE | 1 | | | | | | | |
| 31 | 2 | 184015-59200 | TUBE, CORRUGATED | 1 | | | | | | | |
| 32 | 2 | 933168-55770 | BAND 146 | 2 | | | | | | | |
| 33 | 1 | 933168-55770 | BAND 146 | 3 | | | | | | | |
| 34 | 1 | 22217-080000 | WASHER, SPRING 8 | 1 | | | | | | | |
| 35 | 1 | 26116-080122 | BOLT, M8X 12 PLATED | 1 | | | | | | | |
| 36 | 1 | 172648-14200 | PIPE, FUEL SUMP | 1 | | | | | | | |
| 37A | 1 | 172652-03640 | LABEL,LIFT POSITION | 1 | | | | | | | 2 |
| 37A-1 | 1 | 172652-03641 | LABEL, LIFT US | 1 | | | | | | | N 2 |
| (A=M/#21213) | | | | | | | | | | | |
| 37A-2 | 1 | 172652-03642 | LABEL, LIFT US | 1 | | | | | | | N 2 |
| (A=M/#21213) | | | | | | | | | | | |

Remarks
(1)PLEASE USE THIS PART WITH FOLLOWING LABELS AT THE SAME TIME.
REF.NO.37A
(2)LABELS ARE NOT ILLUSTRATED.

Fig.11. BATTERY & CABEL

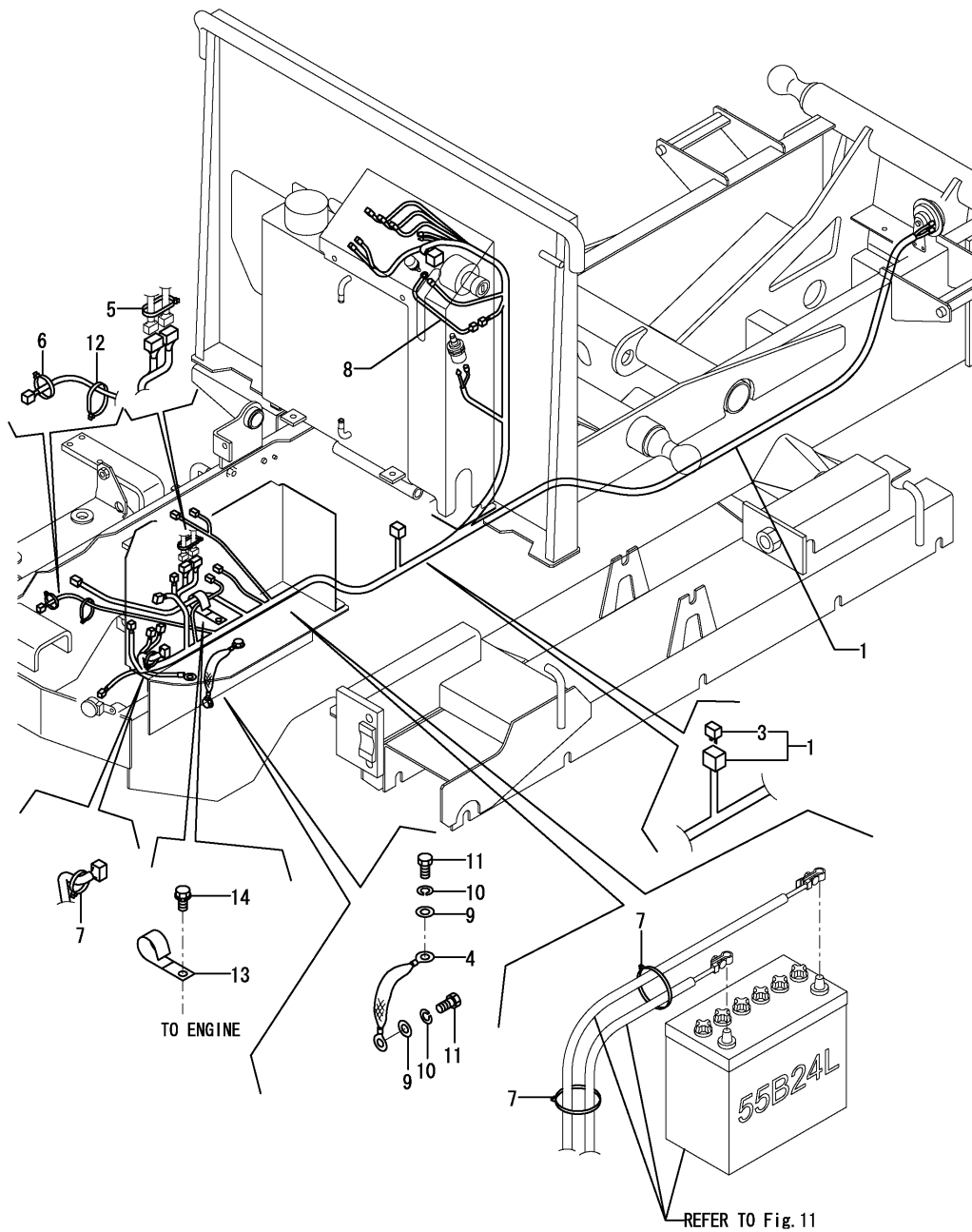
(A)=C12R(US)
(B)=
(C)=

(D)=
(E)=
(F)=



| No. | Lev. | Parts No. | Description | Q'ty | | | | | | I | R |
|-----|------|--------------|------------------|------|-----|-----|-----|-----|-----|---|---|
| | | | | (A) | (B) | (C) | (D) | (E) | (F) | | |
| 1 | 1 | 172447-16100 | BATTERY | 1 | | | | | | | |
| 2 | 1 | 172652-16110 | CORD, BATTERY | 1 | | | | | | | |
| 3 | 1 | 172652-16120 | CORD, BATTERY | 1 | | | | | | | |
| 4 | 1 | 22217-080000 | WASHER, SPRING 8 | 1 | | | | | | | |
| 5 | 1 | 26014-080202 | BOLT, M8X 20 | 1 | | | | | | | |
| 6 | 1 | 26716-080002 | NUT, M8 | 1 | | | | | | | |
| 7 | 1 | 172446-16320 | CLAMP, BATTERY | 1 | | | | | | | |
| 8 | 1 | 172164-16370 | ROD | 1 | | | | | | | |
| 9 | 1 | 22137-080000 | WASHER, 8 | 1 | | | | | | | |
| 10 | 1 | 26716-080002 | NUT, M8 | 2 | | | | | | | |

Fig.12. ELECTRIC PART(WIRING)



(A)=C12R(US)
(B)=
(C)=

(D)=
(E)=
(F)=

| No. | Lev. | Parts No. | Description | Q'ty | | | | | | I | R |
|-----|------|--------------|----------------------|------|-----|-----|-----|-----|-----|---|---|
| | | | | (A) | (B) | (C) | (D) | (E) | (F) | | |
| 1 | 1 | 172652-16500 | HARNESS A,WIRE | 1 | | | | | | | |
| 3 | 2 | 172648-16600 | DIODE | 1 | | | | | | | |
| 4 | 1 | 172648-16540 | WIRE, EARTH | 1 | | | | | | | |
| 5 | 1 | 933168-55770 | BAND 146 | 1 | | | | | | | |
| 6 | 1 | 1A1380-55310 | CLAMP, WIRE | 1 | | | | | | | |
| 7 | 1 | 933168-55770 | BAND 146 | 5 | | | | | | | |
| 8 | 1 | 172652-16520 | HARNESS B | 1 | | | | | | | |
| 9 | 1 | 22137-100000 | WASHER, 10 | 2 | | | | | | | |
| 10 | 1 | 22217-100000 | WASHER, SPRING 10 | 2 | | | | | | | |
| 11 | 1 | 26116-100162 | BOLT, M10X 16 PLATED | 2 | | | | | | | |
| 12 | 1 | 194250-51660 | BAND 250 | 1 | | | | | | | |
| 13 | 1 | 1A1380-59480 | CLAMP, CORD | 1 | | | | | | | |
| 14 | 1 | 26013-100162 | BOLT, M10X 16 | 1 | | | | | | | |

Fig.13. ELECTRIC PART(EQUIPMENT)

(A)=C12R(US)

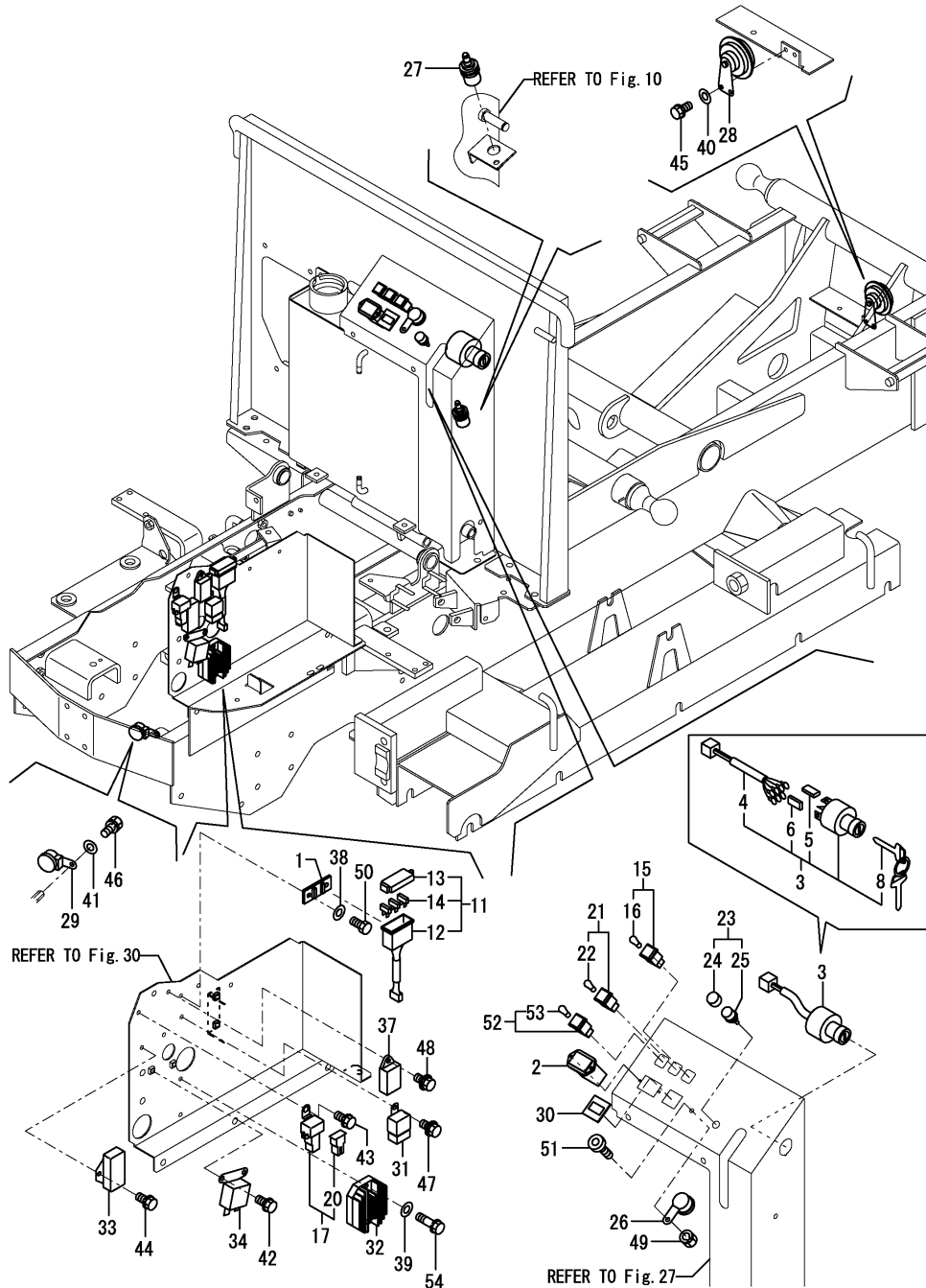
(B)=

(C)=

(D)=

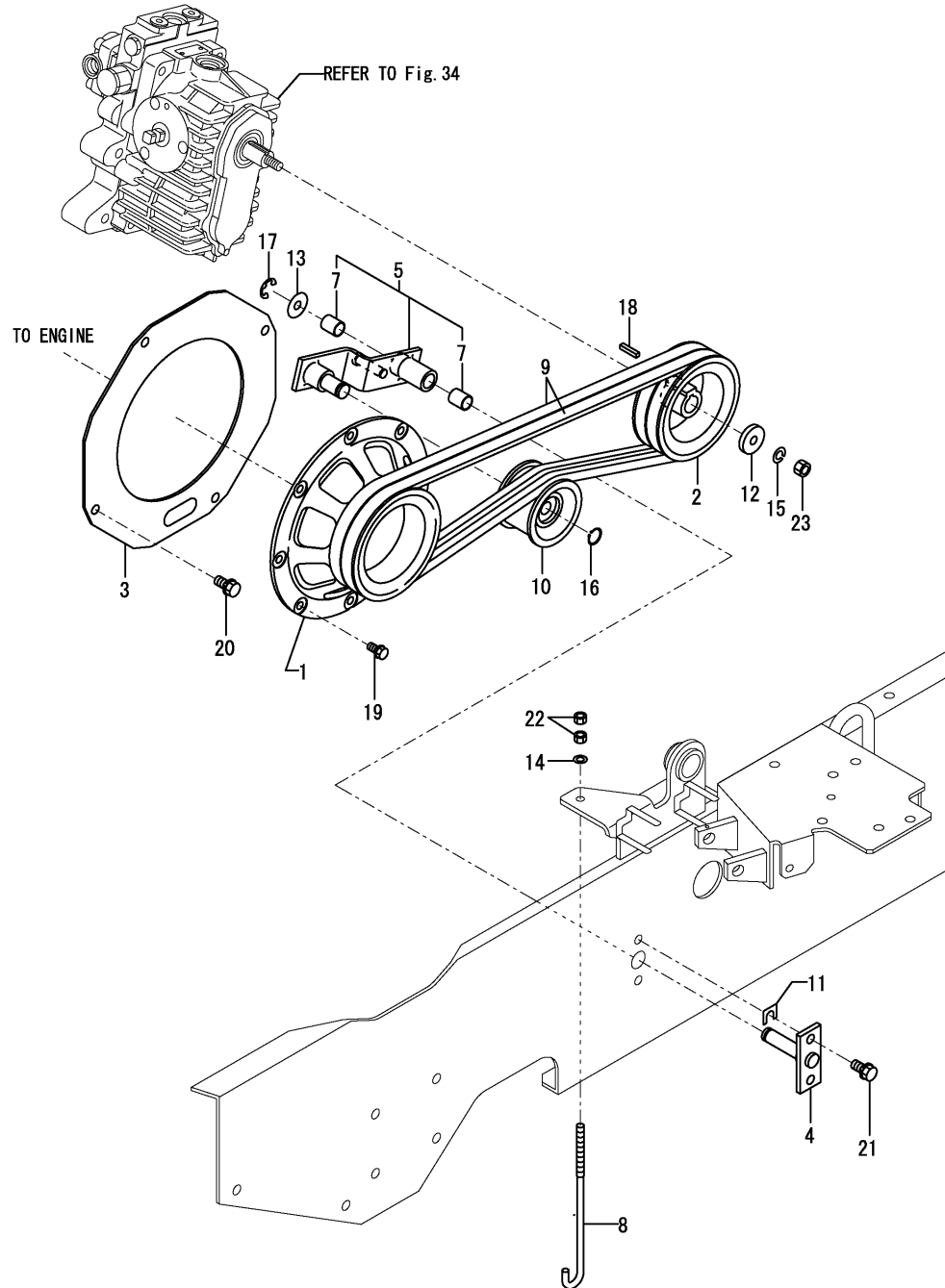
(E)=

(F)=



| No. | Lev. | Parts No. | Description | Qty | | | | | | I | R |
|-----|------|--------------|----------------------|-----|-----|-----|-----|-----|-----|---|---|
| | | | | (A) | (B) | (C) | (D) | (E) | (F) | | |
| 1 | 1 | 172183-16550 | BRACKET,FUSE | 1 | | | | | | | |
| 2 | 1 | 172186-17100 | METER, HOUR | 1 | | | | | | | |
| 3 | 1 | 172187-17100 | SWITCH ASSY, STARTER | 1 | | | | | | | |
| 4 | 2 | 172187-17070 | CORD ASSY | 1 | | | | | | | |
| 5 | 2 | 172187-17080 | COVER | 3 | | | | | | | |
| 6 | 2 | 172187-17090 | COVER | 2 | | | | | | | |
| 8 | 2 | 933110-00301 | KEY ASSY | 1 | | | | | | | |
| 11 | 1 | 172447-17110 | FUSE CMP,4P | 1 | | | | | | | |
| 12 | 2 | 172183-16580 | BODY,FUSER | 1 | | | | | | | |
| 13 | 2 | 172183-16590 | COVER | 1 | | | | | | | |
| 14 | 2 | 29420-100000 | FUSE, B 10A | 3 | | | | | | | |
| 15 | 1 | 172149-17120 | LAMP | 1 | | | | | | | |
| 16 | 2 | 172149-17140 | BULB, 12V 3.4W | 1 | | | | | | | |
| 17 | 1 | 172447-17120 | FUSE 40A | 1 | | | | | | | |
| 20 | 2 | 172447-17150 | FUSE 40A | 1 | | | | | | | |
| 21 | 1 | 172149-17130 | LAMP | 1 | | | | | | | |
| 22 | 2 | 172149-17140 | BULB, 12V 3.4W | 1 | | | | | | | |
| 23 | 1 | 172648-17130 | SWITCH ASSY, HORN | 1 | | | | | | | |
| 24 | 2 | 172648-17140 | CAP | 1 | | | | | | | |
| 25 | 2 | 194630-52160 | SWITCH, HORN | 1 | | | | | | | |
| 26 | 1 | 172141-17150 | BUZZER | 1 | | | | | | | |
| 27 | 1 | 194630-52190 | SWITCH, SAFETY START | 1 | | | | | | | |
| 28 | 1 | 194151-57100 | HORN | 1 | | | | | | | |
| 29 | 1 | 198071-57110 | BUZZER, BACK | 1 | | | | | | | |
| 30 | 1 | 172165-63660 | CAP | 1 | | | | | | | |
| 31 | 1 | 119247-77100 | RELAY, SAFETY | 1 | | | | | | | |
| 32 | 1 | 119230-77711 | LIMITTER, CURRENT | 1 | | | | | | | |
| 33 | 1 | 129155-77810 | REGISTER | 1 | | | | | | | |
| 34 | 1 | 119650-77910 | RELAY ASSY, GLOW | 1 | | | | | | | |
| 37 | 1 | 129211-77920 | TIMER | 1 | | | | | | | |
| 38 | 1 | 22137-060000 | WASHER, 6 | 2 | | | | | | | |
| 39 | 1 | 22137-060000 | WASHER, 6 | 2 | | | | | | | |
| 40 | 1 | 22137-060000 | WASHER, 6 | 2 | | | | | | | |
| 41 | 1 | 22137-060000 | WASHER, 6 | 1 | | | | | | | |
| 42 | 1 | 26013-060122 | BOLT, M6X 12 | 2 | | | | | | | |
| 43 | 1 | 26013-060122 | BOLT, M6X 12 | 1 | | | | | | | |
| 44 | 1 | 26013-060122 | BOLT, M6X 12 | 2 | | | | | | | |
| 45 | 1 | 26013-060122 | BOLT, M6X 12 | 2 | | | | | | | |
| 46 | 1 | 26013-060122 | BOLT, M6X 12 | 1 | | | | | | | |
| 47 | 1 | 26014-060122 | BOLT, M6X 12 | 1 | | | | | | | |
| 48 | 1 | 26014-060162 | BOLT, M6X 16 | 1 | | | | | | | |
| 49 | 1 | 26051-060002 | NUT, M6 | 1 | | | | | | | |
| 50 | 1 | 26116-060162 | BOLT, M6X 16 PLATED | 2 | | | | | | | |
| 51 | 1 | 26589-060162 | SCREW, M6 | 1 | | | | | | | |
| 52 | 1 | 933113-05190 | LAMP, OIL | 1 | | | | | | | |
| 53 | 2 | 933113-05180 | BULB, 12V 3W | 1 | | | | | | | |
| 54 | 1 | 26013-060252 | BOLT, M6X 25 | 2 | | | | | | | |

Fig.14. PULLEY & BELT

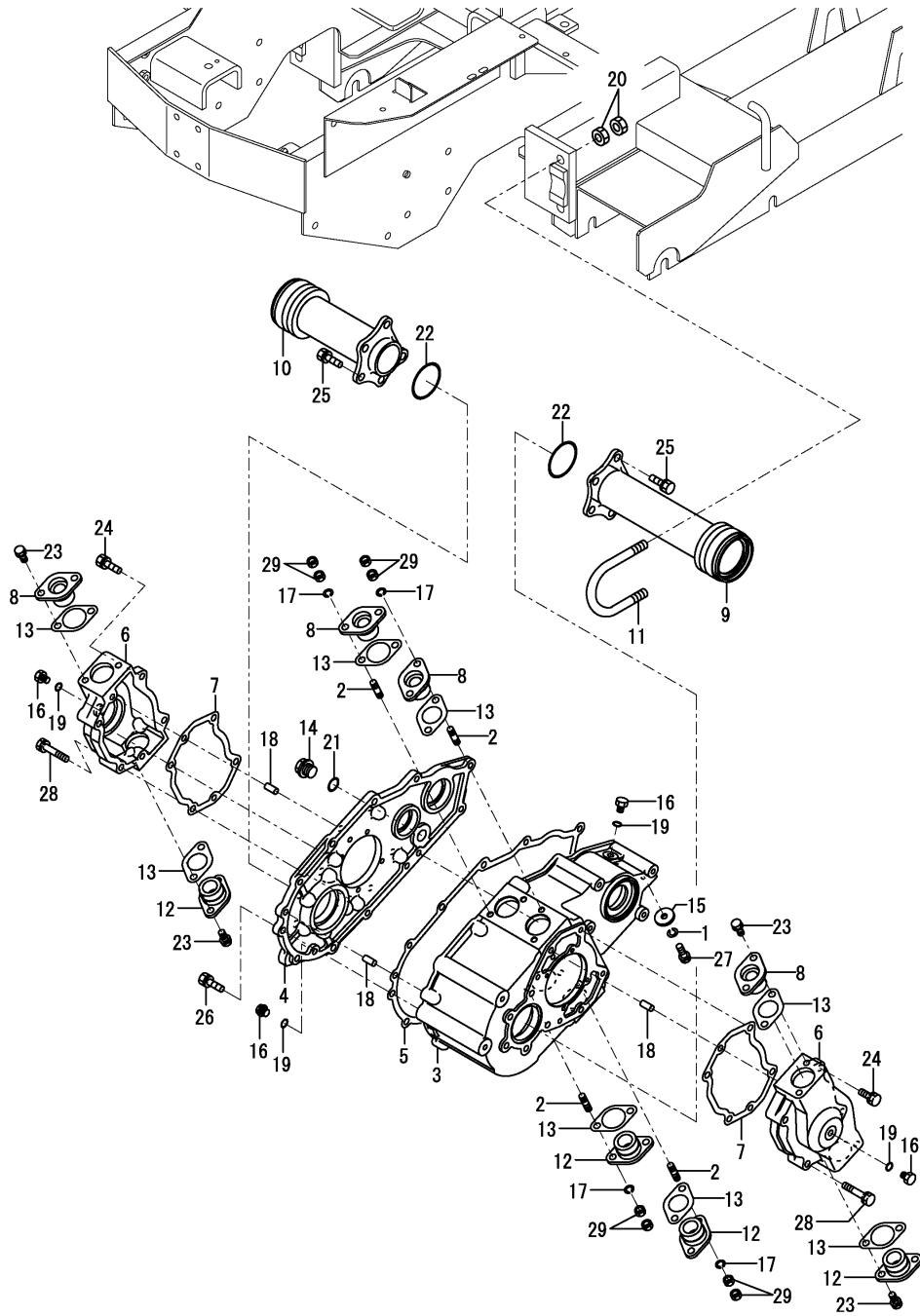


(A)=C12R(US)
(B)=
(C)=

(D)=
(E)=
(F)=

| No. | Lev. | Parts No. | Description | Q'ty | | | | | | I | R |
|--------------|------|----------------|----------------------|------|-----|-----|-----|-----|-----|---|---|
| | | | | (A) | (B) | (C) | (D) | (E) | (F) | | |
| 1 | 1 | 172652-21100-1 | PULLEY 135,ENG. (82) | 1 | | | | | | | |
| 2 | 1 | 172652-21120-1 | PULLEY 126,HST (82) | 1 | | | | | | | |
| 3 | 1 | 172652-21130-1 | COVER, FLYWHEEL | 1 | | | | | | | |
| 4 | 1 | 172652-21150-1 | SHAFT, TENSION | 1 | | | | | | | |
| 4-1 | 1 | 172652-21151-1 | SHAFT, TENSION | 1 | | | | | | | N |
| (A=*2009.11) | | | | | | | | | | | |
| 5 | 1 | 172652-21200-1 | ARM, TENSION | 1 | | | | | | | |
| 5-1 | 1 | 172652-21201-1 | ARM, TENSION | 1 | | | | | | | N |
| (A=*2009.11) | | | | | | | | | | | |
| 7 | 2 | 24550-015200 | BUSH, 15X20 | 2 | | | | | | | |
| 8 | 1 | 172652-21250 | ROD,TENSION | 1 | | | | | | | |
| 8-1 | 1 | 172652-21251 | ROD,TENSION | 1 | | | | | | | S |
| (A=*2009.11) | | | | | | | | | | | |
| 9 | 1 | 172652-21300 | V-BELT, SB53W800 | 2 | | | | | | | |
| 10 | 1 | 1E6210-34030 | PULLEY, TENSION 72 | 1 | | | | | | | |
| 11 | 1 | 172725-42250 | SHIM | 3 | | | | | | | |
| 12 | 1 | 1A1380-46460 | WASHER, 10X33X6 | 1 | | | | | | | |
| 13 | 1 | 22137-140000 | WASHER, 14 | 1 | | | | | | | |
| 14 | 1 | 22137-080000 | WASHER, 8 | 1 | | | | | | | |
| 14-1 | 1 | 22137-100000 | WASHER, 10 | 1 | | | | | | | S |
| (A=*2009.11) | | | | | | | | | | | |
| 15 | 1 | 22217-100000 | WASHER, SPRING 10 | 1 | | | | | | | |
| 16 | 1 | 22242-000170 | RING, 17 | 1 | | | | | | | |
| 17 | 1 | 22272-000120 | RING, E-12 | 1 | | | | | | | |
| 18 | 1 | 22512-050250 | KEY, 5X 25 | 1 | | | | | | | |
| 19 | 1 | 26013-080202 | BOLT, M8X 20 | 8 | | | | | | | |
| 20 | 1 | 26013-100162 | BOLT, M10X 16 | 4 | | | | | | | |
| 21 | 1 | 26013-100252 | BOLT, M10X 25 | 2 | | | | | | | |
| 21-1 | 1 | 26013-100302 | BOLT, M10X 30 | 2 | | | | | | | S |
| (A=*2009.11) | | | | | | | | | | | |
| 22 | 1 | 26716-080002 | NUT, M8 | 2 | | | | | | | |
| 22-1 | 1 | 26716-100002 | NUT, M10 | 2 | | | | | | | S |
| (A=*2009.11) | | | | | | | | | | | |
| 23 | 1 | 26736-100002 | NUT, M10 | 1 | | | | | | | |

Fig.15. TRANSMISSION(CASE)

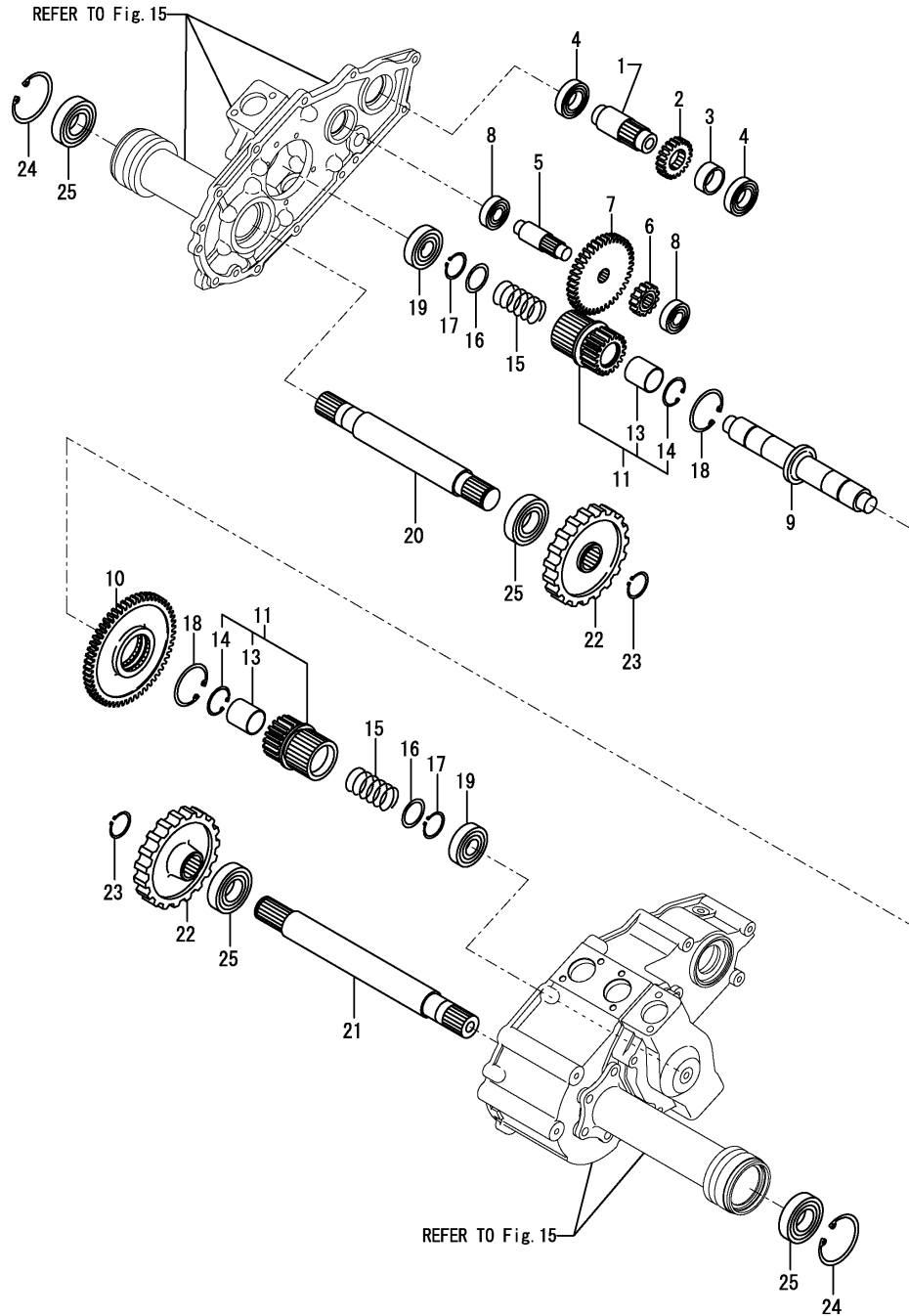


(A)=C12R(US)
(B)=
(C)=

(D)=
(E)=
(F)=

| No. | Lev. | Parts No. | Description | Q'ty | | | | | | I | R |
|-----|------|--------------|----------------------|------|-----|-----|-----|-----|-----|---|---|
| | | | | (A) | (B) | (C) | (D) | (E) | (F) | | |
| 1 | 1 | 22217-100000 | WASHER, SPRING 10 | 4 | | | | | | | |
| 2 | 1 | 195194-12130 | STUD | 8 | | | | | | | |
| 3 | 1 | 172652-22110 | HOUSING, MISSION | 1 | | | | | | | |
| 4 | 1 | 172648-22120 | PLATE | 1 | | | | | | | |
| 5 | 1 | 172638-22131 | GASKET, MISSION | 1 | | | | | | | |
| 6 | 1 | 172652-22140 | COVER, BRAKE | 2 | | | | | | | |
| 7 | 1 | 172638-22151 | PACKING | 2 | | | | | | | |
| 8 | 1 | 172638-22170 | BRACKET | 4 | | | | | | | |
| 9 | 1 | 172648-22200 | HOUSING L | 1 | | | | | | | |
| 10 | 1 | 172648-22210 | HOUSING ASSY | 1 | | | | | | | |
| 11 | 1 | 172648-22350 | U-BOLT M14 | 2 | | | | | | | |
| 12 | 1 | 172738-27230 | BRACKET | 4 | | | | | | | |
| 13 | 1 | 172738-27290 | GASKET | 8 | | | | | | | |
| 14 | 1 | 1A1380-28040 | PLUG, OIL 20X13.5 | 1 | | | | | | | |
| 15 | 1 | 1A1040-46460 | WASHER, 10X33X4.5 | 4 | | | | | | | |
| 16 | 1 | 1A1040-48070 | PLUG 10, OIL | 4 | | | | | | | |
| 17 | 1 | 22217-100000 | WASHER, SPRING 10 | 8 | | | | | | | |
| 18 | 1 | 22312-100220 | PIN, PARALLEL M10X22 | 6 | | | | | | | |
| 19 | 1 | 24311-000120 | O-RING, 1AP12.0 | 4 | | | | | | | |
| 20 | 1 | 26716-140002 | NUT, M14 | 8 | | | | | | | |
| 21 | 1 | 24311-000210 | O-RING, 1AP21.0 | 1 | | | | | | | |
| 22 | 1 | 24321-000650 | O-RING, 1AG65.0 | 2 | | | | | | | |
| 23 | 1 | 26013-100202 | BOLT, M10X 20 | 8 | | | | | | | |
| 24 | 1 | 26013-100302 | BOLT, M10X 30 | 4 | | | | | | | |
| 25 | 1 | 26013-120252 | BOLT, M12X 25 | 10 | | | | | | | |
| 26 | 1 | 26013-100302 | BOLT, M10X 30 | 11 | | | | | | | |
| 27 | 1 | 172162-13200 | BOLT M10X30 | 4 | | | | | | | |
| 28 | 1 | 26013-100502 | BOLT, M10X 50 | 4 | | | | | | | |
| 29 | 1 | 26716-100002 | NUT, M10 | 12 | | | | | | | |

Fig.16. TRANSMISSION(SHAFT & GEAR)



(A)=C12R(US)
(B)=
(C)=

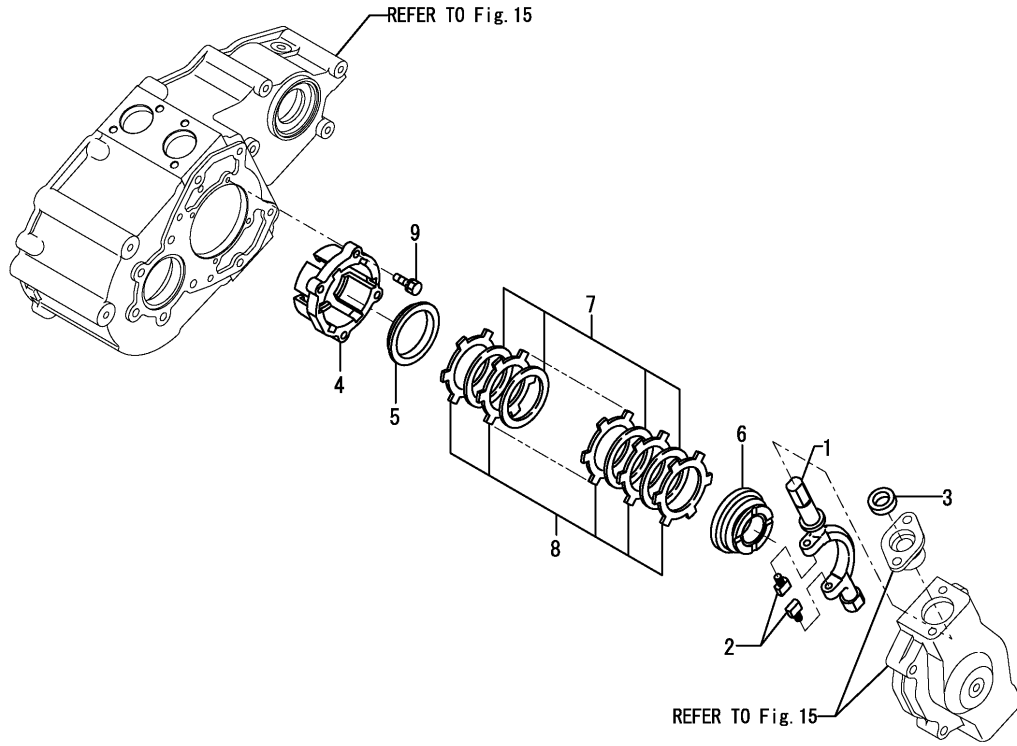
(D)=
(E)=
(F)=

| No. | Lev. | Parts No. | Description | Q'ty | | | | | | I | R |
|-----|------|--------------|--------------------|------|-----|-----|-----|-----|-----|---|---|
| | | | | (A) | (B) | (C) | (D) | (E) | (F) | | |
| 1 | 1 | 172648-23110 | SHAFT | 1 | | | | | | | |
| 2 | 1 | 172638-23120 | GEAR, N=21 | 1 | | | | | | | |
| 3 | 1 | 172638-23130 | COLLAR, 35X42.7X18 | 1 | | | | | | | |
| 4 | 1 | 24101-060064 | BEARING, BALL 6006 | 2 | | | | | | | |
| 5 | 1 | 172648-23210 | SHAFT | 1 | | | | | | | |
| 6 | 1 | 172648-23220 | GEAR, N=13 | 1 | | | | | | | |
| 7 | 1 | 172638-23230 | GEAR, N=40 | 1 | | | | | | | |
| 8 | 1 | 172638-23250 | BALL BEARING | 2 | | | | | | | |
| 9 | 1 | 172652-23310 | SHAFT | 1 | | | | | | | |
| 10 | 1 | 172652-23320 | GEAR 56T | 1 | | | | | | | |
| 11 | 1 | 172652-23330 | GEAR 19 | 2 | | | | | | | |
| 13 | 2 | 172652-23380 | BUSH 35X38X40 | 2 | | | | | | | |
| 14 | 2 | 1E8130-55080 | CIRCLIP | 2 | | | | | | | |
| 15 | 1 | 172652-23350 | SPRING, 40.5X69 | 2 | | | | | | | |
| 16 | 1 | 194250-25520 | SPACER, 35X45X2 | 2 | | | | | | | |
| 17 | 1 | 22242-000350 | RING, 35 | 2 | | | | | | | |
| 18 | 1 | 22252-000580 | RING, 58 | 2 | | | | | | | |
| 19 | 1 | 24101-063054 | BEARING, BALL 6305 | 2 | | | | | | | |
| 20 | 1 | 172652-23410 | SHAFT 4,L | 1 | | | | | | | |
| 21 | 1 | 172652-23420 | SHAFT 4,R | 1 | | | | | | | |
| 22 | 1 | 172648-23430 | GEAR 48 | 2 | | | | | | | |
| 23 | 1 | 22242-000350 | RING, 35 | 2 | | | | | | | |
| 24 | 1 | 22252-000720 | RING, 72 | 2 | | | | | | | |
| 25 | 1 | 24101-062074 | BEARING, BALL 6207 | 4 | | | | | | | |

Fig.17. SIDE CLUTCH FORK & STEERING BRAKE

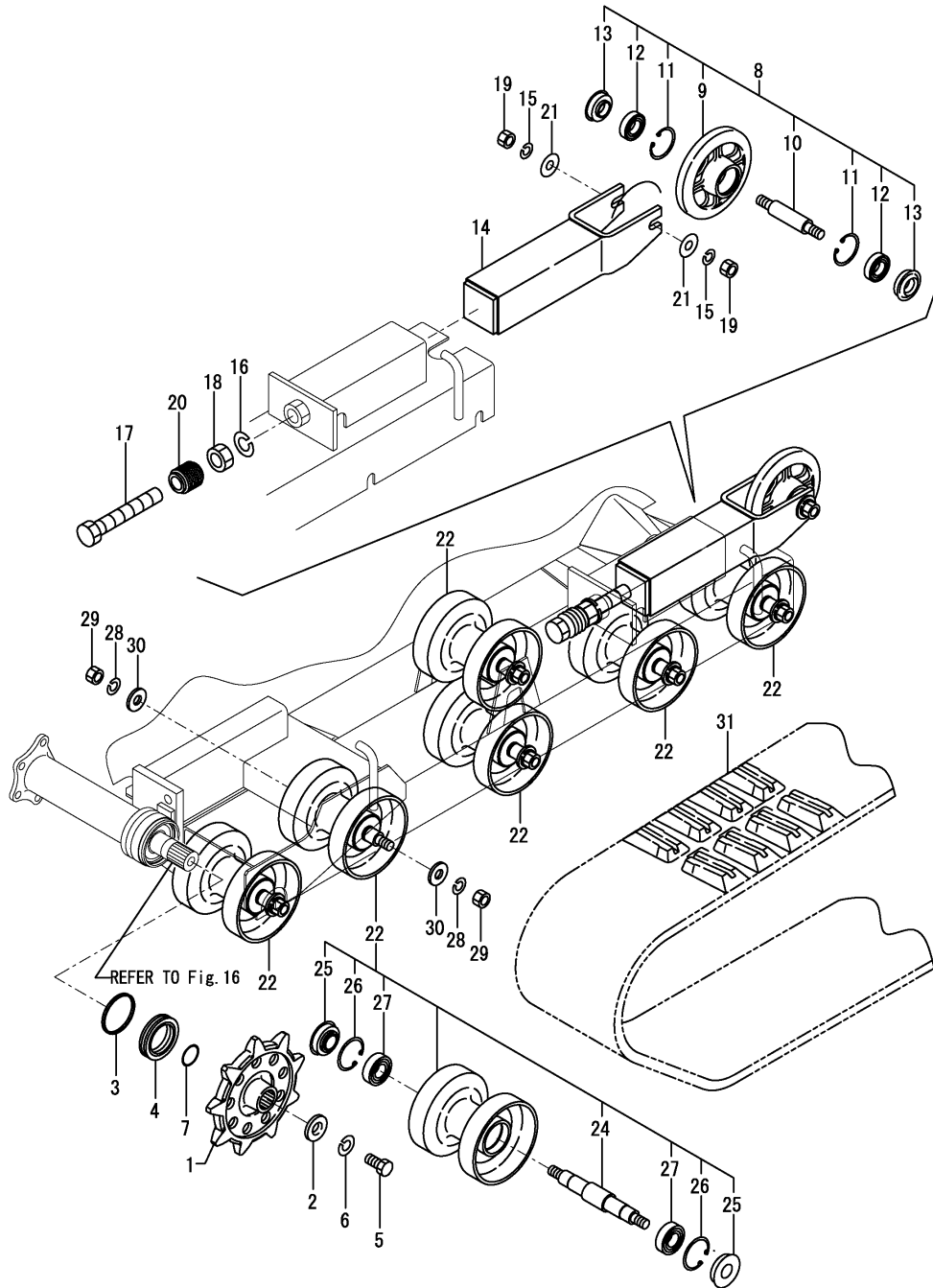
(A)=C12R(US)
(B)=
(C)=

(D)=
(E)=
(F)=



| No. | Lev. | Parts No. | Description | Q'ty | | | | | | I | R |
|-----|------|--------------|--------------------|------|-----|-----|-----|-----|-----|---|---|
| | | | | (A) | (B) | (C) | (D) | (E) | (F) | | |
| 1 | 1 | 172638-27410 | FORK, SIDE CLUTCH | 4 | | | | | | | |
| 2 | 1 | 172652-27420 | CAM,SIDE CLUTCH | 8 | | | | | | | |
| 3 | 1 | 24421-203208 | SEAL, OIL TC203208 | 4 | | | | | | | |
| 4 | 1 | 172652-27510 | HOUSING, BRAKE | 2 | | | | | | | |
| 5 | 1 | 172648-27520 | PLATE(A),PRESSURE | 2 | | | | | | | |
| 6 | 1 | 172652-27530 | PLATE, PRESSURE | 2 | | | | | | | |
| 7 | 1 | 1E6740-54440 | PLATE, FRICTION | 16 | | | | | | | |
| 8 | 1 | 1E6740-54450 | PLATE 1.2,STEEL | 18 | | | | | | | |
| 9 | 1 | 26013-080302 | BOLT, M8X 30 | 8 | | | | | | | |

Fig.18. SPROCKET, ROLLER & CRAWLER

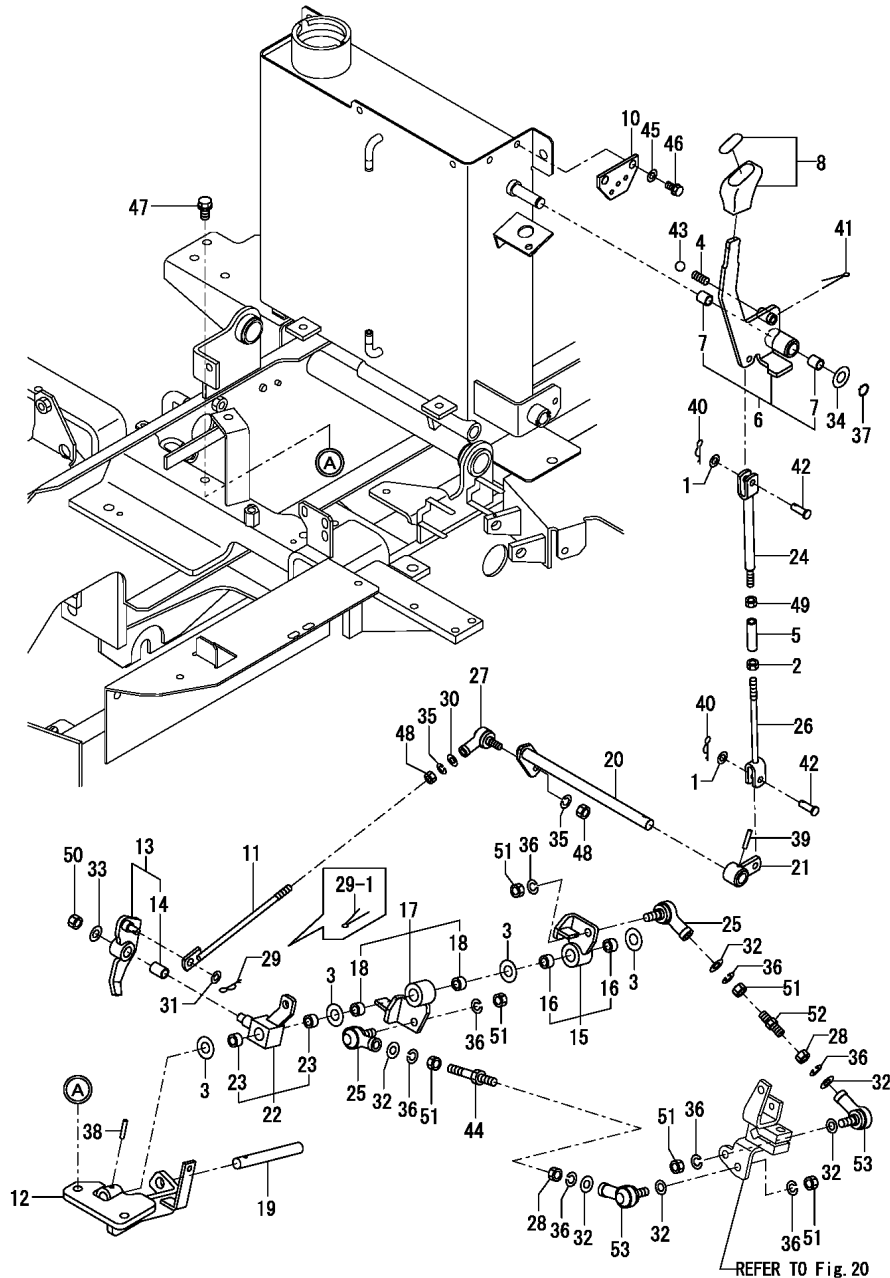


(A)=C12R(US)
(B)=
(C)=

(D)=
(E)=
(F)=

| No. | Lev. | Parts No. | Description | Q'ty | | | | | | I | R |
|-----|------|--------------|----------------------|------|-----|-----|-----|-----|-----|---|---|
| | | | | (A) | (B) | (C) | (D) | (E) | (F) | | |
| 1 | 1 | 172648-29101 | SPROCKET 9(GREEN:88) | 2 | | | | | | | |
| 2 | 1 | 172648-29110 | WASHER, 17X45X6 | 2 | | | | | | | |
| 3 | 1 | 172648-29120 | COLLAR | 2 | | | | | | | |
| 4 | 1 | 172648-29150 | SEAL, ES764-627615 | 2 | | | | | | | |
| 5 | 1 | 172151-86240 | BOLT M16X 32 | 2 | | | | | | | |
| 6 | 1 | 22217-160000 | WASHER, SPRING 16 | 2 | | | | | | | |
| 7 | 1 | 24321-000350 | O-RING, 1AG35.0 | 2 | | | | | | | |
| 8 | 1 | 172648-37050 | IDLER ASSY | 2 | | | | | | | |
| 9 | 2 | 172648-37100 | IDLER ASSY | 2 | | | | | | | |
| 10 | 2 | 172648-37110 | SHAFT, IDLER | 2 | | | | | | | |
| 11 | 2 | 22252-000470 | RING, 47 | 4 | | | | | | | |
| 12 | 2 | 24101-060054 | BEARING, BALL 6005 | 4 | | | | | | | |
| 13 | 2 | 933147-10350 | SEAL, QLF25471121 | 4 | | | | | | | |
| 14 | 1 | 172638-37150 | FORK ASSY, IDLER | 2 | | | | | | | |
| 15 | 1 | 22217-160000 | WASHER, SPRING 16 | 4 | | | | | | | |
| 16 | 1 | 22217-240000 | WASHER, SPRING 24 | 2 | | | | | | | |
| 17 | 1 | 26116-241604 | BOLT, M24X160 PLATED | 2 | | | | | | | |
| 18 | 1 | 26716-240002 | NUT, M24 | 2 | | | | | | | |
| 19 | 1 | 26736-160002 | NUT, M16 | 4 | | | | | | | |
| 20 | 1 | 933111-96200 | RUBBER BOOT | 2 | | | | | | | |
| 21 | 1 | 933147-08501 | WASHER 17X40X4.5 | 4 | | | | | | | |
| 22 | 1 | 772652-37300 | ROLLER ASSY,TRACK(88 | 12 | | | | | | | |
| 24 | 2 | 172652-37310 | SHAFT, TRACK ROLLER | 12 | | | | | | | |
| 25 | 2 | 1E6140-73420 | SEAL, OIL QLF255218 | 24 | | | | | | | |
| 26 | 2 | 22252-000520 | RING, 52 | 24 | | | | | | | |
| 27 | 2 | 24101-062054 | BEARING, BALL 6205 | 24 | | | | | | | |
| 28 | 1 | 22217-160000 | WASHER, SPRING 16 | 24 | | | | | | | |
| 29 | 1 | 26736-160002 | NUT, M16 | 24 | | | | | | | |
| 30 | 1 | 933147-08501 | WASHER 17X40X4.5 | 24 | | | | | | | |
| 31 | 1 | 172652-38600 | CRAWLER, RUBBER | 2 | | | | | | | |

Fig.19. CONTROL EQUIPMENT(F.R.LEVER)



(A)=C12R(US)

(B)=

(C)=

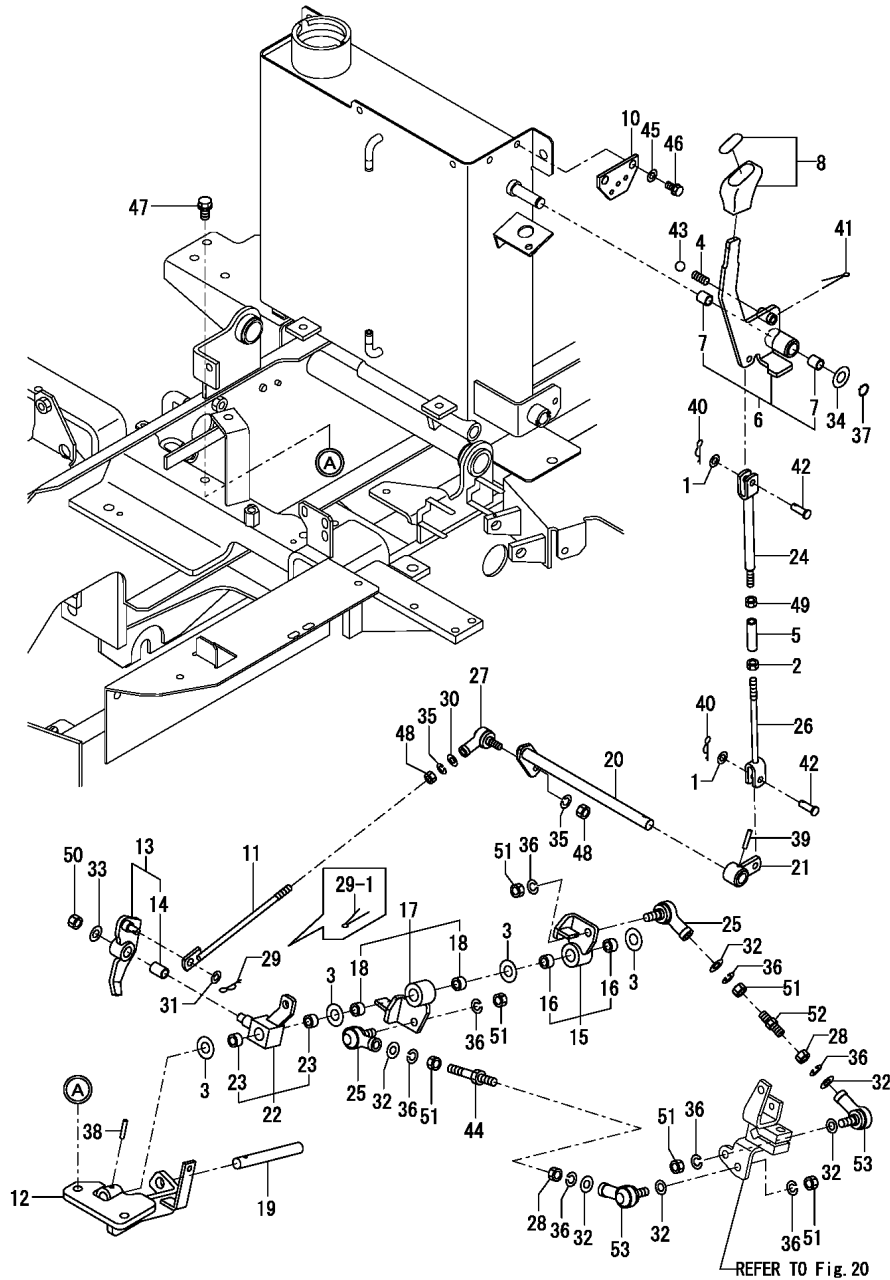
(D)=

(E)=

(F)=

| No. | Lev. | Parts No. | Description | Q'ty | | | | | | I | R |
|--------------|------|--------------|-----------------------|------|-----|-----|-----|-----|-----|---|---|
| | | | | (A) | (B) | (C) | (D) | (E) | (F) | | |
| 1 | 1 | 22137-080000 | WASHER, 8 | 2 | | | | | | | |
| 2 | 1 | 194990-20170 | NUT, M8 | 1 | | | | | | | |
| 3 | 1 | 172730-25271 | WASHER 1629 | 4 | | | | | | | |
| 4 | 1 | 172725-25810 | SPRING, 1.4X6.6X17.4 | 1 | | | | | | | |
| 5 | 1 | 195412-33280 | TURNBUCKLE | 1 | | | | | | | |
| 6 | 1 | 172652-41290 | LEVER,FR (GRAY:72) | 1 | | | | | | | |
| 7 | 2 | 24550-014150 | BUSH, 14X15 | 2 | | | | | | | |
| 8 | 1 | 172652-41320 | KNOB ASSY | 1 | | | | | | | |
| 10 | 1 | 172652-41350 | PLATE | 1 | | | | | | | |
| 11 | 1 | 172652-41370 | ROD | 1 | | | | | | | |
| 12 | 1 | 172652-41620 | BRACKET,FR (GRAY:72) | 1 | | | | | | | |
| 13 | 1 | 172652-41730 | LEVER,FR-CHANGE (72) | 1 | | | | | | | |
| 14 | 2 | 24550-014200 | BUSH, 14X20 | 1 | | | | | | | |
| 15 | 1 | 172652-41780 | ARM ASSY | 1 | | | | | | | |
| 16 | 2 | 24550-014100 | BUSH, 14X10 | 2 | | | | | | | |
| 17 | 1 | 172652-41820 | ARM ASSY | 1 | | | | | | | |
| 18 | 2 | 24550-014100 | BUSH, 14X10 | 2 | | | | | | | |
| 19 | 1 | 172652-41870 | PIN 14X118,FR | 1 | | | | | | | |
| 20 | 1 | 172652-41880 | ARM ASSY | 1 | | | | | | | |
| 21 | 1 | 172652-41920 | ARM, LEVER | 1 | | | | | | | |
| 22 | 1 | 172652-41950 | BOSS,FR (GRAY:72) | 1 | | | | | | | |
| 23 | 2 | 24550-014100 | BUSH, 14X10 | 2 | | | | | | | |
| 24 | 1 | 172112-42000 | ROD A,BUCKET(GRAY:72) | 1 | | | | | | | |
| 25 | 1 | 172122-46560 | END, ROD | 2 | | | | | | | |
| 26 | 1 | 172137-46560 | ROD B,SELECTOR (72) | 1 | | | | | | | |
| 27 | 1 | 172122-46590 | ELBOW | 1 | | | | | | | |
| 28 | 1 | 172738-47900 | NUT, M10 L | 2 | | | | | | | |
| 29 | 1 | 1C6281-52320 | PIN, SNAP 8 | 1 | | | | | | | |
| 29-1 | 1 | 22417-320200 | PIN, COTTER 3.2X20 | 1 | | | | | | | N |
| (A=*2010.07) | | | | | | | | | | | |
| 30 | 1 | 22137-080000 | WASHER, 8 | 1 | | | | | | | |
| 31 | 1 | 22137-080000 | WASHER, 8 | 1 | | | | | | | |
| 32 | 1 | 22137-100000 | WASHER, 10 | 6 | | | | | | | |
| 33 | 1 | 22137-100000 | WASHER, 10 | 1 | | | | | | | |
| 34 | 1 | 22137-140000 | WASHER, 14 | 1 | | | | | | | |
| 35 | 1 | 22217-080000 | WASHER, SPRING 8 | 2 | | | | | | | |
| 36 | 1 | 22217-100000 | WASHER, SPRING 10 | 8 | | | | | | | |
| 37 | 1 | 22242-000140 | RING, 14 | 1 | | | | | | | |
| 38 | 1 | 22351-050025 | PIN, SPRING 5.0X25 | 1 | | | | | | | |
| 39 | 1 | 22351-050025 | PIN, SPRING 5.0X25 | 1 | | | | | | | |
| 40 | 1 | 1C6281-52320 | PIN, SNAP 8 | 2 | | | | | | | |
| 41 | 1 | 22417-250200 | PIN, COTTER 2.5X20 | 1 | | | | | | | |
| 42 | 1 | 22486-080200 | PIN, H 8X 20 | 2 | | | | | | | |
| 43 | 1 | 24190-100001 | BALL, STEEL 5/16 | 1 | | | | | | | |
| 44 | 1 | 172643-41470 | RINK ROD, SHIFT | 1 | | | | | | | |
| 45 | 1 | 22137-080000 | WASHER, 8 | 2 | | | | | | | |
| 46 | 1 | 26013-080202 | BOLT, M8X 20 | 2 | | | | | | | |
| 47 | 1 | 26013-100252 | BOLT, M10X 25 | 2 | | | | | | | |
| 48 | 1 | 26716-080002 | NUT, M8 | 2 | | | | | | | |
| 49 | 1 | 26716-080002 | NUT, M8 | 1 | | | | | | | |
| 50 | 1 | 26716-100002 | NUT, M10 | 1 | | | | | | | |

Fig.19. CONTROL EQUIPMENT(F.R.LEVER)

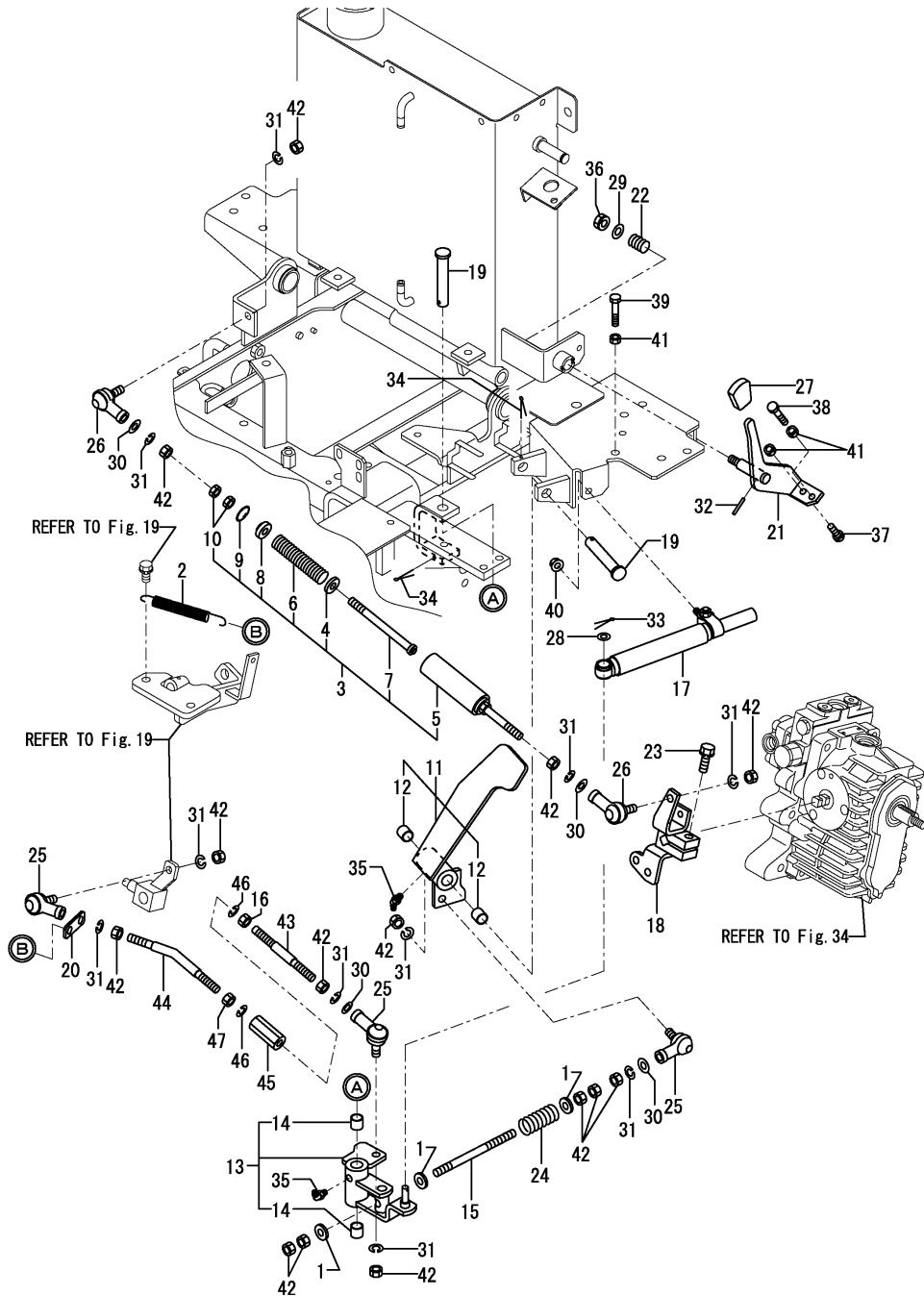


(A)=C12R(US)
(B)=
(C)=

(D)=
(E)=
(F)=

| No. | Lev. | Parts No. | Description | Q'ty | | | | | | I | R |
|-----|------|--------------|---------------------|------|-----|-----|-----|-----|-----|---|---|
| | | | | (A) | (B) | (C) | (D) | (E) | (F) | | |
| 51 | 1 | 26736-100002 | NUT, M10 | 6 | | | | | | | |
| 52 | 1 | 933164-04460 | TURNBUCKLE | 1 | | | | | | | |
| 53 | 1 | 933164-04470 | BALL RBL-10LD, LINK | 2 | | | | | | | |

Fig.20. CONTROL EQUIPMENT(TRAVEL PEDAL)



(A)=C12R(US)

(B)=

(C)=

(D)=

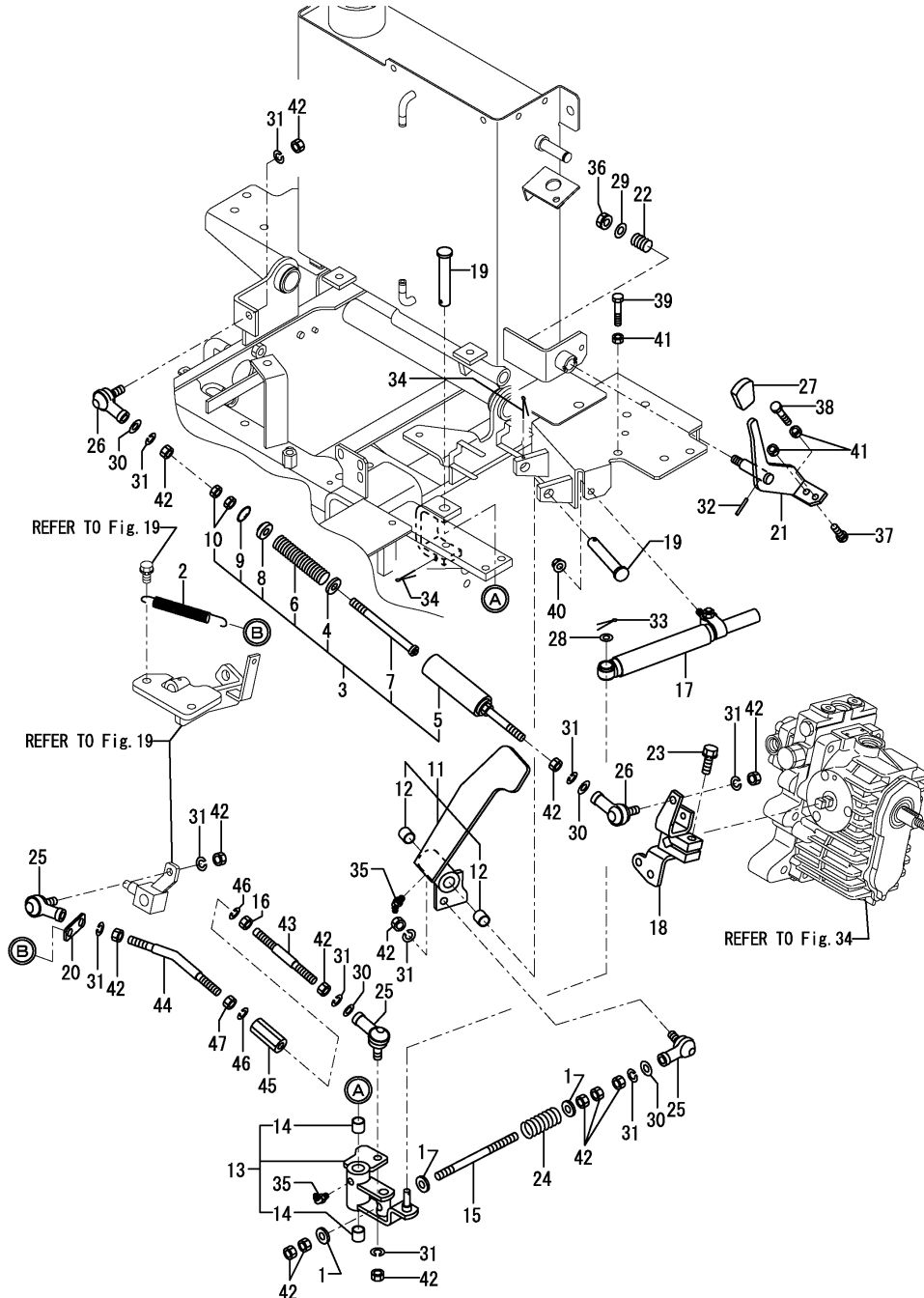
(E)=

(F)=

| No. | Lev. | Parts No. | Description | Q'ty | | | | | | I | R |
|--------------|------|----------------|-----------------------|------|-----|-----|-----|-----|-----|---|---|
| | | | | (A) | (B) | (C) | (D) | (E) | (F) | | |
| 1 | 1 | 194145-04810 | WASHER 10 | 3 | | | | | | | |
| 2 | 1 | 1D4140-24210 | SPRING, RETURN 16X80 | 1 | | | | | | | |
| 2-1 | 1 | 172652-42030 | SPRING, RETURN | 1 | | | | | | | N |
| (A=M/#21161) | | | | | | | | | | | |
| 3 | 1 | 172652-41200 | SPRING ASSY, RETURN | 1 | | | | | | | |
| 3-1 | 1 | 172652-41201 | SPRING ASSY, RETURN | 1 | | | | | | | N |
| (A=M/#21213) | | | | | | | | | | | |
| 4 | 2 | 172648-41210 | STOPPER, LINK | 1 | | | | | | | |
| 5 | 2 | 172652-41210 | PIPE ASSY, RETURN | 1 | | | | | | | |
| 5-1 | 2 | 172652-41211 | PIPE ASSY, RETURN | 1 | | | | | | | N |
| (A=M/#21213) | | | | | | | | | | | |
| 6 | 2 | 172652-41260 | SPRING, 18X88 | 1 | | | | | | | |
| 7 | 2 | 172519-41601 | ROD, F & R LINK | 1 | | | | | | | |
| 8 | 2 | 172519-41631 | STOPPER, LINK | 1 | | | | | | | |
| 9 | 2 | 172519-42780 | CIRCLIP, IRTW-24 | 1 | | | | | | | |
| 10 | 2 | 26776-100002 | NUT, LOCK M10 | 2 | | | | | | | |
| 11 | 1 | 172652-41400 | PEDALU,FR (GRAY:72) | 1 | | | | | | | |
| 11-1 | 1 | 172652-41401 | PEDAL,FRONT(GRAY:72) | 1 | | | | | | | N |
| (A=M/#20943) | | | | | | | | | | | |
| 12 | 2 | 24550-014150 | BUSH, 14X15 | 2 | | | | | | | |
| 13 | 1 | 172652-41450 | LINK,FR PEDALU (72) | 1 | | | | | | | |
| 14 | 2 | 24550-014150 | BUSH, 14X15 | 2 | | | | | | | |
| 15 | 1 | 172652-41500 | ROD,FR PEDALEU | 1 | | | | | | | |
| 16 | 1 | 194150-22480 | NUT, M10 L | 1 | | | | | | | |
| 17 | 1 | 172638-41540 | DAMPER | 1 | | | | | | | |
| 18 | 1 | 172652-41560-1 | LEVER,FR HST(GRAY:72) | 1 | | | | | | | |
| 19 | 1 | 172638-41630 | PIN 14X75 | 2 | | | | | | | |
| 20 | 1 | 172652-41690 | PLATE A (GRAY:72) | 1 | | | | | | | |
| 21 | 1 | 172652-41700 | STOPPER, LEVER | 1 | | | | | | | |
| 22 | 1 | 172648-41750 | SPRING, 17X22.5X2.3 | 1 | | | | | | | |
| 23 | 1 | 26013-100302 | BOLT, M10X 30 | 1 | | | | | | | |
| 24 | 1 | 172638-42300 | SPRING | 1 | | | | | | | |
| 25 | 1 | 172122-46560 | END, ROD | 3 | | | | | | | |
| 26 | 1 | 172122-46560 | END, ROD | 2 | | | | | | | |
| 27 | 1 | 194273-47910 | KNOB, LEVER | 1 | | | | | | | |
| 28 | 1 | 22137-080000 | WASHER, 8 | 1 | | | | | | | |
| 29 | 1 | 22137-100000 | WASHER, 10 | 1 | | | | | | | |
| 30 | 1 | 22137-100000 | WASHER, 10 | 4 | | | | | | | |
| 31 | 1 | 22217-100000 | WASHER, SPRING 10 | 10 | | | | | | | |
| 32 | 1 | 22351-035025 | PIN, SPRING 3.5X25 | 1 | | | | | | | |
| 33 | 1 | 22417-200160 | PIN, COTTER 2.0X16 | 1 | | | | | | | |
| 34 | 1 | 22417-400350 | PIN, COTTER 4.0X35 | 2 | | | | | | | |
| 35 | 1 | 24761-040000 | NIPPLE, GREASE B | 2 | | | | | | | |
| 36 | 1 | 26051-100002 | NUT, M10 | 1 | | | | | | | |
| 37 | 1 | 26116-080254 | BOLT, M8X 25 PLATED | 1 | | | | | | | |
| 38 | 1 | 26116-080304 | BOLT, M8X 30 PLATED | 1 | | | | | | | |
| 39 | 1 | 26116-080404 | BOLT, M8X 40 PLATED | 1 | | | | | | | |
| 40 | 1 | 26366-080002 | NUT, M8 | 1 | | | | | | | |
| 41 | 1 | 26716-080002 | NUT, M8 | 3 | | | | | | | |
| 42 | 1 | 26736-100002 | NUT, M10 | 14 | | | | | | | |
| 43 | 1 | 172652-42010 | ROD M10X120 | 1 | | | | | | | |

N:Old $\xrightarrow{\text{Yes}}$ New, Q:Old $\xrightarrow{\text{No}}$ New, R:Old $\xrightarrow{\text{Yes}}$ New, S:Old $\xrightarrow{\text{No}}$ New, W:Add, Z:Discontinued, F:Interchangeable by set, K:Q'ty Change
 ++ CONTINUE ++
 Copyright (C) YANMAR CO., LTD. All Rights Reserved.

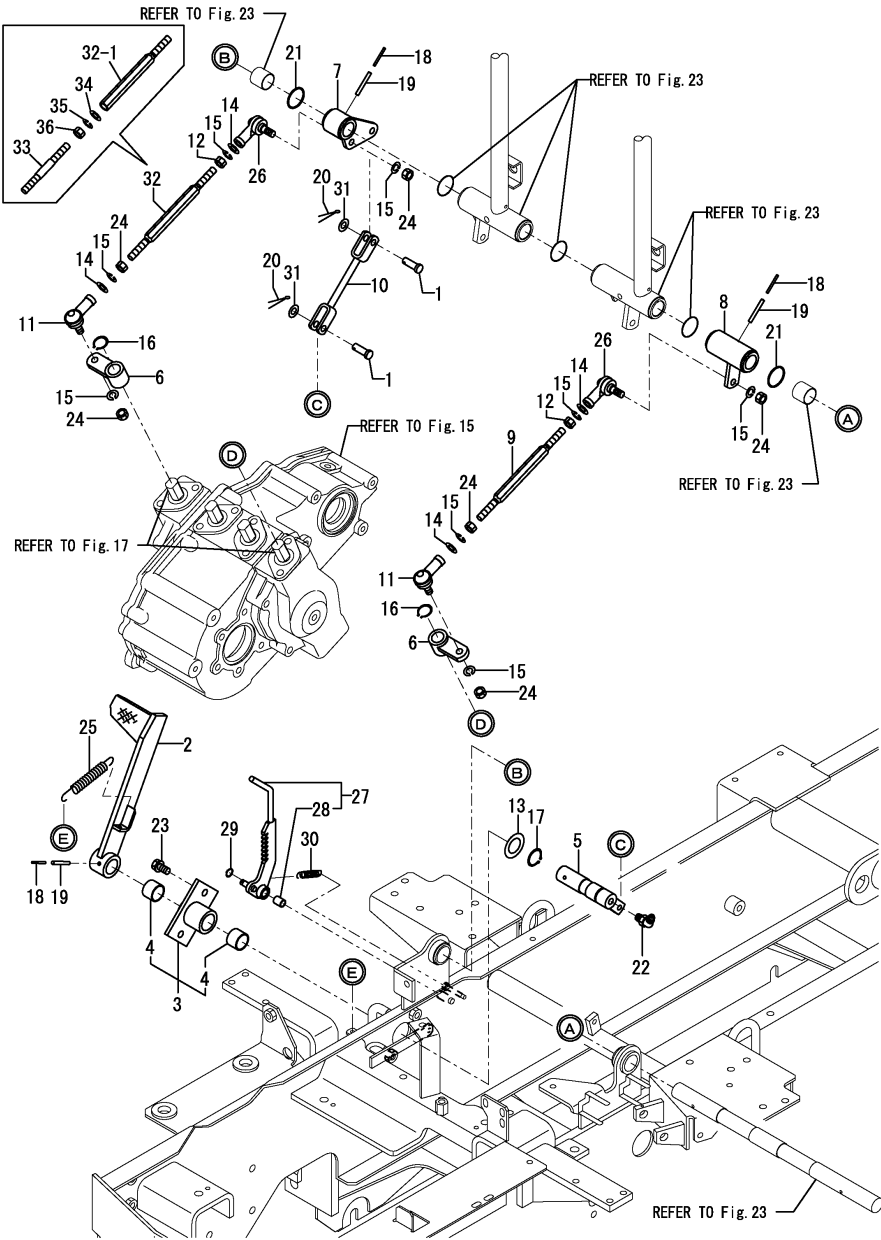
Fig.20. CONTROL EQUIPMENT(TRAVEL PEDAL)



| No. | Lev. | Parts No. | Description | Q'ty | | | | | | I | R |
|-----|------|--------------|-------------------|------|-----|-----|-----|-----|-----|---|---|
| | | | | (A) | (B) | (C) | (D) | (E) | (F) | | |
| 44 | 1 | 172652-42020 | ROD M10X100 | 1 | | | | | | | |
| 45 | 1 | 172137-46400 | TURNBUCKLE ASSY | 1 | | | | | | | |
| 46 | 1 | 22217-100000 | WASHER, SPRING 10 | 2 | | | | | | | |
| 47 | 1 | 26716-100002 | NUT, M10 | 1 | | | | | | | |

N:Old $\begin{smallmatrix} \leftarrow \text{Yes} \\ \text{No} \end{smallmatrix}$ New, Q:Old $\begin{smallmatrix} \leftarrow \text{No} \\ \text{Yes} \end{smallmatrix}$ New, R:Old $\begin{smallmatrix} \leftarrow \text{Yes} \\ \text{Yes} \end{smallmatrix}$ New, S:Old $\begin{smallmatrix} \leftarrow \text{No} \\ \text{No} \end{smallmatrix}$ New, W:Add, Z:Discontinued, F:Interchangeable by set, K:Q'ty Change
 Copyright (C) YANMAR CO., LTD. All Rights Reserved.

Fig.21. CONTROL EQUIPMENT(BRAKE PEDAL & PARKING LEVER)



(A)=C12R(US)

(B)=

(C)=

(D)=

(E)=

(F)=

| No. | Lev. | Parts No. | Description | Q'ty | | | | | | I | R |
|------|------|--------------|-----------------------|------|-----|-----|-----|-----|-----|---|---|
| | | | | (A) | (B) | (C) | (D) | (E) | (F) | | |
| 1 | 1 | 172730-11451 | PIN 10.25.29 | 2 | | | | | | | |
| 2 | 1 | 172652-42401 | PEDAL,BRAKE(GRAY:72) | 1 | | | | | | | |
| 3 | 1 | 172652-42450 | BRACKET (GRAY:72) | 1 | | | | | | | |
| 4 | 2 | 24550-025200 | BUSH, 25X20 | 2 | | | | | | | |
| 5 | 1 | 172652-42501 | SHAFT ASSY, PEDAL | 1 | | | | | | | |
| 6 | 1 | 172638-42521 | ARM ASSY, BRAKE | 2 | | | | | | | |
| 7 | 1 | 172652-42530 | LINK L,BRAKE(GRAY:72) | 1 | | | | | | | |
| 8 | 1 | 172652-42570 | LINK R,BRAKE(GRAY:72) | 1 | | | | | | | |
| 9 | 1 | 172652-42640 | ROD M10X205 | 1 | | | | | | | |
| 10 | 1 | 172652-42650 | ROD,BRAKE | 1 | | | | | | | |
| 11 | 1 | 172122-46560 | END, ROD | 2 | | | | | | | |
| 12 | 1 | 172738-47900 | NUT, M10 L | 2 | | | | | | | |
| 13 | 1 | 172165-47990 | WASHER 25.5X42 | 1 | | | | | | | |
| 14 | 1 | 22137-100000 | WASHER, 10 | 4 | | | | | | | |
| 15 | 1 | 22217-100000 | WASHER, SPRING 10 | 8 | | | | | | | |
| 16 | 1 | 22242-000200 | RING, 20 | 2 | | | | | | | |
| 17 | 1 | 22242-000250 | RING, 25 | 1 | | | | | | | |
| 18 | 1 | 22351-030040 | PIN, SPRING 3.0X40 | 3 | | | | | | | |
| 19 | 1 | 22351-050040 | PIN, SPRING 5.0X40 | 3 | | | | | | | |
| 20 | 1 | 22417-320200 | PIN, COTTER 3.2X20 | 2 | | | | | | | |
| 21 | 1 | 24311-000320 | O-RING, 1AP32.0 | 2 | | | | | | | |
| 22 | 1 | 24761-050000 | NIPPLE, GREASE C | 1 | | | | | | | |
| 23 | 1 | 26013-100202 | BOLT, M10X 20 | 2 | | | | | | | |
| 24 | 1 | 26736-100002 | NUT, M10 | 6 | | | | | | | |
| 25 | 1 | 933153-01280 | SPRING, RETURN | 1 | | | | | | | |
| 26 | 1 | 933164-04470 | BALL RBL-10LD, LINK | 2 | | | | | | | |
| 27 | 1 | 172652-42600 | LEVER,PARKING(RED:50) | 1 | | | | | | | |
| 28 | 2 | 24550-012150 | BUSH, 12X15 | 1 | | | | | | | |
| 29 | 1 | 22242-000120 | RING, 12 | 1 | | | | | | | |
| 30 | 1 | 933169-11330 | SPRING, BRAKE SHOE | 1 | | | | | | | |
| 31 | 1 | 22137-100000 | WASHER, 10 | 2 | | | | | | | |
| 32 | 1 | 172652-42640 | ROD M10X205 | 1 | | | | | | | |
| 32-1 | 1 | 172652-42700 | ROD M10X133 | 1 | | | | | | F | 1 |
| | | (A=MXXXXX) | | | | | | | | | |
| 33 | 1 | 172652-42710 | ROD M10X85 | 1 | | | | | | | W |
| | | (A=MXXXXX) | | | | | | | | | |
| 34 | 1 | 22137-100000 | WASHER, 10 | 1 | | | | | | | W |
| | | (A=MXXXXX) | | | | | | | | | |
| 35 | 1 | 22217-100000 | WASHER, SPRING 10 | 1 | | | | | | | W |
| | | (A=MXXXXX) | | | | | | | | | |
| 36 | 1 | 26736-100002 | NUT, M10 | 1 | | | | | | | W |
| | | (A=MXXXXX) | | | | | | | | | |

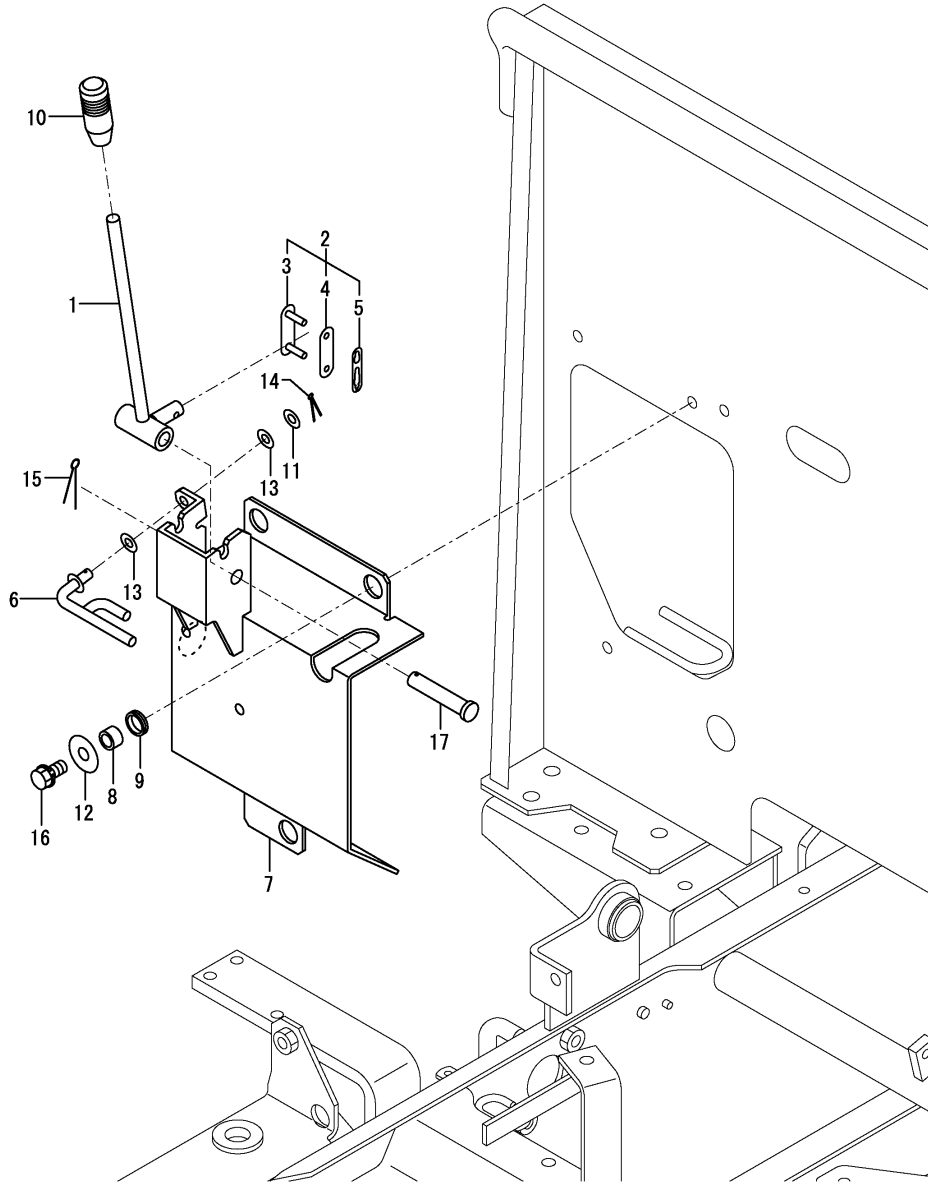
Remarks

(1)Interchangeable by simultaneous replacement with Ref.No.33,34,35,36.

Fig.22. CONTROL EQUIPMENT(DUMP LEVER)

(A)=C12R(US)
(B)=
(C)=

(D)=
(E)=
(F)=

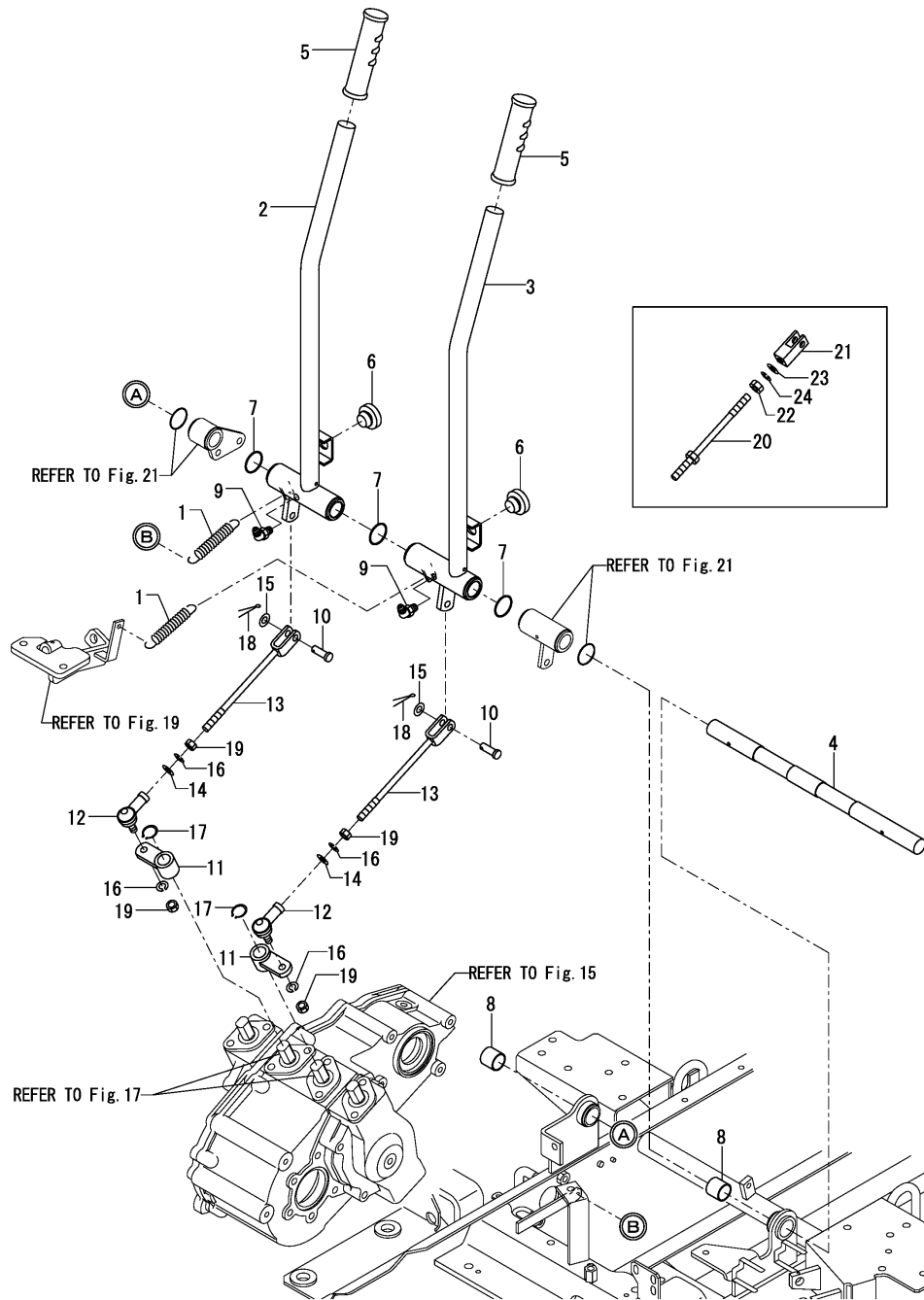


| No. | Lev. | Parts No. | Description | Q'ty | | | | | | I | R |
|-------|------|--------------|----------------------|------|-----|-----|-----|-----|-----|---|-----|
| | | | | (A) | (B) | (C) | (D) | (E) | (F) | | |
| 1 | 1 | 172652-45100 | LEVER,DUMP (GRAY:72) | 1 | | | | | | | |
| 2 | 1 | 172648-45150 | JOINT | 1 | | | | | | | |
| 3 | 2 | 172648-45160 | JOINT | 1 | | | | | | | |
| 4 | 2 | 172648-45170 | JOINT | 1 | | | | | | | |
| 5 | 2 | 172648-45180 | JOINT | 1 | | | | | | | |
| 6 | 1 | 172652-45150 | STOPPER, LEVER | 1 | | | | | | | |
| 7 | 1 | 172652-45200 | BRACKET,VALVE(GRAY72 | 1 | | | | | | | 1 |
| 8 | 1 | 172652-45250 | COLLAR | 3 | | | | | | | |
| 9 | 1 | 1A1380-58050 | GROMMET, 16X20X4.5 | 3 | | | | | | | |
| 10 | 1 | 1E6570-65751 | GRIP, LEVER | 1 | | | | | | | |
| 11 | 1 | 22137-080000 | WASHER, 8 | 1 | | | | | | | |
| 12 | 1 | 22157-100000 | WASHER, 10 | 3 | | | | | | | |
| 13 | 1 | 22190-080003 | WASHER, SEAL 8 | 2 | | | | | | | |
| 14 | 1 | 22417-200150 | PIN, COTTER 2.0X15 | 1 | | | | | | | |
| 15 | 1 | 22417-250200 | PIN, COTTER 2.5X20 | 1 | | | | | | | |
| 16 | 1 | 26013-100252 | BOLT, M10X 25 | 3 | | | | | | | |
| 17 | 1 | 933171-18390 | PIN, FOOT BAR | 1 | | | | | | | |
| 18A | 1 | 172652-03710 | LABEL,PARKING | 1 | | | | | | | 2 |
| 18A-1 | 1 | 172652-03711 | LABEL, PARKING US | 1 | | | | | | | N 2 |

(A=M/#21213)

Remarks
(1)PLEASE USE THIS PART WITH FOLLOWING LABELS AT THE SAME TIME.
REF.NO.18A
(2)LABELS ARE NOT ILLUSTRATED.

Fig.23. CONTROL EQUIPMENT(STEERING LEV

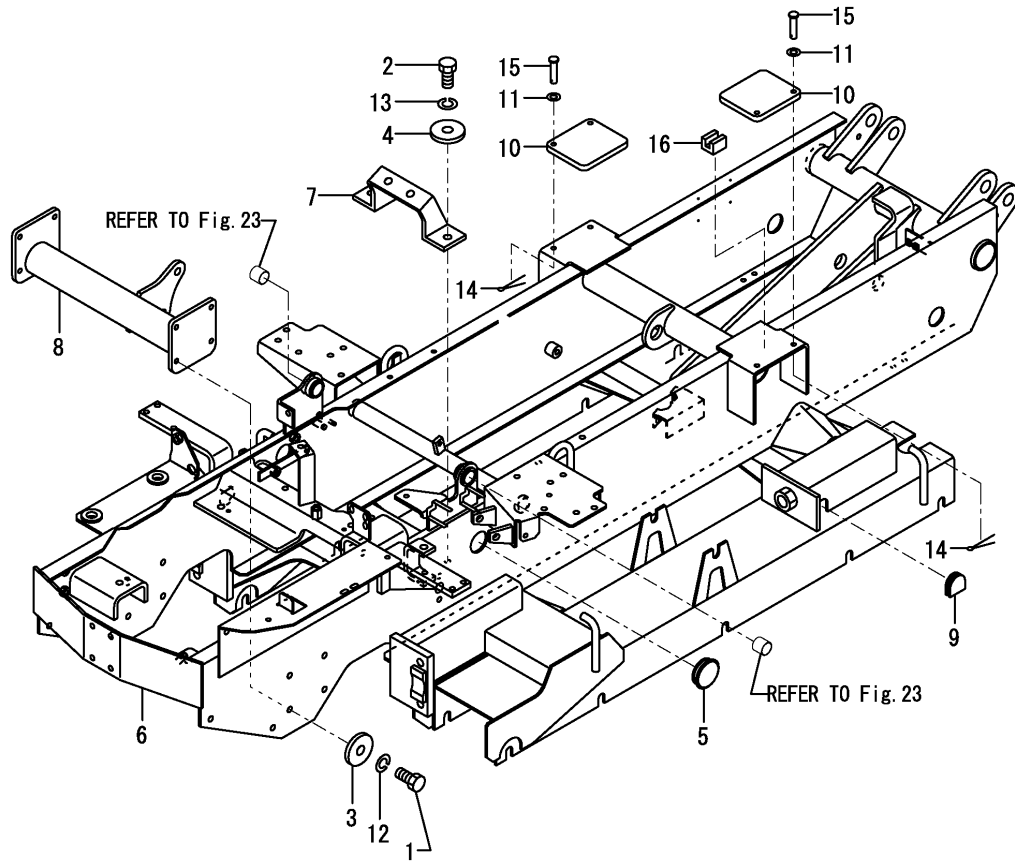


(A)=C12R(US)
(B)=
(C)=

(D)=
(E)=
(F)=

| No. | Lev. | Parts No. | Description | Q'ty | | | | | | I | R |
|------------|------|--------------|----------------------|------|-----|-----|-----|-----|-----|---|---|
| | | | | (A) | (B) | (C) | (D) | (E) | (F) | | |
| 1 | 1 | 194200-37510 | SPRING, RETURN | 2 | | | | | | | |
| 2 | 1 | 172652-47101 | LEVER L,ST (GRAY:72) | 1 | | | | | | | |
| 3 | 1 | 172652-47151 | LEVER R,ST (GRAY:72) | 1 | | | | | | | |
| 4 | 1 | 172652-47190 | SHAFT | 1 | | | | | | | |
| 5 | 1 | 1A1040-58170 | GRIP, HANDLE | 2 | | | | | | | |
| 6 | 1 | 1A6472-63270 | RUBBER, CUSHION L | 2 | | | | | | | |
| 7 | 1 | 24311-000320 | O-RING, 1AP32.0 | 3 | | | | | | | |
| 8 | 1 | 24550-025250 | BUSH, 25X25 | 2 | | | | | | | |
| 9 | 1 | 24761-050000 | NIPPLE, GREASE C | 2 | | | | | | | |
| 10 | 1 | 172730-11451 | PIN 10.25.29 | 2 | | | | | | | |
| 11 | 1 | 172638-42521 | ARM ASSY, BRAKE | 2 | | | | | | | |
| 12 | 1 | 172122-46560 | END, ROD | 2 | | | | | | | |
| 13 | 1 | 172652-47210 | ROD,ST | 2 | | | | | | | Z |
| (A=MZZZZZ) | | | | | | | | | | | |
| 14 | 1 | 22137-100000 | WASHER, 10 | 2 | | | | | | | |
| 15 | 1 | 22137-100000 | WASHER, 10 | 2 | | | | | | | |
| 16 | 1 | 22217-100000 | WASHER, SPRING 10 | 4 | | | | | | | |
| 17 | 1 | 22242-000200 | RING, 20 | 2 | | | | | | | |
| 18 | 1 | 22417-320200 | PIN, COTTER 3.2X20 | 2 | | | | | | | |
| 19 | 1 | 26736-100002 | NUT, M10 | 4 | | | | | | | |
| 20 | 1 | 172652-47250 | ROD CMP | 2 | | | | | | | W |
| (A=MZZZZZ) | | | | | | | | | | | |
| 21 | 1 | 172652-47270 | ROD,JOINT | 2 | | | | | | | W |
| (A=MZZZZZ) | | | | | | | | | | | |
| 22 | 1 | 172738-47900 | NUT, M10 L | 2 | | | | | | | W |
| (A=MZZZZZ) | | | | | | | | | | | |
| 23 | 1 | 22137-100000 | WASHER, 10 | 2 | | | | | | | W |
| (A=MZZZZZ) | | | | | | | | | | | |
| 24 | 1 | 22217-100000 | WASHER, SPRING 10 | 2 | | | | | | | W |
| (A=MZZZZZ) | | | | | | | | | | | |

Fig.24. FRAME(STANDARD SPEC.)

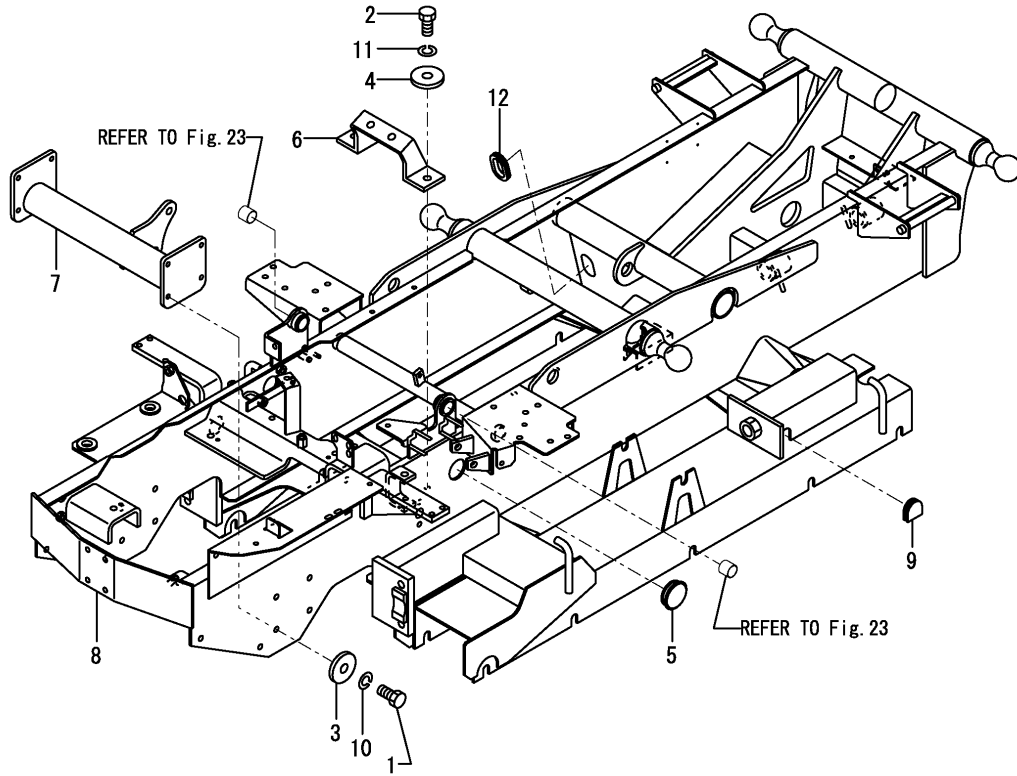


(A)=C12R(US)
(B)=
(C)=

(D)=
(E)=
(F)=

| No. | Lev. | Parts No. | Description | Q'ty | | | | | | I | R |
|-----|------|----------------|-----------------------|------|-----|-----|-----|-----|-----|---|---|
| | | | | (A) | (B) | (C) | (D) | (E) | (F) | | |
| 1 | 1 | 172162-13200 | BOLT M10X30 | 8 | | | | | | | |
| 2 | 1 | 172162-13200 | BOLT M10X30 | 2 | | | | | | | |
| 3 | 1 | 1A1040-46460 | WASHER, 10X33X4.5 | 8 | | | | | | | |
| 4 | 1 | 1A1040-46460 | WASHER, 10X33X4.5 | 2 | | | | | | | |
| 5 | 1 | 172141-50890 | GROMMET | 1 | | | | | | | |
| 6 | 1 | 172652-51100-1 | FREME (GREEN:82) | 1 | | | | | | | |
| 7 | 1 | 172652-52120-1 | BRACKET,T/M(GREEN:82) | 1 | | | | | | | |
| 8 | 1 | 172652-52130-1 | MEMBER,REAR(GREEN:82) | 1 | | | | | | | |
| 9 | 1 | 172165-62830 | GROMMET | 2 | | | | | | | |
| 10 | 1 | 172725-85870 | RUBBER, INTERVENTION | 2 | | | | | | | |
| 11 | 1 | 22137-080000 | WASHER, 8 | 4 | | | | | | | |
| 12 | 1 | 22217-100000 | WASHER, SPRING 10 | 8 | | | | | | | |
| 13 | 1 | 22217-100000 | WASHER, SPRING 10 | 2 | | | | | | | |
| 14 | 1 | 22360-080000 | SNAP PIN 8 | 4 | | | | | | | |
| 15 | 1 | 22487-080300 | PIN, H 8X 30 | 4 | | | | | | | |
| 16 | 1 | 172637-51750 | RUBBER, SUPPORT | 1 | | | | | | | |

Fig.25. FRAME(3WD SPEC.)

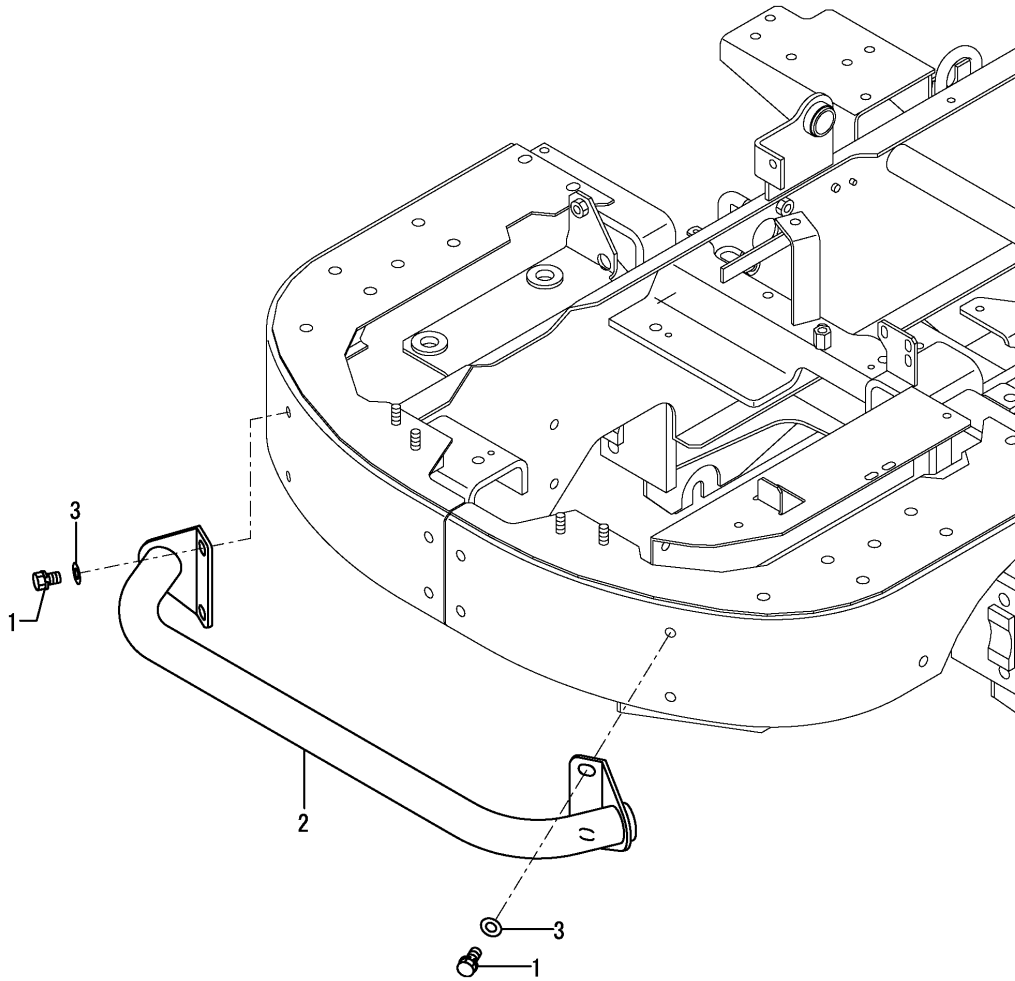


(A)=C12R(US)
(B)=
(C)=

(D)=
(E)=
(F)=

| No. | Lev. | Parts No. | Description | Qty | | | | | | I | R |
|-----|------|----------------|----------------------|-----|-----|-----|-----|-----|-----|---|---|
| | | | | (A) | (B) | (C) | (D) | (E) | (F) | | |
| 1 | 1 | 172162-13200 | BOLT M10X30 | 8 | | | | | | | |
| 2 | 1 | 172162-13200 | BOLT M10X30 | 2 | | | | | | | |
| 3 | 1 | 1A1040-46460 | WASHER, 10X33X4.5 | 8 | | | | | | | |
| 4 | 1 | 1A1040-46460 | WASHER, 10X33X4.5 | 2 | | | | | | | |
| 5 | 1 | 172141-50890 | GROMMET | 1 | | | | | | | |
| 6 | 1 | 172652-52120-1 | BRACKET,T/M(GREEN:82 | 1 | | | | | | | |
| 7 | 1 | 172652-52130-1 | MEMBER,REAR(GREEN:82 | 1 | | | | | | | |
| 8 | 1 | 172652-55100-1 | FRAME,3RD (GREEN:82) | 1 | | | | | | | |
| 9 | 1 | 172165-62830 | GROMMET | 2 | | | | | | | |
| 10 | 1 | 22217-100000 | WASHER, SPRING 10 | 8 | | | | | | | |
| 11 | 1 | 22217-100000 | WASHER, SPRING 10 | 2 | | | | | | | |
| 12 | 1 | 29321-255050 | GROMMET, 25X5.0X50 | 1 | | | | | | | |

Fig.26. BUMPER



(A)=C12R(US)
(B)=
(C)=

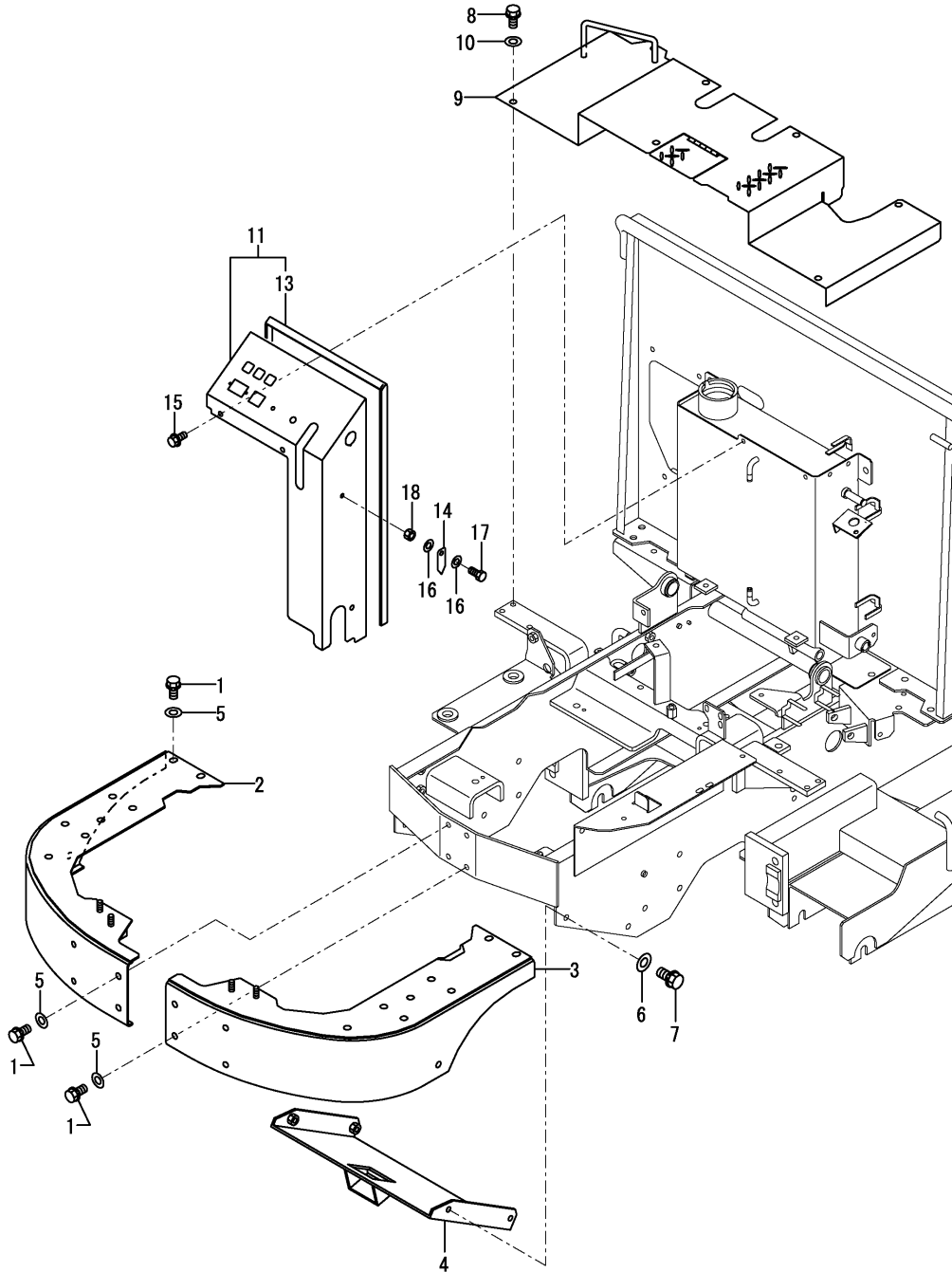
(D)=
(E)=
(F)=

| No. | Lev. | Parts No. | Description | Q'ty | | | | | | I | R |
|-----|------|--------------|-------------------|------|-----|-----|-----|-----|-----|---|---|
| | | | | (A) | (B) | (C) | (D) | (E) | (F) | | |
| 1 | 1 | 26013-120252 | BOLT, M12X 25 | 4 | | | | | | | |
| 2 | 1 | 172652-53100 | BUMPER (GREEN:82) | 1 | | | | | | | |
| 3 | 1 | 22137-120000 | WASHER, 12 | 4 | | | | | | | |

Fig.27. COVER, STEP & INSTRUMENT PANEL

(A)=C12R(US)
(B)=
(C)=

(D)=
(E)=
(F)=

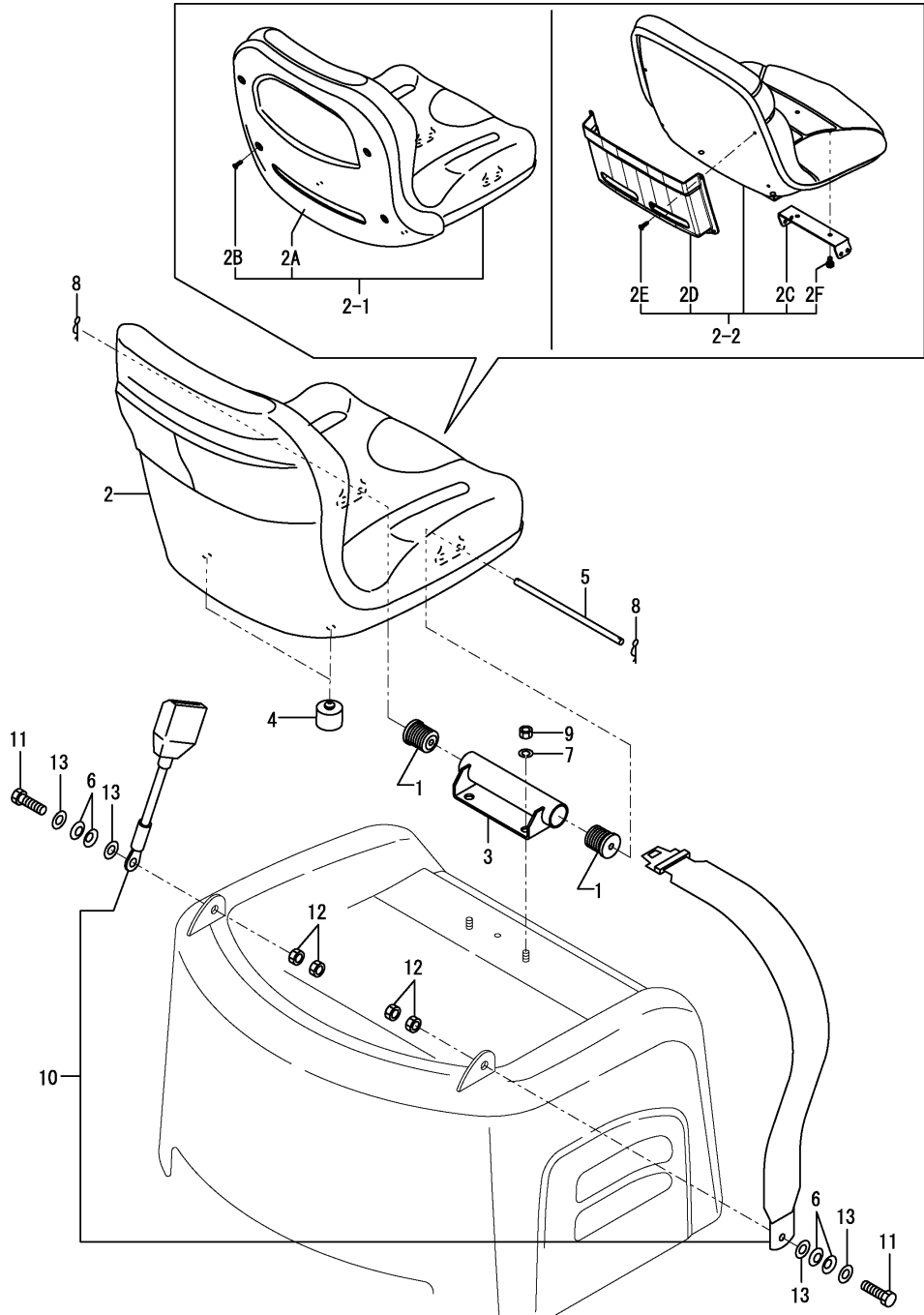


| No. | Lev. | Parts No. | Description | Qty | | | | | | I | R |
|-----|------|----------------|----------------------|-----|-----|-----|-----|-----|-----|---|---|
| | | | | (A) | (B) | (C) | (D) | (E) | (F) | | |
| 1 | 1 | 26013-100252 | BOLT, M10X 25 | 8 | | | | | | | |
| 2 | 1 | 172652-61300 | COVER | 1 | | | | | | | |
| 3 | 1 | 172652-61350 | COVER | 1 | | | | | | | |
| 4 | 1 | 172652-61400-1 | COVER | 1 | | | | | | | |
| 5 | 1 | 22137-100000 | WASHER, 10 | 8 | | | | | | | |
| 6 | 1 | 22137-100000 | WASHER, 10 | 4 | | | | | | | |
| 7 | 1 | 26013-100252 | BOLT, M10X 25 | 4 | | | | | | | |
| 8 | 1 | 26013-100252 | BOLT, M10X 25 | 7 | | | | | | | |
| 9 | 1 | 172652-62100-1 | STEP | 1 | | | | | | | |
| 10 | 1 | 22137-100000 | WASHER, 10 | 7 | | | | | | | |
| 11 | 1 | 172652-63090 | PANEL,INSTRUMENT(72) | 1 | | | | | | | |
| 13 | 2 | 172652-63140 | TRIM | 1 | | | | | | | |
| 14 | 1 | 172652-63150 | STAY, GAUGE | 1 | | | | | | | |
| 15 | 1 | 172519-63240 | BOLT | 3 | | | | | | | |
| 16 | 1 | 22137-080000 | WASHER, 8 | 2 | | | | | | | |
| 17 | 1 | 26116-080202 | BOLT, M8X 20 PLATED | 1 | | | | | | | |
| 18 | 1 | 26756-080002 | NUT, LOCK M8 | 1 | | | | | | | |

Fig.28. SEAT & SEAT MOUNT

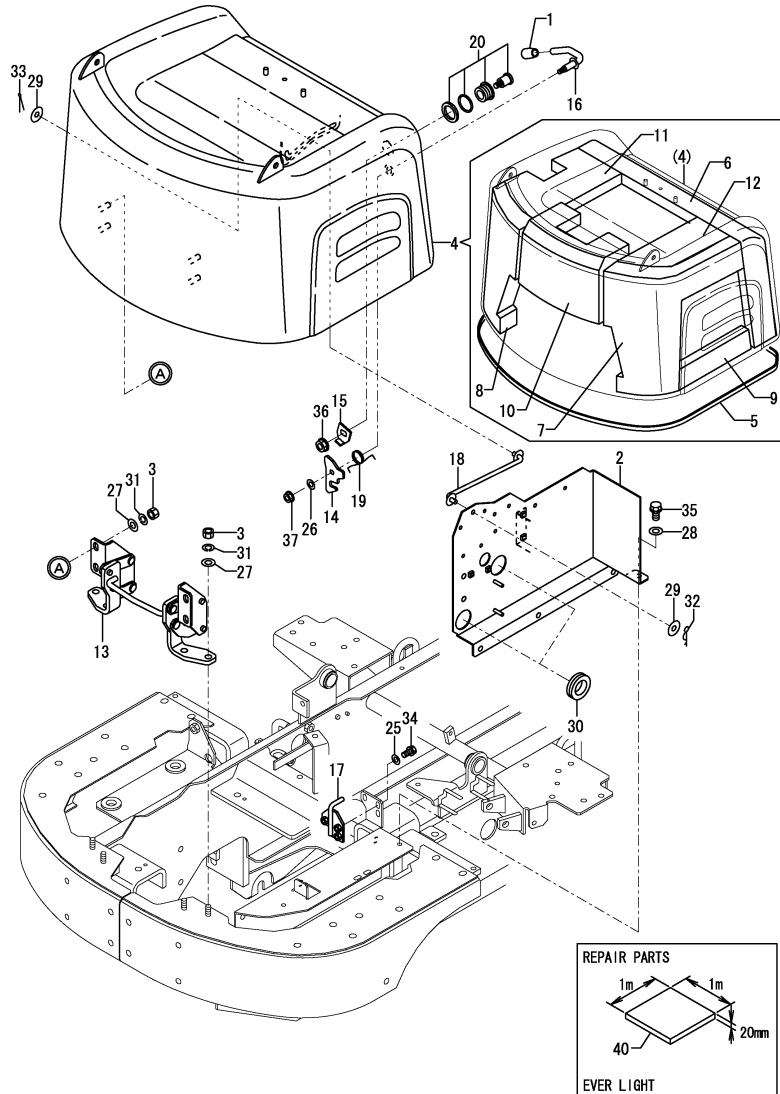
(A)=C12R(US)
(B)=
(C)=

(D)=
(E)=
(F)=



| No. | Lev. | Parts No. | Description | Q'ty | | | | | | I | R |
|--------------|------|----------------|---------------------|------|-----|-----|-----|-----|-----|---|---|
| | | | | (A) | (B) | (C) | (D) | (E) | (F) | | |
| 1 | 1 | 194140-63270 | DAMPER (RUBBER) | 2 | | | | | | | |
| 2 | 1 | 172649-64101 | SEAT ASSY, OPERATOR | 1 | | | | | | | |
| 2-1 | 1 | 172A54-64100 | SEAT ASSY, OPERATOR | 1 | | | | | | | N |
| (A=MXXXXX) | | | | | | | | | | | |
| 2-2 | 1 | 172A64-64010 | SEAT ASSY | 1 | | | | | | | N |
| (A=MZZZZZ) | | | | | | | | | | | |
| 2A | 2 | 172A54-64110 | COVER | 1 | | | | | | | W |
| (A=MXXXXX) | | | | | | | | | | | |
| 2A-1 | 2 | 172A54-64110 | COVER | 1 | | | | | | | Z |
| (A=MZZZZZ) | | | | | | | | | | | |
| 2B | 2 | 172A54-64120 | SCREW, M5X16 | 4 | | | | | | | W |
| (A=MXXXXX) | | | | | | | | | | | |
| 2B-1 | 2 | 172A54-64120 | SCREW, M5X16 | 4 | | | | | | | Z |
| (A=MZZZZZ) | | | | | | | | | | | |
| 2C | 2 | 172A64-64020 | STAY, SEAT | 1 | | | | | | | W |
| (A=MZZZZZ) | | | | | | | | | | | |
| 2D | 2 | 172A64-64030 | CASE, LETTER | 1 | | | | | | | W |
| (A=MZZZZZ) | | | | | | | | | | | |
| 2E | 2 | 172A64-64050 | SCREW, M6.0X16 | 4 | | | | | | | W |
| (A=MZZZZZ) | | | | | | | | | | | |
| 2F | 2 | 26013-080202 | BOLT, M8X 20 | 2 | | | | | | | W |
| (A=MZZZZZ) | | | | | | | | | | | |
| 3 | 1 | 172652-64100-1 | BRACKET,SEAT (87) | 1 | | | | | | | |
| 4 | 1 | 172649-64150 | CUSHION, SEAT | 2 | | | | | | | |
| 5 | 1 | 172156-64420 | PIN | 1 | | | | | | | |
| 6 | 1 | 933170-01490 | SPRING | 4 | | | | | | | |
| 6-1 | 1 | 172652-64220 | SPRING | 4 | | | | | | | N |
| (A=M/#20914) | | | | | | | | | | | |
| 7 | 1 | 22217-100000 | WASHER, SPRING 10 | 2 | | | | | | | |
| 8 | 1 | 22372-080000 | PIN, SNAP 8 | 2 | | | | | | | |
| 9 | 1 | 26716-100002 | NUT, M10 | 2 | | | | | | | |
| 10 | 1 | 172989-64451 | BELT, SEAT | 1 | | | | | | | |
| 11 | 1 | 172433-64510 | BOLT 7/16-20-UNF | 2 | | | | | | | |
| 11-1 | 1 | 172433-64511 | BOLT 7/16-20-UNF | 2 | | | | | | | N |
| (A=M/#20914) | | | | | | | | | | | |
| 12 | 1 | 172187-64830 | NUT | 4 | | | | | | | |
| 12-1 | 1 | 172187-64831 | NUT | 4 | | | | | | | N |
| (A=M/#20914) | | | | | | | | | | | |
| 13 | 1 | 22137-120000 | WASHER, 12 | 4 | | | | | | | |

Fig.30. BONNET



(A)=C12R(US)

(B)=

(C)=

(D)=

(E)=

(F)=

| No. | Lev. | Parts No. | Description | Qty | | | | | | I | R |
|--------------|------|----------------|----------------------|-----|-----|-----|-----|-----|-----|---|-----|
| | | | | (A) | (B) | (C) | (D) | (E) | (F) | | |
| 1 | 1 | 172116-46630 | KNOB, LEVER | 1 | | | | | | | |
| 2 | 1 | 172652-62810 | PLATE (GRAY:72) | 1 | | | | | | | 1 |
| 2-1 | 1 | 172652-62811 | PLATE, PARTITION | 1 | | | | | | | N 1 |
| (A=M/#20862) | | | | | | | | | | | |
| 3 | 1 | 26716-100002 | NUT, M10 | 8 | | | | | | | |
| 4 | 1 | 172652-65100-1 | BONNET (YELLOW:87) | 1 | | | | | | | 2 |
| 5 | 2 | 172446-65190 | TRIM, 2300 | 1 | | | | | | | |
| 6 | 2 | 172652-65600 | SPONGE | 1 | | | | | | | |
| 6-1 | 2 | 172655-65600 | SPONGE | 1 | | | | | | | N |
| (A=M/#21213) | | | | | | | | | | | |
| 7 | 2 | 172652-65610 | SPONGE | 1 | | | | | | | |
| 8 | 2 | 172652-65620 | SPONGE | 1 | | | | | | | |
| 9 | 2 | 172652-65630 | SPONGE | 1 | | | | | | | |
| 10 | 2 | 172652-65640 | SPONGE | 1 | | | | | | | |
| 11 | 2 | 172652-65650 | SPONGE | 1 | | | | | | | |
| 11-1 | 2 | 172652-65651 | SPONGE | 1 | | | | | | | N |
| (A=M/#21213) | | | | | | | | | | | |
| 12 | 2 | 172652-65660 | SPONGE | 1 | | | | | | | |
| 13 | 1 | 172652-65300 | RINK | 1 | | | | | | | |
| 14 | 1 | 172446-65370 | PLATE | 1 | | | | | | | |
| 14-1 | 1 | 172446-65371 | PLATE | 1 | | | | | | | N |
| (A=M/#20836) | | | | | | | | | | | |
| 15 | 1 | 172446-65380 | PLATE | 1 | | | | | | | |
| 16 | 1 | 172480-65450 | LEVER ASSY | 1 | | | | | | | |
| 17 | 1 | 172652-65450 | HOOK | 1 | | | | | | | |
| 18 | 1 | 172480-65470 | LINK, OPEN & SHUT | 1 | | | | | | | |
| 19 | 1 | 172156-65690 | SPRING, STOPPER | 1 | | | | | | | |
| 20 | 1 | 172164-66170 | KEY ASSY, CYLINDER | 1 | | | | | | | |
| 25 | 1 | 22137-080000 | WASHER, 8 | 3 | | | | | | | |
| 26 | 1 | 22137-080000 | WASHER, 8 | 1 | | | | | | | |
| 27 | 1 | 22137-100000 | WASHER, 10 | 8 | | | | | | | |
| 28 | 1 | 22137-100000 | WASHER, 10 | 3 | | | | | | | |
| 29 | 1 | 22157-080000 | WASHER, 8 | 2 | | | | | | | |
| 30 | 1 | 29311-323000 | GROMET, 32.0X3 | 2 | | | | | | | |
| 31 | 1 | 22217-100000 | WASHER, SPRING 10 | 8 | | | | | | | |
| 32 | 1 | 22372-080000 | PIN, SNAP 8 | 1 | | | | | | | |
| 33 | 1 | 22417-200200 | PIN, COTTER 2.0X20 | 1 | | | | | | | |
| 34 | 1 | 26013-080202 | BOLT, M8X 20 | 3 | | | | | | | |
| 35 | 1 | 26013-100202 | BOLT, M10X 20 | 3 | | | | | | | |
| 36 | 1 | 26347-100002 | NUT, M10 | 1 | | | | | | | |
| 37 | 1 | 26347-080002 | NUT, M8 | 1 | | | | | | | |
| 38A | 1 | 172437-03360 | LABEL, BATTERY | 1 | | | | | | | 3 |
| 38A-1 | 1 | 172437-03361 | LABEL, BATTERY US | 1 | | | | | | | N 3 |
| (A=M/#21213) | | | | | | | | | | | |
| 39A | 1 | 172437-03390 | LABEL, RADIATOR | 1 | | | | | | | 3 |
| 39A-1 | 1 | 172437-03391 | LABEL, RADIATOR US | 1 | | | | | | | N 3 |
| (A=M/#21213) | | | | | | | | | | | |
| 39B | 1 | 172437-03401 | LABEL (ENG COVER US | 1 | | | | | | | 3 |
| 39B-1 | 1 | 172437-03402 | LABEL, ENG, COVER US | 1 | | | | | | | N 3 |
| (A=M/#21213) | | | | | | | | | | | |
| 39C | 1 | 172437-03411 | LABEL (ENG ROOM US | 1 | | | | | | | 3 |

Remarks

(1) PLEASE USE THIS PART WITH FOLLOWING LABELS AT THE SAME TIME.
REF.NO.38A

(2) PLEASE USE THIS PART WITH FOLLOWING LABELS AT THE SAME TIME.
REF.NO.39A,39B,39C,39D,39E

(3) LABELS ARE NOT ILLUSTRATED.

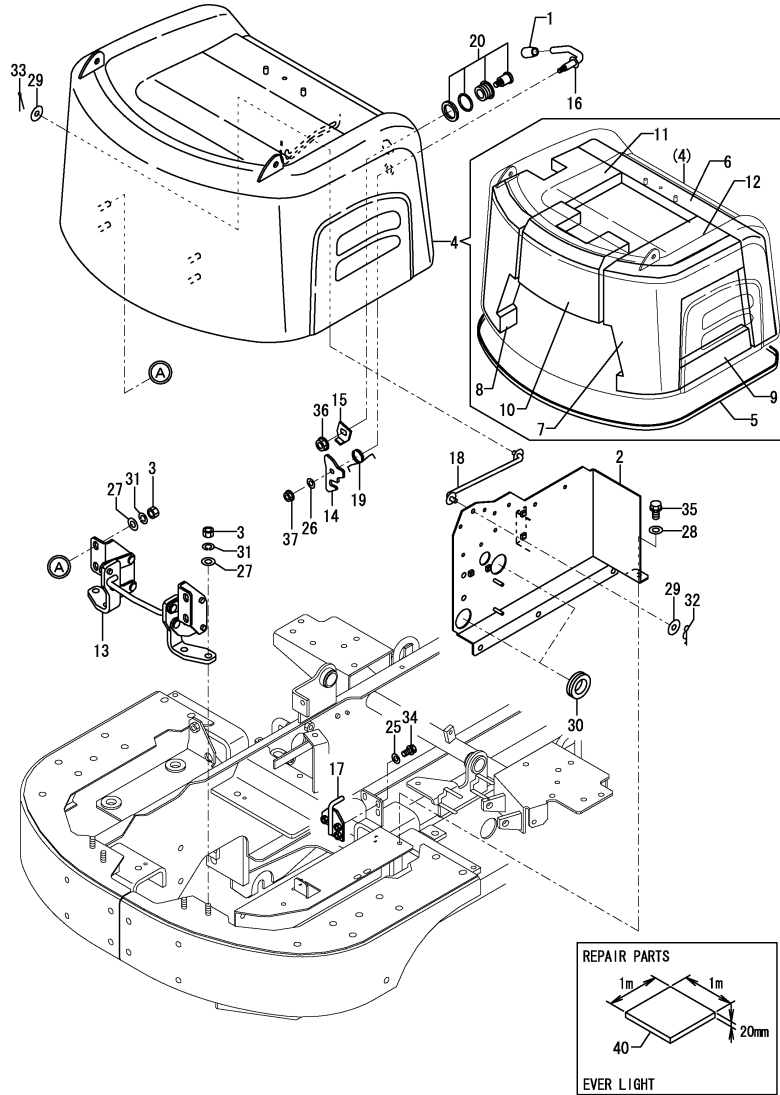
(4) REPAIR PARTS.

N:Old $\frac{Yes}{No}$ New, Q:Old $\frac{No}{Yes}$ New, R:Old $\frac{Yes}{Yes}$ New, S:Old $\frac{No}{No}$ New, W:Add, Z:Discontinued, F:Interchangeable by set, K:Q'ty Change

++ CONTINUE ++

Copyright (C) YANMAR CO., LTD. All Rights Reserved.

Fig.30. BONNET



(A)=C12R(US)
(B)=
(C)=

(D)=
(E)=
(F)=

| No. | Lev. | Parts No. | Description | Q'ty | | | | | | I | R |
|--------------|------|--------------|-------------------|------|-----|-----|-----|-----|-----|---|-----|
| | | | | (A) | (B) | (C) | (D) | (E) | (F) | | |
| 39D | 1 | 172437-03421 | LABEL,MUFFLER | 1 | | | | | | | 3 |
| 39D-1 | 1 | 172437-03422 | LABEL, MUFFLER US | 1 | | | | | | | N 3 |
| (A=M/#21213) | | | | | | | | | | | |
| 39E | 1 | 172652-03670 | LABEL,SUPPORT E | 1 | | | | | | | 3 |
| 39E-1 | 1 | 172472-03141 | LABEL, SUPPORT US | 1 | | | | | | | N 3 |
| (A=M/#21213) | | | | | | | | | | | |
| 40 | 1 | 172478-65750 | SPONGE | 1 | | | | | | | 4 |

Remarks

(1)PLEASE USE THIS PART WITH FOLLOWING LABELS AT THE SAME TIME.
REF.NO.38A

(2)PLEASE USE THIS PART WITH FOLLOWING LABELS AT THE SAME TIME.
REF.NO.39A,39B,39C,39D,39E

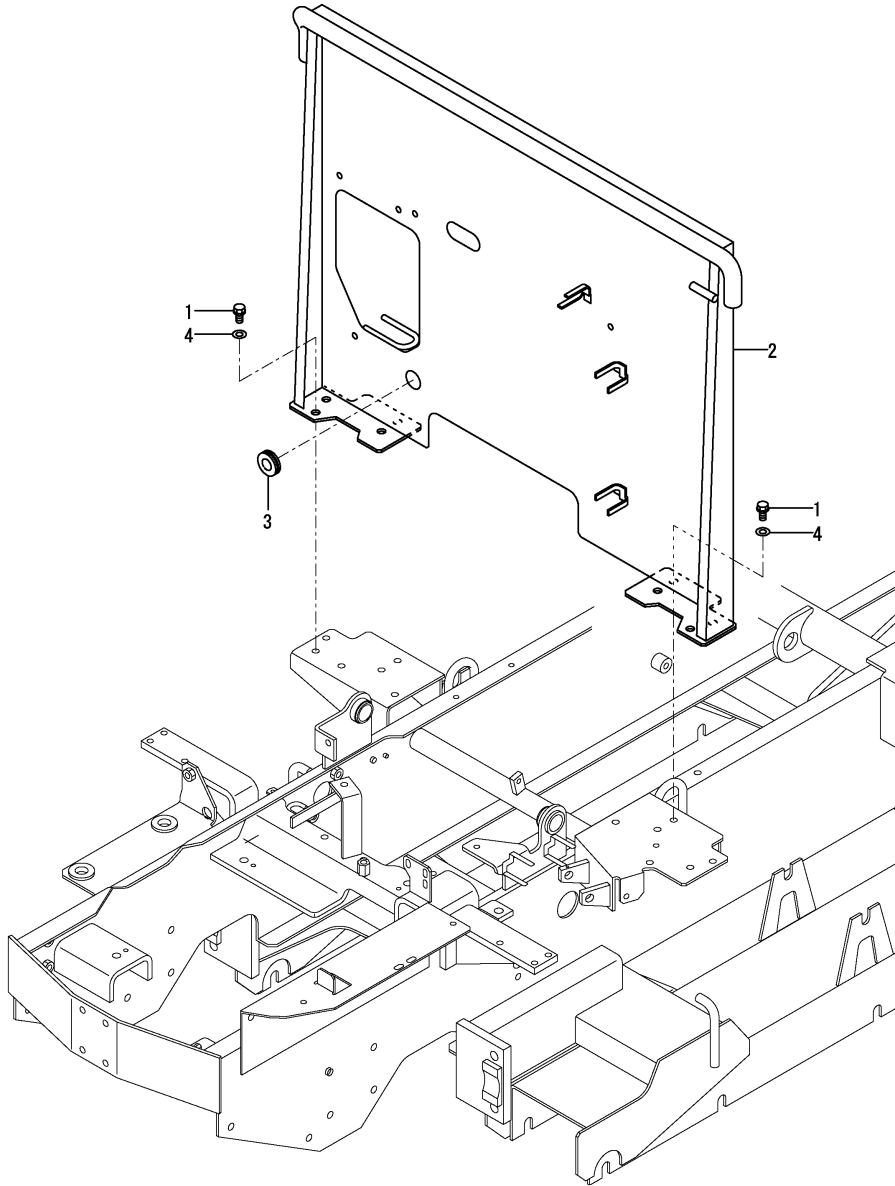
(3)LABELS ARE NOT ILLUSTRATED.

(4)REPAIR PARTS.

Fig.31. SAFETY GUARD

(A)=C12R(US)
(B)=
(C)=

(D)=
(E)=
(F)=



| No. | Lev. | Parts No. | Description | Q'ty | | | | | | I | R |
|--------------|------|----------------|----------------------|------|-----|-----|-----|-----|-----|---|-----|
| | | | | (A) | (B) | (C) | (D) | (E) | (F) | | |
| 1 | 1 | 26013-100202 | BOLT, M10X 20 | 8 | | | | | | | |
| 1-1 | 1 | 26013-100252 | BOLT, M10X 25 | 8 | | | | | | | N |
| (A=M/#20501) | | | | | | | | | | | |
| 2 | 1 | 172652-66100-1 | GUARD, SAFETY | 1 | | | | | | | 1 |
| 3 | 1 | 172137-66230 | GROMMET | 1 | | | | | | | |
| 4 | 1 | 22137-100000 | WASHER, 10 | 8 | | | | | | | |
| 5A | 1 | 172638-03622 | LABEL | 1 | | | | | | | 2 |
| 5A-1 | 1 | 172638-03623 | LABEL, DUMP US | 1 | | | | | | | N 2 |
| (A=M/#21213) | | | | | | | | | | | |
| 5B | 1 | 172652-03660 | LABEL,CAUTION-OPE. | 1 | | | | | | | 2 |
| 5B-1 | 1 | 172652-03661 | LABEL,CAUTION-OPE.US | 1 | | | | | | | N 2 |
| (A=M/#21213) | | | | | | | | | | | |
| 5C | 1 | 172652-03690 | LABEL,OPERATE | 1 | | | | | | | 2 |
| 5C-1 | 1 | 172652-03691 | LABEL, OPERATE US | 1 | | | | | | | N 2 |
| (A=M/#21213) | | | | | | | | | | | |

Remarks

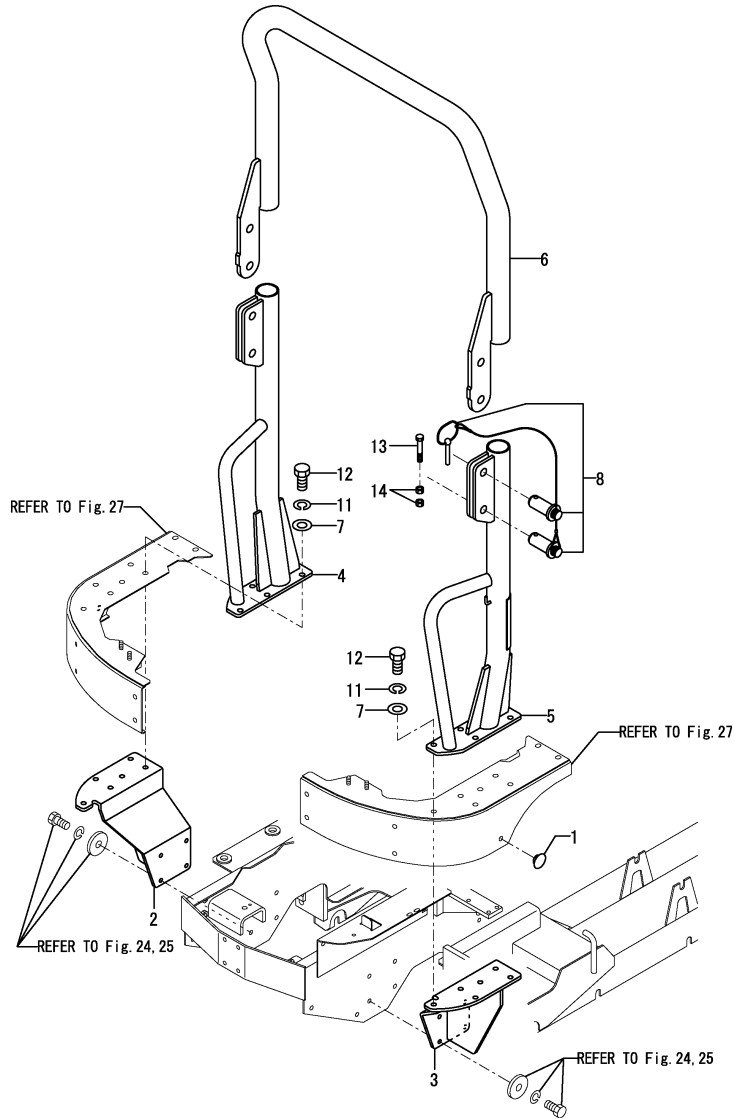
(1)PLEASE USE THIS PART WITH FOLLOWING LABELS AT THE SAME TIME.
REF.NO.5A,5B,5C

(2)LABELS ARE NOT ILLUSTRATED.

Fig.32. ROPS BAR

(A)=C12R(US)
(B)=
(C)=

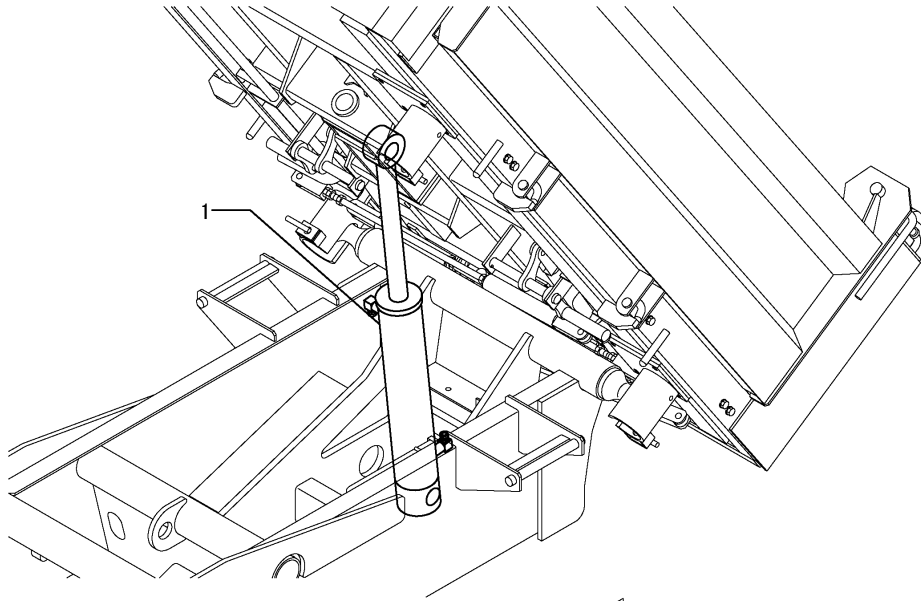
(D)=
(E)=
(F)=



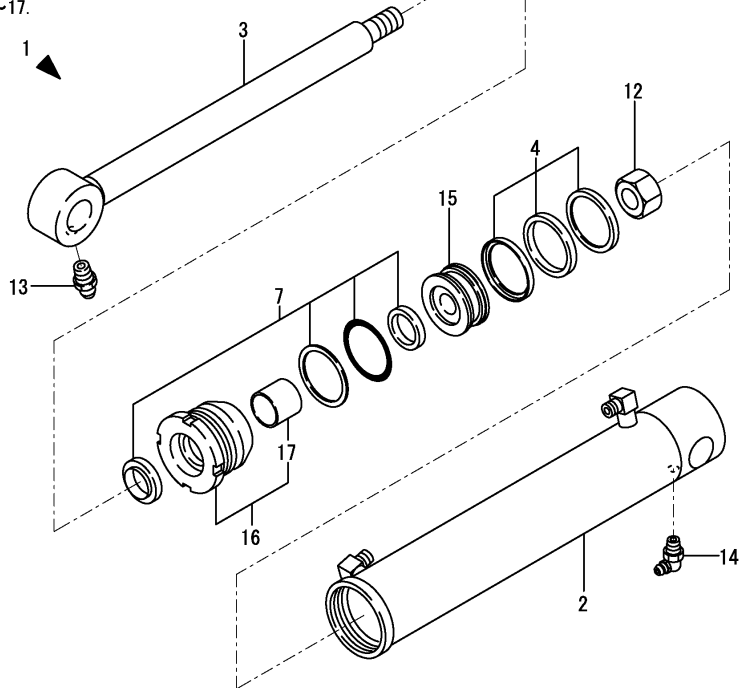
| No. | Lev. | Parts No. | Description | Q'ty | | | | | | I | R |
|--------------|------|--------------|-----------------------|------|-----|-----|-----|-----|-----|---|-----|
| | | | | (A) | (B) | (C) | (D) | (E) | (F) | | |
| 1 | 1 | 172187-64900 | PLUG | 2 | | | | | | | |
| 2 | 1 | 172652-66300 | BRACKET L,ROPS (82) | 1 | | | | | | | |
| 3 | 1 | 172652-66350 | BRACKET R,ROPS (82) | 1 | | | | | | | |
| 4 | 1 | 172652-66390 | FRAME L,ROPS(GREEN82) | 1 | | | | | | | |
| 5 | 1 | 172652-66440 | FRAME R,ROPS(GREEN82) | 1 | | | | | | | 1 |
| 6 | 1 | 172652-66450 | ROOF POLE,ROPS (82) | 1 | | | | | | | 2 |
| 7 | 1 | 172149-66550 | WASHER | 10 | | | | | | | |
| 8 | 1 | 172480-68741 | PIN,ROPS | 2 | | | | | | | |
| 8-1 | 1 | 172480-68742 | PIN ASSY(ROPS) | 2 | | | | | | | N |
| (A=M/#21213) | | | | | | | | | | | |
| 11 | 1 | 22217-120000 | WASHER, SPRING 12 | 10 | | | | | | | |
| 12 | 1 | 26076-120452 | BOLT, 10.912X 45 | 10 | | | | | | | |
| 13 | 1 | 26116-060352 | BOLT, M6X 35 PLATED | 2 | | | | | | | |
| 14 | 1 | 26716-060002 | NUT, M6 | 4 | | | | | | | |
| 15A | 1 | 172652-03680 | LABEL,SEAT BELT | 1 | | | | | | | 3 |
| 15A-1 | 1 | 172652-03681 | LABEL, SEAT BELT US | 1 | | | | | | | N 3 |
| (A=M/#21213) | | | | | | | | | | | |
| 15B | 1 | 172437-03440 | LABEL,ROPS | 1 | | | | | | | 3 |
| 15B-1 | 1 | 172437-03441 | LABEL, ROPS US | 1 | | | | | | | N 3 |
| (A=M/#21213) | | | | | | | | | | | |
| 15C | 1 | 172446-03751 | LABEL, FOLDING | 1 | | | | | | | 3 |
| 15C-1 | 1 | 172A29-03750 | LABEL, FOLDING ROPS | 1 | | | | | | | N 3 |
| (A=M/#21213) | | | | | | | | | | | |
| 16A | 1 | 172446-03740 | LABEL,PINCH | 2 | | | | | | | 3 |
| 16A-1 | 1 | 172A29-03740 | LABEL, PINCH ROPS | 2 | | | | | | | N 3 |
| (A=M/#21213) | | | | | | | | | | | |

Remarks
 (1)PLEASE USE THIS PART WITH FOLLOWING LABELS AT THE SAME TIME.
 REF.NO.15A,15B,15C
 (2)PLEASE USE THIS PART WITH FOLLOWING LABELS AT THE SAME TIME.
 REF.NO.16A
 (3)LABELS ARE NOT ILLUSTRATED.

Fig.33. HYD.OIL CYLINDER



1 INC. 2~17.

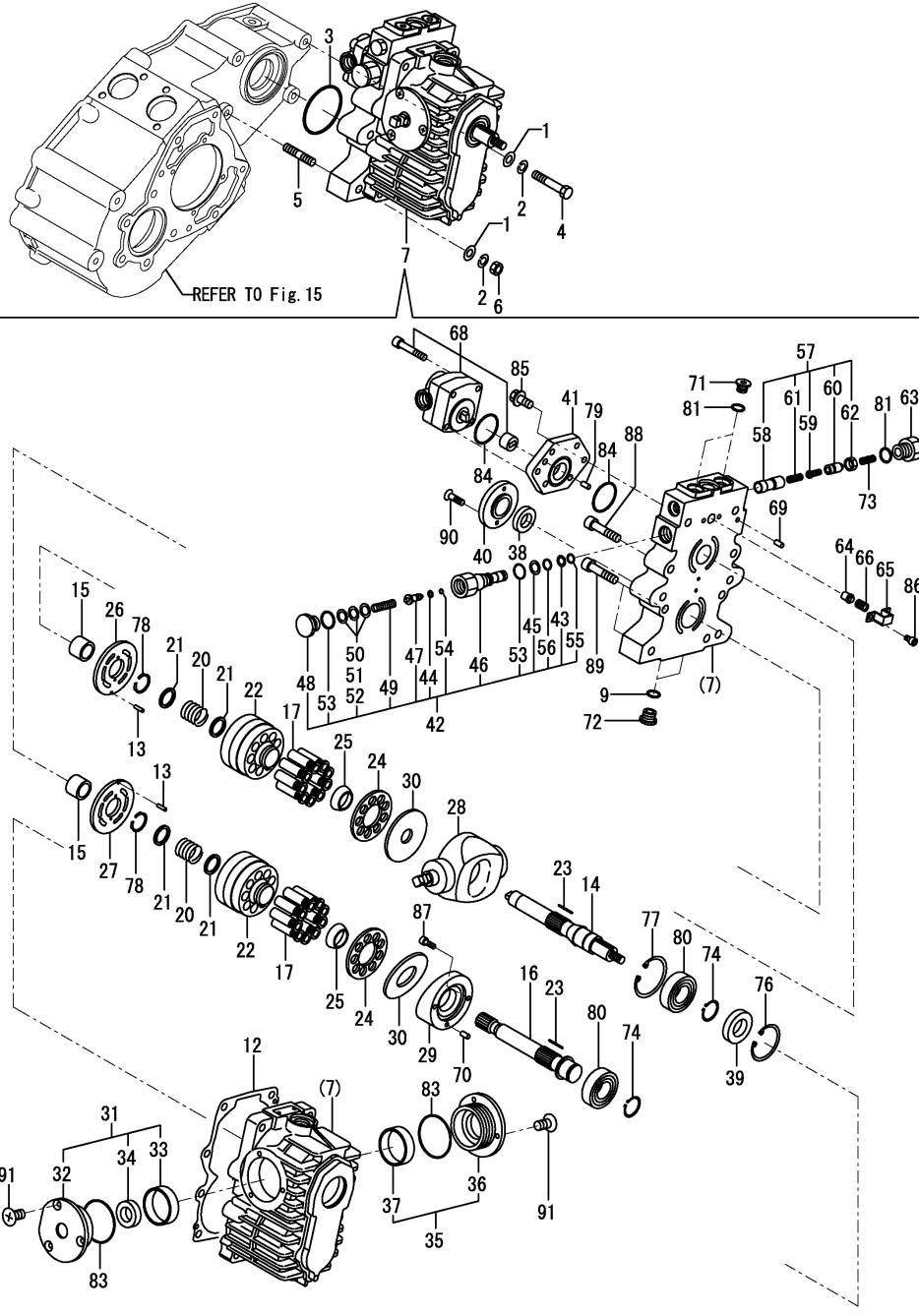


(A)=C12R(US)
(B)=
(C)=

(D)=
(E)=
(F)=

| No. | Lev. | Parts No. | Description | Q'ty | | | | | | I | R |
|-----|------|----------------|----------------------|------|-----|-----|-----|-----|-----|---|---|
| | | | | (A) | (B) | (C) | (D) | (E) | (F) | | |
| 1 | 1 | 172648-72101-1 | CYLINDER ASSY, DUMP | 1 | | | | | | | |
| 2 | 2 | 172648-72111-1 | TUBE, DUMP | 1 | | | | | | | |
| 3 | 2 | 172648-72150 | ROD,DUMP | 1 | | | | | | | |
| 4 | 2 | 172638-72200 | PACKING | 1 | | | | | | | |
| 7 | 2 | 172648-72300 | SEAL SET, HEAD | 1 | | | | | | | |
| 12 | 2 | 172141-72580 | NUT, M20 | 1 | | | | | | | |
| 13 | 2 | 24761-020000 | NIPPLE, GREASE PT1/8 | 1 | | | | | | | |
| 14 | 2 | 24761-050000 | NIPPLE, GREASE C | 1 | | | | | | | |
| 15 | 2 | 933123-73902 | PISTON 60 | 1 | | | | | | | |
| 16 | 2 | 933133-96300 | HEAD 60 30 ASSY | 1 | | | | | | | |
| 17 | 3 | 24550-030300 | BUSH, 30X30 | 1 | | | | | | | |

Fig.34. HST



(A)=C12R(US)

(B)=

(C)=

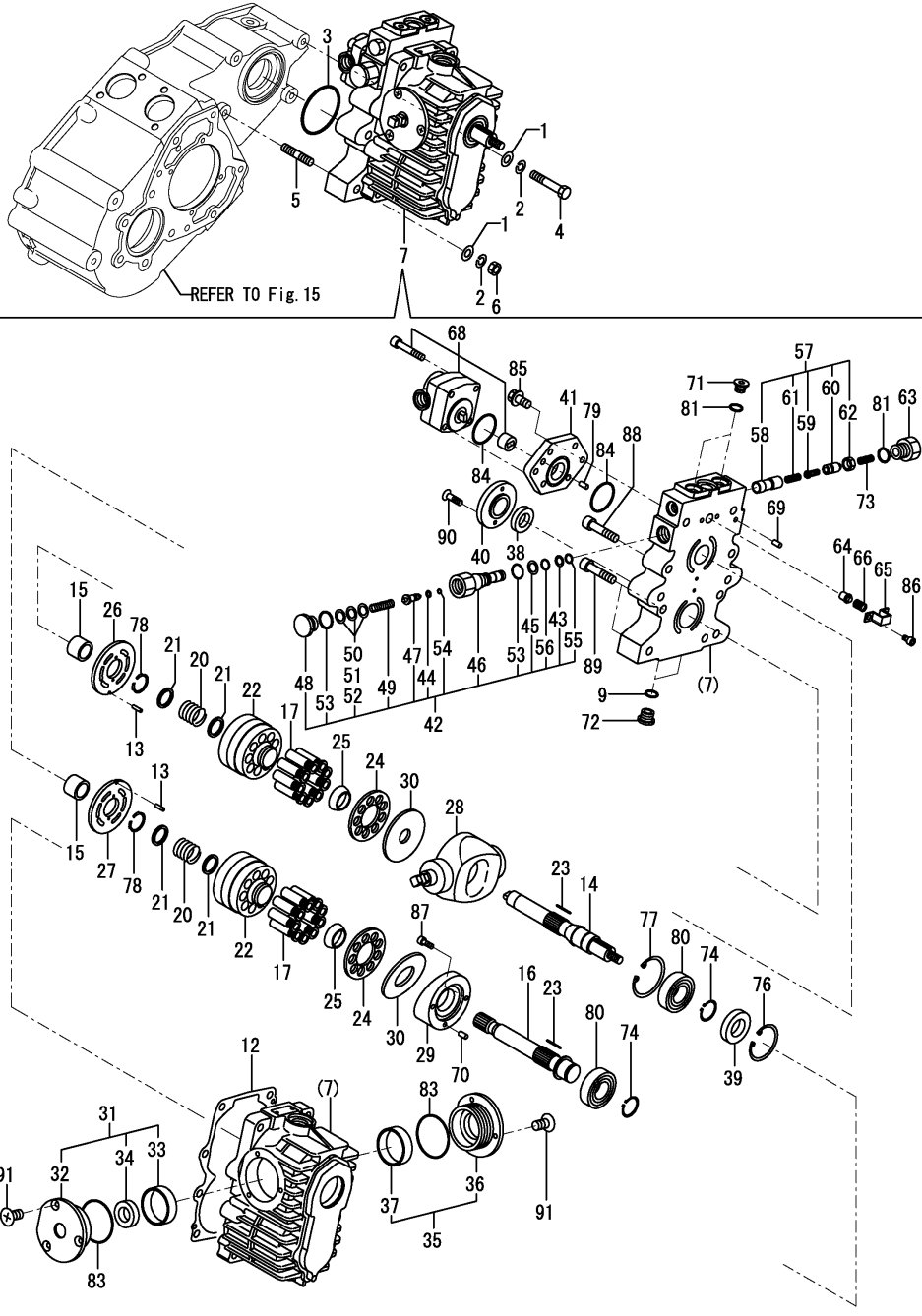
(D)=

(E)=

(F)=

| No. | Lev. | Parts No. | Description | Q'ty | | | | | | I | R |
|-----|------|--------------|----------------------|------|-----|-----|-----|-----|-----|---|---|
| | | | | (A) | (B) | (C) | (D) | (E) | (F) | | |
| 1 | 1 | 22137-100000 | WASHER, 10 | 4 | | | | | | | |
| 2 | 1 | 22217-100000 | WASHER, SPRING 10 | 4 | | | | | | | |
| 3 | 1 | 24321-000650 | O-RING, 1AG65.0 | 1 | | | | | | | |
| 4 | 1 | 26116-100552 | BOLT, M10X 55 PLATED | 3 | | | | | | | |
| 5 | 1 | 26216-100502 | STUD, M10X 50 | 1 | | | | | | | |
| 6 | 1 | 26716-100002 | NUT, M10 | 1 | | | | | | | |
| 7 | 1 | 758804-85101 | HST ASSY | 1 | | | | | | | |
| 9 | 2 | 24315-000140 | O-RING, 1BP14.0 | 2 | | | | | | | |
| 12 | 2 | 158802-85030 | PACKING | 1 | | | | | | | |
| 13 | 2 | 158802-85040 | PIN,PARALLEL(4X14 | 2 | | | | | | | |
| 14 | 2 | 158804-85061 | SHAFT, INPUT | 1 | | | | | | | |
| 15 | 2 | 158800-85071 | NEEDLE BEARING | 2 | | | | | | | |
| 16 | 2 | 158804-85090 | SHAFT, OUTPUT | 1 | | | | | | | |
| 17 | 2 | 158802-85100 | PLUNGER W/BARREL | 18 | | | | | | | |
| 20 | 2 | 158802-85160 | SPRING | 2 | | | | | | | |
| 21 | 2 | 158802-85170 | SUPPORT,SPRING | 4 | | | | | | | |
| 22 | 2 | 158804-85170 | PLUNGER BLOCK | 2 | | | | | | | |
| 23 | 2 | 158802-85181 | PIN | 6 | | | | | | | |
| 24 | 2 | 158802-85190 | RETAINER | 2 | | | | | | | |
| 25 | 2 | 158802-85201 | RETAINER | 2 | | | | | | | |
| 26 | 2 | 158804-85211 | PLATE, VALVE | 1 | | | | | | | |
| 27 | 2 | 158802-85221 | PLATE, VALVE | 1 | | | | | | | |
| 28 | 2 | 158804-85300 | PLATE P,SWASH | 1 | | | | | | | |
| 29 | 2 | 158802-85310 | PLATE M,SWASH | 1 | | | | | | | |
| 30 | 2 | 158802-85320 | THRUST PLATE | 2 | | | | | | | |
| 31 | 2 | 158804-85351 | COVER ASSY, TRUNION | 1 | | | | | | | |
| 32 | 3 | 158804-85370 | COVER, TRUNNION | 1 | | | | | | | |
| 33 | 3 | 158804-85390 | BEARING | 1 | | | | | | | |
| 34 | 3 | 158802-85421 | SEAL, 20358 | 1 | | | | | | | |
| 35 | 2 | 158804-85360 | COVER ASSY, TRUNION | 1 | | | | | | | |
| 36 | 3 | 158802-85380 | COVER, TRUNNION | 1 | | | | | | | |
| 37 | 3 | 158804-85390 | BEARING | 1 | | | | | | | |
| 38 | 2 | 158802-85421 | SEAL, 20358 | 1 | | | | | | | |
| 39 | 2 | 158805-85420 | SEAL 25*45*8.OIL | 1 | | | | | | | |
| 40 | 2 | 158804-85460 | COVER, SEAL | 1 | | | | | | | |
| 41 | 2 | 158804-85491 | SPACER | 1 | | | | | | | |
| 42 | 2 | 158802-85500 | VALVE COMP.,RELIEF | 1 | | | | | | | |
| 43 | 3 | 158802-85440 | RING 10,BACKUP | 2 | | | | | | | |
| 44 | 3 | 158800-85450 | RING,BUCK UP | 2 | | | | | | | |
| 45 | 3 | 158802-85450 | RING 12,BACKUP | 1 | | | | | | | |
| 46 | 3 | 158802-85510 | SLEEVE | 1 | | | | | | | |
| 47 | 3 | 158802-85520 | VALVE | 1 | | | | | | | |
| 48 | 3 | 158802-85530 | PLUG,VALVE | 1 | | | | | | | |
| 49 | 3 | 158802-85540 | SPRING, VALVE | 1 | | | | | | | |
| 50 | 3 | 158802-85550 | SHIM, T=0.2 | 2 | | | | | | | |
| 51 | 3 | 158802-85560 | SHIM, T=0.3 | 2 | | | | | | | |
| 52 | 3 | 158802-85570 | SHIM, T=0.7 | 2 | | | | | | | |
| 53 | 3 | 24315-000180 | O-RING, 1BP18.0 | 2 | | | | | | | |
| 54 | 3 | 24316-000050 | O-RING, 4DP5.0 | 1 | | | | | | | |
| 55 | 3 | 24316-000100 | O-RING, 4DP10.0 | 1 | | | | | | | |
| 56 | 3 | 24316-000120 | O-RING, 4DP12.0 | 1 | | | | | | | |

Fig.34. HST



(A)=C12R(US)

(B)=

(C)=

(D)=

(E)=

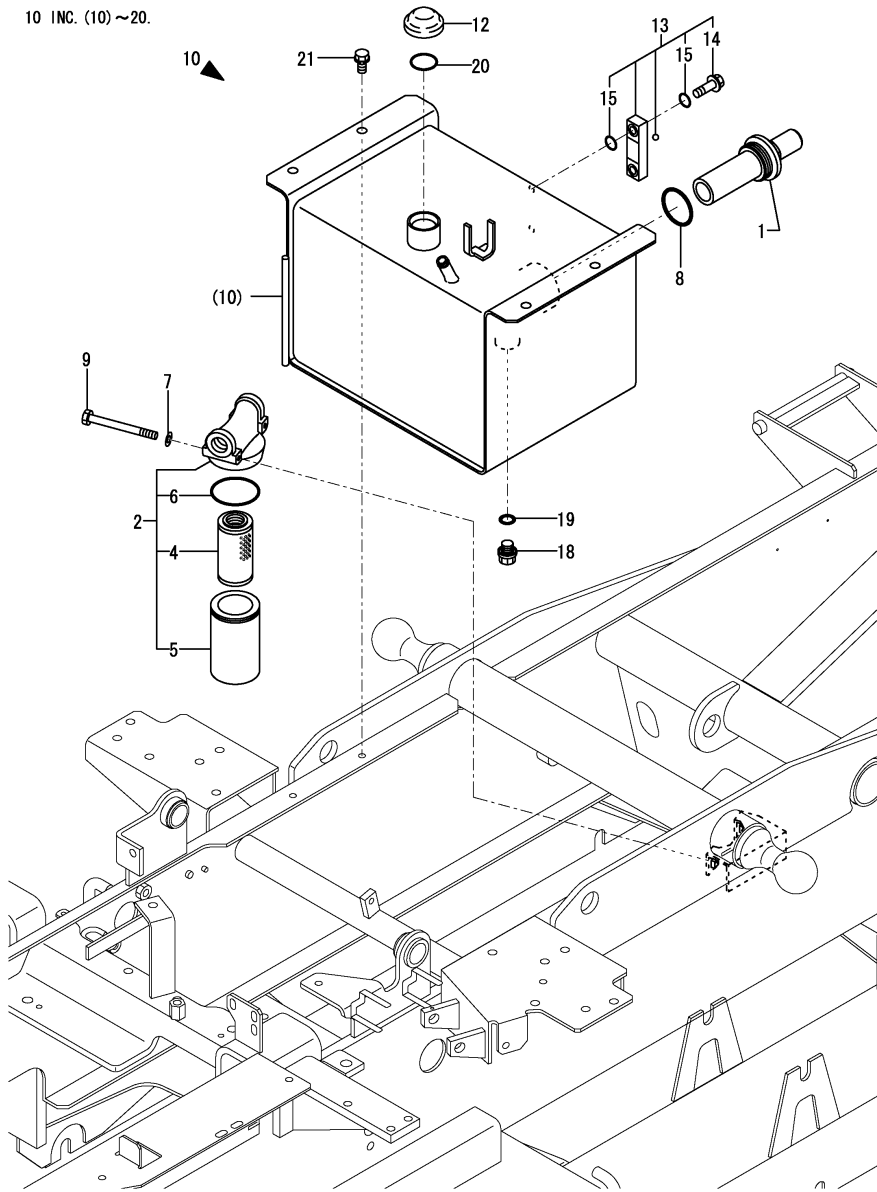
(F)=

| No. | Lev. | Parts No. | Description | Qty | | | | | | I | R |
|--------------|------|--------------|----------------------|-----|-----|-----|-----|-----|-----|---|---|
| | | | | (A) | (B) | (C) | (D) | (E) | (F) | | |
| 57 | 2 | 158804-85601 | VALVE ASSY,CHECK | 2 | | | | | | | |
| 58 | 3 | 158804-85611 | SLEEVE | 2 | | | | | | | |
| 59 | 3 | 158804-85621 | VALVE | 2 | | | | | | | |
| 60 | 3 | 158804-85630 | BOLT | 2 | | | | | | | |
| 61 | 3 | 158804-85641 | SPRING | 2 | | | | | | | |
| 62 | 3 | 158804-85650 | NUT | 2 | | | | | | | |
| 63 | 2 | 158804-85660 | PLUG | 2 | | | | | | | |
| 64 | 2 | 158804-85710 | VALVE | 1 | | | | | | | |
| 65 | 2 | 158802-85720 | RETAINER(CHG RELIEF) | 1 | | | | | | | |
| 66 | 2 | 158802-85730 | SPRING(CHG RELIEF) | 1 | | | | | | | |
| 68 | 2 | 158804-85811 | PUMP, GEAR | 1 | | | | | | | |
| 69 | 2 | 158802-85880 | PIN,PARALLEL(6X12) | 2 | | | | | | | |
| 70 | 2 | 158802-85880 | PIN,PARALLEL(6X12) | 1 | | | | | | | |
| 71 | 2 | 158805-85900 | PLUG, G1/4 | 2 | | | | | | | |
| 71-1 | 2 | 178076-12400 | PLUG, G1/4 | 2 | | | | | | | N |
| (A=M/#20799) | | | | | | | | | | | |
| 72 | 2 | 158805-85910 | PLUG G3/8 | 2 | | | | | | | |
| 72-1 | 2 | 1A6750-29850 | PLUG, G3/8 | 2 | | | | | | | N |
| (A=M/#20799) | | | | | | | | | | | |
| 73 | 2 | 158802-85930 | SPRING, VALVE | 2 | | | | | | | |
| 74 | 2 | 22242-000250 | RING, 25 | 2 | | | | | | | |
| 76 | 2 | 22252-000460 | RING, 46 | 1 | | | | | | | |
| 77 | 2 | 22252-000520 | RING, 52 | 1 | | | | | | | |
| 78 | 2 | 22262-000280 | RING, R-28 | 2 | | | | | | | |
| 79 | 2 | 22312-080160 | PIN, PARALLEL M8X16 | 2 | | | | | | | |
| 80 | 2 | 24101-062050 | BEARING, BALL 6205C3 | 2 | | | | | | | |
| 81 | 2 | 24315-000110 | O-RING, 1BP11.0 | 4 | | | | | | | |
| 83 | 2 | 24321-000550 | O-RING, 1AG55.0 | 2 | | | | | | | |
| 84 | 2 | 24341-000390 | O-RING, 1AS39.0 | 2 | | | | | | | |
| 85 | 2 | 26106-100222 | BOLT, M10X 22 PLATED | 2 | | | | | | | |
| 86 | 2 | 26450-060102 | BOLT, M6X 10 | 2 | | | | | | | |
| 87 | 2 | 26450-060182 | BOLT, M6X 18 | 2 | | | | | | | |
| 88 | 2 | 26450-100402 | BOLT, M10X 40 | 2 | | | | | | | |
| 89 | 2 | 26450-100452 | BOLT, M10X 45 | 6 | | | | | | | |
| 90 | 2 | 26577-050142 | SCREW, M5X14 | 2 | | | | | | | |
| 91 | 2 | 26577-060122 | SCREW, M6X12 | 6 | | | | | | | |

Fig.35. HYD.OIL TANK & FILTER

(A)=C12R(US)
(B)=
(C)=

(D)=
(E)=
(F)=



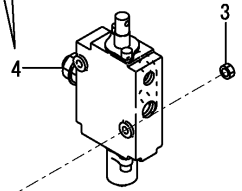
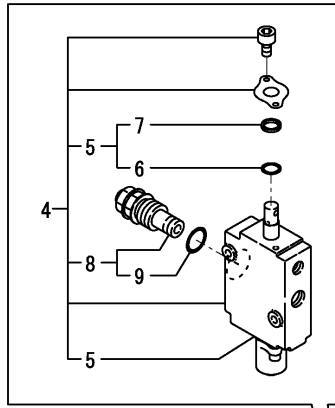
| No. | Lev. | Parts No. | Description | Q'ty | | | | | | I | R |
|--------------|------|--------------|----------------------|------|-----|-----|-----|-----|-----|---|-----|
| | | | | (A) | (B) | (C) | (D) | (E) | (F) | | |
| 1 | 1 | 172480-73700 | FILTER,SUCTION | 1 | | | | | | | |
| 2 | 1 | 172652-73750 | FILTER,LINE | 1 | | | | | | | |
| 4 | 2 | 172652-73770 | ELEMENT, FILTER | 1 | | | | | | | |
| 5 | 2 | 172652-73780 | CASE | 1 | | | | | | | |
| 6 | 2 | 172652-73790 | O-RING, JAS02053 | 1 | | | | | | | |
| 7 | 1 | 22217-060000 | WASHER, SPRING 6 | 2 | | | | | | | |
| 8 | 1 | 24315-000440 | O-RING 1B P-44.0 | 1 | | | | | | | |
| 9 | 1 | 26116-060602 | BOLT, M6X 60 PLATED | 2 | | | | | | | |
| 10 | 1 | 772652-75100 | TANK ASSY, RESERVOIR | 1 | | | | | | | 1 |
| 12 | 2 | 172638-75350 | CAP, OIL | 1 | | | | | | | |
| 13 | 2 | 172447-75600 | GAUGE ASSY | 1 | | | | | | | |
| 14 | 3 | 172455-75290 | BOLT M10 | 2 | | | | | | | |
| 15 | 3 | 172455-75300 | O-RING | 4 | | | | | | | |
| 18 | 2 | 23491-140002 | PLUG, 14 | 1 | | | | | | | |
| 19 | 2 | 24311-000160 | O-RING, 1AP16.0 | 1 | | | | | | | |
| 20 | 2 | 24321-000300 | O-RING, 1AG30.0 | 1 | | | | | | | |
| 21 | 1 | 26013-100252 | BOLT, M10X 25 | 4 | | | | | | | |
| 22A | 1 | 172437-03321 | LABEL,HYD.OIL TANK | 1 | | | | | | | 2 |
| 22A-1 | 1 | 172437-03322 | LABEL, HYD.OIL TANK | 1 | | | | | | | N 2 |
| (A=M/#21213) | | | | | | | | | | | |

Remarks
(1)PLEASE USE THIS PART WITH FOLLOWING LABELS AT THE SAME TIME.
REF.NO.22A
(2)LABELS ARE NOT ILLUSTRATED.

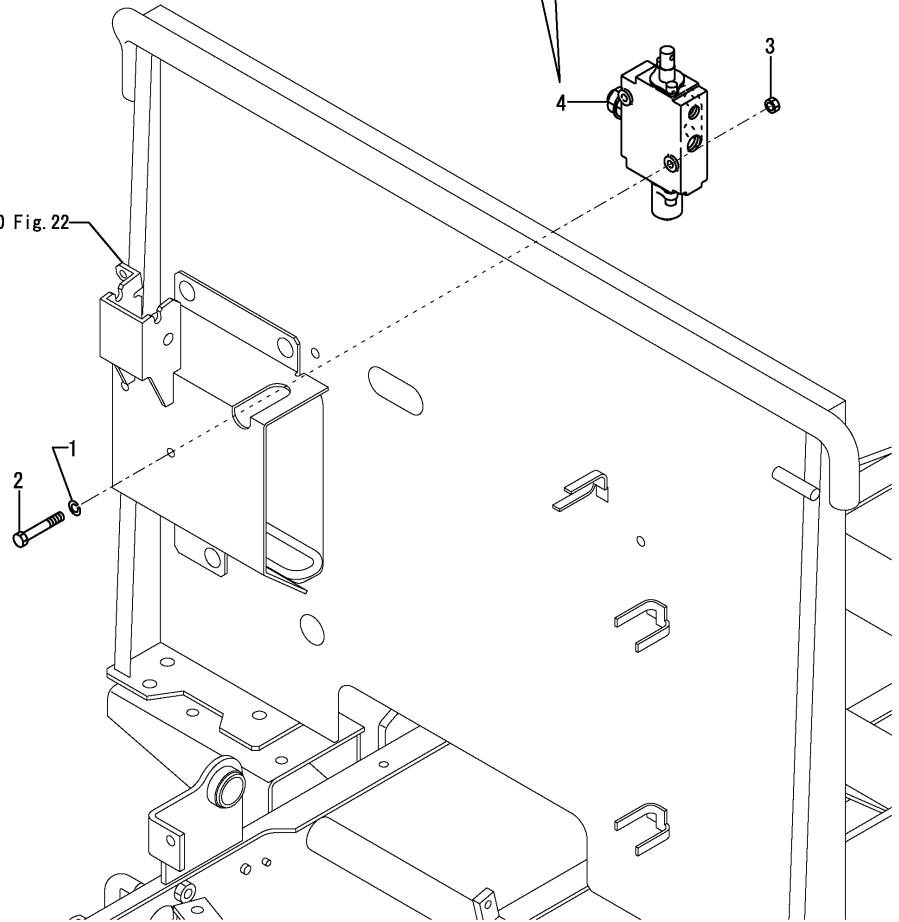
Fig.36. CONTROL VALVE

(A)=C12R(US)
(B)=
(C)=

(D)=
(E)=
(F)=



REFER TO Fig. 22



| No. | Lev. | Parts No. | Description | Q'ty | | | | | | I | R |
|-----|------|--------------|---------------------|------|-----|-----|-----|-----|-----|---|---|
| | | | | (A) | (B) | (C) | (D) | (E) | (F) | | |
| 1 | 1 | 22217-080000 | WASHER, SPRING 8 | 2 | | | | | | | |
| 2 | 1 | 26116-080502 | BOLT, M8X 50 PLATED | 2 | | | | | | | |
| 3 | 1 | 26716-080002 | NUT, M8 | 2 | | | | | | | |
| 4 | 1 | 172648-74100 | VALVE | 1 | | | | | | | |
| 5 | 2 | 172648-74250 | SEAL SET | 1 | | | | | | | |
| 6 | 3 | 933171-80610 | O-RING | 2 | | | | | | | |
| 7 | 3 | 933166-80520 | WIPER | 2 | | | | | | | |
| 8 | 2 | 172648-74300 | VALVE | 1 | | | | | | | |
| 9 | 3 | 24315-000200 | O-RING, 1BP20.0 | 1 | | | | | | | |

Fig.37. HYD.OIL PIPING

(A)=C12R(US)

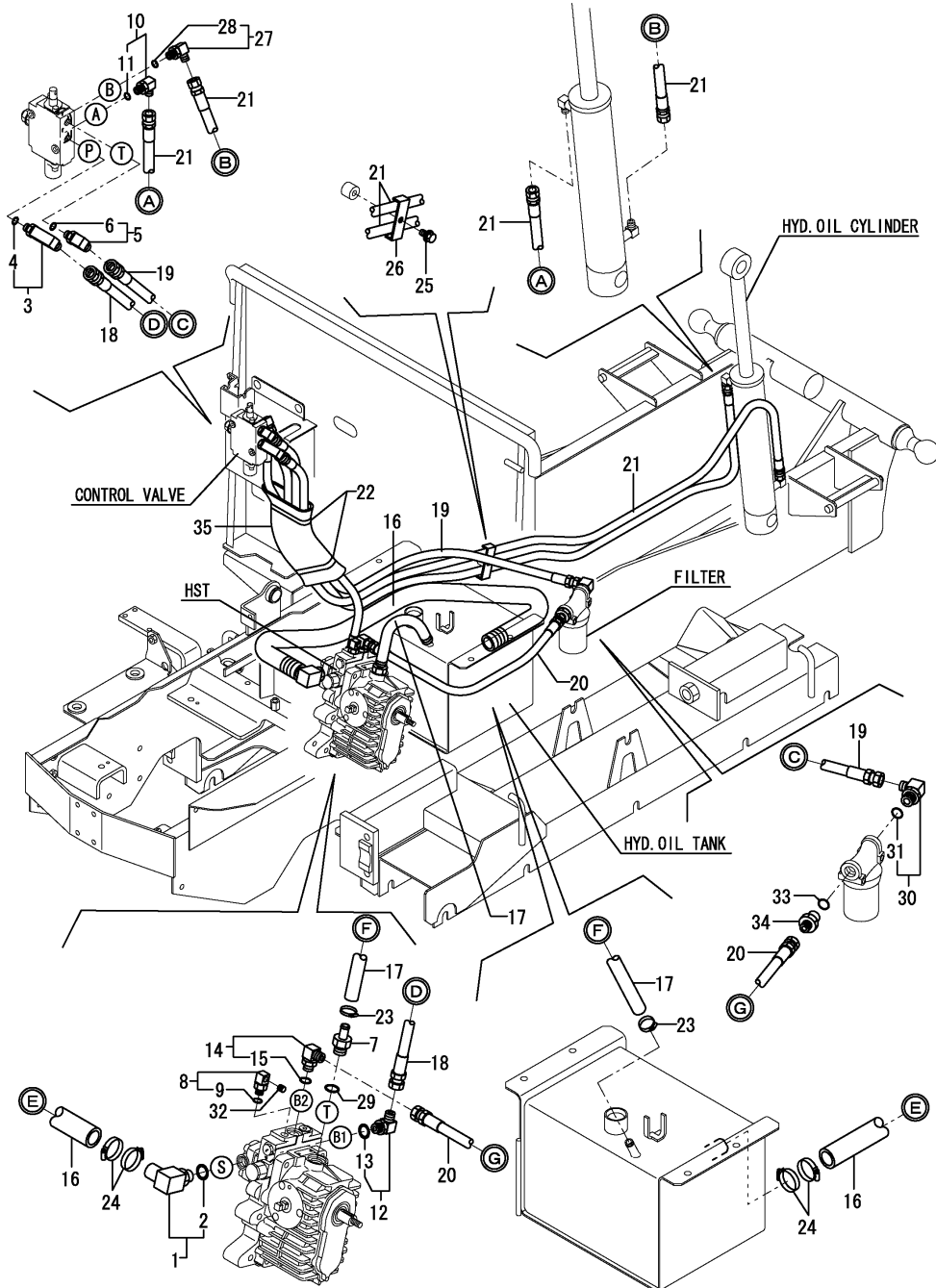
(B)=

(C)=

(D)=

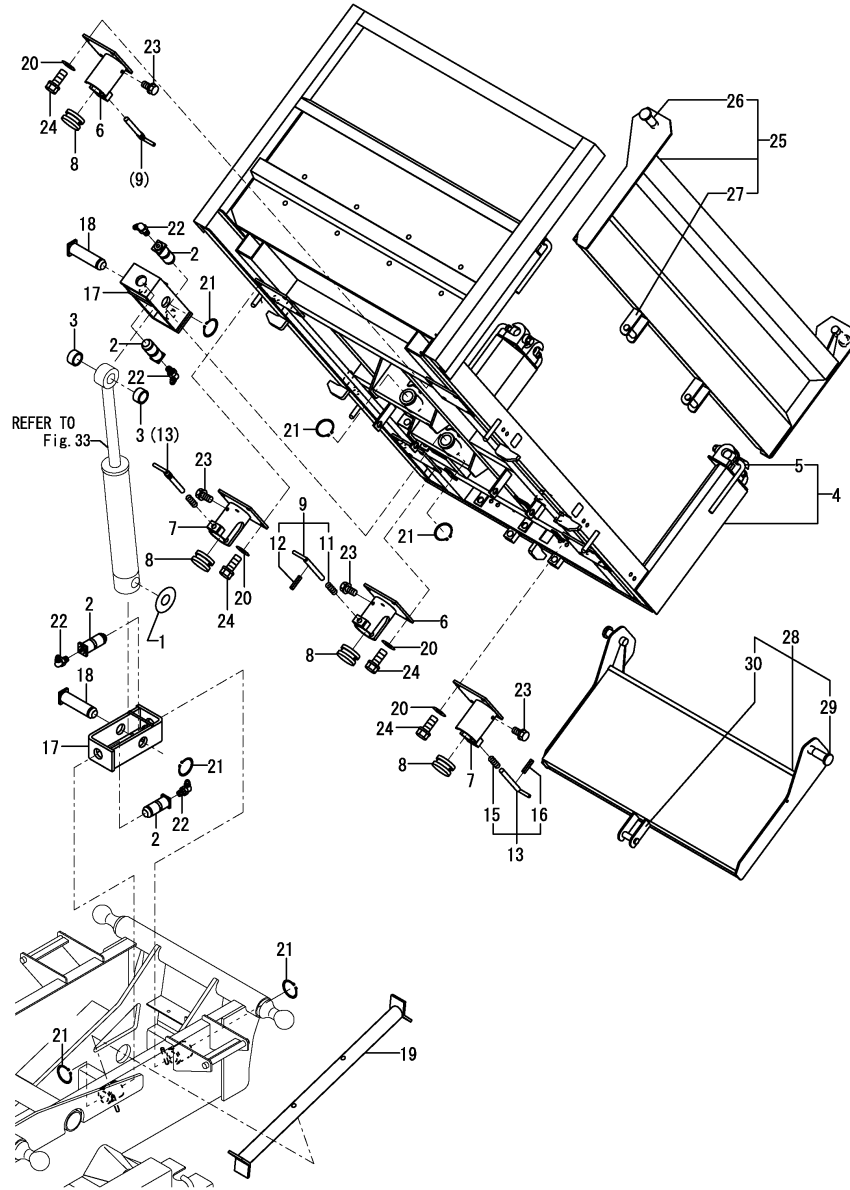
(E)=

(F)=



| No. | Lev. | Parts No. | Description | Qty | | | | | | I | R |
|--------------|------|----------------|-----------------------|-----|-----|-----|-----|-----|-----|---|---|
| | | | | (A) | (B) | (C) | (D) | (E) | (F) | | |
| 1 | 1 | 172652-76100 | ELBOW | 1 | | | | | | | |
| 2 | 2 | 24315-000180 | O-RING, 1BP18.0 | 1 | | | | | | | |
| 3 | 1 | 172652-76120 | ELBOW, ADJUST | 1 | | | | | | | |
| 4 | 2 | 24315-000110 | O-RING, 1BP11.0 | 1 | | | | | | | |
| 5 | 1 | 172652-76130 | ELBOW, ADJUST | 1 | | | | | | | |
| 6 | 2 | 24315-000110 | O-RING, 1BP11.0 | 1 | | | | | | | |
| 7 | 1 | 172652-76150 | ADAPTER, 1/2-53 | 1 | | | | | | | |
| 8 | 1 | 172652-76160 | ELBOW | 1 | | | | | | | |
| 9 | 2 | 24315-000110 | O-RING, 1BP11.0 | 1 | | | | | | | |
| 10 | 1 | 172141-76180 | CONNECTOR ASSY | 1 | | | | | | | |
| 11 | 2 | 24315-000110 | O-RING, 1BP11.0 | 1 | | | | | | | |
| 12 | 1 | 172142-76181 | JOINT ASSY | 1 | | | | | | | |
| 13 | 2 | 24315-000140 | O-RING, 1BP14.0 | 1 | | | | | | | |
| 14 | 1 | 172142-76181 | JOINT ASSY | 1 | | | | | | | |
| 15 | 2 | 24315-000140 | O-RING, 1BP14.0 | 1 | | | | | | | |
| 16 | 1 | 172652-78100 | HOSE | 1 | | | | | | | |
| 17 | 1 | 172652-78120 | HOSE | 1 | | | | | | | |
| 18 | 1 | 172652-78150 | HOSE | 1 | | | | | | | |
| 19 | 1 | 172652-78160 | HOSE | 1 | | | | | | | |
| 20 | 1 | 172652-78170 | HOSE | 1 | | | | | | | |
| 21 | 1 | 172652-78180 | HOSE | 2 | | | | | | | |
| 22 | 1 | 172122-79930 | CLAMP, HOSE | 2 | | | | | | | |
| 23 | 1 | 23001-025000 | CLAMP, HOSE 25 | 2 | | | | | | | |
| 23-1 | 1 | 23001-022000 | CLAMP, HOSE 22 | 2 | | | | | | | R |
| (A=M/#20836) | | | | | | | | | | | |
| 24 | 1 | 23001-041000 | CLAMP, HOSE 41 | 4 | | | | | | | |
| 25 | 1 | 26014-100302 | BOLT, M10X 30 | 1 | | | | | | | |
| 26 | 1 | 933168-53680-1 | STAY, HOSE | 1 | | | | | | | |
| 27 | 1 | 172187-76210 | ELBOW | 1 | | | | | | | |
| 28 | 2 | 24315-000110 | O-RING, 1BP11.0 | 1 | | | | | | | |
| 29 | 1 | 24315-000180 | O-RING, 1BP18.0 | 1 | | | | | | | |
| 30 | 1 | 172157-76300 | ELBOW ASSY | 1 | | | | | | | |
| 31 | 2 | 24315-000180 | O-RING, 1BP18.0 | 1 | | | | | | | |
| 32 | 1 | 23871-010000 | PLUG, R01 | 1 | | | | | | | |
| 33 | 1 | 24315-000180 | O-RING, 1BP18.0 | 1 | | | | | | | |
| 34 | 1 | 933160-01370 | CONNECTOR, PF1/2PF3/8 | 1 | | | | | | | |
| 35 | 1 | 172146-77900 | COVER, HOSE | 1 | | | | | | | |

Fig.38. WAGON(3WD SPEC.)



(A)=C12R(US)
(B)=
(C)=

(D)=
(E)=
(F)=

| No. | Lev. | Parts No. | Description | Q'ty | | | | | | I | R |
|-------|------|----------------|----------------------|------|-----|-----|-----|-----|-----|---|-----|
| | | | | (A) | (B) | (C) | (D) | (E) | (F) | | |
| 1 | 1 | 172312-32510 | SHIM, 30X1.0 | 1 | | | | | | | |
| 2 | 1 | 172739-52851-1 | PIN,CYLINDER (82) | 4 | | | | | | | |
| 3 | 1 | 172638-81580-1 | SPACER | 2 | | | | | | | |
| 4 | 1 | 172652-85100-1 | VESSEL ASSY | 1 | | | | | | | 1 |
| 5 | 3 | 172652-85330 | FULCRUM ASSY, BOARD | 6 | | | | | | | |
| 6 | 1 | 172638-85560-5 | CATCH ASSY, FULCRUM | 2 | | | | | | | |
| 7 | 1 | 172638-85610-5 | CATCH ASSY, FULCRUM | 2 | | | | | | | |
| 8 | 1 | 172638-85710 | BUSH | 4 | | | | | | | |
| 9 | 1 | 172638-85731 | HANDLE ASSY A | 1 | | | | | | | |
| 11 | 2 | 172638-85780 | SPRING | 1 | | | | | | | |
| 12 | 2 | 22351-050020 | PIN, SPRING 5.0X20 | 1 | | | | | | | |
| 13 | 1 | 172638-85741 | HANDLE ASSY B | 1 | | | | | | | |
| 15 | 2 | 172638-85780 | SPRING | 1 | | | | | | | |
| 16 | 2 | 22351-050016 | PIN, SPRING 5.0X16 | 1 | | | | | | | |
| 17 | 1 | 172652-86100-1 | BRACKET,CYL(GREEN:82 | 2 | | | | | | | |
| 18 | 1 | 172652-86150-1 | PIN 33X99 (GREEN:82) | 2 | | | | | | | |
| 19 | 1 | 172652-86200 | SUPPORT, VESSEL | 1 | | | | | | | |
| 20 | 1 | 22137-100000 | WASHER, 10 | 16 | | | | | | | |
| 21 | 1 | 22242-000300 | RING, 30 | 6 | | | | | | | |
| 22 | 1 | 24761-050000 | NIPPLE, GREASE C | 4 | | | | | | | |
| 23 | 1 | 26013-080122 | BOLT, M8X 12 | 4 | | | | | | | |
| 24 | 1 | 26013-100252 | BOLT, M10X 25 | 16 | | | | | | | |
| 25 | 1 | 172652-85600-1 | GATE, 3RD | 2 | | | | | | | |
| 26 | 3 | 172614-96071 | FULCRUM, BOARD | 4 | | | | | | | |
| 27 | 2 | 172649-95940 | HOOK ASSY | 4 | | | | | | | |
| 28 | 1 | 172652-85500-1 | GATE, 3RD | 1 | | | | | | | |
| 29 | 3 | 172614-96071 | FULCRUM, BOARD | 2 | | | | | | | |
| 30 | 2 | 172649-95940 | HOOK ASSY | 1 | | | | | | | |
| 31A | 1 | 172652-03730 | LABEL,WAGON | 1 | | | | | | | 2 |
| 31A-1 | 1 | 172652-03731 | LABEL, WAGON US | 1 | | | | | | | N 2 |

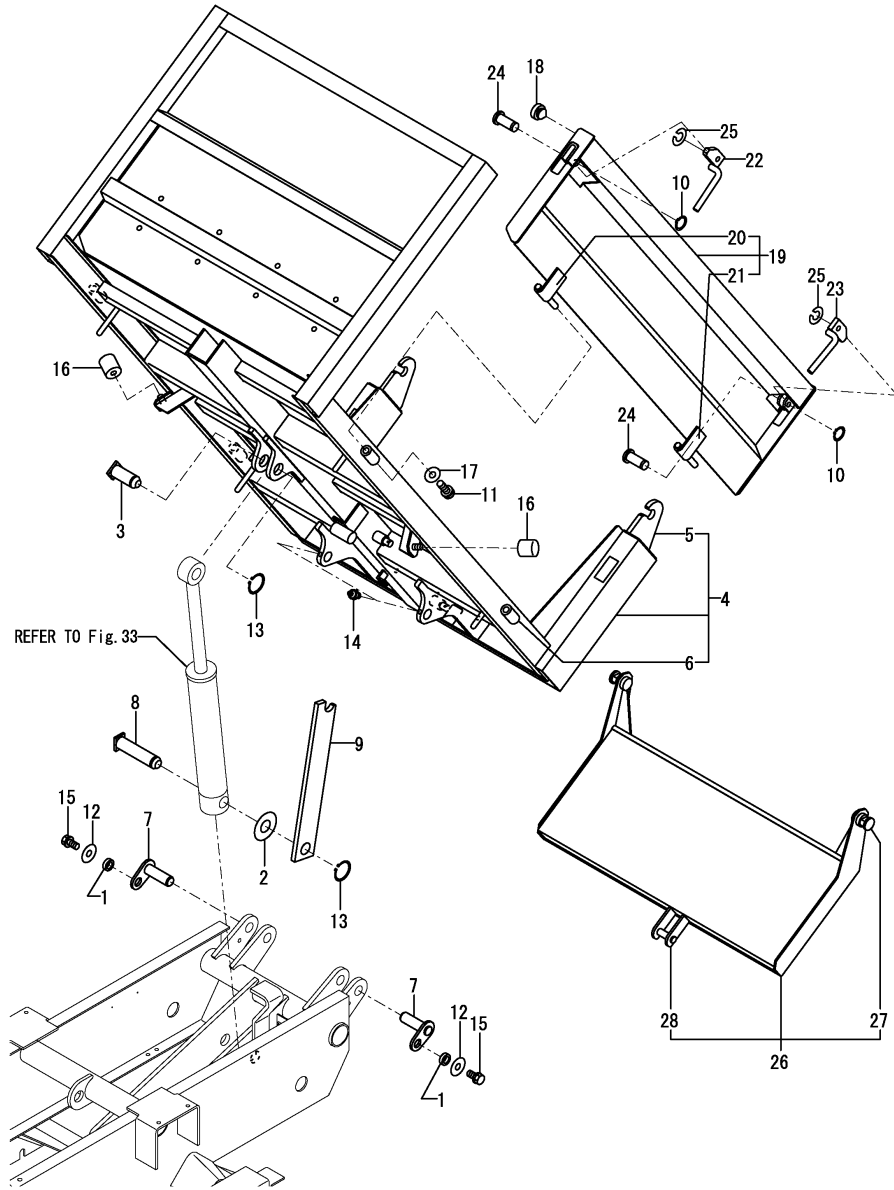
(A=M/#21213)

Remarks

(1)PLEASE USE THIS PART WITH FOLLOWING LABELS AT THE SAME TIME.
REF.NO.31A

(2)LABELS ARE NOT ILLUSTRATED.

Fig.39. WAGON(STANDARD SPEC.)



(A)=C12R(US)
(B)=
(C)=

(D)=
(E)=
(F)=

| No. | Lev. | Parts No. | Description | Q'ty | | | | | | I | R |
|-------|------|----------------|-----------------------|------|-----|-----|-----|-----|-----|---|-----|
| | | | | (A) | (B) | (C) | (D) | (E) | (F) | | |
| 1 | 1 | 172010-01640 | SPACER | 2 | | | | | | | |
| 2 | 1 | 172141-37320 | SPACER | 1 | | | | | | | |
| 3 | 1 | 172739-52801-1 | PIN,BODY FULCRUM(82) | 1 | | | | | | | |
| 4 | 1 | 172652-95100-1 | VESSEL ASSY | 1 | | | | | | | 1 |
| 5 | 3 | 172730-84151 | PLATE | 2 | | | | | | | |
| 6 | 2 | 172068-27620 | BOSS A,HINGE | 4 | | | | | | | |
| 7 | 1 | 172648-95450-1 | PIN 25X77(YELLOW:87) | 2 | | | | | | | |
| 8 | 1 | 172638-95661-1 | PIN 30X119(YELLOW:82) | 1 | | | | | | | |
| 9 | 1 | 172638-95690 | LOCK,BED SUPPORT(50) | 1 | | | | | | | |
| 10 | 1 | 22242-000120 | RING, 12 | 4 | | | | | | | |
| 11 | 1 | 26013-080202 | BOLT, M8X 20 | 2 | | | | | | | |
| 12 | 1 | 22157-100000 | WASHER, 10 | 2 | | | | | | | |
| 13 | 1 | 22242-000300 | RING, 30 | 2 | | | | | | | |
| 14 | 1 | 24761-020000 | NIPPLE, GREASE PT1/8 | 2 | | | | | | | |
| 15 | 1 | 26013-100202 | BOLT, M10X 20 | 2 | | | | | | | |
| 16 | 1 | 933172-27150 | RUBBER, SUPPORT | 2 | | | | | | | |
| 17 | 1 | 1C6053-32020 | WASHER, 8.5X20X3.2 | 2 | | | | | | | |
| 18 | 1 | 1N1730-61190 | RUBBER,CONTACT | 4 | | | | | | | |
| 19 | 1 | 172652-95500-1 | GATE | 2 | | | | | | | |
| 20 | 2 | 172649-95750 | HINGE ASSY | 2 | | | | | | | |
| 21 | 2 | 172649-95770 | HINGE ASSY | 2 | | | | | | | |
| 22 | 1 | 172648-95600-5 | LEVER A (YELLOW:87) | 2 | | | | | | | |
| 23 | 1 | 172648-95620-5 | LEVER B (YELLOW:87) | 2 | | | | | | | |
| 24 | 1 | 172648-95650 | PIN | 4 | | | | | | | |
| 25 | 1 | 22217-120000 | WASHER, SPRING 12 | 4 | | | | | | | |
| 26 | 1 | 172648-95800-5 | GATE | 1 | | | | | | | |
| 27 | 3 | 172648-95840 | FULCRUM PIN,BOARD | 2 | | | | | | | |
| 28 | 2 | 172649-95940 | HOOK ASSY | 1 | | | | | | | |
| 29A | 1 | 172652-03730 | LABEL,WAGON | 1 | | | | | | | 2 |
| 29A-1 | 1 | 172652-03731 | LABEL, WAGON US | 1 | | | | | | | N 2 |

(A=M/#21213)

Remarks

(1)PLEASE USE THIS PART WITH FOLLOWING LABELS AT THE SAME TIME.
REF.NO.29A

(2)LABELS ARE NOT ILLUSTRATED.

Fig.40. HOOK(3WD SPEC.)

(A)=C12R(US)

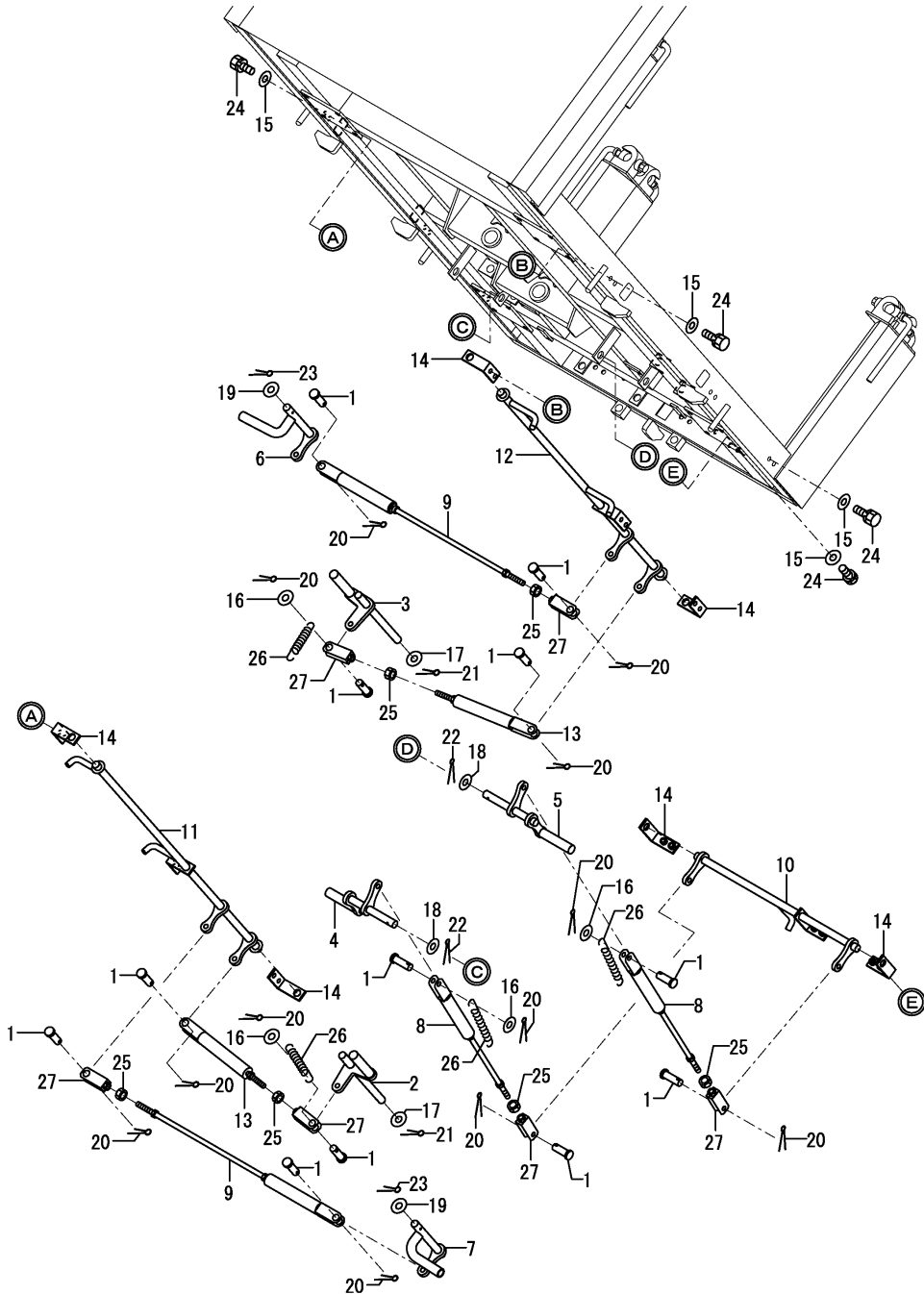
(B)=

(C)=

(D)=

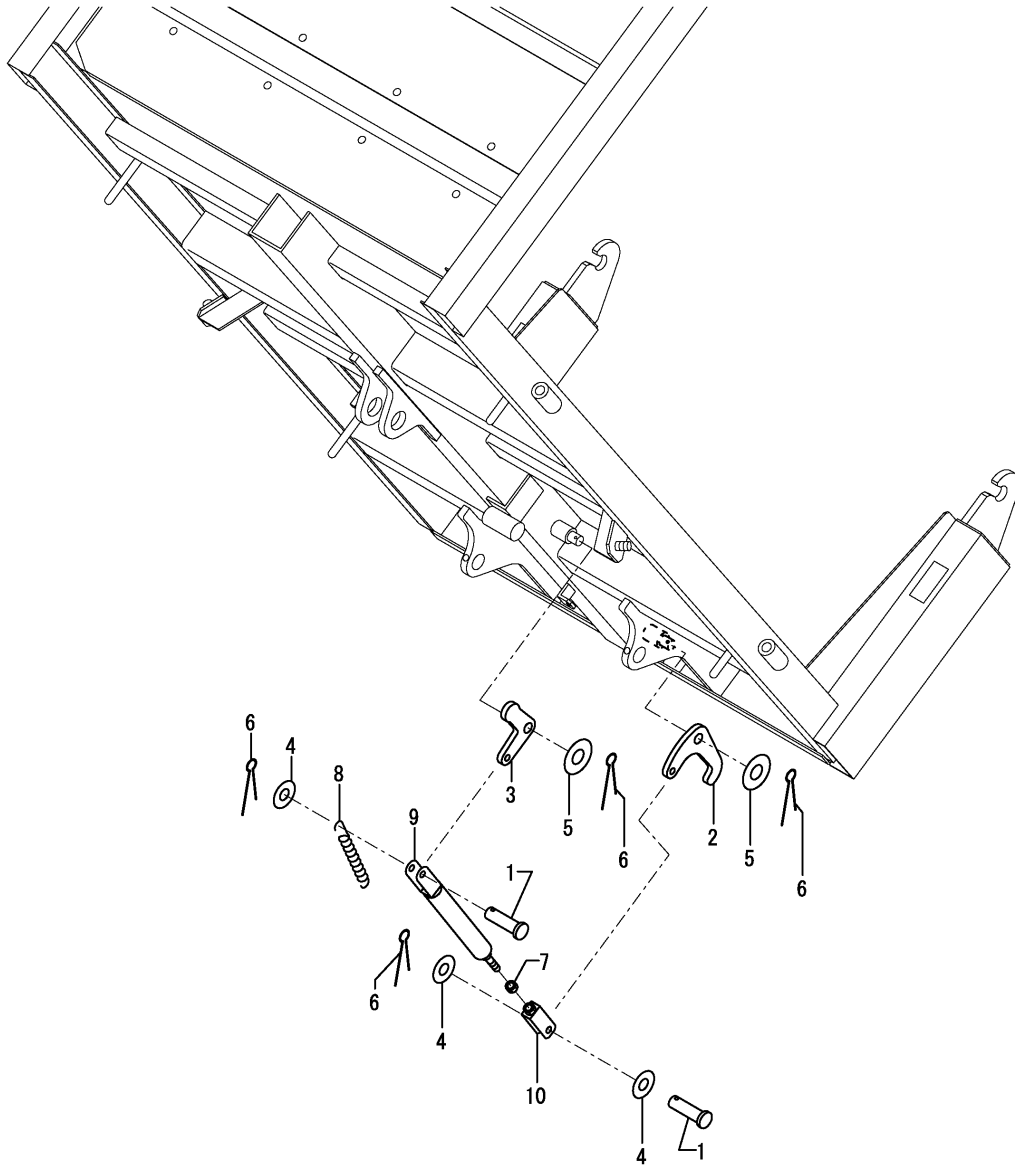
(E)=

(F)=



| No. | Lev. | Parts No. | Description | Qty | | | | | | I | R |
|--------------|------|----------------|----------------------|-----|-----|-----|-----|-----|-----|---|---|
| | | | | (A) | (B) | (C) | (D) | (E) | (F) | | |
| 1 | 1 | 172730-11451 | PIN 10,25.29 | 12 | | | | | | | |
| 2 | 1 | 172652-85700 | RINK A,L | 1 | | | | | | | |
| 3 | 1 | 172652-85740 | RINK A,R | 1 | | | | | | | |
| 4 | 1 | 172652-85750 | RINK B,L | 1 | | | | | | | |
| 5 | 1 | 172652-85770 | RINK B,R | 1 | | | | | | | |
| 6 | 1 | 172652-85780 | RINK C,L | 1 | | | | | | | |
| 6-1 | 1 | 172652-85781 | RINK C,L | 1 | | | | | | | N |
| (A=MZZZZZ) | | | | | | | | | | | |
| 7 | 1 | 172652-85820 | RINK C,R | 1 | | | | | | | |
| 7-1 | 1 | 172652-85821 | RINK C,R | 1 | | | | | | | N |
| (A=MZZZZZ) | | | | | | | | | | | |
| 8 | 1 | 172652-85840-1 | SPRING ASSY, HOOK | 2 | | | | | | | |
| 9 | 1 | 172652-85870-1 | SPRING ASSY, HOOK | 2 | | | | | | | |
| 9-1 | 1 | 172652-85871-1 | SPRING ASSY, HOOK | 2 | | | | | | | N |
| (A=MZZZZZ) | | | | | | | | | | | |
| 10 | 1 | 172652-85900 | HOOK | 1 | | | | | | | |
| 11 | 1 | 172652-85930 | HOOK L | 1 | | | | | | | |
| 12 | 1 | 172652-85950 | HOOK R | 1 | | | | | | | |
| 13 | 1 | 172638-86410-5 | ROD A,HOOK(YELLOR:87 | 2 | | | | | | | |
| 14 | 1 | 172638-86510-5 | FULCRUM ASSY, LINK | 6 | | | | | | | |
| 15 | 1 | 22137-080000 | WASHER, 8 | 18 | | | | | | | |
| 16 | 1 | 22137-100000 | WASHER, 10 | 4 | | | | | | | |
| 17 | 1 | 22137-160000 | WASHER, 16 | 4 | | | | | | | |
| 18 | 1 | 22137-160000 | WASHER, 16 | 2 | | | | | | | |
| 19 | 1 | 22137-160000 | WASHER, 16 | 2 | | | | | | | |
| 20 | 1 | 22417-400250 | PIN, COTTER 4.0X25 | 12 | | | | | | | |
| 21 | 1 | 22417-400250 | PIN, COTTER 4.0X25 | 4 | | | | | | | |
| 22 | 1 | 22417-400250 | PIN, COTTER 4.0X25 | 2 | | | | | | | |
| 23 | 1 | 22417-400250 | PIN, COTTER 4.0X25 | 2 | | | | | | | |
| 24 | 1 | 26013-080202 | BOLT, M8X 20 | 18 | | | | | | | |
| 25 | 1 | 26717-100002 | NUT, M10 | 6 | | | | | | | |
| 25-1 | 1 | 26716-100002 | NUT, M10 | 6 | | | | | | | N |
| (A=M/#20943) | | | | | | | | | | | |
| 26 | 1 | 933153-01280 | SPRING, RETURN | 4 | | | | | | | |
| 27 | 1 | 933168-51780 | JOINT, ROD | 6 | | | | | | | |

Fig.41. HOOK(STANDARD SPEC.)



(A)=C12R(US)
(B)=
(C)=

(D)=
(E)=
(F)=

| No. | Lev. | Parts No. | Description | Q'ty | | | | | | I | R |
|-----|------|----------------|----------------------|------|-----|-----|-----|-----|-----|---|---|
| | | | | (A) | (B) | (C) | (D) | (E) | (F) | | |
| 1 | 1 | 172730-11451 | PIN 10.25.29 | 2 | | | | | | | |
| 2 | 1 | 172648-95700-5 | HOOK,OPEN/CLOSE (87) | 1 | | | | | | | |
| 3 | 1 | 172648-95710-5 | ARM | 1 | | | | | | | |
| 4 | 1 | 22137-100000 | WASHER, 10 | 3 | | | | | | | |
| 5 | 1 | 22137-160000 | WASHER, 16 | 2 | | | | | | | |
| 6 | 1 | 22417-400250 | PIN, COTTER 4.0X25 | 4 | | | | | | | |
| 7 | 1 | 26716-100002 | NUT, M10 | 1 | | | | | | | |
| 8 | 1 | 933153-01280 | SPRING, RETURN | 1 | | | | | | | |
| 9 | 1 | 933168-51700-5 | ROD,MOOK DRIVE (87) | 1 | | | | | | | |
| 10 | 1 | 933168-51780 | JOINT, ROD | 1 | | | | | | | |

Fig.42. LABEL(FRENCH LABEL KIT)

(A)=C12R(US)

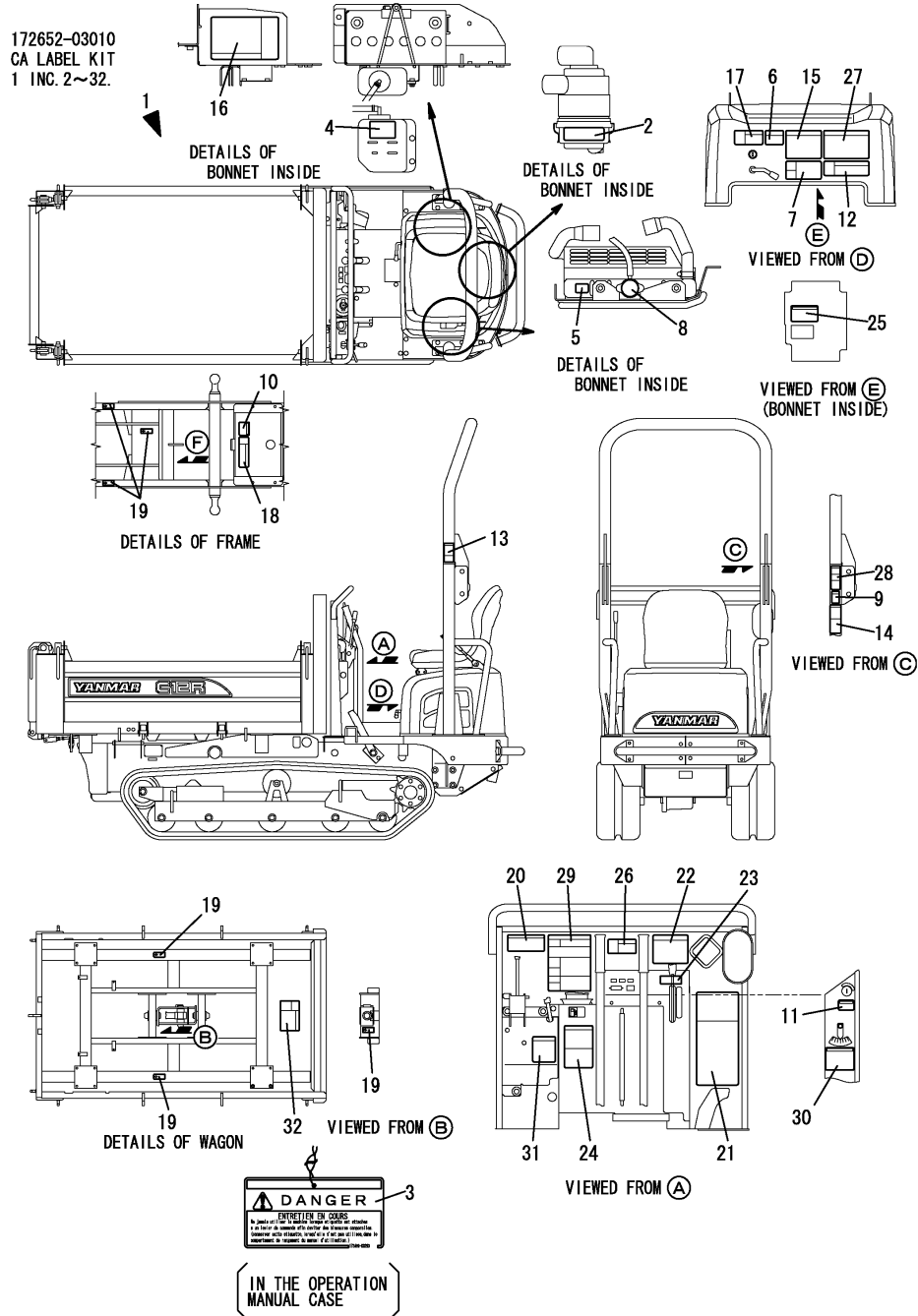
(B)=

(C)=

(D)=

(E)=

(F)=



| No. | Lev. | Parts No. | Description | Q'ty | | | | | | I | R |
|-----|------|--------------|---------------------|------|-----|-----|-----|-----|-----|---|---|
| | | | | (A) | (B) | (C) | (D) | (E) | (F) | | |
| 1 | 1 | 172652-03010 | CA LABEL KIT(C12R | 1 | | | | | | | |
| 2 | 2 | 172469-03250 | LABEL,AIR CLEANER | 1 | | | | | | | |
| 3 | 2 | 172469-03260 | TAG ASSY, SERVICING | 1 | | | | | | | |
| 4 | 2 | 172469-03270 | LABEL,SUB-TANK | 1 | | | | | | | |
| 5 | 2 | 172469-03280 | LABEL,ANTI-FREEZING | 1 | | | | | | | |
| 6 | 2 | 172469-03300 | LABEL,ENGINE COVER | 1 | | | | | | | |
| 7 | 2 | 172469-03310 | LABEL,ENGINE ROOM | 1 | | | | | | | |
| 8 | 2 | 172469-03320 | LABEL,RADIATOR CAP | 1 | | | | | | | |
| 9 | 2 | 172469-03340 | LABEL,ROPS | 1 | | | | | | | |
| 10 | 2 | 172469-03360 | LABEL,OIL | 1 | | | | | | | |
| 11 | 2 | 172469-03420 | LABEL,RESTART | 1 | | | | | | | |
| 12 | 2 | 172469-03430 | LABEL,SILENCER | 1 | | | | | | | |
| 13 | 2 | 172446-03480 | LABEL,CLASH | 2 | | | | | | | |
| 14 | 2 | 172446-03530 | LABEL,FOLD ROPS | 2 | | | | | | | |
| 15 | 2 | 172469-03570 | LABEL,TRANSPORT | 1 | | | | | | | |
| 16 | 2 | 172469-03600 | LABEL,BATTERY | 1 | | | | | | | |
| 17 | 2 | 172469-03660 | LABEL,RADIATOR | 1 | | | | | | | |
| 18 | 2 | 172469-03670 | LABEL,RESERVOIR | 1 | | | | | | | |
| 19 | 2 | 172652-03800 | LABEL,STOPPER | 2 | | | | | | | |
| 20 | 2 | 172652-03811 | LABEL,SPECIFICATION | 1 | | | | | | | |
| 21 | 2 | 172652-03820 | LABEL,OPERATION,LUB | 1 | | | | | | | |
| 22 | 2 | 172652-03830 | LABEL,DUMP | 1 | | | | | | | |
| 23 | 2 | 172652-03840 | LABEL,OPERATION F/R | 1 | | | | | | | |
| 24 | 2 | 172652-03850 | LABEL,LIFT | 1 | | | | | | | |
| 25 | 2 | 172652-03860 | LABEL,FUSE | 1 | | | | | | | |
| 26 | 2 | 172652-03870 | LABEL,OPERATION | 1 | | | | | | | |
| 27 | 2 | 172652-03880 | LABEL,SUPPORT | 1 | | | | | | | |
| 28 | 2 | 172652-03890 | LABEL,SEAT BELT | 1 | | | | | | | |
| 29 | 2 | 172652-03900 | LABEL,OPERATION | 1 | | | | | | | |
| 30 | 2 | 172652-03910 | LABEL,SPEED SELECT | 1 | | | | | | | |
| 31 | 2 | 172652-03920 | LABEL,PARKING | 1 | | | | | | | |
| 32 | 2 | 172652-03930 | LABEL,WAGON | 1 | | | | | | | |

Parts No. Index

| Parts No. | Fig. No. | Ref. No. |
|--------------|----------|----------|
| 104200-11920 | 10 | 3 |
| 105027-12550 | 6 | 5 |
| 119230-77711 | 13 | 32 |
| 119247-77100 | 13 | 31 |
| 119325-12530 | 6 | 4 |
| 119325-13540 | 5 | 2 |
| 119650-77910 | 13 | 34 |
| 119655-12560 | 6 | 6 |
| 119655-12570 | 6 | 7 |
| 119808-12540 | 6 | 8 |
| 121450-44531 | 9 | 19 |
| 121468-44510 | 9 | 17 |
| 121468-44540 | 9 | 20 |
| 121470-44581 | 9 | 22 |
| 124450-44560 | 9 | 21 |
| 124701-11911 | 5 | 1 |
| 124764-44810 | 1 | 38 |
| 124764-44920 | 1 | 39 |
| 124766-59050 | 10 | 24 |
| 129052-55630 | 10 | 23 |
| 129155-77810 | 13 | 33 |
| 129211-77920 | 13 | 37 |
| 158800-85071 | 34 | 15 |
| 158800-85450 | 34 | 44 |
| 158802-85030 | 34 | 12 |
| 158802-85040 | 34 | 13 |
| 158802-85100 | 34 | 17 |
| 158802-85160 | 34 | 20 |
| 158802-85170 | 34 | 21 |
| 158802-85181 | 34 | 23 |
| 158802-85190 | 34 | 24 |
| 158802-85201 | 34 | 25 |
| 158802-85221 | 34 | 27 |
| 158802-85310 | 34 | 29 |
| 158802-85320 | 34 | 30 |
| 158802-85380 | 34 | 36 |
| 158802-85421 | 34 | 34 |
| | | 38 |
| 158802-85440 | 34 | 43 |
| 158802-85450 | 34 | 45 |
| 158802-85500 | 34 | 42 |
| 158802-85510 | 34 | 46 |
| 158802-85520 | 34 | 47 |
| 158802-85530 | 34 | 48 |
| 158802-85540 | 34 | 49 |
| 158802-85550 | 34 | 50 |
| 158802-85560 | 34 | 51 |
| 158802-85570 | 34 | 52 |
| 158802-85720 | 34 | 65 |
| 158802-85730 | 34 | 66 |

| Parts No. | Fig. No. | Ref. No. |
|--------------|----------|----------|
| 158802-85880 | 34 | 69 |
| | | 70 |
| 158802-85930 | 34 | 73 |
| 158804-85061 | 34 | 14 |
| 158804-85090 | 34 | 16 |
| 158804-85170 | 34 | 22 |
| 158804-85211 | 34 | 26 |
| 158804-85300 | 34 | 28 |
| 158804-85351 | 34 | 31 |
| 158804-85360 | 34 | 35 |
| 158804-85370 | 34 | 32 |
| 158804-85390 | 34 | 33 |
| | | 37 |
| 158804-85460 | 34 | 40 |
| 158804-85491 | 34 | 41 |
| 158804-85601 | 34 | 57 |
| 158804-85611 | 34 | 58 |
| 158804-85621 | 34 | 59 |
| 158804-85630 | 34 | 60 |
| 158804-85641 | 34 | 61 |
| 158804-85650 | 34 | 62 |
| 158804-85660 | 34 | 63 |
| 158804-85710 | 34 | 64 |
| 158804-85811 | 34 | 68 |
| 158805-85420 | 34 | 39 |
| 158805-85900 | 34 | 71 |
| 158805-85910 | 34 | 72 |
| 172010-01640 | 39 | 1 |
| 172068-27620 | 39 | 6 |
| 172112-42000 | 19 | 24 |
| 172113-12522 | 7 | 5 |
| 172116-46630 | 30 | 1 |
| 172120-14660 | 10 | 26 |
| | | 30 |
| 172122-14301 | 10 | 8 |
| 172122-14350 | 10 | 9 |
| 172122-46560 | 19 | 25 |
| | | 20 |
| | | 25 |
| | | 26 |
| | | 21 |
| | | 23 |
| 172122-46590 | 19 | 27 |
| 172122-79930 | 37 | 22 |
| 172124-14610 | 10 | 22 |
| 172125-03950 | 1 | 37 |
| 172125-03951 | 1 | 37 -1 |
| 172137-46400 | 20 | 45 |
| 172137-46560 | 19 | 26 |
| 172137-66230 | 31 | 3 |
| 172141-14260 | 10 | 7 |

| Parts No. | Fig. No. | Ref. No. |
|--------------|----------|----------|
| 172141-17150 | 13 | 26 |
| 172141-37320 | 39 | 2 |
| 172141-50890 | 24 | 5 |
| | 25 | 5 |
| 172141-72580 | 33 | 12 |
| 172141-76180 | 37 | 10 |
| 172142-76181 | 37 | 12 |
| | | 14 |
| 172146-12150 | 7 | 4 |
| 172146-77900 | 37 | 35 |
| 172149-14251 | 10 | 5 |
| | | 12 |
| 172149-17120 | 13 | 15 |
| 172149-17130 | 13 | 21 |
| 172149-17140 | 13 | 16 |
| | | 22 |
| 172149-66550 | 32 | 7 |
| 172151-86240 | 18 | 5 |
| 172156-64420 | 28 | 5 |
| 172156-65690 | 30 | 19 |
| 172157-03170 | 1 | 4 |
| 172157-76300 | 37 | 30 |
| 172162-13200 | 15 | 27 |
| | 24 | 1 |
| | | 2 |
| | 25 | 1 |
| | | 2 |
| 172164-16370 | 11 | 8 |
| 172164-66170 | 30 | 20 |
| 172165-47990 | 21 | 13 |
| 172165-62830 | 24 | 9 |
| | 25 | 9 |
| 172165-63660 | 13 | 30 |
| 172171-03400 | 1 | 15 |
| | 2 | 4 |
| 172176-07330 | 4 | 1 |
| 172176-68210 | 29 | 6 |
| 172183-14250 | 10 | 6 |
| 172183-16550 | 13 | 1 |
| 172183-16580 | 13 | 12 |
| 172183-16590 | 13 | 13 |
| 172186-03200 | 1 | 5 |
| 172186-17100 | 13 | 2 |
| 172187-17070 | 13 | 4 |
| 172187-17080 | 13 | 5 |
| 172187-17090 | 13 | 6 |
| 172187-17100 | 13 | 3 |
| 172187-64830 | 28 | 12 |
| 172187-64831 | 28 | 12 -1 |
| 172187-64900 | 32 | 1 |

| Parts No. | Fig. No. | Ref. No. |
|--------------|----------|----------|
| 172187-76210 | 37 | 27 |
| 172312-32510 | 38 | 1 |
| 172433-64510 | 28 | 11 |
| 172433-64511 | 28 | 11 -1 |
| 172437-03321 | 1 | 11 |
| | 2 | 1 |
| | 35 | 22 A |
| 172437-03322 | 1 | 11 -1 |
| | 2 | 1 -1 |
| | 35 | 22 A-1 |
| 172437-03341 | 1 | 12 |
| | 2 | 19 |
| 172437-03342 | 1 | 12 -1 |
| | 2 | 19 -1 |
| 172437-03360 | 1 | 13 |
| | 2 | 2 |
| | 30 | 38 A |
| 172437-03361 | 1 | 13 -1 |
| | 2 | 2 -1 |
| | 30 | 38 A-1 |
| 172437-03390 | 1 | 14 |
| | 2 | 3 |
| | 30 | 39 A |
| 172437-03391 | 1 | 14 -1 |
| | 2 | 3 -1 |
| | 30 | 39 A-1 |
| 172437-03401 | 1 | 16 |
| | 2 | 5 |
| | 30 | 39 B |
| 172437-03402 | 1 | 16 -1 |
| | 2 | 5 -1 |
| | 30 | 39 B-1 |
| 172437-03411 | 1 | 17 |
| | 2 | 6 |
| | 30 | 39 C |
| 172437-03421 | 1 | 21 |
| | 2 | 7 |
| | 30 | 39 D |
| 172437-03422 | 1 | 21 -1 |
| | 2 | 7 -1 |
| | 30 | 39 D-1 |
| 172437-03440 | 1 | 40 |
| | 2 | 16 |
| | 32 | 15 B |
| 172437-03441 | 1 | 40 -1 |
| | 2 | 16 -1 |
| | 32 | 15 B-1 |
| 172437-03500 | 1 | 20 |
| 172437-03501 | 1 | 20 -1 |
| 172437-03510 | 1 | 22 |

Parts No. Index

| Parts No. | Fig. No. | Ref. No. |
|--------------|----------|----------|
| 172437-03511 | 1 | 22 -1 |
| | 2 | 9 -1 |
| 172437-03530 | 1 | 23 |
| 172446-03480 | 42 | 13 |
| 172446-03530 | 42 | 14 |
| 172446-03740 | 1 | 41 |
| | 2 | 17 |
| | 32 | 16 A |
| 172446-03751 | 1 | 42 |
| | 2 | 18 |
| | 32 | 15 C |
| 172446-11500 | 6 | 1 |
| 172446-11510 | 6 | 3 |
| 172446-13330 | 9 | 5 |
| 172446-13350 | 9 | 6 |
| 172446-13430 | 9 | 7 |
| 172446-13450 | 9 | 9 |
| 172446-13460 | 9 | 10 |
| 172446-13470 | 9 | 11 |
| 172446-13480 | 9 | 12 |
| 172446-13490 | 9 | 13 |
| 172446-13500 | 9 | 14 |
| 172446-16320 | 11 | 7 |
| 172446-65190 | 30 | 5 |
| 172446-65370 | 30 | 14 |
| 172446-65371 | 30 | 14 -1 |
| 172446-65380 | 30 | 15 |
| 172447-13600 | 9 | 15 |
| 172447-13610 | 9 | 16 |
| 172447-16100 | 11 | 1 |
| 172447-17110 | 13 | 11 |
| 172447-17120 | 13 | 17 |
| 172447-17150 | 13 | 20 |
| 172447-65480 | 9 | 4 -1 |
| 172447-75600 | 35 | 13 |
| 172455-75290 | 35 | 14 |
| 172455-75300 | 35 | 15 |
| 172462-03320 | 1 | 9 |
| 172463-03290 | 1 | 8 |
| 172469-03250 | 42 | 2 |
| 172469-03260 | 42 | 3 |
| 172469-03270 | 42 | 4 |
| 172469-03280 | 42 | 5 |
| 172469-03300 | 42 | 6 |
| 172469-03310 | 42 | 7 |
| 172469-03320 | 42 | 8 |
| 172469-03340 | 42 | 9 |
| 172469-03360 | 42 | 10 |
| 172469-03420 | 42 | 11 |
| 172469-03430 | 42 | 12 |

| Parts No. | Fig. No. | Ref. No. |
|----------------|----------|----------|
| 172469-03570 | 42 | 15 |
| 172469-03600 | 42 | 16 |
| 172469-03660 | 42 | 17 |
| 172469-03670 | 42 | 18 |
| 172472-03141 | 1 | 31 -1 |
| | 2 | 11 -1 |
| | 30 | 39 E-1 |
| 172478-65750 | 4 | 3 |
| | 30 | 40 |
| 172480-65450 | 30 | 16 |
| 172480-65470 | 30 | 18 |
| 172480-68741 | 32 | 8 |
| 172480-68742 | 32 | 8 -1 |
| 172480-73700 | 35 | 1 |
| 172519-03151 | 1 | 2 |
| 172519-41601 | 20 | 7 |
| 172519-41631 | 20 | 8 |
| 172519-42780 | 20 | 9 |
| 172519-63240 | 27 | 15 |
| 172614-96071 | 38 | 26 |
| | | 29 |
| 172637-51750 | 24 | 16 |
| 172638-03622 | 1 | 25 |
| | 2 | 8 |
| | 31 | 5 A |
| 172638-03623 | 1 | 25 -1 |
| | 2 | 8 -1 |
| | 31 | 5 A-1 |
| 172638-22131 | 15 | 5 |
| 172638-22151 | 15 | 7 |
| 172638-22170 | 15 | 8 |
| 172638-23120 | 16 | 2 |
| 172638-23130 | 16 | 3 |
| 172638-23230 | 16 | 7 |
| 172638-23250 | 16 | 8 |
| 172638-27410 | 17 | 1 |
| 172638-37150 | 18 | 14 |
| 172638-41540 | 20 | 17 |
| 172638-41630 | 20 | 19 |
| 172638-42300 | 20 | 24 |
| 172638-42521 | 21 | 6 |
| | 23 | 11 |
| 172638-72200 | 33 | 4 |
| 172638-75350 | 35 | 12 |
| 172638-81580-1 | 38 | 3 |
| 172638-85560-5 | 38 | 6 |
| 172638-85610-5 | 38 | 7 |
| 172638-85710 | 38 | 8 |
| 172638-85731 | 38 | 9 |
| 172638-85741 | 38 | 13 |

| Parts No. | Fig. No. | Ref. No. |
|----------------|----------|----------|
| 172638-85780 | 38 | 11 |
| | | 15 |
| 172638-86410-5 | 40 | 13 |
| 172638-86510-5 | 40 | 14 |
| 172638-95661-1 | 39 | 8 |
| 172638-95690 | 39 | 9 |
| 172643-41470 | 19 | 44 |
| 172648-03330 | 1 | 10 |
| | | 10 -1 |
| 172648-14200 | 10 | 36 |
| 172648-16540 | 12 | 4 |
| 172648-16600 | 12 | 3 |
| 172648-17130 | 13 | 23 |
| 172648-17140 | 13 | 24 |
| 172648-22120 | 15 | 4 |
| 172648-22200 | 15 | 9 |
| 172648-22210 | 15 | 10 |
| 172648-22350 | 15 | 11 |
| 172648-23110 | 16 | 1 |
| 172648-23210 | 16 | 5 |
| 172648-23220 | 16 | 6 |
| 172648-23430 | 16 | 22 |
| 172648-27520 | 17 | 5 |
| 172648-29101 | 18 | 1 |
| 172648-29110 | 18 | 2 |
| 172648-29120 | 18 | 3 |
| 172648-29150 | 18 | 4 |
| 172648-37050 | 18 | 8 |
| 172648-37100 | 18 | 9 |
| 172648-37110 | 18 | 10 |
| 172648-41210 | 20 | 4 |
| 172648-41750 | 20 | 22 |
| 172648-45150 | 22 | 2 |
| 172648-45160 | 22 | 3 |
| 172648-45170 | 22 | 4 |
| 172648-45180 | 22 | 5 |
| 172648-72101-1 | 33 | 1 |
| 172648-72111-1 | 33 | 2 |
| 172648-72150 | 33 | 3 |
| 172648-72300 | 33 | 7 |
| 172648-74100 | 36 | 4 |
| 172648-74250 | 36 | 5 |
| 172648-74300 | 36 | 8 |
| 172648-95450-1 | 39 | 7 |
| 172648-95600-5 | 39 | 22 |
| 172648-95620-5 | 39 | 23 |
| 172648-95650 | 39 | 24 |
| 172648-95700-5 | 41 | 2 |
| 172648-95710-5 | 41 | 3 |
| 172648-95800-5 | 39 | 26 |

| Parts No. | Fig. No. | Ref. No. |
|--------------|----------|----------|
| 172648-95840 | 39 | 27 |
| 172649-64101 | 28 | 2 |
| 172649-64150 | 28 | 4 |
| 172649-95750 | 39 | 20 |
| 172649-95770 | 39 | 21 |
| 172649-95940 | 38 | 27 |
| | | 30 |
| | | 28 |
| | | 39 |
| 172652-03010 | 42 | 1 |
| 172652-03150 | 1 | 3 |
| 172652-03220 | 1 | 6 |
| 172652-03260 | 1 | 7 |
| 172652-03410 | 1 | 18 |
| 172652-03420 | 1 | 19 |
| 172652-03611 | 1 | 24 |
| 172652-03612 | 1 | 24 -1 |
| 172652-03620 | 1 | 26 |
| 172652-03621 | 1 | 26 -1 |
| 172652-03630 | 1 | 27 |
| 172652-03640 | 1 | 28 |
| | 2 | 9 |
| | 10 | 37 A |
| 172652-03641 | 1 | 28 -1 |
| | 10 | 37 A-1 |
| 172652-03642 | 1 | 28 -2 |
| | 10 | 37 A-2 |
| 172652-03650 | 1 | 29 |
| 172652-03651 | 1 | 29 -1 |
| 172652-03660 | 1 | 30 |
| | 2 | 10 |
| | 31 | 5 B |
| 172652-03661 | 1 | 30 -1 |
| | 2 | 10 -1 |
| | 31 | 5 B-1 |
| 172652-03670 | 1 | 31 |
| | 2 | 11 |
| | 30 | 39 E |
| 172652-03680 | 1 | 32 |
| | 2 | 12 |
| | 32 | 15 A |
| 172652-03681 | 1 | 32 -1 |
| | 2 | 12 -1 |
| | 32 | 15 A-1 |
| 172652-03690 | 1 | 33 |
| | 2 | 13 |
| | 31 | 5 C |
| 172652-03691 | 1 | 33 -1 |
| | 2 | 13 -1 |
| | 31 | 5 C-1 |
| 172652-03700 | 1 | 34 |

Parts No. Index

| Parts No. | Fig. No. | Ref. No. |
|----------------|----------|----------|
| 172652-03701 | 1 | 34 -1 |
| 172652-03710 | 1 | 35 |
| | 2 | 14 |
| | 22 | 18 A |
| 172652-03711 | 1 | 35 -1 |
| | 2 | 14 -1 |
| | 22 | 18 A-1 |
| 172652-03730 | 1 | 36 |
| | 2 | 15 |
| | 38 | 31 A |
| | 39 | 29 A |
| 172652-03731 | 1 | 36 -1 |
| | 2 | 15 -1 |
| | 38 | 31 A-1 |
| | 39 | 29 A-1 |
| 172652-03800 | 42 | 19 |
| 172652-03811 | 42 | 20 |
| 172652-03820 | 42 | 21 |
| 172652-03830 | 42 | 22 |
| 172652-03840 | 42 | 23 |
| 172652-03850 | 42 | 24 |
| 172652-03860 | 42 | 25 |
| 172652-03870 | 42 | 26 |
| 172652-03880 | 42 | 27 |
| 172652-03890 | 42 | 28 |
| 172652-03900 | 42 | 29 |
| 172652-03910 | 42 | 30 |
| 172652-03920 | 42 | 31 |
| 172652-03930 | 42 | 32 |
| 172652-11500 | 6 | 2 |
| 172652-12100 | 7 | 1 |
| 172652-12110 | 7 | 2 |
| 172652-13100 | 8 | 1 |
| 172652-13110 | 8 | 2 |
| 172652-13120 | 8 | 3 |
| 172652-13150 | 8 | 4 |
| 172652-13200 | 8 | 5 |
| 172652-13300 | 9 | 1 |
| 172652-13301 | 9 | 1 -1 |
| 172652-13320 | 9 | 3 |
| 172652-13330 | 9 | 4 |
| 172652-16110 | 11 | 2 |
| 172652-16120 | 11 | 3 |
| 172652-16500 | 12 | 1 |
| 172652-16520 | 12 | 8 |
| 172652-21100-1 | 14 | 1 |
| 172652-21120-1 | 14 | 2 |
| 172652-21130-1 | 14 | 3 |
| 172652-21150-1 | 14 | 4 |
| 172652-21151-1 | 14 | 4 -1 |

| Parts No. | Fig. No. | Ref. No. |
|----------------|----------|----------|
| 172652-21200-1 | 14 | 5 |
| 172652-21201-1 | 14 | 5 -1 |
| 172652-21250 | 14 | 8 |
| 172652-21251 | 14 | 8 -1 |
| 172652-21300 | 14 | 9 |
| 172652-22110 | 15 | 3 |
| 172652-22140 | 15 | 6 |
| 172652-23310 | 16 | 9 |
| 172652-23320 | 16 | 10 |
| 172652-23330 | 16 | 11 |
| 172652-23350 | 16 | 15 |
| 172652-23380 | 16 | 13 |
| 172652-23410 | 16 | 20 |
| 172652-23420 | 16 | 21 |
| 172652-27420 | 17 | 2 |
| 172652-27510 | 17 | 4 |
| 172652-27530 | 17 | 6 |
| 172652-37310 | 18 | 24 |
| 172652-38600 | 18 | 31 |
| 172652-41200 | 20 | 3 |
| 172652-41201 | 20 | 3 -1 |
| 172652-41210 | 20 | 5 |
| 172652-41211 | 20 | 5 -1 |
| 172652-41260 | 20 | 6 |
| 172652-41290 | 19 | 6 |
| 172652-41320 | 19 | 8 |
| 172652-41350 | 19 | 10 |
| 172652-41370 | 19 | 11 |
| 172652-41400 | 20 | 11 |
| 172652-41401 | 20 | 11 -1 |
| 172652-41450 | 20 | 13 |
| 172652-41500 | 20 | 15 |
| 172652-41560-1 | 20 | 18 |
| 172652-41620 | 19 | 12 |
| 172652-41690 | 20 | 20 |
| 172652-41700 | 20 | 21 |
| 172652-41730 | 19 | 13 |
| 172652-41780 | 19 | 15 |
| 172652-41820 | 19 | 17 |
| 172652-41870 | 19 | 19 |
| 172652-41880 | 19 | 20 |
| 172652-41920 | 19 | 21 |
| 172652-41950 | 19 | 22 |
| 172652-42010 | 20 | 43 |
| 172652-42020 | 20 | 44 |
| 172652-42030 | 20 | 2 -1 |
| 172652-42401 | 21 | 2 |
| 172652-42450 | 21 | 3 |
| 172652-42501 | 21 | 5 |
| 172652-42530 | 21 | 7 |

| Parts No. | Fig. No. | Ref. No. |
|----------------|----------|----------|
| 172652-42570 | 21 | 8 |
| 172652-42600 | 21 | 27 |
| 172652-42640 | 21 | 9 |
| | | 32 |
| 172652-42650 | 21 | 10 |
| 172652-42700 | 21 | 32 -1 |
| 172652-42710 | 21 | 33 |
| 172652-45100 | 22 | 1 |
| 172652-45150 | 22 | 6 |
| 172652-45200 | 22 | 7 |
| 172652-45250 | 22 | 8 |
| 172652-47101 | 23 | 2 |
| 172652-47151 | 23 | 3 |
| 172652-47190 | 23 | 4 |
| 172652-47210 | 23 | 13 |
| 172652-47250 | 23 | 20 |
| 172652-47270 | 23 | 21 |
| 172652-51100-1 | 24 | 6 |
| 172652-52120-1 | 24 | 7 |
| | 25 | 6 |
| 172652-52130-1 | 24 | 8 |
| | 25 | 7 |
| 172652-53100 | 26 | 2 |
| 172652-55100-1 | 25 | 8 |
| 172652-61210 | 29 | 3 |
| 172652-61300 | 27 | 2 |
| 172652-61350 | 27 | 3 |
| 172652-61400-1 | 27 | 4 |
| 172652-62100-1 | 27 | 9 |
| 172652-62810 | 30 | 2 |
| 172652-62811 | 30 | 2 -1 |
| 172652-63090 | 27 | 11 |
| 172652-63140 | 27 | 13 |
| 172652-63150 | 27 | 14 |
| 172652-64100-1 | 28 | 3 |
| 172652-64220 | 28 | 6 -1 |
| 172652-64400 | 29 | 4 |
| 172652-64430 | 29 | 5 |
| 172652-65100-1 | 30 | 4 |
| 172652-65300 | 30 | 13 |
| 172652-65450 | 30 | 17 |
| 172652-65600 | 30 | 6 |
| 172652-65610 | 30 | 7 |
| 172652-65620 | 30 | 8 |
| 172652-65630 | 30 | 9 |
| 172652-65640 | 30 | 10 |
| 172652-65650 | 30 | 11 |
| 172652-65651 | 30 | 11 -1 |
| 172652-65660 | 30 | 12 |
| 172652-66100-1 | 31 | 2 |

| Parts No. | Fig. No. | Ref. No. |
|----------------|----------|----------|
| 172652-66300 | 32 | 2 |
| 172652-66350 | 32 | 3 |
| 172652-66390 | 32 | 4 |
| 172652-66440 | 32 | 5 |
| 172652-66450 | 32 | 6 |
| 172652-73750 | 35 | 2 |
| 172652-73770 | 35 | 4 |
| 172652-73780 | 35 | 5 |
| 172652-73790 | 35 | 6 |
| 172652-76100 | 37 | 1 |
| 172652-76120 | 37 | 3 |
| 172652-76130 | 37 | 5 |
| 172652-76150 | 37 | 7 |
| 172652-76160 | 37 | 8 |
| 172652-78100 | 37 | 16 |
| 172652-78120 | 37 | 17 |
| 172652-78150 | 37 | 18 |
| 172652-78160 | 37 | 19 |
| 172652-78170 | 37 | 20 |
| 172652-78180 | 37 | 21 |
| 172652-85100-1 | 38 | 4 |
| 172652-85330 | 38 | 5 |
| 172652-85500-1 | 38 | 28 |
| 172652-85600-1 | 38 | 25 |
| 172652-85700 | 40 | 2 |
| 172652-85740 | 40 | 3 |
| 172652-85750 | 40 | 4 |
| 172652-85770 | 40 | 5 |
| 172652-85780 | 40 | 6 |
| 172652-85781 | 40 | 6 -1 |
| 172652-85820 | 40 | 7 |
| 172652-85821 | 40 | 7 -1 |
| 172652-85840-1 | 40 | 8 |
| 172652-85870-1 | 40 | 9 |
| 172652-85871-1 | 40 | 9 -1 |
| 172652-85900 | 40 | 10 |
| 172652-85930 | 40 | 11 |
| 172652-85950 | 40 | 12 |
| 172652-86100-1 | 38 | 17 |
| 172652-86150-1 | 38 | 18 |
| 172652-86200 | 38 | 19 |
| 172652-95100-1 | 39 | 4 |
| 172652-95500-1 | 39 | 19 |
| 172655-65600 | 30 | 6 -1 |
| 172725-25810 | 19 | 4 |
| 172725-42250 | 14 | 11 |
| 172725-85870 | 24 | 10 |
| 172730-11451 | 21 | 1 |
| | 23 | 10 |
| | 40 | 1 |

Parts No. Index

| Parts No. | Fig. No. | Ref. No. |
|----------------|----------|----------|
| 172730-11451 | 41 | 1 |
| 172730-25271 | 19 | 3 |
| 172730-84151 | 39 | 5 |
| 172738-27230 | 15 | 12 |
| 172738-27290 | 15 | 13 |
| 172738-47900 | 19 | 28 |
| | 21 | 12 |
| | 23 | 22 |
| 172739-52801-1 | 39 | 3 |
| 172739-52851-1 | 38 | 2 |
| 172989-64451 | 28 | 10 |
| 172A29-03740 | 1 | 41 -1 |
| | 2 | 17 -1 |
| | 32 | 16 A-1 |
| 172A29-03750 | 1 | 42 -1 |
| | 2 | 18 -1 |
| | 32 | 15 C-1 |
| 172A38-03200 | 1 | 38 -1 |
| 172A38-03210 | 1 | 39 -1 |
| 172A54-64100 | 28 | 2 -1 |
| 172A54-64110 | 28 | 2 A |
| | | 2 A-1 |
| 172A54-64120 | 28 | 2 B |
| | | 2 B-1 |
| 172A64-64010 | 28 | 2 -2 |
| 172A64-64020 | 28 | 2 C |
| 172A64-64030 | 28 | 2 D |
| 172A64-64050 | 28 | 2 E |
| 178076-12400 | 34 | 71 -1 |
| 184015-59190 | 10 | 25 |
| | | 29 |
| 184015-59200 | 10 | 27 |
| | | 31 |
| 194140-63270 | 28 | 1 |
| 194145-04810 | 20 | 1 |
| 194150-22480 | 20 | 16 |
| 194151-57100 | 13 | 28 |
| 194200-37510 | 23 | 1 |
| 194250-25520 | 16 | 16 |
| 194250-51660 | 12 | 12 |
| 194273-47910 | 20 | 27 |
| 194630-52160 | 13 | 25 |
| 194630-52190 | 13 | 27 |
| 194630-64110 | 3 | 1 |
| 194940-04240 | 10 | 2 |
| 194990-20170 | 19 | 2 |
| 195194-12130 | 15 | 2 |
| 195412-33280 | 19 | 5 |
| 198071-57110 | 13 | 29 |
| 198072-04320 | 10 | 21 |

| Parts No. | Fig. No. | Ref. No. |
|--------------|----------|----------|
| 1A1040-46460 | 15 | 15 |
| | 24 | 3 |
| | | 4 |
| | 25 | 3 |
| | | 4 |
| 1A1040-48070 | 15 | 16 |
| 1A1040-58170 | 23 | 5 |
| 1A1380-28040 | 15 | 14 |
| 1A1380-46460 | 14 | 12 |
| 1A1380-55310 | 12 | 6 |
| 1A1380-58050 | 22 | 9 |
| 1A1380-59480 | 12 | 13 |
| 1A6472-63270 | 23 | 6 |
| 1A6750-29850 | 34 | 72 -1 |
| 1C6053-32020 | 39 | 17 |
| 1C6281-52310 | 7 | 6 |
| 1C6281-52320 | 19 | 29 |
| | | 40 |
| 1D4140-24210 | 20 | 2 |
| 1E6140-73420 | 18 | 25 |
| 1E6210-34030 | 14 | 10 |
| 1E6570-65751 | 22 | 10 |
| 1E6740-54440 | 17 | 7 |
| 1E6740-54450 | 17 | 8 |
| 1E8130-55080 | 16 | 14 |
| 1N1730-61190 | 39 | 18 |
| 22137-060000 | 7 | 7 |
| | 9 | 24 |
| | 13 | 38 |
| | | 39 |
| | | 40 |
| | | 41 |
| 22137-080000 | 11 | 9 |
| | 14 | 14 |
| | 19 | 1 |
| | | 30 |
| | | 31 |
| | | 45 |
| | 20 | 28 |
| | 22 | 11 |
| | 24 | 11 |
| | 27 | 16 |
| | 30 | 25 |
| | | 26 |
| | 40 | 15 |
| 22137-100000 | 9 | 25 |
| | 10 | 14 |
| | 12 | 9 |
| | 14 | 14 -1 |
| | 19 | 32 |

| Parts No. | Fig. No. | Ref. No. |
|--------------|----------|----------|
| 22137-100000 | 19 | 33 |
| | 20 | 29 |
| | | 30 |
| | 21 | 14 |
| | | 31 |
| | | 34 |
| | 23 | 14 |
| | | 15 |
| | | 23 |
| | 27 | 5 |
| | | 6 |
| | | 10 |
| | 29 | 7 |
| | 30 | 27 |
| | | 28 |
| | 31 | 4 |
| | 34 | 1 |
| | 38 | 20 |
| | 40 | 16 |
| | 41 | 4 |
| 22137-120000 | 7 | 8 |
| | 26 | 3 |
| | 28 | 13 |
| | 29 | 8 |
| 22137-140000 | 14 | 13 |
| | 19 | 34 |
| 22137-160000 | 40 | 17 |
| | | 18 |
| | | 19 |
| | 41 | 5 |
| 22157-080000 | 30 | 29 |
| 22157-100000 | 22 | 12 |
| | 39 | 12 |
| 22190-080003 | 22 | 13 |
| 22217-060000 | 35 | 7 |
| 22217-080000 | 5 | 3 |
| | 10 | 34 |
| | 11 | 4 |
| | 19 | 35 |
| | 36 | 1 |
| 22217-100000 | 10 | 15 |
| | 12 | 10 |
| | 14 | 15 |
| | 15 | 1 |
| | | 17 |
| | 19 | 36 |
| | 20 | 31 |
| | | 46 |
| | 21 | 15 |
| | | 35 |

| Parts No. | Fig. No. | Ref. No. |
|--------------|----------|----------|
| 22217-100000 | 23 | 16 |
| | | 24 |
| | 24 | 12 |
| | | 13 |
| | 25 | 10 |
| | | 11 |
| | 28 | 7 |
| | 30 | 31 |
| | 34 | 2 |
| 22217-120000 | 8 | 6 |
| | 32 | 11 |
| | 39 | 25 |
| 22217-160000 | 18 | 6 |
| | | 15 |
| | | 28 |
| 22217-240000 | 18 | 16 |
| 22242-000120 | 21 | 29 |
| | 39 | 10 |
| 22242-000140 | 19 | 37 |
| 22242-000170 | 14 | 16 |
| 22242-000200 | 21 | 16 |
| | 23 | 17 |
| 22242-000250 | 21 | 17 |
| | 34 | 74 |
| 22242-000300 | 38 | 21 |
| | 39 | 13 |
| 22242-000350 | 16 | 17 |
| | | 23 |
| 22252-000460 | 34 | 76 |
| 22252-000470 | 18 | 11 |
| 22252-000520 | 18 | 26 |
| | 34 | 77 |
| 22252-000580 | 16 | 18 |
| 22252-000720 | 16 | 24 |
| 22262-000280 | 34 | 78 |
| 22272-000120 | 14 | 17 |
| 22312-080160 | 34 | 79 |
| 22312-100220 | 15 | 18 |
| 22351-030040 | 21 | 18 |
| 22351-035025 | 20 | 32 |
| 22351-050016 | 38 | 16 |
| 22351-050020 | 38 | 12 |
| 22351-050025 | 19 | 38 |
| | | 39 |
| 22351-050040 | 21 | 19 |
| 22360-080000 | 24 | 14 |
| 22372-080000 | 28 | 8 |
| | 30 | 32 |
| 22417-200150 | 22 | 14 |
| 22417-200160 | 7 | 9 |

Parts No. Index

| Parts No. | Fig. No. | Ref. No. |
|--------------|----------|----------|
| 22417-200160 | 20 | 33 |
| 22417-200200 | 30 | 33 |
| 22417-250200 | 19 | 41 |
| | 22 | 15 |
| 22417-320200 | 19 | 29 -1 |
| | 21 | 20 |
| | 23 | 18 |
| 22417-400250 | 40 | 20 |
| | | 21 |
| | | 22 |
| | | 23 |
| | 41 | 6 |
| 22417-400350 | 20 | 34 |
| 22486-080200 | 19 | 42 |
| 22487-080300 | 24 | 15 |
| 22512-050250 | 14 | 18 |
| 23000-013000 | 10 | 10 -1 |
| 23000-060000 | 6 | 10 |
| 23001-022000 | 37 | 23 -1 |
| 23001-025000 | 9 | 26 |
| | 37 | 23 |
| 23001-041000 | 37 | 24 |
| 23010-014000 | 10 | 10 |
| 23010-038000 | 9 | 27 |
| 23065-070130 | 9 | 23 |
| 23080-013000 | 10 | 16 |
| 23491-140002 | 35 | 18 |
| 23871-010000 | 37 | 32 |
| 24101-060054 | 18 | 12 |
| 24101-060064 | 16 | 4 |
| 24101-062050 | 34 | 80 |
| 24101-062054 | 18 | 27 |
| 24101-062074 | 16 | 25 |
| 24101-063054 | 16 | 19 |
| 24190-100001 | 19 | 43 |
| 24311-000120 | 15 | 19 |
| 24311-000160 | 35 | 19 |
| 24311-000210 | 15 | 21 |
| 24311-000320 | 21 | 21 |
| | 23 | 7 |
| 24315-000110 | 34 | 81 |
| | 37 | 4 |
| | | 6 |
| | | 9 |
| | | 11 |
| | | 28 |
| 24315-000140 | 34 | 9 |
| | 37 | 13 |
| | | 15 |
| 24315-000180 | 34 | 53 |

| Parts No. | Fig. No. | Ref. No. |
|--------------|----------|----------|
| 24315-000180 | 37 | 2 |
| | | 29 |
| | | 31 |
| | | 33 |
| 24315-000200 | 36 | 9 |
| 24315-000440 | 35 | 8 |
| 24316-000050 | 34 | 54 |
| 24316-000100 | 34 | 55 |
| 24316-000120 | 34 | 56 |
| 24321-000300 | 35 | 20 |
| 24321-000350 | 18 | 7 |
| 24321-000550 | 34 | 83 |
| 24321-000650 | 15 | 22 |
| | 34 | 3 |
| 24341-000390 | 34 | 84 |
| 24421-203208 | 17 | 3 |
| 24550-012150 | 21 | 28 |
| 24550-012200 | 7 | 3 |
| 24550-014100 | 19 | 16 |
| | | 18 |
| | | 23 |
| 24550-014150 | 10 | 11 |
| | 19 | 7 |
| | 20 | 12 |
| | | 14 |
| 24550-014200 | 19 | 14 |
| 24550-015200 | 14 | 7 |
| 24550-025200 | 21 | 4 |
| 24550-025250 | 23 | 8 |
| 24550-030300 | 33 | 17 |
| 24761-020000 | 33 | 13 |
| | 39 | 14 |
| 24761-040000 | 20 | 35 |
| 24761-050000 | 21 | 22 |
| | 23 | 9 |
| | 33 | 14 |
| | 38 | 22 |
| 26013-060122 | 13 | 42 |
| | | 43 |
| | | 44 |
| | | 45 |
| | | 46 |
| 26013-060162 | 9 | 28 |
| 26013-060252 | 13 | 54 |
| 26013-080122 | 38 | 23 |
| 26013-080162 | 6 | 11 |
| | 9 | 29 |
| 26013-080202 | 14 | 19 |
| | 19 | 46 |
| | 28 | 2 F |

| Parts No. | Fig. No. | Ref. No. |
|--------------|----------|----------|
| 26013-080202 | 30 | 34 |
| | 39 | 11 |
| | 40 | 24 |
| 26013-080302 | 17 | 9 |
| 26013-100162 | 12 | 14 |
| | 14 | 20 |
| 26013-100202 | 6 | 13 |
| | 10 | 13 |
| | 15 | 23 |
| | 21 | 23 |
| | 30 | 35 |
| | 31 | 1 |
| | 39 | 15 |
| 26013-100252 | 5 | 4 |
| | 6 | 12 |
| | 8 | 7 |
| | | 8 |
| | | 9 |
| | | 10 |
| | 9 | 30 |
| | 14 | 21 |
| | 19 | 47 |
| | 22 | 16 |
| | 27 | 1 |
| | | 7 |
| | | 8 |
| | 29 | 2 |
| | 31 | 1 -1 |
| | 35 | 21 |
| | 38 | 24 |
| 26013-100302 | 14 | 21 -1 |
| | 15 | 24 |
| | | 26 |
| | 20 | 23 |
| 26013-100502 | 15 | 28 |
| 26013-120252 | 15 | 25 |
| | 26 | 1 |
| 26013-120302 | 29 | 1 |
| 26014-060122 | 13 | 47 |
| 26014-060162 | 13 | 48 |
| 26014-080202 | 11 | 5 |
| 26014-100302 | 37 | 25 |
| 26051-060002 | 13 | 49 |
| 26051-100002 | 20 | 36 |
| 26076-120452 | 32 | 12 |
| 26106-100222 | 34 | 85 |
| 26116-060162 | 13 | 50 |
| 26116-060352 | 32 | 13 |
| 26116-060602 | 35 | 9 |
| 26116-080122 | 10 | 35 |

| Parts No. | Fig. No. | Ref. No. |
|--------------|----------|----------|
| 26116-080202 | 27 | 17 |
| 26116-080254 | 20 | 37 |
| 26116-080304 | 7 | 10 |
| | 20 | 38 |
| 26116-080404 | 10 | 17 |
| | 20 | 39 |
| 26116-080502 | 36 | 2 |
| 26116-100162 | 12 | 11 |
| 26116-100304 | 10 | 18 |
| 26116-100552 | 34 | 4 |
| 26116-241604 | 18 | 17 |
| 26216-100502 | 34 | 5 |
| 26347-080002 | 30 | 37 |
| 26347-100002 | 30 | 36 |
| 26366-080002 | 20 | 40 |
| 26450-060102 | 34 | 86 |
| 26450-060182 | 34 | 87 |
| 26450-100402 | 34 | 88 |
| 26450-100452 | 34 | 89 |
| 26577-050142 | 34 | 90 |
| 26577-060122 | 34 | 91 |
| 26589-060162 | 13 | 51 |
| 26716-060002 | 32 | 14 |
| 26716-080002 | 5 | 5 |
| | 10 | 19 |
| | 11 | 6 |
| | | 10 |
| | 14 | 22 |
| | 19 | 48 |
| | | 49 |
| | 20 | 41 |
| | 36 | 3 |
| 26716-100002 | 10 | 20 |
| | 14 | 22 -1 |
| | 15 | 29 |
| | 19 | 50 |
| | 20 | 47 |
| | 28 | 9 |
| | 30 | 3 |
| | 34 | 6 |
| | 40 | 25 -1 |
| | 41 | 7 |
| 26716-120002 | 8 | 11 |
| | 29 | 9 |
| 26716-140002 | 15 | 20 |
| 26716-240002 | 18 | 18 |
| 26717-100002 | 40 | 25 |
| 26736-100002 | 14 | 23 |
| | 19 | 51 |
| | 20 | 42 |

Parts No. Index

| Parts No. | Fig. No. | Ref. No. |
|----------------|----------|----------|
| 26736-100002 | 21 | 24 |
| | | 36 |
| | 23 | 19 |
| 26736-160002 | 18 | 19 |
| | | 29 |
| 26756-080002 | 7 | 11 |
| | 27 | 18 |
| 26756-120002 | 7 | 12 |
| 26776-100002 | 20 | 10 |
| 29311-323000 | 30 | 30 |
| 29321-255050 | 25 | 12 |
| 29420-100000 | 13 | 14 |
| 758804-85101 | 34 | 7 |
| 772652-03130 | 1 | 1 |
| 772652-14100 | 10 | 1 |
| 772652-37300 | 18 | 22 |
| 772652-75100 | 35 | 10 |
| 933110-00301 | 13 | 8 |
| 933111-96200 | 18 | 20 |
| 933113-05180 | 13 | 53 |
| 933113-05190 | 13 | 52 |
| 933123-73902 | 33 | 15 |
| 933133-96300 | 33 | 16 |
| 933147-08501 | 18 | 21 |
| | | 30 |
| 933147-10350 | 18 | 13 |
| 933152-09280 | 9 | 31 |
| 933153-01280 | 21 | 25 |
| | 40 | 26 |
| | 41 | 8 |
| 933160-01370 | 37 | 34 |
| 933164-04460 | 19 | 52 |
| 933164-04470 | 19 | 53 |
| | 21 | 26 |
| 933166-80520 | 36 | 7 |
| 933168-51700-5 | 41 | 9 |
| 933168-51780 | 40 | 27 |
| | 41 | 10 |
| 933168-53680-1 | 37 | 26 |
| 933168-55770 | 9 | 32 |
| | 10 | 28 |
| | | 32 |
| | | 33 |
| | 12 | 5 |
| | | 7 |
| 933169-11330 | 21 | 30 |
| 933170-01490 | 7 | 13 |
| | 28 | 6 |
| 933171-18390 | 22 | 17 |
| 933171-80610 | 36 | 6 |

| Parts No. | Fig. No. | Ref. No. |
|--------------|----------|----------|
| 933172-27150 | 39 | 16 |

| Parts No. | Fig. No. | Ref. No. |
|-----------|----------|----------|
|-----------|----------|----------|

| Parts No. | Fig. No. | Ref. No. |
|-----------|----------|----------|
|-----------|----------|----------|