

0CS10-M41402EN

PREFACE

1. This parts catalog is the 1st edition of Yanmar crawler back-hoe Vio50-2 for U. S. A. , Australia & New Zealand.

2. Parts catalog history

	Parts catalog No.	Date of issue	Remarks
1st edition	000Y00S4140	Mar, 2001	Disuse old edition
1st revised	000Y00S4141	July, 2002	Disuse old edition
Last edition	000Y00S4142	June, 2005	

3. Model name

SECTION	Column	Model name	Manufactured	M / #
I (Vehicle)	A	Vio50-2 (C)US	2001/1~	20646~
	B	Vio50-2 (P)US	2001/1~	20639~
	C	Vio50-2 (C)AS	2002/3~	21191~
	D	Vio50-2 (P)AS	2002/3~	21189~
	E	Vio50-2 (C)NZ	2002/4~	21246~
	F	Vio50-2 (P)NZ	2002/4~	21246~
II (Engine)	A	4TNE88-EBVC	2000/12~	59311~

(NOTE) US:U. S. A. , AS:Australia, NZ:New Zealand
C:cabin, P:canopy

4. Your understanding is asking that this parts catalog is not a technical data manual setting forth as servicing procedures, This parts catalog is using simplified illustration.

Be sure to use Yanmer Genuine Parts in your maintenance servicing of Yanmar products.

Be careful not to use the simple parts available in the market, otherwise their use in repairing causes such as an early breakage, for instance.

Directions for the Parts Catalog.

1. This Parts Catalog shows both standard and optional parts.
2. Parts may change without prior notice.
3. The following is an example of the Parts Catalog format.

REF.	LEV.	PARTS NO.	DESCRIPTION	Q'TY						I	R
				(A)	(B)	(C)	(D)	(E)	(F)		
1	1	729595-51390	FUEL INJECTION PUMP	1	1	1	1	1			1
1-1	1	729595-51391	FUEL INJECTION PUMP	1	1	1	1	1		N	1
		(A=E00185) (B=E00200)									
3	2	26022-060162	SCREW M 6X 16	9	9	9	9	9			
3-1	2	26022-060162	SCREW M 6X 16	4	4	4	4	4		K	
		(A=E00156) (B=E00156) (C=E00156) (D=E00156) (E=E00156)									
4	2	129470-51040	CAMSHAFT	1	1	1	1	1			
5	2	122710-51050	BEARING, ROLLER	2	2	2	2	2			
6	2	129470-51060	RETAINER	1	1	1	1	1			

Remarks
(1) BOOST COMPEMSATOR TYPE. OPTIONAL PART, TO E00155,(4JH-DT, 4JH-DTZ

① Ref. No.

The Ref. No. listed may not be in accordance with the illustration Ref. No.

(Ex.) Illustration No.

List Ref No.

1

1

(Before change)

1-1

(After change)

For interchangeable symbols N, R and K, illustrations for new parts may be abbreviated.

② Lev. (Level)

Level indication

The numbers below indicate the level of relativity towards the main part.

1 ----- Main parts (Assembly parts)

2 ----- Sub component included in " 1 ".

3 ----- Sub component included in " 2 ".

Note) Parts that are not for sale are partially illustrated but not listed.

③ Interchangeability Symbol

When a part change takes place, one of the following interchangeability symbols is indicated beside the part.

Symbol	Interchangeability	Contents note
N	Old $\begin{matrix} \leftarrow \text{Yes} \\ \text{No} \rightarrow \end{matrix}$ New	New Part is interchangeable for Old Part but Old Part is not interchangeable for New Part.
Q	Old $\begin{matrix} \leftarrow \text{No} \\ \text{Yes} \rightarrow \end{matrix}$ New	New Part is not interchangeable for Old Part but Old Part is interchangeable for New Part.
R	Old $\begin{matrix} \leftarrow \text{Yes} \\ \text{Yes} \rightarrow \end{matrix}$ New	New/ Old Parts are both interchangeable.
S	Old $\begin{matrix} \leftarrow \text{No} \\ \text{No} \rightarrow \end{matrix}$ New	New/ Old Parts are both not interchangeable.
W		Part newly added.
Z		Part discontinued.
F		Not interchangeable by a single part but interchangeable together with related parts.
K		Changes only for used parts quantities.

④ Effective Machine No.

When a part changes, the effective Machine No. will be indicated in the (A)-(F) column.

Product Symbol	Product No.	Product Symbol	Product No.
C	Clutch No. Compressor No.	F	Machine No. (Agricultural Equip.)
D	Drive No.	M	Machine No.
E	Engine No.		

Note 1) A date may follow the symbol. (Ex.) 1996.01

Note 2) "XXXXX" and "ZZZZZ" are for parts that could not be predicted or for engine models that could not be identified.

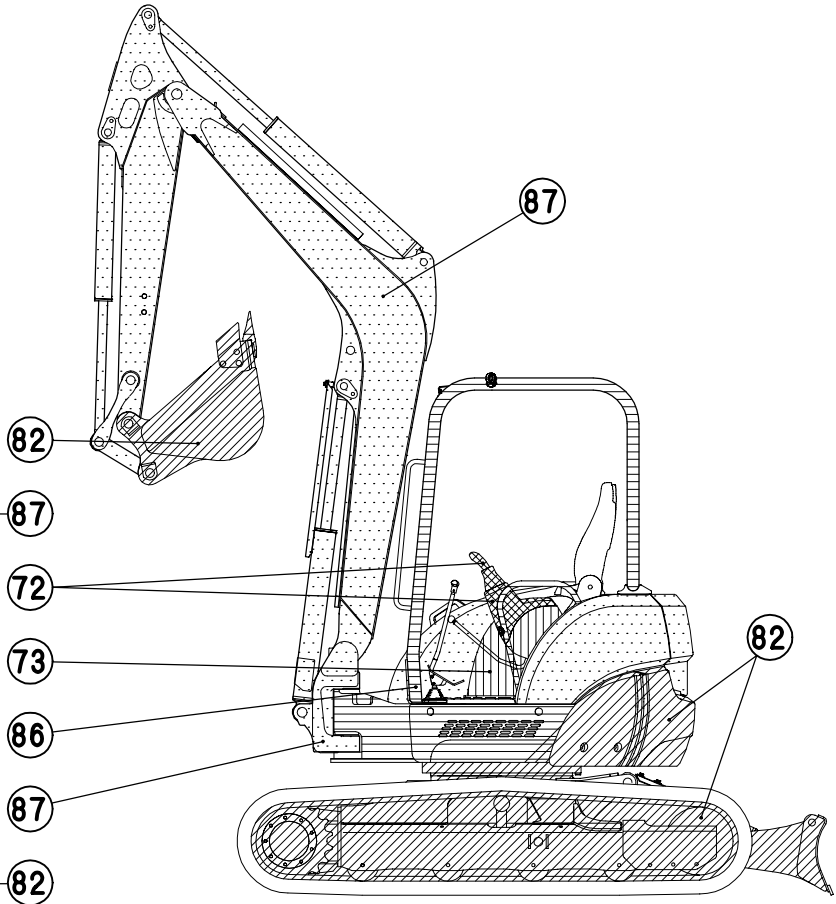
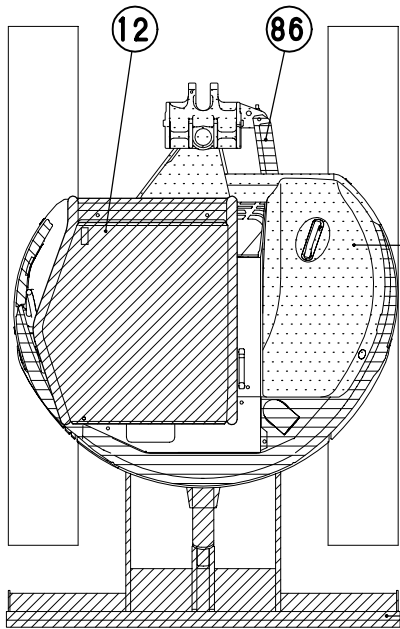
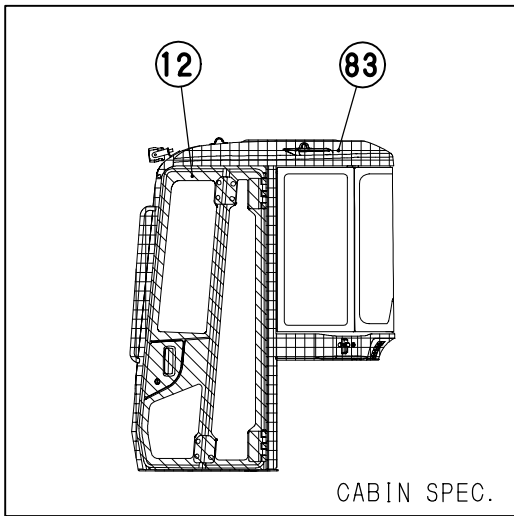
Note 3) (A=E00185) is the E (Engine Serial Number) for the column (A) model (in this case 4JH-DT) after the parts design change.

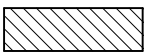
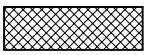
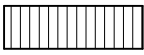
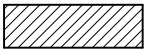

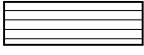
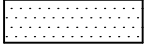
⑤ Remarks

Figures or alphabets (symbols) are entered in the remarks column.

The comments (remarks) on parts that are indicated at the bottom of the illustration are the same symbols as those stated above.

1 [PAINTED COLOR LIST]



COLOR CODE	DESCRIPTION	PAINTED COLOR MUNSEL No.	PAINT PART No.		
			16ℓCAN	4ℓCAN	SPRAY
12		YANMAR BLACK 4.90PB0.08/0.41	-----	TOR-91220001	TOR-90220003
72		YANMAR DARK OLIVE GRAY 7.21Y2.92/0.79	-----	977620-40720	TOR-90460003
73		YANMAR WARM GRAY 5.52Y4.91/1.09	-----	-----	TOR-90450003
82		YANMAR DEEP GREEN 6.39BG2.13/1.73	981101-09517	977620-40820	977620-30N31
83		YANMAR GRAYISH GREEN 2.15G4.87/1.52	981101-09615	977620-40830	977620-30N41
86		YANMAR NEW GRAYISH GREEN 2.62BG4.76/2.87	981101-09616	977620-40860	977620-30861
87		YANMAR NEW PERMANENT YELLOW 5.15Y8.45/10.81	981101-09519	977620-40870	977620-30871

PICTURESQUE INDEX (1) ■ ■ ■ MAIN PARTS

LABEL...Fig.1~4
SAFETY LABEL...Fig.5

FAN...Fig.6
RADIATOR & MOUNT...Fig.10
FUEL TANK & FUEL PIPE...Fig.11
BATTERY...Fig.12
COMPRESSOR & V PULLEY...Fig.21
BONNET...Fig.39
HYD.OIL TANK...Fig.72

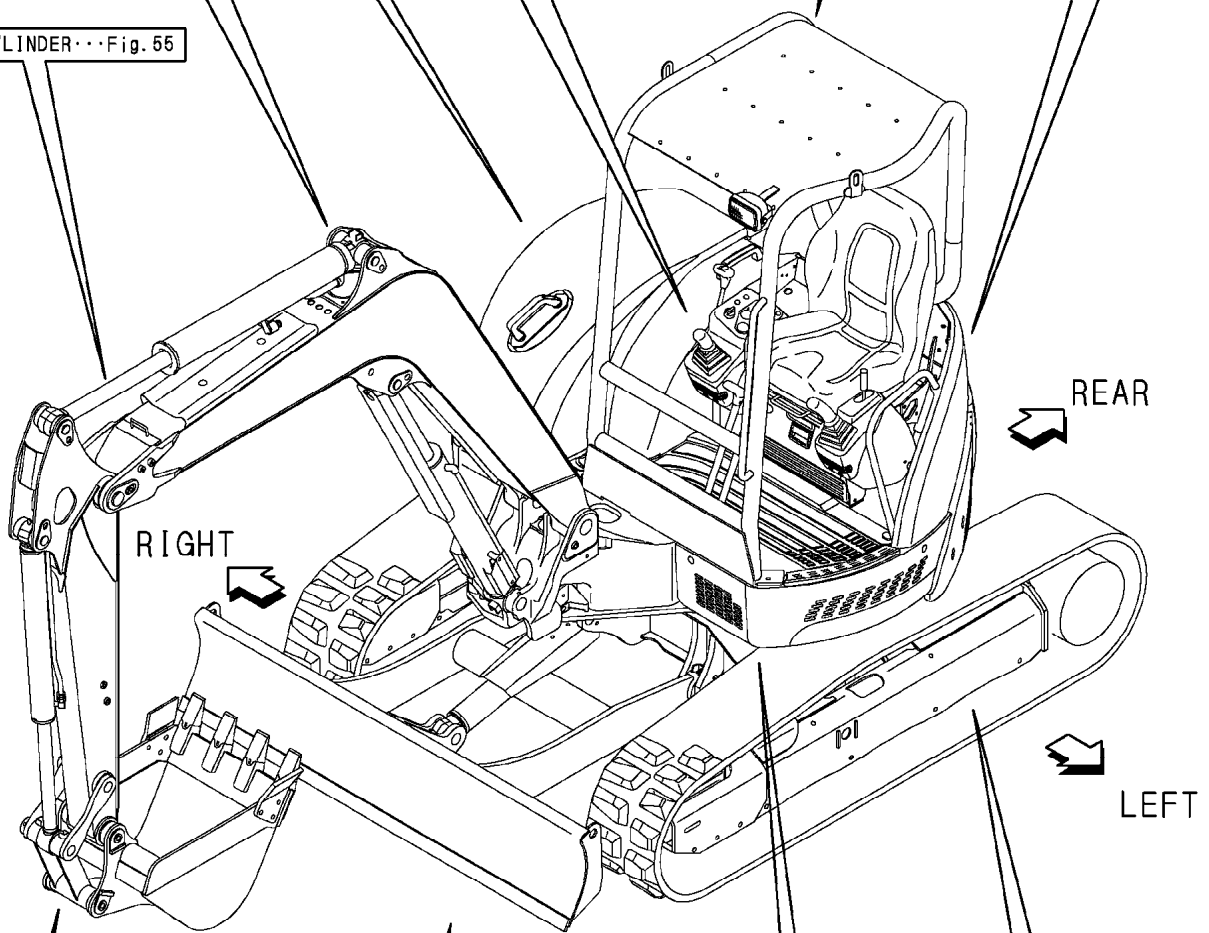
BOOM CYLINDER...Fig.54
BOOM & BOOM BURACKET...Fig.84

ARM CYLINDER...Fig.55

ACCELERATOR...Fig.8
ELECTRIC PART...Fig.13,14,15
COVER...Fig.23
CONTROL EQUIPMENT...Fig.26~32
COVER...Fig.34~36
STEP & INSTRUMENT PANEL...Fig.37
SEAT & SEAT MOUNT...Fig.38,89
REMOTE CONTROL VALVE...Fig.70
TRAVEL ALARM...Fig.16
WINDOW WASHER...Fig.20

CABIN...Fig.40~50
WORK LAMP & CANOPY LAMP...Fig.17
HEATER...Fig.18,19
CANOPY & CANOPY MOUNT...Fig.51

SILENCER & AIR CLEANER...Fig.7
ENGINE MOUNT...Fig.9



RIGHT

REAR

LEFT

FRONT

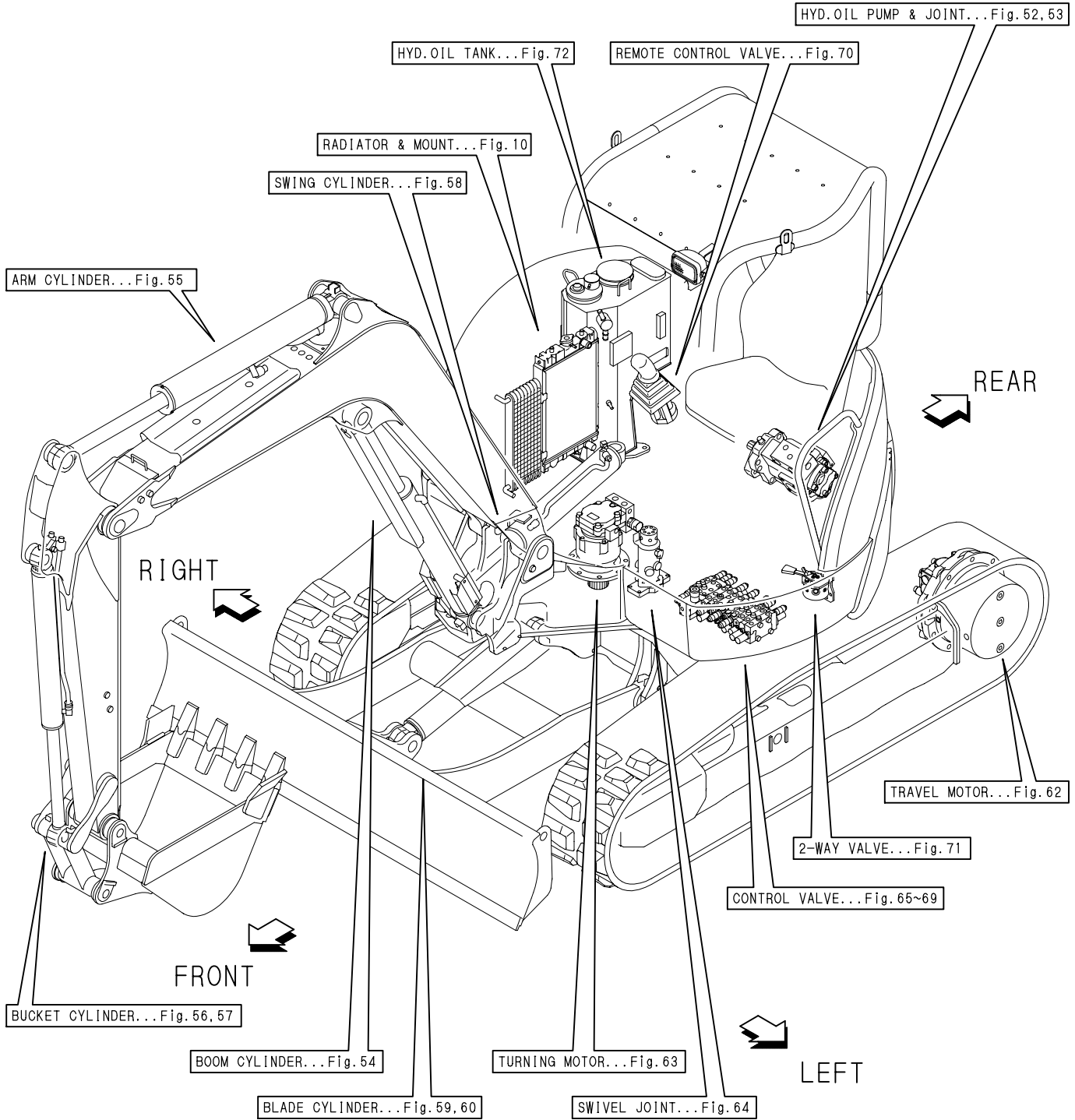
BUCKET CYLINDER...Fig.56,57
QUICK COUPLER CYLINDER...Fig.61
ARM & BUCKET LINK...Fig.85
ARM & QUICK COUPLER...Fig.86
BUCKET...Fig.87

SWING CYLINDER...Fig.58
BLADE CYLINDER...Fig.59,60
BLADE...Fig.88

ROLLER & ADJUST...Fig.24
CRAWLER...Fig.25
FRAME & TURNING BEARING...Fig.33
TRAVEL MOTOR...Fig.62

PIPING...Fig.22
HYD.OIL PUMP & JOINT...Fig.52,53
TURNING MOTOR...Fig.63
SWIVEL JOINT...Fig.64
CONTROL VALVE...Fig.65~69
2-WAY VALVE...Fig.71
HYD.OIL PIPING...Fig.73~80
CONTROL PIPING...Fig.81,82
GREASING...Fig.83

PICTUREAQUE INDEX (2) ···HYDRAULIC SECTION



Contents

OCS10-M41402

Fig. No.	Fig. Name	Fig. No.	Fig. Name
VEHICLE VIO50-2(US,AS,NZ)		25.	CRAWLER
1.	LABEL(CABIN)	26.	CONTROL EQUIPMENT(LOCK LEVER & STAND)RIGHT
2.	LABEL(CANOPY)	27.	CONTROL EQUIPMENT(LOCK LEVER & STAND)LEFT
3.	LABEL(CABIN)(QUICK COUPLER SPEC.)	28.	CONTROL EQUIPMENT(TRAVEL LEVER)
4.	LABEL(CANOPY)(QUICK COUPLER SPEC.)	29.	CONTROL EQUIPMENT(BLADE LEVER)
5.	SAFETY LABEL	30.	CONTROL EQUIPMENT(SWING PEDAL)
6.	FAN	31.	CONTROL EQUIPMENT(LOW-HIGH PEDAL)
7.	SILENSER & AIR CLEANER	32.	CONTROL EQUIPMENT(P.T.O.PEDAL)
8.	ACCELERATOR	33.	FRAME & TURNING BEARING
9.	ENGINE MOUNT	34.	COVER(FRAME)
10.	RADIATOR & MOUNT	35.	COVER(CABIN)
11.	FUEL TANK & FUEL PIPE	36.	COVER(CANOPY)
12.	BATTERY	37.	STEP & INSTRUMENT PANEL
13.	ELECTRIC PART(WIRING)	38.	SEAT & SEAT MOUNT
14.	ELECTRIC PART(EQUIPMENT)	39.	BONNET
15.	ELECTRIC PART(AIR CON. SPEC.)	40.	CABIN(BODY)
16.	TRAVEL ALARM	41.	CABIN(ELECTRIC PART)
17.	WORK LAMP & CANOPY LAMP	42.	CABIN(GLASS)
18.	HEATER	43.	CABIN(DOOR)
19.	HEATER (AIR CON. SPEC)	44.	TIM CABIN(BODY)
20.	WINDOW WASHER	45.	TIM CABIN(ACCESSORY)
21.	COMPRESSOR & V PULLEY(AIR CON.SPEC.)	46.	TIM CABIN(ELECTRIC PART & WIPER)
22.	PIPING(AIR CON. SPEC.)	47.	TIM CABIN(HEATER & DUCT COVER)
23.	COVER(AIR CON. SPEC.)	48.	TIM CABIN(FRONT GLASS)
24.	ROLLER & ADJUST	49.	TIM CABIN D00R(BODY)

Contents

OCS10-M41402

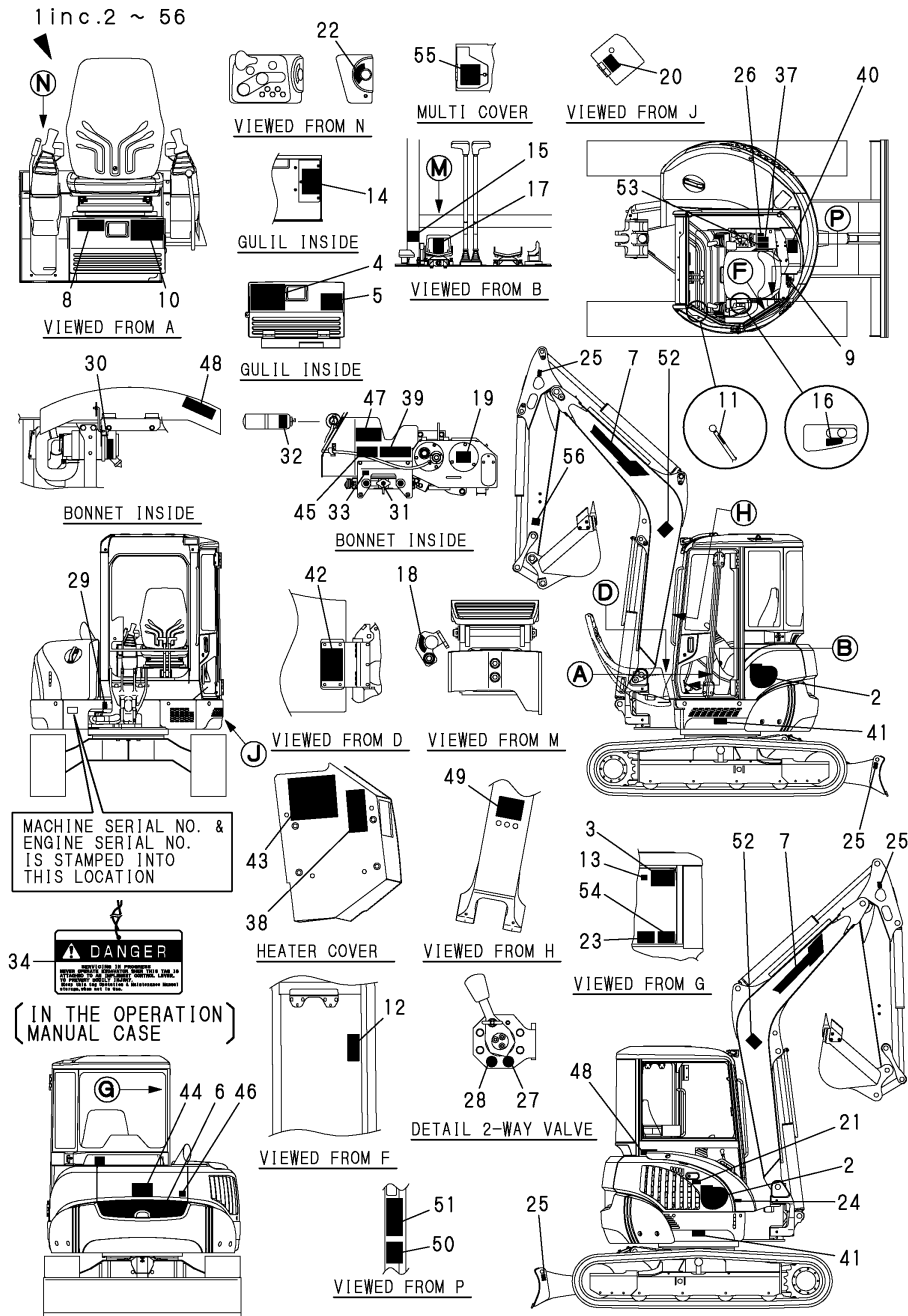
Fig. No. Fig. Name

- 50. TIM CABIN DOOR(Accessory)
- 51. CANOPY & CANOPY MOUNT
- 52. HYD.OIL PUMP & JOINT
- 53. HYD.OIL PUMP & JOINT(QUICK COUPLER SPEC.)
- 54. BOOM CYLINDER
- 55. ARM CYLINDER
- 56. BUCKET CYLINDER
- 57. BUCKET CYLINDER(QUICK COUPLER SPEC.)
- 58. SWING CYLINDER
- 59. BLADE CYLINDER
- 60. BLADE CYLINDER(QUICK COUPLER SPEC.)
- 61. QUICK COUPLER CYLINDER
- 62. TRAVEL MOTOR
- 63. TURNING MOTOR
- 64. SWIVEL JOINT
- 65. CONTROL VALVE(P PORT)
- 66. CONTROL VALVE(TRAVEL & P.T.O.)
- 67. CONTROL VALVE(ARM & SWING)
- 68. CONTROL VALVE(BOOM & BUCKET)
- 69. CONTROL VALVE(TURNING & BLADE)
- 70. REMOTE CONTROL VALVE
- 71. 2-WAY VALVE
- 72. HYD.OIL TANK
- 73. HYD.OIL PIPING(TANK-PUMP-VALVE)
- 74. HYD.OIL PIPING(PUMP-VALVE-MOTOR)

Fig. No. Fig. Name

- 75. HYD.OIL PIPING(VALVE-SWIVEL-SWING)
- 76. HYD.OIL PIPING(RETURN)
- 77. HYD.OIL PIPING(TRAVEL)
- 78. HYD.OIL PIPING(BOOM)
- 79. HYD.OIL PIPING(P.T.O.)
- 80. HYD.OIL PIPING(QUICK COUPLER SPEC.)
- 81. CONTROL PIPING(PUMP-REMO.-CON.V.-RETURN)
- 82. CONTROL PIPING(REMO.-CON.V.-2-WAY V.-CONTROL V.)
- 83. GREASING
- 84. BOOM & BOOM BRACKET
- 85. ARM & BUCKET LINK
- 86. ARM & QUICK COUPLER
- 87. BUCKET(700S)
- 88. BLADE
- 89. SEAT KIT(OPTIONAL)

Fig.1. LABEL(CABIN)



(A)=VIO50-2C(US)
 (B)=VIO50-2P(US)
 (C)=VIO50-2C(AS)

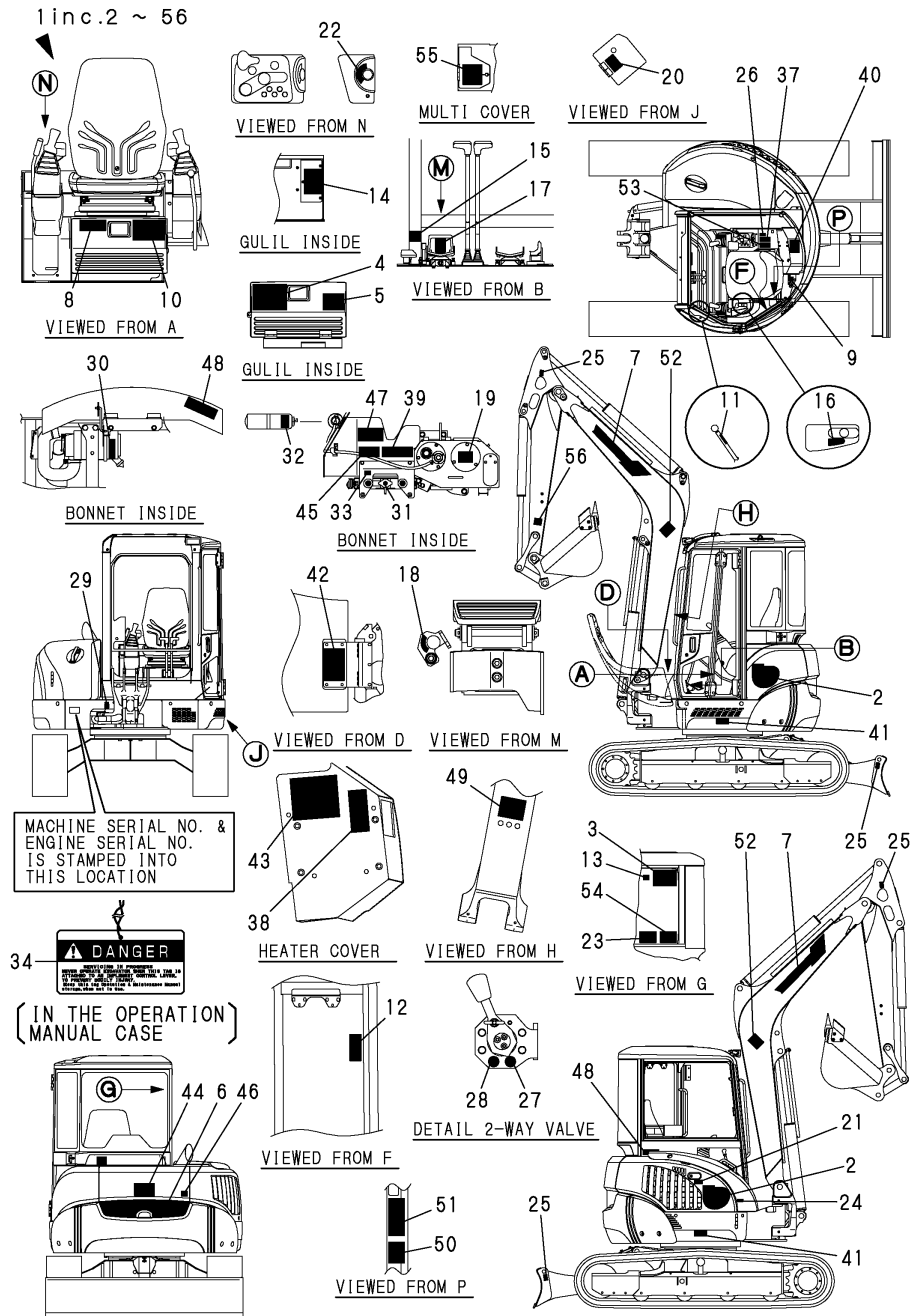
(D)=VIO50-2P(AS)
 (E)=VIO50-2C(NZ)
 (F)=VIO50-2P(NZ)

No.	Lev.	Parts No.	Description	Q'ty						I	R
				(A)	(B)	(C)	(D)	(E)	(F)		
1	1	772467-03100	LABEL ASSY	1	1		1				
1-1	1	772467-03101	LABEL ASSY	1		1		1			N
		(A=M/#21566)	(C=M/#21566)				(E=M/#21566)				
2	2	172467-03120	LABEL,MODEL	2		2		2			
3	2	172467-03130	LABEL,LIFT US	1		1		1			
4	2	172467-03140	LABEL,OIL&WATER	1		1		1			
5	2	172467-03150	LABEL,GREASE	1		1		1			
6	2	172460-03160	LABEL	1		1		1			
7	2	172165-03261	LABEL, BOOM	2		2		2			
8	2	172467-03160	LABEL,SPECIFICATION	1		1		1			
8-1	2	172467-03161	LABEL,SPECIFICATION	1		1		1			S
		(A=M/#21566)	(C=M/#21566)				(E=M/#21566)				
9	2	172472-03180	LABEL,VENTILATION	1		1		1			
10	2	172472-03200	LABEL,SUPORT C US	1		1		1			
11	2	172183-03280	LABEL,LOCK	1		1		1			
12	2	172463-03320	LABEL,F/W LOWER US	1		1		1			
13	2	172437-03550	LABEL,WINDOW	1		1		1			
14	2	172472-03170	LABEL,FUSE	1		1		1			
15	2	172147-03210	LABEL,2 SPEED	1		1		1			
16	2	172458-03220	LABEL,ACCELERATOR	1		1		1			
17	2	172165-03231	LABEL, P.T.O.	1		1		1			
18	2	172458-03240	LABEL,LOCK	1		1		1			
19	2	172463-03290	LABEL,HYD.OIL US	1		1		1			
20	2	172438-03300	LABEL	1		1		1			
21	2	172463-03330	LABEL,COVER	1		1		1			
22	2	172141-03360	LABEL, START SWITCH	1		1		1			
23	2	172149-03430	LABEL	1		1		1			
24	2	172437-03500	LABEL,FUEL	1		1		1			
25	2	172437-03510	LABEL,HOOK	4		4		4			
26	2	172437-03530	LABEL,RE-START	1		1		1			
27	2	172437-03610	LABEL	1		1		1			
28	2	172437-03620	LABEL	1		1		1			
29	2	172157-03740	LABEL	1		1		1			
30	2	172125-03950	LABEL, AIR CLEANER	1		1		1			
31	2	172462-03320	LABEL	1		1		1			
32	2	124764-44810	LABEL,SUB-TANK	1		1		1			
33	2	124764-44920	LABEL, ANTI-FREEZING	1		1		1			
34	2	172437-03250	TAG ASSY, CAUTION	1		1		1			
37	2	172437-03300	LABEL,MANUAL	1		1		1			
38	2	172437-03310	LABEL,SLOPE	1		1		1			
39	2	172437-03320	LABEL,HYD.OIL TANK	1		1		1			
39-1	2	172437-03321	LABEL,HYD.OIL TANK	1		1		1			R
		(A=M/#21827)	(C=M/#21827)				(E=M/#21827)				
40	2	172437-03340	LABEL,TRANSPORT	1		1		1			
40-1	2	172437-03341	LABEL,TRANSPORT	1		1		1			R
		(A=M/#21827)	(C=M/#21827)				(E=M/#21827)				
41	2	172437-03351	LABEL,GREASE CYL.	2		2		2			
42	2	172437-03360	LABEL,BATTERY	1		1		1			
43	2	172437-03371	LABEL	1		1		1			
44	2	172437-03380	LABEL,SWING AREA	1		1		1			
45	2	172437-03390	LABEL,RADIATOR	1		1		1			

Fig.1. LABEL(CABIN)

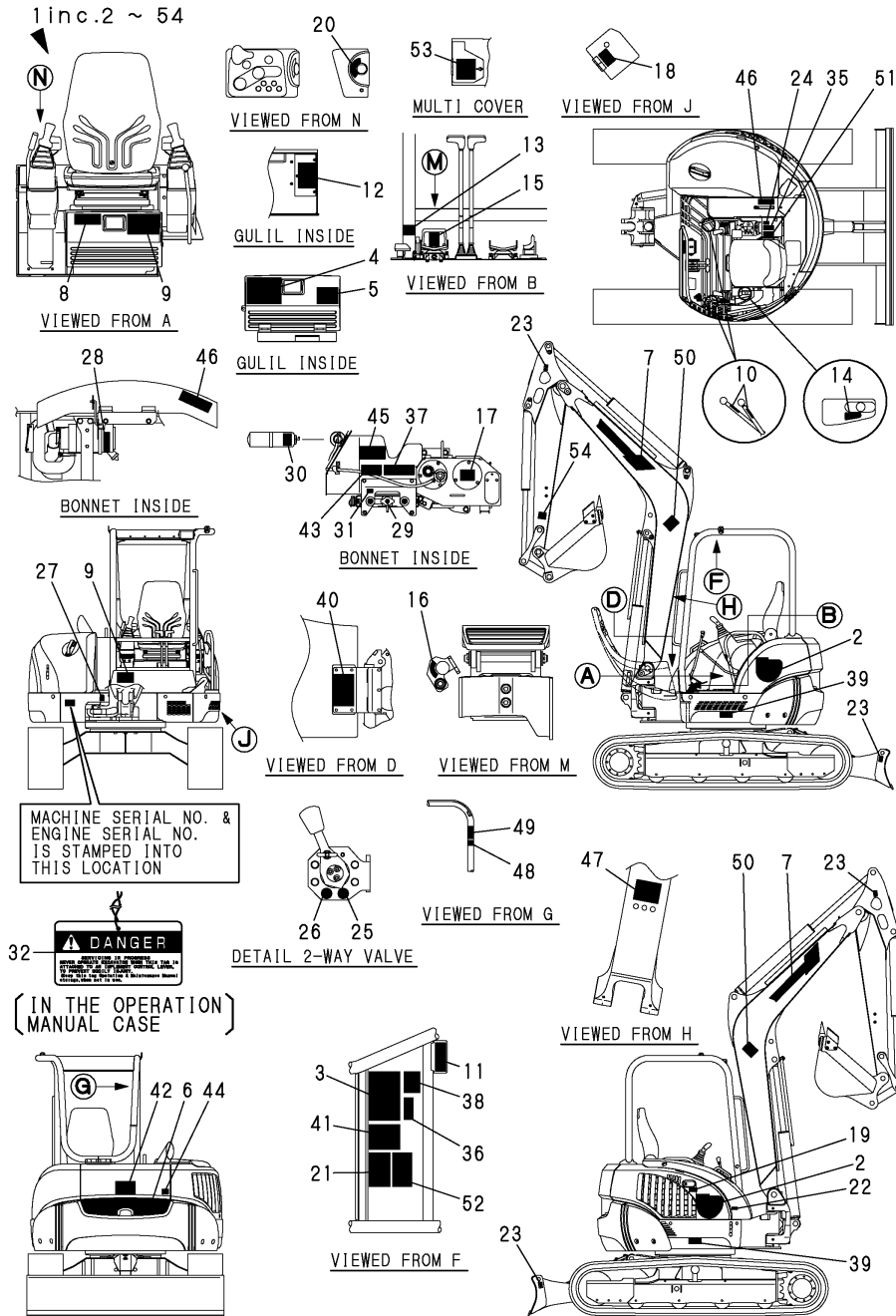
(A)=VIO50-2C(US)
 (B)=VIO50-2P(US)
 (C)=VIO50-2C(AS)

(D)=VIO50-2P(AS)
 (E)=VIO50-2C(NZ)
 (F)=VIO50-2P(NZ)



No.	Lev.	Parts No.	Description	Q'ty						I	R
				(A)	(B)	(C)	(D)	(E)	(F)		
46	2	172437-03400	LABEL,ENG.HOOD	1	1		1				
46-1	2	172437-03401	LABEL (ENG COVER US	1		1		1			R
		(A=M/#21827)	(C=M/#21827)			(E=M/#21827)					
47	2	172437-03410	LABEL,ENG.ROOM	1		1		1			
47-1	2	172437-03411	LABEL (ENG ROOM US	1		1		1			R
		(A=M/#21827)	(C=M/#21827)			(E=M/#21827)					
48	2	172437-03421	LABEL,MUFFLER	2		2		2			
49	2	172437-03431	LABEL,STEERING	1		1		1			
50	2	172437-03440	LABEL,ROPS	1		1		1			
51	2	172437-03450	LABEL,SEAT BELT	1		1		1			
52	2	172437-03460	LABEL, BOOM	2		2		2			
53	2	172437-03470	LABEL,LEVER LOCK	1		1		1			
54	2	172437-03600	LABEL	1		1		1			
55	2	172437-03241	LABEL,CRAWLER	1		1		1			
56	2	172472-03330	LABEL,LOCK PIN(US	1		1		1			W
		(A=*2005.02)	(C=*2005.02)			(E=*2005.02)					

Fig.2. LABEL(CANOPY)

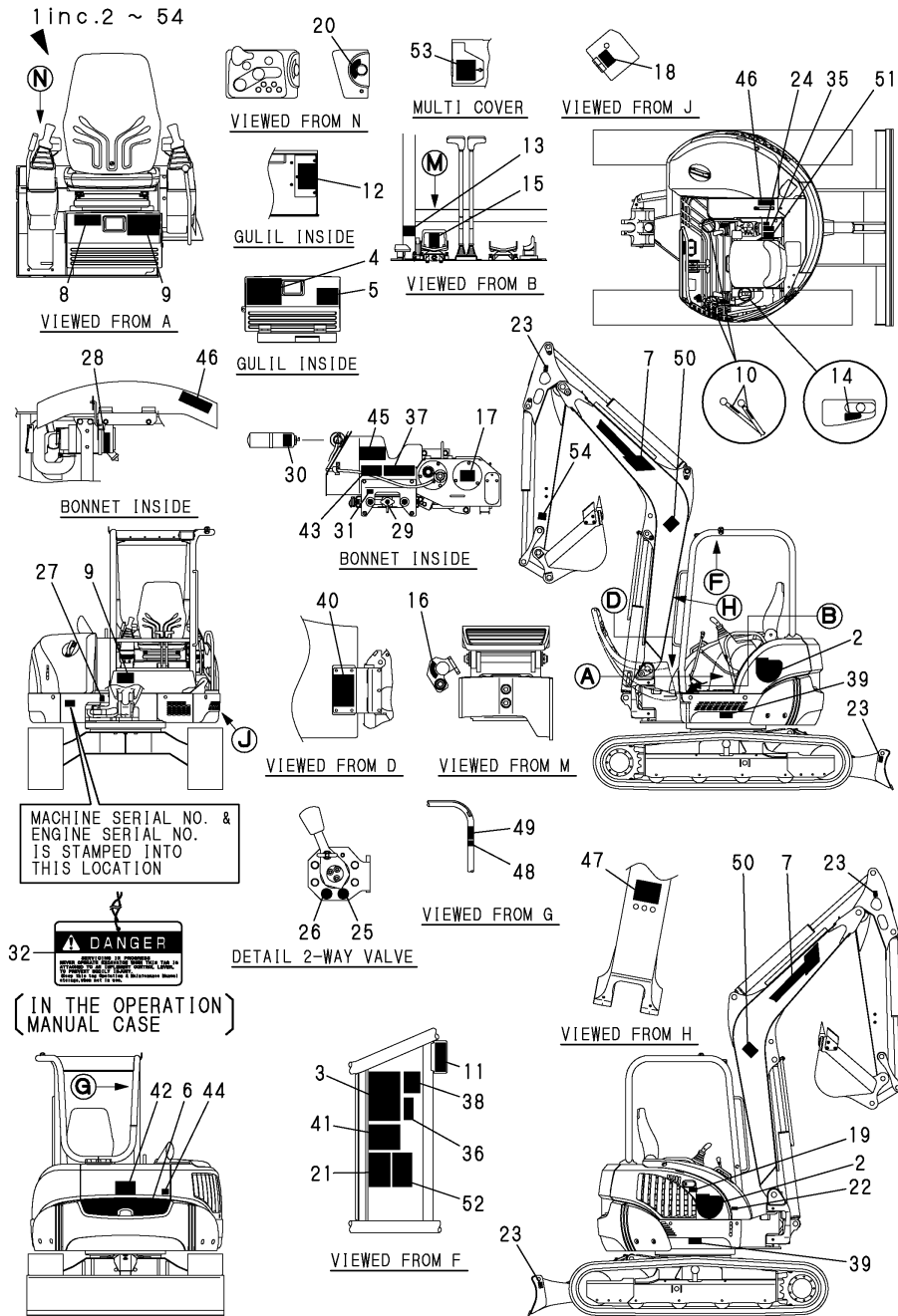


(A)=VIO50-2C(US)
 (B)=VIO50-2P(US)
 (C)=VIO50-2C(AS)

(D)=VIO50-2P(AS)
 (E)=VIO50-2C(NZ)
 (F)=VIO50-2P(NZ)

No.	Lev.	Parts No.	Description	Q'ty						I	R	
				(A)	(B)	(C)	(D)	(E)	(F)			
1	1	772467-03110	LABEL ASSY	1			1					
1-1	1	772467-03111	LABEL ASSY		1			1				N
				(B=M/#21566)		(D=M/#21566)		(F=M/#21566)				
2	2	172467-03120	LABEL,MODEL		2		2					
3	2	172467-03130	LABEL,LIFT US		1		1					
4	2	172467-03140	LABEL,OIL&WATER		1		1					
5	2	172467-03150	LABEL,GREASE		1		1					
6	2	172460-03160	LABEL		1		1					
7	2	172165-03261	LABEL, BOOM		2		2					
8	2	172467-03110	LABEL,SPECIFICATION		1		1					
8-1	2	172467-03111	LABEL,SPECIFICATION		1		1					S
				(B=M/#21566)		(D=M/#21566)		(F=M/#21566)				
9	2	172467-03170	LABEL,SUPORT US		2		2					
10	2	172183-03280	LABEL,LOCK		2		2					
11	2	172472-03700	LABEL,ROPS P		1		1					
11-1	2	172472-03701	LABEL		1		1					S
				(B=M/#21566)		(D=M/#21566)		(F=M/#21566)				
12	2	172472-03170	LABEL,FUSE		1		1					
13	2	172147-03210	LABEL,2 SPEED		1		1					
14	2	172458-03220	LABEL,ACCELERATOR		1		1					
15	2	172165-03231	LABEL, P.T.O.		1		1					
16	2	172458-03240	LABEL,LOCK		1		1					
17	2	172463-03290	LABEL,HYD.OIL US		1		1					
18	2	172438-03300	LABEL		1		1					
19	2	172463-03330	LABEL,COVER		1		1					
20	2	172141-03360	LABEL, START SWITCH		1		1					
21	2	172149-03430	LABEL		1		1					
22	2	172437-03500	LABEL,FUEL		1		1					
23	2	172437-03510	LABEL,HOOK		4		4					
24	2	172437-03530	LABEL,RE-START		1		1					
25	2	172437-03610	LABEL		1		1					
26	2	172437-03620	LABEL		1		1					
27	2	172157-03740	LABEL		1		1					
28	2	172125-03950	LABEL, AIR CLEANER		1		1					
29	2	172462-03320	LABEL		1		1					
30	2	124764-44810	LABEL,SUB-TANK		1		1					
31	2	124764-44920	LABEL, ANTI-FREEZING		1		1					
32	2	172437-03250	TAG ASSY, CAUTION		1		1					
35	2	172437-03300	LABEL,MANUAL		1		1					
36	2	172437-03310	LABEL,SLOPE		1		1					
37	2	172437-03320	LABEL,HYD.OIL TANK		1		1					
37-1	2	172437-03321	LABEL,HYD.OIL TANK		1		1					R
				(B=M/#21827)		(D=M/#21827)		(F=M/#21827)				
38	2	172437-03340	LABEL,TRANSPORT		1		1					
38-1	2	172437-03341	LABEL,TRANSPORT		1		1					R
				(B=M/#21827)		(D=M/#21827)		(F=M/#21827)				
39	2	172437-03351	LABEL,GREASE CYL.		2		2					
40	2	172437-03360	LABEL,BATTERY		1		1					
41	2	172437-03371	LABEL		1		1					
42	2	172437-03380	LABEL,SWING AREA		1		1					
43	2	172437-03390	LABEL,RADIATOR		1		1					

Fig.2. LABEL(CANOPY)



(A)=VIO50-2C(US)
 (B)=VIO50-2P(US)
 (C)=VIO50-2C(AS)

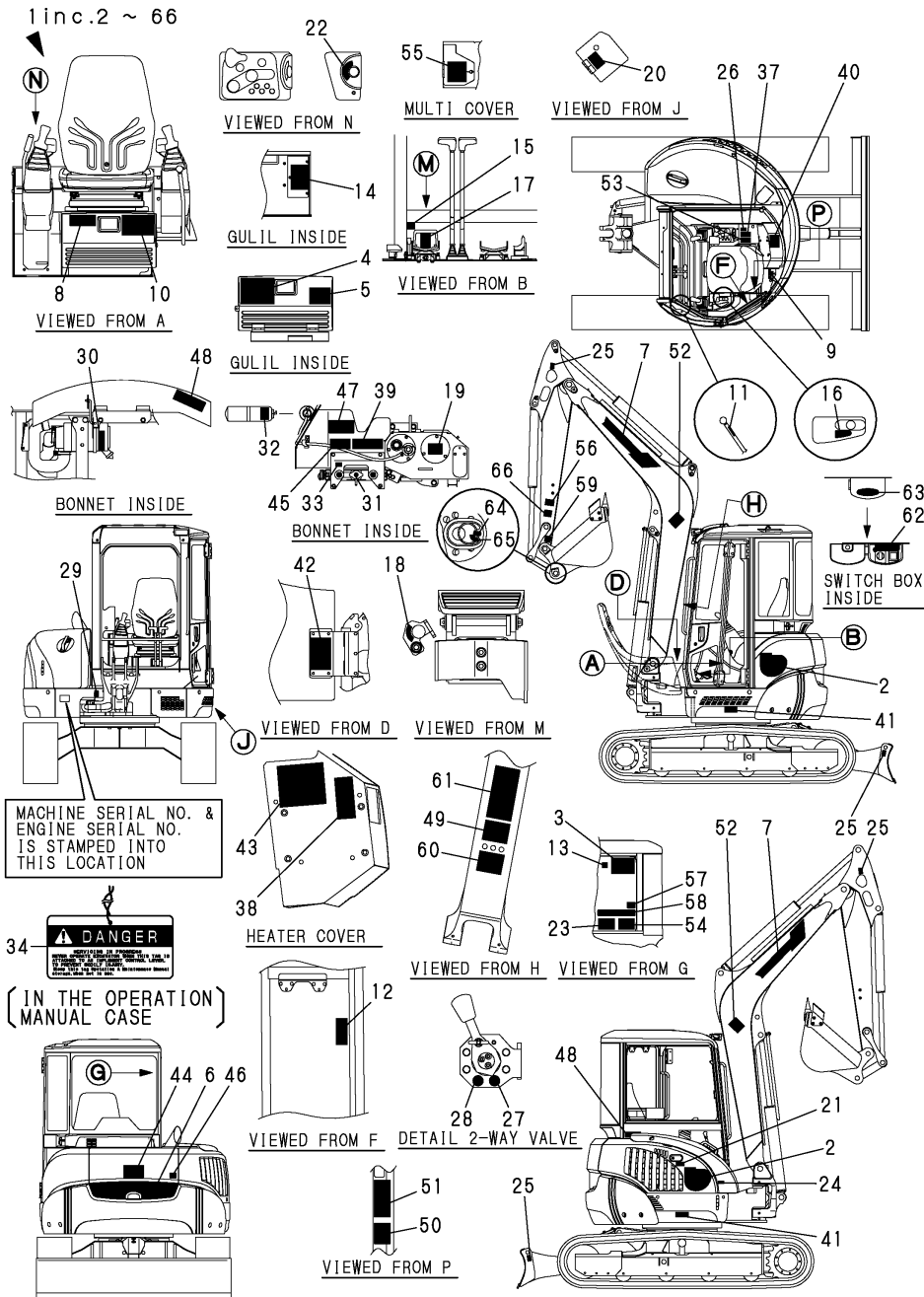
(D)=VIO50-2P(AS)
 (E)=VIO50-2C(NZ)
 (F)=VIO50-2P(NZ)

No.	Lev.	Parts No.	Description	Q'ty						I	R	
				(A)	(B)	(C)	(D)	(E)	(F)			
44	2	172437-03400	LABEL,ENG.HOOD	1			1					
44-1	2	172437-03401	LABEL (ENG COVER US	1			1					R
		(B=M/#21827)	(D=M/#21827)									(F=M/#21827)
45	2	172437-03410	LABEL,ENG.ROOM	1			1					
45-1	2	172437-03411	LABEL (ENG ROOM US	1			1					R
		(B=M/#21827)	(D=M/#21827)									(F=M/#21827)
46	2	172437-03421	LABEL,MUFFLER		2		2					2
47	2	172437-03431	LABEL,STEERING		1		1					1
48	2	172437-03440	LABEL,ROPS		1		1					1
49	2	172437-03450	LABEL,SEAT BELT		1		1					1
50	2	172437-03460	LABEL,BOOM		2		2					2
51	2	172437-03470	LABEL,LEVER LOCK		1		1					1
52	2	172437-03600	LABEL		1		1					1
53	2	172437-03241	LABEL,CRAWLER		1		1					1
54	2	172472-03330	LABEL,LOCK PIN(US		1		1					1 W
		(B=*2005.02)	(D=*2005.02)									(F=*2005.02)

Fig.3. LABEL(CABIN)(QUICK COUPLER SPEC.)

(A)=VIO50-2C(US)
 (B)=VIO50-2P(US)
 (C)=VIO50-2C(AS)

(D)=VIO50-2P(AS)
 (E)=VIO50-2C(NZ)
 (F)=VIO50-2P(NZ)

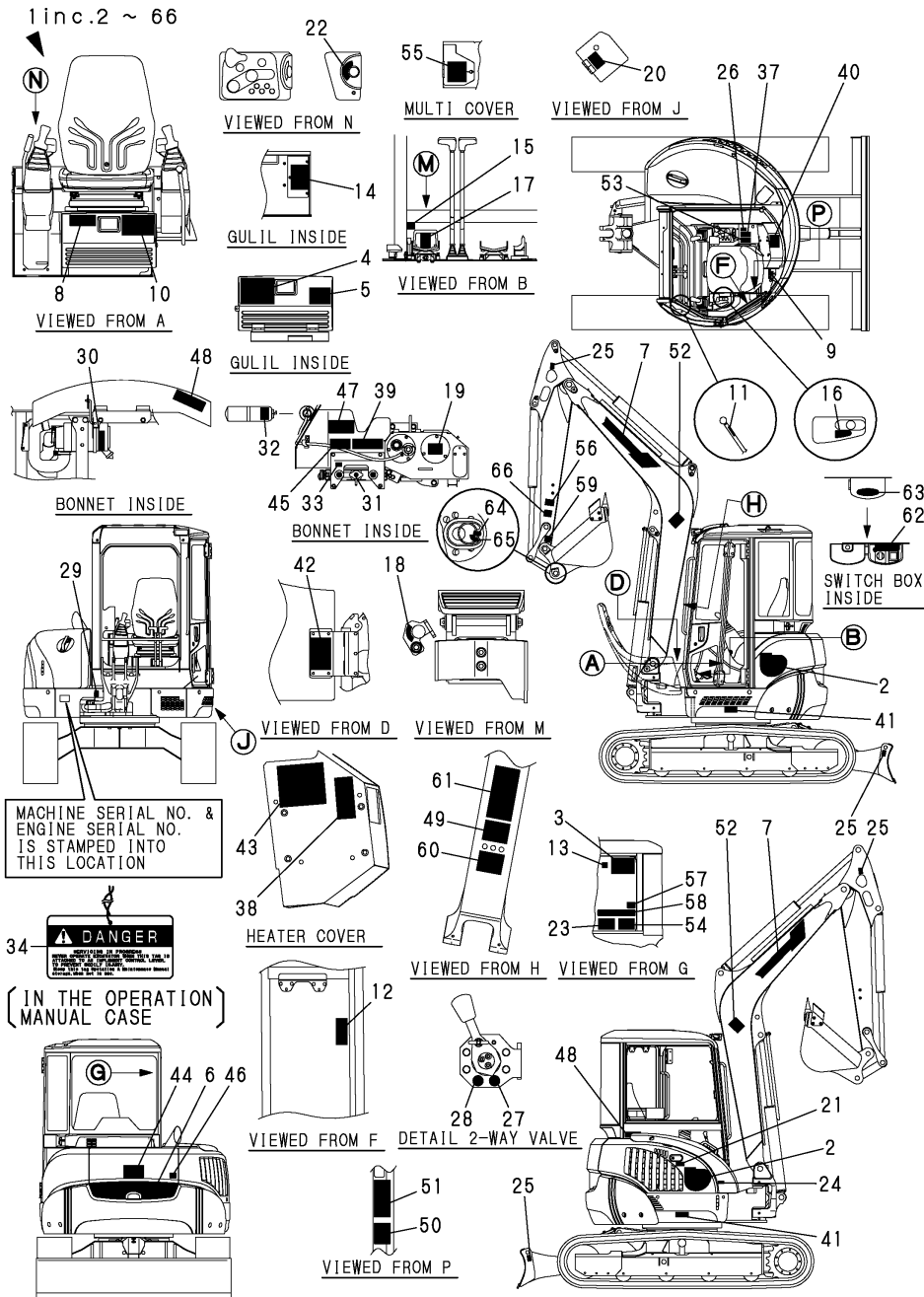


No.	Lev.	Parts No.	Description	Q'ty						I	R
				(A)	(B)	(C)	(D)	(E)	(F)		
1	1	772467-03120	LABEL ASSY	1	1		1				
1-1	1	772467-03121	LABEL ASSY			1		1			N
		(A=M/#21566)	(C=M/#21566)			(E=M/#21566)					
2	2	172467-03120	LABEL,MODEL	2	2		2				
3	2	172467-03190	LABEL,LIFT Q US	1	1		1				
3-1	1	172467-03191	LABEL, LIFT Q US	1	1		1				N
		(A=M/#21181)	(C=M/#21181)			(E=M/#21181)					
4	2	172467-03140	LABEL,OIL&WATER	1	1		1		1		
5	2	172467-03150	LABEL,GREASE	1	1		1		1		
6	2	172460-03160	LABEL	1	1		1		1		
7	2	172165-03261	LABEL, BOOM	2	2		2		2		
8	2	172467-03160	LABEL,SPECIFICATION	1	1		1		1		
8-1	2	172467-03161	LABEL,SPECIFICATION	1	1		1		1		S
		(A=M/#21566)	(C=M/#21566)			(E=M/#21566)					
9	2	172472-03180	LABEL,VENTILATION	1	1		1		1		
10	2	172472-03200	LABEL,SUPORT C US	1	1		1		1		
11	2	172183-03280	LABEL,LOCK	1	1		1		1		
12	2	172463-03320	LABEL,F/W LOWER US	1	1		1		1		
13	2	172437-03550	LABEL,WINDOW	1	1		1		1		
14	2	172472-03170	LABEL,FUSE	1	1		1		1		
15	2	172147-03210	LABEL,2 SPEED	1	1		1		1		
16	2	172458-03220	LABEL,ACCELERATOR	1	1		1		1		
17	2	172165-03231	LABEL,P.T.O.	1	1		1		1		
18	2	172458-03240	LABEL,LOCK	1	1		1		1		
19	2	172463-03290	LABEL,HYD.OIL US	1	1		1		1		
20	2	172438-03300	LABEL	1	1		1		1		
21	2	172463-03330	LABEL,COVER	1	1		1		1		
22	2	172141-03360	LABEL, START SWITCH	1	1		1		1		
23	2	172149-03430	LABEL	1	1		1		1		
24	2	172437-03500	LABEL,FUEL	1	1		1		1		
25	2	172437-03510	LABEL,HOOK	4	4		4		4		
26	2	172437-03530	LABEL,RE-START	1	1		1		1		
27	2	172437-03610	LABEL	1	1		1		1		
28	2	172437-03620	LABEL	1	1		1		1		
29	2	172157-03740	LABEL	1	1		1		1		
30	2	172125-03950	LABEL, AIR CLEANER	1	1		1		1		
31	2	172462-03320	LABEL	1	1		1		1		
32	2	124764-44810	LABEL,SUB-TANK	1	1		1		1		
33	2	124764-44920	LABEL, ANTI-FREEZING	1	1		1		1		
34	2	172437-03250	TAG ASSY, CAUTION	1	1		1		1		
37	2	172437-03300	LABEL,MANUAL	1	1		1		1		
38	2	172437-03310	LABEL,SLOPE	1	1		1		1		
39	2	172437-03320	LABEL,HYD.OIL TANK	1	1		1		1		
39-1	2	172437-03321	LABEL,HYD.OIL TANK	1	1		1		1		R
		(A=M/#21827)	(C=M/#21827)			(E=M/#21827)					
40	2	172437-03340	LABEL,TRANSPORT	1	1		1		1		
40-1	2	172437-03341	LABEL,TRANSPORT	1	1		1		1		R
		(A=M/#21827)	(C=M/#21827)			(E=M/#21827)					
41	2	172437-03351	LABEL,GREASE CYL.	2	2		2		2		
42	2	172437-03360	LABEL,BATTERY	1	1		1		1		
43	2	172437-03371	LABEL	1	1		1		1		

Fig.3. LABEL(CABIN)(QUICK COUPLER SPEC.)

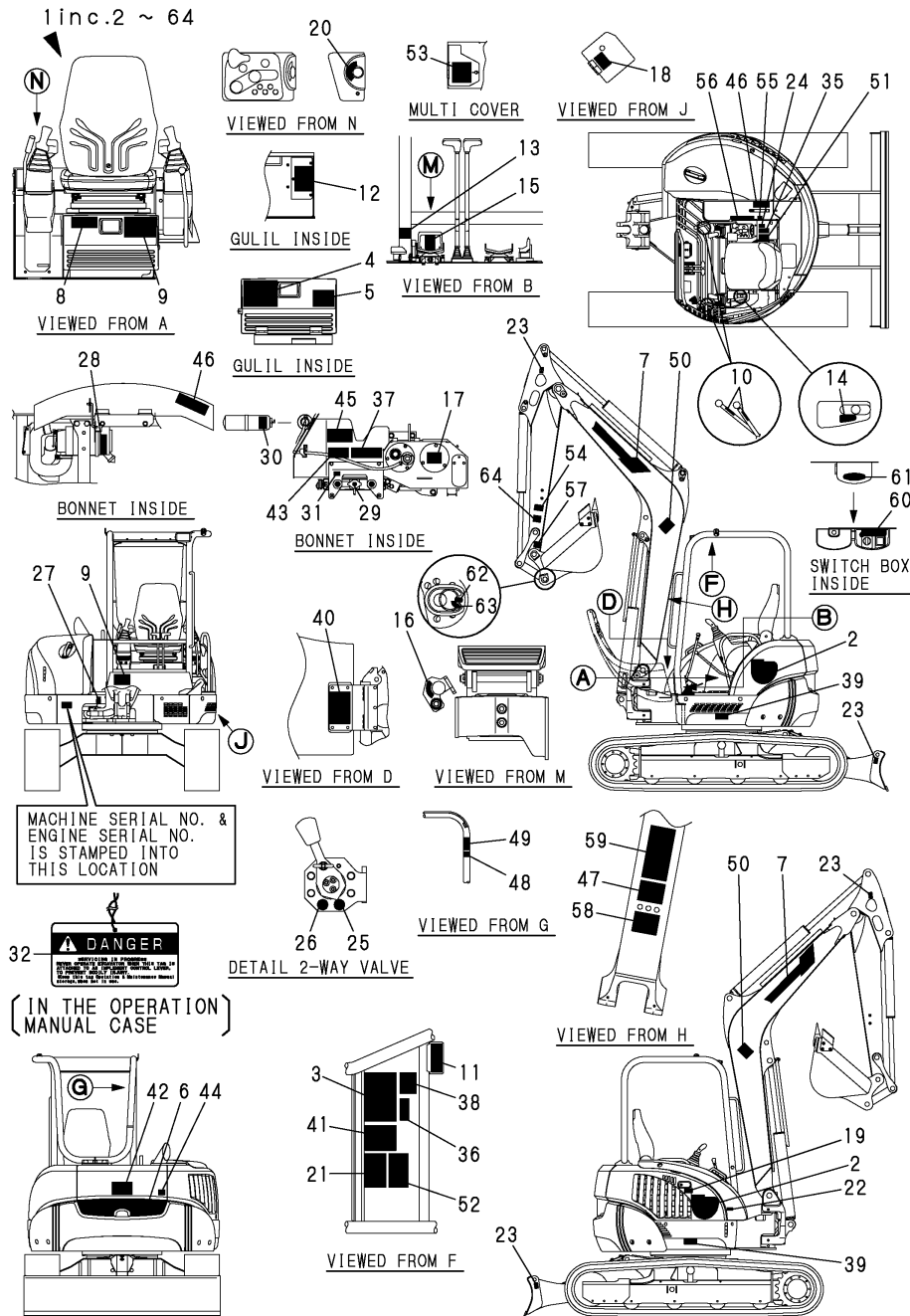
(A)=VIO50-2C(US)
 (B)=VIO50-2P(US)
 (C)=VIO50-2C(AS)

(D)=VIO50-2P(AS)
 (E)=VIO50-2C(NZ)
 (F)=VIO50-2P(NZ)



No.	Lev.	Parts No.	Description	Q'ty						I	R
				(A)	(B)	(C)	(D)	(E)	(F)		
44	2	172437-03380	LABEL,SWING AREA	1	1		1				
45	2	172437-03390	LABEL,RADIATOR	1	1		1				
46	2	172437-03400	LABEL,ENG.HOOD	1	1		1				
46-1	2	172437-03401 (A=M/#21827)	LABEL (ENG COVER US (C=M/#21827)	1	1		1				R
47	2	172437-03410	LABEL,ENG.ROOM	1	1		1				
47-1	2	172437-03411 (A=M/#21827)	LABEL (ENG ROOM US (C=M/#21827)	1	1		1				R
48	2	172437-03421	LABEL,MUFFLER	2	2		2				
49	2	172437-03431	LABEL,STEERING	1	1		1				
50	2	172437-03440	LABEL,ROPS	1	1		1				
51	2	172437-03450	LABEL,SEAT BELT	1	1		1				
52	2	172437-03460	LABEL,BOOM	2	2		2				
53	2	172437-03470	LABEL,LEVER LOCK	1	1		1				
54	2	172437-03600	LABEL	1	1		1				
55	2	172437-03241	LABEL,CRAWLER	1	1		1				
56	2	172472-03230	LABEL,OPERATION PIN	1	1		1				
57	2	172472-03240	LABEL,PIN US	1	1		1				
58	2	172472-03250	LABEL,OPERATION Q US	1	1		1				
59	2	172472-03260	LABEL,FINGER	1	1		1				
60	2	172472-03270	LABEL,SAND US	1	1		1				
61	2	172472-03280	LABEL	1	1		1				
62	2	172472-03290	LABEL,SWITCH	1	1		1				
63	2	172472-03300	LABEL,COVER	1	1		1				
64	2	172958-03160	LABEL	1	1		1				
65	2	172458-03240	LABEL,LOCK	1	1		1				
66	2	172472-03330	LABEL,LOCK PIN(US	1	1		1				W
				(A=*2005.02)	(C=*2005.02)		(E=*2005.02)				

Fig.4. LABEL(CANOPY)(QUICK COUPLER SPEC.)

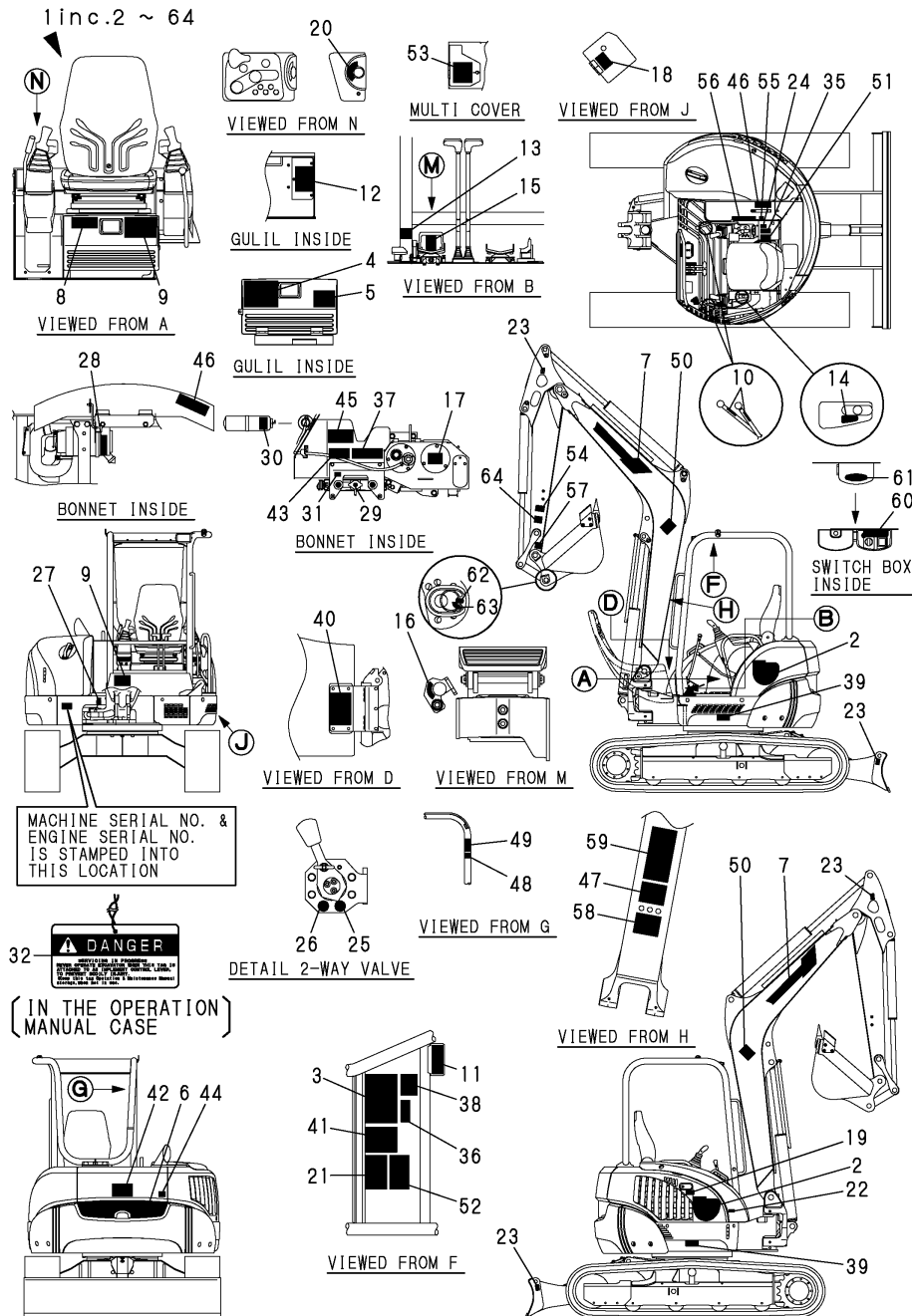


(A)=VIO50-2C(US)
(B)=VIO50-2P(US)
(C)=VIO50-2C(AS)

(D)=VIO50-2P(AS)
(E)=VIO50-2C(NZ)
(F)=VIO50-2P(NZ)

No.	Lev.	Parts No.	Description	Q'ty						I	R	
				(A)	(B)	(C)	(D)	(E)	(F)			
1	1	772467-03130	LABEL ASSY	1			1					
1-1	1	772467-03131	LABEL ASSY		1			1			1	N
		(B=M/#21566)	(D=M/#21566)								(F=M/#21566)	
2	2	172467-03120	LABEL,MODEL		2			2			2	
3	2	172467-03190	LABEL,LIFT Q US		1			1			1	
3-1	2	172467-03191	LABEL, LIFT Q US		1			1			1	N
		(B=M/#21181)	(D=M/#21181)								(F=M/#21181)	
4	2	172467-03140	LABEL,OIL&WATER		1			1			1	
5	2	172467-03150	LABEL,GREASE		1			1			1	
6	2	172460-03160	LABEL		1			1			1	
7	2	172165-03261	LABEL, BOOM		2			2			2	
8	2	172467-03110	LABEL,SPECIFICATION		1			1			1	
8-1	2	172467-03111	LABEL,SPECIFICATION		1			1			1	S
		(B=M/#21566)	(D=M/#21566)								(F=M/#21566)	
9	2	172467-03170	LABEL,SUPORT US		2			2			2	
10	2	172183-03280	LABEL,LOCK		2			2			2	
11	2	172472-03700	LABEL,ROPS P		1			1			1	
11-1	2	172472-03701	LABEL		1			1			1	S
		(B=M/#21566)	(D=M/#21566)								(F=M/#21566)	
12	2	172472-03170	LABEL,FUSE		1			1			1	
13	2	172147-03210	LABEL,2 SPEED		1			1			1	
14	2	172458-03220	LABEL,ACCELERATOR		1			1			1	
15	2	172165-03231	LABEL, P.T.O.		1			1			1	
16	2	172458-03240	LABEL,LOCK		1			1			1	
17	2	172463-03290	LABEL,HYD.OIL US		1			1			1	
18	2	172438-03300	LABEL		1			1			1	
19	2	172463-03330	LABEL,COVER		1			1			1	
20	2	172141-03360	LABEL, START SWITCH		1			1			1	
21	2	172149-03430	LABEL		1			1			1	
22	2	172437-03500	LABEL,FUEL		1			1			1	
23	2	172437-03510	LABEL,HOOK		4			4			4	
24	2	172437-03530	LABEL,RE-START		1			1			1	
25	2	172437-03610	LABEL		1			1			1	
26	2	172437-03620	LABEL		1			1			1	
27	2	172157-03740	LABEL		1			1			1	
28	2	172125-03950	LABEL, AIR CLEANER		1			1			1	
29	2	172462-03320	LABEL		1			1			1	
30	2	124764-44810	LABEL,SUB-TANK		1			1			1	
31	2	124764-44920	LABEL, ANTI-FREEZING		1			1			1	
32	2	172437-03250	TAG ASSY, CAUTION		1			1			1	
35	2	172437-03300	LABEL,MANUAL		1			1			1	
36	2	172437-03310	LABEL,SLOPE		1			1			1	
37	2	172437-03320	LABEL,HYD.OIL TANK		1			1			1	
37-1	2	172437-03321	LABEL,HYD.OIL TANK		1			1			1	R
		(B=M/#21827)	(D=M/#21827)								(F=M/#21827)	
38	2	172437-03340	LABEL,TRANSPORT		1			1			1	
38-1	2	172437-03341	LABEL,TRANSPORT		1			1			1	R
		(B=M/#21827)	(D=M/#21827)								(F=M/#21827)	
39	2	172437-03351	LABEL,GREASE CYL.		2			2			2	
40	2	172437-03360	LABEL,BATTERY		1			1			1	
41	2	172437-03371	LABEL		1			1			1	

Fig.4. LABEL(CANOPY)(QUICK COUPLER SPEC.)



(A)=VIO50-2C(US)
 (B)=VIO50-2P(US)
 (C)=VIO50-2C(AS)

(D)=VIO50-2P(AS)
 (E)=VIO50-2C(NZ)
 (F)=VIO50-2P(NZ)

No.	Lev.	Parts No.	Description	Q'ty						I	R	
				(A)	(B)	(C)	(D)	(E)	(F)			
42	2	172437-03380	LABEL,SWING AREA		1		1					
43	2	172437-03390	LABEL,RADIATOR		1		1					
44	2	172437-03400	LABEL,ENG.HOOD		1		1					
44-1	2	172437-03401	LABEL (ENG COVER US		1		1			1	R	
		(B=M/#21827)	(D=M/#21827)							(F=M/#21827)		
45	2	172437-03410	LABEL,ENG.ROOM		1		1					
45-1	2	172437-03411	LABEL (ENG ROOM US		1		1			1	R	
		(B=M/#21827)	(D=M/#21827)							(F=M/#21827)		
46	2	172437-03421	LABEL,MUFFLER		2		2					
47	2	172437-03431	LABEL,STEERING		1		1					
48	2	172437-03440	LABEL,ROPS		1		1					
49	2	172437-03450	LABEL,SEAT BELT		1		1					
50	2	172437-03460	LABEL,BOOM		2		2					
51	2	172437-03470	LABEL,LEVER LOCK		1		1					
52	2	172437-03600	LABEL		1		1					
53	2	172437-03241	LABEL,CRAWLER		1		1					
54	2	172472-03230	LABEL,OPERATION PIN		1		1					
55	2	172472-03240	LABEL,PIN US		1		1					
56	2	172472-03250	LABEL,OPERATION Q US		1		1					
57	2	172472-03260	LABEL,FINGER		1		1					
58	2	172472-03270	LABEL,SAND US		1		1					
59	2	172472-03280	LABEL		1		1					
60	2	172472-03290	LABEL,SWITCH		1		1					
61	2	172472-03300	LABEL,COVER		1		1					
62	2	172958-03160	LABEL		1		1					
63	2	172458-03240	LABEL,LOCK		1		1					
64	2	172472-03330	LABEL,LOCK PIN(US		1		1					W

(B=*2005.02)

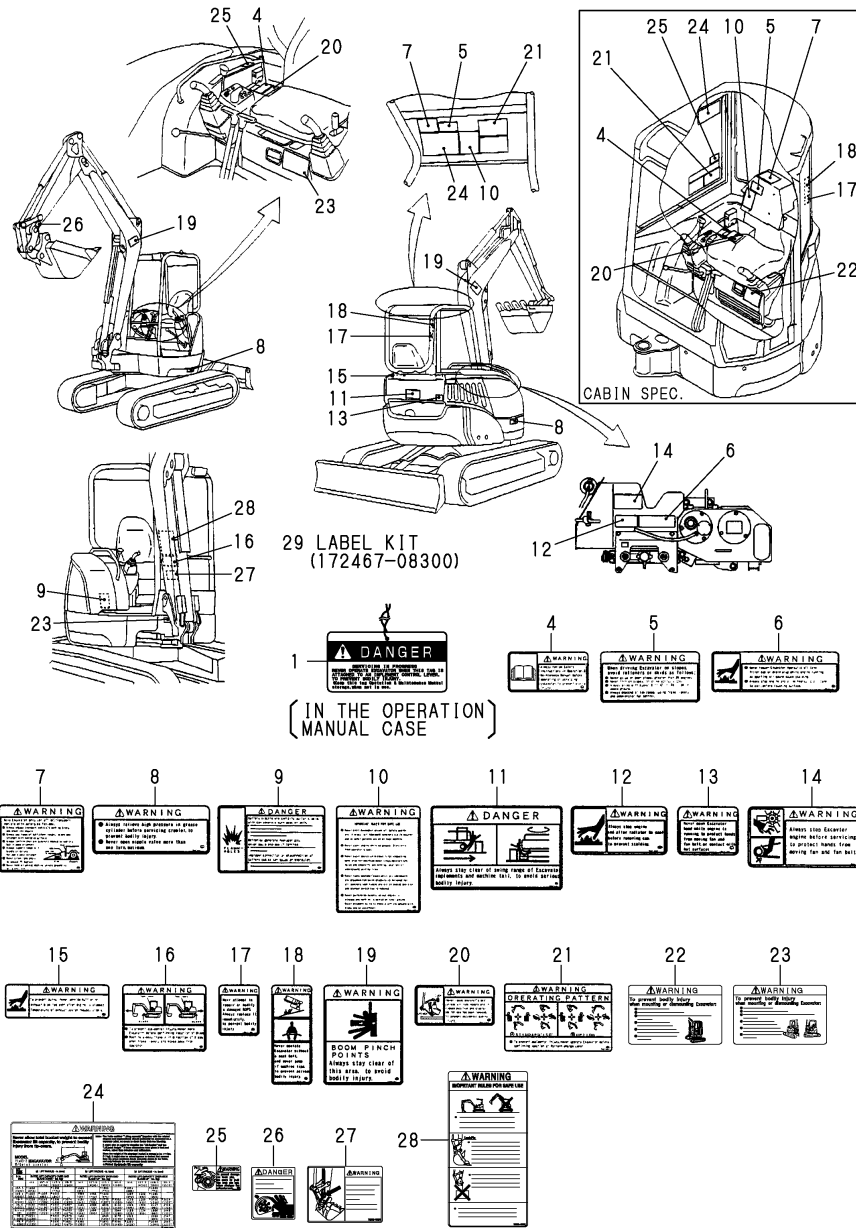
(D=*2005.02)

(F=*2005.02)

Fig.5. SAFETY LABEL

(A)=VIO50-2C(US)
 (B)=VIO50-2P(US)
 (C)=VIO50-2C(AS)

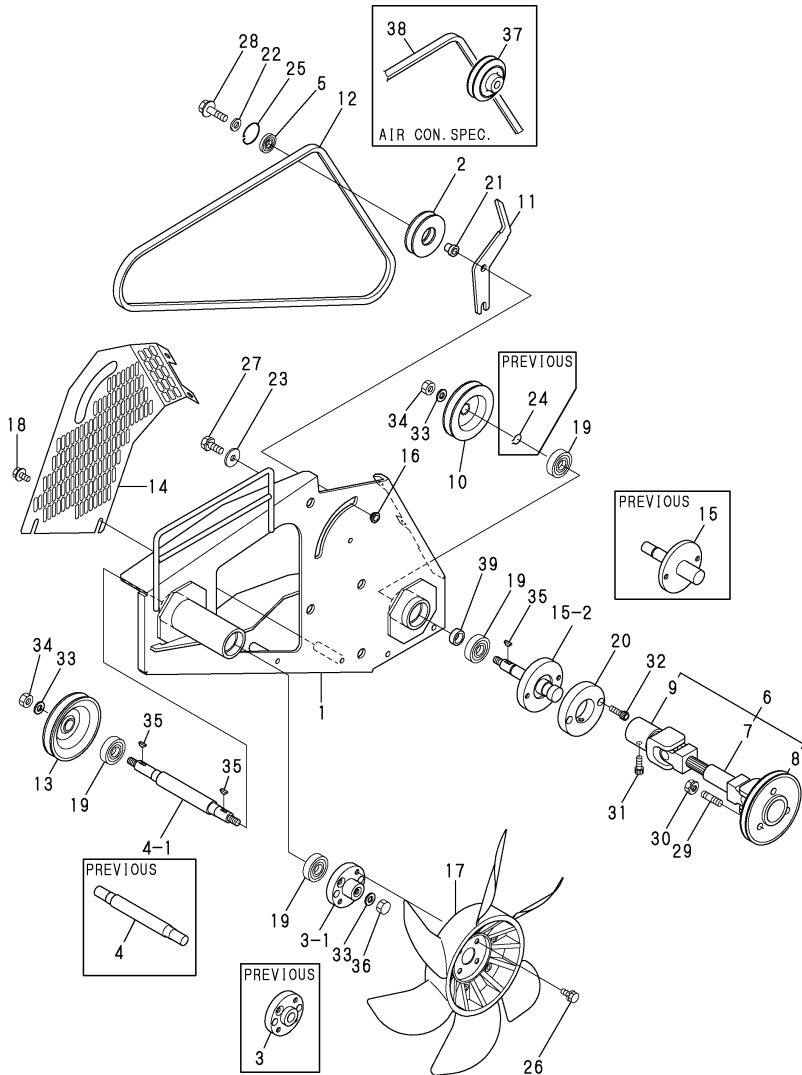
(D)=VIO50-2P(AS)
 (E)=VIO50-2C(NZ)
 (F)=VIO50-2P(NZ)



No.	Lev.	Parts No.	Description	Q'ty						I	R
				(A)	(B)	(C)	(D)	(E)	(F)		
1	1	172437-03250	TAG ASSY, CAUTION	1	1	1	1	1	1		
4	1	172437-03300	LABEL,MANUAL	1	1	1	1	1	1		
5	1	172437-03310	LABEL,SLOPE	1	1	1	1	1	1		
6	1	172437-03320	LABEL,HYD.OIL TANK	1	1	1	1	1	1		
6-1	1	172437-03321	LABEL,HYD.OIL TANK	1	1	1	1	1	1		R
		(A=M/#21827) (B=M/#21827) (C=M/#21827) (D=M/#21827)		(E=M/#21827)	(F=M/#21827)						
7	1	172437-03340	LABEL,TRANSPORT	1	1	1	1	1	1		
7-1	1	172437-03341	LABEL,TRANSPORT	1	1	1	1	1	1		R
		(A=M/#21827) (B=M/#21827) (C=M/#21827) (D=M/#21827)		(E=M/#21827)	(F=M/#21827)						
8	1	172437-03351	LABEL,GREASE CYL.	2	2	2	2	2	2		
9	1	172437-03360	LABEL,BATTERY	1	1	1	1	1	1		
10	1	172437-03371	LABEL	1	1	1	1	1	1		
11	1	172437-03380	LABEL,SWING AREA	1	1	1	1	1	1		
12	1	172437-03390	LABEL,RADIATOR	1	1	1	1	1	1		
13	1	172437-03400	LABEL,ENG.HOOD	1	1	1	1	1	1		
13-1	1	172437-03401	LABEL (ENG COVER US	1	1	1	1	1	1		R
		(A=M/#21827) (B=M/#21827) (C=M/#21827) (D=M/#21827)		(E=M/#21827)	(F=M/#21827)						
14	1	172437-03410	LABEL,ENG.ROOM	1	1	1	1	1	1		
14-1	1	172437-03411	LABEL,ENG ROOM US	1	1	1	1	1	1		R
		(A=M/#21827) (B=M/#21827) (C=M/#21827) (D=M/#21827)		(E=M/#21827)	(F=M/#21827)						
15	1	172437-03421	LABEL,MUFFLER	1	1	1	1	1	1		
16	1	172437-03431	LABEL,STEERING	1	1	1	1	1	1		
17	1	172437-03440	LABEL,ROPS	1	1	1	1	1	1		
18	1	172437-03450	LABEL,SEAT BELT	1	1	1	1	1	1		
19	1	172437-03460	LABEL, BOOM	2	2	2	2	2	2		
20	1	172437-03470	LABEL,LEVER LOCK	1	1	1	1	1	1		
21	1	172437-03600	LABEL	1	1	1	1	1	1		
22	1	172472-03200	LABEL,SUPPORT C US	1		1		1			
23	1	172467-03170	LABEL,SUPPORT US		2		2		2		
24	1	172467-03190	LABEL,LIFT Q US	1	1	1	1	1	1		
24-1	1	172467-03191	LABEL, LIFT Q US	1	1	1	1	1	1		N
		(A=M/#21181) (B=M/#21181) (C=M/#21181) (D=M/#21181)		(E=M/#21181)	(F=M/#21181)						
25	1	172472-03240	LABEL,PIN US	1	1	1	1	1	1		
26	1	172472-03260	LABEL,FINGER	1	1	1	1	1	1		
27	1	172472-03270	LABEL,SAND US	1	1	1	1	1	1		
28	1	172472-03280	LABEL	1	1	1	1	1	1		
29	1	172467-08300	LABEL KIT (PL 50	1	1	1	1	1	1		W 1
		(A=M/#20720) (B=M/#20720) (C=M/#20720) (D=M/#20720)		(E=M/#20720)	(F=M/#20720)						

Remarks
 (1)REPAIR PART.

Fig.6. FAN



(A)=VIO50-2C(US)
(B)=VIO50-2P(US)
(C)=VIO50-2C(AS)

(D)=VIO50-2P(AS)
(E)=VIO50-2C(NZ)
(F)=VIO50-2P(NZ)

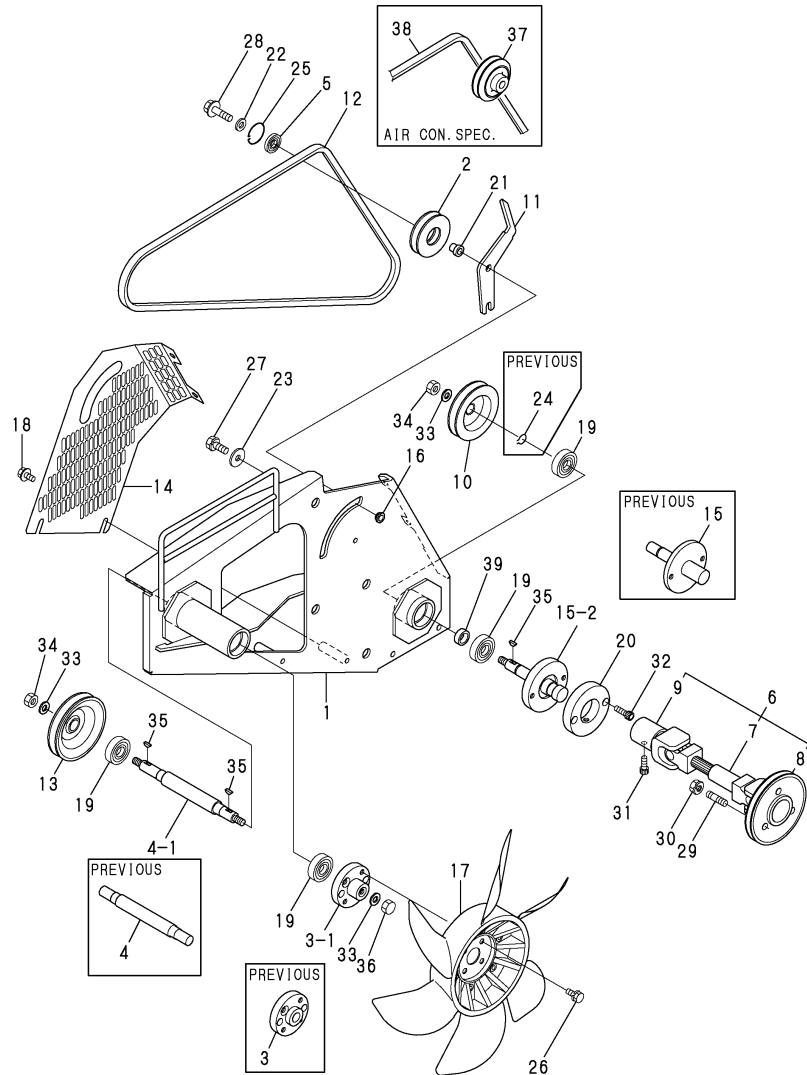
No.	Lev.	Parts No.	Description	Q'ty						I	R
				(A)	(B)	(C)	(D)	(E)	(F)		
1	1	172460-11100-1	BRACKET (YELLOW:87)	1	1						
1-1	1	172460-11101-1	BRACKET (YELLOW:87)	1	1	1	1	1	1	1	S
		(A=M/#20959) (B=M/#20959)									
2	1	172187-11121	PULLEY, TENSION	1	1	1	1	1	1	1	
3	1	172460-11160	SEAT	1	1						
3-1	1	172460-11161	SEAT, FAN	1	1	1	1	1	1	1	S
		(A=M/#20959) (B=M/#20959)									
4	1	172460-11170	SHAFT, FAN	1	1						
4-1	1	172460-11171	SHAFT, FAN	1	1	1	1	1	1	1	S
		(A=M/#20959) (B=M/#20959)									
5	1	172460-11180	BB6202UU	1	1	1	1	1	1	1	
6	1	172460-11190	SHAFT ASSY, DRIVE	1	1						
6-1	1	172460-11191	SHAFT ASSY, DRIVE	1	1	1	1	1	1	1	F 2
		(A=M/#21144) (B=M/#21144)									
7	2	172460-11290	SHAFT, DRIVE	1	1	1	1	1	1	1	
8	2	172460-11600	PULLY	1	1	1	1	1	1	1	
9	2	172460-11710	BOS	1	1						
9-1	2	172460-11711	BOS	1	1	1	1	1	1	1	S
		(A=M/#21144) (B=M/#21144)									
10	1	172460-11200-1	PULLEY (YELLOW:87)	1	1						
10-1	1	172460-11201-1	PULLEY (YELLOW:87)	1	1	1	1	1	1	1	S
		(A=M/#20959) (B=M/#20959)									
11	1	172460-11240-1	BAR, TENSION	1	1	1	1	1	1	1	
12	1	172460-11260	V-BELT	1	1	1	1	1	1	1	
13	1	172460-11280-1	PULLEY (YELLOW:87)	1	1						
13-1	1	172460-11281-1	PULLEY (YELLOW:87)	1	1	1	1	1	1	1	S
		(A=M/#20959) (B=M/#20959)									
14	1	172460-11350-1	COVER, BELT	1	1	1	1	1	1	1	
15	1	172460-11610-1	SHAFT, DRIVE	1	1						
15-1	1	172460-11611-1	SHAFT, DRIVE	1	1						N
		(A=M/#20720) (B=M/#20720)									
15-2	1	172460-11612-1	SHAFT, DRIVE	1	1						S
		(A=M/#20959) (B=M/#20959)									
15-3	1	172460-11613-1	SHAFT, DRIVE	1	1	1	1	1	1	1	F 2
		(A=M/#21144) (B=M/#21144)									
16	1	172187-18410	NUT, PULLEY	1	1	1	1	1	1	1	
17	1	129900-44700	FAN, COOLING D=410	1	1	1	1	1	1	1	
18	1	172519-63240	BOLT	4	4	4	4	4	4	4	
19	1	1A6150-63730	BEARING, 6203UU	4	4						
19-1	1	172460-11181	BALL BEARING	4	4	4	4	4	4	4	S
		(A=M/#20959) (B=M/#20959)									
20	1	172155-71200	COUPLING, CF-A-2	1	1	1	1	1	1	1	
21	1	129466-96240	SPACER	1	1	1	1	1	1	1	
22	1	22137-100000	WASHER, 10	1	1	1	1	1	1	1	
23	1	22157-100000	WASHER, 10	4	4	4	4	4	4	4	
24	1	22242-000170	RING, 17	1	1						Z
		(A=M/#20959) (B=M/#20959)									
25	1	22252-000350	RING, 35	1	1	1	1	1	1	1	
26	1	26013-080162	BOLT, M8X 16	4	4	4	4	4	4	4	
27	1	26013-100202	BOLT, M10X 20	4	4	4	4	4	4	4	
28	1	26106-100352	BOLT, M10X 35 PLATED	1	1	1	1	1	1	1	

Remarks
(1)AIR CON. SPEC.
(2)INTERCHANGEABLE BY SIMULTANEOUS REPLACEMENT WITH REF.NO.6-1,15-3 31-1,32-1

Fig.6. FAN

(A)=VIO50-2C(US)
 (B)=VIO50-2P(US)
 (C)=VIO50-2C(AS)

(D)=VIO50-2P(AS)
 (E)=VIO50-2C(NZ)
 (F)=VIO50-2P(NZ)



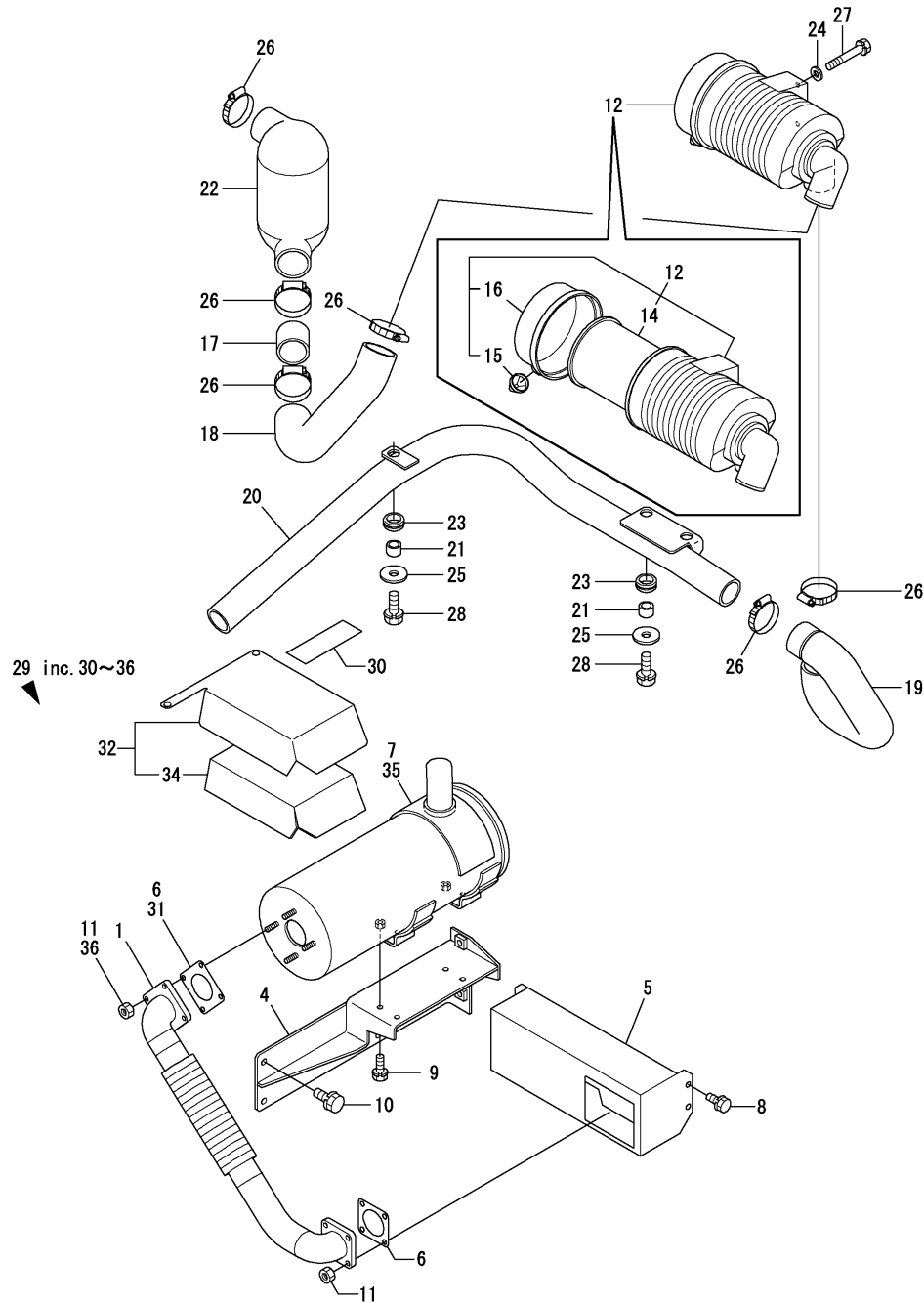
No.	Lev.	Parts No.	Description	Q'ty						I	R
				(A)	(B)	(C)	(D)	(E)	(F)		
29	1	26216-100302	STUD, M10X 30	3	3	3	3	3	3		
30	1	26367-100002	NUT, M10	3	3	3	3	3	3		
31	1	26450-080202	BOLT, M8X 20	2	2						
31-1	1	26450-080222 (A=M/#21144) (B=M/#21144)	BOLT, M8X 22	2	2	2	2	2	2	F	2
32	1	26450-080202	BOLT, M8X 20	2	2						
32-1	1	26450-080222 (A=M/#21144) (B=M/#21144)	BOLT, M8X 22	2	2	2	2	2	2	F	2
33	1	172458-61260	WASHER	3	3	3	3	3	3		W
		(A=M/#20959) (B=M/#20959)									
34	1	172460-11970 (A=M/#20959) (B=M/#20959)	NUT, M10 L	2	2	2	2	2	2		W
35	1	22522-040130 (A=M/#20959) (B=M/#20959)	KEY, WOODRUFF 4X13	3	3	3	3	3	3		W
36	1	26346-100002 (A=M/#20959) (B=M/#20959)	NUT, M10	1	1	1	1	1	1		W
37	1	172460-11870	PULLEY	1							1
37-1	1	172460-11201 (A=M/#20959)	PULLEY,DRIVE(BLACK12)	1							S 1
38	1	172460-11900	V-BELT	1							1
39	1	172460-11950 (A=M/#20720) (B=M/#20720)	COLLAR	1	1						W
39-1	1	172460-11951 (A=M/#20959) (B=M/#20959)	COLLAR	1	1	1	1	1	1		S

Remarks
 (1)AIR CON. SPEC.
 (2)INTERCHANGEABLE BY SIMULTANEOUS
 REPLACEMENT WITH REF.NO.6-1,15-3
 31-1,32-1

Fig.7. SILENSER & AIR CLEANER

(A)=VIO50-2C(US)
 (B)=VIO50-2P(US)
 (C)=VIO50-2C(AS)

(D)=VIO50-2P(AS)
 (E)=VIO50-2C(NZ)
 (F)=VIO50-2P(NZ)

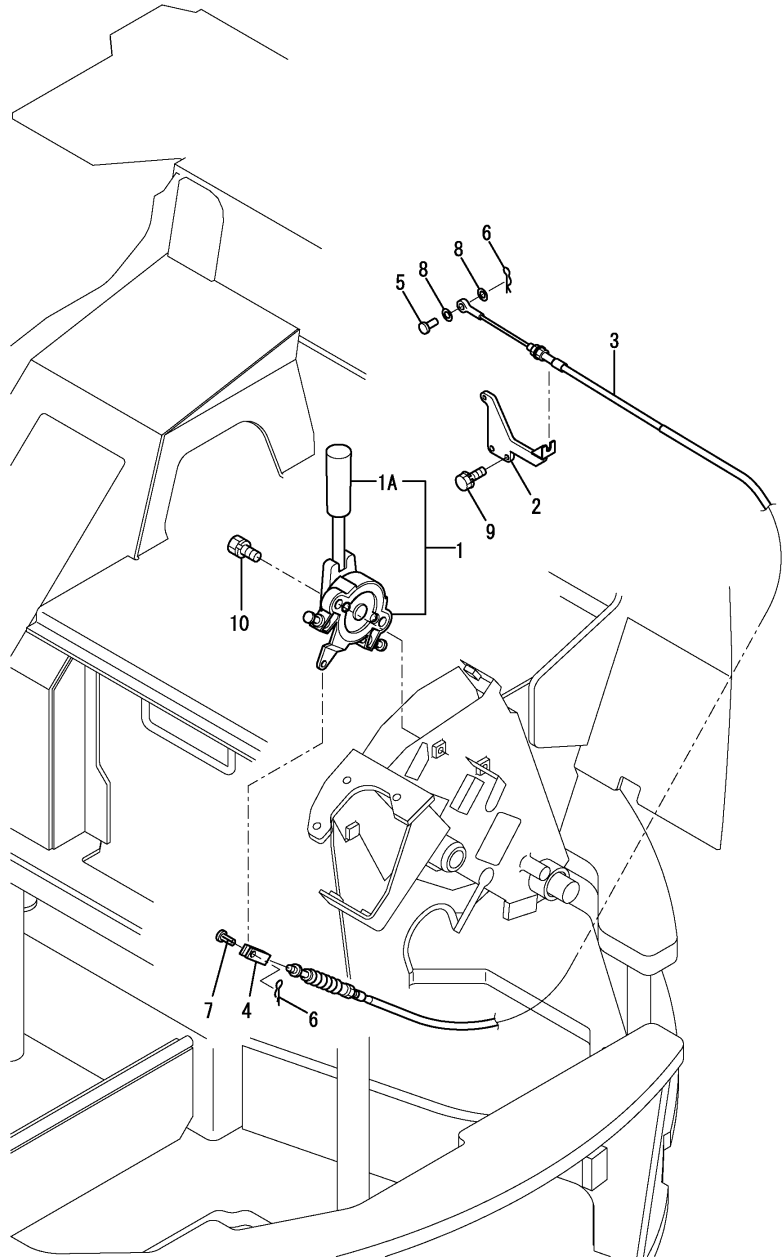


No.	Lev.	Parts No.	Description	Q'ty						I	R
				(A)	(B)	(C)	(D)	(E)	(F)		
1	1	172461-11330	TUBE ASSY	1	1	1	1	1	1		
4	1	172460-11370	BRACKET	1	1	1	1	1	1		
5	1	172461-11800	COVER ASSY, EXHAUST	1	1	1	1	1	1		
6	1	129400-13201	GASKET, SILENCER	2	2	2	2	2	2		
7	1	129612-13661	SILENCER	1	1						
7-1	1	129612-13662	SILENCER	1	1	1	1	1	1		S
7-2	1	129612-13663	SILENCER	1	1	1	1	1	1		N
		(A=MXXX) (B=MXXX)		(A=*2007.05)	(B=*2007.05)	(C=*2007.05)	(D=*2007.05)	(E=*2007.05)	(F=*2007.05)		
8	1	26013-080162	BOLT, M8X 16	3	3	3	3	3	3		
9	1	26013-080202	BOLT, M8X 20	4	4	4	4	4	4		
10	1	26013-100202	BOLT, M10X 20	4	4	4	4	4	4		
11	1	26051-080002	NUT, M8	8	8	8	8	8	8		
12	1	172460-11500	CLEANER ASSY, AIR	1	1	1	1	1	1		
14	2	119808-12520	ELEMENT	1	1	1	1	1	1		
15	2	119808-12540	VALVE, UNLOADER	1	1	1	1	1	1		
16	2	119866-12540	COVER ASSY	1	1	1	1	1	1		
17	1	172461-11530	TUBE	1	1	1	1	1	1		
18	1	172461-11520	HOSE, AIR INTAKE	1	1	1	1	1	1		
19	1	172460-11530	HOSE, AIR INTAKE	1	1	1	1	1	1		
20	1	172460-11550	TUBE, INTAKE	1	1	1	1	1	1		
21	1	172460-11780	COLLAR	3	3	3	3	3	3		
22	1	129612-12280	SILENCER, INTAKE	1	1	1	1	1	1		
23	1	1A1380-58050	GROMMET, 16X20X4.5	3	3	3	3	3	3		
24	1	22137-080000	WASHER, 8	2	2	2	2	2	2		
25	1	22157-100000	WASHER, 10	3	3	3	3	3	3		
26	1	23000-070000	CLAMP, 70	6	6	6	6	6	6		
27	1	26013-080502	BOLT, M8X 50	2	2	2	2	2	2		
28	1	26013-100252	BOLT, M10X 25	3	3	3	3	3	3		
29	1	172461-08420	CHANGE KIT, MUFFLER	1	1	1	1	1	1		W
30	2	172437-03422	LABEL, MUFFLER US	1	1	1	1	1	1		W
31	2	129400-13201	GASKET, SILENCER	1	1	1	1	1	1		W
32	2	172460-13250	GUARD ASSY, MUFFLER	1	1	1	1	1	1		W
34	3	172460-13270	WOOL, GLASS	1	1	1	1	1	1		W
35	2	129612-13663	SILENCER	1	1	1	1	1	1		W
36	2	26051-080002	NUT, M8	4	4	4	4	4	4		W

Fig.8. ACCELERATOR

(A)=VIO50-2C(US)
 (B)=VIO50-2P(US)
 (C)=VIO50-2C(AS)

(D)=VIO50-2P(AS)
 (E)=VIO50-2C(NZ)
 (F)=VIO50-2P(NZ)

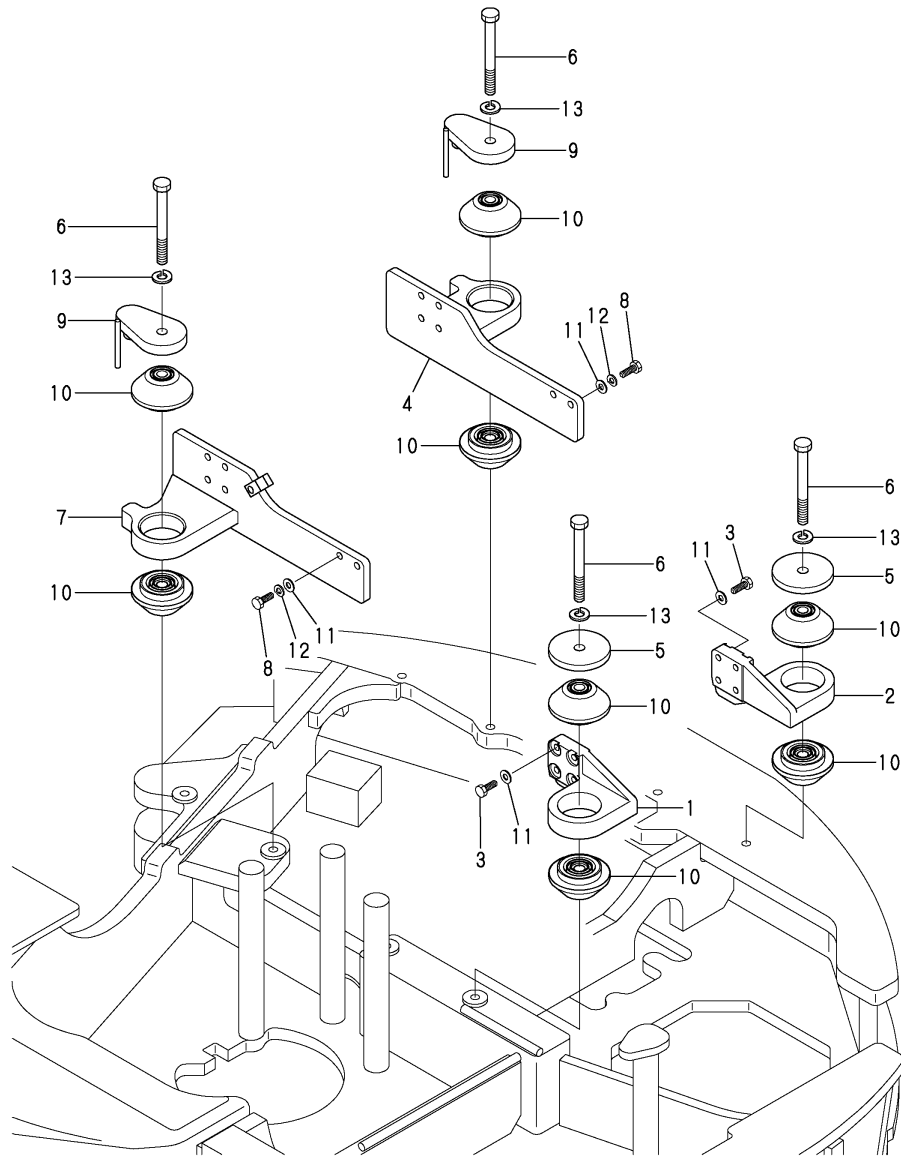


No.	Lev.	Parts No.	Description	Q'ty						I	R
				(A)	(B)	(C)	(D)	(E)	(F)		
1	1	172458-12100	LEVER,ACCELERATOR	1	1	1	1	1	1		
1A	2	172A79-12150	GRIP	1	1	1	1	1	1		W
		(A=MXXXXX) (B=MXXXXX) (C=MXXXXX) (D=MXXXXX) (E=MXXXXX) (F=MXXXXX)									
2	1	172461-12100	SUPPORT, CABLE	1	1	1	1	1	1		
3	1	172467-12120	CABLE, ACCELERATOR	1	1	1	1	1	1		
4	1	172137-12270	JOINT, CABLE	1	1	1	1	1	1		
5	1	172113-12522	PIN	1	1	1	1	1	1		
6	1	1C6281-52310	PIN, SNAP 6	2	2	2	2	2	2		
7	1	1A1040-56900	PIN, 6X17	1	1	1	1	1	1		
8	1	22137-060000	WASHER, 6	2	2	2	2	2	2		
9	1	26013-080202	BOLT, M8X 20	2	2	2	2	2	2		
10	1	26013-100252	BOLT, M10X 25	2	2	2	2	2	2		

Fig.9. ENGINE MOUNT

(A)=VIO50-2C(US)
 (B)=VIO50-2P(US)
 (C)=VIO50-2C(AS)

(D)=VIO50-2P(AS)
 (E)=VIO50-2C(NZ)
 (F)=VIO50-2P(NZ)

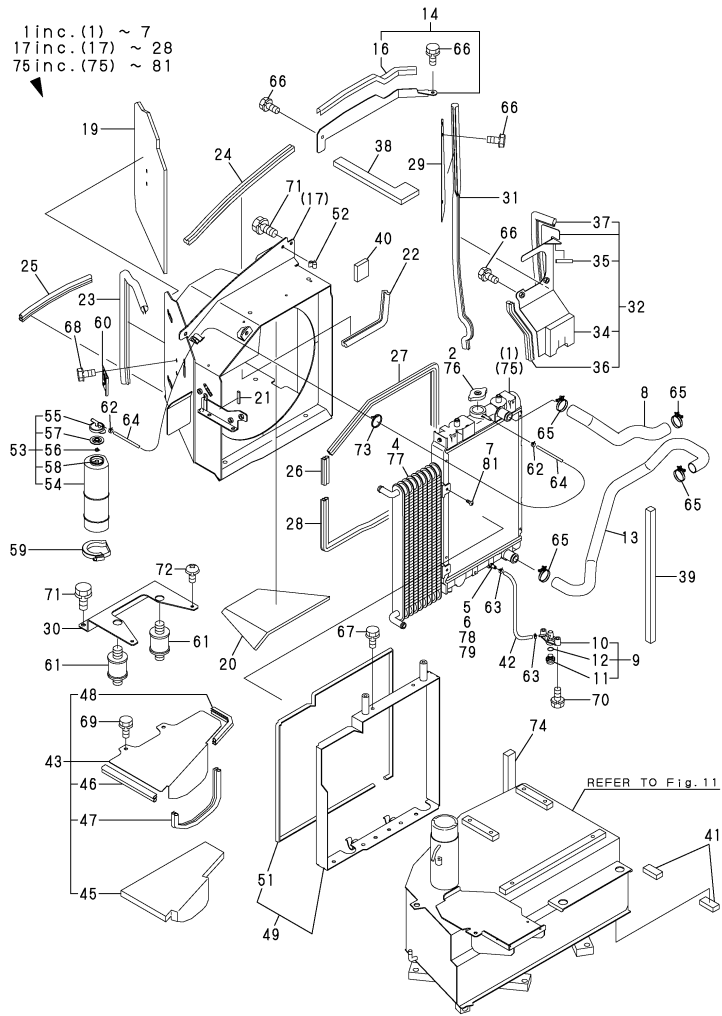


No.	Lev.	Parts No.	Description	Q'ty						I	R
				(A)	(B)	(C)	(D)	(E)	(F)		
1	1	172461-13120	MOUNT LF (GRAY:73)	1	1	1	1	1	1		
2	1	172461-13130	MOUNT LR (GRAY:73)	1	1	1	1	1	1		
3	1	172461-13140	BOLT M10X 40	8	8	8	8	8	8		
4	1	172165-13160	BRACKET LR ASSY	1	1	1	1	1	1		
5	1	172162-13170	WASHER	2	2	2	2	2	2		
6	1	172162-13190	BOLT M16X150	4	4	4	4	4	4		
7	1	172165-13191	BRACKET RR CMP	1	1	1	1	1	1		
8	1	172162-13200	BOLT M10X30	12	12	12	12	12	12		
9	1	172165-13241	STOPPER ASSY	2	2	2	2	2	2		
10	1	172165-13270	MOUNT,ENGINE (12)	8	8	8	8	8	8		
11	1	172137-46040	SEAT, SPRING	20	20	20	20	20	20		
12	1	22217-100000	WASHER, SPRING 10	12	12	12	12	12	12		
13	1	22217-160000	WASHER, SPRING 16	4	4	4	4	4	4		

Fig.10. RADIATOR & MOUNT

(A)=VIO50-2C(US)
 (B)=VIO50-2P(US)
 (C)=VIO50-2C(AS)

(D)=VIO50-2P(AS)
 (E)=VIO50-2C(NZ)
 (F)=VIO50-2P(NZ)



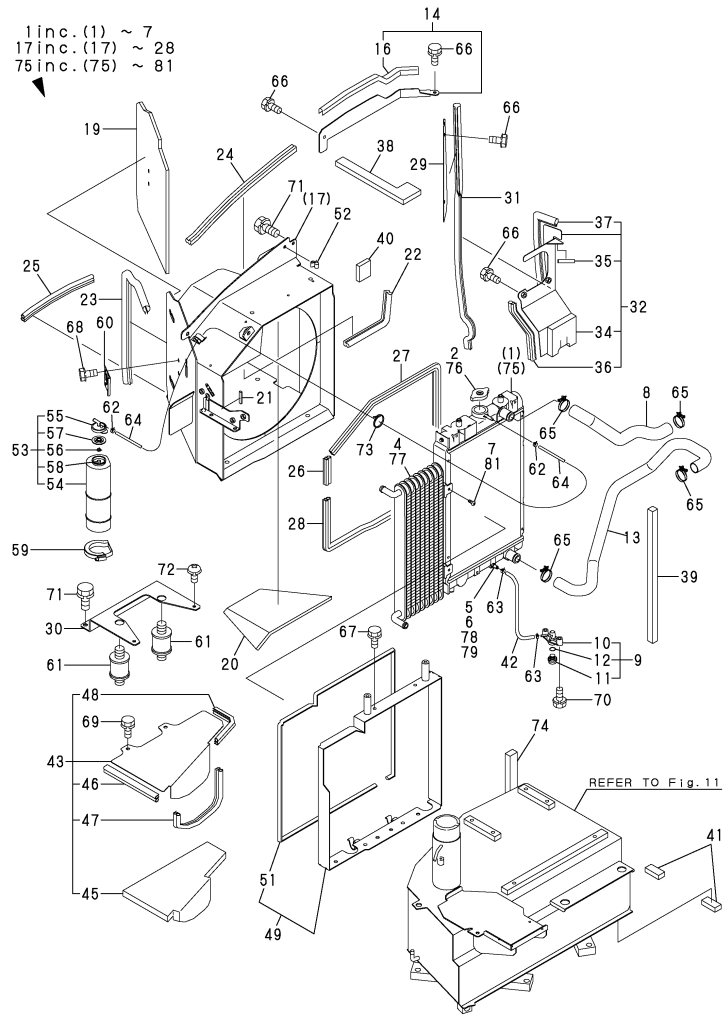
Remarks
 (1)PLEASE USE THIS PART WITH FOLLOWING LABELS AT THE SAME TIME. REF. NO. 7A.
 (2)PLEASE USE THIS PART WITH FOLLOWING LABELS AT THE SAME TIME. REF. NO. 28A,28B,28C.
 (3)PLEASE USE THIS PART WITH FOLLOWING LABELS AT THE SAME TIME. REF. NO. 58A. (4)LABELS ARE NOT ILLUSTRATED. (5)AIR CON. SPEC.(6) FIG12.1-1,3-1FIG13.1-1,7-1FIG39.17-1

No.	Lev.	Parts No.	Description	Q'ty						I	R
				(A)	(B)	(C)	(D)	(E)	(F)		
1	1	172460-13170	RADIATOR	1	1	1	1	1	1		
2	2	172456-13310	CAP ASSY	1	1	1	1	1	1		1
4	2	172460-13190	COOLER, OIL	1	1	1	1	1	1	W	
5	2	172460-13230	PLUG, DRAIN COCK	(A=M/#21757)	(B=M/#21757)	(C=M/#21757)	(D=M/#21757)	(E=M/#21757)	(F=M/#21757)		W
6	2	172460-13240	O-RING	(A=M/#21757)	(B=M/#21757)	(C=M/#21757)	(D=M/#21757)	(E=M/#21757)	(F=M/#21757)		W
7	2	172458-13970	BOLT	(A=M/#21757)	(B=M/#21757)	(C=M/#21757)	(D=M/#21757)	(E=M/#21757)	(F=M/#21757)		W
7A	1	172462-03320	LABEL	(A=M/#21431)	(B=M/#21431)	(C=M/#21431)	(D=M/#21431)	(E=M/#21431)	(F=M/#21431)		4
8	1	172460-13200	HOSE, RADIATOR								
9	1	172444-13210	COCK ASSY, 2-WAY								
10	2	172444-13220	BODY								
11	2	121250-49121	PLUG, DRAIN								
12	2	24311-000160	O-RING, 1AP16.0								
13	1	172460-13210	HOSE, RADIATOR								
14	1	172460-13280-1	PLATE (YELLOW:87)								
16	2	172422-65750	SEAL, DUCT								
17	1	172460-13290-1	DUCT ASSY								2
17-1	1	172460-13291-1	DUCT ASSY								S 6
19	2	172460-13710	SPONGE	(A=M/#21827)	(B=M/#21827)	(C=M/#21827)	(D=M/#21827)	(E=M/#21827)	(F=M/#21827)		
20	2	172460-13720	SPONGE								
21	2	172460-13730	SPONGE								
22	2	172460-13740	SEAL, 205								
23	2	172460-13750	SEAL, 610								
24	2	172165-66230	RUBBER, SEAL								
25	2	172175-65680	SEAL, DUCT								
26	2	172164-66650	RUBBER, SEAL								
27	2	172187-68050	SEAL, COVER								
28	2	172989-68630	RUBBER, SEAL								
28A	1	172437-03320	LABEL,HYD.OIL TANK								4
28A-1	1	172437-03321	LABEL,HYD.OIL TANK	(A=M/#21827)	(B=M/#21827)	(C=M/#21827)	(D=M/#21827)	(E=M/#21827)	(F=M/#21827)		R 4
28B	1	172437-03390	LABEL,RADIATOR								4
28C	1	172437-03410	LABEL,ENG.ROOM								4
28C-1	1	172437-03411	LABEL (ENG ROOM US	(A=M/#21827)	(B=M/#21827)	(C=M/#21827)	(D=M/#21827)	(E=M/#21827)	(F=M/#21827)		R 4
29	1	172460-13420-1	PLATE H (YELLOW:87)								
30	1	172460-13480-1	PLATE M (YELLOW:87)								
31	1	172460-13760	SEAL, 360								
32	1	172460-13770-1	PLATE I (YELLOW:87)								
34	2	172460-13780	SPONGE								
35	2	172455-61580	TRIM								
36	2	172168-65790	RUBBER, SEAL								
37	2	172165-66230	RUBBER, SEAL								
38	1	172460-13790	PLATE A								
39	1	172460-13800	PALET B								
40	1	172460-13820	PLATE D								
41	1	172460-13830	PLATE E								

Fig.10. RADIATOR & MOUNT

(A)=VIO50-2C(US)
 (B)=VIO50-2P(US)
 (C)=VIO50-2C(AS)

(D)=VIO50-2P(AS)
 (E)=VIO50-2C(NZ)
 (F)=VIO50-2P(NZ)



Remarks
 (1)PLEASE USE THIS PART WITH FOLLOWING LABELS AT THE SAME TIME. REF. NO. 7A.
 (2)PLEASE USE THIS PART WITH FOLLOWING LABELS AT THE SAME TIME. REF. NO. 28A,28B,28C.
 (3)PLEASE USE THIS PART WITH FOLLOWING LABELS AT THE SAME TIME. REF. NO. 58A. (4)LABELS ARE NOT ILLUSTRATED. (5)AIR CON. SPEC.(6) FIG12.1-1,3-1FIG13.1-1,7-1FIG39.17-1

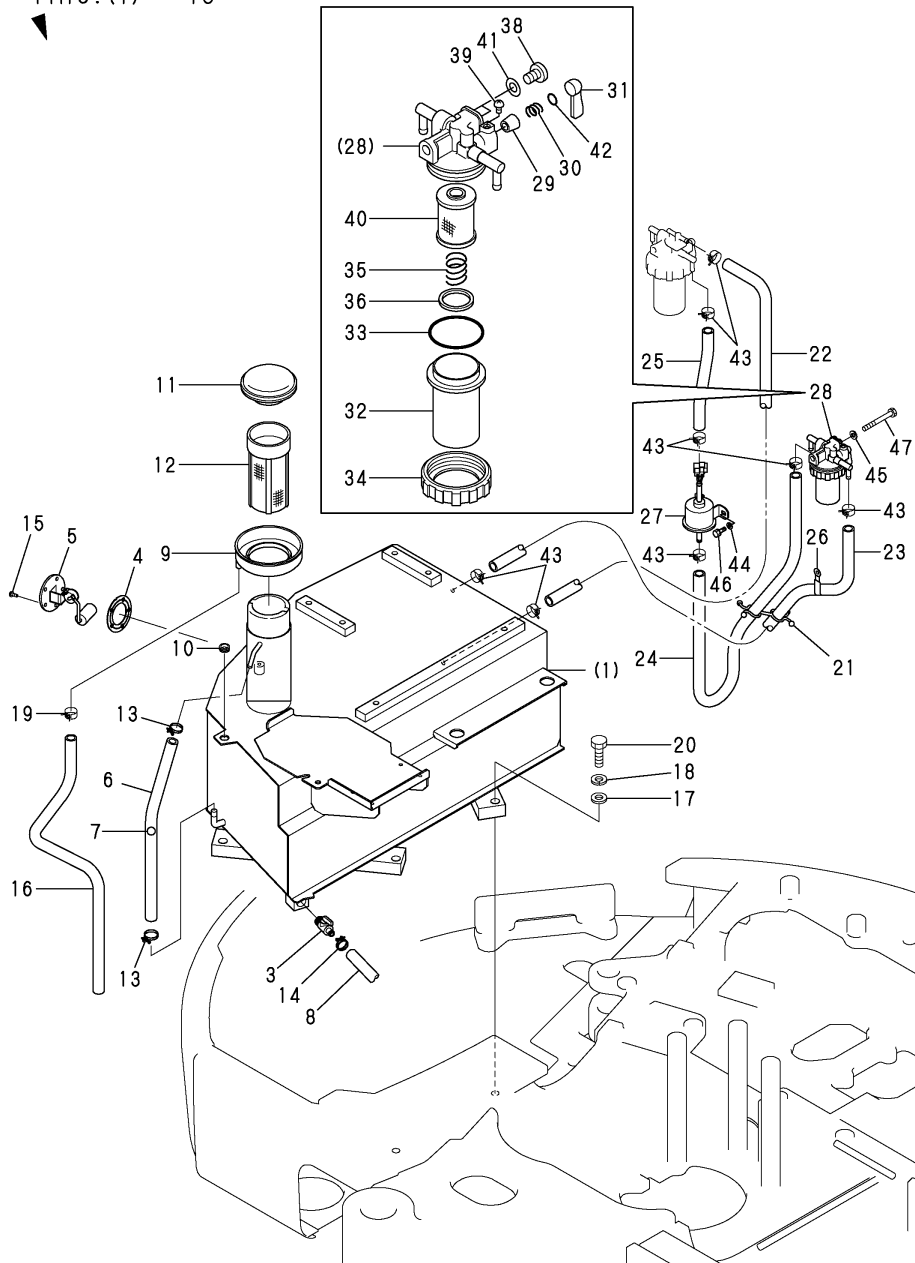
No.	Lev.	Parts No.	Description	Q'ty						I	R
				(A)	(B)	(C)	(D)	(E)	(F)		
42	1	172187-14430	HOSE	1	1	1	1	1	1		
43	1	172460-18900-1	PLATE (GREEN:86)	1	1	1	1	1	1		
43-1	1	172460-18901-1	PLATE (GREEN:86)	1	1	1	1	1	1	S	6
		(A=M/#21431) (B=M/#21431) (C=M/#21431) (D=M/#21431) (E=M/#21431) (F=M/#21431)									
45	2	172460-18920	SPONGE	1	1	1	1	1	1		
46	2	172445-65460	SEAL, COVER	1	1	1	1	1	1		
47	2	172164-66480	RUBBER 340, SEAL	1	1	1	1	1	1		
48	2	172422-66150	SEAL	1	1	1	1	1	1		
49	1	172460-18950-1	COVER, RADIATOR	1	1	1	1	1	1		
49-1	1	172460-18951-1	COVER, RADIATOR	1	1	1	1	1	1	R	6
		(A=M/#21431) (B=M/#21431) (C=M/#21431) (D=M/#21431) (E=M/#21431) (F=M/#21431)									
51	2	172460-18960	SEAL	1	1	1	1	1	1		
52	1	172460-13850	HOLDER	1	1	1	1	1	1		
53	1	171064-44510	TANK ASSY, SUB	1	1	1	1	1	1		3
54	2	171064-44520	BODY, TANK	1	1	1	1	1	1		
55	2	121450-44531	CAP	1	1	1	1	1	1		
56	2	124450-44560	RETAINER	1	1	1	1	1	1		
57	2	121470-44581	GASKET	1	1	1	1	1	1		
58	2	23065-070225	HOSE 7X 225	1	1	1	1	1	1		
58A	1	124764-44810	LABEL,SUB-TANK	1	1	1	1	1	1		4
59	1	124450-44550	BAND	1	1	1	1	1	1		
60	1	121256-44600-2	BRACKET (YELLOW:87)	1	1	1	1	1	1		
61	1	119255-44660	ABSORBER	4	4	4	4	4	4		
62	1	124766-59050	CLIP, HOSE 12	2	2	2	2	2	2		
63	1	124766-59050	CLIP, HOSE 12	2	2	2	2	2	2		
64	1	1E6451-77620	PIPE, FUEL L=720	1	1	1	1	1	1		
65	1	23001-041000	CLAMP, HOSE 41	4	4	4	4	4	4		
66	1	26013-080162	BOLT, M8X 16	6	6	6	6	6	6		
67	1	26013-080162	BOLT, M8X 16	2	2	2	2	2	2		
68	1	26013-080162	BOLT, M8X 16	2	2	2	2	2	2		
69	1	26013-080162	BOLT, M8X 16	2	2	2	2	2	2		
70	1	26013-080202	BOLT, M8X 20	2	2	2	2	2	2		
71	1	26013-100202	BOLT, M10X 20	4	4	4	4	4	4		
72	1	26022-080162	SCREW, M8X16	2	2	2	2	2	2		
73	1	933168-55770	BAND 146	1	1	1	1	1	1		
74	1	172460-14330	SEAL	1	1	1	1	1	1		
75	1	172460-18160	RADIATOR	1							5
76	2	172456-13310	CAP ASSY	1							
77	2	172460-13190	COOLER, OIL	1							W
		(A=M/#21757)									
78	2	172460-13230	PLUG, DRAIN COCK	1							W
		(A=M/#21757)									
79	2	172460-13240	O-RING	1							W
		(A=M/#21757)									
81	2	172458-13970	BOLT	2							W
		(A=M/#21757)									

Fig.11. FUEL TANK & FUEL PIPE

(A)=VIO50-2C(US)
 (B)=VIO50-2P(US)
 (C)=VIO50-2C(AS)

(D)=VIO50-2P(AS)
 (E)=VIO50-2C(NZ)
 (F)=VIO50-2P(NZ)

1 inc.(1) ~ 15

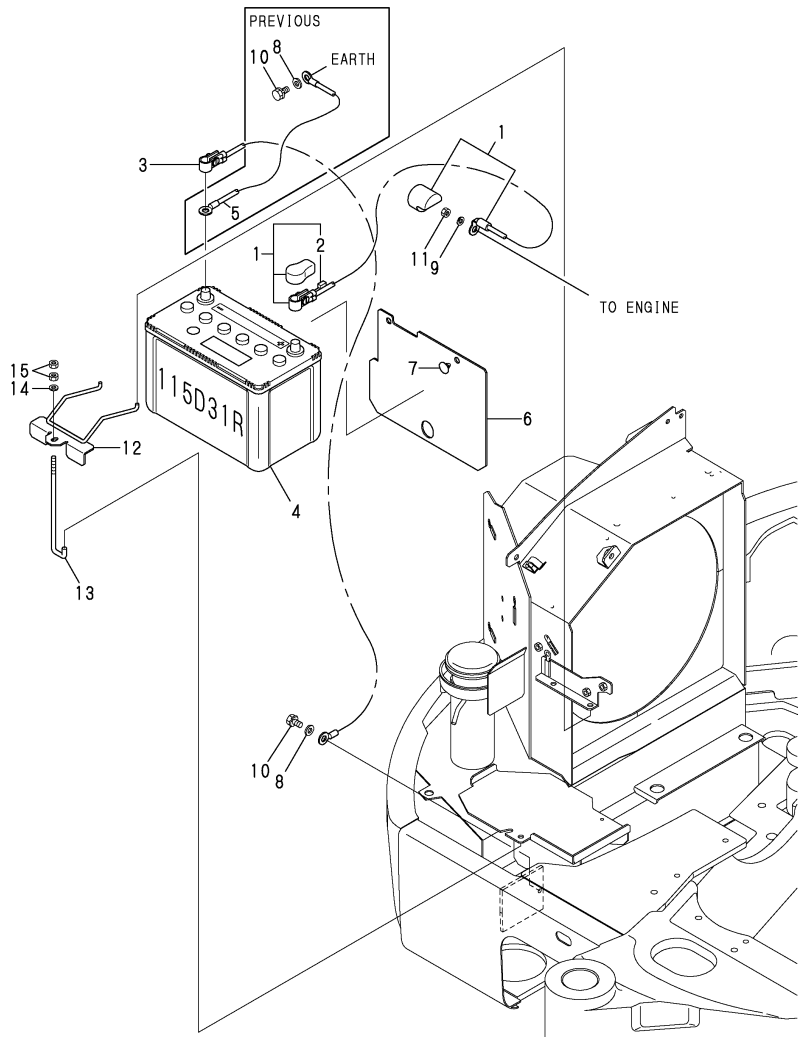


No.	Lev.	Parts No.	Description	Q'ty						I	R
				(A)	(B)	(C)	(D)	(E)	(F)		
1	1	772460-14100-1	TANK ASSY, FUEL	1	1	1	1	1	1		
3	2	104200-11920	COCK, WATER	1	1	1	1	1	1		
4	2	172162-14200	GASKET	1	1	1	1	1	1		
5	2	172460-14220	GAUGE, FUEL	1	1	1	1	1	1		
6	2	172142-14421	HOSE, FUEL GAUGE	1	1	1	1	1	1		
7	2	172141-14260	FLOAT	1	1	1	1	1	1		
8	2	172444-14260	HOSE, FUEL OIL	1	1	1	1	1	1		
9	2	172458-14370	SUMP, FUEL	1	1	1	1	1	1		
10	2	172725-16380	GROMMET	1	1	1	1	1	1		
11	2	105340-55040	CAP, FUEL TANK	1	1	1	1	1	1		
12	2	172183-14250	FILTER (FUEL	1	1	1	1	1	1		
13	2	23010-014000	CLAMP, 14	2	2	2	2	2	2		
14	2	23010-014000	CLAMP, 14	1	1	1	1	1	1		
15	2	26557-050122	SCREW, M5X12	5	5						
15-1	2	26022-050122	SCREW, M5X12	5	5	5	5	5	5		N
		(A=M/#20959)	(B=M/#20959)								
16	1	172444-14410	HOSE, DRAIN	1	1	1	1	1	1		
17	1	22137-140000	WASHER, 14	4	4	4	4	4	4		
18	1	22217-140000	WASHER, SPRING 14	4	4	4	4	4	4		
19	1	23080-013000	CLAMP, 13	1	1	1	1	1	1		
20	1	26116-140452	BOLT, M14X 45 PLATED	4	4	4	4	4	4		
21	1	172171-14300	CLAMP	1	1	1	1	1	1		
22	1	172187-14470	HOSE ASSY	1	1	1	1	1	1		
23	1	172187-14470	HOSE ASSY	1	1	1	1	1	1		
24	1	172171-14610	HOSE, FUEL OIL	1	1	1	1	1	1		
25	1	172164-14630	HOSE, FUEL OIL	1	1	1	1	1	1		
26	1	172126-16540	CLAMP	1	1	1	1	1	1		
27	1	129612-52100	PUMP ASSY, FUEL FEED	1	1	1	1	1	1		
28	1	129335-55700	SEPARATOR ASSY,WATER	1	1	1	1	1	1		
29	2	104200-55321	VALVE, TAPER	1	1	1	1	1	1		
30	2	104200-55330	SPRING, VALVE	1	1	1	1	1	1		
31	2	104200-55341	HANDLE	1	1	1	1	1	1		
32	2	124064-55510	COVER	1	1	1	1	1	1		
33	2	102103-55520	O-RING	1	1	1	1	1	1		
34	2	110250-55610	RING, RETAINING	1	1	1	1	1	1		
35	2	121257-55720	SPRING	1	1	1	1	1	1		
36	2	121257-55731	FLOAT	1	1	1	1	1	1		
38	2	101720-55750	PLUG, 6	2	2	2	2	2	2		
39	2	104200-55750	SCREW, M4	1	1	1	1	1	1		
40	2	171081-55910	SCREEN	1	1	1	1	1	1		
41	2	23418-060000	GASKET, 6X1.0	2	2	2	2	2	2		
42	2	24311-240100	O-RING, 1AP10A	1	1	1	1	1	1		
43	1	124766-59050	CLIP, HOSE 12	8	8	8	8	8	8		
44	1	22137-060000	WASHER, 6	2	2	2	2	2	2		
45	1	22217-080000	WASHER, SPRING 8	1	1	1	1	1	1		
46	1	26013-060162	BOLT, M6X 16	2	2	2	2	2	2		
47	1	26116-080702	BOLT, M8X 70 PLATED	1	1	1	1	1	1		

Fig.12. BATTERY

(A)=VIO50-2C(US)
 (B)=VIO50-2P(US)
 (C)=VIO50-2C(AS)

(D)=VIO50-2P(AS)
 (E)=VIO50-2C(NZ)
 (F)=VIO50-2P(NZ)



No.	Lev.	Parts No.	Description	Q'ty						I	R
				(A)	(B)	(C)	(D)	(E)	(F)		
1	1	172460-16100	CORD ASSY, BATTERY	1	1	1	1	1	1		
1-1	1	172460-16101	CORD ASSY, BATTERY	1	1	1	1	1	1	S	1
		(A=M/#21431) (B=M/#21431) (C=M/#21431) (D=M/#21431)		(E=M/#21431)	(F=M/#21431)						
2	2	172458-16140	HARNES C	1	1	1	1	1	1		
3	1	172460-16110	CORD, BATTERY	1	1	1	1	1	1		
3-1	1	172460-16111	CORD, BATTERY	1	1	1	1	1	1	S	1
		(A=M/#21431) (B=M/#21431) (C=M/#21431) (D=M/#21431)		(E=M/#21431)	(F=M/#21431)						
4	1	172460-16130	BATTERY	1	1	1	1	1	1		
5	1	172460-16140	CORD, BATTERY	1	1	1	1	1	1	Z	
		(A=M/#21431) (B=M/#21431) (C=M/#21431) (D=M/#21431)		(E=M/#21431)	(F=M/#21431)						
6	1	172460-16160	COVER, BATTERY	1	1	1	1	1	1		
7	1	172122-17190	CLIP, TREE	2	2	2	2	2	2		
8	1	22137-100000	WASHER, 10	2	2	2	2	2	2		
8-1	1	22137-100000	WASHER, 10	1	1	1	1	1	1	K	
		(A=M/#21431) (B=M/#21431) (C=M/#21431) (D=M/#21431)		(E=M/#21431)	(F=M/#21431)						
9	1	22217-080000	WASHER, SPRING 8	1	1	1	1	1	1		
10	1	26013-100162	BOLT, M10X 16	2	2	2	2	2	2		
10-1	1	26013-100162	BOLT, M10X 16	1	1	1	1	1	1	K	
		(A=M/#21431) (B=M/#21431) (C=M/#21431) (D=M/#21431)		(E=M/#21431)	(F=M/#21431)						
11	1	26716-080002	NUT, M8	1	1	1	1	1	1		
12	1	172460-16300	CLAMP ASSY, BATTERY	1	1	1	1	1	1		
13	1	172164-16370	ROD	1	1	1	1	1	1		
14	1	22137-080000	WASHER, 8	1	1	1	1	1	1		
15	1	26716-080002	NUT, M8	2	2	2	2	2	2		

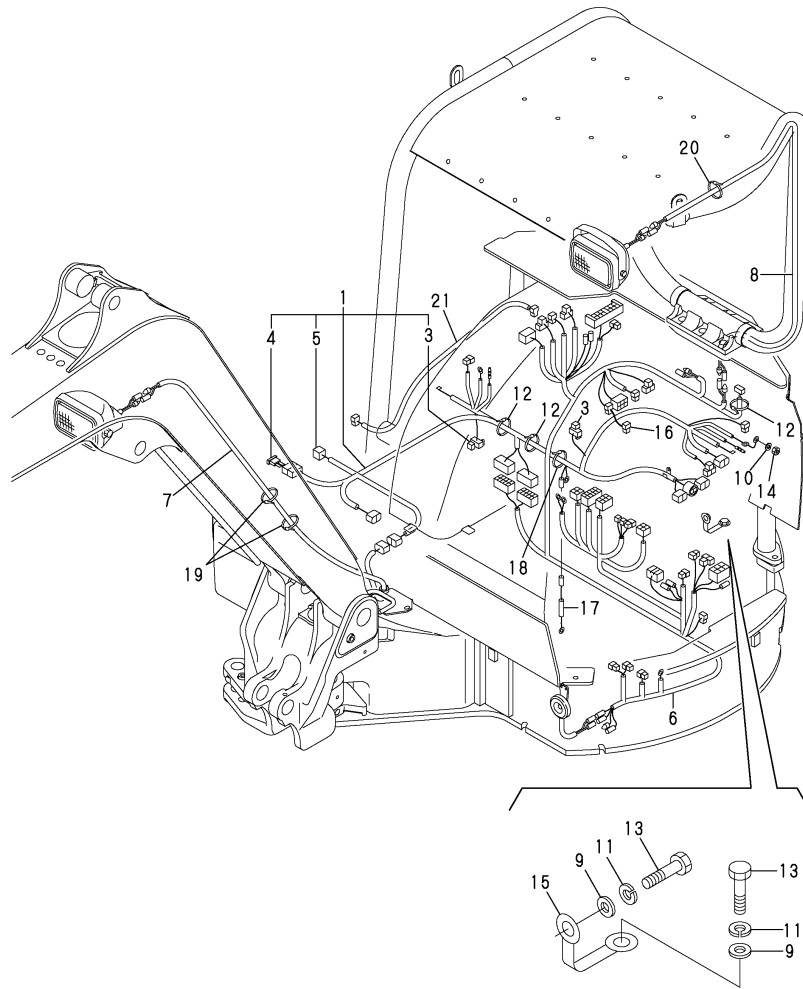
Remarks

(1)INTERCHANGEABLE BY SIMULTANEOUS REPLACEMENT WITH FIG.10 REF.NO. 17-1,43-1,49-1 FIG.13 REF.NO.1-1 7-1 FIG.39 REF.NO.17-1

Fig.13. ELECTRIC PART(WIRING)

(A)=VIO50-2C(US)
 (B)=VIO50-2P(US)
 (C)=VIO50-2C(AS)

(D)=VIO50-2P(AS)
 (E)=VIO50-2C(NZ)
 (F)=VIO50-2P(NZ)



No.	Lev.	Parts No.	Description	Q'ty						I	R
				(A)	(B)	(C)	(D)	(E)	(F)		
1	1	172460-16500	HARNESS	1	1	1	1	1	1		
1-1	1	172460-16501	HARNESS	1	1	1	1	1	1	S	1
		(A=M/#21431) (B=M/#21431) (C=M/#21431) (D=M/#21431)		(E=M/#21431)	(F=M/#21431)						
3	2	172648-16600	DIODE	2	2	2	2	2	2		
4	2	172458-16550	FUSE,SLOW BLOW (50A)	1	1	1	1	1	1		
5	2	172447-17140	HOUSING	1	1	1	1	1	1		
6	1	172467-16520	HARNESS B ASSY (US)	1	1	1	1	1	1		
7	1	172460-16530	HARNESS	1	1	1	1	1	1		
7-1	1	172460-16531	HARNESS,BOOM LAMP	1	1	1	1	1	1	S	1
		(A=M/#21431) (B=M/#21431) (C=M/#21431) (D=M/#21431)		(E=M/#21431)	(F=M/#21431)						
8	1	172458-16560	HARNESS,CANOPY LAMP	1	1						
8-1	1	172458-16561	HARNESS,CANOPY LAMP	1	1		1		1	N	
		(A=M/#20959) (B=M/#20959)									
9	1	22137-100000	WASHER, 10	2	2	2	2	2	2		
10	1	22217-050000	WASHER, SPRING 5	1	1	1	1	1	1		
11	1	22217-100000	WASHER, SPRING 10	2	2	2	2	2	2		
12	1	194202-56460	BAND, 200	3	3	3	3	3	3		
13	1	26116-100162	BOLT, M10X 16 PLATED	2	2	2	2	2	2		
14	1	26716-050002	NUT, M5	1	1	1	1	1	1		
15	1	933171-15801	CORD, ENGINE EARTH	1	1	1	1	1	1		
16	1	172190-16500	HARNESS	1	1						
17	1	172461-16520	HARNESS A	1	1	1	1	1	1		
18	1	172183-16560	CLIP, HOSE	1	1	1	1	1	1		
19	1	172187-78580	BAND W 397	2	2	2	2	2	2		
20	1	172126-11510	BAND 300	1	1	1	1	1	1		
21	1	172472-16610	HARNESS, WASHER	1		1	1	1	1	W	
		(A=M/#21431) (C=M/#21431) (D=M/#21431)		(E=M/#21431)	(F=M/#21431)						

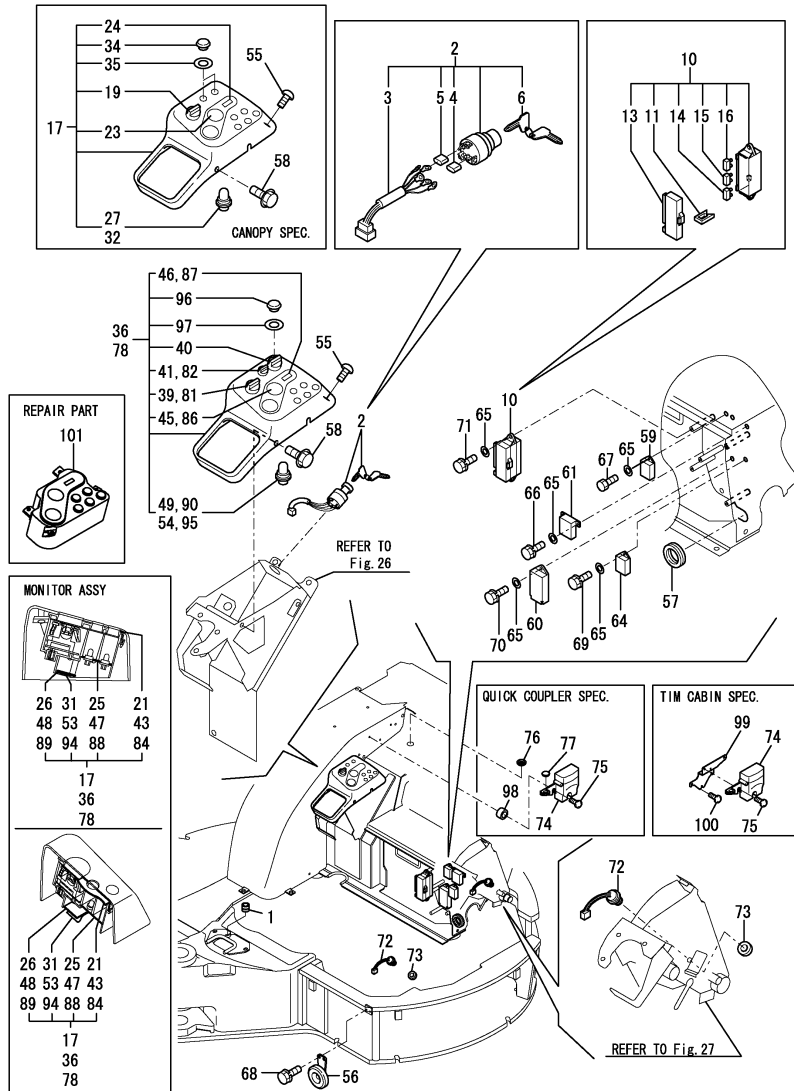
Remarks

(1)INTERCHANGEABLE BY SIMULTANEOUS REPLACEMENT WITH FIG.10 REF.NO. 17-1,43-1,49-1 FIG.12 REF.NO.1-1 3-1 FIG.39 REF.NO.17-1

Fig.14. ELECTRIC PART(EQUIPMENT)

(A)=VIO50-2C(US)
(B)=VIO50-2P(US)
(C)=VIO50-2C(AS)

(D)=VIO50-2P(AS)
(E)=VIO50-2C(NZ)
(F)=VIO50-2P(NZ)



No.	Lev.	Parts No.	Description	Q'ty						I	R
				(A)	(B)	(C)	(D)	(E)	(F)		
1	1	172187-16560	GROMMET	1	1	1	1	1	1		
2	1	172458-17100	SWITCH ASSY, STARTER	1	1	1	1	1	1		
2-1	1	172187-17100	SWITCH ASSY, STARTER	1	1	1	1	1	1		R
		(A=M/#21566) (B=M/#21566) (C=M/#21566) (D=M/#21566) (E=M/#21566) (F=M/#21566)									
3	2	172187-17070	CORD ASSY	1	1	1	1	1	1		
4	2	172187-17080	COVER	3	3	3	3	3	3		
5	2	172187-17090	COVER	2	2	2	2	2	2		
6	2	172524-17330	KEY ASSY	1	1	1	1	1	1		
6-1	2	933110-00301	KEY ASSY	1	1	1	1	1	1		R
		(A=M/#21566) (B=M/#21566) (C=M/#21566) (D=M/#21566) (E=M/#21566) (F=M/#21566)									
10	1	172187-17200	BOX, FUSE	1	1	1	1	1	1		
11	2	172175-17120	PULLER	1	1	1	1	1	1		
13	2	172187-17220	COVER	1	1	1	1	1	1		
14	2	29420-050000	FUSE, B 5A	2	2	2	2	2	2		
15	2	29420-150000	FUSE, B 15A	6	6	6	6	6	6		
16	2	29420-300000	FUSE, B 30A	2	2	2	2	2	2		
17	1	172458-17500	BOX,INDICATOR(CANOPY)				1				
17-1	1	172458-17501	BOX,INDICATOR(CANOPY)				1				N 4
		(B=*2004.05) (D=*2004.05) (F=*2004.05)									
19	2	172187-17280	SWITCH ASSY, LIGHT		1			1			
21	2	172187-17320	PACKING		1			1			
23	2	172187-17341	GAUGE ASSY				1				
24	2	172187-17350	METER ASSY, HOUR				1				
25	2	172187-17360	PRINT,CIRCUIT				1				
26	2	172187-17371	CIRCUIT ASSY				1				
27	2	172187-17380	BULB				4				
31	2	172187-17470	PLATE				1				
32	2	172187-17480	BULB				2				
34	2	172187-17560	CAP				2				
35	2	172187-17570	GASKET				2				
36	1	172472-17350	INDICATOR BOX (CABIN)	1		1			1		4
39	2	172187-17280	SWITCH ASSY, LIGHT				1				
40	2	172187-17290	SWITCH ASSY, HEATER				1				
41	2	172472-17300	SWITCH ASSY, WASHER				1				
43	2	172187-17320	PACKING				1				
45	2	172187-17341	GAUGE ASSY				1				
46	2	172187-17350	METER ASSY, HOUR				1				
47	2	172187-17360	PRINT,CIRCUIT				1				
48	2	172187-17371	CIRCUIT ASSY				1				
49	2	172187-17380	BULB				4				
53	2	172187-17470	PLATE				1				
54	2	172187-17480	BULB				2				
55	1	172458-46720	BOLT 8X20	1	1	1	1	1	1		
56	1	194151-57100	HORN	1	1	1	1	1	1		
57	1	172165-62800	GROMMET	1	1	1	1	1	1		
58	1	172519-63240	BOLT	3	3	3	3	3	3		
59	1	119247-77100	RELAY, SAFETY	1	1	1	1	1	1		
60	1	129136-77200	RELAY, SAFETY	1	1	1	1	1	1		
61	1	119650-77910	RELAY ASSY, GLOW	1	1	1	1	1	1		
64	1	129211-77920	TIMER	1	1	1	1	1	1		
65	1	22137-060000	WASHER, 6	8	8	8	8	8	8		

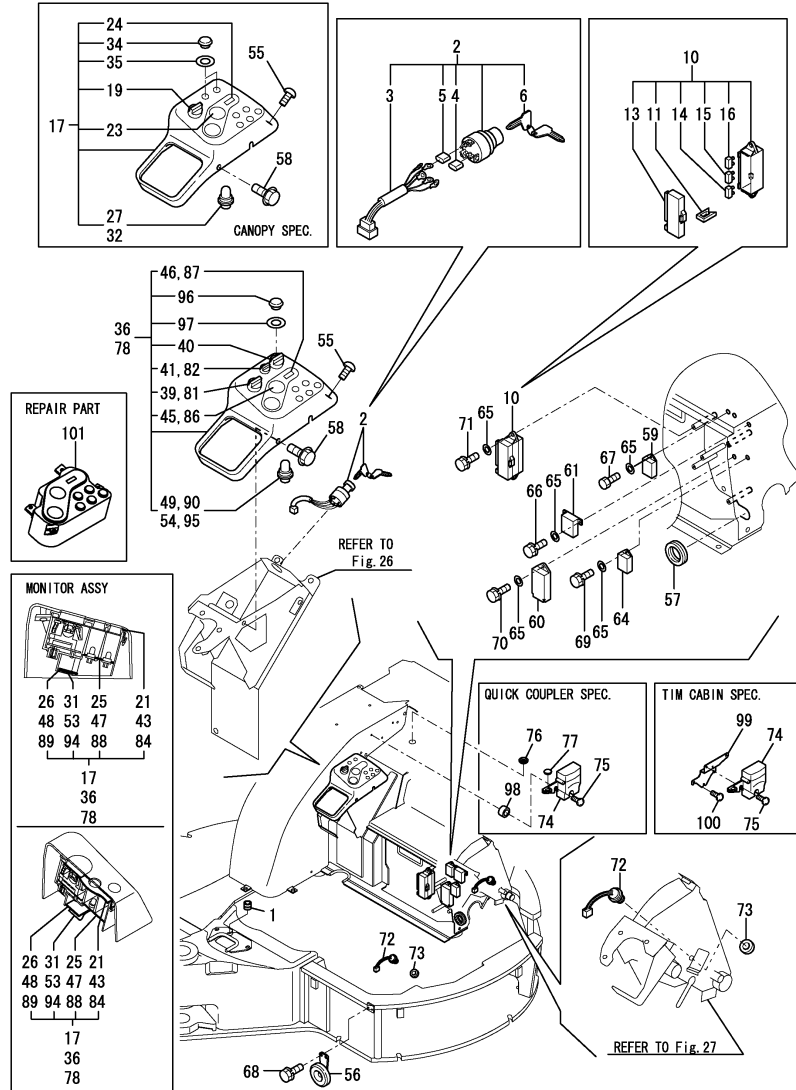
Remarks

- (1)QUICK COUPLER SPEC.
- (2)PLEASE USE THIS PART WITH FOLLOWING LABELS AT THE SAME TIME. REF. NO. 74A.
- (3)LABELS ARE NOT ILLUSTRATED.
- (4)HOUR METER = ANALOG TYPE.
- (5)TIM CABIN SPEC.
- (6)HOUR METER = L.C.D. TYPE.

Fig.14. ELECTRIC PART(EQUIPMENT)

(A)=VIO50-2C(US)
 (B)=VIO50-2P(US)
 (C)=VIO50-2C(AS)

(D)=VIO50-2P(AS)
 (E)=VIO50-2C(NZ)
 (F)=VIO50-2P(NZ)



No.	Lev.	Parts No.	Description	Q'ty						I	R
				(A)	(B)	(C)	(D)	(E)	(F)		
66	1	26013-060122	BOLT, M6X 12	2	2	2	2	2	2		
67	1	26013-060122	BOLT, M6X 12	1	1	1	1	1	1		
68	1	26013-060162	BOLT, M6X 16	2	2	2	2	2	2		
69	1	26013-060162	BOLT, M6X 16	1	1	1	1	1	1		
70	1	26013-060202	BOLT, M6X 20	2	2	2	2	2	2		
71	1	26013-060202	BOLT, M6X 20	2	2	2	2	2	2		
72	1	194464-52190	SWITCH, SAFETY START	1	2	1	2	1	2		
73	1	26776-180002	NUT, LOCK M18	1	2	1	2	1	2		
74	1	172958-17100	BOX, SWITCH	1	1	1	1	1	1		2
74A	1	172472-03290	LABEL, SWITCH	1	1	1	1	1	1		3
75	1	172137-46210	SCREW	3	3	3	3	3	3		1
76	1	172958-64500	PLUGE 28X302 Q	1	1	1	1	1	1		1
77	1	172187-64900	PLUG	1	1	1	1	1	1		1
78	1	172472-17360	INDICATOR BOX, A/C	1							4
81	2	172187-17280	SWITCH ASSY, LIGHT	1							
82	2	172472-17300	SWITCH ASSY, WASHER	1							
84	2	172187-17320	PACKING	1							
86	2	172187-17341	GAUGE ASSY	1							
87	2	172187-17350	METER ASSY, HOUR	1							
88	2	172187-17360	PRINT, CIRCUIT	1							
89	2	172187-17371	CIRCUIT ASSY	1							
90	2	172187-17380	BULB	4							
94	2	172187-17470	PLATE	1							
95	2	172187-17480	BULB	2							
96	2	172187-17560	CAP	1							
97	2	172187-17570	GASKET	1							
98	1	172958-17130	COLLAR	3	3	3	3	3	3		W
99	1	172472-17900	STAY ASSY	1							5
100	1	26587-060202	SCREW, M6X20	3							5
101	1	172A77-17500	MONITOR ASSY	1	1	1	1	1	1		W 6

(A=MZZZZZ) (B=MZZZZZ) (C=MZZZZZ) (D=MZZZZZ) (E=MZZZZZ) (F=MZZZZZ)

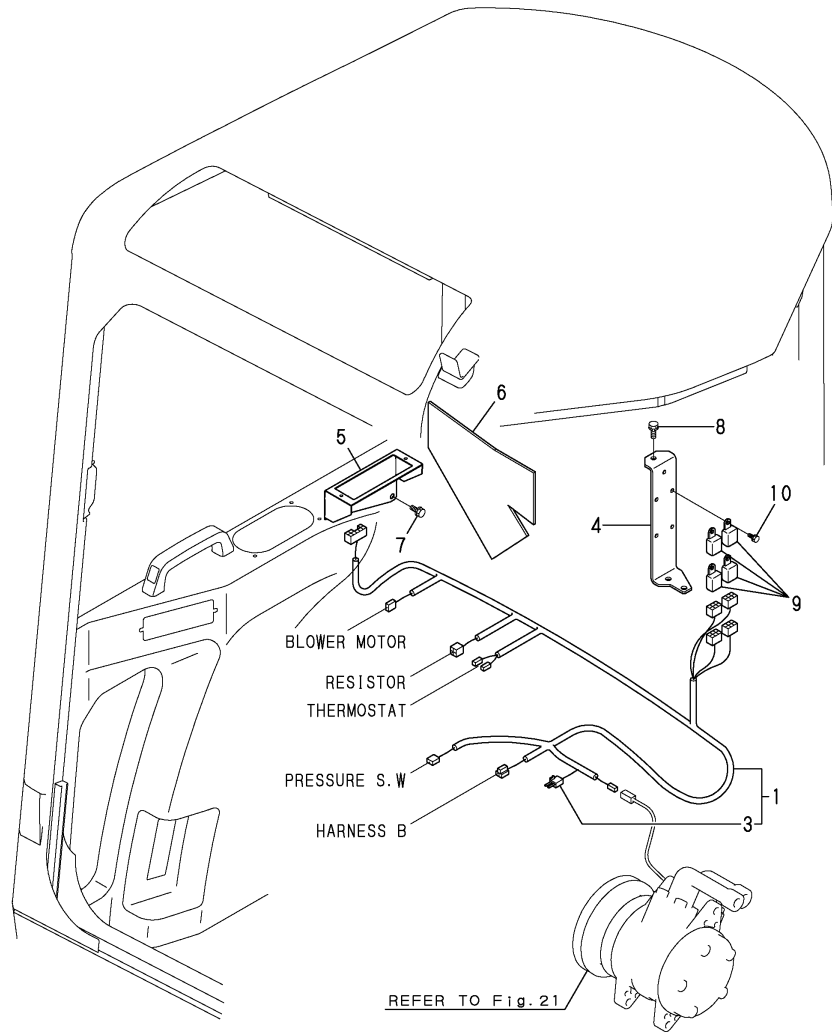
Remarks

- (1) QUICK COUPLER SPEC.
- (2) PLEASE USE THIS PART WITH FOLLOWING LABELS AT THE SAME TIME. REF. NO. 74A.
- (3) LABELS ARE NOT ILLUSTRATED.
- (4) HOUR METER = ANALOG TYPE.
- (5) TIM CABIN SPEC.
- (6) HOUR METER = L.C.D. TYPE.

Fig.15. ELECTRIC PART(AIR CON. SPEC.)

(A)=VIO50-2C(US)
 (B)=VIO50-2P(US)
 (C)=VIO50-2C(AS)

(D)=VIO50-2P(AS)
 (E)=VIO50-2C(NZ)
 (F)=VIO50-2P(NZ)



No.	Lev.	Parts No.	Description	Q'ty						I	R
				(A)	(B)	(C)	(D)	(E)	(F)		
1	1	172460-16540	HARNES	1							
3	2	172648-16600	DIODE	1							
4	1	172460-18650	BRACKET	1							
4-1	1	172460-18651 (A=M/#21861)	BRACKET J ASSY	1							N
5	1	172460-18800	PLATE B	1							
6	1	172460-19190	SHEET, INSULATOR	1							
7	1	26013-080162	BOLT, M8X 16	2							
8	1	26013-080202	BOLT, M8X 20	2							
9	1	119247-77100	RELAY, SAFETY	4							
10	1	26013-060122	BOLT, M6X 12	4							

Fig.16. TRAVEL ALARM

(A)=VIO50-2C(US)
 (B)=VIO50-2P(US)
 (C)=VIO50-2C(AS)

(D)=VIO50-2P(AS)
 (E)=VIO50-2C(NZ)
 (F)=VIO50-2P(NZ)

No.	Lev.	Parts No.	Description	Qty						I	R
				(A)	(B)	(C)	(D)	(E)	(F)		
1	1	172463-17210 (A=M/#21181) (B=M/#21181)	CASE ASSY, ALARM	1	1						Z
2	1	172472-17250	BRACKET A SSW	1	1	1	1	1	1		
3	1	172472-17260	BRACKET B SSW	1	1	1	1	1	1	1	
4	1	172157-45840	WASHER 8X18X4	4	4	4	4	4	4	4	
5	1	172463-17260 (A=M/#21181) (B=M/#21181)	COVER ASSY, CASE	1	1						Z
6	1	172511-17351	BUZZER, BACK	1	1	1	1	1	1	1	
7	1	194464-52190	SWITCH, SAFETY START	2	2	2	2	2	2	2	
8	1	26013-060122	BOLT, M6X 12	3	3	3	3	3	3	3	
9	1	26013-080252	BOLT, M8X 25	4	4	4	4	4	4	4	
10	1	26013-100162	BOLT, M10X 16	2	2	2	2	2	2	2	
11	1	26716-080002	NUT, M8	1	1						
11-1	1	26013-080122 (A=M/#21181) (B=M/#21181)	BOLT, M8X 12	1	1	1	1	1	1	1	N
12	1	26776-180002	NUT, LOCK M18	2	2	2	2	2	2	2	
13	1	933168-55770	BAND 146	1	1	1	1	1	1	1	
14	1	172472-17400 (A=M/#21181) (B=M/#21181)	CASE ASSY, ALARM	1	1	1	1	1	1	1	W
15	1	172472-17470 (A=M/#21181) (B=M/#21181)	COVER, ALARM CASE	1	1	1	1	1	1	1	W

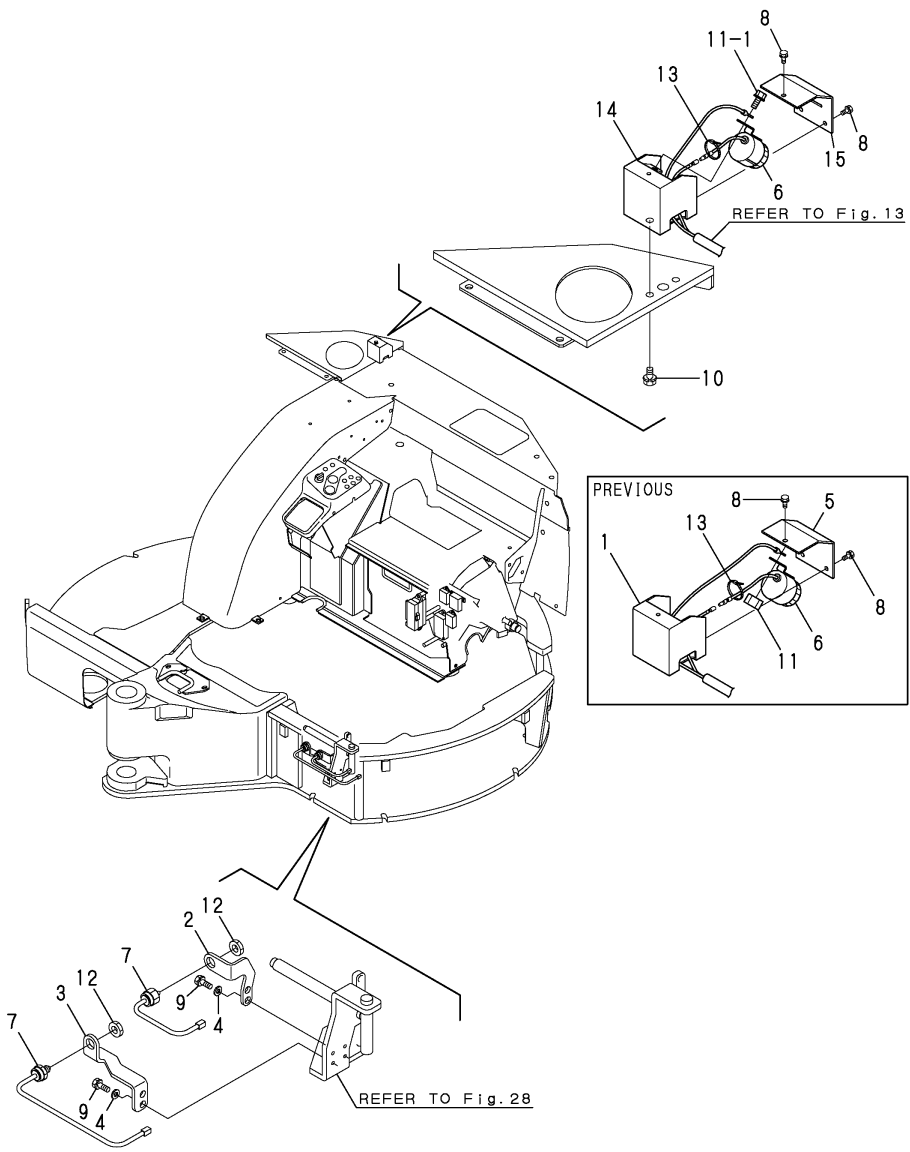
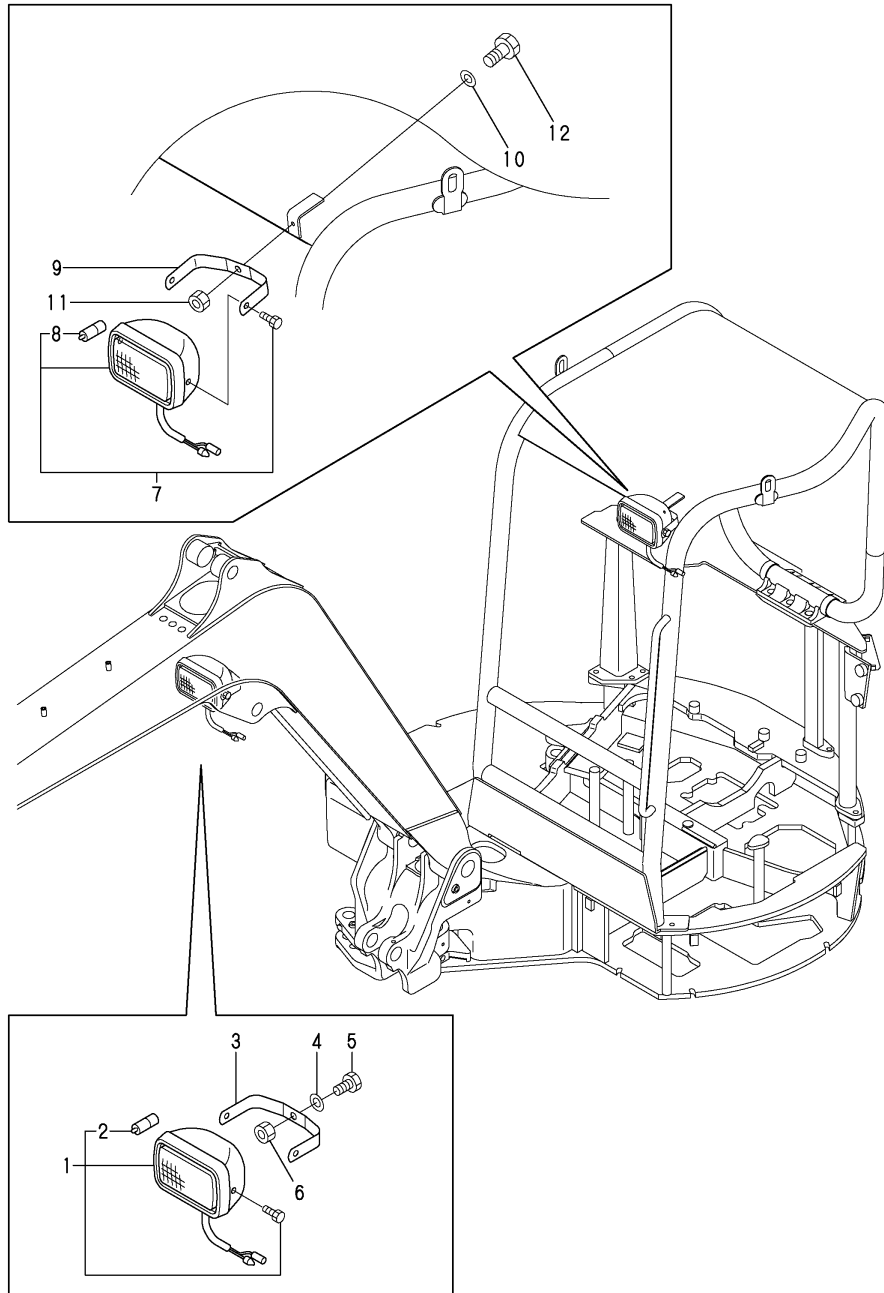


Fig.17. WORK LAMP & CANOPY LAMP

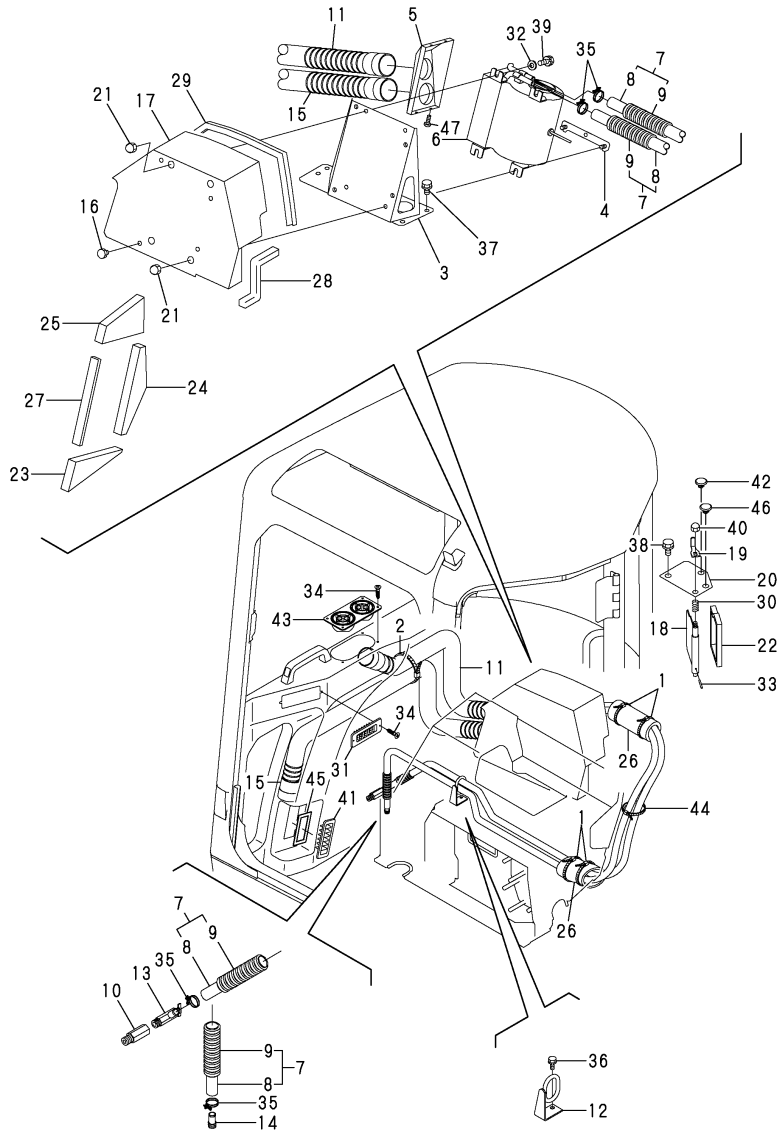
(A)=VIO50-2C(US)
 (B)=VIO50-2P(US)
 (C)=VIO50-2C(AS)

(D)=VIO50-2P(AS)
 (E)=VIO50-2C(NZ)
 (F)=VIO50-2P(NZ)



No.	Lev.	Parts No.	Description	Q'ty						I	R
				(A)	(B)	(C)	(D)	(E)	(F)		
1	1	172458-17400	LAMP 150X95	1	1	1	1	1	1		
2	2	172458-17420	BULB	1	1	1	1	1	1		
3	1	172458-17410-1	STAY, LAMP	1	1	1	1	1	1		
4	1	22137-100000	WASHER, 10	1	1	1	1	1	1		
5	1	26013-100202	BOLT, M10X 20	1	1	1	1	1	1		
6	1	26706-100002	NUT, M10	1	1	1	1	1	1		
7	1	172458-17400	LAMP 150X95				1			1	
8	2	172458-17420	BULB				1			1	
9	1	172458-17410-1	STAY, LAMP				1			1	
10	1	22137-100000	WASHER, 10				1			1	
11	1	26346-100002	NUT, M10				1			1	
12	1	26013-100202	BOLT, M10X 20				1			1	

Fig.18. HEATER



(A)=VIO50-2C(US)
(B)=VIO50-2P(US)
(C)=VIO50-2C(AS)

(D)=VIO50-2P(AS)
(E)=VIO50-2C(NZ)
(F)=VIO50-2P(NZ)

No.	Lev.	Parts No.	Description	Q'ty						I	R
				(A)	(B)	(C)	(D)	(E)	(F)		
1	1	172126-11510	BAND 300	4	4		4				
2	1	172183-16560	CLIP, HOSE	1		1		1			
3	1	172458-16650	HEATER FRAME	1		1		1			
4	1	172458-16690	NUT	1		1		1			
5	1	172458-16700	DUCT ASSY, HEATER	1		1		1			
6	1	172458-17550	HEATER 33RB,COVER LE	1							
6-1	1	172458-17551	HEATER	1		1		1			N
(A=M/#20720)											
7	1	172460-17600	HOSE ASSY, HEATER	2		2		2			
8	2	172164-17630	HOSE, HEATER	2		2		2			
9	2	172312-17650	TUBE, CORRUGATED	2		2		2			
10	1	172460-17610	JOINT, HEATER	1		1		1			
10-1	1	172460-17611	JOINT, HEATER	1		1		1			N
(A=M/#21861)											
(C=M/#21861)											
(E=M/#21861)											
11	1	172458-17620	HOSE ASSY, DEFROSTER	1		1		1			
12	1	172460-17620	GUIDE ASSY, HOSE	1		1		1			
13	1	172425-17630	VALVE ASSY, HEATER	1		1		1			
14	1	172124-17640	JOINT, PIPE	1		1		1			
15	1	172458-17640	HOSE ASSY, HEATER	1		1		1			
16	1	172168-46760	BOLT M10X20	4		4		4			
17	1	172458-63410	COVER, HEATER	1		1		1			1
17A	1	172437-03310	LABEL,SLOPE	1		1		1			2
17B	1	172437-03340	LABEL,TRANSPORT	1		1		1			2
17B-1	1	172437-03341	LABEL,TRANSPORT	1		1		1			R 2
(A=M/#21827)											
(C=M/#21827)											
(E=M/#21827)											
17C	1	172437-03371	LABEL	1		1		1			2
18	1	172458-63420	SHAFT ASSY	1		1		1			
19	1	172458-63450	LEVER	1		1		1			
20	1	172458-63460	PLATE	1		1		1			
21	1	172458-63470	NUT, CAP	4		4		4			
22	1	172458-63600	SEAL, SPONGE	2		2		2			
23	1	172458-63610	SEAL, SPONGE	1		1		1			
24	1	172458-63620	SEAL, SPONGE	1		1		1			
25	1	172458-63630	SEAL, SPONGE	1		1		1			
26	1	172458-63640	SPONGE, HOSE	2		2		2			
27	1	172458-63650	SEAL, SPONGE	1		1		1			
28	1	172422-65750	SEAL, DUCT	1		1		1			
29	1	172989-68640	RUBBER, SEAL	1		1		1			
30	1	172157-76441	SPRING	1		1		1			
31	1	197830-88611	GRILLE	1		1		1			
32	1	22137-100000	WASHER, 10	2		2		2			
33	1	22351-030025	PIN, SPRING 3.0X25	1		1		1			
34	1	22869-400160	SCREW, 4X16	6		6		6			
35	1	23000-022000	CLAMP, 22	4		4		4			
35-1	1	23001-022000	CLAMP, HOSE 22	4		4		4			N
(A=M/#21317)											
(C=M/#21317)											
(E=M/#21317)											
36	1	26013-080162	BOLT, M8X 16	2		2		2			
37	1	26013-100162	BOLT, M10X 16	4		4		4			
38	1	26013-100162	BOLT, M10X 16	2		2		2			
39	1	26013-100202	BOLT, M10X 20	2		2		2			
40	1	26657-080002	NUT, CAP M8	1		1		1			

Remarks

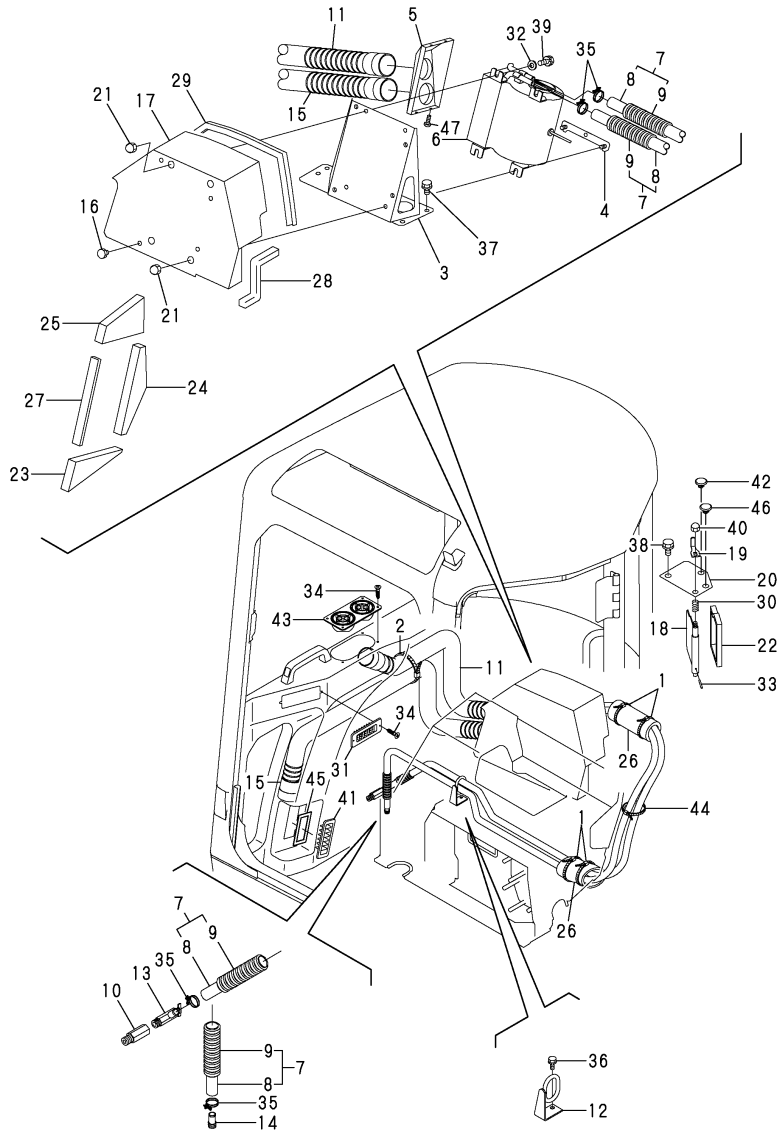
(1)PLEASE USE THIS PART WITH FOLLOWING LABELS AT THE SAME TIME.
REF. NO. 17A,17B,17C.

(2)LABELS ARE NOT ILLUSTRATED.

Fig.18. HEATER

(A)=VIO50-2C(US)
 (B)=VIO50-2P(US)
 (C)=VIO50-2C(AS)

(D)=VIO50-2P(AS)
 (E)=VIO50-2C(NZ)
 (F)=VIO50-2P(NZ)



No.	Lev.	Parts No.	Description	Q'ty						I	R
				(A)	(B)	(C)	(D)	(E)	(F)		
41	1	172458-17700	GRILLE	1		1		1			
42	1	172444-17660	CLIP, TREE	1		1		1			
43	1	1E8545-80940	GRILLE, DUCT	1		1		1			
44	1	172126-11510	BAND 300	1		1		1			
45	1	172458-63400	SPONGE, GRILLE	1		1		1			
46	1	172444-68650	CLIP, TREE	1		1		1			
47	1	26587-040122	SCREW, M4X12	4		4		4			W

(A=FROM 1ST)

Remarks

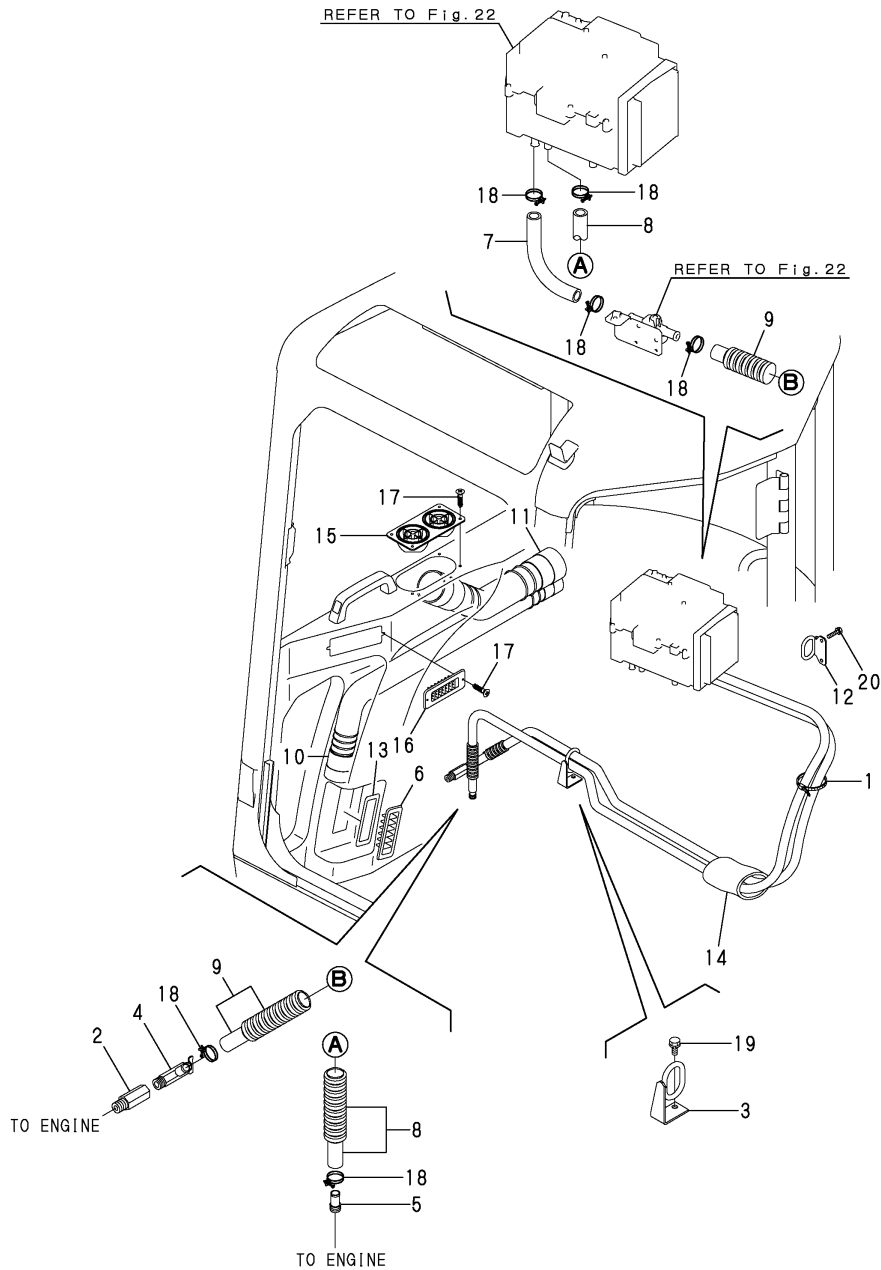
(1)PLEASE USE THIS PART WITH FOLLOWING LABELS AT THE SAME TIME.
 REF. NO. 17A,17B,17C.

(2)LABELS ARE NOT ILLUSTRATED.

Fig.19. HEATER (AIR CON. SPEC)

(A)=VIO50-2C(US)
 (B)=VIO50-2P(US)
 (C)=VIO50-2C(AS)

(D)=VIO50-2P(AS)
 (E)=VIO50-2C(NZ)
 (F)=VIO50-2P(NZ)

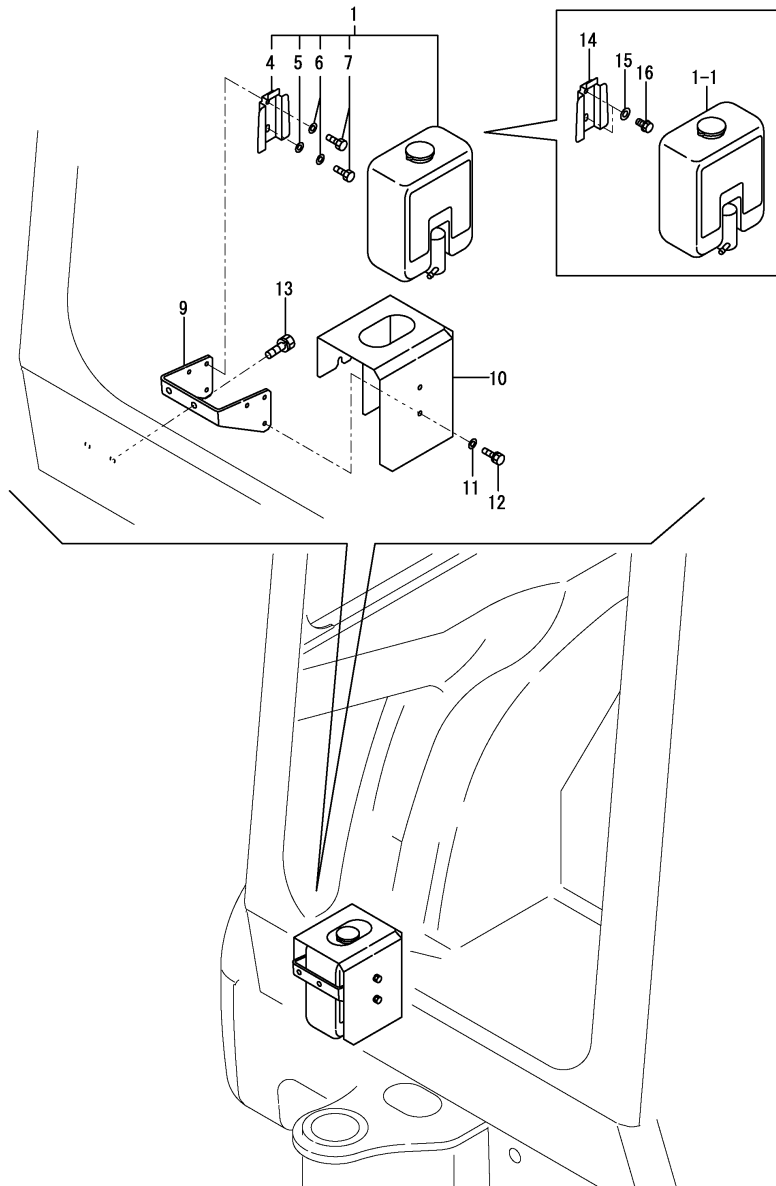


No.	Lev.	Parts No.	Description	Q'ty						I	R
				(A)	(B)	(C)	(D)	(E)	(F)		
1	1	172126-11510	BAND 300	4							
2	1	172460-17610	JOINT, HEATER	1							
2-1	1	172460-17611	JOINT, HEATER	1							N
(A=M/#21861)											
3	1	172460-17620	GUIDE ASSY, HOSE	1							
4	1	172425-17630	VALVE ASSY, HEATER	1							
5	1	172124-17640	JOINT, PIPE	1							
6	1	172458-17700	GRILLE	1							
7	1	172460-17710	HOSE, HEATER	1							
8	1	172460-17720	HOSE ASSY, HEATER	1							
9	1	172460-17750	HOSE ASSY, HEATER	1							
10	1	172460-17780	HOSE ASSY	1							
11	1	172460-17800	HOSE ASSY	1							
12	1	172460-18971	STAY ASSY	1							
13	1	172458-63400	SPONGE, GRILLE	1							
14	1	172458-63640	SPONGE, HOSE	1							
15	1	1E8545-80940	GRILLE, DUCT	1							
16	1	197830-88611	GRILLE	1							
17	1	22869-400160	SCREW, 4X16	6							
18	1	23000-022000	CLAMP, 22	6							
18-1	1	23001-022000	CLAMP, HOSE 22	6							N
(A=M/#21317)											
19	1	26013-080162	BOLT, M8X 16	2		2		2			
20	1	26013-080402	BOLT, M8X 40	2		2		2			

Fig.20. WINDOW WASHER

(A)=VIO50-2C(US)
 (B)=VIO50-2P(US)
 (C)=VIO50-2C(AS)

(D)=VIO50-2P(AS)
 (E)=VIO50-2C(NZ)
 (F)=VIO50-2P(NZ)



No.	Lev.	Parts No.	Description	Q'ty						I	R
				(A)	(B)	(C)	(D)	(E)	(F)		
1	1	172472-17610	TANK ASSY, WASHER	1	1		1				
1-1	1	172472-17611	TANK ASSY, WASHER	1	1		1			F	1
		(A=MXXXXX)	(C=MXXXXX)				(E=MXXXXX)				
4	2	172472-17650	BRACKET	1		1		1		Z	
		(A=MXXXXX)	(C=MXXXXX)				(E=MXXXXX)				
5	2	22137-060000	WASHER, 6	1		1		1		Z	
		(A=MXXXXX)	(C=MXXXXX)				(E=MXXXXX)				
6	2	22217-060000	WASHER, SPRING 6	2		2		2		Z	
		(A=MXXXXX)	(C=MXXXXX)				(E=MXXXXX)				
7	2	26116-060162	BOLT, M6X 16 PLATED	2		2		2		Z	
		(A=MXXXXX)	(C=MXXXXX)				(E=MXXXXX)				
9	1	172472-17660	BRACKET, WASHER	1		1		1			
10	1	172472-17670	COVER ASSY, WASHER	1		1		1			
11	1	22137-060000	WASHER, 6	3		3		3			
12	1	26013-060122	BOLT, M6X 12	3		3		3			
13	1	26013-080202	BOLT, M8X 20	2		2		2			
14	1	120147-44810	BRACKET	1		1		1			W
		(A=MXXXXX)	(C=MXXXXX)				(E=MXXXXX)				
15	1	22137-060000	WASHER, 6	2		2		2		W	
		(A=MXXXXX)	(C=MXXXXX)				(E=MXXXXX)				
16	1	26013-060102	BOLT, M6X 10	2		2		2		W	
		(A=MXXXXX)	(C=MXXXXX)				(E=MXXXXX)				

Remarks

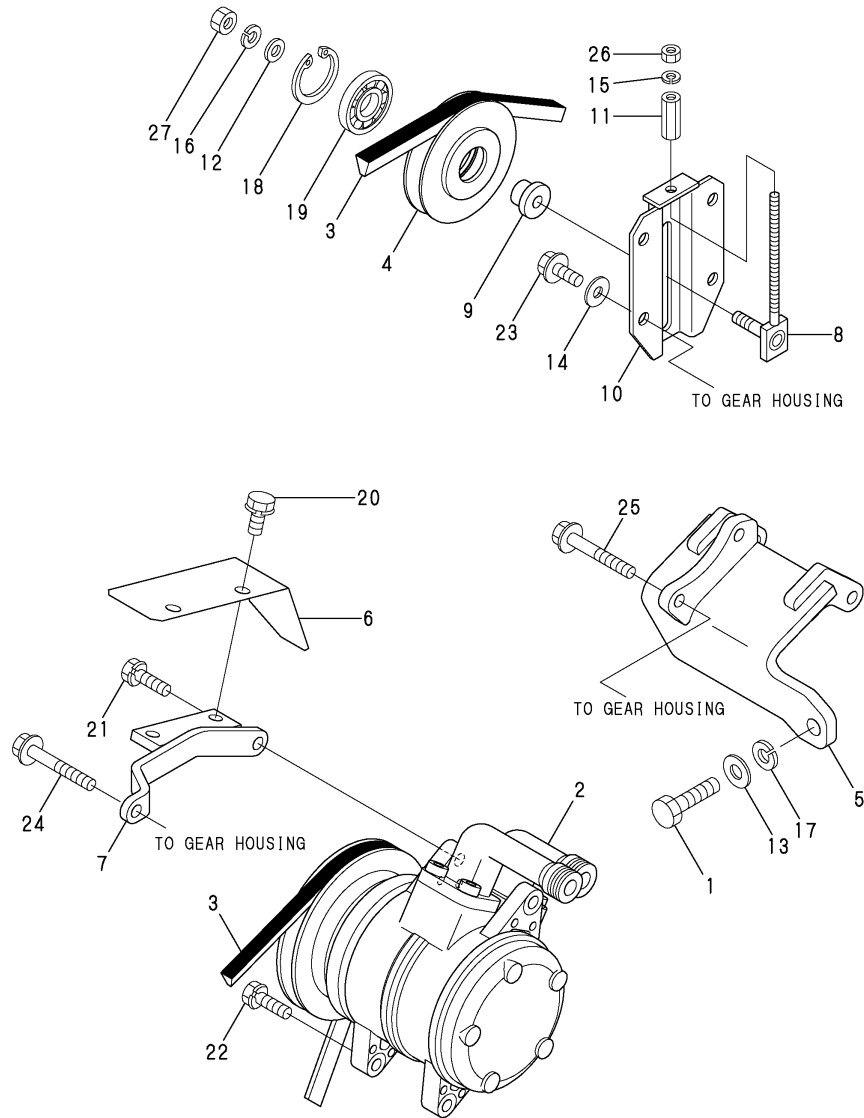
(1)Interchangeable by simultaneous replacement with Ref.No.14,15,16.

Fig.21. COMPRESSOR & V PULLEY(AIR CON.SPEC.)

(A)=VIO50-2C(US)
 (B)=VIO50-2P(US)
 (C)=VIO50-2C(AS)

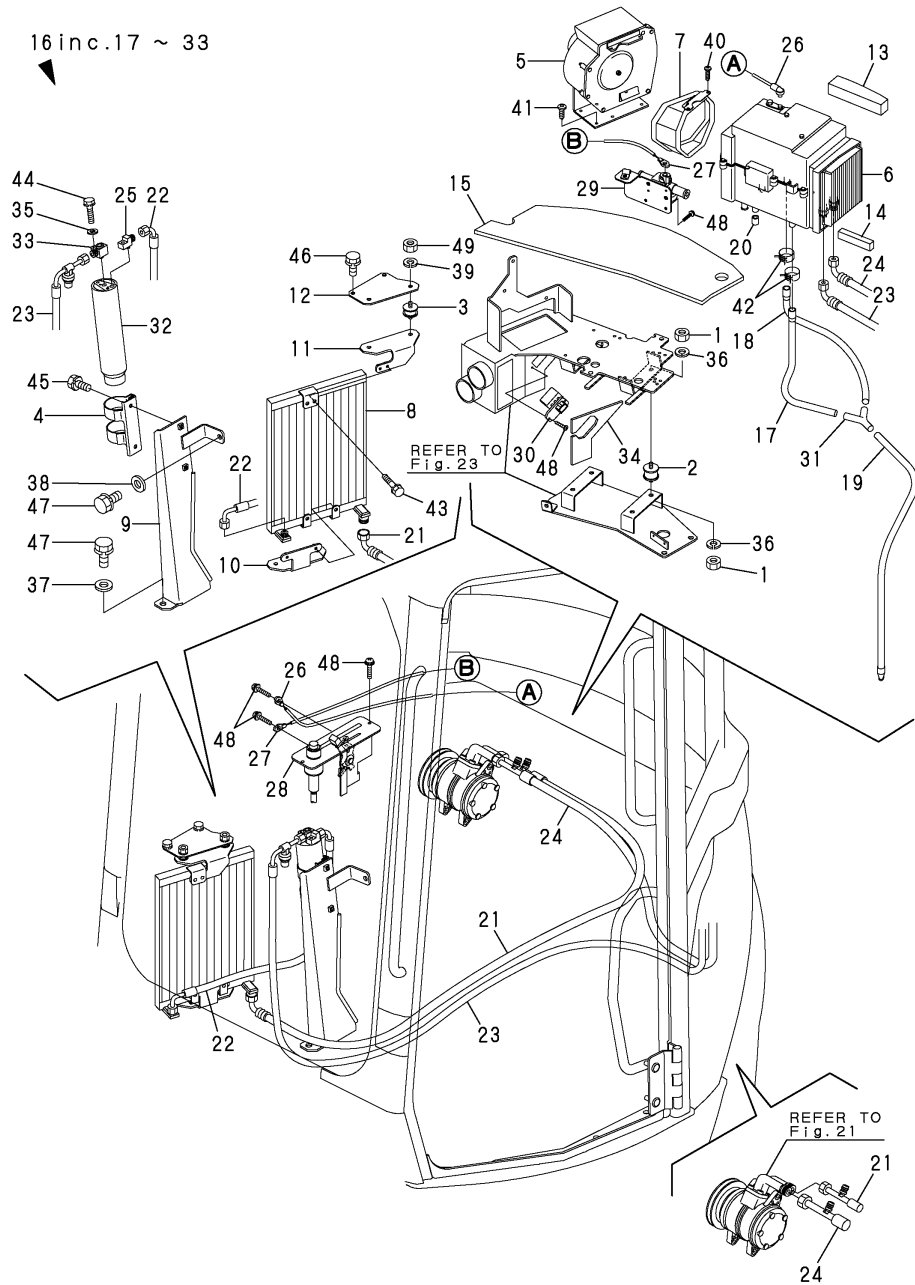
(D)=VIO50-2P(AS)
 (E)=VIO50-2C(NZ)
 (F)=VIO50-2P(NZ)

No.	Lev.	Parts No.	Description	Q'ty						I	R
				(A)	(B)	(C)	(D)	(E)	(F)		
1	1	172165-13610	BOLT M10X 40	1							
2	1	172460-18100	COMPRESSOR ASSY	1							
3	1	172460-18120	V-BELT	1							
4	1	172445-18130	PULLEY	1							
5	1	172460-18300	BRACKET	1							
6	1	172460-18350	PLATE D	1							
6-1	1	172460-18351	PLATE D	1							N
		(A=M/#21861)									
7	1	172460-18360	PLATE F	1							
8	1	172165-18630	ADJUSTER ASSY	1							
9	1	172165-18670	BOSS	1							
10	1	172460-18880	BRACKET	1							
11	1	172164-19310	NUT	1							
12	1	1A1040-43900	WASHER, SPRING	1							
13	1	172137-46040	SEAT, SPRING	1							
14	1	22190-080002	WASHER, SEAL 6	4							
15	1	22217-060000	WASHER, SPRING 6	1							
16	1	22217-080000	WASHER, SPRING 8	1							
17	1	22217-100000	WASHER, SPRING 10	1							
18	1	22252-000400	RING, 40	1							
19	1	24104-062034	BEARING, BALL 6203UU	1							
20	1	26013-080162	BOLT, M8X 16	2							
21	1	26013-080252	BOLT, M8X 25	1							
22	1	26013-080302	BOLT, M8X 30	2							
23	1	26106-080202	BOLT, M8X 20 PLATED	4							
24	1	26106-080552	BOLT, M8X 55 PLATED	1							
25	1	26106-080552	BOLT, M8X 55 PLATED	2							
26	1	26716-060002	NUT, M6	1							
27	1	26716-080002	NUT, M8	1							



(A)=VIO50-2C(US)
 (B)=VIO50-2P(US)
 (C)=VIO50-2C(AS)

(D)=VIO50-2P(AS)
 (E)=VIO50-2C(NZ)
 (F)=VIO50-2P(NZ)

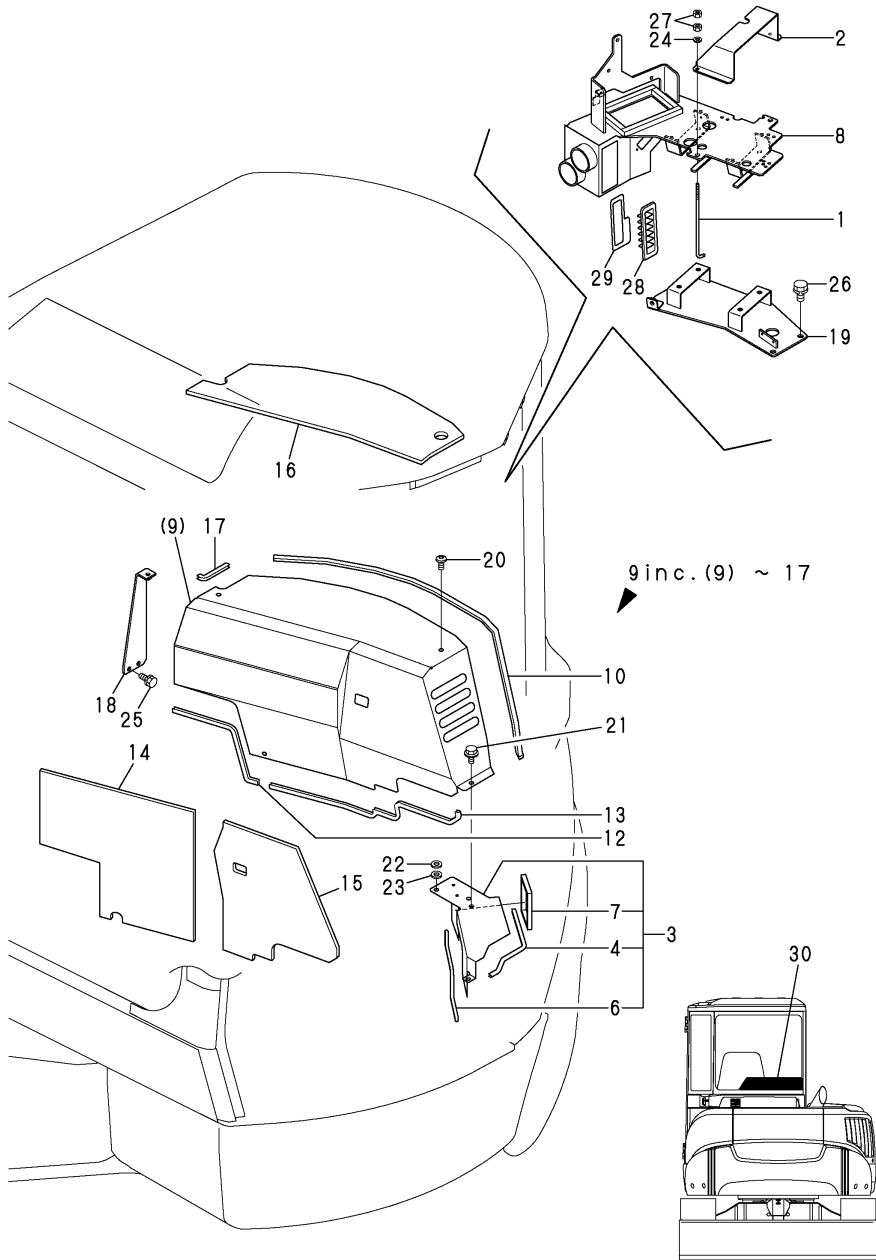


No.	Lev.	Parts No.	Description	Q'ty						I	R
				(A)	(B)	(C)	(D)	(E)	(F)		
1	1	26716-080002	NUT, M8	8							
2	1	172122-13310	MOUNT, PAD	4							
3	1	172447-13550	MOUNT, PAD	4							
4	1	172162-18040	BRACKET, RADIATOR	1							
5	1	172460-18130	MOTOR	1							
6	1	172460-18140	CONDITIONER, AIR	1							
7	1	172460-18170	DUCT ASSY, FAN	1							
8	1	172460-18200	CONDENSER	1							
9	1	172460-18280	BRACKET E	1							
10	1	172460-18380	BRACKET C	1							
11	1	172460-18400	BRACKET D	1							
12	1	172460-18750	PLATE	1							
13	1	172460-19110	SEAL	1							
14	1	172460-19120	SEAL	1							
15	1	172460-19210	SPONGE	1							
16	1	172460-19250	HOSE KIT,AIRCON	1							
17	2	172460-18060	HOSE, DRAIN	1							
18	2	172460-18070	HOSE, DRAIN	1							
19	2	172460-18080	HOSE, DRAIN	1							
20	2	172460-18150	PLUG	1							
21	2	172460-18190	HOSE	1							
22	2	172460-18210	HOSE	1							
23	2	172460-18220	HOSE	1							
24	2	172460-18230	HOSE	1							
25	2	172460-18250	CONNECTOR	1							
26	2	172460-18260	CABLE	1							
27	2	172460-18270	CABLE, VALVE	1							
28	2	1E8685-79911	PANEL, CONTROL	1							
29	2	1E8685-79920	VALVE, WATER	1							
30	2	1E8685-79940	RESISTOR, 100-40	1							
31	2	1E8545-80030	JOINT, DRAIN	1							
32	2	1E8545-80210	DRIER, RECEIVER	1							
33	2	1E8545-80250	JOINT, RECEIVER	1							
34	1	172460-19330	SHEET, INSULATOR	1							
35	1	22137-060000	WASHER, 6	2							
36	1	22137-080000	WASHER, 8	8							
37	1	22137-100000	WASHER, 10	2							
38	1	22137-100000	WASHER, 10	1							
39	1	22217-080000	WASHER, SPRING 8	8							
40	1	22857-400161	SCREW, 4X16	2							
41	1	22877-500161	SCREW, 5X16	8							
42	1	23000-022000	CLAMP, 22	3							
42-1	1	23001-022000	CLAMP, HOSE 22	3							N
(A=M/#21299)											
43	1	26013-060122	BOLT, M6X 12	4							
44	1	26013-060252	BOLT, M6X 25	2							
45	1	26013-080162	BOLT, M8X 16	2							
46	1	26013-080162	BOLT, M8X 16	2							
47	1	26013-100202	BOLT, M10X 20	3							
48	1	26033-040202	SCREW, M4X20	6							
49	1	26716-080002	NUT, M8	8							

Fig.23. COVER(AIR CON. SPEC.)

(A)=VIO50-2C(US)
 (B)=VIO50-2P(US)
 (C)=VIO50-2C(AS)

(D)=VIO50-2P(AS)
 (E)=VIO50-2C(NZ)
 (F)=VIO50-2P(NZ)

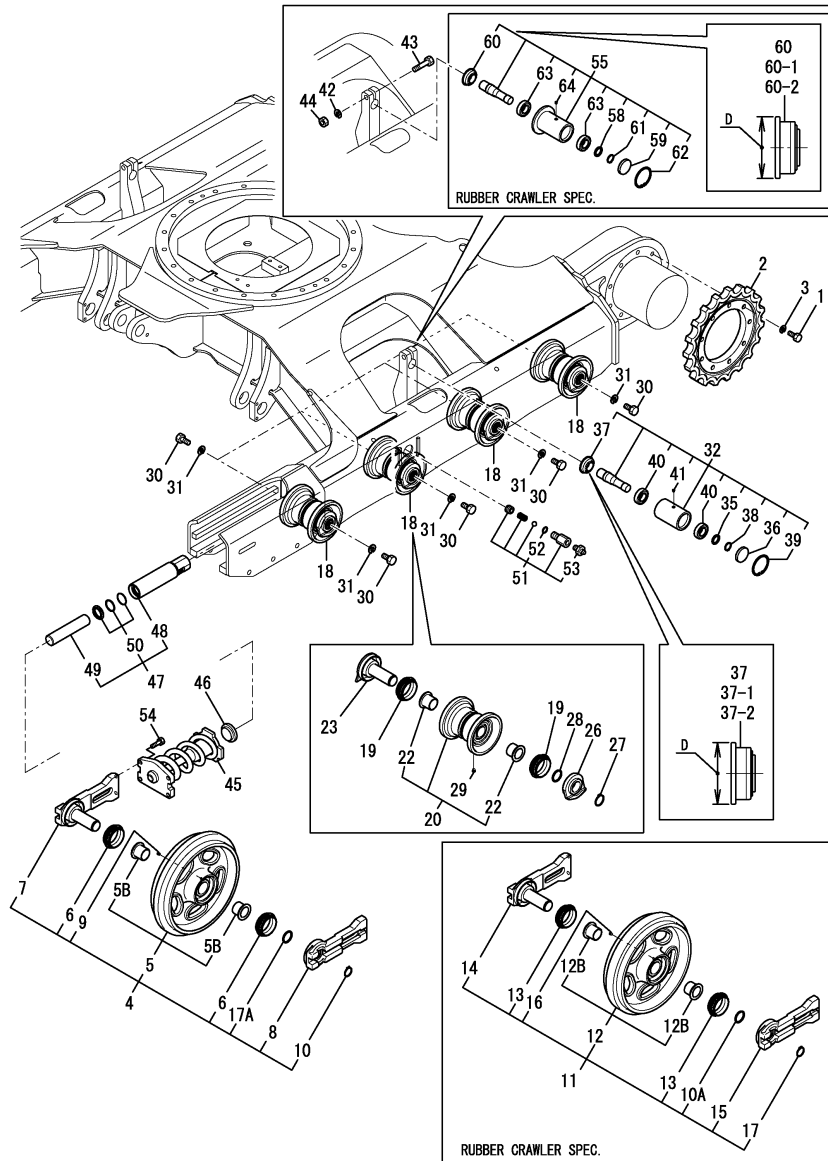


No.	Lev.	Parts No.	Description	Q'ty						I	R
				(A)	(B)	(C)	(D)	(E)	(F)		
1	1	172631-16350	ROD,BATTERY CLAMP	2							
2	1	172460-17650	CLAMP ASSY	1							
3	1	172460-18010	COVER ASSY, HOSE	1							
4	2	172183-05330	TRIM	1							
6	2	172460-18110	TRIM	1							
7	2	172458-63600	SEAL, SPONGE	1							
8	1	172460-18180	BRACKET F	1							
9	1	172460-18240	PLATE R ASSY	1							
10	2	172460-19060	RUBBER, SEAL	1							
12	2	172460-19170	TRIM	1							
13	2	172460-19180	TRIM	1							
14	2	172460-19220	SPONGE	1							
15	2	172460-19230	SPONGE	1							
16	2	172460-19300	SPONGE	1							
17	2	172434-61170	TRIM	1							
18	1	172460-18530	BRACKET G	1							
19	1	172460-18670	PLATE P	1							
20	1	172186-45840	BOLT, BUTTON	4							
21	1	172519-63240	BOLT	3							
22	1	1E8385-79310	WASHER, 8	3							
23	1	22117-080000	WASHER, 8	3							
24	1	22137-060000	WASHER, 6	2							
25	1	26013-080202	BOLT, M8X 20	2							
26	1	26013-100162	BOLT, M10X 16	4							
27	1	26716-060002	NUT, M6	4							
28	1	172458-17700	GRILLE	1							
29	1	172460-19320	SPONGE, GRILLE	1							
30	1	172460-03180	LABEL	1							

Fig.24. ROLLER & ADJUST

(A)=VIO50-2C(US)
(B)=VIO50-2P(US)
(C)=VIO50-2C(AS)

(D)=VIO50-2P(AS)
(E)=VIO50-2C(NZ)
(F)=VIO50-2P(NZ)



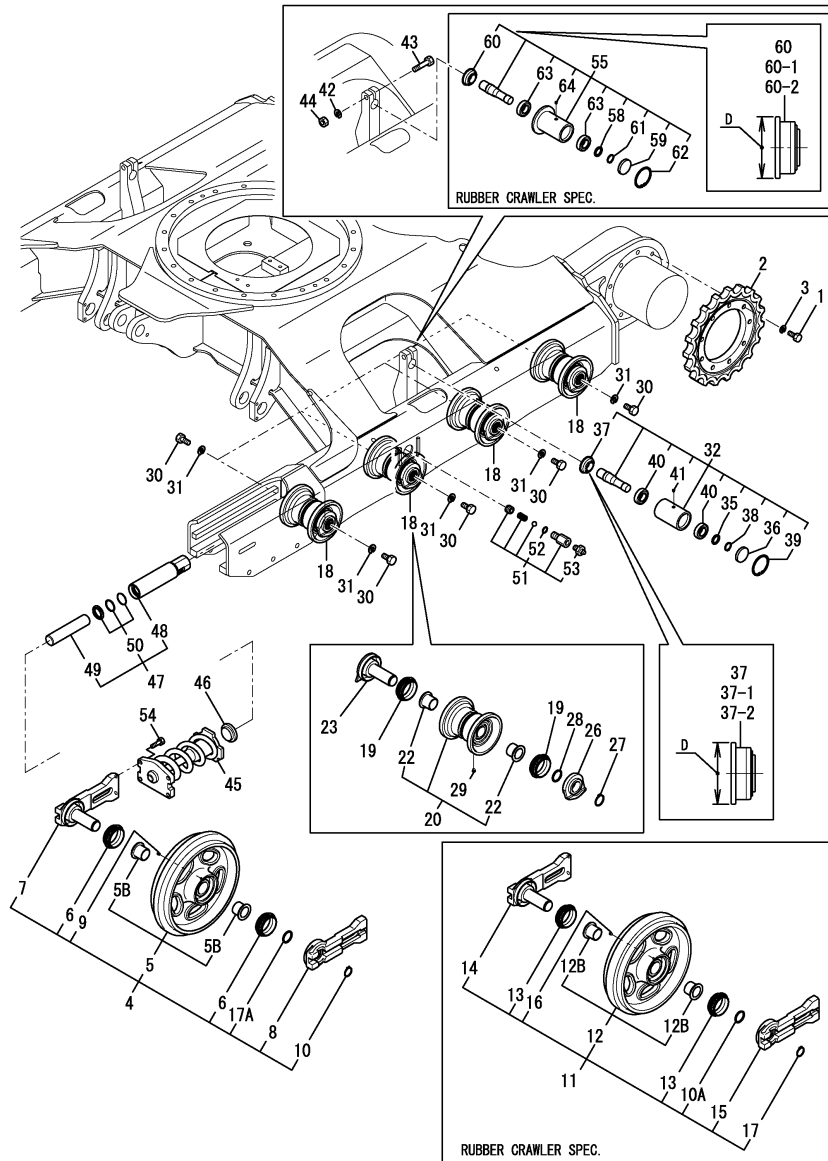
No.	Lev.	Parts No.	Description	Q'ty						I	R
				(A)	(B)	(C)	(D)	(E)	(F)		
1	1	172455-29140	BOLT 14X35	18	18	18	18	18	18		
2	1	172119-35010-4	SPROCKET	2	2	2	2	2	2		
3	1	22217-140000	WASHER, SPRING 14	18	18	18	18	18	18		
4	1	772460-37110-2	IDLER ASSY	2	2	2	2	2	2		3
5	2	172460-37170-2	IDLER ASSY	2	2	2	2	2	2		3
5B	3	172124-37120	BUSH 40	4	4	4	4	4	4		
6	2	172460-37120	SEAL, FLOATING	4	4	4	4	4	4		
7	2	172460-37130-2	SHAFT, IDLER	2	2	2	2	2	2		
8	2	172460-37150-2	COVER, IDLER SEAL	2	2	2	2	2	2		
9	2	194630-42120	PLUG, PT1/8	2	2	2	2	2	2		
10	2	22242-000350	RING, 35	2	2	2	2	2	2		
10A	2	24321-000400	O-RING, 1AG40.0	2	2	2	2	2	2		
11	1	772460-37100-2	IDLER ASSY, RUBBER	2	2	2	2	2	2		1
12	2	172460-37100-2	IDLER ASSY	2	2	2	2	2	2		1
12B	3	172124-37120	BUSH 40	4	4	4	4	4	4		
13	2	172460-37120	SEAL, FLOATING	4	4	4	4	4	4		
14	2	172460-37130-2	SHAFT, IDLER	2	2	2	2	2	2		
15	2	172460-37150-2	COVER, IDLER SEAL	2	2	2	2	2	2		
16	2	194630-42120	PLUG, PT1/8	2	2	2	2	2	2		
17	2	22242-000350	RING, 35	2	2	2	2	2	2		
17A	2	24321-000400	O-RING, 1AG40.0	2	2	2	2	2	2		
18	1	772423-37320-1	TRACK ROLLER(GREEN82	8	8	8	8	8	8		
19	2	172458-37120	SEAL, FLOATING	16	16	16	16	16	16		
20	2	172423-37300-2	ROLLER (GREEN:82)	8	8	8	8	8	8		
20-1	2	172423-37301-2	ROLLER ASSY (82)	8	8	8	8	8	8		N
		(A=M/#21827) (B=M/#21827) (C=M/#21827) (D=M/#21827) (E=M/#21827) (F=M/#21827)									
22	3	172423-37370	BUSH	16	16	16	16	16	16		
23	2	172423-37330-1	SHAFT, ROLLER	8	8	8	8	8	8		
26	2	172423-37360-1	COVER, ROLLER SEAL	8	8	8	8	8	8		
27	2	22242-000300	RING, 30	8	8	8	8	8	8		
28	2	24315-000290	O-RING, 1BP29.0	8	8	8	8	8	8		
29	2	933171-13691	PLUG PT1/8	8	8	8	8	8	8		
30	1	172162-82980	BOLT M16X 35	16	16	16	16	16	16		
30-1	1	172490-37310	BOLT M16X30	16	16	16	16	16	16		N
		(A=M/#21827) (B=M/#21827) (C=M/#21827) (D=M/#21827) (E=M/#21827) (F=M/#21827)									
31	1	22217-160000	WASHER, SPRING 16	16	16	16	16	16	16		Z
		(A=M/#21827) (B=M/#21827) (C=M/#21827) (D=M/#21827) (E=M/#21827) (F=M/#21827)									
32	1	172187-37502-2	ROLLER, CARRIER (82)	2	2						2
32-1	1	172478-37500-1	ROLLER, CARRIER (82)	2	2	2	2	2	2		R 2
		(A=M/#20959) (B=M/#20959)									
32-2	1	172478-37501	ROLLER ASSY, CARRIER	2	2	2	2	2	2		N
		(A=MXXXXXX) (B=MXXXXXX) (C=MXXXXXX) (D=MXXXXXX) (E=MXXXXXX) (F=MXXXXXX)									
35	2	172187-37530	WASHER, CARRIER	2	2						
35-1	2	172478-37550	WASHER, CARRIER	2	2	2	2	2	2		R
		(A=M/#21144) (B=M/#21144)									
36	2	172187-37540	CAP, ROLLER	2	2						
36-1	2	172478-37540	CAP, ROLLER	2	2	2	2	2	2		R
		(A=M/#21144) (B=M/#21144)									
37	2	172187-37550	SEAL, CARRIER ROLLER	2	2						
37-1	2	172478-37530	SEAL, CARRIER ROLLER	2	2	2	2	2	2		R
		(A=M/#21144) (B=M/#21144)									

Remarks
(1)RUBBER CRAWLER SPEC.
(2)SHAFT, CARRIER ROLLER WAS STOPPED TO SUPPLY.
(3)IRON CRAWLER SPEC.
(4)D : Ref.No.37,37-1,58,58-1 71mm, No.37-2,58-2 80mm.

Fig.24. ROLLER & ADJUST

(A)=VIO50-2C(US)
 (B)=VIO50-2P(US)
 (C)=VIO50-2C(AS)

(D)=VIO50-2P(AS)
 (E)=VIO50-2C(NZ)
 (F)=VIO50-2P(NZ)



No.	Lev.	Parts No.	Description	Q'ty						I	R
				(A)	(B)	(C)	(D)	(E)	(F)		
37-2	2	172164-37351	SEAL, OIL	2	2	2	2	2	2	S	4
		(A=MXXXXX) (B=MXXXXX) (C=MXXXXX) (D=MXXXXX)		(E=MXXXXX)	(F=MXXXXX)						
38	2	22242-000300	RING, 30	2	2	2	2	2	2		
39	2	22252-000621	RING, 62	2	2	2	2	2	2		
40	2	24105-062064	BEARING, BALL 6206Z	4	4	4	4	4	4		
41	2	933171-13691	PLUG PT1/8	2	2	2	2	2	2		
42	1	22217-160000	WASHER, SPRING 16	2	2	2	2	2	2		
43	1	26116-160702	BOLT M16X 70 PLATED	2	2	2	2	2	2		
44	1	26716-160002	NUT, M16	2	2	2	2	2	2		
45	1	172460-37700	SPRING ASSY, CRAWLER	2	2	2	2	2	2		
46	1	172122-37710	HOLDER, ADJUSTER	2	2	2	2	2	2		
47	1	172122-37752	CYLINDER ASSY	2	2	2	2	2	2		
48	2	172122-37782	TUBE ASSY, ADJUST	2	2	2	2	2	2		
49	2	172122-37810	PISTON	2	2	2	2	2	2		
50	2	172122-37820	SEAL SET, ADJUST	2	2	2	2	2	2		
51	1	172122-37844	VALVE ASSY, NIPPLE	2	2	2	2	2	2		
52	2	24315-000140	O-RING, 1BP14.0	2	2	2	2	2	2		
53	2	24761-020000	NIPPLE, GREASE PT1/8	2	2	2	2	2	2		
54	1	26013-120402	BOLT, M12X 40	8	8	8	8	8	8		
55	1	172425-37501-2	ROLLER ASSY, CARRIER	2	2	2	2	2	2		2
55-1	1	172461-37500-1	ROLLER, CARRIER(82)	2	2	2	2	2	2	R	2
		(A=M/#21512) (B=M/#21512) (C=M/#21512) (D=M/#21512)		(E=M/#21512)	(F=M/#21512)						
55-2	1	172461-37501	ROLLER ASSY, CARRIER	2	2	2	2	2	2		N
		(A=MXXXXX) (B=MXXXXX)									
58	2	172187-37530	WASHER, CARRIER	2	2	2	2	2	2		1
58-1	2	172478-37550	WASHER, CARRIER	2	2	2	2	2	2	R	1
		(A=M/#21512) (B=M/#21512) (C=M/#21512) (D=M/#21512)		(E=M/#21512)	(F=M/#21512)						
59	2	172187-37540	CAP, ROLLER	2	2	2	2	2	2		1
59-1	2	172478-37540	CAP, ROLLER	2	2	2	2	2	2	R	1
		(A=M/#21512) (B=M/#21512) (C=M/#21512) (D=M/#21512)		(E=M/#21512)	(F=M/#21512)						
60	2	172187-37550	SEAL, CARRIER ROLLER	2	2	2	2	2	2		1
60-1	2	172478-37530	SEAL, CARRIER ROLLER	2	2	2	2	2	2	R	1
		(A=M/#21512) (B=M/#21512) (C=M/#21512) (D=M/#21512)		(E=M/#21512)	(F=M/#21512)						
60-2	2	172164-37351	SEAL, OIL	2	2	2	2	2	2	S	4
		(A=MXXXXX) (B=MXXXXX) (C=MXXXXX) (D=MXXXXX)		(E=MXXXXX)	(F=MXXXXX)						
61	2	22242-000300	RING, 30	2	2	2	2	2	2		1
62	2	22252-000621	RING, 62	2	2	2	2	2	2		1
63	2	24105-062064	BEARING, BALL 6206Z	4	4	4	4	4	4		1
64	2	933171-13691	PLUG PT1/8	2	2	2	2	2	2		1

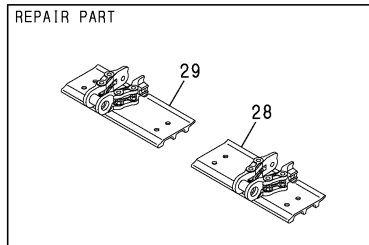
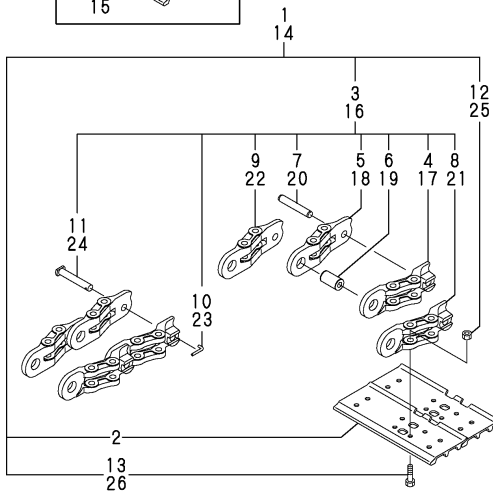
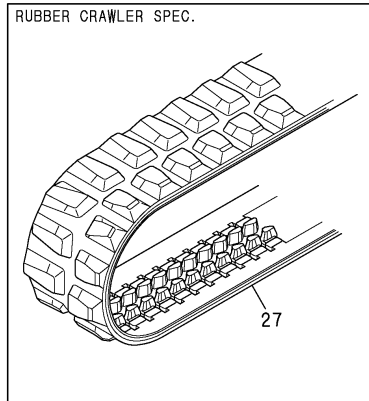
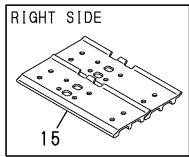
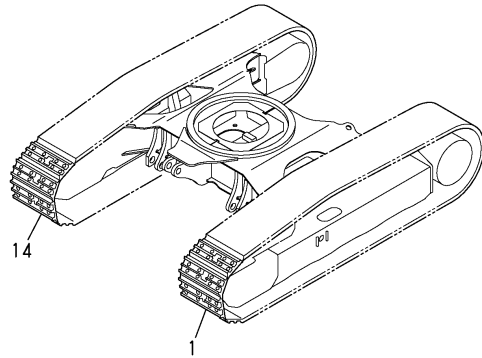
Remarks
 (1)RUBBER CRAWLER SPEC.
 (2)SHAFT, CARRIER ROLLER WAS STOPPED TO SUPPLY.
 (3)IRON CRAWLER SPEC.
 (4)D : Ref.No.37,37-1,58,58-1 71mm, No.37-2,58-2 80mm.

Fig.25. CRAWLER

(A)=VIO50-2C(US)
 (B)=VIO50-2P(US)
 (C)=VIO50-2C(AS)

(D)=VIO50-2P(AS)
 (E)=VIO50-2C(NZ)
 (F)=VIO50-2P(NZ)

No.	Lev.	Parts No.	Description	Q'ty						I	R
				(A)	(B)	(C)	(D)	(E)	(F)		
1	1	172425-38100	SHOE ASSY, TRACK	1	1	1	1	1	1		
2	2	172425-38110	SHOE PLATE 400L	40	40	40	40	40	40		
3	2	172425-38120	LINK ASSY	1	1	1	1	1	1		
4	3	172425-38200	LINK (L), TRACK	39	39	39	39	39	39		
5	3	172425-38210	LINK (R), TRACK	39	39	39	39	39	39		
6	3	172425-38150	BUSH	40	40	40	40	40	40		
7	3	172425-38160	PIN, TRACK	39	39	39	39	39	39		
8	3	172425-38170	LINK (L), MASTER	1	1	1	1	1	1		
9	3	172425-38180	LINK (R), MASTER	1	1	1	1	1	1		
10	3	172614-38300	PIN 5X45, LOCK	1	1	1	1	1	1		
11	3	172425-38190	PIN, MASTER	1	1	1	1	1	1		
12	2	172112-38140	NUT, SHOE	160	160	160	160	160	160		
13	2	172112-38130	BOLT, SHOE	160	160	160	160	160	160		
14	1	172425-38130	SHOE ASSY, TRACK	1	1	1	1	1	1		
15	2	172425-38140	SHOE PLATE 400R	40	40	40	40	40	40		
16	2	172425-38120	LINK ASSY	1	1	1	1	1	1		
17	3	172425-38200	LINK (L), TRACK	39	39	39	39	39	39		
18	3	172425-38210	LINK (R), TRACK	39	39	39	39	39	39		
19	3	172425-38150	BUSH	40	40	40	40	40	40		
20	3	172425-38160	PIN, TRACK	39	39	39	39	39	39		
21	3	172425-38170	LINK (L), MASTER	1	1	1	1	1	1		
22	3	172425-38180	LINK (R), MASTER	1	1	1	1	1	1		
23	3	172614-38300	PIN 5X45, LOCK	1	1	1	1	1	1		
24	3	172425-38190	PIN, MASTER	1	1	1	1	1	1		
25	2	172112-38140	NUT, SHOE	160	160	160	160	160	160		
26	2	172112-38130	BOLT, SHOE	160	160	160	160	160	160		
27	1	172425-38600	CRAWLER ASSY, RUBBER	2	2	2	2	2	2		1
27-1	1	172425-38602	CRAWLER ASSY, RUBBER	2	2	2	2	2	2		N 1
		(A=M/#20748)	(B=M/#20748)	(C=M/#20748)	(D=M/#20748)	(E=M/#20748)	(F=M/#20748)				
27-2	1	172425-38603	CRAWLER ASSY, RUBBER	2	2	2	2	2	2		R 1
		(A=M/#21512)	(B=M/#21512)	(C=M/#21512)	(D=M/#21512)	(E=M/#21512)	(F=M/#21512)				
28	1	172425-38260	TRACK ASSY, MASTER	1	1	1	1	1	1		2
29	1	172425-38270	TRACK ASSY, MASTER	1	1	1	1	1	1		2

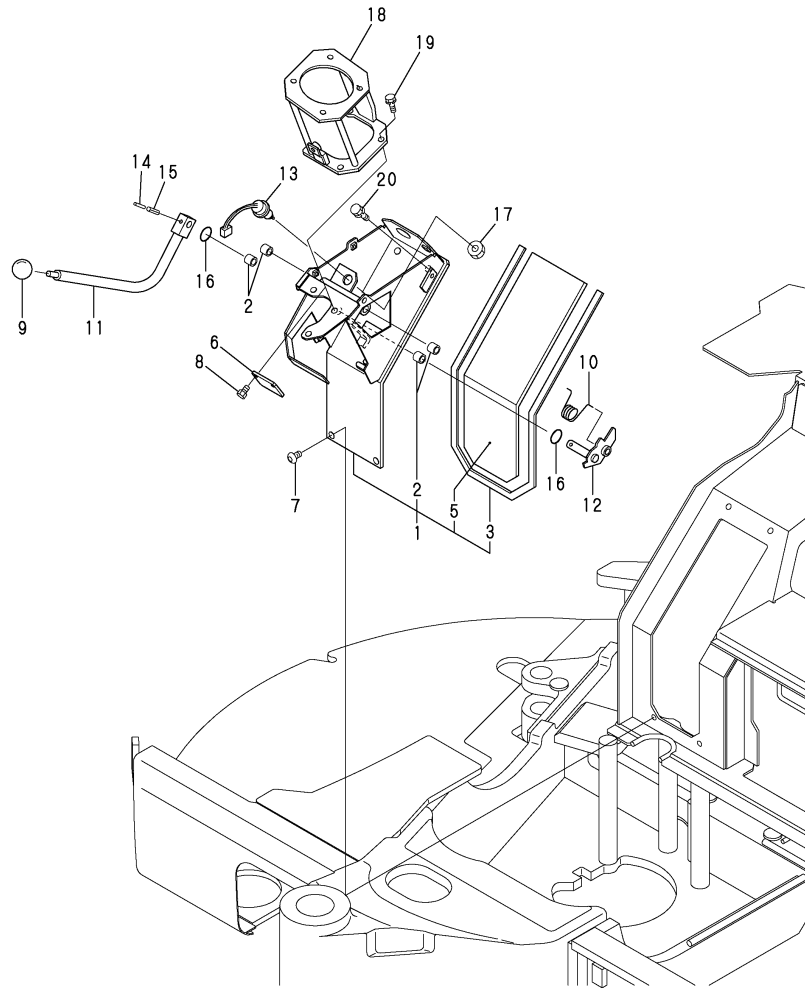


Remarks
 (1)RUBBER CRAWLER SPEC.
 (2)REPAIR PART.

Fig.26. CONTROL EQUIPMENT(LOCK LEVER & STAND)RIGHT

(A)=VIO50-2C(US)
 (B)=VIO50-2P(US)
 (C)=VIO50-2C(AS)

(D)=VIO50-2P(AS)
 (E)=VIO50-2C(NZ)
 (F)=VIO50-2P(NZ)



No.	Lev.	Parts No.	Description	Q'ty						I	R
				(A)	(B)	(C)	(D)	(E)	(F)		
1	1	172467-46800	STAND ASSY, LEVER	1	1	1	1	1	1		
2	2	172141-41360	BUSH 1415	4	4	4	4	4	4		
3	2	172458-46790	SEAL, STAND	1	1	1	1	1	1		
5	2	172460-46810	SEAL	1	1	1	1	1	1		
6	1	172458-46950	PLATE (GRAY:73)	1	1	1	1	1	1		
7	1	172455-61720	BOLT M 10X20	2	2	2	2	2	2		
8	1	26013-080162	BOLT, M8X 16	2	2	2	2	2	2		
9	1	1D4070-23580	GRIP		1		1		1		
10	1	172165-45970	SPRING		1		1		1		
11	1	172458-47680	LEVER R (GRAY:72)		1		1		1		1
11A	1	172183-03280	LABEL,LOCK		1		1		1		2
12	1	172458-47710	SHAFT ASSY		1		1		1		
13	1	194464-52190	SWITCH, SAFETY START		1		1		1		
14	1	22351-030032	PIN, SPRING 3.0X32		1		1		1		
15	1	22351-050032	PIN, SPRING 5.0X32		1		1		1		
16	1	24311-000210	O-RING, 1AP21.0		2		2		2		
17	1	26776-180002	NUT, LOCK M18		1		1		1		
18	1	172472-46210	BRACKET ASSY,R (73)	1	1	1	1	1	1		
19	1	26013-080202	BOLT, M8X 20	3	3	3	3	3	3		
20	1	26013-100202	BOLT, M10X 20	2	2	2	2	2	2		

Remarks

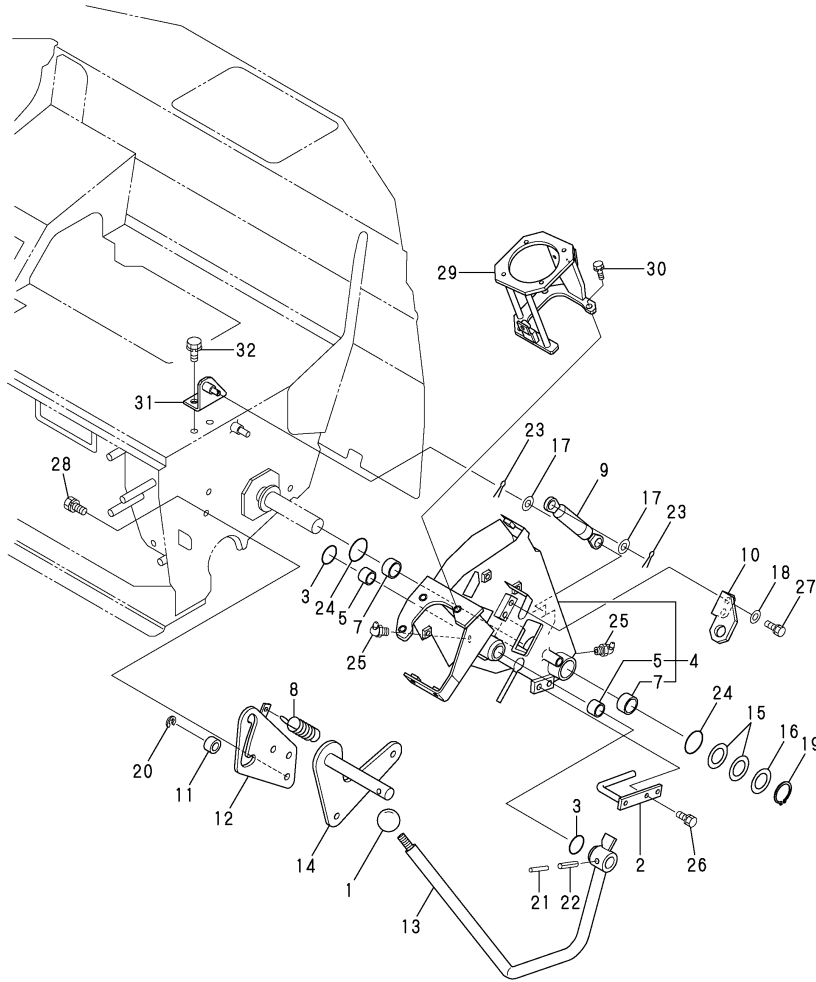
(1)PLEASE USE THIS PART WITH FOLLOWING LABELS AT THE SAME TIME.
 REF. NO. 11A.

(2)LABELS ARE NOT ILLUSTRATED.

Fig.27. CONTROL EQUIPMENT(LOCK LEVER & STAND)LEFT

(A)=VIO50-2C(US)
 (B)=VIO50-2P(US)
 (C)=VIO50-2C(AS)

(D)=VIO50-2P(AS)
 (E)=VIO50-2C(NZ)
 (F)=VIO50-2P(NZ)



No.	Lev.	Parts No.	Description	Q'ty						I	R
				(A)	(B)	(C)	(D)	(E)	(F)		
1	1	1D4070-23580	GRIP	1	1	1	1	1	1		
2	1	172458-45850	GUIDE, HOSE	1	1	1	1	1	1		
3	1	172124-46200	O-RING	2	2	2	2	2	2		
4	1	172472-46600	STAND, LEVER	1	1	1	1	1	1		
5	2	172141-41370	BUSH 2015	2	2	2	2	2	2		
7	2	24550-025150	BUSH, 25X15	2	2	2	2	2	2		
8	1	172162-46690	SPRING	1	1	1	1	1	1		
9	1	172455-46890	SPRING, GAS	1	1	1	1	1	1		
10	1	172455-46950	BRACKET, SWITCH	1	1	1	1	1	1		
11	1	172165-47550	BUSH	1	1	1	1	1	1		
12	1	172472-47601	GUIDE ASSY, LOCK	1	1	1	1	1	1		
13	1	172472-47620	LOCK LEVER L-US (72)	1	1	1	1	1	1		1
13A	1	172183-03280	LABEL, LOCK	1	1	1	1	1	1		2
14	1	172458-47640	ROD, SPRING (GRAY:73)	1	1	1	1	1	1		
15	1	172165-47980	SHIM	2	2	2	2	2	2		
16	1	172165-47990	WASHER 25.5X42	1	1	1	1	1	1		
17	1	22137-080000	WASHER, 8	2	2	2	2	2	2		
18	1	22137-080000	WASHER, 8	2	2	2	2	2	2		
19	1	22242-000250	RING, 25	1	1	1	1	1	1		
20	1	22272-000070	RING, E- 7	1	1	1	1	1	1		
21	1	22351-035040	PIN, SPRING 3.5X40	1	1	1	1	1	1		
22	1	22351-060040	PIN, SPRING 6.0X40	1	1	1	1	1	1		
23	1	22417-200200	PIN, COTTER 2.0X20	2	2	2	2	2	2		
24	1	24311-000340	O-RING, 1AP34.0	2	2	2	2	2	2		
25	1	24761-050000	NIPPLE, GREASE C	2	2	2	2	2	2		
26	1	26013-080162	BOLT, M8X 16	2	2	2	2	2	2		
27	1	26013-080202	BOLT, M8X 20	2	2	2	2	2	2		
28	1	26013-100202	BOLT, M10X 20	3	3	3	3	3	3		
29	1	172472-46220	BRACKET ASSY,L (73)	1	1	1	1	1	1		
30	1	26013-080202	BOLT, M8X 20	3	3	3	3	3	3		
31	1	172472-64600	BRACKET (GRAY:73)	1	1	1	1	1	1		
32	1	26013-100202	BOLT, M10X 20	2	2	2	2	2	2		

Remarks

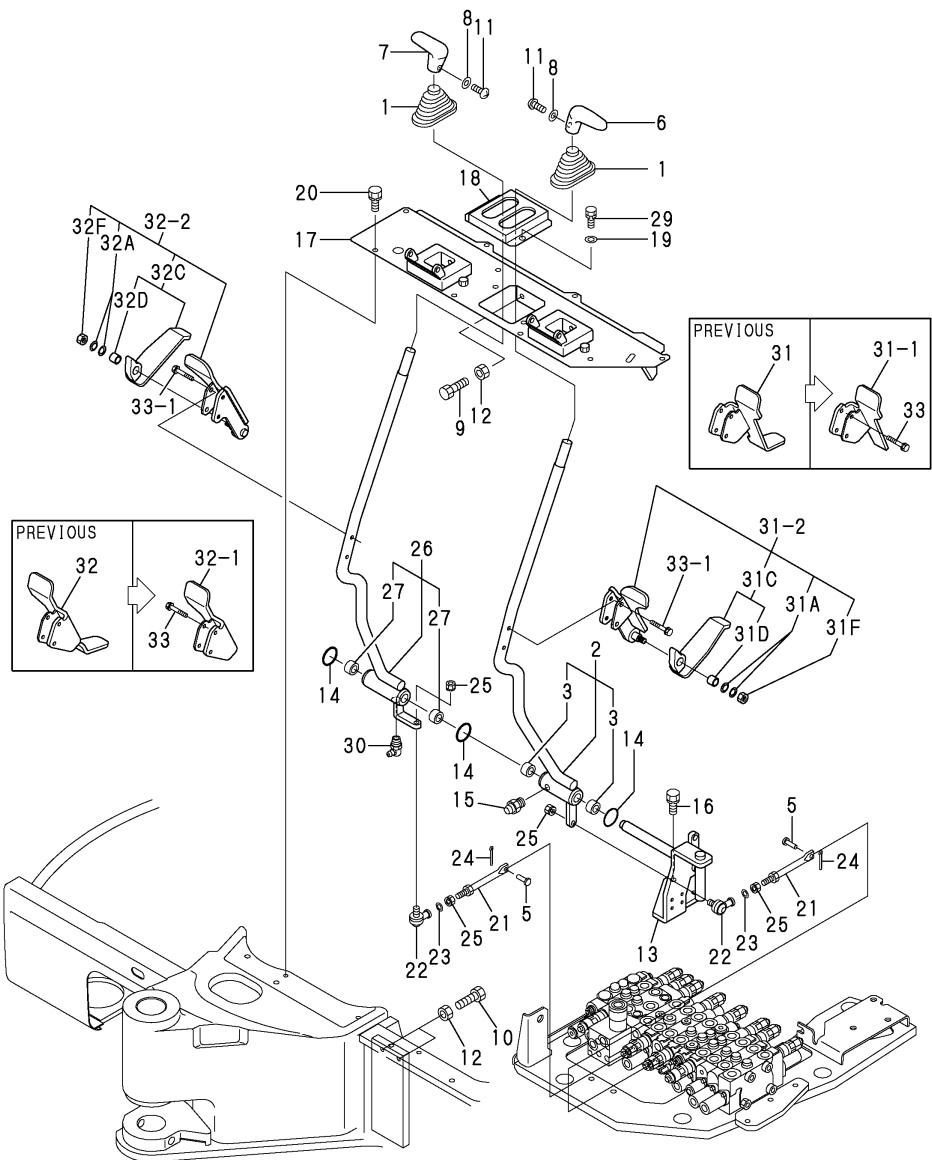
(1)PLEASE USE THIS PART WITH FOLLOWING LABELS AT THE SAME TIME.
 REF. NO. 13A.

(2)LABELS ARE NOT ILLUSTRATED.

Fig.28. CONTROL EQUIPMENT(TRAVEL LEVER)

(A)=VIO50-2C(US)
(B)=VIO50-2P(US)
(C)=VIO50-2C(AS)

(D)=VIO50-2P(AS)
(E)=VIO50-2C(NZ)
(F)=VIO50-2P(NZ)



No.	Lev.	Parts No.	Description	Q'ty						I	R
				(A)	(B)	(C)	(D)	(E)	(F)		
1	1	172141-41340	BOOTS	2	2	2	2	2	2		
2	1	172472-45100	LEVER L,TRACK(GRAY72)	1	1	1	1	1	1		
3	2	172141-41370	BUSH 2015	2	2	2	2	2	2		
5	1	933110-54100	PIN 4.75X14	2	2	2	2	2	2		
6	1	172187-45870	GRIP, DRIVE	1	1	1	1	1	1		
7	1	172187-45880	GRIP, DRIVE	1	1	1	1	1	1		
8	1	22117-040000	WASHER, 4	2	2	2	2	2	2		
9	1	26116-100404	BOLT, M10X 40 PLATED	2	2	2	2	2	2		
10	1	26116-100604	BOLT, M10X 60 PLATED	2	2	2	2	2	2		
11	1	26587-040122	SCREW, M4X12	2	2	2	2	2	2		
12	1	26716-100002	NUT, M10	4	4	4	4	4	4		
13	1	172460-45180	BRACKET ASSY(GRAY:72)	1	1	1	1	1	1		
14	1	172124-46200	O-RING	3	3	3	3	3	3		
15	1	24761-020000	NIPPLE, GREASE PT1/8	1	1	1	1	1	1		
16	1	26013-100252	BOLT, M10X 25	2	2	2	2	2	2		
17	1	172472-45400	STAND ASSY, LINK	1	1	1	1	1	1		
17-1	1	172472-45401	STAND ASSY, LINK	1	1	1	1	1	1		N
		(A=MZZZZZ)	(B=MZZZZZ)	(C=MZZZZZ)	(D=MZZZZZ)	(E=MZZZZZ)	(F=MZZZZZ)				
18	1	172458-45510	BRACKET,BOOT(BLACK12)	1	1	1	1	1	1		
19	1	22137-080000	WASHER, 8	2	2	2	2	2	2		
20	1	26013-100202	BOLT, M10X 20	6	6	6	6	6	6		
21	1	172458-45250	ROD 91 ASSY	2	2	2	2	2	2		
22	1	172122-46590	ELBOW	2	2	2	2	2	2		
23	1	22117-080000	WASHER, 8	2	2	2	2	2	2		
24	1	22417-160160	PIN, COTTER 1.6X16	2	2	2	2	2	2		
25	1	26051-080002	NUT, M8	4	4	4	4	4	4		
26	1	172472-45140	LEVER R,TRACK(GRAY72)	1	1	1	1	1	1		
27	2	172141-41370	BUSH 2015	2	2	2	2	2	2		
29	1	26013-080162	BOLT, M8X 16	2	2	2	2	2	2		
30	1	24761-050000	NIPPLE, GREASE C	1	1	1	1	1	1		
31	1	172472-45550	PEDAL L ASSY(TRACK	1	1	1	1	1	1		
31-1	1	172472-45600	PEDAL L,TRACK F (72)	1	1	1	1	1	1		N
		(A=M/#20959)	(B=M/#20959)	(C=M/#20959)	(D=M/#20959)	(E=M/#20959)	(F=M/#20959)				
31-2	1	172472-45601	PEDAL L, TRACK (72)	1	1	1	1	1	1		N
		(A=*2004.10)	(B=*2004.10)	(C=*2004.10)	(D=*2004.10)	(E=*2004.10)	(F=*2004.10)				
31A	2	172068-28490	SPRING	2	2	2	2	2	2		W
		(A=*2004.10)	(B=*2004.10)	(C=*2004.10)	(D=*2004.10)	(E=*2004.10)	(F=*2004.10)				
31C	2	172472-45810	PEDAL RL,TRACK (72)	1	1	1	1	1	1		W
		(A=*2004.10)	(B=*2004.10)	(C=*2004.10)	(D=*2004.10)	(E=*2004.10)	(F=*2004.10)				
31D	3	172110-45050	BUSH 12X12	1	1	1	1	1	1		W
		(A=*2004.10)	(B=*2004.10)	(C=*2004.10)	(D=*2004.10)	(E=*2004.10)	(F=*2004.10)				
31F	2	26347-080002	NUT, M8	1	1	1	1	1	1		W
		(A=*2004.10)	(B=*2004.10)	(C=*2004.10)	(D=*2004.10)	(E=*2004.10)	(F=*2004.10)				
32	1	172472-45580	PEDAL R ASSY(TRACK	1	1	1	1	1	1		
32-1	1	172472-45620	PEDAL R,TRACK F (72)	1	1	1	1	1	1		N
		(A=M/#20959)	(B=M/#20959)	(C=M/#20959)	(D=M/#20959)	(E=M/#20959)	(F=M/#20959)				
32-2	1	172472-45621	PEDAL R, TRACK (72)	1	1	1	1	1	1		N
		(A=*2004.10)	(B=*2004.10)	(C=*2004.10)	(D=*2004.10)	(E=*2004.10)	(F=*2004.10)				
32A	2	172068-28490	SPRING	2	2	2	2	2	2		W
		(A=*2004.10)	(B=*2004.10)	(C=*2004.10)	(D=*2004.10)	(E=*2004.10)	(F=*2004.10)				
32C	2	172472-45850	PEDAL RR,TRACK (72)	1	1	1	1	1	1		W

N:Old \xrightarrow{Yes} New, Q:Old \xrightarrow{No} New, R:Old \xrightarrow{Yes} New, S:Old \xrightarrow{No} New, W:Add, Z:Discontinued, F:Interchangeable by set, K:Q'ty Change
 ++ CONTINUE ++
 Copyright (C) YANMAR CO., LTD. All Rights Reserved.

Fig.28. CONTROL EQUIPMENT(TRAVEL LEVER)

(A)=VIO50-2C(US)
 (B)=VIO50-2P(US)
 (C)=VIO50-2C(AS)

(D)=VIO50-2P(AS)
 (E)=VIO50-2C(NZ)
 (F)=VIO50-2P(NZ)

No.	Lev.	Parts No.	Description	Q'ty						I	R							
				(A)	(B)	(C)	(D)	(E)	(F)									
32D	3	172110-45050	BUSH 12X12															
		(A)*2004.10	(B)*2004.10	(C)*2004.10	(D)*2004.10	(E)*2004.10	(F)*2004.10											
32F	2	26347-080002	NUT, M8															
		(A)*2004.10	(B)*2004.10	(C)*2004.10	(D)*2004.10	(E)*2004.10	(F)*2004.10											
33	1	26013-060352	BOLT, M6X 35															
33-1	1	26013-060302	BOLT, M6X 30															
		(A)*2004.10	(B)*2004.10	(C)*2004.10	(D)*2004.10	(E)*2004.10	(F)*2004.10											

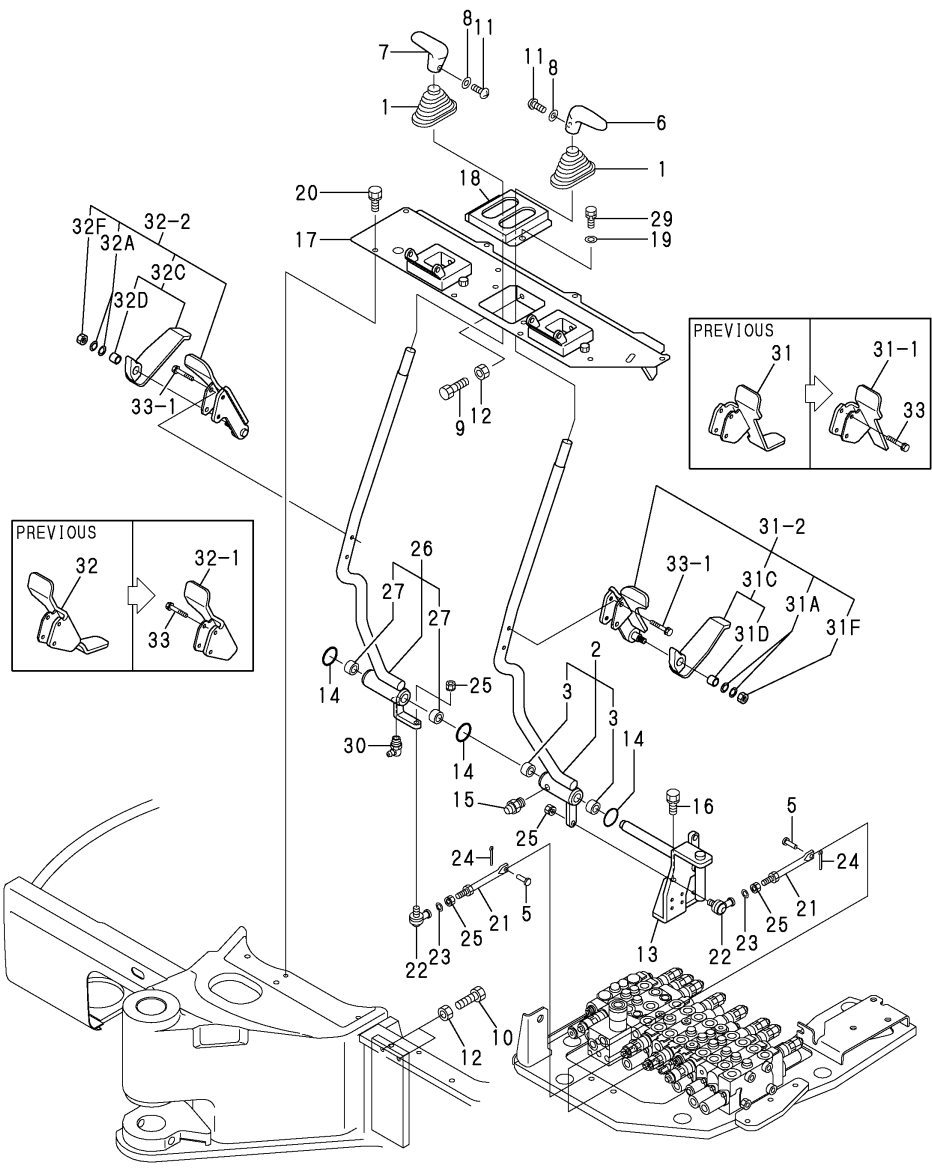
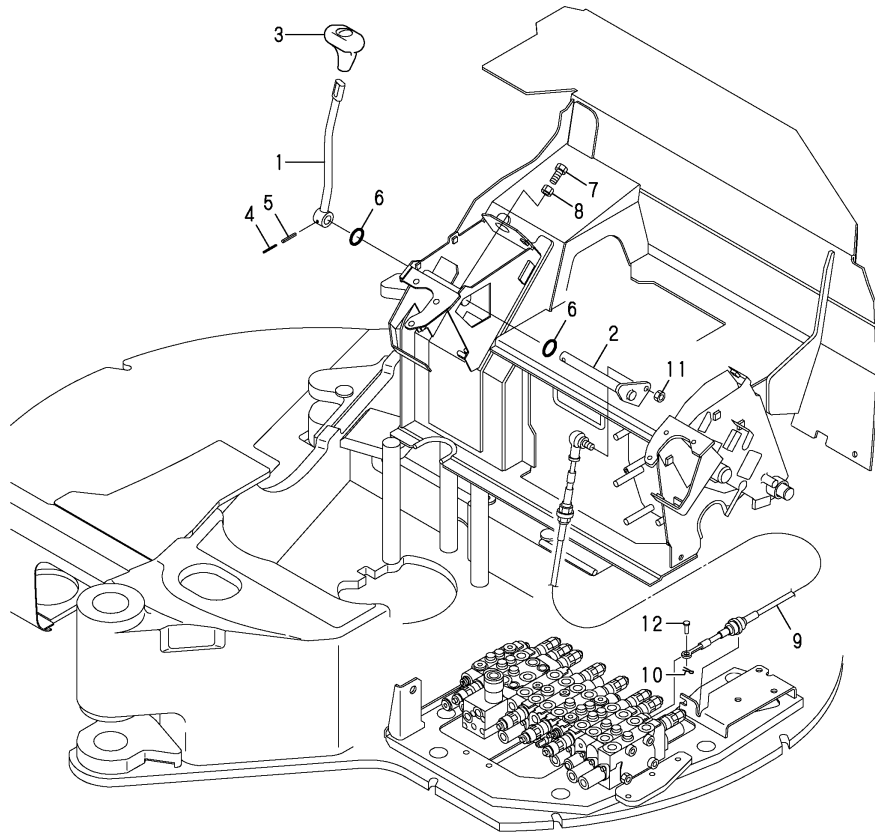


Fig.29. CONTROL EQUIPMENT(BLADE LEVER)

(A)=VIO50-2C(US)
 (B)=VIO50-2P(US)
 (C)=VIO50-2C(AS)

(D)=VIO50-2P(AS)
 (E)=VIO50-2C(NZ)
 (F)=VIO50-2P(NZ)

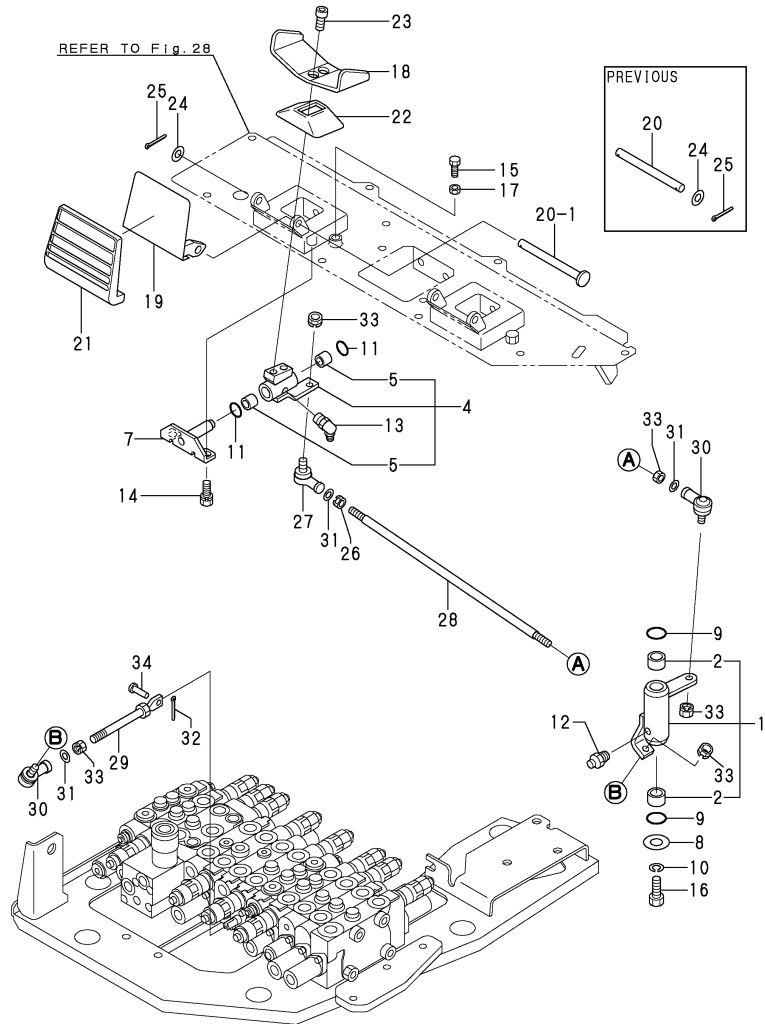


No.	Lev.	Parts No.	Description	Q'ty						I	R
				(A)	(B)	(C)	(D)	(E)	(F)		
1	1	172472-45700	LEVER, BLADE (GRAY:72)	1	1	1	1	1	1		
2	1	172458-45720	SHAFT ASSY	1	1	1	1	1	1		
3	1	172164-45970	GRIP, BLADE	1	1	1	1	1	1		
4	1	22351-030032	PIN, SPRING 3.0X32	1	1	1	1	1	1		
5	1	22351-050032	PIN, SPRING 5.0X32	1	1	1	1	1	1		
6	1	24311-000210	O-RING, 1AP21.0	2	2	2	2	2	2		
7	1	26116-080202	BOLT, M8X 20 PLATED	2	2	2	2	2	2		
7-1	1	26116-080254	BOLT, M8X 25 PLATED	2	2	2	2	2	2		N
		(A=M/#21512)	(B=M/#21512)	(C=M/#21512)	(D=M/#21512)	(E=M/#21512)	(F=M/#21512)				
8	1	26716-080002	NUT, M8	2	2	2	2	2	2		
9	1	172472-45800	CABLE, BLADE	1	1	1	1	1	1		
10	1	22417-160160	PIN, COTTER 1.6X16	1	1	1	1	1	1		
11	1	26051-080002	NUT, M8	1	1	1	1	1	1		
12	1	933110-54100	PIN 4.75X14	1	1	1	1	1	1		

Fig.30. CONTROL EQUIPMENT(SWING PEDAL)

(A)=VIO50-2C(US)
 (B)=VIO50-2P(US)
 (C)=VIO50-2C(AS)

(D)=VIO50-2P(AS)
 (E)=VIO50-2C(NZ)
 (F)=VIO50-2P(NZ)



No.	Lev.	Parts No.	Description	Q'ty						I	R
				(A)	(B)	(C)	(D)	(E)	(F)		
1	1	172458-45180	LINK,SWING (GRAY:72)	1	1	1	1	1	1		
2	2	172141-41370	BUSH 2015	2	2	2	2	2	2		
4	1	172458-45200	LINK,PEDAL (GRAY:72)	1	1	1	1	1	1		
5	2	172141-41360	BUSH 1415	2	2	2	2	2	2		
7	1	172458-45230	SHAFT, PEDAL	1	1	1	1	1	1		
8	1	1A1040-45890	WASHER, 10X36X4.5	1	1	1	1	1	1		
9	1	172124-46200	O-RING	2	2	2	2	2	2		
10	1	22217-100000	WASHER, SPRING 10	1	1	1	1	1	1		
11	1	24311-000210	O-RING, 1AP21.0	2	2	2	2	2	2		
12	1	24761-020000	NIPPLE, GREASE PT1/8	1	1	1	1	1	1		
13	1	24761-040000	NIPPLE, GREASE B	1	1	1	1	1	1		
14	1	26013-080162	BOLT, M8X 16	2	2	2	2	2	2		
15	1	26116-080254	BOLT, M8X 25 PLATED	2	2	2	2	2	2		
16	1	26116-100202	BOLT, M10X 20 PLATED	1	1	1	1	1	1		
17	1	26716-080002	NUT, M8	2	2	2	2	2	2		
18	1	172458-45521	PEDAL,SWING(GRAY:72)	1	1	1	1	1	1		
19	1	172458-45540	COVER, PEDAL	1	1	1	1	1	1		1
19A	1	172165-03231	LABEL, P.T.O.	1	1	1	1	1	1		2
20	1	172187-45650	SHAFT, COVER	1	1	1	1	1	1		
20-1	1	172187-45651	SHAFT	1	1	1	1	1	1		R
		(A=M/#21566) (B=M/#21566) (C=M/#21566) (D=M/#21566) (E=M/#21566) (F=M/#21566)									
21	1	172187-45760	COVER PAD	1	1	1	1	1	1		
22	1	172157-45990	BOOTS, PEDAL	1	1	1	1	1	1		
23	1	172165-46340	BOLT	2	2	2	2	2	2		
24	1	22137-100000	WASHER, 10	2	2	2	2	2	2		
24-1	1	22137-100000	WASHER, 10	1	1	1	1	1	1		K
		(A=M/#21566) (B=M/#21566) (C=M/#21566) (D=M/#21566) (E=M/#21566) (F=M/#21566)									
25	1	22417-250200	PIN, COTTER 2.5X20	2	2	2	2	2	2		
25-1	1	22417-250200	PIN, COTTER 2.5X20	1	1	1	1	1	1		K
		(A=M/#21566) (B=M/#21566) (C=M/#21566) (D=M/#21566) (E=M/#21566) (F=M/#21566)									
26	1	194200-37780	NUT, M8	1	1	1	1	1	1		
27	1	172734-41300	JOINT, BALL	1	1	1	1	1	1		
28	1	172146-45610	ROD(R), LINK	1	1	1	1	1	1		
29	1	172823-45940	ROD 130 COMP.	1	1	1	1	1	1		
30	1	172122-46590	ELBOW	2	2	2	2	2	2		
31	1	22117-080000	WASHER, 8	3	3	3	3	3	3		
32	1	22417-160160	PIN, COTTER 1.6X16	1	1	1	1	1	1		
33	1	26051-080002	NUT, M8	5	5	5	5	5	5		
34	1	933110-54100	PIN 4.75X14	1	1	1	1	1	1		

Remarks

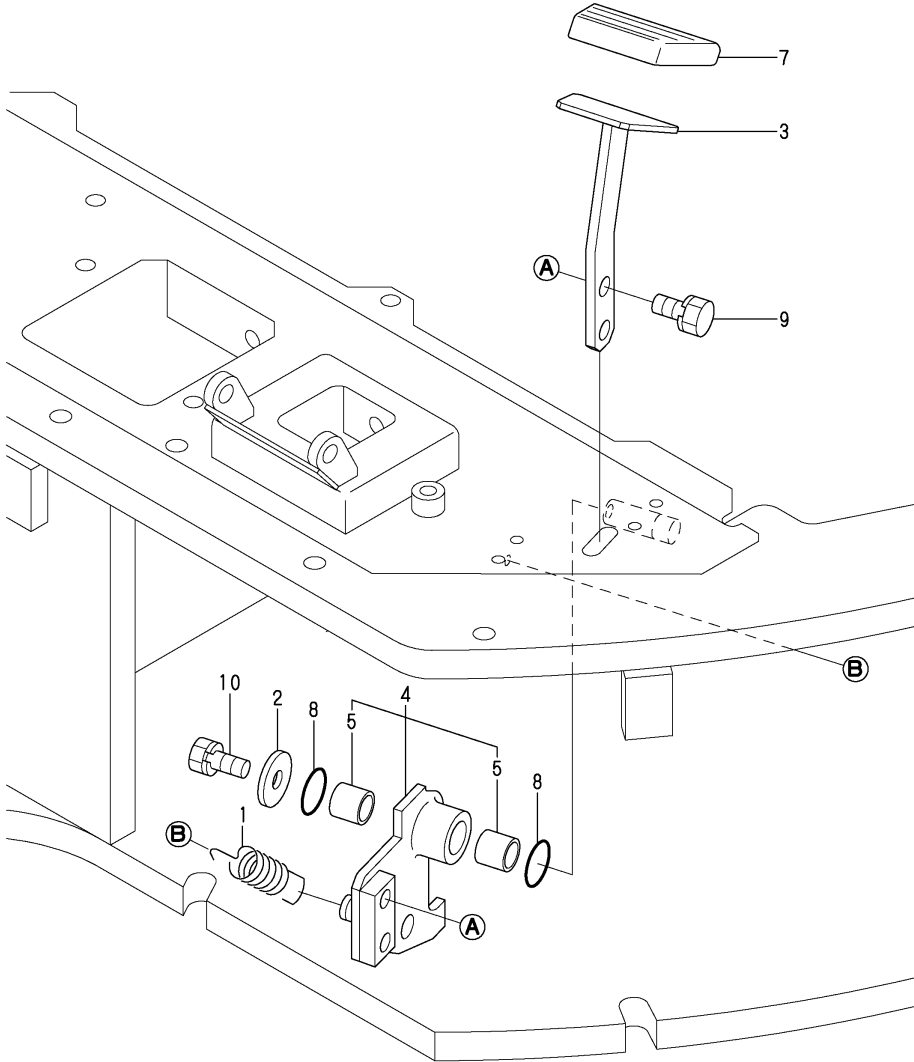
(1)PLEASE USE THIS PART WITH FOLLOWING LABELS AT THE SAME TIME.
 REF. NO. 19A.

(2)LABELS ARE NOT ILLUSTRATED.

Fig.31. CONTROL EQUIPMENT(LOW-HIGH PEDAL)

(A)=VIO50-2C(US)
 (B)=VIO50-2P(US)
 (C)=VIO50-2C(AS)

(D)=VIO50-2P(AS)
 (E)=VIO50-2C(NZ)
 (F)=VIO50-2P(NZ)

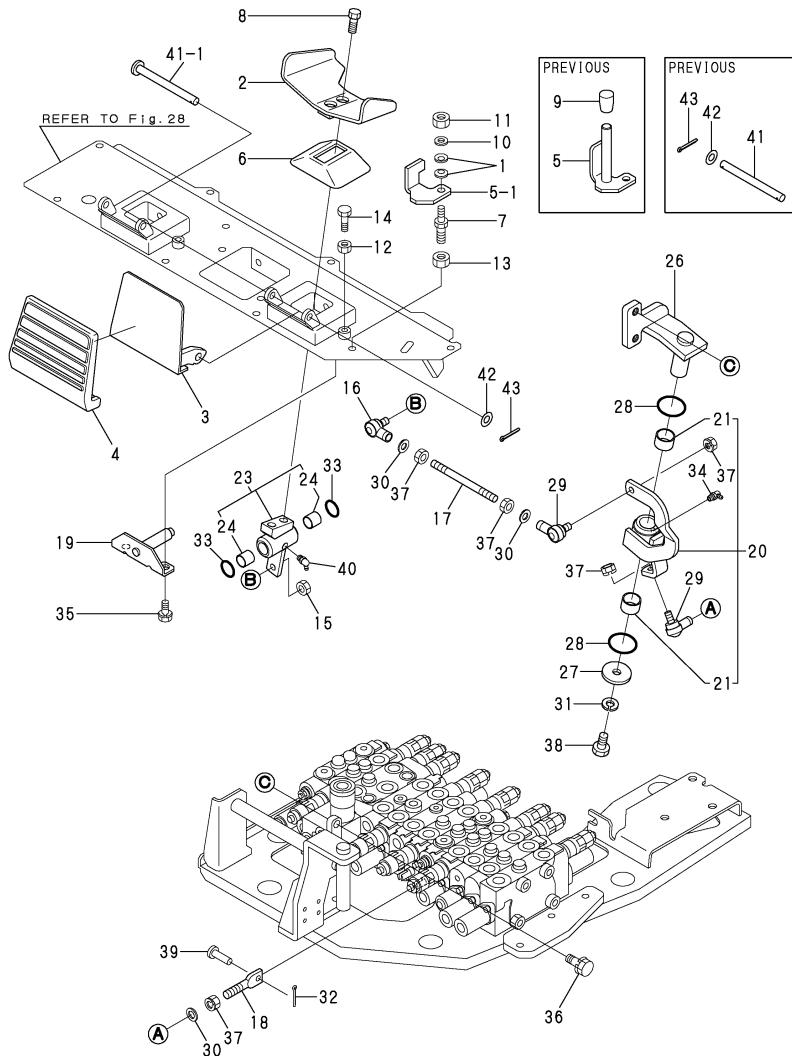


No.	Lev.	Parts No.	Description	Q'ty						I	R
				(A)	(B)	(C)	(D)	(E)	(F)		
1	1	172162-12480	SPRING, RETURN	1	1	1	1	1	1		
2	1	1A1040-43900	WASHER, SPRING	1	1	1	1	1	1		
3	1	172472-45900	PEDAL, LO-HI(GRAY:72)	1	1	1	1	1	1		
3-1	1	172487-45900	PEDAL, LO-HI(GRAY:72)	1	1	1	1	1	1		S
		(A=M/#21631)	(B=M/#21631)	(C=M/#21631)	(D=M/#21631)	(E=M/#21631)	(F=M/#21631)				
4	1	172458-45920	BRACKET, PEDAL(GRAY72)	1	1	1	1	1	1		
5	2	172141-41360	BUSH 1415	2	2	2	2	2	2		
7	1	172458-45950	PAD, PEDAL	1	1	1	1	1	1		
8	1	24311-000210	O-RING, 1AP21.0	2	2	2	2	2	2		
9	1	26013-080162	BOLT, M8X 16	2	2	2	2	2	2		
10	1	26013-080202	BOLT, M8X 20	1	1	1	1	1	1		

Fig.32. CONTROL EQUIPMENT(P.T.O.PEDAL)

(A)=VIO50-2C(US)
 (B)=VIO50-2P(US)
 (C)=VIO50-2C(AS)

(D)=VIO50-2P(AS)
 (E)=VIO50-2C(NZ)
 (F)=VIO50-2P(NZ)



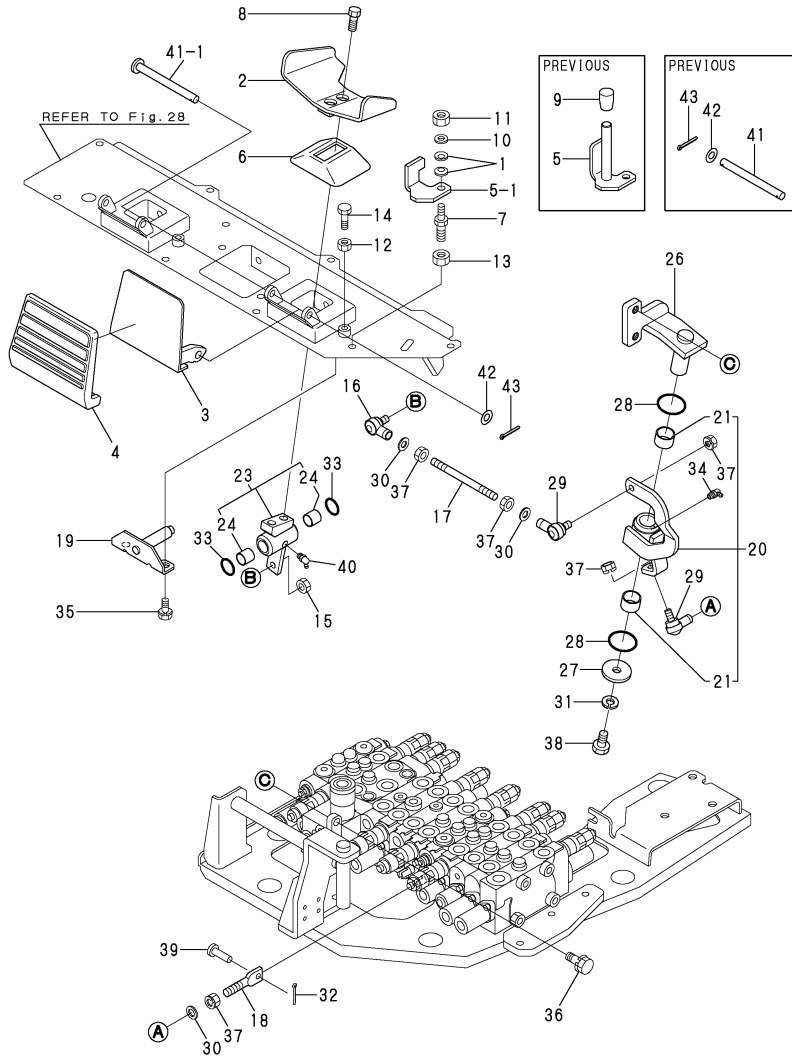
No.	Lev.	Parts No.	Description	Q'ty						I	R
				(A)	(B)	(C)	(D)	(E)	(F)		
1	1	172068-28490	SPRING	2	2	2	2	2	2		
2	1	172472-45500	PEDAL,P.T.O.(GRAY:72)	1	1	1	1	1	1		
3	1	172458-45540	COVER, PEDAL	1	1	1	1	1	1		1
3A	1	172165-03231	LABEL, P.T.O.	1	1	1	1	1	1		3
4	1	172187-45760	COVER PAD	1	1	1	1	1	1		
5	1	172472-45960	LOCK ASSY (GRAY:72)	1	1						2
5-1	1	172448-45800-1	LOCK ASSY (GRAY:72)	1	1	1	1	1	1		N 2
		(A=M/#20959) (B=M/#20959)									
5A	1	172458-03240	LABEL,LOCK	1	1	1	1	1	1		3
6	1	172157-45990	BOOTS, PEDAL	1	1	1	1	1	1		
7	1	172462-46230	BOLT 8X10	1	1	1	1	1	1		
8	1	172165-46340	BOLT	2	2	2	2	2	2		
9	1	172116-46630	KNOB, LEVER	1	1						Z
		(A=M/#20959) (B=M/#20959)									
10	1	22137-080000	WASHER, 8	1	1	1	1	1	1		
11	1	26347-080002	NUT, M8	1	1	1	1	1	1		
12	1	26716-080002	NUT, M8	2	2	2	2	2	2		
13	1	26757-100002	NUT, LOCK M10	1	1	1	1	1	1		
14	1	26116-080254	BOLT, M8X 25 PLATED	2	2	2	2	2	2		
15	1	194200-37780	NUT, M8	1	1	1	1	1	1		
16	1	172734-41300	JOINT, BALL	1	1	1	1	1	1		
17	1	172732-42450	ROD	1	1	1	1	1	1		
18	1	172823-45000	ROD 54, SPOOL	1	1	1	1	1	1		
19	1	172458-45230	SHAFT, PEDAL	1	1	1	1	1	1		
20	1	172467-45300	LINK A ASSY	1	1	1	1	1	1		
21	2	172141-41370	BUSH 2015	2	2	2	2	2	2		
23	1	172472-45330	LINK B ASSY	1	1	1	1	1	1		
24	2	172141-41370	BUSH 2015	2	2	2	2	2	2		
26	1	172467-45370	BRACKET ASSY	1	1	1	1	1	1		
27	1	1A1040-45890	WASHER, 10X36X4.5	1	1	1	1	1	1		
28	1	172124-46200	O-RING	2	2	2	2	2	2		
29	1	172122-46590	ELBOW	2	2	2	2	2	2		
30	1	22117-080000	WASHER, 8	3	3	3	3	3	3		
31	1	22217-100000	WASHER, SPRING 10	1	1	1	1	1	1		
32	1	22417-160160	PIN, COTTER 1.6X16	1	1	1	1	1	1		
33	1	24311-000210	O-RING, 1AP21.0	2	2	2	2	2	2		
34	1	24761-050000	NIPPLE, GREASE C	1	1	1	1	1	1		
35	1	26013-080162	BOLT, M8X 16	2	2	2	2	2	2		
36	1	26013-100202	BOLT, M10X 20	2	2	2	2	2	2		
37	1	26051-080002	NUT, M8	5	5	5	5	5	5		
38	1	26116-100202	BOLT, M10X 20 PLATED	1	1	1	1	1	1		
39	1	933110-54100	PIN 4.75X14	1	1	1	1	1	1		
40	1	24761-040000	NIPPLE, GREASE B	1	1	1	1	1	1		
41	1	172187-45650	SHAFT, COVER	1	1	1	1	1	1		
41-1	1	172187-45651	SHAFT	1	1	1	1	1	1		R
		(A=M/#21566) (B=M/#21566) (C=M/#21566) (D=M/#21566) (E=M/#21566) (F=M/#21566)									
42	1	22137-100000	WASHER, 10	2	2	2	2	2	2		
42-1	1	22137-100000	WASHER, 10	1	1	1	1	1	1		K
		(A=M/#21566) (B=M/#21566) (C=M/#21566) (D=M/#21566) (E=M/#21566) (F=M/#21566)									
43	1	22417-250200	PIN, COTTER 2.5X20	2	2	2	2	2	2		
43-1	1	22417-250200	PIN, COTTER 2.5X20	1	1	1	1	1	1		K

Remarks
 (1)PLEASE USE THIS PART WITH FOLLOWING LABELS AT THE SAME TIME. REF. NO. 3A.
 (2)PLEASE USE THIS PART WITH FOLLOWING LABELS AT THE SAME TIME. REF. NO. 5A.
 (3)LABELS ARE NOT ILLUSTRATED.

Fig.32. CONTROL EQUIPMENT(P.T.O.PEDAL)

(A)=VIO50-2C(US)
 (B)=VIO50-2P(US)
 (C)=VIO50-2C(AS)

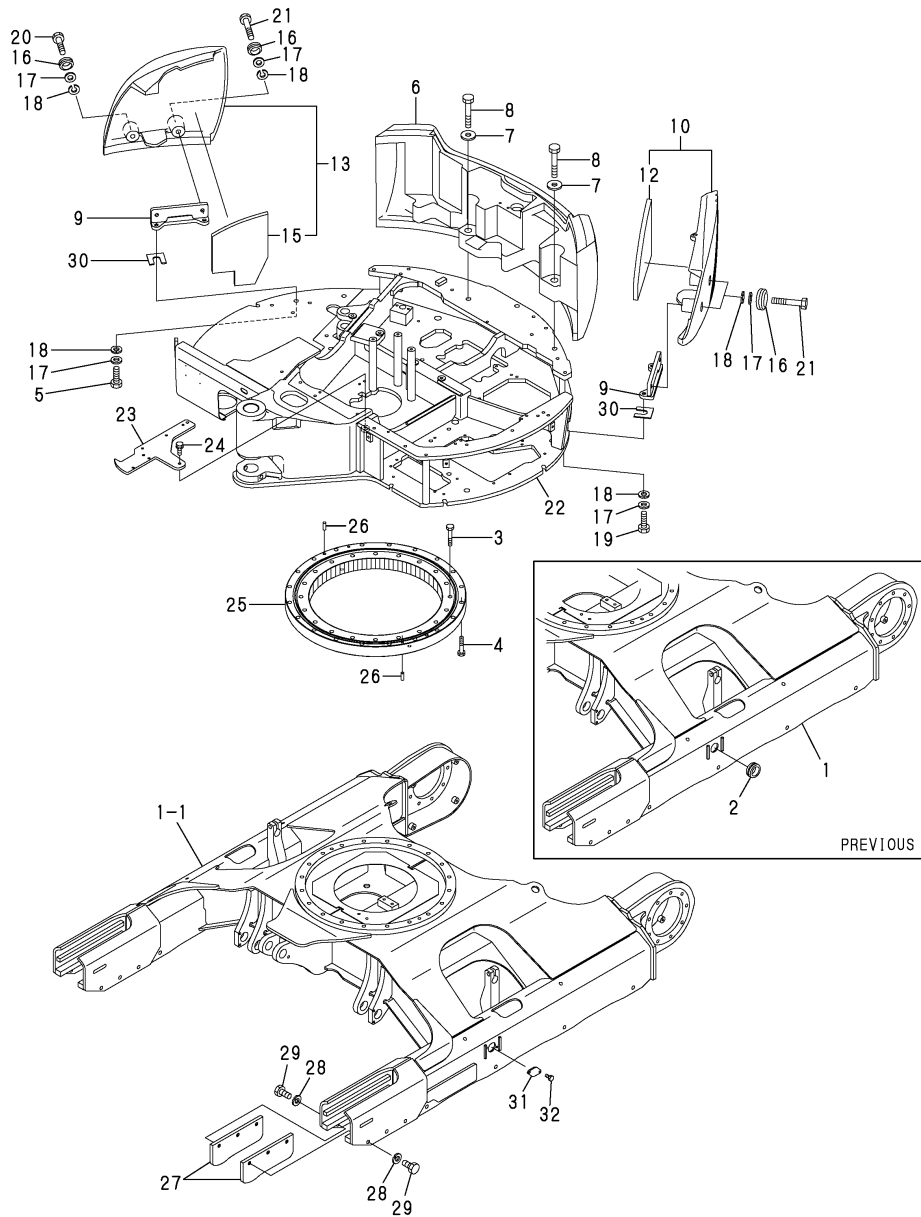
(D)=VIO50-2P(AS)
 (E)=VIO50-2C(NZ)
 (F)=VIO50-2P(NZ)



No.	Lev.	Parts No.	Description	Q'ty						I	R
				(A)	(B)	(C)	(D)	(E)	(F)		
		(A=M/#21566)	(B=M/#21566)	(C=M/#21566)	(D=M/#21566)	(E=M/#21566)	(F=M/#21566)				

Remarks
 (1)PLEASE USE THIS PART WITH FOLLOWING LABELS AT THE SAME TIME.
 REF. NO. 3A.
 (2)PLEASE USE THIS PART WITH FOLLOWING LABELS AT THE SAME TIME.
 REF. NO. 5A.
 (3)LABELS ARE NOT ILLUSTRATED.

Fig.33. FRAME & TURNING BEARING



(A)=VIO50-2C(US)
 (B)=VIO50-2P(US)
 (C)=VIO50-2C(AS)

(D)=VIO50-2P(AS)
 (E)=VIO50-2C(NZ)
 (F)=VIO50-2P(NZ)

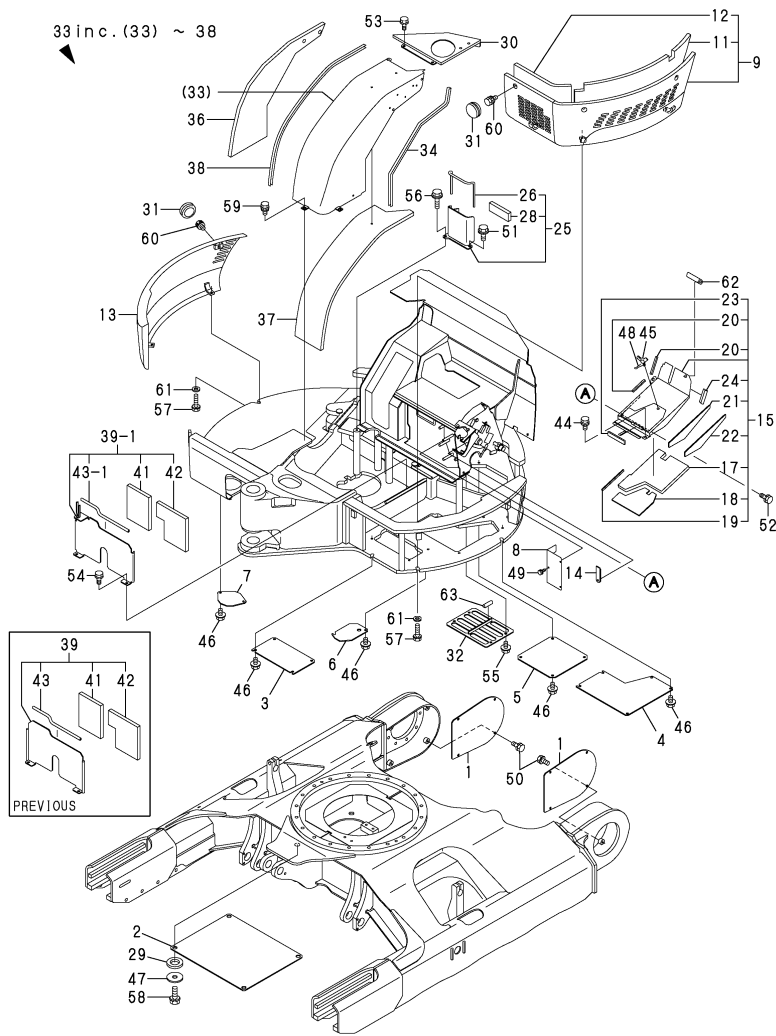
No.	Lev.	Parts No.	Description	Q'ty						I	R
				(A)	(B)	(C)	(D)	(E)	(F)		
1	1	172460-50100-1	LOWER FLAME(GREEN:82	1	1	1	1	1	1		
1-1	1	172460-50101-1	FRAME ASSY,LOWER(82)	1	1	1	1	1	1	S	1
		(A=M/#21843) (B=M/#21843) (C=M/#21843) (D=M/#21843)		(E=M/#21843)	(F=M/#21843)						
2	1	172141-50890	GROMMET	2	2	2	2	2	2	Z	
		(A=M/#21843) (B=M/#21843) (C=M/#21843) (D=M/#21843)		(E=M/#21843)	(F=M/#21843)						
3	1	172455-57650	BOLT 16X90	20	20	20	20	20	20		
4	1	172455-57661	BOLT 16X80	20	20	20	20	20	20		
5	1	26116-160402	BOLT, M16X 40 PLATED	2	2	2	2	2	2		
6	1	172461-53300-1	WEIGHT, COUNTER	1	1	1	1	1	1		
7	1	172187-53320	WASHER 24.5X65X8	2	2	2	2	2	2		
8	1	172455-53330	BOLT 24X140	2	2	2	2	2	2		
9	1	172460-53330-1	BRACKET (GREEN:86)	2	2	2	2	2	2		
10	1	172460-53360-1	WEIGHT, SIDE	1	1	1	1	1	1		
12	2	172460-53370	SPONGE	1	1	1	1	1	1		
13	1	172460-53380-1	WEIGHT, SIDE	1	1	1	1	1	1		
15	2	172460-53390	SPONGE	1	1	1	1	1	1		
16	1	172151-53430	GROMMET, 34	4	4	4	4	4	4		
16-1	1	172456-53700	GROMMET	4	4	4	4	4	4		N
		(A=M/#21802) (B=M/#21802) (C=M/#21802) (D=M/#21802)		(E=M/#21802)	(F=M/#21802)						
17	1	172165-53500	WASHER	8	8	8	8	8	8		
18	1	22217-160000	WASHER, SPRING 16	8	8	8	8	8	8		
19	1	26116-160502	BOLT, M16X 50 PLATED	2	2	2	2	2	2		
20	1	26116-160702	BOLT M16X 70 PLATED	1	1	1	1	1	1		
21	1	26116-160902	BOLT M16X 90 PLATED	3	3	3	3	3	3		
22	1	172461-54100-1	FRAME,TURNING (86)	1	1	1	1	1	1		
23	1	172460-54600-1	PLATE (GREEN:86)	1	1	1	1	1	1		
23-1	1	172460-54590-1	PLATE, BASE(GREEN:86)	1	1	1	1	1	1		N
		(A=M/#21431) (B=M/#21431) (C=M/#21431) (D=M/#21431)		(E=M/#21431)	(F=M/#21431)						
24	1	26013-100252	BOLT, M10X 25	1	1	1	1	1	1		
25	1	172445-57600	BEARING,TURNING	1	1	1	1	1	1		
26	1	172122-57620	PARALLEL PIN 13X36	4	4	4	4	4	4		
27	1	172423-50810-1	GUARD, CRAWLER	4	4	4	4	4	4		
28	1	22217-160000	WASHER, SPRING 16	12	12	12	12	12	12		
29	1	26116-160352	BOLT, M16X 35 PLATED	12	12	12	12	12	12		
30	1	172117-53320	SPACER ASSY	2	2	2	2	2	2		W
		(A=M/#20959) (B=M/#20959)									
31	1	172458-50480-1	COVER, FRAME	2	2	2	2	2	2	W	1
		(A=M/#21843) (B=M/#21843) (C=M/#21843) (D=M/#21843)		(E=M/#21843)	(F=M/#21843)						
32	1	26106-100122	BOLT, M10X 12 PLATED	4	4	4	4	4	4	W	1
		(A=M/#21843) (B=M/#21843) (C=M/#21843) (D=M/#21843)		(E=M/#21843)	(F=M/#21843)						

Remarks
 (1)INTERCHANGEABLE BY SIMULTANEOUS
 REPLACEMENT WITH REF.NO.1-1,31,32

Fig.34. COVER(FRAME)

(A)=VIO50-2C(US)
(B)=VIO50-2P(US)
(C)=VIO50-2C(AS)

(D)=VIO50-2P(AS)
(E)=VIO50-2C(NZ)
(F)=VIO50-2P(NZ)



Remarks

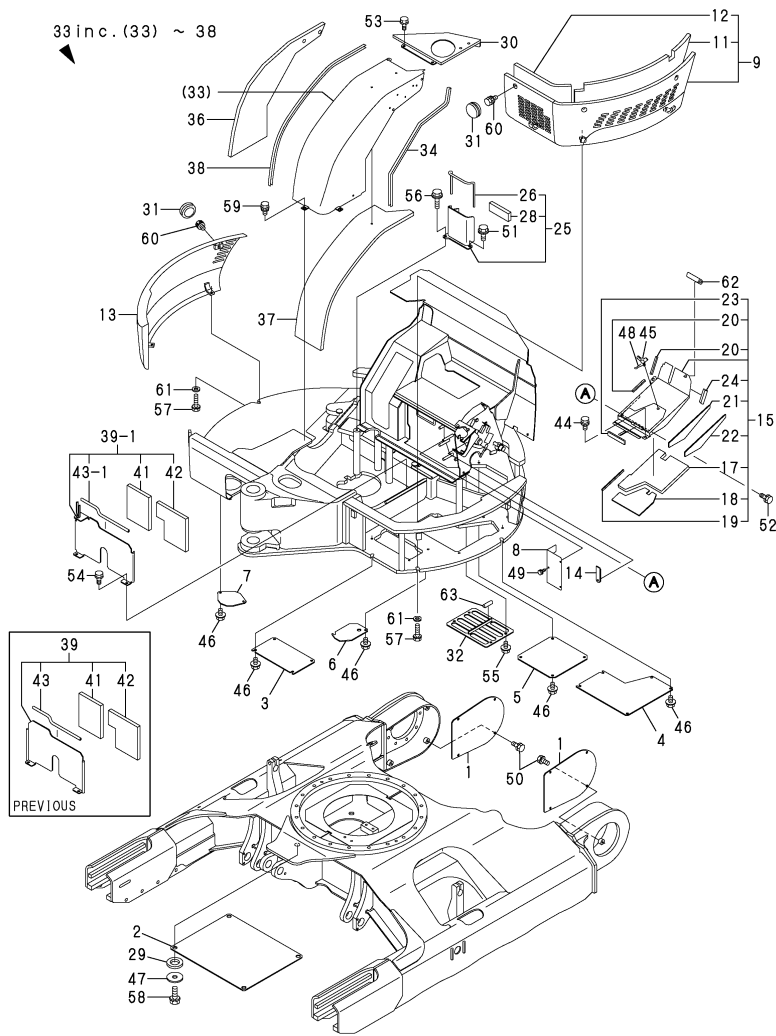
- (1)PLEASE USE THIS PART WITH FOLLOWING LABELS AT THE SAME TIME. REF. NO. 12A.
- (2)PLEASE USE THIS PART WITH FOLLOWING LABELS AT THE SAME TIME. REF. NO. 13A.
- (3)PLEASE USE THIS PART WITH FOLLOWING LABELS AT THE SAME TIME. REF. NO. 38A,38B.
- (4)LABELS ARE NOT ILLUSTRATED.

No.	Lev.	Parts No.	Description	Q'ty						I	R
				(A)	(B)	(C)	(D)	(E)	(F)		
1	1	172460-61100-2	COVER, MOTOR	2	2	2	2	2	2		
2	1	172460-61120-1	COVER	1	1	1	1	1	1		
2-1	1	172460-61121-3	COVER	1	1	1	1	1	1		N
		(A=M/#XXXXXX) (B=M/#XXXXXX) (C=M/#XXXXXX) (D=M/#XXXXXX) (E=M/#XXXXXX) (F=M/#XXXXXX)									
3	1	172460-61130-1	COVER	1	1	1	1	1	1		
4	1	172460-61140-1	COVER	1	1	1	1	1	1		
5	1	172460-61150-1	COVER	1	1	1	1	1	1		
6	1	172460-61160-1	COVER	1	1	1	1	1	1		
7	1	172460-61170-1	COVER	1	1	1	1	1	1		
8	1	172458-61200	COVER, ELECTRIC	1	1	1	1	1	1		
9	1	172460-61200-1	COVER, FRAME	1	1	1	1	1	1		1
11	2	172460-61240	SPONGE	1	1	1	1	1	1		
12	2	172460-61260	SPONGE	1	1	1	1	1	1		
12A	1	172437-03351	LABEL,GREASE CYL.	1	1	1	1	1	1		4
13	1	172460-61270-1	COVER, FRAME	1	1	1	1	1	1		2
13A	1	172437-03351	LABEL,GREASE CYL.	1	1	1	1	1	1		4
14	1	172458-61300	GROMMET	1	1	1	1	1	1		
15	1	172460-61320	COVER, MULTI	1	1	1	1	1	1		
15-1	1	172460-61321	COVER, MULTI	1	1	1	1	1	1		N
		(A=M/#21431) (B=M/#21431) (C=M/#21431) (D=M/#21431) (E=M/#21431) (F=M/#21431)									
15-2	1	172460-61322	COVER, MULTI	1	1	1	1	1	1		R
		(A=*2004.05) (B=*2004.05) (C=*2004.05) (D=*2004.05) (E=*2004.05) (F=*2004.05)									
17	2	172458-61520	SPONGE	1	1	1	1	1	1		
17-1	2	172458-61521	SPONGE	1	1	1	1	1	1		R
		(A=*2004.05) (B=*2004.05) (C=*2004.05) (D=*2004.05) (E=*2004.05) (F=*2004.05)									
18	2	172458-61530	SEAL	1	1	1	1	1	1		
18-1	2	172458-61531	SPONGE	1	1	1	1	1	1		N
		(A=M/#21431) (B=M/#21431) (C=M/#21431) (D=M/#21431) (E=M/#21431) (F=M/#21431)									
18-2	2	172458-61531	SPONGE	1	1	1	1	1	1		Z
		(A=*2004.05) (B=*2004.05) (C=*2004.05) (D=*2004.05) (E=*2004.05) (F=*2004.05)									
19	2	172458-61540	SEAL, MULTI COVER	1	1	1	1	1	1		
20	2	172458-61560	RUBBER 90	2	2	2	2	2	2		
20-1	2	172146-61370	RUBBER, SEAL	1	1	1	1	1	1		N
		(A=M/#21431) (B=M/#21431) (C=M/#21431) (D=M/#21431) (E=M/#21431) (F=M/#21431)									
21	2	172458-61580	SEAL	1	1	1	1	1	1		
22	2	172458-61590	SEAL	1	1	1	1	1	1		
23	2	172458-61640	SEAL	1	1	1	1	1	1		Z
		(A=M/#21431) (B=M/#21431) (C=M/#21431) (D=M/#21431) (E=M/#21431) (F=M/#21431)									
24	2	172168-65800	RUBBER, SEAL	1	1	1	1	1	1		
25	1	172472-61350	PLATE ASSY,US	1	1	1	1	1	1		
25-1	1	172472-61351	PLATE (US) ASSY	1	1	1	1	1	1		N
		(A=*2004.03) (B=*2004.03) (C=*2004.03) (D=*2004.03) (E=*2004.03) (F=*2004.03)									
26	2	172455-18640	TRIM	1	1	1	1	1	1		
28	2	172458-61390	SPONGE	1	1	1	1	1	1		Z
		(A=M/#21317) (B=M/#21317) (C=M/#21317) (D=M/#21317) (E=M/#21317) (F=M/#21317)									
29	1	172162-61500	TRIM	4	4	4	4	4	4		
30	1	172460-61970	COVER ASSY	1	1						
30-1	1	172460-61971	COVER ASSY	1	1	1	1	1	1		N
		(A=M/#20803) (B=M/#20803)									
31	1	172463-61600	PLUG 28X3.2	5	5	5	5	5	5		
32	1	172460-61650-1	COVER, OIL SUMP	1	1	1	1	1	1		

Fig.34. COVER(FRAME)

(A)=VIO50-2C(US)
(B)=VIO50-2P(US)
(C)=VIO50-2C(AS)

(D)=VIO50-2P(AS)
(E)=VIO50-2C(NZ)
(F)=VIO50-2P(NZ)



No.	Lev.	Parts No.	Description	Q'ty						I	R
				(A)	(B)	(C)	(D)	(E)	(F)		
33	1	172460-61690	COVER	1	1	1	1	1	1		3
34	2	172458-61650	SEAL	1	1	1	1	1	1		
36	2	172460-61730	SPONGE	1	1	1	1	1	1		
37	2	172460-61740	SPONGE	1	1	1	1	1	1		
38	2	172649-65760	RUBBER, SEAL	1	1	1	1	1	1		
38A	1	172437-03421	LABEL,MUFFLER	1	1	1	1	1	1		4
38B	1	172472-03240	LABEL,PIN US	1	1	1	1	1	1		4
39	1	172460-61760-1	COVER, ENGINE	1	1	1	1	1	1		
39-1	1	172460-61761-1	COVER, ENGINE	1	1	1	1	1	1		N
		(A=M/#21431) (B=M/#21431) (C=M/#21431) (D=M/#21431) (E=M/#21431) (F=M/#21431)									
41	2	172460-61790	SPONGE	1	1	1	1	1	1		
42	2	172460-61800	SPONGE	1	1	1	1	1	1		
43	2	172187-66320	TRIM	1	1	1	1	1	1		
43-1	2	172456-13480	TRIM	1	1	1	1	1	1		N
		(A=M/#21431) (B=M/#21431) (C=M/#21431) (D=M/#21431) (E=M/#21431) (F=M/#21431)									
44	1	26014-100202	BOLT, M10X 20	3	3	3	3	3	3		
44-1	1	26014-100202	BOLT, M10X 20	2	2	2	2	2	2		K
		(A=M/#21431) (B=M/#21431) (C=M/#21431) (D=M/#21431) (E=M/#21431) (F=M/#21431)									
45	1	172142-62300	WING BOLT M10X15	1	1	1	1	1	1		
46	1	26106-100162	BOLT, M10X 16 PLATED	17	17	17	17	17	17		
47	1	22157-120000	WASHER, 12	4	4	4	4	4	4		
48	1	22417-320200	PIN, COTTER 3.2X20	1	1	1	1	1	1		
49	1	26013-060122	BOLT, M6X 12	3	3	3	3	3	3		
50	1	26013-100202	BOLT, M10X 20	8	8	8	8	8	8		
51	1	26106-100202	BOLT, M10X 20 PLATED	1	1	1	1	1	1		
52	1	26013-100202	BOLT, M10X 20	1	1	1	1	1	1		Z
		(A=M/#21431) (B=M/#21431) (C=M/#21431) (D=M/#21431) (E=M/#21431) (F=M/#21431)									
53	1	26013-100202	BOLT, M10X 20	3	3	3	3	3	3		
54	1	26013-100202	BOLT, M10X 20	2	2	2	2	2	2		
55	1	26106-100162	BOLT, M10X 16 PLATED	4	4	4	4	4	4		
56	1	26106-100302	BOLT, M10X 30 PLATED	1	1	1	1	1	1		
57	1	26013-100352	BOLT, M10X 35	5	5	5	5	5	5		
58	1	26013-120302	BOLT, M12X 30	4	4	4	4	4	4		
59	1	26014-100202	BOLT, M10X 20	5	5	5	5	5	5		
60	1	26014-100202	BOLT, M10X 20	5	5	5	5	5	5		
61	1	172458-61260	WASHER	5	5						
61-1	1	172458-61261	WASHER	5	5	5	5	5	5		N
		(A=M/#20959) (B=M/#20959)									
62	1	172126-16540	CLAMP	1	1	1	1	1	1		Z
		(A=MXXX) (B=MXXX) (C=MXXX) (D=MXXX) (E=MXXX) (F=MXXX)									
63	1	172519-65300	TRIM	1	1	1	1	1	1		

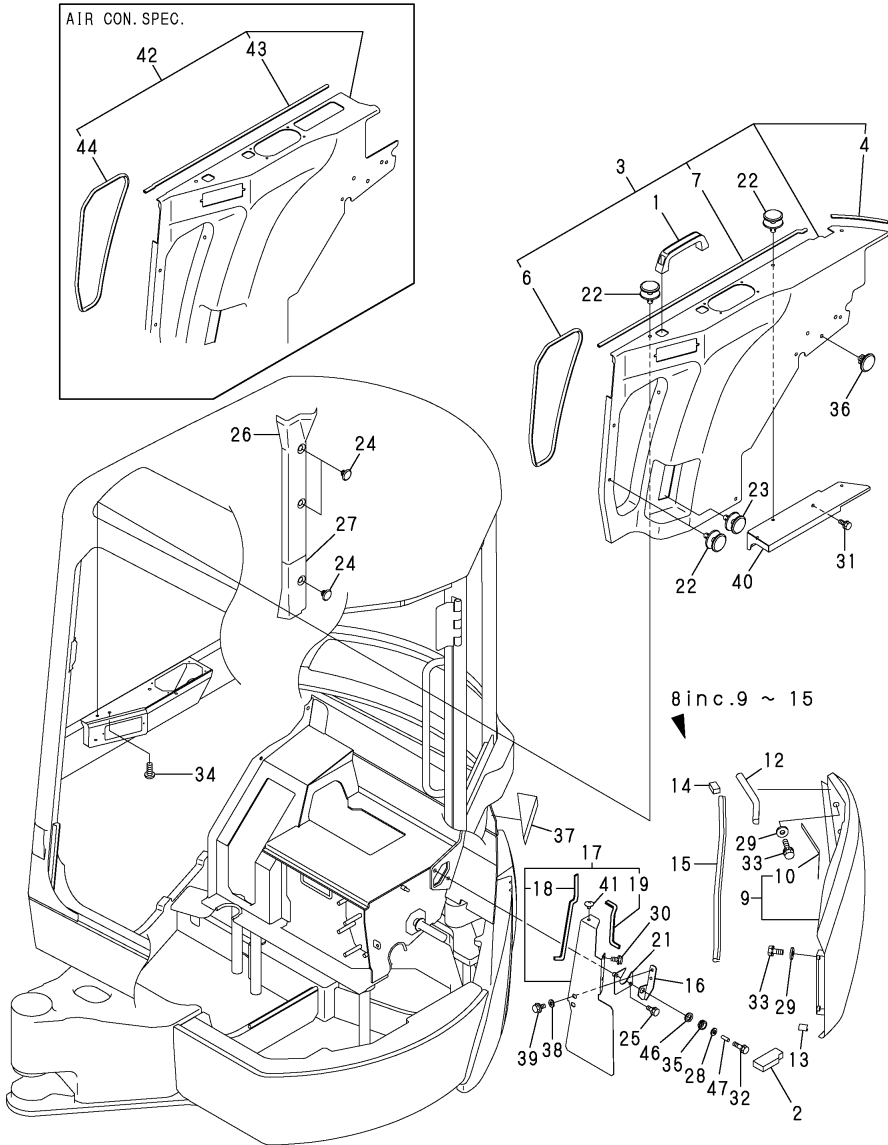
- Remarks
 (1)PLEASE USE THIS PART WITH FOLLOWING LABELS AT THE SAME TIME. REF. NO. 12A.
 (2)PLEASE USE THIS PART WITH FOLLOWING LABELS AT THE SAME TIME. REF. NO. 13A.
 (3)PLEASE USE THIS PART WITH FOLLOWING LABELS AT THE SAME TIME. REF. NO. 38A,38B.
 (4)LABELS ARE NOT ILLUSTRATED.

Fig.35. COVER(CABIN)

(A)=VIO50-2C(US)
 (B)=VIO50-2P(US)
 (C)=VIO50-2C(AS)

(D)=VIO50-2P(AS)
 (E)=VIO50-2C(NZ)
 (F)=VIO50-2P(NZ)

No.	Lev.	Parts No.	Description	Q'ty						I	R
				(A)	(B)	(C)	(D)	(E)	(F)		
1	1	172164-45980	GRIP, BONNET	1	1		1				
2	1	172458-63350	SPONGE	1	1		1				
3	1	172458-61791	COVER ASSY, DUCT	1	1		1				
4	2	172146-61370	RUBBER, SEAL	1	1		1				
6	2	172458-61820	TRIM	1	1		1				
7	2	172444-68810	RUBBER, SEAL	1	1		1				
8	1	172460-61900-1	COVER, CABIN	1	1		1				
9	2	172460-61910-1	COVER, CABIN	1	1		1				
10	3	172460-61460	SEAL	1	1		1				
12	2	172460-61480	RUBBER, SEAL	1	1		1				
13	2	172458-61510	RUBBER, SEAL	1	1		1				
14	2	172458-63900	STOPPER	1	1		1				
15	2	172175-65870	SEAL, DUCT	1	1		1				
16	1	172458-63520	PLATE (GRAY:73)	1	1		1				
17	1	172458-63540	COVER ASSY, HOSE	1	1		1				
18	2	172823-61520	TRIM	1	1		1				
19	2	172162-61870	TRIM	1	1		1				
21	1	172458-63570	COVER, SEAT MOUNT	1	1		1				
22	1	1A6260-64200	CLIP	9	9		9				
23	1	1A6260-64200	CLIP	3	3		3				
24	1	172458-64600	CLIP, TREE	3	3		3				
25	1	26013-080162	BOLT, M8X 16	1	1		1				
26	1	172458-68990	COVER, PILLAR	1	1		1				
27	1	172458-69000	COVER, PILLAR	1	1		1				
28	1	22137-080000	WASHER, 8	1	1		1				
29	1	22157-100000	WASHER, 10	4	4		4				
30	1	26013-080162	BOLT, M8X 16	2	2		2				
31	1	26013-080162	BOLT, M8X 16	2	2		2				
32	1	26013-080252	BOLT, M8X 25	1	1		1				
33	1	26013-100252	BOLT, M10X 25	4	4		4				
34	1	26557-080202	SCREW, M8X20	2	2		2				
35	1	933160-09220	GROMMET	1	1		1				
36	1	172458-64610	CLIP, TREE	3	3		3				
37	1	172460-61960	SEAL	1	1		1				
38	1	172458-62430	WASHER M8	2	2		2				
39	1	172519-63240	BOLT	2	2		2				
40	1	172458-63300	PLATE	1	1		1				
41	1	172444-17660	CLIP, TREE	1	1		1				
42	1	172460-61810	COVER ASSY, DUCT	1	1						1
43	2	172519-61550	CUSHION, BONNET	1							
44	2	172458-61820	TRIM	1							
46	1	172176-68030	WASHER	1							1
47	1	172137-76580	COLLAR	1							1

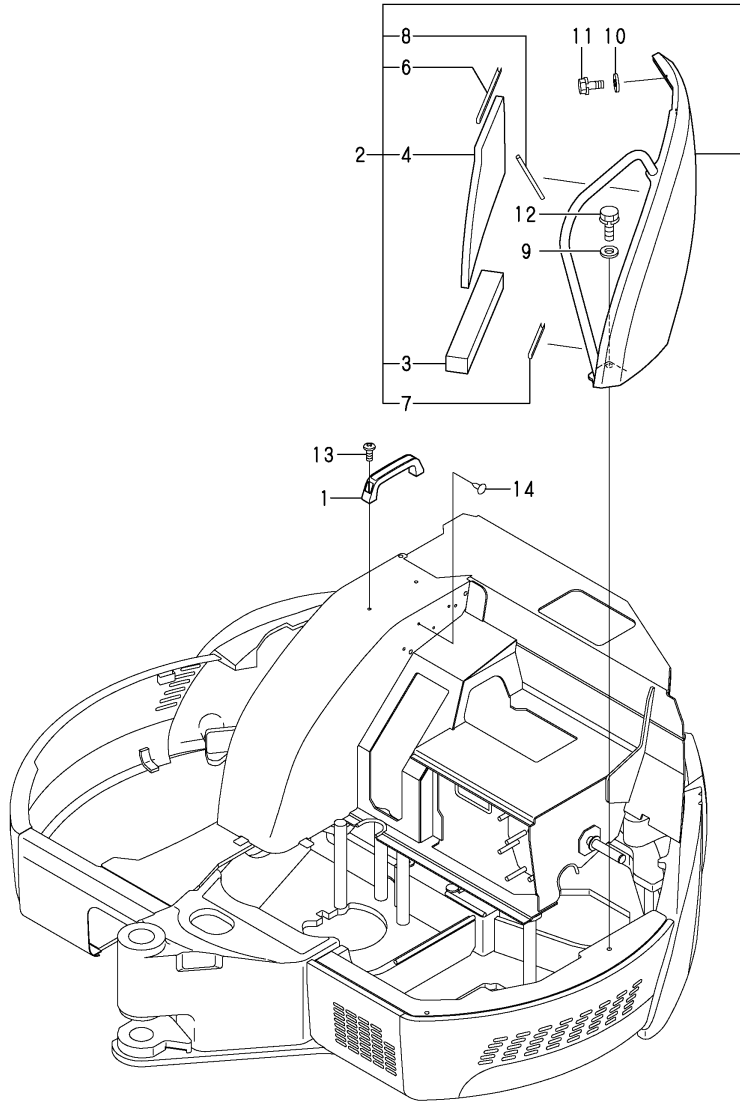


Remarks
 (1)AIR CON. SPEC.

Fig.36. COVER(CANOPY)

(A)=VIO50-2C(US)
 (B)=VIO50-2P(US)
 (C)=VIO50-2C(AS)

(D)=VIO50-2P(AS)
 (E)=VIO50-2C(NZ)
 (F)=VIO50-2P(NZ)

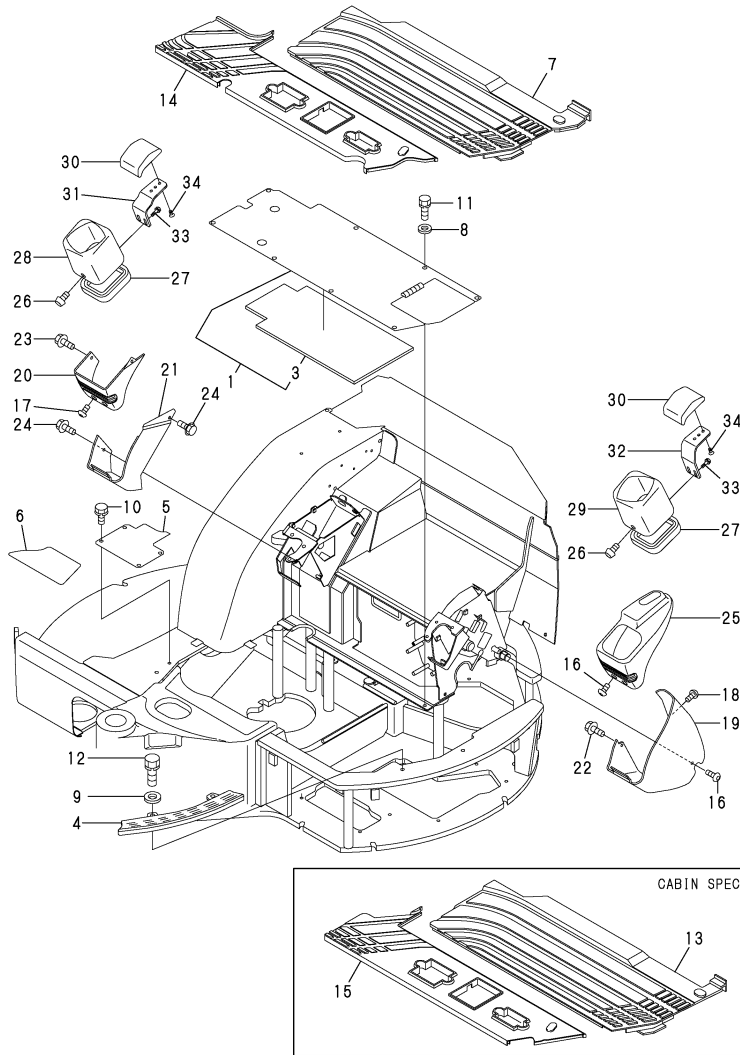


No.	Lev.	Parts No.	Description	Q'ty						I	R
				(A)	(B)	(C)	(D)	(E)	(F)		
1	1	172164-45980	GRIP, BONNET		1		1		1		
2	1	172460-61400-1	COVER		1		1		1		
3	2	172460-61380	SPONGE		1		1		1		
4	2	172460-61390	SPONGE		1		1		1		
6	2	172460-61480	RUBBER, SEAL		1		1		1		
7	2	172458-61510	RUBBER, SEAL		1		1		1		
8	2	172519-65300	TRIM		1		1		1		
9	1	22137-120000	WASHER, 12		1		1		1		
10	1	22157-100000	WASHER, 10		2		2		2		
11	1	26013-100252	BOLT, M10X 25		2		2		2		
12	1	26013-120302	BOLT, M12X 30		1		1		1		
13	1	26557-080202	SCREW, M8X20		2		2		2		
14	1	172458-64610	CLIP, TREE		3						

Fig.37. STEP & INSTRUMENT PANEL

(A)=VIO50-2C(US)
 (B)=VIO50-2P(US)
 (C)=VIO50-2C(AS)

(D)=VIO50-2P(AS)
 (E)=VIO50-2C(NZ)
 (F)=VIO50-2P(NZ)



No.	Lev.	Parts No.	Description	Q'ty						I	R
				(A)	(B)	(C)	(D)	(E)	(F)		
1	1	172472-62210	STEP ASSY	1	1	1	1	1	1		2
3	2	172472-62310	SEAL, STEP	1	1	1	1	1	1		
3A	1	172438-03300	LABEL	1	1	1	1	1	1		4
4	1	172458-62110	STEP		1		1		1		
5	1	172460-62110	STEP	1	1	1	1	1	1		
6	1	172460-62120	SHEET	1	1	1	1	1	1		
7	1	172458-62200	MAT,FLOOR A		1		1		1		
8	1	22137-100000	WASHER, 10	8	8	8	8	8	8		
9	1	22137-120000	WASHER, 12		2		2		2		
10	1	26013-100202	BOLT, M10X 20	3	3	3	3	3	3		
11	1	26013-100202	BOLT, M10X 20	8	8	8	8	8	8		
12	1	26013-120302	BOLT, M12X 30		2		2		2		
13	1	172458-62400	MAT,FLOOR A(CABIN	1		1		1			1
14	1	172467-62500	FLOOR MAT B (CANOPY		1		1		1		
15	1	172472-62600	FLOOR MAT B (CABIN	1		1		1			1
16	1	172458-46720	BOLT 8X20	3	3	3	3	3	3		
17	1	172458-46720	BOLT 8X20	2	2	2	2	2	2		
18	1	172458-46720	BOLT 8X20	1	1	1	1	1	1		
19	1	172458-63120	INSTRUMENT PANEL L	1	1	1	1	1	1		
20	1	172458-63130	INSTRUMENT PANEL R	1	1	1	1	1	1		
21	1	172458-63140	INSTRUMENT PANEL R	1	1	1	1	1	1		
22	1	172519-63240	BOLT	2	2	2	2	2	2		
23	1	172519-63240	BOLT	1	1	1	1	1	1		
24	1	172519-63240	BOLT	2	2	2	2	2	2		
25	1	172458-63100	INSTRUMENT PANEL L	1	1	1	1	1	1		3
25A	1	172458-03220	LABEL,ACCELERATOR	1	1	1	1	1	1		4
26	1	172458-46720	BOLT 8X20	2	2	2	2	2	2		
27	1	172162-62540	SEAL, STEP	2	2	2	2	2	2		
28	1	172472-63210	COVER	1	1	1	1	1	1		
29	1	172472-63220	COVER	1	1	1	1	1	1		
30	1	172441-44320	ARMREST	2	2	2	2	2	2		
31	1	172472-64530	PLATE,ARM REST R(73)	1	1						
31-1	1	172472-64531	PLATE R,ARM REST(73)	1	1	1	1	1	1		N
		(A=M/#20959)	(B=M/#20959)								
32	1	172472-64540	PLATE,ARM REST L(73)	1	1						
32-1	1	172472-64541	PLATE L,ARM REST(73)	1	1	1	1	1	1		N
		(A=M/#20959)	(B=M/#20959)								
33	1	172165-66980	BOLT	4	4	4	4	4	4		
34	1	26577-080122	SCREW, M8X12	4	4	4	4	4	4		

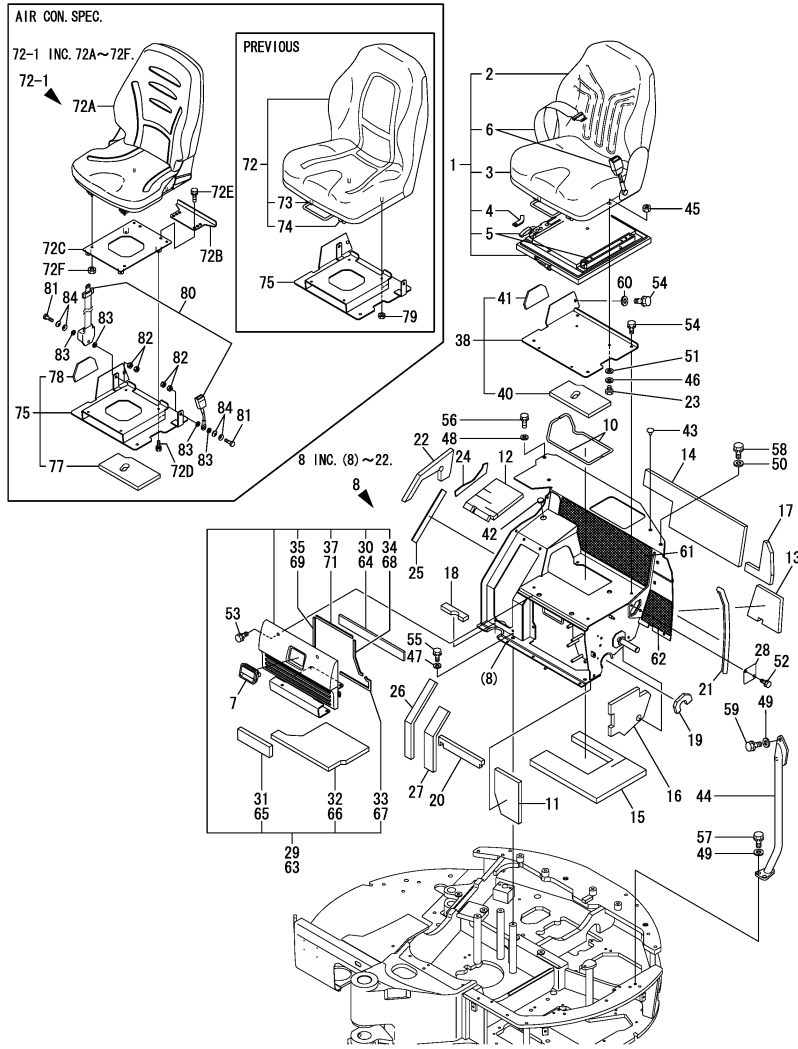
Remarks

- (1)CABIN SPEC.
- (2)PLEASE USE THIS PART WITH FOLLOWING LABELS AT THE SAME TIME. REF. NO. 3A.
- (3)PLEASE USE THIS PART WITH FOLLOWING LABELS AT THE SAME TIME. REF. NO. 25A.
- (4)LABELS ARE NOT ILLUSTRATED.

Fig.38. SEAT & SEAT MOUNT

(A)=VIO50-2C(US)
 (B)=VIO50-2P(US)
 (C)=VIO50-2C(AS)

(D)=VIO50-2P(AS)
 (E)=VIO50-2C(NZ)
 (F)=VIO50-2P(NZ)



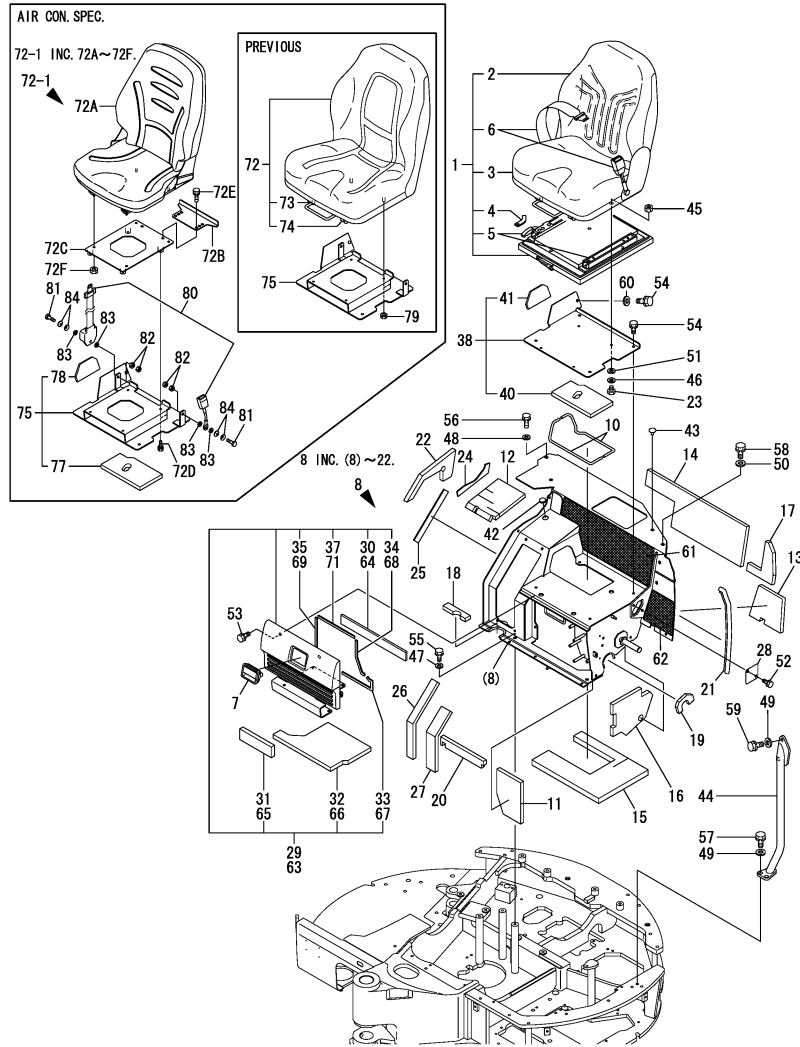
No.	Lev.	Parts No.	Description	Q'ty						I	R
				(A)	(B)	(C)	(D)	(E)	(F)		
1	1	172467-64100	SEAT, OPERATOR	1	1	1	1	1	1		
2	2	172467-64110	CUSHION, BACKREST	1	1	1	1	1	1		
3	2	172467-64120	CUSHION, SEAT	1	1	1	1	1	1		
4	2	172467-64130	STOPPER	1	1	1	1	1	1		
5	2	172467-64140	RAIL SET	1	1	1	1	1	1		
6	2	172989-64451	BELT, SEAT	1	1	1	1	1	1		
7	1	172187-61421	HANDLE, LOCK	1	1	1	1	1	1		
8	1	172467-64200	MOUNT ASSY, SEAT	1	1	1	1	1	1	W	1
		(A=M/#21861) (B=M/#21861) (C=M/#21861) (D=M/#21861) (E=M/#21861) (F=M/#21861)									
10	2	172458-64140	SEAL	2	2	2	2	2	2		
11	2	172458-64150	SPONGE	1	1	1	1	1	1		
12	2	172458-64160	SPONGE	1	1	1	1	1	1		
13	2	172458-64170	SPONGE	1	1	1	1	1	1		
14	2	172458-64180	SPONGE	1	1	1	1	1	1		
15	2	172460-64240	SPONGE	1	1	1	1	1	1		
16	2	172460-64300	SPONGE	1	1	1	1	1	1		
17	2	172460-64310	SPONGE	1	1	1	1	1	1		
18	2	172458-64650	SPONGE	1	1	1	1	1	1		
19	2	172458-64660	SEAL	1	1	1	1	1	1		
20	2	172458-64740	SPONGE	1	1	1	1	1	1		
21	2	172164-65730	RUBBER, SEAL	1	1	1	1	1	1		
22	2	172458-64710	SPONGE	1	1	1	1	1	1		
22A	1	172437-03300	LABEL, MANUAL	1	1	1	1	1	1		3
22B	1	172437-03470	LABEL, LEVER LOCK	1	1	1	1	1	1		3
23	1	26013-080162	BOLT, SPRING M8X 16	4	4	4	4	4	4		
24	1	172458-64680	SEAL, SEAT MOUNT	1	1	1	1	1	1	Z	
		(A=M/#21861) (B=M/#21861) (C=M/#21861) (D=M/#21861) (E=M/#21861) (F=M/#21861)									
25	1	172458-64690	SEAL, SEAT MOUNT	1	1	1	1	1	1	Z	
		(A=M/#21861) (B=M/#21861) (C=M/#21861) (D=M/#21861) (E=M/#21861) (F=M/#21861)									
26	1	172460-64400	SEAL	1	1	1	1	1	1	Z	
		(A=M/#21861) (B=M/#21861) (C=M/#21861) (D=M/#21861) (E=M/#21861) (F=M/#21861)									
27	1	172460-64410	SEAL	1	1	1	1	1	1	Z	
		(A=M/#21861) (B=M/#21861) (C=M/#21861) (D=M/#21861) (E=M/#21861) (F=M/#21861)									
28	1	172458-64510	COVER, SEAT MOUNT		1		1		1		
29	1	172458-64440	GRILLE ASSY	1	1	1	1	1	1		2
29-1	1	172458-64441	GRILLE ASSY	1	1	1	1	1	1	N	2
		(A=M/#21181) (B=M/#21181) (C=M/#21181) (D=M/#21181) (E=M/#21181) (F=M/#21181)									
30	2	172458-64050	RUBBER, SPONGE	1	1	1	1	1	1	Z	
		(A=M/#21181) (B=M/#21181) (C=M/#21181) (D=M/#21181) (E=M/#21181) (F=M/#21181)									
31	2	172458-64060	SPONGE	1	1	1	1	1	1	Z	
		(A=M/#21181) (B=M/#21181) (C=M/#21181) (D=M/#21181) (E=M/#21181) (F=M/#21181)									
32	2	172458-64070	SPONGE	1	1	1	1	1	1		
33	2	172458-64080	SEAL	1	1	1	1	1	1	Z	
		(A=M/#21181) (B=M/#21181) (C=M/#21181) (D=M/#21181) (E=M/#21181) (F=M/#21181)									
34	2	172458-64090	SEAL	1	1	1	1	1	1	Z	
		(A=M/#21181) (B=M/#21181) (C=M/#21181) (D=M/#21181) (E=M/#21181) (F=M/#21181)									
35	2	172458-64100	SEAL	1	1	1	1	1	1	Z	
		(A=M/#21181) (B=M/#21181) (C=M/#21181) (D=M/#21181) (E=M/#21181) (F=M/#21181)									
37	2	172458-64110	SEAL	1	1	1	1	1	1	Z	
		(A=M/#21181) (B=M/#21181) (C=M/#21181) (D=M/#21181) (E=M/#21181) (F=M/#21181)									
37A	1	172467-03170	LABEL, SUPORT US		1		1		1		3

Remarks
 (1)PLEASE USE THIS PART WITH FOLLOWING LABELS AT THE SAME TIME. REF. NO. 22A,22B.
 (2)PLEASE USE THIS PART WITH FOLLOWING LABELS AT THE SAME TIME. REF. NO. 37A,37B.
 (3)LABELS ARE NOT ILLUSTRATED.
 (4)AIR CON. SPEC.
 (5)Spare parts is shown in Fig.89 No.1.

Fig.38. SEAT & SEAT MOUNT

(A)=VIO50-2C(US)
 (B)=VIO50-2P(US)
 (C)=VIO50-2C(AS)

(D)=VIO50-2P(AS)
 (E)=VIO50-2C(NZ)
 (F)=VIO50-2P(NZ)



No.	Lev.	Parts No.	Description	Q'ty						I	R
				(A)	(B)	(C)	(D)	(E)	(F)		
37B	1	172472-03200	LABEL,SUPORT C US	1		1		1			3
38	1	172467-64260	PLATE ASSY	1	1	1	1	1	1	1	
40	2	172467-64330	SPONGE	1	1	1	1	1	1	1	
41	2	172458-64890	SEAL, SPONGE	1	1	1	1	1	1	1	
42	1	172458-64590	PLUG	1	1	1	1	1	1	1	
43	1	172458-64600	CLIP, TREE			2		2		2	
44	1	172472-64700	PIPE		1		1			1	
45	1	26716-080002	NUT, M8	4	4	4	4	4	4	4	
46	1	22217-080000	WASHER, SPRING 8	4	4	4	4	4	4	4	
47	1	22137-100000	WASHER, 10	3	3	3	3	3	3	3	
48	1	22137-100000	WASHER, 10		1		1			1	
49	1	22137-120000	WASHER, 12		4		4			4	
50	1	22137-120000	WASHER, 12		2		2			2	
51	1	22137-080000	WASHER, 8	4	4	4	4	4	4	4	
52	1	26013-080162	BOLT, SPRING M8X 16		2		2			2	
53	1	26013-100202	BOLT, SPRING M10X 20	4	4	4	4	4	4	4	
54	1	26013-100202	BOLT, SPRING M10X 20	5	5	5	5	5	5	5	
55	1	26013-100252	BOLT, SPRING M10X 25	3	3	3	3	3	3	3	
56	1	26013-100252	BOLT, SPRING M10X 25		1		1			1	
57	1	26013-120302	BOLT, SPRING M12X 30		2		2			2	
58	1	26013-120302	BOLT, SPRING M12X 30		2		2			2	
59	1	26013-120452	BOLT, SPRING M12X 45		2		2			2	
60	1	22137-100000	WASHER, 10	1	1	1	1	1	1	1	
61	1	172458-67810	SHEET, INSULATOR	1		1		1			W
(A=FROM 1ST)											
62	1	172458-67820	SHEET, INSULATOR	1		1		1			W
(A=FROM 1ST)											
63	1	172458-64440	GRILLE ASSY		1						4
64	2	172458-64050	RUBBER, SPONGE		1						
65	2	172458-64060	SPONGE		1						
66	2	172458-64070	SPONGE		1						
67	2	172458-64080	SEAL		1						
68	2	172458-64090	SEAL		1						
69	2	172458-64100	SEAL		1						
71	2	172458-64110	SEAL		1						
72	1	172455-64200	SHEET		1						5
72-1	1	172457-08600	SEAT KIT	1							N
(A=*2007.01)											
72-2	1	172457-08600	SEAT KIT	1							Z 5
(A=*2017.11.)											
72A	2	172A46-64200	SEAT, OPERATOR		1						W
(A=*2007.01)											
72B	2	172A46-64490	STOPPER		1						W
(A=*2007.01)											
72C	2	172A46-64500	PLATE ASSY,SEAT		1						W
(A=*2007.01)											
72D	2	26013-080202	BOLT, SPRING M8X 20		4						W
(A=*2007.01)											
72E	2	26013-100202	BOLT, SPRING M10X 20		2						W
(A=*2007.01)											
72F	2	26051-080002	NUT, M8		4						W

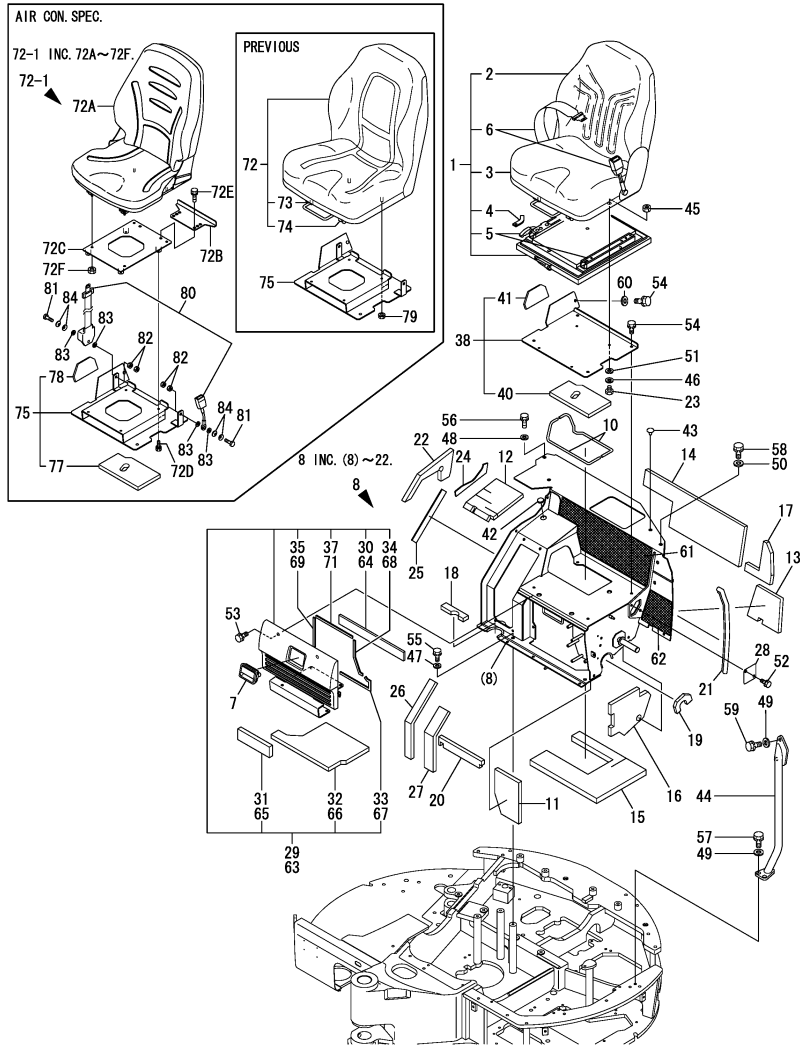
Remarks

- (1)PLEASE USE THIS PART WITH FOLLOWING LABELS AT THE SAME TIME. REF. NO. 22A,22B.
- (2)PLEASE USE THIS PART WITH FOLLOWING LABELS AT THE SAME TIME. REF. NO. 37A,37B.
- (3)LABELS ARE NOT ILLUSTRATED.
- (4)AIR CON. SPEC.
- (5)Spare parts is shown in Fig.89 No.1.

Fig.38. SEAT & SEAT MOUNT

(A)=VIO50-2C(US)
 (B)=VIO50-2P(US)
 (C)=VIO50-2C(AS)

(D)=VIO50-2P(AS)
 (E)=VIO50-2C(NZ)
 (F)=VIO50-2P(NZ)



No.	Lev.	Parts No.	Description	Q'ty						I	R
				(A)	(B)	(C)	(D)	(E)	(F)		
		(A=*2007.01)									
73	2	172455-64600	TRACK ASSY, SEAT	1							W
		(A=M/#21861)									
73-1	2	172455-64600	TRACK ASSY, SEAT	1							Z
		(A=*2007.01)									
74	2	172455-64610	TRACK ASSY, SEAT	1							W
		(A=M/#21861)									
74-1	2	172455-64610	TRACK ASSY, SEAT	1							Z
		(A=*2007.01)									
75	1	172467-64270	PLATE ASSY	1							4
77	2	172467-64330	SPONGE	1							
78	2	172458-64890	SEAL, SPONGE	1							
79	1	26051-080002	NUT, M8	4							Z 4
		(A=*2007.01)									
80	1	172989-64451	BELT, SEAT	1							
81	1	172433-64511	BOLT	2							
82	1	172187-64831	NUT	4							
83	1	22137-120000	WASHER, 12	4							
84	1	172652-64220	SPRING	4							

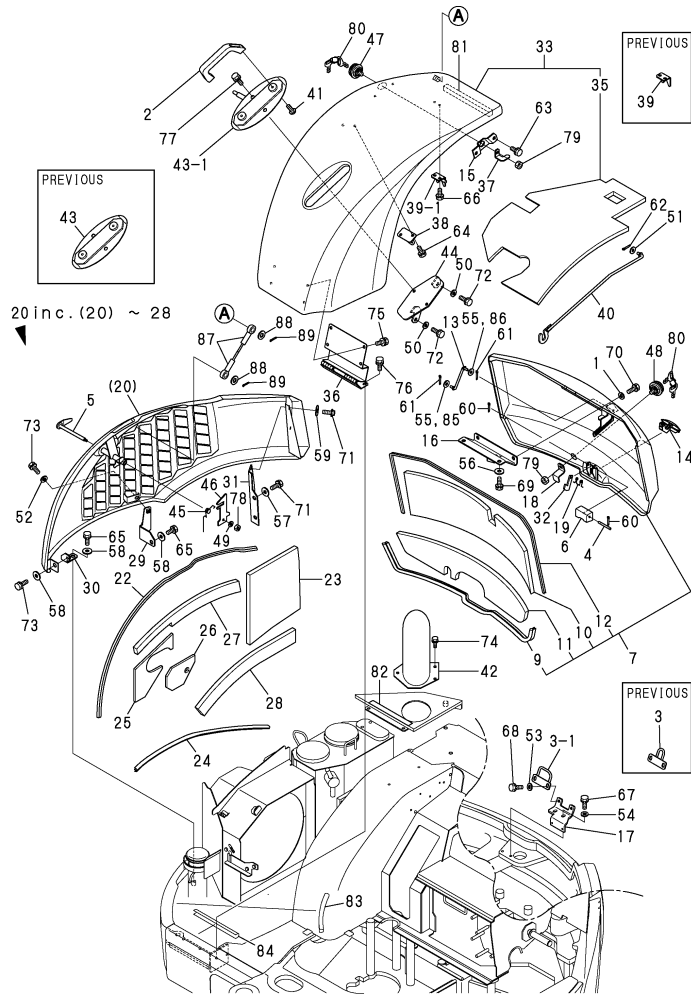
Remarks

- (1)PLEASE USE THIS PART WITH FOLLOWING LABELS AT THE SAME TIME.
REF. NO. 22A,22B.
- (2)PLEASE USE THIS PART WITH FOLLOWING LABELS AT THE SAME TIME.
REF. NO. 37A,37B.
- (3)LABELS ARE NOT ILLUSTRATED.
- (4)AIR CON. SPEC.
- (5)Spare parts is shown in Fig.89 No.1.

Fig.39. BONNET

(A)=VIO50-2C(US)
(B)=VIO50-2P(US)
(C)=VIO50-2C(AS)

(D)=VIO50-2P(AS)
(E)=VIO50-2C(NZ)
(F)=VIO50-2P(NZ)



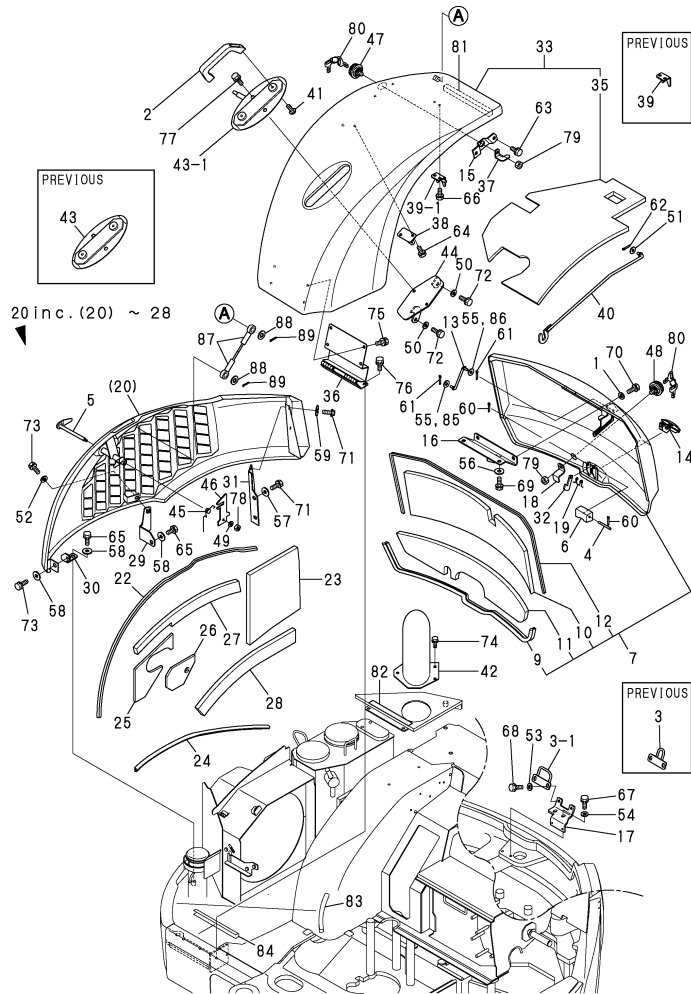
No.	Lev.	Parts No.	Description	Q'ty						I	R
				(A)	(B)	(C)	(D)	(E)	(F)		
1	1	194145-04810	WASHER 10	2	2	2	2	2	2		
2	1	172164-45980	GRIP, BONNET	1	1	1	1	1	1		
3	1	172458-65020	BRACKET B ASSY, LOCK	1	1						
3-1	1	172458-65021	BRACKET B, LOCK	1	1	1	1	1	1	1	N
		(A=M/#20919) (B=M/#20919)									
4	1	172458-65050	SHAFT	1	1	1	1	1	1	1	
5	1	172455-65060	HOOK	1	1	1	1	1	1	1	
6	1	172458-65060	COVER, LOCK	1	1	1	1	1	1	1	
7	1	172460-65100-1	BONNET A (YELLOW:87)	1	1	1	1	1	1	1	1
9	2	172164-19210	RUBBER, SEAL	1	1	1	1	1	1	1	
10	2	172460-65420	SEAL	1	1	1	1	1	1	1	
11	2	172460-65430	SEAL	1	1	1	1	1	1	1	
12	2	172649-65750	RUBBER, SEAL	1	1	1	1	1	1	1	
12A	1	172437-03380	LABEL, SWING AREA	1	1	1	1	1	1	1	3
12B	1	172437-03400	LABEL, ENG. HOOD	1	1	1	1	1	1	1	3
12B-1	1	172437-03401	LABEL (ENG COVER US	1	1	1	1	1	1	1	R 3
		(A=M/#21827) (B=M/#21827) (C=M/#21827) (D=M/#21827) (E=M/#21827) (F=M/#21827)									
12C	1	172437-03421	LABEL, MUFFLER	1	1	1	1	1	1	1	3
13	1	172444-65190	ROD, STOPPER	1	1	1	1	1	1	1	
14	1	172187-65210	LEVER ASSY, LOCK	1	1	1	1	1	1	1	
15	1	172455-65230	PLATE, KEY (GILT)	1	1	1	1	1	1	1	
16	1	172460-65230	BRACKET B (BLACK:12)	1	1	1	1	1	1	1	
17	1	172460-65260-1	BRACKET (GRAY:73)	1	1	1	1	1	1	1	
17-1	1	172460-65880-1	BRACKET (GRAY:73)	1	1	1	1	1	1	1	N 4
		(A=M/#21431) (B=M/#21431) (C=M/#21431) (D=M/#21431) (E=M/#21431) (F=M/#21431)									
18	1	172458-65271	PLATE, ROCK	1	1	1	1	1	1	1	
19	1	172734-65270	SPRING, CATCH	1	1	1	1	1	1	1	
20	1	172460-65300-1	BONNET R (YELLOW:87)	1	1	1	1	1	1	1	
22	2	172445-65620	SEAL	1	1						
22-1	2	172460-65850	SEAL, COVER	1	1	1	1	1	1	1	S
		(A=M/#21125) (B=M/#21125)									
23	2	172460-65750	SPONGE	1	1	1	1	1	1	1	
24	2	172168-65760	RUBBER, SEAL	1	1	1	1	1	1	1	
25	2	172460-65760	SPONGE	1	1	1	1	1	1	1	
26	2	172460-65770	SPONGE	1	1	1	1	1	1	1	
27	2	172460-65780	SPONGE	1	1	1	1	1	1	1	
28	2	172460-65790	SPONGE	1	1	1	1	1	1	1	
29	1	172460-65370	BRACKET B (BLACK:12)	1	1	1	1	1	1	1	
30	1	172460-65390	BRACKET C (GRAY:73)	1	1	1	1	1	1	1	
30-1	1	172460-65391	BRACKET C ASSY (73)	1	1	1	1	1	1	1	N
		(A=M/#21861) (B=M/#21861) (C=M/#21861) (D=M/#21861) (E=M/#21861) (F=M/#21861)									
31	1	172460-65450	BRACKET R (GRAY:73)	1	1	1	1	1	1	1	
32	1	172124-65480	CATCHER	1	1	1	1	1	1	1	
33	1	172467-65490	BONNET	1	1	1	1	1	1	1	
35	2	172460-65730	SPONGE	1	1	1	1	1	1	1	
36	1	172460-65510-1	HINGE ASSY	1	1	1	1	1	1	1	2
36A	1	172437-03360	LABEL, BATTERY	1	1	1	1	1	1	1	3
37	1	172458-65530-1	PLATE, LOCK (Z1)	1	1	1	1	1	1	1	
37-1	1	172458-65531-1	PLATE, LOCK (GREEN:86)	1	1	1	1	1	1	1	N
		(A=M/#21181) (B=M/#21181) (C=M/#21181) (D=M/#21181) (E=M/#21181) (F=M/#21181)									
38	1	172460-65550	BRACKET	1	1	1	1	1	1	1	

Remarks
 (1) PLEASE USE THIS PART WITH FOLLOWING LABELS AT THE SAME TIME. REF. NO. 12A, 12B, 12C.
 (2) PLEASE USE THIS PART WITH FOLLOWING LABELS AT THE SAME TIME. REF. NO. 36A.
 (3) LABELS ARE NOT ILLUSTRATED.
 (4) INTERCHANGEABLE BY SIMULTANEOUS REPLACEMENT WITH FIG.10 REF.NO. 17-1, 43-1, 49-1 FIG.12 REF.NO. 1-1, 3-1 FIG.13 REF.NO. 1-1, 7-1

Fig.39. BONNET

(A)=VIO50-2C(US)
(B)=VIO50-2P(US)
(C)=VIO50-2C(AS)

(D)=VIO50-2P(AS)
(E)=VIO50-2C(NZ)
(F)=VIO50-2P(NZ)



Remarks

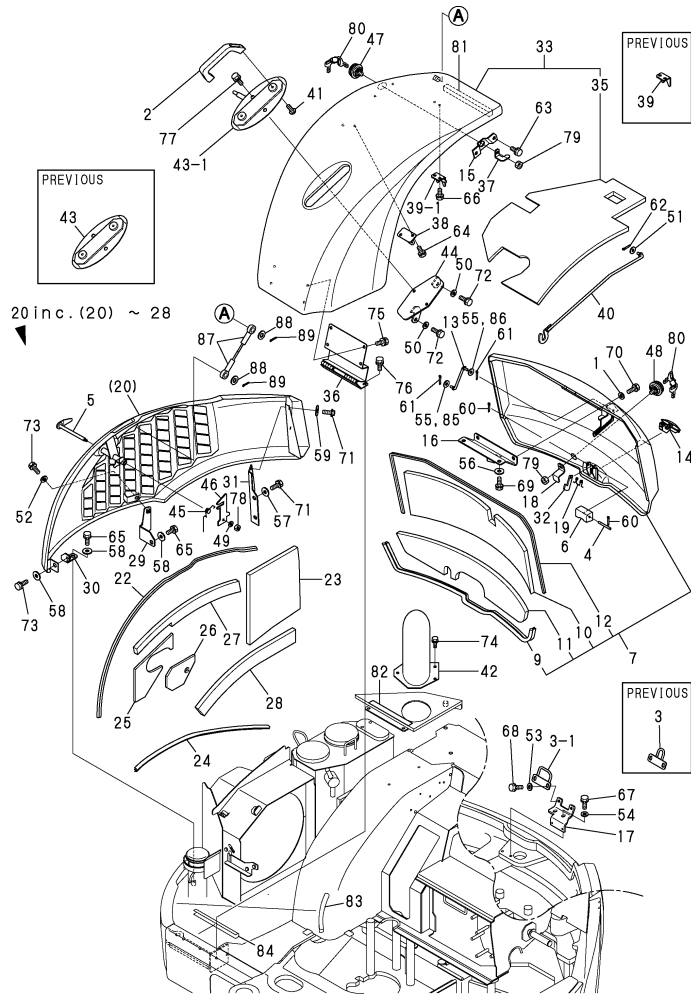
- (1)PLEASE USE THIS PART WITH FOLLOWING LABELS AT THE SAME TIME. REF. NO. 12A,12B,12C.
- (2)PLEASE USE THIS PART WITH FOLLOWING LABELS AT THE SAME TIME. REF. NO. 36A.
- (3)LABELS ARE NOT ILLUSTRATED.
- (4)INTERCHANGEABLE BY SIMULTANEOUS REPLACEMENT WITH FIG.10 REF.NO.17-1,43-1,49-1 FIG.12 REF.NO.1-1, 3-1 FIG.13 REF.NO.1-1,7-1

No.	Lev.	Parts No.	Description	Q'ty						I	R
				(A)	(B)	(C)	(D)	(E)	(F)		
39	1	172458-65560	PLATE, GUIDE	1	1						
39-1	1	172460-65900	PLATE ASSY, GUIDE	1	1	1	1	1	1	1	N
		(A=FROM 1ST) (B=FROM 1ST)									
40	1	172460-65570	ROD	1	1						
40-1	1	172460-65571	ROD ASSY, STOPPER	1	1	1	1	1	1	1	N
		(A=FROM 1ST) (B=FROM 1ST)									
41	1	26557-080202	SCREW, M8X20	2	2	2	2	2	2	2	
42	1	172460-65600	COVER ASSY, TAIL	1	1	1	1	1	1	1	
43	1	172460-65620	PLATE (GRAY:73)	1	1						
43-1	1	172460-65621	PLATE, GRIP (GRAY:73)	1	1	1	1	1	1	1	N
		(A=FROM 1ST) (B=FROM 1ST)									
44	1	172460-65660	BASE (GRAY:73)	1	1	1	1	1	1	1	
45	1	172156-65690	SPRING, STOPPER	1	1	1	1	1	1	1	
46	1	172455-65800	PLATE, LOCK	1	1	1	1	1	1	1	
47	1	172164-66170	KEY ASSY, CYLINDER	1	1	1	1	1	1	1	
48	1	172164-66170	KEY ASSY, CYLINDER	1	1	1	1	1	1	1	
49	1	22137-080000	WASHER, 8	1	1	1	1	1	1	1	
50	1	22137-100000	WASHER, 10	2	2	2	2	2	2	2	
51	1	22137-100000	WASHER, 10	2	2	2	2	2	2	2	
52	1	22137-100000	WASHER, 10	1	1	1	1	1	1	1	
53	1	22137-100000	WASHER, 10	2	2	2	2	2	2	2	
54	1	22137-100000	WASHER, 10	2	2	2	2	2	2	2	
55	1	22157-080000	WASHER, 8	2	2						Z
		(A=M/#21181) (B=M/#21181)									
56	1	22157-100000	WASHER, 10	2	2	2	2	2	2	2	
57	1	22157-100000	WASHER, 10	2	2	2	2	2	2	2	
58	1	22157-100000	WASHER, 10	3	3	3	3	3	3	3	
59	1	22157-100000	WASHER, 10	2	2	2	2	2	2	2	
60	1	22417-200200	PIN, COTTER 2.0X20	2	2	2	2	2	2	2	
61	1	22417-200200	PIN, COTTER 2.0X20	2	2	2	2	2	2	2	
62	1	22417-200200	PIN, COTTER 2.0X20	2	2	2	2	2	2	2	
63	1	26013-100202	BOLT, M10X 20	2	2	2	2	2	2	2	
64	1	26013-100202	BOLT, M10X 20	2	2	2	2	2	2	2	
65	1	26013-100202	BOLT, M10X 20	2	2	2	2	2	2	2	
66	1	26013-100202	BOLT, M10X 20	2	2	2	2	2	2	2	
67	1	26013-100252	BOLT, M10X 25	2	2						
67-1	1	26013-100302	BOLT, M10X 30	2	2	2	2	2	2	2	R
		(A=FROM 1ST) (B=FROM 1ST)									
68	1	26013-100252	BOLT, M10X 25	2	2	2	2	2	2	2	
69	1	26013-100252	BOLT, M10X 25	2	2	2	2	2	2	2	
70	1	26013-100252	BOLT, M10X 25	2	2	2	2	2	2	2	
71	1	26013-100252	BOLT, M10X 25	4	4	4	4	4	4	4	
72	1	26013-100252	BOLT, M10X 25	2	2	2	2	2	2	2	
73	1	26013-100252	BOLT, M10X 25	2	2	2	2	2	2	2	
74	1	26014-080162	BOLT, M8X 16	3	3	3	3	3	3	3	
75	1	26014-100202	BOLT, M10X 20	4	4	4	4	4	4	4	
76	1	26014-100202	BOLT, M10X 20	3	3	3	3	3	3	3	
77	1	26014-100202	BOLT, M10X 20	2	2	2	2	2	2	2	
78	1	26347-080002	NUT, M8	1	1	1	1	1	1	1	
79	1	26347-100002	NUT, M10	2	2	2	2	2	2	2	
80	1	172524-17330	KEY ASSY	2	2	2	2	2	2	2	

Fig.39. BONNET

(A)=VIO50-2C(US)
 (B)=VIO50-2P(US)
 (C)=VIO50-2C(AS)

(D)=VIO50-2P(AS)
 (E)=VIO50-2C(NZ)
 (F)=VIO50-2P(NZ)

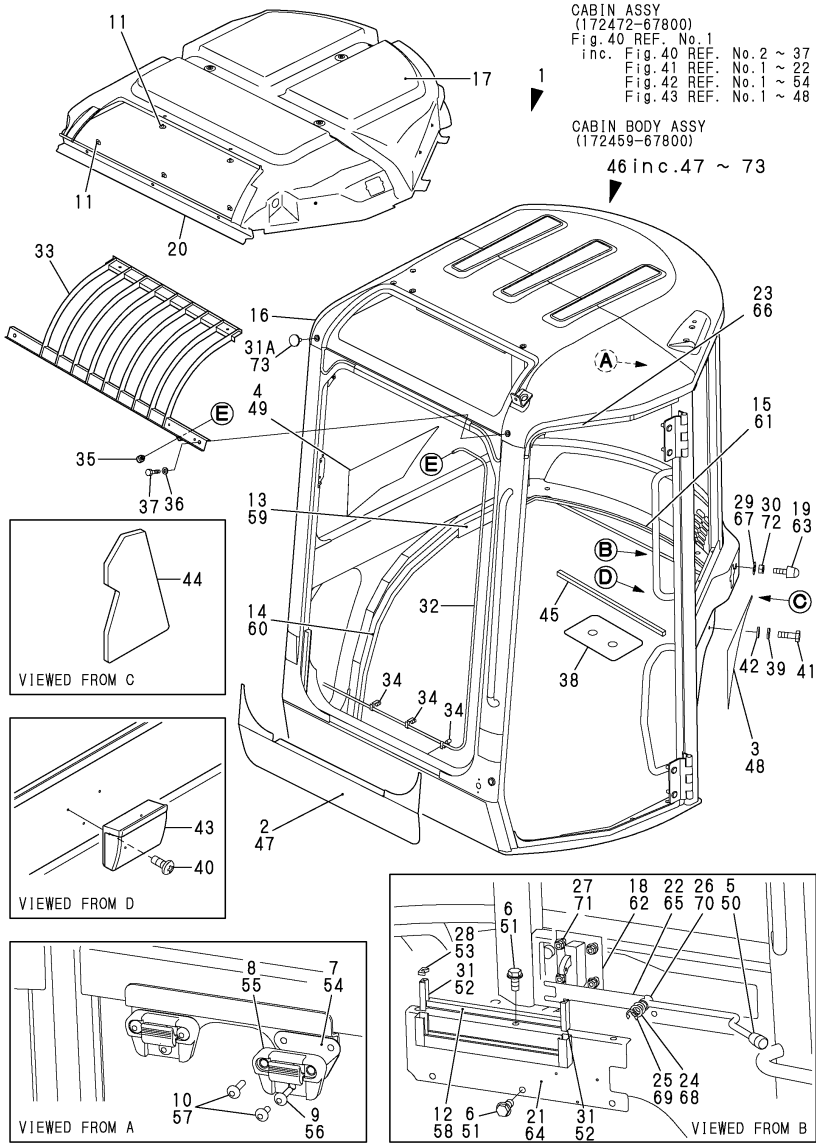


No.	Lev.	Parts No.	Description	Qty						I	R
				(A)	(B)	(C)	(D)	(E)	(F)		
81	1	172460-65840	SEAL, SPONGE	1	1	1	1	1	1		
82	1	172460-65820	SPONGE	1	1	1	1	1	1		
83	1	172460-65830	RUBBER, SEAL	1	1	1	1	1	1		
84	1	172434-61200	TRIM, 245	1	1	1	1	1	1		
85	1	1A1380-62160	WASHER	1	1	1	1	1	1		W
		(A=M/#21181) (B=M/#21181)									
86	1	22137-080000	WASHER, 8	1	1	1	1	1	1		W
		(A=M/#21181) (B=M/#21181)									
87	1	172460-65970	CABLE	1	1	1	1	1	1		W
		(A=FROM 1ST) (B=FROM 1ST)									
88	1	22137-080000	WASHER, 8	2	2	2	2	2	2		W
		(A=FROM 1ST) (B=FROM 1ST)									
89	1	22417-200200	PIN, COTTER 2.0X20	2	2	2	2	2	2		W
		(A=FROM 1ST) (B=FROM 1ST)									

Remarks

- (1)PLEASE USE THIS PART WITH FOLLOWING LABELS AT THE SAME TIME. REF. NO. 12A,12B,12C.
- (2)PLEASE USE THIS PART WITH FOLLOWING LABELS AT THE SAME TIME. REF. NO. 36A.
- (3)LABELS ARE NOT ILLUSTRATED.
- (4)INTERCHANGEABLE BY SIMULTANEOUS REPLACEMENT WITH FIG.10 REF.NO. 17-1,43-1,49-1 FIG.12 REF.NO.1-1, 3-1 FIG.13 REF.NO.1-1,7-1

Fig.40. CABIN(BODY)



(A)=VIO50-2C(US)
(B)=VIO50-2P(US)
(C)=VIO50-2C(AS)

(D)=VIO50-2P(AS)
(E)=VIO50-2C(NZ)
(F)=VIO50-2P(NZ)

No.	Lev.	Parts No.	Description	Q'ty						I	R
				(A)	(B)	(C)	(D)	(E)	(F)		
1	1	172472-67800	CABIN ASSY	1	1		1				
1-1	1	172472-67801	CABIN ASSY	1	1		1				N
		(A=M/#21512)	(C=M/#21512)				(E=M/#21512)				
1-2	1	172472-67802	CABIN ASSY	1	1		1				N
		(A=*2004.05)	(C=*2004.05)				(E=*2004.05)				
1-3	1	172458-67804	CABIN ASSY	1	1		1				N
		(A=*2004.07)	(C=*2004.07)				(E=*2004.07)				
2	2	172458-03310	LABEL	1	1		1				
3	2	172458-03320	LABEL	1	1		1				
4	2	172458-03330	LABEL	1	1		1				
5	2	1E5100-51430	KNOB CLUTCH(RED)	1	1		1				
6	2	172519-63240	BOLT	6	6		6				
7	2	172455-67330	PLATE ASSY LOW GLASS	2	2		2				
8	2	172455-67340	HOLDER GLASS UP	2	2		2				
9	2	172455-67350	SCREW	4	4		4				
10	2	172455-67360	SCREW	2	2		2				
11	2	172455-67550	CLIP	15	15		15				
12	2	172458-67840	RUN, GLASS	1	1		1				
13	2	172458-67960	SEAL	1	1		1				
14	2	172458-67970	SEAL	1	1		1				
15	2	172458-67980	SEAL	1	1		1				
15-1	2	172458-67981	SEAL	1	1		1				S
		(A=M/#21861)	(C=M/#21861)				(E=M/#21861)				
16	2	172472-67900	FRAME,CABIN(GREEN:83)	1	1		1				1
16-1	2	172472-67901	FRAME,CABIN(GREEN:83)	1	1		1				S
		(A=M/#21861)	(C=M/#21861)				(E=M/#21861)				
16-2	2	172472-67902	FRAME ASSY,CABIN(83)	1	1		1				N
		(A=*2004.05)	(C=*2004.05)				(E=*2004.05)				
16-3	2	172458-68004	FRAME,CABIN(GREEN:83)	1	1		1				N
		(A=*2004.07)	(C=*2004.07)				(E=*2004.07)				
17	2	172458-68850	INNER ROOF	1	1		1				
17-1	2	172458-68851	INNER ROOF	1	1		1				S
		(A=M/#21861)	(C=M/#21861)				(E=M/#21861)				
18	2	172162-69050	LOCK ASSY	1	1		1				
19	2	172165-69190	RUBBER, STOPPER	1	1		1				
20	2	172458-69220	INNER FRONT	1	1		1				
21	2	172458-69790	COVER ASSY	1	1		1				
22	2	172458-69830	LEVER	1	1		1				
23	2	172458-69930	SEAL, DOOR	1	1		1				
24	2	22117-120000	WASHER, 12	2	2		2				
25	2	22272-000100	RING, E-10	1	1		1				
26	2	24550-012200	BUSH, 12X20	1	1		1				
27	2	26366-080002	NUT, M8	4	4		4				
28	2	172455-67320	CAP, CHANNEL	2	2		2				
29	2	22117-100000	WASHER, 10	1	1		1				
30	2	26716-100002	NUT, M10	1	1		1				
31	2	172455-67310	RUN, GLASS	2	2		2				
31A	2	172455-67440	CLIP, TREE	4	4		4				W
		(A=MXXX)	(C=MXXX)				(E=MXXX)				
32	2	172472-17620	HOSE, WASHER	1	1		1				Z
		(A=*2004.07)	(C=*2004.07)				(E=*2004.07)				

Remarks

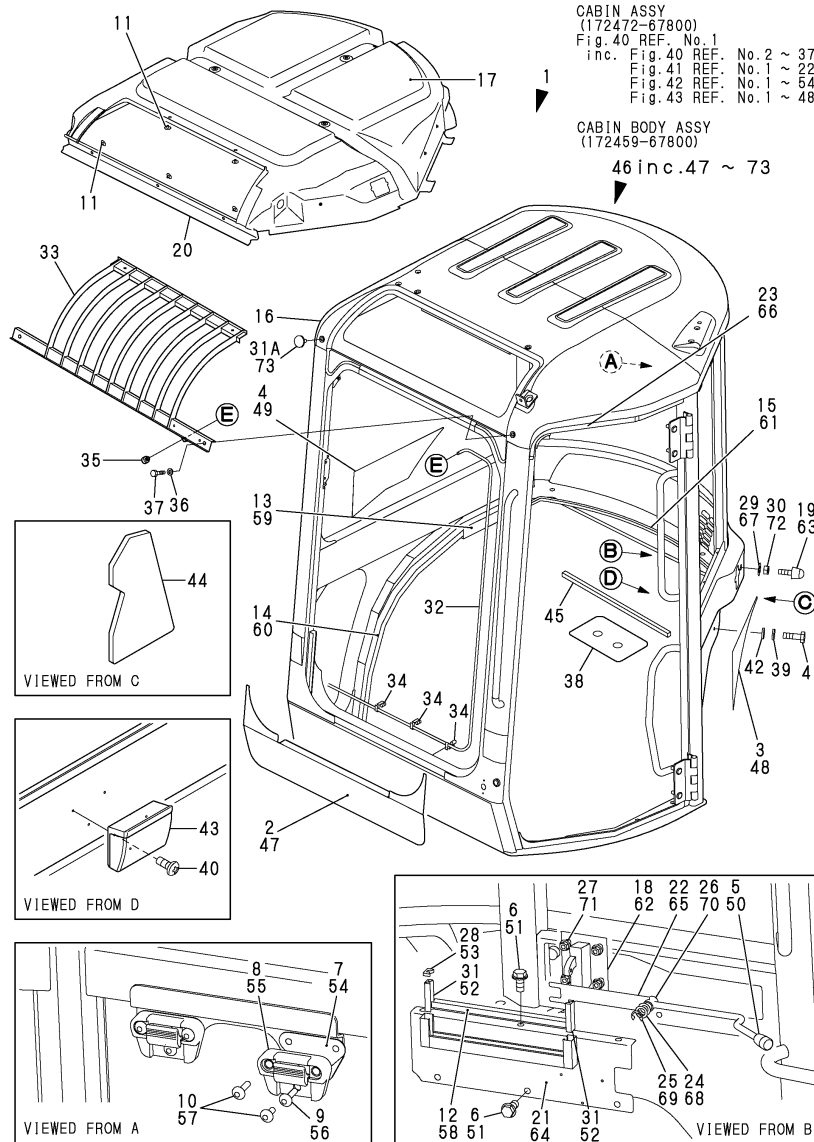
(1)PLEASE USE THIS PART WITH FOLLOWING LABELS AT THE SAME TIME.
REF. NO. 37A-37G.

(2)LABELS ARE NOT ILLUSTRATED.

Fig.40. CABIN(BODY)

(A)=VIO50-2C(US)
(B)=VIO50-2P(US)
(C)=VIO50-2C(AS)

(D)=VIO50-2P(AS)
(E)=VIO50-2C(NZ)
(F)=VIO50-2P(NZ)



No.	Lev.	Parts No.	Description	Q'ty						I	R
				(A)	(B)	(C)	(D)	(E)	(F)		
33	2	172472-66600	GUARD, FOPS (C=*2004.07)	1	1		1				Z
		(A=*2004.07)					(E=*2004.07)				
34	2	172455-67910	CLAMP, HARNESS (C=*2004.07)	3	3			3			Z
		(A=*2004.07)					(E=*2004.07)				
35	2	198094-86060	NOZZLE, WASHER (C=*2004.07)	1	1			1			Z
		(A=*2004.07)					(E=*2004.07)				
36	2	22137-100000	WASHER, 10 (C=*2004.07)	4	4			4			Z
		(A=*2004.07)					(E=*2004.07)				
37	2	26076-100352	BOLT, 10.910X 35 (C=*2004.07)	4	4			4			Z
		(A=*2004.07)					(E=*2004.07)				
37A	1	172437-03421	LABEL,MUFFLER	1	1			1			2
37B	1	172437-03440	LABEL,ROPS	1	1			1			2
37C	1	172437-03450	LABEL,SEAT BELT	1	1			1			2
37D	1	172147-03210	LABEL,2 SPEED	1	1			1			2
37E	1	172437-03550	LABEL,WINDOW	1	1			1			2
37F	1	172472-03250	LABEL,OPERATION Q US	1	1			1			2
37G	1	172149-03430	LABEL	1	1			1			2
38	1	172458-63580	SPACER	1	1			1			
39	1	22217-120000	WASHER, SPRING 12	13	13			13			
40	1	22867-400100	SCREW, 4X10	3	3			3			
41	1	26076-120402	BOLT, 10.912X 40	13	13			13			
42	1	172165-13220	WASHER	13	13			13			
43	1	172312-17250	ASHTRAY	1	1			1			
44	1	172458-63360	SHEET	1	1			1			
45	1	172458-63480	SEAL, SPONGE	1	1			1			
46	1	172459-67800	CABIN BODY ASSY (83)	1	1			1			
47	2	172458-03310	LABEL	1	1			1			
48	2	172458-03320	LABEL	1	1			1			
49	2	172458-03330	LABEL	1	1			1			
50	2	1E5100-51430	KNOB CLUTCH(RED)	1	1			1			
51	2	172519-63240	BOLT	6	6			6			
52	2	172455-67310	RUN, GLASS	2	2			2			
53	2	172455-67320	CAP, CHANNEL	2	2			2			
54	2	172455-67330	PLATE ASSY LOW GLASS	2	2			2			
55	2	172455-67340	HOLDER GLASS UP	2	2			2			
56	2	172455-67350	SCREW	4	4			4			
57	2	172455-67360	SCREW	2	2			2			
58	2	172458-67840	RUN, GLASS	1	1			1			
59	2	172458-67960	SEAL	1	1			1			
60	2	172458-67970	SEAL	1	1			1			
61	2	172458-67980	SEAL	1	1			1			
61-1	2	172458-67981	SEAL	1	1			1			S
		(A=M/#21861)	(C=M/#21861)				(E=M/#21861)				
62	2	172162-69050	LOCK ASSY	1	1			1			
63	2	172165-69190	RUBBER, STOPPER	1	1			1			
64	2	172458-69790	COVER ASSY	1	1			1			
65	2	172458-69830	LEVER	1	1			1			
66	2	172458-69930	SEAL, DOOR	1	1			1			
67	2	22117-100000	WASHER, 10	1	1			1			
68	2	22117-120000	WASHER, 12	2	2			2			
69	2	22272-000100	RING, E-10	1	1			1			

Remarks

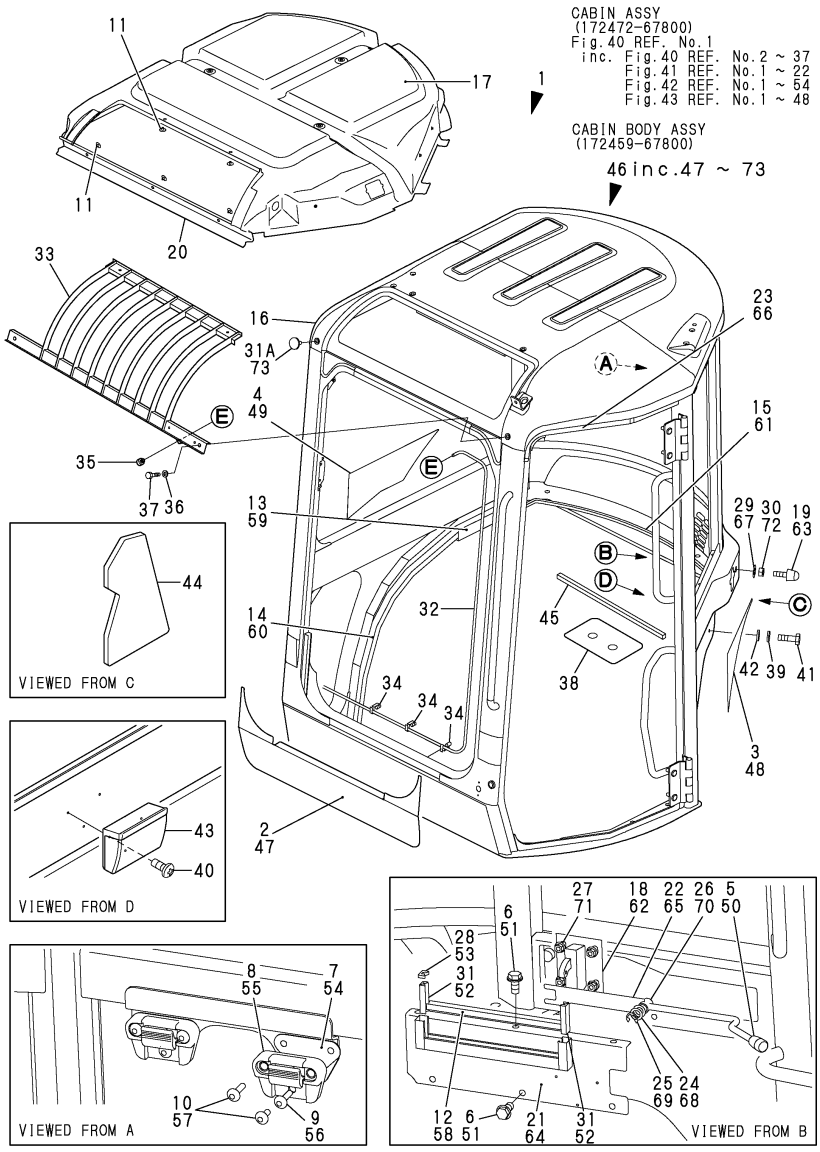
(1)PLEASE USE THIS PART WITH FOLLOWING LABELS AT THE SAME TIME. REF. NO. 37A-37G.

(2)LABELS ARE NOT ILLUSTRATED.

Fig.40. CABIN(BODY)

(A)=VIO50-2C(US)
 (B)=VIO50-2P(US)
 (C)=VIO50-2C(AS)

(D)=VIO50-2P(AS)
 (E)=VIO50-2C(NZ)
 (F)=VIO50-2P(NZ)



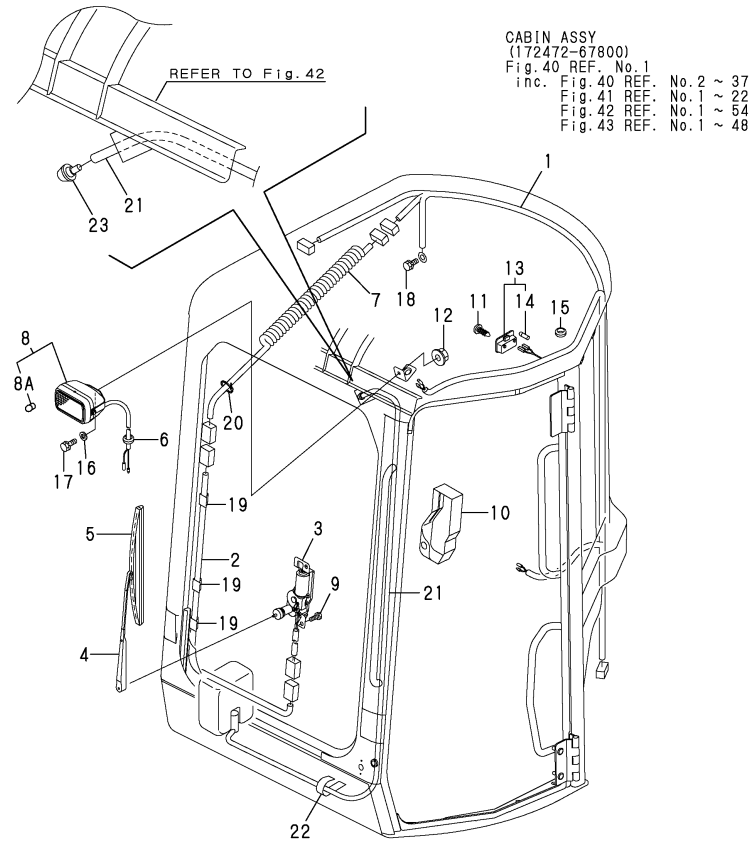
No.	Lev.	Parts No.	Description	Q'ty						I	R
				(A)	(B)	(C)	(D)	(E)	(F)		
70	2	24550-012200	BUSH, 12X20	1		1		1			
71	2	26366-080002	NUT, M8	4		4		4			
72	2	26716-100002	NUT, M10	1		1		1			
73	2	172455-67440	CLIP, TREE	4		4		4			

Remarks
 (1)PLEASE USE THIS PART WITH FOLLOW-
 ING LABELS AT THE SAME TIME.
 REF. NO. 37A-37G.
 (2)LABELS ARE NOT ILLUSTRATED.

Fig.41. CABIN(ELECTRIC PART)

(A)=VIO50-2C(US)
 (B)=VIO50-2P(US)
 (C)=VIO50-2C(AS)

(D)=VIO50-2P(AS)
 (E)=VIO50-2C(NZ)
 (F)=VIO50-2P(NZ)



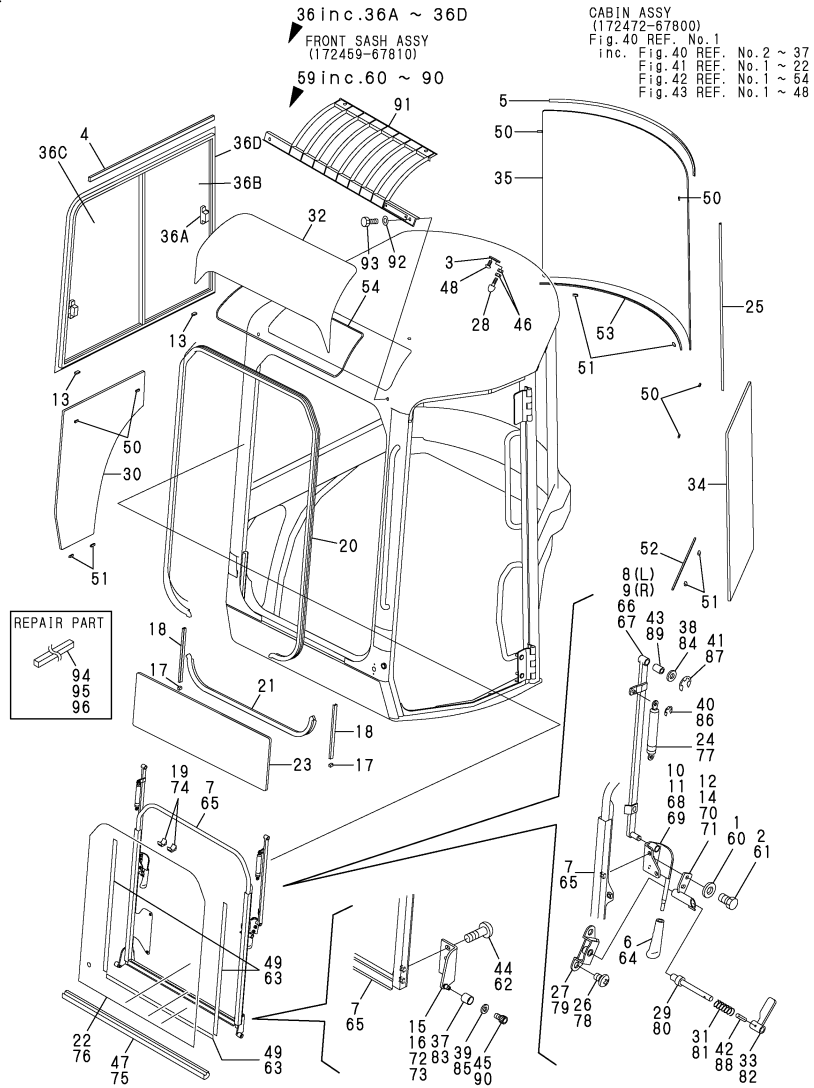
No.	Lev.	Parts No.	Description	Q'ty						I	R
				(A)	(B)	(C)	(D)	(E)	(F)		
1	2	172458-16610	WIRE HARNESS A	1	1		1				
1-1	2	172458-16611	WIRE HARNESS A(CABIN)	1	1		1				S
		(A=M/#21861)	(C=M/#21861)				(E=M/#21861)				
1-2	2	172458-16612	HARNESS A,WIRE(CABIN)	1	1		1				S 1
		(A=M/#21861)	(C=M/#21861)				(E=M/#21861)				
2	2	172458-16620	WIRE HARNESS B	1	1		1				
3	2	172458-17210	WIPER MOTOR	1	1		1				
4	2	172458-17220	ARM, WIPER	1	1		1				
5	2	172458-17230	WIPER BLADE	1	1		1				
6	2	172455-67870	GROMMET	2	2		2				
7	2	172455-67880	CORD	1	1		1				
8	2	172455-67970	WORKING LAMP	1	1		1				
8A	3	172458-17420	BULB	1	1		1				W
		(A=M/#20959)									
9	2	172455-69410	SET SCREW	2	2		2				
10	2	172455-69490	COVER, WIPER	1	1		1				
11	2	22857-400100	SCREW, 4X10	2	2		2				Z
		(A=M/#21861)	(C=M/#21861)				(E=M/#21861)				
12	2	26366-080002	NUT, M8	1	1		1				
13	2	933113-05150	LAMP, ROOM	1	1		1				
13-1	2	172455-67900	ROOM LAMP	1	1		1				S 1
		(A=M/#21861)	(C=M/#21861)				(E=M/#21861)				
14	3	933113-05160	BULB, 12V 5W	1	1		1				
15	2	172458-69320	GROMMET	1	1		1				
16	2	22137-080000	WASHER, 8	1	1		1				
17	2	26116-080202	BOLT, M8X 20 PLATED	1	1		1				
18	2	26013-080162	BOLT, M8X 16	1	1		1				
19	2	172455-67910	CLAMP, HARNESS	3	3		3				
20	2	933168-55770	BAND 146	1	1		1				
21	2	172472-17620	HOSE, WASHER	1	1		1				W
		(A=*2004.07)	(C=*2004.07)				(E=*2004.07)				
22	2	172455-67910	CLAMP, HARNESS	3	3		3				W
		(A=*2004.07)	(C=*2004.07)				(E=*2004.07)				
23	1	198094-86060	NOZZLE, WASHER	1	1		1				W
		(A=*2004.07)	(C=*2004.07)				(E=*2004.07)				

Remarks
 (1)INTERCHANGEABLE BY SIMULTANEOUS
 REPLACEMENT WITH REF.NO.1-2 & NO.
 13-1.

Fig.42. CABIN(GLASS)

(A)=VIO50-2C(US)
(B)=VIO50-2P(US)
(C)=VIO50-2C(AS)

(D)=VIO50-2P(AS)
(E)=VIO50-2C(NZ)
(F)=VIO50-2P(NZ)



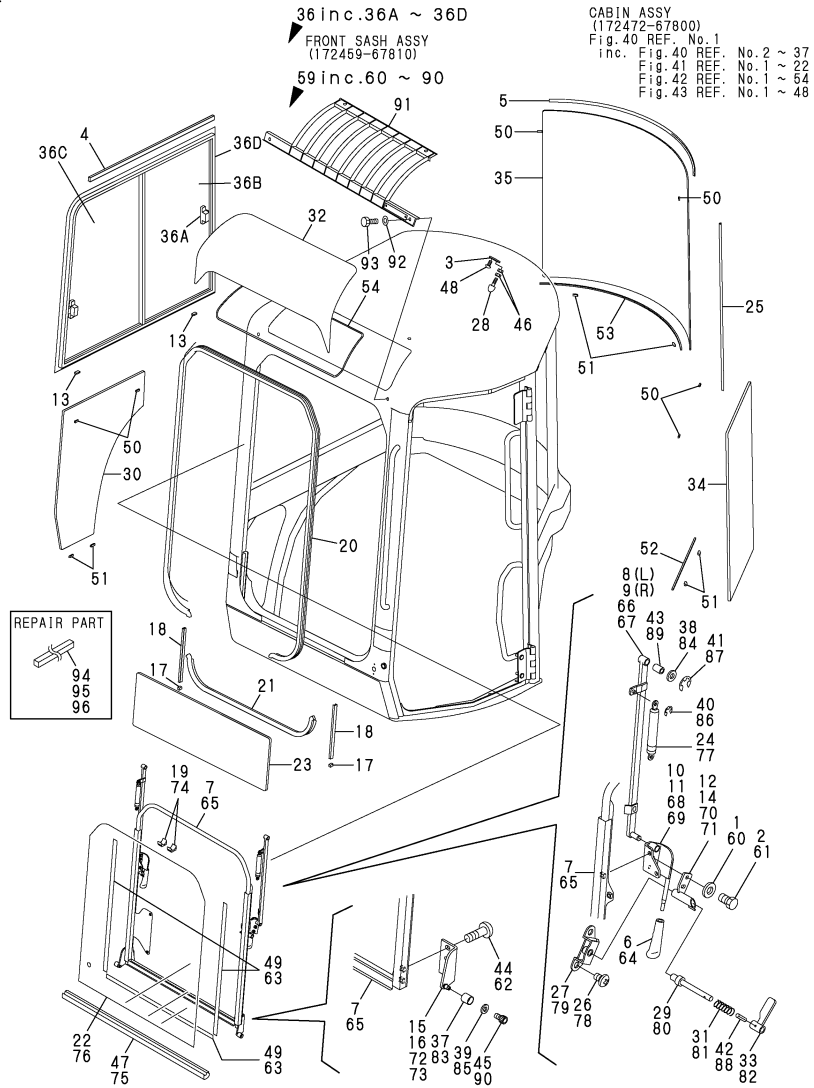
- Remarks
 (1)PLEASE USE THIS PART WITH FOLLOWING LABELS AT THE SAME TIME. REF. NO. 55.
 (2)PLEASE USE THIS PART WITH FOLLOWING LABELS AT THE SAME TIME. REF. NO. 56,57,58.
 (3)LABELS ARE NOT ILLUSTRATED.
 (4)REPAIR PARTS.

No.	Lev.	Parts No.	Description	Q'ty						I	R
				(A)	(B)	(C)	(D)	(E)	(F)		
1	2	172458-63670	HD WASHER	8	8		8				
2	2	172458-63680	BOLT 8X16	8	8		8				
3	2	172458-63700	PLATE	1	1		1				
4	2	172458-63760	SEAL, SPONGE	1	1		1				
5	2	172458-63770	TRIM	1	1		1				
6	2	172445-66750	GRIP	2	2		2				
7	2	172458-67340	FRAME,FRONT W (12)	1	1		1				
8	2	172458-67440	LINK L,FW (12)	1	1		1				
9	2	172458-67510	LINK R,FW (12)	1	1		1				
10	2	172458-67520	HANDLE L	1	1		1				
11	2	172458-67550	HANDLE R	1	1		1				
12	2	172458-67570	RUCHE	1	1		1				
13	2	172455-67610	SPACER	2	2		2				
14	2	172458-67610	RUCHE	1	1		1				
15	2	172458-67670	SHAFT ASSY, ROLLER	1	1		1				
16	2	172458-67680	SHAFT ASSY, ROLLER	1	1		1				
17	2	172455-67710	RUBBER, STOPPER	2	2		2				
18	2	172458-67830	RUN, GLASS	2	2		2				
19	2	172458-67850	RUBBER, STOPPER	2	2		2				
20	2	172458-67860	RUBBER, SEAL	1	1		1				
21	2	172458-67880	RUBBER, SEAL	1	1		1				
22	2	172458-67900	GLASS	1	1		1				
23	2	172458-67910	GLASS	1	1		1				
24	2	172458-67920	SPRING, GAS	2	2		2				
25	2	172458-69090	TRIM	1	1		1				
26	2	172463-69150	SCREW	4	4		4				
27	2	172463-69160	HOLDER ASSY,F/W	2	2		2				
28	2	172458-63800	RUBBER, STOPPER	1	1		1				
29	2	172463-69190	LATCH PIN	2	2		2				
30	2	172458-69200	GLASS	1	1		1				
31	2	172463-69200	SPRING	2	2		2				
32	2	172458-69210	SUNROOF	1	1		1				
33	2	172463-69210	LEVER ASSY,F/W	2	2		2				
34	2	172458-69230	GLASS	1	1		1				1
35	2	172458-69240	GLASS	1	1		1				
36	2	172458-69250	SASH ASSY	1	1		1				2
36A	3	172455-67770	LOCK ASSY, SASH	2	2		2				
36B	3	172458-69260	GLASS, SASH	1	1		1				
36C	3	172458-69270	GLASS, SASH	1	1		1				
36D	3	172458-69280	FRAME, SASH	1	1		1				
37	2	172445-69740	ROLLER	2	2		2				
38	2	22117-120000	WASHER, 12	4	4		4				
39	2	22137-060000	WASHER, 6	2	2		2				
40	2	22272-000060	RING, E- 6	4	4		4				
41	2	22272-000080	RING, E- 8	4	4		4				
42	2	22351-030012	PIN, SPRING 3.0X12	2	2		2				
43	2	24550-012200	BUSH, 12X20	4	4		4				
44	2	172458-63730	SCREW	4	4		4				
45	2	26450-060102	BOLT, M6X 10	2	2		2				
46	2	26716-100002	NUT, M10	1	1		1				
47	2	172458-67870	RUBBER, SEAL	1	1		1				

Fig.42. CABIN(GLASS)

(A)=VIO50-2C(US)
(B)=VIO50-2P(US)
(C)=VIO50-2C(AS)

(D)=VIO50-2P(AS)
(E)=VIO50-2C(NZ)
(F)=VIO50-2P(NZ)



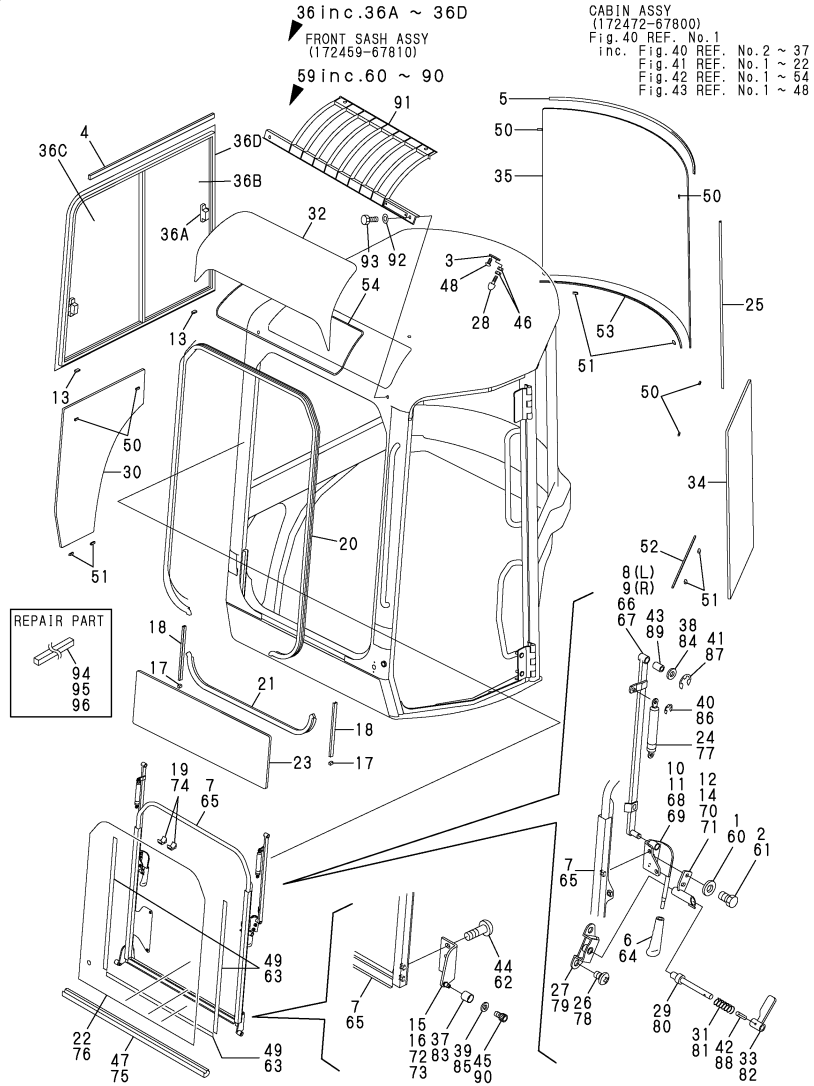
Remarks
(1)PLEASE USE THIS PART WITH FOLLOWING LABELS AT THE SAME TIME. REF. NO. 55.
(2)PLEASE USE THIS PART WITH FOLLOWING LABELS AT THE SAME TIME. REF. NO. 56,57,58.
(3)LABELS ARE NOT ILLUSTRATED.
(4)REPAIR PARTS.

No.	Lev.	Parts No.	Description	Q'ty						I	R
				(A)	(B)	(C)	(D)	(E)	(F)		
48	2	172458-63730	SCREW	1	1		1				
49	2	172458-63790	SEAL, DAM	3	3		3				
50	2	172458-63950	SPACER	6	6		6				
51	2	172458-63960	SPACER	6	6		6				
52	2	172458-63970	SEAL, DAM	1	1		1				
53	2	172458-63980	SEAL, DAM	1	1		1				
54	2	172458-63990	SEAL, DAM	1	1		1				
55	1	172463-03320	LABEL,F/W LOWER US	1	1		1				3
56	1	172467-03190	LABEL,LIFT Q US	1	1		1				3
56-1	1	172467-03191	LABEL, LIFT Q US	1	1		1			N	3
		(A=M/#21181)	(C=M/#21181)				(E=M/#21181)				
57	1	172437-03600	LABEL	1	1		1				3
58	1	172472-03240	LABEL,PIN US	1	1		1				3
59	1	172459-67810	SASH ASSY	1	1		1				
60	2	172458-63670	HD WASHER	8	8		8				
61	2	172458-63680	BOLT 8X16	8	8		8				
62	2	172458-63730	SCREW	4	4		4				
63	2	172458-63790	SEAL, DAM	3	3		3				
64	2	172445-66750	GRIP	2	2		2				
65	2	172458-67340	FRAME,FRONT W (12)	1	1		1				
66	2	172458-67440	LINK L,FW (12)	1	1		1				
67	2	172458-67510	LINK R,FW (12)	1	1		1				
68	2	172458-67520	HANDLE L	1	1		1				
69	2	172458-67550	HANDLE R	1	1		1				
70	2	172458-67570	RUCHE	1	1		1				
71	2	172458-67610	RUCHE	1	1		1				
72	2	172458-67670	SHAFT ASSY, ROLLER	1	1		1				
73	2	172458-67680	SHAFT ASSY, ROLLER	1	1		1				
74	2	172458-67850	RUBBER, STOPPER	2	2		2				
75	2	172458-67870	RUBBER, SEAL	1	1		1				
76	2	172458-67900	GLASS	1	1		1				
77	2	172458-67920	SPRING, GAS	2	2		2				
78	2	172463-69150	SCREW	4	4		4				
79	2	172463-69160	HOLDER ASSY,F/W	2	2		2				
80	2	172463-69190	LATCH PIN	2	2		2				
81	2	172463-69200	SPRING	2	2		2				
82	2	172463-69210	LEVER ASSY,F/W	2	2		2				
83	2	172445-69740	ROLLER	2	2		2				
84	2	22117-120000	WASHER, 12	4	4		4				
85	2	22137-060000	WASHER, 6	2	2		2				
86	2	22272-000060	RING, E- 6	4	4		4				
87	2	22272-000080	RING, E- 8	4	4		4				
88	2	22351-030012	PIN, SPRING 3.0X12	2	2		2				
89	2	24550-012200	BUSH, 12X20	4	4		4				
90	2	26450-060102	BOLT, M6X 10	2	2		2				
91	1	172472-66611	GUARD, FOPS	1	1		1				W
		(A=*2004.07)	(C=*2004.07)				(E=*2004.07)				
92	1	22137-100000	WASHER, 10	4	4		4				W
		(A=*2004.07)	(C=*2004.07)				(E=*2004.07)				
93	1	26076-100352	BOLT, 10.910X 35	4	4		4				W
		(A=*2004.07)	(C=*2004.07)				(E=*2004.07)				

Fig.42. CABIN(GLASS)

(A)=VIO50-2C(US)
 (B)=VIO50-2P(US)
 (C)=VIO50-2C(AS)

(D)=VIO50-2P(AS)
 (E)=VIO50-2C(NZ)
 (F)=VIO50-2P(NZ)



No.	Lev.	Parts No.	Description	Q'ty						I	R
				(A)	(B)	(C)	(D)	(E)	(F)		
94	1	172478-68600	SEAL, DAM (A=*2004.05) (C=*2004.05)	1	1			1		W	4
95	1	172478-68610	SEAL, DAM (A=*2004.05) (C=*2004.05)	1	1			1		W	4
96	1	172478-68620	SEAL, DAM (A=*2004.05) (C=*2004.05)	1	1			1		W	4

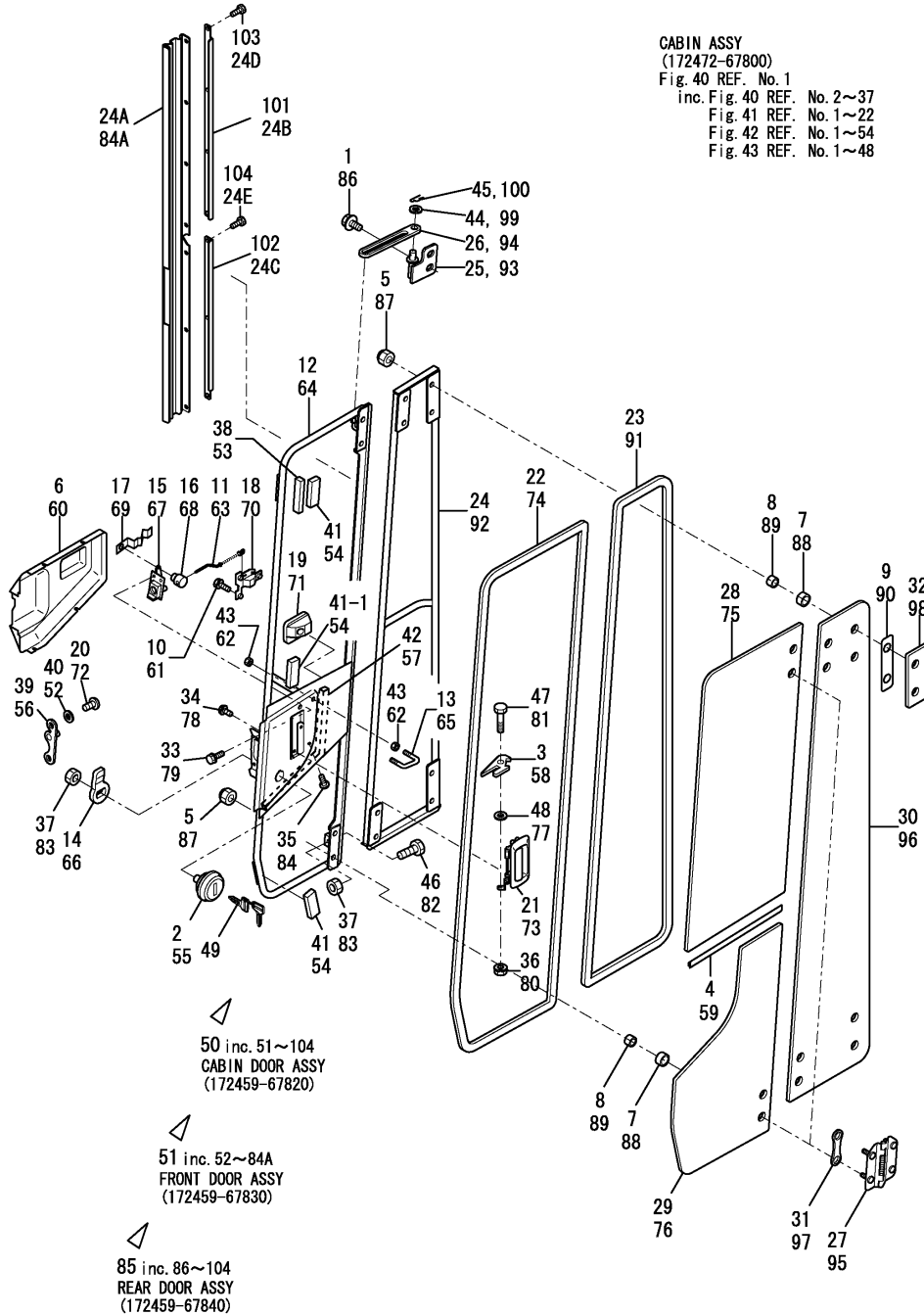
Remarks

- (1)PLEASE USE THIS PART WITH FOLLOWING LABELS AT THE SAME TIME. REF. NO. 55.
- (2)PLEASE USE THIS PART WITH FOLLOWING LABELS AT THE SAME TIME. REF. NO. 56,57,58.
- (3)LABELS ARE NOT ILLUSTRATED.
- (4)REPAIR PARTS.

Fig.43. CABIN(DOOR)

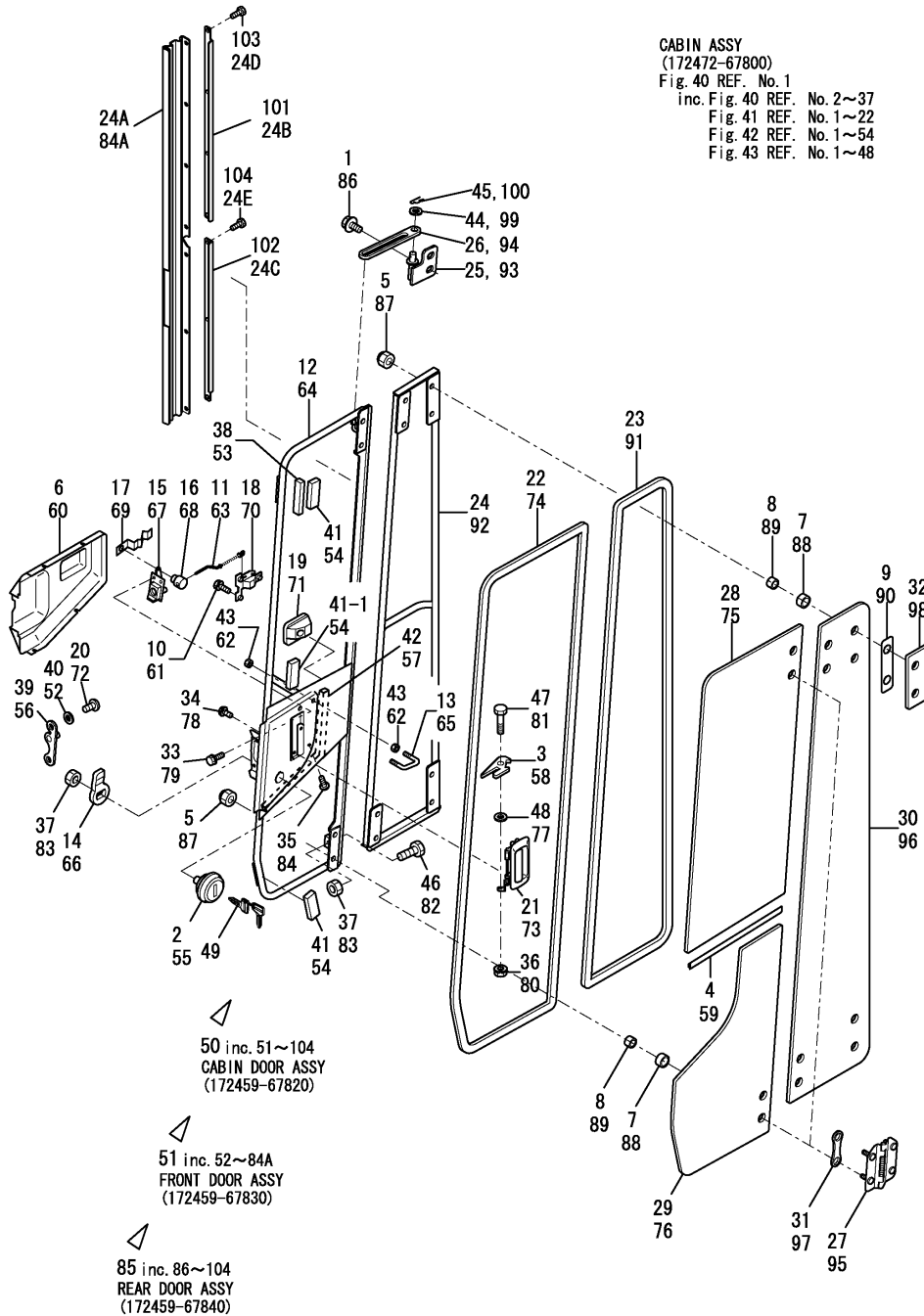
(A)=VIO50-2C(US)
(B)=VIO50-2P(US)
(C)=VIO50-2C(AS)

(D)=VIO50-2P(AS)
(E)=VIO50-2C(NZ)
(F)=VIO50-2P(NZ)



No.	Lev.	Parts No.	Description	Q'ty						I	R
				(A)	(B)	(C)	(D)	(E)	(F)		
1	2	172519-63240	BOLT	2	2		2				
2	2	172164-66170	KEY ASSY, CYLINDER	1	1		1				
3	2	172458-67940	PLATE	1	1		1				
4	2	172458-69100	TRIM	1	1		1				
5	2	172455-69140	NUT, CAP	12	12		12				
6	2	172455-69170	COVER, LATCH	1	1		1				
7	2	172455-69200	TUBE	12	12		12				
8	2	172455-69250	PIPE	12	12		12				
9	2	172455-69290	PACKING	4	4		4				
10	2	172455-69300	SCREW	3	3		3				
11	2	172445-69400	ROD	1	1		1				
12	2	172458-69400	FRAME,DOOR F (12)	1	1		1				
13	2	172445-69420	DOOR HOOK	1	1		1				
14	2	172162-69470	LOCK PLATE	1	1		1				
15	2	172162-69480	LOCK ASSY	1	1		1				
16	2	172162-69490	PIN	1	1		1				
17	2	172162-69500	SPRING	1	1		1				
18	2	172162-69510	HANDLE ASSY	1	1		1				
19	2	172162-69520	COVER	1	1		1				
20	2	172455-69520	SCREW	2	2		2				
21	2	172162-69541	HANDLE, OUTER	1	1		1				
22	2	172458-69580	TRIM ASSY	1	1		1				
23	2	172458-69590	TRIM ASSY	1	1		1				
24	2	172458-69600	FRAME ASSY,DOOR REAR	1	1		1				
24-1	2	172458-69601	FRAME,DOOR REAR (12)	1	1		1				S
		(A=M/#21512)	(C=M/#21512)				(E=M/#21512)				
24A	2	172458-66720	COVER, DOOR	1	1		1				W
		(A=M/#21512)	(C=M/#21512)				(E=M/#21512)				
24B	2	172458-66780	UPPER PLATE,DOOR REA	1	1		1				W
		(A=M/#21512)	(C=M/#21512)				(E=M/#21512)				
24C	2	172458-66790	LOWER PLATE,DOOR REA	1	1		1				W
		(A=M/#21512)	(C=M/#21512)				(E=M/#21512)				
24D	2	172458-66800	SCREW	4	4		4				W
		(A=M/#21512)	(C=M/#21512)				(E=M/#21512)				
24E	2	172458-66800	SCREW	3	3		3				W
		(A=M/#21512)	(C=M/#21512)				(E=M/#21512)				
25	2	172458-69730	PLATE	1	1		1				
26	2	172458-69760	GUIDE, STOPPER	1	1		1				
27	2	172458-69770	HINGE	2	2		2				
28	2	172458-69900	GLASS, DOOR	1	1		1				
29	2	172458-69910	GLASS, DOOR	1	1		1				
30	2	172458-69920	GLASS, DOOR	1	1		1				
31	2	172458-69960	GASKET	8	8		8				
32	2	172458-69990	COVER	2	2		2				
33	2	26013-060162	BOLT, M6X 16	3	3		3				
34	2	26023-060122	SCREW, M6X12	2	2		2				
35	2	26023-060162	SCREW, M6X16	4	4		4				
36	2	26051-080002	NUT, M8	1	1		1				
37	2	26716-100002	NUT, M10	2	2		2				
38	2	172458-63930	STOPPER	1	1		1				
39	2	172458-67020	STRIKER ASSY	1	1		1				

Fig.43. CABIN(DOOR)



(A)=VIO50-2C(US)
(B)=VIO50-2P(US)
(C)=VIO50-2C(AS)

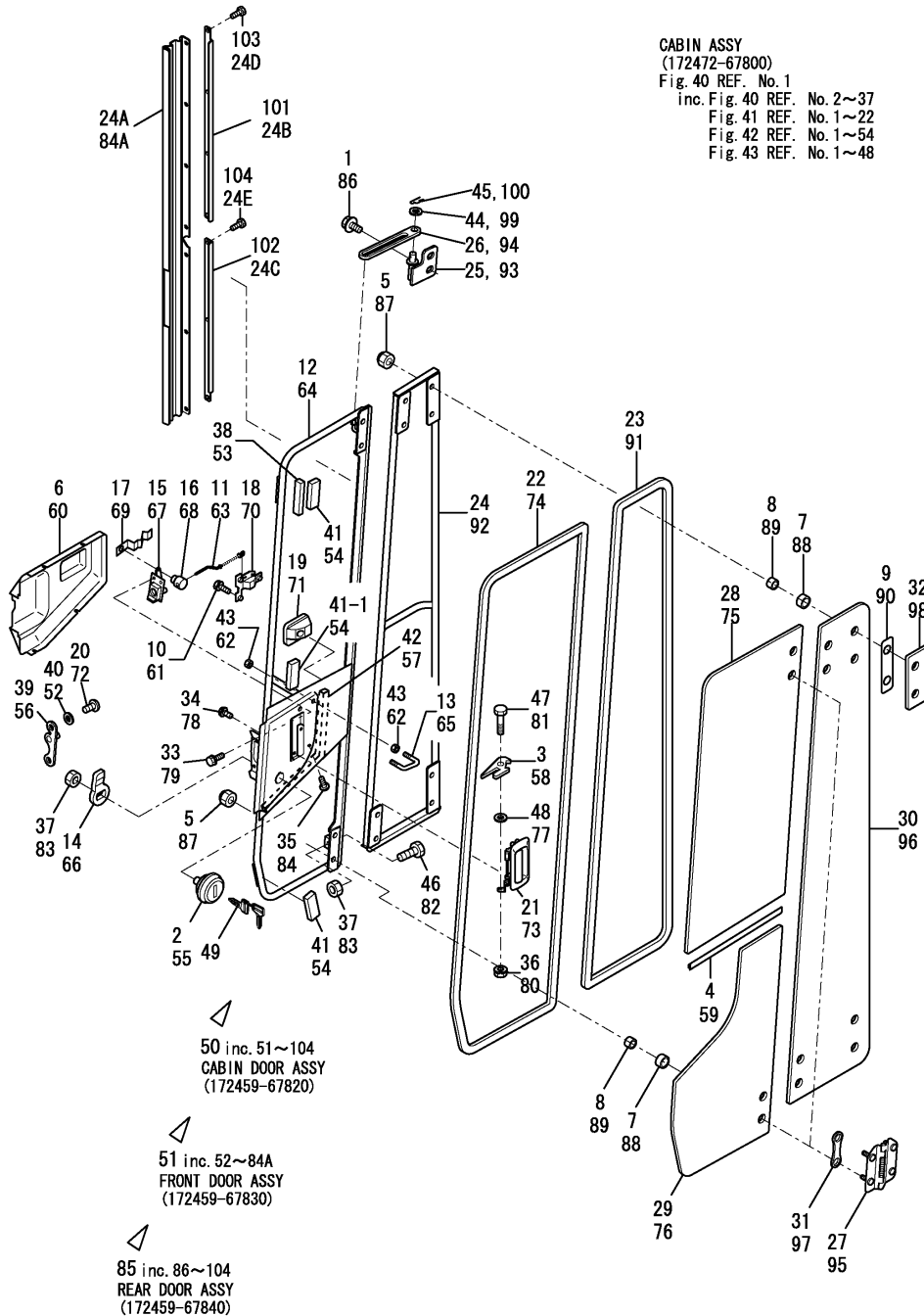
(D)=VIO50-2P(AS)
(E)=VIO50-2C(NZ)
(F)=VIO50-2P(NZ)

No.	Lev.	Parts No.	Description	Q'ty						I	R
				(A)	(B)	(C)	(D)	(E)	(F)		
40	2	172458-63670	HD WASHER	2	2		2				
41	2	172458-67640	DUM, 80	2	2		2				
41-1	2	172458-63950	SPACER	3	3		3				N
(A=M/#20746) (C=M/#20746) (E=M/#20746)											
42	2	172458-67650	SEAL, DAM	1	1		1				
43	2	172445-69320	NUT	4	4		4				
44	2	22137-080000	WASHER, 8	2	2		2				
45	2	22372-080000	PIN, SNAP 8	2	2		2				
45-1	2	22417-200160	PIN, COTTER 2.0X16	2	2		2				N
(A=M/#21144) (C=M/#21144) (E=M/#21144)											
46	2	26116-100304	BOLT, M10X 30 PLATED	1	1		1				
47	2	26116-080202	BOLT, M8X 20 PLATED	1	1		1				
48	2	22137-080000	WASHER, 8	1	1		1				
49	1	172524-17330	KEY ASSY	1	1		1				
50	1	172459-67820	DOOR ASSY	1	1		1				
50-1	1	172459-67821	DOOR ASSY	1	1		1				N
(A=M/#21512) (C=M/#21512) (E=M/#21512)											
51	2	172459-67830	DOOR ASSY	1	1		1				
51-1	2	172459-67831	DOOR ASSY	1	1		1				S
(A=M/#21512) (C=M/#21512) (E=M/#21512)											
52	3	172458-63670	HD WASHER	2	2		2				
53	3	172458-63930	STOPPER	1	1		1				
54	3	172458-63950	SPACER	3	3		3				
55	3	172164-66170	KEY ASSY, CYLINDER	1	1		1				
56	3	172458-67020	STRIKER ASSY	1	1		1				
57	3	172458-67650	SEAL, DAM	1	1		1				
58	3	172458-67940	PLATE	1	1		1				
59	3	172458-69100	TRIM	1	1		1				
60	3	172455-69170	COVER, LATCH	1	1		1				
61	3	172455-69300	SCREW	3	3		3				
62	3	172445-69320	NUT	4	4		4				
63	3	172445-69400	ROD	1	1		1				
64	3	172458-69400	FRAME, DOOR F (12)	1	1		1				
65	3	172445-69420	DOOR HOOK	1	1		1				
66	3	172162-69470	LOCK PLATE	1	1		1				
67	3	172162-69480	LOCK ASSY	1	1		1				
68	3	172162-69490	PIN	1	1		1				
69	3	172162-69500	SPRING	1	1		1				
70	3	172162-69510	HANDLE ASSY	1	1		1				
71	3	172162-69520	COVER	1	1		1				
72	3	172455-69520	SCREW	2	2		2				
73	3	172162-69541	HANDLE, OUTER	1	1		1				
74	3	172458-69580	TRIM ASSY	1	1		1				
75	3	172458-69900	GLASS, DOOR	1	1		1				
76	3	172458-69910	GLASS, DOOR	1	1		1				
77	3	22137-080000	WASHER, 8	1	1		1				
78	3	26023-060122	SCREW, M6X12	2	2		2				
79	3	26013-060162	BOLT, M6X 16	3	3		3				
80	3	26051-080002	NUT, M8	1	1		1				
81	3	26116-080202	BOLT, M8X 20 PLATED	1	1		1				
82	3	26116-100304	BOLT, M10X 30 PLATED	1	1		1				

Fig.43. CABIN(DOOR)

(A)=VIO50-2C(US)
 (B)=VIO50-2P(US)
 (C)=VIO50-2C(AS)

(D)=VIO50-2P(AS)
 (E)=VIO50-2C(NZ)
 (F)=VIO50-2P(NZ)

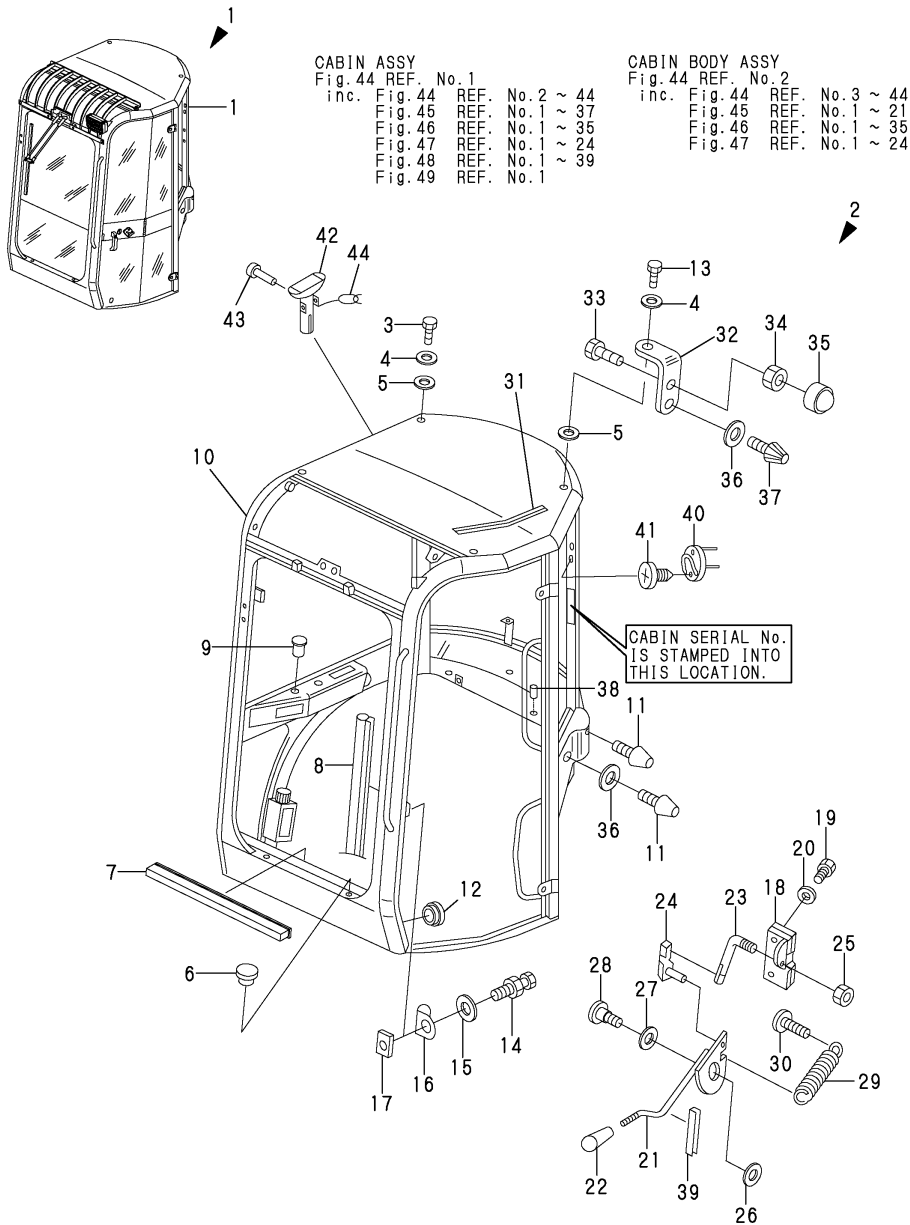


No.	Lev.	Parts No.	Description	Q'ty						I	R
				(A)	(B)	(C)	(D)	(E)	(F)		
83	3	26716-100002	NUT, M10	2	2		2				
84	3	26023-060162	SCREW, M6X16	4	4		4				
84A	3	172458-66720	COVER, DOOR	1	1		1	1			W
		(A=M/#21512)	(C=M/#21512)				(E=M/#21512)				
85	2	172459-67840	DOOR ASSY	1	1		1				
85-1	2	172459-67841	DOOR ASSY	1	1		1	1			S
		(A=M/#21512)	(C=M/#21512)				(E=M/#21512)				
86	3	172519-63240	BOLT	2	2		2	2			
87	3	172455-69140	NUT, CAP	12	12		12	12			
88	3	172455-69200	TUBE	12	12		12	12			
89	3	172455-69250	PIPE	12	12		12	12			
90	3	172455-69290	PACKING	4	4		4	4			
91	3	172458-69590	TRIM ASSY	1	1		1	1			
92	3	172458-69600	FRAME ASSY, DOOR REAR	1	1		1	1			
92-1	3	172458-69601	FRAME, DOOR REAR (12)	1	1		1	1			S
		(A=M/#21512)	(C=M/#21512)				(E=M/#21512)				
93	3	172458-69730	PLATE	1	1		1	1			
94	3	172458-69760	GUIDE, STOPPER	1	1		1	1			
95	3	172458-69770	HINGE	2	2		2	2			
96	3	172458-69920	GLASS, DOOR	1	1		1	1			
97	3	172458-69960	GASKET	8	8		8	8			
98	3	172458-69990	COVER	2	2		2	2			
99	3	22137-080000	WASHER, 8	2	2		2	2			
100	3	22417-200160	PIN, COTTER 2.0X16	2	2		2	2			
101	3	172458-66780	UPPER PLATE, DOOR REA	1	1		1	1			W
		(A=M/#21512)	(C=M/#21512)				(E=M/#21512)				
102	3	172458-66790	LOWER PLATE, DOOR REA	1	1		1	1			W
		(A=M/#21512)	(C=M/#21512)				(E=M/#21512)				
103	3	172458-66800	SCREW	4	4		4	4			W
		(A=M/#21512)	(C=M/#21512)				(E=M/#21512)				
104	3	172458-66800	SCREW	3	3		3	3			W
		(A=M/#21512)	(C=M/#21512)				(E=M/#21512)				

Fig.44. TIM CABIN(BODY)

(A)=VIO50-2C(US)
 (B)=VIO50-2P(US)
 (C)=VIO50-2C(AS)

(D)=VIO50-2P(AS)
 (E)=VIO50-2C(NZ)
 (F)=VIO50-2P(NZ)



No.	Lev.	Parts No.	Description	Q'ty						I	R
				(A)	(B)	(C)	(D)	(E)	(F)		
1	1	172472-68400	CABIN ASSY	1							
2	2	172472-68410	CABIN ASSY	1							
3	3	172456-68180	BOLT 16X30	1							
4	3	172A21-68990	WASHER	2							
5	3	172A21-68840	WASHER, 15X30X2	2							
6	3	172456-68550	STOPPER	4							
7	3	172472-68550	SEAL, 820	1							
8	3	172472-68560	SEAL, 3300	1							
9	3	172472-68840	NUT, M5	2							
10	3	172472-68470	CABINE BASE ASSY	1							
11	3	172437-68640	STOPPER, DOOR	2							
12	3	172456-68570	PLUG	2							
13	3	172472-68570	BOLT 16X40	1							
14	3	172456-68720	CATCH, DOOR	1							
15	3	172456-68750	WASHER, 12X30X2	1							
16	3	172456-68730	PROTECTOR L	1							
17	3	172456-68380	PLATE	1							
18	3	172456-68880	CATCH, DOOR	1							
19	3	172456-68390	BOLT 6X35	4							
20	3	172456-68930	WASHER	4							
21	3	172472-68590	REVER DOOR LOCK	1							
22	3	172456-68770	KNOB, LEVER	1							
23	3	172456-68850	LINKAGE	1							
24	3	172456-68860	CLIP	1							
25	3	172456-68870	NUT, SAFETY	1							
26	3	172456-68780	WASHER	1							
27	3	172456-68790	COLLAR, NYLON	1							
28	3	172456-68800	SCREW	1							
29	3	172456-68830	SPRING, 1.5X10X50	1							
30	3	172456-68840	SCREW, M8X20	1							
31	3	172472-68710	SEAL, 360	1							
32	3	172472-68780	SUPPORT, DOOR	1							
33	3	172472-68790	BOLT	1							
34	3	172456-68100	NUT, M8	1							
35	3	172A21-69030	CAP, NUT M8	1							
36	3	172456-68710	WASHER, 10X38X5	2							
37	3	172437-68640	STOPPER, DOOR	1							
38	3	172A21-69020	NUT, M6	2							
39	3	172456-69320	SEAL, 90	1							
40	3	172456-68640	HOOK	1							
41	3	172456-68650	SCREW, M3.5X12.7	2							
42	3	172456-68660	HAMMER	1							
43	3	172456-68670	RIVET 3.2X8	2							
44	3	172456-68680	SEAL, BAND	1							

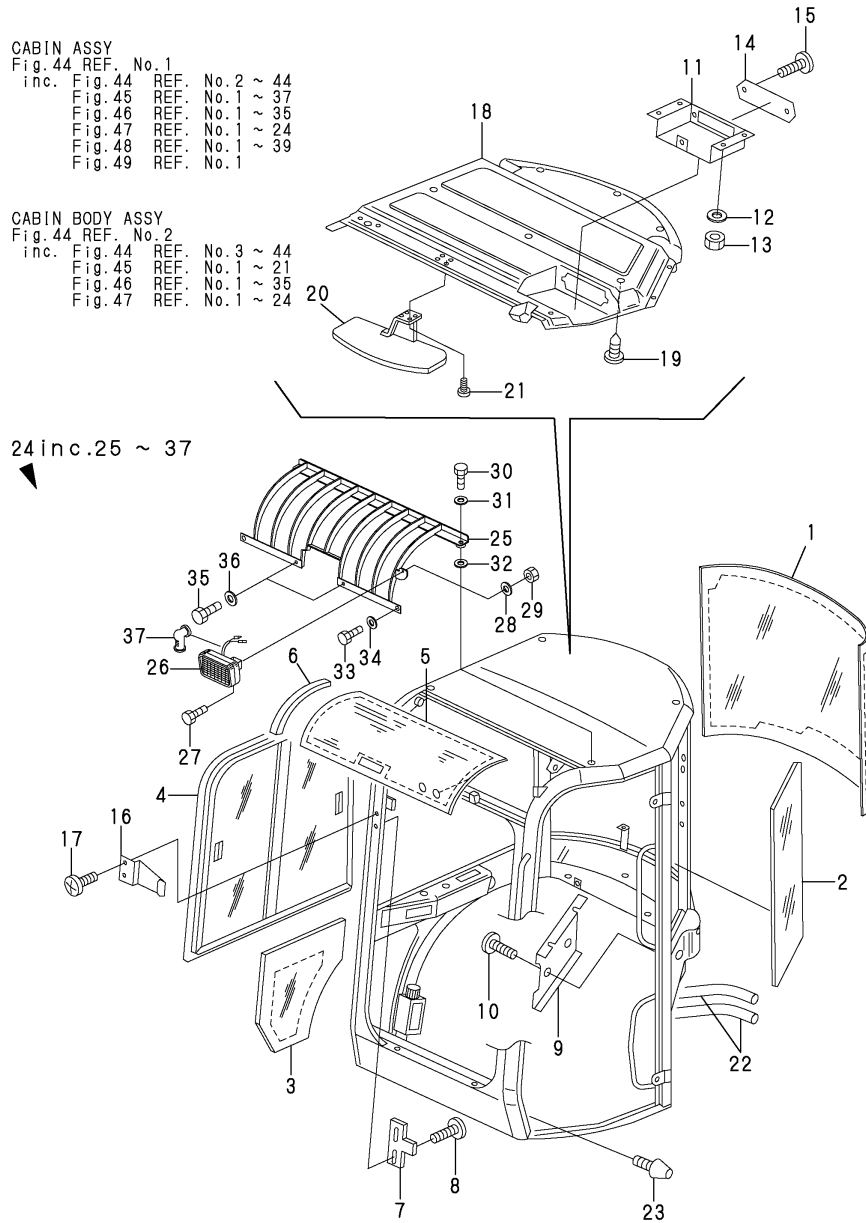
Fig.45. TIM CABIN(ACCESSORY)

(A)=VIO50-2C(US)
 (B)=VIO50-2P(US)
 (C)=VIO50-2C(AS)

(D)=VIO50-2P(AS)
 (E)=VIO50-2C(NZ)
 (F)=VIO50-2P(NZ)

CABIN ASSY
 Fig.44 REF. No.1
 inc. Fig.44 REF. No.2 ~ 44
 Fig.45 REF. No.1 ~ 37
 Fig.46 REF. No.1 ~ 35
 Fig.47 REF. No.1 ~ 24
 Fig.48 REF. No.1 ~ 39
 Fig.49 REF. No.1

CABIN BODY ASSY
 Fig.44 REF. No.2
 inc. Fig.44 REF. No.3 ~ 44
 Fig.45 REF. No.1 ~ 21
 Fig.46 REF. No.1 ~ 35
 Fig.47 REF. No.1 ~ 24



No.	Lev.	Parts No.	Description	Q'ty						I	R
				(A)	(B)	(C)	(D)	(E)	(F)		
1	3	172472-68480	GLASS	1							
2	3	172472-68490	GLASS	1							
3	3	172472-68500	GLASS	1							
4	3	172472-68510	SASH ASSY	1							
5	3	172472-68520	GLASS, SKYLIGHT	1							
6	3	172456-68490	SEAL, JOINT 300	2							
7	3	172437-68780	HOLDER,FRONT WINDOW	2							
8	3	172456-68950	SCREW, M6X16	4							
9	3	172472-68600	COVER, LOCK	1							
10	3	172456-68950	SCREW, M6X16	4							
11	3	172472-68620	SUPPORT, RADIO	1							
12	3	172456-68930	WASHER	4							
13	3	172456-69900	NUT, M6	4							
14	3	172A21-68610	PLATE,RADIO	1							
15	3	172456-68950	SCREW, M6X16	2							
16	3	172456-68600	SUPPORT, WIPER BLADE	1							
17	3	172456-68610	SCREW, M5X8	2							
18	3	172472-68700	INNER ROOF	1							
19	3	172A21-68870	CAP	10							
20	3	172437-68600	SUNVISOR	1							
21	3	172456-68220	SCREW, M4.8X15.9	3							
22	2	172472-68450	HOSE, HEATER	2							
23	2	172472-68460	STOPPER, RUBBER	1							
24	2	172472-68440	GRILLE ASSY	1							
25	3	172472-69200	GRILLE ASSY	1							
26	3	172472-69210	WORK LAMP	1							
27	3	172456-69980	SCREW, M8X16	1							
28	3	172456-69990	WASHER, 8	1							
29	3	172456-68100	NUT, M8	1							
30	3	172472-68570	BOLT 16X40	2							
31	3	172A21-68990	WASHER	2							
32	3	172A21-68840	WASHER, 15X30X2	2							
33	3	172472-69220	BOLT 16X25	2							
34	3	172A21-68990	WASHER	2							
35	3	172472-69230	BOLT M10X20	2							
36	3	172437-68350	WASHER 10.5X30X2.5	2							
37	3	172456-68110	CAP	2							

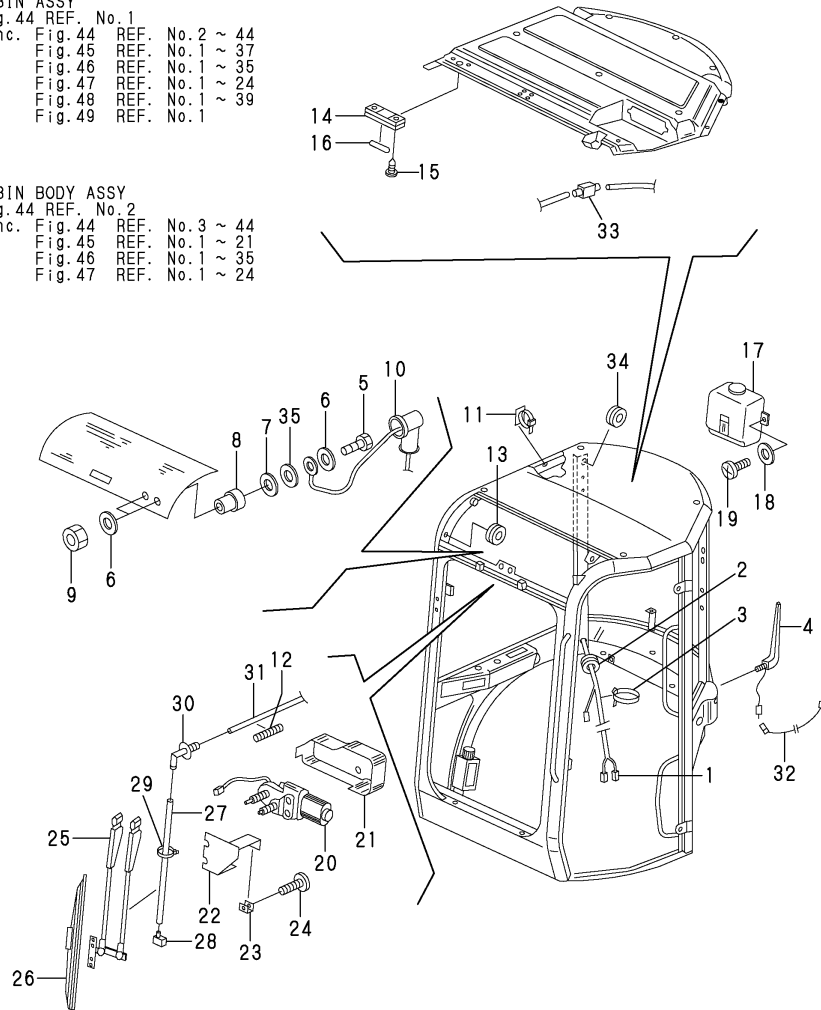
Fig.46. TIM CABIN(ELECTRIC PART & WIPER)

(A)=VIO50-2C(US)
 (B)=VIO50-2P(US)
 (C)=VIO50-2C(AS)

(D)=VIO50-2P(AS)
 (E)=VIO50-2C(NZ)
 (F)=VIO50-2P(NZ)

CABIN ASSY
 Fig.44 REF. No.1
 inc. Fig.44 REF. No.2 ~ 44
 Fig.45 REF. No.1 ~ 37
 Fig.46 REF. No.1 ~ 35
 Fig.47 REF. No.1 ~ 24
 Fig.48 REF. No.1 ~ 39
 Fig.49 REF. No.1

CABIN BODY ASSY
 Fig.44 REF. No.2
 inc. Fig.44 REF. No.3 ~ 44
 Fig.45 REF. No.1 ~ 21
 Fig.46 REF. No.1 ~ 35
 Fig.47 REF. No.1 ~ 24



No.	Lev.	Parts No.	Description	Q'ty						I	R
				(A)	(B)	(C)	(D)	(E)	(F)		
1	3	172472-68530	WIRE HARNESS CABIN	1							
2	3	172456-68510	GROMMET	1							
3	3	172472-68540	BAND	4							
4	3	172A21-68950	ANTENNA	1							
5	3	172456-68120	SCREW	2							
6	3	172456-68130	WASHER, 7X16X3	4							
7	3	172456-68150	WASHER, 6X18X1	2							
8	3	172456-68160	NUT, SEAL M6	2							
9	3	172456-68170	NUT, BRASS M6	2							
10	3	172456-68110	CAP	2							
11	3	172456-68520	CLAMP, CABLE	7							
12	3	172472-68830	SPRING	1							
13	3	172456-68530	GROMMET, 16X22X3	2							
14	3	172456-68960	ROOM LAMP	1							
15	3	172456-68650	SCREW, M3.5X12.7	2							
16	3	172456-68970	LAMP	1							
17	3	172437-68760	TANK, WASHER	1							
18	3	172456-68150	WASHER, 6X18X1	2							
19	3	172456-68590	SCREW, M6X12	2							
20	3	172437-68540	WIPER MOTOR	1							
21	3	172456-69200	COVER, MOTOR	1							
22	3	172456-69170	SUPPORT, MOTOR	1							
23	3	172456-69180	CLIP	2							
24	3	172456-69190	SCREW, M5X12	2							
25	3	172456-69210	ARM, WIPER	1							
26	3	172456-69220	BLADE, WIPER	1							
27	3	172472-68660	HOSE	1							
28	3	172437-68520	NOZZLE, WASHER	1							
29	3	172437-68400	CLAMP	2							
30	3	172A21-68930	BEND UNION	1							
31	3	172472-68670	HOSE	1							
32	3	172472-68730	WIRE ANTENNA	1							
33	3	172437-68460	CHECK VALVE, WASHER	1							
34	3	172A21-68970	GROMMET, 20X28X4	2							
35	3	172456-68140	WASHER, 6	2							

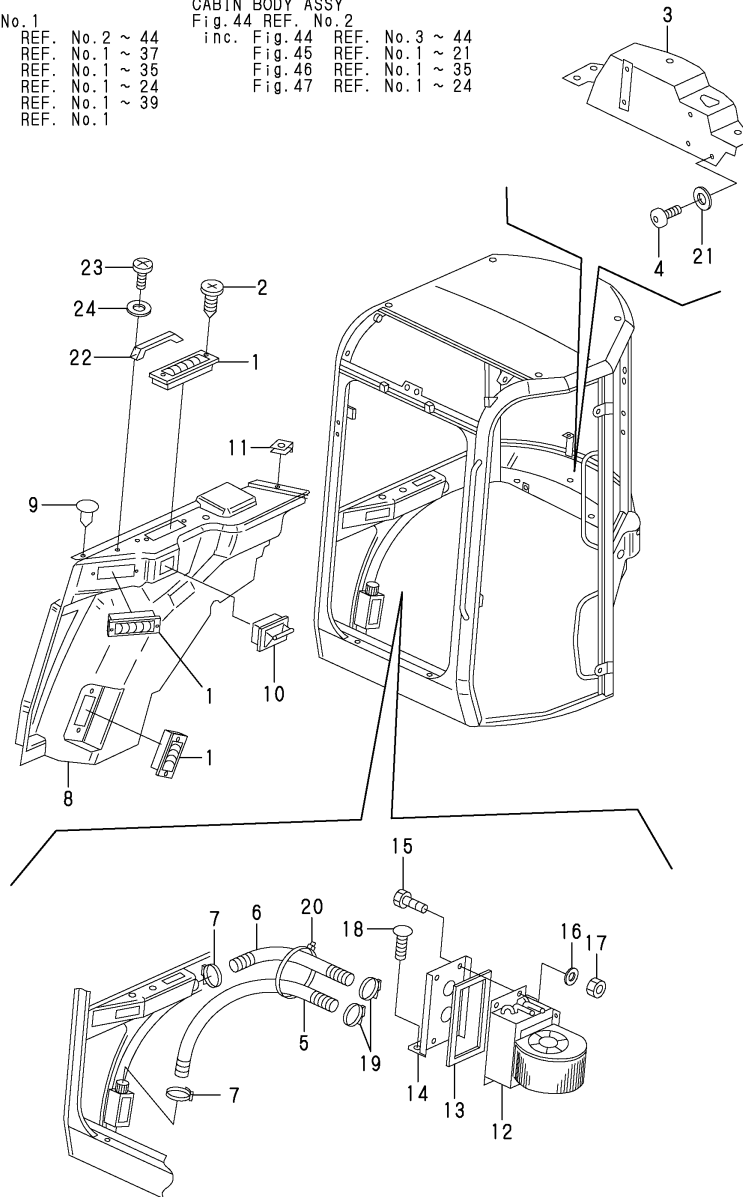
Fig.47. TIM CABIN(HEATER & DUCT COVER)

(A)=VIO50-2C(US)
 (B)=VIO50-2P(US)
 (C)=VIO50-2C(AS)

(D)=VIO50-2P(AS)
 (E)=VIO50-2C(NZ)
 (F)=VIO50-2P(NZ)

CABIN ASSY
 Fig.44 REF. No.1
 inc. Fig.44 REF. No.2 ~ 44
 Fig.45 REF. No.1 ~ 37
 Fig.46 REF. No.1 ~ 35
 Fig.47 REF. No.1 ~ 24
 Fig.48 REF. No.1 ~ 39
 Fig.49 REF. No.1

CABIN BODY ASSY
 Fig.44 REF. No.2
 inc. Fig.44 REF. No.3 ~ 44
 Fig.45 REF. No.1 ~ 21
 Fig.46 REF. No.1 ~ 35
 Fig.47 REF. No.1 ~ 24



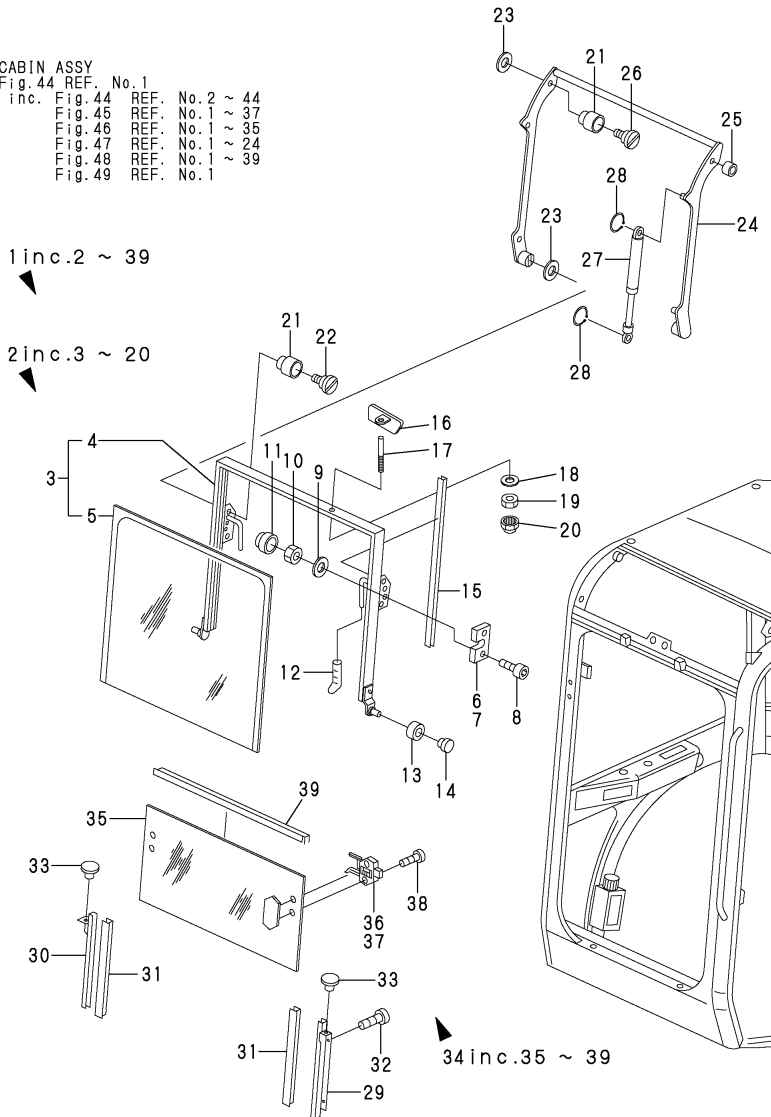
No.	Lev.	Parts No.	Description	Q'ty						I	R
				(A)	(B)	(C)	(D)	(E)	(F)		
1	3	172472-68580	DEFROSTER	3							
2	3	172A21-68910	SCREW, M3.9X19	6							
3	3	172472-68610	COVER, HEATER	1							
4	3	172456-68950	SCREW, M6X16	6							
5	3	172472-68630	HOSE, DEFROSTER	1							
6	3	172472-68640	HOSE, DEFROSTER	1							
7	3	172472-68650	CLAMP	2							
8	3	172472-68680	COVER, DUCT	1							
9	3	172472-68690	CLIP	10							
10	3	172456-68620	ASHTRAY	1							
11	3	172472-68720	CLIP	1							
12	3	172472-68740	HEATER	1							
13	3	172472-68750	SEAL, 720	1							
14	3	172472-68760	SUPPORT, HEATER	1							
15	3	172A21-69060	SCREW, M6X16	5							
16	3	172456-68930	WASHER	5							
17	3	172456-69900	NUT, M6	5							
18	3	172456-68950	SCREW, M6X16	2							
19	3	172472-68650	CLAMP	2							
20	3	172472-68810	BAND	3							
21	3	172472-68820	WASHER, 6.5X17X1	6							
22	3	172437-68430	GRIP	1							
23	3	172437-68210	SCREW, M5X20	2							
24	3	172437-68440	WASHER 5.5X10X1	2							

Fig.48. TIM CABIN(FRONT GLASS)

(A)=VIO50-2C(US)
 (B)=VIO50-2P(US)
 (C)=VIO50-2C(AS)

(D)=VIO50-2P(AS)
 (E)=VIO50-2C(NZ)
 (F)=VIO50-2P(NZ)

CABIN ASSY
 Fig.44 REF. No.1
 inc. Fig.44 REF. No.2 ~ 44
 Fig.45 REF. No.1 ~ 37
 Fig.46 REF. No.1 ~ 35
 Fig.47 REF. No.1 ~ 24
 Fig.48 REF. No.1 ~ 39
 Fig.49 REF. No.1



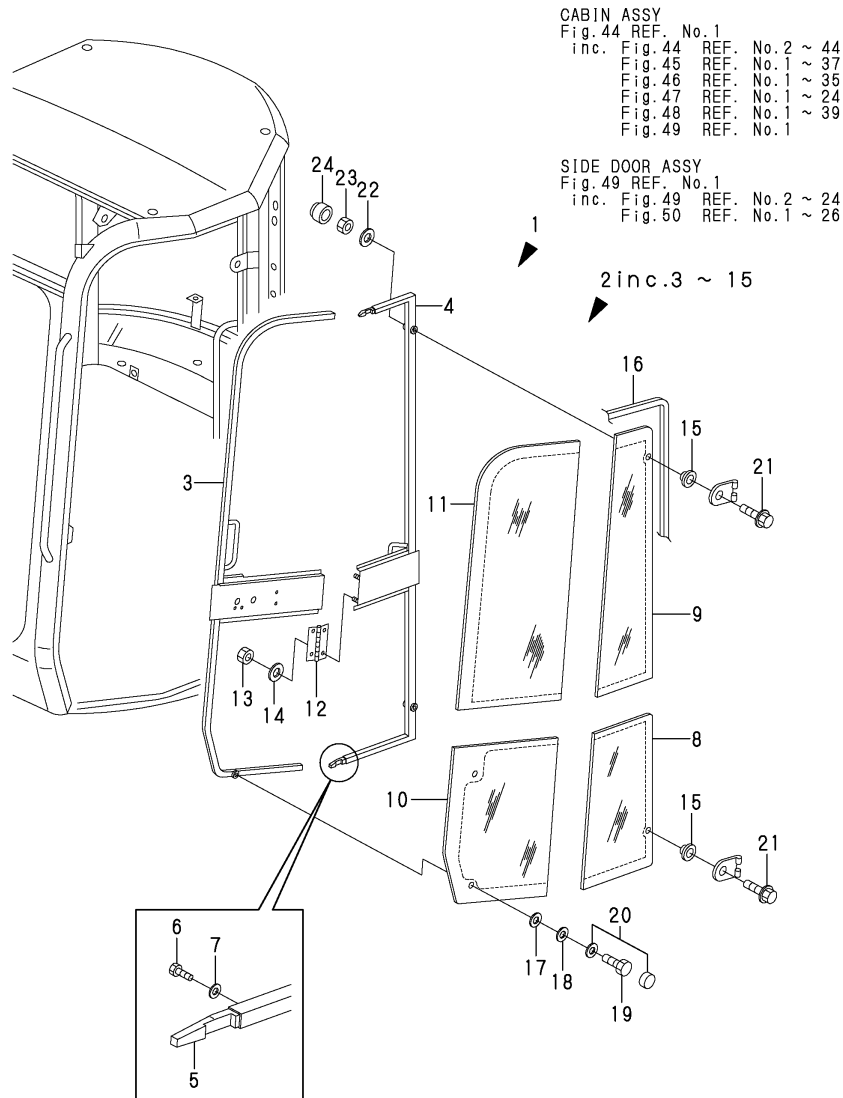
No.	Lev.	Parts No.	Description	Q'ty						I	R
				(A)	(B)	(C)	(D)	(E)	(F)		
1	2	172472-68420	GLASS ASSY	1							
2	3	172472-68850	GLASS ASSY	1							
3	4	172472-68860	GLASS ASSY	1							
4	4	172472-68870	FLAME FRONT GLASS	1							1
5	4	172472-68880	GLASS	1							1
6	4	172437-68690	LOCK L,UPPER WINDOW	1							
7	4	172437-68710	LOCK R,UPPER WINDOW	1							
8	4	172456-69840	SCREW, M8X40	4							
9	4	172456-69990	WASHER, 8	4							
10	4	172456-68100	NUT, M8	4							
11	4	172A21-69030	CAP, NUT M8	4							
12	4	172456-69380	GRIP	2							
13	4	172456-69390	BUSH, NYLON	2							
14	4	172456-69400	PLUG	1							
15	4	172456-69410	SEAL, 780	2							
16	4	172472-68890	MIRROR	1							
17	4	172472-68900	SUPPORT, MIRROR	1							
18	4	172437-68170	WASHER, 8	1							
19	4	172456-68100	NUT, M8	1							
20	4	172A21-69030	CAP, NUT M8	1							
21	3	172456-69420	SPACER, NYLON	3							
22	3	172456-68800	SCREW	2							
23	3	172456-68780	WASHER	4							
24	3	172472-68910	LINK	1							
25	3	172456-69430	WASHER, NYLON	1							
26	3	172456-68800	SCREW	2							
27	3	172456-69450	SPRING, GAS	2							
28	3	172456-69460	CIRCLIP	4							
29	3	172456-68080	GUIDE	1							
30	3	172456-68090	GUIDE	1							
31	3	172437-69080	SEAL, NYLON 440	2							
32	3	172456-68950	SCREW, M6X16	4							
33	3	172456-68550	STOPPER	2							
34	3	172472-68920	GLASS ASSY	1							
35	4	172472-68930	GLASS	1							
36	4	172456-69550	LOCK L, UNDER GLASS	1							
36-1	4	172456-69551	LOCK, L UNDER GLASS	1							N
(A=MXXXXX)											
37	4	172456-69560	LOCK R, UNDER GLASS	1							
37-1	4	172456-69561	LOCK, R UNDER GLASS	1							N
(A=MXXXXX)											
38	4	172456-69570	SCREW, M5X25	4							
39	4	172472-69240	SEAL, 790	1							

Remarks
 (1)REF.NO.3 INCLUDE REF0NO.4,5.

Fig.49. TIM CABIN D00R(BODY)

(A)=VIO50-2C(US)
 (B)=VIO50-2P(US)
 (C)=VIO50-2C(AS)

(D)=VIO50-2P(AS)
 (E)=VIO50-2C(NZ)
 (F)=VIO50-2P(NZ)



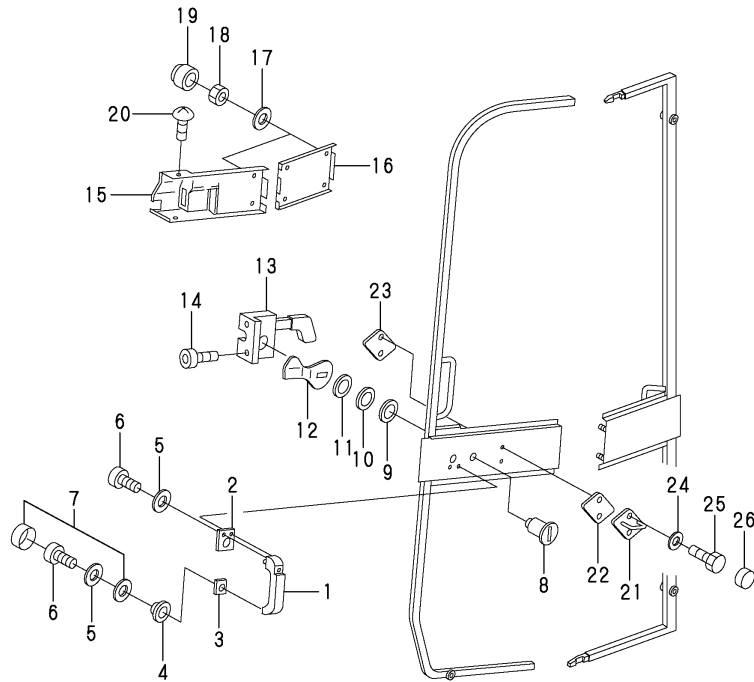
No.	Lev.	Parts No.	Description	Q'ty						I	R
				(A)	(B)	(C)	(D)	(E)	(F)		
1	2	172472-68430	DOOR ASSY	1							
2	3	172472-68940	DOOR ASSY	1							
3	4	172472-68950	FRAME FRONT	1							
4	4	172472-68960	FRAME REAR	1							
5	4	172456-69660	BAR	2							
6	4	172456-69670	SCREW, M5X15	4							
7	4	172456-69680	WASHER	4							
8	4	172472-68970	GLASS	1							
9	4	172472-68980	GLASS	1							
10	4	172472-68990	GLASS	1							
11	4	172472-69100	GLASS	1							
12	4	172472-69110	HINGE	1							
13	4	172456-69900	NUT, M6	4							
14	4	172456-68930	WASHER	4							
15	4	172456-69690	SPACER, RUBBER	2							
16	3	172472-69250	SEAL, 4270	1							
17	3	172472-69140	SLEEVE, 9.5X50	1							
18	3	172472-69150	WASHER, 10.5X50X3	1							
19	3	172456-69250	SCREW, M10X16	1							
20	3	172456-69240	CAP, NUT	1							
21	3	172456-69920	BOLT BM12X60	2							
22	3	172456-69930	WASHER 12X22.5X2.5	2							
23	3	172456-69940	NUT, M12	2							
24	3	172456-69950	CAP, 12	2							

Fig.50. TIM CABIN DOOR(Accessory)

(A)=VIO50-2C(US)
 (B)=VIO50-2P(US)
 (C)=VIO50-2C(AS)

(D)=VIO50-2P(AS)
 (E)=VIO50-2C(NZ)
 (F)=VIO50-2P(NZ)

SIDE DOOR ASSY
 Fig. 49 REF. No. 1
 inc. Fig. 49 REF. No. 2 ~ 24
 Fig. 50 REF. No. 1 ~ 26

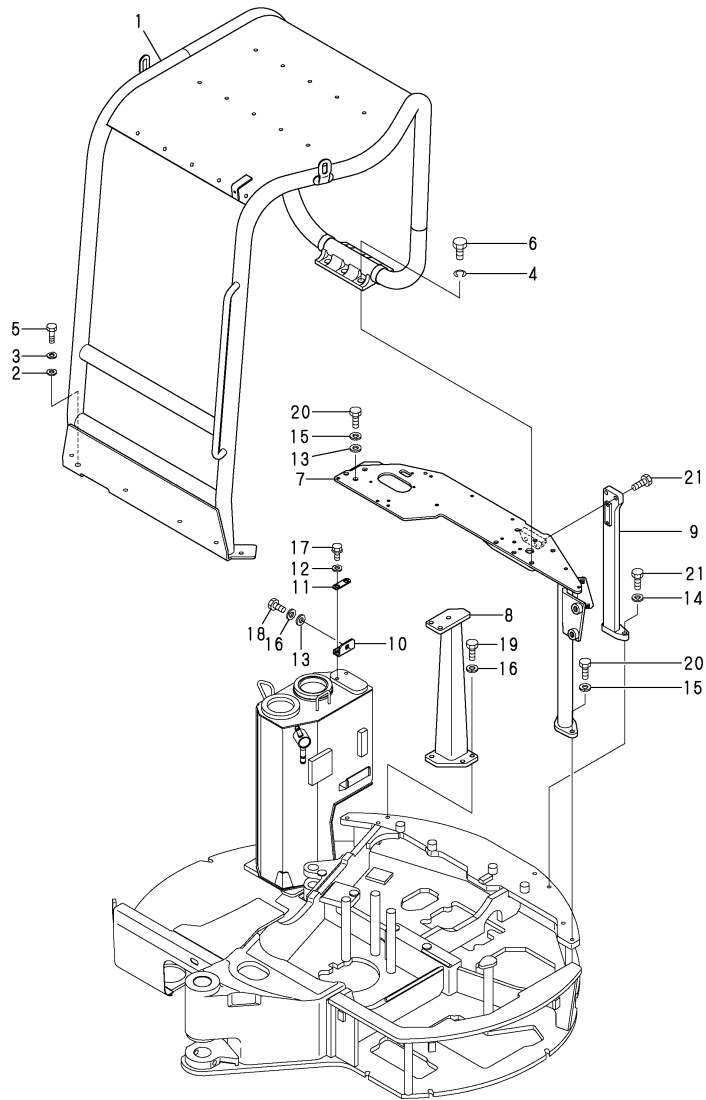


No.	Lev.	Parts No.	Description	Q'ty						I	R
				(A)	(B)	(C)	(D)	(E)	(F)		
1	3	172456-69720	HANDLE, OUTER	1							
2	3	172456-69730	SOLE, HANDLE	1							
3	3	172456-69740	SOLE, HANDLE	1							
4	3	172456-69750	SPACER, PLASTIC	1							
5	3	172456-69760	WASHER, 8X19X1.5	3							
6	3	172456-69770	SCREW, M6X20	3							
7	3	172456-69240	CAP, NUT	1							
8	3	172456-69780	LOCK, KEY	1							
9	3	172456-69790	SPACER, BOLT	1							
10	3	172456-69800	WASHER	1							
11	3	172456-69810	BRACE, BOLT	1							
12	3	172456-69820	LOCK, BOLT	1							
13	3	172456-69830	LOCK ASSY	1							
14	3	172456-69840	SCREW, M8X40	2							
15	3	172472-69120	COVER	1							
16	3	172472-69130	COVER	1							
17	3	172456-68930	WASHER	6							
18	3	172456-69900	NUT, M6	6							
19	3	172456-69910	CAP, NUT M6	6							
20	3	172456-68670	RIVET 3.2X8	2							
21	3	172472-69160	CATCH	1							
22	3	172472-69170	SPACER	1							
23	3	172472-69180	MOUNT	1							
24	3	172472-69190	WASHER, 8.4X16X1.6	2							
25	3	172437-68250	BOLT M8X25	2							
26	3	172A21-69030	CAP, NUT M8	2							

Fig.51. CANOPY & CANOPY MOUNT

(A)=VIO50-2C(US)
 (B)=VIO50-2P(US)
 (C)=VIO50-2C(AS)

(D)=VIO50-2P(AS)
 (E)=VIO50-2C(NZ)
 (F)=VIO50-2P(NZ)



No.	Lev.	Parts No.	Description	Q'ty						I	R
				(A)	(B)	(C)	(D)	(E)	(F)		
1	1	172467-66300	CANOPY ASSY	1			1			1	
1-1	1	172467-66301	CANOPY ASSY, ROPS (B=MXXXXX)	1			1				F 1
			(D=MXXXXX)								(F=MXXXXX)
1A	1	172467-03190	LABEL,LIFT Q US	1			1				2
1A-1	1	172467-03191	LABEL, LIFT Q US (B=M/#21181)	1			1				N 2
			(D=M/#21181)								(F=M/#21181)
1B	1	172437-03310	LABEL,SLOPE		1		1				2
1C	1	172437-03440	LABEL,ROPS		1		1				2
1D	1	172437-03450	LABEL,SEAT BELT		1		1				2
1E	1	172437-03600	LABEL		1		1				2
1F	1	172437-03340	LABEL,TRANSPORT		1		1				2
1F-1	1	172437-03341	LABEL,TRANSPORT (B=M/#21827)		1		1				R 2
			(D=M/#21827)								(F=M/#21827)
1G	1	172437-03371	LABEL		1		1				2
1H	1	172472-03700	LABEL,ROPS P		1		1				2
1H-1	1	172472-03701	LABEL (B=M/#21566)		1		1				S 2
			(D=M/#21566)								(F=M/#21566)
1I	1	172149-03430	LABEL		1		1				2
1J	1	172147-03210	LABEL,2 SPEED		1		1				2
1K	1	172519-04350	SCREW		4		4				2
2	1	172149-66550	WASHER		6		6				6
3	1	22217-120000	WASHER, SPRING 12		6		6				6
4	1	22217-160000	WASHER, SPRING 16		6		6				6
5	1	26076-120402	BOLT, 10.912X 40		6		6				6
6	1	26076-160402	BOLT, 10.916X 40		6		6				6
7	1	172460-68200	MOUNT A (GRAY:73)	1	1	1	1	1	1		1
8	1	172460-68210	MOUNT B (GRAY:73)	1	1	1	1	1	1		1
9	1	172460-68400	MOUNT C (GRAY:73)	1	1	1	1	1	1		1
9-1	1	172460-68401	MOUNT C (GRAY:73) (A=M/#22163) (B=M/#21861) (C=M/#22163) (D=M/#21861) (E=M/#22163) (F=M/#21861)	1	1	1	1	1	1	1	N
10	1	172460-68450	BRACKET (GRAY:73)	1	1	1	1	1	1		1
11	1	172460-68460	PLATE	1	1	1	1	1	1		1
12	1	22137-120000	WASHER, 12	2	2	2	2	2	2		2
13	1	22137-140000	WASHER, 14	4	4	4	4	4	4		4
14	1	22217-140000	WASHER, SPRING 14	4	4	4	4	4	4		4
15	1	22217-140000	WASHER, SPRING 14	5	5	5	5	5	5		5
16	1	22217-140000	WASHER, SPRING 14	4	4	4	4	4	4		4
17	1	26013-120252	BOLT, M12X 25	2	2	2	2	2	2		2
18	1	26116-140252	BOLT, M14X 25 PLATED	1	1	1	1	1	1		1
19	1	26116-140402	BOLT, M14X 40 PLATED	3	3	3	3	3	3		3
20	1	26116-140402	BOLT, M14X 40 PLATED	5	5	5	5	5	5		5
21	1	26116-140502	BOLT, M14X 50 PLATED	4	4	4	4	4	4		4

Remarks

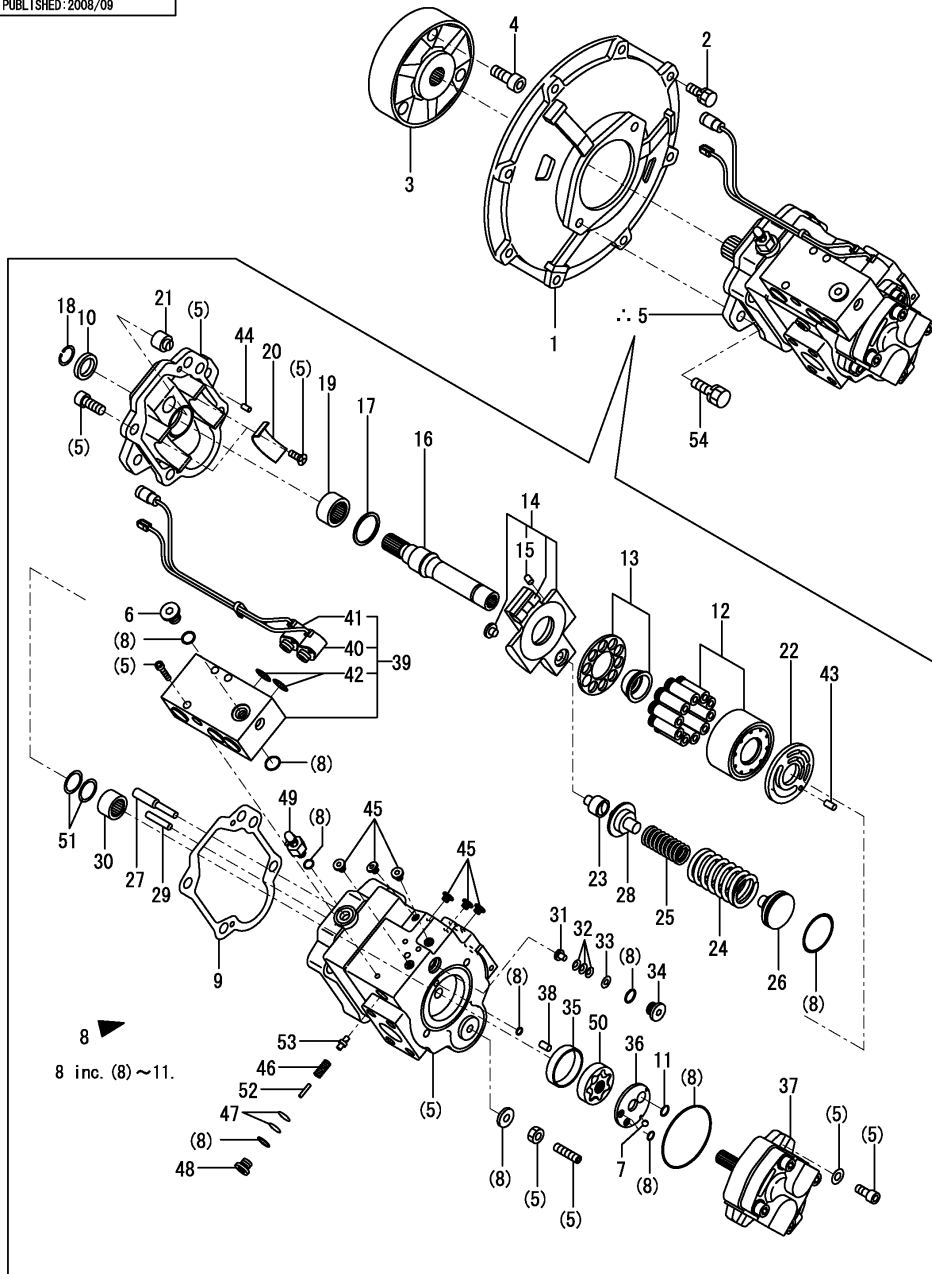
(1)IT SUPPLIES IT WITH SERIAL NUMBER LABEL AND PUTS FOLLOWS LABEL AGAIN, AND PLEASE USE IT ; REF.NO. 1A - 1K.
 (2)LABELS ARE NOT ILLUSTRATED.

Fig.52. HYD.OIL PUMP & JOINT

(A)=VIO50-2C(US)
 (B)=VIO50-2P(US)
 (C)=VIO50-2C(AS)

(D)=VIO50-2P(AS)
 (E)=VIO50-2C(NZ)
 (F)=VIO50-2P(NZ)

P/C NEWS No. Y00S4142
 PUBLISHED: 2008/09



..MARKED PART HAS BEEN CHANGED (ADDED).

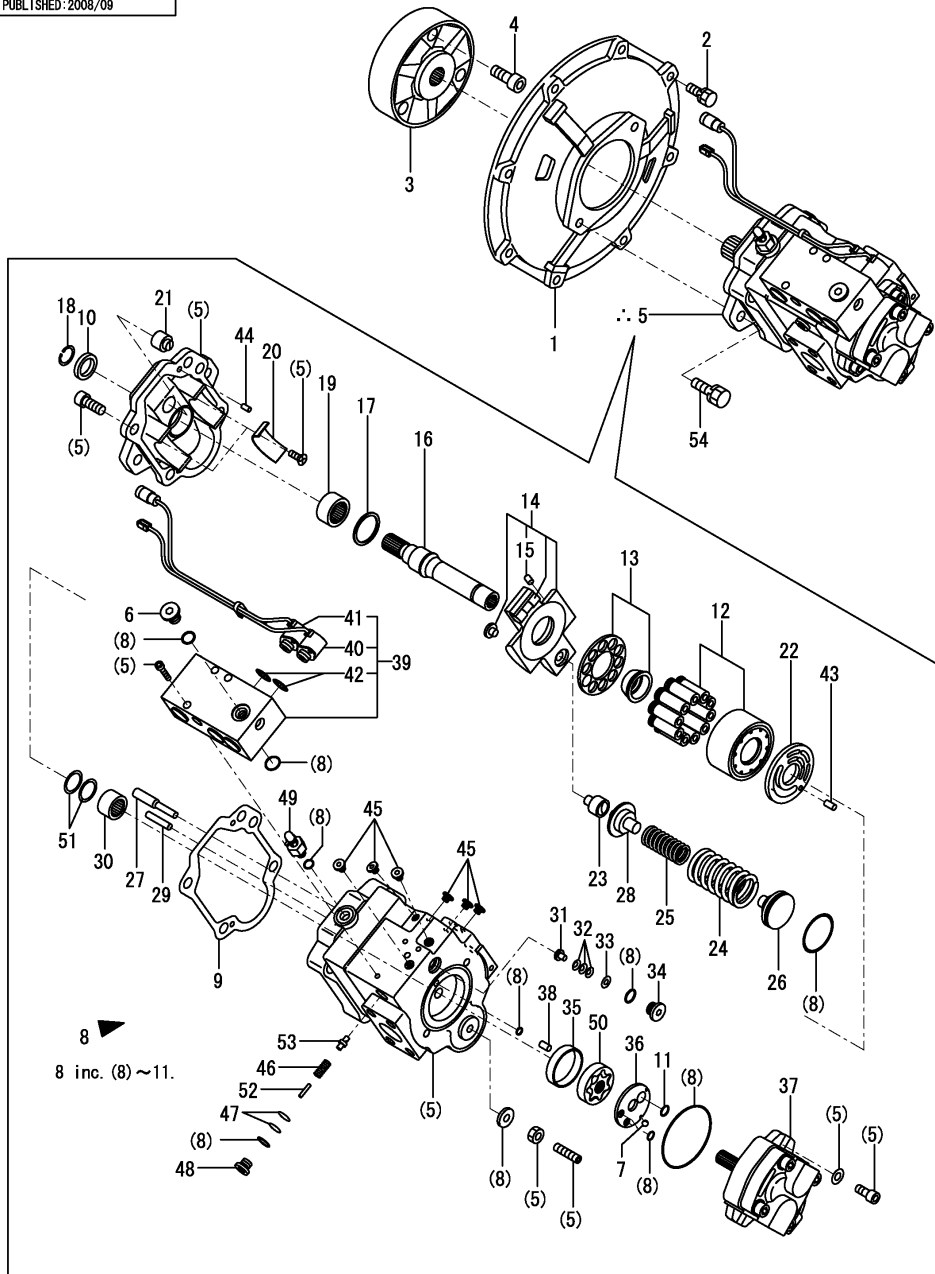
No.	Lev.	Parts No.	Description	Q'ty						I	R
				(A)	(B)	(C)	(D)	(E)	(F)		
1	1	172168-71101-2	COVER, FLYWHEEL	1	1						
2	1	26013-100302	BOLT, M10X 30	8	8						
3	1	172165-71200	COUPLING	1	1						
4	1	26450-120402	BOLT, M12X 40	3	3						
5	1	172461-73100	PUMP ASSY, HYD OIL	1	1						
5-1	1	172461-73101	PUMP ASSY	1	1						N
		(A=*2004.02) (B=*2004.02)									
5-2	1	172461-73102	PUMP ASSY	1	1						N
		(A=*2004.06) (B=*2004.06)									
5-3	1	172461-73103	PUMP ASSY, HYD OIL	1	1						N
		(A=M/#XXXXXX) (B=M/#XXXXXX)									
6	2	172148-70301	PLUG	1	1						
7	2	172122-70350	BALL	1	1						
8	2	172460-73110	SEAL SET	1	1						
8-1	2	172460-73111	SEAL SET	1	1						N
		(A=*2004.02) (B=*2004.02)									
9	3	172460-73170	GASKET	1	1						
10	3	172460-73190	SEAL, OIL	1	1						
11	3	172460-73400	O-RING	1	1						
12	2	172460-73120	CYLINDER BLOCK KIT	1	1						
12-1	2	172460-73121	CYLINDER BLOCK KIT	1	1						N
		(A=*2004.06) (B=*2004.06)									
13	2	172460-73130	RETAINER	1	1						
14	2	172460-73140	PLATE	1	1						
15	3	172312-74790	ORIFICE	1	1						
16	2	172460-73150	SHAFT	1	1						
17	2	172460-73160	WASHER	1	1						
18	2	172460-73180	RING	1	1						
19	2	172460-73200	BEARING	1	1						
20	2	172460-73210	BUSH	2	2						
21	2	172460-73220	STOPPER	1	1						
21-1	2	172460-73450	STOPPER	1	1						N
		(A=M/#XXXXXX) (B=M/#XXXXXX)									
22	2	172460-73230	PLATE	1	1						
22-1	2	172460-73231	PLATE, VALVE	1	1						N
		(A=*2004.06) (B=*2004.06)									
23	2	172460-73240	HOLDER	1	1						
24	2	172461-73110	SPRING	1	1						
24-1	2	172461-73150	SPRING	1	1						N
		(A=*2004.06) (B=*2004.06)									
25	2	172461-73120	SPRING	1	1						
25-1	2	172461-73140	SPRING	1	1						N
		(A=*2004.06) (B=*2004.06)									
26	2	172460-73270	SEAT, SPRING	1	1						
26-1	2	172461-73270	SEAT, SPRING	1	1						N
		(A=*2004.02) (B=*2004.02)									
27	2	172460-73280	PIN	1	1						
28	2	172176-73290	SEAT, SPRING	1	1						
29	2	172460-73290	PIN	1	1						
30	2	172460-73330	BEARING	1	1						
31	2	172460-73340	STOPPER	1	1						

Fig.52. HYD.OIL PUMP & JOINT

(A)=VIO50-2C(US)
 (B)=VIO50-2P(US)
 (C)=VIO50-2C(AS)

(D)=VIO50-2P(AS)
 (E)=VIO50-2C(NZ)
 (F)=VIO50-2P(NZ)

P/C NEWS No: Y00S4142
 PUBLISHED: 2008/09

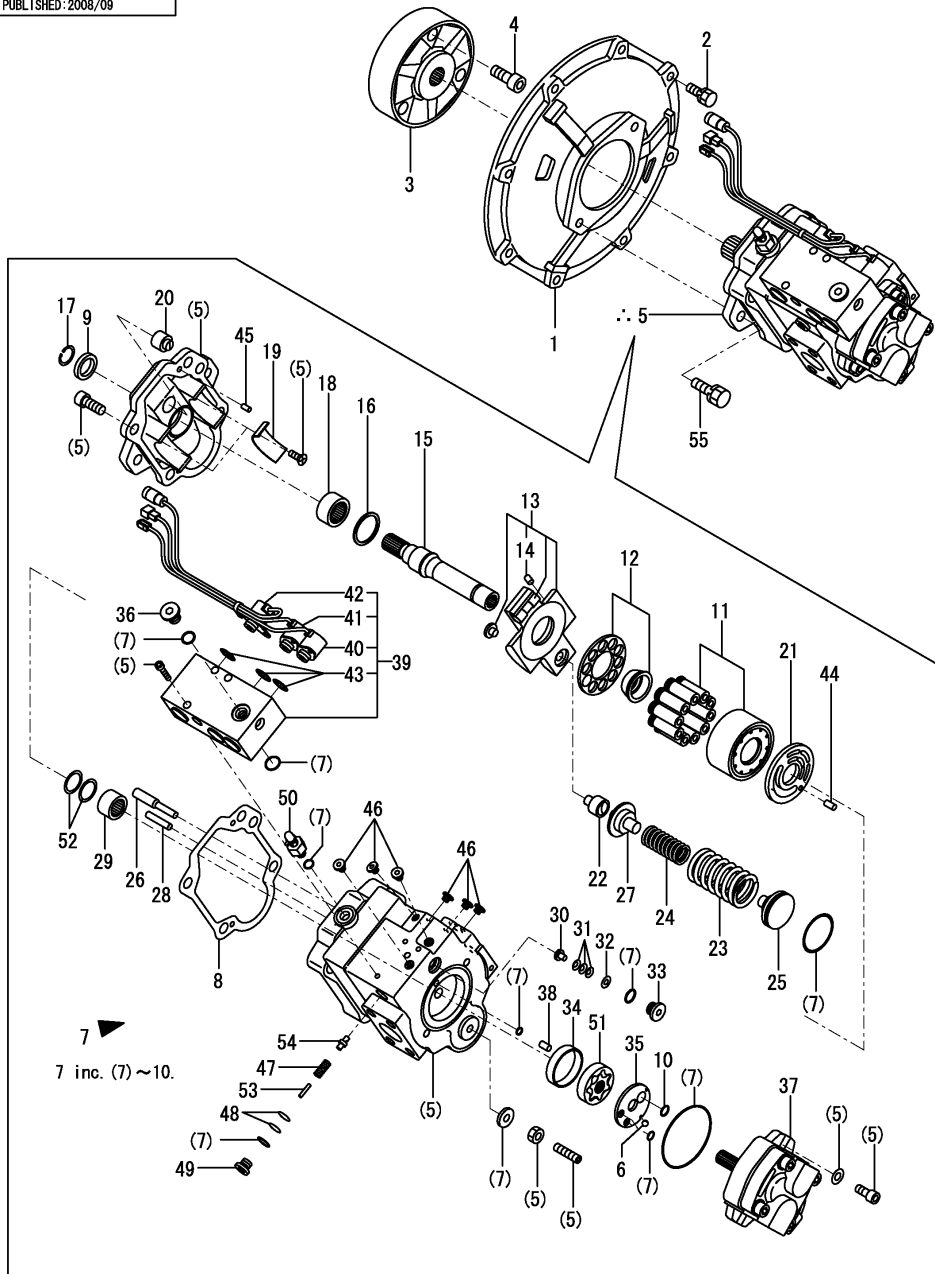


∴ MARKED PART HAS BEEN CHANGED (ADDED).

No.	Lev.	Parts No.	Description	Q'ty						I	R
				(A)	(B)	(C)	(D)	(E)	(F)		
32	2	172460-73350	SPRING, DISK	3	3						
33	2	172460-73360	WASHER	1	1						
34	2	172460-73370	PLUG	1	1						
35	2	172460-73380	BUSH	1	1						
36	2	172460-73390	PLATE	1	1						
37	2	172461-73130	PUMP ASSY, GEAR	1	1						
37-1	2	172461-73131	PUMP, GEAR	1	1						N
		(A=*2004.02) (B=*2004.02)									
38	2	172460-73420	PIN	1	1						
39	2	172460-73430	VALVE S/A	1	1						
40	3	172460-73900	SOLENOID B	1	1						W
		(A=M/#21716) (B=M/#21716)									
41	3	172460-73910	SOLENOID A	1	1						W
		(A=M/#21716) (B=M/#21716)									
42	3	24352-190110	O-RING, 219011	2	2						W
		(A=M/#21716) (B=M/#21716)									
43	2	172122-73480	PIN	1	1						
44	2	172122-73480	PIN	2	2						
45	2	172452-73480	PLUG	6	6						
46	2	172176-73560	SPRING	1	1						
47	2	172176-73590	SHIM	2	2						
48	2	172176-73600	PLUG	1	1						
49	2	172176-73690	BREEDER, AIR	1	1						
50	2	172176-73880	ROTOR ASSY, TROCHOID	1	1						
51	2	172176-73910	THRUST WASHER	2	2						
52	2	172176-73930	PIN	1	1						
53	2	172176-73940	POPPET	1	1						
54	1	26013-120352	BOLT, M12X 35	2	2						

Fig.53. HYD.OIL PUMP & JOINT(QUICK COUPLER SPEC.)

P/C NEWS No. Y00S4142
PUBLISHED: 2008/09



.*. MARKED PART HAS BEEN CHANGED (ADDED).

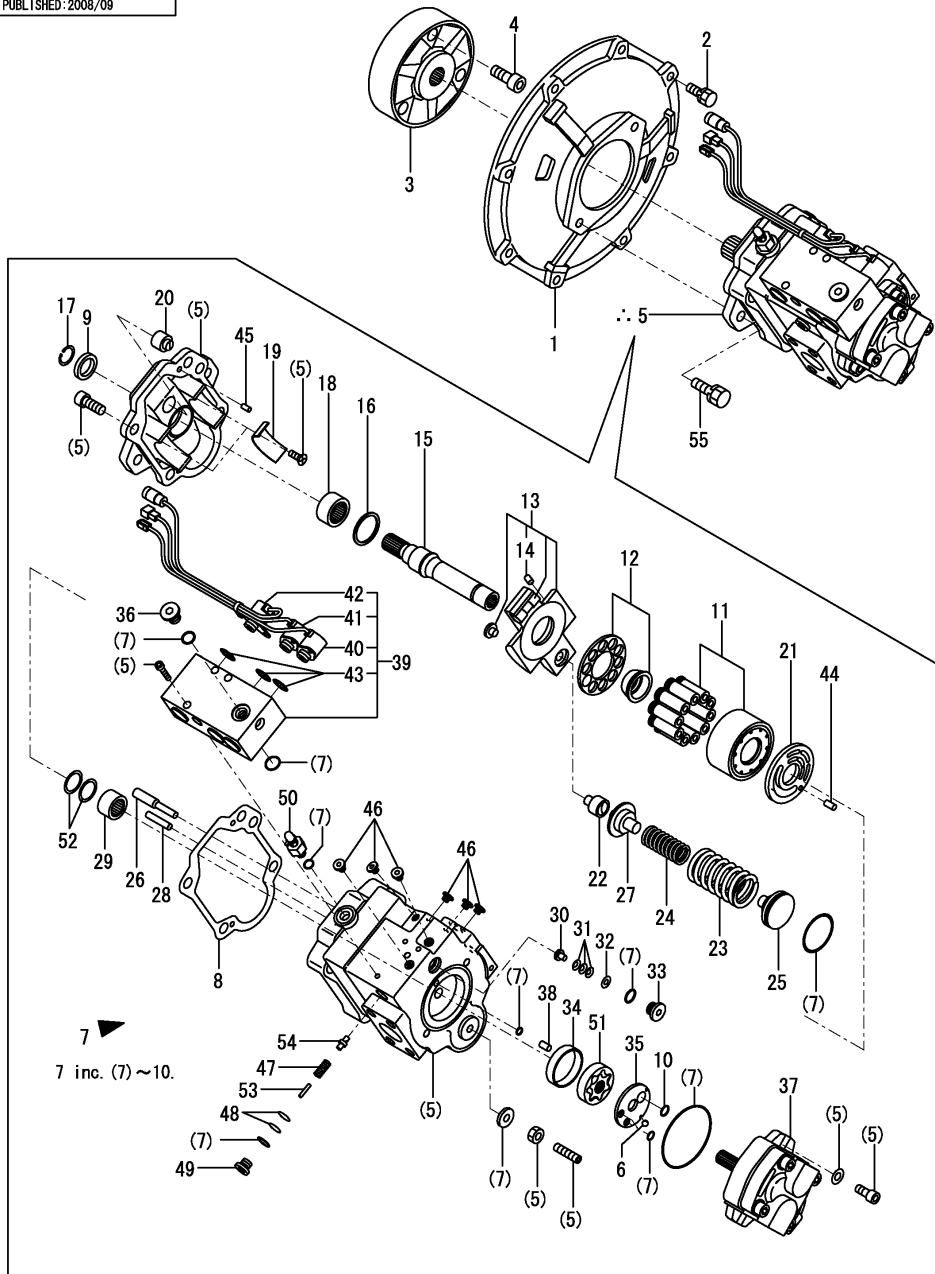
(A)=VIO50-2C(US)
(B)=VIO50-2P(US)
(C)=VIO50-2C(AS)

(D)=VIO50-2P(AS)
(E)=VIO50-2C(NZ)
(F)=VIO50-2P(NZ)

No.	Lev.	Parts No.	Description	Qty						I	R
				(A)	(B)	(C)	(D)	(E)	(F)		
1	1	172168-71101-2	COVER, FLYWHEEL	1	1	1	1	1	1		
2	1	26013-100302	BOLT, M10X 30	8	8	8	8	8	8		
3	1	172165-71200	COUPLING	1	1	1	1	1	1		
4	1	26450-120402	BOLT, M12X 40	3	3	3	3	3	3		
5	1	172961-73100	PUMP	1	1	1	1	1	1		
5-1	1	172961-73101	PUMP ASSY (3SOL	1	1	1	1	1	1		N
		(A=*2004.02)	(B=*2004.02)	(C=*2004.02)	(D=*2004.02)	(E=*2004.02)	(F=*2004.02)				
5-2	1	172961-73102	PUMP ASSY (3SOL	1	1	1	1	1	1		N
		(A=*2004.06)	(B=*2004.06)	(C=*2004.06)	(D=*2004.06)	(E=*2004.06)	(F=*2004.06)				
5-3	1	172961-73103	PUMP ASSY (3SOL	1	1	1	1	1	1		N
		(A=M/#XXXXXX)	(B=M/#XXXXXX)	(C=M/#XXXXXX)	(D=M/#XXXXXX)	(E=M/#XXXXXX)	(F=M/#XXXXXX)				
6	2	172122-70350	BALL	1	1	1	1	1	1		
7	2	172460-73110	SEAL SET	1	1	1	1	1	1		
7-1	2	172460-73111	SEAL SET	1	1	1	1	1	1		N
		(A=*2004.02)	(B=*2004.02)	(C=*2004.02)	(D=*2004.02)	(E=*2004.02)	(F=*2004.02)				
8	3	172460-73170	GASKET	1	1	1	1	1	1		
9	3	172460-73190	SEAL, OIL	1	1	1	1	1	1		
10	3	172460-73400	O-RING	1	1	1	1	1	1		
11	2	172460-73120	CYLINDER BLOCK KIT	1	1	1	1	1	1		
11-1	2	172460-73121	CYLINDER BLOCK KIT	1	1	1	1	1	1		N
		(A=*2004.06)	(B=*2004.06)	(C=*2004.06)	(D=*2004.06)	(E=*2004.06)	(F=*2004.06)				
12	2	172460-73130	RETAINER	1	1	1	1	1	1		
13	2	172460-73140	PLATE	1	1	1	1	1	1		
14	3	172312-74790	ORIFICE	1	1	1	1	1	1		
15	2	172460-73150	SHAFT	1	1	1	1	1	1		
16	2	172460-73160	WASHER	1	1	1	1	1	1		
17	2	172460-73180	RING	1	1	1	1	1	1		
18	2	172460-73200	BEARING	1	1	1	1	1	1		
19	2	172460-73210	BUSH	2	2	2	2	2	2		
20	2	172460-73220	STOPPER	1	1	1	1	1	1		
20-1	2	172460-73450	STOPPER	1	1	1	1	1	1		N
		(A=M/#XXXXXX)	(B=M/#XXXXXX)	(C=M/#XXXXXX)	(D=M/#XXXXXX)	(E=M/#XXXXXX)	(F=M/#XXXXXX)				
21	2	172460-73230	PLATE	1	1	1	1	1	1		
21-1	2	172460-73231	PLATE, VALVE	1	1	1	1	1	1		N
		(A=*2004.06)	(B=*2004.06)	(C=*2004.06)	(D=*2004.06)	(E=*2004.06)	(F=*2004.06)				
22	2	172460-73240	HOLDER	1	1	1	1	1	1		
23	2	172461-73110	SPRING	1	1	1	1	1	1		
23-1	2	172461-73150	SPRING	1	1	1	1	1	1		N
		(A=*2004.06)	(B=*2004.06)	(C=*2004.06)	(D=*2004.06)	(E=*2004.06)	(F=*2004.06)				
24	2	172461-73120	SPRING	1	1	1	1	1	1		
24-1	2	172461-73140	SPRING	1	1	1	1	1	1		N
		(A=*2004.06)	(B=*2004.06)	(C=*2004.06)	(D=*2004.06)	(E=*2004.06)	(F=*2004.06)				
25	2	172460-73270	SEAT, SPRING	1	1	1	1	1	1		
25-1	2	172461-73270	SEAT, SPRING	1	1	1	1	1	1		N
		(A=*2004.02)	(B=*2004.02)	(C=*2004.02)	(D=*2004.02)	(E=*2004.02)	(F=*2004.02)				
26	2	172460-73280	PIN	1	1	1	1	1	1		
27	2	172176-73290	SEAT, SPRING	1	1	1	1	1	1		
28	2	172460-73290	PIN	1	1	1	1	1	1		
29	2	172460-73330	BEARING	1	1	1	1	1	1		
30	2	172460-73340	STOPPER	1	1	1	1	1	1		
31	2	172460-73350	SPRING, DISK	3	3	3	3	3	3		

Fig.53. HYD.OIL PUMP & JOINT(QUICK COUPLER SPEC.)

P/C NEWS No. Y00S4142
PUBLISHED: 2008/09



∴ MARKED PART HAS BEEN CHANGED (ADDED) .

(A)=VIO50-2C(US)
(B)=VIO50-2P(US)
(C)=VIO50-2C(AS)

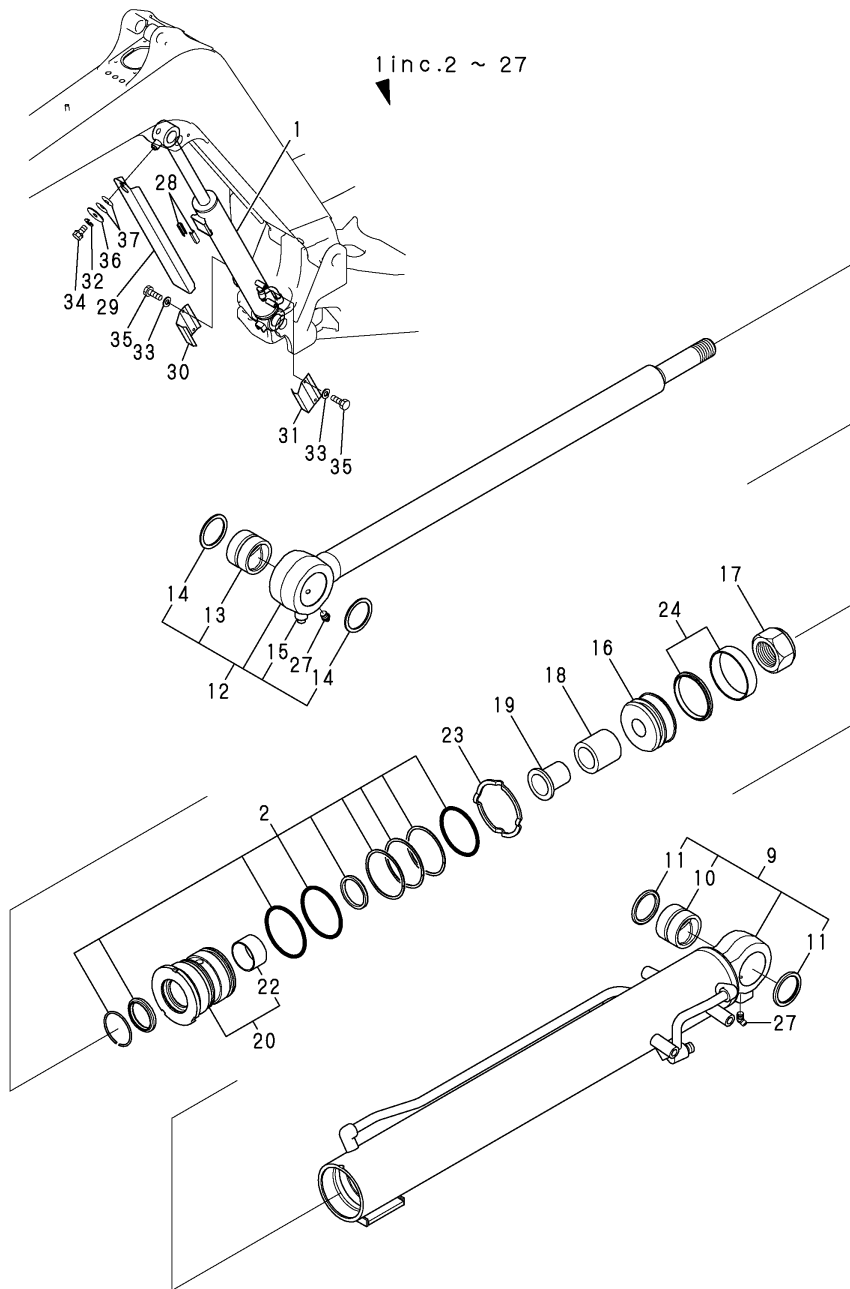
(D)=VIO50-2P(AS)
(E)=VIO50-2C(NZ)
(F)=VIO50-2P(NZ)

No.	Lev.	Parts No.	Description	Q'ty						I	R
				(A)	(B)	(C)	(D)	(E)	(F)		
32	2	172460-73360	WASHER	1	1	1	1	1	1		
33	2	172460-73370	PLUG	1	1	1	1	1	1		
34	2	172460-73380	BUSH	1	1	1	1	1	1		
35	2	172460-73390	PLATE	1	1	1	1	1	1		
36	2	172148-70301	PLUG	1	1	1	1	1	1		
37	2	172461-73130	PUMP ASSY, GEAR	1	1	1	1	1	1		
37-1	2	172461-73131	PUMP, GEAR	1	1	1	1	1	1		N
		(A=*2004.02)	(B=*2004.02)	(C=*2004.02)	(D=*2004.02)	(E=*2004.02)	(F=*2004.02)				
38	2	172460-73420	PIN	1	1	1	1	1	1		
39	2	172960-73430	VALVE	1	1	1	1	1	1		
40	3	172460-73900	SOLENOID B	1	1	1	1	1	1		W
		(A=M/#21716)	(B=M/#21716)	(C=M/#21716)	(D=M/#21716)	(E=M/#21716)	(F=M/#21716)				
41	3	172460-73910	SOLENOID A	1	1	1	1	1	1		W
		(A=M/#21716)	(B=M/#21716)	(C=M/#21716)	(D=M/#21716)	(E=M/#21716)	(F=M/#21716)				
42	3	172460-73920	SOLENOID C	1	1	1	1	1	1		W
		(A=M/#21716)	(B=M/#21716)	(C=M/#21716)	(D=M/#21716)	(E=M/#21716)	(F=M/#21716)				
43	3	24352-190110	O-RING, 219011	3	3	3	3	3	3		W
		(A=M/#21716)	(B=M/#21716)	(C=M/#21716)	(D=M/#21716)	(E=M/#21716)	(F=M/#21716)				
44	2	172122-73480	PIN	1	1	1	1	1	1		
45	2	172122-73480	PIN	2	2	2	2	2	2		
46	2	172452-73480	PLUG	6	6	6	6	6	6		
47	2	172176-73560	SPRING	1	1	1	1	1	1		
48	2	172176-73590	SHIM	2	2	2	2	2	2		
49	2	172176-73600	PLUG	1	1	1	1	1	1		
50	2	172176-73690	BREEDER, AIR	1	1	1	1	1	1		
51	2	172176-73880	ROTOR ASSY,TROCHOID	1	1	1	1	1	1		
52	2	172176-73910	THRUST WASHER	2	2	2	2	2	2		
53	2	172176-73930	PIN	1	1	1	1	1	1		
54	2	172176-73940	POPPET	1	1	1	1	1	1		
55	1	26013-120352	BOLT, M12X 35	2	2	2	2	2	2		

Fig.54. BOOM CYLINDER

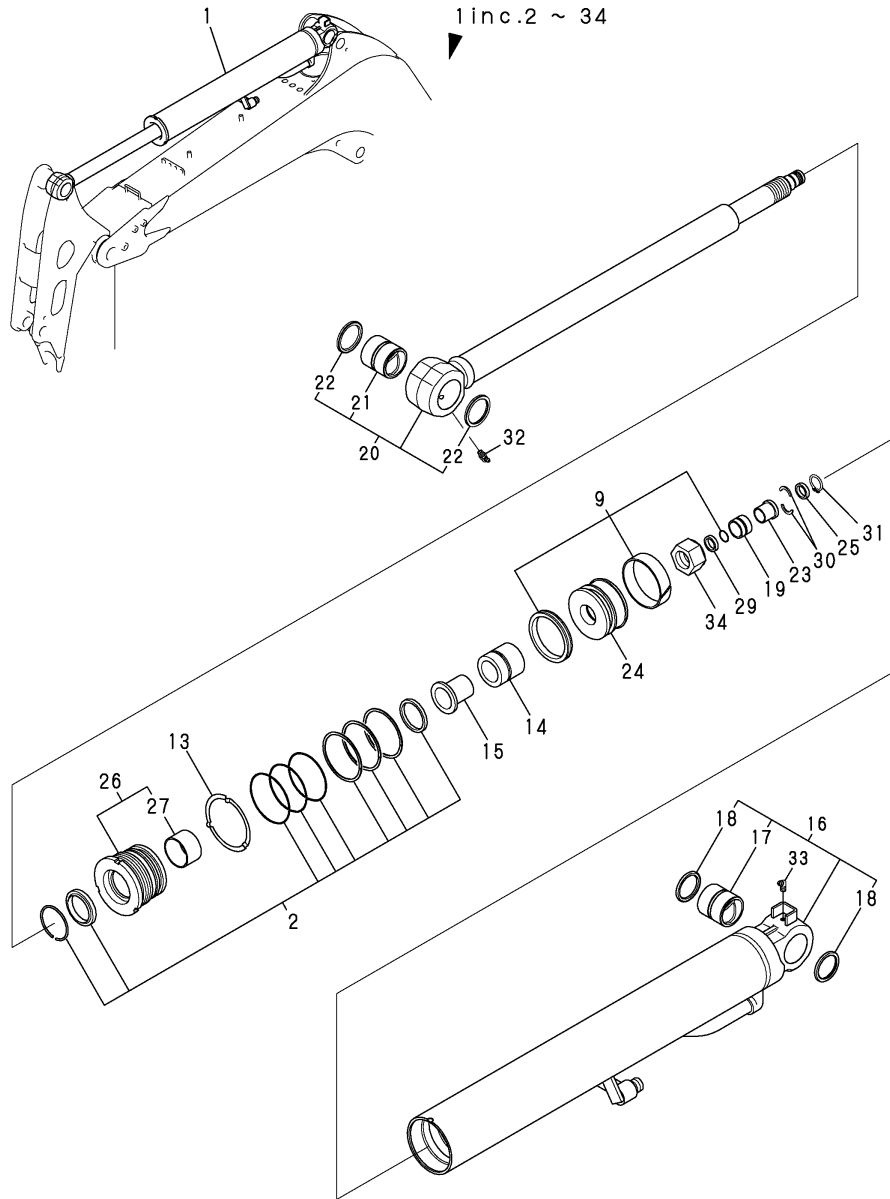
(A)=VIO50-2C(US)
 (B)=VIO50-2P(US)
 (C)=VIO50-2C(AS)

(D)=VIO50-2P(AS)
 (E)=VIO50-2C(NZ)
 (F)=VIO50-2P(NZ)



No.	Lev.	Parts No.	Description	Q'ty						I	R
				(A)	(B)	(C)	(D)	(E)	(F)		
1	1	172460-72321-1	CYLINDER ASSY, BOOM	1	1	1	1	1	1		
2	2	172460-72010	SEAL SET, HEAD	1	1	1	1	1	1		
9	2	172460-72111-1	TUBE, BOOM	1	1	1	1	1	1		
10	3	172460-72180	BUSH	1	1	1	1	1	1		
11	3	172165-81760	SEAL, DUST 50X60X4	2	2	2	2	2	2		
11-1	3	172448-54120	SEAL, DUST	2	2	2	2	2	2		R
		(A=M/#21431) (B=M/#21431) (C=M/#21431) (D=M/#21431) (E=M/#21431) (F=M/#21431)									
12	2	172460-72201	ROD	1	1	1	1	1	1		
13	3	172460-72180	BUSH	1	1	1	1	1	1		
14	3	172448-54120	SEAL, DUST	2	2	2	2	2	2		W
		(A=FROM 1ST) (B=FROM 1ST)									
15	3	172020-10280	SEAT, SCREW	1	1	1	1	1	1		W
		(A=M/#21631) (B=M/#21631) (C=M/#21631) (D=M/#21631) (E=M/#21631) (F=M/#21631)									
16	2	172460-72260	PISTON	1	1	1	1	1	1		
17	2	172151-72270	NUT	1	1	1	1	1	1		
18	2	172460-72271	PLANGER	1	1	1	1	1	1		
19	2	172460-72280	COLLAR, CUSHION	1	1	1	1	1	1		
20	2	172460-72330	HEAD	1	1	1	1	1	1		
22	3	172151-72540	BUSH 50 35, ROD	1	1	1	1	1	1		
23	2	172444-72430	LOCK WASHER	1	1	1	1	1	1		
24	2	172444-72890	SEAL SET, PISTON	1	1	1	1	1	1		
27	2	24761-020000	NIPPLE, GREASE PT1/8	2	2	2	2	2	2		
28	1	172186-72480	GUIDE, SLIDE	2	2	2	2	2	2		
29	1	172459-72170-1	COVER, SLIDE	1	1	1	1	1	1		
30	1	172457-72230-1	COVER ASSY, CYLINDER	1	1	1	1	1	1		
31	1	172457-72240-1	COVER, CYLINDER	1	1	1	1	1	1		
32	1	22217-100000	WASHER, SPRING 10	1	1	1	1	1	1		
33	1	22217-100000	WASHER, SPRING 10	4	4	4	4	4	4		
34	1	26116-100162	BOLT, M10X 16 PLATED	1	1	1	1	1	1		
35	1	26116-100162	BOLT, M10X 16 PLATED	4	4	4	4	4	4		
36	1	933147-03400	WASHER, BRAKE ARM	1	1	1	1	1	1		
37	1	933168-14170	SPRING	2	2	2	2	2	2		

Fig.55. ARM CYLINDER



(A)=VIO50-2C(US)
 (B)=VIO50-2P(US)
 (C)=VIO50-2C(AS)

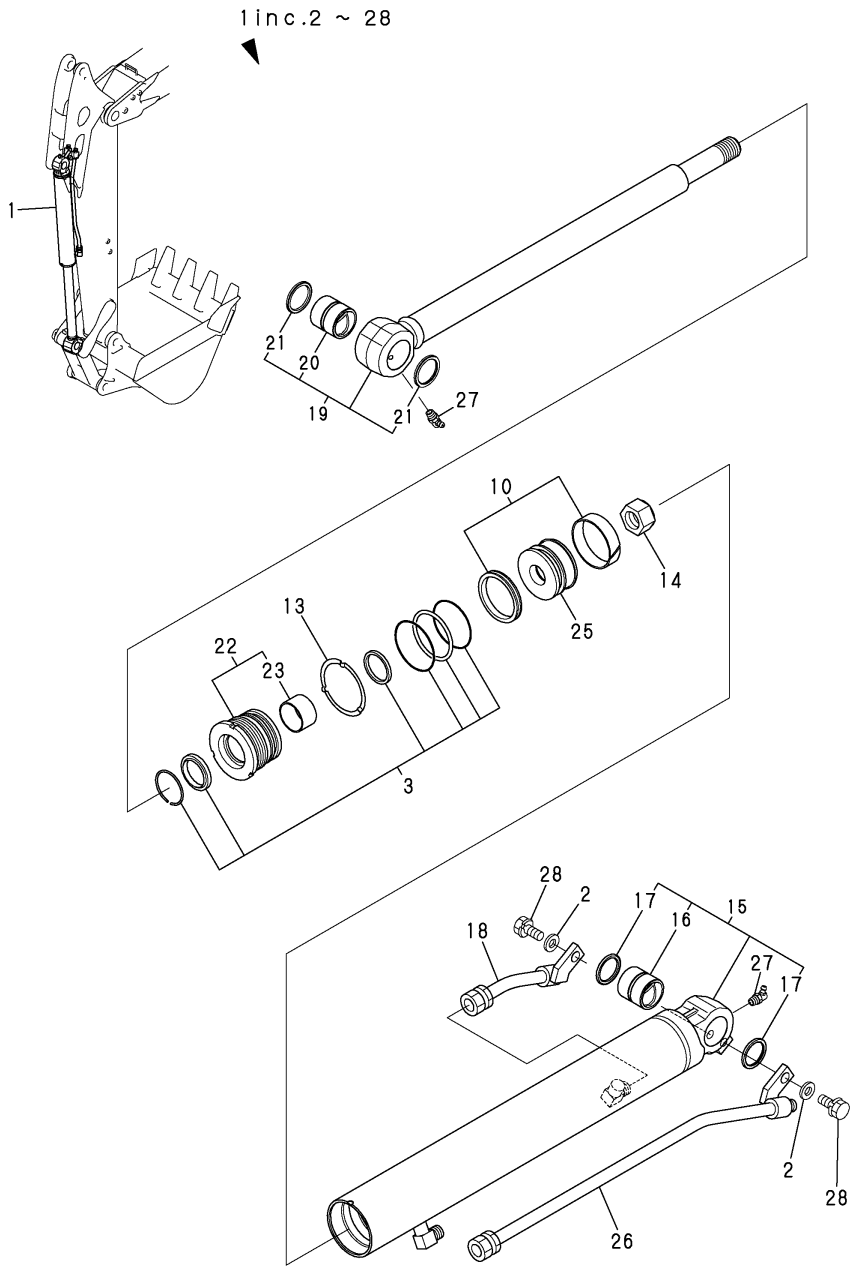
(D)=VIO50-2P(AS)
 (E)=VIO50-2C(NZ)
 (F)=VIO50-2P(NZ)

No.	Lev.	Parts No.	Description	Q'ty						I	R
				(A)	(B)	(C)	(D)	(E)	(F)		
1	1	172461-72350-1	CYLINDER ASSY, ARM	1	1	1	1	1	1		
2	2	172461-72010	SEAL SET, HEAD	1	1	1	1	1	1		
9	2	172461-72020	SEAL SET, PISTON	1	1	1	1	1	1		
13	2	172146-72270	LOCK WASHER 85	1	1	1	1	1	1		
14	2	172461-72511	PLUNGER	1	1	1	1	1	1		
15	2	172461-72520	COLLAR, CUSHION	1	1	1	1	1	1		
16	2	172461-72360-1	TUBE ASSY, ARM	1	1	1	1	1	1		
17	3	172151-72591	BUSH 50X60	1	1	1	1	1	1		
18	3	172448-54120	SEAL, DUST	2	2	2	2	2	2		W
(A=FROM 1ST) (B=FROM 1ST)											
19	2	172460-72940	PLUNGER	1	1	1	1	1	1		
19-1	2	172460-72941	PLUNGER	1	1	1	1	1	1		N
(A=M/#21843) (B=M/#21843) (C=M/#21843) (D=M/#21843) (E=M/#21843) (F=M/#21843)											
20	2	172461-72450	ROD,ARM	1	1	1	1	1	1		
21	3	172151-72591	BUSH 50X60	1	1	1	1	1	1		
22	3	172165-81760	SEAL, DUST 50X60X4	2	2	2	2	2	2		
22-1	3	172448-54120	SEAL, DUST	2	2	2	2	2	2		R
(A=M/#21431) (B=M/#21431) (C=M/#21431) (D=M/#21431) (E=M/#21431) (F=M/#21431)											
23	2	172458-72460	COLLAR, CUSHION	1	1	1	1	1	1		
24	2	172461-72500	PISTON	1	1	1	1	1	1		
25	2	172458-72470	COVER, STOPPER	1	1	1	1	1	1		
26	2	172461-72480	HEAD	1	1	1	1	1	1		
27	3	172151-72540	BUSH 50 35, ROD	1	1	1	1	1	1		
29	2	172423-72530	SPACER	1	1	1	1	1	1		
30	2	172423-72540	STOPPER	2	2	2	2	2	2		
31	2	22242-000260	RING, 26	1	1	1	1	1	1		
32	2	24761-040000	NIPPLE, GREASE B	1	1	1	1	1	1		
33	2	24761-050000	NIPPLE, GREASE C	1	1	1	1	1	1		
34	2	172151-72580	NUT	1	1	1	1	1	1		

Fig.56. BUCKET CYLINDER

(A)=VIO50-2C(US)
 (B)=VIO50-2P(US)
 (C)=VIO50-2C(AS)

(D)=VIO50-2P(AS)
 (E)=VIO50-2C(NZ)
 (F)=VIO50-2P(NZ)

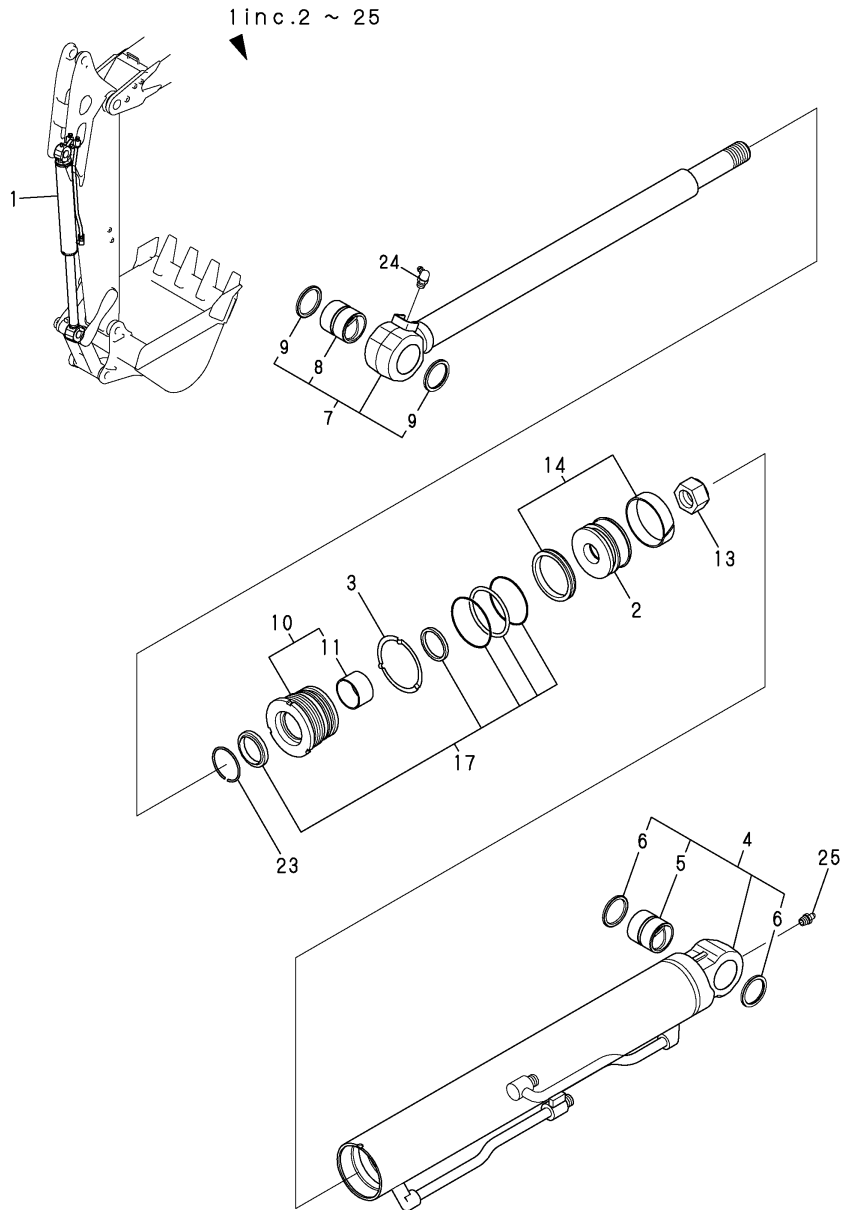


No.	Lev.	Parts No.	Description	Q'ty						I	R
				(A)	(B)	(C)	(D)	(E)	(F)		
1	1	172460-72600-1	CYLINDER ASSY	1	1						
2	2	194145-04810	WASHER 10	2	2						
3	2	172460-72060	SEAL SET, HEAD	1	1						
10	2	172460-72070	SEAL SET, PISTON	1	1						
13	2	172141-72420	WASHER 70, LOCK	1	1						
14	2	172175-72550	NUT	1	1						
15	2	172460-72610-1	TUBE, BUCKET	1	1						
16	3	172165-72320	BUSH 45X40	1	1						
17	3	172168-81410	SEAL, DUST	2	2						W
(A=FROM 1ST) (B=FROM 1ST)											
18	2	172460-72640	PIPE, BUCKET	1	1						
19	2	172460-72660	ROD, BUCKET	1	1						
20	3	172151-72670	BUSH 45 50	1	1						
21	3	172168-81410	SEAL, DUST	2	2						
22	2	172460-72690	HEAD	1	1						
23	3	194300-24130	BUSH 45X50X30	1	1						
23-1	3	24550-045300	BUSH, 45X30	1	1						R
(A=M/#21144) (B=M/#21144)											
25	2	172421-72770	PISTON 70 30	1	1						
26	2	172460-72840	PIPE, BUCKET	1	1						
27	2	24761-040000	NIPPLE, GREASE B	2	2						
28	2	26013-100202	BOLT, M10X 20	2	2						

Fig.57. BUCKET CYLINDER(QUICK COUPLER SPEC.)

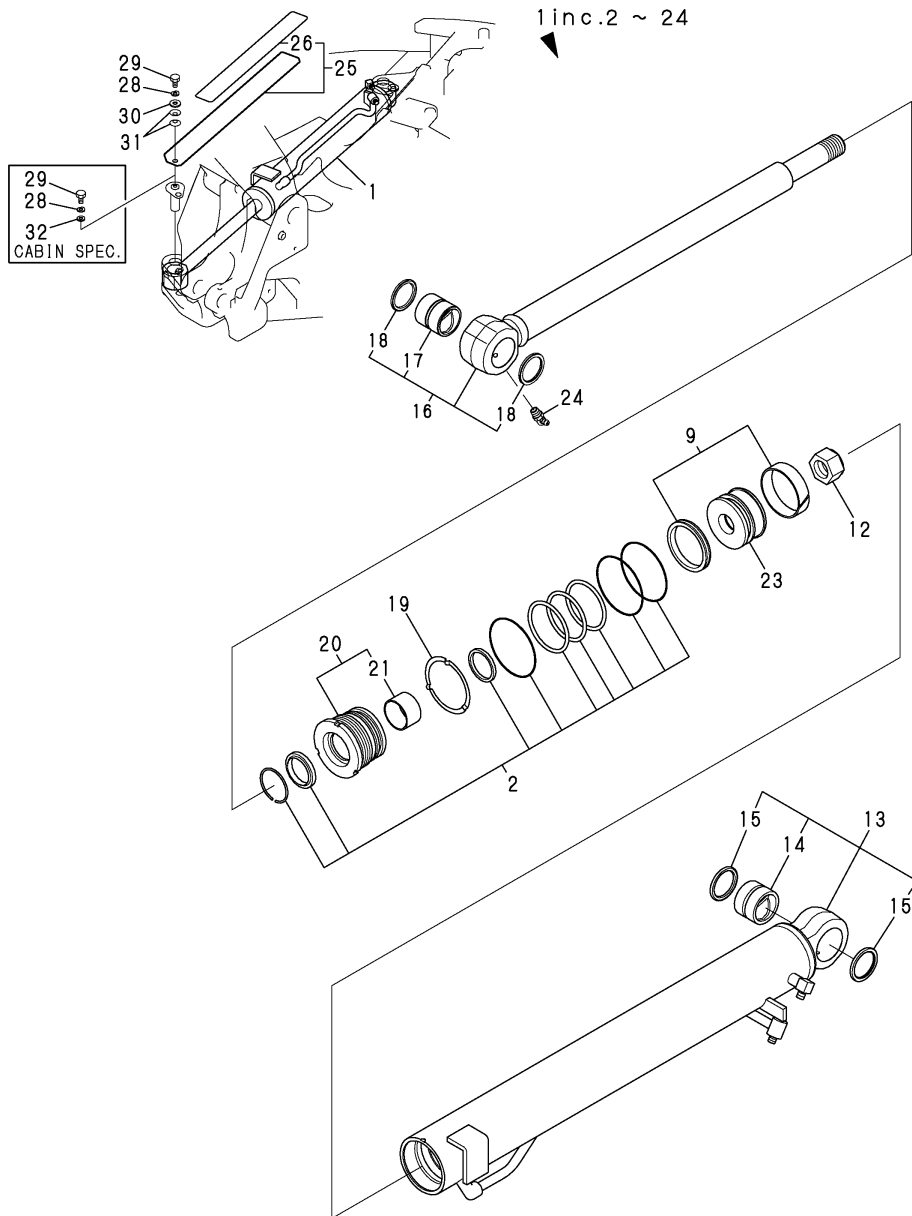
(A)=VIO50-2C(US)
 (B)=VIO50-2P(US)
 (C)=VIO50-2C(AS)

(D)=VIO50-2P(AS)
 (E)=VIO50-2C(NZ)
 (F)=VIO50-2P(NZ)



No.	Lev.	Parts No.	Description	Q'ty						I	R
				(A)	(B)	(C)	(D)	(E)	(F)		
1	1	172960-72500-1	CYLINDER ASSY	1	1	1	1	1	1		
2	2	172148-72050	PISTON 75	1	1	1	1	1	1		
3	2	172141-72190	WASHER 75	1	1	1	1	1	1		
4	2	172960-72510-1	TUBE, BUCKET	1	1	1	1	1	1		
5	3	172165-72320	BUSH 45X40	1	1	1	1	1	1		
6	3	172168-81410	SEAL, DUST	2	2	2	2	2	2		
7	2	172960-72530	ROD,BUCKET	1	1	1	1	1	1		
8	3	172151-72670	BUSH 45 50	1	1	1	1	1	1		
9	3	172168-81410	SEAL, DUST	2	2	2	2	2	2		
10	2	172151-72711	HEAD ASSY	1	1	1	1	1	1		
11	3	172151-72540	BUSH 50 35, ROD	1	1	1	1	1	1		
13	2	933111-20200	NUT	1	1	1	1	1	1		
14	2	172960-72630	SEAL SET, PISTON	1	1	1	1	1	1		
17	2	172151-71841	SEAL SET, HEAD	1	1	1	1	1	1		
23	2	933111-26700	RING 65, SPRING	1	1	1	1	1	1		
24	2	24761-040000	NIPPLE, GREASE B	1	1	1	1	1	1		
25	2	24761-050000	NIPPLE, GREASE C	1	1	1	1	1	1		

Fig.58. SWING CYLINDER



(A)=VIO50-2C(US)
 (B)=VIO50-2P(US)
 (C)=VIO50-2C(AS)

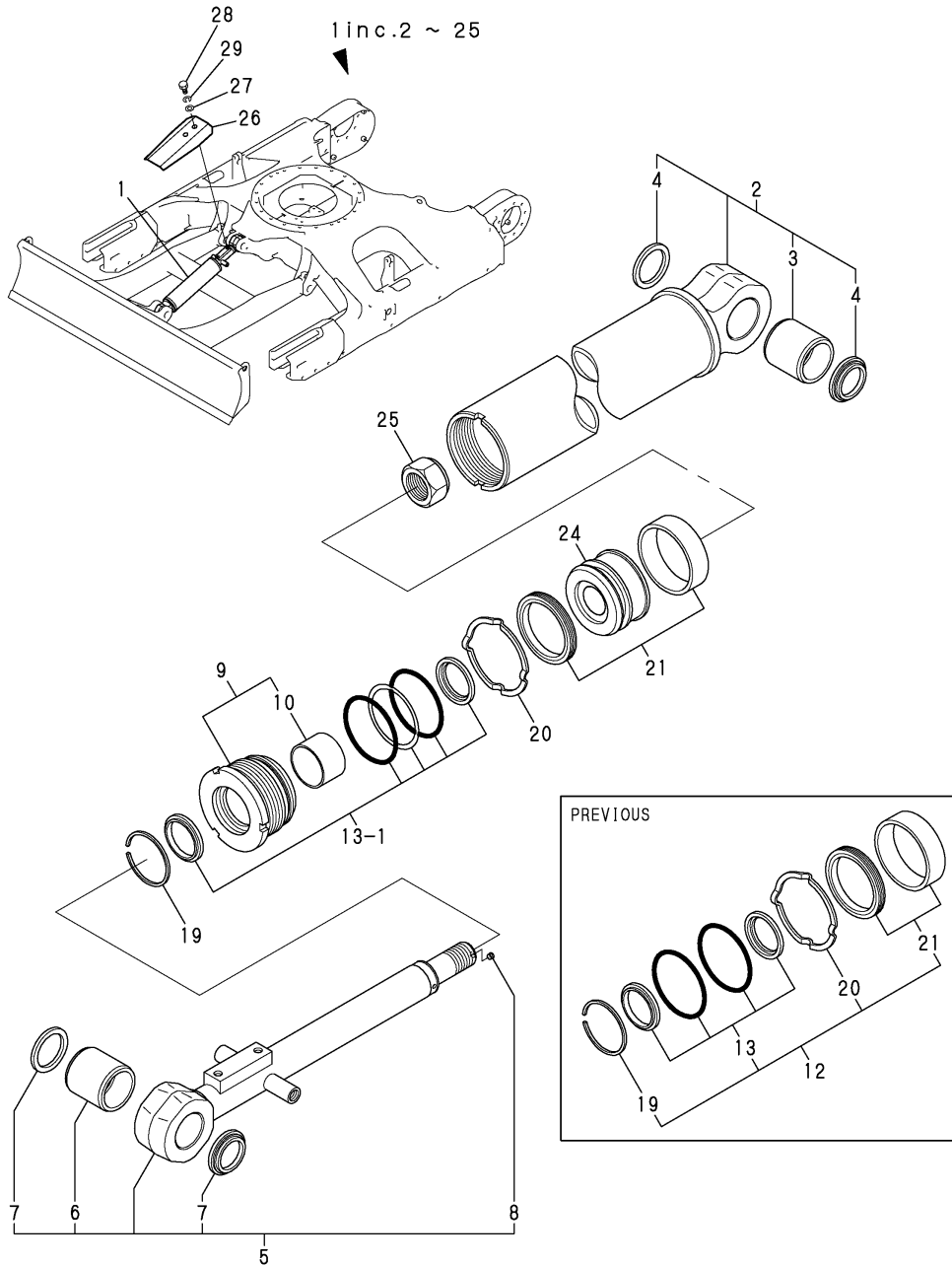
(D)=VIO50-2P(AS)
 (E)=VIO50-2C(NZ)
 (F)=VIO50-2P(NZ)

No.	Lev.	Parts No.	Description	Q'ty						I	R
				(A)	(B)	(C)	(D)	(E)	(F)		
1	1	172460-72750-1	CYLINDER ASSY, SWING	1	1	1	1	1	1		
2	2	172460-72040	SEAL SET, HEAD	1	1	1	1	1	1		
9	2	172460-72050	SEAL SET, PISTON	1	1	1	1	1	1		
12	2	933111-20200	NUT	1	1	1	1	1	1		
13	2	172460-72760-1	TUBE, SWING	1	1	1	1	1	1		
14	3	172458-72740	BUSH 40X40,SO	1	1	1	1	1	1		
15	3	172165-81750	SEAL, DUST 40X50X5	2	2	2	2	2	2		
15-1	3	172448-72650	SEAL, DUST	2	2	2	2	2	2		R
		(A=M/#21431) (B=M/#21431) (C=M/#21431) (D=M/#21431) (E=M/#21431) (F=M/#21431)									
16	2	172460-72850	ROD,SWING	1	1	1	1	1	1		
17	3	172165-72310	BUSH 40X40	1	1	1	1	1	1		
18	3	172165-81750	SEAL, DUST 40X50X5	2	2	2	2	2	2		
18-1	3	172448-72650	SEAL, DUST	2	2	2	2	2	2		R
		(A=M/#21431) (B=M/#21431) (C=M/#21431) (D=M/#21431) (E=M/#21431) (F=M/#21431)									
19	2	172151-72870	LOCK WASHER 90	1	1	1	1	1	1		
20	2	172460-72880	HEAD	1	1	1	1	1	1		
21	3	194300-24130	BUSH 45X50X30	1	1	1	1	1	1		
21-1	3	24550-045300	BUSH, 45X30	1	1	1	1	1	1		R
		(A=M/#21144) (B=M/#21144) (C=M/#21144) (D=M/#21144) (E=M/#21144) (F=M/#21144)									
23	2	172460-72900	PISTON	1	1	1	1	1	1		
24	2	24761-050000	NIPPLE, GREASE C	1	1	1	1	1	1		
25	1	172460-72950-1	COVER, SWING			1		1			
26	2	172164-62430	SHEET			1		1			
28	1	22217-100000	WASHER, SPRING 10	1	1	1	1	1	1		
29	1	26116-100162	BOLT, M10X 16 PLATED	1	1	1	1	1	1		
30	1	933147-03400	WASHER, BRAKE ARM			1		1			
31	1	933168-14170	SPRING			2		2			2
32	1	22157-100000	WASHER, 10	1		1			1		

Fig.59. BLADE CYLINDER

(A)=VIO50-2C(US)
 (B)=VIO50-2P(US)
 (C)=VIO50-2C(AS)

(D)=VIO50-2P(AS)
 (E)=VIO50-2C(NZ)
 (F)=VIO50-2P(NZ)

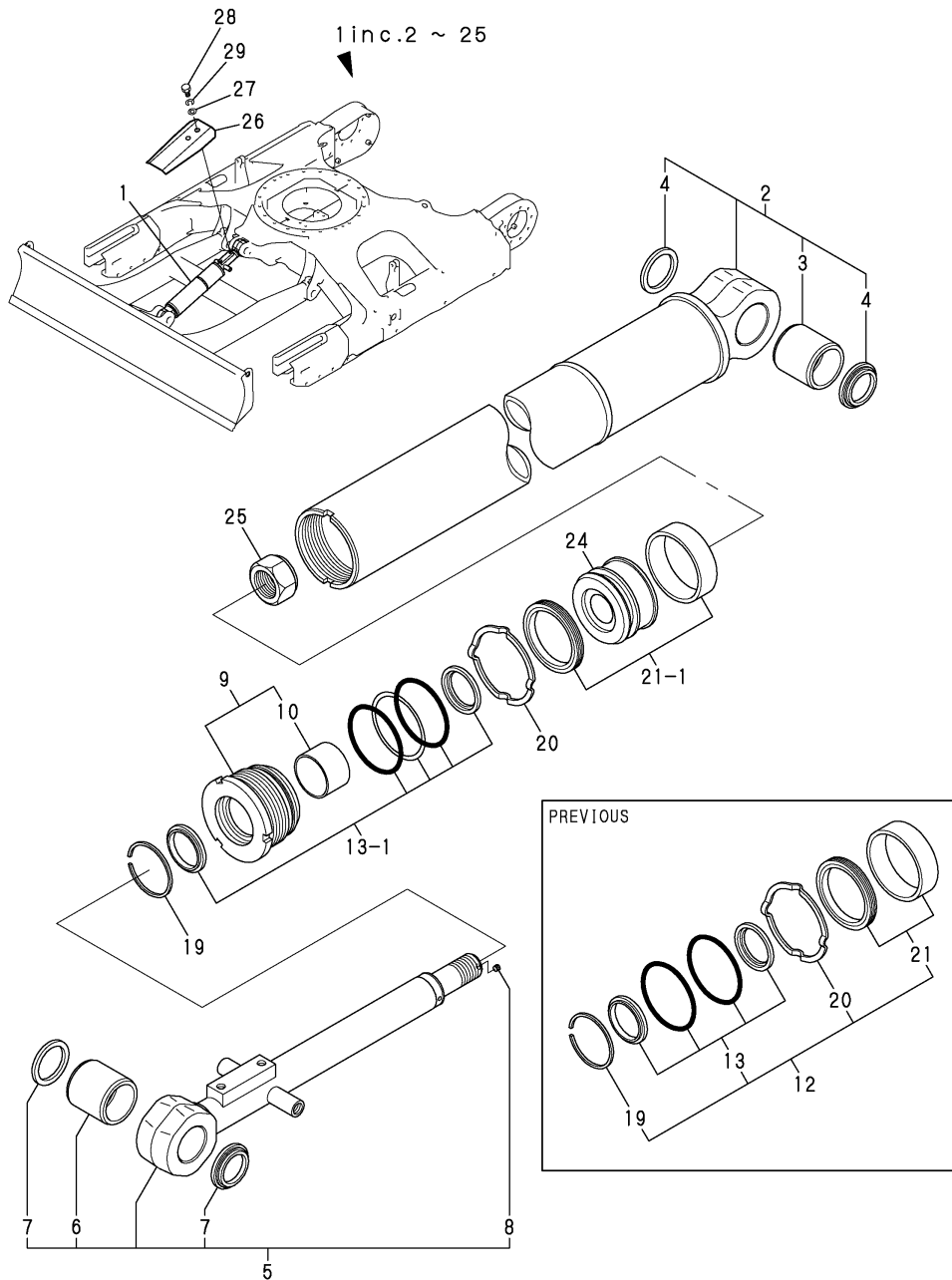


No.	Lev.	Parts No.	Description	Q'ty						I	R
				(A)	(B)	(C)	(D)	(E)	(F)		
1	1	172423-72701-2	CYLINDER ASSY, BLADE	1	1						
2	2	172423-72710-1	TUBE, BLADE	1	1						
3	3	172151-72670	BUSH 45 50	1	1						
4	3	172168-81410	SEAL, DUST	2	2						
5	2	172423-72731	ROD ASSY, BLADE	1	1						
6	3	172151-72670	BUSH 45 50	1	1						
7	3	172168-81410	SEAL, DUST	2	2						
8	3	23871-010000	PLUG, R01	1	1						
9	2	172151-71590	HEAD 90 50	1	1						
9-1	2	172151-71591	HEAD ASSY 90 50	1	1						S
		(A=M/#21843) (B=M/#21843)									
10	3	172151-72540	BUSH 50 35, ROD	1	1						
12	2	172151-72940	CYLINDER KIT, BLADE	1	1						Z
		(A=M/#21843) (B=M/#21843)									
13	2	172151-71880	SEAL SET, HEAD	1	1						
13-1	2	172151-71881	SEAL SET, HEAD	1	1						N
		(A=M/#21843) (B=M/#21843)									
19	2	933111-26700	RING 65, SPRING	1	1						
20	2	172151-72870	LOCK WASHER 90	1	1						
21	2	172151-71870	SEAL SET, PISTON	1	1						
21-1	2	172460-72050	SEAL SET, PISTON	1	1						N
		(A=M/#21512) (B=M/#21512)									
24	2	172423-72800	PISTON 90	1	1						
25	2	172151-72580	NUT	1	1						
26	1	172445-72670-2	COVER, BLADE	1	1						
27	1	22137-120000	WASHER, 12	2	2						
28	1	26116-120252	BOLT, M12X 25 PLATED	2	2						
28-1	1	26013-120202	BOLT, M12X 20	2	2						N
		(A=MZZZZZ) (B=MZZZZZ)									
29	1	22217-120000	WASHER, SPRING 12	2	2						Z
		(A=MZZZZZ) (B=MZZZZZ)									

Fig.60. BLADE CYLINDER(QUICK COUPLER SPEC.)

(A)=VIO50-2C(US)
 (B)=VIO50-2P(US)
 (C)=VIO50-2C(AS)

(D)=VIO50-2P(AS)
 (E)=VIO50-2C(NZ)
 (F)=VIO50-2P(NZ)

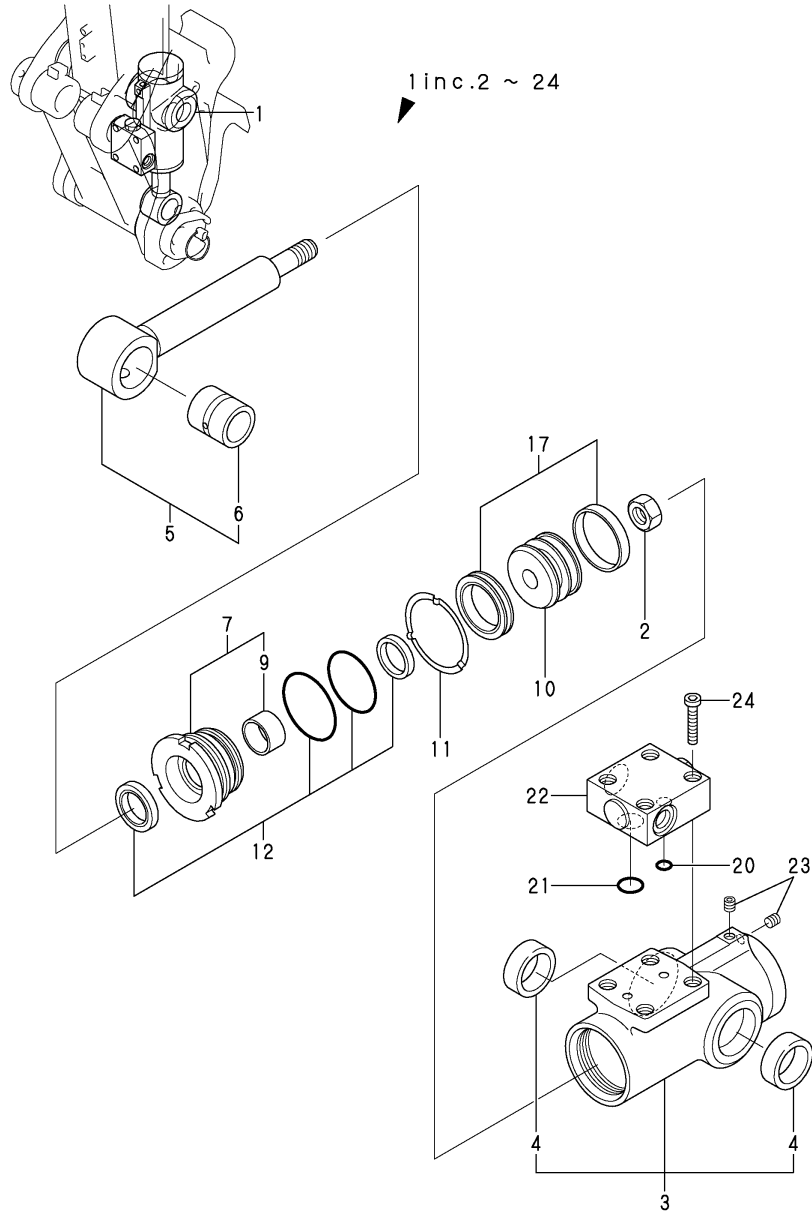


No.	Lev.	Parts No.	Description	Q'ty						I	R
				(A)	(B)	(C)	(D)	(E)	(F)		
1	1	172960-72600-1	CYLINDER ASSY, BLADE	1	1	1	1	1	1		
2	2	172960-72610-1	TUBE, BLADE	1	1	1	1	1	1		
3	3	172151-72670	BUSH 45 50	1	1	1	1	1	1		
4	3	172168-81410	SEAL, DUST	2	2	2	2	2	2		
5	2	172423-72731	ROD ASSY, BLADE	1	1	1	1	1	1		
6	3	172151-72670	BUSH 45 50	1	1	1	1	1	1		
7	3	172168-81410	SEAL, DUST	2	2	2	2	2	2		
8	3	23871-010000	PLUG, R01	1	1	1	1	1	1		
9	2	172151-71590	HEAD 90 50	1	1	1	1	1	1		
9-1	2	172151-71591	HEAD ASSY 90 50	1	1	1	1	1	1		S
		(A=M/#21843) (B=M/#21843) (C=M/#21843) (D=M/#21843)		(E=M/#21843)	(F=M/#21843)						
10	3	172151-72540	BUSH 50 35, ROD	1	1	1	1	1	1		
12	2	172151-72940	CYLINDER KIT, BLADE	1	1	1	1	1	1		Z
		(A=M/#21843) (B=M/#21843) (C=M/#21843) (D=M/#21843)		(E=M/#21843)	(F=M/#21843)						
13	2	172151-71880	SEAL SET, HEAD	1	1	1	1	1	1		
13-1	2	172151-71881	SEAL SET, HEAD	1	1	1	1	1	1		N
		(A=M/#21843) (B=M/#21843) (C=M/#21843) (D=M/#21843)		(E=M/#21843)	(F=M/#21843)						
19	2	933111-26700	RING 65, SPRING	1	1	1	1	1	1		
20	2	172151-72870	LOCK WASHER 90	1	1	1	1	1	1		
21	2	172151-71870	SEAL SET, PISTON	1	1	1	1	1	1		
21-1	2	172460-72050	SEAL SET, PISTON	1	1	1	1	1	1		N
		(A=M/#21566) (B=M/#21566) (C=M/#21566) (D=M/#21566)		(E=M/#21566)	(F=M/#21566)						
24	2	172423-72800	PISTON 90	1	1	1	1	1	1		
25	2	172151-72580	NUT	1	1	1	1	1	1		
26	1	172445-72670-2	COVER, BLADE	1	1	1	1	1	1		
27	1	22137-120000	WASHER, 12	2	2	2	2	2	2		
28	1	26116-120252	BOLT, M12X 25 PLATED	2	2	2	2	2	2		
28-1	1	26013-120202	BOLT, M12X 20	2	2	2	2	2	2		N
		(A=MZZZZZ) (B=MZZZZZ) (C=MZZZZZ) (D=MZZZZZ)		(E=MZZZZZ)	(F=MZZZZZ)						
29	1	22217-120000	WASHER, SPRING 12	2	2	2	2	2	2		Z
		(A=MZZZZZ) (B=MZZZZZ) (C=MZZZZZ) (D=MZZZZZ)		(E=MZZZZZ)	(F=MZZZZZ)						

Fig.61. QUICK COUPLER CYLINDER

(A)=VIO50-2C(US)
 (B)=VIO50-2P(US)
 (C)=VIO50-2C(AS)

(D)=VIO50-2P(AS)
 (E)=VIO50-2C(NZ)
 (F)=VIO50-2P(NZ)



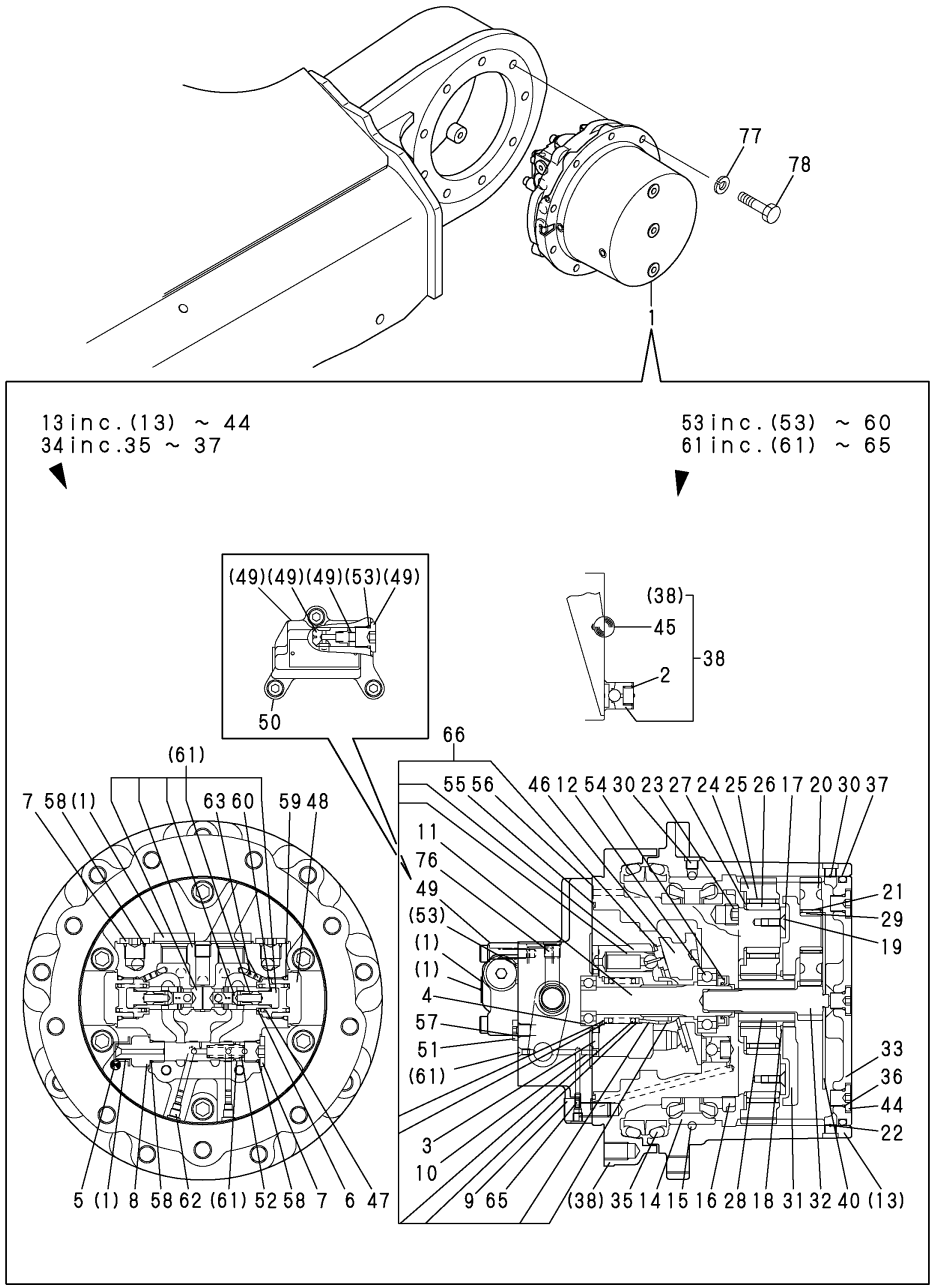
No.	Lev.	Parts No.	Description	Q'ty						I	R
				(A)	(B)	(C)	(D)	(E)	(F)		
1	1	172960-72800-1	CYLINDER ASSY, HITCH	1	1	1	1	1	1		
2	2	172171-72130	NUT, M24	1	1	1	1	1	1		
3	2	172960-72810-1	TUBE, HITCH	1	1	1	1	1	1		
4	3	172960-72950	BUSH	2	2	2	2	2	2		
5	2	172960-72830	ROD ASSY,COUPLER	1	1	1	1	1	1		
6	3	172960-72920	BUSH	1	1	1	1	1	1		
7	2	172960-72860	HEAD	1	1	1	1	1	1		
9	3	24550-035200	BUSH, 35X20	1	1	1	1	1	1		
10	2	172960-72890	PISTON	1	1	1	1	1	1		
11	2	172960-72900	WASHER	1	1	1	1	1	1		
12	2	172960-72960	SEAL SET, HEAD	1	1	1	1	1	1		
17	2	172960-72970	SEAL SET, PISTON	1	1	1	1	1	1		
20	2	172958-72950	O-RING	1	1	1	1	1	1		
21	2	172958-72960	O-RING	1	1	1	1	1	1		
22	2	172958-72981-1	CHECK VALVE (87)	1	1	1	1	1	1		
22-1	2	172958-72982-1	CHECK VALVE (87)	1	1	1	1	1	1		N
		(A=M/#21566) (B=M/#21566) (C=M/#21566) (D=M/#21566) (E=M/#21566) (F=M/#21566)									
23	2	23871-005000	PLUG, R005	2	2	2	2	2	2		
24	2	26450-060352	BOLT, M6X 35	4	4	4	4	4	4		

Fig.62. TRAVEL MOTOR

(A)=VIO50-2C(US)
(B)=VIO50-2P(US)
(C)=VIO50-2C(AS)

(D)=VIO50-2P(AS)
(E)=VIO50-2C(NZ)
(F)=VIO50-2P(NZ)

No.	Lev.	Parts No.	Description	Q'ty						I	R
				(A)	(B)	(C)	(D)	(E)	(F)		
1	1	172460-73300	TRAVEL MOTOR	2	2	2	2	2	2		
2	2	172147-70360	SPRING	4	4	4	4	4	4		
3	2	172147-70370	PLATE VALVE	2	2	2	2	2	2		
4	2	172147-70390	BALL BEARING	2	2	2	2	2	2		
5	2	172122-70410	PIN	4	4	4	4	4	4		
6	2	172122-70460	SEAT, SPRING	4	4	4	4	4	4		
7	2	172147-70500	PLUG	6	6	6	6	6	6		
8	2	172147-70520	PLUG	2	2	2	2	2	2		
9	2	172147-70540	HEAD BOLT, SOCKET	12	12	12	12	12	12		
10	2	172122-73470	PIN	2	2	2	2	2	2		
11	2	172423-73470	SHAFT	2	2	2	2	2	2		
12	2	172423-73480	BEARING	2	2	2	2	2	2		
13	2	172460-73500	GEAR, REDUCTION	2	2	2	2	2	2		
14	3	172124-70010	BEARING	2	2	2	2	2	2		
15	3	172124-70030	BALL	198	198	198	198	198	198		
16	3	172124-70050	NUT, RING	2	2	2	2	2	2		
17	3	172147-70070	PLATE	2	2	2	2	2	2		
18	3	172147-70090	SNAP RING	2	2	2	2	2	2		
19	3	172141-70110	SCREW	8	8	8	8	8	8		
20	3	172147-70110	GEAR, PLANETARY	6	6	6	6	6	6		
21	3	172147-70120	GAUGE ASSY	6	6	6	6	6	6		
22	3	172147-70210	WIRE	2	2	2	2	2	2		
23	3	172423-73330	PLUG	4	4	4	4	4	4		
24	3	172423-73340	GEAR, PLANETARY	8	8	8	8	8	8		
25	3	172423-73350	BEARING	8	8	8	8	8	8		
26	3	172423-73360	LATHE	8	8	8	8	8	8		
27	3	172423-73370	WASHER	8	8	8	8	8	8		
28	3	172423-73380	GEAR, SUN	2	2	2	2	2	2		
29	3	172423-73410	LATHE	6	6	6	6	6	6		
30	3	172122-73430	PLUG	4	4	4	4	4	4		
31	3	172460-73510	HOLDER	2	2	2	2	2	2		
32	3	172460-73530	GEAR, DRIVE	2	2	2	2	2	2		
33	3	172460-73540	COVER	2	2	2	2	2	2		
34	3	172460-73600	SEAL SET, REDUCTION	2	2	2	2	2	2		
35	4	172147-70020	SEAL, FLOATING	2	2	2	2	2	2		
36	4	24315-000110	O-RING, 1BP11.0	6	6	6	6	6	6		
37	4	172423-73690	O-RING	2	2	2	2	2	2		
38	3	172460-73620	FRAMGE	2	2	2	2	2	2		
40	3	172460-73630	PLATE	2	2	2	2	2	2		
44	3	172183-73770	PLUG	6	6	6	6	6	6		
45	2	172423-73510	BOLL	4	4	4	4	4	4		
46	2	172460-73550	PLATE	2	2	2	2	2	2		
47	2	172460-73560	SPRING	4	4	4	4	4	4		
48	2	172460-73570	CAP	4	4	4	4	4	4		
49	2	172460-73580	VALVE	2	2	2	2	2	2		
50	3	172460-73520	HEAD BOLT	6	6	6	6	6	6		
51	2	172460-73590	PLUG	4	4	4	4	4	4		
52	2	172423-73600	SPRING	2	2	2	2	2	2		
53	2	172460-73610	SEAL SET, MOTOR	2	2	2	2	2	2		
54	3	172423-73490	SEAL, OIL	2	2	2	2	2	2		
55	3	172423-73560	O-RING	2	2	2	2	2	2		



N:Old $\begin{matrix} \text{Yes} \\ \text{No} \end{matrix}$ New, Q:Old $\begin{matrix} \text{No} \\ \text{Yes} \end{matrix}$ New, R:Old $\begin{matrix} \text{Yes} \\ \text{No} \end{matrix}$ New, S:Old $\begin{matrix} \text{No} \\ \text{Yes} \end{matrix}$ New, W:Add, Z:Discontinued, F:Interchangeable by set, K:Q'ty Change
 ++ CONTINUE ++
 Copyright (C) YANMAR CO., LTD. All Rights Reserved.

Fig.62. TRAVEL MOTOR

(A)=VIO50-2C(US)
 (B)=VIO50-2P(US)
 (C)=VIO50-2C(AS)

(D)=VIO50-2P(AS)
 (E)=VIO50-2C(NZ)
 (F)=VIO50-2P(NZ)

No.	Lev.	Parts No.	Description	Q'ty						I	R
				(A)	(B)	(C)	(D)	(E)	(F)		
56	3	24315-000070	O-RING, 1BP7.0	6	6	6	6	6	6		
57	3	24315-000080	O-RING, 1BP8.0	4	4	4	4	4	4		
58	3	24315-000140	O-RING, 1BP14.0	8	8	8	8	8	8		
59	3	24315-000290	O-RING, 1BP29.0	4	4	4	4	4	4		
60	3	24315-000100	O-RING, 1BP10.0	4	4	4	4	4	4		
61	2	172460-73640	PLATE KIT	2	2	2	2	2	2		
62	3	172147-70220	PLUG	4	4	4	4	4	4		
63	3	172148-70340	ORIFICE	8	8	8	8	8	8		
65	3	172312-74790	ORIFICE	8	8	8	8	8	8		
66	2	172423-73650	BROCK KIT	2	2	2	2	2	2		
76	2	23871-020000	PLUG, R02	2	2	2	2	2	2		
77	1	22217-140000	WASHER, SPRING 14	18	18	18	18	18	18		
78	1	172455-29140	BOLT 14X35	18	18	18	18	18	18		

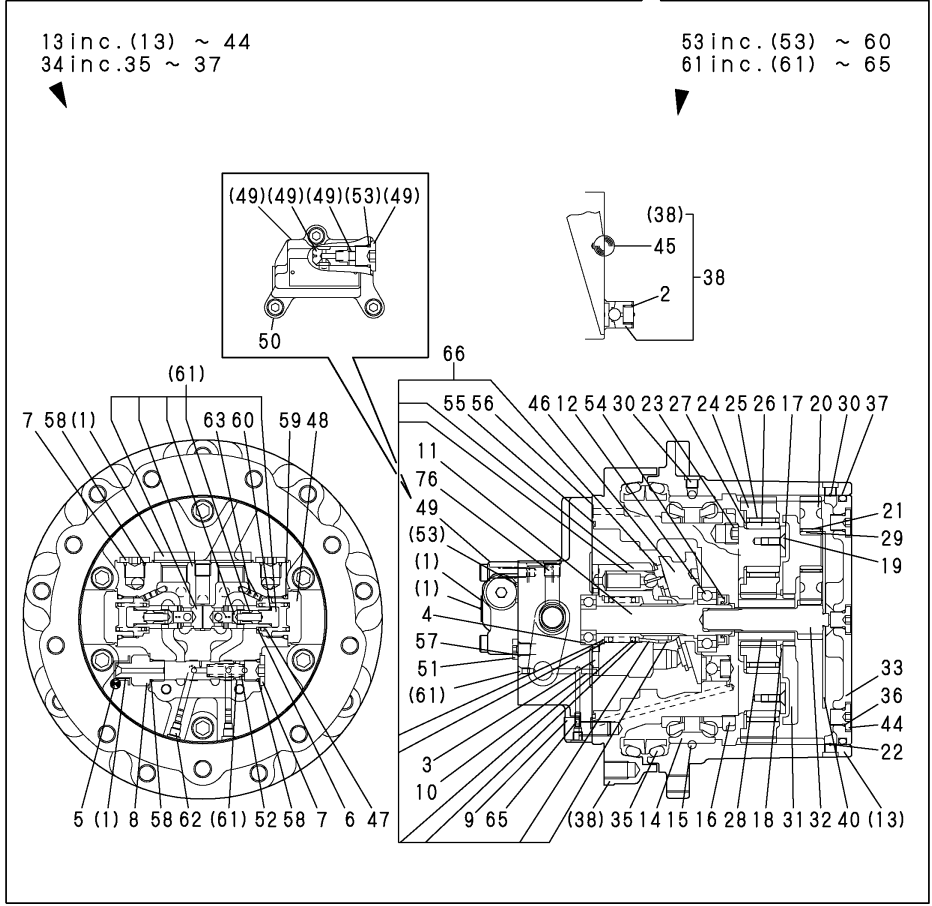
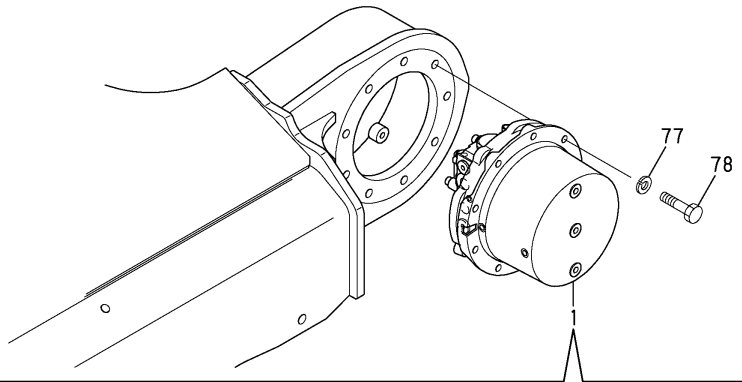
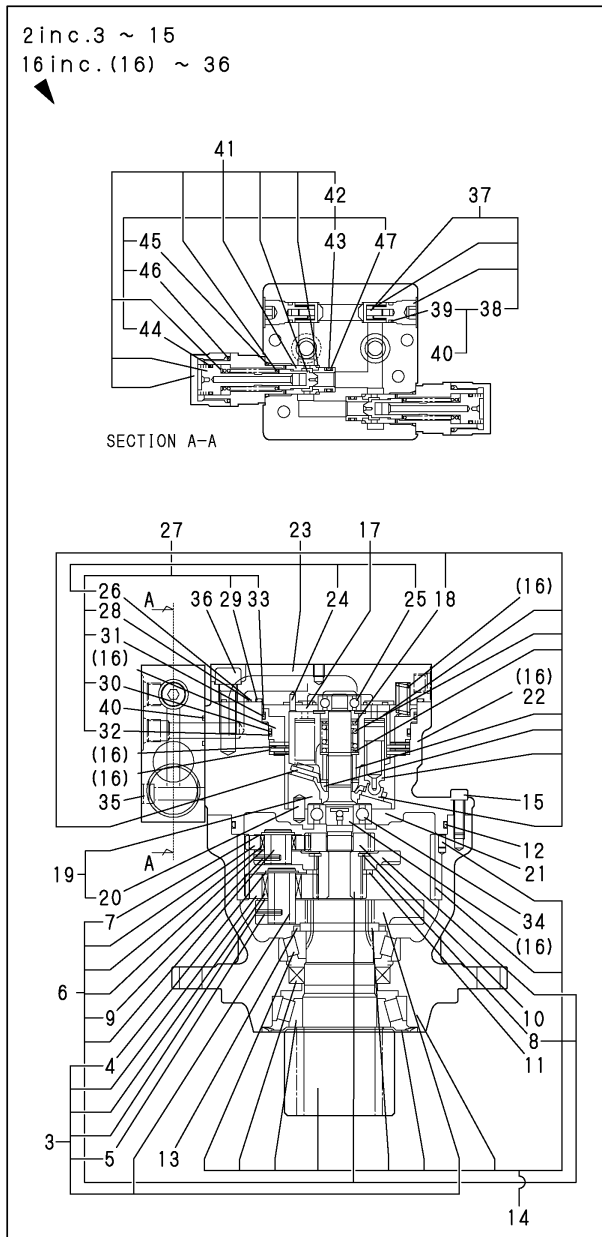


Fig.63. TURNING MOTOR

(A)=VIO50-2C(US)
 (B)=VIO50-2P(US)
 (C)=VIO50-2C(AS)

(D)=VIO50-2P(AS)
 (E)=VIO50-2C(NZ)
 (F)=VIO50-2P(NZ)

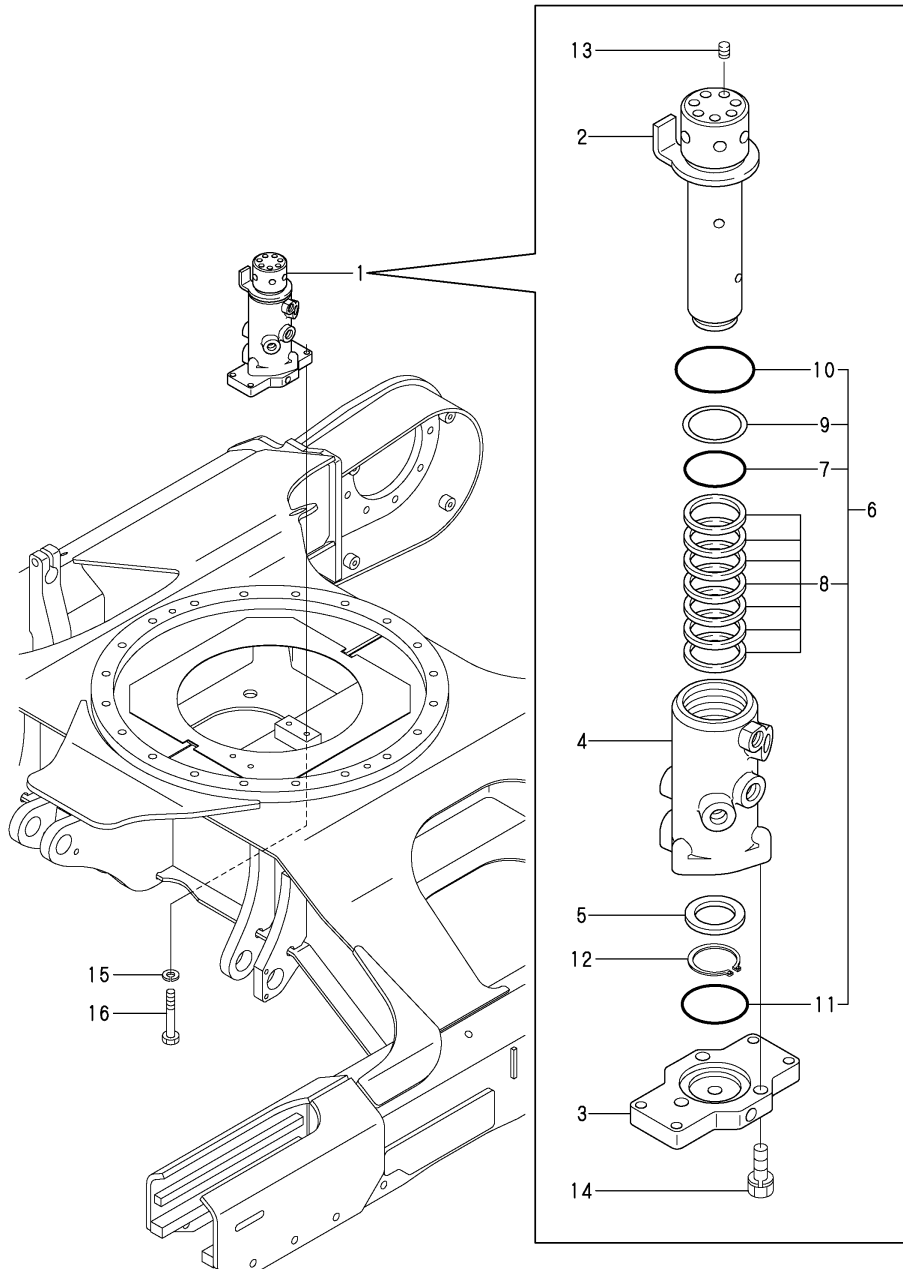


No.	Lev.	Parts No.	Description	Q'ty						I	R
				(A)	(B)	(C)	(D)	(E)	(F)		
1	1	172461-73310	MOTOR COMP.,SWING	1	1	1	1	1	1		
2	2	172460-73700	GEAR, REDUCTION	1	1	1	1	1	1		
3	3	172425-73410	CARRIER KIT	1	1	1	1	1	1		
4	4	22242-000200	RING, 20	4	4	4	4	4	4		
5	4	22351-040020	PIN, SPRING 4.0X20	4	4	4	4	4	4		
6	3	172425-73420	CARRIER KIT	1	1	1	1	1	1		
7	4	22242-000200	RING, 20	3	3	3	3	3	3		
8	4	22242-000300	RING, 30	1	1	1	1	1	1		
9	4	22351-040020	PIN, SPRING 4.0X20	3	3	3	3	3	3		
10	3	172460-73790	GEAR	1	1	1	1	1	1		
11	3	172425-73490	COLLAR, THRUST	1	1	1	1	1	1		
12	3	172425-73510	O-RING	1	1	1	1	1	1		
13	3	172425-73520	RING	1	1	1	1	1	1		
14	3	172460-73710	PINION	1	1	1	1	1	1		
15	3	26450-080252	BOLT, M8X 25	6	6	6	6	6	6		
16	2	172460-73720	HYD.MOTOR	1	1	1	1	1	1		
17	3	172425-73440	BARREL KIT	1	1	1	1	1	1		
18	4	22252-000280	RING, 28	1	1	1	1	1	1		
19	3	172425-73450	PLATE KIT	1	1	1	1	1	1		
20	4	172425-73550	PIN	1	1	1	1	1	1		
21	3	172425-73530	FILTER	2	2	2	2	2	2		
22	3	172425-73540	PIN	1	1	1	1	1	1		
23	3	172460-73730	BODY H KIT	1	1	1	1	1	1		
24	4	22351-050012	PIN, SPRING 5.0X12	1	1	1	1	1	1		
25	4	24101-062010	BEARING, BALL 6201C3	2	2	2	2	2	2		
26	4	24315-000180	O-RING, 1BP18.0	2	2	2	2	2	2		
27	3	172460-73740	SEAL SET, MOTOR	1	1	1	1	1	1		
28	4	24315-000180	O-RING, 1BP18.0	2	2	2	2	2	2		
29	4	24325-001200	O-RING, 1BG120.0	1	1	1	1	1	1		
30	4	24325-001000	O-RING, 1BG100.0	1	1	1	1	1	1		
31	4	24325-001100	O-RING, 1BG110.0	1	1	1	1	1	1		
32	4	24376-001000	RING, BACK UP T3G100	1	1	1	1	1	1		
33	4	24376-001100	RING, BACK UP T3G110	1	1	1	1	1	1		
34	3	24105-062044	BEARING, BALL 6204Z	1	1	1	1	1	1		
35	3	26450-080502	BOLT, M8X 50	4	4	4	4	4	4		
36	3	26450-120352	BOLT, M12X 35	5	5	5	5	5	5		
37	2	172460-73750	VALVE	1	1	1	1	1	1		
38	3	172460-73760	SEAL SET, VALVE	1	1	1	1	1	1		
39	4	24315-000110	O-RING, 1BP11.0	2	2	2	2	2	2		
40	4	24315-000180	O-RING, 1BP18.0	2	2	2	2	2	2		
41	2	172461-73770	VALVE ASSY	2	2	2	2	2	2		
42	3	172460-73780	SEAL SET, VALVE	2	2	2	2	2	2		
43	4	24315-000140	O-RING, 1BP14.0	2	2	2	2	2	2		
44	4	24315-000180	O-RING, 1BP18.0	2	2	2	2	2	2		
45	4	24315-000220	O-RING, 1BP22.0	2	2	2	2	2	2		
46	4	24315-000280	O-RING, 1BP28.0	2	2	2	2	2	2		
47	4	24372-000140	RING, BACK UP T2P14	4	4	4	4	4	4		
48	1	172460-73320	BOLT	9	9	9	9	9	9		

Fig.64. SWIVEL JOINT

(A)=VIO50-2C(US)
 (B)=VIO50-2P(US)
 (C)=VIO50-2C(AS)

(D)=VIO50-2P(AS)
 (E)=VIO50-2C(NZ)
 (F)=VIO50-2P(NZ)

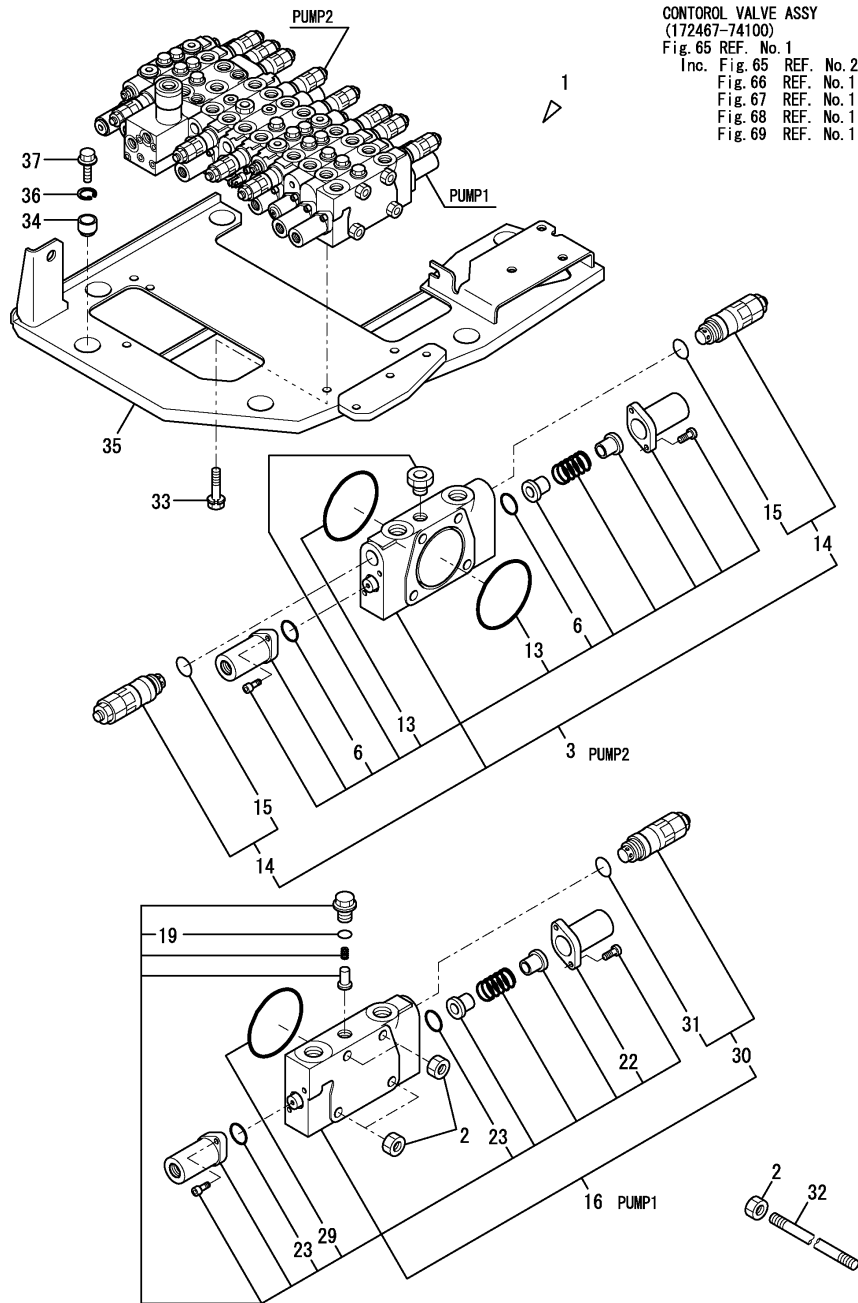


No.	Lev.	Parts No.	Description	Q'ty						I	R
				(A)	(B)	(C)	(D)	(E)	(F)		
1	1	172444-73802	JOINT ASSY, SWIVEL	1	1	1	1	1	1		
2	2	172444-73810	SHAFT ASSY, SWIVEL	1	1	1	1	1	1		
3	2	172444-73840	FLANGE, SWIVEL	1	1	1	1	1	1		
4	2	172444-73831	HUB, SWIVEL	1	1	1	1	1	1		
5	2	172137-73860	SPACER, SWIVEL	1	1	1	1	1	1		
6	2	172444-73880	SEAL SET, SWIVEL	1	1	1	1	1	1		
7	3	172142-73800	O-RING	1	1	1	1	1	1		
8	3	172458-73820	SEAL, SWIVEL	7	7	7	7	7	7		
9	3	172148-73870	RING EL, BACK UP	1	1	1	1	1	1		
10	3	24311-000750	O-RING, 1AP75.0	1	1	1	1	1	1		
11	3	24321-000700	O-RING, 1AG70.0	1	1	1	1	1	1		
12	2	22242-000451	RING, 45	1	1	1	1	1	1		
13	2	23871-020000	PLUG, R02	7	7	7	7	7	7		
14	2	26013-100352	BOLT, M10X 35	3	3	3	3	3	3		
15	1	22217-100000	WASHER, SPRING 10	4	4	4	4	4	4		
16	1	26116-100652	BOLT, M10X 65 PLATED	4	4	4	4	4	4		

Fig.65. CONTROL VALVE(P PORT)

(A)=VIO50-2C(US)
 (B)=VIO50-2P(US)
 (C)=VIO50-2C(AS)

(D)=VIO50-2P(AS)
 (E)=VIO50-2C(NZ)
 (F)=VIO50-2P(NZ)

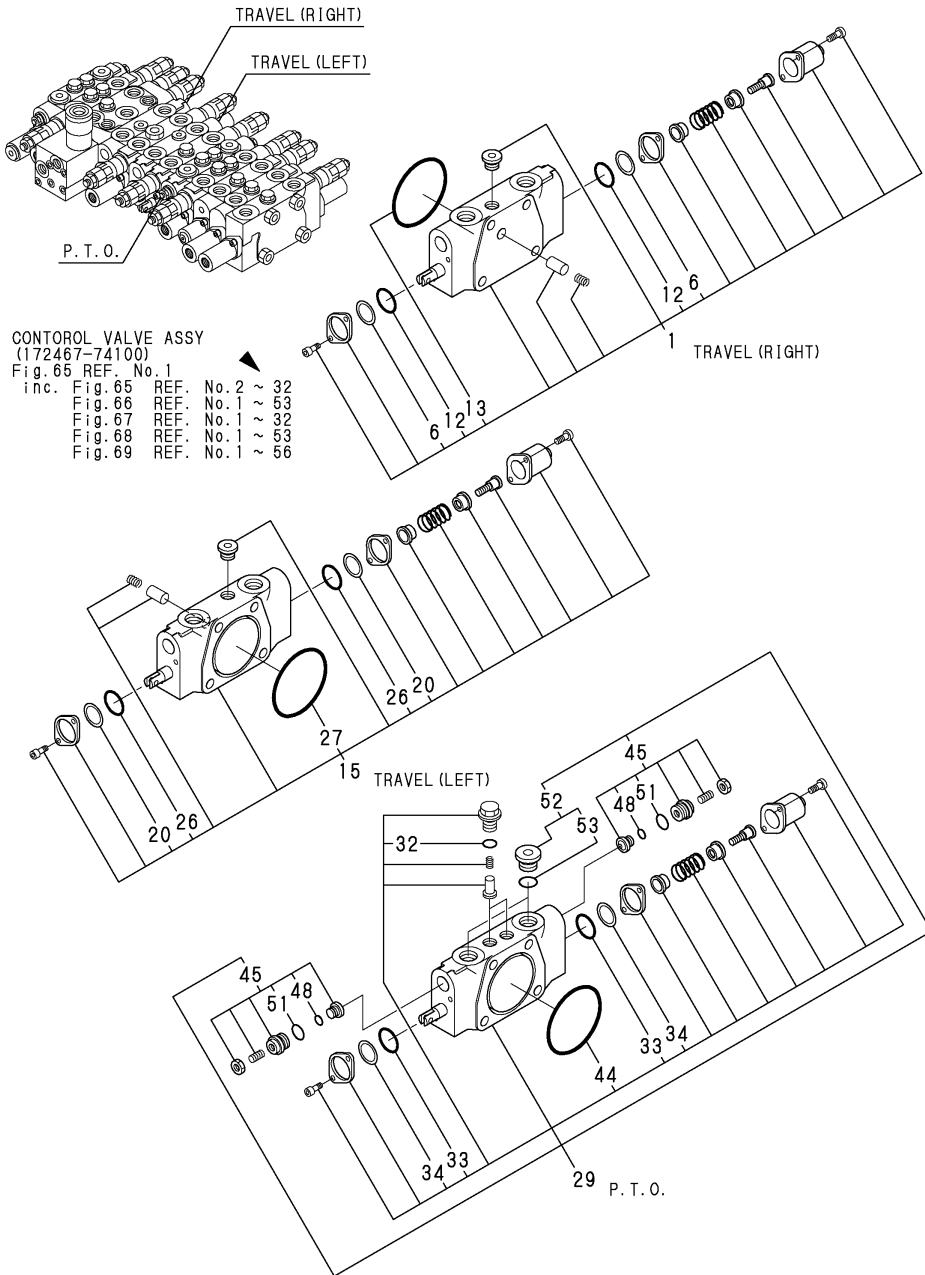


No.	Lev.	Parts No.	Description	Q'ty						I	R
				(A)	(B)	(C)	(D)	(E)	(F)		
1	1	172467-74100	VALVE ASSY, CONTROL	1	1	1	1	1	1		
1-1	1	172467-74101	VALVE ASSY, CONTROL	1	1	1	1	1	1		N
		(A=M/#21317)	(B=M/#21317)	(C=M/#21317)	(D=M/#21317)	(E=M/#21317)	(F=M/#21317)				
2	2	172422-74110	NUT	8	8	8	8	8	8		
3	2	172461-74140	SECTION ASSY, INLET	1	1	1	1	1	1		
6	4	172422-74220	O-RING	2	2	2	2	2	2		
13	4	172460-74370	O-RING	2	2	2	2	2	2		
14	3	172461-74310	VALVE, RELIEF	2	2	2	2	2	2		
15	4	172116-74150	O-RING	2	2	2	2	2	2		
16	2	172461-74210	SECTION ASSY, BLADE	1	1	1	1	1	1		
19	4	24315-000110	O-RING, 1BP11.0	1	1	1	1	1	1		
22	4	172460-74420	CAP	1	1	1	1	1	1		
23	4	172422-74220	O-RING	2	2	2	2	2	2		
29	4	172460-74370	O-RING	1	1	1	1	1	1		
30	3	172461-74310	VALVE, RELIEF	1	1	1	1	1	1		
31	4	172116-74150	O-RING	1	1	1	1	1	1		
32	2	172467-74130	ROD, TIE	4	4	4	4	4	4		
33	1	26013-100162	BOLT, M10X 16	3	3	3	3	3	3		
34	1	172165-45490	CUSHION	6	6	6	6	6	6		
35	1	172460-45601	PLATE, VALVE	1	1	1	1	1	1		
36	1	22252-000280	RING, 28	6	6	6	6	6	6		
37	1	26106-100352	BOLT, M10X 35 PLATED	6	6	6	6	6	6		

Fig.66. CONTROL VALVE(TRAVEL & P.T.O.)

(A)=VIO50-2C(US)
 (B)=VIO50-2P(US)
 (C)=VIO50-2C(AS)

(D)=VIO50-2P(AS)
 (E)=VIO50-2C(NZ)
 (F)=VIO50-2P(NZ)



No.	Lev.	Parts No.	Description	Q'ty						I	R
				(A)	(B)	(C)	(D)	(E)	(F)		
1	2	172460-74130	SECTION ASSY, TRAVEL	1	1	1	1	1	1		
6	3	172614-74290	WIPER	2	2	2	2	2	2		
12	3	172422-74370	O-RING	2	2	2	2	2	2		
13	3	172460-74370	O-RING	1	1	1	1	1	1		
15	2	172460-74150	SECTION ASSY, TRAVEL	1	1	1	1	1	1		
20	3	172614-74290	WIPER	2	2	2	2	2	2		
26	3	172422-74370	O-RING	2	2	2	2	2	2		
27	3	172460-74370	O-RING	1	1	1	1	1	1		
29	2	172460-74170	SECTION ASSY, PTO	1	1	1	1	1	1		
32	4	24315-000110	O-RING, 1BP11.0	2	2	2	2	2	2		
33	4	172422-74370	O-RING	2	2	2	2	2	2		
34	4	172614-74290	WIPER	2	2	2	2	2	2		
44	4	172460-74370	O-RING	1	1	1	1	1	1		
45	3	172455-74320	SHUTOFF VALVE	2	2	2	2	2	2		
48	4	172455-74030	O-RING	2	2	2	2	2	2		
51	4	172116-74150	O-RING	2	2	2	2	2	2		
52	3	172187-74540	PLUG	2	2	2	2	2	2		
53	4	24315-000140	O-RING, 1BP14.0	2	2	2	2	2	2		

Fig.67. CONTROL VALVE(ARM & SWING)

(A)=VIO50-2C(US)
 (B)=VIO50-2P(US)
 (C)=VIO50-2C(AS)

(D)=VIO50-2P(AS)
 (E)=VIO50-2C(NZ)
 (F)=VIO50-2P(NZ)

No.	Lev.	Parts No.	Description	Q'ty						I	R
				(A)	(B)	(C)	(D)	(E)	(F)		
1	2	172461-74160	SECTION ASSY, SWING	1	1	1	1	1	1		
4	4	24315-000110	O-RING, 1BP11.0	1	1	1	1	1	1		
5	4	172422-74370	O-RING	2	2	2	2	2	2		
6	4	172614-74290	WIPER	2	2	2	2	2	2		
16	4	172460-74370	O-RING	1	1	1	1	1	1		
17	3	172461-74300	VALVE, RELIFE	2	2	2	2	2	2		
18	4	172116-74150	O-RING	2	2	2	2	2	2		
19	2	172461-74180	SECTION ASSY, ARM	1	1	1	1	1	1		
22	4	24315-000110	O-RING, 1BP11.0	2	2	2	2	2	2		
25	4	172460-74420	CAP	2	2	2	2	2	2		
26	4	172422-74220	O-RING	2	2	2	2	2	2		
31	3	172461-74300	VALVE, RELIFE	2	2	2	2	2	2		
32	4	172116-74150	O-RING	2	2	2	2	2	2		

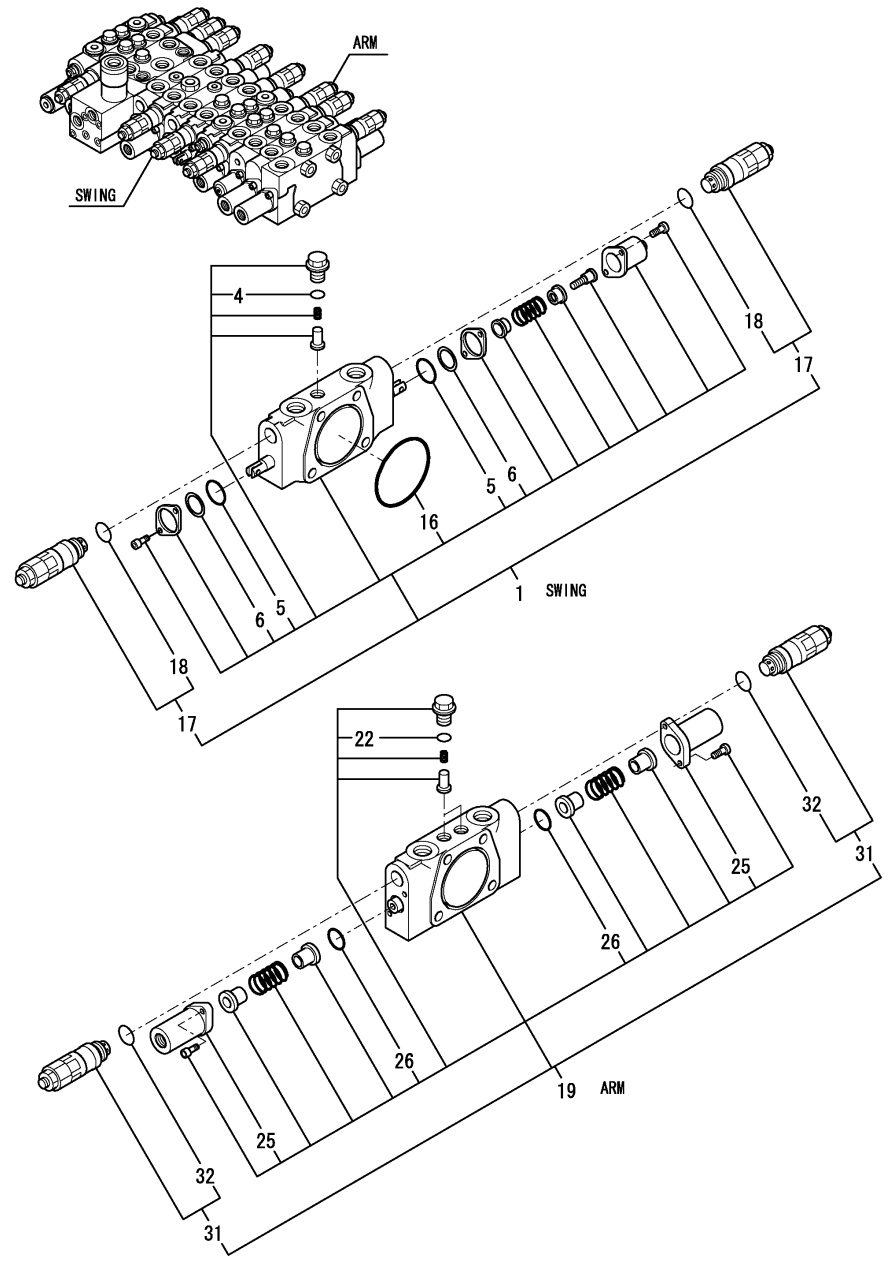
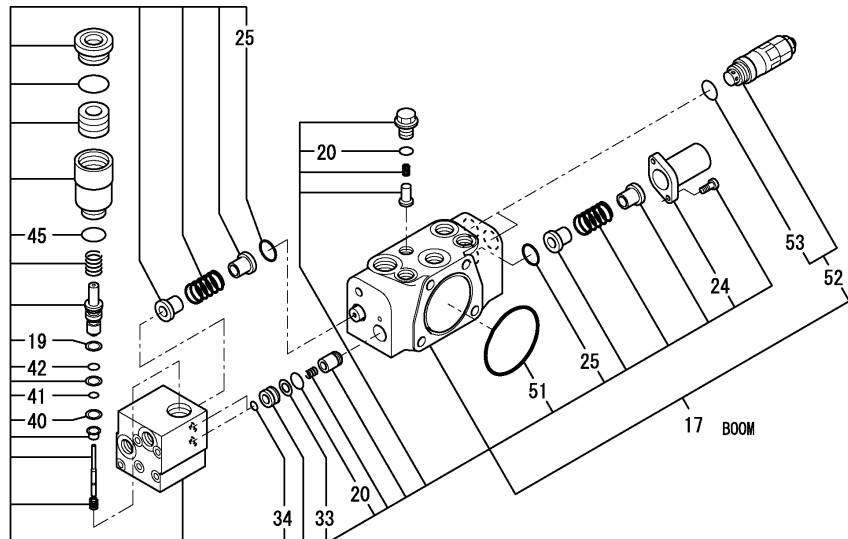
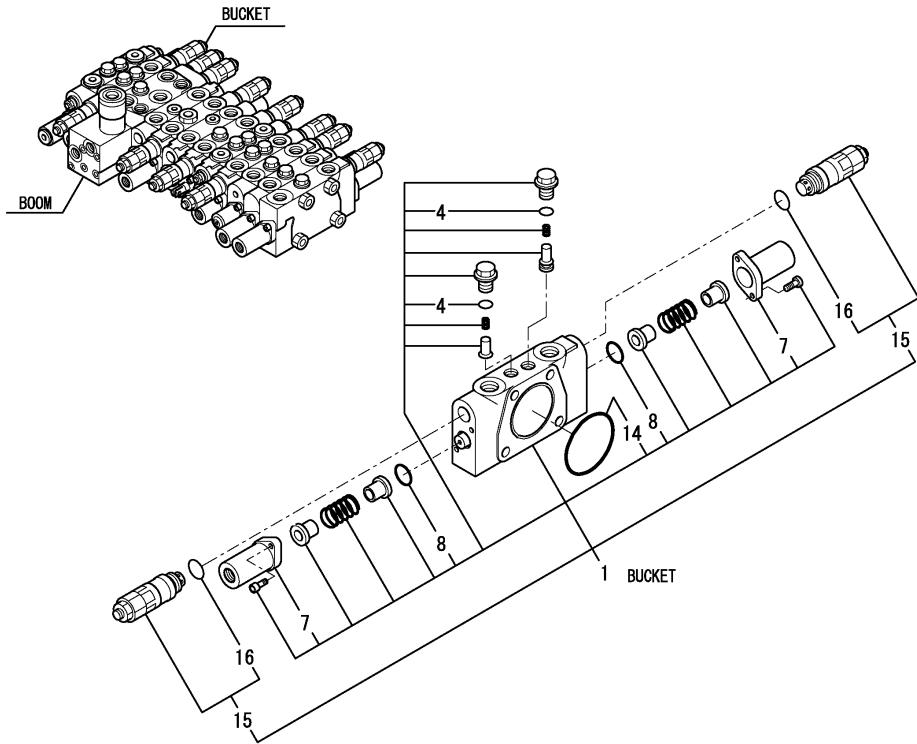


Fig.68. CONTROL VALVE(BOOM & BUCKET)

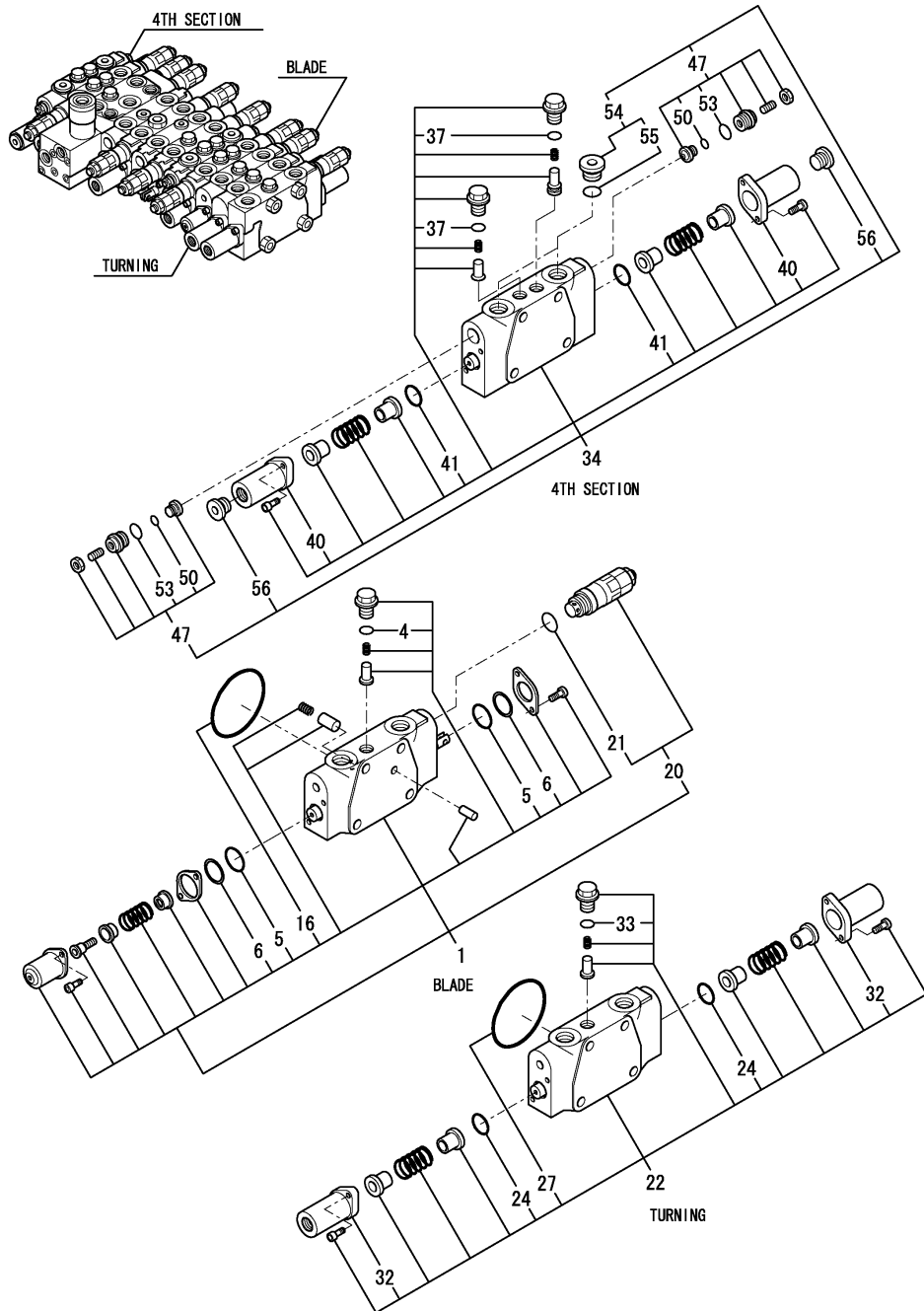


(A)=VIO50-2C(US)
(B)=VIO50-2P(US)
(C)=VIO50-2C(AS)

(D)=VIO50-2P(AS)
(E)=VIO50-2C(NZ)
(F)=VIO50-2P(NZ)

No.	Lev.	Parts No.	Description	Q'ty						I	R
				(A)	(B)	(C)	(D)	(E)	(F)		
1	2	172467-74110	SECTION ASSY, BUCKET	1	1	1	1	1	1		
4	4	24315-000110	O-RING, 1BP11.0	2	2	2	2	2	2		
7	4	172460-74420	CAP	2	2	2	2	2	2		
8	4	172422-74220	O-RING	2	2	2	2	2	2		
14	4	172460-74370	O-RING	1	1	1	1	1	1		
15	3	172461-74300	VALVE, RELIFE	2	2	2	2	2	2		
16	4	172116-74150	O-RING	2	2	2	2	2	2		
17	2	172461-74120	SECTION ASSY, BLADE	1	1	1	1	1	1		
19	4	172638-73650	RING, BUCK UP	1	1	1	1	1	1		
20	4	24315-000110	O-RING, 1BP11.0	2	2	2	2	2	2		
24	4	172460-74420	CAP	1	1	1	1	1	1		
25	4	172422-74220	O-RING	2	2	2	2	2	2		
33	4	172460-74500	RING, BUCK UP	1	1	1	1	1	1		
34	4	172455-74690	O-RING	2	2	2	2	2	2		
40	4	172455-74680	RING, BUCK UP	1	1	1	1	1	1		
41	4	172455-74660	O-RING	1	1	1	1	1	1		
42	4	172455-74670	O-RING	1	1	1	1	1	1		
45	4	172116-74150	O-RING	1	1	1	1	1	1		
51	4	172460-74370	O-RING	1	1	1	1	1	1		
52	3	172461-74300	VALVE, RELIFE	2	2	2	2	2	2		
53	4	172116-74150	O-RING	2	2	2	2	2	2		

Fig.69. CONTROL VALVE(TURNING & BLADE)



(A)=VIO50-2C(US)
 (B)=VIO50-2P(US)
 (C)=VIO50-2C(AS)

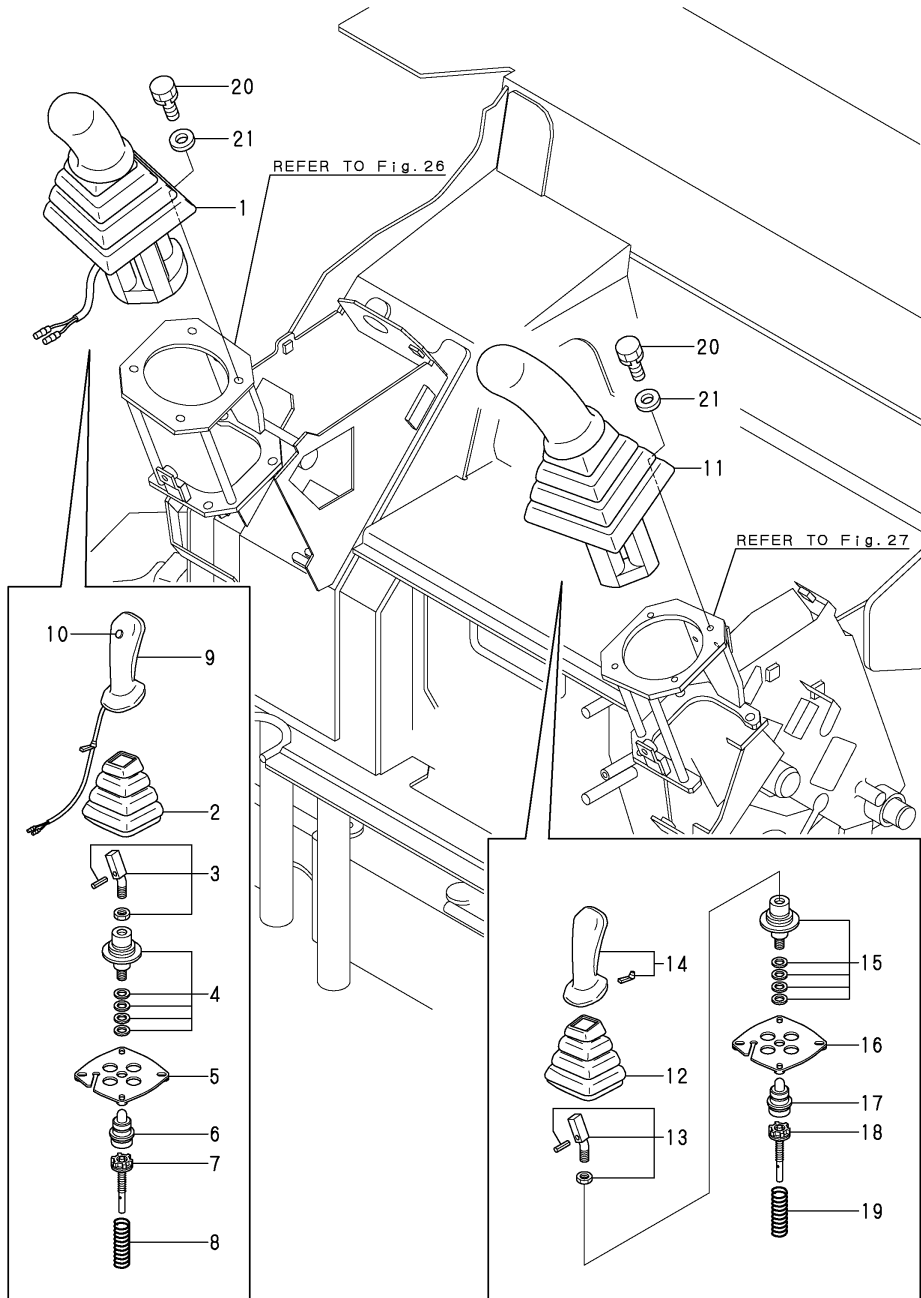
(D)=VIO50-2P(AS)
 (E)=VIO50-2C(NZ)
 (F)=VIO50-2P(NZ)

No.	Lev.	Parts No.	Description	Q'ty						I	R
				(A)	(B)	(C)	(D)	(E)	(F)		
1	2	172460-74190	SECTION ASSY, BLADE	1	1	1	1	1	1		
4	4	24315-000110	O-RING, 1BP11.0	1	1	1	1	1	1		
5	4	172422-74370	O-RING	2	2	2	2	2	2		
6	4	172614-74290	WIPER	2	2	2	2	2	2		
16	4	172460-74370	O-RING	1	1	1	1	1	1		
20	3	172460-74320	VALVE, RELIEF	1	1	1	1	1	1		
21	4	172116-74150	O-RING	1	1	1	1	1	1		
22	2	172461-74200	SECTION ASSY, SWING	1	1	1	1	1	1		
24	3	172422-74220	O-RING	2	2	2	2	2	2		
27	3	172460-74370	O-RING	1	1	1	1	1	1		
32	3	172460-74420	CAP	2	2	2	2	2	2		
33	3	24315-000110	O-RING, 1BP11.0	1	1	1	1	1	1		
34	2	172467-74120	SECTION ASSY	1	1	1	1	1	1		
37	4	24315-000110	O-RING, 1BP11.0	2	2	2	2	2	2		
40	4	172460-74420	CAP	2	2	2	2	2	2		
41	4	172422-74220	O-RING	2	2	2	2	2	2		
47	3	172455-74320	VALVE ASSY, SHUT-OFF	2	2	2	2	2	2		
50	4	172455-74030	O-RING	2	2	2	2	2	2		
53	4	172116-74150	O-RING	2	2	2	2	2	2		
54	3	172187-74540	PLUG ASSY	2	2	2	2	2	2		
55	4	24315-000140	O-RING, 1BP14.0	2	2	2	2	2	2		
56	3	172422-74330	PLUG ASSY	2	2	2	2	2	2		

Fig.70. REMOTE CONTROL VALVE

(A)=VIO50-2C(US)
 (B)=VIO50-2P(US)
 (C)=VIO50-2C(AS)

(D)=VIO50-2P(AS)
 (E)=VIO50-2C(NZ)
 (F)=VIO50-2P(NZ)

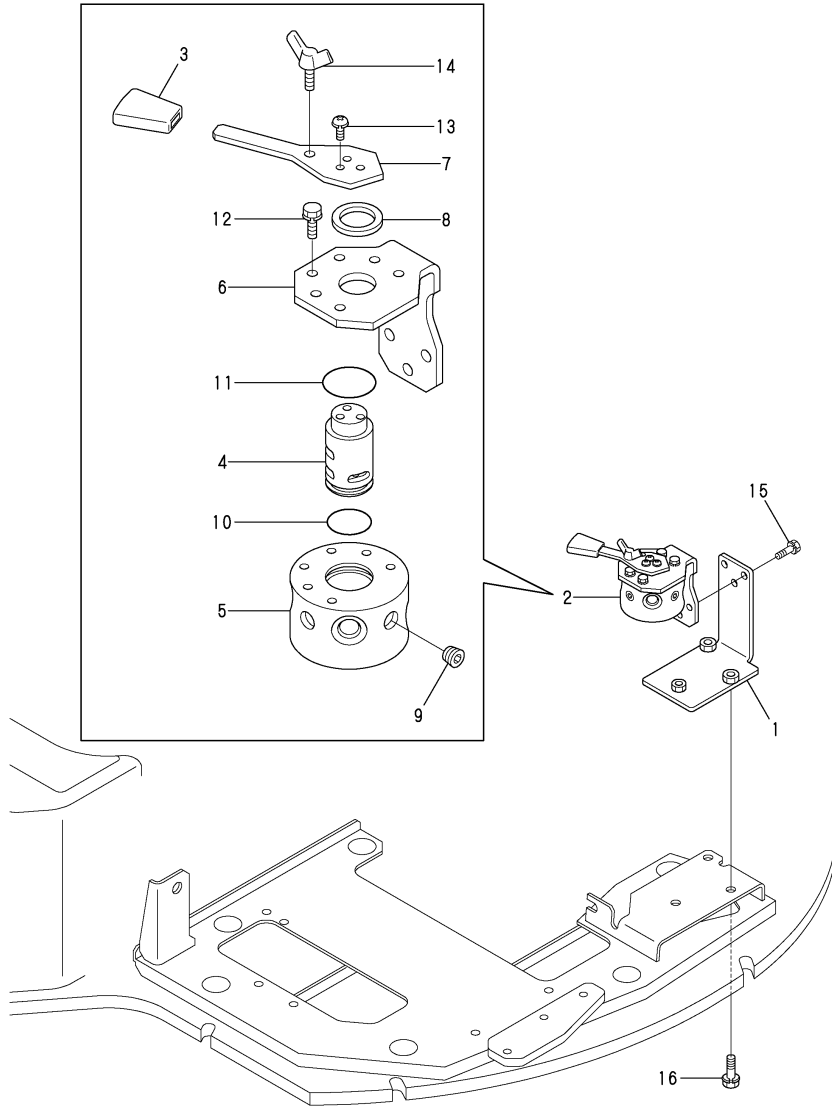


No.	Lev.	Parts No.	Description	Q'ty						I	R
				(A)	(B)	(C)	(D)	(E)	(F)		
1	1	172463-74510	VALVE ASSY,R US	1	1						
1-1	1	172463-74511	VALVE ASSY, R.US	1	1	1	1	1	1	1	N
		(A=M/#20959) (B=M/#20959)									
2	2	172441-74030	BELLOWS	1	1	1	1	1	1	1	W
		(A=M/#20959) (B=M/#20959)									
3	2	172441-74040	COMMAND KIT	1	1	1	1	1	1	1	W
		(A=M/#20959) (B=M/#20959)									
4	2	172463-74530	CARDAN KIT	1	1	1	1	1	1	1	W
		(A=M/#20959) (B=M/#20959)									
5	2	172463-74540	RETAINING PLATE	1	1	1	1	1	1	1	W
		(A=M/#20959) (B=M/#20959)									
6	2	172463-74551	PLUNGER KIT	1	1	1	1	1	1	1	W
		(A=M/#20959) (B=M/#20959)									
7	2	172463-74561	REGULATION KIT	4	4	4	4	4	4	4	W
		(A=M/#20959) (B=M/#20959)									
8	2	172463-74570	SPRING KIT	1	1	1	1	1	1	1	W
		(A=M/#20959) (B=M/#20959)									
9	2	172463-74590	HANDLE R	1	1	1	1	1	1	1	W
		(A=M/#20959) (B=M/#20959)									
10	3	172463-74580	SWITCH, BUTTON	1	1	1	1	1	1	1	W
		(A=M/#20959) (B=M/#20959)									
11	1	172463-74520	VALVE ASSY,L US	1	1						
11-1	1	172463-74521	VALVE ASSY, L.US	1	1	1	1	1	1	1	N
		(A=M/#20959) (B=M/#20959)									
12	2	172441-74030	BELLOWS	1	1	1	1	1	1	1	W
		(A=M/#20959) (B=M/#20959)									
13	2	172441-74040	COMMAND KIT	1	1	1	1	1	1	1	W
		(A=M/#20959) (B=M/#20959)									
14	2	172441-74050	HANDLE L	1	1	1	1	1	1	1	W
		(A=M/#20959) (B=M/#20959)									
15	2	172463-74530	CARDAN KIT	1	1	1	1	1	1	1	W
		(A=M/#20959) (B=M/#20959)									
16	2	172463-74540	RETAINING PLATE	1	1	1	1	1	1	1	W
		(A=M/#20959) (B=M/#20959)									
17	2	172463-74551	PLUNGER KIT	1	1	1	1	1	1	1	W
		(A=M/#20959) (B=M/#20959)									
18	2	172463-74561	REGULATION KIT	4	4	4	4	4	4	4	W
		(A=M/#20959) (B=M/#20959)									
19	2	172463-74570	SPRING KIT	1	1	1	1	1	1	1	W
		(A=M/#20959) (B=M/#20959)									
20	1	26013-060162	BOLT, M6X 16	8	8						
20-1	1	26013-060202	BOLT, M6X 20	8	8	8	8	8	8	8	N
		(A=M/#20959) (B=M/#20959)									
21	1	22137-060000	WASHER, 6	8	8	8	8	8	8	8	W
		(A=M/#20959) (B=M/#20959)									

Fig.71. 2-WAY VALVE

(A)=VIO50-2C(US)
 (B)=VIO50-2P(US)
 (C)=VIO50-2C(AS)

(D)=VIO50-2P(AS)
 (E)=VIO50-2C(NZ)
 (F)=VIO50-2P(NZ)

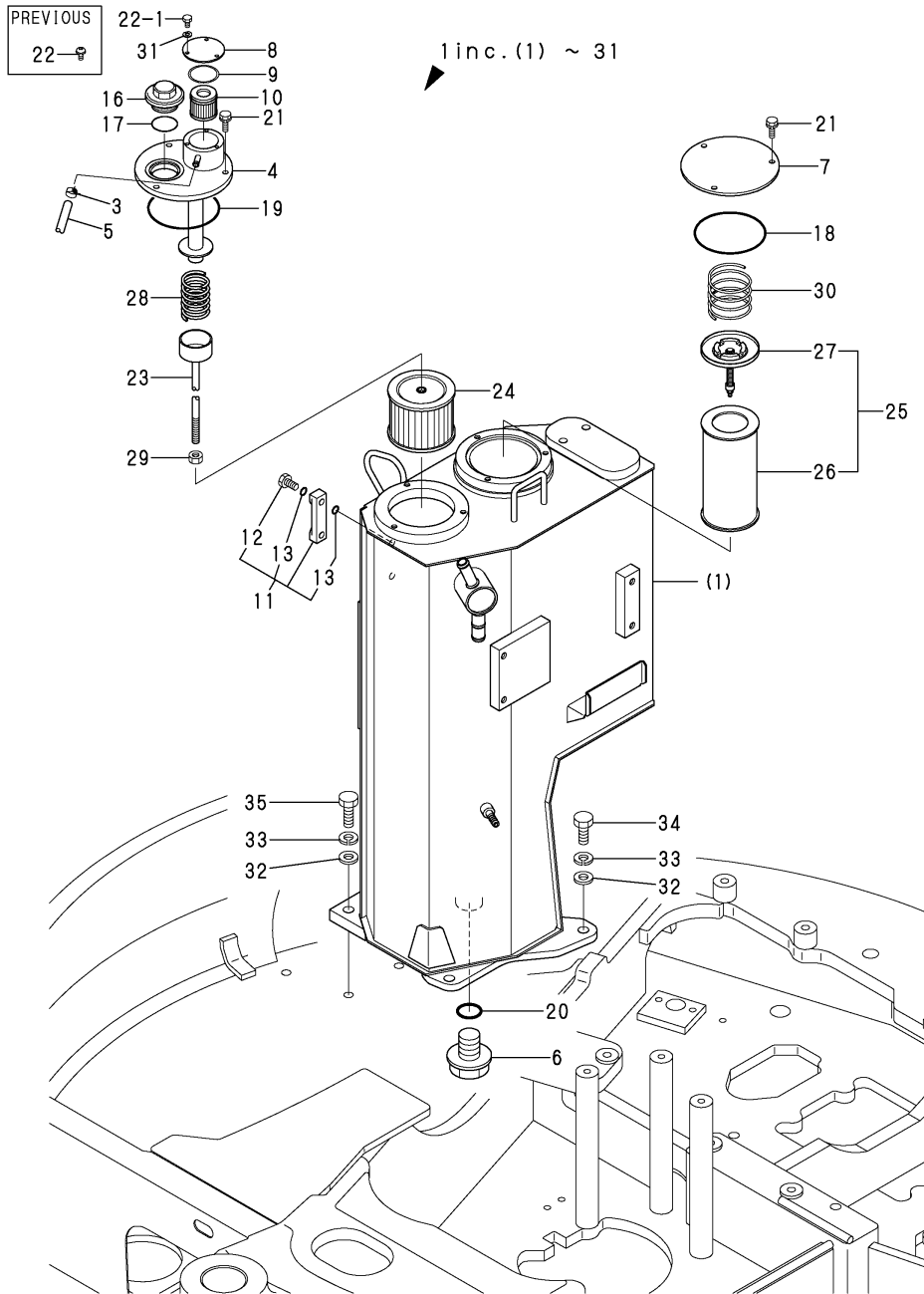


No.	Lev.	Parts No.	Description	Q'ty						I	R
				(A)	(B)	(C)	(D)	(E)	(F)		
1	1	172467-74200	BRACKET ASSY, 2-WAY	1	1	1	1	1	1		
2	1	172437-74701	VALVE ASSY,2WAY	1	1	1	1	1	1		1
3	2	194273-47910	KNOB, LEVER	1	1	1	1	1	1		
4	2	172437-74711	SHAFT	1	1	1	1	1	1		
5	2	172437-74720	BLOCK,VALVE	1	1	1	1	1	1		
6	2	172437-74731	STAY ASSY	1	1	1	1	1	1		
7	2	172437-74750	LEVER	1	1	1	1	1	1		
8	2	22137-240000	WASHER, 24	1	1	1	1	1	1		
9	2	23871-010000	PLUG, R01	4	4	4	4	4	4		
10	2	24311-000250	O-RING, 1AP25.0	1	1	1	1	1	1		
11	2	24311-000320	O-RING, 1AP32.0	1	1	1	1	1	1		
12	2	26013-060162	BOLT, M6X 16	4	4	4	4	4	4		
13	2	26022-050122	SCREW, M5X12	3	3	3	3	3	3		
14	2	26647-060202	BOLT, WING M6X20	1	1	1	1	1	1		
14A	1	172437-03610	LABEL	1	1	1	1	1	1		2
14B	1	172437-03620	LABEL	1	1	1	1	1	1		2
15	1	26013-080252	BOLT, M8X 25	3	3	3	3	3	3		
16	1	26013-100202	BOLT, M10X 20	3	3	3	3	3	3		

Remarks

- (1)PLEASE USE THIS PART WITH FOLLOWING LABELS AT THE SAME TIME. REF. NO. 14A,14B.
- (2)LABELS ARE NOT ILLUSTRATED.

Fig.72. HYD.OIL TANK

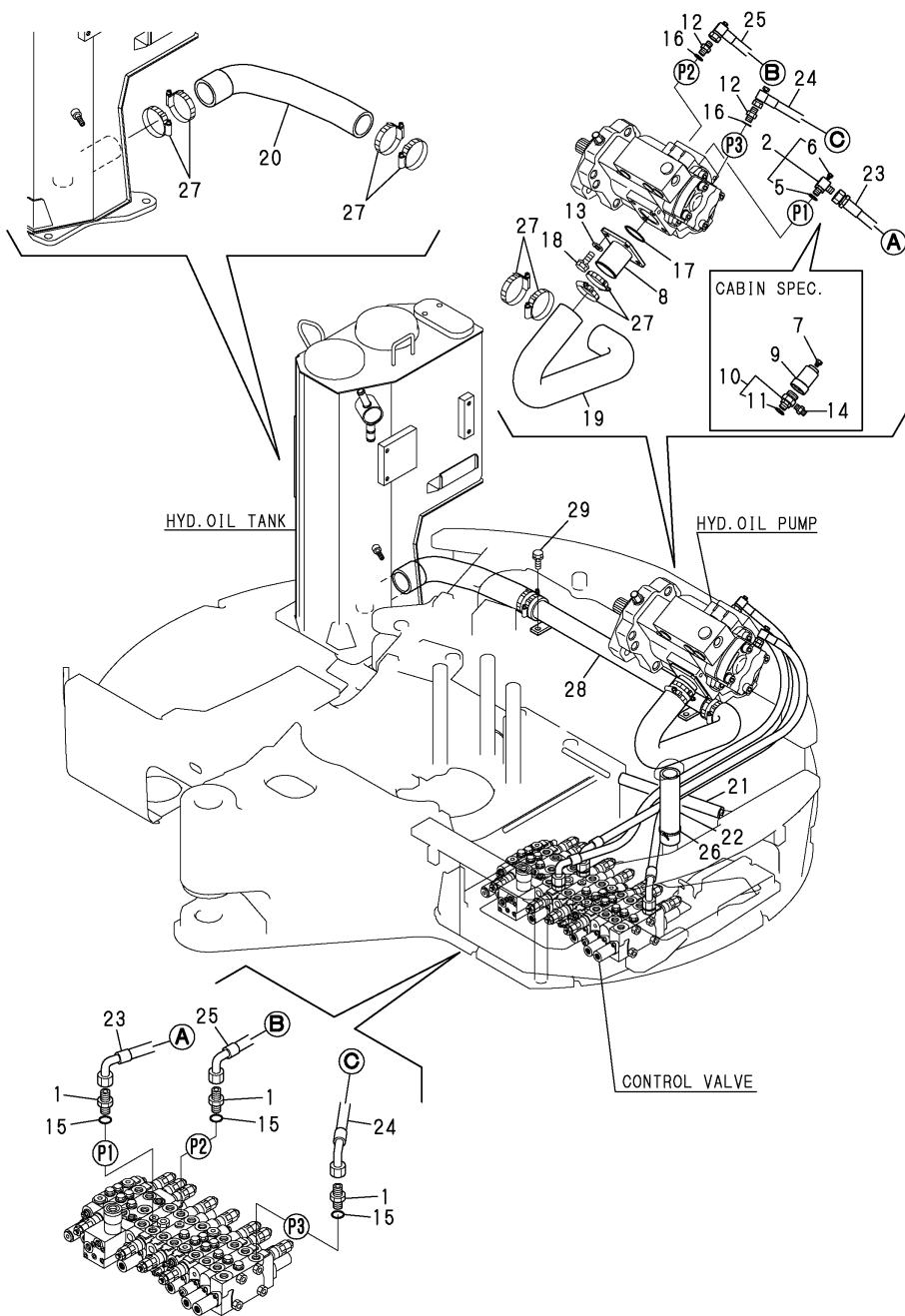


(A)=VIO50-2C(US)
(B)=VIO50-2P(US)
(C)=VIO50-2C(AS)

(D)=VIO50-2P(AS)
(E)=VIO50-2C(NZ)
(F)=VIO50-2P(NZ)

No.	Lev.	Parts No.	Description	Q'ty						I	R
				(A)	(B)	(C)	(D)	(E)	(F)		
1	1	772460-75100-1	TANK ASSY, OIL	1	1	1	1	1	1		
3	2	124766-59050	CLIP, HOSE 12	1	1	1	1	1	1		
4	2	172460-75290-1	COVER, RESERVOIR	1	1	1	1	1	1		
5	2	172455-75320	HOSE	1	1	1	1	1	1		
6	2	172455-75330	DRAIN PLIG 24	1	1	1	1	1	1		
7	2	172460-75410-1	COVER, TANK	1	1	1	1	1	1		
8	2	172165-75450	PLATE (YELLOW:87)	1	1	1	1	1	1		
9	2	172165-75460	GASKET	1	1	1	1	1	1		
10	2	172165-75481	ELEMENT	1	1	1	1	1	1		
11	2	172447-75600	GAUGE ASSY	1	1	1	1	1	1		
12	3	172455-75290	BOLT M10	2	2	2	2	2	2		
13	3	172455-75300	O-RING	4	4	4	4	4	4		
16	2	172116-75850	PLUG, OIL FEED	1	1	1	1	1	1		
17	2	24311-000380	O-RING, 1AP38.0	1	1	1	1	1	1		
18	2	24321-001050	O-RING, 1AG105.0	1	1	1	1	1	1		
19	2	24321-001050	O-RING, 1AG105.0	1	1	1	1	1	1		
20	2	24341-000300	O-RING, 1AS30.0	1	1	1	1	1	1		
21	2	26013-080202	BOLT, M8X 20	6	6	6	6	6	6		
22	2	26022-050102	SCREW, M5X10	3	3	3	3	3	3		
22-1	2	26116-050102	BOLT, M5X 10 PLATED	3	3	3	3	3	3		R
		(A=M/#21566) (B=M/#21566) (C=M/#21566) (D=M/#21566) (E=M/#21566) (F=M/#21566)									
23	2	172124-73700	ROD ASSY, FILTER	1	1	1	1	1	1		
24	2	172137-73700	FILTER, SUCTION	1	1	1	1	1	1		
25	2	172175-73700	FILTER ASSY, RETURN	1	1	1	1	1	1		
26	3	172175-73710	ELEMENT, FILTER	1	1	1	1	1	1		
27	3	172141-73770	VALVE ASSY, BYPASS	1	1	1	1	1	1		
28	2	172112-75780	SPRING, FILTER	1	1	1	1	1	1		
29	2	26716-100002	NUT, M10	1	1	1	1	1	1		
30	2	933152-02710	SPRING, CLUTCH	1	1	1	1	1	1		
31	2	22217-050000	WASHER, SPRING 5	3	3	3	3	3	3		W
		(A=M/#21566) (B=M/#21566) (C=M/#21566) (D=M/#21566) (E=M/#21566) (F=M/#21566)									
32	1	22137-140000	WASHER, 14	4	4	4	4	4	4		
33	1	22217-140000	WASHER, SPRING 14	4	4	4	4	4	4		
34	1	26116-140352	BOLT, M14X 35 PLATED	2	2	2	2	2	2		
35	1	26116-140402	BOLT, M14X 40 PLATED	2	2	2	2	2	2		

Fig.73. HYD.OIL PIPING(TANK-PUMP-VALVE)



(A)=VIO50-2C(US)
 (B)=VIO50-2P(US)
 (C)=VIO50-2C(AS)

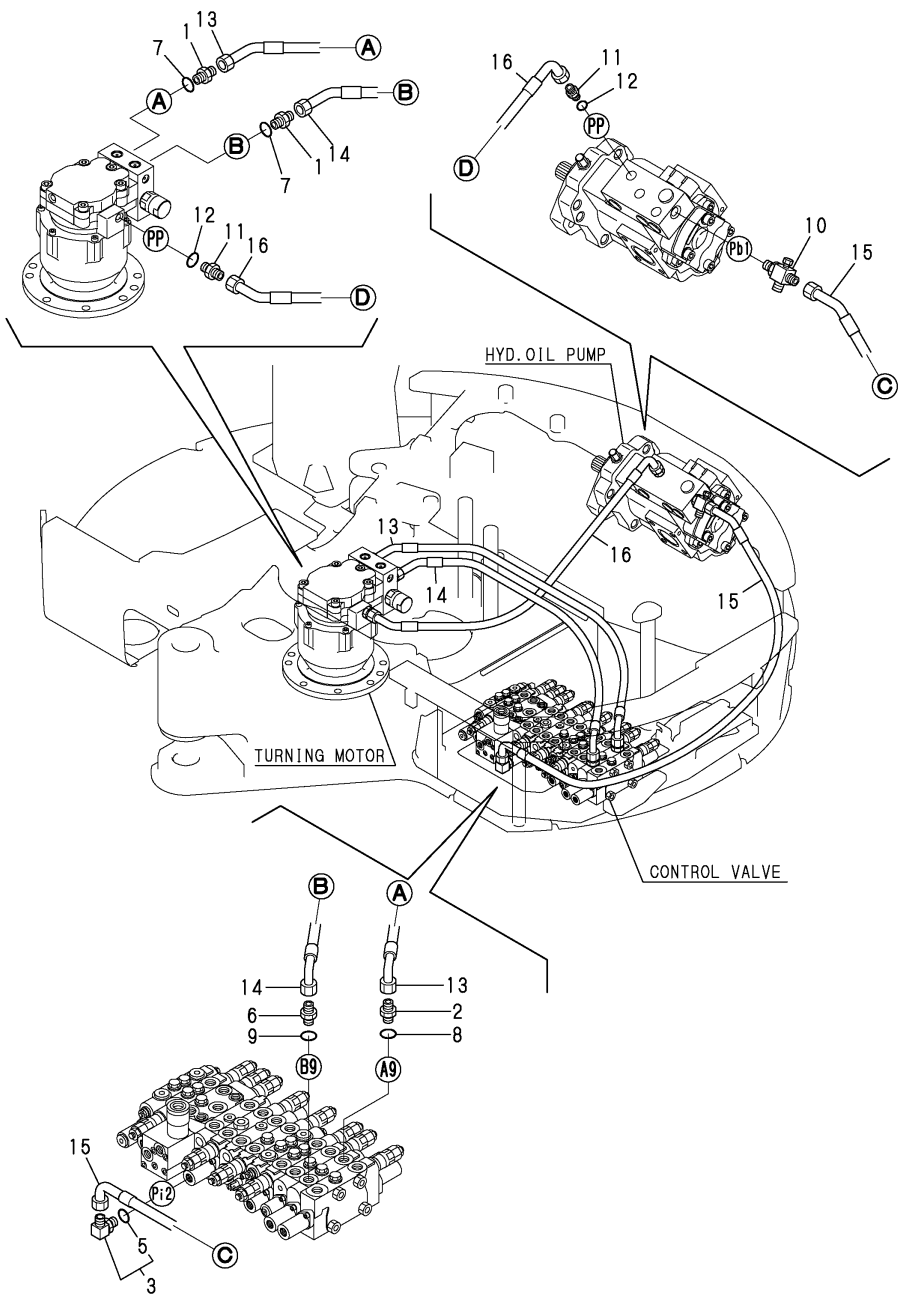
(D)=VIO50-2P(AS)
 (E)=VIO50-2C(NZ)
 (F)=VIO50-2P(NZ)

No.	Lev.	Parts No.	Description	Q'ty						I	R
				(A)	(B)	(C)	(D)	(E)	(F)		
1	1	172168-76162	CONNECTOR, PF1/2X3/8	3	3	3	3	3	3		
2	1	172460-76560	CONNECTOR, PF1/2		1		1		1		
5	3	24315-000180	O-RING, 1BP18.0		1		1		1		
6	2	172460-76570	PLUG		1		1		1		
7	1	172460-76570	PLUG	1		1		1			
8	1	172165-76860	FLANGE	1	1	1	1	1	1		
9	1	172460-76900	BODY	1		1		1			
10	1	172164-76950	CONNECTOR	1		1		1			
11	2	24315-000180	O-RING, 1BP18.0	1		1		1			
12	1	172112-77361	CONNECTOR	2	2	2	2	2	2		
13	1	22117-120000	WASHER, 12	4	4	4	4	4	4		
14	1	23391-040000	JOINT, RGI-1/2	1		1		1			
15	1	24315-000140	O-RING, 1BP14.0	3	3	3	3	3	3		
16	1	24315-000180	O-RING, 1BP18.0	2	2	2	2	2	2		
17	1	24321-000450	O-RING, 1AG45.0	1	1	1	1	1	1		
18	1	26013-120302	BOLT, M12X 30	4	4	4	4	4	4		
19	1	172460-78100	HOSE	1	1	1	1	1	1		
20	1	172460-78110	HOSE	1	1	1	1	1	1		
21	1	172460-78180	GUARD, HOSE	1	1	1	1	1	1		
22	1	172460-78390	GUARD, HOSE	1	1	1	1	1	1		
23	1	172460-78431	HOSE	1	1	1	1	1	1		
24	1	172460-78440	HOSE	1	1	1	1	1	1		
25	1	172460-78530	HOSE	1	1	1	1	1	1		
26	1	172122-79930	CLAMP, HOSE	1	1	1	1	1	1		
27	1	23001-070000	CLAMP, HOSE 70	8	8	8	8	8	8		
28	1	172461-76100-1	TUBE, SUCTION	1	1	1	1	1	1		
29	1	26013-100252	BOLT, M10X 25	2	2	2	2	2	2		

Fig.74. HYD.OIL PIPING(PUMP-VALVE-MOTOR)

(A)=VIO50-2C(US)
 (B)=VIO50-2P(US)
 (C)=VIO50-2C(AS)

(D)=VIO50-2P(AS)
 (E)=VIO50-2C(NZ)
 (F)=VIO50-2P(NZ)

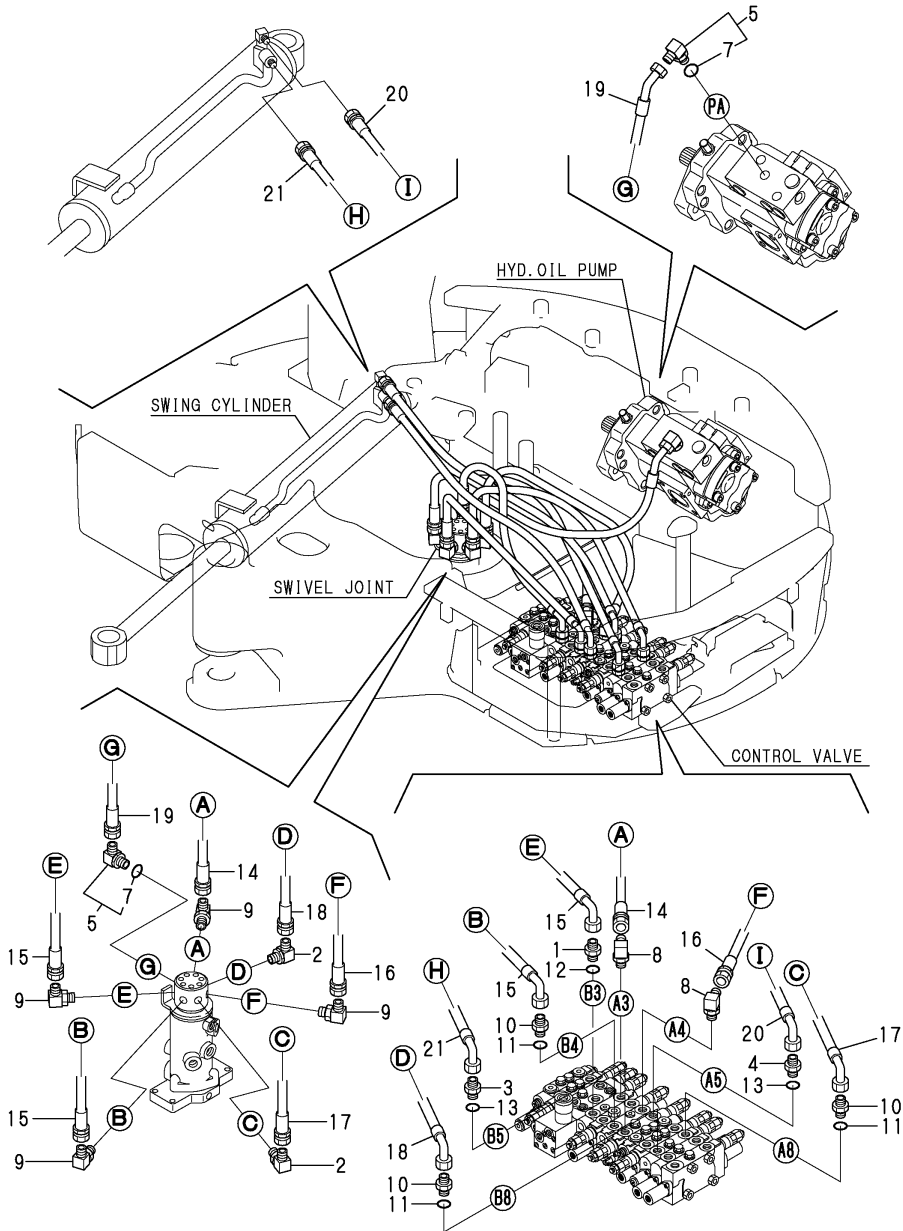


No.	Lev.	Parts No.	Description	Q'ty						I	R
				(A)	(B)	(C)	(D)	(E)	(F)		
1	1	172730-75141	ADAPTER	2	2	2	2	2	2		
2	1	172116-76381	ADAPTER, 64	1	1	1	1	1	1		
3	1	172141-76180	CONNECTOR ASSY	1	1	1	1	1	1		
5	2	24315-000110	O-RING, 1BP11.0	1	1	1	1	1	1		
6	1	172116-76381	ADAPTER, 64	1	1	1	1	1	1		
7	1	24315-000140	O-RING, 1BP14.0	2	2	2	2	2	2		
8	1	24315-000140	O-RING, 1BP14.0	1	1	1	1	1	1		
9	1	24315-000140	O-RING, 1BP14.0	1	1	1	1	1	1		
10	1	172457-76100	TEE, ADJUSTABLE	1	1	1	1	1	1		
11	1	172123-76121	ADAPTER	2	2	2	2	2	2		
12	1	24315-000110	O-RING, 1BP11.0	2	2	2	2	2	2		
13	1	172460-78400	HOSE	1	1	1	1	1	1		
14	1	172460-78410	HOSE	1	1	1	1	1	1		
15	1	172460-78480	HOSE	1	1	1	1	1	1		
16	1	172460-78500	HOSE	1	1	1	1	1	1		

Fig.75. HYD.OIL PIPING(VALUE-SWIVEL-SWING)

(A)=VIO50-2C(US)
 (B)=VIO50-2P(US)
 (C)=VIO50-2C(AS)

(D)=VIO50-2P(AS)
 (E)=VIO50-2C(NZ)
 (F)=VIO50-2P(NZ)

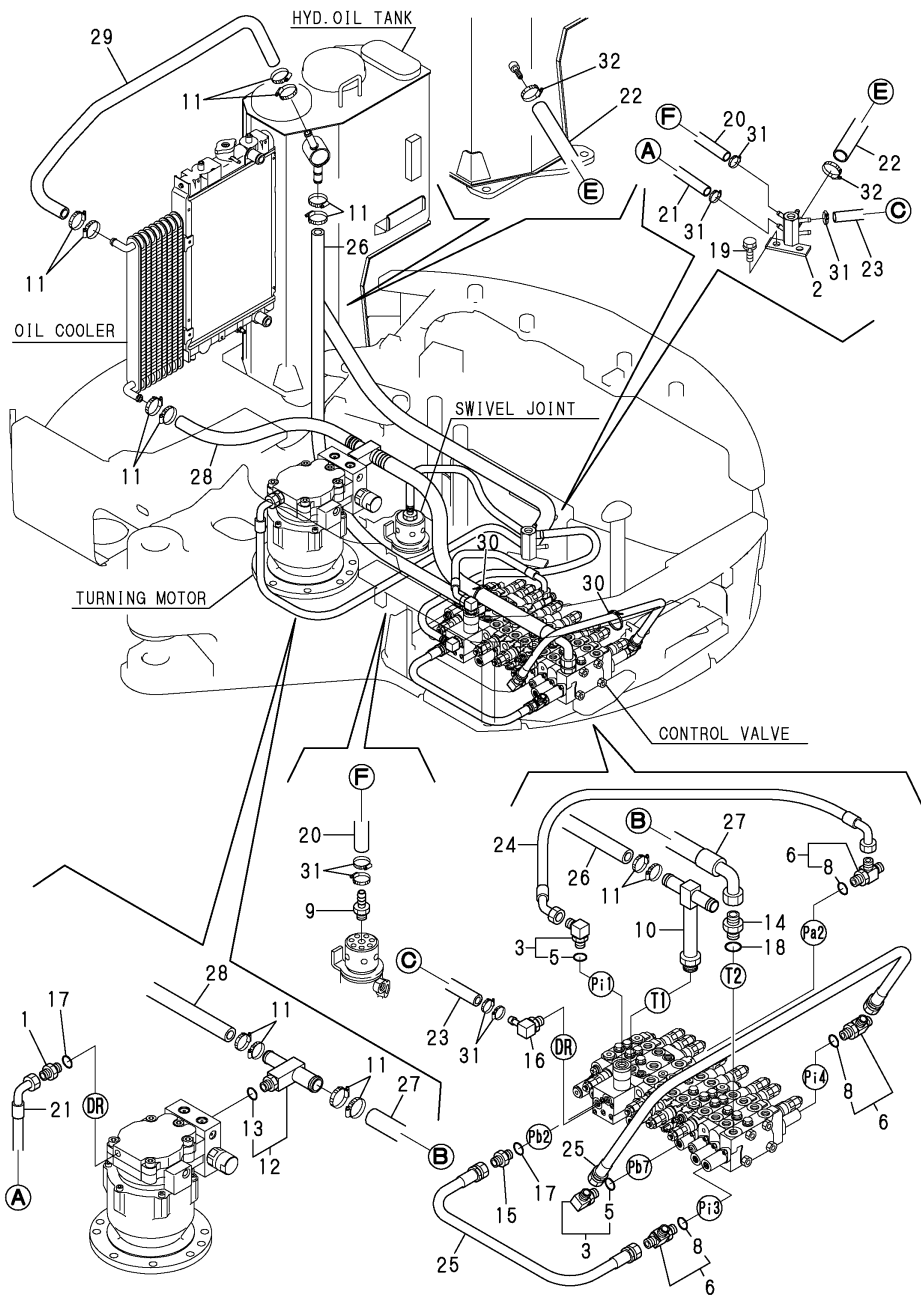


No.	Lev.	Parts No.	Description	Q'ty						I	R
				(A)	(B)	(C)	(D)	(E)	(F)		
1	1	172730-75141	ADAPTER	1	1	1	1	1	1		
2	1	172173-76121	CONNECTOR ASSY	2	2	2	2	2	2		
3	1	172444-76140	CONNECTOR	1	1	1	1	1	1		
4	1	172124-76160	CONNECTOR	1	1	1	1	1	1		
5	1	172141-76180	CONNECTOR ASSY	2	2	2	2	2	2		
7	2	24315-000110	O-RING, 1BP11.0	2	2	2	2	2	2		
8	1	172142-76181	JOINT ASSY	2	2	2	2	2	2		
9	1	172142-76181	JOINT ASSY	4	4	4	4	4	4		
10	1	172116-76381	ADAPTER, 64	3	3	3	3	3	3		
11	1	24315-000140	O-RING, 1BP14.0	3	3	3	3	3	3		
12	1	24315-000140	O-RING, 1BP14.0	1	1	1	1	1	1		
13	1	24315-000140	O-RING, 1BP14.0	2	2	2	2	2	2		
14	1	172460-78150	HOSE	1	1	1	1	1	1		
15	1	172460-78160	HOSE	2	2	2	2	2	2		
16	1	172460-78170	HOSE	1	1	1	1	1	1		
17	1	172460-78190	HOSE	1	1	1	1	1	1		
18	1	172460-78200	HOSE	1	1	1	1	1	1		
19	1	172460-78490	HOSE	1	1	1	1	1	1		
20	1	172460-78560	HOSE	1	1	1	1	1	1		
21	1	172460-78570	HOSE	1	1	1	1	1	1		

Fig.76. HYD.OIL PIPING(RETURN)

(A)=VIO50-2C(US)
 (B)=VIO50-2P(US)
 (C)=VIO50-2C(AS)

(D)=VIO50-2P(AS)
 (E)=VIO50-2C(NZ)
 (F)=VIO50-2P(NZ)



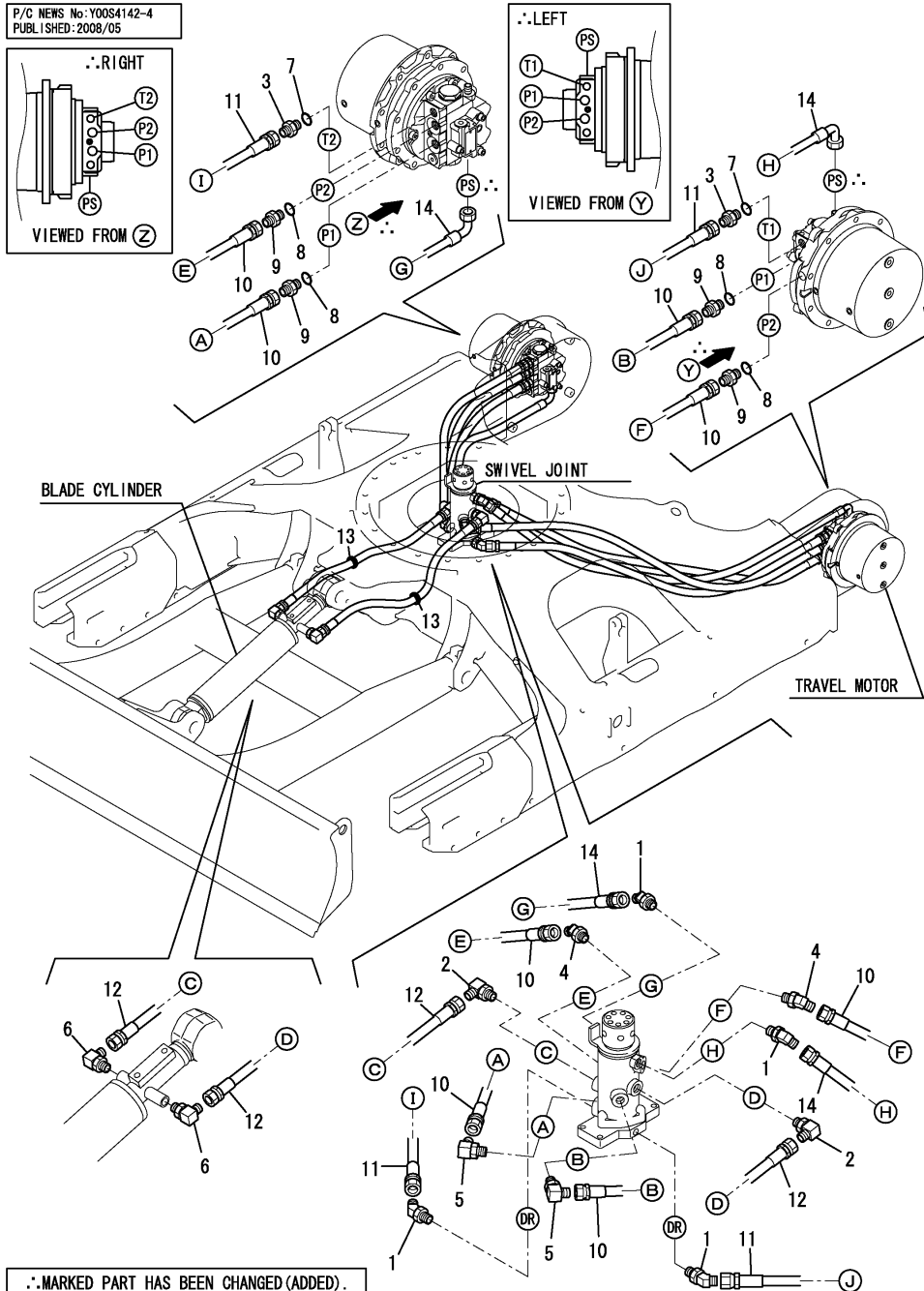
No.	Lev.	Parts No.	Description	Q'ty						I	R
				(A)	(B)	(C)	(D)	(E)	(F)		
1	1	172123-76121	ADAPTER	1	1	1	1	1	1		
2	1	172445-76150	BLOCK, DRAIN	1	1	1	1	1	1		
3	1	172141-76180	CONNECTOR ASSY	2	2	2	2	2	2		
5	2	24315-000110	O-RING, 1BP11.0	2	2	2	2	2	2		
6	1	172162-76180	JOINT ASSY, 3-1/4	3	3	3	3	3	3		
8	2	24315-000110	O-RING, 1BP11.0	3	3	3	3	3	3		
9	1	172141-76220	NIPPLE	1	1	1	1	1	1		
10	1	172467-76130	CONNECTOR	1	1	1	1	1	1		
11	1	23001-025000	CLAMP, HOSE 25	14	14	14	14	14	14		
12	1	172460-76230	CONNECTOR ASSY, 3/8	1	1	1	1	1	1		
13	2	24315-000140	O-RING, 1BP14.0	1	1	1	1	1	1		
14	1	172460-76240	CONNECTOR	1	1	1	1	1	1		
15	1	172164-76330	JOINT, PF1/4-0.7	1	1	1	1	1	1		
16	1	172186-76430	NIPPLE, ELBOW	1	1	1	1	1	1		
17	1	24315-000110	O-RING, 1BP11.0	2	2	2	2	2	2		
18	1	24315-000180	O-RING, 1BP18.0	1	1	1	1	1	1		
19	1	26013-100202	BOLT, M10X 20	2	2	2	2	2	2		
20	1	172460-78300	HOSE	1	1	1	1	1	1		
21	1	172460-78310	HOSE	1	1	1	1	1	1		
22	1	172460-78320	HOSE	1	1	1	1	1	1		
23	1	172460-78330	HOSE	1	1	1	1	1	1		
24	1	172460-78360	HOSE	1	1	1	1	1	1		
25	1	172460-78370	HOSE	2	2	2	2	2	2		
26	1	172460-78450	HOSE	1	1	1	1	1	1		
27	1	172460-78460	HOSE	1	1	1	1	1	1		
28	1	172460-78470	HOSE	1	1	1	1	1	1		
29	1	172460-78740	HOSE	1	1	1	1	1	1		
30	1	172122-79930	CLAMP, HOSE	2	2	2	2	2	2		
31	1	23000-013000	CLAMP, 13	7	7	7	7	7	7		
32	1	23001-016000	CLAMP, HOSE 16	2	2	2	2	2	2		

Fig.77. HYD.OIL PIPING(TRAVEL)

(A)=VIO50-2C(US)
 (B)=VIO50-2P(US)
 (C)=VIO50-2C(AS)

(D)=VIO50-2P(AS)
 (E)=VIO50-2C(NZ)
 (F)=VIO50-2P(NZ)

P/C NEWS No:Y00S4142-4
 PUBLISHED:2008/05

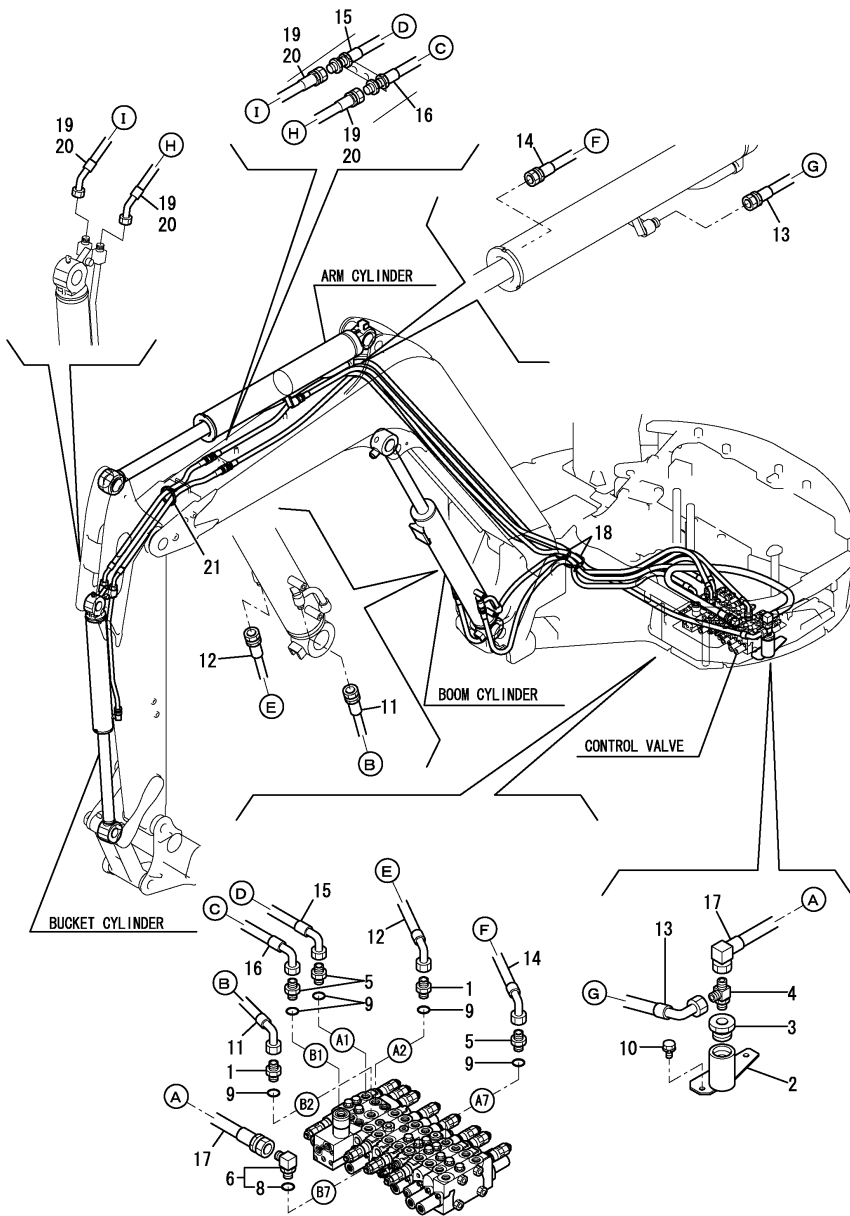


No.	Lev.	Parts No.	Description	Q'ty						I	R
				(A)	(B)	(C)	(D)	(E)	(F)		
1	1	172173-76101	CONNECTOR ASSY	4	4	4	4	4	4		
2	1	172173-76121	CONNECTOR ASSY	2	2	2	2	2	2		
3	1	172124-76160	CONNECTOR	2	2	2	2	2	2		
4	1	172644-76161	ELBOW, ADJUST	2	2	2	2	2	2		
5	1	172142-76181	JOINT ASSY	2	2	2	2	2	2		
6	1	23393-030000	JOINT, 90RGI-3/8	2	2	2	2	2	2		
7	1	24315-000140	O-RING, 1BP14.0	2	2	2	2	2	2		
8	1	24315-000180	O-RING, 1BP18.0	4	4	4	4	4	4		
9	1	933160-01370	CONNECTOR,PF1/2PF3/8	4	4	4	4	4	4		
10	1	172460-78120	HOSE	4	4	4	4	4	4		
10-1	1	172460-78121	HOSE	4	4	4	4	4	4		N
		(A=M/#21861) (B=M/#21861) (C=M/#21861) (D=M/#21861)		(E=M/#21861)	(F=M/#21861)						
11	1	172460-78140	HOSE	2	2	2	2	2	2		
11-1	1	172460-78141	HOSE	2	2	2	2	2	2		N
		(A=M/#21861) (B=M/#21861) (C=M/#21861) (D=M/#21861)		(E=M/#21861)	(F=M/#21861)						
12	1	172460-78540	HOSE	2	2	2	2	2	2		
13	1	172422-78760	GROMMET	2	2	2	2	2	2		
14	1	172423-78430	HOSE	2	2	2	2	2	2		
14-1	1	172423-78431	HOSE	2	2	2	2	2	2		N
		(A=M/#21861) (B=M/#21861) (C=M/#21861) (D=M/#21861)		(E=M/#21861)	(F=M/#21861)						

Fig.78. HYD.OIL PIPING(BOOM)

(A)=VIO50-2C(US)
 (B)=VIO50-2P(US)
 (C)=VIO50-2C(AS)

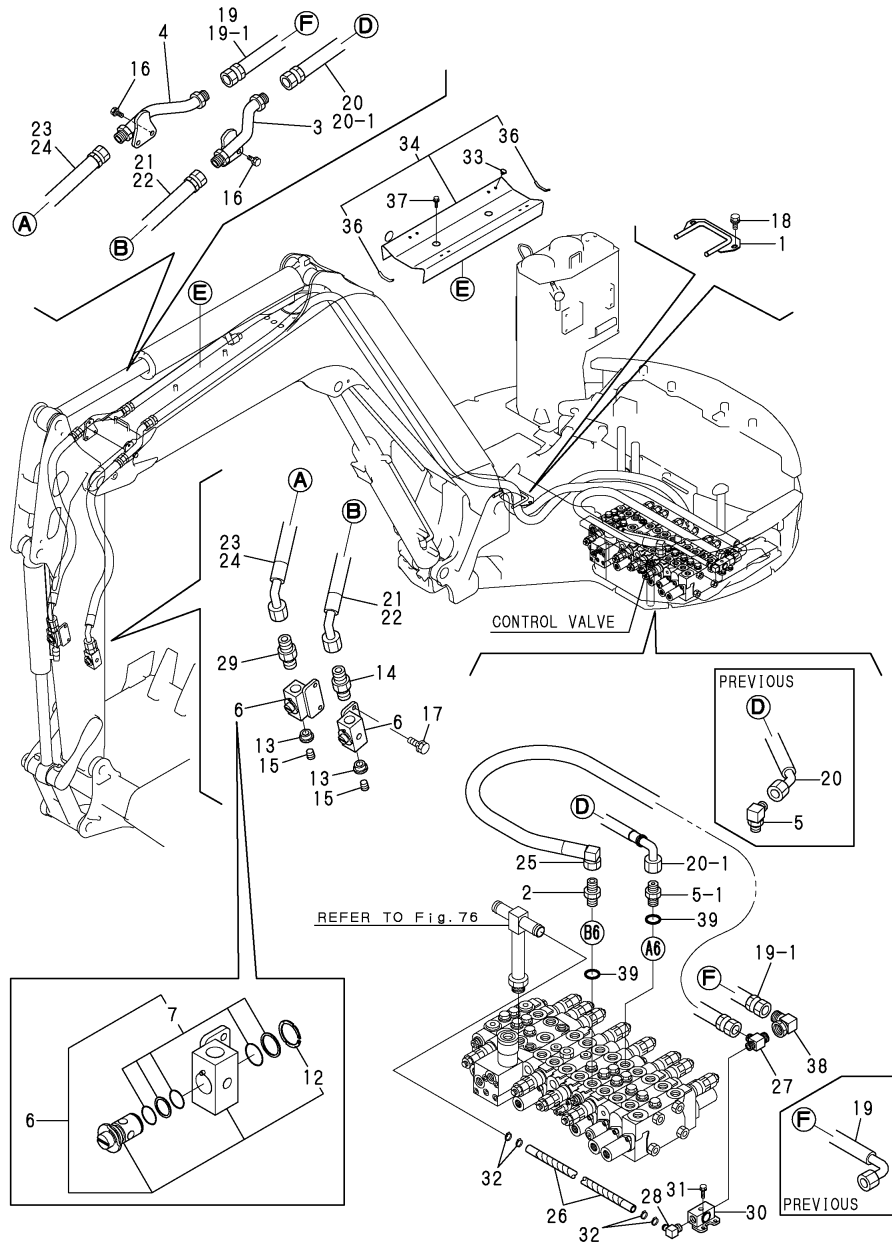
(D)=VIO50-2P(AS)
 (E)=VIO50-2C(NZ)
 (F)=VIO50-2P(NZ)



No.	Lev.	Parts No.	Description	Q'ty						I	R
				(A)	(B)	(C)	(D)	(E)	(F)		
1	1	172730-75141	ADAPTER	2	2	2	2	2	2		
2	1	172460-76300	BODY	1	1	1	1	1	1		
3	1	172460-76330	CONNECTOR	1	1	1	1	1	1		
4	1	172460-76340	CONNECTOR	1	1	1	1	1	1		
5	1	172116-76381	ADAPTER, 64	3	3	3	3	3	3		
6	1	172645-76570	CONNECTOR ASSY	1	1	1	1	1	1		
8	2	24315-000140	O-RING, 1BP14.0	1	1	1	1	1	1		
9	1	24315-000140	O-RING, 1BP14.0	5	5	5	5	5	5		
10	1	26013-100162	BOLT, M10X 16	3	3	3	3	3	3		
11	1	172460-78210	HOSE	1	1						
11-1	1	172460-78211	HOSE	1	1	1	1	1	1		N
		(A=M/#20746) (B=M/#20746)									
12	1	172460-78220	HOSE	1	1						
12-1	1	172460-78221	HOSE	1	1	1	1	1	1		N
		(A=M/#20746) (B=M/#20746)									
13	1	172461-78230	HOSE	1	1	1	1	1	1		
14	1	172461-78240	HOSE	1	1	1	1	1	1		
15	1	172461-78250	HOSE	1	1	1	1	1	1		
16	1	172461-78260	HOSE	1	1	1	1	1	1		
17	1	172460-78380	HOSE	1	1	1	1	1	1		
18	1	172122-79890	CLAMP, HOSE	2	2	2	2	2	2		
19	1	172461-78270	HOSE	2	2						
20	1	172961-78130	HOSE	2	2	2	2	2	2		1
21	1	172122-79930	CLAMP, HOSE	1	1	1	1	1	1		

Remarks
 (1)QUICK COUPLER SPEC.

Fig.79. HYD.OIL PIPING(P.T.O.)



(A)=VIO50-2C(US)
 (B)=VIO50-2P(US)
 (C)=VIO50-2C(AS)

(D)=VIO50-2P(AS)
 (E)=VIO50-2C(NZ)
 (F)=VIO50-2P(NZ)

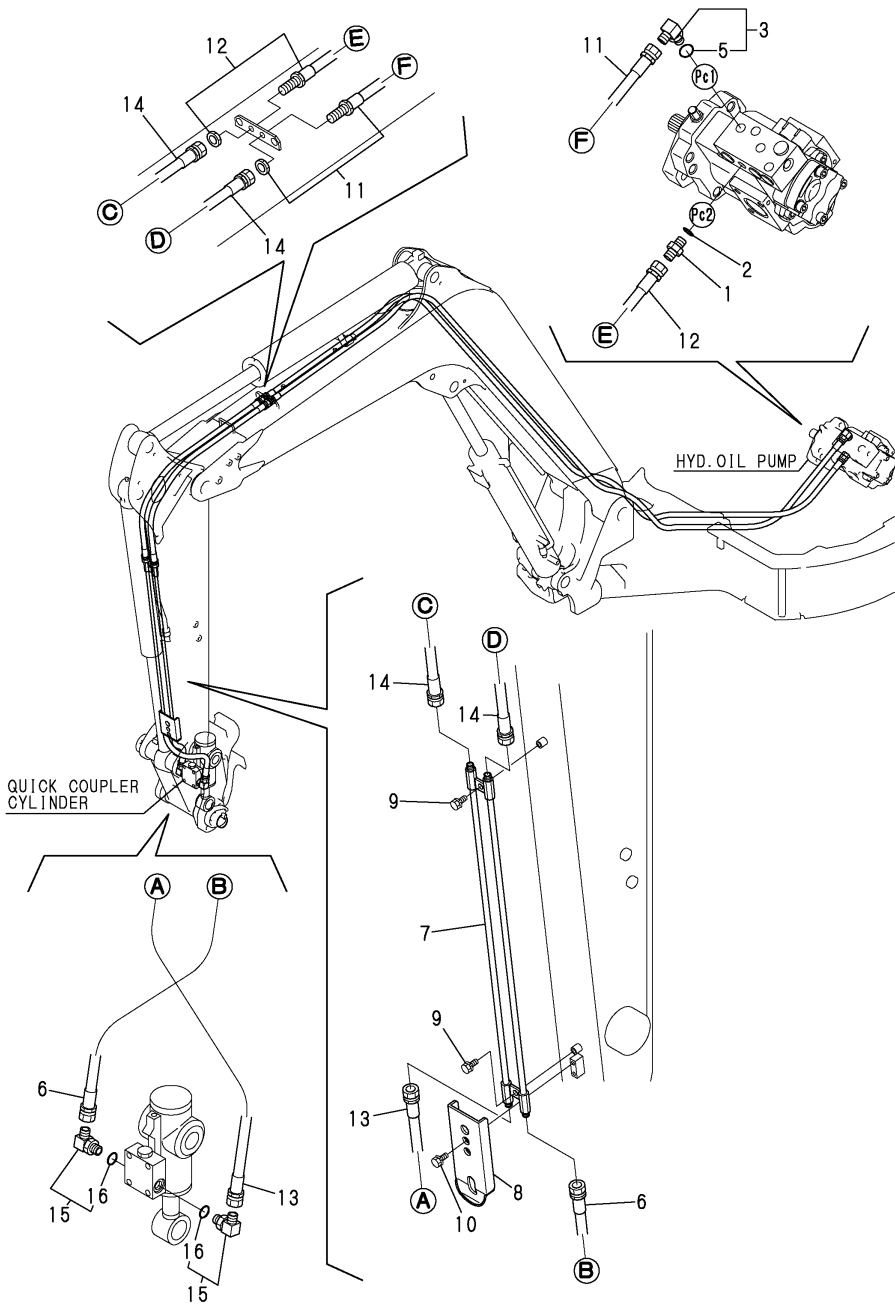
No.	Lev.	Parts No.	Description	Q'ty						I	R
				(A)	(B)	(C)	(D)	(E)	(F)		
1	1	172460-61600	COVER ASSY, HOSE	1	1	1	1	1	1		
2	1	172422-76190	CONNECTOR, PF3/8X3/4	1	1	1	1	1	1		
2-1	1	172422-76191	CONNECTOR, PF3/8X3/4	1	1	1	1	1	1		N
		(A=*2004.01) (B=*2004.01) (C=*2004.01) (D=*2004.01)		(E=*2004.01)	(F=*2004.01)						
3	1	172467-76500	TUBE, PTO	1	1	1	1	1	1		
4	1	172467-76530	TUBE, PTO	1	1	1	1	1	1		
5	1	172460-76550	CONNECTOR, 3/8X3/4	1	1	1	1	1	1		
5-1	1	172422-76191	CONNECTOR, PF3/8X3/4	1	1	1	1	1	1		S
		(A=*2004.01) (B=*2004.01) (C=*2004.01) (D=*2004.01)		(E=*2004.01)	(F=*2004.01)						
6	1	172176-76580-2	STOP VALVE (YELLOW87	2	2	2	2	2	2		
7	2	172142-77150	SEAL SET	2	2	2	2	2	2		
12	2	22242-000300	RING, 30	2	2	2	2	2	2		
13	1	172164-76650	BUSH	2	2	2	2	2	2		
14	1	23391-060000	JOINT, RGI-3/4	1	1	1	1	1	1		
15	1	23871-040000	PLUG, R04	2	2	2	2	2	2		
16	1	26013-100202	BOLT, M10X 20	4	4	4	4	4	4		
17	1	26013-100252	BOLT, M10X 25	4	4	4	4	4	4		
18	1	26014-100202	BOLT, M10X 20	2	2	2	2	2	2		
19	1	172467-78510	HOSE	1	1	1	1	1	1		
19-1	1	172467-78511	HOSE	1	1	1	1	1	1		S
		(A=M/#21144) (B=M/#21144) (C=M/#21144) (D=M/#21144)		(E=M/#21144)	(F=M/#21144)						
20	1	172461-78620	HOSE	1	1	1	1	1	1		
20-1	1	172461-78621	HOSE	1	1	1	1	1	1		S
		(A=*2004.01) (B=*2004.01) (C=*2004.01) (D=*2004.01)		(E=*2004.01)	(F=*2004.01)						
21	1	172461-78630	HOSE	1	1						
22	1	172460-78630	HOSE	1	1	1	1	1	1		1
23	1	172467-78570	HOSE	1	1						
24	1	172467-78540	HOSE	1	1	1	1	1	1		1
25	1	172467-78520	HOSE	1	1	1	1	1	1		
26	1	172467-78530	HOSE	1	1	1	1	1	1		
27	1	172467-76110	JOINT	1	1	1	1	1	1		
28	1	172467-76120	ELBOW	1	1	1	1	1	1		
29	1	172187-76131	CONNECTOR, PF3/4	1	1	1	1	1	1		
30	1	172472-76200	VALVE ASSY, STOP	1	1	1	1	1	1		
31	1	26013-100302	BOLT, M10X 30	2	2	2	2	2	2		
32	1	23001-025000	CLAMP, HOSE 25	4	4	4	4	4	4		
33	1	172444-17660	CLIP, TREE	8	8	8	8	8	8		
34	1	172467-79110	COVER ASSY, BOOM	1	1	1	1	1	1		
36	2	172460-79140	TRIM	2	2	2	2	2	2		
37	1	26014-080252	BOLT, M8X 25	2	2	2	2	2	2		
38	1	172467-76200	CONNECTOR	1	1	1	1	1	1		W
		(A=M/#21144) (B=M/#21144) (C=M/#21144) (D=M/#21144)		(E=M/#21144)	(F=M/#21144)						
39	1	24315-000140	O-RING, 1BP14.0	2	2	2	2	2	2		W
		(A=*2004.01) (B=*2004.01) (C=*2004.01) (D=*2004.01)		(E=*2004.01)	(F=*2004.01)						

Remarks
 (1)QUICK COUPLER SPEC.

Fig.80. HYD.OIL PIPING(QUICK COUPLER SPEC.)

(A)=VIO50-2C(US)
 (B)=VIO50-2P(US)
 (C)=VIO50-2C(AS)

(D)=VIO50-2P(AS)
 (E)=VIO50-2C(NZ)
 (F)=VIO50-2P(NZ)

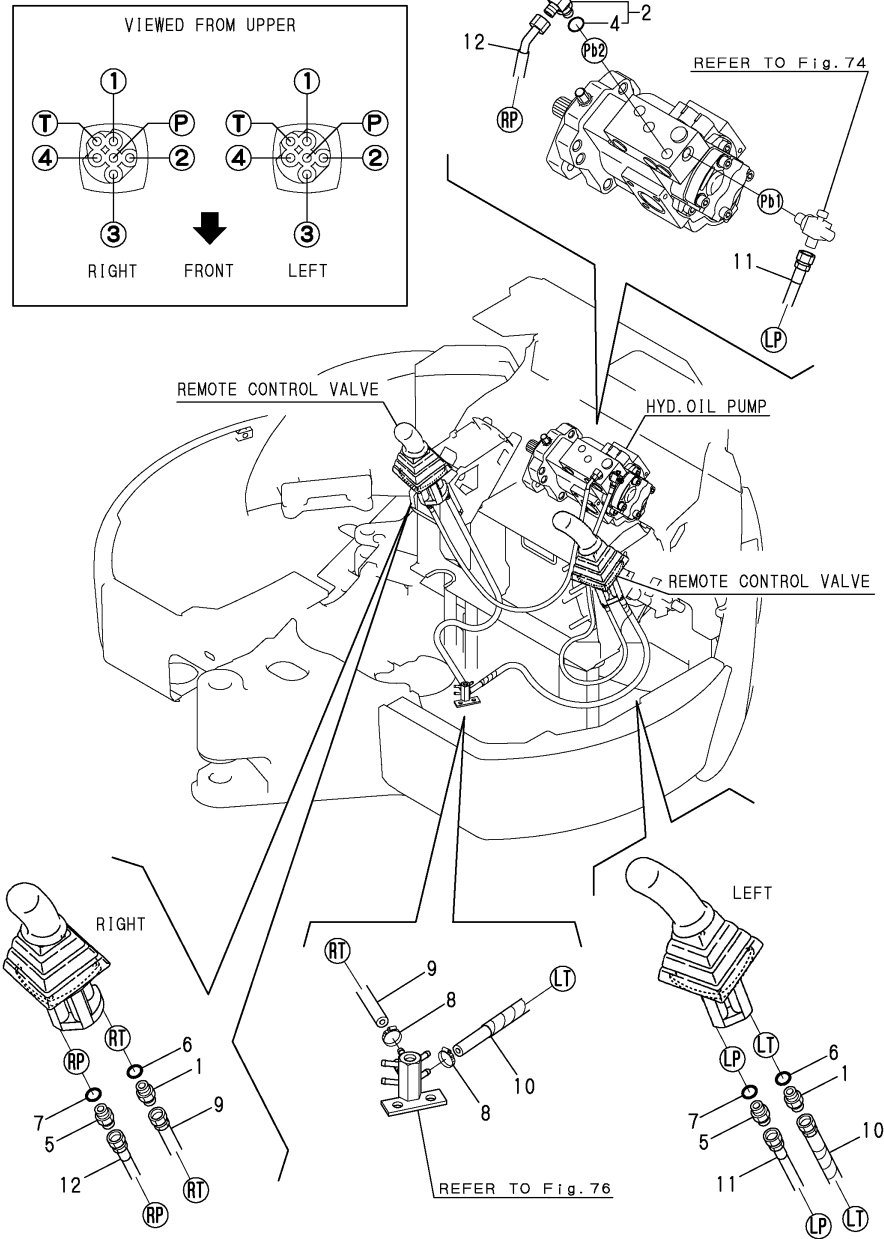


No.	Lev.	Parts No.	Description	Q'ty						I	R
				(A)	(B)	(C)	(D)	(E)	(F)		
1	1	172123-76121	ADAPTER	1	1	1	1	1	1		
2	1	24315-000110	O-RING, 1BP11.0	1	1	1	1	1	1		
3	1	172141-76180	CONNECTOR ASSY	1	1	1	1	1	1		
5	2	24315-000110	O-RING, 1BP11.0	1	1	1	1	1	1		
6	1	172958-78160	HOSE	1	1	1	1	1	1		
7	1	172960-76100-1	TUBE, HITCH	1	1	1	1	1	1		
8	1	172960-81800-1	COVER ASSY	1	1	1	1	1	1		
8-1	1	172960-81952-1	COVER ASSY	1	1	1	1	1	1		N
		(A=M/#21861) (B=M/#21861) (C=M/#21861) (D=M/#21861) (E=M/#21861) (F=M/#21861)									
9	1	26013-100202	BOLT, M10X 20	2	2	2	2	2	2		
10	1	26013-080162	BOLT, M8X 16	2	2	2	2	2	2		
11	1	172960-78100	HOSE	1	1	1	1	1	1		
12	1	172960-78110	HOSE	1	1	1	1	1	1		
13	1	172958-78120	HOSE	1	1	1	1	1	1		
14	1	172961-78120	HOSE	2	2	2	2	2	2		
15	1	172958-76130	ELBOW	2	2	2	2	2	2		
16	2	24315-000110	O-RING, 1BP11.0	2	2	2	2	2	2		

Fig.81. CONTROL PIPING(PUMP-REMO.-CON.V.-RETURN)

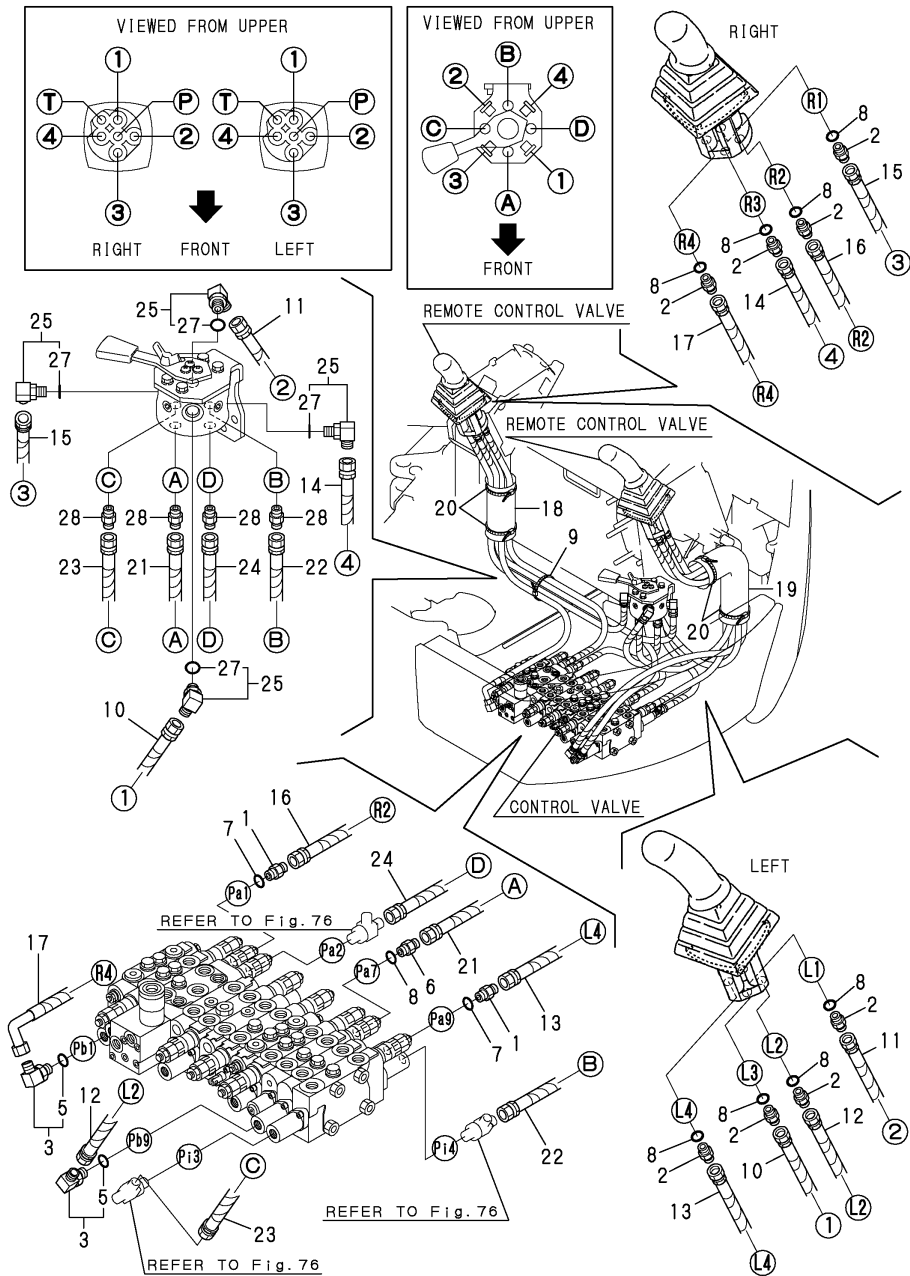
(A)=VIO50-2C(US)
 (B)=VIO50-2P(US)
 (C)=VIO50-2C(AS)

(D)=VIO50-2P(AS)
 (E)=VIO50-2C(NZ)
 (F)=VIO50-2P(NZ)



No.	Lev.	Parts No.	Description	Q'ty						I	R
				(A)	(B)	(C)	(D)	(E)	(F)		
1	1	172123-76121	ADAPTER	2	2	2	2	2	2		
2	1	172141-76180	CONNECTOR ASSY	1	1	1	1	1	1		
4	2	24315-000110	O-RING, 1BP11.0	1	1	1	1	1	1		
5	1	172455-76220	CONNECTOR	2	2	2	2	2	2		
6	1	24315-000110	O-RING, 1BP11.0	2	2	2	2	2	2		
7	1	24315-000110	O-RING, 1BP11.0	2	2	2	2	2	2		
8	1	23000-013000	CLAMP, 13	2	2	2	2	2	2		
9	1	172467-78180	HOSE	1	1	1	1	1	1		
10	1	172467-78190	HOSE	1	1	1	1	1	1		
11	1	172467-78200	HOSE	1	1	1	1	1	1		
12	1	172467-78210	HOSE	1	1	1	1	1	1		

Fig.82. CONTROL PIPING(REMO.-CON.V.-2-WAY V.-CONTROL V.)



(A)=VIO50-2C(US)
 (B)=VIO50-2P(US)
 (C)=VIO50-2C(AS)

(D)=VIO50-2P(AS)
 (E)=VIO50-2C(NZ)
 (F)=VIO50-2P(NZ)

No.	Lev.	Parts No.	Description	Q'ty						I	R
				(A)	(B)	(C)	(D)	(E)	(F)		
1	1	172123-76121	ADAPTER	2	2	2	2	2	2		
2	1	172123-76121	ADAPTER	8	8	8	8	8	8		
3	1	172141-76180	CONNECTOR ASSY	2	2	2	2	2	2		
5	2	24315-000110	O-RING, 1BP11.0	2	2	2	2	2	2		
6	1	172164-76330	JOINT, PF1/4-0.7	1	1	1	1	1	1		
7	1	24315-000110	O-RING, 1BP11.0	2	2	2	2	2	2		
8	1	24315-000110	O-RING, 1BP11.0	9	9	9	9	9	9		
9	1	172122-79930	CLAMP, HOSE	1	1	1	1	1	1		
10	1	172467-78100	HOSE	1	1	1	1	1	1		
11	1	172467-78110	HOSE	1	1	1	1	1	1		
12	1	172467-78280	HOSE	1	1	1	1	1	1		
13	1	172472-78190	HOSE	1	1	1	1	1	1		
14	1	172467-78130	HOSE	1	1	1	1	1	1		
15	1	172467-78120	HOSE	1	1	1	1	1	1		
16	1	172472-78200	HOSE	1	1	1	1	1	1		
17	1	172472-78210	HOSE	1	1	1	1	1	1		
18	1	172165-79810	SPONGE, HOSE	1	1	1	1	1	1		
19	1	172472-78800	SPONGE, HOSE	1	1	1	1	1	1		
20	1	172122-79930	CLAMP, HOSE	4	4	4	4	4	4		
21	1	172467-78140	HOSE	1	1	1	1	1	1		
22	1	172467-78150	HOSE	1	1	1	1	1	1		
23	1	172467-78160	HOSE	1	1	1	1	1	1		
24	1	172467-78170	HOSE	1	1	1	1	1	1		
25	1	172141-76180	CONNECTOR ASSY	4	4	4	4	4	4		
27	2	24315-000110	O-RING, 1BP11.0	4	4	4	4	4	4		
28	1	23391-020000	JOINT, RGI-1/4	4	4	4	4	4	4		

Fig.83. GREASING

(A)=VIO50-2C(US)
 (B)=VIO50-2P(US)
 (C)=VIO50-2C(AS)

(D)=VIO50-2P(AS)
 (E)=VIO50-2C(NZ)
 (F)=VIO50-2P(NZ)

No.	Lev.	Parts No.	Description	Q'ty						I	R
				(A)	(B)	(C)	(D)	(E)	(F)		
1	1	172141-77800	JOINT, GREASE	4	4	4	4	4	4		
2	1	172460-77800	HOSE	1	1	1	1	1	1		
3	1	172187-77810	HOSE	1	1	1	1	1	1		
4	1	172312-77820	FITTING, GREASE	1	1	1	1	1	1		
5	1	24761-020000	NIPPLE, GREASE PT1/8	2	2	2	2	2	2		

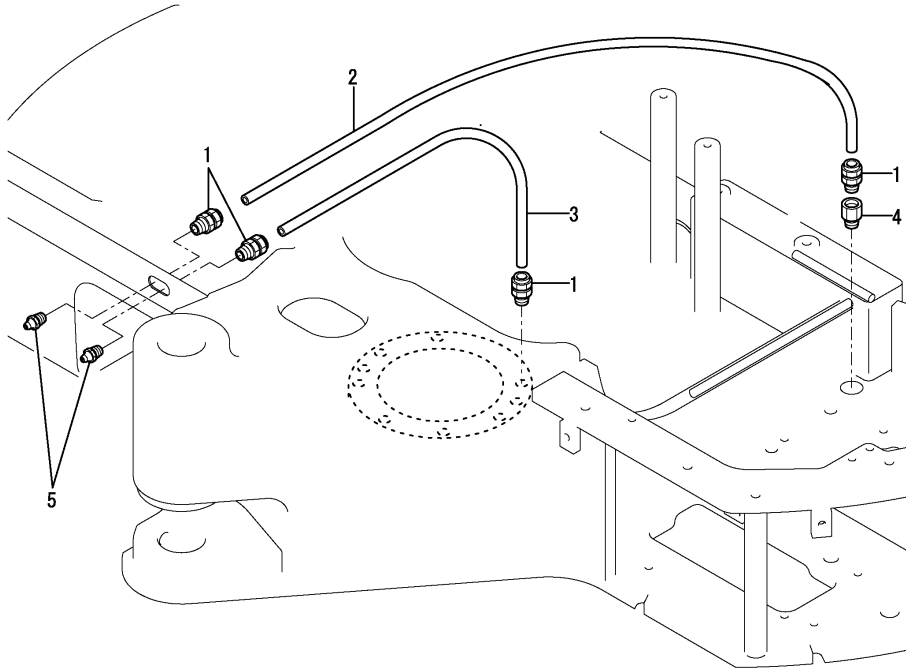
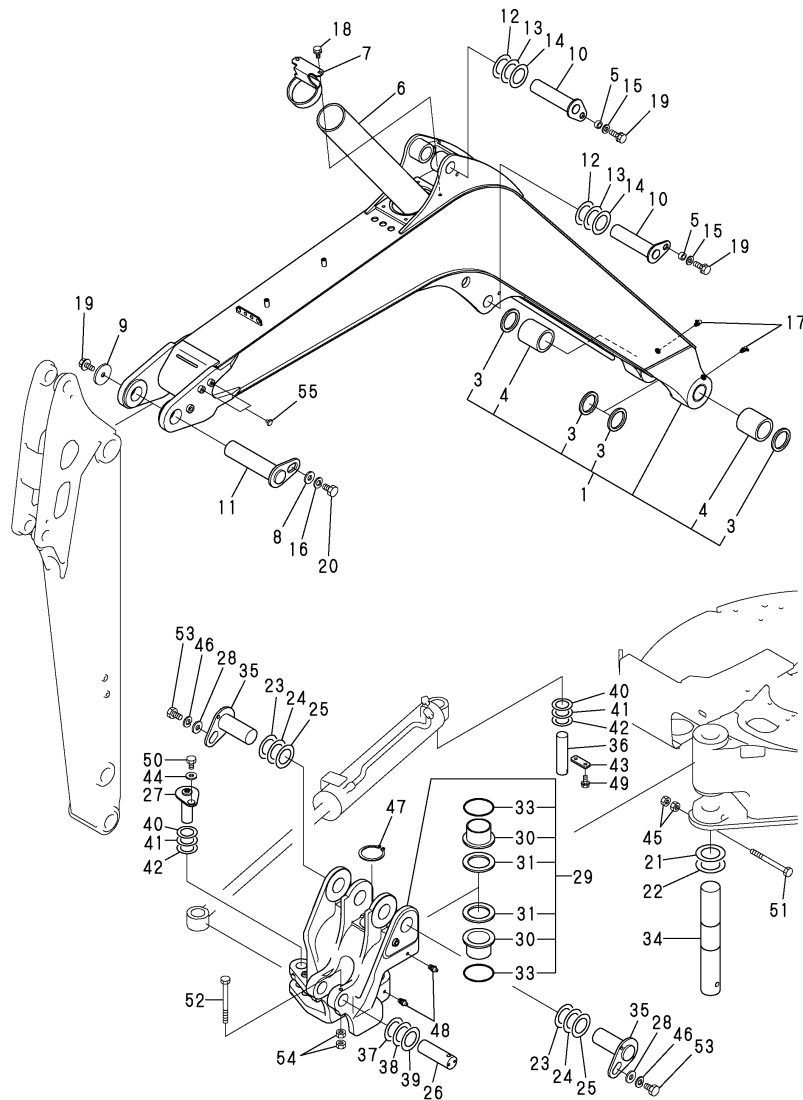


Fig.84. BOOM & BOOM BRACKET

(A)=VIO50-2C(US)
 (B)=VIO50-2P(US)
 (C)=VIO50-2C(AS)

(D)=VIO50-2P(AS)
 (E)=VIO50-2C(NZ)
 (F)=VIO50-2P(NZ)



No.	Lev.	Parts No.	Description	Q'ty						I	R	
				(A)	(B)	(C)	(D)	(E)	(F)			
1	1	172461-81090-1	BOOM ASSY(YELLOW:87)	1	1	1	1	1	1	1	W	1
		(A=M/#21861)	(B=M/#21861)	(C=M/#21861)	(D=M/#21861)	(E=M/#21861)	(F=M/#21861)					
3	2	172162-81050	SEAL, DUST 60X75X6	4	4	4	4	4	4	4		
3-1	2	172020-10620	SEAL, DUST	4	4	4	4	4	4	4	R	
		(A=M/#21861)	(B=M/#21861)	(C=M/#21861)	(D=M/#21861)	(E=M/#21861)	(F=M/#21861)					
4	2	172460-81400	BUSH	2	2	2	2	2	2	2		
4A	1	172472-03280	LABEL	1	1	1	1	1	1	1		2
4B	1	172437-03460	LABEL, BOOM	2	2	2	2	2	2	2		2
4C	1	172472-03270	LABEL,SAND US	1	1	1	1	1	1	1		2
5	1	172164-81670	SPACER	2	2	2	2	2	2	2		
6	1	172461-81710	PIPE	1	1	1	1	1	1	1		
7	1	172461-81740-1	PLATE (YELLOW:87)	1	1	1	1	1	1	1		
8	1	172187-81970	WASHER	1	1	1	1	1	1	1		
9	1	172147-82140	WASHER	1	1	1	1	1	1	1		
10	1	172460-82480-1	PIN 50X204(YELLOW:87)	2	2	2	2	2	2	2		
11	1	172460-82500-1	PIN 60X245(YELLOW:87)	1	1	1	1	1	1	1		
12	1	172165-82520	SHIM	2	2	2	2	2	2	2		
13	1	172165-82530	SHIM	2	2	2	2	2	2	2		
14	1	172165-82540	SHIM, 50X85X1.6	2	2	2	2	2	2	2	Z	
		(A=MXXX)	(B=MXXX)	(C=MXXX)	(D=MXXX)	(E=MXXX)	(F=MXXX)					
15	1	22157-120000	WASHER, 12	2	2	2	2	2	2	2		
16	1	22217-140000	WASHER, SPRING 14	1	1	1	1	1	1	1		
17	1	24761-040000	NIPPLE, GREASE B	2	2	2	2	2	2	2		
18	1	26013-100162	BOLT, M10X 16	2	2	2	2	2	2	2		
19	1	26013-120252	BOLT, M12X 25	3	3	3	3	3	3	3		
20	1	26116-140252	BOLT, M14X 25 PLATED	1	1	1	1	1	1	1		
21	1	172176-81700	SHIM	1	1	1	1	1	1	1		
22	1	172176-81710	SHIM	1	1	1	1	1	1	1		
23	1	172460-81800	SHIM	2	2	2	2	2	2	2		
24	1	172460-81810	SHIM	2	2	2	2	2	2	2		
25	1	172460-81820	SHIM	2	2	2	2	2	2	2		
26	1	172458-81830	PIN 50X136	1	1	1	1	1	1	1		
27	1	172458-81930-1	PIN 40X111(YELLOW:87)	1	1	1	1	1	1	1		
28	1	172187-81970	WASHER	2	2	2	2	2	2	2		
29	1	172460-82300-1	BRACKET (YELLOW:87)	1	1	1	1	1	1	1		
30	2	172165-81710	BUSH 70X85	2	2	2	2	2	2	2		
31	2	172165-81770	SEAL, DUST	2	2	2	2	2	2	2		
33	2	24321-000700	O-RING, 1AG70.0	2	2	2	2	2	2	2		
34	1	172460-82400	PIN	1	1	1	1	1	1	1		
35	1	172460-82410-1	PIN 60X142(YELLOW:87)	2	2	2	2	2	2	2		
36	1	172460-82430	PIN	1	1	1	1	1	1	1		
37	1	172165-82520	SHIM	2	2	2	2	2	2	2		
38	1	172165-82530	SHIM	2	2	2	2	2	2	2		
39	1	172165-82540	SHIM, 50X85X1.6	2	2	2	2	2	2	2	Z	
		(A=MXXX)	(B=MXXX)	(C=MXXX)	(D=MXXX)	(E=MXXX)	(F=MXXX)					
40	1	172165-82580	SHIM	4	4	4	4	4	4	4		
41	1	172165-82590	SHIM	4	4	4	4	4	4	4		
42	1	172165-82600	SHIM	4	4	4	4	4	4	4		
43	1	172117-83970-5	PLATE(C),LOCK (86)	1	1	1	1	1	1	1		
44	1	22157-120000	WASHER, 12	1	1	1	1	1	1	1		
45	1	26716-160002	NUT, M16	2	2	2	2	2	2	2		

Remarks

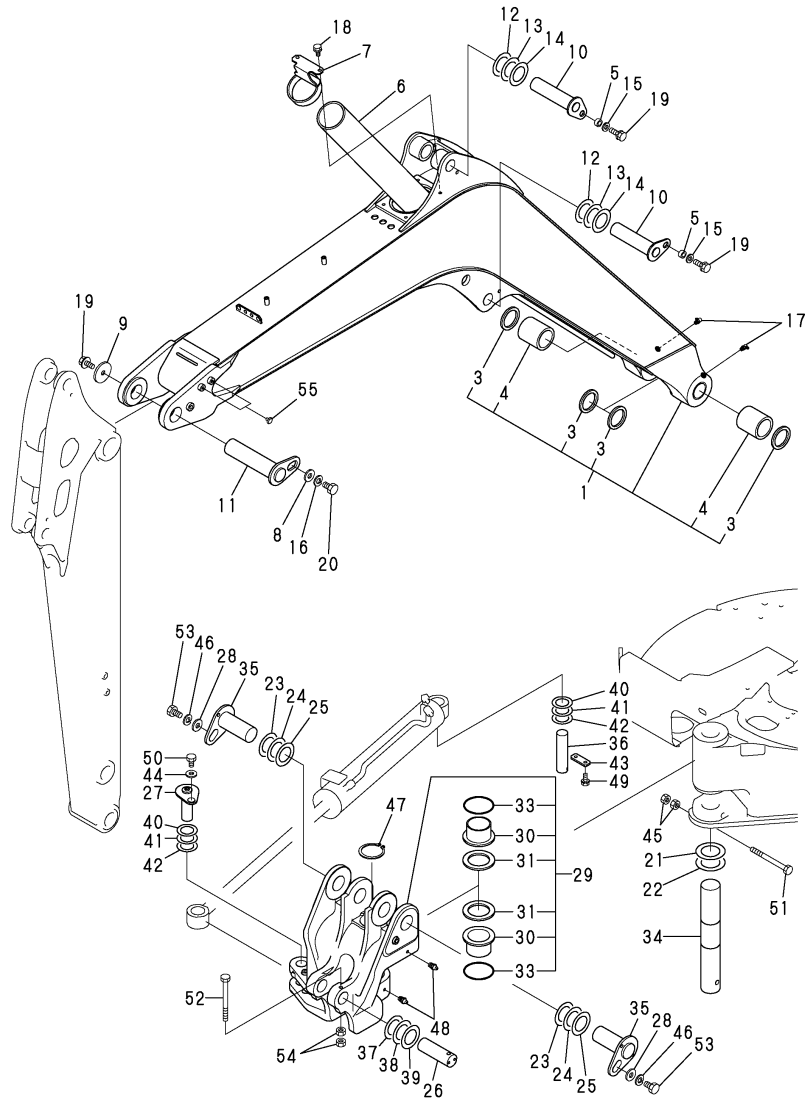
(1)PLEASE USE THIS PART WITH FOLLOWING LABELS AT THE SAME TIME. REF. NO. 4A,4B,4C.

(2)LABELS ARE NOT ILLUSTRATED.

Fig.84. BOOM & BOOM BRACKET

(A)=VIO50-2C(US)
 (B)=VIO50-2P(US)
 (C)=VIO50-2C(AS)

(D)=VIO50-2P(AS)
 (E)=VIO50-2C(NZ)
 (F)=VIO50-2P(NZ)



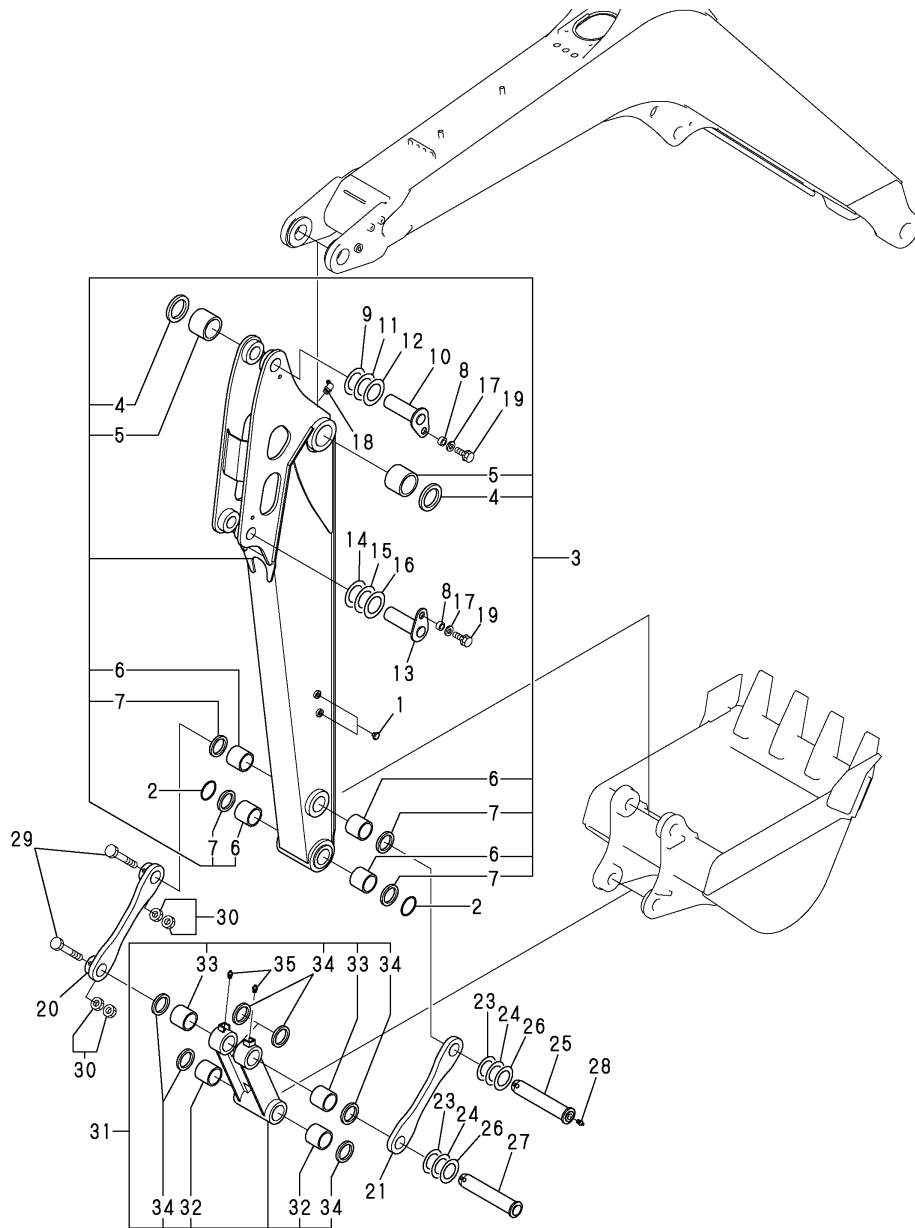
No.	Lev.	Parts No.	Description	Q'ty						I	R
				(A)	(B)	(C)	(D)	(E)	(F)		
46	1	22217-140000	WASHER, SPRING 14	2	2	2	2	2	2		
47	1	22242-000700	RING, 70	1	1	1	1	1	1		
48	1	24761-020000	NIPPLE, GREASE PT1/8	2	2	2	2	2	2		
49	1	26013-100202	BOLT, M10X 20	2	2	2	2	2	2		
50	1	26013-120252	BOLT, M12X 25	1	1	1	1	1	1		
51	1	26076-161702	BOLT, 10.916X170	1	1	1	1	1	1		
52	1	26116-121302	BOLT, M12X130 PLATED	1	1	1	1	1	1		
53	1	26116-140352	BOLT, M14X 35 PLATED	2	2	2	2	2	2		
54	1	26716-120002	NUT, M12	2	2	2	2	2	2		
55	1	172183-81160	CLIP, TREE	4	4	4	4	4	4		

Remarks
 (1)PLEASE USE THIS PART WITH FOLLOW-
 ING LABELS AT THE SAME TIME.
 REF. NO. 4A,4B,4C.
 (2)LABELS ARE NOT ILLUSTRATED.

Fig.85. ARM & BUCKET LINK

(A)=VIO50-2C(US)
 (B)=VIO50-2P(US)
 (C)=VIO50-2C(AS)

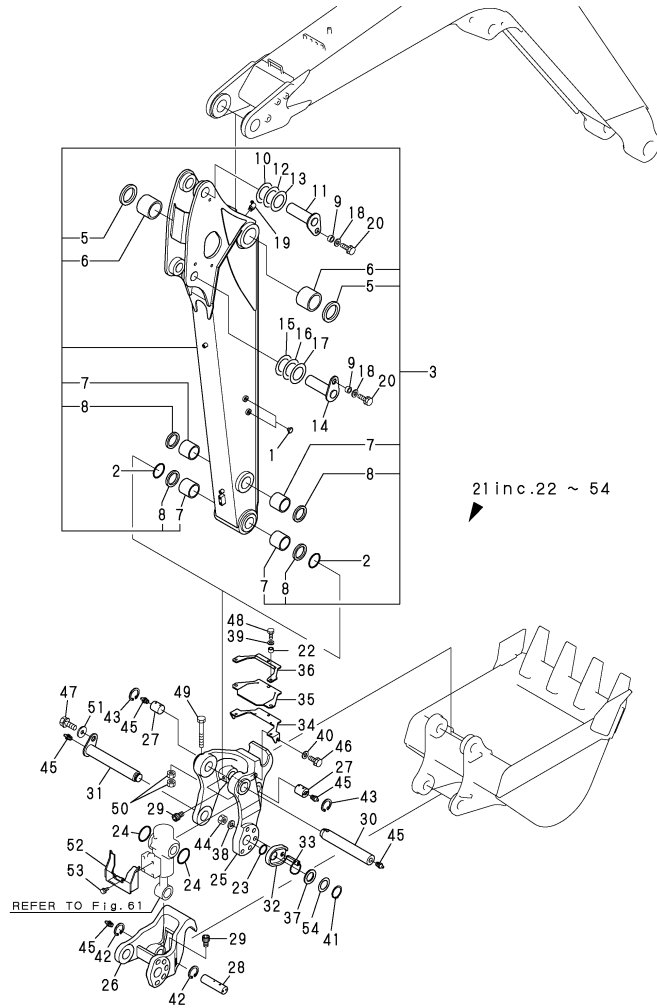
(D)=VIO50-2P(AS)
 (E)=VIO50-2C(NZ)
 (F)=VIO50-2P(NZ)



22 inc.23 ~ 30

No.	Lev.	Parts No.	Description	Q'ty						I	R
				(A)	(B)	(C)	(D)	(E)	(F)		
1	1	172183-81160	CLIP, TREE	4	4	4	4	4	4		
2	1	172125-81280	O-RING	2	2	2	2	2	2		
3	1	172461-81500-1	ARM ASSY	1	1	1	1	1	1		
4	2	172162-81050	SEAL, DUST 60X75X6	2	2	2	2	2	2		
4-1	2	172020-10620	SEAL, DUST	2	2	2	2	2	2		R
		(A=M/#21843) (B=M/#21843) (C=M/#21843) (D=M/#21843)		(E=M/#21843)	(F=M/#21843)						
5	2	172445-81360	BUSH 60X75	2	2	2	2	2	2		
6	2	172112-83500	PIN BUSH 45X60	4	4	4	4	4	4		
7	2	933126-44500	SEAL, DUST 45X55X4	4	4	4	4	4	4		
7-1	2	172168-81410	SEAL, DUST	4	4	4	4	4	4		R
		(A=M/#21843) (B=M/#21843) (C=M/#21843) (D=M/#21843)		(E=M/#21843)	(F=M/#21843)						
8	1	172164-81670	SPACER	2	2	2	2	2	2		
9	1	172165-82520	SHIM	1	1	1	1	1	1		
10	1	172460-82520-1	PIN 50X134(YELLOW:87)	1	1	1	1	1	1		
11	1	172165-82530	SHIM	1	1	1	1	1	1		
12	1	172165-82540	SHIM, 50X85X1.6	1	1	1	1	1	1		Z
		(A=MXXX) (B=MXXX) (C=MXXX) (D=MXXX)		(E=MXXX)	(F=MXXX)						
13	1	172460-82540-1	PIN 45X138(YELLOW:87)	1	1	1	1	1	1		
14	1	172165-82550	SHIM	1	1	1	1	1	1		
15	1	172165-82560	SHIM	1	1	1	1	1	1		
16	1	172165-82570	SHIM	1	1	1	1	1	1		
17	1	22157-120000	WASHER, 12	2	2	2	2	2	2		
18	1	24761-040000	NIPPLE, GREASE B	1	1	1	1	1	1		
19	1	26013-120252	BOLT, M12X 25	2	2	2	2	2	2		
20	1	172460-82350-1	ARM, BUCKET	1	1	1	1	1	1		
21	1	172460-82360-1	ARM, BUCKET	1	1	1	1	1	1		
22	1	172460-82650-1	PIN KIT, ARM (87)	1	1	1	1	1	1		
23	2	172165-82550	SHIM	2	2	2	2	2	2		
24	2	172165-82560	SHIM	2	2	2	2	2	2		
25	2	172460-82560-1	PIN 45X217(YELLOW:87)	1	1	1	1	1	1		
26	2	172165-82570	SHIM	2	2	2	2	2	2		
27	2	172460-82590-1	PIN 45X217(YELLOW:87)	1	1	1	1	1	1		
28	2	24761-020000	NIPPLE, GREASE PT1/8	1	1	1	1	1	1		
29	2	26116-100802	BOLT, M10X 80 PLATED	2	2	2	2	2	2		
30	2	26716-100002	NUT, M10	4	4	4	4	4	4		
31	1	172147-84401	LINK, BUCKET(YELLOW87)	1	1	1	1	1	1		
31-1	1	172460-82380	LINK, BUCKET (87)	1	1	1	1	1	1		R
		(A=M/#21566) (B=M/#21566) (C=M/#21566) (D=M/#21566)		(E=M/#21566)	(F=M/#21566)						
32	2	172112-83500	PIN BUSH 45X60	2	2	2	2	2	2		
33	2	172112-86250	BUSH 45X39, PIN	2	2	2	2	2	2		
34	2	933126-44500	SEAL, DUST 45X55X4	6	6	6	6	6	6		
34-1	2	172168-81410	SEAL, DUST	6	6	6	6	6	6		R
		(A=M/#21843) (B=M/#21843) (C=M/#21843) (D=M/#21843)		(E=M/#21843)	(F=M/#21843)						
35	1	24761-020000	NIPPLE, GREASE PT1/8	2	2	2	2	2	2		

Fig.86. ARM & QUICK COUPLER



(A)=VIO50-2C(US)
 (B)=VIO50-2P(US)
 (C)=VIO50-2C(AS)

(D)=VIO50-2P(AS)
 (E)=VIO50-2C(NZ)
 (F)=VIO50-2P(NZ)

No.	Lev.	Parts No.	Description	Q'ty						I	R
				(A)	(B)	(C)	(D)	(E)	(F)		
1	1	172183-81160	CLIP, TREE	4	4	4	4	4	4		
2	1	172125-81280	O-RING	2	2	2	2	2	2		
3	1	172960-81490-1	ARM ASSY	1	1	1	1	1	1	W	1
5	2	172162-81050	SEAL, DUST 60X75X6	2	2	2	2	2	2		
5-1	2	172020-10620	SEAL, DUST	2	2	2	2	2	2		R
6	2	172445-81360	BUSH 60X75	2	2	2	2	2	2		
7	2	172112-83500	PIN BUSH 45X60	4	4	4	4	4	4		
8	2	933126-44500	SEAL, DUST 45X55X4	4	4	4	4	4	4		
8-1	2	172168-81410	SEAL, DUST	4	4	4	4	4	4		R
8A	1	172472-03260	LABEL,FINGER	1	1	1	1	1	1		4
8B	1	172472-03230	LABEL,OPERATION PIN	1	1	1	1	1	1		4
9	1	172164-81670	SPACER	2	2	2	2	2	2		
10	1	172165-82520	SHIM	1	1	1	1	1	1		
11	1	172460-82520-1	PIN 50X134(YELLOW:87	1	1	1	1	1	1		
12	1	172165-82530	SHIM	1	1	1	1	1	1		
13	1	172165-82540	SHIM, 50X85X1.6	1	1	1	1	1	1		Z
14	1	172460-82540-1	PIN 45X138(YELLOW:87	1	1	1	1	1	1		
15	1	172165-82550	SHIM	1	1	1	1	1	1		
16	1	172165-82560	SHIM	1	1	1	1	1	1		
17	1	172165-82570	SHIM	1	1	1	1	1	1		
18	1	22157-120000	WASHER, 12	2	2	2	2	2	2		
19	1	24761-040000	NIPPLE, GREASE B	1	1	1	1	1	1		
20	1	26013-120252	BOLT, M12X 25	2	2	2	2	2	2		
21	1	172960-08700	QUICK HITCH ASSY	1	1	1	1	1	1		
22	2	172958-17120	COLLAR	3	3	3	3	3	3		
23	2	172124-46200	O-RING	1	1	1	1	1	1		
24	2	172171-81270	O-RING, 61X6.0	2	2	2	2	2	2		
25	2	172960-83100-1	BRACKET A (YELLOW:87	1	1	1	1	1	1		
25-1	2	172960-83101-1	BRACKET A(YELLOW:87)	1	1	1	1	1	1		N
25-2	2	172960-83102-2	BRACKET,A	1	1	1	1	1	1		N
26	2	172960-83110-1	BRACKET B (YELLOW:87	1	1	1	1	1	1		
26-1	2	172960-83111-1	BRACKET B(YELLOW:87)	1	1	1	1	1	1		N
26-2	2	172960-83112-1	BRACKET B(YELLOW:87)	1	1	1	1	1	1		N
26-3	2	172960-83113-2	BRACKET,B	1	1	1	1	1	1		N
27	2	172960-83120	PIN	2	2	2	2	2	2		
28	2	172960-83130	PIN	1	1	1	1	1	1		
29	2	172958-83140	BOLT	3	3	3	3	3	3		
30	2	172960-83140	PIN	1	1	1	1	1	1		
31	2	172960-83151	PIN 45X299(YELLOW:87	1	1	1	1	1	1		
32	2	172958-83171-1	PLATE,LOCK(YELLOW:87	1	1	1	1	1	1		2
32A	2	172458-03240	LABEL,LOCK	1	1	1	1	1	1		4
33	2	172960-83191	PIN ASSY, LOCK	1	1	1	1	1	1		3

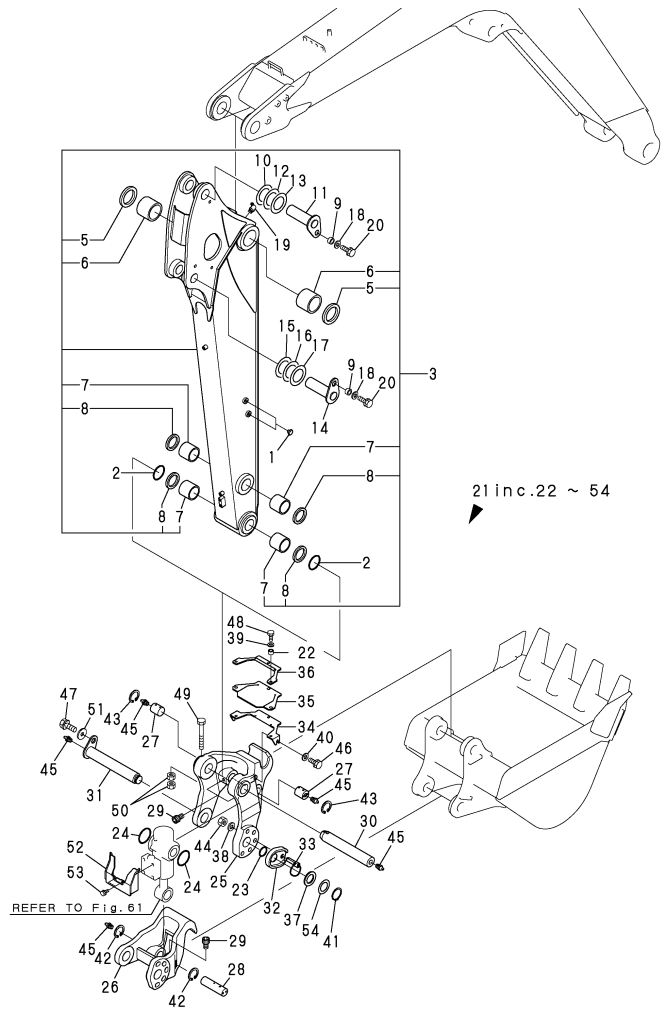
Remarks

- (1)PLEASE USE THIS PART WITH FOLLOWING LABELS AT THE SAME TIME. REF. NO. 8A,8B.
- (2)PLEASE USE THIS PART WITH FOLLOWING LABELS AT THE SAME TIME. REF. NO. 32A.
- (3)PLEASE USE THIS PART WITH FOLLOWING LABELS AT THE SAME TIME.REF.NO 33A.(4)LABELS ARE NOT ILLUSTRATED.
- (5)INTERCHANGEABLE BY SIMULTANEOUS REPLACEMENT WITH REF.NO.34-1,36-1

Fig.86. ARM & QUICK COUPLER

(A)=VIO50-2C(US)
 (B)=VIO50-2P(US)
 (C)=VIO50-2C(AS)

(D)=VIO50-2P(AS)
 (E)=VIO50-2C(NZ)
 (F)=VIO50-2P(NZ)



No.	Lev.	Parts No.	Description	Q'ty						I	R
				(A)	(B)	(C)	(D)	(E)	(F)		
33A	2	172958-03160	LABEL	1	1	1	1	1	1		4
34	2	172960-83251-1	GUARD ASSY	1	1	1	1	1	1		
34-1	2	172960-83252-1	GUARD ASSY	1	1	1	1	1	1	F	5
		(A=M/#20959) (B=M/#20959) (C=M/#20959) (D=M/#20959)		(E=M/#20959)	(F=M/#20959)						
35	2	172960-83281	PLATE, RUBBER	1	1	1	1	1	1		
36	2	172960-83291-1	PLATE ASSY(YELLOW:87	1	1	1	1	1	1		
36-1	2	172960-83292-1	PLATE ASSY(YELLOW:87	1	1	1	1	1	1	F	5
		(A=M/#20959) (B=M/#20959) (C=M/#20959) (D=M/#20959)		(E=M/#20959)	(F=M/#20959)						
36-2	2	172960-83272-1	PLATE ASSY(YELLOW:87	1	1	1	1	1	1	S	
		(A=M/#21181) (B=M/#21181) (C=M/#21181) (D=M/#21181)		(E=M/#21181)	(F=M/#21181)						
37	2	172960-83210	COLLAR	1	1	1	1	1	1		
38	2	172958-83330	WASHER 6.4X15.5X1.5	1	1	1	1	1	1		
39	2	22137-080000	WASHER, 8	3	3	3	3	3	3		
40	2	22137-100000	WASHER, 10	2	2	2	2	2	2		
41	2	22242-000350	RING, 35	1	1	1	1	1	1		
42	2	22252-000350	RING, 35	2	2	2	2	2	2		
43	2	22252-000400	RING, 40	2	2	2	2	2	2		
44	2	26756-060002	NUT, LOCK M6	1	1	1	1	1	1		
45	2	24761-020000	NIPPLE, GREASE PT1/8	5	5	5	5	5	5		
46	2	26013-100202	BOLT, M10X 20	2	2	2	2	2	2		
47	2	26013-120302	BOLT, M12X 30	1	1	1	1	1	1		
48	2	26116-080202	BOLT, M8X 20 PLATED	3	3	3	3	3	3		
49	2	26116-100802	BOLT, M10X 80 PLATED	1	1	1	1	1	1		
50	2	26716-100002	NUT, M10	2	2	2	2	2	2		
51	2	22157-120000	WASHER, 12	1	1	1	1	1	1		
52	2	172960-83311-1	COVER ASSY	1	1	1	1	1	1		
52-1	2	172960-83312-1	COVER ASSY	1	1	1	1	1	1	N	
		(A=M/#21843) (B=M/#21843) (C=M/#21843) (D=M/#21843)		(E=M/#21843)	(F=M/#21843)						
53	2	26013-080162	BOLT, M8X 16	2	2	2	2	2	2		
54	2	172141-84601	SHIM	1	1	1	1	1	1		

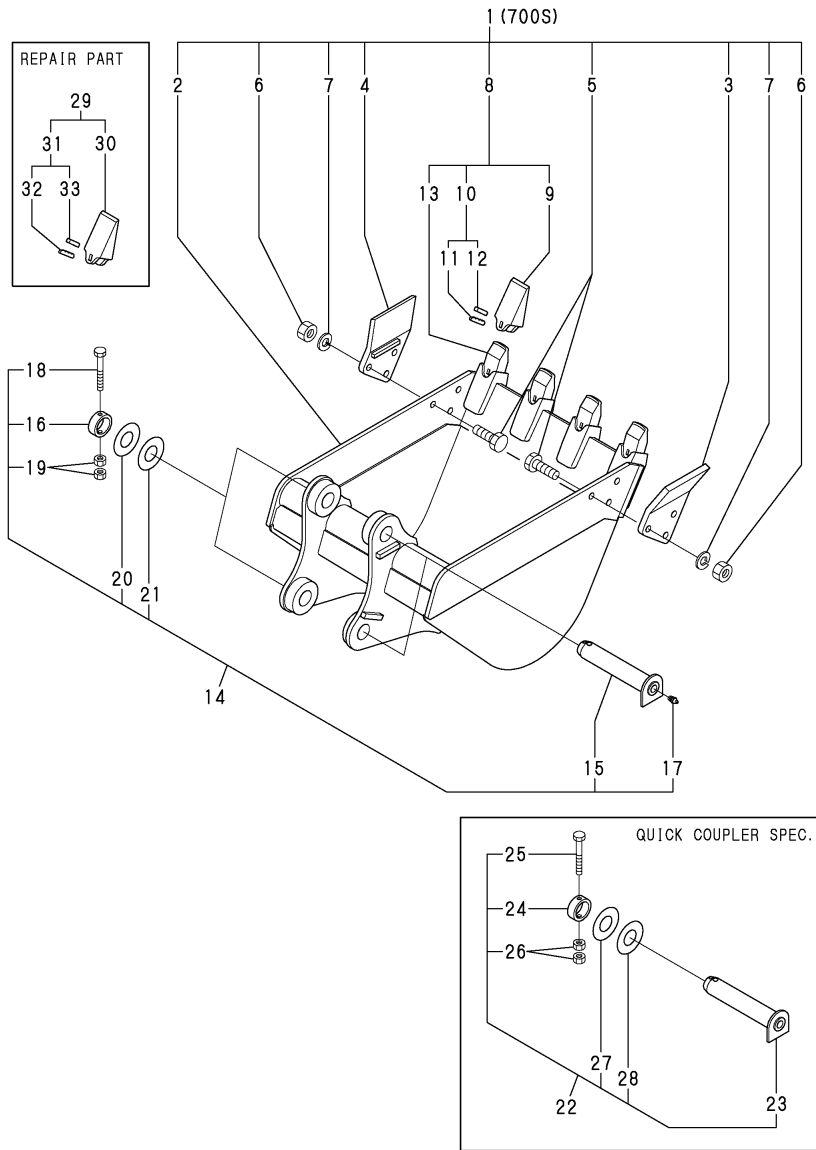
Remarks

- (1)PLEASE USE THIS PART WITH FOLLOWING LABELS AT THE SAME TIME. REF. NO. 8A,8B.
- (2)PLEASE USE THIS PART WITH FOLLOWING LABELS AT THE SAME TIME. REF. NO. 32A.
- (3)PLEASE USE THIS PART WITH FOLLOWING LABELS AT THE SAME TIME.REF.NO 33A.(4)LABELS ARE NOT ILLUSTRATED.
- (5)INTERCHANGEABLE BY SIMULTANEOUS REPLACEMENT WITH REF.NO.34-1,36-1

Fig.87. BUCKET(700S)

(A)=VIO50-2C(US)
(B)=VIO50-2P(US)
(C)=VIO50-2C(AS)

(D)=VIO50-2P(AS)
(E)=VIO50-2C(NZ)
(F)=VIO50-2P(NZ)



No.	Lev.	Parts No.	Description	Q'ty						I	R
				(A)	(B)	(C)	(D)	(E)	(F)		
1	1	172461-81900-1	BUCKET ASSY, 700S	1	1						
1-1	1	172461-81901-1	BUCKET ASSY, 700S	1	1			1	1		R
		(A=M/#20803) (B=M/#20803)									
2	2	172461-81910-1	BUCKET ASSY	1	1						
2-1	2	172461-81911-1	BUCKET ASSY	1	1			1	1		R
		(A=M/#20803) (B=M/#20803)									
3	2	172460-82180-1	CUTTER, SIDE	1	1				1	1	
4	2	172460-82200-1	CUTTER, SIDE	1	1				1	1	
5	2	172460-82220	BOLT M16X 50	6	6				6	6	
6	2	172460-82230	NUT	6	6				6	6	
7	2	22217-160000	WASHER, SPRING 16	6	6				6	6	
8	2	772151-81610-2	TEETH ASSY	4	4				4	4	
8-1	2	772151-81611-1	TOOTH ASSY	4	4				4	4	R
		(A=M/#21631) (B=M/#21631)						(E=M/#21631)		(F=M/#21631)	
9	3	172151-81600-2	TOOTH, POINT	4	4				4	4	
9-1	3	172448-82570-1	TOOTH, POINT	4	4				4	4	R
		(A=M/#21631) (B=M/#21631)						(E=M/#21631)		(F=M/#21631)	
10	3	172151-81620	PIN ASSY, LOCK	4	4				4	4	
10-1	3	172448-82960	PIN ASSY, LOCK	4	4				4	4	R
		(A=M/#21631) (B=M/#21631)						(E=M/#21631)		(F=M/#21631)	
11	4	172151-81630	PIN	4	4				4	4	
11-1	4	172448-82580	PIN, LOCK	4	4				4	4	R
		(A=M/#21631) (B=M/#21631)						(E=M/#21631)		(F=M/#21631)	
12	4	172151-81640	LOCK, RUBBER BIN	4	4				4	4	
12-1	4	172448-82590	RUBBER, PIN	4	4				4	4	R
		(A=M/#21631) (B=M/#21631)						(E=M/#21631)		(F=M/#21631)	
13	3	172151-81610-1	ADAPTER	4	4				4	4	
13-1	3	172151-81611-1	ADAPTER	4	4				4	4	R
		(A=M/#21631) (B=M/#21631)						(E=M/#21631)		(F=M/#21631)	
14	1	172176-81950-4	PIN KIT, BUCKET (82)	2	2						
15	2	172176-81560-4	PIN 45X271 ASSY (82)	2	2						
16	2	172176-81640	COLLAR	2	2						
17	2	24761-020000	NIPPLE, GREASE PT1/8	2	2						
18	2	26116-100752	BOLT, M10X 75 PLATED	2	2						
19	2	26716-100002	NUT, M10	4	4						
20	2	172124-81930	SHIM, 45X0.8	2	2						
20-1	2	172165-82550	SHIM	2	2						R
		(A=M/#21861) (B=M/#21861)									
21	2	172124-81940	SHIM, 45X1.2	2	2						
21-1	2	172165-82560	SHIM	2	2						R
		(A=M/#21861) (B=M/#21861)									
22	1	172960-81600-1	BUCKET PIN KIT (Z1)	2	2	2	2	2	2	2	
23	2	172960-83170-1	PIN 45X271Q (GILT)	2	2	2	2	2	2	2	
24	2	172176-81640	COLLAR	2	2	2	2	2	2	2	
25	2	26116-100752	BOLT, M10X 75 PLATED	2	2	2	2	2	2	2	
26	2	26716-100002	NUT, M10	4	4	4	4	4	4	4	
27	2	172124-81930	SHIM, 45X0.8	2	2	2	2	2	2	2	
27-1	2	172165-82550	SHIM	2	2	2	2	2	2	2	R
		(A=M/#21861) (B=M/#21861) (C=M/#21861) (D=M/#21861) (E=M/#21861) (F=M/#21861)									
28	2	172124-81940	SHIM, 45X1.2	2	2	2	2	2	2	2	
28-1	2	172165-82560	SHIM	2	2	2	2	2	2	2	R

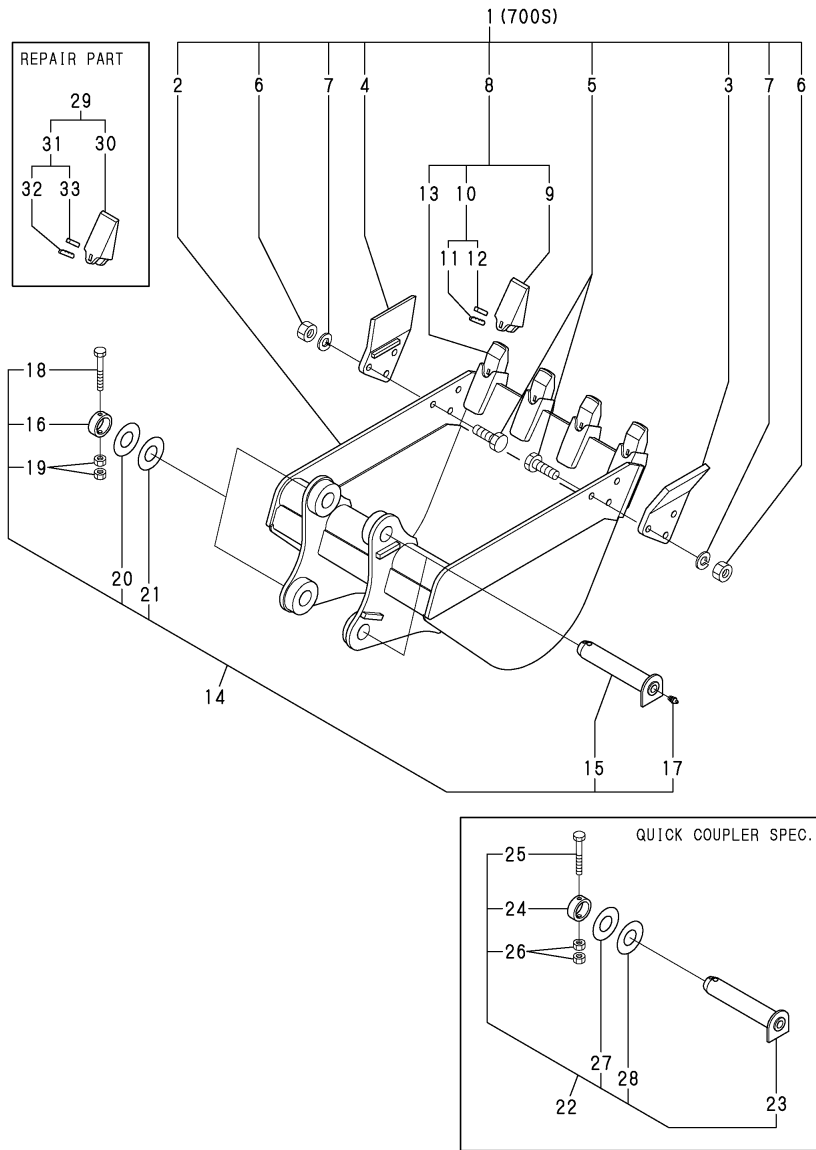
Remarks

(1)REPAIR PART

Fig.87. BUCKET(700S)

(A)=VIO50-2C(US)
 (B)=VIO50-2P(US)
 (C)=VIO50-2C(AS)

(D)=VIO50-2P(AS)
 (E)=VIO50-2C(NZ)
 (F)=VIO50-2P(NZ)



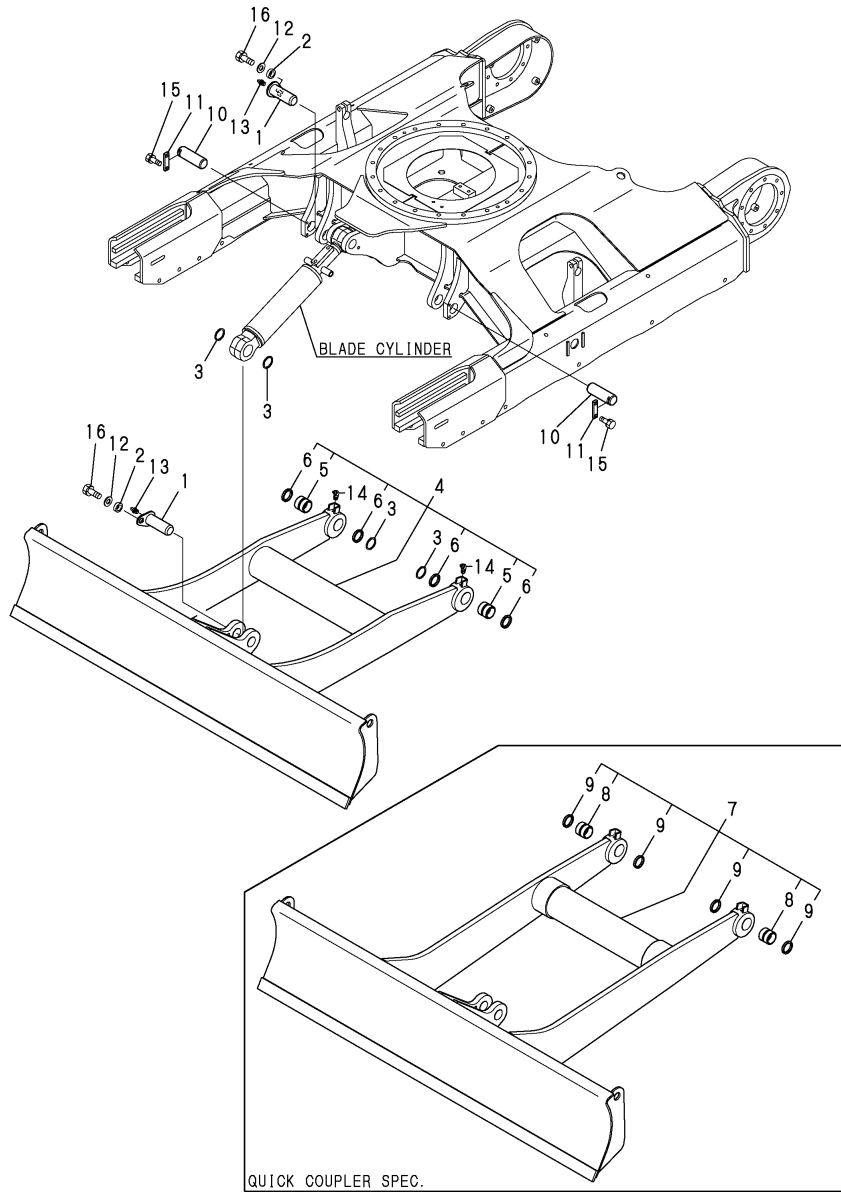
No.	Lev.	Parts No.	Description	Q'ty						I	R
				(A)	(B)	(C)	(D)	(E)	(F)		
		(A=M/#21861) (B=M/#21861) (C=M/#21861) (D=M/#21861)		(E=M/#21861)		(F=M/#21861)					
29	1	172165-86500	TOOTH KIT, POINT	4	4			4	4		1
29-1	1	172448-82950	TOOTH KIT, POINT	4	4			4	4	R	1
		(A=M/#21512) (B=M/#21512)		(E=M/#21512)		(F=M/#21512)					
30	2	172151-81600-2	TOOTH, POINT	4	4			4	4		1
30-1	2	172448-82570-1	TOOTH, POINT	4	4			4	4	R	1
		(A=M/#21512) (B=M/#21512)		(E=M/#21512)		(F=M/#21512)					
31	2	172151-81620	PIN ASSY, LOCK	4	4			4	4		1
31-1	2	172448-82960	PIN ASSY, LOCK	4	4			4	4	R	1
		(A=M/#21512) (B=M/#21512)		(E=M/#21512)		(F=M/#21512)					
32	3	172151-81630	PIN	4	4			4	4		1
32-1	3	172448-82580	PIN, LOCK	4	4			4	4	R	1
		(A=M/#21512) (B=M/#21512)		(E=M/#21512)		(F=M/#21512)					
33	3	172151-81640	LOCK, RUBBER BIN	4	4			4	4		1
33-1	3	172448-82590	RUBBER, PIN	4	4			4	4	R	1
		(A=M/#21512) (B=M/#21512)		(E=M/#21512)		(F=M/#21512)					

Remarks
 (1)REPAIR PART

Fig.88. BLADE

(A)=VIO50-2C(US)
 (B)=VIO50-2P(US)
 (C)=VIO50-2C(AS)

(D)=VIO50-2P(AS)
 (E)=VIO50-2C(NZ)
 (F)=VIO50-2P(NZ)



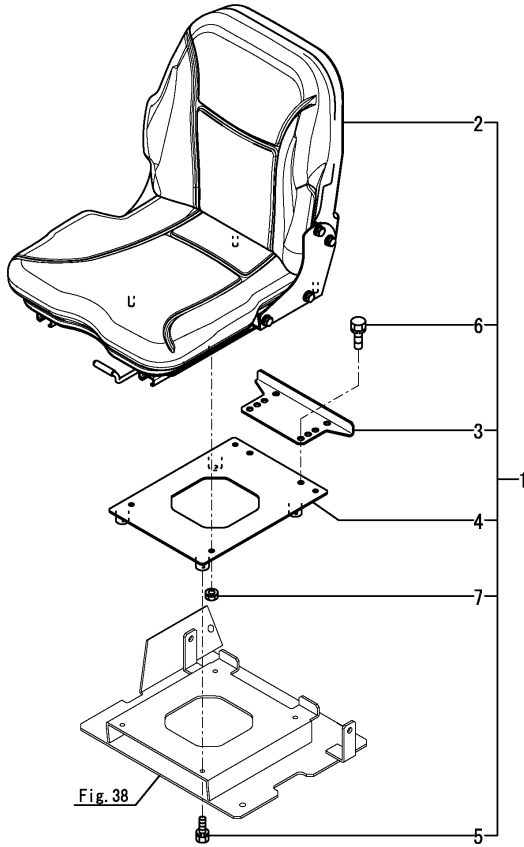
No.	Lev.	Parts No.	Description	Q'ty						I	R
				(A)	(B)	(C)	(D)	(E)	(F)		
1	1	172164-81650-2	PIN 45X122(GREEN:82)	2	2	2	2	2	2		
2	1	172164-81670	SPACER	2	2	2	2	2	2		
3	1	172112-87840	SHIM	4	4	4	4	4	4		
4	1	172460-94100-1	BLADE ASSY(GREEN:82)	1	1						
5	2	172151-72670	BUSH 45 50	2	2						
6	2	172168-81410	SEAL, DUST	4	4						
7	1	172960-94100-1	BLADE ASSY(GREEN:82)	1	1	1	1	1	1		1
8	2	172151-72670	BUSH 45 50	2	2	2	2	2	2		
9	2	172168-81410	SEAL, DUST	4	4	4	4	4	4		
10	1	172423-94210	PIN 45X120	2	2	2	2	2	2		
11	1	172124-94310-2	PLATE,LOCK(GREEN:82)	2	2	2	2	2	2		
12	1	22157-120000	WASHER, 12	2	2	2	2	2	2		
13	1	24761-020000	NIPPLE, GREASE PT1/8	2	2	2	2	2	2		
14	1	24761-040000	NIPPLE, GREASE B	2	2	2	2	2	2		
15	1	26013-100252	BOLT, M10X 25	4	4	4	4	4	4		
16	1	26013-120302	BOLT, M12X 30	2	2	2	2	2	2		

Remarks
 (1)QUICK COUPLER SPEC.

Fig.89. SEAT KIT(OPTIONAL)

(A)=VIO50-2C(US)
 (B)=VIO50-2P(US)
 (C)=VIO50-2C(AS)

(D)=VIO50-2P(AS)
 (E)=VIO50-2C(NZ)
 (F)=VIO50-2P(NZ)



No.	Lev.	Parts No.	Description	Q'ty						I	R
				(A)	(B)	(C)	(D)	(E)	(F)		
1	1	172457-08601 (A=*2017.11.)	SEAT KIT,WOOSUNG SP	1							W
2	2	172A23-64050	SEAT ASSY		1						
3	2	172A46-64491	STOPPER, A		1						
4	2	172A46-64500	PLATE ASSY, SEAT		1						
5	2	26013-080202	BOLT, M8X 20		4						
6	2	26013-100202	BOLT, M10X 20		2						
7	2	26051-080002	NUT, M8		4						

Parts No. Index

Parts No.	Fig. No.	Ref. No.
101720-55750	11	38
102103-55520	11	33
104200-11920	11	3
104200-55321	11	29
104200-55330	11	30
104200-55341	11	31
104200-55750	11	39
105340-55040	11	11
110250-55610	11	34
119247-77100	14	59
	15	9
119255-44660	10	61
119650-77910	14	61
119808-12520	7	14
119808-12540	7	15
119866-12540	7	16
120147-44810	20	14
121250-49121	10	11
121256-44600-2	10	60
121257-55720	11	35
121257-55731	11	36
121450-44531	10	55
121470-44581	10	57
124064-55510	11	32
124450-44550	10	59
124450-44560	10	56
124764-44810	1	32
	2	30
	3	32
	4	30
	10	58 A
124764-44920	1	33
	2	31
	3	33
	4	31
124766-59050	10	62
		63
	11	43
	72	3
129136-77200	14	60
129211-77920	14	64
129335-55700	11	28
129400-13201	7	6
		31
129466-96240	6	21
129612-12280	7	22
129612-13661	7	7
129612-13662	7	7 -1
129612-13663	7	7 -2
		35

Parts No.	Fig. No.	Ref. No.
129612-52100	11	27
129900-44700	6	17
171064-44510	10	53
171064-44520	10	54
171081-55910	11	40
172020-10280	54	15
172020-10620	84	3 -1
	85	4 -1
	86	5 -1
172068-28490	28	31 A
		32 A
	32	1
172110-45050	28	31 D
		32 D
172112-38130	25	13
		26
172112-38140	25	12
		25
172112-75780	72	28
172112-77361	73	12
172112-83500	85	6
		32
	86	7
172112-86250	85	33
172112-87840	88	3
172113-12522	8	5
172116-46630	32	9
172116-74150	65	15
		31
	66	51
	67	18
		32
	68	16
		45
		53
	69	21
		53
172116-75850	72	16
172116-76381	74	2
		6
	75	10
	78	5
172117-53320	33	30
172117-83970-5	84	43
172119-35010-4	24	2
172122-13310	22	2
172122-17190	12	7
172122-37710	24	46
172122-37752	24	47
172122-37782	24	48

Parts No.	Fig. No.	Ref. No.
172122-37810	24	49
172122-37820	24	50
172122-37844	24	51
172122-46590	28	22
	30	30
	32	29
172122-57620	33	26
172122-70350	52	7
	53	6
172122-70410	62	5
172122-70460	62	6
172122-73430	62	30
172122-73470	62	10
172122-73480	52	43
		44
	53	44
		45
172122-79890	78	18
172122-79930	73	26
	76	30
	78	21
	82	9
		20
172123-76121	74	11
	76	1
	80	1
	81	1
	82	1
		2
172124-17640	18	14
	19	5
172124-37120	24	5 B
		12 B
172124-46200	27	3
	28	14
	30	9
	32	28
172124-65480	39	32
172124-70010	62	14
172124-70030	62	15
172124-70050	62	16
172124-73700	72	23
172124-76160	75	4
	77	3
172124-81930	87	20
		27
172124-81940	87	21
		28
172124-94310-2	88	11

Parts No.	Fig. No.	Ref. No.
172125-03950	1	30
	2	28
	3	30
	4	28
172125-81280	85	2
	86	2
172126-11510	13	20
	18	1
		44
	19	1
172126-16540	11	26
	34	62
172137-12270	8	4
172137-46040	9	11
	21	13
172137-46210	14	75
172137-73700	72	24
172137-73860	64	5
172137-76580	35	47
172141-03360	1	22
	2	20
	3	22
	4	20
172141-14260	11	7
172141-41340	28	1
172141-41360	26	2
	30	5
	31	5
172141-41370	27	5
	28	3
		27
	30	2
	32	21
		24
172141-50890	33	2
172141-70110	62	19
172141-72190	57	3
172141-72420	56	13
172141-73770	72	27
172141-76180	74	3
	75	5
	76	3
	80	3
	81	2
	82	3
		25
172141-76220	76	9
172141-77800	83	1
172141-84601	86	54
172142-14421	11	6

Parts No. Index

Parts No.	Fig. No.	Ref. No.
172142-62300	34	45
172142-73800	64	7
172142-76181	75	8
		9
	77	5
172142-77150	79	7
172146-45610	30	28
172146-61370	34	20 -1
	35	4
172146-72270	55	13
172147-03210	1	15
	2	13
	3	15
	4	13
	40	37 D
	51	1 J
172147-70020	62	35
172147-70070	62	17
172147-70090	62	18
172147-70110	62	20
172147-70120	62	21
172147-70210	62	22
172147-70220	62	62
172147-70360	62	2
172147-70370	62	3
172147-70390	62	4
172147-70500	62	7
172147-70520	62	8
172147-70540	62	9
172147-82140	84	9
172147-84401	85	31
172148-70301	52	6
	53	36
172148-70340	62	63
172148-72050	57	2
172148-73870	64	9
172149-03430	1	23
	2	21
	3	23
	4	21
	40	37 G
	51	1 I
172149-66550	51	2
172151-53430	33	16
172151-71590	59	9
	60	9
172151-71591	59	9 -1
	60	9 -1
172151-71841	57	17
172151-71870	59	21

Parts No.	Fig. No.	Ref. No.	
172151-71870	60	21	
172151-71880	59	13	
	60	13	
172151-71881	59	13 -1	
	60	13 -1	
172151-72270	54	17	
172151-72540	54	22	
	55	27	
	57	11	
	59	10	
	60	10	
172151-72580	55	34	
	59	25	
	60	25	
172151-72591	55	17	
		21	
172151-72670	56	20	
	57	8	
	59	3	
		6	
		60	3
			6
		88	5
			8
172151-72711	57	10	
172151-72870	58	19	
	59	20	
	60	20	
172151-72940	59	12	
	60	12	
172151-81600-2	87	9	
		30	
172151-81610-1	87	13	
172151-81611-1	87	13 -1	
172151-81620	87	10	
		31	
172151-81630	87	11	
		32	
172151-81640	87	12	
		33	
172155-71200	6	20	
172156-65690	39	45	
172157-03740	1	29	
	2	27	
	3	29	
	4	27	
172157-45840	16	4	
172157-45990	30	22	
	32	6	
172157-76441	18	30	

Parts No.	Fig. No.	Ref. No.
172162-12480	31	1
172162-13170	9	5
172162-13190	9	6
172162-13200	9	8
172162-14200	11	4
172162-18040	22	4
172162-46690	27	8
172162-61500	34	29
172162-61870	35	19
172162-62540	37	27
172162-69050	40	18
		62
172162-69470	43	14
		66
172162-69480	43	15
		67
172162-69490	43	16
		68
172162-69500	43	17
		69
172162-69510	43	18
		70
172162-69520	43	19
		71
172162-69541	43	21
		73
172162-76180	76	6
172162-81050	84	3
	85	4
	86	5
172162-82980	24	30
172164-14630	11	25
172164-16370	12	13
172164-17630	18	8
172164-19210	39	9
172164-19310	21	11
172164-37351	24	37 -2
		60 -2
172164-45970	29	3
172164-45980	35	1
	36	1
	39	2
172164-62430	58	26
172164-65730	38	21
172164-66170	39	47
		48
	43	2
		55
172164-66480	10	47
172164-66650	10	26

Parts No.	Fig. No.	Ref. No.
172164-76330	76	15
	82	6
172164-76650	79	13
172164-76950	73	10
172164-81650-2	88	1
172164-81670	84	5
	85	8
	86	9
	88	2
172165-03231	1	17
	2	15
	3	17
	4	15
	30	19 A
	32	3 A
172165-03261	1	7
	2	7
	3	7
	4	7
172165-13160	9	4
172165-13191	9	7
172165-13220	40	42
172165-13241	9	9
172165-13270	9	10
172165-13610	21	1
172165-18630	21	8
172165-18670	21	9
172165-45490	65	34
172165-45970	26	10
172165-46340	30	23
	32	8
172165-47550	27	11
172165-47980	27	15
172165-47990	27	16
172165-53500	33	17
172165-62800	14	57
172165-66230	10	24
		37
172165-66980	37	33
172165-69190	40	19
		63
172165-71200	52	3
	53	3
172165-72310	58	17
172165-72320	56	16
	57	5
172165-75450	72	8
172165-75460	72	9
172165-75481	72	10
172165-76860	73	8

Parts No. Index

Parts No.	Fig. No.	Ref. No.
172165-79810	82	18
172165-81710	84	30
172165-81750	58	15
		18
172165-81760	54	11
	55	22
172165-81770	84	31
172165-82520	84	12
		37
	85	9
	86	10
172165-82530	84	13
		38
	85	11
	86	12
172165-82540	84	14
		39
	85	12
	86	13
172165-82550	85	14
		23
	86	15
	87	20 -1
		27 -1
172165-82560	85	15
		24
	86	16
	87	21 -1
		28 -1
172165-82570	85	16
		26
	86	17
172165-82580	84	40
172165-82590	84	41
172165-82600	84	42
172165-86500	87	29
172168-46760	18	16
172168-65760	39	24
172168-65790	10	36
172168-65800	34	24
172168-71101-2	52	1
	53	1
172168-76162	73	1
172168-81410	56	17
		21
	57	6
		9
	59	4
		7
	60	4

Parts No.	Fig. No.	Ref. No.
172168-81410	60	7
	85	7 -1
		34 -1
	86	8 -1
	88	6
		9
172171-14300	11	21
172171-14610	11	24
172171-72130	61	2
172171-81270	86	24
172173-76101	77	1
172173-76121	75	2
	77	2
172175-17120	14	11
172175-65680	10	25
172175-65870	35	15
172175-72550	56	14
172175-73700	72	25
172175-73710	72	26
172176-68030	35	46
172176-73290	52	28
	53	27
172176-73560	52	46
	53	47
172176-73590	52	47
	53	48
172176-73600	52	48
	53	49
172176-73690	52	49
	53	50
172176-73880	52	50
	53	51
172176-73910	52	51
	53	52
172176-73930	52	52
	53	53
172176-73940	52	53
	53	54
172176-76580-2	79	6
172176-81560-4	87	15
172176-81640	87	16
		24
172176-81700	84	21
172176-81710	84	22
172176-81950-4	87	14
172183-03280	1	11
	2	10
	3	11
	4	10
	26	11 A

Parts No.	Fig. No.	Ref. No.
172183-03280	27	13 A
172183-05330	23	4
172183-14250	11	12
172183-16560	13	18
	18	2
172183-73770	62	44
172183-81160	84	55
	85	1
	86	1
172186-45840	23	20
172186-72480	54	28
172186-76430	76	16
172187-11121	6	2
172187-14430	10	42
172187-14470	11	22
		23
172187-16560	14	1
172187-17070	14	3
172187-17080	14	4
172187-17090	14	5
172187-17100	14	2 -1
172187-17200	14	10
172187-17220	14	13
172187-17280	14	19
		39
		81
172187-17290	14	40
172187-17320	14	21
		43
		84
172187-17341	14	23
		45
		86
172187-17350	14	24
		46
		87
172187-17360	14	25
		47
		88
172187-17371	14	26
		48
		89
172187-17380	14	27
		49
		90
172187-17470	14	31
		53
		94
172187-17480	14	32
		54

Parts No.	Fig. No.	Ref. No.
172187-17480	14	95
172187-17560	14	34
		96
172187-17570	14	35
		97
172187-18410	6	16
172187-37502-2	24	32
172187-37530	24	35
		58
172187-37540	24	36
		59
172187-37550	24	37
		60
172187-45650	30	20
		32
		41
172187-45651	30	20 -1
		32
		41 -1
172187-45760	30	21
		32
		4
172187-45870	28	6
172187-45880	28	7
172187-53320	33	7
172187-61421	38	7
172187-64831	38	82
172187-64900	14	77
172187-65210	39	14
172187-66320	34	43
172187-68050	10	27
172187-74540	66	52
	69	54
172187-76131	79	29
172187-77810	83	3
172187-78580	13	19
172187-81970	84	8
		28
172190-16500	13	16
172312-17250	40	43
172312-17650	18	9
172312-74790	52	15
	53	14
	62	65
172312-77820	83	4
172421-72770	56	25
172422-65750	10	16
	18	28
172422-66150	10	48
172422-74110	65	2
172422-74220	65	6
		23
	67	26

Parts No. Index

Parts No.	Fig. No.	Ref. No.	
172422-74220	68	8	
		25	
	69	24	
		41	
172422-74330	69	56	
172422-74370	66	12	
		26	
	67	33	
		5	
	69	5	
	172422-76190	79	2
	172422-76191	79	2 -1
			5 -1
	172422-78760	77	13
	172423-37300-2	24	20
172423-37301-2	24	20 -1	
172423-37330-1	24	23	
172423-37360-1	24	26	
172423-37370	24	22	
172423-50810-1	33	27	
172423-72530	55	29	
172423-72540	55	30	
172423-72701-2	59	1	
172423-72710-1	59	2	
172423-72731	59	5	
		60	
172423-72800	59	24	
		60	
172423-73330	62	23	
172423-73340	62	24	
172423-73350	62	25	
172423-73360	62	26	
172423-73370	62	27	
172423-73380	62	28	
172423-73410	62	29	
172423-73470	62	11	
172423-73480	62	12	
172423-73490	62	54	
172423-73510	62	45	
172423-73560	62	55	
172423-73600	62	52	
172423-73650	62	66	
172423-73690	62	37	
172423-78430	77	14	
172423-78431	77	14 -1	
172423-94210	88	10	
172425-17630	18	13	
		19	
172425-37501-2	24	55	
172425-38100	25	1	

Parts No.	Fig. No.	Ref. No.
172425-38110	25	2
172425-38120	25	3
		16
172425-38130	25	14
172425-38140	25	15
172425-38150	25	6
		19
	25	7
		20
172425-38160	25	8
172425-38170	25	21
		9
172425-38180	25	22
		11
172425-38190	25	11
172425-38200	25	4
		17
172425-38210	25	5
		18
172425-38260	25	28
172425-38270	25	29
172425-38600	25	27
172425-38602	25	27 -1
172425-38603	25	27 -2
172425-73410	63	3
172425-73420	63	6
172425-73440	63	17
172425-73450	63	19
172425-73490	63	11
172425-73510	63	12
172425-73520	63	13
172425-73530	63	21
172425-73540	63	22
172425-73550	63	20
172433-64511	38	81
172434-61170	23	17
172434-61200	39	84
172437-03241	1	55
		2
	3	53
		55
	4	53
172437-03250	1	34
172437-03250	2	32
		34
	4	32
		1
172437-03300	1	37
172437-03300	2	35
		37
		35
172437-03300	3	37
		4

Parts No.	Fig. No.	Ref. No.	
172437-03300	5	4	
		22 A	
172437-03310	1	38	
		2	
	3	38	
		36	
	4	36	
		5	
	18	17 A	
		1 B	
	172437-03320	1	39
			37
2		39	
		37	
172437-03321	1	39 -1	
		2	
	3	39 -1	
		37 -1	
	5	6 -1	
		28 A-1	
172437-03340	1	40	
		2	
172437-03341	2	38 -1	
		3	
	4	38 -1	
		7 -1	
	5	17 B	
		1 F	
	172437-03341	1	40 -1
			2
	3	40 -1	
		4	
172437-03351	5	7 -1	
		17 B-1	
172437-03351	51	1 F-1	
		1	
172437-03351	1	41	
		2	
	3	39	
		41	
	4	39	
172437-03360	34	8	
		12 A	
	1	13 A	
		42	
172437-03360	2	40	
		3	
	4	42	
		40	
172437-03371	5	9	
		36 A	
	1	43	
2	41		

Parts No.	Fig. No.	Ref. No.
172437-03371	3	43
		4
	5	10
		18
172437-03380	51	17 C
		1 G
	1	44
		2
	3	44
4		42
172437-03390	5	11
		39
	1	12 A
		45
172437-03400	2	43
		3
	4	45
		43
	5	12
172437-03401	10	28 B
		1
	2	46
		44
	3	46
		4
	5	44
		13
	39	12 B
		1
172437-03410	2	46 -1
		44 -1
	3	46 -1
		44 -1
	5	13 -1
39	12 B-1	
172437-03411	1	47
		2
	3	45
		47
	4	45
172437-03421	5	14
		10
	1	28 C
		1
172437-03422	2	47 -1
		45 -1
	3	47 -1
		45 -1
	5	14 -1
10	28 C-1	
172437-03421	1	48
		2
	3	46
		48
172437-03422	4	46
		15
	5	34
34	38 A	
	39	12 C
40	37 A	
	7	30

Parts No. Index

Parts No.	Fig. No.	Ref. No.
172437-03431	1	49
	2	47
	3	49
	4	47
	5	16
172437-03440	1	50
	2	48
	3	50
	4	48
	5	17
	40	37 B
	51	1 C
172437-03450	1	51
	2	49
	3	51
	4	49
	5	18
	40	37 C
	51	1 D
172437-03460	1	52
	2	50
	3	52
	4	50
	5	19
	84	4 B
172437-03470	1	53
	2	51
	3	53
	4	51
	5	20
	38	22 B
172437-03500	1	24
	2	22
	3	24
	4	22
172437-03510	1	25
	2	23
	3	25
	4	23
172437-03530	1	26
	2	24
	3	26
	4	24
172437-03550	1	13
	3	13
	40	37 E
172437-03600	1	54
	2	52
	3	54
	4	52

Parts No.	Fig. No.	Ref. No.
172437-03600	5	21
	42	57
	51	1 E
172437-03610	1	27
	2	25
	3	27
	4	25
	71	14 A
172437-03620	1	28
	2	26
	3	28
	4	26
	71	14 B
172437-68170	48	18
172437-68210	47	23
172437-68250	50	25
172437-68350	45	36
172437-68400	46	29
172437-68430	47	22
172437-68440	47	24
172437-68460	46	33
172437-68520	46	28
172437-68540	46	20
172437-68600	45	20
172437-68640	44	11
		37
172437-68690	48	6
172437-68710	48	7
172437-68760	46	17
172437-68780	45	7
172437-69080	48	31
172437-74701	71	2
172437-74711	71	4
172437-74720	71	5
172437-74731	71	6
172437-74750	71	7
172438-03300	1	20
	2	18
	3	20
	4	18
	37	3 A
172441-44320	37	30
172441-74030	70	2
		12
172441-74040	70	3
		13
172441-74050	70	14
172444-13210	10	9
172444-13220	10	10
172444-14260	11	8

Parts No.	Fig. No.	Ref. No.
172444-14410	11	16
172444-17660	18	42
	35	41
	79	33
	39	13
172444-65190	18	46
172444-68650	35	7
172444-68810	54	23
172444-72430	54	24
172444-72890	64	1
172444-73802	64	2
172444-73810	64	4
172444-73831	64	3
172444-73840	64	6
172444-73880	75	3
172444-76140	21	4
172445-18130	33	25
172445-57600	10	46
172445-65460	39	22
172445-65620	42	6
172445-66750		64
	43	43
172445-69320	62	62
	43	11
		63
172445-69420	43	13
		65
172445-69740	42	37
		83
172445-72670-2	59	26
	60	26
172445-76150	76	2
172445-81360	85	5
	86	6
172447-13550	22	3
172447-17140	13	5
172447-75600	72	11
172448-45800-1	32	5 -1
172448-54120	54	11 -1
		14
	55	18
		22 -1
172448-72650	58	15 -1
		18 -1
172448-82570-1	87	9 -1
		30 -1
172448-82580	87	11 -1
		32 -1
172448-82590	87	12 -1
		33 -1

Parts No.	Fig. No.	Ref. No.
172448-82950	87	29 -1
172448-82960	87	10 -1
		31 -1
172452-73480	52	45
	53	46
172455-18640	34	26
172455-29140	24	1
	62	78
172455-46890	27	9
172455-46950	27	10
172455-53330	33	8
172455-57650	33	3
172455-57661	33	4
172455-61580	10	35
172455-61720	26	7
172455-64200	38	72
172455-64600	38	73
		73 -1
172455-64610	38	74
		74 -1
172455-65060	39	5
172455-65230	39	15
172455-65800	39	46
172455-67310	40	31
		52
172455-67320	40	28
		53
172455-67330	40	7
		54
172455-67340	40	8
		55
172455-67350	40	9
		56
172455-67360	40	10
		57
172455-67440	40	31 A
		73
172455-67550	40	11
172455-67610	42	13
172455-67710	42	17
172455-67770	42	36 A
172455-67870	41	6
172455-67880	41	7
172455-67900	41	13 -1
172455-67910	40	34
	41	19
		22
172455-67970	41	8
172455-69140	43	5
		87

Parts No. Index

Parts No.	Fig. No.	Ref. No.
172455-69170	43	6
		60
172455-69200	43	7
		88
172455-69250	43	8
		89
172455-69290	43	9
		90
172455-69300	43	10
		61
172455-69410	41	9
172455-69490	41	10
172455-69520	43	20
		72
172455-74030	66	48
	69	50
172455-74320	66	45
	69	47
172455-74660	68	41
172455-74670	68	42
172455-74680	68	40
172455-74690	68	34
172455-75290	72	12
172455-75300	72	13
172455-75320	72	5
172455-75330	72	6
172455-76220	81	5
172456-13310	10	2
		76
172456-13480	34	43 -1
172456-53700	33	16 -1
172456-68080	48	29
172456-68090	48	30
172456-68100	44	34
	45	29
	48	10
		19
172456-68110	45	37
	46	10
172456-68120	46	5
172456-68130	46	6
172456-68140	46	35
172456-68150	46	7
		18
172456-68160	46	8
172456-68170	46	9
172456-68180	44	3
172456-68220	45	21
172456-68380	44	17
172456-68390	44	19

Parts No.	Fig. No.	Ref. No.
172456-68490	45	6
172456-68510	46	2
172456-68520	46	11
172456-68530	46	13
172456-68550	44	6
	48	33
172456-68570	44	12
172456-68590	46	19
172456-68600	45	16
172456-68610	45	17
172456-68620	47	10
172456-68640	44	40
172456-68650	44	41
	46	15
172456-68660	44	42
172456-68670	44	43
	50	20
172456-68680	44	44
172456-68710	44	36
172456-68720	44	14
172456-68730	44	16
172456-68750	44	15
172456-68770	44	22
172456-68780	44	26
	48	23
172456-68790	44	27
172456-68800	44	28
	48	22
		26
172456-68830	44	29
172456-68840	44	30
172456-68850	44	23
172456-68860	44	24
172456-68870	44	25
172456-68880	44	18
172456-68930	44	20
	45	12
	47	16
	49	14
	50	17
172456-68950	45	8
		10
		15
	47	4
		18
	48	32
172456-68960	46	14
172456-68970	46	16
172456-69170	46	22
172456-69180	46	23

Parts No.	Fig. No.	Ref. No.
172456-69190	46	24
172456-69200	46	21
172456-69210	46	25
172456-69220	46	26
172456-69240	49	20
	50	7
172456-69250	49	19
172456-69320	44	39
172456-69380	48	12
172456-69390	48	13
172456-69400	48	14
172456-69410	48	15
172456-69420	48	21
172456-69430	48	25
172456-69450	48	27
172456-69460	48	28
172456-69550	48	36
172456-69551	48	36 -1
172456-69560	48	37
172456-69561	48	37 -1
172456-69570	48	38
172456-69660	49	5
172456-69670	49	6
172456-69680	49	7
172456-69690	49	15
172456-69720	50	1
172456-69730	50	2
172456-69740	50	3
172456-69750	50	4
172456-69760	50	5
172456-69770	50	6
172456-69780	50	8
172456-69790	50	9
172456-69800	50	10
172456-69810	50	11
172456-69820	50	12
172456-69830	50	13
172456-69840	48	8
	50	14
172456-69900	45	13
	47	17
	49	13
	50	18
172456-69910	50	19
172456-69920	49	21
172456-69930	49	22
172456-69940	49	23
172456-69950	49	24
172456-69980	45	27
172456-69990	45	28

Parts No.	Fig. No.	Ref. No.
172456-69990	48	9
172457-08600	38	72 -1
		72 -2
172457-08601	89	1
172457-72230-1	54	30
172457-72240-1	54	31
172457-76100	74	10
172458-03220	1	16
	2	14
	3	16
	4	14
	37	25 A
172458-03240	1	18
	2	16
	3	18
		65
	4	16
		63
	32	5 A
	86	32 A
172458-03310	40	2
		47
172458-03320	40	3
		48
172458-03330	40	4
		49
172458-12100	8	1
172458-13970	10	7
		81
172458-14370	11	9
172458-16140	12	2
172458-16550	13	4
172458-16560	13	8
172458-16561	13	8 -1
172458-16610	41	1
172458-16611	41	1 -1
172458-16612	41	1 -2
172458-16620	41	2
172458-16650	18	3
172458-16690	18	4
172458-16700	18	5
172458-17100	14	2
172458-17210	41	3
172458-17220	41	4
172458-17230	41	5
172458-17400	17	1
		7
172458-17410-1	17	3
		9
172458-17420	17	2

Parts No. Index

Parts No.	Fig. No.	Ref. No.
172458-17420	17	8
	41	8 A
172458-17500	14	17
172458-17501	14	17 -1
172458-17550	18	6
172458-17551	18	6 -1
172458-17620	18	11
172458-17640	18	15
172458-17700	18	41
	19	6
	23	28
172458-37120	24	19
172458-45180	30	1
172458-45200	30	4
172458-45230	30	7
	32	19
172458-45250	28	21
172458-45510	28	18
172458-45521	30	18
172458-45540	30	19
	32	3
172458-45720	29	2
172458-45850	27	2
172458-45920	31	4
172458-45950	31	7
172458-46720	14	55
	37	16
		17
		18
		26
172458-46790	26	3
172458-46950	26	6
172458-47640	27	14
172458-47680	26	11
172458-47710	26	12
172458-50480-1	33	31
172458-61200	34	8
172458-61260	6	33
	34	61
172458-61261	34	61 -1
172458-61300	34	14
172458-61390	34	28
172458-61510	35	13
	36	7
172458-61520	34	17
172458-61521	34	17 -1
172458-61530	34	18
172458-61531	34	18 -1
		18 -2
172458-61540	34	19

Parts No.	Fig. No.	Ref. No.
172458-61560	34	20
172458-61580	34	21
172458-61590	34	22
172458-61640	34	23
172458-61650	34	34
172458-61791	35	3
172458-61820	35	6
		44
172458-62110	37	4
172458-62200	37	7
172458-62400	37	13
172458-62430	35	38
172458-63100	37	25
172458-63120	37	19
172458-63130	37	20
172458-63140	37	21
172458-63300	35	40
172458-63350	35	2
172458-63360	40	44
172458-63400	18	45
	19	13
172458-63410	18	17
172458-63420	18	18
172458-63450	18	19
172458-63460	18	20
172458-63470	18	21
172458-63480	40	45
172458-63520	35	16
172458-63540	35	17
172458-63570	35	21
172458-63580	40	38
172458-63600	18	22
	23	7
172458-63610	18	23
172458-63620	18	24
172458-63630	18	25
172458-63640	18	26
	19	14
172458-63650	18	27
172458-63670	42	1
		60
		43
		40
		52
172458-63680	42	2
		61
172458-63700	42	3
172458-63730	42	44
		48
		62
172458-63760	42	4

Parts No.	Fig. No.	Ref. No.
172458-63770	42	5
172458-63790	42	49
		63
172458-63800	42	28
172458-63900	35	14
172458-63930	43	38
		53
172458-63950	42	50
	43	41 -1
		54
172458-63960	42	51
172458-63970	42	52
172458-63980	42	53
172458-63990	42	54
172458-64050	38	30
		64
172458-64060	38	31
		65
172458-64070	38	32
		66
172458-64080	38	33
		67
172458-64090	38	34
		68
172458-64100	38	35
		69
172458-64110	38	37
		71
172458-64140	38	10
172458-64150	38	11
172458-64160	38	12
172458-64170	38	13
172458-64180	38	14
172458-64440	38	29
		63
172458-64441	38	29 -1
172458-64510	38	28
172458-64590	38	42
172458-64600	35	24
	38	43
172458-64610	35	36
	36	14
172458-64650	38	18
172458-64660	38	19
172458-64680	38	24
172458-64690	38	25
172458-64710	38	22
172458-64740	38	20
172458-64890	38	41
		78

Parts No.	Fig. No.	Ref. No.
172458-65020	39	3
172458-65021	39	3 -1
172458-65050	39	4
172458-65060	39	6
172458-65271	39	18
172458-65530-1	39	37
172458-65531-1	39	37 -1
172458-65560	39	39
172458-66720	43	24 A
		84 A
172458-66780	43	24 B
		101
172458-66790	43	24 C
		102
172458-66800	43	24 D
		24 E
		103
		104
172458-67020	43	39
		56
172458-67340	42	7
		65
172458-67440	42	8
		66
172458-67510	42	9
		67
172458-67520	42	10
		68
172458-67550	42	11
		69
172458-67570	42	12
		70
172458-67610	42	14
		71
172458-67640	43	41
172458-67650	43	42
		57
172458-67670	42	15
		72
172458-67680	42	16
		73
172458-67804	40	1 -3
172458-67810	38	61
172458-67820	38	62
172458-67830	42	18
172458-67840	40	12
		58
172458-67850	42	19
		74
172458-67860	42	20

Parts No. Index

Parts No.	Fig. No.	Ref. No.
172458-67870	42	47 75
172458-67880	42	21
172458-67900	42	22 76
172458-67910	42	23
172458-67920	42	24 77
172458-67940	43	3 58
172458-67960	40	13 59
172458-67970	40	14 60
172458-67980	40	15 61
172458-67981	40	15 -1 61 -1
172458-68004	40	16 -3
172458-68850	40	17
172458-68851	40	17 -1
172458-68990	35	26
172458-69000	35	27
172458-69090	42	25
172458-69100	43	4 59
172458-69200	42	30
172458-69210	42	32
172458-69220	40	20
172458-69230	42	34
172458-69240	42	35
172458-69250	42	36
172458-69260	42	36 B
172458-69270	42	36 C
172458-69280	42	36 D
172458-69320	41	15
172458-69400	43	12 64
172458-69580	43	22 74
172458-69590	43	23 91
172458-69600	43	24 92
172458-69601	43	24 -1 92 -1
172458-69730	43	25 93
172458-69760	43	26 94

Parts No.	Fig. No.	Ref. No.
172458-69770	43	27 95
172458-69790	40	21 64
172458-69830	40	22 65
172458-69900	43	28 75
172458-69910	43	29 76
172458-69920	43	30 96
172458-69930	40	23 66
172458-69960	43	31 97
172458-69990	43	32 98
172458-72460	55	23
172458-72470	55	25
172458-72740	58	14
172458-73820	64	8
172458-81830	84	26
172458-81930-1	84	27
172459-67800	40	46
172459-67810	42	59
172459-67820	43	50
172459-67821	43	50 -1
172459-67830	43	51
172459-67831	43	51 -1
172459-67840	43	85
172459-67841	43	85 -1
172459-72170-1	54	29
172460-03160		1 6 2 6 3 6 4 6
172460-03180	23	30
172460-11100-1	6	1
172460-11101-1	6	1 -1
172460-11160	6	3
172460-11161	6	3 -1
172460-11170	6	4
172460-11171	6	4 -1
172460-11180	6	5
172460-11181	6	19 -1
172460-11190	6	6
172460-11191	6	6 -1
172460-11200-1	6	10
172460-11201	6	37 -1

Parts No.	Fig. No.	Ref. No.
172460-11201-1	6	10 -1
172460-11240-1	6	11
172460-11260	6	12
172460-11280-1	6	13
172460-11281-1	6	13 -1
172460-11290	6	7
172460-11350-1	6	14
172460-11370	7	4
172460-11500	7	12
172460-11530	7	19
172460-11550	7	20
172460-11600	6	8
172460-11610-1	6	15
172460-11611-1	6	15 -1
172460-11612-1	6	15 -2
172460-11613-1	6	15 -3
172460-11710	6	9
172460-11711	6	9 -1
172460-11780	7	21
172460-11870	6	37
172460-11900	6	38
172460-11950	6	39
172460-11951	6	39 -1
172460-11970	6	34
172460-13170	10	1
172460-13190	10	4 77
172460-13200	10	8
172460-13210	10	13
172460-13230	10	5 78
172460-13240	10	6 79
172460-13250	7	32
172460-13270	7	34
172460-13280-1	10	14
172460-13290-1	10	17
172460-13291-1	10	17 -1
172460-13420-1	10	29
172460-13480-1	10	30
172460-13710	10	19
172460-13720	10	20
172460-13730	10	21
172460-13740	10	22
172460-13750	10	23
172460-13760	10	31
172460-13770-1	10	32
172460-13780	10	34
172460-13790	10	38
172460-13800	10	39

Parts No.	Fig. No.	Ref. No.
172460-13820	10	40
172460-13830	10	41
172460-13850	10	52
172460-14220	11	5
172460-14330	10	74
172460-16100	12	1
172460-16101	12	1 -1
172460-16110	12	3
172460-16111	12	3 -1
172460-16130	12	4
172460-16140	12	5
172460-16160	12	6
172460-16300	12	12
172460-16500	13	1
172460-16501	13	1 -1
172460-16530	13	7
172460-16531	13	7 -1
172460-16540	15	1
172460-17600	18	7
172460-17610	18	10
172460-17611	18	10 -1
172460-17620	18	12 19 3
172460-17650	23	2
172460-17710	19	7
172460-17720	19	8
172460-17750	19	9
172460-17780	19	10
172460-17800	19	11
172460-18010	23	3
172460-18060	22	17
172460-18070	22	18
172460-18080	22	19
172460-18100	21	2
172460-18110	23	6
172460-18120	21	3
172460-18130	22	5
172460-18140	22	6
172460-18150	22	20
172460-18160	10	75
172460-18170	22	7
172460-18180	23	8
172460-18190	22	21
172460-18200	22	8
172460-18210	22	22
172460-18220	22	23
172460-18230	22	24
172460-18240	23	9

Parts No. Index

Parts No.	Fig. No.	Ref. No.
172460-18250	22	25
172460-18260	22	26
172460-18270	22	27
172460-18280	22	9
172460-18300	21	5
172460-18350	21	6
172460-18351	21	6 -1
172460-18360	21	7
172460-18380	22	10
172460-18400	22	11
172460-18530	23	18
172460-18650	15	4
172460-18651	15	4 -1
172460-18670	23	19
172460-18750	22	12
172460-18800	15	5
172460-18880	21	10
172460-18900-1	10	43
172460-18901-1	10	43 -1
172460-18920	10	45
172460-18950-1	10	49
172460-18951-1	10	49 -1
172460-18960	10	51
172460-18971	19	12
172460-19060	23	10
172460-19110	22	13
172460-19120	22	14
172460-19170	23	12
172460-19180	23	13
172460-19190	15	6
172460-19210	22	15
172460-19220	23	14
172460-19230	23	15
172460-19250	22	16
172460-19300	23	16
172460-19320	23	29
172460-19330	22	34
172460-37100-2	24	12
172460-37120	24	6
		13
172460-37130-2	24	7
		14
172460-37150-2	24	8
		15
172460-37170-2	24	5
172460-37700	24	45
172460-45180	28	13
172460-45601	65	35
172460-46810	26	5
172460-50100-1	33	1

Parts No.	Fig. No.	Ref. No.
172460-50101-1	33	1 -1
172460-53330-1	33	9
172460-53360-1	33	10
172460-53370	33	12
172460-53380-1	33	13
172460-53390	33	15
172460-54590-1	33	23 -1
172460-54600-1	33	23
172460-61100-2	34	1
172460-61120-1	34	2
172460-61121-3	34	2 -1
172460-61130-1	34	3
172460-61140-1	34	4
172460-61150-1	34	5
172460-61160-1	34	6
172460-61170-1	34	7
172460-61200-1	34	9
172460-61240	34	11
172460-61260	34	12
172460-61270-1	34	13
172460-61320	34	15
172460-61321	34	15 -1
172460-61322	34	15 -2
172460-61380	36	3
172460-61390	36	4
172460-61400-1	36	2
172460-61460	35	10
172460-61480	35	12
	36	6
172460-61600	79	1
172460-61650-1	34	32
172460-61690	34	33
172460-61730	34	36
172460-61740	34	37
172460-61760-1	34	39
172460-61761-1	34	39 -1
172460-61790	34	41
172460-61800	34	42
172460-61810	35	42
172460-61900-1	35	8
172460-61910-1	35	9
172460-61960	35	37
172460-61970	34	30
172460-61971	34	30 -1
172460-62110	37	5
172460-62120	37	6
172460-64240	38	15
172460-64300	38	16
172460-64310	38	17
172460-64400	38	26

Parts No.	Fig. No.	Ref. No.
172460-64410	38	27
172460-65100-1	39	7
172460-65230	39	16
172460-65260-1	39	17
172460-65300-1	39	20
172460-65370	39	29
172460-65390	39	30
172460-65391	39	30 -1
172460-65420	39	10
172460-65430	39	11
172460-65450	39	31
172460-65510-1	39	36
172460-65550	39	38
172460-65570	39	40
172460-65571	39	40 -1
172460-65600	39	42
172460-65620	39	43
172460-65621	39	43 -1
172460-65660	39	44
172460-65730	39	35
172460-65750	39	23
172460-65760	39	25
172460-65770	39	26
172460-65780	39	27
172460-65790	39	28
172460-65820	39	82
172460-65830	39	83
172460-65840	39	81
172460-65850	39	22 -1
172460-65880-1	39	17 -1
172460-65900	39	39 -1
172460-65970	39	87
172460-68200	51	7
172460-68210	51	8
172460-68400	51	9
172460-68401	51	9 -1
172460-68450	51	10
172460-68460	51	11
172460-72010	54	2
172460-72040	58	2
172460-72050	58	9
	59	21 -1
	60	21 -1
172460-72060	56	3
172460-72070	56	10
172460-72111-1	54	9
172460-72180	54	10
		13
172460-72201	54	12
172460-72260	54	16

Parts No.	Fig. No.	Ref. No.
172460-72271	54	18
172460-72280	54	19
172460-72321-1	54	1
172460-72330	54	20
172460-72600-1	56	1
172460-72610-1	56	15
172460-72640	56	18
172460-72660	56	19
172460-72690	56	22
172460-72750-1	58	1
172460-72760-1	58	13
172460-72840	56	26
172460-72850	58	16
172460-72880	58	20
172460-72900	58	23
172460-72940	55	19
172460-72941	55	19 -1
172460-72950-1	58	25
172460-73110	52	8
	53	7
172460-73111	52	8 -1
	53	7 -1
172460-73120	52	12
	53	11
172460-73121	52	12 -1
	53	11 -1
172460-73130	52	13
	53	12
172460-73140	52	14
	53	13
172460-73150	52	16
	53	15
172460-73160	52	17
	53	16
172460-73170	52	9
	53	8
172460-73180	52	18
	53	17
172460-73190	52	10
	53	9
172460-73200	52	19
	53	18
172460-73210	52	20
	53	19
172460-73220	52	21
	53	20
172460-73230	52	22
	53	21
172460-73231	52	22 -1
	53	21 -1

Parts No. Index

Parts No.	Fig. No.	Ref. No.
172460-73240	52	23
	53	22
172460-73270	52	26
	53	25
172460-73280	52	27
	53	26
172460-73290	52	29
	53	28
172460-73300	62	1
172460-73320	63	48
172460-73330	52	30
	53	29
172460-73340	52	31
	53	30
172460-73350	52	32
	53	31
172460-73360	52	33
	53	32
172460-73370	52	34
	53	33
172460-73380	52	35
	53	34
172460-73390	52	36
	53	35
172460-73400	52	11
	53	10
172460-73420	52	38
	53	38
172460-73430	52	39
172460-73450	52	21 -1
	53	20 -1
172460-73500	62	13
172460-73510	62	31
172460-73520	62	50
172460-73530	62	32
172460-73540	62	33
172460-73550	62	46
172460-73560	62	47
172460-73570	62	48
172460-73580	62	49
172460-73590	62	51
172460-73600	62	34
172460-73610	62	53
172460-73620	62	38
172460-73630	62	40
172460-73640	62	61
172460-73700	63	2
172460-73710	63	14
172460-73720	63	16
172460-73730	63	23

Parts No.	Fig. No.	Ref. No.
172460-73740	63	27
172460-73750	63	37
172460-73760	63	38
172460-73780	63	42
172460-73790	63	10
172460-73900	52	40
	53	40
172460-73910	52	41
	53	41
172460-73920	53	42
172460-74130	66	1
172460-74150	66	15
172460-74170	66	29
172460-74190	69	1
172460-74320	69	20
172460-74370	65	13
		29
	66	13
		27
		44
	67	16
	68	14
		51
	69	16
		27
172460-74420	65	22
	67	25
	68	7
		24
	69	32
		40
172460-74500	68	33
172460-75290-1	72	4
172460-75410-1	72	7
172460-76230	76	12
172460-76240	76	14
172460-76300	78	2
172460-76330	78	3
172460-76340	78	4
172460-76550	79	5
172460-76560	73	2
172460-76570	73	6
		7
172460-76900	73	9
172460-77800	83	2
172460-78100	73	19
172460-78110	73	20
172460-78120	77	10
172460-78121	77	10 -1
172460-78140	77	11

Parts No.	Fig. No.	Ref. No.
172460-78141	77	11 -1
172460-78150	75	14
172460-78160	75	15
172460-78170	75	16
172460-78180	73	21
172460-78190	75	17
172460-78200	75	18
172460-78210	78	11
172460-78211	78	11 -1
172460-78220	78	12
172460-78221	78	12 -1
172460-78300	76	20
172460-78310	76	21
172460-78320	76	22
172460-78330	76	23
172460-78360	76	24
172460-78370	76	25
172460-78380	78	17
172460-78390	73	22
172460-78400	74	13
172460-78410	74	14
172460-78431	73	23
172460-78440	73	24
172460-78450	76	26
172460-78460	76	27
172460-78470	76	28
172460-78480	74	15
172460-78490	75	19
172460-78500	74	16
172460-78530	73	25
172460-78540	77	12
172460-78560	75	20
172460-78570	75	21
172460-78630	79	22
172460-78740	76	29
172460-79140	79	36
172460-81400	84	4
172460-81800	84	23
172460-81810	84	24
172460-81820	84	25
172460-82180-1	87	3
172460-82200-1	87	4
172460-82220	87	5
172460-82230	87	6
172460-82300-1	84	29
172460-82350-1	85	20
172460-82360-1	85	21
172460-82380	85	31 -1
172460-82400	84	34
172460-82410-1	84	35

Parts No.	Fig. No.	Ref. No.
172460-82430	84	36
172460-82480-1	84	10
172460-82500-1	84	11
172460-82520-1	85	10
	86	11
172460-82540-1	85	13
	86	14
172460-82560-1	85	25
172460-82590-1	85	27
172460-82650-1	85	22
172460-94100-1	88	4
172461-08420	7	29
172461-11330	7	1
172461-11520	7	18
172461-11530	7	17
172461-11800	7	5
172461-12100	8	2
172461-13120	9	1
172461-13130	9	2
172461-13140	9	3
172461-16520	13	17
172461-37500-1	24	55 -1
172461-37501	24	55 -2
172461-53300-1	33	6
172461-54100-1	33	22
172461-72010	55	2
172461-72020	55	9
172461-72350-1	55	1
172461-72360-1	55	16
172461-72450	55	20
172461-72480	55	26
172461-72500	55	24
172461-72511	55	14
172461-72520	55	15
172461-73100	52	5
172461-73101	52	5 -1
172461-73102	52	5 -2
172461-73103	52	5 -3
172461-73110	52	24
	53	23
172461-73120	52	25
	53	24
172461-73130	52	37
	53	37
172461-73131	52	37 -1
	53	37 -1
172461-73140	52	25 -1
	53	24 -1
172461-73150	52	24 -1
	53	23 -1

Parts No. Index

Parts No.	Fig. No.	Ref. No.
172461-73270	52	26 -1
	53	25 -1
172461-73310	63	1
172461-73770	63	41
172461-74120	68	17
172461-74140	65	3
172461-74160	67	1
172461-74180	67	19
172461-74200	69	22
172461-74210	65	16
172461-74300	67	17
		31
	68	15
		52
172461-74310	65	14
		30
172461-76100-1	73	28
172461-78230	78	13
172461-78240	78	14
172461-78250	78	15
172461-78260	78	16
172461-78270	78	19
172461-78620	79	20
172461-78621	79	20 -1
172461-78630	79	21
172461-81090-1	84	1
172461-81500-1	85	3
172461-81710	84	6
172461-81740-1	84	7
172461-81900-1	87	1
172461-81901-1	87	1 -1
172461-81910-1	87	2
172461-81911-1	87	2 -1
172462-03320	1	31
	2	29
	3	31
	4	29
	10	7 A
172462-46230	32	7
172463-03290	1	19
	2	17
	3	19
	4	17
172463-03320	1	12
	3	12
	42	55
172463-03330	1	21
	2	19
	3	21
	4	19

Parts No.	Fig. No.	Ref. No.
172463-17210	16	1
172463-17260	16	5
172463-61600	34	31
172463-69150	42	26
		78
172463-69160	42	27
		79
172463-69190	42	29
		80
172463-69200	42	31
		81
172463-69210	42	33
		82
172463-74510	70	1
172463-74511	70	1 -1
172463-74520	70	11
172463-74521	70	11 -1
172463-74530	70	4
		15
172463-74540	70	5
		16
172463-74551	70	6
		17
172463-74561	70	7
		18
172463-74570	70	8
		19
172463-74580	70	10
172463-74590	70	9
172467-03110	2	8
	4	8
172467-03111	2	8 -1
	4	8 -1
172467-03120	1	2
	2	2
	3	2
	4	2
172467-03130	1	3
	2	3
172467-03140	1	4
	2	4
	3	4
	4	4
172467-03150	1	5
	2	5
	3	5
	4	5
172467-03160	1	8
	3	8
172467-03161	1	8 -1

Parts No.	Fig. No.	Ref. No.
172467-03161	3	8 -1
172467-03170	2	9
	4	9
	5	23
	38	37 A
172467-03190	3	3
	4	3
	5	24
	42	56
	51	1 A
172467-03191	3	3 -1
	4	3 -1
	5	24 -1
	42	56 -1
	51	1 A-1
172467-08300	5	29
172467-12120	8	3
172467-16520	13	6
172467-45300	32	20
172467-45370	32	26
172467-46800	26	1
172467-62500	37	14
172467-64100	38	1
172467-64110	38	2
172467-64120	38	3
172467-64130	38	4
172467-64140	38	5
172467-64200	38	8
172467-64260	38	38
172467-64270	38	75
172467-64330	38	40
		77
172467-65490	39	33
172467-66300	51	1
172467-66301	51	1 -1
172467-74100	65	1
172467-74101	65	1 -1
172467-74110	68	1
172467-74120	69	34
172467-74130	65	32
172467-74200	71	1
172467-76110	79	27
172467-76120	79	28
172467-76130	76	10
172467-76200	79	38
172467-76500	79	3
172467-76530	79	4
172467-78100	82	10
172467-78110	82	11
172467-78120	82	15

Parts No.	Fig. No.	Ref. No.
172467-78130	82	14
172467-78140	82	21
172467-78150	82	22
172467-78160	82	23
172467-78170	82	24
172467-78180	81	9
172467-78190	81	10
172467-78200	81	11
172467-78210	81	12
172467-78280	82	12
172467-78510	79	19
172467-78511	79	19 -1
172467-78520	79	25
172467-78530	79	26
172467-78540	79	24
172467-78570	79	23
172467-79110	79	34
172472-03170	1	14
	2	12
	3	14
	4	12
172472-03180	1	9
	3	9
172472-03200	1	10
	3	10
	5	22
	38	37 B
172472-03230	3	56
	4	54
	86	8 B
172472-03240	3	57
	4	55
	5	25
	34	38 B
	42	58
172472-03250	3	58
	4	56
	40	37 F
172472-03260	3	59
	4	57
	5	26
	86	8 A
172472-03270	3	60
	4	58
	5	27
	84	4 C
172472-03280	3	61
	4	59
	5	28
	84	4 A

Parts No. Index

Parts No.	Fig. No.	Ref. No.
172472-03290	3	62
	4	60
	14	74 A
172472-03300	3	63
	4	61
172472-03330	1	56
	2	54
	3	66
	4	64
172472-03700	2	11
	4	11
	51	1 H
172472-03701	2	11 -1
	4	11 -1
	51	1 H-1
172472-16610	13	21
172472-17250	16	2
172472-17260	16	3
172472-17300	14	41
		82
172472-17350	14	36
172472-17360	14	78
172472-17400	16	14
172472-17470	16	15
172472-17610	20	1
172472-17611	20	1 -1
172472-17620	40	32
	41	21
172472-17650	20	4
172472-17660	20	9
172472-17670	20	10
172472-17900	14	99
172472-45100	28	2
172472-45140	28	26
172472-45330	32	23
172472-45400	28	17
172472-45401	28	17 -1
172472-45500	32	2
172472-45550	28	31
172472-45580	28	32
172472-45600	28	31 -1
172472-45601	28	31 -2
172472-45620	28	32 -1
172472-45621	28	32 -2
172472-45700	29	1
172472-45800	29	9
172472-45810	28	31 C
172472-45850	28	32 C
172472-45900	31	3
172472-45960	32	5

Parts No.	Fig. No.	Ref. No.
172472-46210	26	18
172472-46220	27	29
172472-46600	27	4
172472-47601	27	12
172472-47620	27	13
172472-61350	34	25
172472-61351	34	25 -1
172472-62210	37	1
172472-62310	37	3
172472-62600	37	15
172472-63210	37	28
172472-63220	37	29
172472-64530	37	31
172472-64531	37	31 -1
172472-64540	37	32
172472-64541	37	32 -1
172472-64600	27	31
172472-64700	38	44
172472-66600	40	33
172472-66611	42	91
172472-67800	40	1
172472-67801	40	1 -1
172472-67802	40	1 -2
172472-67900	40	16
172472-67901	40	16 -1
172472-67902	40	16 -2
172472-68400	44	1
172472-68410	44	2
172472-68420	48	1
172472-68430	49	1
172472-68440	45	24
172472-68450	45	22
172472-68460	45	23
172472-68470	44	10
172472-68480	45	1
172472-68490	45	2
172472-68500	45	3
172472-68510	45	4
172472-68520	45	5
172472-68530	46	1
172472-68540	46	3
172472-68550	44	7
172472-68560	44	8
172472-68570	44	13
	45	30
172472-68580	47	1
172472-68590	44	21
172472-68600	45	9
172472-68610	47	3
172472-68620	45	11

Parts No.	Fig. No.	Ref. No.
172472-68630	47	5
172472-68640	47	6
172472-68650	47	7
		19
172472-68660	46	27
172472-68670	46	31
172472-68680	47	8
172472-68690	47	9
172472-68700	45	18
172472-68710	44	31
172472-68720	47	11
172472-68730	46	32
172472-68740	47	12
172472-68750	47	13
172472-68760	47	14
172472-68780	44	32
172472-68790	44	33
172472-68810	47	20
172472-68820	47	21
172472-68830	46	12
172472-68840	44	9
172472-68850	48	2
172472-68860	48	3
172472-68870	48	4
172472-68880	48	5
172472-68890	48	16
172472-68900	48	17
172472-68910	48	24
172472-68920	48	34
172472-68930	48	35
172472-68940	49	2
172472-68950	49	3
172472-68960	49	4
172472-68970	49	8
172472-68980	49	9
172472-68990	49	10
172472-69100	49	11
172472-69110	49	12
172472-69120	50	15
172472-69130	50	16
172472-69140	49	17
172472-69150	49	18
172472-69160	50	21
172472-69170	50	22
172472-69180	50	23
172472-69190	50	24
172472-69200	45	25
172472-69210	45	26
172472-69220	45	33
172472-69230	45	35

Parts No.	Fig. No.	Ref. No.
172472-69240	48	39
172472-69250	49	16
172472-76200	79	30
172472-78190	82	13
172472-78200	82	16
172472-78210	82	17
172472-78800	82	19
172478-37500-1	24	32 -1
172478-37501	24	32 -2
172478-37530	24	37 -1
		60 -1
172478-37540	24	36 -1
		59 -1
172478-37550	24	35 -1
		58 -1
172478-68600	42	94
172478-68610	42	95
172478-68620	42	96
172487-45900	31	3 -1
172490-37310	24	30 -1
172511-17351	16	6
172519-04350	51	1 K
172519-61550	35	43
172519-63240	6	18
	14	58
	23	21
	35	39
	37	22
		23
		24
	40	6
		51
	43	1
		86
172519-65300	34	63
	36	8
172524-17330	14	6
	39	80
	43	49
172614-38300	25	10
		23
172614-74290	66	6
		20
		34
	67	6
	69	6
172631-16350	23	1
172638-73650	68	19
172644-76161	77	4
172645-76570	78	6

Parts No. Index

Parts No.	Fig. No.	Ref. No.
172648-16600	13	3
	15	3
172649-65750	39	12
172649-65760	34	38
172652-64220	38	84
172725-16380	11	10
172730-75141	74	1
	75	1
	78	1
172732-42450	32	17
172734-41300	30	27
	32	16
172734-65270	39	19
172823-45000	32	18
172823-45940	30	29
172823-61520	35	18
172958-03160	3	64
	4	62
	86	33 A
172958-17100	14	74
172958-17120	86	22
172958-17130	14	98
172958-64500	14	76
172958-72950	61	20
172958-72960	61	21
172958-72981-1	61	22
172958-72982-1	61	22 -1
172958-76130	80	15
172958-78120	80	13
172958-78160	80	6
172958-83140	86	29
172958-83171-1	86	32
172958-83330	86	38
172960-08700	86	21
172960-72500-1	57	1
172960-72510-1	57	4
172960-72530	57	7
172960-72600-1	60	1
172960-72610-1	60	2
172960-72630	57	14
172960-72800-1	61	1
172960-72810-1	61	3
172960-72830	61	5
172960-72860	61	7
172960-72890	61	10
172960-72900	61	11
172960-72920	61	6
172960-72950	61	4
172960-72960	61	12
172960-72970	61	17

Parts No.	Fig. No.	Ref. No.
172960-73430	53	39
172960-76100-1	80	7
172960-78100	80	11
172960-78110	80	12
172960-81490-1	86	3
172960-81600-1	87	22
172960-81800-1	80	8
172960-81952-1	80	8 -1
172960-83100-1	86	25
172960-83101-1	86	25 -1
172960-83102-2	86	25 -2
172960-83110-1	86	26
172960-83111-1	86	26 -1
172960-83112-1	86	26 -2
172960-83113-2	86	26 -3
172960-83120	86	27
172960-83130	86	28
172960-83140	86	30
172960-83151	86	31
172960-83170-1	87	23
172960-83191	86	33
172960-83210	86	37
172960-83251-1	86	34
172960-83252-1	86	34 -1
172960-83272-1	86	36 -2
172960-83281	86	35
172960-83291-1	86	36
172960-83292-1	86	36 -1
172960-83311-1	86	52
172960-83312-1	86	52 -1
172960-94100-1	88	7
172961-73100	53	5
172961-73101	53	5 -1
172961-73102	53	5 -2
172961-73103	53	5 -3
172961-78120	80	14
172961-78130	78	20
172989-64451	38	6
		80
172989-68630	10	28
172989-68640	18	29
172A21-68610	45	14
172A21-68840	44	5
	45	32
172A21-68870	45	19
172A21-68910	47	2
172A21-68930	46	30
172A21-68950	46	4
172A21-68970	46	34
172A21-68990	44	4

Parts No.	Fig. No.	Ref. No.
172A21-68990	45	31
		34
172A21-69020	44	38
172A21-69030	44	35
	48	11
		20
	50	26
172A21-69060	47	15
172A23-64050	89	2
172A46-64200	38	72 A
172A46-64490	38	72 B
172A46-64491	89	3
172A46-64500	38	72 C
	89	4
172A77-17500	14	101
172A79-12150	8	1 A
194145-04810	39	1
	56	2
194151-57100	14	56
194200-37780	30	26
	32	15
194202-56460	13	12
194273-47910	71	3
194300-24130	56	23
	58	21
194464-52190	14	72
	16	7
	26	13
194630-42120	24	9
		16
197830-88611	18	31
	19	16
198094-86060	40	35
	41	23
1A1040-43900	21	12
	31	2
1A1040-45890	30	8
	32	27
1A1040-56900	8	7
1A1380-58050	7	23
1A1380-62160	39	85
1A6150-63730	6	19
1A6260-64200	35	22
		23
1C6281-52310	8	6
1D4070-23580	26	9
	27	1
1E5100-51430	40	5
		50
1E6451-77620	10	64

Parts No.	Fig. No.	Ref. No.
1E8385-79310	23	22
1E8545-80030	22	31
1E8545-80210	22	32
1E8545-80250	22	33
1E8545-80940	18	43
	19	15
1E8685-79911	22	28
1E8685-79920	22	29
1E8685-79940	22	30
22117-040000	28	8
22117-080000	23	23
	28	23
	30	31
	32	30
22117-100000	40	29
		67
22117-120000	40	24
		68
	42	38
		84
	73	13
22137-060000	8	8
	11	44
	14	65
	20	5
		11
		15
	22	35
	23	24
	42	39
		85
	70	21
22137-080000	7	24
	12	14
	22	36
	27	17
		18
	28	19
	32	10
	35	28
	38	51
	39	49
		86
		88
	41	16
	43	44
		48
		77
		99
	86	39

Parts No. Index

Parts No.	Fig. No.	Ref. No.		
22137-100000	6	22		
	12	8		
		8 -1		
		13	9	
		17	4	
			10	
		18	32	
		22	37	
			38	
		30	24	
			24 -1	
		32	42	
			42 -1	
		37	8	
		38	47	
			48	
			60	
		39	50	
			51	
			52	
			53	
			54	
		40	36	
		42	92	
	22137-120000	86	40	
		36	9	
		37	9	
		38	49	
			50	
			83	
			51	12
			59	27
			60	27
		22137-140000	11	17
	51		13	
	72		32	
	22137-240000	71	8	
		39	55	
	22157-080000		23	
22157-100000	6	23		
	7	25		
	35	29		
	36	10		
	39	56		
		57		
		58		
		59		
		58	32	
	22157-120000	34	47	
84		15		
		44		

Parts No.	Fig. No.	Ref. No.	
22157-120000	85	17	
	86	18	
		51	
	88	12	
22190-080002	21	14	
22217-050000	13	10	
	72	31	
22217-060000	20	6	
	21	15	
22217-080000	11	45	
	12	9	
	21	16	
	22	39	
	38	46	
22217-100000	9	12	
	13	11	
	21	17	
	30	10	
	32	31	
	54	32	
		33	
		58	28
		64	15
	22217-120000	40	39
51		3	
59		29	
	60	29	
22217-140000	11	18	
	24	3	
	51	14	
		15	
		16	
	62	77	
	72	33	
	84	16	
		46	
22217-160000	9	13	
	24	31	
		42	
	33	18	
		28	
	51	4	
	87	7	
22242-000170	6	24	
22242-000200	63	4	
		7	
22242-000250	27	19	
22242-000260	55	31	
22242-000300	24	27	
		38	

Parts No.	Fig. No.	Ref. No.
22242-000300	24	61
	63	8
	79	12
22242-000350	24	10
		17
		86
22242-000451	64	12
22242-000700	84	47
22252-000280	63	18
	65	36
22252-000350	6	25
	86	42
22252-000400	21	18
	86	43
22252-000621	24	39
		62
22272-000060	42	40
		86
22272-000070	27	20
22272-000080	42	41
		87
22272-000100	40	25
		69
22351-030012	42	42
		88
22351-030025	18	33
22351-030032	26	14
	29	4
22351-035040	27	21
22351-040020	63	5
		9
22351-050012	63	24
22351-050032	26	15
	29	5
22351-060040	27	22
22372-080000	43	45
22417-160160	28	24
	29	10
	30	32
	32	32
22417-200160	43	45 -1
		100
22417-200200	27	23
	39	60
		61
		62
		89
22417-250200	30	25
		25 -1
	32	43

Parts No.	Fig. No.	Ref. No.
22417-250200	32	43 -1
22417-320200	34	48
22522-040130	6	35
22857-400100	41	11
22857-400161	22	40
22867-400100	40	40
22869-400160	18	34
	19	17
22877-500161	22	41
23000-013000	76	31
	81	8
23000-022000	18	35
	19	18
	22	42
23000-070000	7	26
23001-016000	76	32
23001-022000	18	35 -1
	19	18 -1
	22	42 -1
23001-025000	76	11
	79	32
23001-041000	10	65
23001-070000	73	27
23010-014000	11	13
		14
23065-070225	10	58
23080-013000	11	19
23391-020000	82	28
23391-040000	73	14
23391-060000	79	14
23393-030000	77	6
23418-060000	11	41
23871-005000	61	23
23871-010000	59	8
	60	8
	71	9
23871-020000	62	76
	64	13
23871-040000	79	15
24101-062010	63	25
24104-062034	21	19
24105-062044	63	34
24105-062064	24	40
		63
24311-000160	10	12
24311-000210	26	16
	29	6
	30	11
	31	8
	32	33

Parts No. Index

Parts No.	Fig. No.	Ref. No.
24311-000250	71	10
24311-000320	71	11
24311-000340	27	24
24311-000380	72	17
24311-000750	64	10
24311-240100	11	42
24315-000070	62	56
24315-000080	62	57
24315-000100	62	60
24315-000110	62	36
	63	39
	65	19
	66	32
	67	4
		22
	68	4
		20
	69	4
		33
		37
	74	5
		12
	75	7
	76	5
		8
		17
	80	2
		5
		16
	81	4
		6
		7
	82	5
		7
		8
		27
24315-000140	24	52
	62	58
	63	43
	66	53
	69	55
	73	15
	74	7
		8
		9
	75	11
		12
		13
	76	13
	77	7

Parts No.	Fig. No.	Ref. No.
24315-000140	78	8
		9
	79	39
24315-000180	63	26
		28
		40
		44
	73	5
		11
		16
		18
	76	18
	77	8
24315-000220	63	45
24315-000280	63	46
24315-000290	24	28
	62	59
24321-000400	24	10 A
		17 A
24321-000450	73	17
24321-000700	64	11
	84	33
24321-001050	72	18
		19
24325-001000	63	30
24325-001100	63	31
24325-001200	63	29
24341-000300	72	20
24352-190110	52	42
	53	43
24372-000140	63	47
24376-001000	63	32
24376-001100	63	33
24550-012200	40	26
		70
	42	43
		89
24550-025150	27	7
24550-035200	61	9
24550-045300	56	23 -1
	58	21 -1
24761-020000	24	53
	28	15
	30	12
	54	27
	83	5
	84	48
	85	28
		35
	86	45
	87	17

Parts No.	Fig. No.	Ref. No.
24761-020000	88	13
24761-040000	30	13
	32	40
	55	32
	56	27
	57	24
	84	17
	85	18
	86	19
	88	14
24761-050000	27	25
	28	30
	32	34
	55	33
	57	25
	58	24
26013-060102	20	16
26013-060122	14	66
		67
	15	10
	16	8
	20	12
	22	43
	34	49
26013-060162	11	46
	14	68
		69
	43	33
		79
	70	20
	71	12
26013-060202	14	70
		71
	70	20 -1
26013-060252	22	44
26013-060302	28	33 -1
26013-060352	28	33
26013-080122	16	11 -1
26013-080162	6	26
	7	8
	10	66
		67
		68
		69
	15	7
	18	36
	19	19
	21	20
	22	45
		46

Parts No.	Fig. No.	Ref. No.
26013-080162	26	8
	27	26
	28	29
	30	14
	31	9
	32	35
	35	25
		30
		31
	38	23
		52
	41	18
	80	10
	86	53
26013-080202	7	9
	8	9
	10	70
	15	8
	20	13
	23	25
	26	19
	27	27
		30
	31	10
	38	72 D
	72	21
	89	5
26013-080252	16	9
	21	21
	35	32
	71	15
26013-080302	21	22
26013-080402	19	20
26013-080502	7	27
26013-100162	12	10
		10 -1
	16	10
	18	37
		38
	23	26
	65	33
	78	10
	84	18
26013-100202	6	27
	7	10
	10	71
	17	5
		12
	18	39
	22	47

Parts No. Index

Parts No.	Fig. No.	Ref. No.	
26013-100202	26	20	
	27	28	
		32	
		28	20
		32	36
		34	50
			52
			53
			54
		37	10
			11
		38	53
			54
			72 E
		39	63
			64
			65
			66
		56	28
		71	16
		76	19
		79	16
		80	9
		84	49
		86	46
		89	6
	26013-100252	7	28
		8	10
		28	16
		33	24
		35	33
		36	11
38		55	
		56	
39		67	
		68	
		69	
		70	
		71	
		72	
		73	
		73	29
		79	17
	88	15	
26013-100302	39	67 -1	
	52	2	
	53	2	
	79	31	
26013-100352	34	57	
	64	14	

Parts No.	Fig. No.	Ref. No.	
26013-120202	59	28 -1	
	60	28 -1	
26013-120252	51	17	
	84	19	
		50	
		85	19
		86	20
		34	58
26013-120302	36	12	
	37	12	
	38	57	
		58	
		73	18
		86	47
	88	16	
26013-120352	52	54	
	53	55	
26013-120402	24	54	
26013-120452	38	59	
26014-080162	39	74	
26014-080252	79	37	
26014-100202	34	44	
		44 -1	
		59	
		60	
		39	75
		76	
		77	
		79	18
	26022-050102	72	22
	26022-050122	11	15 -1
	71	13	
26022-080162	10	72	
26023-060122	43	34	
	78		
26023-060162	43	35	
	84		
26033-040202	22	48	
26051-080002	7	11	
		36	
		28	25
		29	11
		30	33
	32	37	
	38	72 F	
		79	
	43	36	
		80	
	89	7	
26076-100352	40	37	

Parts No.	Fig. No.	Ref. No.
26076-100352	42	93
26076-120402	40	41
	51	5
26076-160402	51	6
26076-161702	84	51
26106-080202	21	23
26106-080552	21	24
		25
		32
26106-100122	33	32
26106-100162	34	46
		55
26106-100202	34	51
26106-100302	34	56
26106-100352	6	28
	65	37
26116-050102	72	22 -1
26116-060162	20	7
26116-080202	29	7
	41	17
	43	47
		81
	86	48
26116-080254	29	7 -1
	30	15
	32	14
26116-080702	11	47
26116-100162	13	13
	54	34
		35
		58
26116-100202	30	16
	32	38
	43	46
26116-100304	43	46
		82
26116-100404	28	9
26116-100604	28	10
26116-100652	64	16
26116-100752	87	18
		25
26116-100802	85	29
	86	49
26116-120252	59	28
	60	28
	60	28
26116-121302	84	52
26116-140252	51	18
	84	20
26116-140352	72	34
	84	53
26116-140402	51	19
		20

Parts No.	Fig. No.	Ref. No.	
26116-140402	72	35	
26116-140452	11	20	
26116-140502	51	21	
26116-160352	33	29	
26116-160402	33	5	
26116-160502	33	19	
26116-160702	24	43	
	33	20	
26116-160902	33	21	
26216-100302	6	29	
26346-100002	6	36	
	17	11	
26347-080002	28	31 F	
		32 F	
		32	11
	39	78	
26347-100002	39	79	
26366-080002	40	27	
		71	
		41	12
		6	30
26367-100002	42	45	
26450-060102		90	
26450-060352	61	24	
26450-080202	6	31	
		32	
26450-080222	6	31 -1	
		32 -1	
26450-080252	63	15	
26450-080502	63	35	
26450-120352	63	36	
26450-120402	52	4	
	53	4	
26557-050122	11	15	
26557-080202	35	34	
	36	13	
	39	41	
26577-080122	37	34	
26587-040122	18	47	
	28	11	
26587-060202	14	100	
26647-060202	71	14	
26657-080002	18	40	
26706-100002	17	6	
26716-050002	13	14	
26716-060002	21	26	
	23	27	
26716-080002	12	11	
		15	
	16	11	

Parts No. Index

Parts No.	Fig. No.	Ref. No.	
26716-080002	21	27	
	22	1	
		49	
	29	8	
	30	17	
	32	12	
	38	45	
	26716-100002	28	12
		40	30
			72
42		46	
43		37	
		83	
72		29	
85		30	
86		50	
87		19	
	26		
26716-120002	84	54	
26716-160002	24	44	
	84	45	
26756-060002	86	44	
26757-100002	32	13	
26776-180002	14	73	
	16	12	
	26	17	
29420-050000	14	14	
29420-150000	14	15	
29420-300000	14	16	
772151-81610-2	87	8	
772151-81611-1	87	8 -1	
772423-37320-1	24	18	
772460-14100-1	11	1	
772460-37100-2	24	11	
772460-37110-2	24	4	
772460-75100-1	72	1	
772467-03100	1	1	
772467-03101	1	1 -1	
772467-03110	2	1	
772467-03111	2	1 -1	
772467-03120	3	1	
772467-03121	3	1 -1	
772467-03130	4	1	
772467-03131	4	1 -1	
933110-00301	14	6 -1	
933110-54100	28	5	
	29	12	
	30	34	
	32	39	
933111-20200	57	13	

Parts No.	Fig. No.	Ref. No.
933111-20200	58	12
933111-26700	57	23
	59	19
	60	19
933113-05150	41	13
933113-05160	41	14
933126-44500	85	7
		34
	86	8
933147-03400	54	36
	58	30
	72	30
933152-02710	77	9
933160-01370	35	35
933160-09220	54	37
933168-14170	58	31
	10	73
	16	13
	41	20
933171-13691	24	29
		41
		64
		15
933171-15801	13	15

Parts No.	Fig. No.	Ref. No.
-----------	----------	----------

Parts No.	Fig. No.	Ref. No.
-----------	----------	----------