

0CS10-M38201EN

P R E F A C E

1. This parts catalog is the 1st revised of Yanmar crawler backhoe V1070 for U.S.A.
2. Parts catalog history

	Parts catalog No.	Published	Remarks
1st edition	000Y00S3820	Aug., 1998	Disuse old edition
1st revised	000Y00S3821	Sep., 1999	

3. Model name

	Column	Model name	M/#	Manufactured
I (Vehicle)	(A)	V1070(US) C	01516 ~	1998/7 ~
	(B)	V1070(US) P		
II (Engine)	(A)	4TNE98 - EBV	03833 ~	1998/6 ~

(Note) C : cabin spec., P : canopy spec.

4. Your understanding is asking that this parts catalog is not a technical data manual setting forth as servicing procedures, This parts catalog is using simplified illustration. Be sure to use Yanmar Genuine Parts in your maintenance servicing of Yanmar products. Be careful not to use the simple parts available in the market ; otherwise their use in repairing causes such as an early breakage, for instance.

Directions for the Parts Catalog.

- The parts stipulated in this Parts Catalog are not necessarily standard equipped parts.
- Parts may change without prior notice.
- The following is an example of the Parts Catalog format.

REF.	LEV.	PARTS NO.	DESCRIPTION	Q'TY						I	R
				(A)	(B)	(C)	(D)	(E)	(F)		
1	1	729595-51390	FUEL INJECTION PUMP	1	1	1	1	1			1
1-1	1	729595-51391	FUEL INJECTION PUMP	1	1	1	1	1		N	1
		(A=E00185) (B=E00200)									
3	2	26022-060162	SCREW M 6X 16	9	9	9	9	9			
3-1	2	26022-060162	SCREW M 6X 16	4	4	4	4	4		K	
		(A=E00156) (B=E00156) (C=E00156) (D=E00156) (E=E00156)									
4	2	129470-51040	CAMSHAFT	1	1	1	1	1			
5	2	122710-51050	BEARING, ROLLER	2	2	2	2	2			
6	2	129470-51060	RETAINER	1	1	1	1	1			

Remarks
(1) BOOST COMPEMSATOR TYPE. OPTIONAL PART, TO E00155,(4JH-DT, 4JH-DTZ

① Ref. No.

The Ref. No. listed may not be in accordance with the illustration Ref. No.

(Ex.) Illustration No.

List Ref No.

1

1

(Before change)

1-1

(After change)

For interchangeable symbols N, R and K, illustrations for new parts may be abbreviated.

② Lev. (Level)

Level indication

The numbers below indicate the level of relativity towards the main part.

1 ----- Main parts (Assembly parts)

2 ----- Sub component included in " 1 ".

3 ----- Sub component included in " 2 ".

Note) Parts that are not for sale are partially illustrated but not listed.

③ Interchangeability Mark

When a part change takes place, one of the following interchangeability symbols is indicated beside the part.

Symbol	Interchangeability	Contents note
N	Old $\begin{matrix} \leftarrow \text{Yes} \\ \text{No} \rightarrow \end{matrix}$ New	New Part is interchangeable for Old Part but Old Part is not interchangeable for New Part.
Q	Old $\begin{matrix} \leftarrow \text{No} \\ \text{Yes} \rightarrow \end{matrix}$ New	New Part is not interchangeable for Old Part but Old Part is interchangeable for New Part.
R	Old $\begin{matrix} \leftarrow \text{Yes} \\ \text{Yes} \rightarrow \end{matrix}$ New	New/ Old Parts are both interchangeable.
S	Old $\begin{matrix} \leftarrow \text{No} \\ \text{No} \rightarrow \end{matrix}$ New	New/ Old Parts are both not interchangeable.
W		Part newly added.
Z		Part discontinued.
F		Not interchangeable by a single part but interchangeable together with related parts.
K		Changes only for used parts quantities.

④ Effective Machine No.

When a part changes, the effective Machine No. will be indicated in the (A)-(F) column.

Product Symbol	Product No.	Product Symbol	Product No.
C	Clutch No. Compressor No.	F	Machine No. (Agricultural Equip.)
D	Drive No.	M	Machine No.
E	Engine No.		

Note 1) A date may follow the symbol. (Ex.) 1996.01

Note 2) "XXXXX" and "ZZZZZ" are for parts that could not be predicted or for engine models that could not be identified.

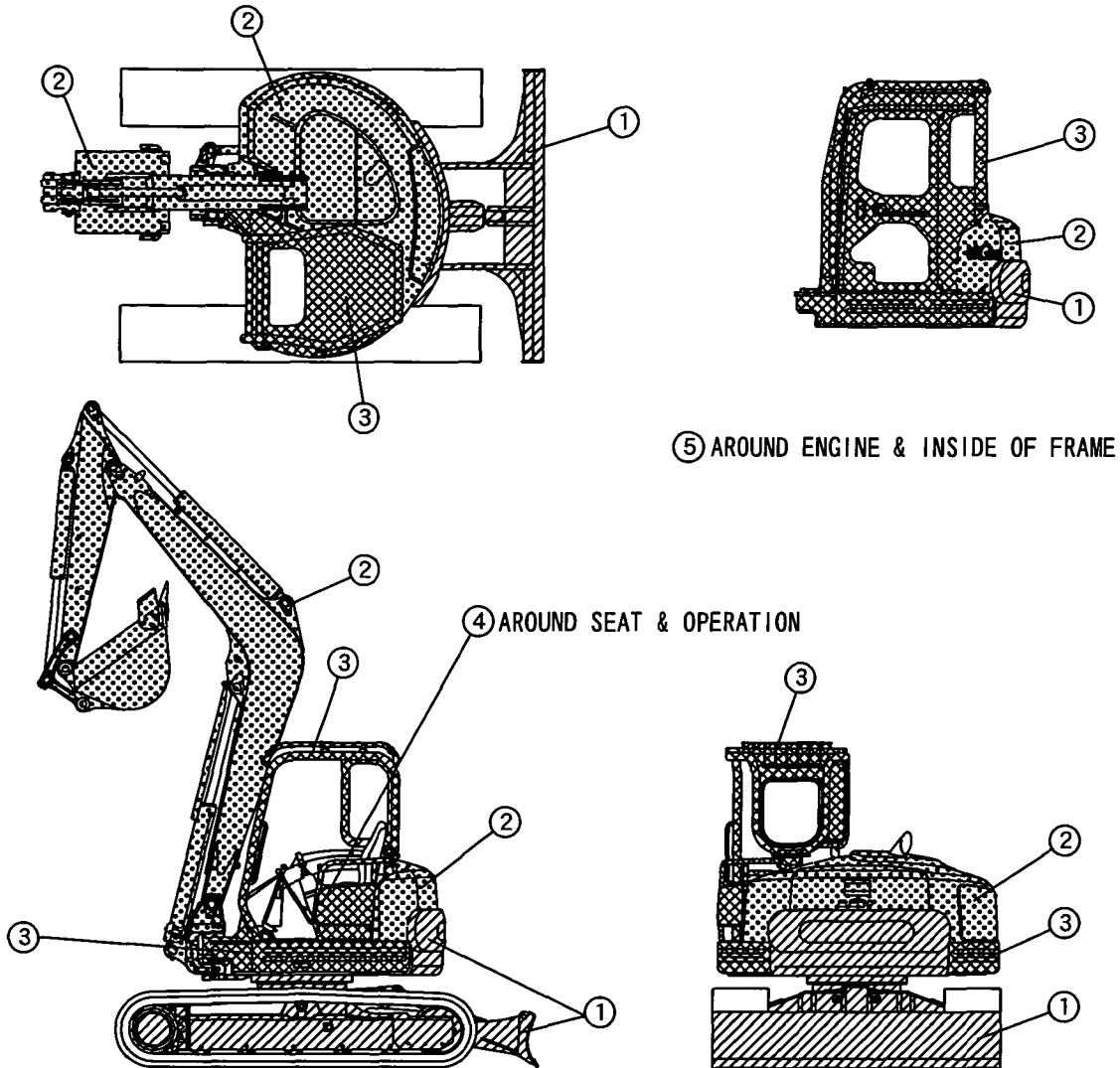
Note 3) (A=E00185) is the E (Engine Serial Number) for the column (A) model (in this case 4JH-DT) after the parts design change.






⑤ Remarks Mark

Figures or alphabets (symbols) are entered in the remarks column.

The comments (remarks) on parts that are indicated at the bottom of the illustration are the same symbols as those stated above.

1 [VEHICLE PAINTED COLOR]



Part	Description	Painted Color	Munsel No.	Color Code
①		YANMAR Deep Green	6.36BG2.11/1.76	82
②		YANMAR New Permanent Yellow	5.2Y8.5/11	87
③		YANMAR New Grayish Green	2.9BG4.8/3.0	86
④		YANMAR Dark Olive Gray	5.39Y2.92/0.78	72
⑤		YANMAR Warm Gray	7Y5.3/0.8	73

2 [PAINT PART NO.]

Part	Paint Color	Paint Part No.		
		16L Can	4L Can	SPRAY
①	YANMAR Deep Green	981101-09517	977620-40820	977620-30N31
②	YANMAR New Permanent Yellow	981101-09519	977620-40870	977620-30871
③	YANMAR New Grayish Green	981101-09616	977620-40860	977620-30861
④	YANMAR Dark Olive Gray	-----	977620-40720	TOR-90460003
⑤	YANMAR Warm Gray	-----	-----	TOR-90450003

3 [COLOR OF MAIN PARTS]

Part	Paint Color	Main Parts	
①	YANMAR Deep Green	driving frame part blade	
②	YANMAR New Permanent Yellow	hood part operation machine part	
③	YANMAR New Grayish Green	engin related canopy body and cover	cabin body and door cabin guard parts
④	YANMAR Dark Olive Gray	operation part around seat parts	
⑤	YANMAR Warm Gray	around engin part inside of frame part	

PICTURESQUE INDEX (1) ■ ■ ■ MAIN PARTS

LABEL Fig. 1, 2
SAFETY LABEL Fig. 3, 4
TOOL Fig. 5

SUC. PIPE & EXH. PIPE Fig. 6
ENGINE MOUNT Fig. 8
RADIATOR & MOUNT Fig. 9
FUEL TANK & FUEL LINE Fig. 10
BATTERY Fig. 11

HOOD Fig. 38~40
DUCT Fig. 41
HYD. OIL TANK Fig. 63
LUB. OIL COOLER Fig. 64

HYD. OIL PIPING Fig. 65~73
CONTROL PIPING Fig. 74, 75

BOOM CYLINDER Fig. 50

SEAT & SEAT MOUNT Fig. 36, 37, 89

BOOM BRACKET Fig. 77
BOOM Fig. 78

ACCELERATOR Fig. 7

HEATER Fig. 16
DEFROSTER Fig. 17
COOLER Fig. 18~21
CABIN Fig. 42~44
CABIN DOOR Fig. 45~46
CABIN GUARD Fig. 47
CANOPY Fig. 48

ARM CYLINDER Fig. 51

RIGHT

REAR

SWING CYLINDER
Fig. 53, 54

DRIVING MOTOR Fig. 56

FRONT

LEFT

BLADE Fig. 82

BLADE CYLINDER Fig. 55

ELECTRIC PART Fig. 12~15
FRAME & TURNING BEARING Fig. 31
FRAME COVER (TURNING) Fig. 32, 33
STEP & INSTRUMENT PANEL Fig. 35
HYD. OIL PUMP & JOINT Fig. 49
TURNING MOTOR Fig. 57
CONTROL VALVE Fig. 59, 60
GREASING Fig. 76

BUCKET & BUCKET PIN Fig. 81

FRAME COVER (TRAVEL) Fig. 34
SWIVEL JOINT Fig. 58, 87, 88

ARM Fig. 79
BUCKET ARM & LINK Fig. 80

BUCKET CYLINDER Fig. 52

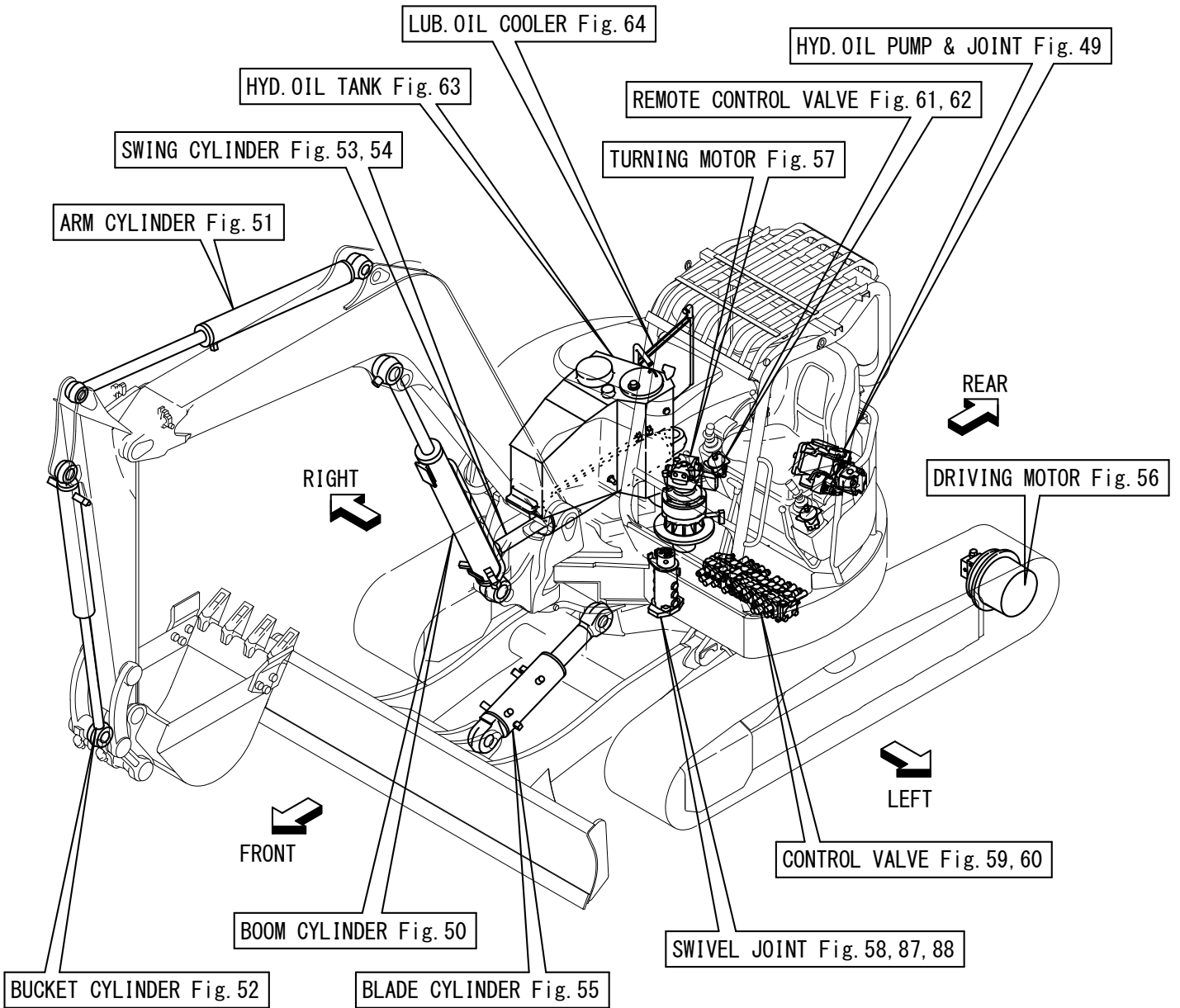
CONTROL EQUIPMENT Fig. 25~30
REMOTE CONTROL VALVE Fig. 61, 62

SPROCKET & ROLLER Fig. 22
IDLER & ADJUST Fig. 23
CRAWLER Fig. 24

PICTURESQUE INDEX (2) ■ ■ ■ HYDRAULIC SECTION

CONTROL PIPING Fig. 74, 75

HYD. OIL PIPING Fig. 65~73



Contents

OCS10-M38201

Fig. No.	Fig. Name
VEHICLE VIO70(US)	
1.	LABEL(US)(CABIN)
2.	LABEL(US)(CANOPY)
3.	SAFETY LABEL(US)(CABIN)
4.	SAFETY LABEL(US)(CANOPY)
5.	TOOL
6.	SUC. PIPE & EXH. PIPE
7.	ACCELERATOR
8.	ENGINE MOUNT
9.	RADIATOR & MOUNT
10.	FUEL TANK & FUEL LINE
11.	BATTERY
12.	ELECTRIC PART(WIRING)
13.	ELECTRIC PART(EQUIPMENT)
14.	ELECTRIC PART(CABIN)
15.	ELECTRIC PART(COOLER SPEC.)
16.	HEATER
17.	DEFROSTER
18.	COOLER(ENGIEN RELATED)
19.	COOLER(CONDENSER RELATED)
20.	COOLER(CABIN RELATED)
21.	COOLER(HYD.OIL PIPING)
22.	SPROCKET & ROLLER
23.	IDLER & ADJUST
24.	CRAWLER

Fig. No.	Fig. Name
25.	CONTROL EQUIPMENT(LEVER STAND)
26.	CONTROL EQUIPMENT(DRIVE)
27.	CONTROL EQUIPMENT(SWING)
28.	CONTROL EQUIPMENT(BLADE)
29.	CONTROL EQUIPMENT(LOW-HIGH PEDAL)
30.	CONTROL EQUIPMENT(P.T.O.)
31.	FRAME & TURNING BEARING
32.	FRAME COVER(TURNING)(CABIN)
33.	FRAME COVER(TURNING)(CANOPY)
34.	FRAME COVER(TRAVEL)
35.	STEP & INSTRUMENT PANEL
36.	SEAT & SEAT MOUNT (CABIN)
37.	SEAT & SEAT MOUNT(CANOPY)
38.	HOOD;1(BODY)
39.	HOOD;2(UPPER COVER)
40.	HOOD;3(SIDE,REAR COVER)
41.	DUCT
42.	CABIN;1(BODY)
43.	CABIN;2(SASH)
44.	CABIN;3(FITTING PART)
45.	CABIN DOOR;1(BODY)
46.	CABIN DOOR;2(FITTING PART)
47.	CABIN GUARD
48.	CANOPY
49.	HYD. OIL PUMP & JOINT

Contents

OCS10-M38201

Fig. No. Fig. Name

- 50. BOOM CYLINDER(PREVIOUS)
- 83. BOOM CYLINDER(NEW)
- 51. ARM CYLINDER(PREVIOUS)
- 84. ARM CYLINDER(NEW)
- 52. BUCKET CYLINDER(TO M05344)
- 85. BUCKET CYLINDER(FROM M05345)
- 53. SWING CYLINDER(PREVIOUS)
- 54. SWING CYLINDER (NEW)
- 55. BLADE CYLINDER(PREVIOUS)
- 86. BLADE CYLINDER(NEW)
- 56. DRIVING MOTOR
- 57. TURNING MOTOR
- 58. SWIVEL JOINT(Y SPEC.)
- 87. (58A)SWIVEL JOINT KIT(N SPEC.)
- 88. (58B)SWIVEL JOINT(N SPEC.)
- 59. CONTROL VALVE;1
- 60. CONTROL VALVE;2
- 61. REMOTE CONTROL VALVE(L)
- 62. REMOTE CONTROL VALVE(R)
- 63. HYD. OIL TANK
- 64. LUB. OIL COOLER
- 65. HYD.OIL PIPING(TANK-PUMP-VALVE)
- 66. HYD.OIL PIPING(VALVE-MOTOR,BOOM)
- 67. HYD.OIL PIPING(VALVE-SWIVEL,SWING)
- 68. HYD. OIL PIPING(RETURN;1)

Fig. No. Fig. Name

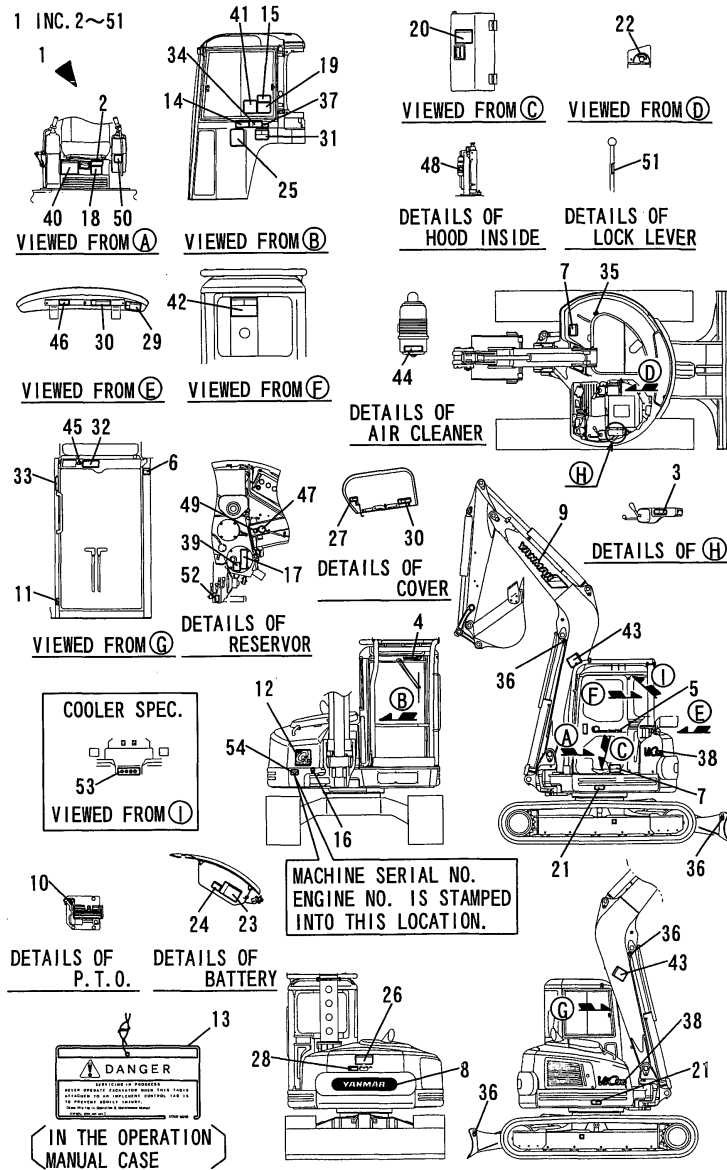
- 69. HYD. OIL PIPING(RETURN;2)
- 70. HYD.OIL PIPING(P.T.O.FRAME END)
- 71. HYD. OIL PIPING(TRACK FRAME)
- 72. HYD. OIL PIPING(BOOM)
- 73. HYD.OIL PIPING(P.T.O.ARM END)
- 74. CONTROL PIPING(PUMP-VALVE-RETURN)
- 75. CONTROL PIPING
- 76. GREASING
- 77. BOOM BRACKET
- 78. BOOM
- 79. ARM
- 80. BUCKET ARM & LINK
- 81. BUCKET & BUCKET PIN
- 82. BLADE
- 89. SEAT KIT(OPTIONAL)

Fig.1. LABEL(US)(CABIN)

(A)=VIO70(US)C
(B)=VIO70(US)P
(C)=

(D)=
(E)=
(F)=

Fig. 1 LABEL(CABIN SPEC.)



No.	Lev.	Parts No.	Description	Q'ty						I	R
				(A)	(B)	(C)	(D)	(E)	(F)		
1	1	772989-03430	LABEL SET(VIO70 US,C	1							
2	2	172989-03110	LABEL,SPECIFICATION	1							
3	2	172989-03130	LABEL,GRIP US	1							
4	2	172164-03200	LABEL,BRAND	1							
5	2	172164-03210	LABEL, CAB.	1							
6	2	172437-03550	LABEL,WINDOW	1							
7	2	172187-03910	LABEL,SUPPORT	2							
8	2	172187-03140	LABEL, REAR	1							
9	2	172187-03160	LABEL, BOOM	1							
10	2	172187-03200	LABEL,P.T.O. LOCK	1							
11	2	172147-03210	LABEL,2 SPEED	1							
12	2	172439-03220	MARK,NO1	1							
13	2	172437-03250	TAG ASSY, CAUTION	1							
14	2	172437-03300	LABEL,MANUAL	1							
15	2	172437-03310	LABEL,SLOPE	1							
16	2	172146-03320	LABEL,GREASE E	1							
17	2	172437-03320	LABEL,HYD.OIL TANK	1							
18	2	172187-03330	LABEL,GREASING E	1							
19	2	172437-03340	LABEL,TRANSPORT	1							
20	2	172187-03350	LABEL,FUSE E	1							
21	2	172437-03351	LABEL,GREASE CYL.	2							
22	2	172141-03360	LABEL, START SWITCH	1							
23	2	172437-03360	LABEL,BATTERY	1							
24	2	172187-03370	LABEL,RADIATOR COVER	1							
25	2	172437-03371	LABEL	1							
26	2	172437-03380	LABEL,SWING AREA	1							
27	2	172437-03390	LABEL,RADIATOR	1							
28	2	172437-03400	LABEL,ENG.HOOD	1							
29	2	172437-03410	LABEL,ENG.ROOM	1							
30	2	172437-03421	LABEL,MUFFLER	2							
31	2	172437-03431	LABEL,STEERING	1							
32	2	172164-03700	LABEL,WIPER	1							
33	2	172437-03450	LABEL,SEAT BELT	1							
34	2	172437-03470	LABEL,LEVER LOCK	1							
35	2	172437-03500	LABEL,FUEL	1							
36	2	172437-03510	LABEL,HOOK	4							
37	2	172437-03530	LABEL,RE-START	1							
38	2	172187-03700	LABEL,VIO70	2							
39	2	172155-03790	LABEL,RE-FUELING	1							
40	2	172187-03830	LABEL,OIL & WATER	1							
41	2	172989-03140	LABEL,PATTERN A	1							
42	2	172187-03930	LABEL,LIFTING	1							
43	2	172187-03940	LABEL,BOOM	2							
44	2	172125-03950	LABEL, AIR CLEANER	1							
45	2	172164-03710	LABEL,BREAKER	1							
46	2	129953-07700	EPA E/C LABEL	1							
47	2	121120-44800	LABEL, RADIATOR	1							
48	2	124764-44810	LABEL,SUB-TANK	1							
49	2	124764-44920	LABEL, ANTI-FREEZING	1							
50	2	172187-03840	LABEL,ADJUST CRAWLER	1							
51	2	172183-03280	LABEL,LOCK	1							

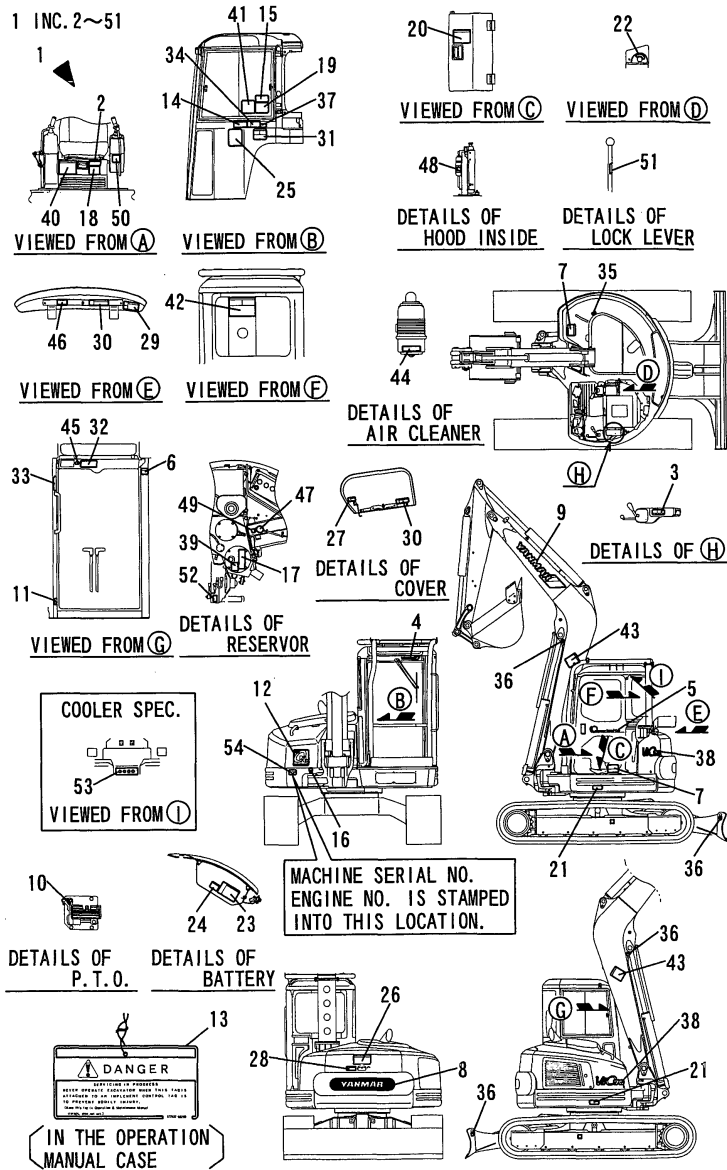
Remarks
(1)RUBBER CRAWLER SPEC.
(2)COOLER SPEC.
*THIS FIGURE IN NEWLY ADDED.

Fig.1. LABEL(US)(CABIN)

(A)=VIO70(US)C
(B)=VIO70(US)P
(C)=

(D)=
(E)=
(F)=

Fig. 1 LABEL(CABIN SPEC.)



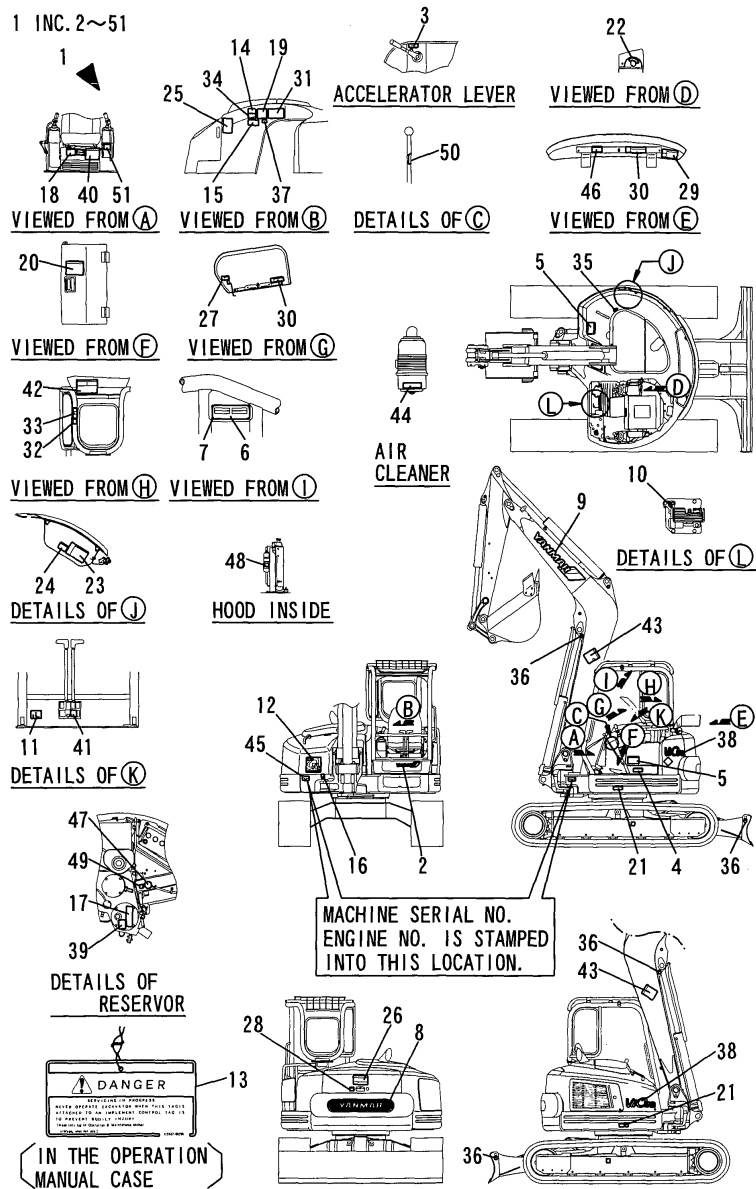
No.	Lev.	Parts No.	Description	Q'ty						I	R
				(A)	(B)	(C)	(D)	(E)	(F)		
52	1	172989-03120	LABEL,FAN CL US	1							2
53	1	172187-03400	LABEL,CONTROL PANEL	1							2
54	1	172187-03800	SCREW, M3X5	1							

Remarks
(1)RUBBER CRAWLER SPEC.
(2)COOLER SPEC.
*THIS FIGURE IN NEWLY ADDED.

(A)=VIO70(US)C
 (B)=VIO70(US)P
 (C)=

(D)=
 (E)=
 (F)=

Fig. 2 LABEL (CANOPY SPEC.)



No.	Lev.	Parts No.	Description	Q'ty						I	R
				(A)	(B)	(C)	(D)	(E)	(F)		
1	1	772187-03400	LABEL SET(VIO70 US	1							M
1-1	1	772187-03420	LABEL SET(VIO70 US,P	1							
2	2	172165-03141	LABEL,FRONT	1							
3	2	172519-03150	LABEL, ACCEL	1							
4	2	172187-03810	LABEL,SPECIFICATION	1							
5	2	172187-03910	LABEL,SUPPORT	2							
6	2	172187-03950	LABEL,ROPS	1							
7	2	172519-04350	SCREW	4							
8	2	172187-03140	LABEL, REAR	1							
9	2	172187-03160	LABEL, BOOM	1							
10	2	172187-03200	LABEL,P.T.O. LOCK	1							
11	2	172147-03210	LABEL,2 SPEED	1							
12	2	172439-03220	MARK,NO1	1							
13	2	172437-03250	TAG ASSY, CAUTION	1							
14	2	172437-03300	LABEL,MANUAL	1							
15	2	172437-03310	LABEL,SLOPE	1							
16	2	172146-03320	LABEL,GREASE E	1							
17	2	172437-03320	LABEL,HYD.OIL TANK	1							
18	2	172187-03330	LABEL,GREASING E	1							
19	2	172437-03340	LABEL,TRANSPORT	1							
20	2	172187-03350	LABEL,FUSE E	1							
21	2	172437-03351	LABEL,GREASE CYL.	2							
22	2	172141-03360	LABEL, START SWITCH	1							
23	2	172437-03360	LABEL,BATTERY	1							
24	2	172187-03370	LABEL,RADIATOR COVER	1							
25	2	172437-03370	LABEL,NEUTRAL	1							
25-1	2	172437-03371	LABEL	1							N
(B=M/#05095)											
26	2	172437-03380	LABEL,SWING AREA	1							
27	2	172437-03390	LABEL,RADIATOR	1							
28	2	172437-03400	LABEL,ENG.HOOD	1							
29	2	172437-03410	LABEL,ENG.ROOM	1							
30	2	172437-03421	LABEL,MUFFLER	2							
31	2	172437-03430	LABEL,STEERING	1							
31-1	2	172437-03431	LABEL,STEERING	1							N
(B=M/#05095)											
32	2	172437-03440	LABEL,ROPS	1							
33	2	172437-03450	LABEL,SEAT BELT	1							
34	2	172437-03470	LABEL,LEVER LOCK	1							
35	2	172437-03500	LABEL,FUEL	1							
36	2	172437-03510	LABEL,HOOK	4							
37	2	172437-03530	LABEL,RE-START	1							
38	2	172187-03700	LABEL,VIO70	2							
39	2	172155-03790	LABEL,RE-FUELING	1							
40	2	172187-03830	LABEL,OIL & WATER	1							
41	2	172187-03850	LABEL,PATTERN A	1							
42	2	172187-03930	LABEL,LIFTING	1							
43	2	172187-03940	LABEL,BOOM	2							
44	2	172125-03950	LABEL, AIR CLEANER	1							
45	2	172519-04350	SCREW	4							
46	2	129953-07700	EPA E/C LABEL	1							

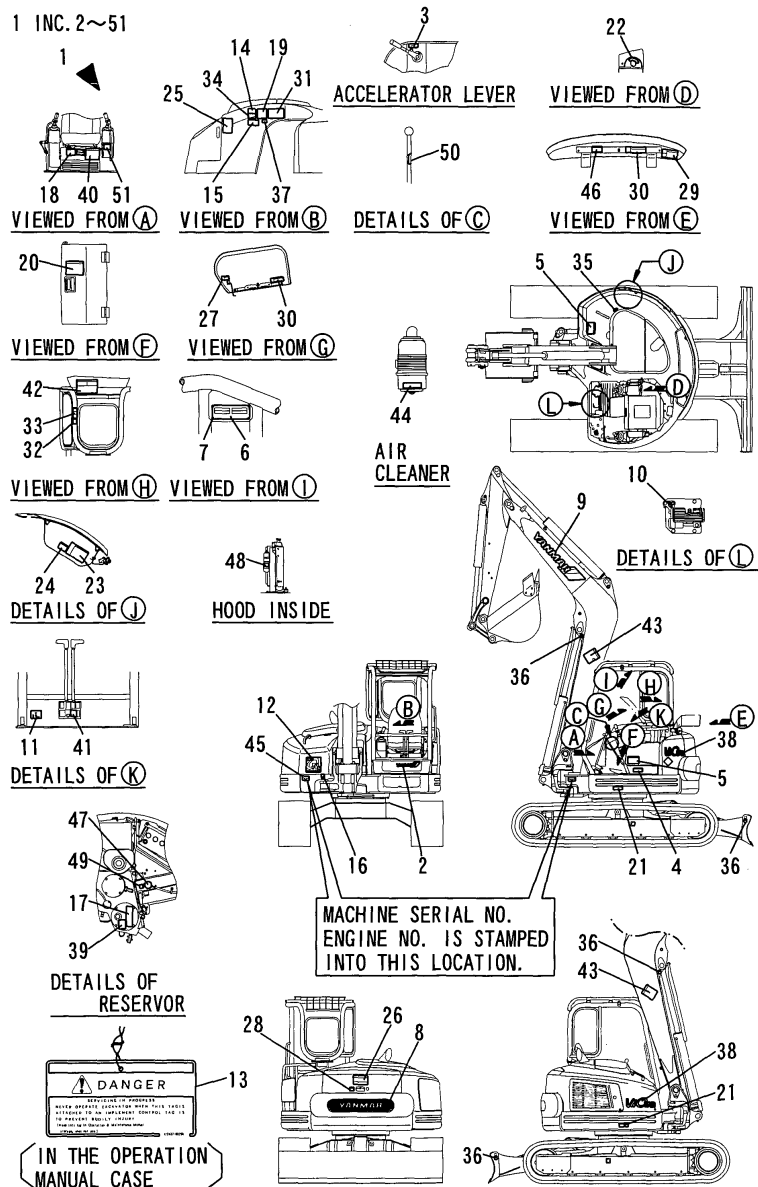
Remarks
 (1)RUBBER CRAWLER SPEC.
 (M)MISPRINT

Fig.2. LABEL(US)(CANOPY)

(A)=VIO70(US)C
(B)=VIO70(US)P
(C)=

(D)=
(E)=
(F)=

Fig. 2 LABEL (CANOPY SPEC.)



No.	Lev.	Parts No.	Description	Q'ty						I	R
				(A)	(B)	(C)	(D)	(E)	(F)		
47	2	121120-44800	LABEL, RADIATOR		1						
48	2	124764-44810	LABEL, SUB-TANK		1						
49	2	124764-44920	LABEL, ANTI-FREEZING		1						
50	2	172183-03280	LABEL, LOCK		1						
51	2	172187-03840	LABEL, ADJUST CRAWLER		1						1

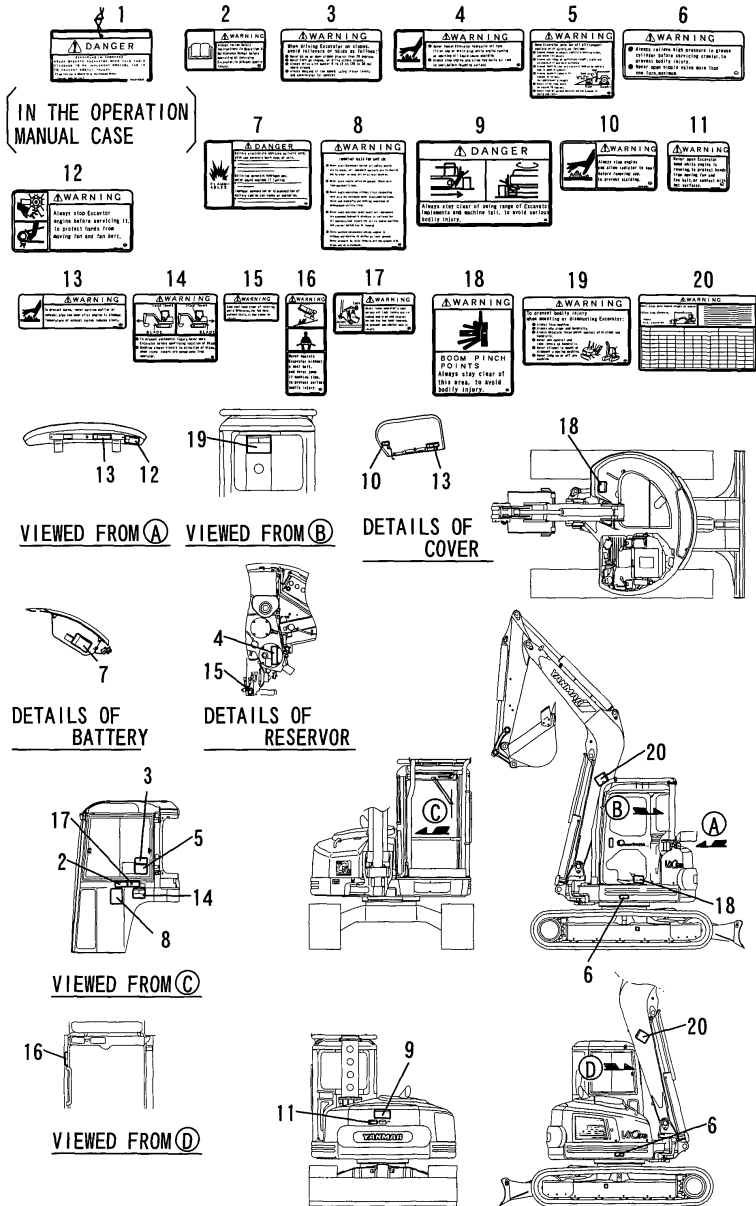
Remarks
(1) RUBBER CRAWLER SPEC.
(M) MISPRINT

Fig.3. SAFETY LABEL(US)(CABIN)

(A)=VIO70(US)C
(B)=VIO70(US)P
(C)=

(D)=
(E)=
(F)=

Fig.3 SAFETY LABEL (CABIN SPEC.)

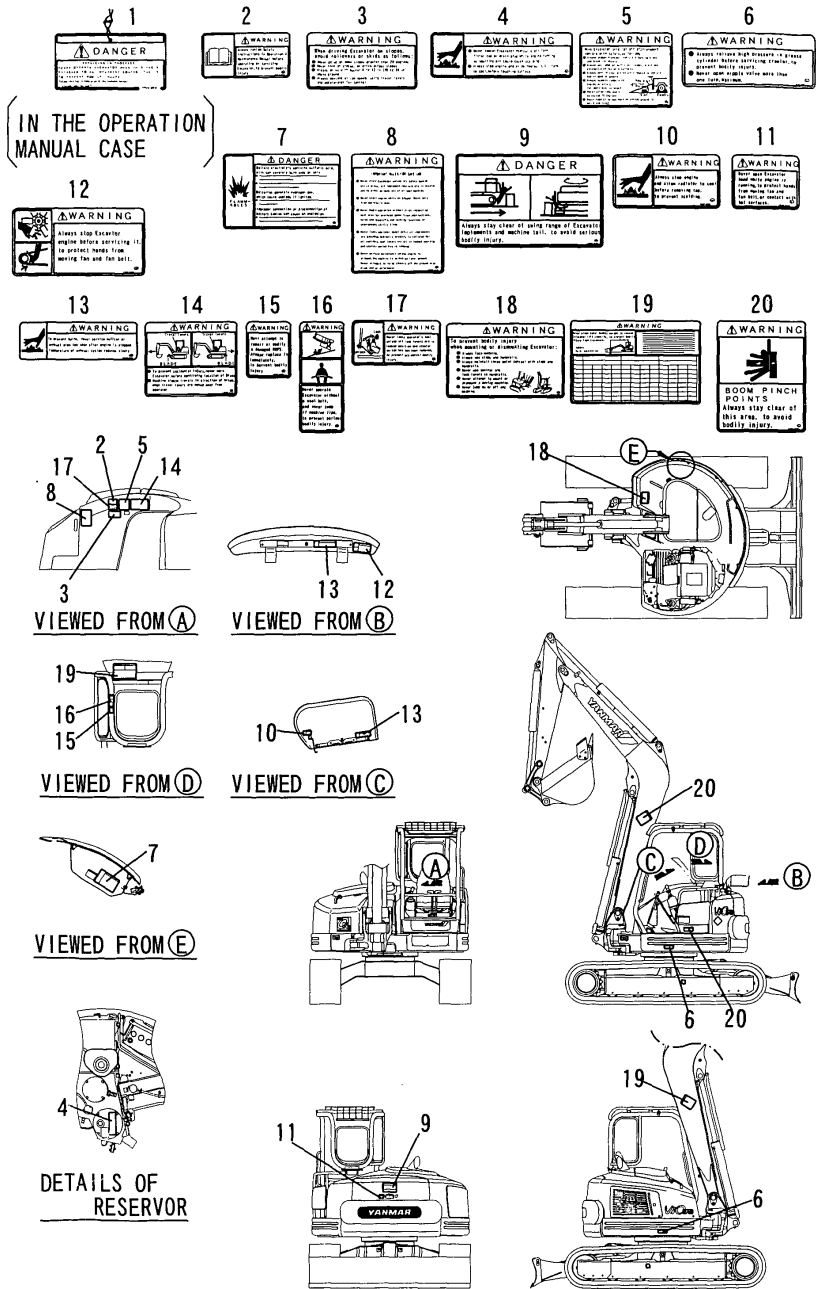


No.	Lev.	Parts No.	Description	Q'ty						I	R
				(A)	(B)	(C)	(D)	(E)	(F)		
1	1	172437-03250	TAG ASSY, CAUTION	1							
2	1	172437-03300	LABEL,MANUAL	1							
3	1	172437-03310	LABEL,SLOPE	1							
4	1	172437-03320	LABEL,HYD.OIL TANK	1							
5	1	172437-03340	LABEL,TRANSPORT	1							
6	1	172437-03351	LABEL,GREASE CYL.	2							
7	1	172437-03360	LABEL,BATTERY	1							
8	1	172437-03371	LABEL	1							
9	1	172437-03380	LABEL,SWING AREA	1							
10	1	172437-03390	LABEL,RADIATOR	1							
11	1	172437-03400	LABEL,ENG.HOOD	1							
12	1	172437-03410	LABEL,ENG.ROOM	1							
13	1	172437-03421	LABEL,MUFFLER	2							
14	1	172437-03431	LABEL,STEERING	1							
15	1	172989-03120	LABEL,FAN CL US	1							
16	1	172437-03450	LABEL,SEAT BELT	1							
17	1	172437-03470	LABEL,LEVER LOCK	1							
18	1	172187-03910	LABEL,SUPPORT	1							
19	1	172187-03930	LABEL,LIFTING	1							
20	1	172187-03940	LABEL,BOOM	2							

Remarks
*THIS FIGURE IN NEWLY ADDED.

Fig.4. SAFETY LABEL(US)(CANOPY)

Fig.4 SAFETY LABEL (CANOPY SPEC.)



(A)=VIO70(US)C
(B)=VIO70(US)P
(C)=

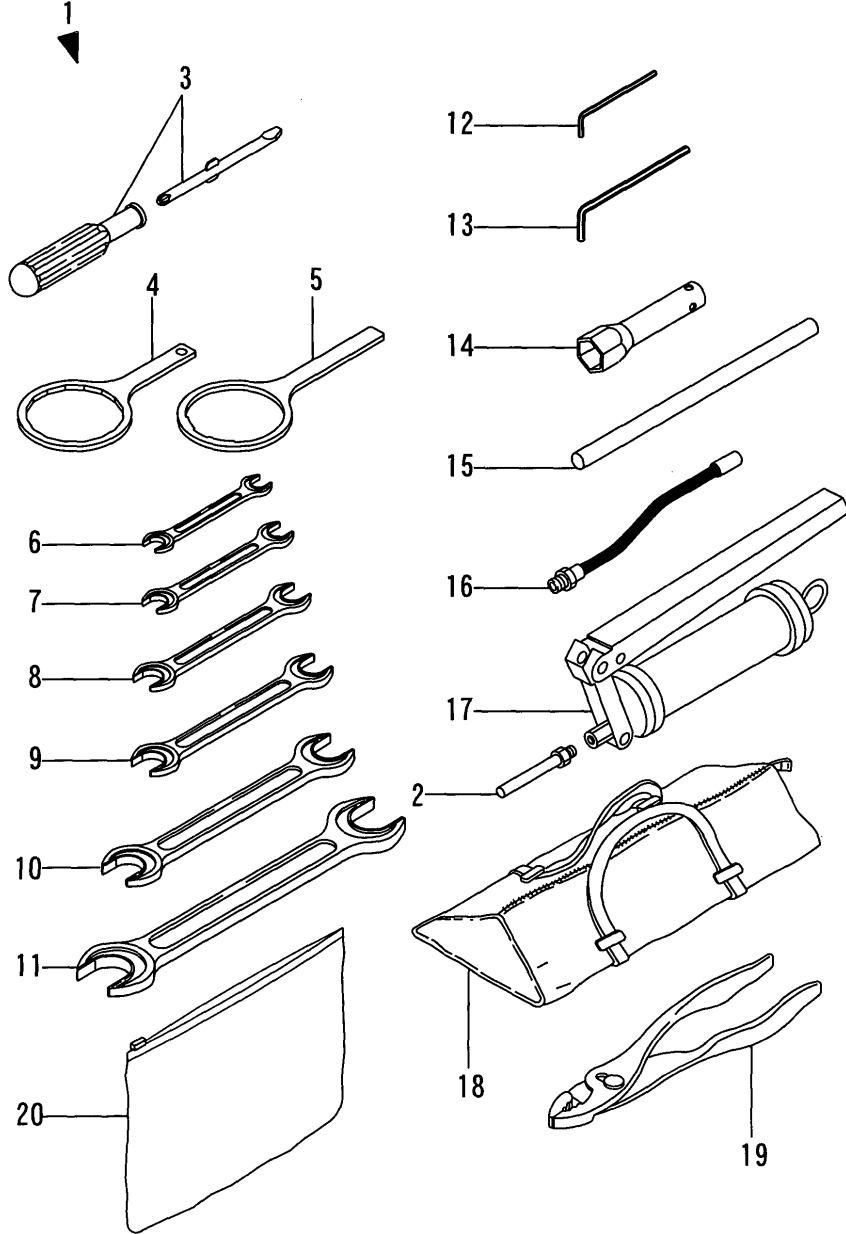
(D)=
(E)=
(F)=

No.	Lev.	Parts No.	Description	Q'ty						I	R
				(A)	(B)	(C)	(D)	(E)	(F)		
1	1	172437-03250	TAG ASSY, CAUTION		1						
2	1	172437-03300	LABEL,MANUAL		1						
3	1	172437-03310	LABEL,SLOPE		1						
4	1	172437-03320	LABEL,HYD.OIL TANK		1						
5	1	172437-03340	LABEL,TRANSPORT		1						
6	1	172437-03351	LABEL,GREASE CYL.		2						
7	1	172437-03360	LABEL,BATTERY		1						
8	1	172437-03370	LABEL,NEUTRAL		1						
8-1	1	172437-03371	LABEL		1						N
			(B=M/#05095)								
9	1	172437-03380	LABEL,SWING AREA		1						
10	1	172437-03390	LABEL,RADIATOR		1						
11	1	172437-03400	LABEL,ENG.HOOD		1						
12	1	172437-03410	LABEL,ENG.ROOM		1						
13	1	172437-03421	LABEL,MUFFLER		2						
14	1	172437-03430	LABEL,STEERING		1						
14-1	1	172437-03431	LABEL,STEERING		1						N
			(A=M/#05095)								
15	1	172437-03440	LABEL,ROPS		1						
16	1	172437-03450	LABEL,SEAT BELT		1						
17	1	172437-03470	LABEL,LEVER LOCK		1						
18	1	172187-03910	LABEL,SUPPORT		2						
19	1	172187-03930	LABEL,LIFTING		1						
20	1	172187-03940	LABEL,BOOM		2						

Fig.5. TOOL

Fig. 5 TOOL

1 INC. 2~19



(A)=VIO70(US)C
(B)=VIO70(US)P
(C)=

(D)=
(E)=
(F)=

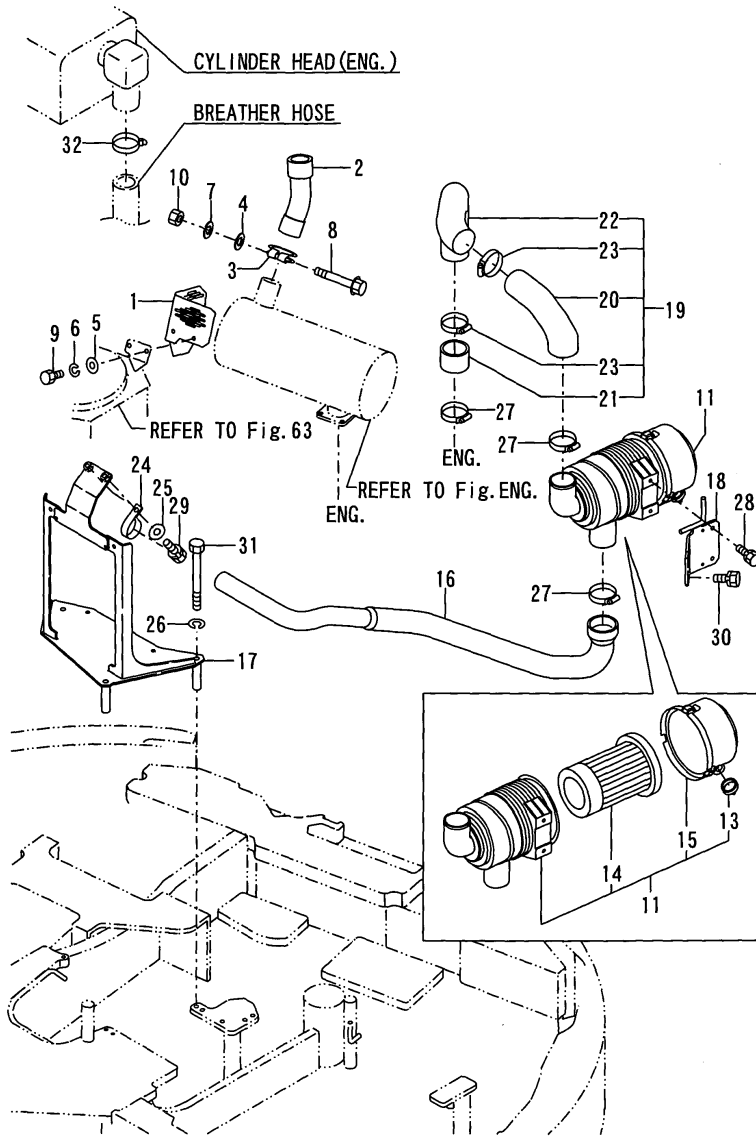
No.	Lev.	Parts No.	Description	Qty						I	R
				(A)	(B)	(C)	(D)	(E)	(F)		
1	1	772187-05100	TOOL ASSY	1	1						
2	2	172122-05101	NOZZLE	1	1						
3	2	104200-92350	DRIVER, SCREW	1	1						
4	2	119640-92750	WRENCH, FILTER 80	1	1						
5	2	171301-92750	WRENCH, L.O. FILTER	1	1						
6	2	28110-080100	SPANNER, 8X10	1	1						
7	2	28110-120140	SPANNER, 12X14	2	2						
8	2	28110-170190	SPANNER, 17X19	1	1						
9	2	28110-220240	SPANNER, 22X24	1	1						
10	2	28110-270300	SPANNER, 27X30	1	1						
11	2	28110-320360	SPANNER, 32X36	1	1						
12	2	28150-050000	WRENCH, BAR 5	1	1						
13	2	28150-080000	WRENCH, BAR 8	1	1						
14	2	28227-271400	BOX WRENCH 27X140	1	1						
15	2	28230-120250	HANDLE, TURN 12X250	1	1						
16	2	933110-09701	HOSE, GREASE	1	1						
17	2	933110-09801	GUN, GREASE	1	1						
18	2	933110-90000	BAG, TOOL	1	1						
19	2	933171-00470	PLIER 200	1	1						
20	1	172434-07330	CASE, MANUAL	1	1						

Fig.6. SUC. PIPE & EXH. PIPE

(A)=VIO70(US)C
(B)=VIO70(US)P
(C)=

(D)=
(E)=
(F)=

Fig.6 SUC. PIPE & EXH. PIPE



No.	Lev.	Parts No.	Description	Q'ty						I	R
				(A)	(B)	(C)	(D)	(E)	(F)		
1	1	172187-11310	COVER ASSY, MUFFLER	1	1						
2	1	172187-11350	PIPE ASSY, EXHAUST	1	1						
3	1	172187-11400	CLAMP	1	1						
4	1	22117-100000	WASHER, 10	1	1						
5	1	22137-080000	WASHER, 8	2	2						
6	1	22217-080000	WASHER, SPRING 8	2	2						
7	1	22217-100000	WASHER, SPRING 10	1	1						
8	1	26106-100652	BOLT, M10X 65 PLATED	1	1						
9	1	26116-080162	BOLT, M8X 16 PLATED	2	2						
10	1	26706-100002	NUT, M10	1	1						
11	1	172187-11500	CLEANER ASSY, AIR	1	1						1
13	2	119808-12540	VALVE, UNLOADER	1	1						
14	2	129062-12560	ELEMENT	1	1						
15	2	129062-12570	COVER-ASSY	1	1						
16	1	172187-11520	HOSE	1	1						
17	1	172187-11550	SUPPORT ASSY, HOSE	1	1						
18	1	172187-11640	BRACKET	1	1						
19	1	172187-11650	SILENCER, INTAKE	1	1						
20	2	172187-11660	HOSE,SUC. A	1	1						
21	2	172187-11670	HOSE,SUC. A	1	1						
22	2	172187-11680	SILENCER, INTAKE	1	1						
23	2	23000-080000	CLAMP, 80	2	2						
24	1	172158-78250	CLAMP, 45	2	2						
25	1	22137-100000	WASHER, 10	2	2						
26	1	22217-100000	WASHER, SPRING 10	3	3						
27	1	23000-080000	CLAMP, 80	3	3						
28	1	26013-080202	BOLT, M8X 20	2	2						
29	1	26013-100202	BOLT, M10X 20	2	2						
30	1	26013-120252	BOLT, M12X 25	2	2						
31	1	26116-101002	BOLT, M10X100 PLATED	3	3						
32	1	933152-09280	BAND 170	1	1						
33A	1	172125-03950	LABEL, AIR CLEANER	1	1						2

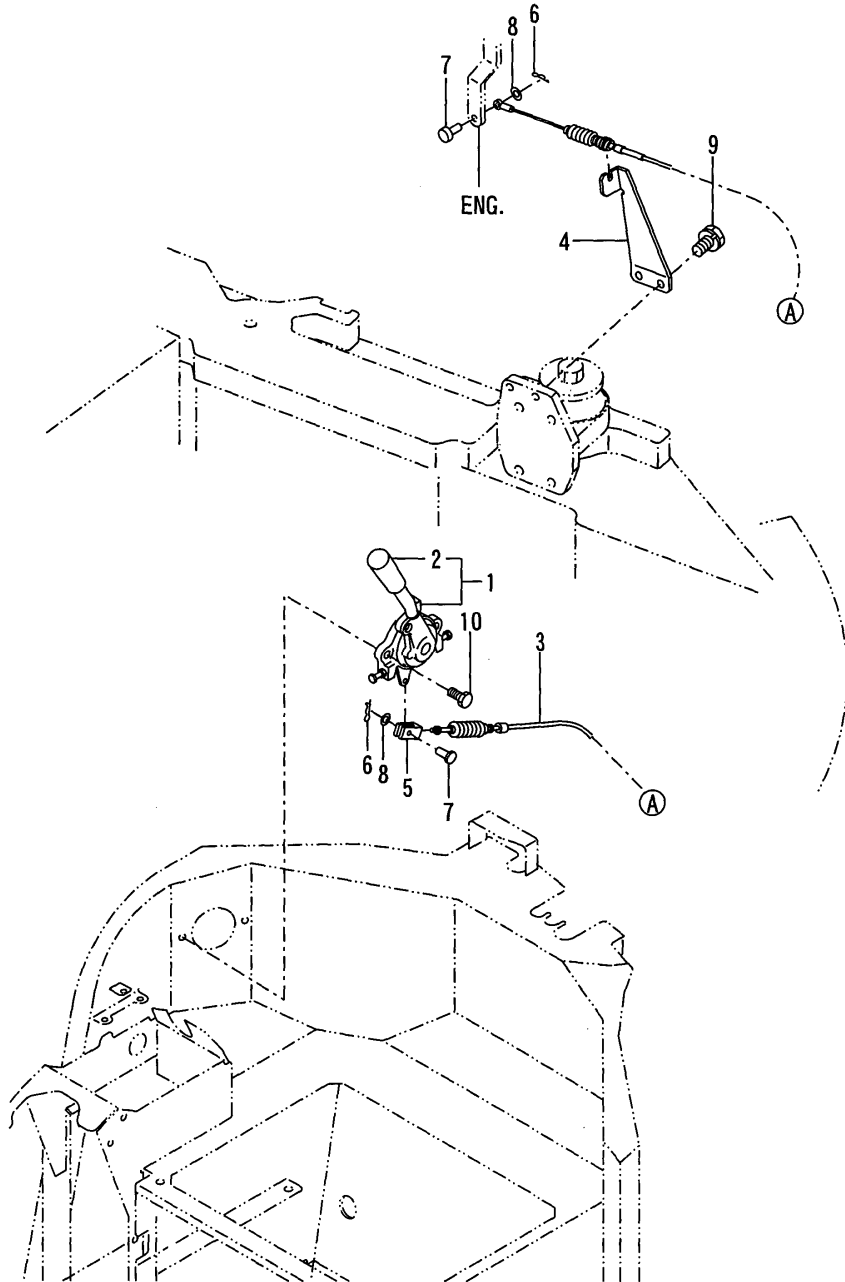
Remarks

(1)PLEASE USE THIS PART WITH FOLLOWING LABELS AT THE SAME TIME. REF.NO.33A.

(2)LABELS ARE NOT ILLUSTRATED.

Fig.7. ACCELERATOR

Fig.7 ACCELERATOR



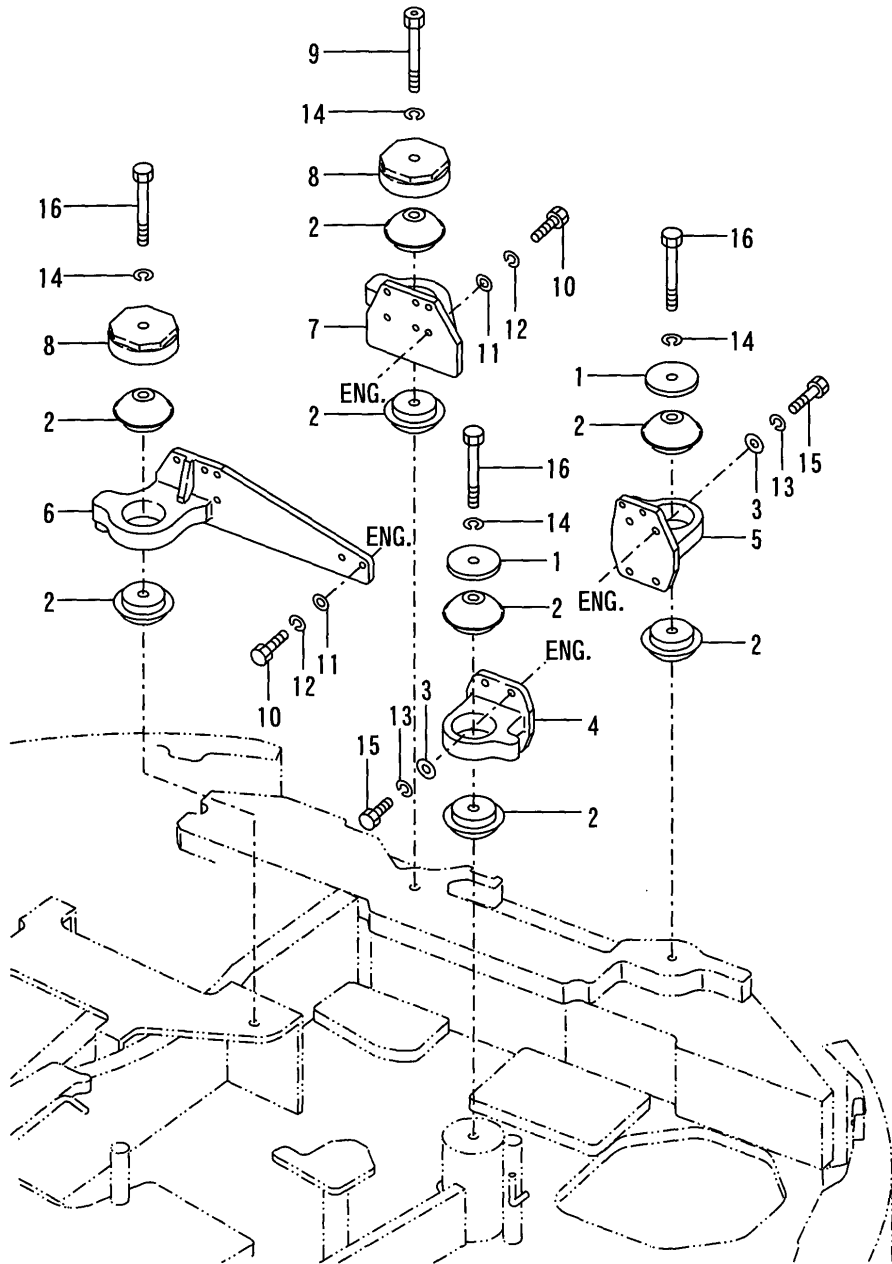
(A)=VIO70(US)C
(B)=VIO70(US)P
(C)=

(D)=
(E)=
(F)=

No.	Lev.	Parts No.	Description	Q'ty						I	R
				(A)	(B)	(C)	(D)	(E)	(F)		
1	1	172187-12100	LEVER, ACCELERATOR	1	1						
2	2	172165-12140	GRIP	1	1						
3	1	172187-12110	CABLE, ACCELERATOR	1	1						
4	1	172187-12120	SUPPORT	1	1						
5	1	172137-12270	JOINT, CABLE	1	1						
6	1	1C6281-52310	PIN, SNAP 6	2	2						
7	1	1A1040-56900	PIN, 6X17	2	2						
8	1	22137-060000	WASHER, 6	2	2						
9	1	26013-100162	BOLT, M10X 16	2	2						
10	1	26013-100252	BOLT, M10X 25	2	2						

Fig.8. ENGINE MOUNT

Fig.8 ENGINE MOUNT

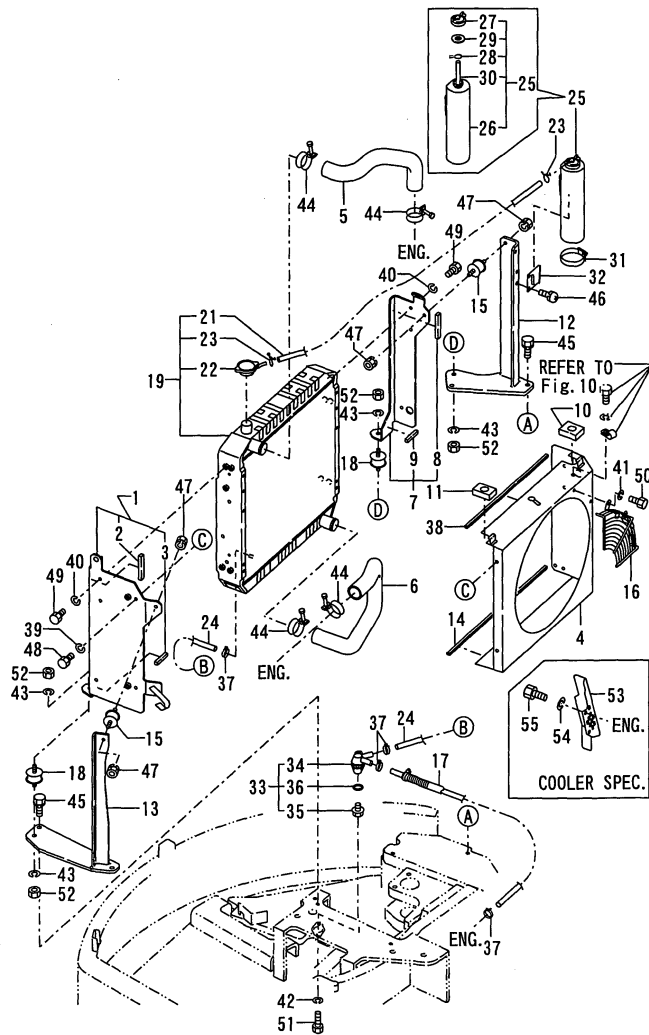


(A)=VIO70(US)C
(B)=VIO70(US)P
(C)=

(D)=
(E)=
(F)=

No.	Lev.	Parts No.	Description	Q'ty						I	R
				(A)	(B)	(C)	(D)	(E)	(F)		
1	1	172162-13170	WASHER	2	2						
2	1	172162-13180	MOUNT,ENGINE	8	8						
3	1	172165-13220	WASHER	8	8						
4	1	172187-13700	BRACKET, FR	1	1						
5	1	172187-13730	BRACKET, RF	1	1						
6	1	172187-13760	BRACKET, RR	1	1						
7	1	172187-13800	BRACKET, LR	1	1						
8	1	172187-13830	STOPPER ASSY	2	2						
9	1	172187-13870	BOLT 16X30	1	1						
10	1	1E6480-16920	BOLT 10X35	12	12						
11	1	172137-46040	SEAT, SPRING	12	12						
12	1	22217-100000	WASHER, SPRING 10	12	12						
13	1	22217-120000	WASHER, SPRING 12	8	8						
14	1	22217-160000	WASHER, SPRING 16	4	4						
15	1	26076-120352	BOLT, 10.912X 35	8	8						
16	1	26076-161302	BOLT, 10.916X130	3	3						

Fig.9 RADIATOR & MOUNT



Remarks

- (1)NOT APPLIED FOR COOLER SPEC.
- (2)COOLER SPEC.
- (3)PLEASE USE THIS PART WITH FOLLOWING LABELS AT THE SAME TIME.REF.NO.58A
- (4)PLEASE USE THIS PART WITH FOLLOWING LABELS AT THE SAME TIME.REF.NO.56A
- (5)PLEASE USE THIS PART WITH FOLLOWING LABELS AT THE SAME TIME.REF.NO.57A
- (6)LABELS ARE NOT ILLUSTRATED.

(A)=VIO70(US)C
 (B)=VIO70(US)P
 (C)=

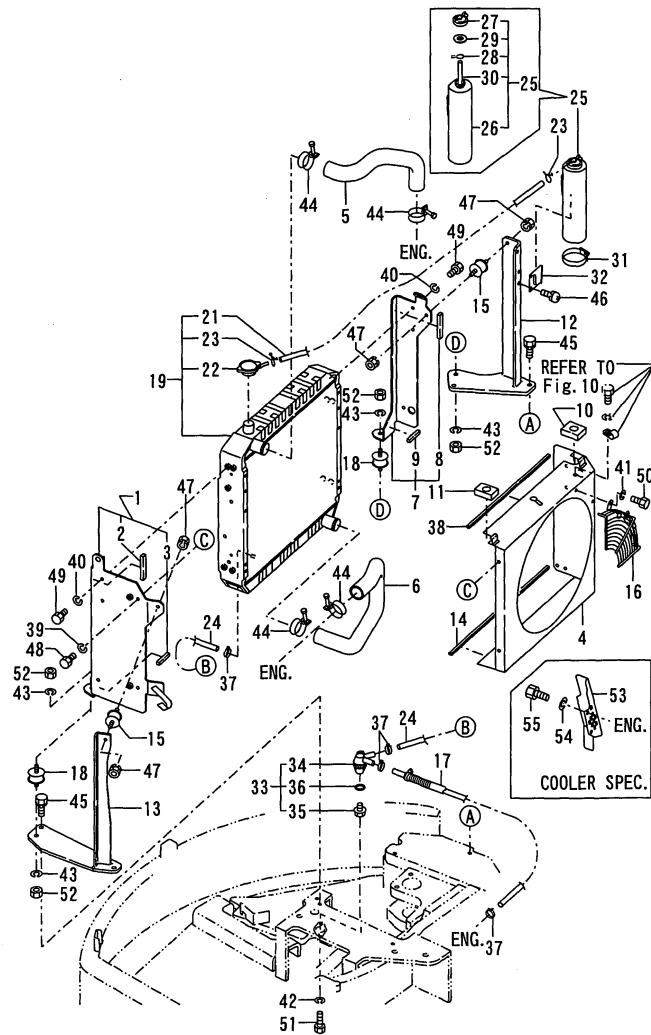
(D)=
 (E)=
 (F)=

No.	Lev.	Parts No.	Description	Q'ty						I	R
				(A)	(B)	(C)	(D)	(E)	(F)		
1	1	172187-13250	MOUNT L	1	1						
2	2	172187-13530	SEAL, RADIATOR	1	1						
3	2	172187-13540	SEAL, RADIATOR	1	1						
4	1	172187-13261	SHROUD ASSY	1	1						
5	1	172187-13300	HOSE A, RADIATOR	1	1						
6	1	172187-13310	HOSE B, RADIATOR	1	1						
7	1	172187-13320	MOUNT R	1	1						
8	2	172187-13530	SEAL, RADIATOR	1	1						
9	2	172187-13540	SEAL, RADIATOR	1	1						
10	1	172187-13360	SEAL	1	1						
11	1	172187-13370	SEAL	1	1						
12	1	172187-13390	BRACKET R	1	1						
13	1	172187-13420	BRACKET L	1	1						
14	1	172187-13480	SEAL	1	1						
15	1	172124-13500	MOUNT, RADIATOR	2	2						
16	1	172187-13501	NET ASSY, WIRE	1	1						1
17	1	172187-13550	HOSE 1200	1	1						
18	1	172162-13780	MOUNT 42-87, EVAPORTR	2	2						
19	1	172187-13901	RADIATOR	1	1						3
21	2	172187-13920	HOSE, RUBBER	1	1						
22	2	119259-44570	CAP, RADIATOR	1	1						4
23	2	121250-44590	CLAMP	2	2						
24	1	172171-14610	HOSE 260, FUEL	1	1						
25	1	171064-44510	TANK ASSY, SUB	1	1						5
26	2	171064-44520	BODY, TANK	1	1						
27	2	121450-44531	CAP	1	1						
28	2	124450-44560	RETAINER	1	1						
29	2	121470-44581	GASKET	1	1						
30	2	23065-070225	HOSE 7X 225	1	1						
31	1	124450-44550	BAND	1	1						
32	1	121256-44600-1	BRACKET, SUB TANK	1	1						
33	1	121450-49110	COCK ASSY, 3-WAY	1	1						
34	2	121450-49100	BODY, 3-WAY COCK	1	1						
35	2	121250-49121	PLUG, DRAIN	1	1						
36	2	24311-000160	O-RING, 1AP16.0	1	1						
37	1	124766-59050	CLIP, HOSE 12	4	4						
38	1	172162-62540	SEAL, STEP	1	1						
39	1	22217-080000	WASHER, SPRING 8	3	3						
40	1	22217-080000	WASHER, SPRING 8	6	6						
41	1	22217-080000	WASHER, SPRING 8	2	2						
42	1	22217-080000	WASHER, SPRING 8	2	2						
43	1	22217-100000	WASHER, SPRING 10	4	4						1
44	1	23010-050000	CLAMP, 50	4	4						
45	1	26013-100252	BOLT, M10X 25	4	4						
46	1	26022-080162	SCREW, M8X16	2	2						
47	1	26051-080002	NUT, M8	4	4						
48	1	26116-080162	BOLT, M8X 16 PLATED	3	3						
49	1	26116-080162	BOLT, M8X 16 PLATED	6	6						
50	1	26116-080162	BOLT, M8X 16 PLATED	2	2						1
51	1	26116-080252	BOLT, M8X 25 PLATED	2	2						
52	1	26716-100002	NUT, M10	4	4						

(A)=VIO70(US)C
 (B)=VIO70(US)P
 (C)=

(D)=
 (E)=
 (F)=

Fig.9 RADIATOR & MOUNT



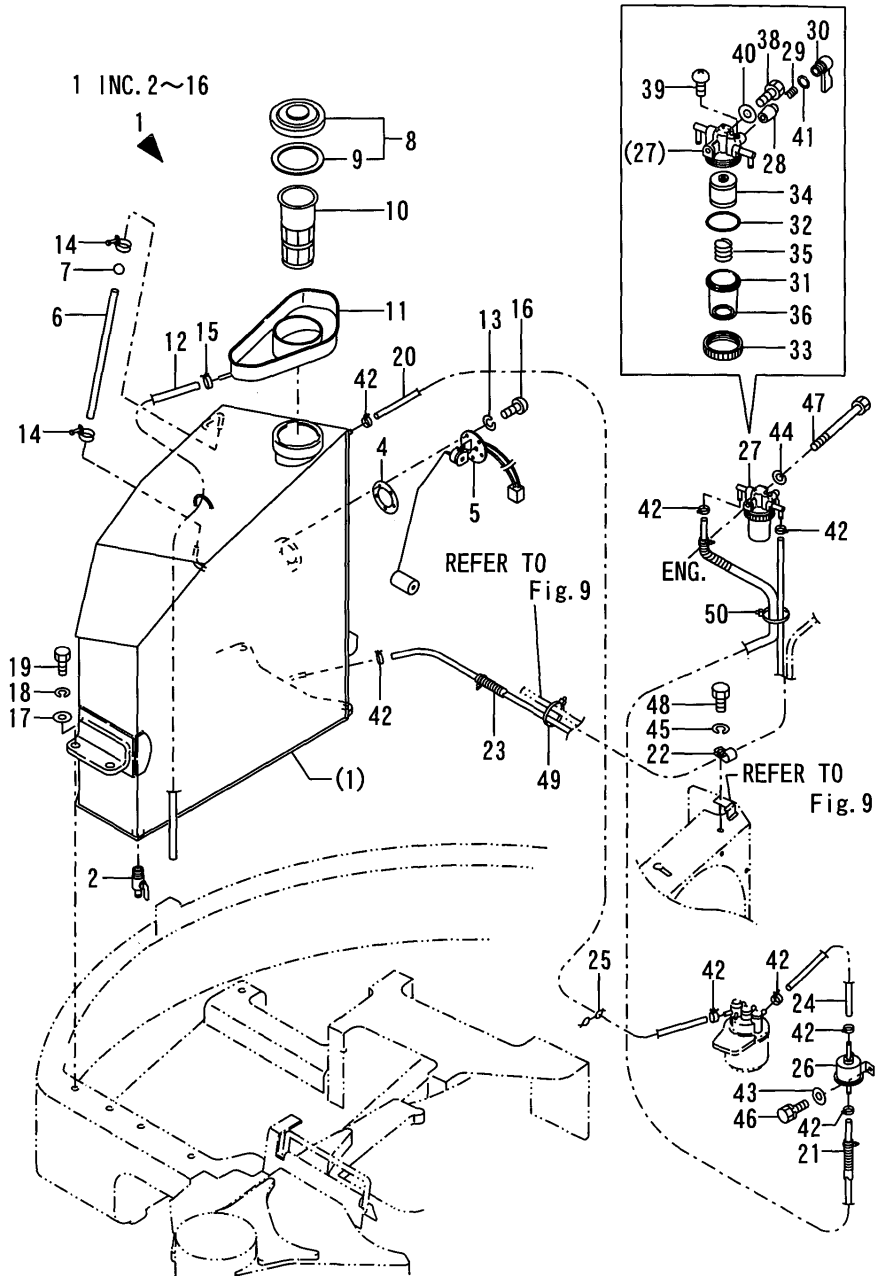
No.	Lev.	Parts No.	Description	Q'ty						I	R
				(A)	(B)	(C)	(D)	(E)	(F)		
53	1	172187-18401	GUARD ASSY, BELT	1							2
54	1	22217-100000	WASHER, SPRING 10	2							2
55	1	26116-100162	BOLT, M10X 16 PLATED	2							2
56A	1	121120-44800	LABEL, RADIATOR	1	1						6
57A	1	124764-44810	LABEL, SUB-TANK	1	1						6
58A	1	124764-44920	LABEL, ANTI-FREEZING	1	1						6

Remarks

- (1)NOT APPLIED FOR COOLER SPEC.
- (2)COOLER SPEC.
- (3)PLEASE USE THIS PART WITH FOLLOWING LABELS AT THE SAME TIME.REF.NO.58A
- (4)PLEASE USE THIS PART WITH FOLLOWING LABELS AT THE SAME TIME.REF.NO.56A
- (5)PLEASE USE THIS PART WITH FOLLOWING LABELS AT THE SAME TIME.REF.NO.57A
- (6)LABELS ARE NOT ILLASTRATED.

Fig.10. FUEL TANK & FUEL LINE

Fig.10 FUEL TANK & FUEL LINE



(A)=VIO70(US)C
(B)=VIO70(US)P
(C)=

(D)=
(E)=
(F)=

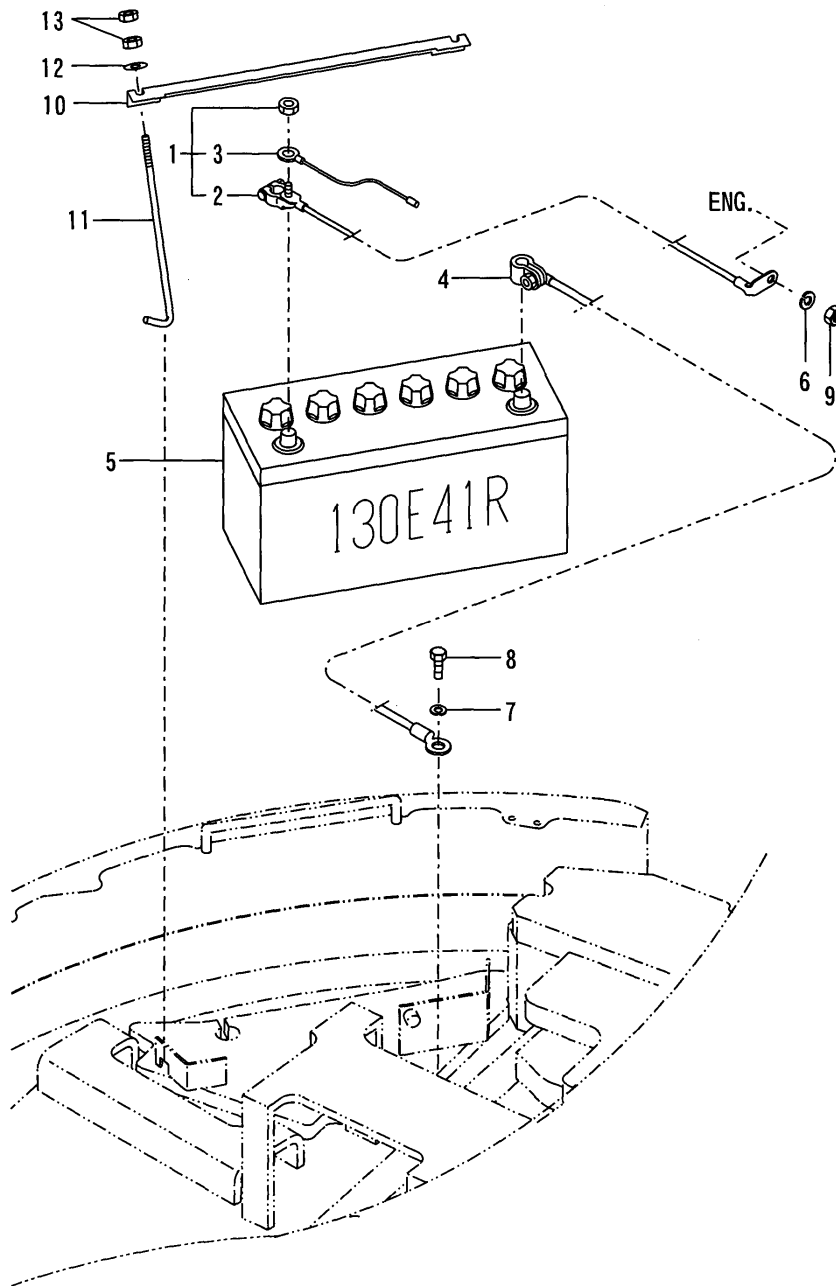
No.	Lev.	Parts No.	Description	Qty						I	R
				(A)	(B)	(C)	(D)	(E)	(F)		
1	1	772187-14100	TANK ASSY, FUEL	1	1						
2	2	104200-11920	COCK, WATER	1	1						
4	2	172162-14200	GASKET	1	1						
5	2	172187-14220	GAUGE, FUEL	1	1						
6	2	172187-14240	HOSE	1	1						
7	2	172141-14260	FLOAT	1	1						
8	2	172187-14280	CAP ASSY, TANK	1	1						
9	3	172187-14320	GASKET	1	1						
10	2	172187-14290	NET, FUEL	1	1						
11	2	172187-14500	CATCH, FUEL	1	1						
12	2	172187-14510	HOSE	1	1						
13	2	22217-050000	WASHER, SPRING 5	5	5						
14	2	23010-014000	CLAMP, 14	2	2						
15	2	23080-013000	CLAMP, 13	1	1						
16	2	26557-050122	SCREW, M5X12	5	5						
17	1	22137-160000	WASHER, 16	4	4						
18	1	22217-160000	WASHER, SPRING 16	4	4						
19	1	26116-160402	BOLT, M16X 40 PLATED	4	4						
20	1	172187-14390	HOSE	1	1						
21	1	172187-14430	HOSE	1	1						
22	1	172187-14460	CLAMP	4	4						
23	1	172187-14470	HOSE	1	1						
24	1	172171-14610	HOSE 260,FUEL	1	1						
25	1	172122-16600	CLAMP, DOUBLE	1	1						
26	1	119225-52102	PUMP ASSY, FUEL FEED	1	1						
27	1	129335-55705	SEPARATOR,WATER	1	1						
28	2	104200-55321	VALVE, TAPER	1	1						
29	2	104200-55330	SPRING, VALVE	1	1						
30	2	104200-55341	HANDLE	1	1						
31	2	121254-55510	COVER	1	1						
32	2	102103-55520	O-RING	1	1						
33	2	110250-55610	RING, RETAINING	1	1						
34	2	121850-55710	SCREEN	1	1						
35	2	121257-55720	SPRING	1	1						
36	2	121257-55731	FLOAT	1	1						
38	2	101720-55750	PLUG, 6	2	2						
39	2	104200-55750	SCREW, M4	1	1						
40	2	23418-060000	GASKET, 6X1.0	2	2						
41	2	24311-240100	O-RING, 1AP10A	1	1						
42	1	124766-59050	CLIP, HOSE 12	8	8						
43	1	22137-060000	WASHER, 6	2	2						
44	1	22217-080000	WASHER, SPRING 8	1	1						
45	1	22217-100000	WASHER, SPRING 10	4	4						
46	1	26013-060162	BOLT, M6X 16	2	2						
47	1	26116-080652	BOLT, M8X 65 PLATED	1	1						
48	1	26116-100162	BOLT, M10X 16 PLATED	4	4						
49	1	933152-09280	BAND 170	1	1						
50	1	933168-55770	BAND 146	1	1						

Fig.11. BATTERY

(A)=VIO70(US)C
(B)=VIO70(US)P
(C)=

(D)=
(E)=
(F)=

Fig.11 BATTERY



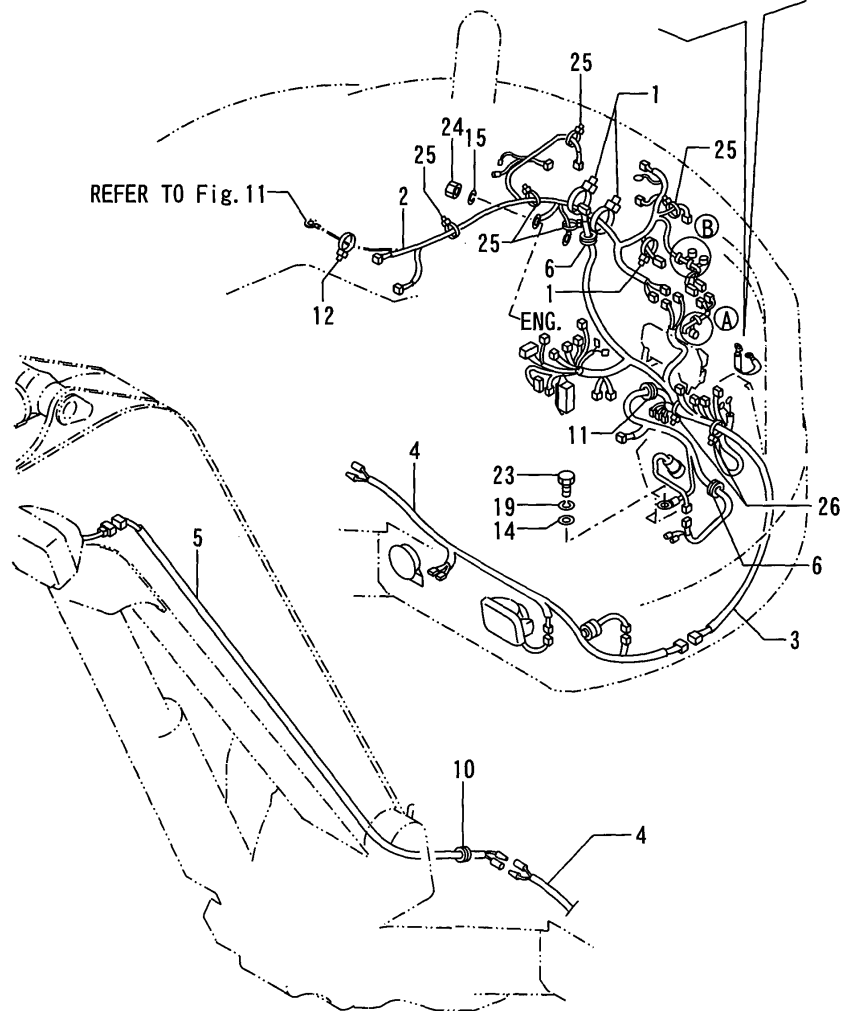
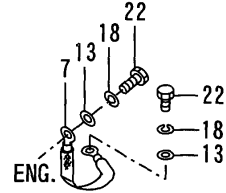
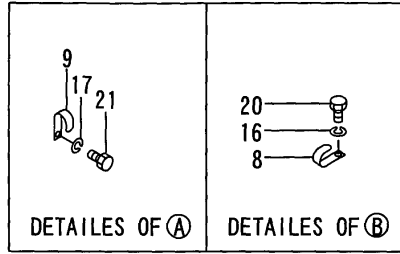
No.	Lev.	Parts No.	Description	Q'ty						I	R
				(A)	(B)	(C)	(D)	(E)	(F)		
1	1	172187-16100	CORD, BATTERY	1	1						
2	2	172187-16120	CORD, BATTERY	1	1						
3	2	172187-16130	WIRE, FUSIBLE	1	1						
4	1	172187-16110	CORD, BATTERY	1	1						
5	1	172187-16150	BATTERY	1	1						
6	1	22217-080000	WASHER, SPRING 8	1	1						
7	1	22217-100000	WASHER, SPRING 10	1	1						
8	1	26116-100162	BOLT, M10X 16 PLATED	1	1						
9	1	26716-080002	NUT, M8	1	1						
10	1	172112-16201	RETAINER, BATTERY	1	1						
11	1	172512-16350	ROD, CLAMP	2	2						
12	1	22157-080000	WASHER, 8	2	2						
13	1	26716-080002	NUT, M8	4	4						

Fig.12. ELECTRIC PART(WIRING)

(A)=VIO70(US)C
(B)=VIO70(US)P
(C)=

(D)=
(E)=
(F)=

Fig.12 ELECTRIC PART(WIRING)

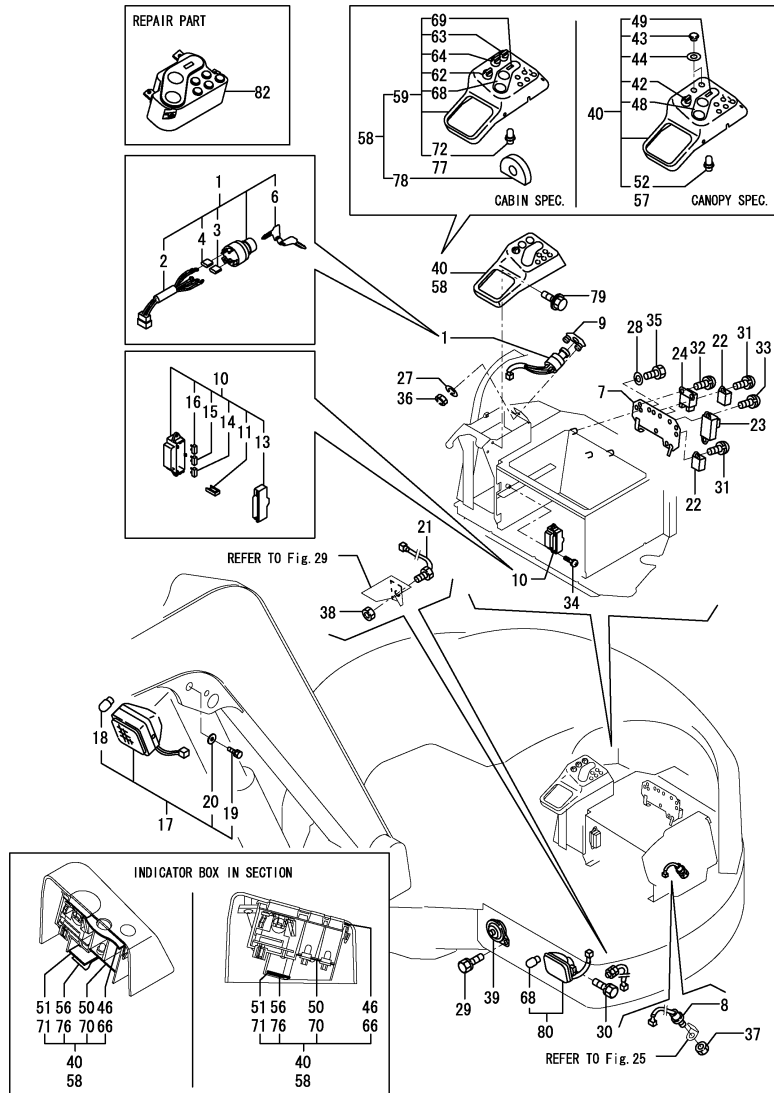


No.	Lev.	Parts No.	Description	Q'ty						I	R
				(A)	(B)	(C)	(D)	(E)	(F)		
1	1	172126-11510	BAND 300	3	3						
2	1	172187-16500	HARNESS A	1	1						
3	1	172187-16511	HARNESS B	1	1						
4	1	172187-16520	HARNESS C	1	1						
5	1	172187-16530	HARNESS D	1	1						
6	1	172187-16560	GROMMET	2	2						
7	1	172187-16600	CORD, ENGINE EARTH	1	1						
8	1	194440-51620	CLAMP	2	2						
9	1	194440-51620	CLAMP	1	1						
10	1	1A1380-58050	GROMMET, 16X20X4.5		1						
10-1	1	933171-15680	GROMMET (B=M/#01661)	1	1						S
11	1	172131-78350	GROMMET, 13.5	1	1						
12	1	172122-79920	CLIP, HOSE	1	1						
13	1	22137-100000	WASHER, 10	2	2						
14	1	22137-100000	WASHER, 10	1	1						
15	1	22217-050000	WASHER, SPRING 5	1	1						
16	1	22217-080000	WASHER, SPRING 8	2	2						
17	1	22217-080000	WASHER, SPRING 8	1	1						
18	1	22217-100000	WASHER, SPRING 10	2	2						
19	1	22217-100000	WASHER, SPRING 10	1	1						
20	1	26116-080162	BOLT, M8X 16 PLATED	2	2						
21	1	26116-080162	BOLT, M8X 16 PLATED	1	1						
22	1	26116-100162	BOLT, M10X 16 PLATED	2	2						
23	1	26116-100162	BOLT, M10X 16 PLATED	1	1						
24	1	26716-050002	NUT, M5	1	1						
25	1	933152-09280	BAND 170	5	5						
26	1	933152-09280	BAND 170	2	2						

Fig.13. ELECTRIC PART(EQUIPMENT)

(A)=VIO70(US)C
(B)=VIO70(US)P
(C)=

(D)=
(E)=
(F)=



No.	Lev.	Parts No.	Description	(A)	(B)	(C)	(D)	(E)	(F)	Q'ty	I	R
1	1	172187-17100	SWITCH ASSY, STARTER	1	1							
2	2	172187-17070	CORD ASSY	1	1							
3	2	172187-17080	COVER	3	3							
4	2	172187-17090	COVER	2	2							
6	2	933110-00301	KEY ASSY	1	1							
7	1	172187-17110	BRACKET	1	1							
8	1	172164-17140	SWITCH	1	1							
9	1	172187-17150	PLATE	1	1							
10	1	172187-17200	BOX, FUSE	1	1							
11	2	172175-17120	PULLER	1	1							
13	2	172187-17220	COVER	1	1							
14	2	29420-050000	FUSE, B 5A	2	2							
15	2	29420-150000	FUSE, B 15A	6	6							
16	2	29420-300000	FUSE, B 30A	2	2							
17	1	172162-17400	LAMP COMP.,WORKING	1	1							
18	2	172141-17211	BULB	1	1							
19	2	26013-100202	BOLT, M10X 20	2	2							
20	2	22157-100000	WASHER, 10	2	2							
21	1	194464-52190	SWITCH, SAFETY START	1	1							
22	1	119247-77100	RELAY, SAFETY	3	3							
23	1	129136-77200	RELAY, SAFETY	1	1							
24	1	119650-77910	RELAY ASSY, GLOW	1	1							
27	1	22217-080000	WASHER, SPRING 8	2	2							
28	1	22217-080000	WASHER, SPRING 8	3	3							
29	1	26013-060162	BOLT, M6X 16	2	2							
30	1	26013-080162	BOLT, M8X 16	2	2							
31	1	26022-060122	SCREW, M6X12	3	3							
32	1	26022-060122	SCREW, M6X12	2	2							
33	1	26022-060202	SCREW, M6X20	2	2							
34	1	26022-060202	SCREW, M6X20	2	2							
35	1	26116-080202	BOLT, M8X 20 PLATED	3	3							
36	1	26716-080002	NUT, M8	2	2							
37	1	26776-160002	NUT, LOCK M16	1	1							
38	1	26776-180002	NUT, LOCK M18	1	1							
39	1	933110-05300	HORN		1							
39-1	1	933110-05301	HORN	1	1							N
(B=M/#01675)												
40	1	172187-17551	BOX, INDICATOR		1							1
42	2	172187-17280	SWITCH ASSY, LIGHT		1							
43	2	172187-17560	CAP		2							
44	2	172187-17570	GASKET		2							
46	2	172187-17320	PACKING		1							
48	2	172187-17341	GAUGE ASSY		1							
49	2	172187-17350	METER ASSY, HOUR		1							
50	2	172187-17360	PRINT,CIRCUIT		1							
51	2	172187-17371	CIRCUIT ASSY		1							
52	2	172187-17380	BULB		4							
56	2	172187-17470	PLATE		1							
57	2	172187-17480	BULB		2							
58	1	172445-17550	INDICATOR BOX	1								2
62	3	172187-17280	SWITCH ASSY, LIGHT	1								

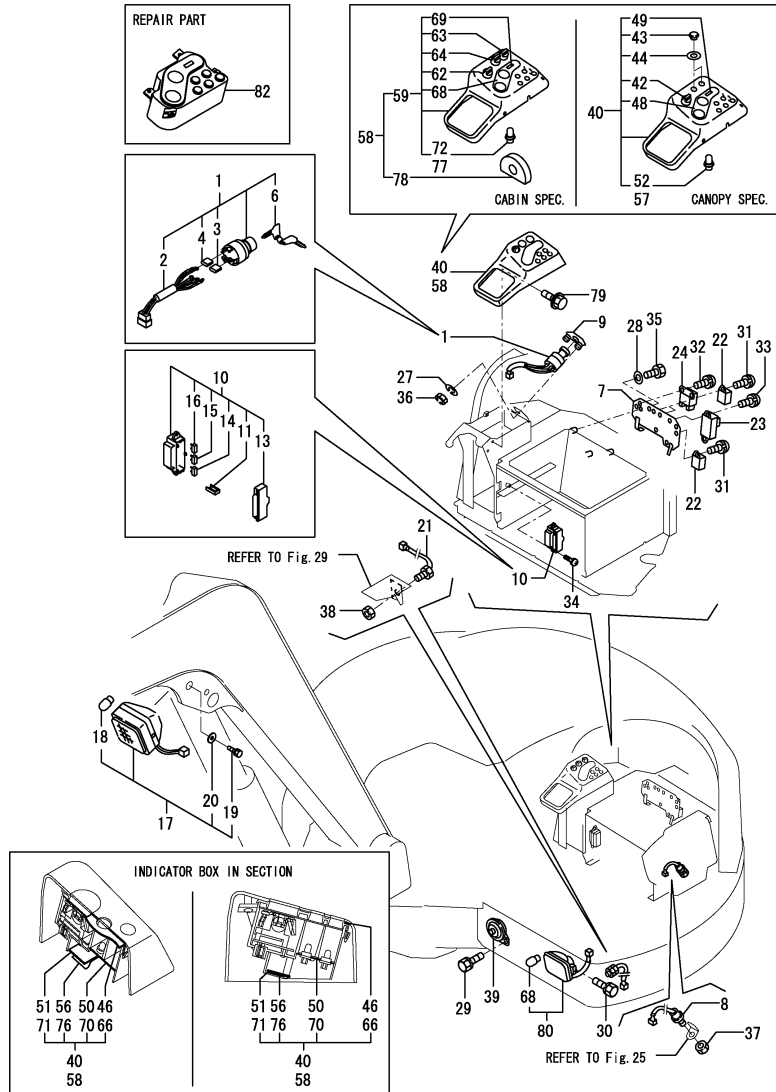
Remarks

- (1)HOUR METER = ANALOG TYPE.
ONLY THE MONITOR PORT COPES IN
REF.NO.82.PLEASE PUT REF.NO.84A.
- (2)HOUR METER = ANALOG TYPE.
ONLY THE MONITOR PORT COPES IN
REF.NO.82.PLEASE PUT REF.NO.83A.
- (3)LABELS ARE NOT ILLUSTRATED.
- (4)HOUR METER = L.C.D. TYPE.

Fig.13. ELECTRIC PART(EQUIPMENT)

(A)=VIO70(US)C
(B)=VIO70(US)P
(C)=

(D)=
(E)=
(F)=



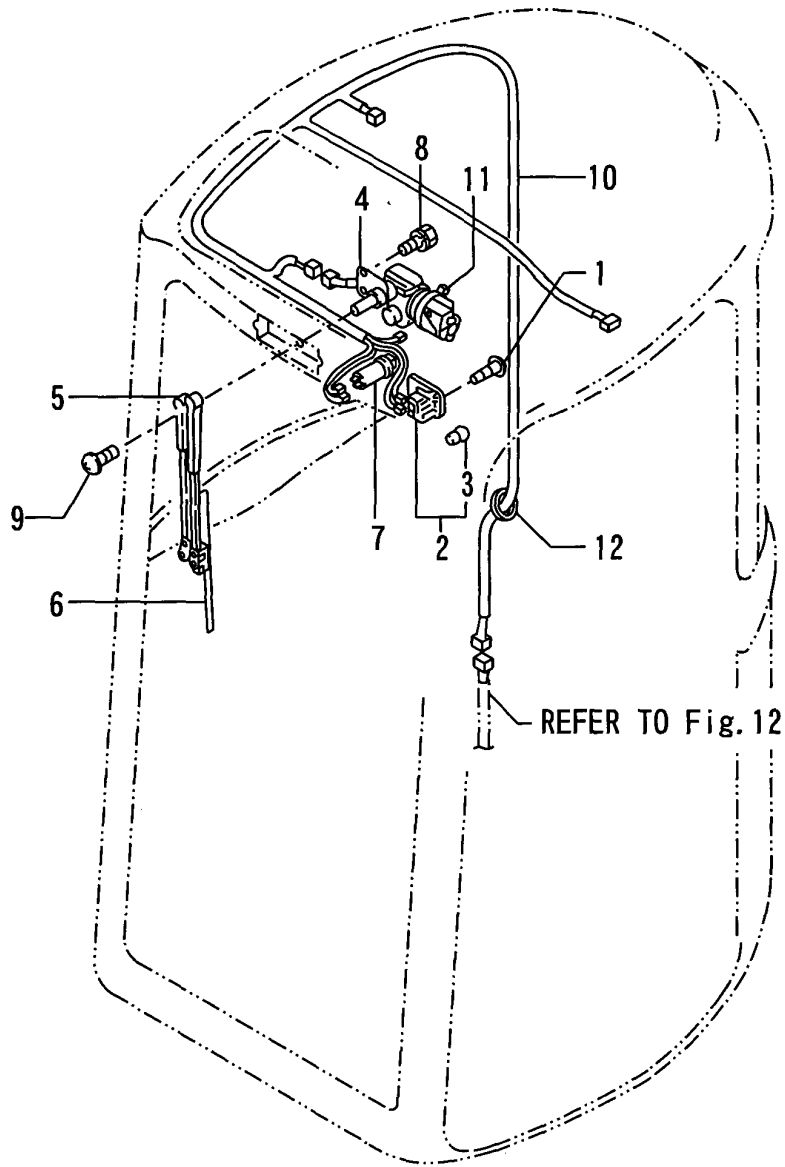
No.	Lev.	Parts No.	Description	(A)	(B)	(C)	(D)	(E)	(F)	Q'ty	I	R
63	3	172187-17290	SWITCH ASSY, HEATER	1								
64	3	172187-17301	SWITCH ASSY, WIPER	1								N
(A=M/#00921)												
66	3	172187-17320	PACKING	1								
68	3	172187-17341	GAUGE ASSY	1								
69	3	172187-17350	METER ASSY, HOUR	1								
70	3	172187-17360	PRINT,CIRCUIT	1								
71	3	172187-17371	CIRCUIT ASSY	1								
72	3	172187-17380	BULB	4								
76	3	172187-17470	PLATE	1								
77	3	172187-17480	BULB	2								
78	2	172444-17560	SPONGE	1								W
(A=M/#01652)												
79	1	172519-63240	BOLT	4	4							
80	1	172162-17410	LAMP ASSY, HEADLIGHT	1	1							
81	2	29220-788200	BULB, 12V 25W	1	1							
82	1	172A77-17500	MONITOR ASSY	1	1							W 4
(A=MZZZZZ) (B=MZZZZZ)												
83A	1	172141-03360	LABEL, START SWITCH	1								3
84A	1	172141-03360	LABEL, START SWITCH		1							3

Remarks

- (1) HOUR METER = ANALOG TYPE.
ONLY THE MONITOR PORT COPIES IN REF.NO.82.PLEASE PUT REF.NO.84A.
- (2) HOUR METER = ANALOG TYPE.
ONLY THE MONITOR PORT COPIES IN REF.NO.82.PLEASE PUT REF.NO.83A.
- (3) LABELS ARE NOT ILLUSTRATED.
- (4) HOUR METER = L.C.D. TYPE.

Fig.14. ELECTRIC PART(CABIN)

Fig.14 ELECTRIC PART(CABIN)



(A)=VIO70(US)C
(B)=VIO70(US)P
(C)=

(D)=
(E)=
(F)=

No.	Lev.	Parts No.	Description	Q'ty						I	R
				(A)	(B)	(C)	(D)	(E)	(F)		
1	1	22857-400100	SCREW, 4X10	2							
2	1	933113-05150	LAMP, ROOM	1							
3	2	933113-05160	BULB, 12V 5W	1							
4	1	172164-17200	MOTOR, WIPER	1							
5	1	172164-17210	ARM, WIPER	1							
6	1	172162-17320	BLADE 400,WIPER	1							
7	1	172187-17450	BRAKER	1							
8	1	26013-060122	BOLT, M6X 12	3							
9	1	26022-050202	SCREW, M5X20	1							
10	2	172187-16552	HARNESS F	1							
11	2	933152-09280	BAND 170	2							
12	2	172643-11610	BUSH	1							

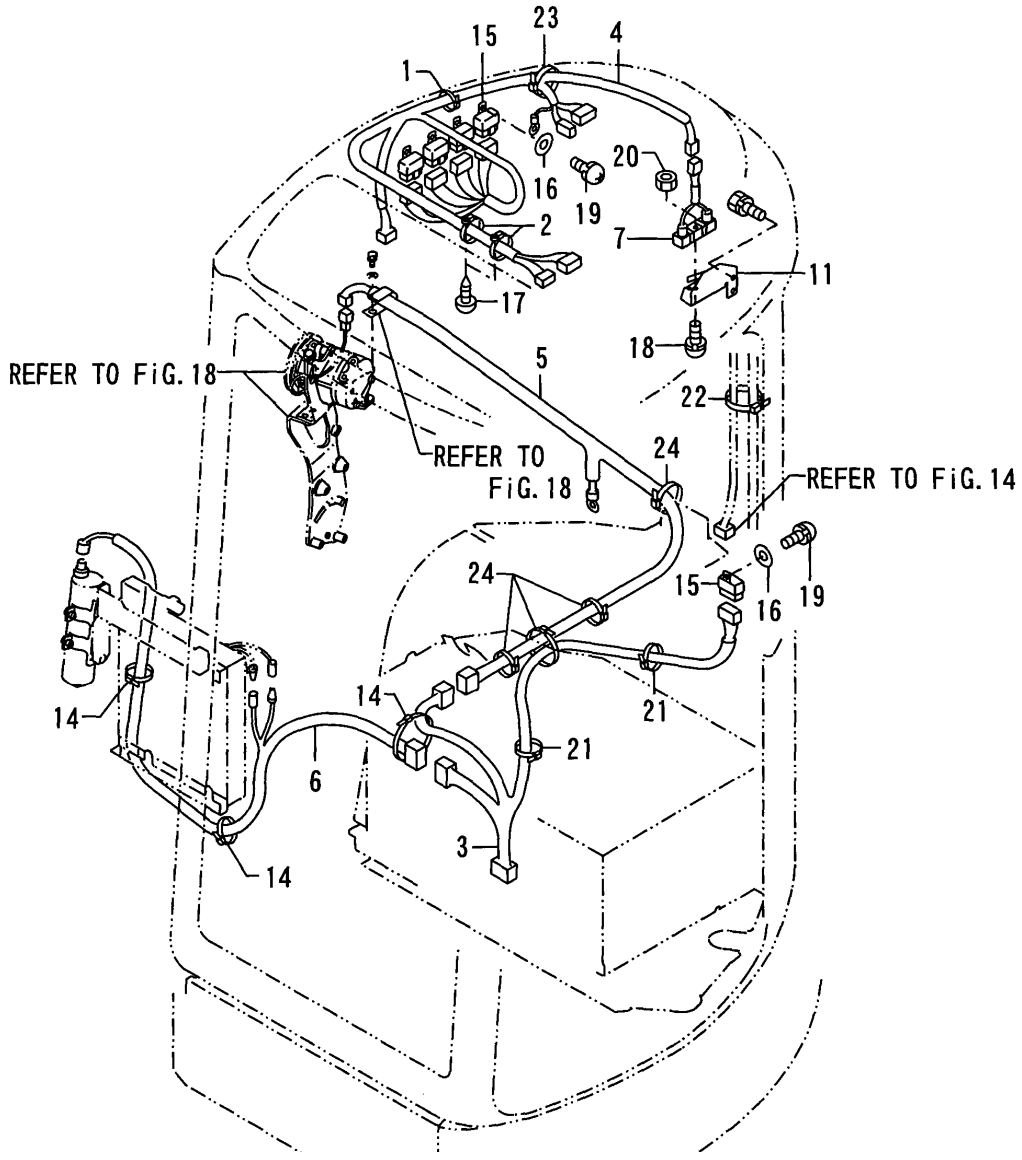
Remarks
*THIS FIGURE IN NEWLY ADDED.

Fig.15. ELECTRIC PART(COOLER SPEC.)

(A)=VIO70(US)C
(B)=VIO70(US)P
(C)=

(D)=
(E)=
(F)=

Fig. 15 ELECTRIC PART(COOLER SPEC.)

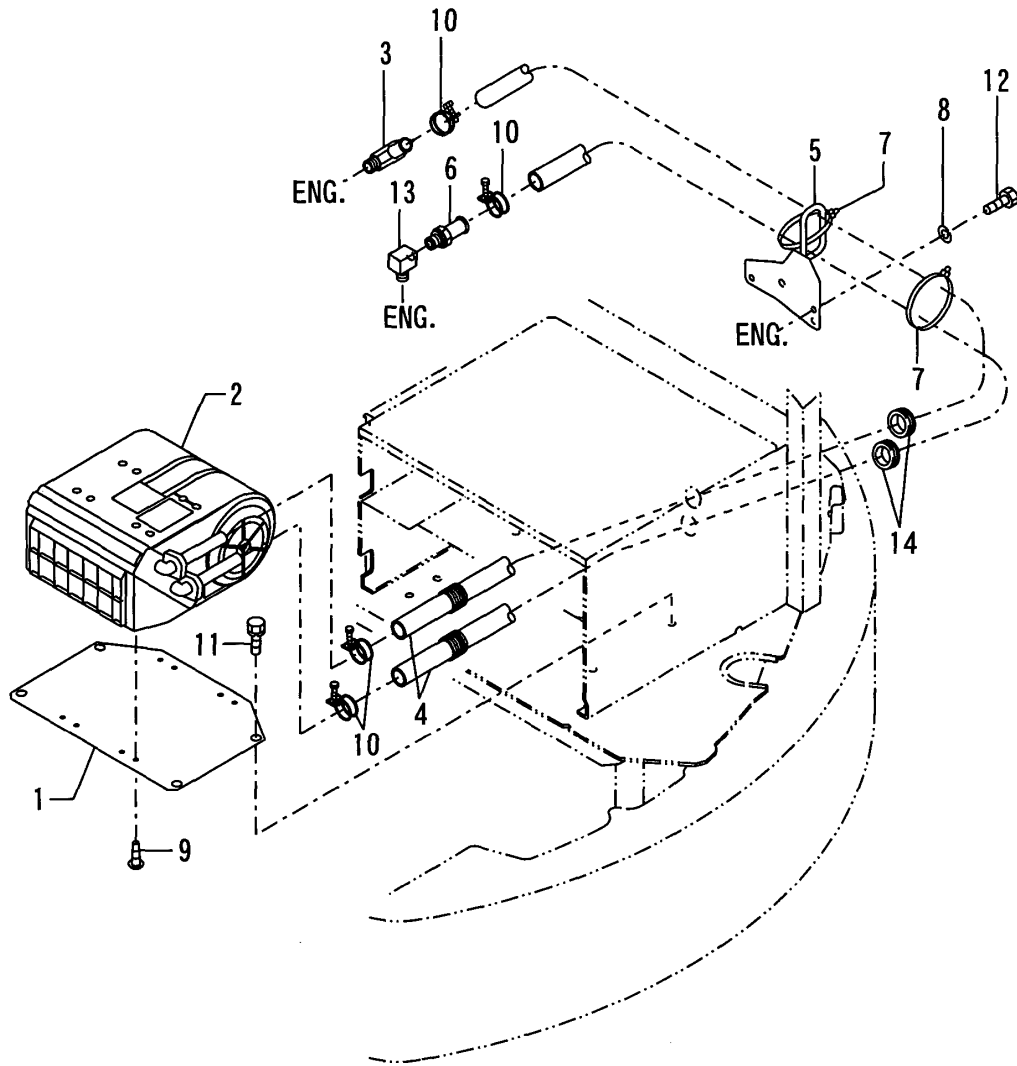


No.	Lev.	Parts No.	Description	Q'ty						I	R
				(A)	(B)	(C)	(D)	(E)	(F)		
1	2	172126-11510	BAND 300	1							
2	2	172122-16590	BAND 200F	2							
3	2	172187-16611	HARNESS	1							
4	2	172187-16620	HARNESS	1							
5	2	172187-16630	HARNESS	1							
6	2	172187-16640	HARNESS	1							
7	2	172164-16750	HARNESS,WIRE(COOL C	1							
11	2	172164-16770	BRACKET	1							
14	2	933152-09280	BAND 170	3							
15	2	119247-77100	RELAY, SAFETY	5							
16	2	22137-060000	WASHER, 6	5							
17	2	22857-400120	SCREW, 4X12	2							
18	2	26022-040102	SCREW M 4X 10	1							
19	2	26022-060122	SCREW, M6X12	5							
20	2	26716-040002	NUT, M4	1							
21	2	933152-09280	BAND 170	2							
22	2	933152-09280	BAND 170	1							
23	2	933152-09280	BAND 170	1							
24	2	933152-09280	BAND 170	4							

Remarks
*THIS FIGURE IN NEWLY ADDED.

Fig.16. HEATER

Fig.16 HEATER



(A)=VIO70(US)C
(B)=VIO70(US)P
(C)=

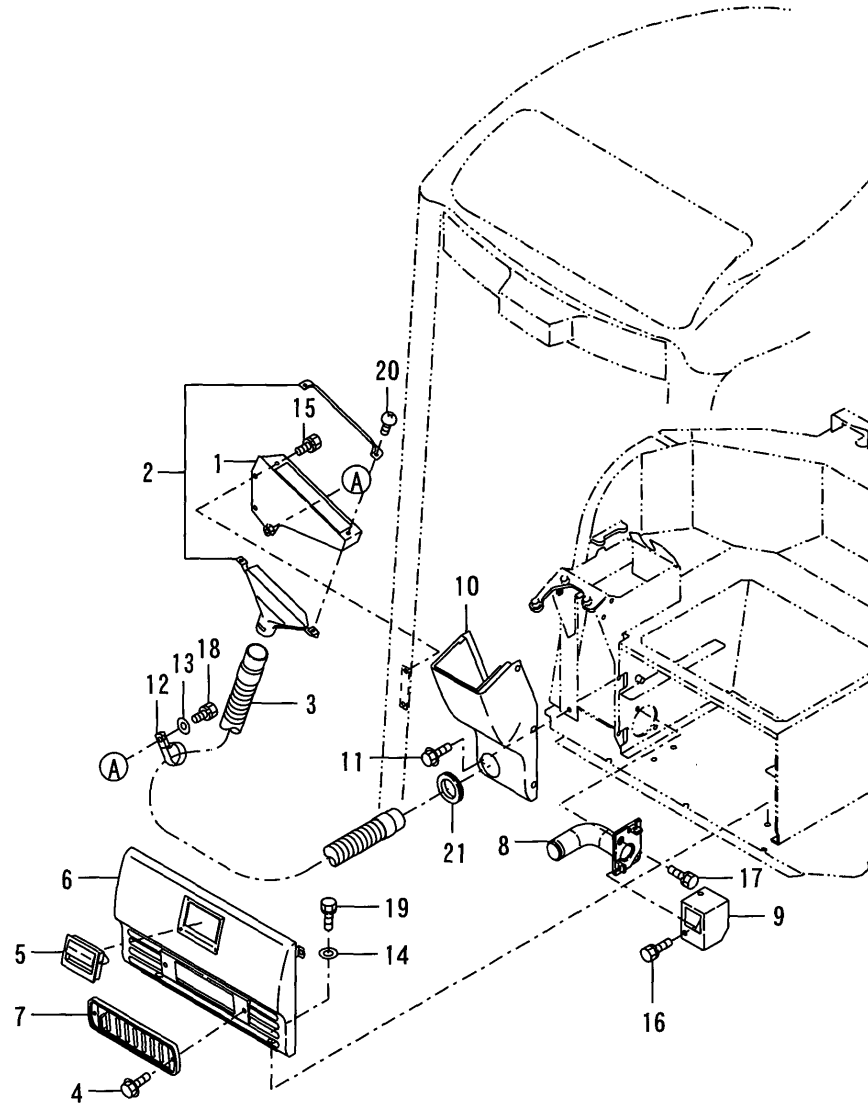
(D)=
(E)=
(F)=

No.	Lev.	Parts No.	Description	Q'ty						I	R
				(A)	(B)	(C)	(D)	(E)	(F)		
1	1	172187-17590	PLATE,HEATER BASE EV	1							
2	1	172187-17600	HEATER	1							
3	1	172187-17630	VALVE	1							
4	1	172187-17660	HOSE, HEATER	2							
5	1	172187-17691	GUIDE, HOSE	1							
6	1	172637-76110	ADAPTER, DRAIN	1							
7	1	172122-79930	CLAMP, HOSE	2							
8	1	22217-080000	WASHER, SPRING 8	2							
9	1	22857-500100	SCREW, 5X10	8							
10	1	23000-022000	CLAMP, 22	4							
11	1	26013-100202	BOLT, M10X 20	4							
12	1	26116-080162	BOLT, M8X 16 PLATED	2							
13	1	933166-24240	ELBOW, SWIVEL JOINT	1							
14	1	933171-15680	GROMMET	2							

Remarks
*THIS FIGURE IN NEWLY ADDED.

Fig.17. DEFROSTER

Fig.17 DEFROSTER



(A)=VIO70(US)C
(B)=VIO70(US)P
(C)=

(D)=
(E)=
(F)=

No.	Lev.	Parts No.	Description	Q'ty						I	R
				(A)	(B)	(C)	(D)	(E)	(F)		
1	1	172164-17701	BRACKET(DEFROSTER	1							
2	1	172120-17710	NOZZLE, DEFROSTER	1							
3	1	172142-17830	HOSE	1							
4	1	172164-45880	BOLT	2							
5	1	172187-61421	HANDLE, LOCK	1							
6	1	172187-61600	GRILLE	1							1
7	1	172187-61690	VENTILATOR	1							
8	1	172187-61700	DUCT ASSY	1							
9	1	172187-61750	DUCT ASSY	1							
10	1	172187-63200	COVER ASSY	1							
11	1	172519-63240	BOLT	6							
12	1	172158-78250	CLAMP, 45	1							
13	1	22137-100000	WASHER, 10	1							
14	1	22137-100000	WASHER, 10	2							
15	1	26013-080162	BOLT, M8X 16	2							
16	1	26013-080162	BOLT, M8X 16	2							
17	1	26013-080202	BOLT, M8X 20	2							
18	1	26013-100202	BOLT, M10X 20	1							
19	1	26013-100252	BOLT, M10X 25	2							
20	1	26557-050102	SCREW, M5X10	2							
21	1	933110-58400	GROMMET, 43	1							
22A	1	172187-03350	LABEL,FUSE E	1							2

Remarks

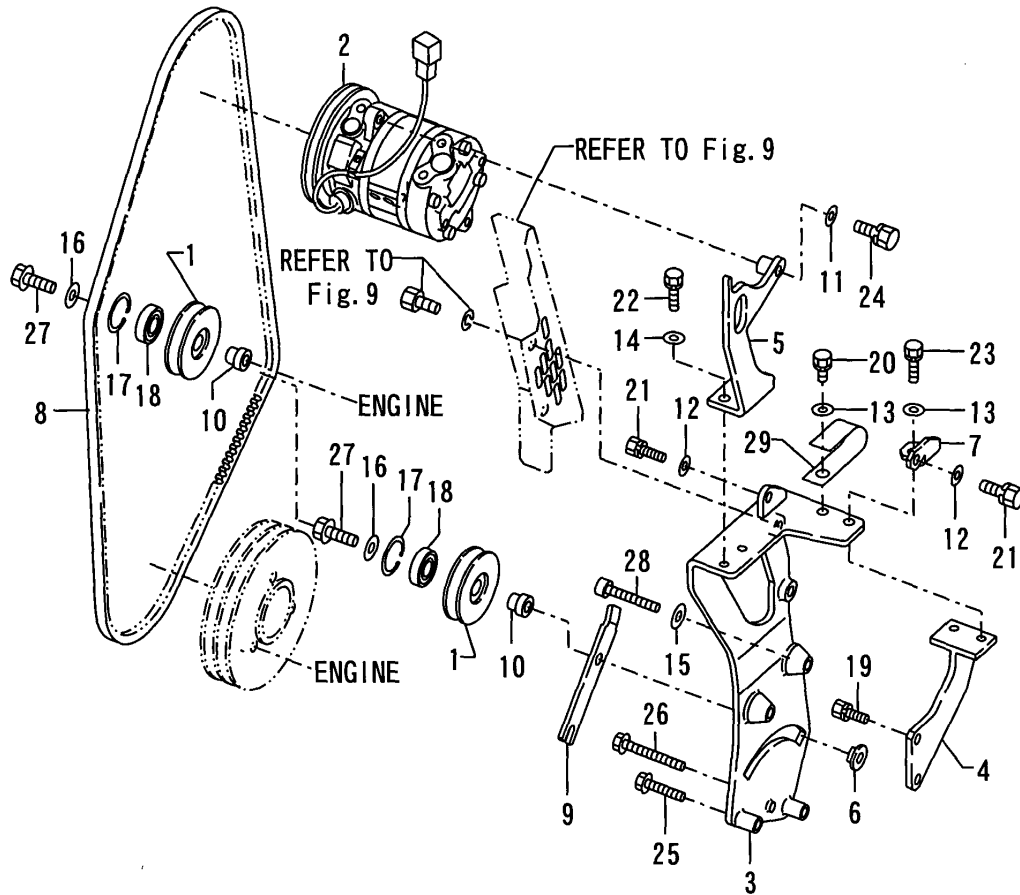
- (1)PLEASE USE THIS PART WITH FOLLOWING LABELS AT THE SAME TIME. REF.NO.22A.
- (2)LABELS ARE NOT ILLUSTRATED.
- *THIS FIGURE IN NEWLY ADDED.

Fig.18. COOLER(ENGIEN RELATED)

(A)=VIO70(US)C
(B)=VIO70(US)P
(C)=

(D)=
(E)=
(F)=

Fig.18 COOLER(ENGIEN RELATED)



No.	Lev.	Parts No.	Description	Q'ty						I	R
				(A)	(B)	(C)	(D)	(E)	(F)		
1	1	172187-11121	PULLEY, TENSION	2							
2	1	172187-18260	COMPRESSOR ASSY	1							
3	1	172187-18300	BRACKET (A)	1							
4	1	172187-18340	BRACKET (B)	1							
5	1	172187-18360	BRACKET (C)	1							
6	1	172187-18410	NUT, PULLEY	1							
7	1	172187-18420	BRACKET	1							
8	1	172187-18451	V-BELT	1							
9	1	172187-18500	BAR, ADJUST	1							
10	1	129466-96240	SPACER	2							
11	1	22137-080000	WASHER, 8	1							
12	1	22137-080000	WASHER, 8	2							
13	1	22137-080000	WASHER, 8	2							
14	1	22137-080000	WASHER, 8	2							
15	1	22137-080000	WASHER, 8	2							
16	1	22137-100000	WASHER, 10	2							
17	1	22252-000350	RING, 35	2							
18	1	24104-062020	BEARING, 6202UUC3	2							
19	1	26013-080162	BOLT, M8X 16	2							
20	1	26013-080162	BOLT, M8X 16	1							
21	1	26013-080252	BOLT, M8X 25	2							
22	1	26013-080252	BOLT, M8X 25	2							
23	1	26013-080252	BOLT, M8X 25	1							
24	1	26013-080352	BOLT, M8X 35	1							
25	1	26106-080352	BOLT, M8X 35 PLATED	1							
26	1	26106-080602	BOLT, M8X 60 PLATED	1							
27	1	26106-100352	BOLT, M10X 35 PLATED	2							
28	1	26450-080502	BOLT, M8X 50	2							
29	2	194440-51620	CLAMP	1							

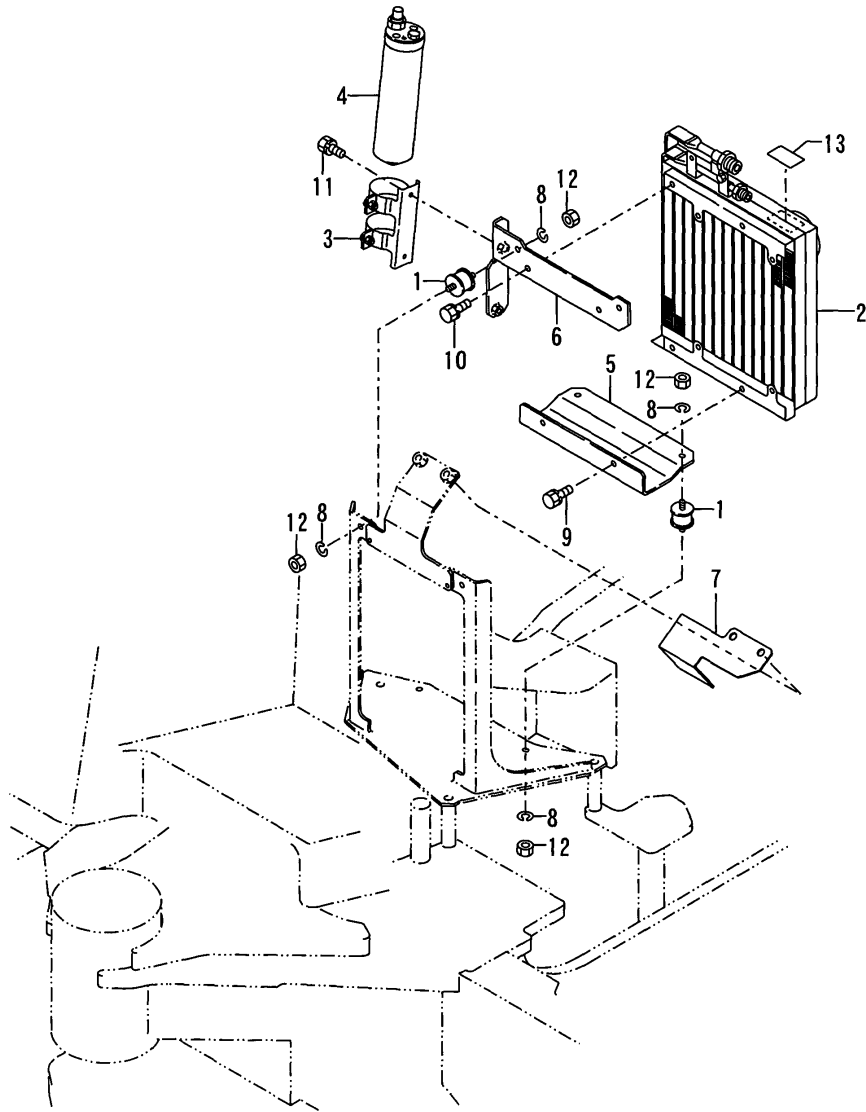
Remarks
*THIS FIGURE IN NEWLY ADDED.

Fig.19. COOLER(CONDENSER RELATED)

(A)=VIO70(US)C
(B)=VIO70(US)P
(C)=

(D)=
(E)=
(F)=

Fig.19 COOLER (CONDENSER RELATED)



No.	Lev.	Parts No.	Description	Q'ty						I	R
				(A)	(B)	(C)	(D)	(E)	(F)		
1	1	172122-13310	MOUNT, RADIATOR	4							
2	1	172162-18030	CONDENSER	1							1
3	1	172162-18040	BRACKET	1							
4	1	172187-18110	DRIER ASSY, RECEIVER	1							
5	1	172187-18130	BRACKET (A)	1							
6	1	172187-18140	BRACKET (B)	1							
7	1	172187-18560	COVER	1							
8	1	22217-080000	WASHER, SPRING 8	8							
9	1	26013-080162	BOLT, M8X 16	2							
10	1	26013-080162	BOLT, M8X 16	2							
11	1	26013-080162	BOLT, M8X 16	2							
12	1	26716-080002	NUT, M8	8							
13	1	172989-03120	LABEL,FAN CL US	1							

Remarks

(1)PLEASE USE THIS PART WITH FOLLOWING LABELS AT THE SAME TIME.
REF.NO.13.

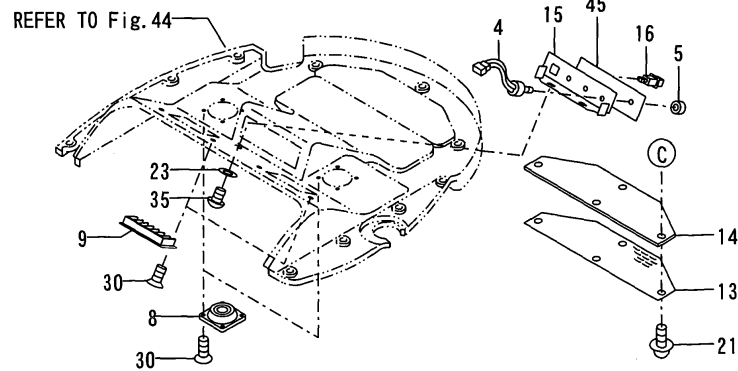
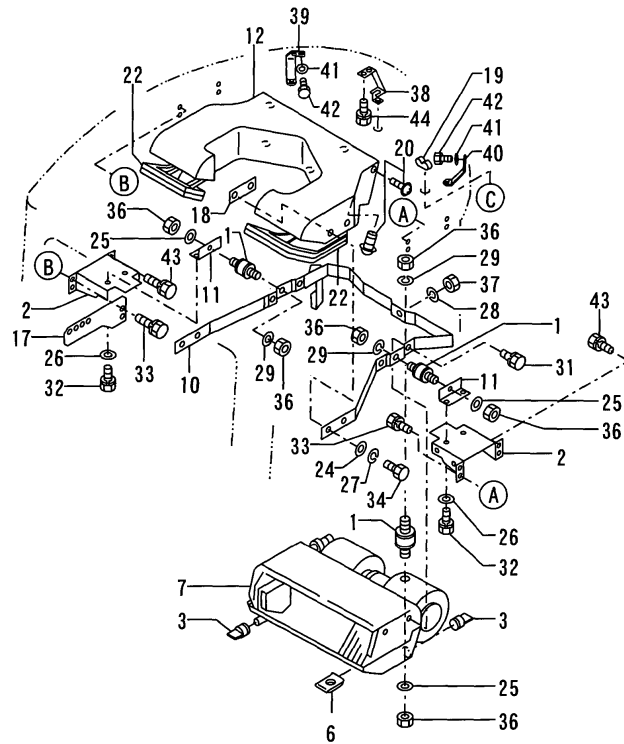
*THIS FIGURE IN NEWLY ADDED.

Fig.20. COOLER(CABIN RELATED)

(A)=VIO70(US)C
(B)=VIO70(US)P
(C)=

(D)=
(E)=
(F)=

Fig.20 COOLER (CABIN RELATED)



No.	Lev.	Parts No.	Description	Q'ty						I	R
				(A)	(B)	(C)	(D)	(E)	(F)		
1	1	172122-13310	MOUNT, RADIATOR	3							
2	1	172176-17870	MOUNT	2							
3	1	172162-18070	PLUG, DRAIN	2							
4	1	1E8080-79430	SWITCH ASSY, CONTROL	1							
5	1	1E8080-79450	KNOB, FAN	2							
6	1	1E8080-79470	NUT, JN4	3							
7	1	198325-87200	COOLER UNIT	1							
8	1	197830-87910	GRILLE	2							
9	1	197830-88611	GRILLE	2							
10	1	172164-18550	BRACKET ASSY	1							
11	1	172164-18830	MOUNT	2							
12	1	172164-18900	DUCT, COOLER	1							
13	1	172164-18910	PLATE	1							
14	1	172164-18920	FILTER	1							
15	1	172164-18960	PANEL ASSY	1							1
16	1	172164-19100	SWITCH	1							
17	1	172164-19150	BRACKET	1							
18	1	172164-19170	PLATE ASSY	2							
19	1	194167-61650	NUT 5008	4							
20	1	194940-61790	SCREW, TAPPING M5X16	5							
21	1	194940-61790	SCREW, TAPPING M5X16	4							
22	1	172164-65710	RUBBER, SEAL	2							
23	1	172176-68200	WASHER, 18X6.3X2.3	2							
24	1	22137-05000	WASHER, 5	4							
25	1	22137-08000	WASHER, 8	3							
26	1	22157-08000	WASHER, 8	4							
27	1	22217-05000	WASHER, SPRING 5	4							
28	1	22217-08000	WASHER, SPRING 8	1							
29	1	22217-08000	WASHER, SPRING 8	3							
30	1	22869-400160	SCREW, 4X16	12							
31	1	26013-080202	BOLT, M8X 20	4							
32	1	26013-080202	BOLT, M8X 20	4							
33	1	26013-080252	BOLT, M8X 25	4							
34	1	26116-050162	BOLT, M5X 16 PLATED	4							
35	1	26589-060162	SCREW, M6	2							
36	1	26716-080002	NUT, M8	6							
37	1	26716-080002	NUT, M8	1							
38	1	172164-18660-1	BRACKET ASSY	1							
39	1	172187-18510	BRACKET R	1							
40	1	172187-18530	BRACKET L	1							
41	1	172176-68200	WASHER, 18X6.3X2.3	4							
42	1	26013-060162	BOLT, M6X 16	4							
43	1	26013-080202	BOLT, M8X 20	4							
44	1	26013-080162	BOLT, M8X 16	2							
45	1	172187-03400	LABEL, CONTROL PANEL	1							

Remarks

(1)PLEASE USE THIS PART WITH FOLLOWING LABELS AT THE SAME TIME.
REF.NO.45.

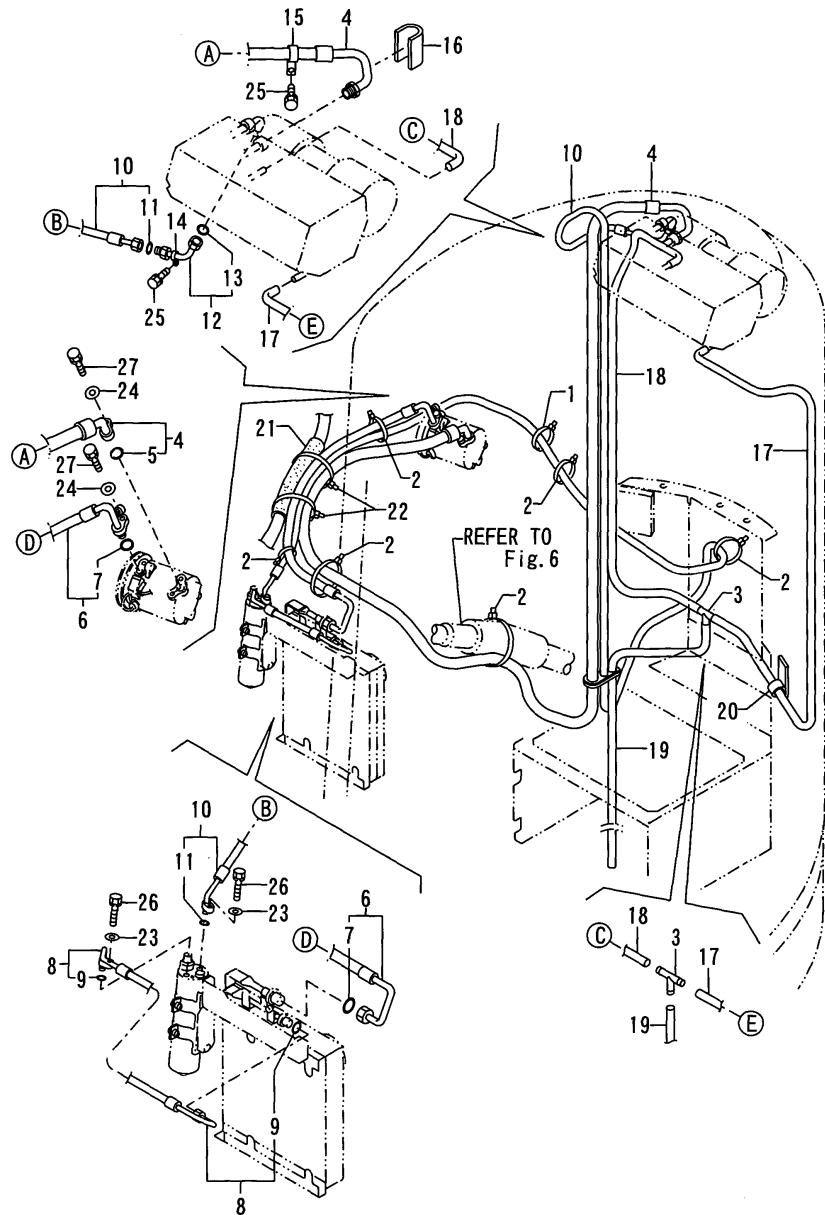
*THIS FIGURE IN NEWLY ADDED.

Fig.21. COOLER(HYD.OIL PIPING)

(A)=VIO70(US)C
(B)=VIO70(US)P
(C)=

(D)=
(E)=
(F)=

Fig.21 COOLER(HYD.OIL PIPING)

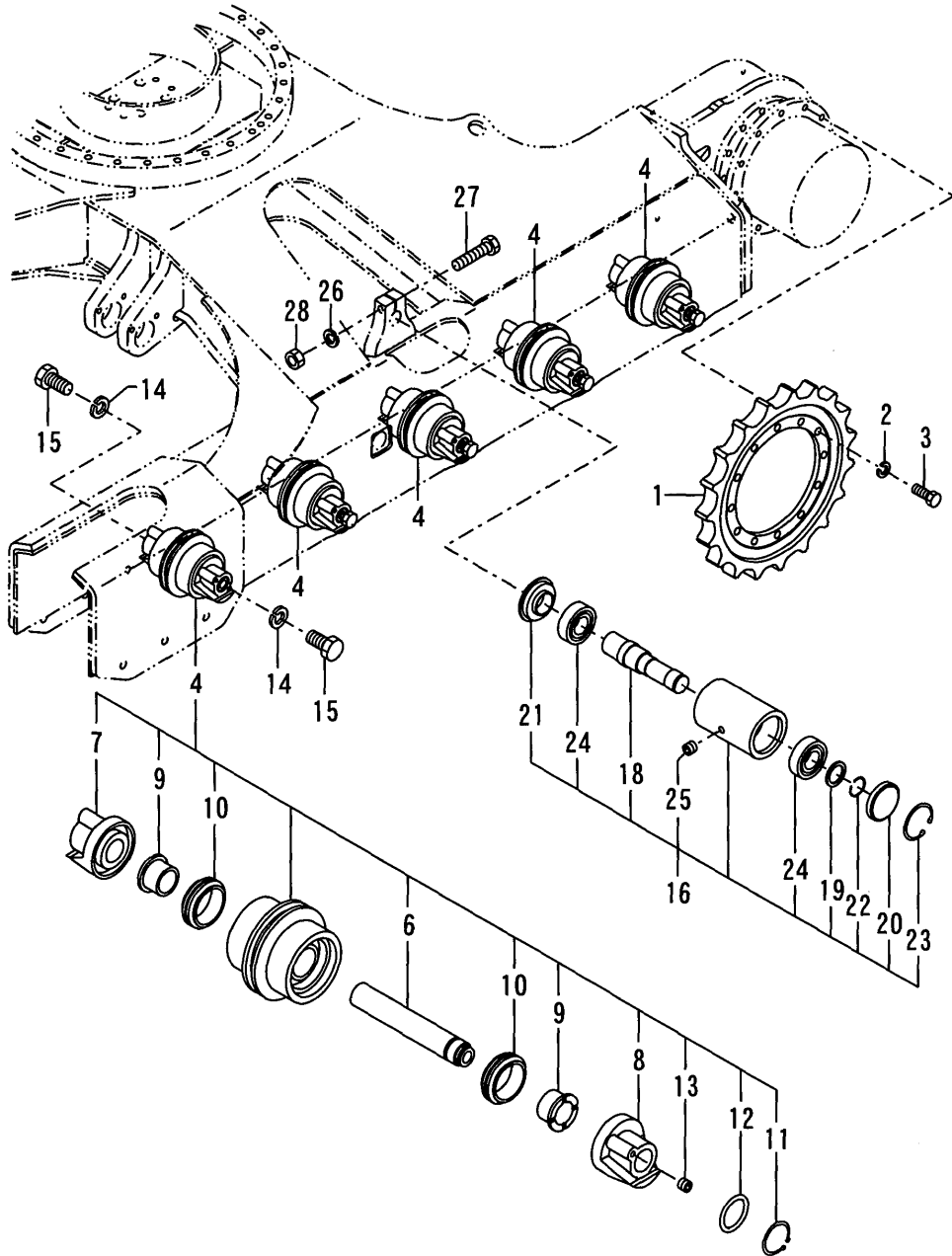


No.	Lev.	Parts No.	Description	Q'ty						I	R
				(A)	(B)	(C)	(D)	(E)	(F)		
1	1	172126-11510	BAND 300	1							
2	1	172122-79890	CLAMP, HOSE	6							
3	1	172165-18080	CONNECTOR	1							
4	1	172989-18160	HOSE,CMP-C/U	1							
5	2	198083-87820	O-RING, 14	1							
6	1	172187-18170	HOSE	1							
7	2	198083-87840	O-RING, LO	2							
8	1	172187-18180	HOSE	1							
9	2	198083-87880	O-RING HI	2							
10	1	172989-18190	HOSE,R/D-PIPE	1							
11	2	198083-87880	O-RING HI	2							
12	1	172164-18730	TUBE	1							
13	2	198083-87880	O-RING HI	1							
14	1	172164-18800	CLIP	1							
15	1	172164-18810	CLIP	1							
16	1	197821-88380	INSULATOR	1							
17	1	172187-18200	HOSE A	1							
18	1	172187-18210	HOSE B	1							
19	1	172187-18220	HOSE C	1							
20	1	172187-18570	CLIP	4							
21	1	172176-61130	SPONGE, HOSE	1							
22	1	172122-79890	CLAMP, HOSE	2							
23	1	22137-060000	WASHER, 6	2							
24	1	22137-080000	WASHER, 8	2							
25	1	26013-060162	BOLT, M6X 16	2							
26	1	26013-060252	BOLT, M6X 25	2							
27	1	26013-080252	BOLT, M8X 25	2							

Remarks
*THIS FIGURE IN NEWLY ADDED.

Fig.22. SPROCKET & ROLLER

Fig.22 SPROCKET & ROLLER



(A)=VIO70(US)C
(B)=VIO70(US)P
(C)=

(D)=
(E)=
(F)=

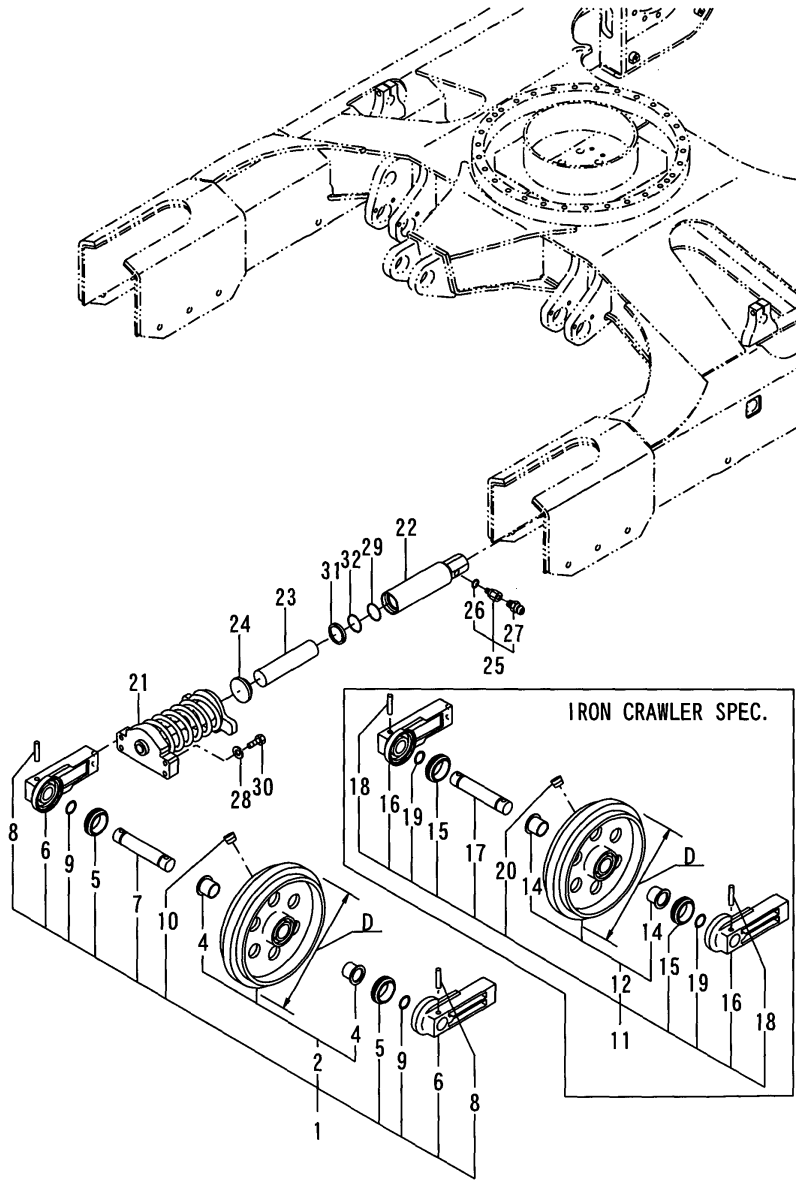
No.	Lev.	Parts No.	Description	Q'ty						I	R
				(A)	(B)	(C)	(D)	(E)	(F)		
1	1	172187-29100	SPROCKET	2	2						
2	1	22217-140000	WASHER, SPRING 14	24	24						
3	1	26116-140352	BOLT, M14X 35 PLATED	24	24						
4	1	172187-37302	ROLLER, LOWER	10	10						
6	2	172187-37320	SHAFT	10	10						
7	2	172187-37332	COVER, SEAL	10	10						
8	2	172187-37342	COVER, SEAL	10	10						
9	2	182900-55790	BUSHING	20	20						
10	2	182900-55680	FLOATING SEAL	20	20						
11	2	22242-000320	RING, 32	10	10						
12	2	24311-000320	O-RING, 1AP32.0		20						
12-1	2	24311-000320	O-RING, 1AP32.0	10	10						K
(B=M/#01675)											
13	2	933171-13691	PLUG PT1/8	10	10						
14	1	22217-200000	WASHER, SPRING 20	20	20						
15	1	26116-200402	BOLT, M20X 40 PLATED	20	20						
16	1	172187-37502	ROLLER ASSY,CARRIER	2	2						
18	2	172187-37521	SHAFT, ROLLER	2	2						
19	2	172187-37530	WASHER, CARRIER	2	2						
20	2	172187-37540	CAP, ROLLER	2	2						
21	2	172187-37550	SEAL, CARRIER ROLLER	2	2						
22	2	22242-000300	RING, 30	2	2						
23	2	22252-000621	RING, 62	2	2						
24	2	24105-062064	BEARING, BALL 6206Z	4	4						
25	2	933171-13691	PLUG PT1/8	2	2						
26	1	22217-160000	WASHER, SPRING 16	2	2						
27	1	26116-160852	BOLT, M16X 85 PLATED	2	2						
28	1	26716-160002	NUT, M16	2	2						

Fig.23. IDLER & ADJUST

(A)=VIO70(US)C
(B)=VIO70(US)P
(C)=

(D)=
(E)=
(F)=

Fig.23 IDLER & ADJUST



No.	Lev.	Parts No.	Description	Qty						I	R
				(A)	(B)	(C)	(D)	(E)	(F)		
1	1	772187-37100	IDLER ASSY, RUBBER	2	2						1
2	2	172187-37191	IDLER ASSY, RUBBER	2	2						
4	3	182900-57380	BUSHING	4	4						
5	2	182900-54140	FLOATING SEAL ASSY	4	4						
6	2	182900-55720	IDLER SEAL COVER	4	4						
7	2	182900-55730	SHAFT	2	2						
8	2	182900-55740	PIN 14	4	4						
9	2	24311-000380	O-RING, 1AP38.0	4	4						
10	2	933171-13691	PLUG PT1/8	2	2						
11	1	772187-37110	IDLER ASSY, IRON	2	2						2
12	2	172187-37110	IDLER ASSY, IRON	2	2						
14	3	182900-57380	BUSHING	4	4						
15	2	182900-54140	FLOATING SEAL ASSY	4	4						
16	2	182900-55720	IDLER SEAL COVER	4	4						
17	2	182900-55730	SHAFT	2	2						
18	2	182900-55740	PIN 14	4	4						
19	2	24311-000380	O-RING, 1AP38.0	4	4						
20	2	933171-13691	PLUG PT1/8	2	2						
21	1	172187-37700	ADJUSTER ASSY	2	2						
22	1	172162-37770	TUBE ASSY, ADJUST	2	2						
23	1	172162-37800	PISTON	2	2						
24	1	172162-37810	PLATE,ADJUSTER	2	2						
25	1	172122-37843	VALVE ASSY, NIPPLE	2	2						
26	2	24315-000140	O-RING, 1BP14.0	2	2						
27	2	24761-020000	NIPPLE, GREASE PT1/8	2	2						
28	1	22217-140000	WASHER, SPRING 14	8	8						
29	1	24325-000550	O-RING, 1BG55.0	2	2						
30	1	26116-140602	BOLT, M14X 60 PLATED	8	8						
31	1	933126-50500	SEAL, OIL	2	2						
32	1	933138-12101	RING G55,BACKUP	2	2						

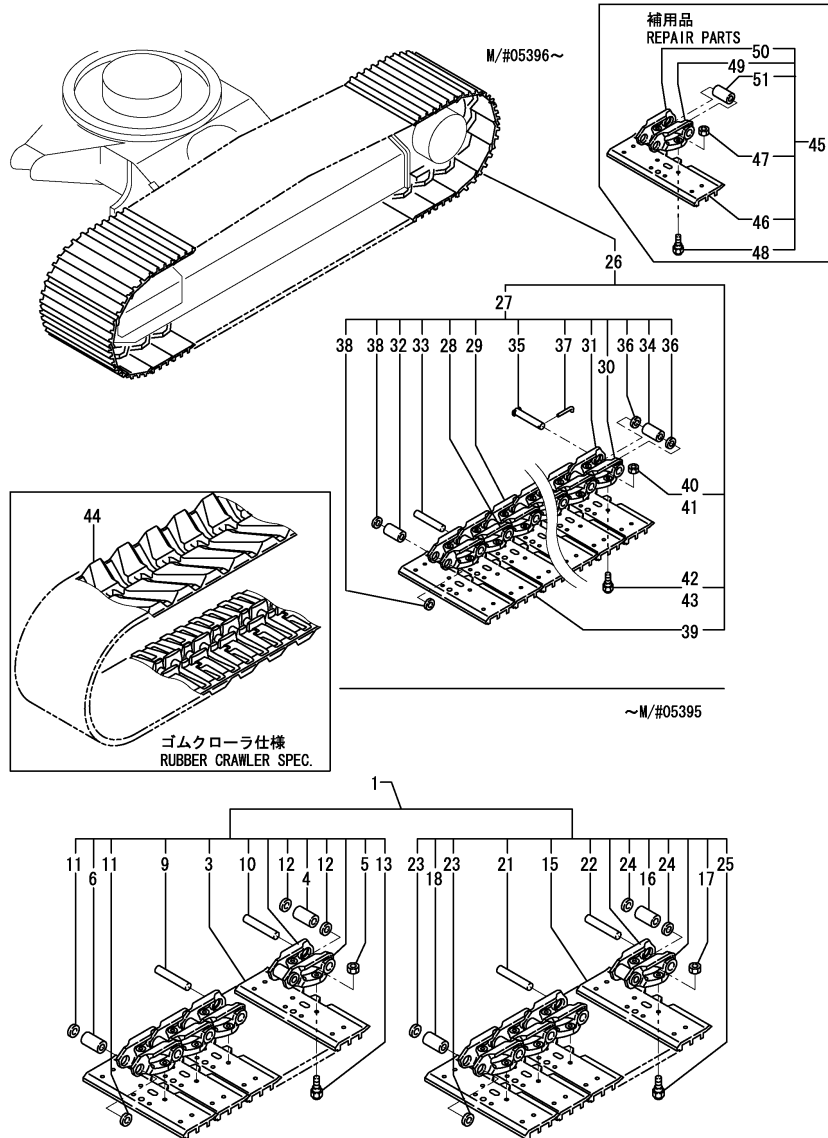
Remarks

- 1)CRAWLER RUBBER SPEC. D=425MM.
- 2)CRAWLER IRON SPEC. D=410MM.

Fig.24. CRAWLER

(A)=VIO70(US)C
(B)=VIO70(US)P
(C)=

(D)=
(E)=
(F)=



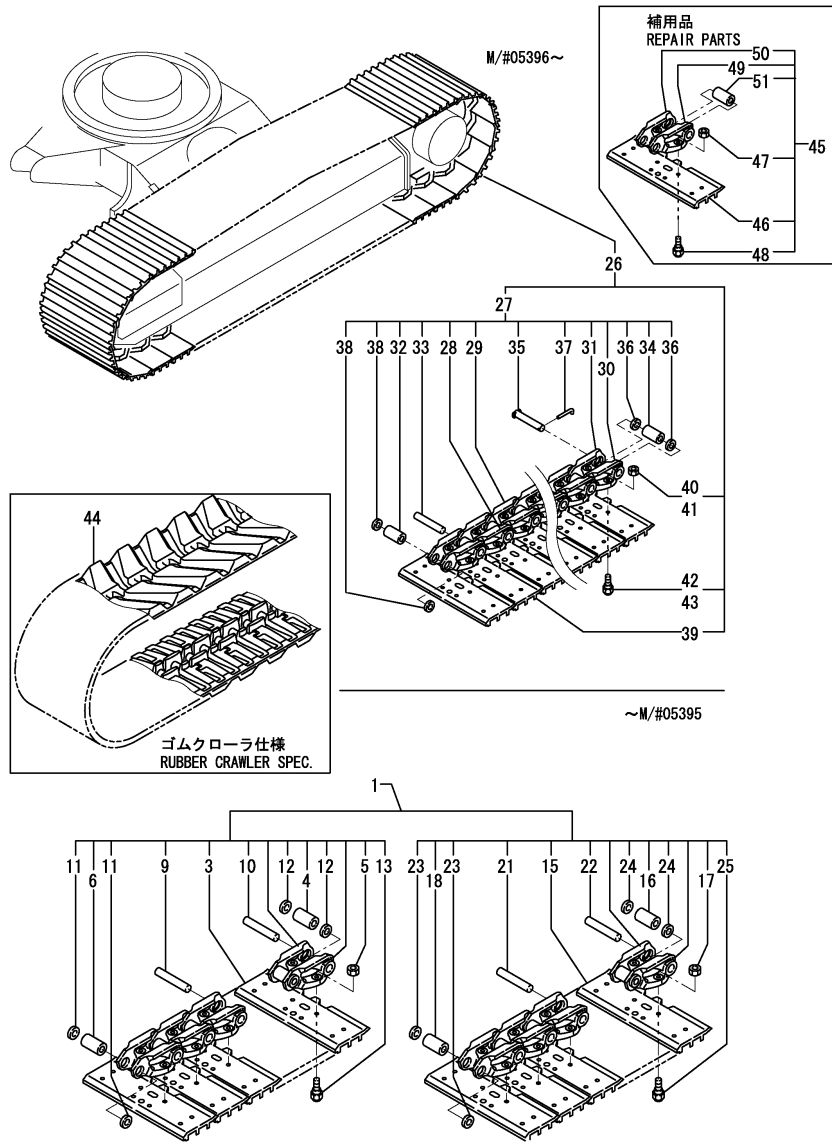
No.	Lev.	Parts No.	Description	(A)	(B)	Q'ty	(D)	(E)	(F)	I	R
1	1	172187-38100	TRACK SHOE(1 MACHINE	1	1					Z	1
		(A=M/#05396) (B=M/#05396)									
3	3	172187-38130	SHOE	38	38						
4	3	172187-38140	BUSH	2	2						
5	3	182900-54080	NUT,SHOE	152	152						
6	3	182900-55800	BUSHING	36	36						
9	3	182900-57550	PIN	36	36						
10	3	182900-57560	PIN	2	2						
11	3	182900-57570	SEAL	72	72						
12	3	182900-57580	SEAL	4	4						
13	3	182900-57590	BOLT,SHOE	152	152						
15	3	172187-38130	SHOE	40	40						
16	3	172187-38140	BUSH	2	2						
17	3	182900-54080	NUT,SHOE	160	160						
18	3	182900-55800	BUSHING	38	38						
21	3	182900-57550	PIN	38	38						
22	3	182900-57560	PIN	2	2						
23	3	182900-57570	SEAL	76	76						
24	3	182900-57580	SEAL	4	4						
25	3	182900-57590	BOLT,SHOE	160	160						
26	1	172187-38150	SHOE ASSY, TRACK	2	2					W	2
		(A=M/#05396) (B=M/#05396)									
27	2	172455-38120	LINK ASSY	2	2						
28	3	172455-38180	LINK(L)	76	76						
29	3	172455-38190	LINK(R)	76	76						
30	3	172455-38200	MASTER LINK(L)	2	2						
31	3	172455-38210	MASTER LINK(R)	2	2						
32	3	172455-38220	BUSH, TRACK	76	76						
33	3	172455-38230	PIN, TRACK	76	76						
34	3	172455-38240	BUSH, MASTER	2	2						
35	3	172455-38250	PIN, MASTER	2	2						
36	3	172455-38260	COLLAR	4	4						
37	3	172455-38270	COTTER PIN	2	2						
38	3	172455-38280	SEAL	152	152						
39	2	172187-38160	SHOE, TRACK	78	78						
40	2	172455-38160	NUT, SHOE	156	156						
41	2	172455-38160	NUT, SHOE	156	156						
42	2	172455-38170	BOLT	156	156						
43	2	172455-38170	BOLT	156	156						
44	1	172187-38601	CRAWLER ASSY, RUBBER	2	2						3
45	1	172187-38300	TRACK ASSY, MASTER	1	1					W	
		(A=*2003.09) (B=*2003.09)									
46	2	172187-38160	SHOE, TRACK	1	1						W
		(A=*2003.09) (B=*2003.09)									
47	2	172455-38160	NUT, SHOE	4	4						W
		(A=*2003.09) (B=*2003.09)									
48	2	172455-38170	BOLT	4	4						W
		(A=*2003.09) (B=*2003.09)									
49	3	172455-38200	MASTER LINK(L)	1	1						W
		(A=*2003.09) (B=*2003.09)									
50	3	172455-38210	MASTER LINK(R)	1	1						W

Remarks
(1)CRAWLER IRON SPEC.
SIMULTANEOUS REPLACEMENT WITH BOTH
LIFT & RIGHT SIDE PARTS ARE INTER-
CHANGEABLE WITH REF.NO.26
(2)CRAWLER IRON SPEC.
(3)CRAWLER RUBBER SPEC.

Fig.24. CRAWLER

(A)=VIO70(US)C
(B)=VIO70(US)P
(C)=

(D)=
(E)=
(F)=



No.	Lev.	Parts No.	Description	Q'ty						I	R
				(A)	(B)	(C)	(D)	(E)	(F)		
		(A=*2003.09)	(B=*2003.09)								
51	3	172455-38240	BUSH, MASTER	1	1						W
		(A=*2003.09)	(B=*2003.09)								

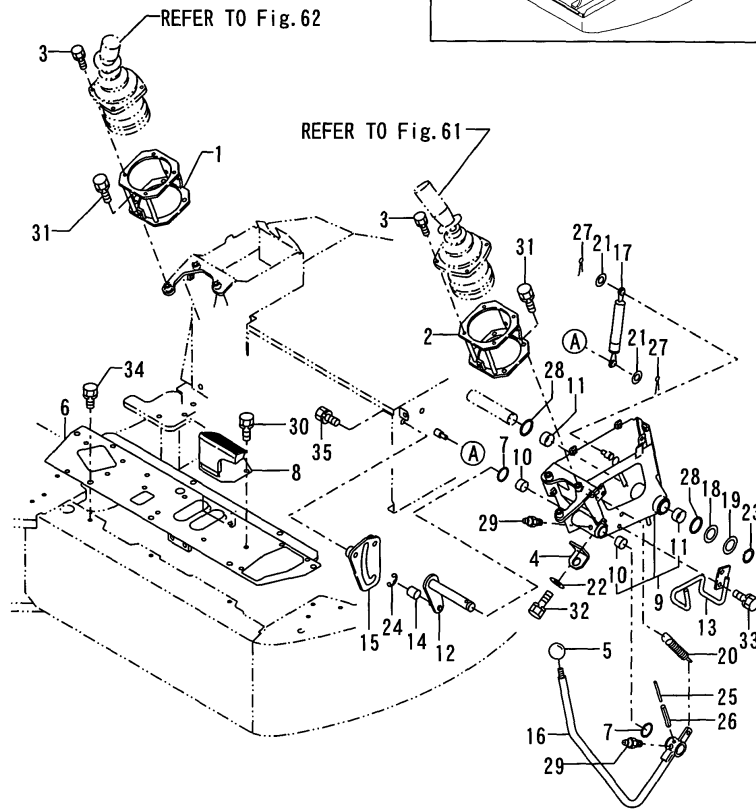
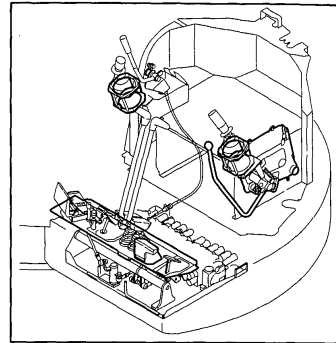
Remarks
 (1)CRAWLER IRON SPEC.
 SIMULTANEOUS REPLACEMENT WITH BOTH
 LIFT & RIGHT SIDE PARTS ARE INTER-
 CHANGEABLE WITH REF.NO.26
 (2)CRAWLER IRON SPEC.
 (3)CRAWLER RUBBER SPEC.

Fig.25. CONTROL EQUIPMENT(LEVER STAND)

(A)=VIO70(US)C
(B)=VIO70(US)P
(C)=

(D)=
(E)=
(F)=

Fig.25 CONTROL EQUIP. (LEVER STAND & LOCK LEVER)



No.	Lev.	Parts No.	Description	(A)	(B)	Q'ty			I	R
				(C)	(D)	(E)	(F)			
1	1	172187-47010	BRACKET R,EP	1	1					
2	1	172187-47020	BRACKET L,EP	1	1					
3	1	26013-060202	BOLT, M6X 20	8	8					
4	1	172187-17180	BRACKET	1	1					
5	1	1D4070-23580	GRIP	1	1					
6	1	172187-45400	STAND ASSY, LINK		1					
6-1	1	172187-45401	STAND ASSY, LINK (B=M/#01540)	1	1					N
7	1	172124-46200	O-RING	2	2					
8	1	172187-46600	FOOTLEST L	1	1					
9	1	172187-46651	STAND ASSY, LEVER	1	1					
10	2	172141-41370	BUSH 2015	2	2					
11	2	24550-025150	BUSH, 25X15	2	2					
12	1	172187-46800	ARM ASSY, LOCK	1	1					
13	1	172187-46820	GUIDE ASSY, HOSE	1	1					
14	1	172165-47550	BUSH	1	1					
15	1	172165-47621	GUIDE ASSY, LOCK	1	1					
16	1	172165-47680	LEVER L		1					1
16-1	1	172165-47681	LEVER L (B=M/#01597)	1	1					N 1
17	1	172165-47801	SPRING, GAS	1	1					
18	1	172165-47980	SHIM	2	2					
19	1	172165-47990	WASHER 25.5X42	1	1					
20	1	1A1380-56661	SPRING, RETURN	1	1					
21	1	22137-080000	WASHER, 8	2	2					
22	1	22137-080000	WASHER, 8	2	2					
23	1	22242-000250	RING, 25	1	1					
24	1	22272-000070	RING, E- 7	1	1					
25	1	22351-030032	PIN, SPRING 3.0X32	1	1					
26	1	22351-060040	PIN, SPRING 6.0X40	1	1					
27	1	22417-200200	PIN, COTTER 2.0X20	2	2					
28	1	24311-000340	O-RING, 1AP34.0	2	2					
29	1	24761-020000	NIPPLE, GREASE PT1/8	2	2					
30	1	26013-080162	BOLT, M8X 16	3	3					
31	1	26013-080162	BOLT, M8X 16	6	6					
32	1	26013-080202	BOLT, M8X 20	2	2					
33	1	26013-080202	BOLT, M8X 20	2	2					
34	1	26013-100202	BOLT, M10X 20	5	5					
35	1	26013-100202	BOLT, M10X 20	2	2					
36A	1	172183-03280	LABEL, LOCK	1	1					2

Remarks

(1)PLEASE USE THIS PART WITH FOLLOWING LABELS AT THE SAME TIME.
REF.NO.36A.

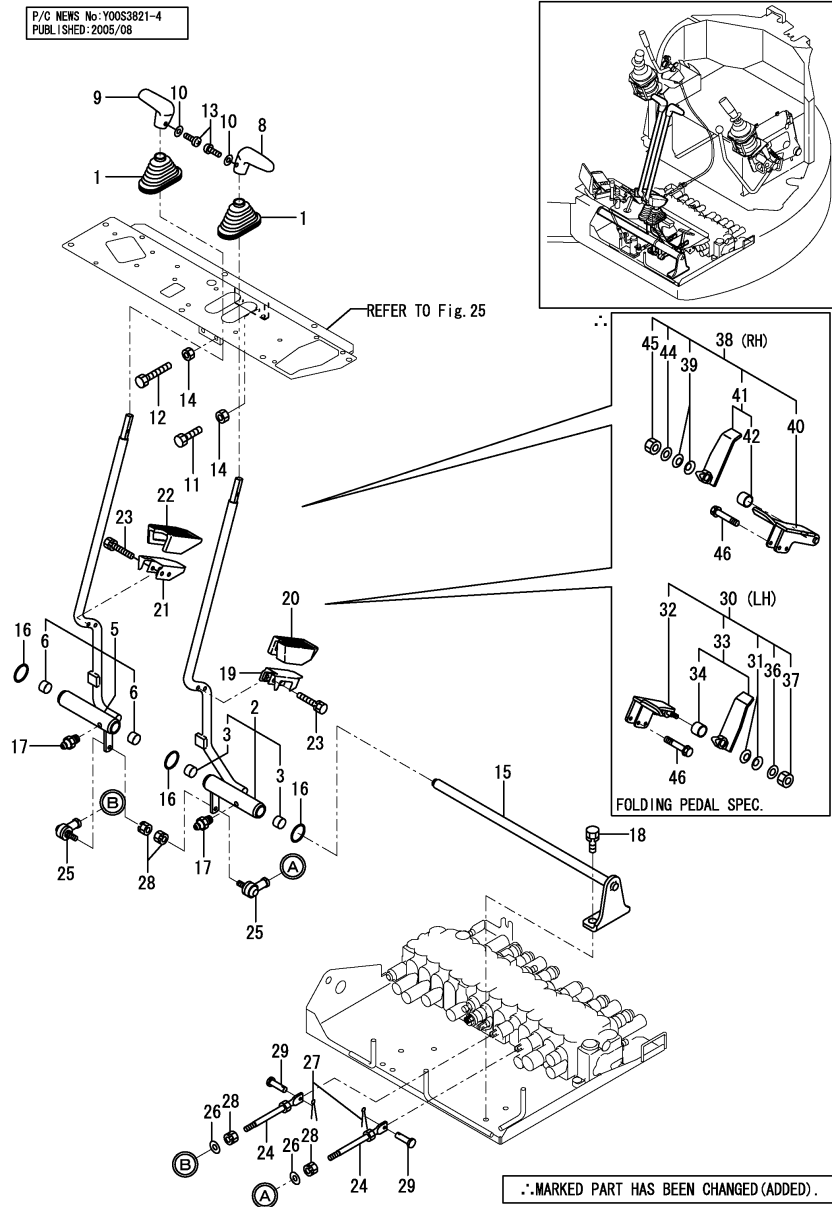
(2)LABELS ARE NOT ILLUSTRATED.

Fig.26. CONTROL EQUIPMENT(DRIVE)

(A)=VIO70(US)C
(B)=VIO70(US)P
(C)=

(D)=
(E)=
(F)=

P/C NEWS No:Y00S3821-4
PUBLISHED:2005/08



No.	Lev.	Parts No.	Description	Qty						I	R
				(A)	(B)	(C)	(D)	(E)	(F)		
1	1	172141-41340	BOOTS	2	2						
2	1	172187-45100	LEVER L COMP.	1	1						
3	2	172141-41370	BUSH 2015	2	2						
5	1	172187-45150	LEVER R CMP.	1	1						
6	2	172141-41370	BUSH 2015	2	2						
8	1	172187-45870	GRIP, DRIVE	1	1						
9	1	172187-45880	GRIP, DRIVE	1	1						
10	1	22137-040000	WASHER, 4	2	2						
11	1	26116-100404	BOLT, M10X 40 PLATED	2	2						
12	1	26116-100604	BOLT, M10X 60 PLATED	2	2						
13	1	26587-040122	SCREW, M4X12	2	2						
14	1	26716-100002	NUT, M10	4	4						
15	1	172187-45190	SHAFT ASSY, TRACK	1	1						
16	1	172124-46200	O-RING	3	3						
17	1	24761-020000	NIPPLE, GREASE PT1/8	2	2						
18	1	26013-100252	BOLT, M10X 25	2	2						
19	1	172187-45220	PEDAL L CMP(GRAY:72)	1	1						1
20	1	172187-45250	PEDAL PAD L	1	1						
21	1	172187-45260	PEDAL R CMP(GRAY:72)	1	1						1
22	1	172187-45280	PEDAL PAD R	1	1						
23	1	26013-060302	BOLT, M6X 30	4	4						
24	1	172164-45230	ROD 135 ASSY	2	2						
25	1	172122-46590	ELBOW	2	2						
26	1	22137-080000	WASHER, 8	2	2						
27	1	22417-160160	PIN, COTTER 1.6X16	2	2						
28	1	26051-080002	NUT, M8	4	4						
29	1	933110-54100	PIN 4.75X14	2	2						
30	1	172A21-45300	PEDAL L, TRACK (72)	1	1						W 2
		(A=*2004.09)	(B=*2004.09)								
31	2	172068-28490	SPRING	2	2						
32	2	172A21-45310	PEDAL FL , TRACK(72)	1	1						
33	2	172472-45810	PEDAL RL,TRACK (72)	1	1						
34	3	172110-45050	BUSH 12X12	1	1						
36	2	22137-080000	WASHER, 8	1	1						
37	2	26347-080002	NUT, M8	1	1						
38	1	172A21-45320	PEDAL R, TRACK (72)	1	1						W 2
		(A=*2004.09)	(B=*2004.09)								
39	2	172068-28490	SPRING	2	2						
40	2	172A21-45330	PEDAL FR , TRACK(72)	1	1						
41	2	172472-45850	PEDAL RR,TRACK (72)	1	1						
42	3	172110-45050	BUSH 12X12	1	1						
44	2	22137-080000	WASHER, 8	1							
45	2	26347-080002	NUT, M8	1							
46	1	26013-060302	BOLT, M6X 30	4							

∴ MARKED PART HAS BEEN CHANGED (ADDED).

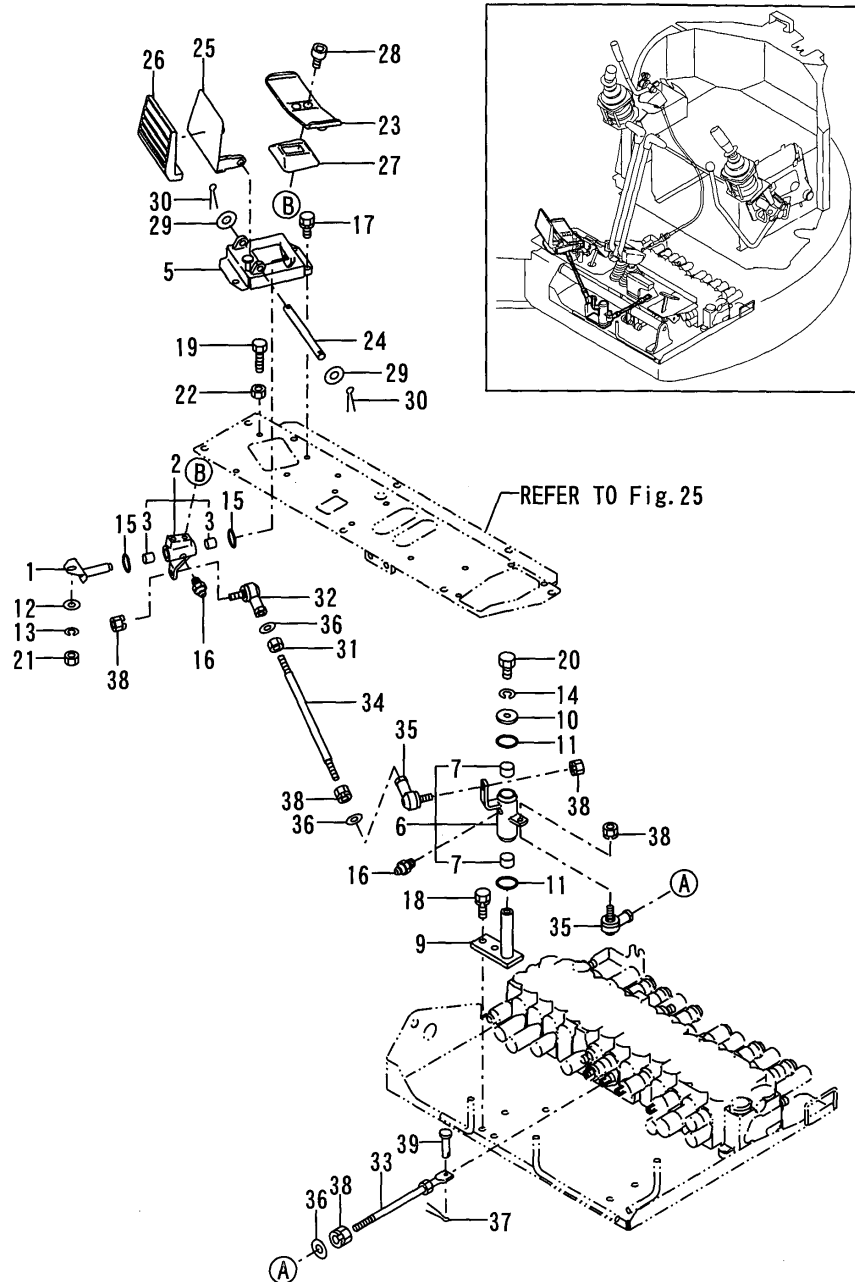
Remarks
(1)INTERCHANGEABLE BY SIMULTANEOUS REPLACEMENT WITH REF.30,38,46.
(2)FOLDING PEDAL SPEC.

Fig.27. CONTROL EQUIPMENT(SWING)

(A)=VIO70(US)C
(B)=VIO70(US)P
(C)=

(D)=
(E)=
(F)=

Fig.27 CONTROL EQUIP. (SWING)



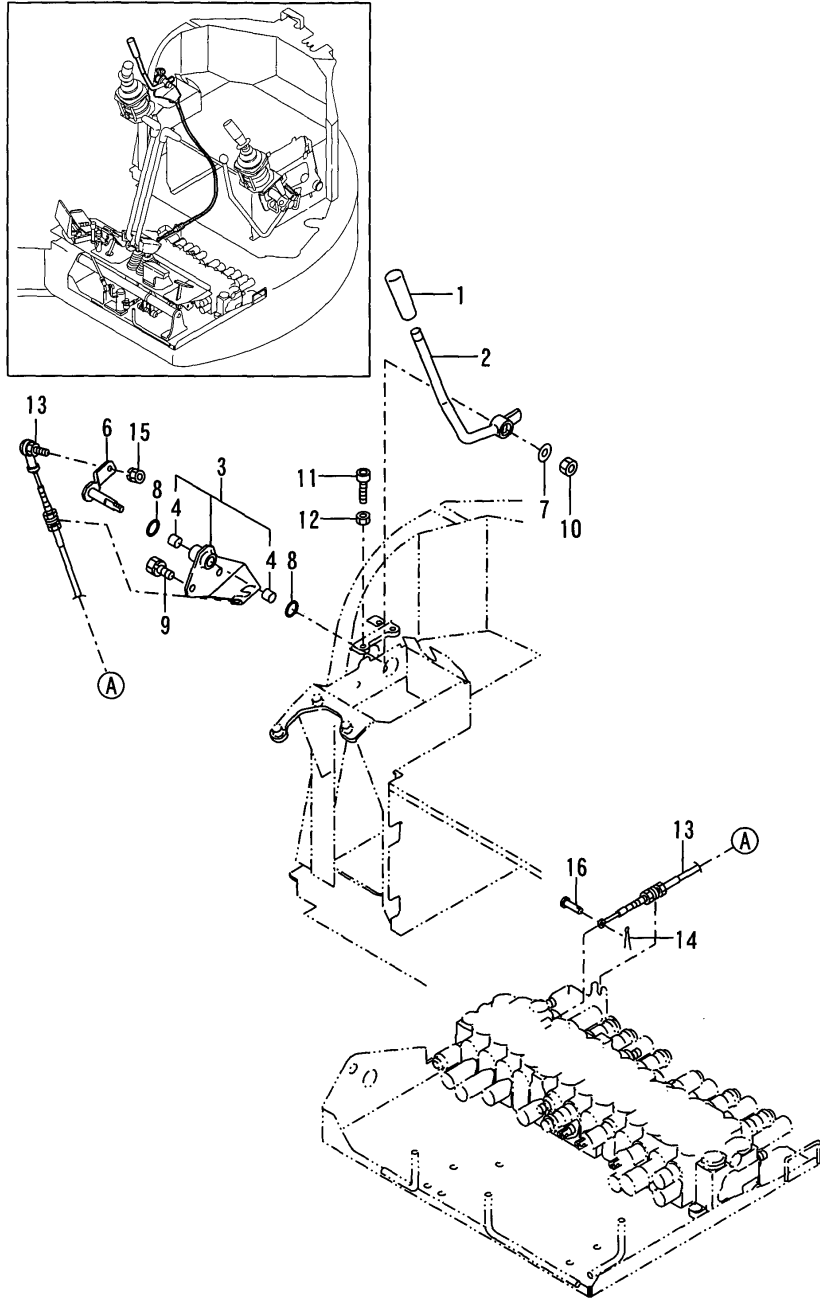
No.	Lev.	Parts No.	Description	Q'ty						I	R
				(A)	(B)	(C)	(D)	(E)	(F)		
1	1	172187-45530	SHAFT ASSY	1	1						
2	1	172187-45560	LINK ASSY, PEDAL	1	1						
3	2	172141-41360	BUSH 1415	2	2						
5	1	172187-45600	BRACKET	1	1						
6	1	172187-45660	LINK ASSY, SWING	1	1						
7	2	172141-41370	BUSH 2015	2	2						
9	1	172187-45690	SHAFT ASSY, SWING	1	1						
10	1	1A1040-45890	WASHER, 10X36X4.5	1	1						
11	1	172124-46200	O-RING	2	2						
12	1	22137-080000	WASHER, 8	1	1						
13	1	22217-080000	WASHER, SPRING 8	1	1						
14	1	22217-100000	WASHER, SPRING 10	1	1						
15	1	24311-000210	O-RING, 1AP21.0	2	2						
16	1	24761-020000	NIPPLE, GREASE PT1/8	2	2						
17	1	26013-080162	BOLT, M8X 16	3	3						
18	1	26013-100252	BOLT, M10X 25	2	2						
19	1	26116-080304	BOLT, M8X 30 PLATED	2	2						
20	1	26116-100202	BOLT, M10X 20 PLATED	1	1						
21	1	26716-080002	NUT, M8	1	1						
22	1	26716-080002	NUT, M8	2	2						
23	1	172187-45500	PEDAL, SWING (73)	1	1						
24	1	172187-45650	SHAFT, COVER	1	1						
25	1	172187-45720	COVER, PEDAL	1	1						
26	1	172187-45760	COVER PAD	1	1						
27	1	172157-45990	BOOTS, PEDAL	1	1						
28	1	172165-46340	BOLT	2	2						
29	1	22137-100000	WASHER, 10	2	2						
30	1	22417-250200	PIN, COTTER 2.5X20	2	2						
31	1	194200-37780	NUT, M8	1	1						
32	1	172734-41300	JOINT, BALL	1	1						
33	1	172187-45770	ROD 178	1	1						
34	1	172168-45880	ROD 230	1	1						
35	1	172122-46590	ELBOW	2	2						
36	1	22137-080000	WASHER, 8	3	3						
37	1	22417-160160	PIN, COTTER 1.6X16	1	1						
38	1	26051-080002	NUT, M8	5	5						
39	1	933110-54100	PIN 4.75X14	1	1						

Fig.28. CONTROL EQUIPMENT(BLADE)

(A)=VIO70(US)C
(B)=VIO70(US)P
(C)=

(D)=
(E)=
(F)=

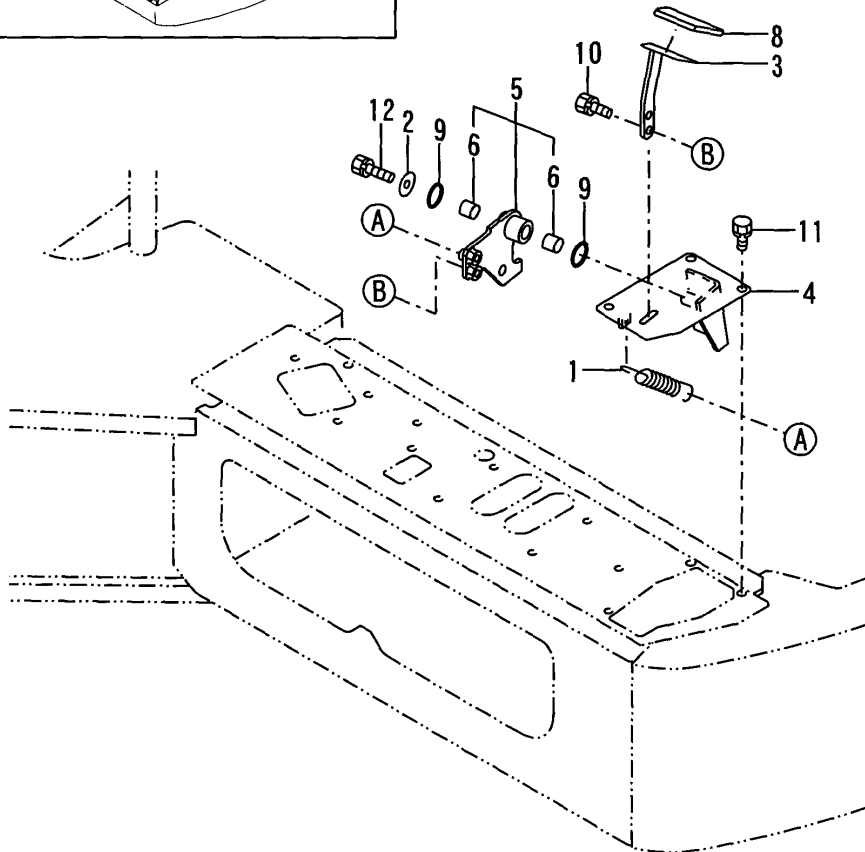
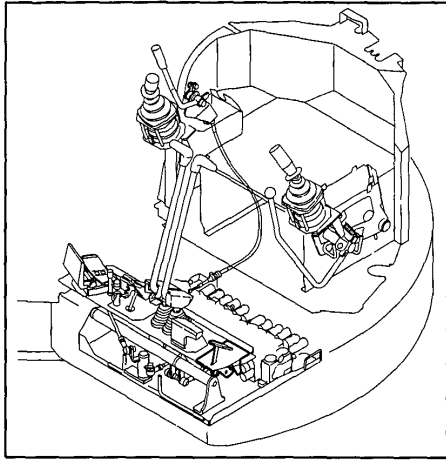
Fig.28 CONTROL EQUIP. (BLADE)



No.	Lev.	Parts No.	Description	Q'ty						I	R
				(A)	(B)	(C)	(D)	(E)	(F)		
1	1	172964-12140	GRIP	1	1						
2	1	172187-45810	LEVER ASSY,EP	1	1						
3	1	172187-47110	BRACKET ASSY,EP	1	1						
4	2	172141-41360	BUSH 1415	2	2						
6	1	172187-47140	LINK ASSY, BLADE EP	1	1						
7	1	22117-100000	WASHER, 10	1	1						
8	1	24311-000210	O-RING, 1AP21.0	2	2						
9	1	26013-100202	BOLT, M10X 20	2	2						
10	1	26347-100002	NUT, M10	1	1						
11	1	26450-080352	BOLT, M8X 35	2	2						
12	1	26716-080002	NUT, M8	2	2						
13	1	172187-45800	CABLE, BLADE	1	1						
14	1	22417-160160	PIN, COTTER 1.6X16	1	1						
15	1	26051-080002	NUT, M8	1	1						
16	1	933110-54100	PIN 4.75X14	1	1						

Fig.29. CONTROL EQUIPMENT(LOW-HIGH PEDAL)

Fig.29 CONTROL EQUIP. (LOW-HIGH PEDAL)



(A)=VIO70(US)C
(B)=VIO70(US)P
(C)=

(D)=
(E)=
(F)=

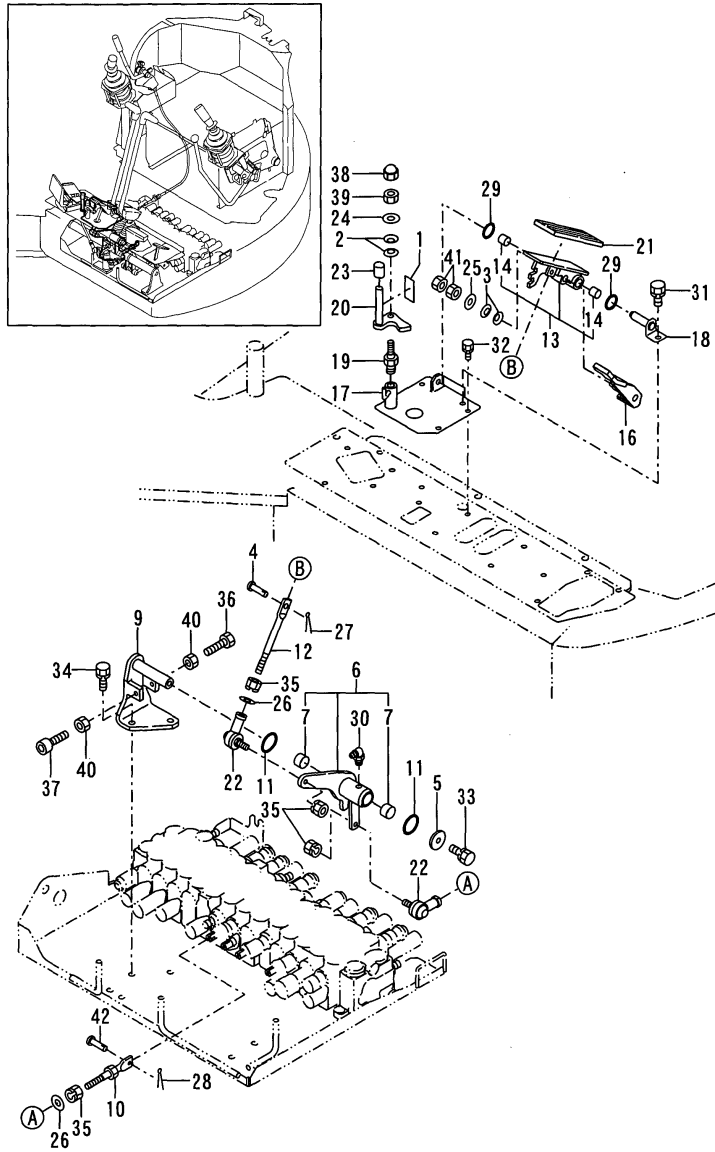
No.	Lev.	Parts No.	Description	Q'ty						I	R
				(A)	(B)	(C)	(D)	(E)	(F)		
1	1	172162-12480	SPRING, RETURN	1	1						
2	1	1A1040-43900	WASHER, SPRING	1	1						
3	1	172187-45900	PEDAL ASSY (73)	1	1						
4	1	172187-45930	BRACKET ASSY, PEDAL	1	1						
5	1	172187-45960	BRACKET ASSY, PEDAL	1	1						
6	2	172141-41360	BUSH 1415	2	2						
8	1	172187-45990	PEDAL PAD	1	1						
9	1	24311-000210	O-RING, 1AP21.0	2	2						
10	1	26013-080162	BOLT, M8X 16	2	2						
11	1	26013-080162	BOLT, M8X 16	3	3						
12	1	26013-080202	BOLT, M8X 20	1	1						

Fig.30. CONTROL EQUIPMENT(P.T.O.)

(A)=VIO70(US)C
(B)=VIO70(US)P
(C)=

(D)=
(E)=
(F)=

Fig.30 CONTROL EQUIP. (P. T. O.)



No.	Lev.	Parts No.	Description	Q'ty						I	R
				(A)	(B)	(C)	(D)	(E)	(F)		
1	1	172187-03200	LABEL,P.T.O. LOCK	1	1						
2	1	172068-28490	SPRING	2	2						
3	1	172068-28490	SPRING	2	2						
4	1	172110-45150	PIN (Q)	1	1						
5	1	1A1040-45890	WASHER, 10X36X4.5	1	1						
6	1	172187-46110	LINK ASSY, PTO	1	1						
7	2	172141-41370	BUSH 2015	2	2						
9	1	172187-46140	BRACKET	1	1						
10	1	172187-46190	ROD A ASSY	1	1						
11	1	172124-46200	O-RING	2	2						
12	1	172187-46210	ROD	1	1						
13	1	172187-46220	PEDAL A ASSY(GRAY:73)	1	1						
14	2	172141-41360	BUSH 1415	2	2						
16	1	172187-46290	PEDAL B CMP(GRAY:73)	1	1						
17	1	172187-46340	PEDAL BASE	1	1						
18	1	172187-46400	BRACKET (GRAY:73)	1	1						
19	1	172187-46430	SHAFT	1	1						
20	1	172187-46440	PLATE ASSY	1	1						1
21	1	172187-46500	PEDAL PAD	1	1						
22	1	172122-46590	ELBOW	2	2						
23	1	172116-46630	KNOB, LEVER	1	1						
24	1	22137-080000	WASHER, 8	1	1						
25	1	22137-080000	WASHER, 8	1	1						
26	1	22137-080000	WASHER, 8	2	2						
27	1	22417-160160	PIN, COTTER 1.6X16	1	1						
28	1	22417-160160	PIN, COTTER 1.6X16	1	1						
29	1	24311-000210	O-RING, 1AP21.0	2	2						
30	1	24761-050000	NIPPLE, GREASE C	1	1						
31	1	26013-080162	BOLT, M8X 16	1	1						
32	1	26013-080162	BOLT, M8X 16	3	3						
33	1	26013-100162	BOLT, M10X 16	1	1						
34	1	26013-100252	BOLT, M10X 25	2	2						
35	1	26051-080002	NUT, M8	4	4						
36	1	26116-080304	BOLT, M8X 30 PLATED	1	1						
37	1	26450-080302	BOLT, M8X 30	1	1						
38	1	26668-080002	NUT, CAP M8	1	1						
39	1	26716-080002	NUT, M8	1	1						
40	1	26716-080002	NUT, M8	2	2						
41	1	26756-080002	NUT, LOCK M8	2	2						
42	1	933110-54100	PIN 4.75X14	1	1						
43A	1	172187-03200	LABEL,P.T.O. LOCK	1	1						2

Remarks

(1)PLEASE USE THIS PART WITH FOLLOWING LABELS AT THE SAME TIME. REF.NO.43A.

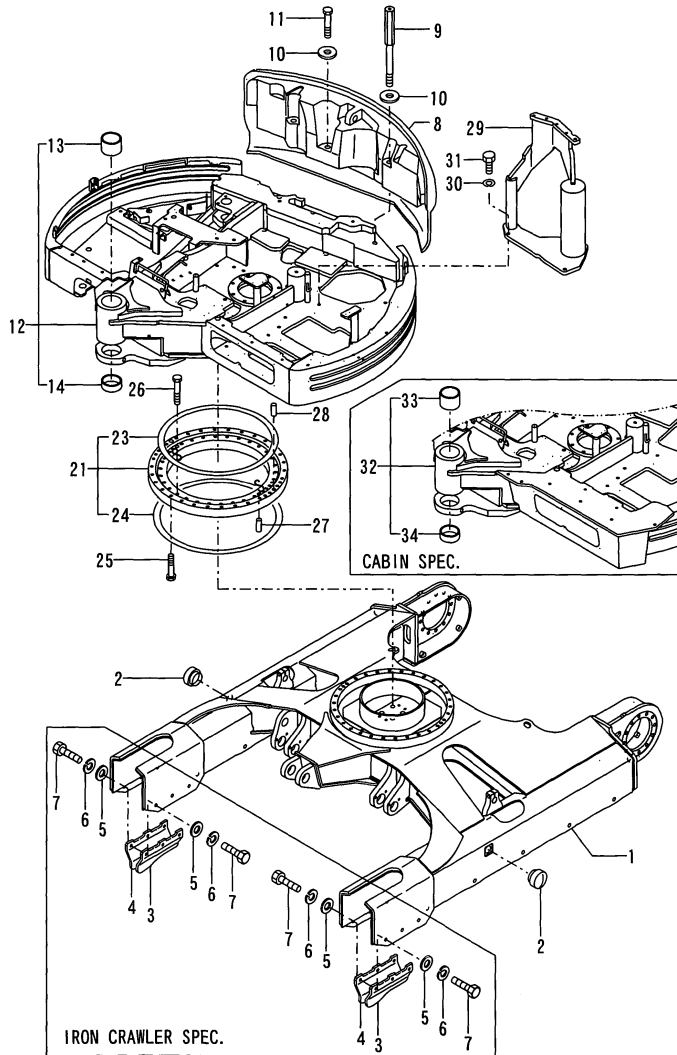
(2)LABELS ARE NOT ILLUSTRATED.

Fig.31. FRAME & TURNING BEARING

(A)=VIO70(US)C
(B)=VIO70(US)P
(C)=

(D)=
(E)=
(F)=

Fig.31 FRAME & TURNING BEARING



No.	Lev.	Parts No.	Description	Q'ty						I	R
				(A)	(B)	(C)	(D)	(E)	(F)		
1	1	172187-50100-1	FRAME ASSY(GREEN:82)	1	1						
2	1	172141-50890	GROMMET	2	2						
3	1	172187-50801-1	PLATE L, GUARD (82)	2	2						1
4	1	172187-50811-1	PLATE R, GUARD (82)	2	2						1
5	1	22137-160000	WASHER, 16	12	12						1
6	1	22217-160000	WASHER, SPRING 16	12	12						1
7	1	26116-160402	BOLT, M16X 40 PLATED	12	12						1
8	1	172187-53300-1	WEIGHT, COUNTER	1	1						
9	1	172187-53310	BOLT 24X210	2	2						
10	1	172187-53320	WASHER 24.5X65X8	3	3						
11	1	172187-53330	BOLT 24X140	1	1						
12	1	172187-54101-1	FRAME ASY,TURNING		1						2
13	2	172187-54750	BUSH 100X80		1						
14	2	172187-54760	BUSH 100X40		1						
21	1	172187-57600	TURNING BEARING	1	1						
23	2	172187-57630	SEAL	1	1						
24	2	172187-57640	SEAL	1	1						
25	1	172187-57610	BOLT 16X80	28	28						
26	1	172162-57650	BOLT M16X90	30	30						
27	1	172162-57660	PIN 16X40,STRAIGHT	2	2						
28	1	172162-57660	PIN 16X40,STRAIGHT	2	2						
29	1	172187-68101	MOUNT ASSY	1	1						
30	1	22217-160000	WASHER, SPRING 16	3	3						
31	1	26116-160452	BOLT, M16X 45 PLATED	3	3						
32	1	172989-54100	FRAME,TURNING ASY	1							3
33	2	172187-54750	BUSH 100X80	1							
34	2	172187-54760	BUSH 100X40	1							
41A	1	172437-03351	LABEL,GREASE CYL.		2						4
42A	1	172437-03351	LABEL,GREASE CYL.	2							4

Remarks

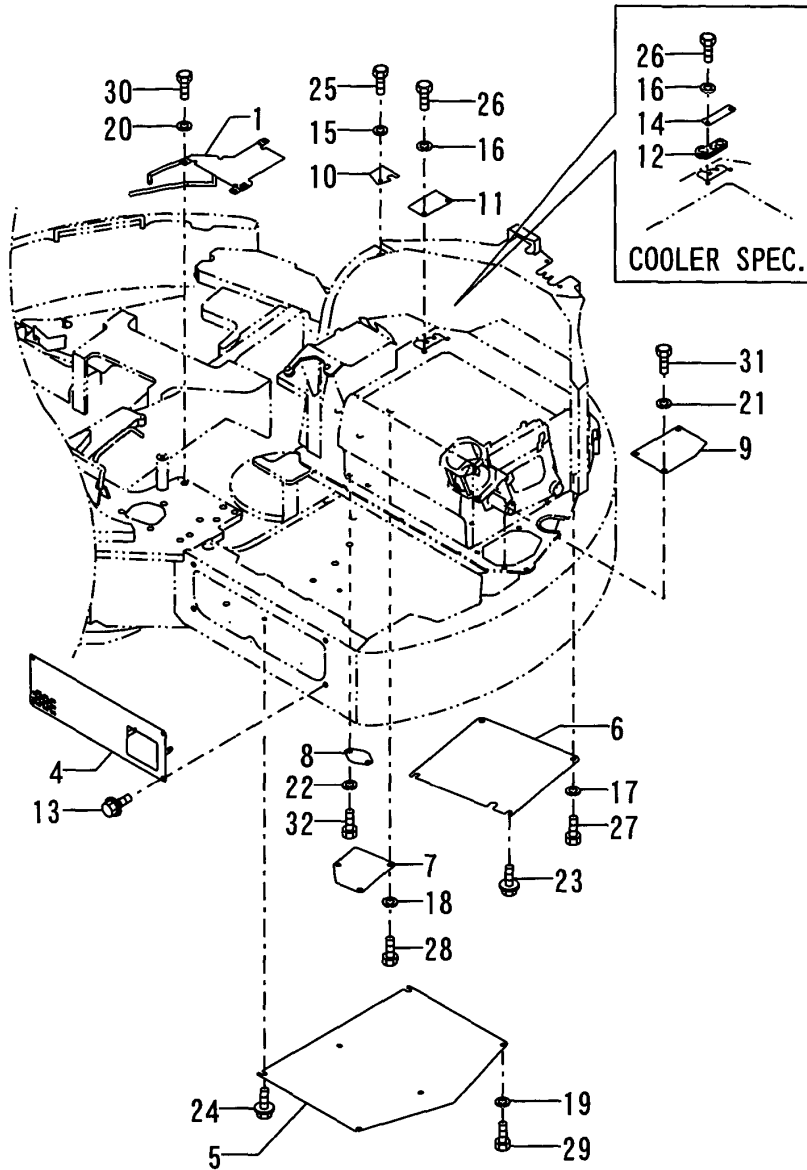
- (1)CRAWLER IRON SPEC.
- (2)PLEASE USE THIS PART WITH FOLLOWING LABELS AT THE SAME TIME. REF.NO.41A.
- (3)PLEASE USE THIS PART WITH FOLLOWING LABELS AT THE SAME TIME. REF.NO.42A.
- (4)LABELS ARE NOT ILLUSTRATED.

Fig.32. FRAME COVER(TURNING)(CABIN)

(A)=VIO70(US)C
(B)=VIO70(US)P
(C)=

(D)=
(E)=
(F)=

Fig.32 FRAME COVER(TURNING) (CABIN)



No.	Lev.	Parts No.	Description	Q'ty						I	R
				(A)	(B)	(C)	(D)	(E)	(F)		
1	1	172187-61080	COVER ASSY	1							
4	1	172187-61101-1	COVER ASSY, LAMP	1							
5	1	172187-61120	COVER	1							
6	1	172187-61130	COVER, PUMP	1							
7	1	172187-61140	COVER, DRAIN	1							
8	1	172187-61150	COVER, DRAIN	1							
9	1	172187-61350	COVER	1							
10	1	172187-61360	COVER, HARNESS	1							
11	1	172989-64250	PLATE	1							
12	1	172187-61470	GROMMET	1							
13	1	172519-63240	BOLT	6							
14	1	172989-64260	PLATE,CL	1							
15	1	22217-080000	WASHER, SPRING 8	1							
16	1	22217-080000	WASHER, SPRING 8	2							
17	1	22217-100000	WASHER, SPRING 10	2							
18	1	22217-100000	WASHER, SPRING 10	3							
19	1	22217-100000	WASHER, SPRING 10	4							
20	1	22217-100000	WASHER, SPRING 10	3							
21	1	22217-100000	WASHER, SPRING 10	3							
22	1	22217-100000	WASHER, SPRING 10	2							
23	1	26106-100162	BOLT, M10X 16 PLATED	2							
24	1	26106-100162	BOLT, M10X 16 PLATED	2							
25	1	26116-080162	BOLT, M8X 16 PLATED	1							
26	1	26116-080162	BOLT, M8X 16 PLATED	2							
27	1	26116-100202	BOLT, M10X 20 PLATED	2							
28	1	26116-100202	BOLT, M10X 20 PLATED	3							
29	1	26116-100202	BOLT, M10X 20 PLATED	4							
30	1	26116-100202	BOLT, M10X 20 PLATED	3							
31	1	26116-100202	BOLT, M10X 20 PLATED	3							
32	1	26116-100202	BOLT, M10X 20 PLATED	2							

Remarks

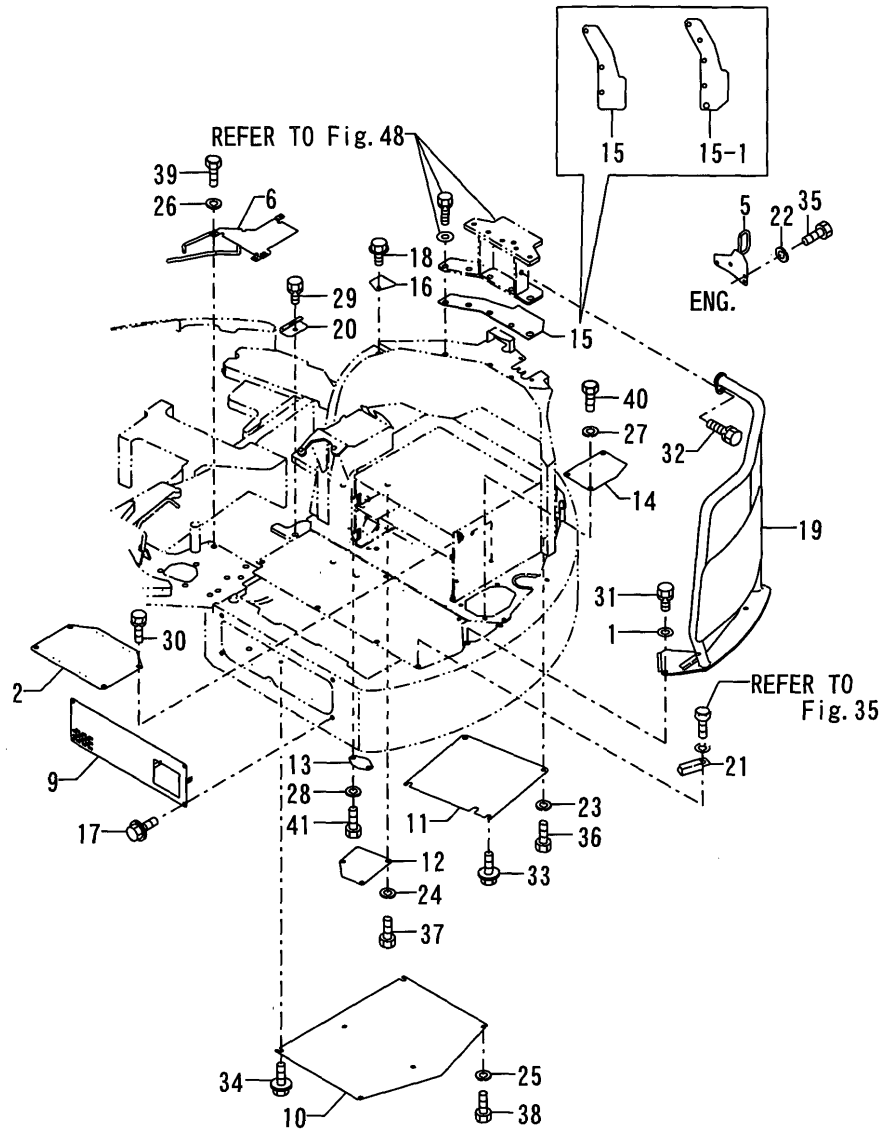
*THIS FIGURE IN NEWLY ADDED.

Fig.33. FRAME COVER(TURNING)(CANOPY)

(A)=VIO70(US)C
(B)=VIO70(US)P
(C)=

(D)=
(E)=
(F)=

Fig.33 FRAME COVER(TURNING) (CANOPY)

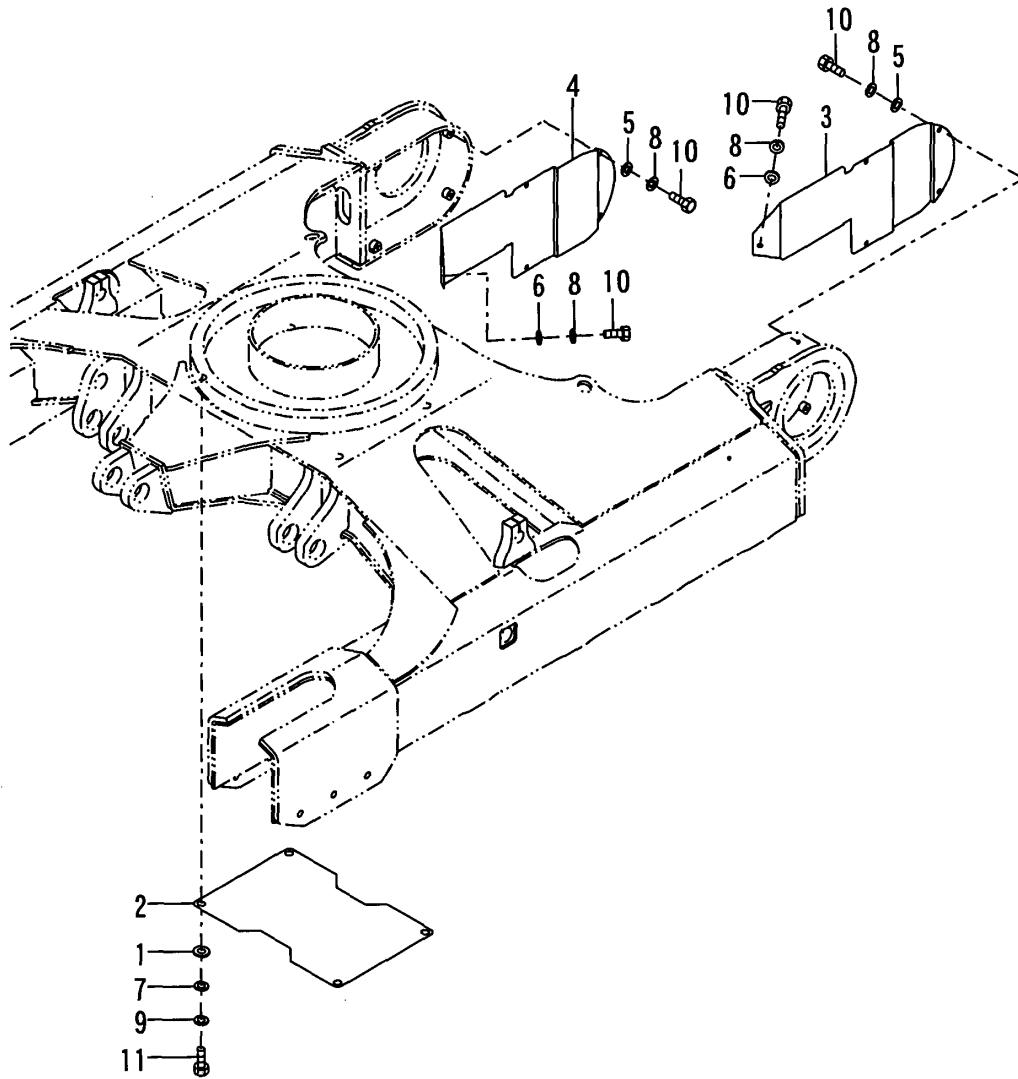


No.	Lev.	Parts No.	Description	Q'ty						I	R
				(A)	(B)	(C)	(D)	(E)	(F)		
1	1	194145-04810	WASHER 10		3						
2	1	172187-17590	PLATE,HEATER BASE EV		1						
5	1	172187-17691	GUIDE, HOSE		1						
6	1	172187-61080	COVER ASSY		1						
9	1	172187-61101-1	COVER ASSY, LAMP		1						
10	1	172187-61120	COVER		1						
11	1	172187-61130	COVER, PUMP		1						
12	1	172187-61140	COVER, DRAIN		1						
13	1	172187-61150	COVER, DRAIN		1						
14	1	172187-61350	COVER		1						
15	1	172187-61560	COVER		1						
15-1	1	172989-66700	COVER		1						S
(B=M/#01516)											
16	1	172187-61570	COVER, HARNESS		1						
17	1	172519-63240	BOLT		6						
18	1	172519-63240	BOLT		1						
19	1	172187-67450	COVER ASSY		1						1
20	1	172187-67510	BRACKET		1						
21	1	172187-67610	BRACKET		1						
22	1	22217-080000	WASHER, SPRING 8		2						
23	1	22217-100000	WASHER, SPRING 10		2						
24	1	22217-100000	WASHER, SPRING 10		3						
25	1	22217-100000	WASHER, SPRING 10		4						
26	1	22217-100000	WASHER, SPRING 10		3						
27	1	22217-100000	WASHER, SPRING 10		3						
28	1	22217-100000	WASHER, SPRING 10		2						
29	1	26013-100162	BOLT, M10X 16		1						
30	1	26013-100202	BOLT, M10X 20		4						
31	1	26013-100302	BOLT, M10X 30		3						
32	1	26013-120352	BOLT, M12X 35		1						
33	1	26106-100162	BOLT, M10X 16 PLATED		2						
34	1	26106-100162	BOLT, M10X 16 PLATED		2						
35	1	26116-080162	BOLT, M8X 16 PLATED		2						
36	1	26116-100202	BOLT, M10X 20 PLATED		2						
37	1	26116-100202	BOLT, M10X 20 PLATED		3						
38	1	26116-100202	BOLT, M10X 20 PLATED		4						
39	1	26116-100202	BOLT, M10X 20 PLATED		3						
40	1	26116-100202	BOLT, M10X 20 PLATED		3						
41	1	26116-100202	BOLT, M10X 20 PLATED		2						
42A	1	172187-03910	LABEL,SUPPORT		1						2

Remarks
(1)PLEASE USE THIS PART WITH FOLLOWING LABELS AT THE SAME TIME. REF.NO.42A.
(2)LABELS ARE NOT ILLUSTRATED.

Fig.34. FRAME COVER(TRAVEL)

Fig. 34 FRAME COVER(TRAVEL)



(A)=VIO70(US)C
(B)=VIO70(US)P
(C)=

(D)=
(E)=
(F)=

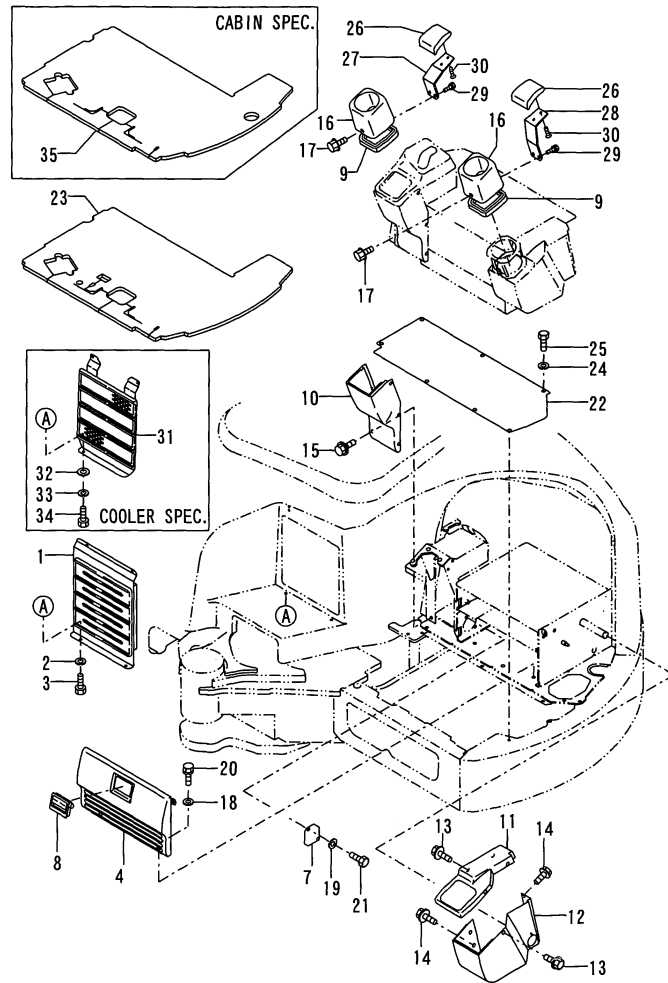
No.	Lev.	Parts No.	Description	Q'ty						I	R
				(A)	(B)	(C)	(D)	(E)	(F)		
1	1	172162-61500	TRIM	4	4						
2	1	172187-61500	COVER	1	1						
3	1	172187-61510-1	COVER, TRAVEL	1	1						
4	1	172187-61520-1	COVER, TRAVEL	1	1						
5	1	22137-100000	WASHER, 10	8	8						
6	1	22157-100000	WASHER, 10	2	2						
7	1	22157-120000	WASHER, 12	4	4						
8	1	22217-100000	WASHER, SPRING 10	10	10						
9	1	22217-120000	WASHER, SPRING 12	4	4						
10	1	26116-100202	BOLT, M10X 20 PLATED	10	10						
11	1	26116-120302	BOLT, M12X 30 PLATED	4	4						

Fig.35. STEP & INSTRUMENT PANEL

(A)=VIO70(US)C
(B)=VIO70(US)P
(C)=

(D)=
(E)=
(F)=

Fig. 35 STEP & INSTRUMENT PANEL



No.	Lev.	Parts No.	Description	Q'ty						I	R
				(A)	(B)	(C)	(D)	(E)	(F)		
1	1	172187-61220-1	COVER, BONNET	1	1						
2	1	22217-080000	WASHER, SPRING 8	4	4						
3	1	26116-080162	BOLT, M8X 16 PLATED	4	4						
4	1	172187-61230	GRILLE	1	1						2
7	1	172187-61340	COVER	1	1						3
8	1	172187-61420	HANDLE, LOCK		1						
8-1	1	172187-61421	HANDLE, LOCK	1	1						N
(B=M/#01675)											
9	1	172162-62540	SEAL, STEP	2	2						
10	1	172187-63120	COVER, PANEL	1	1						
11	1	172187-63140	INSTRUMENT PANEL L	1	1						
12	1	172187-63150	COVER, PANEL	1	1						4
13	1	172519-63240	BOLT	4	4						
14	1	172519-63240	BOLT	5	5						
15	1	172519-63240	BOLT	6	6						
16	1	172187-63301	COVER	2	2						
17	1	172162-68370	BOLT, M8X12	6	6						
18	1	22137-100000	WASHER, 10	2	2						
19	1	22217-080000	WASHER, SPRING 8	2	2						
20	1	26013-100252	BOLT, M10X 25	2	2						
21	1	26116-080162	BOLT, M8X 16 PLATED	2	2						
22	1	172187-62130	STEP	1	1						
23	1	172187-62160	MAT	1	1						
24	1	22217-100000	WASHER, SPRING 10	7	7						
25	1	26116-100202	BOLT, M10X 20 PLATED	7	7						
26	1	172441-44320	ARMREST	2	2						
27	1	172187-64810	PLATE R,ARM REST	1	1						
28	1	172187-64820	PLATE L,ARM REST	1	1						
29	1	26013-080202	BOLT, M8X 20	4	4						
30	1	26577-080122	SCREW, M8X12	4	4						
31	1	172187-61430	COVER, BONNET	1							1
32	1	22137-080000	WASHER, 8	3							1
33	1	22217-080000	WASHER, SPRING 8	3							1
34	1	26116-080162	BOLT, M8X 16 PLATED	3							1
35	1	172187-62140	MAT	1							
36A	1	172989-03130	LABEL,GRIP US	1	1						5
37A	1	172187-03350	LABEL,FUSE E	1	1						5
38A	1	172187-03840	LABEL,ADJUST CRAWLER	1	1						5

Remarks

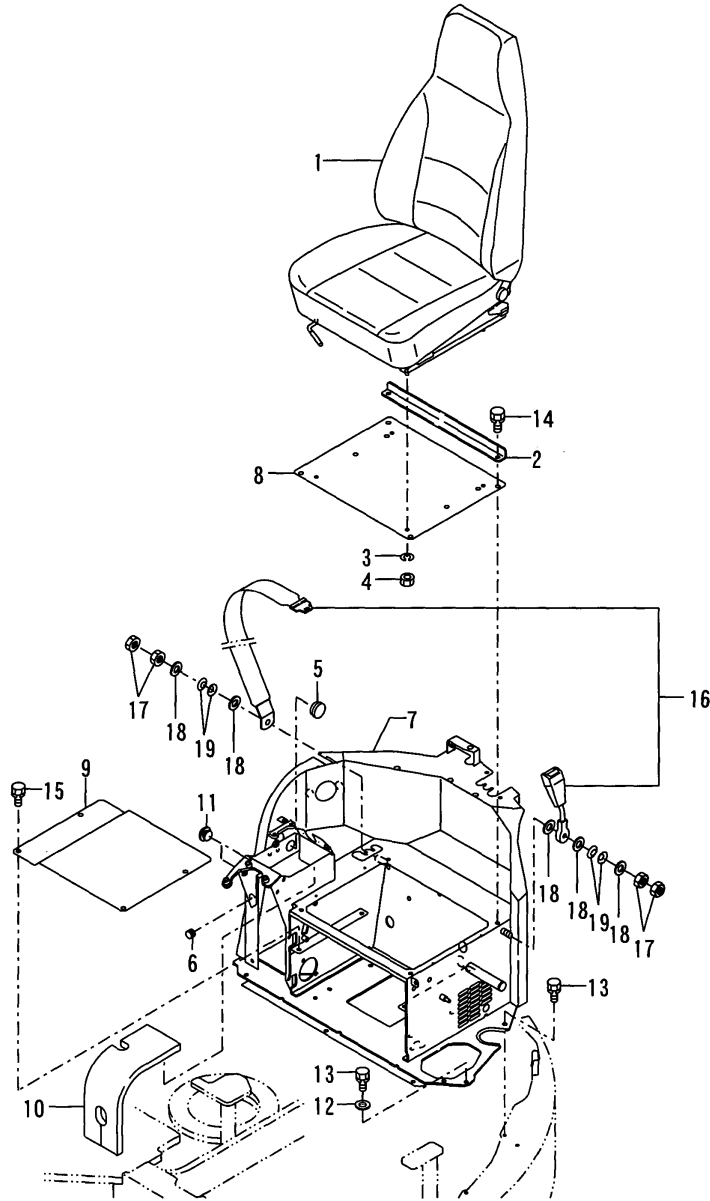
- (1)COOLER SPEC.
- (2)PLEASE USE THIS PART WITH FOLLOWING LABELS AT THE SAME TIME. REF.NO.37A
- (3)PLEASE USE THIS PART WITH FOLLOWING LABELS AT THE SAME TIME. REF.NO.36A
- (4)PLEASE USE THIS PART WITH FOLLOWING LABELS AT THE SAME TIME. REF.NO.38A
- (5)LABELS ARE NOT ILLASTRATED.

Fig.36. SEAT & SEAT MOUNT (CABIN)

(A)=VIO70(US)C
(B)=VIO70(US)P
(C)=

(D)=
(E)=
(F)=

Fig.36 SEAT & SEAT MOUNT (CABIN)



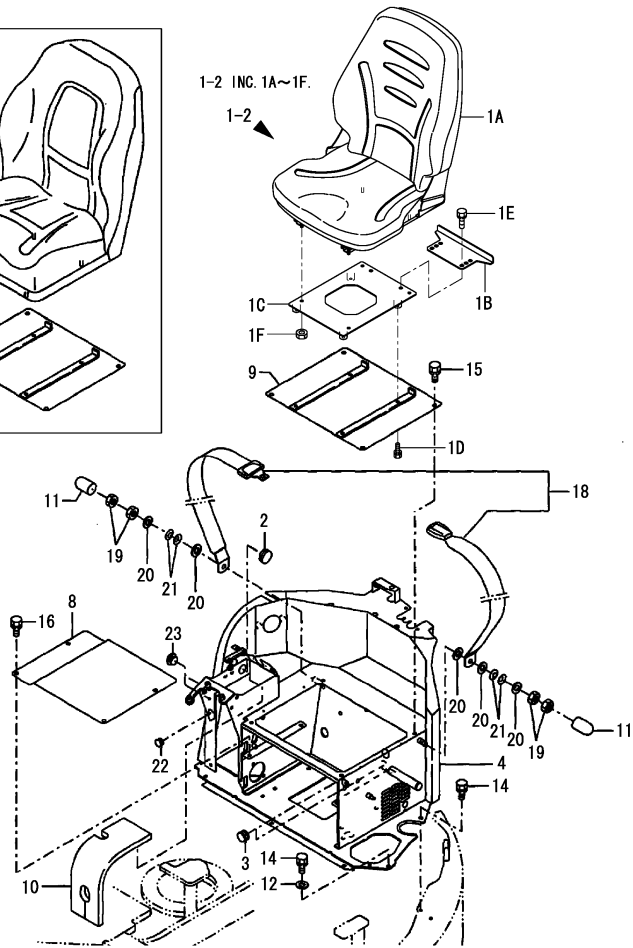
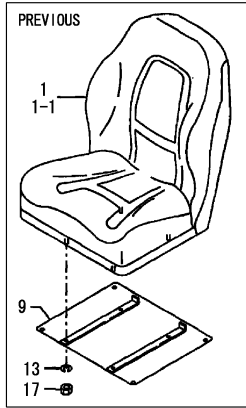
No.	Lev.	Parts No.	Description	Q'ty						I	R
				(A)	(B)	(C)	(D)	(E)	(F)		
1	1	172187-64100	SEAT, OPERATOR	1							
2	1	172989-64270	STOPPER, SEAT	1							
3	1	22217-080000	WASHER, SPRING 8	4							
4	1	26716-080002	NUT, M8	4							
5	1	172151-62240	GROMMET	1							
6	1	172151-62240	GROMMET	1							
7	1	172989-64190	MOUNT CMP,SEAT EV	1							
8	1	172187-64560	PLATE, SEAT	1							
9	1	172187-64650	PLATE ASSY	1							
10	1	172187-64790	SEAL	1							
11	1	172187-64900	PLUG	2							
12	1	22137-100000	WASHER, 10	2							
13	1	26013-100202	BOLT, M10X 20	5							
14	1	26013-100202	BOLT, M10X 20	4							
15	1	26013-100252	BOLT, M10X 25	4							
16	1	172989-64450	SEAT BELT	1							
17	1	172187-64830	NUT	4							
18	1	22137-120000	WASHER, 12	5							
19	1	933170-01490	SPRING	4							

Remarks
*THIS FIGURE IN NEWLY ADDED.

Fig.37. SEAT & SEAT MOUNT(CANOPY)

(A)=VIO70(US)C
(B)=VIO70(US)P
(C)=

(D)=
(E)=
(F)=



No.	Lev.	Parts No.	Description	Q'ty						I	R
				(A)	(B)	(C)	(D)	(E)	(F)		
1	1	172422-64200	SEAT, OPERATOR		1						3
1-1	1	172422-64201	SEAT, OPERATOR		1						N 3
		(B=M/#01661)									
1-2	1	172457-08600	SEAT KIT		1						N
		(B=*2007.01)									
1-3	1	172457-08600	SEAT KIT		1						Z 3
		(B=*2017.11.)									
1A	2	172A46-64200	SEAT, OPERATOR		1						W
		(B=*2007.01)									
1B	2	172A46-64490	STOPPER		1						W
		(B=*2007.01)									
1C	2	172A46-64500	PLATE ASSY,SEAT		1						W
		(B=*2007.01)									
1D	2	26013-080202	BOLT, SPRING M8X 20		4						W
		(B=*2007.01)									
1E	2	26013-100202	BOLT, SPRING M10X 20		2						W
		(B=*2007.01)									
1F	2	26051-080002	NUT, M8		4						W
		(B=*2007.01)									
2	1	172151-62240	GROMMET		1						
3	1	172151-62240	GROMMET		2						
4	1	172187-64192	MOUNT ASSY, SEAT		1						1
4-1	1	172187-64193	MOUNT ASSY		1						N 1
		(B=M/#01661)									
8	1	172187-64650	PLATE ASSY		1						
9	1	172187-64750	BRACKET		1						
10	1	172187-64790	SEAL		1						
11	1	172187-64800	CAP		2						
12	1	22137-100000	WASHER, 10		2						
13	1	22217-080000	WASHER, SPRING 8		4						Z
		(B=*2007.01)									
14	1	26013-100202	BOLT, SPRING M10X 20		5						
15	1	26013-100202	BOLT, SPRING M10X 20		4						
16	1	26013-100202	BOLT, SPRING M10X 20		4						
17	1	26716-080002	NUT, M8		4						Z
		(B=*2007.01)									
18	1	172433-64300	SEAT BELT		1						
19	1	172187-64830	NUT		4						
20	1	22137-120000	WASHER, 12		5						
21	1	933170-01490	SPRING		4						
22	1	172151-62240	GROMMET		1						
23	1	172187-64900	PLUG		2						
24A	1	172519-03150	LABEL, ACCEL		1						2

Remarks

(1)Please use this part with following labels at the same time.

REF.NO.24A.

(2)LABELS ARE NOT ILLUSTRATED.

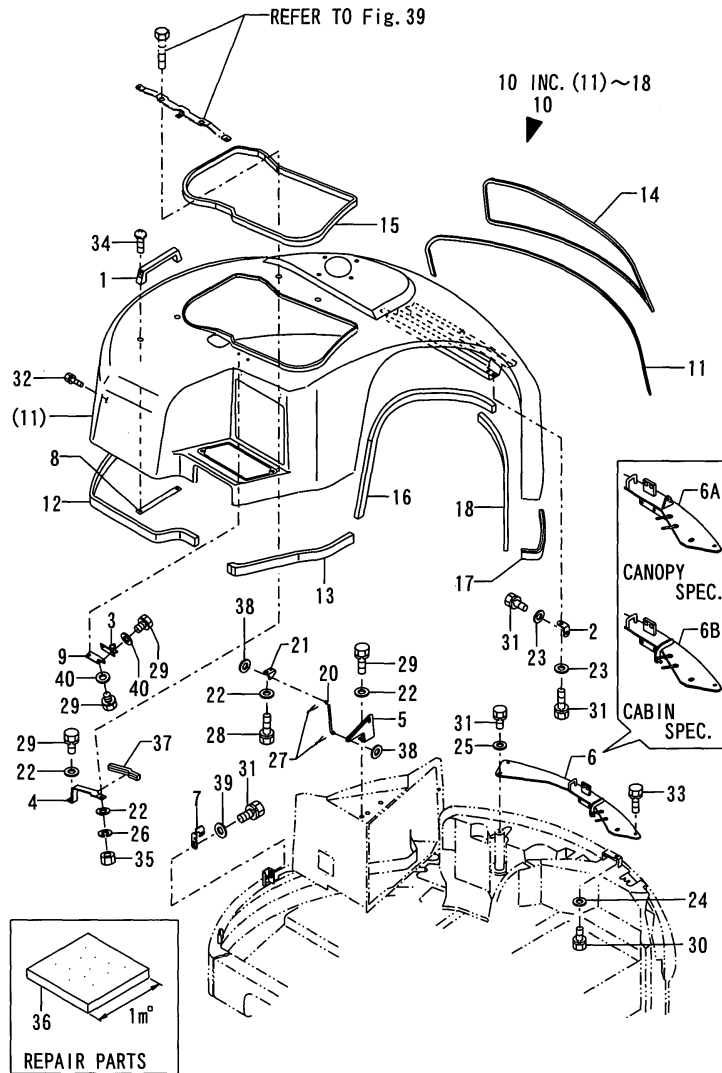
(3)Spare parts is shown in Fig.89 No.1.

Fig.38. HOOD;1(BODY)

(A)=VIO70(US)C
(B)=VIO70(US)P
(C)=

(D)=
(E)=
(F)=

Fig.38 HOOD;1 (BODY)



No.	Lev.	Parts No.	Description	Q'ty						I	R
				(A)	(B)	(C)	(D)	(E)	(F)		
1	1	172164-45980	GRIP, BONNET	1	1						
2	1	172187-65330	BRACKET L	1	1						
3	1	172187-65501	BRACKET B	1	1						
4	1	172187-65530	BRACKET A	1	1						
5	1	172187-65540	BRACKET B	1	1						
6A	1	172187-65550	BRACKET ASSY		1						
6B	1	172989-65550	BRACKET ASSY		1						
7	1	172187-65980	PLATE, CATCH	1	1						
8	1	172187-66400	STAY ASSY, GRIP	1	1						
9	1	172187-66421	BRACKET ASSY, COVER	1	1						
10	1	172187-66500	COVER ASSY	1	1						2
11	2	172187-66110	RUBBER, SEAL 1850	1	1						
12	2	172187-66120	RUBBER 2040	1	1						
13	2	172187-66140	RUBBER 580	1	1						
14	2	172187-66160	SEAL, BONNET	1	1						
15	2	172187-66170	SEAL, BONNET	1	1						
16	2	172187-66310	RUBBER, SEAL 1300	1	1						
17	2	172187-66320	TRIM	1	1						
18	2	172187-66330	RUBBER, SEAL 590	1	1						
20	1	172187-69240	ROD ASSY, STOPPER	1	1						
21	1	172187-69250	BRACKET	1	1						
22	1	22137-080000	WASHER, 8				8				
22-1	1	22137-080000 (B=M/#01355)	WASHER, 8	6	6						K
23	1	22137-100000	WASHER, 10	2	2						
24	1	22137-100000	WASHER, 10	1	1						
25	1	22157-100000	WASHER, 10	2	2						
26	1	22217-080000	WASHER, SPRING 8	1	1						
27	1	22417-200200	PIN, COTTER 2.0X20	2	2						
28	1	26013-080162	BOLT, M8X 16	2	2						
29	1	26013-080202	BOLT, M8X 20	7	7						
30	1	26013-100202	BOLT, M10X 20	1	1						
31	1	26013-100252	BOLT, M10X 25	6	6						
32	1	26013-100302	BOLT, M10X 30	3	3						
33	1	26013-100402	BOLT, M10X 40	2	2						
34	1	26557-080252	SCREW, M8X25	2	2						
35	1	26716-080002	NUT, M8	1	1						
36	1	933171-20390	SPONGE	1	1						1
37	1	172162-61870	TRIM	1	1						W
38	1	1A1380-62160 (B=M/#01516)	WASHER	2	2						W
39	1	22137-100000	WASHER, 10	2	2						
40	1	22137-080000	WASHER, 8	4	4						
41A	1	172187-03910	LABEL,SUPPORT	2							3
42A	1	172187-03910	LABEL,SUPPORT		1						3
42B	1	172437-03300	LABEL,MANUAL		1						3
42C	1	172437-03310	LABEL,SLOPE		1						3
42D	1	172437-03340	LABEL,TRANSPORT		1						3
42E	1	172437-03371	LABEL		1						3
42F	1	172437-03431	LABEL,STEERING		1						3

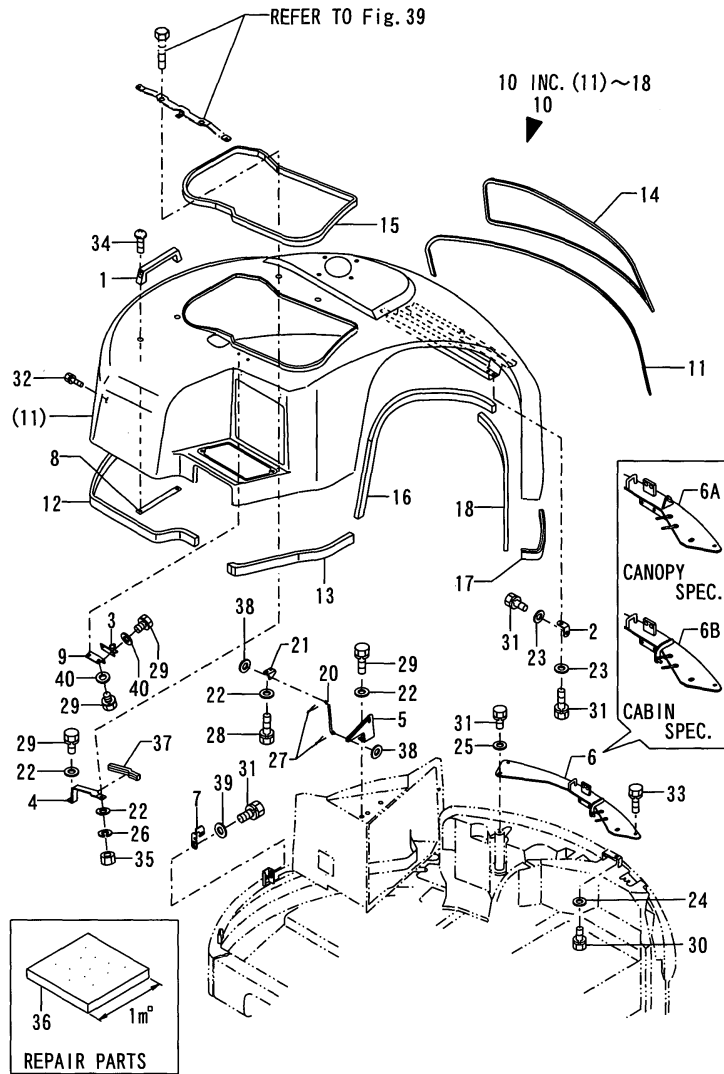
Remarks
(1)REPAIR PART
(2)PLEASE USE THIS PART WITH ATTACHED LABELS AT THE SAME TIME.
CABIN SPEC.:REF.NO.41A.
CANOPY SPEC.:REF.NO.42A,42B,42C,42D,42E,42F,42G & 42H.
(3)LABELS ARE NOT ILLUSTRATED.

Fig.38. HOOD;1(BODY)

(A)=VIO70(US)C
(B)=VIO70(US)P
(C)=

(D)=
(E)=
(F)=

Fig. 38 HOOD;1 (BODY)

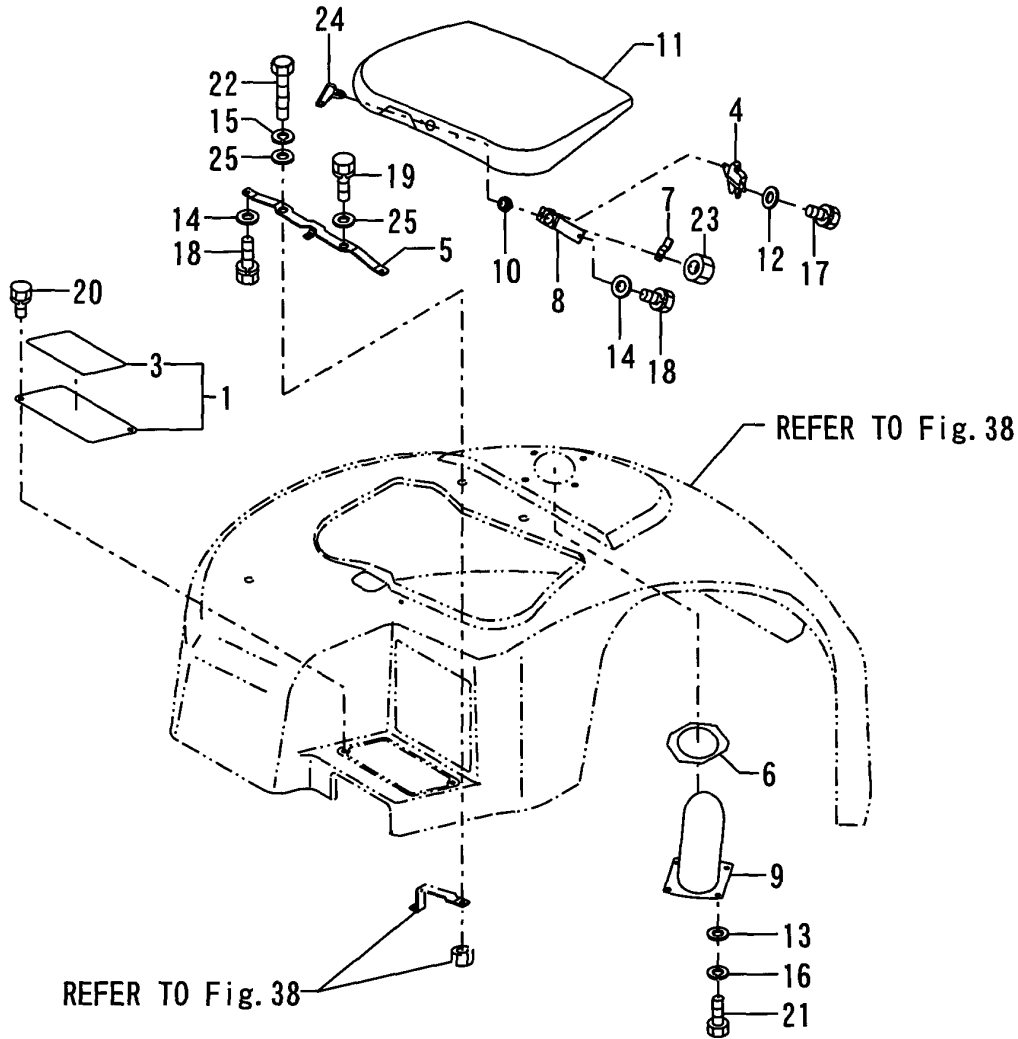


No.	Lev.	Parts No.	Description	Q'ty						I	R
				(A)	(B)	(C)	(D)	(E)	(F)		
42G	1	172437-03470	LABEL,LEVER LOCK		1						3
42H	1	172437-03530	LABEL,RE-START		1						3

Remarks
 (1)REPAIR PART
 (2)PLEASE USE THIS PART WITH ATTACHED LABELS AT THE SAME TIME.
 CABIN SPEC. :REF.NO.41A.
 CANOPY SPEC.:REF.NO.42A,42B,42C,42D, 42E,42F,42G & 42H.
 (3)LABELS ARE NOT ILLUSTRATED.

Fig.39. HOOD;2(UPPER COVER)

Fig.39 HOOD;2(UPPER COVER)



(A)=VIO70(US)C
(B)=VIO70(US)P
(C)=

(D)=
(E)=
(F)=

No.	Lev.	Parts No.	Description	Q'ty						I	R
				(A)	(B)	(C)	(D)	(E)	(F)		
1	1	172187-65170-1	COVER, BONNET	1	1						
3	2	172187-66220	SHEET, NON SLIP	1	1						
4	1	172187-65200	CATCH ASSY, COVER	1	1						
5	1	172187-65290	BRACKET ASSY	1	1						
6	1	172164-65460	SEAL, DUCT	1	1						
7	1	172187-65460	PLATE, LOCK	1	1						
8	1	172187-65470	BRACKET A ASSY, LOCK	1	1						
9	1	172164-65610	COVER ASSY	1	1						
10	1	172164-66170	KEY ASSY, CYLINDER	1	1						
11	1	172187-66530	COVER ASSY	1	1						1
12	1	22137-060000	WASHER, 6	2	2						
13	1	22137-080000	WASHER, 8	4	4						
14	1	22137-080000	WASHER, 8	5	5						
15	1	22217-080000	WASHER, SPRING 8	1	1						
16	1	22217-080000	WASHER, SPRING 8	4	4						
17	1	26013-060122	BOLT, M6X 12	2	2						
18	1	26013-080162	BOLT, M8X 16	5	5						
19	1	26013-080202	BOLT, M8X 20	1	1						
20	1	26013-100402	BOLT, M10X 40	2	2						
21	1	26116-080162	BOLT, M8X 16 PLATED	4	4						
22	1	26116-080604	BOLT, M8X 60 PLATED	1	1						
23	1	26347-100002	NUT, M10	1	1						
24	1	933110-00301	KEY ASSY	1	1						
25	1	22137-080000	WASHER, 8	2	2						
26A	2	172437-03390	LABEL,RADIATOR	1	1						2
26B	2	172437-03421	LABEL,MUFFLER	2	2						2

Remarks

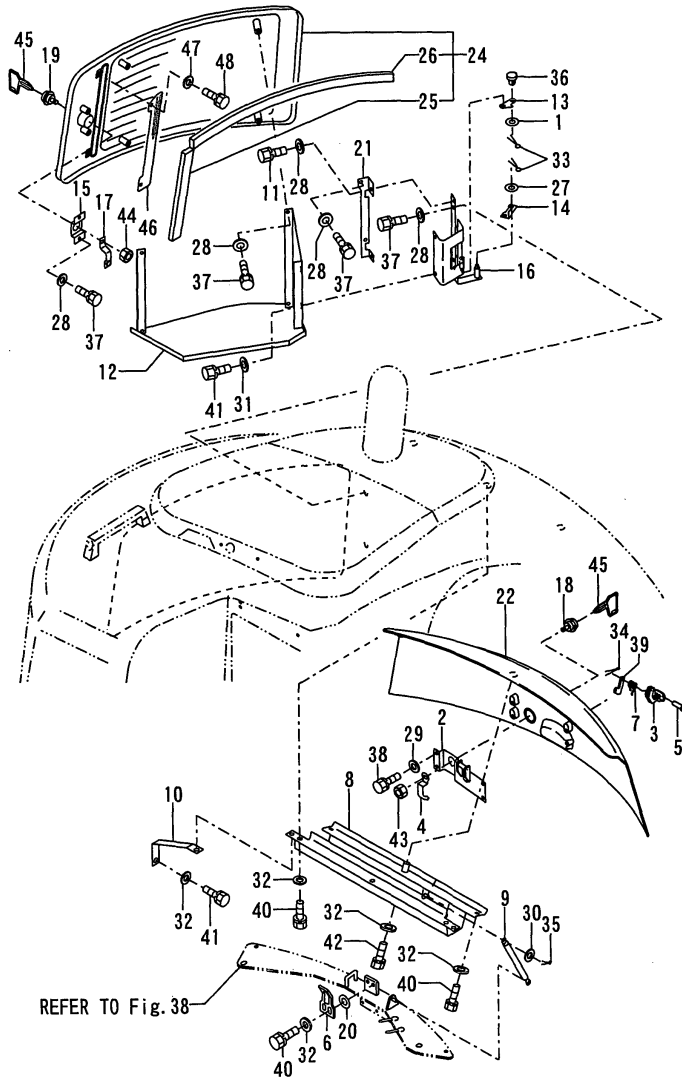
- (1)PLEASE USE THIS PART WITH FOLLOWING LABELS AT THE SAME TIME. REF.NO.26A & 26B.
- (2)LABELS ARE NOT ILLUSTRATED.
- *THIS FIGURE IN NEWLY ADDED.

Fig.40. HOOD;3(SIDE,REAR COVER)

(A)=VIO70(US)C
(B)=VIO70(US)P
(C)=

(D)=
(E)=
(F)=

Fig.40 HOOD;3(SIDE,REAR COVER)



No.	Lev.	Parts No.	Description	(A)	(B)	Q'ty (C) (D) (E) (F)	I	R
1	1	172157-45840	WASHER 8X18X4	1	1			
2	1	172187-65180	BRACKET A	1	1			
3	1	172187-65210	LEVER ASSY, LOCK	1	1			
4	1	172187-65240	PLATE, LOCK	1	1			
5	1	172734-65260	PIN, BONNET LEVER	1	1			
6	1	172187-65270	PLATE, CATCH	1	1			
7	1	172734-65270	SPRING, CATCH	1	1			
8	1	172187-65350	BRACKET ASSY	1	1			
9	1	172187-65400	SPRING, GAS	1	1			
10	1	172187-65420	BRACKET R	1	1			
11	1	26013-080202	BOLT, M8X 20	2	2			
12	1	172187-65750	DUCT ASSY	1	1			1
13	1	172187-65820	PLATE A, LOCK	1	1			
14	1	172187-65830	PLATE B, LOCK	1	1			
15	1	172187-65860	CHANNEL	1	1			
16	1	172187-65870	BRACKET ASSY	1	1			
17	1	172187-65960	LOCK PLATE ASSY	1	1			
18	1	172164-66170	KEY ASSY, CYLINDER	1	1			
19	1	172164-66170	KEY ASSY, CYLINDER	1	1			
20	1	172187-66450	SHIM, CATCH PLATE	2	2			
21	1	172187-66460	STAY ASSY, DUCT	1	1			
22	1	172187-66520	BONNET CMP(EV (87)	1	1			2
24	1	172187-66571	COVER ASSY	1	1			
25	2	172187-66340	SEAL, COVER	1	1			
26	2	172187-66350	SEAL, COVER	1	1			
27	1	22117-080000	WASHER, 8	2	2			
28	1	22137-080000	WASHER, 8	12	12			
29	1	22137-080000	WASHER, 8	4	4			
30	1	22137-080000	WASHER, 8	2	2			
31	1	22137-100000	WASHER, 10	2	2			
32	1	22137-100000	WASHER, 10	10	10			
33	1	22417-200200	PIN, COTTER 2.0X20	3	3			
34	1	22417-200200	PIN, COTTER 2.0X20	1	1			
35	1	22417-200200	PIN, COTTER 2.0X20	2	2			
36	1	22487-080120	PIN, H 8X 12	1	1			
37	1	26013-080162	BOLT, M8X 16	10	10			
38	1	26013-080162	BOLT, M8X 16	4	4			
39	1	172124-65480	CATCHER	1	1			
40	1	26013-100202	BOLT, M10X 20	7	7			
41	1	26013-100252	BOLT, M10X 25	2	2			
42	1	26013-100452	BOLT, M10X 45	1	1			
43	1	26347-100002	NUT, M10	1	1			
44	1	26347-100002	NUT, M10	1	1			
45	1	933110-00301	KEY ASSY	1	1			
46	1	172187-66590	COVER	1	1			
47	1	172157-45840	WASHER 8X18X4	2	2			
48	1	26013-080122	BOLT, M8X 12	2	2			
49A	2	172437-03360	LABEL,BATTERY	1	1			3
50A	2	172187-03370	LABEL,RADIATOR COVER	1	1			3
50B	2	172437-03400	LABEL,ENG.HOOD	1	1			3
50C	2	172437-03410	LABEL,ENG.ROOM	1	1			3

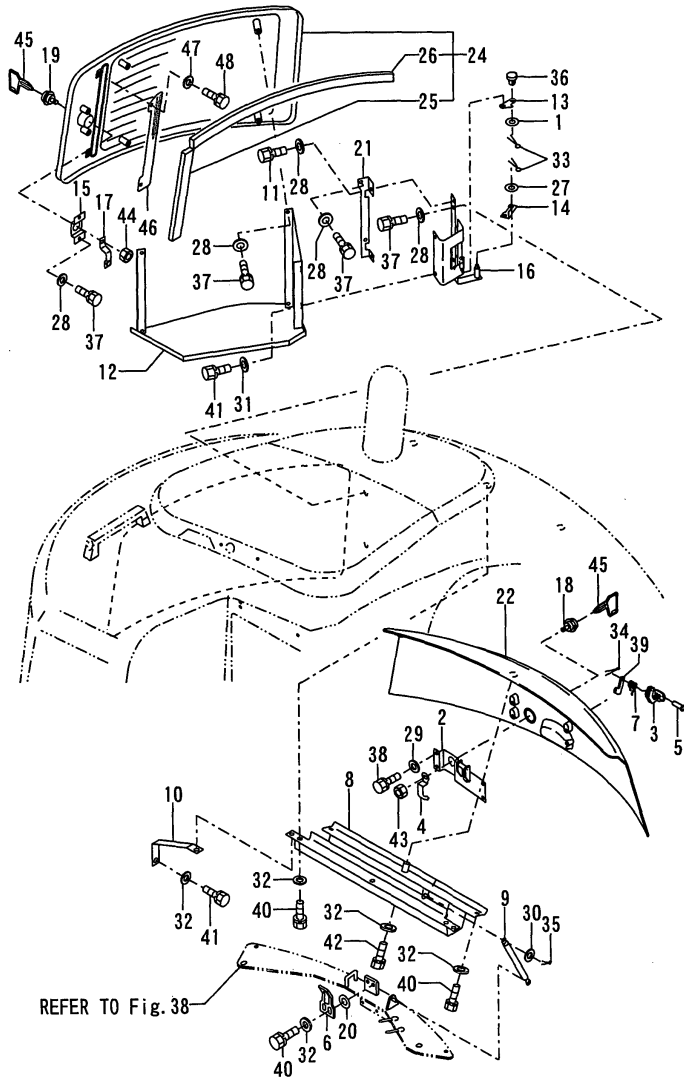
Remarks
(1)PLEASE USE THIS PART WITH FOLLOWING LABELS AT THE SAME TIME. REF.NO.49A.
(2)PLEASE USE THIS PART WITH FOLLOWING LABELS AT THE SAME TIME. REF.NO.50A,50B,50C & 50D.
(3)LABELS ARE NOT ILLUSTRATED.

Fig.40. HOOD;3(SIDE,REAR COVER)

(A)=VIO70(US)C
(B)=VIO70(US)P
(C)=

(D)=
(E)=
(F)=

Fig.40 HOOD;3(SIDE,REAR COVER)

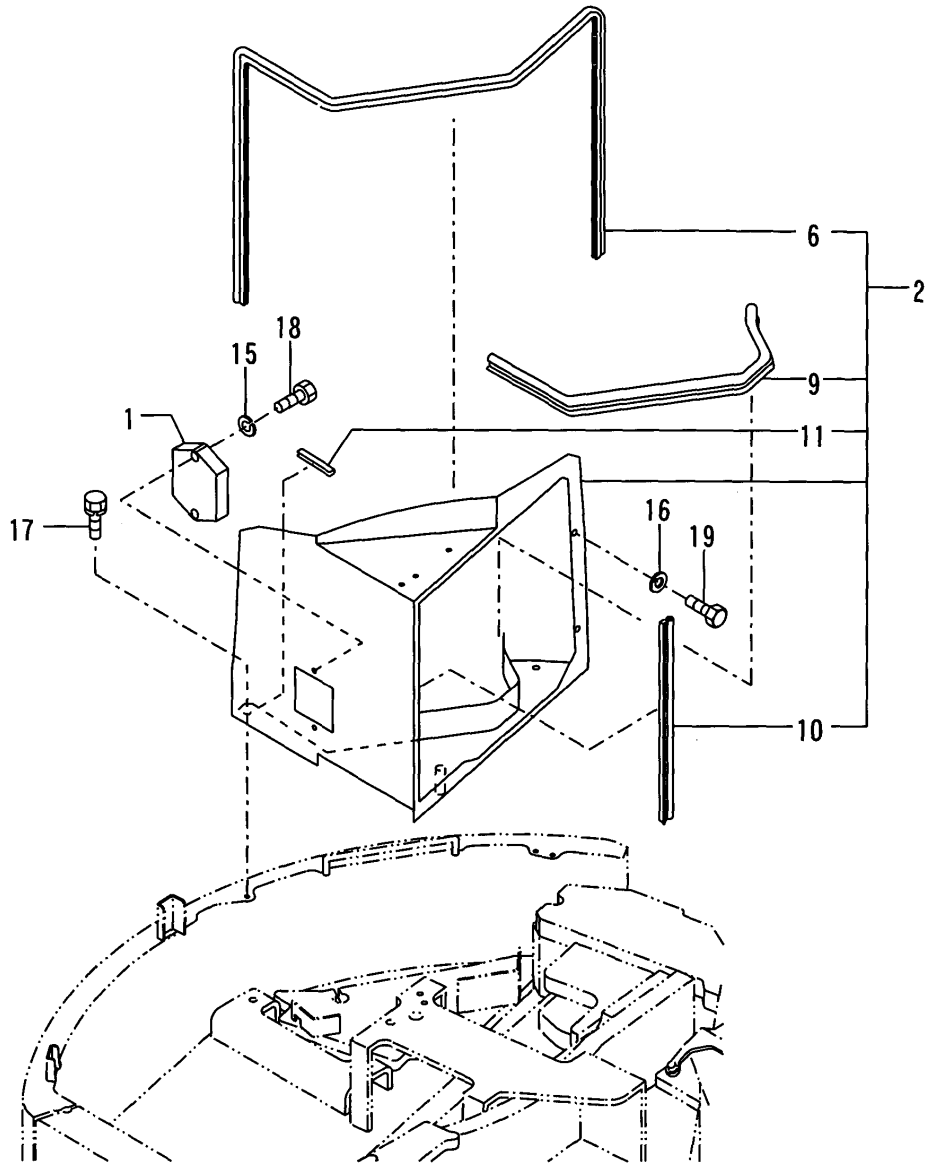


No.	Lev.	Parts No.	Description	Q'ty						I	R
				(A)	(B)	(C)	(D)	(E)	(F)		
50D	2	172437-03421	LABEL,MUFFLER	1	1						3

Remarks
 (1)PLEASE USE THIS PART WITH FOLLOWING LABELS AT THE SAME TIME.
 REF.NO.49A.
 (2)PLEASE USE THIS PART WITH FOLLOWING LABELS AT THE SAME TIME.
 REF.NO.50A,50B,50C & 50D.
 (3)LABELS ARE NOT ILLUSTRATED.

Fig.41. DUCT

Fig.41 DUCT



(A)=VIO70(US)C
(B)=VIO70(US)P
(C)=

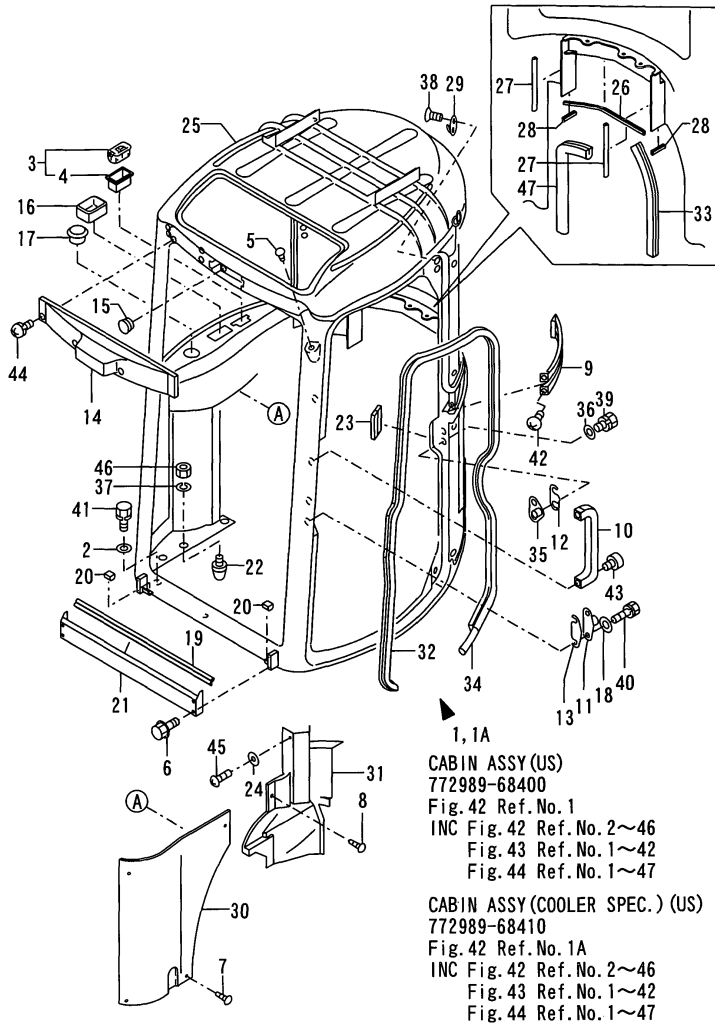
(D)=
(E)=
(F)=

No.	Lev.	Parts No.	Description	Q'ty						I	R
				(A)	(B)	(C)	(D)	(E)	(F)		
1	1	172187-65280	COVER	1	1						
2	1	172187-65740	DUCT ASSY	1	1						
6	2	172187-65680	RUBBER 1780	1	1						
9	2	172171-65780	RUBBER, SEAL	1	1						
10	2	172165-66230	RUBBER, SEAL	1	1						
11	2	172165-52630	RUBBER 90	1	1						M
11-1	2	172165-62630	RUBBER 90,EDGE	1	1						
15	1	22217-080000	WASHER, SPRING 8	2	2						
16	1	22217-100000	WASHER, SPRING 10	1	1						
17	1	26013-100202	BOLT, M10X 20	2	2						
18	1	26116-080162	BOLT, M8X 16 PLATED	2	2						
19	1	26116-101002	BOLT, M10X100 PLATED	1	1						

Remarks
(M) MISPRINT

Fig.42. CABIN;1(BODY)

Fig.42 CABIN;1 (BODY)



Remarks
 (1)COOLER SPEC.
 (2)PLEASE USE THIS PART WITH FOLLOWING LABELS AT THE SAME TIME.
 REF.NO.48A,48B,48C,48D,48E & 48F
 (3)PLEASE USE THIS PART WITH FOLLOWING LABELS AT THE SAME TIME.
 REF.NO.49A & 49B.
 (4)LABELS ARE NOT ILLUSTRATED.
 *THIS FIGURE IN NEWLY ADDED.

(A)=VIO70(US)C
 (B)=VIO70(US)P
 (C)=

(D)=
 (E)=
 (F)=

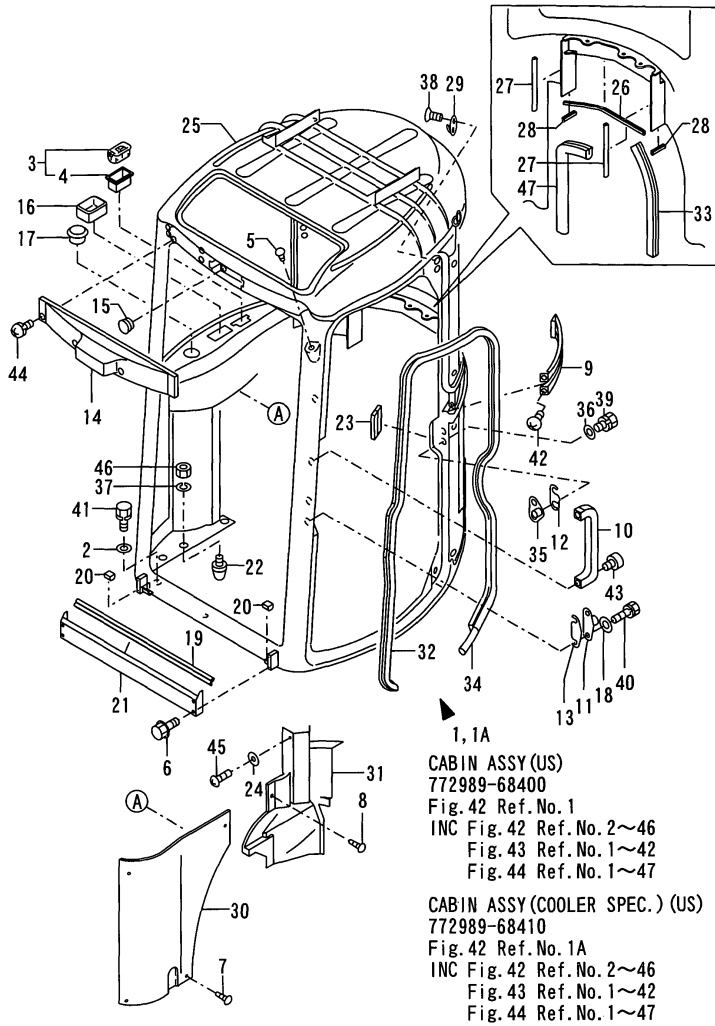
No.	Lev.	Parts No.	Description	Q'ty						I	R
				(A)	(B)	(C)	(D)	(E)	(F)		
1	1	772989-68400	CABIN ASSY	1							
1A	1	772989-68410	CABIN ASSY	1							1
2	2	194145-04810	WASHER 10	9							
3	2	172176-17150	ASHTRAY	1							
4	3	172176-17160	BEZEL	1							
5	2	172122-17190	CLIP, TREE	1							
6	2	172519-63240	BOLT	4							
7	2	1A6260-64200	CLIP	5							
8	2	1A6260-64200	CLIP	3							
9	2	172176-67040-2	COVER, LINK	1							
10	2	172176-67181	GRIP	1							
11	2	172176-67341	LINK A	1							
12	2	172176-67740	SHIM, TEETH T=0.8	5							
13	2	172176-67741	SHIM, TEETH T=1.2	5							
14	2	172176-67760	PANEL, FRONT	1							
15	2	172176-67780	GROMMET, GS12A	1							
16	2	172176-67870	TRAY	1							
17	2	172176-67880	HOLDER	1							
18	2	172176-68030	WASHER	2							
19	2	172187-68050	SEAL, COVER	1							
20	2	172187-68060	RUBBER, STOPPER	2							
21	2	172187-68070	COVER, SASH	1							
22	2	172137-68120	PIN	2							
23	2	172176-68160	GROMMET, 100X42	1							
24	2	172176-68200	WASHER, 18X6.3X2.3	2							
25	2	172989-68410	CABIN ASSY	1							2
26	2	172989-68600	RUBBER, SEAL 400	1							
26-1	2	172989-68660	SEAL, 15X25X400	1							N
(A=*1999.08)											
27	2	172989-68610	RUBBER, SEAL 240	2							
28	2	172989-68620	RUBBER, SEAL 50	2							
29	2	172162-69071	HANGER, COAT	1							
30	2	172187-69200	COVER ASSY	1							3
31	2	172989-69210	COVER ASSY	1							
32	2	172176-69320	SEAL, DOOR	1							
33	2	172989-68630	RUBBER, SEAL	1							
34	2	172176-69780	SEAL	1							
35	2	172176-69890	LINK B	1							
36	2	22157-080000	WASHER, 8	2							
37	2	22217-100000	WASHER, SPRING 10	2							
38	2	22867-300080	SCREW, 3X 8	2							
39	2	26013-080162	BOLT, M8X 16	2							
40	2	26013-080252	BOLT, M8X 25	2							
41	2	26013-100302	BOLT, M10X 30	3							
42	2	26022-060162	SCREW, M6X16	4							
43	2	26450-080202	BOLT, M8X 20	2							
44	2	26559-050162	SCREW, M5X16	4							
45	2	26589-060162	SCREW, M6	2							
46	2	26716-100002	NUT, M10	2							
47	2	172989-68640	RUBBER, SEAL	1							
48A	1	172164-03210	LABEL, CAB.	1							4

Fig.42. CABIN;1(BODY)

(A)=VIO70(US)C
(B)=VIO70(US)P
(C)=

(D)=
(E)=
(F)=

Fig.42 CABIN;1(BODY)



No.	Lev.	Parts No.	Description	Q'ty						I	R
				(A)	(B)	(C)	(D)	(E)	(F)		
48B	1	172437-03550	LABEL,WINDOW	1							4
48C	1	172437-03300	LABEL,MANUAL	1							4
48D	1	172437-03450	LABEL,SEAT BELT	1							4
48E	1	172437-03470	LABEL,LEVER LOCK	1							4
48F	1	172437-03530	LABEL,RE-START	1							4
49A	1	172437-03371	LABEL	1							4
49B	1	172437-03431	LABEL,STEERING	1							4

Remarks

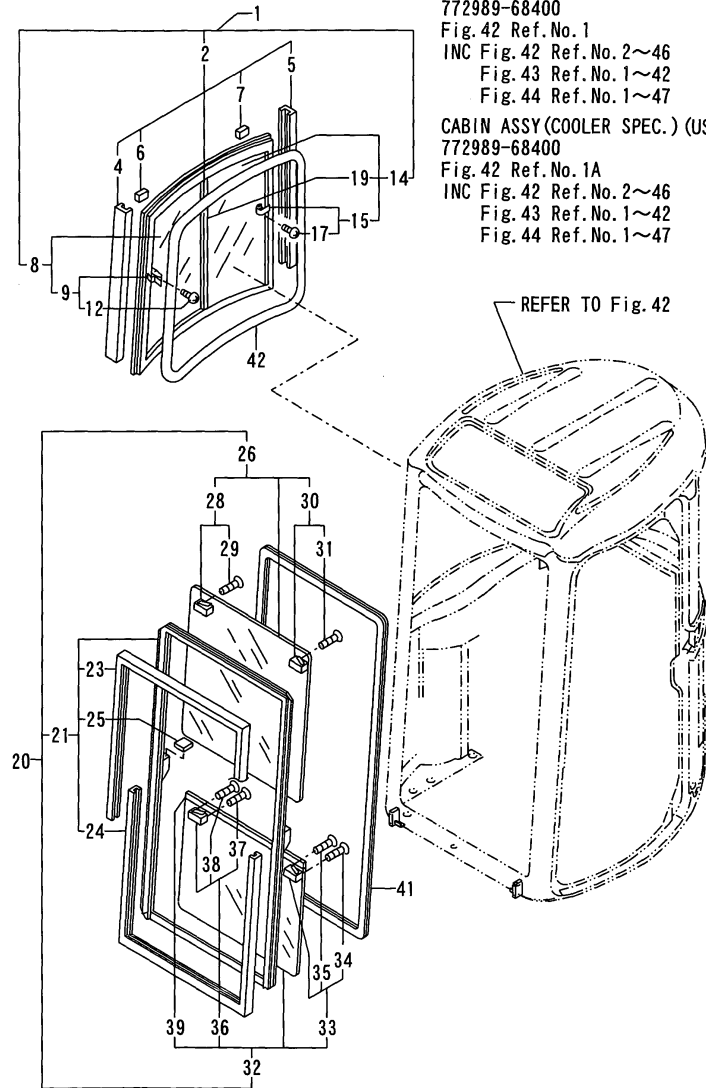
- (1)COOLER SPEC.
- (2)PLEASE USE THIS PART WITH FOLLOWING LABELS AT THE SAME TIME.
REF.NO.48A,48B,48C,48D,48E & 48F
- (3)PLEASE USE THIS PART WITH FOLLOWING LABELS AT THE SAME TIME.
REF.NO.49A & 49B.
- (4)LABELS ARE NOT ILLUSTRATED.
- *THIS FIGURE IN NEWLY ADDED.

Fig.43. CABIN;2(SASH)

(A)=VIO70(US)C
(B)=VIO70(US)P
(C)=

(D)=
(E)=
(F)=

Fig.43 CABIN;2(SASH)



CABIN ASSY (US)
772989-68400

Fig. 42 Ref. No. 1
INC Fig. 42 Ref. No. 2~46
Fig. 43 Ref. No. 1~42
Fig. 44 Ref. No. 1~47

CABIN ASSY (COOLER SPEC.) (US)
772989-68400

Fig. 42 Ref. No. 1A
INC Fig. 42 Ref. No. 2~46
Fig. 43 Ref. No. 1~42
Fig. 44 Ref. No. 1~47

No.	Lev.	Parts No.	Description	Q'ty						I	R
				(A)	(B)	(C)	(D)	(E)	(F)		
1	2	172176-67050	SASH	1							
2	3	172176-66620	FRAME ASSY	1							
4	4	172176-66760	SEAL, GLASS	1							
5	4	172176-66770	SEAL, GLASS	1							
6	4	172176-66780	STOPPER, RUBBER	1							
7	4	172176-66820	RUBBER, STOPPER	1							
8	3	172176-66800	GLASS	1							
9	4	172176-66600	LOCK	1							
12	4	172176-66750	SCREW	2							
14	3	172176-66810	GLASS	1							1
15	4	172176-66610	LOCK	1							
17	4	172176-66750	SCREW	2							
19	4	172176-66790	CHANNEL ASSY	1							
20	2	172187-67800	SASH	1							
21	3	172187-67920	FRAME ASSY	1							
23	4	172187-67860	GLASS RUN	1							
24	4	172187-67870	GLASS RUN	1							
25	4	172187-67880	STOPPER, RUBBER	1							
26	3	172187-67930	GLASS	1							
28	4	172187-67840	LOCK ASSY (UP:RH)	1							
29	4	172187-67890	SCREW	3							
30	4	172187-67850	LOCK ASSY (UP:LH)	1							
31	4	172187-67890	SCREW	3							
32	3	172187-67940	GLASS	1							
33	4	172176-66570	LOCK ASSY (LOW:LH)	1							
34	4	172176-66930	SCREW	2							
35	4	172176-66940	SCREW	1							
36	4	172176-66580	LOCK ASSY (LOW:RH)	1							
37	4	172176-66930	SCREW	2							
38	4	172176-66940	SCREW	1							
39	4	172176-66910	CHANNEL ASSY	1							
41	2	172176-67200	RUBBER	1							
42	2	172176-67210	RUBBER	1							
43A	1	172437-03310	LABEL,SLOPE	1							2
43B	1	172437-03340	LABEL,TRANSPORT	1							2
43C	1	172989-03140	LABEL,PATTERN A	1							2

Remarks

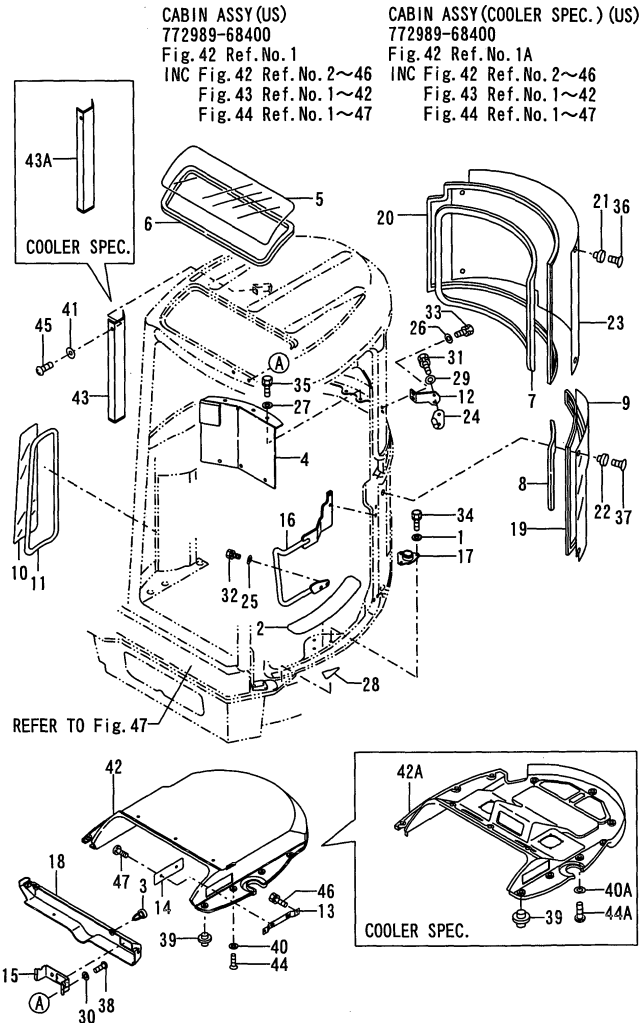
(1)PLEASE USE THIS PART WITH FOLLOWING LABELS AT THE SAME TIME.
REF.NO.43A,43B & 43C.
(2)LABELS ARE NOT ILLUSTRATED.
*THIS FIGURE IN NEWLY ADDED.

Fig.44. CABIN;3(FITTING PART)

(A)=VIO70(US)C
(B)=VIO70(US)P
(C)=

(D)=
(E)=
(F)=

Fig.44 CABIN;3(FITTING PART)



No.	Lev.	Parts No.	Description	(A)	(B)	(C)	(D)	(E)	(F)	Q'ty	I	R
1	2	194145-04810	WASHER 10							3		
2	2	172164-62490	SEAT, STEP							1		
3	2	1A6260-64200	CLIP							4		
4	2	172989-64490	MOUNT ASY,CAB							1		
5	2	172176-67070	ACRYL, ROOF							1		
6	2	172176-67110	TRIM, ROOF							1		
7	2	172176-67141	TRIM							1		
8	2	172176-67691	TRIM							1		
9	2	172176-67710	GLASS							1		
10	2	172176-67720	GLASS							1		
11	2	172176-67730	RUBBER							1		
12	2	172989-68540	STOPPER, DOOR							1		
13	2	172989-68750	STAY ASSY							1		
14	2	172989-68770	PLATE(CAP							1		
15	2	172187-68810	PLATE							1		
16	2	172187-68301	GRIP ASSY							1		
17	2	172187-68980	BRACKET A							1		
18	2	172187-69160	PANEL, FRONT IN							1		2
19	2	172176-69750	SEAL, DAM							1		
20	2	172176-69770	SEAL, DAM							1		
21	2	172176-69820	COLLAR, GLASS							4		
22	2	172176-69820	COLLAR, GLASS							4		
23	2	172176-69830	GLASS							1		3
24	2	172176-69860	LINK A							1		
25	2	22137-100000	WASHER, 10							4		
26	2	22137-100000	WASHER, 10							2		
27	2	22157-100000	WASHER, 10							6		
28	2	172989-68900	SHEET, NON SLIP							1		
29	2	22157-080000	WASHER, 8							2		
30	2	22217-060000	WASHER, SPRING 6							2		
31	2	26013-080202	BOLT, M8X 20							2		
32	2	26013-100252	BOLT, M10X 25							4		
33	2	26013-100252	BOLT, M10X 25							2		
34	2	26013-100302	BOLT, M10X 30							3		
35	2	26013-100252	BOLT, M10X 25							6		
36	2	26579-060202	SCREW, M6X20							4		
37	2	26579-060202	SCREW, M6X20							4		
38	2	26589-060162	SCREW, M6							2		
39	2	172176-67810	RIVET							4		
40	2	172176-68200	WASHER, 18X6.3X2.3							9		
40A	2	172176-68200	WASHER, 18X6.3X2.3							10		1
41	2	172176-68200	WASHER, 18X6.3X2.3							2		
42	2	172187-69150	PANEL, ROOF							1		
42A	2	172187-69070	PANEL,ROOF (CL							1		1
43	2	172187-69170	COVER, HARNESS							1		
43A	2	172187-69220	COVER, HARNESS							1		1
44	2	26589-060162	SCREW, M6							9		
44A	2	26589-060162	SCREW, M6							10		1
45	2	26589-060162	SCREW, M6							2		
46	2	26013-080162	BOLT, M8X 16							2		
47	2	172173-69840	SCREW, M8X20							2		

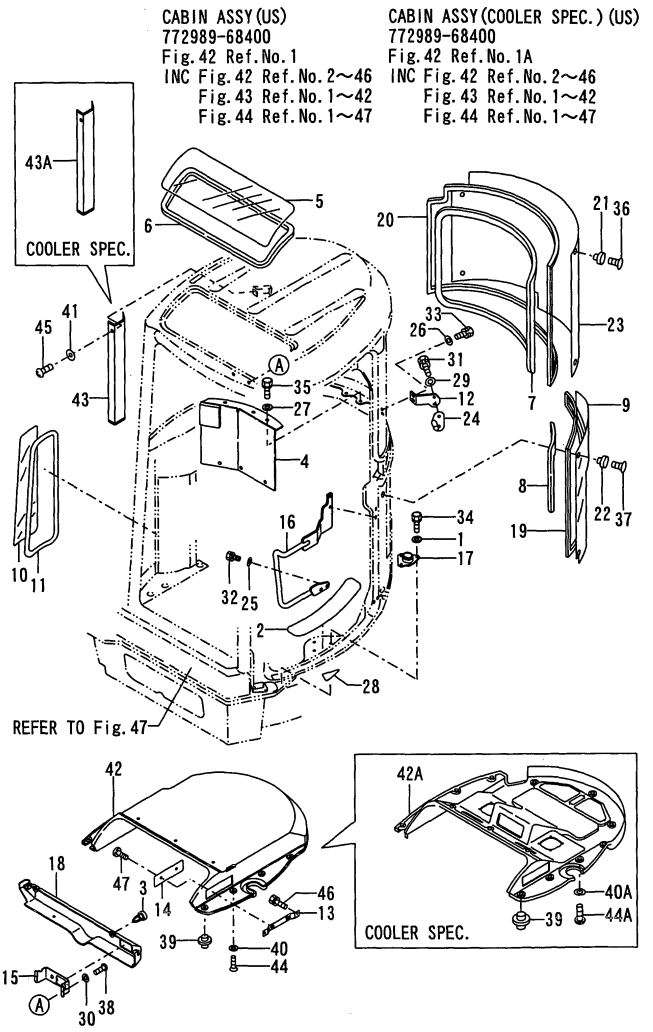
Remarks
 (1)COOLER SPEC.
 (2)PLEASE USE THIS PART WITH FOLLOWING LABELS AT THE SAME TIME. REF.NO.49A & 49B.
 (3)PLEASE USE THIS PART WITH FOLLOWING LABELS AT THE SAME TIME. REF.NO.48A.
 (4)LABELS ARE NOT ILLUSTRATED.
 *THIS FIGURE IN NEWLY ADDED.

Fig.44. CABIN;3(FITTING PART)

(A)=VIO70(US)C
(B)=VIO70(US)P
(C)=

(D)=
(E)=
(F)=

Fig.44 CABIN;3(FITTING PART)



CABIN ASSY(US)
772989-68400
Fig. 42 Ref.No.1
INC Fig.42 Ref.No.2~46
Fig.43 Ref.No.1~42
Fig.44 Ref.No.1~47

CABIN ASSY(COOLER SPEC.)(US)
772989-68400
Fig. 42 Ref.No.1A
INC Fig.42 Ref.No.2~46
Fig.43 Ref.No.1~42
Fig.44 Ref.No.1~47

No.	Lev.	Parts No.	Description	Q'ty						I	R
				(A)	(B)	(C)	(D)	(E)	(F)		
48A	1	172187-03930	LABEL,LIFTING	1							4
49A	1	172164-03700	LABEL,WIPER	1							4
49B	1	172164-03710	LABEL,BREAKER	1							4

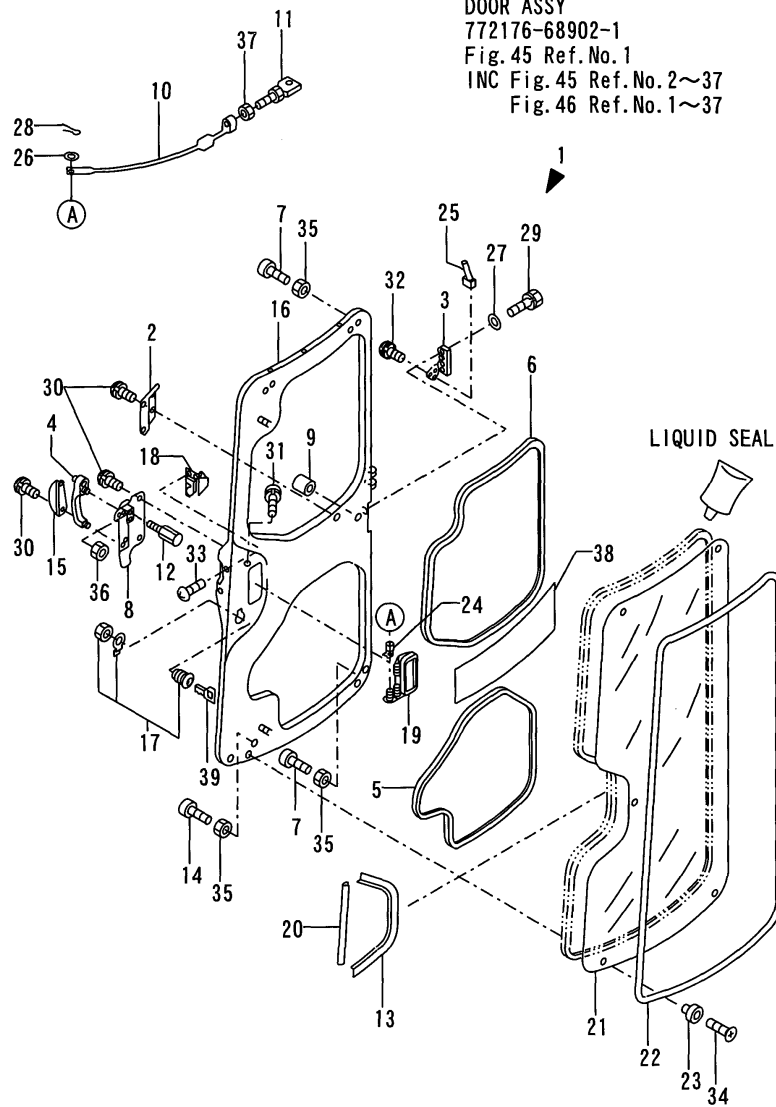
Remarks
 (1)COOLER SPEC.
 (2)PLEASE USE THIS PART WITH FOLLOWI-
 NG LABELS AT THE SAME TIME.
 REF.NO.49A & 49B.
 (3)PLEASE USE THIS PART WITH FOLLOWI-
 NG LABELS AT THE SAME TIME.
 REF.NO.48A.
 (4)LABELS ARE NOT ILLUSTRATED.
 *THIS FIGURE IN NEWLY ADDED.

Fig.45. CABIN DOOR;1(BODY)

(A)=VIO70(US)C
(B)=VIO70(US)P
(C)=

(D)=
(E)=
(F)=

Fig.45 CABIN DOOR;1(BODY)



DOOR ASSY
772176-68902-1
Fig. 45 Ref. No.1
INC Fig. 45 Ref. No. 2~37
Fig. 46 Ref. No. 1~37

No.	Lev.	Parts No.	Description	Q'ty						I	R
				(A)	(B)	(C)	(D)	(E)	(F)		
1	1	772176-68902-2	DOOR ASSY	1							
2	2	172176-67000-2	COVER, DOOR	1							
3	2	172176-67090	CATCH, DOOR	1							
4	2	172176-67100	HANDLE ASSY.	1							
5	2	172176-67121	TRIM	1							
6	2	172176-67131	TRIM	1							
7	2	172176-67150	RUBBER, STOPPER	2							
8	2	172176-67231-2	COVER, DOOR	1							
9	2	172176-67250	PIPE	2							
10	2	172176-67400	ROD	1							
11	2	172176-67410	BOLT	1							
12	2	172176-67800	BOLT	1							
13	2	172176-67891	MOLD, DOOR	1							
14	2	172176-68170	RUBBER, STOPPER	2							
15	2	172176-68240	CORD, RUBBER	1							
16	2	172176-68900-2	DOOR ASSY	1							
17	2	172162-69460	KEY ASSY, CYLINDER	1							
18	2	172162-69480	LOCK ASSY	1							
19	2	172162-69541	HANDLE, OUTER	1							
20	2	172176-69760	SEAL, DAM	1							
21	2	172176-69800	GLASS, DOOR	1							1
22	2	172176-69810	SEAL, DOOR GLASS	1							
23	2	172176-69820	COLLAR, GLASS	4							
24	2	172176-69911	PLATE	1							
25	2	172176-69931	LEVER	1							
26	2	22137-060000	WASHER, 6	1							
27	2	22137-060000	WASHER, 6	3							
28	2	22417-200200	PIN, COTTER 2.0X20	1							
29	2	26013-060302	BOLT, M6X 30	3							
30	2	26022-050102	SCREW, M5X10	8							
31	2	26022-060122	SCREW, M6X12	2							
32	2	26022-060122	SCREW, M6X12	1							
33	2	26022-060162	SCREW, M6X16	3							
34	2	26579-060202	SCREW, M6X20	4							
35	2	26716-080002	NUT, M8	4							
36	2	26716-080002	NUT, M8	2							
37	2	26716-080002	NUT, M8	1							
38	1	172164-03210	LABEL, CAB.	1							
39	1	933110-00301	KEY ASSY	1							
40A	1	172187-03910	LABEL,SUPPORT	1							2

Remarks
(1)PLEASE USE THIS PART WITH FOLLOWING LABELS AT THE SAME TIME.
REF.NO.40A.
(2)LABELS ARE NOT ILLUSTRATED.
*THIS FIGURE IN NEWLY ADDED.

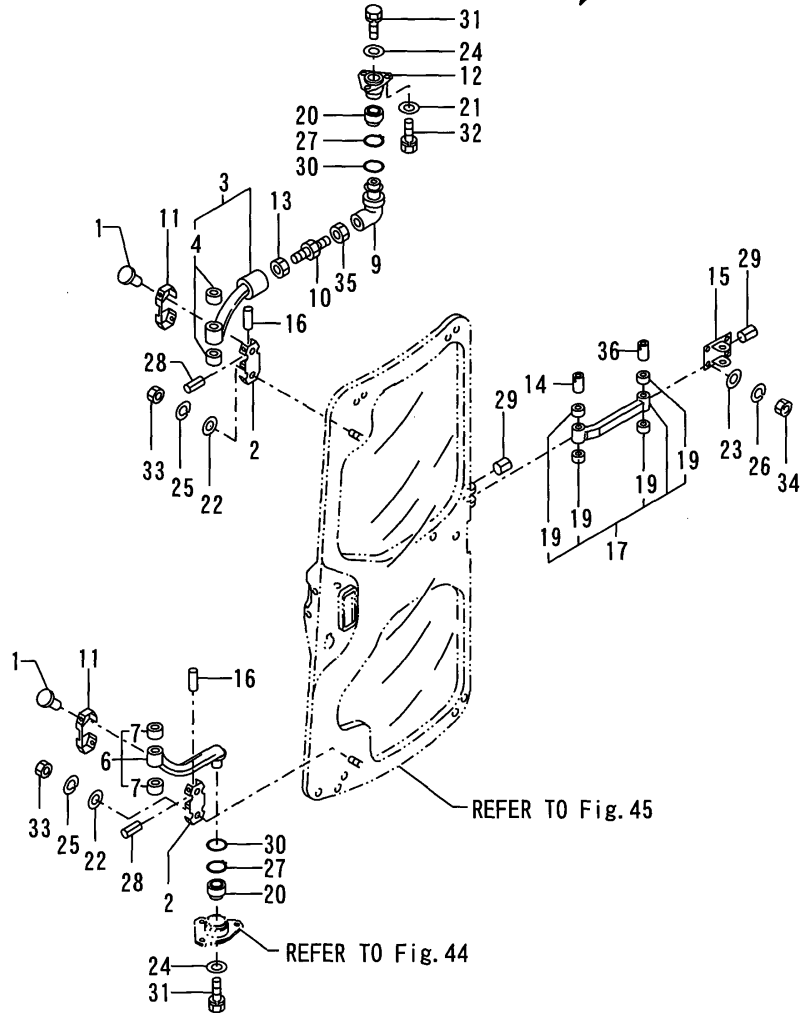
Fig.46. CABIN DOOR;2(FITTING PART)

(A)=VIO70(US)C
(B)=VIO70(US)P
(C)=

(D)=
(E)=
(F)=

Fig.46 CABIN DOOR;2(FITTING PART)

DOOR ASSY
772176-68902-1
Fig. 45 Ref.No.1
INC Fig. 45 Ref.No.2~37
Fig. 46 Ref.No.1~37

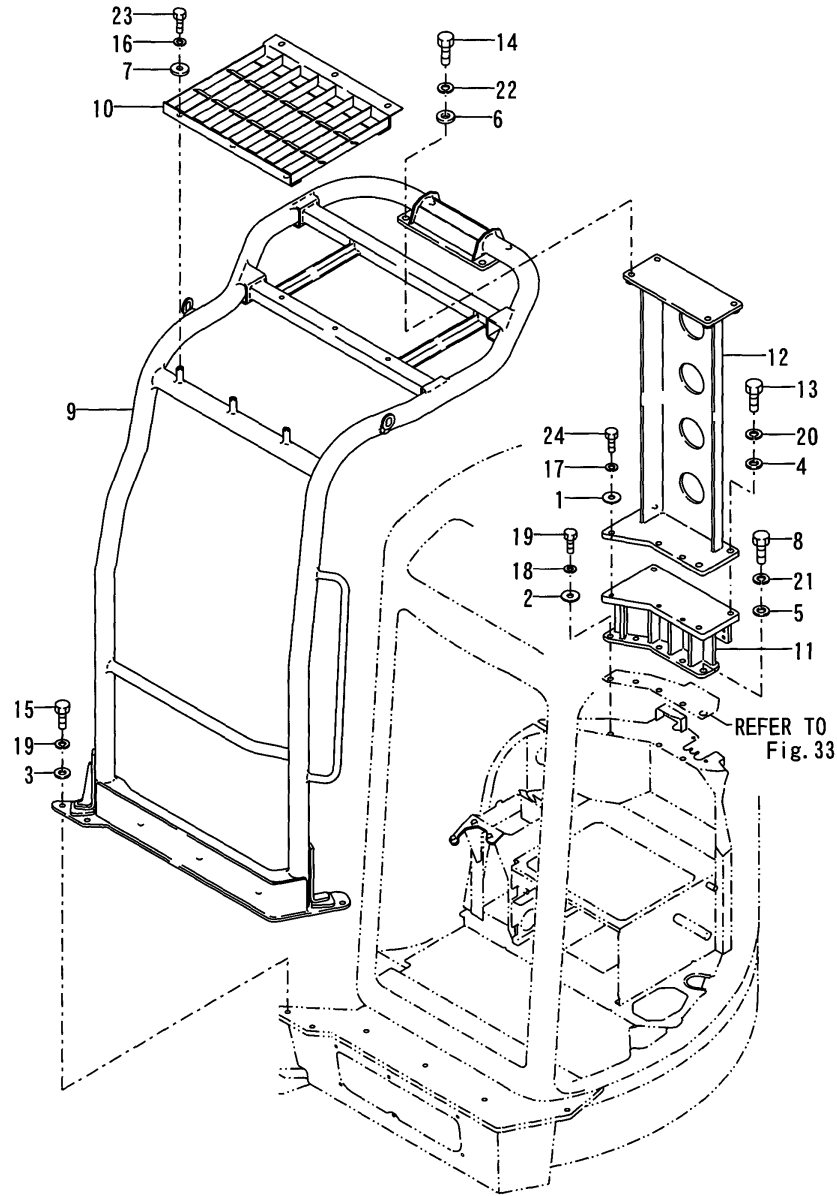


No.	Lev.	Parts No.	Description	(A)	(B)	(C)	(D)	(E)	(F)	Q'ty	I	R
1	2	172176-68390	BOLT							8		
2	2	172176-69340-2	BRACKET,DOOR U (86)							2		
3	2	172187-69350-2	LINK,DOOR(A) (86)							1		
4	3	172141-41370	BUSH 2015							2		
6	2	172176-69390-2	LINK ASSY,DOOR (86)							1		
7	3	172141-41370	BUSH 2015							2		
9	2	172187-69390	LINK, DOOR (B)							1		
10	2	172187-69420	BOLT M16X 90							1		
11	2	172176-69450	COVER							2		
12	2	172176-69470	BRACKET A							1		
13	2	172187-69490	NUT, M16 L							1		
14	2	172176-69560	PIN							1		
15	2	172176-69600-2	BRACKET (GREEN:86)							1		
16	2	172176-69790	SHAFT							2		
17	2	172176-69980-2	ARM ASSY, LINK							1		
19	3	24550-014150	BUSH, 14X15							4		
20	2	172176-69990	BEARING 2542							2		
21	2	22137-100000	WASHER, 10							3		
22	2	22137-100000	WASHER, 10							4		
23	2	22137-100000	WASHER, 10							4		
24	2	22157-100000	WASHER, 10							2		
25	2	22217-100000	WASHER, SPRING 10							4		
26	2	22217-100000	WASHER, SPRING 10							4		
27	2	22252-000420	RING, 42							2		
28	2	22351-040032	PIN, SPRING 4.0X32							2		
29	2	22351-040032	PIN, SPRING 4.0X32							2		
30	2	24321-000350	O-RING, 1AG35.0							2		
31	2	26013-100202	BOLT, M10X 20							2		
32	2	26013-100252	BOLT, M10X 25							3		
33	2	26716-100002	NUT, M10							4		
34	2	26716-100002	NUT, M10							4		
35	2	26716-160002	NUT, M16							1		
36	2	933171-21630	PIN, SWING LINK							1		

Remarks
*THIS FIGURE IN NEWLY ADDED.

Fig.47. CABIN GUARD

Fig.47 CABIN GUARD



(A)=VIO70(US)C
(B)=VIO70(US)P
(C)=

(D)=
(E)=
(F)=

No.	Lev.	Parts No.	Description	Qty						I	R
				(A)	(B)	(C)	(D)	(E)	(F)		
1	1	172165-13220	WASHER	3							
2	1	172165-13220	WASHER	4							
3	1	172649-22330	WASHER 15X32	6							
4	1	172730-25870	LINER 17X32X4	3							
5	1	172730-25870	LINER 17X32X4	1							
6	1	172730-25870	LINER 17X32X4	4							
7	1	172738-29490	WASHER, 12X36X6	6							
8	1	172165-53490	BOLT M16X 40	1							
9	1	172989-67100	GUARD ASSY, CABIN	1							
10	1	172989-67500	GUARD ASSY, CABIN	1							
11	1	172989-67700	BRACKET CMP, GUARD(86	1							
12	1	172989-67900	GUARD ASSY, CABIN	1							
13	1	172162-82930	BOLT M16X 50 PLATED	3							
14	1	172162-82930	BOLT M16X 50 PLATED	4							
15	1	172142-86280	BOLT M14X 40	6							
16	1	22217-120000	WASHER, SPRING 12	6							
17	1	22217-120000	WASHER, SPRING 12	3							
18	1	22217-120000	WASHER, SPRING 12	4							
19	1	22217-140000	WASHER, SPRING 14	6							
20	1	22217-160000	WASHER, SPRING 16	3							
21	1	22217-160000	WASHER, SPRING 16	1							
22	1	22217-160000	WASHER, SPRING 16	4							
23	1	26076-120352	BOLT, 10.912X 35	6							
24	1	26076-120402	BOLT, 10.912X 40	3							
25	1	26076-120402	BOLT, 10.912X 40	4							

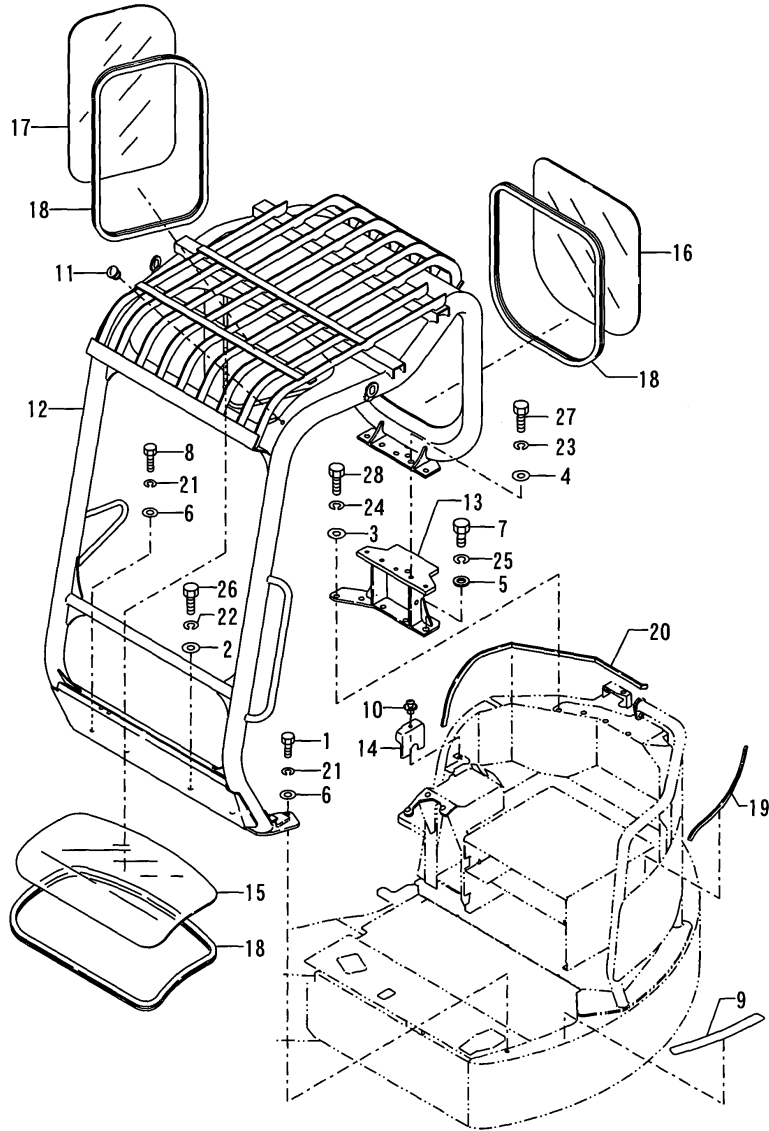
Remarks
*THIS FIGURE IN NEWLY ADDED.

Fig.48. CANOPY

(A)=VIO70(US)C
(B)=VIO70(US)P
(C)=

(D)=
(E)=
(F)=

Fig.48 CANOPY



No.	Lev.	Parts No.	Description	Q'ty						I	R
				(A)	(B)	(C)	(D)	(E)	(F)		
1	1	172162-13200	BOLT M10X30		3						
2	1	172165-13220	WASHER		3						
3	1	172165-13220	WASHER		4						
4	1	172165-13220	WASHER		5						
5	1	172730-25870	LINER 17X32X4		1						
6	1	172137-46040	SEAT, SPRING		4						
7	1	172162-82930	BOLT M16X 50 PLATED		1						
8	1	172137-53970	BOLT, M10X40 UNR		1						
9	1	172164-62490	SEAT, STEP		1						
10	1	1A6260-64200	CLIP		1						
11	1	172187-64900	PLUG		1						
12	1	172989-66301	CANOPY ASSY, ROPS		1						1
13	1	172989-66501	BRACKET,CANOPY (86)		1						
14	1	172187-67640	COVER, LEVER		1						
15	1	172187-67650	ACRYL, ROOF		1						
16	1	172187-67660	ACRYL		1						
17	1	172187-67670	ACRYL		1						
18	1	172187-67700	RUBBER		3						
19	1	172187-67711	TRIM		1						
20	1	172187-67721	TRIM		1						
21	1	22217-100000	WASHER, SPRING 10		4						
22	1	22217-120000	WASHER, SPRING 12		3						
23	1	22217-120000	WASHER, SPRING 12		5						
24	1	22217-120000	WASHER, SPRING 12		4						
25	1	22217-160000	WASHER, SPRING 16		1						
26	1	26076-120352	BOLT, 10.912X 35		3						
27	1	26076-120352	BOLT, 10.912X 35		5						
28	1	26076-120352	BOLT, 10.912X 35		4						
29A	1	172187-03950	LABEL,ROPS		1						2
29B	1	172519-04350	SCREW		4						2
29C	1	172147-03210	LABEL,2 SPEED		1						2
29D	1	172437-03440	LABEL,ROPS		1						2
29E	1	172437-03450	LABEL,SEAT BELT		1						2
29F	1	172187-03850	LABEL,PATTERN A		1						2
29G	1	172187-03930	LABEL,LIFTING		1						2

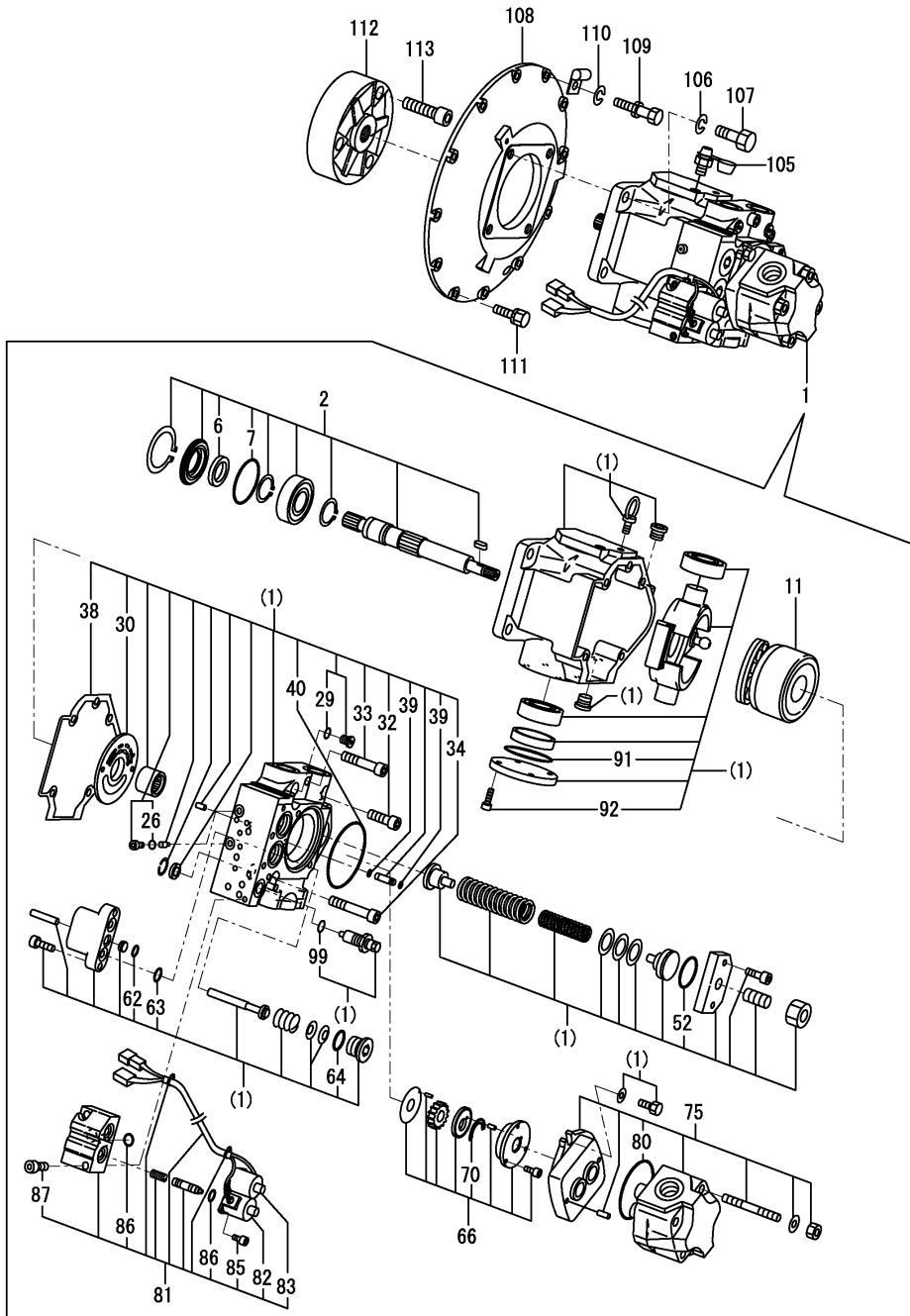
Remarks

- (1)PLEASE USE THIS PART WITH FOLLOWING LABELS AT THE SAME TIME. REF.NO.29A,29B,29C,29D,29E,29F & 29G.
- (2)LABELS ARE NOT ILLUSTRATED.

Fig.49. HYD. OIL PUMP & JOINT

(A)=VIO70(US)C
(B)=VIO70(US)P
(C)=

(D)=
(E)=
(F)=



No.	Lev.	Parts No.	Description	Q'ty						I	R
				(A)	(B)	(C)	(D)	(E)	(F)		
1	1	172187-73100	PUMP, PISTON	1	1						
2	2	172187-73110	SHAFT ASSY	1	1						
6	3	172187-73240	SEAL, OIL	1	1						
7	3	172187-73250	O-RING	1	1						
11	2	172187-73120	ROTARY GROUP	1	1						
26	4	24315-000080	O-RING, 1BP8.0	2	2						
29	4	24315-000110	O-RING, 1BP11.0	2	2						
30	3	172187-75600	CONTROL PLATE	1	1						
32	3	172187-75620	BOLT 14X 40	2	2						
33	3	172187-75630	BOLT 14X 65	2	2						
34	3	172187-75640	BOLT 14X 75	1	1						
38	3	172187-75680	GASKET	1	1						
39	3	24315-000050	O-RING, 1BP5.0	2	2						
40	3	24321-001050	O-RING, 1AG105.0	1	1						
52	3	24311-000440	O-RING, 1AP44.0	1	1						
62	3	24315-000160	O-RING, 1BP16.0	1	1						
63	3	24315-000200	O-RING, 1BP20.0	2	2						
64	3	24315-000290	O-RING, 1BP29.0	2	2						
66	2	172187-73160	PUMP	1	1						
70	3	172187-75880	O-RING	1	1						
75	2	172187-73170	PUMP, GEAR	1	1						
80	3	24325-000900	O-RING, 1BG90.0	1	1						
81	2	172187-73180	VALVE	1	1						
82	3	172989-73150	SOLENOID (B	1	1						W
		(A=*2002.03) (B=*2002.03)									
83	3	172989-73160	SOLENOID (A	1	1						W
		(A=*2002.03) (B=*2002.03)									
85	3	172162-74860	BOLT	4	4						
86	3	24311-000160	O-RING, 1AP16.0	4	4						
87	3	26450-080252	BOLT, M8X 25	2	2						
91	3	24321-000750	O-RING, 1AG75.0	1	1						
92	3	26450-080222	BOLT, M8X 22	4	4						
99	3	172141-74430	O-RING	1	1						
105	1	172164-73110	VALVE	1	1						
106	1	22217-160000	WASHER, SPRING 16	4	4						
107	1	26116-160452	BOLT, M16X 45 PLATED	4	4						
108	1	172187-71100	COVER, FLYWHEEL	1	1						
109	1	172187-71110	BOLT 10X30-65	1	1						
110	1	22217-100000	WASHER, SPRING 10	1	1						
111	1	26013-100302	BOLT, M10X 30	11	11						
112	1	172187-71200	COUPLING	1	1						
113	1	172187-71210	BOLT 14X 50	3	3						

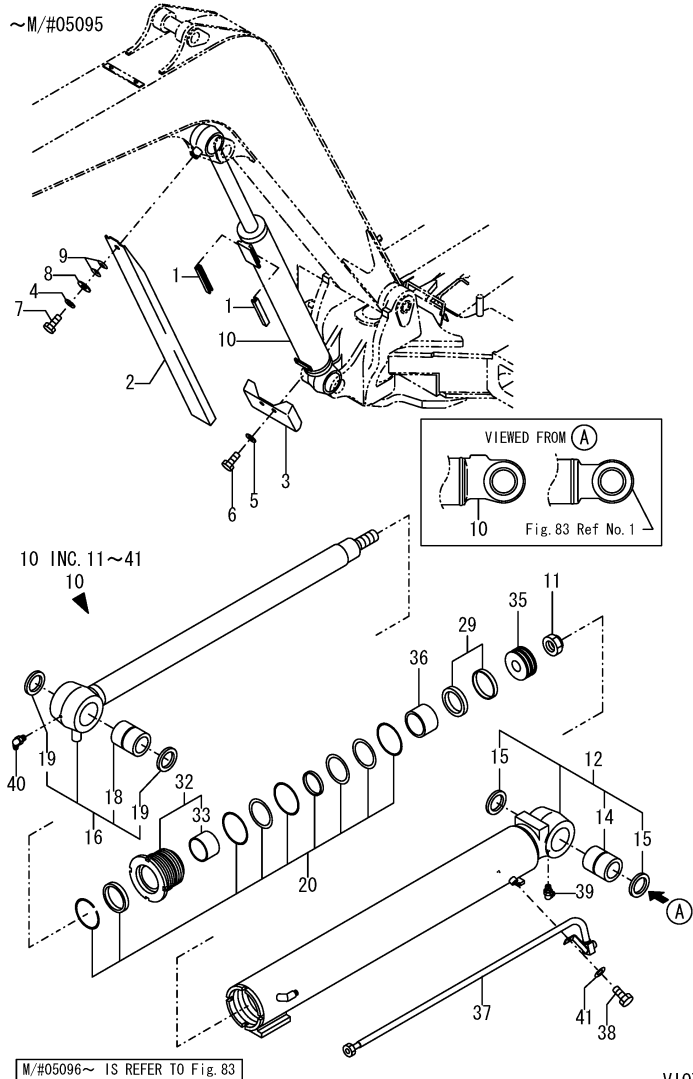
Fig.50. BOOM CYLINDER(PREVIOUS)

(A)=VIO70(US)C
(B)=VIO70(US)P
(C)=

(D)=
(E)=
(F)=

Y00S3821-1

Fig. 50 BOOM CYLINDER (PREVIOUS)



No.	Lev.	Parts No.	Description	Q'ty						I	R
				(A)	(B)	(C)	(D)	(E)	(F)		
1	1	172162-61770	GUIDE, SLIDE	2	2						
2	1	172187-72910-1	COVER, SLIDE	1	1						
3	1	172187-72950-1	GUARD ASSY	1	1						
4	1	22217-100000	WASHER, SPRING 10	1	1						
5	1	22217-100000	WASHER, SPRING 10	2	2						
6	1	26116-100162	BOLT, M10X 16 PLATED	2	2						
7	1	26116-100202	BOLT, M10X 20 PLATED	1	1						
8	1	933147-03400	WASHER, BRAKE ARM	1	1						
9	1	933168-14170	SPRING	2	2						
10	1	172187-72400-1	CYLINDER ASSY, BOOM	1	1						Z 1
		(A=M/#05096) (B=M/#05096)									
11	2	182900-34230	NUT	1	1						
12	2	172187-72530-1	TUBE, BOOM	1	1						
14	3	172187-72490	BUSH	1	1						
15	3	182900-24790	SEAL	2	2						
16	2	172187-72540	ROD CMP, BOOM	1	1						
18	3	172187-72490	BUSH	1	1						
19	3	182900-24790	SEAL	2	2						
20	2	172187-72250	SEAL SET, HEAD	1	1						
29	2	172187-72790	SEAL SET, PISTON	1	1						
32	2	172187-72590	HEAD CMP	1	1						
33	3	182900-60960	BUSHING	1	1						
35	2	172187-72450	PISTON	1	1						
36	2	172187-72480	PLUNGER	1	1						
37	2	172187-72500-1	TUBE	1	1						
38	2	172187-72510	BOLT	1	1						
39	2	24761-020000	NIPPLE, GREASE PT1/8	1	1						
40	2	24761-050000	NIPPLE, GREASE C	1	1						
41	2	953KM0-00222	WASHER	1	1						

Remarks

* TO M/#05095
(1) INTERCHANGABLE WITH FIG.NO.50B
REF.NO.1(172020-10100-1).

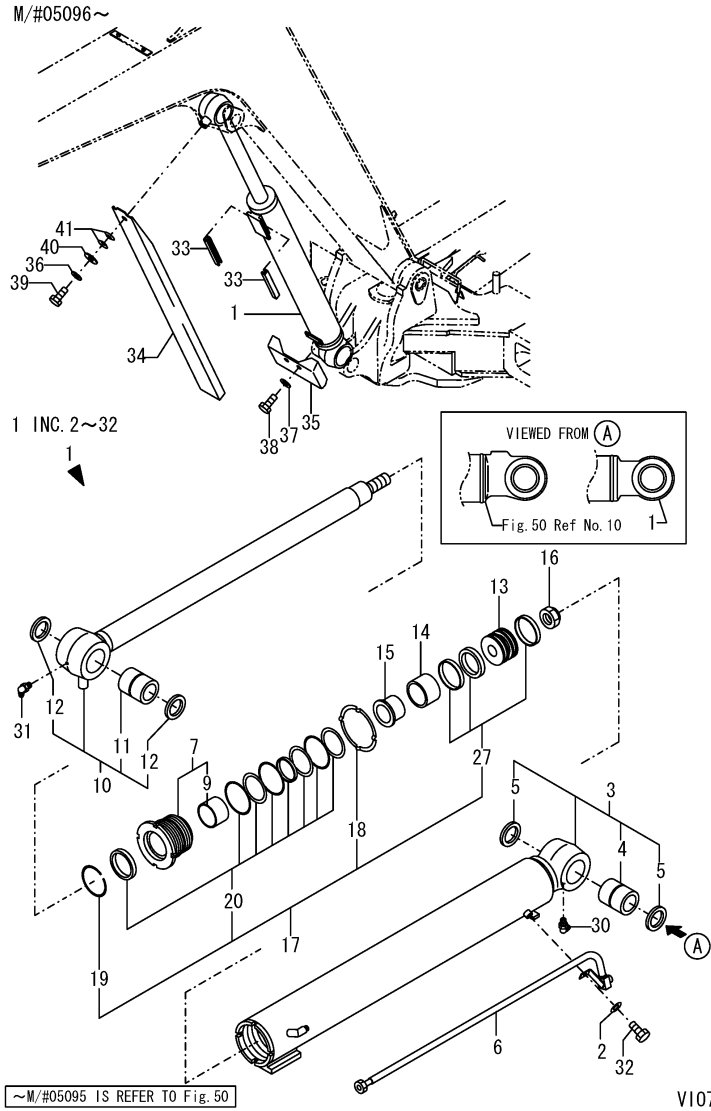
Fig.83. BOOM CYLINDER(NEW)

(A)=VIO70(US)C
(B)=VIO70(US)P
(C)=

(D)=
(E)=
(F)=

Y00S3821-1

Fig.83 BOOM CYLINDER(NEW)



No.	Lev.	Parts No.	Description	Q'ty						I	R
				(A)	(B)	(C)	(D)	(E)	(F)		
1	1	172020-10100-1 (A=M/#05096) (B=M/#05096)	CYLINDER ASSY, BOOM	1	1						W
2	2	194145-04810	WASHER 10		1	1					
3	2	172020-10111-1	TUBE, BOOM	1	1						
4	3	172020-10220	BUSH 70 85	1	1						
5	3	172162-82350	SEAL, DUST	2	2						
6	2	172020-10141-1	TUBE, BOOM	1	1						
7	2	172020-10230	HEAD 115 65	1	1						
9	3	172020-10320	BUSH 65 40	1	1						
10	2	172020-10250	ROD,BOOM	1	1						
11	3	172020-10220	BUSH 70 85	1	1						
12	3	172162-82350	SEAL, DUST	2	2						
13	2	172020-10290	PISTON 115	1	1						
14	2	172020-10340	PLUNGER 72,CUSHION	1	1						
15	2	172020-10350	COLLAR, 42 59	1	1						
16	2	172020-10370	NUT	1	1						
17	2	172020-11600	SEAL SET, CYLINDER	1	1						
18	3	172020-10360	WASHER 115,LOCK	1	1						
19	3	172020-10380	RING 82,SPRING	1	1						
20	3	172020-11610	SEAL SET, HEAD	1	1						
27	3	172020-11620	SEAL SET, PISTON	1	1						
30	2	24761-020000	NIPPLE, GREASE PT1/8	1	1						
31	2	24761-050000	NIPPLE, GREASE C	1	1						
32	2	26013-100252	BOLT, M10X 25	1	1						
33	1	172162-61770	GUIDE, SLIDE	2	2						
34	1	172187-72910-1	COVER, SLIDE	1	1						
35	1	172187-72950-1	GUARD ASSY	1	1						
36	1	22217-100000	WASHER, SPRING 10	1	1						
37	1	22217-100000	WASHER, SPRING 10	2	2						
38	1	26116-100162	BOLT, M10X 16 PLATED	2	2						
39	1	26116-100202	BOLT, M10X 20 PLATED	1	1						
40	1	933147-03400	WASHER, BRAKE ARM	1	1						
41	1	933168-14170	SPRING	2	2						

Remarks
* FROM M/#05096
* THIS FIGURE IS NEWLY ADDED.

Fig.51. ARM CYLINDER(PREVIOUS)

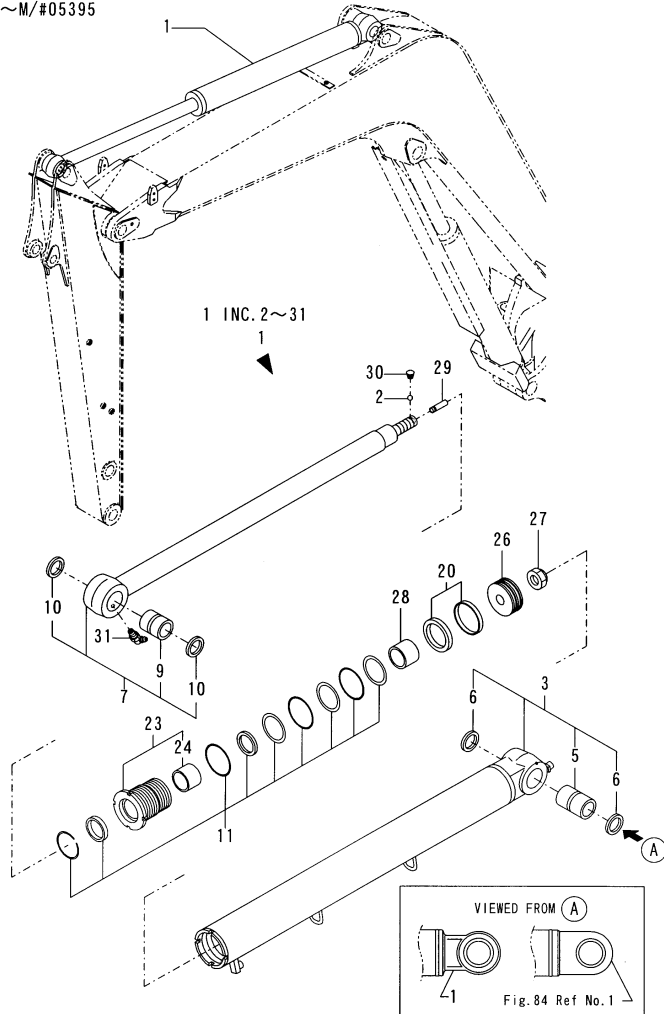
(A)=VIO70(US)C
(B)=VIO70(US)P
(C)=

(D)=
(E)=
(F)=

Y00S3821-1

Fig. 51 ARM CYLINDER(PREVIOUS)

~M/#05395



VIO70 (US)

No.	Lev.	Parts No.	Description	Q'ty						I	R	
				(A)	(B)	(C)	(D)	(E)	(F)			
1	1	172187-72600-1 (A=M/#05396) (B=M/#05396)	CYLINDER, ARM	1	1						Z	1
2	2	182900-33970	BALL		9	9						
3	2	172187-72720-1	TUBE, ARM	1	1							
5	3	172187-72700	BUSH	1	1							
6	3	182900-53650	SEAL	2	2							
7	2	172187-72730	ROD	1	1							
9	3	172187-72690	BUSH	1	1							
10	3	182900-53650	SEAL	2	2							
11	2	172187-72020	SEAL SET, HEAD	1	1							
20	2	172187-72740	SEAL SET, PISTON	1	1							
23	2	172187-72750	HEAD CMP	1	1							
24	3	182900-34250	BUSHING	1	1							
26	2	172187-72640	PISTON	1	1							
27	2	172187-72650	NUT	1	1							
28	2	172187-72660	PLUNGER	1	1							
29	2	172187-72670	PLUNGER	1	1							
30	2	172187-72680	CAP	1	1							
31	2	24761-040000	NIPPLE, GREASE B	1	1							

Remarks

* TO M/#05395
(1)INTERCHANGABLE WITH FIG.NO.51B
REF.NO.1(172020-10500-1).

Fig.84. ARM CYLINDER(NEW)

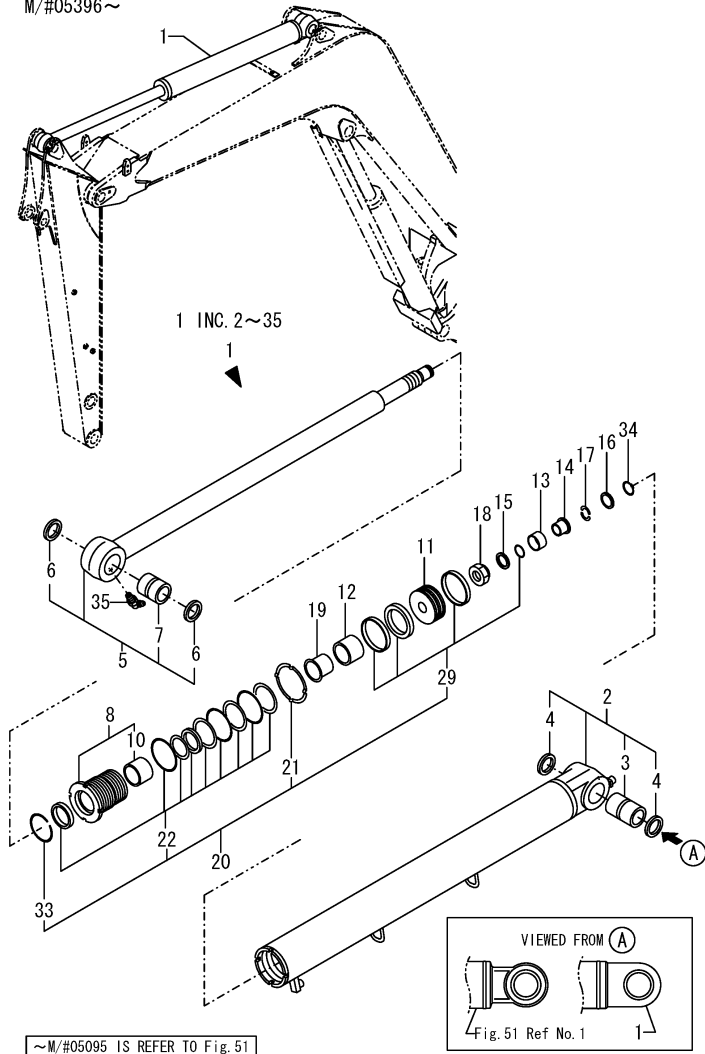
(A)=VIO70(US)C
(B)=VIO70(US)P
(C)=

(D)=
(E)=
(F)=

Y00S3821-1

Fig.84 ARM CYLINDER(NEW)

M/#05396~



VIO70 (US)

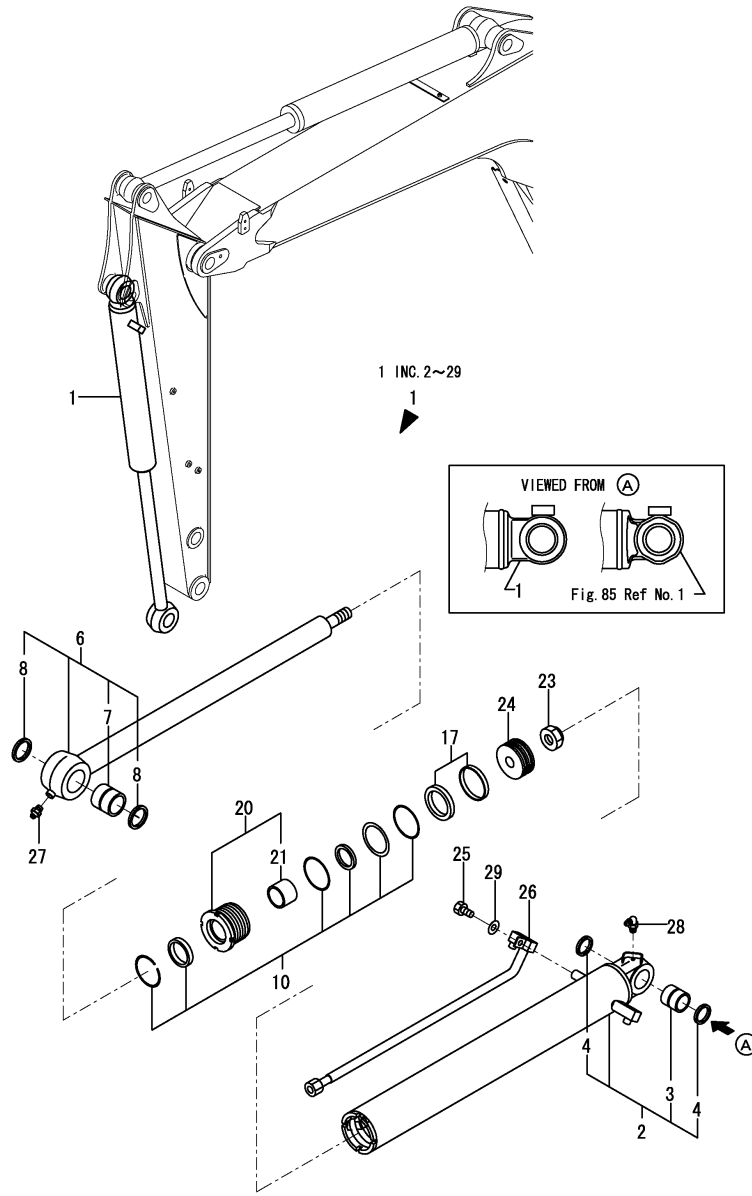
No.	Lev.	Parts No.	Description	Q'ty						I	R
				(A)	(B)	(C)	(D)	(E)	(F)		
1	1	172020-10500-1 (A=M/#05396) (B=M/#05396)	CYLINDER, ARM	1	1						W
2	2	172020-10510-1	TUBE, ARM		1	1					
3	3	172020-10610	BUSH 60 75 83	1	1						
4	3	172020-10620	SEAL, DUST	2	2						
5	2	172020-10650	ROD,ARM	1	1						
6	3	172020-10620	SEAL, DUST	2	2						
7	3	172020-10680	BUSH 60 75 58	1	1						
8	2	172020-10700	HEAD 100 60	1	1						
10	3	172445-72480	ROD BUSH 60 35	1	1						
11	2	172020-10720	PISTON 100	1	1						
12	2	172020-10730	PLUNGER 64A,CUSHION	1	1						
13	2	172020-10750	PLUNGER 48,CUSHION	1	1						
14	2	172020-10760	COLLAR, CUSHION	1	1						
15	2	172020-10770	SPACER	1	1						
16	2	172020-10780	COVER, STOPPER	1	1						
17	2	172020-10790	STOPPER	2	2						
18	2	172020-10810	NUT	1	1						
19	2	172020-10860	COLLAR, CUSHION	1	1						
20	2	172020-11630	SEAL SET, 100X60	1	1						
21	3	172020-10800	WASHER 100,LOCK	1	1						
22	3	172020-11640	SEAL SET, 100X60	1	1						
29	3	172020-11650	SEAL SET, PISTON	1	1						
33	3	172445-72450	RING 77	1	1						
34	2	22242-000340	RING, 34	1	1						
35	2	24761-040000	NIPPLE, GREASE B	1	1						

Remarks
* FROM M/#05396
* THIS FIGURE IS NEWLY ADDED

Fig.52. BUCKET CYLINDER(TO M05344)

(A)=VIO70(US)C
(B)=VIO70(US)P
(C)=

(D)=
(E)=
(F)=



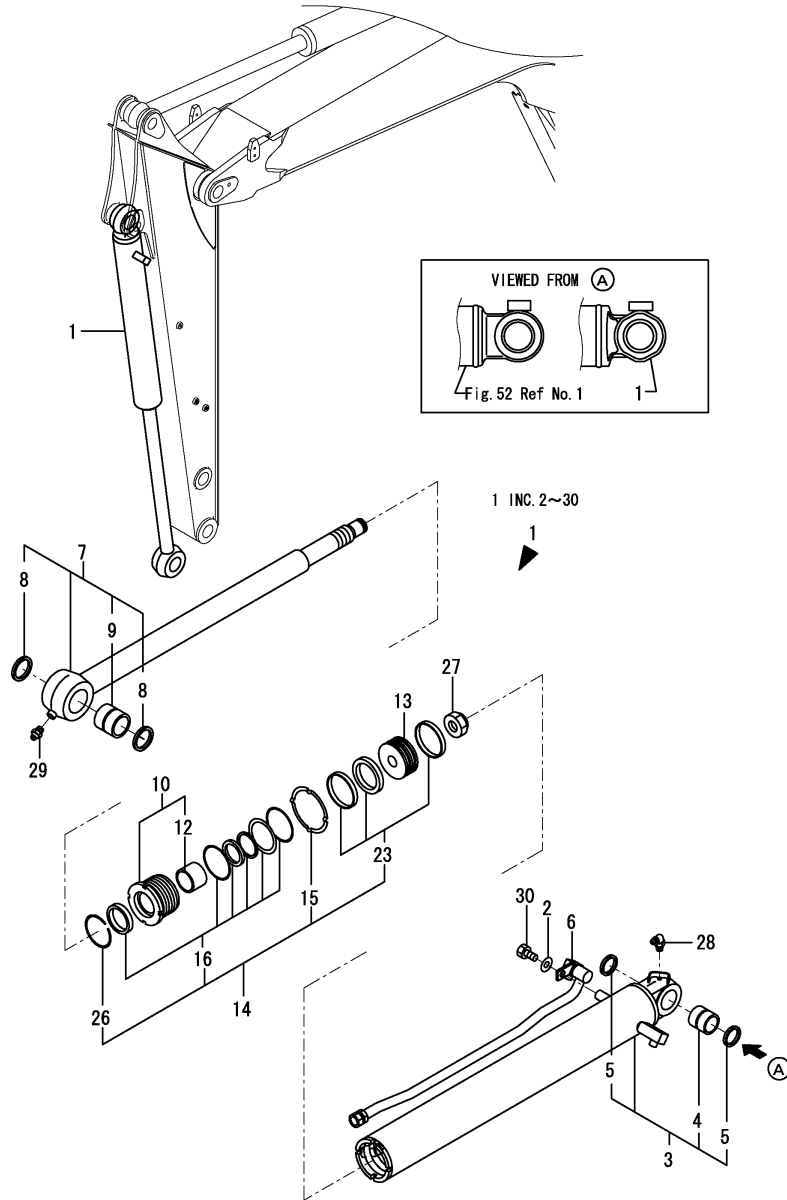
No.	Lev.	Parts No.	Description	Q'ty						I	R	
				(A)	(B)	(C)	(D)	(E)	(F)			
1	1	172187-72801-1 (A=M/#05345) (B=M/#05345)	CYLINDER ASSY	1	1						Z	1
2	2	172187-72870-1	TUBE, BUCKET	1	1							
3	3	182900-24780	BUSHING	1	1							
4	3	172511-91320	SEAL, DUST 50X60X4	2	2							
6	2	172187-72880	ROD	1	1							
7	3	182900-53630	BUSHING	1	1							
8	3	182900-53650	SEAL	2	2							
10	2	172187-72770	SEAL SET, HEAD	1	1							
17	2	172187-72780	SEAL SET, PISTON	1	1							
20	2	172187-72760	HEAD	1	1							
21	3	182900-34240	BUSHING	1	1							
23	2	182900-53730	NUT	1	1							
24	2	182900-60900	PISTON	1	1							
25	2	172187-72510	BOLT	1	1							
26	2	172187-72850-1	TUBE	1	1							
27	2	24761-020000	NIPPLE, GREASE PT1/8	1	1							
28	2	24761-050000	NIPPLE, GREASE C	1	1							
29	2	953KM0-00222	WASHER	1	1							

Remarks
(1)INTERCHANGABLE WITH FIG.NO.52B
REF.NO.1(172020-10900-1).

Fig.85. BUCKET CYLINDER(FROM M05345)

(A)=VIO70(US)C
(B)=VIO70(US)P
(C)=

(D)=
(E)=
(F)=



TO M05344 REFER TO Fig. 52

No.	Lev.	Parts No.	Description	Q'ty						I	R
				(A)	(B)	(C)	(D)	(E)	(F)		
1	1	172020-10900-1 (A=M/#05345) (B=M/#05345)	CYLINDER ASSY	1	1						W
2	2	194145-04810	WASHER 10		1	1					
3	2	172020-10910-1	TUBE, BUCKET	1	1						
4	3	172151-72591	BUSH 50X60	1	1						
5	3	172165-81760	SEAL, DUST 50X60X4	2	2						
6	2	172020-10940-1	PIPE, BUCKET	1	1						
7	2	172020-11000	ROD, BUCKET	1	1						
8	3	172020-10620	SEAL, DUST	2	2						
9	3	172020-11030	BUSH 60 58	1	1						
10	2	172020-11040	HEAD 90 55	1	1						
12	3	172151-72240	BUSH 55 35, ROD	1	1						
13	2	172020-11060	PISTON 90	1	1						
14	2	172020-11660	SEAL SET, CYLINDER	1	1						
14-1	2	172020-11661	SEAL SET, CYLINDER	1	1						N
		(A=MZZZZZ) (B=MZZZZZ)									
15	3	172020-11070	WASHER 90, LOCK		1	1					
15-1	3	172A65-72590	WASHER, LOCK 90-110		1	1					N
		(A=MZZZZZ) (B=MZZZZZ)									
16	3	172020-11670	SEAL SET, HEAD	1	1						
23	3	172020-11680	SEAL SET, PISTON	1	1						
26	3	933126-00500	RING 72, SPRING	1	1						
27	2	172151-72270	NUT	1	1						
28	2	24761-020000	NIPPLE, GREASE PT1/8	1	1						
29	2	24761-050000	NIPPLE, GREASE C	1	1						
30	2	26013-100252	BOLT, M10X 25	1	1						

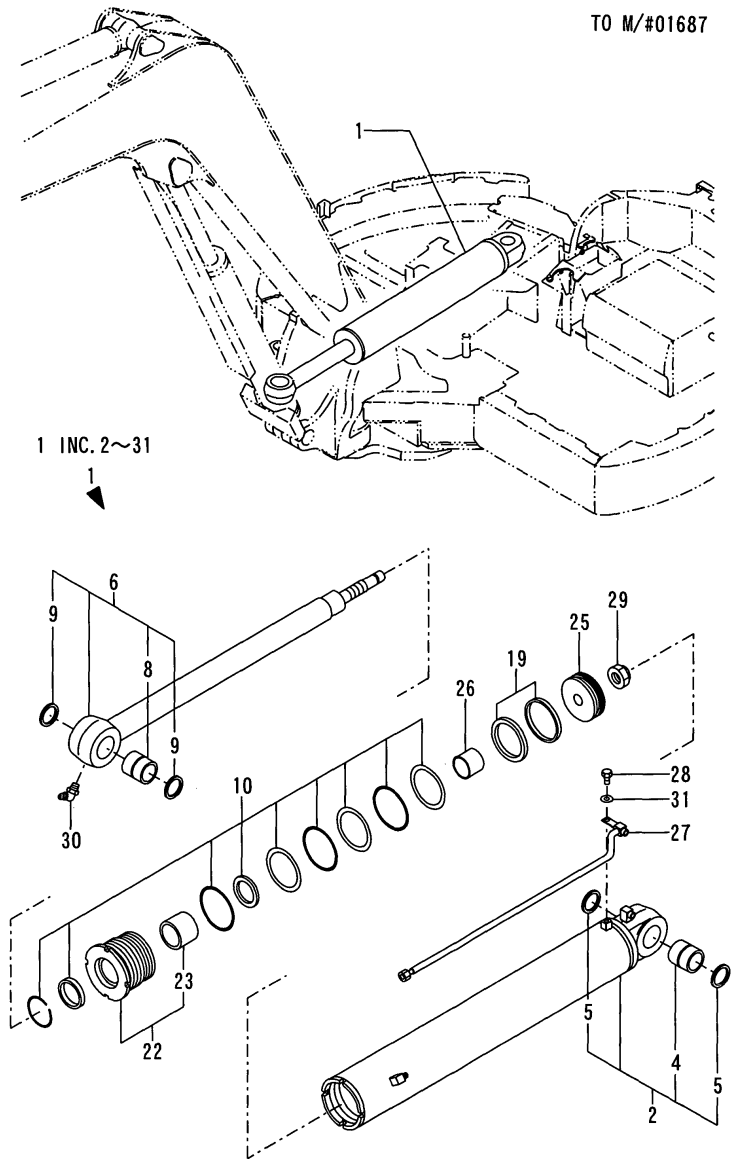
Remarks
* THIS FIGURE IN NEWLY ADDED.

Fig.53. SWING CYLINDER(PREVIOUS)

(A)=VIO70(US)C
(B)=VIO70(US)P
(C)=

(D)=
(E)=
(F)=

Fig.53 SWING CYLINDER(PREVIOUS)



No.	Lev.	Parts No.	Description	Q'ty						I	R	
				(A)	(B)	(C)	(D)	(E)	(F)			
1	1	172187-72301-1 (A=M/#01688) (B=M/#01688)	CYLINDER ASSY, SWING	1	1						Z	1
2	2	172187-72260-1	TUBE, SWING	1	1							
4	3	172187-72370	BUSH	1	1							
5	3	182900-53650	SEAL	2	2							
6	2	172187-72270	ROD CMP	1	1							
8	3	172187-72360	BUSH	1	1							
9	3	182900-53650	SEAL	2	2							
10	2	172187-72030	SEAL SET, HEAD	1	1							
19	2	172187-72290	SEAL SET, PISTON	1	1							
22	2	172187-72280	HEAD	1	1							
23	3	182900-34250	BUSHING	1	1							
25	2	172187-72340	PISTON	1	1							
26	2	172187-72350	PLUNGER	1	1							
27	2	172187-72380	TUBE	1	1							
28	2	172187-72510	BOLT	1	1							
29	2	172187-72650	NUT	1	1							
30	2	24761-050000	NIPPLE, GREASE C	1	1							
31	2	953KM0-00222	WASHER	1	1							

Remarks

* TO M/#01687
(1)INTERCHANGABLE WITH FIG.NO.54
REF.NO.1(172020-11150-1).

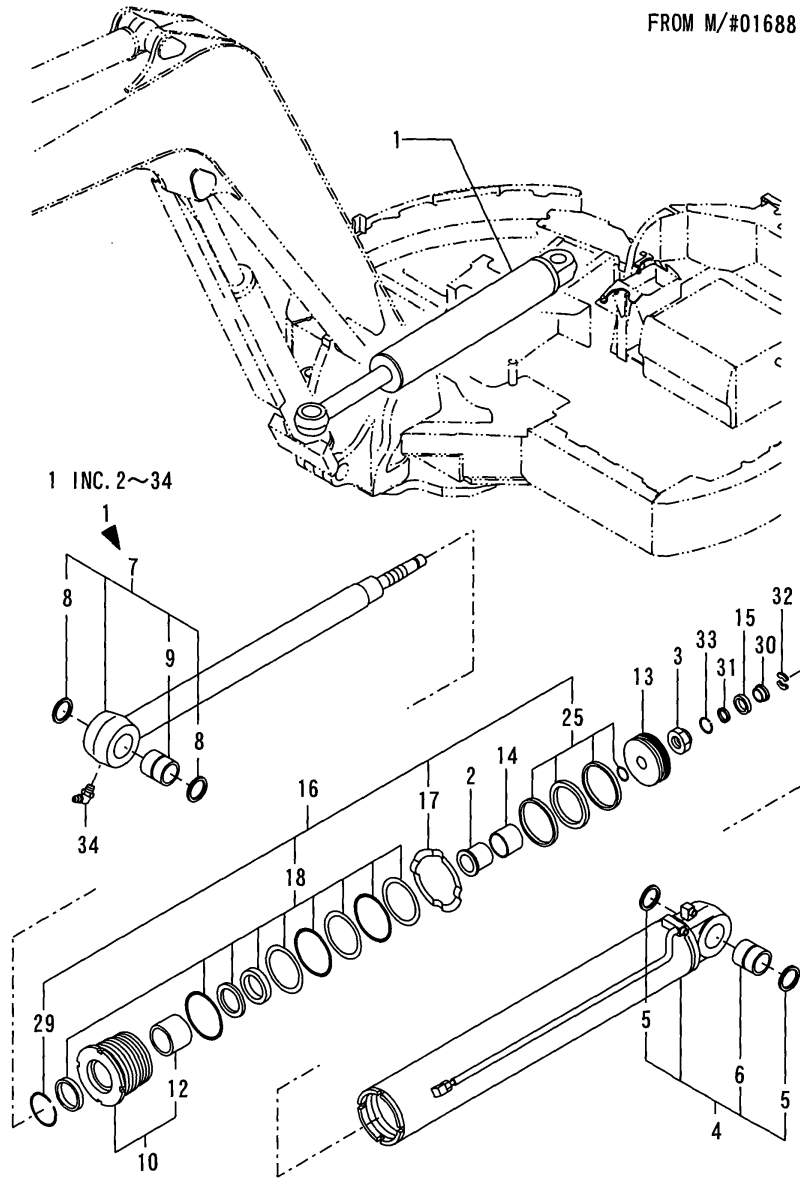
Fig.54. SWING CYLINDER (NEW)

(A)=VIO70(US)C
(B)=VIO70(US)P
(C)=

(D)=
(E)=
(F)=

Fig.54 SWING CYLINDER (NEW)

FROM M/#01688



No.	Lev.	Parts No.	Description	Q'ty						I	R
				(A)	(B)	(C)	(D)	(E)	(F)		
1	1	172020-11150-1 (A=M/#01688) (B=M/#01688)	CYLINDER ASSY, SWING	1	1						W
2	2	172020-10740	COLLAR, 42 55		1	1					
3	2	172020-10810	NUT	1	1						
4	2	172020-11160-1	TUBE ASSY, SWING	1	1						
5	3	172020-10620	SEAL, DUST	2	2						
6	3	172020-11230	BUSH 60 63 A	1	1						
7	2	172020-11250	ROD, SWING	1	1						
8	3	172020-10620	SEAL, DUST	2	2						
9	3	172020-11280	BUSH 60 60 B	1	1						
10	2	172020-11300	HEAD CMP 120 60	1	1						
12	3	172445-72480	ROD BUSH 60 35	1	1						
13	2	172020-11320	PISTON 120	1	1						
14	2	172020-11330	PLUNGER 68B	1	1						
15	2	172020-11340	RING 44-1.6	1	1						
16	2	172020-11690	SEAL SET, CYLINDER	1	1						
17	3	172020-11350	ROCK WASHER 120	1	1						
18	3	172020-11700	SEAL SET, HEAD	1	1						
25	3	172020-11710	SEAL SET, PISTON	1	1						
29	3	172445-72450	RING 77	1	1						
30	2	172423-72520	COLLAR, CUSHION	1	1						
31	2	172423-72530	SPACER	1	1						
32	2	172423-72540	STOPPER	2	2						
33	2	172423-72550	CIRCLIP	1	1						
34	2	24761-050000	NIPPLE, GREASE C	1	1						

Remarks
* FROM M/#01688
*THIS FIGURE IN NEWLY ADDED.

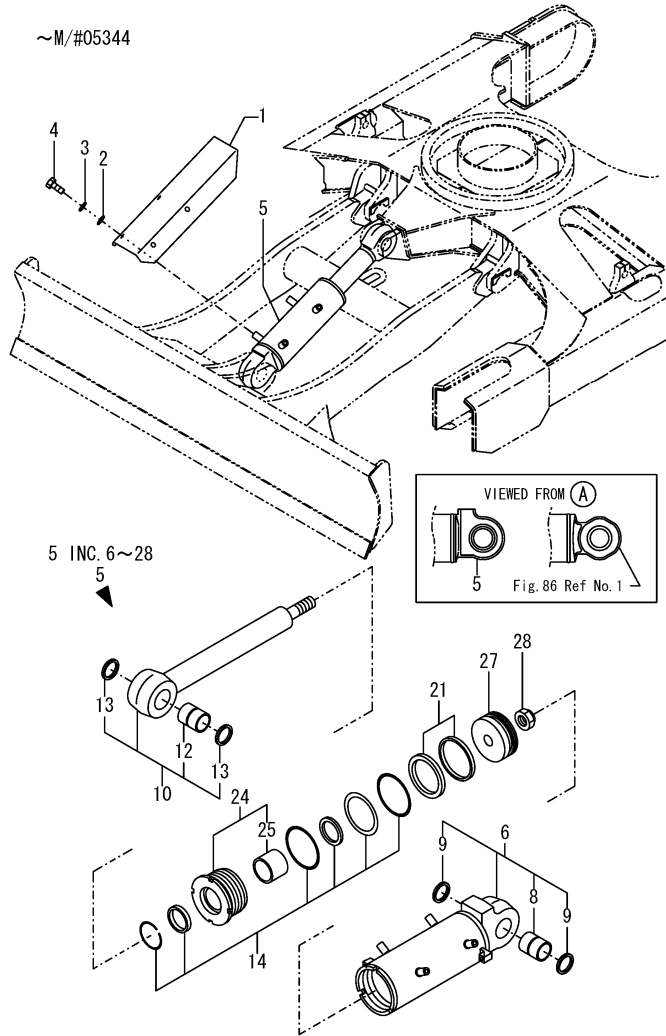
Fig.55. BLADE CYLINDER(PREVIOUS)

(A)=VIO70(US)C
(B)=VIO70(US)P
(C)=

(D)=
(E)=
(F)=

Y00S3821-1

Fig. 55 BLADE CYLINDER (PREVIOUS)



M/#05345~ IS REFER TO Fig. 86

V1070 (US)

No.	Lev.	Parts No.	Description	Q'ty						I	R
				(A)	(B)	(C)	(D)	(E)	(F)		
1	1	172187-72891-1	COVER ASSY, BLADE	1	1						
2	1	22137-100000	WASHER, 10	4	4						
3	1	22217-100000	WASHER, SPRING 10	4	4						
4	1	26116-100202	BOLT, M10X 20 PLATED	4	4						
5	1	172187-72101-1	CYLINDER ASSY, BLADE	1	1					Z	1
		(A=M/#05345) (B=M/#05345)									
6	2	172187-72060-1	TUBE ASSY, BLADE	1	1						
8	3	172187-72180	BUSH	1	1						
9	3	182900-53650	SEAL	2	2						
10	2	172187-72070	ROD	1	1						
12	3	172187-72170	BUSH	1	1						
13	3	182900-53650	SEAL	2	2						
14	2	172187-72040	SEAL SET, HEAD	1	1						
21	2	172187-72090	SEAL SET, PISTON	1	1						
24	2	172187-72080	HEAD CMP	1	1						
25	3	182900-60960	BUSHING	1	1						
27	2	172187-72140	PISTON	1	1						
28	2	172187-72160	NUT	1	1						

Remarks

* TO M/#05344
(1)INTERCHANGABLE WITH FIG.NO.55B
REF.NO.1(172020-11400-1).

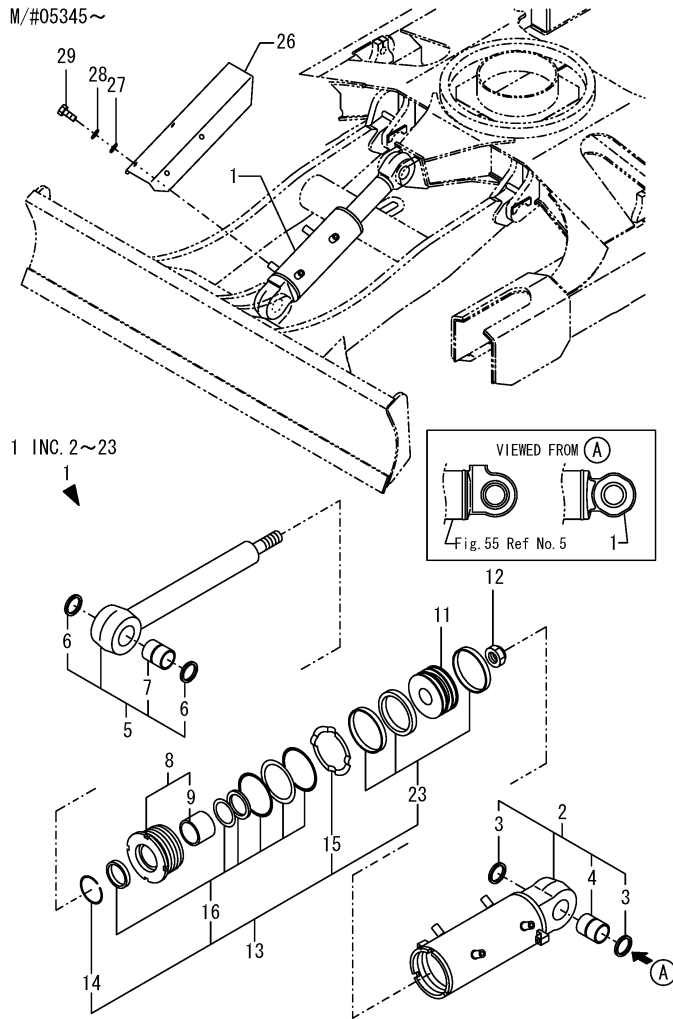
Fig.86. BLADE CYLINDER(NEW)

(A)=VIO70(US)C
(B)=VIO70(US)P
(C)=

(D)=
(E)=
(F)=

Y00S3821-1

Fig. 86 BLADE CYLINDER (NEW)



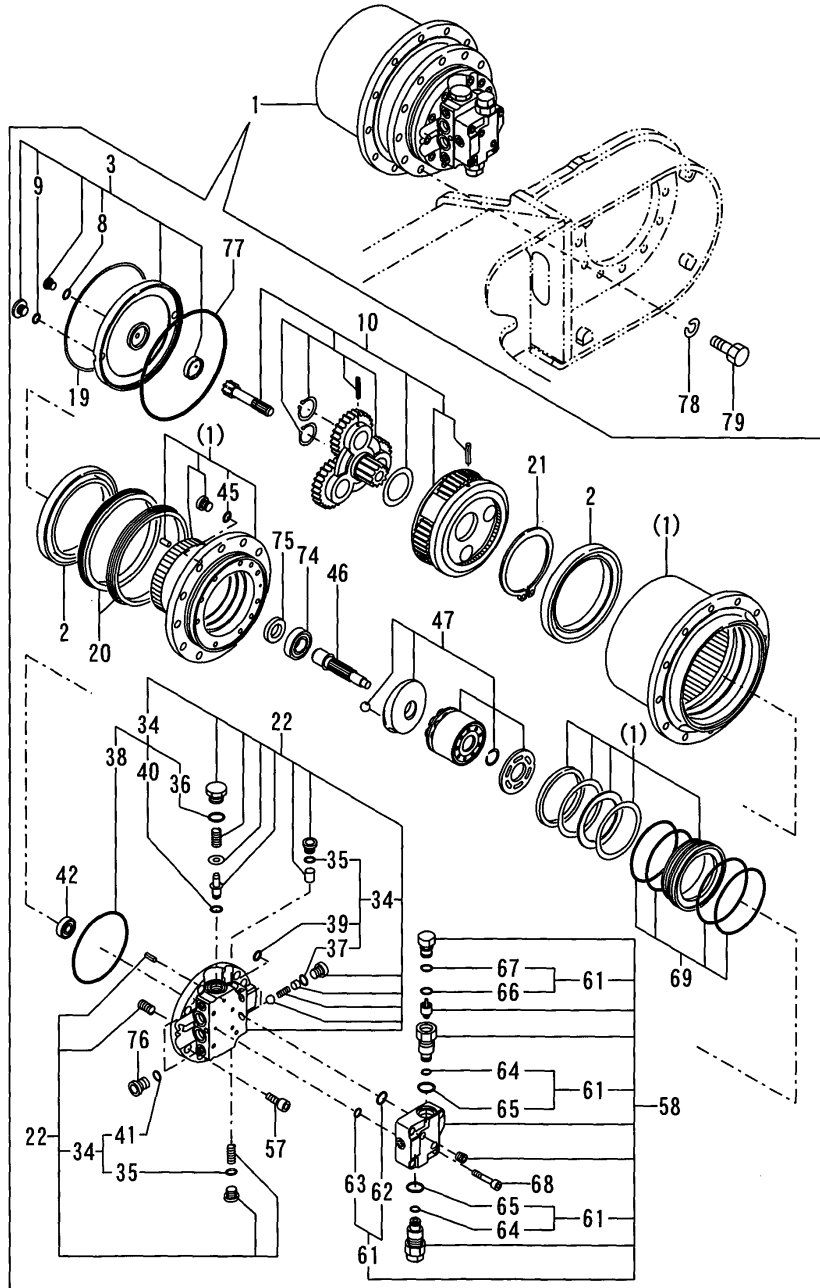
VIO70 (US)

No.	Lev.	Parts No.	Description	Q'ty						I	R
				(A)	(B)	(C)	(D)	(E)	(F)		
1	1	172020-11400-1 (A=M/#05345) (B=M/#05345)	CYLINDER ASSY, BLADE	1	1						W
2	2	172020-11410-1	TUBE, BLADE		1	1					
3	3	172020-10620	SEAL, DUST		2	2					
4	3	172020-11450	BUSH 60 68		1	1					
5	2	172020-11470	ROD ASSY, BLADE		1	1					
6	3	172020-10620	SEAL, DUST		2	2					
7	3	172020-11450	BUSH 60 68		1	1					
8	2	172020-11500	HEAD 130 65		1	1					
9	3	172020-10320	BUSH 65 40		1	1					
11	2	172020-11520	PISTON 130		1	1					
12	2	172020-11540	NUT		1	1					
13	2	172020-11720	SEAL SET, CYLINDER		1	1					
14	3	172020-10380	RING 82, SPRING		1	1					
15	3	172020-11530	WASHER 130, LOCK		1	1					
16	3	172020-11730	SEAL SET, HEAD		1	1					
23	3	172020-11740	SEAL SET, PISTON		1	1					
26	1	172187-72891	COVER ASSY, BLADE		1	1					
27	1	22137-100000	WASHER, 10		4	4					
28	1	22217-100000	WASHER, SPRING 10		4	4					
29	1	26116-100202	BOLT, M10X 20 PLATED		4	4					

Remarks
* FROM M/#05345
* THIS FIGURE IN NEWLY ADDED.

Fig.56. DRIVING MOTOR

Fig.56 DRIVING MOTOR



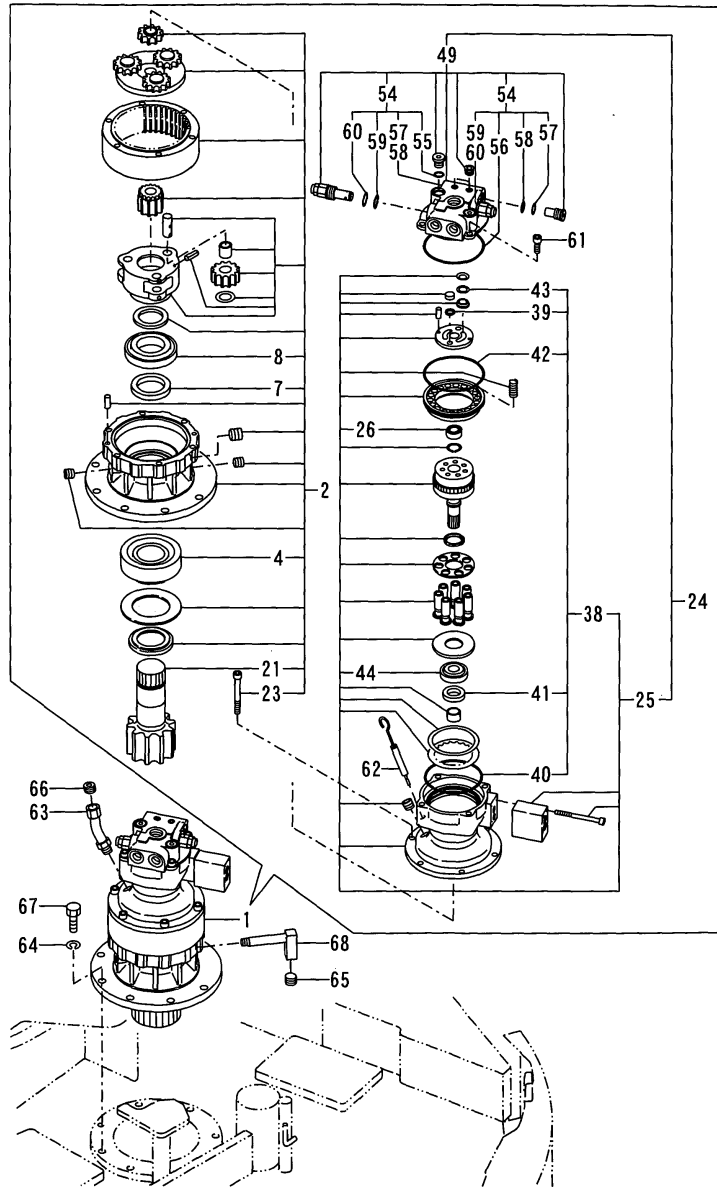
(A)=VIO70(US)C
(B)=VIO70(US)P
(C)=

(D)=
(E)=
(F)=

No.	Lev.	Parts No.	Description	Q'ty						I	R
				(A)	(B)	(C)	(D)	(E)	(F)		
1	1	172187-73300	MOTOR, TRAVEL ASSY	2	2						
2	2	172187-73460	BEARING	4	4						
3	2	172187-74010	COVER ASSY	2	2						
8	3	24315-000080	O-RING, 1BP8.0	2	2						
9	3	24315-000140	O-RING, 1BP14.0	4	4						
10	2	172187-74020	CARRIER ASSY	2	2						
19	2	172187-73510	RING	2	2						
20	2	172187-73540	SEAL	4	4						
21	2	172187-73550	SNAP RING	2	2						
22	2	172187-74030	PLATE, BASE CMP	2	2						
34	3	172187-74040	SEAL SET, BASE PLATE	2	2						
35	4	24315-000140	O-RING, 1BP14.0	4	4						
36	4	24315-000250	O-RING, 1BP25.0	4	4						
37	4	24315-000080	O-RING, 1BP8.0	4	4						
38	4	172187-73910	O-RING	2	2						
39	4	24315-000070	O-RING, 1BP7.0	7	7						
40	4	24311-000125	O-RING, 1AP12.5	4	4						
41	4	24315-000110	O-RING, 1BP11.0	8	8						
42	2	24101-063020	BEARING, BALL 6302C3	2	2						
45	2	24315-000080	O-RING, 1BP8.0	2	2						
46	2	172187-73780	SHAFT	2	2						
47	2	172187-74050	CYLINDER BLOCK KIT	2	2						
57	2	172187-73900	BOLT	14	14						
58	2	172187-74060	KIT, VALVE	2	2						
61	3	172187-74070	SEAL SET, VALVE	2	2						
62	4	24315-000120	O-RING, 1BP12.0	4	4						
63	4	24315-000070	O-RING, 1BP7.0	2	2						
64	4	24315-000150	O-RING, 1BP15.0	4	4						
65	4	24315-000280	O-RING, 1BP28.0	4	4						
66	4	24311-000180	O-RING, 1AP18.0	4	4						
67	4	24315-000180	O-RING, 1BP18.0	4	4						
68	2	172187-73930	BOLT	8	8						
69	2	172187-74080	SEAL SET, PISTON	2	2						
74	2	24101-062064	BEARING, BALL 6206	2	2						
75	2	172187-73770	SEAL, OIL	2	2						
76	2	172187-73600	PLUG	4	4						
77	2	172187-73560	O-RING	2	2						
78	1	22217-160000	WASHER, SPRING 16	24	24						
79	1	26116-160452	BOLT, M16X 45 PLATED	24	24						

Fig.57. TURNING MOTOR

Fig.57 TURNING MOTOR



(A)=VIO70(US)C
(B)=VIO70(US)P
(C)=

(D)=
(E)=
(F)=

No.	Lev.	Parts No.	Description	Q'ty						I	R
				(A)	(B)	(C)	(D)	(E)	(F)		
1	1	172187-73310	MOTOR, TURNING		1						
1-1	1	172187-73311	MOTOR ASSY, TURNING	1	1						R
(B=M/#61675)											
2	2	172187-73370	GEAR ASSY, REDUCTION	1	1						
4	3	172162-71490	BEARING,TAPER ROLLER	1	1						
7	3	172162-71520	SEAL, OIL	1	1						
8	3	172162-71530	BEARING,TAPER ROLLER	1	1						
21	3	172187-73380	SHAFT, PINION	1	1						
23	3	26450-120952	BOLT, M12X 95	6	6						
24	2	172187-73410	MOTOR, HYD.OIL	1	1						
25	3	172187-74950	MOTOR	1	1						
26	4	172162-71710	BEARING,NEEDLE	1	1						
38	4	172187-74960	SEAL SET, MOTOR	1	1						
39	4	172176-73370	TEFLON RING	2	2						1
40	4	172162-71740	O-RING	1	1						1
41	4	172162-71890	SEAL, OIL	1	1						1
42	4	172162-71760	O-RING	1	1						1
43	4	172165-73450	TEFLON RING	4	4						1
44	4	172165-73430	BEARING	1	1						
49	3	172187-74970	RELEAF BLOCK ASSY	1	1						
54	4	172187-74980	SEAL SET, RELIEF	1	1						
55	4	24315-000140	O-RING, 1BP14.0	2	2						2
56	4	172164-73860	O-RING	1	1						2
57	4	172162-71930	RING	2	2						2
58	4	24315-000210	O-RING, 1BP21.0	2	2						2
59	4	24315-000260	O-RING, 1BP26.0	2	2						2
60	4	172162-71950	RING, BACK UP	2	2						2
61	2	26450-120302	BOLT, M12X 30	4	4						
62	2	172162-71880	GAUGE ASSY, LEVEL	1	1						
63	1	172187-73340	PIPE, OIL FEED	1	1						
64	1	22217-160000	WASHER, SPRING 16	8	8						
65	1	23871-030000	PLUG, R03	1	1						
66	1	23871-040000	PLUG, R04	1	1						
67	1	26116-160502	BOLT, M16X 50 PLATED	8	8						
68	1	172187-73320	CONNECTOR ASSY	1	1						

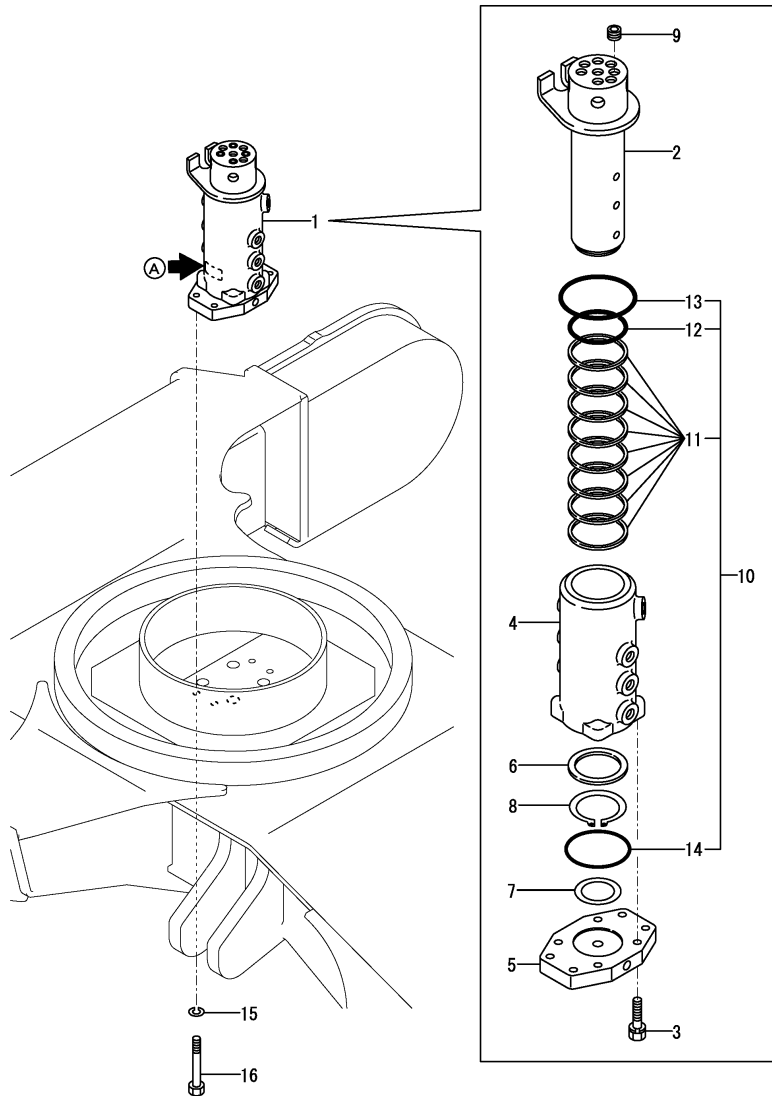
Remarks

- (1)INCLUDE OF REFFER NO.38.
- (2)INCLUDE OF REFFER NO.54.

Fig.58. SWIVEL JOINT(Y SPEC.)

(A)=VIO70(US)C
(B)=VIO70(US)P
(C)=

(D)=
(E)=
(F)=



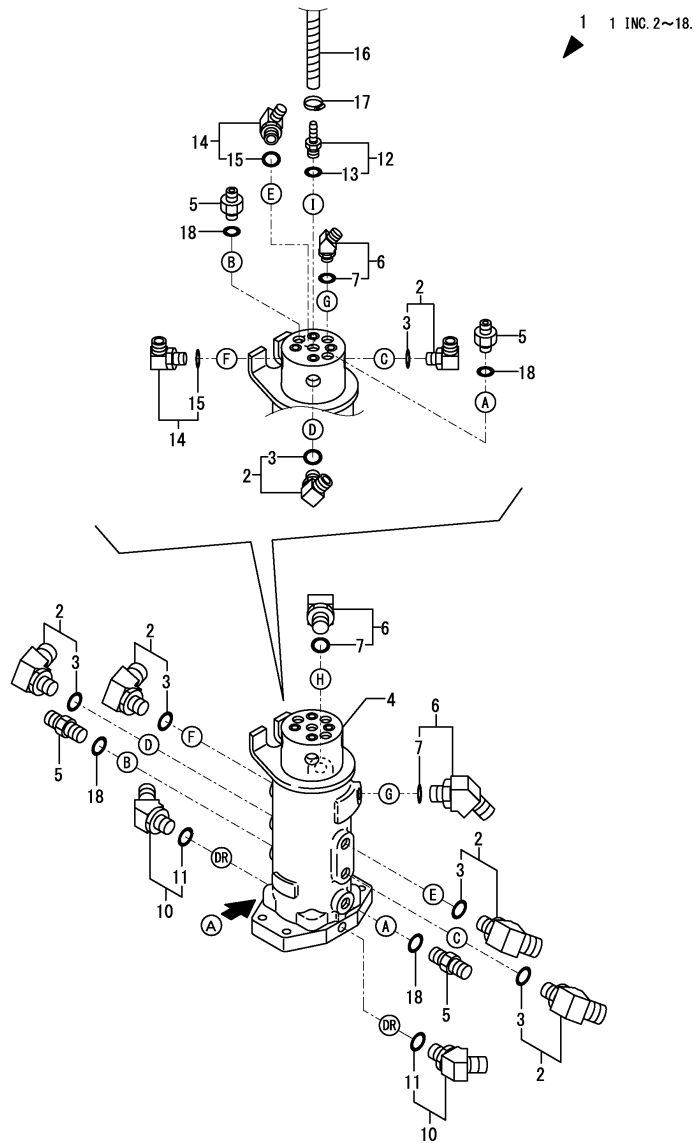
No.	Lev.	Parts No.	Description	Q'ty						I	R
				(A)	(B)	(C)	(D)	(E)	(F)		
1	1	172187-73801 (A="2017.01.) (B="2017.01.)	JOINT ASSY, SWIVEL	1	1						Z
2	2	172147-73810	SHAFT, SWIVEL	1	1						
3	2	26013-100402	BOLT, SPRING M10X 40	4	4						
4	2	172147-73830	HUB, SWIVEL	1	1						
5	2	172147-73850	PLATE, SWIVEL	1	1						
6	2	172122-73860	SPACER, SWIVEL	1	1						
7	2	172122-73870	WASHER, THRUST	1	1						
8	2	22242-000700	RING, 70	1	1						
9	2	23871-030000	PLUG, R03	4	4						
10	1	172187-73820	SEAL SET, SWIVEL	1	1						
10-1	2	172147-73880	SEAL ASSY	1	1						N
		(A=M/#XXXXX) (B=M/#XXXXX)									
11	2	172423-73820	SEAL, SWIVEL	8	8						
11-1	3	172122-73890	SEAL, SWIVEL	8	8						N
		(A=M/#XXXXX) (B=M/#XXXXX)									
12	2	24311-000800	O-RING, 1AP80.0	1	1						
13	2	24311-001000	O-RING, 1AP100.0	1	1						
14	2	24321-000950	O-RING, 1AG95.0	1	1						
15	1	22217-120000	WASHER, SPRING 12	4	4						
16	1	26116-120902	BOLT, M12X 90 PLATED	4	4						

Remarks
(1)A : no label.
Interchangeable by Fig.87(58A) No.1.
The inner parts of swivel joint are not compatible.

Fig.87. (58A)SWIVEL JOINT KIT(N SPEC.)

(A)=VIO70(US)C
(B)=VIO70(US)P
(C)=

(D)=
(E)=
(F)=



No.	Lev.	Parts No.	Description	Q'ty						I	R	
				(A)	(B)	(C)	(D)	(E)	(F)			
1	1	172187-73400 (A=*2017.01.) (B=*2017.01.)	JOINT ASSY, SWIVEL	1	1						W	1
2	2	1D4180-22850	ELBOW, 45 PF1/2	6	6							
3	3	24315-000180	O-RING, 1BP18.0	6	6							
4	2	172A65-73800	JOINT ASSY, SWIVEL	1	1							2
5	2	172730-75141	ADAPTER	4	4							
6	2	172173-76102	CONNECTOR ASSY	3	3							
7	3	41851-000110	O-RING	1	1							
10	2	172644-76161	ELBOW, ADJUST	2	2							
11	3	24315-000140	O-RING, 1BP14.0	1	1							
12	2	172A65-76700	CONNECTOR, G3/8	1	1							
13	3	41851-000140	O-RING	1	1							
14	2	172141-76900	CONNECTOR ASSY	2	2							
15	3	24315-000180	O-RING, 1BP18.0	1	1							
16	2	172A69-78250	HOSE	1	1							
17	2	23001-016000	CLAMP, HOSE 16	1	1							
18	2	41851-000140	O-RING	4	4							

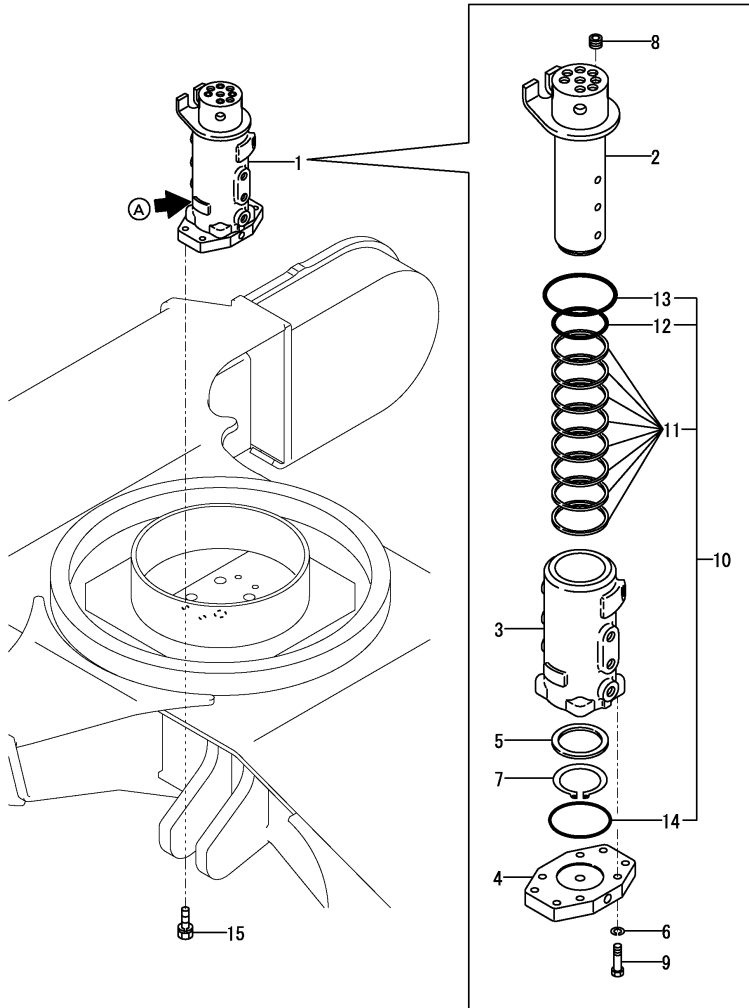
Remarks

- (1)A : 'NACHI' label.
Interchangeable from Y specification.
The inner parts of swivel joint are not compatible.
- (2)Inner parts are shown in Fig.88(58B).

Fig.88. (58B)SWIVEL JOINT(N SPEC.)

(A)=VIO70(US)C
(B)=VIO70(US)P
(C)=

(D)=
(E)=
(F)=



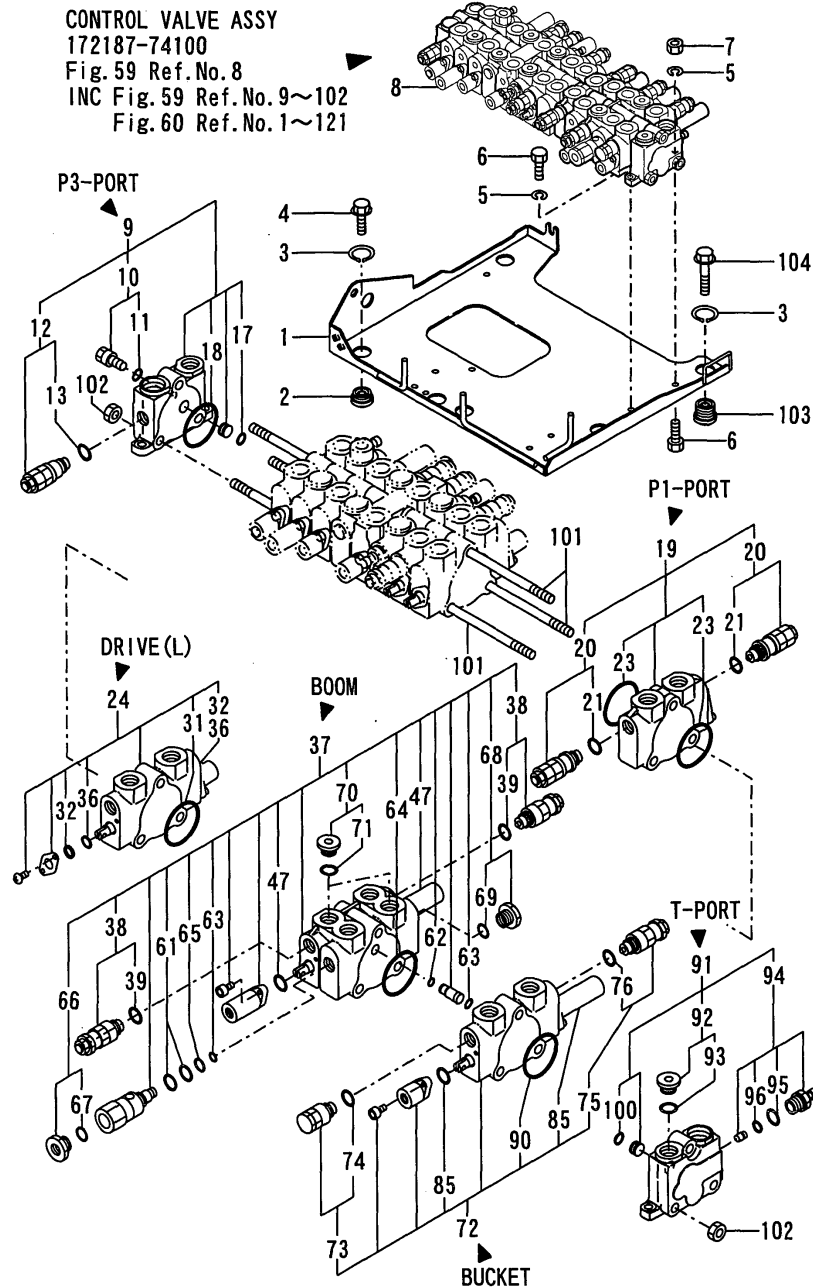
No.	Lev.	Parts No.	Description	Q'ty						I	R	
				(A)	(B)	(C)	(D)	(E)	(F)			
1	1	172A65-73800 (A=*2017.01.) (B=*2017.01.)	JOINT ASSY, SWIVEL	1	1						W	1
2	2	172A65-73810	SHAFT ASSY	1	1							
3	2	172A65-73840	ROTOR	1	1							
4	2	172A65-73850	FLANGE	1	1							
5	2	172A65-73860	SPACER	1	1							
6	2	22217-100000	WASHER, SPRING 10	4	4							
7	2	22242-000720	RING, 72	1	1							
8	2	23871-030000	PLUG, R03	4	4							
9	2	26076-100402	BOLT, 10.910X 40	4	4							
10	2	172A65-73880	SEAL KIT	1	1							
11	3	172A65-73870	SEAL	8	8							
12	3	24315-000800	O-RING, 1BP80.0	1	1							
13	3	24315-001000	O-RING, 1BP100.0	1	1							
14	3	24325-000950	O-RING, 1BG95.0	1	1							
15	1	26013-120402	BOLT, SPRING M12X 40	4	4							

Remarks
(1)A : 'NACHI' label.

(A)=VIO70(US)C
 (B)=VIO70(US)P
 (C)=

(D)=
 (E)=
 (F)=

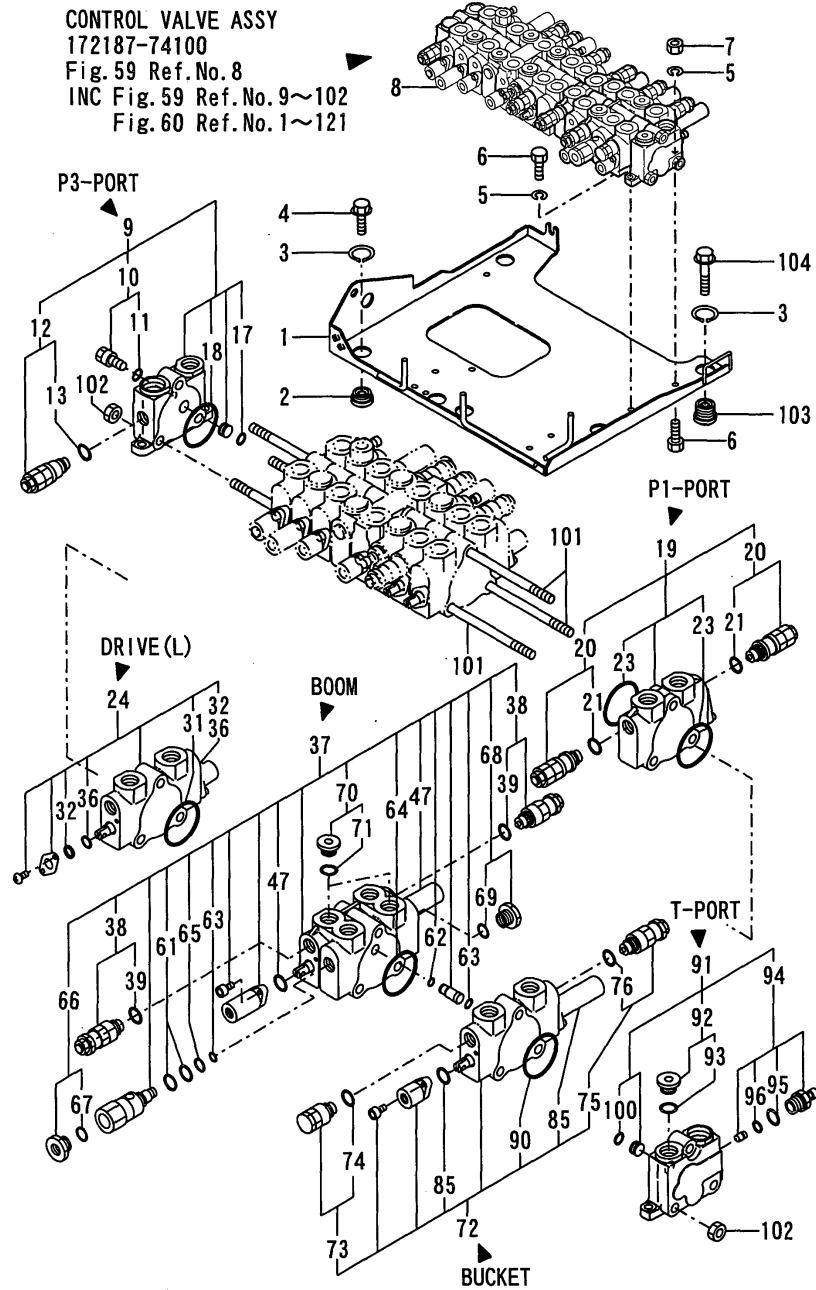
Fig.59 CONTROL VALVE;1



No.	Lev.	Parts No.	Description	Q'ty						I	R
				(A)	(B)	(C)	(D)	(E)	(F)		
1	1	172187-45010	PLATE ASSY, VALVE	1	1						
2	1	172187-45490	CUSHION ASSY	3	3						
3	1	22242-000350	RING, 35	5	5						
4	1	26106-100352	BOLT, M10X 35 PLATED	3	3						
5	1	22217-100000	WASHER, SPRING 10	3	3						
6	1	26116-100302	BOLT, M10X 30 PLATED	3	3						
7	1	26702-100002	NUT, M10	1	1						
8	1	172187-74100	VALVE CMP, CONTROL	1	1						
9	2	172187-74820	P3 PORT ASY	1	1						
10	3	172187-74120	PLUG	1	1						
11	4	24315-000110	O-RING, 1BP11.0	1	1						
12	3	172187-74150	VALVE, RELIEF	1	1						
13	4	172116-74150	O-RING	1	1						
17	4	24315-000120	O-RING, 1BP12.0	1	1						
18	4	24321-000650	O-RING, 1AG65.0	1	1						
19	2	172187-74830	P1 PORT ASY	1	1						
20	3	172187-74160	VALVE, RELIEF	2	2						
21	4	172116-74150	O-RING	2	2						
23	4	24321-000650	O-RING, 1AG65.0	2	2						
24	2	172187-74400	SECTION ASSY, SPOOL	1	1						
31	3	24321-000650	O-RING, 1AG65.0	1	1						
32	3	933166-80520	WIPER	2	2						
36	3	933171-80610	O-RING	2	2						
37	2	172187-74840	SECTION ASSY, BOOM	1	1						
38	3	172187-74140	VALVE ASSY, RELIEF	2	2						
39	4	172116-74150	O-RING	2	2						
47	4	172151-74320	O-RING	2	2						
61	4	24311-000200	O-RING, 1AP20.0	2	2						
62	4	24316-000090	O-RING, 4DP9.0	1	1						
63	4	24316-240100	O-RING, 4DP10A	2	2						
64	4	24321-000650	O-RING, 1AG65.0	1	1						
65	4	172116-74430	O-RING	1	1						
66	3	172187-74690	PLUG	1	1						
67	4	172312-74770	O-RING	1	1						
68	3	172187-74540	PLUG	1	1						
69	4	24315-000140	O-RING, 1BP14.0	1	1						
70	3	172187-74550	PLUG	2	2						
71	4	24315-000180	O-RING, 1BP18.0	2	2						
72	2	172187-74850	SECTION ASSY, BUCKET	1	1						
73	3	172187-74130	VALVE, ANTI-VOIDE	1	1						
74	4	172116-74150	O-RING	1	1						
75	3	172187-74140	VALVE ASSY, RELIEF	1	1						
76	4	172116-74150	O-RING	1	1						
85	4	172151-74320	O-RING	2	2						
90	4	24321-000650	O-RING, 1AG65.0	1	1						
91	2	172187-74860	T-PORT	1	1						
92	3	172187-74550	PLUG	3	3						
93	4	24315-000180	O-RING, 1BP18.0	3	3						
94	3	172146-74720	VALVE ASSY, SHUT-OFF	1	1						
95	4	172116-74150	O-RING	1	1						
96	4	24311-240100	O-RING, 1AP10A	1	1						

Fig.59. CONTROL VALVE;1

Fig.59 CONTROL VALVE;1



(A)=VIO70(US)C
(B)=VIO70(US)P
(C)=

(D)=
(E)=
(F)=

No.	Lev.	Parts No.	Description	Q'ty						I	R
				(A)	(B)	(C)	(D)	(E)	(F)		
100	4	24315-000120	O-RING, 1BP12.0	1	1						
101	2	172187-74490	ROD, TIE	3	3						
102	2	26716-100002	NUT, M10	6	6						
103	1	172187-45060	CUSHION ASSY	2	2						
104	1	26106-100552	BOLT, M10X 55 PLATED	2	2						

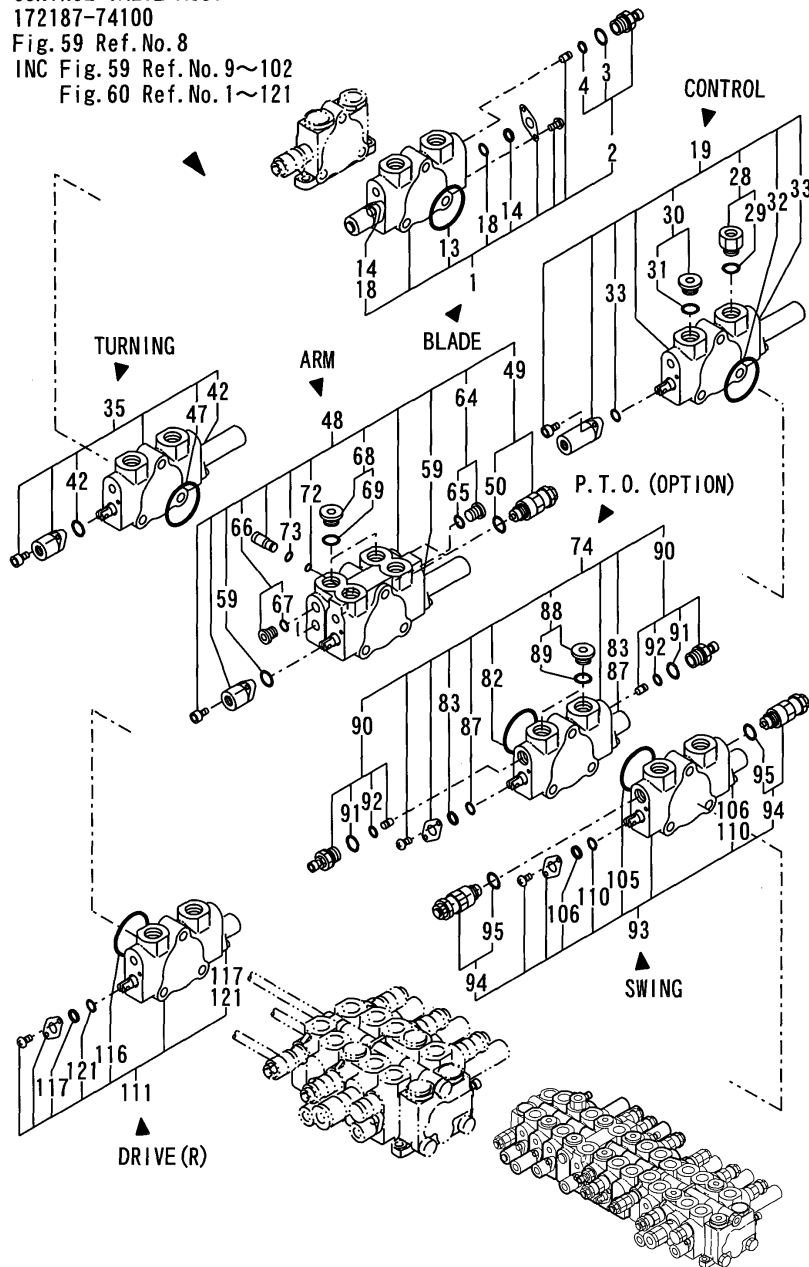
Fig.60. CONTROL VALVE;2

(A)=VIO70(US)C
(B)=VIO70(US)P
(C)=

(D)=
(E)=
(F)=

Fig.60 CONTROL VALVE;2

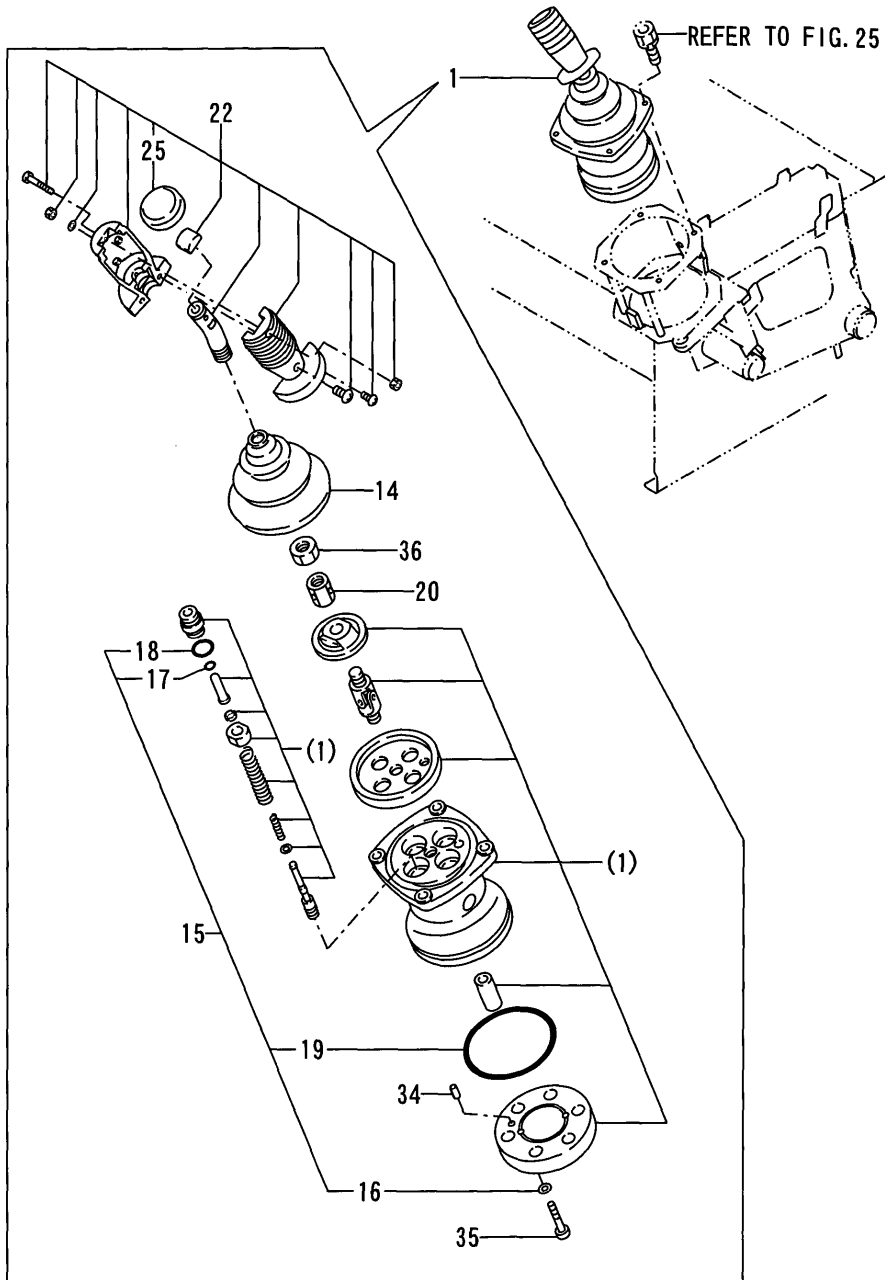
CONTROL VALVE ASSY
172187-74100
Fig. 59 Ref.No.8
INC Fig. 59 Ref.No.9~102
Fig. 60 Ref.No.1~121



No.	Lev.	Parts No.	Description	Qty						I	R
				(A)	(B)	(C)	(D)	(E)	(F)		
1	2	172187-74870	SECTION ASSY, BLADE	1	1						
2	3	172146-74720	VALVE ASSY, SHUT-OFF	1	1						
3	4	172116-74150	O-RING	1	1						
4	4	24311-240100	O-RING, 1AP10A	1	1						
13	4	24321-000650	O-RING, 1AG65.0	1	1						
14	4	933166-80520	WIPER	2	2						
18	4	933171-80610	O-RING	2	2						
19	2	172187-74232	SECTION ASSY, SPOOL	1	1						
28	3	172187-74300	PLUG	1	1						
29	4	24315-000180	O-RING, 1BP18.0	1	1						
30	3	172187-74550	PLUG	1	1						
31	4	24315-000180	O-RING, 1BP18.0	1	1						
32	4	24321-000650	O-RING, 1AG65.0	1	1						
33	4	172151-74320	O-RING	2	2						
35	2	172187-74311	SECTION ASSY, SPOOL	1	1						
42	3	172151-74320	O-RING	2	2						
47	3	24321-000650	O-RING, 1AG65.0	1	1						
48	2	172187-74880	SECTION ASSY, ARM	1	1						
49	3	172187-74140	VALVE ASSY, RELIEF	2	2						
50	4	172116-74150	O-RING	2	2						
59	4	172151-74320	O-RING	2	2						
64	3	172187-74530	PLUG ASSY	2	2						
65	4	24315-000110	O-RING, 1BP11.0	2	2						
66	3	172187-74540	PLUG	1	1						
67	4	24315-000140	O-RING, 1BP14.0	1	1						
68	3	172187-74550	PLUG	2	2						
69	4	24315-000180	O-RING, 1BP18.0	2	2						
72	4	24316-000090	O-RING, 4DP9.0	1	1						
73	4	24316-240100	O-RING, 4DP10A	1	1						
74	2	172187-74890	SECTION ASSY, PTO	1	1						
82	3	24321-000650	O-RING, 1AG65.0	1	1						
83	3	933166-80520	WIPER	2	2						
87	4	933171-80610	O-RING	2	2						
88	3	172187-74550	PLUG	3	3						
89	4	24315-000180	O-RING, 1BP18.0	3	3						
90	3	172146-74720	VALVE ASSY, SHUT-OFF	2	2						
91	4	172116-74150	O-RING	2	2						
92	4	24311-240100	O-RING, 1AP10A	2	2						
93	2	172187-74900	SECTION ASSY, SWING	1	1						
94	3	172187-74140	VALVE ASSY, RELIEF	2	2						
95	4	172116-74150	O-RING	2	2						
105	4	24321-000650	O-RING, 1AG65.0	1	1						
106	4	933166-80520	WIPER	2	2						
110	4	933171-80610	O-RING	2	2						
111	2	172187-74380	SECTION ASSY, SPOOL	1	1						
116	3	24321-000650	O-RING, 1AG65.0	1	1						
117	3	933166-80520	WIPER	2	2						
121	3	933171-80610	O-RING	2	2						

Fig.61. REMOTE CONTROL VALVE(L)

Fig.61 REMOTE CONTROL VALVE(L)



(A)=VIO70(US)C
(B)=VIO70(US)P
(C)=

(D)=
(E)=
(F)=

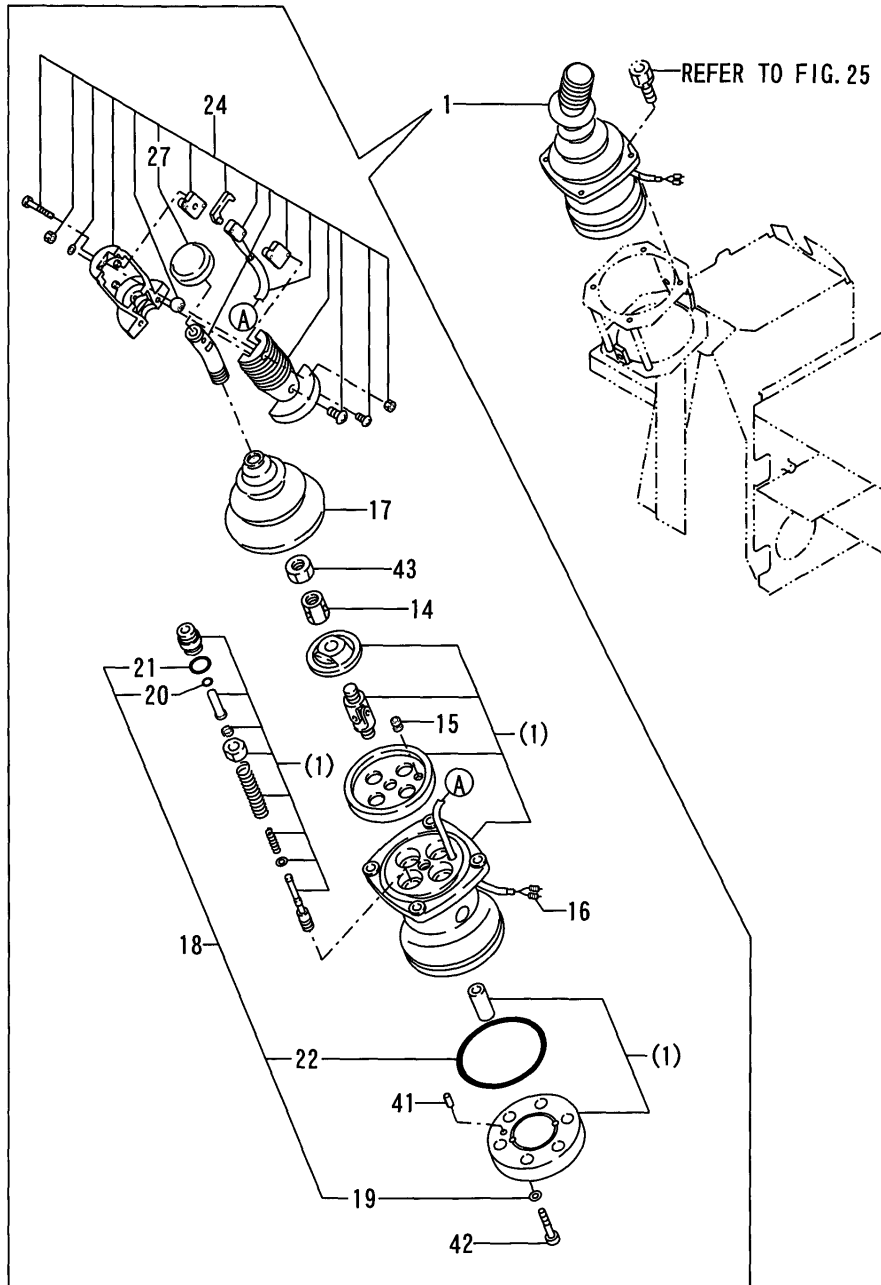
No.	Lev.	Parts No.	Description	Q'ty						I	R
				(A)	(B)	(C)	(D)	(E)	(F)		
1	1	172187-74750	VALVE ASSY (L, EP)	1	1						
14	2	172151-73620	BELLOWS	1	1						
15	2	172151-73630	SEAL SET	1	1						
16	3	172151-73360	SEAL WASHER	2	2						
17	3	172151-73420	SEAL	4	4						
18	3	24315-000200	O-RING, 1BP20.0	4	4						
19	3	24341-000900	O-RING, 1AS90.0	1	1						
20	2	172151-73650	NUT, ADJUST	1	1						
22	2	172165-74340	HANDLE, SUB	1	1						
25	3	172151-73530	HANDLE, CAP	1	1						
34	2	22351-050010	PIN, SPRING 5.0X10	1	1						
35	2	26450-080302	BOLT, M8X 30	2	2						
36	2	26756-140002	NUT, LOCK M14	1	1						

Fig.62. REMOTE CONTROL VALVE(R)

(A)=VIO70(US)C
(B)=VIO70(US)P
(C)=

(D)=
(E)=
(F)=

Fig.62 REMOTE CONTROL VALVE(R)



No.	Lev.	Parts No.	Description	Qty						I	R
				(A)	(B)	(C)	(D)	(E)	(F)		
1	1	172187-74760	VALVE ASSY (R, EP	1	1						
14	2	172151-73500	NUT, ADJUST	1	1						
15	2	172151-73590	BUSH	1	1						
16	2	172151-73610	TERMINAL	2	2						
17	2	172151-73620	BELLOWS	1	1						
18	2	172151-73630	SEAL SET	1	1						
19	3	172151-73360	SEAL WASHER	2	2						
20	3	172151-73420	SEAL	4	4						
21	3	24315-000200	O-RING, 1BP20.0	4	4						
22	3	24341-000900	O-RING, 1AS90.0	1	1						
24	2	172165-74350	HANDLE, SUB	1	1						
27	3	172151-73530	HANDLE, CAP	1	1						
41	2	22351-050010	PIN, SPRING 5.0X10	1	1						
42	2	26450-080302	BOLT, M8X 30	2	2						
43	2	26756-140002	NUT, LOCK M14	1	1						

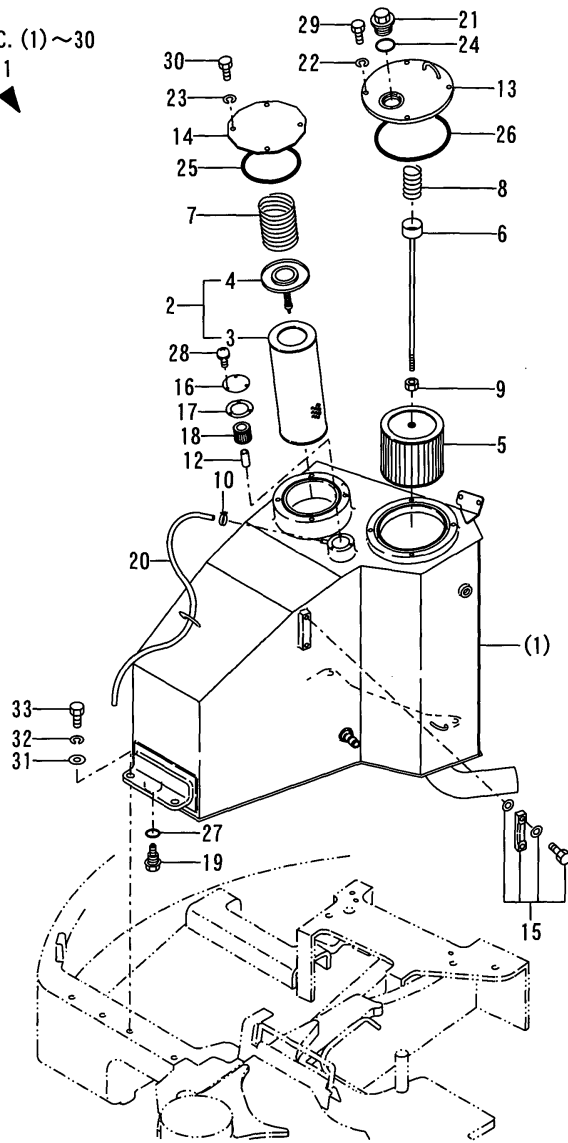
Fig.63. HYD. OIL TANK

(A)=VIO70(US)C
(B)=VIO70(US)P
(C)=

(D)=
(E)=
(F)=

Fig.63 HYD.OIL TANK

1 INC. (1)~30



No.	Lev.	Parts No.	Description	Q'ty						I	R
				(A)	(B)	(C)	(D)	(E)	(F)		
1	1	772187-73710	TANK ASSY, RESERVOIR	1	1						
2	2	172187-73050	FILTER ,RETURN (EP	1	1						
3	3	172187-73060	ELEMENT, FILTER	1	1						
4	3	172112-74971	VALVE, BY-PASS	1	1						
5	2	172162-73700	STRAINER, SUCTION	1	1						
6	2	172187-73710	ROD ASSY, FILTER	1	1						
7	2	172112-75770	SPRING, FILTER	1	1						
8	2	172112-75780	SPRING, FILTER	1	1						
9	2	26716-100002	NUT, M10	1	1						
10	2	124766-59050	CLIP, HOSE 12	1	1						
12	2	172187-75270	PIPE	1	1						
13	2	172187-75280	COVER ASSY	1	1						1
14	2	172187-75340	COVER, TANK	1	1						
15	2	172187-75350	GAUGE ASSY, OIL	1	1						
16	2	172165-75450-4	PLATE (GRAY:72)	1	1						
17	2	172165-75460	GASKET	1	1						
18	2	172165-75481	ELEMENT	1	1						
19	2	172187-75500	PLUG 24	1	1						
20	2	172187-75510	HOSE	1	1						
21	2	172116-75850-4	PLUG, OIL FEED	1	1						
22	2	22217-100000	WASHER, SPRING 10	4	4						
23	2	22217-100000	WASHER, SPRING 10	4	4						
24	2	24311-000380	O-RING, 1AP38.0	1	1						
25	2	24321-001350	O-RING, 1AG135.0	1	1						
26	2	24321-001700	O-RING, 1AG170.0	1	1						
27	2	24341-000300	O-RING, 1AS30.0	1	1						
28	2	26022-050102	SCREW, M5X10	3	3						
29	2	26116-100252	BOLT, M10X 25 PLATED	4	4						
30	2	26116-100252	BOLT, M10X 25 PLATED	4	4						
31	1	22137-160000	WASHER, 16	4	4						
32	1	22217-160000	WASHER, SPRING 16	4	4						
33	1	26116-160402	BOLT, M16X 40 PLATED	4	4						
34A	1	172437-03320	LABEL,HYD.OIL TANK	1	1						2

Remarks

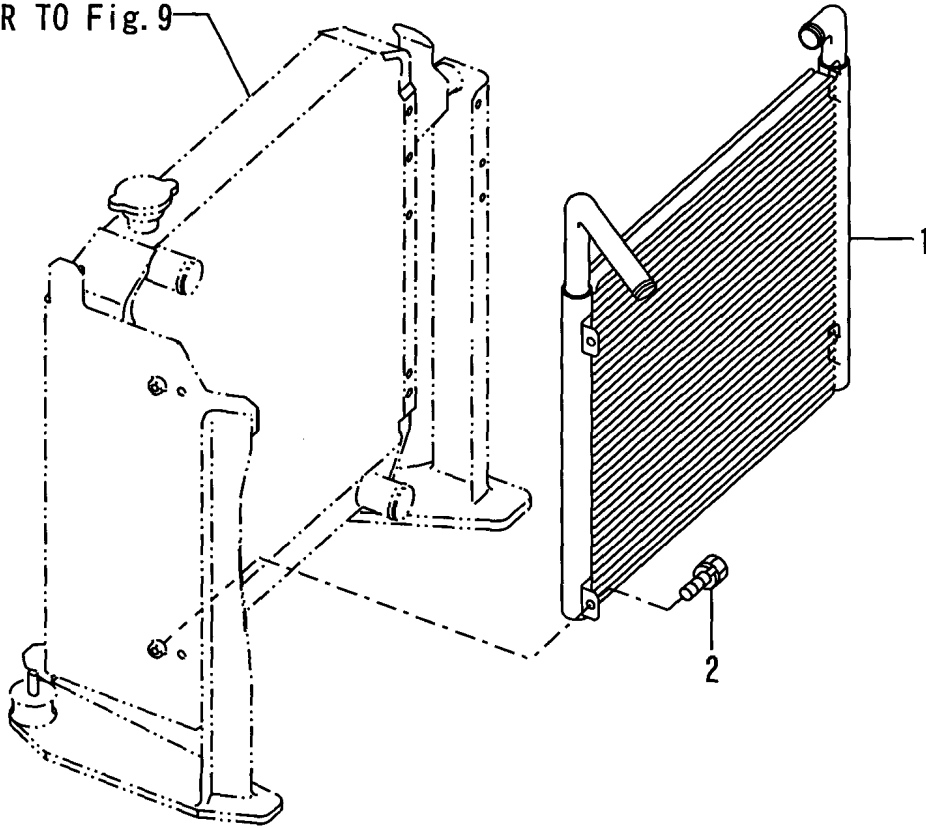
(1)PLEASE USE THIS PART WITH FOLLOWING LABELS AT THE SAME TIME. REF.NO.34A.

(2)LABELS ARE NOT ILLUSTRATED.

Fig.64. LUB. OIL COOLER

Fig.64 LUB. OIL COOLER

REFER TO Fig. 9



(A)=VIO70(US)C
(B)=VIO70(US)P
(C)=

(D)=
(E)=
(F)=

No.	Lev.	Parts No.	Description	Qty						I	R	
				(A)	(B)	(C)	(D)	(E)	(F)			
1	1	172187-74800	COOLER ASSY, OIL	1	1							
2	1	26013-080162	BOLT, M8X 16	4	4							

Fig.65. HYD.OIL PIPING(TANK-PUMP-VALVE)

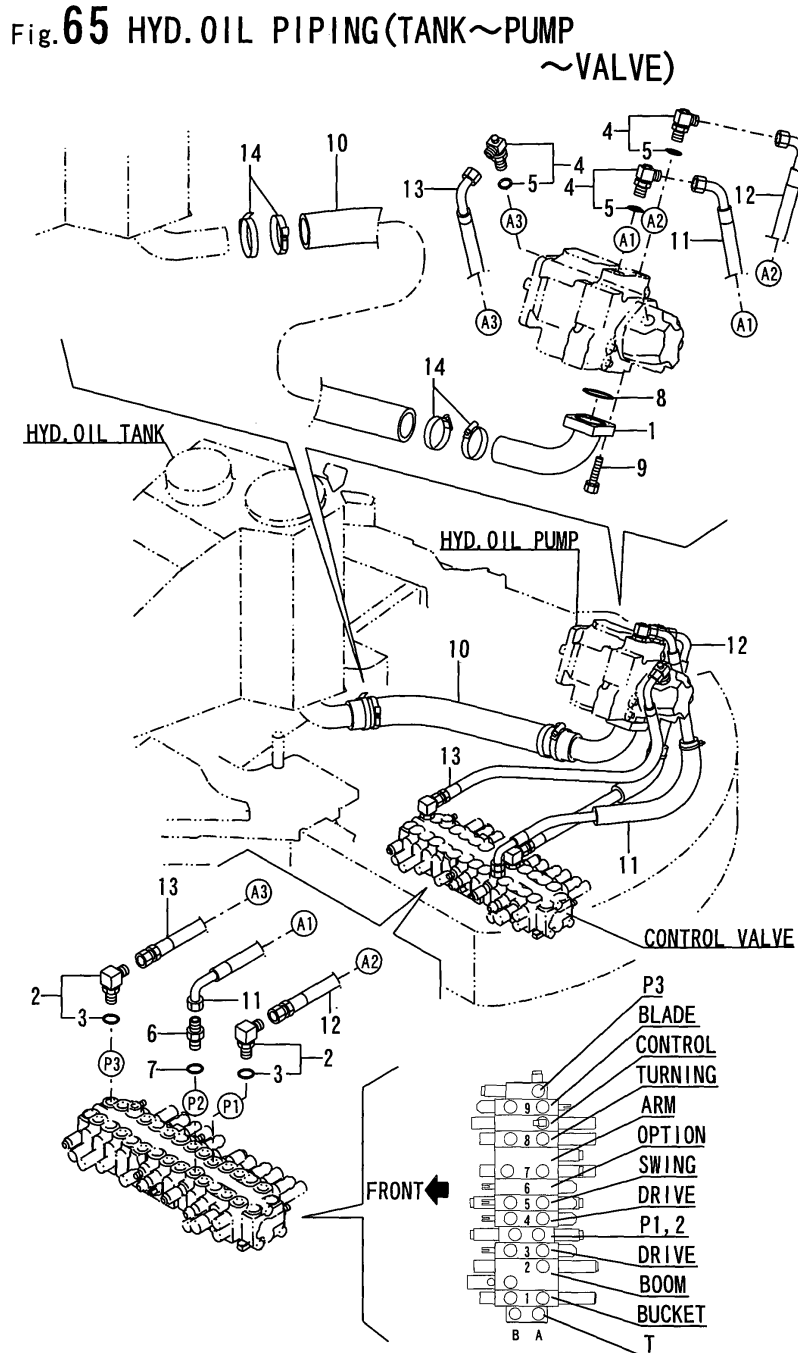


Fig.65 HYD.OIL PIPING(TANK~PUMP

~VALVE)

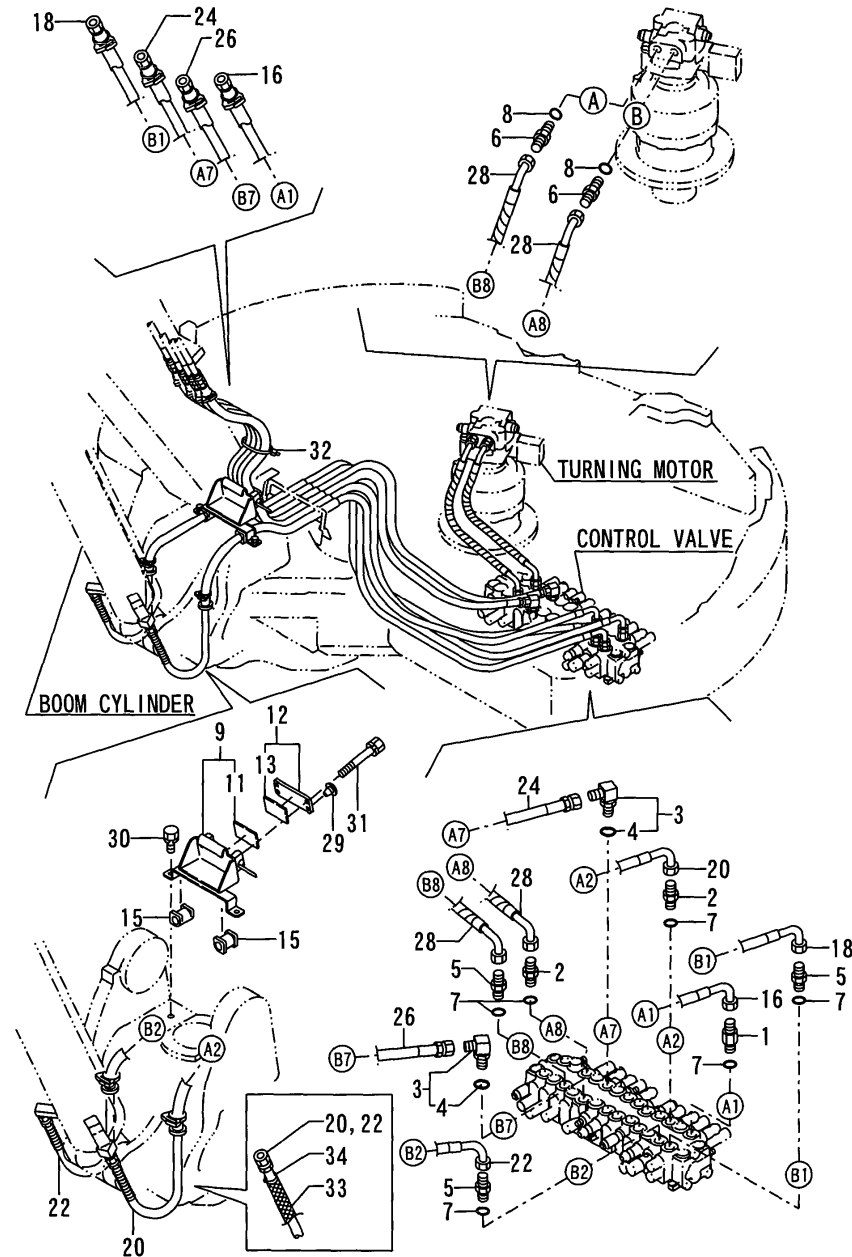
(A)=VIO70(US)C
(B)=VIO70(US)P
(C)=

(D)=
(E)=
(F)=

No.	Lev.	Parts No.	Description	Q'ty						I	R
				(A)	(B)	(C)	(D)	(E)	(F)		
1	1	172187-76100	FLANGE	1	1						
2	1	172151-76160	ELBOW ASSY	2	2						
3	2	24315-000180	O-RING, 1BP18.0	2	2						
4	1	172187-76190	ELBOW, ADJUST	3	3						
5	2	24315-000240	O-RING, 1BP24.0	3	3						
6	1	172187-76200	ADAPTER, 1/2-3/4	1	1						
7	1	24315-000180	O-RING, 1BP18.0	1	1						
8	1	24325-000650	O-RING, 1BG65.0	1	1						
9	1	26013-120402	BOLT, M12X 40	4	4						
10	1	172187-78120	HOSE	1	1						
11	1	172187-78130	HOSE	1	1						
12	1	172187-78140	HOSE	1	1						
13	1	172187-78150	HOSE	1	1						
14	1	23000-090000	CLAMP, 90	4	4						

Fig.66. HYD.OIL PIPING(VALUE-MOTOR,BOOM)

Fig.66 HYD. OIL PIPING(VALUE~MOTOR, BOOM)



(A)=VIO70(US)C
(B)=VIO70(US)P
(C)=

(D)=
(E)=
(F)=

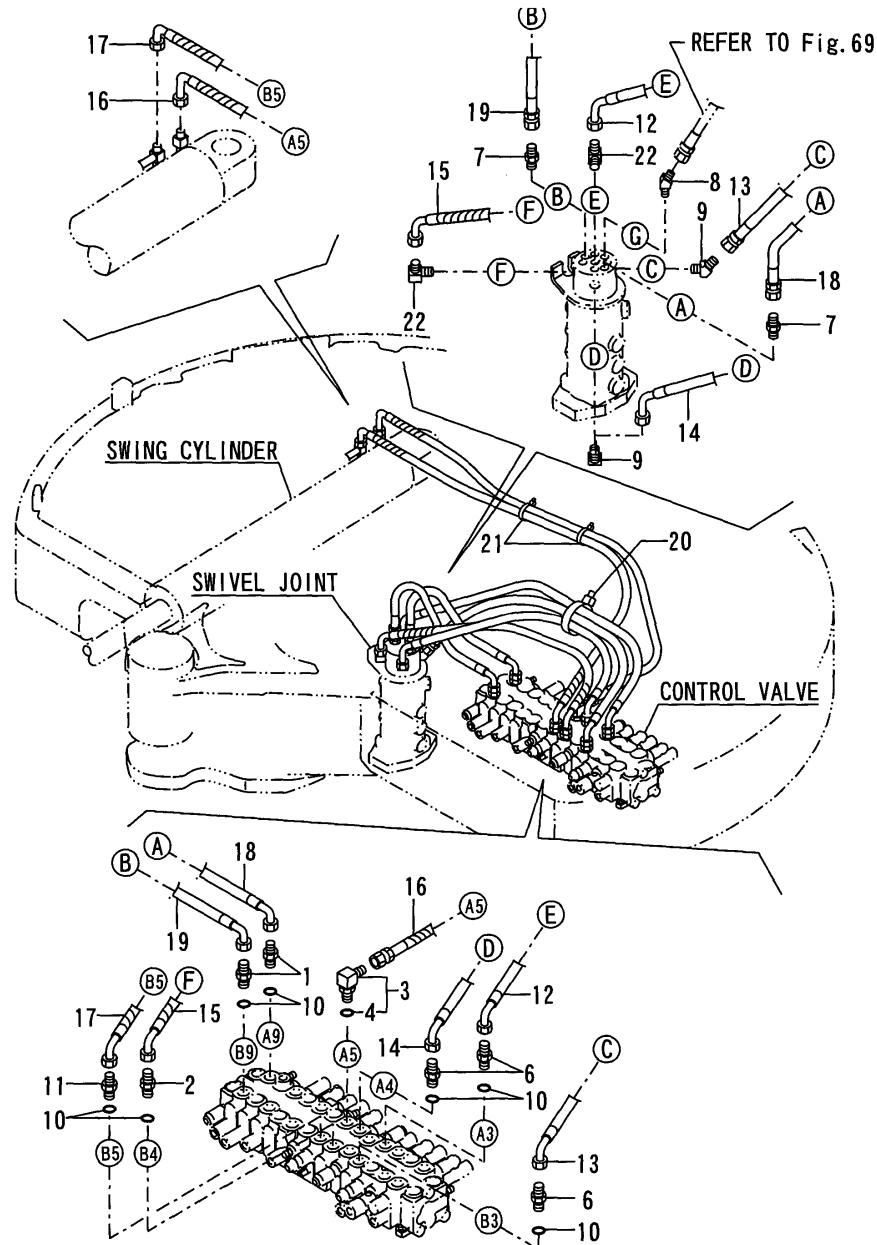
No.	Lev.	Parts No.	Description	Q'ty						I	R
				(A)	(B)	(C)	(D)	(E)	(F)		
1	1	172176-76210	JOINT, PF1/2	1	1						
2	1	172147-76270	CONNECTOR, 1/2X1/2	2	2						
3	1	172141-76900	CONNECTOR ASSY	2	2						
4	2	24315-000180	O-RING, 1BP18.0	2	2						
5	1	172112-77360	CONNECTOR,PF1/2PF1/2	3	3						
6	1	172112-77360	CONNECTOR,PF1/2PF1/2	2	2						
7	1	24315-000180	O-RING, 1BP18.0	6	6						
8	1	24315-000180	O-RING, 1BP18.0	2	2						
9	1	172187-76591-1	CLAMP, HOSE	1	1						
11	2	172187-76650	RUBBER, HOSE SUPPORT	1	1						
12	1	172187-76640-1	PLATE ASSY(YELLOW:87	1	1						
13	2	172187-76700	RUBBER	1	1						
15	1	172187-78100	RUBBER	2	2						
16	1	172187-78250	HOSE	1	1						
18	1	172187-78260	HOSE	1	1						
20	1	172187-78270	HOSE	1	1						
22	1	172187-78280	HOSE	1	1						
24	1	172187-78290	HOSE	1	1						
26	1	172187-78300	HOSE	1	1						
28	1	172187-78370	HOSE	2	2						
29	1	172183-81160	CLIP, TREE	2	2						
30	1	26013-100202	BOLT, M10X 20	2	2						
31	1	26013-100602	BOLT, M10X 60	2	2						
32	1	172122-79930	CLAMP, HOSE	1	1						
33	1	172142-78780	COVER, HOSE (B=M/#01516)	2	2						W
34	1	172122-79930	CLAMP, HOSE (B=M/#01516)	4	4						W

Fig.67. HYD.OIL PIPING(VALUE-SWIVEL,SWING)

(A)=VIO70(US)C
(B)=VIO70(US)P
(C)=

(D)=
(E)=
(F)=

Fig.67 HYD.OIL PIPING(VALUE~SWIVEL, SWING)



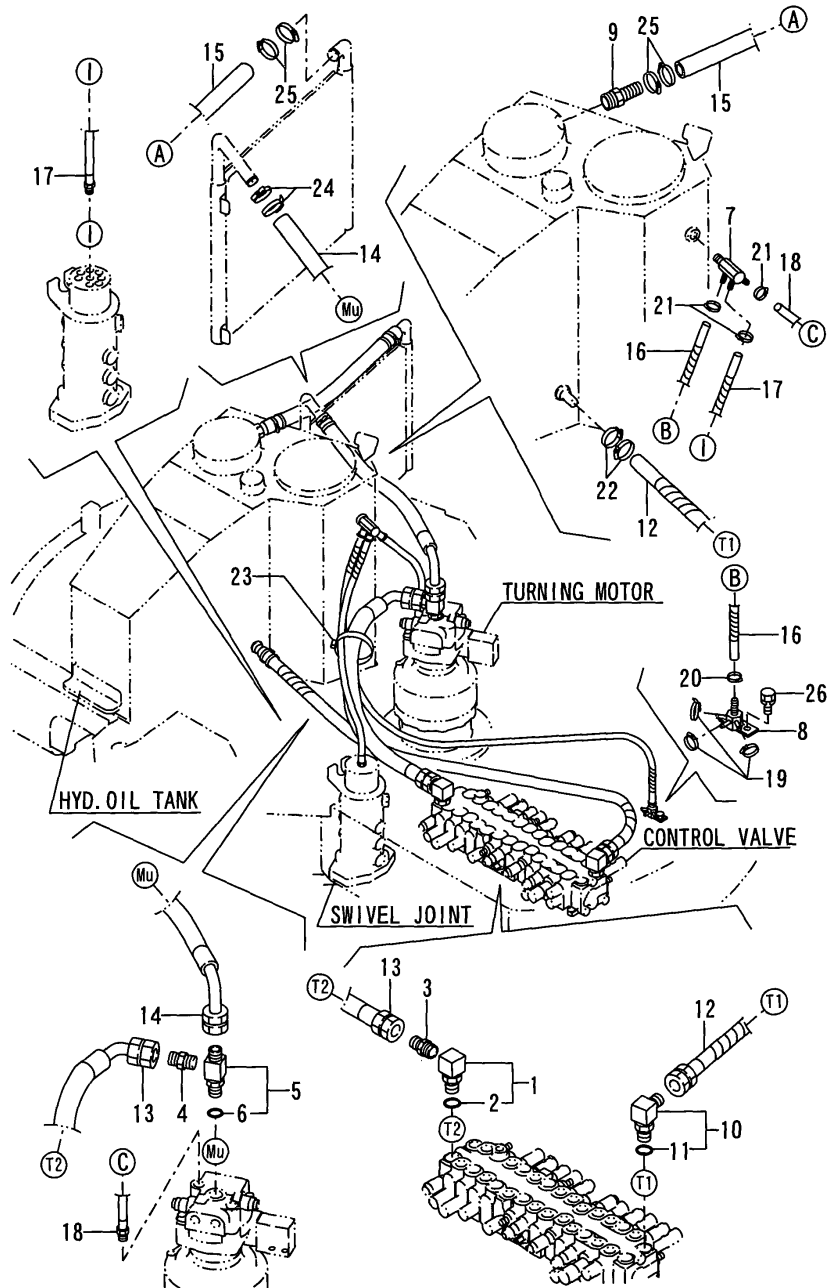
No.	Lev.	Parts No.	Description	Q'ty						I	R
				(A)	(B)	(C)	(D)	(E)	(F)		
1	1	172110-76020	CONNECTOR	2	2						
2	1	172147-76270	CONNECTOR, 1/2X1/2	1	1						
3	1	172157-76300	ELBOW ASSY	1	1						
4	2	24315-000180	O-RING, 1BP18.0	1	1						
6	1	172112-77360	CONNECTOR,PF1/2PF1/2	3	3						
7	1	23391-030000	JOINT, RGI-3/8	2	2						
8	1	23394-020000	JOINT, 45RGI-1/4	1	1						
9	1	23394-040000	JOINT, 45RGI-1/2	2	2						
10	1	24315-000180	O-RING, 1BP18.0	7	7						
11	1	933160-01370	CONNECTOR,PF1/2PF3/8	1	1						
12	1	172187-78310	HOSE	1	1						
13	1	172187-78320	HOSE	1	1						
14	1	172187-78330	HOSE	1	1						
15	1	172187-78340	HOSE	1	1						
16	1	172187-78350	HOSE	1	1						
17	1	172187-78360	HOSE	1	1						
18	1	172187-78380	HOSE	1	1						
19	1	172187-78390	HOSE	1	1						
20	1	172122-79930	CLAMP, HOSE	1	1						
21	1	172122-79930	CLAMP, HOSE	2	2						
22	1	23393-040000	JOINT, 90RGI-1/2	2	2						

Fig.68. HYD. OIL PIPING(RETURN;1)

(A)=VIO70(US)C
(B)=VIO70(US)P
(C)=

(D)=
(E)=
(F)=

Fig.68 HYD. OIL PIPING(RETURN;1)



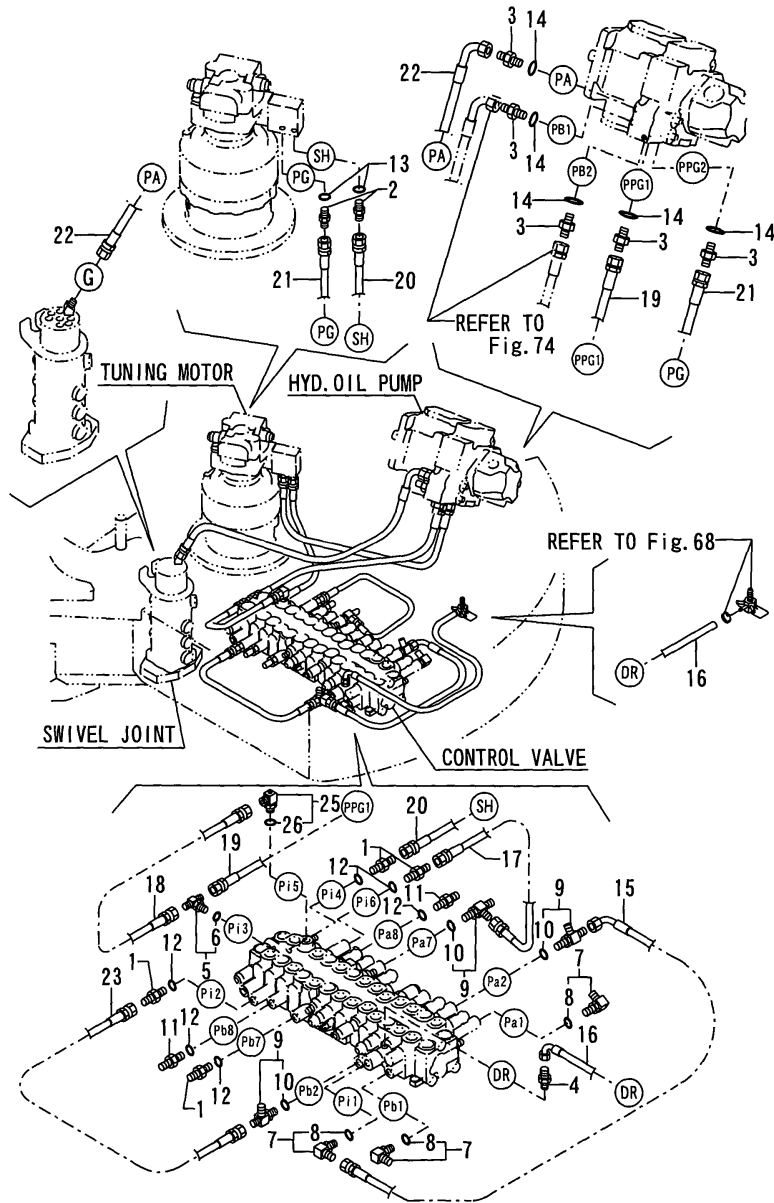
No.	Lev.	Parts No.	Description	Q'ty						I	R
				(A)	(B)	(C)	(D)	(E)	(F)		
1	1	172122-74790	CONNECTOR, PF3/8 90	1	1						
2	2	24315-000240	O-RING, 1BP24.0	1	1						
3	1	172187-76131	CONNECTOR, PF3/4	1	1						
4	1	172187-76131	CONNECTOR, PF3/4	1	1						
5	1	172187-76141	CONNECTOR, PF1XPF3/4	1	1						
6	2	24315-000240	O-RING, 1BP24.0	1	1						
7	1	172187-76150	CONNECTOR	1	1						
8	1	172187-76160	JOINT	1	1						
9	1	172187-76180	NIPPLE, HOSE	1	1						
10	1	172141-76090	CONNECTOR, PF3/4L	1	1						
11	2	24315-000240	O-RING, 1BP24.0	1	1						
12	1	172187-78161	HOSE	1	1						
13	1	172187-78171	HOSE	1	1						
14	1	172187-78920	HOSE	1	1						
15	1	172187-78180	HOSE	1	1						
16	1	172187-78190	HOSE	1	1						
17	1	172187-78400	HOSE	1	1						
18	1	172187-78540	HOSE	1	1						
19	1	23000-013000	CLAMP, 13	3	3						
20	1	23000-016000	CLAMP, 16	1	1						
21	1	23000-016000	CLAMP, 16	3	3						
22	1	23000-035000	CLAMP, 35	2	2						
23	1	172122-79930	CLAMP, HOSE	1	1						
24	1	23000-041000	CLAMP, 41	2	2						
25	1	23000-041000	CLAMP, 41	4	4						
26	1	26013-100202	BOLT, M10X 20	2	2						

Fig.69. HYD. OIL PIPING(RETURN;2)

(A)=VIO70(US)C
(B)=VIO70(US)P
(C)=

(D)=
(E)=
(F)=

Fig.69 HYD.OIL PIPING(RETURN;2)



No.	Lev.	Parts No.	Description	Q'ty						I	R
				(A)	(B)	(C)	(D)	(E)	(F)		
1	1	172123-76120	ADAPTER, PF1/4	4	4						
2	1	172123-76120	ADAPTER, PF1/4	2	2						
3	1	172123-76120	ADAPTER, PF1/4	5	5						
4	1	172312-76150	NIPPLE, 1/8X1/4	1	1						
5	1	172187-76170	TEE, ADJUSTABLE	1	1						
6	2	24315-000110	O-RING, 1BP11.0	1	1						
7	1	172141-76180	CONNECTOR ASSY	3	3						
8	2	24315-000110	O-RING, 1BP11.0	3	3						
9	1	172162-76180	JOINT ASSY, 3-1/4	3	3						
10	2	24315-000110	O-RING, 1BP11.0	3	3						
11	1	172164-76330	JOINT, PF1/4-0.7	2	2						
12	1	24315-000110	O-RING, 1BP11.0	6	6						
13	1	24315-000110	O-RING, 1BP11.0	2	2						
14	1	24315-000110	O-RING, 1BP11.0	5	5						
15	1	172187-78450	HOSE	1	1						
16	1	172187-78460	HOSE	1	1						
17	1	172187-78470	HOSE	1	1						
18	1	172187-78480	HOSE	1	1						
19	1	172187-78490	HOSE	1	1						
20	1	172187-78500	HOSE	1	1						
21	1	172187-78510	HOSE	1	1						
22	1	172187-78520	HOSE	1	1						
23	1	172187-78530	HOSE	1	1						
24	1	172122-79930	CLAMP, HOSE	1	1						M
25	1	172187-76210	ELBOW	1	1						
26	2	24315-000110	O-RING, 1BP11.0	1	1						

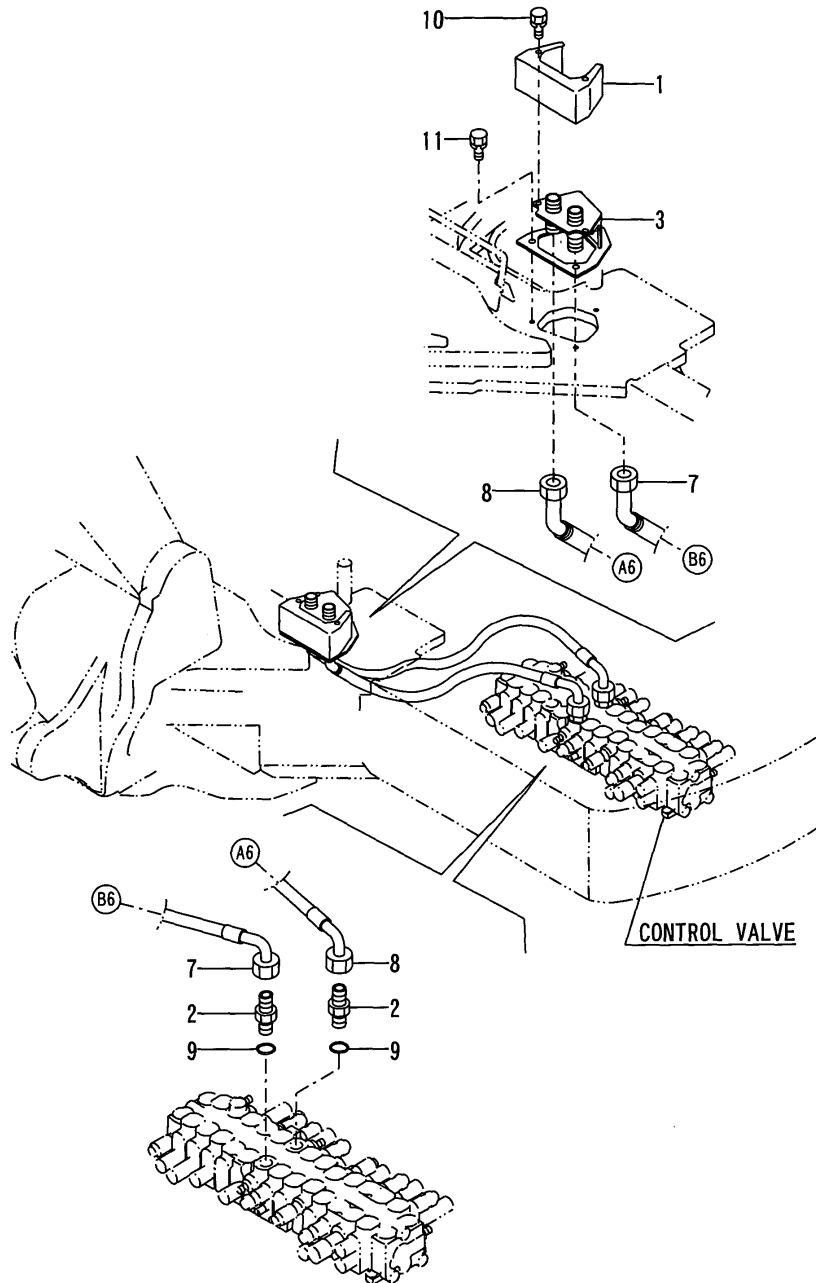
Remarks
(M)MISPRINT

Fig.70. HYD.OIL PIPING(P.T.O.FRAME END)

(A)=VIO70(US)C
(B)=VIO70(US)P
(C)=

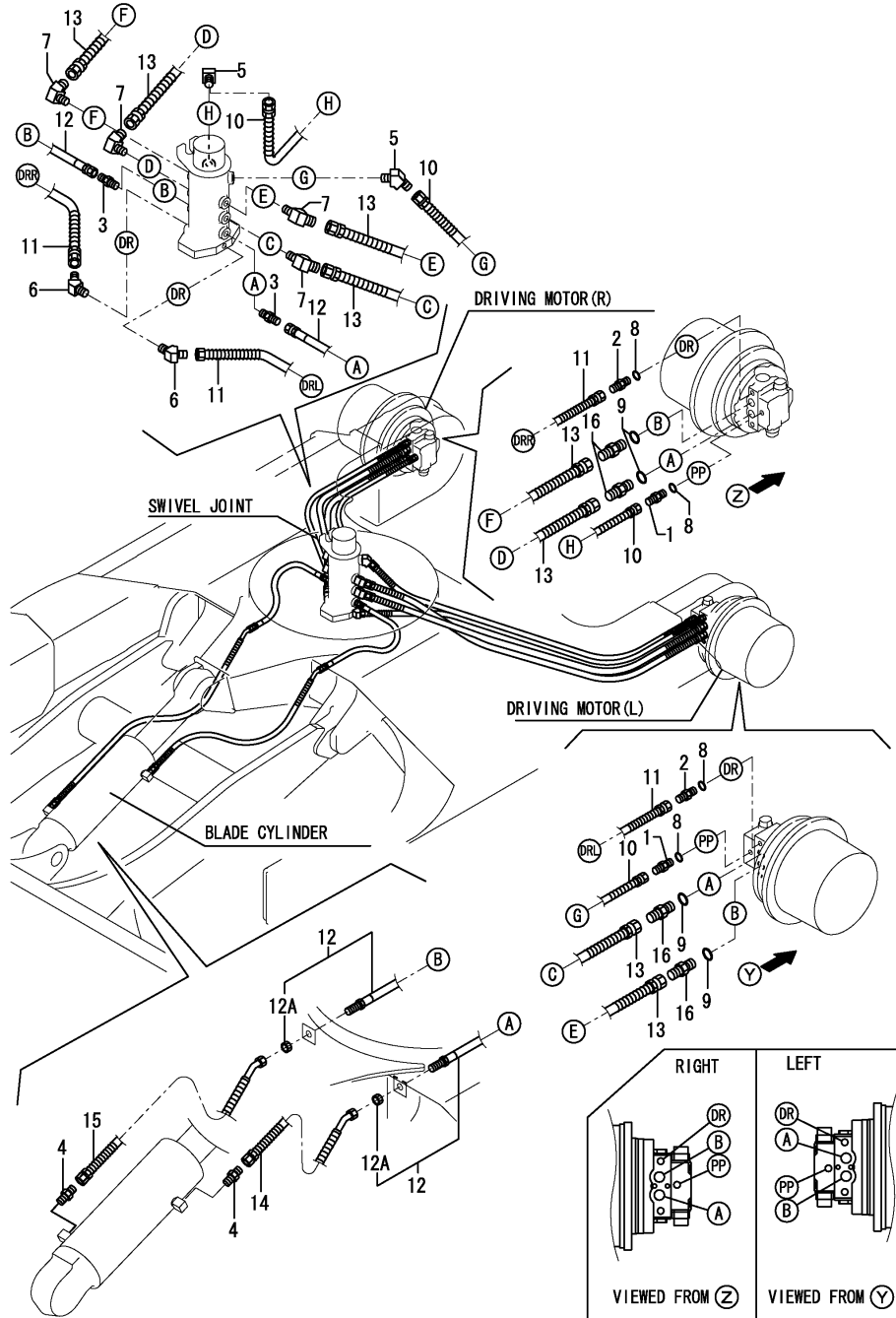
(D)=
(E)=
(F)=

Fig.70 HYD.OIL PIPING(P.T.O.FRAME END)



No.	Lev.	Parts No.	Description	Q'ty						I	R
				(A)	(B)	(C)	(D)	(E)	(F)		
1	1	172187-61541-1	COVER, 3RD	1	1						
2	1	172187-76200	ADAPTER, 1/2-3/4	2	2						
3	1	172187-76821-1	CONNECTOR ASSY	1	1						
7	1	172187-79200	HOSE	1	1						
8	1	172187-79210	HOSE	1	1						
9	1	24315-000180	O-RING, 1BP18.0	2	2						
10	1	26013-080162	BOLT, M8X 16	2	2						
11	1	26013-100202	BOLT, M10X 20	3	3						

Fig.71. HYD. OIL PIPING(TRACK FRAME)



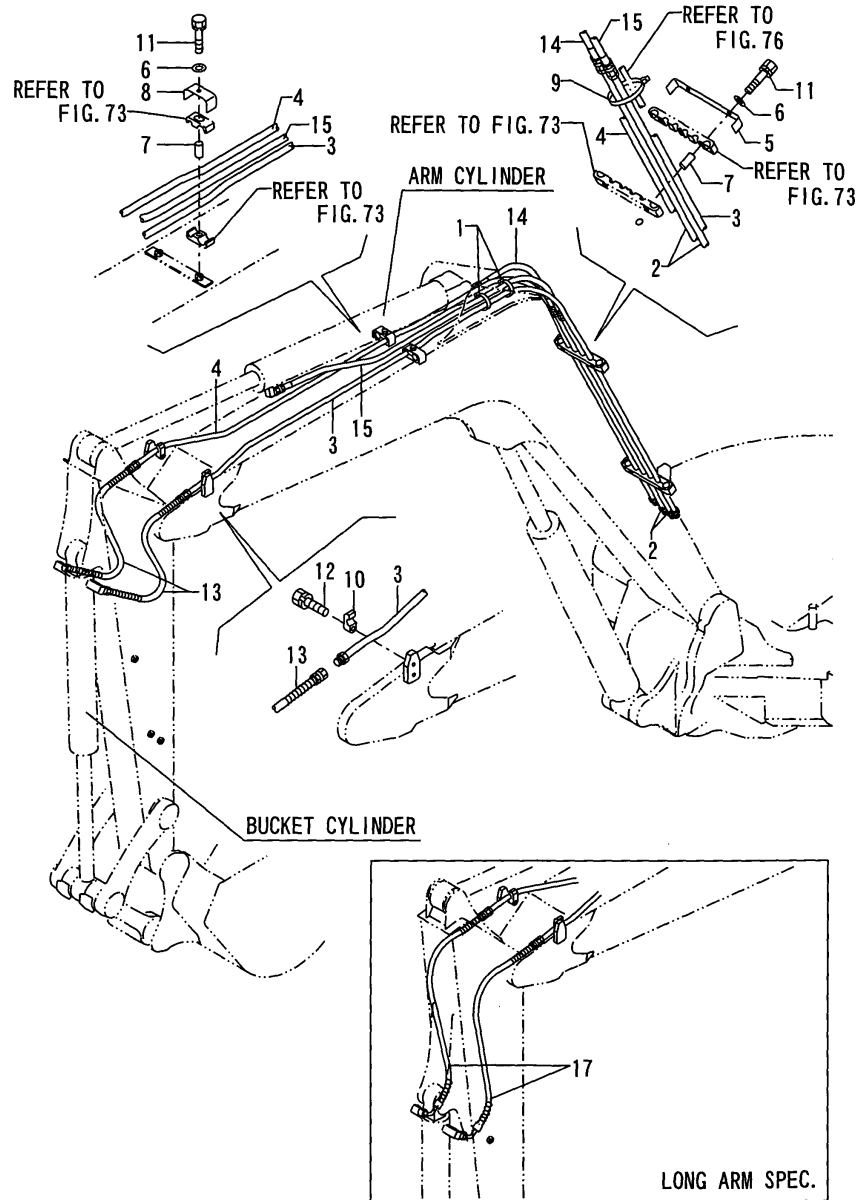
(A)=VIO70(US)C
(B)=VIO70(US)P
(C)=

(D)=
(E)=
(F)=

No.	Lev.	Parts No.	Description	Q'ty						I	R
				(A)	(B)	(C)	(D)	(E)	(F)		
1	1	172123-76120	ADAPTER, PF1/4	2	2						
2	1	172157-76220	CONNECTOR, 1/4X3/8	2	2						
3	1	23391-030000	JOINT, RGI-3/8	2	2						
4	1	23391-030000	JOINT, RGI-3/8	2	2						
5	1	23394-020000	JOINT, 45RGI-1/4	2	2						
6	1	23394-030000	JOINT, 45RGI-3/8	2	2						
7	1	23394-040000	JOINT, 45RGI-1/2	4	4						
8	1	24315-000110	O-RING, 1BP11.0	4	4						
9	1	24315-000180	O-RING, 1BP18.0	4	4						
10	1	172187-78200	HOSE G604BB155W	2	2						
11	1	172187-78210	HOSE G706BB145W	2	2						
12	1	172187-78220	HOSE	2	2						
12A	2	172455-79750	NUT, LOCK	2	2						W
		(A=M/#XXXXX) (B=M/#XXXXX)									
13	1	172187-78230	HOSE H108BB151W	4	4						
14	1	172187-78431	HOSE	1	1						
15	1	172187-78440	HOSE H106BE082W	1	1						
16	1	172112-77360	CONNECTOR,PF1/2PF1/2	4	4						

Fig.72. HYD. OIL PIPING(BOOM)

Fig.72 HYD. OIL PIPING (BOOM)



(A)=VIO70(US)C
(B)=VIO70(US)P
(C)=

(D)=
(E)=
(F)=

No.	Lev.	Parts No.	Description	Q'ty						I	R
				(A)	(B)	(C)	(D)	(E)	(F)		
1	1	172187-78580	BAND W 397	2	2						
2	1	172187-76400-1	TUBE, ARM	2	2						
3	1	172187-76420-1	TUBE, BUCKET	1	1						
4	1	172187-76440-1	TUBE, BUCKET	1	1						
5	1	172187-76500-1	CLAMP, TUBE	2	2						
6	1	22137-100000	WASHER, 10	6	6						
7	1	172187-76520	COLLAR, CLAMP	6	6						
8	1	172187-76530-1	CLAMP, TUBE	2	2						
9	1	933152-09280	BAND 170	1	1						
10	1	172142-76950	CLAMP	2	2						
11	1	26013-100502	BOLT, M10X 50	6	6						
12	1	26013-120402	BOLT, M12X 40	2	2						
13	1	172187-78240	HOSE H108BB065W	2	2						
14	1	172187-78410	HOSE H108BB063	1	1						
15	1	172187-78420	HOSE H108BB185	1	1						
16	1	172187-78590	HOSE	2	2						1

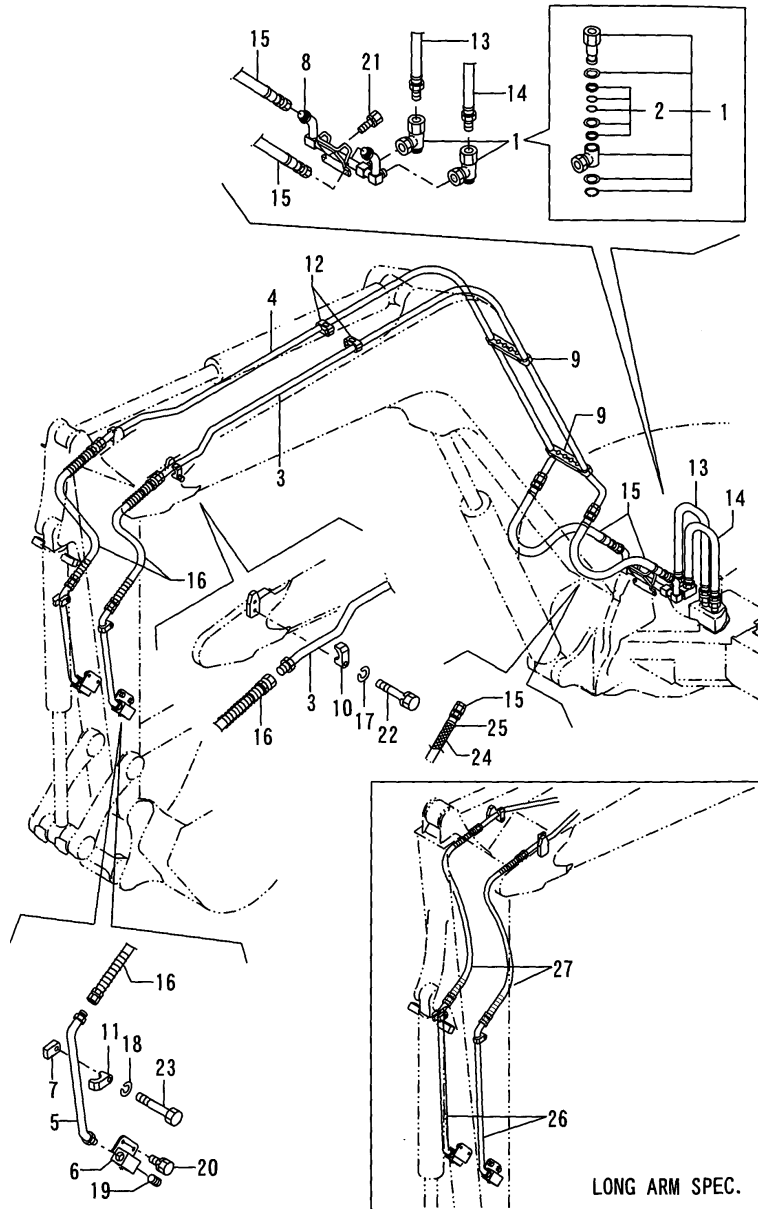
Remarks
(1)LONG ARM SPEC.

Fig.73. HYD.OIL PIPING(P.T.O.ARM END)

(A)=VIO70(US)C
(B)=VIO70(US)P
(C)=

(D)=
(E)=
(F)=

Fig. 73 HYD. OIL PIPING (P. T. O. ARM END)



No.	Lev.	Parts No.	Description	Q'ty						I	R
				(A)	(B)	(C)	(D)	(E)	(F)		
1	1	172142-76280	JOINT, SWIVEL	2	2						
2	2	172142-77050	SEAL SET	2	2						
3	1	172187-76460	TUBE, 3RD	1	1						
4	1	172187-76480	TUBE, 3RD	1	1						
5	1	172187-76570	TUBE, 3RD	2	2						
6	1	172176-76580	STOP VALVE(GREEN:97)	2	2						
7	1	172187-76690	PLATE,T16 (GREEN:97)	2	2						
8	1	172187-76780	TUBE, 3RD		1						
8-1	1	172187-76781	TUBE, 3RD	1	1						N
(B=M/#01597)											
9	1	172187-76930	RUBBER	4	4						
10	1	172142-76940	CLAMP	2	2						
11	1	172142-76940	CLAMP	2	2						
12	1	172187-76940	RUBBER	4	4						
13	1	172187-79220	HOSE G112AB090	1	1						
14	1	172187-79230	HOSE G112AB084	1	1						
15	1	172187-79240	HOSE G112CE092	2	2						
16	1	172187-79250	HOSE G112BB085W	2	2						
17	1	22217-120000	WASHER, SPRING 12	2	2						
18	1	22217-120000	WASHER, SPRING 12	2	2						
19	1	23871-060000	PLUG, R06	2	2						
20	1	26013-100252	BOLT, M10X 25	4	4						
21	1	26013-100252	BOLT, M10X 25	2	2						
22	1	26116-120552	BOLT, M12X 55 PLATED	2	2						
23	1	26116-120702	BOLT, M12X 70 PLATED	2	2						
24	1	172151-79400	COVER, HOSE	2	2						
25	1	23000-048000	CLAMP, 48	4	4						
25-1	1	172122-79930	CLAMP, HOSE	4	4						N
(B=M/#01625)											
26	1	172187-76950-2	TUBE ASSY, 3RD	2	2						1
27	1	172187-79300	HOSE G112BB098W	2	2						1

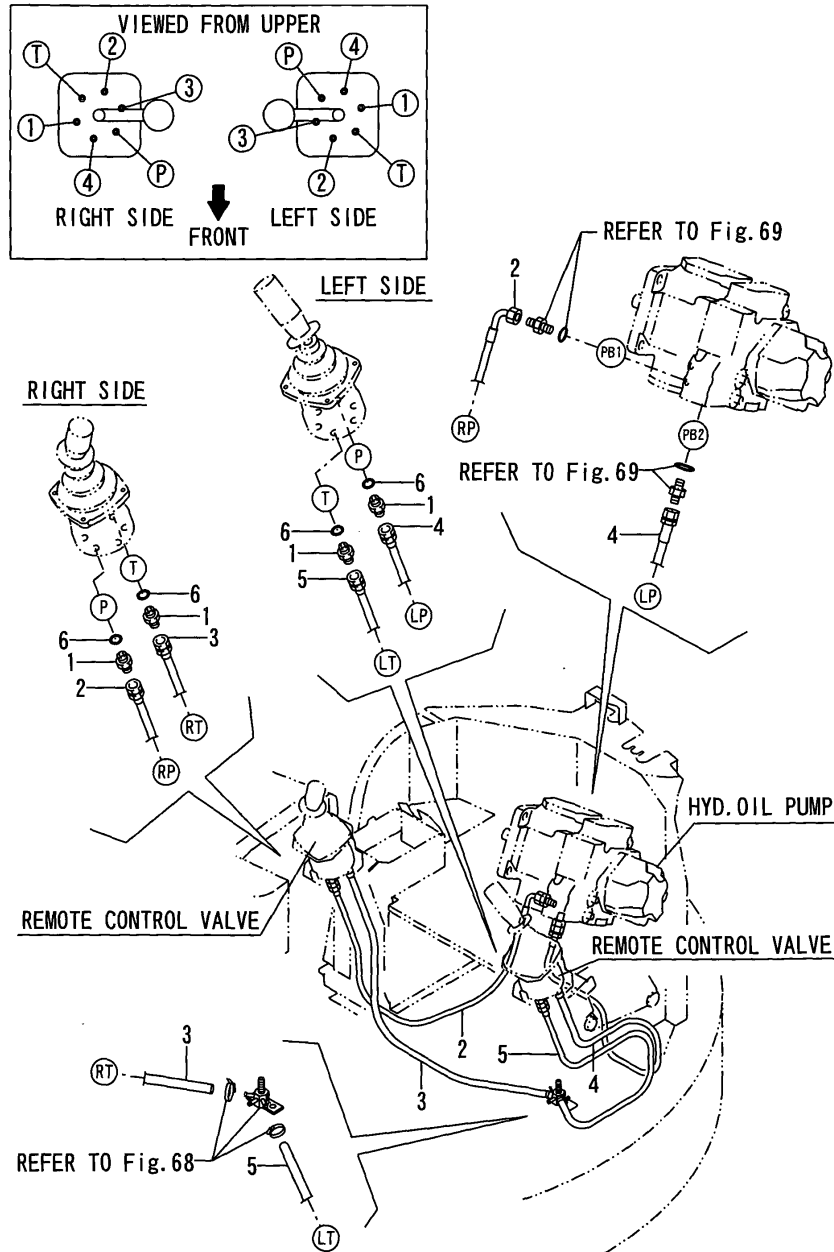
Remarks
(1)LONG ARM SPEC.

Fig.74. CONTROL PIPING(PUMP-VALVE-RETURN)

(A)=VIO70(US)C
(B)=VIO70(US)P
(C)=

(D)=
(E)=
(F)=

Fig.74 CONTROL PIPING
(PUMP~REMOTE CONTROL V. ~RETURN)



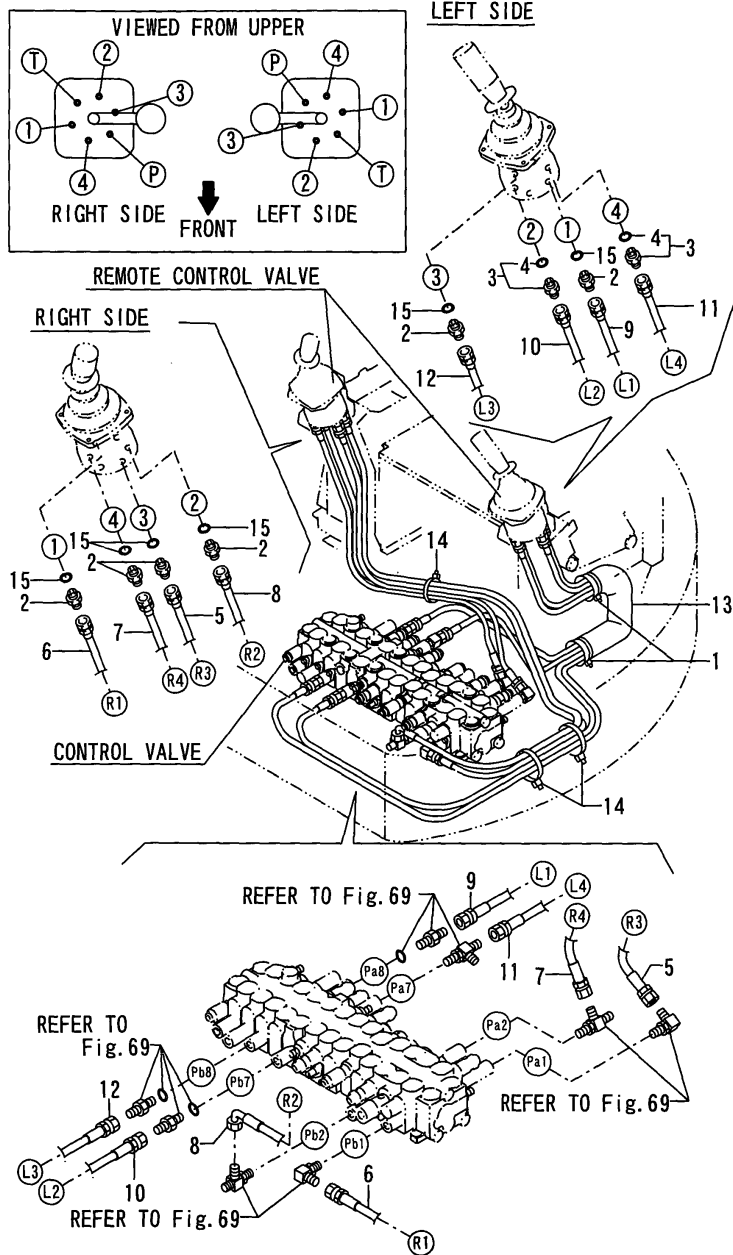
No.	Lev.	Parts No.	Description	Q'ty						I	R
				(A)	(B)	(C)	(D)	(E)	(F)		
1	1	172123-76120	ADAPTER, PF1/4	4	4						
2	1	172187-78940	HOSE	1	1						
3	1	172187-78950	HOSE	1	1						
4	1	172187-79000	HOSE	1	1						
5	1	172187-79010	HOSE	1	1						
6	1	24315-000110	O-RING, 1BP11.0	4	4						

Fig.75. CONTROL PIPING

(A)=VIO70(US)C
(B)=VIO70(US)P
(C)=

(D)=
(E)=
(F)=

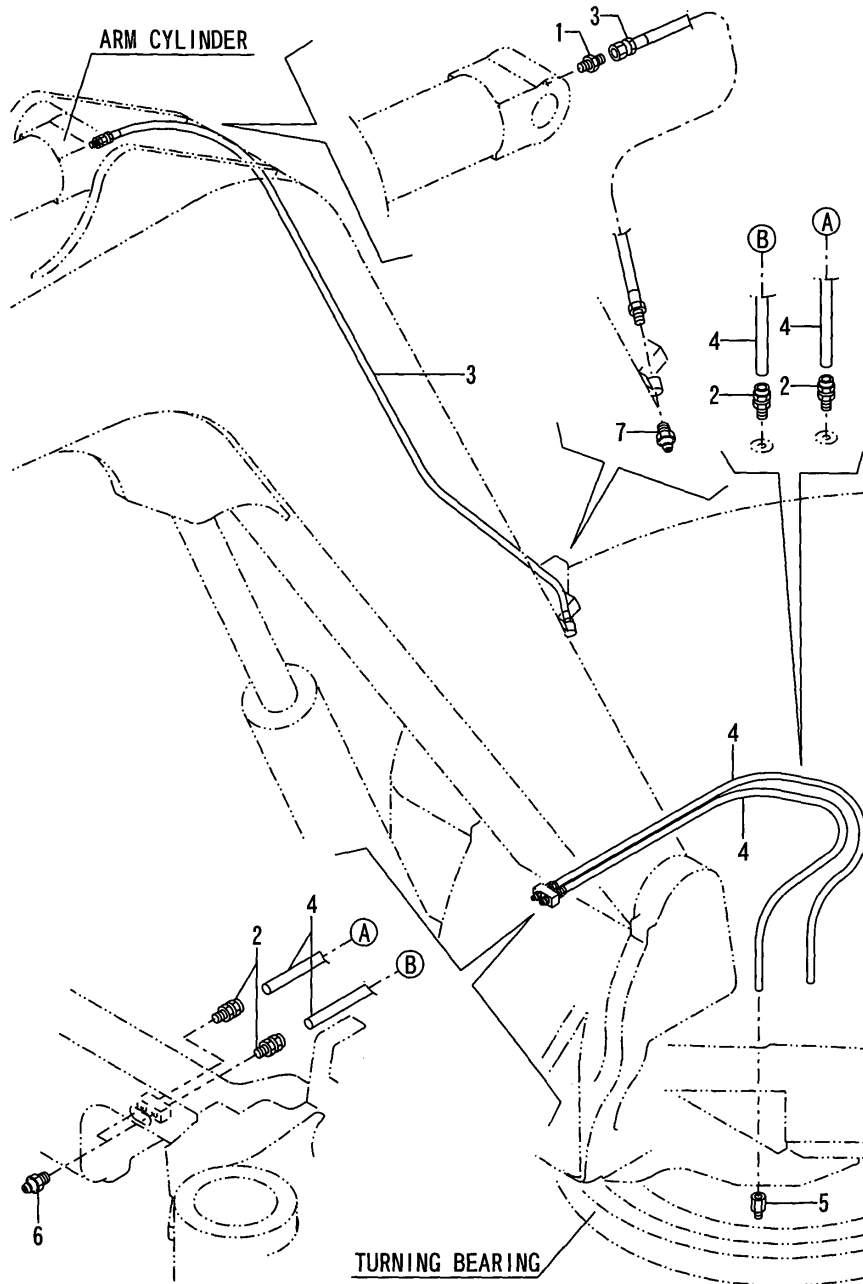
Fig.75 CONTROL PIPING
(REMOTE CONTROL V. ~CONTROL V.)



No.	Lev.	Parts No.	Description	Q'ty						I	R
				(A)	(B)	(C)	(D)	(E)	(F)		
1	1	172126-11510	BAND 300	2	2						
2	1	172123-76120	ADAPTER, PF1/4	6	6						
3	1	172964-78111	VALVE, CHECK	2	2						
4	2	24315-000110	O-RING, 1BP11.0	2	2						
5	1	172187-78960	HOSE	1	1						
6	1	172187-78970	HOSE	1	1						
7	1	172187-78980	HOSE	1	1						
8	1	172187-78990	HOSE	1	1						
9	1	172187-79020	HOSE	1	1						
10	1	172187-79030	HOSE	1	1						
11	1	172187-79040	HOSE	1	1						
12	1	172187-79050	HOSE	1	1						
13	1	172165-79810	SPONGE, HOSE	1	1						
14	1	172122-79930	CLAMP, HOSE	3	3						
15	1	24315-000110	O-RING, 1BP11.0	6	6						

Fig.76. GREASING

Fig.76 GREASING



(A)=VIO70(US)C
(B)=VIO70(US)P
(C)=

(D)=
(E)=
(F)=

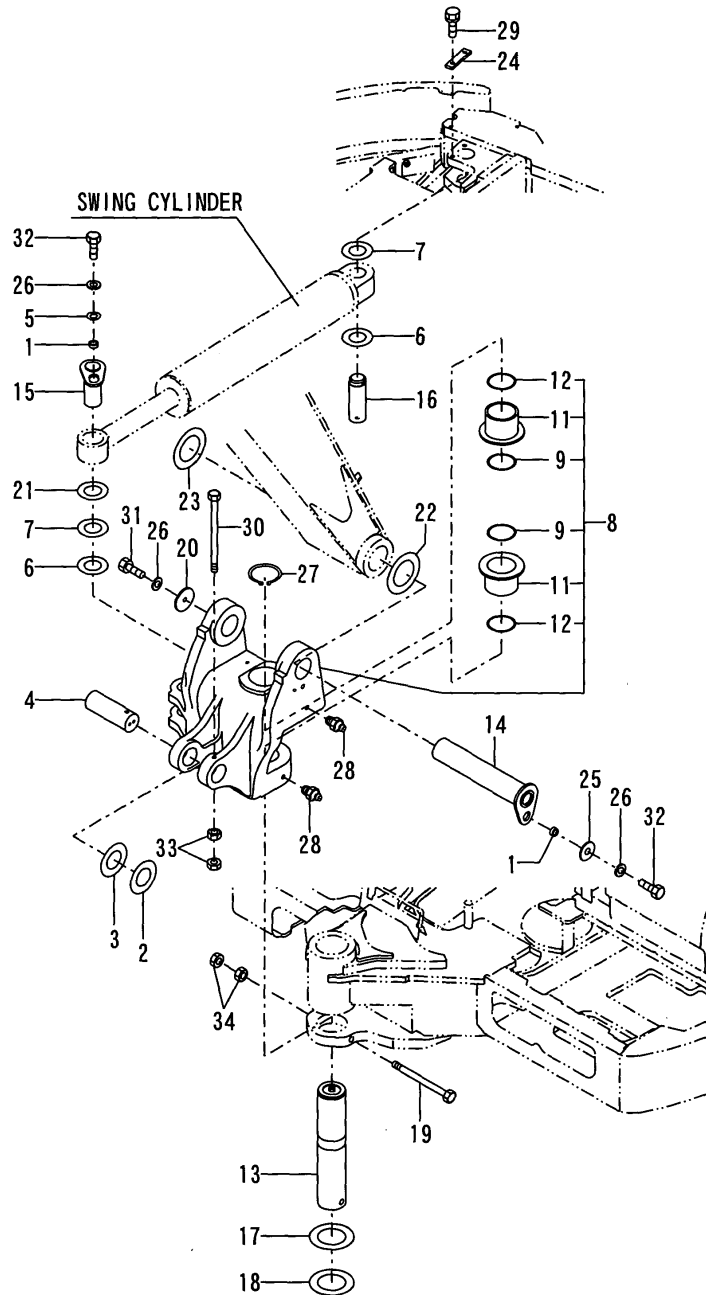
No.	Lev.	Parts No.	Description	Q'ty						I	R
				(A)	(B)	(C)	(D)	(E)	(F)		
1	1	172112-77580	JOINT, 1/8	1	1						
2	1	172141-77800	JOINT, GREASE	4	4						
3	1	172187-77800	HOSE P202AB185	1	1						
4	1	172187-77810	HOSE P602YY115	2	2						
5	1	172312-77820	FITTING, GREASE	1	1						
6	1	24761-020000	NIPPLE, GREASE PT1/8	2	2						
7	1	24761-020000	NIPPLE, GREASE PT1/8	1	1						

Fig.77. BOOM BRACKET

(A)=VIO70(US)C
(B)=VIO70(US)P
(C)=

(D)=
(E)=
(F)=

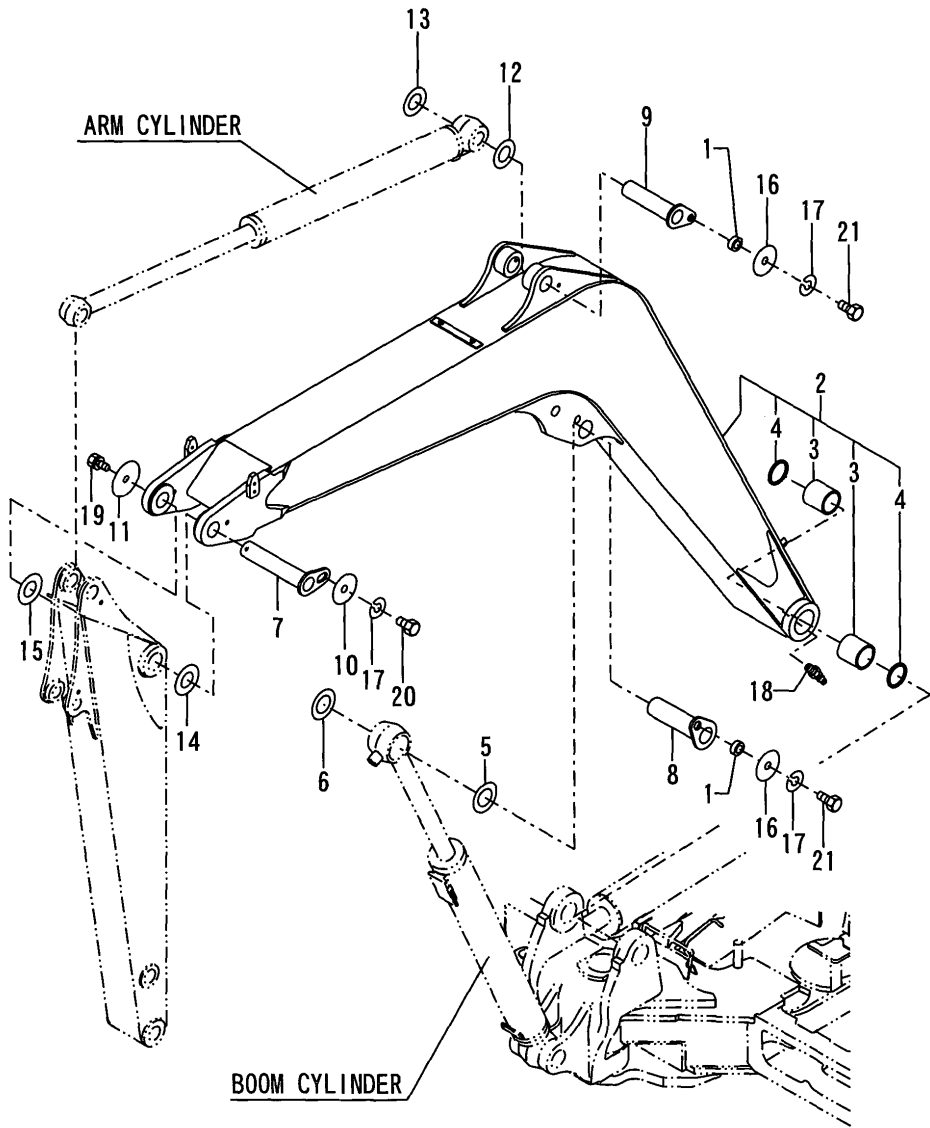
Fig.77 BOOM BRACKET



No.	Lev.	Parts No.	Description	Q'ty						I	R
				(A)	(B)	(C)	(D)	(E)	(F)		
1	1	172155-45790	SPACER	2	2						
2	1	172176-81700	SHIM	1	1						
3	1	172176-81710	SHIM	1	1						
4	1	172187-81800	PIN 70X200	1	1						
5	1	172187-81970	WASHER	1	1						
6	1	172147-82230	SHIM, 60X110X1.2	4	4						
7	1	172147-82250	SHIM, 60X110X0.5	4	4						
8	1	172187-82300-1	BRACKET,BOOM (87)	1	1						
9	2	172162-81680	SEAL, DUST	2	2						
11	2	172187-82320	BUSH 100X90	2	2						
12	2	24321-001000	O-RING, 1AG100.0	2	2						
13	1	172187-82330	PIN 100X487	1	1						
14	1	172187-82340	PIN 80X435	1	1						
15	1	172187-82370	PIN 60X144	1	1						
16	1	172187-82390	PIN 60X155	1	1						
17	1	172187-82400	SHIM	1	1						
18	1	172187-82410	SHIM	1	1						
19	1	172187-82420	BOLT 18X230	1	1						
20	1	172187-82430	WASHER 15X90X6	1	1						
21	1	172187-82450	SHIM, 61X110X3.2	1	1						
22	1	172162-83600	SHIM	1	1						
23	1	172162-83610	SHIM	1	1						
24	1	172162-94280	PLATE,LOCK(GREEN:88)	1	1						
25	1	22157-140000	WASHER, 14	1	1						
26	1	22217-140000	WASHER, SPRING 14	3	3						
27	1	22242-001000	RING, 100	1	1						
28	1	24761-020000	NIPPLE, GREASE PT1/8	2	2						
29	1	26013-120302	BOLT, M12X 30	2	2						
30	1	26116-121402	BOLT, M12X165 PLATED	1	1						
31	1	26116-140252	BOLT, M14X 25 PLATED	1	1						
32	1	26116-140352	BOLT, M14X 35 PLATED	2	2						
33	1	26716-120002	NUT, M12	2	2						
34	1	26716-180002	NUT, M18	2	2						

Fig.78. BOOM

Fig.78 BOOM



(A)=VIO70(US)C
(B)=VIO70(US)P
(C)=

(D)=
(E)=
(F)=

No.	Lev.	Parts No.	Description	Q'ty						I	R
				(A)	(B)	(C)	(D)	(E)	(F)		
1	1	172155-45790	SPACER	2	2						
2	1	172187-81100-1	BOOM ASSY(YELLOW:87)	1	1						1
3	2	172162-81370	BUSH 80X95	2	2						
4	2	172162-81430	SEAL, DUST	2	2						
5	1	172176-81700	SHIM	1	1						
6	1	172176-81710	SHIM	1	1						
7	1	172187-81750	PIN 60X307	1	1						
8	1	172187-81810	PIN 70X252	1	1						
9	1	172187-81840	PIN 60X243	1	1						
10	1	172187-81970	WASHER	1	1						
11	1	172147-82140	WASHER	1	1						
12	1	172147-82230	SHIM, 60X110X1.2	1	1						
13	1	172147-82250	SHIM, 60X110X0.5	1	1						
14	1	172162-83560	SHIM	1	1						
15	1	172162-83570	SHIM	1	1						
16	1	22157-140000	WASHER, 14	2	2						
17	1	22217-140000	WASHER, SPRING 14	3	3						
18	1	24761-040000	NIPPLE, GREASE B	1	1						
19	1	26013-120252	BOLT, M12X 25	1	1						
20	1	26116-140252	BOLT, M14X 25 PLATED	1	1						
21	1	26116-140352	BOLT, M14X 35 PLATED	2	2						
22A	1	172437-03510	LABEL,HOOK	2	2						2
22B	1	172187-03940	LABEL,BOOM	2	2						2

Remarks

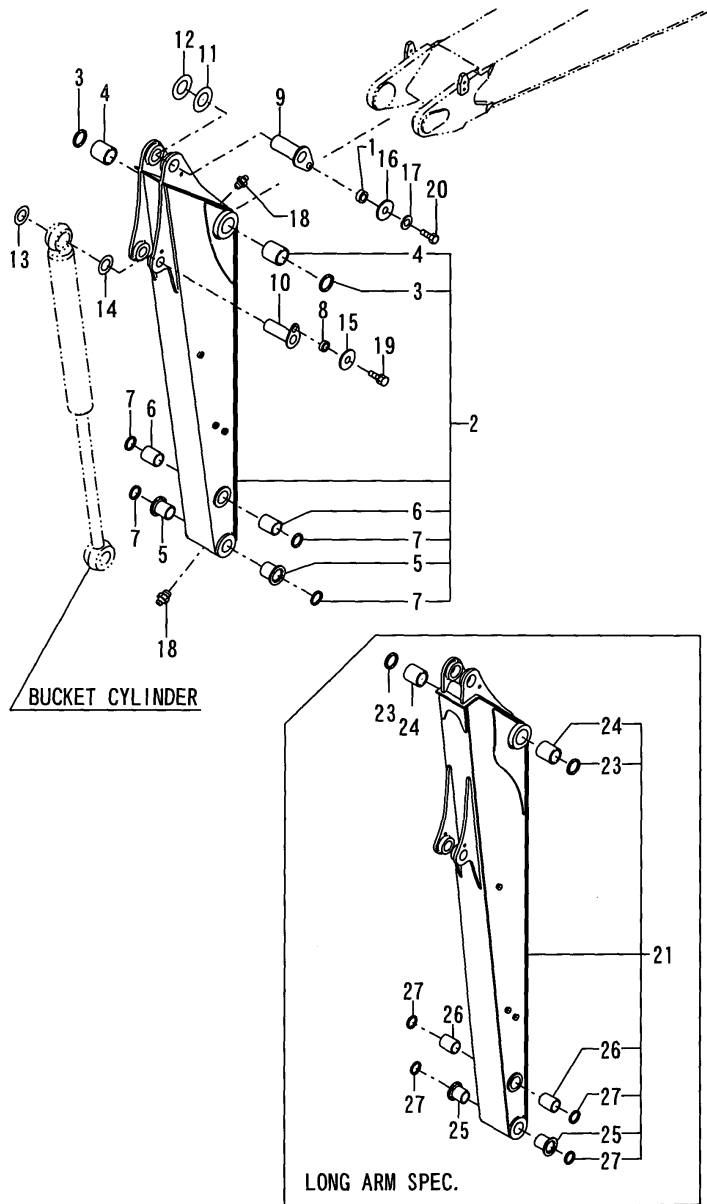
- (1)PLEASE USE THIS PART WITH FOLLOWING LABELS AT THE SAME TIME. REF.NO.22A & 22B.
- (2)LABELS ARE NOT ILLUSTRATED.

Fig.79. ARM

(A)=VIO70(US)C
(B)=VIO70(US)P
(C)=

(D)=
(E)=
(F)=

Fig.79 ARM



No.	Lev.	Parts No.	Description	Q'ty						I	R
				(A)	(B)	(C)	(D)	(E)	(F)		
1	1	172155-45790	SPACER	1	1						
2	1	172187-81502-1	ARM ASSY	1	1						
3	2	172162-81050	SEAL, DUST 60X75X6	2	2						
4	2	172147-81400	BUSH	2	2						
5	2	172187-81700	BUSH 50-60	2	2						
6	2	172187-81710	BUSH 50X75	2	2						
7	2	172162-82340	SEAL, DUST 50X60X6	4	4						
8	1	172164-81670	SPACER	1	1						
9	1	172187-81861	PIN 60X155	1	1						
10	1	172187-81880	PIN 50X144	1	1						
11	1	172147-82230	SHIM, 60X110X1.2	1	1						
12	1	172147-82250	SHIM, 60X110X0.5	1	1						
13	1	172165-82520	SHIM	1	1						
14	1	172165-82530	SHIM	1	1						
15	1	22157-120000	WASHER, 12	1	1						
16	1	22157-140000	WASHER, 14	1	1						
17	1	22217-140000	WASHER, SPRING 14	1	1						
18	1	24761-020000	NIPPLE, GREASE PT1/8	2	2						
19	1	26013-120302	BOLT, M12X 30	1	1						
20	1	26116-140352	BOLT, M14X 35 PLATED	1	1						
21	1	172187-81010-1	ARM ASSY	1	1						1
23	2	172162-81050	SEAL, DUST 60X75X6	2	2						1
24	2	172147-81400	BUSH	2	2						1
25	2	172187-81700	BUSH 50-60	2	2						1
26	2	172187-81710	BUSH 50X75	2	2						1
27	2	172162-82340	SEAL, DUST 50X60X6	4	4						1

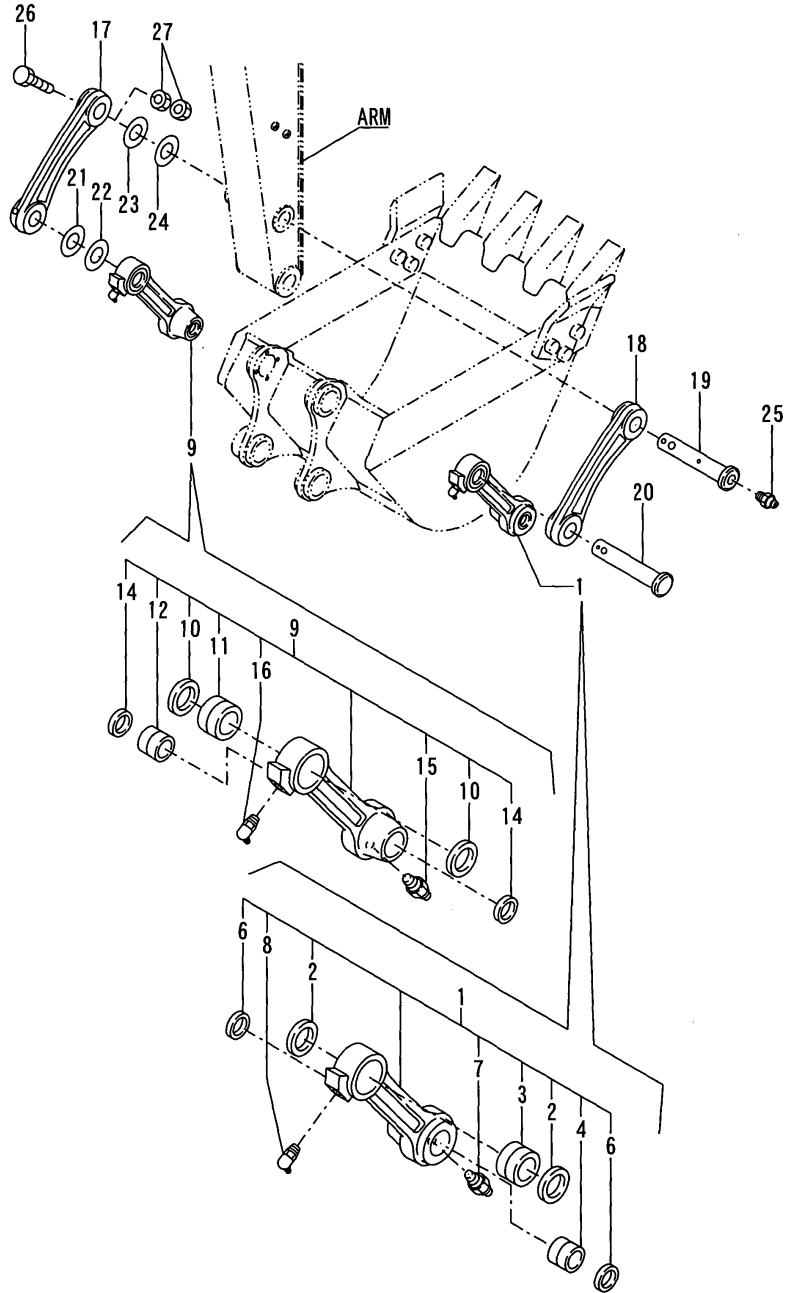
Remarks
(1)LONG ARM SPEC.

Fig.80. BUCKET ARM & LINK

(A)=VIO70(US)C
(B)=VIO70(US)P
(C)=

(D)=
(E)=
(F)=

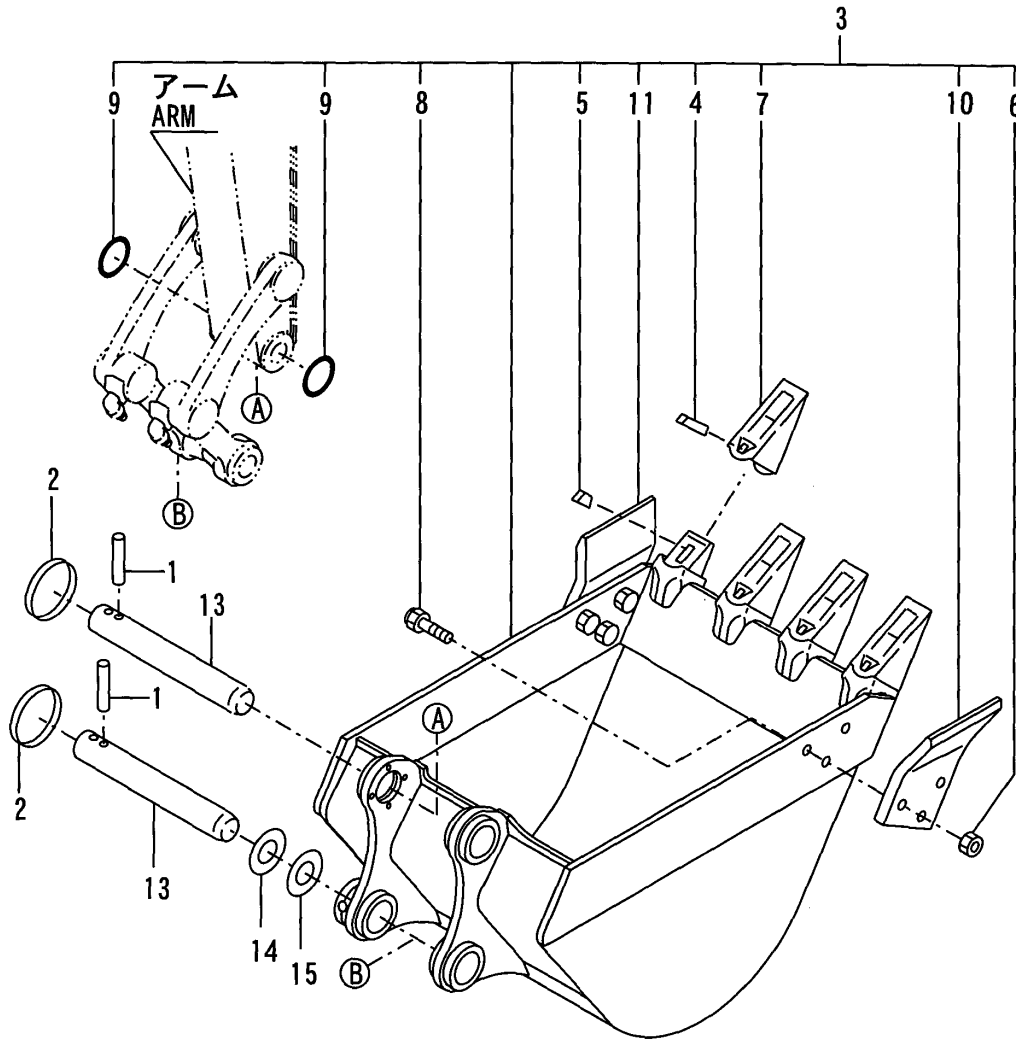
Fig.80 BUCKET ARM & LINK



No.	Lev.	Parts No.	Description	Q'ty						I	R
				(A)	(B)	(C)	(D)	(E)	(F)		
1	1	182900-55920-1	LINK L ASSY(YELLOW87	1	1						
2	2	182900-53650	SEAL	2	2						
3	2	182900-55280	BUSHING	1	1						
4	2	182900-56000	BUSHING	1	1						
6	2	172511-91320	SEAL, DUST 50X60X4	2	2						
7	2	24761-020000	NIPPLE, GREASE PT1/8	1	1						
8	2	24761-040000	NIPPLE, GREASE B	1	1						
9	1	182900-55930-1	LINK R ASSY(YELLOW87	1	1						
10	2	182900-53650	SEAL	2	2						
11	2	182900-55280	BUSHING	1	1						
12	2	182900-56000	BUSHING	1	1						
14	2	172511-91320	SEAL, DUST 50X60X4	2	2						
15	2	24761-020000	NIPPLE, GREASE PT1/8	1	1						
16	2	24761-040000	NIPPLE, GREASE B	1	1						
17	1	182900-55970-1	ARM, BUCKET	1	1						
18	1	182900-55980-1	ARM, BUCKET	1	1						
19	1	172187-81940	PIN 50X272	1	1						
20	1	172187-82220	PIN 60X272	1	1						
21	1	172147-82230	SHIM, 60X110X1.2	1	1						
22	1	172147-82250	SHIM, 60X110X0.5	1	1						
23	1	172165-82520	SHIM	1	1						
24	1	172165-82530	SHIM	1	1						
25	1	24761-020000	NIPPLE, GREASE PT1/8	1	1						
26	1	26116-161202	BOLT, M16X120 PLATED	2	2						
27	1	26716-160002	NUT, M16	4	4						

Fig.81. BUCKET & BUCKET PIN

Fig. 81 BUCKET & BUCKET PIN



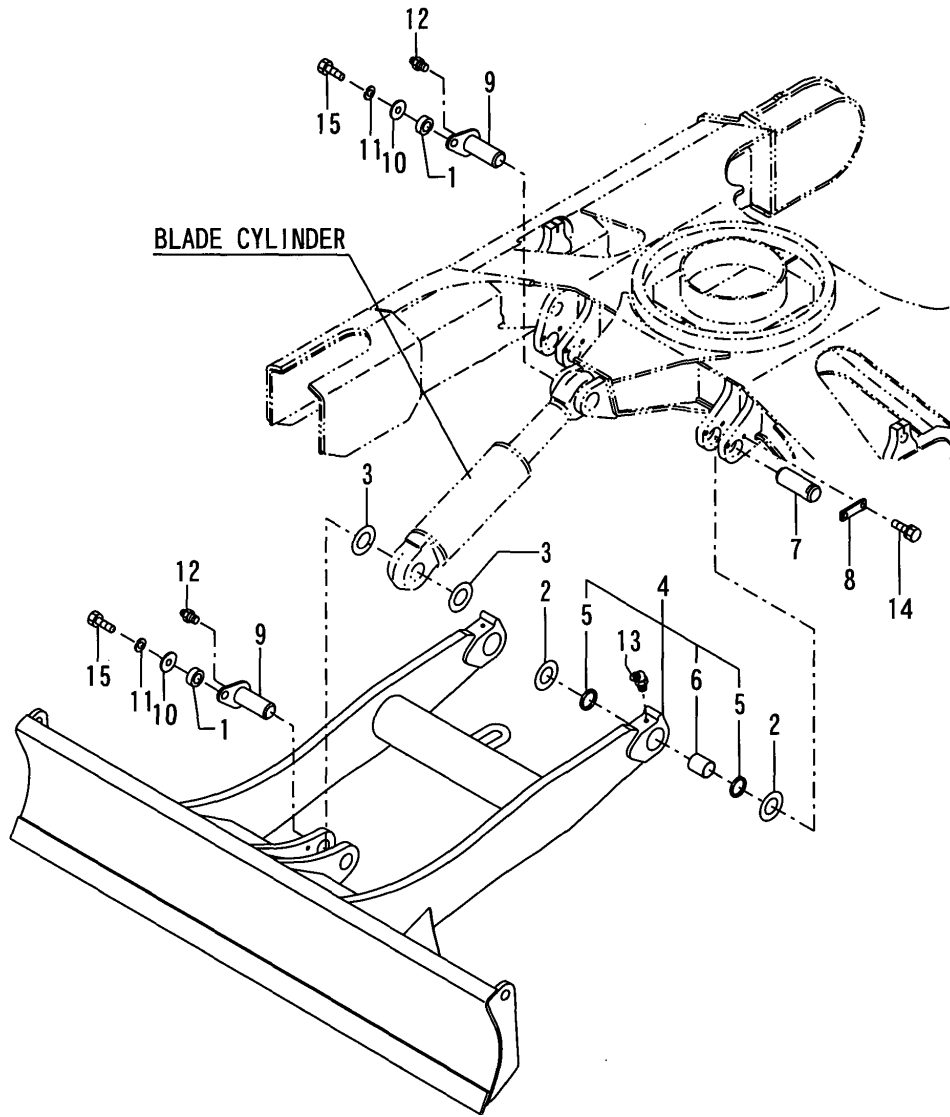
(A)=VIO70(US)C
(B)=VIO70(US)P
(C)=

(D)=
(E)=
(F)=

No.	Lev.	Parts No.	Description	Q'ty						I	R
				(A)	(B)	(C)	(D)	(E)	(F)		
1	1	182900-56140	PIN	2	2						
2	1	182900-56150	RING	2	2						
3	1	172187-82200	BUCKET ASSY	1	1						
4	2	182900-49030	PIN	4	4						
5	2	182900-49040	PIN	4	4						
6	2	182900-49100	NUT	6	6						
7	2	182900-49940	TOOTH	4	4						
8	2	182900-53360	BOLT	6	6						
9	2	182900-54220	O-RING	2	2						
10	2	182900-56080	SIDE CUTTER	1	1						
11	2	182900-56090	SIDE CUTTER	1	1						
13	1	172187-82230	PIN 50X296	2	2						
14	1	172162-83540	SHIM	2	2						
15	1	172162-83550	SHIM	2	2						

Fig.82. BLADE

Fig.82 BLADE



(A)=VIO70(US)C
(B)=VIO70(US)P
(C)=

(D)=
(E)=
(F)=

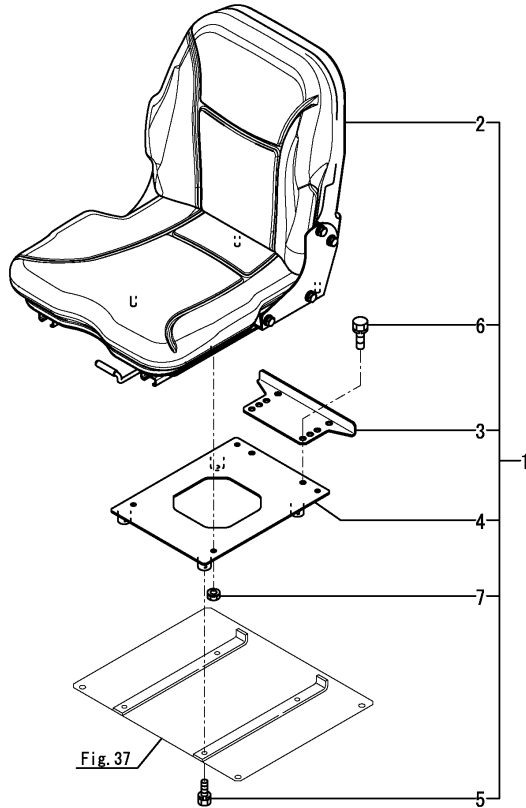
No.	Lev.	Parts No.	Description	Q'ty						I	R
				(A)	(B)	(C)	(D)	(E)	(F)		
1	1	172155-45790	SPACER	2	2						
2	1	172147-82230	SHIM, 60X110X1.2	4	4						
3	1	172147-82250	SHIM, 60X110X0.5	4	4						
4	1	172187-94100-1	BLADE CMP (GREEN:82)	1	1						1
5	2	172162-81050	SEAL, DUST 60X75X6	4	4						
6	2	172162-81060	BUSH 60X55	2	2						
7	1	172162-94270	PIN	2	2						
8	1	172162-94280	PLATE,LOCK(GREEN:88)	2	2						
9	1	172187-94300	PIN 60X147	2	2						
10	1	22157-140000	WASHER, 14	2	2						
11	1	22217-140000	WASHER, SPRING 14	2	2						
12	1	24761-020000	NIPPLE, GREASE PT/8	2	2						
13	1	24761-040000	NIPPLE, GREASE B	2	2						
14	1	26013-120302	BOLT, M12X 30	4	4						
15	1	26116-140352	BOLT, M14X 35 PLATED	2	2						
16A	1	172437-03510	LABEL,HOOK	2	2						2

Remarks
 (1)PLEASE USE THIS PART WITH FOLLOWING LABELS AT THE SAME TIME.
 REF.NO.16A.
 (2)LABELS ARE NOT ILLUSTRATED.

Fig.89. SEAT KIT(OPTIONAL)

(A)=VIO70(US)C
 (B)=VIO70(US)P
 (C)=

(D)=
 (E)=
 (F)=



No.	Lev.	Parts No.	Description	Q'ty						I	R
				(A)	(B)	(C)	(D)	(E)	(F)		
1	1	172457-08601 (B="2017.11.)	SEAT KIT,WOOCHANG SP		1						W
2	2	172A23-64050	SEAT ASSY		1						
3	2	172A46-64491	STOPPER, A		1						
4	2	172A46-64500	PLATE ASSY, SEAT		1						
5	2	26013-080202	BOLT, M8X 20		4						
6	2	26013-100202	BOLT, M10X 20		2						
7	2	26051-080002	NUT, M8		4						

Parts No. Index

Parts No.	Fig. No.	Ref. No.
101720-55750	10	38
102103-55520	10	32
104200-11920	10	2
104200-55321	10	28
104200-55330	10	29
104200-55341	10	30
104200-55750	10	39
104200-92350	5	3
110250-55610	10	33
119225-52102	10	26
119247-77100	13	22
	15	15
119259-44570	9	22
119640-92750	5	4
119650-77910	13	24
119808-12540	6	13
121120-44800	1	47
	2	47
	9	56 A
121250-44590	9	23
121250-49121	9	35
121254-55510	10	31
121256-44600-1	9	32
121257-55720	10	35
121257-55731	10	36
121450-44531	9	27
121450-49100	9	34
121450-49110	9	33
121470-44581	9	29
121850-55710	10	34
124450-44550	9	31
124450-44560	9	28
124764-44810	1	48
	2	48
	9	57 A
124764-44920	1	49
	2	49
	9	58 A
124766-59050	9	37
	10	42
	63	10
129062-12560	6	14
129062-12570	6	15
129136-77200	13	23
129335-55705	10	27
129466-96240	18	10
129953-07700	1	46
	2	46
171064-44510	9	25
171064-44520	9	26

Parts No.	Fig. No.	Ref. No.
171301-92750	5	5
172020-10100-1	83	1
172020-10111-1	83	3
172020-10141-1	83	6
172020-10220	83	4
		11
172020-10230	83	7
172020-10250	83	10
172020-10290	83	13
172020-10320	83	9
	86	9
172020-10340	83	14
172020-10350	83	15
172020-10360	83	18
172020-10370	83	16
172020-10380	83	19
	86	14
172020-10500-1	84	1
172020-10510-1	84	2
172020-10610	84	3
172020-10620	54	5
		8
	84	4
		6
	85	8
	86	3
		6
172020-10650	84	5
172020-10680	84	7
172020-10700	84	8
172020-10720	84	11
172020-10730	84	12
172020-10740	54	2
172020-10750	84	13
172020-10760	84	14
172020-10770	84	15
172020-10780	84	16
172020-10790	84	17
172020-10800	84	21
172020-10810	54	3
	84	18
172020-10860	84	19
172020-10900-1	85	1
172020-10910-1	85	3
172020-10940-1	85	6
172020-11000	85	7
172020-11030	85	9
172020-11040	85	10
172020-11060	85	13
172020-11070	85	15

Parts No.	Fig. No.	Ref. No.
172020-11150-1	54	1
172020-11160-1	54	4
172020-11230	54	6
172020-11250	54	7
172020-11280	54	9
172020-11300	54	10
172020-11320	54	13
172020-11330	54	14
172020-11340	54	15
172020-11350	54	17
172020-11400-1	86	1
172020-11410-1	86	2
172020-11450	86	4
		7
172020-11470	86	5
172020-11500	86	8
172020-11520	86	11
172020-11530	86	15
172020-11540	86	12
172020-11600	83	17
172020-11610	83	20
172020-11620	83	27
172020-11630	84	20
172020-11640	84	22
172020-11650	84	29
172020-11660	85	14
172020-11661	85	14 -1
172020-11670	85	16
172020-11680	85	23
172020-11690	54	16
172020-11700	54	18
172020-11710	54	25
172020-11720	86	13
172020-11730	86	16
172020-11740	86	23
172068-28490	26	31
		39
		3
	30	2
		3
172110-45050	26	34
		42
172110-45150	30	4
172110-76020	67	1
172112-16201	11	10
172112-74971	63	4
172112-75770	63	7
172112-75780	63	8
172112-77360	66	5
		6
	67	6

Parts No.	Fig. No.	Ref. No.
172112-77360	71	16
172112-77580	76	1
172116-46630	30	23
172116-74150	59	13
		21
		39
		74
		76
		95
	60	3
		50
		91
		95
172116-74430	59	65
172116-75850-4	63	21
172120-17710	17	2
172122-05101	5	2
172122-13310	19	1
	20	1
172122-16590	15	2
172122-16600	10	25
172122-17190	42	5
172122-37843	23	25
172122-46590	26	25
	27	35
	30	22
172122-73860	58	6
172122-73870	58	7
172122-73890	58	11 -1
172122-74790	68	1
172122-79890	21	2
		22
172122-79920	12	12
172122-79930	16	7
	66	32
		34
	67	20
		21
		68
		23
		69
		24
		73
		25 -1
		75
		14
172123-76120	69	1
		2
		3
	71	1
	74	1
	75	2
172124-13500	9	15
172124-46200	25	7

Parts No. Index

Parts No.	Fig. No.	Ref. No.
172124-46200	26	16
	27	11
	30	11
172124-65480	40	39
172125-03950	1	44
	2	44
	6	33 A
172126-11510	12	1
	15	1
	21	1
	75	1
172131-78350	12	11
172137-12270	7	5
172137-46040	8	11
	48	6
172137-53970	48	8
172137-68120	42	22
172141-03360	1	22
	2	22
	13	83 A
		84 A
172141-14260	10	7
172141-17211	13	18
172141-41340	26	1
172141-41360	27	3
	28	4
	29	6
	30	14
172141-41370	25	10
	26	3
		6
	27	7
	30	7
	46	4
		7
172141-50890	31	2
172141-74430	49	99
172141-76090	68	10
172141-76180	69	7
172141-76900	66	3
	87	14
172141-77800	76	2
172142-17830	17	3
172142-76280	73	1
172142-76940	73	10
		11
172142-76950	72	10
172142-77050	73	2
172142-78780	66	33
172142-86280	47	15

Parts No.	Fig. No.	Ref. No.
172146-03320	1	16
	2	16
172146-74720	59	94
	60	2
		90
172147-03210	1	11
	2	11
	48	29 C
172147-73810	58	2
172147-73830	58	4
172147-73850	58	5
172147-73880	58	10 -1
172147-76270	66	2
	67	2
172147-81400	79	4
		24
172147-82140	78	11
172147-82230	77	6
	78	12
	79	11
	80	21
	82	2
172147-82250	77	7
	78	13
	79	12
	80	22
	82	3
172151-62240	36	5
		6
	37	2
		3
		22
172151-72240	85	12
172151-72270	85	27
172151-72591	85	4
172151-73360	61	16
	62	19
172151-73420	61	17
	62	20
172151-73500	62	14
172151-73530	61	25
	62	27
172151-73590	62	15
172151-73610	62	16
172151-73620	61	14
	62	17
172151-73630	61	15
	62	18
172151-73650	61	20
172151-74320	59	47

Parts No.	Fig. No.	Ref. No.
172151-74320	59	85
	60	33
		42
		59
172151-76160	65	2
172151-79400	73	24
172155-03790	1	39
	2	39
172155-45790	77	1
	78	1
	79	1
	82	1
172157-45840	40	1
		47
172157-45990	27	27
172157-76220	71	2
172157-76300	67	3
172158-78250	6	24
	17	12
172162-12480	29	1
172162-13170	8	1
172162-13180	8	2
172162-13200	48	1
172162-13780	9	18
172162-14200	10	4
172162-17320	14	6
172162-17400	13	17
172162-17410	13	80
172162-18030	19	2
172162-18040	19	3
172162-18070	20	3
172162-37770	23	22
172162-37800	23	23
172162-37810	23	24
172162-57650	31	26
172162-57660	31	27
		28
172162-61500	34	1
172162-61770	50	1
	83	33
172162-61870	38	37
172162-62540	9	38
	35	9
172162-68370	35	17
172162-69071	42	29
172162-69460	45	17
172162-69480	45	18
172162-69541	45	19
172162-71490	57	4
172162-71520	57	7

Parts No.	Fig. No.	Ref. No.
172162-71530	57	8
172162-71710	57	26
172162-71740	57	40
172162-71760	57	42
172162-71880	57	62
172162-71890	57	41
172162-71930	57	57
172162-71950	57	60
172162-73700	63	5
172162-74860	49	85
172162-76180	69	9
172162-81050	79	3
		23
	82	5
172162-81060	82	6
172162-81370	78	3
172162-81430	78	4
172162-81680	77	9
172162-82340	79	7
		27
172162-82350	83	5
		12
172162-82930	47	13
		14
	48	7
172162-83540	81	14
172162-83550	81	15
172162-83560	78	14
172162-83570	78	15
172162-83600	77	22
172162-83610	77	23
172162-94270	82	7
172162-94280	77	24
	82	8
172164-03200	1	4
172164-03210	1	5
	42	48 A
	45	38
172164-03700	1	32
	44	49 A
172164-03710	1	45
	44	49 B
172164-16750	15	7
172164-16770	15	11
172164-17140	13	8
172164-17200	14	4
172164-17210	14	5
172164-17701	17	1
172164-18550	20	10
172164-18660-1	20	38

Parts No. Index

Parts No.	Fig. No.	Ref. No.
172164-18730	21	12
172164-18800	21	14
172164-18810	21	15
172164-18830	20	11
172164-18900	20	12
172164-18910	20	13
172164-18920	20	14
172164-18960	20	15
172164-19100	20	16
172164-19150	20	17
172164-19170	20	18
172164-45230	26	24
172164-45880	17	4
172164-45980	38	1
172164-62490	44	2
	48	9
172164-65460	39	6
172164-65610	39	9
172164-65710	20	22
172164-66170	39	10
	40	18
		19
172164-73110	49	105
172164-73860	57	56
172164-76330	69	11
172164-81670	79	8
172165-03141	2	2
172165-12140	7	2
172165-13220	8	3
	47	1
		2
	48	2
		3
		4
172165-18080	21	3
172165-46340	27	28
172165-47550	25	14
172165-47621	25	15
172165-47680	25	16
172165-47681	25	16 -1
172165-47801	25	17
172165-47980	25	18
172165-47990	25	19
172165-52630	41	11
172165-53490	47	8
172165-62630	41	11 -1
172165-66230	41	10
172165-73430	57	44
172165-73450	57	43
172165-74340	61	22

Parts No.	Fig. No.	Ref. No.
172165-74350	62	24
172165-75450-4	63	16
172165-75460	63	17
172165-75481	63	18
172165-79810	75	13
172165-81760	85	5
172165-82520	79	13
	80	23
172165-82530	79	14
	80	24
172168-45880	27	34
172171-14610	9	24
	10	24
172171-65780	41	9
172173-69840	44	47
172173-76102	87	6
172175-17120	13	11
172176-17150	42	3
172176-17160	42	4
172176-17870	20	2
172176-61130	21	21
172176-66570	43	33
172176-66580	43	36
172176-66600	43	9
172176-66610	43	15
172176-66620	43	2
172176-66750	43	12
		17
172176-66760	43	4
172176-66770	43	5
172176-66780	43	6
172176-66790	43	19
172176-66800	43	8
172176-66810	43	14
172176-66820	43	7
172176-66910	43	39
172176-66930	43	34
		37
172176-66940	43	35
		38
172176-67000-2	45	2
172176-67040-2	42	9
172176-67050	43	1
172176-67070	44	5
172176-67090	45	3
172176-67100	45	4
172176-67110	44	6
172176-67121	45	5
172176-67131	45	6
172176-67141	44	7

Parts No.	Fig. No.	Ref. No.
172176-67150	45	7
172176-67181	42	10
172176-67200	43	41
172176-67210	43	42
172176-67231-2	45	8
172176-67250	45	9
172176-67341	42	11
172176-67400	45	10
172176-67410	45	11
172176-67691	44	8
172176-67710	44	9
172176-67720	44	10
172176-67730	44	11
172176-67740	42	12
172176-67741	42	13
172176-67760	42	14
172176-67780	42	15
172176-67800	45	12
172176-67810	44	39
172176-67870	42	16
172176-67880	42	17
172176-67891	45	13
172176-68030	42	18
172176-68160	42	23
172176-68170	45	14
172176-68200	20	23
		41
	42	24
	44	40
		40 A
		41
172176-68240	45	15
172176-68390	46	1
172176-68900-2	45	16
172176-69320	42	32
172176-69340-2	46	2
172176-69390-2	46	6
172176-69450	46	11
172176-69470	46	12
172176-69560	46	14
172176-69600-2	46	15
172176-69750	44	19
172176-69760	45	20
172176-69770	44	20
172176-69780	42	34
172176-69790	46	16
172176-69800	45	21
172176-69810	45	22
172176-69820	44	21
		22

Parts No.	Fig. No.	Ref. No.
172176-69820	45	23
172176-69830	44	23
172176-69860	44	24
172176-69890	42	35
172176-69911	45	24
172176-69931	45	25
172176-69980-2	46	17
172176-69990	46	20
172176-73370	57	39
172176-76210	66	1
172176-76580	73	6
172176-81700	77	2
	78	5
172176-81710	77	3
	78	6
172183-03280	1	51
	2	50
	25	36 A
172183-81160	66	29
172187-03140	1	8
	2	8
172187-03160	1	9
	2	9
172187-03200	1	10
	2	10
	30	1
		43 A
172187-03330	1	18
	2	18
172187-03350	1	20
	2	20
	17	22 A
	35	37 A
172187-03370	1	24
	2	24
	40	50 A
172187-03400	1	53
	20	45
172187-03700	1	38
	2	38
172187-03800	1	54
172187-03810	2	4
172187-03830	1	40
	2	40
172187-03840	1	50
	2	51
	35	38 A
172187-03850	2	41
	48	29 F
172187-03910	1	7

Parts No. Index

Parts No.	Fig. No.	Ref. No.
172187-03910	2	5
	3	18
	4	18
	33	42 A
	38	41 A
		42 A
	45	40 A
172187-03930	1	42
	2	42
	3	19
	4	19
	44	48 A
	48	29 G
172187-03940	1	43
	2	43
	3	20
	4	20
	78	22 B
172187-03950	2	6
	48	29 A
172187-11121	18	1
172187-11310	6	1
172187-11350	6	2
172187-11400	6	3
172187-11500	6	11
172187-11520	6	16
172187-11550	6	17
172187-11640	6	18
172187-11650	6	19
172187-11660	6	20
172187-11670	6	21
172187-11680	6	22
172187-12100	7	1
172187-12110	7	3
172187-12120	7	4
172187-13250	9	1
172187-13261	9	4
172187-13300	9	5
172187-13310	9	6
172187-13320	9	7
172187-13360	9	10
172187-13370	9	11
172187-13390	9	12
172187-13420	9	13
172187-13480	9	14
172187-13501	9	16
172187-13530	9	2
		8
172187-13540	9	3
		9

Parts No.	Fig. No.	Ref. No.
172187-13550	9	17
172187-13700	8	4
172187-13730	8	5
172187-13760	8	6
172187-13800	8	7
172187-13830	8	8
172187-13870	8	9
172187-13901	9	19
172187-13920	9	21
172187-14220	10	5
172187-14240	10	6
172187-14280	10	8
172187-14290	10	10
172187-14320	10	9
172187-14390	10	20
172187-14430	10	21
172187-14460	10	22
172187-14470	10	23
172187-14500	10	11
172187-14510	10	12
172187-16100	11	1
172187-16110	11	4
172187-16120	11	2
172187-16130	11	3
172187-16150	11	5
172187-16500	12	2
172187-16511	12	3
172187-16520	12	4
172187-16530	12	5
172187-16552	14	10
172187-16560	12	6
172187-16600	12	7
172187-16611	15	3
172187-16620	15	4
172187-16630	15	5
172187-16640	15	6
172187-17070	13	2
172187-17080	13	3
172187-17090	13	4
172187-17100	13	1
172187-17110	13	7
172187-17150	13	9
172187-17180	25	4
172187-17200	13	10
172187-17220	13	13
172187-17280	13	42
		62
172187-17290	13	63
172187-17301	13	64
172187-17320	13	46

Parts No.	Fig. No.	Ref. No.
172187-17320	13	66
172187-17341	13	48
		68
172187-17350	13	49
		69
172187-17360	13	50
		70
172187-17371	13	51
		71
172187-17380	13	52
		72
172187-17450	14	7
172187-17470	13	56
		76
172187-17480	13	57
		77
172187-17551	13	40
172187-17560	13	43
172187-17570	13	44
172187-17590	16	1
	33	2
172187-17600	16	2
172187-17630	16	3
172187-17660	16	4
172187-17691	16	5
	33	5
172187-18110	19	4
172187-18130	19	5
172187-18140	19	6
172187-18170	21	6
172187-18180	21	8
172187-18200	21	17
172187-18210	21	18
172187-18220	21	19
172187-18260	18	2
172187-18300	18	3
172187-18340	18	4
172187-18360	18	5
172187-18401	9	53
172187-18410	18	6
172187-18420	18	7
172187-18451	18	8
172187-18500	18	9
172187-18510	20	39
172187-18530	20	40
172187-18560	19	7
172187-18570	21	20
172187-29100	22	1
172187-37110	23	12
172187-37191	23	2

Parts No.	Fig. No.	Ref. No.
172187-37302	22	4
172187-37320	22	6
172187-37332	22	7
172187-37342	22	8
172187-37502	22	16
172187-37521	22	18
172187-37530	22	19
172187-37540	22	20
172187-37550	22	21
172187-37700	23	21
172187-38100	24	1
172187-38130	24	3
		15
172187-38140	24	4
		16
172187-38150	24	26
172187-38160	24	39
		46
172187-38300	24	45
172187-38601	24	44
172187-45010	59	1
172187-45060	59	103
172187-45100	26	2
172187-45150	26	5
172187-45190	26	15
172187-45220	26	19
172187-45250	26	20
172187-45260	26	21
172187-45280	26	22
172187-45400	25	6
172187-45401	25	6 -1
172187-45490	59	2
172187-45500	27	23
172187-45530	27	1
172187-45560	27	2
172187-45600	27	5
172187-45650	27	24
172187-45660	27	6
172187-45690	27	9
172187-45720	27	25
172187-45760	27	26
172187-45770	27	33
172187-45800	28	13
172187-45810	28	2
172187-45870	26	8
172187-45880	26	9
172187-45900	29	3
172187-45930	29	4
172187-45960	29	5
172187-45990	29	8

Parts No. Index

Parts No.	Fig. No.	Ref. No.
172187-46110	30	6
172187-46140	30	9
172187-46190	30	10
172187-46210	30	12
172187-46220	30	13
172187-46290	30	16
172187-46340	30	17
172187-46400	30	18
172187-46430	30	19
172187-46440	30	20
172187-46500	30	21
172187-46600	25	8
172187-46651	25	9
172187-46800	25	12
172187-46820	25	13
172187-47010	25	1
172187-47020	25	2
172187-47110	28	3
172187-47140	28	6
172187-50100-1	31	1
172187-50801-1	31	3
172187-50811-1	31	4
172187-53300-1	31	8
172187-53310	31	9
172187-53320	31	10
172187-53330	31	11
172187-54101-1	31	12
172187-54750	31	13
		33
172187-54760	31	14
		34
172187-57600	31	21
172187-57610	31	25
172187-57630	31	23
172187-57640	31	24
172187-61080	32	1
		33
172187-61101-1	32	4
		33
172187-61120	32	5
		33
172187-61130	32	6
		33
172187-61140	32	7
		33
172187-61150	32	8
		33
172187-61220-1	35	1
172187-61230	35	4
172187-61340	35	7

Parts No.	Fig. No.	Ref. No.
172187-61350	32	9
	33	14
172187-61360	32	10
172187-61420	35	8
172187-61421	17	5
	35	8 -1
172187-61430	35	31
172187-61470	32	12
172187-61500	34	2
172187-61510-1	34	3
172187-61520-1	34	4
172187-61541-1	70	1
172187-61560	33	15
172187-61570	33	16
172187-61600	17	6
172187-61690	17	7
172187-61700	17	8
172187-61750	17	9
172187-62130	35	22
172187-62140	35	35
172187-62160	35	23
172187-63120	35	10
172187-63140	35	11
172187-63150	35	12
172187-63200	17	10
172187-63301	35	16
172187-64100	36	1
172187-64192	37	4
172187-64193	37	4 -1
172187-64560	36	8
172187-64650	36	9
	37	8
172187-64750	37	9
172187-64790	36	10
	37	10
172187-64800	37	11
172187-64810	35	27
172187-64820	35	28
172187-64830	36	17
	37	19
172187-64900	36	11
	37	23
	48	11
172187-65170-1	39	1
172187-65180	40	2
172187-65200	39	4
172187-65210	40	3
172187-65240	40	4
172187-65270	40	6
172187-65280	41	1

Parts No.	Fig. No.	Ref. No.
172187-65290	39	5
172187-65330	38	2
172187-65350	40	8
172187-65400	40	9
172187-65420	40	10
172187-65460	39	7
172187-65470	39	8
172187-65501	38	3
172187-65530	38	4
172187-65540	38	5
172187-65550	38	6 A
172187-65680	41	6
172187-65740	41	2
172187-65750	40	12
172187-65820	40	13
172187-65830	40	14
172187-65860	40	15
172187-65870	40	16
172187-65960	40	17
172187-65980	38	7
172187-66110	38	11
172187-66120	38	12
172187-66140	38	13
172187-66160	38	14
172187-66170	38	15
172187-66220	39	3
172187-66310	38	16
172187-66320	38	17
172187-66330	38	18
172187-66340	40	25
172187-66350	40	26
172187-66400	38	8
172187-66421	38	9
172187-66450	40	20
172187-66460	40	21
172187-66500	38	10
172187-66520	40	22
172187-66530	39	11
172187-66571	40	24
172187-66590	40	46
172187-67450	33	19
172187-67510	33	20
172187-67610	33	21
172187-67640	48	14
172187-67650	48	15
172187-67660	48	16
172187-67670	48	17
172187-67700	48	18
172187-67711	48	19
172187-67721	48	20

Parts No.	Fig. No.	Ref. No.
172187-67800	43	20
172187-67840	43	28
172187-67850	43	30
172187-67860	43	23
172187-67870	43	24
172187-67880	43	25
172187-67890	43	29
		31
172187-67920	43	21
172187-67930	43	26
172187-67940	43	32
172187-68050	42	19
172187-68060	42	20
172187-68070	42	21
172187-68101	31	29
172187-68301	44	16
172187-68810	44	15
172187-68980	44	17
172187-69070	44	42 A
172187-69150	44	42
172187-69160	44	18
172187-69170	44	43
172187-69200	42	30
172187-69220	44	43 A
172187-69240	38	20
172187-69250	38	21
172187-69350-2	46	3
172187-69390	46	9
172187-69420	46	10
172187-69490	46	13
172187-71100	49	108
172187-71110	49	109
172187-71200	49	112
172187-71210	49	113
172187-72020	51	11
172187-72030	53	10
172187-72040	55	14
172187-72060-1	55	6
172187-72070	55	10
172187-72080	55	24
172187-72090	55	21
172187-72101-1	55	5
172187-72140	55	27
172187-72160	55	28
172187-72170	55	12
172187-72180	55	8
172187-72250	50	20
172187-72260-1	53	2
172187-72270	53	6
172187-72280	53	22

Parts No. Index

Parts No.	Fig. No.	Ref. No.
172187-72290	53	19
172187-72301-1	53	1
172187-72340	53	25
172187-72350	53	26
172187-72360	53	8
172187-72370	53	4
172187-72380	53	27
172187-72400-1	50	10
172187-72450	50	35
172187-72480	50	36
172187-72490	50	14
		18
172187-72500-1	50	37
172187-72510	50	38
	52	25
	53	28
172187-72530-1	50	12
172187-72540	50	16
172187-72590	50	32
172187-72600-1	51	1
172187-72640	51	26
172187-72650	51	27
	53	29
172187-72660	51	28
172187-72670	51	29
172187-72680	51	30
172187-72690	51	9
172187-72700	51	5
172187-72720-1	51	3
172187-72730	51	7
172187-72740	51	20
172187-72750	51	23
172187-72760	52	20
172187-72770	52	10
172187-72780	52	17
172187-72790	50	29
172187-72801-1	52	1
172187-72850-1	52	26
172187-72870-1	52	2
172187-72880	52	6
172187-72891	86	26
172187-72891-1	55	1
172187-72910-1	50	2
	83	34
172187-72950-1	50	3
	83	35
172187-73050	63	2
172187-73060	63	3
172187-73100	49	1
172187-73110	49	2

Parts No.	Fig. No.	Ref. No.
172187-73120	49	11
172187-73160	49	66
172187-73170	49	75
172187-73180	49	81
172187-73240	49	6
172187-73250	49	7
172187-73300	56	1
172187-73310	57	1
172187-73311	57	1 -1
172187-73320	57	68
172187-73340	57	63
172187-73370	57	2
172187-73380	57	21
172187-73400	87	1
172187-73410	57	24
172187-73460	56	2
172187-73510	56	19
172187-73540	56	20
172187-73550	56	21
172187-73560	56	77
172187-73600	56	76
172187-73710	63	6
172187-73770	56	75
172187-73780	56	46
172187-73801	58	1
172187-73820	58	10
172187-73900	56	57
172187-73910	56	38
172187-73930	56	68
172187-74010	56	3
172187-74020	56	10
172187-74030	56	22
172187-74040	56	34
172187-74050	56	47
172187-74060	56	58
172187-74070	56	61
172187-74080	56	69
172187-74100	59	8
172187-74120	59	10
172187-74130	59	73
172187-74140	59	38
		75
		49
		94
172187-74150	59	12
172187-74160	59	20
172187-74232	60	19
172187-74300	60	28
172187-74311	60	35
172187-74380	60	111

Parts No.	Fig. No.	Ref. No.
172187-74400	59	24
172187-74490	59	101
172187-74530	60	64
172187-74540	59	68
	60	66
172187-74550	59	70
		92
	60	30
		68
		88
172187-74690	59	66
172187-74750	61	1
172187-74760	62	1
172187-74800	64	1
172187-74820	59	9
172187-74830	59	19
172187-74840	59	37
172187-74850	59	72
172187-74860	59	91
172187-74870	60	1
172187-74880	60	48
172187-74890	60	74
172187-74900	60	93
172187-74950	57	25
172187-74960	57	38
172187-74970	57	49
172187-74980	57	54
172187-75270	63	12
172187-75280	63	13
172187-75340	63	14
172187-75350	63	15
172187-75500	63	19
172187-75510	63	20
172187-75600	49	30
172187-75620	49	32
172187-75630	49	33
172187-75640	49	34
172187-75680	49	38
172187-75880	49	70
172187-76100	65	1
172187-76131	68	3
		4
172187-76141	68	5
172187-76150	68	7
172187-76160	68	8
172187-76170	69	5
172187-76180	68	9
172187-76190	65	4
172187-76200	65	6
	70	2

Parts No.	Fig. No.	Ref. No.
172187-76210	69	25
172187-76400-1	72	2
172187-76420-1	72	3
172187-76440-1	72	4
172187-76460	73	3
172187-76480	73	4
172187-76500-1	72	5
172187-76520	72	7
172187-76530-1	72	8
172187-76570	73	5
172187-76591-1	66	9
172187-76640-1	66	12
172187-76650	66	11
172187-76690	73	7
172187-76700	66	13
172187-76780	73	8
172187-76781	73	8 -1
172187-76821-1	70	3
172187-76930	73	9
172187-76940	73	12
172187-76950-2	73	26
172187-77800	76	3
172187-77810	76	4
172187-78100	66	15
172187-78120	65	10
172187-78130	65	11
172187-78140	65	12
172187-78150	65	13
172187-78161	68	12
172187-78171	68	13
172187-78180	68	15
172187-78190	68	16
172187-78200	71	10
172187-78210	71	11
172187-78220	71	12
172187-78230	71	13
172187-78240	72	13
172187-78250	66	16
172187-78260	66	18
172187-78270	66	20
172187-78280	66	22
172187-78290	66	24
172187-78300	66	26
172187-78310	67	12
172187-78320	67	13
172187-78330	67	14
172187-78340	67	15
172187-78350	67	16
172187-78360	67	17
172187-78370	66	28

Parts No. Index

Parts No.	Fig. No.	Ref. No.
172187-78380	67	18
172187-78390	67	19
172187-78400	68	17
172187-78410	72	14
172187-78420	72	15
172187-78431	71	14
172187-78440	71	15
172187-78450	69	15
172187-78460	69	16
172187-78470	69	17
172187-78480	69	18
172187-78490	69	19
172187-78500	69	20
172187-78510	69	21
172187-78520	69	22
172187-78530	69	23
172187-78540	68	18
172187-78580	72	1
172187-78590	72	16
172187-78920	68	14
172187-78940	74	2
172187-78950	74	3
172187-78960	75	5
172187-78970	75	6
172187-78980	75	7
172187-78990	75	8
172187-79000	74	4
172187-79010	74	5
172187-79020	75	9
172187-79030	75	10
172187-79040	75	11
172187-79050	75	12
172187-79200	70	7
172187-79210	70	8
172187-79220	73	13
172187-79230	73	14
172187-79240	73	15
172187-79250	73	16
172187-79300	73	27
172187-81010-1	79	21
172187-81100-1	78	2
172187-81502-1	79	2
172187-81700	79	5
		25
172187-81710	79	6
		26
172187-81750	78	7
172187-81800	77	4
172187-81810	78	8
172187-81840	78	9

Parts No.	Fig. No.	Ref. No.
172187-81861	79	9
172187-81880	79	10
172187-81940	80	19
172187-81970	77	5
	78	10
172187-82200	81	3
172187-82220	80	20
172187-82230	81	13
172187-82300-1	77	8
172187-82320	77	11
172187-82330	77	13
172187-82340	77	14
172187-82370	77	15
172187-82390	77	16
172187-82400	77	17
172187-82410	77	18
172187-82420	77	19
172187-82430	77	20
172187-82450	77	21
172187-94100-1	82	4
172187-94300	82	9
172312-74770	59	67
172312-76150	69	4
172312-77820	76	5
172422-64200	37	1
172422-64201	37	1 -1
172423-72520	54	30
172423-72530	54	31
172423-72540	54	32
172423-72550	54	33
172423-73820	58	11
172433-64300	37	18
172434-07330	5	20
172437-03250	1	13
	2	13
	3	1
	4	1
172437-03300	1	14
	2	14
	3	2
	4	2
	38	42 B
	42	48 C
172437-03310	1	15
	2	15
	3	3
	4	3
	38	42 C
	43	43 A
172437-03320	1	17

Parts No.	Fig. No.	Ref. No.
172437-03320	2	17
	3	4
	4	4
	63	34 A
172437-03340	1	19
	2	19
	3	5
	4	5
	38	42 D
	43	43 B
172437-03351	1	21
	2	21
	3	6
	4	6
	31	41 A
		42 A
172437-03360	1	23
	2	23
	3	7
	4	7
	40	49 A
172437-03370	2	25
	4	8
172437-03371	1	25
	2	25 -1
	3	8
	4	8 -1
	38	42 E
	42	49 A
172437-03380	1	26
	2	26
	3	9
	4	9
172437-03390	1	27
	2	27
	3	10
	4	10
	39	26 A
172437-03400	1	28
	2	28
	3	11
	4	11
	40	50 B
172437-03410	1	29
	2	29
	3	12
	4	12
	40	50 C
172437-03421	1	30
	2	30

Parts No.	Fig. No.	Ref. No.
172437-03421	3	13
	4	13
	39	26 B
	40	50 D
172437-03430	2	31
	4	14
172437-03431	1	31
	2	31 -1
	3	14
	4	14 -1
	38	42 F
	42	49 B
172437-03440	2	32
	4	15
	48	29 D
172437-03450	1	33
	2	33
	3	16
	4	16
	42	48 D
	48	29 E
172437-03470	1	34
	2	34
	3	17
	4	17
	38	42 G
	42	48 E
172437-03500	1	35
	2	35
172437-03510	1	36
	2	36
	78	22 A
	82	16 A
172437-03530	1	37
	2	37
	38	42 H
	42	48 F
172437-03550	1	6
	42	48 B
172439-03220	1	12
	2	12
172441-44320	35	26
172444-17560	13	78
172445-17550	13	58
172445-72450	54	29
	84	33
172445-72480	54	12
	84	10
172455-38120	24	27
172455-38160	24	40

Parts No. Index

Parts No.	Fig. No.	Ref. No.
172455-38160	24	41 47
172455-38170	24	42 43 48
172455-38180	24	28
172455-38190	24	29
172455-38200	24	30 49
172455-38210	24	31 50
172455-38220	24	32
172455-38230	24	33
172455-38240	24	34 51
172455-38250	24	35
172455-38260	24	36
172455-38270	24	37
172455-38280	24	38
172455-79750	71	12 A
172457-08600	37	1 -2 1 -3
172457-08601	89	1
172472-45810	26	33
172472-45850	26	41
172511-91320	52 80	4 6 14
172512-16350	11	11
172519-03150	2 37	3 24 A
172519-04350	2	7 45
172519-63240	48 13 17 32 33 33 35	29 B 79 11 13 17 18 13 14 15
172637-76110	16	6
172643-11610	14	12
172644-76161	87	10
172649-22330	47	3
172730-25870	47	4 5 6

Parts No.	Fig. No.	Ref. No.
172730-25870	48	5
172730-75141	87	5
172734-41300	27	32
172734-65260	40	5
172734-65270	40	7
172738-29490	47	7
172964-12140	28	1
172964-78111	75	3
172989-03110	1	2
172989-03120	1	52 3 15 19
172989-03130	1	3
172989-03140	35	36 A 41 43 C
172989-18160	21	4
172989-18190	21	10
172989-54100	31	32
172989-64190	36	7
172989-64250	32	11
172989-64260	32	14
172989-64270	36	2
172989-64450	36	16
172989-64490	44	4
172989-65550	38	6 B
172989-66301	48	12
172989-66501	48	13
172989-66700	33	15 -1
172989-67100	47	9
172989-67500	47	10
172989-67700	47	11
172989-67900	47	12
172989-68410	42	25
172989-68540	44	12
172989-68600	42	26
172989-68610	42	27
172989-68620	42	28
172989-68630	42	33
172989-68640	42	47
172989-68660	42	26 -1
172989-68750	44	13
172989-68770	44	14
172989-68900	44	28
172989-69210	42	31
172989-73150	49	82
172989-73160	49	83
172A21-45300	26	30
172A21-45310	26	32
172A21-45320	26	38

Parts No.	Fig. No.	Ref. No.
172A21-45330	26	40
172A23-64050	89	2
172A46-64200	37	1 A
172A46-64490	37	1 B
172A46-64491	89	3
172A46-64500	37	1 C
	89	4
172A65-72590	85	15 -1
172A65-73800	87	4
	88	1
172A65-73810	88	2
172A65-73840	88	3
172A65-73850	88	4
172A65-73860	88	5
172A65-73870	88	11
172A65-73880	88	10
172A65-76700	87	12
172A69-78250	87	16
172A77-17500	13	82
182900-24780	52	3
182900-24790	50	15 19
182900-33970	51	2
182900-34230	50	11
182900-34240	52	21
182900-34250	51	24
	53	23
182900-49030	81	4
182900-49040	81	5
182900-49100	81	6
182900-49940	81	7
182900-53360	81	8
182900-53630	52	7
182900-53650	51	6 10
	52	8
	53	5
		9
	55	9
		13
	80	2 10
182900-53730	52	23
182900-54080	24	5 17
182900-54140	23	5 15
182900-54220	81	9
182900-55280	80	3 11

Parts No.	Fig. No.	Ref. No.
182900-55680	22	10
182900-55720	23	6 16
182900-55730	23	7 17
182900-55740	23	8 18
182900-55790	22	9
182900-55800	24	6 18
182900-55920-1	80	1
182900-55930-1	80	9
182900-55970-1	80	17
182900-55980-1	80	18
182900-56000	80	4 12
182900-56080	81	10
182900-56090	81	11
182900-56140	81	1
182900-56150	81	2
182900-57380	23	4 14
182900-57550	24	9 21
182900-57560	24	10 22
182900-57570	24	11 23
182900-57580	24	12 24
182900-57590	24	13 25
182900-60900	52	24
182900-60960	50	33
	55	25
194145-04810	33	1 2 1
	42	2
	44	1
	83	2
	85	2
194167-61650	20	19
194200-37780	27	31
194440-51620	12	8 9 9
	18	29
194464-52190	13	21
194940-61790	20	20 21
197821-88380	21	16
197830-87910	20	8

Parts No. Index

Parts No.	Fig. No.	Ref. No.
197830-88611	20	9
198083-87820	21	5
198083-87840	21	7
198083-87880	21	9
		11
		13
198325-87200	20	7
1A1040-43900	29	2
1A1040-45890	27	10
	30	5
1A1040-56900	7	7
1A1380-56661	25	20
1A1380-58050	12	10
1A1380-62160	38	38
1A6260-64200	42	7
		8
	44	3
	48	10
1C6281-52310	7	6
1D4070-23580	25	5
1D4180-22850	87	2
1E6480-16920	8	10
1E8080-79430	20	4
1E8080-79450	20	5
1E8080-79470	20	6
22117-080000	40	27
22117-100000	6	4
	28	7
22137-040000	26	10
22137-050000	20	24
22137-060000	7	8
	10	43
	15	16
	21	23
	39	12
	45	26
		27
22137-080000	6	5
	18	11
		12
		13
		14
		15
	20	25
	21	24
	25	21
		22
	26	26
		36
		44

Parts No.	Fig. No.	Ref. No.
22137-080000	27	12
		36
	30	24
		25
		26
	35	32
	38	22
		22 -1
		40
	39	13
		14
		25
	40	28
		29
		30
22137-100000	6	25
	12	13
		14
	17	13
		14
	18	16
	27	29
	34	5
	35	18
	36	12
	37	12
	38	23
		24
		39
	40	31
		32
	44	25
		26
	46	21
		22
		23
	55	2
	72	6
	86	27
22137-120000	36	18
	37	20
22137-160000	10	17
	31	5
	63	31
22157-080000	11	12
	20	26
	42	36
	44	29
22157-100000	13	20
	34	6

Parts No.	Fig. No.	Ref. No.
22157-100000	38	25
	44	27
	46	24
22157-120000	34	7
	79	15
22157-140000	77	25
	78	16
	79	16
	82	10
22217-050000	10	13
	12	15
	20	27
22217-060000	44	30
22217-080000	6	6
	9	39
		40
		41
		42
	10	44
	11	6
	12	16
		17
	13	27
		28
	16	8
	19	8
	20	28
		29
	27	13
	32	15
		16
	33	22
	35	2
		19
		33
	36	3
	37	13
	38	26
	39	15
		16
	41	15
22217-100000	6	7
		26
	8	12
	9	43
		54
	10	45
	11	7
	12	18
		19

Parts No.	Fig. No.	Ref. No.
22217-100000	27	14
	32	17
		18
		19
		20
		21
		22
	33	23
		24
		25
		26
		27
		28
	34	8
	35	24
	41	16
	42	37
	46	25
		26
	48	21
	49	110
	50	4
		5
	55	3
	59	5
	63	22
		23
	83	36
		37
	86	28
	88	6
22217-120000	8	13
	34	9
	47	16
		17
		18
	48	22
		23
		24
	58	15
	73	17
		18
22217-140000	22	2
	23	28
	47	19
	77	26
	78	17
	79	17
	82	11
22217-160000	8	14

Parts No. Index

Parts No.	Fig. No.	Ref. No.
22217-160000	10	18
	22	26
	31	6
		30
	47	20
		21
		22
	48	25
	49	106
	56	78
	57	64
	63	32
	22217-200000	22
22242-000250	25	23
22242-000300	22	22
22242-000320	22	11
22242-000340	84	34
22242-000350	59	3
22242-000700	58	8
22242-000720	88	7
22242-001000	77	27
22252-000350	18	17
22252-000420	46	27
22252-000621	22	23
22272-000070	25	24
22351-030032	25	25
22351-040032	46	28
		29
22351-050010	61	34
	62	41
22351-060040	25	26
22417-160160	26	27
	27	37
	28	14
	30	27
		28
22417-200200	25	27
	38	27
	40	33
		34
		35
	45	28
22417-250200	27	30
22487-080120	40	36
22857-400100	14	1
22857-400120	15	17
22857-500100	16	9
22867-300080	42	38
22869-400160	20	30
23000-013000	68	19

Parts No.	Fig. No.	Ref. No.
23000-016000	68	20
		21
23000-022000	16	10
23000-035000	68	22
23000-041000	68	24
		25
23000-048000	73	25
23000-080000	6	23
		27
23000-090000	65	14
23001-016000	87	17
23010-014000	10	14
23010-050000	9	44
23065-070225	9	30
23080-013000	10	15
23391-030000	67	7
	71	3
		4
23393-040000	67	22
23394-020000	67	8
	71	5
23394-030000	71	6
23394-040000	67	9
	71	7
23418-060000	10	40
23871-030000	57	65
	58	9
	88	8
23871-040000	57	66
23871-060000	73	19
24101-062064	56	74
24101-063020	56	42
24104-062020	18	18
24105-062064	22	24
24311-000125	56	40
24311-000160	9	36
	49	86
24311-000180	56	66
24311-000200	59	61
24311-000210	27	15
	28	8
	29	9
	30	29
24311-000320	22	12
		12 -1
24311-000340	25	28
24311-000380	23	9
		19
	63	24
24311-000440	49	52

Parts No.	Fig. No.	Ref. No.
24311-000800	58	12
24311-001000	58	13
24311-240100	10	41
	59	96
	60	4
		92
24315-000050	49	39
24315-000070	56	39
		63
24315-000080	49	26
	56	8
		37
		45
24315-000110	49	29
	56	41
	59	11
	60	65
	69	6
		8
		10
		12
		13
		14
		26
	71	8
	74	6
	75	4
		15
24315-000120	56	62
	59	17
		100
24315-000140	23	26
	56	9
		35
		57
		55
		59
		69
		60
		67
		87
		11
24315-000150	56	64
24315-000160	49	62
24315-000180	56	67
	59	71
		93
		60
		29
		31
		69
		89
	65	3
		7
		66
		4

Parts No.	Fig. No.	Ref. No.
24315-000180	66	7
		8
	67	4
		10
	70	9
	71	9
	87	3
		15
24315-000200	49	63
	61	18
	62	21
24315-000210	57	58
24315-000240	65	5
	68	2
		6
		11
24315-000250	56	36
24315-000260	57	59
24315-000280	56	65
24315-000290	49	64
24315-000800	88	12
24315-001000	88	13
24316-000090	59	62
	60	72
24316-240100	59	63
	60	73
24321-000350	46	30
24321-000650	59	18
		23
		31
		64
		90
	60	13
		32
		47
		82
		105
		116
24321-000750	49	91
24321-000950	58	14
24321-001000	77	12
24321-001050	49	40
24321-001350	63	25
24321-001700	63	26
24325-000550	23	29
24325-000650	65	8
24325-000900	49	80
24325-000950	88	14
24341-000300	63	27
24341-000900	61	19

Parts No. Index

Parts No.	Fig. No.	Ref. No.
24341-000900	62	22
24550-014150	46	19
24550-025150	25	11
24761-020000	23	27
	25	29
	26	17
	27	16
	50	39
	52	27
	76	6
		7
	77	28
	79	18
	80	7
		15
		25
	82	12
	83	30
	85	28
24761-040000	51	31
	78	18
	80	8
		16
	82	13
	84	35
24761-050000	30	30
	50	40
	52	28
	53	30
	54	34
	83	31
	85	29
26013-060122	14	8
	39	17
26013-060162	10	46
	13	29
	20	42
	21	25
26013-060202	25	3
26013-060252	21	26
26013-060302	26	23
		46
	45	29
26013-080122	40	48
26013-080162	13	30
	17	15
		16
	18	19
		20
	19	9

Parts No.	Fig. No.	Ref. No.
26013-080162	19	10
		11
	20	44
	25	30
		31
	27	17
	29	10
		11
	30	31
		32
	38	28
	39	18
	40	37
		38
	42	39
	44	46
	64	2
	70	10
26013-080202	6	28
	17	17
	20	31
		32
		43
	25	32
		33
	29	12
	35	29
	37	1 D
	38	29
	39	19
	40	11
	44	31
	89	5
26013-080252	18	21
		22
		23
	20	33
	21	27
	42	40
26013-080352	18	24
26013-100162	7	9
	30	33
	33	29
26013-100202	6	29
	13	19
	16	11
	17	18
	25	34
		35
	28	9

Parts No.	Fig. No.	Ref. No.
26013-100202	33	30
	36	13
		14
	37	1 E
		14
		15
		16
	38	30
	40	40
	41	17
	46	31
	66	30
	68	26
	70	11
	89	6
26013-100252	7	10
	9	45
	17	19
	26	18
	27	18
	30	34
	35	20
	36	15
	38	31
	40	41
	44	32
		33
		35
	46	32
	73	20
		21
	83	32
	85	30
26013-100302	33	31
	38	32
	42	41
	44	34
	49	111
26013-100402	38	33
	39	20
	58	3
26013-100452	40	42
26013-100502	72	11
26013-100602	66	31
26013-120252	6	30
	78	19
26013-120302	77	29
	79	19
	82	14
26013-120352	33	32

Parts No.	Fig. No.	Ref. No.
26013-120402	65	9
	72	12
	88	15
26022-040102	15	18
26022-050102	45	30
	63	28
26022-050202	14	9
26022-060122	13	31
		32
	15	19
	45	31
		32
26022-060162	42	42
	45	33
26022-060202	13	33
		34
26022-080162	9	46
26051-080002	9	47
	26	28
	27	38
	28	15
	30	35
	37	1 F
	89	7
26076-100402	88	9
26076-120352	8	15
	47	23
	48	26
		27
		28
26076-120402	47	24
		25
26076-161302	8	16
26106-080352	18	25
26106-080602	18	26
26106-100162	32	23
		24
	33	33
		34
26106-100352	18	27
	59	4
26106-100552	59	104
26106-100652	6	8
26116-050162	20	34
26116-080162	6	9
	9	48
		49
		50
	12	20
		21

Parts No. Index

Parts No.	Fig. No.	Ref. No.
26116-080162	16	12
	32	25
		26
	33	35
	35	3
		21
		34
	39	21
	41	18
26116-080202	13	35
26116-080252	9	51
26116-080304	27	19
	30	36
26116-080604	39	22
26116-080652	10	47
26116-100162	9	55
	10	48
	11	8
	12	22
		23
	50	6
	83	38
26116-100202	27	20
	32	27
		28
		29
		30
		31
		32
	33	36
		37
		38
		39
		40
		41
	34	10
	35	25
	50	7
	55	4
	83	39
	86	29
26116-100252	63	29
		30
26116-100302	59	6
26116-100404	26	11
26116-100604	26	12
26116-101002	6	31
	41	19
26116-120302	34	11
26116-120552	73	22

Parts No.	Fig. No.	Ref. No.
26116-120702	73	23
26116-120902	58	16
26116-121402	77	30
26116-140252	77	31
	78	20
26116-140352	22	3
	77	32
	78	21
	79	20
	82	15
26116-140602	23	30
26116-160402	10	19
	31	7
	63	33
26116-160452	31	31
	49	107
	56	79
26116-160502	57	67
26116-160852	22	27
26116-161202	80	26
26116-200402	22	15
26347-080002	26	37
		45
26347-100002	28	10
	39	23
	40	43
		44
26450-080202	42	43
26450-080222	49	92
26450-080252	49	87
26450-080302	30	37
	61	35
	62	42
26450-080352	28	11
26450-080502	18	28
26450-120302	57	61
26450-120952	57	23
26557-050102	17	20
26557-050122	10	16
26557-080252	38	34
26559-050162	42	44
26577-080122	35	30
26579-060202	44	36
		37
	45	34
26587-040122	26	13
26589-060162	20	35
	42	45
	44	38
		44

Parts No.	Fig. No.	Ref. No.
26589-060162	44	44 A
		45
26668-080002	30	38
26702-100002	59	7
26706-100002	6	10
26716-040002	15	20
26716-050002	12	24
26716-080002	11	9
		13
	13	36
	19	12
	20	36
		37
	27	21
		22
	28	12
	30	39
		40
	36	4
	37	17
	38	35
	45	35
		36
		37
26716-100002	9	52
	26	14
	42	46
	46	33
		34
	59	102
	63	9
26716-120002	77	33
26716-160002	22	28
	46	35
	80	27
26716-180002	77	34
26756-080002	30	41
26756-140002	61	36
	62	43
26776-160002	13	37
26776-180002	13	38
28110-080100	5	6
28110-120140	5	7
28110-170190	5	8
28110-220240	5	9
28110-270300	5	10
28110-320360	5	11
28150-050000	5	12
28150-080000	5	13
28227-271400	5	14

Parts No.	Fig. No.	Ref. No.
28230-120250	5	15
29220-788200	13	81
29420-050000	13	14
29420-150000	13	15
29420-300000	13	16
41851-000110	87	7
41851-000140	87	13
		18
772176-68902-2	45	1
772187-03400	2	1
772187-03420	2	1 -1
772187-05100	5	1
772187-14100	10	1
772187-37100	23	1
772187-37110	23	11
772187-73710	63	1
772989-03430	1	1
772989-68400	42	1
772989-68410	42	1 A
933110-00301	13	6
	39	24
	40	45
	45	39
933110-05300	13	39
933110-05301	13	39 -1
933110-09701	5	16
933110-09801	5	17
933110-54100	26	29
	27	39
	28	16
	30	42
933110-58400	17	21
933110-90000	5	18
933113-05150	14	2
933113-05160	14	3
933126-00500	85	26
933126-50500	23	31
933138-12101	23	32
933147-03400	50	8
	83	40
933152-09280	6	32
	10	49
	12	25
		26
	14	11
	15	14
		21
		22
		23
		24

Parts No. Index

Parts No.	Fig. No.	Ref. No.
933152-09280	72	9
933160-01370	67	11
933166-24240	16	13
933166-80520	59	32
	60	14
		83
		106
		117
933168-14170	50	9
	83	41
933168-55770	10	50
933170-01490	36	19
	37	21
933171-00470	5	19
933171-13691	22	13
		25
	23	10
		20
933171-15680	12	10 -1
	16	14
933171-20390	38	36
933171-21630	46	36
933171-80610	59	36
	60	18
		87
		110
		121
953KM0-00222	50	41
	52	29
	53	31

Parts No.	Fig. No.	Ref. No.
-----------	----------	----------

Parts No.	Fig. No.	Ref. No.
-----------	----------	----------

Parts No.	Fig. No.	Ref. No.
-----------	----------	----------