

OCR10-M52800EN

PREFACE

1. This Parts Catalog carries all parts incorporated in YANMAR Model 2V78C-SA, 2V78C-SB & 2V78C-SC engines.
2. Each illustration corresponds to the parts list on the following page.
3. When ordering parts, clearly write down the engine model and serial number, as well as the name and number of each part in your order sheet. This will help insure reliable delivery of the parts you have ordered.

How to read this Parts Catalog.

1. Parts mentioned in Parts Catalog may not necessarily be standard equipping parts
2. Parts change may be made without prior notice.
3. Form of this Parts Catalog.

Y00F2161 29. FUEL INJECTION PUMP (W/BOOST)											
REF.	LEV.	PARTS No.	DESCRIPTION	QTY						I	R
				(A)	(B)	(C)	(D)	(E)	(F)		
1		729595-51390	FUEL INJECTION PUMP	1	1	1	1	1			
1-1		729595-51391	FUEL INJECTION PUMP	1	1	1	1	1		N	1
		(A=E00185) (B=E00200)									
3		26022-060162	SCREW M 6X16	9	9	9	9	9			
I 3-1		26022-060162	SCREW M 6X16	4	4	4	4	4			K
		(A=E00156) (B=E00156) (C=E00156) (D=E00156) (E=E00156)									
4		129470-51040	CAMSHFT	9	9	9	9	9			
5		122710-51050	BEARING. ROLLER	9	9	9	9	9			
6		129470-51060	RETAINER	9	9	9	9	9			

Remarks
 (1) BOOST COMPEMSATOR TYPE.
 OPTIONAL PART. TO E#00155
 (4JH-DT, 4JH-DTZ)

①Ref. No,

The Ref. No, in the list may not be in accordance with the Ref. No, on illustration.

(Ex.) illustration No, List heed No,
 1 1 (Before change) → 1-1 (After change)

When interchangeable symbol N, and k, illustrations for the new parts are sometimes omitted.

②Lev. (Level)

Indication and Meaning of Level

Level Hereunder is given the relation among the number of number (1,2,3) the level and the nominal parent-child relationship.

1 ---- Parent parts (Assembly parts)

2 ---- Child parts included in " 1 " (Semi-Assembly parts, component parts of Assembly parts.)

3 ---- Child parts included in " 2 ", Grand-child parts in terms of " 1 ".

(Component parts of Semi-Assembly parts.)

Note) A parts of non-sale parts are illustrated but not listed.

③Change Mark

Change Mark " I " is given to the part for which a design change was made at this time.

The design change was not shown in the last published Parts Catalog.

④Interchangeability Mark

In the case where a part change took place, one of the following interchangeability marks is indicated for that part

Symbol	Interchangeability	Contents note
N	Old ← → New	New Part is interchangeable for Old Part but not interchangeable conversely.
Q	Old ← → New	New Part is not interchangeable for Old Part but interchangeable conversely.
R	Old ← → New	New Part is interchangeable for Old Part and vice versa.
S	Old ← → New	New Part is not interchangeable for Old Part and vice versa.
W		Part newly added.
Z		Part discontinued.
F		Not interchangeable single part but interchangeable by set of the related parts.
K		Changed only in quantity used.

⑤Effective Machine No,

When a part is changed, Effective Machine No, of a Model for which the part is applicable is indication

In each column of (A)-(F).

Product Symbol	Product No,	Product Symbol	Product No,
C	Clutch No, Compressor No,	M	Machine No,
D	Drive No,	T	Tractor No,
E	Engine No,	Note 1)※	Date

Note 1) Date may follow the symbol in some cases.(Ex.) ※1996.01

Note 2) As far as engine models shown by " XXX " are concerned, the modification of the parts could not be Predicted or the engine models themselves could not be identified.

Note 3) (A=E/#00185) means that the design change on the part has been effective for the model at the, column (A) (in the case, for 4JH-DT) on and from E#(Engine Serial Number) 00185

⑥Remarks Mark

Figures or alphabets (Symbols) are entered in the remark column.

The comments (remarks) on the pertinent parts are indicated in the lower part of the list by the same symbols a those stated above.

Contents

Fig. No. Fig. Name

2V78C-SA,SB,SC

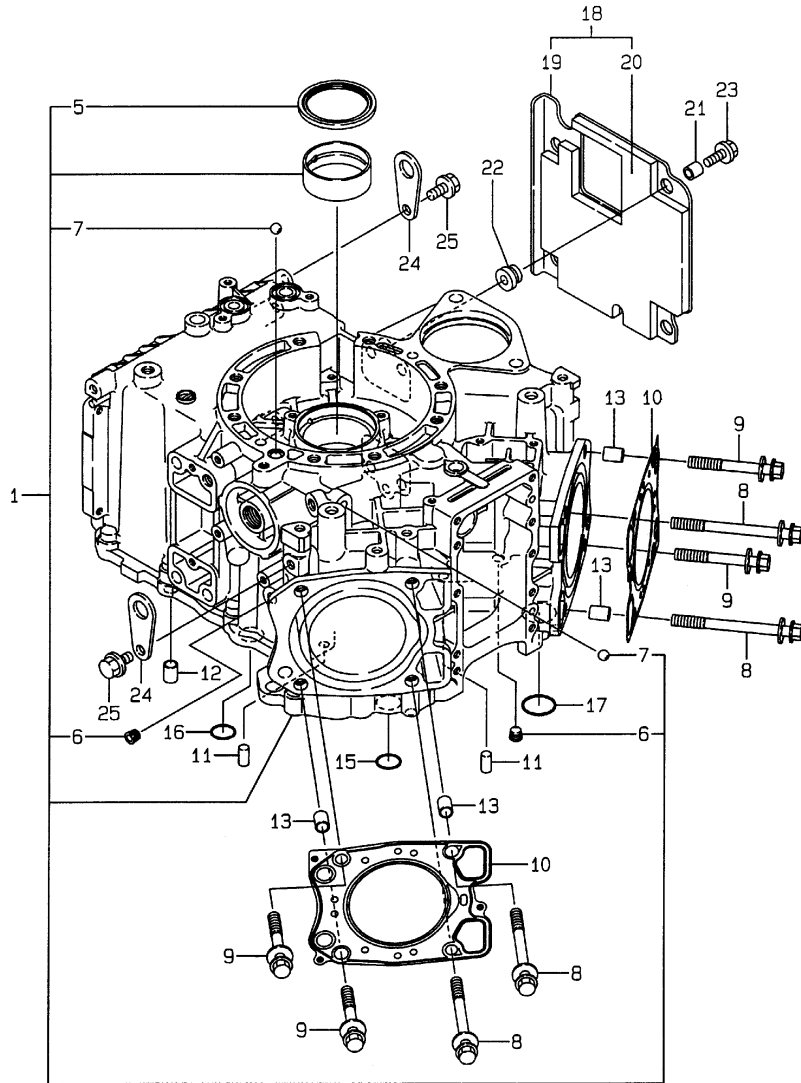
1. CYLINDER BLOCK
2. GEAR HOUSING
3. CYLINDER HEAD & BONNET
4. SUCTION MANIFOLD
5. AIR CLEANER
6. MUFFLER
7. CAMSHAFT
8. CRANKSHAFT & PISTON
9. LUB.OIL SYSTEM
10. COOLING WATER SYSTEM
11. RADIATOR
12. FUEL INJECTION PUMP
13. GOVERNOR
14. FUEL INJECTION VALVE
15. FUEL LINE
16. STARTING MOTOR
17. DYNAMO
18. GASKET SET & TOOLS

Fig. No. Fig. Name

Fig.1. CYLINDER BLOCK

(A)=2V78C-SA
 (B)=2V78C-SB
 (C)=2V78C-SC

(D)=
 (E)=
 (F)=



No.	Lev.	Parts No.	Description	Q'ty						I	R
				(A)	(B)	(C)	(D)	(E)	(F)		
1	1	118400-01003	BLOCK ASSY, CYLINDER	1	1	1					
5	2	118200-02220	SEAL, OIL	1	1	1					
6	2	23875-010000	PLUG, R01	2	2	2					
7	2	24190-110001	BALL, STEEL 11/32	2	2	2					
8	1	118200-01200	BOLT, HEAD	4	4	4					
9	1	118200-01210	BOLT, HEAD	4	4	4					
10	1	118200-01360	GASKET, HEAD	2	2	2					
11	1	129100-01580	PIN, M8X16	2	2	2					
12	1	118200-01800	PIPE, KNOCK	2	2	2					
13	1	118200-01800	PIPE, KNOCK	4	4	4					
15	1	118200-01410	O-RING, P16.0	1	1	1					
16	1	118200-01420	O-RING, P16.0	1	1	1					
17	1	118200-01430	O-RING, S24.0	1	1	1					
18	1	118401-01850	COVER, HUSH	1	1	1					
19	2	118401-01860	COVER	1	1	1					
20	2	118401-01870	INSULATOR, NOISE	1	1	1					
21	1	114350-45340	COLLAR	4	4	4					
22	1	183720-55210	GROMMET	4	4	4					
23	1	26106-060162	BOLT, M6X 16 PLATED	4	4	4					
24	1	118401-07900	LIFTER		3						
25	1	26106-080162	BOLT, M8X 16 PLATED		3						

Fig.2. GEAR HOUSING

(A)=2V78C-SA
 (B)=2V78C-SB
 (C)=2V78C-SC

(D)=
 (E)=
 (F)=

No.	Lev.	Parts No.	Description	Qty						I	R
				(A)	(B)	(C)	(D)	(E)	(F)		
1	1	118400-01480	COVER, GEAR CASE	1	1	1					
2	1	118400-01490	GASKET	1	1	1					
3	1	118400-01820	COVER ASSY,GEAR CASE	1	1	1					
6	2	118200-02230	SEAL, OIL	1	1	1					
7	2	24190-110001	BALL, STEEL 11/32	4	4	4					
8	1	26106-060122	BOLT, M6X 12 PLATED	4	4	4					
9	1	26106-080402	BOLT, M8X 40 PLATED	10	10	10					
10	1	26106-080552	BOLT, M8X 55 PLATED	4	4	4					
11	1	26106-080752	BOLT, M8X 75 PLATED	1	1	1					
12	1	118400-01750	CAP, FILLER	1	1	1					
13	1	118400-01760	GASKET	1	1	1					
14	1	118400-34800	GUIDE ASSY, DIPSTICK	1	1	1					
15	2	105425-01690	PLUG, 16	1	1	1					
16	2	22190-160002	WASHER, SEAL 16	1	1	1					
17	2	118400-34810	GUIDE, DIPSTICK	1	1	1					
18	1	118200-49120	GASKET	1	1	1					
19	1	26106-060202	BOLT, M6X 20 PLATED	2	2	2					
20	1	118400-08340	DAMPER	3							

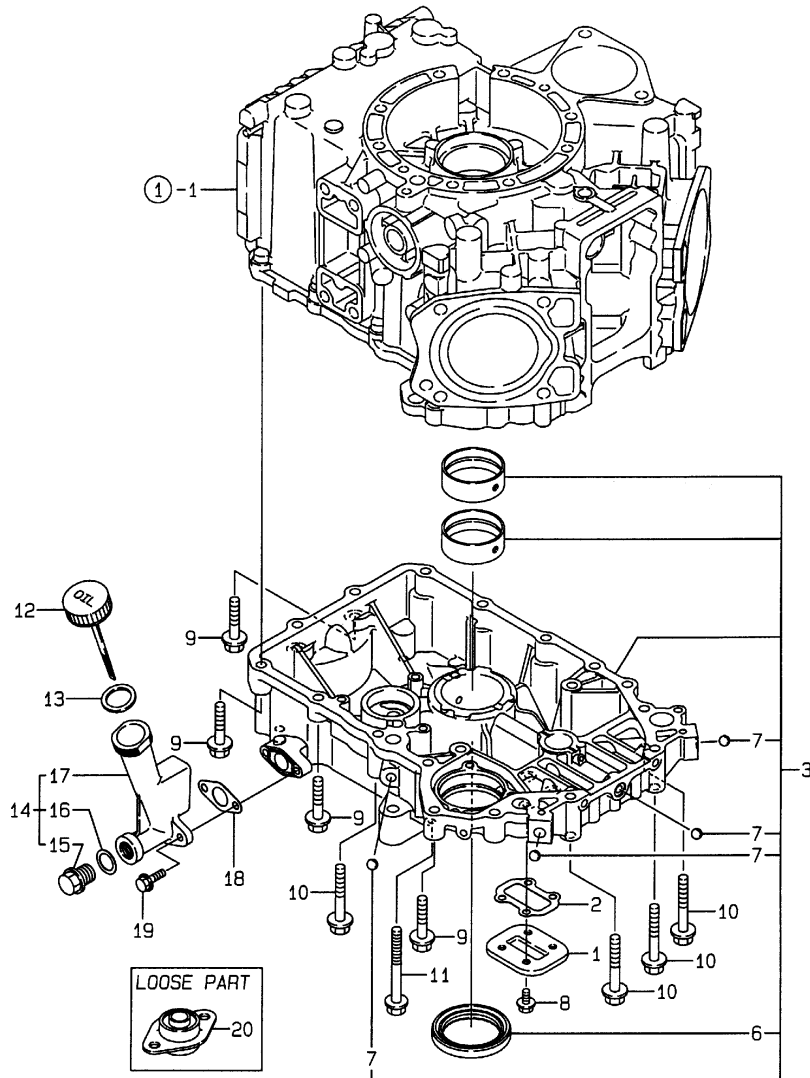
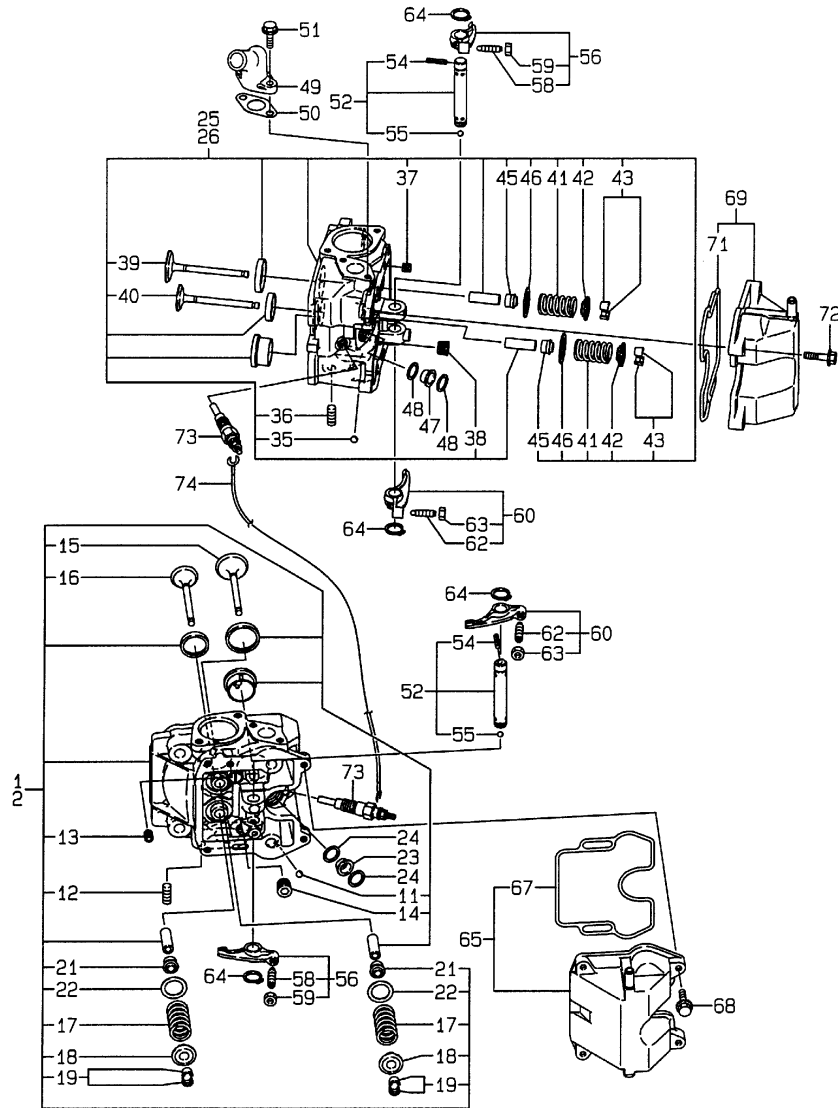


Fig.3. CYLINDER HEAD & BONNET

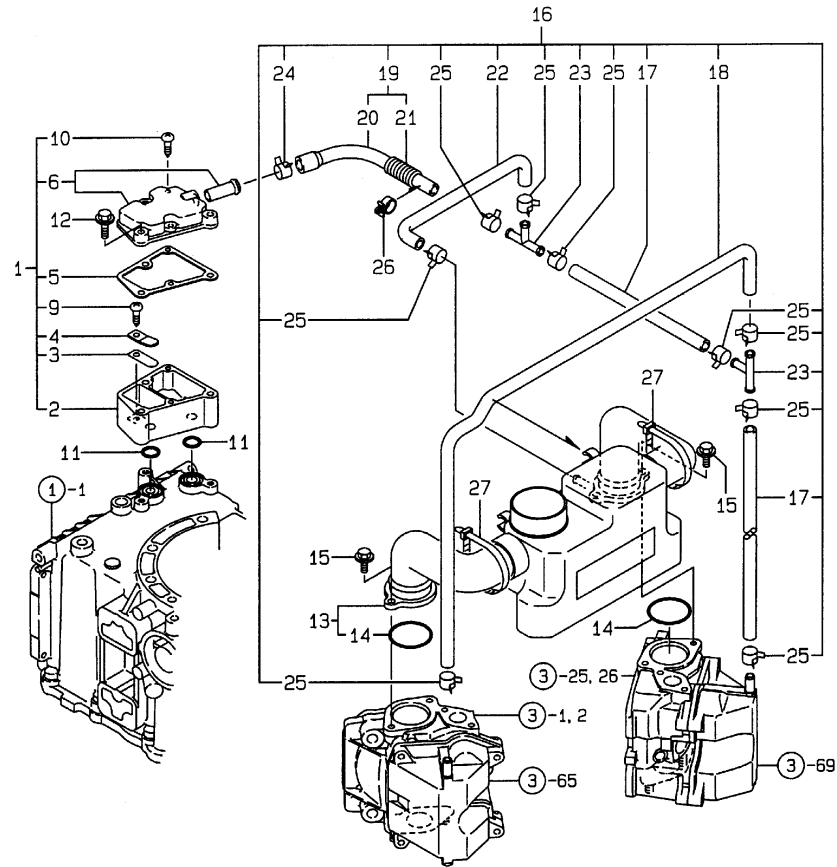
(A)=2V78C-SA
(B)=2V78C-SB
(C)=2V78C-SC

(D)=
(E)=
(F)=



No.	Lev.	Parts No.	Description	Q'ty						I	R
				(A)	(B)	(C)	(D)	(E)	(F)		
1	1	118200-11870	HEAD ASSY, CYLINDER	1	1						
2	1	118200-11852	HEAD ASSY, CYLINDER							1	
11	2	24190-080001	BALL, STEEL 1/4	1	1	1					
12	2	26226-080222	STUD, M8X 22	2	2	2					
13	2	26979-060062	SCREW, M6X 6	1	1	1					
14	2	124160-01910	PLUG, PT1/4	1	1	1					
15	2	118200-11100	VALVE, INTAKE	1	1	1					
16	2	118200-11110	VALVE, EXHAUST	1	1	1					
17	2	118200-11120	SPRING, VALVE	2	2	2					
18	2	118200-11180	RETAINER, SPRING	2	2	2					
19	2	118200-11570	COTTER ASSY	2	2	2					
21	2	114350-11340	SEAL, VALVE STEM	2	2	2					
22	2	118200-11650	RETAINER, SPRING	2	2	2					
23	1	119600-11450	PROTECTOR, NOZZLE	1	1	1					
24	1	119600-11460	GASKET, NOZZLE	2	2	2					
25	1	118200-11880	HEAD ASSY, CYLINDER	1	1						
26	1	118200-11862	HEAD ASSY, CYLINDER							1	
35	2	24190-080001	BALL, STEEL 1/4	1	1	1					
36	2	26226-080222	STUD, M8X 22	2	2	2					
37	2	26979-060062	SCREW, M6X 6	1	1	1					
38	2	124160-01910	PLUG, PT1/4	1	1	1					
39	2	118200-11100	VALVE, INTAKE	1	1	1					
40	2	118200-11110	VALVE, EXHAUST	1	1	1					
41	2	118200-11120	SPRING, VALVE	2	2	2					
42	2	118200-11180	RETAINER, SPRING	2	2	2					
43	2	118200-11570	COTTER ASSY	2	2	2					
45	2	114350-11340	SEAL, VALVE STEM	2	2	2					
46	2	118200-11650	RETAINER, SPRING	2	2	2					
47	1	119600-11450	PROTECTOR, NOZZLE	1	1	1					
48	1	119600-11460	GASKET, NOZZLE	2	2	2					
49	1	118200-49110	BEND	1	1	1					
50	1	118200-49120	GASKET	1	1	1					
51	1	26106-060202	BOLT, M6X 20 PLATED	2	2	2					
52	1	118200-11240	SHAFT ASSY, ROCKER	2	2	2					
54	2	118200-11260	PIN, 4X26	2	2	2					
55	2	24190-070001	BALL, STEEL 7/32	2	2	2					
56	1	118200-11751	ARM, ROCKER	2	2	2					
58	2	105010-11230	SCREW, VALVE ADJUST	2	2	2					
59	2	26756-060002	NUT, LOCK M6	2	2	2					
60	1	118200-11761	ARM, ROCKER	2	2	2					
62	2	105010-11230	SCREW, VALVE ADJUST	2	2	2					
63	2	26756-060002	NUT, LOCK M6	2	2	2					
64	1	22242-000120	RING, 12	4	4	4					
65	1	118400-11500	BONNET ASSY, HEAD	1	1	1					
67	2	118200-11320	GASKET, BONNET	1	1	1					
68	1	26106-060252	BOLT, M6X 25 PLATED	4	4	4					
69	1	118400-11510	BONNET ASSY, HEAD	1	1	1					
71	2	118200-11320	GASKET, BONNET	1	1	1					
72	1	26106-060252	BOLT, M6X 25 PLATED	4	4	4					
73	1	129795-77800	PLUG, GLOW	2	2	2					
74	1	118200-77820	CONNECTOR, GLOW PLUG	1	1	1					

Fig.4. SUCTION MANIFOLD



(A)=2V78C-SA
(B)=2V78C-SB
(C)=2V78C-SC

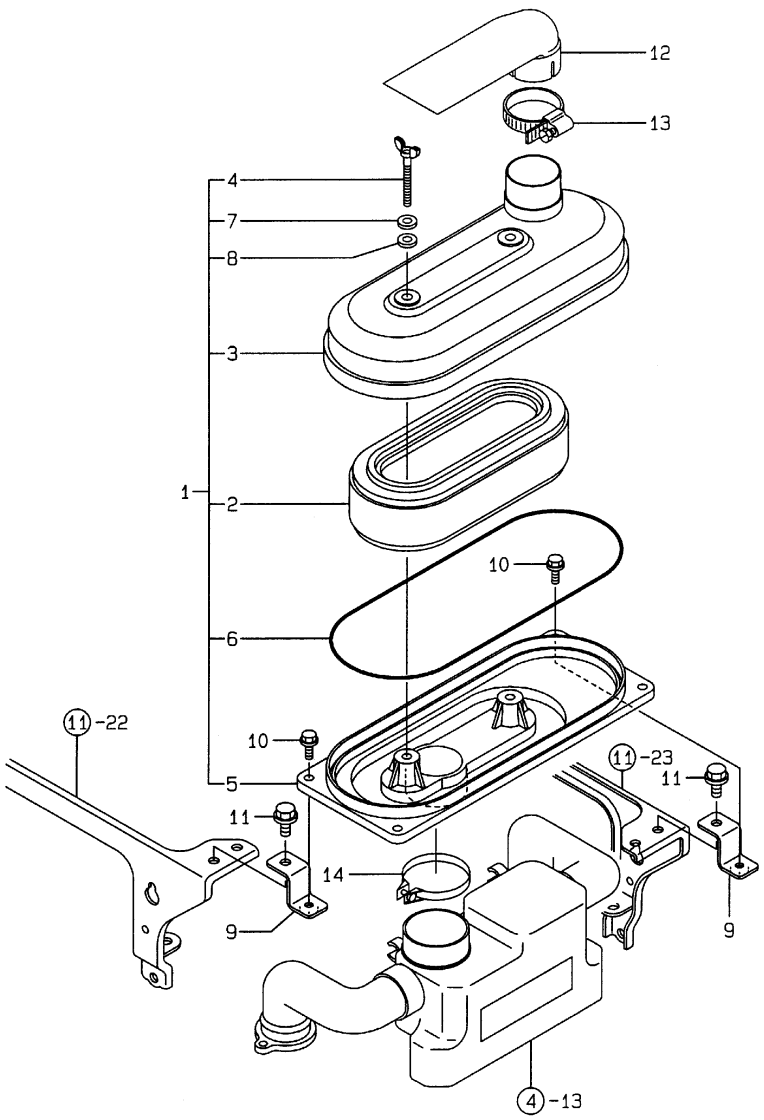
(D)=
(E)=
(F)=

No.	Lev.	Parts No.	Description	Qty						I	R
				(A)	(B)	(C)	(D)	(E)	(F)		
1	1	118400-03100	CASE ASSY	1	1	1					
2	2	118400-03010	CASE, BREATHER	1	1	1					
3	2	118400-03030	VALVE	1	1	1					
4	2	118400-03040	RETAINER	1	1	1					
5	2	118400-03050	GASKET	1	1	1					
6	2	118400-03110	COVER ASSY	1	1	1					
9	2	22857-500101	SCREW 5X10,TAPPING	1	1	1					
10	2	22857-500201	SCREW, 5X20	2	2	2					
11	1	24311-000160	O-RING, 1AP16.0	2	2	2					
12	1	26106-060602	BOLT, M6X 60 PLATED	3	3	3					
13	1	118400-12010	PIPE, AIR INTAKE	1	1	1					
14	2	118200-12211	GASKET	2	2	2					
15	1	26106-060162	BOLT, M6X 16 PLATED	4	4	4					
16	1	118400-03123	HOSE ASSY, BREATHER	1	1	1					
17	2	118401-03320	PIPE, BREATHER	2	2	2					
18	2	118400-03340	PIPE, BREATHER	1	1	1					
19	2	118401-03352	PIPE ASSY, BREATHER	1	1	1					
20	3	118401-03300	PIPE, BREATHER	1	1	1					
21	3	129950-59241	TUBE, CORRUGATED	1	1	1					
22	2	118401-03311	PIPE, BREATHER JA2	1	1	1					
23	2	118400-03380	JOINT, 3-WAY	2	2	2					
24	2	129301-03660	CLAMP 16	1	1	1					
25	2	124766-59050	CLIP, HOSE 12	9	9	9					
26	1	118400-59060	HOLDER	1	1	1					
27	1	29622-250001	BAND, RF250	2	2	2					

Fig.5. AIR CLEANER

(A)=2V78C-SA
 (B)=2V78C-SB
 (C)=2V78C-SC

(D)=
 (E)=
 (F)=



No.	Lev.	Parts No.	Description	Qty						I	R
				(A)	(B)	(C)	(D)	(E)	(F)		
1	1	118400-12510	CLEANER ASSY, AIR	1		1					
2	2	118400-12520	ELEMENT	1		1					
3	2	118400-12530	COVER, AIR CLEANER	1		1					
4	2	118400-12540	BOLT	2		2					
5	2	118400-12560	BODY	1		1					
6	2	118400-12570	GASKET, AIR CLEANER	1		1					
7	2	118400-12580	WASHER, 18MM	2		2					
8	2	118400-12550	GASKET	2		2					
9	1	118400-12660	SUPPORT, AIR CLEANER	2		2					
10	1	26106-060162	BOLT, M6X 16 PLATED	2		2					
11	1	26106-080162	BOLT, M8X 16 PLATED	2		2					
12	1	118400-12410	PIPE, AIR INTAKE	1		1					
13	1	23000-048000	CLAMP, 48	1		1					
14	1	118400-12610	CLIP, HOSE 58	1	1	1					

Fig.6. MUFFLER

(A)=2V78C-SA
 (B)=2V78C-SB
 (C)=2V78C-SC

(D)=
 (E)=
 (F)=

No.	Lev.	Parts No.	Description	Q'ty						I	R
				(A)	(B)	(C)	(D)	(E)	(F)		
1	1	118200-13200	GASKET, SILENCER	2	2	2					
2	1	118400-13500	SILENCER ASSY	1							
3	1	118400-13530	RETAINER	1							
4	1	26306-080002	NUT, M8	4							
5	1	26106-060122	BOLT, M6X 12 PLATED	2							
6	1	26106-080162	BOLT, M8X 16 PLATED	1							

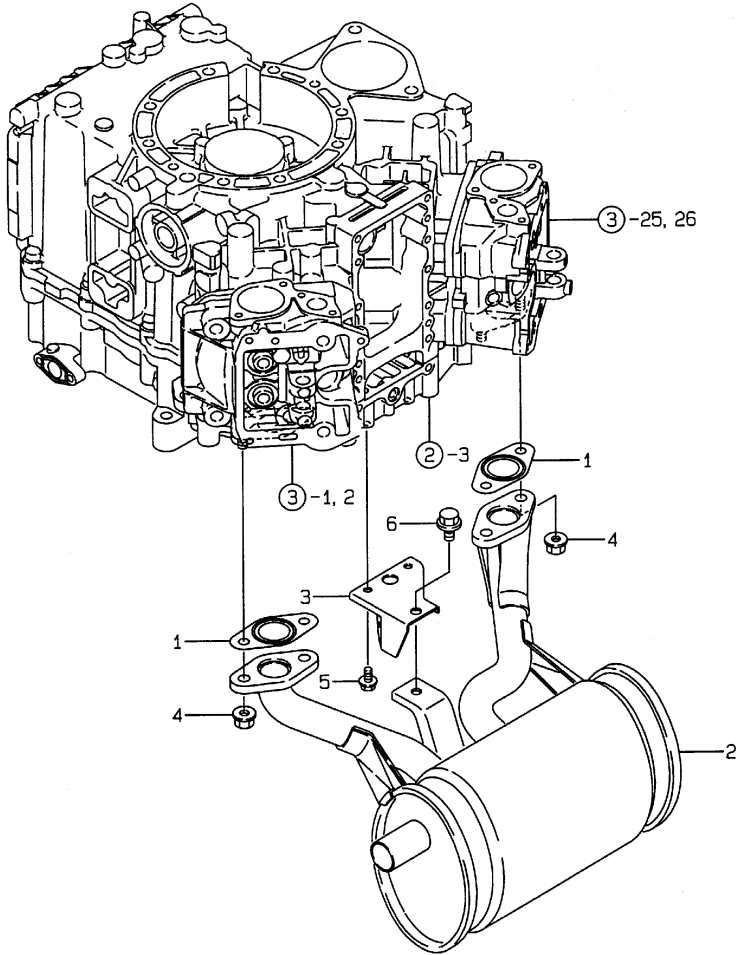


Fig.7. CAMSHAFT

(A)=2V78C-SA
 (B)=2V78C-SB
 (C)=2V78C-SC

(D)=
 (E)=
 (F)=

No.	Lev.	Parts No.	Description	Q'ty						I	R
				(A)	(B)	(C)	(D)	(E)	(F)		
1	1	118400-14001	CAMSHAFT ASSY	1	1	1					
3	2	118200-14100	GEAR, CAMSHAFT	1	1	1					
4	2	114250-21290	KEY, 4X7	1	1	1					
5	1	118200-14201	TAPPET	4	4	4					
6	1	118200-14261	TAPPET	2	2	2					
7	1	118200-14400	ROD, PUSH	4	4	4					
8	1	118200-14700	PLATE ASSY, ADJUST	1	1	1					

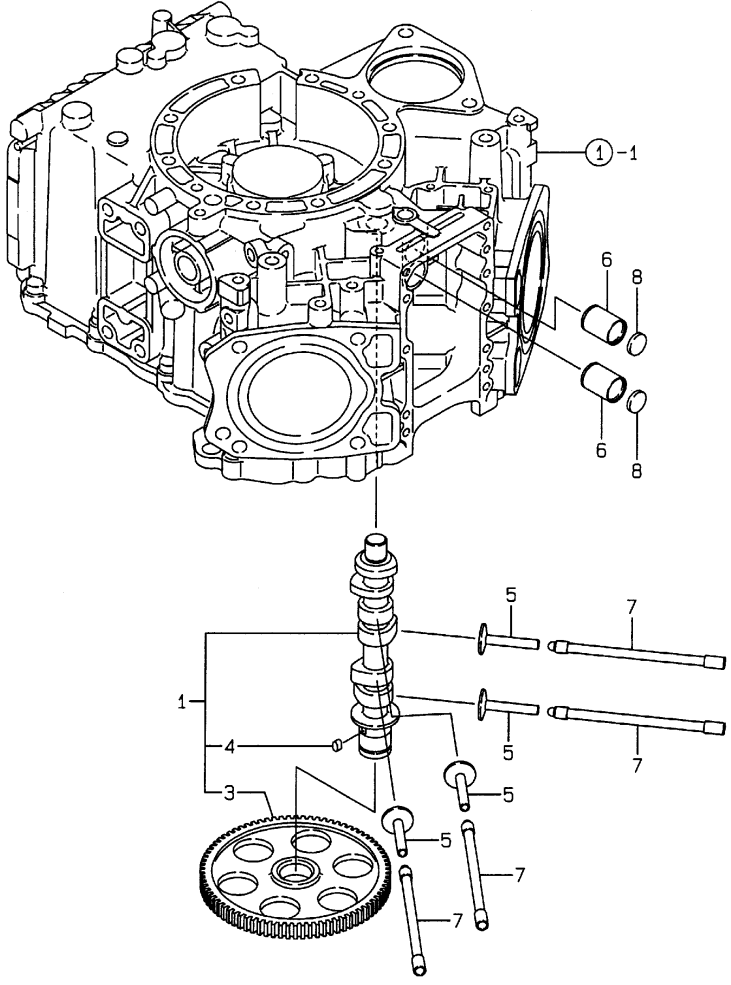
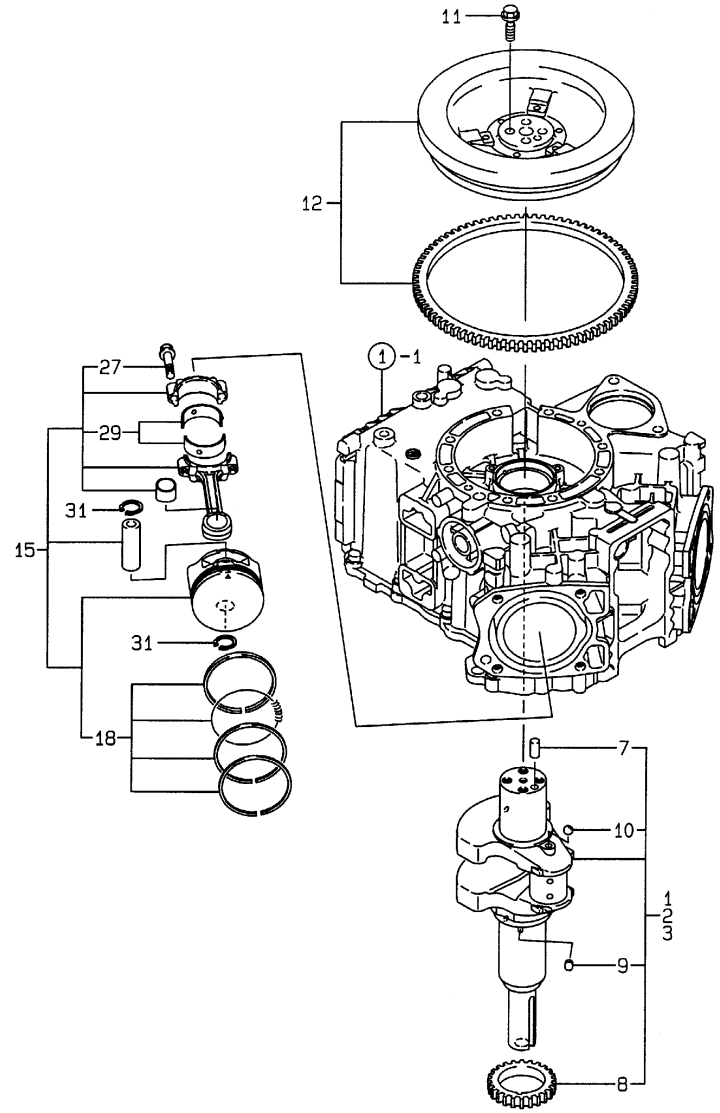


Fig.8. CRANKSHAFT & PISTON

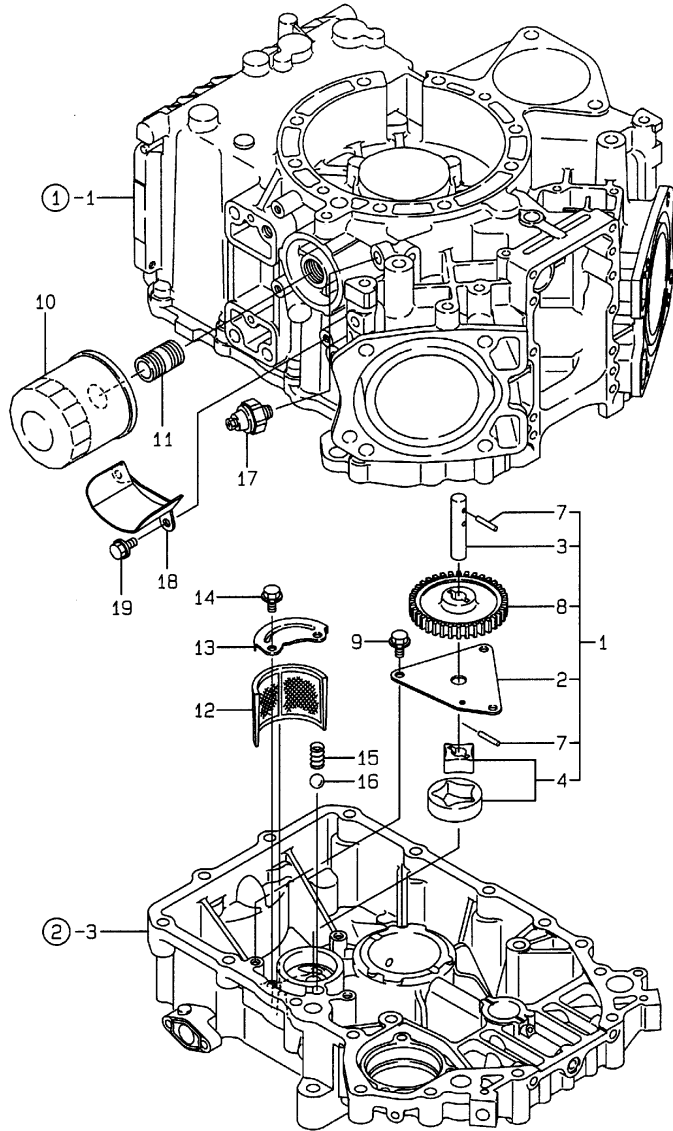


(A)=2V78C-SA
(B)=2V78C-SB
(C)=2V78C-SC

(D)=
(E)=
(F)=

No.	Lev.	Parts No.	Description	Qty						I	R
				(A)	(B)	(C)	(D)	(E)	(F)		
1	1	118400-21000	CRANKSHAFT ASSY	1							
2	1	118401-21001	CRANKSHAFT ASSY		1						
3	1	118400-21001	CRANKSHAFT ASSY			1					
7	2	129100-01580	PIN, M8X16	1	1	1					
8	2	118200-21200	GEAR, CRANKSHAFT	1	1	1					
9	2	114250-21290	KEY, 4X7	1	1	1					
10	2	24190-080001	BALL, STEEL 1/4	1	1	1					
11	1	118200-21500	BOLT, FLYWHEEL	4	4	4					
12	1	118400-21592	FLYWHEEL ASSY	1	1	1					
15	1	118200-22081	ROD ASSY, PISTON	2	2	2					
18	2	118200-22510	RING SET, PISTON	2	2	2					
27	3	118200-23200	BOLT, CONNECTING ROD	4	4	4					
29	3	118200-23600	BEARING, CRANK PIN	2	2	2					
31	1	22252-000200	RING, 20	4	4	4					

Fig.9. LUB.OIL SYSTEM



(A)=2V78C-SA
(B)=2V78C-SB
(C)=2V78C-SC

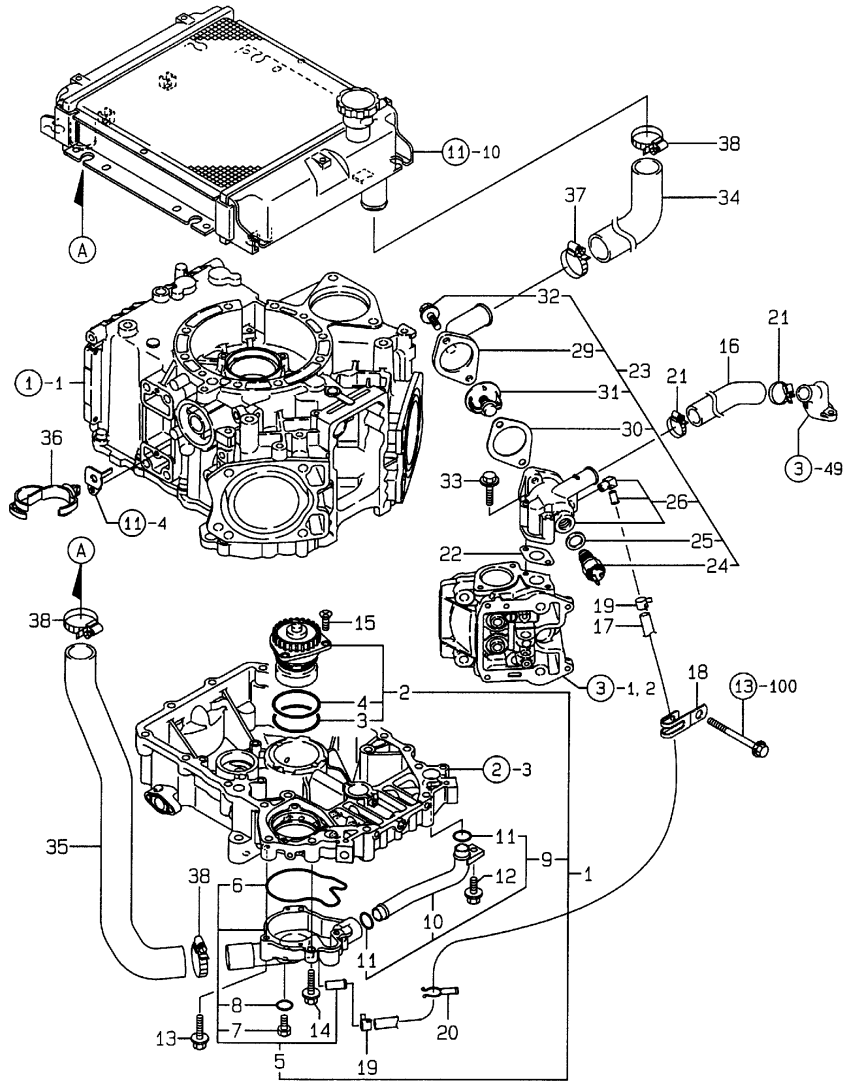
(D)=
(E)=
(F)=

No.	Lev.	Parts No.	Description	Qty						I	R
				(A)	(B)	(C)	(D)	(E)	(F)		
1	1	118200-32000	PUMP ASSY, OIL	1	1	1					
2	2	118200-32080	COVER	1	1	1					
3	2	118200-32110	SHAFT, INNER ROTOR	1	1	1					
4	2	118200-32150	ROTOR ASSY	1	1	1					
7	2	118200-32170	PIN	2	2	2					
8	2	118200-32200	GEAR, OIL PUMP	1	1	1					
9	1	26106-060122	BOLT, M6X 12 PLATED	3	3	3					
10	1	119305-35150	FILTER, OIL	1	1	1					
11	1	118200-35300	BRACKET	1	1	1					
12	1	118400-35010	SCREEN, OIL	1	1	1					
13	1	118400-35020	PLATE	1	1	1					
14	1	26106-060122	BOLT, M6X 12 PLATED	2	2	2					
15	1	118200-34040	SPRING	1	1	1					
16	1	24190-130001	BALL, STEEL 13/32	1	1	1					
17	1	121252-39450	SWITCH, 0.5KG	1	1	1					
18	1	118401-35250	TRAY	1	1	1					
19	1	26106-060122	BOLT, M6X 12 PLATED	2	2	2					

Fig.10. COOLING WATER SYSTEM

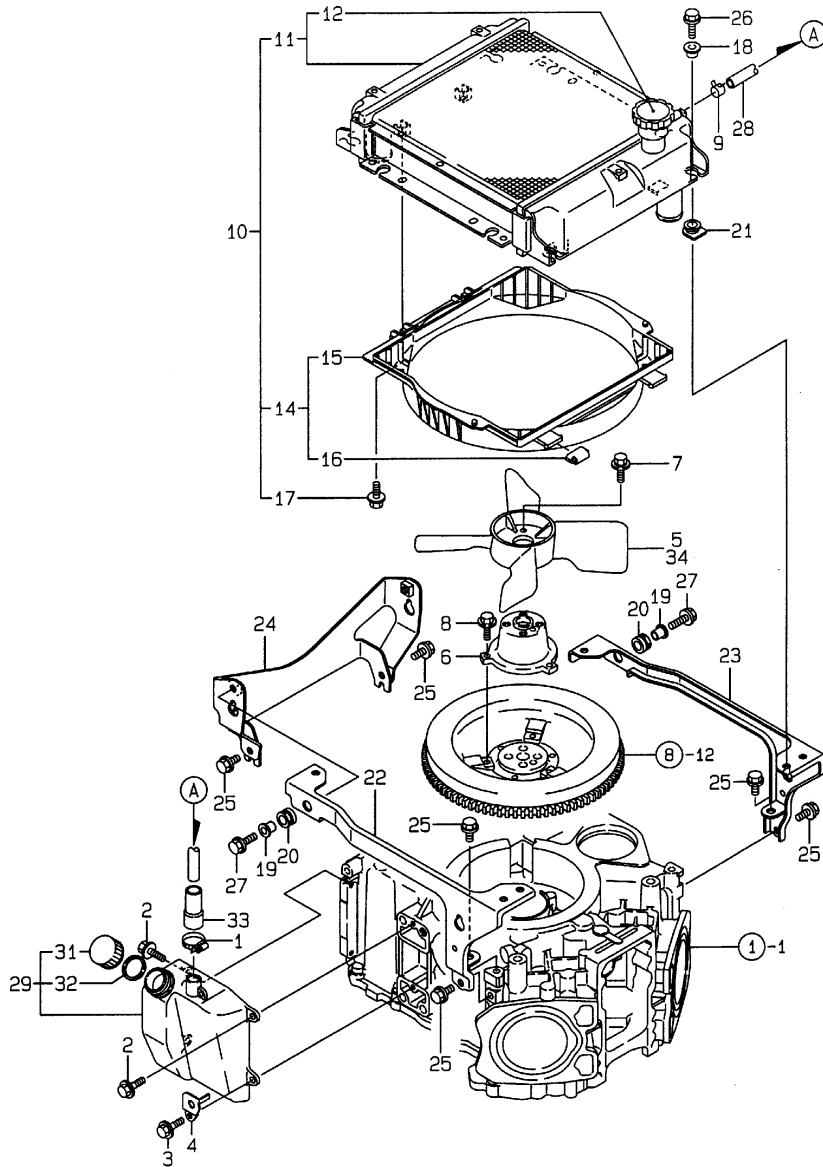
(A)=2V78C-SA
(B)=2V78C-SB
(C)=2V78C-SC

(D)=
(E)=
(F)=



No.	Lev.	Parts No.	Description	Q'ty						I	R
				(A)	(B)	(C)	(D)	(E)	(F)		
1	1	118400-42001	PUMP ASSY, WATER	1	1	1					
2	2	118400-42011	BODY, WATER PUMP	1	1	1					
3	3	24341-000500	O-RING, 1AS50.0	1	1	1					
4	3	24341-000550	O-RING, 1AS55.0	1	1	1					
5	2	118400-42020	COVER ASSY	1	1	1					
6	3	118400-42100	GASKET	1	1	1					
7	3	118400-42110	BOLT	1	1	1					
8	3	24311-000080	O-RING, 1AP8.0	1	1	1					
9	2	118400-42030	PIPE ASSY	1	1	1					
10	3	118400-42120	PIPE ASSY	1	1	1					
11	3	118400-42130	O-RING	2	2	2					
12	1	26106-060122	BOLT, M6X 12 PLATED	1	1	1					
13	1	26106-060402	BOLT, M6X 40 PLATED	3	3	3					
14	1	26106-080552	BOLT, M8X 55 PLATED	1	1	1					
15	1	26577-060162	SCREW, M6X16	3	3	3					
16	1	118200-49050	PIPE, WATER	1	1	1					
17	1	118200-49060	PIPE, WATER	1	1	1					
18	1	160260-78700	CLAMP	1	1	1					
19	1	124766-59050	CLIP, HOSE 12	2	2	2					
20	1	118400-49050	RETAINER	1	1	1					
21	1	23010-027000	CLAMP, 27	2	2	2					
22	1	118200-49120	GASKET	1	1	1					
23	1	118400-49501	CASE ASSY, THERMOSTAT	1	1	1					
24	2	121250-44901	SWITCH, 110	1	1	1					
25	2	124465-44950	GASKET, 16	1	1	1					
26	2	118400-49511	CASE, THERMOSTAT	1	1	1					
29	2	118400-49530	COVER, THERMOSTAT	1	1	1					
30	2	129350-49541	GASKET	1	1	1					
31	2	129350-49800	THERMOSTAT, 71	1	1	1					
32	2	26106-080252	BOLT, M8X 25 PLATED	2	2	2					
33	1	26106-060402	BOLT, M6X 40 PLATED	2	2	2					
34	1	118400-49011	PIPE, WATER	1	1	1					
35	1	118400-49021	PIPE, WATER	1	1	1					
36	1	118400-49160	CLIP, CABLE	1		1					
37	1	23010-035000	CLAMP, 35	1	1	1					
38	1	23010-040000	CLAMP, 40	3	3	3					

Fig.11. RADIATOR



(A)=2V78C-SA
(B)=2V78C-SB
(C)=2V78C-SC

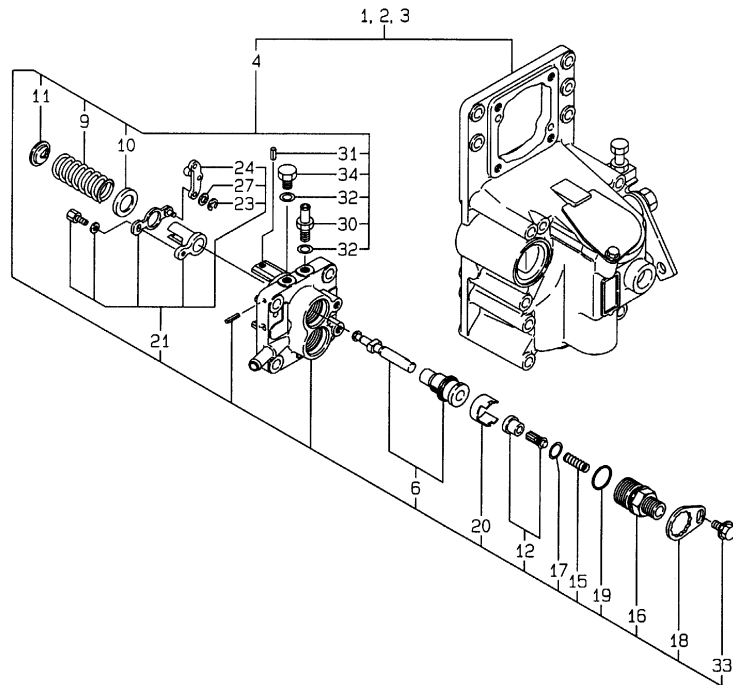
(D)=
(E)=
(F)=

No.	Lev.	Parts No.	Description	Qty						I	R
				(A)	(B)	(C)	(D)	(E)	(F)		
1	1	129410-03990	CLAMP 24	1	1	1					
2	1	26106-060122	BOLT, M6X 12 PLATED	3	4	3					
3	1	26106-060162	BOLT, M6X 16 PLATED	1		1					
4	1	118400-49150	SUPPORT	1		1					
5	1	118400-44740	FAN, COOLING	1		1					
6	1	118400-44761	SPACER, FAN	1	1	1					
7	1	118400-44750	BOLT, M6X20	4	4	4					
8	1	26106-060162	BOLT, M6X 16 PLATED	3	3	3					
9	1	124766-59050	CLIP, HOSE 12	1		1					
10	1	118400-44572	RADIATOR ASSY	1		1					
11	2	118400-44501	RADIATOR	1		1					
12	3	118400-44210	CAP	1		1					
14	2	118400-44600	SHROUD ASSY	1		1					
15	3	118400-44630	SHROUD	1		1					
16	3	118400-44620	MOUNT, RUBBER	2		2					
17	2	118400-44680	BOLT, M6X16	2		2					
18	1	118400-44670	COLLAR	4		4					
19	1	118400-44670	COLLAR	2		2					
20	1	118400-44710	MOUNT, RUBBER	2		2					
21	1	118400-44720	MOUNT, RUBBER	4		4					
22	1	118400-44902	SUPPORT, RADIATOR	1		1					
23	1	118400-44912	SUPPORT, RADIATOR	1		1					
24	1	118400-44980	SUPPORT, RADIATOR	1		1					
25	1	26106-080162	BOLT, M8X 16 PLATED	6		6					
26	1	26106-080252	BOLT, M8X 25 PLATED	4		4					
27	1	26106-080252	BOLT, M8X 25 PLATED	2		2					
28	1	124766-49160	PIPE, WATER DRAIN	1		1					
29	1	118400-44512	TANK ASSY, SUB	1	1	1					
31	2	118400-44560	CAP	1	1	1					
32	2	118400-44581	GASKET, CAP	1	1	1					
33	1	118400-44590	JOINT	1	1	1					
34	1	121520-44740	FAN, COOLING D325		1						

Fig.12. FUEL INJECTION PUMP

(A)=2V78C-SA
(B)=2V78C-SB
(C)=2V78C-SC

(D)=
(E)=
(F)=

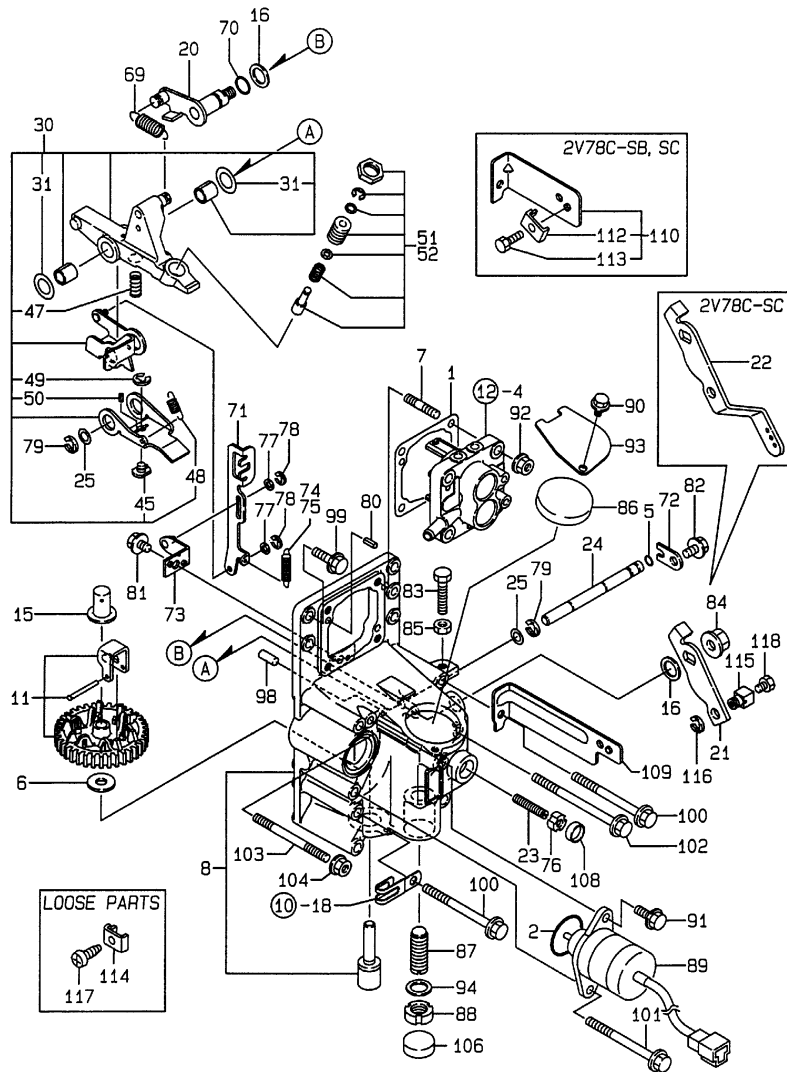


No.	Lev.	Parts No.	Description	Qty						I	R
				(A)	(B)	(C)	(D)	(E)	(F)		
1	1	718404-51300	PUMP ASSY, INJECTION	1							1
2	1	718404-51301	PUMP ASSY, INJECTION		1						1
3	1	718401-51300	PUMP ASSY, INJECTION			1					1
4	2	118400-51000	PUMP ASSY, INJECTION	1	1	1					
6	3	118400-51100	PLUNGER ASSY	2	2	2					
9	3	118400-51160	SPRING, PLUNGER	2	2	2					
10	3	118400-51170	SEAT, SPRING A	2	2	2					
11	3	118400-51180	SEAT, SPRING B	2	2	2					
12	3	118400-51300	VALVE ASSY, DELIVERY	2	2	2					
15	3	105546-51330	SPRING, DELIVERY	2	2	2					
16	3	118400-51340	HOLDER, DELIVERY	2	2	2					
17	3	124550-51350	GASKET, DELIVERY	2	2	2					
18	3	118400-51370	LOCKING	2	2	2					
19	3	124550-51370	O-RING	2	2	2					
20	3	118400-51400	PROTECTOR	2	2	2					
21	3	118400-51450	LEVER ASSY, CONTROL	1	1	1					
23	4	118400-51510	CIRCLIP	2	2	2					
24	4	118400-51550	LINK	1	1	1					
27	4	105890-51650	SHIM	2	2	2					
30	3	118400-51850	JOINT	1	1	1					
31	3	22351-025006	PIN, SPRING 2.5X 6	2	2	2					
32	3	23414-060000	GASKET, 6X1.0	2	2	2					
33	3	26106-050102	BOLT, M5X 10 PLATED	2	2	2					
34	3	26117-060082	BOLT 6* 8	1	1	1					

Remarks

(1) GOVERNOR(FIG.NO.13,REF.NO.1-94)
IS INCORPORATED IN THIS FUEL
INJECTION PUMP.(REF.NO.1,2,3).

Fig.13. GOVERNOR



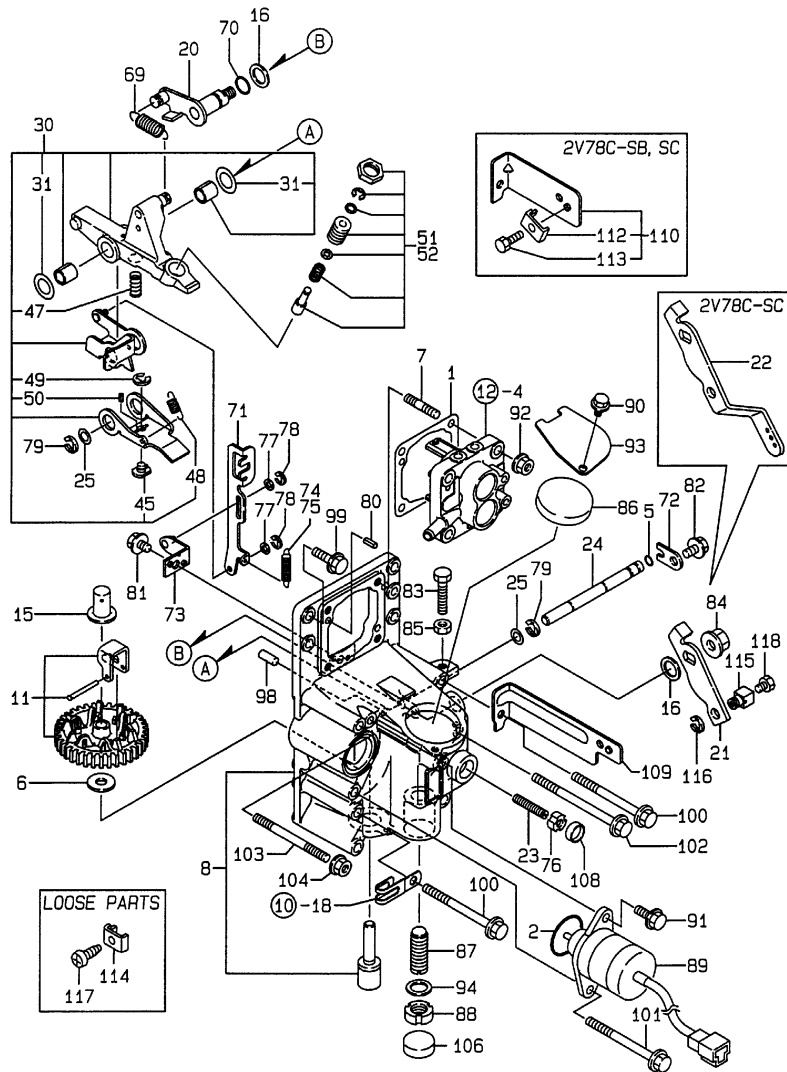
(A)=2V78C-SA
(B)=2V78C-SB
(C)=2V78C-SC

(D)=
(E)=
(F)=

No.	Lev.	Parts No.	Description	Qty						I	R
				(A)	(B)	(C)	(D)	(E)	(F)		
1	2	118400-51030	GASKET	1	1	1					
2	2	152673-51430	O-RING	1	1	1					
5	2	158563-51281	O-RING, 4D S6	1	1	1					
6	2	118400-61040	WASHER	1	1	1					
7	2	118400-61050	STUD, M6X20	4	4	4					
8	2	118400-61100	CASE ASSY, GOVERNOR	1	1	1					
11	2	118400-61200	WEIGHT ASSY,GOVERNOR	1	1	1					
15	2	118400-61300	SLEEVE, GOVERNOR	1	1	1					
16	2	118400-61350	SHIM SET	1	1	1					
20	2	118400-61400	SHAFT, CONTROL LEVER	1	1	1					
21	2	118404-61410	LEVER, CONTROL	1	1						
22	2	118400-61411	LEVER, CONTROL							1	
23	2	119988-61450	BOLT, LIMITER	1	1	1					
24	2	118400-61480	SHAFT	1	1	1					
25	2	129155-61480	SPACER ASSY	2	2	2					
30	2	118400-61500	LEVER ASSY, GOVERNOR	1	1	1					
31	3	174307-51700	SHIM SET	2	2	2					
45	3	119600-61540	SHIFTER	1	1	1					
47	3	118400-61600	SPRING, STARTING	1	1	1					
48	3	118400-61610	SPRING, SET	1	1	1					
49	3	22272-000040	RING, E- 4	1	1	1					
50	3	22351-020004	PIN, SPRING 2.0X 4	1	1	1					
51	2	118404-61650	ANGLEICH ASSY	1	1						
52	2	118400-61650	ANGLEICH ASSY							1	
69	2	118400-61800	SPRING, GOVERNOR	1	1	1					
70	2	24341-000100	O-RING, 1AS10.0	1	1	1					
71	2	118400-61900	RACK, CONTROL	1	1	1					
72	2	119660-61901	RETAINER, SHAFT	1	1	1					
73	2	118400-61910	SUPPORT	1	1	1					
74	2	118404-61920	SPRING, RACK	1	1						
75	2	118400-61920	SPRING, RACK							1	
76	2	119685-61950	NUT, M6	1	1	1					
77	2	22117-040000	WASHER, 4	2	2	2					
78	2	22272-000030	RING, E- 3	2	2	2					
79	2	22272-000070	RING, E- 7	2	2	2					
80	2	22351-040008	PIN, SPRING 4.0X 8	2	2	2					
81	2	26106-060082	BOLT, M6X 8 PLATED	1	1	1					
82	2	26106-060102	BOLT, M6X 10 PLATED	1	1	1					
83	2	26116-060304	BOLT, M6X 30 PLATED	1	1	1					
84	2	26366-080002	NUT, M8	1	1	1					
85	2	26756-060002	NUT, LOCK M6	1	1	1					
86	1	118400-61060	COVER	1	1	1					
87	1	120323-61470	BOLT, CONTROL	1	1	1					
88	1	119685-61940	NUT, M12	1	1	1					
89	1	118400-61950	SOLENOID, STOP	1	1	1					
90	1	26106-050102	BOLT, M5X 10 PLATED	1	1	1					
91	1	26106-060162	BOLT, M6X 16 PLATED	1	1	1					
92	1	26366-060002	NUT, M6	4	4	4					
93	1	118400-61070	RETAINER	1	1	1					
94	1	22190-120002	WASHER, SEAL 12	1	1	1					
98	1	22312-060120	PIN, PARALLEL M6X12	2	2	2					

Remarks
(1) REPAIR PART.

Fig.13. GOVERNOR



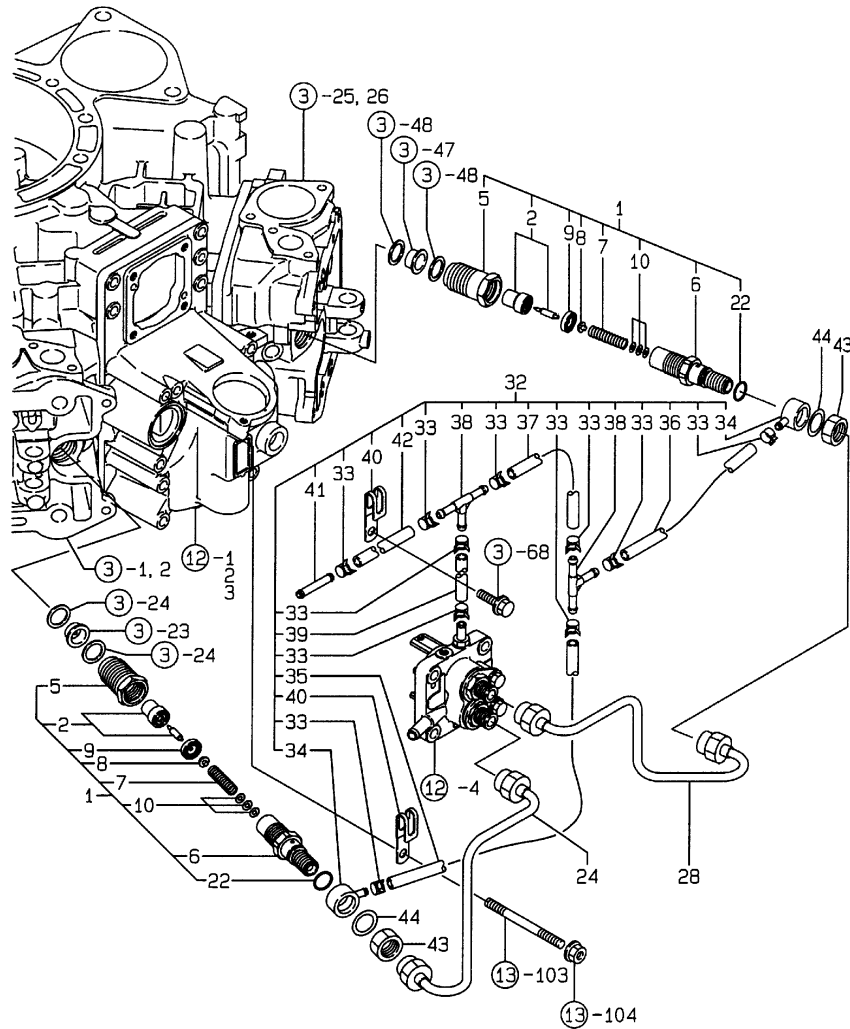
(A)=2V78C-SA
(B)=2V78C-SB
(C)=2V78C-SC

(D)=
(E)=
(F)=

No.	Lev.	Parts No.	Description	Qty						I	R
				(A)	(B)	(C)	(D)	(E)	(F)		
99	1	26106-060202	BOLT, M6X 20 PLATED	4	4	4					
100	1	26106-060702	BOLT, M6X 70 PLATED	4	4	4					
101	1	26106-060702	BOLT, M6X 70 PLATED	1	1	1					
102	1	26106-060852	BOLT, M6X 85 PLATED	1	1	1					
103	1	26226-060702	STUD, M6X 70	2	2	2					
104	1	26366-060002	NUT, M6	2	2	2					
106	1	119621-66610	PLUG, 22	1	1	1					1
108	1	119621-66710	PLUG, 14	1	1	1					1
109	1	118401-67011	BRACKET, CABLE	1							
110	1	118400-67040	BRACKET ASSY		1	1					
112	2	118400-67060	CLAMP, CABLE		1	1					
113	2	26116-050162	BOLT, M5X 16 PLATED		1	1					
114	1	118400-67060	CLAMP, CABLE			1					
115	1	118400-67070	RETAINER		1	1					
116	1	22272-000070	RING, E- 7		1	1					
117	1	22857-500160	SCREW, 5X16			1					
118	1	26116-040128	BOLT, M4X 12 PLATED		1	1					

Remarks
(1) REPAIR PART.

Fig.14. FUEL INJECTION VALVE



(A)=2V78C-SA
(B)=2V78C-SB
(C)=2V78C-SC

(D)=
(E)=
(F)=

No.	Lev.	Parts No.	Description	Qty						I	R
				(A)	(B)	(C)	(D)	(E)	(F)		
1	1	718200-53100	VALVE ASSY,INJECTION	2	2	2					
2	2	119620-53000	VALVE ASSY,INJECTION	2	2	2					
5	2	118200-53080	NUT, NOZZLE	2	2	2					
6	2	118200-53100	HOLDER, NOZZLE	2	2	2					
7	2	119620-53120	SPRING, NOZZLE	2	2	2					
8	2	114250-53130	SEAT, SPRING	2	2	2					
9	2	119620-53140	SPACER, VALVE STOP	2	2	2					
10	2	114250-53400	SHIM SET	2	2	2					
22	2	129155-61830	O-RING, S10	2	2	2					
24	2	118200-59810	PIPE ASSY, INJECTION	1	1	1					
28	2	118200-59820	PIPE ASSY, INJECTION	1	1	1					
32	1	118400-59151	PIPE ASSY, RETURN	1	1	1					
33	2	124066-59100	CLIP, HOSE 8	10	10	10					
34	2	118200-59520	JOINT	2	2	2					
35	2	119000-59560	PIPE, FUEL RETURN	1	1	1					
36	2	119000-59550	PIPE, FUEL RETURN	1	1	1					
37	2	119000-59550	PIPE, FUEL RETURN	1	1	1					
38	2	118200-59561	JOINT, 3-WAY	2	2	2					
39	2	118400-59560	PIPE, RETURN L=30	1	1	1					
40	2	160260-78700	CLAMP	3	3	3					
41	2	118200-59580	JOINT, 2-WAY	1	1	1					
42	2	124066-59580	PIPE ASSY, RETURN	1	1	1					
43	1	119620-59700	NUT, NOZZLE	2	2	2					
44	1	22190-140002	WASHER, SEAL 14	2	2	2					

Fig.15. FUEL LINE

(A)=2V78C-SA
 (B)=2V78C-SB
 (C)=2V78C-SC

(D)=
 (E)=
 (F)=

No.	Lev.	Parts No.	Description	Q'ty						I	R
				(A)	(B)	(C)	(D)	(E)	(F)		
1	1	118400-55500	FILTER ASSY, FUEL	1		1					
2	2	118200-55510	FILTER, FUEL	1		1					
3	2	118400-55520	SUPPORT	1		1					
5	1	26106-100202	BOLT, M10X 20 PLATED	1		1					
6	1	118400-59030	PIPE ASSY, FUEL	1	1	1					
7	2	124766-59050	CLIP, HOSE 12	2	2	2					
8	2	118400-59060	HOLDER	1	1	1					
9	2	118200-59070	CLAMP, HOSE	1	1	1					
11	1	118200-52100	PUMP ASSY, FUEL FEED	1	1	1					
12	1	118200-55510	FILTER, FUEL			1					
13	1	118400-55520	SUPPORT			1					

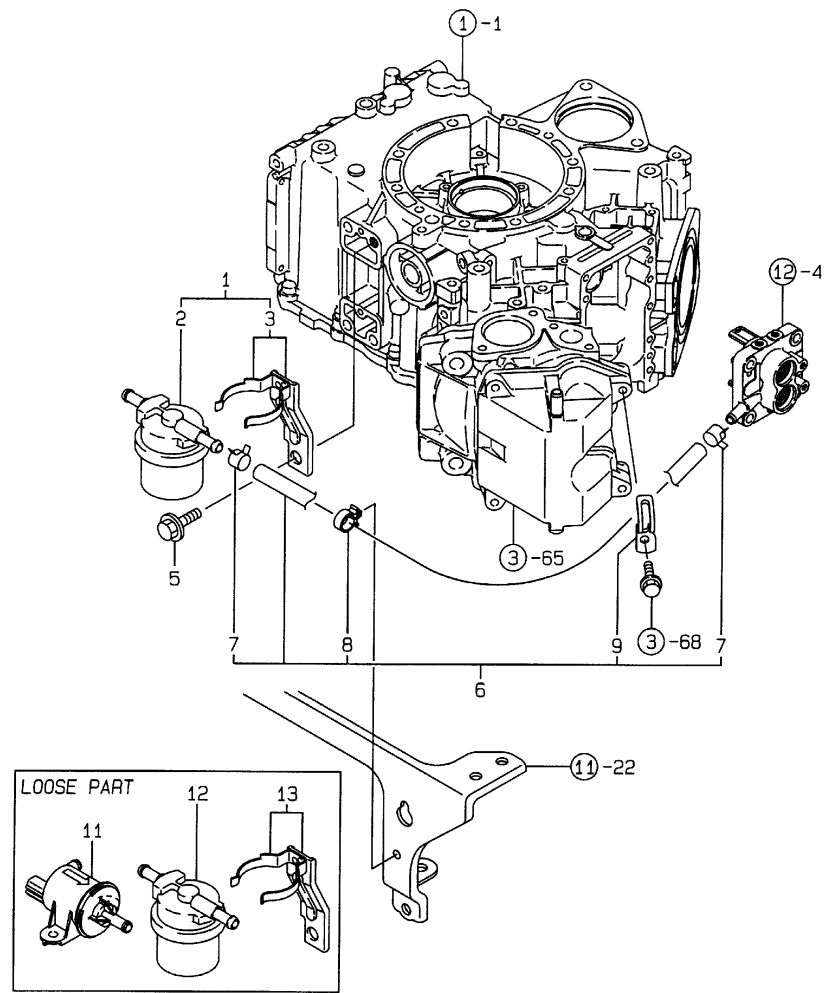
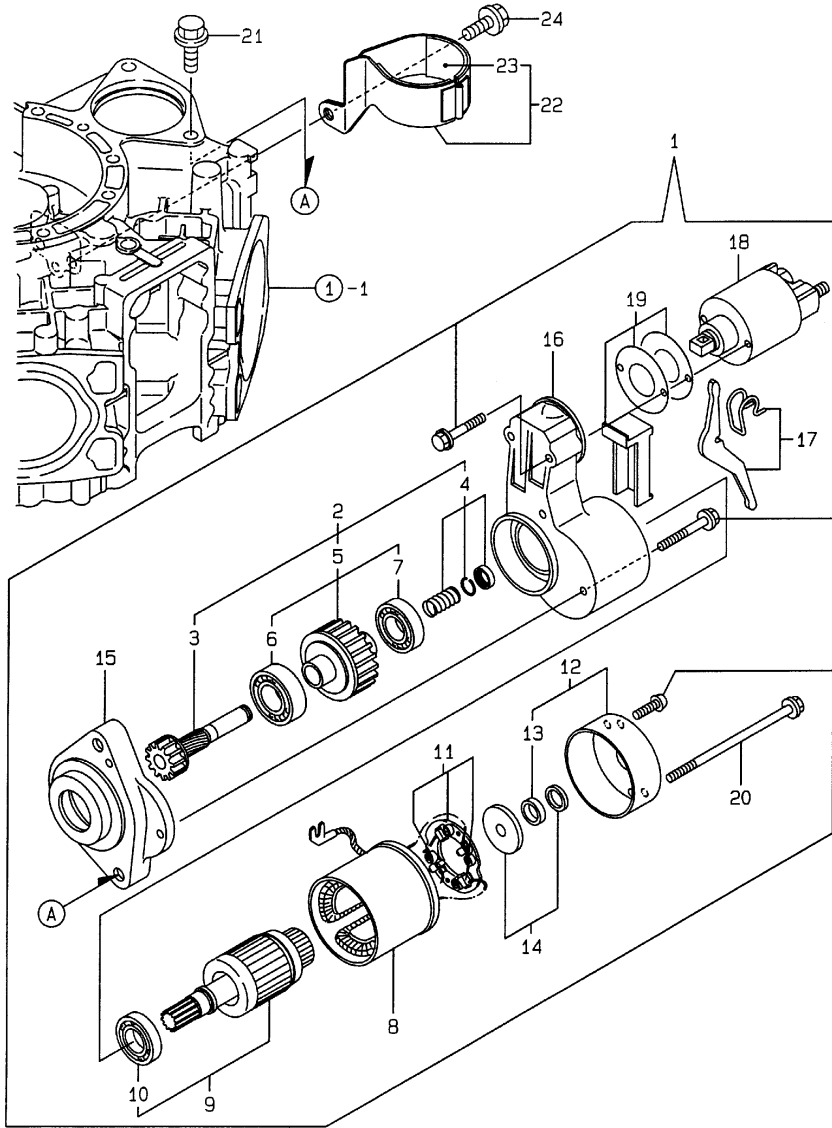


Fig.16. STARTING MOTOR

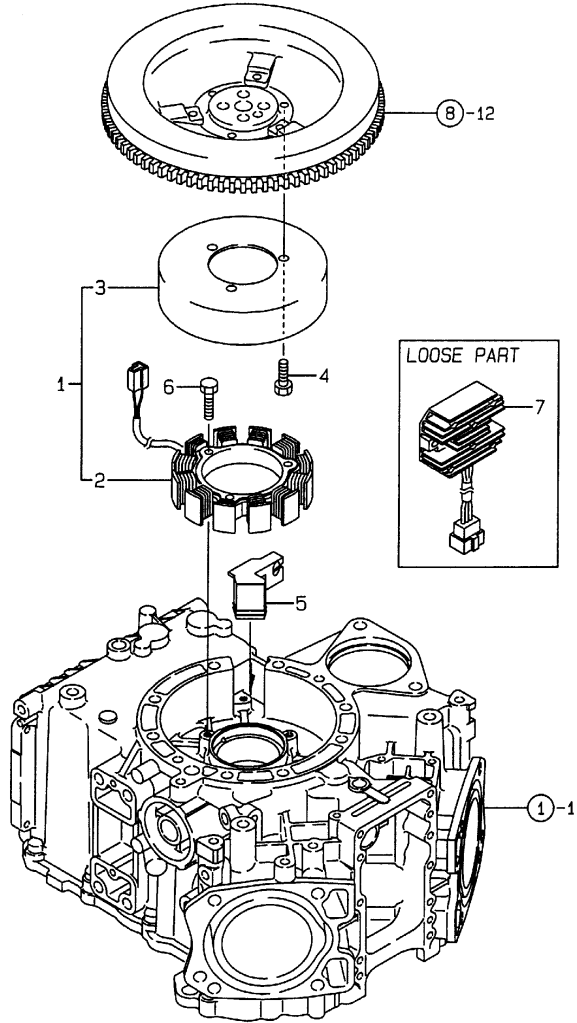
(A)=2V78C-SA
 (B)=2V78C-SB
 (C)=2V78C-SC

(D)=
 (E)=
 (F)=



No.	Lev.	Parts No.	Description	Qty						I	R
				(A)	(B)	(C)	(D)	(E)	(F)		
1	1	118400-77020	STARTER ASSY, TR1.4	1	1	1					
2	2	X2130650060	CLUTCH ASSY	1	1	1					
3	3	X2114555100	SHAFT, PINION	1	1	1					
4	3	X2114890060	STOPPER SET, PINION	1	1	1					
5	3	X2130750060	CLUTCH ASSY	1	1	1					
6	4	X2114555020	BALL BEARING	1	1	1					
7	4	X2114950020	BEARING	1	1	1					
8	2	129608-77110	YOKE ASSY	1	1	1					
9	2	118400-77251	ARMATURE ASSY	1	1	1					
10	3	118400-77260	BEARING,ARMATURE	1	1	1					
11	2	118400-77270	BRUSH HOLDER ASSY	1	1	1					
12	2	118400-77280	REAR COVER ASSY	1	1	1					
13	3	129698-77170	BEARING	1	1	1					
14	2	118400-77290	THRUST WASHERKIT	1	1	1					
15	2	118400-77300	GEAR CASE	1	1	1					
16	2	118400-77310	CENTER HAUSING	1	1	1					
17	2	118400-77320	SHIFT LEVER SET	1	1	1					
18	2	118400-77330	MAGNETIC SWITCH ASSY	1	1	1					
19	2	118400-77340	DUST COVER KIT	1	1	1					
20	2	124195-77770	THROUGH BOLT	2	2	2					
21	1	26106-100302	BOLT, M10X 30 PLATED	2	2	2					
22	1	118400-77050	BRACKET ASSY		1	1					
23	2	118400-77060	SEAT, RUBBER		2	2					
24	1	26106-100202	BOLT, M10X 20 PLATED		1	1					

Fig.17. DYNAMO

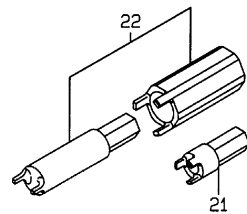
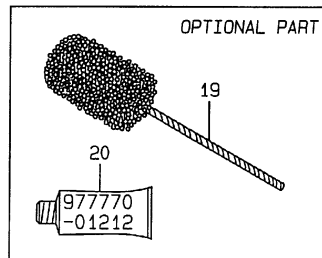
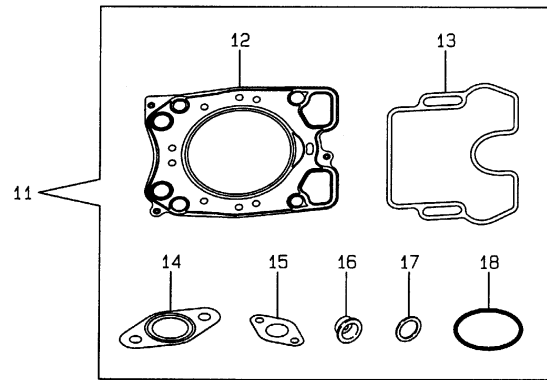
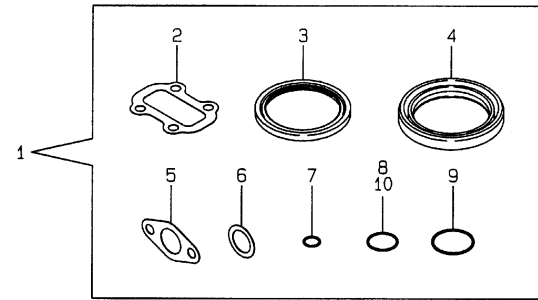


(A)=2V78C-SA
 (B)=2V78C-SB
 (C)=2V78C-SC

(D)=
 (E)=
 (F)=

No.	Lev.	Parts No.	Description	Q'ty						I	R
				(A)	(B)	(C)	(D)	(E)	(F)		
1	1	118200-78201	DYNAMO ASSY	1	1	1					
2	2	118200-78751	STATOR ASSY	1	1	1					
3	2	118200-78760	WHEEL, DYNAMO	1	1	1					
4	1	118200-78300	BOLT, M6X12	3	3	3					
5	1	118400-78700	CLAMP	1	1	1					
6	1	26116-060252	BOLT, M6X 25 PLATED	3	3	3					
7	1	119225-77720	LIMITER, CURRENT 20A	1	1	1					

Fig.18. GASKET SET & TOOLS



(A)=2V78C-SA
(B)=2V78C-SB
(C)=2V78C-SC

(D)=
(E)=
(F)=

No.	Lev.	Parts No.	Description	Qty						I	R
				(A)	(B)	(C)	(D)	(E)	(F)		
1	1	118400-99011	GASKET SET, BLOCK	1	1	1					1
2	2	118400-01490	GASKET	1	1	1					
3	2	118200-02220	SEAL, OIL	1	1	1					
4	2	118200-02230	SEAL, OIL	1	1	1					
5	2	118200-49120	GASKET	1	1	1					
6	2	22190-160002	WASHER, SEAL 16	1	1	1					
7	2	118200-01400	O-RING, P6.0	2	2	2					
8	2	118200-01410	O-RING, P16.0	1	1	1					
9	2	118200-01430	O-RING, S24.0	1	1	1					
10	2	118200-01420	O-RING, P16.0	1	1	1					
11	1	118200-99021	GASKET SET, HEAD	1	1	1					1
12	2	118200-01350	GASKET, HEAD	1	1	1					
13	2	118200-11320	GASKET, BONNET	1	1	1					
14	2	118200-13200	GASKET, SILENCER	1	1	1					
15	2	118200-49120	GASKET	1	1	1					
16	2	119600-11450	PROTECTOR, NOZZLE	1	1	1					
17	2	119600-11460	GASKET, NOZZLE	2	2	2					
18	2	118200-12211	GASKET	1	1	1					
19	1	129400-92420	FLEX HORN	1	1	1					1
20	1	977770-01212	GASKET, LIQUID	1	1	1					1
21	1	119621-99100	TOOL, CARB IDLE	1	1	1					
22	1	119621-99400	BOX, TOOL	1	1	1					

Remarks
(1) OPTIONAL PART.

Parts No. Index

Parts No.	Fig. No.	Ref. No.
105010-11230	3	58
		62
105425-01690	2	15
105546-51330	12	15
105890-51650	12	27
114250-21290	7	4
	8	9
114250-53130	14	8
114250-53400	14	10
114350-11340	3	21
		45
114350-45340	1	21
118200-01200	1	8
118200-01210	1	9
118200-01350	18	12
118200-01360	1	10
118200-01400	18	7
118200-01410	1	15
	18	8
118200-01420	1	16
	18	10
118200-01430	1	17
	18	9
118200-01800	1	12
		13
118200-02220	1	5
	18	3
118200-02230	2	6
	18	4
118200-11100	3	15
		39
118200-11110	3	16
		40
118200-11120	3	17
		41
118200-11180	3	18
		42
118200-11240	3	52
118200-11260	3	54
118200-11320	3	67
		71
	18	13
118200-11570	3	19
		43
118200-11650	3	22
		46
118200-11751	3	56
118200-11761	3	60
118200-11852	3	2
118200-11862	3	26

Parts No.	Fig. No.	Ref. No.
118200-11870	3	1
118200-11880	3	25
118200-12211	4	14
	18	18
118200-13200	6	1
	18	14
118200-14100	7	3
118200-14201	7	5
118200-14261	7	6
118200-14400	7	7
118200-14700	7	8
118200-21200	8	8
118200-21500	8	11
118200-22081	8	15
118200-22510	8	18
118200-23200	8	27
118200-23600	8	29
118200-32000	9	1
118200-32080	9	2
118200-32110	9	3
118200-32150	9	4
118200-32170	9	7
118200-32200	9	8
118200-34040	9	15
118200-35300	9	11
118200-49050	10	16
118200-49060	10	17
118200-49110	3	49
118200-49120	2	18
	3	50
	10	22
	18	5
		15
118200-52100	15	11
118200-53080	14	5
118200-53100	14	6
118200-55510	15	2
		12
118200-59070	15	9
118200-59520	14	34
118200-59561	14	38
118200-59580	14	41
118200-59810	14	24
118200-59820	14	28
118200-77820	3	74
118200-78201	17	1
118200-78300	17	4
118200-78751	17	2
118200-78760	17	3
118200-99021	18	11

Parts No.	Fig. No.	Ref. No.
118400-01003	1	1
118400-01480	2	1
118400-01490	2	2
	18	2
118400-01750	2	12
118400-01760	2	13
118400-01820	2	3
118400-03010	4	2
118400-03030	4	3
118400-03040	4	4
118400-03050	4	5
118400-03100	4	1
118400-03110	4	6
118400-03123	4	16
118400-03340	4	18
118400-03380	4	23
118400-08340	2	20
118400-11500	3	65
118400-11510	3	69
118400-12010	4	13
118400-12410	5	12
118400-12510	5	1
118400-12520	5	2
118400-12530	5	3
118400-12540	5	4
118400-12550	5	8
118400-12560	5	5
118400-12570	5	6
118400-12580	5	7
118400-12610	5	14
118400-12660	5	9
118400-13500	6	2
118400-13530	6	3
118400-14001	7	1
118400-21000	8	1
118400-21001	8	3
118400-21592	8	12
118400-34800	2	14
118400-34810	2	17
118400-35010	9	12
118400-35020	9	13
118400-42001	10	1
118400-42011	10	2
118400-42020	10	5
118400-42030	10	9
118400-42100	10	6
118400-42110	10	7
118400-42120	10	10
118400-42130	10	11
118400-44210	11	12

Parts No.	Fig. No.	Ref. No.
118400-44501	11	11
118400-44512	11	29
118400-44560	11	31
118400-44572	11	10
118400-44581	11	32
118400-44590	11	33
118400-44600	11	14
118400-44620	11	16
118400-44630	11	15
118400-44670	11	18
		19
118400-44680	11	17
118400-44710	11	20
118400-44720	11	21
118400-44740	11	5
118400-44750	11	7
118400-44761	11	6
118400-44902	11	22
118400-44912	11	23
118400-44980	11	24
118400-49011	10	34
118400-49021	10	35
118400-49050	10	20
118400-49150	11	4
118400-49160	10	36
118400-49501	10	23
118400-49511	10	26
118400-49530	10	29
118400-51000	12	4
118400-51030	13	1
118400-51100	12	6
118400-51160	12	9
118400-51170	12	10
118400-51180	12	11
118400-51300	12	12
118400-51340	12	16
118400-51370	12	18
118400-51400	12	20
118400-51450	12	21
118400-51510	12	23
118400-51550	12	24
118400-51850	12	30
118400-55500	15	1
118400-55520	15	3
		13
118400-59030	15	6
118400-59060	4	26
	15	8
118400-59151	14	32
118400-59560	14	39

Parts No. Index

Parts No.	Fig. No.	Ref. No.
118400-61040	13	6
118400-61050	13	7
118400-61060	13	86
118400-61070	13	93
118400-61100	13	8
118400-61200	13	11
118400-61300	13	15
118400-61350	13	16
118400-61400	13	20
118400-61411	13	22
118400-61480	13	24
118400-61500	13	30
118400-61600	13	47
118400-61610	13	48
118400-61650	13	52
118400-61800	13	69
118400-61900	13	71
118400-61910	13	73
118400-61920	13	75
118400-61950	13	89
118400-67040	13	110
118400-67060	13	112
		114
118400-67070	13	115
118400-77020	16	1
118400-77050	16	22
118400-77060	16	23
118400-77251	16	9
118400-77260	16	10
118400-77270	16	11
118400-77280	16	12
118400-77290	16	14
118400-77300	16	15
118400-77310	16	16
118400-77320	16	17
118400-77330	16	18
118400-77340	16	19
118400-78700	17	5
118400-99011	18	1
118401-01850	1	18
118401-01860	1	19
118401-01870	1	20
118401-03300	4	20
118401-03311	4	22
118401-03320	4	17
118401-03352	4	19
118401-07900	1	24
118401-21001	8	2
118401-35250	9	18
118401-67011	13	109

Parts No.	Fig. No.	Ref. No.
118404-61410	13	21
118404-61650	13	51
118404-61920	13	74
119000-59550	14	36
		37
119000-59560	14	35
119225-77720	17	7
119305-35150	9	10
119600-11450	3	23
		47
	18	16
119600-11460	3	24
		48
	18	17
119600-61540	13	45
119620-53000	14	2
119620-53120	14	7
119620-53140	14	9
119620-59700	14	43
119621-66610	13	106
119621-66710	13	108
119621-99100	18	21
119621-99400	18	22
119660-61901	13	72
119685-61940	13	88
119685-61950	13	76
119988-61450	13	23
120323-61470	13	87
121250-44901	10	24
121252-39450	9	17
121520-44740	11	34
124066-59100	14	33
124066-59580	14	42
124160-01910	3	14
		38
124195-77770	16	20
124465-44950	10	25
124550-51350	12	17
124550-51370	12	19
124766-49160	11	28
124766-59050	4	25
	10	19
	11	9
	15	7
129100-01580	1	11
	8	7
129155-61480	13	25
129155-61830	14	22
129301-03660	4	24
129350-49541	10	30

Parts No.	Fig. No.	Ref. No.
129350-49800	10	31
129400-92420	18	19
129410-03990	11	1
129608-77110	16	8
129698-77170	16	13
129795-77800	3	73
129950-59241	4	21
152673-51430	13	2
158563-51281	13	5
160260-78700	10	18
	14	40
174307-51700	13	31
183720-55210	1	22
22117-040000	13	77
22190-120002	13	94
22190-140002	14	44
22190-160002	2	16
	18	6
22242-000120	3	64
22252-000200	8	31
22272-000030	13	78
22272-000040	13	49
22272-000070	13	79
		116
22312-060120	13	98
22351-020004	13	50
22351-025006	12	31
22351-040008	13	80
22857-500101	4	9
22857-500160	13	117
22857-500201	4	10
23000-048000	5	13
23010-027000	10	21
23010-035000	10	37
23010-040000	10	38
23414-060000	12	32
23875-010000	1	6
24190-070001	3	55
24190-080001	3	11
		35
	8	10
24190-110001	1	7
	2	7
24190-130001	9	16
24311-000080	10	8
24311-000160	4	11
24341-000100	13	70
24341-000500	10	3
24341-000550	10	4
26106-050102	12	33

Parts No.	Fig. No.	Ref. No.
26106-050102	13	90
26106-060082	13	81
26106-060102	13	82
26106-060122	2	8
	6	5
	9	9
		14
		19
	10	12
	11	2
26106-060162	1	23
	4	15
	5	10
	11	3
		8
	13	91
26106-060202	2	19
	3	51
	13	99
26106-060252	3	68
		72
26106-060402	10	13
		33
26106-060602	4	12
26106-060702	13	100
		101
26106-060852	13	102
26106-080162	1	25
	5	11
	6	6
	11	25
26106-080252	10	32
	11	26
		27
26106-080402	2	9
26106-080552	2	10
	10	14
26106-080752	2	11
26106-100202	15	5
	16	24
26106-100302	16	21
26116-040128	13	118
26116-050162	13	113
26116-060252	17	6
26116-060304	13	83
26117-060082	12	34
26226-060702	13	103
26226-080222	3	12
		36
26306-080002	6	4

Parts No. Index

Parts No.	Fig. No.	Ref. No.
26366-060002	13	92 104
26366-080002	13	84
26577-060162	10	15
26756-060002	3	59 63
	13	85
26979-060062	3	13 37
29622-250001	4	27
718200-53100	14	1
718401-51300	12	3
718404-51300	12	1
718404-51301	12	2
977770-01212	18	20
X2114555020	16	6
X2114555100	16	3
X2114890060	16	4
X2114950020	16	7
X2130650060	16	2
X2130750060	16	5

Parts No.	Fig. No.	Ref. No.
-----------	----------	----------

Parts No.	Fig. No.	Ref. No.
-----------	----------	----------

Parts No.	Fig. No.	Ref. No.
-----------	----------	----------