



# PARTS CATALOG

Published

2013/1 (Jan.)

---

0CR10-G56600

# PREFACE

1.This Parts Catalog carries all parts incorporated in YANMAR Model 4TNV88-DSA, 4TNV88-DSA2, 4TNV88-DSA3 and 4TNV88-GGE engine manufactured since January, 2004.

2.Each illustration corresponds to the parts list on the following page.

3.When ordering parts,clearly write down the engine model and serial number,as well as the name and number of each part in your order sheet. This will help insure reliable delivery of the parts you have ordered.

## Directions for the Parts Catalog.

- The parts stipulated in this Parts Catalog are not necessarily standard equipped parts.
- Parts may change without prior notice.
- The following is an example of the Parts Catalog format.

OCF10-G21601 29. FUEL INJECTION PUMP(W/BOOST)

| REF. | LEV. | PARTS NO.  | DESCRIPTION         | Q'TY |     |     |     |     |     | I | R |
|------|------|--|---------------------|------|-----|-----|-----|-----|-----|---|---|
|      |      |  |                     | (A)  | (B) | (C) | (D) | (E) | (F) |   |   |
| 1    | 1    | 729595-51390   | FUEL INJECTION PUMP | 1    | 1   | 1   | 1   | 1   |     |   | 1 |
| 1-1  | 1    | 729595-51391   | FUEL INJECTION PUMP | 1    | 1   | 1   | 1   | 1   |     | N | 1 |
|      |      | (A=E00185) (B=E00200)                                  |                     |      |     |     |     |     |     |   |   |
| 3    | 2    | 26022-060162   | SCREW M 6X 16       | 9    | 9   | 9   | 9   | 9   |     |   |   |
| 3-1  | 2    | 26022-060162   | SCREW M 6X 16       | 4    | 4   | 4   | 4   | 4   |     | K |   |
|      |      | (A=E00156) (B=E00156) (C=E00156) (D=E00156) (E=E00156) |                     |      |     |     |     |     |     |   |   |
| 4    | 2    | 129470-51040   | CAMSHAFT            | 1    | 1   | 1   | 1   | 1   |     |   |   |
| 5    | 2    | 122710-51050   | BEARING, ROLLER     | 2    | 2   | 2   | 2   | 2   |     |   |   |
| 6    | 2    | 129470-51060   | RETAINER            | 1    | 1   | 1   | 1   | 1   |     |   |   |

Remarks

(1) BOOST COMPEMSATOR TYPE. OPTIONAL PART, TO E00155,(4JH-DT, 4JH-DTZ

### ① Ref. No.

The Ref. No. listed may not be in accordance with the illustration Ref. No.

(Ex.) Illustration No.

List Ref No.

1

1

(Before change)

1-1

(After change)

For interchangeable symbols N, R and K, illustrations for new parts may be abbreviated.

### ② Lev. (Level)

Level indication

The numbers below indicate the level of relativity towards the main part.

1 ----- Main parts (Assembly parts)

2 ----- Sub component included in " 1 ".

3 ----- Sub component included in " 2 ".

Note) Parts that are not for sale are partially illustrated but not listed.

### ③ Interchangeability Mark

When a part change takes place, one of the following interchangeability symbols is indicated beside the part.

| Symbol | Interchangeability  | Contents note  |
|--------|---|--|
| N      | Old $\begin{matrix} \leftarrow \text{Yes} \\ \text{No} \rightarrow \end{matrix}$ New  | New Part is interchangeable for Old Part but Old Part is not interchangeable for New Part. |
| Q      | Old $\begin{matrix} \leftarrow \text{No} \\ \text{Yes} \rightarrow \end{matrix}$ New  | New Part is not interchangeable for Old Part but Old Part is interchangeable for New Part. |
| R      | Old $\begin{matrix} \leftarrow \text{Yes} \\ \text{Yes} \rightarrow \end{matrix}$ New | New/ Old Parts are both interchangeable.   |
| S      | Old $\begin{matrix} \leftarrow \text{No} \\ \text{No} \rightarrow \end{matrix}$ New   | New/ Old Parts are both not interchangeable.   |
| W      |   | Part newly added.  |
| Z      |   | Part discontinued.   |
| F      |   | Not interchangeable by a single part but interchangeable together with related parts.      |
| K      |   | Changes only for used parts quantities.  |

### ④ Effective Machine No.

When a part changes, the effective Machine No. will be indicated in the (A)-(F) column.

| Product Symbol | Product No.               | Product Symbol | Product No.                       |
|----------------|---------------------------|----------------|-----------------------------------|
| C              | Clutch No. Compressor No. | F              | Machine No. (Agricultural Equip.) |
| D              | Drive No.                 | M              | Machine No.                       |
| E              | Engine No.                |                |                                   |

Note 1) A date may follow the symbol. (Ex.) 1996.01

Note 2) "XXXXX" and "ZZZZZ" are for parts that could not be predicted or for engine models that could not be identified.

Note 3) (A=E00185) is the E (Engine Serial Number) for the column (A) model (in this case 4JH-DT) after the parts design change.

### ⑤ Remarks Mark

Figures or alphabets (symbols) are entered in the remarks column.

The comments (remarks) on parts that are indicated at the bottom of the illustration are the same symbols as those stated above.

# CONTENTS

MODEL : 4TNV88-DSA,2,3,GGE

PC NO : 0CR10-G56600

| Fig.No. | GROUP NAME                          |
|---------|-------------------------------------|
|         | ENGINE SECTION (4TNV88-DSA,2,3,GGE) |
| 1.      | CYLINDER BLOCK                      |
| 2.      | GEAR HOUSING                        |
| 3.      | GEAR HOUSING                        |
| 4.      | FLYWHEEL HOUSING & OIL SUMP         |
| 5.      | CYLINDER HEAD & BONNET              |
| 6.      | SUCTION MANIFOLD                    |
| 7.      | EXHAUST MANIFOLD                    |
| 8.      | CAMSHAFT & DRIVING GEAR             |
| 9.      | CRANKSHAFT & PISTON                 |
| 10.     | LUB.OIL SYSTEM                      |
| 11.     | COOLING WATER SYSTEM                |
| 12.     | FUEL INJECTION PUMP                 |
| 13.     | FUEL INJECTION VALVE                |
| 14.     | FUEL INJECTION VALVE                |
| 15.     | FUEL LINE                           |
| 16.     | STARTING MOTOR                      |
| 17.     | STARTING MOTOR                      |
| 18.     | GENERATOR                           |
| 19.     | GASKET SET                          |

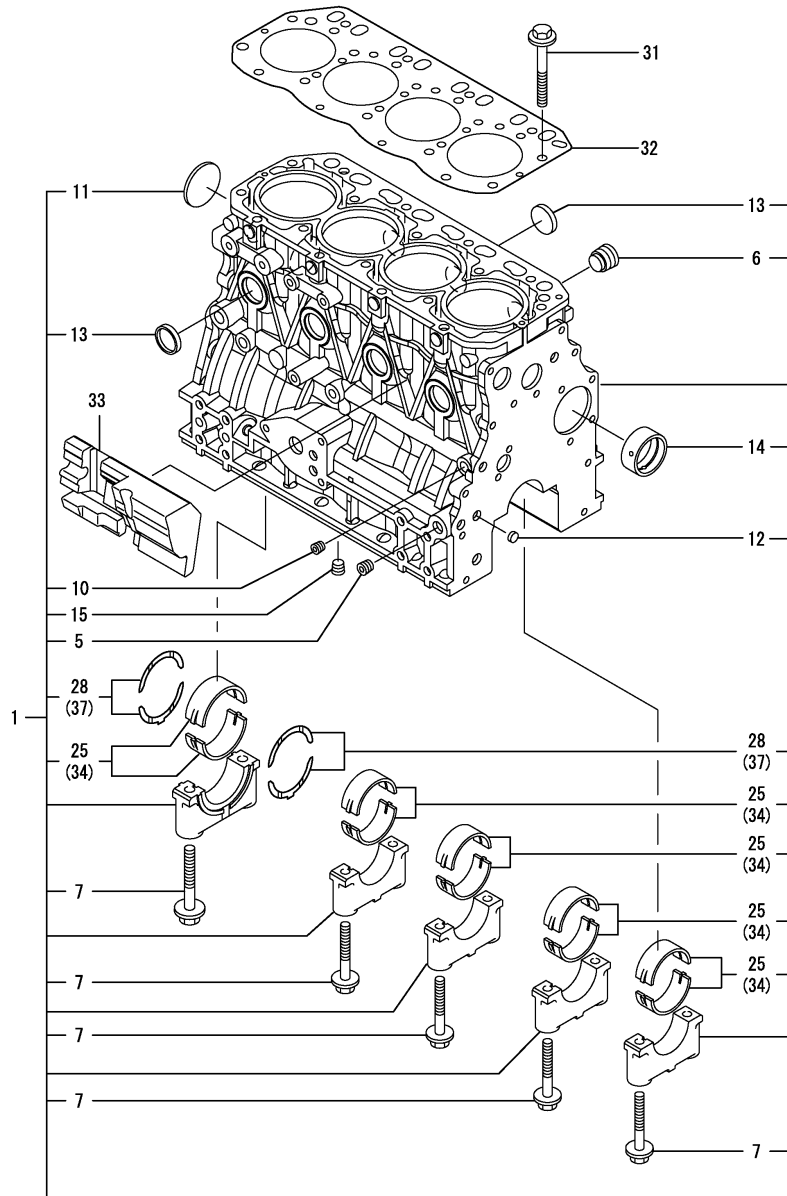
| Fig.No. | GROUP NAME |
|---------|------------|
|---------|------------|

Fig.1. CYLINDER BLOCK

OCR10-G56600 1. CYLINDER BLOCK

(A)=4TNV88-DSA  
(B)=4TNV88-DSA2  
(C)=4TNV88-DSA3

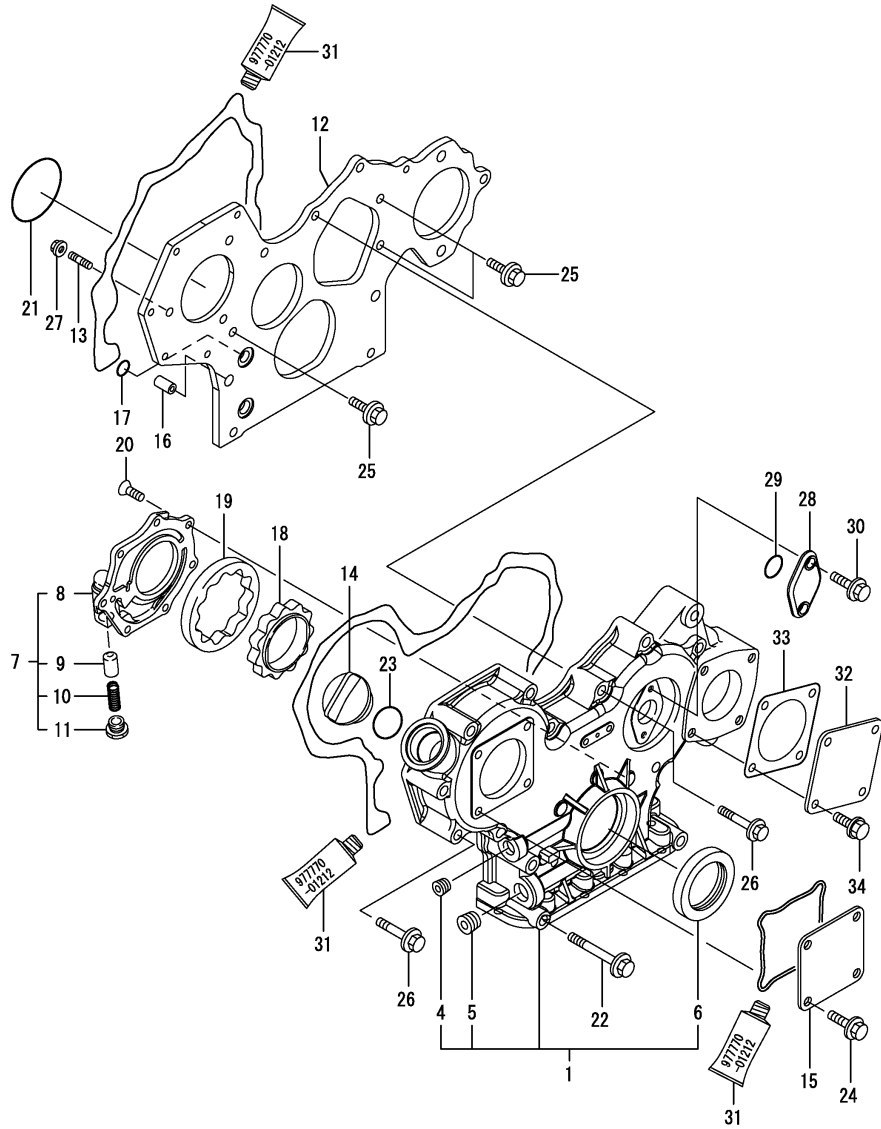
(D)=4TNV88-GGE  
(E)=  
(F)=



| REF. | LEV. | PARTS NO.    | DESCRIPTION          | Q'TY |     |     |     |     |     | I | R |
|------|------|--------------|----------------------|------|-----|-----|-----|-----|-----|---|---|
|      |      |              |                      | (A)  | (B) | (C) | (D) | (E) | (F) |   |   |
| 1    | 1    | 729602-01560 | BLOCK ASSY, CYLINDER | 1    | 1   | 1   | 1   |     |     |   |   |
| 5    | 2    | 124160-01910 | PLUG PT1/4           | 2    | 2   | 2   | 2   |     |     |   |   |
| 6    | 2    | 171051-01921 | PLUG                 | 1    | 1   | 1   | 1   |     |     |   |   |
| 7    | 2    | 129150-02020 | BOLT, METAL CAP      | 10   | 10  | 10  | 10  |     |     |   |   |
| 10   | 2    | 124060-01050 | PLUG PT1/8           | 1    | 1   | 1   | 1   |     |     |   |   |
| 11   | 2    | 129001-01250 | PLUG 50              | 1    | 1   | 1   | 1   |     |     |   |   |
| 12   | 2    | 27241-120000 | PLUG 12              | 2    | 2   | 2   | 2   |     |     |   |   |
| 13   | 2    | 27241-300000 | PLUG 30              | 8    | 8   | 8   | 8   |     |     |   |   |
| 14   | 2    | 129795-02411 | BUSH, CAMSHAFT       | 1    | 1   | 1   | 1   |     |     |   |   |
| 15   | 2    | 124160-01910 | PLUG PT1/4           | 1    | 1   | 1   | 1   |     |     |   |   |
| 25   | 2    | 129001-02930 | MAIN BEARING SET     | 5    | 5   | 5   | 5   |     |     |   | 3 |
| 28   | 2    | 129150-02930 | METAL, THRUST        | 2    | 2   | 2   | 2   |     |     |   |   |
| 31   | 1    | 129150-01200 | STUD, CYL. HEAD      | 18   | 18  | 18  | 18  |     |     |   |   |
| 32   | 1    | 129407-01340 | GASKET,CYL.HEAD      | 1    | 1   | 1   | 1   |     |     |   |   |
| 33   | 1    | 129004-01190 | SPACER               | 1    | 1   | 1   | 1   |     |     |   |   |
| 34   | 1    | 129150-02870 | MAIN METAL US=0.25   | 5    | 5   | 5   | 5   |     |     |   | 1 |
| 37   | 1    | 129150-02940 | METAL,THRUST.25(4PIE | 1    | 1   | 1   | 1   |     |     |   | 2 |

Remarks  
 (1) UNDER-SIZE(U.S=0.25)PART.  
 (2) OVER-SIZE(O.S=0.25)PART.  
 (3) REPAIR PART.

Fig.2. GEAR HOUSING



OCR10-G56600 2. GEAR HOUSING

(A)=4TNV88-DSA  
(B)=4TNV88-DSA2  
(C)=4TNV88-DSA3

(D)=4TNV88-GGE  
(E)=  
(F)=

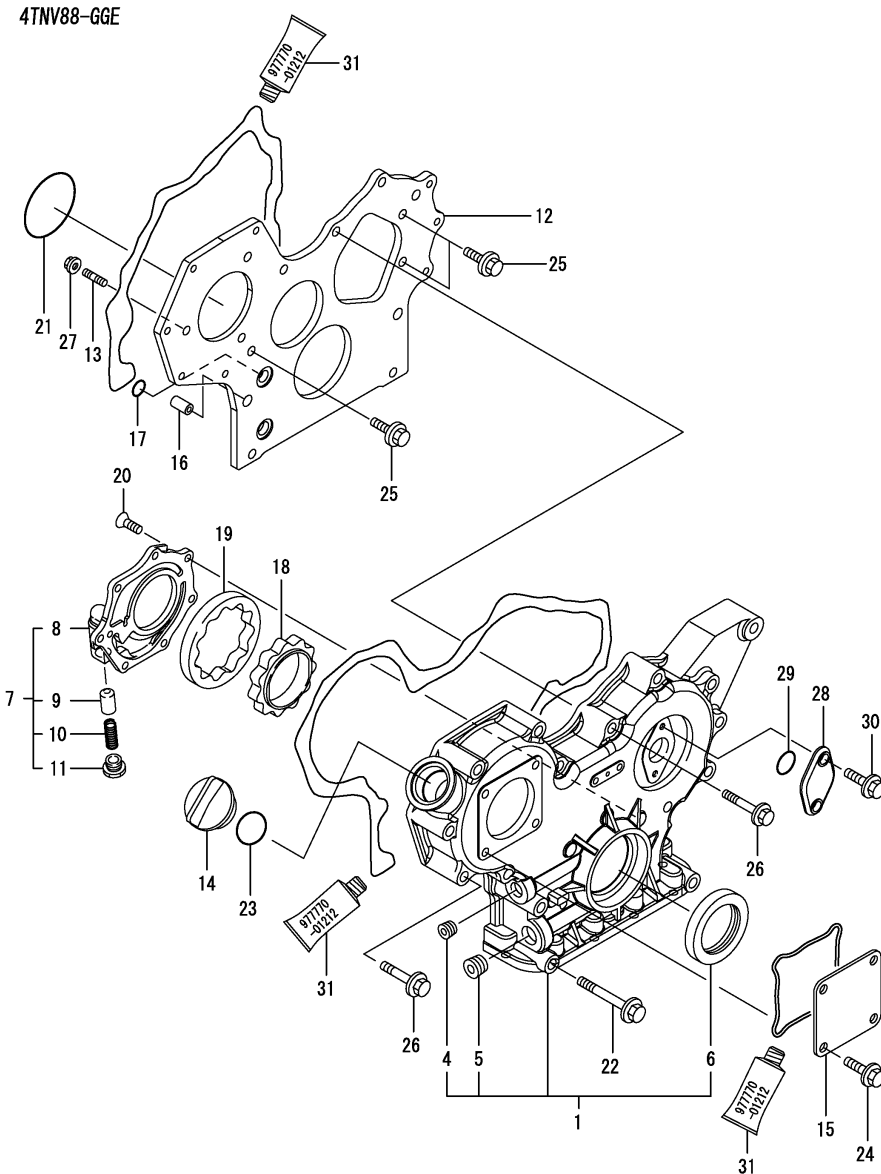
| REF. | LEV. | PARTS NO.    | DESCRIPTION         | QTY |     |     |     |     |     | I | R |
|------|------|--------------|---------------------|-----|-----|-----|-----|-----|-----|---|---|
|      |      |              |                     | (A) | (B) | (C) | (D) | (E) | (F) |   |   |
| 1    | 1    | 729005-01500 | GEAR CASE ASSY      | 1   | 1   | 1   |     |     |     |   |   |
| 4    | 2    | 23876-030000 | PLUG PT3/8,SCREW    | 1   | 1   | 1   |     |     |     |   |   |
| 5    | 2    | 23876-040000 | PLUG PT 1/2         | 1   | 1   | 1   |     |     |     |   |   |
| 6    | 2    | 129795-01800 | SEAL, OIL           | 1   | 1   | 1   |     |     |     |   |   |
| 7    | 1    | 119802-32100 | COVER ASSY, PUMP    | 1   | 1   | 1   |     |     |     |   |   |
| 8    | 2    | 119802-32070 | COVER, LUB.OIL PUMP | 1   | 1   | 1   |     |     |     |   |   |
| 9    | 2    | 129900-32130 | VALVE, RELIEF       | 1   | 1   | 1   |     |     |     |   |   |
| 10   | 2    | 129418-32320 | SPRING              | 1   | 1   | 1   |     |     |     |   |   |
| 11   | 2    | 129001-32330 | PLUG                | 1   | 1   | 1   |     |     |     |   |   |
| 12   | 1    | 129005-01520 | FLANGE, GEAR CASE   | 1   | 1   | 1   |     |     |     |   |   |
| 13   | 1    | 119802-01560 | STUD, M8X25         | 3   | 3   | 3   |     |     |     |   |   |
| 14   | 1    | 124160-01751 | COVER,FILLER        | 1   | 1   | 1   |     |     |     |   |   |
| 15   | 1    | 124240-01871 | COVER, HO-P         | 1   | 1   | 1   |     |     |     |   |   |
| 16   | 1    | 129795-01950 | PIPE, KNOCK L=18    | 2   | 2   | 2   |     |     |     |   |   |
| 17   | 1    | 119609-32040 | O-RING P16          | 4   | 4   | 4   |     |     |     |   |   |
| 18   | 1    | 119802-32111 | ROTOR, INNER        | 1   | 1   | 1   |     |     |     |   |   |
| 19   | 1    | 119802-32120 | ROTOR, OUTER        | 1   | 1   | 1   |     |     |     |   |   |
| 20   | 1    | 119802-32130 | SCREW, M6X16        | 7   | 7   | 7   |     |     |     |   |   |
| 21   | 1    | 121850-51960 | O-RING, F.I.PUMP    | 1   | 1   | 1   |     |     |     |   |   |
| 22   | 1    | 129001-91841 | BOLT M 8X 85 PLATED | 3   | 3   | 3   |     |     |     |   |   |
| 23   | 1    | 24311-000320 | O-RING 1A P-32.0    | 1   | 1   | 1   |     |     |     |   |   |
| 24   | 1    | 26106-080162 | BOLT M 8X 16 PLATED | 4   | 4   | 4   |     |     |     |   |   |
| 25   | 1    | 26106-080162 | BOLT M 8X 16 PLATED | 3   | 3   | 3   |     |     |     |   |   |
| 26   | 1    | 26106-080552 | BOLT M 8X 55 PLATED | 11  | 11  | 11  |     |     |     |   |   |
| 27   | 1    | 26306-080002 | NUT                 | 3   | 3   | 3   |     |     |     |   |   |
| 28   | 1    | 121023-01550 | COVER, BLIND        | 1   | 1   | 1   |     |     |     |   |   |
| 29   | 1    | 24341-000240 | O-RING 1A S-24.0    | 1   | 1   | 1   |     |     |     |   |   |
| 30   | 1    | 26106-060162 | BOLT M 6X 16 PLATED | 2   | 2   | 2   |     |     |     |   |   |
| 31   | 1    | 977770-01212 | GASKET, LIQUID      | 1   | 1   | 1   |     |     |     |   | 1 |
| 32   | 1    | 124240-01871 | COVER, HO-P         | 1   | 1   | 1   |     |     |     |   |   |
| 33   | 1    | 124240-01883 | GASKET, (NON-ASB.)  | 1   | 1   | 1   |     |     |     |   |   |
| 34   | 1    | 26106-080162 | BOLT M 8X 16 PLATED | 4   | 4   | 4   |     |     |     |   |   |

Remarks  
(1) OPTIONAL PART.

Fig.3. GEAR HOUSING

(A)=4TNV88-DSA  
(B)=4TNV88-DSA2  
(C)=4TNV88-DSA3

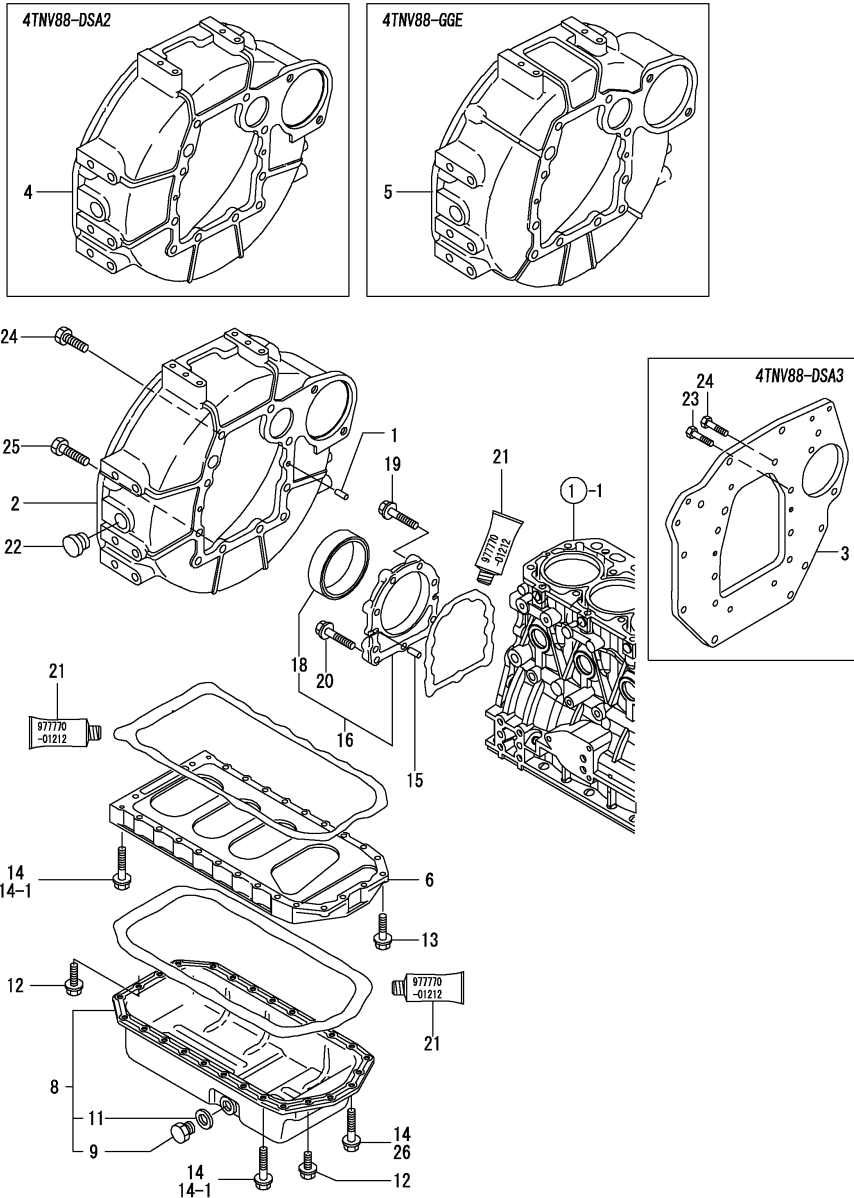
(D)=4TNV88-GGE  
(E)=  
(F)=



| REF. | LEV. | PARTS NO.    | DESCRIPTION         | Q'TY |     |     |     |     |     | I | R |   |
|------|------|--------------|---------------------|------|-----|-----|-----|-----|-----|---|---|---|
|      |      |              |                     | (A)  | (B) | (C) | (D) | (E) | (F) |   |   |   |
| 1    | 1    | 719802-01500 | HOUSING ASSY, GEAR  |      |     |     | 1   |     |     |   |   |   |
| 4    | 2    | 23876-030000 | PLUG PT3/8,SCREW    |      |     |     | 1   |     |     |   |   |   |
| 5    | 2    | 23876-040000 | PLUG PT 1/2         |      |     |     | 1   |     |     |   |   |   |
| 6    | 2    | 129795-01800 | SEAL, OIL           |      |     |     | 1   |     |     |   |   |   |
| 7    | 1    | 119802-32100 | COVER ASSY, PUMP    |      |     |     | 1   |     |     |   |   |   |
| 8    | 2    | 119802-32070 | COVER, LUB.OIL PUMP |      |     |     | 1   |     |     |   |   |   |
| 9    | 2    | 129900-32130 | VALVE, RELIEF       |      |     |     | 1   |     |     |   |   |   |
| 10   | 2    | 129418-32320 | SPRING              |      |     |     | 1   |     |     |   |   |   |
| 11   | 2    | 129001-32330 | PLUG                |      |     |     | 1   |     |     |   |   |   |
| 12   | 1    | 119802-01520 | FRANGE, GEAR CASE   |      |     |     | 1   |     |     |   |   |   |
| 13   | 1    | 119802-01560 | STUD, M8X25         |      |     |     | 3   |     |     |   |   |   |
| 14   | 1    | 124160-01751 | COVER,FILLER        |      |     |     | 1   |     |     |   |   |   |
| 15   | 1    | 124240-01871 | COVER, HO-P         |      |     |     | 1   |     |     |   |   |   |
| 16   | 1    | 129795-01950 | PIPE, KNOCK L=18    |      |     |     | 2   |     |     |   |   |   |
| 17   | 1    | 119609-32040 | O-RING P16          |      |     |     | 4   |     |     |   |   |   |
| 18   | 1    | 119802-32111 | ROTOR, INNER        |      |     |     | 1   |     |     |   |   |   |
| 19   | 1    | 119802-32120 | ROTOR, OUTER        |      |     |     | 1   |     |     |   |   |   |
| 20   | 1    | 119802-32130 | SCREW, M6X16        |      |     |     | 7   |     |     |   |   |   |
| 21   | 1    | 121850-51960 | O-RING, F.I.PUMP    |      |     |     | 1   |     |     |   |   |   |
| 22   | 1    | 129001-91841 | BOLT M 8X 85 PLATED |      |     |     | 3   |     |     |   |   |   |
| 23   | 1    | 24311-000320 | O-RING 1A P-32.0    |      |     |     | 1   |     |     |   |   |   |
| 24   | 1    | 26106-080162 | BOLT M 8X 16 PLATED |      |     |     | 4   |     |     |   |   |   |
| 25   | 1    | 26106-080162 | BOLT M 8X 16 PLATED |      |     |     | 3   |     |     |   |   |   |
| 26   | 1    | 26106-080552 | BOLT M 8X 55 PLATED |      |     |     | 12  |     |     |   |   |   |
| 27   | 1    | 26306-080002 | NUT                 |      |     |     | 3   |     |     |   |   |   |
| 28   | 1    | 121023-01550 | COVER, BLIND        |      |     |     | 1   |     |     |   |   |   |
| 29   | 1    | 24341-000240 | O-RING 1A S-24.0    |      |     |     | 1   |     |     |   |   |   |
| 30   | 1    | 26106-060162 | BOLT M 6X 16 PLATED |      |     |     | 2   |     |     |   |   |   |
| 31   | 1    | 977770-01212 | GASKET, LIQUID      |      |     |     | 1   |     |     |   |   | 1 |

Remarks  
(1) OPTIONAL PART.

Fig.4. FLYWHEEL HOUSING & OIL SUMP



OCR10-G56600 4. FLYWHEEL HOUSING & OIL SUMP

(A)=4TNV88-DSA  
(B)=4TNV88-DSA2  
(C)=4TNV88-DSA3

(D)=4TNV88-GGE  
(E)=  
(F)=

| REF. | LEV. | PARTS NO.    | DESCRIPTION          | Q'TY         |              |              |              |     |     | I | R |
|------|------|--------------|----------------------|--------------|--------------|--------------|--------------|-----|-----|---|---|
|      |      |              |                      | (A)          | (B)          | (C)          | (D)          | (E) | (F) |   |   |
| 1    | 1    | 129100-01580 | PARALLEL PIN 8X16    | 2            | 2            | 2            | 2            |     |     |   |   |
| 2    | 1    | 119888-01600 | HOUSING, FLYWHEEL    | 1            |              |              |              |     |     |   |   |
| 3    | 1    | 129129-01600 | FLANGE, MOUNTING     |              |              | 1            |              |     |     |   |   |
| 4    | 1    | 129612-01600 | HOUSING, FLYWHEEL    |              | 1            |              |              |     |     |   |   |
| 5    | 1    | 171420-01600 | HOUSING, FLYWHEEL    |              |              |              | 1            |     |     |   |   |
| 6    | 1    | 129400-01730 | SPACER, OIL SUMP     | 1            | 1            | 1            | 1            |     |     |   |   |
| 8    | 1    | 129400-01770 | SUMP ASSY, LUB. OIL  | 1            | 1            | 1            | 1            |     |     |   |   |
| 9    | 2    | 119640-01640 | DRAIN PLUG M22       | 1            | 1            | 1            | 1            |     |     |   |   |
| 11   | 2    | 22190-220002 | SEAL WASHER 22S      | 1            | 1            | 1            | 1            |     |     |   |   |
| 12   | 1    | 26106-080162 | BOLT M 8X 16 PLATED  | 4            | 4            | 4            | 4            |     |     |   |   |
| 13   | 1    | 26106-080252 | BOLT M 8X 25 PLATED  | 2            | 2            | 2            | 2            |     |     |   |   |
| 14   | 1    | 26106-080452 | BOLT M 8X 45 PLATED  | 24           | 24           | 24           | 24           |     |     |   |   |
| 14-1 | 1    | 26106-080452 | BOLT M 8X 45 PLATED  | 20           | 20           | 20           | 20           |     |     |   | K |
|      |      |              |                      | (A=FROM 1ST) | (B=FROM 1ST) | (C=FROM 1ST) | (D=FROM 1ST) |     |     |   |   |
| 15   | 1    | 129100-01580 | PARALLEL PIN 8X16    | 2            | 2            | 2            | 2            |     |     |   |   |
| 16   | 1    | 129100-01640 | CASE ASSY, OIL SEAL  | 1            | 1            | 1            | 1            |     |     |   |   |
| 18   | 2    | 129795-01780 | SEAL, OIL            | 1            | 1            | 1            | 1            |     |     |   |   |
| 19   | 1    | 129486-01670 | BOLT M8X30,COLLAR HD | 6            | 6            | 6            | 6            |     |     |   |   |
| 20   | 1    | 26106-080352 | BOLT M 8X 35 PLATED  | 3            | 3            | 3            | 3            |     |     |   |   |
| 21   | 1    | 977770-01212 | GASKET, LIQUID       | 1            | 1            | 1            | 1            |     |     |   | 1 |
| 22   | 1    | 119620-01750 | CAP, FLYWHEEL COVER  | 1            | 1            |              | 1            |     |     |   |   |
| 23   | 1    | 26206-100202 | BOLT M10X20          |              |              | 6            |              |     |     |   |   |
| 24   | 1    | 26206-100252 | BOLT M10X25          | 6            | 6            | 2            | 6            |     |     |   |   |
| 25   | 1    | 26206-100302 | BOLT M10X30          | 4            | 4            |              | 4            |     |     |   |   |
| 26   | 1    | 26106-080502 | BOLT M 8X 50 PLATED  | 4            | 4            | 4            | 4            |     |     |   | W |
|      |      |              |                      | (A=FROM 1ST) | (B=FROM 1ST) | (C=FROM 1ST) | (D=FROM 1ST) |     |     |   |   |

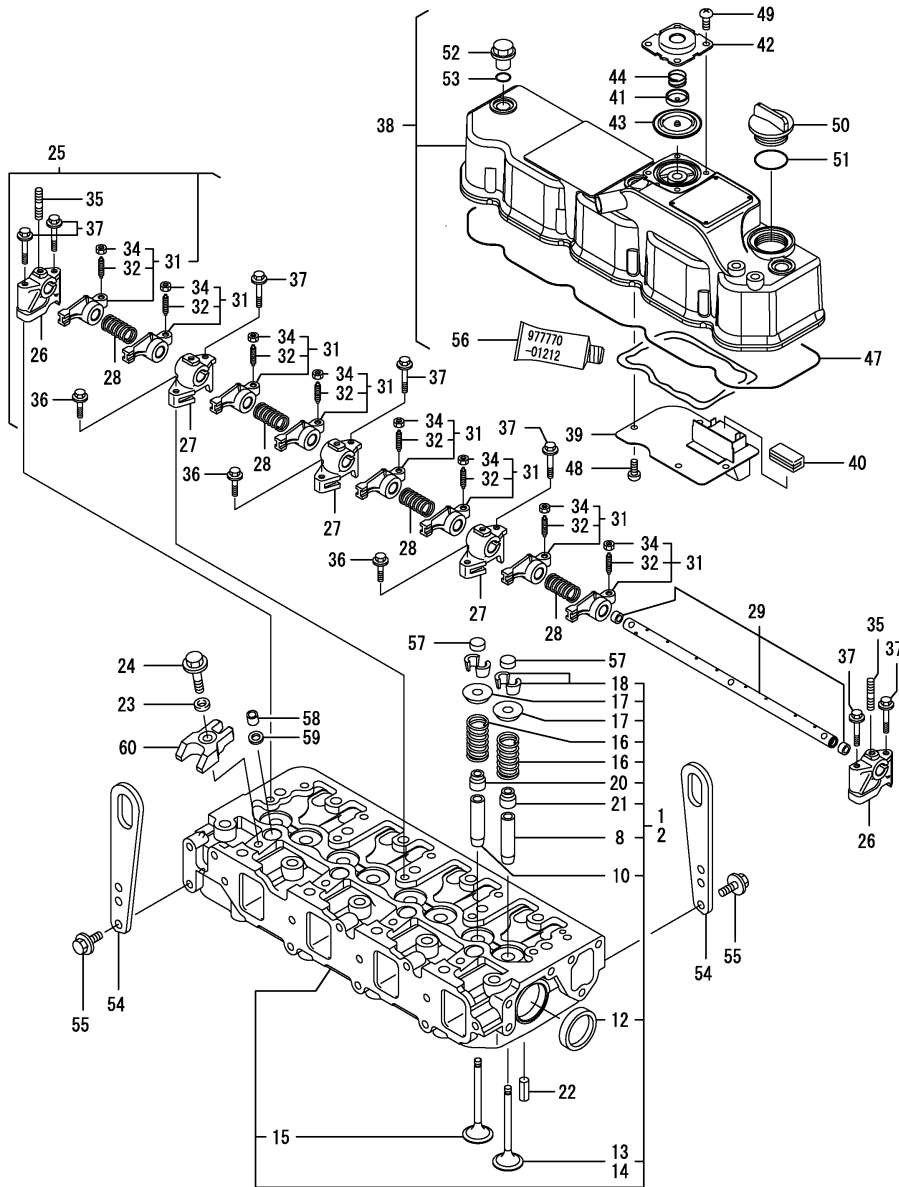
Remarks  
(1) OPTIONAL PART.



Fig.5. CYLINDER HEAD & BONNET

(A)=4TNV88-DSA  
(B)=4TNV88-DSA2  
(C)=4TNV88-DSA3

(D)=4TNV88-GGE  
(E)=  
(F)=



| REF. | LEV. | PARTS NO.    | DESCRIPTION         | Q'TY |     |     |     |     |     | I | R |
|------|------|--------------|---------------------|------|-----|-----|-----|-----|-----|---|---|
|      |      |              |                     | (A)  | (B) | (C) | (D) | (E) | (F) |   |   |
| 1    | 1    | 129602-11700 | HED ASSY, CYLINDER  | 1    | 1   | 1   |     |     |     |   |   |
| 2    | 1    | 129601-11700 | HED ASSY, CYLINDER  |      |     |     |     |     |     | 1 |   |
| 8    | 2    | 120130-11860 | GUIDE, VALVE        | 4    | 4   | 4   | 4   |     |     |   | 1 |
| 10   | 2    | 129150-11810 | GUIDE, VALVE        | 4    | 4   | 4   | 4   |     |     |   | 1 |
| 12   | 2    | 27241-400000 | PLUG 40             | 2    | 2   | 2   | 2   |     |     |   |   |
| 13   | 2    | 129005-11100 | VALVE, INTAKE       | 4    | 4   | 4   |     |     |     |   |   |
| 14   | 2    | 129004-11100 | VALVE, INTAKE       |      |     |     |     |     |     | 4 |   |
| 15   | 2    | 129100-11110 | VALVE, EXHAUST      | 4    | 4   | 4   | 4   |     |     |   |   |
| 16   | 2    | 129795-11120 | SPRING, VALVE       | 8    | 8   | 8   | 8   |     |     |   |   |
| 17   | 2    | 129795-11180 | RETAINER, SPRING    | 8    | 8   | 8   | 8   |     |     |   |   |
| 18   | 2    | 27310-080001 | COTTER 8            | 8    | 8   | 8   | 8   |     |     |   |   |
| 20   | 2    | 121400-11340 | SEAL, VALVE STEM    | 4    | 4   | 4   | 4   |     |     |   |   |
| 21   | 2    | 124460-11340 | SEAL, VALVE STEM    | 4    | 4   | 4   | 4   |     |     |   |   |
| 22   | 1    | 22351-060012 | SPRING PIN 6X12     | 2    | 2   | 2   | 2   |     |     |   |   |
| 23   | 1    | 120270-54410 | WASHER              | 4    | 4   | 4   | 4   |     |     |   |   |
| 24   | 1    | 26106-080352 | BOLT M 8X 35 PLATED | 4    | 4   | 4   | 4   |     |     |   |   |
| 25   | 1    | 129601-11241 | SHAFT ASSY, ROCKER  | 1    | 1   | 1   | 1   |     |     |   |   |
| 26   | 2    | 119802-11260 | SUPPORT, ROCKER ARM | 2    | 2   | 2   | 2   |     |     |   |   |
| 27   | 2    | 119802-11270 | SUPPORT, ROCKER ARM | 3    | 3   | 3   | 3   |     |     |   |   |
| 28   | 2    | 129150-11280 | SPRING              | 4    | 4   | 4   | 4   |     |     |   |   |
| 29   | 2    | 129601-11251 | SHAFT               | 1    | 1   | 1   | 1   |     |     |   |   |
| 31   | 2    | 129004-11650 | ARM ASSY, ROCKER    | 8    | 8   | 8   | 8   |     |     |   |   |
| 32   | 3    | 129150-11230 | SCREW, VALVE        | 8    | 8   | 8   | 8   |     |     |   |   |
| 34   | 3    | 129150-11750 | NUT M8XP1.0         | 8    | 8   | 8   | 8   |     |     |   |   |
| 35   | 2    | 26226-080182 | STUD M 8X 18 PLATED | 3    | 3   | 3   | 3   |     |     |   |   |
| 36   | 1    | 26106-080252 | BOLT M 8X 25 PLATED | 3    | 3   | 3   | 3   |     |     |   |   |
| 37   | 1    | 26106-080502 | BOLT M 8X 50 PLATED | 7    | 7   | 7   | 7   |     |     |   |   |
| 38   | 1    | 129601-11350 | BONNET ASSY         | 1    | 1   | 1   | 1   |     |     |   |   |
| 39   | 2    | 129004-03010 | PLATE, BAFFLE       | 1    | 1   | 1   | 1   |     |     |   |   |
| 40   | 2    | 129150-03070 | BAFFLE, BREATHER    | 1    | 1   | 1   | 1   |     |     |   |   |
| 41   | 2    | 119802-03110 | PLATE, DIAPHRAGM    | 1    | 1   | 1   | 1   |     |     |   |   |
| 42   | 2    | 119802-03121 | COVER, DIAPHRAGM    | 1    | 1   | 1   | 1   |     |     |   |   |
| 43   | 2    | 119802-03130 | DIAPHRAGM           | 1    | 1   | 1   | 1   |     |     |   |   |
| 44   | 2    | 119802-03141 | SPRING, DIAPHRAGM   | 1    | 1   | 1   | 1   |     |     |   |   |
| 47   | 2    | 129601-11310 | GASKET, COVER       | 1    | 1   | 1   | 1   |     |     |   |   |
| 48   | 2    | 22857-500100 | SCREW 5X10, TAPPING | 4    | 4   | 4   | 4   |     |     |   |   |
| 49   | 2    | 22857-500100 | SCREW 5X10, TAPPING | 4    | 4   | 4   | 4   |     |     |   |   |
| 50   | 1    | 124160-01751 | COVER, FILLER       | 1    | 1   | 1   | 1   |     |     |   |   |
| 51   | 1    | 24311-000320 | O-RING 1A P-32.0    | 1    | 1   | 1   | 1   |     |     |   |   |
| 52   | 1    | 124160-11360 | KNOB                | 3    | 3   | 3   | 3   |     |     |   |   |
| 53   | 1    | 24311-000120 | O-RING 1A P 12.0    | 3    | 3   | 3   | 3   |     |     |   |   |
| 54   | 1    | 129900-07900 | LIFTER, ENGINE      | 2    | 2   | 2   | 2   |     |     |   |   |
| 55   | 1    | 26106-080142 | BOLT 8X 14 PLATED   | 4    | 4   | 4   | 4   |     |     |   |   |
| 56   | 1    | 97770-01212  | GASKET, LIQUID      | 1    | 1   | 1   | 1   |     |     |   | 2 |
| 57   | 1    | 129150-11370 | CAP, VALVE          | 8    | 8   | 8   | 8   |     |     |   |   |
| 58   | 1    | 119802-11870 | PROTECTOR, NOZZLE   | 4    | 4   | 4   | 4   |     |     |   |   |
| 59   | 1    | 119625-11880 | SEAT, NOZZLE        | 4    | 4   | 4   | 4   |     |     |   |   |
| 60   | 1    | 129004-11900 | RETAINER, NOZZLE    | 4    | 4   | 4   | 4   |     |     |   |   |

Remarks  
(1) REPAIR PART.  
(2) OPTIONAL PART.

Fig.6. SUCTION MANIFOLD

OCR10-G56600 6. SUCTION MANIFOLD

(A)=4TNV88-DSA  
(B)=4TNV88-DSA2  
(C)=4TNV88-DSA3

(D)=4TNV88-GGE  
(E)=  
(F)=

| REF. | LEV. | PARTS NO.    | DESCRIPTION         | Q'TY |     |     |     |     |     | I | R |
|------|------|--------------|---------------------|------|-----|-----|-----|-----|-----|---|---|
|      |      |              |                     | (A)  | (B) | (C) | (D) | (E) | (F) |   |   |
| 1    | 1    | 129601-03080 | PIPE,BREATHER       | 1    | 1   | 1   | 1   |     |     |   |   |
| 2    | 2    | 129410-03990 | CLAMP 22            | 2    | 2   | 2   | 2   |     |     |   |   |
| 3    | 1    | 129601-12100 | MANIFOLD,INT        | 1    | 1   | 1   | 1   |     |     |   |   |
| 5    | 1    | 129407-12110 | GASKET,INT.MANOFOLD | 1    | 1   | 1   | 1   |     |     |   |   |
| 6    | 1    | 26106-080202 | BOLT M 8X 20 PLATED | 6    | 6   | 6   | 6   |     |     |   |   |
| 7    | 1    | 26106-080802 | BOLT M 8X 80 PLATED | 1    | 1   | 1   | 1   |     |     |   |   |
| 8    | 1    | 129120-77501 | HEATER, AIR         | 1    | 1   | 1   | 1   |     |     |   |   |
| 9    | 1    | 129150-77511 | GASKET, (NON-ASB.)  | 1    | 1   | 1   | 1   |     |     |   |   |
| 10   | 1    | 26106-080352 | BOLT M 8X 35 PLATED | 4    | 4   | 4   | 4   |     |     |   |   |

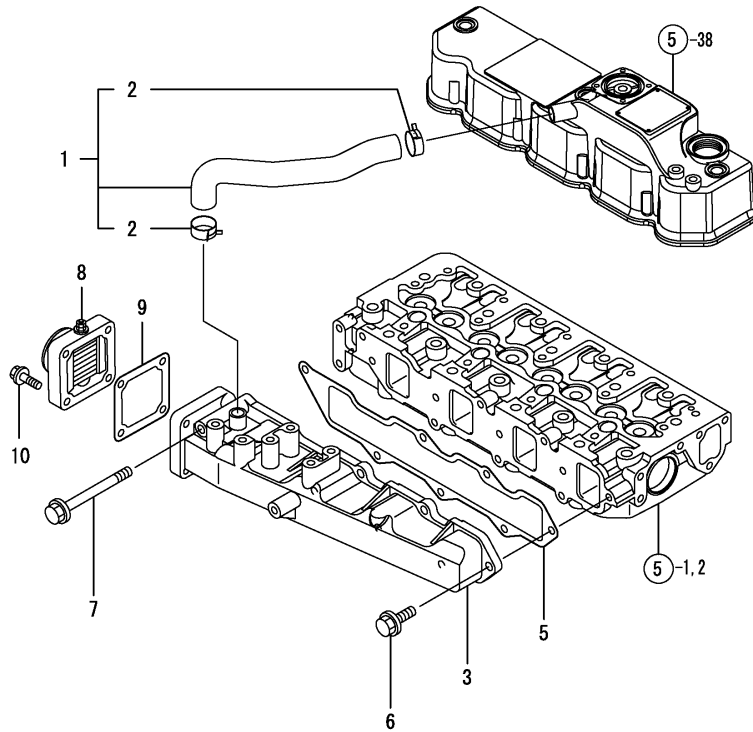


Fig.7. EXHAUST MANIFOLD

OCR10-G56600 7. EXHAUST MANIFOLD

(A)=4TNV88-DSA  
 (B)=4TNV88-DSA2  
 (C)=4TNV88-DSA3

(D)=4TNV88-GGE  
 (E)=  
 (F)=

| REF. | LEV. | PARTS NO.    | DESCRIPTION          | Q'TY |     |     |     |     |     | I | R |
|------|------|--------------|----------------------|------|-----|-----|-----|-----|-----|---|---|
|      |      |              |                      | (A)  | (B) | (C) | (D) | (E) | (F) |   |   |
| 1    | 1    | 129601-13109 | MANIFOLD, EXHAUST    | 1    | 1   | 1   | 1   |     |     |   |   |
| 2    | 1    | 129550-13110 | GASKET, EXH.MANIFOLD | 1    | 1   | 1   | 1   |     |     |   |   |
| 3    | 1    | 123900-13610 | STUD BOLT M 8X 80    | 2    | 2   | 2   | 2   |     |     |   |   |
| 4    | 1    | 123900-13630 | BOLT 8X80            | 6    | 6   | 6   | 6   |     |     |   |   |
| 5    | 1    | 119131-18320 | BOLT M 8X 22         | 4    | 4   | 4   | 4   |     |     |   |   |
| 6    | 1    | 26306-080002 | NUT                  | 2    | 2   | 2   | 2   |     |     |   |   |
| 7    | 1    | 129930-13200 | GASKET, SILENCER     | 1    | 1   | 1   | 1   |     |     |   |   |

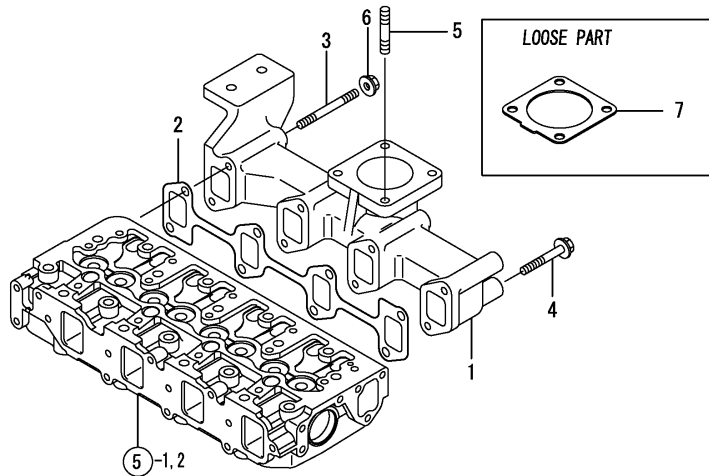
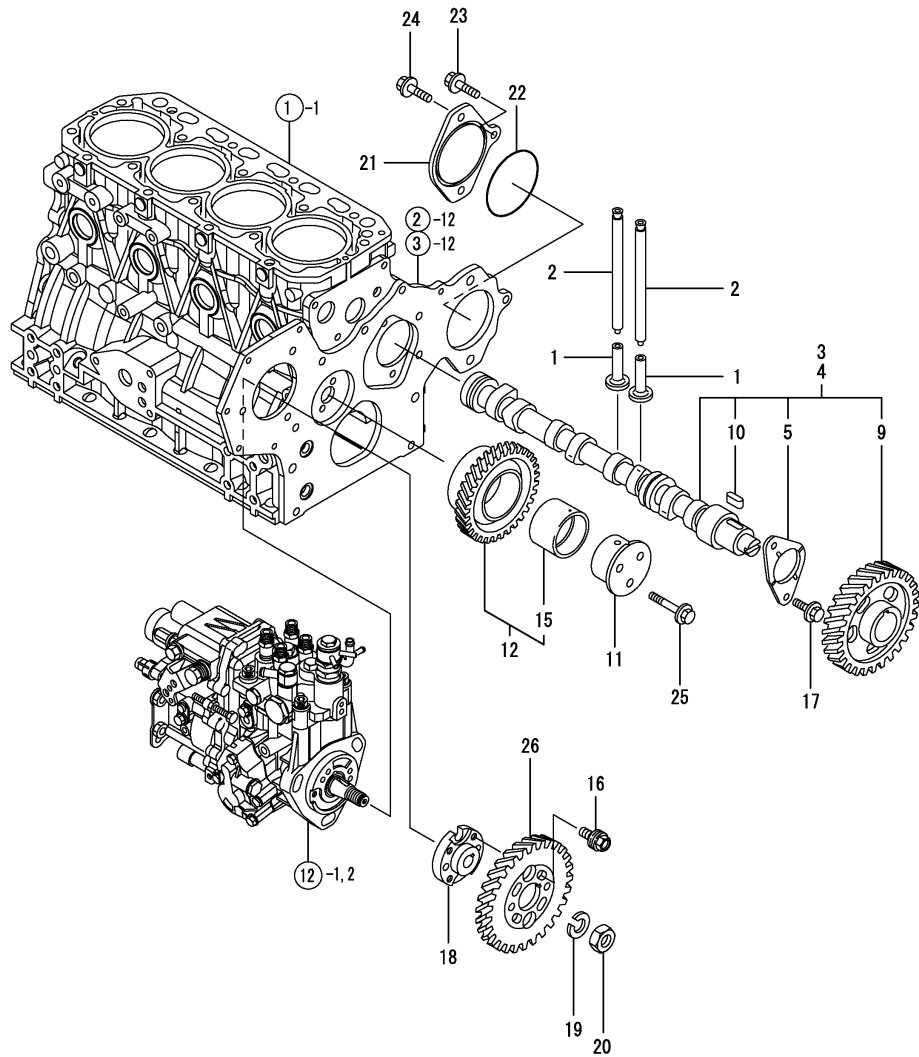


Fig.8. CAMSHAFT & DRIVING GEAR

(A)=4TNV88-DSA  
 (B)=4TNV88-DSA2  
 (C)=4TNV88-DSA3

(D)=4TNV88-GGE  
 (E)=  
 (F)=



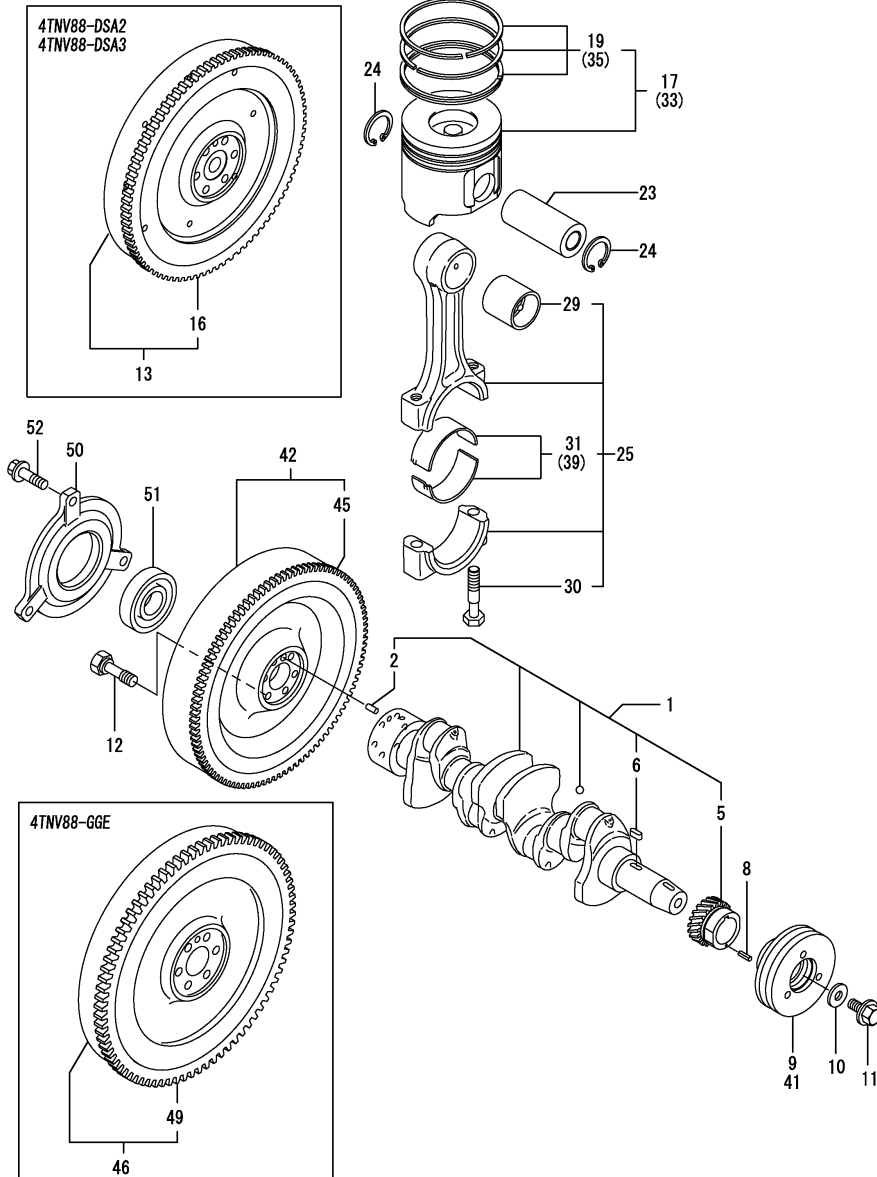
| REF. | LEV. | PARTS NO.    | DESCRIPTION         | Q'TY |     |     |     |     |     | I | R |
|------|------|--------------|---------------------|------|-----|-----|-----|-----|-----|---|---|
|      |      |              |                     | (A)  | (B) | (C) | (D) | (E) | (F) |   |   |
| 1    | 1    | 129150-14200 | TAPPET              | 8    | 8   | 8   | 8   |     |     |   |   |
| 2    | 1    | 129150-14400 | ROD, PUSH           | 8    | 8   | 8   | 8   |     |     |   |   |
| 3    | 1    | 729402-14580 | CAMSHAFT ASSY       | 1    | 1   | 1   |     |     |     |   |   |
| 4    | 1    | 729601-14580 | CAMSHAFT ASSY       |      |     |     |     |     |     | 1 |   |
| 5    | 2    | 129150-02450 | METAL, THRUST(CAM   | 1    | 1   | 1   | 1   |     |     |   |   |
| 9    | 2    | 129150-14101 | GEAR, CAMSHAFT      | 1    | 1   | 1   | 1   |     |     |   |   |
| 10   | 2    | 22512-070140 | KEY 7X 14           | 1    | 1   | 1   | 1   |     |     |   |   |
| 11   | 1    | 119802-25051 | SHAFT, IDLE GEAR    | 1    | 1   | 1   | 1   |     |     |   |   |
| 12   | 1    | 119802-25100 | GEAR ASSY, IDLE     | 1    | 1   | 1   | 1   |     |     |   |   |
| 15   | 2    | 119802-25070 | BUSH, IDLE GEAR     | 1    | 1   | 1   | 1   |     |     |   | 1 |
| 16   | 1    | 129150-25301 | BOLT, FI-P          | 4    | 4   | 4   | 4   |     |     |   |   |
| 17   | 1    | 26106-080142 | BOLT 8X 14 PLATED   | 2    | 2   | 2   | 2   |     |     |   |   |
| 18   | 1    | 158552-51151 | FLANGE              | 1    | 1   | 1   | 1   |     |     |   |   |
| 19   | 1    | 22217-140000 | SPRING WASHER 14    | 1    | 1   | 1   | 1   |     |     |   |   |
| 20   | 1    | 26776-140002 | LOCK NUT M14 PLATED | 1    | 1   | 1   | 1   |     |     |   |   |
| 21   | 1    | 129430-26070 | COVER               | 1    | 1   | 1   |     |     |     |   |   |
| 22   | 1    | 24321-000800 | O-RING 1A G-80.0    | 1    | 1   | 1   |     |     |     |   |   |
| 23   | 1    | 26106-080252 | BOLT M 8X 25 PLATED | 1    | 1   | 1   |     |     |     |   |   |
| 24   | 1    | 26106-100302 | BOLT M10X 30 PLATED | 2    | 2   | 2   |     |     |     |   |   |
| 25   | 1    | 26106-080402 | BOLT M 8X 40 PLATED | 3    | 3   | 3   | 3   |     |     |   |   |
| 26   | 1    | 119802-25901 | GEAR, PUMP          | 1    | 1   | 1   | 1   |     |     |   |   |

Remarks  
 (1) REPAIR PART.

Fig.9. CRANKSHAFT & PISTON

(A)=4TNV88-DSA  
(B)=4TNV88-DSA2  
(C)=4TNV88-DSA3

(D)=4TNV88-GGE  
(E)=  
(F)=



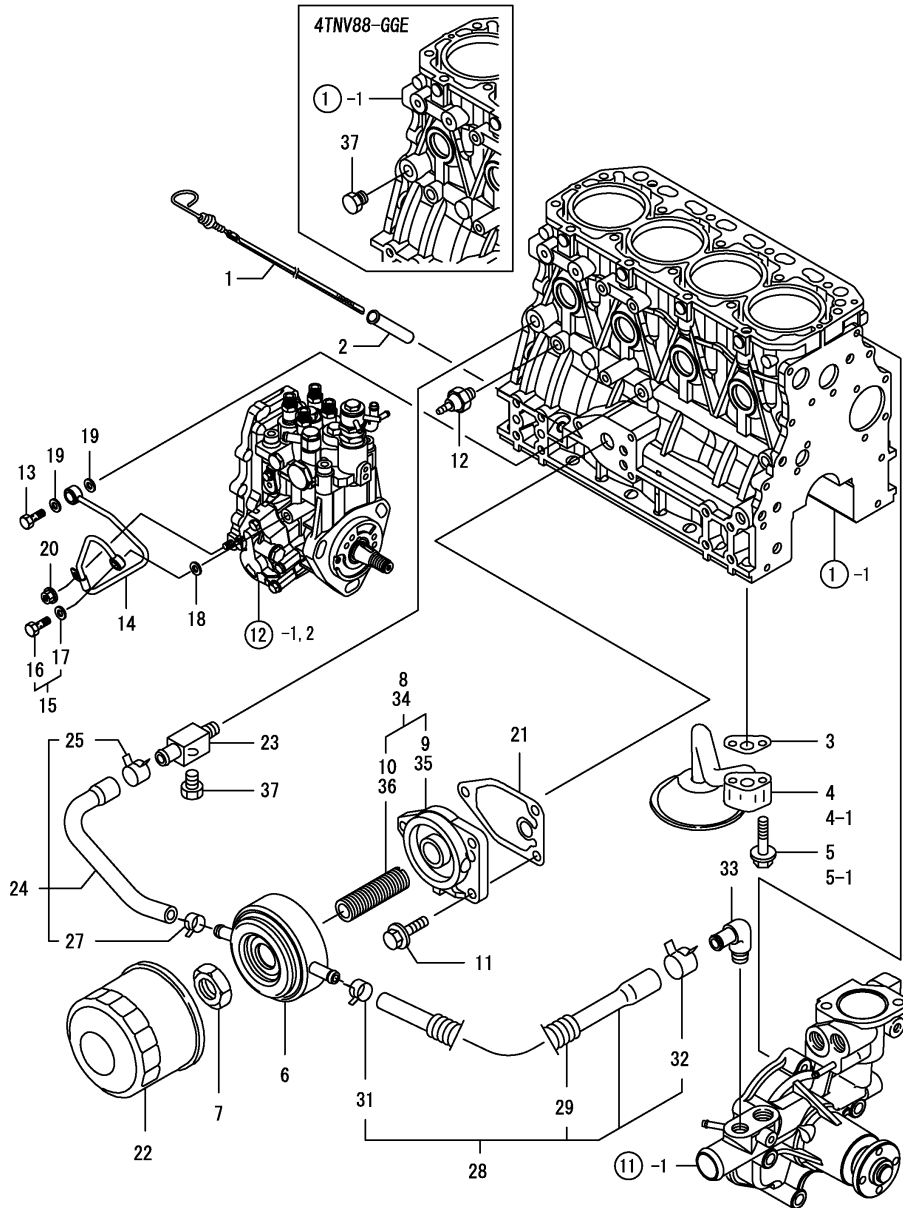
| REF. | LEV. | PARTS NO.    | DESCRIPTION          | QTY |     |     |     |     |     | I | R |
|------|------|--------------|----------------------|-----|-----|-----|-----|-----|-----|---|---|
|      |      |              |                      | (A) | (B) | (C) | (D) | (E) | (F) |   |   |
| 1    | 1    | 129601-21002 | CRANKSHAFT ASSY      | 1   | 1   | 1   | 1   |     |     |   |   |
| 2    | 2    | 129100-01580 | PARALLEL PIN 8X16    | 1   | 1   | 1   | 1   |     |     |   |   |
| 5    | 2    | 119802-21202 | GEAR, CRANKSHAFT     | 1   | 1   | 1   | 1   |     |     |   |   |
| 6    | 2    | 22512-070140 | KEY 7X 14            | 1   | 1   | 1   | 1   |     |     |   |   |
| 8    | 1    | 22351-030010 | SPRING PIN 3X10      | 1   | 1   | 1   | 1   |     |     |   |   |
| 9    | 1    | 119802-21650 | V-PULLEY, CRANKSHAFT | 1   | 1   | 1   |     |     |     |   |   |
| 10   | 1    | 129795-21661 | WASHER               | 1   | 1   | 1   | 1   |     |     |   |   |
| 11   | 1    | 121850-21680 | BOLT, V-PULLEY       | 1   | 1   | 1   | 1   |     |     |   |   |
| 12   | 1    | 121111-21501 | BOLT, FLYWHEEL       | 6   | 6   | 6   | 6   |     |     |   |   |
| 13   | 1    | 171420-21580 | FLYWHEEL ASSY        |     | 1   | 1   |     |     |     |   |   |
| 16   | 2    | 119865-21600 | GEAR, RING           |     | 1   | 1   |     |     |     |   |   |
| 17   | 1    | 129005-22080 | PISTON ASSY          | 4   | 4   | 4   | 4   |     |     |   |   |
| 19   | 2    | 129005-22500 | RING SET, PISTON     | 4   | 4   | 4   | 4   |     |     |   |   |
| 23   | 1    | 129202-22300 | PIN, PISTON(D26,L70) | 4   | 4   | 4   | 4   |     |     |   |   |
| 24   | 1    | 22252-000260 | CIRCLIP 26           | 8   | 8   | 8   | 8   |     |     |   |   |
| 25   | 1    | 729402-23100 | ROD ASSY, CONNECTING | 4   | 4   | 4   | 4   |     |     |   |   |
| 29   | 2    | 129100-23910 | BUSH, PISTON PIN     | 4   | 4   | 4   | 4   |     |     |   | 1 |
| 30   | 2    | 121550-23200 | BOLT, CONNECTING ROD | 8   | 8   | 8   | 8   |     |     |   |   |
| 31   | 2    | 129150-23600 | METAL, CRANKPIN      | 4   | 4   | 4   | 4   |     |     |   |   |
| 33   | 1    | 129005-22900 | PISTON W/RING OS=.25 | 4   | 4   | 4   | 4   |     |     |   | 2 |
| 35   | 2    | 129005-22950 | RING SET O.S=.0.25   | 4   | 4   | 4   | 4   |     |     |   | 2 |
| 39   | 1    | 129150-23610 | METAL.PIN US=0.25    | 4   | 4   | 4   | 4   |     |     |   | 3 |
| 41   | 1    | 119802-21660 | V-PULLEY, CRANKSHAFT |     |     |     | 1   |     |     |   |   |
| 42   | 1    | 129488-21590 | FLYWHEEL ASSY        | 1   |     |     |     |     |     |   |   |
| 45   | 2    | 119865-21600 | GEAR, RING           | 1   |     |     |     |     |     |   |   |
| 46   | 1    | 171420-21590 | FLYWHEEL ASSY        |     |     |     | 1   |     |     |   |   |
| 49   | 2    | 124550-21600 | RING GEAR            |     |     |     | 1   |     |     |   |   |
| 50   | 1    | 119888-21450 | RETAINER, BEARING    | 1   |     |     |     |     |     |   |   |
| 51   | 1    | 24107-062054 | BALL BEARING         | 1   |     |     |     |     |     |   |   |
| 52   | 1    | 26106-080222 | BOLT M 8X 22 PLATED  | 3   |     |     |     |     |     |   |   |

Remarks  
(1) REPAIR PART.  
(2) OVER-SIZE(O.S=0.25)PART.  
(3) UNDER-SIZE(U.S=0.25)PART.

Fig.10. LUB.OIL SYSTEM

(A)=4TNV88-DSA  
(B)=4TNV88-DSA2  
(C)=4TNV88-DSA3

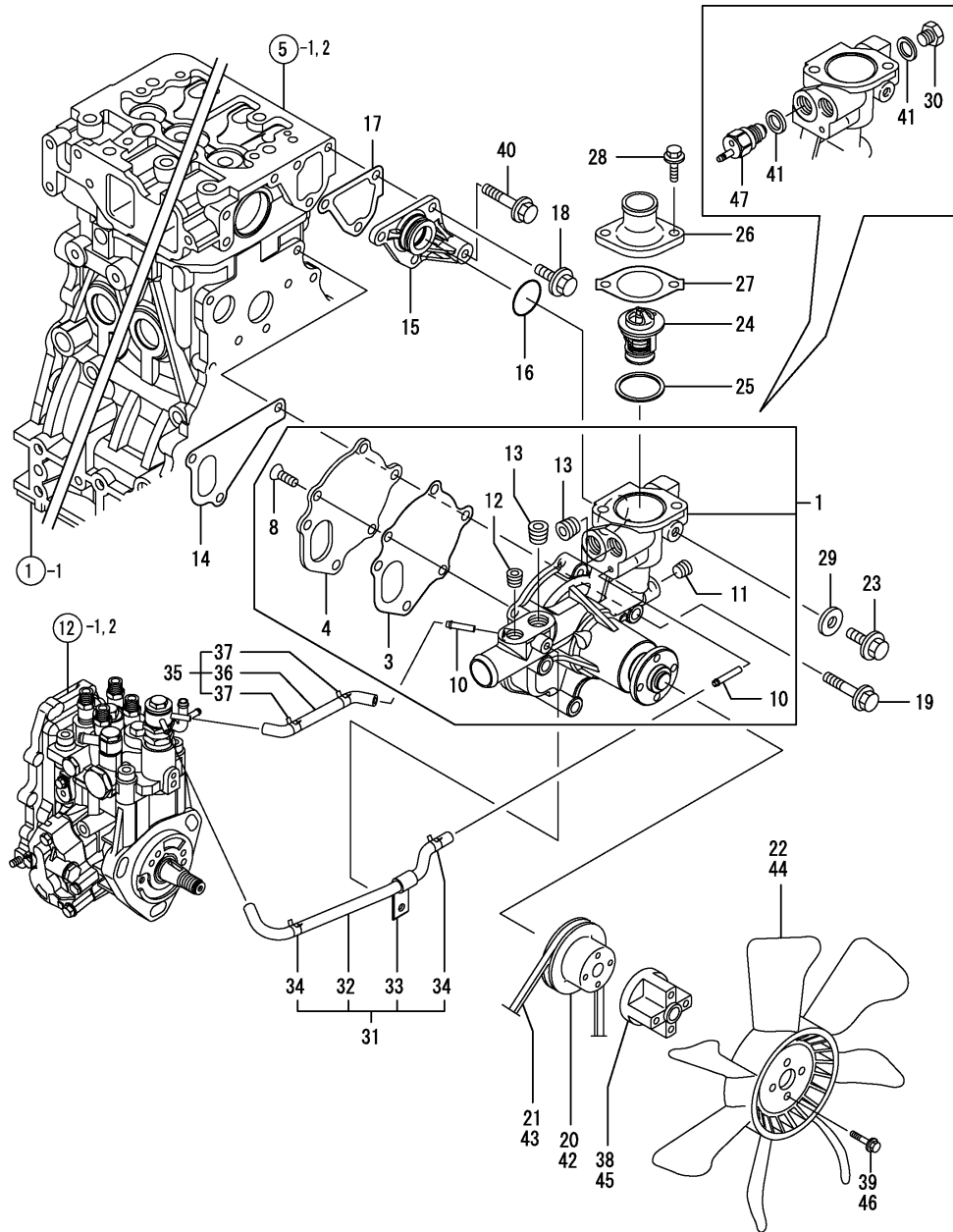
(D)=4TNV88-GGE  
(E)=  
(F)=



| REF. | LEV. | PARTS NO.                                   | DESCRIPTION         | QTY |     |     |     |     |     | I | R |
|------|------|---|---------------------|-----|-----|-----|-----|-----|-----|---|---|
|      |      |   |                     | (A) | (B) | (C) | (D) | (E) | (F) |   |   |
| 1    | 1    | 129004-34801                                | DIPSTICK            | 1   | 1   | 1   | 1   |     |     |   |   |
| 2    | 1    | 121520-34810                                | GUIDE               | 1   | 1   | 1   | 1   |     |     |   |   |
| 3    | 1    | 129150-35041                                | GASKET              | 1   | 1   | 1   | 1   |     |     |   |   |
| 3-1  | 1    | 129150-35042                                | GASKET              | 1   | 1   | 1   | 1   |     |     |   | N |
|      |      | (A=EXXXXX) (B=EXXXXX) (C=EXXXXX) (D=EXXXXX) |                     |     |     |     |     |     |     |   |   |
| 4    | 1    | 129436-35091                                | PIPE ASSY           | 1   | 1   | 1   | 1   |     |     |   |   |
| 4-1  | 1    | 129436-35070                                | PIPE ASSY, LUB. OIL | 1   | 1   | 1   | 1   |     |     |   | S |
|      |      | (A=EZZZZZ) (B=EZZZZZ) (C=EZZZZZ) (D=EZZZZZ) |                     |     |     |     |     |     |     |   |   |
| 5    | 1    | 26106-080352                                | BOLT M 8X 35 PLATED | 2   | 2   | 2   | 2   |     |     |   |   |
| 5-1  | 1    | 26106-080552                                | BOLT M 8X 55 PLATED | 2   | 2   | 2   | 2   |     |     |   | S |
|      |      | (A=EZZZZZ) (B=EZZZZZ) (C=EZZZZZ) (D=EZZZZZ) |                     |     |     |     |     |     |     |   |   |
| 6    | 1    | 129508-33010                                | COOLER ASSY         | 1   | 1   | 1   |     |     |     |   |   |
| 7    | 1    | 129417-33110                                | NUT                 | 1   | 1   | 1   |     |     |     |   |   |
| 8    | 1    | 129006-35100                                | BRACKET ASSY        | 1   | 1   | 1   |     |     |     |   |   |
| 9    | 2    | 119802-35110                                | BRACKET             | 1   | 1   | 1   |     |     |     |   |   |
| 10   | 2    | 129417-35150                                | STUD                | 1   | 1   | 1   |     |     |     |   |   |
| 11   | 1    | 26106-080202                                | BOLT M 8X 20 PLATED | 3   | 3   | 3   | 3   |     |     |   |   |
| 12   | 1    | 114250-39450                                | SWITCH              | 1   | 1   | 1   | 1   |     |     |   |   |
| 13   | 1    | 124160-39140                                | BOLT                | 1   | 1   | 1   | 1   |     |     |   |   |
| 14   | 1    | 119802-39450                                | PIPE ASSY           | 1   | 1   | 1   | 1   |     |     |   |   |
| 15   | 1    | 129005-59830                                | BOLT ASSY           | 1   | 1   | 1   | 1   |     |     |   |   |
| 16   | 2    | 23857-030000                                | JOINT BOLT 3        | 1   | 1   | 1   | 1   |     |     |   |   |
| 17   | 2    | 22190-080002                                | SEAL WASHER 8S      | 1   | 1   | 1   | 1   |     |     |   |   |
| 18   | 1    | 22190-080002                                | SEAL WASHER 8S      | 1   | 1   | 1   | 1   |     |     |   |   |
| 19   | 1    | 22190-100002                                | SEAL WASHER 10S     | 2   | 2   | 2   | 2   |     |     |   |   |
| 20   | 1    | 26366-060002                                | NUT M 6             | 1   | 1   | 1   | 1   |     |     |   |   |
| 21   | 1    | 129150-35111                                | GASKET              | 1   | 1   | 1   | 1   |     |     |   |   |
| 22   | 1    | 129150-35153                                | FILTER 80X80L       | 1   | 1   | 1   | 1   |     |     |   | 1 |
| 23   | 1    | 129006-44480                                | JOINT               | 1   | 1   | 1   | 1   |     |     |   |   |
| 24   | 1    | 129508-49030                                | PIPE ASSY           | 1   | 1   | 1   | 1   |     |     |   |   |
| 25   | 2    | 171008-03990                                | CLIP                | 1   | 1   | 1   | 1   |     |     |   |   |
| 27   | 2    | 23080-015000                                | CLAMP               | 1   | 1   | 1   | 1   |     |     |   |   |
| 28   | 1    | 129508-49040                                | PIPE ASSY           | 1   | 1   | 1   | 1   |     |     |   |   |
| 29   | 2    | 119940-59130                                | TUBE                | 1   | 1   | 1   | 1   |     |     |   |   |
| 31   | 2    | 23080-015000                                | CLAMP               | 1   | 1   | 1   | 1   |     |     |   |   |
| 32   | 2    | 23080-018000                                | CLAMP 18            | 1   | 1   | 1   | 1   |     |     |   |   |
| 33   | 1    | 129103-49301                                | ELBOW               | 1   | 1   | 1   | 1   |     |     |   |   |
| 34   | 1    | 119802-35100                                | BRACKET ASSY        |     |     |     |     |     |     |   | 1 |
| 35   | 2    | 119802-35110                                | BRACKET             |     |     |     |     |     |     |   | 1 |
| 36   | 2    | 129100-35140                                | STUD                |     |     |     |     |     |     |   | 1 |
| 37   | 1    | 171056-49120                                | PLUG                | 1   | 1   | 1   | 1   |     |     |   |   |

Remarks  
(1) REPAIR PART.

Fig.11. COOLING WATER SYSTEM



OCR10-G56600 11. COOLING WATER SYSTEM

(A)=4TNV88-DSA  
(B)=4TNV88-DSA2  
(C)=4TNV88-DSA3

(D)=4TNV88-GGE  
(E)=  
(F)=

| REF. | LEV. | PARTS NO.    | DESCRIPTION          | Q'TY |     |     |     |     |     | I | R |
|------|------|--------------|----------------------|------|-----|-----|-----|-----|-----|---|---|
|      |      |              |                      | (A)  | (B) | (C) | (D) | (E) | (F) |   |   |
| 1    | 1    | 129004-42001 | PUMP ASSY, WATER     | 1    | 1   | 1   | 1   |     |     |   |   |
| 3    | 2    | 129100-42051 | GASKET, (NON-ASB.)   | 1    | 1   | 1   | 1   |     |     |   |   |
| 4    | 2    | 129100-42121 | PLATE                | 1    | 1   | 1   | 1   |     |     |   |   |
| 8    | 2    | 121850-42410 | SCREW                | 3    | 3   | 3   | 3   |     |     |   |   |
| 10   | 2    | 119802-49113 | JOINT                | 2    | 2   | 2   | 2   |     |     |   |   |
| 11   | 2    | 23876-010000 | PLUG PT1/8,SCREW     | 1    | 1   | 1   | 1   |     |     |   |   |
| 12   | 2    | 23876-020000 | PLUG PT1/4,SCREW     | 1    | 1   | 1   | 1   |     |     |   |   |
| 13   | 2    | 129916-49740 | PLUG, DRAIN R03      | 2    | 2   | 2   | 2   |     |     |   |   |
| 14   | 1    | 129486-42021 | GASKET               | 1    | 1   | 1   | 1   |     |     |   |   |
| 15   | 1    | 129004-42040 | JOINT                | 1    | 1   | 1   | 1   |     |     |   |   |
| 16   | 1    | 129486-42140 | O-RING,CW-P          | 1    | 1   | 1   | 1   |     |     |   |   |
| 17   | 1    | 124395-49840 | GASKET, THERMO. CASE | 1    | 1   | 1   | 1   |     |     |   |   |
| 18   | 1    | 26106-080162 | BOLT M 8X 16 PLATED  | 3    | 3   | 3   | 3   |     |     |   |   |
| 19   | 1    | 26106-080602 | BOLT M 8X 60 PLATED  | 3    | 3   | 3   | 3   |     |     |   |   |
| 20   | 1    | 129403-42380 | V-PULLEY(D=110)      | 1    | 1   | 1   | 1   |     |     |   |   |
| 21   | 1    | 119865-42290 | V-BELT A36.5         | 1    | 1   | 1   | 1   |     |     |   |   |
| 22   | 1    | 129655-44740 | FAN, COOLING         | 1    | 1   | 1   | 1   |     |     |   |   |
| 23   | 1    | 26106-080122 | BOLT M 8X 12 PLATED  | 1    | 1   | 1   | 1   |     |     |   |   |
| 24   | 1    | 129155-49801 | THERMOSTAT (71)      | 1    | 1   | 1   | 1   |     |     |   |   |
| 25   | 1    | 129150-49811 | GASKET, (NON-ASB.)   | 1    | 1   | 1   | 1   |     |     |   |   |
| 26   | 1    | 129350-49530 | COVER, THERMOSTAT    | 1    | 1   | 1   | 1   |     |     |   |   |
| 27   | 1    | 129795-49551 | GASKET, (NON-ASB.)   | 1    | 1   | 1   | 1   |     |     |   |   |
| 28   | 1    | 26106-080222 | BOLT M 8X 22 PLATED  | 2    | 2   | 2   | 2   |     |     |   |   |
| 29   | 1    | 23414-080000 | GASKET 8, ROUND      | 1    | 1   | 1   | 1   |     |     |   |   |
| 30   | 1    | 121450-42450 | PLUG M16             | 1    | 1   | 1   | 1   |     |     |   |   |
| 31   | 1    | 129004-49610 | PIPE ASSY, A MP2     | 1    | 1   | 1   | 1   |     |     |   |   |
| 32   | 2    | 129004-49711 | PIPE ASSY, A MP2     | 1    | 1   | 1   | 1   |     |     |   |   |
| 33   | 2    | 119802-49730 | CLAMP,CW-T           | 1    | 1   | 1   | 1   |     |     |   |   |
| 34   | 2    | 124722-59050 | CLAMP 9              | 2    | 2   | 2   | 2   |     |     |   |   |
| 35   | 1    | 129004-49620 | PIPE ASSY, B MP2     | 1    | 1   | 1   | 1   |     |     |   |   |
| 36   | 2    | 129004-49721 | PIPE, WATER B MP2    | 1    | 1   | 1   | 1   |     |     |   |   |
| 37   | 2    | 124722-59050 | CLAMP 9              | 2    | 2   | 2   | 2   |     |     |   |   |
| 38   | 1    | 171353-44760 | SPACER               | 1    | 1   | 1   | 1   |     |     |   |   |
| 39   | 1    | 26106-060402 | BOLT M 6X 40 PLATED  | 4    | 4   | 4   | 4   |     |     |   |   |
| 40   | 1    | 26106-080452 | BOLT M 8X 45 PLATED  | 1    | 1   | 1   | 1   |     |     |   |   |
| 41   | 1    | 124465-44950 | GASKET 16            | 2    | 2   | 2   | 2   |     |     |   |   |
| 42   | 1    | 129155-42350 | V-PULLEY, C.W. PUMP  |      |     |     |     |     |     |   | 1 |
| 43   | 1    | 119831-42290 | V-BELT A37.5         |      |     |     |     |     |     |   | 1 |
| 44   | 1    | 129612-44700 | FAN, COOLING         |      |     |     |     |     |     |   | 1 |
| 45   | 1    | 121267-44760 | SPACER               |      |     |     |     |     |     |   | 1 |
| 46   | 1    | 26106-060302 | BOLT M 6X 30 PLATED  |      |     |     |     |     |     |   | 4 |
| 47   | 1    | 121250-44901 | SWITCH, THERMO(110 C | 1    | 1   | 1   | 1   |     |     |   | 1 |

Fig.12. FUEL INJECTION PUMP

OCR10-G56600 12. FUEL INJECTION PUMP

(A)=4TNV88-DSA  
 (B)=4TNV88-DSA2  
 (C)=4TNV88-DSA3

(D)=4TNV88-GGE  
 (E)=  
 (F)=

| REF. | LEV. | PARTS NO.    | DESCRIPTION         | Q'TY |     |     |     |     |     | I | R |
|------|------|--------------|---------------------|------|-----|-----|-----|-----|-----|---|---|
|      |      |              |                     | (A)  | (B) | (C) | (D) | (E) | (F) |   |   |
| 1    | 1    | 729602-51310 | FUEL INJECTION ASSY | 1    | 1   | 1   |     |     |     |   |   |
| 2    | 1    | 729647-51390 | INJECTION PUMP ASSY |      |     |     | 1   |     |     |   |   |
| 3    | 1    | 26106-080162 | BOLT M 8X 16 PLATED | 1    | 1   | 1   | 1   |     |     |   |   |
| 4    | 1    | 26106-080202 | BOLT M 8X 20 PLATED | 1    | 1   | 1   | 1   |     |     |   |   |
| 5    | 1    | 129601-51250 | SUPPORT,FIP         | 1    | 1   | 1   | 1   |     |     |   |   |

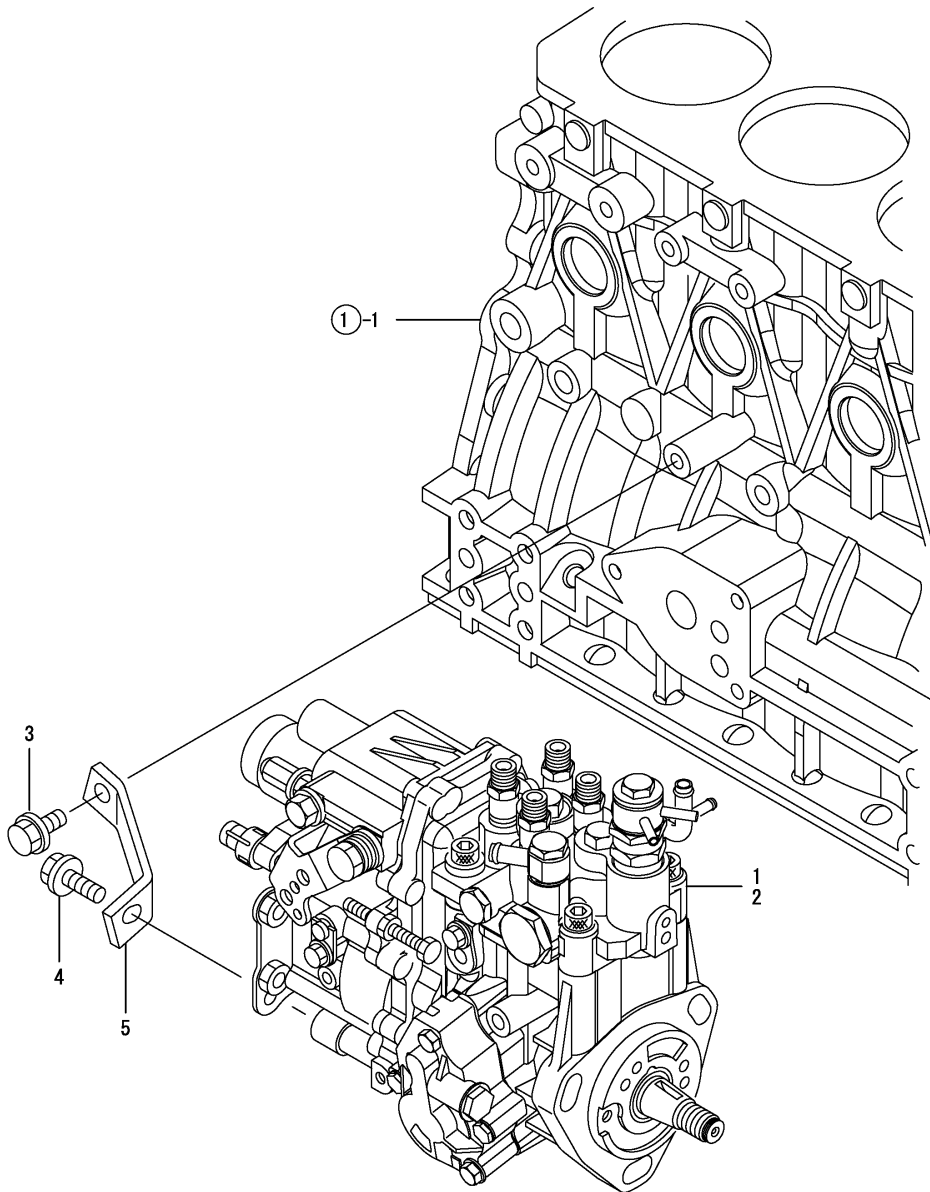
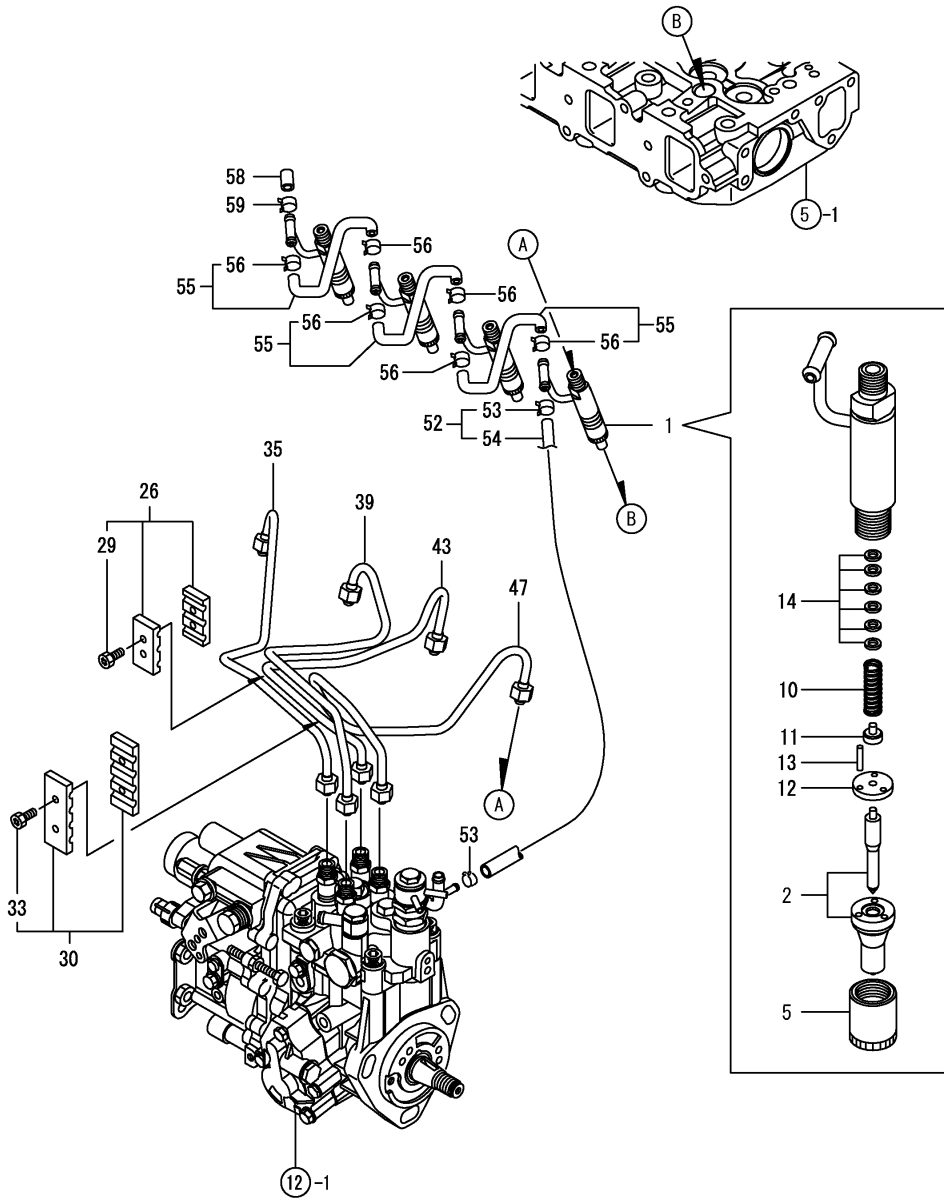




Fig.13. FUEL INJECTION VALVE

(A)=4TNV88-DSA  
 (B)=4TNV88-DSA2  
 (C)=4TNV88-DSA3

(D)=4TNV88-GGE  
 (E)=  
 (F)=



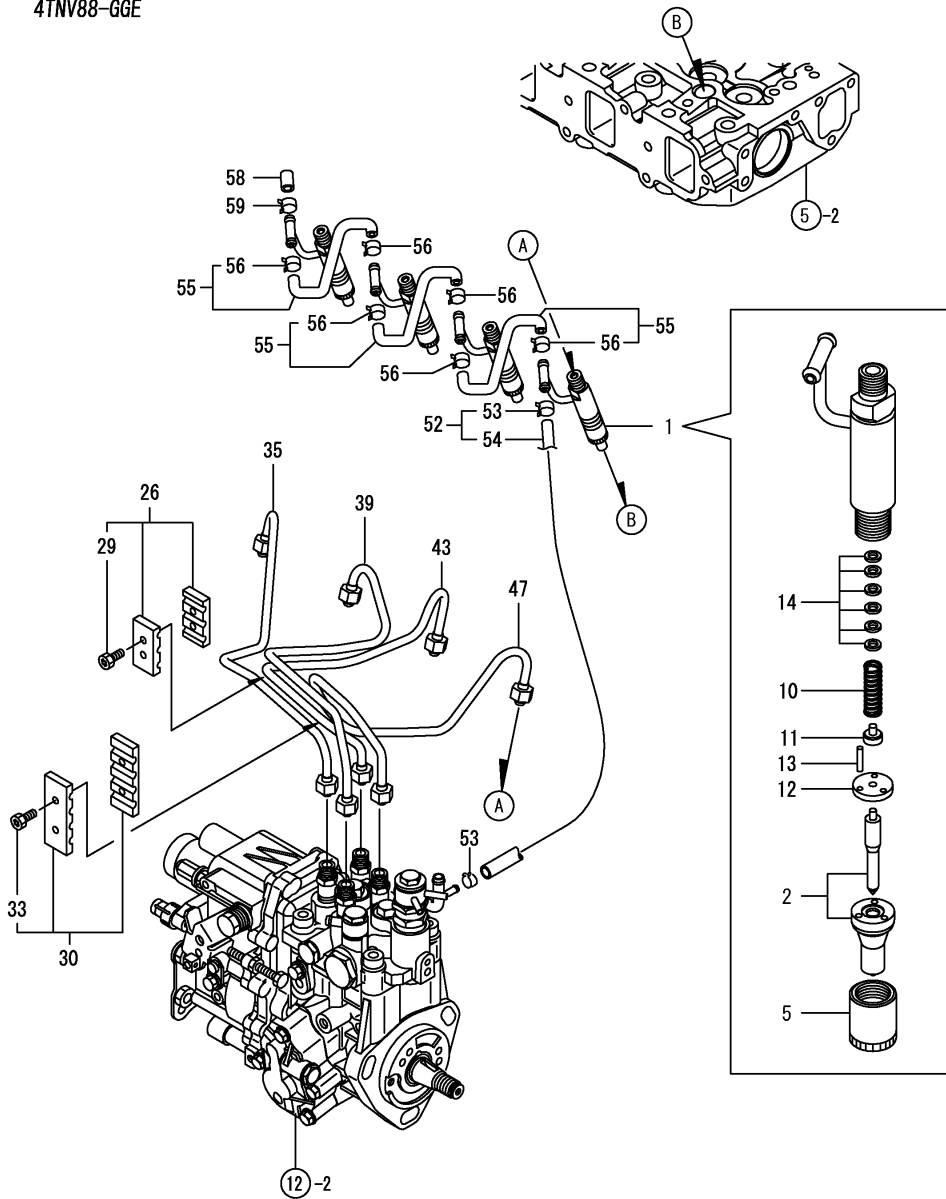
| REF. | LEV. | PARTS NO.    | DESCRIPTION          | Q'TY |     |     |     |     |     | I | R |
|------|------|--------------|----------------------|------|-----|-----|-----|-----|-----|---|---|
|      |      |              |                      | (A)  | (B) | (C) | (D) | (E) | (F) |   |   |
| 1    | 1    | 729602-53101 | VALVE ASSY,INJECTION | 4    | 4   | 4   |     |     |     |   |   |
| 2    | 2    | 129602-53001 | NOZZLE ASSY          | 4    | 4   | 4   |     |     |     |   |   |
| 5    | 2    | 114250-53080 | NUT                  | 4    | 4   | 4   |     |     |     |   |   |
| 10   | 2    | 114250-53120 | SPRING               | 4    | 4   | 4   |     |     |     |   |   |
| 11   | 2    | 114250-53130 | SPRING SEAT          | 4    | 4   | 4   |     |     |     |   |   |
| 12   | 2    | 114250-53140 | PLATE                | 4    | 4   | 4   |     |     |     |   |   |
| 13   | 2    | 114250-53210 | PIN                  | 8    | 8   | 8   |     |     |     |   |   |
| 14   | 2    | 114250-53400 | SHIM SET             | 4    | 4   | 4   |     |     |     |   |   |
| 26   | 1    | 129150-59120 | RETAINER             | 1    | 1   | 1   |     |     |     |   |   |
| 29   | 2    | 129150-59131 | BOLT                 | 2    | 2   | 2   |     |     |     |   |   |
| 30   | 1    | 129550-59120 | RETAINER             | 1    | 1   | 1   |     |     |     |   |   |
| 33   | 2    | 129150-59131 | BOLT                 | 2    | 2   | 2   |     |     |     |   |   |
| 35   | 1    | 129601-59810 | PIPE ASSY, INJECTION | 1    | 1   | 1   |     |     |     |   |   |
| 39   | 1    | 129601-59820 | PIPE ASSY, INJECTION | 1    | 1   | 1   |     |     |     |   |   |
| 43   | 1    | 129601-59830 | PIPE ASSY, INJECTION | 1    | 1   | 1   |     |     |     |   |   |
| 47   | 1    | 129601-59840 | PIPE ASSY, INJECTION | 1    | 1   | 1   |     |     |     |   |   |
| 52   | 1    | 119802-59550 | PIPE ASSY            | 1    | 1   | 1   |     |     |     |   |   |
| 53   | 2    | 124722-59050 | CLIP                 | 2    | 2   | 2   |     |     |     |   |   |
| 54   | 2    | 119802-59560 | PIPE                 | 1    | 1   | 1   |     |     |     |   |   |
| 55   | 1    | 129486-59551 | PIPE ASSY            | 3    | 3   | 3   |     |     |     |   |   |
| 56   | 2    | 124722-59050 | CLIP                 | 6    | 6   | 6   |     |     |     |   |   |
| 58   | 1    | 119593-59580 | CAP                  | 1    | 1   | 1   |     |     |     |   |   |
| 59   | 1    | 124060-77680 | CLIP                 | 1    | 1   | 1   |     |     |     |   |   |

Fig.14. FUEL INJECTION VALVE

(A)=4TNV88-DSA  
 (B)=4TNV88-DSA2  
 (C)=4TNV88-DSA3

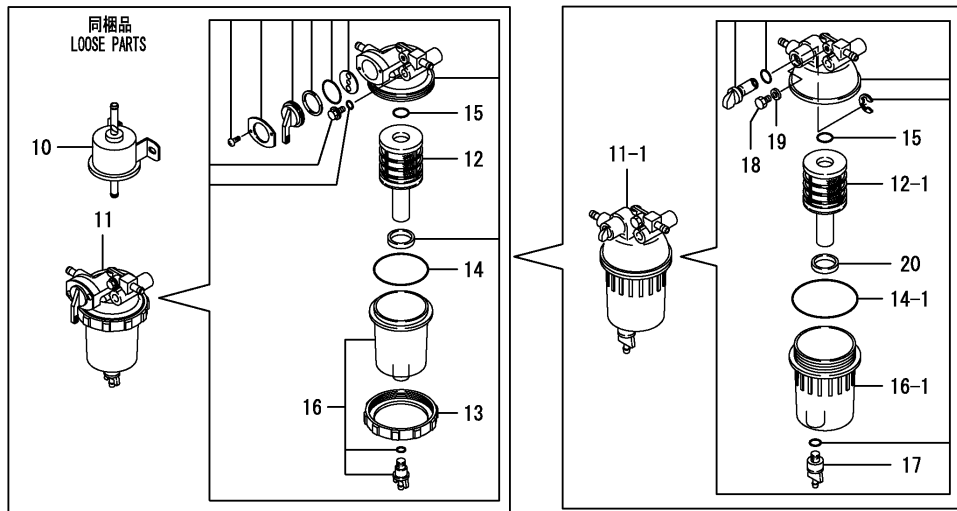
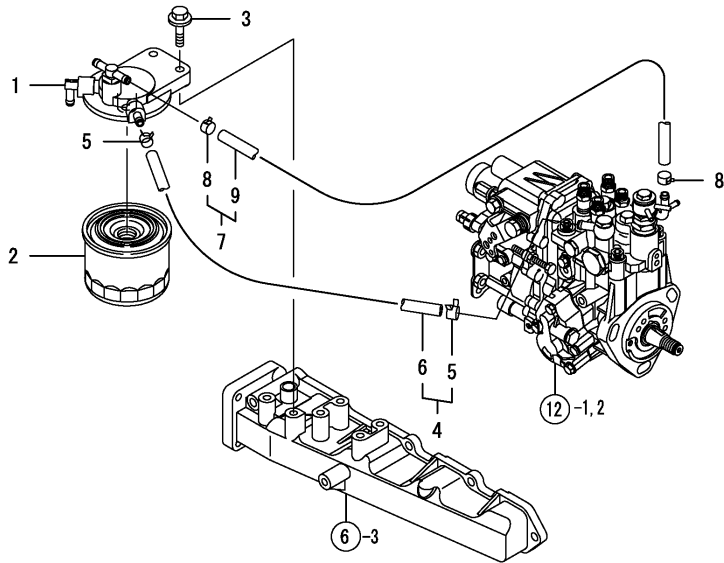
(D)=4TNV88-GGE  
 (E)=  
 (F)=

4TNV88-GGE



| REF. | LEV. | PARTS NO.    | DESCRIPTION          | Q'TY |     |     |     |     |     | I | R |
|------|------|--------------|----------------------|------|-----|-----|-----|-----|-----|---|---|
|      |      |              |                      | (A)  | (B) | (C) | (D) | (E) | (F) |   |   |
| 1    | 1    | 729246-53101 | VALVE ASSY,INJECTION |      |     |     | 4   |     |     |   |   |
| 2    | 2    | 129246-53001 | NOZZLE ASSY          |      |     |     | 4   |     |     |   |   |
| 5    | 2    | 114250-53080 | NUT                  |      |     |     | 4   |     |     |   |   |
| 10   | 2    | 114250-53120 | SPRING               |      |     |     | 4   |     |     |   |   |
| 11   | 2    | 114250-53130 | SPRING SEAT          |      |     |     | 4   |     |     |   |   |
| 12   | 2    | 114250-53140 | PLATE                |      |     |     | 4   |     |     |   |   |
| 13   | 2    | 114250-53210 | PIN                  |      |     |     | 8   |     |     |   |   |
| 14   | 2    | 114250-53400 | SHIM SET             |      |     |     | 4   |     |     |   |   |
| 26   | 1    | 129150-59120 | RETAINER             |      |     |     | 1   |     |     |   |   |
| 29   | 2    | 129150-59131 | BOLT                 |      |     |     | 2   |     |     |   |   |
| 30   | 1    | 129550-59120 | RETAINER             |      |     |     | 1   |     |     |   |   |
| 33   | 2    | 129150-59131 | BOLT                 |      |     |     | 2   |     |     |   |   |
| 35   | 1    | 129601-59810 | PIPE ASSY, INJECTION |      |     |     | 1   |     |     |   |   |
| 39   | 1    | 129601-59820 | PIPE ASSY, INJECTION |      |     |     | 1   |     |     |   |   |
| 43   | 1    | 129601-59830 | PIPE ASSY, INJECTION |      |     |     | 1   |     |     |   |   |
| 47   | 1    | 129601-59840 | PIPE ASSY, INJECTION |      |     |     | 1   |     |     |   |   |
| 52   | 1    | 119802-59550 | PIPE ASSY            |      |     |     | 1   |     |     |   |   |
| 53   | 2    | 124722-59050 | CLIP                 |      |     |     | 2   |     |     |   |   |
| 54   | 2    | 119802-59560 | PIPE                 |      |     |     | 1   |     |     |   |   |
| 55   | 1    | 129486-59551 | PIPE ASSY            |      |     |     | 3   |     |     |   |   |
| 56   | 2    | 124722-59050 | CLIP                 |      |     |     | 6   |     |     |   |   |
| 58   | 1    | 119593-59580 | CAP                  |      |     |     | 1   |     |     |   |   |
| 59   | 1    | 124060-77680 | CLIP                 |      |     |     | 1   |     |     |   |   |

Fig.15. FUEL LINE



(A)=4TNV88-DSA  
(B)=4TNV88-DSA2  
(C)=4TNV88-DSA3

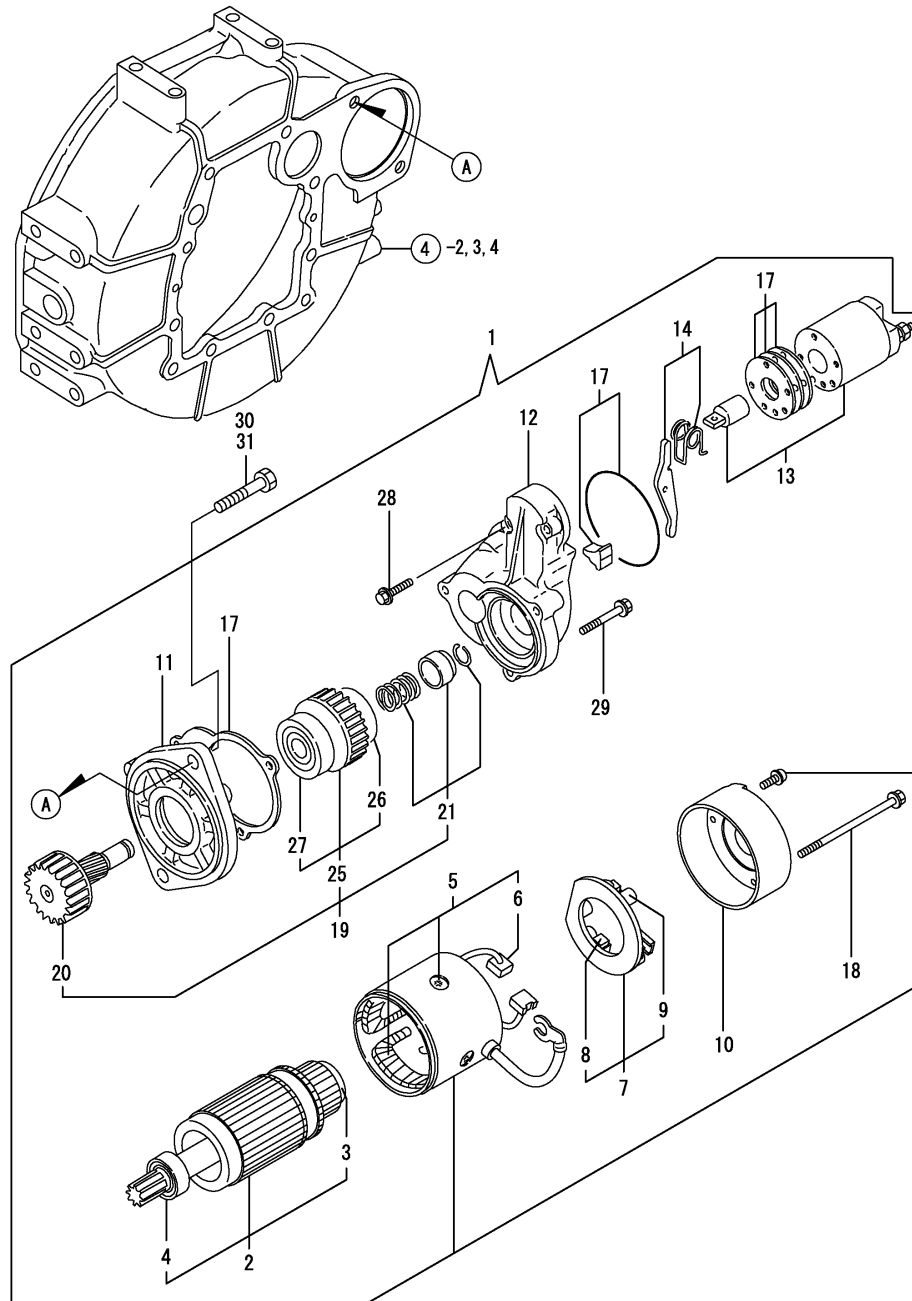
(D)=4TNV88-GGE  
(E)=  
(F)=

| REF. | LEV. | PARTS NO.   | DESCRIPTION          | QTY |     |     |     |     |     | I | R |
|------|------|---|----------------------|-----|-----|-----|-----|-----|-----|---|---|
|      |      |   |                      | (A) | (B) | (C) | (D) | (E) | (F) |   |   |
| 1    | 1    | 129004-55610  | BRACKET, FILTER      | 1   | 1   | 1   | 1   |     |     |   |   |
| 2    | 1    | 119802-55800  | FILTER, FUEL         | 1   | 1   | 1   | 1   |     |     |   |   |
| 3    | 1    | 26106-080302  | BOLT M 8X 30 PLATED  | 2   | 2   | 2   | 2   |     |     |   |   |
| 4    | 1    | 129210-59090  | PIPE ASSY, FUEL OIL  | 1   | 1   | 1   | 1   |     |     |   |   |
| 5    | 2    | 124766-59050  | CLAMP 12             | 2   | 2   | 2   | 2   |     |     |   |   |
| 6    | 2    | 105325-59570  | PIPE, FUEL OIL       | 1   | 1   | 1   | 1   |     |     |   |   |
| 7    | 1    | 129210-59150  | PIPE ASSY, FUEL OIL  | 1   | 1   | 1   | 1   |     |     |   |   |
| 8    | 2    | 124766-59050  | CLAMP 12             | 2   | 2   | 2   | 2   |     |     |   |   |
| 9    | 2    | 105025-59530  | PIPE,FUEL (D13XL400) | 1   | 1   | 1   | 1   |     |     |   |   |
| 10   | 1    | 119225-52102  | PUMP ASSY, FUEL FEED | 1   | 1   | 1   | 1   |     |     |   |   |
| 11   | 1    | 119802-55700  | SEPARATOR ASSY       | 1   | 1   | 1   | 1   |     |     |   |   |
| 11-1 | 1    | 129242-55700  | SEPARATOR ASSY       | 1   | 1   | 1   | 1   |     |     |   | N |
|      |      | (A=*2008.08.) (B=*2008.08.) (C=*2008.08.) (D=*2008.08.) |                      |     |     |     |     |     |     |   |   |
| 12   | 2    | 119802-55710  | ELEMENT              | 1   | 1   | 1   | 1   |     |     |   |   |
| 12-1 | 2    | 129242-55730  | ELEMENT              | 1   | 1   | 1   | 1   |     |     |   | S |
|      |      | (A=*2008.08.) (B=*2008.08.) (C=*2008.08.) (D=*2008.08.) |                      |     |     |     |     |     |     |   |   |
| 13   | 2    | 129100-55690  | RING, RETAINING      | 1   | 1   | 1   | 1   |     |     |   | Z |
|      |      | (A=*2008.08.) (B=*2008.08.) (C=*2008.08.) (D=*2008.08.) |                      |     |     |     |     |     |     |   |   |
| 14   | 2    | 24321-000650  | O-RING 1A G-65.0     | 1   | 1   | 1   | 1   |     |     |   |   |
| 14-1 | 2    | 24321-000750  | O-RING 1A G-75.0     | 1   | 1   | 1   | 1   |     |     |   | S |
|      |      | (A=*2008.08.) (B=*2008.08.) (C=*2008.08.) (D=*2008.08.) |                      |     |     |     |     |     |     |   |   |
| 15   | 2    | 24311-000160  | O-RING 1A P-16.0     | 1   | 1   | 1   | 1   |     |     |   |   |
| 16   | 2    | 119802-55730  | CUP ASSY             | 1   | 1   | 1   | 1   |     |     |   | W |
|      |      | (A=FROM 1ST) (B=FROM 1ST) (C=FROM 1ST) (D=FROM 1ST)     |                      |     |     |     |     |     |     |   |   |
| 16-1 | 2    | 129242-55720  | CUP                  | 1   | 1   | 1   | 1   |     |     |   | S |
|      |      | (A=*2008.08.) (B=*2008.08.) (C=*2008.08.) (D=*2008.08.) |                      |     |     |     |     |     |     |   |   |
| 17   | 2    | 129242-55740  | PLUG, DRAIN          | 1   | 1   | 1   | 1   |     |     |   | W |
|      |      | (A=*2008.08.) (B=*2008.08.) (C=*2008.08.) (D=*2008.08.) |                      |     |     |     |     |     |     |   |   |
| 18   | 2    | 129242-55750  | VALVE, AIR VENT      | 1   | 1   | 1   | 1   |     |     |   | W |
|      |      | (A=*2008.08.) (B=*2008.08.) (C=*2008.08.) (D=*2008.08.) |                      |     |     |     |     |     |     |   |   |
| 19   | 2    | 129242-55760  | PACKING, PLUG        | 1   | 1   | 1   | 1   |     |     |   | W |
|      |      | (A=*2008.08.) (B=*2008.08.) (C=*2008.08.) (D=*2008.08.) |                      |     |     |     |     |     |     |   |   |
| 20   | 2    | 129242-55770  | FLOAT                | 1   | 1   | 1   | 1   |     |     |   | W |
|      |      | (A=*2008.08.) (B=*2008.08.) (C=*2008.08.) (D=*2008.08.) |                      |     |     |     |     |     |     |   |   |

Fig.16. STARTING MOTOR

(A)=4TNV88-DSA  
(B)=4TNV88-DSA2  
(C)=4TNV88-DSA3

(D)=4TNV88-GGE  
(E)=  
(F)=

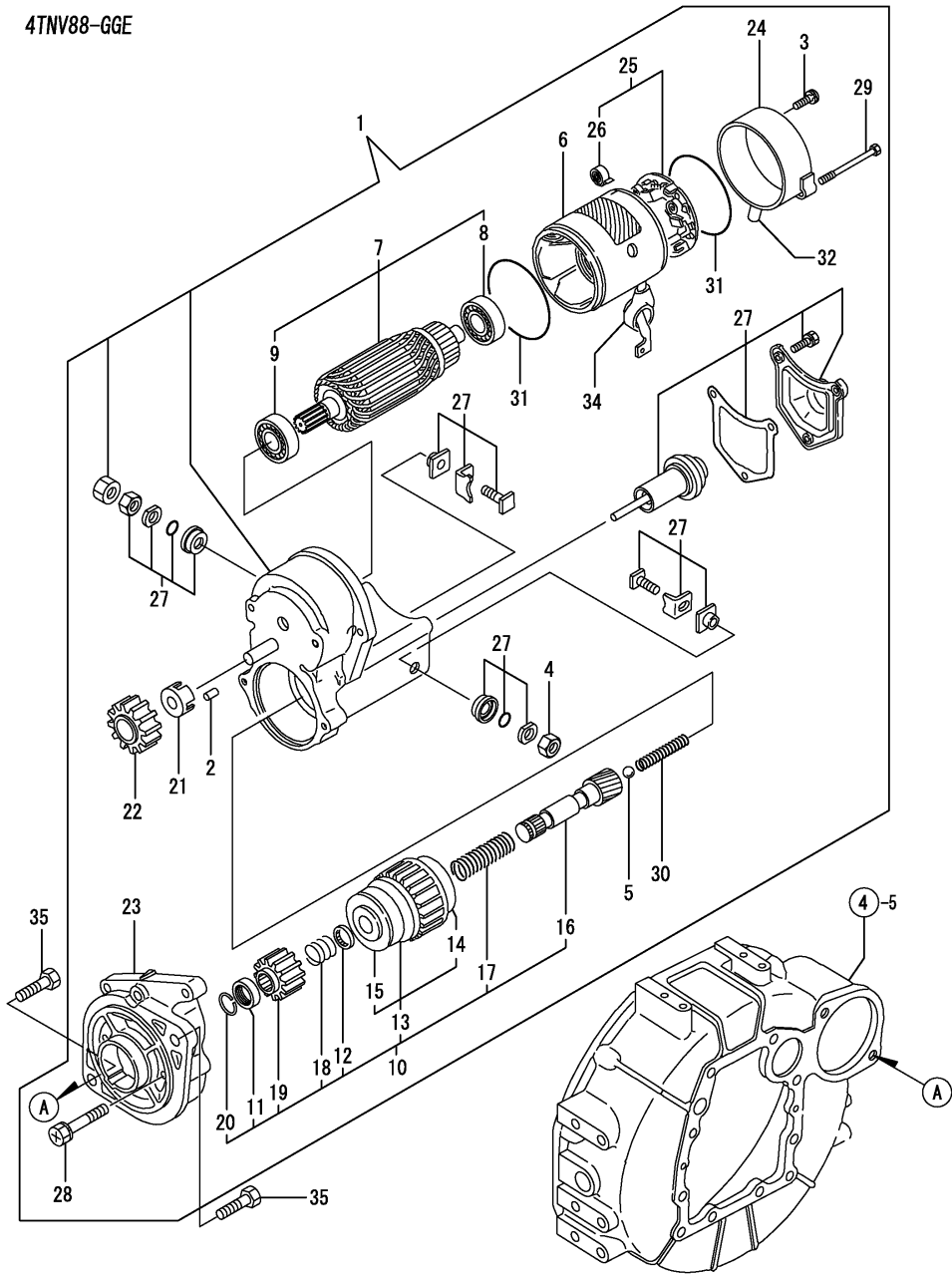


| REF. | LEV. | PARTS NO.    | DESCRIPTION          | QTY |     |     |     |     |     | I | R |
|------|------|--------------|----------------------|-----|-----|-----|-----|-----|-----|---|---|
|      |      |              |                      | (A) | (B) | (C) | (D) | (E) | (F) |   |   |
| 1    | 1    | 129400-77012 | STARTING MOTOR       | 1   | 1   | 1   |     |     |     |   |   |
| 2    | 2    | 129486-77400 | ARMATUER             | 1   | 1   | 1   |     |     |     |   |   |
| 3    | 3    | 171008-77410 | BEARING(1)           | 1   | 1   | 1   |     |     |     |   |   |
| 4    | 3    | 171008-77420 | BEARING(2)           | 1   | 1   | 1   |     |     |     |   |   |
| 5    | 2    | 129400-77441 | FIELD COIL ASSY      | 1   | 1   | 1   |     |     |     |   |   |
| 6    | 3    | 129486-77460 | BRUSH                | 2   | 2   | 2   |     |     |     |   |   |
| 7    | 2    | 129486-77470 | HOLDER ASSY, BRUSH   | 1   | 1   | 1   |     |     |     |   |   |
| 8    | 3    | 129486-77460 | BRUSH                | 2   | 2   | 2   |     |     |     |   |   |
| 9    | 3    | 129486-77490 | SPRING,START BRUSH   | 4   | 4   | 4   |     |     |     |   |   |
| 10   | 2    | 129900-77460 | COVER, REAR          | 1   | 1   | 1   |     |     |     |   |   |
| 11   | 2    | 171008-77510 | HOUSING ASSY, GEAR   | 1   | 1   | 1   |     |     |     |   |   |
| 12   | 2    | 129400-77520 | HOUSING, CENTER      | 1   | 1   | 1   |     |     |     |   |   |
| 13   | 2    | 129400-77531 | SWITCH ASSY,MAGNETIC | 1   | 1   | 1   |     |     |     |   |   |
| 14   | 2    | 171008-77540 | LEVER SET, SHIFT     | 1   | 1   | 1   |     |     |     |   |   |
| 17   | 2    | 129400-77571 | DUST COVER,(NON-ASB. | 1   | 1   | 1   |     |     |     |   |   |
| 18   | 2    | 129900-77640 | BOLT, THROUGH        | 2   | 2   | 2   |     |     |     |   |   |
| 19   | 2    | 171008-77650 | PINION ASSY          | 1   | 1   | 1   |     |     |     |   |   |
| 20   | 3    | 171008-77660 | SHAFT, PINION        | 1   | 1   | 1   |     |     |     |   |   |
| 21   | 3    | 171008-77670 | STOPPER SET, PINION  | 1   | 1   | 1   |     |     |     |   |   |
| 25   | 3    | X2114555500  | CLUTCH ASSY          | 1   | 1   | 1   |     |     |     |   |   |
| 26   | 4    | X2114955020  | BALL BEARING         | 1   | 1   | 1   |     |     |     |   |   |
| 27   | 4    | X2240410100  | BALL BEARING         | 1   | 1   | 1   |     |     |     |   |   |
| 28   | 2    | 26106-060322 | BOLT M 6X 32 PLATED  | 2   | 2   | 2   |     |     |     |   |   |
| 29   | 2    | 26106-060402 | BOLT M 6X 40 PLATED  | 3   | 3   | 3   |     |     |     |   |   |
| 30   | 1    | 26116-120252 | BOLT M12X 25 PLATED  | 2   | 2   |     |     |     |     |   |   |
| 31   | 1    | 26116-120202 | BOLT M12X 20 PLATED  |     |     | 2   |     |     |     |   |   |

Fig.17. STARTING MOTOR

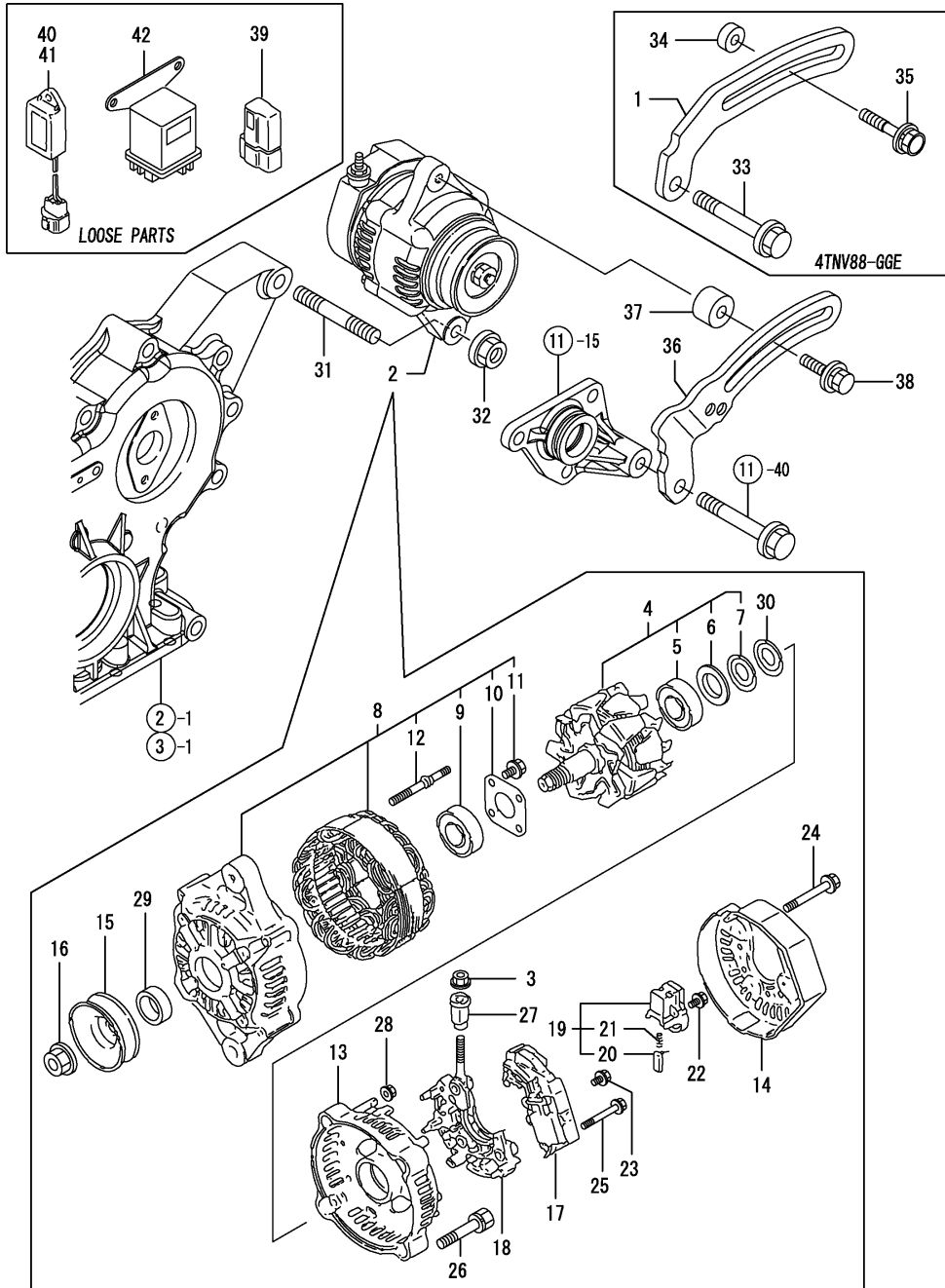
(A)=4TNV88-DSA  
(B)=4TNV88-DSA2  
(C)=4TNV88-DSA3

(D)=4TNV88-GGE  
(E)=  
(F)=



| REF. | LEV. | PARTS NO.    | DESCRIPTION         | Q'TY |     |     |     |     |     | I | R |
|------|------|--------------|---------------------|------|-----|-----|-----|-----|-----|---|---|
|      |      |              |                     | (A)  | (B) | (C) | (D) | (E) | (F) |   |   |
| 1    | 1    | 129407-77010 | STARTER ASSY        |      |     |     | 1   |     |     |   |   |
| 2    | 2    | X0283060061  | ROLLER              |      |     |     | 5   |     |     |   |   |
| 3    | 2    | 129129-77460 | SCREW               |      |     |     | 2   |     |     |   |   |
| 4    | 2    | X9490561370  | NUT                 |      |     |     | 1   |     |     |   |   |
| 5    | 2    | X9491200240  | BALL                |      |     |     | 1   |     |     |   |   |
| 6    | 2    | 129407-77210 | YOKE                |      |     |     | 1   |     |     |   |   |
| 7    | 2    | 129407-77220 | ARMATURE ASSY       |      |     |     | 1   |     |     |   |   |
| 8    | 3    | 129129-77230 | BEARING             |      |     |     | 1   |     |     |   |   |
| 9    | 3    | 129129-77240 | BEARING             |      |     |     | 1   |     |     |   |   |
| 10   | 2    | 129407-77250 | STARTER KIT         |      |     |     | 1   |     |     |   |   |
| 11   | 3    | X0280210230  | NUT                 |      |     |     | 1   |     |     |   |   |
| 12   | 3    | X0283270140  | RETAINER            |      |     |     | 1   |     |     |   |   |
| 13   | 3    | 129407-77390 | CLUTCH,STARTER      |      |     |     | 1   |     |     |   |   |
| 14   | 4    | 129129-77440 | BEARING             |      |     |     | 1   |     |     |   |   |
| 15   | 4    | 129129-77450 | BEARING             |      |     |     | 1   |     |     |   |   |
| 16   | 3    | 129129-77400 | SHAFT               |      |     |     | 1   |     |     |   |   |
| 17   | 3    | 129129-77410 | SPRING, COIL        |      |     |     | 1   |     |     |   |   |
| 18   | 3    | X9491703371  | SPRING, COIL        |      |     |     | 1   |     |     |   |   |
| 19   | 3    | 129129-77420 | PINION              |      |     |     | 1   |     |     |   |   |
| 20   | 3    | 129129-77430 | RING                |      |     |     | 1   |     |     |   |   |
| 21   | 2    | 129129-77260 | RETAINER            |      |     |     | 1   |     |     |   |   |
| 22   | 2    | 129129-77270 | PINION              |      |     |     | 1   |     |     |   |   |
| 23   | 2    | 129407-77280 | HOUSING             |      |     |     | 1   |     |     |   |   |
| 24   | 2    | 129407-77290 | FRAME               |      |     |     | 1   |     |     |   |   |
| 25   | 2    | 129407-77300 | HOLDER ASSY         |      |     |     | 1   |     |     |   |   |
| 26   | 3    | X9491730461  | SPRING              |      |     |     | 4   |     |     |   |   |
| 27   | 2    | 129407-77310 | SWITCH ASSY         |      |     |     | 1   |     |     |   |   |
| 28   | 2    | 129129-77320 | BOLT                |      |     |     | 2   |     |     |   |   |
| 29   | 2    | 129407-77330 | BOLT,W/WASHER       |      |     |     | 2   |     |     |   |   |
| 30   | 2    | 129129-77340 | SPRING              |      |     |     | 1   |     |     |   |   |
| 31   | 2    | 129129-77350 | O-RING              |      |     |     | 2   |     |     |   |   |
| 32   | 2    | 129129-77362 | COVER               |      |     |     | 1   |     |     |   |   |
| 34   | 2    | 129129-77380 | CAP                 |      |     |     | 1   |     |     |   |   |
| 35   | 1    | 26116-120252 | BOLT M12X 25 PLATED |      |     |     | 2   |     |     |   |   |

Fig.18. GENERATOR

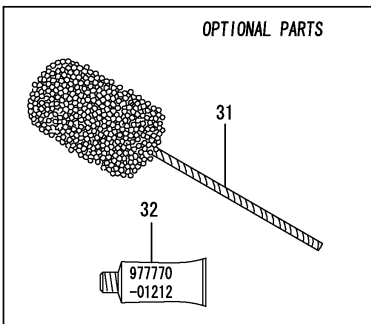
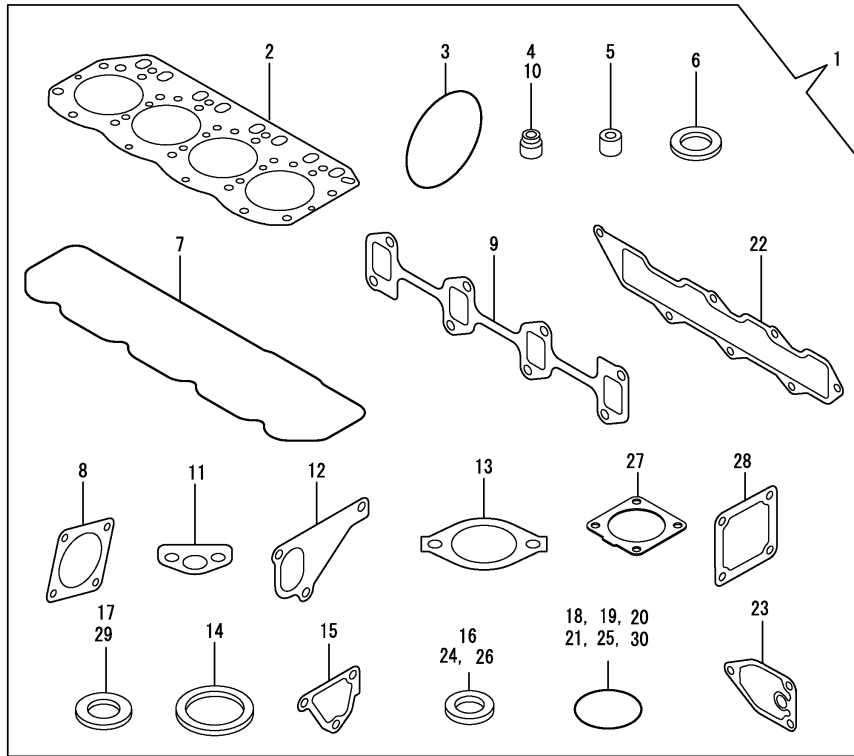


(A)=4TNV88-DSA  
(B)=4TNV88-DSA2  
(C)=4TNV88-DSA3

(D)=4TNV88-GGE  
(E)=  
(F)=

| REF. | LEV. | PARTS NO.    | DESCRIPTION         | Q'TY |     |     |     |     |     | I | R |
|------|------|--------------|---------------------|------|-----|-----|-----|-----|-----|---|---|
|      |      |              |                     | (A)  | (B) | (C) | (D) | (E) | (F) |   |   |
| 1    | 1    | 119940-77330 | ADJUSTER, BELT      |      |     |     | 1   |     |     |   |   |
| 2    | 1    | 129423-77200 | GENERATOR           |      |     |     | 1   |     |     |   |   |
| 3    | 2    | X9490561001  | NUT                 | 1    | 1   | 1   | 1   |     |     |   |   |
| 4    | 2    | 119620-77380 | ROTOR ASSY          | 1    | 1   | 1   | 1   |     |     |   |   |
| 5    | 3    | 119620-79240 | BALL BEARING        | 1    | 1   | 1   | 1   |     |     |   |   |
| 6    | 3    | 119620-79250 | COVER, BEARING      | 1    | 1   | 1   | 1   |     |     |   |   |
| 7    | 3    | 119620-79360 | THRUST WASHER       | 1    | 1   | 1   | 1   |     |     |   |   |
| 8    | 2    | 119620-77421 | FLAME ASSY, DRIVE   | 1    | 1   | 1   | 1   |     |     |   |   |
| 9    | 3    | 119620-79200 | BALL BEARING        | 1    | 1   | 1   | 1   |     |     |   |   |
| 10   | 3    | 119620-79210 | PLATE               | 1    | 1   | 1   | 1   |     |     |   |   |
| 11   | 3    | 119620-79220 | SCREW               | 4    | 4   | 4   | 4   |     |     |   |   |
| 12   | 3    | 119620-79230 | BOLT, STUD          | 2    | 2   | 2   | 2   |     |     |   |   |
| 13   | 2    | 119620-77440 | FLAME ASSY, REAR    | 1    | 1   | 1   | 1   |     |     |   |   |
| 14   | 2    | 129240-79300 | COVER               | 1    | 1   | 1   | 1   |     |     |   |   |
| 15   | 2    | 119620-77461 | PULLEY              | 1    | 1   | 1   | 1   |     |     |   |   |
| 16   | 2    | 119620-77471 | NUT                 | 1    | 1   | 1   | 1   |     |     |   |   |
| 17   | 2    | 129423-77710 | REGULATOR ASSY      | 1    | 1   | 1   | 1   |     |     |   |   |
| 18   | 2    | 119620-79260 | HOLDER              | 1    | 1   | 1   | 1   |     |     |   |   |
| 19   | 2    | 119620-79270 | HOLDER, BRUSH       | 1    | 1   | 1   | 1   |     |     |   |   |
| 20   | 3    | 119620-77480 | BRUSH ASSY          | 2    | 2   | 2   | 2   |     |     |   |   |
| 21   | 3    | 119620-79280 | SPRING              | 2    | 2   | 2   | 2   |     |     |   |   |
| 22   | 2    | 119620-79290 | SCREW               | 1    | 1   | 1   | 1   |     |     |   |   |
| 23   | 2    | 119620-79300 | SCREW               | 1    | 1   | 1   | 1   |     |     |   |   |
| 24   | 2    | 119620-79310 | BOLT                | 3    | 3   | 3   | 3   |     |     |   |   |
| 25   | 2    | 119620-79320 | SCREW W/WASHER      | 2    | 2   | 2   | 2   |     |     |   |   |
| 26   | 2    | 119620-79330 | BOLT                | 2    | 2   | 2   | 2   |     |     |   |   |
| 27   | 2    | 119620-79340 | INSULATION BUSH     | 1    | 1   | 1   | 1   |     |     |   |   |
| 28   | 2    | 119620-79350 | NUT                 | 2    | 2   | 2   | 2   |     |     |   |   |
| 29   | 2    | 119620-77490 | COLLAR              | 1    | 1   | 1   | 1   |     |     |   |   |
| 30   | 2    | 119620-79360 | THRUST WASHER       | 1    | 1   | 1   | 1   |     |     |   |   |
| 31   | 1    | 129795-01900 | STUD                | 1    | 1   | 1   | 1   |     |     |   |   |
| 32   | 1    | 26306-100002 | NUT                 | 1    | 1   | 1   | 1   |     |     |   |   |
| 33   | 1    | 26106-080452 | BOLT M 8X 45 PLATED |      |     |     | 1   |     |     |   |   |
| 34   | 1    | 119940-77270 | ADJUSTER, BELT      |      |     |     | 1   |     |     |   |   |
| 35   | 1    | 119802-77340 | BOLT, ADJUSTER      |      |     |     | 1   |     |     |   |   |
| 36   | 1    | 129064-77330 | ADJUSTER,BELT       | 1    | 1   | 1   |     |     |     |   |   |
| 37   | 1    | 129067-77340 | SPACER              | 1    | 1   | 1   |     |     |     |   |   |
| 38   | 1    | 26014-080452 | BOLT M 8X 45        | 1    | 1   | 1   |     |     |     |   |   |
| 39   | 1    | 119643-66900 | DIODE               | 1    | 1   | 1   | 1   |     |     |   |   |
| 40   | 1    | 128300-77920 | TIMER               | 1    | 1   | 1   |     |     |     |   |   |
| 41   | 1    | 129211-77920 | TIMER               | 1    | 1   | 1   | 1   |     |     |   |   |
| 42   | 1    | 119650-77910 | RELAY, GROW         | 1    | 1   | 1   | 1   |     |     |   |   |

Fig.19. GASKET SET



Remarks  
(1) OPTIONAL PART.

(A)=4TNV88-DSA  
(B)=4TNV88-DSA2  
(C)=4TNV88-DSA3

(D)=4TNV88-GGE  
(E)=  
(F)=

| REF. | LEV. | PARTS NO.    | DESCRIPTION          | Q'TY |     |     |     |     |     | I | R |
|------|------|--------------|----------------------|------|-----|-----|-----|-----|-----|---|---|
|      |      |              |                      | (A)  | (B) | (C) | (D) | (E) | (F) |   |   |
| 1    | 1    | 729601-92780 | GASKET SET(NON-ASB.) | 1    | 1   | 1   | 1   |     |     |   | 1 |
| 2    | 2    | 129407-01340 | GASKET,CYL.HEAD      | 1    | 1   | 1   | 1   |     |     |   |   |
| 3    | 2    | 121850-51960 | O-RING, F.I.PUMP     | 1    | 1   | 1   | 1   |     |     |   |   |
| 4    | 2    | 124460-11340 | SEAL, VALVE STEM     | 4    | 4   | 4   | 4   |     |     |   |   |
| 5    | 2    | 119802-11870 | PROTECTOR, NOZZLE    | 4    | 4   | 4   | 4   |     |     |   |   |
| 6    | 2    | 119625-11880 | SEAT, NOZZLE         | 4    | 4   | 4   | 4   |     |     |   |   |
| 7    | 2    | 129601-11310 | GASKET,COVER         | 1    | 1   | 1   | 1   |     |     |   |   |
| 8    | 2    | 124240-01883 | GASKET, (NON-ASB.)   | 1    | 1   | 1   | 1   |     |     |   |   |
| 9    | 2    | 129550-13110 | GASKET, EXH.MANIFOLD | 1    | 1   | 1   | 1   |     |     |   |   |
| 10   | 2    | 121400-11340 | SEAL, VALVE STEM     | 4    | 4   | 4   | 4   |     |     |   |   |
| 11   | 2    | 129150-35041 | GASKET, (NON-ASB.)   | 1    | 1   | 1   | 1   |     |     |   |   |
| 12   | 2    | 129486-42021 | GASKET               | 1    | 1   | 1   | 1   |     |     |   |   |
| 13   | 2    | 129795-49551 | GASKET, (NON-ASB.)   | 1    | 1   | 1   | 1   |     |     |   |   |
| 14   | 2    | 129150-49811 | GASKET, (NON-ASB.)   | 1    | 1   | 1   | 1   |     |     |   |   |
| 15   | 2    | 124395-49840 | GASKET, THERMO. CASE | 1    | 1   | 1   | 1   |     |     |   |   |
| 16   | 2    | 22190-080002 | SEAL WASHER 8S       | 2    | 2   | 2   | 2   |     |     |   |   |
| 17   | 2    | 124465-44950 | GASKET 16            | 2    | 2   | 2   | 2   |     |     |   |   |
| 18   | 2    | 24311-000120 | O-RING 1A P 12.0     | 3    | 3   | 3   | 3   |     |     |   |   |
| 19   | 2    | 24311-000320 | O-RING 1A P-32.0     | 2    | 2   | 2   | 2   |     |     |   |   |
| 20   | 2    | 24341-000240 | O-RING 1A S-24.0     | 1    | 1   | 1   | 1   |     |     |   |   |
| 21   | 2    | 129486-42140 | O-RING,CW-P          | 1    | 1   | 1   | 1   |     |     |   |   |
| 22   | 2    | 129407-12110 | GASKET,INT.MANOFOLD  | 1    | 1   | 1   | 1   |     |     |   |   |
| 23   | 2    | 129150-35111 | GASKET, (NON-ASB.)   | 1    | 1   | 1   | 1   |     |     |   |   |
| 24   | 2    | 22190-220002 | SEAL WASHER 22S      | 1    | 1   | 1   | 1   |     |     |   |   |
| 25   | 2    | 119609-32040 | O-RING P16           | 4    | 4   | 4   | 4   |     |     |   |   |
| 26   | 2    | 22190-100002 | SEAL WASHER 10S      | 2    | 2   | 2   | 2   |     |     |   |   |
| 27   | 2    | 129930-13200 | GASKET, SILENCER     | 1    | 1   | 1   | 1   |     |     |   |   |
| 28   | 2    | 129150-77511 | GASKET, (NON-ASB.)   | 1    | 1   | 1   | 1   |     |     |   |   |
| 29   | 2    | 23414-080000 | GASKET 8, ROUND      | 1    | 1   | 1   | 1   |     |     |   |   |
| 30   | 2    | 24321-000800 | O-RING 1A G-80.0     | 1    | 1   | 1   | 1   |     |     |   |   |
| 31   | 1    | 129400-92430 | HORN, FLEX           | 1    | 1   | 1   | 1   |     |     |   | 1 |
| 32   | 1    | 977770-01212 | GASKET, LIQUID       | 1    | 1   | 1   | 1   |     |     |   | 1 |

## **Part Number Index**

All parts are stipulated in the order of part numbers.

(Depending on the area in which the part is used.)

This index will display the location of the part according to each part number.



## PARTS No. INDEX

| PARTS No.    | Fig. | Ref.No. |
|--------------|------|---------|
| 105025-59530 | 15   | 9       |
| 105325-59570 | 15   | 6       |
| 114250-39450 | 10   | 12      |
| 114250-53080 | 13   | 5       |
|              | 14   | 5       |
| 114250-53120 | 13   | 10      |
|              | 14   | 10      |
| 114250-53130 | 13   | 11      |
|              | 14   | 11      |
| 114250-53140 | 13   | 12      |
|              | 14   | 12      |
| 114250-53210 | 13   | 13      |
|              | 14   | 13      |
| 114250-53400 | 13   | 14      |
|              | 14   | 14      |
| 119131-18320 | 7    | 5       |
| 119225-52102 | 15   | 10      |
| 119593-59580 | 13   | 58      |
|              | 14   | 58      |
| 119609-32040 | 2    | 17      |
|              | 3    | 17      |
|              | 19   | 25      |
| 119620-01750 | 4    | 22      |
| 119620-77380 | 18   | 4       |
| 119620-77421 | 18   | 8       |
| 119620-77440 | 18   | 13      |
| 119620-77461 | 18   | 15      |
| 119620-77471 | 18   | 16      |
| 119620-77480 | 18   | 20      |
| 119620-77490 | 18   | 29      |
| 119620-79200 | 18   | 9       |
| 119620-79210 | 18   | 10      |
| 119620-79220 | 18   | 11      |
| 119620-79230 | 18   | 12      |
| 119620-79240 | 18   | 5       |
| 119620-79250 | 18   | 6       |
| 119620-79260 | 18   | 18      |
| 119620-79270 | 18   | 19      |
| 119620-79280 | 18   | 21      |
| 119620-79290 | 18   | 22      |
| 119620-79300 | 18   | 23      |
| 119620-79310 | 18   | 24      |
| 119620-79320 | 18   | 25      |
| 119620-79330 | 18   | 26      |
| 119620-79340 | 18   | 27      |
| 119620-79350 | 18   | 28      |
| 119620-79360 | 18   | 7       |
|              |      | 30      |
| 119625-11880 | 5    | 59      |
|              | 19   | 6       |

| PARTS No.    | Fig. | Ref.No. |
|--------------|------|---------|
| 119640-01640 | 4    | 9       |
| 119643-66900 | 18   | 39      |
| 119650-77910 | 18   | 42      |
| 119802-01520 | 3    | 12      |
| 119802-01560 | 2    | 13      |
|              | 3    | 13      |
| 119802-03110 | 5    | 41      |
| 119802-03121 | 5    | 42      |
| 119802-03130 | 5    | 43      |
| 119802-03141 | 5    | 44      |
| 119802-11260 | 5    | 26      |
| 119802-11270 | 5    | 27      |
| 119802-11870 | 5    | 58      |
|              | 19   | 5       |
| 119802-21202 | 9    | 5       |
| 119802-21650 | 9    | 9       |
| 119802-21660 | 9    | 41      |
| 119802-25051 | 8    | 11      |
| 119802-25070 | 8    | 15      |
| 119802-25100 | 8    | 12      |
| 119802-25901 | 8    | 26      |
| 119802-32070 | 2    | 8       |
|              | 3    | 8       |
| 119802-32100 | 2    | 7       |
|              | 3    | 7       |
| 119802-32111 | 2    | 18      |
|              | 3    | 18      |
| 119802-32120 | 2    | 19      |
|              | 3    | 19      |
| 119802-32130 | 2    | 20      |
|              | 3    | 20      |
| 119802-35100 | 10   | 34      |
| 119802-35110 | 10   | 9       |
|              |      | 35      |
| 119802-39450 | 10   | 14      |
| 119802-49113 | 11   | 10      |
| 119802-49730 | 11   | 33      |
| 119802-55700 | 15   | 11      |
| 119802-55710 | 15   | 12      |
| 119802-55730 | 15   | 16      |
| 119802-55800 | 15   | 2       |
| 119802-59550 | 13   | 52      |
|              | 14   | 52      |
| 119802-59560 | 13   | 54      |
|              | 14   | 54      |
| 119802-77340 | 18   | 35      |
| 119831-42290 | 11   | 43      |
| 119865-21600 | 9    | 16      |
|              |      | 45      |
| 119865-42290 | 11   | 21      |

| PARTS No.    | Fig. | Ref.No. |
|--------------|------|---------|
| 119888-01600 | 4    | 2       |
| 119888-21450 | 9    | 50      |
| 119940-59130 | 10   | 29      |
| 119940-77270 | 18   | 34      |
| 119940-77330 | 18   | 1       |
| 120130-11860 | 5    | 8       |
| 120270-54410 | 5    | 23      |
| 121023-01550 | 2    | 28      |
|              | 3    | 28      |
| 121111-21501 | 9    | 12      |
| 121250-44901 | 11   | 47      |
| 121267-44760 | 11   | 45      |
| 121400-11340 | 5    | 20      |
|              | 19   | 10      |
| 121450-42450 | 11   | 30      |
| 121520-34810 | 10   | 2       |
| 121550-23200 | 9    | 30      |
| 121850-21680 | 9    | 11      |
| 121850-42410 | 11   | 8       |
| 121850-51960 | 2    | 21      |
|              | 3    | 21      |
|              | 19   | 3       |
| 123900-13610 | 7    | 3       |
| 123900-13630 | 7    | 4       |
| 124060-01050 | 1    | 10      |
| 124060-77680 | 13   | 59      |
|              | 14   | 59      |
| 124160-01751 | 2    | 14      |
|              | 3    | 14      |
|              | 5    | 50      |
| 124160-01910 | 1    | 5       |
|              |      | 15      |
| 124160-11360 | 5    | 52      |
| 124160-39140 | 10   | 13      |
| 124240-01871 | 2    | 15      |
|              |      | 32      |
|              | 3    | 15      |
| 124240-01883 | 2    | 33      |
|              | 19   | 8       |
| 124395-49840 | 11   | 17      |
|              | 19   | 15      |
| 124460-11340 | 5    | 21      |
|              | 19   | 4       |
| 124465-44950 | 11   | 41      |
|              | 19   | 17      |
| 124550-21600 | 9    | 49      |
| 124722-59050 | 11   | 34      |
|              |      | 37      |
|              | 13   | 53      |
|              |      | 56      |

| PARTS No.    | Fig. | Ref.No. |
|--------------|------|---------|
| 124722-59050 | 14   | 53      |
|              |      | 56      |
| 124766-59050 | 15   | 5       |
|              |      | 8       |
| 128300-77920 | 18   | 40      |
| 129001-01250 | 1    | 11      |
| 129001-02930 | 1    | 25      |
| 129001-32330 | 2    | 11      |
|              | 3    | 11      |
| 129001-91841 | 2    | 22      |
|              | 3    | 22      |
| 129004-01190 | 1    | 33      |
| 129004-03010 | 5    | 39      |
| 129004-11100 | 5    | 14      |
| 129004-11650 | 5    | 31      |
| 129004-11900 | 5    | 60      |
| 129004-34801 | 10   | 1       |
| 129004-42001 | 11   | 1       |
| 129004-42040 | 11   | 15      |
| 129004-49610 | 11   | 31      |
| 129004-49620 | 11   | 35      |
| 129004-49711 | 11   | 32      |
| 129004-49721 | 11   | 36      |
| 129004-55610 | 15   | 1       |
| 129005-01520 | 2    | 12      |
| 129005-11100 | 5    | 13      |
| 129005-22080 | 9    | 17      |
| 129005-22500 | 9    | 19      |
| 129005-22900 | 9    | 33      |
| 129005-22950 | 9    | 35      |
| 129005-59830 | 10   | 15      |
| 129006-35100 | 10   | 8       |
| 129006-44480 | 10   | 23      |
| 129064-77330 | 18   | 36      |
| 129067-77340 | 18   | 37      |
| 129100-01580 | 4    | 1       |
|              |      | 15      |
|              | 9    | 2       |
| 129100-01640 | 4    | 16      |
| 129100-11110 | 5    | 15      |
| 129100-23910 | 9    | 29      |
| 129100-35140 | 10   | 36      |
| 129100-42051 | 11   | 3       |
| 129100-42121 | 11   | 4       |
| 129100-55690 | 15   | 13      |
| 129103-49301 | 10   | 33      |
| 129120-77501 | 6    | 8       |
| 129129-01600 | 4    | 3       |
| 129129-77230 | 17   | 8       |
| 129129-77240 | 17   | 9       |

## PARTS No. INDEX

| PARTS No.    | Fig. | Ref.No. |
|--------------|------|---------|
| 129129-77260 | 17   | 21      |
| 129129-77270 | 17   | 22      |
| 129129-77320 | 17   | 28      |
| 129129-77340 | 17   | 30      |
| 129129-77350 | 17   | 31      |
| 129129-77362 | 17   | 32      |
| 129129-77380 | 17   | 34      |
| 129129-77400 | 17   | 16      |
| 129129-77410 | 17   | 17      |
| 129129-77420 | 17   | 19      |
| 129129-77430 | 17   | 20      |
| 129129-77440 | 17   | 14      |
| 129129-77450 | 17   | 15      |
| 129129-77460 | 17   | 3       |
| 129150-01200 | 1    | 31      |
| 129150-02020 | 1    | 7       |
| 129150-02450 | 8    | 5       |
| 129150-02870 | 1    | 34      |
| 129150-02930 | 1    | 28      |
| 129150-02940 | 1    | 37      |
| 129150-03070 | 5    | 40      |
| 129150-11230 | 5    | 32      |
| 129150-11280 | 5    | 28      |
| 129150-11370 | 5    | 57      |
| 129150-11750 | 5    | 34      |
| 129150-11810 | 5    | 10      |
| 129150-14101 | 8    | 9       |
| 129150-14200 | 8    | 1       |
| 129150-14400 | 8    | 2       |
| 129150-23600 | 9    | 31      |
| 129150-23610 | 9    | 39      |
| 129150-25301 | 8    | 16      |
| 129150-35041 | 10   | 3       |
|              | 19   | 11      |
| 129150-35042 | 10   | 3 -1    |
| 129150-35111 | 10   | 21      |
|              | 19   | 23      |
| 129150-35153 | 10   | 22      |
| 129150-49811 | 11   | 25      |
|              | 19   | 14      |
| 129150-59120 | 13   | 26      |
|              | 14   | 26      |
| 129150-59131 | 13   | 29      |
|              |      | 33      |
|              | 14   | 29      |
|              |      | 33      |
| 129150-77511 | 6    | 9       |
|              | 19   | 28      |
| 129155-42350 | 11   | 42      |
| 129155-49801 | 11   | 24      |

| PARTS No.    | Fig. | Ref.No. |
|--------------|------|---------|
| 129202-22300 | 9    | 23      |
| 129210-59090 | 15   | 4       |
| 129210-59150 | 15   | 7       |
| 129211-77920 | 18   | 41      |
| 129240-79300 | 18   | 14      |
| 129242-55700 | 15   | 11 -1   |
| 129242-55720 | 15   | 16 -1   |
| 129242-55730 | 15   | 12 -1   |
| 129242-55740 | 15   | 17      |
| 129242-55750 | 15   | 18      |
| 129242-55760 | 15   | 19      |
| 129242-55770 | 15   | 20      |
| 129246-53001 | 14   | 2       |
| 129350-49530 | 11   | 26      |
| 129400-01730 | 4    | 6       |
| 129400-01770 | 4    | 8       |
| 129400-77012 | 16   | 1       |
| 129400-77441 | 16   | 5       |
| 129400-77520 | 16   | 12      |
| 129400-77531 | 16   | 13      |
| 129400-77571 | 16   | 17      |
| 129400-92430 | 19   | 31      |
| 129403-42380 | 11   | 20      |
| 129407-01340 | 1    | 32      |
|              | 19   | 2       |
| 129407-12110 | 6    | 5       |
|              | 19   | 22      |
| 129407-77010 | 17   | 1       |
| 129407-77210 | 17   | 6       |
| 129407-77220 | 17   | 7       |
| 129407-77250 | 17   | 10      |
| 129407-77280 | 17   | 23      |
| 129407-77290 | 17   | 24      |
| 129407-77300 | 17   | 25      |
| 129407-77310 | 17   | 27      |
| 129407-77330 | 17   | 29      |
| 129407-77390 | 17   | 13      |
| 129410-03990 | 6    | 2       |
| 129417-33110 | 10   | 7       |
| 129417-35150 | 10   | 10      |
| 129418-32320 | 2    | 10      |
|              | 3    | 10      |
| 129423-77200 | 18   | 2       |
| 129423-77710 | 18   | 17      |
| 129430-26070 | 8    | 21      |
| 129436-35070 | 10   | 4 -1    |
| 129436-35091 | 10   | 4       |
| 129486-01670 | 4    | 19      |
| 129486-42021 | 11   | 14      |
|              | 19   | 12      |

| PARTS No.    | Fig. | Ref.No. |
|--------------|------|---------|
| 129486-42140 | 11   | 16      |
|              | 19   | 21      |
| 129486-59551 | 13   | 55      |
|              | 14   | 55      |
| 129486-77400 | 16   | 2       |
| 129486-77460 | 16   | 6       |
|              |      | 8       |
| 129486-77470 | 16   | 7       |
| 129486-77490 | 16   | 9       |
| 129488-21590 | 9    | 42      |
| 129508-33010 | 10   | 6       |
| 129508-49030 | 10   | 24      |
| 129508-49040 | 10   | 28      |
| 129550-13110 | 7    | 2       |
|              | 19   | 9       |
| 129550-59120 | 13   | 30      |
|              | 14   | 30      |
| 129601-03080 | 6    | 1       |
| 129601-11241 | 5    | 25      |
| 129601-11251 | 5    | 29      |
| 129601-11310 | 5    | 47      |
|              | 19   | 7       |
| 129601-11350 | 5    | 38      |
| 129601-11700 | 5    | 2       |
| 129601-12100 | 6    | 3       |
| 129601-13109 | 7    | 1       |
| 129601-21002 | 9    | 1       |
| 129601-51250 | 12   | 5       |
| 129601-59810 | 13   | 35      |
|              | 14   | 35      |
| 129601-59820 | 13   | 39      |
|              | 14   | 39      |
| 129601-59830 | 13   | 43      |
|              | 14   | 43      |
| 129601-59840 | 13   | 47      |
|              | 14   | 47      |
| 129602-11700 | 5    | 1       |
| 129602-53001 | 13   | 2       |
| 129612-01600 | 4    | 4       |
| 129612-44700 | 11   | 44      |
| 129655-44740 | 11   | 22      |
| 129795-01780 | 4    | 18      |
| 129795-01800 | 2    | 6       |
|              | 3    | 6       |
| 129795-01900 | 18   | 31      |
| 129795-01950 | 2    | 16      |
|              | 3    | 16      |
| 129795-02411 | 1    | 14      |
| 129795-11120 | 5    | 16      |
| 129795-11180 | 5    | 17      |

| PARTS No.    | Fig. | Ref.No. |
|--------------|------|---------|
| 129795-21661 | 9    | 10      |
| 129795-49551 | 11   | 27      |
|              | 19   | 13      |
| 129900-07900 | 5    | 54      |
| 129900-32130 | 2    | 9       |
|              | 3    | 9       |
| 129900-77460 | 16   | 10      |
| 129900-77640 | 16   | 18      |
| 129916-49740 | 11   | 13      |
| 129930-13200 | 7    | 7       |
|              | 19   | 27      |
| 158552-51151 | 8    | 18      |
| 171008-03990 | 10   | 25      |
| 171008-77410 | 16   | 3       |
| 171008-77420 | 16   | 4       |
| 171008-77510 | 16   | 11      |
| 171008-77540 | 16   | 14      |
| 171008-77650 | 16   | 19      |
| 171008-77660 | 16   | 20      |
| 171008-77670 | 16   | 21      |
| 171051-01921 | 1    | 6       |
| 171056-49120 | 10   | 37      |
| 171353-44760 | 11   | 38      |
| 171420-01600 | 4    | 5       |
| 171420-21580 | 9    | 13      |
| 171420-21590 | 9    | 46      |
| 719802-01500 | 3    | 1       |
| 729005-01500 | 2    | 1       |
| 729246-53101 | 14   | 1       |
| 729402-14580 | 8    | 3       |
| 729402-23100 | 9    | 25      |
| 729601-14580 | 8    | 4       |
| 729601-92780 | 19   | 1       |
| 729602-01560 | 1    | 1       |
| 729602-51310 | 12   | 1       |
| 729602-53101 | 13   | 1       |
| 729647-51390 | 12   | 2       |
| 977770-01212 | 2    | 31      |
|              | 3    | 31      |
|              | 4    | 21      |
|              | 5    | 56      |
|              | 19   | 32      |
| X0280210230  | 17   | 11      |
| X0283060061  | 17   | 2       |
| X0283270140  | 17   | 12      |
| X2114555500  | 16   | 25      |
| X2114955020  | 16   | 26      |
| X2240410100  | 16   | 27      |
| X9490561001  | 18   | 3       |
| X9490561370  | 17   | 4       |

MODEL : 4TNV88-DSA,2,3,GGE  
PC NO : 0CR10-G56600

## PARTS No. INDEX

| PARTS No.   | Fig. | Ref.No. |
|-------------|------|---------|
| X9491200240 | 17   | 5       |
| X9491703371 | 17   | 18      |
| X9491730461 | 17   | 26      |

| PARTS No. | Fig. | Ref.No. |
|-----------|------|---------|
|-----------|------|---------|

| PARTS No. | Fig. | Ref.No. |
|-----------|------|---------|
|-----------|------|---------|

| PARTS No. | Fig. | Ref.No. |
|-----------|------|---------|
|-----------|------|---------|



**YANMAR CO.,LTD.**