

0CNP6-M03430EN

# Contents

OCNP6-M03430

Fig. No.	Fig. Name
ENGINE CONTROL	
1.	AIR CLEANER
2.	ENGINE ACCESSORIES
3.	ACCEL LEVER
4.	FOOT ACCEL
5.	FUEL TANK
6.	FUEL PIPE(1)
7.	FUEL PIPE(2)
FRONT AXLE	
8.	FRONT BRACKET
9.	CENTER PIN
10.	TIE ROD
11.	DRIVE PINION
12.	DIFFERENTIAL GEAR
13.	PROPELLER SHAFT
14.	FRONT SHAFT(1)
15.	FRONT AXLE CASE
16.	FRONT GEAR CASE
17.	FRONT SHAFT(2)
18.	INPUT SHAFT
19.	FRONT SPINDLE
20.	SHAFT COVER
21.	FRONT WHEEL TIRE
22.	HUB BOLT

Fig. No.	Fig. Name
23.	STEERING WHEEL
24.	P.S.T. VALVE
25.	P.S.T. CYLINDER
26.	P.S.T. PIPING(1)
27.	P.S.T. PIPING(2)
TRANSMISSION	
28.	CLUTCH HOUSING
29.	DOCKING BOLT
30.	CLUTCH DISC
31.	PRESSURE PLATE
32.	CLUTCH SHAFT
33.	CLUTCH RELEASE
34.	CLUTCH PEDAL
35.	TRANSMISSION CASE
36.	CENTER PLATE
37.	OIL GAUGE
38.	OIL STRAINER
39.	INPUT SHAFT
40.	MAIN SHAFT
41.	COUNTER SHAFT
42.	P.T.O. DRIVE SHAFT
43.	P.T.O. SHAFT
44.	P.T.O. SHAFT COVER
45.	MAIN SHIFT

# Contents

OCNP6-M03430

Fig. No.	Fig. Name
46.	MAIN SHIFT LEVER(1)
47.	MAIN SHIFT LEVER(2)
48.	SUB SHIFT
49.	SUB SHIFT LEVER
50.	P.T.O. SHIFT
51.	P.T.O. LEVER
52.	FRONT DRIVE CASE
53.	FRONT DRIVE
54.	FRONT SHIFT
55.	FRONT SHIFT LEVER

## REAR AXLE

56.	RING GEAR
57.	DIFFERENTIAL GEAR
58.	DIFFERENTIAL CARRIER
59.	REAR HOUSING
60.	DIFFERENTIAL LOCK
61.	DIFFERENTIAL LOCK(Accessories)
62.	FINAL PINION
63.	FINAL GEAR
64.	REAR AXLE SHAFT
65.	REAR WHEEL TIRE
66.	HUB BOLT
67.	BRAKE
68.	BRAKE PEDAL

Fig. No.	Fig. Name
69.	PARKING BRAKE(1)
70.	PARKING BRAKE(2)
71.	PARKING BRAKE(3)

## HYDRAULIC CONTROL

72.	HYDRAULIC CYLINDER CASE
73.	SIDE COVER(HYDRAULIC)
74.	PISTON
75.	LIFT CRANK
76.	CONTROL VALVE
77.	RELIEF VALVE
78.	STOP VALVE
79.	SAFETY VALVE
80.	HYDRAULIC CONTROL(1)
81.	HYDRAULIC CONTROL(2)
82.	HYDRAULIC PIPING

## ELECTRICAL PARTS

83.	WIRE HARNESS(1)
84.	WIRE HARNESS(2)
85.	WIRE HARNESS(3)
86.	BATTERY CLAMP
87.	BATTERY
88.	SWITCH(1)
89.	SWITCH(2)

# Contents

OCNP6-M03430

Fig. No. Fig. Name

90. SIDE LAMP

91. REFLECTOR

92. LICENCE

93. METER

94. HORN

## FITTINGS

95. BONNET

96. DASHBOARD(1)

97. DASHBOARD(2)

98. FENDER

99. STEP

100. FLOOR FRAME(1)

101. FLOOR FRAME(2)

102. SEAT STAY(1)

103. SEAT STAY(2)

104. REARVIEW MIRROR

105. LABEL(1)

106. LABEL(2)

107. LABEL(3)

108. LABEL(4)

109. LABEL(SAFETY)(1)

110. LABEL(SAFETY)(2)

Fig. No. Fig. Name

## HITCH

111. P.T.O. GUARD

112. THREE POINT HITCH

113. LIFT LINK

114. REAR HITCH

115. DRAWBAR HITCH

## SAFETY FRAME

116. ROPS

117. FLOOR MOUNT

## ACCESSORIES

118. DOCUMENT

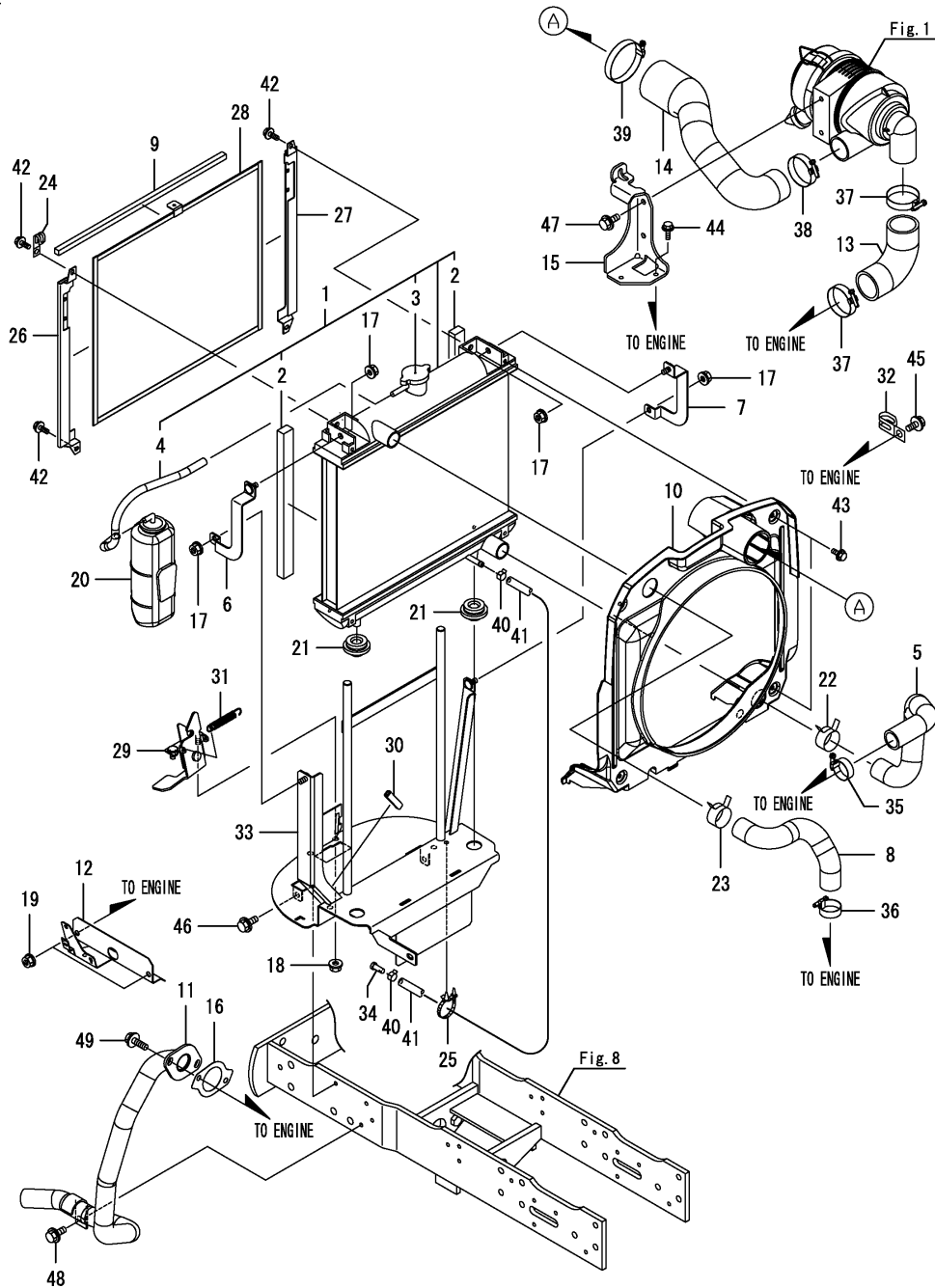
119. REMODEL

## OPTIONAL

120. FRONT WEIGHT



Fig.2. ENGINE ACCESSORIES



(A)=GK200R-B

(B)=

(C)=

(D)=

(E)=

(F)=

No.	Lev.	Parts No.	Description	Q'ty						I	R
				(A)	(B)	(C)	(D)	(E)	(F)		
1	1	1A7874-00600	RADIATOR ASSY	1							
2	2	119853-44570	PACKING	2							
3	2	129107-44590	CAP, RADIATOR	1							
4	2	121250-49160	PIPE, WATER DRAIN	1							
5	1	198162-00720	PIPE, WATER L 66	1							
6	1	1A7500-00811	SUPPORT ASSY, L	1							
7	1	1A7500-00821	SUPPORT ASSY, R	1							
8	1	1A7870-01410	HOSE, WATER A	1							
9	1	198200-01440	SEAL, RADIATOR	2							
10	1	1A7870-01511	SHROUD, FAN	1							
11	1	1A7870-03111	PIPE ASSY, EXHAUST	1							
12	1	1A7874-05500	PLATE ASSY, SHUTTER	1							
13	1	1A7870-06010	HOSE, AIR INTAKE	1							
14	1	1A7870-06160	PIPE, AIR INTAKE	1							
15	1	1A7870-06200	BRACKET ASSY,CLEANER	1							
16	1	129052-13550	GASKET, EXH. PIPE	1							
17	1	194990-22140	NUT, M8	4							
18	1	194990-22140	NUT, M8	2							
19	1	194990-22140	NUT, M8	2							
20	1	129263-44510	TANK ASSY, SUB	1							
21	1	119255-44660	ABSORBER	2							
22	1	175022-49730	CRIP 31, HOSE	1							
23	1	175022-49730	CRIP 31, HOSE	1							
24	1	194440-51630	CLAMP, HARNESS C	1							
25	1	194680-51670	BAND, CLIP	1							
26	1	198200-60720	GUIDE, L	1							
27	1	198200-60760	GUIDE, SCREEN R	1							
28	1	198200-60950	SCREEN, RADIATOR	1							
29	1	1A7180-61250	LOCK ASSY, BONNET	1							
30	1	1A6750-61830	RUBBER, EDGE	1							
31	1	198230-61960	SPRING, LOCK RETURN	1							
32	1	1E6102-83230	CLAMP, BATTERY CABLE	1							
33	1	1A7874-85690	MASSY, FRONT FRAME	1							
34	1	22487-080200	PIN, H 8X 20	1							
35	1	23000-035000	CLAMP, 35	1							
36	1	23000-035000	CLAMP, 35	1							
37	1	23000-054000	CLAMP, 54	2							
38	1	23000-054000	CLAMP, 54	1							
39	1	23000-090000	CLAMP, 90	1							
40	1	23080-012000	CLAMP, 12	2							
41	1	23980-730300	HOSE, 7.3X 300	1							
42	1	26106-060122	BOLT, M6X 12 PLATED	4							
43	1	26106-060122	BOLT, M6X 12 PLATED	4							
44	1	26106-060162	BOLT, M6X 16 PLATED	2							
45	1	26106-080122	BOLT, M8X 12 PLATED	1							
46	1	26106-080162	BOLT, M8X 16 PLATED	2							
47	1	26106-080162	BOLT, M8X 16 PLATED	2							
48	1	26106-080162	BOLT, M8X 16 PLATED	1							
49	1	26106-080252	BOLT, M8X 25 PLATED	2							

Fig.3. ACCEL LEVER

(A)=GK200R-B  
(B)=  
(C)=

(D)=  
(E)=  
(F)=

No.	Lev.	Parts No.	Description	Q'ty						I	R
				(A)	(B)	(C)	(D)	(E)	(F)		
1	1	194740-00160	SPRING, 10	3							
2	1	1A7870-01111	LEVER ASSY, CONTROL	1							
3	1	1A7870-01150	WIRE ASSY, CONTROL	1							
4	1	198253-01190	KNOB, THROTTLE LEVER	1							
5	1	198200-01260	PLATE, FRICTION	1							
6	1	22137-100000	WASHER, 10	1							
7	1	22157-100000	WASHER, 10	1							
8	1	26716-100002	NUT, M10	2							

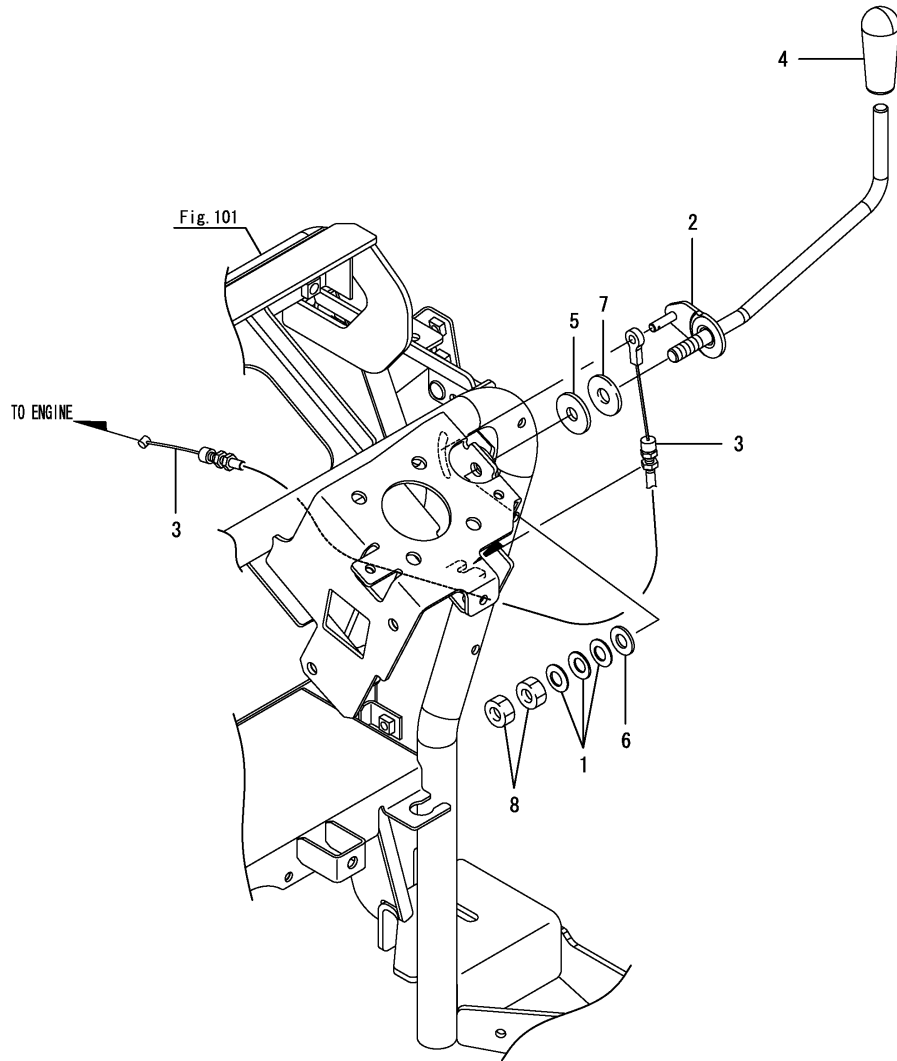
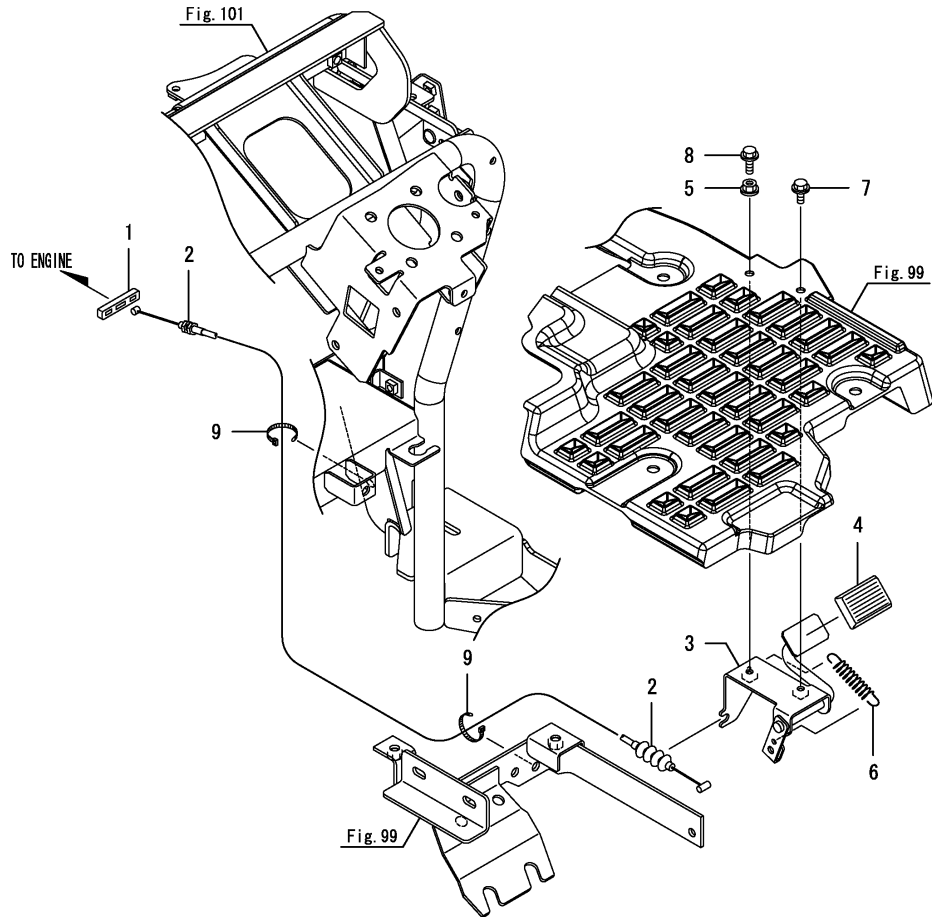


Fig.4. FOOT ACCEL

(A)=GK200R-B  
(B)=  
(C)=

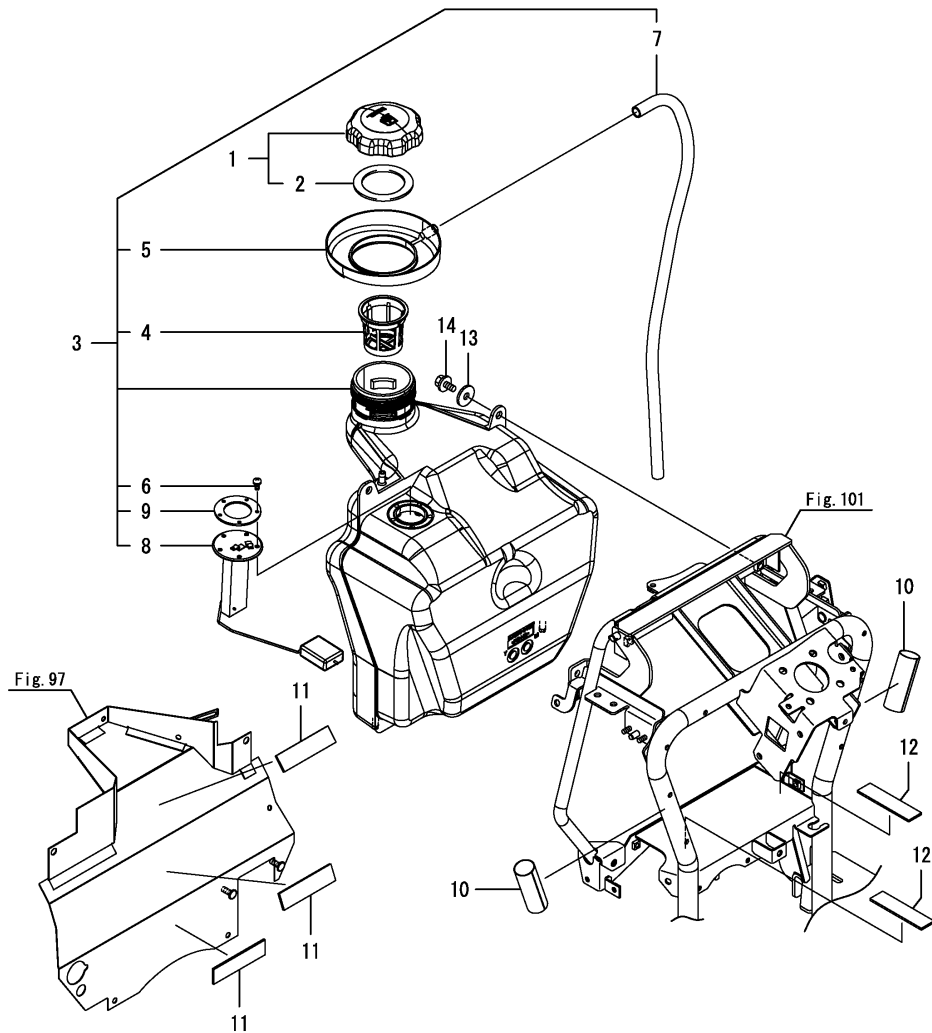
(D)=  
(E)=  
(F)=



No.	Lev.	Parts No.	Description	Q'ty						I	R
				(A)	(B)	(C)	(D)	(E)	(F)		
1	1	198071-01160	RUBBER	1							
2	1	198200-01210	WIRE ASSY, CONTROL	1							
3	1	198200-01300	ACCELERATOR, FOOT	1							
4	1	1W3981-14050	RUBBER	1							
5	1	194990-22130	NUT, M6	1							
6	1	198360-55630	SPRING, RETURN	1							
7	1	26106-060162	BOLT, M6X 16 PLATED	1							
8	1	26106-060202	BOLT, M6X 20 PLATED	1							
9	1	29622-140001	BAND, RF140	2							



Fig.5. FUEL TANK

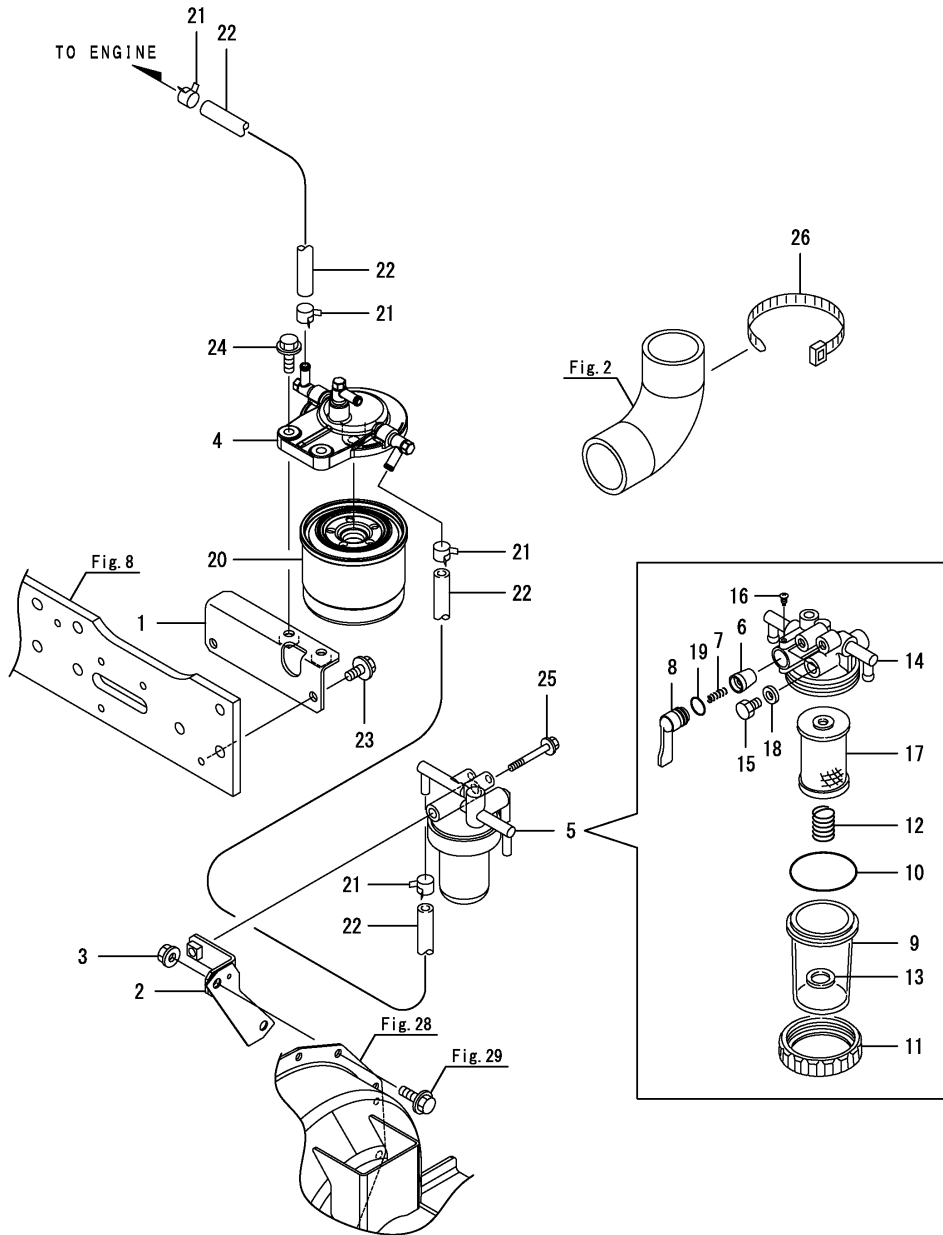


(A)=GK200R-B  
(B)=  
(C)=

(D)=  
(E)=  
(F)=

No.	Lev.	Parts No.	Description	Q'ty						I	R
				(A)	(B)	(C)	(D)	(E)	(F)		
1	1	198200-04031	CAP ASSY, FILLER	1							
2	2	198200-04040	GASKET, FUEL CAP	1							
3	1	1A7870-04101	TANK ASSY, FUEL	1							
4	2	198200-04061	STRAINER, FUEL	1							
5	2	198165-04140	SUMP, TANK	1							
6	2	1A7180-04180	SCREW, M5X14	5							
7	2	198421-04430	PIPE, FUEL SUMP	1							
8	2	1A7870-56600	GAUGE ASSY, FUEL	1							
9	2	198200-56630	GASKET, FUEL GAUGE	1							
10	1	1A7870-04270	TUBE, GUARD	2							
11	1	198165-04380	RUBBER, 100X25X3	3							
12	1	198165-04380	RUBBER, 100X25X3	2							
13	1	22157-080000	WASHER, 8	2							
14	1	26106-080162	BOLT, M8X 16 PLATED	2							

Fig.6. FUEL PIPE(1)



(A)=GK200R-B  
(B)=  
(C)=

(D)=  
(E)=  
(F)=

No.	Lev.	Parts No.	Description	Q'ty						I	R
				(A)	(B)	(C)	(D)	(E)	(F)		
1	1	1A7878-04100	STAY ASSY, FO FILTER	1							
2	1	1A7870-04410	STAY ASSY, FILTER	1							
3	1	194990-22140	NUT, M8	1							
4	1	119953-55600	BRACKET, FILTER	1							
5	1	129335-55701	SEPARATOR ASSY,WATER	1							
6	2	104200-55321	VALVE, TAPER	1							
7	2	104200-55330	SPRING, FUEL VALVE	1							
8	2	104200-55341	HANDLE, COCK	1							
9	2	124064-55510	CUP, FUEL STARINER	1							
10	2	102103-55520	O-RING	1							
11	2	110250-55610	RING, CUP RETAINING	1							
12	2	121257-55720	SPRING, FILTER	1							
13	2	121257-55731	FLOAT	1							
14	2	129335-55730	BODY, STRAINER	1							
15	2	101720-55750	PLUG, HEXAGON M6	2							
16	2	104200-55750	SCREW, PAN M4	1							
17	2	171081-55910	FILTER, FUEL	1							
18	2	23418-060000	GASKET, 6X1.0	2							
19	2	24311-240100	O-RING, 1AP10A	1							
20	1	119802-55801	FILTER, FUEL	1							
21	1	23080-012000	CLAMP, 12	4							
22	1	23980-730250	HOSE, 7.3X 250	2							
23	1	26106-080162	BOLT, M8X 16 PLATED	2							
24	1	26106-080252	BOLT, M8X 25 PLATED	2							
25	1	26106-080652	BOLT, M8X 65 PLATED	1							
26	1	29622-250001	BAND, RF250	1							



Fig.8. FRONT BRACKET

(A)=GK200R-B  
(B)=  
(C)=

(D)=  
(E)=  
(F)=

No.	Lev.	Parts No.	Description	Q'ty						I	R
				(A)	(B)	(C)	(D)	(E)	(F)		
1	1	1A7874-11130	MASSY,FRONTAXLE BKT	1							
2	1	1A7874-11200	COVER R, FAN BELT	1							
3	1	1A7874-11300	PLATE, AIR FROW L	1							
4	1	1A7874-11350	PLATE, AIR FROW R	1							
5	1	194990-22140	NUT, M8	2							
6	1	198220-51340	GROMMET, 30	1							
7	1	26106-080122	BOLT, M8X 12 PLATED	2							
8	1	26106-080202	BOLT, M8X 20 PLATED	2							
9	1	26106-100252	BOLT, M10X 25 PLATED	14							

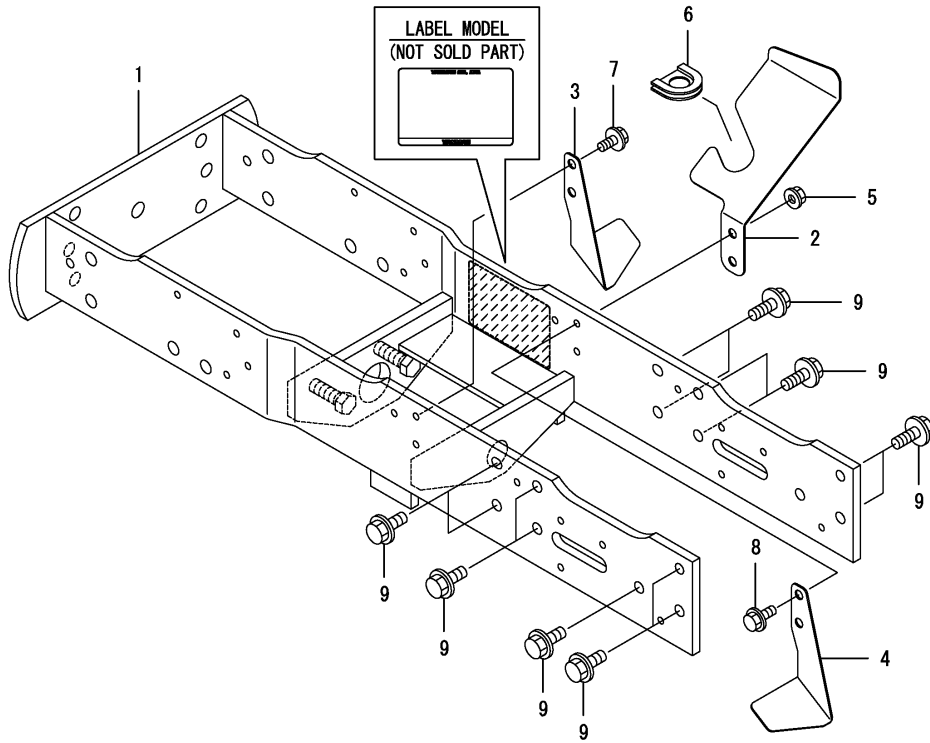


Fig.9. CENTER PIN

(A)=GK200R-B  
(B)=  
(C)=

(D)=  
(E)=  
(F)=

No.	Lev.	Parts No.	Description	Q'ty						I	R
				(A)	(B)	(C)	(D)	(E)	(F)		
1	1	198165-11500	SHIM SET, CENTER PIN	1							
2	1	198165-11510	PIN, CENTER	1							
3	1	198165-11540	BUSH, PIN	1							
4	1	198435-16230	NIPPLE, GRESAE 6	1							
5	1	22217-120000	WASHER, SPRING 12	2							
6	1	26716-120002	NUT, M12	2							

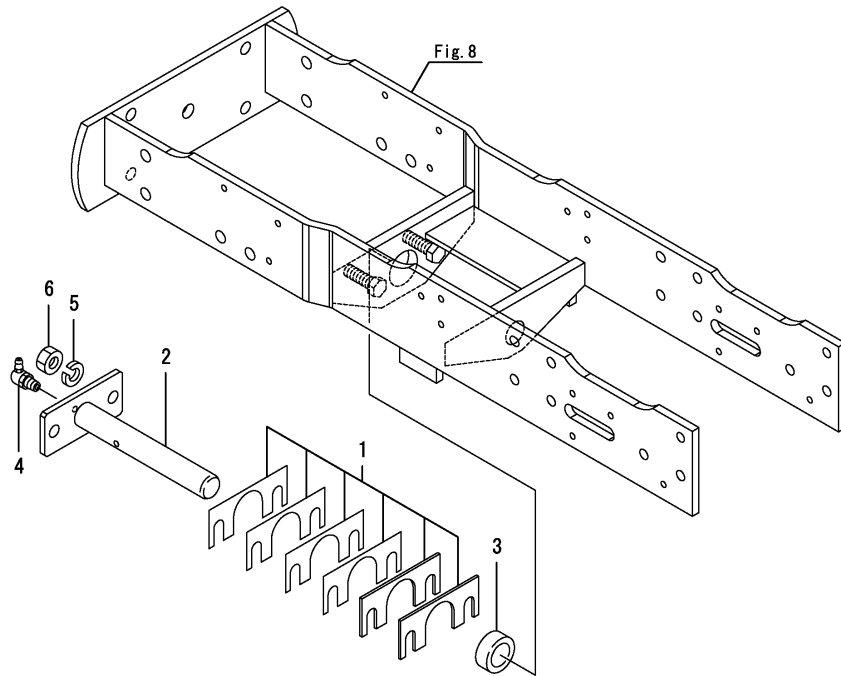






Fig.12. DIFFERENTIAL GEAR

(A)=GK200R-B  
(B)=  
(C)=

(D)=  
(E)=  
(F)=

No.	Lev.	Parts No.	Description	Q'ty						I	R
				(A)	(B)	(C)	(D)	(E)	(F)		
1	1	198165-13101	PINION KIT, DRIVE	1							
2	1	198421-13221	GEAR, DIFF.SIDE	2							
3	1	1A7050-13230	PINION, DIFFERENTIAL	2							
4	1	198421-13240	SHAFT, DIFF.PINION	1							
5	1	24101-060054	BEARING, BALL 6005	1							
6	1	24101-060074	BEARING, BALL 6007	1							

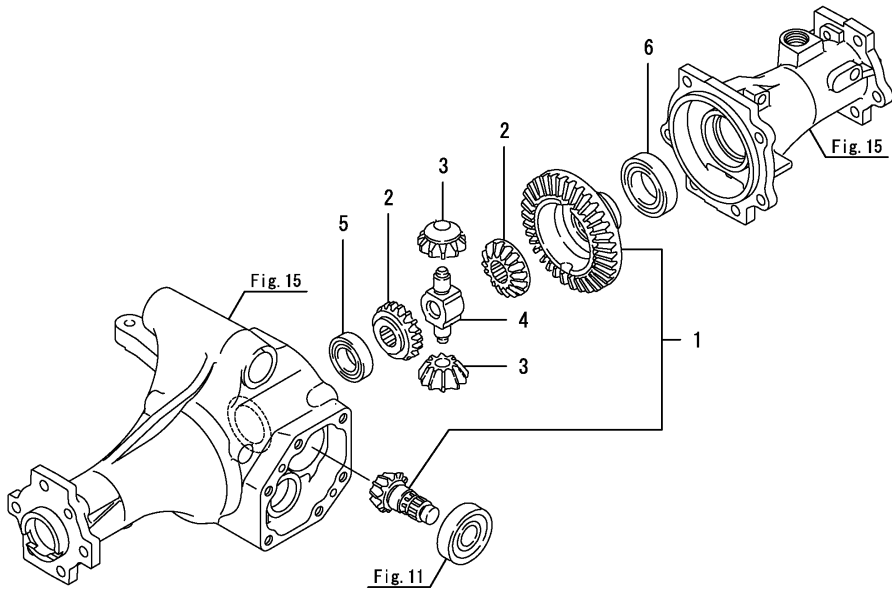




Fig.13. PROPELLER SHAFT

(A)=GK200R-B  
(B)=  
(C)=

(D)=  
(E)=  
(F)=

No.	Lev.	Parts No.	Description	Q'ty						I	R
				(A)	(B)	(C)	(D)	(E)	(F)		
1	1	1A7876-13500	SHAFT ASSY,PROPELLER	1							
2	1	22242-000360	RING, 36	1							
3	1	22351-035032	PIN, SPRING 3.5X32	1							
4	1	22351-060032	PIN, SPRING 6.0X32	1							

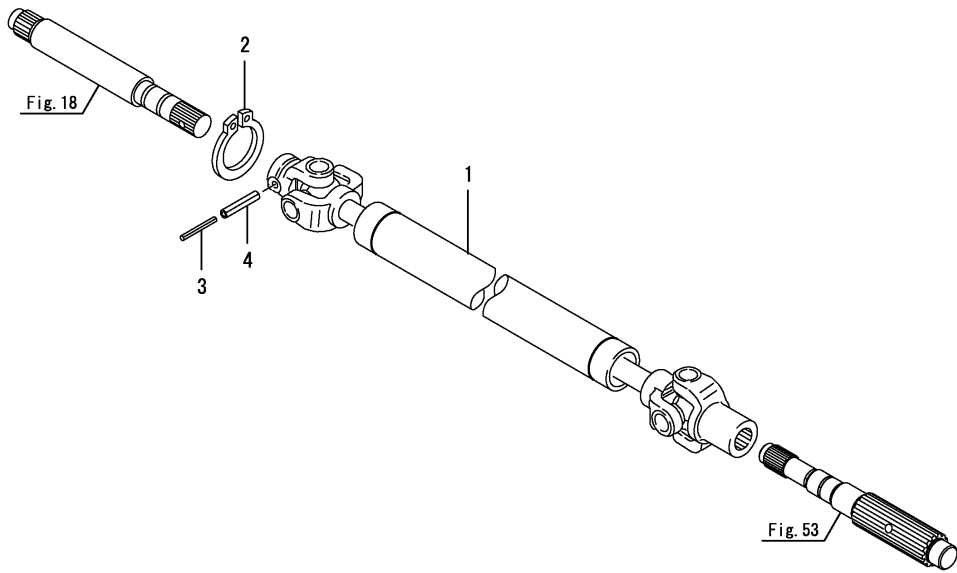


Fig.14. FRONT SHAFT(1)

(A)=GK200R-B  
(B)=  
(C)=

(D)=  
(E)=  
(F)=

No.	Lev.	Parts No.	Description	Q'ty						I	R
				(A)	(B)	(C)	(D)	(E)	(F)		
1	1	198165-13511	SHAFT, FRONT 1 L	1							
2	1	198165-13521	SHAFT, FRONT 1 R	1							
3	1	198165-13532	GEAR, FRONT SHAFT	2							
4	1	24101-062054	BEARING, BALL 6205	2							

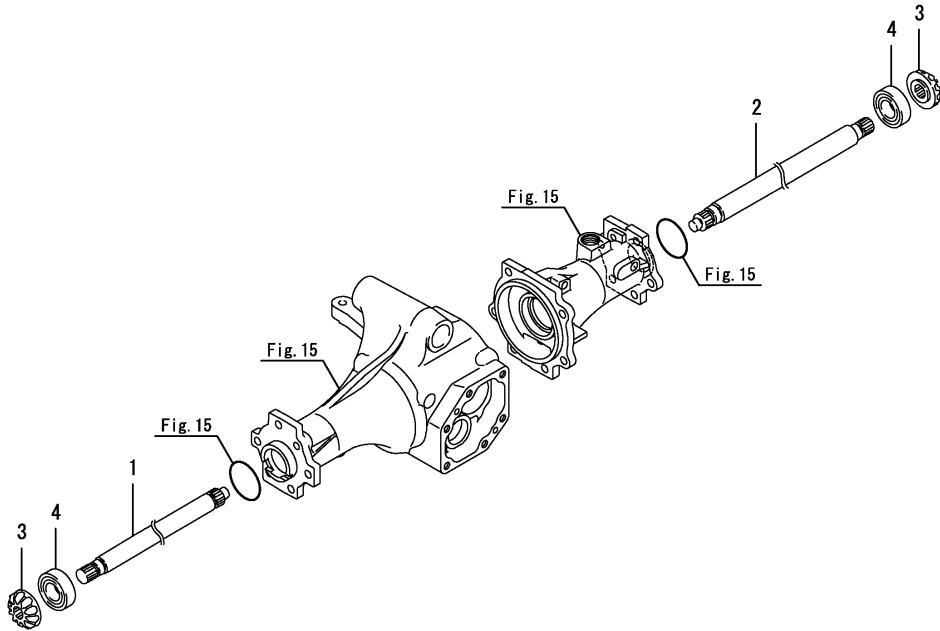
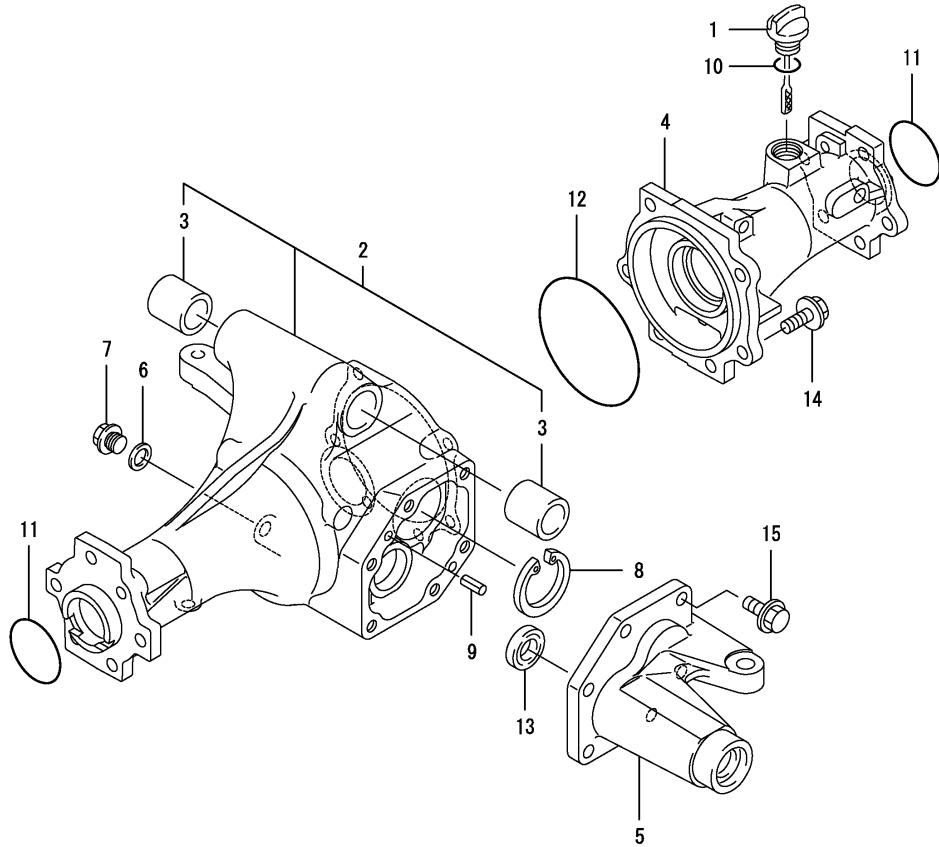


Fig.15. FRONT AXLE CASE

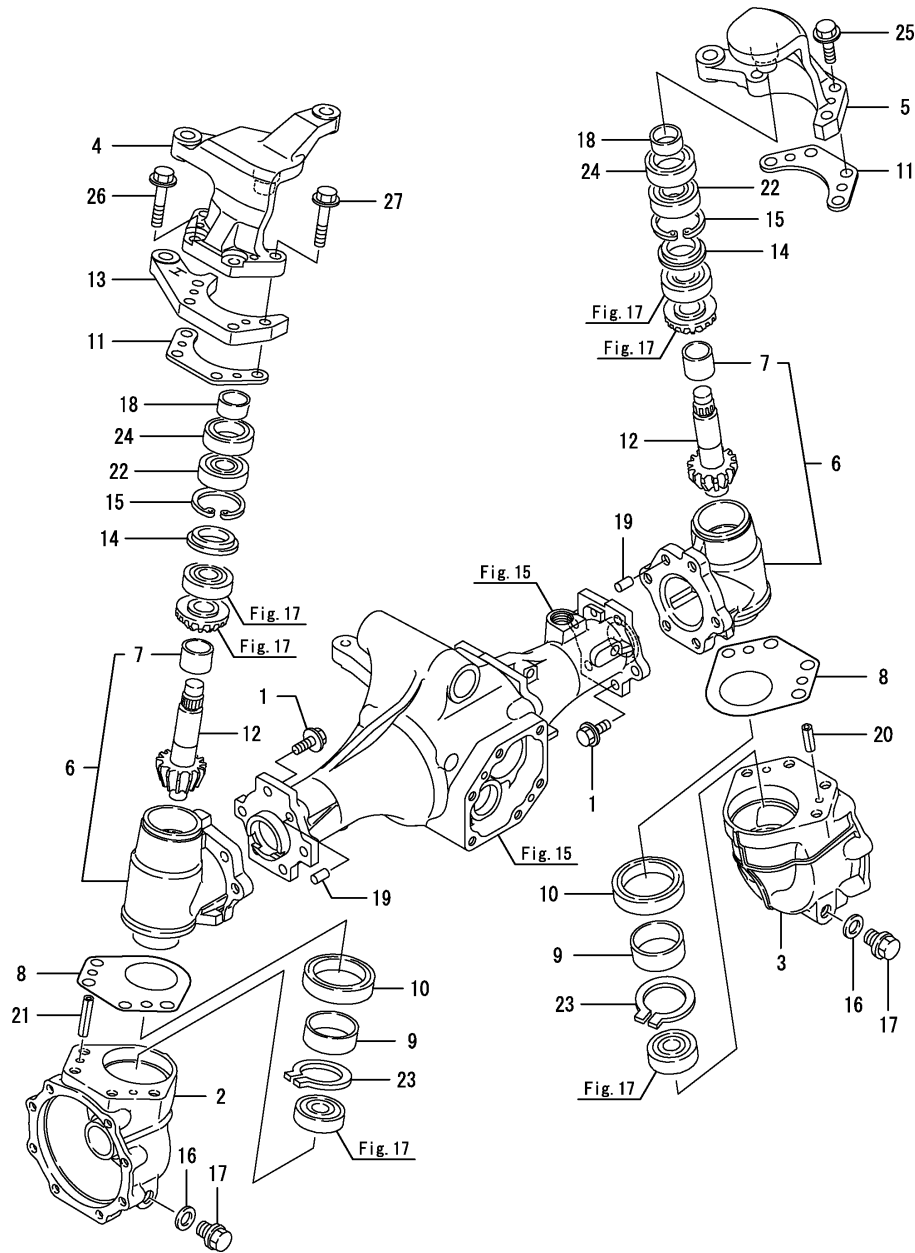
(A)=GK200R-B  
(B)=  
(C)=

(D)=  
(E)=  
(F)=



No.	Lev.	Parts No.	Description	Q'ty						I	R
				(A)	(B)	(C)	(D)	(E)	(F)		
1	1	194447-13490	GAUGE, OIL LEVEL	1							
2	1	1A6641-13600-1	HOUSING ASSY, AXLE L	1							
3	2	194850-13660	BUSH, 25X32X35	2							
4	1	198165-13620-2	HOUSING,FRONT AXLE R	1							
5	1	198165-13631-1	COVER, AXLE CASE	1							
6	1	198165-24440	GASKET, 20X12X2	1							
7	1	198165-24490	BOLT, M12X12	1							
8	1	22252-000520	RING, 52	1							
9	1	22351-080020	PIN, SPRING 8.0X20	2							
10	1	24311-000180	O-RING, 1AP18.0	1							
11	1	24321-000500	O-RING, 1AG50.0	2							
12	1	24321-001150	O-RING, 1AG115.0	1							
13	1	24421-173007	SEAL, OIL TC173007	1							
14	1	26106-100252	BOLT, M10X 25 PLATED	6							
15	1	26106-100252	BOLT, M10X 25 PLATED	6							

Fig.16. FRONT GEAR CASE



(A)=GK200R-B  
(B)=  
(C)=

(D)=  
(E)=  
(F)=

No.	Lev.	Parts No.	Description	Q'ty						I	R
				(A)	(B)	(C)	(D)	(E)	(F)		
1	1	1A7531-11350	BOLT, M10X25	10							
2	1	198165-13730-2	BOX, FRONT GEAR L	1							
3	1	198165-13740-2	BOX, FRONT GEAR R	1							
4	1	1A7720-13760	SUPPORT, KING PIN L	1							
5	1	198164-13770	SUPPORT, KING PIN R	1							
6	1	1A6780-13700-1	CASE ASSY,FRONT GEAR	2							
7	2	198165-13841	BUSH, 27X1.5	2							
8	1	198165-13750	SHIM, SUPPORT T=0.1	2							
9	1	194516-13770	SLEEVE, 45X50X16	2							
10	1	194516-13780	SEAL, TC6YX506812.5	2							
11	1	1A6641-13780-1	SPACER, 4.5	2							
12	1	198165-13815	PINION, FRONT FINAL	2							
13	1	1A6641-13830-1	ARM, TIE-ROD	1							
14	1	1D4110-13870	WASHER	2							
15	1	1A6780-13890	CIRCLIP, 47	2							
16	1	198165-24440	GASKET, 20X12X2	2							
17	1	198165-24490	BOLT, M12X12	2							
18	1	1E6190-54080	SLEEVE SI25X30X13	2							
19	1	22312-100180	PIN, PARALLEL M10X18	2							
20	1	22351-080020	PIN, SPRING 8.0X20	2							
21	1	22351-080045	PIN, SPRING 8.0X45	2							
22	1	24104-062044	BEARING, BALL 6204UU	2							
23	1	24164-000452	CIRCLIP, 45	2							
24	1	24421-304708	SEAL, OIL TC304708	2							
25	1	26106-100352	BOLT, M10X 35 PLATED	4							
26	1	26106-100452	BOLT, M10X 45 PLATED	2							
27	1	26106-100502	BOLT, M10X 50 PLATED	2							





Fig.19. FRONT SPINDLE

(A)=GK200R-B  
(B)=  
(C)=

(D)=  
(E)=  
(F)=

No.	Lev.	Parts No.	Description	Q'ty						I	R
				(A)	(B)	(C)	(D)	(E)	(F)		
1	1	1A6780-14110	SPINDLE, FRONT	2							
2	1	198165-14120	GEAR, FRONT FINAL	2							
3	1	1A6780-14131	CASE, FRONT BEARING	2							
4	1	198165-14140	GASKET, BEARING CASE	2							
5	1	194151-36670	PLUG, PF02	2							
6	1	1E8420-55430	SEAL, QLFY40X62X14	2							
7	1	22242-000350	RING, 35	2							
8	1	24101-060084	BEARING, BALL 6008	2							
9	1	24101-062074	BEARING, BALL 6207	2							
10	1	26106-080252	BOLT, M8X 25 PLATED	16							

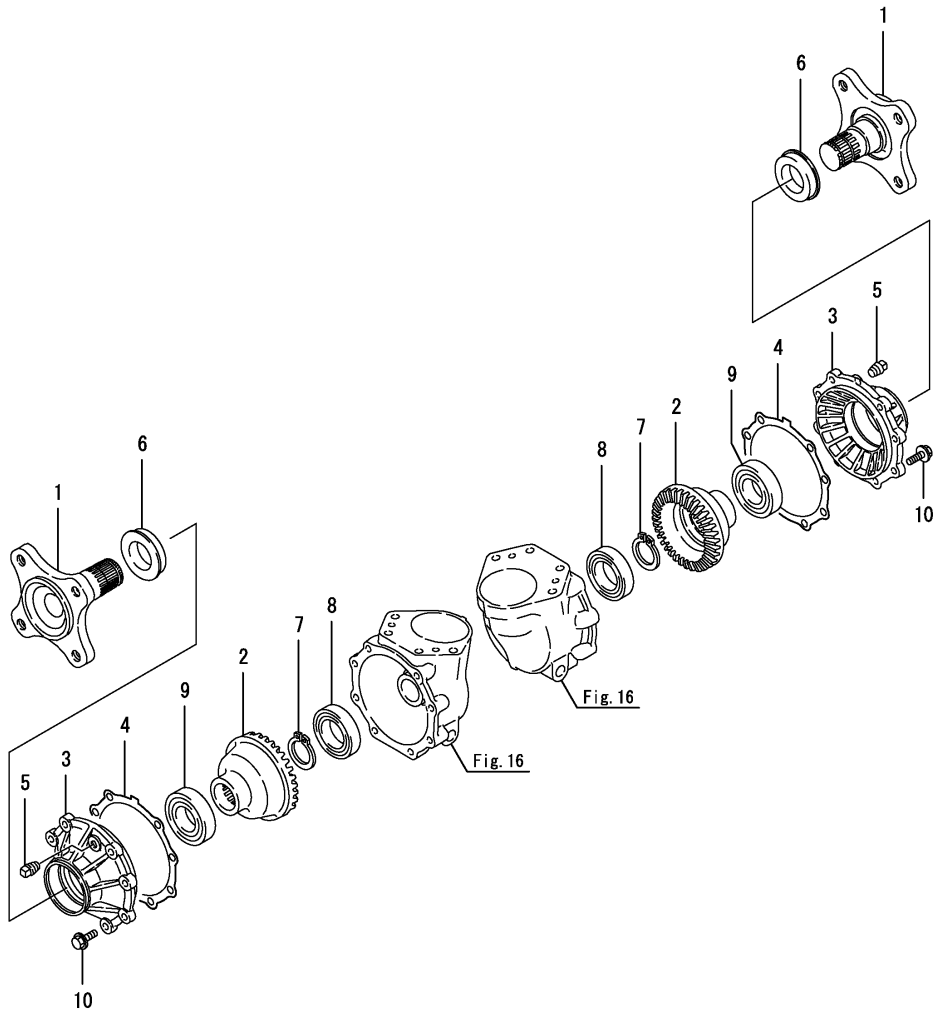


Fig.20. SHAFT COVER

(A)=GK200R-B  
(B)=  
(C)=

(D)=  
(E)=  
(F)=

No.	Lev.	Parts No.	Description	Q'ty						I	R
				(A)	(B)	(C)	(D)	(E)	(F)		
1	1	198164-14620	BOOT, RUBBER	1							
2	1	198165-14620	BOOT, RUBBER	1							
3	1	198165-14630	COLLAR, RUBBER BOOT	2							
4	1	198421-14630	COLLAR, RUBBER BOOT	1							
5	1	23000-070000	CLAMP, 70	2							
6	1	23000-070000	CLAMP, 70	2							

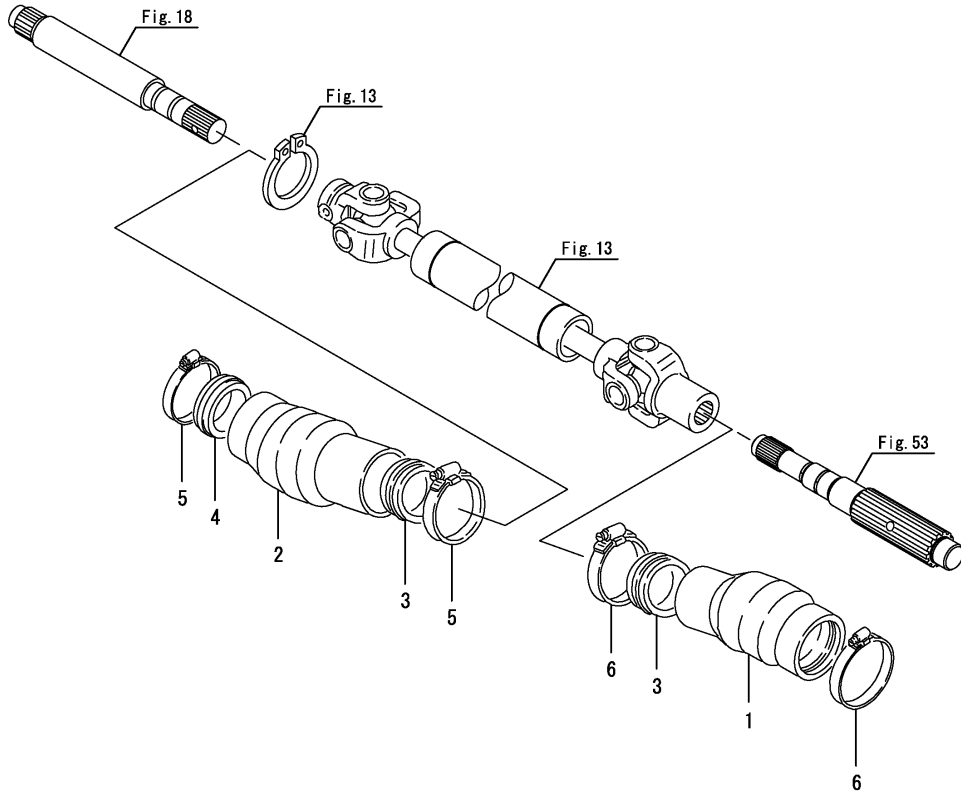




Fig.21. FRONT WHEEL TIRE

(A)=GK200R-B  
(B)=  
(C)=

(D)=  
(E)=  
(F)=

No.	Lev.	Parts No.	Description	Q'ty						I	R
				(A)	(B)	(C)	(D)	(E)	(F)		
1	1	1A7874-14700	TIRE KIT, FRONT L	1							
2	2	1A7874-14720	TIRE ASSY, FRONT	1							
3	2	1A7870-14730	WHEEL, 3.00DX12	1							
4	1	1A7874-14800	TIRE KIT, FRONT R	1							
5	2	1A7874-14720	TIRE ASSY, FRONT	1							
6	2	1A7870-14730	WHEEL, 3.00DX12	1							

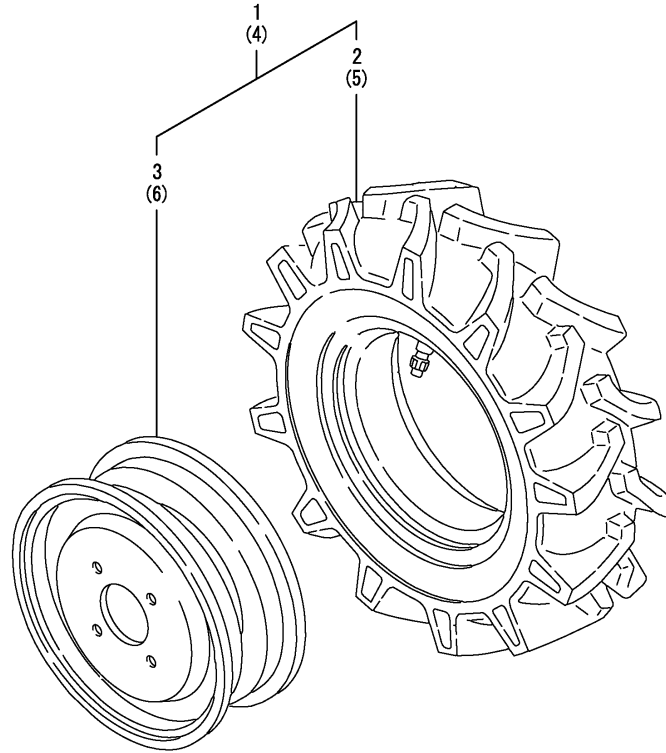


Fig.22. HUB BOLT

(A)=GK200R-B  
(B)=  
(C)=

(D)=  
(E)=  
(F)=

No.	Lev.	Parts No.	Description	Q'ty						I	R
				(A)	(B)	(C)	(D)	(E)	(F)		
1	1	22217-140000	WASHER, SPRING 14	8							
2	1	26086-140252	BOLT, 10.914X 25	8							

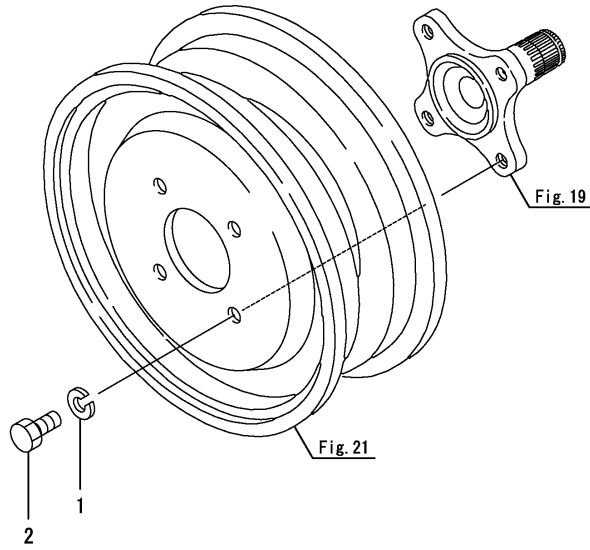
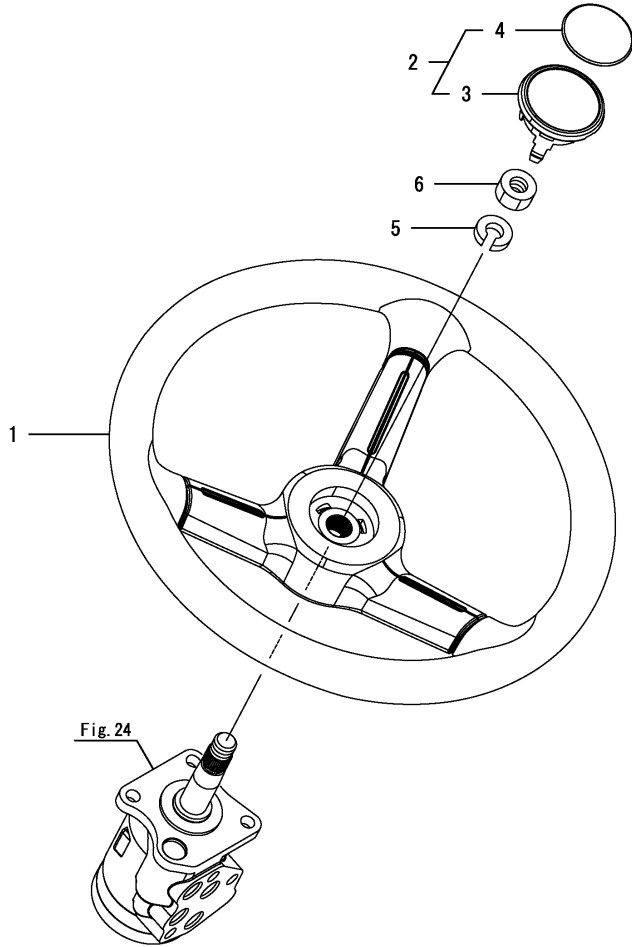


Fig.23. STEERING WHEEL

(A)=GK200R-B  
(B)=  
(C)=

(D)=  
(E)=  
(F)=



No.	Lev.	Parts No.	Description	Q'ty						I	R
				(A)	(B)	(C)	(D)	(E)	(F)		
1	1	1C7121-42000	WHEEL, STEERING	1							
2	1	1C7121-42050	CAP, STEERING WHEEL	1							
3	2	198220-15770	CAP, WHEEL	1							
4	2	198164-15780	MARK, STEERING	1							
5	1	22217-160000	WASHER, SPRING 16	1							
6	1	26776-160002	NUT, LOCK M16	1							

Fig.24. P.S.T. VALVE

(A)=GK200R-B  
(B)=  
(C)=

(D)=  
(E)=  
(F)=

No.	Lev.	Parts No.	Description	Qty						I	R	
				(A)	(B)	(C)	(D)	(E)	(F)			
1	1	1A7870-17302	VALVE ASSY, STEERING	1								
2	1	26136-100162	BOLT, M10X 16 PLATED	3								

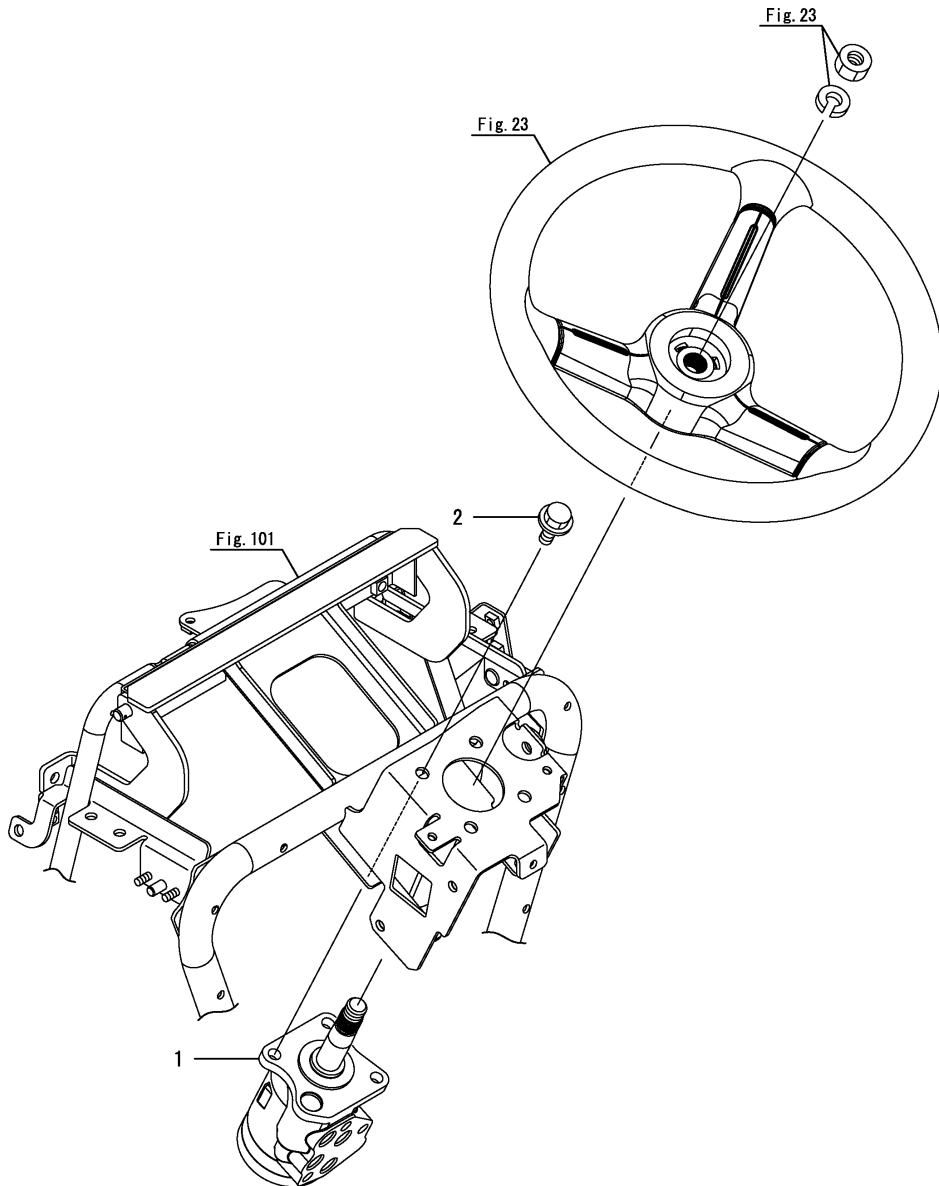


Fig.25. P.S.T. CYLINDER

(A)=GK200R-B  
(B)=  
(C)=

(D)=  
(E)=  
(F)=

No.	Lev.	Parts No.	Description	Q'ty						I	R
				(A)	(B)	(C)	(D)	(E)	(F)		
1	1	194215-12341	NUT, CASTLE M10	2							
2	1	1A7870-17541	CYLINDER ASSY, STEER	1							
3	2	1C6980-04360	SEAL, PENTA 14	1							
4	2	1C6980-04370	SCRAPER, SER 14	1							
5	2	1A7870-17550	TUBE ASSY, CYLINDER	1							
6	2	1A7780-17570	PACKING, 34	1							
7	2	1A7870-17620	PISTON	1							
8	2	1A7870-17631	COVER, ROD	1							
9	2	1A7870-17641	ROD ASSY, CYLINDER	1							
10	2	198421-72620	PACKING, PISTON	1							
11	2	24550-014150	BUSH, 14X15	1							
12	2	26356-100002	NUT, M10	1							
13	1	22417-250250	PIN, COTTER 2.5X25	2							

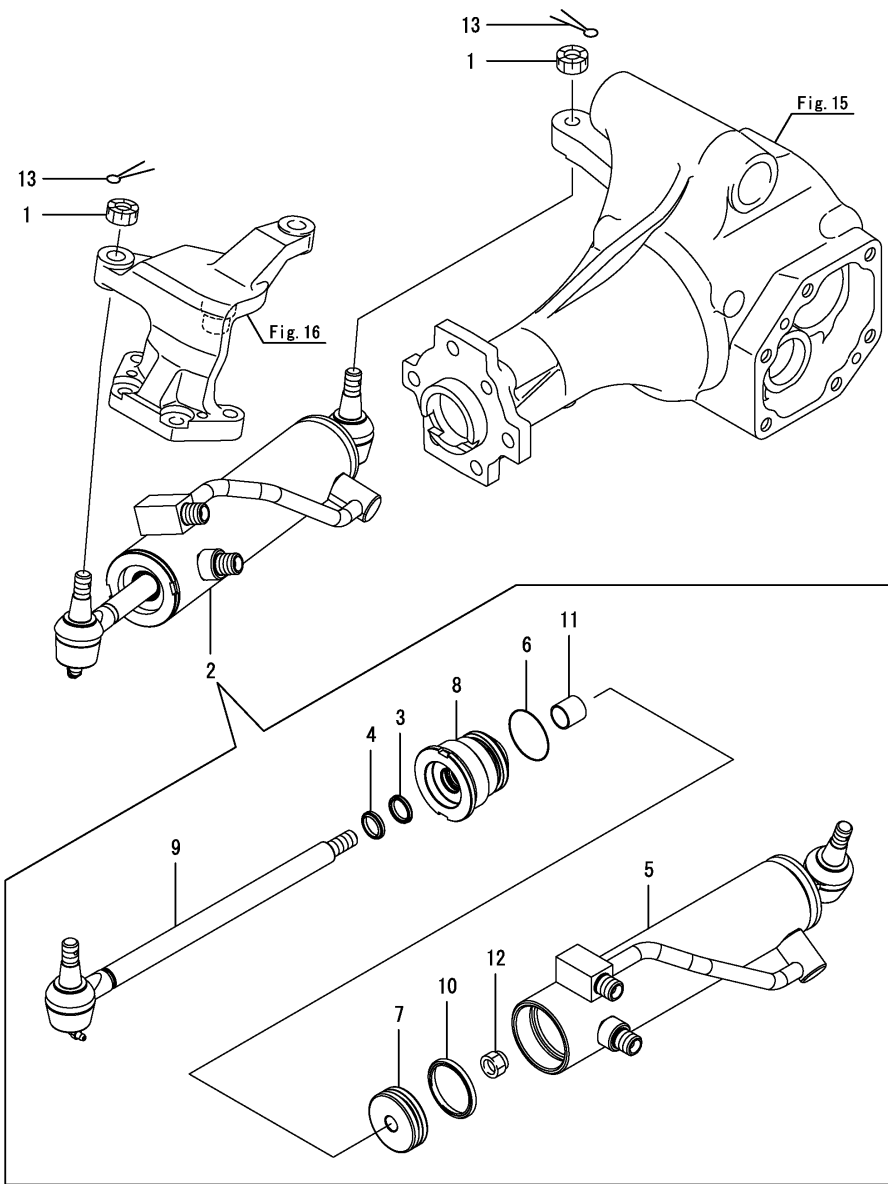


Fig.26. P.S.T. PIPING(1)

(A)=GK200R-B  
(B)=  
(C)=

(D)=  
(E)=  
(F)=

No.	Lev.	Parts No.	Description	Q'ty						I	R
				(A)	(B)	(C)	(D)	(E)	(F)		
1	1	1A7870-17820	ADAPTER, 1/4X3/8	1							
2	2	24315-000140	O-RING, 1BP14.0	1							
3	1	172141-76920	CONNECTOR ASSY	1							
4	2	24315-000140	O-RING, 1BP14.0	1							

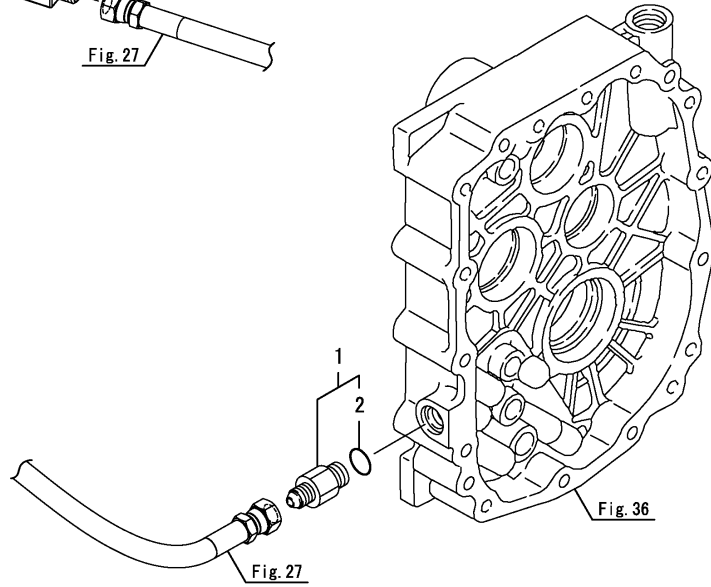
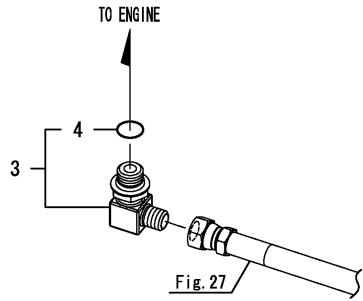


Fig.27. P.S.T. PIPING(2)

(A)=GK200R-B  
(B)=  
(C)=

(D)=  
(E)=  
(F)=

No.	Lev.	Parts No.	Description	Qty						I	R
				(A)	(B)	(C)	(D)	(E)	(F)		
1	1	1A7720-17811	HOSE,HIGH PRESSURE L	2							
2	1	1A7870-17810	HOSE,HIGH PRESSURE L	1							
3	1	198200-17820	HOSE,HIGH PRESSURE R	1							
4	1	198200-17910	PLATE, RETAINER	1							
5	1	1A7870-17950	CLAMP, HOSE	1							
6	1	22157-060000	WASHER, 6	1							
7	1	24315-000120	O-RING, 1BP12.0	4							
8	1	26106-060202	BOLT, M6X 20 PLATED	1							
9	1	26136-100162	BOLT, M10X 16 PLATED	3							
10	1	29622-250001	BAND, RF250	3							
11	1	29622-250001	BAND, RF250	1							

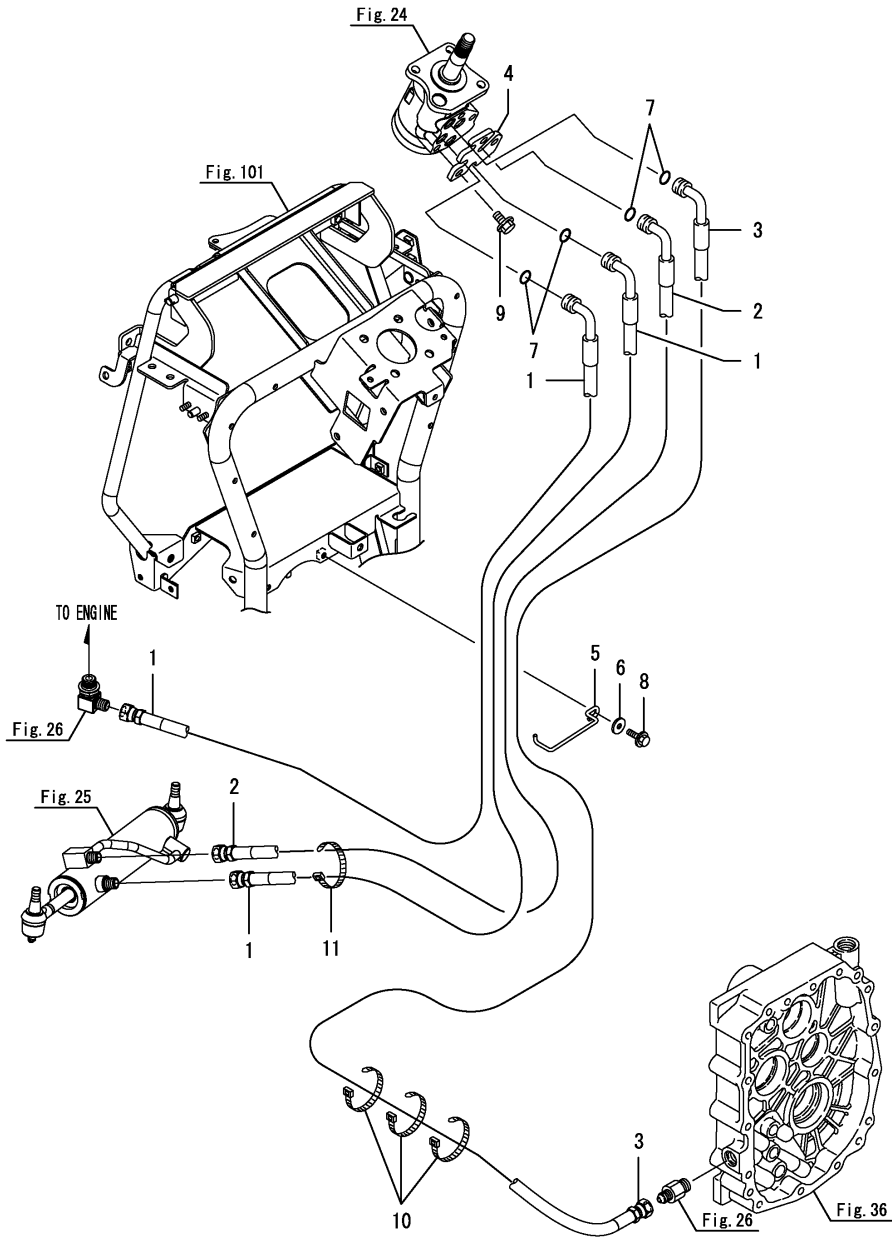
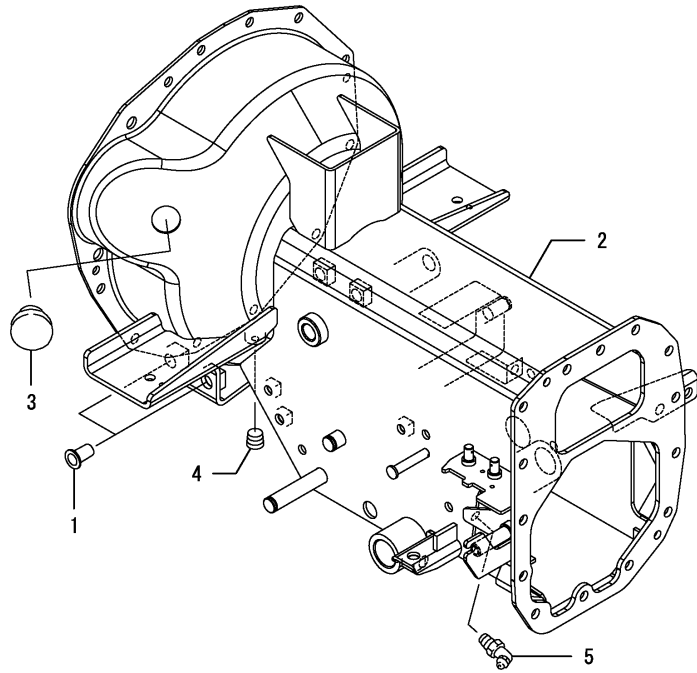


Fig.28. CLUTCH HOUSING

(A)=GK200R-B  
(B)=  
(C)=

(D)=  
(E)=  
(F)=

No.	Lev.	Parts No.	Description	Q'ty						I	R
				(A)	(B)	(C)	(D)	(E)	(F)		
1	1	194201-11230	CAP. SCREW 12.0	4							
2	1	1A7870-21411	HOUSING ASSY, CLUTCH	1							
3	1	194300-21460	CAP, RUBBER 25	1							
4	1	23876-010000	PLUG, R01	1							
5	1	24761-040000	NIPPLE, GREASE B	1							





(A)=GK200R-B  
 (B)=  
 (C)=

(D)=  
 (E)=  
 (F)=

No.	Lev.	Parts No.	Description	Q'ty						I	R
				(A)	(B)	(C)	(D)	(E)	(F)		
1	1	22217-100000	WASHER, SPRING 10	2							
2	1	22351-080016	PIN, SPRING 8.0X16	2							
3	1	26013-080122	BOLT, M8X 12	3							
4	1	26106-080202	BOLT, M8X 20 PLATED	7							
5	1	26106-080252	BOLT, M8X 25 PLATED	1							
6	1	26106-100302	BOLT, M10X 30 PLATED	1							
7	1	26716-100002	NUT, M10	1							
8	1	26716-100002	NUT, M10	2							

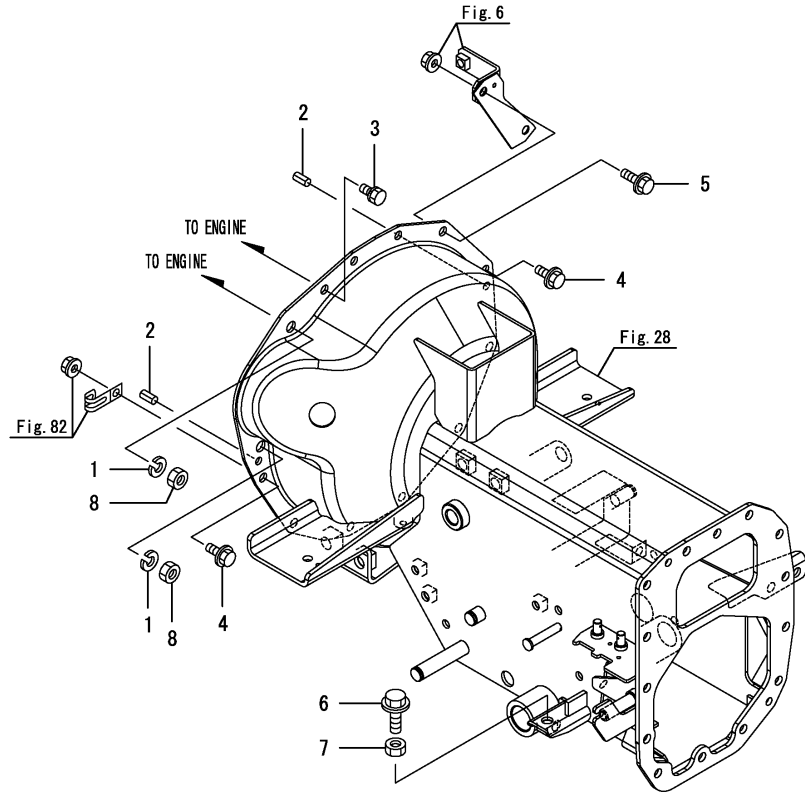


Fig.30. CLUTCH DISC

(A)=GK200R-B  
(B)=  
(C)=

(D)=  
(E)=  
(F)=

No.	Lev.	Parts No.	Description	Q'ty						I	R
				(A)	(B)	(C)	(D)	(E)	(F)		
1	1	198165-21450	DISK, CLUTCH EX-1A	1							

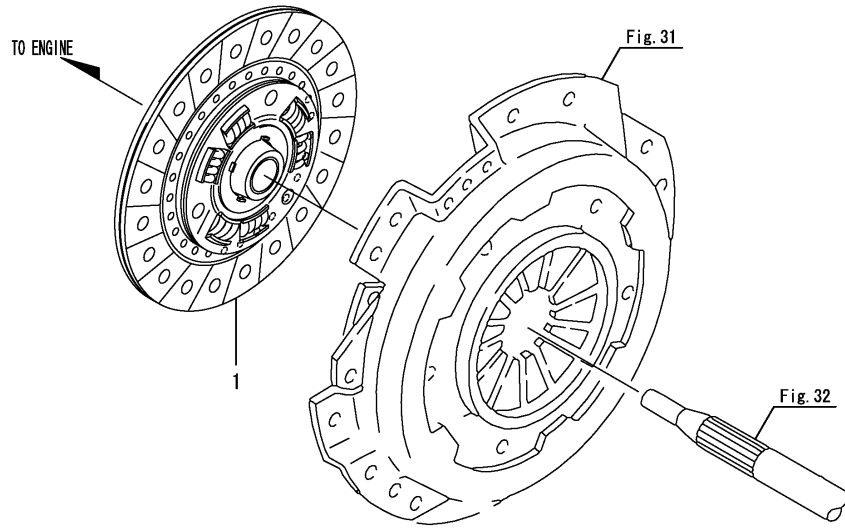


Fig.31. PRESSURE PLATE

(A)=GK200R-B  
(B)=  
(C)=

(D)=  
(E)=  
(F)=

No.	Lev.	Parts No.	Description	Q'ty						I	R
				(A)	(B)	(C)	(D)	(E)	(F)		
1	1	194215-21701	PLATE, PRESSURE	1							
2	1	22351-080016	PIN, SPRING 8.0X16	3							
3	1	26106-080162	BOLT, M8X 16 PLATED	6							

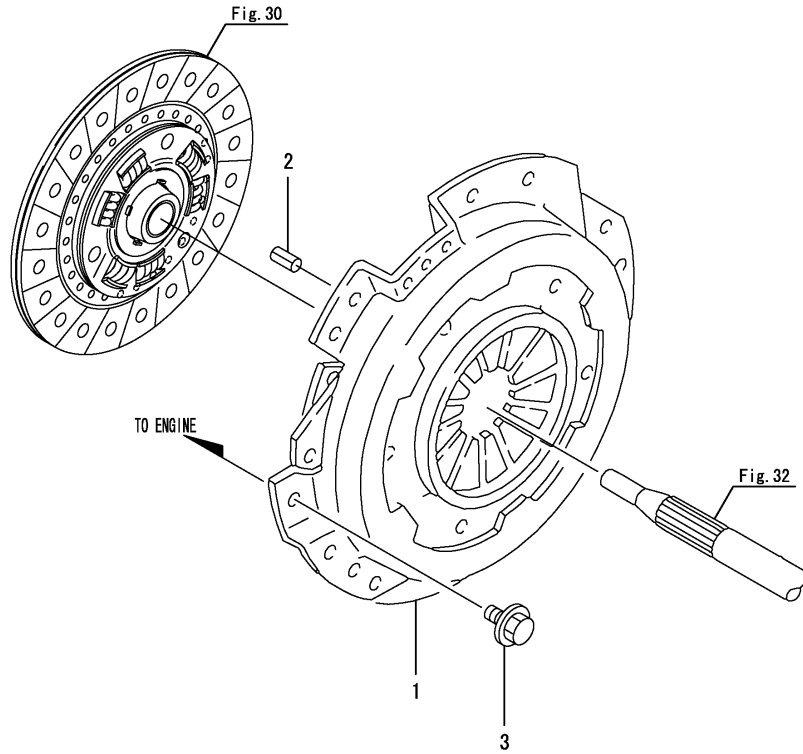
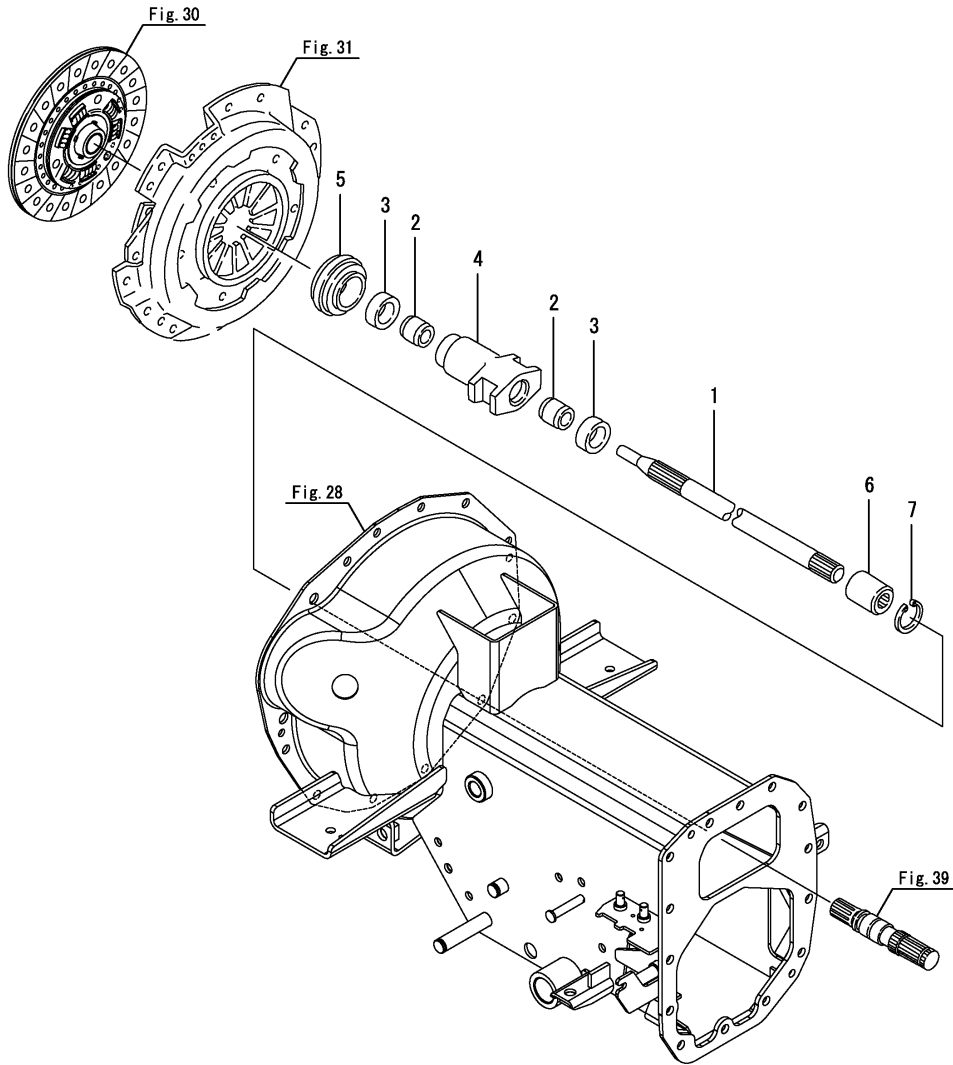


Fig.32. CLUTCH SHAFT

(A)=GK200R-B  
(B)=  
(C)=

(D)=  
(E)=  
(F)=

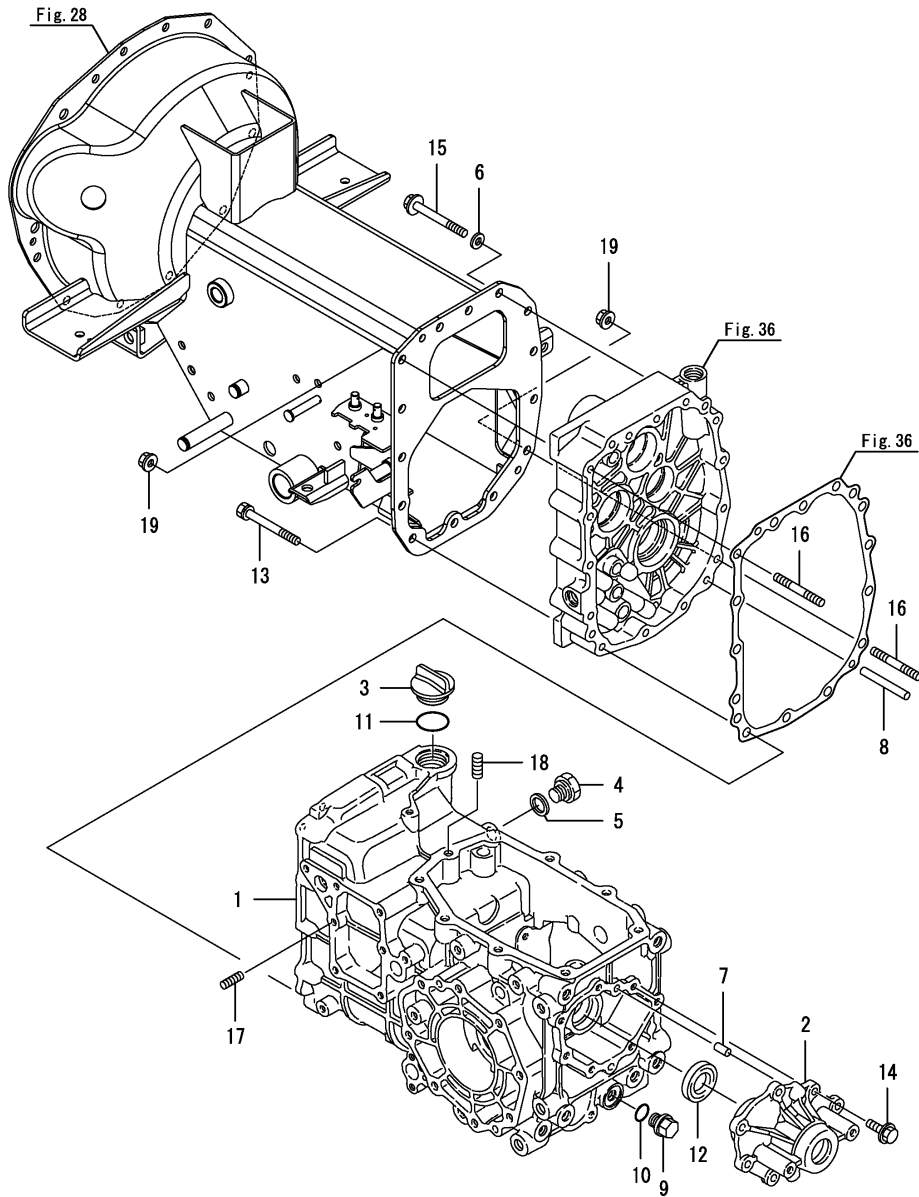


No.	Lev.	Parts No.	Description	Q'ty						I	R
				(A)	(B)	(C)	(D)	(E)	(F)		
1	1	198421-22110	SHAFT, MAIN DRIVE	1							
2	1	194215-22210	BUSH, 20.4X25X20	2							
3	1	194215-22220	FELT, 9X3.5X90	2							
4	1	194215-22230	SLEEVE, BEARING	1							
5	1	194300-22240	BEARING, RCT3558ARUS	1							
6	1	194310-25100	JOINT	1							
7	1	22252-000170	RING, 17	1							





Fig.35. TRANSMISSION CASE



(A)=GK200R-B  
(B)=  
(C)=

(D)=  
(E)=  
(F)=

No.	Lev.	Parts No.	Description	Q'ty						I	R
				(A)	(B)	(C)	(D)	(E)	(F)		
1	1	198425-24110	HOUSING, MISSION	1							
2	1	198163-24141	COVER, CASE REAR	1							
3	1	1A7870-24910	CAP, OIL	1							
4	1	194312-46750	PLUG, PF3/8	1							
5	1	194555-77910	GASKET, 17	1							
6	1	22137-080000	WASHER, 8	3							
7	1	22312-080160	PIN, PARALLEL M8X16	2							
8	1	22312-080630	PIN, PARALLEL M8X63	2							
9	1	23491-140002	PLUG, 14	1							
10	1	24311-000160	O-RING, 1AP16.0	1							
11	1	24351-240300	O-RING, 1A24030	1							
12	1	24421-284008	SEAL, OIL TC284008	1							
13	1	26013-080702	BOLT, M8X 70	9							
14	1	26106-080252	BOLT, M8X 25 PLATED	7							
15	1	26106-080702	BOLT, M8X 70 PLATED	3							
16	1	26226-080652	STUD, M8X 65	2							
17	1	26228-080252	STUD, M8X 25	1							
18	1	26228-100252	STUD, M10X 25	1							
19	1	26366-080002	NUT, M8	2							

Fig.36. CENTER PLATE

(A)=GK200R-B  
(B)=  
(C)=

(D)=  
(E)=  
(F)=

No.	Lev.	Parts No.	Description	Q'ty						I	R
				(A)	(B)	(C)	(D)	(E)	(F)		
1	1	1A7720-24320	PLATE, CENTER	1							
2	1	198165-24330	SEAL, OIL TC254208	1							
3	1	198164-24510	GASKET, MISSION CASE	1							
4	1	22252-000420	RING, 42	1							

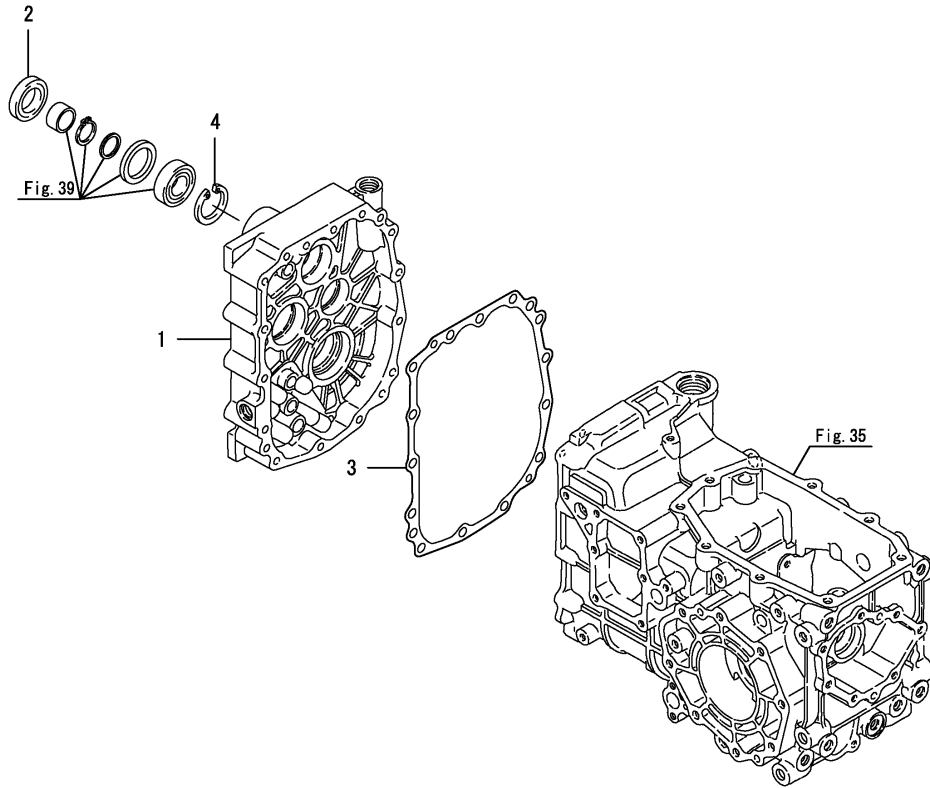




Fig.37. OIL GAUGE

(A)=GK200R-B  
(B)=  
(C)=

(D)=  
(E)=  
(F)=

No.	Lev.	Parts No.	Description	Q'ty						I	R
				(A)	(B)	(C)	(D)	(E)	(F)		
1	1	198435-24290	GAUGE, OIL LEVEL	1							
2	1	24311-000180	O-RING, 1AP18.0	1							

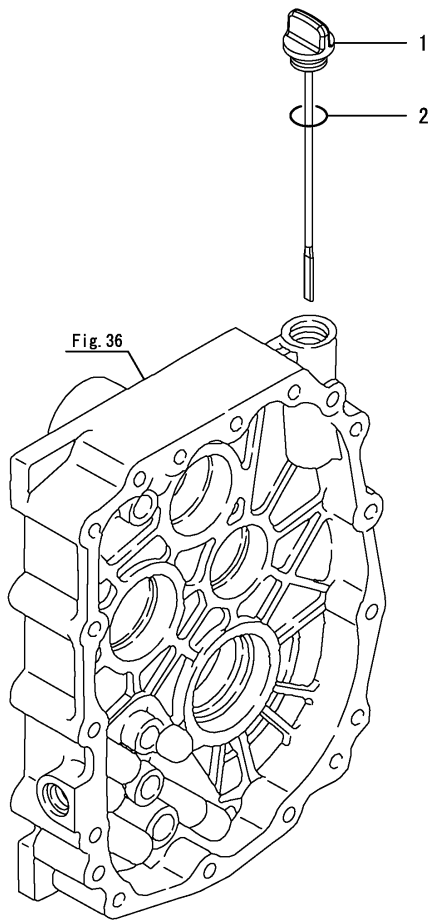


Fig.38. OIL STRAINER

(A)=GK200R-B  
(B)=  
(C)=

(D)=  
(E)=  
(F)=

No.	Lev.	Parts No.	Description	Qty						I	R
				(A)	(B)	(C)	(D)	(E)	(F)		
1	1	198421-24910	STRAINER, OIL	1							
2	1	194215-24970	COVER, OIL STRAINER	1							
3	1	1A7542-24980	O-RING,SACTION	1							
4	1	26013-080252	BOLT, M8X 25	2							

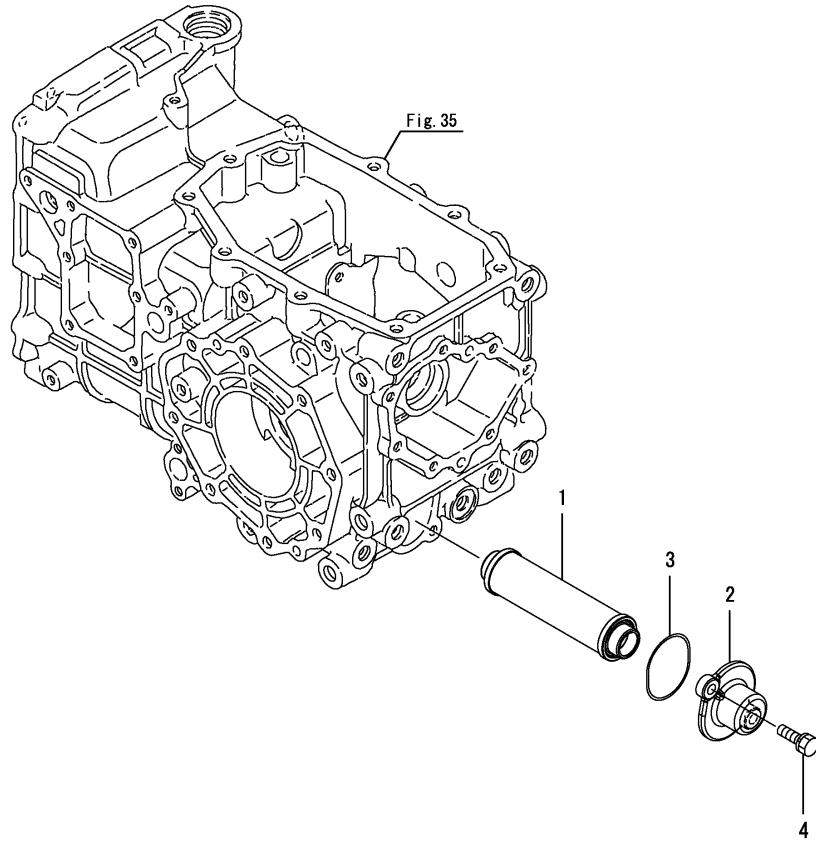
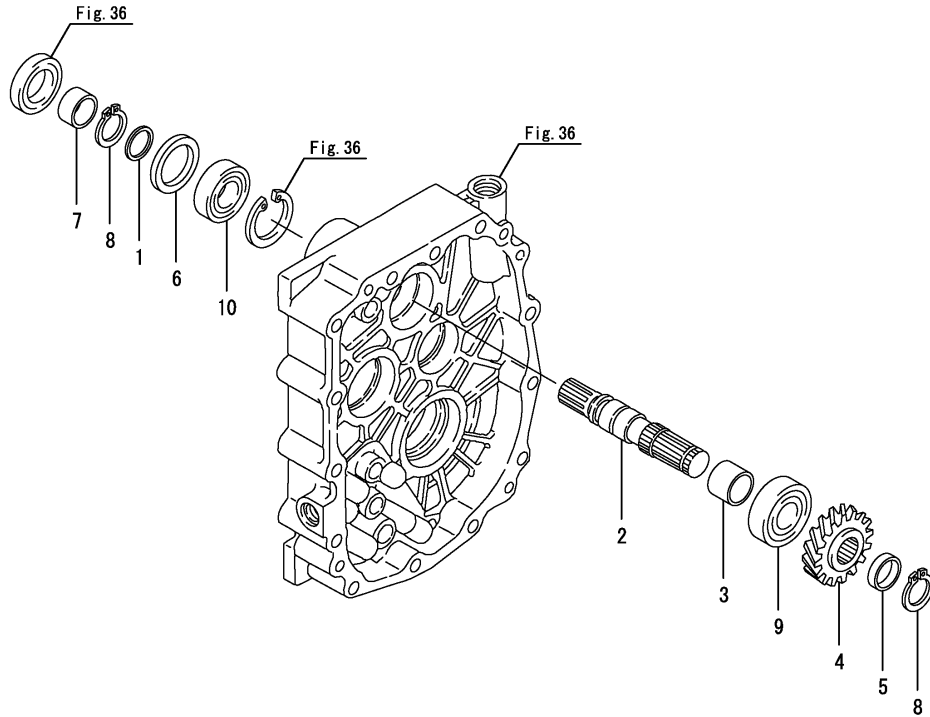


Fig.39. INPUT SHAFT

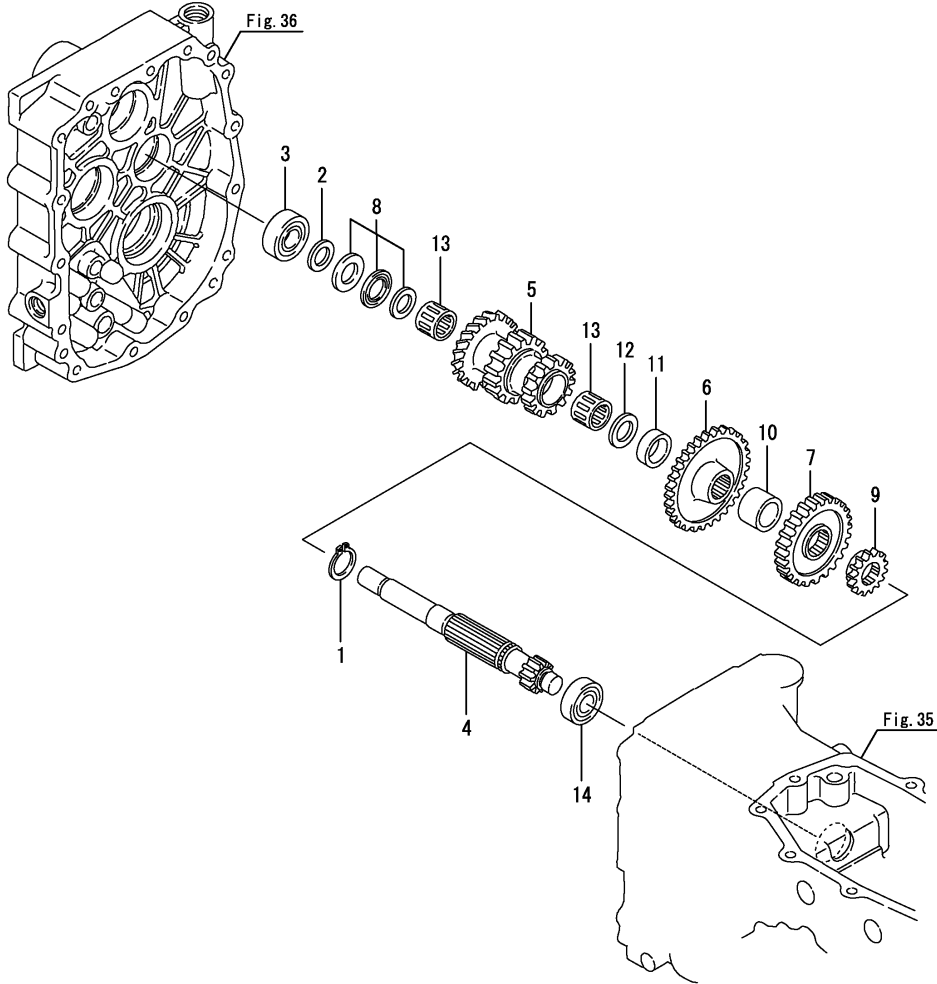
(A)=GK200R-B  
(B)=  
(C)=

(D)=  
(E)=  
(F)=



No.	Lev.	Parts No.	Description	Q'ty						I	R
				(A)	(B)	(C)	(D)	(E)	(F)		
1	1	194305-24310	COLLAR, 20X25X2	1							
2	1	198163-25111	SHAFT, INPUT	1							
3	1	198435-25130	COLLAR, 20.8X25.4X19	1							
4	1	198164-25150	GEAR, DRIVE Z=17	1							
5	1	1A7874-25200	COLLAR,20.8X25.4X6.5	1							
6	1	198163-25280	COLLAR, 31X42X5	1							
7	1	194855-25290	SLEEVE, 202513	1							
8	1	194859-34150	RING, C20	2							
9	1	24101-062044	BEARING, BALL 6204	1							
10	1	24104-060044	BEARING, BALL 6004UU	1							

Fig.40. MAIN SHAFT

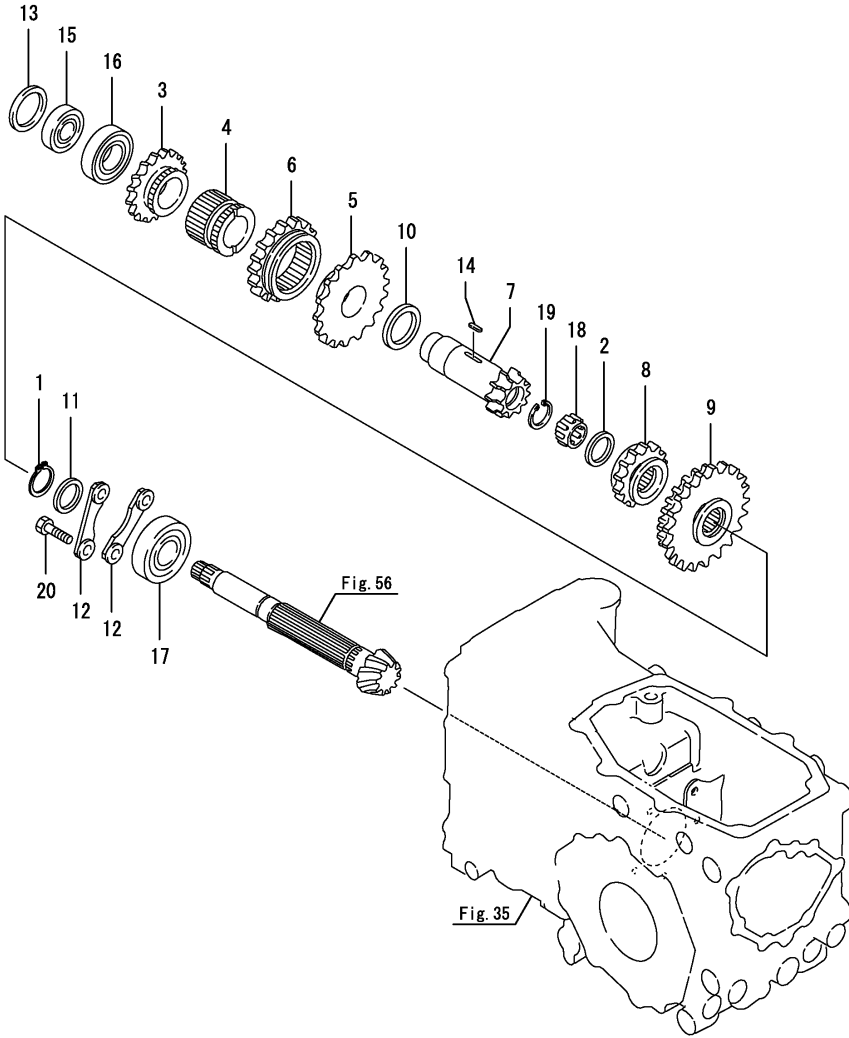


(A)=GK200R-B  
(B)=  
(C)=

(D)=  
(E)=  
(F)=

No.	Lev.	Parts No.	Description	Qty						I	R
				(A)	(B)	(C)	(D)	(E)	(F)		
1	1	194306-13140	CIRCLIP, C24-S	1							
2	1	1E4070-14040	LINER, 17.1X25X1	1							
3	1	194305-25160	BEARING, BALL TMB203	1							
4	1	198164-25210	SHAFT, MAIN	1							
5	1	198163-25221	GEAR, MAIN 25-19-18	1							
6	1	198164-25230	GEAR, MAIN 44	1							
7	1	198435-25240	GEAR, MAIN 31	1							
8	1	198163-25250	BEARING ASSY, THRUST	1							
9	1	198421-25250	GEAR, MAIN 16	1							
10	1	198435-25280	SPACER, 30X20.2	1							
11	1	198435-25310	SPACER, 30X7.75	1							
12	1	194856-25330	WASHER, 22X32X2.5	1							
13	1	194856-25340	BEARING, 222817	2							
14	1	24101-062034	BEARING, BALL 6203	1							

Fig.41. COUNTER SHAFT



(A)=GK200R-B  
(B)=  
(C)=

(D)=  
(E)=  
(F)=

No.	Lev.	Parts No.	Description	Q'ty						I	R
				(A)	(B)	(C)	(D)	(E)	(F)		
1	1	194306-13140	CIRCLIP, C24-S	1							
2	1	194856-25330	WASHER, 22X32X2.5	1							
3	1	198435-25720	GEAR, COUNTER Z=26	1							
4	1	198435-25730	COLLAR, SPLINE	1							
5	1	198163-25740	GEAR, COUNTER Z=36	1							
6	1	198163-25750	GEAR, COUNTER Z=30	1							
7	1	198164-25770	GEAR, COUNTER Z=16	1							
8	1	198164-25790	GEAR, SLIDE Z=24	1							
9	1	198164-25800	GEAR, SLIDE 38-58	1							
10	1	198421-25800	WASHER, 35X47X2.5	1							
11	1	198421-25810	COLLAR, 25X36X4.5	1							
12	1	198435-25810	HOLDER, BEARING	2							
13	1	198421-25820	COLLAR, 32X41.5X1	1							
14	1	22551-050180	KEY, 5X 18	1							
15	1	24101-060044	BEARING, BALL 6004	1							
16	1	24101-060064	BEARING, BALL 6006	1							
17	1	24101-063054	BEARING, BALL 6305	1							
18	1	24161-222610	BEARING, 222610	1							
19	1	24165-000262	CIRCLIP 26	1							
20	1	26116-080202	BOLT, M8X 20 PLATED	4							

Fig.42. P.T.O. DRIVE SHAFT

(A)=GK200R-B  
(B)=  
(C)=

(D)=  
(E)=  
(F)=

No.	Lev.	Parts No.	Description	Q'ty						I	R
				(A)	(B)	(C)	(D)	(E)	(F)		
1	1	194310-25100	JOINT	1							
2	1	194515-25180	BEARING, BALL TMB004	1							
3	1	1A7870-26060	GEAR, PTO Z=12	1							
4	1	198163-26121	GEAR, PTO SLIDE	1							
5	1	198164-26140	SHAFT, PTO DRIVE	1							
6	1	1A7874-26170	COLLAR,20.8X25.4X34.	1							
7	1	1A7720-26180	GEAR, DRIVE Z=29	1							
8	1	198163-26190	COLLAR, PTO SPLINE	1							
9	1	198165-26270	BEARING, TMB302	1							
10	1	198163-26410	WASHER, THRUST	1							
11	1	194191-28540	WASHER, 25X38X2.5	1							
12	1	22252-000170	RING, 17	1							
13	1	24104-060044	BEARING, BALL 6004UU	1							
14	1	24104-063034	BEARING, BALL 6303UU	1							
15	1	24161-252910	BEARING, 252910	2							

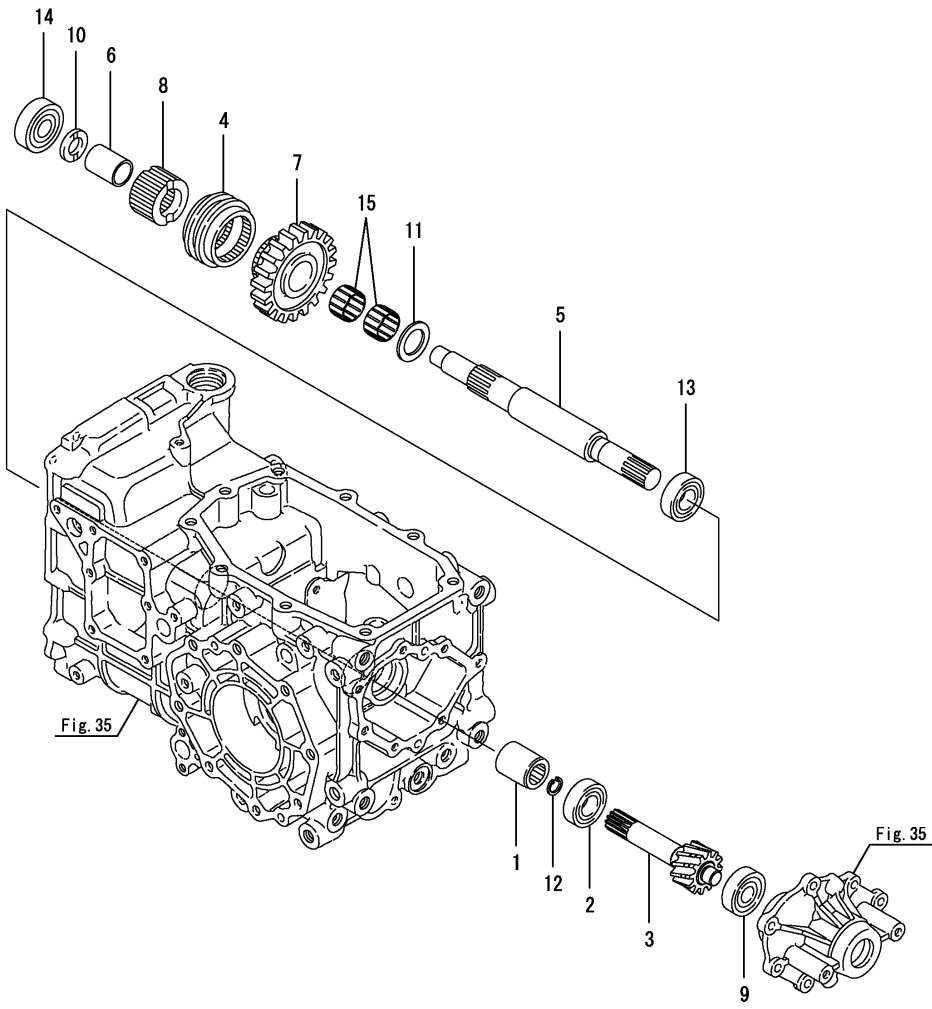


Fig.43. P.T.O. SHAFT

(A)=GK200R-B  
(B)=  
(C)=

(D)=  
(E)=  
(F)=

No.	Lev.	Parts No.	Description	Q'ty						I	R
				(A)	(B)	(C)	(D)	(E)	(F)		
1	1	194306-13140	CIRCLIP, C24-S	1							
2	1	194855-24150	WASHER, 36X45.5X1.2	1							
3	1	194850-25760	BEARING, BALL 6203	1							
4	1	1A7870-26080	GEAR, PTO Z=21	1							
5	1	198164-26370	SHAFT, UFO PTO	1							
6	1	198421-26380	COLLAR, 25.4X31.8X35	1							
7	1	1E6190-54160	WASHER 17.2X30X1.5	1							
8	1	24101-060054	BEARING, BALL 6005	1							

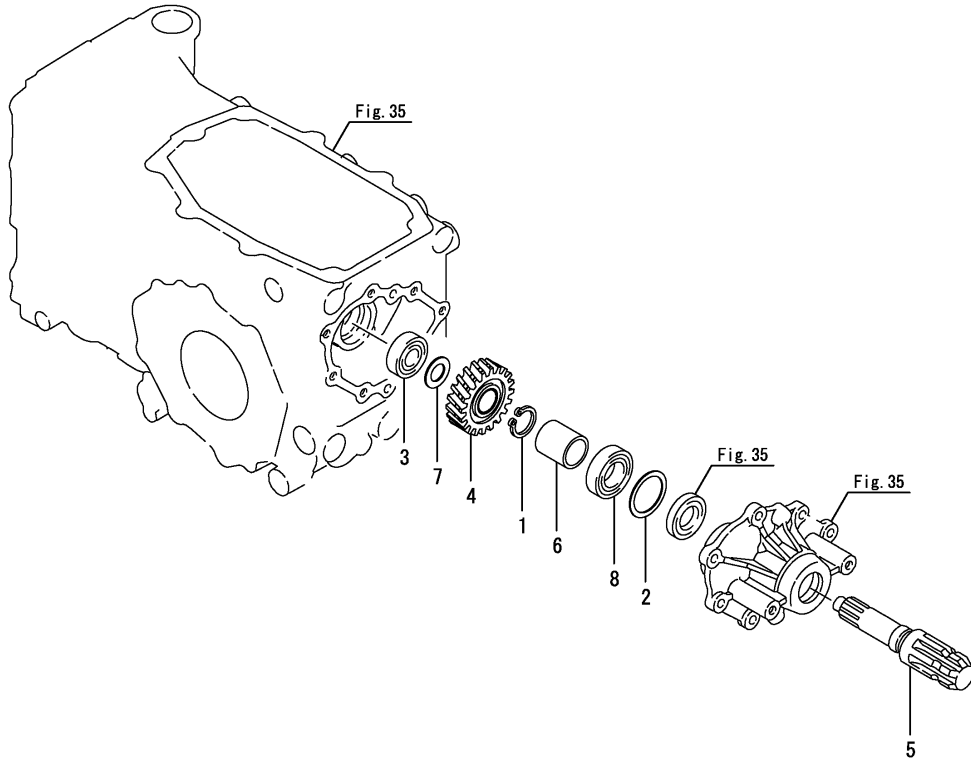


Fig.44. P.T.O. SHAFT COVER

(A)=GK200R-B  
(B)=  
(C)=

(D)=  
(E)=  
(F)=

No.	Lev.	Parts No.	Description	Q'ty						I	R
				(A)	(B)	(C)	(D)	(E)	(F)		
1	1	198290-26860	COVER, PTO SHAFT	1							
2	1	26106-080122	BOLT, M8X 12 PLATED	2							

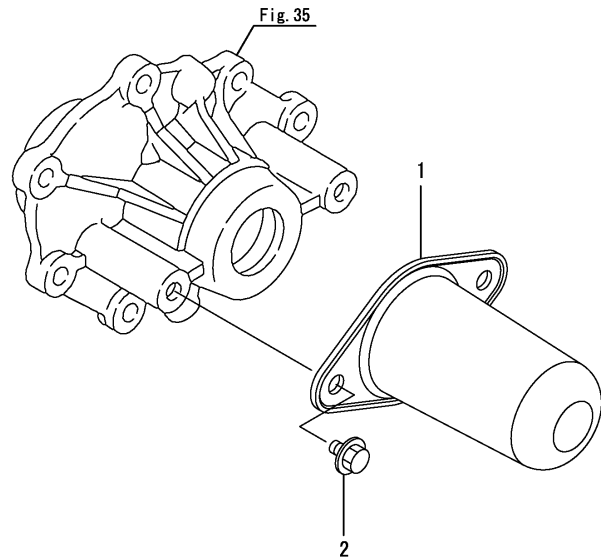
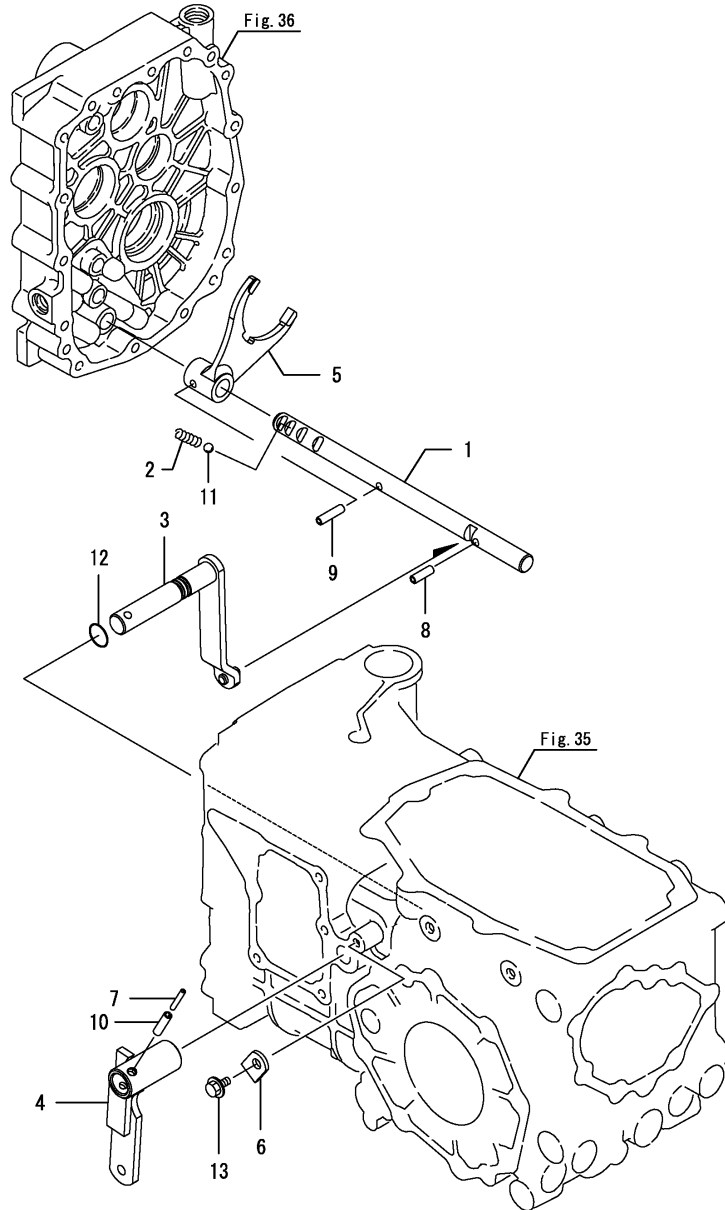




Fig.45. MAIN SHIFT

(A)=GK200R-B  
(B)=  
(C)=

(D)=  
(E)=  
(F)=



No.	Lev.	Parts No.	Description	Qty						I	R
				(A)	(B)	(C)	(D)	(E)	(F)		
1	1	1A7870-27091	SHAFT,M.CHANGE FORK	1							
2	1	198421-27110	SPRING, 38.4	1							
3	1	198421-27521	ARM, RANGE SHIFT	1							
4	1	1A7870-27530	ARM, MAIN SHIFT	1							
5	1	198435-27551	FORK, MAIN SHIFT	1							
6	1	194197-27681	PLATE, KEEP	1							
7	1	22351-035025	PIN, SPRING 3.5X25	1							
8	1	22351-060020	PIN, SPRING 6.0X20	1							
9	1	22351-060025	PIN, SPRING 6.0X25	1							
10	1	22351-060025	PIN, SPRING 6.0X25	1							
11	1	24190-100001	BALL, STEEL 5/16	1							
12	1	24311-000125	O-RING, 1AP12.5	1							
13	1	26106-080162	BOLT, M8X 16 PLATED	1							

Fig.46. MAIN SHIFT LEVER(1)

(A)=GK200R-B  
(B)=  
(C)=

(D)=  
(E)=  
(F)=

No.	Lev.	Parts No.	Description	Q'ty						I	R
				(A)	(B)	(C)	(D)	(E)	(F)		
1	1	194990-22130	NUT, M6	1							
2	1	1A7870-27200	ROD ASSY, MAIN SHIFT	1							
3	2	1A8130-16950	BALL, LINK SQ8RS								
4	2	194990-20170	NUT, M8	1							
5	2	1A7870-27210	ROD, MAIN SHIFT	1							
6	2	194820-27370	END, ROD L	1							
7	2	26716-080002	NUT, M8	1							
8	1	1A7870-27220	SHAFT ASSY, SHIFT	1							
9	1	1A7870-27930	HOLDER ASSY	1							
10	1	22137-060000	WASHER, 6	1							
11	1	22217-060000	WASHER, SPRING 6	1							
12	1	26106-080162	BOLT, M8X 16 PLATED	2							
13	1	26116-060354	BOLT, M6X 35 PLATED	1							
14	1	26346-080002	NUT, M8	2							

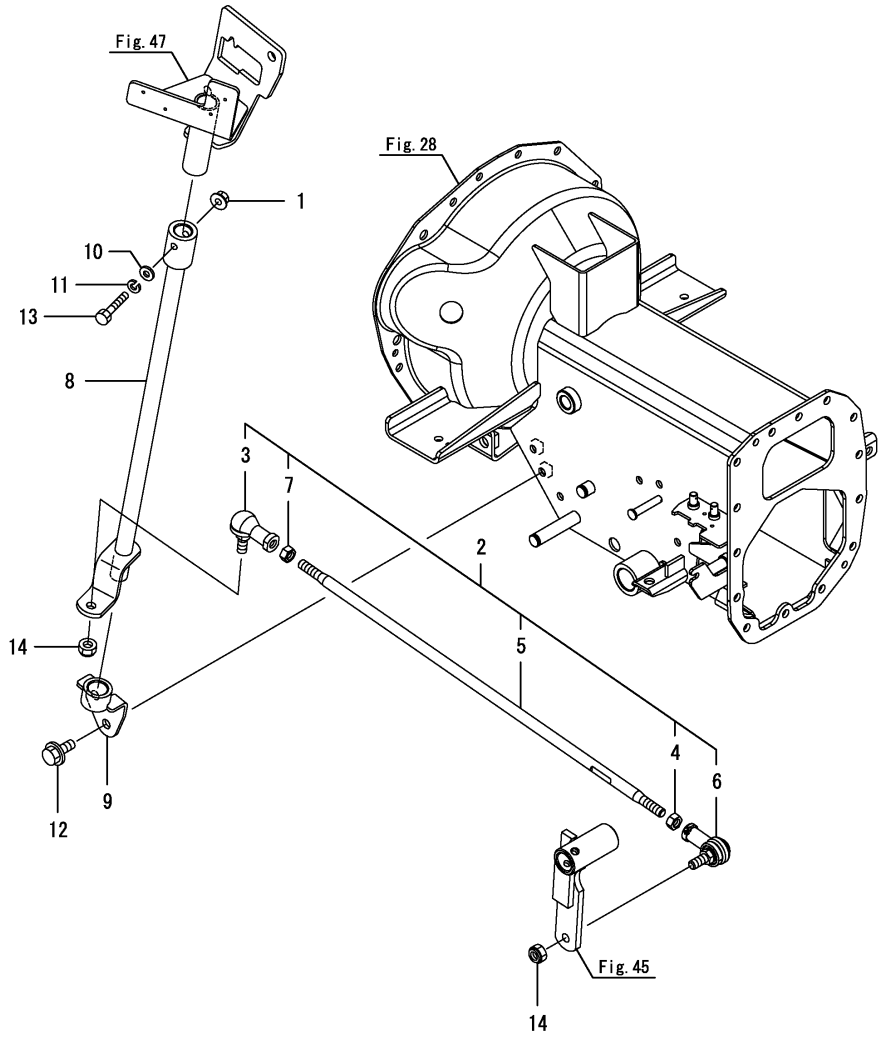
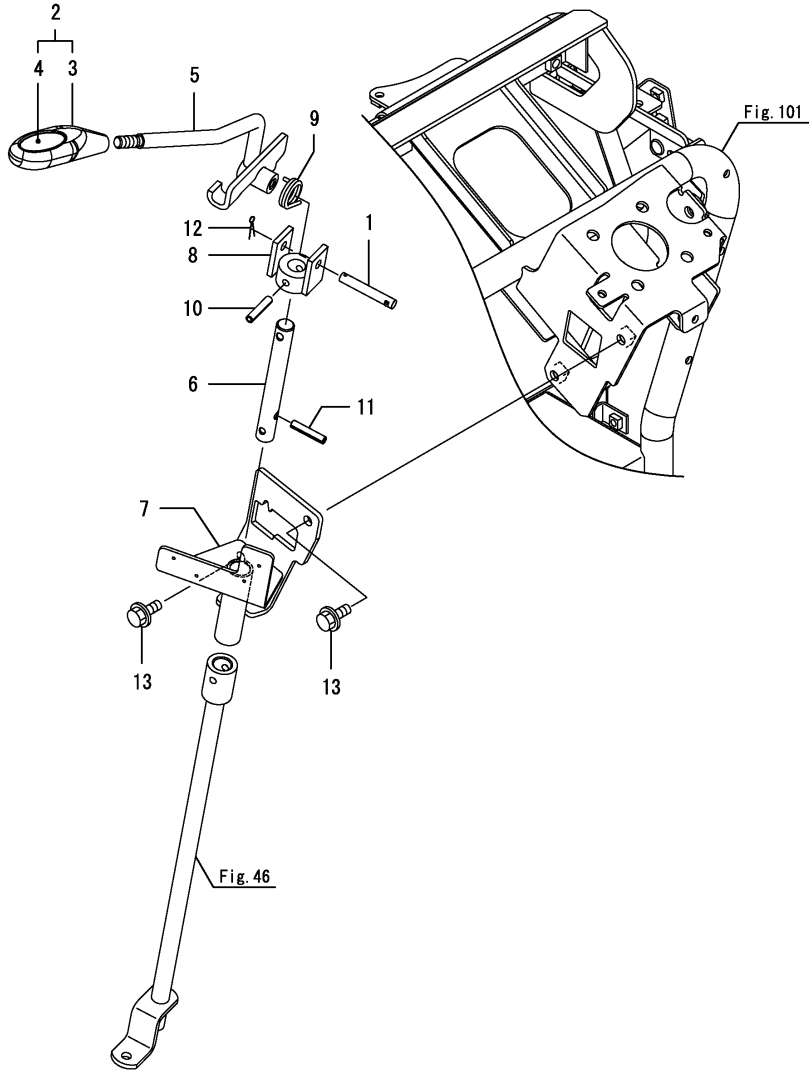


Fig.47. MAIN SHIFT LEVER(2)

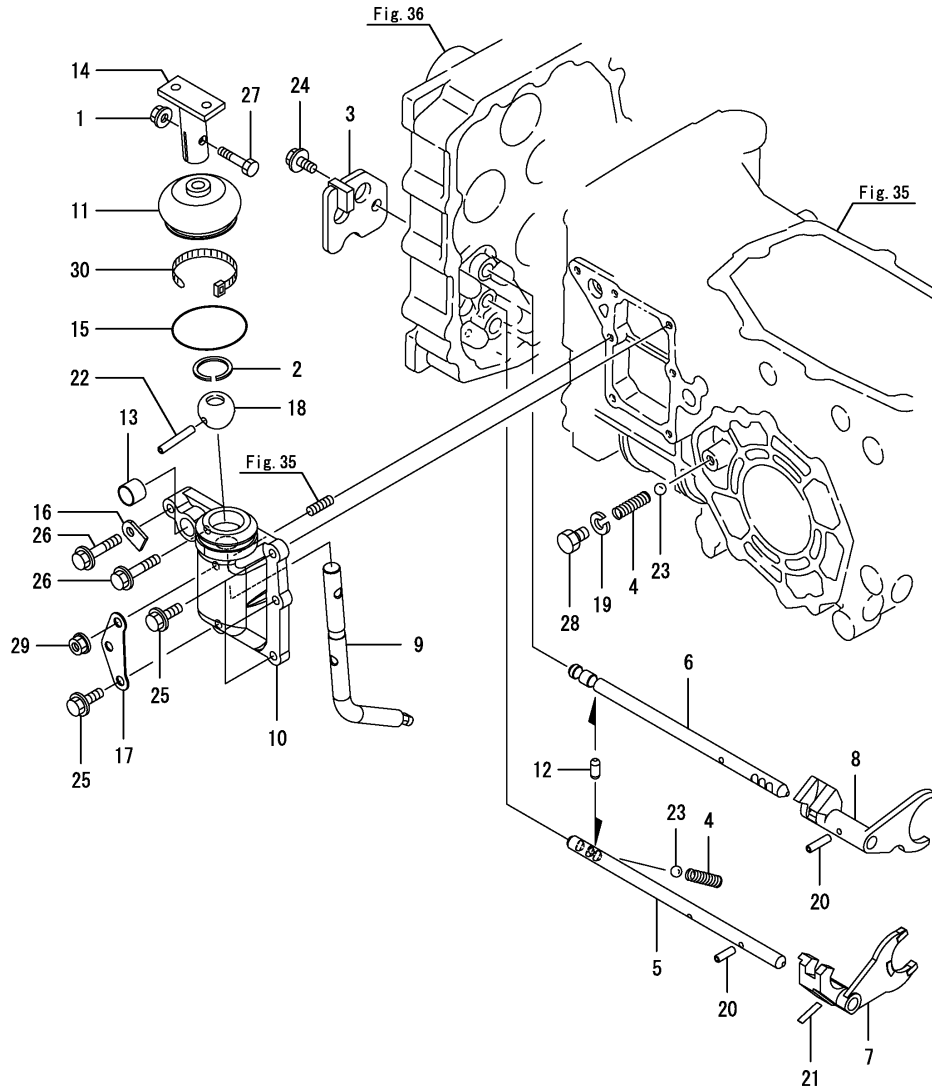
(A)=GK200R-B  
(B)=  
(C)=

(D)=  
(E)=  
(F)=



No.	Lev.	Parts No.	Description	Q'ty						I	R
				(A)	(B)	(C)	(D)	(E)	(F)		
1	1	198075-18311	PIN, 8X52	1							
2	1	198200-18350	KNOB, REVERSER LEVER	1							
3	2	198273-18360	KNOB, ORANGE	1							
4	2	198200-18370	LABEL,	1							
5	1	1A7870-27050	LEVER ASSY, SHIFT	1							
6	1	1A7870-27260	SHAFT, MAIN SHIFT	1							
7	1	1A7870-27601	BRACKET ASSY, LEVER	1							
8	1	1A7260-27680	HOLDER, REVERSER	1							
9	1	198133-27820	SPRING, RETURN	1							
10	1	22351-060032	PIN, SPRING 6.0X32	1							
11	1	22351-060032	PIN, SPRING 6.0X32	1							
12	1	22417-250200	PIN, COTTER 2.5X20	1							
13	1	26106-080162	BOLT, M8X 16 PLATED	2							

Fig.48. SUB SHIFT



(A)=GK200R-B  
(B)=  
(C)=

(D)=  
(E)=  
(F)=

No.	Lev.	Parts No.	Description	Qty						I	R
				(A)	(B)	(C)	(D)	(E)	(F)		
1	1	194990-22140	NUT, M8	1							
2	1	1A1040-26320	CIRCLIP, 30-H	1							
3	1	1A7870-27100	PLATE ASSY, SHIFTER	1							
4	1	198421-27110	SPRING, 38.4	2							
5	1	1A7720-27120	SHAFT, FORK H	1							
6	1	1A7720-27130	SHAFT, FORK L	1							
7	1	198435-27142	FORK, SHIFT H	1							
8	1	198164-27150	FORK, SHIFT L	1							
9	1	198421-27160	ARM, MAIN SHIFT	1							
10	1	198421-27171	CASE, MAIN CHANGE	1							
11	1	198421-27180	BOOT, RUBBER	1							
12	1	1A7720-27190	SPINDLE, S 8X19	1							
13	1	198421-27200	BUSH, 17X19X15	1							
14	1	198435-27260	LEVER, SHIFT LOWER	1							
15	1	198425-27290	O-RING, 35	1							
16	1	194197-27681	PLATE, KEEP	1							
17	1	1A7870-27990	PLATE, SPRING HOOK	1							
18	1	1E6140-56230	BALL, SHIFTER	1							
19	1	22217-100000	WASHER, SPRING 10	1							
20	1	22351-050020	PIN, SPRING 5.0X20	2							
21	1	22351-050025	PIN, SPRING 5.0X25	1							
22	1	22351-060040	PIN, SPRING 6.0X40	1							
23	1	24190-100001	BALL, STEEL 5/16	2							
24	1	26106-080162	BOLT, M8X 16 PLATED	1							
25	1	26106-080252	BOLT, M8X 25 PLATED	4							
26	1	26106-080402	BOLT, M8X 40 PLATED	2							
27	1	26116-080304	BOLT, M8X 30 PLATED	1							
28	1	26116-100122	BOLT, M10X 12 PLATED	1							
29	1	26366-080002	NUT, M8	1							
30	1	29622-250001	BAND, RF250	1							

Fig.49. SUB SHIFT LEVER

(A)=GK200R-B  
(B)=  
(C)=

(D)=  
(E)=  
(F)=

No.	Lev.	Parts No.	Description	Q'ty						I	R
				(A)	(B)	(C)	(D)	(E)	(F)		
1	1	1A7720-27240	KNOB	1							
2	1	1A7870-27270	LEVER, SHIFT UPPER	1							
3	1	1A7870-27360	TUBE, LEVER 17X110	1							
4	1	198421-62410	SPRING, 14X81.4	1							
5	1	24311-000110	O-RING, 1AP11.0	1							
6	1	26106-080162	BOLT, M8X 16 PLATED	2							

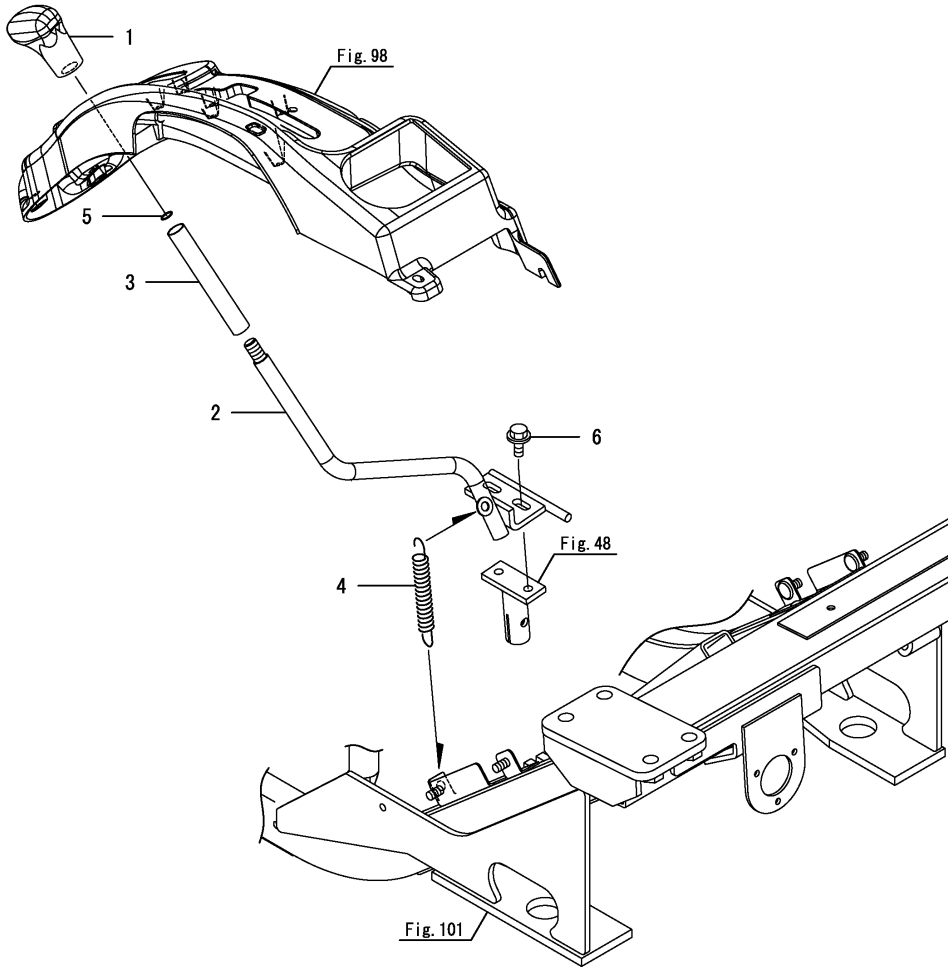


Fig.50. P.T.O. SHIFT

(A)=GK200R-B  
(B)=  
(C)=

(D)=  
(E)=  
(F)=

No.	Lev.	Parts No.	Description	Q'ty						I	R
				(A)	(B)	(C)	(D)	(E)	(F)		
1	1	198421-27110	SPRING, 38.4	1							
2	1	1A7870-27500	BRACKET ASSY, LEVER	1							
3	1	198435-27700	COLLAR, FORK SHAFT	1							
4	1	198163-27711	SHAFT, FORK	1							
5	1	1A7870-27710	ARM, PTO SHIFT	1							
6	1	198163-27720	FORK, PTO SHIFT	1							
7	1	198435-27740	ARM, PTO	1							
8	1	1A7870-27760	LINK, PTO SHIFT	1							
9	1	198163-27781	LEVER, PTO LOWER	1							
10	1	1C6281-52320	PIN, SNAP 8	2							
11	1	22137-080000	WASHER, 8	1							
12	1	22137-180000	WASHER, 18	1							
13	1	22272-000150	RING, E-15	1							
14	1	22351-035025	PIN, SPRING 3.5X25	1							
15	1	22351-050020	PIN, SPRING 5.0X20	1							
16	1	22351-060025	PIN, SPRING 6.0X25	1							
17	1	24190-100001	BALL, STEEL 5/16	1							
18	1	24311-000125	O-RING, 1AP12.5	1							
19	1	26106-100252	BOLT, M10X 25 PLATED	2							

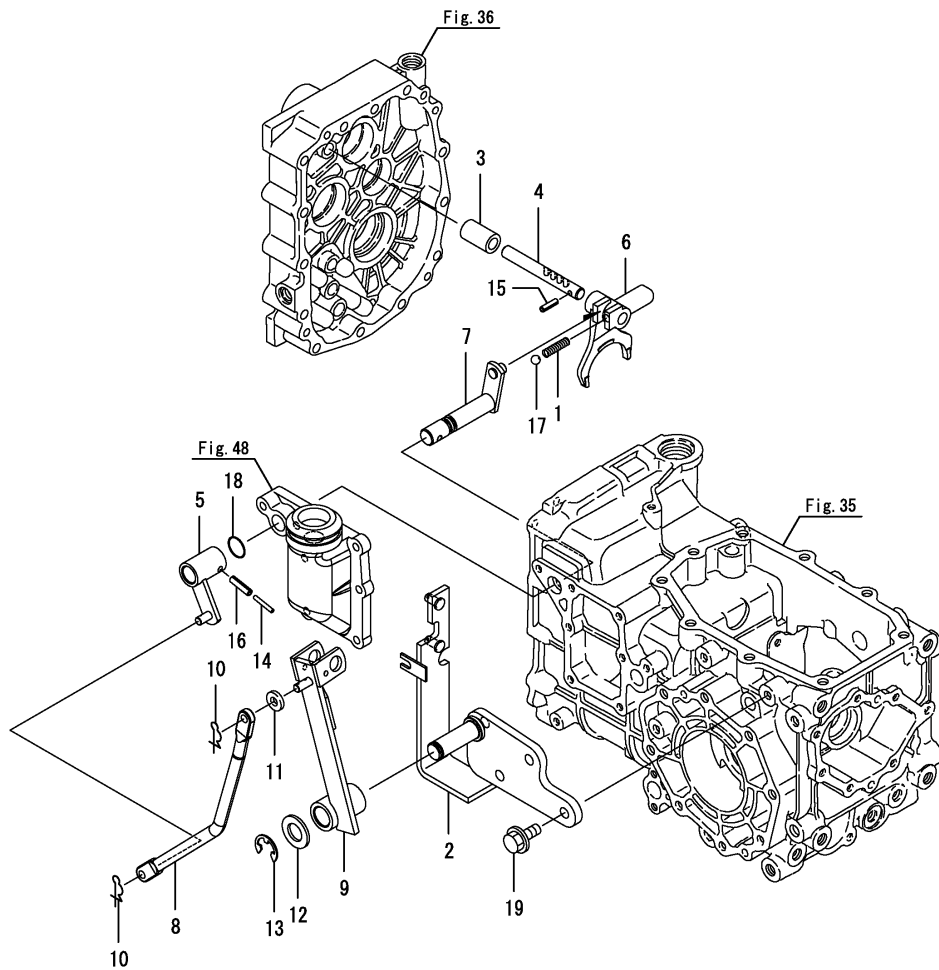




Fig.52. FRONT DRIVE CASE

(A)=GK200R-B  
(B)=  
(C)=

(D)=  
(E)=  
(F)=

No.	Lev.	Parts No.	Description	Qty						I	R
				(A)	(B)	(C)	(D)	(E)	(F)		
1	1	1A7870-28110	CASE, GEAR	1							
2	1	1A7720-28141	GASKET, GEAR CASE	1							
3	1	22312-080160	PIN, PARALLEL M8X16	2							
4	1	26106-080302	BOLT, M8X 30 PLATED	7							

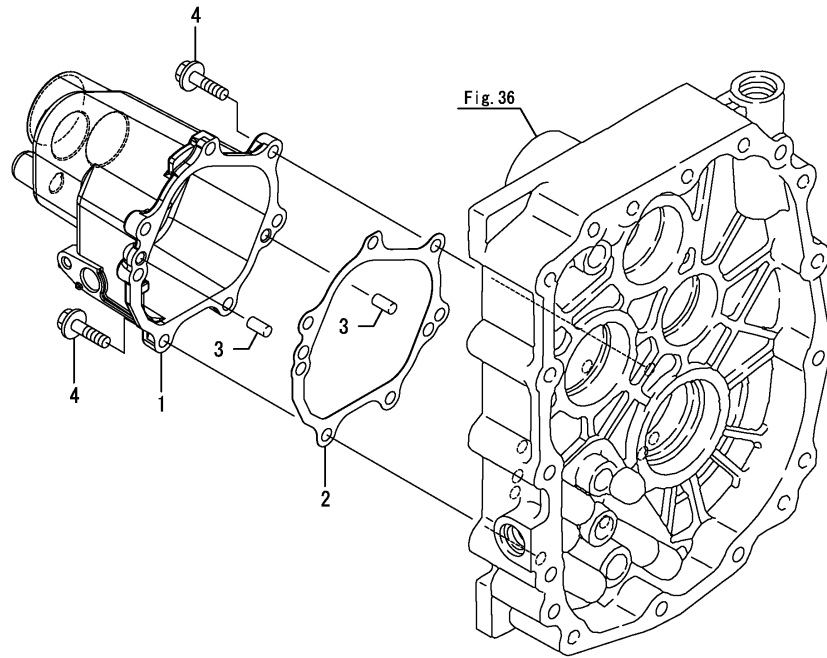




Fig.53. FRONT DRIVE

(A)=GK200R-B  
(B)=  
(C)=

(D)=  
(E)=  
(F)=

No.	Lev.	Parts No.	Description	Q'ty						I	R
				(A)	(B)	(C)	(D)	(E)	(F)		
1	1	198163-26410	WASHER, THRUST	1							
2	1	1A7870-28210	SHAFT, OUTPUT	1							
3	1	1A7720-28261	GEAR ASSY, HIGH GRIP	1							
4	2	24550-018120	BUSH, 18X12	1							
5	1	1A7870-28340	SLIDER, HIGH GRIP	1							
6	1	24101-062034	BEARING, BALL 6203	1							
7	1	24421-173508	SEAL, OIL TC173508	1							

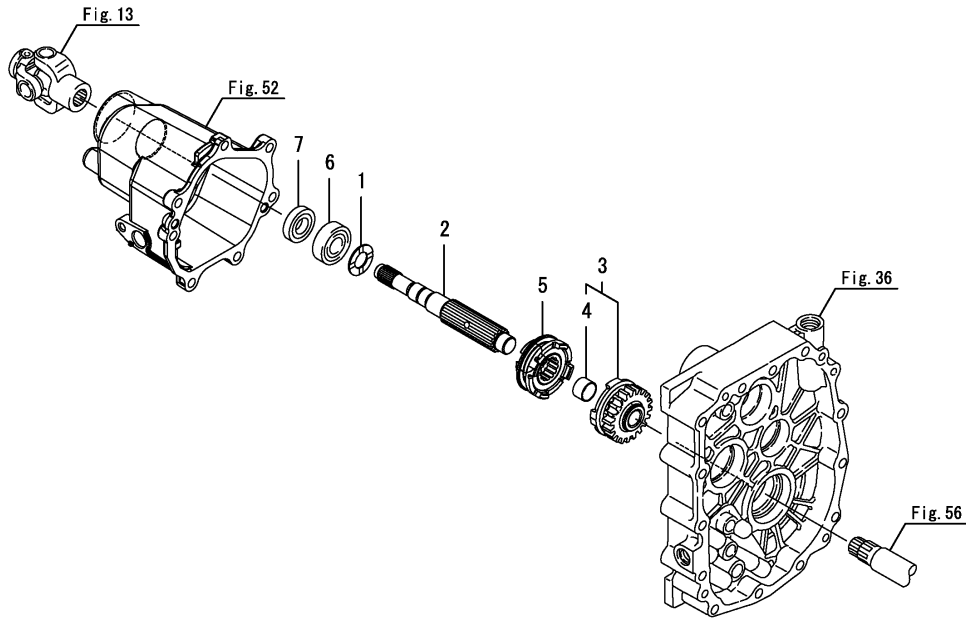


Fig.54. FRONT SHIFT

(A)=GK200R-B  
(B)=  
(C)=

(D)=  
(E)=  
(F)=

No.	Lev.	Parts No.	Description	Q'ty						I	R
				(A)	(B)	(C)	(D)	(E)	(F)		
1	1	194197-27681	PLATE, KEEP	1							
2	1	1A7720-28310	FORK, SLIDER	1							
3	1	1A7870-28320	SHAFT, FORK	1							
4	1	1A7720-28350	LEVER ASSY, SHIFT B	1							
5	1	22351-050020	PIN, SPRING 5.0X20	1							
6	1	24311-000125	O-RING, 1AP12.5	1							
7	1	26106-080162	BOLT, M8X 16 PLATED	1							

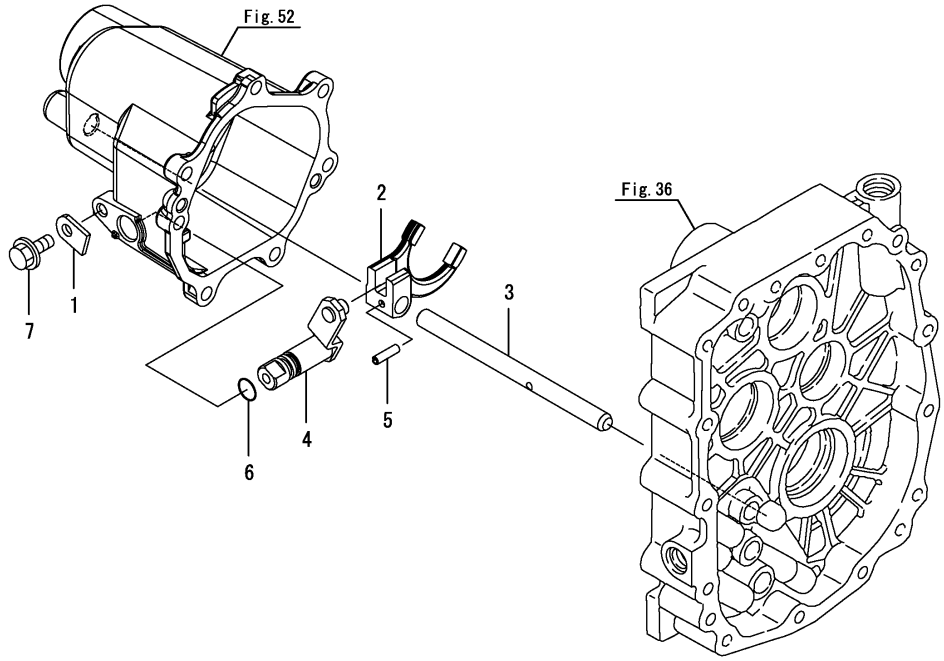
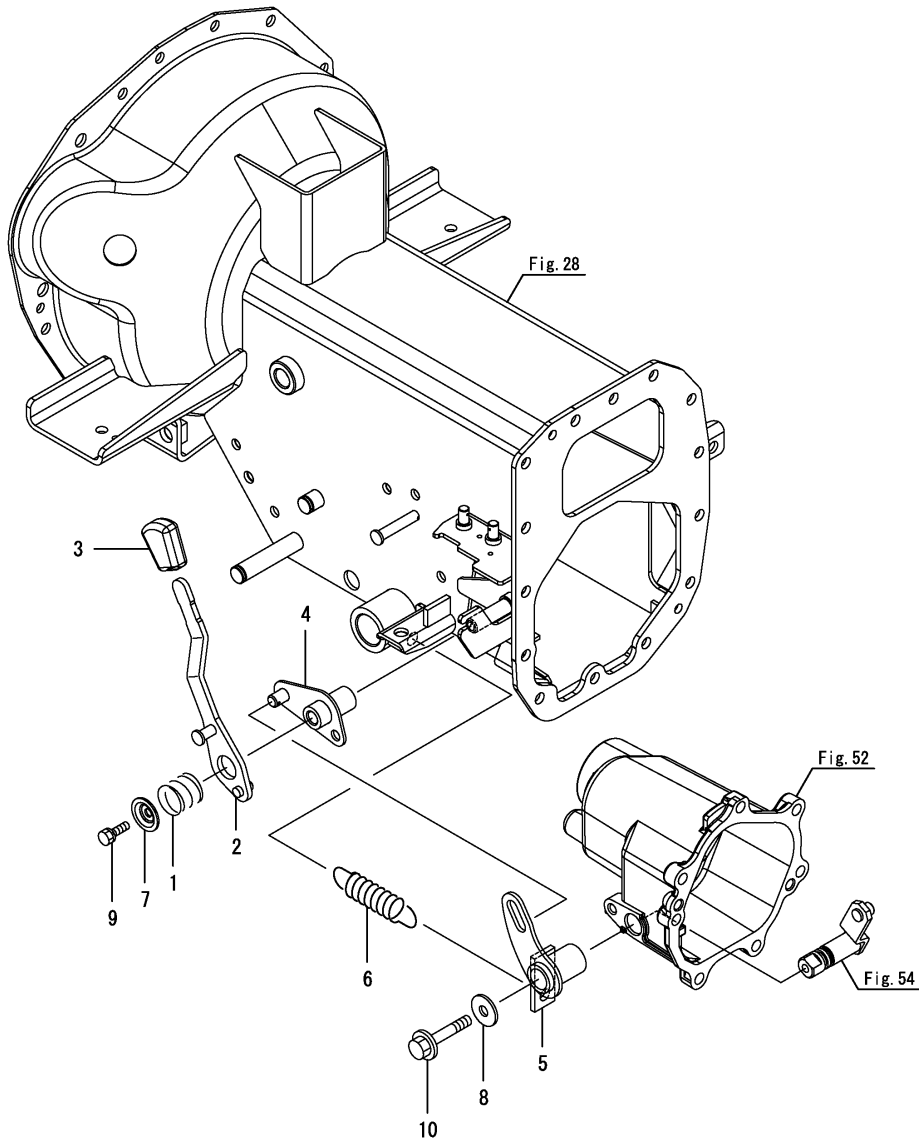


Fig.55. FRONT SHIFT LEVER



(A)=GK200R-B  
(B)=  
(C)=

(D)=  
(E)=  
(F)=

No.	Lev.	Parts No.	Description	Q'ty						I	R
				(A)	(B)	(C)	(D)	(E)	(F)		
1	1	195734-22830	SPRING, STOPPER	1							
2	1	1A7870-28500	LEVER ASSY, HI SPEED	1							
3	1	198273-28521	KNOB, BRAKE	1							
4	1	1A7740-28540	ARM ASSY, LEVER	1							
5	1	1A7876-28580	ARM ASSY, MFWD	1							
6	1	1A7720-28650	SPRING, RETURN B	1							
7	1	1A7720-28960	STOPPER, SPRING	1							
8	1	22157-080000	WASHER, 8	1							
9	1	26013-060162	BOLT, M6X 16	1							
10	1	26106-080452	BOLT, M8X 45 PLATED	1							

Fig.56. RING GEAR

(A)=GK200R-B  
(B)=  
(C)=

(D)=  
(E)=  
(F)=

No.	Lev.	Parts No.	Description	Q'ty						I	R
				(A)	(B)	(C)	(D)	(E)	(F)		
1	1	1A7720-31300	GEAR ASSY, RING	1							

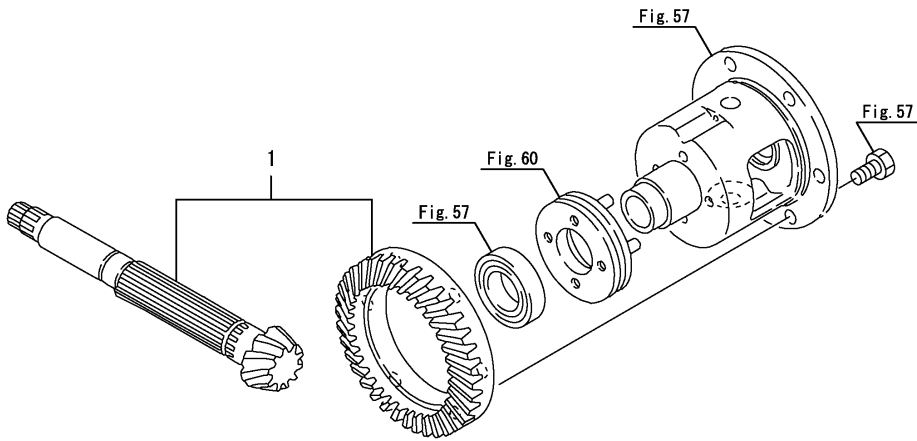
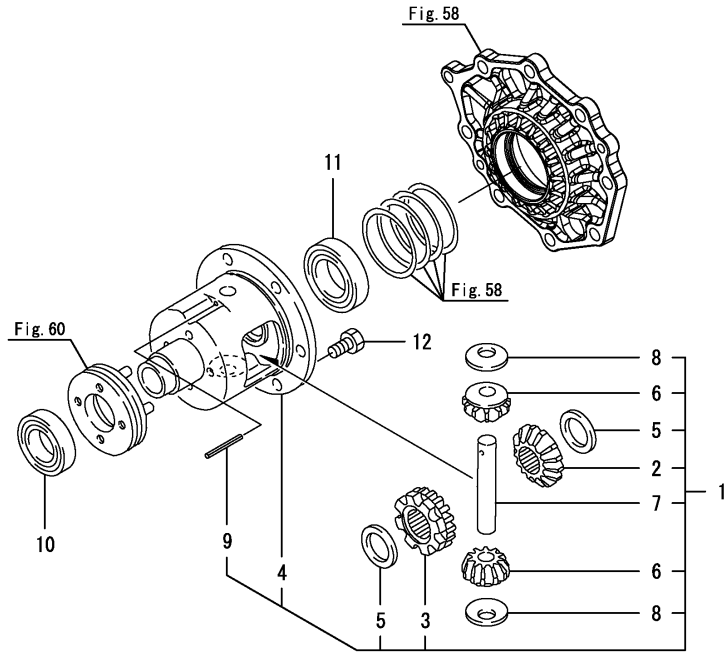


Fig.57. DIFFERENTIAL GEAR

(A)=GK200R-B  
(B)=  
(C)=

(D)=  
(E)=  
(F)=



No.	Lev.	Parts No.	Description	Q'ty						I	R
				(A)	(B)	(C)	(D)	(E)	(F)		
1	1	1A6780-31500	HOUSING ASSY, DIFF.	1							
2	2	198421-31510	GEAR, DIFF.SIDE	1							
3	2	1A6780-31520	GEAR, DIFF.SIDE	1							
4	2	198421-31530	CASE, DIFFERENTIAL	1							
5	2	198421-31550	LINER, SIDE GEAR	2							
6	2	194300-31560	GEAR, DIFF.PINION	2							
7	2	194300-31570	SHAFT, DIFF.PINION	1							
8	2	194300-31620	LINER, DIFF.PINION	2							
9	2	22351-040040	PIN, SPRING 4.0X40	1							
10	1	24101-060064	BEARING, BALL 6006	1							
11	1	24101-060074	BEARING, BALL 6007	1							
12	1	26156-100162	BOLT, M10X 16 PLATED	6							

Fig.58. DIFFERENTIAL CARRIER

(A)=GK200R-B  
(B)=  
(C)=

(D)=  
(E)=  
(F)=

No.	Lev.	Parts No.	Description	Q'ty						I	R
				(A)	(B)	(C)	(D)	(E)	(F)		
1	1	198165-32311	CARRIER,DIFFERENTIAL	1							
2	1	198421-32320	SHIM, T=0.1	2							
3	1	198421-32330	SHIM, T=0.3	1							
4	1	198421-32340	SHIM, T=0.5	1							

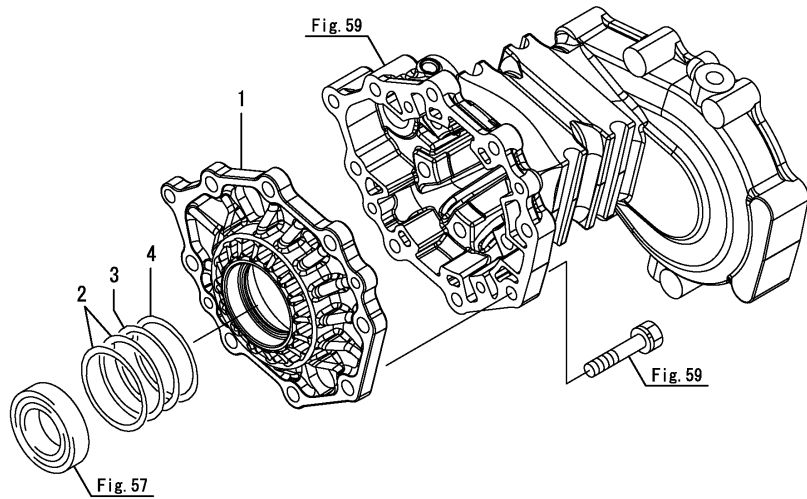
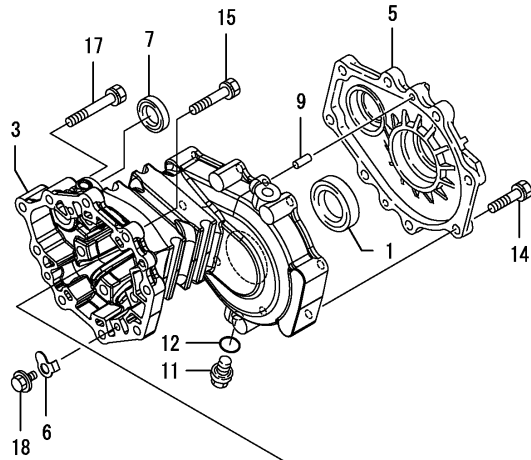


Fig.59. REAR HOUSING

(A)=GK200R-B  
(B)=  
(C)=

(D)=  
(E)=  
(F)=



No.	Lev.	Parts No.	Description	Qty						I	R
				(A)	(B)	(C)	(D)	(E)	(F)		
1	1	194447-13650	SEAL, TC6Y445711.5	2							
2	1	198165-32610-1	HOUSING, REAR AXLE L	1							
3	1	198165-32620-1	HOUSING, REAR AXLE R	1							
4	1	198421-32630	GASKET, HOUSING	1							
5	1	198425-32640-1	COVER, REAR AXLE	2							
6	1	198421-32660	STOPPER, PLATE	4							
7	1	198290-32750	SEAL, OIL TC253506	2							
8	1	22312-080180	PIN, PARALLEL M8X18	2							
9	1	22312-080200	PIN, PARALLEL M8X20	4							
10	1	22312-080320	PIN, PARALLEL M8X32	2							
11	1	23491-140002	PLUG, 14	2							
12	1	24311-000160	O-RING, 1AP16.0	2							
13	1	26013-100402	BOLT, M10X 40	6							
14	1	26013-100402	BOLT, M10X 40	16							
15	1	26013-100502	BOLT, M10X 50	6							
16	1	26013-100552	BOLT, M10X 55	2							
17	1	26013-100652	BOLT, M10X 65	2							
18	1	26106-080162	BOLT, M8X 16 PLATED	4							

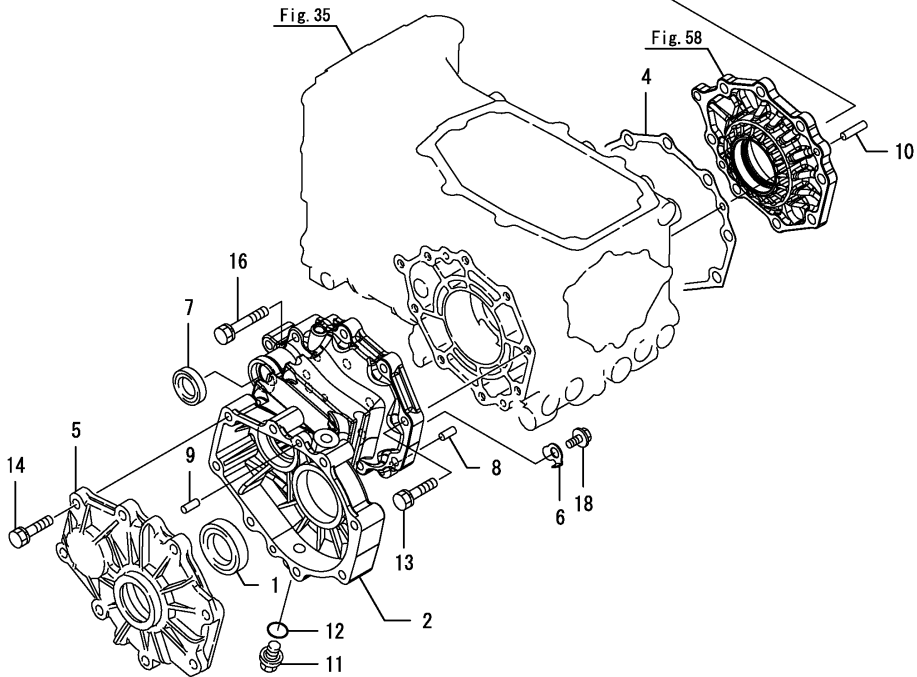
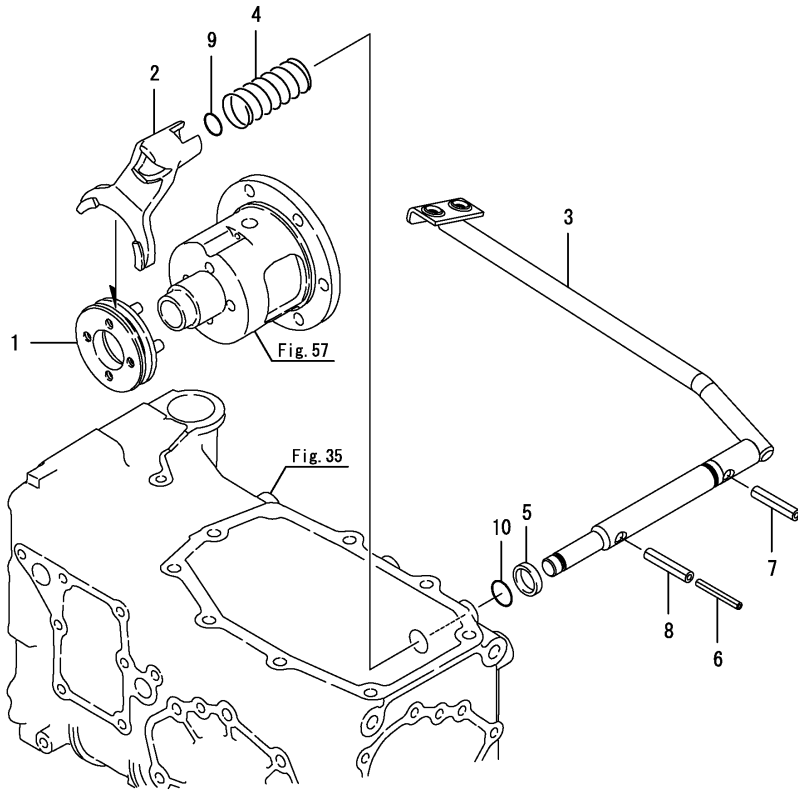


Fig.60. DIFFERENTIAL LOCK

(A)=GK200R-B  
(B)=  
(C)=

(D)=  
(E)=  
(F)=



No.	Lev.	Parts No.	Description	Q'ty						I	R
				(A)	(B)	(C)	(D)	(E)	(F)		
1	1	198421-33110	SLIDER, DIFF.LOCK	1							
2	1	198421-33120	FORK, SHIFT	1							
3	1	1A7870-33130	PEDAL ASSY,DIFF.LOCK	1							
4	1	198421-33140	SPRING, DIFF.LOCK	1							
5	1	198421-33170	SPACER, 20X25X3.2	1							
6	1	22351-050040	PIN, SPRING 5.0X40	1							
7	1	22351-080032	PIN, SPRING 8.0X32	1							
8	1	22351-080040	PIN, SPRING 8.0X40	1							
9	1	24311-000110	O-RING, 1AP11.0	1							
10	1	24311-000160	O-RING, 1AP16.0	1							



Fig.61. DIFFERENTIAL LOCK(ACCESSORIES)

(A)=GK200R-B  
(B)=  
(C)=

(D)=  
(E)=  
(F)=

No.	Lev.	Parts No.	Description	Q'ty						I	R
				(A)	(B)	(C)	(D)	(E)	(F)		
1	1	198421-33150	HOSE, VINYL 15X35	1							

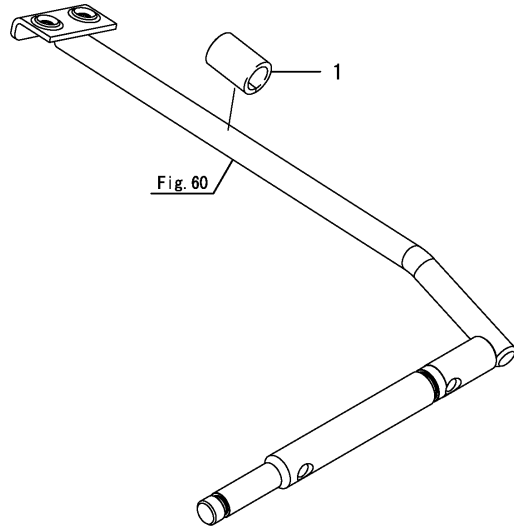




Fig.63. FINAL GEAR

(A)=GK200R-B  
(B)=  
(C)=

(D)=  
(E)=  
(F)=

No.	Lev.	Parts No.	Description	Qty						I	R
				(A)	(B)	(C)	(D)	(E)	(F)		
1	1	198164-33510	GEAR, FINAL Z=46	2							

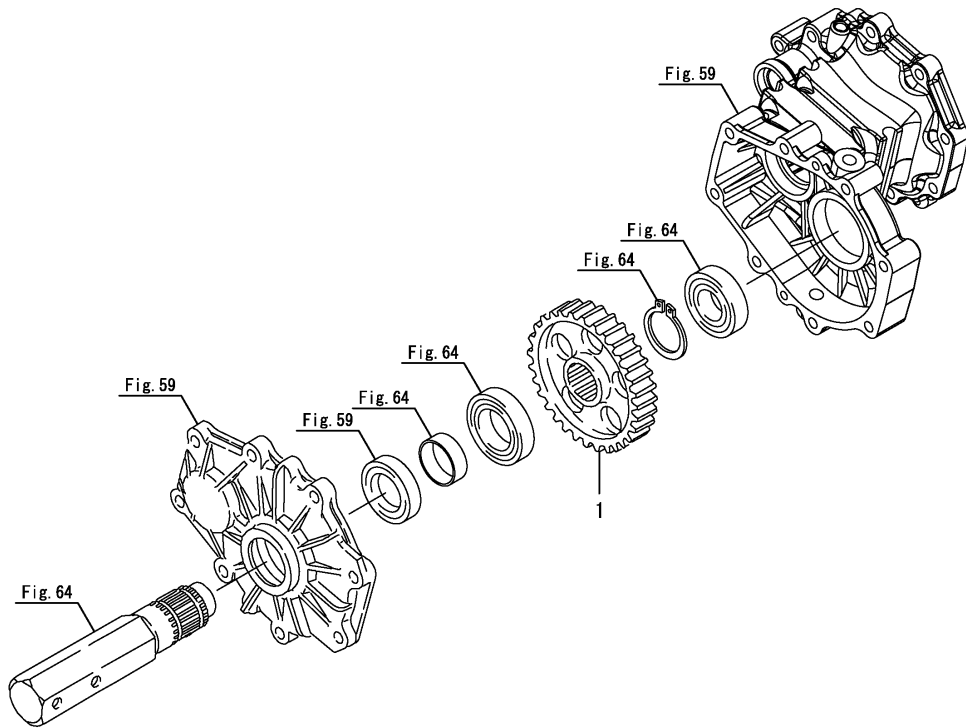


Fig.64. REAR AXLE SHAFT

(A)=GK200R-B  
(B)=  
(C)=

(D)=  
(E)=  
(F)=

No.	Lev.	Parts No.	Description	Qty						I	R
				(A)	(B)	(C)	(D)	(E)	(F)		
1	1	194447-13640	SLEEVE, 40X44X15	2							
2	1	198421-34110	SHAFT, REAR AXLE	2							
3	1	22242-000400	RING, 40	2							
4	1	24101-060080	BEARING, BALL 6008C3	2							
5	1	24101-062060	BEARING, BALL 6206C3	2							

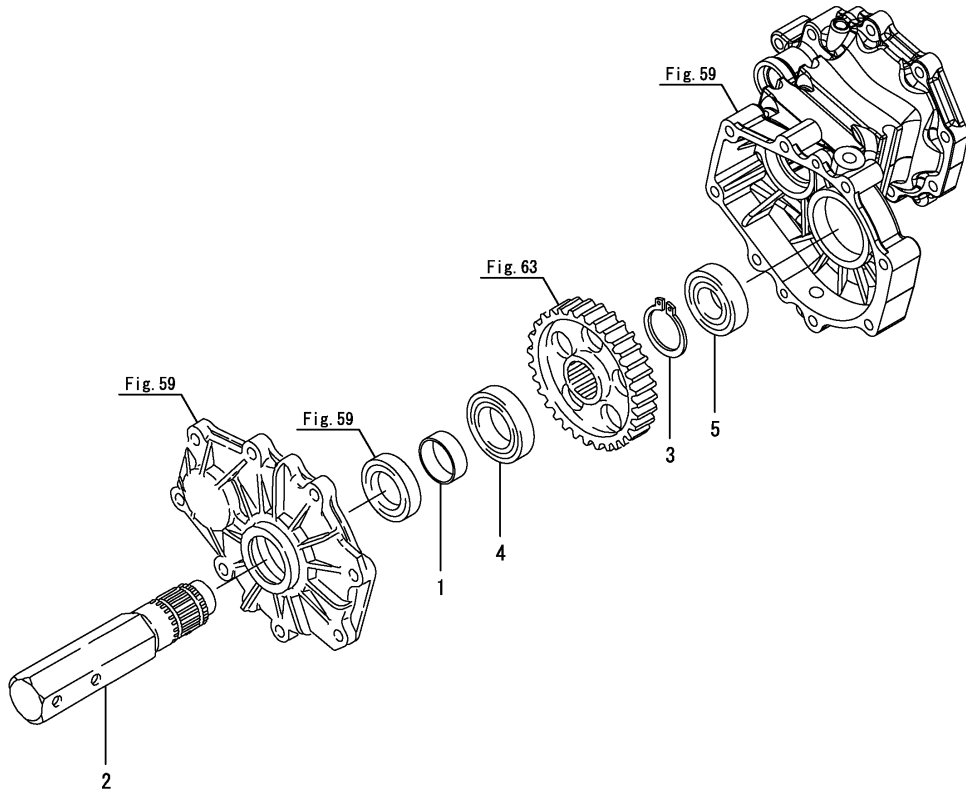




Fig.66. HUB BOLT

(A)=GK200R-B  
(B)=  
(C)=

(D)=  
(E)=  
(F)=

No.	Lev.	Parts No.	Description	Q'ty						I	R
				(A)	(B)	(C)	(D)	(E)	(F)		
1	1	198425-34730	HUB, REAR WHEEL	2							
2	1	194200-34750	PIN, 10X78	2							
3	1	1A1040-36010	BOLT, FLANGE	4							
4	1	1A1040-36040	SPRING, FLANGE BOLT	4							
5	1	22137-160000	WASHER, 16	4							
6	1	22217-120000	WASHER, SPRING 12	12							
7	1	22372-100000	PIN, SNAP 10	2							
8	1	26156-120252	BOLT, M12X 25 PLATED	12							

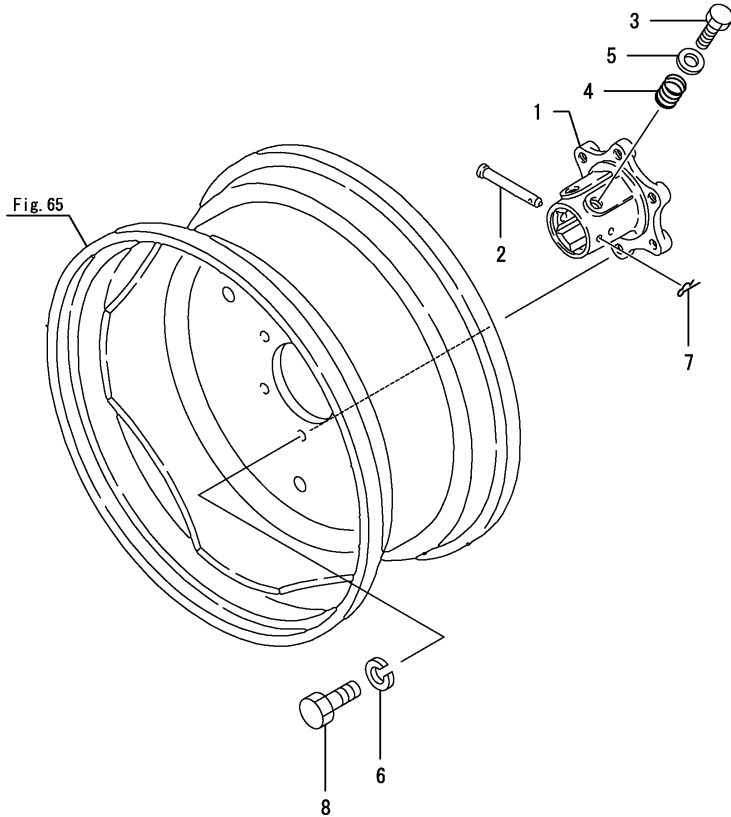
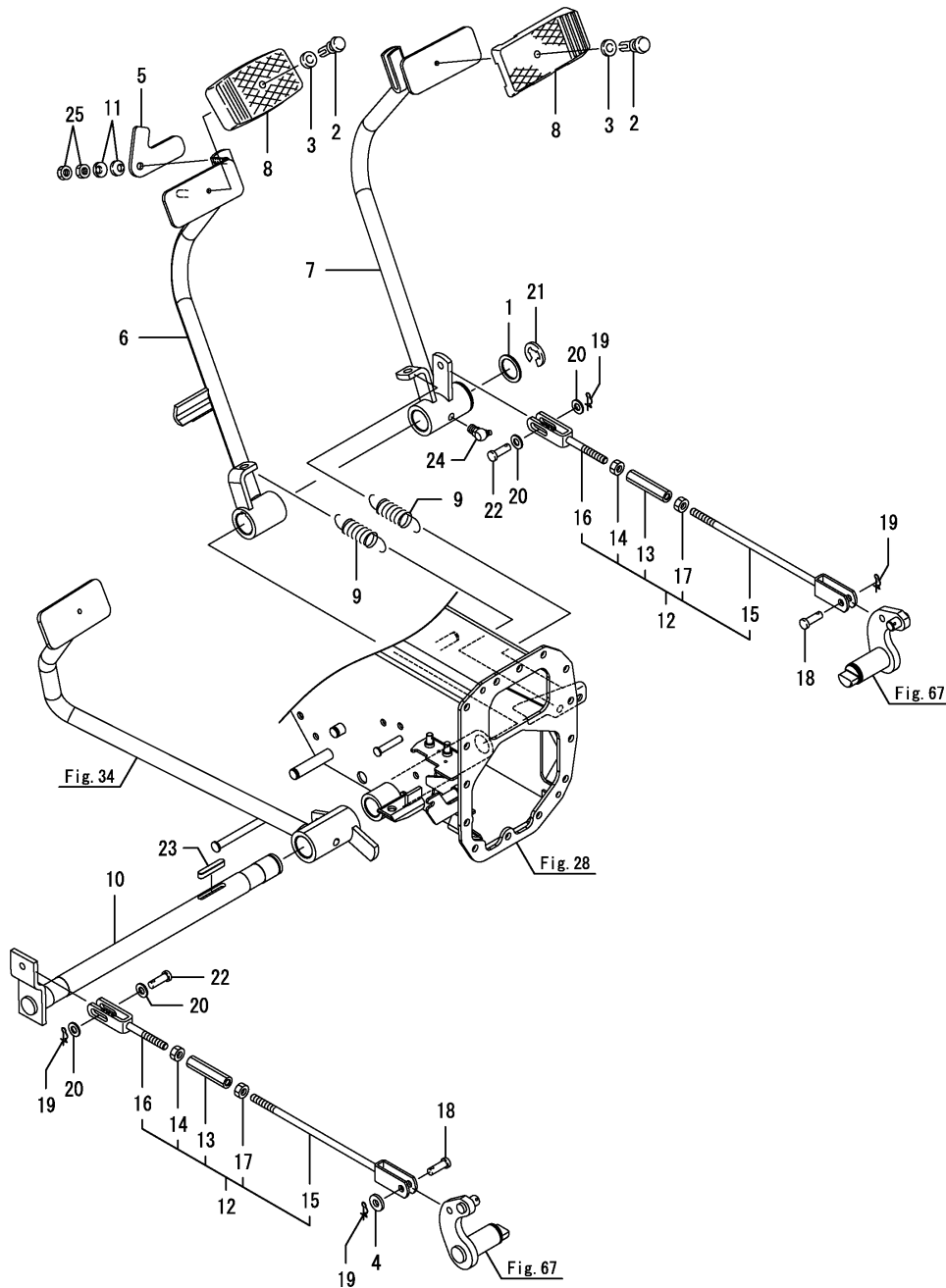




Fig.68. BRAKE PEDAL



(A)=GK200R-B  
(B)=  
(C)=

(D)=  
(E)=  
(F)=

No.	Lev.	Parts No.	Description	Q'ty						I	R
				(A)	(B)	(C)	(D)	(E)	(F)		
1	1	1C6140-14050	SPACER, 25.2X34X2	1							
2	1	198133-22510	RIVET, PEDAL HEAD	2							
3	1	198133-22530	WASHER, RIVET	2							
4	1	1C6053-32020	WASHER, 8.5X20X3.2	1							
5	1	198200-37240	CONNECTOR	1							
6	1	1A7870-37300	PEDAL ASSY, BRAKE L	1							
7	1	1A7874-37400	PEDAL ASSY, BRAKE R	1							
8	1	198071-37510	COVER, HEAD	2							
9	1	198421-37511	SPRING, RETURN	2							
10	1	198421-37550	SHAFT, BRAKE PEDAL	1							
11	1	194300-37570	SPRING	2							
12	1	1A7874-37770	ROD, BRAKE ASSY	2							
13	2	194740-00322	ADJUSTER	2							
14	2	194990-20170	NUT, M8	2							
15	2	1A7874-37780	SCREW, R BRAKE ROD	2							
16	2	1A7874-37800	SCREW, L BRAKE ROD	2							
17	2	26716-080002	NUT, M8	2							
18	1	194080-37781	PIN, 8X25	2							
19	1	1C6281-52320	PIN, SNAP 8	4							
20	1	22137-080000	WASHER, 8	4							
21	1	22272-000190	RING, E-19	1							
22	1	22487-080240	PIN, H 8X 24	2							
23	1	22512-070400	KEY, 7X 40	1							
24	1	24761-040000	NIPPLE, GREASE B	1							
25	1	26716-080002	NUT, M8	2							



Fig.69. PARKING BRAKE(1)

(A)=GK200R-B  
(B)=  
(C)=

(D)=  
(E)=  
(F)=

No.	Lev.	Parts No.	Description	Q'ty						I	R
				(A)	(B)	(C)	(D)	(E)	(F)		
1	1	26106-080162	BOLT, M8X 16 PLATED	2							
2	1	26106-080162	BOLT, M8X 16 PLATED	2							

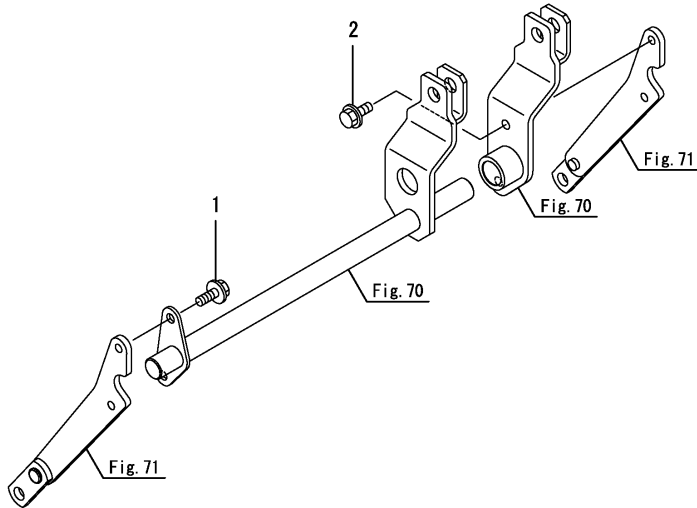
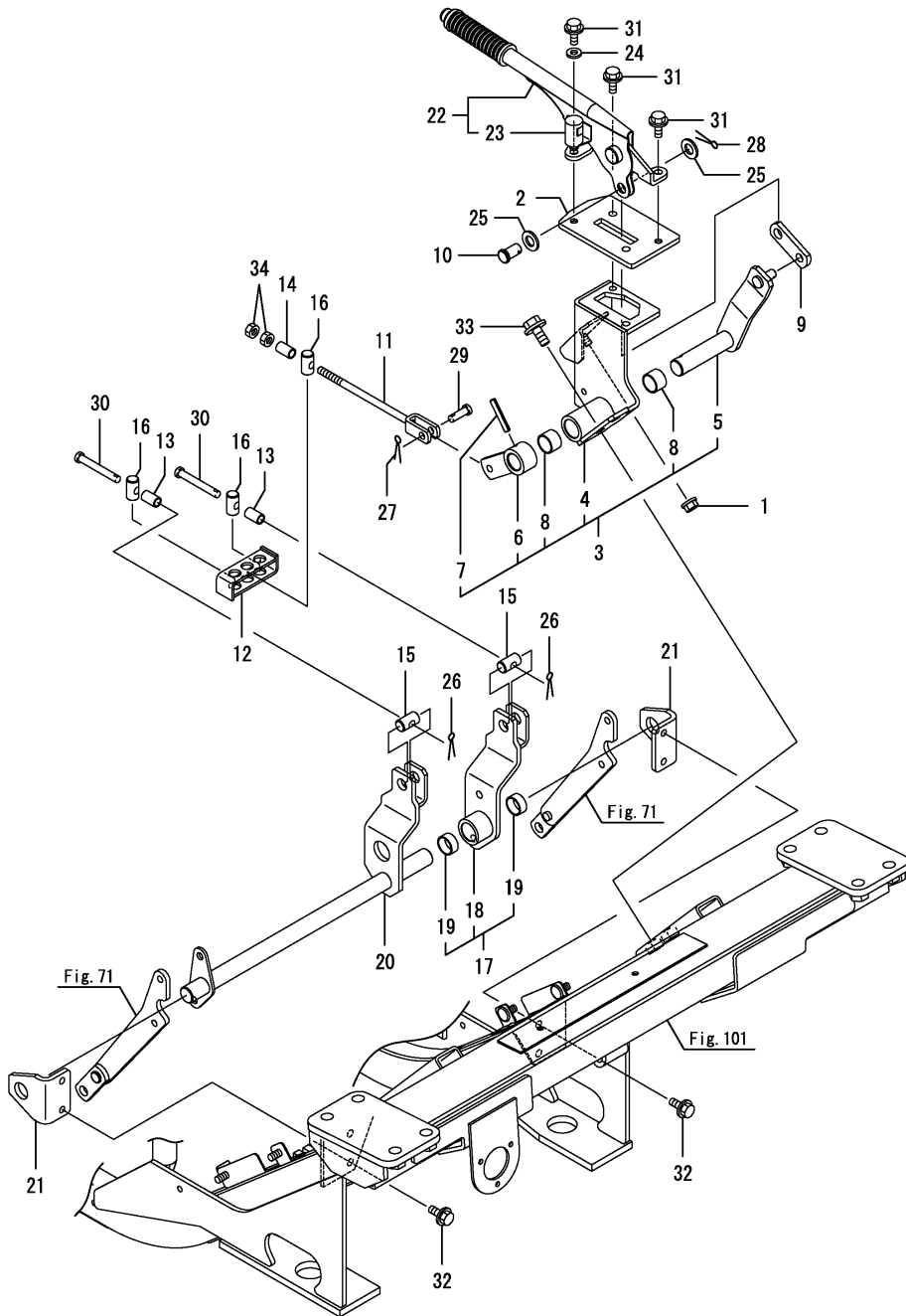


Fig.70. PARKING BRAKE(2)



(A)=GK200R-B

(B)=

(C)=

(D)=

(E)=

(F)=

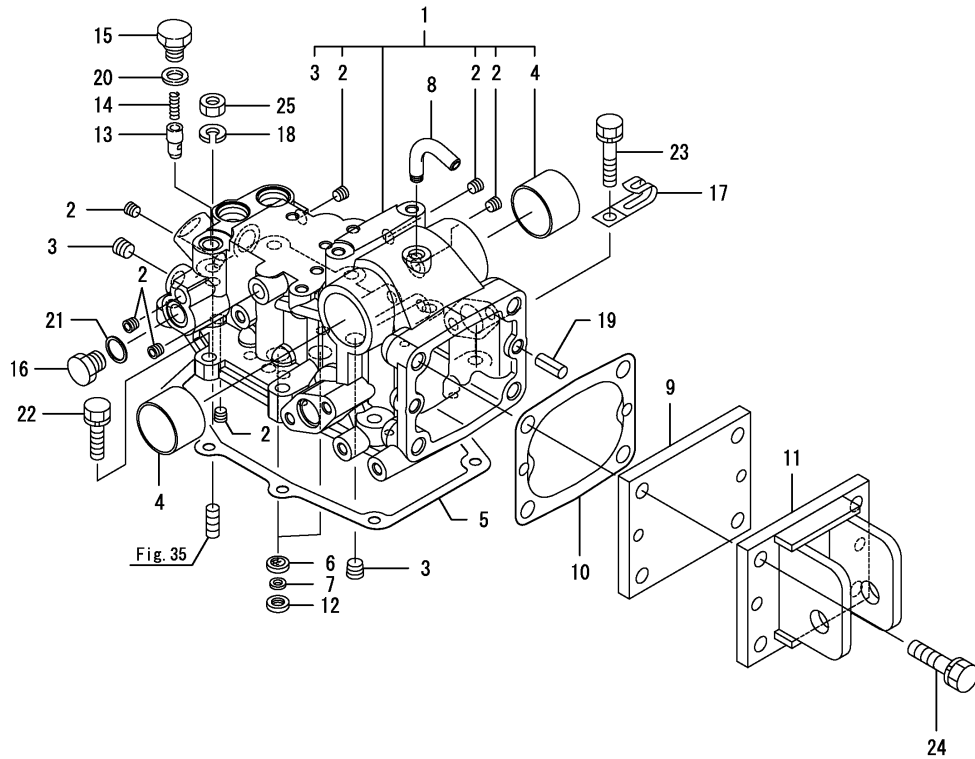
No.	Lev.	Parts No.	Description	Q'ty						I	R
				(A)	(B)	(C)	(D)	(E)	(F)		
1	1	194990-22140	NUT, M8	1							
2	1	1A7874-36090	PLATE, LEVER	1							
3	1	1A7874-36100	HOLDER, BRAKE ASSY	1							
4	2	1A7874-36110	HOLDER, BRAKE LEVER	1							
5	2	1A7874-36210	LEVER, P ASSY	1							
6	2	1A7874-36250	ARM, P ASSY	1							
7	2	22351-060040	PIN, SPRING 6.0X40	1							
8	2	24550-020150	BUSH, 20X15	2							
9	1	198165-36180	PLATE, LINK	1							
10	1	198165-36190	PIN, 12X16	1							
11	1	1A7874-36510	ROD, CONNECT	1							
12	1	1A7874-36550	EQUALIZER,	1							
13	1	1A7874-36580	COLLAR, 9X12X20	2							
14	1	1A7874-36580	COLLAR, 9X12X20	1							
15	1	1A7874-36590	PIN,	2							
16	1	1A7874-36590	PIN,	3							
17	1	1A7874-36610	ARM ASSY, LINK	1							
18	2	1A7874-36620	ARM, LINK	1							
19	2	24550-020100	BUSH, 20X10	2							
20	1	1A7874-36710	SHAFT ASSY, LINK	1							
21	1	1A7874-36770	BRACKET, SHAFT	2							
22	1	172512-42500	LEVER, PARKING	1							
23	2	172512-42650	SWITCH SET	1							
24	1	22137-080000	WASHER, 8	1							
25	1	22137-120000	WASHER, 12	2							
26	1	22417-200200	PIN, COTTER 2.0X20	2							
27	1	22417-200200	PIN, COTTER 2.0X20	1							
28	1	22417-250250	PIN, COTTER 2.5X25	1							
29	1	22487-080240	PIN, H 8X 24	1							
30	1	22487-080600	PIN 8X 60	2							
31	1	26106-080122	BOLT, M8X 12 PLATED	4							
32	1	26106-080162	BOLT, M8X 16 PLATED	4							
33	1	26106-100202	BOLT, M10X 20 PLATED	2							
34	1	26716-080002	NUT, M8	2							



Fig.72. HYDRAULIC CYLINDER CASE

(A)=GK200R-B  
(B)=  
(C)=

(D)=  
(E)=  
(F)=



No.	Lev.	Parts No.	Description	Q'ty						I	R
				(A)	(B)	(C)	(D)	(E)	(F)		
1	1	198421-42102	CASE ASSY, HYD.	1							
2	2	23871-010000	PLUG, R01	7							
3	2	23871-020000	PLUG, R02	2							
4	2	24550-040300	BUSH, 40X30	2							
5	1	198165-42120	GASKET, HOUSING	1							
6	1	194850-42180	STRAINER	2							
7	1	194850-42190	SPACER	2							
8	1	194205-42280-1	PIPE, AIR BREATHER	1							
9	1	198163-42810	PLATE ASSY, KEEP	1							
10	1	194151-42832	GASKET, HINGE	1							
11	1	1A7874-42850	HINGE ASSY, TOP LINK	1							
12	1	194630-43230	PACKING	2							
13	1	194310-46350	POPPET, CHECK	1							
14	1	194310-46380	SPRING	1							
15	1	194310-46730-1	PLUG, M14	1							
16	1	194312-46750-1	PLUG, PF3/8	1							
17	1	194180-51640	CLAMP, HARNESS	1							
18	1	22217-100000	WASHER, SPRING 10	1							
19	1	22351-100025	PIN, SPRING 10.0X25	2							
20	1	23414-140018	GASKET, 14X1.0	1							
21	1	23414-170022	GASKET, 17X1.0	1							
22	1	26016-100352	BOLT, M10X 35	4							
23	1	26016-100452	BOLT, M10X 45	4							
24	1	26106-120452	BOLT, M12X 45 PLATED	4							
25	1	26716-100002	NUT, M10	1							

Fig.73. SIDE COVER(HYDRAULIC)

(A)=GK200R-B  
(B)=  
(C)=

(D)=  
(E)=  
(F)=

No.	Lev.	Parts No.	Description	Q'ty						I	R
				(A)	(B)	(C)	(D)	(E)	(F)		
1	1	198425-42220	COVER, CASE UPPER	1							
2	1	23871-010000	PLUG, R01	1							
3	1	24315-000110	O-RING, 1BP11.0	3							
4	1	26106-080202	BOLT, M8X 20 PLATED	3							

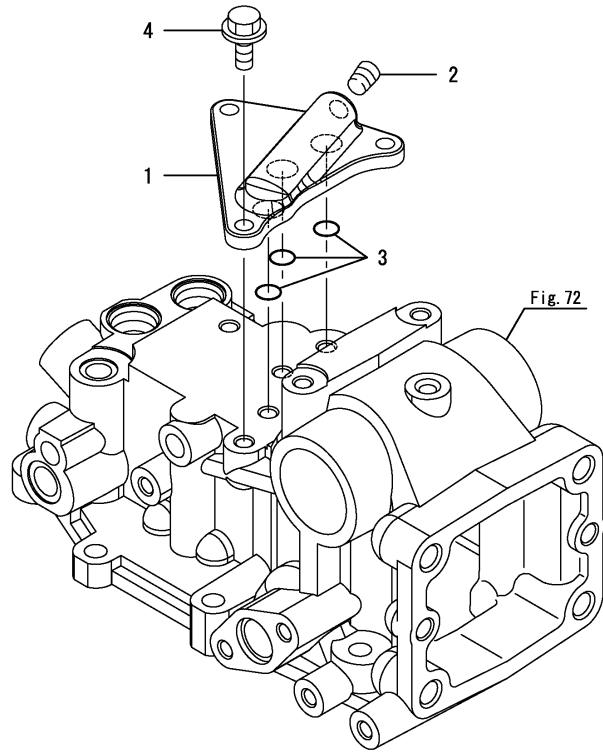


Fig.74. PISTON

(A)=GK200R-B  
(B)=  
(C)=

(D)=  
(E)=  
(F)=

No.	Lev.	Parts No.	Description	Q'ty						I	R
				(A)	(B)	(C)	(D)	(E)	(F)		
1	1	198163-43310	PISTON, HYDRAULIC	1							
2	1	24315-000460	O-RING, 1BP46.0	1							
3	1	24372-000460	RING, BACK UP T2P46	1							

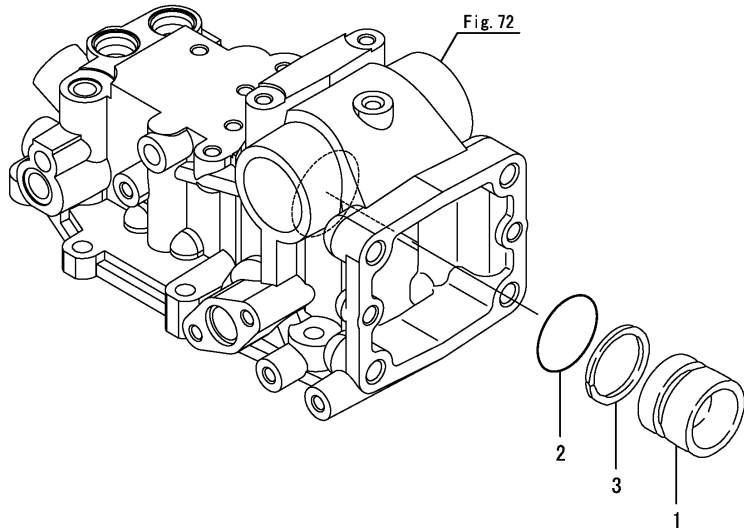


Fig.75. LIFT CRANK

(A)=GK200R-B  
(B)=  
(C)=

(D)=  
(E)=  
(F)=

No.	Lev.	Parts No.	Description	Q'ty						I	R
				(A)	(B)	(C)	(D)	(E)	(F)		
1	1	198421-43410	ROD, PISTON	1							
2	1	198421-44110	CRANK, LIFT	1							
3	1	198421-44211	SHAFT, LIFT	1							
4	1	198421-44230	LINER, 30X55X3	2							
5	1	198421-44250	SLEEVE, LIFT SHAFT	2							
6	1	198421-44410	ARM, LIFT	2							
7	1	194197-44610-1	WASHER, 10X50X6	1							
8	1	22351-050040	PIN, SPRING 5.0X40	1							
9	1	24311-000224	O-RING, 1AP22.4	1							
10	1	24341-000315	O-RING, 1AS31.5	2							
11	1	24351-240400	O-RING, 1A24040	4							
12	1	26106-100252	BOLT, M10X 25 PLATED	2							

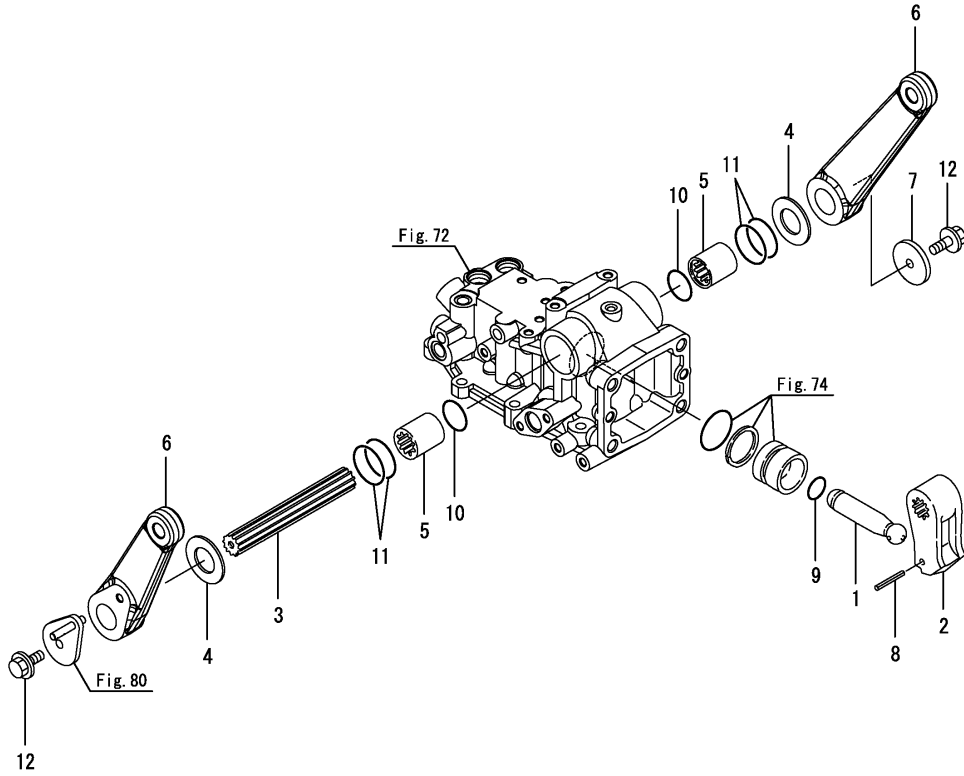


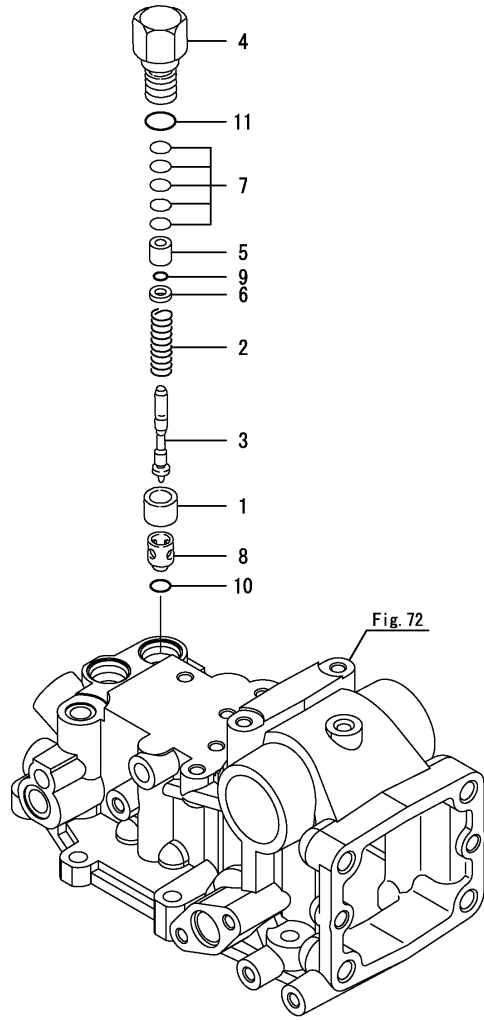




Fig.77. RELIEF VALVE

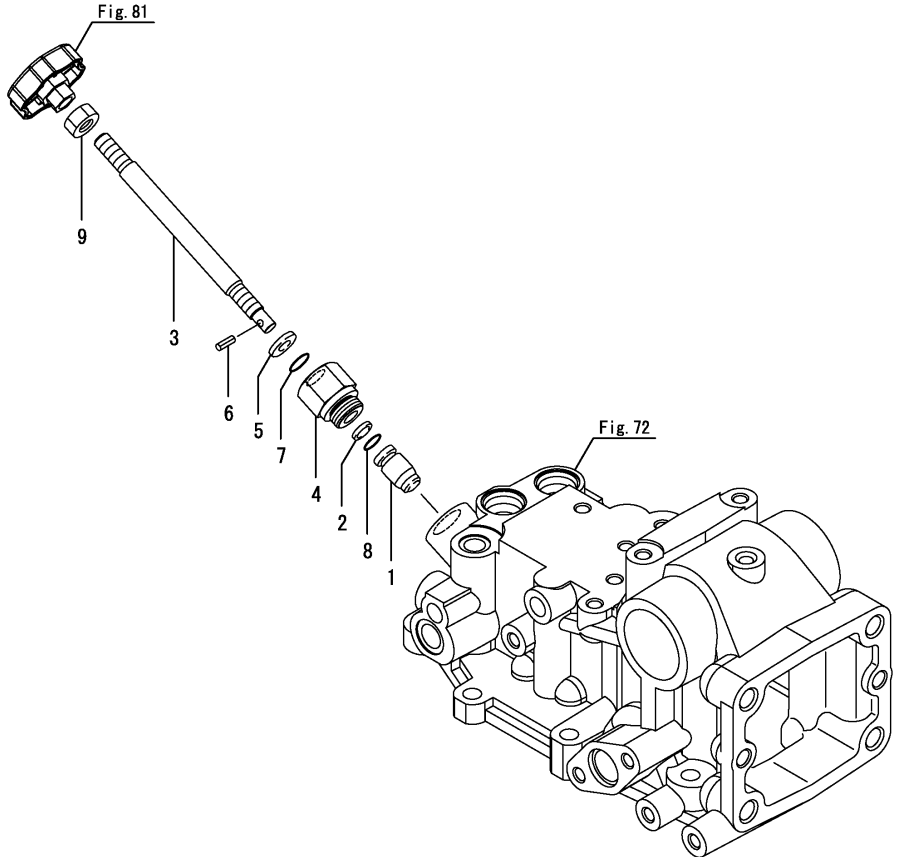
(A)=GK200R-B  
(B)=  
(C)=

(D)=  
(E)=  
(F)=



No.	Lev.	Parts No.	Description	Q'ty						I	R
				(A)	(B)	(C)	(D)	(E)	(F)		
1	1	198220-45340	COLLAR, VALVE	1							
2	1	198163-45610	SPRING, RELIEF VALVE	1							
3	1	194195-45620	POPPET	1							
4	1	198220-45630-1	PLUG, RELIEF VALVE	1							
5	1	194195-45640	RETAINER, SPRING	1							
6	1	194195-45650	WASHER, 6.6X13X3,2	1							
7	1	194850-45700	SHIM SET, RELIEF	1							
8	1	194195-46260	SEAT, RELIEF VALVE	1							
9	1	194850-49230	O-RING, 6X1.8 70	1							
10	1	24311-000120	O-RING, 1AP12.0	1							
11	1	24311-000180	O-RING, 1AP18.0	1							

Fig.78. STOP VALVE



(A)=GK200R-B  
(B)=  
(C)=

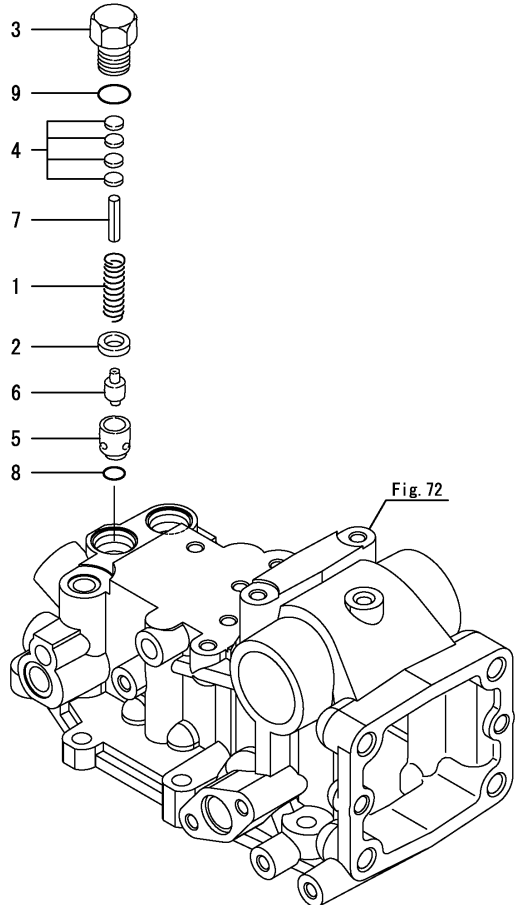
(D)=  
(E)=  
(F)=

No.	Lev.	Parts No.	Description	Q'ty						I	R
				(A)	(B)	(C)	(D)	(E)	(F)		
1	1	198421-46302	VALVE, STOP	1							
2	1	194180-46320	RING, BACK UP	1							
3	1	194640-46620	BOLT, STOP	1							
4	1	194312-46630-1	HOLDER, VALVE	1							
5	1	22117-080000	WASHER, 8	1							
6	1	22351-040012	PIN, SPRING 4.0X12	1							
7	1	24311-000120	O-RING, 1AP12.0	1							
8	1	24315-000100	O-RING, 1BP10.0	1							
9	1	26716-100002	NUT, M10	1							

Fig.79. SAFETY VALVE

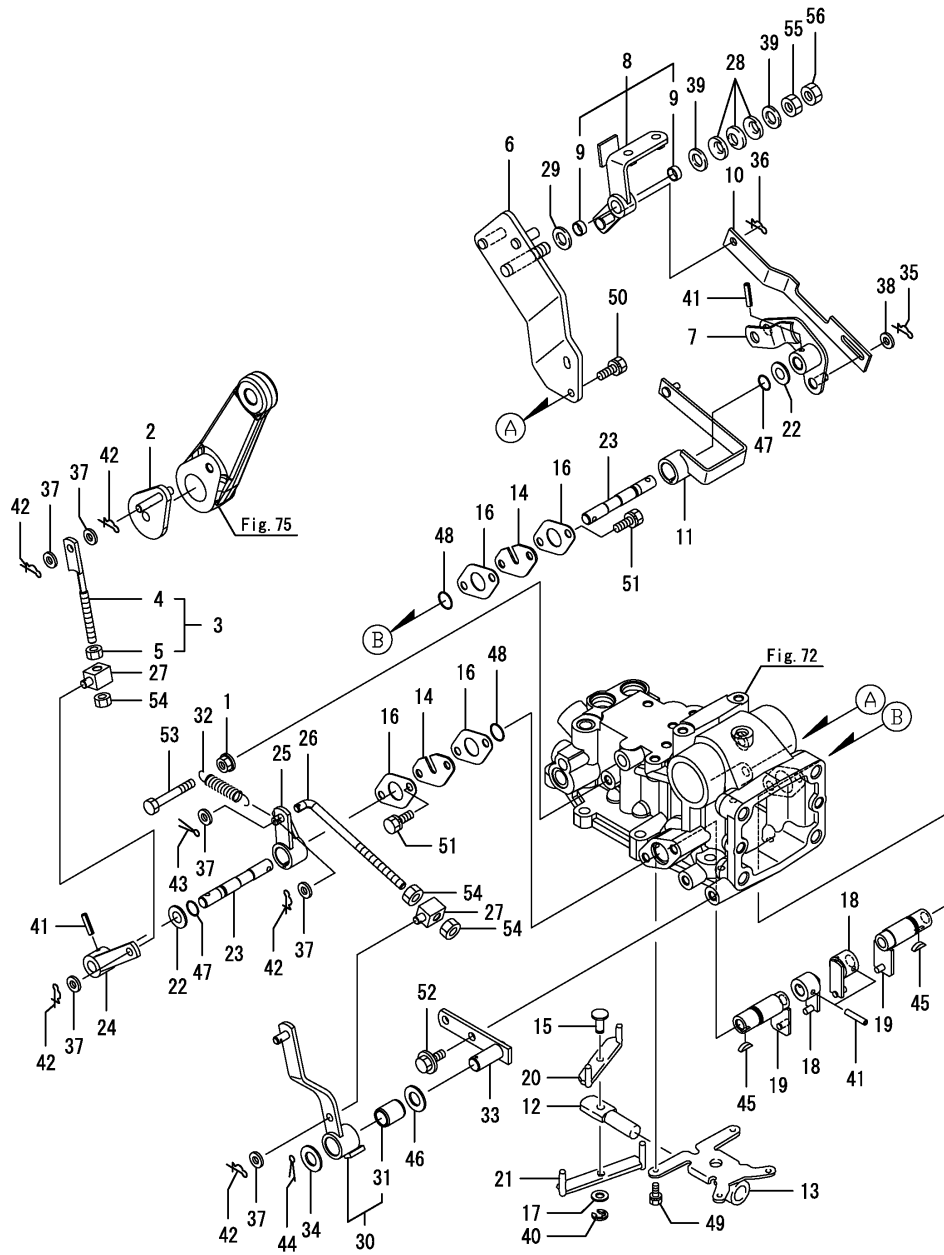
(A)=GK200R-B  
(B)=  
(C)=

(D)=  
(E)=  
(F)=



No.	Lev.	Parts No.	Description	Q'ty						I	R
				(A)	(B)	(C)	(D)	(E)	(F)		
1	1	194150-45320	SPRING, RELIEF VALVE	1							
2	1	198220-45350	COLLAR, VALVE	1							
3	1	198220-45370	PLUG, SAFETY VALVE	1							
4	1	198220-46400	SHIM SET, SAFETY	1							
5	1	194640-46410	SEAT, SAFETY VALVE	1							
6	1	194640-46420	POPPET	1							
7	1	22351-060028	PIN, SPRING 6.0X28	1							
8	1	24311-000120	O-RING, 1AP12.0	1							
9	1	24311-000180	O-RING, 1AP18.0	1							

Fig.80. HYDRAULIC CONTROL(1)



(A)=GK200R-B

(B)=

(C)=

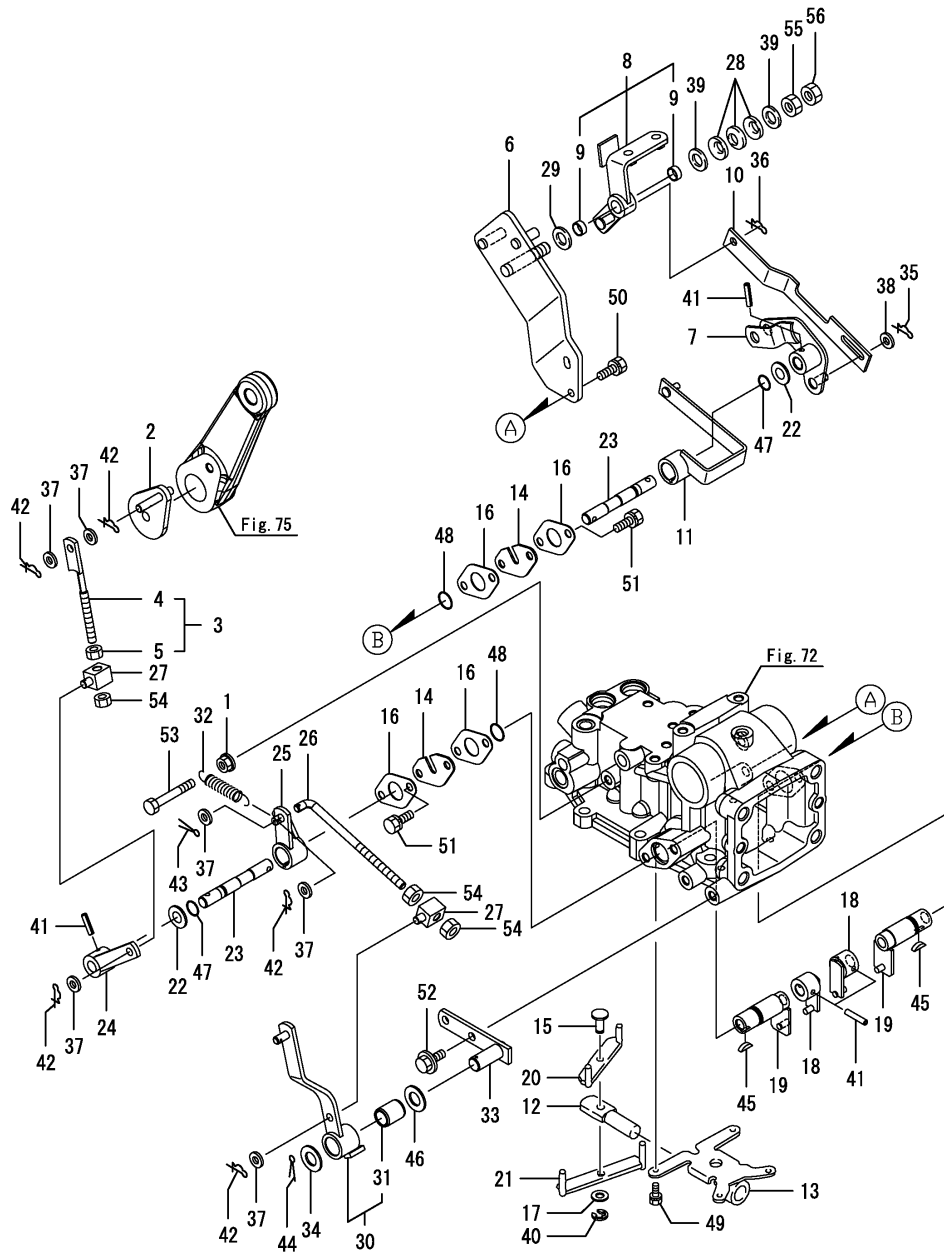
(D)=

(E)=

(F)=

No.	Lev.	Parts No.	Description	Qty						I	R
				(A)	(B)	(C)	(D)	(E)	(F)		
1	1	194990-22050	NUT, M8	1							
2	1	198431-44510	ARM, FEED BACK	1							
3	1	198163-47080	ROD, FEED BACK	1							
4	2	194208-47510	ROD, FEED BACK	1							
5	2	26716-080002	NUT, M8	1							
6	1	1A7874-47130	PLATE, BASE ASSY	1							
7	1	1A7870-47170	ARM ASSY, CONTROL D	1							
8	1	1A7870-47221	LEVER ASSY, CONTROL	1							
9	2	24550-012060	BUSH, 12X 6	2							
10	1	1A7870-47280	LINK, CONTROL	1							
11	1	1A7870-47290	ARM ASSY, CONTROL A	1							
12	1	198431-47320	ROD, CONTROL	1							
13	1	198431-47330	PLATE, CONTROL	1							
14	1	194555-47340-1	PLATE, A	2							
15	1	198431-47340	PIN, CONTROL	1							
16	1	194555-47350-1	PLATE, B	4							
17	1	198431-47350	WASHER, 8.4X17X1.6	1							
18	1	198431-47390	ARM SET, POSITION	2							
19	1	198431-47401	ARM, DRAFT SET	2							
20	1	198431-47420	BAR, CONTROL	1							
21	1	198431-47430	BAR, DRAFT CONTROL	1							
22	1	194180-47440	GASKET, 12	2							
23	1	194208-47450	SHAFT, FEED BACK	2							
24	1	198431-47470	ARM, FEED BACK	1							
25	1	198431-47480	ARM, FEED BACK	1							
26	1	198431-47520	ROD, FEED BACK	1							
27	1	194208-47530	ADJUSTER	2							
28	1	194151-47760	WASHER, 12	3							
29	1	194310-47790	PLATE, FRICTION	1							
30	1	198163-47800	ARM ASSY, FEED BACK	1							
31	2	194310-21210	BUSH, 15X20X25	1							
32	1	194215-47840	SPRING, RETURN	1							
33	1	198431-47870	PLATE, FEED BACK	1							
34	1	194550-47910	SPACER, 15X28X2	1							
35	1	1C6281-52320	PIN, SNAP 8	1							
36	1	1C6281-52320	PIN, SNAP 8	1							
37	1	22137-080000	WASHER, 8	6							
38	1	22137-080000	WASHER, 8	1							
39	1	22137-120000	WASHER, 12	2							
40	1	22272-000060	RING, E- 6	1							
41	1	22351-050025	PIN, SPRING 5.0X25	4							
42	1	22372-080000	PIN, SNAP 8	5							
43	1	22417-200160	PIN, COTTER 2.0X16	1							
44	1	22417-250320	PIN, COTTER 2.5X32	1							
45	1	22522-030130	KEY, WOODRUFF 3X13	2							
46	1	23414-150000	GASKET, 15X1.0	1							
47	1	24311-000090	O-RING, 1AP9.0	2							
48	1	24311-000200	O-RING, 1AP20.0	2							
49	1	26016-060162	BOLT, M6X 16	4							
50	1	26016-080202	BOLT, M8X 20	2							
51	1	26016-080202	BOLT, M8X 20	4							

Fig.80. HYDRAULIC CONTROL(1)



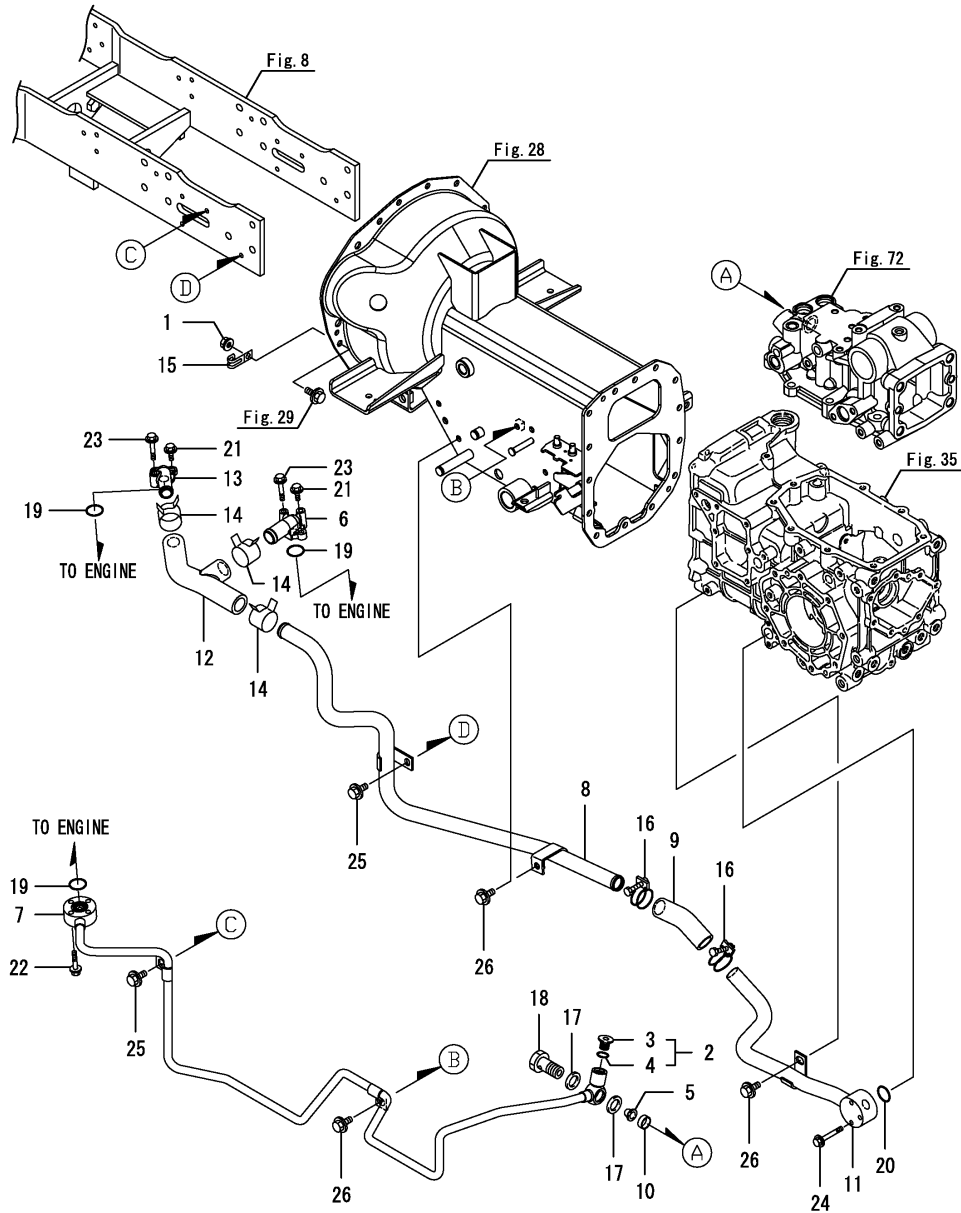
(A)=GK200R-B  
(B)=  
(C)=

(D)=  
(E)=  
(F)=

No.	Lev.	Parts No.	Description	Q'ty						I	R
				(A)	(B)	(C)	(D)	(E)	(F)		
52	1	26106-080202	BOLT, M8X 20 PLATED	2							
53	1	26116-080552	BOLT, M8X 55 PLATED	1							
54	1	26716-080002	NUT, M8	3							
55	1	26736-120002	NUT, M12	1							
56	1	26776-120002	NUT, LOCK M12	1							



Fig.82. HYDRAULIC PIPING

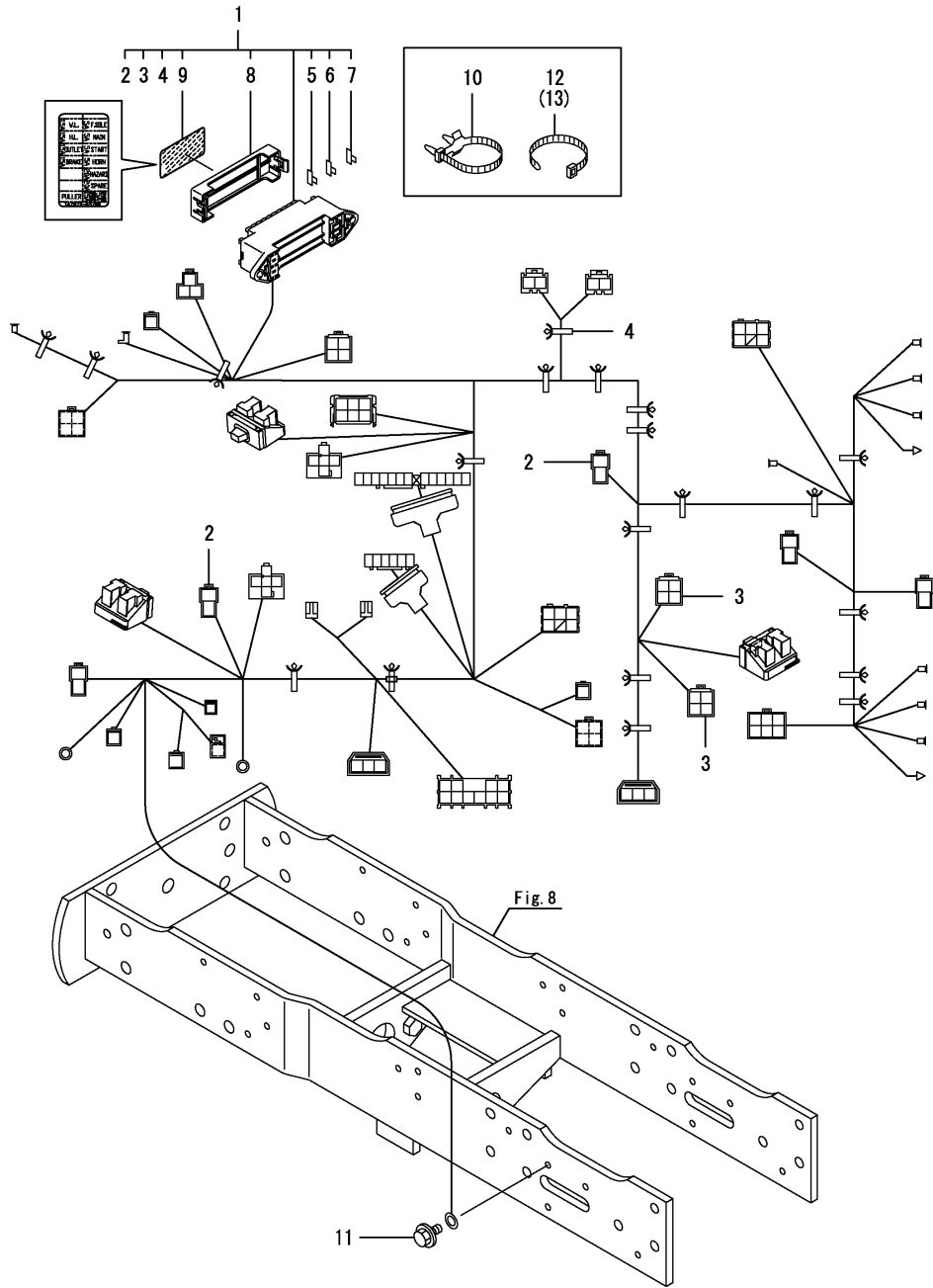


(A)=GK200R-B  
(B)=  
(C)=

(D)=  
(E)=  
(F)=

No.	Lev.	Parts No.	Description	Q'ty						I	R
				(A)	(B)	(C)	(D)	(E)	(F)		
1	1	194990-22140	NUT, M8	2							
2	1	1A6401-29150	PLUG, G 1/4	1							
3	2	158805-85900	PLUG, G1/4	1							
4	2	24315-000110	O-RING, 1BP11.0	1							
5	1	198165-48122	STRAINER	1							
6	1	198220-48140	FLANGE, PIPE P	1							
7	1	1A7876-48150	PIPE ASSY, PRESSURE	1							
8	1	1A7870-48220	PIPE, LOW PRESSURE F	1							
9	1	198421-48240	HOSE, LOW PRESSURE	1							
10	1	1A7876-48250	COLLAR, 16X6.5	1							
11	1	198163-48280	PIPE ASSY,PRESSURE R	1							
12	1	1A7870-48340	PIPE, LOW PRESSURE	1							
13	1	1A7870-48500	FLANGE	1							
14	1	124295-49700	CLIP, HOSE 28.0	3							
15	1	198448-51460	CLAMP, HARNESS B	2							
16	1	23010-030000	CLAMP, 30	2							
17	1	23414-180023	GASKET, 18X1.0	2							
18	1	23857-120000	BOLT, JOINT 12	1							
19	1	24311-000200	O-RING, 1AP20.0	3							
20	1	24311-000220	O-RING, 1AP22.0	1							
21	1	26106-060162	BOLT, M6X 16 PLATED	3							
22	1	26106-060302	BOLT, M6X 30 PLATED	4							
23	1	26106-060352	BOLT, M6X 35 PLATED	3							
24	1	26106-060402	BOLT, M6X 40 PLATED	3							
25	1	26106-080122	BOLT, M8X 12 PLATED	2							
26	1	26106-080162	BOLT, M8X 16 PLATED	3							

Fig.83. WIRE HARNESS(1)



(A)=GK200R-B  
(B)=  
(C)=

(D)=  
(E)=  
(F)=

No.	Lev.	Parts No.	Description	Q'ty						I	R
				(A)	(B)	(C)	(D)	(E)	(F)		
1	1	1A7874-51110	HARNES.WIRE F(E ASY	1							
2	2	1A7500-51130	DIODE, 3.0A	2							
3	2	1A8160-51130	DIODE, 3.0AX2	2							
4	2	1A7500-51160	CLIP, HARNES	21							
5	2	198535-52110	FUSE, 5A	5							
6	2	198535-52130	FUSE, 15A	5							
7	2	198535-52140	FUSE, 20A	2							
8	2	1A7531-52420	COVER, FUSE BOX	1							
9	2	1A7874-65780	LABEL, FUSE	1							
10	1	194680-51670	BAND, CLIP	1							
11	1	26106-080122	BOLT, M8X 12 PLATED	1							
12	1	29622-140001	BAND, RF140	1							
13	1	29622-250001	BAND, RF250	1							



Fig.84. WIRE HARNESS(2)

(A)=GK200R-B  
(B)=  
(C)=

(D)=  
(E)=  
(F)=

No.	Lev.	Parts No.	Description	Q'ty						I	R
				(A)	(B)	(C)	(D)	(E)	(F)		
1	1	1A7878-51150	HARNESS, BUZZER	1							

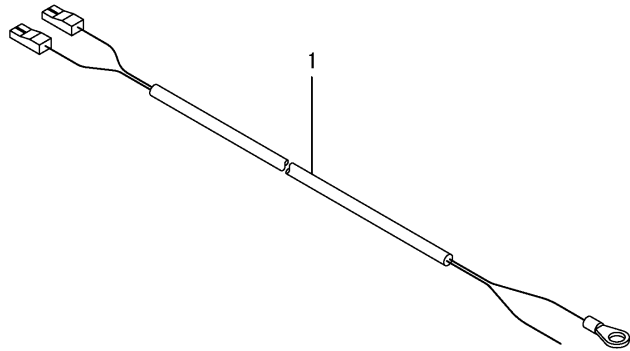


Fig.85. WIRE HARNESS(3)

(A)=GK200R-B

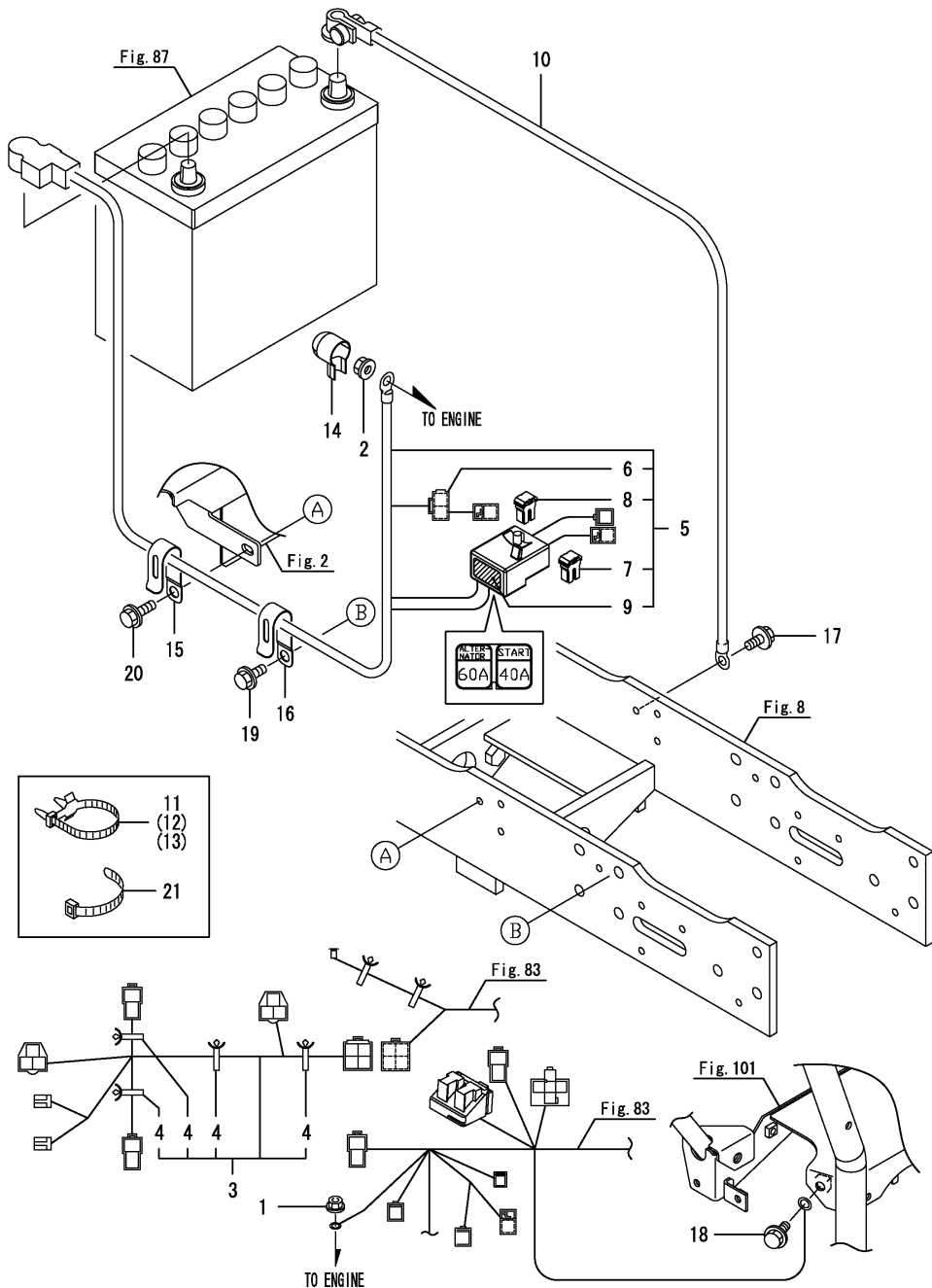
(B)=

(C)=

(D)=

(E)=

(F)=



No.	Lev.	Parts No.	Description	Q'ty						I	R
				(A)	(B)	(C)	(D)	(E)	(F)		
1	1	194990-22130	NUT, M6	1							
2	1	194990-22140	NUT, M8	1							
3	1	1A7874-51170	HARNESS, WIRE E(E ASY)	1							
4	2	1A7500-51160	CLIP, HARNESS	4							
5	1	1A7874-51410	CABLE, BATTERY + E	1							
6	2	198153-51700	FUSE, SLOW BLOW 80A	1							
7	2	1A7030-52810	FUSE, SLOW BLOW 40A	1							
8	2	1A7000-52820	FUSE, SLOW BLOW 60A	1							
9	2	1A7874-65770	LABEL, SLOW BLOW	1							
10	1	198165-51421	CABLE, BATTERY EARTH	1							
11	1	194680-51670	BAND, CLIP	1							
12	1	194680-51670	BAND, CLIP	1							
13	1	194680-51670	BAND, CLIP	1							
14	1	124550-77030	COVER, TERMINAL	1							
15	1	1E6102-83230	CLAMP, BATTERY CABLE	1							
16	1	1E6102-83230	CLAMP, BATTERY CABLE	1							
17	1	26106-080122	BOLT, M8X 12 PLATED	1							
18	1	26106-080122	BOLT, M8X 12 PLATED	1							
19	1	26106-080122	BOLT, M8X 12 PLATED	1							
20	1	26106-080162	BOLT, M8X 16 PLATED	1							
21	1	29622-140001	BAND, RF140	1							



Fig.87. BATTERY

(A)=GK200R-B  
(B)=  
(C)=

(D)=  
(E)=  
(F)=

No.	Lev.	Parts No.	Description	Q'ty						I	R
				(A)	(B)	(C)	(D)	(E)	(F)		
1	1	1A7878-51550	BATTERY ASSY	1							

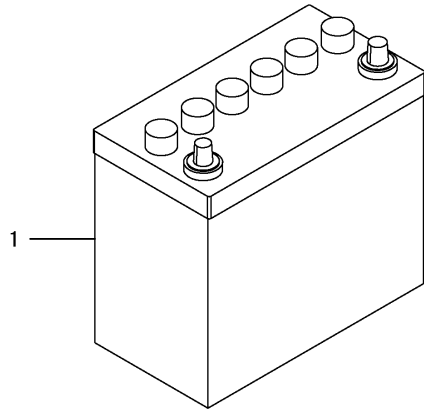
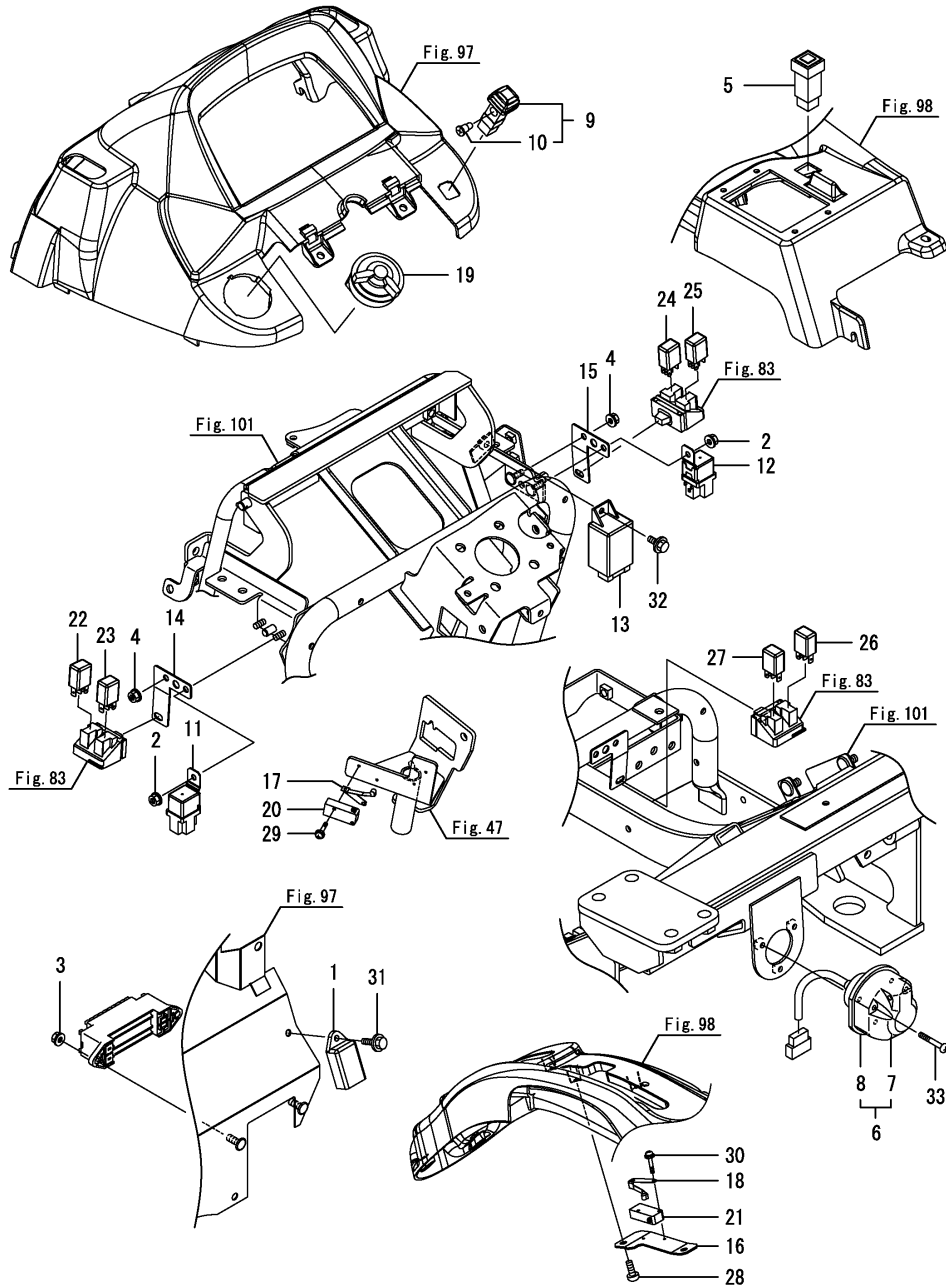


Fig.88. SWITCH(1)



(A)=GK200R-B  
(B)=  
(C)=

(D)=  
(E)=  
(F)=

No.	Lev.	Parts No.	Description	Q'ty						I	R
				(A)	(B)	(C)	(D)	(E)	(F)		
1	1	1E8665-05100	TIMER, 3SEC	1							
2	1	194990-22130	NUT, M6	2							
3	1	194990-22130	NUT, M6	2							
4	1	194990-22130	NUT, M6	2							
5	1	1A7335-52120	SWITCH, HAZARD	1							
6	1	198163-52150	COUPLER SET, TRAILER	1							
7	2	198163-52110	COUPLER ASSY,TRAILER	1							
8	2	198163-52120	BOOT, COUPLER	1							
9	1	1A7450-52210	SWITCH ASSY, W/LAMP	1							
10	2	1A7450-52230	BULB, WITH SOCKET	1							
11	1	1A7870-52950	RELAY, CB	1							
12	1	1A7870-52950	RELAY, CB	1							
13	1	1A7510-57200	RELAY, FLASHER	1							
14	1	1A7874-58110	BRACKET, RELAY L	1							
15	1	1A7874-58120	BRACKET, RELAY R	1							
16	1	1A7870-62270	STAY, N SWITCH	1							
17	1	1E8255-81180	LEVER, ROLLER NV	1							
18	1	1E8255-81180	LEVER, ROLLER NV	1							
19	1	1E8940-81300	SWITCH, COMBINATION	1							
20	1	1E8915-81450	SWITCH, MICRO	1							
21	1	1E8915-81450	SWITCH, MICRO	1							
22	1	1E9256-82600	RELAY, ISO 20A	1							
23	1	1E9256-82600	RELAY, ISO 20A	1							
24	1	1E9256-82600	RELAY, ISO 20A	1							
25	1	1E9256-82600	RELAY, ISO 20A	1							
26	1	1E9256-82600	RELAY, ISO 20A	1							
27	1	1E9256-82600	RELAY, ISO 20A	1							
28	1	22857-600160	SCREW, 6X16	2							
29	1	26023-030162	SCREW, M3X16	2							
30	1	26023-030162	SCREW, M3X16	2							
31	1	26106-060122	BOLT, M6X 12 PLATED	1							
32	1	26106-060122	BOLT, M6X 12 PLATED	1							
33	1	26557-050352	SCREW, M5X35	3							

Fig.89. SWITCH(2)

(A)=GK200R-B  
(B)=  
(C)=

(D)=  
(E)=  
(F)=

No.	Lev.	Parts No.	Description	Q'ty						I	R
				(A)	(B)	(C)	(D)	(E)	(F)		
1	1	198162-52110	SWITCH, STARTING	1							
2	2	198360-52320	NUT, RING	1							
3	2	198360-52330	WASHER	1							
4	2	198162-52150	KEY ASSY	1							
5	1	198223-52151	SWITCH ASSY, LAMP	2							
6	2	26776-120002	NUT, LOCK M12	2							
7	1	197810-83220	GROMMET, 18	1							

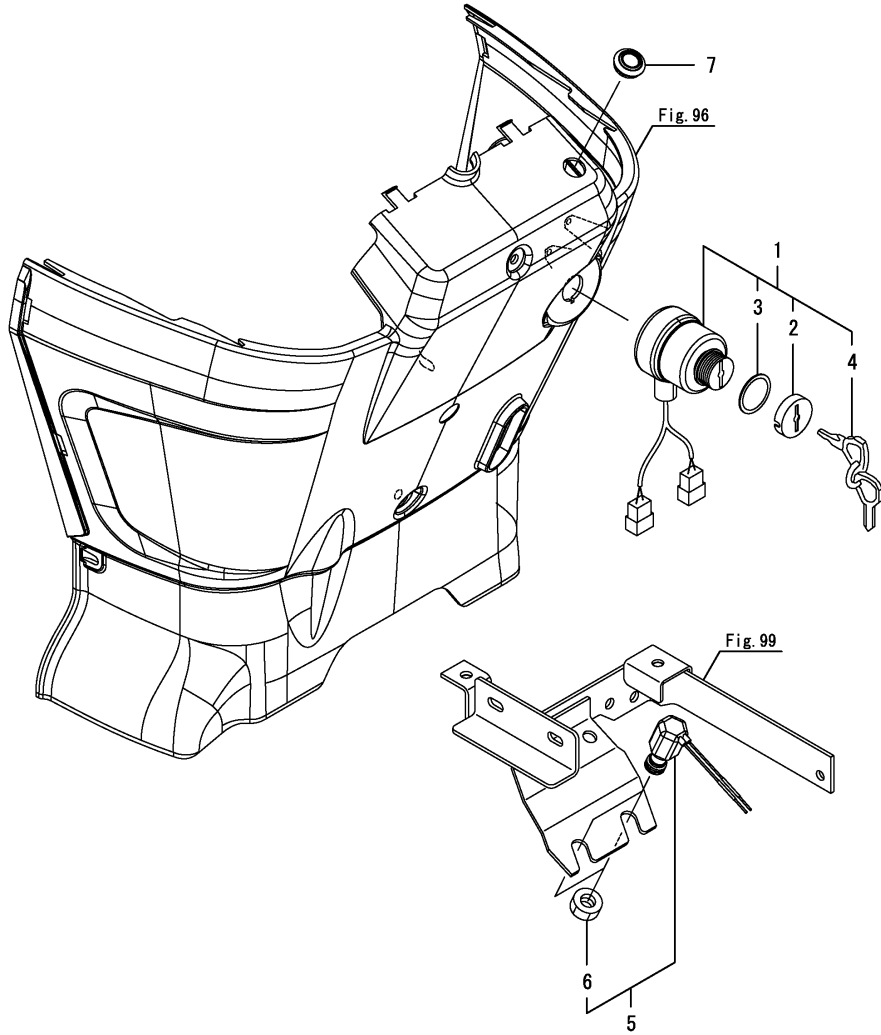


Fig.90. SIDE LAMP

(A)=GK200R-B  
(B)=  
(C)=

(D)=  
(E)=  
(F)=

No.	Lev.	Parts No.	Description	Q'ty						I	R
				(A)	(B)	(C)	(D)	(E)	(F)		
1	1	1A7870-53300	LAMP ASSY, SIDE	2							
2	2	1A7880-53320	BULB, 12V/15W	2							
3	1	1A1380-55310	CLAMP, WIRE	2							
4	1	1A7870-61060	STAY, SIDE LAMP	2							
5	1	1A7880-61070	RUBBER, SIDE LAMP	2							
6	1	194420-61640	SCREW, TAPPING M5X16	4							

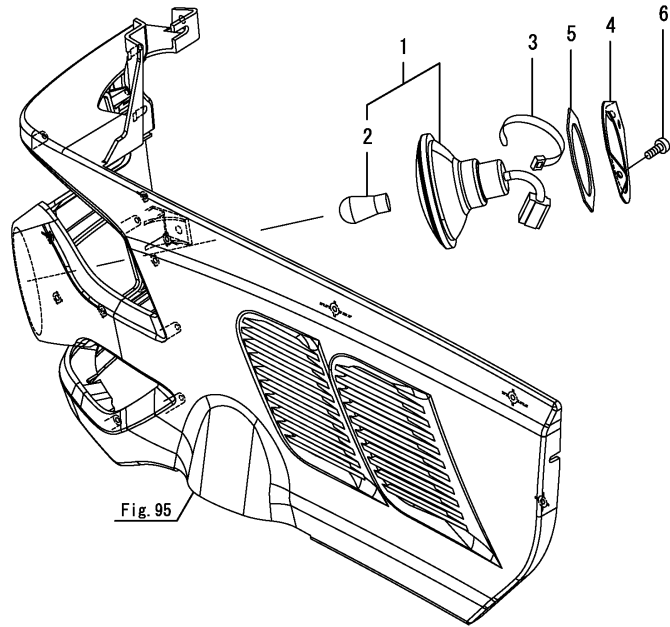


Fig. 95

Fig.91. REFLECTOR

(A)=GK200R-B  
(B)=  
(C)=

(D)=  
(E)=  
(F)=

No.	Lev.	Parts No.	Description	Q'ty						I	R
				(A)	(B)	(C)	(D)	(E)	(F)		
1	1	198280-62260	REFLECTOR ASSY	2							
2	2	198280-62270	REFLECTOR	2							
3	2	22217-060000	WASHER, SPRING 6	2							
4	2	26716-060002	NUT, M6	2							

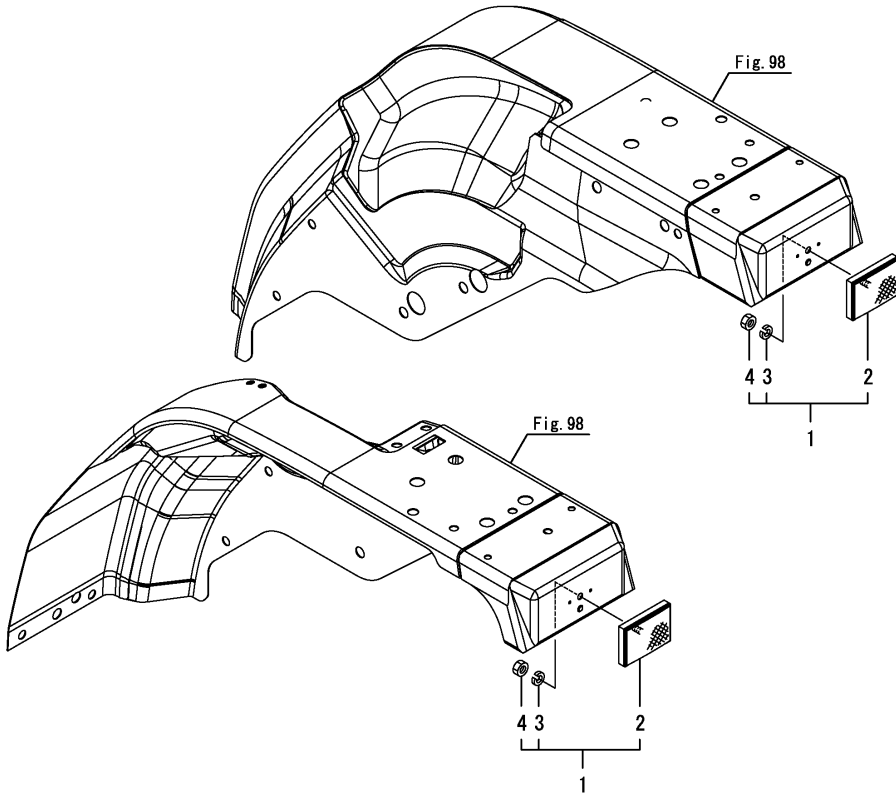




Fig.92. LICENCE

(A)=GK200R-B  
(B)=  
(C)=

(D)=  
(E)=  
(F)=

No.	Lev.	Parts No.	Description	Q'ty						I	R
				(A)	(B)	(C)	(D)	(E)	(F)		
1	1	1C6650-37480	SCREW, TAPPING 6X16	2							
2	1	1A7100-53400	LAMP ASSY, LICENSE	1							
3	2	1A7100-53420	BULB, 12VC5W	1							
4	1	198280-53750	SEAL, LICENCE LAMP	1							

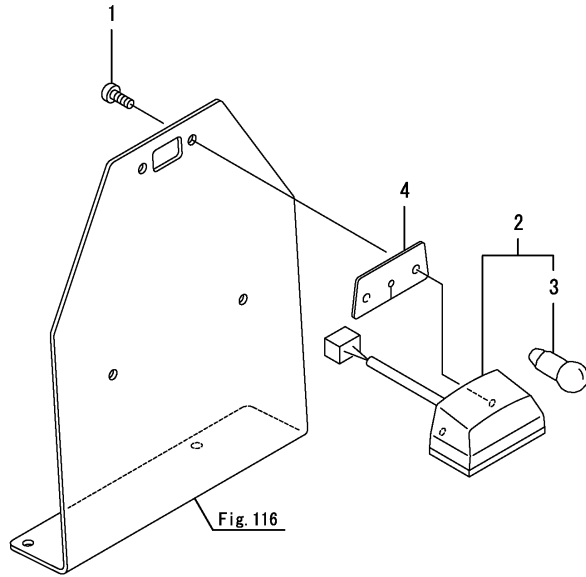
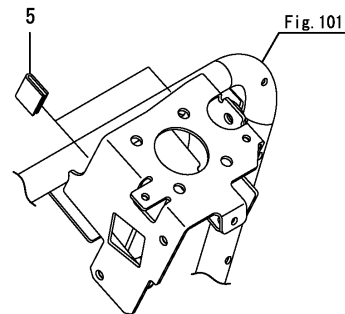
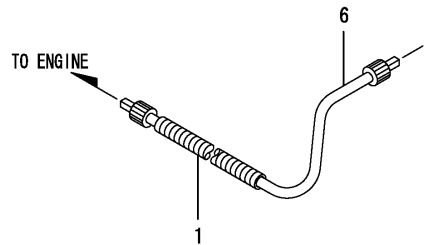
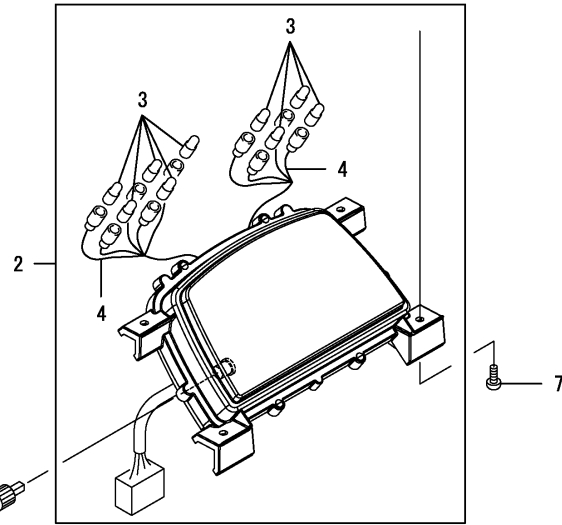
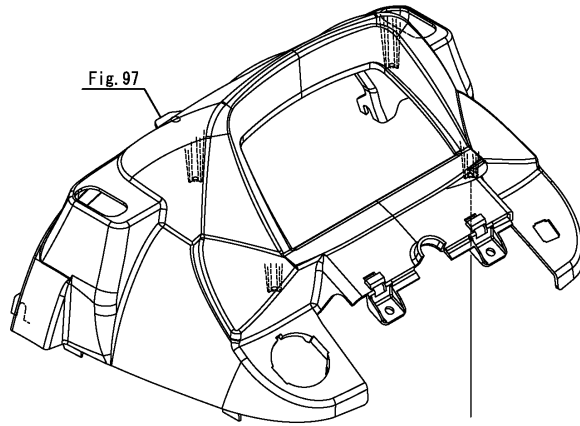


Fig.93. METER

(A)=GK200R-B  
(B)=  
(C)=

(D)=  
(E)=  
(F)=



No.	Lev.	Parts No.	Description	Q'ty						I	R
				(A)	(B)	(C)	(D)	(E)	(F)		
1	1	1A7870-01170	CORRUGATE TUBE 10	1							
2	1	1A7874-56010	METER ASSY	1							
3	2	1A7510-56110	BULB, 12V2.0W	9							
4	2	198448-56150	LAMP, 14V-1.4W	2							
5	1	198093-84810	SEAL, FENDER	2							
6	1	124701-91140	CABLE, L=985	1							
7	1	22857-600160	SCREW, 6X16	4							

Fig.94. HORN

(A)=GK200R-B  
(B)=  
(C)=

(D)=  
(E)=  
(F)=

No.	Lev.	Parts No.	Description	Q'ty						I	R
				(A)	(B)	(C)	(D)	(E)	(F)		
1	1	1C7100-08151	HORN ASSY	1							
2	1	26106-060122	BOLT, M6X 12 PLATED	2							

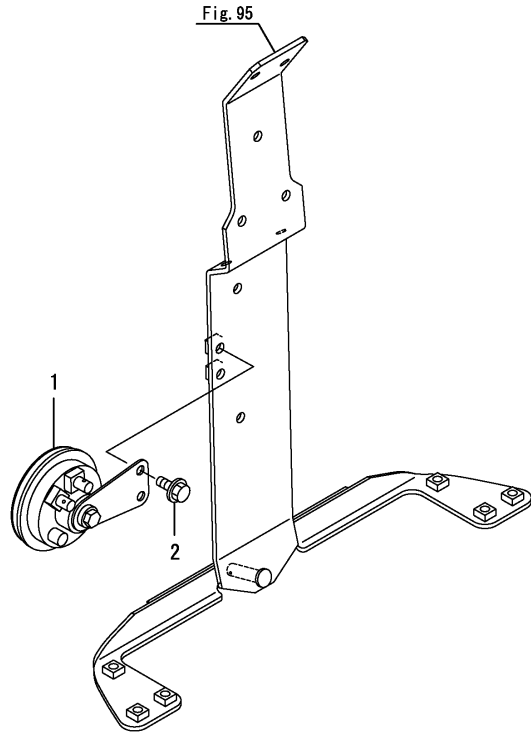


Fig.95. BONNET

(A)=GK200R-B

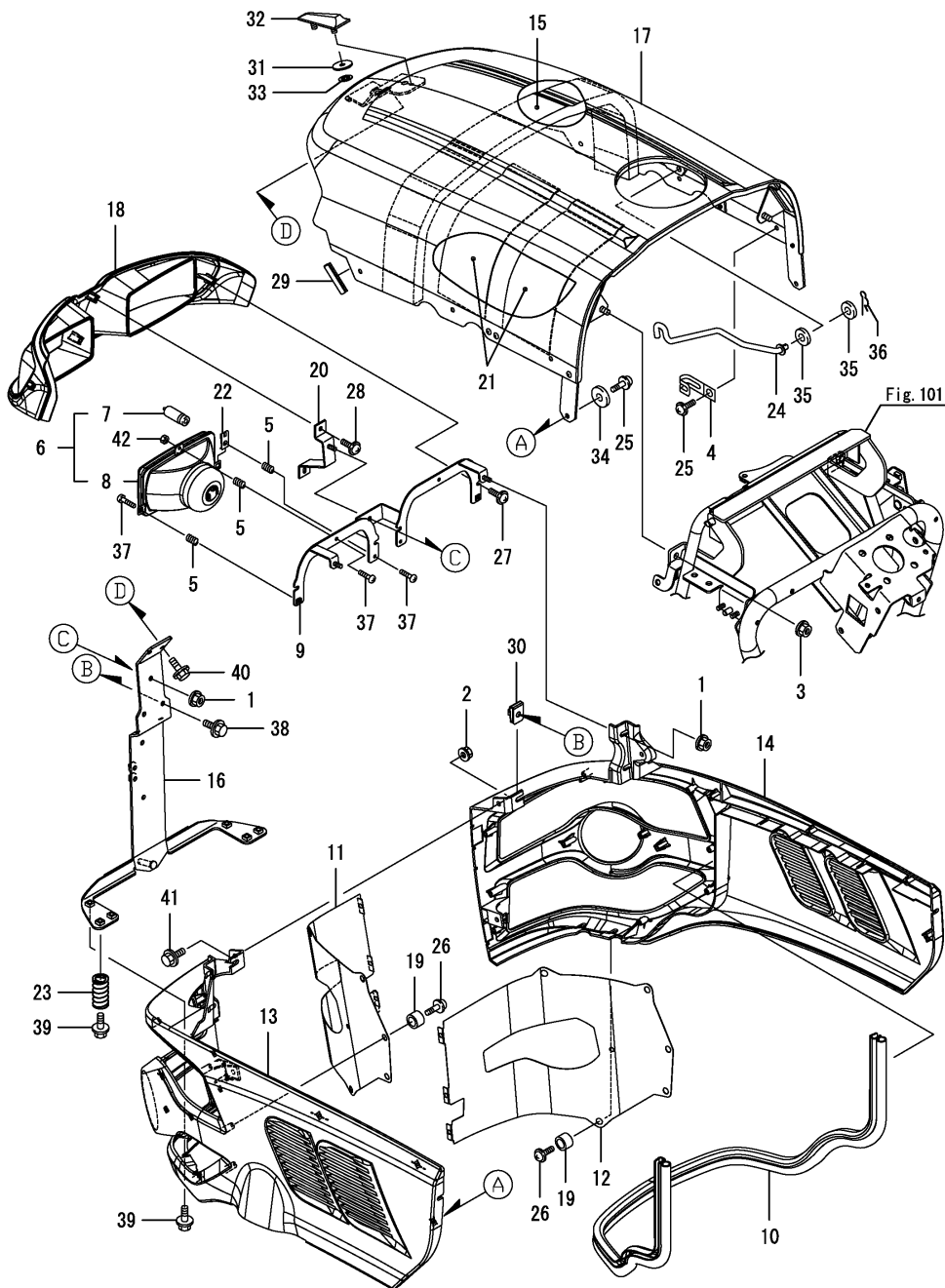
(B)=

(C)=

(D)=

(E)=

(F)=

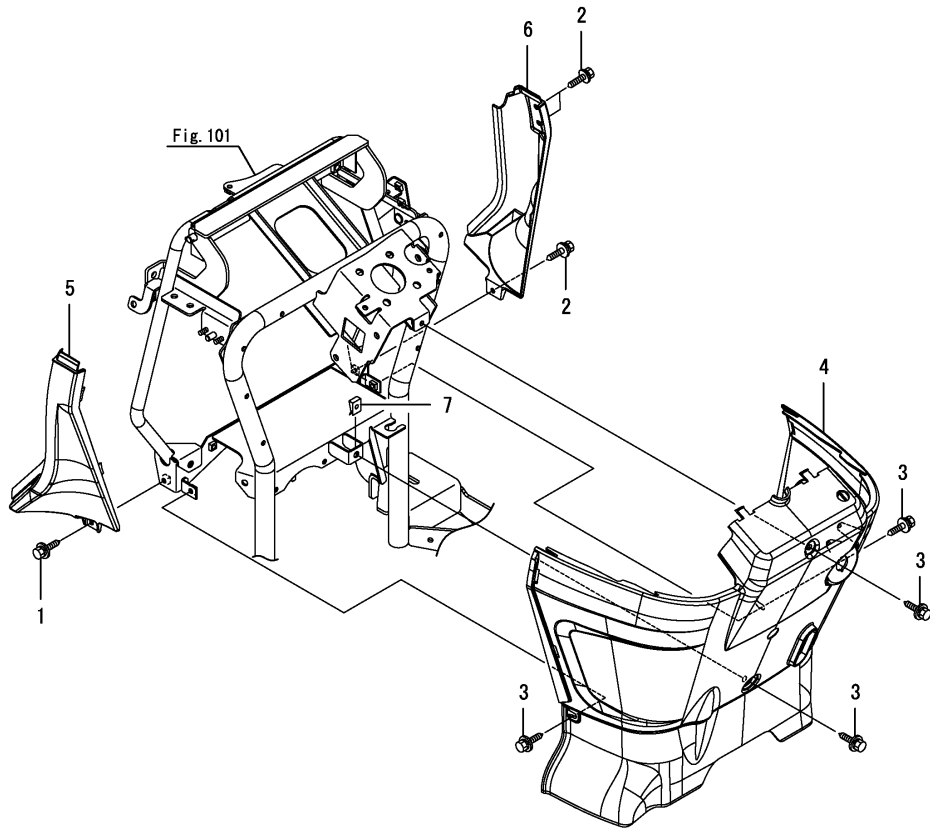


No.	Lev.	Parts No.	Description	Qty						I	R
				(A)	(B)	(C)	(D)	(E)	(F)		
1	1	194990-22130	NUT, M6	3							
2	1	194990-22130	NUT, M6	2							
3	1	194990-22140	NUT, M8	2							
4	1	194440-51630	CLAMP, HARNESS C	1							
5	1	198163-53070	SPRING, LIGHT	6							
6	1	1A7100-53100	LAMP ASSY, HEAD	2							
7	2	1A7100-53130	BULB, H4-12V60/55W	2							
8	2	1A7100-53140	COVER	2							
9	1	1A7874-53200	BRACKET, HEAD LAMP	1							
10	1	1A7870-60750	WEATHER-STRIP, 1200	1							
11	1	1A7870-60960	SCREEN, GRILLE L	1							
12	1	1A7870-60970	SCREEN, GRILLE R	1							
13	1	1A7874-61020	HOOD, LOWER LH EU	1							
14	1	1A7874-61030	HOOD, LOWER RH EU	1							
15	1	1A7870-61090	PAD, BONNET UPPER	1							
16	1	1A7870-61201	STAY ASSY, FRONT	1							
17	1	1A7874-61250	HOOD M ASSY EU	1							
18	1	1A7874-61300	COVER, HEAD LAMP	1							
19	1	1A8070-61330	COLLAR, 10X15X10	10							
20	1	1A7874-61350	STAY ASSY, COVER	1							
21	1	1A7874-61410	INSULATOR,	2							
22	1	1A7874-61450	NUT, M4	2							
23	1	1A7500-61480	SPRING, BONNET	2							
24	1	1A7870-61480	ROD, BONNET STAND	1							
25	1	194420-61640	SCREW, TAPPING M5X16	8							
26	1	194420-61640	SCREW, TAPPING M5X16	18							
27	1	194420-61640	SCREW, TAPPING M5X16	2							
28	1	194420-61640	SCREW, TAPPING M5X16	2							
29	1	1A6750-61830	RUBBER, EDGE	1							
30	1	198071-61890	NUT, SPEED M6	2							
31	1	194555-65130	CUSHION	2							
32	1	194940-65590	MARK, TOP	1							
33	1	198071-65610	NUT, SPEED M5	2							
34	1	22157-060000	WASHER, 6	7							
35	1	22190-080002	WASHER, SEAL 8	2							
36	1	22372-080000	PIN, SNAP 8	1							
37	1	26023-040202	SCREW, M4X20	6							
38	1	26106-060162	BOLT, M6X 16 PLATED	2							
39	1	26106-060162	BOLT, M6X 16 PLATED	6							
40	1	26106-060162	BOLT, M6X 16 PLATED	2							
41	1	26106-060162	BOLT, M6X 16 PLATED	2							
42	1	26716-040002	NUT, M4	2							

Fig.96. DASHBOARD(1)

(A)=GK200R-B  
(B)=  
(C)=

(D)=  
(E)=  
(F)=



No.	Lev.	Parts No.	Description	Q'ty						I	R
				(A)	(B)	(C)	(D)	(E)	(F)		
1	1	198072-60590	BOLT, M6X20	1							
2	1	198072-60590	BOLT, M6X20	3							
3	1	198072-60590	BOLT, M6X20	4							
4	1	1A7874-61640	COVER M ASSY, DB LWR	1							
5	1	1A7870-61710	COVER, DASH SIDE L	1							
6	1	1A7870-61750	COVER, DASH SIDE R	1							
7	1	198071-61890	NUT, SPEED M6	1							

Fig.97. DASHBOARD(2)

(A)=GK200R-B  
(B)=  
(C)=

(D)=  
(E)=  
(F)=

No.	Lev.	Parts No.	Description	Q'ty						I	R
				(A)	(B)	(C)	(D)	(E)	(F)		
1	1	1E8050-05510	GROMMET, SLIT 12X3	1							
2	1	1A7874-61410	INSULATOR,	1							
3	1	1A7874-61520	CAP	1							
4	1	1A7874-61530	CAP, HOLE	1							
5	1	1A7870-61600	COVER, DASH UPPER	1							
6	1	1A7870-61810	PLATE, AIR SHIELD	1							
7	1	198071-61890	NUT, SPEED M6	2							
8	1	1E6684-79830	GROMMET, 19	1							
9	1	26106-060122	BOLT, M6X 12 PLATED	4							
10	1	26106-060122	BOLT, M6X 12 PLATED	5							

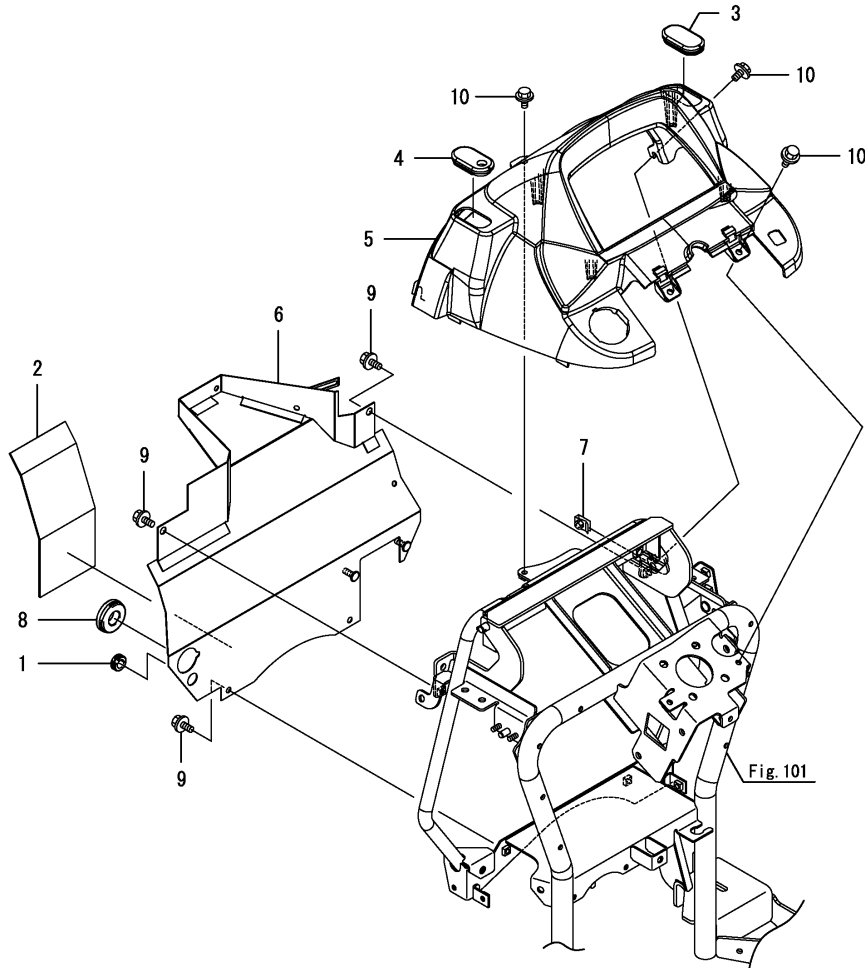


Fig. 101

Fig.98. FENDER

(A)=GK200R-B

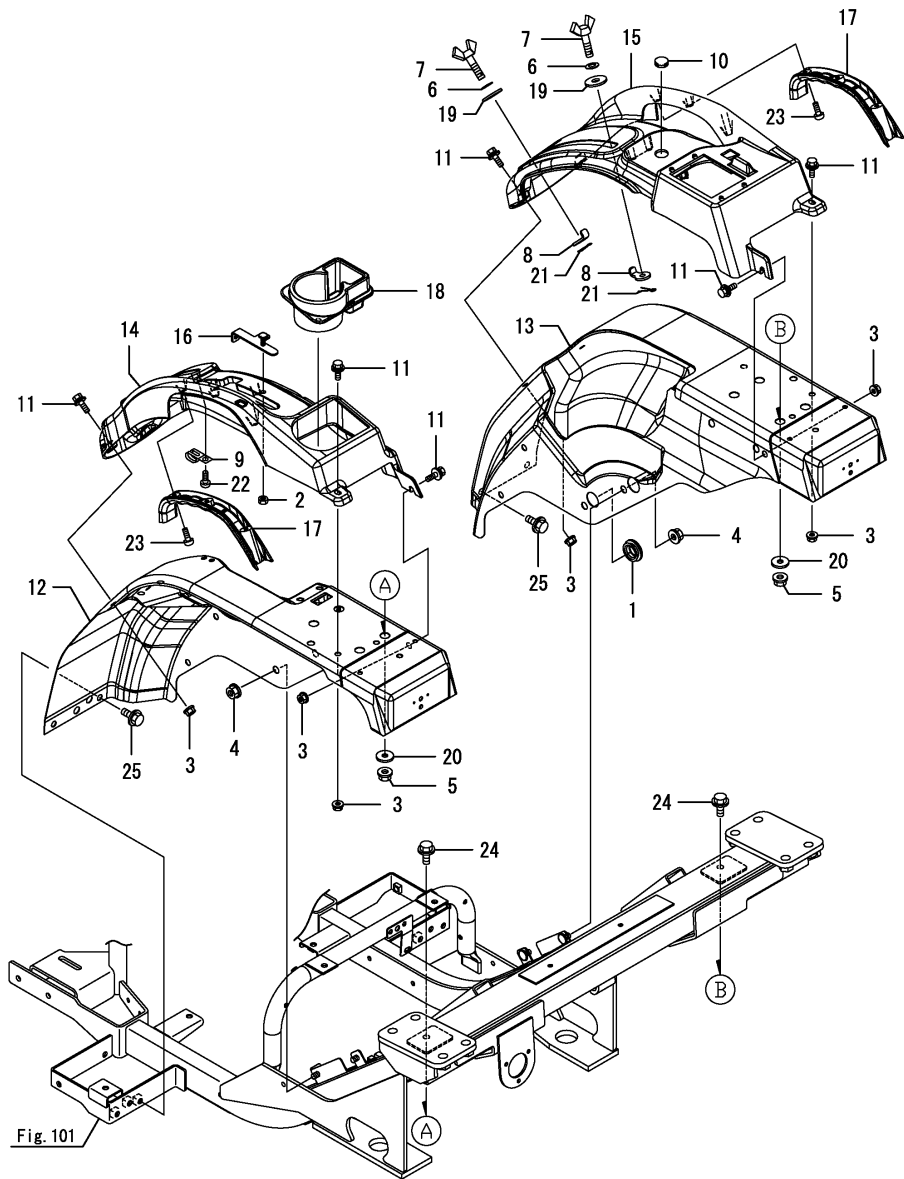
(B)=

(C)=

(D)=

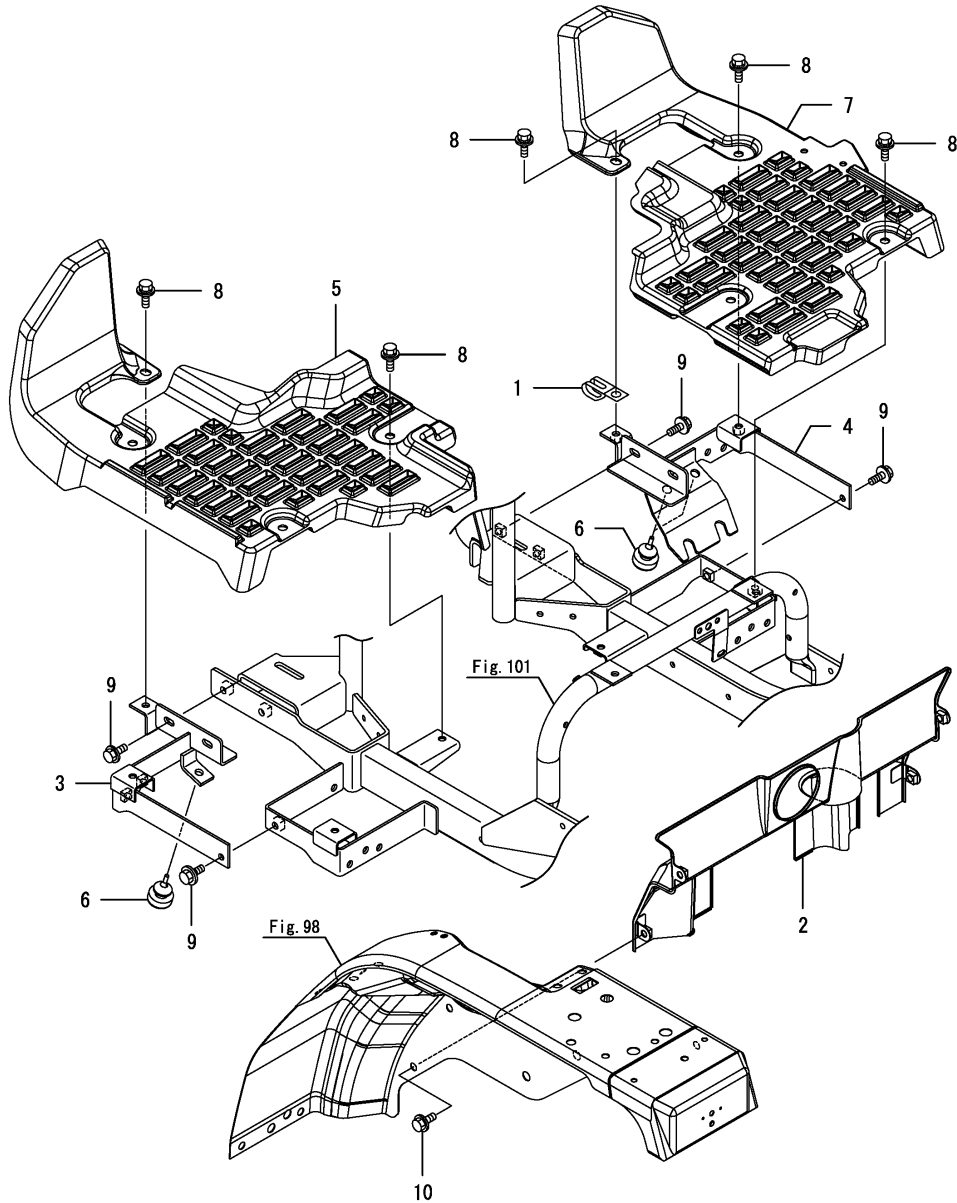
(E)=

(F)=



No.	Lev.	Parts No.	Description	Qty						I	R
				(A)	(B)	(C)	(D)	(E)	(F)		
1	1	1A7400-02950	GROMMET, 25	2							
2	1	1A7550-08811	NUT, M6X15	1							
3	1	194990-22130	NUT, M6	8							
4	1	194990-22140	NUT, M8	4							
5	1	194990-22140	NUT, M8	2							
6	1	194300-37570	SPRING	2							
7	1	198431-47750	WING BOLT	2							
8	1	198431-47760	STOPPER, HYD.LEVER	2							
9	1	194440-51630	CLAMP, HARNESS C	1							
10	1	194448-61620	GROMMET, 20.5	1							
11	1	198421-61620	BOLT, M6X20	8							
12	1	1A7876-62111	FENDER ASSY, L	1							
13	1	1A7876-62161	FENDER ASSY, R	1							
14	1	1A7870-62250	GUIDE, LEVER L	1							
15	1	1A7870-62300	GUIDE, LEVER R	1							
16	1	1A7874-62330	STOPPER, PTO ASSY	1							
17	1	1A8070-63640	COVER, GRIP	2							
18	1	1A8070-63660	HOLDER, CUP	1							
19	1	22157-080000	WASHER, 8	2							
20	1	22157-080000	WASHER, 8	2							
21	1	22417-200160	PIN, COTTER 2.0X16	2							
22	1	22857-600160	SCREW, 6X16	1							
23	1	22857-600160	SCREW, 6X16	6							
24	1	26106-080162	BOLT, M8X 16 PLATED	2							
25	1	26106-080162	BOLT, M8X 16 PLATED	2							

Fig.99. STEP



(A)=GK200R-B  
(B)=  
(C)=

(D)=  
(E)=  
(F)=

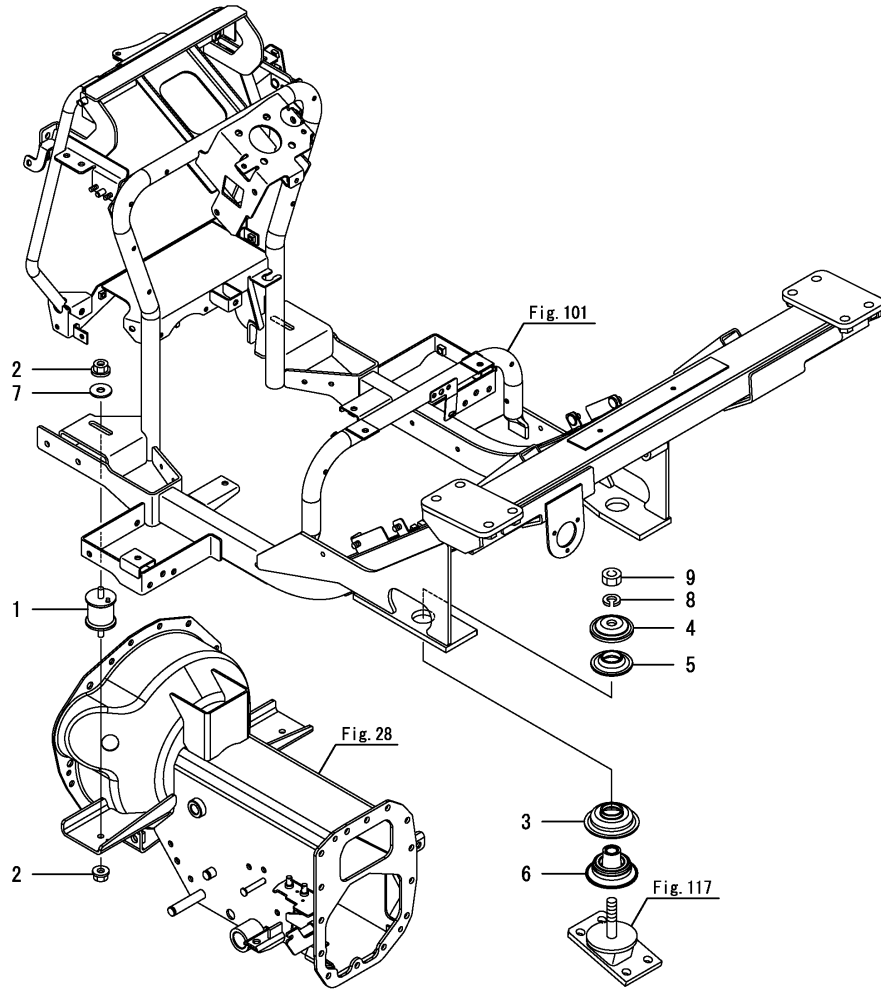
No.	Lev.	Parts No.	Description	Q'ty						I	R
				(A)	(B)	(C)	(D)	(E)	(F)		
1	1	194440-51620	CLAMP, B	1							
2	1	1A7870-62050	COVER ASSY, FRONT	1							
3	1	1A7870-62400	STAY ASSY, STEP L	1							
4	1	1A7874-62410	STAY ASSY, STEP R	1							
5	1	1A7870-62510	STEP, L	1							
6	1	194330-62530	STOPPER, PEDAL	3							
7	1	1A7874-62530	STEP M ASSY, R	1							
8	1	1A6750-62610	BOLT, M8X20	8							
9	1	26106-080162	BOLT, M8X 16 PLATED	6							
10	1	26106-080162	BOLT, M8X 16 PLATED	4							



Fig.100. FLOOR FRAME(1)

(A)=GK200R-B  
(B)=  
(C)=

(D)=  
(E)=  
(F)=



No.	Lev.	Parts No.	Description	Q'ty						I	R
				(A)	(B)	(C)	(D)	(E)	(F)		
1	1	194427-11270	RUBBER, FRONT MOUNT	2							
2	1	194990-22140	NUT, M8	4							
3	1	198071-62900	STOPPER, MOUNT	2							
4	1	198200-62910	STOPPER, U	2							
5	1	198200-62970	MOUNT, UPPER	2							
6	1	198200-62990	MOUNT, LOWER	2							
7	1	22157-080000	WASHER, 8	2							
8	1	22217-140000	WASHER, SPRING 14	2							
9	1	26716-140002	NUT, M14	2							

Fig.101. FLOOR FRAME(2)

(A)=GK200R-B  
(B)=  
(C)=

(D)=  
(E)=  
(F)=

No.	Lev.	Parts No.	Description	Q'ty						I	R
				(A)	(B)	(C)	(D)	(E)	(F)		
1	1	1A7874-62590	FRAME MASSY, FLOOR	1							
2	1	1A7874-71500	SPRING, HOOK	1							
3	1	1A7880-71550	SPRING, RETAINER	1							
4	1	22137-080000	WASHER, 8	1							
5	1	22417-250250	PIN, COTTER 2.5X25	1							

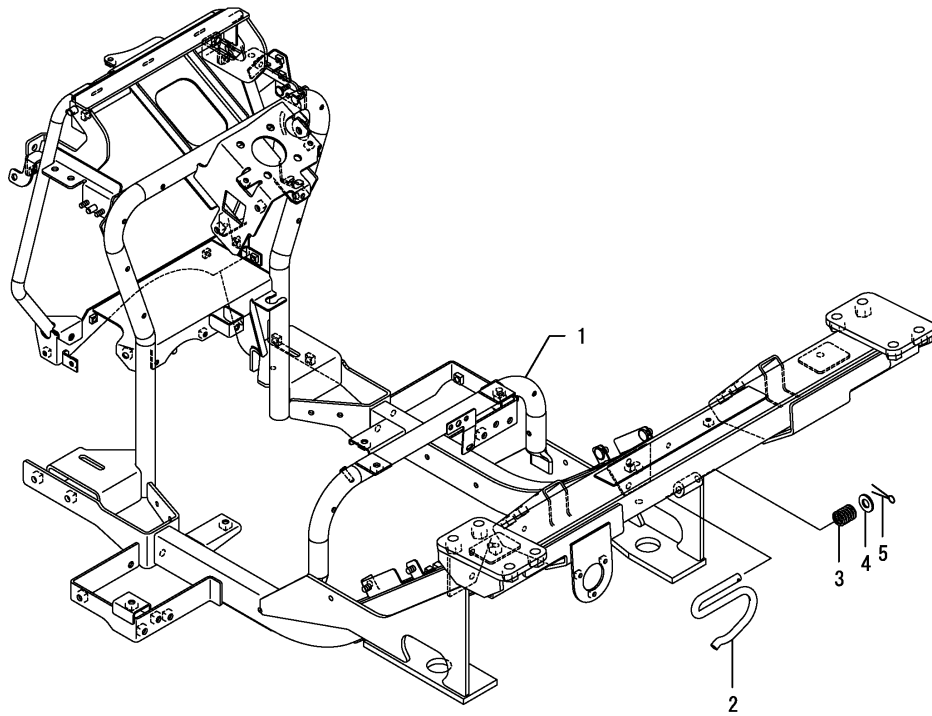






Fig.104. REARVIEW MIRROR

(A)=GK200R-B  
(B)=  
(C)=

(D)=  
(E)=  
(F)=

No.	Lev.	Parts No.	Description	Qty						I	R
				(A)	(B)	(C)	(D)	(E)	(F)		
1	1	1A7100-64110	MIRROR ASSY, VIEW	1							
2	1	194990-22140	NUT, M8	1							
3	1	1A7874-64120	STAY ASY,BACK MIRROR	1							

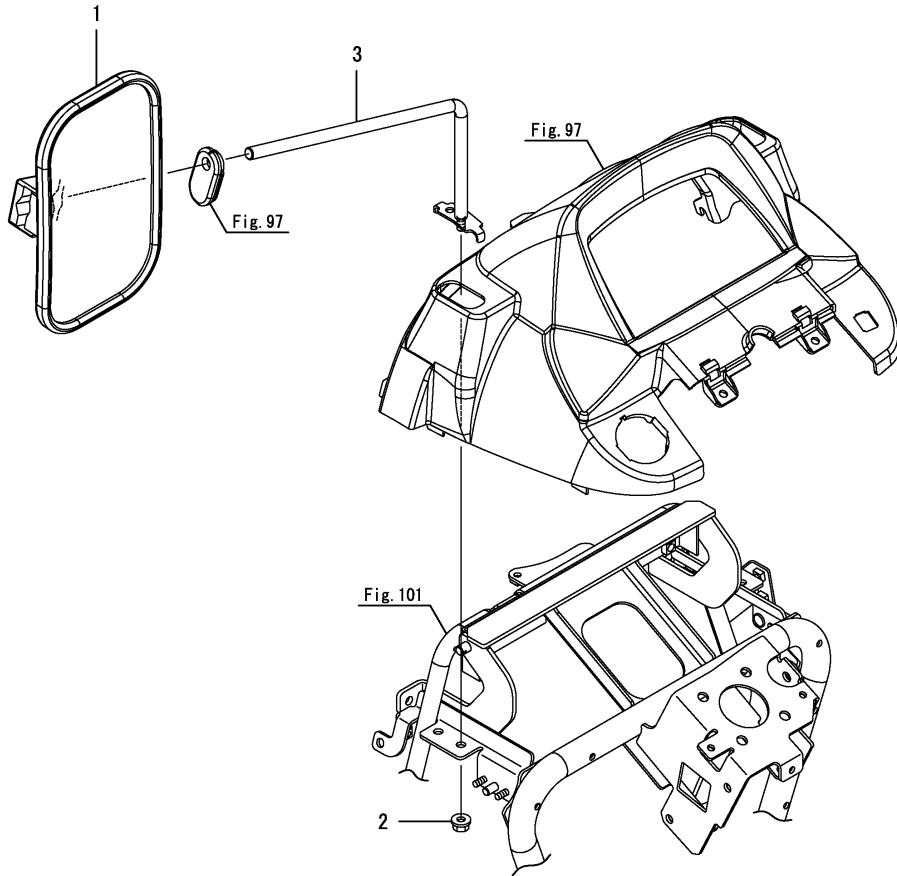
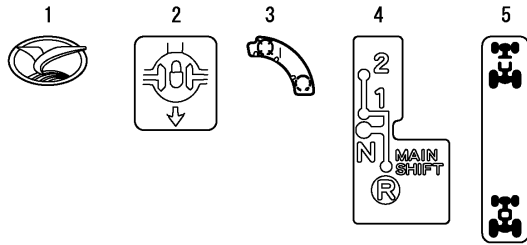


Fig.105. LABEL(1)

(A)=GK200R-B  
(B)=  
(C)=

(D)=  
(E)=  
(F)=



No.	Lev.	Parts No.	Description	Q'ty						I	R
				(A)	(B)	(C)	(D)	(E)	(F)		
1	1	1A7874-65010	EMBLEM ASSY, FRONT S	1							
2	1	194240-65441	LABEL, DIFF. LOCK	1							
3	1	1A6640-65511	LABEL, KEY SWITCH	1							
4	1	1A7874-65650	LABEL, MAIN SHIFT E	1							
5	1	1A7740-65720	LABEL,MFWD	1							

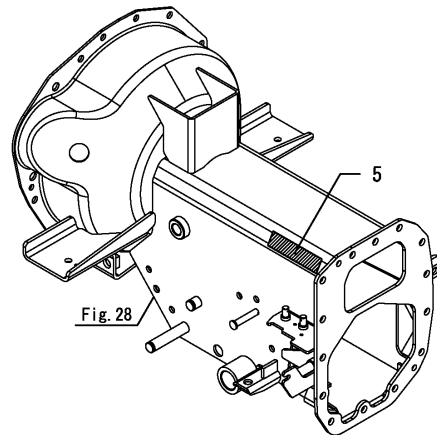
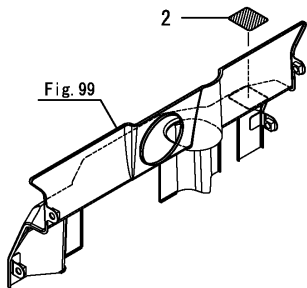
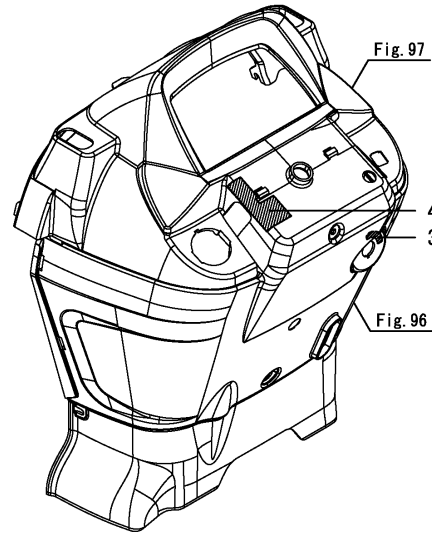
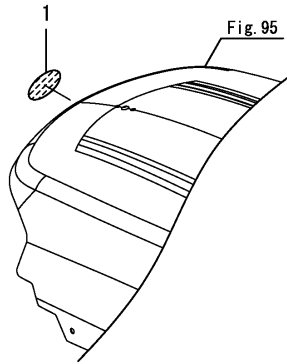


Fig.106. LABEL(2)

(A)=GK200R-B  
(B)=  
(C)=

(D)=  
(E)=  
(F)=

No.	Lev.	Parts No.	Description	Qty						I	R
				(A)	(B)	(C)	(D)	(E)	(F)		
1	1	1A7874-65470	LABEL, P BRAKE	1							
2	1	1A6640-65530	LABEL, THROTTLE	1							
3	1	1A7874-65660	LABEL, RANGE E	1							
4	1	1A7874-65670	LABEL, PTO E	1							
5	1	1A7874-65680	LABEL, LIFT E	1							
6	1	1A7874-65860	LABEL, WORK LAMP E	1							

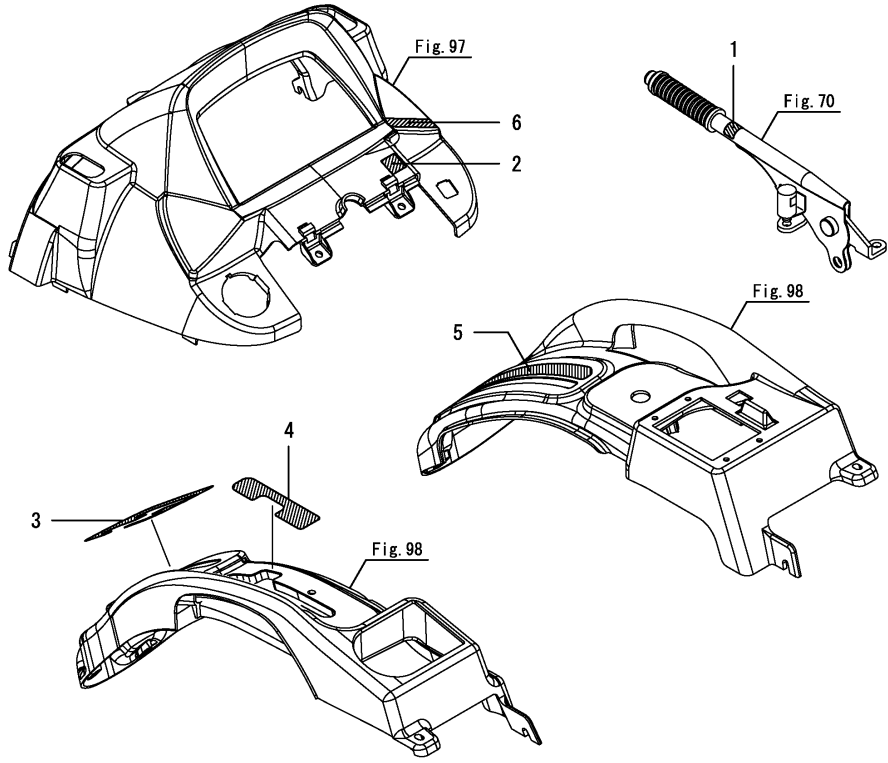
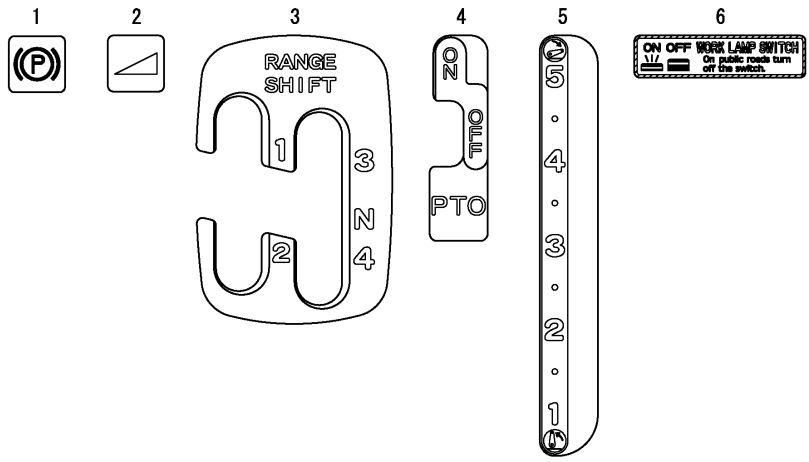


Fig.107. LABEL(3)

(A)=GK200R-B  
(B)=  
(C)=

(D)=  
(E)=  
(F)=

No.	Lev.	Parts No.	Description	Q'ty						I	R
				(A)	(B)	(C)	(D)	(E)	(F)		
1	1	1A7874-65310	LABEL, MODEL NAME L	1							
2	1	1A7874-65320	LABEL, MODEL NAME R	1							

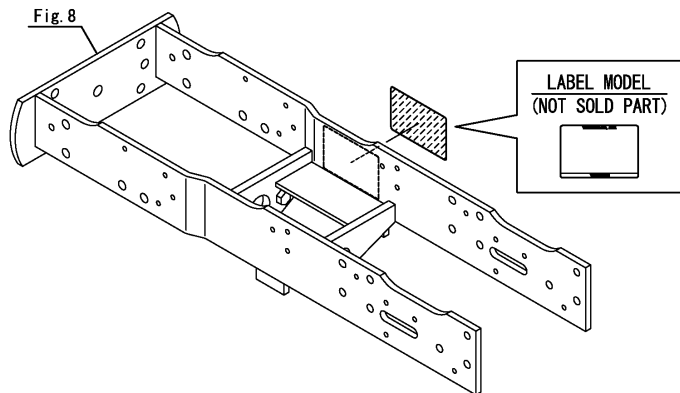
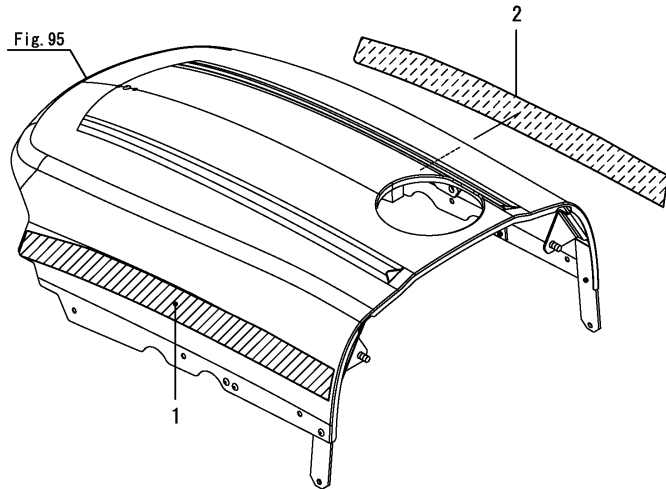
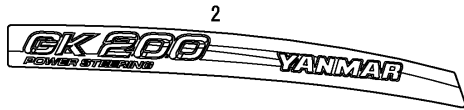
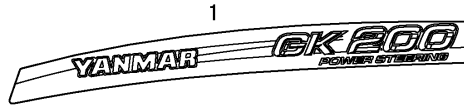




Fig.108. LABEL(4)

(A)=GK200R-B  
(B)=  
(C)=

(D)=  
(E)=  
(F)=

No.	Lev.	Parts No.	Description	Qty						I	R
				(A)	(B)	(C)	(D)	(E)	(F)		
1	1	1A7878-65600	LABEL, PROFIBIT	1							

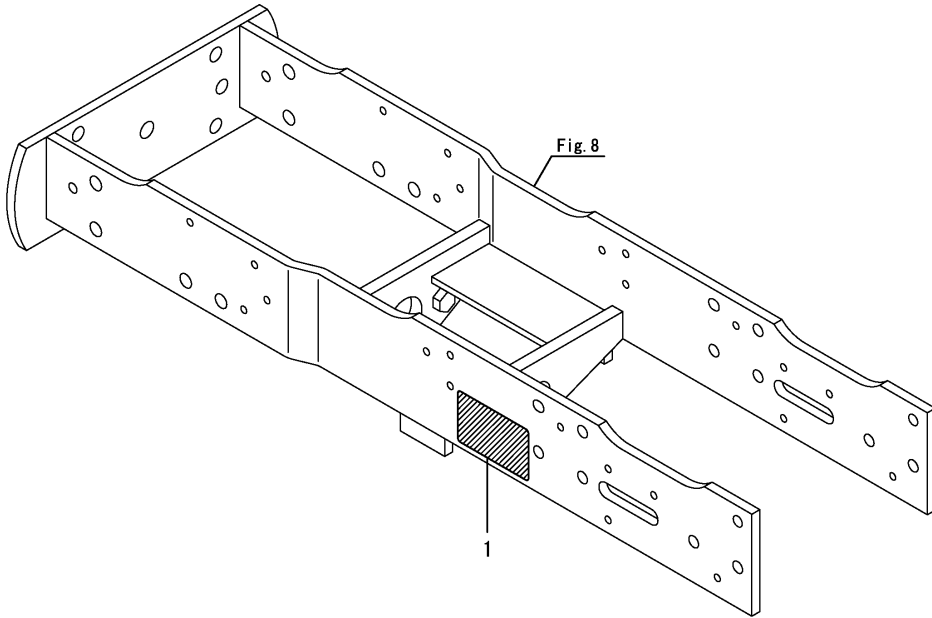
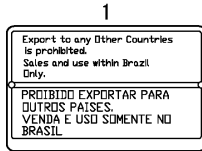
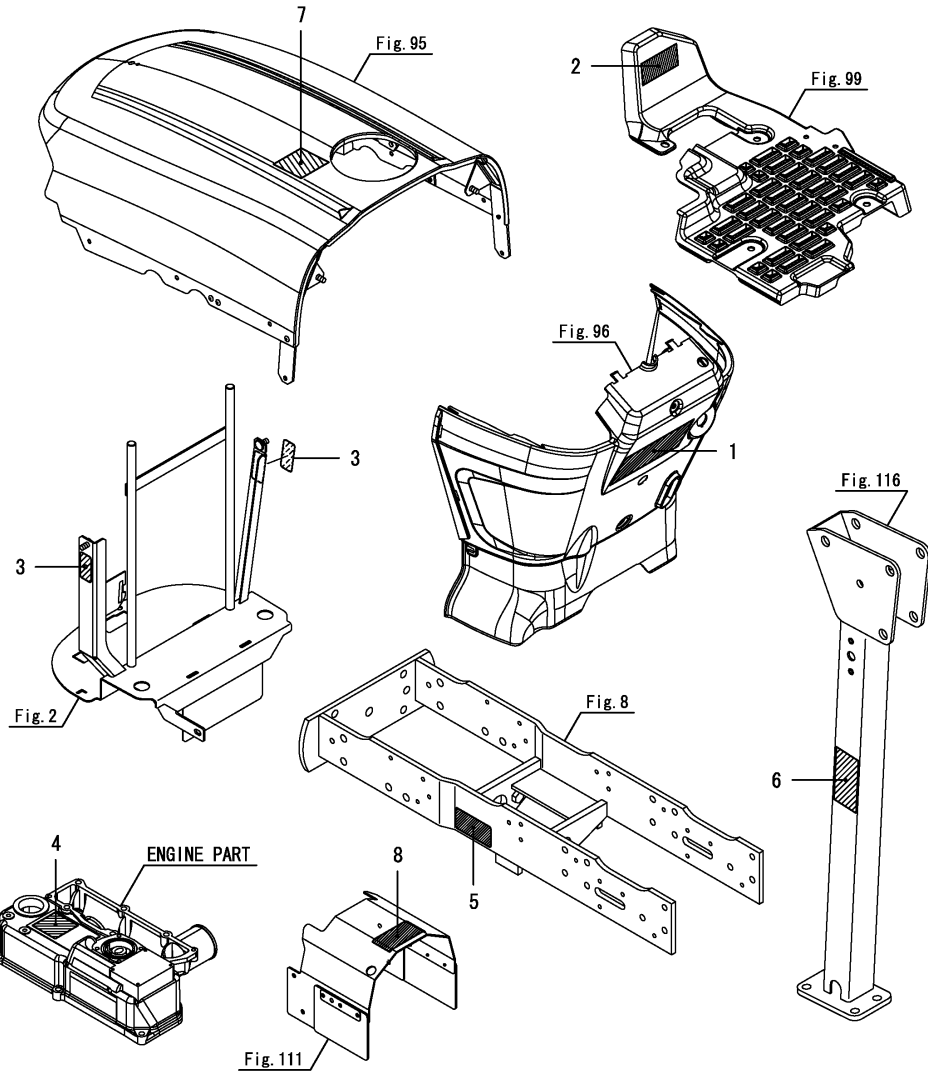
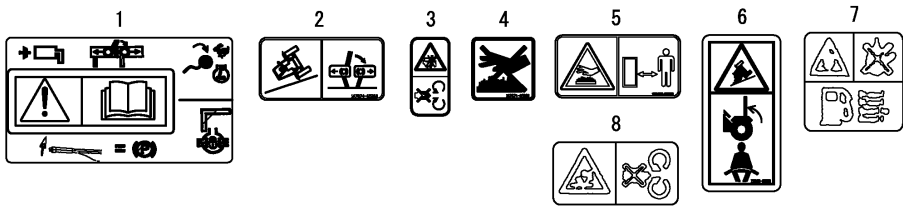


Fig.109. LABEL(SAFETY)(1)



(A)=GK200R-B  
(B)=  
(C)=

(D)=  
(E)=  
(F)=

No.	Lev.	Parts No.	Description	Q'ty						I	R
				(A)	(B)	(C)	(D)	(E)	(F)		
1	1	198163-65301	LABEL,OPERATION	1							
2	1	1A7874-65360	LABEL, BRAKE COUPLIN	1							
3	1	1A7874-65400	LABEL,WARNING	2							
4	1	1A7874-65920	DECAL,CAUTION HOT	1							
5	1	198163-65930	CAUTION,MUFFLER	1							
6	1	198163-65950	LABEL, SEATBELT	1							
7	1	1A6150-91251	LABEL,RAKE CAUTION	1							
8	1	1A6150-93151	LABEL,COVER	1							



Fig.111. P.T.O. GUARD

(A)=GK200R-B  
(B)=  
(C)=

(D)=  
(E)=  
(F)=

No.	Lev.	Parts No.	Description	Q'ty						I	R
				(A)	(B)	(C)	(D)	(E)	(F)		
1	1	1A7874-75440	MASSY, PTO GUARD	1							
2	1	26106-060162	BOLT, M6X 16 PLATED	4							

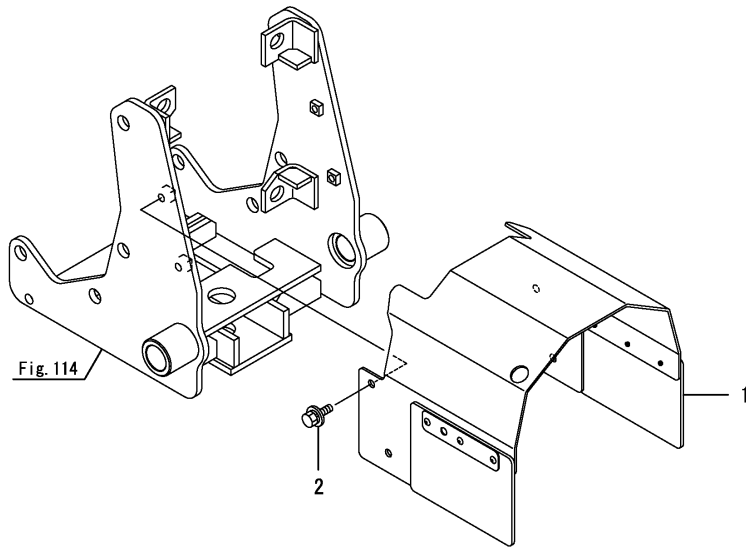
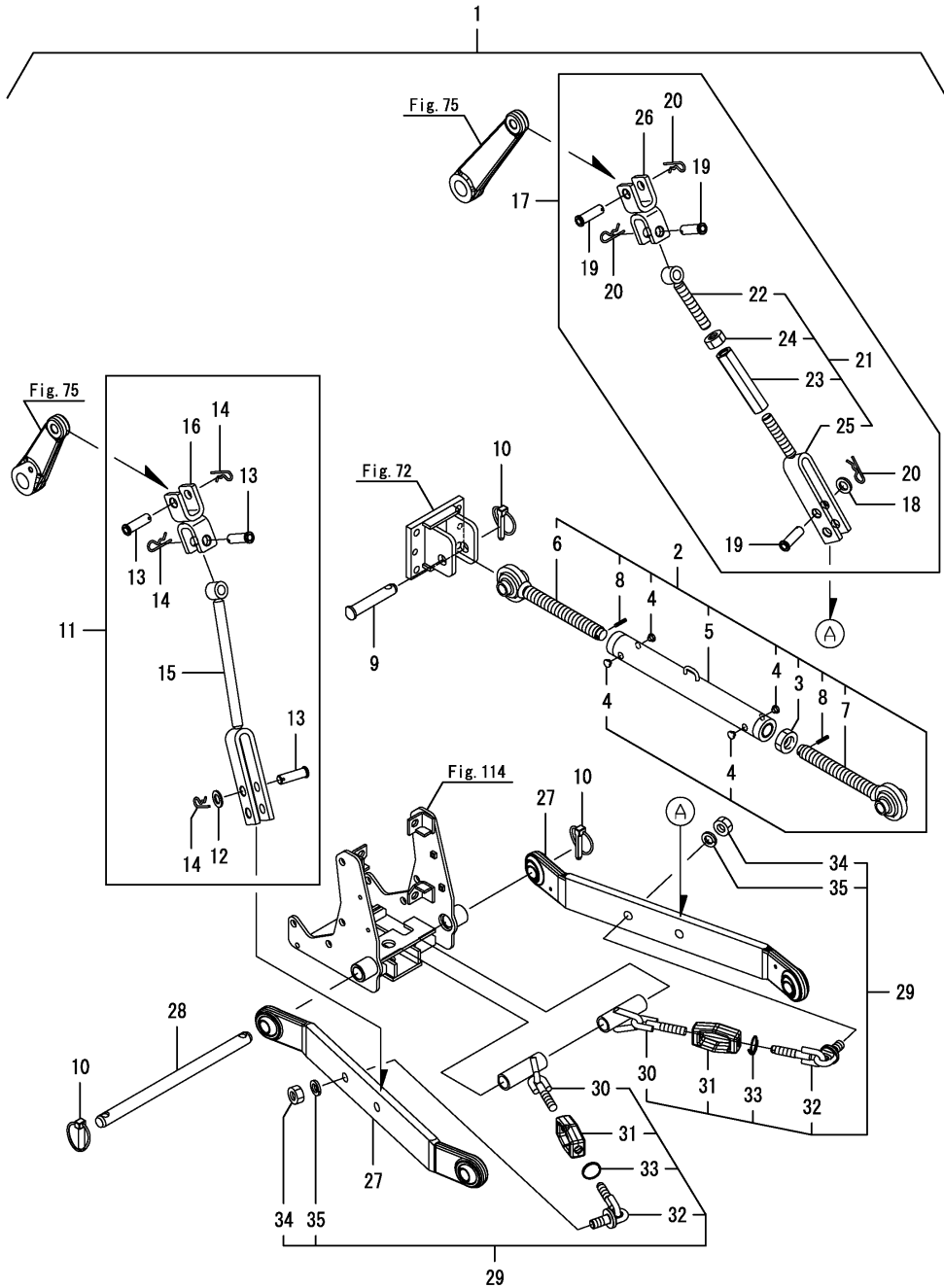


Fig.112. THREE POINT HITCH



(A)=GK200R-B  
(B)=  
(C)=

(D)=  
(E)=  
(F)=

No.	Lev.	Parts No.	Description	Qty						I	R
				(A)	(B)	(C)	(D)	(E)	(F)		
1	1	1A7874-71100	HITCH KIT, 3-POINT	1							
2	2	1A7500-71112	LINK ASSY, UPPER	1							
3	3	1A7500-71200	NUT, LOCK M24	1							
4	3	1A7335-71250	CAP	4							
5	3	1A7500-71251	TUBE ASSY	1							
6	3	1A7500-71271	BOLT, EYE L	1							
7	3	1A7500-71291	EYE-BOLT ASSY	1							
8	3	22351-050025	PIN, SPRING 5.0X25	2							
9	2	1A7500-71120	PIN, UPPER LINK	1							
10	2	1A7500-71130	PIN ASSY, LINTCH	3							
11	2	1A7874-72150	LINK KIT, LIFT LH	1							
12	3	1A7500-72160	WASHER, 16	1							
13	3	1A7874-72170	PIN	3							
14	3	1A8275-72180	SNAP PIN 13-19	3							
15	3	1A7874-72200	LINK ASSY, LIFT LH	1							
16	3	1A7874-72410	LINK JOINT,LIFT	1							
17	2	1A7874-72250	LINK KIT, LIFT RH	1							
18	3	1A7500-72160	WASHER, 16	1							
19	3	1A7874-72170	PIN	3							
20	3	1A8275-72180	SNAP PIN 13-19	3							
21	3	1A7874-72300	LINK ASSY, LIFT RH	1							
22	4	1A7874-72310	LINK ASSY,LIFT UPPER	1							
23	4	1A7880-72320	TURNBUCKLE	1							
24	4	1A7880-72330	NUT, M18	1							
25	4	1A7874-72340	END ASSY, LOWER	1							
26	3	1A7874-72410	LINK JOINT,LIFT	1							
27	2	1A7500-73110	LINK, LOWER	2							
28	2	1A7874-73120	PIN, LOWER LINK HING	1							
29	2	1A7874-74600	CHAIN ASSY, CHECK	2							
30	3	1A7874-74630	CHAIN ASSY	2							
31	3	1A7500-74640	TURNBUCKLE	2							
32	3	1A7874-74650	CHAIN ASSY	2							
33	3	1A7500-74661	RING, 32	2							
34	3	1A7500-74670	NUT, M16	2							
35	3	1A7500-74680	WASHER, SPRING 16	2							

Fig.113. LIFT LINK

(A)=GK200R-B  
(B)=  
(C)=

(D)=  
(E)=  
(F)=

No.	Lev.	Parts No.	Description	Q'ty						I	R
				(A)	(B)	(C)	(D)	(E)	(F)		
1	1	1A7874-72520	PIN, LIFT ARM	2							
2	1	1A7874-72600	LINK ASSY, LIFT	2							
3	1	22157-080000	WASHER, 8	2							
4	1	22217-160000	WASHER, SPRING 16	2							
5	1	26106-080162	BOLT, M8X 16 PLATED	2							
6	1	26736-160002	NUT, M16	2							

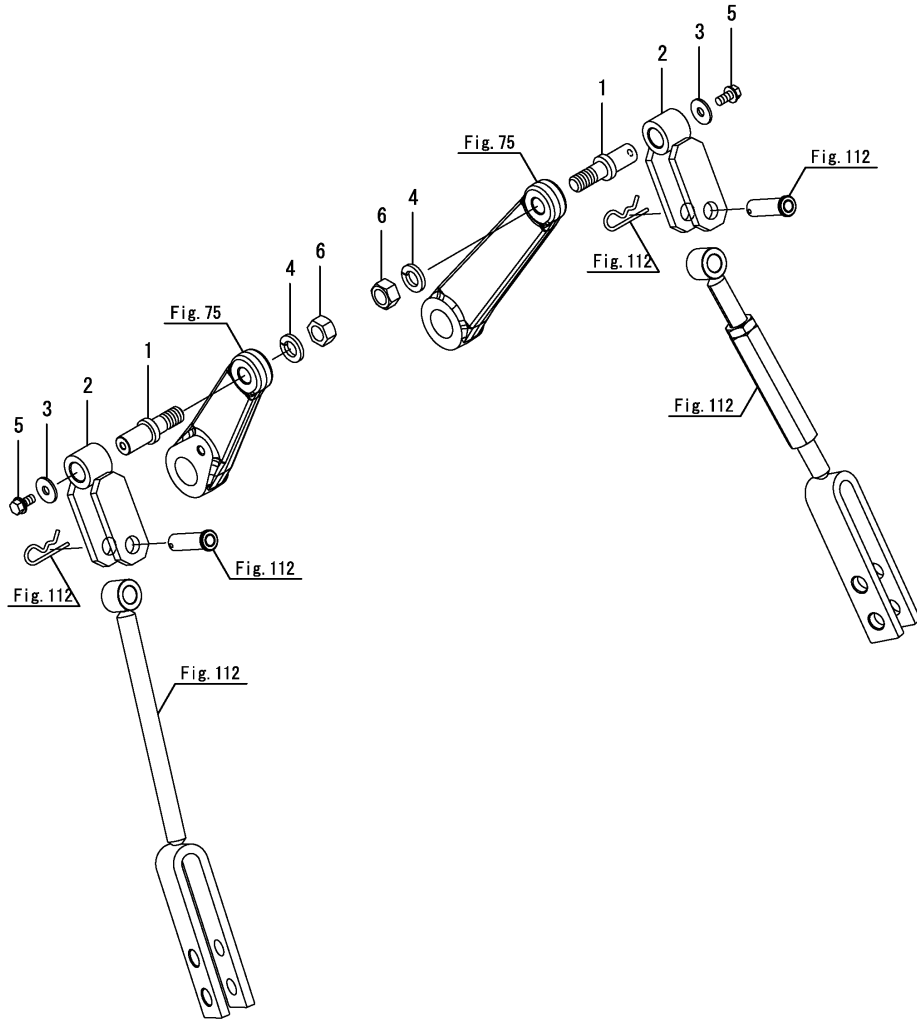


Fig.114. REAR HITCH

(A)=GK200R-B  
(B)=  
(C)=

(D)=  
(E)=  
(F)=

No.	Lev.	Parts No.	Description	Q'ty						I	R
				(A)	(B)	(C)	(D)	(E)	(F)		
1	1	198163-75013	HITCH ASSY, REAR	1							
2	1	26013-120302	BOLT, M12X 30	12							

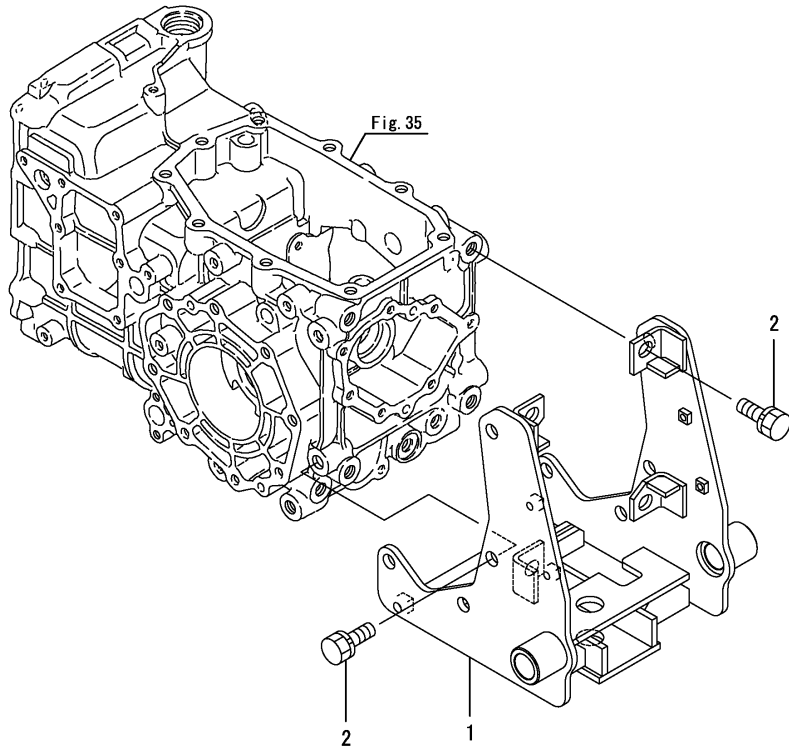
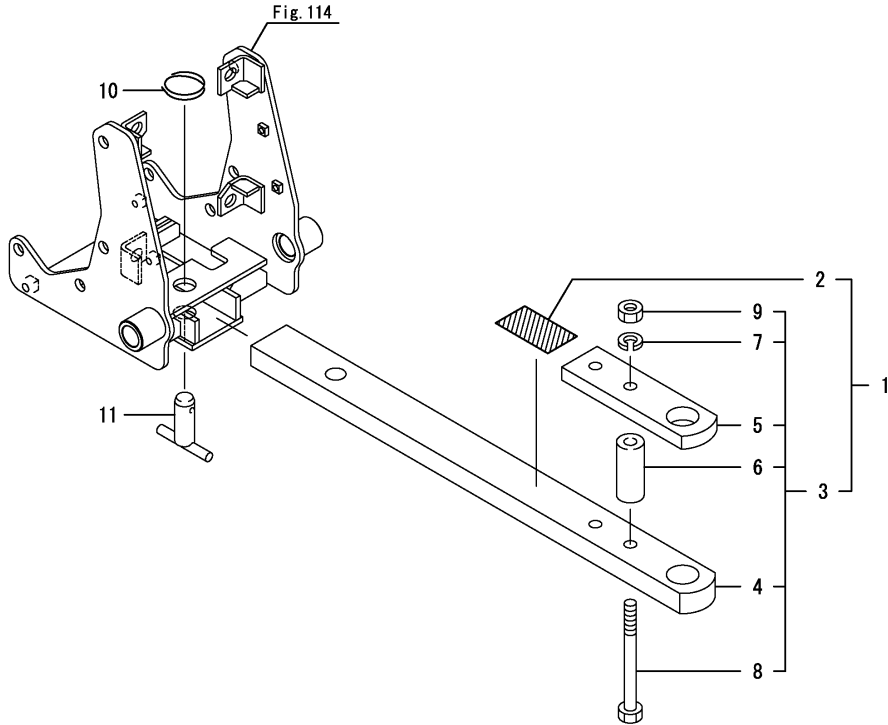


Fig.115. DRAWBAR HITCH

(A)=GK200R-B  
(B)=  
(C)=

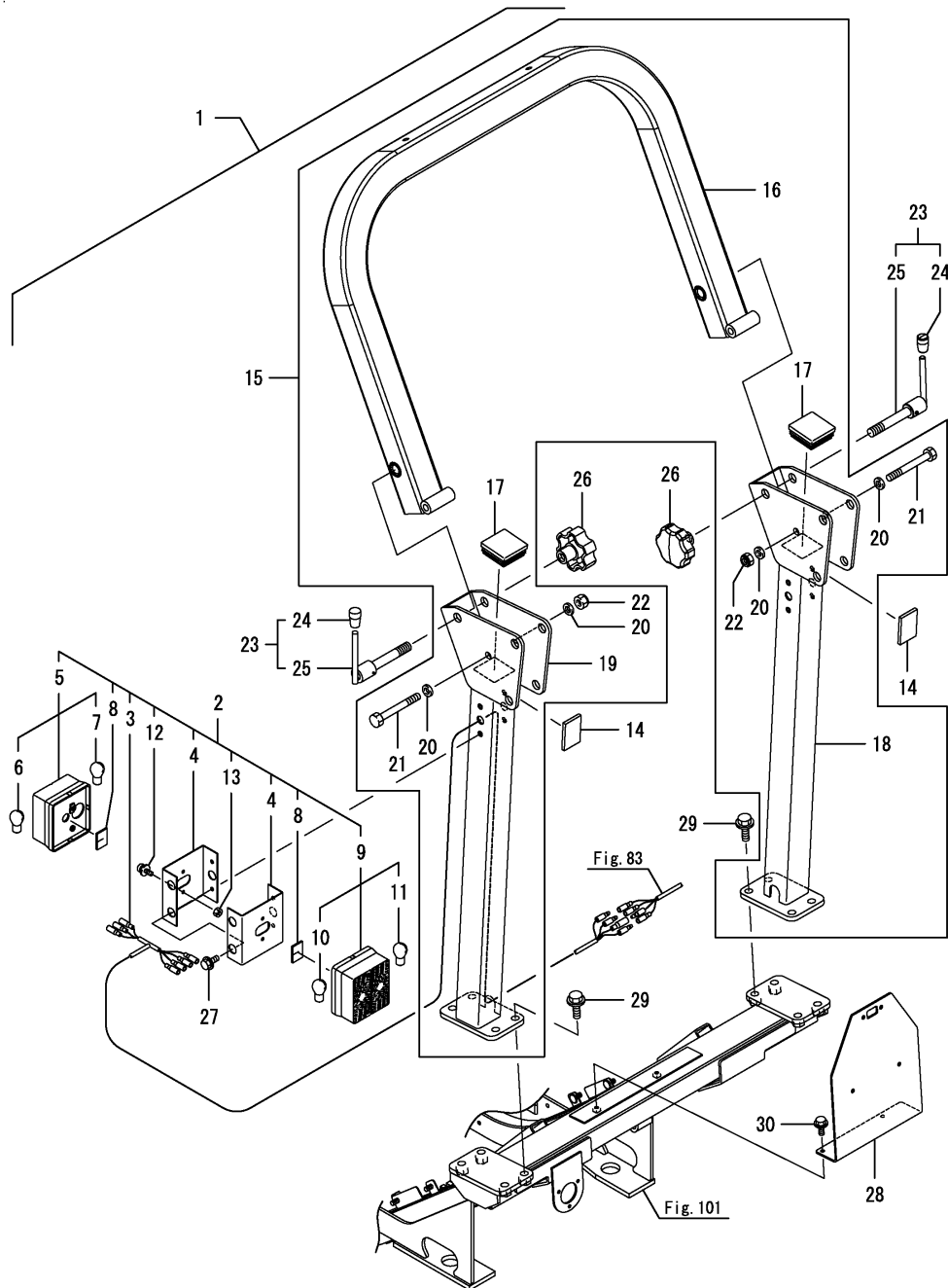
(D)=  
(E)=  
(F)=



No.	Lev.	Parts No.	Description	Q'ty						I	R
				(A)	(B)	(C)	(D)	(E)	(F)		
1	1	198173-75100-2	HITCH KIT, DRAWBAR	1							
2	2	198173-65210	LABEL; DRAWBAR	1							
3	2	198165-75200-2	DRAWBAR ASSY	1							
4	3	198165-75210	DRAWBAR	1							
5	3	198165-75250-3	PLATE, CLEVIS	1							
6	3	198165-75260-3	SPACER, CLEVIS	2							
7	3	22217-120000	WASHER, SPRING 12	2							
8	3	26116-121302	BOLT, M12X130 PLATED	2							
9	3	26716-120002	NUT, M12	2							
10	1	194145-75250	RING, STOPPER	1							
11	1	198165-75720	PIN, DRAWBAR	1							



Fig.116. ROPS



(A)=GK200R-B

(B)=

(C)=

(D)=

(E)=

(F)=

No.	Lev.	Parts No.	Description	Q'ty						I	R
				(A)	(B)	(C)	(D)	(E)	(F)		
1	1	1A7874-85050	ROPS, KIT	1							
2	2	1A7874-53300	LAMP, CONBINATION	2							
3	3	198163-51520	HARNES, WIRE RE	2							
4	3	198163-53230	BRACKET, LAMP	4							
5	3	198163-53310	LAMP, F COMBINATION	2							
6	4	1A7100-53220	BULB, 12VP21W	2							
7	4	1A7100-53230	BULB, 12VR5W	2							
8	3	1A7874-53310	SEAL, 30X25X2	4							
9	3	198163-53330	LAMP ASSY, COMBI. R	2							
10	4	1A7100-53220	BULB, 12VP21W	2							
11	4	198163-53350	BULB, 12V5W21W	2							
12	3	26023-050122	SCREW, M5X12	8							
13	3	26716-050002	NUT, M5	8							
14	2	194190-61761	RUBBER, CUSHION	2							
15	2	1A7874-85060	ROPS ASSY, UPPER	1							
16	3	1A7874-85560	UPPERFRAME ASY, U	1							
17	3	198163-85640	CAP, ROPS	2							
18	3	1A7874-85810	FRAME M ASSY,UPPER R	1							
19	3	1A7874-85850	FRAME ASSY, UPPER L	1							
20	3	22137-120000	WASHER, 12	4							
21	3	26076-121002	BOLT, 10.912X100	2							
22	3	26346-120002	NUT, M12	2							
23	2	198163-85410	HANDLE SET, ROPS	2							
24	3	194150-01190	KNOB, THROTTLE LEVER	2							
25	3	198163-85620	HANDLE ASSY, ROPS	2							
26	2	198163-85630	KNOB, M16	2							
27	2	26106-060162	BOLT, M6X 16 PLATED	4							
28	1	1A7874-85680	PLATE, NUMBER PLATE	1							
29	1	198165-85970	BOLT, M12X35	8							
30	1	26106-060162	BOLT, M6X 16 PLATED	2							

Fig.117. FLOOR MOUNT

(A)=GK200R-B  
(B)=  
(C)=

(D)=  
(E)=  
(F)=

No.	Lev.	Parts No.	Description	Q'ty						I	R
				(A)	(B)	(C)	(D)	(E)	(F)		
1	1	1A7874-85210	STAY ASSY, MOUNT L	1							
2	1	1A7874-85220	STAY ASSY, MOUNT R	1							
3	1	1A7870-85271	PLATE ASSY	2							
4	1	198165-85950	BOLT, M12X130	8							

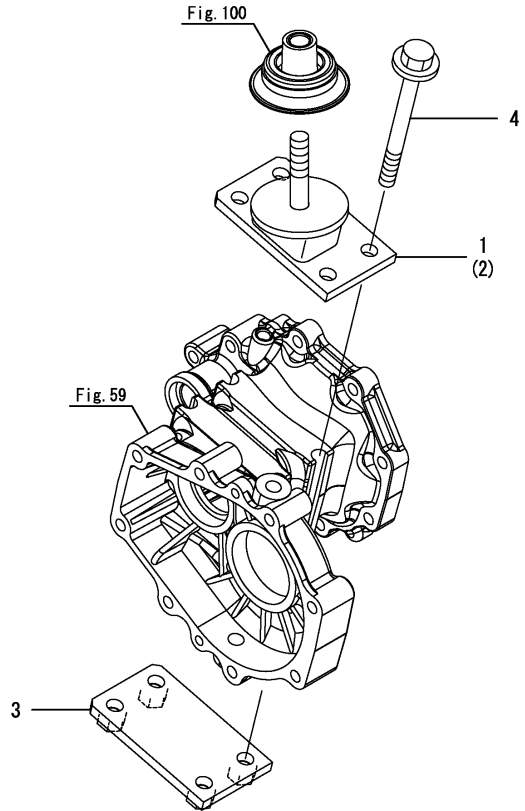


Fig.118. DOCUMENT

(A)=GK200R-B  
(B)=  
(C)=

(D)=  
(E)=  
(F)=

No.	Lev.	Parts No.	Description	Q'ty						I	R
				(A)	(B)	(C)	(D)	(E)	(F)		
1	1	0A041-EN0240	OPERATION MANUAL	1							
2	1	0A041-PT0240	OPERATION MANUAL	1							

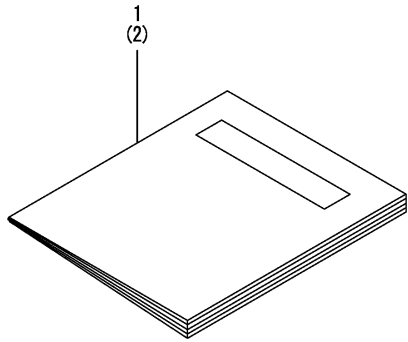
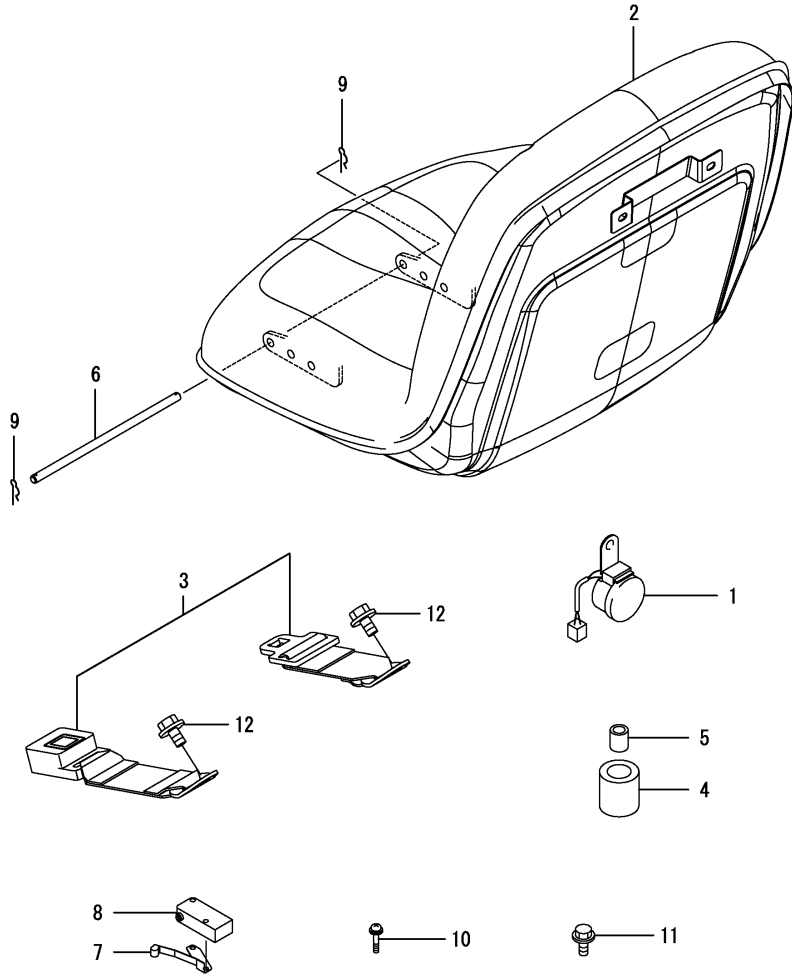


Fig.119. REMODEL

(A)=GK200R-B  
(B)=  
(C)=

(D)=  
(E)=  
(F)=



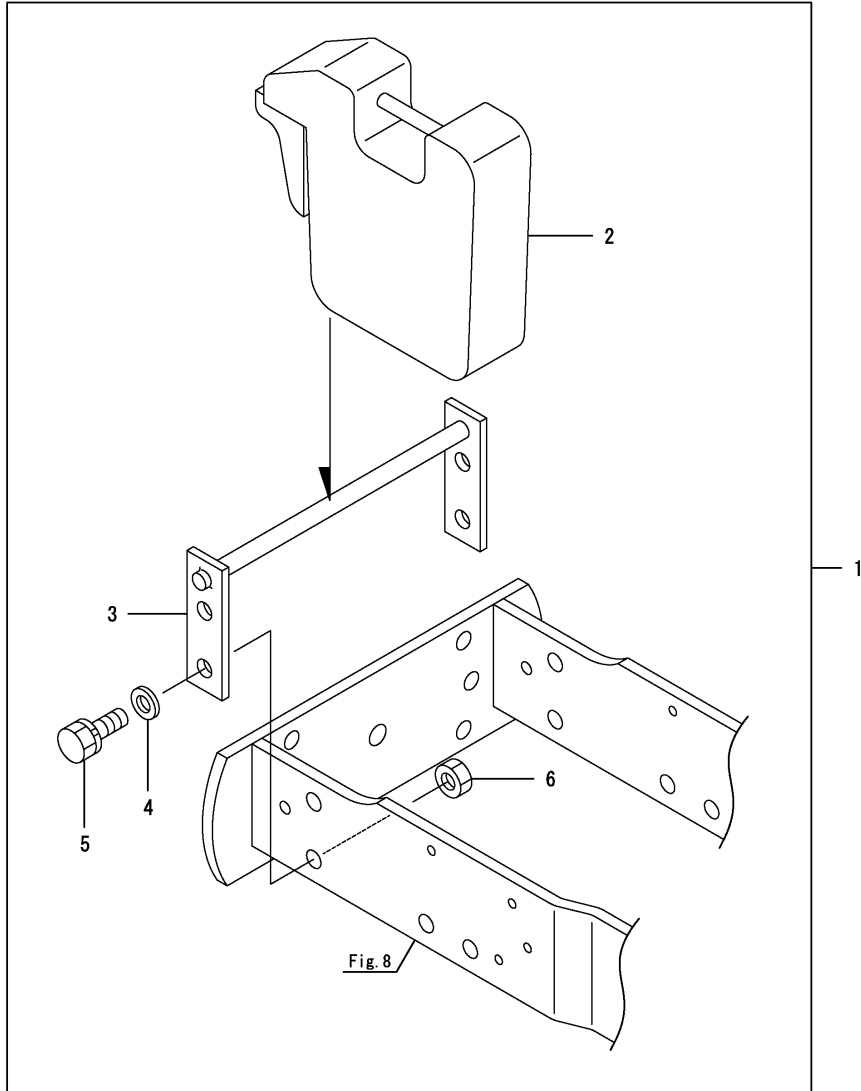
No.	Lev.	Parts No.	Description	Q'ty						I	R
				(A)	(B)	(C)	(D)	(E)	(F)		
1	1	198071-57110	BUZZER, BACK	1							
2	1	1A7870-63010	SEAT ASSY, OPERATOR	1							
3	1	1A6750-63050	BELT, SEAT	1							
4	1	194151-63240	RUBBER, CUSHION	2							
5	1	194151-63250	COLLAR, CUSHION	2							
6	1	198425-63270	PIN, 8X190	1							
7	1	1E8255-81180	LEVER, ROLLER NV	1							
8	1	1E8915-81450	SWITCH, MICRO	1							
9	1	22372-080000	PIN, SNAP 8	2							
10	1	26023-030162	SCREW, M3X16	2							
11	1	26106-080162	BOLT, M8X 16 PLATED	4							
12	1	26106-100202	BOLT, M10X 20 PLATED	2							

Fig.120. FRONT WEIGHT

(A)=GK200R-B  
(B)=  
(C)=

(D)=  
(E)=  
(F)=

No.	Lev.	Parts No.	Description	Q'ty						I	R
				(A)	(B)	(C)	(D)	(E)	(F)		
1	1	198163-81150	WEIGHT KIT, FRONT	1							
2	2	1TS100-01001	FRONT WEIGHT 20	1							
3	2	198163-81160	STOPPER ASSY, WEIGHT	1							
4	2	22137-120000	WASHER, 12	4							
5	2	26013-120302	BOLT, M12X 30	4							
6	2	26716-120002	NUT, M12	4							



## Parts No. Index

Parts No.	Fig. No.	Ref. No.
0A041-EN0240	118	1
0A041-PT0240	118	2
101720-55750	6	15
102103-55520	6	10
104200-55321	6	6
104200-55330	6	7
104200-55341	6	8
104200-55750	6	16
105027-12580	1	6
110250-55610	6	11
114270-59010	7	3
119233-12700	1	8
119255-44660	2	21
119655-12560	1	4
119686-12570	1	5
119802-55801	6	20
119808-12540	1	3
119853-44570	2	2
119953-55600	6	4
121250-49160	2	4
121257-55720	6	12
121257-55731	6	13
124064-55510	6	9
124295-49700	82	14
124550-77030	85	14
124701-91140	93	6
129052-13550	2	16
129107-44590	2	3
129263-44510	2	20
129335-55701	6	5
129335-55730	6	14
129418-12530	1	2
129612-12650	1	7
158805-85900	82	3
171081-55910	6	17
172141-76920	26	3
172512-42500	70	22
172512-42650	70	23
174845-27700	51	4
	81	1
175022-49730	2	22
		23
192180-26481	71	1
194080-37781	68	18
194145-75250	115	10
194150-01190	116	24
194150-45320	79	1
194151-36670	19	5
194151-42832	72	10
194151-47760	80	28

Parts No.	Fig. No.	Ref. No.
194151-63240	119	4
194151-63250	119	5
194180-46320	78	2
194180-47440	80	22
194180-51640	72	17
194190-61761	116	14
194191-28540	42	11
194195-45620	77	3
194195-45640	77	5
194195-45650	77	6
194195-46260	77	8
194197-27681	45	6
	48	16
	54	1
194197-44610-1	75	7
194200-34750	66	2
194201-11230	28	1
194205-42280-1	72	8
194205-63550	102	2
194208-47450	80	23
194208-47510	80	4
194208-47530	80	27
194215-12340	10	3
194215-12341	25	1
194215-21701	31	1
194215-22210	32	2
194215-22220	32	3
194215-22230	32	4
194215-24970	38	2
194215-47840	34	10
	80	32
194215-58120	86	3
194240-65441	105	2
194300-21460	28	3
194300-22160	33	3
194300-22240	32	5
194300-22910	33	4
194300-31560	57	6
194300-31570	57	7
194300-31620	57	8
194300-37570	68	11
	98	6
194305-24310	39	1
194305-25160	40	3
194306-13140	40	1
	41	1
	43	1
194310-21210	80	31
194310-25100	32	6
	42	1

Parts No.	Fig. No.	Ref. No.
194310-46350	72	13
194310-46380	72	14
194310-46730-1	72	15
194310-47790	80	29
194312-46630-1	78	4
194312-46750	35	4
194312-46750-1	72	16
194330-62530	99	6
194420-61640	90	6
	95	25
		26
		27
		28
194427-11270	100	1
194440-51620	99	1
194440-51630	2	24
	95	4
	98	9
194447-13490	15	1
194447-13640	64	1
194447-13650	59	1
194447-13860	11	2
194448-61620	98	10
194515-25180	42	2
194516-13770	16	9
194516-13780	16	10
194550-47910	80	34
194555-47340-1	80	14
194555-47350-1	80	16
194555-65130	95	31
194555-77910	35	5
194630-43230	72	12
194640-46410	79	5
194640-46420	79	6
194640-46620	78	3
194670-25370	17	2
194680-51670	2	25
	83	10
	85	11
		12
		13
194740-00160	3	1
194740-00322	34	1
	68	13
194820-27370	46	6
194850-13660	15	3
194850-25760	43	3
194850-42180	72	6
194850-42190	72	7
194850-45700	77	7

Parts No.	Fig. No.	Ref. No.
194850-49230	77	9
194855-24150	43	2
194855-25290	39	7
194856-25330	40	12
	41	2
194856-25340	40	13
194859-34150	39	8
194940-65590	95	32
194990-20170	34	2
	46	4
	68	14
194990-22050	80	1
194990-22130	4	5
	46	1
	85	1
	86	1
	88	2
		3
		4
	95	1
		2
	98	3
194990-22140	2	17
		18
		19
	6	3
	8	5
	48	1
	51	1
	70	1
	82	1
	85	2
	95	3
	98	4
		5
	100	2
	104	2
195734-22830	55	1
197810-83220	89	7
198071-01160	4	1
198071-37510	34	9
	68	8
198071-57110	119	1
198071-61890	95	30
	96	7
	97	7
198071-62900	100	3
198071-65610	95	33
198072-60590	96	1
		2

## Parts No. Index

Parts No.	Fig. No.	Ref. No.
198072-60590	96	3
198075-18311	47	1
198093-84810	93	5
198133-22510	34	7
	68	2
198133-22530	34	8
	68	3
198133-27820	47	9
198153-51700	85	6
198162-00720	2	5
198162-52110	89	1
198162-52150	89	4
198163-24141	35	2
198163-25111	39	2
198163-25221	40	5
198163-25250	40	8
198163-25280	39	6
198163-25740	41	5
198163-25750	41	6
198163-26121	42	4
198163-26190	42	8
198163-26410	42	10
	53	1
198163-27540	51	2
198163-27560	51	3
198163-27711	50	4
198163-27720	50	6
198163-27781	50	9
198163-27840	51	6
198163-27910	51	7
198163-42810	72	9
198163-43310	74	1
198163-45610	77	2
198163-47080	80	3
198163-47800	80	30
198163-48280	82	11
198163-51520	116	3
198163-52110	88	7
198163-52120	88	8
198163-52150	88	6
198163-53070	95	5
198163-53230	116	4
198163-53310	116	5
198163-53330	116	9
198163-53350	116	11
198163-65301	109	1
198163-65930	109	5
198163-65950	109	6
198163-75013	114	1
198163-81150	120	1

Parts No.	Fig. No.	Ref. No.
198163-81160	120	3
198163-85410	116	23
198163-85620	116	25
198163-85630	116	26
198163-85640	116	17
198164-13770	16	5
198164-14620	20	1
198164-15780	23	4
198164-24510	36	3
198164-25150	39	4
198164-25210	40	4
198164-25230	40	6
198164-25770	41	7
198164-25790	41	8
198164-25800	41	9
198164-26140	42	5
198164-26370	43	5
198164-27150	48	8
198164-33410	62	1
198164-33420	62	2
198164-33510	63	1
198165-04140	5	5
198165-04380	5	11
		12
198165-11500	9	1
198165-11510	9	2
198165-11540	9	3
198165-13101	12	1
198165-13120	11	1
198165-13511	14	1
198165-13521	14	2
198165-13532	14	3
	17	1
198165-13620-2	15	4
198165-13631-1	15	5
198165-13730-2	16	2
198165-13740-2	16	3
198165-13750	16	8
198165-13815	16	12
198165-13841	16	7
198165-13910	18	1
198165-13920	18	2
198165-14120	19	2
198165-14140	19	4
198165-14620	20	2
198165-14630	20	3
198165-21450	30	1
198165-24330	36	2
198165-24440	15	6
	16	16

Parts No.	Fig. No.	Ref. No.
198165-24490	15	7
	16	17
198165-26270	42	9
198165-32311	58	1
198165-32610-1	59	2
198165-32620-1	59	3
198165-36180	70	9
198165-36190	70	10
198165-42120	72	5
198165-48122	82	5
198165-51421	85	10
198165-75200-2	115	3
198165-75210	115	4
198165-75250-3	115	5
198165-75260-3	115	6
198165-75720	115	11
198165-85950	117	4
198165-85970	116	29
198173-65210	115	2
198173-75100-2	115	1
198200-01210	4	2
198200-01260	3	5
198200-01300	4	3
198200-01440	2	9
198200-04031	5	1
198200-04040	5	2
198200-04061	5	4
198200-17820	27	3
198200-17910	27	4
198200-18350	47	2
198200-18370	47	4
198200-27911	51	8
198200-37240	68	5
198200-47810	81	4
198200-56630	5	9
198200-60720	2	26
198200-60760	2	27
198200-60950	2	28
198200-62910	100	4
198200-62970	100	5
198200-62990	100	6
198220-15770	23	3
198220-45340	77	1
198220-45350	79	2
198220-45370	79	3
198220-45630-1	77	4
198220-46400	79	4
198220-48140	82	6
198220-51340	8	6
198223-52151	89	5

Parts No.	Fig. No.	Ref. No.
198230-61960	2	31
198253-01190	3	4
198273-18360	47	3
198273-28521	55	3
198280-53750	92	4
198280-62260	91	1
198280-62270	91	2
198280-65610	110	1
198290-26860	44	1
198290-32750	59	7
198360-52320	89	2
198360-52330	89	3
198360-55630	4	6
198421-04430	5	7
198421-13221	12	2
198421-13240	12	4
198421-14630	20	4
198421-22110	32	1
198421-22152	33	2
198421-22440	34	4
198421-24910	38	1
198421-25250	40	9
198421-25800	41	10
198421-25810	41	11
198421-25820	41	13
198421-26380	43	6
198421-27110	45	2
	48	4
	50	1
198421-27160	48	9
198421-27171	48	10
198421-27180	48	11
198421-27200	48	13
198421-27521	45	3
198421-31510	57	2
198421-31530	57	4
198421-31550	57	5
198421-32320	58	2
198421-32330	58	3
198421-32340	58	4
198421-32630	59	4
198421-32660	59	6
198421-33110	60	1
198421-33120	60	2
198421-33140	60	4
198421-33150	61	1
198421-33170	60	5
198421-34110	64	2
198421-37511	68	9
198421-37550	68	10

## Parts No. Index

Parts No.	Fig. No.	Ref. No.
198421-42102	72	1
198421-43410	75	1
198421-44110	75	2
198421-44211	75	3
198421-44230	75	4
198421-44250	75	5
198421-44410	75	6
198421-46302	78	1
198421-48240	82	9
198421-61620	98	11
198421-62410	49	4
198421-72620	25	10
198425-22450	34	5
198425-22480	34	6
198425-24110	35	1
198425-27290	48	15
198425-32640-1	59	5
198425-34730	66	1
198425-42220	73	1
198425-63270	119	6
198431-44510	80	2
198431-47320	80	12
198431-47330	80	13
198431-47340	80	15
198431-47350	80	17
198431-47390	80	18
198431-47401	80	19
198431-47420	80	20
198431-47430	80	21
198431-47470	80	24
198431-47480	80	25
198431-47520	80	26
198431-47750	98	7
198431-47760	98	8
198431-47870	80	33
198435-16230	9	4
198435-24290	37	1
198435-25130	39	3
198435-25240	40	7
198435-25280	40	10
198435-25310	40	11
198435-25720	41	3
198435-25730	41	4
198435-25810	41	12
198435-27142	48	7
198435-27260	48	14
198435-27551	45	5
198435-27700	50	3
198435-27740	50	7
198435-45101	76	1

Parts No.	Fig. No.	Ref. No.
198448-51460	82	15
198448-56150	93	4
198535-52110	83	5
198535-52130	83	6
198535-52140	83	7
1A1040-26320	48	2
1A1040-36010	66	3
1A1040-36040	66	4
1A1380-55310	90	3
1A6150-91251	109	7
1A6150-93151	109	8
1A6401-29150	82	2
1A6640-65511	105	3
1A6640-65530	106	2
1A6641-12311	10	1
1A6641-13600-1	15	2
1A6641-13780-1	16	11
1A6641-13830-1	16	13
1A6750-61830	2	30
	95	29
1A6750-62610	99	8
1A6750-63050	119	3
1A6780-13700-1	16	6
1A6780-13890	16	15
1A6780-14110	19	1
1A6780-14131	19	3
1A6780-31500	57	1
1A6780-31520	57	3
1A7000-52820	85	8
1A7030-52810	85	7
1A7050-13230	12	3
1A7100-53100	95	6
1A7100-53130	95	7
1A7100-53140	95	8
1A7100-53220	116	6
		10
1A7100-53230	116	7
1A7100-53400	92	2
1A7100-53420	92	3
1A7100-64110	104	1
1A7180-04180	5	6
1A7180-61250	2	29
1A7260-27680	47	8
1A7335-52120	88	5
1A7335-71250	112	4
1A7400-02950	98	1
1A7450-52210	88	9
1A7450-52230	88	10
1A7500-00811	2	6
1A7500-00821	2	7

Parts No.	Fig. No.	Ref. No.
1A7500-51130	83	2
1A7500-51160	83	4
	85	4
1A7500-61480	95	23
1A7500-71112	112	2
1A7500-71120	112	9
1A7500-71130	112	10
1A7500-71200	112	3
1A7500-71251	112	5
1A7500-71271	112	6
1A7500-71291	112	7
1A7500-72160	112	12
		18
1A7500-73110	112	27
1A7500-74640	112	31
1A7500-74661	112	33
1A7500-74670	112	34
1A7500-74680	112	35
1A7510-56110	93	3
1A7510-57200	88	13
1A7531-11350	16	1
1A7531-36310	67	2
1A7531-36320	67	3
1A7531-36380	67	5
1A7531-36410	67	6
1A7531-52420	83	8
1A7542-24980	38	3
1A7550-08811	98	2
1A7720-13760	16	4
1A7720-17811	27	1
1A7720-24320	36	1
1A7720-26180	42	7
1A7720-27120	48	5
1A7720-27130	48	6
1A7720-27190	48	12
1A7720-27240	49	1
1A7720-28141	52	2
1A7720-28261	53	3
1A7720-28310	54	2
1A7720-28350	54	4
1A7720-28650	55	6
1A7720-28960	55	7
1A7720-31300	56	1
1A7740-28540	55	4
1A7740-65720	105	5
1A7780-14310	65	2
		5
1A7780-17570	25	6
1A7870-01111	3	2
1A7870-01150	3	3

Parts No.	Fig. No.	Ref. No.
1A7870-01170	93	1
1A7870-01410	2	8
1A7870-01511	2	10
1A7870-03111	2	11
1A7870-04101	5	3
1A7870-04270	5	10
1A7870-04410	6	2
1A7870-04450	7	1
1A7870-06010	2	13
1A7870-06160	2	14
1A7870-06200	2	15
1A7870-14730	21	3
		6
1A7870-17302	24	1
1A7870-17541	25	2
1A7870-17550	25	5
1A7870-17620	25	7
1A7870-17631	25	8
1A7870-17641	25	9
1A7870-17810	27	2
1A7870-17820	26	1
1A7870-17950	27	5
1A7870-21411	28	2
1A7870-22410	34	3
1A7870-24910	35	3
1A7870-26060	42	3
1A7870-26080	43	4
1A7870-27050	47	5
1A7870-27091	45	1
1A7870-27100	48	3
1A7870-27200	46	2
1A7870-27210	46	5
1A7870-27220	46	8
1A7870-27260	47	6
1A7870-27270	49	2
1A7870-27360	49	3
1A7870-27500	50	2
1A7870-27530	45	4
1A7870-27601	47	7
1A7870-27710	50	5
1A7870-27750	51	5
1A7870-27760	50	8
1A7870-27930	46	9
1A7870-27990	48	17
1A7870-28110	52	1
1A7870-28210	53	2
1A7870-28320	54	3
1A7870-28340	53	5
1A7870-28500	55	2
1A7870-33130	60	3



## Parts No. Index

Parts No.	Fig. No.	Ref. No.
1A7870-34730	65	3
		6
1A7870-37300	68	6
1A7870-47170	80	7
1A7870-47221	80	8
1A7870-47280	80	10
1A7870-47290	80	11
1A7870-47550	81	3
1A7870-48220	82	8
1A7870-48340	82	12
1A7870-48500	82	13
1A7870-51600	86	2
1A7870-52950	88	11
		12
1A7870-53300	90	1
1A7870-56600	5	8
1A7870-60750	95	10
1A7870-60960	95	11
1A7870-60970	95	12
1A7870-61060	90	4
1A7870-61090	95	15
1A7870-61201	95	16
1A7870-61480	95	24
1A7870-61600	97	5
1A7870-61710	96	5
1A7870-61750	96	6
1A7870-61810	97	6
1A7870-62050	99	2
1A7870-62250	98	14
1A7870-62270	88	16
1A7870-62300	98	15
1A7870-62400	99	3
1A7870-62510	99	5
1A7870-63010	119	2
1A7870-85271	117	3
1A7874-00600	2	1
1A7874-05500	2	12
1A7874-06100	1	1
1A7874-11130	8	1
1A7874-11200	8	2
1A7874-11300	8	3
1A7874-11350	8	4
1A7874-14700	21	1
1A7874-14720	21	2
		5
1A7874-14800	21	4
1A7874-25200	39	5
1A7874-26170	42	6
1A7874-34800	65	1
1A7874-34850	65	4

Parts No.	Fig. No.	Ref. No.
1A7874-36050	67	1
1A7874-36090	70	2
1A7874-36100	70	3
1A7874-36110	70	4
1A7874-36210	70	5
1A7874-36250	70	6
1A7874-36330	67	4
1A7874-36430	67	7
1A7874-36510	70	11
1A7874-36550	70	12
1A7874-36580	70	13
		14
1A7874-36590	70	15
		16
1A7874-36610	70	17
1A7874-36620	70	18
1A7874-36710	70	20
1A7874-36770	70	21
1A7874-36780	71	2
1A7874-36790	71	3
1A7874-37400	68	7
1A7874-37770	68	12
1A7874-37780	68	15
1A7874-37800	68	16
1A7874-42850	72	11
1A7874-47130	80	6
1A7874-51110	83	1
1A7874-51170	85	3
1A7874-51410	85	5
1A7874-52200	95	9
1A7874-53300	116	2
1A7874-53310	116	8
1A7874-56010	93	2
1A7874-58110	88	14
1A7874-58120	88	15
1A7874-61020	95	13
1A7874-61030	95	14
1A7874-61250	95	17
1A7874-61300	95	18
1A7874-61350	95	20
1A7874-61410	95	21
	97	2
1A7874-61450	95	22
1A7874-61520	97	3
1A7874-61530	97	4
1A7874-61640	96	4
1A7874-62330	98	16
1A7874-62410	99	4
1A7874-62530	99	7
1A7874-62590	101	1

Parts No.	Fig. No.	Ref. No.
1A7874-63100	102	6
1A7874-63110	102	1
1A7874-63560	102	3
1A7874-64120	104	3
1A7874-65010	105	1
1A7874-65310	107	1
1A7874-65320	107	2
1A7874-65360	109	2
1A7874-65400	109	3
1A7874-65470	106	1
1A7874-65650	105	4
1A7874-65660	106	3
1A7874-65670	106	4
1A7874-65680	106	5
1A7874-65770	85	9
1A7874-65780	83	9
1A7874-65860	106	6
1A7874-65920	109	4
1A7874-71100	112	1
1A7874-71500	101	2
1A7874-72150	112	11
1A7874-72170	112	13
		19
1A7874-72200	112	15
1A7874-72250	112	17
1A7874-72300	112	21
1A7874-72310	112	22
1A7874-72340	112	25
1A7874-72410	112	16
		26
1A7874-72520	113	1
1A7874-72600	113	2
1A7874-73120	112	28
1A7874-74600	112	29
1A7874-74630	112	30
1A7874-74650	112	32
1A7874-75440	111	1
1A7874-85050	116	1
1A7874-85060	116	15
1A7874-85210	117	1
1A7874-85220	117	2
1A7874-85560	116	16
1A7874-85680	116	28
1A7874-85690	2	33
1A7874-85810	116	18
1A7874-85850	116	19
1A7876-13500	13	1
1A7876-28580	55	5
1A7876-48150	82	7
1A7876-48250	82	10

Parts No.	Fig. No.	Ref. No.
1A7876-62111	98	12
1A7876-62161	98	13
1A7878-04100	6	1
1A7878-04460	7	2
1A7878-51150	84	1
1A7878-51550	87	1
1A7878-63020	103	1
1A7878-63030	103	2
1A7878-65600	108	1
1A7880-53320	90	2
1A7880-61070	90	5
1A7880-71550	101	3
1A7880-72320	112	23
1A7880-72330	112	24
1A8070-61330	95	19
1A8070-63640	98	17
1A8070-63660	98	18
1A8130-16950	46	3
1A8160-46670	81	2
1A8160-51130	83	3
1A8275-72180	112	14
		20
1C6053-32020	68	4
1C6140-14050	68	1
1C6281-52320	50	10
	68	19
	80	35
		36
1C6560-13470	33	1
1C6650-37480	92	1
1C6980-04360	25	3
1C6980-04370	25	4
1C7100-08151	94	1
1C7121-42000	23	1
1C7121-42050	23	2
1D4110-13870	16	14
1E4070-14040	40	2
1E6102-83230	2	32
	85	15
		16
1E6140-56230	48	18
1E6190-54080	16	18
1E6190-54160	43	7
1E6684-79830	97	8
1E8050-05510	97	1
1E8255-81180	88	17
		18
	119	7
1E8420-55430	19	6
1E8665-05100	88	1

## Parts No. Index

Parts No.	Fig. No.	Ref. No.
1E8915-81450	88	20
		21
1E8940-81300	88	119 8
		19
1E9256-82600	88	22
		23
		24
		25
		26
		27
		120 2
		4 4
		78 5
		46 10
22137-060000	34	11
		35 6
		50 11
		68 20
		70 24
		80 37
		38
		101 4
		3 6
		70 25
22137-100000	70	80 39
		116 20
		120 4
22137-160000	66	5 5
		50 12
22137-180000	27	6 6
		95 34
22157-060000	5	13
		51 9
		55 8
		98 19
		20
		100 7
		113 3
		3 7
		95 35
		46 11
22217-100000	29	1 1
		48 19
		72 18
		9 5
22217-120000	66	6 6
		115 7
		22 1
22217-140000	100	8 8

Parts No.	Fig. No.	Ref. No.
22217-160000	23	5 5
		113 4
22242-000200	11	3 3
		67 8
22242-000250	19	7 7
		13 2
22242-000360	64	3 3
		32 7
22242-000400	42	12 12
		36 4
22252-000170	15	8 8
		80 40
22252-000420	50	13 13
		68 21
22252-000520	35	7 7
		52 3
22272-000060	59	8 8
		59 9
22272-000150	59	10 10
		68 21
22272-000190	35	8 8
		16 19
22312-080180	16	19 19
		52 3
22312-080200	59	9 9
		59 10
22312-080320	35	8 8
		16 19
22312-080630	16	19 19
		45 7
22312-100180	45	7 7
		50 14
22351-035025	13	3 3
		33 5
22351-035032	33	5 5
		78 6
22351-035040	78	6 6
		57 9
22351-040012	57	9 9
		48 20
22351-040040	50	15 15
		54 5
22351-050020	54	5 5
		48 21
22351-050025	80	41 41
		80 41
22351-050040	60	6 6
		75 8
22351-060020	45	8 8
		45 9
22351-060025	45	9 9
		10 10
22351-060028	50	16 16
		79 7
22351-060032	13	4 4
		47 10
22351-060040	33	6 6
		48 22
22351-060040	70	7 7
		29 2
22351-080016	29	2 2
		31 2
22351-080020	15	9 9
		16 20

Parts No.	Fig. No.	Ref. No.
22351-080032	60	7 7
		60 8
22351-080040	16	21 21
		72 19
22351-080045	80	42 42
		95 36
22351-100025	119	9 9
		66 7
22372-080000	80	43 43
		98 21
22372-100000	34	12 12
		70 26
22417-200160	70	27 27
		47 12
22417-200200	10	4 4
		25 13
22417-250200	70	28 28
		101 5
22417-250250	80	44 44
		34 13
22417-250320	2	34 34
		68 22
22487-080160	70	29 29
		70 30
22487-080200	68	23 23
		80 45
22487-080240	41	14 14
		88 28
22512-070400	93	7 7
		98 22
22522-030130	98	23 23
		2 35
22551-050180	2	36 36
		37 37
22857-600160	20	5 5
		6 6
23000-035000	2	39 39
		82 16
23000-054000	2	40 40
		6 21
23000-070000	7	4 4
		72 20
23000-090000	82	16 16
		80 46
23010-030000	72	21 21
		2 40
23080-012000	6	21 21
		7 4
23414-140018	72	20 20
		80 46
23414-150000	72	21 21
		82 17
23414-170022	82	17 17
		6 18
23414-180023	6	18 18
		35 9
23418-060000	59	11 11
		59 11
23491-140002	82	18 18
		23857-120000

Parts No.	Fig. No.	Ref. No.
23871-010000	72	2 2
		73 2
23871-020000	72	3 3
		28 4
23876-010000	6	22 22
		2 41
23980-730250	7	5 5
		18 3
23980-730300	2	3 3
		41 15
23980-730600	7	5 5
		12 5
24101-060034	43	8 8
		62 3
24101-060044	41	16 16
		57 10
24101-060054	12	6 6
		57 11
24101-060060	64	4 4
		19 8
24101-060064	19	8 8
		11 4
24101-060074	18	4 4
		40 14
24101-060080	40	14 14
		53 6
24101-060084	62	4 4
		39 9
24101-062024	14	4 4
		64 5
24101-062034	64	5 5
		19 9
24101-062040	19	9 9
		41 17
24101-062044	41	10 10
		39 10
24101-062054	42	13 13
		16 22
24101-062060	16	22 22
		17 3
24101-062074	17	3 3
		42 14
24101-063054	42	14 14
		41 18
24104-060044	41	18 18
		42 15
24104-062044	16	23 23
		41 19
24104-063034	41	19 19
		45 11
24161-222610	45	11 11
		48 23
24161-252910	50	17 17
		67 9
24164-000452	80	47 47
		80 47
24165-000262	49	5 5
		60 9
24190-100001	77	10 10
		78 7
24311-000090	78	7 7
		79 8
24311-000110	45	12 12
		50 18
24311-000120	45	12 12
		54 6

## Parts No. Index

Parts No.	Fig. No.	Ref. No.
24311-000160	35	10
	59	12
	60	10
24311-000180	15	10
	37	2
	77	11
	79	9
24311-000200	80	48
	82	19
24311-000220	82	20
24311-000224	75	9
24311-240100	6	19
24315-000100	78	8
24315-000110	73	3
	76	2
	82	4
24315-000120	27	7
24315-000140	26	2
		4
24315-000460	74	2
24321-000500	15	11
24321-001150	15	12
24341-000315	75	10
24351-240300	35	11
24351-240400	75	11
24372-000460	74	3
24421-173007	15	13
24421-173508	53	7
24421-284008	35	12
24421-304708	16	24
24550-012060	80	9
24550-014150	25	11
24550-018120	53	4
24550-020100	70	19
24550-020150	70	8
24550-040300	72	4
24761-040000	28	5
	34	14
	68	24
24761-060000	10	2
26013-060162	55	9
26013-080122	29	3
26013-080252	38	4
26013-080702	35	13
26013-100402	59	13
		14
26013-100502	59	15
26013-100552	59	16
26013-100652	59	17
26013-120302	114	2

Parts No.	Fig. No.	Ref. No.
26013-120302	120	5
26016-060162	80	49
26016-080202	80	50
		51
26016-100352	72	22
26016-100452	72	23
26023-030162	88	29
		30
	119	10
26023-040202	95	37
26023-050122	116	12
26076-121002	116	21
26086-140252	22	2
26106-060122	2	42
		43
	88	31
		32
	94	2
	97	9
		10
26106-060162	2	44
	4	7
	82	21
	95	38
		39
		40
		41
	111	2
	116	27
		30
26106-060202	4	8
	27	8
26106-060302	82	22
26106-060352	82	23
26106-060402	82	24
26106-080122	2	45
	8	7
	44	2
	70	31
	82	25
	83	11
	85	17
		18
		19
	102	4
26106-080162	2	46
		47
		48
	5	14
	6	23

Parts No.	Fig. No.	Ref. No.
26106-080162	31	3
	45	13
	46	12
	47	13
	48	24
	49	6
	51	10
	54	7
	59	18
	69	1
		2
	70	32
	81	5
	82	26
	85	20
	98	24
		25
	99	9
		10
	102	5
		7
	113	5
	119	11
26106-080202	8	8
	29	4
	73	4
	80	52
26106-080252	2	49
	6	24
	19	10
	29	5
	35	14
	48	25
26106-080302	52	4
26106-080402	48	26
26106-080452	55	10
26106-080652	6	25
26106-080702	35	15
26106-100202	70	33
	119	12
26106-100252	8	9
	15	14
		15
	50	19
	75	12
26106-100302	29	6
26106-100352	16	25
26106-100452	16	26
26106-100502	16	27
26106-120452	72	24

Parts No.	Fig. No.	Ref. No.
26116-060354	46	13
26116-080202	41	20
26116-080304	48	27
26116-080552	80	53
26116-100122	48	28
26116-121302	115	8
26136-100162	24	2
	27	9
26156-100162	57	12
26156-120252	66	8
26226-080652	35	16
26228-080252	35	17
26228-100252	35	18
26346-080002	46	14
26346-120002	116	22
26356-100002	25	12
26366-080002	35	19
	48	29
26450-080252	76	3
26557-050352	88	33
26716-040002	95	42
26716-050002	116	13
26716-060002	86	4
	91	4
26716-080002	34	15
	46	7
	68	17
		25
	70	34
	80	5
		54
26716-100002	3	8
	29	7
		8
	72	25
	78	9
26716-120002	9	6
	115	9
	120	6
26716-140002	100	9
26736-120002	80	55
26736-160002	113	6
26776-120002	80	56
	89	6
26776-160002	23	6
29622-140001	4	9
	83	12
	85	21
29622-250001	6	26
	27	10

# Parts No. Index

Parts No.	Fig. No.	Ref. No.
29622-250001	27	11
	48	30
	83	13

Parts No.	Fig. No.	Ref. No.
-----------	----------	----------

Parts No.	Fig. No.	Ref. No.
-----------	----------	----------

Parts No.	Fig. No.	Ref. No.
-----------	----------	----------