

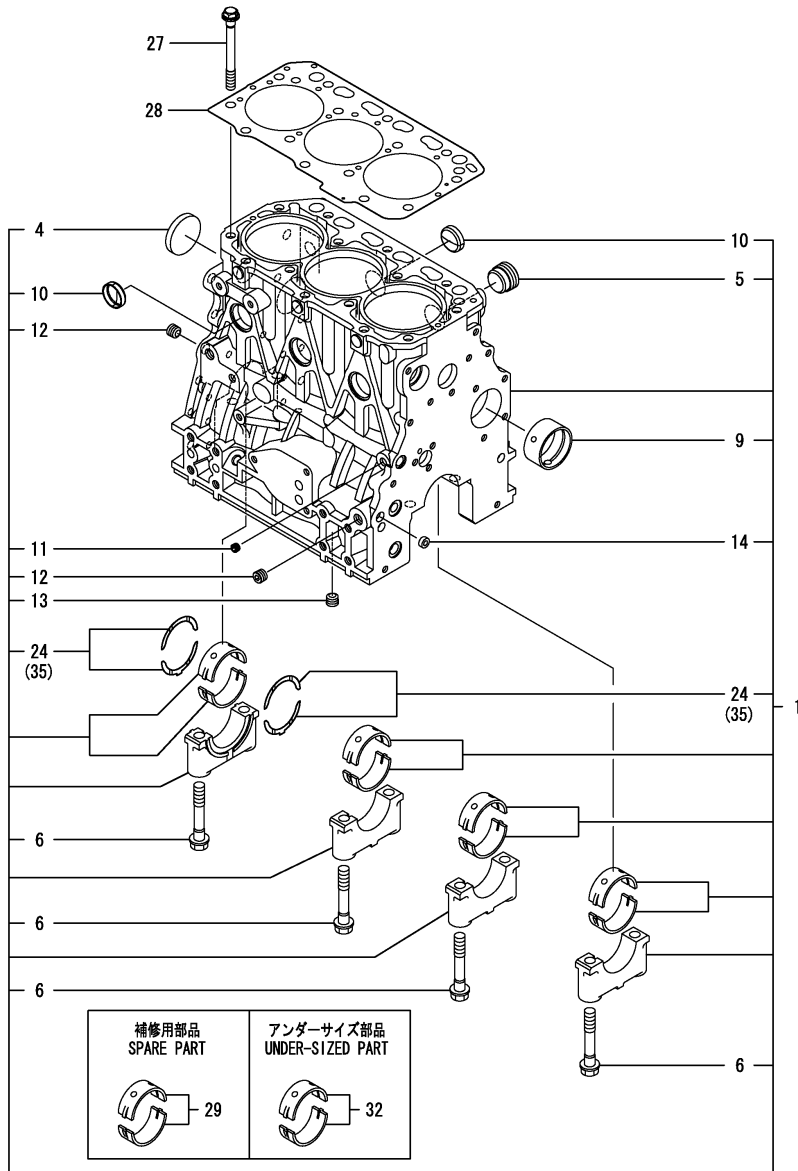
0CNP6-M02990EN

Contents

OCNP6-M02990

Fig. No.	Fig. Name	Fig. No.	Fig. Name
ENGINE			
1.	CYLINDER BLOCK		
2.	GEAR HOUSING		
3.	FLYWHEEL HOUSING & OIL SUMP		
4.	CYLINDER HEAD & BONNET		
5.	SUCTION MANIFOLD		
6.	EXHAUST MANIFOLD		
7.	DIESEL PARTICULATE FILTER(DPF)		
8.	CAMSHAFT & DRIVING GEAR		
9.	CRANKSHAFT & PISTON		
10.	CRANKSHAFT & PISTON		
11.	LUB. OIL SYSTEM		
12.	COOLING WATER SYSTEM		
13.	COOLING WATER SYSTEM		
14.	FUEL SUPPLY PUMP		
15.	FUEL INJECTION VALVE		
16.	FUEL PIPE		
17.	STARTER MOTOR		
18.	GENERATOR		
19.	GENERATOR		
20.	ELECTRONIC CONTROL UNIT(ECU)		
21.	ELECTRIC PARTS		
22.	ELECTRIC PARTS		
23.	COMPRESSOR MOUNT		

Fig.1. CYLINDER BLOCK



(A)=3TNV88C-KRNS
(B)=3TNV88C-KRNSQ
(C)=

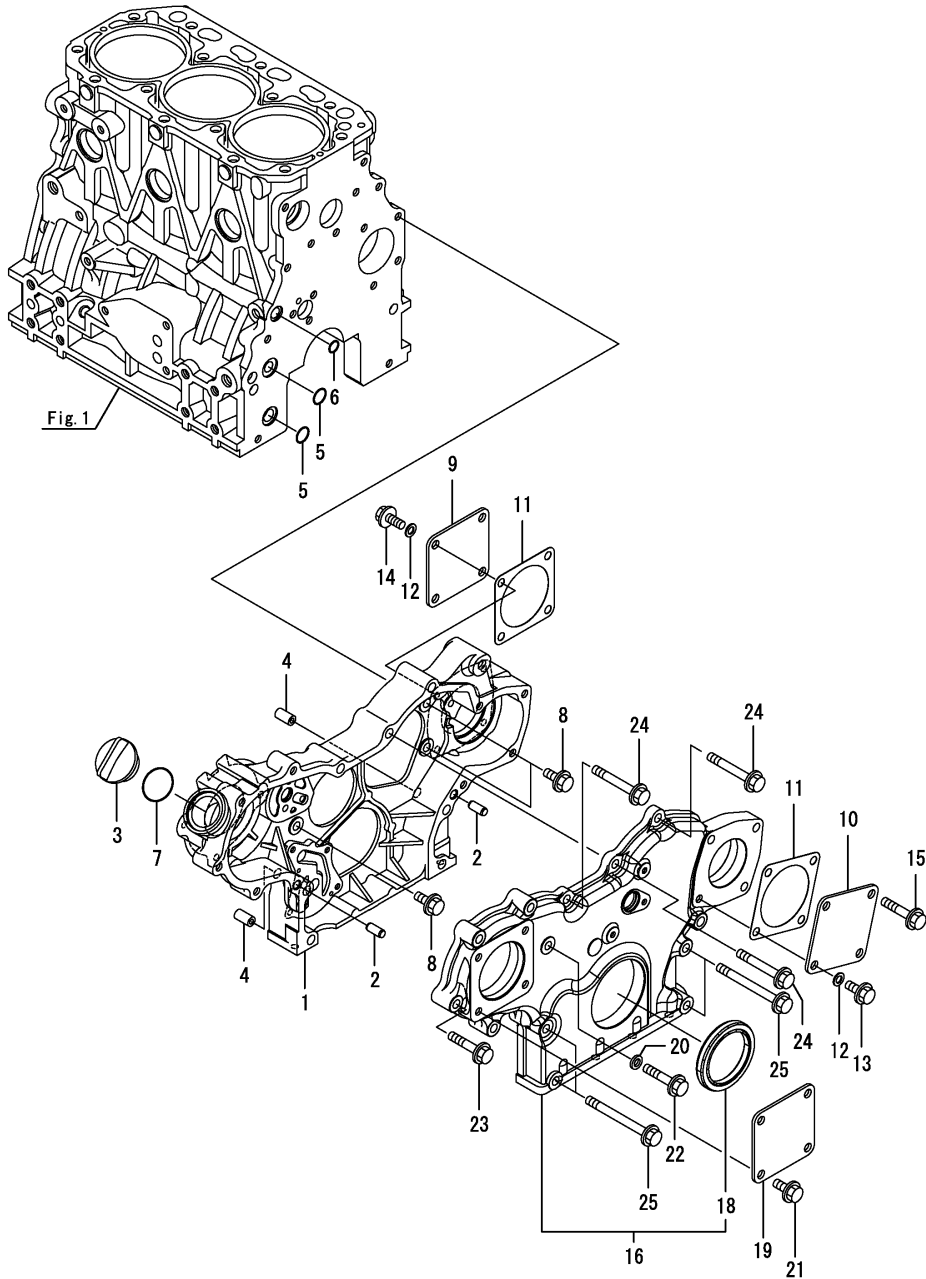
(D)=
(E)=
(F)=

No.	Lev.	Parts No.	Description	Q'ty						I	R
				(A)	(B)	(C)	(D)	(E)	(F)		
1	1	129A00-01560	BLOCK ASSY, CYLINDER	1	1						
4	2	129001-01250	PLUG, DISH TYPE 50	1	1						
5	2	171051-01921	PLUG, NPTF1	1	1						
6	2	129150-02020	BOLT, METAL CAP	8	8						
9	2	129795-02412	BUSH, CAMSHAFT	1	1						
10	2	27241-300000	PLUG 30	6	6						
11	2	124060-01050	PLUG, PT1/8	1	1						
12	2	124160-01910	PLUG, PT1/4	2	2						
13	2	124160-01910	PLUG, PT1/4	1	1						
14	2	27241-120000	PLUG, 12	1	1						
24	2	129150-02931	BEARING ASSY, THRUST	2	2						
27	1	129150-01200	BOLT, CYLINDER HEAD	14	14						
28	1	129A00-01331	GASKET ASSY, HEAD	1	1						
29	1	129001-02931	BEARING ASSY, MAIN	4	4						1
32	1	129150-02871	BEARING ASSY, MAIN	4	4						2
35	1	129150-02941	BEARING, THRUST 0.25	1	1						3

Remarks

- (1) Spare parts.
- (2) Under-sized (U.S.=0.25) parts.
- (3) Over-sized (O.S.=0.25) parts.

Fig.2. GEAR HOUSING

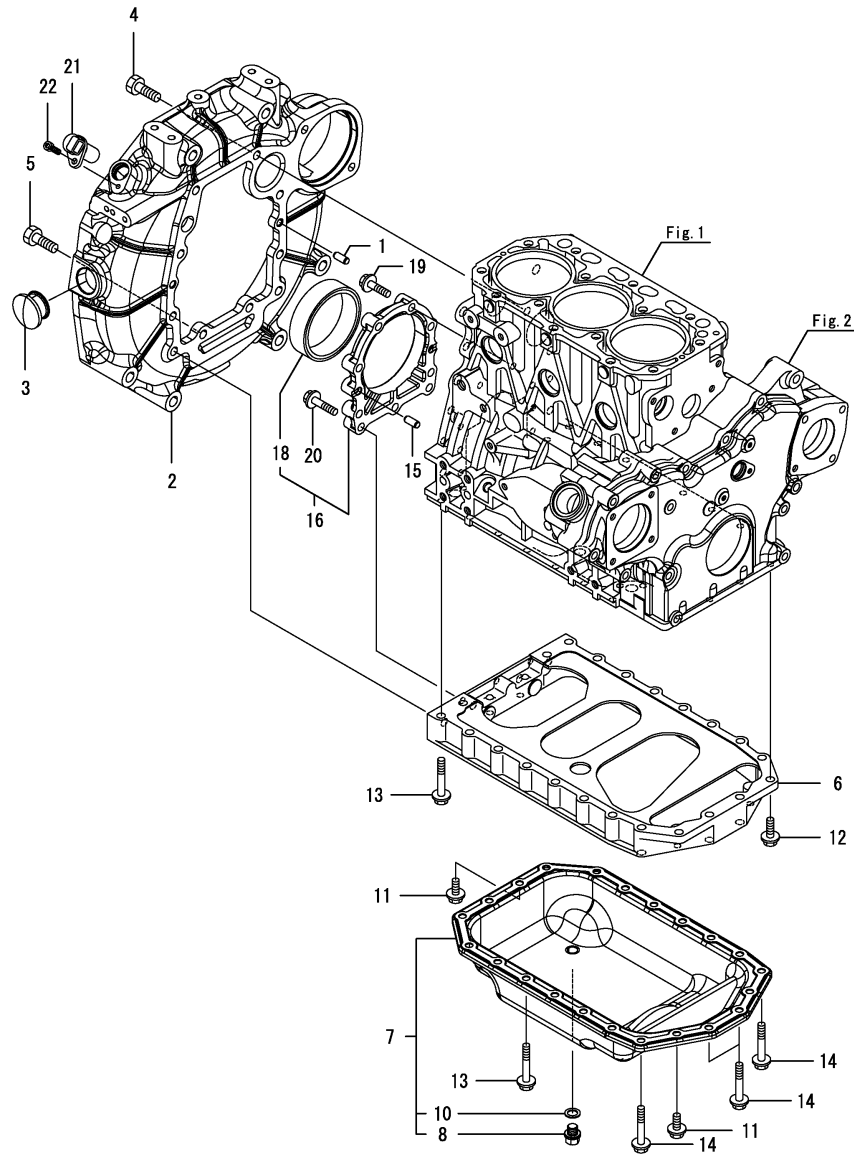


(A)=3TNV88C-KRNS
 (B)=3TNV88C-KRNSQ
 (C)=

(D)=
 (E)=
 (F)=

No.	Lev.	Parts No.	Description	Q'ty						I	R
				(A)	(B)	(C)	(D)	(E)	(F)		
1	1	129C00-01500	CASE, GEAR	1	1						
2	1	129100-01580	PIN, PARALLEL 8X16	2	2						
3	1	124160-01751	CAP, FILLER	1	1						
4	1	129795-01950	PIPE, DOWEL L=18	2	2						
5	1	119609-32040	O-RING, P16	2	2						
6	1	119624-32040	O-RING, P12.0	1	1						
7	1	24311-000320	O-RING, 1AP32.0	1	1						
8	1	26106-080162	BOLT, M8X 16 PLATED	3	3						
9	1	124240-01871	COVER, PUMP	1	1						
10	1	124240-01871	COVER, PUMP	1	1						
11	1	129C26-01890	GASKET, HO-P	2	2						
12	1	22190-080002	WASHER, SEAL 8	2	2						
13	1	26106-080142	BOLT, M8X 14 PLATED	1	1						
14	1	26106-080162	BOLT, M8X 16 PLATED	4	4						
15	1	26106-080352	BOLT, M8X 35 PLATED	3	3						
16	1	129C00-01550	COVER ASSY, GEAR CAS	1	1						
18	2	119934-01800	SEAL, OIL	1	1						
19	1	124240-01871	COVER, PUMP	1	1						
20	1	22190-080002	WASHER, SEAL 8	1	1						
21	1	26106-080162	BOLT, M8X 16 PLATED	4	4						
22	1	26106-080352	BOLT, M8X 35 PLATED	1	1						
23	1	26106-080402	BOLT, M8X 40 PLATED	5	5						
24	1	26106-080602	BOLT, M8X 60 PLATED	3	3						
25	1	26106-080852	BOLT, M8X 85 PLATED	4	4						

Fig.3. FLYWHEEL HOUSING & OIL SUMP



(A)=3TNV88C-KRNS
(B)=3TNV88C-KRNSQ
(C)=

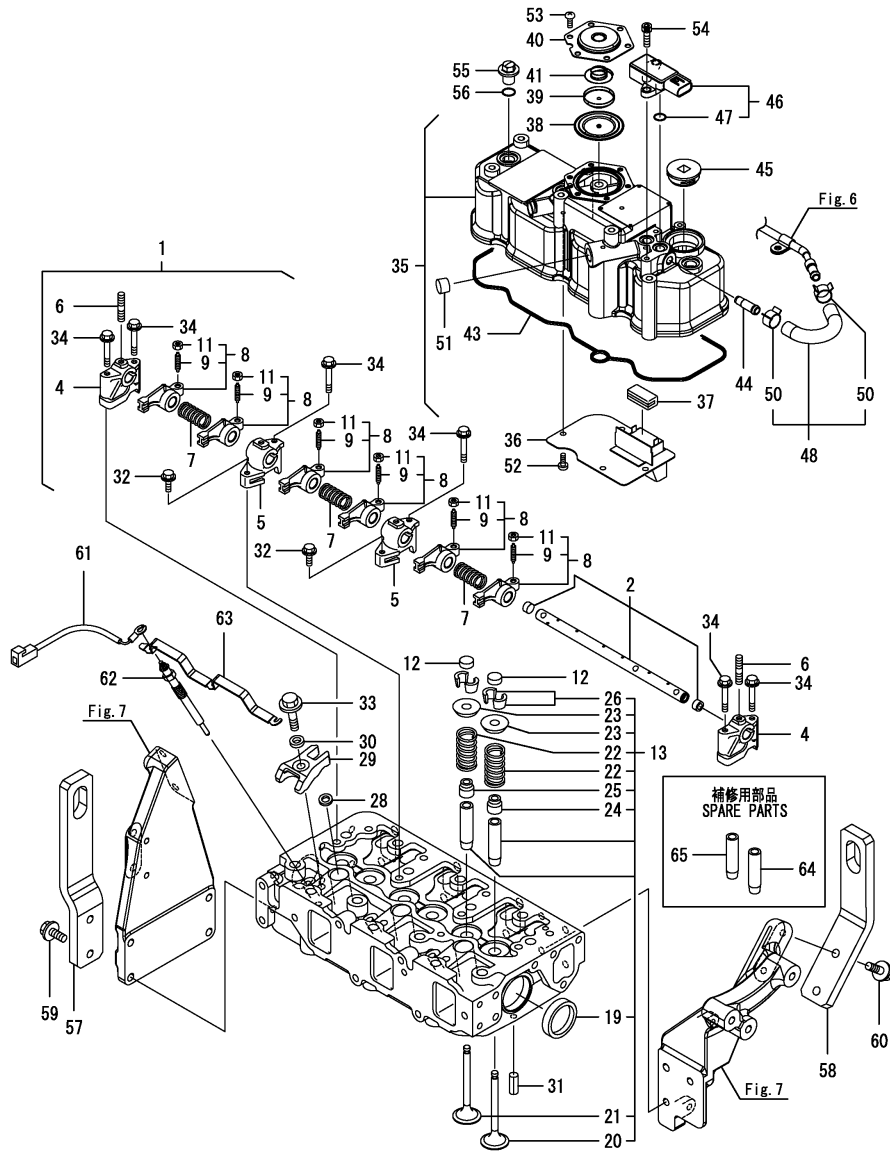
(D)=
(E)=
(F)=

No.	Lev.	Parts No.	Description	Q'ty						I	R
				(A)	(B)	(C)	(D)	(E)	(F)		
1	1	129100-01580	PIN, PARALLEL 8X16	2	2						
2	1	129A26-01620	HOUSING, FLYWHEEL	1	1						
3	1	119620-01750	CAP	1	1						
4	1	26206-100252	BOLT, M10X 25 PLATED	6	6						
5	1	26206-100302	BOLT, M10X 30 PLATED	4	4						
6	1	129100-01730	SPACER, OIL-PAN	1	1						
7	1	129055-01770	SUMP ASSY, OIL	1	1						
8	2	129054-01640	PLUG, DRAIN 12	1	1						
10	2	22190-120002	WASHER, SEAL 12	1	1						
11	1	26106-080162	BOLT, M8X 16 PLATED	4	4						
12	1	26106-080252	BOLT, M8X 25 PLATED	2	2						
13	1	26106-080452	BOLT, M8X 45 PLATED	16	16						
14	1	26106-080502	BOLT, M8X 50 PLATED	4	4						
15	1	129100-01580	PIN, PARALLEL 8X16	2	2						
16	1	129100-01640	CASE ASSY, OIL SEAL	1	1						
18	2	129795-01780	SEAL, OIL	1	1						
19	1	129486-01670	BOLT, M8X30	6	6						
20	1	26106-080352	BOLT, M8X 35 PLATED	3	3						
21	1	129A00-21710	SENSOR, FLYWHEEL REV	1	1						1
22	1	26450-060162	BOLT, M6X 16	1	1						

Remarks

(1)When replacing this part, it is necessary to update the software of the ECU using the designated service tool. Please refer to the Service Manual for details.

Fig.4. CYLINDER HEAD & BONNET



(A)=3TNV88C-KRNS
(B)=3TNV88C-KRNSQ
(C)=

(D)=
(E)=
(F)=

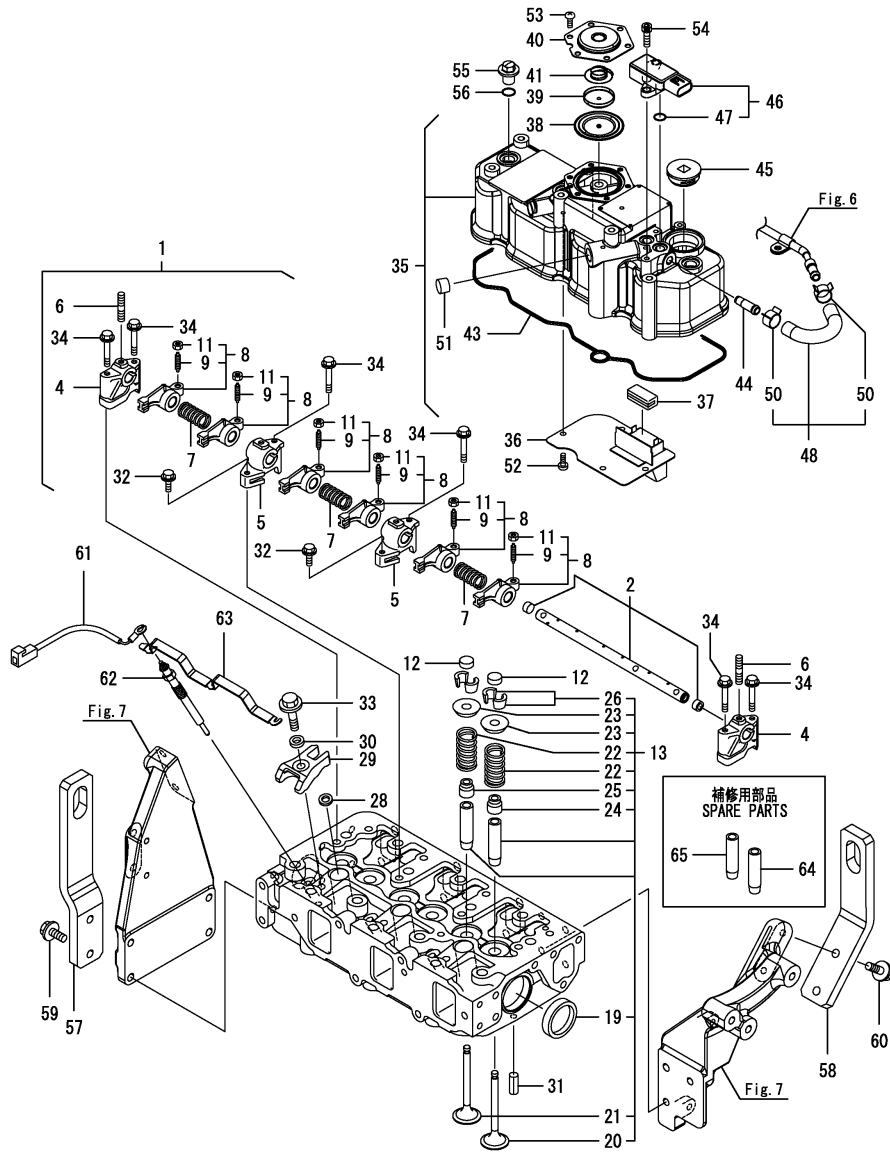
No.	Lev.	Parts No.	Description	Q'ty						I	R
				(A)	(B)	(C)	(D)	(E)	(F)		
1	1	129004-11241	SHAFT ASSY, ROCKER	1	1						
2	2	129004-11251	SHAFT, ROCKER ARM	1	1						
4	2	119802-11260	SUPPORT, ROCKER ARM	2	2						
5	2	119802-11270	SUPPORT, ROCKER ARM	2	2						
6	2	119802-11280	BOLT, STUD	3	3						
7	2	129150-11280	SPRING, ROCKER	3	3						
8	2	129004-11650	ARM ASSY, ROCKER	6	6						
9	3	129150-11230	SCREW, VALVE ADJUST	6	6						
11	3	129150-11750	NUT, M8	6	6						
12	1	129150-11370	CAP, VALVE	6	6						
13	1	129A00-11710	HEAD ASSY, CYLINDER	1	1						
19	2	27241-400000	PLUG, 40	2	2						
20	2	129005-11100	VALVE, SUCTION	3	3						
21	2	129100-11112	VALVE, EXHAUST	3	3						
22	2	129795-11120	SPRING, VALVE	6	6						
23	2	129795-11180	RETAINER, SPRING	6	6						
24	2	124460-11340	SEAL, VALVE STEM	3	3						
25	2	129A00-11340	SEAL, VALVE STEM	3	3						
26	2	27310-080001	COTTER, 8	6	6						
28	1	129978-11871	GASKET,INJECTOR	3	3						
29	1	129A00-11900	RETAINER, INJECTOR	3	3						
30	1	120270-54410	WASHER, INJECTOR	3	3						
31	1	22351-060012	PIN, SPRING 6.0X12	2	2						
32	1	26106-080252	BOLT, M8X 25 PLATED	2	2						
33	1	26106-080352	BOLT, M8X 35 PLATED	3	3						
34	1	26106-080502	BOLT, M8X 50 PLATED	6	6						
35	1	129A26-11350	BONNET ASSY	1	1						
36	2	129004-03010	PLATE, BAFFLE	1	1						
37	2	129150-03070	BAFFLE, BREATHER	1	1						
38	2	123907-03100	DIAPHRAGM	1	1						
39	2	123907-03110	PLATE	1	1						
40	2	123907-03120	PLATE, BREATHER	1	1						
41	2	123907-03140	SPRING, DIAPHRAGM	1	1						
43	2	129A00-11310	GASKET, BONNET	1	1						
44	2	129A00-11330	JOINT	1	1						
45	2	119807-11770	PLUG	1	1						
46	2	129978-12700	SENSOR,PRESSURE	1	1						1
47	3	129A00-12780	O-RING,PRES SENSOR	2	2						
48	2	129A00-13360	HOSE ASSY, PRES EXH	1	1						
50	3	129A00-13380	CLIP, HOSE 14	2	2						
51	2	119640-61400	PLUG	1	1						
52	2	22857-500100	SCREW, 5X10	4	4						
53	2	22857-500100	SCREW, 5X10	6	6						
54	2	26450-060162	BOLT, M6X 16	2	2						
55	1	124160-11360	KNOB	3	3						
56	1	24311-000120	O-RING, 1AP12.0	3	3						
57	1	129C26-07950	LIFTER, ENGINE	1	1						
58	1	129C26-07960	LIFTER, ENGINE	1	1						
59	1	26106-080252	BOLT, M8X 25 PLATED	2	2						
60	1	26106-080252	BOLT, M8X 25 PLATED	2	2						
61	1	119803-77830	HARNASS, WIRE	1	1						

Remarks

(1)When replacing this part, it is necessary to update the software of the ECU using the designated service tool. Please refer to the Service Manual for details.

(2)Spare parts.

Fig.4. CYLINDER HEAD & BONNET



(A)=3TNV88C-KRNS
 (B)=3TNV88C-KRNSQ
 (C)=

(D)=
 (E)=
 (F)=

No.	Lev.	Parts No.	Description	Q'ty						I	R
				(A)	(B)	(C)	(D)	(E)	(F)		
62	1	129008-77800	PLUG, GLOW	3	3						
63	1	129A00-77820	CONNECTOR, GLOW PLUG	1	1						
64	1	120130-11860	GUIDE, VALVE	3	3						2
65	1	129150-11810	GUIDE, VALVE	3	3						2

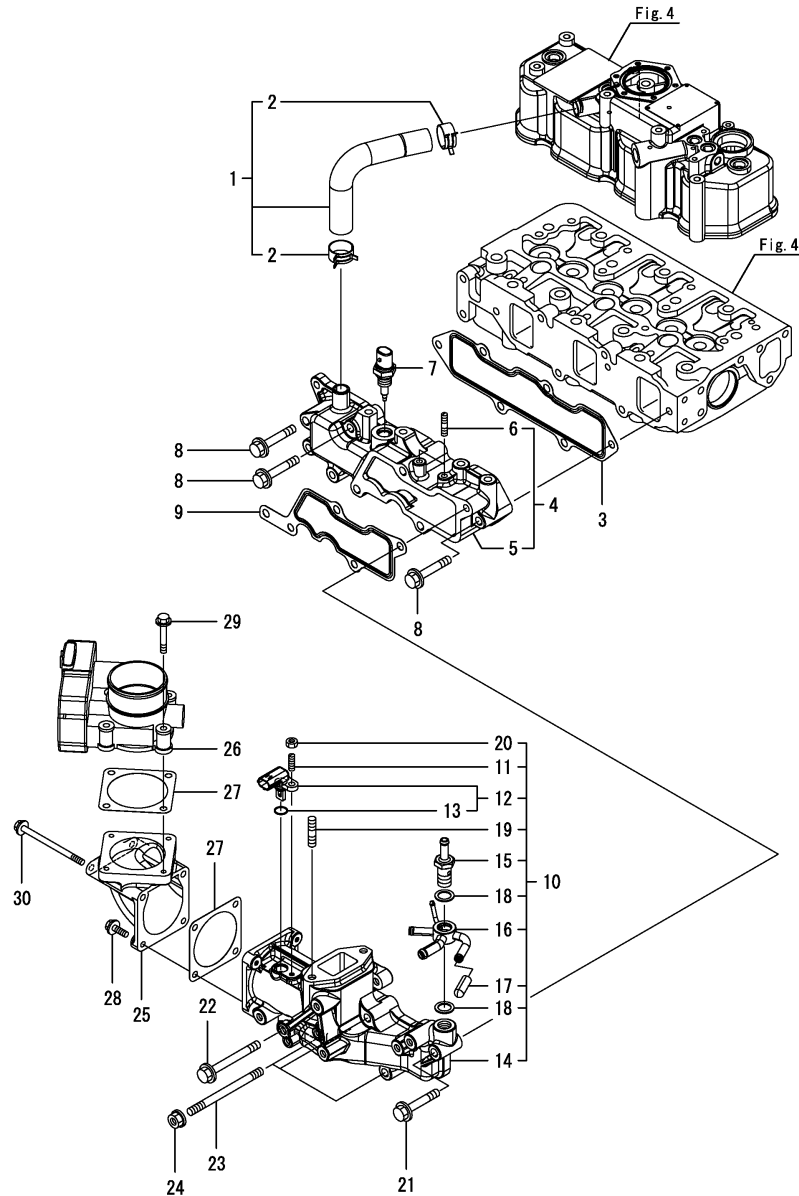
Remarks

- (1)When replacing this part, it is necessary to update the software of the ECU using the designated service tool. Please refer to the Service Manual for details.
- (2)Spare parts.

Fig.5. SUCTION MANIFOLD

(A)=3TNV88C-KRNS
 (B)=3TNV88C-KRNSQ
 (C)=

(D)=
 (E)=
 (F)=



No.	Lev.	Parts No.	Description	Q'ty						I	R
				(A)	(B)	(C)	(D)	(E)	(F)		
1	1	129005-03080	HOSE ASSY, BREATHER	1	1						
2	2	129410-03990	CLAMP, HOSE 21.5	2	2						
3	1	129A00-12110	GASKET,INT.MANIFOLD	1	1						
4	1	129A00-12150	MANIFOLD ASSY,INTAKE	1	1						
5	2	129A00-12100	MANIFOLD, AIR INTAKE	1	1						
6	2	26216-060202	STUD, M6X 20	2	2						
7	1	129A00-12720	SENSOR,AIR TEMP	1	1						1
8	1	26106-080502	BOLT, M8X 50 PLATED	3	3						
9	1	129A00-12810	GASKET, COLLECTOR	1	1						
10	1	129A26-12850	COLLECTOR ASSY, INT	1	1						
11	2	119660-01570	BOLT, STUD M6X12	1	1						
12	2	129A00-12711	SENSOR,AIR TEMP	1	1						
13	3	129A00-12790	O-RING,TEMP SENSOR	1	1						
14	2	129A00-12830	COLLECTOR, INT	1	1						
15	2	129A00-59110	JOINT, HOSE M14	1	1						
16	2	129A23-59130	JOINT, HOSE 4-WAY	1	1						
17	2	119802-59580	CAP, FUEL OIL	1	1						
18	2	22190-140002	WASHER, SEAL 14	2	2						
19	2	26216-080302	STUD, M8X 30	2	2						
20	2	26716-060002	NUT, M6	1	1						
21	1	26106-080502	BOLT, M8X 50 PLATED	1	1						
22	1	26106-080752	BOLT, M8X 75 PLATED	1	1						
23	1	26216-081052	STUD, M8X105	3	3						
24	1	26306-080002	NUT, M8	3	3						
25	1	129A26-12820	BEND, INLET	1	1						
26	1	129A00-12900	THROTTLE BODY(INT	1	1						1
27	1	129A00-12910	GASKET,THROTTLE	2	2						
28	1	26106-060202	BOLT, M6X 20 PLATED	2	2						
29	1	26106-060402	BOLT, M6X 40 PLATED	4	4						
30	1	26106-060902	BOLT, M6X 90 PLATED	2	2						

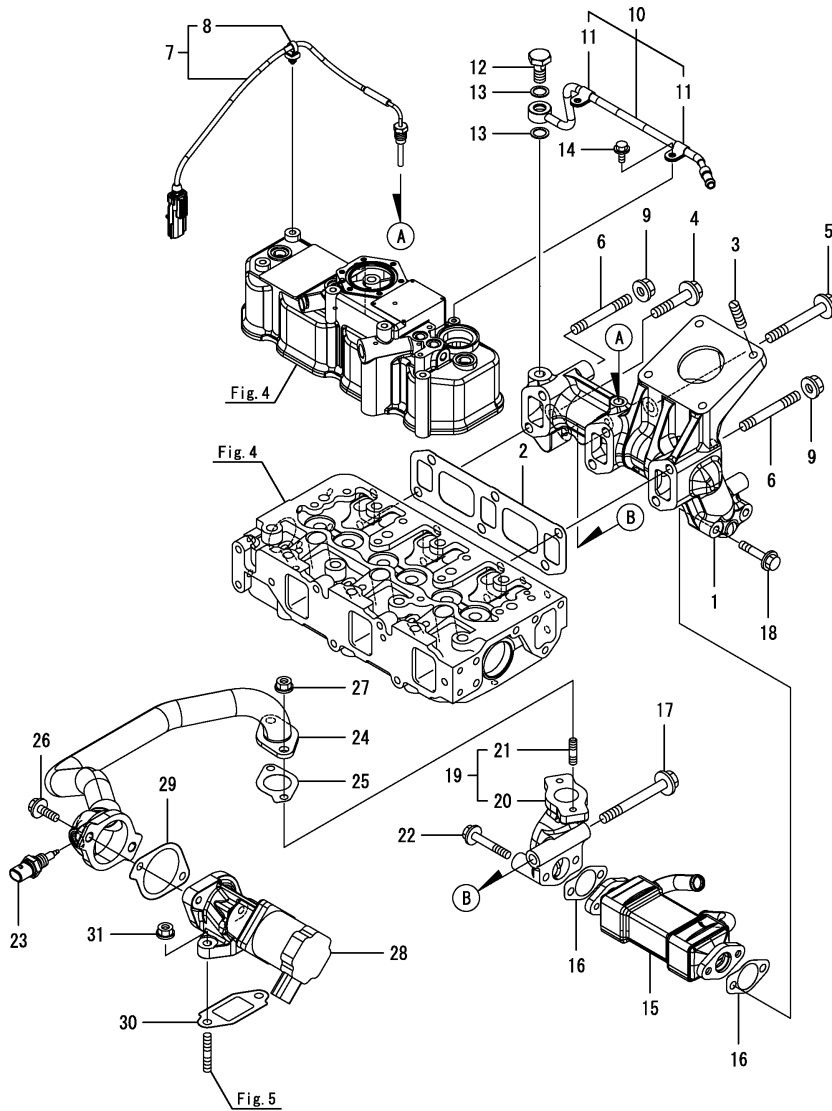
Remarks

(1)When replacing this part, it is necessary to update the software of the ECU using the designated service tool. Please refer to the Service Manual for details.

Fig.6. EXHAUST MANIFOLD

(A)=3TNV88C-KRNS
(B)=3TNV88C-KRNSQ
(C)=

(D)=
(E)=
(F)=



No.	Lev.	Parts No.	Description	Q'ty						I	R
				(A)	(B)	(C)	(D)	(E)	(F)		
1	1	129A26-13100	MANIFOLD, EXHAUST	1	1						
2	1	129A00-13110	GASKET, EXH MANIFOLD	1	1						
3	1	123900-13130	STUD, M10X22	4	4						
4	1	129A01-13601	BOLT, M10X50 10.9T	1	1						
5	1	129F01-13630	BOLT, M10X80 10.9T	3	3						
6	1	129A01-13700	STUD,10X80	2	2						
7	1	129A00-13770	SENSOR,EXH TEMP.	1	1						1
8	2	129A00-91200	BAND CLIP	1	1						
9	1	26306-100002	NUT, M10	2	2						
10	1	129A00-13300	PIPE ASSY, EXHAUST P	1	1						
11	2	23297-080061	CLAMP, A8X 6	2	2						
12	1	129A00-13350	BOLT, PIPE JOINT	1	1						
13	1	23414-120000	GASKET, 12X1.0	2	2						
14	1	26106-060122	BOLT, M6X 12 PLATED	2	2						
15	1	129A00-13400	COOLER, EGR	1	1						
16	1	129A00-13410	GASKET, EGR COOLER	2	2						
17	1	129F01-13600	BOLT, M10X90 10.9T	1	1						
18	1	129E00-13620	BOLT, M8X40 10.9	2	2						
19	1	129A00-13851	PIPE CMP, EGR OUT	1	1						
20	2	129A00-13861	PIPE,EGR OUT	1	1						
21	2	129418-18320	BOLT, STUD M8X20	2	2						
22	1	26106-080502	BOLT, M8X 50 PLATED	2	2						
23	1	129A00-13751	SENSOR,EGR GAS TEMP	1	1						1
24	1	129A00-13800	PIPE(EGR CMP	1	1						
25	1	129927-13810	GASKET	1	1						
26	1	26106-080252	BOLT, M8X 25 PLATED	2	2						
27	1	26306-080002	NUT, M8	2	2						
28	1	129A00-13901	VALVE, EGR	1	1						1
29	1	129A00-13910	GASKET, EGR-V IN	1	1						
30	1	129A00-13920	GASKET(EGR-V OUT	1	1						
31	1	26306-080002	NUT, M8	2	2						

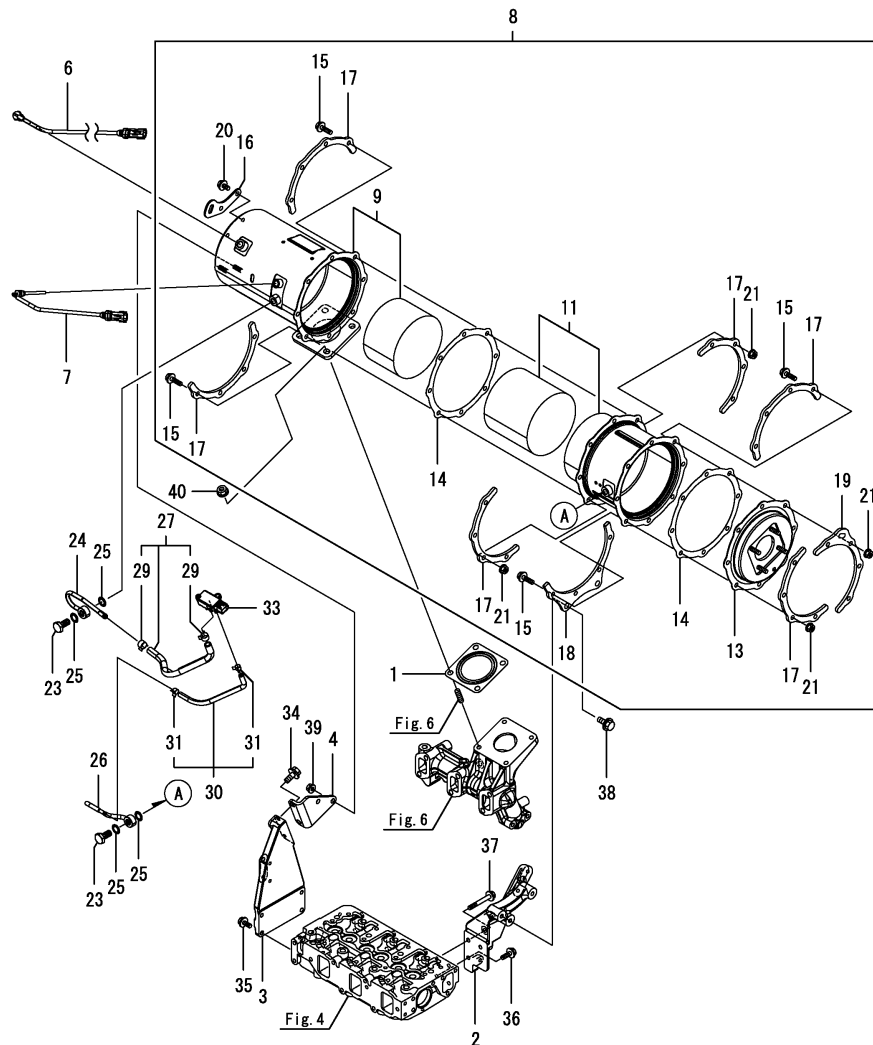
Remarks

(1)When replacing this part, it is necessary to update the software of the ECU using the designated service tool. Please refer to the Service Manual for details.

Fig.7. DIESEL PARTICULATE FILTER(DPF)

(A)=3TNV88C-KRNS
(B)=3TNV88C-KRNSQ
(C)=

(D)=
(E)=
(F)=



No.	Lev.	Parts No.	Description	Q'ty						I	R
				(A)	(B)	(C)	(D)	(E)	(F)		
1	1	128300-13230	GASKET, SILENCER	1	1						
2	1	129A26-16800	STAY, DPF	1	1						
3	1	129A26-16830	STAY,DPF	1	1						
4	1	129A26-16840	STAY,DPF	1	1						
6	1	129C00-13940	SENSOR, EXH.TEMP	1	1						1
7	1	129C00-13950	SENSOR, EXH.TEMP	1	1						1
8	1	129A26-16010	DPF ASSY	1	1						1
9	2	129A26-16210	CASE, DOC	1	1						1
11	2	129A26-16410	CASE, SOOT FILTER	1	1						1
13	2	129A01-16550	FLANGE, OUTLET	1	1						
14	2	129A00-16600	GASKET, DPF	2	2						
15	2	129A00-16610	BOLT, M8X28 10.9T	16	16						
16	2	129C01-16690	LIFTER, DPF	1	1						
17	2	129A00-16700	STIFFENER, DPF A	6	6						
18	2	129A00-16720	STIFFENER, DPF B	1	1						
19	2	129A00-16740	STIFFENER, DPF C	1	1						
20	2	26106-080122	BOLT, M8X 12 PLATED	2	2						
21	2	26306-080002	NUT, M8	16	16						
23	1	129A00-13350	BOLT, PIPE JOINT	2	2						
24	1	129A26-17300	PIPE ASSY, SENSOR	1	1						
25	1	129A00-17311	GASKET,SENSOR	4	4						
26	1	129A00-17360	PIPE ASSY, SENSOR	1	1						
27	1	129E01-17600	HOSE ASSY,PRES EXH	1	1						
29	2	129A00-17520	CLIP, HOSE	2	2						
30	1	129979-17650	HOSE ASSY,PRES EXH	1	1						
31	2	129A00-17570	CLIP, HOSE	2	2						
33	1	129978-17700	SENSOR,PRESSURE	1	1						1
34	1	26106-080162	BOLT, M8X 16 PLATED	2	2						
35	1	26106-080202	BOLT, M8X 20 PLATED	4	4						
36	1	26106-080252	BOLT, M8X 25 PLATED	2	2						
37	1	26106-080602	BOLT, M8X 60 PLATED	1	1						
38	1	26106-100202	BOLT, M10X 20 PLATED	2	2						
39	1	26306-080002	NUT, M8	2	2						
40	1	26306-100002	NUT, M10	4	4						

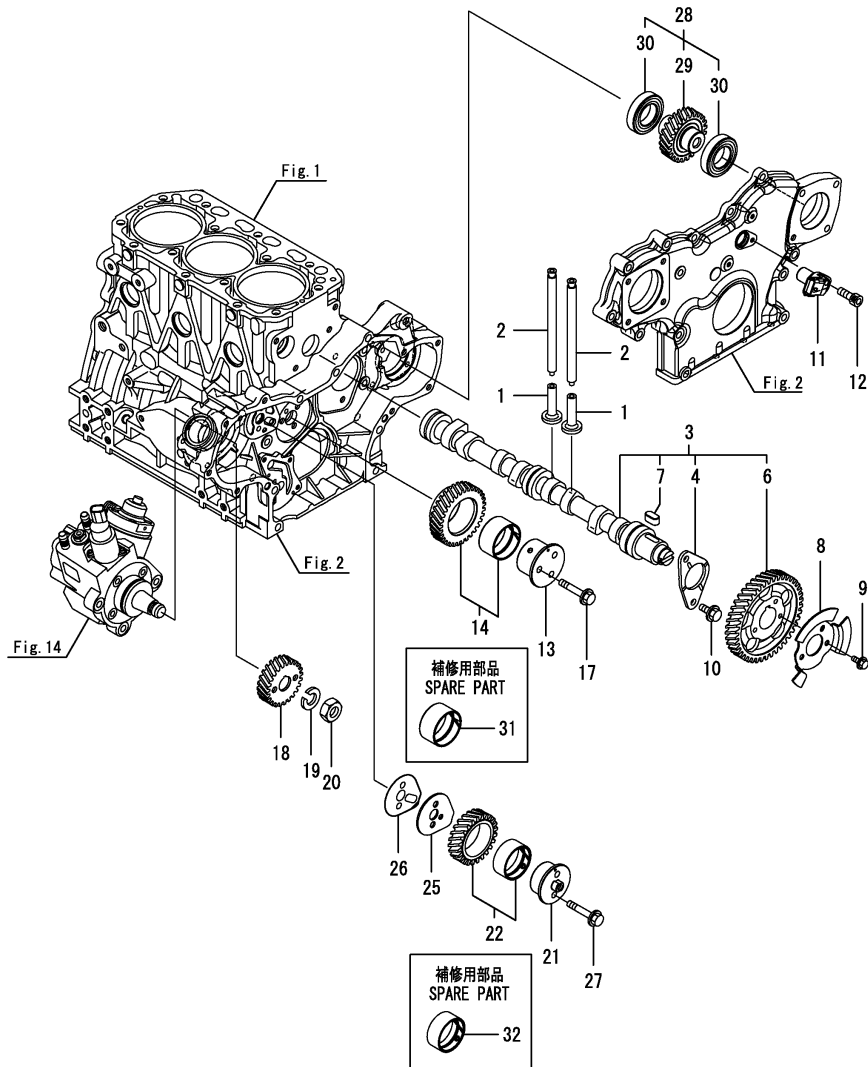
Remarks

(1)When replacing this part, it is necessary to update the software of the ECU using the designated service tool. Please refer to the Service Manual for details.

Fig.8. CAMSHAFT & DRIVING GEAR

(A)=3TNV88C-KRNS
(B)=3TNV88C-KRNSQ
(C)=

(D)=
(E)=
(F)=



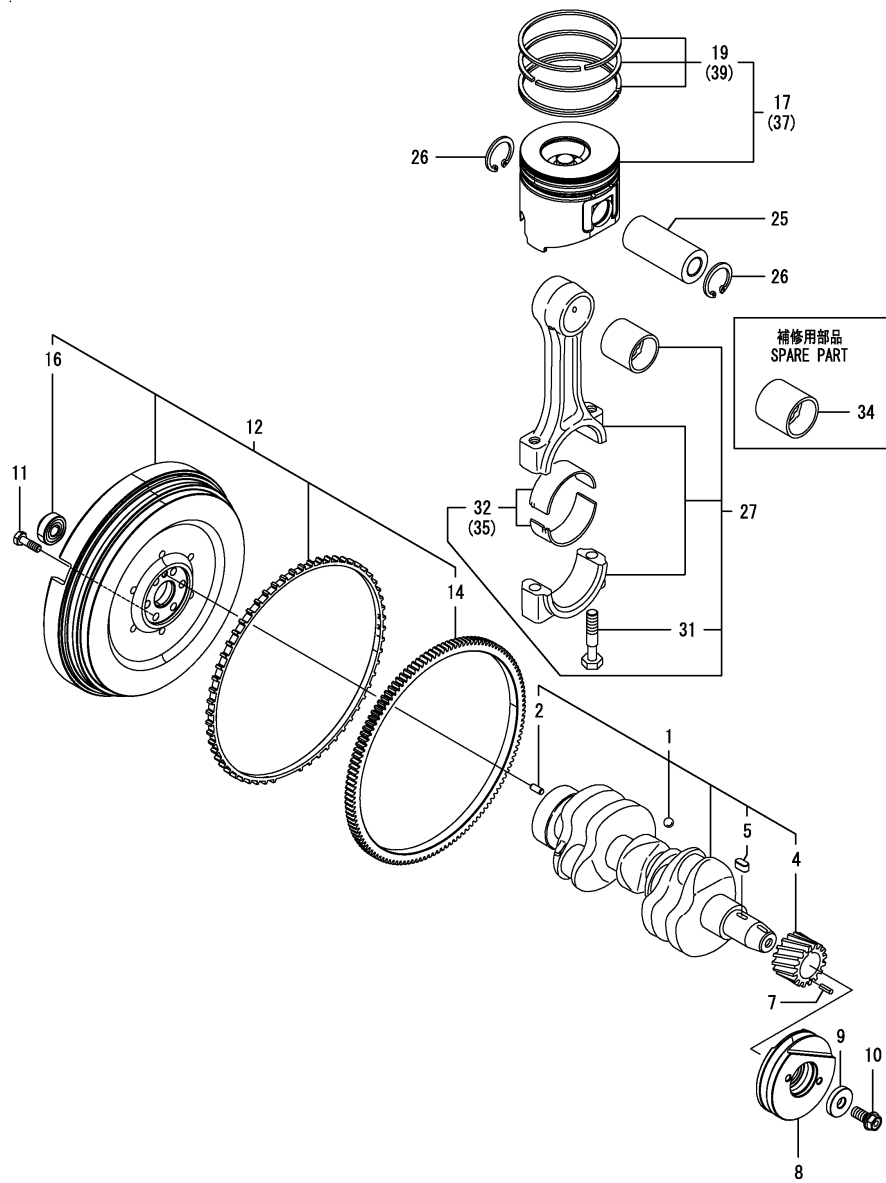
No.	Lev.	Parts No.	Description	Q'ty						I	R
				(A)	(B)	(C)	(D)	(E)	(F)		
1	1	129150-14200	TAPPET	6	6						
2	1	129150-14400	PUSH-ROD, L=178	6	6						
3	1	129A00-14580	CAMSHAFT ASSY	1	1						
4	2	129150-02450	BEARING, THRUST	1	1						
6	2	129A00-14100	GEAR,CAMSHAFT	1	1						
7	2	22512-070140	KEY, 7X 14	1	1						
8	1	129A00-14700	PULSER, CAMSHAFT	1	1						
9	1	26106-060102	BOLT, M6X 10 PLATED	3	3						
10	1	26106-080142	BOLT, M8X 14 PLATED	2	2						
11	1	129A00-14710	SENSOR, GEAR REV	1	1						
12	1	26450-060162	BOLT, M6X 16	1	1						
13	1	129A00-25050	SHAFT, IDLE GEAR A	1	1						
14	1	129A00-25110	GEAR ASSY, IDLE A	1	1						
17	1	26106-080452	BOLT, M8X 45 PLATED	3	3						
18	1	129A00-25900	GEAR, SUPPLY PUMP	1	1						
19	1	22217-180000	WASHER, SPRING 18	1	1						
20	1	26776-180002	NUT, LOCK M18	1	1						
21	1	129A00-25060	SHAFT, IDLE GEAR B	1	1						
22	1	129A00-25120	GEAR ASSY, IDLE B	1	1						
25	1	129A00-25200	PLATE, IDLE SHAFT B	1	1						
26	1	129A00-25210	GASKET, IDLE SHAFT B	1	1						
27	1	26106-080402	BOLT, M8X 40 PLATED	2	2						
28	1	129A23-26000	DRIVE ASSY, HO-P	1	1						
29	2	129150-26201	GEAR ASSY	1	1						
30	2	24105-060064	BEARING, BALL 6006Z	2	2						
31	1	119802-25071	BUSH, IDLE GEAR	1	1						1
32	1	129A00-25080	BUSH	1	1						1

Remarks

(1) Spare parts.

N:Old $\xrightarrow{\text{Yes}}$ New, Q:Old $\xrightarrow{\text{No}}$ New, R:Old $\xrightarrow{\text{Yes}}$ New, S:Old $\xrightarrow{\text{No}}$ New, W:Add, Z:Discontinued, F:Interchangeable by set, K:Q'ty Change

Fig.9. CRANKSHAFT & PISTON



(A)=3TNV88C-KRNS
(B)=3TNV88C-KRNSQ
(C)=

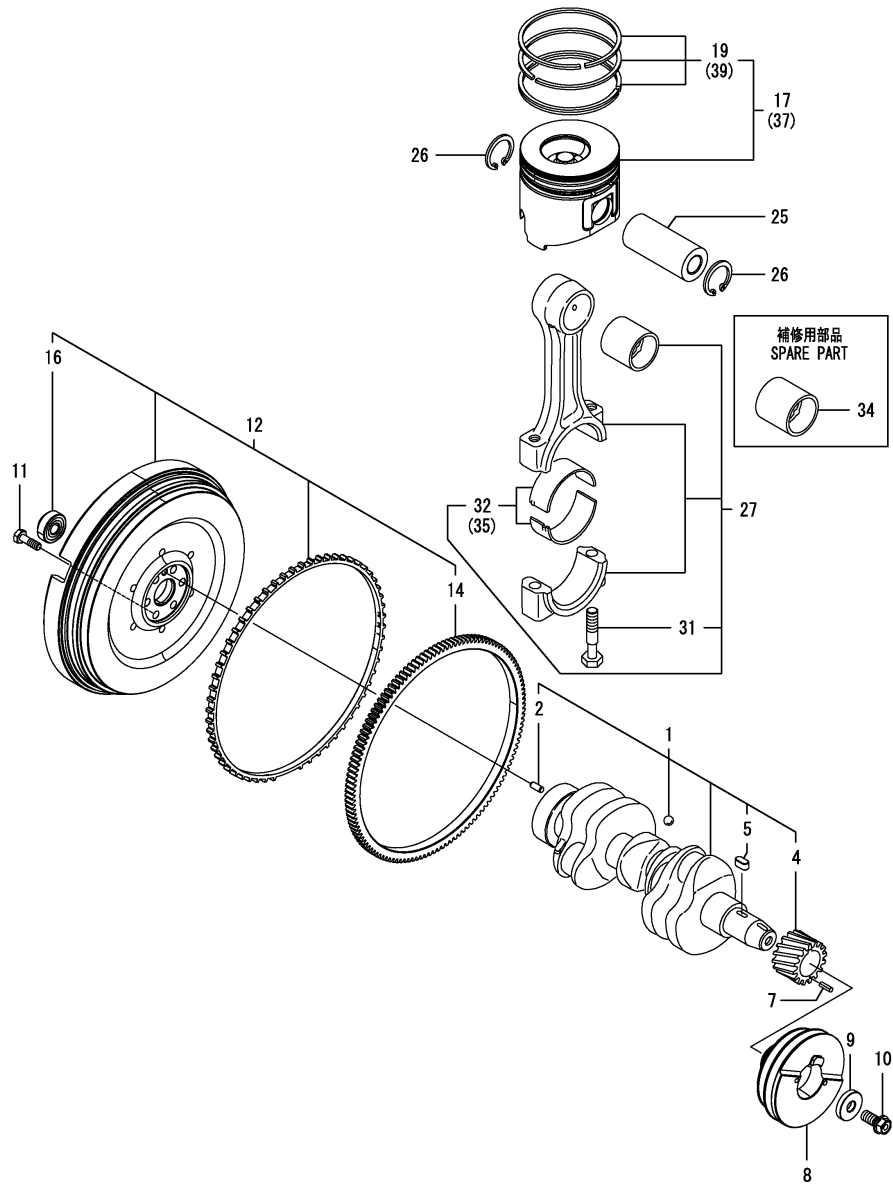
(D)=
(E)=
(F)=

No.	Lev.	Parts No.	Description	Q'ty						I	R
				(A)	(B)	(C)	(D)	(E)	(F)		
1	1	129008-21000	CRANKSHAFT ASSY	1							
2	2	129100-01580	PIN, PARALLEL 8X16	1							
4	2	119803-21200	GEAR, CRANKSHAFT	1							
5	2	22512-070140	KEY, 7X 14	1							
7	1	22512-070140	KEY, 7X 14	1							
8	1	129055-21650	V-PULLEY, 120	1							
9	1	129795-21661	WASHER	1							
10	1	121850-21680	BOLT	1							
11	1	121111-21501	BOLT, FLYWHEEL	6							
12	1	129A26-21590	FLYWHEEL ASSY	1							
14	2	124550-21600	GEAR, RING Z=127	1							
16	2	24104-063020	BEARING, 6302UUC3	1							
17	1	129C00-22080	PISTON ASSY	3							
19	2	129A00-22500	RING ASSY, PISTON	3							
25	1	129202-22300	PIN, PISTON D26 L70	3							
26	1	22252-000260	RING, 26	6							
27	1	729402-23100	ROD ASSY, CONNECTING	3							
31	2	121550-23200	BOLT, CONNECTING ROD	6							
32	2	129150-23601	BEARING, CRANK PIN	3							
34	1	129100-23910	BEARING, PISTON PIN	3							1
35	1	129150-23611	BEARING, 0.25 US	3							2
37	1	129C00-22900	PISTON ASSY, 0.25OS	3							3
39	2	129A00-22950	RING SET, 0.25 OS	3							3

Remarks

- (1) Spare parts.
- (2) Under-sized (U.S.=0.25) parts.
- (3) Over-sized (O.S.=0.25) parts.

Fig.10. CRANKSHAFT & PISTON



(A)=3TNV88C-KRNS
(B)=3TNV88C-KRNSQ
(C)=

(D)=
(E)=
(F)=

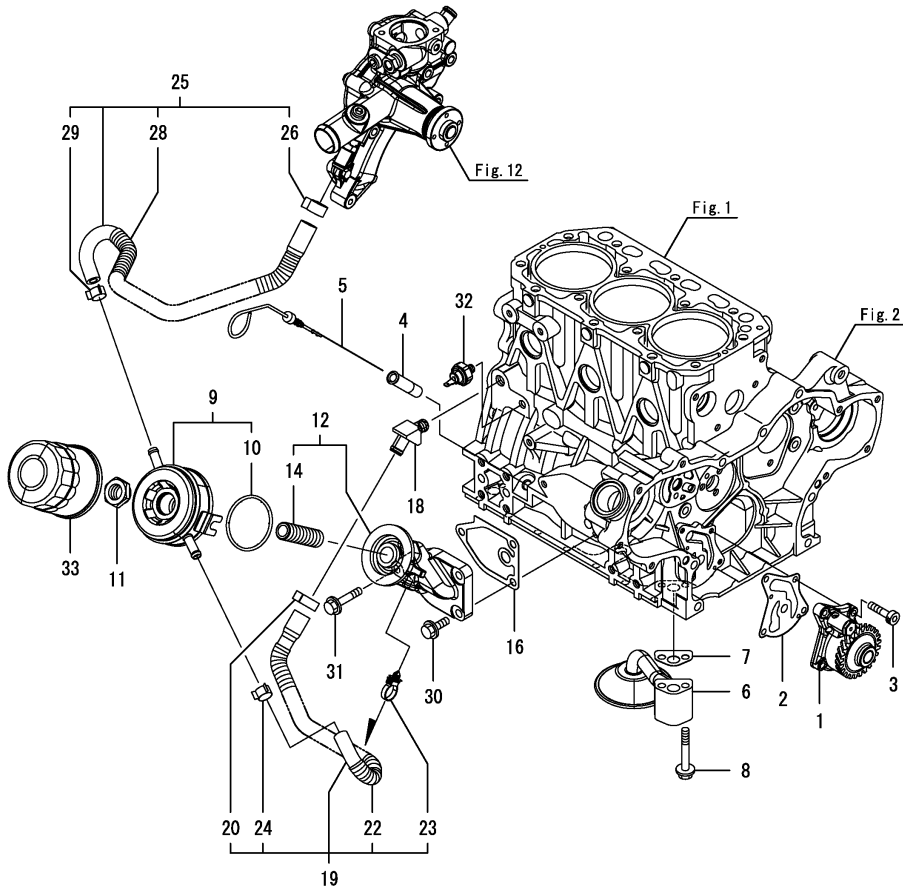
No.	Lev.	Parts No.	Description	Q'ty						I	R
				(A)	(B)	(C)	(D)	(E)	(F)		
1	1	129008-21000	CRANKSHAFT ASSY		1						
2	2	129100-01580	PIN, PARALLEL 8X16		1						
4	2	119803-21200	GEAR, CRANKSHAFT		1						
5	2	22512-070140	KEY, 7X 14		1						
7	1	22512-070140	KEY, 7X 14		1						
8	1	129263-21660	V-PULLEY, CRANKSHAFT		1						
9	1	129795-21661	WASHER		1						
10	1	121850-21680	BOLT		1						
11	1	121111-21501	BOLT, FLYWHEEL		6						
12	1	129A26-21590	FLYWHEEL ASSY		1						
14	2	124550-21600	GEAR, RING Z=127		1						
16	2	24104-063020	BEARING, 6302UUC3		1						
17	1	129C00-22080	PISTON ASSY		3						
19	2	129A00-22500	RING ASSY, PISTON		3						
25	1	129202-22300	PIN, PISTON D26 L70		3						
26	1	22252-000260	RING, 26		6						
27	1	729402-23100	ROD ASSY, CONNECTING		3						
31	2	121550-23200	BOLT, CONNECTING ROD		6						
32	2	129150-23601	BEARING, CRANK PIN		3						
34	1	129100-23910	BEARING, PISTON PIN		3						1
35	1	129150-23611	BEARING, 0.25 US		3						2
37	1	129C00-22900	PISTON ASSY, 0.25OS		3						3
39	2	129A00-22950	RING SET, 0.25 OS		3						3

Remarks
 (1) Spare parts.
 (2) Under-sized (U.S.=0.25) parts.
 (3) Over-sized (O.S.=0.25) parts.

Fig.11. LUB. OIL SYSTEM

(A)=3TNV88C-KRNS
(B)=3TNV88C-KRNSQ
(C)=

(D)=
(E)=
(F)=



No.	Lev.	Parts No.	Description	Q'ty						I	R
				(A)	(B)	(C)	(D)	(E)	(F)		
1	1	129A00-32000	PUMP ASSY, LUB.OIL	1	1						
2	1	129486-32020	GASKET, PUMP	1	1						
3	1	26450-060252	BOLT, M6X 25	4	4						
4	1	121520-34810	GUIDE, DIPSTICK	1	1						
5	1	129055-34811	DIPSTICK, OIL	1	1						
6	1	129C61-35000	PIPE ASSY, OIL INLET	1	1						
7	1	129150-35042	GASKET	1	1						
8	1	26106-080552	BOLT, M8X 55 PLATED	2	2						
9	1	129508-33031	COOLER ASSY, OIL	1	1						
10	2	129508-33060	PACKING, OIL COOLER	1	1						
11	1	129417-33111	NUT, OIL COOLER	1	1						
12	1	129A26-35100	BRACKET, LO FILTER	1	1						
14	2	129417-35150	BOLT, STUD M20X67	1	1						
16	1	129150-35111	GASKET	1	1						
18	1	129648-44400	JOINT, PT1/4	1	1						
19	1	129A26-49010	PIPE ASSY, CW IN	1	1						
20	2	171008-03990	CLAMP, HOSE 18.5	1	1						
22	2	129978-59340	PROTECTOR, MESH	1	1						
23	2	129A00-91200	BAND CLIP	1	1						
24	2	23080-015000	CLAMP, 15	1	1						
25	1	129A26-49020	PIPE ASSY, CW OUT	1	1						
26	2	171008-03990	CLAMP, HOSE 18.5	1	1						
28	2	129A24-59560	PROTECTOR, MESH	1	1						
29	2	23080-015000	CLAMP, 15	1	1						
30	1	26106-080202	BOLT, M8X 20 PLATED	2	2						
31	1	26106-080402	BOLT, M8X 40 PLATED	1	1						
32	1	119761-39450	SWITCH, HYDRAULIC	1	1						
33	1	129150-35153	FILTER ASSY, D80X80L	1	1						1

Remarks

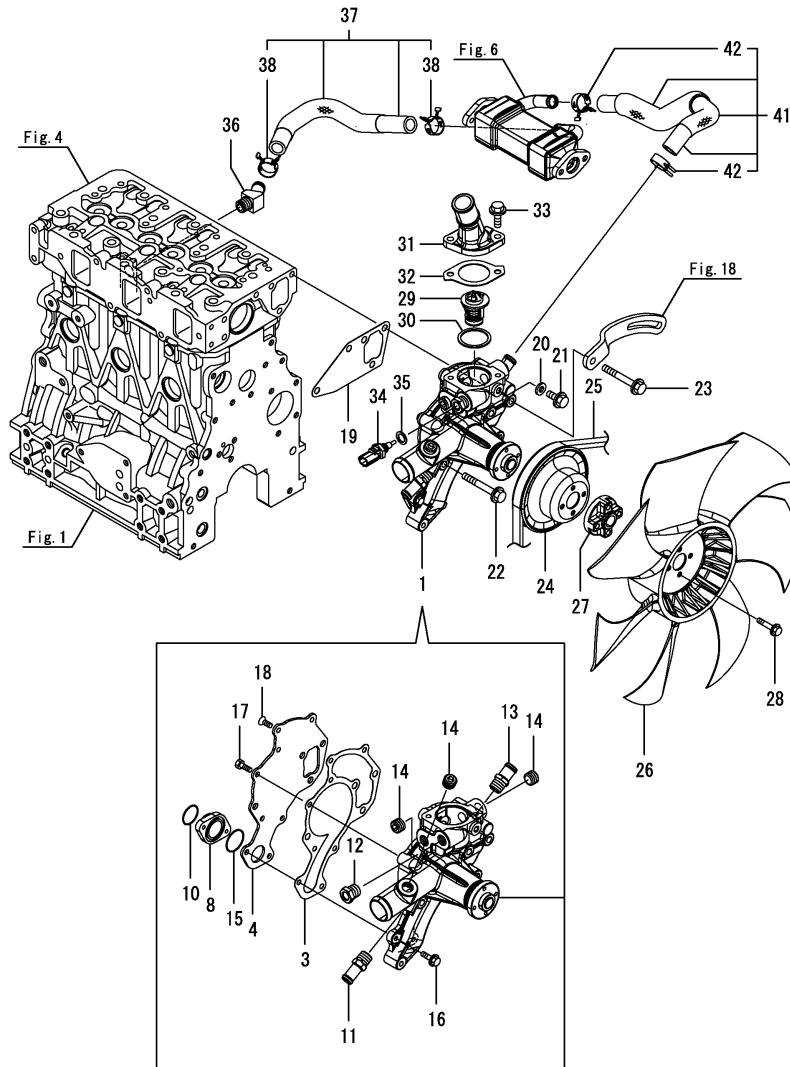
(1) Spare parts.

N:Old $\begin{matrix} \leftarrow \text{Yes} \\ \text{No} \rightarrow \end{matrix}$ New, Q:Old $\begin{matrix} \leftarrow \text{No} \\ \text{Yes} \rightarrow \end{matrix}$ New, R:Old $\begin{matrix} \leftarrow \text{Yes} \\ \text{No} \rightarrow \end{matrix}$ New, S:Old $\begin{matrix} \leftarrow \text{No} \\ \text{Yes} \rightarrow \end{matrix}$ New, W:Add, Z:Discontinued, F:Interchangeable by set, K:Q'ty Change

Fig.12. COOLING WATER SYSTEM

(A)=3TNV88C-KRNS
(B)=3TNV88C-KRNSQ
(C)=

(D)=
(E)=
(F)=



No.	Lev.	Parts No.	Description	Q'ty						I	R
				(A)	(B)	(C)	(D)	(E)	(F)		
1	1	129C26-42000	PUMP ASSY,WATER HIGH	1							
3	2	129150-42059	GASKET	1							
4	2	129263-42120	PLATE, PUMP	1							
8	2	129150-42301	FLANGE	1							
10	2	129054-42320	O-RING	1							
11	2	129963-49300	JOINT, D14	1							
12	2	129263-49350	JOINT, SENSOR	1							
13	2	129928-49420	JOINT	1							
14	2	129916-49740	PLUG, R3/8	3							
15	2	24358-240310	O-RING, 524031	1							
16	2	26106-060202	BOLT, M6X 20 PLATED	2							
17	2	26116-060162	BOLT, M6X 16 PLATED	3							
18	2	26577-060152	SCREW, M6X15	3							
19	1	129486-42050	GASKET, WATER PUMP	1							
20	1	23414-080000	GASKET, 8X1.0	1							
21	1	26106-080122	BOLT, M8X 12 PLATED	1							
22	1	26106-080552	BOLT, M8X 55 PLATED	3							
23	1	26106-080602	BOLT, M8X 60 PLATED	1							
24	1	129550-42350	V-PULLEY, D=120	1							
25	1	25152-004100	V-BELT, A41	1							
26	1	129655-44740	FAN, COOLING D380	1							
27	1	121267-44760	SPACER, FAN	1							
28	1	26106-060302	BOLT, M6X 30 PLATED	4							
29	1	129155-49801	THERMOSTAT, 71C	1							
30	1	129150-49811	GASKET, THERMOSTAT	1							
31	1	129A26-49530	COVER, THERMOSTAT	1							
32	1	129795-49551	GASKET	1							
33	1	26106-080222	BOLT, M8X 22 PLATED	2							
34	1	129927-44900	SENSOR, WATER TEMP.	1							1
35	1	22190-120002	WASHER, SEAL 12	1							
36	1	129C26-49300	ELBOW, R3/8	1							
37	1	129A26-49610	HOSE ASSY, EGR-C IN	1							
38	2	129960-03990	CLAMP, HOSE 19.8	2							
41	1	129A26-49640	HOSE ASSY, EGR-C OUT	1							
42	2	129960-03990	CLAMP, HOSE 19.8	2							

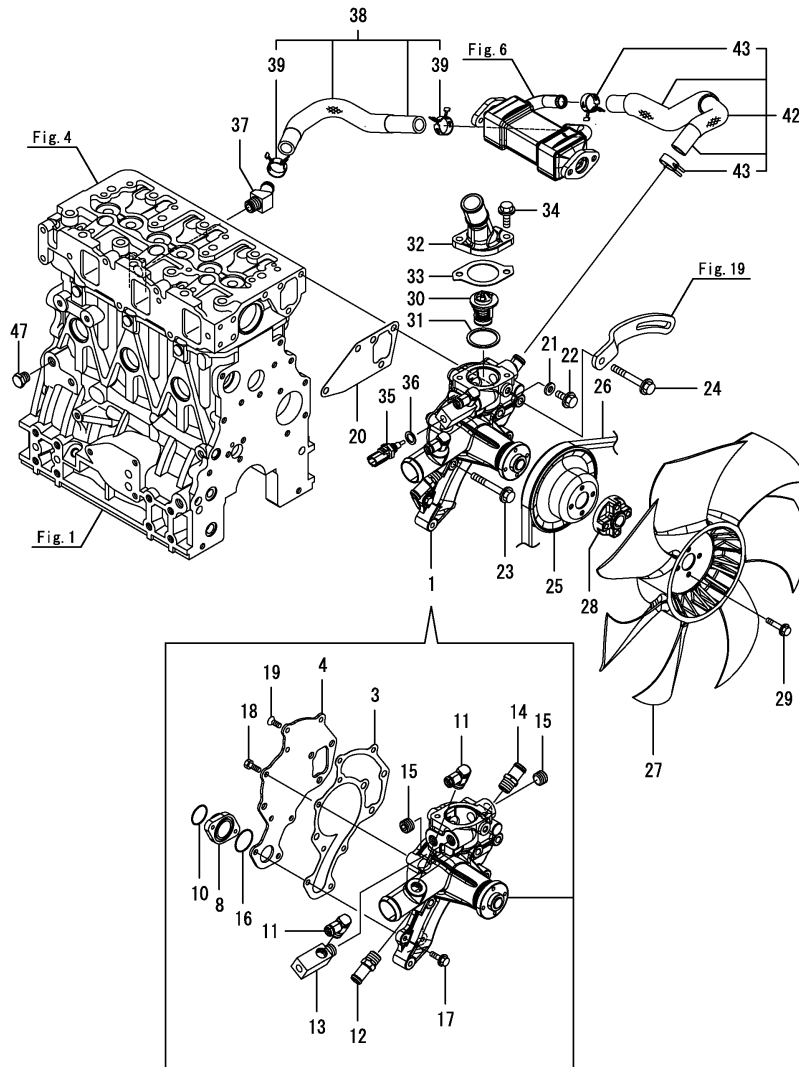
Remarks

(1)When replacing this part, it is necessary to update the software of the ECU using the designated service tool. Please refer to the Service Manual for details.

Fig.13. COOLING WATER SYSTEM

(A)=3TNV88C-KRNS
(B)=3TNV88C-KRNSQ
(C)=

(D)=
(E)=
(F)=



No.	Lev.	Parts No.	Description	Q'ty						I	R
				(A)	(B)	(C)	(D)	(E)	(F)		
1	1	129C26-42010	PUMP ASSY,WATER HIGH		1						
3	2	129150-42059	GASKET		1						
4	2	129263-42120	PLATE, PUMP		1						
8	2	129150-42301	FLANGE		1						
10	2	129054-42320	O-RING		1						
11	2	119852-49300	ELBOW, R3/8		2						
12	2	129963-49300	JOINT, D14		1						
13	2	129972-49350	JOINT		1						
14	2	129928-49420	JOINT		1						
15	2	129916-49740	PLUG, R3/8		2						
16	2	24358-240310	O-RING, 524031		1						
17	2	26106-060202	BOLT, M6X 20 PLATED		2						
18	2	26116-060162	BOLT, M6X 16 PLATED		3						
19	2	26577-060152	SCREW, M6X15		3						
20	1	129486-42050	GASKET, WATER PUMP		1						
21	1	23414-080000	GASKET, 8X1.0		1						
22	1	26106-080122	BOLT, M8X 12 PLATED		1						
23	1	26106-080552	BOLT, M8X 55 PLATED		3						
24	1	26106-080602	BOLT, M8X 60 PLATED		1						
25	1	129550-42350	V-PULLEY, D=120		1						
26	1	25152-004100	V-BELT, A41		1						
27	1	129655-44740	FAN, COOLING D380		1						
28	1	121267-44760	SPACER, FAN		1						
29	1	26106-060302	BOLT, M6X 30 PLATED		4						
30	1	129457-49801	THERMOSTAT, 82		1						
31	1	129150-49811	GASKET, THERMOSTAT		1						
32	1	129A26-49530	COVER, THERMOSTAT		1						
33	1	129795-49551	GASKET		1						
34	1	26106-080222	BOLT, M8X 22 PLATED		2						
35	1	129927-44900	SENSOR, WATER TEMP.		1						1
36	1	22190-120002	WASHER, SEAL 12		1						
37	1	129C26-49300	ELBOW, R3/8		1						
38	1	129A26-49610	HOSE ASSY, EGR-C IN		1						
39	2	129960-03990	CLAMP, HOSE 19.8		2						
42	1	129A26-49640	HOSE ASSY, EGR-C OUT		1						
43	2	129960-03990	CLAMP, HOSE 19.8		2						
47	1	171056-49120	PLUG, DRAIN R1/4		1						

Remarks

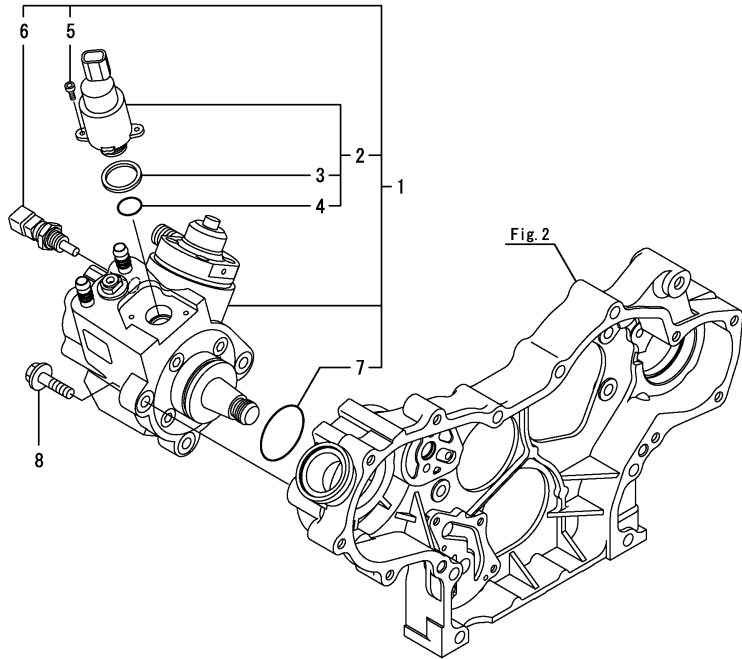
(1)When replacing this part, it is necessary to update the software of the ECU using the designated service tool. Please refer to the Service Manual for details.

Fig.14. FUEL SUPPLY PUMP

(A)=3TNV88C-KRNS
 (B)=3TNV88C-KRNSQ
 (C)=

(D)=
 (E)=
 (F)=

No.	Lev.	Parts No.	Description	Q'ty						I	R
				(A)	(B)	(C)	(D)	(E)	(F)		
1	1	129A00-51000	PUMP ASSY, FUEL	1	1						1
2	2	129A00-51100	VALVE ASSY, MPROP	1	1						1
3	3	129A00-51110	RING, SEALING	1	1						
4	3	129A00-51120	O-RING, MPROP	1	1						
5	2	129A00-51130	BOLT, MPROP	2	2						
6	2	129A00-51200	SENSOR, TEMPERATURE	1	1						1
7	2	129A00-51900	O-RING, FUEL PUMP	1	1						
8	1	26106-080302	BOLT, M8X 30 PLATED	3	3						



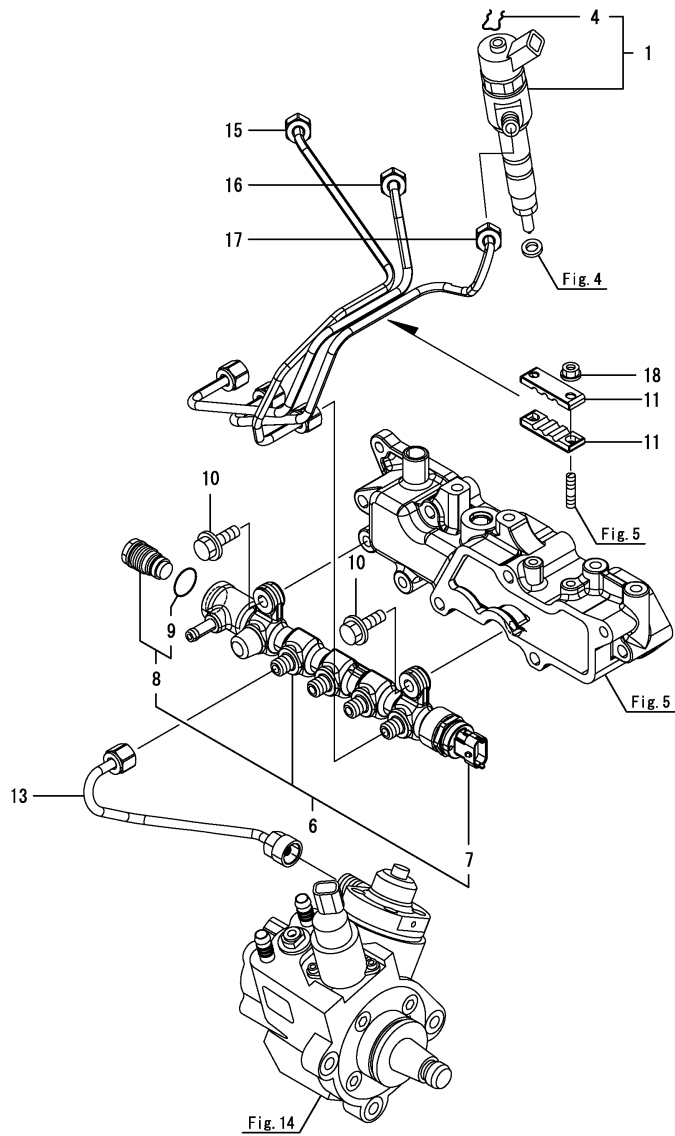
Remarks

(1)When replacing this part, it is necessary to update the software of the ECU using the designated service tool. Please refer to the Service Manual for details.

Fig.15. FUEL INJECTION VALVE

(A)=3TNV88C-KRNS
 (B)=3TNV88C-KRNSQ
 (C)=

(D)=
 (E)=
 (F)=



No.	Lev.	Parts No.	Description	Qty						I	R
				(A)	(B)	(C)	(D)	(E)	(F)		
1	1	129A00-53100	INJECTOR, CR	3	3						1
4	2	129A00-53200	RING, RETAINING	3	3						
6	1	129A00-57000	RAIL ASSY	1	1						1
7	2	129A00-57100	SENSOR, RAILPRESSURE	1	1						1
8	2	129A00-57200	VALVE ASSY, PLV4	1	1						1
9	3	129A00-57210	O-RING, PLV4	1	1						
10	1	26106-080252	BOLT, M8X 25 PLATED	2	2						
11	1	123372-59100	RETAINER, PIPE	2	2						
13	1	129A00-59700	PIPE ASSY, RAIL IN	1	1						
15	1	129A00-59810	PIPE ASSY, INJECTION	1	1						
16	1	129A00-59820	PIPE ASSY, INJECTION	1	1						
17	1	129A00-59830	PIPE ASSY, INJECTION	1	1						
18	1	26366-060002	NUT, M6	2	2						

Remarks

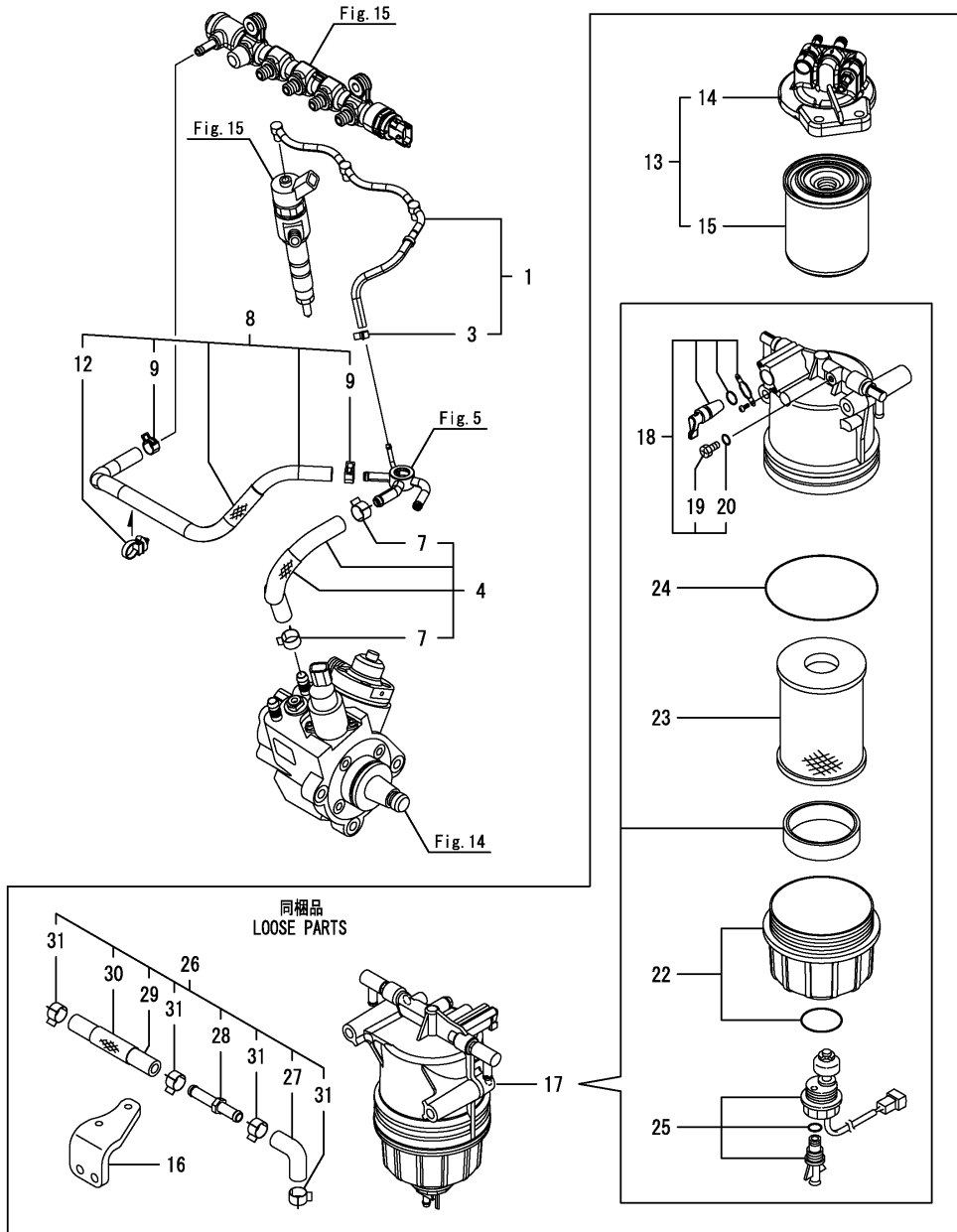
(1)When replacing this part, it is necessary to update the software of the ECU using the designated service tool. Please refer to the Service Manual for details.

N:Old $\xrightarrow{\text{Yes}}$ New, Q:Old $\xrightarrow{\text{No}}$ New, R:Old $\xrightarrow{\text{Yes}}$ New, S:Old $\xrightarrow{\text{No}}$ New, W:Add, Z:Discontinued, F:Interchangeable by set, K:Qty Change

Fig.16. FUEL PIPE

(A)=3TNV88C-KRNS
(B)=3TNV88C-KRNSQ
(C)=

(D)=
(E)=
(F)=

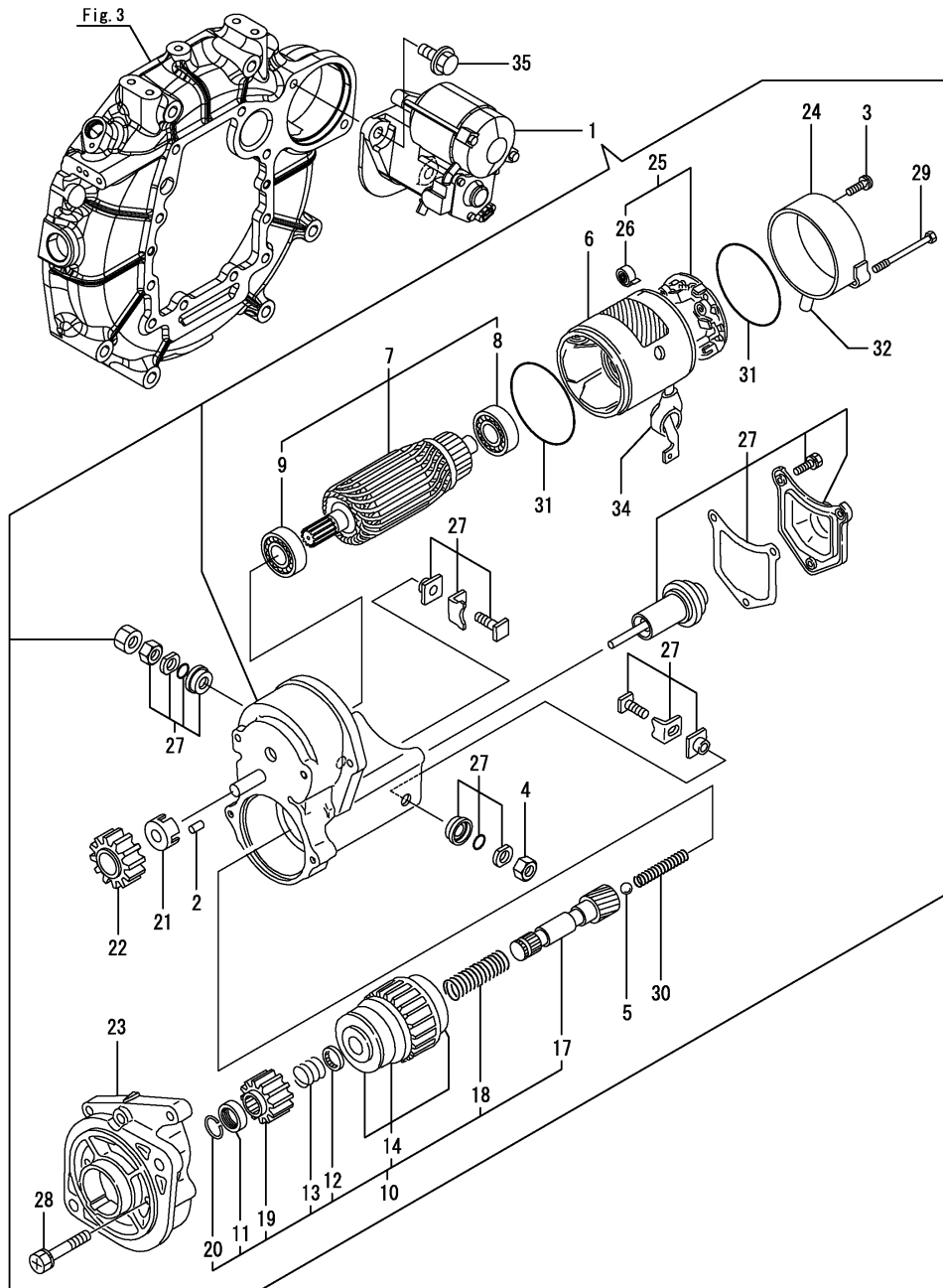


No.	Lev.	Parts No.	Description	Q'ty						I	R
				(A)	(B)	(C)	(D)	(E)	(F)		
1	1	129A23-59500	PIPE ASSY, FO RETURN	1	1						
3	2	23080-007000	CLAMP, 7	1	1						
4	1	129A00-59020	PIPE ASSY, FUEL	1	1						
7	2	23080-015000	CLAMP, 15	2	2						
8	1	129A26-59030	PIPE ASSY, FO RETURN	1	1						
9	2	114270-59010	CLAMP, HOSE 12	2	2						
12	2	129A00-91200	BAND CLIP	1	1						
13	1	129A26-55600	FILTER ASSY, FUEL	1	1						
14	2	129A26-55610	BRACKET ASSY, FUEL	1	1						
15	2	129A23-55800	FILTER, FO	1	1						
16	1	129A26-55650	BRACKET, FUEL FILTER	1	1						
17	1	129979-55700	FILTER ASSY, FUEL PRE	1	1						
18	2	129E00-55710	BODY ASSY	1	1						
19	3	129A00-55750	PLUG, BREATHER	1	1						
20	3	129A00-55760	O-RING	1	1						
22	2	129C20-55720	CUP, FUEL FILTER	1	1						
23	2	129A00-55730	ELEMENT	1	1						
24	2	129A00-55740	O-RING	1	1						
25	2	129917-55821	SENSOR ASSY, LEVEL	1	1						
26	1	129A26-59010	HOSE ASSY, FUEL	1	1						
27	2	129A26-59060	PIPE, FUEL	1	1						
28	2	129A26-59160	JOINT, FUEL HOSE	1	1						
29	2	129A26-59210	HOSE, FUEL	1	1						
30	2	129A26-59550	PROTECTOR, MESH	1	1						
31	2	23080-015000	CLAMP, 15	4	4						

Fig.17. STARTER MOTOR

(A)=3TNV88C-KRNS
(B)=3TNV88C-KRNSQ
(C)=

(D)=
(E)=
(F)=

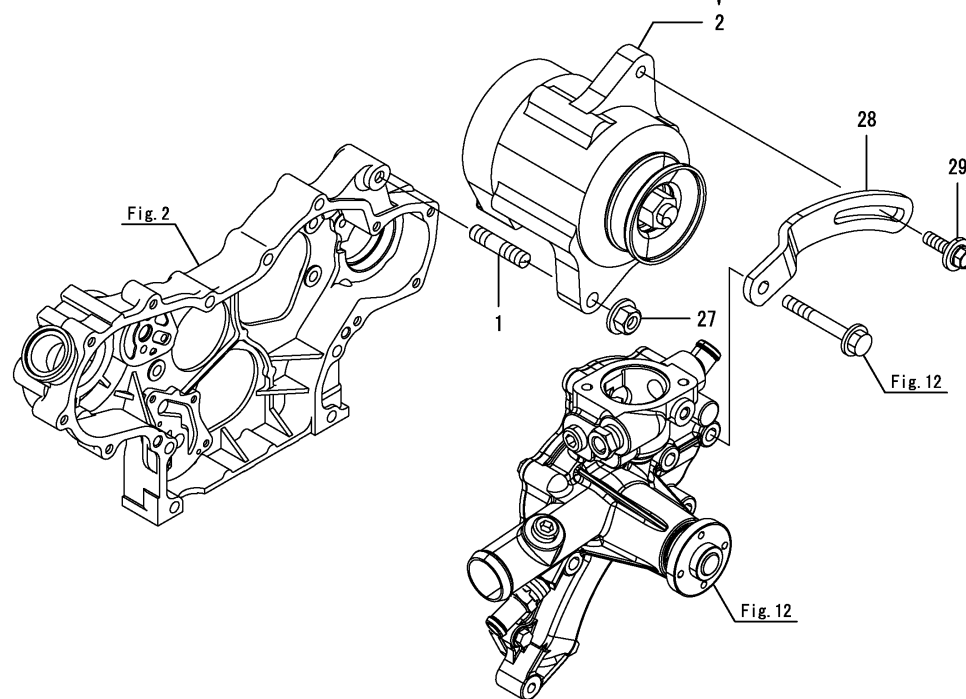
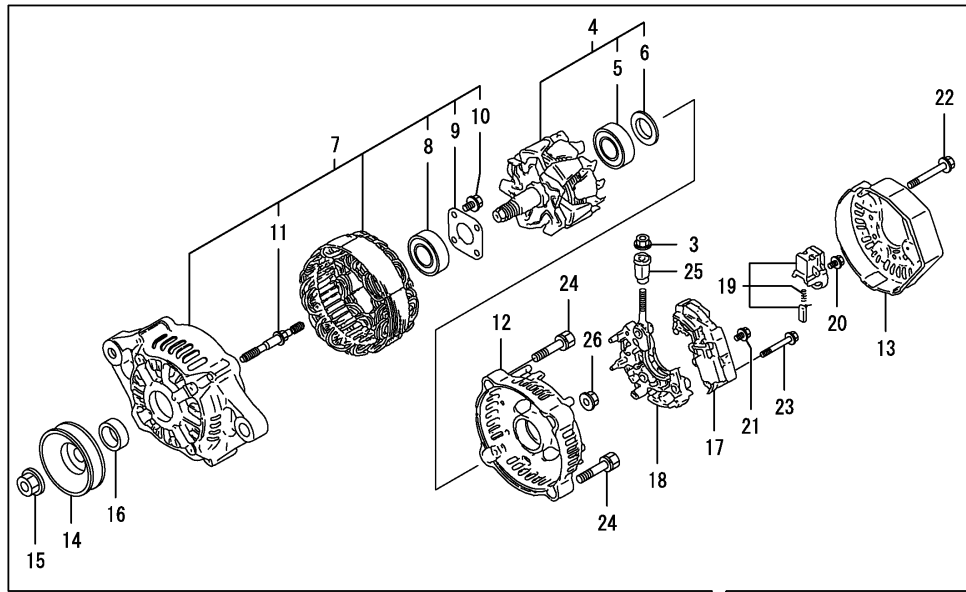


No.	Lev.	Parts No.	Description	Q'ty						I	R
				(A)	(B)	(C)	(D)	(E)	(F)		
1	1	129129-77010	STARTER ASSY	1	1						
2	2	X0283060061	ROLLER	5	5						
3	2	129129-77460	SCREW	2	2						
4	2	X9490561370	NUT	1	1						
5	2	X9491200240	BALL, STEEL	1	1						
6	2	129129-77210	YOKE ASSY	1	1						
7	2	129129-77220	ARMATURE ASSY	1	1						
8	3	129129-77230	BEARING, BALL	1	1						
9	3	129129-77240	BEARING, BALL	1	1						
10	2	129129-77250	STARTER ASSY	1	1						
11	3	X0280210230	NUT	1	1						
12	3	X0283270140	RETAINER	1	1						
13	3	X9491703371	SPRING	1	1						
14	3	129129-77390	CLUTCH ASSY	1	1						
17	3	129129-77400	SHAFT, STATER	1	1						
18	3	129129-77410	SPRING	1	1						
19	3	129129-77420	PINION, STARTER	1	1						
20	3	129129-77430	RING, SNAP	1	1						
21	2	129129-77260	RETAINER	1	1						
22	2	129129-77270	PINION	1	1						
23	2	129129-77280	HOUSING, STARTOR	1	1						
24	2	129129-77290	COVER	1	1						
25	2	129129-77300	HOLDER ASSY	1	1						
26	3	X9491730461	SPRING	4	4						
27	2	129129-77310	SWITCH ASSY, MAGNET	1	1						
28	2	129129-77320	BOLT	2	2						
29	2	129129-77330	BOLT	2	2						
30	2	129129-77340	SPRING	1	1						
31	2	129129-77350	O-RING	2	2						
32	2	129129-77362	COVER	1	1						
34	2	129129-77380	CAP	1	1						
35	1	26106-120252	BOLT, M12X 25 PLATED	2	2						

Fig.18. GENERATOR

(A)=3TNV88C-KRNS
(B)=3TNV88C-KRNSQ
(C)=

(D)=
(E)=
(F)=

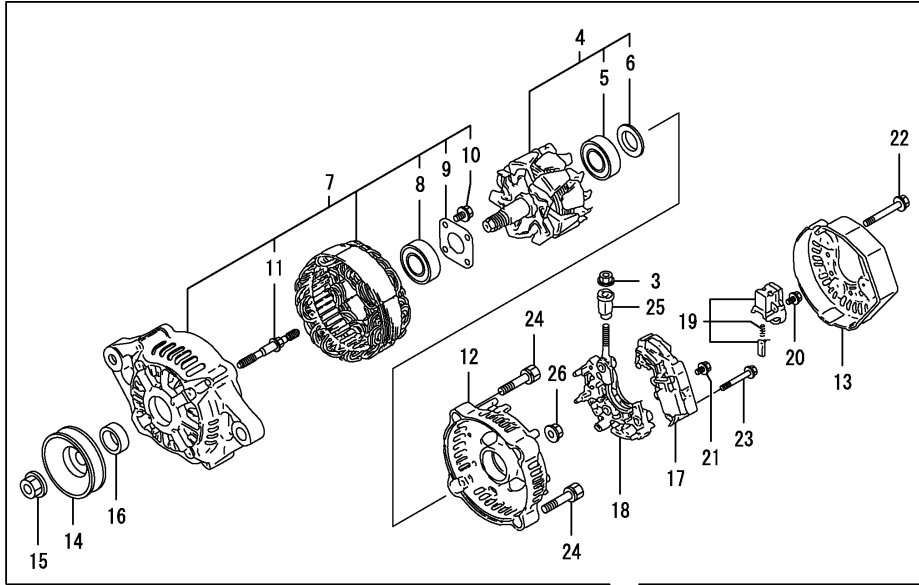


No.	Lev.	Parts No.	Description	Q'ty						I	R
				(A)	(B)	(C)	(D)	(E)	(F)		
1	1	129795-01900	BOLT, STUD M10X33	1							
2	1	129052-77201	GENERATOR ASSY, 40A	1							
3	2	X9490561001	NUT	1							
4	2	119620-77380	ROTOR ASSY	1							
5	3	123501-79240	BEARING, BALL	1							
6	3	119620-79250	COVER, BEARING	1							
7	2	129052-77421	FRAME ASSY	1							
8	3	119620-79200	BEARING, BALL	1							
9	3	119620-79210	RETAINER	1							
10	3	119620-79220	SCREW	4							
11	3	119620-79230	BOLT, STUD	2							
12	2	119620-77440	FRAME ASSY	1							
13	2	119620-77450	COVER	1							
14	2	119620-77461	PULLEY, GENERATOR	1							
15	2	119620-77471	NUT	1							
16	2	119620-77490	COLLAR	1							
17	2	119620-77710	REGULATOR ASSY	1							
18	2	119620-79260	HOLDER	1							
19	2	129052-79270	HOLDER, BRUSH	1							
20	2	119620-79290	SCREW	6							
21	2	119620-79300	SCREW	1							
22	2	119620-79310	BOLT	3							
23	2	119620-79320	SCREW	2							
24	2	119620-79330	BOLT	2							
25	2	119620-79340	BUSH, INSULATION	1							
26	2	119620-79350	NUT	2							
27	1	26306-100002	NUT, M10	1							
28	1	129A26-77300	ADJUSTER, BELT	1							
29	1	119810-77340	BOLT, ADJUST L=30	1							

Fig.19. GENERATOR

(A)=3TNV88C-KRNS
(B)=3TNV88C-KRNSQ
(C)=

(D)=
(E)=
(F)=



No.	Lev.	Parts No.	Description	Q'ty						I	R
				(A)	(B)	(C)	(D)	(E)	(F)		
1	1	129795-01900	BOLT, STUD M10X33		1						
2	1	129052-77220	GENERATOR ASSY, 55A		1						
3	2	X9490561001	NUT		1						
4	2	129052-77380	ROTOR ASSY		1						
5	3	123501-79240	BEARING, BALL		1						
6	3	119620-79250	COVER, BEARING		1						
7	2	129052-77422	FRAME ASSY		1						
8	3	119620-79200	BEARING, BALL		1						
9	3	119620-79210	RETAINER		1						
10	3	119620-79220	SCREW		4						
11	3	119620-79230	BOLT, STUD		2						
12	2	128401-77440	FRAME		1						
13	2	128401-77450	COVER, GENERATOR		1						
14	2	119620-77461	PULLEY, GENERATOR		1						
15	2	119620-77471	NUT		1						
16	2	119620-77490	COLLAR		1						
17	2	119620-77710	REGULATOR ASSY		1						
18	2	129052-79260	HOLDER		1						
19	2	129052-79270	HOLDER, BRUSH		1						
20	2	119620-79290	SCREW		6						
21	2	119620-79300	SCREW		1						
22	2	119620-79310	BOLT		3						
23	2	119620-79320	SCREW		2						
24	2	119620-79330	BOLT		2						
25	2	119620-79340	BUSH, INSULATION		1						
26	2	119620-79350	NUT		2						
27	1	26306-100002	NUT, M10		1						
28	1	129A26-77300	ADJUSTER, BELT		1						
29	1	119810-77340	BOLT, ADJUST L=30		1						

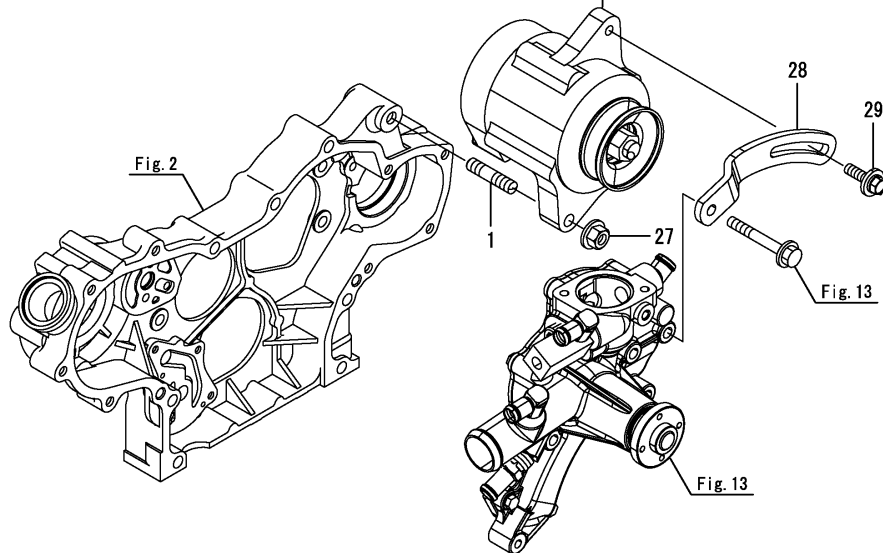
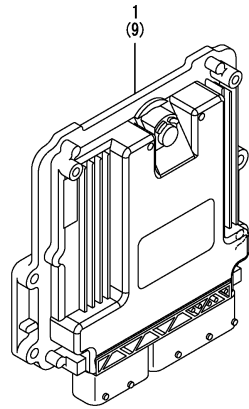


Fig.20. ELECTRONIC CONTROL UNIT(ECU)

(A)=3TNV88C-KRNS
 (B)=3TNV88C-KRNSQ
 (C)=

(D)=
 (E)=
 (F)=

No.	Lev.	Parts No.	Description	Q'ty						I	R
				(A)	(B)	(C)	(D)	(E)	(F)		
1	1	129A26-75020	ECU ASSY,3-88CKRNS	1	1						1
9	1	129A00-75910	ECU ASSY,SERVICE YMR	1	1						2



Remarks

(1)Eco ECU

This part cannot be ordered.

Replace the part using a Service ECU with the proper engine information installed.

(2)Service ECU

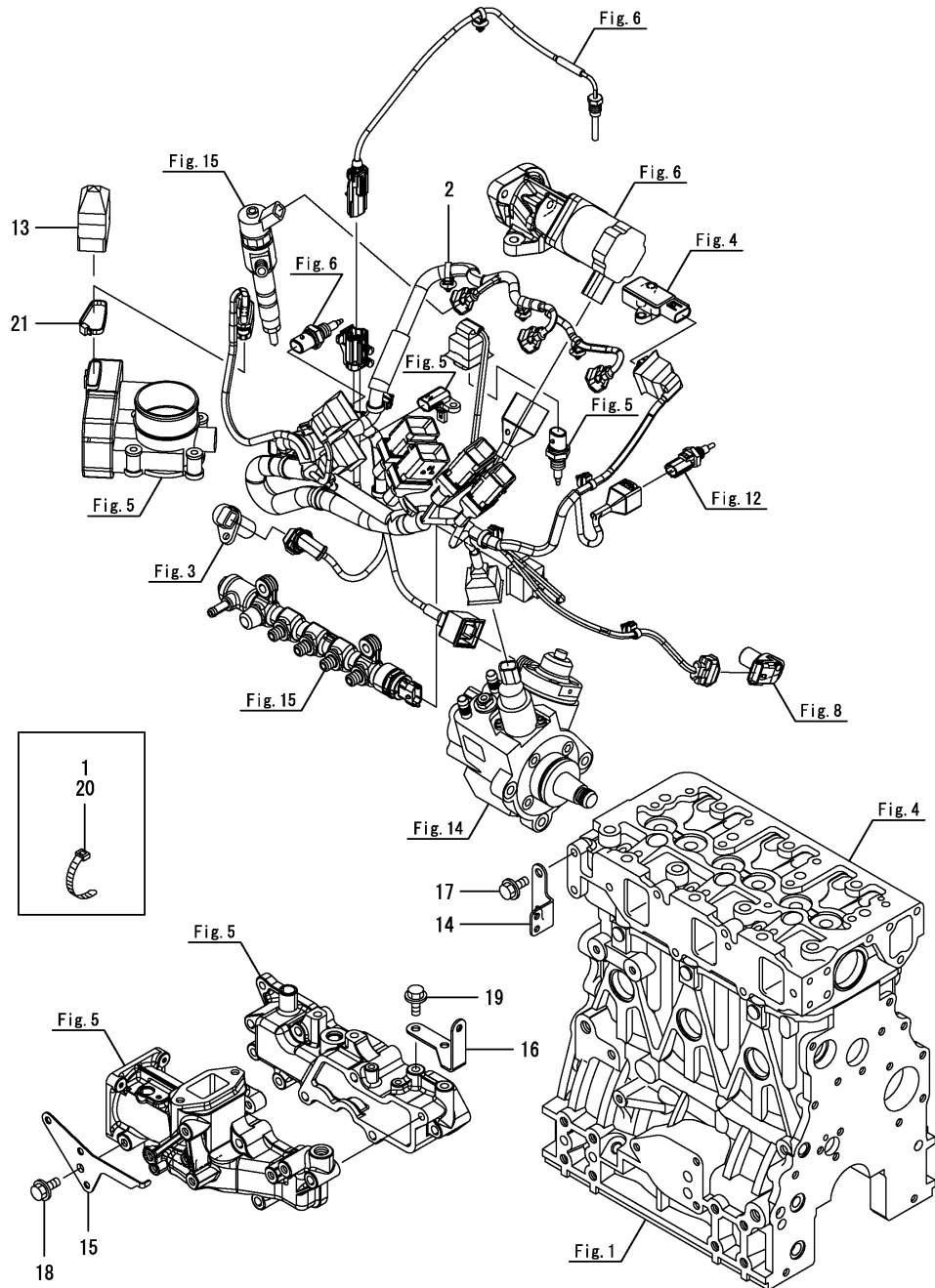
When replacing this part, it is necessary to update the software of the ECU using the designated service tool.

Please refer to the Service Manual for details.

Fig.21. ELECTRIC PARTS

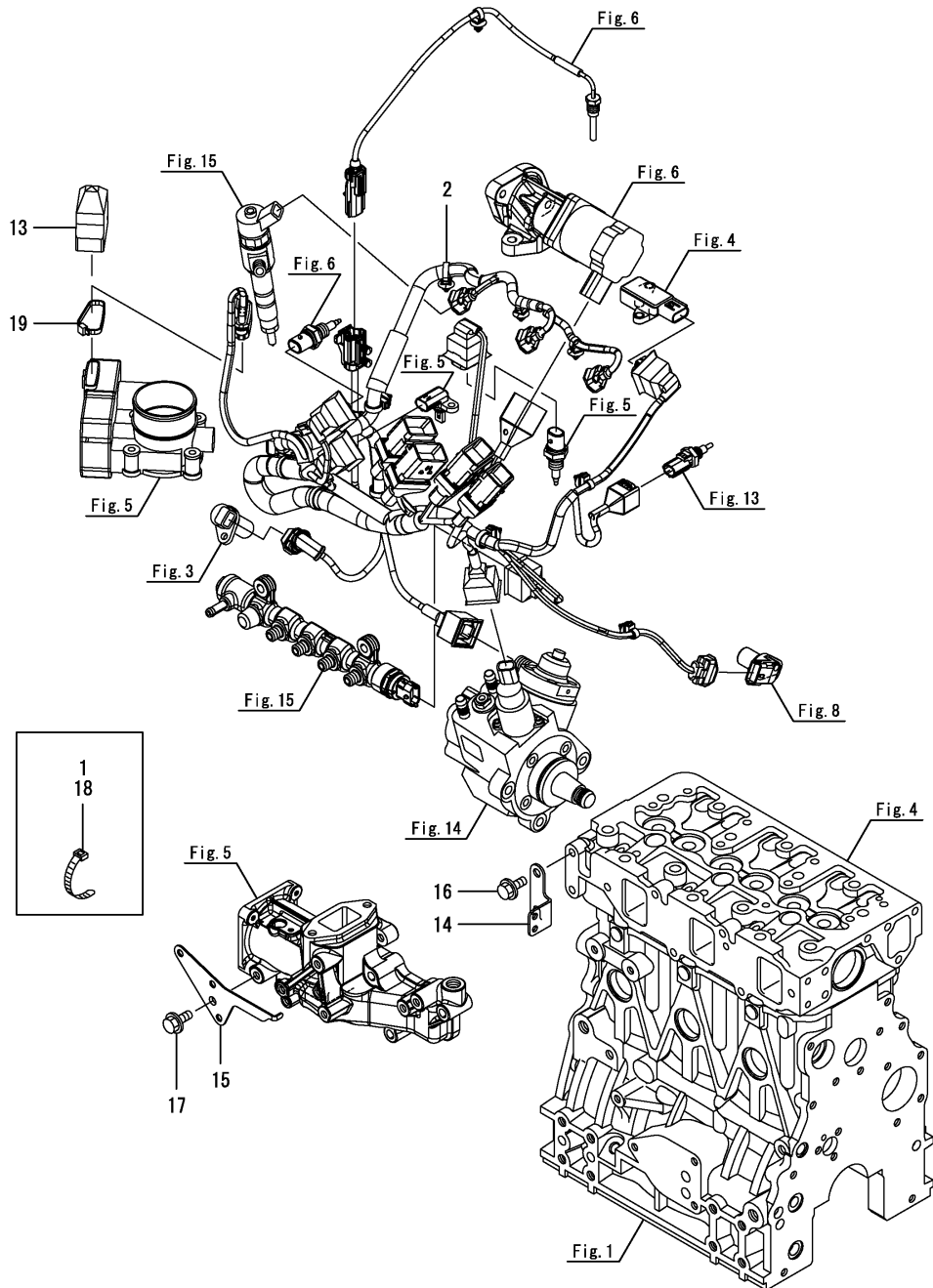
(A)=3TNV88C-KRNS
 (B)=3TNV88C-KRNSQ
 (C)=

(D)=
 (E)=
 (F)=



No.	Lev.	Parts No.	Description	Qty						I	R
				(A)	(B)	(C)	(D)	(E)	(F)		
1	1	198220-51870	BAND, NYLON 200	1							
2	1	129A26-91220	HARNESS	1							
13	1	129A00-91451	BOOT,CAP TYPE	1							
14	1	129A00-91600	BRACKET, HARNESS	1							
15	1	129A26-91600	BRACKET, HARNESS	1							
16	1	129A26-91610	BRACKET, HARNESS	1							
17	1	26106-080122	BOLT, M8X 12 PLATED	2							
18	1	26106-080162	BOLT, M8X 16 PLATED	1							
19	1	26106-080162	BOLT, M8X 16 PLATED	2							
20	1	29621-100000	BAND, TR100	1							
21	1	29621-200000	BAND	1							

Fig.22. ELECTRIC PARTS



(A)=3TNV88C-KRNS
 (B)=3TNV88C-KRNSQ
 (C)=

(D)=
 (E)=
 (F)=

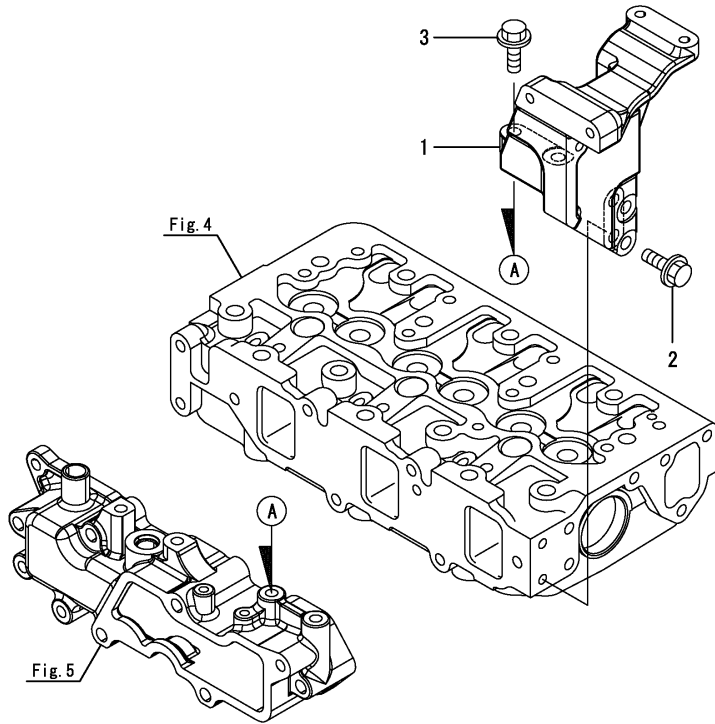
No.	Lev.	Parts No.	Description	Qty						I	R
				(A)	(B)	(C)	(D)	(E)	(F)		
1	1	198220-51870	BAND, NYLON 200		1						
2	1	129A26-91220	HARNESS		1						
13	1	129A00-91451	BOOT,CAP TYPE		1						
14	1	129A00-91600	BRACKET, HARNESS		1						
15	1	129A26-91600	BRACKET, HARNESS		1						
16	1	26106-080122	BOLT, M8X 12 PLATED		2						
17	1	26106-080162	BOLT, M8X 16 PLATED		1						
18	1	29621-100000	BAND, TR100		1						
19	1	29621-200000	BAND		1						

Fig.23. COMPRESSOR MOUNT

(A)=3TNV88C-KRNS
(B)=3TNV88C-KRNSQ
(C)=

(D)=
(E)=
(F)=

No.	Lev.	Parts No.	Description	Q'ty						I	R	
				(A)	(B)	(C)	(D)	(E)	(F)			
1	1	129A26-96900	BRACKET, COMPRESSOR		1							
2	1	26106-080202	BOLT, M8X 20 PLATED		2							
3	1	26106-080252	BOLT, M8X 25 PLATED		2							



Parts No. Index

Parts No.	Fig. No.	Ref. No.
114270-59010	16	9
119609-32040	2	5
119620-01750	3	3
119620-77380	18	4
119620-77440	18	12
119620-77450	18	13
119620-77461	18	14
	19	14
119620-77471	18	15
	19	15
119620-77490	18	16
	19	16
119620-77710	18	17
	19	17
119620-79200	18	8
	19	8
119620-79210	18	9
	19	9
119620-79220	18	10
	19	10
119620-79230	18	11
	19	11
119620-79250	18	6
	19	6
119620-79260	18	18
119620-79290	18	20
	19	20
119620-79300	18	21
	19	21
119620-79310	18	22
	19	22
119620-79320	18	23
	19	23
119620-79330	18	24
	19	24
119620-79340	18	25
	19	25
119620-79350	18	26
	19	26
119624-32040	2	6
119640-61400	4	51
119660-01570	5	11
119761-39450	11	32
119802-11260	4	4
119802-11270	4	5
119802-11280	4	6
119802-25071	8	31
119802-59580	5	17
119803-21200	9	4
	10	4

Parts No.	Fig. No.	Ref. No.
119803-77830	4	61
119807-11770	4	45
119810-77340	18	29
	19	29
119852-49300	13	11
119934-01800	2	18
120130-11860	4	64
120270-54410	4	30
121111-21501	9	11
	10	11
121267-44760	12	27
	13	28
121520-34810	11	4
121550-23200	9	31
	10	31
121850-21680	9	10
	10	10
123372-59100	15	11
123501-79240	18	5
	19	5
123900-13130	6	3
123907-03100	4	38
123907-03110	4	39
123907-03120	4	40
123907-03140	4	41
124060-01050	1	11
124160-01751	2	3
124160-01910	1	12
		13
124160-11360	4	55
124240-01871	2	9
		10
		19
124460-11340	4	24
124550-21600	9	14
	10	14
128300-13230	7	1
128401-77440	19	12
128401-77450	19	13
129001-01250	1	4
129001-02931	1	29
129004-03010	4	36
129004-11241	4	1
129004-11251	4	2
129004-11650	4	8
129005-03080	5	1
129005-11100	4	20
129008-21000	9	1
	10	1
129008-77800	4	62

Parts No.	Fig. No.	Ref. No.
129052-77201	18	2
129052-77220	19	2
129052-77380	19	4
129052-77421	18	7
129052-77422	19	7
129052-79260	19	18
129052-79270	18	19
	19	19
129054-01640	3	8
129054-42320	12	10
	13	10
129055-01770	3	7
129055-21650	9	8
129055-34811	11	5
129100-01580	2	2
	3	1
		15
	9	2
	10	2
129100-01640	3	16
129100-01730	3	6
129100-11112	4	21
129100-23910	9	34
	10	34
129129-77010	17	1
129129-77210	17	6
129129-77220	17	7
129129-77230	17	8
129129-77240	17	9
129129-77250	17	10
129129-77260	17	21
129129-77270	17	22
129129-77280	17	23
129129-77290	17	24
129129-77300	17	25
129129-77310	17	27
129129-77320	17	28
129129-77330	17	29
129129-77340	17	30
129129-77350	17	31
129129-77362	17	32
129129-77380	17	34
129129-77390	17	14
129129-77400	17	17
129129-77410	17	18
129129-77420	17	19
129129-77430	17	20
129129-77460	17	3
129150-01200	1	27
129150-02020	1	6

Parts No.	Fig. No.	Ref. No.
129150-02450	8	4
129150-02871	1	32
129150-02931	1	24
129150-02941	1	35
129150-03070	4	37
129150-11230	4	9
129150-11280	4	7
129150-11370	4	12
129150-11750	4	11
129150-11810	4	65
129150-14200	8	1
129150-14400	8	2
129150-23601	9	32
	10	32
129150-23611	9	35
	10	35
129150-26201	8	29
129150-35042	11	7
129150-35111	11	16
129150-35153	11	33
129150-42059	12	3
	13	3
129150-42301	12	8
	13	8
129150-49811	12	30
	13	31
129155-49801	12	29
129202-22300	9	25
	10	25
129263-21660	10	8
129263-42120	12	4
	13	4
129263-49350	12	12
129410-03990	5	2
129417-33111	11	11
129417-35150	11	14
129418-18320	6	21
129457-49801	13	30
129486-01670	3	19
129486-32020	11	2
129486-42050	12	19
	13	20
129508-33031	11	9
129508-33060	11	10
129550-42350	12	24
	13	25
129648-44400	11	18
129655-44740	12	26
	13	27
129795-01780	3	18

Parts No. Index

Parts No.	Fig. No.	Ref. No.
129795-01900	18	1
	19	1
129795-01950	2	4
129795-02412	1	9
129795-11120	4	22
129795-11180	4	23
129795-21661	9	9
	10	9
129795-49551	12	32
	13	33
129916-49740	12	14
	13	15
129917-55821	16	25
129927-13810	6	25
129927-44900	12	34
	13	35
129928-49420	12	13
	13	14
129960-03990	12	38
		42
	13	39
		43
129963-49300	12	11
	13	12
129972-49350	13	13
129978-11871	4	28
129978-12700	4	46
129978-17700	7	33
129978-59340	11	22
129979-17650	7	30
129979-55700	16	17
129A00-01331	1	28
129A00-01560	1	1
129A00-11310	4	43
129A00-11330	4	44
129A00-11340	4	25
129A00-11710	4	13
129A00-11900	4	29
129A00-12100	5	5
129A00-12110	5	3
129A00-12150	5	4
129A00-12711	5	12
129A00-12720	5	7
129A00-12780	4	47
129A00-12790	5	13
129A00-12810	5	9
129A00-12830	5	14
129A00-12900	5	26
129A00-12910	5	27
129A00-13110	6	2

Parts No.	Fig. No.	Ref. No.
129A00-13300	6	10
129A00-13350	6	12
	7	23
129A00-13360	4	48
129A00-13380	4	50
129A00-13400	6	15
129A00-13410	6	16
129A00-13751	6	23
129A00-13770	6	7
129A00-13800	6	24
129A00-13851	6	19
129A00-13861	6	20
129A00-13901	6	28
129A00-13910	6	29
129A00-13920	6	30
129A00-14100	8	6
129A00-14580	8	3
129A00-14700	8	8
129A00-14710	8	11
129A00-16600	7	14
129A00-16610	7	15
129A00-16700	7	17
129A00-16720	7	18
129A00-16740	7	19
129A00-17311	7	25
129A00-17360	7	26
129A00-17520	7	29
129A00-17570	7	31
129A00-21710	3	21
129A00-22500	9	19
	10	19
129A00-22950	9	39
	10	39
129A00-25050	8	13
129A00-25060	8	21
129A00-25080	8	32
129A00-25110	8	14
129A00-25120	8	22
129A00-25200	8	25
129A00-25210	8	26
129A00-25900	8	18
129A00-32000	11	1
129A00-51000	14	1
129A00-51100	14	2
129A00-51110	14	3
129A00-51120	14	4
129A00-51130	14	5
129A00-51200	14	6
129A00-51900	14	7
129A00-53100	15	1

Parts No.	Fig. No.	Ref. No.
129A00-53200	15	4
129A00-55730	16	23
129A00-55740	16	24
129A00-55750	16	19
129A00-55760	16	20
129A00-57000	15	6
129A00-57100	15	7
129A00-57200	15	8
129A00-57210	15	9
129A00-59020	16	4
129A00-59110	5	15
129A00-59700	15	13
129A00-59810	15	15
129A00-59820	15	16
129A00-59830	15	17
129A00-75910	20	9
129A00-77820	4	63
129A00-91200	6	8
	11	23
	16	12
129A00-91451	21	13
	22	13
129A00-91600	21	14
	22	14
129A01-13601	6	4
129A01-13700	6	6
129A01-16550	7	13
129A23-26000	8	28
129A23-55800	16	15
129A23-59130	5	16
129A23-59500	16	1
129A24-59560	11	28
129A26-01620	3	2
129A26-11350	4	35
129A26-12820	5	25
129A26-12850	5	10
129A26-13100	6	1
129A26-16010	7	8
129A26-16210	7	9
129A26-16410	7	11
129A26-16800	7	2
129A26-16830	7	3
129A26-16840	7	4
129A26-17300	7	24
129A26-21590	9	12
	10	12
129A26-35100	11	12
129A26-49010	11	19
129A26-49020	11	25
129A26-49530	12	31

Parts No.	Fig. No.	Ref. No.
129A26-49530	13	32
129A26-49610	12	37
	13	38
129A26-49640	12	41
	13	42
129A26-55600	16	13
129A26-55610	16	14
129A26-55650	16	16
129A26-59010	16	26
129A26-59030	16	8
129A26-59060	16	27
129A26-59160	16	28
129A26-59210	16	29
129A26-59550	16	30
129A26-75020	20	1
129A26-77300	18	28
	19	28
129A26-91220	21	2
	22	2
129A26-91600	21	15
	22	15
129A26-91610	21	16
129A26-96900	23	1
129C00-01500	2	1
129C00-01550	2	16
129C00-13940	7	6
129C00-13950	7	7
129C00-22080	9	17
	10	17
129C00-22900	9	37
	10	37
129C01-16690	7	16
129C20-55720	16	22
129C26-01890	2	11
129C26-07950	4	57
129C26-07960	4	58
129C26-42000	12	1
129C26-42010	13	1
129C26-49300	12	36
	13	37
129C61-35000	11	6
129E00-13620	6	18
129E00-55710	16	18
129E01-17600	7	27
129F01-13600	6	17
129F01-13630	6	5
171008-03990	11	20
		26
171051-01921	1	5
171056-49120	13	47

Parts No. Index

Parts No.	Fig. No.	Ref. No.
198220-51870	21	1
	22	1
22190-080002	2	12
		20
22190-120002	3	10
	12	35
	13	36
22190-140002	5	18
22217-180000	8	19
22252-000260	9	26
	10	26
22351-060012	4	31
22512-070140	8	7
	9	5
		7
	10	5
		7
22857-500100	4	52
		53
23080-007000	16	3
23080-015000	11	24
		29
	16	7
		31
23297-080061	6	11
23414-080000	12	20
	13	21
23414-120000	6	13
24104-063020	9	16
	10	16
24105-060064	8	30
24311-000120	4	56
24311-000320	2	7
24358-240310	12	15
	13	16
25152-004100	12	25
	13	26
26106-060102	8	9
26106-060122	6	14
26106-060202	5	28
	12	16
	13	17
26106-060302	12	28
	13	29
26106-060402	5	29
26106-060902	5	30
26106-080122	7	20
	12	21
	13	22
	21	17

Parts No.	Fig. No.	Ref. No.
26106-080122	22	16
26106-080142	2	13
	8	10
26106-080162	2	8
		14
		21
	3	11
	7	34
	21	18
		19
	22	17
26106-080202	7	35
	11	30
	23	2
26106-080222	12	33
	13	34
26106-080252	3	12
	4	32
		59
		60
	6	26
	7	36
	15	10
	23	3
26106-080302	14	8
26106-080352	2	15
		22
	3	20
	4	33
26106-080402	2	23
	8	27
	11	31
26106-080452	3	13
	8	17
26106-080502	3	14
	4	34
	5	8
		21
	6	22
26106-080552	11	8
	12	22
	13	23
26106-080602	2	24
	7	37
	12	23
	13	24
26106-080752	5	22
26106-080852	2	25
26106-100202	7	38
26106-120252	17	35

Parts No.	Fig. No.	Ref. No.
26116-060162	12	17
	13	18
26206-100252	3	4
26206-100302	3	5
26216-060202	5	6
26216-080302	5	19
26216-081052	5	23
26306-080002	5	24
	6	27
		31
	7	21
		39
26306-100002	6	9
	7	40
	18	27
	19	27
26366-060002	15	18
26450-060162	3	22
	4	54
	8	12
26450-060252	11	3
26577-060152	12	18
	13	19
26716-060002	5	20
26776-180002	8	20
27241-120000	1	14
27241-300000	1	10
27241-400000	4	19
27310-080001	4	26
29621-100000	21	20
	22	18
29621-200000	21	21
	22	19
729402-23100	9	27
	10	27
X0280210230	17	11
X0283060061	17	2
X0283270140	17	12
X9490561001	18	3
	19	3
X9490561370	17	4
X9491200240	17	5
X9491703371	17	13
X9491730461	17	26

Parts No.	Fig. No.	Ref. No.
-----------	----------	----------