

0CNP6-M02780EN

Contents

OCNP6-M02780

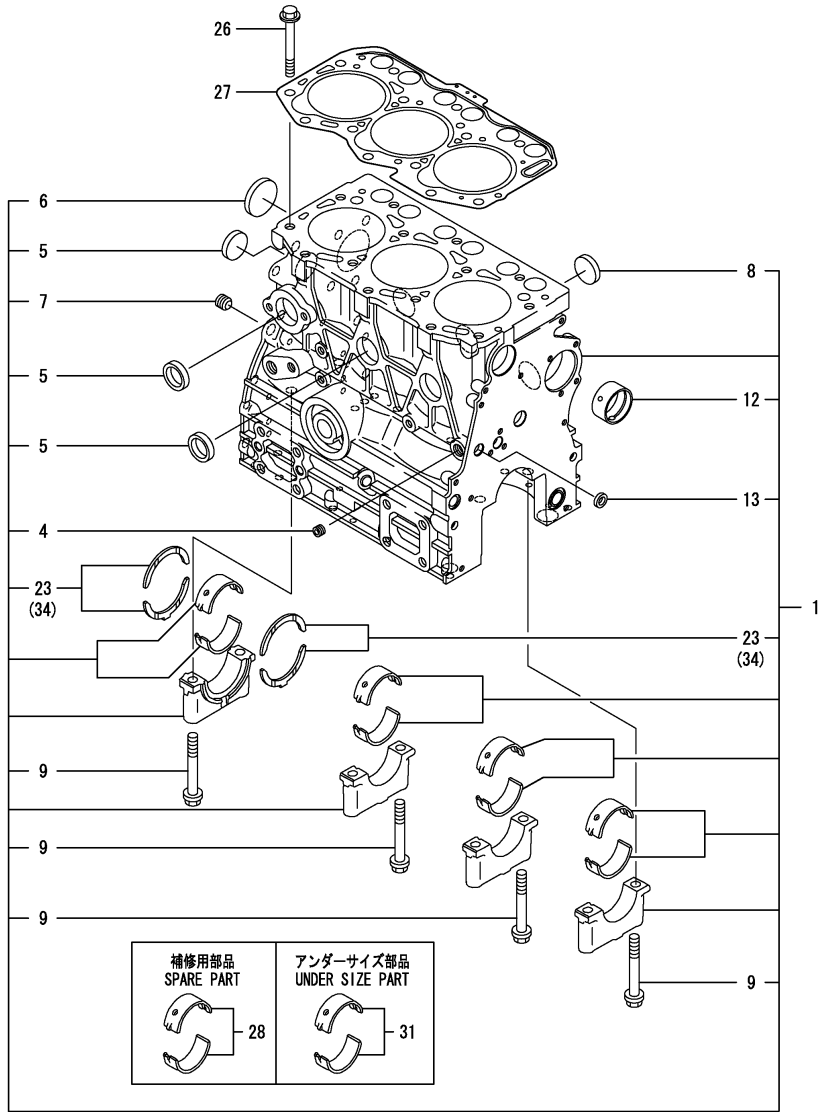
Fig. No. Fig. Name

Fig. No. Fig. Name

ENGINE

1. CYLINDER BLOCK
2. GEAR HOUSING
3. MOUNTING FLANGE & OIL SUMP
4. CYLINDER HEAD & BONNET
5. EXHAUST MANIFOLD & SILENCER
6. CAMSHAFT & DRIVING GEAR
7. CRANKSHAFT & PISTON
8. LUB. OIL SYSTEM
9. COOLING WATER SYSTEM
10. FUEL INJECTION PUMP
11. GOVERNOR
12. FUEL INJECTION VALVE
13. STARTER MOTOR
14. GENERATOR

Fig.1. CYLINDER BLOCK



(A)=3TNV76-DRE
(B)=
(C)=

(D)=
(E)=
(F)=

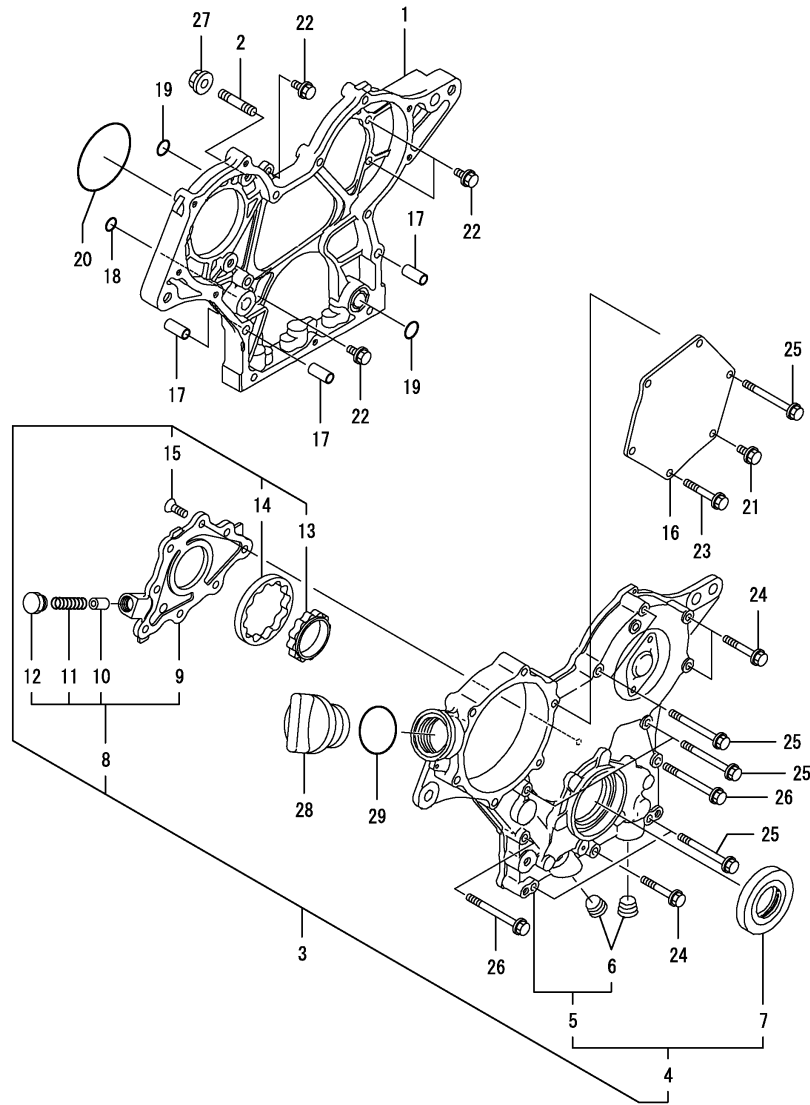
No.	Lev.	Parts No.	Description	Q'ty						I	R
				(A)	(B)	(C)	(D)	(E)	(F)		
1	1	719717-01561	BLOCK ASSY, CYLINDER	1							
4	2	124060-01050	PLUG, PT1/8	1							
5	2	105311-01090	PLUG, CUP TYPE 30	4							
6	2	119623-01250	PLUG, DISH TYPE 45	1							
7	2	124160-01910	PLUG, PT1/4	1							
8	2	119285-01990	PLUG, CUP TYPE 25	3							
9	2	119620-02020	BOLT, METAL CAP	8							
12	2	119717-02411	BUSH, CAMSHAFT	1							
13	2	27241-120000	PLUG, 12	1							
23	2	119717-02930	BEARING ASSY, THRUST	2							
26	1	119810-01200	BOLT, CYLINDER HEAD	14							
27	1	119717-01331	GASKET, HEAD	1							
28	1	719717-02901	BEARING ASSY, MAIN	4							1
31	1	719717-02911	BEARING ASSY, MAIN	4							2
34	1	119810-02941	BEARING, THRUST 0.25	2							3

Remarks
 Note : "Effective Machine No." of the Engine Section is indicated on the Model Label which is shown in Fig.4.
 (1) Spare parts.
 (2) Under-sized(U.S.=0.25) parts.
 (3) Over-sized(O.S.=0.25) parts.

Fig.2. GEAR HOUSING

(A)=3TNV76-DRE
(B)=
(C)=

(D)=
(E)=
(F)=



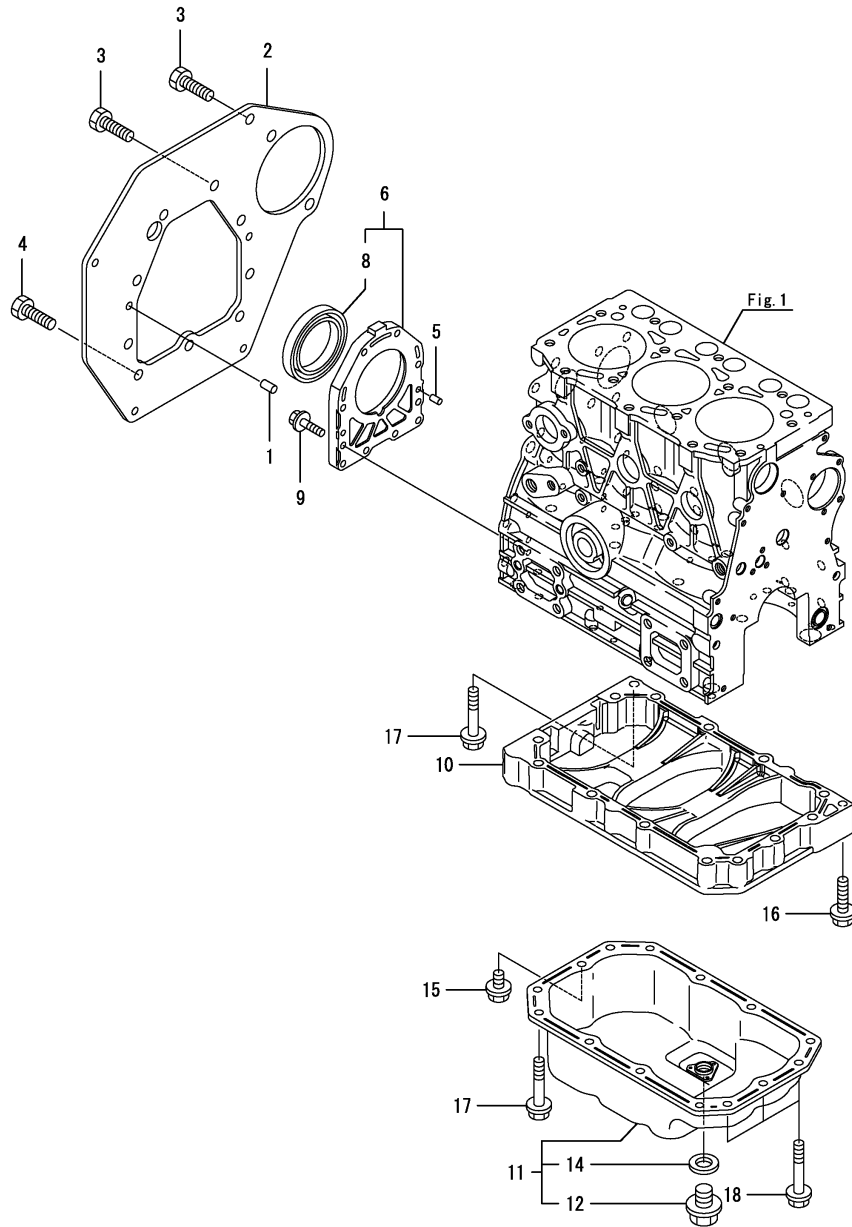
No.	Lev.	Parts No.	Description	Q'ty						I	R
				(A)	(B)	(C)	(D)	(E)	(F)		
1	1	119717-01501	CASE, GEAR	1							
2	1	119717-01570	BOLT, STUD	3							
3	1	119734-01590	COVER ASSY,GEAR CASE	1							
4	2	719734-01500	COVER ASSY,GEAR CASE	1							
5	3	119717-01521	COVER, GEAR CASE	1							
6	4	23876-030000	PLUG, R03	2							
7	3	119717-01800	SEAL, OIL	1							
8	2	119717-32100	COVER ASSY	1							
9	3	119717-32080	COVER, PUMP	1							
10	3	129900-32130	VALVE, RELIEF	1							
11	3	129001-32320	SPRING	1							
12	3	129001-32330	PLUG	1							
13	2	119717-32110	ROTOR, INNER	1							
14	2	119717-32120	ROTOR, OUTER	1							
15	2	119802-32130	SCREW, M6X16	8							
16	1	119717-01750	COVER, PUMP	1							
17	1	119660-01911	PIPE, DOWEL 6X17	4							
18	1	119624-32040	O-RING, P12.0	1							
19	1	119717-32050	O-RING, P17.0	3							
20	1	121850-51960	O-RING	1							
21	1	26106-060122	BOLT, M6X 12 PLATED	1							
22	1	26106-060162	BOLT, M6X 16 PLATED	4							
23	1	26106-060402	BOLT, M6X 40 PLATED	4							
24	1	26106-060402	BOLT, M6X 40 PLATED	3							
25	1	26106-060602	BOLT, M6X 60 PLATED	7							
26	1	26106-060652	BOLT, M6X 65 PLATED	2							
27	1	26306-080002	NUT, M8	3							
28	1	124160-01751	CAP, FILLER	1							
29	1	24311-000320	O-RING, 1AP32.0	1							

Remarks

Note : "Effective Machine No." of the Engine Section is indicated on the Model Label which is shown in Fig.4.

N:Old $\xrightarrow{\text{Yes}}$ New, Q:Old $\xrightarrow{\text{No}}$ New, R:Old $\xrightarrow{\text{Yes}}$ New, S:Old $\xrightarrow{\text{No}}$ New, W:Add, Z:Discontinued, F:Interchangeable by set, K:Q'ty Change

Fig.3. MOUNTING FLANGE & OIL SUMP



(A)=3TNV76-DRE
(B)=
(C)=

(D)=
(E)=
(F)=

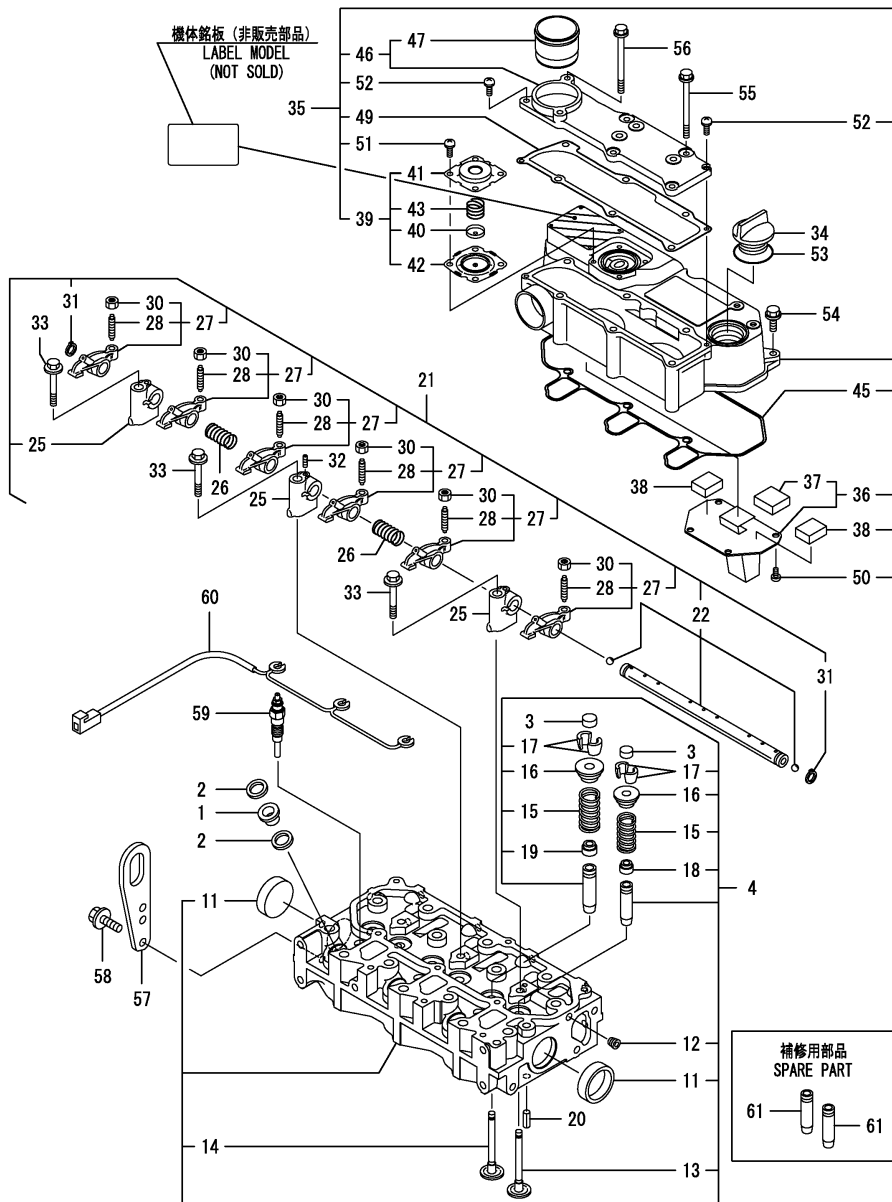
No.	Lev.	Parts No.	Description	Q'ty						I	R
				(A)	(B)	(C)	(D)	(E)	(F)		
1	1	129100-01580	PIN, PARALLEL 8X16	2							
2	1	119734-01611	FLANGE, MOUNTING	1							
3	1	26206-100202	BOLT, M10X 20 PLATED	7							
4	1	26206-100252	BOLT, M10X 25 PLATED	3							
5	1	119620-01620	PIN, PARALLEL M6X10	2							
6	1	119527-01640	CASE ASSY, OIL SEAL	1							
8	2	124085-02220	SEAL, OIL	1							
9	1	26106-060222	BOLT, M6X 22 PLATED	10							
10	1	119717-01720	SPACER, OIL-PAN	1							
11	1	119734-01780	SUMP ASSY, OIL	1							
12	2	105425-01690	PLUG, M16	1							
14	2	22190-160002	WASHER, SEAL 16	1							
15	1	26106-080122	BOLT, M8X 12 PLATED	1							
16	1	26106-080302	BOLT, M8X 30 PLATED	1							
17	1	26106-080452	BOLT, M8X 45 PLATED	11							
18	1	26106-080502	BOLT, M8X 50 PLATED	3							

Remarks

Note : "Effective Machine No." of the Engine Section is indicated on the Model Label which is shown in Fig.4.

N:Old $\xrightarrow{\text{Yes}}$ New, Q:Old $\xrightarrow{\text{No}}$ New, R:Old $\xrightarrow{\text{Yes}}$ New, S:Old $\xrightarrow{\text{No}}$ New, W:Add, Z:Discontinued, F:Interchangeable by set, K:Q'ty Change

Fig.4. CYLINDER HEAD & BONNET



(A)=3TNV76-DRE
(B)=
(C)=

(D)=
(E)=
(F)=

No.	Lev.	Parts No.	Description	Q'ty						I	R
				(A)	(B)	(C)	(D)	(E)	(F)		
1	1	129901-11450	PROTECTOR, NOZZLE	3							
2	1	119600-11460	GASKET, NOZZLE	6							
3	1	105010-11490	CAP, VALVE	6							
4	1	119717-11740	HEAD ASSY, CYLINDER	1							
11	2	119285-11990	PLUG, CUP TYPE 35	2							
12	2	23876-005000	PLUG, R005	1							
13	2	119717-11101	VALVE, SUCTION	3							
14	2	119717-11110	VALVE, EXHAUST	3							
15	2	119717-11131	SPRING, VALVE	6							
16	2	129508-11180	RETAINER, SPRING	6							
17	2	119717-11190	COTTER, VALVE	12							
18	2	119717-11340	SEAL, VALVE STEM	3							
19	2	119717-11350	SEAL, VALVE STEM	3							
20	1	22351-060012	PIN, SPRING 6.0X12	2							
21	1	119717-11200	SUPPORT ASSY, ROCKER	1							
22	2	119717-11240	SHAFT ASSY, ROCKER	1							
25	2	119717-11260	SUPPORT, ROCKER ARM	3							
26	2	119620-11280	SPRING, ROCKER	2							
27	2	119717-11650	ARM ASSY, ROCKER	6							
28	3	129150-11230	SCREW, VALVE ADJUST	6							
30	3	129150-11750	NUT, M8	6							
31	2	22242-000120	RING, 12	2							
32	2	26979-050162	SCREW, M5X16	1							
33	1	26106-080402	BOLT, M8X 40 PLATED	3							
34	1	124160-01751	CAP, FILLER	1							
35	1	119734-11370	BONNET ASSY, HEAD	1							
36	2	119717-03031	PLATE, BAFFLE	1							
37	3	119717-03070	BAFFLE, BREATHER	1							
38	2	119717-03070	BAFFLE, BREATHER	2							
39	2	119802-03100	DIAPHRAGM ASSY	1							
40	3	119802-03110	PLATE, DIAPHRAGM	1							
41	3	119802-03121	COVER, DIAPHRAGM	1							
42	3	119802-03131	DIAPHRAGM	1							
43	3	119802-03141	SPRING, DIAPHRAGM	1							
45	2	119718-11310	GASKET, BONNET	1							
46	2	119734-11310	COVER ASSY	1							
47	3	119734-11340	JOINT	1							
49	2	119717-11331	GASKET	1							
50	2	22857-500100	SCREW, 5X10	4							
51	2	22857-500100	SCREW, 5X10	4							
52	2	22857-500160	SCREW, 5X16	2							
53	1	24311-000320	O-RING, 1AP32.0	1							
54	1	26106-060202	BOLT, M6X 20 PLATED	3							
55	1	26106-060752	BOLT, M6X 75 PLATED	4							
56	1	26106-060852	BOLT, M6X 85 PLATED	2							
57	1	119226-07900	LIFTER, ENGINE	1							
58	1	26106-080162	BOLT, M8X 16 PLATED	2							
59	1	119717-77801	PLUG, GLOW	3							
60	1	119717-77820	CONNECTOR, GLOW PLUG	1							
61	1	119717-11800	GUIDE, VALVE	6							

Remarks

Note : "Effective Machine No." of the Engine Section is indicated on the Model Label which is shown in Fig.4.

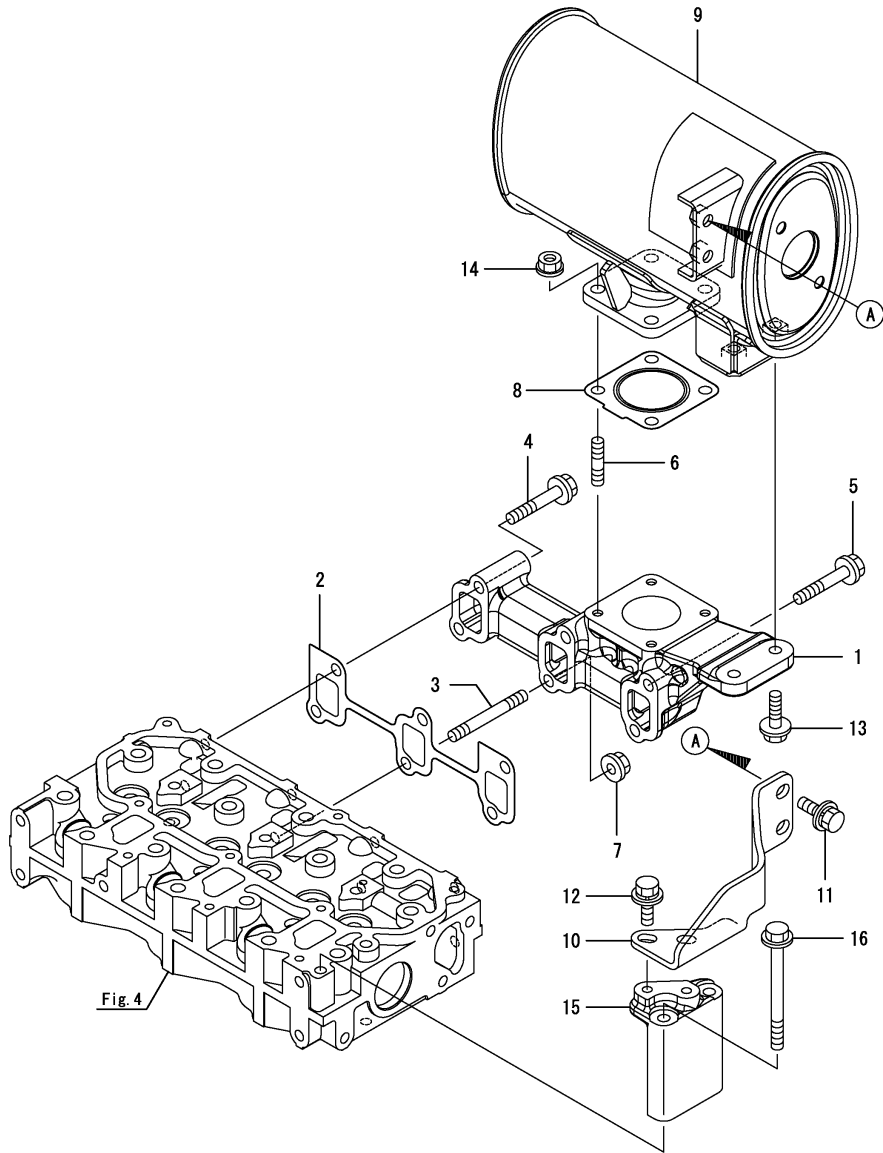
(1) Spare parts.

N:Old \xrightarrow{Yes} New, Q:Old \xrightarrow{No} New, R:Old \xrightarrow{Yes} New, S:Old \xrightarrow{No} New, W:Add, Z:Discontinued, F:Interchangeable by set, K:Q'ty Change

Fig.5. EXHAUST MANIFOLD & SILENCER

(A)=3TNV76-DRE
(B)=
(C)=

(D)=
(E)=
(F)=



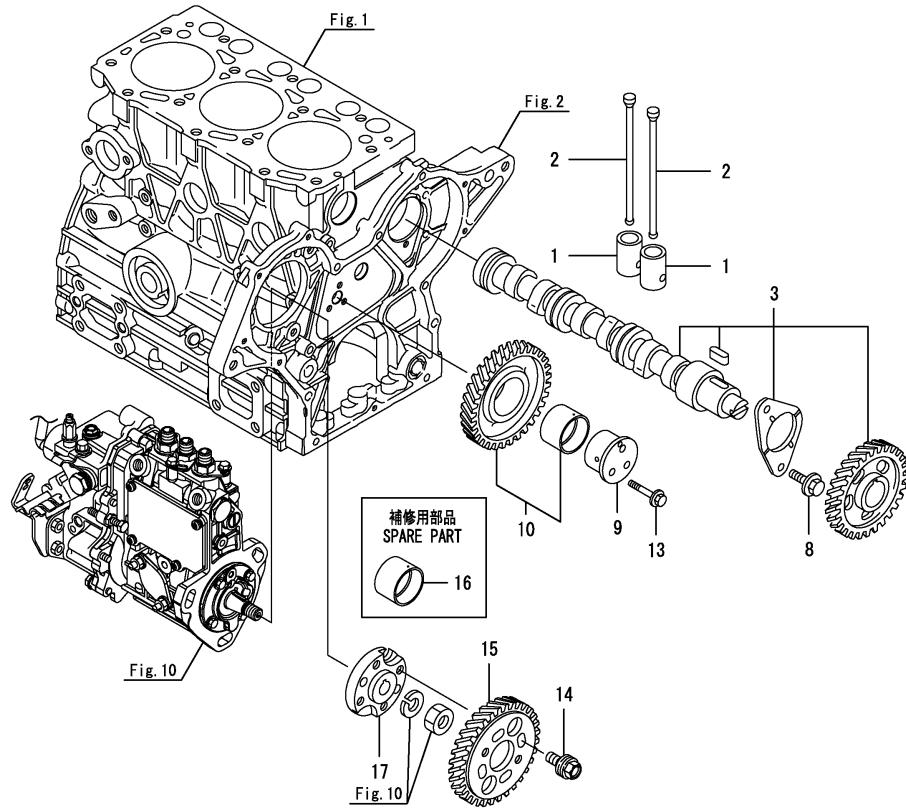
No.	Lev.	Parts No.	Description	Q'ty						I	R
				(A)	(B)	(C)	(D)	(E)	(F)		
1	1	119E21-13100	MANIFOLD, EXHAUST	1							
2	1	119717-13110	GASKET, EXH.MANIFOLD	1							
3	1	119717-13600	BOLT, STUD M8X50	2							
4	1	129E00-13610	BOLT, M8X50 10.9	2							
5	1	119802-13641	BOLT, M8X60 10.9T	2							
6	1	119131-18320	BOLT, STUD M8X22	4							
7	1	26306-080002	NUT, M8	2							
8	1	119515-13200	GASKET, SILENCER	1							
9	1	119E21-13510	SILENCER	1							
10	1	119E21-13600	STAY, SILENCER	1							
11	1	26014-080202	BOLT, M8X 20	2							
12	1	26014-080202	BOLT, M8X 20	2							
13	1	26106-080252	BOLT, M8X 25 PLATED	2							
14	1	26306-080002	NUT, M8	4							
15	1	119E10-13691	MOUNT, SILENCER STAY	1							
16	1	26106-080902	BOLT, M8X 90 PLATED	2							

Remarks

Note : "Effective Machine No." of the Engine Section is indicated on the Model Label which is shown in Fig.4.

N:Old $\xrightarrow{\text{Yes}}$ New, Q:Old $\xrightarrow{\text{No}}$ New, R:Old $\xrightarrow{\text{Yes}}$ New, S:Old $\xrightarrow{\text{No}}$ New, W:Add, Z:Discontinued, F:Interchangeable by set, K:Q'ty Change

Fig.6. CAMSHAFT & DRIVING GEAR



(A)=3TNV76-DRE
(B)=
(C)=

(D)=
(E)=
(F)=

No.	Lev.	Parts No.	Description	Qty						I	R
				(A)	(B)	(C)	(D)	(E)	(F)		
1	1	119620-14200	TAPPET	6							
2	1	119717-14400	PUSH-ROD	6							
3	1	119717-14581	CAMSHAFT ASSY	1							
8	1	26106-060122	BOLT, M6X 12 PLATED	2							
9	1	119717-25050	SHAFT, IDLE	1							
10	1	119717-25101	GEAR ASSY, IDLE	1							
13	1	26106-060352	BOLT, M6X 35 PLATED	3							
14	1	129150-25301	BOLT	4							
15	1	119717-25930	GEAR, PUMP	1							
16	1	119717-25911	BUSH, IDLE GEAR	1							1
17	1	119717-51150	FLANGE	1							

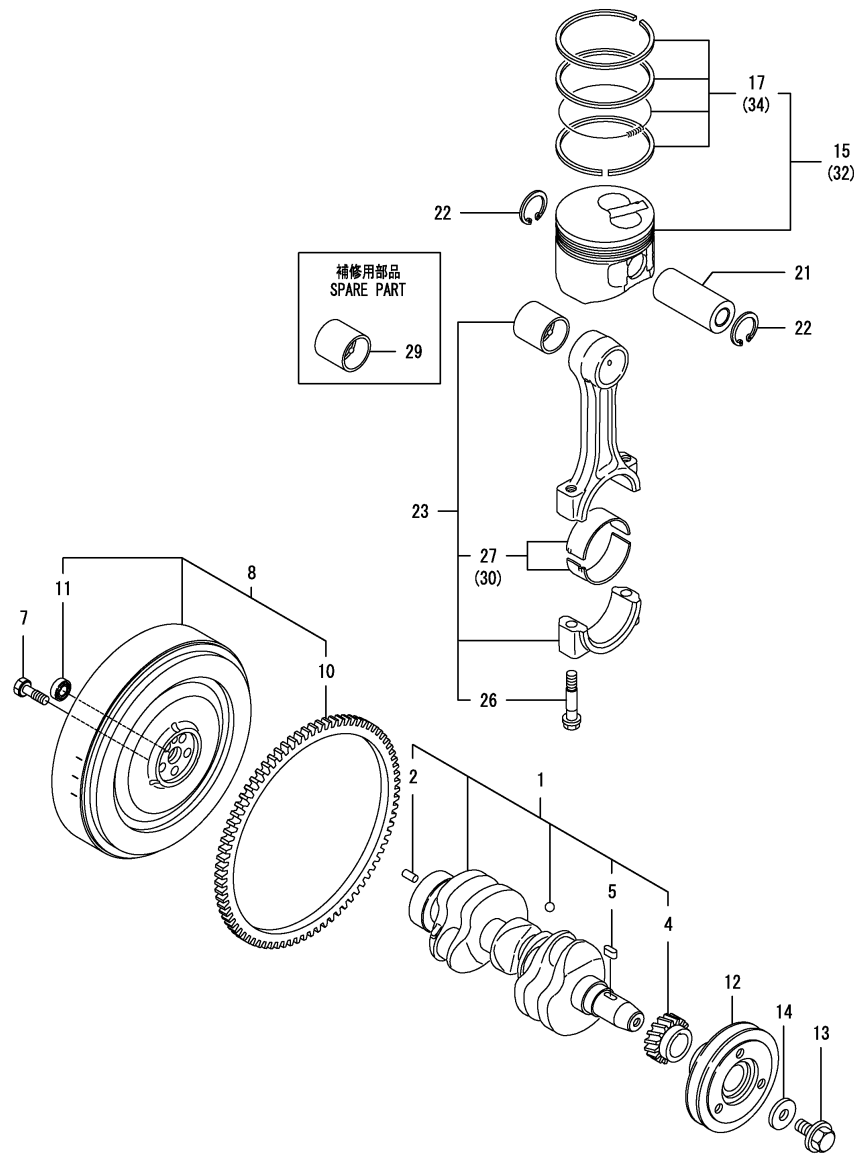
Remarks

Note : "Effective Machine No." of the Engine Section is indicated on the Model Label which is shown in Fig.4.

(1)Spare parts.

N:Old $\xrightarrow{\text{Yes}}$ New, Q:Old $\xrightarrow{\text{No}}$ New, R:Old $\xrightarrow{\text{Yes}}$ New, S:Old $\xrightarrow{\text{No}}$ New, W:Add, Z:Discontinued, F:Interchangeable by set, K:Q'ty Change

Fig.7. CRANKSHAFT & PISTON



(A)=3TNV76-DRE
(B)=
(C)=

(D)=
(E)=
(F)=

No.	Lev.	Parts No.	Description	Q'ty						I	R
				(A)	(B)	(C)	(D)	(E)	(F)		
1	1	119717-21700	CRANKSHAFT ASSY	1							
2	2	129100-01580	PIN, PARALLEL 8X16	1							
4	2	119717-21200	GEAR, CRANKSHAFT	1							
5	2	22512-040120	KEY, 4X 12	1							
7	1	119620-21500	BOLT, FLYWHEEL	5							
8	1	119734-21580	FLYWHEEL ASSY	1							
10	2	124060-21600	GEAR, RING Z=105	1							
11	2	119626-21700	BEARING, 6901	1							
12	1	119717-21650	V-PULLEY, CRANKSHAFT	1							
13	1	119621-21681	BOLT, FLANGE 12X1.25	1							
14	1	119620-21941	WASHER	1							
15	1	119717-22080	PISTON ASSY	3							
17	2	119717-22500	RING SET, PISTON	3							
21	1	119717-22300	PIN, PISTON	3							
22	1	22252-000220	RING, 22	6							
23	1	119717-23000	ROD ASSY, CONNECTING	3							
26	2	119717-23200	BOLT, CONNECTING ROD	6							
27	2	119717-23601	BEARING, CRANK PIN	3							
29	1	119717-23910	BEARING, PISTON PIN	3							1
30	1	119717-23611	METAL ASSY, 0.25	3							2
32	1	119717-22090	PISTON ASSY, 0.25 OS	3							3
34	2	119717-22550	RING SET, 0.25 OS	3							3

Remarks

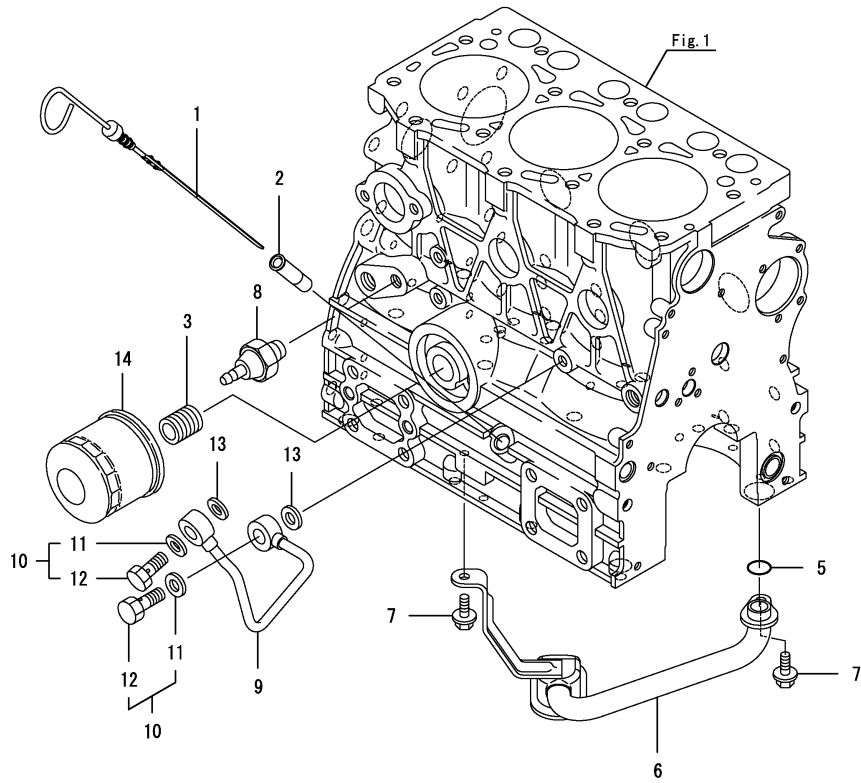
Note : "Effective Machine No." of the Engine Section is indicated on the Model Label which is shown in Fig.4.

- (1) Spare parts.
- (2) Under-sized (U.S.=0.25) parts.
- (3) Over-sized (O.S.=0.25) parts.

Fig.8. LUB. OIL SYSTEM

(A)=3TNV76-DRE
(B)=
(C)=

(D)=
(E)=
(F)=



No.	Lev.	Parts No.	Description	Qty						I	R
				(A)	(B)	(C)	(D)	(E)	(F)		
1	1	119734-34810	DIPSTICK, OIL	1							
2	1	121520-34810	GUIDE, DIPSTICK	1							
3	1	119717-35140	BOLT, STUD	1							
5	1	119717-32060	O-RING, P15.0	1							
6	1	119734-35090	PIPE ASSY, OIL INLET	1							
7	1	26106-060102	BOLT, M6X 10 PLATED	2							
8	1	114250-39450	SWITCH, HYDRAULIC	1							
9	1	119717-39210	PIPE, OIL	1							
10	1	129005-59830	BOLT ASSY, JOINT M8	2							
11	2	22190-080002	WASHER, SEAL 8	2							
12	2	23857-030000	BOLT, JOINT 3	2							
13	1	22190-080002	WASHER, SEAL 8	2							
14	1	119305-35170	FILTER ASSY, D68XL65	1							1

Remarks

Note : "Effective Machine No." of the Engine Section is indicated on the Model Label which is shown in Fig.4.

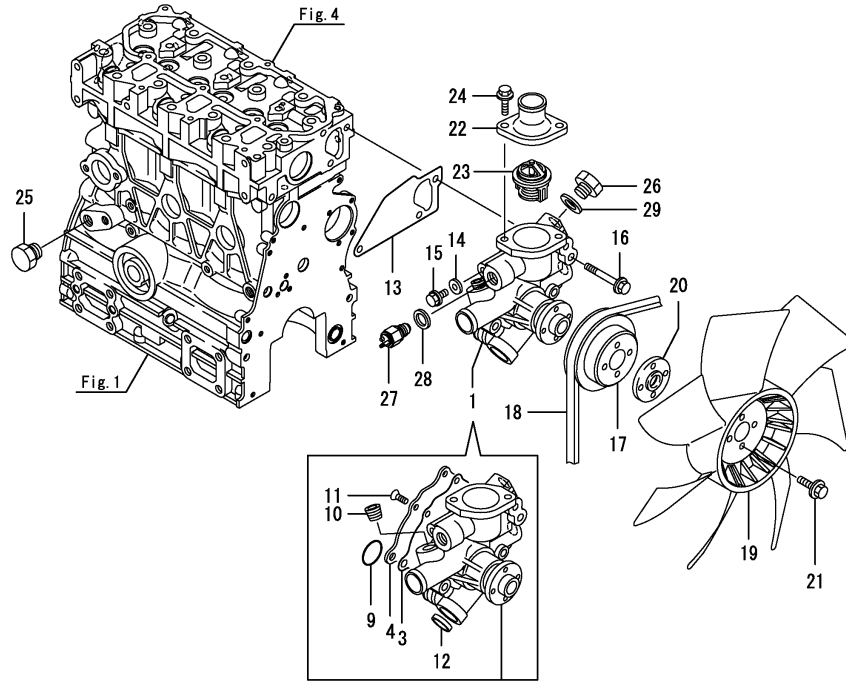
(1)Spare parts.

N:Old $\xrightarrow{\text{Yes}}$ New, Q:Old $\xrightarrow{\text{No}}$ New, R:Old $\xrightarrow{\text{Yes}}$ New, S:Old $\xrightarrow{\text{No}}$ New, W:Add, Z:Discontinued, F:Interchangeable by set, K:Qty Change

Fig.9. COOLING WATER SYSTEM

(A)=3TNV76-DRE
(B)=
(C)=

(D)=
(E)=
(F)=



No.	Lev.	Parts No.	Description	Q'ty						I	R
				(A)	(B)	(C)	(D)	(E)	(F)		
1	1	119E10-42000	PUMP ASSY, WATER	1							
3	2	119717-42031	GASKET	1							
4	2	119717-42041	COVER	1							
9	2	119C10-42320	O-RING, 2028	1							
10	2	129916-49740	PLUG, R3/8	1							
11	2	26577-060122	SCREW, M6X12	4							
12	2	27241-250000	PLUG, 25	1							
13	1	119717-42020	GASKET, WATER PUMP	1							
14	1	23414-080000	GASKET, 8X1.0	1							
15	1	26106-080122	BOLT, M8X 12 PLATED	1							
16	1	26106-080502	BOLT, M8X 50 PLATED	3							
17	1	119717-42350	V-PULLEY, D=100	1							
18	1	25152-003600	V-BELT, A36	1							
19	1	119717-44740	FAN, COOLING D335X7	1							
20	1	119734-44760	SPACER, FAN 6MM	1							
21	1	26106-060202	BOLT, M6X 20 PLATED	4							
22	1	129350-49530	COVER, THERMOSTAT	1							
23	1	119734-49801	THERMOSTAT, 71C	1							
24	1	26106-080202	BOLT, M8X 20 PLATED	2							
25	1	171056-49120	PLUG, DRAIN R1/4	1							
26	1	121450-42450	PLUG, M16	1							
27	1	121250-44901	SWITCH, THERMO 110	1							
28	1	124465-44950	GASKET, 16	1							
29	1	124465-44950	GASKET, 16	1							

Remarks

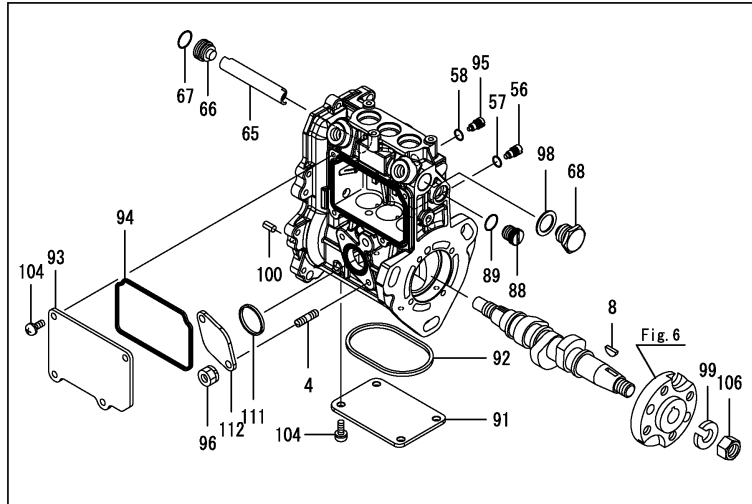
Note : "Effective Machine No." of the Engine Section is indicated on the Model Label which is shown in Fig.4.

N:Old $\xrightarrow{\text{Yes}}$ New, Q:Old $\xrightarrow{\text{No}}$ New, R:Old $\xrightarrow{\text{Yes}}$ New, S:Old $\xrightarrow{\text{No}}$ New, W:Add, Z:Discontinued, F:Interchangeable by set, K:Q'ty Change

Fig.10. FUEL INJECTION PUMP

(A)=3TNV76-DRE
(B)=
(C)=

(D)=
(E)=
(F)=



No.	Lev.	Parts No.	Description	Q'ty						I	R
				(A)	(B)	(C)	(D)	(E)	(F)		
1	1	719751-51490	FIE ASSY	1							1
4	2	129155-51020	BOLT, STUD	2							
8	2	122710-51090	FEATHER KEY,WOODRUFF	1							
56	2	158600-51270	STOPPER, TAPPET	3							
57	2	129155-51280	O-RING, S6	3							
58	2	129155-51280	O-RING, S6	1							
65	2	129155-51400	DEFLECTOR	1							
66	2	158600-51410	PLUG, DEFLECTOR	1							
67	2	119717-51420	O-RING	1							
68	2	158600-51420	PLUG, DEFLECTOR	1							
88	2	158600-51570	PLUG, RACK	1							
89	2	129155-51580	O-RING	1							
91	2	129155-51701	COVER	1							
92	2	119717-51711	GASKET	1							
93	2	119717-51750	COVER	1							
94	2	119717-51761	GASKET	1							
95	2	158600-51790	STOPPER, RACK	1							
96	2	119717-51860	NUT, M6	2							
98	2	22190-160002	WASHER, SEAL 16	1							
99	2	22217-120000	WASHER, SPRING 12	1							
100	2	22351-050010	PIN, SPRING 5.0X10	2							
104	2	26022-050122	SCREW, M5X12	8							
106	2	26716-120002	NUT, M12	1							
111	2	129155-52051	GASKET	1							
112	2	129100-52200	COVER, PUMP	1							

Remarks

Note : "Effective Machine No." of the Engine Section is indicated on the Model Label which is shown in Fig.4.

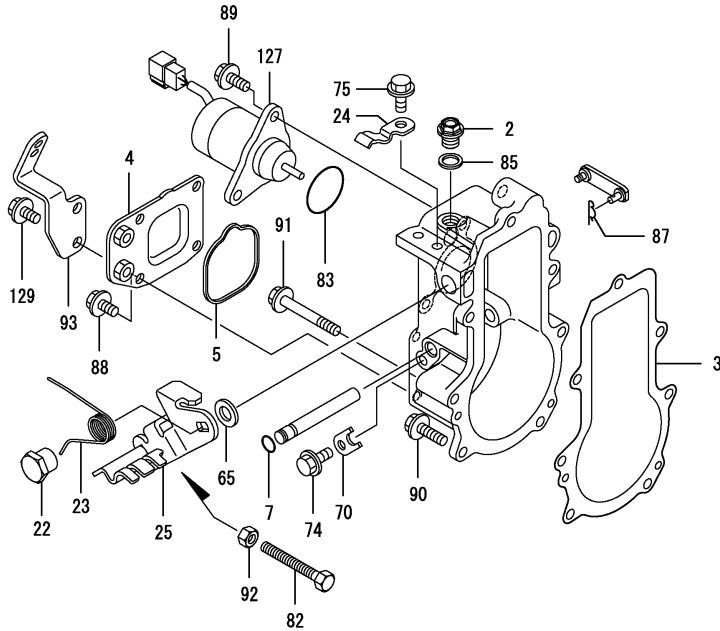
(1)Governor(Fig.11) is incorporated in this Fuel Injection Pump(No.1).

N:Old $\xrightarrow{\text{Yes}}$ New, Q:Old $\xrightarrow{\text{No}}$ New, R:Old $\xrightarrow{\text{Yes}}$ New, S:Old $\xrightarrow{\text{No}}$ New, W:Add, Z:Discontinued, F:Interchangeable by set, K:Q'ty Change

Fig.11. GOVERNOR

(A)=3TNV76-DRE
(B)=
(C)=

(D)=
(E)=
(F)=



No.	Lev.	Parts No.	Description	Q'ty						I	R
				(A)	(B)	(C)	(D)	(E)	(F)		
2	2	119717-51930	PLUG, M10	1							
3	2	119717-61050	GASKET	1							
4	2	119761-61060	COVER, GOVERNOR CASE	1							
5	2	119717-61070	GASKET	1							
7	2	129155-51280	O-RING, S6	1							
22	2	129255-61410	NUT, M8	1							
23	2	119534-61420	SPRING, LEVER	1							
24	2	119534-61430	RETAINER	1							
25	2	119527-61440	LEVER ASSY,REGULATOR	1							
65	2	158552-61700	SHIM SET	1							
70	2	119660-61901	STOPPER, SHAFT	1							
74	2	26106-060102	BOLT, M6X 10 PLATED	1							
75	2	26106-060102	BOLT, M6X 10 PLATED	1							
82	2	129155-61460	BOLT, LIMITING	1							
83	2	158552-61900	O-RING	1							
85	2	22190-100002	WASHER, SEAL 10	1							
87	2	22372-040000	PIN, SNAP 4	1							
88	2	26106-060102	BOLT, M6X 10 PLATED	4							
89	2	26106-060142	BOLT, M6X 14 PLATED	2							
90	2	26106-060202	BOLT, M6X 20 PLATED	4							
91	2	26106-060452	BOLT, M6X 45 PLATED	3							
92	2	26756-060002	NUT, LOCK M6	1							
93	2	119734-61080	SUPPORT, WIRE	1							
127	2	119233-77932	SOLENOID, STOP	1							
129	2	26106-060102	BOLT, M6X 10 PLATED	2							

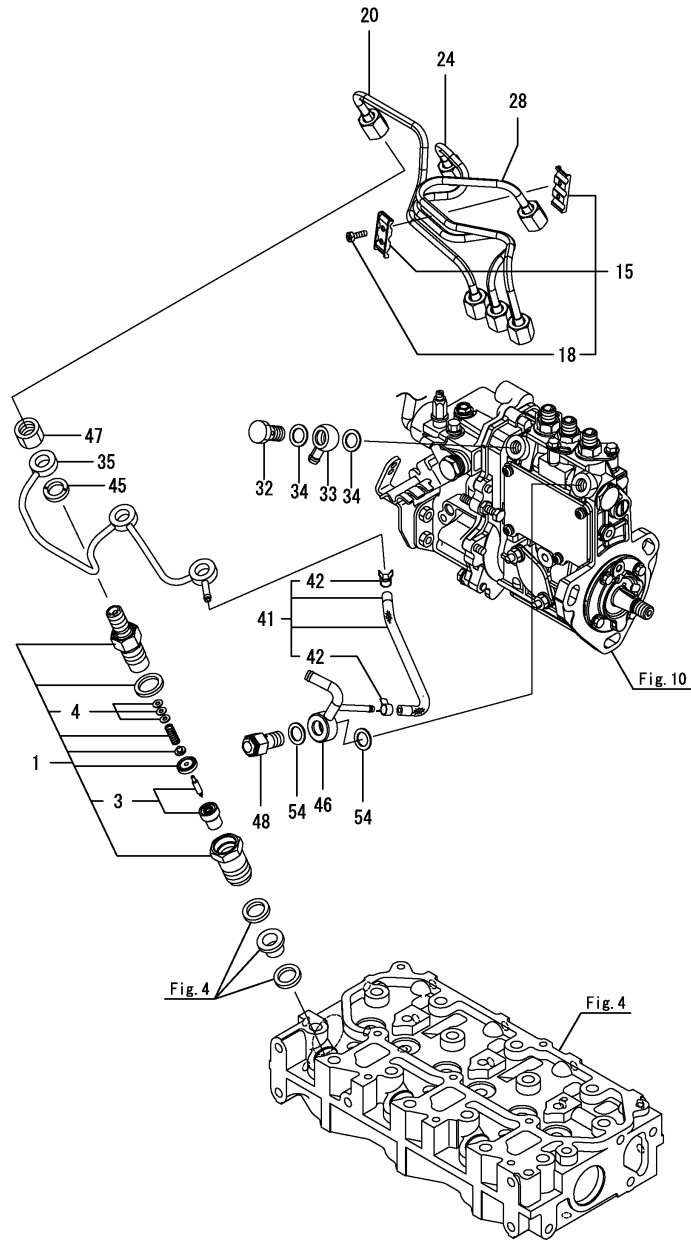
Remarks

Note : "Effective Machine No." of the Engine Section is indicated on the Model Label which is shown in Fig.4.

* This figure(Governor) is incorporated in the Fuel Injection Pump(Fig.10).

N:Old $\xrightarrow{\text{Yes}}$ New, Q:Old $\xrightarrow{\text{No}}$ New, R:Old $\xrightarrow{\text{Yes}}$ New, S:Old $\xrightarrow{\text{No}}$ New, W:Add, Z:Discontinued, F:Interchangeable by set, K:Q'ty Change

Fig.12. FUEL INJECTION VALVE



(A)=3TNV76-DRE
(B)=
(C)=

(D)=
(E)=
(F)=

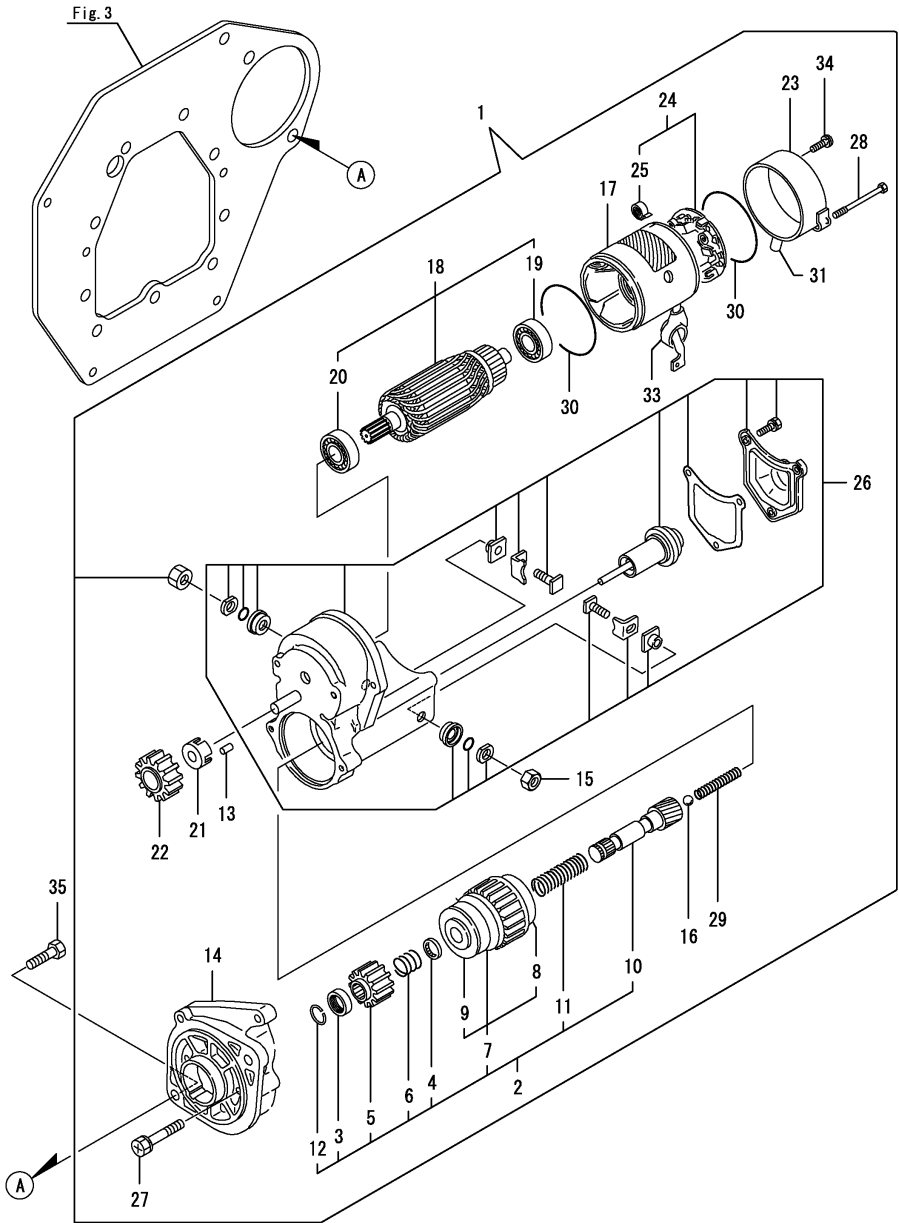
No.	Lev.	Parts No.	Description	Qty						I	R
				(A)	(B)	(C)	(D)	(E)	(F)		
1	1	119717-53001	VALVE ASSY,INJECTION	3							
3	2	119717-53010	NOZZLE ASSY, F.I.	3							
4	2	129901-53800	SHIM SET, ADJUSTING	3							
15	1	129150-59120	RETAINER, PIPE	1							
18	2	129150-59131	BOLT, M4X14	2							
20	1	119717-59810	PIPE ASSY, INJECTION	1							
24	1	119717-59820	PIPE ASSY, INJECTION	1							
28	1	119717-59830	PIPE ASSY, INJECTION	1							
32	1	103854-39140	BOLT, PIPE JOINT	1							
33	1	101304-59020	JOINT, PIPE 12	1							
34	1	22190-120002	WASHER, SEAL 12	2							
35	1	119717-59510	PIPE ASSY, RETURN	1							
41	1	119744-59560	HOSE ASSY, RETURN	1							
42	2	124066-59100	CLAMP, HOSE 8	2							
45	1	129901-59560	GASKET	3							
46	1	119515-59581	JOINT, OVER FLOW	1							
47	1	119620-59700	NUT, NOZZLE	3							
48	1	119813-59950	VALVE ASSY, CHECK	1							
54	1	22190-120002	WASHER, SEAL 12	2							

Remarks

Note : "Effective Machine No." of the Engine Section is indicated on the Model Label which is shown in Fig.4.

N:Old $\xrightarrow{\text{Yes}}$ New, Q:Old $\xrightarrow{\text{No}}$ New, R:Old $\xrightarrow{\text{Yes}}$ New, S:Old $\xrightarrow{\text{No}}$ New, W:Add, Z:Discontinued, F:Interchangeable by set, K:Qty Change

Fig.13. STARTER MOTOR



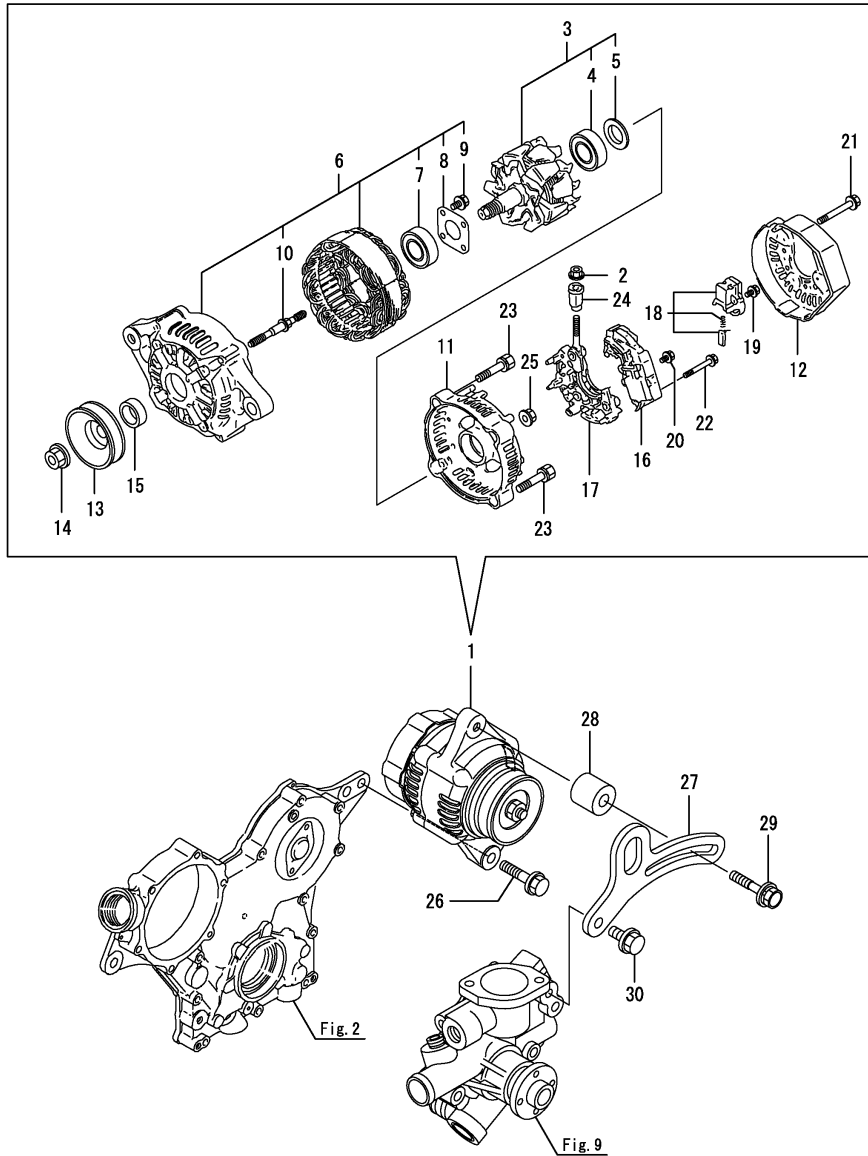
(A)=3TNV76-DRE
(B)=
(C)=

(D)=
(E)=
(F)=

No.	Lev.	Parts No.	Description	Q'ty						I	R
				(A)	(B)	(C)	(D)	(E)	(F)		
1	1	119626-77020	STARTER, RA1.2	1							
2	2	X0283006990	CLUTCH SUB-ASSY	1							
3	3	X0280210230	NUT	1							
4	3	X0283270140	RETAINER	1							
5	3	X0283711660	PINION	1							
6	3	X9491703371	SPRING	1							
7	3	129129-77390	CLUTCH ASSY	1							
8	4	129129-77440	BEARING, BALL	1							
9	4	129129-77450	BEARING, BALL	1							
10	3	129129-77400	SHAFT, STATER	1							
11	3	129129-77410	SPRING	1							
12	3	129129-77430	RING, SNAP	1							
13	2	X0283060061	ROLLER	5							
14	2	X4284000870	HOUSING	1							
15	2	X9490561370	NUT	1							
16	2	X9491200240	BALL, STEEL	1							
17	2	129129-77210	YOKE ASSY	1							
18	2	129129-77220	ARMATURE ASSY	1							
19	3	129129-77230	BEARING, BALL	1							
20	3	129129-77240	BEARING, BALL	1							
21	2	129129-77260	RETAINER	1							
22	2	129129-77270	PINION	1							
23	2	129129-77290	COVER	1							
24	2	129129-77300	HOLDER ASSY	1							
25	3	X9491730461	SPRING	4							
26	2	129407-77310	SWITCH ASSY, MAGNET	1							
27	2	129129-77320	BOLT	2							
28	2	129129-77330	BOLT	2							
29	2	129129-77340	SPRING	1							
30	2	129129-77350	O-RING	2							
31	2	129129-77362	COVER	1							
33	2	129129-77380	CAP	1							
34	2	129129-77460	SCREW	2							
35	1	26156-120302	BOLT, M12X 30 PLATED	2							

Remarks
Note : "Effective Machine No." of the Engine Section is indicated on the Model Label which is shown in Fig.4.

Fig.14. GENERATOR



(A)=3TNV76-DRE
(B)=
(C)=

(D)=
(E)=
(F)=

No.	Lev.	Parts No.	Description	Q'ty						I	R
				(A)	(B)	(C)	(D)	(E)	(F)		
1	1	119626-77210	ALTERNATOR, 12V-55A	1							
2	2	X9490561001	NUT	1							
3	2	129052-77380	ROTOR ASSY	1							
4	3	123501-79240	BEARING, BALL	1							
5	3	119620-79250	COVER, BEARING	1							
6	2	129052-77422	FRAME ASSY	1							
7	3	119620-79200	BEARING, BALL	1							
8	3	119620-79210	RETAINER	1							
9	3	119620-79220	SCREW	4							
10	3	119620-79230	BOLT, STUD	2							
11	2	128401-77440	FRAME	1							
12	2	119626-77450	COVER	1							
13	2	119620-77461	PULLEY, GENERATOR	1							
14	2	119620-77471	NUT	1							
15	2	119620-77490	COLLAR	1							
16	2	129423-77710	REGULATOR ASSY	1							
17	2	129052-79260	HOLDER	1							
18	2	129052-79270	HOLDER, BRUSH	1							
19	2	119620-79290	SCREW	6							
20	2	119620-79300	SCREW	1							
21	2	119620-79310	BOLT	3							
22	2	119620-79320	SCREW	2							
23	2	119620-79330	BOLT	2							
24	2	119620-79340	BUSH, INSULATION	1							
25	2	119620-79350	NUT	2							
26	1	26106-100452	BOLT, M10X 45 PLATED	1							
27	1	119230-77330	ADJUSTER, BELT	1							
28	1	124732-77340	SPACER	1							
29	1	129972-77341	BOLT, ADJUST L=50	1							
30	1	26106-080202	BOLT, M8X 20 PLATED	1							

Remarks

Note : "Effective Machine No." of the Engine Section is indicated on the Model Label which is shown in Fig.4.

N:Old $\xrightarrow{\text{Yes}}$ New, Q:Old $\xrightarrow{\text{No}}$ New, R:Old $\xrightarrow{\text{Yes}}$ New, S:Old $\xrightarrow{\text{No}}$ New, W:Add, Z:Discontinued, F:Interchangeable by set, K:Q'ty Change

Parts No. Index

Parts No.	Fig. No.	Ref. No.
101304-59020	12	33
103854-39140	12	32
105010-11490	4	3
105311-01090	1	5
105425-01690	3	12
114250-39450	8	8
119131-18320	5	6
119226-07900	4	57
119230-77330	14	27
119233-77932	11	127
119285-01990	1	8
119285-11990	4	11
119305-35170	8	14
119515-13200	5	8
119515-59581	12	46
119527-01640	3	6
119527-61440	11	25
119534-61420	11	23
119534-61430	11	24
119600-11460	4	2
119620-01620	3	5
119620-02020	1	9
119620-11280	4	26
119620-14200	6	1
119620-21500	7	7
119620-21941	7	14
119620-59700	12	47
119620-77461	14	13
119620-77471	14	14
119620-77490	14	15
119620-79200	14	7
119620-79210	14	8
119620-79220	14	9
119620-79230	14	10
119620-79250	14	5
119620-79290	14	19
119620-79300	14	20
119620-79310	14	21
119620-79320	14	22
119620-79330	14	23
119620-79340	14	24
119620-79350	14	25
119621-21681	7	13
119623-01250	1	6
119624-32040	2	18
119626-21700	7	11
119626-77020	13	1
119626-77210	14	1
119626-77450	14	12
119660-01911	2	17

Parts No.	Fig. No.	Ref. No.
119660-61901	11	70
119717-01331	1	27
119717-01501	2	1
119717-01521	2	5
119717-01570	2	2
119717-01720	3	10
119717-01750	2	16
119717-01800	2	7
119717-02411	1	12
119717-02930	1	23
119717-03031	4	36
119717-03070	4	37
		38
119717-11101	4	13
119717-11110	4	14
119717-11131	4	15
119717-11190	4	17
119717-11200	4	21
119717-11240	4	22
119717-11260	4	25
119717-11331	4	49
119717-11340	4	18
119717-11350	4	19
119717-11650	4	27
119717-11740	4	4
119717-11800	4	61
119717-13110	5	2
119717-13600	5	3
119717-14400	6	2
119717-14581	6	3
119717-21200	7	4
119717-21650	7	12
119717-21700	7	1
119717-22080	7	15
119717-22090	7	32
119717-22300	7	21
119717-22500	7	17
119717-22550	7	34
119717-23000	7	23
119717-23200	7	26
119717-23601	7	27
119717-23611	7	30
119717-23910	7	29
119717-25050	6	9
119717-25101	6	10
119717-25911	6	16
119717-25930	6	15
119717-32050	2	19
119717-32060	8	5
119717-32080	2	9

Parts No.	Fig. No.	Ref. No.
119717-32100	2	8
119717-32110	2	13
119717-32120	2	14
119717-35140	8	3
119717-39210	8	9
119717-42020	9	13
119717-42031	9	3
119717-42041	9	4
119717-42350	9	17
119717-44740	9	19
119717-51150	6	17
119717-51420	10	67
119717-51711	10	92
119717-51750	10	93
119717-51761	10	94
119717-51860	10	96
119717-51930	11	2
119717-53001	12	1
119717-53010	12	3
119717-59510	12	35
119717-59810	12	20
119717-59820	12	24
119717-59830	12	28
119717-61050	11	3
119717-61070	11	5
119717-77801	4	59
119717-77820	4	60
119718-11310	4	45
119734-01590	2	3
119734-01611	3	2
119734-01780	3	11
119734-11310	4	46
119734-11340	4	47
119734-11370	4	35
119734-21580	7	8
119734-34810	8	1
119734-35090	8	6
119734-44760	9	20
119734-49801	9	23
119734-61080	11	93
119744-59560	12	41
119761-61060	11	4
119802-03100	4	39
119802-03110	4	40
119802-03121	4	41
119802-03131	4	42
119802-03141	4	43
119802-13641	5	5
119802-32130	2	15
119810-01200	1	26

Parts No.	Fig. No.	Ref. No.
119810-02941	1	34
119813-59950	12	48
119C10-42320	9	9
119E10-13691	5	15
119E10-42000	9	1
119E21-13100	5	1
119E21-13510	5	9
119E21-13600	5	10
121250-44901	9	27
121450-42450	9	26
121520-34810	8	2
121850-51960	2	20
122710-51090	10	8
123501-79240	14	4
124060-01050	1	4
124060-21600	7	10
124066-59100	12	42
124085-02220	3	8
124160-01751	2	28
	4	34
124160-01910	1	7
124465-44950	9	28
		29
124732-77340	14	28
128401-77440	14	11
129001-32320	2	11
129001-32330	2	12
129005-59830	8	10
129052-77380	14	3
129052-77422	14	6
129052-79260	14	17
129052-79270	14	18
129100-01580	3	1
	7	2
129100-52200	10	112
129129-77210	13	17
129129-77220	13	18
129129-77230	13	19
129129-77240	13	20
129129-77260	13	21
129129-77270	13	22
129129-77290	13	23
129129-77300	13	24
129129-77320	13	27
129129-77330	13	28
129129-77340	13	29
129129-77350	13	30
129129-77362	13	31
129129-77380	13	33
129129-77390	13	7

Parts No. Index

Parts No.	Fig. No.	Ref. No.
129129-77400	13	10
129129-77410	13	11
129129-77430	13	12
129129-77440	13	8
129129-77450	13	9
129129-77460	13	34
129150-11230	4	28
129150-11750	4	30
129150-25301	6	14
129150-59120	12	15
129150-59131	12	18
129155-51020	10	4
129155-51280	10	57
		58
	11	7
129155-51400	10	65
129155-51580	10	89
129155-51701	10	91
129155-52051	10	111
129155-61460	11	82
129255-61410	11	22
129350-49530	9	22
129407-77310	13	26
129423-77710	14	16
129508-11180	4	16
129900-32130	2	10
129901-11450	4	1
129901-53800	12	4
129901-59560	12	45
129916-49740	9	10
129972-77341	14	29
129E00-13610	5	4
158552-61700	11	65
158552-61900	11	83
158600-51270	10	56
158600-51410	10	66
158600-51420	10	68
158600-51570	10	88
158600-51790	10	95
171056-49120	9	25
22190-080002	8	11
		13
22190-100002	11	85
22190-120002	12	34
		54
22190-160002	3	14
	10	98
22217-120000	10	99
22242-000120	4	31
22252-000220	7	22

Parts No.	Fig. No.	Ref. No.
22351-050010	10	100
22351-060012	4	20
22372-040000	11	87
22512-040120	7	5
22857-500100	4	50
		51
22857-500160	4	52
23414-080000	9	14
23857-030000	8	12
23876-005000	4	12
23876-030000	2	6
24311-000320	2	29
	4	53
25152-003600	9	18
26014-080202	5	11
		12
26022-050122	10	104
26106-060102	8	7
	11	74
		75
		88
		129
26106-060122	2	21
	6	8
26106-060142	11	89
26106-060162	2	22
26106-060202	4	54
	9	21
	11	90
26106-060222	3	9
26106-060352	6	13
26106-060402	2	23
		24
26106-060452	11	91
26106-060602	2	25
26106-060652	2	26
26106-060752	4	55
26106-060852	4	56
26106-080122	3	15
	9	15
26106-080162	4	58
26106-080202	9	24
	14	30
26106-080252	5	13
26106-080302	3	16
26106-080402	4	33
26106-080452	3	17
26106-080502	3	18
	9	16
	5	16
26106-080902	5	16

Parts No.	Fig. No.	Ref. No.
26106-100452	14	26
26156-120302	13	35
26206-100202	3	3
26206-100252	3	4
26306-080002	2	27
	5	7
		14
26577-060122	9	11
26716-120002	10	106
26756-060002	11	92
26979-050162	4	32
27241-120000	1	13
27241-250000	9	12
719717-01561	1	1
719717-02901	1	28
719717-02911	1	31
719734-01500	2	4
719751-51490	10	1
X0280210230	13	3
X0283006990	13	2
X0283060061	13	13
X0283270140	13	4
X0283711660	13	5
X4284000870	13	14
X9490561001	14	2
X9490561370	13	15
X9491200240	13	16
X9491703371	13	6
X9491730461	13	25

Parts No.	Fig. No.	Ref. No.
-----------	----------	----------