

0CNP6-M02770EN

Contents

OCNP6-M02770

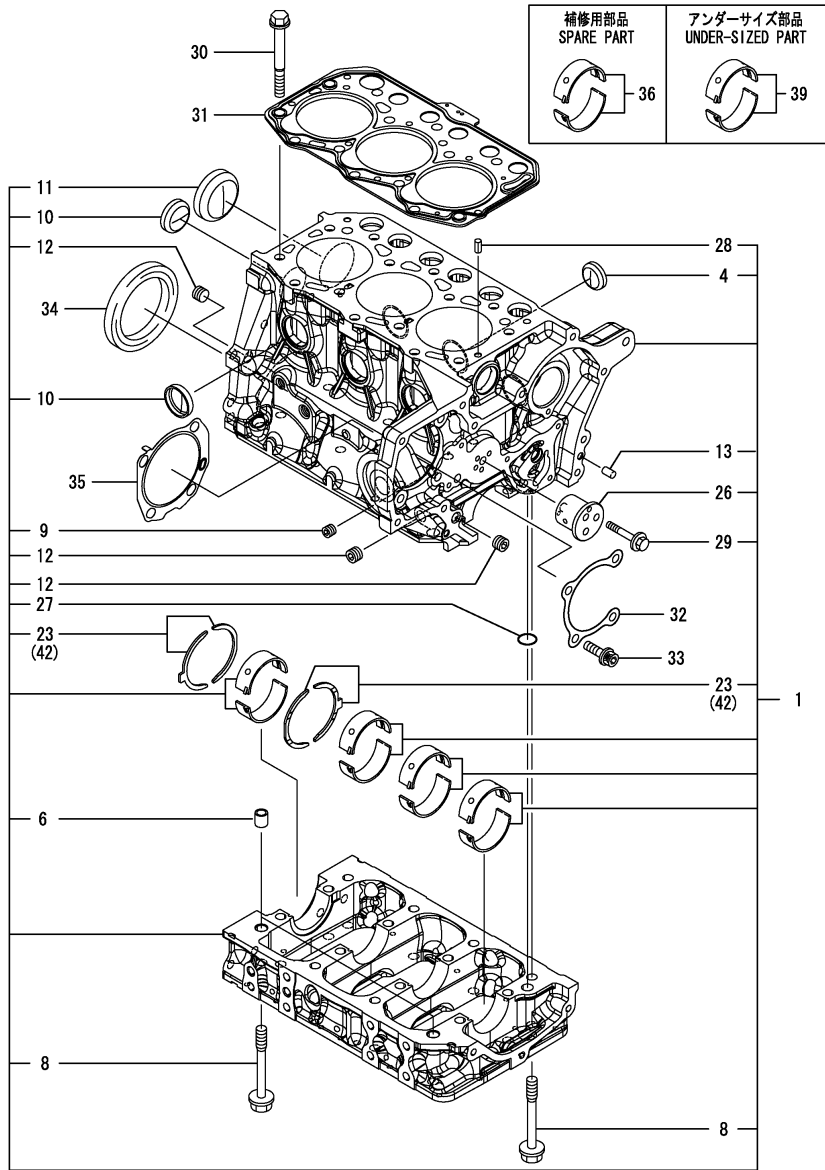
Fig. No. Fig. Name

Fig. No. Fig. Name

ENGINE

1. CYLINDER BLOCK
2. GEAR HOUSING
3. MOUNTING FLANGE & OIL SUMP
4. CYLINDER HEAD & BONNET
5. EXHAUST MANIFOLD & SILENCER
6. CAMSHAFT & DRIVING GEAR
7. CRANKSHAFT & PISTON
8. LUB. OIL SYSTEM
9. COOLING WATER SYSTEM
10. FUEL INJECTION PUMP
11. GOVERNOR
12. FUEL INJECTION VALVE
13. STARTER MOTOR
14. GENERATOR

Fig.1. CYLINDER BLOCK



(A)=3TNM72-DRE
(B)=
(C)=

(D)=
(E)=
(F)=

No.	Lev.	Parts No.	Description	Q'ty						I	R
				(A)	(B)	(C)	(D)	(E)	(F)		
1	1	119027-01560	BLOCK ASSY, CYLINDER	1							
4	2	119125-01970	PLUG, CUP TYPE 25	3							
6	2	119125-01960	PIPE, DOWEL L=12	2							
8	2	119125-02061	BOLT, METAL CAP	16							
9	2	23876-005000	PLUG, R005	1							
10	2	27241-300000	PLUG 30	4							
11	2	27241-450000	PLUG, 45	1							
12	2	124060-01050	PLUG, PT1/8	3							
13	2	119620-01620	PIN, PARALLEL M6X10	2							
23	2	119125-02930	BEARING ASSY, THRUST	2							
26	2	119125-25050	SHAFT, IDLE GEAR	1							
27	2	129900-32040	O-RING, P14	1							
28	2	22351-060012	PIN, SPRING 6.0X12	2							
29	2	26106-060402	BOLT, M6X 40 PLATED	3							
30	1	119515-01200	BOLT, CYLINDER HEAD	14							
31	1	119025-01332	GASKET, HEAD	1							
32	1	119125-01790	GASKET	1							
33	1	119125-01800	BOLT, FLANGE M8X25	4							
34	1	119734-02220	SEAL, OIL	1							
35	1	119125-51800	GASKET	1							
36	1	119125-02900	BEARING ASSY, MAIN	4							1
39	1	119125-02910	BEARING ASSY, MAIN	4							2
42	1	119125-02940	BEARING, THRUST 0.25	2							3

Remarks

Note : "Effective Machine No." of the Engine Section is indicated on the Model Label which is shown in Fig.4.

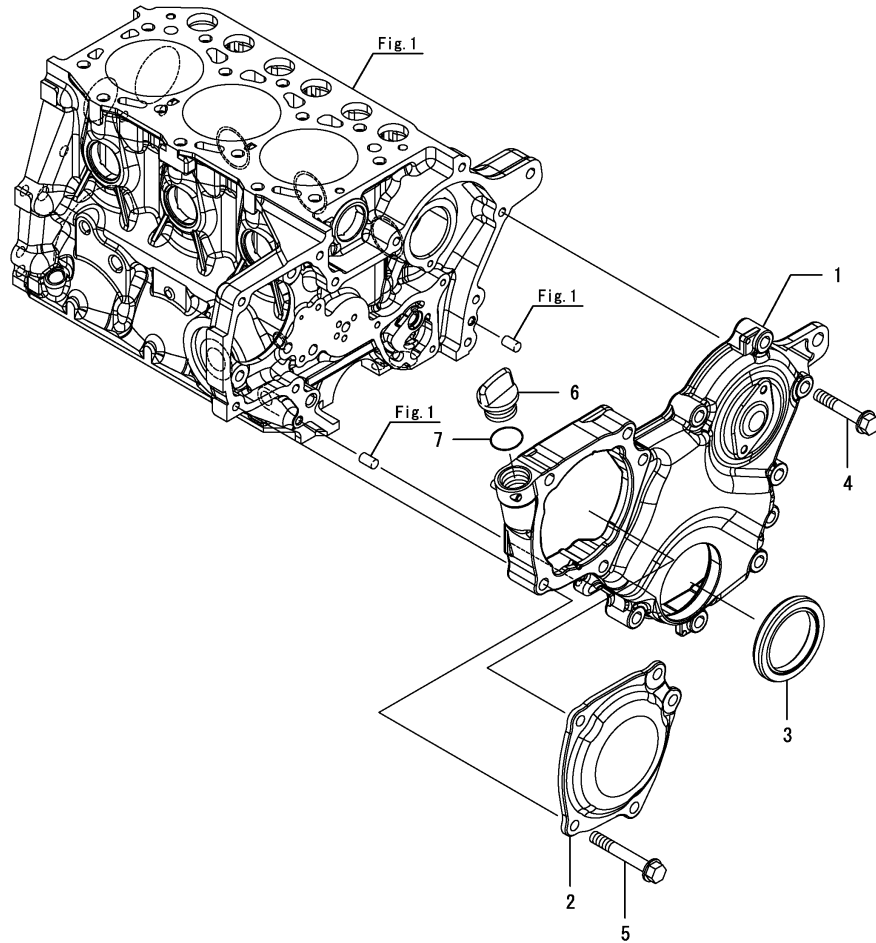
- (1) Spare parts.
- (2) Under-sized(U.S.=0.25) parts.
- (3) Over-sized(O.S.=0.25) parts.

Fig.2. GEAR HOUSING

(A)=3TNM72-DRE
(B)=
(C)=

(D)=
(E)=
(F)=

No.	Lev.	Parts No.	Description	Qty						I	R
				(A)	(B)	(C)	(D)	(E)	(F)		
1	1	119025-01500	CASE, GEAR	1							
2	1	119125-01750	COVER, PUMP	1							
3	1	119717-01800	SEAL, OIL	1							
4	1	26106-080352	BOLT, M8X 35 PLATED	8							
5	1	26106-080452	BOLT, M8X 45 PLATED	5							
6	1	106760-01770	CAP, FILLER	1							
7	1	24311-000180	O-RING, 1AP18.0	1							



Remarks

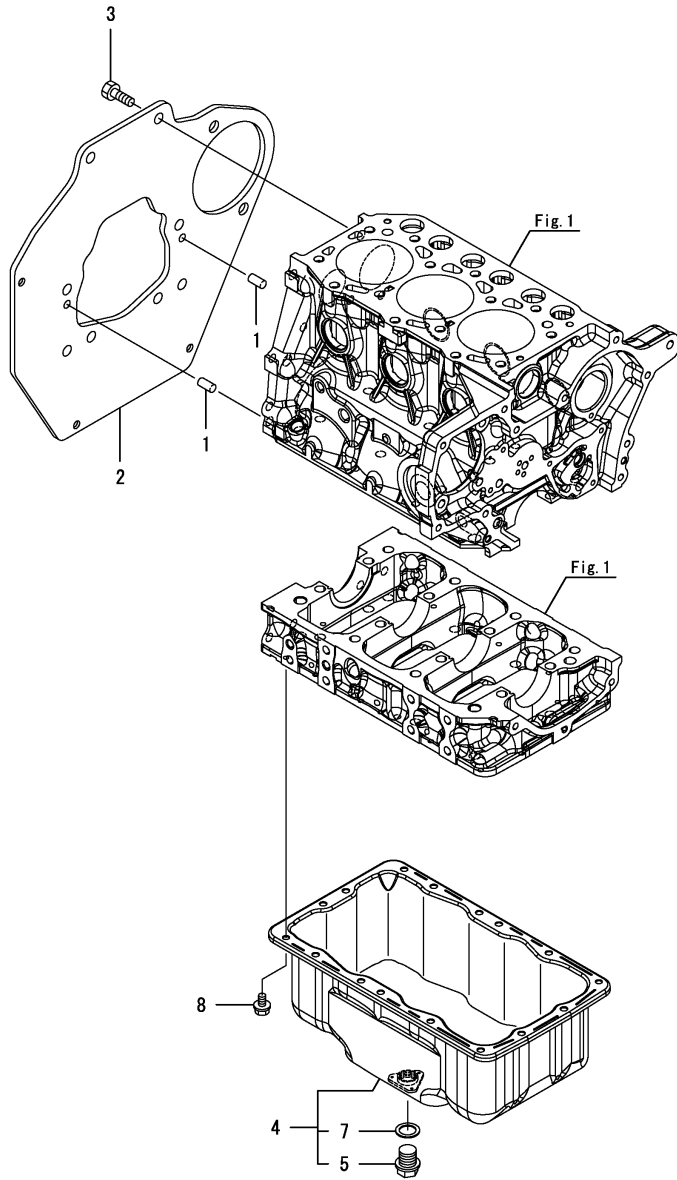
Note : "Effective Machine No." of the Engine Section is indicated on the Model Label which is shown in Fig.4.

N:Old $\xrightarrow{\text{Yes}}$ New, Q:Old $\xrightarrow{\text{No}}$ New, R:Old $\xrightarrow{\text{Yes}}$ New, S:Old $\xrightarrow{\text{No}}$ New, W:Add, Z:Discontinued, F:Interchangeable by set, K:Qty Change

Fig.3. MOUNTING FLANGE & OIL SUMP

(A)=3TNM72-DRE
(B)=
(C)=

(D)=
(E)=
(F)=



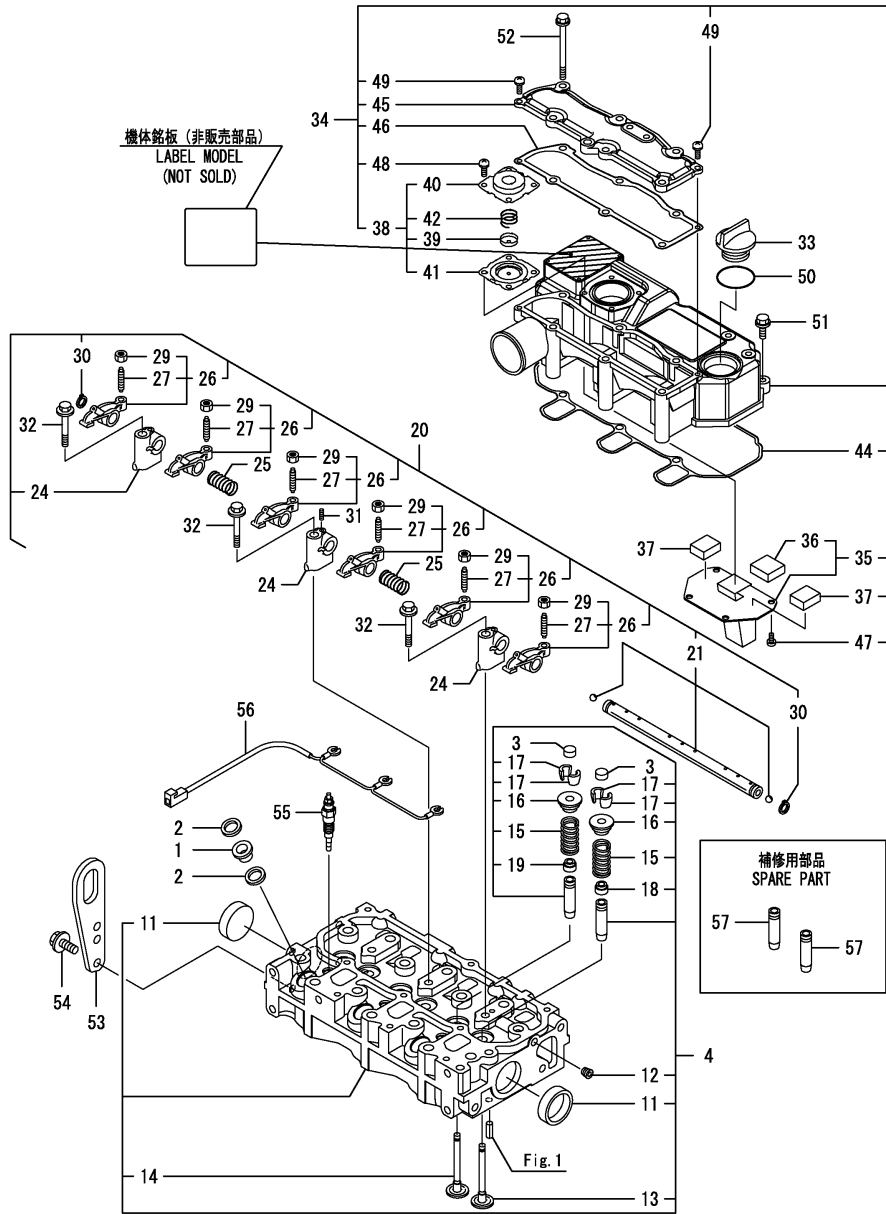
No.	Lev.	Parts No.	Description	Q'ty						I	R
				(A)	(B)	(C)	(D)	(E)	(F)		
1	1	129100-01580	PIN, PARALLEL 8X16	2							
2	1	119034-01600	FLANGE, MOUNTING	1							
3	1	26206-100202	BOLT, M10X 20 PLATED	8							
4	1	119034-01770	SUMP ASSY, LUB.OIL	1							
5	2	105425-01690	PLUG, M16	1							
7	2	22190-160002	WASHER, SEAL 16	1							
8	1	119125-01780	BOLT, TORX M6X10	16							

Remarks

Note : "Effective Machine No." of the Engine Section is indicated on the Model Label which is shown in Fig.4.

N:Old $\xleftrightarrow{\text{Yes}} \xleftarrow{\text{No}}$ New, Q:Old $\xleftrightarrow{\text{No}} \xleftarrow{\text{Yes}}$ New, R:Old $\xleftrightarrow{\text{Yes}} \xleftarrow{\text{No}}$ New, S:Old $\xleftrightarrow{\text{No}} \xleftarrow{\text{Yes}}$ New, W:Add, Z:Discontinued, F:Interchangeable by set, K:Q'ty Change

Fig.4. CYLINDER HEAD & BONNET



(A)=3TNM72-DRE

(B)=

(C)=

(D)=

(E)=

(F)=

No.	Lev.	Parts No.	Description	Qty						I	R
				(A)	(B)	(C)	(D)	(E)	(F)		
1	1	129901-11450	PROTECTOR, NOZZLE	3							
2	1	119600-11460	GASKET, NOZZLE	6							
3	1	105010-11490	CAP, VALVE	6							
4	1	119517-11740	HEAD ASSY, CYLINDER	1							
11	2	119285-11990	PLUG, CUP TYPE 35	2							
12	2	23876-005000	PLUG, R005	1							
13	2	119515-11101	VALVE, SUCTION	3							
14	2	119515-11110	VALVE, EXHAUST	3							
15	2	119717-11131	SPRING, VALVE	6							
16	2	129508-11180	RETAINER, SPRING	6							
17	2	119717-11190	COTTER, VALVE	12							
18	2	119717-11340	SEAL, VALVE STEM	3							
19	2	119717-11350	SEAL, VALVE STEM	3							
20	1	119515-11200	SUPPORT ASSY, ROCKER	1							
21	2	119515-11240	SHAFT ASSY, ROCKER	1							
24	2	119717-11260	SUPPORT, ROCKER ARM	3							
25	2	119515-11280	SPRING, ROCKER	2							
26	2	119717-11650	ARM ASSY, ROCKER	6							
27	3	129150-11230	SCREW, VALVE ADJUST	6							
29	3	129150-11750	NUT, M8	6							
30	2	22242-000120	RING, 12	2							
31	2	26979-050162	SCREW, M5X16	1							
32	1	26106-080402	BOLT, M8X 40 PLATED	3							
33	1	124160-01751	CAP, FILLER	1							
34	1	119515-11380	BONNET ASSY, HEAD	1							
35	2	119717-03031	PLATE, BAFFLE	1							
36	3	119717-03070	BAFFLE, BREATHER	1							
37	2	119717-03070	BAFFLE, BREATHER	2							
38	2	119802-03100	DIAPHRAGM ASSY	1							
39	3	119802-03110	PLATE, DIAPHRAGM	1							
40	3	119802-03121	COVER, DIAPHRAGM	1							
41	3	119802-03131	DIAPHRAGM	1							
42	3	119802-03141	SPRING, DIAPHRAGM	1							
44	2	119515-11310	GASKET, BONNET	1							
45	2	119515-11320	COVER, BONNET	1							
46	2	119515-11330	GASKET	1							
47	2	22857-500100	SCREW, 5X10	4							
48	2	22857-500100	SCREW, 5X10	4							
49	2	22857-500160	SCREW, 5X16	2							
50	1	24311-000320	O-RING, 1AP32.0	1							
51	1	26106-060202	BOLT, M6X 20 PLATED	3							
52	1	26106-060752	BOLT, M6X 75 PLATED	6							
53	1	119226-07900	LIFTER, ENGINE	1							
54	1	26106-080162	BOLT, M8X 16 PLATED	2							
55	1	119125-77800	PLUG, GLOW	3							
56	1	119125-77820	CONNECTOR, GLOW PLUG	1							
57	1	119515-11800	GUIDE, VALVE	6							

Remarks

Note : "Effective Machine No." of the Engine Section is indicated on the Model Label which is shown in Fig.4.

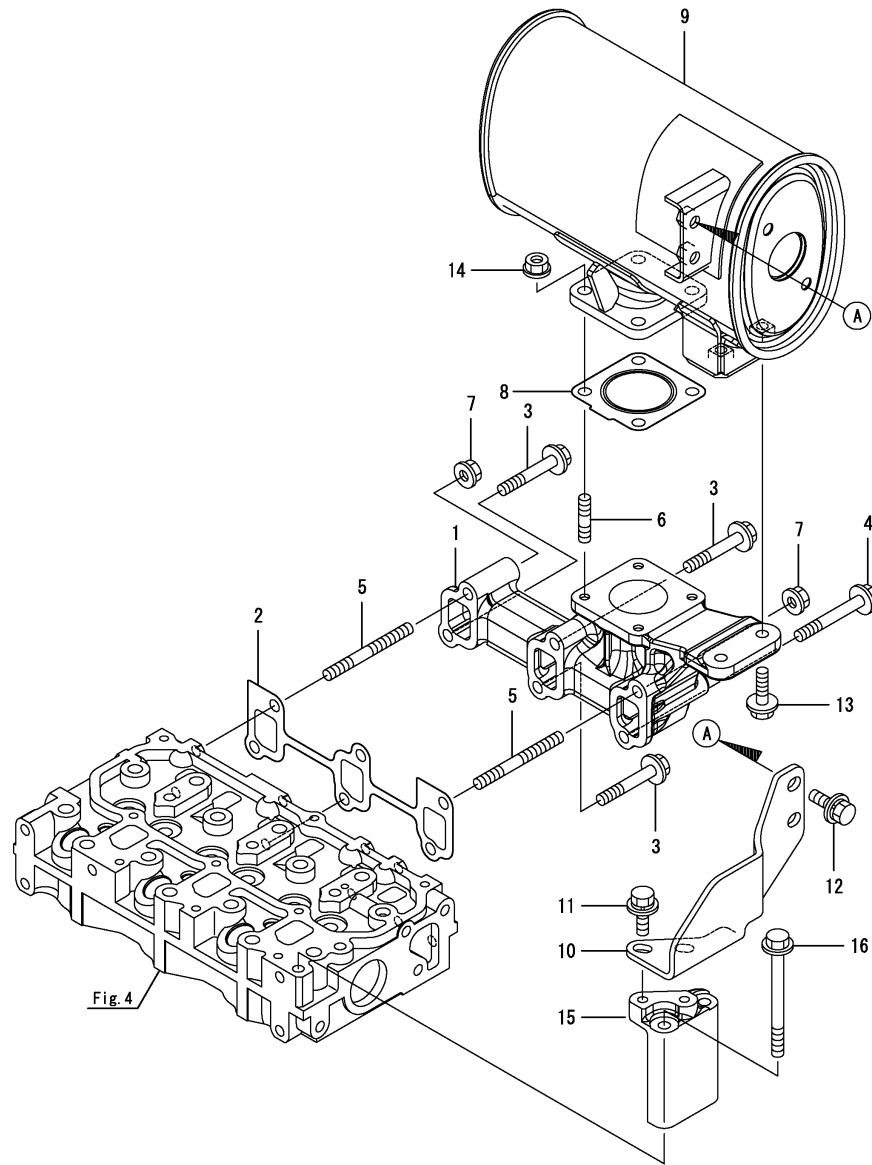
(1) Spare parts.

N:Old $\xrightarrow{\text{Yes}}$ New, Q:Old $\xrightarrow{\text{No}}$ New, R:Old $\xrightarrow{\text{Yes}}$ New, S:Old $\xrightarrow{\text{No}}$ New, W:Add, Z:Discontinued, F:Interchangeable by set, K:Qty Change

Fig.5. EXHAUST MANIFOLD & SILENCER

(A)=3TNM72-DRE
(B)=
(C)=

(D)=
(E)=
(F)=



No.	Lev.	Parts No.	Description	Qty						I	R
				(A)	(B)	(C)	(D)	(E)	(F)		
1	1	119D21-13100	MANIFOLD, EXHAUST	1							
2	1	119717-13110	GASKET, EXH.MANIFOLD	1							
3	1	129E00-13610	BOLT, M8X50 10.9				3				
4	1	119802-13641	BOLT, M8X60 10.9T				1				
5	1	119802-13740	BOLT, STUD M8X60				2				
6	1	119131-18320	BOLT, STUD M8X22				4				
7	1	26306-080002	NUT, M8				2				
8	1	119515-13200	GASKET, SILENCER				1				
9	1	119E21-13510	SILENCER				1				
10	1	119D21-13610	STAY, SILENCER				1				
11	1	26014-080202	BOLT, M8X 20				2				
12	1	26014-080202	BOLT, M8X 20				2				
13	1	26106-080252	BOLT, M8X 25 PLATED				2				
14	1	26306-080002	NUT, M8				4				
15	1	119D21-13690	MOUNT, SILENCER STAY				1				
16	1	26106-080902	BOLT, M8X 90 PLATED				2				

Remarks

Note : "Effective Machine No." of the Engine Section is indicated on the Model Label which is shown in Fig.4.

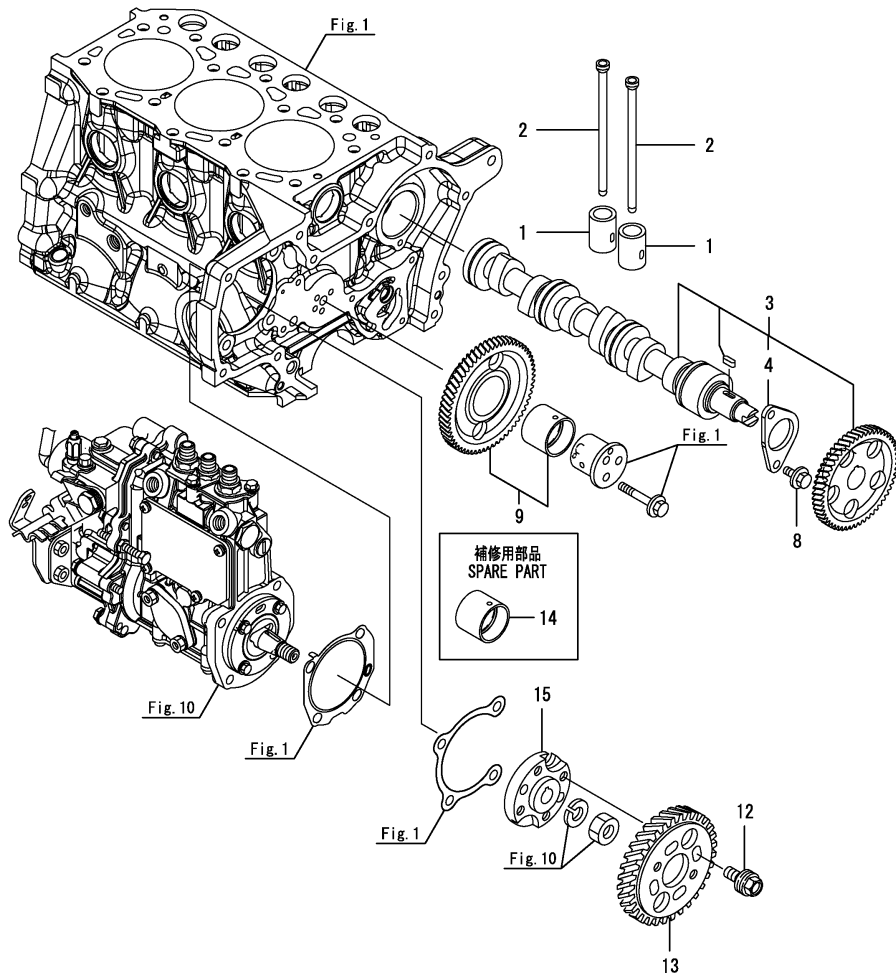
N:Old $\xrightarrow{\text{Yes}}$ New, Q:Old $\xrightarrow{\text{No}}$ New, R:Old $\xrightarrow{\text{Yes}}$ New, S:Old $\xrightarrow{\text{No}}$ New, W:Add, Z:Discontinued, F:Interchangeable by set, K:Qty Change

Fig.6. CAMSHAFT & DRIVING GEAR

(A)=3TNM72-DRE
(B)=
(C)=

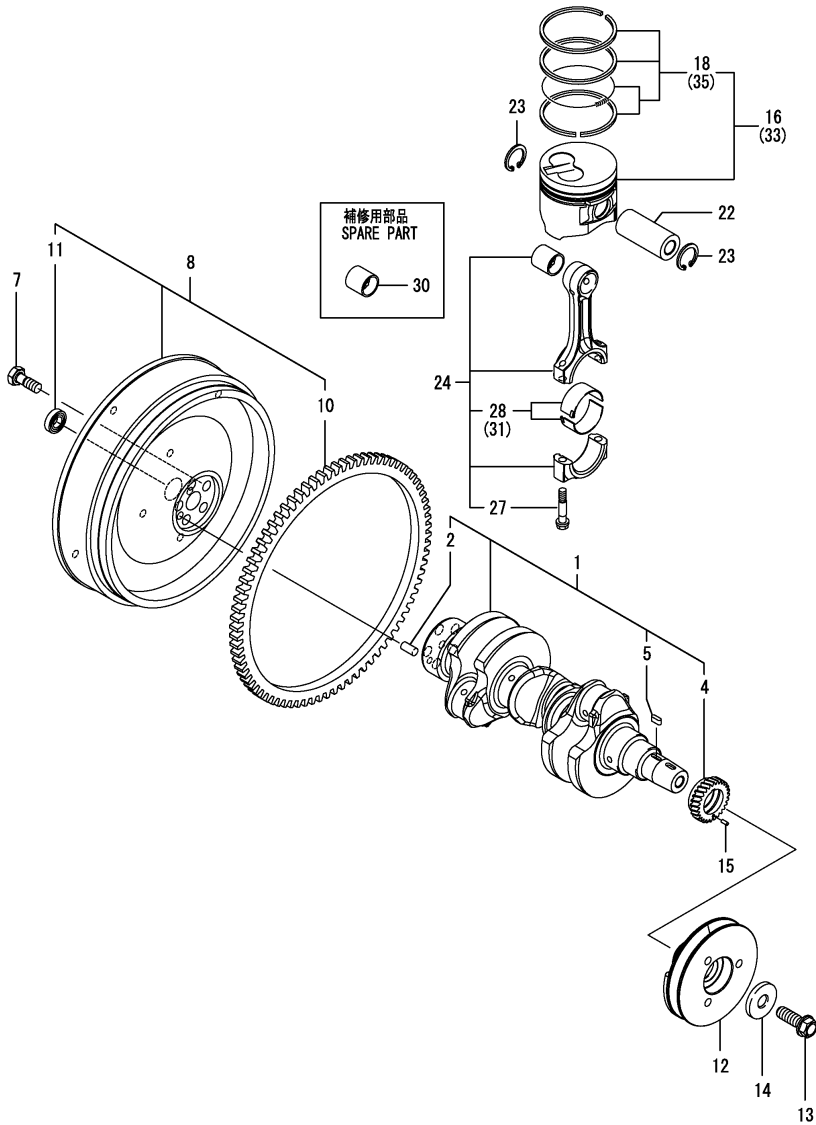
(D)=
(E)=
(F)=

No.	Lev.	Parts No.	Description	Q'ty						I	R
				(A)	(B)	(C)	(D)	(E)	(F)		
1	1	119620-14200	TAPPET	6							
2	1	119515-14400	PUSH-ROD	6							
3	1	119025-14580	CAMSHAFT ASSY	1							
4	2	119620-02450	BEARING, THRUST	1							
8	1	26106-060122	BOLT, M6X 12 PLATED	2							
9	1	119025-25100	GEAR ASSY, IDLE	1							
12	1	129150-25301	BOLT	4							
13	1	119125-25930	GEAR, PUMP	1							
14	1	119125-25910	BUSH, IDLE GEAR	1							1
15	1	119717-51150	FLANGE	1							



Remarks
Note : "Effective Machine No." of the Engine Section is indicated on the Model Label which is shown in Fig.4.
(1)Spare parts.

Fig.7. CRANKSHAFT & PISTON



(A)=3TNM72-DRE
(B)=
(C)=

(D)=
(E)=
(F)=

No.	Lev.	Parts No.	Description	Q'ty						I	R
				(A)	(B)	(C)	(D)	(E)	(F)		
1	1	119025-21700	CRANKSHAFT ASSY	1							
2	2	129100-01580	PIN, PARALLEL 8X16	1							
4	2	119125-21200	GEAR, CRANKSHAFT	1							
5	2	22512-040120	KEY, 4X 12	1							
7	1	105225-21501	BOLT, FLYWHEEL	5							
8	1	119034-21590	FLYWHEEL ASSY	1							
10	2	124060-21600	GEAR, RING Z=105	1							
11	2	119626-21700	BEARING, 6901	1							
12	1	119D21-21650	V-PULLEY, CRANKSHAFT	1							
13	1	119621-21681	BOLT, FLANGE 12X1.25	1							
14	1	119620-21941	WASHER	1							
15	1	22351-030010	PIN, SPRING 3.0X10	1							
16	1	119517-22090	PISTON ASSY	3							
18	2	119517-22500	RING SET, PISTON	3							
22	1	119515-22300	PIN, PISTON	3							
23	1	22252-000220	RING, 22	6							
24	1	119515-23000	ROD ASSY, CONNECTING	3							
27	2	119717-23200	BOLT, CONNECTING ROD	6							
28	2	119515-23601	BEARING, CRANK PIN	3							
30	1	119717-23910	BEARING, PISTON PIN	3							1
31	1	119515-23611	BEARING ASSY, 0.25	3							2
33	1	119025-22900	PISTON ASSY	3							3
35	2	119609-22950	RING SET, 0.25 OS	3							3

Remarks

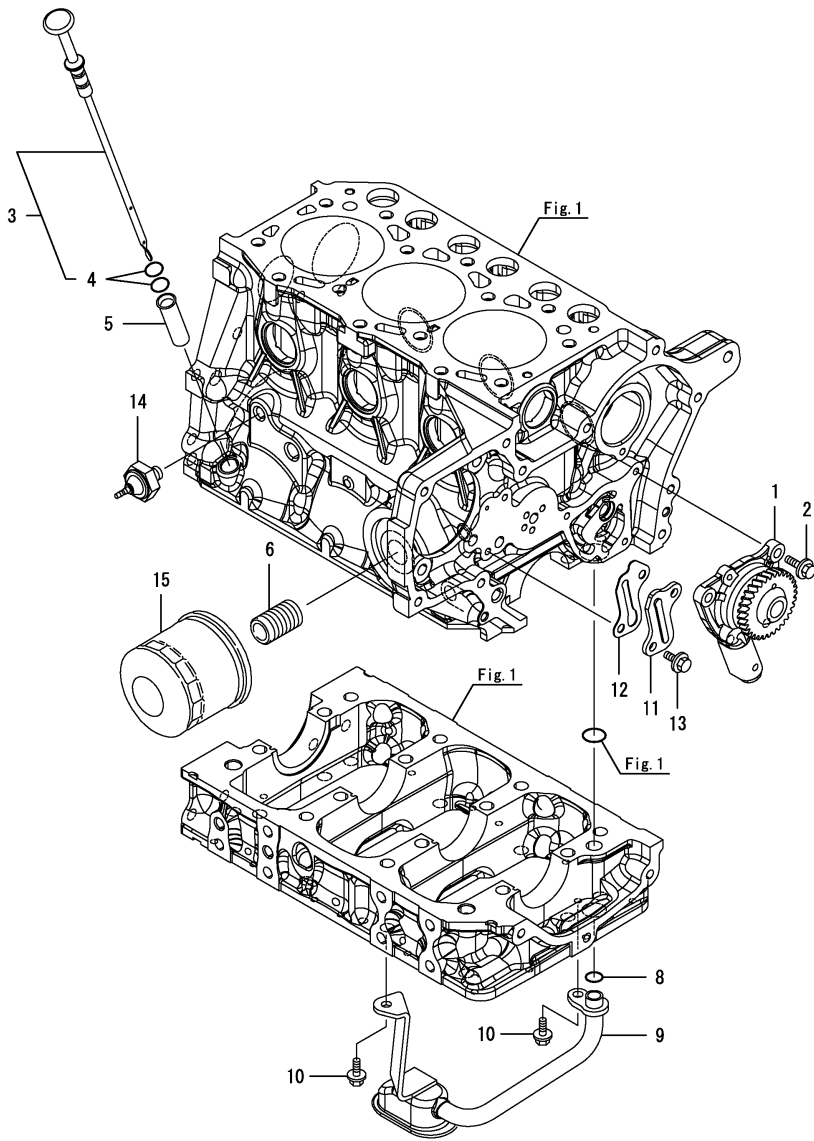
Note : "Effective Machine No." of the Engine Section is indicated on the Model Label which is shown in Fig.4.

- (1) Spare parts.
- (2) Under-sized (U.S.=0.25) parts.
- (3) Over-sized (O.S.=0.25) parts.

Fig.8. LUB. OIL SYSTEM

(A)=3TNM72-DRE
(B)=
(C)=

(D)=
(E)=
(F)=



No.	Lev.	Parts No.	Description	Qty						I	R
				(A)	(B)	(C)	(D)	(E)	(F)		
1	1	119125-32000	PUMP ASSY, OIL	1							
2	1	26106-060142	BOLT, M6X 14 PLATED	3							
3	1	119025-34800	DIPSTICK, OIL	1							
4	2	119125-34900	O-RING	2							
5	1	119125-34810	GUIDE, DIPSTICK	1							
6	1	119717-35140	BOLT, STUD	1							
8	1	119209-35030	O-RING, P11	1							
9	1	119025-35080	PIPE ASSY, OIL INLET	1							
10	1	26106-060102	BOLT, M6X 10 PLATED	2							
11	1	119125-39200	COVER	1							
12	1	119125-39220	GASKET, OIL-PIPE	1							
13	1	26106-060122	BOLT, M6X 12 PLATED	2							
14	1	114250-39450	SWITCH, HYDRAULIC	1							
15	1	119305-35170	FILTER ASSY, D68XL65	1							1

Remarks

Note : "Effective Machine No." of the Engine Section is indicated on the Model Label which is shown in Fig.4.

(1) Spare parts.

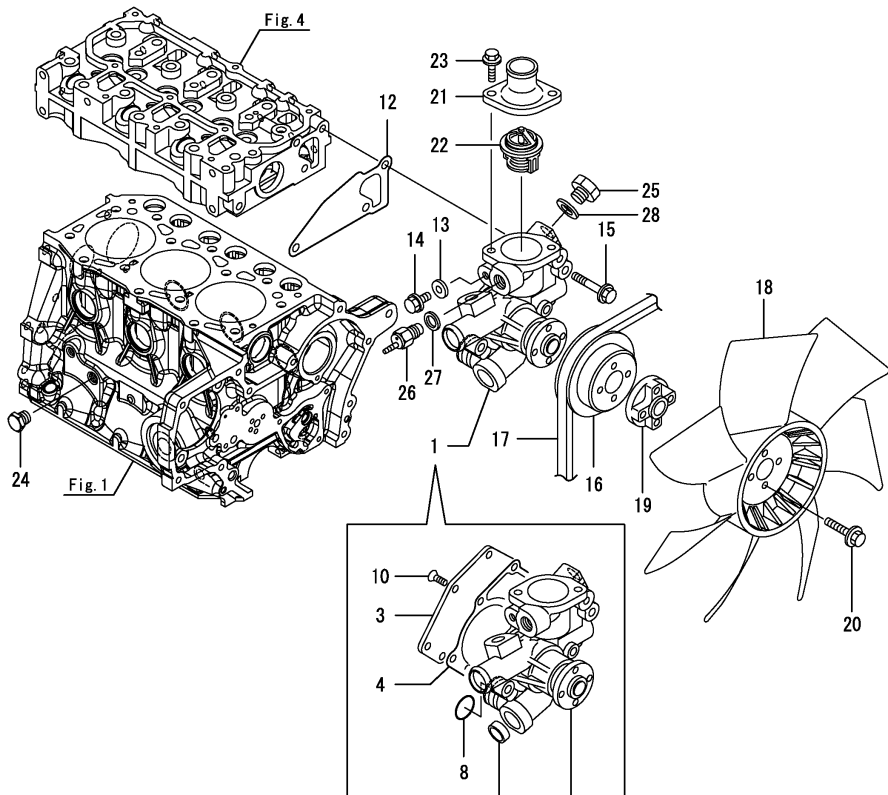
N:Old $\xrightarrow{\text{Yes}}$ New, Q:Old $\xrightarrow{\text{No}}$ New, R:Old $\xrightarrow{\text{Yes}}$ New, S:Old $\xrightarrow{\text{No}}$ New, W:Add, Z:Discontinued, F:Interchangeable by set, K:Qty Change

Fig.9. COOLING WATER SYSTEM

(A)=3TNM72-DRE
(B)=
(C)=

(D)=
(E)=
(F)=

No.	Lev.	Parts No.	Description	Q'ty						I	R
				(A)	(B)	(C)	(D)	(E)	(F)		
1	1	119025-42000	PUMP ASSY, WATER	1							
3	2	119025-42020	COVER	1							
4	2	119025-42030	GASKET, WATER PUMP	1							
8	2	119685-42281	O-RING	1							
10	2	26577-060122	SCREW, M6X12	5							
12	1	119515-42020	GASKET, WATER PUMP	1							
13	1	23414-080000	GASKET, 8X1.0	1							
14	1	26106-080122	BOLT, M8X 12 PLATED	1							
15	1	26106-080452	BOLT, M8X 45 PLATED	3							
16	1	119515-42350	V-PULLEY, D=110	1							
17	1	25152-003500	V-BELT, A35	1							
18	1	119717-44740	FAN, COOLING D335X7	1							
19	1	121267-44760	SPACER, FAN	1							
20	1	26106-060302	BOLT, M6X 30 PLATED	4							
21	1	129350-49530	COVER, THERMOSTAT	1							
22	1	119734-49801	THERMOSTAT, 71C	1							
23	1	26106-080202	BOLT, M8X 20 PLATED	2							
24	1	171056-49120	PLUG, DRAIN R1/4	1							
25	1	121450-42450	PLUG, M16	1							
26	1	121250-44901	SWITCH, THERMO 110	1							
27	1	124465-44950	GASKET, 16	1							
28	1	124465-44950	GASKET, 16	1							



Remarks

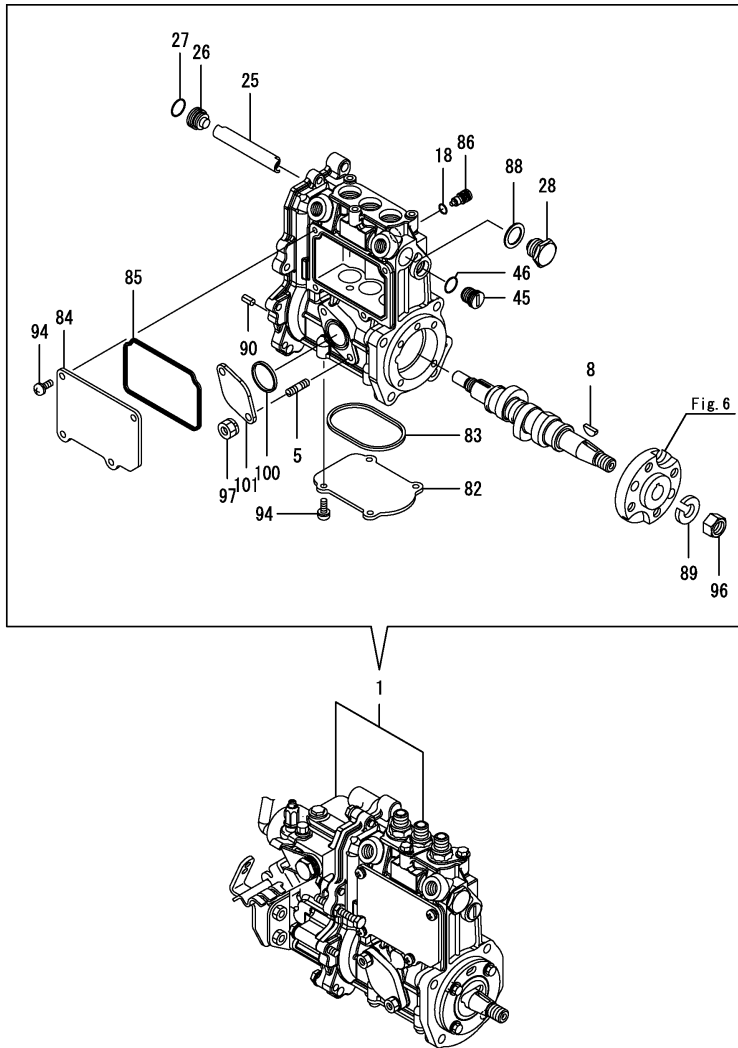
Note : "Effective Machine No." of the Engine Section is indicated on the Model Label which is shown in Fig.4.

N:Old $\xrightarrow{\text{Yes}}$ New, Q:Old $\xrightarrow{\text{No}}$ New, R:Old $\xrightarrow{\text{Yes}}$ New, S:Old $\xrightarrow{\text{No}}$ New, W:Add, Z:Discontinued, F:Interchangeable by set, K:Q'ty Change

Fig.10. FUEL INJECTION PUMP

(A)=3TNM72-DRE
(B)=
(C)=

(D)=
(E)=
(F)=



No.	Lev.	Parts No.	Description	Q'ty						I	R
				(A)	(B)	(C)	(D)	(E)	(F)		
1	1	719025-51330	FIE ASSY	1							1
5	2	129155-51020	BOLT, STUD	2							
8	2	122710-51090	FEATHER KEY,WOODRUFF	1							
18	2	129155-51280	O-RING, S6	1							
25	2	129155-51400	DEFLECTOR	1							
26	2	158600-51410	PLUG, DEFLECTOR	1							
27	2	119717-51420	O-RING	1							
28	2	158600-51420	PLUG, DEFLECTOR	1							
45	2	158600-51570	PLUG, RACK	1							
46	2	129155-51580	O-RING	1							
82	2	119125-51700	COVER, PUMP	1							
83	2	119717-51711	GASKET	1							
84	2	119717-51750	COVER	1							
85	2	119717-51761	GASKET	1							
86	2	158600-51790	STOPPER, RACK	1							
88	2	22190-160002	WASHER, SEAL 16	1							
89	2	22217-120000	WASHER, SPRING 12	1							
90	2	22351-050010	PIN, SPRING 5.0X10	2							
94	2	26022-050122	SCREW, M5X12	8							
96	2	26716-120002	NUT, M12	1							
97	2	119717-51860	NUT, M6	2							
100	2	129155-52051	GASKET	1							
101	2	129100-52200	COVER, PUMP	1							

Remarks

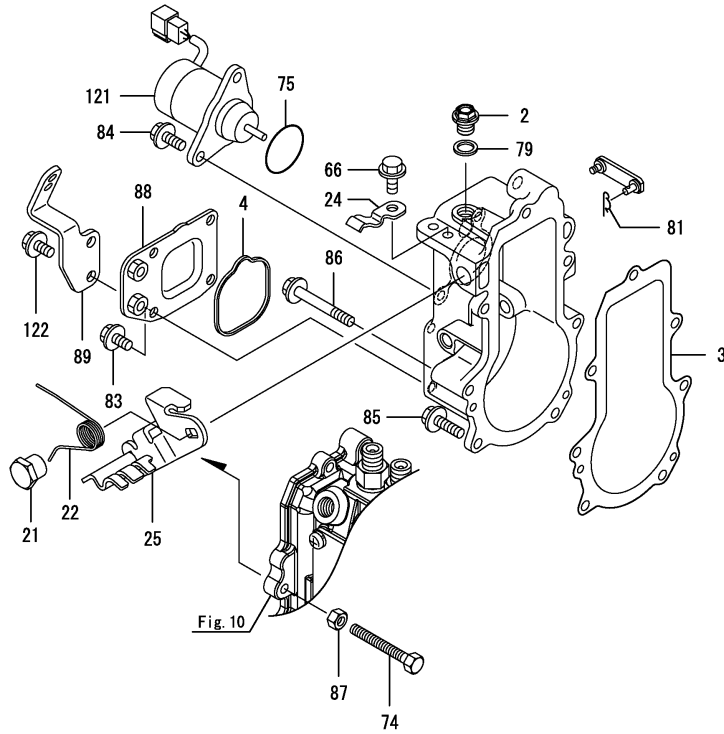
Note : "Effective Machine No." of the Engine Section is indicated on the Model Label which is shown in Fig.4.
(1)Governor(Fig.11) is incorporated in this Fuel Injection Pump(No.1).

N:Old $\xrightarrow{\text{Yes}}$ New, Q:Old $\xrightarrow{\text{No}}$ New, R:Old $\xrightarrow{\text{Yes}}$ New, S:Old $\xrightarrow{\text{No}}$ New, W:Add, Z:Discontinued, F:Interchangeable by set, K:Q'ty Change

Fig.11. GOVERNOR

(A)=3TNM72-DRE
(B)=
(C)=

(D)=
(E)=
(F)=



No.	Lev.	Parts No.	Description	Q'ty						I	R
				(A)	(B)	(C)	(D)	(E)	(F)		
2	2	119717-51930	PLUG, M10	1							
3	2	119717-61050	GASKET	1							
4	2	119717-61070	GASKET	1							
21	2	129255-61410	NUT, M8	1							
22	2	119534-61420	SPRING, LEVER	1							
24	2	119534-61430	RETAINER	1							
25	2	119527-61440	LEVER ASSY,REGULATOR	1							
66	2	26106-060102	BOLT, M6X 10 PLATED	1							
74	2	129155-61460	BOLT, LIMITING	1							
75	2	158552-61900	O-RING	1							
79	2	22190-100002	WASHER, SEAL 10	1							
81	2	22372-040000	PIN, SNAP 4	1							
83	2	26106-060102	BOLT, M6X 10 PLATED	4							
84	2	26106-060142	BOLT, M6X 14 PLATED	2							
85	2	26106-060202	BOLT, M6X 20 PLATED	4							
86	2	26106-060452	BOLT, M6X 45 PLATED	3							
87	2	26756-060002	NUT, LOCK M6	1							
88	2	119761-61060	COVER, GOVERNOR CASE	1							
89	2	119734-61080	SUPPORT, WIRE	1							
121	2	119233-77932	SOLENOID, STOP	1							
122	2	26106-060102	BOLT, M6X 10 PLATED	2							

Remarks

Note : "Effective Machine No." of the Engine Section is indicated on the Model Label which is shown in Fig.4.

* This figure(Governor) is incorporated in the Fuel Injection Pump(Fig.10).

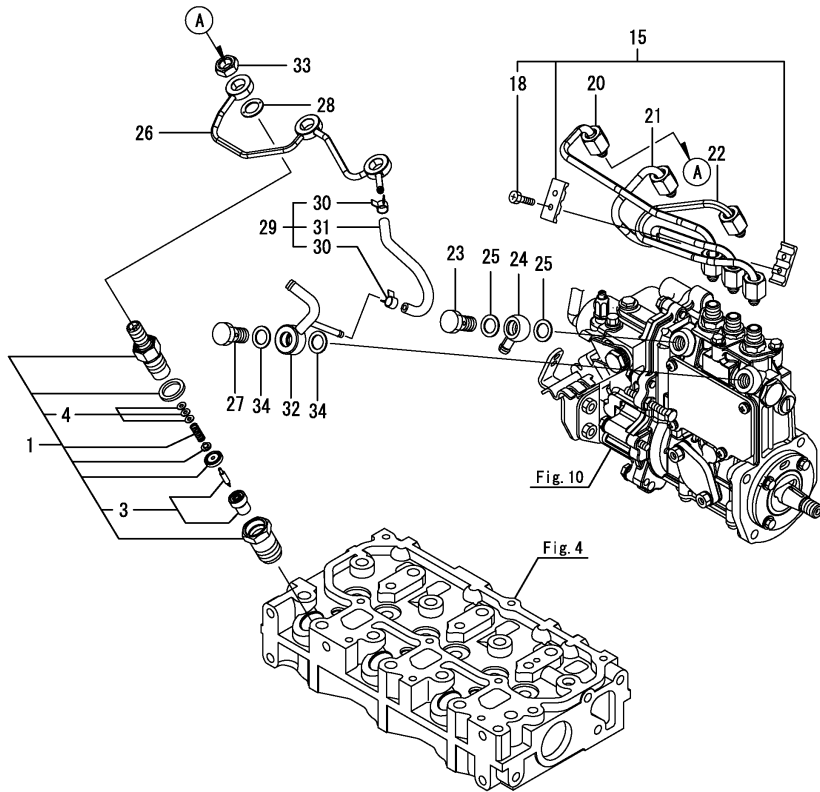
N:Old $\xrightarrow{\text{Yes}}$ New, Q:Old $\xrightarrow{\text{No}}$ New, R:Old $\xrightarrow{\text{Yes}}$ New, S:Old $\xrightarrow{\text{No}}$ New, W:Add, Z:Discontinued, F:Interchangeable by set, K:Q'ty Change

Fig.12. FUEL INJECTION VALVE

(A)=3TNM72-DRE
(B)=
(C)=

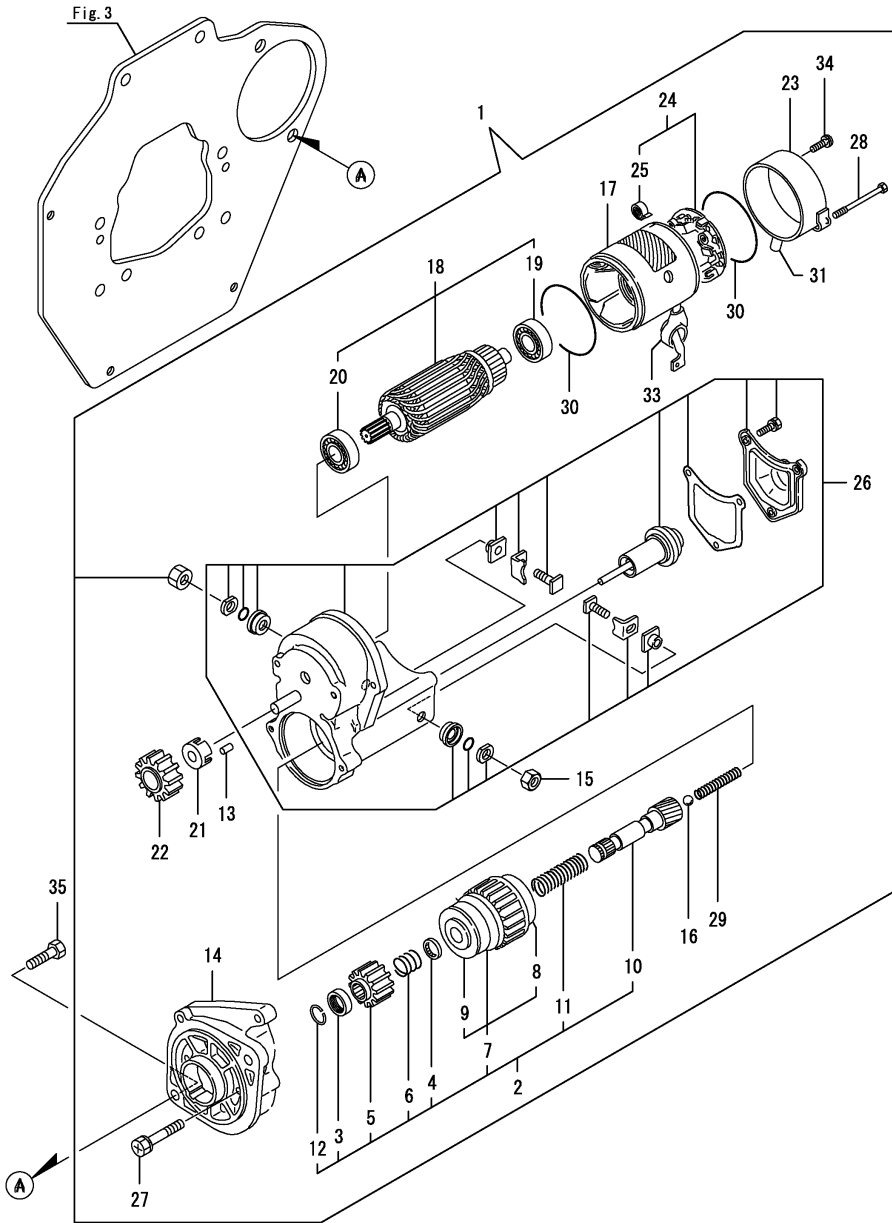
(D)=
(E)=
(F)=

No.	Lev.	Parts No.	Description	Q'ty						I	R
				(A)	(B)	(C)	(D)	(E)	(F)		
1	1	119515-53001	VALVE ASSY,INJECTION	3							
3	2	119515-53010	NOZZLE ASSY, F.I.	3							
4	2	129901-53800	SHIM SET, ADJUSTING	3							
15	1	129150-59120	RETAINER, PIPE	1							
18	2	129150-59131	BOLT, M4X14	2							
20	1	119025-59810	PIPE, FUEL INJECTION	1							
21	1	119025-59820	PIPE, FUEL INJECTION	1							
22	1	119025-59830	PIPE, FUEL INJECTION	1							
23	1	103854-39140	BOLT, PIPE JOINT	1							
24	1	101304-59020	JOINT, PIPE 12	1							
25	1	22190-120002	WASHER, SEAL 12	2							
26	1	119D00-59540	PIPE ASSY, FO RETURN	1							
27	1	119125-59560	BOLT, PIPE JOINT	1							
28	1	129901-59560	GASKET	3							
29	1	119027-59570	PIPE ASSY, RETURN	1							
30	2	124066-59100	CLAMP, HOSE 8	2							
31	2	121250-59550	HOSE, FUEL D8X120	1							
32	1	119515-59581	JOINT, OVER FLOW	1							
33	1	119620-59700	NUT, NOZZLE	3							
34	1	22190-120002	WASHER, SEAL 12	2							



Remarks
Note : "Effective Machine No." of the Engine Section is indicated on the Model Label which is shown in Fig.4.

Fig.13. STARTER MOTOR



(A)=3TNM72-DRE
(B)=
(C)=

(D)=
(E)=
(F)=

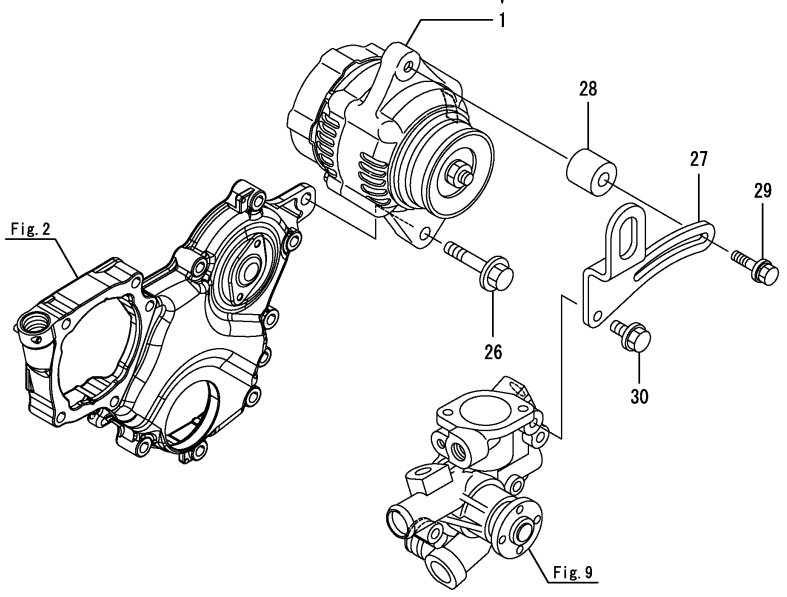
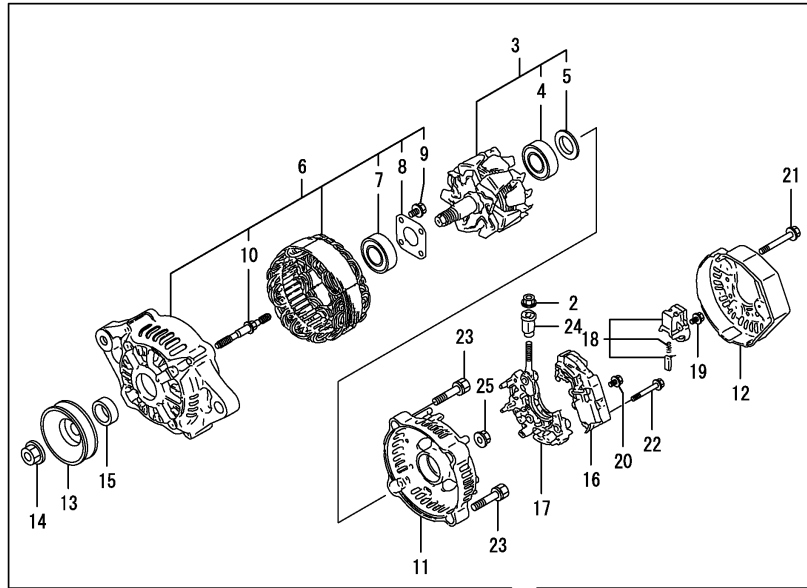
No.	Lev.	Parts No.	Description	Q'ty						I	R
				(A)	(B)	(C)	(D)	(E)	(F)		
1	1	119626-77020	STARTER, RA1.2	1							
2	2	X0283006990	CLUTCH SUB-ASSY	1							
3	3	X0280210230	NUT	1							
4	3	X0283270140	RETAINER	1							
5	3	X0283711660	PINION	1							
6	3	X9491703371	SPRING	1							
7	3	129129-77390	CLUTCH ASSY	1							
8	4	129129-77440	BEARING, BALL	1							
9	4	129129-77450	BEARING, BALL	1							
10	3	129129-77400	SHAFT, STATER	1							
11	3	129129-77410	SPRING	1							
12	3	129129-77430	RING, SNAP	1							
13	2	X0283060061	ROLLER	5							
14	2	X4284000870	HOUSING	1							
15	2	X9490561370	NUT	1							
16	2	X9491200240	BALL, STEEL	1							
17	2	129129-77210	YOKE ASSY	1							
18	2	129129-77220	ARMATURE ASSY	1							
19	3	129129-77230	BEARING, BALL	1							
20	3	129129-77240	BEARING, BALL	1							
21	2	129129-77260	RETAINER	1							
22	2	129129-77270	PINION	1							
23	2	129129-77290	COVER	1							
24	2	129129-77300	HOLDER ASSY	1							
25	3	X9491730461	SPRING	4							
26	2	129407-77310	SWITCH ASSY, MAGNET	1							
27	2	129129-77320	BOLT	2							
28	2	129129-77330	BOLT	2							
29	2	129129-77340	SPRING	1							
30	2	129129-77350	O-RING	2							
31	2	129129-77362	COVER	1							
33	2	129129-77380	CAP	1							
34	2	129129-77460	SCREW	2							
35	1	26156-120302	BOLT, M12X 30 PLATED	2							

Remarks

Note : "Effective Machine No." of the Engine Section is indicated on the Model Label which is shown in Fig.4.

N:Old $\xrightarrow{\text{Yes}}$ New, Q:Old $\xrightarrow{\text{No}}$ New, R:Old $\xrightarrow{\text{Yes}}$ New, S:Old $\xrightarrow{\text{No}}$ New, W:Add, Z:Discontinued, F:Interchangeable by set, K:Q'ty Change

Fig.14. GENERATOR



(A)=3TNM72-DRE
(B)=
(C)=

(D)=
(E)=
(F)=

No.	Lev.	Parts No.	Description	Q'ty						I	R
				(A)	(B)	(C)	(D)	(E)	(F)		
1	1	119626-77210	ALTERNATOR, 12V-55A	1							
2	2	X9490561001	NUT	1							
3	2	129052-77380	ROTOR ASSY	1							
4	3	123501-79240	BEARING, BALL	1							
5	3	119620-79250	COVER, BEARING	1							
6	2	129052-77422	FRAME ASSY	1							
7	3	119620-79200	BEARING, BALL	1							
8	3	119620-79210	RETAINER	1							
9	3	119620-79220	SCREW	4							
10	3	119620-79230	BOLT, STUD	2							
11	2	128401-77440	FRAME	1							
12	2	119626-77450	COVER	1							
13	2	119620-77461	PULLEY, GENERATOR	1							
14	2	119620-77471	NUT	1							
15	2	119620-77490	COLLAR	1							
16	2	129423-77710	REGULATOR ASSY	1							
17	2	129052-79260	HOLDER	1							
18	2	129052-79270	HOLDER, BRUSH	1							
19	2	119620-79290	SCREW	6							
20	2	119620-79300	SCREW	1							
21	2	119620-79310	BOLT	3							
22	2	119620-79320	SCREW	2							
23	2	119620-79330	BOLT	2							
24	2	119620-79340	BUSH, INSULATION	1							
25	2	119620-79350	NUT	2							
26	1	26106-100452	BOLT, M10X 45 PLATED	1							
27	1	119D21-77330	ADJUSTER, BELT	1							
28	1	124732-77340	SPACER	1							
29	1	129972-77341	BOLT, ADJUST L=50	1							
30	1	26106-080202	BOLT, M8X 20 PLATED	1							

Remarks
Note : "Effective Machine No." of the Engine Section is indicated on the Model Label which is shown in Fig.4.

Parts No. Index

Parts No.	Fig. No.	Ref. No.
101304-59020	12	24
103854-39140	12	23
105010-11490	4	3
105225-21501	7	7
105425-01690	3	5
106760-01770	2	6
114250-39450	8	14
119025-01332	1	31
119025-01500	2	1
119025-14580	6	3
119025-21700	7	1
119025-22900	7	33
119025-25100	6	9
119025-34800	8	3
119025-35080	8	9
119025-42000	9	1
119025-42020	9	3
119025-42030	9	4
119025-59810	12	20
119025-59820	12	21
119025-59830	12	22
119027-01560	1	1
119027-59570	12	29
119034-01600	3	2
119034-01770	3	4
119034-21590	7	8
119125-01750	2	2
119125-01780	3	8
119125-01790	1	32
119125-01800	1	33
119125-01960	1	6
119125-01970	1	4
119125-02061	1	8
119125-02900	1	36
119125-02910	1	39
119125-02930	1	23
119125-02940	1	42
119125-21200	7	4
119125-25050	1	26
119125-25910	6	14
119125-25930	6	13
119125-32000	8	1
119125-34810	8	5
119125-34900	8	4
119125-39200	8	11
119125-39220	8	12
119125-51700	10	82
119125-51800	1	35
119125-59560	12	27
119125-77800	4	55

Parts No.	Fig. No.	Ref. No.
119125-77820	4	56
119131-18320	5	6
119209-35030	8	8
119226-07900	4	53
119233-77932	11	121
119285-11990	4	11
119305-35170	8	15
119515-01200	1	30
119515-11101	4	13
119515-11110	4	14
119515-11200	4	20
119515-11240	4	21
119515-11280	4	25
119515-11310	4	44
119515-11320	4	45
119515-11330	4	46
119515-11380	4	34
119515-11800	4	57
119515-13200	5	8
119515-14400	6	2
119515-22300	7	22
119515-23000	7	24
119515-23601	7	28
119515-23611	7	31
119515-42020	9	12
119515-42350	9	16
119515-53001	12	1
119515-53010	12	3
119515-59581	12	32
119517-11740	4	4
119517-22090	7	16
119517-22500	7	18
119527-61440	11	25
119534-61420	11	22
119534-61430	11	24
119600-11460	4	2
119609-22950	7	35
119620-01620	1	13
119620-02450	6	4
119620-14200	6	1
119620-21941	7	14
119620-59700	12	33
119620-77461	14	13
119620-77471	14	14
119620-77490	14	15
119620-79200	14	7
119620-79210	14	8
119620-79220	14	9
119620-79230	14	10
119620-79250	14	5

Parts No.	Fig. No.	Ref. No.
119620-79290	14	19
119620-79300	14	20
119620-79310	14	21
119620-79320	14	22
119620-79330	14	23
119620-79340	14	24
119620-79350	14	25
119621-21681	7	13
119626-21700	7	11
119626-77020	13	1
119626-77210	14	1
119626-77450	14	12
119685-42281	9	8
119717-01800	2	3
119717-03031	4	35
119717-03070	4	36
		37
119717-11131	4	15
119717-11190	4	17
119717-11260	4	24
119717-11340	4	18
119717-11350	4	19
119717-11650	4	26
119717-13110	5	2
119717-23200	7	27
119717-23910	7	30
119717-35140	8	6
119717-44740	9	18
119717-51150	6	15
119717-51420	10	27
119717-51711	10	83
119717-51750	10	84
119717-51761	10	85
119717-51860	10	97
119717-51930	11	2
119717-61050	11	3
119717-61070	11	4
119734-02220	1	34
119734-49801	9	22
119734-61080	11	89
119761-61060	11	88
119802-03100	4	38
119802-03110	4	39
119802-03121	4	40
119802-03131	4	41
119802-03141	4	42
119802-13641	5	4
119802-13740	5	5
119D00-59540	12	26
119D21-13100	5	1

Parts No.	Fig. No.	Ref. No.
119D21-13610	5	10
119D21-13690	5	15
119D21-21650	7	12
119D21-77330	14	27
119E21-13510	5	9
121250-44901	9	26
121250-59550	12	31
121267-44760	9	19
121450-42450	9	25
122710-51090	10	8
123501-79240	14	4
124060-01050	1	12
124060-21600	7	10
124066-59100	12	30
124160-01751	4	33
124465-44950	9	27
		28
124732-77340	14	28
128401-77440	14	11
129052-77380	14	3
129052-77422	14	6
129052-79260	14	17
129052-79270	14	18
129100-01580	3	1
	7	2
129100-52200	10	101
129129-77210	13	17
129129-77220	13	18
129129-77230	13	19
129129-77240	13	20
129129-77260	13	21
129129-77270	13	22
129129-77290	13	23
129129-77300	13	24
129129-77320	13	27
129129-77330	13	28
129129-77340	13	29
129129-77350	13	30
129129-77362	13	31
129129-77380	13	33
129129-77390	13	7
129129-77400	13	10
129129-77410	13	11
129129-77430	13	12
129129-77440	13	8
129129-77450	13	9
129129-77460	13	34
129150-11230	4	27
129150-11750	4	29
129150-25301	6	12

Parts No. Index

Parts No.	Fig. No.	Ref. No.
129150-59120	12	15
129150-59131	12	18
129155-51020	10	5
129155-51280	10	18
129155-51400	10	25
129155-51580	10	46
129155-52051	10	100
129155-61460	11	74
129255-61410	11	21
129350-49530	9	21
129407-77310	13	26
129423-77710	14	16
129508-11180	4	16
129900-32040	1	27
129901-11450	4	1
129901-53800	12	4
129901-59560	12	28
129972-77341	14	29
129E00-13610	5	3
158552-61900	11	75
158600-51410	10	26
158600-51420	10	28
158600-51570	10	45
158600-51790	10	86
171056-49120	9	24
22190-100002	11	79
22190-120002	12	25
		34
22190-160002	3	7
	10	88
22217-120000	10	89
22242-000120	4	30
22252-000220	7	23
22351-030010	7	15
22351-050010	10	90
22351-060012	1	28
22372-040000	11	81
22512-040120	7	5
22857-500100	4	47
		48
22857-500160	4	49
23414-080000	9	13
23876-005000	1	9
	4	12
24311-000180	2	7
24311-000320	4	50
25152-003500	9	17
26014-080202	5	11
		12
26022-050122	10	94

Parts No.	Fig. No.	Ref. No.
26106-060102	8	10
	11	66
		83
		122
26106-060122	6	8
	8	13
26106-060142	8	2
	11	84
26106-060202	4	51
	11	85
26106-060302	9	20
26106-060402	1	29
26106-060452	11	86
26106-060752	4	52
26106-080122	9	14
26106-080162	4	54
26106-080202	9	23
	14	30
26106-080252	5	13
26106-080352	2	4
26106-080402	4	32
26106-080452	2	5
	9	15
26106-080902	5	16
26106-100452	14	26
26156-120302	13	35
26206-100202	3	3
26306-080002	5	7
		14
26577-060122	9	10
26716-120002	10	96
26756-060002	11	87
26979-050162	4	31
27241-300000	1	10
27241-450000	1	11
719025-51330	10	1
X0280210230	13	3
X0283006990	13	2
X0283060061	13	13
X0283270140	13	4
X0283711660	13	5
X4284000870	13	14
X9490561001	14	2
X9490561370	13	15
X9491200240	13	16
X9491703371	13	6
X9491730461	13	25

Parts No.	Fig. No.	Ref. No.
-----------	----------	----------

Parts No.	Fig. No.	Ref. No.
-----------	----------	----------