

0CNP6-M02760EN

# Contents

OCNP6-M02760

Fig. No. Fig. Name

## FRONT LOADER

1. LABEL
2. LABEL(SAFETY)
3. SUPPORT FRAME
4. BRACKET
5. BOOM
6. HITCH(QUICK)
7. INDICATOR
8. CYLINDER
9. HYDRAULIC PIPING
10. PROTECTOR
11. STAND
12. BUCKET(QUICK)
13. DOCUMENT

## OPTIONAL

14. OPTION(FRENCH)
15. OPTION(SPANISH)

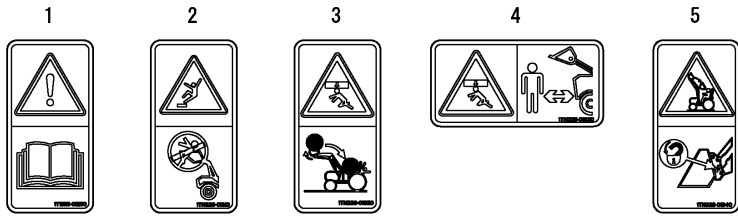
Fig. No. Fig. Name



Fig.2. LABEL(SAFETY)

(A)=YL210,EU  
(B)=  
(C)=

(D)=  
(E)=  
(F)=



No.	Lev.	Parts No.	Description	Q'ty						I	R
				(A)	(B)	(C)	(D)	(E)	(F)		
1	1	1TW113-01250	LABEL, CAUTION	5							
2	1	1TN328-01610	LABEL, FALL	2							
3	1	1TN328-01620	LABEL, CRUSH	1							
4	1	1TN328-01630	LABEL, DISTANCE	2							
5	1	1TN328-01640	LABEL, BUCKET	2							

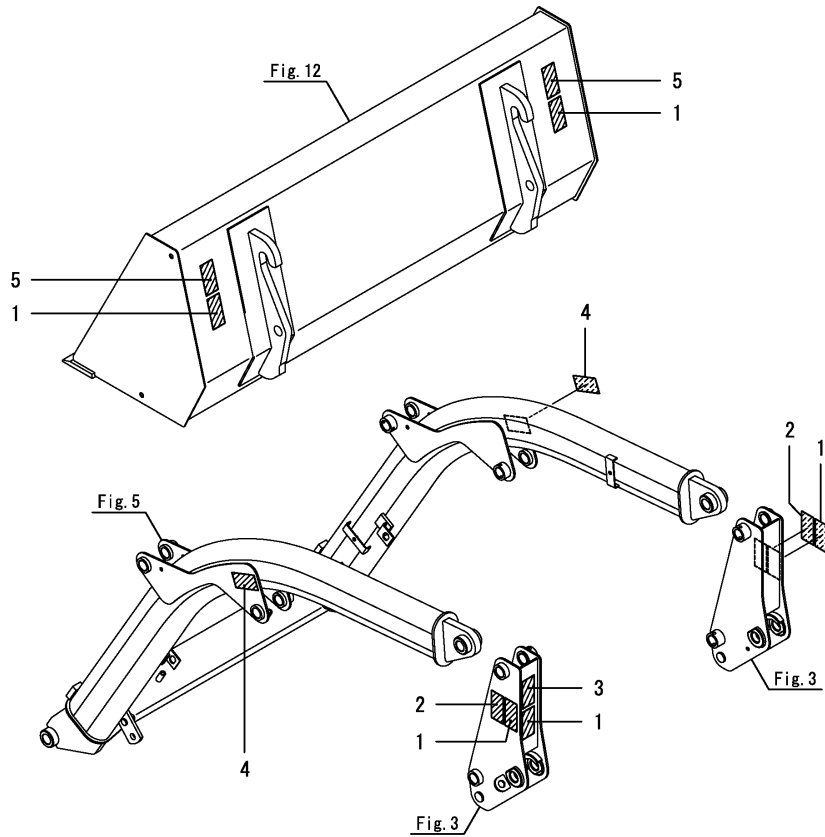
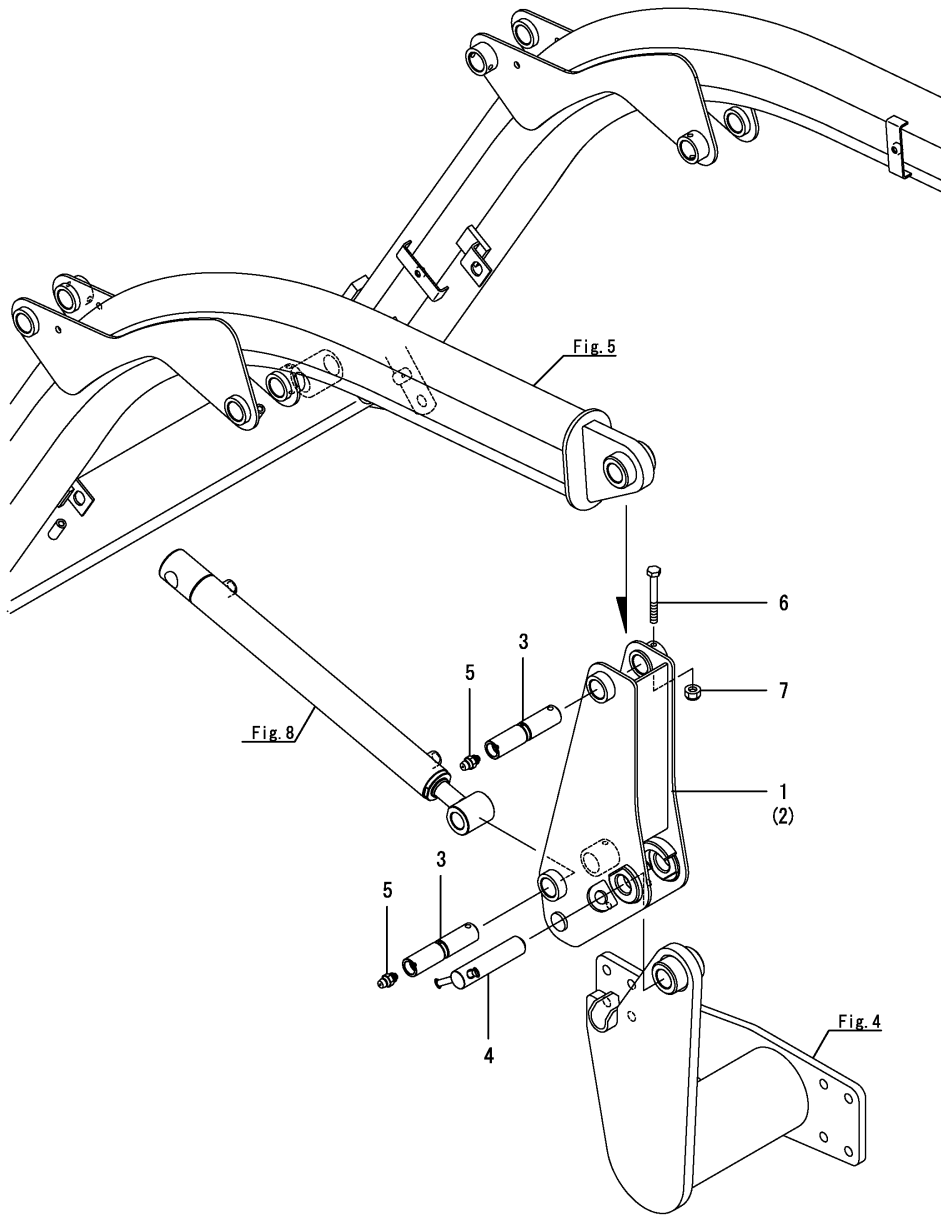


Fig.3. SUPPORT FRAME

(A)=YL210,EU  
(B)=  
(C)=

(D)=  
(E)=  
(F)=



No.	Lev.	Parts No.	Description	Q'ty						I	R
				(A)	(B)	(C)	(D)	(E)	(F)		
1	1	1TN329-11011	SUPPORT ASSY, PL L	1							
2	1	1TN329-11021	SUPPORT ASSY, PL R	1							
3	1	1TN325-73110	1-115 PIN	4							
4	1	1TN331-73310	PIN ASSY, LOCK	2							
5	1	24761-010000	NIPPLE, GREASE M6F	4							
6	1	26116-060502	BOLT, M6X 50 PLATED	4							
7	1	26347-060002	NUT, M6	4							

Fig.4. BRACKET

(A)=YL210,EU  
(B)=  
(C)=

(D)=  
(E)=  
(F)=

No.	Lev.	Parts No.	Description	Q'ty						I	R
				(A)	(B)	(C)	(D)	(E)	(F)		
1	1	1TN329-13100	BRACKET ASSY, L	1							
2	1	1TN329-13200	BRACKET ASSY, R	1							
3	1	198165-85970	BOLT, M12X35	16							

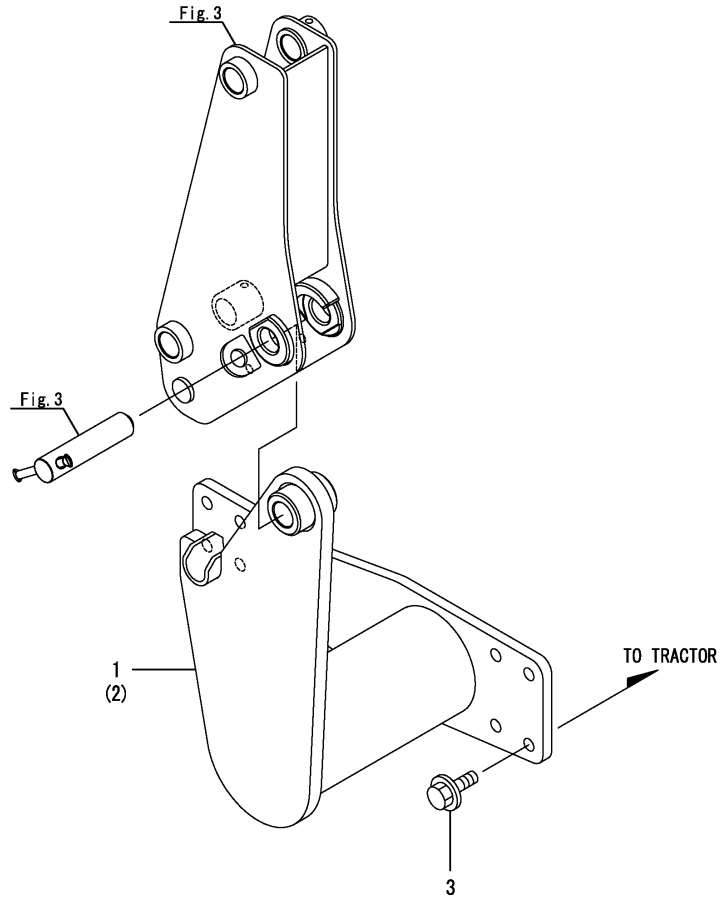


Fig.5. BOOM

(A)=YL210,EU  
(B)=  
(C)=

(D)=  
(E)=  
(F)=

No.	Lev.	Parts No.	Description	Qty						I	R
				(A)	(B)	(C)	(D)	(E)	(F)		
1	1	1TN329-21200	BOOM ASSY, PL	1							
2	1	1TN325-73110	1-115 PIN	4							
3	1	24761-010000	NIPPLE, GREASE M6F	4							
4	1	26116-060502	BOLT, M6X 50 PLATED	4							
5	1	26347-060002	NUT, M6	4							

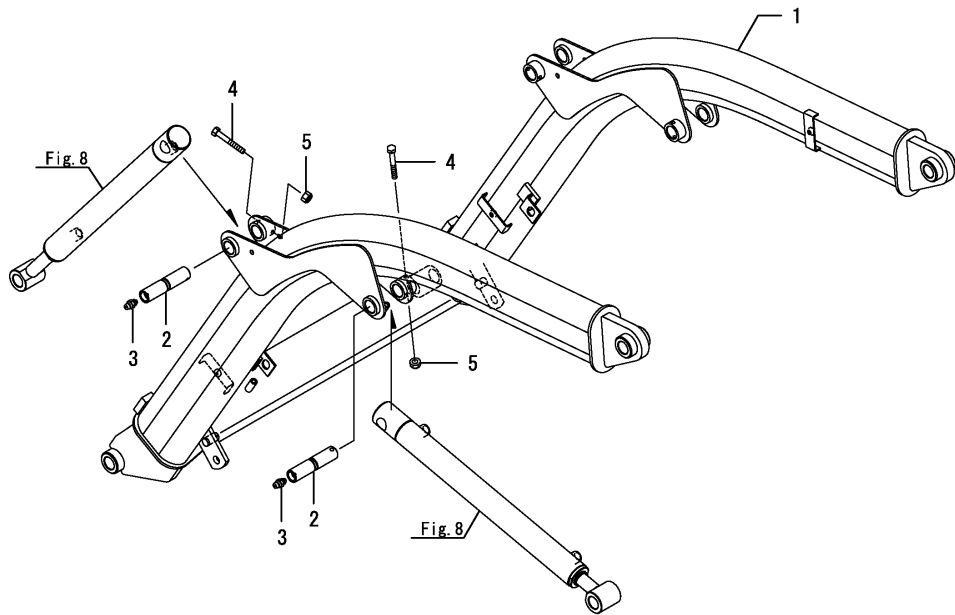
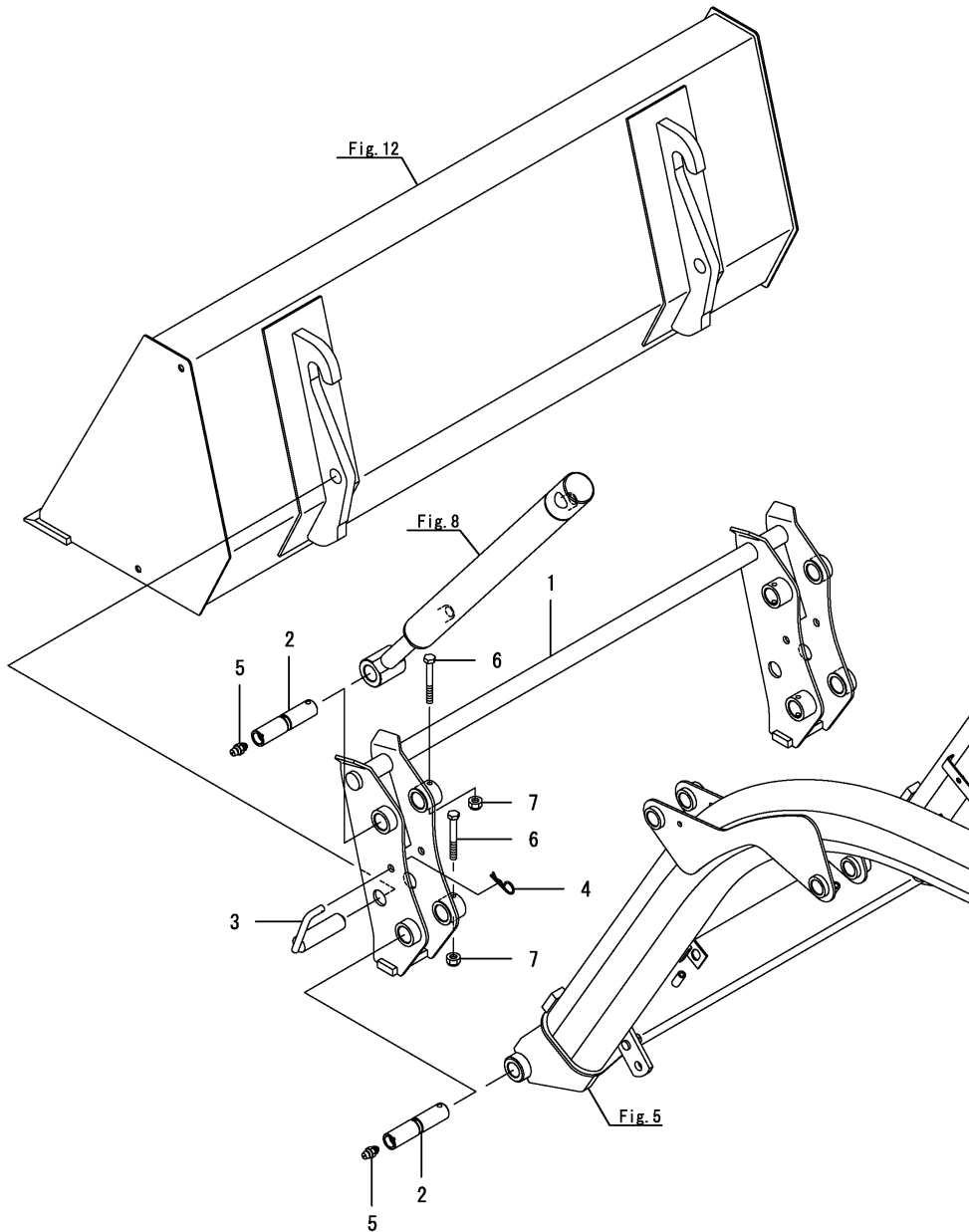


Fig.6. HITCH(QUICK)

(A)=YL210,EU  
(B)=  
(C)=

(D)=  
(E)=  
(F)=



No.	Lev.	Parts No.	Description	Q'ty						I	R
				(A)	(B)	(C)	(D)	(E)	(F)		
1	1	1TN331-23100	HITCH ASSY, QUICK	1							
2	1	1TN325-73110	1-115 PIN	4							
3	1	1TN331-73350	PIN, HITCH	2							
4	1	1TN331-73510	PIN, R 10	2							
5	1	24761-010000	NIPPLE, GREASE M6F	4							
6	1	26116-060502	BOLT, M6X 50 PLATED	4							
7	1	26347-060002	NUT, M6	4							

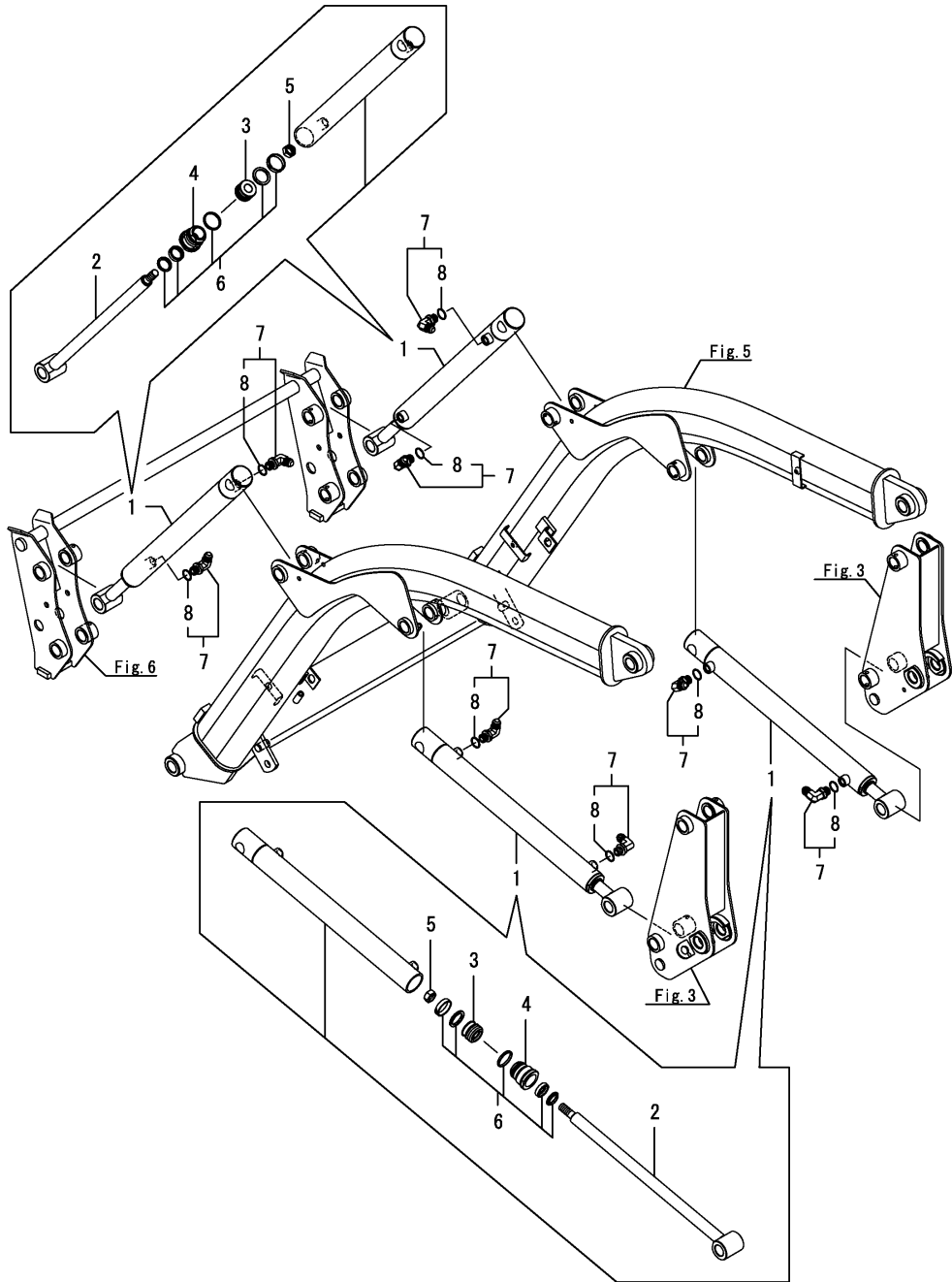




Fig.8. CYLINDER

(A)=YL210,EU  
(B)=  
(C)=

(D)=  
(E)=  
(F)=

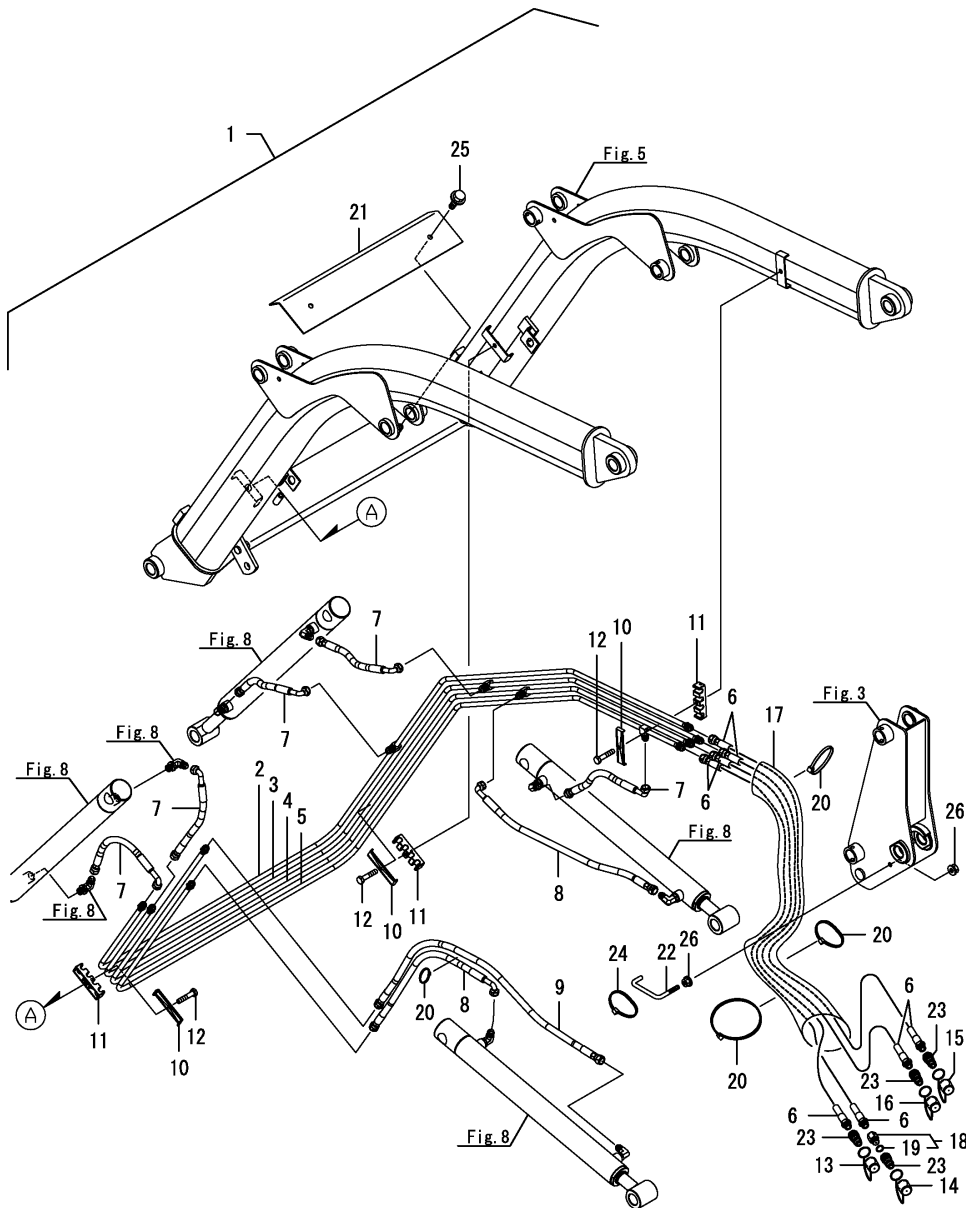


No.	Lev.	Parts No.	Description	Q'ty						I	R
				(A)	(B)	(C)	(D)	(E)	(F)		
1	1	1TN325-38100	LIFT CYLINDER ASSY	4							
2	2	1TN325-38110	WELDED ROD CPL, LIFT	4							
3	2	1TN325-38310	PISTON	4							
4	2	1TN325-38330	HEAD	4							
5	2	1TN325-38340	SELF LOCKING NUT	4							
6	2	1TN325-38370	SEAL KIT	4							
7	1	1TN322-38910	JOINT,90SAE9/16-18	8							
8	2	1TN322-38930	PACKING, JOINT	8							

Fig.9. HYDRAULIC PIPING

(A)=YL210,EU  
(B)=  
(C)=

(D)=  
(E)=  
(F)=



No.	Lev.	Parts No.	Description	Q'ty						I	R
				(A)	(B)	(C)	(D)	(E)	(F)		
1	1	1TN329-41100	PIPE ASSY	1							
2	2	1TN329-41110	PIPE ASSY, A	1							
3	2	1TN329-41120	PIPE ASSY, B	1							
4	2	1TN329-41130	PIPE ASSY, C	1							
5	2	1TN329-41140	PIPE ASSY, D	1							
6	2	1TN331-41310	HOSE, HP INTAKE	4							
7	2	1TN325-41410	HP HOSE A	5							
8	2	1TN325-41430	HP HOSE B	2							
9	2	1TN331-41450	HOSE, C	1							
10	2	1TN325-41550	COVER, CLAMP	3							
11	2	1TN325-41560	CLAMP, PIPE	3							
12	2	1TN325-41610	BOLT, 6X30	3							
13	2	1TN325-41750	DUST PLUG, RED M	1							
14	2	1TN325-41760	DUST PLUG, BLUE M	1							
15	2	1TN325-41770	DUST PLUG, YELLOW M	1							
16	2	1TN325-41780	DUST PLUG, GREEN M	1							
17	2	1TN331-41790	COVER, HOSE INTAKE	1							
18	2	1TN325-41970	ORIFICE ASSY, 1/8	1							
19	3	194850-49290	PACKING, 6-1	1							
20	2	1A8300-51210	BAND, REPEAT	4							
21	1	1TN331-41510	COVER, PIPE	1							
22	1	1TN325-41730	CLAMP, HOSE	1							
23	1	1TN325-41910	COUPLER, QUICK 1/4M	4							
24	1	1A8300-51210	BAND, REPEAT	1							
25	1	26106-080162	BOLT, M8X 16 PLATED	2							
26	1	26366-080002	NUT, M8	2							





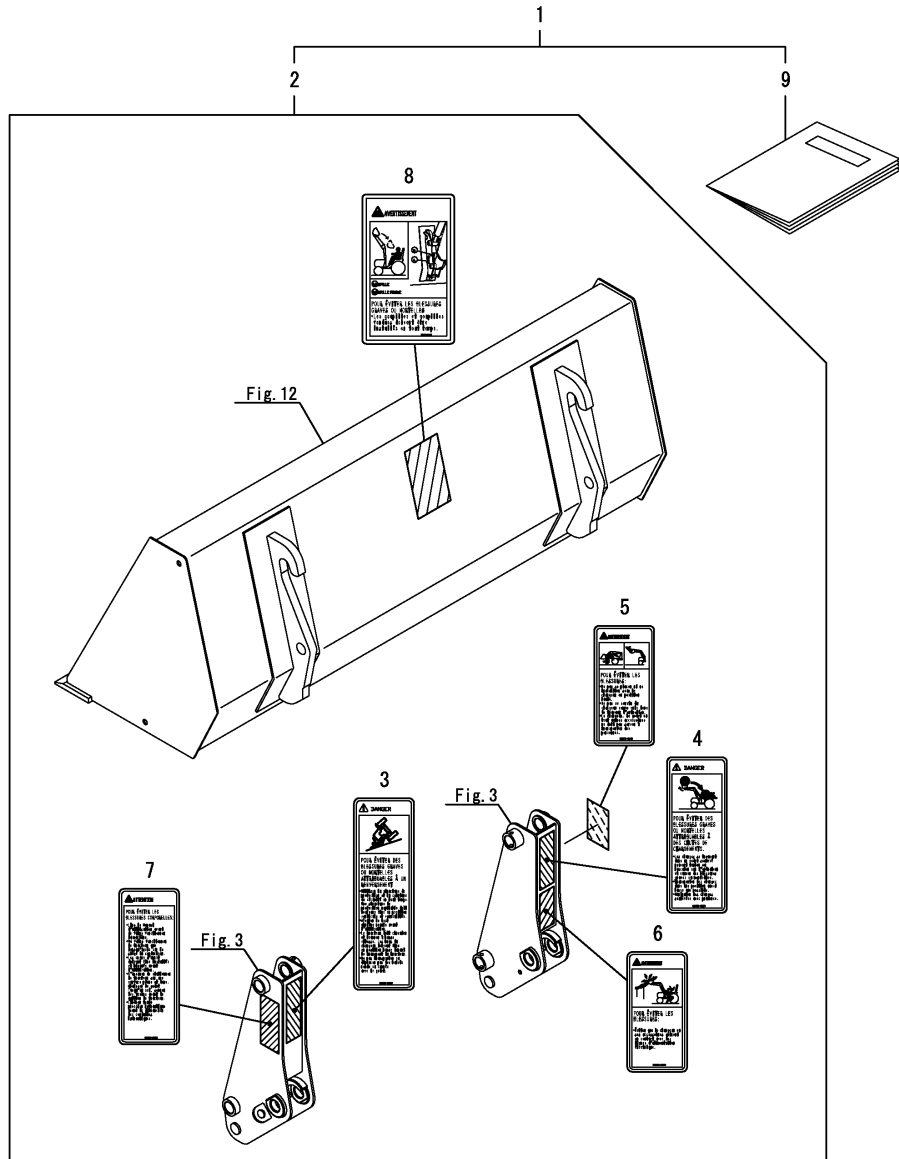




Fig.14. OPTION(FRENCH)

(A)=YL210,EU  
(B)=  
(C)=

(D)=  
(E)=  
(F)=



No.	Lev.	Parts No.	Description	Q'ty						I	R
				(A)	(B)	(C)	(D)	(E)	(F)		
1	1	1TN328-99200	OPTION KIT, FRENCH	1							
2	2	1TN331-01920	LABEL KIT, YL FR	1							
3	3	1TN331-01260	LABEL, DANGER ROLL	1							
4	3	1TN331-01270	LABEL, DANGER FALL	1							
5	3	1TN331-01360	LABEL, WARNING	1							
6	3	1TN331-01370	LABEL, WARNING SHOCK	1							
7	3	1TN331-01460	LABEL, CAUTION	1							
8	3	1TN331-01470	LABEL, WARNING QUICK	1							
9	2	0A052-F00900	OPERATION MANUAL	1							





## Parts No. Index

Parts No.	Fig. No.	Ref. No.
0A052-ES0010	15	1
0A052-F00900	14	9
0A052-U00900	13	1
194850-49290	9	19
198165-85970	4	3
1A8300-51210	9	20
		24
1TN322-01530	1	1
1TN322-38910	8	7
1TN322-38930	8	8
1TN322-71170	11	2
1TN325-38100	8	1
1TN325-38110	8	2
1TN325-38310	8	3
1TN325-38330	8	4
1TN325-38340	8	5
1TN325-38370	8	6
1TN325-41410	9	7
1TN325-41430	9	8
1TN325-41550	9	10
1TN325-41560	9	11
1TN325-41610	9	12
1TN325-41730	9	22
1TN325-41750	9	13
1TN325-41760	9	14
1TN325-41770	9	15
1TN325-41780	9	16
1TN325-41910	9	23
1TN325-41970	9	18
1TN325-73110	3	3
	5	2
	6	2
1TN328-01610	2	2
1TN328-01620	2	3
1TN328-01630	2	4
1TN328-01640	2	5
1TN328-01650	1	3
1TN328-33250	7	2
1TN328-51100	10	1
1TN328-99200	14	1
1TN329-01550	1	2
1TN329-11011	3	1
1TN329-11021	3	2
1TN329-13100	4	1
1TN329-13200	4	2
1TN329-21200	5	1
1TN329-33210	7	1
1TN329-41100	9	1
1TN329-41110	9	2
1TN329-41120	9	3

Parts No.	Fig. No.	Ref. No.
1TN329-41130	9	4
1TN329-41140	9	5
1TN329-71150	11	1
1TN329-71610	11	3
1TN329-81101	12	1
1TN331-01260	14	3
1TN331-01270	14	4
1TN331-01360	14	5
1TN331-01370	14	6
1TN331-01460	14	7
1TN331-01470	14	8
1TN331-01920	14	2
1TN331-23100	6	1
1TN331-41310	9	6
1TN331-41450	9	9
1TN331-41510	9	21
1TN331-41790	9	17
1TN331-73310	3	4
1TN331-73350	6	3
1TN331-73510	6	4
1TW113-01250	2	1
22417-320320	11	4
24761-010000	3	5
	5	3
	6	5
26106-080162	7	3
	9	25
26106-120302	10	2
26116-060502	3	6
	5	4
	6	6
26347-060002	3	7
	5	5
	6	7
26366-080002	7	4
	9	26
26366-120002	10	3

Parts No.	Fig. No.	Ref. No.
-----------	----------	----------

Parts No.	Fig. No.	Ref. No.
-----------	----------	----------