

0CNP6-M02730EN

PREFACE

1.Parts catalog History

Parts catalog No.	0CNP5-M63502	0CNP6-M02730
Parts catalog Model	YT704	YT704(16
Production Model	YT704-P YT704-H	YT704 S-P YT704 S-H
Model code	7A8296P	7A8292P
Production First year degree	2013	2016
Production First machine	F000001 ~	F100001 ~

Contents

OCNP6-M02730

Fig. No. Fig. Name

ENGINE CONTROL

1. ENGINE ACCESSORIES
2. RADIATOR
3. FUEL COOLER
4. ACCEL LEVER
5. ACCEL PEDAL
6. EXHAUST
7. FUEL TANK
8. TANK COVER
9. AIR CLEANER

FRONT AXLE

10. FRONT BRACKET
11. CENTER PIN SUPPORT
12. TIE ROD
13. FRONT AXLE HOUSING
14. RING GEAR
15. DIFFERENTIAL GEAR
16. FRONT SHAFT(1)
17. FRONT GEAR HOUSING
18. FRONT SHAFT(2)
19. FRONT GEAR BOX
20. KING PIN SUPPORT
21. FRONT SPINDLE
22. PROPELLER SHAFT

Fig. No. Fig. Name

23. SHAFT COVER
24. FRONT WHEEL TIRE
25. FRONT WHEEL TIRE(HIGH LUG)
26. HUB BOLT
27. STEERING WHEEL
28. P.S.T. CYLINDER
29. P.S.T. JOINT
30. P.S.T. VALVE
31. P.S.T. HOSE

TRANSMISSION

32. CLUTCH HOUSING
33. DOCKING BOLT
34. FRONT COVER
35. FLYWHEEL HOUSING
36. CLUTCH
37. CLUTCH RELEASE
38. CLUTCH LINK
39. INPUT SHAFT
40. DRIVEN SHAFT(1)
41. IDLE SHAFT
42. REVERSER SHIFT
43. RETAINER
44. P.T.O. VALVE
45. MAIN SHAFT

Contents

OCNP6-M02730

Fig. No. Fig. Name

- 46. MAIN SHIFT
- 47. DRIVEN SHAFT(2)
- 48. REDUCTION SHAFT
- 49. SHIFT RANGE
- 50. DRIVE SHAFT(1)
- 51. DRIVE SHAFT(2)
- 52. P.T.O. CLUTCH
- 53. P.T.O. SHAFT
- 54. P.T.O. SHIFT
- 55. P.T.O. LEVER
- 56. P.T.O. CASE
- 57. P.T.O. SHAFT GUARD
- 58. MAIN SHIFT LEVER
- 59. SUB SHIFT LEVER
- 60. REVERSER LEVER LINK
- 61. P.T.O. LEVER
- 62. FRONT DRIVE
- 63. 4WD LEVER

REAR AXLE

- 64. REAR DIFFERENTIAL
- 65. DIFFERENTIAL CARRIER
- 66. DIFFERENTIAL HOUSING
- 67. REAR AXLE CASE
- 68. DIFFERENTIAL LOCK

Fig. No. Fig. Name

- 69. DIFFERENTIAL LOCK PEDAL
- 70. FINAL PINION
- 71. REAR WHEEL TIRE
- 72. REAR WHEEL TIRE(HIGH LUG)
- 73. BRAKE
- 74. PEDAL
- 75. HEAT COVER
- 76. BRAKE LINK

HYDRAULIC CONTROL

- 77. HYDRAULIC PUMP
- 78. HYDRAULIC LIFT(1)
- 79. HYDRAULIC LIFT(2)
- 80. HYDRAULIC LIFT(3)
- 81. HYDRAULIC LIFT(4)
- 82. HYDRAULIC LIFT(5)
- 83. HYDRAULIC LIFT(6)
- 84. HYDRAULIC LIFT(7)
- 85. STOP VALVE CONTROL
- 86. BREATHER
- 87. S.C.V. LEVER
- 88. S.C.V. PIPING
- 89. S.C.V.
- 90. HYDRAULIC LEVER
- 91. HYDRAULIC PIPING

Contents

OCNP6-M02730

Fig. No. Fig. Name

92. HYDRAULIC FILTER

ELECTRICAL PARTS

93. WIRE HARNESS

94. MOUNT(REFLECTOR)

95. BATTERY

96. BATTERY CLAMP

97. SWITCH

98. LAMP

99. METER

100. RELAY

FITTINGS

101. FRONT FRAME

102. REAR FRAME

103. BONNET

104. BONNET LOCK

105. SIDE COVER

106. DASHBOARD

107. COLUMN COVER

108. FENDER

109. LEVER GUIDE

110. DUST GUARD

111. STEP

112. FLOOR MAT

Fig. No. Fig. Name

113. SUB STEP

114. SEAT

115. SEAT BRACKET

116. SEAT COVER

117. REARVIEW MIRROR

118. TOOL BOX

119. LABEL(OPERATION)

120. LABEL

121. LABEL(SAFETY)

HITCH

122. THREE POINT HITCH

123. WAGON HITCH

SAFETY FRAME

124. ROPS

ACCESSORIES

125. FRONT WEIGHT

126. ACCESSORY

OPTIONAL

127. CANOPY(OPTION)

128. FRONT WEIGHT(OPTION)

129. REAR WEIGHT(OPTION)

Fig.1. ENGINE ACCESSORIES

(A)=YT704(16)

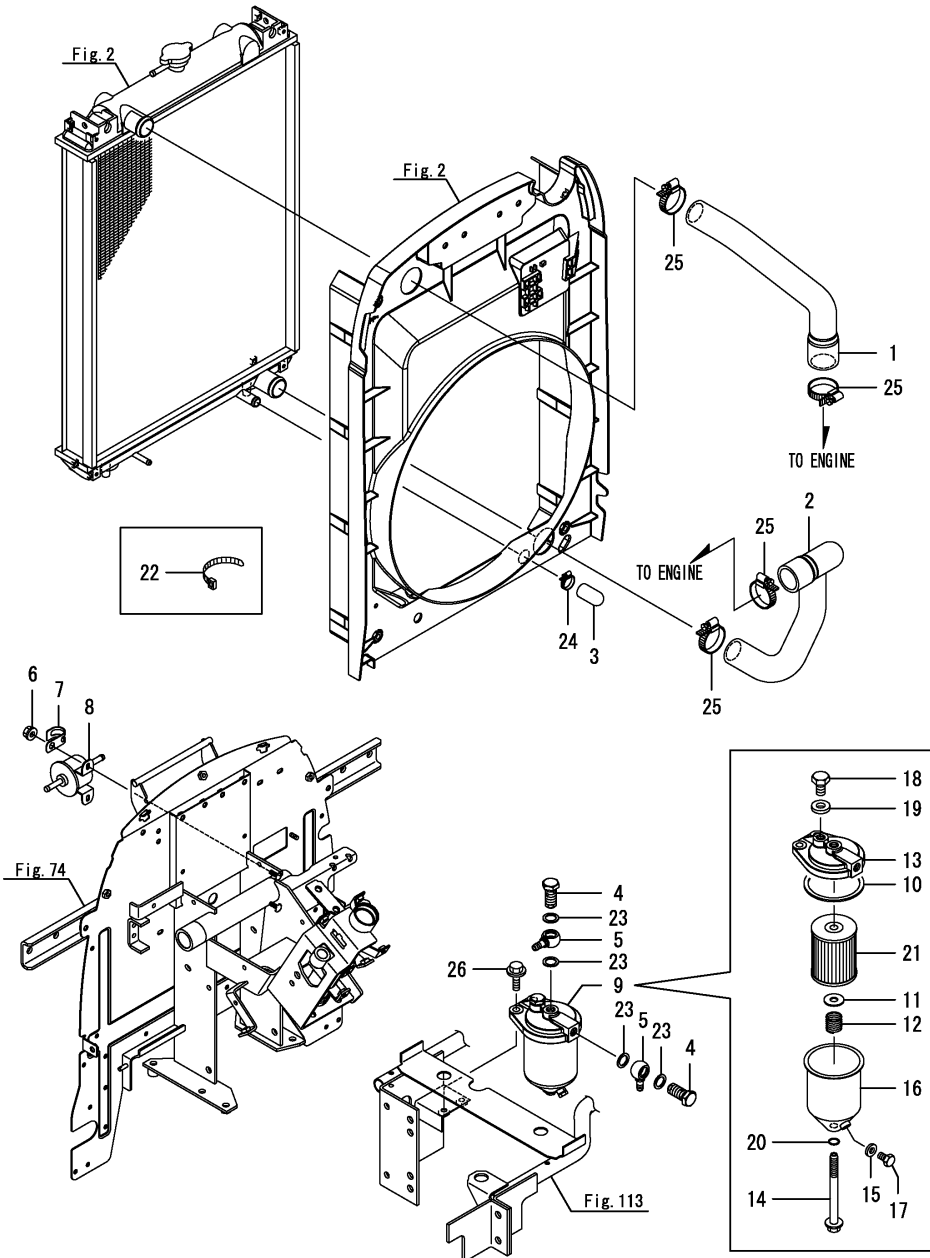
(B)=

(C)=

(D)=

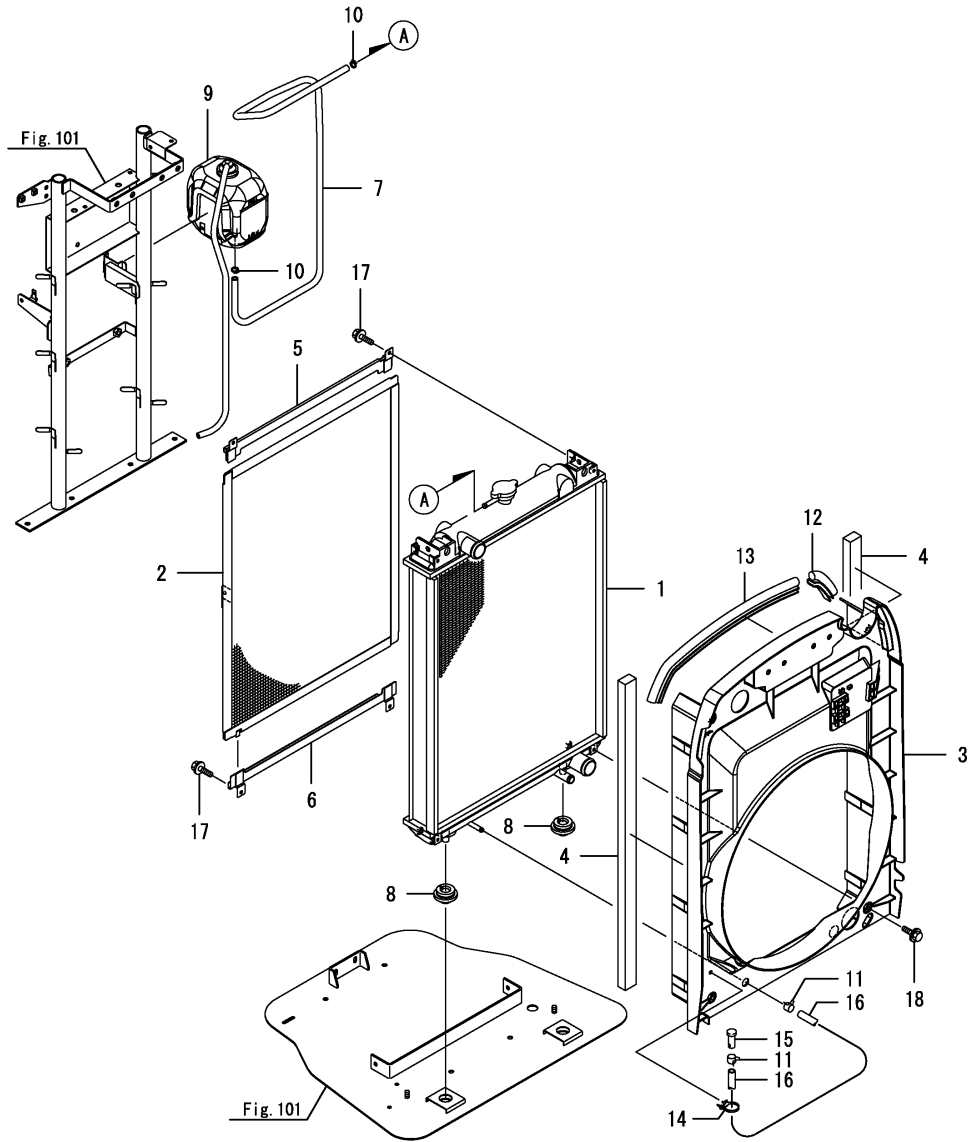
(E)=

(F)=



No.	Lev.	Parts No.	Description	Q'ty						I	R
				(A)	(B)	(C)	(D)	(E)	(F)		
1	1	1A8296-01211	CW-T, A	1							
2	1	1A8296-01221	CW-T, B	1							
3	1	1A7650-01240	CAP, RADIATOR	1							
4	1	1E8550-03410	BOLT, JOINT M8	2							
5	1	1E8559-03910	JOINT 14	2							
6	1	194990-22130	NUT, M6	2							
7	1	1A8296-51620	CLAMP, B	1							
8	1	119225-52102	PUMP, FUEL FEED	1							
9	1	129065-55750	SEPARATOR ASSY, WATER	1							
10	2	123325-35140	GASKET	1							
11	2	123325-35160	WASHER	1							
12	2	129065-55170	SPRING, FILTER	1							
13	2	129495-55610	BODY, STRAINER	1							
14	2	129495-55620	BOLT	1							
15	2	123672-55760	GASKET	1							
16	2	129065-55760	CASE, SEPARATOR	1							
17	2	129065-55770	PLUG, DRAIN M8	1							
18	2	129065-55800	PLUG, M14	1							
19	2	123678-55890	GASKET, PLUG	1							
20	2	24311-000120	O-RING, 1AP12.0	1							
21	2	41650-550800	ELEMENT, FUEL	1							
22	1	1E8559-84960	CABLE BAND 250	1							
23	1	22190-140002	WASHER, SEAL 14	4							
24	1	23000-025000	CLAMP, 25	1							
25	1	23000-048000	CLAMP, 48	4							
26	1	26106-080252	BOLT, M8X 25 PLATED	2							

Fig.2. RADIATOR



(A)=YT704(16)
(B)=
(C)=

(D)=
(E)=
(F)=

No.	Lev.	Parts No.	Description	Q'ty						I	R
				(A)	(B)	(C)	(D)	(E)	(F)		
1	1	7A8296-00600	MASSY, RADIATOR	1							
2	1	1A8296-01250	SCREEN, RADIATOR	1							
3	1	1A8292-01510	SHROUD, FAN	1							
4	1	1A8296-01570	URETHANE,720X30X20	2							
5	1	1A8296-01602-1	RAIL, UPPER	1							
6	1	1A8296-01631-1	RAIL, LOWER	1							
7	1	1A8292-01950	HOSE, OVERFLOW	1							
8	1	1E8809-04010	CUSHION, RADIATOR	2							
9	1	1E9061-04201	SUB TANK ASSY	1							
10	1	23000-013000	CLAMP, 13	2							
11	1	106990-44660	CLAMP, HOSE 12.5	2							
12	1	1A8296-61970	WEATHER-STRIP, 80	1							
13	1	1A8296-61980	WEATHER-STRIP, 410	1							
14	1	1E9265-84300	CLIP, BAND	1							
15	1	22487-080200	PIN, H 8X 20	1							
16	1	23980-730220	HOSE, 7.3X 220	1							
17	1	26106-060122	BOLT, M6X 12 PLATED	4							
18	1	26106-060202	BOLT, M6X 20 PLATED	4							

Fig.3. FUEL COOLER

(A)=YT704(16)
(B)=
(C)=

(D)=
(E)=
(F)=

No.	Lev.	Parts No.	Description	Q'ty						I	R
				(A)	(B)	(C)	(D)	(E)	(F)		
1	1	1A7601-00650	COOLER, FO H40	1							
2	1	23000-013000	CLAMP, 13	4							
3	1	23980-731300	HOSE, 7.3X1300	2							
4	1	26106-080162	BOLT, M8X 16 PLATED	2							

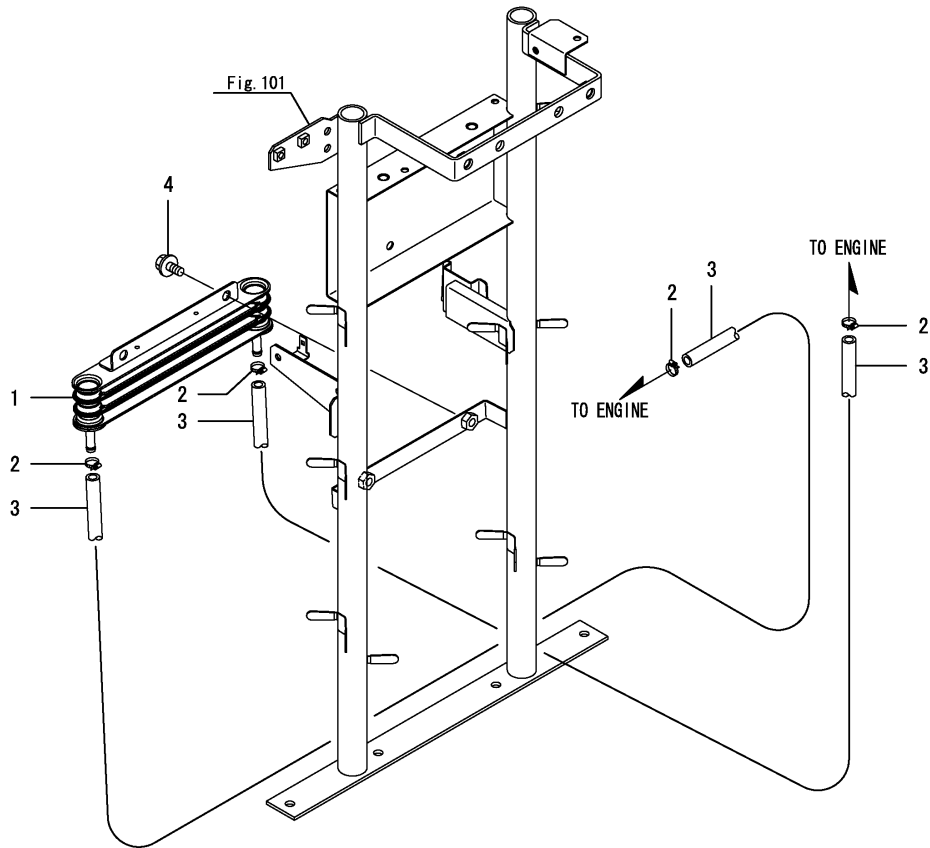
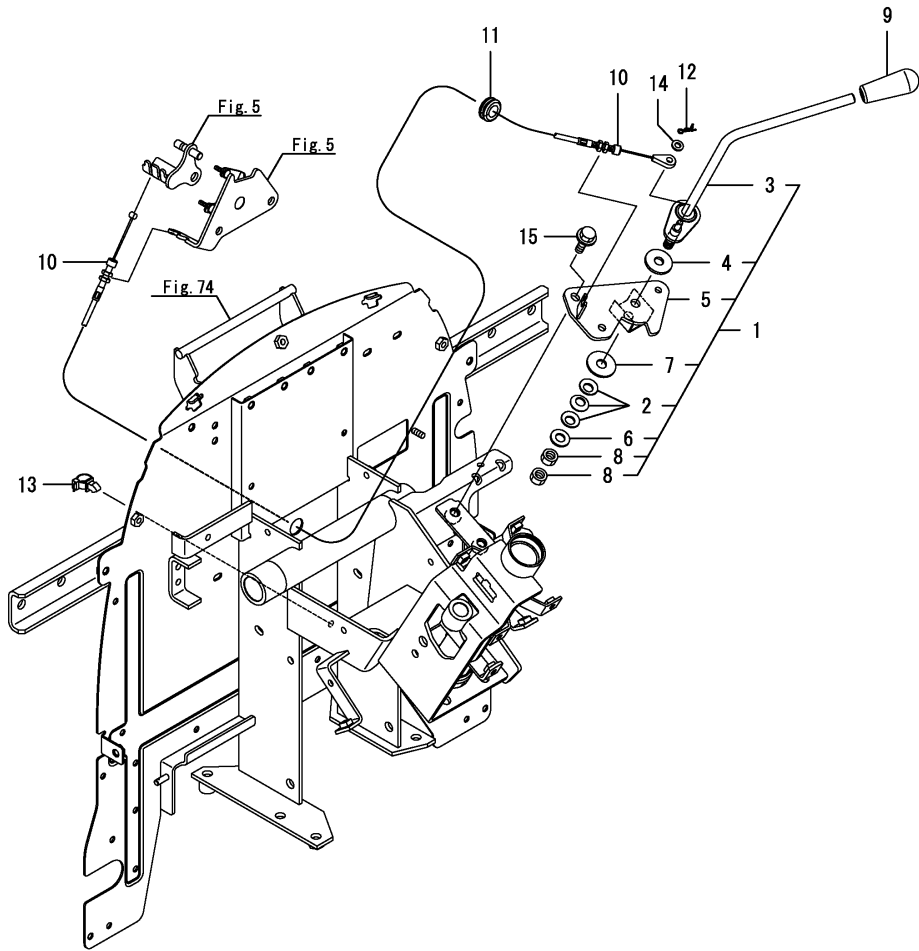


Fig.4. ACCEL LEVER

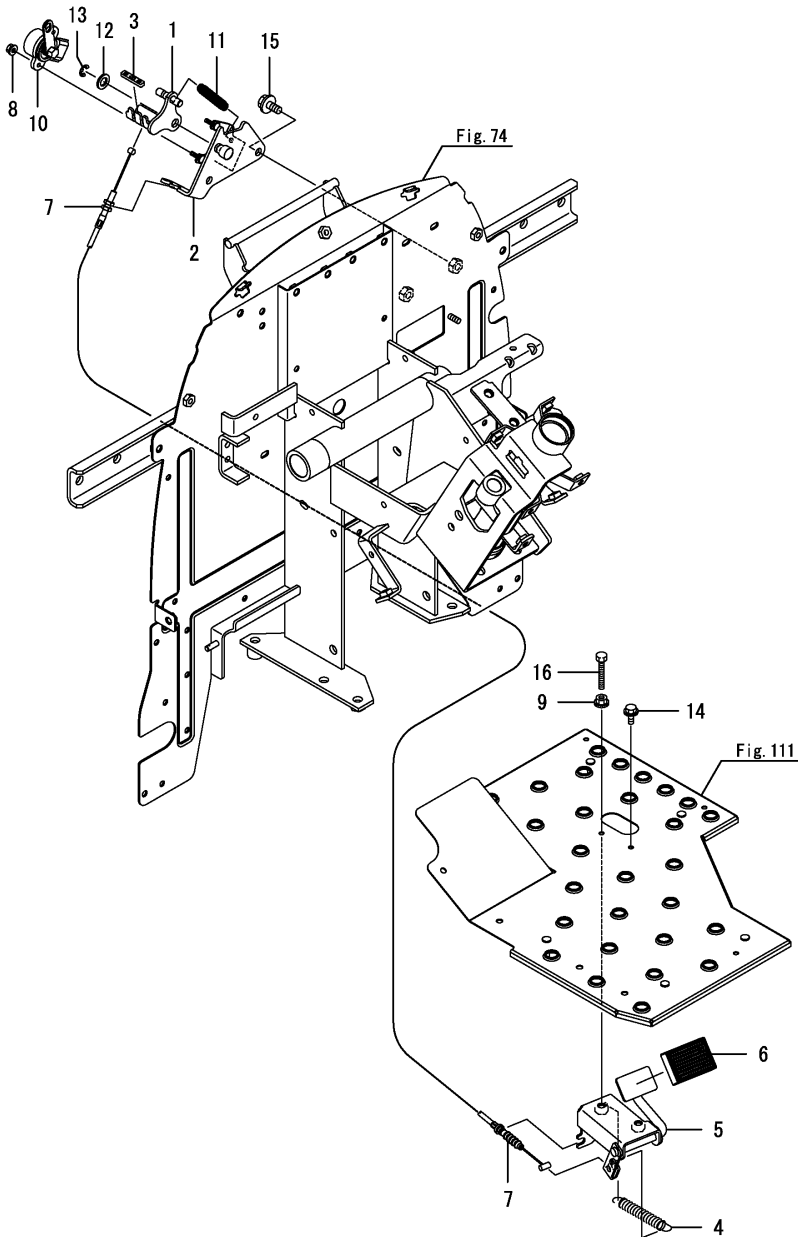


(A)=YT704(16)
(B)=
(C)=

(D)=
(E)=
(F)=

No.	Lev.	Parts No.	Description	Q'ty						I	R
				(A)	(B)	(C)	(D)	(E)	(F)		
1	1	1A8296-01100	LEVER UNIT, ACCEL	1							
2	2	194740-00160	SPRING, 10	3							
3	2	1A8296-01110	LEVER ASSY, CONTROL	1							
4	2	198200-01260	PLATE, FRICTION	1							
5	2	1A8296-02150	STAY ASSY, LEVER	1							
6	2	22137-100000	WASHER, 10	1							
7	2	22157-100000	WASHER, 10	1							
8	2	26716-100002	NUT, M10	2							
9	1	1A8296-01190	KNOB, ACCEL LEVER	1							
10	1	1A8292-01750	WIRE ASSY,HAND ACCEL	1							
11	1	1A8296-22520	GROMMET, D8	1							
12	1	1C730C-52370	PIN, SNAP 6	1							
13	1	1E9265-84300	CLIP, BAND	1							
14	1	22137-060000	WASHER, 6	1							
15	1	26106-080162	BOLT, M8X 16 PLATED	2							

Fig.5. ACCEL PEDAL

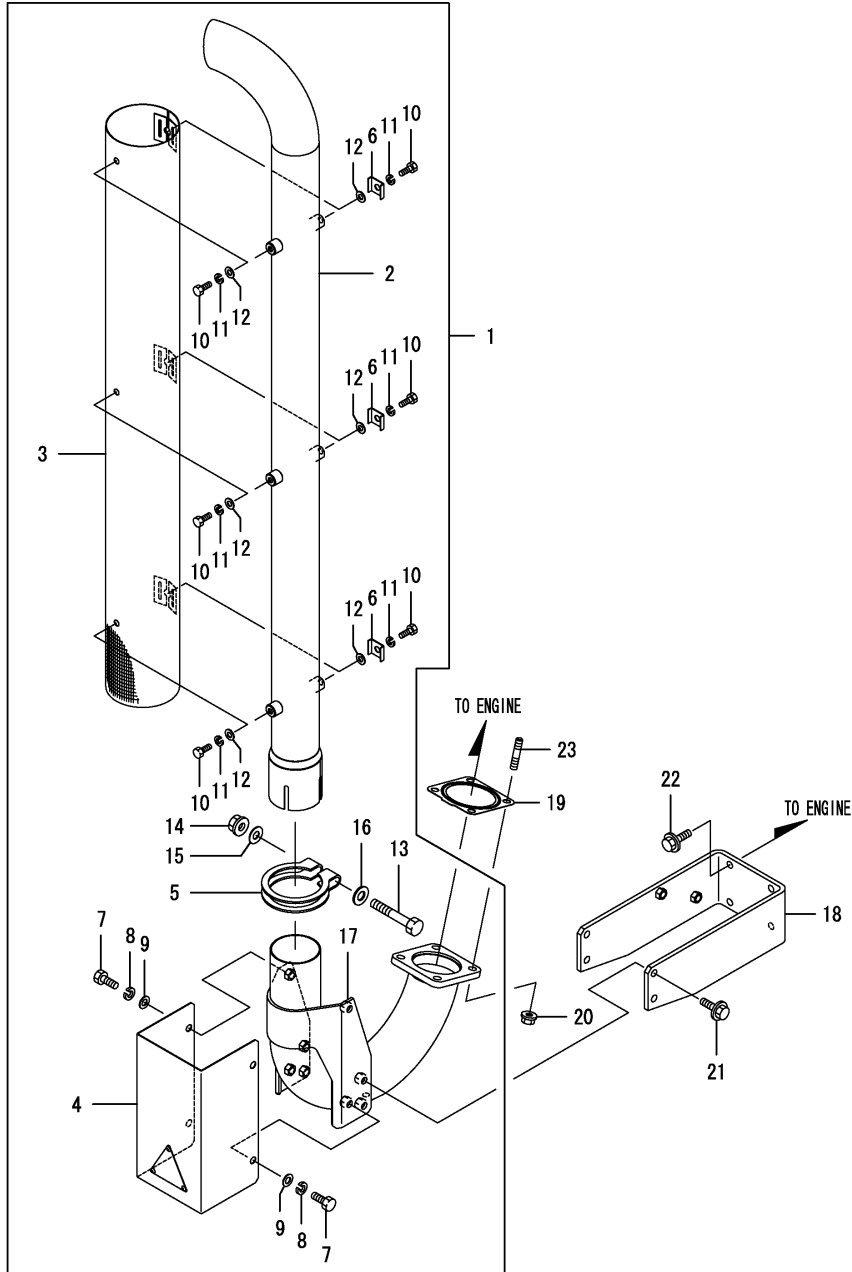


(A)=YT704(16)
(B)=
(C)=

(D)=
(E)=
(F)=

No.	Lev.	Parts No.	Description	Q'ty						I	R
				(A)	(B)	(C)	(D)	(E)	(F)		
1	1	1A8292-01010	ARM ASSY, HOOK	1							
2	1	1A8292-01050	BRACKET ASSY, ACCEL.	1							
3	1	1A8296-01160	RUBBER, WIRE	1							
4	1	1A8296-01340	SPRING, RETURN	1							
5	1	1A8296-01350	CONTROL ASSY, FOOT	1							
6	1	1A8296-01450	RUBBER, FOOT ACCEL	1							
7	1	1A8292-01480	WIRE ASSY, FOOT ACCEL	1							
8	1	194990-22110	NUT, M4	2							
9	1	194990-22130	NUT, M6	1							
10	1	1A8292-55600	SENSOR, ACCELERATOR	1							
11	1	194250-61850	SPRING, LOCK RETURN	1							
12	1	22117-100000	WASHER, 10	1							
13	1	22272-000070	RING, E- 7	1							
14	1	26106-060122	BOLT, M6X 12 PLATED	1							
15	1	26106-080162	BOLT, M8X 16 PLATED	2							
16	1	26116-060404	BOLT, M6X 40 PLATED	1							

Fig.6. EXHAUST

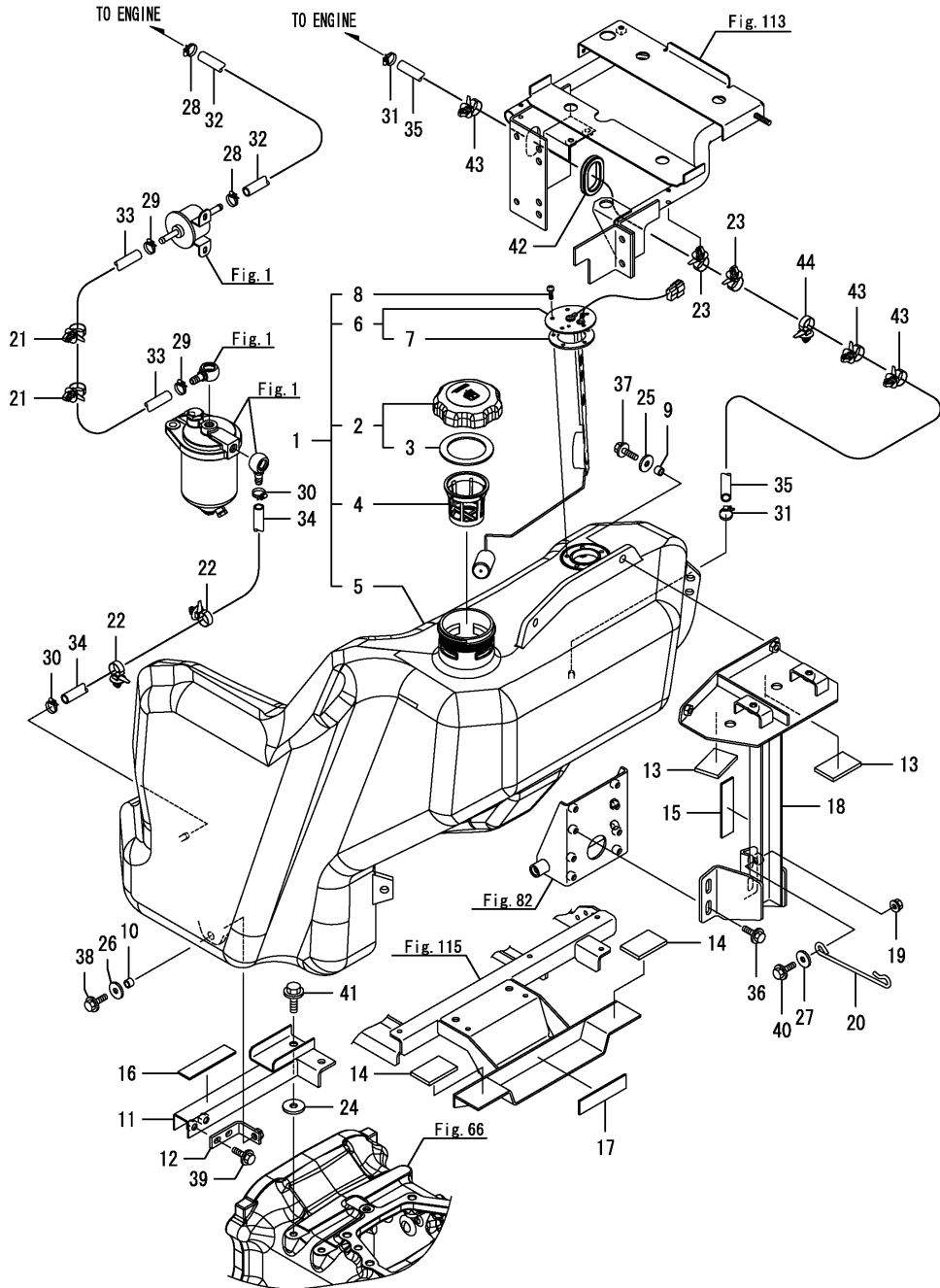


(A)=YT704(16)
(B)=
(C)=

(D)=
(E)=
(F)=

No.	Lev.	Parts No.	Description	Qty						I	R
				(A)	(B)	(C)	(D)	(E)	(F)		
1	1	1A8296-03200	PIPE KIT, TAIL	1							
2	2	1A8296-03100	PIPE ASSY, EXHAUST	1							
3	2	1A8296-03120	COVER ASSY, EXHAUST	1							
4	2	1A8296-03160	COVER ASSY, EXHAUST	1							
5	2	1A8296-03250	CLAMP,	1							
6	2	1A8296-03260	STAY, COVER	3							
7	2	1A8296-03320	BOLT, M8X22	4							
8	2	1A8296-03330	WASHER, SPRING 8	4							
9	2	1A8296-03340	WASHER, 8	4							
10	2	1A8296-03350	BOLT, M6X12	6							
11	2	1A8296-03360	WASHER, SPRING 6	6							
12	2	1A8296-03370	WASHER, 6	6							
13	2	1A8296-03380	BOLT, M10X65	1							
14	2	1A8296-03390	NUT, FLANGE 10	1							
15	2	1A8296-03400	WASHER, 10	1							
16	2	1A8296-03410	WASHER, 10	1							
17	2	1A8296-03500	PIPE ASSY, EXHAUST	1							
18	1	1A8296-03602	BRACKET, PIPE	1							
19	1	129930-13201	GASKET, SILENCER	1							
20	1	194990-22140	NUT, M8	4							
21	1	26106-080162	BOLT, M8X 16 PLATED	4							
22	1	26106-080162	BOLT, M8X 16 PLATED	4							
23	1	26216-080302	STUD, M8X 30	4							

Fig.7. FUEL TANK



(A)=YT704(16

(B)=

(C)=

(D)=

(E)=

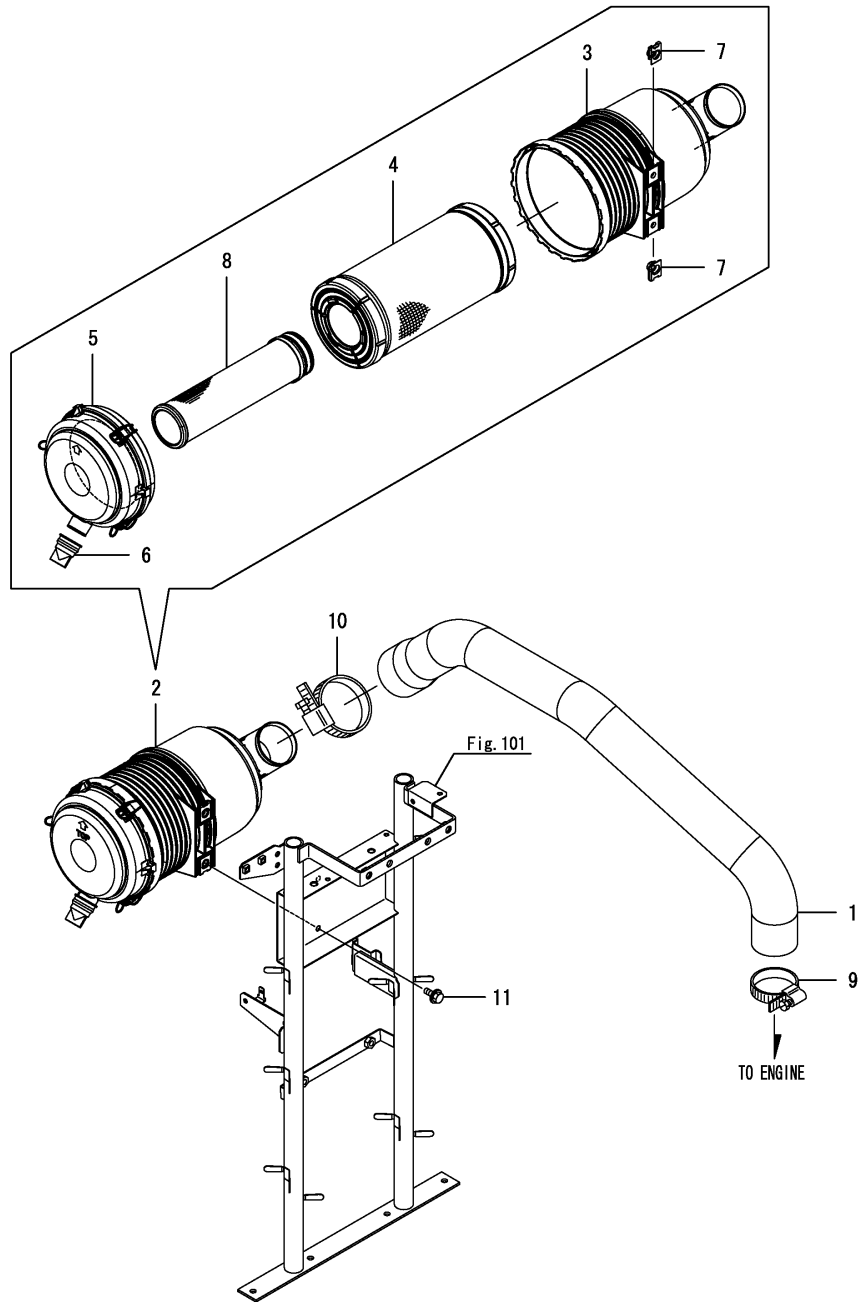
(F)=

No.	Lev.	Parts No.	Description	Q'ty						I	R
				(A)	(B)	(C)	(D)	(E)	(F)		
1	1	1A8296-04000	TANK KIT, FUEL	1							
2	2	198200-04031	CAP ASSY, FILLER	1							
3	3	198200-04040	GASKET, FUEL CAP	1							
4	2	198200-04061	STRAINER, FUEL	1							
5	2	1A8296-04110	TANK ASSY, FUEL	1							
6	2	1A8296-56600	GAUGE UNIT, FUEL	1							
7	3	1A8296-56620	GASKET, FUEL GAUGE	1							
8	2	26022-050162	SCREW, M5X16	5							
9	1	1A8296-04260	COLLAR,	2							
10	1	1A8296-04260	COLLAR,	1							
11	1	1A8296-04500-1	STAY ASSY,TANK LOWER	1							
12	1	1A8296-04530-1	BRACKET ASSY,TANK LO	1							
13	1	1A8296-04610	RUBBER, 60X40X6	2							
14	1	1A8296-04610	RUBBER, 60X40X6	2							
15	1	1A8296-04620	RUBBER, 100X25X3	1							
16	1	1A8296-04620	RUBBER, 100X25X3	1							
17	1	1A8296-04620	RUBBER, 100X25X3	1							
18	1	7A8292-04900	M ASSY, TANK REAR	1							
19	1	194990-22140	NUT, M8	1							
20	1	1A8296-71710	HOOK, TOPLINK	1							
21	1	1E9265-84300	CLIP, BAND	2							
22	1	1E9265-84300	CLIP, BAND	2							
23	1	1E9265-84300	CLIP, BAND	2							
24	1	22137-100000	WASHER, 10	2							
25	1	22157-080000	WASHER, 8	2							
26	1	22157-080000	WASHER, 8	1							
27	1	22157-080000	WASHER, 8	1							
28	1	23000-013000	CLAMP, 13	2							
29	1	23000-013000	CLAMP, 13	2							
30	1	23000-013000	CLAMP, 13	2							
31	1	23000-013000	CLAMP, 13	2							
32	1	23980-730340	HOSE, 7.3X 340	1							
33	1	23980-730850	HOSE, 7.3X 850	1							
34	1	23980-731260	HOSE, 7.3 X 1260	1							
35	1	23980-731960	HOSE, 7.3 X 1960	1							
36	1	26106-080252	BOLT, M8X 25 PLATED	4							
37	1	26106-080252	BOLT, M8X 25 PLATED	2							
38	1	26106-080252	BOLT, M8X 25 PLATED	1							
39	1	26106-080252	BOLT, M8X 25 PLATED	1							
40	1	26106-080302	BOLT, M8X 30 PLATED	1							
41	1	26106-100202	BOLT, M10X 20 PLATED	2							
42	1	29321-255050	GROMET, 25X5.0X50	1							
43	1	1E9265-84300	CLIP, BAND	3							
44	1	1E9265-84300	CLIP, BAND	1							

Fig.9. AIR CLEANER

(A)=YT704(16)
(B)=
(C)=

(D)=
(E)=
(F)=



No.	Lev.	Parts No.	Description	Q'ty						I	R
				(A)	(B)	(C)	(D)	(E)	(F)		
1	1	1A8292-05130	HOSE, AIR INTAKE	1							
2	1	1A8296-12500	CLEANER ASSY, AIR	1							
3	2	1A8296-12510	CASE ASSY,AIRCLEANER	1							
4	2	1A8296-12520	ELEMENT, OUTER	1							
5	2	1A8296-12530	CAP ASSY,AIR CLEANER	1							
6	2	1A8296-12540	VALVE, UNLOADER	1							
7	2	1A8296-12550	NUT, SPEED	2							
8	2	1A8296-12570	ELEMENT ASSY, INNER	1							
9	1	23000-070000	CLAMP, 70	1							
10	1	23000-090000	CLAMP, 90	1							
11	1	26106-080162	BOLT, M8X 16 PLATED	2							

Fig.10. FRONT BRACKET

(A)=YT704(16)
 (B)=
 (C)=

(D)=
 (E)=
 (F)=

No.	Lev.	Parts No.	Description	Q'ty						I	R
				(A)	(B)	(C)	(D)	(E)	(F)		
1	1	1A8296-05100-1	PLATE ASSY, SHUTTER	1							
2	1	1A8296-05150	GROMMET, 55X1.5	1							
3	1	1A8292-11101	BRACKET ASSY, FRONT	1							
4	1	1A8296-11160	SHIM, A FAB	1							
5	1	1A8296-11170	SHIM, B FAB	1							
6	1	1A8296-11180	SHIM, C FAB	1							
7	1	1A8296-11401	BOLT, M14X45 10.9	15							
8	1	1A8296-17990	STAY, PST HOSE	2							
9	1	26106-080162	BOLT, M8X 16 PLATED	2							
10	1	26106-080352	BOLT, M8X 35 PLATED	2							

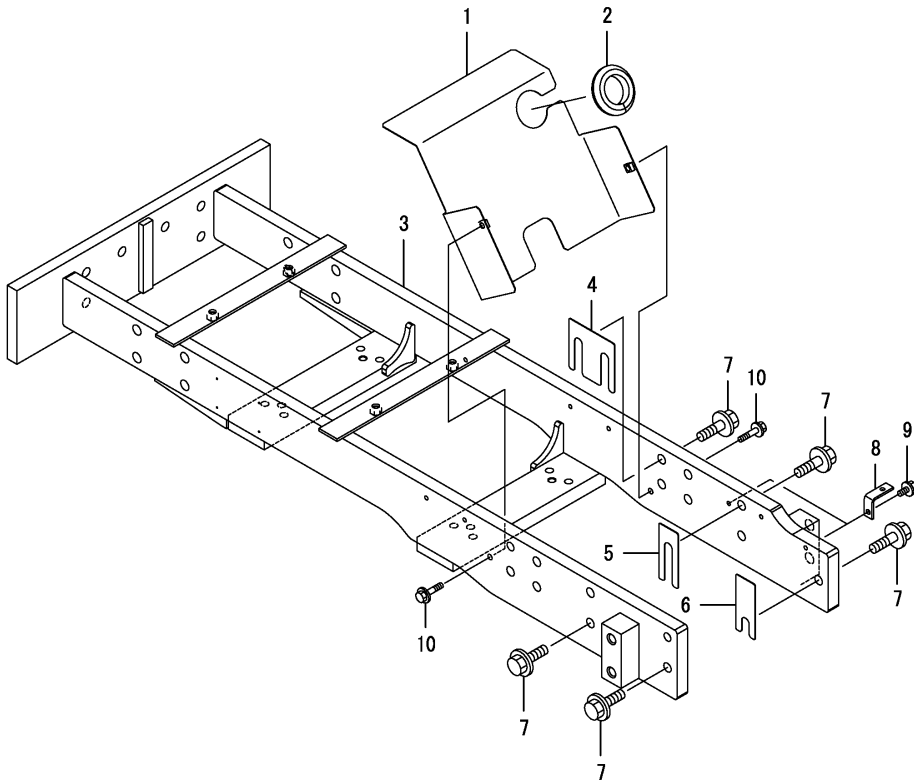
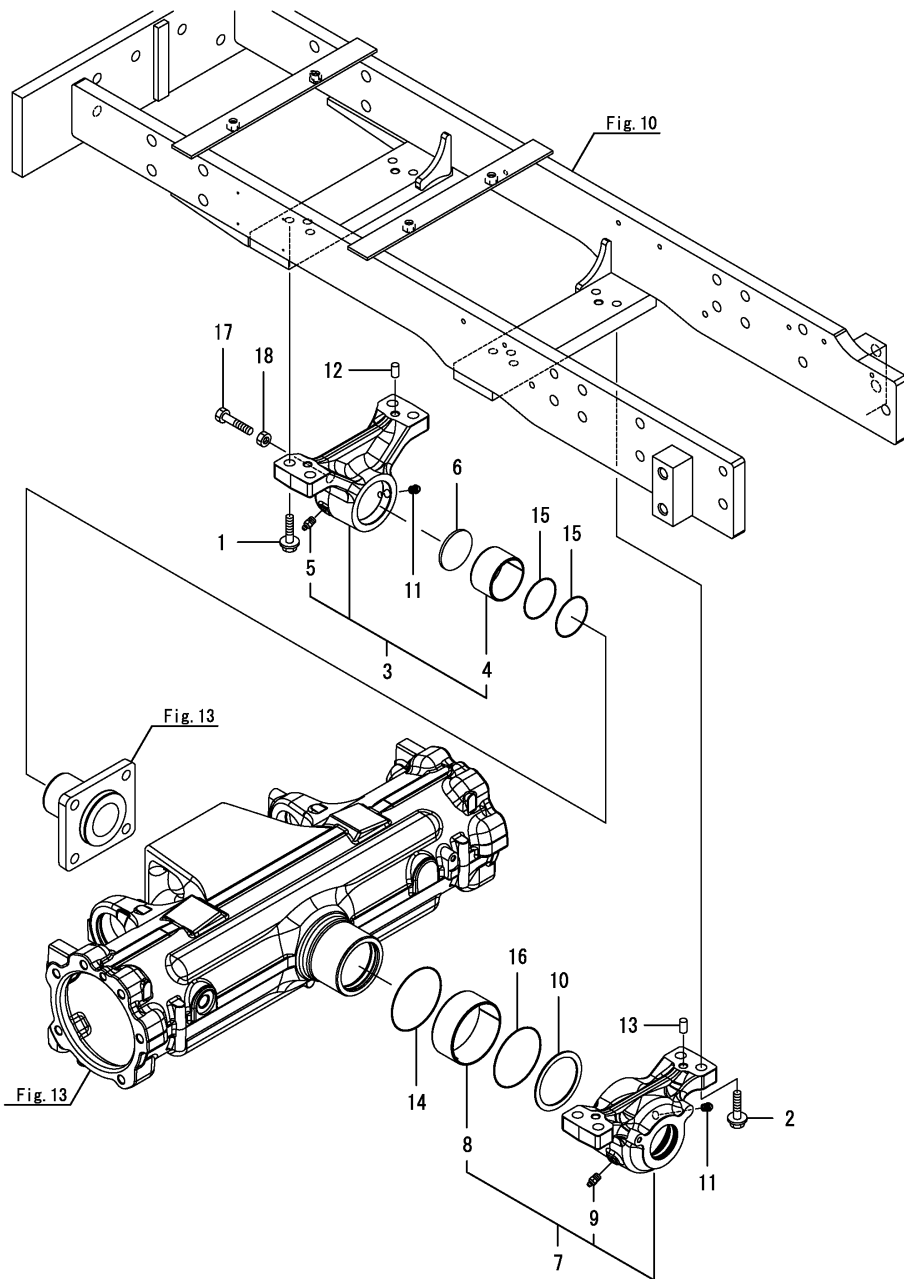


Fig.11. CENTER PIN SUPPORT



(A)=YT704(16)
(B)=
(C)=

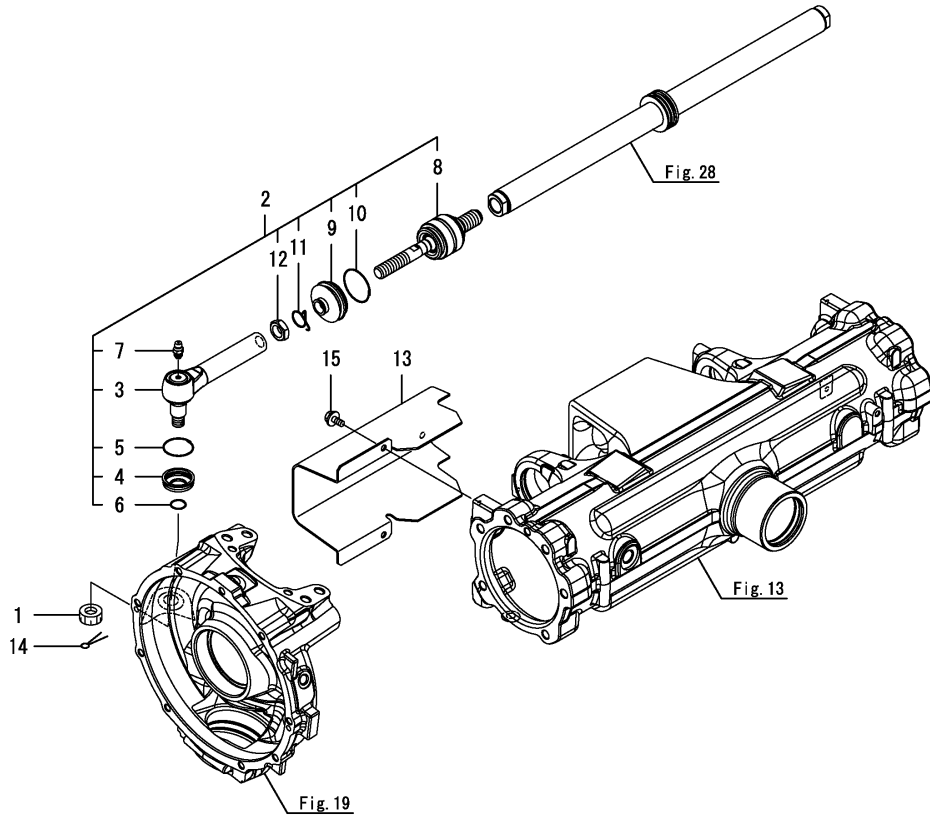
(D)=
(E)=
(F)=

No.	Lev.	Parts No.	Description	Q'ty						I	R
				(A)	(B)	(C)	(D)	(E)	(F)		
1	1	1A8296-11401	BOLT, M14X45 10.9	4							
2	1	1A8296-11401	BOLT, M14X45 10.9	4							
3	1	1A8292-11610	SUPPORT ASSY,FRONT F	1							
4	2	1A8292-11630	BUSH, 60X65X40	1							
5	2	24761-020000	NIPPLE, GREASE PT1/8	1							
6	1	1A8296-11640	WASHER, THRUST 60X4	1							
7	1	1A8292-11650	SUPPORT ASSY,FRONT R	1							
8	2	1A8292-11670	BUSH, 90X95X40	1							
9	2	24761-020000	NIPPLE, GREASE PT1/8	1							
10	1	1A8296-11690	WASHER, 73X89X2	1							
11	1	1A7815-32810	BREATHER, GREASE	2							
12	1	22312-100180	PIN, PARALLEL M10X18	2							
13	1	22312-100180	PIN, PARALLEL M10X18	2							
14	1	24311-000950	O-RING, 1AP95.0	1							
15	1	24321-000600	O-RING, 1AG60.0	2							
16	1	24321-000900	O-RING, 1AG90.0	1							
17	1	26116-160502	BOLT, M16X 50 PLATED	1							
18	1	26716-160002	NUT, M16	1							

Fig.12. TIE ROD

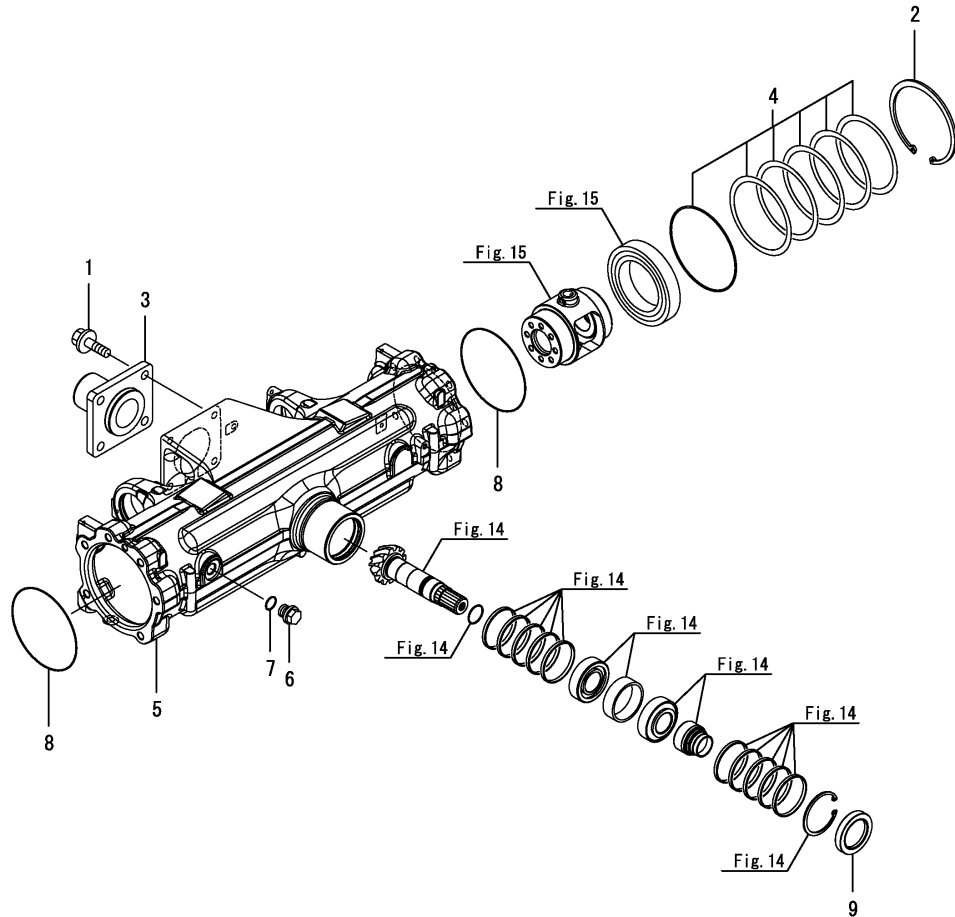
(A)=YT704(16)
(B)=
(C)=

(D)=
(E)=
(F)=



No.	Lev.	Parts No.	Description	Q'ty						I	R
				(A)	(B)	(C)	(D)	(E)	(F)		
1	1	1A8296-12470	NUT, CASTLE 16	2							
2	1	1A8296-12912	TIE-ROD ASSY	2							
3	2	1A8296-12810	END ASSY,	2							
4	2	1A8296-12820	COVER, DUST	2							
5	2	1A8296-12830	BAND, BOOTS	2							
6	2	1A8296-12840	BAND, BOOTS	2							
7	2	1A8296-12850	NIPPLE, GREASE	2							
8	2	1A8296-12920	END ASSY, RACK SUB	2							
9	2	1A8296-12930	COVER, DUST	2							
10	2	1A8296-12940	BAND, BOOTS	2							
11	2	1A8296-12950	BAND, BOOTS	2							
12	2	1A8296-12960	NUT	2							
13	1	1A8296-17710	COVER, PST CYLINDER	2							
14	1	22417-400400	PIN, COTTER 4.0X40	2							
15	1	26106-080162	BOLT, M8X 16 PLATED	6							

Fig.13. FRONT AXLE HOUSING

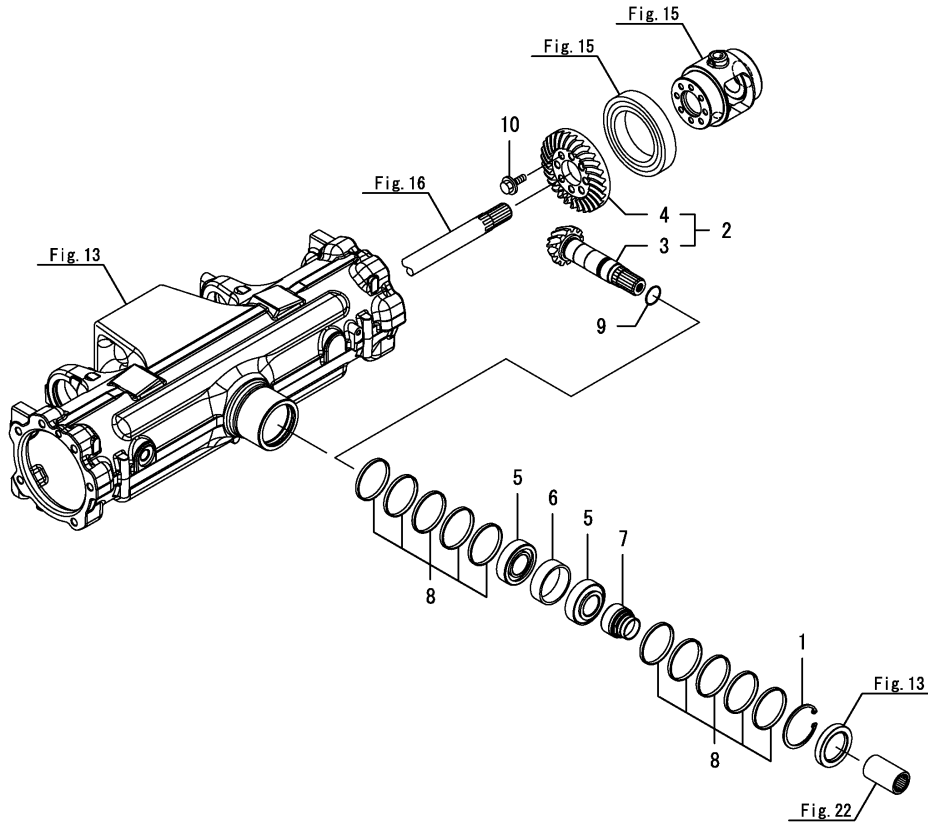


(A)=YT704(16)
(B)=
(C)=

(D)=
(E)=
(F)=

No.	Lev.	Parts No.	Description	Q'ty						I	R
				(A)	(B)	(C)	(D)	(E)	(F)		
1	1	1A8296-11401	BOLT, M14X45 10.9	4							
2	1	1A8296-11450	CIRCLIP, C 140	1							
3	1	1A8292-11500	PIN, CENTER	1							
4	1	1A8292-13250	SHIM KIT, DIFF	1							
5	1	1A8292-13610	HOUSING, FRONT AXLE	1							
6	1	23491-200002	PLUG, 20	1							
7	1	24311-000200	O-RING, 1AP20.0	1							
8	1	24321-001450	O-RING, 1AG145.0	2							
9	1	24421-507212	SEAL,OIL TC507212	1							

Fig.14. RING GEAR



(A)=YT704(16)
(B)=
(C)=

(D)=
(E)=
(F)=

No.	Lev.	Parts No.	Description	Q'ty						I	R
				(A)	(B)	(C)	(D)	(E)	(F)		
1	1	1A8296-11410	CIRCLIP, C 72	1							
2	1	1A8292-13100	GEAR ASSY, RING	1							
3	2	1A8292-13110	PINION, DRIVE SHAFT	1							
4	2	1A8292-13120	GEAR, RING	1							
5	1	1A8292-13130	BEARING, 32207	2							
6	1	1A8292-13170	COLLAR, 62X70X21	1							
7	1	1A8292-13180	COLLAR, SEAL DRIVE	1							
8	1	1A8292-13330	COLLAR KIT, INPUT	2							
9	1	24341-000315	O-RING, 1AS31.5	1							
10	1	26106-100302	BOLT, M10X 30 PLATED	8							

Fig.15. DIFFERENTIAL GEAR

(A)=YT704(16
(B)=
(C)=

(D)=
(E)=
(F)=

No.	Lev.	Parts No.	Description	Q'ty						I	R
				(A)	(B)	(C)	(D)	(E)	(F)		
1	1	1A8296-11460	BEARING, 6018	2							
2	1	1A8292-13020	HOUSING,DIFFERENTIAL	1							
3	1	1A8292-13040	PINION, DIFFERENTIAL	2							
4	1	1A8292-13050	LINER, DIFF. PINION	2							
5	1	1A8292-13060	GEAR, DIFFERENTIAL	2							
6	1	1A8292-13070	LINER, DIFF. GEAR	2							
7	1	194321-13270	SHAFT, DIFF.PINION	1							
8	1	22351-060032	PIN, SPRING 6.0X32	1							

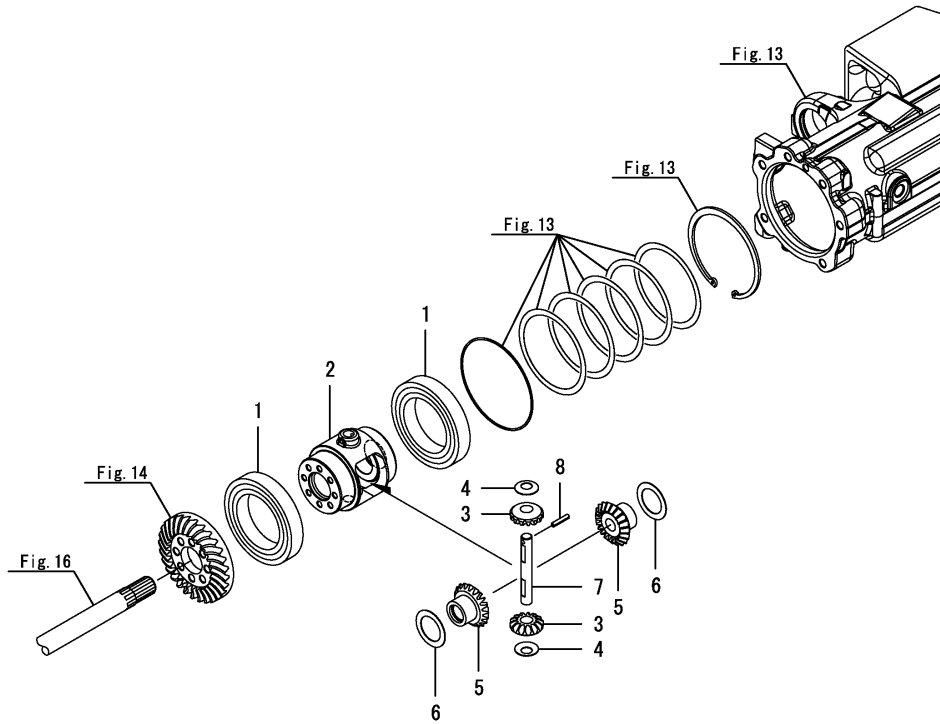
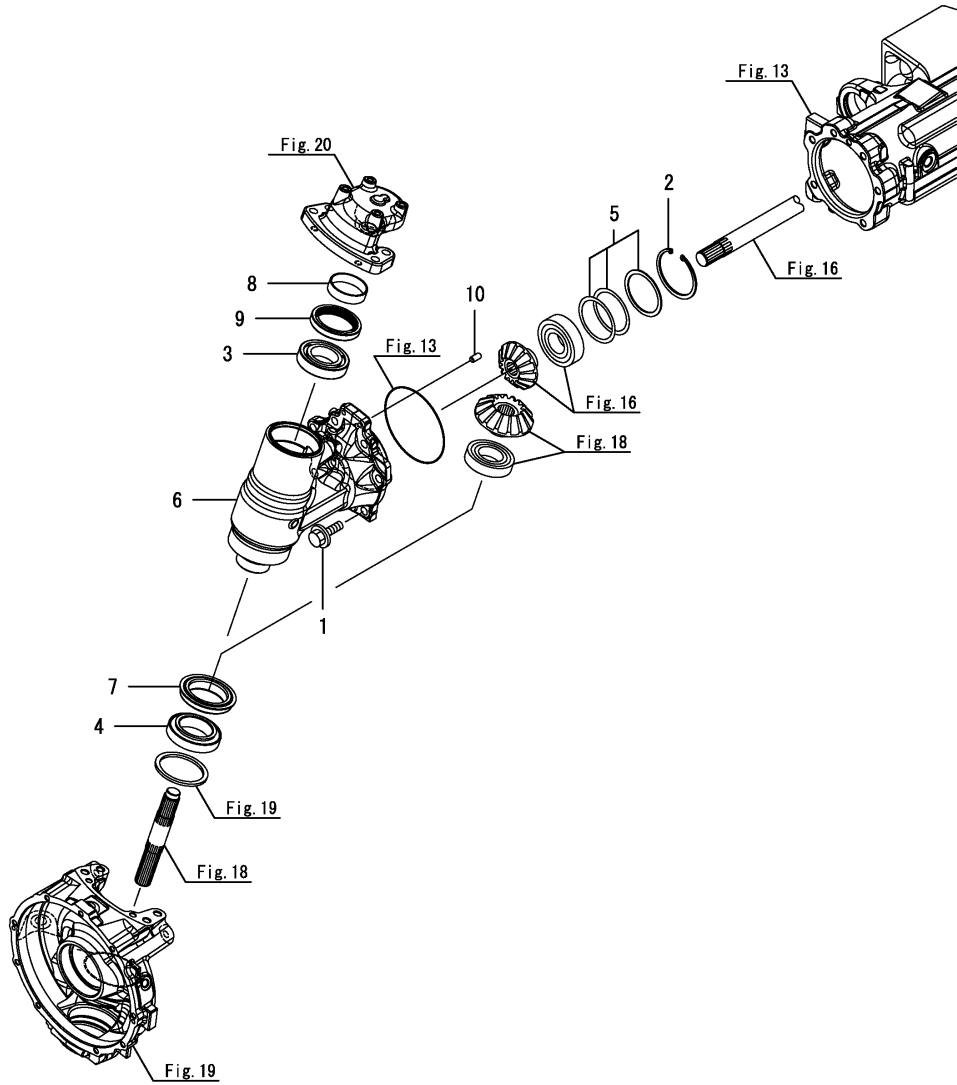


Fig.17. FRONT GEAR HOUSING

(A)=YT704(16)
(B)=
(C)=

(D)=
(E)=
(F)=

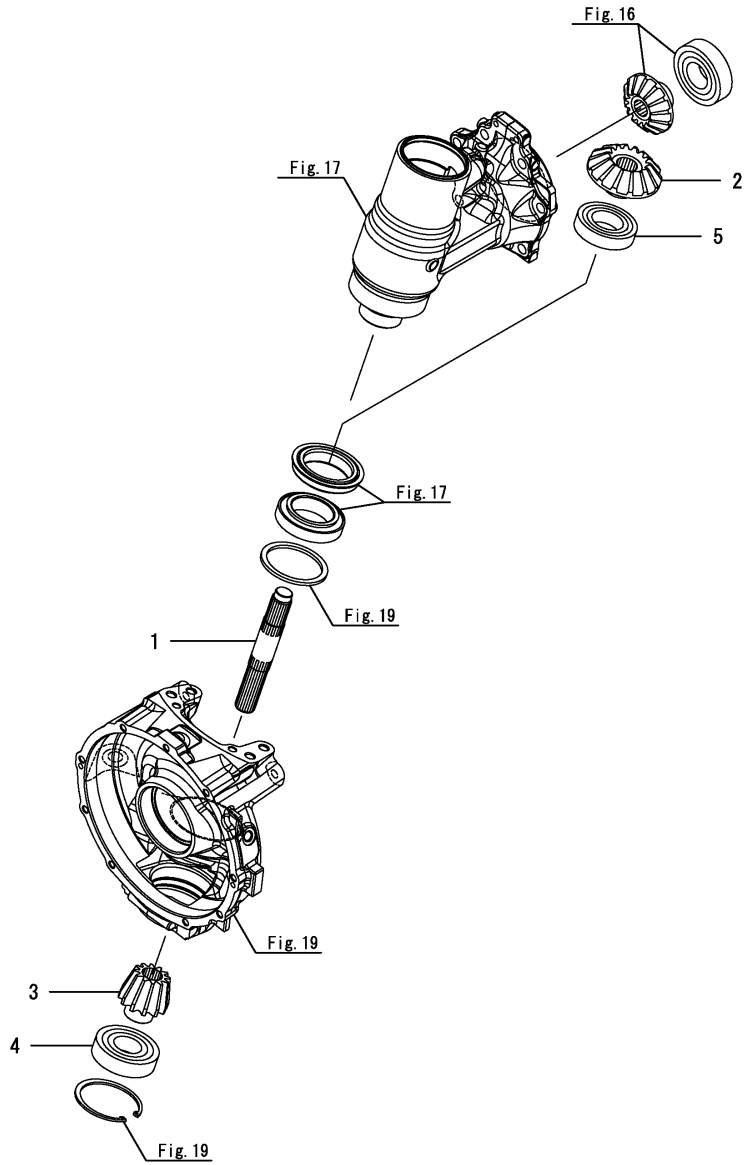


No.	Lev.	Parts No.	Description	Q'ty						I	R
				(A)	(B)	(C)	(D)	(E)	(F)		
1	1	1A8296-11401	BOLT, M14X45 10.9	12							
2	1	1A8296-11420	CIRCLIP, C 90	2							
3	1	1A8296-11470	BEARING, 6210	2							
4	1	1A8296-11480	BEARING, 32012	2							
5	1	1A8292-13650	SHIM KIT,1ST PINION	2							
6	1	1A8292-13710	HOUSING, FRONT GEAR	2							
7	1	198072-13760	SEAL, QLF709521.5	2							
8	1	1A8296-13780	SLEEVE, SI 63X68X17	2							
9	1	194171-13870	SEAL, OIL TC6Y689013	2							
10	1	22312-100180	PIN, PARALLEL M10X18	2							

Fig.18. FRONT SHAFT(2)

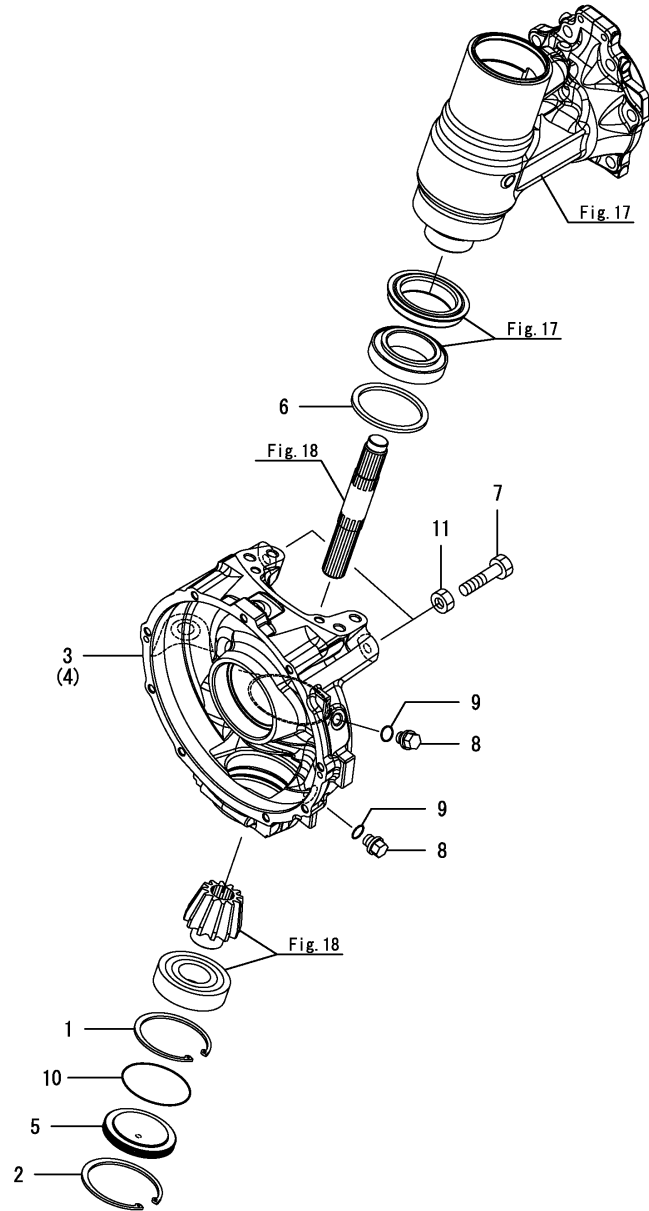
(A)=YT704(16)
 (B)=
 (C)=

(D)=
 (E)=
 (F)=



No.	Lev.	Parts No.	Description	Q'ty						I	R
				(A)	(B)	(C)	(D)	(E)	(F)		
1	1	1A8292-13810	SHAFT, FRONT 2ND	2							
2	1	1A8292-13820	GEAR, 2ND SHAFT	2							
3	1	1A8042-13850	PINION, FRONT FINAL	2							
4	1	1A8296-13930	BEARING, TM308	2							
5	1	1A8296-13950	BEARING, 6209	2							

Fig.19. FRONT GEAR BOX



(A)=YT704(16)
(B)=
(C)=

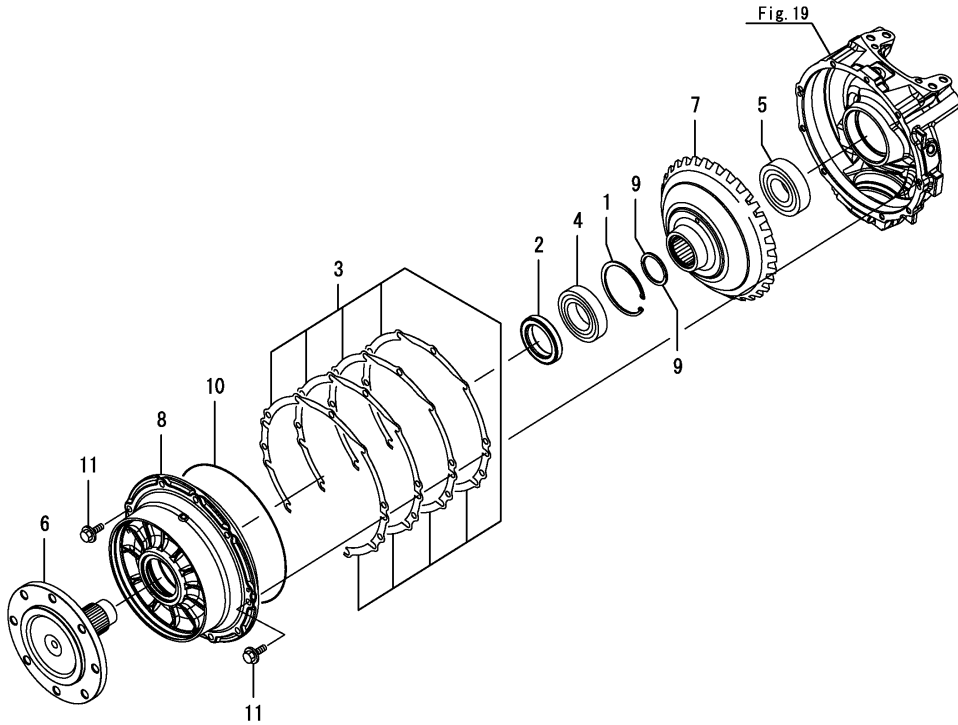
(D)=
(E)=
(F)=

No.	Lev.	Parts No.	Description	Q'ty						I	R
				(A)	(B)	(C)	(D)	(E)	(F)		
1	1	1A8296-11420	CIRCLIP, C 90	2							
2	1	1A8296-11430	CIRCLIP, C 95	2							
3	1	1A8292-13750	GEARBOX, FRONT L	1							
4	1	1A8292-13760	GEARBOX, FRONT R	1							
5	1	1A8292-13850	COVER, GEAR BOX	2							
6	1	1A8292-13890	SPACER, 80X95X4.5	2							
7	1	1A8292-13970	BOLT, M14X63	4							
8	1	23491-140002	PLUG, 14	4							
9	1	24311-000160	O-RING, 1AP16.0	4							
10	1	24321-000850	O-RING, 1AG85.0	2							
11	1	26736-140002	NUT, M14	4							

Fig.21. FRONT SPINDLE

(A)=YT704(16)
(B)=
(C)=

(D)=
(E)=
(F)=



No.	Lev.	Parts No.	Description	Qty						I	R
				(A)	(B)	(C)	(D)	(E)	(F)		
1	1	1A8296-11440	CIRCLIP, C 100	2							
2	1	1A8296-13880	SEAL, QLNY 62 90 16	2							
3	1	1A8292-13910	SHIM KIT	2							
4	1	1A8296-13960	BEARING, 6211	2							
5	1	1A8296-13980	BEARING, 6309	2							
6	1	1A8292-14110	SPINDLE, FRONT	2							
7	1	1A8042-14120	GEAR, FRONT FINAL	2							
8	1	1A8060-14140-1	CASE, FRONT BEARING	2							
9	1	1A8292-14210	RING, HALF TIMBER	4							
10	1	24321-002700	O-RING, 1AG270.0	2							
11	1	26106-100302	BOLT, M10X 30 PLATED	18							

Fig.22. PROPELLER SHAFT

(A)=YT704(16)
(B)=
(C)=

(D)=
(E)=
(F)=

No.	Lev.	Parts No.	Description	Q'ty						I	R
				(A)	(B)	(C)	(D)	(E)	(F)		
1	1	1A8292-13300	SHAFT, PROPELLER	1							
2	1	1A8296-13540	COUPLING,	2							
3	1	22242-000300	RING, 30	2							

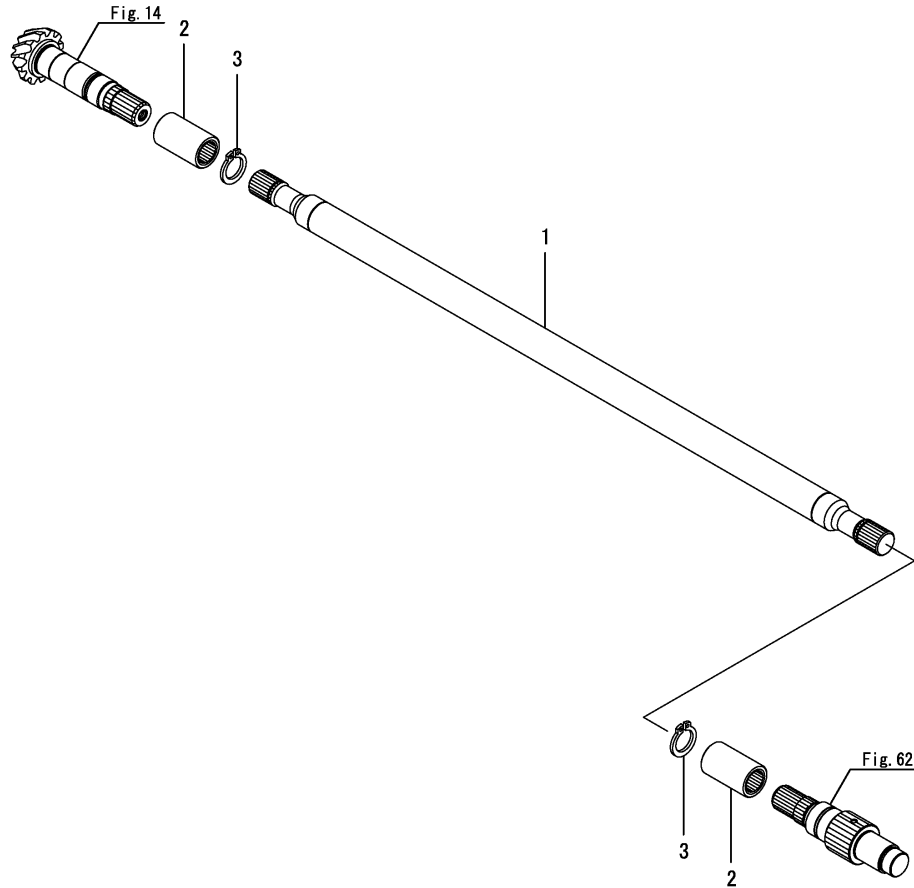


Fig.23. SHAFT COVER

(A)=YT704(16)
(B)=
(C)=

(D)=
(E)=
(F)=

No.	Lev.	Parts No.	Description	Q'ty						I	R
				(A)	(B)	(C)	(D)	(E)	(F)		
1	1	1A8296-13400-2	COVER ASSY, SHAFT F	1							
2	1	1A8296-13410-2	COVER ASSY, SHAFT R	1							
3	1	24321-000500	O-RING, 1AG50.0				2				
4	1	24321-000600	O-RING, 1AG60.0	1							
5	1	26106-080162	BOLT, M8X 16 PLATED	1							
6	1	26106-080162	BOLT, M8X 16 PLATED	1							

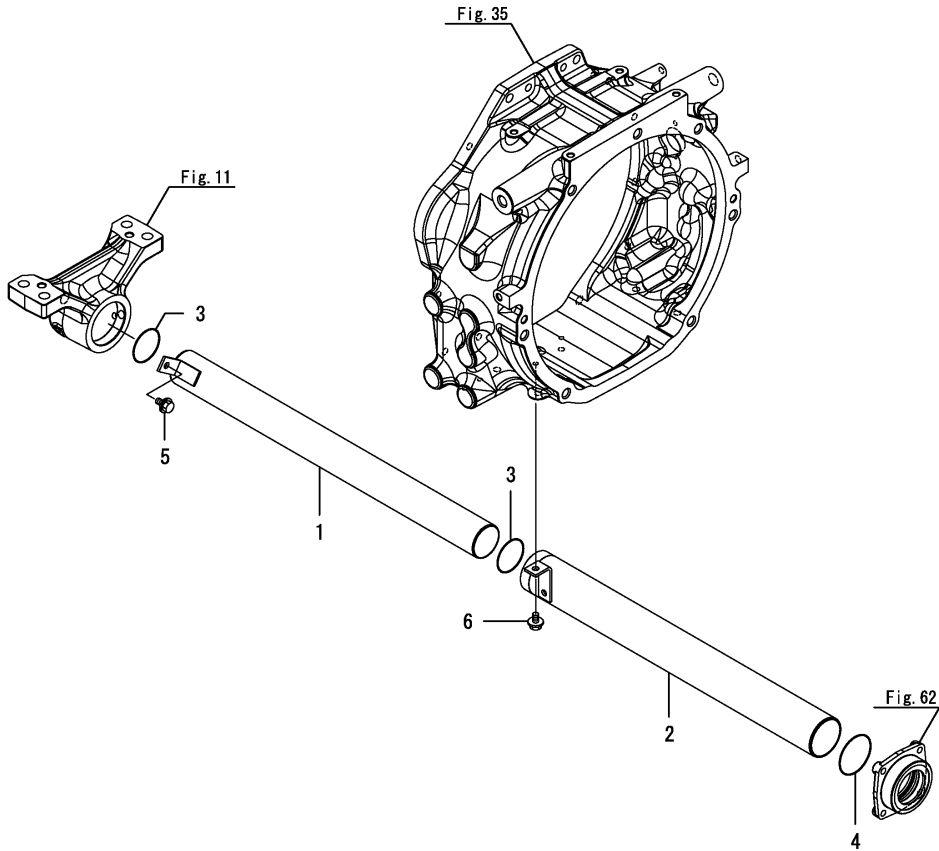
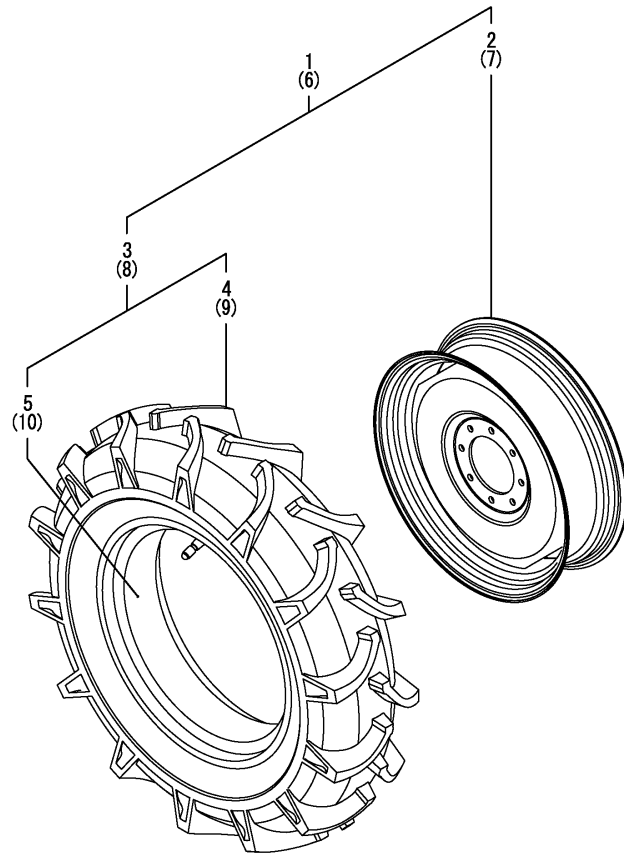


Fig.24. FRONT WHEEL TIRE

(A)=YT704(16)
(B)=
(C)=

(D)=
(E)=
(F)=

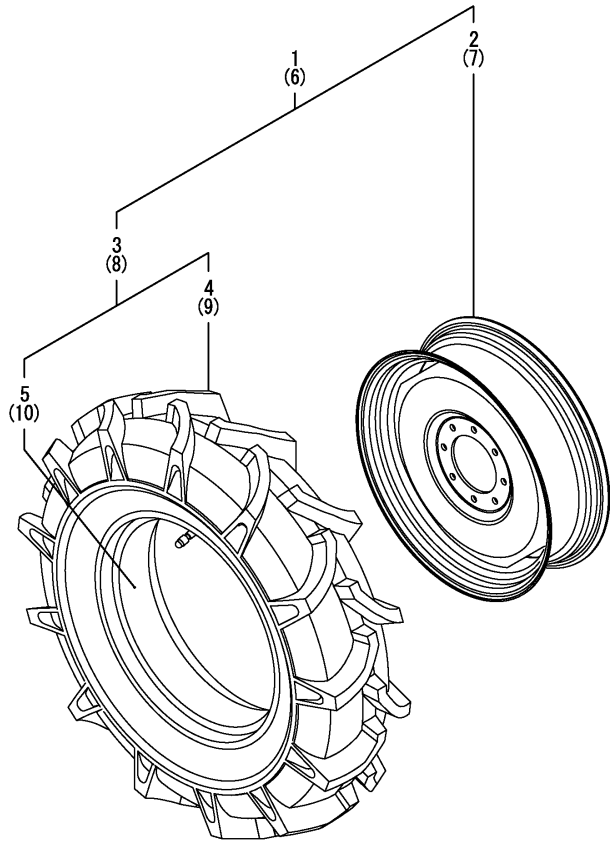


No.	Lev.	Parts No.	Description	Q'ty						I	R
				(A)	(B)	(C)	(D)	(E)	(F)		
1	1	1A8296-14851	TIRE KIT, 9.5-24 L	1							
2	2	1A8296-14721	WHEEL ASSY, W7X24	1							
3	2	1A8296-14860	TIRE, 9.5-24 R1	1							
4	3	1A8296-14870	TIRE,9.5-24	1							
5	3	1A8296-14880	TUBE,9.5-24	1							
6	1	1A8296-14951	TIRE KIT, 9.5-24 R	1							
7	2	1A8296-14721	WHEEL ASSY, W7X24	1							
8	2	1A8296-14860	TIRE, 9.5-24 R1	1							
9	3	1A8296-14870	TIRE,9.5-24	1							
10	3	1A8296-14880	TUBE,9.5-24	1							

Fig.25. FRONT WHEEL TIRE(HIGH LUG)

(A)=YT704(16)
 (B)=
 (C)=

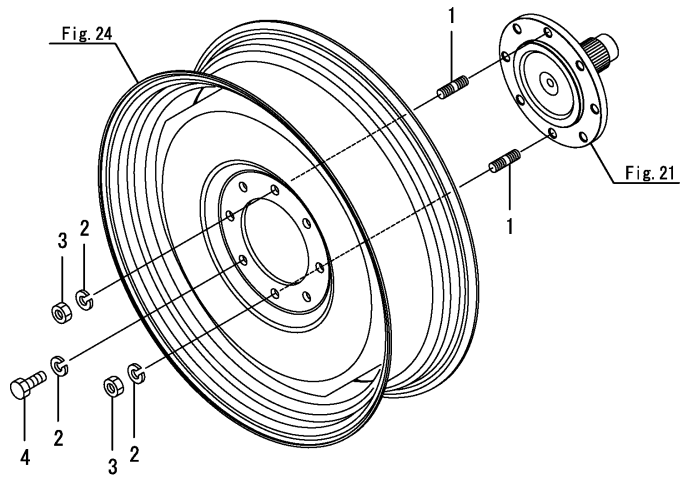
(D)=
 (E)=
 (F)=



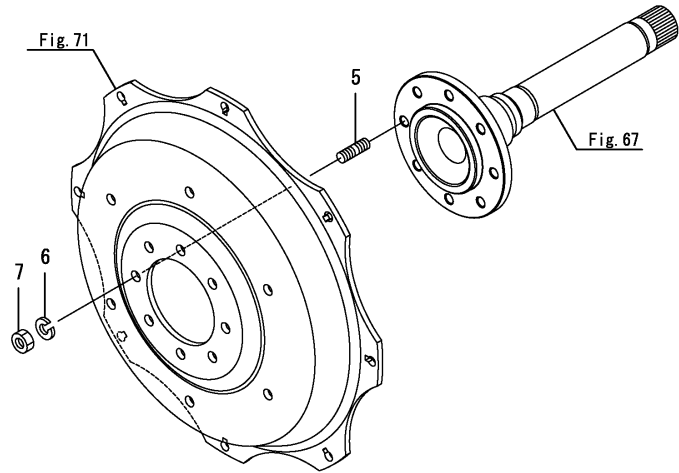
No.	Lev.	Parts No.	Description	Q'ty						I	R
				(A)	(B)	(C)	(D)	(E)	(F)		
1	1	1A8296-14801	TIRE KIT, 8.3-24 L	1							
2	2	1A8296-14721	WHEEL ASSY, W7X24	1							
3	2	1A8296-14810	TIRE, 8.3-24 HI-LUG	1							
4	3	1A8296-14820	TIRE, 8.3-24	1							
5	3	1A8296-14830	TUBE, 8.3-24	1							
6	1	1A8296-14901	TIRE KIT, 8.3-24 R	1							
7	2	1A8296-14721	WHEEL ASSY, W7X24	1							
8	2	1A8296-14810	TIRE, 8.3-24 HI-LUG	1							
9	3	1A8296-14820	TIRE, 8.3-24	1							
10	3	1A8296-14830	TUBE, 8.3-24	1							

Fig.26. HUB BOLT

FRONT



REAR



(A)=YT704(16)
(B)=
(C)=

(D)=
(E)=
(F)=

No.	Lev.	Parts No.	Description	Q'ty						I	R
				(A)	(B)	(C)	(D)	(E)	(F)		
1	1	1A8296-14160	BOLT, STUD 16X30	4							
2	1	1A8296-14170	WASHER, LOCK 16	16							
3	1	1A8296-14180	NUT, 16	4							
4	1	1A8296-14190	BOLT, 16X35	12							
5	1	1A8296-34161	BOLT, STUD 18X35	16							
6	1	1A8296-34170	WASHER, LOCK 18	16							
7	1	1A8296-34180	NUT, 18	16							

Fig.27. STEERING WHEEL

(A)=YT704(16)
(B)=
(C)=

(D)=
(E)=
(F)=

No.	Lev.	Parts No.	Description	Q'ty						I	R
				(A)	(B)	(C)	(D)	(E)	(F)		
1	1	1A8296-15700	WHEEL ASSY, STEERING	1							
2	2	1A8296-15710	WHEEL, STEERING	1							
3	2	1A8296-15720	CAP, STEERING	1							
4	1	1A8296-15750	BOOT, STEERING	1							
5	1	22137-160000	WASHER, 16	1							
6	1	26356-160002	NUT, M16	1							

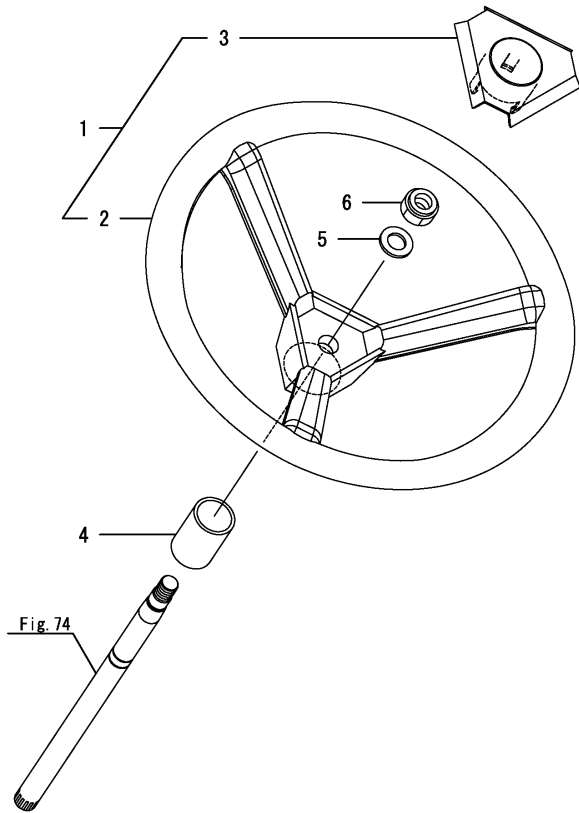
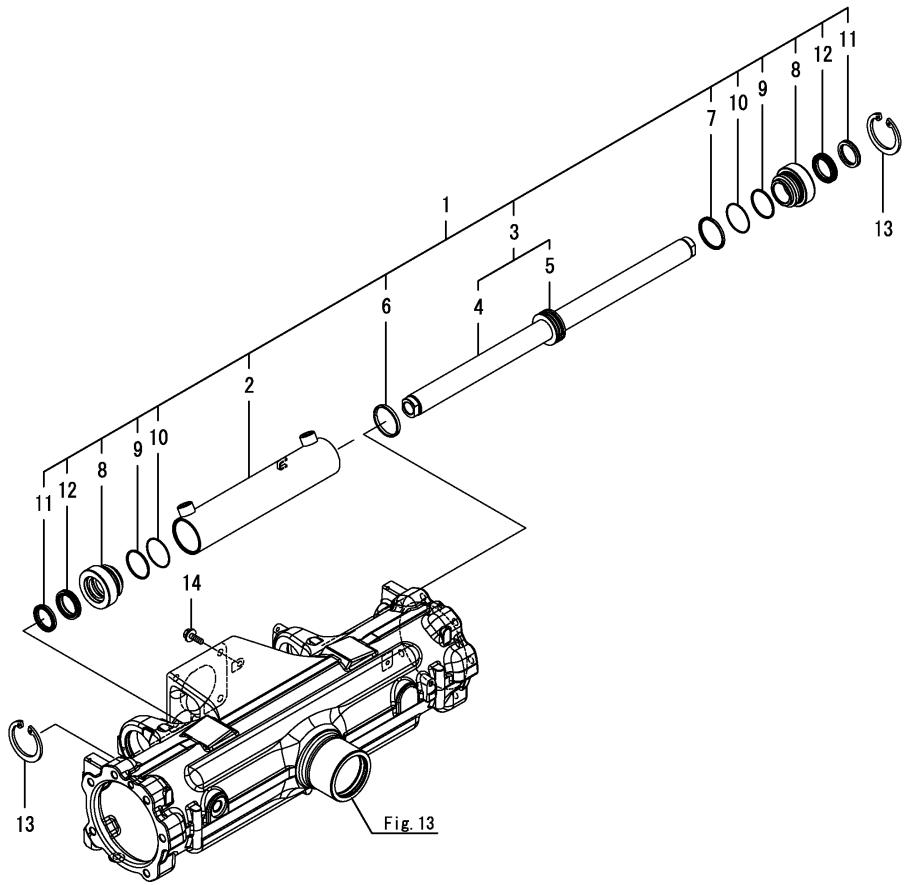


Fig.28. P.S.T. CYLINDER



(A)=YT704(16)
(B)=
(C)=

(D)=
(E)=
(F)=

No.	Lev.	Parts No.	Description	Q'ty						I	R
				(A)	(B)	(C)	(D)	(E)	(F)		
1	1	1A8292-17200	CYLINDER ASSY, PST	1							
2	2	1A8042-17111	TUBE, CYLINDER	1							
3	2	1A8296-17320	ROD ASSY, PST	1							
4	3	1A8296-17330	ROD	1							
5	3	1A8296-17340	PISTON	1							
6	2	1A8296-17350	RING, WEAR	1							
7	2	1A8296-17360	SEAL	1							
8	2	1A8296-17371	CAP, CYLINDER	2							
9	2	1A8296-17380	RING, BACK UP	2							
10	2	1A8296-17390	O-RING	2							
11	2	1A8296-17410	SCRAPER	2							
12	2	1A8296-17420	SEAL	2							
13	1	22252-000680	RING, 68	2							
14	1	26106-080252	BOLT, M8X 25 PLATED	1							

Fig.29. P.S.T. JOINT

(A)=YT704(16)
(B)=
(C)=

(D)=
(E)=
(F)=

No.	Lev.	Parts No.	Description	Q'ty						I	R
				(A)	(B)	(C)	(D)	(E)	(F)		
1	1	1C727C-76100	CONNECTOR PF1/4-45 A	2							

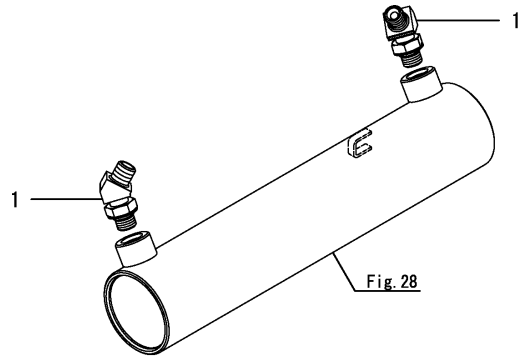
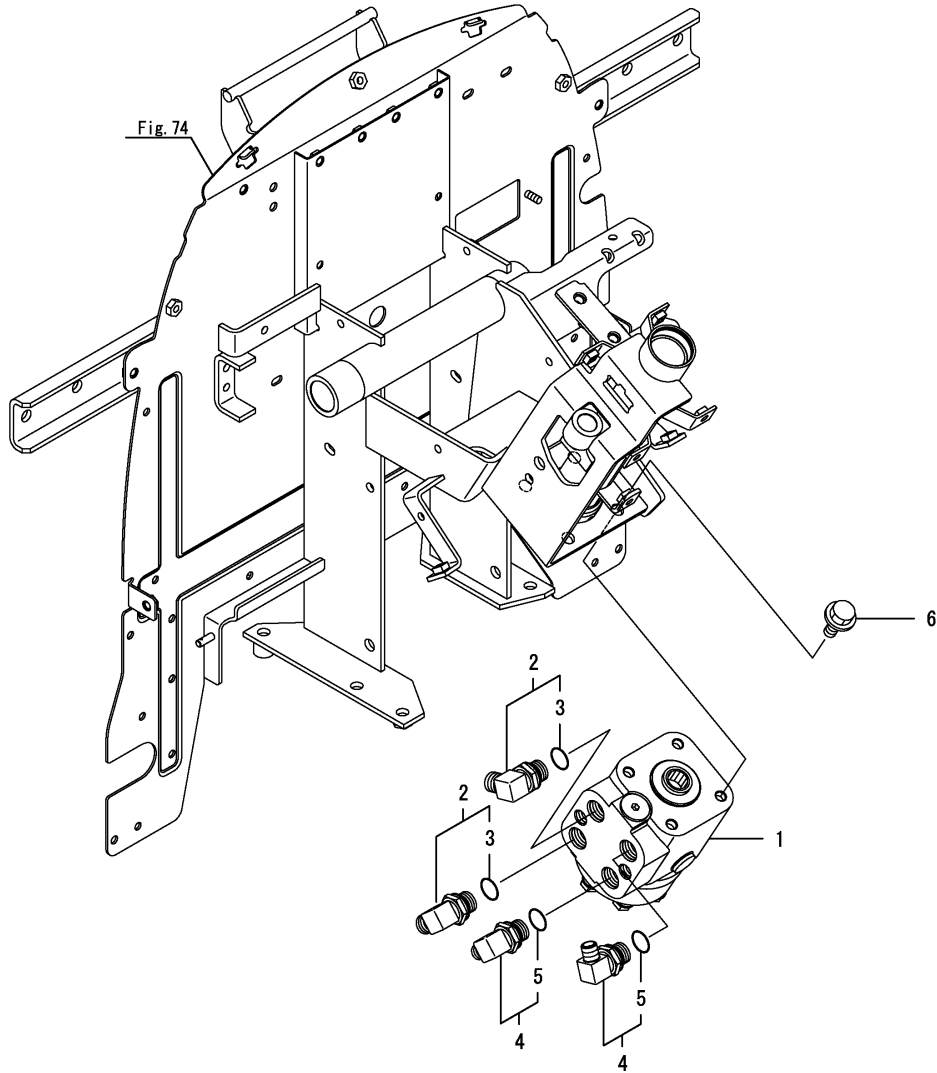


Fig.30. P.S.T. VALVE

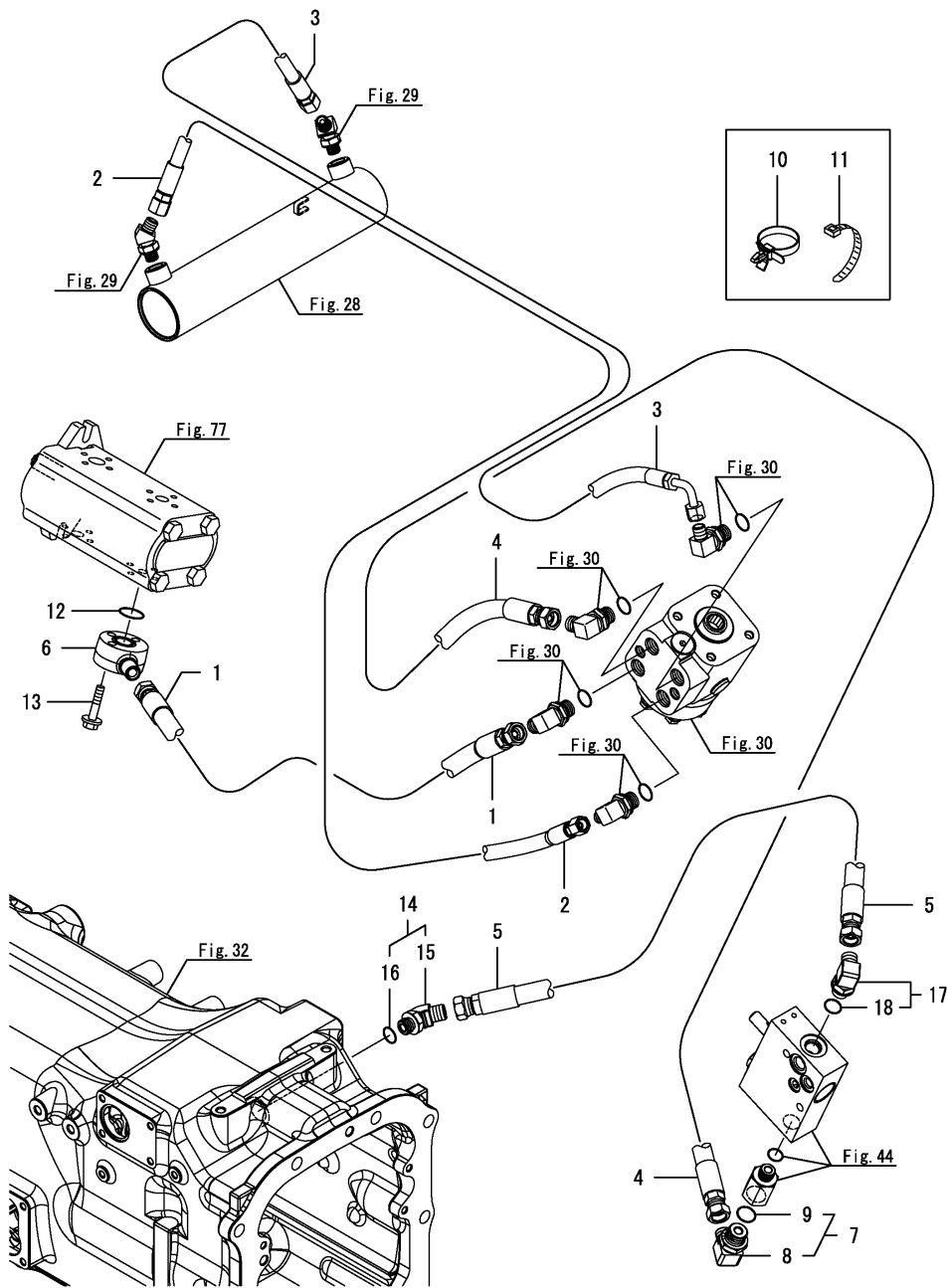
(A)=YT704(16)
(B)=
(C)=

(D)=
(E)=
(F)=



No.	Lev.	Parts No.	Description	Q'ty						I	R
				(A)	(B)	(C)	(D)	(E)	(F)		
1	1	1A8296-17500-1	VALVE ASSY, PST	1							
2	1	1A8296-17750	ELBOW ASSY, M18-G3/8	2							
3	2	24315-000160	O-RING, 1BP16.0	2							
4	1	1A8296-17770	ELBOW ASSY, M18-G1/4	2							
5	2	24315-000160	O-RING, 1BP16.0	2							
6	1	26106-100202	BOLT, M10X 20 PLATED	4							

Fig.31. P.S.T. HOSE

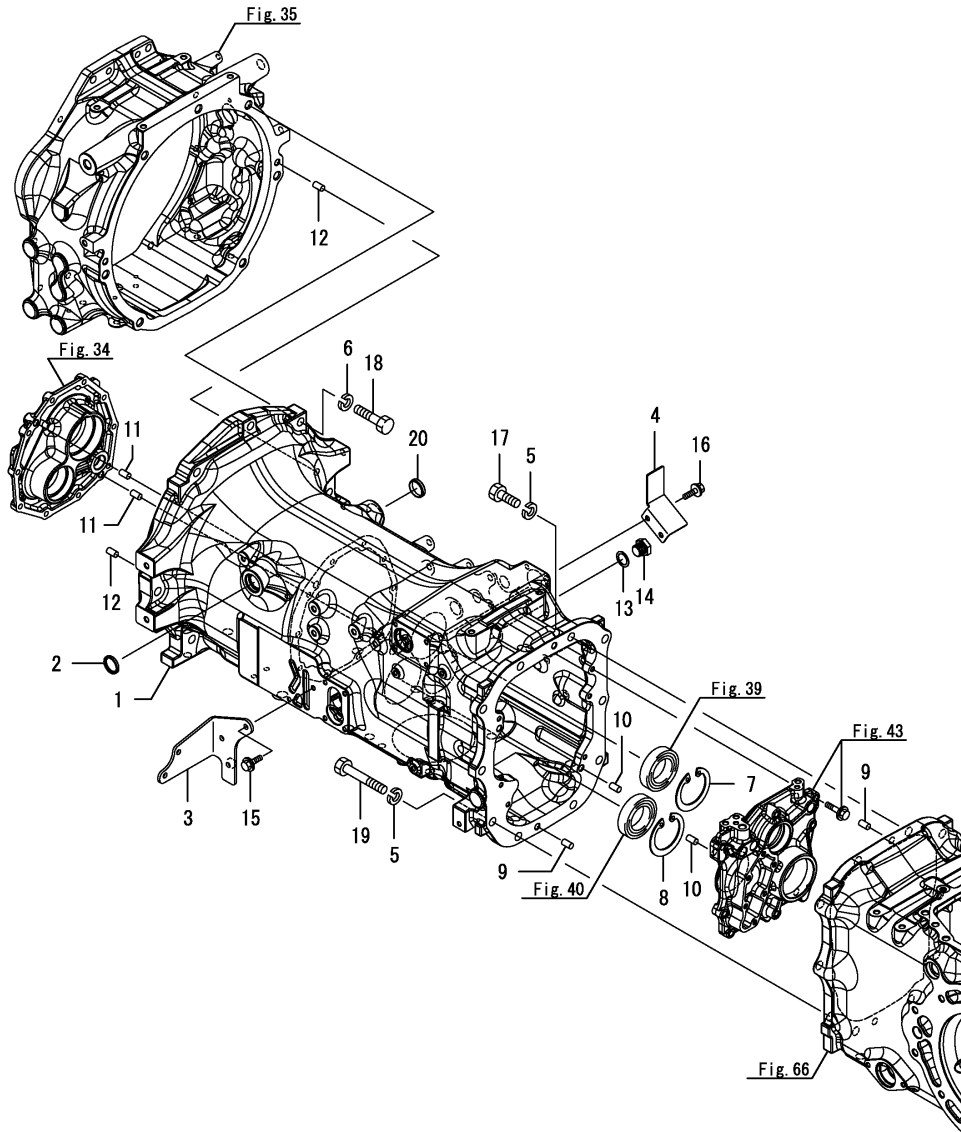


(A)=YT704(16)
(B)=
(C)=

(D)=
(E)=
(F)=

No.	Lev.	Parts No.	Description	Q'ty						I	R
				(A)	(B)	(C)	(D)	(E)	(F)		
1	1	1A8296-17851	HOSE,	1							
2	1	1A8296-17861	HOSE,	1							
3	1	1A8296-17871	HOSE,	1							
4	1	1A8296-17881	HOSE,	1							
5	1	1A8292-17890	HOSE,	1							
6	1	1A8296-49160	FLANGE, PUMP	1							
7	1	172157-76300	ELBOW ASSY	1							
8	2	172157-76310	ELBOW	1							
9	2	24315-000180	O-RING, 1BP18.0	1							
10	1	1E9265-84300	CLIP, BAND	5							
11	1	1E8559-84970	BAND 140	1							
12	1	24315-000220	O-RING, 1BP22.0	1							
13	1	26106-080402	BOLT, M8X 40 PLATED	3							
14	1	1A8292-22530	ELBOW ASSY, 45 G3/8-	1							
15	2	1A8292-22540	ELBOW, 45 G3/8-G3/8	1							
16	2	24315-000140	O-RING, 1BP14.0	1							
17	1	172142-76181	JOINT ASSY	1							
18	2	24315-000140	O-RING, 1BP14.0	1							

Fig.32. CLUTCH HOUSING



(A)=YT704(16)
(B)=
(C)=

(D)=
(E)=
(F)=

No.	Lev.	Parts No.	Description	Qty						I	R
				(A)	(B)	(C)	(D)	(E)	(F)		
1	1	1A8292-21100	HOUSING ASSY, CLUTCH	1							
2	1	1A8296-21180	SEAL, VC253204	1							
3	1	1A8292-21190	SUPPORT, REVERSER	1							
4	1	1A8292-21240	SUPPORT, SWITCH	1							
5	1	22217-140000	WASHER, SPRING 14	10							
6	1	22217-140000	WASHER, SPRING 14	7							
7	1	22252-000750	RING, 75	1							
8	1	22252-000750	RING, 75	1							
9	1	22312-100180	PIN, PARALLEL M10X18	2							
10	1	22312-100180	PIN, PARALLEL M10X18	2							
11	1	22312-100180	PIN, PARALLEL M10X18	2							
12	1	22312-100180	PIN, PARALLEL M10X18	2							
13	1	23414-200000	GASKET, 20X1.0	1							
14	1	23887-200002	PLUG, 20	1							
15	1	26106-080162	BOLT, M8X 16 PLATED	2							
16	1	26106-080162	BOLT, M8X 16 PLATED	2							
17	1	26116-140402	BOLT, M14X 40 PLATED	8							
18	1	26116-140602	BOLT, M14X 60 PLATED	7							
19	1	26116-140902	BOLT, M14X 90 PLATED	2							
20	1	27260-320000	PLUG, 32	1							

Fig.33. DOCKING BOLT

(A)=YT704(16
(B)=
(C)=

(D)=
(E)=
(F)=

No.	Lev.	Parts No.	Description	Q'ty						I	R
				(A)	(B)	(C)	(D)	(E)	(F)		
1	1	22312-100180	PIN, PARALLEL M10X18	2							
2	1	26106-100402	BOLT, M10X 40 PLATED	2							
3	1	26108-120302	BOLT, M12X 30 PLATED	7							
4	1	26108-120452	BOLT, M12X 45 PLATED	4							

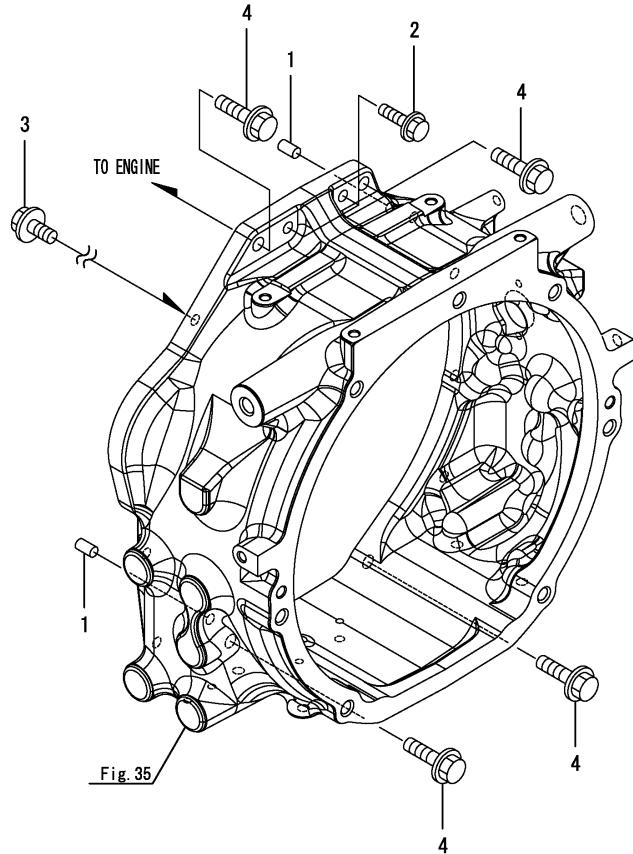


Fig.34. FRONT COVER

(A)=YT704(16)
 (B)=
 (C)=

(D)=
 (E)=
 (F)=

No.	Lev.	Parts No.	Description	Qty						I	R
				(A)	(B)	(C)	(D)	(E)	(F)		
1	1	1A8296-21312	COVER, FRONT A	1							
2	1	1A8292-21350	GASKET, FRONT COVER	1							
3	1	26106-080302	BOLT, M8X 30 PLATED	10							

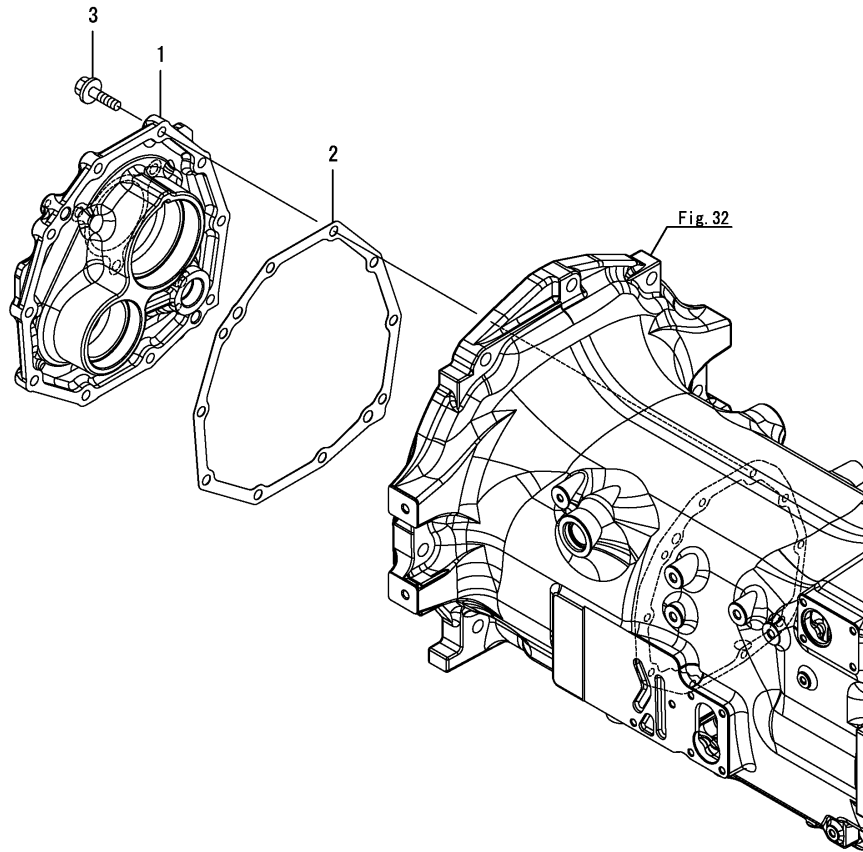


Fig.35. FLYWHEEL HOUSING

(A)=YT704(16)
(B)=
(C)=

(D)=
(E)=
(F)=

No.	Lev.	Parts No.	Description	Qty						I	R
				(A)	(B)	(C)	(D)	(E)	(F)		
1	1	1A8296-21170	COVER, SIDE	1							
2	1	1A8292-21210	HOUSING, FLYWHEEL	1							
3	1	23414-080012	GASKET, 8X1.0	1							
4	1	26106-080122	BOLT, M8X 12 PLATED	1							
5	1	26106-080162	BOLT, M8X 16 PLATED	2							

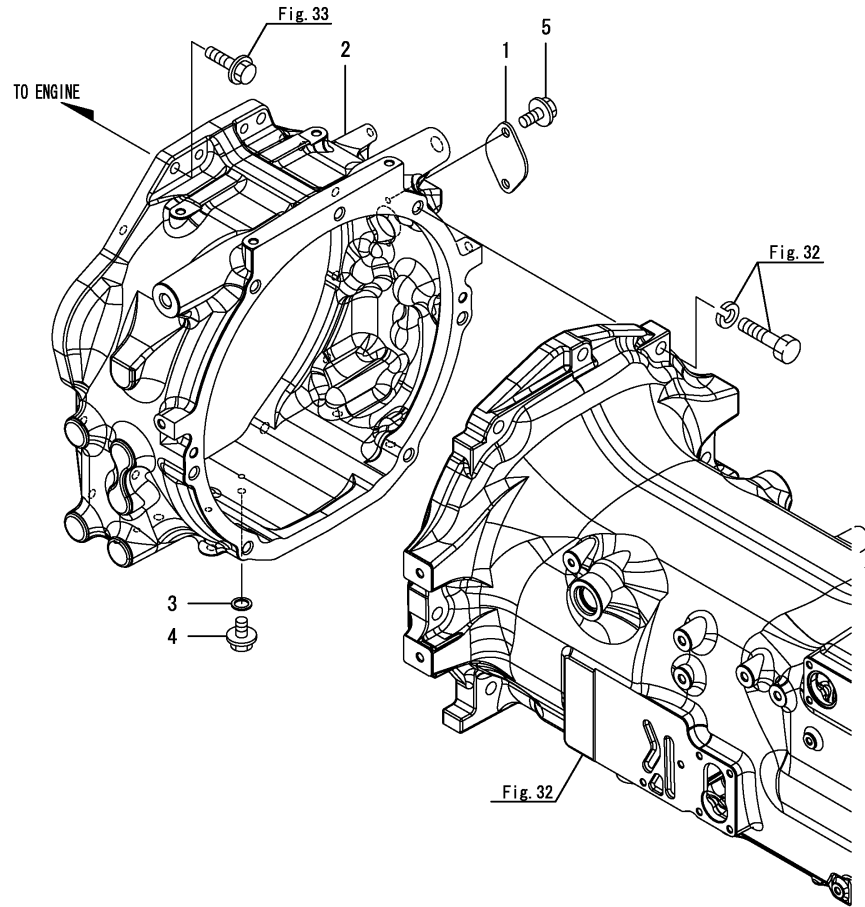


Fig.37. CLUTCH RELEASE

(A)=YT704(16)
(B)=
(C)=

(D)=
(E)=
(F)=

No.	Lev.	Parts No.	Description	Q'ty						I	R
				(A)	(B)	(C)	(D)	(E)	(F)		
1	1	1A8296-22040	BEARING, RELEASE	1							
2	1	1A8296-22210	SLEEVE, RELEASE	1							
3	1	1A8296-22220	YOKE, RELEASE SHIFT	1							
4	1	1A8296-22231	GUIDE, RELEASE	1							
5	1	1A8296-22250	BOLT, M10X40	2							
6	1	1A8296-22280	ARM, CLUTCH	1							
7	1	26106-080252	BOLT, M8X 25 PLATED	3							

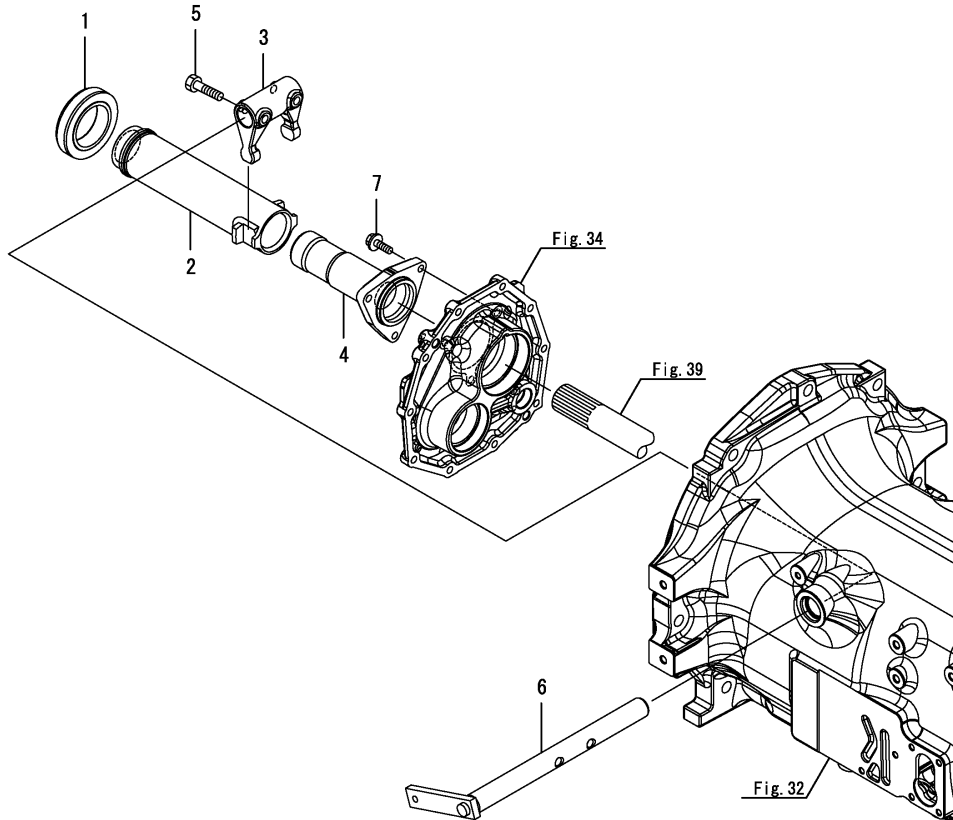
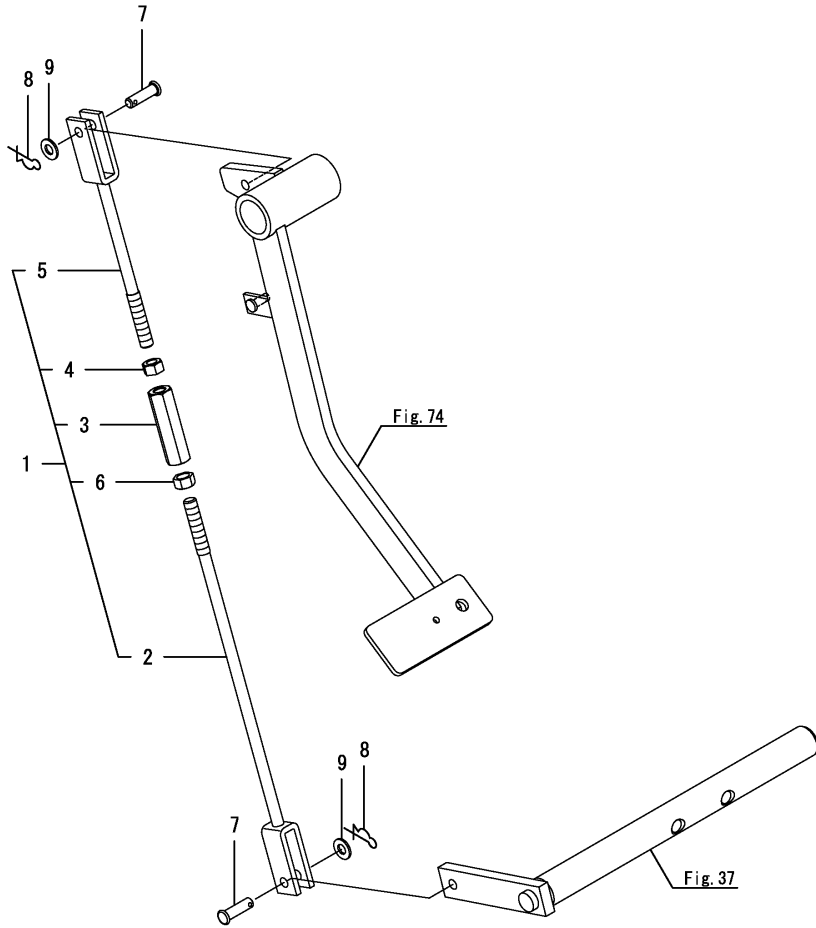


Fig.38. CLUTCH LINK

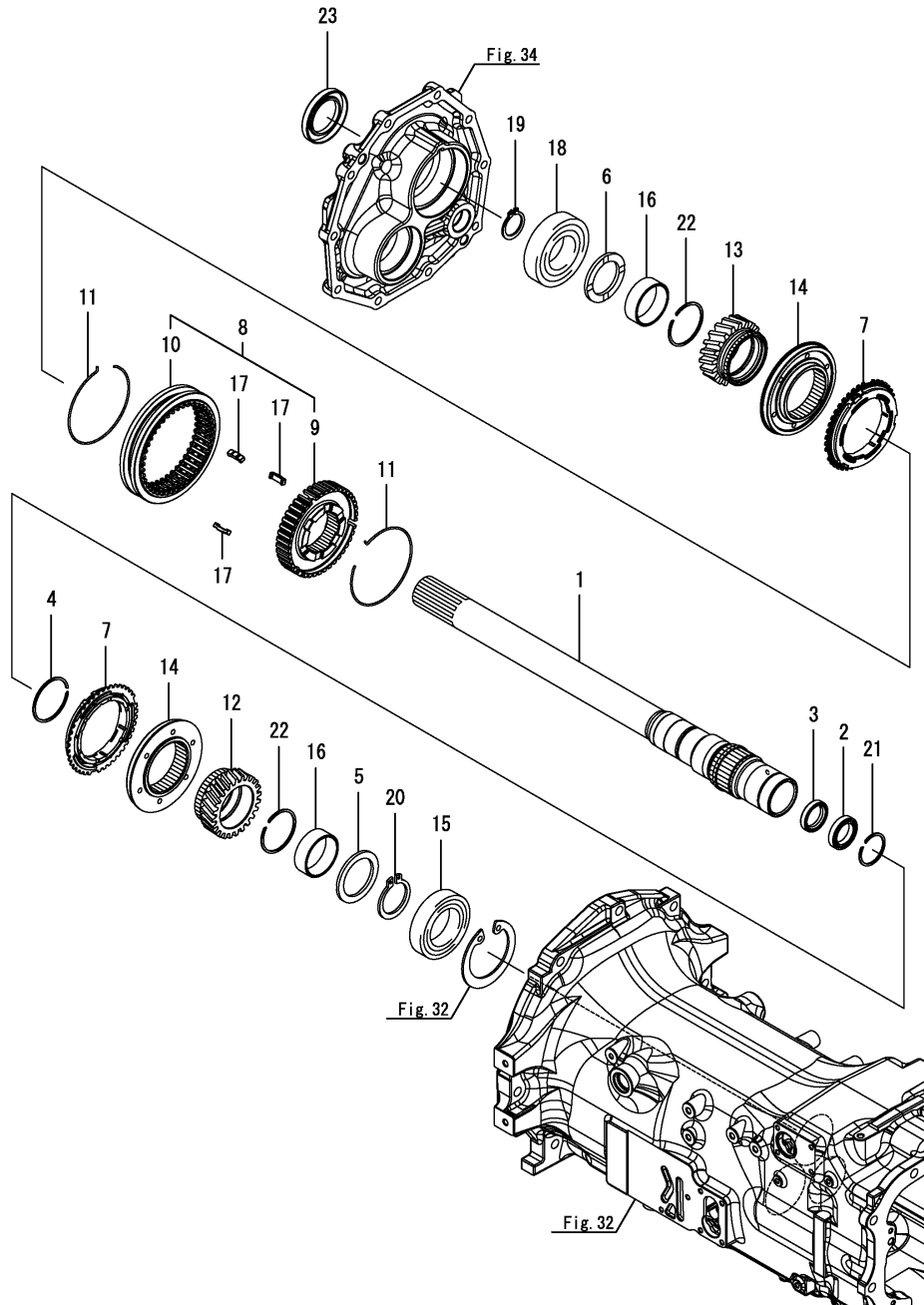
(A)=YT704(16)
(B)=
(C)=

(D)=
(E)=
(F)=



No.	Lev.	Parts No.	Description	Q'ty						I	R
				(A)	(B)	(C)	(D)	(E)	(F)		
1	1	1A8296-22650	ROD ASSY, CLUTCH	1							
2	2	1A8296-22660	ROD, CLUTCH SCREW R	1							
3	2	1A8296-22690	TURNBUCKLE, M10	1							
4	2	1A8296-22700	NUT, 10 L.H. SCREW	1							
5	2	1A8296-22710	ROD, CLUTCH SCREW L	1							
6	2	26716-100002	NUT, M10	1							
7	1	1A8296-37901	PIN, FLAT HEAD 8X24	2							
8	1	1C730C-52320	PIN, SNAP 8	2							
9	1	22137-080000	WASHER, 8	2							

Fig.39. INPUT SHAFT



(A)=YT704(16)
(B)=
(C)=

(D)=
(E)=
(F)=

No.	Lev.	Parts No.	Description	Q'ty						I	R
				(A)	(B)	(C)	(D)	(E)	(F)		
1	1	1A8292-22110	SHAFT, CLUTCH OUTER	1							
2	1	1A8296-22120	BEARING, 6805	1							
3	1	1A8296-22130	SEAL, TC253507	1							
4	1	1A8296-22150	RING, 50	1							
5	1	1A8296-22171	WASHER, 45X60X3.5	1							
6	1	1A8296-22200	WASHER, 40X57X4	1							
7	1	1A8292-22330	RING ASSY	2							
8	1	1A8292-22370	COLLAR ASSY, SYNCHRO	1							
9	2	1A8292-22380	HUB, SYNCHRO	1							
10	2	1A8292-22390	COLLAR, SYNCHRO	1							
11	1	1A8292-22460	SPRING, SYNCHRO	2							
12	1	1A8292-22480	GEAR, INPUT 28T	1							
13	1	1A8292-22490	GEAR, INPUT 26T	1							
14	1	1A8292-22510	SPLINE, SYNCHRO	2							
15	1	1A8296-22920	BEARING, 6009ZZ	1							
16	1	1A8296-22940	BEARING,NEEDLE455017	2							
17	1	1A7090-25380	KEY, SYNCHRO	3							
18	1	1A8296-25420	BEARING, 6208ZZ	1							
19	1	22242-000400	RING, 40	1							
20	1	22242-000450	RING, 45	1							
21	1	24165-000372	CIRCLIP, 37	1							
22	1	24165-000502	CIRCLIP, 50	2							
23	1	24421-406208	SEAL, OIL TC406208	1							

Fig.40. DRIVEN SHAFT(1)

(A)=YT704(16)
(B)=
(C)=

(D)=
(E)=
(F)=

No.	Lev.	Parts No.	Description	Q'ty						I	R
				(A)	(B)	(C)	(D)	(E)	(F)		
1	1	1A8296-22910	BEARING, 6009	1							
2	1	1A8296-23112	SHAFT, DRIVEN	1							
3	1	1A8296-23121	GEAR, DRIVEN 45T	1							
4	1	1A8296-23131	GEAR, DRIVEN 41T	1							
5	1	24101-063054	BEARING, BALL 6305	1							

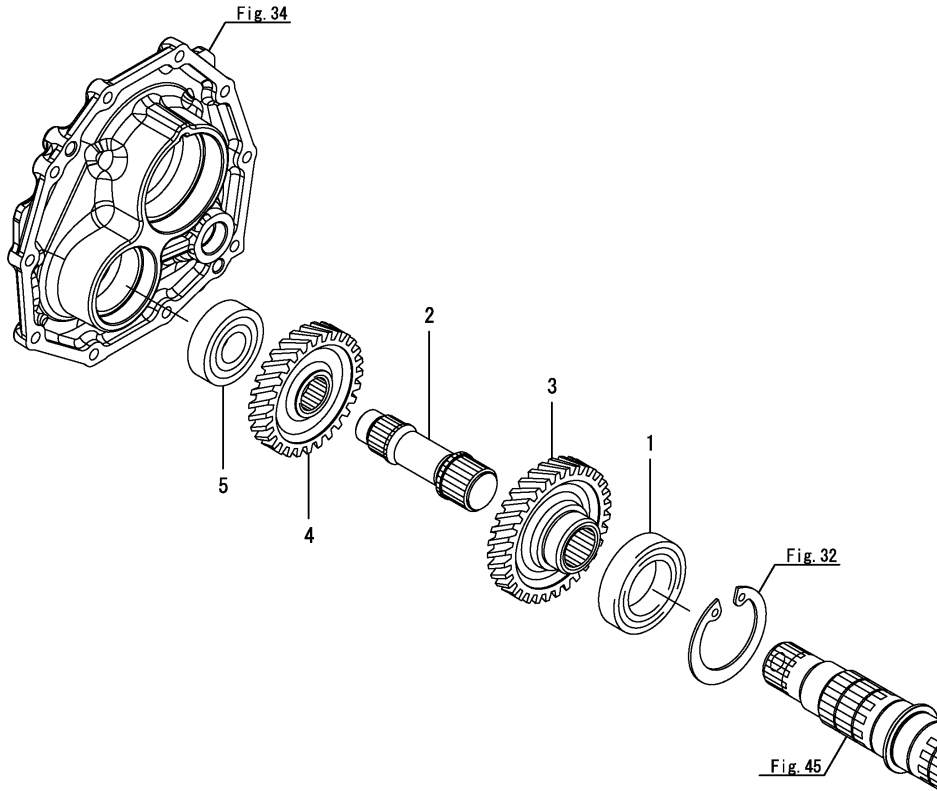


Fig.41. IDLE SHAFT

(A)=YT704(16)
 (B)=
 (C)=

(D)=
 (E)=
 (F)=

No.	Lev.	Parts No.	Description	Q'ty						I	R
				(A)	(B)	(C)	(D)	(E)	(F)		
1	1	1A8292-23210	SHAFT, REVERSE IDLE	1							
2	1	1A8296-23222	GEAR, IDLE 45T	1							
3	1	22252-000620	RING, 62	1							
4	1	22351-060032	PIN, SPRING 6.0X32	1							
5	1	24101-063054	BEARING, BALL 6305	2							

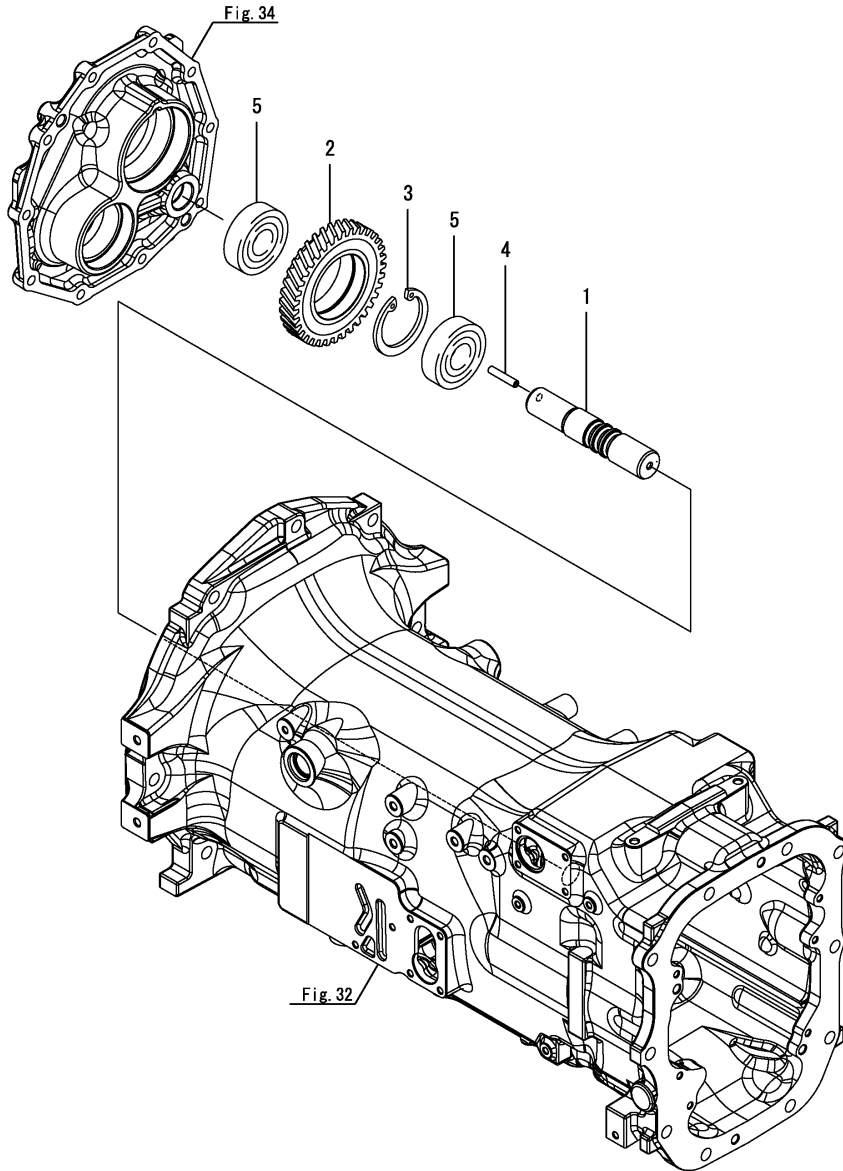
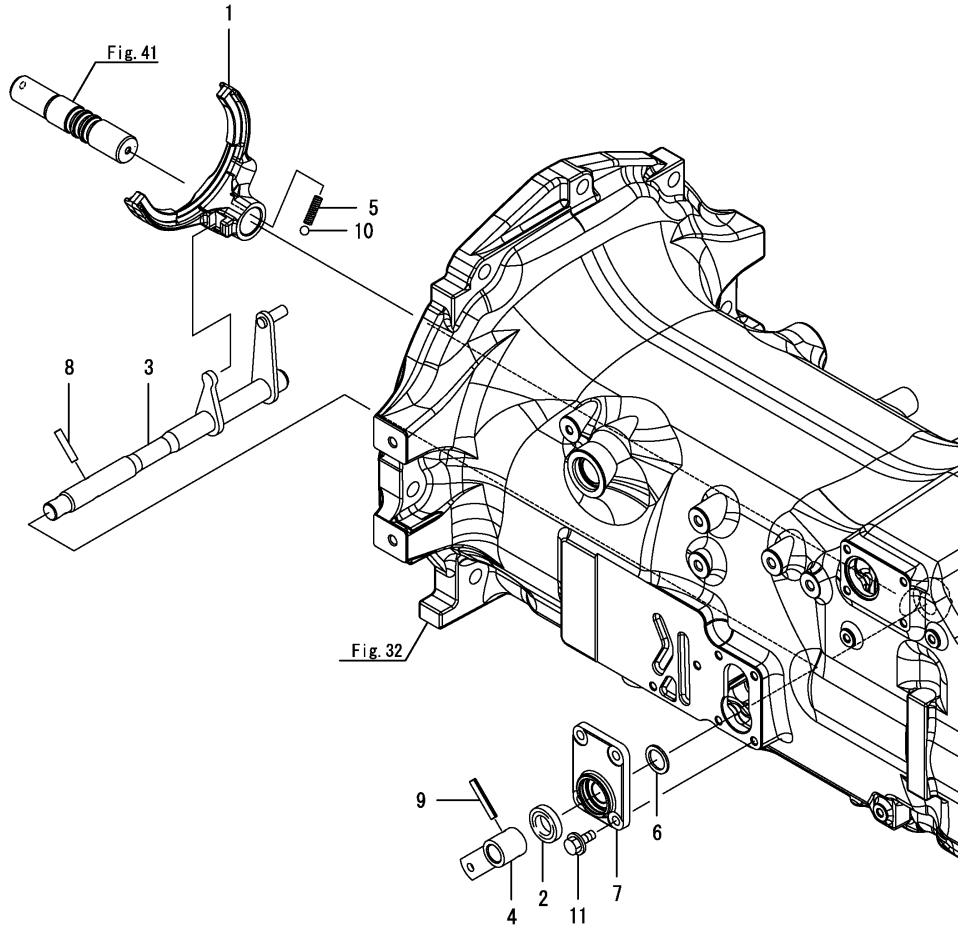


Fig.42. REVERSER SHIFT



(A)=YT704(16)
(B)=
(C)=

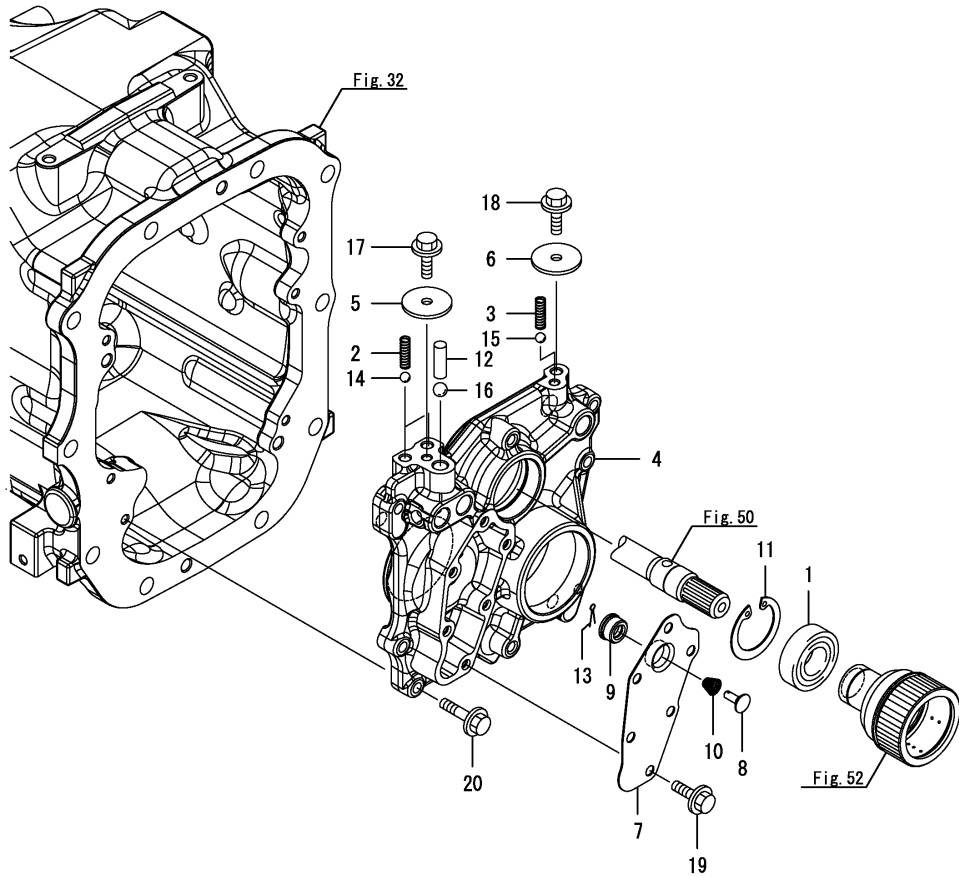
(D)=
(E)=
(F)=

No.	Lev.	Parts No.	Description	Q'ty						I	R
				(A)	(B)	(C)	(D)	(E)	(F)		
1	1	1A8292-23280	FORK, F-R	1							
2	1	1A8296-23350	SEAL, TC4 203507	1							
3	1	1A8296-23430	SHAFT, F-R	1							
4	1	1A8292-23650	ARM ASSY, SHIFT 50	1							
5	1	1A8296-23680	SPRING, 28.3	1							
6	1	1A8296-23870	WASHER, 20X28X2	1							
7	1	1A8296-24611	COVER, SHIFT	1							
8	1	22351-060032	PIN, SPRING 6.0X32	1							
9	1	22351-060040	PIN, SPRING 6.0X40	1							
10	1	24190-100002	BALL, STEEL 5/16	1							
11	1	26106-080202	BOLT, M8X 20 PLATED	4							

Fig.43. RETAINER

(A)=YT704(16)
(B)=
(C)=

(D)=
(E)=
(F)=



No.	Lev.	Parts No.	Description	Q'ty						I	R
				(A)	(B)	(C)	(D)	(E)	(F)		
1	1	1A8296-22930	BEARING, 6205ZZ	1							
2	1	1A8296-23680	SPRING, 28.3	2							
3	1	1A8296-23680	SPRING, 28.3	1							
4	1	1A8292-24210	RETAINER, BEARING	1							
5	1	1A8296-24340	PLATE, KEEP	1							
6	1	1A8296-24340	PLATE, KEEP	1							
7	1	1A8296-24710	PLATE, RELIEF	1							
8	1	1A8296-26830	VALVE, 2ND RELIEF	1							
9	1	1A8296-26840	SHEET, 2ND RELIEF	1							
10	1	1A8296-26850	SPRING, 2ND RELIEF	1							
11	1	22252-000520	RING, 52	1							
12	1	22312-100300	PIN, PARALLEL M10X30	1							
13	1	22417-200100	COTTER PIN 2.0X10	1							
14	1	24190-100002	BALL, STEEL 5/16	2							
15	1	24190-100002	BALL, STEEL 5/16	1							
16	1	24190-140001	BALL, STEEL 7/16	1							
17	1	26106-080162	BOLT, M8X 16 PLATED	1							
18	1	26106-080162	BOLT, M8X 16 PLATED	1							
19	1	26106-080162	BOLT, M8X 16 PLATED	6							
20	1	26106-080352	BOLT, M8X 35 PLATED	6							

Fig.44. P.T.O. VALVE

(A)=YT704(16)
(B)=
(C)=

(D)=
(E)=
(F)=

No.	Lev.	Parts No.	Description	Q'ty						I	R
				(A)	(B)	(C)	(D)	(E)	(F)		
1	1	1A8296-17900	JOINT ASSY, STRAINER	1							
2	1	1A8292-24500	VALVE, PTO	1							
3	2	1A8296-24600	GASKET, 6.5X10X1	1							
4	2	24311-240100	O-RING, 1AP10A	1							
5	2	24351-240230	O-RING, 1A24023	1							
6	2	24421-142807	SEAL, OIL TC142807	1							
7	2	27260-280000	PLUG, 28	1							
8	1	1A8296-24550	ARM, PTO VALVE	1							
9	1	22351-060040	PIN, SPRING 6.0X40	1							
10	1	24311-000120	O-RING, 1AP12.0	1							
11	1	24311-000160	O-RING, 1AP16.0	1							
12	1	24311-000200	O-RING, 1AP20.0	1							
13	1	24315-000140	O-RING, 1BP14.0	1							
14	1	26106-080502	BOLT, M8X 50 PLATED	2							

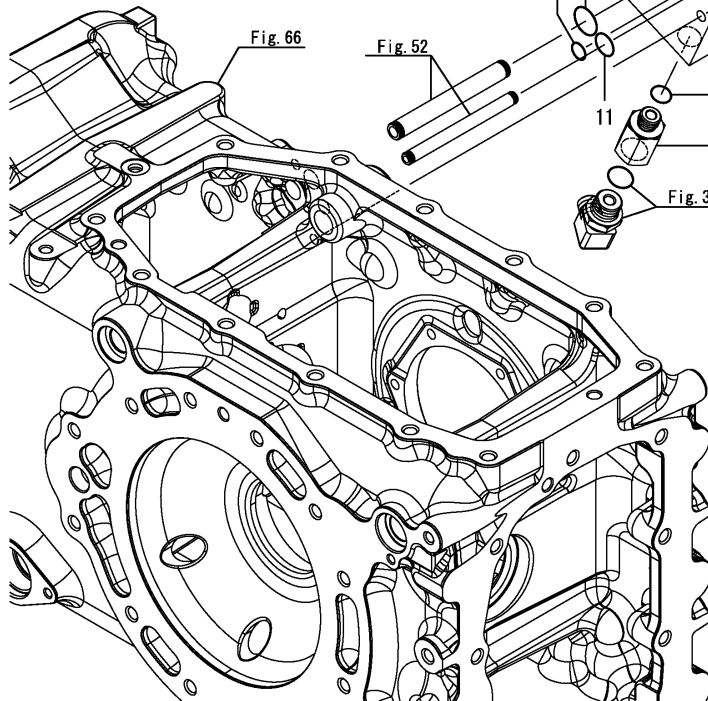
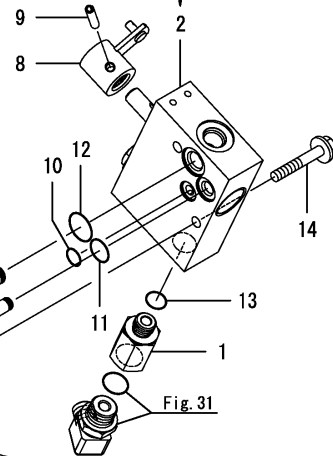
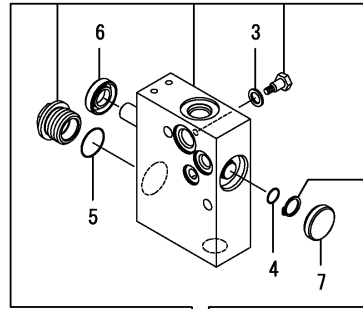
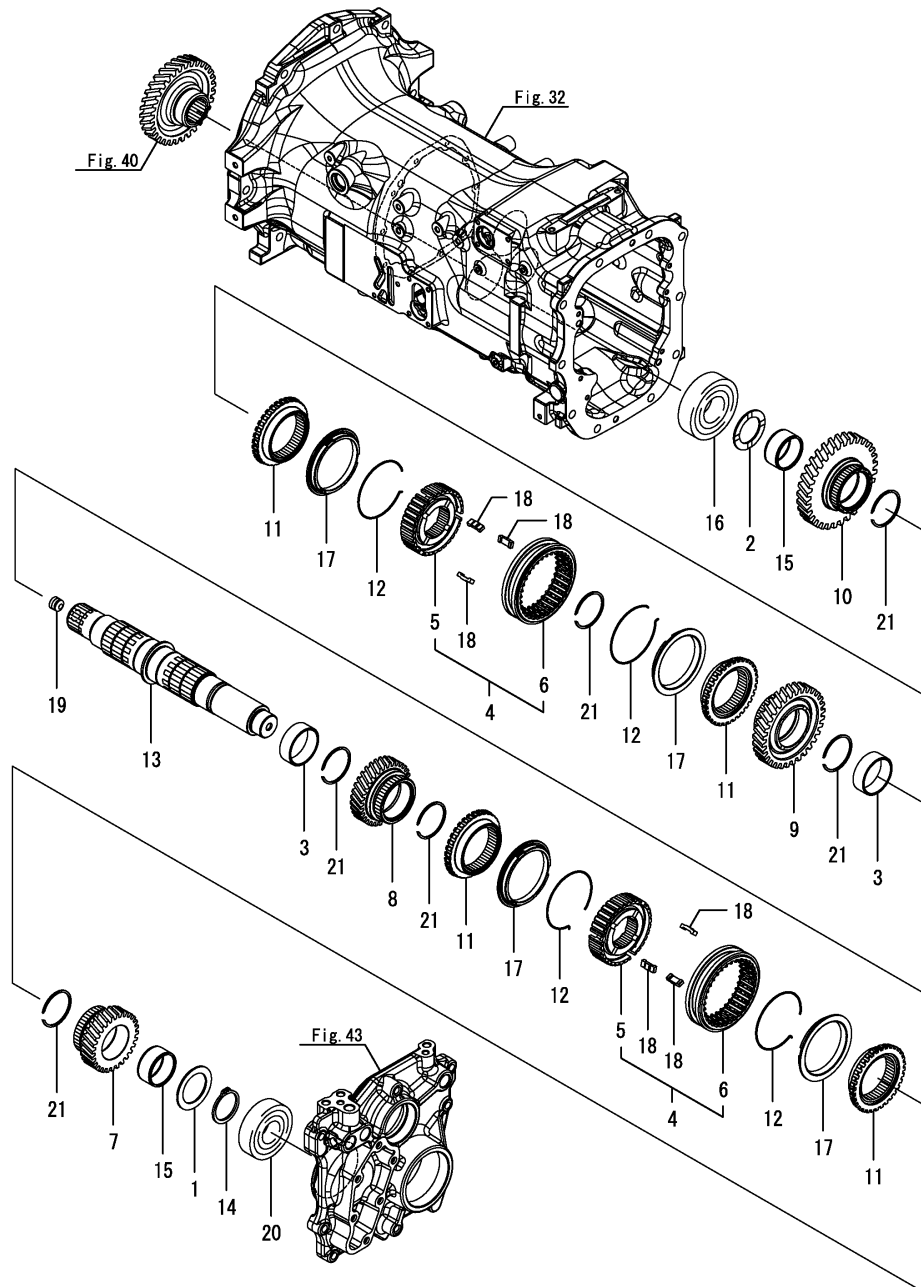


Fig.45. MAIN SHAFT

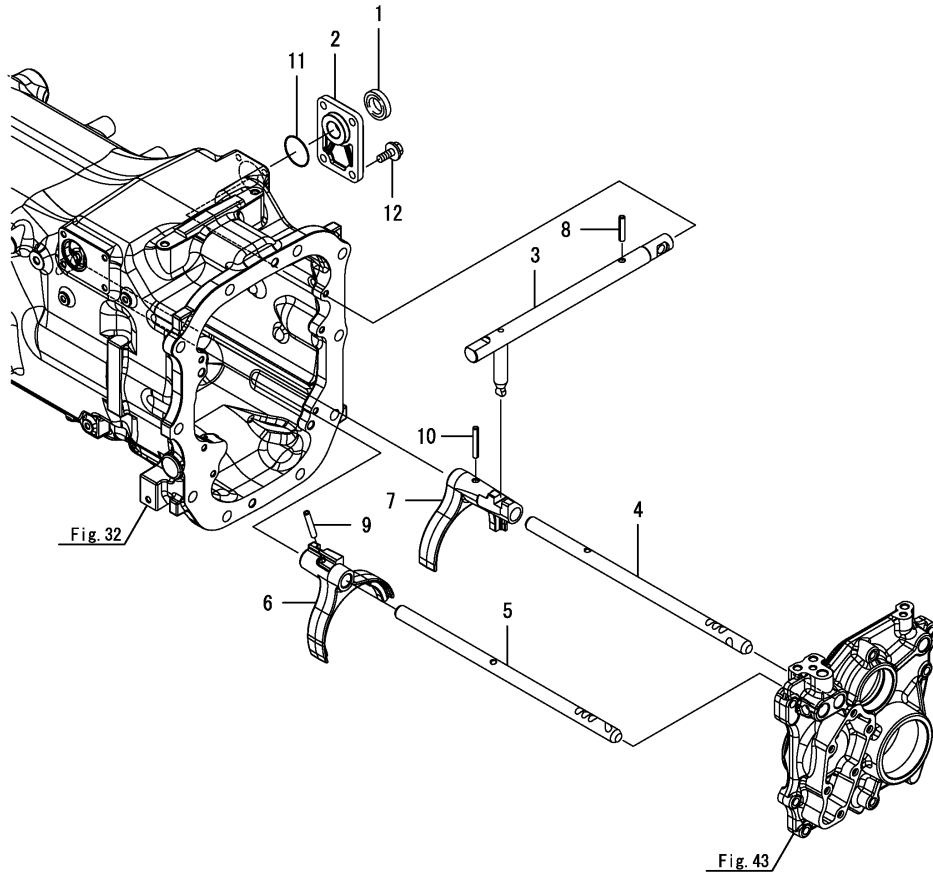
(A)=YT704(16)
(B)=
(C)=

(D)=
(E)=
(F)=



No.	Lev.	Parts No.	Description	Q'ty						I	R
				(A)	(B)	(C)	(D)	(E)	(F)		
1	1	1A8296-22310	WASHER, 40X57X2	1							
2	1	1A8296-22320	WASHER, 35X52X2	1							
3	1	1A8296-22940	BEARING,NEEDLE455017	2							
4	1	1A8292-25010	COLLAR ASSY, SYNCHRO	2							
5	2	1A8292-25020	HUB, SYNCHRO MAIN	2							
6	2	1A8292-25030	COLLAR, SYNCHRO MAIN	2							
7	1	1A8292-25040	GEAR, MAIN 28 SYNCHR	1							
8	1	1A8292-25050	GEAR, MAIN 32 SYNCHR	1							
9	1	1A8292-25060	GEAR, MAIN 39 SYNCHR	1							
10	1	1A8292-25070	GEAR, MAIN 44 SYNCHR	1							
11	1	1A8292-25080	SPLINE, SYNCHRO MAIN	4							
12	1	1A8292-25170	SPRING, SYNCHRO	4							
13	1	1A8292-25210	SHAFT, MAIN	1							
14	1	1A8296-25240	RING, 40	1							
15	1	1A8296-25280	BEARING,NEEDLE404521	2							
16	1	1A8296-25430	BEARING, 6307ZZ	1							
17	1	198121-25840	RING, SYNCHRONIZER	4							
18	1	198121-25850	KEY, SYNCHRONIZER	6							
19	1	23876-010000	PLUG, R01	1							
20	1	24107-063064	BEARING, BALL 6306ZZ	1							
21	1	24164-000452	CIRCLIP, 45	6							

Fig.46. MAIN SHIFT



(A)=YT704(16)
(B)=
(C)=

(D)=
(E)=
(F)=

No.	Lev.	Parts No.	Description	Q'ty						I	R
				(A)	(B)	(C)	(D)	(E)	(F)		
1	1	1A8296-23350	SEAL, TC4 203507	1							
2	1	1A8296-24611	COVER, SHIFT	1							
3	1	1A8296-25512	ARM, MAIN SHIFT	1							
4	1	1A8296-25561	SHAFT, FORK 3-4	1							
5	1	1A8296-25571	SHAFT, FORK 1-2	1							
6	1	1A8292-25580	FORK, MAIN 1-2 SYNCH	1							
7	1	1A8292-25590	FORK, MAIN 3-4 SYNCH	1							
8	1	22351-060032	PIN, SPRING 6.0X32	1							
9	1	22351-060040	PIN, SPRING 6.0X40	1							
10	1	22351-060040	PIN, SPRING 6.0X40	1							
11	1	24351-240370	O-RING, 1A24037	1							
12	1	26106-080202	BOLT, M8X 20 PLATED	4							

Fig.47. DRIVEN SHAFT(2)

(A)=YT704(16)
(B)=
(C)=

(D)=
(E)=
(F)=

No.	Lev.	Parts No.	Description	Qty						I	R
				(A)	(B)	(C)	(D)	(E)	(F)		
1	1	1A8296-25311	GEAR, DRIVEN 38	1							
2	1	1A8296-25321	GEAR, DRIVEN 34	1							
3	1	1A8296-25331	GEAR, DRIVEN 27	1							
4	1	1A8296-25341	GEAR, DRIVEN 21	1							
5	1	1A8296-25411	SHAFT, DRIVEN	1							
6	1	1A8296-25420	BEARING, 6208ZZ	1							
7	1	1A8296-25430	BEARING, 6307ZZ	1							
8	1	22242-000400	RING, 40	4							

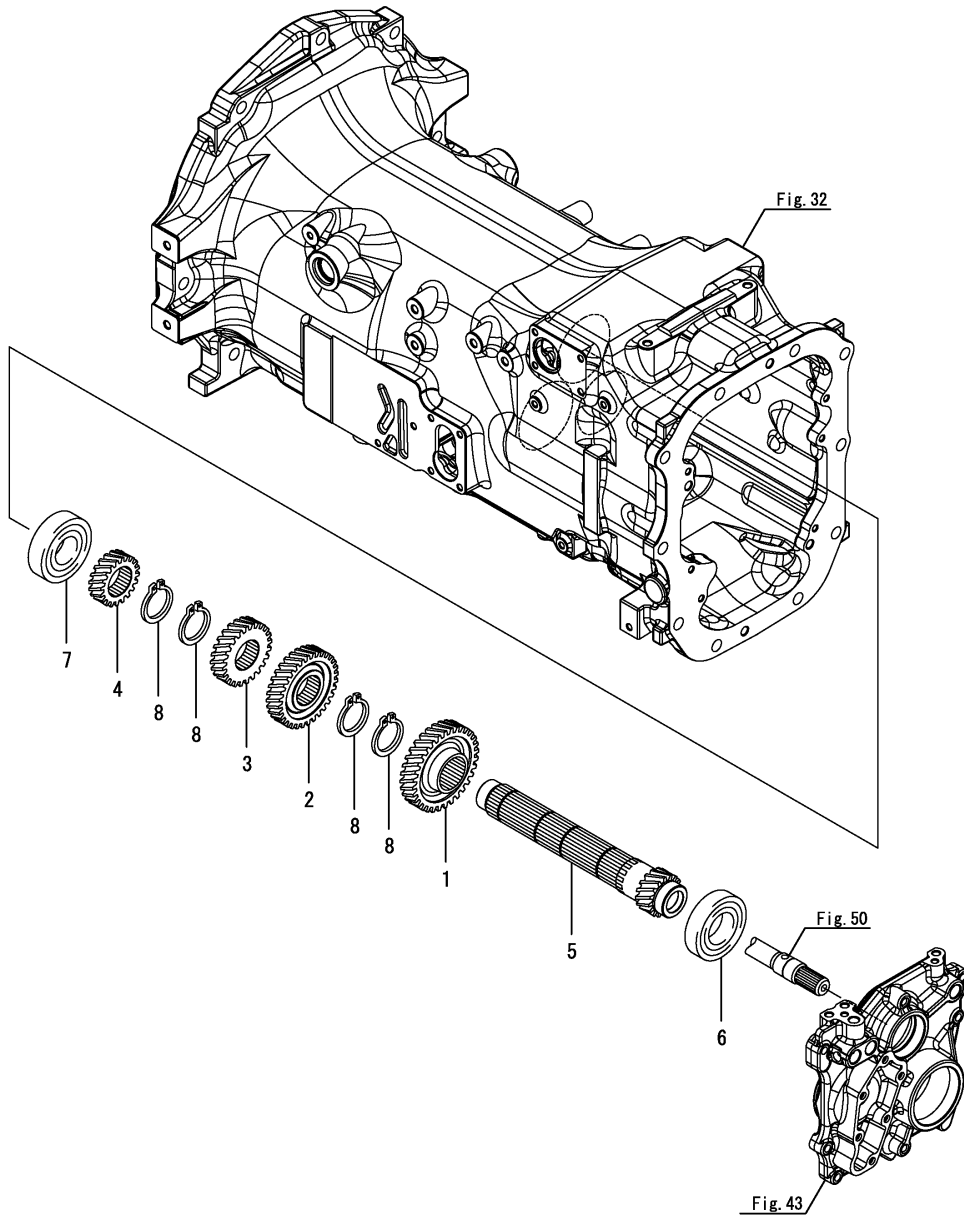
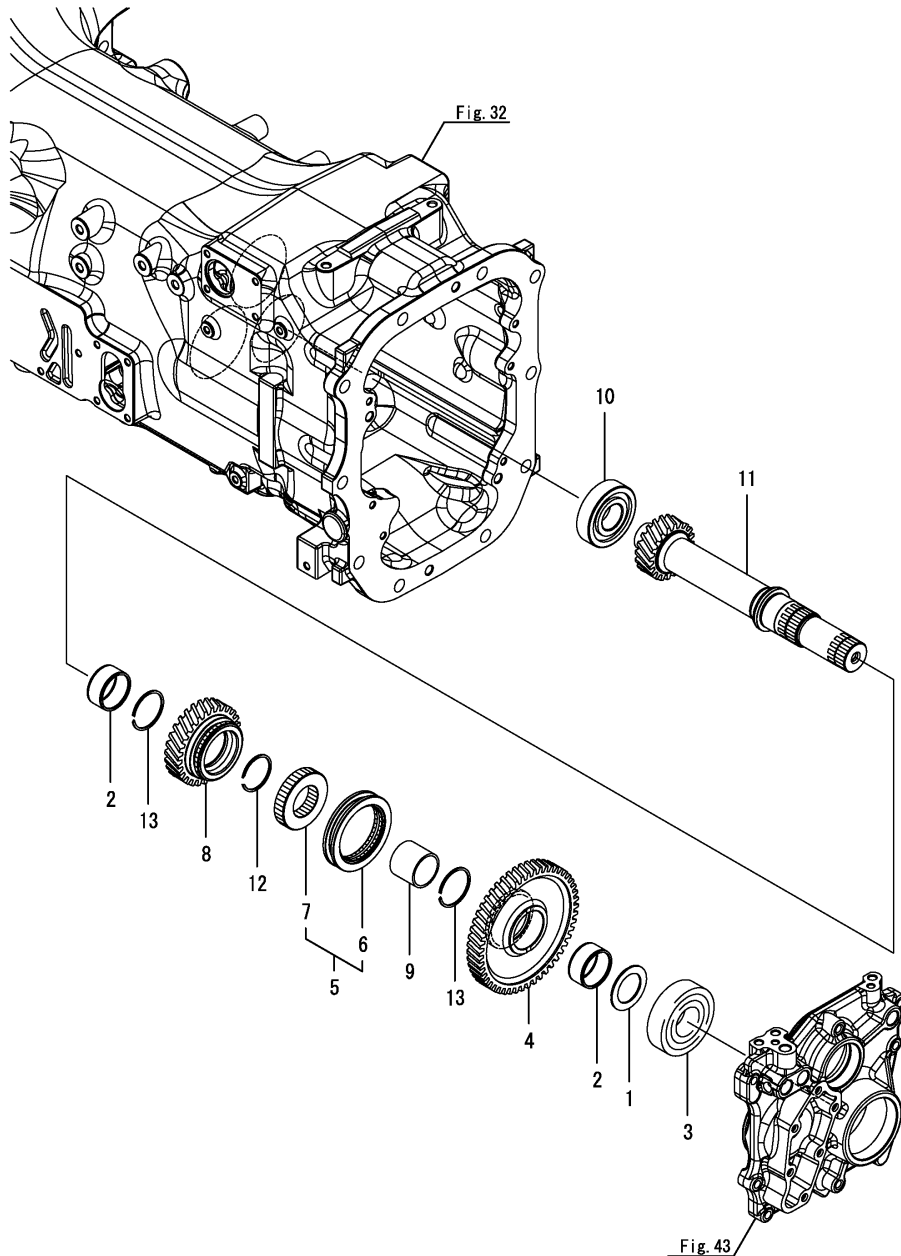


Fig.48. REDUCTION SHAFT

(A)=YT704(16)
(B)=
(C)=

(D)=
(E)=
(F)=



No.	Lev.	Parts No.	Description	Q'ty						I	R
				(A)	(B)	(C)	(D)	(E)	(F)		
1	1	1A8296-22320	WASHER, 35X52X2	1							
2	1	1A8292-25280	BEARING, NEEDLE 404521	2							
3	1	1A8296-25430	BEARING, 6307ZZ	1							
4	1	1A8296-25712	GEAR, RANGE 55	1							
5	1	1A8292-25720	COLLAR ASSY, RANGE	1							
6	2	1A8296-22031	COLLAR, SHIFTER	1							
7	2	1A8296-25741	COLLAR, RANGE	1							
8	1	1A8296-25720	GEAR, RANGE 34	1							
9	1	1A8296-25760	INNER RACE, 354034	1							
10	1	194197-25810	BEARING, BALL TMB306	1							
11	1	1A8296-25811	SHAFT, REDUCTION	1							
12	1	24164-000402	CIRCLIP, 40	1							
13	1	24165-000452	CIRCLIP, 45	2							

Fig.49. SHIFT RANGE

(A)=YT704(16)
(B)=
(C)=

(D)=
(E)=
(F)=

No.	Lev.	Parts No.	Description	Q'ty						I	R
				(A)	(B)	(C)	(D)	(E)	(F)		
1	1	1A8296-23350	SEAL, TC4 203507	1							
2	1	1A8296-24611	COVER, SHIFT	1							
3	1	1A8296-25911	ARM ASSY,RANGE SHIFT	1							
4	1	1A8296-25942	FORK, RANGE SHIFT	1							
5	1	1A8296-25950	SHAFT, FORK RANGE	1							
6	1	22351-060032	PIN, SPRING 6.0X32	1							
7	1	22351-060040	PIN, SPRING 6.0X40	1							
8	1	24351-240370	O-RING, 1A24037	1							
9	1	26106-080202	BOLT, M8X 20 PLATED	4							

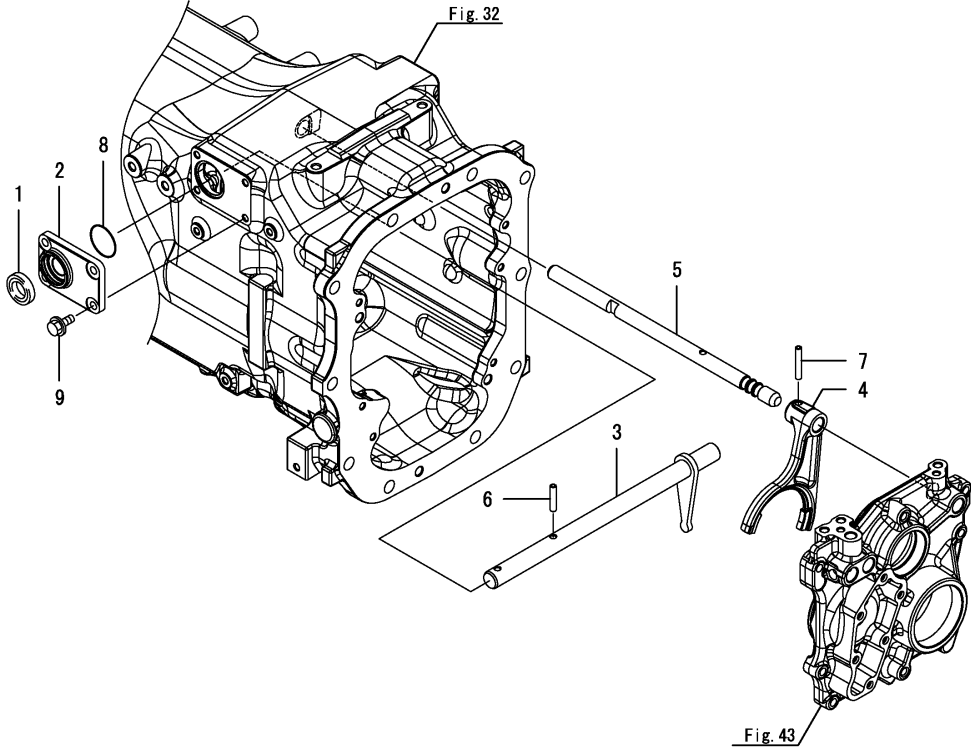
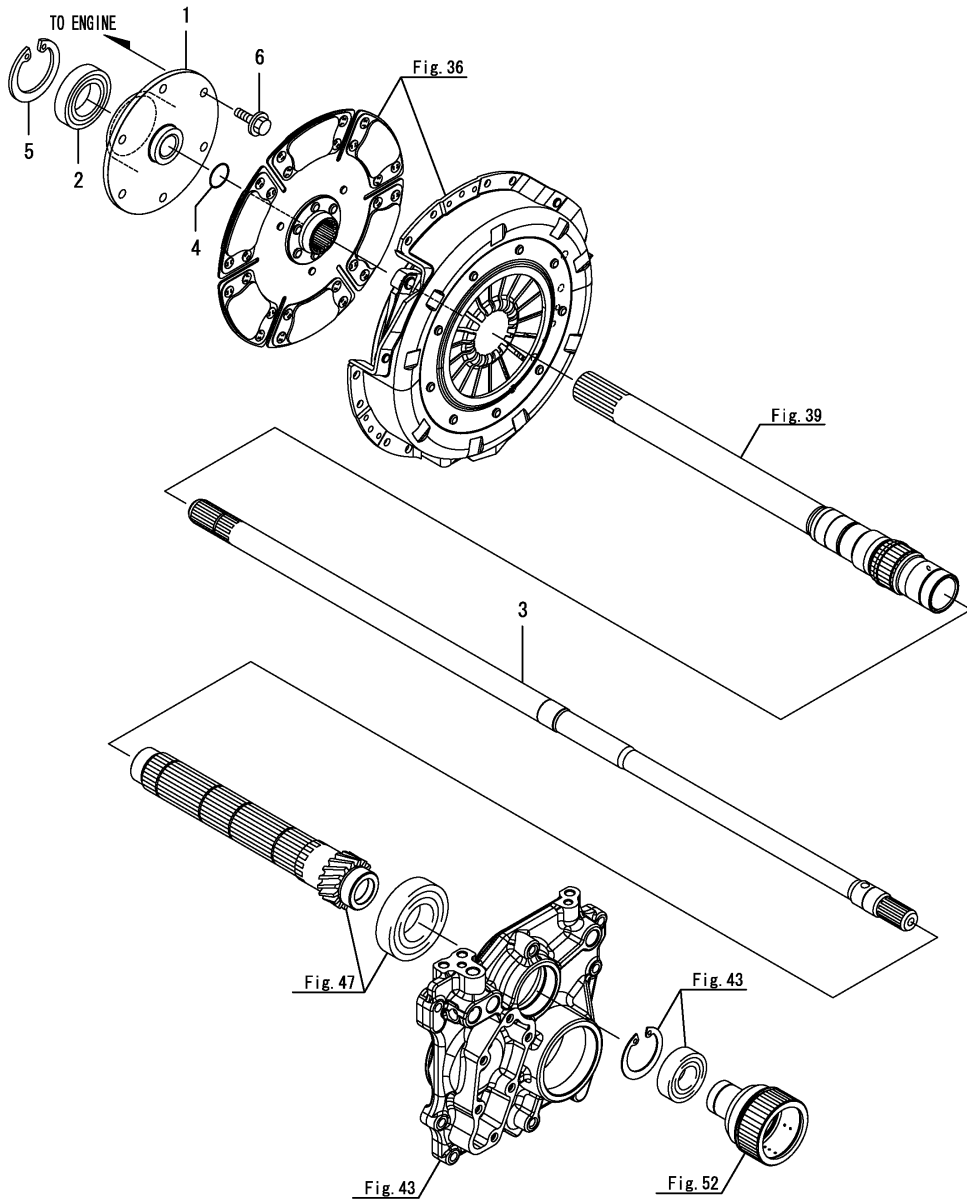


Fig.50. DRIVE SHAFT(1)

(A)=YT704(16)
(B)=
(C)=

(D)=
(E)=
(F)=



No.	Lev.	Parts No.	Description	Q'ty						I	R
				(A)	(B)	(C)	(D)	(E)	(F)		
1	1	1A8296-21251	FLANGE,	1							
2	1	1A8296-21260	BEARING, 6007UUC3	1							
3	1	1A8296-22143	SHAFT, CLUTCH INNER	1							
4	1	22207-025230	RING, 25X2.3	1							
5	1	22252-000620	RING, 62	1							
6	1	26106-080202	BOLT, M8X 20 PLATED	6							

Fig.51. DRIVE SHAFT(2)

(A)=YT704(16)
(B)=
(C)=

(D)=
(E)=
(F)=

No.	Lev.	Parts No.	Description	Q'ty						I	R
				(A)	(B)	(C)	(D)	(E)	(F)		
1	1	194197-25810	BEARING, BALL TMB306	1							
2	1	194555-25880	BEARING, BALL TMB305	1							
3	1	1A8296-26050	COUPLING,	2							
4	1	1A8296-26121	PINION, PTO DRIVE B	1							
5	1	1A8296-26161	SHAFT, CONNECTING	1							
6	1	22252-000220	RING, 22	2							

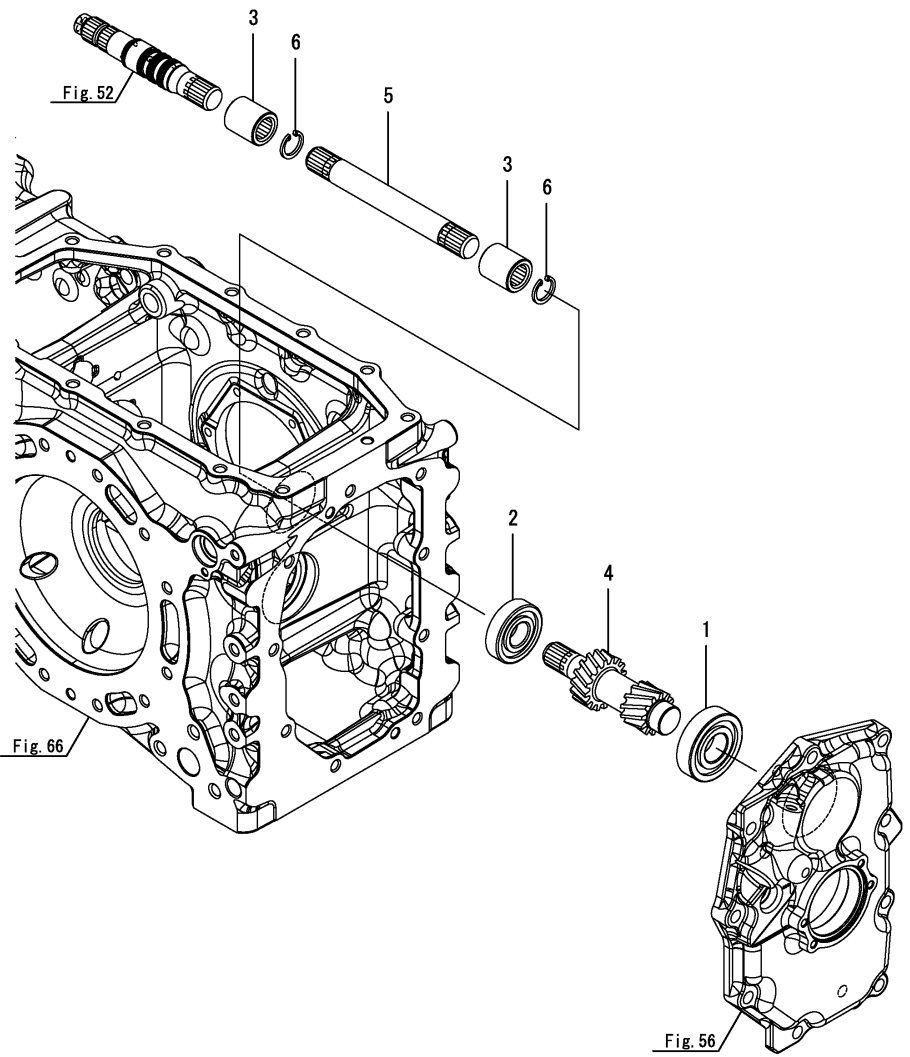


Fig.52. P.T.O. CLUTCH

(A)=YT704(16

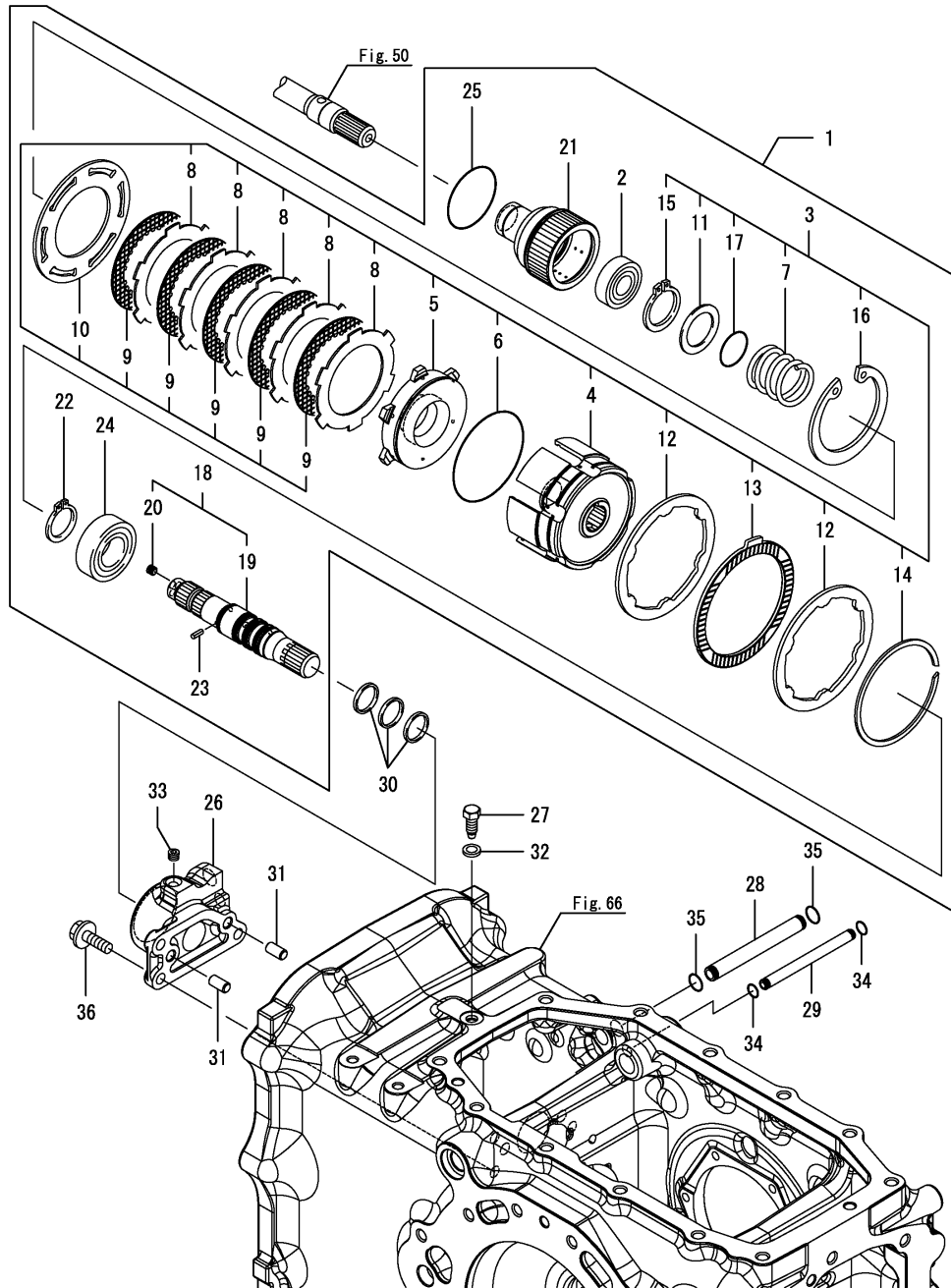
(B)=

(C)=

(D)=

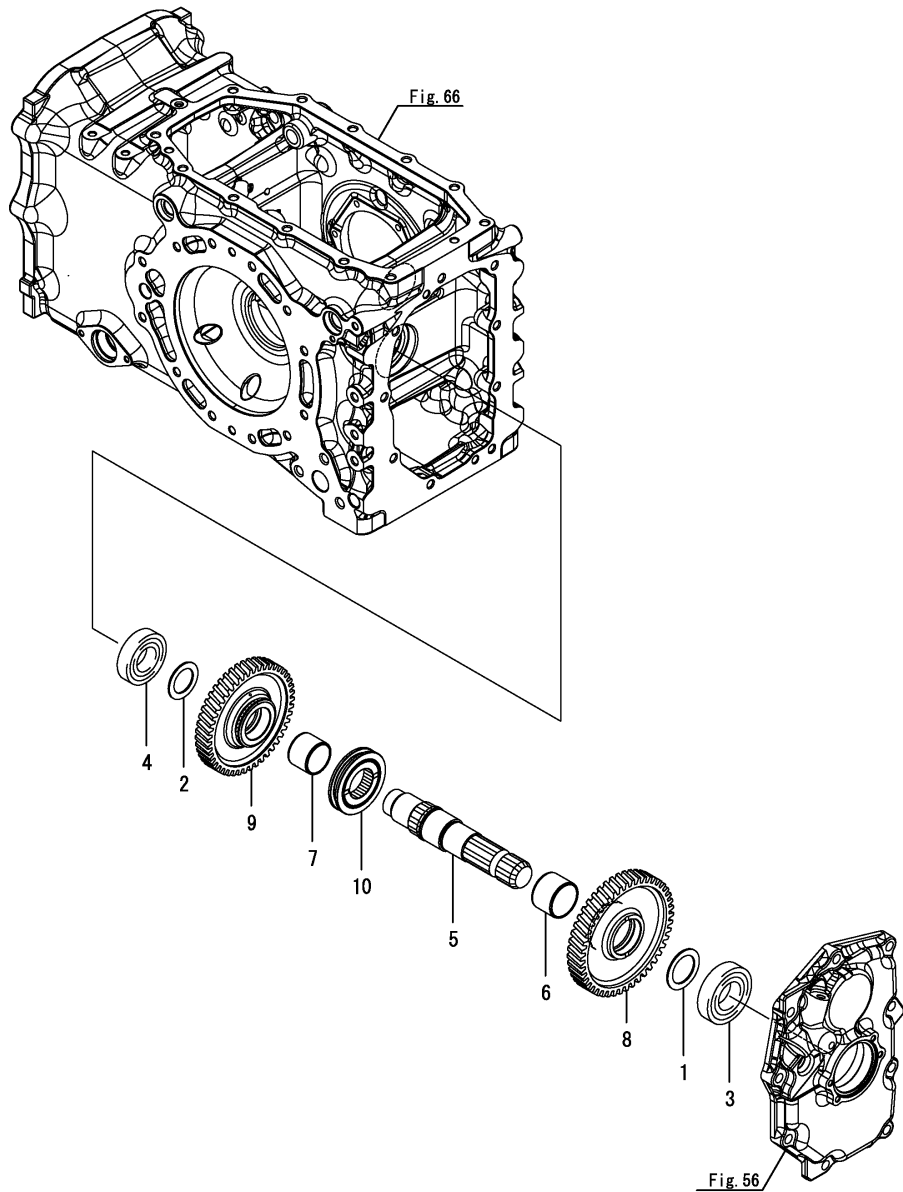
(E)=

(F)=



No.	Lev.	Parts No.	Description	Q'ty						I	R
				(A)	(B)	(C)	(D)	(E)	(F)		
1	1	1A8292-26000	CLUTCH KIT, PTO	1							
2	2	1A8296-22950	BEARING, 6204ZZ	1							
3	2	1A8296-26011	CLUTCH ASSY, PTO	1							
4	3	1A8296-26241	CYLINDER, CLUTCH PTO	1							
5	3	1A8275-26720	PISTON, HYDRAULIC	1							
6	3	1A8275-26730	D RING 92	1							
7	3	1A8275-26740	SPRING	1							
8	3	1A8275-26750	PLATE, SEPARATE	5							
9	3	1A8296-26760	DISK, FRICTION 207C	5							
10	3	1A8296-26770	PLATE, BACK 3.2	1							
11	3	1A8275-26790	COLLAR,	1							
12	3	1A8296-26800	PLATE, BRAKE	2							
13	3	1A8275-26810	PLATE, BRAKE	1							
14	3	1A8275-26820	RING, 105	1							
15	3	22242-100350	RING, 35	1							
16	3	22252-001000	RING, 100	1							
17	3	24341-000320	O-RING, 1AS32.0	1							
18	2	1A8292-26200	SHAFT ASSY, CLUTCH	1							
19	3	1A8292-26210	SHAFT, CLUTCH PTO	1							
20	3	1A8275-26320	AVSEAL 6	1							
21	2	1A8296-26231	HUB, SPLINE PTO	1							
22	2	22242-100300	RING, 30	1							
23	2	22351-030008	PIN, SPRING 3.0X 8	1							
24	2	24101-060064	BEARING, BALL 6006	1							
25	2	24321-000600	O-RING, 1AG60.0	1							
26	1	1A8292-26130	RETAINER, PTO CLUTCH	1							
27	1	1A8296-26440	BOLT, M10X25	1							
28	1	1A8296-26871	PIPE, CONNECTING 14	1							
29	1	1A8296-26881	PIPE, CONNECTING 10	1							
30	1	198451-28750	RING, 26.27X30.07X3	3							
31	1	22312-100180	PIN, PARALLEL M10X18	2							
32	1	23414-100000	GASKET, 10X1.0	1							
33	1	23876-010000	PLUG, R01	1							
34	1	24341-000080	O-RING, 1AS8.0	2							
35	1	24341-000120	O-RING, 1AS12.0	2							
36	1	26106-100302	BOLT, M10X 30 PLATED	3							

Fig.53. P.T.O. SHAFT



(A)=YT704(16)
(B)=
(C)=

(D)=
(E)=
(F)=

No.	Lev.	Parts No.	Description	Q'ty						I	R
				(A)	(B)	(C)	(D)	(E)	(F)		
1	1	1A8296-22160	WASHER, 40X57X2	1							
2	1	1A8296-25220	WASHER, 35X52X2	1							
3	1	1A8296-25420	BEARING, 6208ZZ	1							
4	1	1A8296-26170	BEARING, 6207	1							
5	1	1A8296-26323	SHAFT, PTO B	1							
6	1	1A8296-26340	INNER RACE, 455035	1							
7	1	1A8296-26350	INNER RACE, 404534	1							
8	1	1A8296-26371	GEAR, PTO 58 B	1							
9	1	1A8296-26381	GEAR, PTO 54	1							
10	1	1A8296-26410	COLLAR ASSY, PTO	1							

Fig.54. P.T.O. SHIFT

(A)=YT704(16)
(B)=
(C)=

(D)=
(E)=
(F)=

No.	Lev.	Parts No.	Description	Q'ty						I	R
				(A)	(B)	(C)	(D)	(E)	(F)		
1	1	1A8296-23680	SPRING, 28.3	1							
2	1	1A8296-26510	ARM ASSY, PTO	1							
3	1	1A8296-26542	FORK, PTO	1							
4	1	1A8296-26550	SHAFT, FORK PTO	1							
5	1	1A8296-28350	WASHER, 22X32X2	1							
6	1	1A8296-28360	SEAL, TC223208	1							
7	1	1A8296-28370	PLATE, KEEP	1							
8	1	22351-060032	PIN, SPRING 6.0X32	1							
9	1	24190-100002	BALL, STEEL 5/16	1							
10	1	26106-080162	BOLT, M8X 16 PLATED	1							

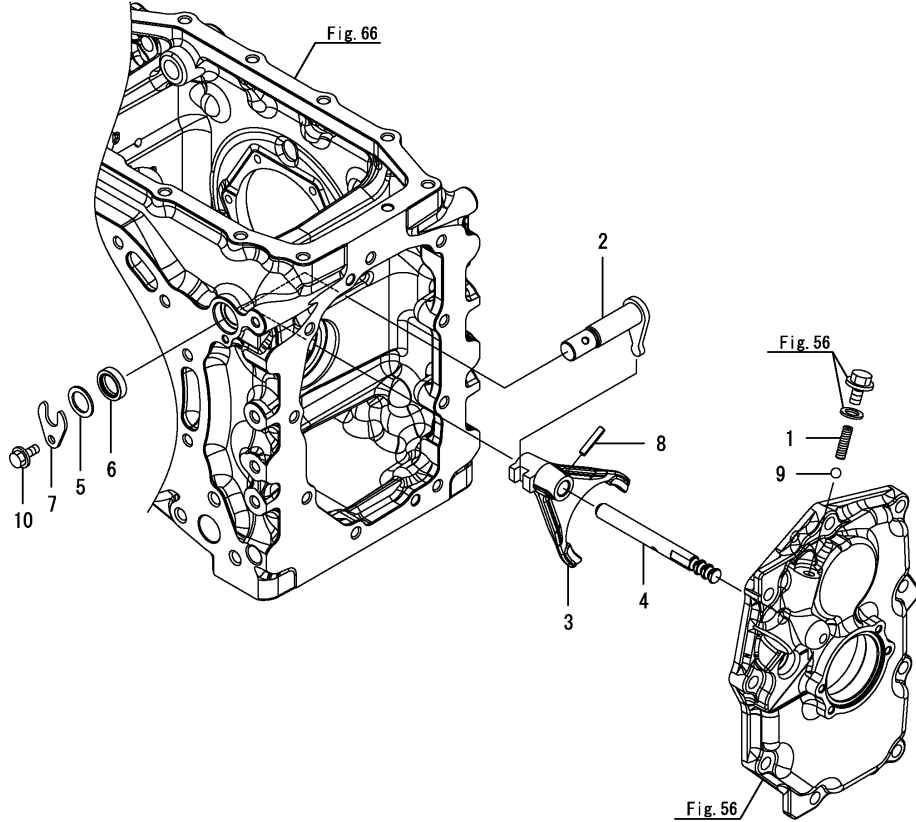


Fig.55. P.T.O. LEVER

(A)=YT704(16
(B)=
(C)=

(D)=
(E)=
(F)=

No.	Lev.	Parts No.	Description	Qty						I	R
				(A)	(B)	(C)	(D)	(E)	(F)		
1	1	1A8296-26560	LEVER, PTO	1							
2	1	22351-060040	PIN, SPRING 6.0X40	1							

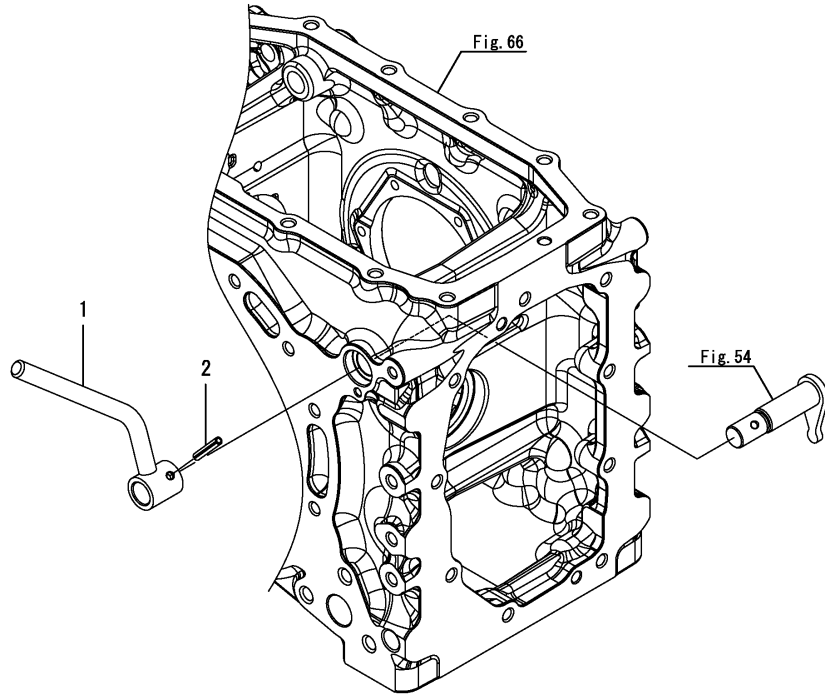
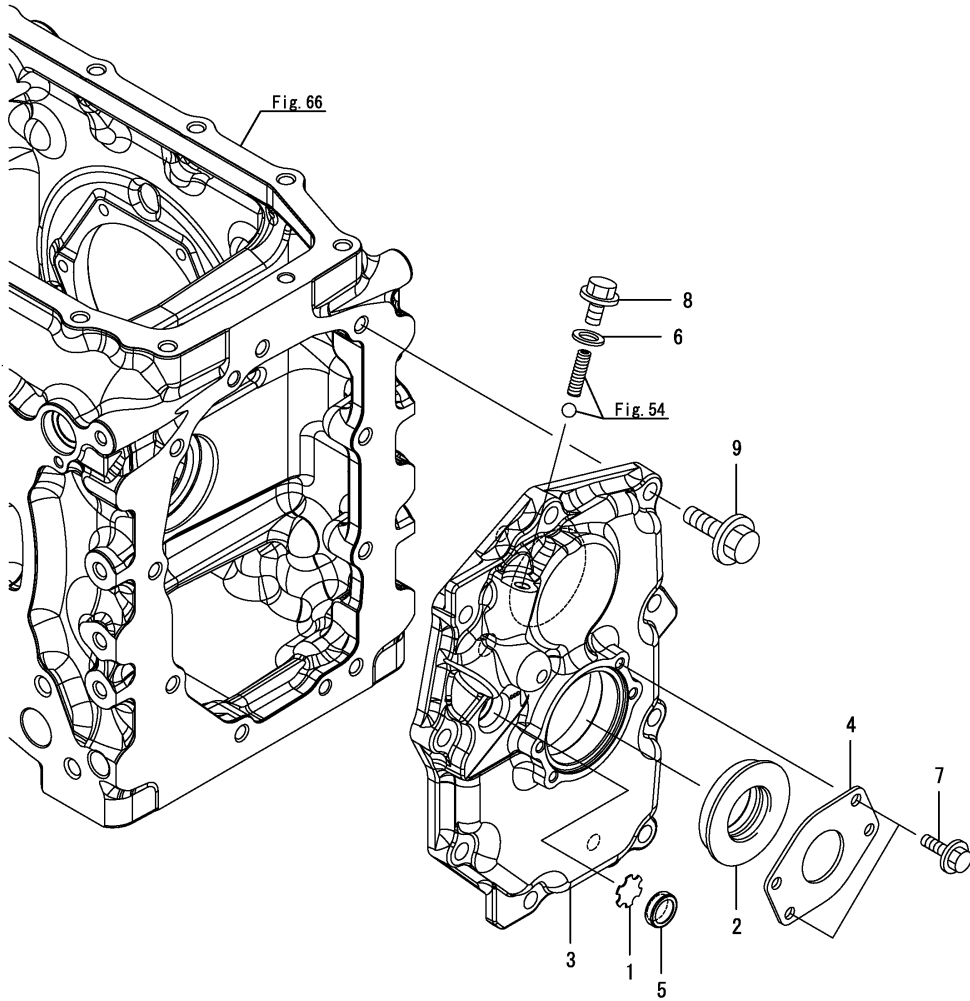


Fig.56. P.T.O. CASE

(A)=YT704(16)
(B)=
(C)=

(D)=
(E)=
(F)=

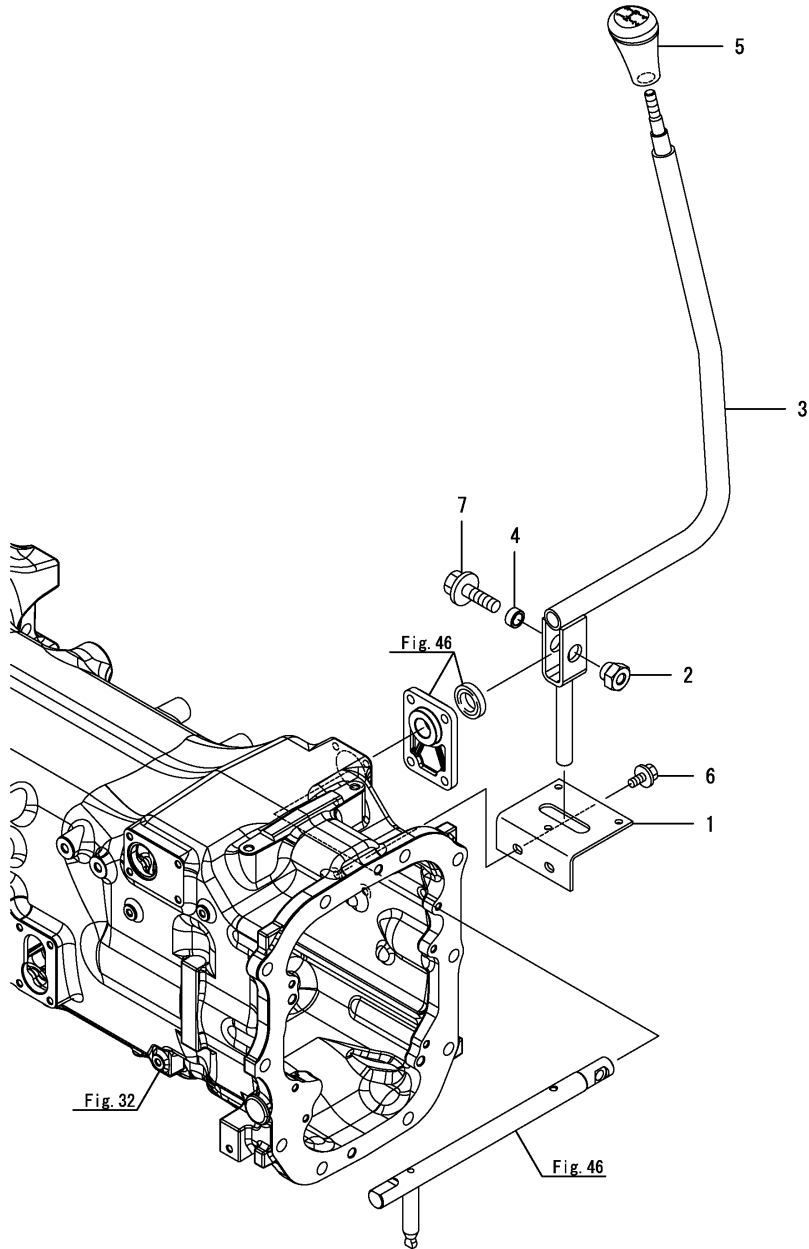


No.	Lev.	Parts No.	Description	Q'ty						I	R
				(A)	(B)	(C)	(D)	(E)	(F)		
1	1	198071-24350	PLATE, WINDOW	1							
2	1	1A8296-26400	SEAL, QLFY 407020	1							
3	1	1A8292-26610	COVER, PTO	1							
4	1	1A8296-26650	PLATE, OIL SEAL	1							
5	1	1A1040-28470	WINDOW, OIL CHECK 25	1							
6	1	22190-100000	WASHER, SEAL 10	1							
7	1	26106-080162	BOLT, M8X 16 PLATED	2							
8	1	26106-100162	BOLT, M10X 16 PLATED	1							
9	1	26106-120402	BOLT, M12X 40 PLATED	9							

Fig.58. MAIN SHIFT LEVER

(A)=YT704(16)
(B)=
(C)=

(D)=
(E)=
(F)=

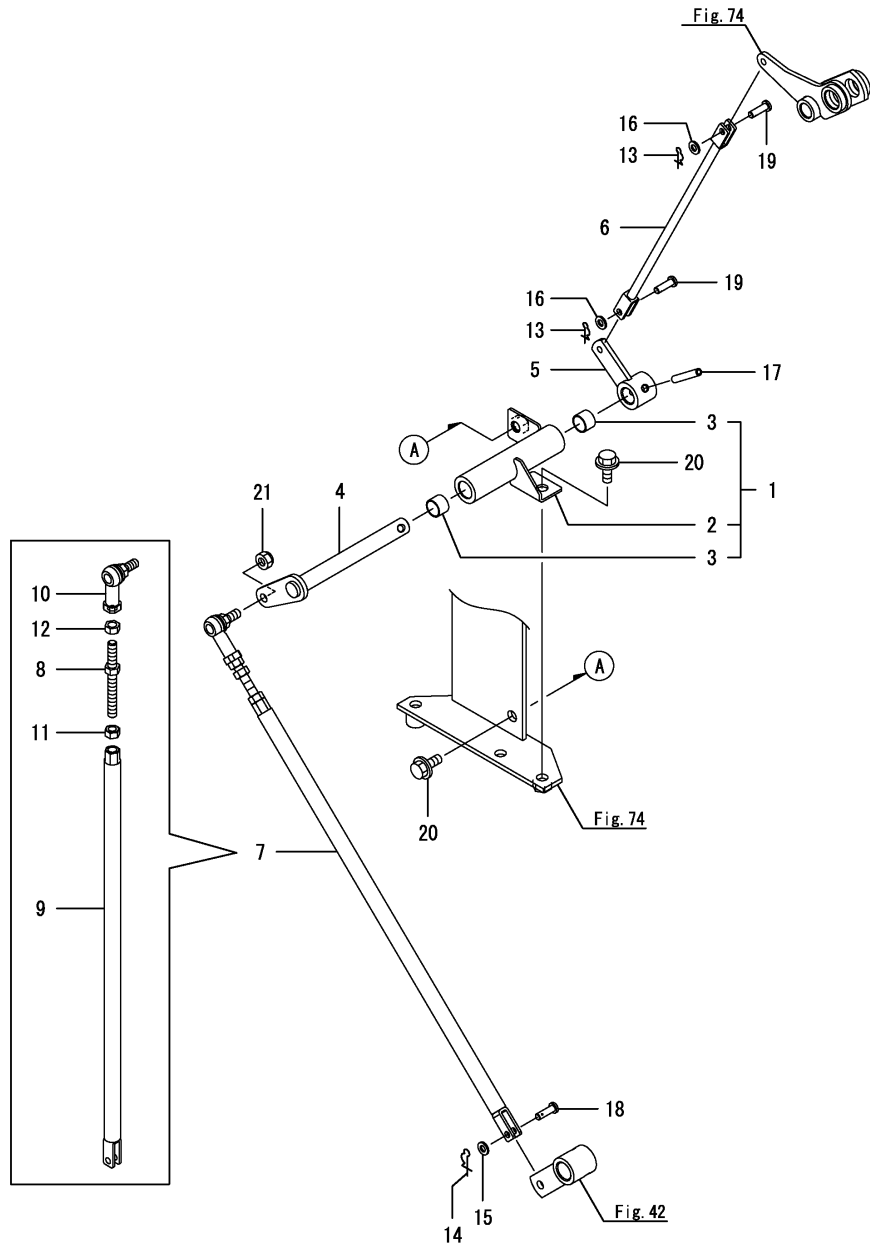


No.	Lev.	Parts No.	Description	Q'ty						I	R
				(A)	(B)	(C)	(D)	(E)	(F)		
1	1	1A8296-21601	PLATE, SLIDE	1							
2	1	1A8296-27170	NUT, STEPPED 12	1							
3	1	1A8296-27203	LEVER ASSY, SHIFT	1							
4	1	1A8296-27241	COLLAR, 12X18X8.8	1							
5	1	1A8296-27271	KNOB, RANGE SHIFT	1							
6	1	26106-080162	BOLT, M8X 16 PLATED	2							
7	1	26106-120404	BOLT, 12 X 40	1							

Fig.60. REVERSER LEVER LINK

(A)=YT704(16)
(B)=
(C)=

(D)=
(E)=
(F)=

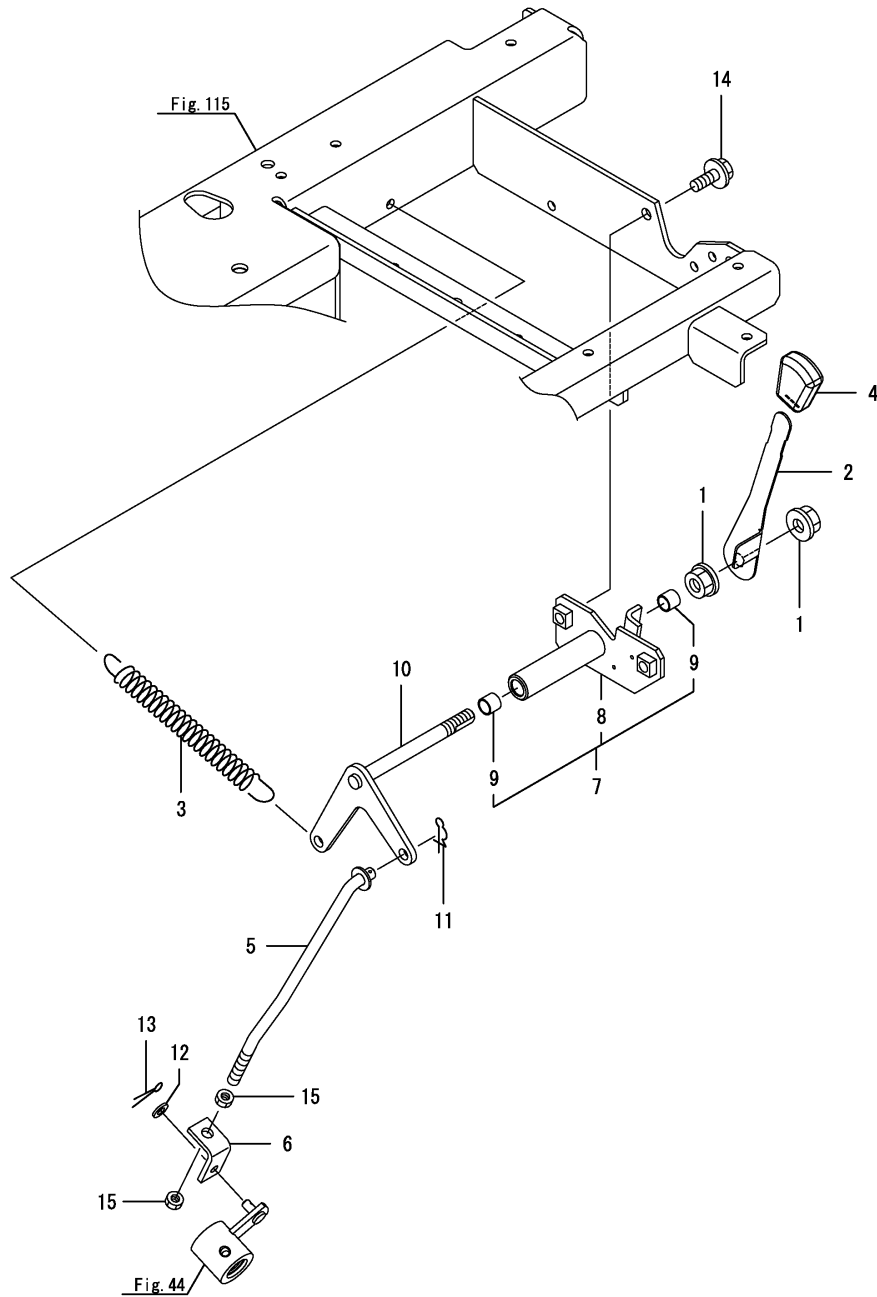


No.	Lev.	Parts No.	Description	Q'ty						I	R
				(A)	(B)	(C)	(D)	(E)	(F)		
1	1	1A8292-27640	BOSS ASSY,BELL CRANK	1							
2	2	1A8292-27650	BOSS, BELL CRANK	1							
3	2	24550-015120	BUSH, 15X12				2				
4	1	1A8292-27691	SHAFT ASSY,BELLCRANK	1							
5	1	1A8292-27721	ARM ASSY, BELL CRANK	1							
6	1	1A8292-27750	ROD ASSY, B REVERSER	1							
7	1	1A8292-27910	ROD UNIT, A REVERSER	1							
8	2	1A8292-27920	ROD ASSY, LINK	1							
9	2	1A8292-27940	ROD ASSY, LINK	1							
10	2	1E8552-43090	LINK BALL BL8D	1							
11	2	1C730C-63240	NUT,M8 L	1							
12	2	26716-080002	NUT, M8	1							
13	1	1C730C-52370	PIN, SNAP 6	2							
14	1	1C730C-52370	PIN, SNAP 6	1							
15	1	22137-060000	WASHER, 6	1							
16	1	22137-060000	WASHER, 6	2							
17	1	22351-060040	PIN, SPRING 6.0X40	1							
18	1	22487-060160	PIN, H 6X 16	1							
19	1	22487-060160	PIN, H 6X 16	2							
20	1	26106-080162	BOLT, M8X 16 PLATED	2							
21	1	26346-080002	NUT, M8	1							

Fig.61. P.T.O. LEVER

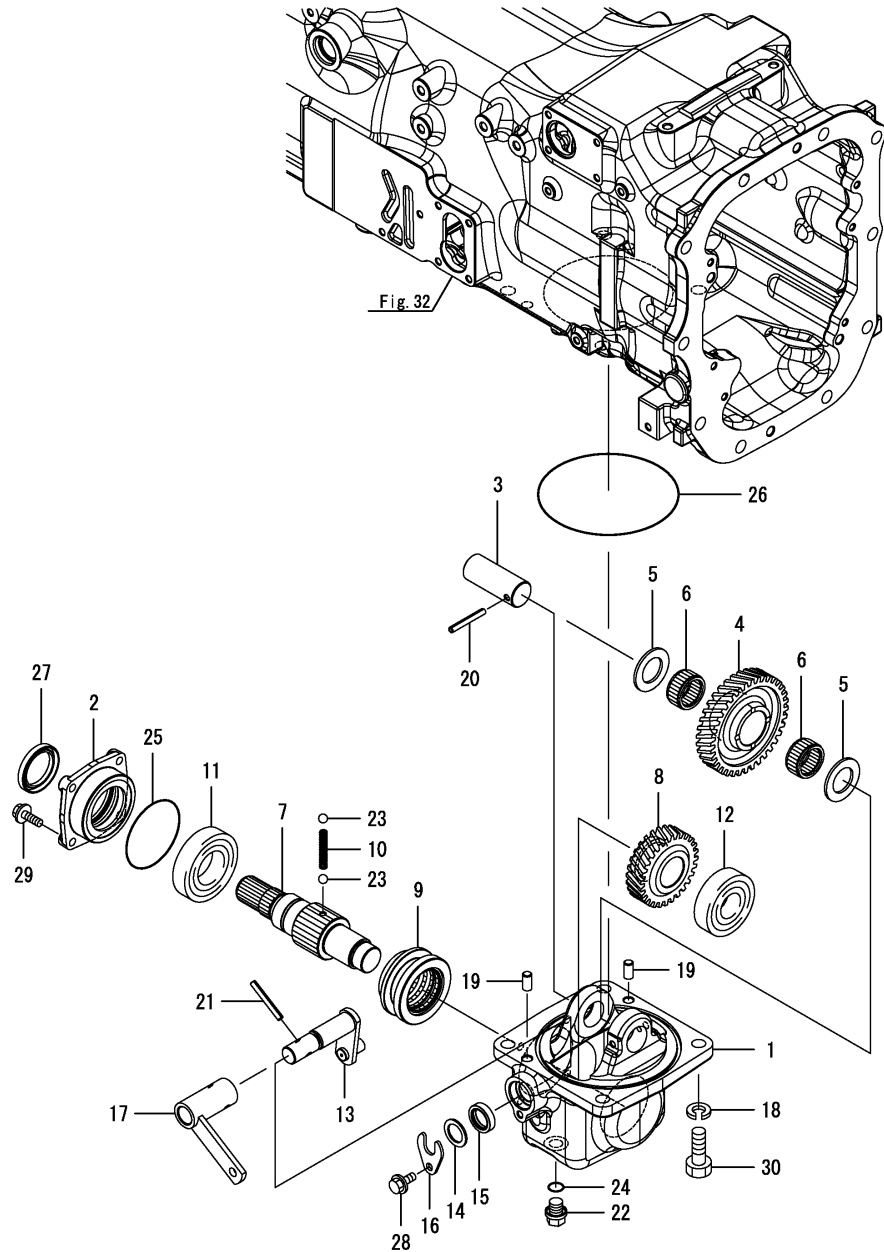
(A)=YT704(16)
(B)=
(C)=

(D)=
(E)=
(F)=



No.	Lev.	Parts No.	Description	Q'ty						I	R
				(A)	(B)	(C)	(D)	(E)	(F)		
1	1	194990-22150	NUT, M10	2							
2	1	1A8296-27361	LEVER, PTO	1							
3	1	1A8296-27370	SPRING, 16X94	1							
4	1	1A8296-27380	KNOB, YELLOW	1							
5	1	1A8296-27400	ROD ASSY, PTO	1							
6	1	1A8296-27420	PLATE,	1							
7	1	1A8296-27552	BRACKET UNIT, LEVER	1							
8	2	1A8296-27562	BRACKET ASSY, LEVER	1							
9	2	24550-010100	BUSH, 10X10	2							
10	1	1A8296-27601	ARM ASSY, PTO	1							
11	1	1C730C-52320	PIN, SNAP 8	1							
12	1	22137-060000	WASHER, 6	1							
13	1	22417-160180	PIN, COTTER 1.6X18	1							
14	1	26106-080162	BOLT, M8X 16 PLATED	2							
15	1	26716-080002	NUT, M8	2							

Fig.62. FRONT DRIVE



(A)=YT704(16)
(B)=
(C)=

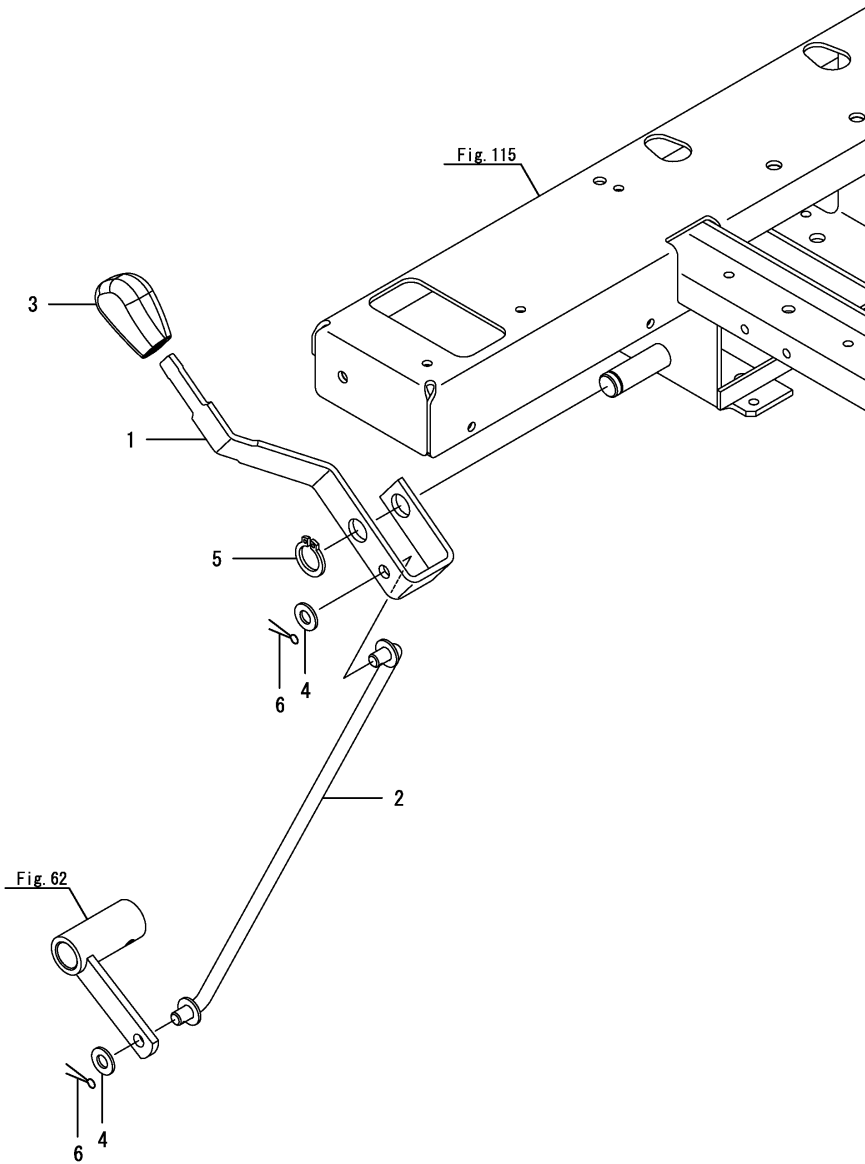
(D)=
(E)=
(F)=

No.	Lev.	Parts No.	Description	Q'ty						I	R
				(A)	(B)	(C)	(D)	(E)	(F)		
1	1	1A8292-28110	CASE, FRONT DRIVE	1							
2	1	1A8292-28120	CASE, OIL-SEAL F	1							
3	1	1A8292-28130	SHAFT, IDLE F	1							
4	1	1A8292-28140	GEAR, IDLE 48	1							
5	1	1A8292-28150	WASHER, 30X50X3	2							
6	1	1A8296-28160	NEEDLE, 304020	2							
7	1	1A8292-28210	SHAFT, DRIVE FRONT	1							
8	1	1A8292-28220	GEAR, 35	1							
9	1	1A8292-28230	SLIDER, FRONT	1							
10	1	1A8292-28240	SPRING, 43.2	1							
11	1	1A8292-28250	BEARING, 6208	1							
12	1	1A8292-28260	BEARING, 6306	1							
13	1	1A8292-28310	ARM ASSY, FRONT	1							
14	1	1A8292-28350	WASHER, 22X32X2	1							
15	1	1A8296-28360	SEAL, TC223208	1							
16	1	1A8292-28370	PLATE, KEEP	1							
17	1	1A8296-28851	ARM ASSY	1							
18	1	22217-140000	WASHER, SPRING 14	4							
19	1	22312-100180	PIN, PARALLEL M10X18	2							
20	1	22351-060050	PIN, SPRING 6.0X50	1							
21	1	22351-060050	PIN, SPRING 6.0X50	1							
22	1	23491-140002	PLUG, 14	1							
23	1	24190-080001	BALL, STEEL 1/4	2							
24	1	24311-000160	O-RING, 1AP16.0	1							
25	1	24321-000800	O-RING, 1AG80.0	1							
26	1	24351-351500	O-RING, 1A35150	1							
27	1	24421-405508	SEAL, OIL TC405508	1							
28	1	26106-080162	BOLT, M8X 16 PLATED	1							
29	1	26106-080252	BOLT, M8X 25 PLATED	4							
30	1	26116-140402	BOLT, M14X 40 PLATED	4							

Fig.63. 4WD LEVER

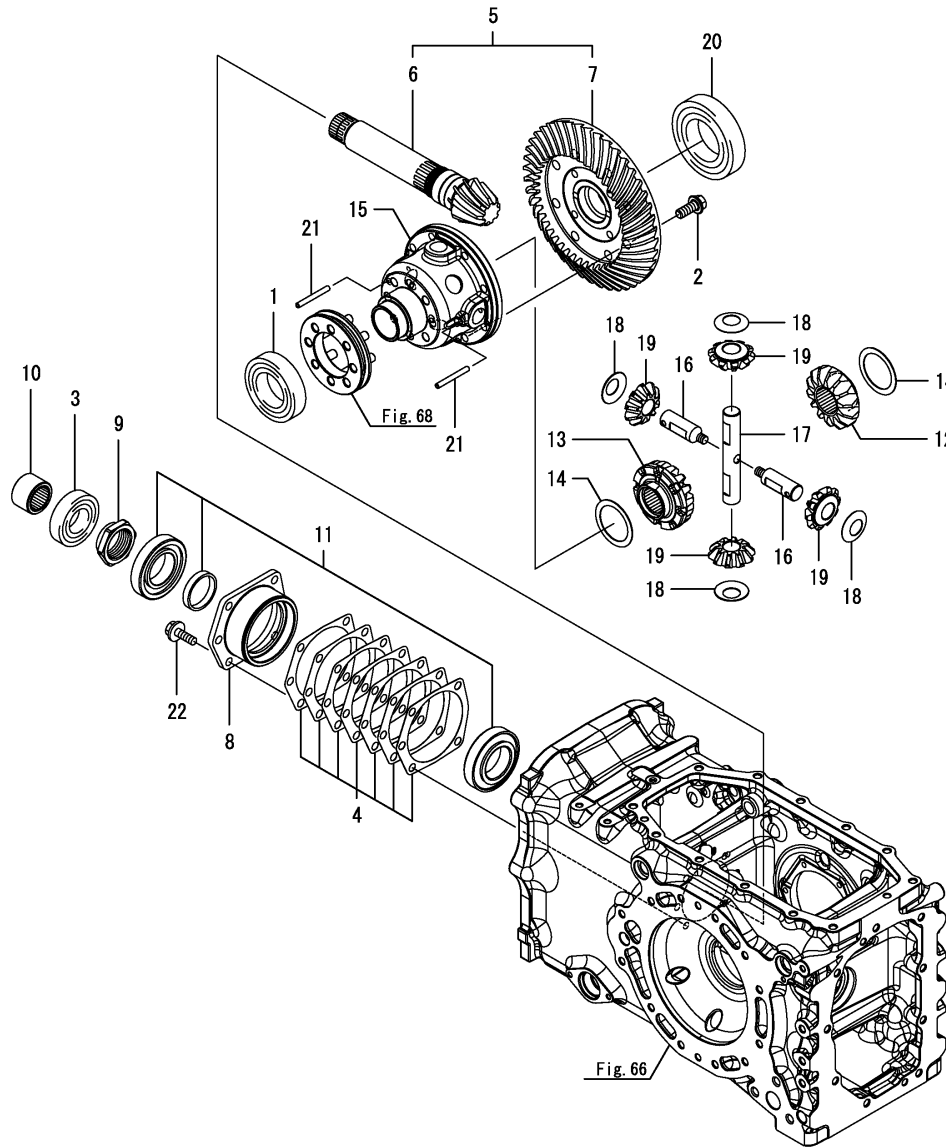
(A)=YT704(16)
(B)=
(C)=

(D)=
(E)=
(F)=



No.	Lev.	Parts No.	Description	Q'ty						I	R
				(A)	(B)	(C)	(D)	(E)	(F)		
1	1	1A8296-27840	LEVER, 4WD	1							
2	1	1A8296-27880	ROD ASSY, 4WD	1							
3	1	1A8296-27900	KNOB, ORANGE	1							
4	1	22137-100000	WASHER, 10	2							
5	1	22242-000180	RING, 18	1							
6	1	22417-200200	PIN, COTTER 2.0X20	2							

Fig.64. REAR DIFFERENTIAL



(A)=YT704(16)
(B)=
(C)=

(D)=
(E)=
(F)=

No.	Lev.	Parts No.	Description	Q'ty						I	R
				(A)	(B)	(C)	(D)	(E)	(F)		
1	1	1A8296-11470	BEARING, 6210	1							
2	1	198133-13780	BOLT, M12X30	8							
3	1	1A8296-26170	BEARING, 6207	1							
4	1	1A8296-31352	SHIM ASSY	1							
5	1	1A8292-31410	GEAR ASSY, RING	1							
6	2	1A8292-31420	SHAFT, COUNTER	1							
7	2	1A8292-31430	GEAR, RING	1							
8	1	1A8296-31440	RETAINER, BEARING	1							
9	1	1A8296-31450	NUT, LOCK	1							
10	1	1A8296-31460	COUPLING,	1							
11	1	1A8296-31481	BEARING ASSY	1							
12	1	192180-31510	GEAR,DIFF,SIDE	1							
13	1	1N3590-31510	GEAR, DIFF. SIDE	1							
14	1	192180-31550	WASHER,DIFF SIDE	2							
15	1	1A8292-31640	CASE, DIFFERENTIAL	1							
16	1	1A8060-31800	SHAFT, DIFF PINION	2							
17	1	1A8060-31810	SHAFT, DIFF PINION	1							
18	1	192180-31850	WASHER,DIFF PINION	4							
19	1	1A7090-31850	PINION, DIFFERENTIAL	4							
20	1	1A8296-32320	BEARING, 6212	1							
21	1	22351-060056	PIN, SPRING 6.0X56	2							
22	1	26106-100302	BOLT, M10X 30 PLATED	5							

Fig.65. DIFFERENTIAL CARRIER

(A)=YT704(16)
 (B)=
 (C)=

(D)=
 (E)=
 (F)=

No.	Lev.	Parts No.	Description	Qty						I	R
				(A)	(B)	(C)	(D)	(E)	(F)		
1	1	1A8292-32310	CARRIER,DIFFERENTIAL	1							
2	1	1A8296-32362	SHIM ASSY, DIFF	1							
3	1	26116-100252	BOLT, M10X 25 PLATED	6							

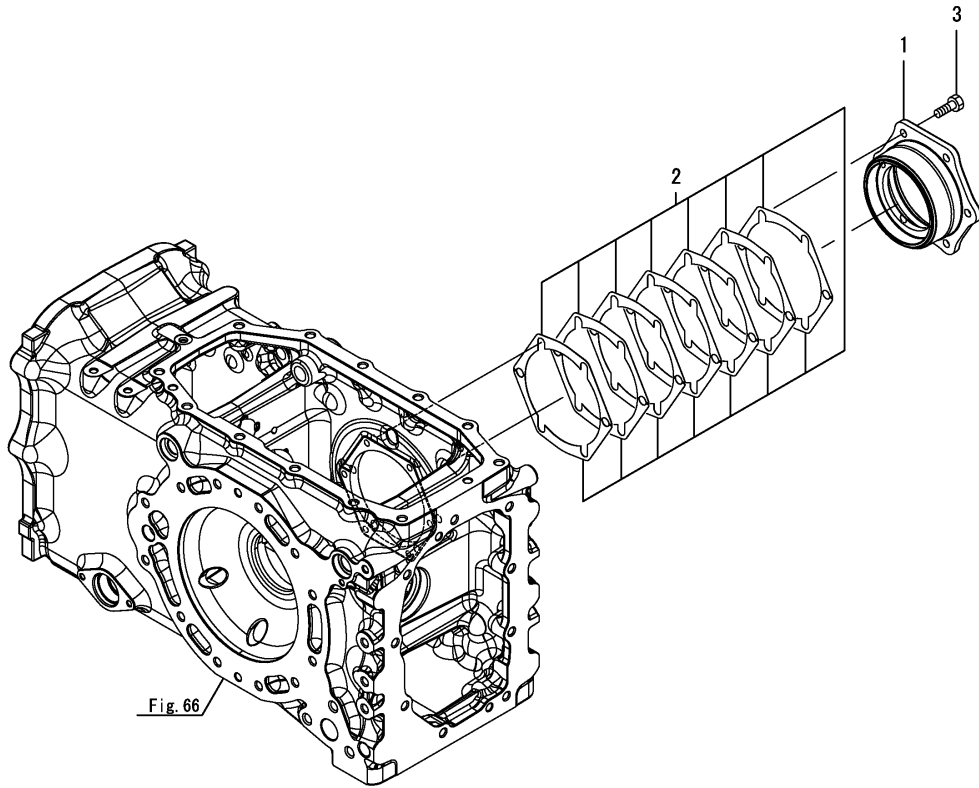
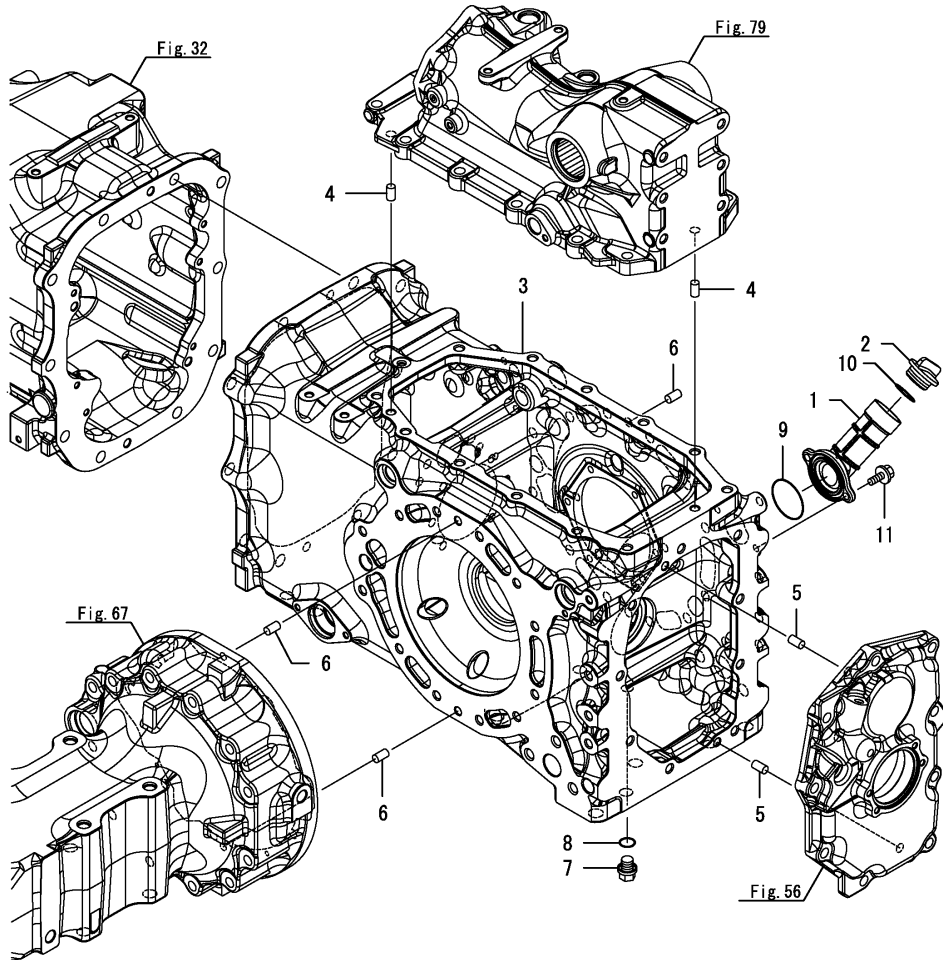


Fig. 66

Fig.66. DIFFERENTIAL HOUSING

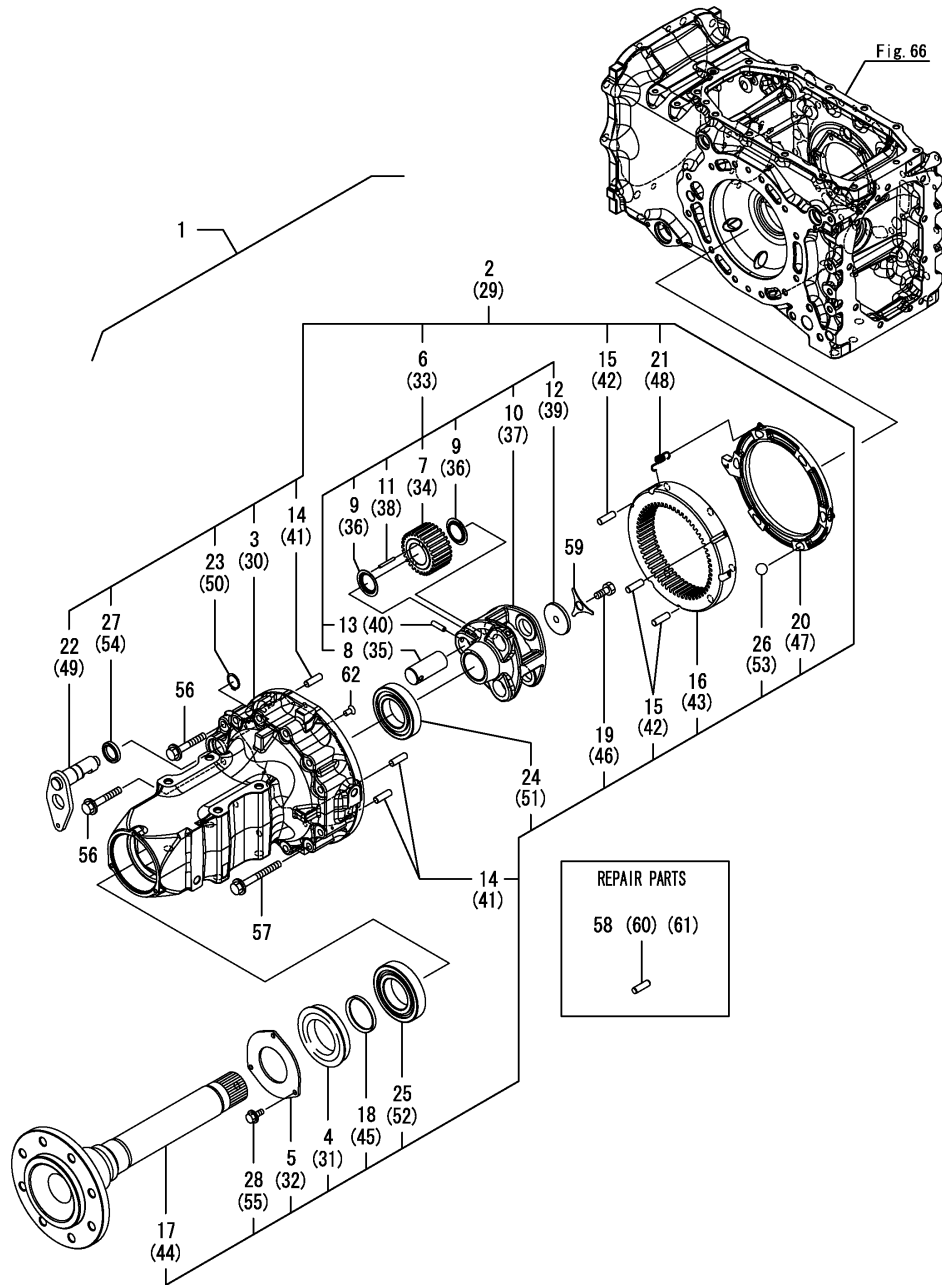
(A)=YT704(16)
(B)=
(C)=

(D)=
(E)=
(F)=



No.	Lev.	Parts No.	Description	Qty						I	R
				(A)	(B)	(C)	(D)	(E)	(F)		
1	1	198240-24690	NECK, FILLER	1							
2	1	1A7870-24910	CAP, OIL	1							
3	1	1A8292-32410	HOUSING, DIFF.	1							
4	1	22312-100180	PIN, PARALLEL M10X18	2							
5	1	22312-100180	PIN, PARALLEL M10X18	2							
6	1	22312-100180	PIN, PARALLEL M10X18	4							
7	1	23491-140002	PLUG, 14	1							
8	1	24311-000160	O-RING, 1AP16.0	1							
9	1	24311-000500	O-RING, 1AP50.0	1							
10	1	24351-240300	O-RING, 1A24030	1							
11	1	26106-080202	BOLT, M8X 20 PLATED	2							

Fig.67. REAR AXLE CASE



(A)=YT704(16)

(B)=

(C)=

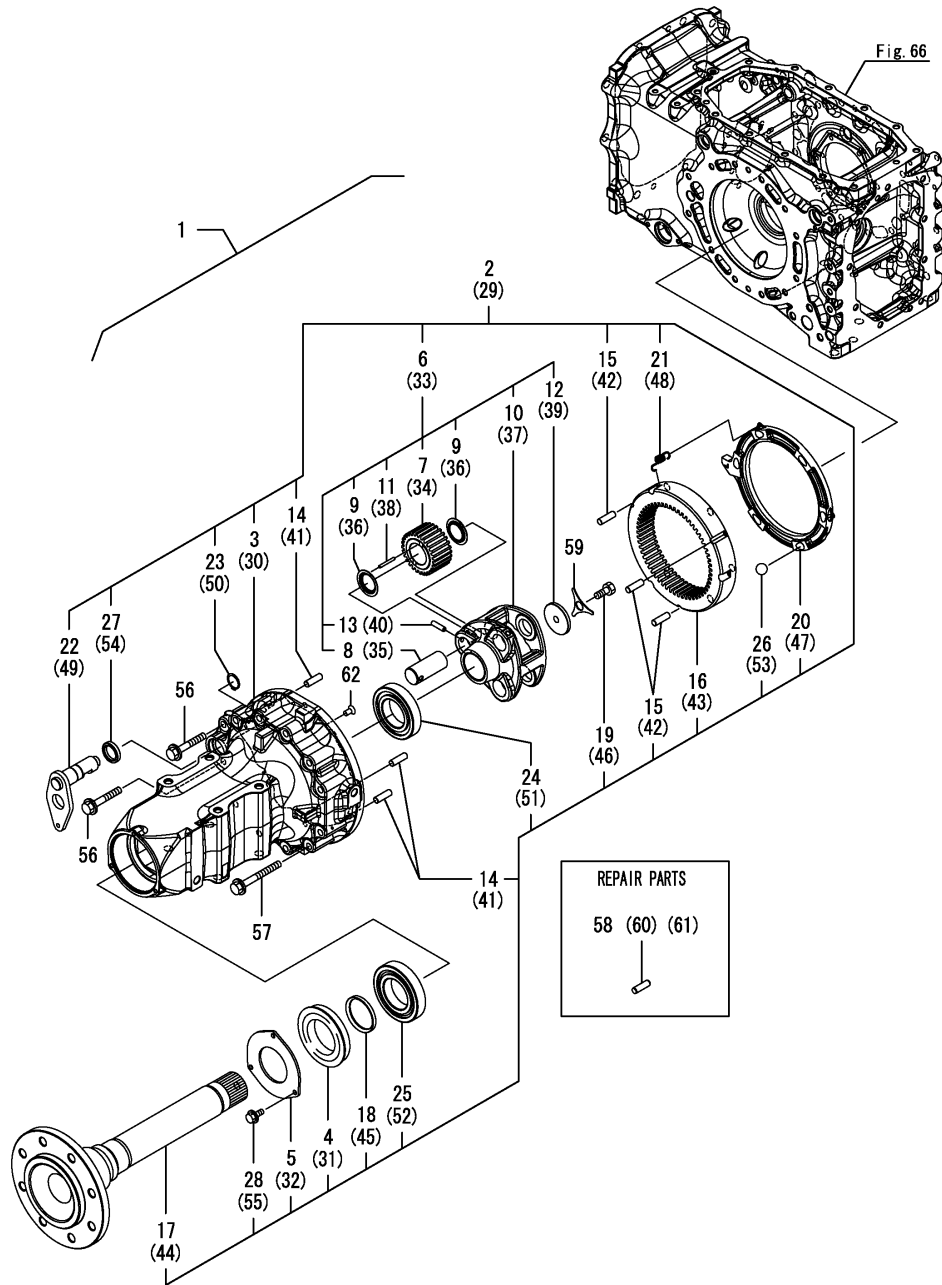
(D)=

(E)=

(F)=

No.	Lev.	Parts No.	Description	Qty						I	R
				(A)	(B)	(C)	(D)	(E)	(F)		
1	1	1A8296-32101	AXLE ASSY, REAR	1							
2	2	1A8296-32111	AXLE ASSY, REAR L	1							
3	3	1A8296-32600	HOUSING, REAR AXLE	1							
4	3	1A8296-32690	SEAL, QLFY7512019.5	1							
5	3	1A8296-32700	PLATE, SEAL	1							
6	3	1A8296-33421	CARRIER ASSY, PLANETA	1							
7	4	1A8296-33430	PINION, PLANETARY	3							
8	4	1A8296-33440	SHAFT, PLANETARY	3							
9	4	1A8296-33450	WASHER, THRUST	6							
10	4	1A8296-33460	CARRIER, PLANETARY	1							
11	4	1A8296-33470	NEEDLE, 5X39.8	75							
12	4	1A8296-34131	PLATE,	1							
13	4	22351-080032	PIN, SPRING 8.0X32	3							
14	3	1A8296-33491	PIN, R/H	3							
15	3	1A8296-33491	PIN, R/H	3							
16	3	1A8296-33510	GEAR, INTERNAL	1							
17	3	1A8296-34100	SHAFT, REAR AXLE	1							
18	3	1A8296-34110	COLLAR, 65X75X8	1							
19	3	1A8296-34140	BOLT, M12X30	1							
20	3	1A8296-36351	ACTUATOR, L	1							
21	3	1A8296-36370	SPRING, RETURN	3							
22	3	1A8296-36711	LEVER ASSY, CAM	1							
23	3	1A8296-36750	RING, 29	1							
24	3	24101-062124	BEARING, BALL 6212	1							
25	3	24101-062134	BEARING, BALL 6213	1							
26	3	24190-180001	BALL, STEEL 9/16	6							
27	3	24421-304208	SEAL, OIL TC304208	1							
28	3	26106-080162	BOLT, M8X 16 PLATED	3							
29	2	1A8296-32121	AXLE ASSY, REAR R	1							
30	3	1A8296-32600	HOUSING, REAR AXLE	1							
31	3	1A8296-32690	SEAL, QLFY7512019.5	1							
32	3	1A8296-32700	PLATE, SEAL	1							
33	3	1A8296-33421	CARRIER ASSY, PLANETA	1							
34	4	1A8296-33430	PINION, PLANETARY	3							
35	4	1A8296-33440	SHAFT, PLANETARY	3							
36	4	1A8296-33450	WASHER, THRUST	6							
37	4	1A8296-33460	CARRIER, PLANETARY	1							
38	4	1A8296-33470	NEEDLE, 5X39.8	75							
39	4	1A8296-34131	PLATE,	1							
40	4	22351-080032	PIN, SPRING 8.0X32	3							
41	3	1A8296-33491	PIN, R/H	3							
42	3	1A8296-33491	PIN, R/H	3							
43	3	1A8296-33510	GEAR, INTERNAL	1							
44	3	1A8296-34100	SHAFT, REAR AXLE	1							
45	3	1A8296-34110	COLLAR, 65X75X8	1							
46	3	1A8296-34140	BOLT, M12X30	1							
47	3	1A8296-36361	ACTUATOR, R	1							
48	3	1A8296-36370	SPRING, RETURN	3							
49	3	1A8296-36711	LEVER ASSY, CAM	1							
50	3	1A8296-36750	RING, 29	1							
51	3	24101-062124	BEARING, BALL 6212	1							

Fig.67. REAR AXLE CASE

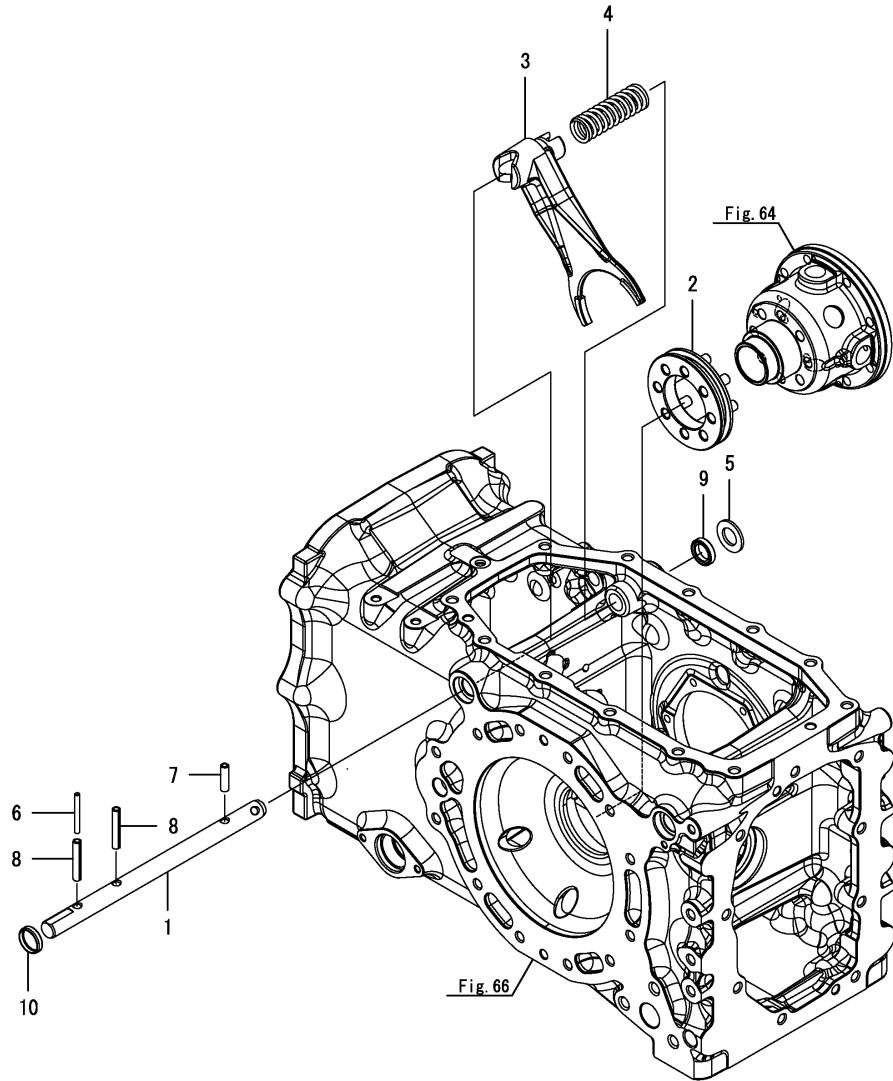


(A)=YT704(16)
(B)=
(C)=

(D)=
(E)=
(F)=

No.	Lev.	Parts No.	Description	Q'ty						I	R
				(A)	(B)	(C)	(D)	(E)	(F)		
52	3	24101-062134	BEARING, BALL 6213	1							
53	3	24190-180001	BALL, STEEL 9/16	6							
54	3	24421-304208	SEAL, OIL TC304208	1							
55	3	26106-080162	BOLT, M8X 16 PLATED	3							
56	1	1A8296-32350	BOLT, 12X80	4							
57	1	1A8296-32460	BOLT, 12X110	20							
58	1	1A8296-33491	PIN, R/H	6							
59	1	1A8296-34150	WASHER, REAR AXLE	2							
60	1	1A8296-99010	PIN, R/H 12.05	6							
61	1	1A8296-99020	PIN, R/H 12.1	6							
62	1	22635-600120	RIVET, 6.0X12	6							

Fig.68. DIFFERENTIAL LOCK



(A)=YT704(16)
(B)=
(C)=

(D)=
(E)=
(F)=

No.	Lev.	Parts No.	Description	Q'ty						I	R
				(A)	(B)	(C)	(D)	(E)	(F)		
1	1	1A8292-33060	SHAFT, DIFF.LOCK	1							
2	1	1A8292-33070	SLIDER, DIFF LOCK 8	1							
3	1	1A8296-33122	FORK, DIFF LOCK	1							
4	1	1A8296-33140	SPRING, DIFF LOCK	1							
5	1	22137-200000	WASHER, 20	1							
6	1	22351-050050	PIN, SPRING 5.0X50	1							
7	1	22351-080032	PIN, SPRING 8.0X32	1							
8	1	22351-080050	PIN, SPRING 8.0X50	2							
9	1	24421-203007	SEAL, OIL TC203007	1							
10	1	27260-300000	PLUG, 30	1							

Fig.69. DIFFERENTIAL LOCK PEDAL

(A)=YT704(16
(B)=
(C)=

(D)=
(E)=
(F)=

No.	Lev.	Parts No.	Description	Qty						I	R
				(A)	(B)	(C)	(D)	(E)	(F)		
1	1	1A8296-33150-1	PEDAL, DIFF LOCK	1							
2	1	22351-050040	PIN, SPRING 5.0X40	1							
3	1	22351-080040	PIN, SPRING 8.0X40	1							

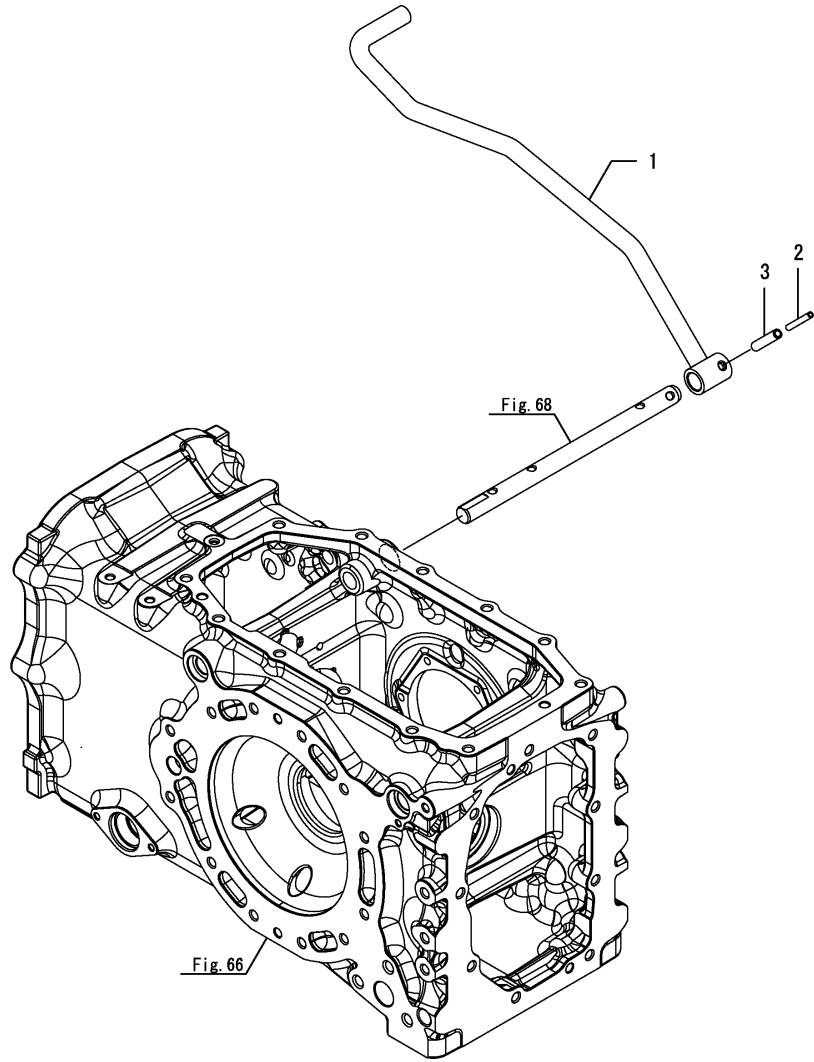


Fig.70. FINAL PINION

(A)=YT704(16)
(B)=
(C)=

(D)=
(E)=
(F)=

No.	Lev.	Parts No.	Description	Qty						I	R
				(A)	(B)	(C)	(D)	(E)	(F)		
1	1	1A8296-33400	PINION, FINAL L	1							
2	1	1A8296-33410	PINION, FINAL R	1							

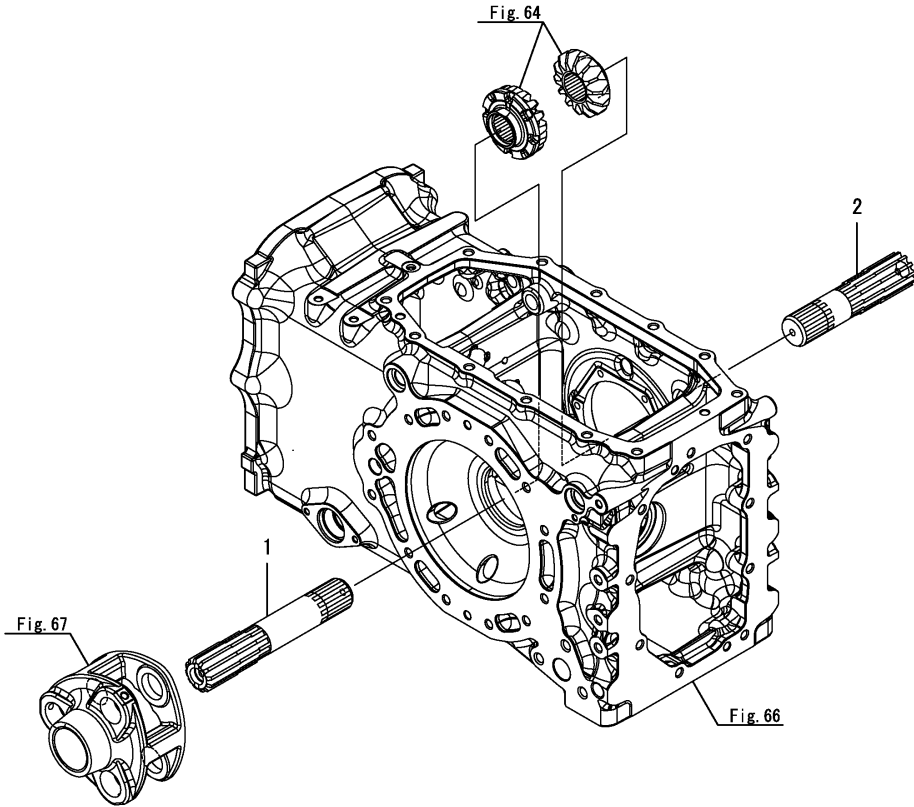
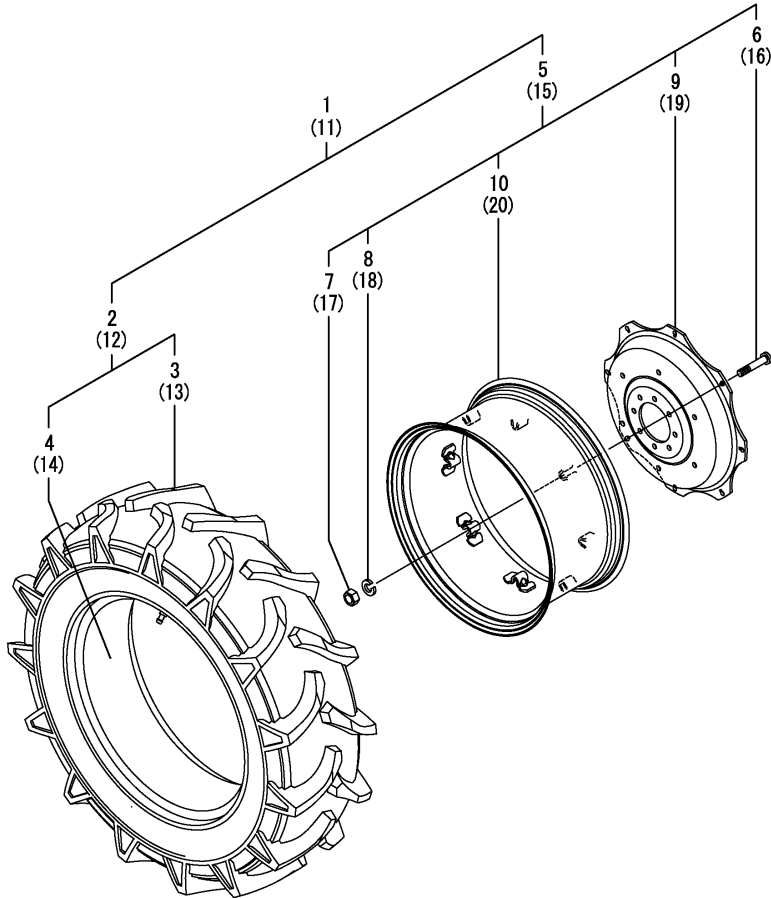


Fig.71. REAR WHEEL TIRE

(A)=YT704(16
(B)=
(C)=

(D)=
(E)=
(F)=

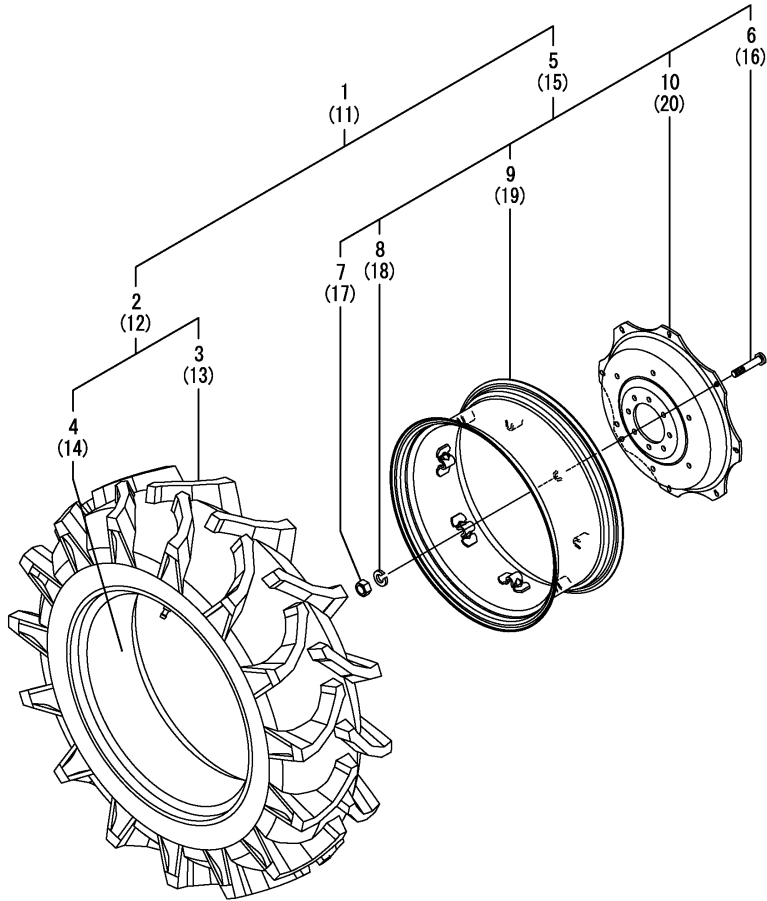


No.	Lev.	Parts No.	Description	Qty						I	R
				(A)	(B)	(C)	(D)	(E)	(F)		
1	1	1A8296-34750	TIRE KIT, 16.9-30 L	1							
2	2	1A8296-34760	TIRE, 16.9-30 R1	1							
3	3	1A8296-34770	TIRE,16.9-30	1							
4	3	1A8296-34780	TUBE,16.9-30	1							
5	2	1A8296-34950	WHEEL ASSY, W14LX30	1							
6	3	1A8296-34650	BOLT, M16X85	8							
7	3	1A8296-34660	NUT, M16	8							
8	3	1A8296-34670	WASHER, SPRING M16	8							
9	3	1A8296-34940	DISK, 30	1							
10	3	1A8296-34960	RIM ASSY, W14LX30	1							
11	1	1A8296-34850	TIRE KIT, 16.9-30 R	1							
12	2	1A8296-34760	TIRE, 16.9-30 R1	1							
13	3	1A8296-34770	TIRE,16.9-30	1							
14	3	1A8296-34780	TUBE,16.9-30	1							
15	2	1A8296-34950	WHEEL ASSY, W14LX30	1							
16	3	1A8296-34650	BOLT, M16X85	8							
17	3	1A8296-34660	NUT, M16	8							
18	3	1A8296-34670	WASHER, SPRING M16	8							
19	3	1A8296-34940	DISK, 30	1							
20	3	1A8296-34960	RIM ASSY, W14LX30	1							

Fig.72. REAR WHEEL TIRE(HIGH LUG)

(A)=YT704(16)
(B)=
(C)=

(D)=
(E)=
(F)=



No.	Lev.	Parts No.	Description	Q'ty						I	R
				(A)	(B)	(C)	(D)	(E)	(F)		
1	1	1A8296-34700	TIRE KIT, 14.9-30 L	1							
2	2	1A8296-34710	TIRE, 14.9-30 PR1	1							
3	3	1A8296-34720	TIRE,14.9-30	1							
4	3	1A8296-34730	TUBE,14.9-30	1							
5	2	1A8296-34900	WHEEL ASSY, W12X30	1							
6	3	1A8296-34650	BOLT, M16X85	8							
7	3	1A8296-34660	NUT, M16	8							
8	3	1A8296-34670	WASHER, SPRING M16	8							
9	3	1A8296-34910	RIM ASSY, W12X30	1							
10	3	1A8296-34940	DISK, 30	1							
11	1	1A8296-34800	TIRE KIT, 14.9-30 R	1							
12	2	1A8296-34710	TIRE, 14.9-30 PR1	1							
13	3	1A8296-34720	TIRE,14.9-30	1							
14	3	1A8296-34730	TUBE,14.9-30	1							
15	2	1A8296-34900	WHEEL ASSY, W12X30	1							
16	3	1A8296-34650	BOLT, M16X85	8							
17	3	1A8296-34660	NUT, M16	8							
18	3	1A8296-34670	WASHER, SPRING M16	8							
19	3	1A8296-34910	RIM ASSY, W12X30	1							
20	3	1A8296-34940	DISK, 30	1							

Fig.73. BRAKE

(A)=YT704(16
(B)=
(C)=

(D)=
(E)=
(F)=

No.	Lev.	Parts No.	Description	Q'ty						I	R
				(A)	(B)	(C)	(D)	(E)	(F)		
1	1	1A8296-36210	PLATE, BRAKE	4							
2	1	1A7451-36350	PLATE, FRICTION	4							

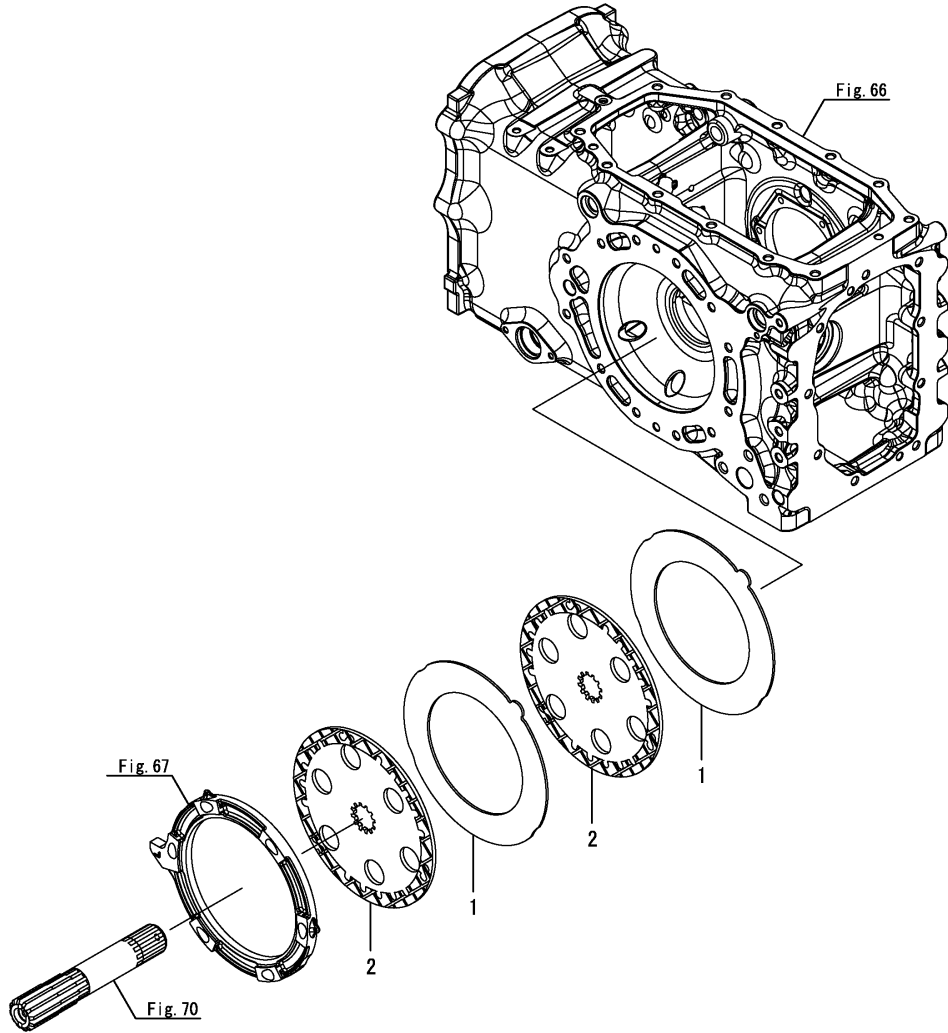


Fig.74. PEDAL

(A)=YT704(16

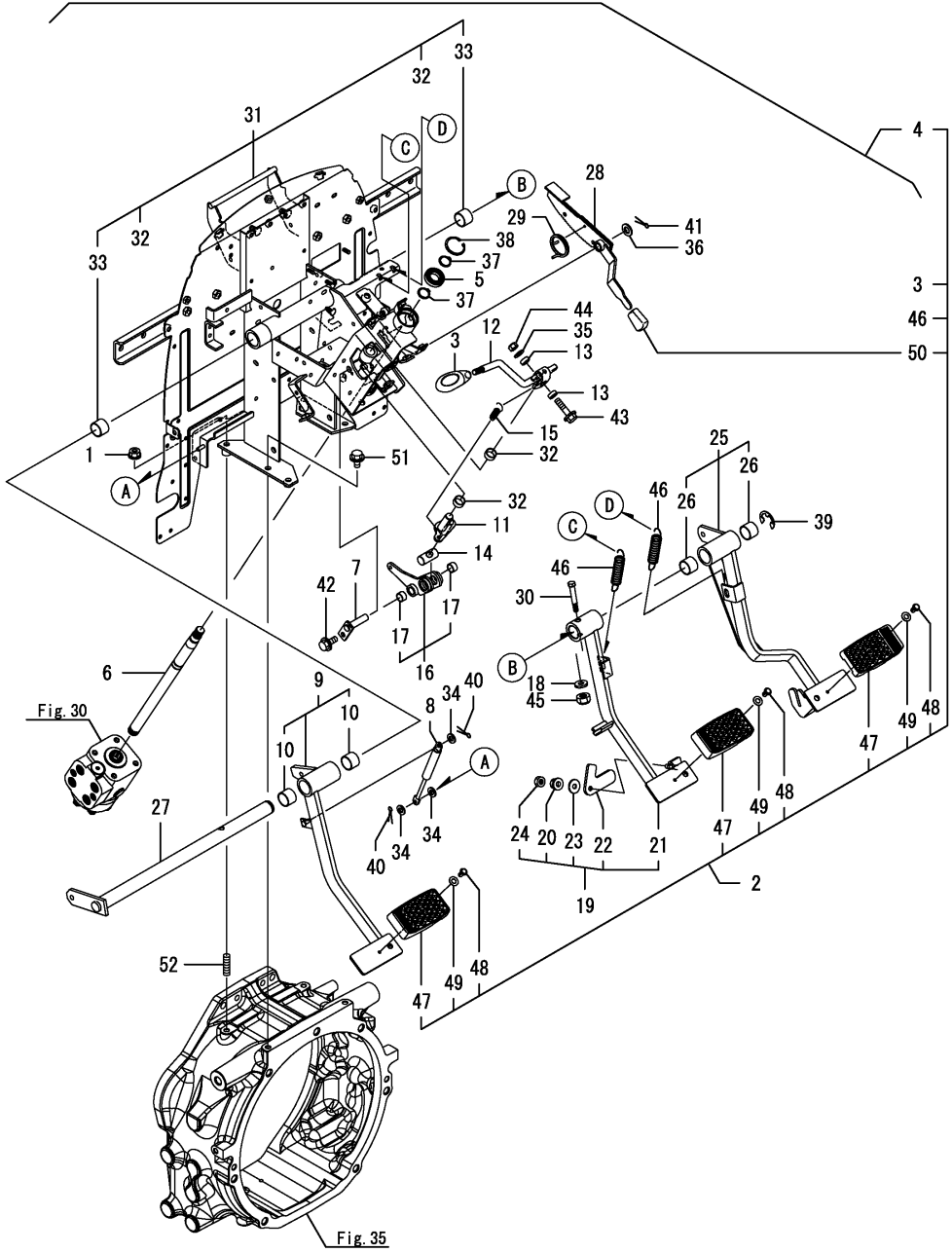
(B)=

(C)=

(D)=

(E)=

(F)=



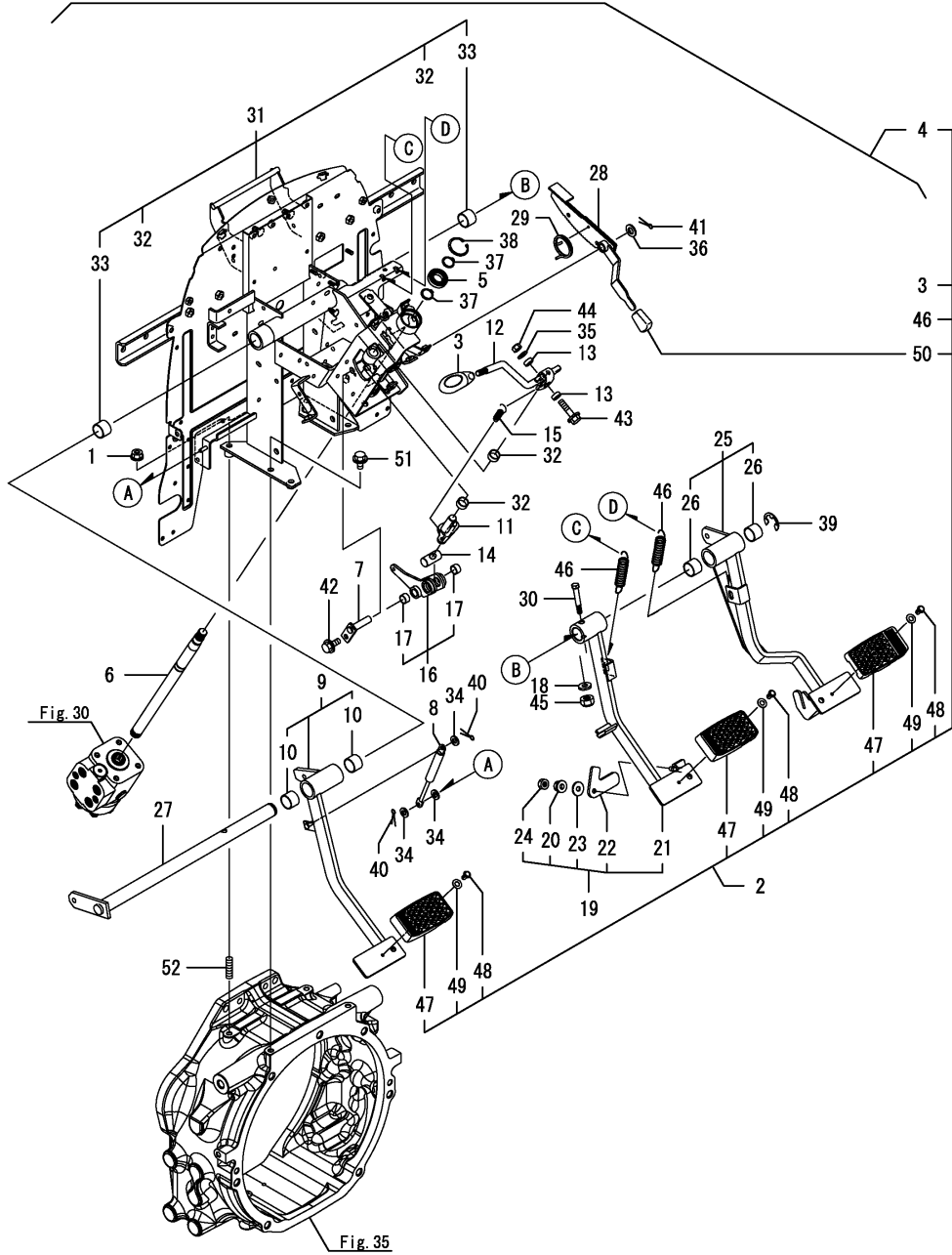
No.	Lev.	Parts No.	Description	Qty						I	R
				(A)	(B)	(C)	(D)	(E)	(F)		
1	1	194990-22150	NUT, M10	2							
2	1	1A8292-37200	PEDAL UNIT	1							
3	2	1A8296-27780	KNOB, ORENGE	1							
4	2	1A8292-37210	PEDAL UNIT, SUB	1							
5	3	1A8296-15240	BEARING, 6904LLU	1							
6	3	1A8296-15320	SHAFT, STEERING	1							
7	3	1A8296-15400	SHAFT ASSY,R-ARM	1							
8	3	1A8296-22500	SPRING, GAS 300	1							
9	3	1A8296-22830-1	PEDAL UNIT, CLUTCH	1							
10	4	24550-025200	BUSH, 25X20	2							
11	3	1A8296-27001	SHAFT ASSY, REVERSER	1							
12	3	1A8296-27040	LEVER ASSY, REVERSER	1							
13	3	1A8296-27070	COLLAR, 8.2X14X5.3	2							
14	3	1A8296-27081	PIN, CONNECT	1							
15	3	1A8292-27090	SPRING, RETURN	1							
16	3	1A8292-27440	ARM UNIT, REVERSER	1							
17	4	24550-012080	BUSH, 12X 8	2							
18	3	1C727C-32020	WASHER, 8.5X20X3	1							
19	3	1A8296-37310-1	PEDAL UNIT, BRAKE L	1							
20	4	194990-22140	NUT, M8	1							
21	4	1A8296-37300-1	PEDAL ASSY, BRAKE L	1							
22	4	1A8296-37620-1	CONNECTOR,	1							
23	4	22157-080000	WASHER, 8	1							
24	4	26716-080002	NUT, M8	1							
25	3	1A8296-37400-1	PEDAL UNIT, BRAKE R	1							
26	4	24550-025200	BUSH, 25X20	2							
27	3	1A8296-37550-1	SHAFT ASSY, BRAKE	1							
28	3	1A8296-37650	LEVER ASSY, PARKING	1							
29	3	1A8296-37700	SPRING, LOCK	1							
30	3	1A8292-37990	BOLT, REAMER 8X55	1							
31	3	1A8292-61690	FRAME UNIT, PEDAL	1							
32	4	24550-015080	BUSH, 15X 8	2							
33	4	24550-025200	BUSH, 25X20	2							
34	3	22137-060000	WASHER, 6	3							
35	3	22137-080000	WASHER, 8	1							
36	3	22137-120000	WASHER, 12	1							
37	3	22242-000200	RING, 20	2							
38	3	22252-000370	RING, 37	1							
39	3	22272-000190	RING, E-19	1							
40	3	22417-160180	PIN, COTTER 1.6X18	2							
41	3	22417-250320	PIN, COTTER 2.5X32	1							
42	3	26106-080162	BOLT, M8X 16 PLATED	1							
43	3	26106-080352	BOLT, M8X 35 PLATED	1							
44	3	26346-080002	NUT, M8	1							
45	3	26346-080002	NUT, M8	1							
46	2	1A8292-37940	SPRING, RETURN	2							
47	2	1A8296-37950	COVER, PEDAL HEAD	3							
48	2	1A8296-37960	RIVET, PEDAL HEAD	3							
49	2	1A8292-37970	WASHER, RIVET	3							
50	2	1A8296-37980	KNOB,	1							
51	1	26106-100202	BOLT, M10X 20 PLATED	2							

N:Old $\begin{matrix} \text{Yes} \\ \text{No} \end{matrix}$ New, Q:Old $\begin{matrix} \text{No} \\ \text{Yes} \end{matrix}$ New, R:Old $\begin{matrix} \text{Yes} \\ \text{No} \end{matrix}$ New, S:Old $\begin{matrix} \text{No} \\ \text{Yes} \end{matrix}$ New, W:Add, Z:Discontinued, F:Interchangeable by set, K:Q'ty Change
 ++ CONTINUE ++
 Copyright (C) 2016 YANMAR CO., LTD. All Rights Reserved.

Fig.74. PEDAL

(A)=YT704(16)
(B)=
(C)=

(D)=
(E)=
(F)=



No.	Lev.	Parts No.	Description	Q'ty						I	R
				(A)	(B)	(C)	(D)	(E)	(F)		
52	1	26216-100352	STUD, M10X 35	2							

Fig.75. HEAT COVER

(A)=YT704(16)
(B)=
(C)=

(D)=
(E)=
(F)=

No.	Lev.	Parts No.	Description	Qty						I	R
				(A)	(B)	(C)	(D)	(E)	(F)		
1	1	1A8292-37910	PLATE, RUBBER R	1							
2	1	1A8292-37920	PLATE, RUBBER L	1							
3	1	1A8296-62970	RIVET, NYLON	9							

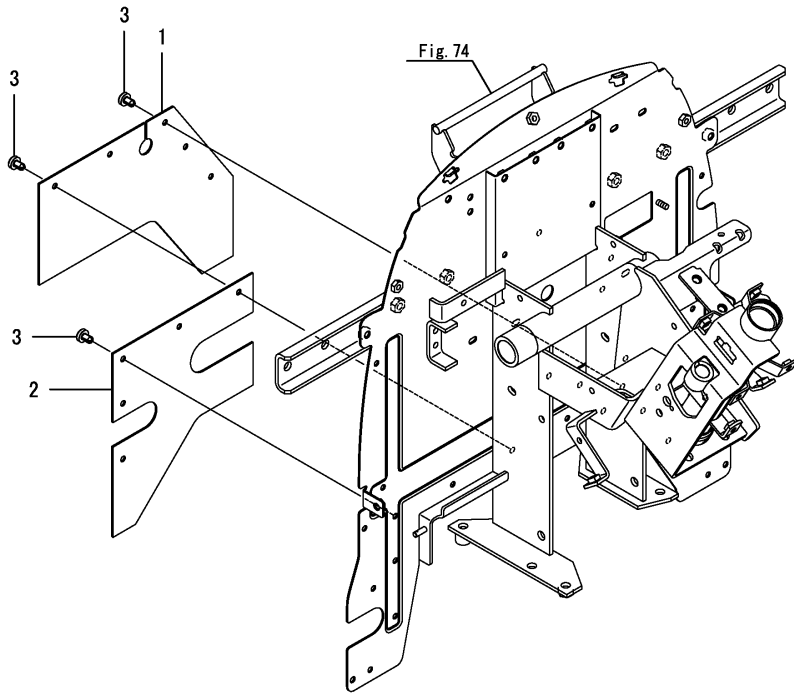
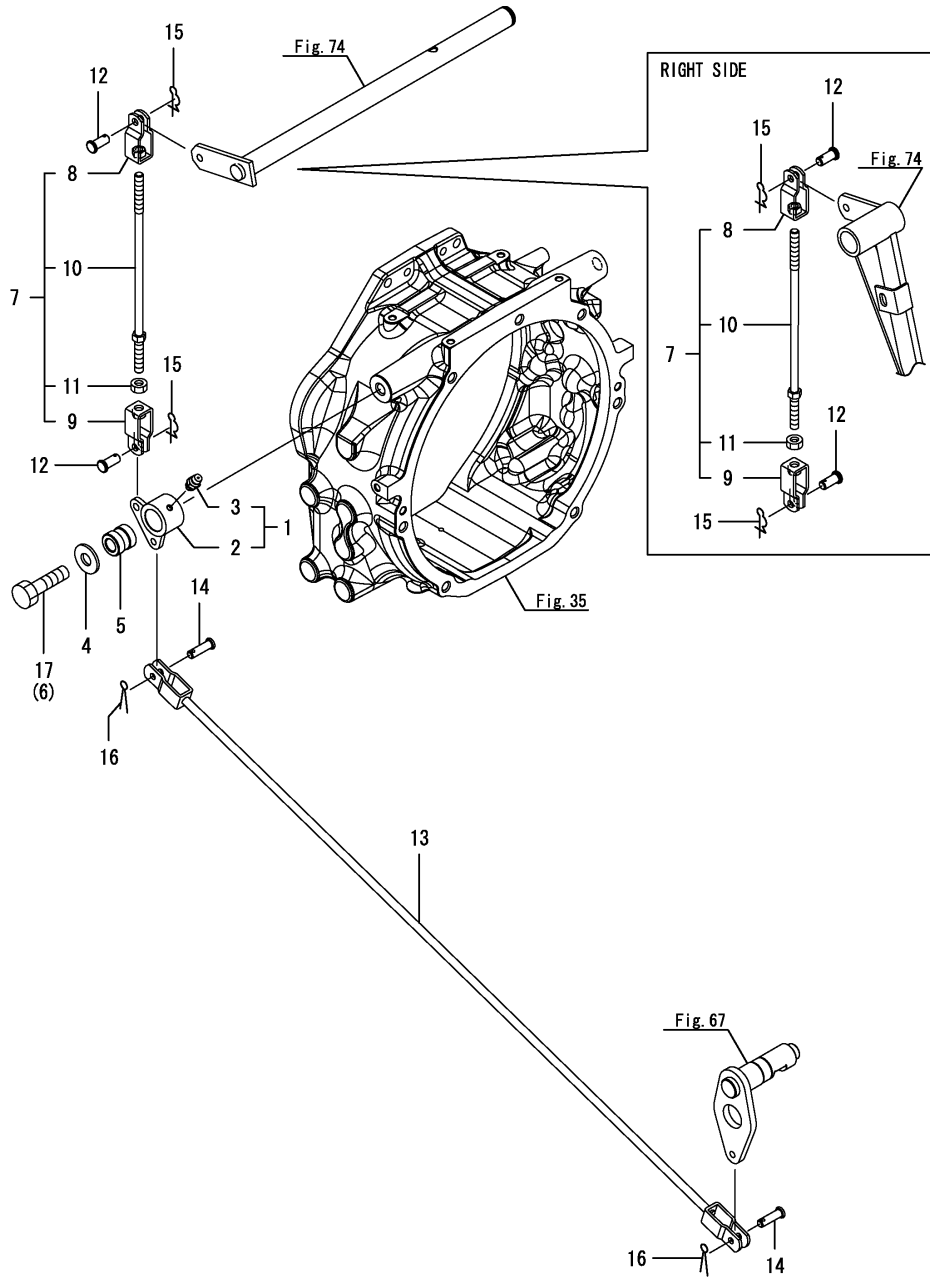


Fig.76. BRAKE LINK

(A)=YT704(16)
(B)=
(C)=

(D)=
(E)=
(F)=



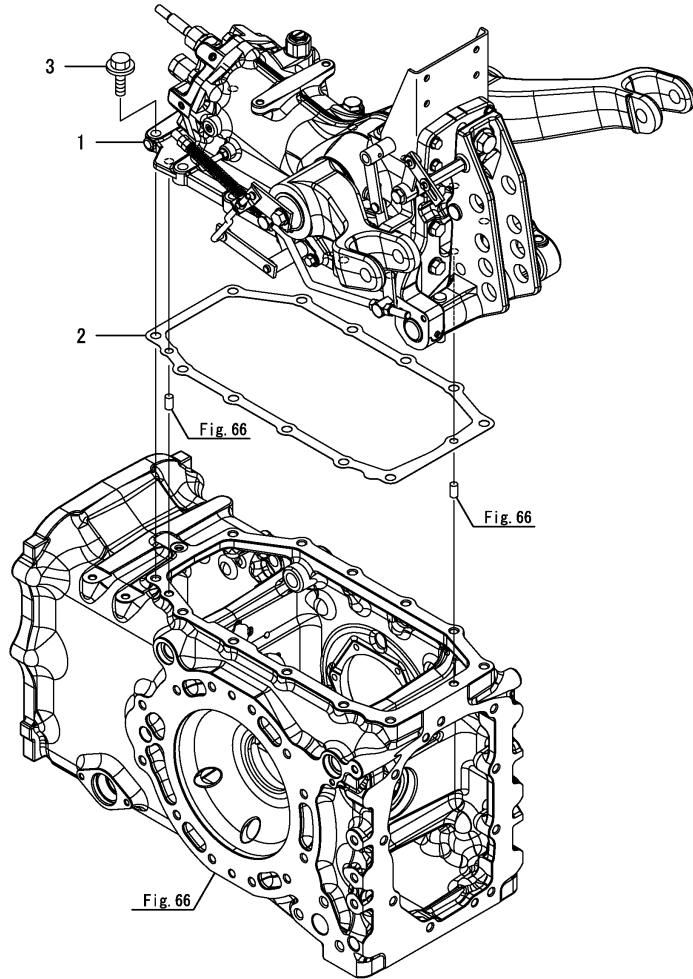
No.	Lev.	Parts No.	Description	Q'ty						I	R
				(A)	(B)	(C)	(D)	(E)	(F)		
1	1	1A8296-35300	ARM UNIT, BRAKE	2							
2	2	1A8296-35310	ARM ASSY, BRAKE	2							
3	2	24761-010000	NIPPLE, GREASE M6F	2							
4	1	1A8296-35340	WASHER, 16.2X38X3.5	2							
5	1	1A8296-35350	COLLAR,	2							
6	1	1A8296-35360	BOLT, M16X60 L	1							
7	1	1A8296-37000	ROD UNIT, BRAKE F	2							
8	2	1A8296-37010	JOINT ASSY, SCREW L	2							
9	2	1A8296-37040	JOINT ASSY, SCREW R	2							
10	2	1A8296-37050	ROD ASSY, BRAKE	2							
11	2	26716-100002	NUT, M10	2							
12	1	1A8296-37070	PIN,FLAT HEAD 8.9X16	4							
13	1	1A8296-37100	ROD ASSY, BRAKE	2							
14	1	1A8296-37901	PIN, FLAT HEAD 8X24	4							
15	1	1C730C-52320	PIN, SNAP 8	4							
16	1	22417-250300	PIN, COTTER 2.5X30	4							
17	1	26116-160602	BOLT, M16X 60 PLATED	1							

Fig.78. HYDRAULIC LIFT(1)

(A)=YT704(16)
(B)=
(C)=

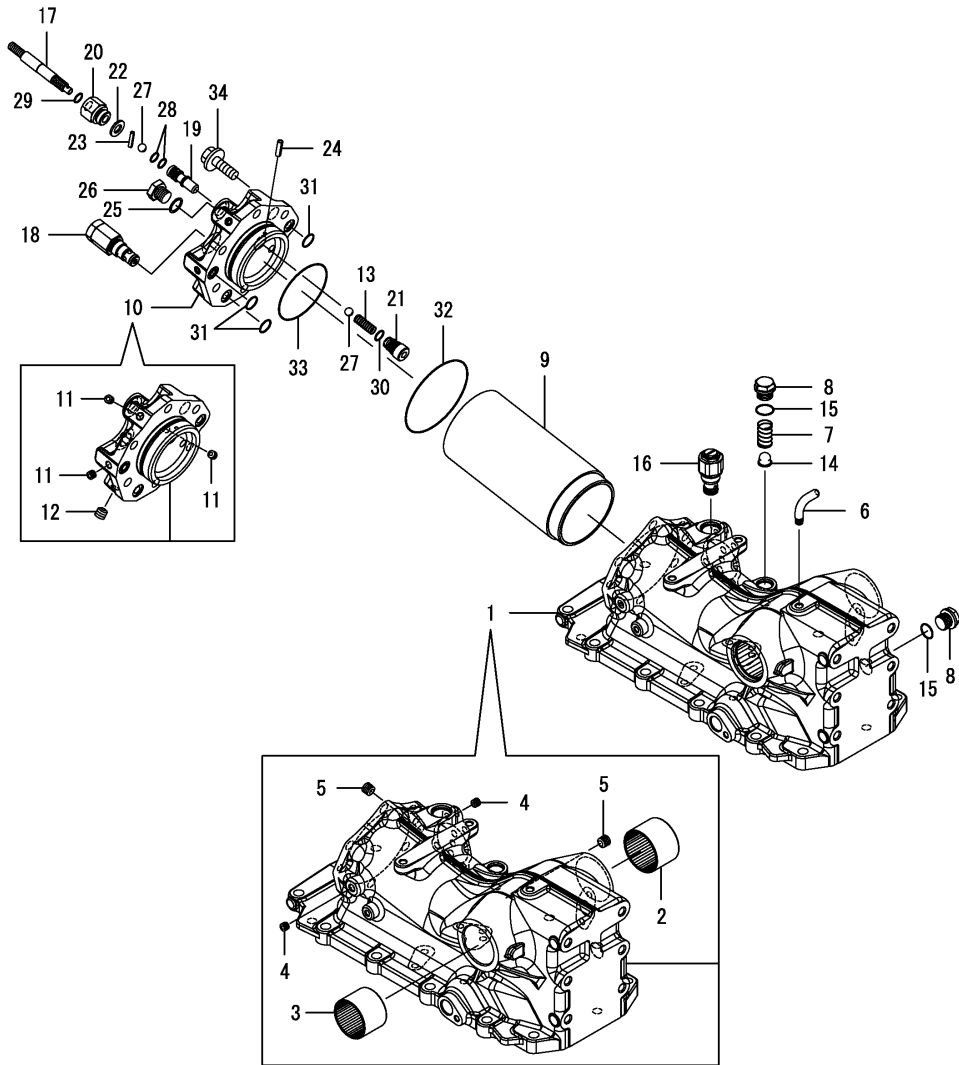
(D)=
(E)=
(F)=

No.	Lev.	Parts No.	Description	Q'ty						I	R
				(A)	(B)	(C)	(D)	(E)	(F)		
1	1	1A8292-42050	LIFT ASSY, HYD	1							1
2	1	1A8296-42130	GASKET, HYD HOUSING	1							
3	1	26106-120402	BOLT, M12X 40 PLATED	12							



Remarks
(1)The inner parts includes Fig.84 from Fig.79.

Fig.79. HYDRAULIC LIFT(2)

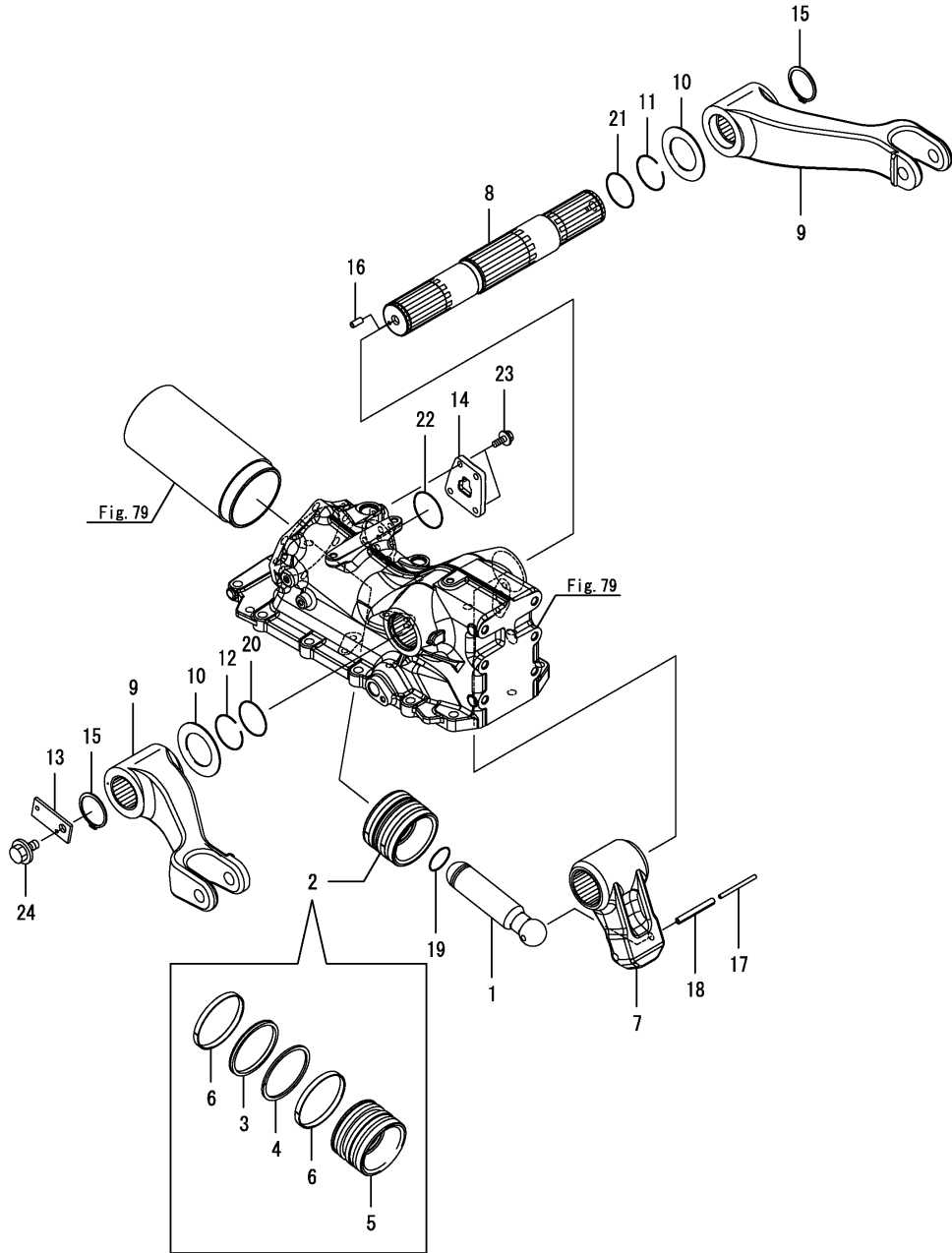


(A)=YT704(16)
(B)=
(C)=

(D)=
(E)=
(F)=

No.	Lev.	Parts No.	Description	Q'ty						I	R
				(A)	(B)	(C)	(D)	(E)	(F)		
1	2	1A8292-42100	HOUSING ASSY, CYLIND	1							
2	3	1A8296-42140	BUSH	1							
3	3	1A8296-42150	BUSH	1							
4	3	23876-010000	PLUG, R01	2							
5	3	23876-020000	PLUG, R02	2							
6	2	1A8296-42280	BREATHER	1							
7	2	1A8296-42300	SPRING,	1							
8	2	1A8296-42310	PLUG, M20	2							
9	2	1A8296-43110	LINER, CYLINDER	1							
10	2	1A8296-43201	HEAD ASSY, CYLINDER	1							
11	3	23876-010000	PLUG, R01	3							
12	3	23876-020000	PLUG, R02	1							
13	2	1A7180-43340	SPRING, CHECK	1							
14	2	1A7180-43730	STRAINER, A	1							
15	2	1A7180-43930	PACKING, JASO2017	2							
16	2	1A8292-45600	VALVE ASSY, RELIEF	1							
17	2	1A8296-46300	SHAFT, STOP VALVE	1							
18	2	1A8292-46400	VALVE ASSY, SAFETY	1							
19	2	1A7180-46610	VALVE, STOP	1							
20	2	1A7180-46651	GUIDE,	1							
21	2	1A7180-46660	PLUG, CHECK	1							
22	2	22117-080000	WASHER, 8	1							
23	2	22351-030016	PIN, SPRING 3.0X16	1							
24	2	22351-040016	PIN, SPRING 4.0X16	1							
25	2	23414-170022	GASKET, 17X1.0	1							
26	2	23893-030002	PLUG, G3/8	1							
27	2	24190-130003	BALL, STEEL 13/32	2							
28	2	24311-000110	O-RING, 1AP11.0	2							
29	2	24311-000120	O-RING, 1AP12.0	1							
30	2	24315-000120	O-RING, 1BP12.0	1							
31	2	24315-000140	O-RING, 1BP14.0	3							
32	2	24321-001100	O-RING, 1AG110.0	1							
33	2	24325-000850	O-RING, 1BG85.0	1							
34	2	26106-120302	BOLT, M12X 30 PLATED	6							

Fig.80. HYDRAULIC LIFT(3)

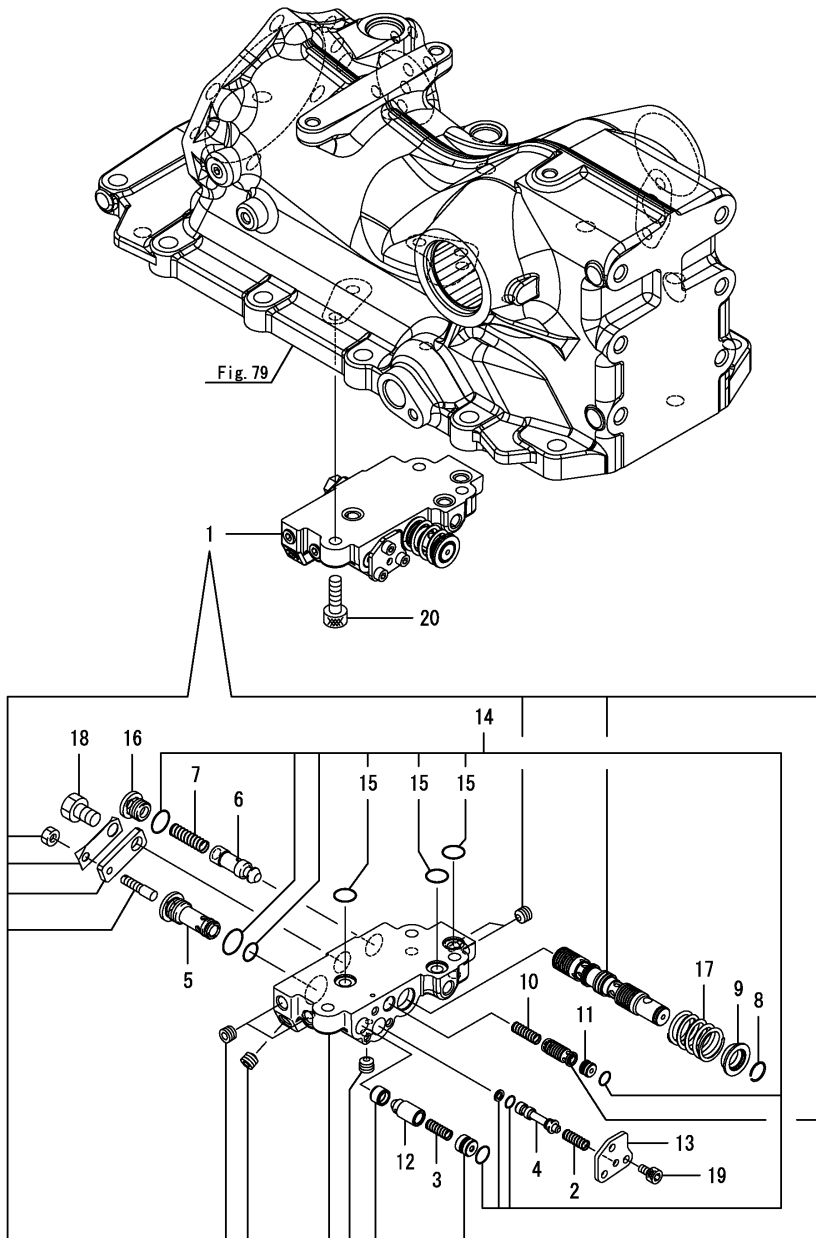


(A)=YT704(16)
(B)=
(C)=

(D)=
(E)=
(F)=

No.	Lev.	Parts No.	Description	Q'ty						I	R
				(A)	(B)	(C)	(D)	(E)	(F)		
1	2	1A7180-43410	ROD, PISTON	1							
2	2	1A8296-43970	PISTON ASSY	1							
3	3	1A8296-43910	SEAL,PISTON	1							
4	3	1A8296-43920	RING, BACK UP	1							
5	3	1A8296-43980	PISTON	1							
6	3	1A8296-43990	WEARING, 90	2							
7	2	1A8296-44110	CRANK,LIFT	1							
8	2	1A8292-44210	SHAFT, LIFT	1							
9	2	1A8296-44410	ARM, LIFT	2							
10	2	1A8296-44470	WASHER,52X82X2	2							
11	2	1A8296-44480	SPACER	1							
12	2	1A8296-44490	SPACER	1							
13	2	1A8296-44510	PLATE	1							
14	2	1A8296-46850	COVER,SCV	1							
15	2	22242-000480	RING, 48	2							
16	2	22351-050012	PIN, SPRING 5.0X12	1							
17	2	22351-050070	PIN, SPRING 5.0X70	1							
18	2	22351-080070	PIN, SPRING 8.0X70	1							
19	2	24311-000360	O-RING, 1AP36.0	1							
20	2	24321-000500	O-RING, 1AG50.0	1							
21	2	24321-000500	O-RING, 1AG50.0	1							
22	2	24321-000550	O-RING, 1AG55.0	1							
23	2	26106-080202	BOLT, M8X 20 PLATED	2							
24	2	26106-120202	BOLT, M12X 20 PLATED	1							

Fig.81. HYDRAULIC LIFT(4)

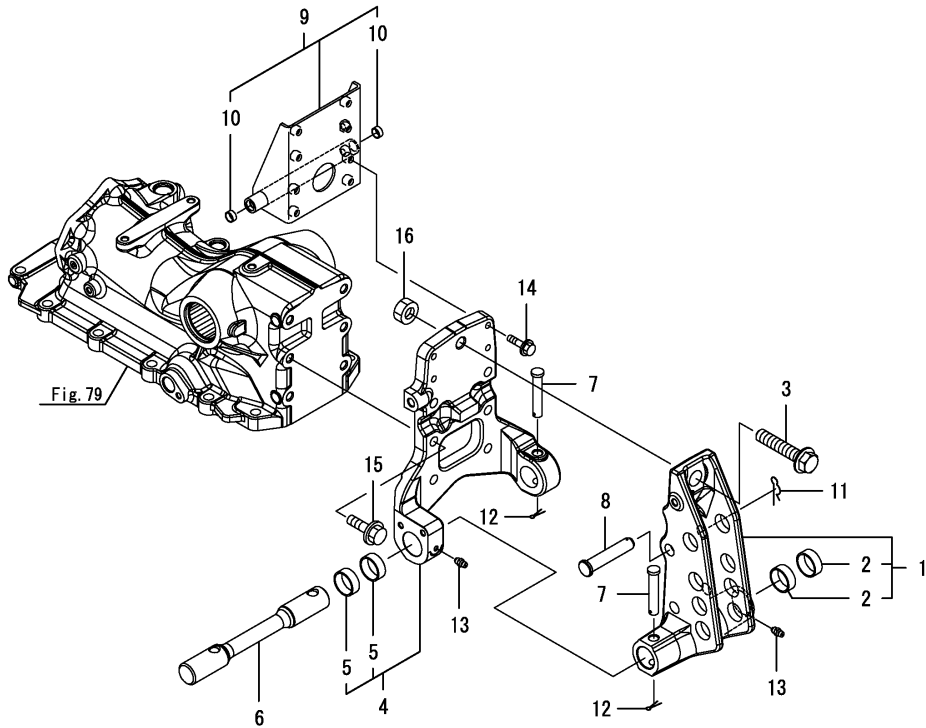


(A)=YT704(16)
(B)=
(C)=

(D)=
(E)=
(F)=

No.	Lev.	Parts No.	Description	Q'ty						I	R
				(A)	(B)	(C)	(D)	(E)	(F)		
1	2	1A8296-45201	VALVE ASSY, CONTROL	1							
2	3	1A8275-45230	SPRING	1							
3	3	1A8275-45240	SPRING	1							
4	3	1A8296-45250	SPOOL, MECHANICAL	1							
5	3	1A8296-45260	SLEEVE, MECHANICAL	1							
6	3	1A8275-45310	POPPET, UNLOAD	1							
7	3	1A8275-45320	SPRING	1							
8	3	1A8275-45330	RING, WIRY SNAP	1							
9	3	1A8275-45340	SEAT, SPRING	1							
10	3	1A8275-45360	SPRING	1							
11	3	1A8275-45370	PLUG	1							
12	3	1A8275-45420	POPPET, CHECK	1							
13	3	1A8275-45440	PLATE	1							
14	3	1A8275-45500	SEAL KIT, VALVE	1							
15	4	41851-000110	O-RING	3							
16	3	1A7880-45640	PLUG, LIFT VALVE	1							
17	3	1A8275-45980	SPRING	1							
18	3	26112-100162	BOLT M10X 16	1							
19	3	26450-050102	BOLT, M5X 10	3							
20	2	26450-080252	BOLT, M8X 25	3							

Fig.82. HYDRAULIC LIFT(5)



(A)=YT704(16)
(B)=
(C)=

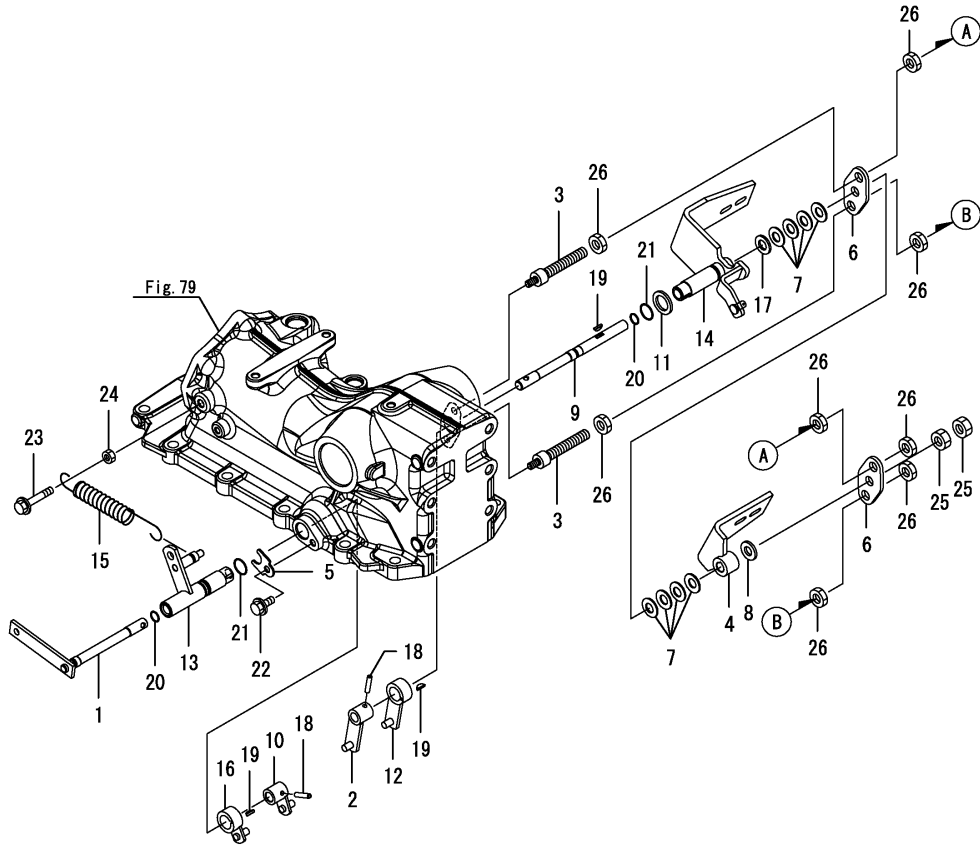
(D)=
(E)=
(F)=

No.	Lev.	Parts No.	Description	Q'ty						I	R
				(A)	(B)	(C)	(D)	(E)	(F)		
1	2	1A8292-47610	HINGE ASSY, TOP LINK	1							
2	3	24550-030120	BUSH, 30X12	2							
3	2	1A8292-47660	BOLT, M16X80	1							
4	2	1A8292-47700	SUPPORT ASSY, HINGE	1							
5	3	24550-030120	BUSH, 30X12	2							
6	2	1A8292-47750	BAR, TORSION	1							
7	2	1A8292-47770	PIN, FLAT HEAD	2							
8	2	1A8292-47870	PIN, LOCK	1							
9	2	1A8292-49570	SUPPORT ASSY, LINK	1							
10	3	24550-012060	BUSH, 12X 6	2							
11	2	22372-160000	PIN, SNAP 16	1							
12	2	22417-320250	PIN, COTTER 3.2X25	2							
13	2	24761-010000	NIPPLE, GREASE M6F	2							
14	2	26106-080302	BOLT, M8X 30 PLATED	4							
15	2	26106-120402	BOLT, M12X 40 PLATED	6							
16	2	26776-160002	NUT, LOCK M16	1							

Fig.83. HYDRAULIC LIFT(6)

(A)=YT704(16)
(B)=
(C)=

(D)=
(E)=
(F)=



No.	Lev.	Parts No.	Description	Q'ty						I	R
				(A)	(B)	(C)	(D)	(E)	(F)		
1	2	1A8292-47010	SHAFT, FEEDBACK	1							
2	2	1A8296-47140	ARM, CONTROL	1							
3	2	1A8292-47290	BOLT, STUD	2							
4	2	1A8292-47300	LEVER, CONTROL	1							
5	2	1A8296-47360	PLATE, KEEP	1							
6	2	1A8292-47370	PLATE, RETAIN	2							
7	2	1A8296-47380	SPRING,DISK	8							
8	2	1A8292-47440	PLATE, FRICTION	1							
9	2	1A8292-47450	SHAFT, CONTROL P	1							
10	2	1A8292-47470	ARM, FEEDBACK	1							
11	2	1A8292-47490	PLATE, FRICTION	1							
12	2	1A8292-47520	ARM, CONTROL	1							
13	2	1A8292-47550	SHAFT, FEEDBACK D	1							
14	2	1A8292-47900	LEVER, CONTROL D	1							
15	2	1A8292-47940	SPRING, RETURN	1							
16	2	1A8292-47970	ARM, FEEDBACK D	1							
17	2	22137-120000	WASHER, 12	1							
18	2	22351-050025	PIN, SPRING 5.0X25	2							
19	2	22522-030130	KEY, WOODRUFF 3X13	3							
20	2	24311-000090	O-RING, 1AP9.0	2							
21	2	24311-000150	O-RING, 1AP15.0	2							
22	2	26106-080162	BOLT, M8X 16 PLATED	1							
23	2	26106-080452	BOLT, M8X 45 PLATED	1							
24	2	26716-080002	NUT, M8	1							
25	2	26716-120002	NUT, M12	2							
26	2	26776-120002	NUT, LOCK M12	8							

Fig.84. HYDRAULIC LIFT(7)

(A)=YT704(16)

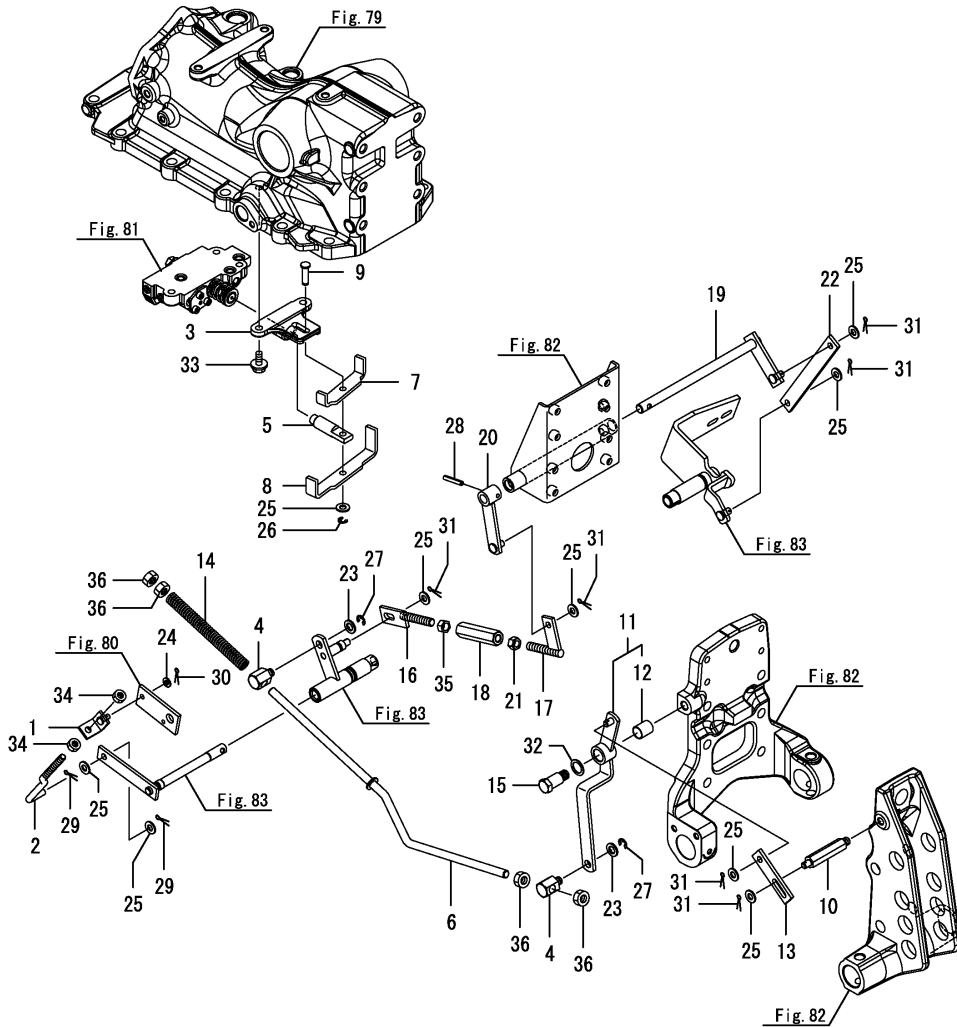
(B)=

(C)=

(D)=

(E)=

(F)=



No.	Lev.	Parts No.	Description	Q'ty						I	R
				(A)	(B)	(C)	(D)	(E)	(F)		
1	2	1A8296-47050	ADJUSTER ASSY	1							
2	2	1A8292-47170	ROD, FEEDBACK P	1							
3	2	1A8296-47330	PLATE, CONTROL	1							
4	2	1A8292-47410	ADJUSTER	2							
5	2	1A8296-47410	ROD, CONTROL	1							
6	2	1A8292-47420	ROD, FEEDBACK D	1							
7	2	1A8296-47420	BAR, CONTROL	1							
8	2	1A8292-47500	BAR, CONTROL	1							
9	2	1A8292-47590	PIN, HINGE	1							
10	2	1A8292-47690	PIN, FEEDBACK HINGE	1							
11	2	1A8292-47800	ARM ASSY, FEEDBACK D	1							
12	3	24550-015200	BUSH, 15X20	1							
13	2	1A8292-47860	PLATE, LINK	1							
14	2	1A8292-47960	SPRING	1							
15	2	1A8292-49330	BOLT, STEPPED M12	1							
16	2	1A8292-49500	ROD, LIMIT F	1							
17	2	1A8292-49530	ROD, LIMIT R	1							
18	2	1A8292-49560	TURNBUCKLE, M10	1							
19	2	1A8292-49620	SHAFT, LIMIT	1							
20	2	1A8292-49670	ARM, LIMIT	1							
21	2	1A8292-49700	NUT, 10-LH	1							
22	2	1A8292-49710	PLATE, LIMIT	1							
23	2	22117-100000	WASHER, 10	2							
24	2	22137-060000	WASHER, 6	1							
25	2	22137-080000	WASHER, 8	9							
26	2	22272-000060	RING, E- 6	1							
27	2	22272-000070	RING, E- 7	2							
28	2	22351-050032	PIN, SPRING 5.0X32	1							
29	2	22417-160160	PIN, COTTER 1.6X16	2							
30	2	22417-160160	PIN, COTTER 1.6X16	1							
31	2	22417-200200	PIN, COTTER 2.0X20	6							
32	2	23414-150000	GASKET, 15X1.0	1							
33	2	26106-080162	BOLT, M8X 16 PLATED	2							
34	2	26716-080002	NUT, M8	2							
35	2	26716-100002	NUT, M10	1							
36	2	26716-100002	NUT, M10	4							

Fig.85. STOP VALVE CONTROL

(A)=YT704(16)
(B)=
(C)=

(D)=
(E)=
(F)=

No.	Lev.	Parts No.	Description	Q'ty						I	R
				(A)	(B)	(C)	(D)	(E)	(F)		
1	1	1A8296-46900	SHAFT ASSY,STOP VALV	1							
2	1	1A8296-46950	KNOB, STOP VALVE	1							
3	1	26716-100002	NUT, M10	1							
4	1	26716-100002	NUT, M10	1							

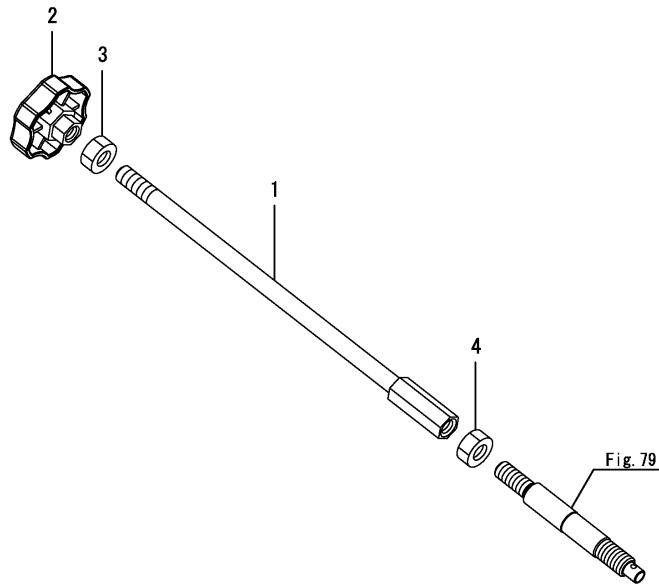


Fig.86. BREATHER

(A)=YT704(16
(B)=
(C)=

(D)=
(E)=
(F)=

No.	Lev.	Parts No.	Description	Q'ty						I	R
				(A)	(B)	(C)	(D)	(E)	(F)		
1	1	1E8559-84960	CABLE BAND 250	1							
2	1	23065-090550	PIPE 9X 550	1							

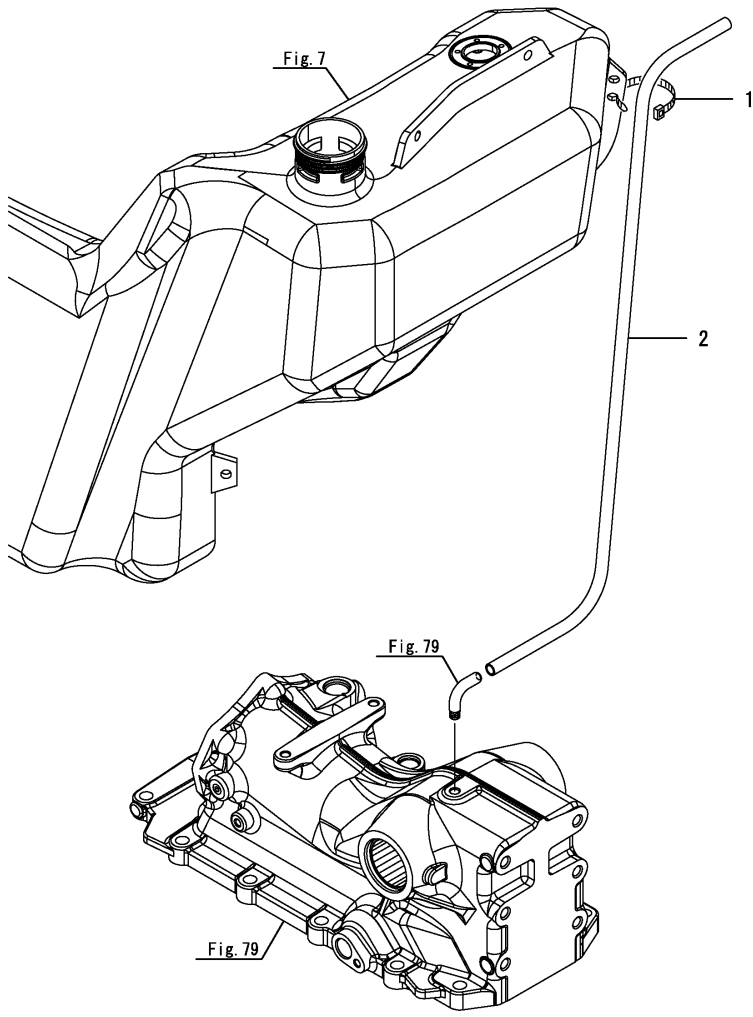
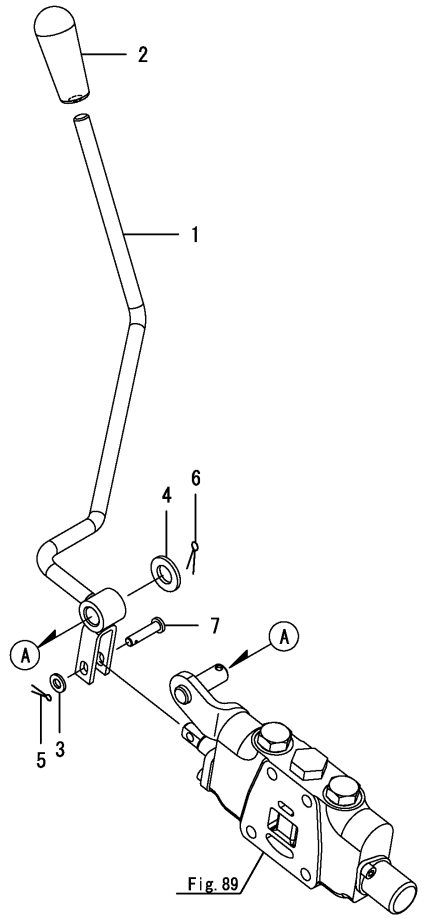


Fig.87. S.C.V. LEVER

(A)=YT704(16)
(B)=
(C)=

(D)=
(E)=
(F)=



No.	Lev.	Parts No.	Description	Q'ty						I	R
				(A)	(B)	(C)	(D)	(E)	(F)		
1	1	1A8296-46510	LEVER, SCV	1							
2	1	1A8296-46550	KNOB	1							
3	1	22137-060000	WASHER, 6	1							
4	1	22137-120000	WASHER, 12	1							
5	1	22417-160160	PIN, COTTER 1.6X16	1							
6	1	22417-320250	PIN, COTTER 3.2X25	1							
7	1	22487-060220	PIN, H 6X 22	1							

Fig.88. S.C.V. PIPING

(A)=YT704(16)
(B)=
(C)=

(D)=
(E)=
(F)=

No.	Lev.	Parts No.	Description	Q'ty						I	R
				(A)	(B)	(C)	(D)	(E)	(F)		
1	1	1A8296-46590	BOLT, PIPE JOINT9/16	2							
2	1	1A8296-46610-1	PIPE, SCV A1	1							
3	1	1A8296-46650-1	PIPE, SCV B1	1							
4	1	1A8292-46670	STAY, CUPPLER	1							
5	1	22242-000340	RING, 34	2							
6	1	23414-140018	GASKET, 14X1.0	4							
7	1	23871-040000	PLUG, R04	2							
8	1	26106-080162	BOLT, M8X 16 PLATED	2							

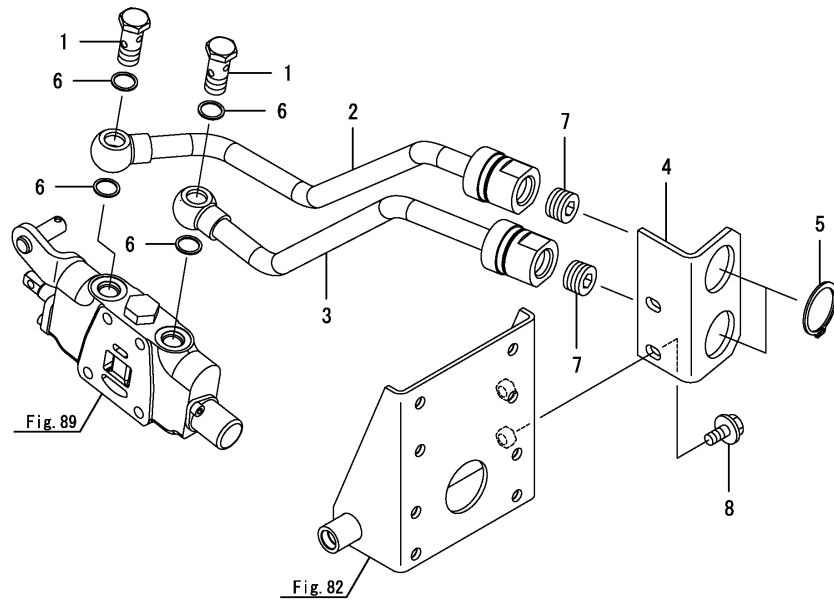
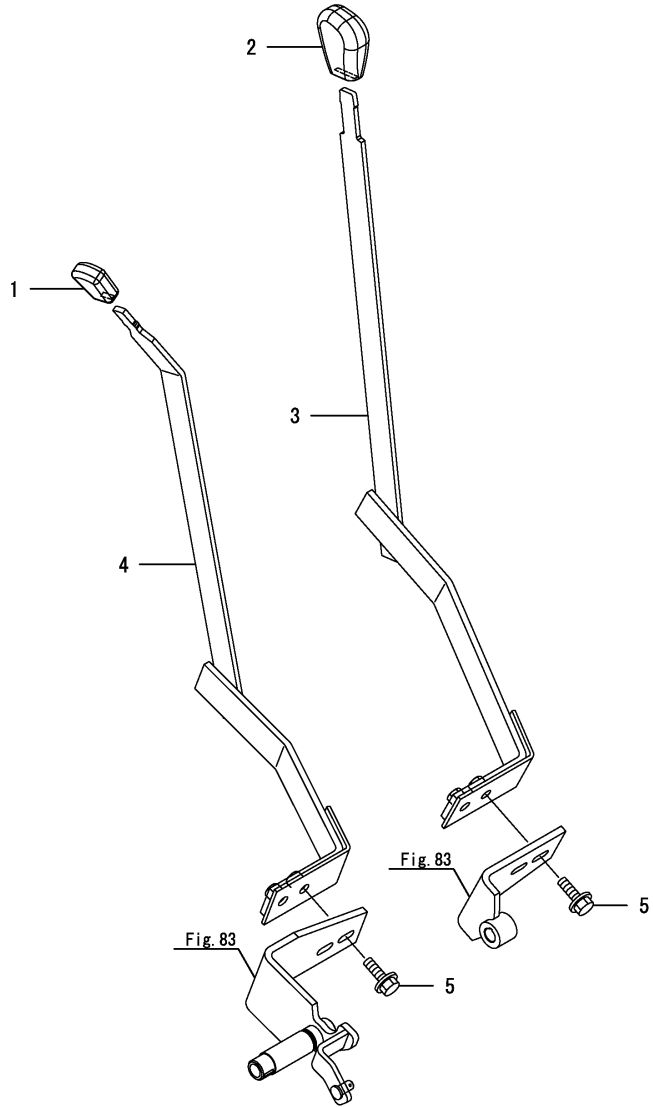


Fig.90. HYDRAULIC LEVER

(A)=YT704(16)
(B)=
(C)=

(D)=
(E)=
(F)=



No.	Lev.	Parts No.	Description	Q'ty						I	R
				(A)	(B)	(C)	(D)	(E)	(F)		
1	1	1C726C-47910	KNOB, 4X13	1							
2	1	1A8296-47920	KNOB, BLACK	1							
3	1	1A8292-49250	LEVER, CONTROL P	1							
4	1	1A8292-49300	LEVER, CONTROL D	1							
5	1	26106-080252	BOLT, M8X 25 PLATED	4							

Fig.91. HYDRAULIC PIPING

(A)=YT704(16

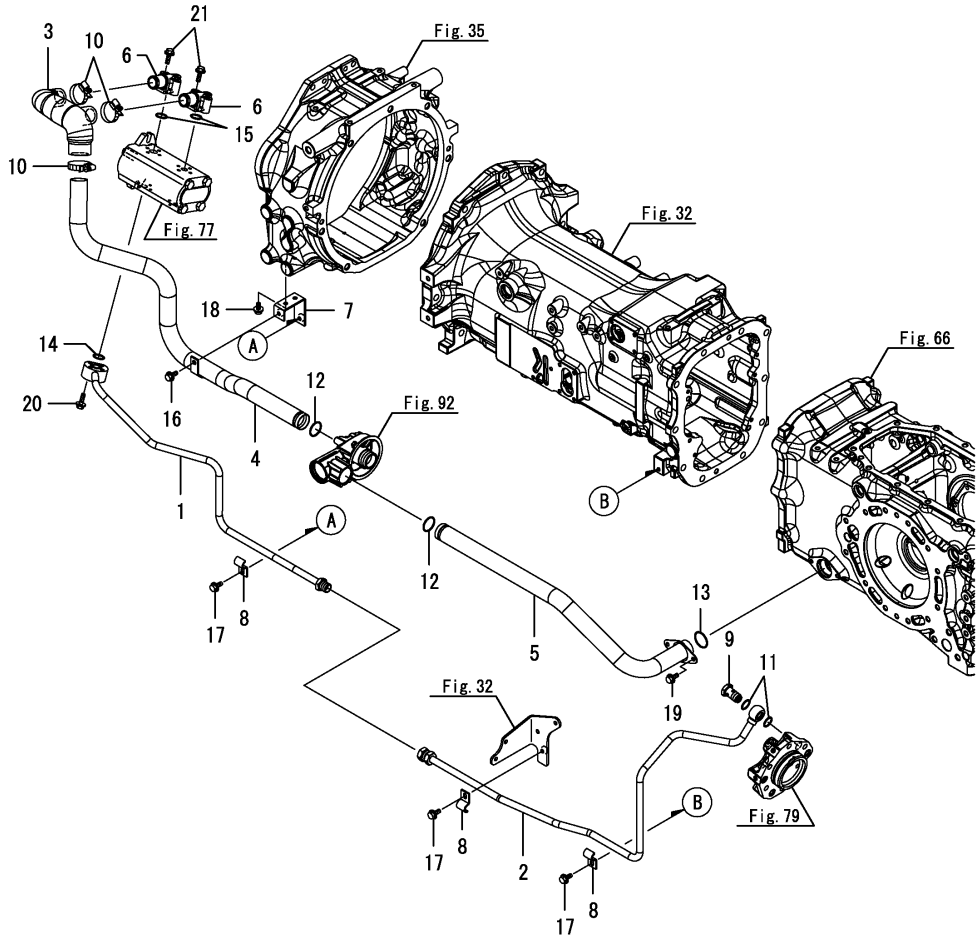
(B)=

(C)=

(D)=

(E)=

(F)=



No.	Lev.	Parts No.	Description	Q'ty						I	R
				(A)	(B)	(C)	(D)	(E)	(F)		
1	1	1A8296-48110-1	PIPE, LIFT F	1							
2	1	1A8296-48170-1	PIPE, LIFT R	1							
3	1	1A8296-48291	PIPE, RUBBER	1							
4	1	1A8296-48300-1	PIPE, SUCTION F	1							
5	1	1A8296-48350-1	PIPE, SUCTION R	1							
6	1	1A8296-48570-1	JOINT, PIPE	2							
7	1	1A8296-48600-1	STAY, PIPE	1							
8	1	1A8296-48730	CLAMP, PIPE	3							
9	1	198361-48750	BOLT ASSY, JOINT	1							
10	1	23000-048000	CLAMP, 48	3							
11	1	23414-200026	GASKET, 20X1.0	2							
12	1	24311-000320	O-RING, 1AP32.0	2							
13	1	24311-000360	O-RING, 1AP36.0	1							
14	1	24315-000220	O-RING, 1BP22.0	1							
15	1	24341-000224	O-RING, 1AS22.4	2							
16	1	26106-080162	BOLT, M8X 16 PLATED	1							
17	1	26106-080162	BOLT, M8X 16 PLATED	3							
18	1	26106-080162	BOLT, M8X 16 PLATED	2							
19	1	26106-080162	BOLT, M8X 16 PLATED	2							
20	1	26106-080402	BOLT, M8X 40 PLATED	4							
21	1	26106-080452	BOLT, M8X 45 PLATED	6							

Fig.92. HYDRAULIC FILTER

(A)=YT704(16
(B)=
(C)=

(D)=
(E)=
(F)=

No.	Lev.	Parts No.	Description	Q'ty						I	R
				(A)	(B)	(C)	(D)	(E)	(F)		
1	1	1A8292-48330	HEAD, FILTER	1							
2	1	1A8296-48340	FILTER, HYDRAULIC	1							
3	1	26106-080162	BOLT, M8X 16 PLATED	2							
4	1	27260-470000	PLUG, 47	1							

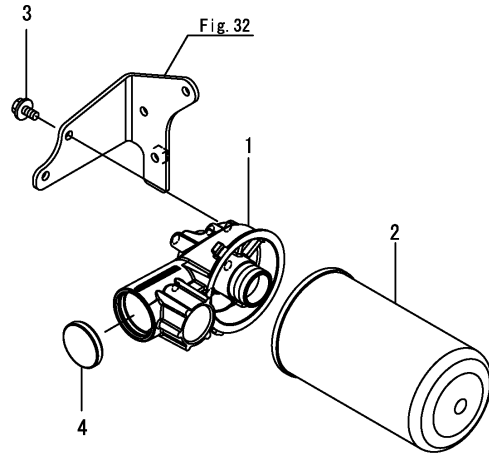


Fig.93. WIRE HARNESS

(A)=YT704(16

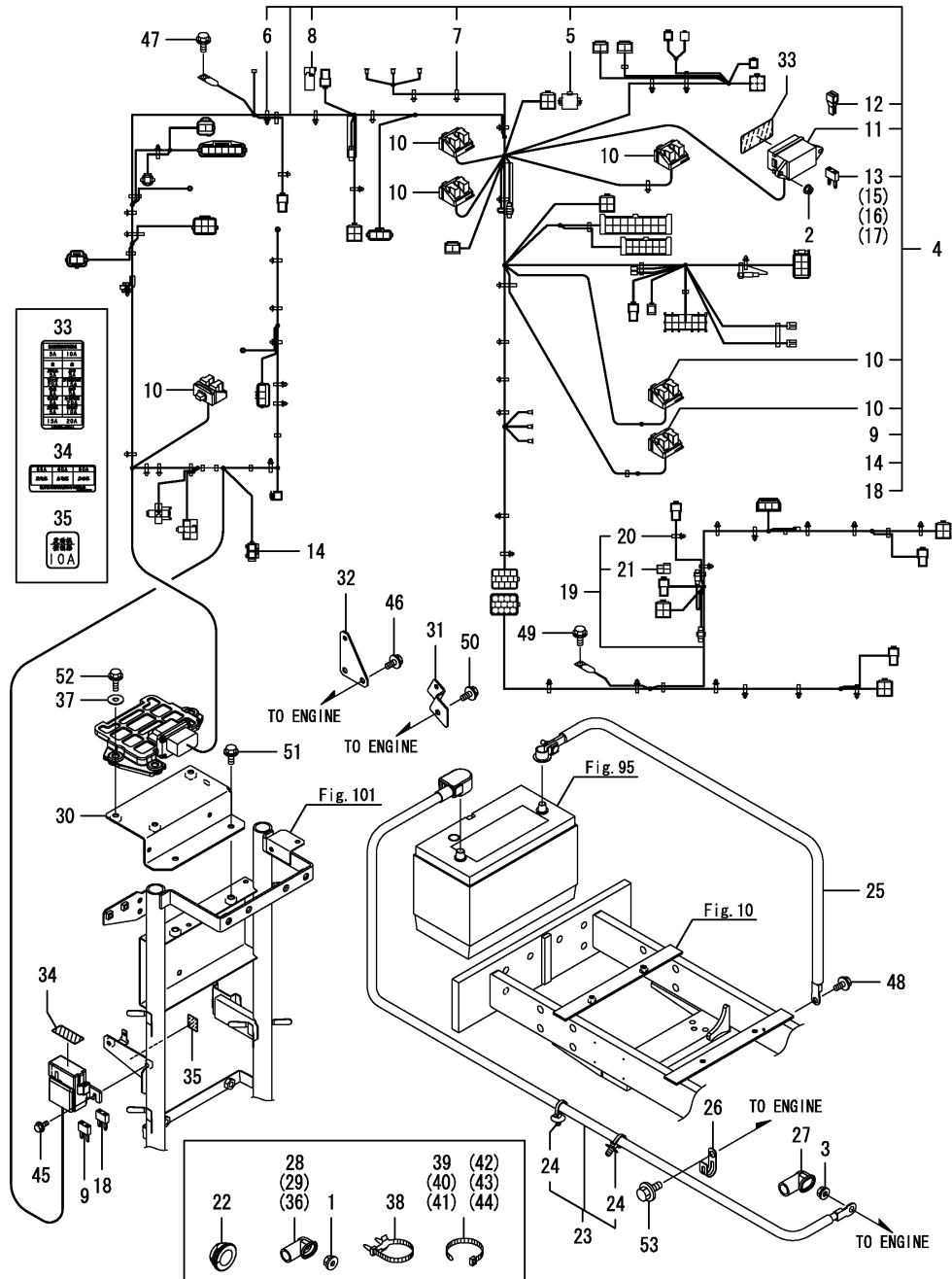
(B)=

(C)=

(D)=

(E)=

(F)=



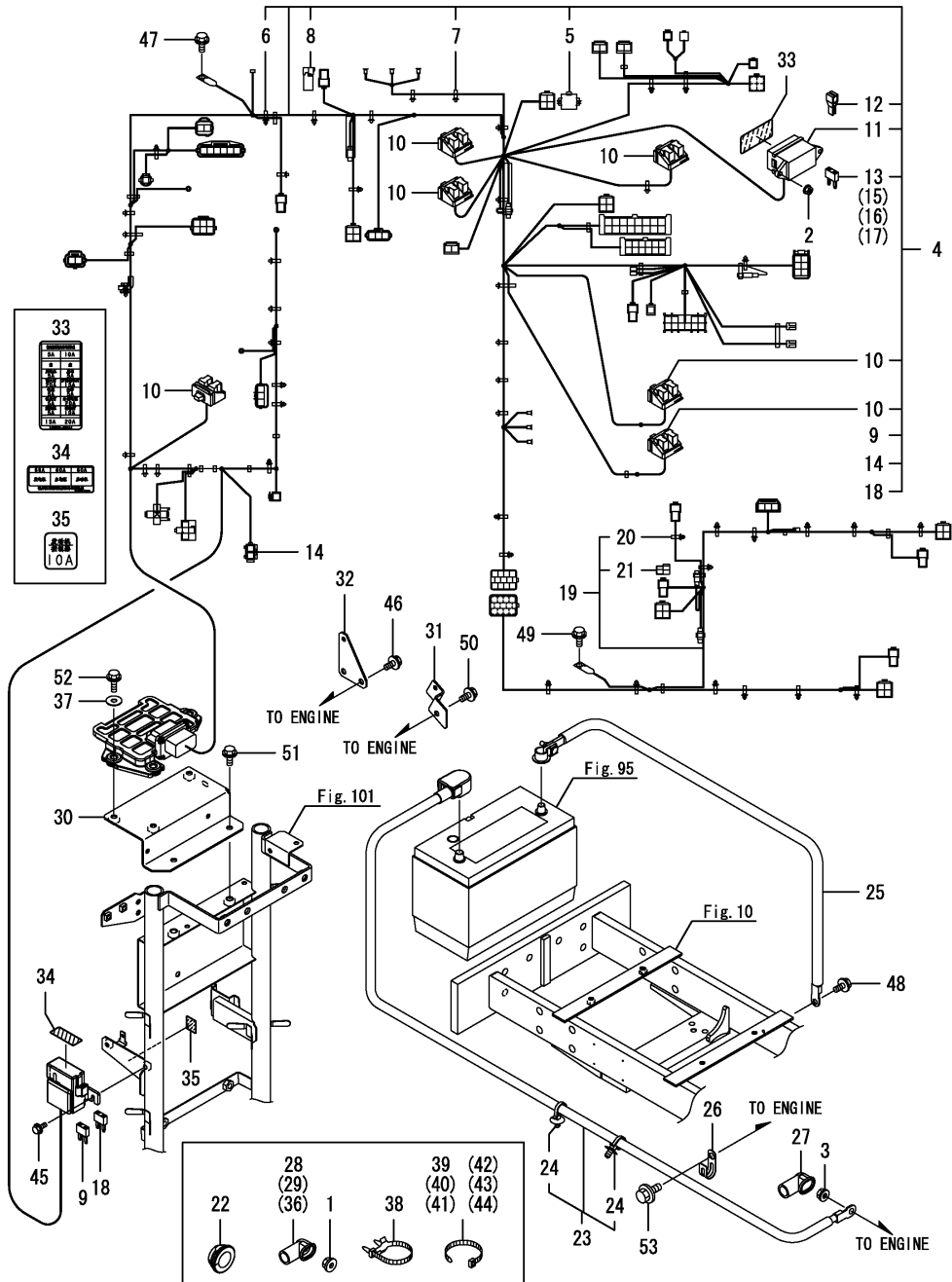
No.	Lev.	Parts No.	Description	Q'ty						I	R
				(A)	(B)	(C)	(D)	(E)	(F)		
1	1	194990-22130	NUT, M6	1							
2	1	194990-22130	NUT, M6	2							
3	1	194990-22140	NUT, M8	1							
4	1	1A8292-51100	HARNESS ASSY, FRONT	1							
5	2	1A8160-51130	DIODE, 3.0AX2	1							
6	2	1A7500-51160	CLIP, HARNESS	13							
7	2	1A7500-51170	CLIP, HARNESS	19							
8	2	1A6382-51510	RESISTANCE, 2W R120	1							
9	2	1A6240-51630	FUSE, SLOW BLOW 60A	1							
10	2	1A7880-51730	CLIP, RELAY BLOCK	6							
11	2	1A8292-52420	COVER, FUSE BOX	1							
12	2	1A8292-52430	PULLER, FUSE	1							
13	2	1E8665-83150	FUSE, MINI 5A	7							
14	2	1E8665-83160	FUSE, MINI 10A	1							
15	2	1E8665-83160	FUSE, MINI 10A	2							
16	2	1E8665-83170	FUSE, MINI 15A	2							
17	2	1E8665-83180	FUSE, MINI 20A	3							
18	2	1E8540-83220	FUSE, SLOW BLOW 60A	2							
19	1	1A8292-51200	HARNESS ASSY, REAR	1							
20	2	1A7500-51160	CLIP, HARNESS	13							
21	2	1A8300-51230	COUPLER, PROTECT	1							
22	1	1A8296-51210	GROMMET, 25-18	1							
23	1	1A8292-51350	CABLE, + BATTERY	1							
24	2	1A7500-51160	CLIP, HARNESS	2							
25	1	1A8296-51420	CABLE, BATTERY EARTH	1							
26	1	1A8296-51640	CLAMP, D	1							
27	1	1A8292-51770	COVER, TERMINAL	1							
28	1	1A8292-51770	COVER, TERMINAL	1							
29	1	1A8292-51770	COVER, TERMINAL	1							
30	1	1A8292-58100	BRACKET ASSY, ECU	1							
31	1	1A8292-58230	BRACKET, HARNESS B	1							
32	1	1A8292-58360	BRACKET, HARNESS A	1							
33	1	1A8292-65441	LABEL, FUSE	1							
34	1	1A8292-65451	LABEL, BLOW FUSE	1							
35	1	1A8292-65480	LABEL, FUSE	1							
36	1	124550-77030	COVER, TERMINAL	1							
37	1	129927-77690	WASHER, ECU	3							
38	1	1E9265-84300	CLIP, BAND	1							
39	1	1E8559-84960	CABLE BAND 250	1							
40	1	1E8559-84970	BAND 140	2							
41	1	1E8559-84970	BAND 140	1							
42	1	1E8559-84970	BAND 140	1							
43	1	1E8559-84970	BAND 140	1							
44	1	1E8559-84970	BAND 140	1							
45	1	26106-060122	BOLT, M6X 12 PLATED	2							
46	1	26106-080162	BOLT, M8X 16 PLATED	2							
47	1	26106-080162	BOLT, M8X 16 PLATED	1							
48	1	26106-080162	BOLT, M8X 16 PLATED	1							
49	1	26106-080162	BOLT, M8X 16 PLATED	1							
50	1	26106-080162	BOLT, M8X 16 PLATED	1							
51	1	26106-080162	BOLT, M8X 16 PLATED	2							

N:Old $\begin{matrix} \text{Yes} \\ \text{No} \end{matrix}$ New, Q:Old $\begin{matrix} \text{No} \\ \text{Yes} \end{matrix}$ New, R:Old $\begin{matrix} \text{Yes} \\ \text{No} \end{matrix}$ New, S:Old $\begin{matrix} \text{No} \\ \text{Yes} \end{matrix}$ New, W:Add, Z:Discontinued, F:Interchangeable by set, K:Q'ty Change
 ++ CONTINUE ++
 Copyright (C) 2016 YANMAR CO., LTD. All Rights Reserved.

Fig.93. WIRE HARNESS

(A)=YT704(16)
(B)=
(C)=

(D)=
(E)=
(F)=



No.	Lev.	Parts No.	Description	Qty						I	R
				(A)	(B)	(C)	(D)	(E)	(F)		
52	1	26106-080252	BOLT, M8X 25 PLATED	3							
53	1	26106-100202	BOLT, M10X 20 PLATED	1							

Fig.94. MOUNT(REFLECTOR)

(A)=YT704(16)
(B)=
(C)=

(D)=
(E)=
(F)=

No.	Lev.	Parts No.	Description	Q'ty						I	R
				(A)	(B)	(C)	(D)	(E)	(F)		
1	1	1J5026-62650	REFLECTOR	2							
2	1	22137-050000	WASHER, 5	2							
3	1	22217-050000	WASHER, SPRING 5	2							
4	1	26717-050002	NUT, M5	2							

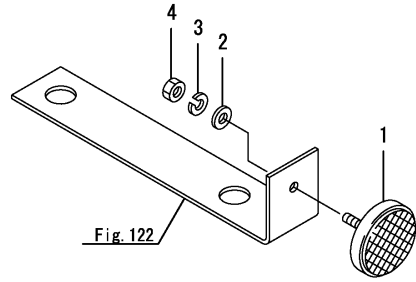


Fig.95. BATTERY

(A)=YT704(16)
 (B)=
 (C)=

(D)=
 (E)=
 (F)=

No.	Lev.	Parts No.	Description	Qty						I	R
				(A)	(B)	(C)	(D)	(E)	(F)		
1	1	1A8292-51500	BATTERY ASSY,31-750	1							

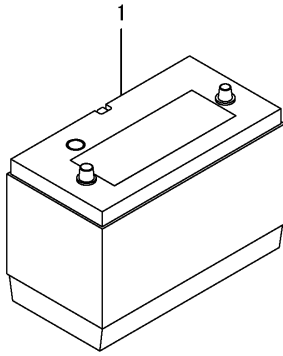


Fig.96. BATTERY CLAMP

(A)=YT704(16
(B)=
(C)=

(D)=
(E)=
(F)=

No.	Lev.	Parts No.	Description	Q'ty						I	R
				(A)	(B)	(C)	(D)	(E)	(F)		
1	1	194990-22140	NUT, M8	2							
2	1	1A8296-51550	CLAMP ASSY, BATTERY	1							
3	1	1A8296-51571	ROD, BATTERY CLAMP	2							
4	1	26716-080002	NUT, M8	2							

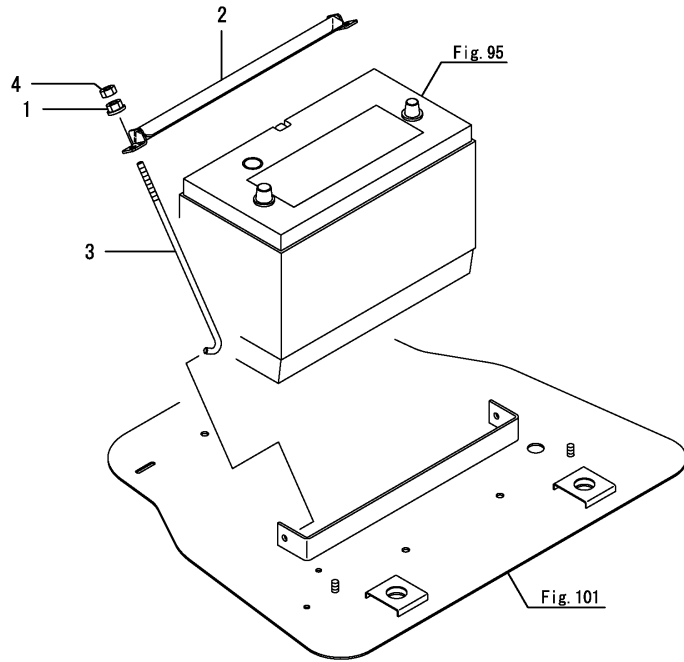
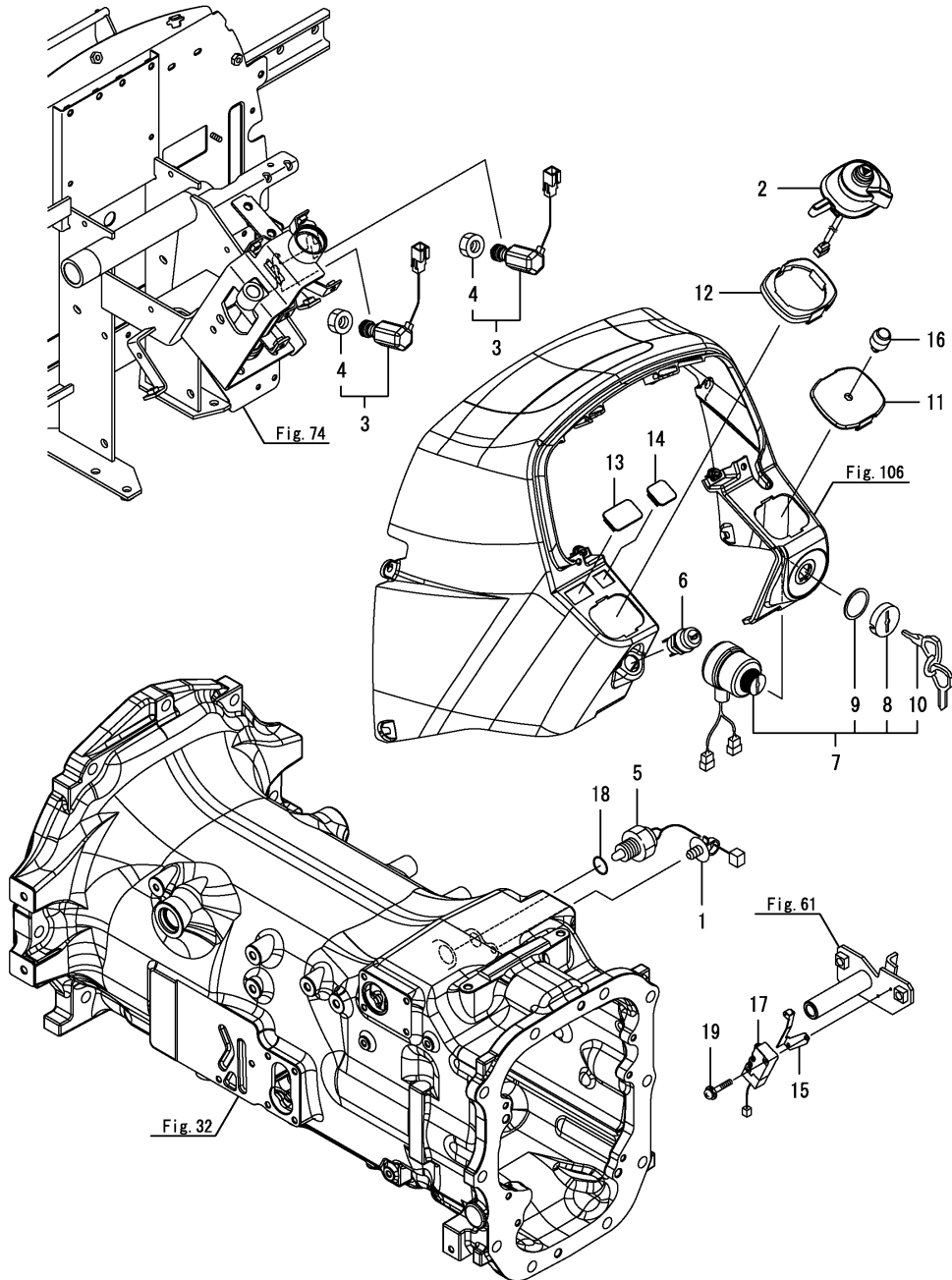


Fig.97. SWITCH

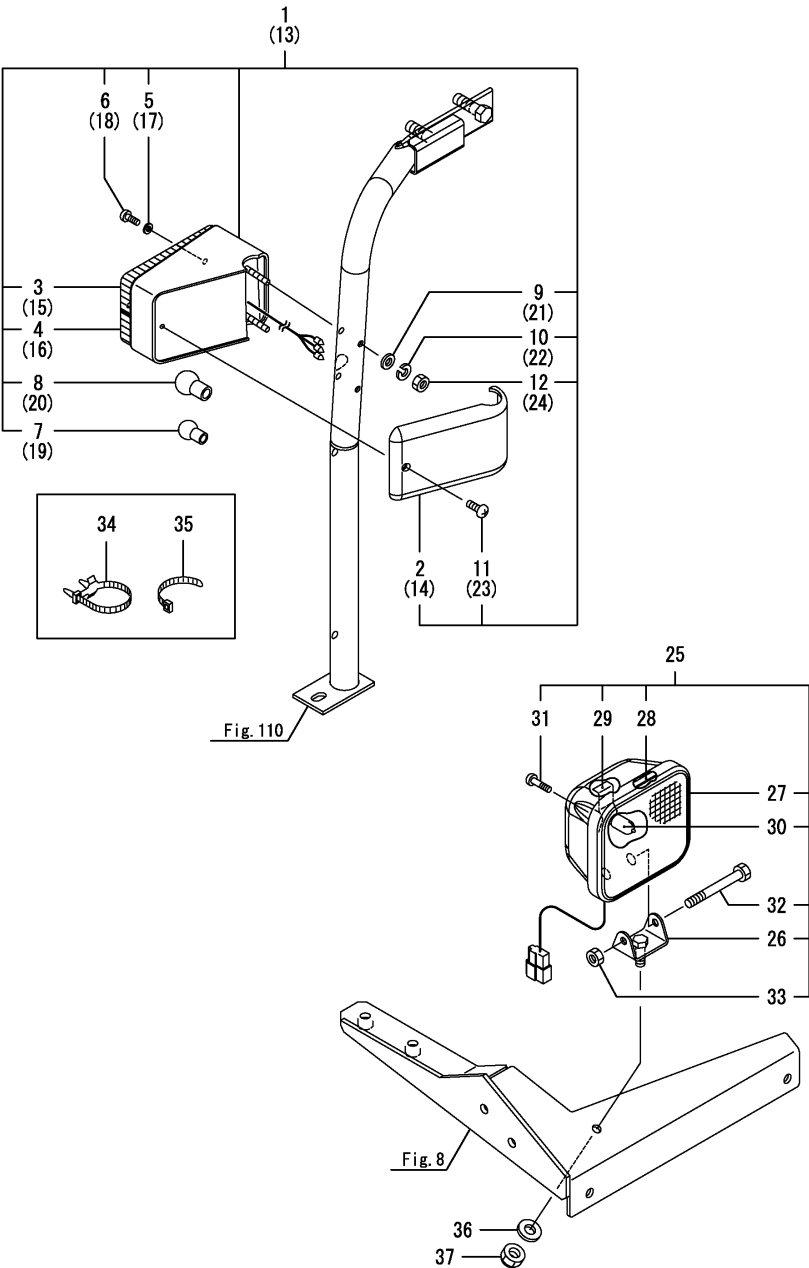
(A)=YT704(16)
(B)=
(C)=

(D)=
(E)=
(F)=



No.	Lev.	Parts No.	Description	Q'ty						I	R
				(A)	(B)	(C)	(D)	(E)	(F)		
1	1	1A7500-51160	CLIP, HARNESS	1							
2	1	1A8296-52140	SWITCH, COMBINATION	1							
3	1	198223-52151	SWITCH ASSY, LAMP	2							
4	2	26776-120002	NUT, LOCK M12	2							
5	1	194464-52190	SWITCH, START	1							
6	1	1A7180-52240	SWITCH, HORN	1							
7	1	1A8296-52310	SWITCH ASSY, KEY	1							
8	2	1A8296-52380	NUT, RING	1							
9	2	1A8296-52390	WASHER,	1							
10	2	1A8296-52350	KEY ASSY	1							
11	1	1A8292-60400	COVER, SW	1							
12	1	1A8296-60410	COVER, SW	1							
13	1	1A8296-60430	COVER, HAZARD	1							
14	1	1A8296-60440	COVER, SWITCH	1							
15	1	1E8255-81180	LEVER, ROLLER NV	1							
16	1	1E8665-81300	SWITCH, BUZZER STOP	1							
17	1	1E8915-81450	SWITCH, MICRO	1							
18	1	24311-000180	O-RING, 1AP18.0	1							
19	1	26023-030162	SCREW, M3X16	2							

Fig.98. LAMP



(A)=YT704(16)
(B)=
(C)=

(D)=
(E)=
(F)=

No.	Lev.	Parts No.	Description	Q'ty						I	R
				(A)	(B)	(C)	(D)	(E)	(F)		
1	1	1A8296-53420	LAMP, FRONT-COMBI L	1							
2	2	1A8296-53450	COVER, L	1							
3	2	1A8296-53460	LENS, AMBER	1							
4	2	1A8296-53470	LENS, CLEAR	1							
5	2	1A8296-53480	WASHER, M3	2							
6	2	1A8296-53490	SCREW, M3	2							
7	2	198360-53630	BULB, 12V10W	1							
8	2	1E9170-81270	BULB, 12V/21W	1							
9	2	22117-050000	WASHER, 5	2							
10	2	22217-050000	WASHER, SPRING 5	2							
11	2	22857-400121	SCREW 24X12,TAPPING	1							
12	2	26756-050002	NUT, LOCK M5	2							
13	1	1A8296-53430	LAMP, FRONT-COMBI R	1							
14	2	1A8296-53380	COVER, R	1							
15	2	1A8296-53460	LENS, AMBER	1							
16	2	1A8296-53470	LENS, CLEAR	1							
17	2	1A8296-53480	WASHER, M3	2							
18	2	1A8296-53490	SCREW, M3	2							
19	2	198360-53630	BULB, 12V10W	1							
20	2	1E9170-81270	BULB, 12V/21W	1							
21	2	22117-050000	WASHER, 5	2							
22	2	22217-050000	WASHER, SPRING 5	2							
23	2	22857-400121	SCREW 24X12,TAPPING	1							
24	2	26756-050002	NUT, LOCK M5	2							
25	1	1A8296-54100	LAMP ASSY, WORK 55W	1							
26	2	1A8296-54120	STAY, LAMP	1							
27	2	1A8296-54130	COVER, LAMP	1							
28	2	1A8296-54150	SEAL,	1							
29	2	1A8296-54160	STOPPER,	1							
30	2	1E8450-81520	LAMP, HALOGEN 55W	1							
31	2	22857-400161	SCREW, 4X16	4							
32	2	26116-060502	BOLT, M6X 50 PLATED	1							
33	2	26756-060002	NUT, LOCK M6	1							
34	1	1E9265-84300	CLIP, BAND	1							
35	1	1E8559-84970	BAND 140	1							
36	1	22137-080000	WASHER, 8	1							
37	1	26346-080002	NUT, M8	1							

Fig.99. METER

(A)=YT704(16
(B)=
(C)=

(D)=
(E)=
(F)=

No.	Lev.	Parts No.	Description	Q'ty						I	R
				(A)	(B)	(C)	(D)	(E)	(F)		
1	1	1A8292-56010	METER ASSY	1							
2	2	1A8310-56020	GLASS	1							
3	1	26557-050202	SCREW, M5X20	4							
4	1	26716-050002	NUT, M5	4							

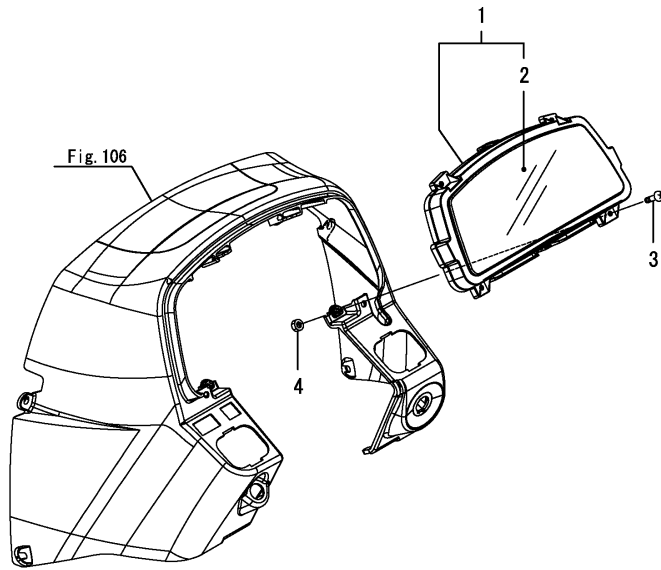
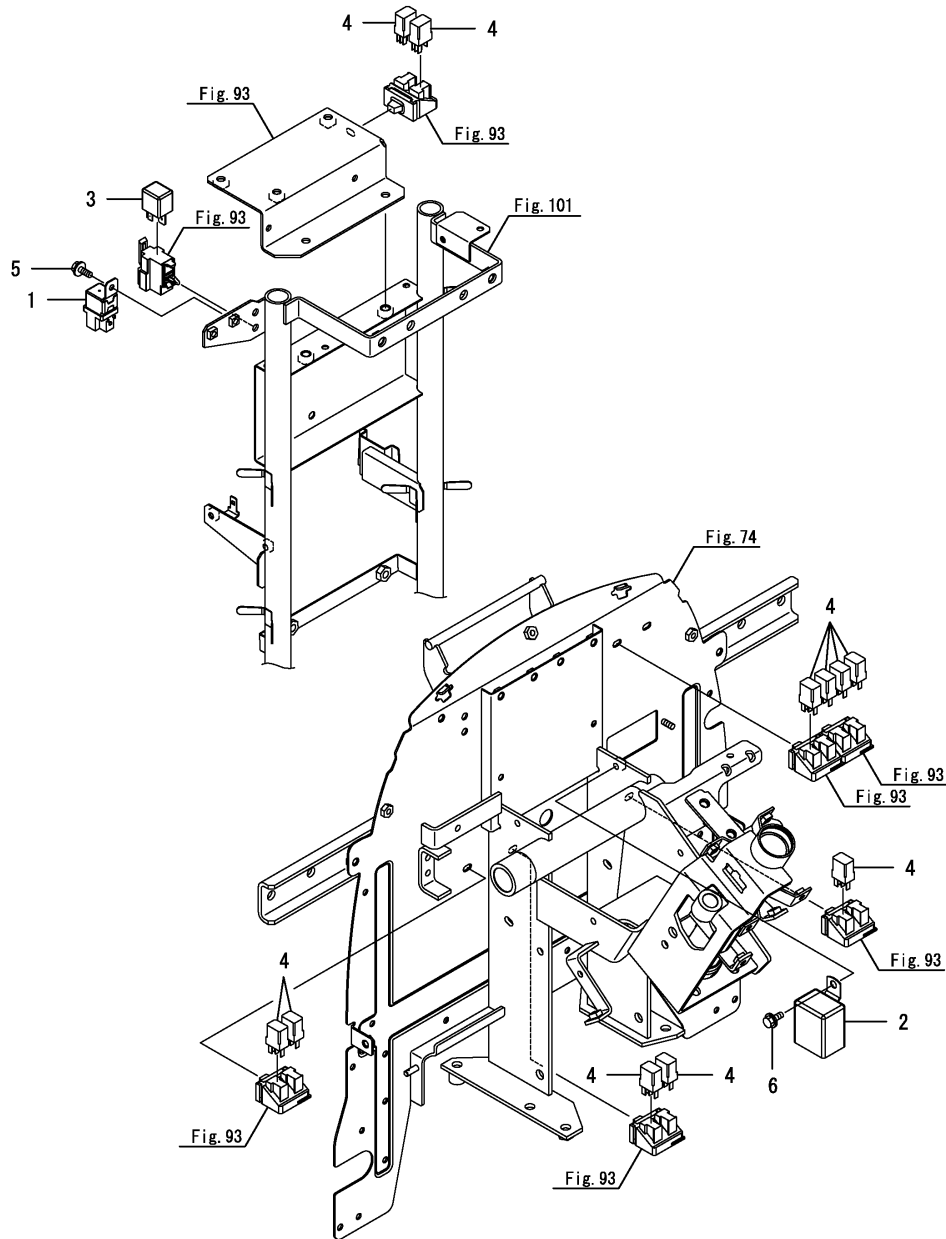


Fig.100. RELAY

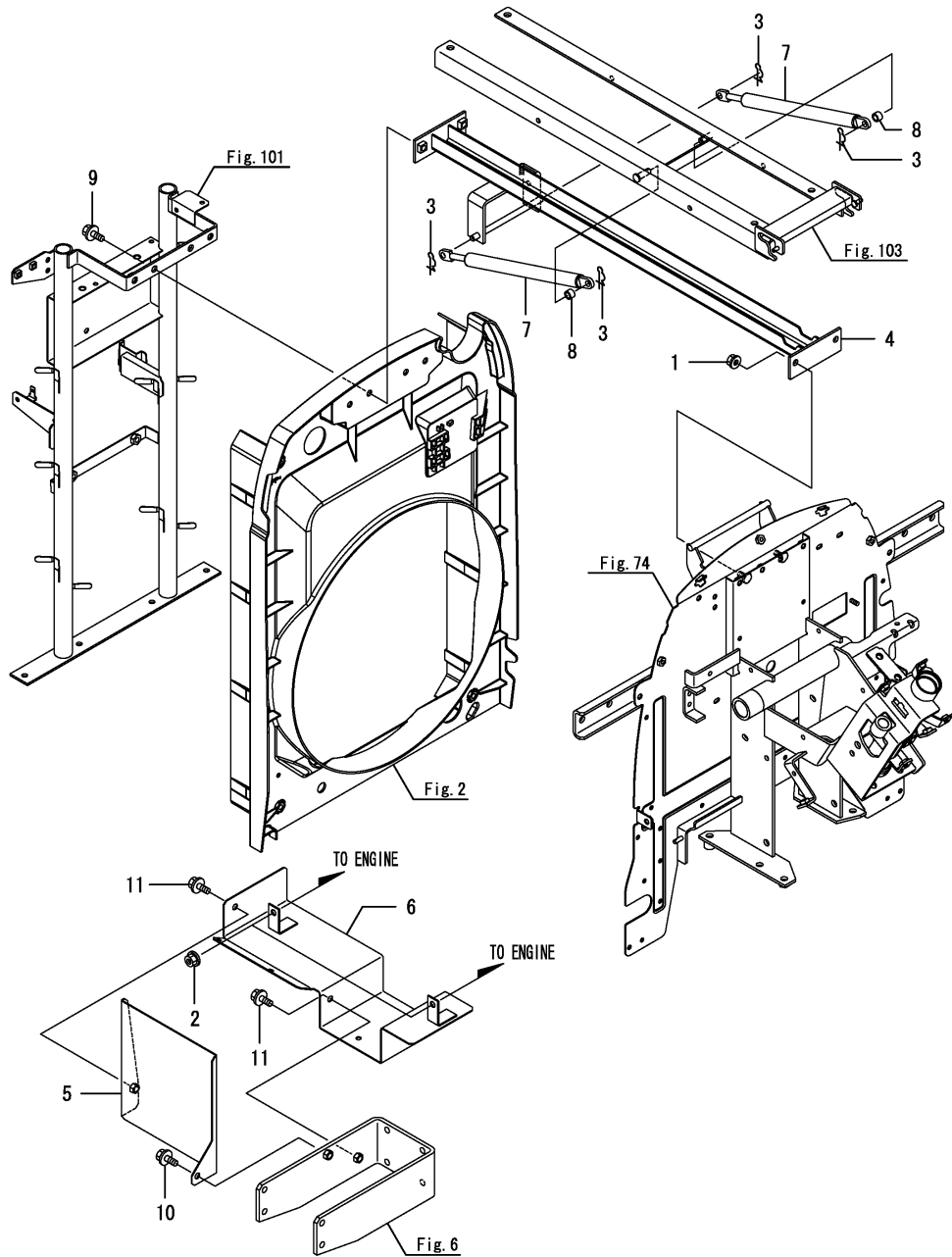
(A)=YT704(16)
(B)=
(C)=

(D)=
(E)=
(F)=



No.	Lev.	Parts No.	Description	Q'ty						I	R
				(A)	(B)	(C)	(D)	(E)	(F)		
1	1	1A7870-52950	RELAY, CB	1							
2	1	1A7890-57200	LAMP ASSY, FLASHER	1							
3	1	129927-77920	RELAY, ISO 70A	1							
4	1	1E9256-82600	RELAY, ISO 20A	11							
5	1	26106-060122	BOLT, M6X 12 PLATED	1							
6	1	26106-060122	BOLT, M6X 12 PLATED	1							

Fig.102. REAR FRAME



(A)=YT704(16)
(B)=
(C)=

(D)=
(E)=
(F)=

No.	Lev.	Parts No.	Description	Q'ty						I	R
				(A)	(B)	(C)	(D)	(E)	(F)		
1	1	194990-22140	NUT, M8	2							
2	1	194990-22140	NUT, M8	2							
3	1	1C730C-52320	PIN, SNAP 8	4							
4	1	1A8296-60652	FRAME ASSY, CONNECT	1							
5	1	1A8296-60950-1	PLATE ASSY, SHIELD	1							
6	1	1A8296-60971-1	COVER, STARTER MOTOR	1							
7	1	1A8296-61370	SPRING, GAS 600	2							
8	1	1E8540-66770	COLLAR, 8X12X8	2							
9	1	26106-080162	BOLT, M8X 16 PLATED	2							
10	1	26106-080162	BOLT, M8X 16 PLATED	1							
11	1	26106-080162	BOLT, M8X 16 PLATED	2							

Fig.103. BONNET

(A)=YT704(16

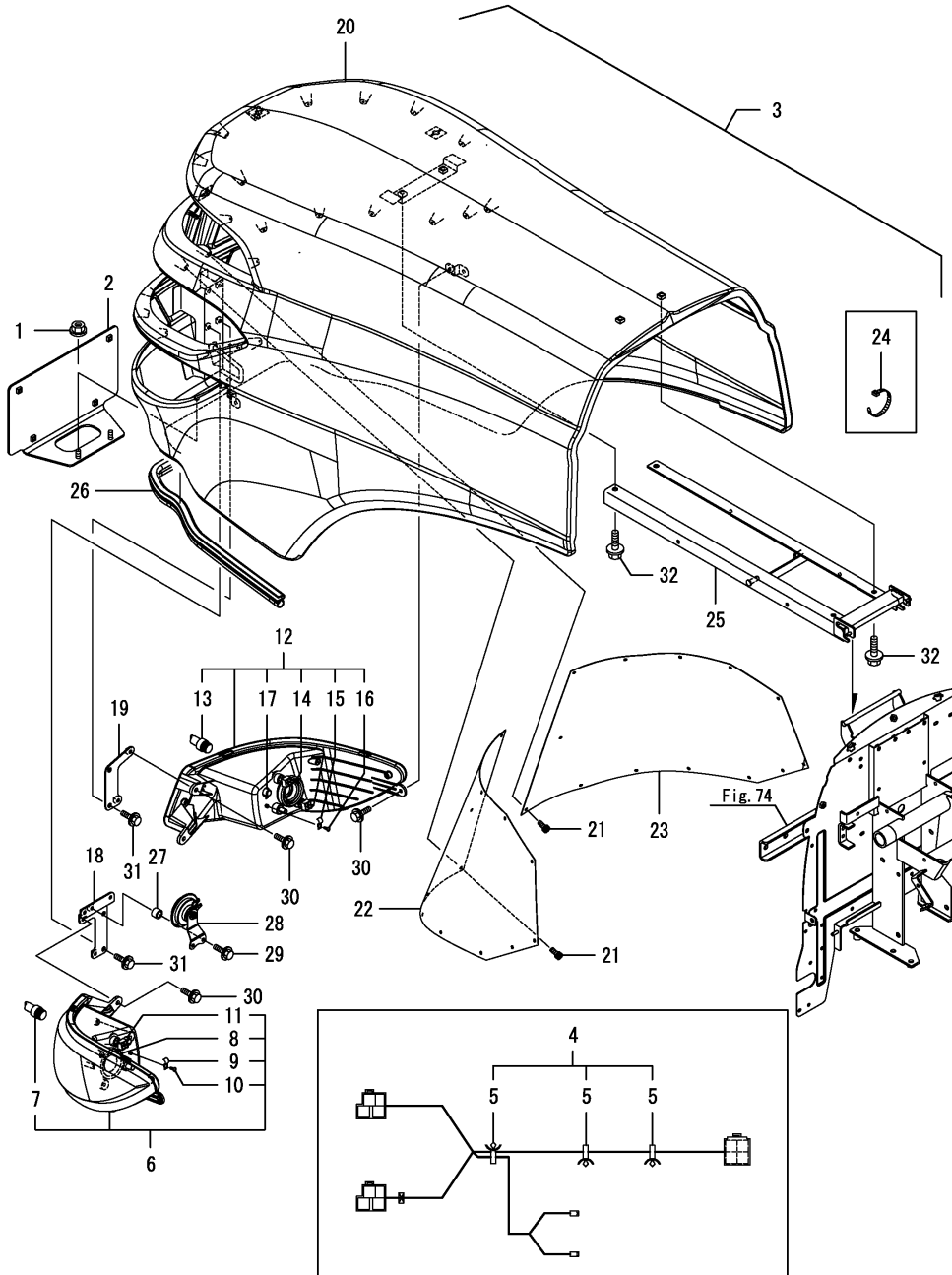
(B)=

(C)=

(D)=

(E)=

(F)=



No.	Lev.	Parts No.	Description	Qty						I	R
				(A)	(B)	(C)	(D)	(E)	(F)		
1	1	194990-22140	NUT, M8	2							
2	1	1A8296-53771	BRACKET ASSY,	1							
3	1	1A8296-61205	HOOD KIT	1							
4	2	1A8296-51320	HARNES ASSY, LAMP	1							
5	3	1E9265-84300	CLIP, BAND	3							
6	2	1A8296-53201	HEADLAMP ASSY, L	1							
7	3	1A8280-53220	BULB, 55W/60W	1							
8	3	1A8296-53230	CAP, SEAL	1							
9	3	1A8296-53240	CLAMP, HARNES	1							
10	3	1A8296-53250	SCREW, M3	1							
11	3	1A8296-53260	CAP, BREATHER	1							
12	2	1A8296-53301	HEADLAMP ASSY, R	1							
13	3	1A8280-53220	BULB, 55W/60W	1							
14	3	1A8296-53230	CAP, SEAL	1							
15	3	1A8296-53240	CLAMP, HARNES	1							
16	3	1A8296-53250	SCREW, M3	1							
17	3	1A8296-53260	CAP, BREATHER	1							
18	2	1A8296-53502	STAY ASSY, LAMP L	1							
19	2	1A8296-53520	STAY ASSY, LAMP R	1							
20	2	1A8296-61001	HOOD ASSY	1							
21	2	1A8296-61090	BOLT, HEX SOCKET 4X6	26							
22	2	1A8296-61130-1	SCREEN, FRONT L	1							
23	2	1A8296-61140-1	SCREEN, FRONT R	1							
24	2	1A8296-61170	BAND, NYLON 150	3							
25	2	1A8296-61401	FRAME ASSY, BONNET	1							
26	2	1A8296-61960	WEATHER-STRIP, 1370	1							
27	2	1E8540-66770	COLLAR, 8X12X8	2							
28	2	7E6150-83301	HORN ASSY	1							
29	2	26106-060162	BOLT, M6X 16 PLATED	2							
30	2	26106-060162	BOLT, M6X 16 PLATED	6							
31	2	26106-060162	BOLT, M6X 16 PLATED	4							
32	2	26106-080162	BOLT, M8X 16 PLATED	4							

Fig.106. DASHBOARD

(A)=YT704(16)
(B)=
(C)=

(D)=
(E)=
(F)=

No.	Lev.	Parts No.	Description	Q'ty						I	R
				(A)	(B)	(C)	(D)	(E)	(F)		
1	1	1A8296-60590	BOLT, GIMLET M6X20	6							
2	1	1A8296-60590	BOLT, GIMLET M6X20	4							
3	1	1A7180-61500	COVER, DASHBOARD	1							
4	1	1A7180-61510	COVER, METER	1							
5	1	198071-61890	NUT, SPEED M6	4							

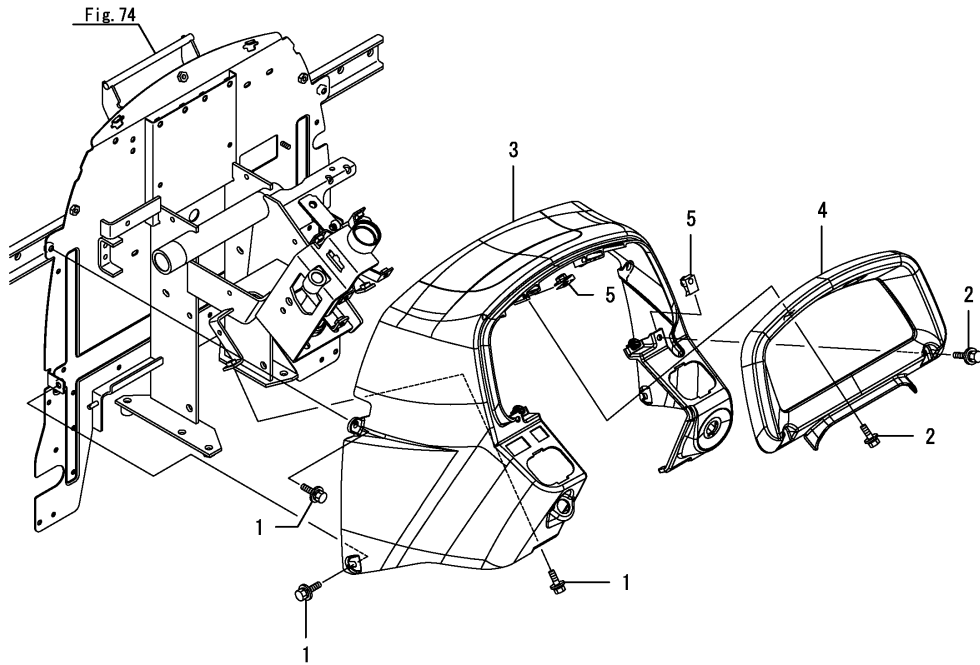


Fig.107. COLUMN COVER

(A)=YT704(16
(B)=
(C)=

(D)=
(E)=
(F)=

No.	Lev.	Parts No.	Description	Q'ty						I	R
				(A)	(B)	(C)	(D)	(E)	(F)		
1	1	1A8296-60590	BOLT, GIMLET M6X20	2							
2	1	1A8296-60590	BOLT, GIMLET M6X20	3							
3	1	1A7180-61530	COVER, COLUMN REAR	1							
4	1	1A7180-61540	COVER, COLUMN UPPER	1							
5	1	1A8296-61880	SCREW, 5X16 TAPPING	2							

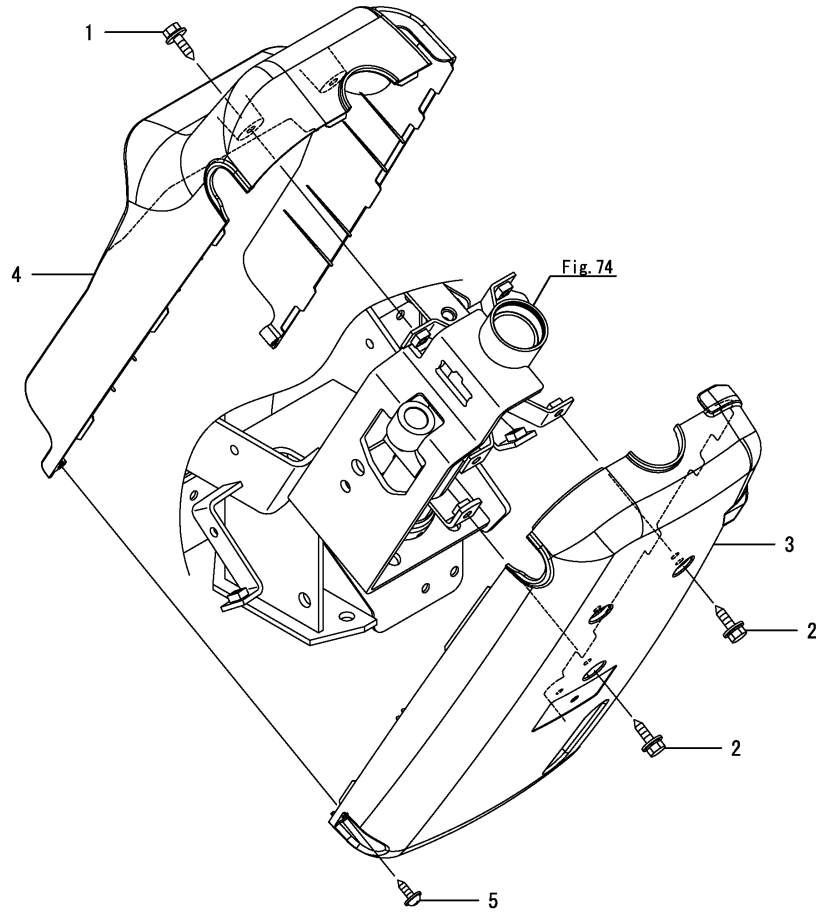


Fig.108. FENDER

(A)=YT704(16

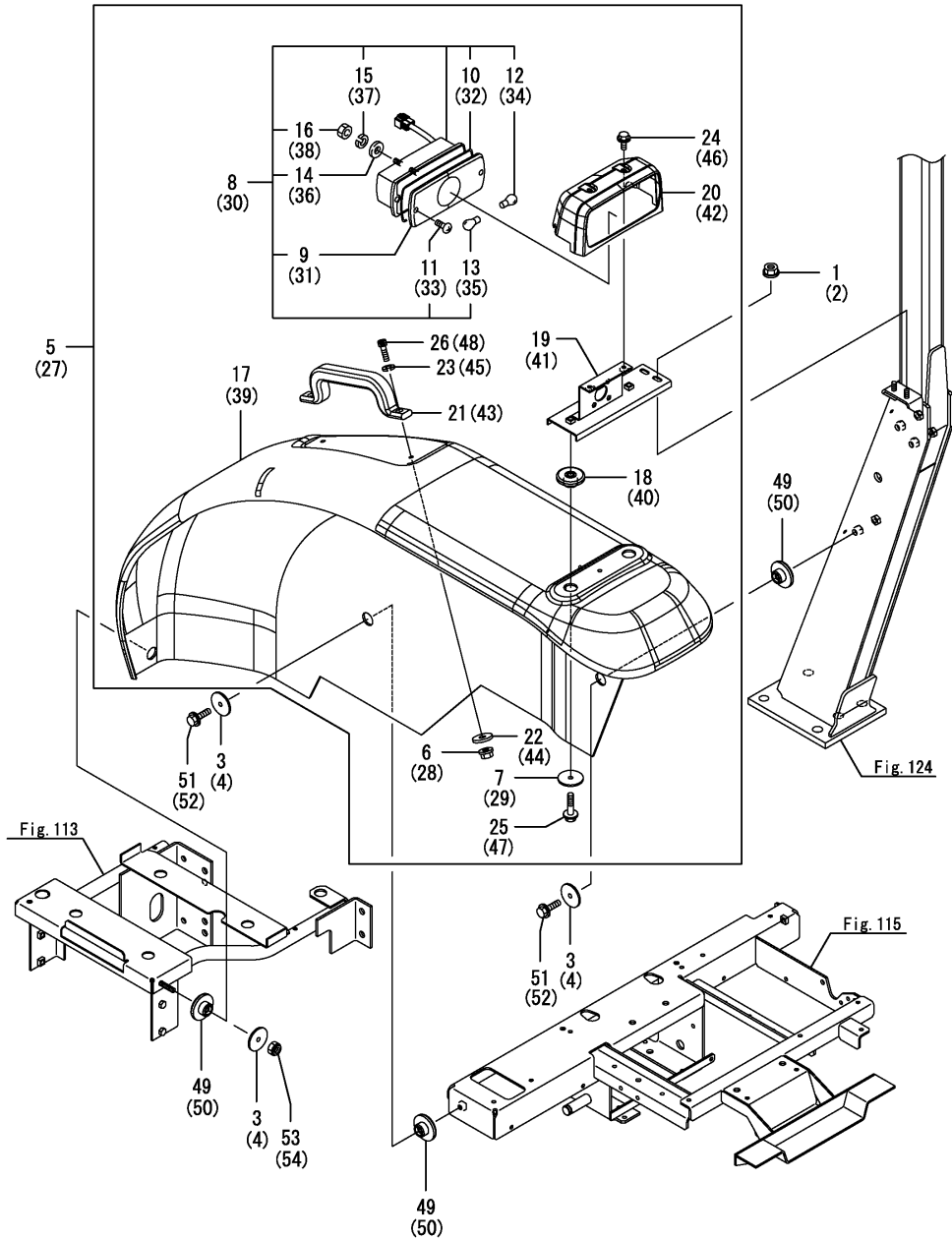
(B)=

(C)=

(D)=

(E)=

(F)=

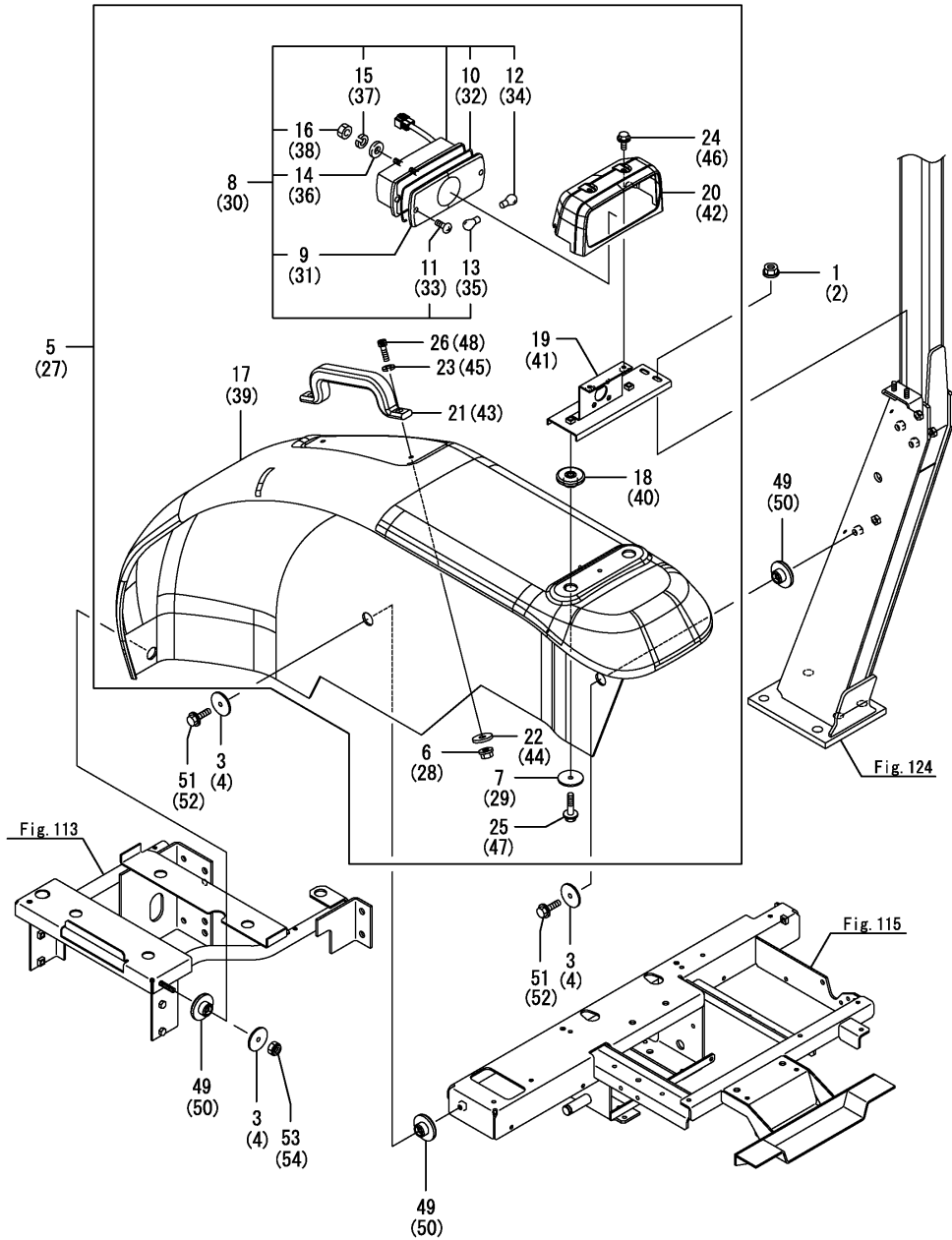


No.	Lev.	Parts No.	Description	Qty						I	R
				(A)	(B)	(C)	(D)	(E)	(F)		
1	1	194990-22140	NUT, M8	2							
2	1	194990-22140	NUT, M8	2							
3	1	1C727C-33250	WASHER, 8X45X3.2	3							
4	1	1C727C-33250	WASHER, 8X45X3.2	3							
5	1	1A8296-62111	FENDER ASSY, L	1							
6	2	194990-22130	NUT, M6	2							
7	2	1C727C-33250	WASHER, 8X45X3.2	2							
8	2	1A8296-53110	LAMP ASSY, REARCOMBI	1							
9	3	1A8296-53130	LENS, REAR COMBI	1							
10	3	1A8296-53140	SEAL, LENS	1							
11	3	1A8296-53150	SCREW, TAPPING	2							
12	3	1A7400-53530	VALVE, 12V/21/5W	1							
13	3	1E9170-81270	BULB, 12V/21W	1							
14	3	22117-080000	WASHER, 8	2							
15	3	22217-080000	WASHER, SPRING 8	2							
16	3	26756-080002	NUT, LOCK M8	2							
17	2	7A8296-62130	M ASSY, FENDER L	1							
18	2	1A8296-62161	MOUNT, FENDER	2							
19	2	1A8296-62210-1	BRACKET ASSY, FENDER	1							
20	2	1A8296-62470	COVER, TAIL LAMP	1							
21	2	1E8552-75110	HANDRAIL	1							
22	2	22157-060000	WASHER, 6	2							
23	2	22217-060000	WASHER, SPRING 6	2							
24	2	26106-060102	BOLT, M6X 10 PLATED	2							
25	2	26106-080352	BOLT, M8X 35 PLATED	2							
26	2	26450-060202	BOLT, M6X 20	2							
27	1	1A8296-62121	FENDER ASSY, R	1							
28	2	194990-22130	NUT, M6	2							
29	2	1C727C-33250	WASHER, 8X45X3.2	2							
30	2	1A8296-53110	LAMP ASSY, REARCOMBI	1							
31	3	1A8296-53130	LENS, REAR COMBI	1							
32	3	1A8296-53140	SEAL, LENS	1							
33	3	1A8296-53150	SCREW, TAPPING	2							
34	3	1A7400-53530	VALVE, 12V/21/5W	1							
35	3	1E9170-81270	BULB, 12V/21W	1							
36	3	22117-080000	WASHER, 8	2							
37	3	22217-080000	WASHER, SPRING 8	2							
38	3	26756-080002	NUT, LOCK M8	2							
39	2	7A8296-62140	M ASSY, FENDER R	1							
40	2	1A8296-62161	MOUNT, FENDER	2							
41	2	1A8296-62220-1	BRACKET ASSY, FENDER	1							
42	2	1A8296-62470	COVER, TAIL LAMP	1							
43	2	1E8552-75110	HANDRAIL	1							
44	2	22157-060000	WASHER, 6	2							
45	2	22217-060000	WASHER, SPRING 6	2							
46	2	26106-060102	BOLT, M6X 10 PLATED	2							
47	2	26106-080352	BOLT, M8X 35 PLATED	2							
48	2	26450-060202	BOLT, M6X 20	2							
49	1	1A8296-62161	MOUNT, FENDER	3							
50	1	1A8296-62161	MOUNT, FENDER	3							
51	1	26106-080352	BOLT, M8X 35 PLATED	2							

Fig.108. FENDER

(A)=YT704(16)
(B)=
(C)=

(D)=
(E)=
(F)=



No.	Lev.	Parts No.	Description	Q'ty						I	R
				(A)	(B)	(C)	(D)	(E)	(F)		
52	1	26106-080352	BOLT, M8X 35 PLATED	2							
53	1	26346-080002	NUT, M8	1							
54	1	26346-080002	NUT, M8	1							

Fig.109. LEVER GUIDE

(A)=YT704(16)
 (B)=
 (C)=

(D)=
 (E)=
 (F)=

No.	Lev.	Parts No.	Description	Q'ty						I	R
				(A)	(B)	(C)	(D)	(E)	(F)		
1	1	1A8296-47930	STOPPER, LEVER	1							
2	1	1A8296-47950	BOLT, KNOB M6X30	1							
3	1	1A8292-62420	GUIDE ASSY, LEVER	1							
4	1	22417-200160	PIN, COTTER 2.0X16	1							
5	1	26106-060122	BOLT, M6X 12 PLATED	3							

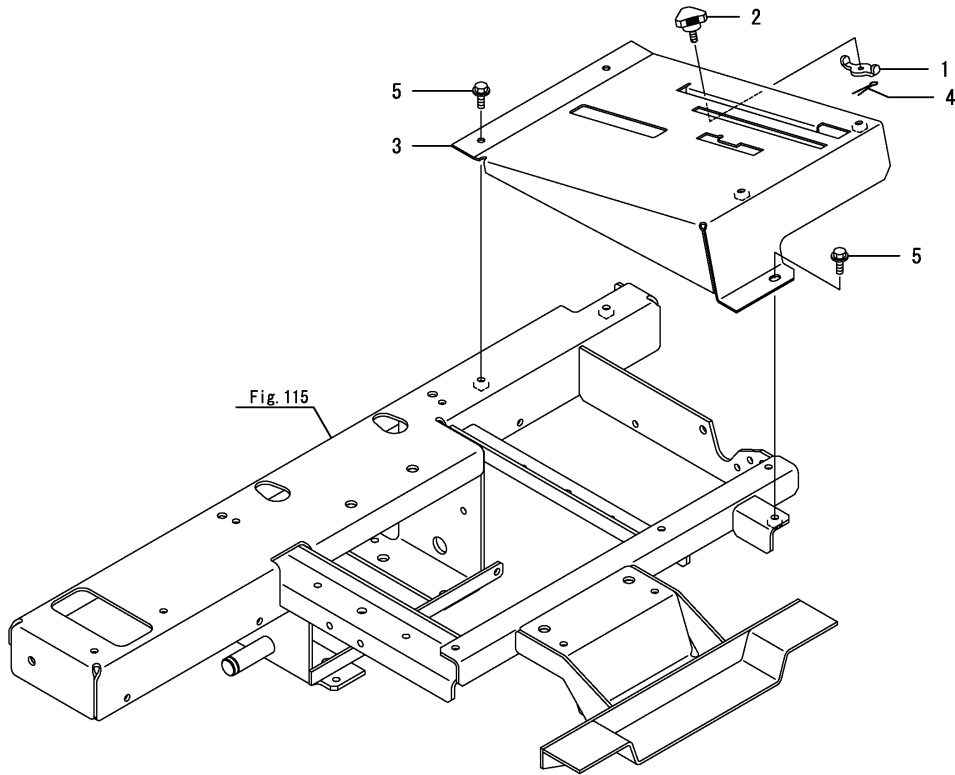


Fig.110. DUST GUARD

(A)=YT704(16)
 (B)=
 (C)=

(D)=
 (E)=
 (F)=

No.	Lev.	Parts No.	Description	Qty						I	R
				(A)	(B)	(C)	(D)	(E)	(F)		
1	1	1A8292-62900	STAY ASSY, GUARD L	1							
2	1	1A8292-62910	STAY ASSY, GUARD R	1							
3	1	1A8296-62970	RIVET, NYLON	8							
4	1	1A8296-62980	GUARD, DUST	2							
5	1	26106-080162	BOLT, M8X 16 PLATED	2							

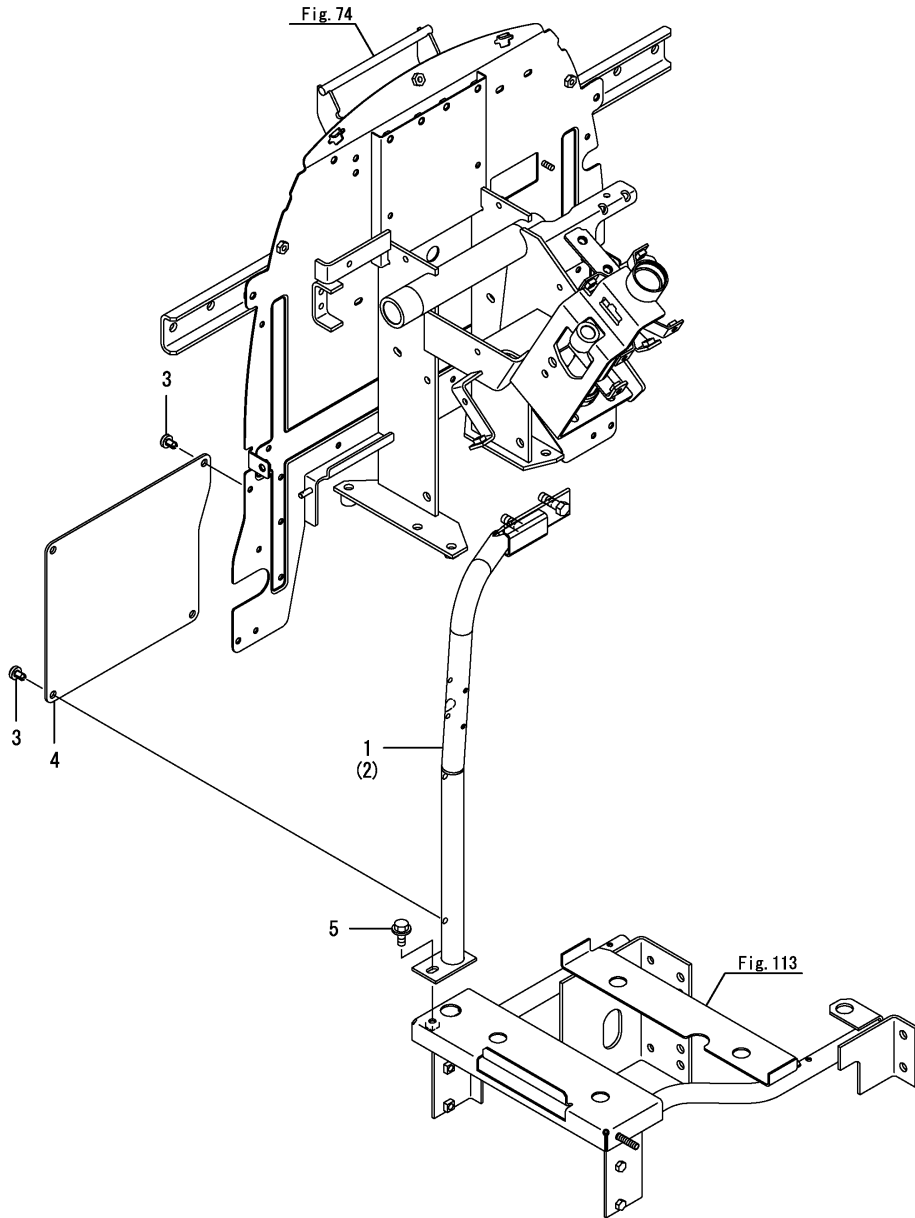


Fig.111. STEP

(A)=YT704(16)
(B)=
(C)=

(D)=
(E)=
(F)=

No.	Lev.	Parts No.	Description	Q'ty						I	R
				(A)	(B)	(C)	(D)	(E)	(F)		
1	1	198220-62150	WASHER	6							
2	1	198220-62150	WASHER	6							
3	1	1A8296-62410	COVER, DUST	1							
4	1	198240-62451	RUBBER, ABSORBER	7							
5	1	198240-62451	RUBBER, ABSORBER	7							
6	1	1A8292-62760	STEP ASSY, L	1							
7	1	7A8292-62770	M ASSY, STEP R	1							
8	1	22372-080000	PIN, SNAP 8	6							
9	1	22372-080000	PIN, SNAP 8	6							
10	1	26106-060122	BOLT, M6X 12 PLATED	7							

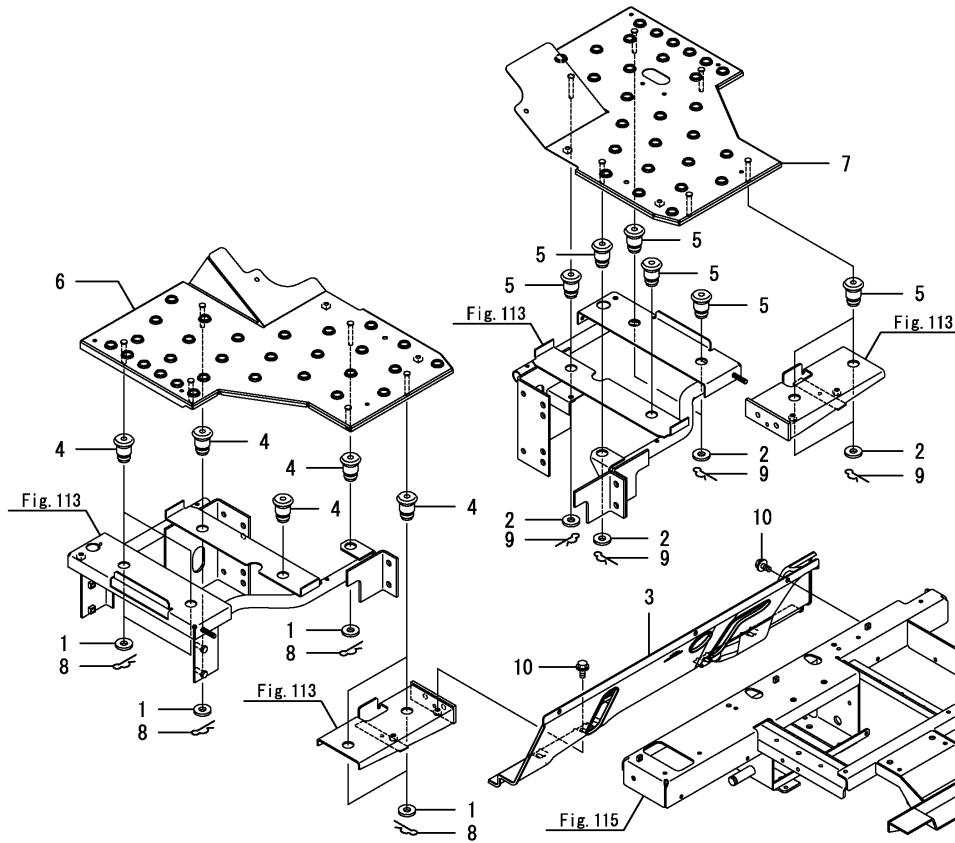
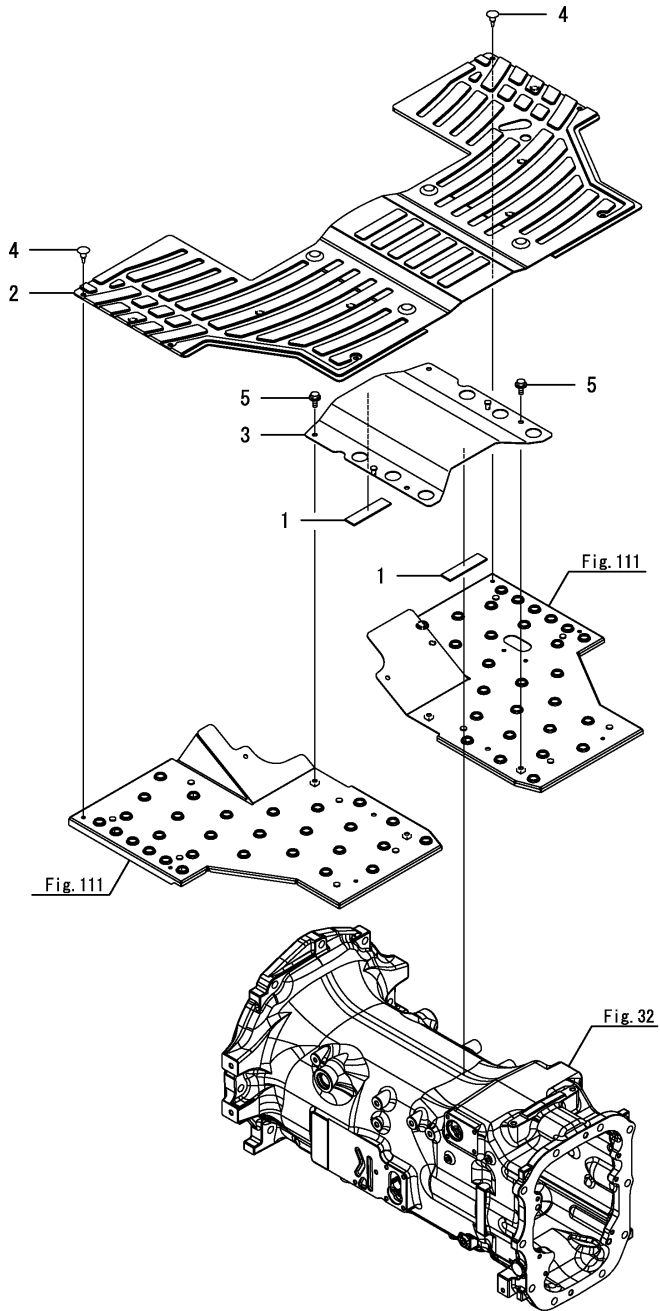


Fig.112. FLOOR MAT

(A)=YT704(16)
 (B)=
 (C)=

(D)=
 (E)=
 (F)=



No.	Lev.	Parts No.	Description	Q'ty						I	R
				(A)	(B)	(C)	(D)	(E)	(F)		
1	1	1A8296-04620	RUBBER, 100X25X3	2							
2	1	1A8292-62050	MAT, FLOOR	1							
3	1	1A8292-62500	PLATE ASSY, FLOOR C	1							
4	1	194697-62560	CLIP, HOLE CAP	6							
5	1	26106-080162	BOLT, M8X 16 PLATED	4							

Fig.113. SUB STEP

(A)=YT704(16)
(B)=
(C)=

(D)=
(E)=
(F)=

No.	Lev.	Parts No.	Description	Q'ty						I	R
				(A)	(B)	(C)	(D)	(E)	(F)		
1	1	194990-22140	NUT, M8	2							
2	1	1A8296-62300	STEP ASSY, SUB	1							
3	1	1A8296-62611	SUPPORT ASSY,STEP FL	1							
4	1	1A8296-62711	SUPPORT ASSY,STEP FR	1							
5	1	1A8296-62814	STAY ASSY, L	1							
6	1	1A8296-62864	STAY ASSY, R	1							
7	1	26106-080162	BOLT, M8X 16 PLATED	2							
8	1	26106-100202	BOLT, M10X 20 PLATED	5							
9	1	26106-100202	BOLT, M10X 20 PLATED	5							
10	1	26106-100202	BOLT, M10X 20 PLATED	2							
11	1	26106-100202	BOLT, M10X 20 PLATED	2							

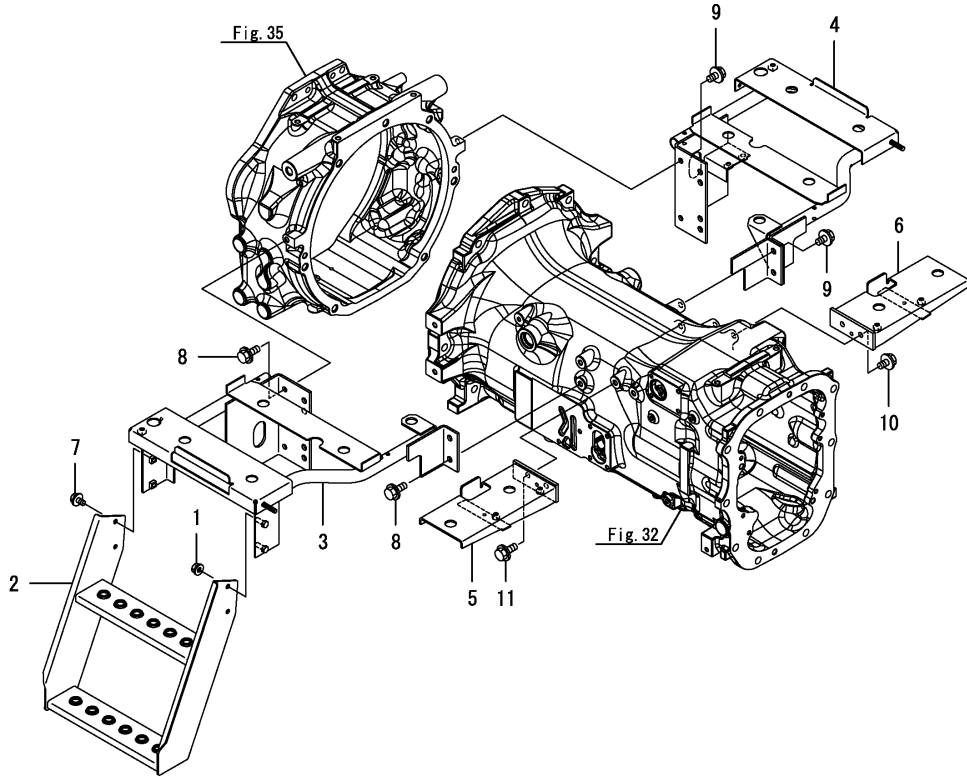
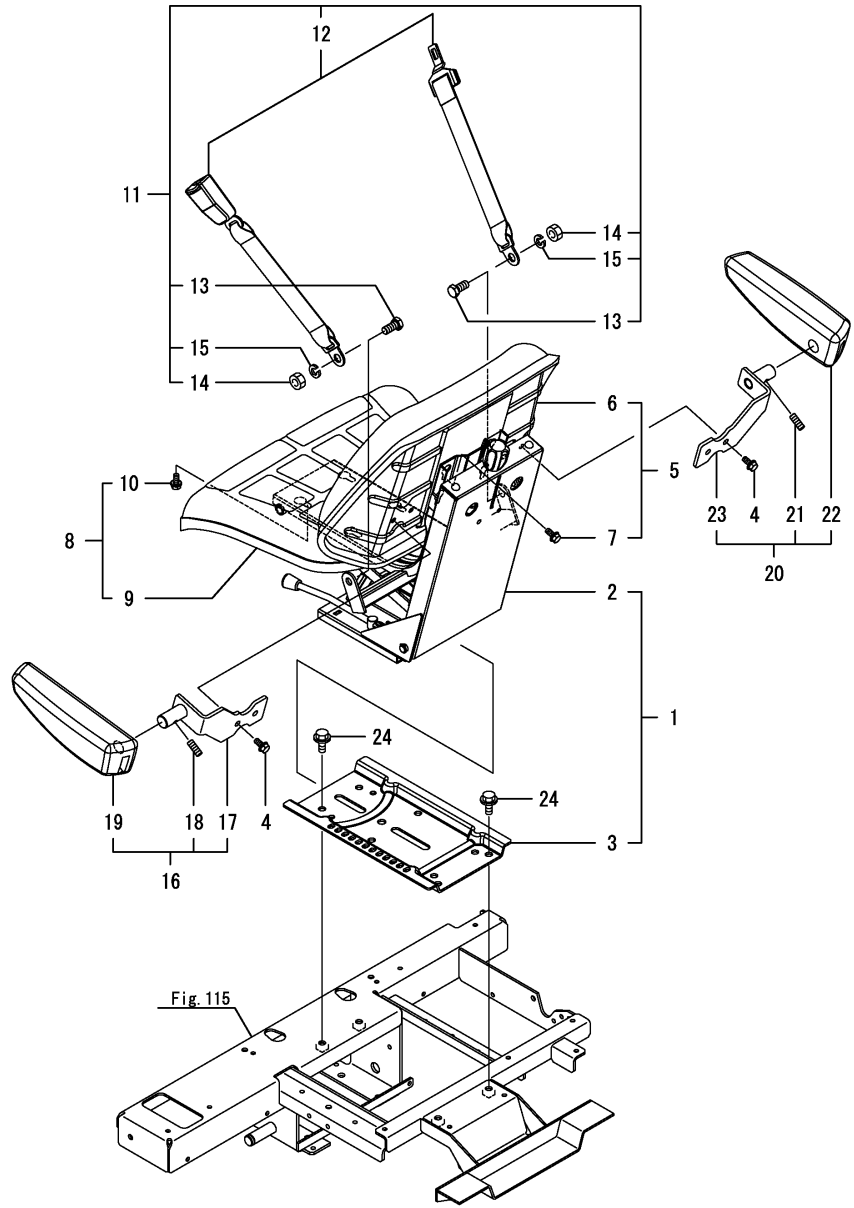


Fig.114. SEAT



(A)=YT704(16)
(B)=
(C)=

(D)=
(E)=
(F)=

No.	Lev.	Parts No.	Description	Q'ty						I	R
				(A)	(B)	(C)	(D)	(E)	(F)		
1	1	1A8292-63050	SUSPENSION ASSY,SEAT	1							
2	2	1A8296-63130	SUSPENSION ASSY,SEAT	1							
3	2	1A8296-63140	RAIL, SEAT	1							
4	1	1A8296-63070	BOLT, 5/16-18	4							
5	1	1A8296-63110	CUSHION ASSY, SEAT R	1							
6	2	1A8296-63050	CUSHION, SEAT REAR	1							
7	2	1A8296-63070	BOLT, 5/16-18	4							
8	1	1A8296-63120	CUSHION ASSY, SEAT	1							
9	2	1A8296-63060	CUSHION, SEAT	1							
10	2	1A8296-63070	BOLT, 5/16-18	4							
11	1	1A8296-63150	SEATBELT KIT	1							
12	2	1A8296-63160	SEATBELT,	1							
13	2	1A8296-63170	BOLT, M12XP1.25	2							
14	2	1A8296-63180	NUT, M12XP1.25	2							
15	2	1A8296-63190	WASHER, SPRING 12	2							
16	1	1A8292-63500	ARMREST ASSY,L	1							
17	2	1A8292-63510	STAY ASSY, L ARMREST	1							
18	2	1A8292-63540	BOLT, M10 HEX SOCKET	1							
19	2	1A8292-63600	ARMREST, L	1							
20	1	1A8292-63620	ARMREST ASSY,R	1							
21	2	1A8292-63540	BOLT, M10 HEX SOCKET	1							
22	2	1A8292-63640	ARMREST, R	1							
23	2	1A8292-63650	STAY ASSY, R ARMREST	1							
24	1	26106-100202	BOLT, M10X 20 PLATED	4							

Fig.115. SEAT BRACKET

(A)=YT704(16
(B)=
(C)=

(D)=
(E)=
(F)=

No.	Lev.	Parts No.	Description	Qty						I	R
				(A)	(B)	(C)	(D)	(E)	(F)		
1	1	1A8292-63200	SUPPORT ASSY, SEAT	1							
2	1	26106-100202	BOLT, M10X 20 PLATED	2							
3	1	26106-100202	BOLT, M10X 20 PLATED	2							

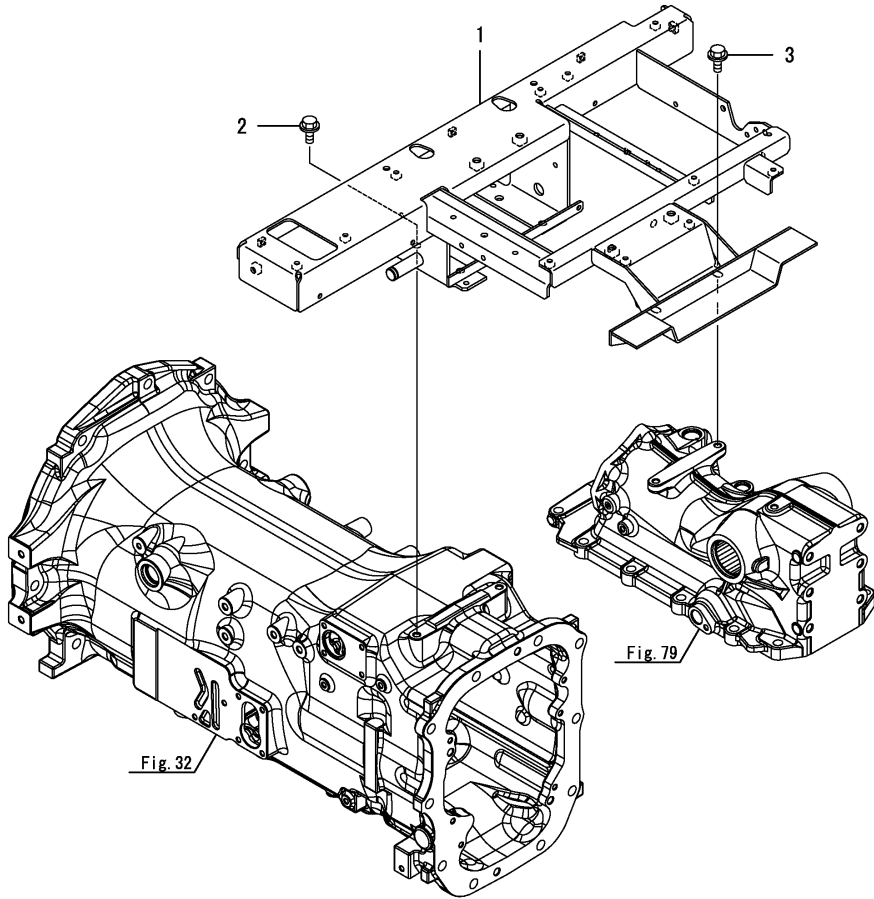


Fig.116. SEAT COVER

(A)=YT704(16)
(B)=
(C)=

(D)=
(E)=
(F)=

No.	Lev.	Parts No.	Description	Qty						I	R
				(A)	(B)	(C)	(D)	(E)	(F)		
1	1	1A8292-63400	COVER, SEAT	1							
2	1	26106-060122	BOLT, M6X 12 PLATED	6							

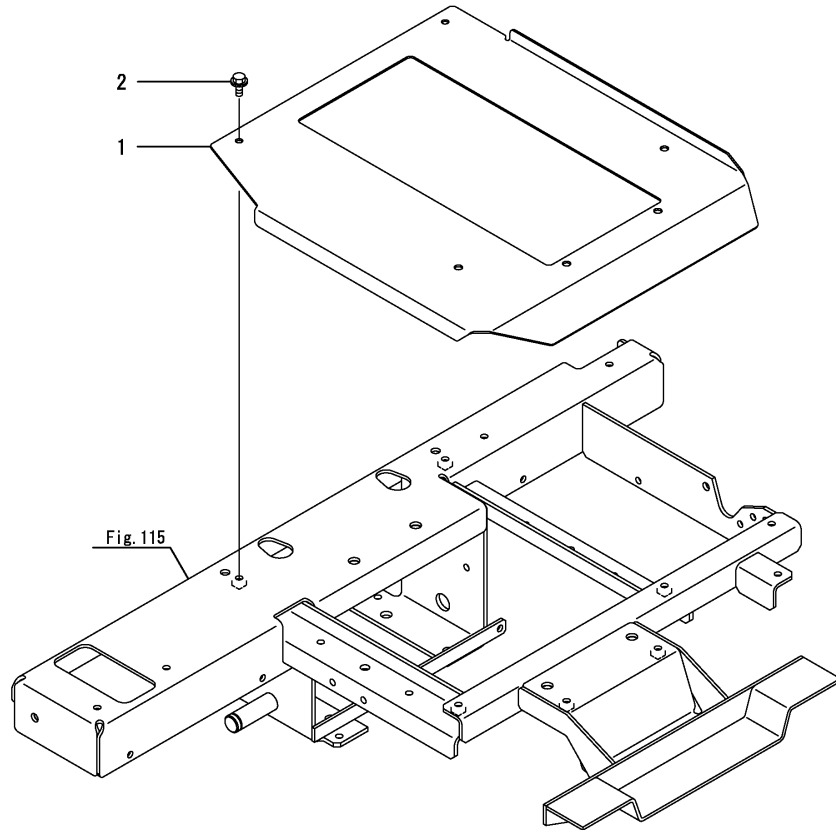
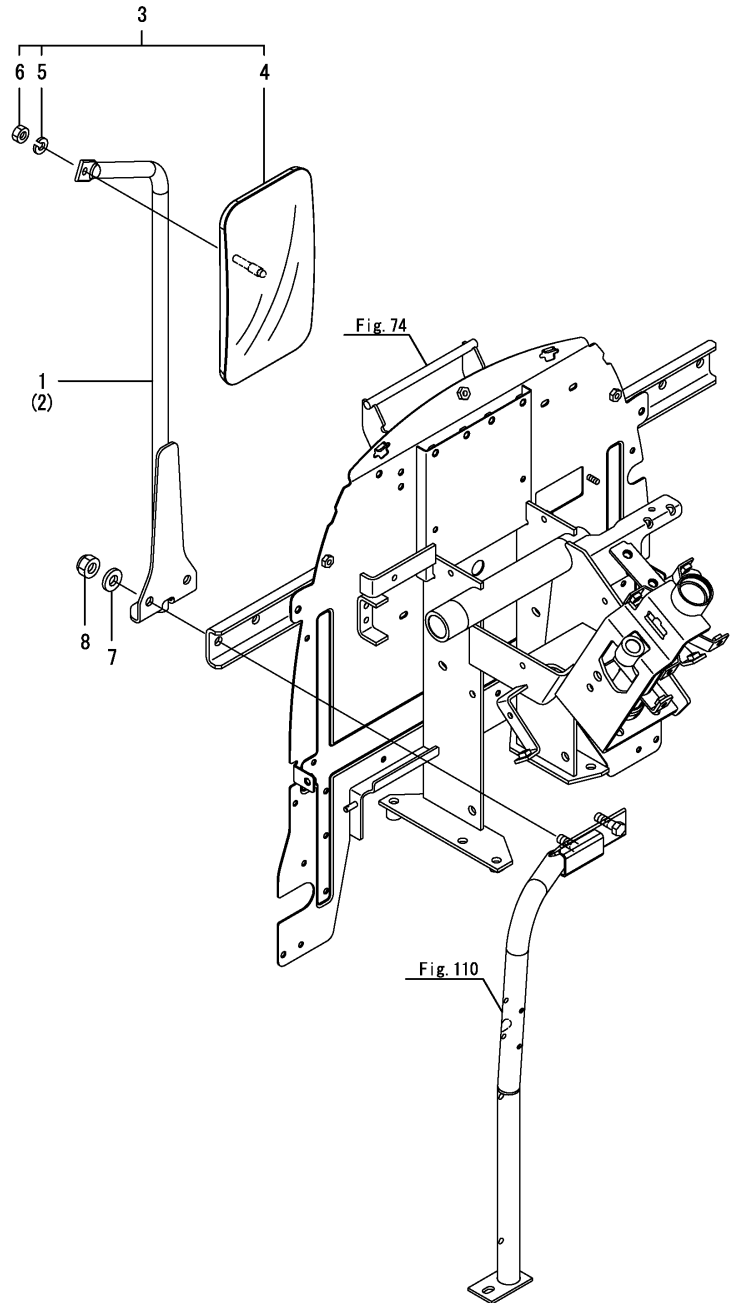


Fig.117. REARVIEW MIRROR

(A)=YT704(16)
 (B)=
 (C)=

(D)=
 (E)=
 (F)=



No.	Lev.	Parts No.	Description	Q'ty						I	R
				(A)	(B)	(C)	(D)	(E)	(F)		
1	1	1A8292-64050	STAY ASSY, L	1							
2	1	1A8292-64060	STAY ASSY, R	1							
3	1	1A8296-64100	MIRROR ASSY,REARVIEW	2							
4	2	1A8296-64110	MIRROR, REARVIEW	2							
5	2	22217-080000	WASHER, SPRING 8	2							
6	2	26757-080002	NUT, LOCK M8	2							
7	1	22137-100000	WASHER, 10	4							
8	1	26346-100002	NUT, M10	4							

Fig.118. TOOL BOX

(A)=YT704(16)
(B)=
(C)=

(D)=
(E)=
(F)=

No.	Lev.	Parts No.	Description	Q'ty						I	R
				(A)	(B)	(C)	(D)	(E)	(F)		
1	1	1A7601-64810	TOOLBOX	1							
2	1	26106-080162	BOLT, M8X 16 PLATED	2							

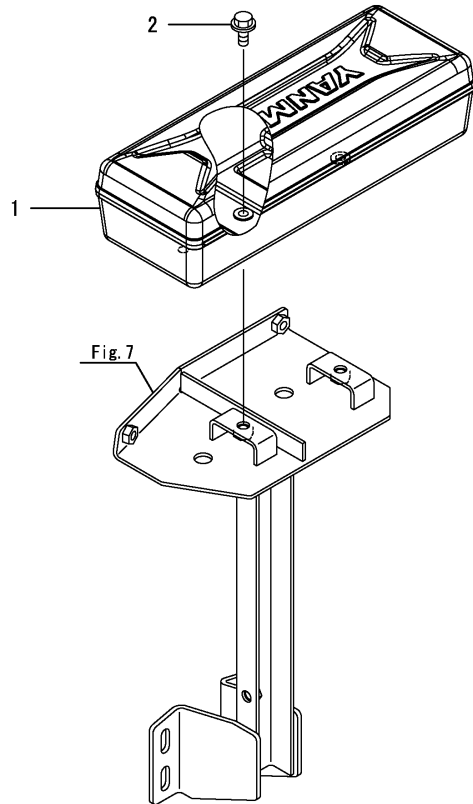


Fig.119. LABEL(OPERATION)

(A)=YT704(16)
(B)=
(C)=

(D)=
(E)=
(F)=

No.	Lev.	Parts No.	Description	Q'ty						I	R
				(A)	(B)	(C)	(D)	(E)	(F)		
1	1	1A8296-27790	LABEL, REVERSER	1							
2	1	1A8296-46980	LABEL, STOP VALVE	1							
3	1	1A8296-65420	LABEL, SWITCH KEY	1							
4	1	1A8296-65461	LABEL, DIFF. LOCK	1							
5	1	1A8296-65470	LABEL, LOCK BLAKE	1							
6	1	1A8296-65521	LABEL, SHIFT 2/4WD	1							
7	1	1A8296-65530	LABEL, ACCELERATOR	1							
8	1	1A8296-65550	LABEL, LUB. OIL	1							
9	1	1A8296-65560	LABEL, PTO CLUTCH	1							
10	1	1A8296-65570	LABEL, SHIFT PTO	1							
11	1	1A8296-65580	LABEL, POSITION HYD.	1							
12	1	1A8296-65590	LABEL, SCV	1							

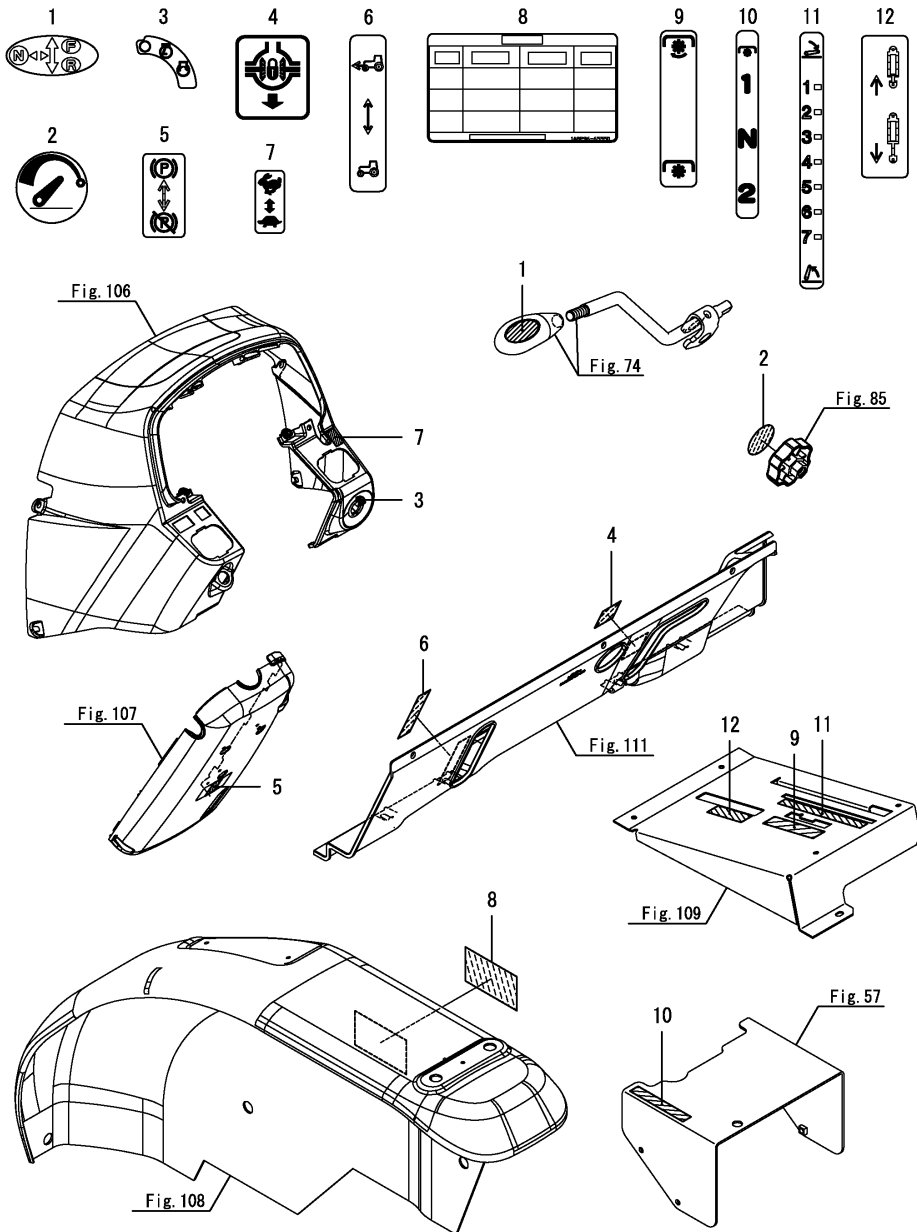
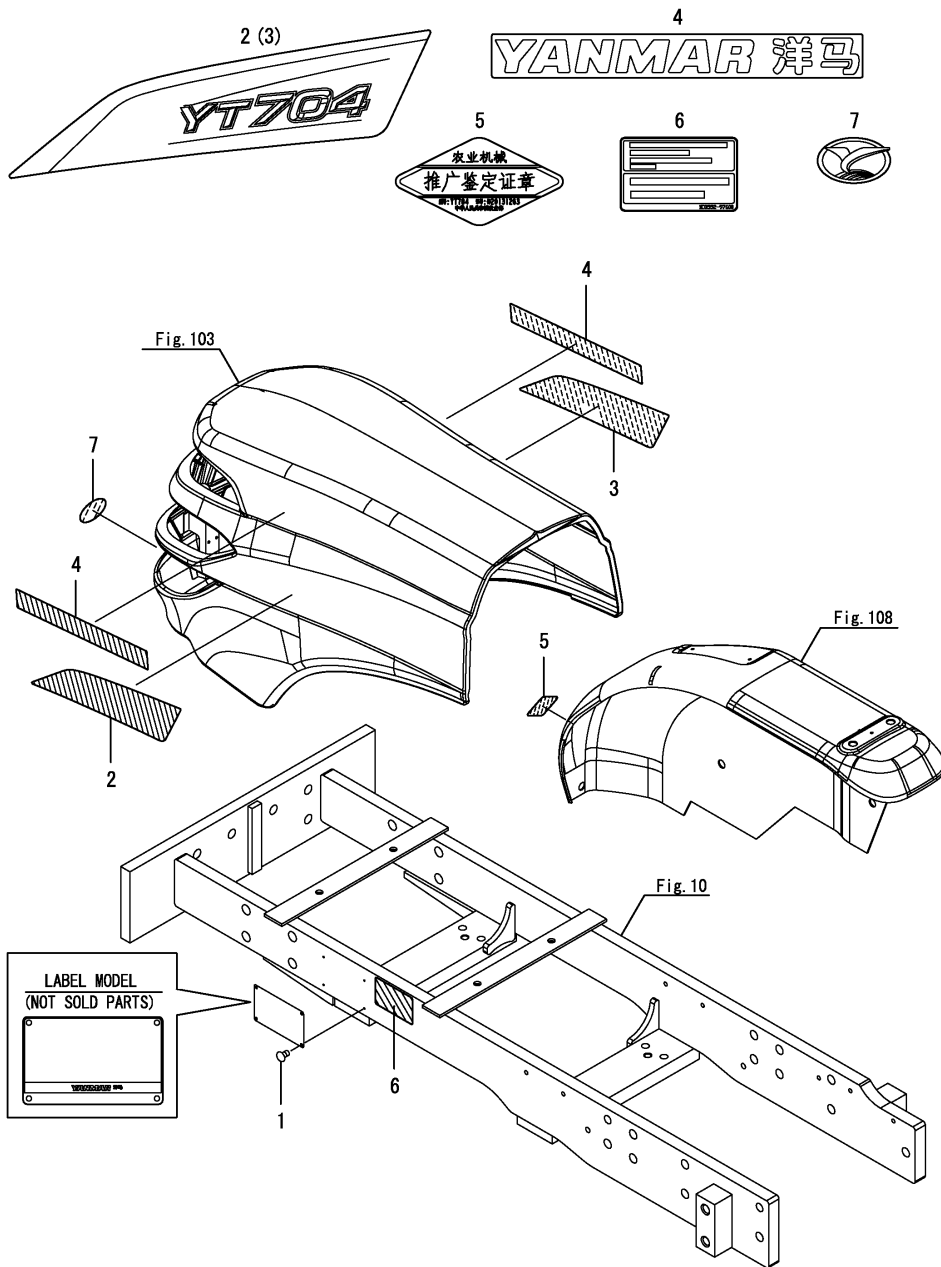


Fig.120. LABEL

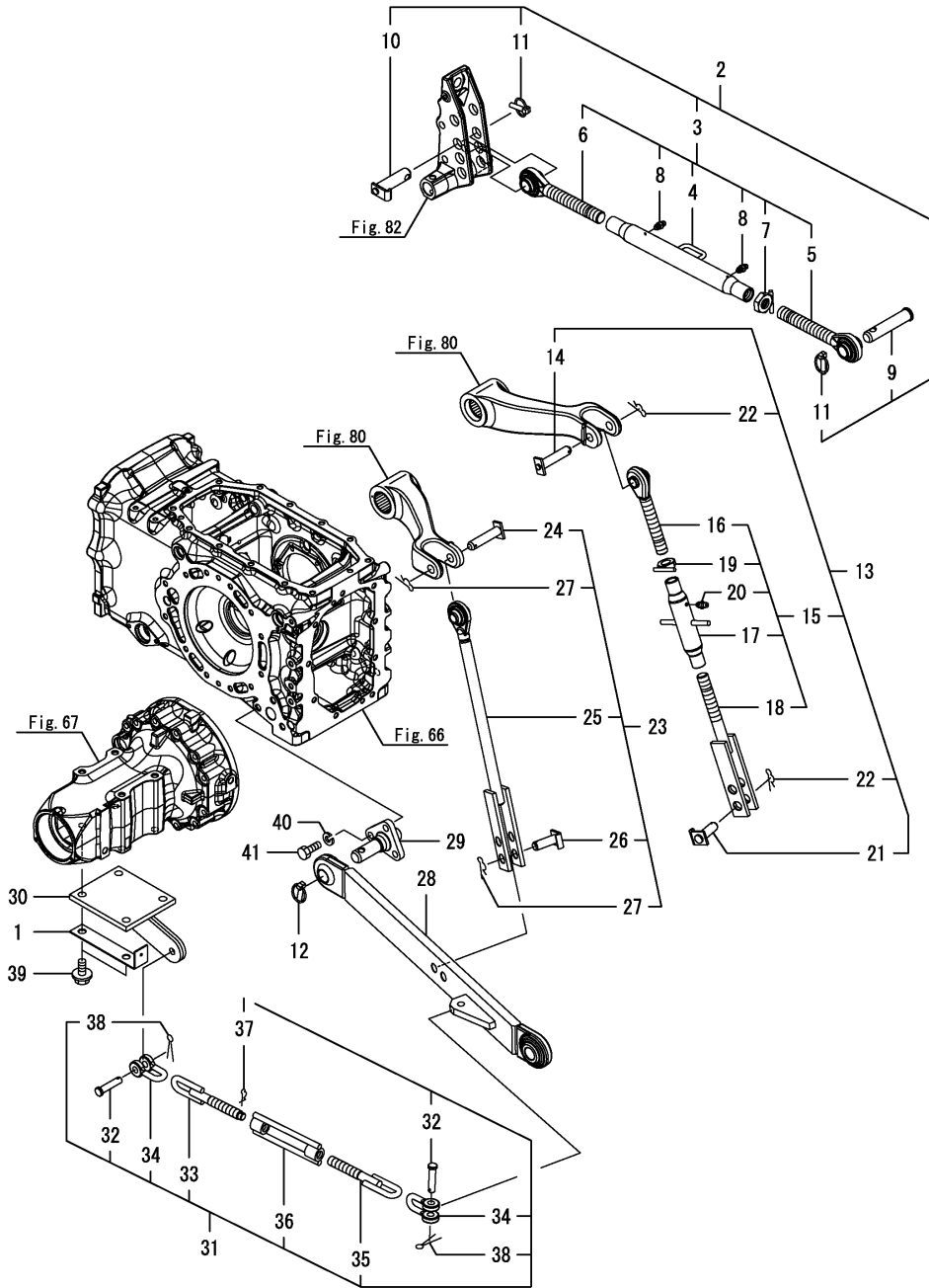
(A)=YT704(16)
(B)=
(C)=

(D)=
(E)=
(F)=



No.	Lev.	Parts No.	Description	Q'ty						I	R
				(A)	(B)	(C)	(D)	(E)	(F)		
1	1	172519-04350	SCREW	4							
2	1	1A8296-65101	LABEL, NAME YT704 L	1							
3	1	1A8296-65111	LABEL, NAME YT704 R	1							
4	1	1A8296-65150	LABEL, YANMAR	2							
5	1	1A8296-65210	LABEL, PERMIT CHINA	1							
6	1	1E8552-97600	LABEL, PROHIBIT EX.	1							
7	1	41800-210040	EMBLEM, M 04	1							

Fig.122. THREE POINT HITCH



(A)=YT704(16)

(B)=

(C)=

(D)=

(E)=

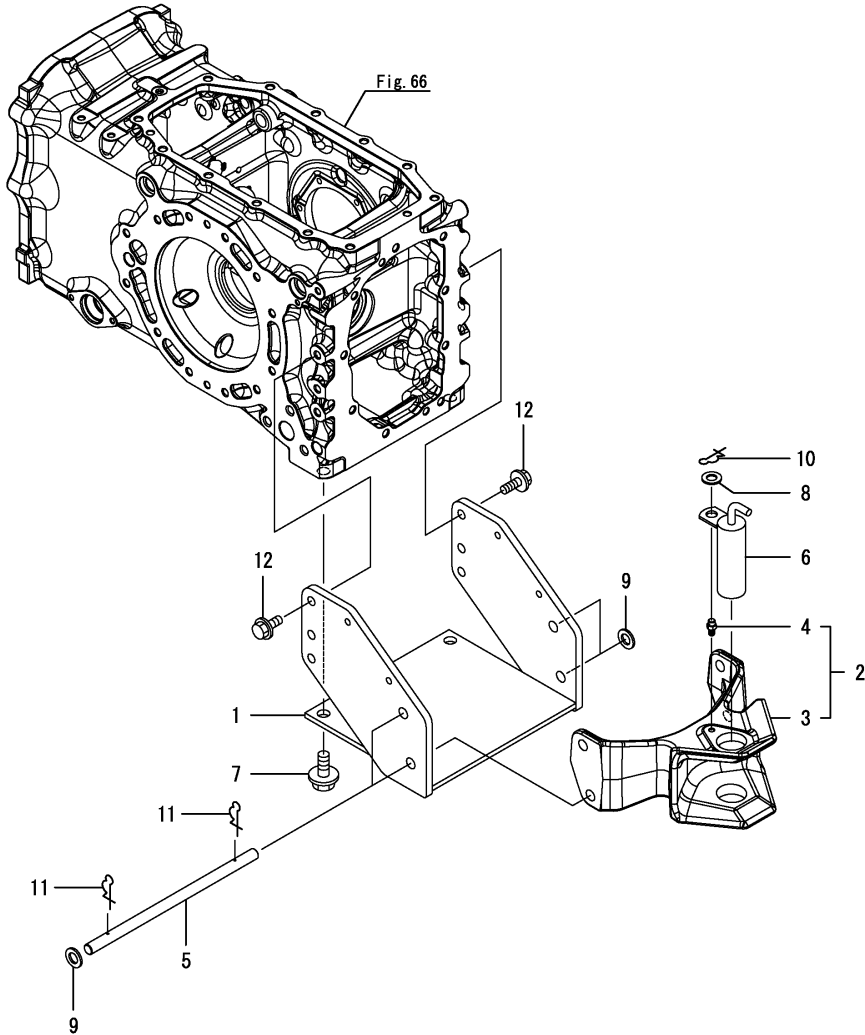
(F)=

No.	Lev.	Parts No.	Description	Qty						I	R
				(A)	(B)	(C)	(D)	(E)	(F)		
1	1	1A8296-58700	STAY, REFLECTOR	2							
2	1	1A8292-71100	LINK KIT, TOP	1							
3	2	1A8296-71110-1	LINK, TOP	1							
4	3	1A8296-71500-1	TURNBUCKLE	1							
5	3	1A8296-71590	EYE-BOLT ASSY, R	1							
6	3	1A8296-71640	EYE-BOLT ASSY, L	1							
7	3	1A8296-71680	NUT, LOCK 27	1							
8	3	24761-010000	NIPPLE, GREASE M6F	2							
9	2	1A8296-71230	PIN, TOP LINK	1							
10	2	1A8292-71240	PIN ASSY, TOP LINK	1							
11	2	1A8296-71410	PIN ASSY, LOCK	2							
12	1	1A8296-71410	PIN ASSY, LOCK	2							
13	1	1A8292-72090	LINK KIT, LIFT R	1							
14	2	1A8296-44550	PIN, LIFT ARM	1							
15	2	1A8296-72100-1	LINK ASSY, LIFT R	1							
16	3	1A8296-72130	LINK ASSY, LIFT R UP	1							
17	3	1A8296-72150-1	TURNBUCKLE	1							
18	3	1A8296-72200	YOKE ASSY, LIFTLINK	1							
19	3	1A8296-72290	NUT, LOCK 24	1							
20	3	24761-010000	NIPPLE, GREASE M6F	1							
21	2	1A8296-72550	PIN ASSY	1							
22	2	22360-200000	PIN, SNAP 20	2							
23	1	1A8292-72280	LINK KIT, LIFT L	1							
24	2	1A8296-44550	PIN, LIFT ARM	1							
25	2	1A8296-72310-1	LINK, LIFT L	1							
26	2	1A8296-72550	PIN ASSY	1							
27	2	22360-200000	PIN, SNAP 20	2							
28	1	1A8292-73100	LINK ASSY, LOWER	2							
29	1	1A8292-73180	PIN, LOWER LINK	2							
30	1	1A8296-74100-1	BRACKET, CHECK CHAIN	2							
31	1	1A8292-74600	CHAIN ASSY, CHECK	2							
32	2	1A8296-74170	PIN	4							
33	2	1A8292-74610	CHAIN ASSY, CHECK	2							
34	2	1A8296-74630	SHACKLE	4							
35	2	1A8292-74700	CHAIN ASSY, R	2							
36	2	1A8296-74750	TURNBUCKLE	2							
37	2	22372-160000	PIN, SNAP 16	2							
38	2	22417-400400	PIN, COTTER 4.0X40	4							
39	1	1A8296-85100	BOLT, M16X40 10.9	8							
40	1	22217-140000	WASHER, SPRING 14	6							
41	1	26116-140352	BOLT, M14X 35 PLATED	6							

Fig.123. WAGON HITCH

(A)=YT704(16)
(B)=
(C)=

(D)=
(E)=
(F)=

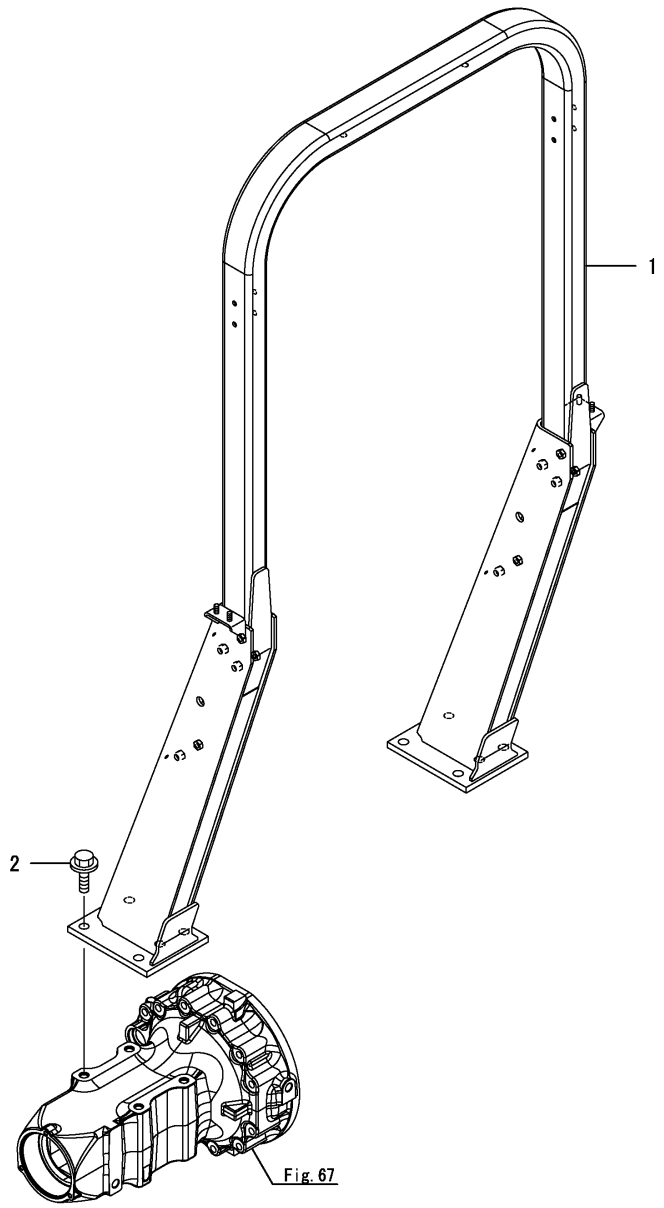


No.	Lev.	Parts No.	Description	Q'ty						I	R
				(A)	(B)	(C)	(D)	(E)	(F)		
1	1	1A8296-75510-1	BRACKET, HITCH	1							
2	1	1A8292-75850	HITCH ASSY, WAGON	1							
3	2	1A8292-75860	HITCH	1							
4	2	1A8292-75870	PIN	1							
5	1	1A8296-75911	PIN, HITCH	2							
6	1	1A8296-75950	PIN ASSY, HITCH	1							
7	1	1A8296-85100	BOLT, M16X40 10.9	2							
8	1	22137-140000	WASHER, 14	1							
9	1	22137-160000	WASHER, 16	4							
10	1	22372-100000	PIN, SNAP 10	1							
11	1	22372-160000	PIN, SNAP 16	4							
12	1	26106-120302	BOLT, M12X 30 PLATED	6							

Fig.124. ROPS

(A)=YT704(16
(B)=
(C)=

(D)=
(E)=
(F)=

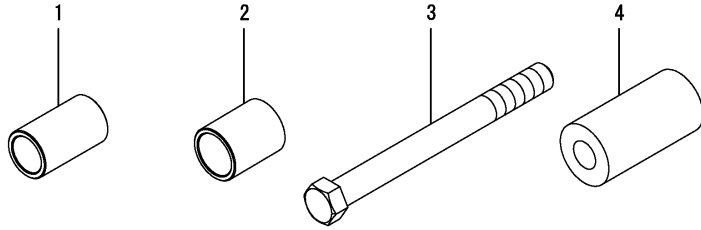


No.	Lev.	Parts No.	Description	Q'ty						I	R
				(A)	(B)	(C)	(D)	(E)	(F)		
1	1	7A8296-85000	MASSY, ROPS	1							
2	1	1A8296-85100	BOLT, M16X40 10.9	8							

Fig.126. ACCESSORY

(A)=YT704(16)
(B)=
(C)=

(D)=
(E)=
(F)=



No.	Lev.	Parts No.	Description	Q'ty						I	R
				(A)	(B)	(C)	(D)	(E)	(F)		
1	1	1A8296-71290	COLLAR, TOP LINK	1							
2	1	1A8296-73230	COLLAR, LOWER LINK	2							
3	1	1A8292-91110	BOLT, M14X145	1							
4	1	1A8292-91140	COLLAR, WEIGHT	2							
5	1	1A8296-92100	TOOL,	1							
6	2	192010-09050	FUNNEL	1							
7	2	1A8296-92110	WRENCH, 27 X 30	1							
8	2	1A8296-92150	BAG, TOOL	1							
9	2	23061-120300	PIPE, 12X 300	1							
10	2	28110-100120	SPANNER, 10X12	1							
11	2	28110-120140	SPANNER, 12X14	1							
12	2	28110-140170	SPANNER, 14X17	1							
13	2	28110-170190	SPANNER, 17X19	1							
14	2	28160-240270	WRENCH, 24X27	1							
15	2	28170-001500	PLIER	1							

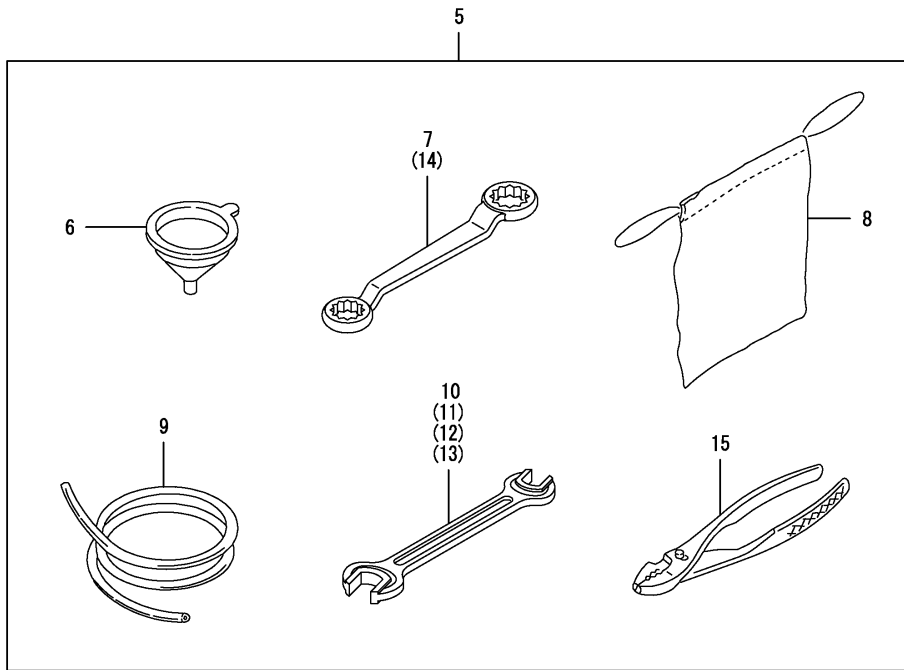
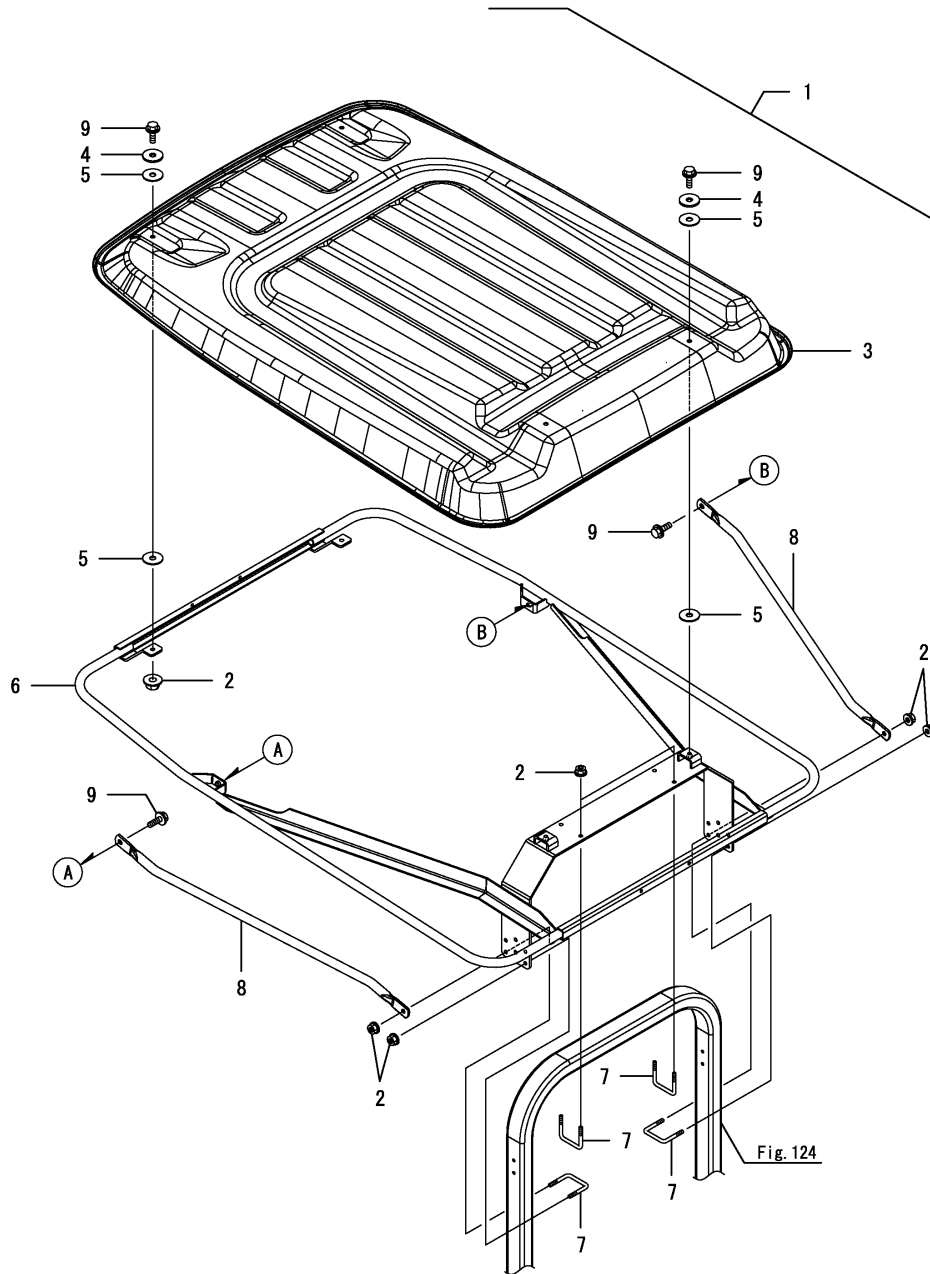


Fig.127. CANOPY(OPTION)

(A)=YT704(16)
(B)=
(C)=

(D)=
(E)=
(F)=



No.	Lev.	Parts No.	Description	Q'ty						I	R
				(A)	(B)	(C)	(D)	(E)	(F)		
1	1	1A8292-85400	CANOPY KIT	1							
2	2	194990-22150	NUT, M10	10							
3	2	1A8292-85500	ROOF, CANOPY	1							
4	2	1A8292-85510	WASHER, 9X40X3.5	4							
5	2	1A8292-85520	RUBBER, CUSHION	8							
6	2	1A8292-85600	FRAME ASSY, CANOPY	1							
7	2	1A8292-85710	BOLT, U	4							
8	2	1A8292-85750	PIPE, ROOF	2							
9	2	26106-100302	BOLT, M10X 30 PLATED	6							

Fig.128. FRONT WEIGHT(OPTION)

(A)=YT704(16)
 (B)=
 (C)=

(D)=
 (E)=
 (F)=

No.	Lev.	Parts No.	Description	Q'ty						I	R
				(A)	(B)	(C)	(D)	(E)	(F)		
1	1	1A8292-91000	WEIGHT KIT, FRONT 80	1							
2	2	1A8292-91100	WEIGHT, FRONT 40	2							
3	2	1A8292-91130	BOLT, M14X540	1							

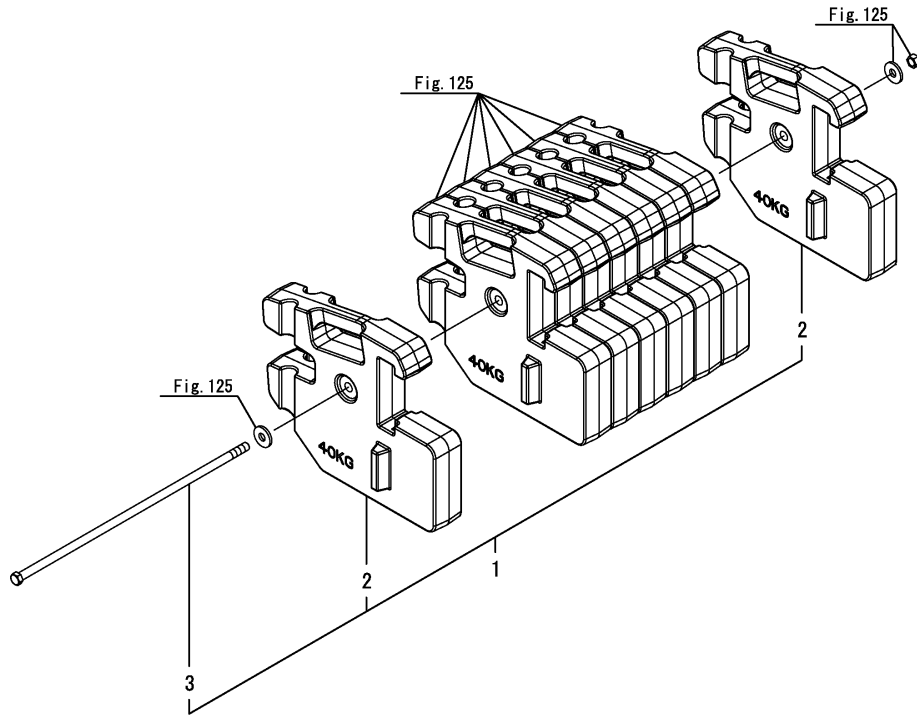


Fig.129. REAR WEIGHT(OPTION)

(A)=YT704(16)
(B)=
(C)=

(D)=
(E)=
(F)=

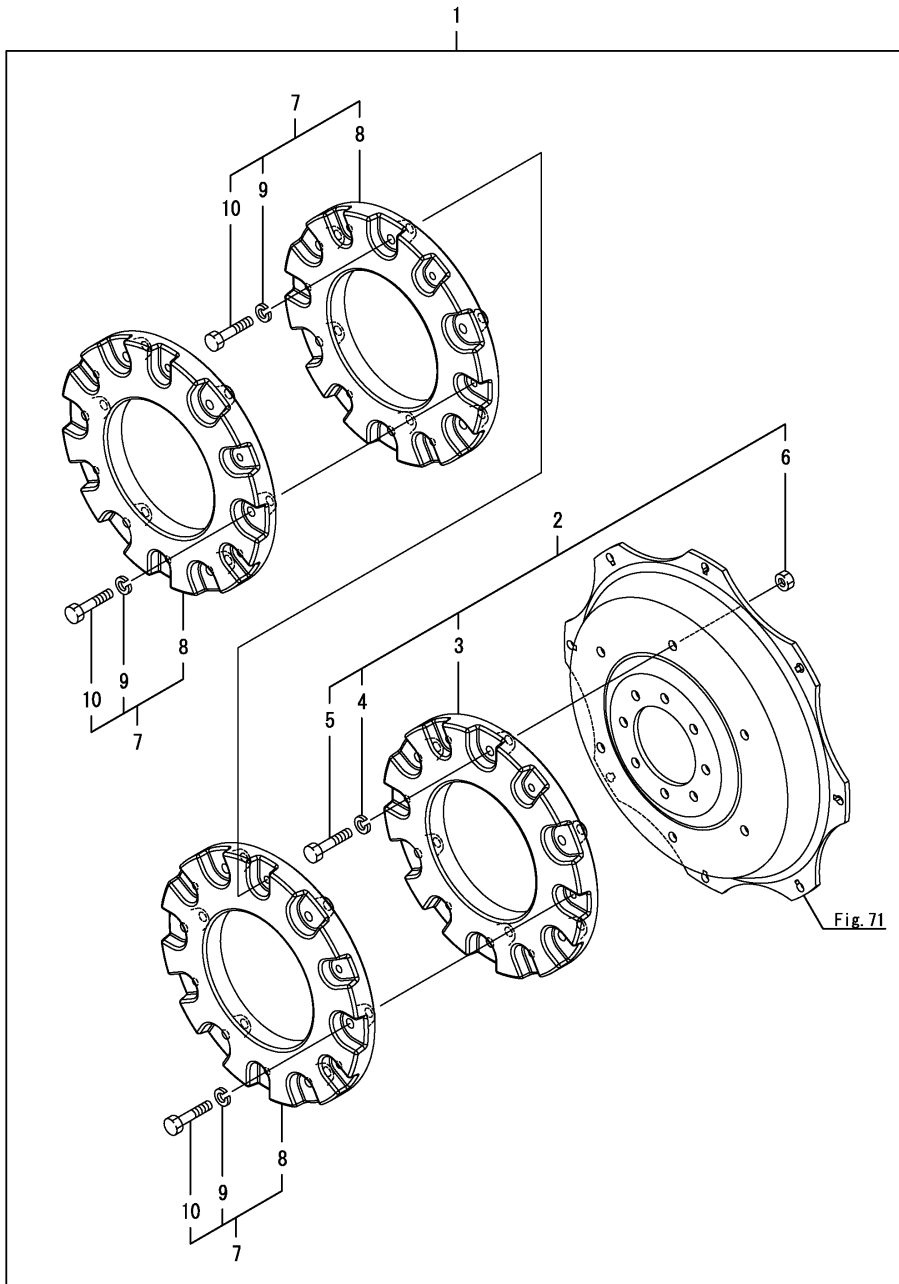


Fig. 71

No.	Lev.	Parts No.	Description	Q'ty						I	R
				(A)	(B)	(C)	(D)	(E)	(F)		
1	1	1A8296-91200	WEIGHT KIT,REAR FULL	1							
2	2	1A8296-91210	WEIGHT KIT,REAR BASE	1							
3	3	1A8296-91231	WEIGHT, WHEEL REAR	2							
4	3	22217-160000	WASHER, SPRING 16	12							
5	3	26116-160802	BOLT, M16X 80 PLATED	12							
6	3	26716-160002	NUT, M16	12							
7	2	1A8296-91220	WEIGHT KIT, REAR ADD	3							
8	3	1A8296-91231	WEIGHT, WHEEL REAR	6							
9	3	22217-160000	WASHER, SPRING 16	36							
10	3	26116-160802	BOLT, M16X 80 PLATED	36							

Parts No. Index

Parts No.	Fig. No.	Ref. No.
106990-44660	2	11
119225-52102	1	8
123325-35140	1	10
123325-35160	1	11
123672-55760	1	15
123678-55890	1	19
124550-77030	93	36
129065-55170	1	12
129065-55750	1	9
129065-55760	1	16
129065-55770	1	17
129065-55800	1	18
129495-55610	1	13
129495-55620	1	14
129927-77690	93	37
129927-77920	100	3
129930-13201	6	19
172142-76181	31	17
172157-76300	31	7
172157-76310	31	8
172519-04350	120	1
192010-09050	126	6
192180-31510	64	12
192180-31550	64	14
192180-31850	64	18
194171-13870	17	9
194197-25810	48	10
	51	1
194250-61850	5	11
194321-13270	15	7
194464-52190	97	5
194555-25880	51	2
194697-62560	112	4
194740-00160	4	2
194990-22110	5	8
194990-22130	1	6
	5	9
	93	1
		2
	108	6
		28
194990-22140	6	20
	7	19
	74	20
	93	3
	96	1
	101	1
	102	1
		2
	103	1

Parts No.	Fig. No.	Ref. No.
194990-22140	108	1
		2
	113	1
194990-22150	61	1
	74	1
	127	2
198071-24350	56	1
198071-61890	106	5
198072-13760	17	7
198121-25840	45	17
198121-25850	45	18
198133-13780	64	2
198200-01260	4	4
198200-04031	7	2
198200-04040	7	3
198200-04061	7	4
198220-62150	111	1
		2
198223-52151	97	3
198240-24690	66	1
198240-62451	111	4
		5
198360-53630	98	7
		19
198361-48750	91	9
198451-28750	52	30
1A1040-28470	56	5
1A6240-51630	93	9
1A6382-51510	93	8
1A7090-25380	39	17
1A7090-31850	64	19
1A7180-43340	79	13
1A7180-43410	80	1
1A7180-43730	79	14
1A7180-43930	79	15
1A7180-46610	79	19
1A7180-46651	79	20
1A7180-46660	79	21
1A7180-52240	97	6
1A7180-61500	106	3
1A7180-61510	106	4
1A7180-61530	107	3
1A7180-61540	107	4
1A7340-75800	125	2
1A7400-53530	108	12
		34
1A7451-36350	73	2
1A7500-51160	93	6
		20
		24

Parts No.	Fig. No.	Ref. No.
1A7500-51160	97	1
1A7500-51170	93	7
1A7601-00650	3	1
1A7601-64810	118	1
1A7650-01240	1	3
1A7815-32810	11	11
1A7870-24910	66	2
1A7870-52950	100	1
1A7880-45640	81	16
1A7880-51730	93	10
1A7890-57200	100	2
1A8042-13850	18	3
1A8042-14120	21	7
1A8042-17111	28	2
1A8060-11850-1	20	2
1A8060-14140-1	21	8
1A8060-31800	64	16
1A8060-31810	64	17
1A8160-51130	93	5
1A8275-26320	52	20
1A8275-26720	52	5
1A8275-26730	52	6
1A8275-26740	52	7
1A8275-26750	52	8
1A8275-26790	52	11
1A8275-26810	52	13
1A8275-26820	52	14
1A8275-45230	81	2
1A8275-45240	81	3
1A8275-45310	81	6
1A8275-45320	81	7
1A8275-45330	81	8
1A8275-45340	81	9
1A8275-45360	81	10
1A8275-45370	81	11
1A8275-45420	81	12
1A8275-45440	81	13
1A8275-45500	81	14
1A8275-45980	81	17
1A8280-53220	103	7
		13
1A8292-01010	5	1
1A8292-01050	5	2
1A8292-01480	5	7
1A8292-01510	2	3
1A8292-01750	4	10
1A8292-01950	2	7
1A8292-04720	8	1
1A8292-04730	8	2
1A8292-04750	8	3

Parts No.	Fig. No.	Ref. No.
1A8292-04800	8	4
1A8292-04810	8	5
1A8292-05130	9	1
1A8292-11101	10	3
1A8292-11500	13	3
1A8292-11610	11	3
1A8292-11630	11	4
1A8292-11650	11	7
1A8292-11670	11	8
1A8292-13020	15	2
1A8292-13040	15	3
1A8292-13050	15	4
1A8292-13060	15	5
1A8292-13070	15	6
1A8292-13100	14	2
1A8292-13110	14	3
1A8292-13120	14	4
1A8292-13130	14	5
1A8292-13170	14	6
1A8292-13180	14	7
1A8292-13250	13	4
1A8292-13300	22	1
1A8292-13330	14	8
1A8292-13510	16	1
1A8292-13520	16	2
1A8292-13530	16	3
1A8292-13610	13	5
1A8292-13650	17	5
1A8292-13710	17	6
1A8292-13750	19	3
1A8292-13760	19	4
1A8292-13810	18	1
1A8292-13820	18	2
1A8292-13850	19	5
1A8292-13890	19	6
1A8292-13910	21	3
1A8292-13970	19	7
1A8292-14110	21	6
1A8292-14210	21	9
1A8292-17200	28	1
1A8292-17890	31	5
1A8292-21100	32	1
1A8292-21190	32	3
1A8292-21210	35	2
1A8292-21240	32	4
1A8292-21350	34	2
1A8292-22110	39	1
1A8292-22330	39	7
1A8292-22370	39	8
1A8292-22380	39	9

Parts No. Index

Parts No.	Fig. No.	Ref. No.
1A8292-22390	39	10
1A8292-22460	39	11
1A8292-22480	39	12
1A8292-22490	39	13
1A8292-22510	39	14
1A8292-22530	31	14
1A8292-22540	31	15
1A8292-23210	41	1
1A8292-23280	42	1
1A8292-23650	42	4
1A8292-24210	43	4
1A8292-24500	44	2
1A8292-25010	45	4
1A8292-25020	45	5
1A8292-25030	45	6
1A8292-25040	45	7
1A8292-25050	45	8
1A8292-25060	45	9
1A8292-25070	45	10
1A8292-25080	45	11
1A8292-25170	45	12
1A8292-25210	45	13
1A8292-25280	48	2
1A8292-25580	46	6
1A8292-25590	46	7
1A8292-25720	48	5
1A8292-26000	52	1
1A8292-26130	52	26
1A8292-26200	52	18
1A8292-26210	52	19
1A8292-26610	56	3
1A8292-27090	74	15
1A8292-27300	59	2
1A8292-27440	74	16
1A8292-27640	60	1
1A8292-27650	60	2
1A8292-27691	60	4
1A8292-27721	60	5
1A8292-27750	60	6
1A8292-27910	60	7
1A8292-27920	60	8
1A8292-27940	60	9
1A8292-28110	62	1
1A8292-28120	62	2
1A8292-28130	62	3
1A8292-28140	62	4
1A8292-28150	62	5
1A8292-28210	62	7
1A8292-28220	62	8
1A8292-28230	62	9

Parts No.	Fig. No.	Ref. No.
1A8292-28240	62	10
1A8292-28250	62	11
1A8292-28260	62	12
1A8292-28310	62	13
1A8292-28350	62	14
1A8292-28370	62	16
1A8292-31410	64	5
1A8292-31420	64	6
1A8292-31430	64	7
1A8292-31640	64	15
1A8292-32310	65	1
1A8292-32410	66	3
1A8292-33060	68	1
1A8292-33070	68	2
1A8292-37200	74	2
1A8292-37210	74	4
1A8292-37910	75	1
1A8292-37920	75	2
1A8292-37940	74	46
1A8292-37970	74	49
1A8292-37990	74	30
1A8292-42050	78	1
1A8292-42100	79	1
1A8292-44210	80	8
1A8292-45600	79	16
1A8292-46400	79	18
1A8292-46670	88	4
1A8292-47010	83	1
1A8292-47170	84	2
1A8292-47290	83	3
1A8292-47300	83	4
1A8292-47370	83	6
1A8292-47410	84	4
1A8292-47420	84	6
1A8292-47440	83	8
1A8292-47450	83	9
1A8292-47470	83	10
1A8292-47490	83	11
1A8292-47500	84	8
1A8292-47520	83	12
1A8292-47550	83	13
1A8292-47590	84	9
1A8292-47610	82	1
1A8292-47660	82	3
1A8292-47690	84	10
1A8292-47700	82	4
1A8292-47750	82	6
1A8292-47770	82	7
1A8292-47800	84	11
1A8292-47860	84	13

Parts No.	Fig. No.	Ref. No.
1A8292-47870	82	8
1A8292-47900	83	14
1A8292-47940	83	15
1A8292-47960	84	14
1A8292-47970	83	16
1A8292-48330	92	1
1A8292-49250	90	3
1A8292-49300	90	4
1A8292-49330	84	15
1A8292-49500	84	16
1A8292-49530	84	17
1A8292-49560	84	18
1A8292-49570	82	9
1A8292-49620	84	19
1A8292-49670	84	20
1A8292-49700	84	21
1A8292-49710	84	22
1A8292-51100	93	4
1A8292-51200	93	19
1A8292-51350	93	23
1A8292-51500	95	1
1A8292-51770	93	27
		28
		29
1A8292-52420	93	11
1A8292-52430	93	12
1A8292-55600	5	10
1A8292-56010	99	1
1A8292-58100	93	30
1A8292-58230	93	31
1A8292-58360	93	32
1A8292-60100	101	3
1A8292-60400	97	11
1A8292-60700	101	4
1A8292-61690	74	31
1A8292-61950	104	2
1A8292-62050	112	2
1A8292-62420	109	3
1A8292-62500	112	3
1A8292-62760	111	6
1A8292-62900	110	1
1A8292-62910	110	2
1A8292-63050	114	1
1A8292-63200	115	1
1A8292-63400	116	1
1A8292-63500	114	16
1A8292-63510	114	17
1A8292-63540	114	18
		21
1A8292-63600	114	19

Parts No.	Fig. No.	Ref. No.
1A8292-63620	114	20
1A8292-63640	114	22
1A8292-63650	114	23
1A8292-64050	117	1
1A8292-64060	117	2
1A8292-65441	93	33
1A8292-65451	93	34
1A8292-65480	93	35
1A8292-71100	122	2
1A8292-71240	122	10
1A8292-72090	122	13
1A8292-72280	122	23
1A8292-73100	122	28
1A8292-73180	122	29
1A8292-74600	122	31
1A8292-74610	122	33
1A8292-74700	122	35
1A8292-75850	123	2
1A8292-75860	123	3
1A8292-75870	123	4
1A8292-85400	127	1
1A8292-85500	127	3
1A8292-85510	127	4
1A8292-85520	127	5
1A8292-85600	127	6
1A8292-85710	127	7
1A8292-85750	127	8
1A8292-91000	128	1
1A8292-91100	125	3
	128	2
1A8292-91110	126	3
1A8292-91120	125	4
1A8292-91130	128	3
1A8292-91140	126	4
1A8292-91150	125	5
1A8296-01100	4	1
1A8296-01110	4	3
1A8296-01160	5	3
1A8296-01190	4	9
1A8296-01211	1	1
1A8296-01221	1	2
1A8296-01250	2	2
1A8296-01340	5	4
1A8296-01350	5	5
1A8296-01450	5	6
1A8296-01570	2	4
1A8296-01602-1	2	5
1A8296-01631-1	2	6
1A8296-02150	4	5
1A8296-03100	6	2

Parts No. Index

Parts No.	Fig. No.	Ref. No.
1A8296-03120	6	3
1A8296-03160	6	4
1A8296-03200	6	1
1A8296-03250	6	5
1A8296-03260	6	6
1A8296-03320	6	7
1A8296-03330	6	8
1A8296-03340	6	9
1A8296-03350	6	10
1A8296-03360	6	11
1A8296-03370	6	12
1A8296-03380	6	13
1A8296-03390	6	14
1A8296-03400	6	15
1A8296-03410	6	16
1A8296-03500	6	17
1A8296-03602	6	18
1A8296-04000	7	1
1A8296-04110	7	5
1A8296-04260	7	9
		10
1A8296-04500-1	7	11
1A8296-04530-1	7	12
1A8296-04610	7	13
		14
1A8296-04620	7	15
		16
		17
	112	1
1A8296-05100-1	10	1
1A8296-05150	10	2
1A8296-11160	10	4
1A8296-11170	10	5
1A8296-11180	10	6
1A8296-11401	10	7
	11	1
		2
	13	1
	17	1
	20	1
1A8296-11410	14	1
1A8296-11420	17	2
	19	1
1A8296-11430	19	2
1A8296-11440	21	1
1A8296-11450	13	2
1A8296-11460	15	1
1A8296-11470	17	3
	64	1
1A8296-11480	17	4

Parts No.	Fig. No.	Ref. No.
1A8296-11640	11	6
1A8296-11690	11	10
1A8296-12470	12	1
1A8296-12500	9	2
1A8296-12510	9	3
1A8296-12520	9	4
1A8296-12530	9	5
1A8296-12540	9	6
1A8296-12550	9	7
1A8296-12570	9	8
1A8296-12810	12	3
1A8296-12820	12	4
1A8296-12830	12	5
1A8296-12840	12	6
1A8296-12850	12	7
1A8296-12912	12	2
1A8296-12920	12	8
1A8296-12930	12	9
1A8296-12940	12	10
1A8296-12950	12	11
1A8296-12960	12	12
1A8296-13400-2	23	1
1A8296-13410-2	23	2
1A8296-13540	22	2
1A8296-13780	17	8
1A8296-13880	21	2
1A8296-13930	18	4
1A8296-13940	16	4
1A8296-13950	18	5
1A8296-13960	21	4
1A8296-13980	21	5
1A8296-14160	26	1
1A8296-14170	26	2
1A8296-14180	26	3
1A8296-14190	26	4
1A8296-14721	24	2
		7
	25	2
		7
1A8296-14801	25	1
1A8296-14810	25	3
		8
1A8296-14820	25	4
		9
1A8296-14830	25	5
		10
1A8296-14851	24	1
1A8296-14860	24	3
		8
1A8296-14870	24	4

Parts No.	Fig. No.	Ref. No.
1A8296-14870	24	9
1A8296-14880	24	5
		10
1A8296-14901	25	6
1A8296-14951	24	6
1A8296-15240	74	5
1A8296-15320	74	6
1A8296-15400	74	7
1A8296-15700	27	1
1A8296-15710	27	2
1A8296-15720	27	3
1A8296-15750	27	4
1A8296-17320	28	3
1A8296-17330	28	4
1A8296-17340	28	5
1A8296-17350	28	6
1A8296-17360	28	7
1A8296-17371	28	8
1A8296-17380	28	9
1A8296-17390	28	10
1A8296-17410	28	11
1A8296-17420	28	12
1A8296-17500-1	30	1
1A8296-17710	12	13
1A8296-17750	30	2
1A8296-17770	30	4
1A8296-17851	31	1
1A8296-17861	31	2
1A8296-17871	31	3
1A8296-17881	31	4
1A8296-17900	44	1
1A8296-17990	10	8
1A8296-21170	35	1
1A8296-21180	32	2
1A8296-21251	50	1
1A8296-21260	50	2
1A8296-21312	34	1
1A8296-21500	36	1
1A8296-21530	36	2
1A8296-21591	36	3
1A8296-21601	58	1
1A8296-22031	48	6
1A8296-22040	37	1
1A8296-22120	39	2
1A8296-22130	39	3
1A8296-22143	50	3
1A8296-22150	39	4
1A8296-22160	53	1
1A8296-22171	39	5
1A8296-22200	39	6

Parts No.	Fig. No.	Ref. No.
1A8296-22210	37	2
1A8296-22220	37	3
1A8296-22231	37	4
1A8296-22250	37	5
1A8296-22280	37	6
1A8296-22310	45	1
1A8296-22320	45	2
	48	1
1A8296-22500	74	8
1A8296-22520	4	11
1A8296-22650	38	1
1A8296-22660	38	2
1A8296-22690	38	3
1A8296-22700	38	4
1A8296-22710	38	5
1A8296-22830-1	74	9
1A8296-22910	40	1
1A8296-22920	39	15
1A8296-22930	43	1
1A8296-22940	39	16
	45	3
1A8296-22950	52	2
1A8296-23112	40	2
1A8296-23121	40	3
1A8296-23131	40	4
1A8296-23222	41	2
1A8296-23350	42	2
	46	1
	49	1
1A8296-23430	42	3
1A8296-23680	42	5
	43	2
		3
	54	1
1A8296-23870	42	6
1A8296-24340	43	5
		6
1A8296-24550	44	8
1A8296-24600	44	3
1A8296-24611	42	7
	46	2
	49	2
1A8296-24710	43	7
1A8296-25220	53	2
1A8296-25240	45	14
1A8296-25280	45	15
1A8296-25311	47	1
1A8296-25321	47	2
1A8296-25331	47	3
1A8296-25341	47	4

Parts No. Index

Parts No.	Fig. No.	Ref. No.
1A8296-25411	47	5
1A8296-25420	39	18
	47	6
	53	3
1A8296-25430	45	16
	47	7
	48	3
1A8296-25512	46	3
1A8296-25561	46	4
1A8296-25571	46	5
1A8296-25712	48	4
1A8296-25720	48	8
1A8296-25741	48	7
1A8296-25760	48	9
1A8296-25811	48	11
1A8296-25911	49	3
1A8296-25942	49	4
1A8296-25950	49	5
1A8296-26011	52	3
1A8296-26050	51	3
1A8296-26121	51	4
1A8296-26161	51	5
1A8296-26170	53	4
	64	3
1A8296-26231	52	21
1A8296-26241	52	4
1A8296-26323	53	5
1A8296-26340	53	6
1A8296-26350	53	7
1A8296-26371	53	8
1A8296-26381	53	9
1A8296-26400	56	2
1A8296-26410	53	10
1A8296-26440	52	27
1A8296-26510	54	2
1A8296-26542	54	3
1A8296-26550	54	4
1A8296-26560	55	1
1A8296-26650	56	4
1A8296-26660	57	1
1A8296-26760	52	9
1A8296-26770	52	10
1A8296-26800	52	12
1A8296-26830	43	8
1A8296-26840	43	9
1A8296-26850	43	10
1A8296-26871	52	28
1A8296-26881	52	29
1A8296-27001	74	11
1A8296-27040	74	12

Parts No.	Fig. No.	Ref. No.
1A8296-27070	74	13
1A8296-27081	74	14
1A8296-27170	58	2
1A8296-27203	58	3
1A8296-27241	58	4
1A8296-27271	58	5
1A8296-27281	59	1
1A8296-27361	61	2
1A8296-27370	61	3
1A8296-27380	61	4
1A8296-27400	61	5
1A8296-27420	61	6
1A8296-27552	61	7
1A8296-27562	61	8
1A8296-27601	61	10
1A8296-27780	74	3
1A8296-27790	119	1
1A8296-27840	63	1
1A8296-27880	63	2
1A8296-27900	63	3
1A8296-28160	62	6
1A8296-28350	54	5
1A8296-28360	54	6
	62	15
1A8296-28370	54	7
1A8296-28851	62	17
1A8296-31352	64	4
1A8296-31440	64	8
1A8296-31450	64	9
1A8296-31460	64	10
1A8296-31481	64	11
1A8296-32101	67	1
1A8296-32111	67	2
1A8296-32121	67	29
1A8296-32320	64	20
1A8296-32350	67	56
1A8296-32362	65	2
1A8296-32460	67	57
1A8296-32600	67	3
		30
1A8296-32690	67	4
		31
1A8296-32700	67	5
		32
1A8296-33122	68	3
1A8296-33140	68	4
1A8296-33150-1	69	1
1A8296-33400	70	1
1A8296-33410	70	2
1A8296-33421	67	6

Parts No.	Fig. No.	Ref. No.
1A8296-33421	67	33
1A8296-33430	67	7
		34
1A8296-33440	67	8
		35
1A8296-33450	67	9
		36
1A8296-33460	67	10
		37
1A8296-33470	67	11
		38
1A8296-33491	67	14
		15
		41
		42
		58
1A8296-33510	67	16
		43
1A8296-34100	67	17
		44
1A8296-34110	67	18
		45
1A8296-34131	67	12
		39
1A8296-34140	67	19
		46
1A8296-34150	67	59
1A8296-34161	26	5
1A8296-34170	26	6
1A8296-34180	26	7
1A8296-34650	71	6
		16
		6
	72	6
		16
1A8296-34660	71	7
		17
	72	7
		17
1A8296-34670	71	8
		18
	72	8
		18
1A8296-34700	72	1
1A8296-34710	72	2
		12
1A8296-34720	72	3
		13
1A8296-34730	72	4
		14
1A8296-34750	71	1

Parts No.	Fig. No.	Ref. No.
1A8296-34760	71	2
		12
1A8296-34770	71	3
		13
1A8296-34780	71	4
		14
1A8296-34800	72	11
1A8296-34850	71	11
1A8296-34900	72	5
		15
1A8296-34910	72	9
		19
1A8296-34940	71	9
		19
	72	10
		20
1A8296-34950	71	5
		15
1A8296-34960	71	10
		20
1A8296-35300	76	1
1A8296-35310	76	2
1A8296-35340	76	4
1A8296-35350	76	5
1A8296-35360	76	6
1A8296-36210	73	1
1A8296-36351	67	20
1A8296-36361	67	47
1A8296-36370	67	21
		48
1A8296-36711	67	22
		49
1A8296-36750	67	23
		50
1A8296-37000	76	7
1A8296-37010	76	8
1A8296-37040	76	9
1A8296-37050	76	10
1A8296-37070	76	12
1A8296-37100	76	13
1A8296-37300-1	74	21
1A8296-37310-1	74	19
1A8296-37400-1	74	25
1A8296-37550-1	74	27
1A8296-37620-1	74	22
1A8296-37650	74	28
1A8296-37700	74	29
1A8296-37901	38	7
	76	14
1A8296-37950	74	47

Parts No. Index

Parts No.	Fig. No.	Ref. No.
1A8296-37960	74	48
1A8296-37980	74	50
1A8296-41110	77	1
1A8296-42130	78	2
1A8296-42140	79	2
1A8296-42150	79	3
1A8296-42280	79	6
1A8296-42300	79	7
1A8296-42310	79	8
1A8296-43110	79	9
1A8296-43201	79	10
1A8296-43910	80	3
1A8296-43920	80	4
1A8296-43970	80	2
1A8296-43980	80	5
1A8296-43990	80	6
1A8296-44110	80	7
1A8296-44410	80	9
1A8296-44470	80	10
1A8296-44480	80	11
1A8296-44490	80	12
1A8296-44510	80	13
1A8296-44550	122	14
		24
1A8296-45201	81	1
1A8296-45250	81	4
1A8296-45260	81	5
1A8296-46300	79	17
1A8296-46490	101	2
1A8296-46510	87	1
1A8296-46550	87	2
1A8296-46590	88	1
1A8296-46610-1	88	2
1A8296-46650-1	88	3
1A8296-46700-1	89	1
1A8296-46810	89	2
1A8296-46850	80	14
1A8296-46900	85	1
1A8296-46950	85	2
1A8296-46980	119	2
1A8296-47050	84	1
1A8296-47140	83	2
1A8296-47330	84	3
1A8296-47360	83	5
1A8296-47380	83	7
1A8296-47410	84	5
1A8296-47420	84	7
1A8296-47920	90	2
1A8296-47930	109	1
1A8296-47950	109	2

Parts No.	Fig. No.	Ref. No.
1A8296-48110-1	91	1
1A8296-48170-1	91	2
1A8296-48291	91	3
1A8296-48300-1	91	4
1A8296-48340	92	2
1A8296-48350-1	91	5
1A8296-48570-1	91	6
1A8296-48600-1	91	7
1A8296-48730	91	8
1A8296-49160	31	6
1A8296-51210	93	22
1A8296-51320	103	4
1A8296-51420	93	25
1A8296-51550	96	2
1A8296-51571	96	3
1A8296-51620	1	7
1A8296-51640	93	26
1A8296-52140	97	2
1A8296-52310	97	7
1A8296-52350	97	10
1A8296-52380	97	8
1A8296-52390	97	9
1A8296-53110	108	8
		30
1A8296-53130	108	9
		31
1A8296-53140	108	10
		32
1A8296-53150	108	11
		33
1A8296-53201	103	6
1A8296-53230	103	8
		14
1A8296-53240	103	9
		15
1A8296-53250	103	10
		16
1A8296-53260	103	11
		17
1A8296-53301	103	12
1A8296-53380	98	14
1A8296-53420	98	1
1A8296-53430	98	13
1A8296-53450	98	2
1A8296-53460	98	3
		15
1A8296-53470	98	4
		16
1A8296-53480	98	5
		17

Parts No.	Fig. No.	Ref. No.
1A8296-53490	98	6
		18
1A8296-53502	103	18
1A8296-53520	103	19
1A8296-53771	103	2
1A8296-54100	98	25
1A8296-54120	98	26
1A8296-54130	98	27
1A8296-54150	98	28
1A8296-54160	98	29
1A8296-56600	7	6
1A8296-56620	7	7
1A8296-58700	122	1
1A8296-60410	97	12
1A8296-60430	97	13
1A8296-60440	97	14
1A8296-60590	106	1
		2
		107
		2
1A8296-60652	102	4
1A8296-60950-1	102	5
1A8296-60971-1	102	6
1A8296-61001	103	20
1A8296-61090	103	21
1A8296-61130-1	103	22
1A8296-61140-1	103	23
1A8296-61170	103	24
1A8296-61205	103	3
1A8296-61300	104	1
1A8296-61360	104	3
1A8296-61370	102	7
1A8296-61401	103	25
1A8296-61880	107	5
1A8296-61921	105	1
1A8296-61960	103	26
1A8296-61970	2	12
1A8296-61980	2	13
1A8296-62111	108	5
1A8296-62121	108	27
1A8296-62161	108	18
		40
		49
		50
1A8296-62210-1	108	19
1A8296-62220-1	108	41
1A8296-62300	113	2
1A8296-62410	111	3
1A8296-62470	108	20
		42

Parts No.	Fig. No.	Ref. No.
1A8296-62611	113	3
1A8296-62711	113	4
1A8296-62814	113	5
1A8296-62864	113	6
1A8296-62970	75	3
	110	3
1A8296-62980	110	4
1A8296-63050	114	6
1A8296-63060	114	9
1A8296-63070	114	4
		7
		10
1A8296-63110	114	5
1A8296-63120	114	8
1A8296-63130	114	2
1A8296-63140	114	3
1A8296-63150	114	11
1A8296-63160	114	12
1A8296-63170	114	13
1A8296-63180	114	14
1A8296-63190	114	15
1A8296-64100	117	3
1A8296-64110	117	4
1A8296-65101	120	2
1A8296-65111	120	3
1A8296-65150	120	4
1A8296-65210	120	5
1A8296-65301	121	1
1A8296-65310	121	2
1A8296-65350	121	3
1A8296-65360	121	4
1A8296-65370	121	5
1A8296-65380	121	6
1A8296-65390	121	7
1A8296-65420	119	3
1A8296-65461	119	4
1A8296-65470	119	5
1A8296-65521	119	6
1A8296-65530	119	7
1A8296-65550	119	8
1A8296-65560	119	9
1A8296-65570	119	10
1A8296-65580	119	11
1A8296-65590	119	12
1A8296-71110-1	122	3
1A8296-71230	122	9
1A8296-71290	126	1
1A8296-71410	122	11
		12
1A8296-71500-1	122	4

Parts No. Index

Parts No.	Fig. No.	Ref. No.
1A8296-71590	122	5
1A8296-71640	122	6
1A8296-71680	122	7
1A8296-71710	7	20
1A8296-72100-1	122	15
1A8296-72130	122	16
1A8296-72150-1	122	17
1A8296-72200	122	18
1A8296-72290	122	19
1A8296-72310-1	122	25
1A8296-72550	122	21
		26
1A8296-73230	126	2
1A8296-74100-1	122	30
1A8296-74170	122	32
1A8296-74630	122	34
1A8296-74750	122	36
1A8296-75510-1	123	1
1A8296-75911	123	5
1A8296-75950	123	6
1A8296-85100	122	39
	123	7
	124	2
1A8296-91200	129	1
1A8296-91210	129	2
1A8296-91220	129	7
1A8296-91231	129	3
		8
1A8296-92100	126	5
1A8296-92110	126	7
1A8296-92150	126	8
1A8296-99010	67	60
1A8296-99020	67	61
1A8300-51230	93	21
1A8310-56020	99	2
1C726C-47910	90	1
1C727C-32020	74	18
1C727C-33250	108	3
		4
		7
		29
1C727C-76100	29	1
1C730C-52320	38	8
	61	11
	76	15
	102	3
1C730C-52370	4	12
	60	13
		14
1C730C-63240	60	11

Parts No.	Fig. No.	Ref. No.
1E8255-81180	97	15
1E8450-81520	98	30
1E8540-66770	102	8
	103	27
1E8540-83220	93	18
1E8550-03410	1	4
1E8552-43090	60	10
1E8552-75110	108	21
		43
1E8552-97600	120	6
1E8559-03910	1	5
1E8559-35050	125	1
1E8559-84960	1	22
	86	1
	93	39
1E8559-84970	31	11
	93	40
		41
		42
		43
		44
	98	35
1E8559-97702	121	8
1E8559-97712	121	9
1E8665-81300	97	16
1E8665-83150	93	13
1E8665-83160	93	14
		15
1E8665-83170	93	16
1E8665-83180	93	17
1E8809-04010	2	8
1E8915-81450	97	17
1E9061-04201	2	9
1E9170-81270	98	8
		20
	108	13
		35
1E9256-82600	100	4
1E9265-84300	2	14
	4	13
	7	21
		22
		23
		43
		44
	31	10
	93	38
	98	34
	103	5
	105	2

Parts No.	Fig. No.	Ref. No.
1J5026-62650	94	1
1N3590-31510	64	13
22117-050000	98	9
		21
22117-080000	79	22
	108	14
		36
22117-100000	5	12
	84	23
22137-050000	94	2
22137-060000	4	14
	60	15
		16
	61	12
	74	34
	84	24
	87	3
22137-080000	38	9
	74	35
	84	25
	98	36
22137-100000	4	6
	7	24
	63	4
	117	7
22137-120000	74	36
	83	17
	87	4
22137-140000	123	8
22137-160000	27	5
	123	9
22137-200000	68	5
22157-060000	108	22
		44
22157-080000	7	25
		26
		27
	74	23
22157-100000	4	7
22190-100000	56	6
22190-140002	1	23
22207-025230	50	4
22217-050000	94	3
	98	10
		22
22217-060000	108	23
		45
22217-080000	108	15
		37
	117	5

Parts No.	Fig. No.	Ref. No.
22217-140000	32	5
		6
	62	18
	122	40
22217-160000	129	4
		9
22242-000180	63	5
22242-000200	74	37
22242-000300	22	3
22242-000340	88	5
22242-000400	39	19
	47	8
22242-000450	39	20
22242-000480	80	15
22242-100300	52	22
22242-100350	52	15
22252-000220	51	6
22252-000370	74	38
22252-000520	43	11
22252-000620	41	3
	50	5
22252-000680	28	13
22252-000750	32	7
		8
22252-001000	52	16
22272-000060	84	26
22272-000070	5	13
	84	27
22272-000190	74	39
22312-100180	11	12
		13
		17
		10
		20
		3
		32
		9
		10
		11
		12
		12
	33	1
	52	31
	62	19
	66	4
		5
		6
22312-100300	43	12
22351-030008	52	23
22351-030016	79	23
22351-035040	59	3
22351-040016	79	24
22351-050012	80	16
22351-050025	83	18

Parts No. Index

Parts No.	Fig. No.	Ref. No.
22351-050032	84	28
22351-050040	69	2
22351-050050	68	6
22351-050070	80	17
22351-060032	15	8
	41	4
	42	8
	46	8
	49	6
	54	8
22351-060040	42	9
	44	9
	46	9
		10
	49	7
	55	2
	59	4
	60	17
22351-060050	62	20
		21
22351-060056	64	21
22351-080032	67	13
		40
	68	7
22351-080040	69	3
22351-080050	68	8
22351-080070	80	18
22360-200000	122	22
		27
22372-080000	111	8
		9
22372-100000	123	10
22372-160000	82	11
	122	37
	123	11
22417-160160	84	29
		30
	87	5
22417-160180	61	13
	74	40
22417-200100	43	13
22417-200160	109	4
22417-200200	63	6
	84	31
22417-250300	76	16
22417-250320	74	41
22417-320250	82	12
	87	6
22417-400400	12	14
	122	38

Parts No.	Fig. No.	Ref. No.
22487-060160	60	18
		19
22487-060220	87	7
22487-080200	2	15
22522-030130	83	19
22635-600120	67	62
22857-400121	98	11
		23
22857-400161	98	31
23000-013000	2	10
	3	2
	7	28
		29
		30
		31
23000-025000	1	24
23000-048000	1	25
	91	10
23000-070000	9	9
23000-090000	9	10
23061-120300	126	9
23065-090550	86	2
23414-080012	35	3
23414-100000	52	32
23414-140018	88	6
23414-150000	84	32
23414-170022	79	25
23414-200000	32	13
23414-200026	91	11
23491-140002	19	8
	62	22
	66	7
23491-200002	13	6
23871-040000	88	7
23876-010000	45	19
	52	33
	79	4
		11
23876-020000	79	5
		12
23887-200002	32	14
23893-030002	79	26
23980-730220	2	16
23980-730340	7	32
23980-730850	7	33
23980-731260	7	34
23980-731300	3	3
23980-731960	7	35
24101-060064	52	24
24101-062124	67	24

Parts No.	Fig. No.	Ref. No.
24101-062124	67	51
24101-062134	67	25
		52
24101-063054	40	5
	41	5
24107-063064	45	20
24164-000402	48	12
24164-000452	45	21
24165-000372	39	21
24165-000452	48	13
24165-000502	39	22
24190-080001	62	23
24190-100002	42	10
	43	14
		15
	54	9
24190-130003	79	27
24190-140001	43	16
24190-180001	67	26
		53
24311-000090	83	20
24311-000110	79	28
24311-000120	1	20
	44	10
	79	29
24311-000150	83	21
24311-000160	19	9
	44	11
	62	24
	66	8
24311-000180	97	18
24311-000200	13	7
	44	12
24311-000320	91	12
24311-000360	80	19
	91	13
24311-000500	66	9
24311-000950	11	14
24311-240100	44	4
24315-000120	79	30
24315-000140	31	16
		18
	44	13
	79	31
24315-000160	30	3
		5
24315-000180	31	9
24315-000220	31	12
	91	14
24321-000500	23	3

Parts No.	Fig. No.	Ref. No.
24321-000500	80	20
		21
	89	3
24321-000550	80	22
24321-000600	11	15
	23	4
	52	25
24321-000800	62	25
24321-000850	19	10
	77	2
24321-000900	11	16
24321-001100	79	32
24321-001450	13	8
24321-002700	21	10
24325-000850	79	33
24341-000080	52	34
24341-000120	52	35
24341-000224	91	15
24341-000315	14	9
24341-000320	52	17
24351-240230	44	5
24351-240300	66	10
24351-240370	46	11
	49	8
24351-351500	62	26
24421-142807	44	6
24421-203007	68	9
24421-304208	67	27
		54
24421-405508	62	27
24421-406208	39	23
24421-507212	13	9
24550-010100	61	9
24550-012060	82	10
24550-012080	74	17
24550-015080	74	32
24550-015120	60	3
24550-015200	84	12
24550-025200	74	10
		26
		33
24550-030120	82	2
		5
24761-010000	76	3
	82	13
	122	8
		20
24761-020000	11	5
		9
26013-100302	77	3

Parts No. Index

Parts No.	Fig. No.	Ref. No.
26022-050162	7	8
26023-030162	97	19
26106-060102	108	24
		46
26106-060122	2	17
	5	14
	8	6
		7
	93	45
	100	5
		6
	109	5
	111	10
	116	2
26106-060162	103	29
		30
		31
26106-060202	2	18
26106-080122	35	4
26106-080162	3	4
	4	15
	5	15
	6	21
		22
	8	8
		9
	9	11
	10	9
	12	15
	23	5
		6
	32	15
		16
	35	5
	43	17
		18
		19
	54	10
	56	7
	57	3
	58	6
	60	20
	61	14
	62	28
	67	28
		55
	74	42
	83	22
	84	33
	88	8

Parts No.	Fig. No.	Ref. No.
26106-080162	91	16
		17
		18
		19
	92	3
	93	46
		47
		48
		49
		50
		51
	101	5
		6
	102	9
		10
		11
	103	32
	104	4
	105	3
	110	5
	112	5
	113	7
	118	2
26106-080202	36	4
	42	11
	46	12
	49	9
	50	6
	66	11
	80	23
26106-080252	1	26
	7	36
		37
		38
		39
	28	14
	37	7
	57	4
	62	29
	90	5
	93	52
26106-080302	7	40
	34	3
	82	14
26106-080352	10	10
	43	20
	74	43
	108	25
		47
		51

Parts No.	Fig. No.	Ref. No.
26106-080352	108	52
26106-080402	31	13
	91	20
26106-080452	83	23
	91	21
26106-080502	44	14
	89	4
26106-100162	56	8
26106-100202	7	41
	30	6
	74	51
	93	53
	113	8
		9
		10
		11
	114	24
	115	2
		3
26106-100302	14	10
	21	11
	52	36
	64	22
	127	9
26106-100402	33	2
26106-120202	80	24
26106-120302	79	34
	123	12
26106-120402	56	9
	78	3
	82	15
26106-120404	58	7
26108-120302	33	3
26108-120452	33	4
26112-100162	81	18
26116-060404	5	16
26116-060502	98	32
26116-100252	65	3
26116-140352	122	41
26116-140402	32	17
	62	30
26116-140602	32	18
26116-140902	32	19
26116-160502	11	17
26116-160602	76	17
26116-160802	129	5
		10
26216-080302	6	23
26216-100352	74	52
26346-080002	60	21

Parts No.	Fig. No.	Ref. No.
26346-080002	74	44
		45
	98	37
	108	53
		54
26346-100002	117	8
26356-160002	27	6
26450-050102	81	19
26450-060202	108	26
		48
26450-080252	81	20
26557-050202	99	3
26716-050002	99	4
26716-080002	60	12
	61	15
	74	24
	83	24
	84	34
	96	4
26716-100002	4	8
	38	6
	76	11
	84	35
		36
	85	3
		4
26716-120002	83	25
26716-160002	11	18
	129	6
26717-050002	94	4
26736-140002	19	11
	125	6
26756-050002	98	12
		24
26756-060002	98	33
26756-080002	108	16
		38
26757-080002	117	6
26776-120002	83	26
	97	4
26776-160002	82	16
27260-280000	44	7
27260-300000	68	10
27260-320000	32	20
27260-470000	92	4
28110-100120	126	10
28110-120140	126	11
28110-140170	126	12
28110-170190	126	13
28160-240270	126	14

Parts No. Index

Parts No.	Fig. No.	Ref. No.
28170-001500	126	15
29321-255050	7	42
41650-550800	1	21
41800-210040	120	7
41810-000100	20	4
41851-000110	81	15
7A8292-04900	7	18
7A8292-62770	111	7
7A8296-00600	2	1
7A8296-26910-1	57	2
7A8296-62130	108	17
7A8296-62140	108	39
7A8296-85000	124	1
7E6150-83301	103	28

Parts No.	Fig. No.	Ref. No.
-----------	----------	----------

Parts No.	Fig. No.	Ref. No.
-----------	----------	----------

Parts No.	Fig. No.	Ref. No.
-----------	----------	----------