

0CNP6-M02440EN

Contents

OCNP6-M02440

Fig. No. Fig. Name

Fig. No. Fig. Name

ENGINE

1. CYLINDER BLOCK
2. GEAR HOUSING
3. MOUNTING FLANGE & OIL SUMP
4. CYLINDER HEAD & BONNET
5. SUCTION MANIFOLD
6. EXHAUST MANIFOLD & SILENCER
7. CAMSHAFT & DRIVING GEAR
8. CRANKSHAFT & PISTON
9. BALANCER
10. LUB. OIL SYSTEM
11. COOLING WATER SYSTEM
12. FUEL INJECTION PUMP
13. GOVERNOR
14. FUEL INJECTION VALVE
15. FUEL PIPE
16. STARTER MOTOR
17. GENERATOR

Fig.1. CYLINDER BLOCK

(A)=4TNV98-NRY1C

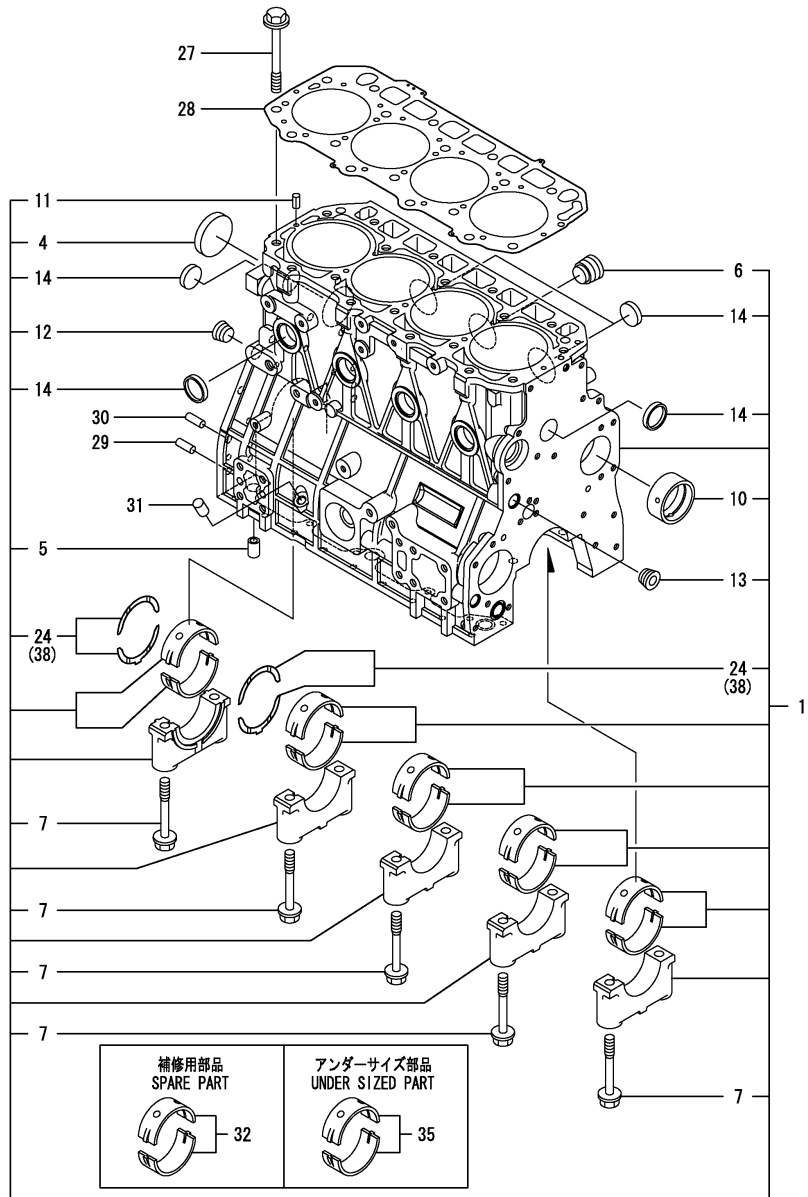
(B)=

(C)=

(D)=

(E)=

(F)=

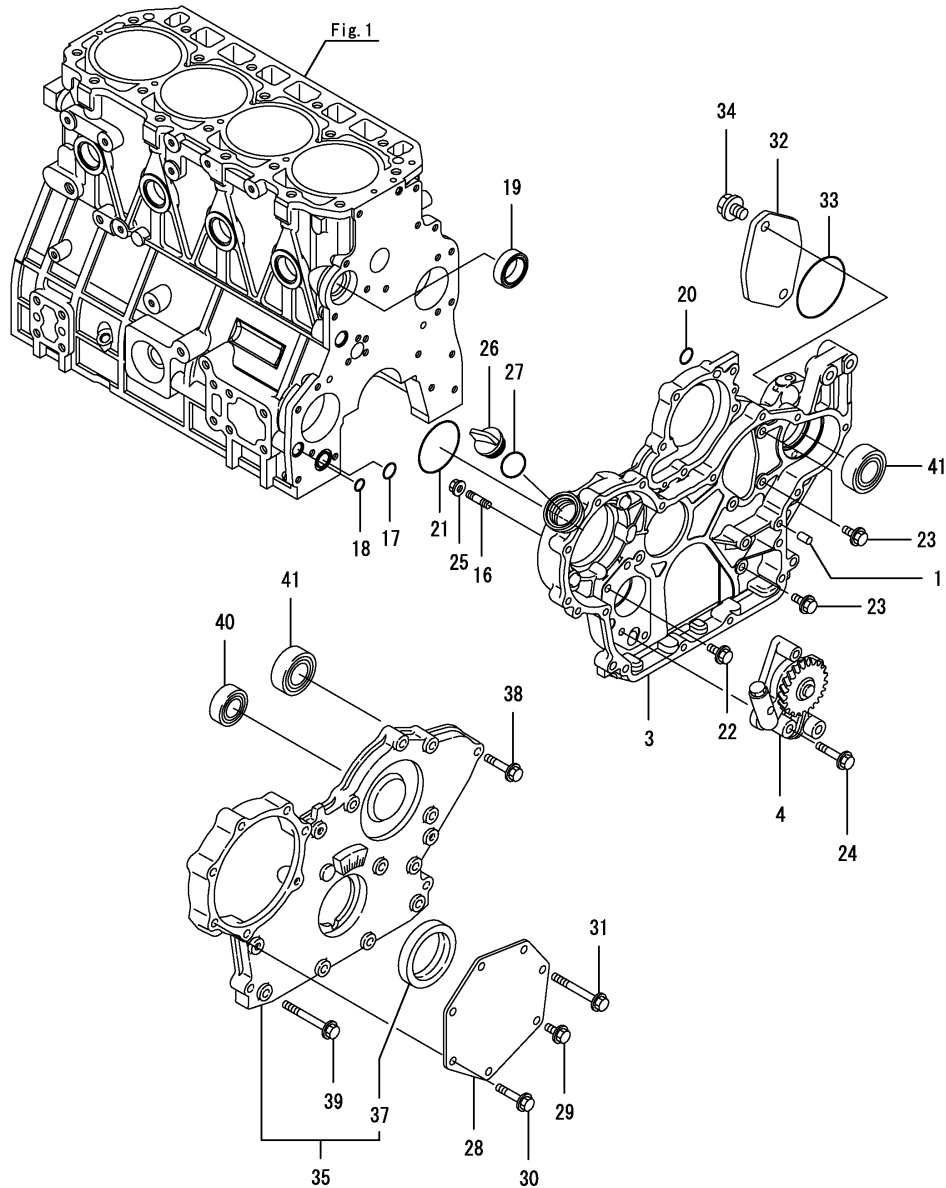


No.	Lev.	Parts No.	Description	Q'ty						I	R
				(A)	(B)	(C)	(D)	(E)	(F)		
1	1	729963-01560	BLOCK ASSY, CYLINDER	1							
4	2	129900-01250	PLUG, DISH TYPE 55	1							
5	2	129956-01710	PIPE, DOWEL L=25	1							
6	2	171051-01921	PLUG, NPTF1	1							
7	2	129900-02020	BOLT, METAL CAP	10							
10	2	129900-02410	BUSH, CAMSHAFT	1							
11	2	22351-060012	PIN, SPRING 6.0X12	2							
12	2	23876-030000	PLUG, R03	1							
13	2	23876-030000	PLUG, R03	1							
14	2	27241-300000	PLUG 30	8							
24	2	129900-02931	BEARING ASSY, THRUST	2							
27	1	129900-01200	BOLT, CYLINDER HEAD	18							
28	1	129907-01331	GASKET, HEAD	1							
29	1	129100-01580	PIN, PARALLEL 8X16	2							
30	1	129100-01580	PIN, PARALLEL 8X16	2							
31	1	119309-01810	PLUG	1							
32	1	729900-02801	BEARING, MAIN	5							1
35	1	129900-02341	BEARING ASSY, MAIN	5							2
38	1	129900-02941	BEARING, THRUST 0.25	2							3

Remarks

- (1) Spare parts.
- (2) Under-sized (U.S.=0.25) parts.
- (3) Over-sized (O.S.=0.25) parts.

Fig.2. GEAR HOUSING



(A)=4TNV98-NRY1C

(B)=

(C)=

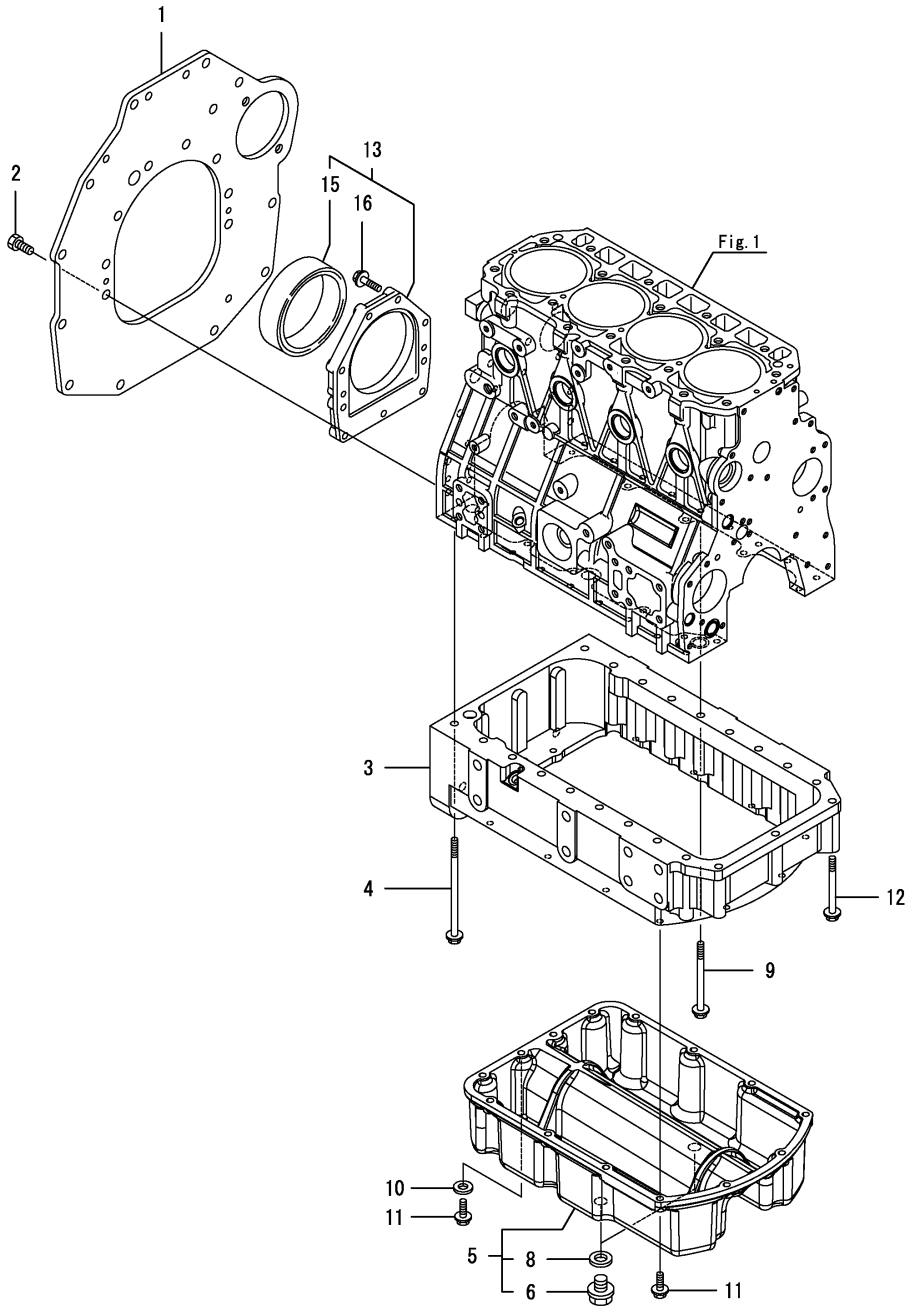
(D)=

(E)=

(F)=

No.	Lev.	Parts No.	Description	Q'ty						I	R
				(A)	(B)	(C)	(D)	(E)	(F)		
1	1	129100-01580	PIN, PARALLEL 8X16	4							
3	1	129962-01500	CASE, GEAR	1							
4	1	129956-32001	PUMP ASSY, OIL	1							
16	1	26216-100302	STUD, M10X 30	4							
17	1	129900-32030	O-RING, P20	1							
18	1	129900-32040	O-RING, P14	1							
19	1	129927-42140	GASKET, CW-P OUT	1							
20	1	24311-000070	O-RING, 1AP7.0	1							
21	1	24351-030750	O-RING, 1A3075	1							
22	1	26106-080162	BOLT, M8X 16 PLATED	1							
23	1	26106-080202	BOLT, M8X 20 PLATED	3							
24	1	26106-080452	BOLT, M8X 45 PLATED	3							
25	1	26306-100002	NUT, M10	4							
26	1	124160-01751	CAP, FILLER	1							
27	1	24311-000320	O-RING, 1AP32.0	1							
28	1	129951-01740	COVER	1							
29	1	26106-080202	BOLT, M8X 20 PLATED	1							
30	1	26106-080452	BOLT, M8X 45 PLATED	5							
31	1	26106-080752	BOLT, M8X 75 PLATED	1							
32	1	121023-26071	COVER, PUMP	1							
33	1	24321-000850	O-RING, 1AG85.0	1							
34	1	26106-100202	BOLT, M10X 20 PLATED	2							
35	1	729906-01550	COVER ASSY, GEAR CASE	1							
37	2	129916-01800	SEAL, OIL	1							
38	1	26106-080402	BOLT, M8X 40 PLATED	5							
39	1	26106-080702	BOLT, M8X 70 PLATED	6							
40	1	129900-14140	BEARING, BALL 6205	1							
41	1	129900-26250	BEARING, BALL 6206C3	2							

Fig.3. MOUNTING FLANGE & OIL SUMP

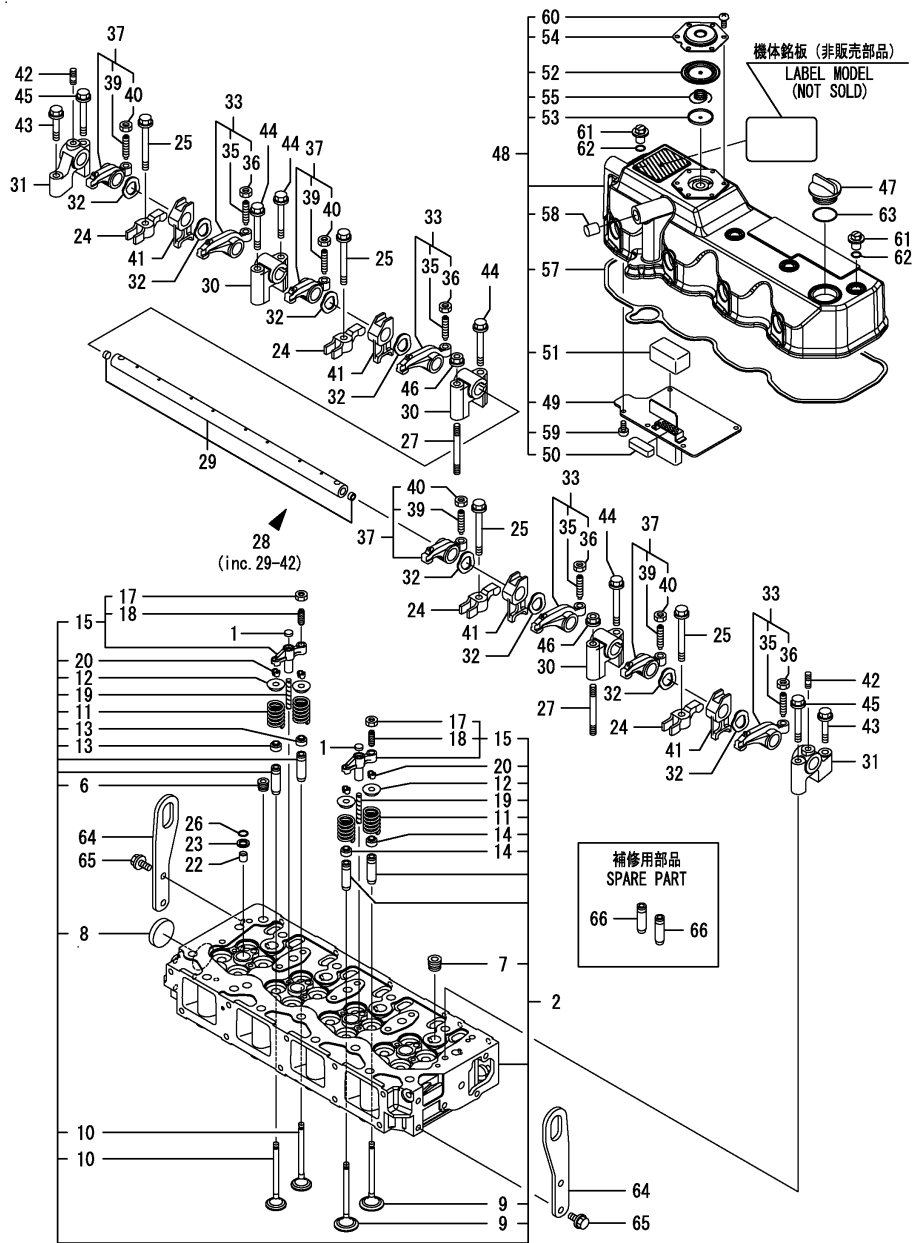


(A)=4TNV98-NRY1C
(B)=
(C)=

(D)=
(E)=
(F)=

No.	Lev.	Parts No.	Description	Qty						I	R
				(A)	(B)	(C)	(D)	(E)	(F)		
1	1	129963-01630	FLANGE, MOUNTING	1							
2	1	26116-100202	BOLT, M10X 20 PLATED	9							
3	1	129956-01730	OIL PAN	1							
4	1	129972-01731	BOLT, M8X150	2							
5	1	129956-01760	COVER ASSY, OIL SUMP	1							
6	2	105425-01690	PLUG, M16	2							
8	2	22190-160002	WASHER, SEAL 16	2							
9	1	129693-44310	BOLT	16							
10	1	22190-080002	WASHER, SEAL 8	2							
11	1	26106-080252	BOLT, M8X 25 PLATED	14							
12	1	26106-080852	BOLT, M8X 85 PLATED	3							
13	1	129968-01640	CASE ASSY, OIL SEAL	1							
15	2	129916-01790	SEAL, D115/95XT11	1							
16	1	26106-080302	BOLT, M8X 30 PLATED	9							

Fig.4. CYLINDER HEAD & BONNET



(A)=4TNV98-NRY1C

(B)=

(C)=

(D)=

(E)=

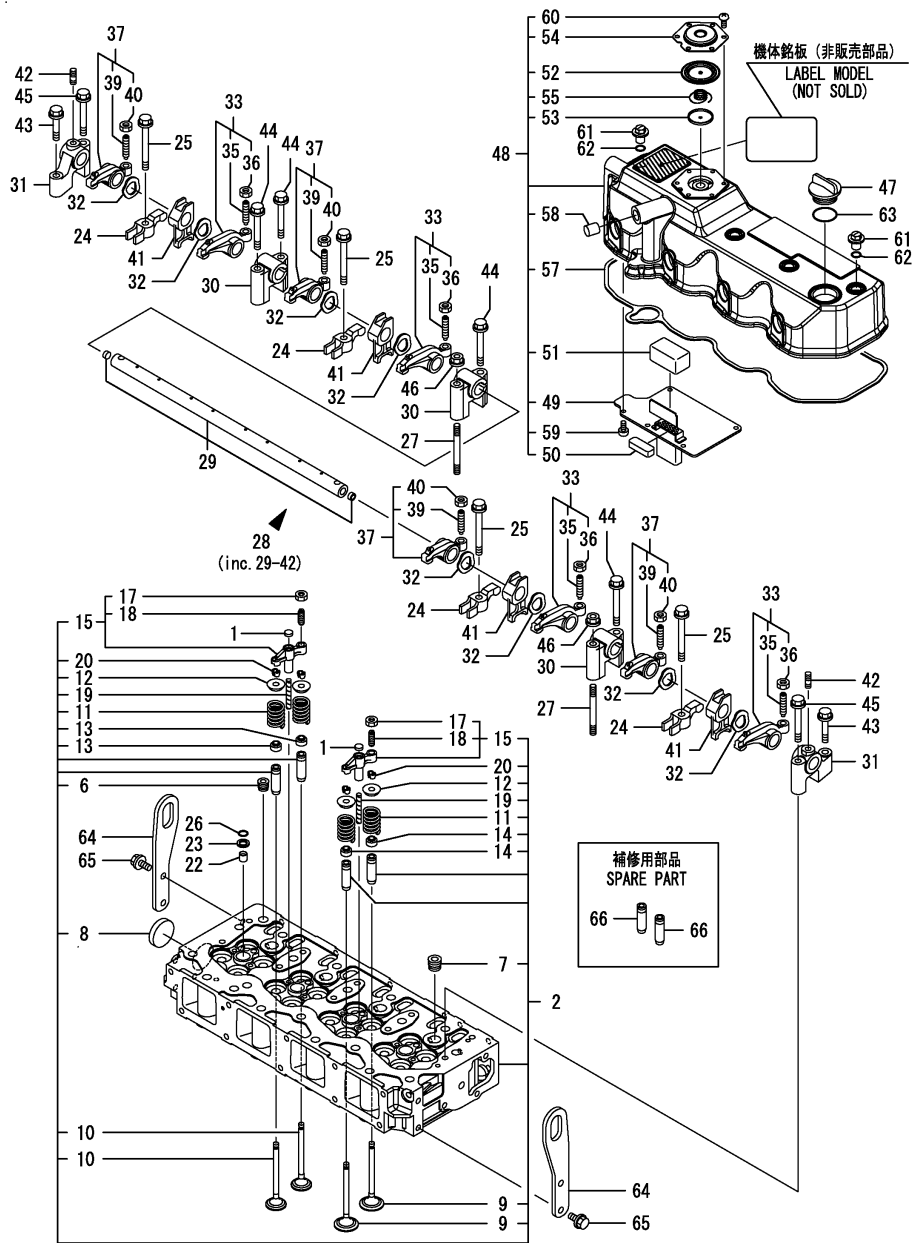
(F)=

No.	Lev.	Parts No.	Description	Q'ty						I	R
				(A)	(B)	(C)	(D)	(E)	(F)		
1	1	123907-11550	SEAT, VALVE BRIDGE	8							
2	1	129907-11700	HEAD ASSY, CYLINDER	1							
6	2	23876-020000	PLUG, R02	1							
7	2	23876-030000	PLUG, R03	4							
8	2	27241-400000	PLUG, 40	1							
9	2	129907-11100	VALVE, SUCTION	8							
10	2	129907-11110	VALVE, EXHAUST	8							
11	2	129907-11120	SPRING, VALVE	16							
12	2	119620-11180	RETAINER, SPRING	16							
13	2	119803-11340	SEAL, VALVE STEM	8							
14	2	124160-11340	SEAL, VALVE STEM	8							
15	2	129907-11510	BRIDGE ASSY, VALVE	8							
17	3	129150-11750	NUT, M8	8							
18	3	123907-11830	ADJUSTER	8							
19	2	123907-11820	GUIDE, BRIDGE	8							
20	2	27310-070001	COTTER, 7	16							
22	1	119802-11870	PROTECTOR, NOZZLE	4							
23	1	119625-11880	SEAT, NOZZLE	4							
24	1	129907-11910	RETAINER, NOZZLE	4							
25	1	129907-11950	BOLT, M8X75	4							
26	1	24311-000120	O-RING, 1AP12.0	4							
27	1	119593-11301	BOLT, STUD M8X80	2							
28	1	129907-11341	SHAFT ASSY, ROCKER	1							
29	2	129907-11250	SHAFT, ROCKER ARM	1							
30	2	129907-11260	SUPPORT, ROCKER ARM	3							
31	2	129907-11270	SUPPORT, ROCKER ARM	2							
32	2	123907-11280	WASHER	8							
33	2	129907-11650	ARM ASSY, ROCKER	4							
35	3	129150-11230	SCREW, VALVE ADJUST	4							
36	3	129150-11750	NUT, M8	4							
37	2	129907-11660	ARM ASSY, ROCKER	4							
39	3	129150-11230	SCREW, VALVE ADJUST	4							
40	3	129150-11750	NUT, M8	4							
41	2	129907-11920	RETAINER, NOZZLE	4							
42	2	26226-080222	STUD, M8X 22	2							
43	1	26106-080402	BOLT, M8X 40 PLATED	2							
44	1	26106-080602	BOLT, M8X 60 PLATED	4							
45	1	26106-080602	BOLT, M8X 60 PLATED	2							
46	1	26306-080002	NUT, M8	2							
47	1	124160-01751	CAP, FILLER	1							
48	1	129907-11321	BONNET ASSY, HEAD	1							
49	2	129907-03011	PLATE, BAFFLE	1							
50	2	129907-03061	BAFFLE, BREATHER	1							
51	2	129907-03070	BAFFLE, BREATHER	1							
52	2	123907-03100	DIAPHRAGM	1							
53	2	123907-03110	PLATE	1							
54	2	123907-03120	PLATE, BREATHER	1							
55	2	123907-03140	SPRING, DIAPHRAGM	1							
57	2	129933-11310	GASKET, BONNET	1							
58	2	119640-61400	PLUG	1							
59	2	22857-500100	SCREW, 5X10	6							

Remarks

(1) Spare parts.

Fig.4. CYLINDER HEAD & BONNET



(A)=4TNV98-NRY1C
(B)=
(C)=

(D)=
(E)=
(F)=

No.	Lev.	Parts No.	Description	Q'ty						I	R
				(A)	(B)	(C)	(D)	(E)	(F)		
60	2	22857-500100	SCREW, 5X10	6							
61	1	124160-11360	KNOB	4							
62	1	24311-000120	O-RING, 1AP12.0	4							
63	1	24311-000320	O-RING, 1AP32.0	1							
64	1	129907-07900	LIFTER, ENGINE	2							
65	1	26106-080162	BOLT, M8X 16 PLATED	4							
66	1	129907-11800	GUIDE, VALVE	16							1

Remarks

(1) Spare parts.

N:Old $\xrightarrow{\text{Yes}}$ New, Q:Old $\xrightarrow{\text{No}}$ New, R:Old $\xrightarrow{\text{Yes}}$ New, S:Old $\xrightarrow{\text{No}}$ New, W:Add, Z:Discontinued, F:Interchangeable by set, K:Q'ty Change

Fig.5. SUCTION MANIFOLD

(A)=4TNV98-NRY1C
(B)=
(C)=

(D)=
(E)=
(F)=

No.	Lev.	Parts No.	Description	Q'ty						I	R
				(A)	(B)	(C)	(D)	(E)	(F)		
1	1	129907-12100	MANIFOLD, AIR INTAKE	1							
2	1	129907-12110	GASKET, MANIFOLD	1							
3	1	26106-080552	BOLT, M8X 55 PLATED	9							
4	1	26106-080852	BOLT, M8X 85 PLATED	1							
5	1	121850-77021	GASKET, AIR HEATER	1							
6	1	129915-77051	HEATER, AIR 12V	1							
7	1	26106-080352	BOLT, M8X 35 PLATED	4							

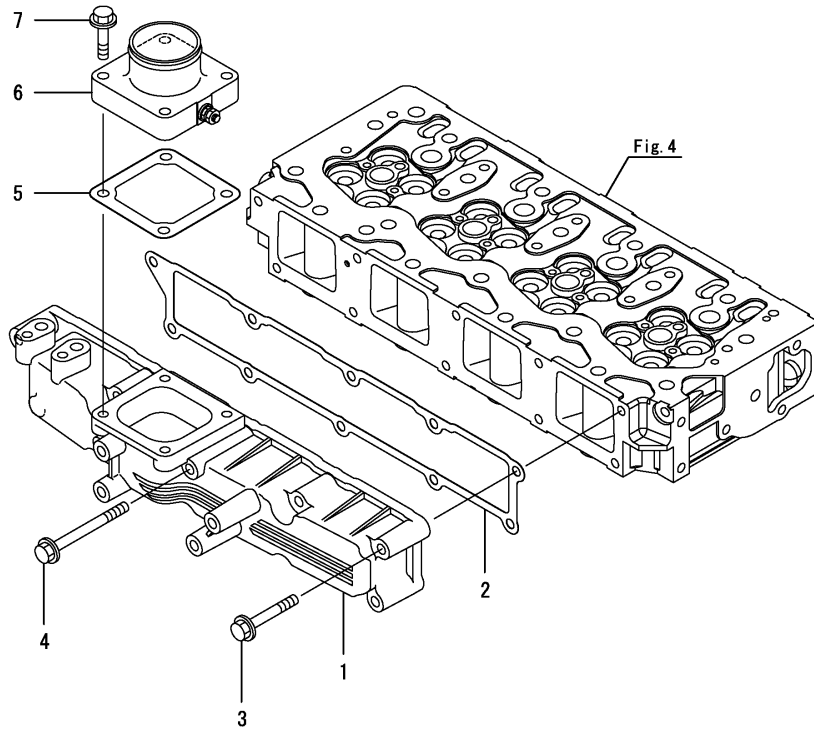


Fig.6. EXHAUST MANIFOLD & SILENCER

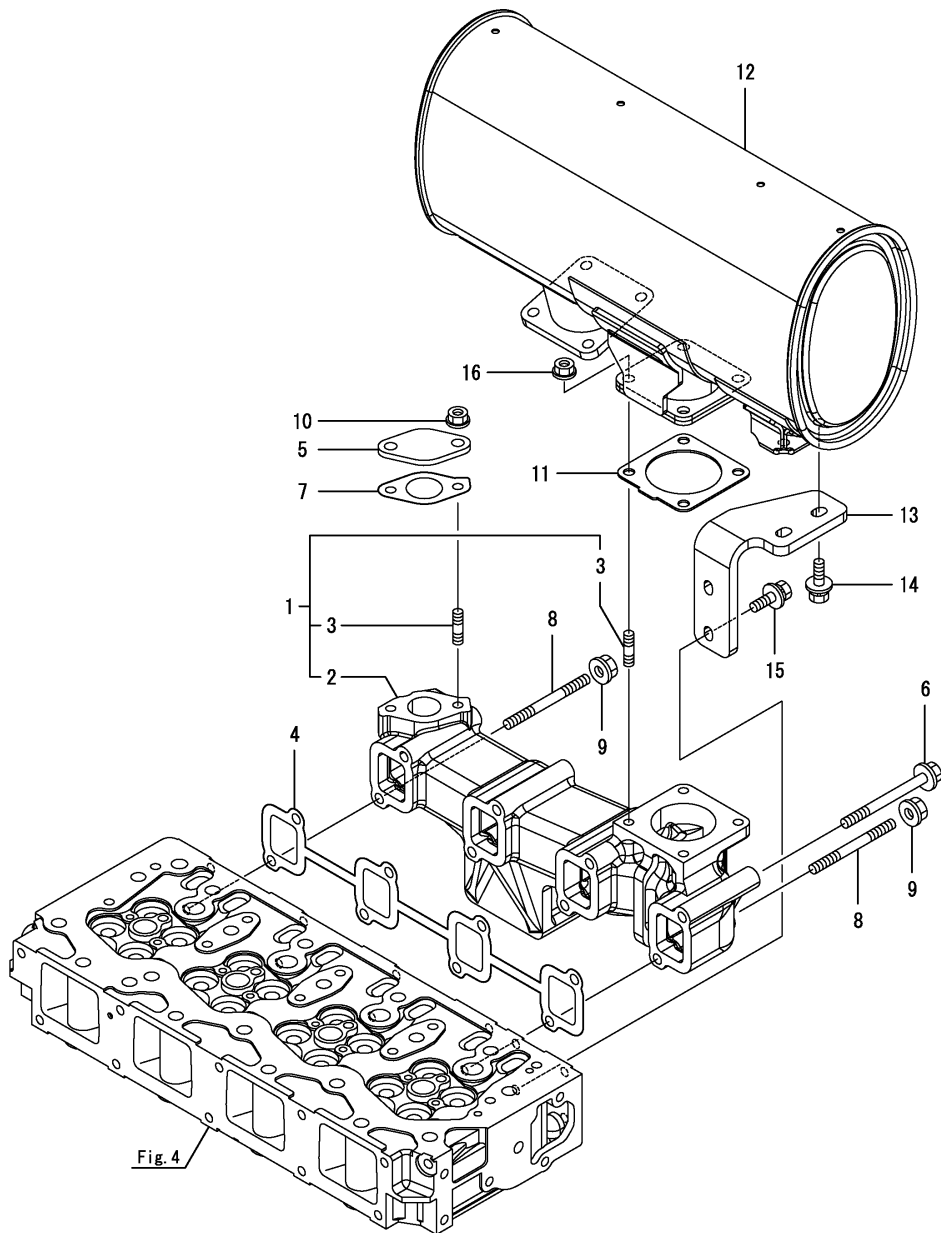


Fig.4

(A)=4TNV98-NRY1C
(B)=
(C)=

(D)=
(E)=
(F)=

No.	Lev.	Parts No.	Description	Q'ty						I	R
				(A)	(B)	(C)	(D)	(E)	(F)		
1	1	129968-13170	MANIFOLD ASSY, EXH.	1							
2	2	129968-13120	MANIFOLD, EXHAUST	1							
3	2	119131-18320	BOLT, STUD M8X22	6							
4	1	129900-13251	GASKET, EXH.MANIFOLD	1							
5	1	129558-13420	COVER, EGR	1							
6	1	129E00-13650	BOLT, M8X90 10.9T	6							
7	1	129927-13810	GASKET	1							
8	1	129693-44300	BOLT, STUD	2							
9	1	26306-080002	NUT, M8	2							
10	1	26306-080002	NUT, M8	2							
11	1	129930-13201	GASKET, SILENCER	1							
12	1	129968-13500	SILENCER	1							
13	1	129968-13650	STAY, SILENCER	1							
14	1	26014-080222	BOLT, M8X 22	2							
15	1	26014-080252	BOLT, M8X 25	2							
16	1	26306-080002	NUT, M8	4							

Fig.7. CAMSHAFT & DRIVING GEAR

(A)=4TNV98-NRY1C

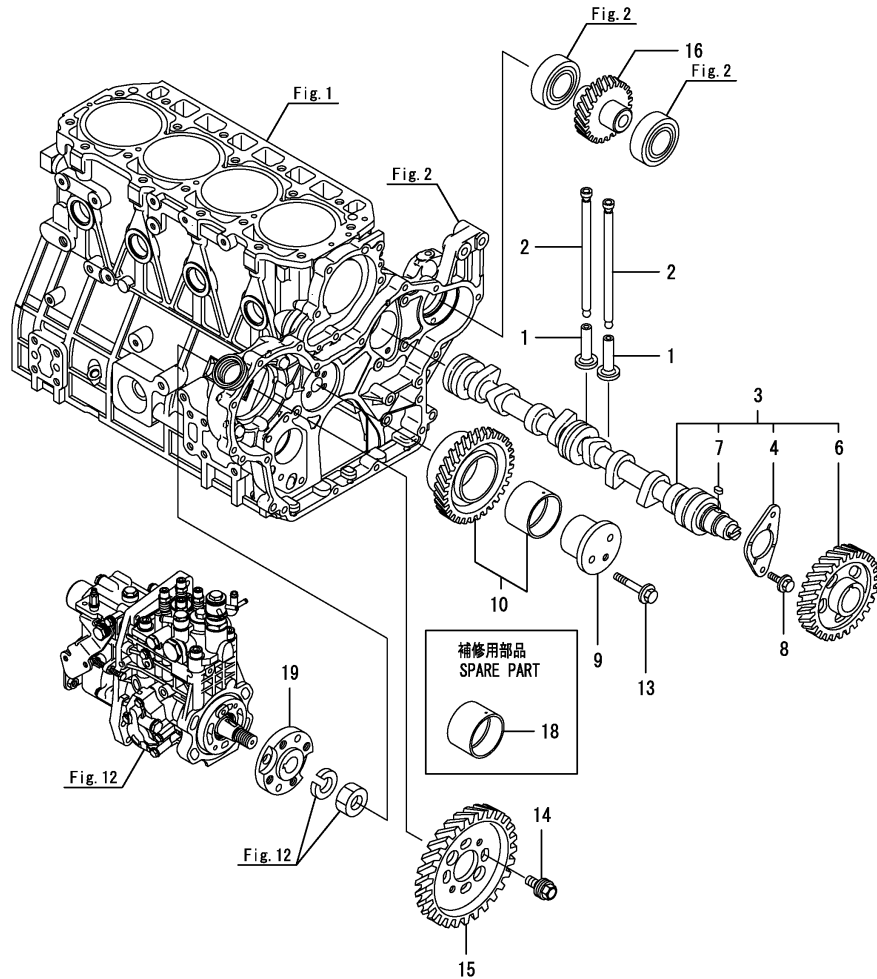
(B)=

(C)=

(D)=

(E)=

(F)=



No.	Lev.	Parts No.	Description	Q'ty						I	R
				(A)	(B)	(C)	(D)	(E)	(F)		
1	1	129150-14200	TAPPET	8							
2	1	129907-14400	PUSH-ROD	8							
3	1	129908-14590	CAMSHAFT ASSY	1							
4	2	129150-02450	BEARING, THRUST	1							
6	2	129900-14110	GEAR, CAMSHAFT	1							
7	2	22512-070140	KEY, 7X 14	1							
8	1	26106-080142	BOLT, M8X 14 PLATED	2							
9	1	123900-25060	SHAFT, IDLE GEAR	1							
10	1	129900-25110	GEAR ASSY, IDLE	1							
13	1	26106-080552	BOLT, M8X 55 PLATED	3							
14	1	129953-25300	BOLT	4							
15	1	129907-25900	GEAR, PUMP	1							
16	1	129900-26020	GEAR ASSY, PUMP	1							
18	1	129150-25920	BUSH, IDLE GEAR	1							1
19	1	158563-51150	FLANGE	1							

Remarks

(1)Spare parts.

N:Old $\xrightarrow{\text{Yes}}$ New, Q:Old $\xrightarrow{\text{No}}$ New, R:Old $\xrightarrow{\text{Yes}}$ New, S:Old $\xrightarrow{\text{No}}$ New, W:Add, Z:Discontinued, F:Interchangeable by set, K:Q'ty Change

Fig.8. CRANKSHAFT & PISTON

(A)=4TNV98-NRY1C

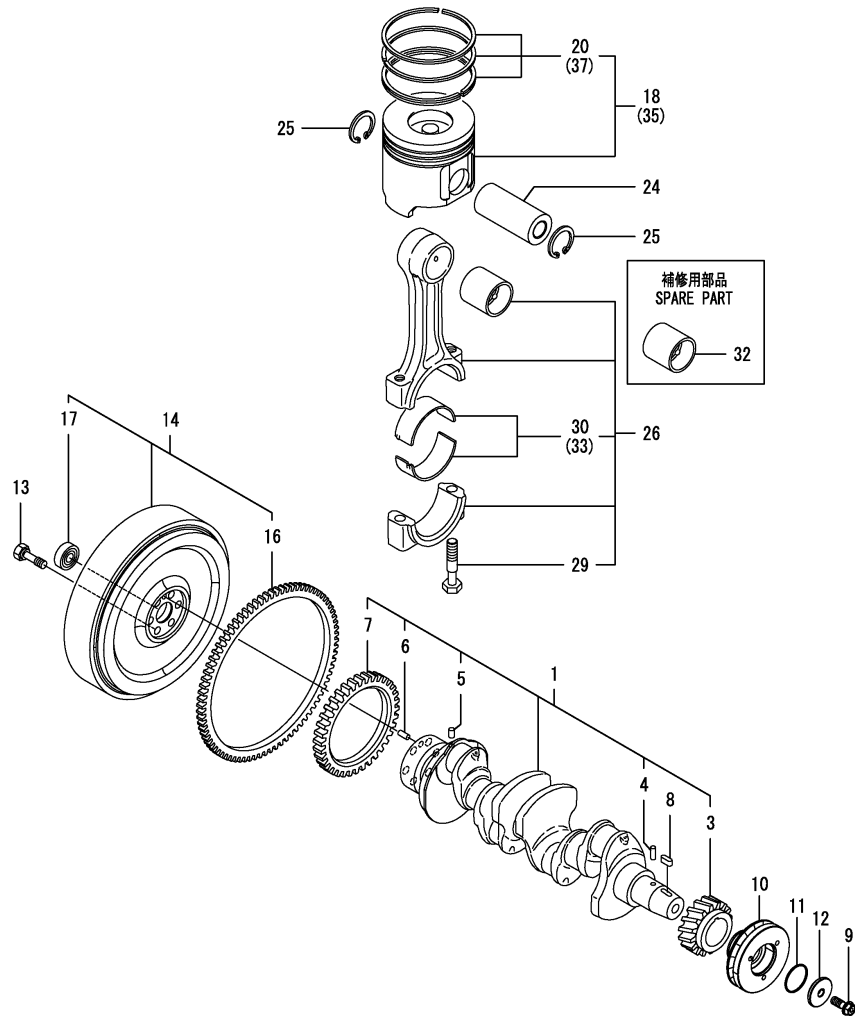
(B)=

(C)=

(D)=

(E)=

(F)=

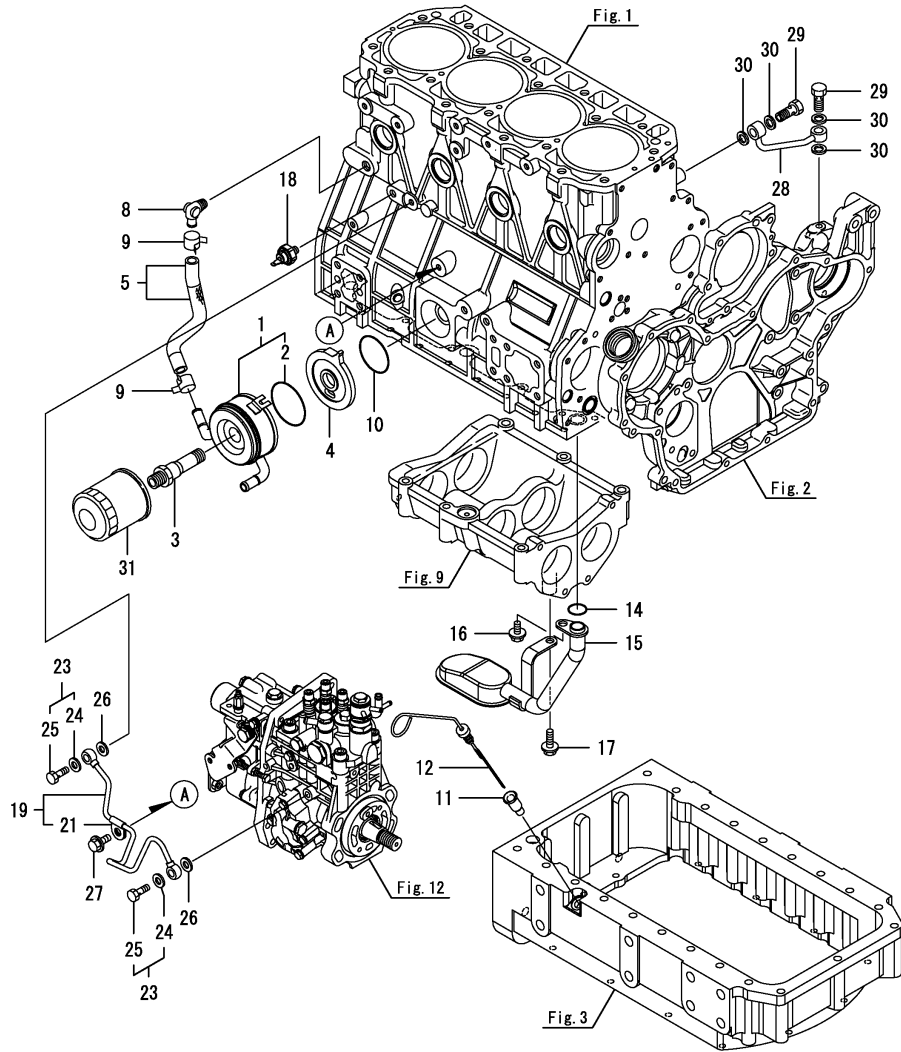


No.	Lev.	Parts No.	Description	Q'ty						I	R
				(A)	(B)	(C)	(D)	(E)	(F)		
1	1	129942-21000	CRANKSHAFT ASSY	1							
3	2	129900-21220	GEAR, CRANKSHAFT	1							
4	2	121850-21290	PIN	1							
5	2	121850-21290	PIN	1							
6	2	121850-21920	PIN, PARALLEL 10X22	1							
7	2	129956-28321	GEAR, BALANCER	1							
8	1	22512-070140	KEY, 7X 14	1							
9	1	129916-21610	BOLT	1							
10	1	129907-21650	V-PULLEY, CRANK 130	1							
11	1	129960-21930	GASKET, WASHER	1							
12	1	129960-21940	WASHER, V-PULLEY	1							
13	1	121850-21130	BOLT, FLYWHEEL	6							
14	1	129963-21540	FLYWHEEL ASSY	1							
16	2	129968-21620	GEAR, RING	1							
17	2	24107-063034	BEARING, BALL 6303ZZ	1							
18	1	129985-22080	PISTON ASSY	4							
20	2	129927-22050	RING SET, PISTON	4							
24	1	120130-22301	PIN, PISTON	4							
25	1	22252-000300	RING, 30	8							
26	1	129900-23001	ROD ASSY, CONNECTING	4							
29	2	129900-23200	BOLT, CONNECTING ROD	8							
30	2	129900-23601	BEARING, CRANK PIN	4							
32	1	129900-23911	BEARING, PISTON PIN	4							1
33	1	129900-23611	BEARING ASSY, 0.25US	4							2
35	1	129963-22900	PISTON ASSY	4							3
37	2	129903-22950	RING SET, 0.25 OS	4							3

Remarks

- (1) Spare parts.
- (2) Under-sized (U.S.=0.25) parts.
- (3) Over-sized (O.S.=0.25) parts.

Fig.10. LUB. OIL SYSTEM



(A)=4TNV98-NRY1C

(B)=

(C)=

(D)=

(E)=

(F)=

No.	Lev.	Parts No.	Description	Q'ty						I	R
				(A)	(B)	(C)	(D)	(E)	(F)		
1	1	129973-33010	COOLER ASSY, OIL	1							
2	2	123912-33050	O-RING	1							
3	1	123912-33100	BOLT, COOLER	1							
4	1	129908-33101	BRACKET, OIL COOLER	1							
5	1	129973-49050	HOSE ASSY, WATER	1							
8	1	129103-49301	ELBOW, PT1/4	1							
9	1	23000-022000	CLAMP, 22	2							
10	1	24321-000600	O-RING, 1AG60.0	1							
11	1	119860-34810	GUIDE, DIPSTICK	1							
12	1	129963-34831	DIPSTICK, LUB.OIL	1							
14	1	129900-32030	O-RING, P20	1							
15	1	129956-35100	PIPE ASSY, OIL INLET	1							
16	1	26106-080142	BOLT, M8X 14 PLATED	1							
17	1	26106-080202	BOLT, M8X 20 PLATED	1							
18	1	119761-39450	SWITCH, HYDRAULIC	1							
19	1	129907-39061	PIPE ASSY, OIL	1							
21	2	123907-39500	RETAINER, PIPE	1							
23	1	129005-59830	BOLT ASSY, JOINT M8	2							
24	2	22190-080002	WASHER, SEAL 8	2							
25	2	23857-030000	BOLT, JOINT 3	2							
26	1	22190-080002	WASHER, SEAL 8	2							
27	1	26106-080122	BOLT, M8X 12 PLATED	1							
28	1	129930-39050	PIPE, OIL	1							
29	1	105010-39140	BOLT, PIPE JOINT	2							
30	1	22190-080002	WASHER, SEAL 8	4							
31	1	119005-35170	FILTER, D80X100	1							1

Remarks

(1) Spare parts.

N:Old $\begin{matrix} \leftarrow \text{Yes} \\ \text{No} \end{matrix}$ New, Q:Old $\begin{matrix} \leftarrow \text{No} \\ \text{Yes} \end{matrix}$ New, R:Old $\begin{matrix} \leftarrow \text{Yes} \\ \text{Yes} \end{matrix}$ New, S:Old $\begin{matrix} \leftarrow \text{No} \\ \text{No} \end{matrix}$ New, W:Add, Z:Discontinued, F:Interchangeable by set, K:Q'ty Change

Fig.11. COOLING WATER SYSTEM

(A)=4TNV98-NRY1C

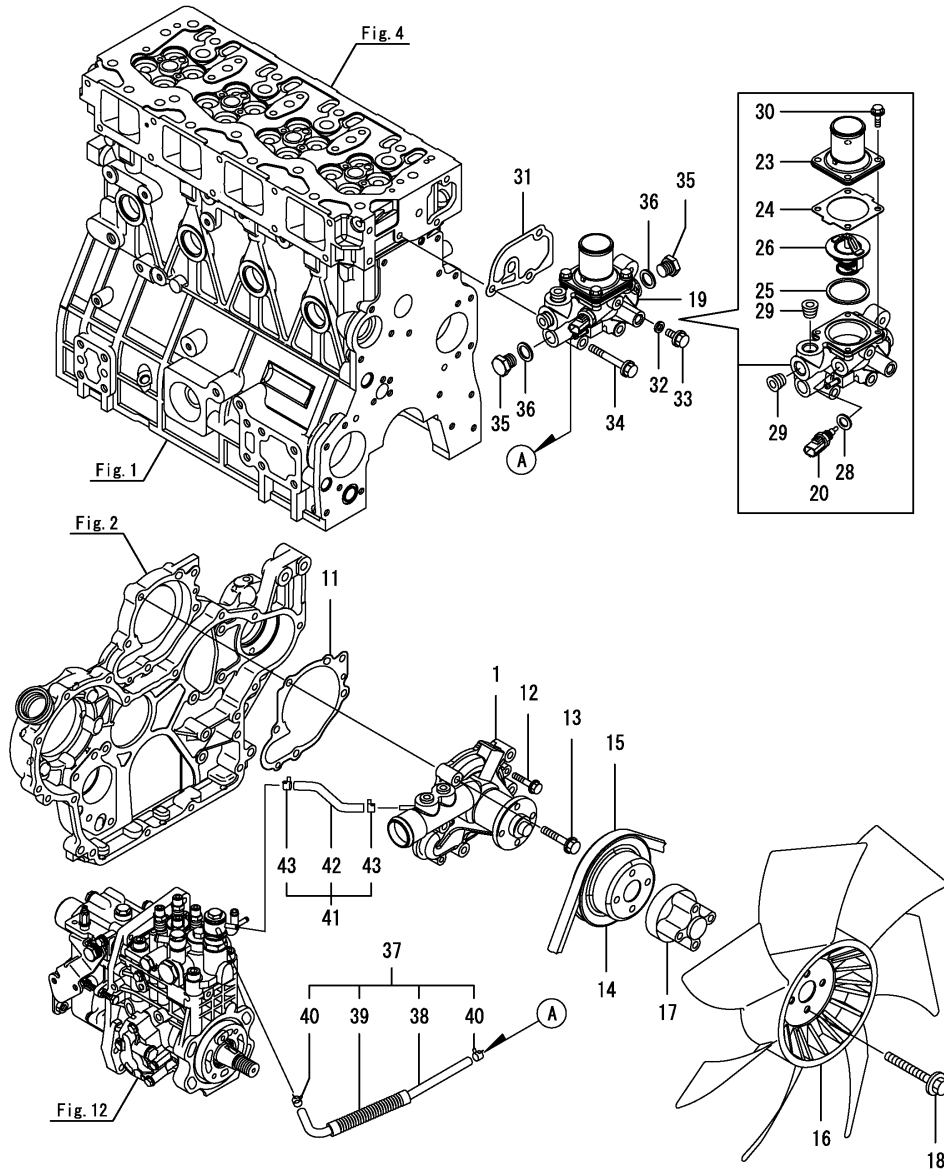
(B)=

(C)=

(D)=

(E)=

(F)=



No.	Lev.	Parts No.	Description	Qty						I	R
				(A)	(B)	(C)	(D)	(E)	(F)		
1	1	129907-42002	PUMP ASSY, CW LOW	1							
11	1	129900-42020	GASKET, WATER PUMP	1							
12	1	26106-060302	BOLT, M6X 30 PLATED	2							
13	1	26106-080552	BOLT, M8X 55 PLATED	5							
14	1	129930-42400	V-PULLEY, C.W.PUMP	1							
15	1	25152-004200	V-BELT, A42	1							
16	1	129907-44740	FAN, COOLING D430X7	1							
17	1	129973-44760	SPACER, FAN 50	1							
18	1	26106-080652	BOLT, M8X 65 PLATED	4							
19	1	129963-49810	CASE ASSY,THERMOSTAT	1							
20	2	129927-44900	SENSOR, WATER TEMP.	1							
23	2	129916-49530	COVER, THERMOSTAT	1							
24	2	121850-49540	GASKET, THERMOSTAT	1							
25	2	121850-49550	GASKET, THERMOSTAT	1							
26	2	121850-49811	THERMOSTAT, 71C	1							
28	2	22190-120002	WASHER, SEAL 12	1							
29	2	23875-030000	PLUG, R03	2							
30	2	26106-060202	BOLT, M6X 20 PLATED	4							
31	1	129900-49870	GASKET, THERMOSTAT	1							
32	1	23414-080000	GASKET, 8X1.0	1							
33	1	26106-080122	BOLT, M8X 12 PLATED	1							
34	1	26106-080602	BOLT, M8X 60 PLATED	3							
35	1	121450-42450	PLUG, M16	2							
36	1	124465-44950	GASKET, 16	2							
37	1	129907-49610	HOSE ASSY, WATER	1							
38	2	129907-49710	HOSE, WATER	1							
39	2	129907-49750	TUBE, CORRUGATED	1							
40	2	124722-59050	CLAMP, HOSE 9	2							
41	1	129907-49620	HOSE ASSY, WATER	1							
42	2	129907-49720	HOSE, WATER	1							
43	2	124722-59050	CLAMP, HOSE 9	2							

Fig.12. FUEL INJECTION PUMP

(A)=4TNV98-NRY1C

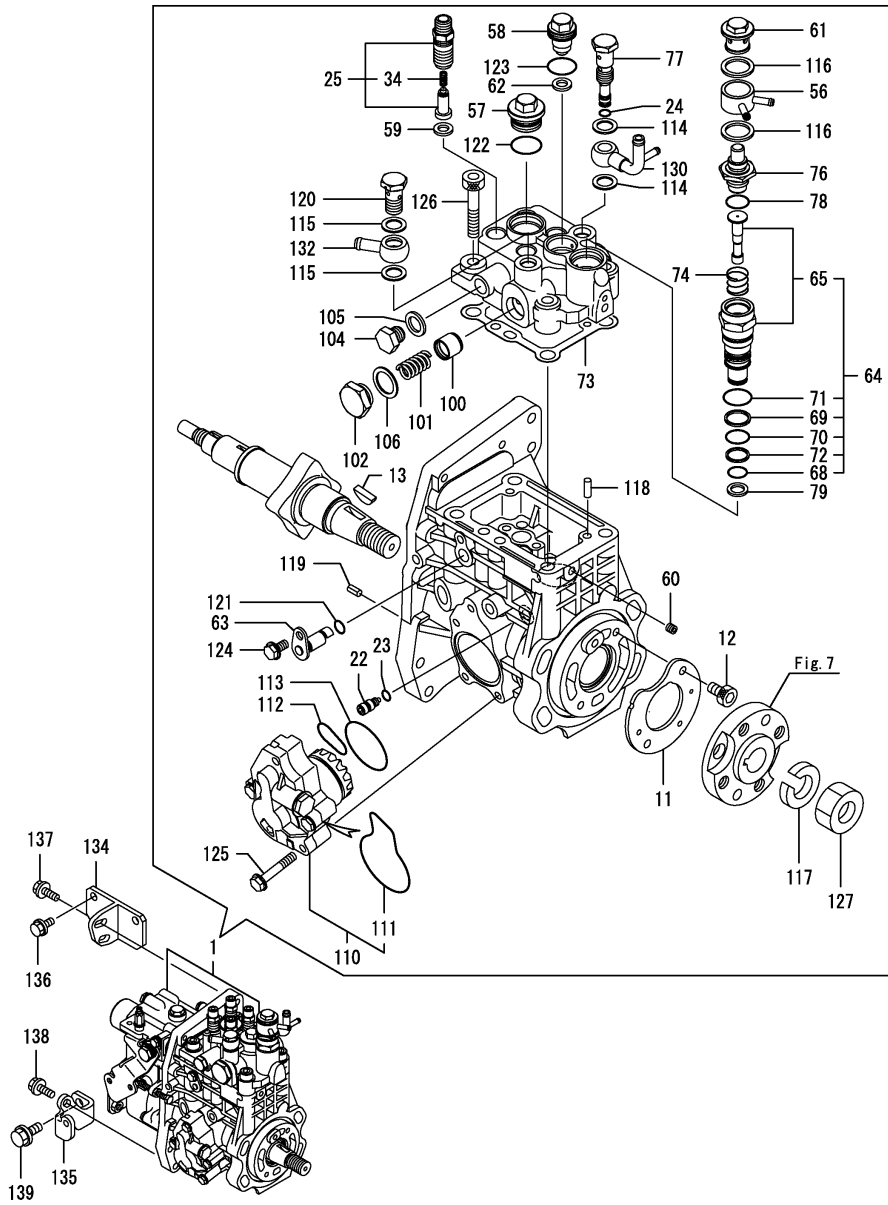
(B)=

(C)=

(D)=

(E)=

(F)=



No.	Lev.	Parts No.	Description	Q'ty						I	R
				(A)	(B)	(C)	(D)	(E)	(F)		
1	1	729963-51410	FIE ASSY	1							1
11	2	129928-51900	COVER	1							
12	2	129008-51920	BOLT, SOCKET M6X10	2							
13	2	144626-51090	FEATHER KEY, 5X19	1							
22	2	158600-51270	STOPPER, TAPPET	1							
23	2	158563-51281	O-RING, 4D S6	1							
24	2	158563-51281	O-RING, 4D S6	1							
25	2	129509-51390	VALVE ASSY, DELIVERY	4							
34	3	158563-51330	SPRING, DELIVERY	4							
56	2	158553-51551	JOINT, COOLING WATER	1							
57	2	158601-51550	PLUG, M22	1							
58	2	129907-51560	PLUG, M16	1							
59	2	158552-51571	GASKET, PLUG	4							
60	2	158557-51570	PLUG, RACK	1							
61	2	158601-51570	PLUG	1							
62	2	129906-51580	GASKET, PLUG	1							
63	2	158552-51580	LIFTER, LINK	1							
64	2	119802-51590	TIMER ASSY	1							
65	3	119802-51600	TIMER ASSY	1							
68	3	158553-51670	O-RING	1							
69	3	119802-51680	RING, BACKUP	1							
70	3	119802-51690	O-RING	1							
71	3	24356-190200	O-RING, 4D19020	1							
72	3	24372-000150	RING, BACK UP T2P15	1							
73	2	158560-51600	GASKET	1							
74	2	158553-51630	SPRING, TIMER	1							
76	2	158553-51640	THERMOELEMENT	1							
77	2	158601-51650	JOINT, OVER FLOW	1							
78	2	158553-51660	O-RING, P14	1							
79	2	158553-51680	GASKET, TIMER	1							
100	2	158601-51770	PISTON, ACCUMLATOR	1							
101	2	158552-51781	SPRING, ACCUMULATOR	1							
102	2	158601-51790	PLUG	1							
104	2	158553-51930	PLUG, M12	1							
105	2	22190-120002	WASHER, SEAL 12	1							
106	2	22190-180002	WASHER, SEAL 18	1							
110	2	158552-52100	PUMP ASSY, FUEL FEED	1							
111	3	158552-52500	O-RING	1							
112	2	158552-52311	O-RING	1							
113	2	158552-52400	O-RING, 4E S42	1							
114	2	22190-120002	WASHER, SEAL 12	2							
115	2	22190-120002	WASHER, SEAL 12	2							
116	2	22190-180002	WASHER, SEAL 18	2							
117	2	22217-180000	WASHER, SPRING 18	1							
118	2	22312-050140	PIN, PARALLEL 5X14	2							
119	2	22351-050010	PIN, SPRING 5.0X10	2							
120	2	23857-060000	BOLT, JOINT 6	1							
121	2	24311-000070	O-RING, 1AP7.0	1							
122	2	24356-190200	O-RING, 4D19020	1							
123	2	24356-240210	O-RING, 4D24021	1							
124	2	26106-060102	BOLT, M6X 10 PLATED	1							

Remarks

(1)Governor(Fig.13) is incorporated in this Fuel Injection Pump(No.1).

Fig.12. FUEL INJECTION PUMP

(A)=4TNV98-NRY1C

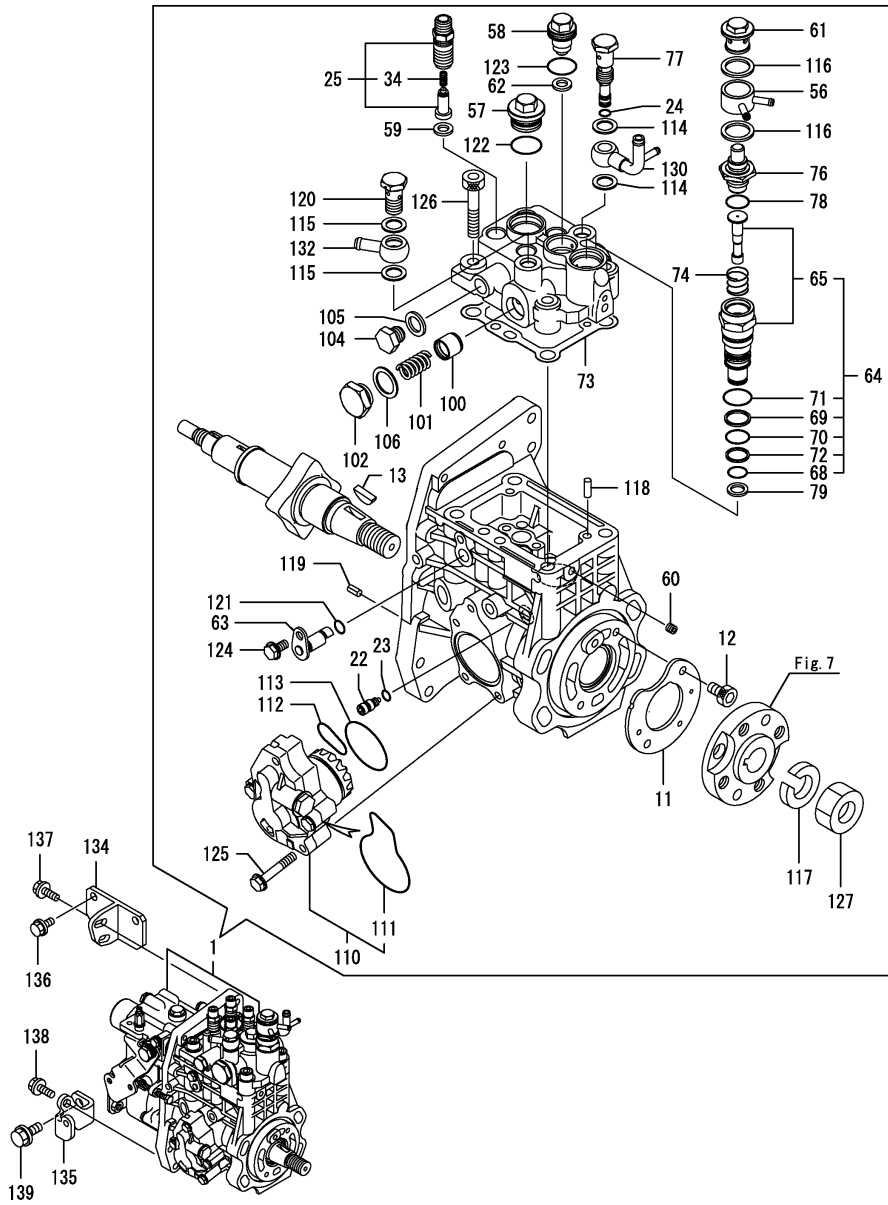
(B)=

(C)=

(D)=

(E)=

(F)=



No.	Lev.	Parts No.	Description	Q'ty						I	R
				(A)	(B)	(C)	(D)	(E)	(F)		
125	2	26106-060352	BOLT, M6X 35 PLATED	4							
126	2	26450-100452	BOLT, M10X 45	4							
127	2	26776-180002	NUT, LOCK M18	1							
130	2	158552-51670	JOINT, OVER FLOW	1							
132	2	129916-59020	JOINT, PIPE 12	1							
134	1	129907-01950	RETAINER, PUMP	1							
135	1	129907-01960	RETAINER, PUMP	1							
136	1	26106-080162	BOLT, M8X 16 PLATED	2							
137	1	26106-080222	BOLT, M8X 22 PLATED	2							
138	1	26106-080222	BOLT, M8X 22 PLATED	1							
139	1	26106-100202	BOLT, M10X 20 PLATED	1							

Remarks

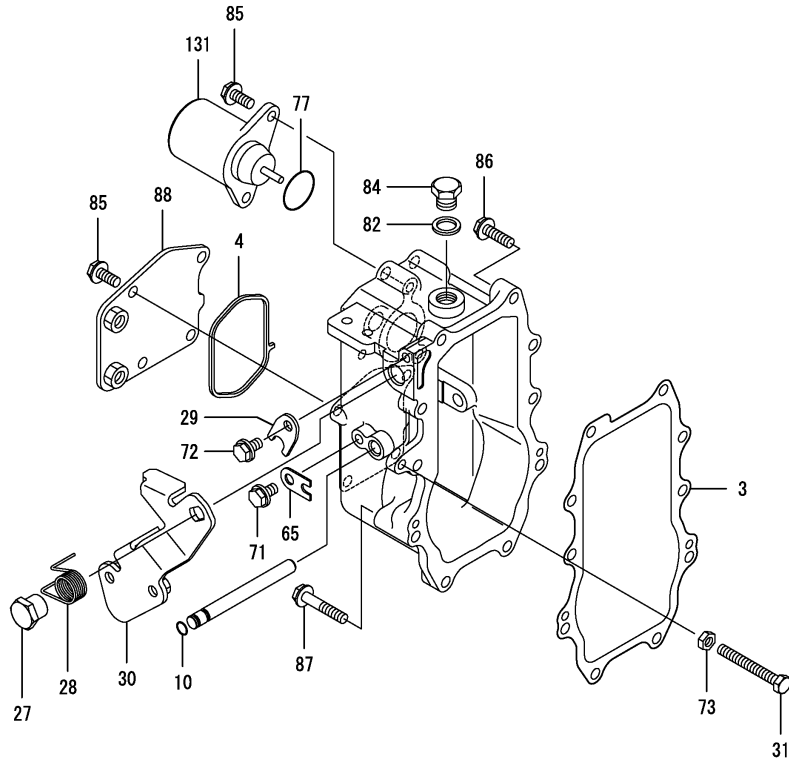
(1)Governor(Fig.13) is incorporated in this Fuel Injection Pump(No.1).

N:Old $\xrightarrow{\text{Yes}}$ New, Q:Old $\xrightarrow{\text{No}}$ New, R:Old $\xrightarrow{\text{Yes}}$ New, S:Old $\xrightarrow{\text{No}}$ New, W:Add, Z:Discontinued, F:Interchangeable by set, K:Q'ty Change

Fig.13. GOVERNOR

(A)=4TNV98-NRY1C
(B)=
(C)=

(D)=
(E)=
(F)=



No.	Lev.	Parts No.	Description	Q'ty						I	R
				(A)	(B)	(C)	(D)	(E)	(F)		
3	2	158560-61050	GASKET	1							
4	2	158560-61071	GASKET	1							
10	2	129155-51280	O-RING, S6	1							
27	2	129255-61410	NUT, M8	1							
28	2	119807-61420	SPRING, RETURN	1							
29	2	158560-61430	STOPPER, SHAFT	1							
30	2	129963-61440	LEVER, REGULATOR	1							
31	2	129155-61460	BOLT, LIMITING	1							
65	2	119660-61901	STOPPER, SHAFT	1							
71	2	26106-060102	BOLT, M6X 10 PLATED	1							
72	2	26106-060102	BOLT, M6X 10 PLATED	1							
73	2	26756-060002	NUT, LOCK M6	1							
77	2	158552-61900	O-RING	1							
82	2	22190-160002	WASHER, SEAL 16	1							
84	2	23887-160002	PLUG, 16	1							
85	2	26106-060142	BOLT, M6X 14 PLATED	6							
86	2	26106-060252	BOLT, M6X 25 PLATED	8							
87	2	26106-060402	BOLT, M6X 40 PLATED	2							
88	2	123945-61060	COVER, GOVERNOR CASE	1							
131	2	119233-77932	SOLENOID, STOP	1							

Remarks

* This figure(Governor) is incorporated in the Fuel Injection Pump(Fig.12).

N:Old $\xrightarrow{\text{Yes}}$ New, Q:Old $\xrightarrow{\text{No}}$ New, R:Old $\xrightarrow{\text{Yes}}$ New, S:Old $\xrightarrow{\text{No}}$ New, W:Add, Z:Discontinued, F:Interchangeable by set, K:Q'ty Change

Fig.14. FUEL INJECTION VALVE

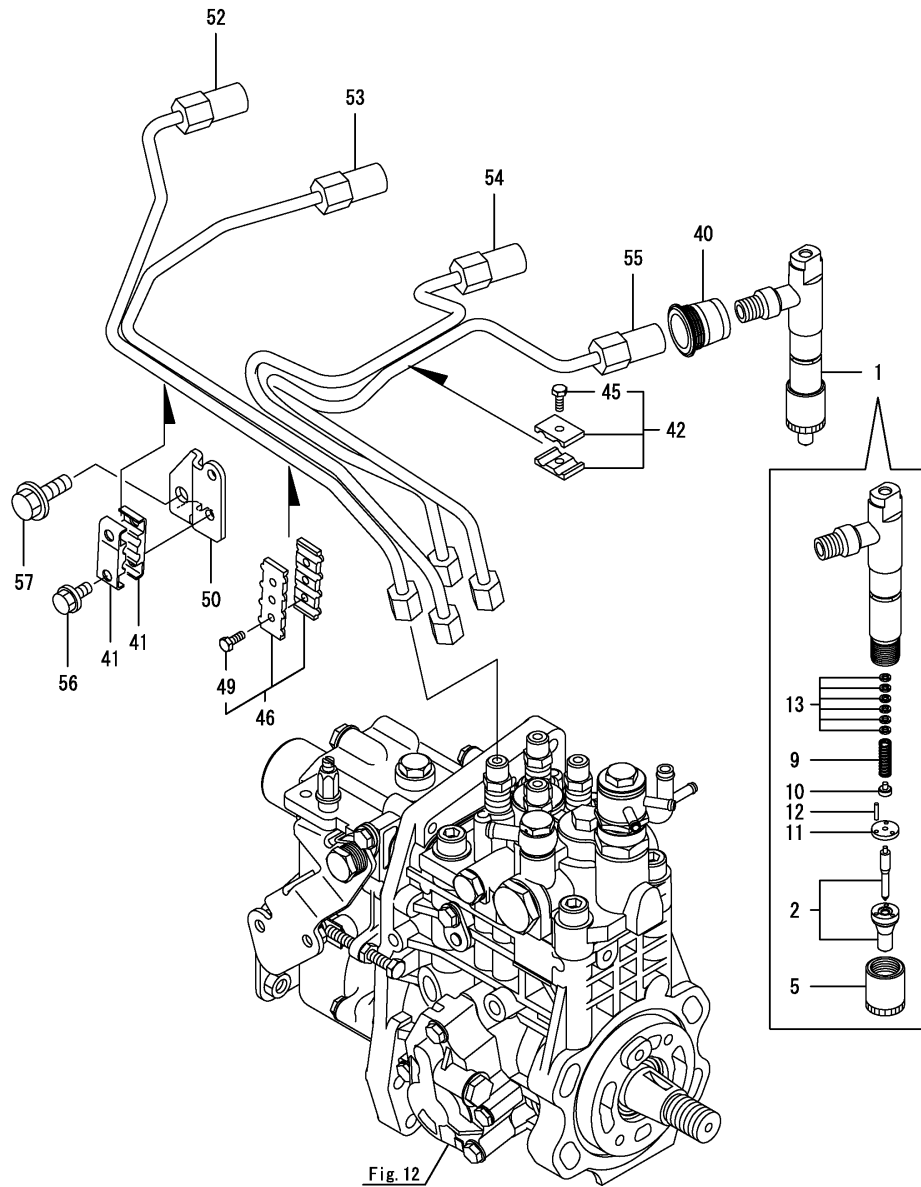


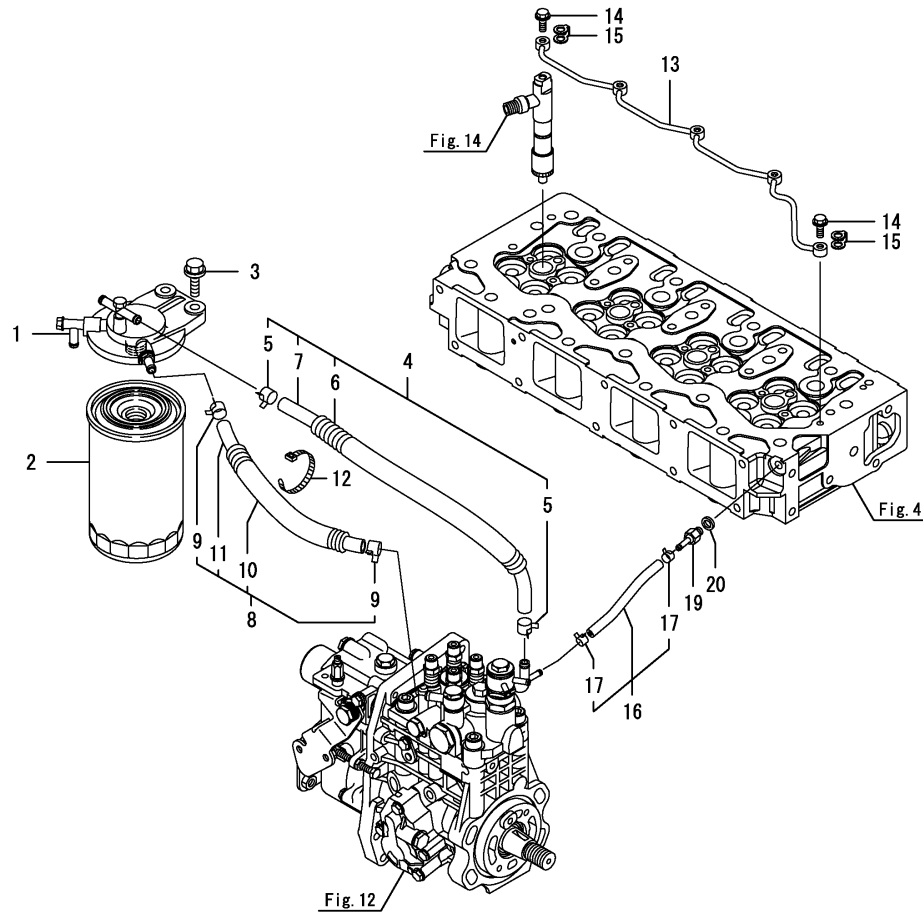
Fig. 12

(A)=4TNV98-NRY1C
(B)=
(C)=

(D)=
(E)=
(F)=

No.	Lev.	Parts No.	Description	Q'ty						I	R
				(A)	(B)	(C)	(D)	(E)	(F)		
1	1	729907-53100	FUEL INJECTOR ASSY	4							
2	2	129907-53000	NOZZLE ASSY, F.I.	4							
5	2	114250-53080	NUT, NOZZLE	4							
9	2	114250-53120	SPRING, NOZZLE	4							
10	2	114250-53130	SEAT, SPRING	4							
11	2	114250-53140	SPACER	4							
12	2	114250-53210	PIN	8							
13	2	119803-53400	SHIM SET	4							
40	1	123907-11601	SEAL, PIPE	4							
41	1	122780-59100	RETAINER	2							
42	1	119305-59120	RETAINER, PIPE	1							
45	2	129150-59131	BOLT, M4X14	1							
46	1	129550-59120	RETAINER, PIPE	1							
49	2	129150-59131	BOLT, M4X14	2							
50	1	129907-59710	SUPPORT	1							
52	1	129907-59810	PIPE ASSY, INJECTION	1							
53	1	129907-59820	PIPE ASSY, INJECTION	1							
54	1	129907-59830	PIPE ASSY, INJECTION	1							
55	1	129907-59840	PIPE ASSY, INJECTION	1							
56	1	26106-060162	BOLT, M6X 16 PLATED	2							
57	1	26106-080182	BOLT, M8X 18 PLATED	1							

Fig.15. FUEL PIPE

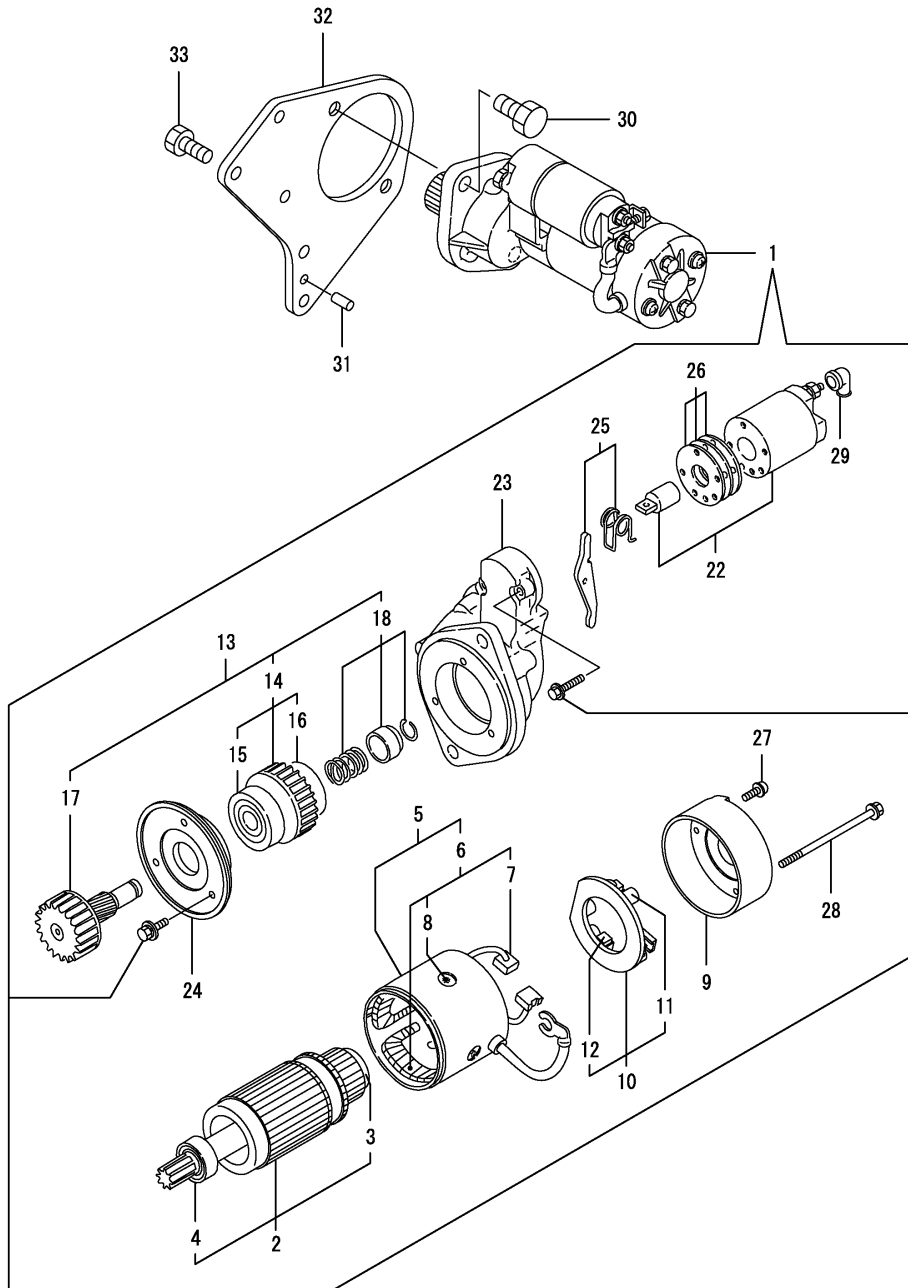


(A)=4TNV98-NRY1C
(B)=
(C)=

(D)=
(E)=
(F)=

No.	Lev.	Parts No.	Description	Q'ty						I	R
				(A)	(B)	(C)	(D)	(E)	(F)		
1	1	129642-55611	BRACKET, FILTER	1							
2	1	129907-55810	FILTER, FUEL	1							
3	1	26106-080302	BOLT, M8X 30 PLATED	2							
4	1	129457-59010	HOSE ASSY, FUEL	1							
5	2	124766-59050	CLAMP, HOSE 11.5	2							
6	2	129957-59120	TUBE, CORRUGATED 15	1							
7	2	105025-59750	HOSE, FUEL	1							
8	1	129981-59010	HOSE ASSY, FUEL	1							
9	2	124766-59050	CLAMP, HOSE 11.5	2							
10	2	129950-59221	TUBE, CORRUGATED 15	1							
11	2	129980-59510	HOSE, FUEL	1							
12	1	121750-59890	BAND, NYLON	1							
13	1	129907-59140	PIPE ASSY, RETURN	1							
14	1	123907-59540	BOLT, PIPE JOINT M6	5							
15	1	123907-59550	GASKET	5							
16	1	129486-59551	HOSE ASSY, RETURN	1							
17	2	124722-59050	CLAMP, HOSE 9	2							
19	1	123907-59560	JOINT, HOSE	1							
20	1	22190-080002	WASHER, SEAL 8	1							

Fig.16. STARTER MOTOR



(A)=4TNV98-NRY1C

(B)=

(C)=

(D)=

(E)=

(F)=

No.	Lev.	Parts No.	Description	Q'ty						I	R
				(A)	(B)	(C)	(D)	(E)	(F)		
1	1	129900-77040	STARTER ASSY	1							
2	2	129900-77120	ARMATURE ASSY	1							
3	3	171008-77410	BEARING, BALL	1							
4	3	171008-77420	BEARING, BALL	1							
5	2	129900-77130	YOKE ASSY	1							
6	3	129900-77140	COIL ASSY, FIELD	1							
7	4	129900-77450	BRUSH	2							
8	4	171008-77450	SCREW, CORE SET	4							
9	2	129900-77150	COVER	1							
10	2	129900-77160	HOLDER ASSY, BRUSH	1							
11	3	X2130631300	SPRING, BRUSH	4							
12	3	129900-77450	BRUSH	2							
13	2	129900-77170	CLUTCH ASSY	1							
14	3	129900-77180	CLUTCH ASSY	1							
15	4	X2114955020	BEARING, BALL	1							
16	4	129900-77190	BEARING, BALL	1							
17	3	129900-77270	SHAFT, PINION	1							
18	3	171008-77670	STOPPER SET, PINION	1							
22	2	129900-77280	SWITCH ASSY, MAGNET	1							
23	2	129900-77290	CASE, GEAR	1							
24	2	129900-77380	RETAINER, BEARING	1							
25	2	129900-77390	LEVER ASSY, SHIFT	1							
26	2	129900-77420	COVER KIT, DUST	1							
27	2	129900-77430	SCREW, M4X10	2							
28	2	129685-77640	BOLT, THROUGH	2							
29	2	171008-77750	COVER, TERMINAL	1							
30	1	26116-120202	BOLT, M12X 20 PLATED	2							
31	1	129100-01580	PIN, PARALLEL 8X16	1							
32	1	129960-77410	BRACKET, STARTER	1							
33	1	26206-100202	BOLT, M10X 20 PLATED	5							

Fig.17. GENERATOR

(A)=4TNV98-NRY1C

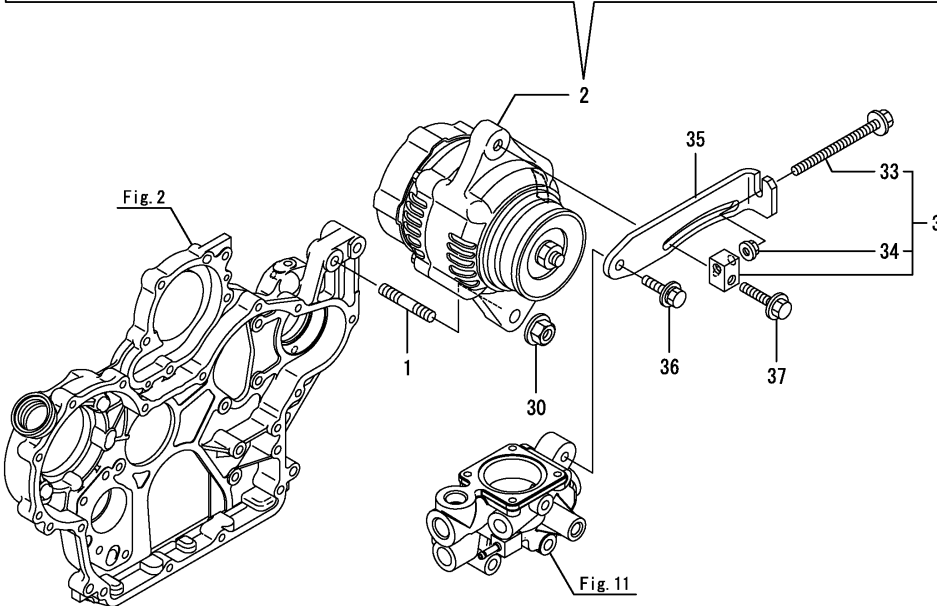
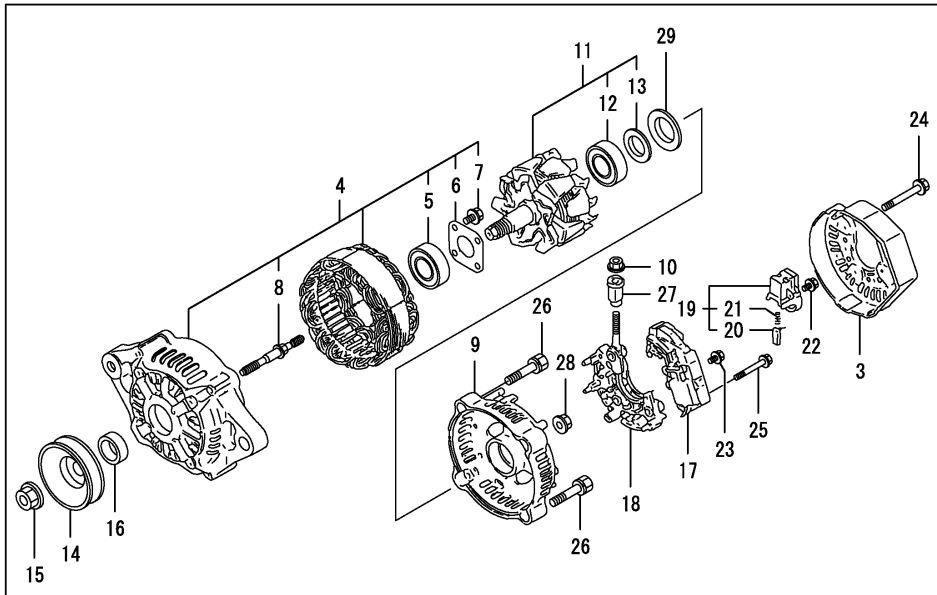
(B)=

(C)=

(D)=

(E)=

(F)=



No.	Lev.	Parts No.	Description	Q'ty						I	R
				(A)	(B)	(C)	(D)	(E)	(F)		
1	1	129795-01900	BOLT, STUD M10X33	1							
2	1	119751-77200	GENERATOR ASSY, 40A	1							
3	2	X0215512440	COVER	1							
4	2	X1214001430	FRAME ASSY, DRIVE	1							
5	3	119620-79200	BEARING, BALL	1							
6	3	119620-79210	RETAINER	1							
7	3	119620-79220	SCREW	4							
8	3	119620-79230	BOLT, STUD	2							
9	2	X1215011050	FRAME ASSY	1							
10	2	X9490561001	NUT	1							
11	2	119620-77380	ROTOR ASSY	1							
12	3	119620-79240	BEARING, BALL	1							
13	3	119620-79250	COVER, BEARING	1							
14	2	119620-77461	PULLEY, GENERATOR	1							
15	2	119620-77471	NUT	1							
16	2	119620-77490	COLLAR	1							
17	2	129423-77710	REGULATOR ASSY	1							
18	2	119620-79260	HOLDER	1							
19	2	129052-79270	HOLDER, BRUSH	1							
20	3	119620-77480	BRUSH	2							
21	3	119620-79280	SPRING	2							
22	2	119620-79290	SCREW	6							
23	2	119620-79300	SCREW	1							
24	2	119620-79310	BOLT	3							
25	2	119620-79320	SCREW	2							
26	2	119620-79330	BOLT	2							
27	2	119620-79340	BUSH, INSULATION	1							
28	2	119620-79350	NUT	2							
29	2	119620-79360	WASHER, THRUST	1							
30	1	26306-100002	NUT, M10	1							
31	1	119624-77351	BLOCK ASSY, ADJUSTER	1							
33	2	26106-081004	BOLT, M8X100 PLATED	1							
34	2	26306-080002	NUT, M8	1							
35	1	129972-77360	ADJUSTER, BELT	1							
36	1	26014-080252	BOLT, M8X 25	1							
37	1	26106-080452	BOLT, M8X 45 PLATED	1							

Parts No. Index

Parts No.	Fig. No.	Ref. No.
105010-39140	10	29
105025-59750	15	7
105425-01690	3	6
114250-53080	14	5
114250-53120	14	9
114250-53130	14	10
114250-53140	14	11
114250-53210	14	12
119005-35170	10	31
119131-18320	6	3
119233-77932	13	131
119305-59120	14	42
119309-01810	1	31
119593-11301	4	27
119620-11180	4	12
119620-77380	17	11
119620-77461	17	14
119620-77471	17	15
119620-77480	17	20
119620-77490	17	16
119620-79200	17	5
119620-79210	17	6
119620-79220	17	7
119620-79230	17	8
119620-79240	17	12
119620-79250	17	13
119620-79260	17	18
119620-79280	17	21
119620-79290	17	22
119620-79300	17	23
119620-79310	17	24
119620-79320	17	25
119620-79330	17	26
119620-79340	17	27
119620-79350	17	28
119620-79360	17	29
119624-77351	17	31
119625-11880	4	23
119640-61400	4	58
119660-61901	13	65
119751-77200	17	2
119761-39450	10	18
119802-11870	4	22
119802-51590	12	64
119802-51600	12	65
119802-51680	12	69
119802-51690	12	70
119803-11340	4	13
119803-53400	14	13
119807-61420	13	28

Parts No.	Fig. No.	Ref. No.
119860-34810	10	11
120130-22301	8	24
121023-26071	2	32
121450-42450	11	35
121750-59890	15	12
121850-21130	8	13
121850-21290	8	4
		5
	9	4
		5
121850-21920	8	6
121850-49540	11	24
121850-49550	11	25
121850-49811	11	26
121850-77021	5	5
122780-59100	14	41
123900-25060	7	9
123907-03100	4	52
123907-03110	4	53
123907-03120	4	54
123907-03140	4	55
123907-11280	4	32
123907-11550	4	1
123907-11601	14	40
123907-11820	4	19
123907-11830	4	18
123907-39500	10	21
123907-59540	15	14
123907-59550	15	15
123907-59560	15	19
123912-33050	10	2
123912-33100	10	3
123945-61060	13	88
124160-01751	2	26
	4	47
124160-11340	4	14
124160-11360	4	61
124465-44950	11	36
124722-59050	11	40
		43
	15	17
124766-59050	15	5
		9
128610-14120	9	3
129005-59830	10	23
129008-51920	12	12
129052-79270	17	19
129100-01580	1	29
		30
	2	1

Parts No.	Fig. No.	Ref. No.
129100-01580	16	31
129103-49301	10	8
129150-02450	7	4
129150-11230	4	35
		39
129150-11750	4	17
		36
		40
129150-14200	7	1
129150-25920	7	18
129150-59131	14	45
		49
129155-51280	13	10
129155-61460	13	31
129255-61410	13	27
129423-77710	17	17
129457-59010	15	4
129486-59551	15	16
129509-51390	12	25
129550-59120	14	46
129558-13420	6	5
129642-55611	15	1
129685-77640	16	28
129693-44300	6	8
129693-44310	3	9
129795-01900	17	1
129795-01960	9	1
129900-01200	1	27
129900-01250	1	4
129900-02020	1	7
129900-02341	1	35
129900-02410	1	10
129900-02931	1	24
129900-02941	1	38
129900-13251	6	4
129900-14110	7	6
129900-14140	2	40
129900-21220	8	3
129900-23001	8	26
129900-23200	8	29
129900-23601	8	30
129900-23611	8	33
129900-23911	8	32
129900-25110	7	10
129900-26020	7	16
129900-26250	2	41
129900-32030	2	17
	10	14
129900-32040	2	18
129900-42020	11	11

Parts No.	Fig. No.	Ref. No.
129900-49870	11	31
129900-77040	16	1
129900-77120	16	2
129900-77130	16	5
129900-77140	16	6
129900-77150	16	9
129900-77160	16	10
129900-77170	16	13
129900-77180	16	14
129900-77190	16	16
129900-77270	16	17
129900-77280	16	22
129900-77290	16	23
129900-77380	16	24
129900-77390	16	25
129900-77420	16	26
129900-77430	16	27
129900-77450	16	7
		12
129903-22950	8	37
129906-51580	12	62
129907-01331	1	28
129907-01950	12	134
129907-01960	12	135
129907-03011	4	49
129907-03061	4	50
129907-03070	4	51
129907-07900	4	64
129907-11100	4	9
129907-11110	4	10
129907-11120	4	11
129907-11250	4	29
129907-11260	4	30
129907-11270	4	31
129907-11321	4	48
129907-11341	4	28
129907-11510	4	15
129907-11650	4	33
129907-11660	4	37
129907-11700	4	2
129907-11800	4	66
129907-11910	4	24
129907-11920	4	41
129907-11950	4	25
129907-12100	5	1
129907-12110	5	2
129907-14400	7	2
129907-21650	8	10
129907-25900	7	15
129907-39061	10	19

Parts No. Index

Parts No.	Fig. No.	Ref. No.
129907-42002	11	1
129907-44740	11	16
129907-49610	11	37
129907-49620	11	41
129907-49710	11	38
129907-49720	11	42
129907-49750	11	39
129907-51560	12	58
129907-53000	14	2
129907-55810	15	2
129907-59140	15	13
129907-59710	14	50
129907-59810	14	52
129907-59820	14	53
129907-59830	14	54
129907-59840	14	55
129908-14590	7	3
129908-33101	10	4
129915-77051	5	6
129916-01790	3	15
129916-01800	2	37
129916-21610	8	9
129916-49530	11	23
129916-59020	12	132
129927-13810	6	7
129927-22050	8	20
129927-42140	2	19
129927-44900	11	20
129928-51900	12	11
129930-13201	6	11
129930-39050	10	28
129930-42400	11	14
129933-11310	4	57
129942-21000	8	1
129950-59221	15	10
129951-01740	2	28
129953-25300	7	14
129956-01710	1	5
129956-01730	3	3
129956-01760	3	5
129956-28009	9	2
129956-28019	9	6
129956-28101	9	10
129956-28111	9	11
129956-28180	9	12
129956-28321	8	7
129956-28332	9	13
129956-28341	9	14
129956-32001	2	4
129956-35100	10	15

Parts No.	Fig. No.	Ref. No.
129957-59120	15	6
129960-21930	8	11
129960-21940	8	12
129960-77410	16	32
129962-01500	2	3
129963-01630	3	1
129963-21540	8	14
129963-22900	8	35
129963-34831	10	12
129963-49810	11	19
129963-61440	13	30
129968-01640	3	13
129968-13120	6	2
129968-13170	6	1
129968-13500	6	12
129968-13650	6	13
129968-21620	8	16
129972-01731	3	4
129972-77360	17	35
129973-33010	10	1
129973-44760	11	17
129973-49050	10	5
129980-59510	15	11
129981-59010	15	8
129985-22080	8	18
129E00-13650	6	6
144626-51090	12	13
158552-51571	12	59
158552-51580	12	63
158552-51670	12	130
158552-51781	12	101
158552-52100	12	110
158552-52311	12	112
158552-52400	12	113
158552-52500	12	111
158552-61900	13	77
158553-51551	12	56
158553-51630	12	74
158553-51640	12	76
158553-51660	12	78
158553-51670	12	68
158553-51680	12	79
158553-51930	12	104
158557-51570	12	60
158560-51600	12	73
158560-61050	13	3
158560-61071	13	4
158560-61430	13	29
158563-51150	7	19
158563-51281	12	23

Parts No.	Fig. No.	Ref. No.
158563-51281	12	24
158563-51330	12	34
158600-51270	12	22
158601-51550	12	57
158601-51570	12	61
158601-51650	12	77
158601-51770	12	100
158601-51790	12	102
171008-77410	16	3
171008-77420	16	4
171008-77450	16	8
171008-77670	16	18
171008-77750	16	29
171051-01921	1	6
22190-080002	3	10
	10	24
		26
		30
	15	20
22190-120002	11	28
	12	105
		114
		115
22190-160002	3	8
	13	82
22190-180002	12	106
		116
22217-180000	12	117
22252-000300	8	25
22312-050140	12	118
22351-050010	12	119
22351-060012	1	11
22512-070140	7	7
	8	8
22857-500100	4	59
		60
23000-022000	10	9
23414-080000	11	32
23857-030000	10	25
23857-060000	12	120
23875-030000	11	29
23876-005000	9	15
23876-020000	4	6
23876-030000	1	12
		13
	4	7
23887-160002	13	84
24107-063034	8	17
24311-000070	2	20
	12	121

Parts No.	Fig. No.	Ref. No.
24311-000120	4	26
		62
24311-000200	9	17
24311-000320	2	27
	4	63
24321-000600	10	10
24321-000850	2	33
24351-030750	2	21
24356-190200	12	71
		122
24356-240210	12	123
24372-000150	12	72
25152-004200	11	15
26014-080222	6	14
26014-080252	6	15
	17	36
26106-060102	12	124
	13	71
		72
26106-060142	13	85
26106-060162	14	56
26106-060202	11	30
26106-060252	13	86
26106-060302	11	12
26106-060352	12	125
26106-060402	13	87
26106-080122	10	27
	11	33
26106-080142	7	8
	10	16
26106-080162	2	22
	4	65
	9	16
	12	136
26106-080182	14	57
26106-080202	2	23
		29
	10	17
26106-080222	12	137
		138
26106-080252	3	11
26106-080302	3	16
	15	3
26106-080352	5	7
26106-080402	2	38
	4	43
26106-080452	2	24
		30
	17	37
26106-080552	5	3

Parts No. Index

Parts No.	Fig. No.	Ref. No.
26106-080552	7	13
	11	13
26106-080602	4	44
		45
	9	18
	11	34
26106-080652	11	18
26106-080702	2	39
26106-080752	2	31
26106-080852	3	12
	5	4
26106-081004	17	33
26106-100202	2	34
	12	139
26116-100202	3	2
26116-120202	16	30
26206-100202	16	33
26216-100302	2	16
26226-080222	4	42
26306-080002	4	46
	6	9
		10
		16
	17	34
26306-100002	2	25
	17	30
26450-100452	12	126
26756-060002	13	73
26776-180002	12	127
27241-300000	1	14
27241-400000	4	8
27310-070001	4	20
729900-02801	1	32
729906-01550	2	35
729907-53100	14	1
729963-01560	1	1
729963-51410	12	1
X0215512440	17	3
X1214001430	17	4
X1215011050	17	9
X2114955020	16	15
X2130631300	16	11
X9490561001	17	10

Parts No.	Fig. No.	Ref. No.
-----------	----------	----------

Parts No.	Fig. No.	Ref. No.
-----------	----------	----------

Parts No.	Fig. No.	Ref. No.
-----------	----------	----------