

0CNP6-M02390EN

# Contents

0CNP6-M02390

Fig. No. Fig. Name

Fig. No. Fig. Name

## FRONT LOADER

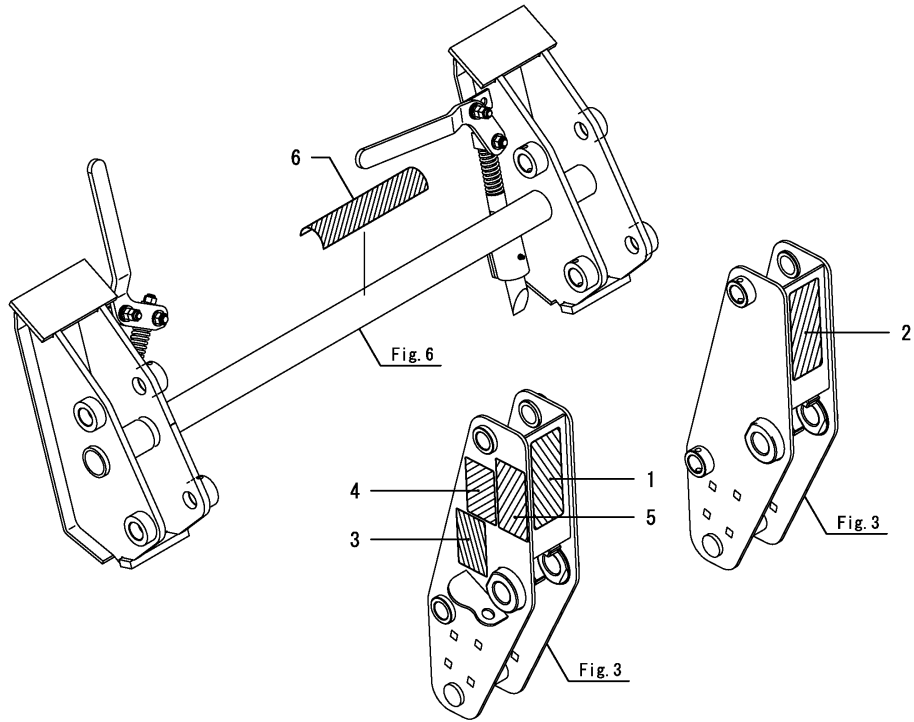
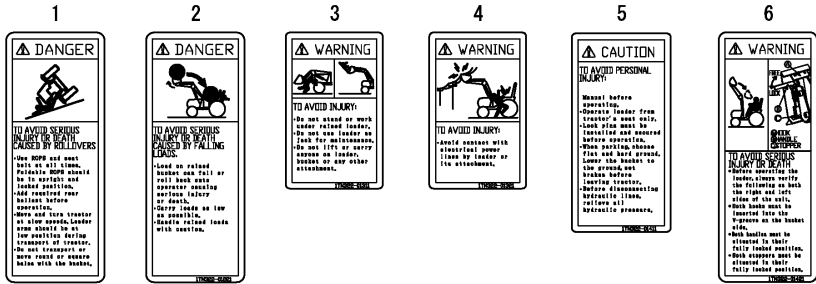
1. LABEL
2. LABEL(SAFETY)
3. SUPPORT FRAME
4. BRACKET
5. BOOM
6. HITCH(QUICK)
7. DUMP LINK
8. INDICATOR
9. CYLINDER
10. HYDRAULIC PIPING
11. PROTECTOR
12. STAND
13. BUCKET(QUICK)
14. DOCUMENT

## OPTIONAL

15. OPTION(FRENCH)
16. OPTION(SPANISH)



Fig.2. LABEL(SAFETY)



(A)=YL310  
(B)=  
(C)=

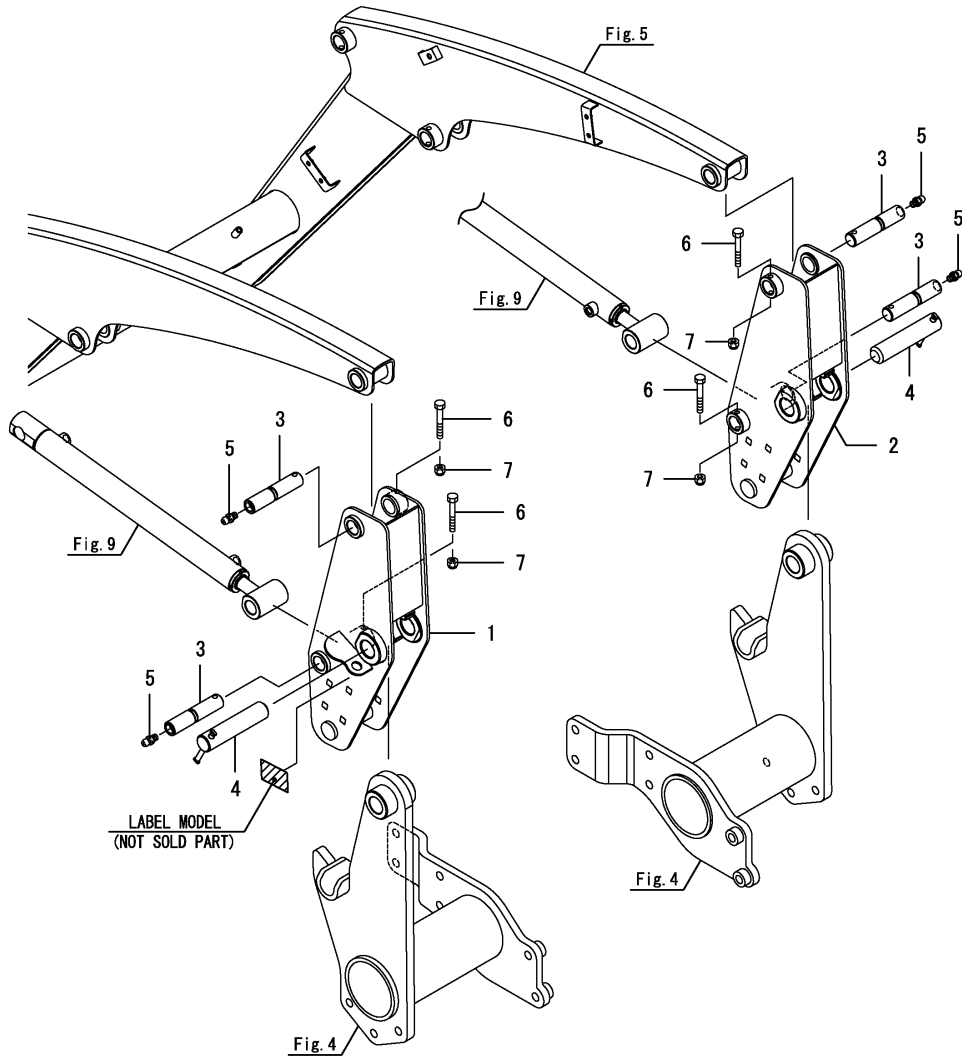
(D)=  
(E)=  
(F)=

No.	Lev.	Parts No.	Description	Q'ty						I	R
				(A)	(B)	(C)	(D)	(E)	(F)		
1	1	1TN322-01211	LABEL, DANGER ROLL	1							
2	1	1TN322-01221	LABEL, DANGER FALL	1							
3	1	1TN322-01311	LABEL, WARNING	1							
4	1	1TN322-01321	LABEL, WARNING SHOCK	1							
5	1	1TN322-01411	LABEL, CAUTION	1							
6	1	1TN322-01421	LABEL, WARNING QUICK	1							

Fig.3. SUPPORT FRAME

(A)=YL310  
(B)=  
(C)=

(D)=  
(E)=  
(F)=



No.	Lev.	Parts No.	Description	Q'ty						I	R
				(A)	(B)	(C)	(D)	(E)	(F)		
1	1	1TN339-11010	SUPPORT ASSY, PL L	1							
2	1	1TN339-11020	SUPPORT ASSY, PL R	1							
3	1	1TN339-73130	PIN, 9/8-135	4							
4	1	1TN322-73310	LOCK PIN CMP	2							
5	1	24761-010000	NIPPLE, GREASE M6F	4							
6	1	26116-080602	BOLT, M8X 60 PLATED	4							
7	1	26347-080002	NUT, M8	4							

Fig.4. BRACKET

(A)=YL310  
(B)=  
(C)=

(D)=  
(E)=  
(F)=

No.	Lev.	Parts No.	Description	Q'ty						I	R
				(A)	(B)	(C)	(D)	(E)	(F)		
1	1	1TN339-13100	BRACKET ASSY, L	1							
2	1	1TN339-13200	BRACKET ASSY, R	1							
3	1	1TN323-16450	BOLT, M16X45	8							
4	1	1TN339-16650	BOLT,10.9FLANGE16X65	4							

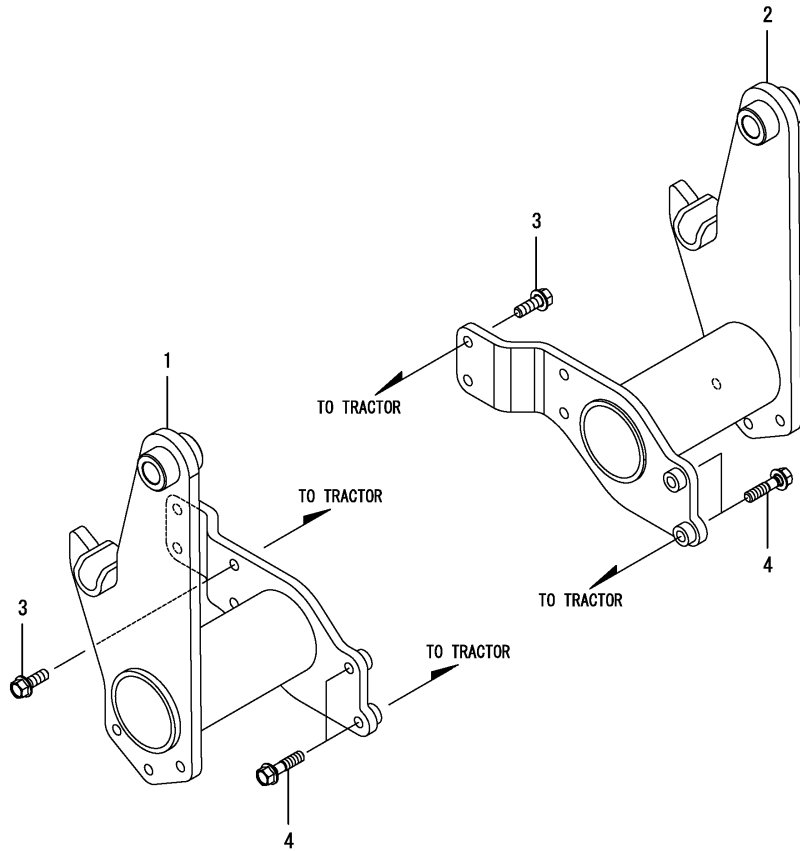




Fig.6. HITCH(QUICK)

(A)=YL310  
(B)=  
(C)=

(D)=  
(E)=  
(F)=

No.	Lev.	Parts No.	Description	Q'ty						I	R
				(A)	(B)	(C)	(D)	(E)	(F)		
1	1	1TN323-23020	HITCH KIT, QUICK	1							
2	2	1TN323-23090	QUICK M ASSY	1							
3	3	1TN323-23310	PIN, QUICK	2							
4	3	1TN323-23330	SHAFT, QUICK	2							
5	3	1TN323-23350	LEVER L, QUICK	1							
6	3	1TN323-23360	LEVER R, QUICK	1							
7	3	1TN323-23370	SLIDER, QUICK	2							
8	3	1TN323-23390	SPRING	2							
9	3	194151-47760	WASHER, 12	4							
10	3	194310-47790	PLATE, FRICTION	2							
11	3	22137-120000	WASHER, 12	6							
12	3	22417-160160	PIN, COTTER 1.6X16	2							
13	3	22487-100300	PIN, H10X 30	2							
14	3	24761-010000	NIPPLE, GREASE M6F	2							
15	3	26346-120002	NUT, M12	4							
16	3	26716-120002	NUT, M12	4							
17	2	1TN323-73150	9/8-160 PIN	4							
18	2	24761-010000	NIPPLE, GREASE M6F	4							
19	2	26116-080602	BOLT, M8X 60 PLATED	4							
20	2	26347-080002	NUT, M8	4							

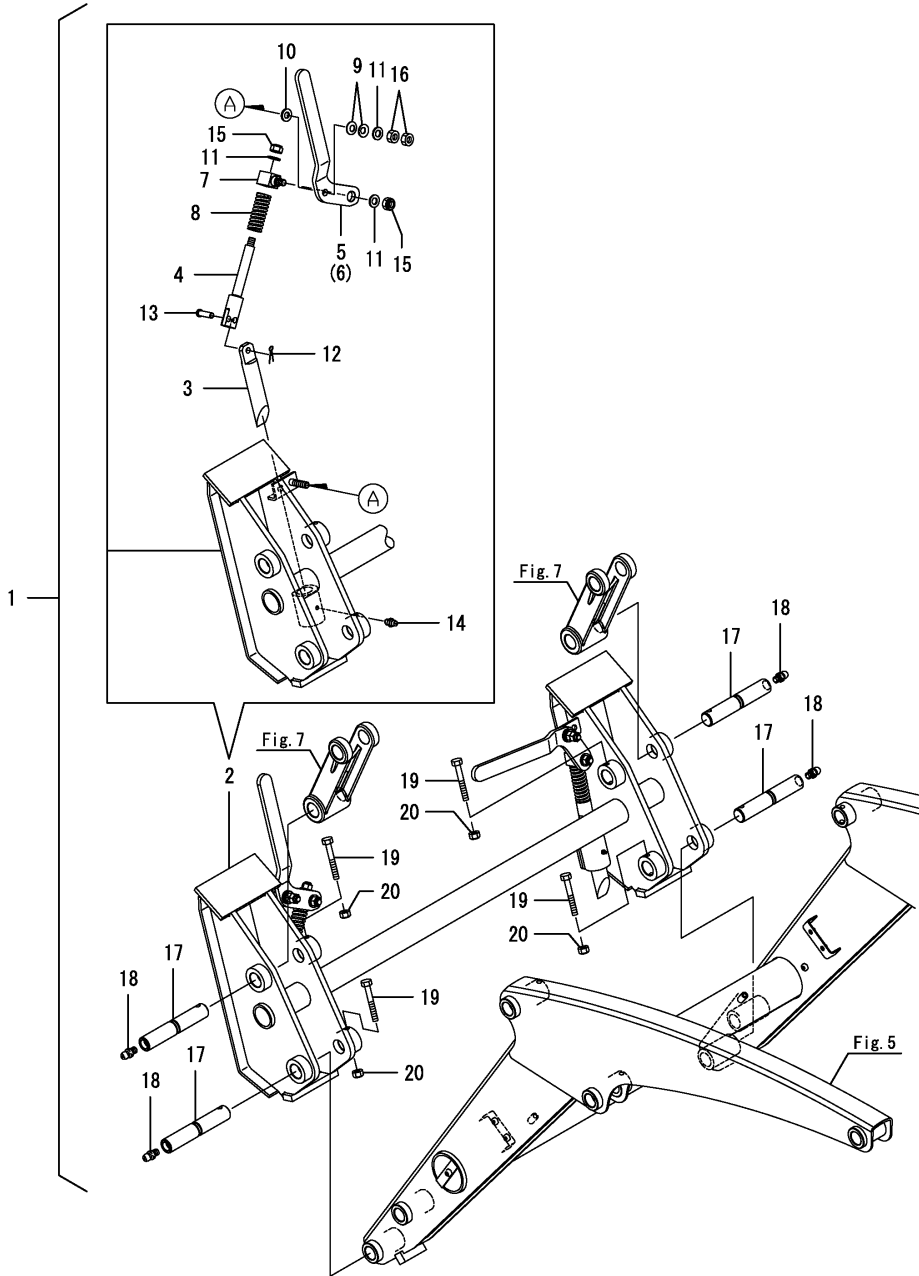




Fig.7. DUMP LINK

(A)=YL310  
(B)=  
(C)=

(D)=  
(E)=  
(F)=

No.	Lev.	Parts No.	Description	Q'ty						I	R
				(A)	(B)	(C)	(D)	(E)	(F)		
1	1	1TN323-25110	DUMP LINK OUT	2							
2	1	1TN323-25120	DUMP LINK IN	2							
3	1	1TN323-25130	DUMP LINK FRONT	2							
4	1	1TN323-73210	9/8 STEPPED PIN 140	4							
5	1	24761-010000	NIPPLE, GREASE M6F	4							
6	1	26116-080602	BOLT, M8X 60 PLATED	4							
7	1	26347-080002	NUT, M8	4							

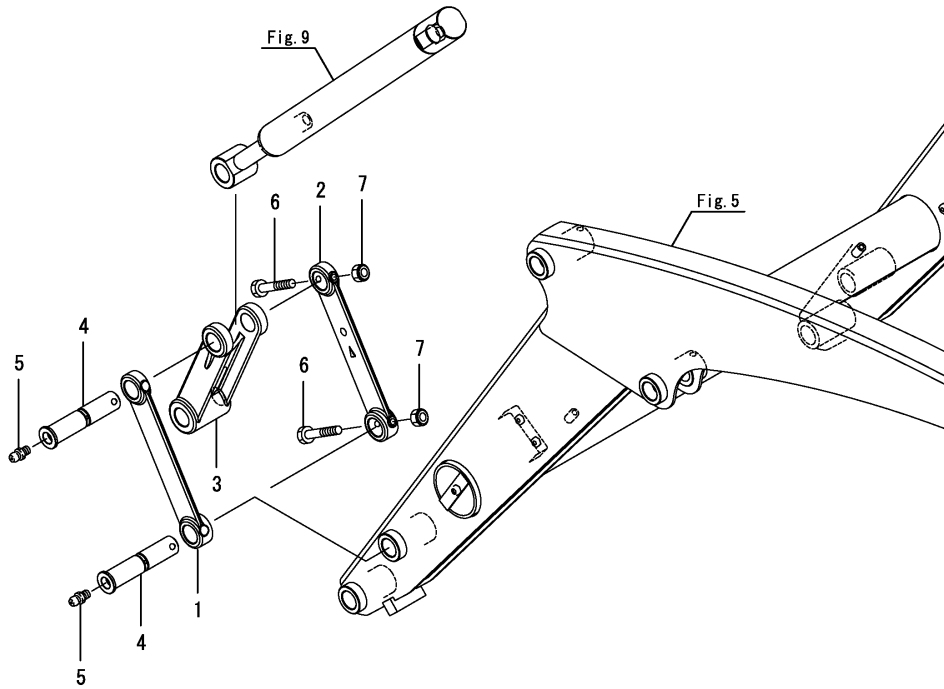


Fig.8. INDICATOR

(A)=YL310  
(B)=  
(C)=

(D)=  
(E)=  
(F)=

No.	Lev.	Parts No.	Description	Qty						I	R
				(A)	(B)	(C)	(D)	(E)	(F)		
1	1	1TN339-33110	ROD, INDICATOR	1							
2	1	1TN339-33310	STAY, INDICATOR	1							
3	1	22137-100000	WASHER, 10	1							
4	1	22417-250300	PIN, COTTER 2.5X30	1							
5	1	26106-080162	BOLT, M8X 16 PLATED	1							

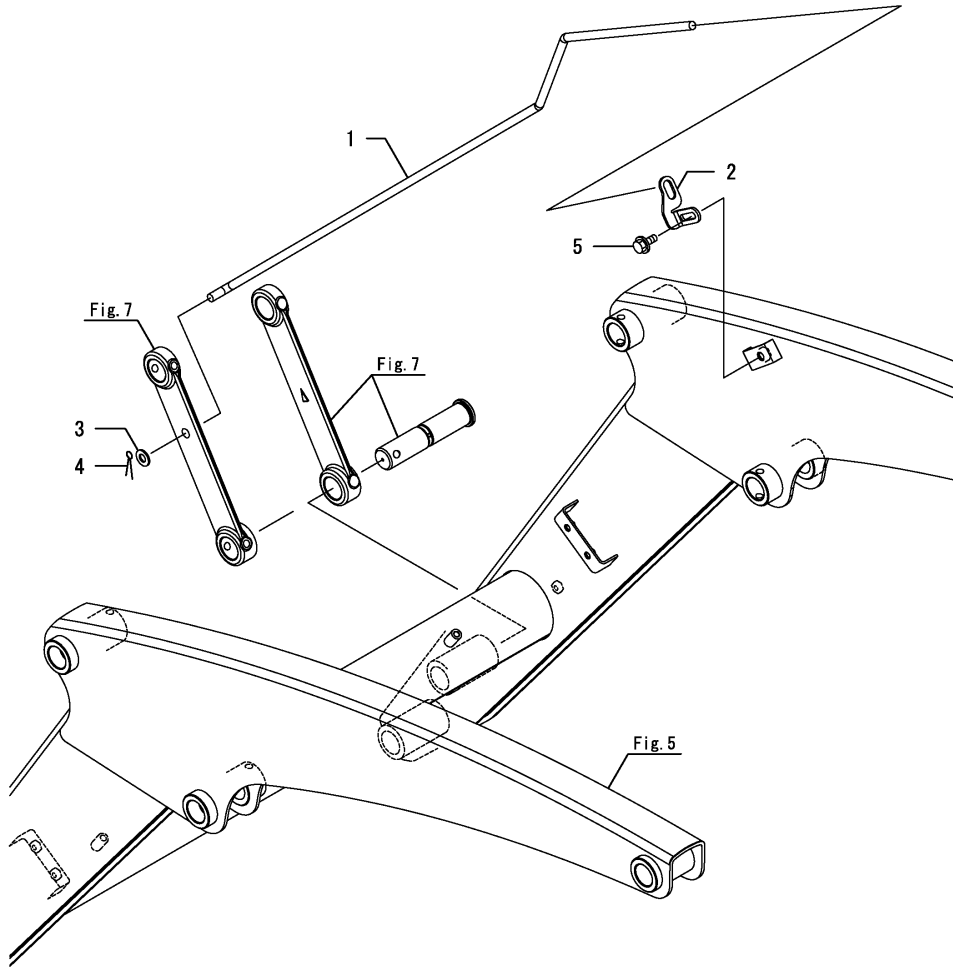
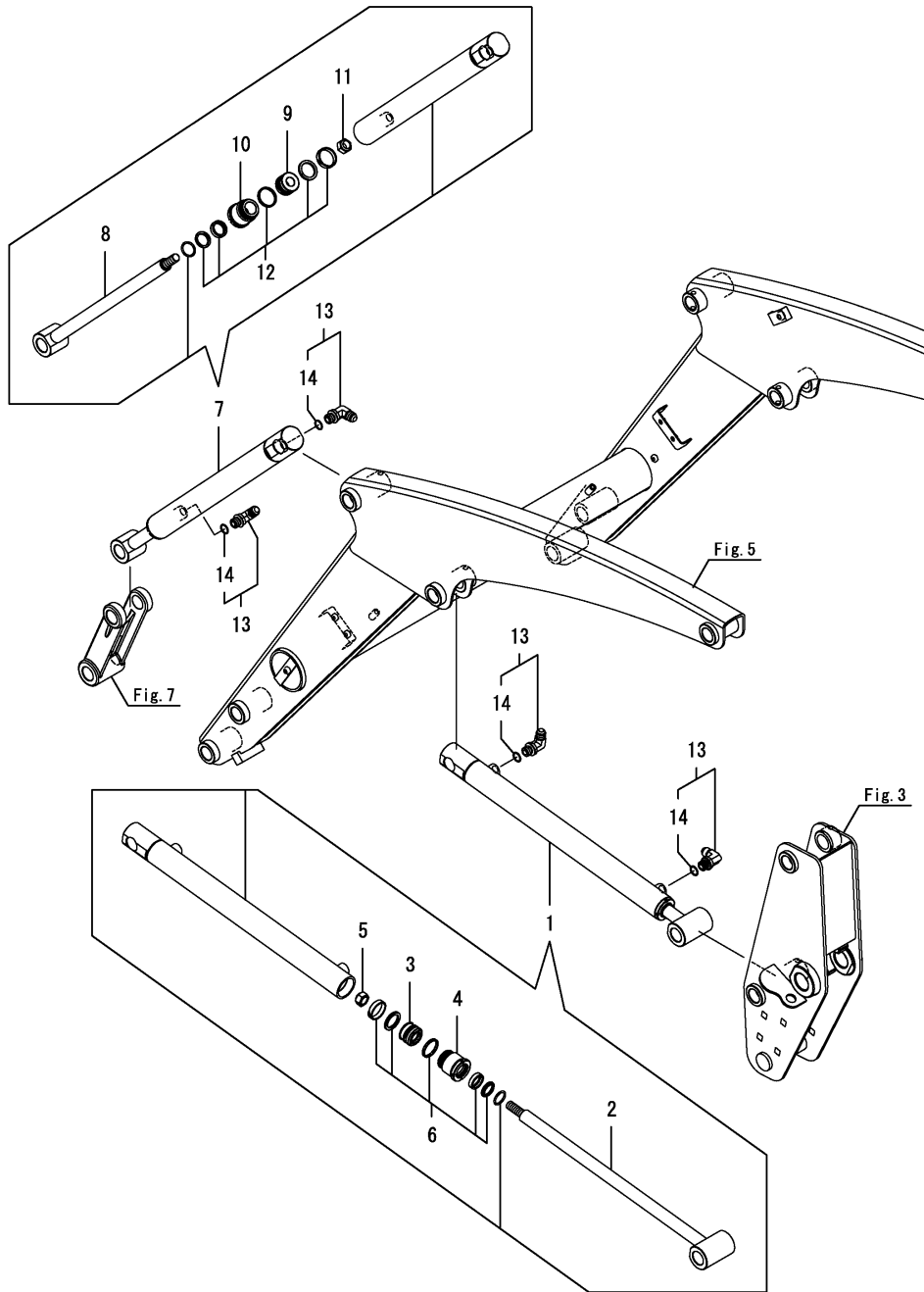


Fig.9. CYLINDER

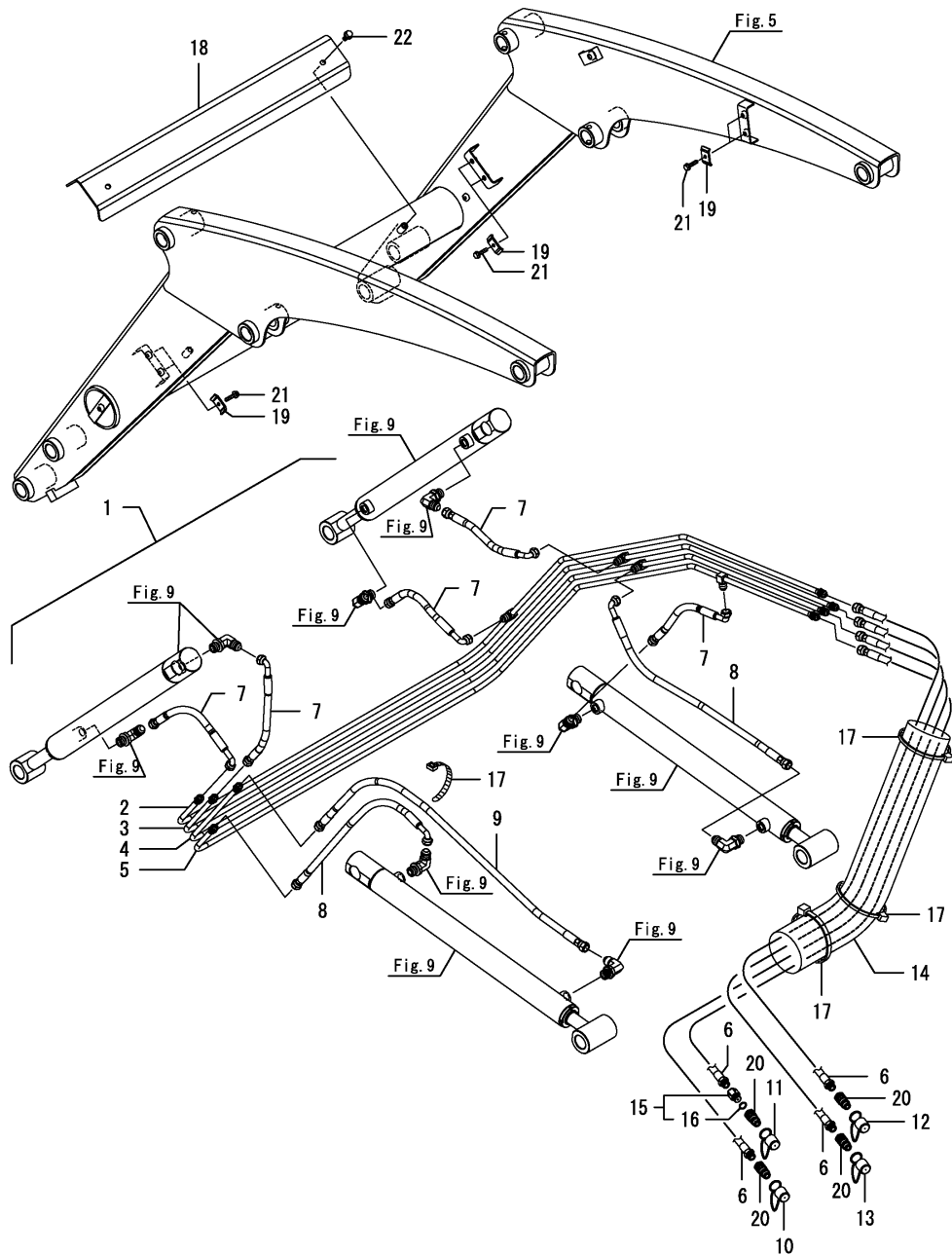


(A)=YL310  
(B)=  
(C)=

(D)=  
(E)=  
(F)=

No.	Lev.	Parts No.	Description	Q'ty						I	R
				(A)	(B)	(C)	(D)	(E)	(F)		
1	1	1TN339-38100	CYLINDER ASSY, LIFT	2							
2	2	1TN339-38110	ROD, WELDED LIFT	2							
3	2	1TN339-38310	PISTON	2							
4	2	1TN339-38330	HEAD	2							
5	2	1TN339-38340	NUT, SELF LOCKING	2							
6	2	1TN339-38370	SEAL KIT	2							
7	1	1TN339-38200	CYLINDER ASSY, DUMP	2							
8	2	1TN339-38210	ROD, WELDED DUMP	2							
9	2	1TN339-38310	PISTON	2							
10	2	1TN339-38330	HEAD	2							
11	2	1TN339-38340	NUT, SELF LOCKING	2							
12	2	1TN339-38370	SEAL KIT	2							
13	1	1TN322-38910	JOINT,90SAE9/16-18	8							
14	2	1TN322-38930	PACKING, JOINT	8							

Fig.10. HYDRAULIC PIPING



(A)=YL310  
(B)=  
(C)=

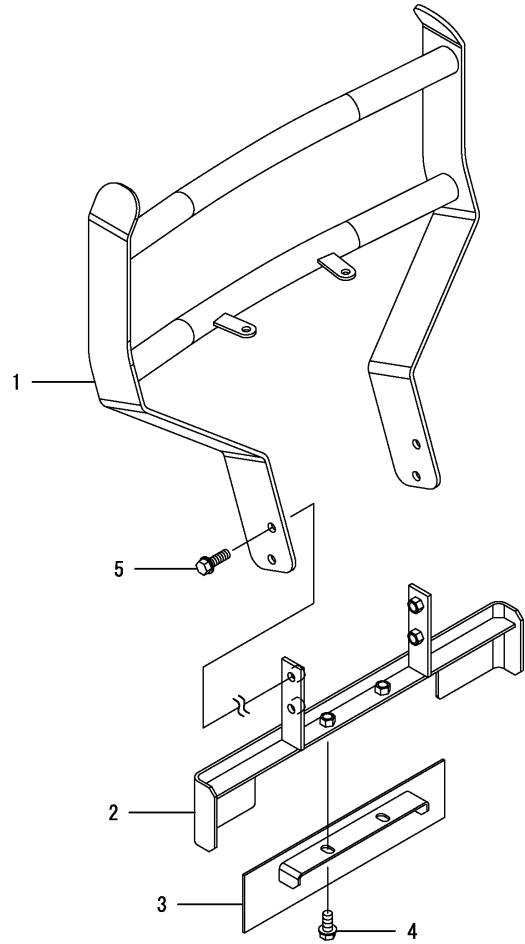
(D)=  
(E)=  
(F)=

No.	Lev.	Parts No.	Description	Q'ty						I	R
				(A)	(B)	(C)	(D)	(E)	(F)		
1	1	1TN339-41100	PIPE UNIT, HYDRAULIC	1							
2	2	1TN339-41110	PIPE ASSY, A	1							
3	2	1TN339-41120	PIPE ASSY, B	1							
4	2	1TN339-41130	PIPE ASSY, C	1							
5	2	1TN339-41140	PIPE ASSY, D	1							
6	2	1TN339-41310	HOSE, INTAKE	4							
7	2	1TN325-41410	HP HOSE A	5							
8	2	1TN325-41430	HP HOSE B	2							
9	2	1TN331-41450	HOSE, C	1							
10	2	1TN325-41750	DUST PLUG, RED M	1							
11	2	1TN325-41760	DUST PLUG, BLUE M	1							
12	2	1TN325-41770	DUST PLUG, YELLOW M	1							
13	2	1TN325-41780	DUST PLUG, GREEN M	1							
14	2	1TN325-41790	COVER, HOSE INTAKE	1							
15	2	1TN325-41970	ORIFICE ASSY, 1/8	1							
16	3	194850-49290	PACKING, 6-1	1							
17	2	1A8300-51210	BAND, REPEAT	4							
18	1	1TN339-41510	COVER, PIPE	1							
19	1	1TN339-41550	COVER, CLAMP	6							
20	1	1TN325-41910	COUPLER, QUICK 1/4M	4							
21	1	26106-060252	BOLT, M6X 25 PLATED	6							
22	1	26106-080162	BOLT, M8X 16 PLATED	2							

Fig.11. PROTECTOR

(A)=YL310  
(B)=  
(C)=

(D)=  
(E)=  
(F)=



No.	Lev.	Parts No.	Description	Q'ty						I	R
				(A)	(B)	(C)	(D)	(E)	(F)		
1	1	1TN339-51110	GUARD ASSY, GRILLE	1							
2	1	1TN339-51310	GUARD ASSY, STAND	1							
3	1	1TN339-51370	GUARD ASSY, COVER	1							
4	1	26106-120252	BOLT, M12X 25 PLATED	2							
5	1	26106-120352	BOLT, M12X 35 PLATED	4							

Fig.12. STAND

(A)=YL310  
(B)=  
(C)=

(D)=  
(E)=  
(F)=

No.	Lev.	Parts No.	Description	Q'ty						I	R
				(A)	(B)	(C)	(D)	(E)	(F)		
1	1	1TN339-12300	BOLT,CARRIAGE M12X30	8							
2	1	194990-22140	NUT, M8	4							
3	1	1TN339-71110	STAND ASSY, L	1							
4	1	1TN339-71120	STAND ASSY, R	1							
5	1	1TN340-71210	PLATE, CONNECTING	1							
6	1	26106-080202	BOLT, M8X 20 PLATED	4							
7	1	26366-120002	NUT, M12	8							

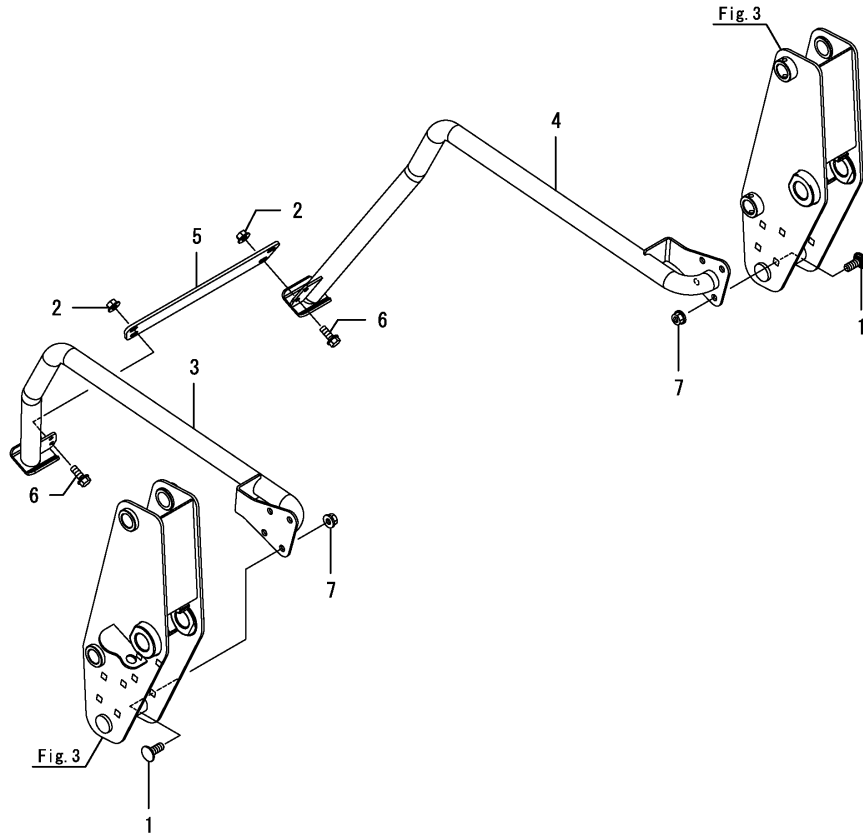


Fig.13. BUCKET(QUIK)

(A)=YL310  
(B)=  
(C)=

(D)=  
(E)=  
(F)=

No.	Lev.	Parts No.	Description	Q'ty						I	R
				(A)	(B)	(C)	(D)	(E)	(F)		
1	1	1TN339-81310	BUCKET ASSY, 60 QUIC	1							

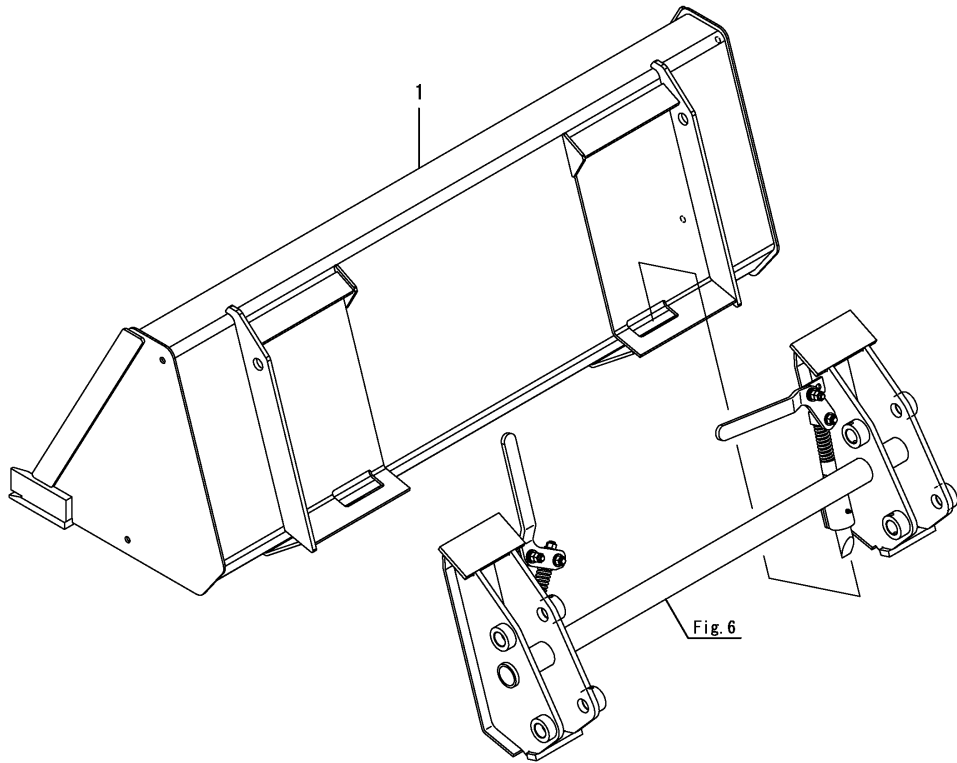
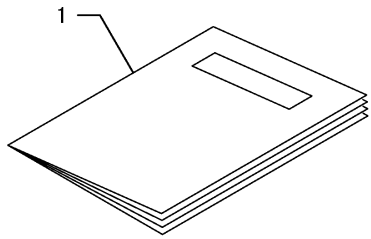


Fig.14. DOCUMENT

(A)=YL310  
(B)=  
(C)=

(D)=  
(E)=  
(F)=

No.	Lev.	Parts No.	Description	Q'ty						I	R
				(A)	(B)	(C)	(D)	(E)	(F)		
1	1	0A052-EN0020	OPERATION MANUAL	1							









## Parts No. Index

Parts No.	Fig. No.	Ref. No.
0A052-EN0020	14	1
0A052-ES0020	16	1
0A052-FR0020	15	9
194151-47760	6	9
194310-47790	6	10
194850-49290	10	16
194990-22140	12	2
1A8300-51210	10	17
1TN322-01211	2	1
1TN322-01221	2	2
1TN322-01311	2	3
1TN322-01321	2	4
1TN322-01411	2	5
1TN322-01421	2	6
1TN322-38910	9	13
1TN322-38930	9	14
1TN322-73310	3	4
1TN323-16450	4	3
1TN323-23020	6	1
1TN323-23090	6	2
1TN323-23310	6	3
1TN323-23330	6	4
1TN323-23350	6	5
1TN323-23360	6	6
1TN323-23370	6	7
1TN323-23390	6	8
1TN323-25110	7	1
1TN323-25120	7	2
1TN323-25130	7	3
1TN323-73150	6	17
1TN323-73210	7	4
1TN325-41410	10	7
1TN325-41430	10	8
1TN325-41750	10	10
1TN325-41760	10	11
1TN325-41770	10	12
1TN325-41780	10	13
1TN325-41790	10	14
1TN325-41910	10	20
1TN325-41970	10	15
1TN331-01260	15	3
1TN331-01270	15	4
1TN331-01360	15	5
1TN331-01370	15	6
1TN331-01460	15	7
1TN331-01470	15	8
1TN331-01920	15	2
1TN331-41450	10	9
1TN339-01150	1	1
1TN339-01161	1	2

Parts No.	Fig. No.	Ref. No.
1TN339-11010	3	1
1TN339-11020	3	2
1TN339-12300	12	1
1TN339-13100	4	1
1TN339-13200	4	2
1TN339-16650	4	4
1TN339-21000	5	1
1TN339-21510	5	2
1TN339-33110	8	1
1TN339-33310	8	2
1TN339-38100	9	1
1TN339-38110	9	2
1TN339-38200	9	7
1TN339-38210	9	8
1TN339-38310	9	3
		9
1TN339-38330	9	4
		10
1TN339-38340	9	5
		11
1TN339-38370	9	6
		12
1TN339-41100	10	1
1TN339-41110	10	2
1TN339-41120	10	3
1TN339-41130	10	4
1TN339-41140	10	5
1TN339-41310	10	6
1TN339-41510	10	18
1TN339-41550	10	19
1TN339-51110	11	1
1TN339-51310	11	2
1TN339-51370	11	3
1TN339-71110	12	3
1TN339-71120	12	4
1TN339-73110	5	3
1TN339-73130	3	3
1TN339-81310	13	1
1TN340-71210	12	5
1TN340-99200	15	1
22137-100000	8	3
22137-120000	6	11
22417-160160	6	12
22417-250300	8	4
22487-100300	6	13
24761-010000	3	5
	5	4
	6	14
		18
	7	5

Parts No.	Fig. No.	Ref. No.
26106-060162	5	5
26106-060252	10	21
26106-080162	8	5
	10	22
26106-080202	12	6
26106-120252	11	4
26106-120352	11	5
26116-080602	3	6
	5	6
	6	19
	7	6
26346-120002	6	15
26347-080002	3	7
	5	7
	6	20
	7	7
26366-120002	12	7
26716-120002	6	16

Parts No.	Fig. No.	Ref. No.
-----------	----------	----------