

0CNP6-M02320EN

Contents

OCNP6-M02320

Fig. No. Fig. Name

FRONT LOADER

1. LABEL
2. LABEL(SAFETY)
3. SUPPORT FRAME
4. BRACKET(YT347)
5. BRACKET(YT359)
6. BOOM
7. HITCH(QUICK)
8. DUMP LINK
9. INDICATOR
10. CYLINDER
11. HYDRAULIC PIPING
12. PROTECTOR(YT347)
13. PROTECTOR(YT359)
14. STAND
15. BUCKET(QUICK)
16. DOCUMENT

OPTIONAL

17. OPTION(FRENCH)
18. OPTION(SPANISH)

Fig. No. Fig. Name

Fig.1. LABEL

(A)=YL610
(B)=
(C)=

(D)=
(E)=
(F)=

| No. | Lev. | Parts No. | Description | Q'ty | | | | | | I | R |
|-----|------|--------------|-----------------|------|-----|-----|-----|-----|-----|---|---|
| | | | | (A) | (B) | (C) | (D) | (E) | (F) | | |
| 1 | 1 | 1TN339-01150 | LABEL, FLYING Y | 2 | | | | | | | |
| 2 | 1 | 1TN339-01161 | LABEL, YANMAR | 2 | | | | | | | |

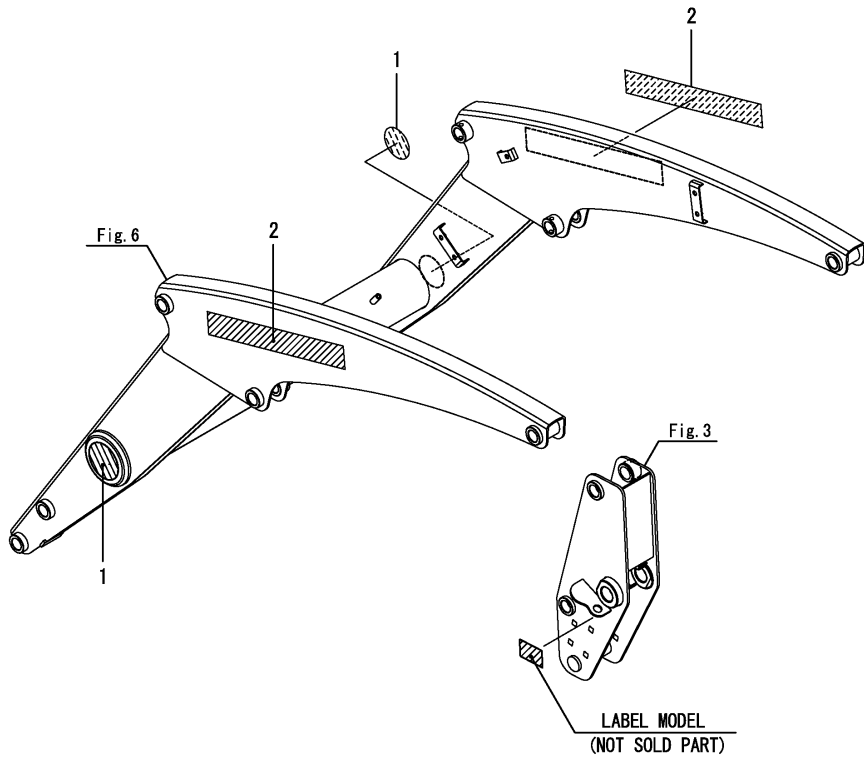
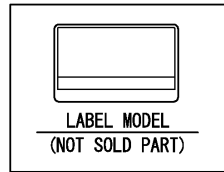
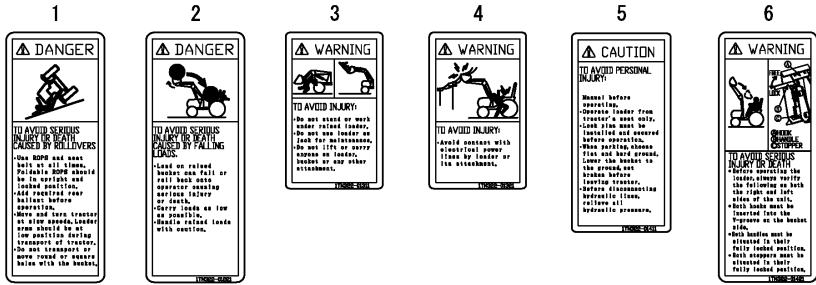


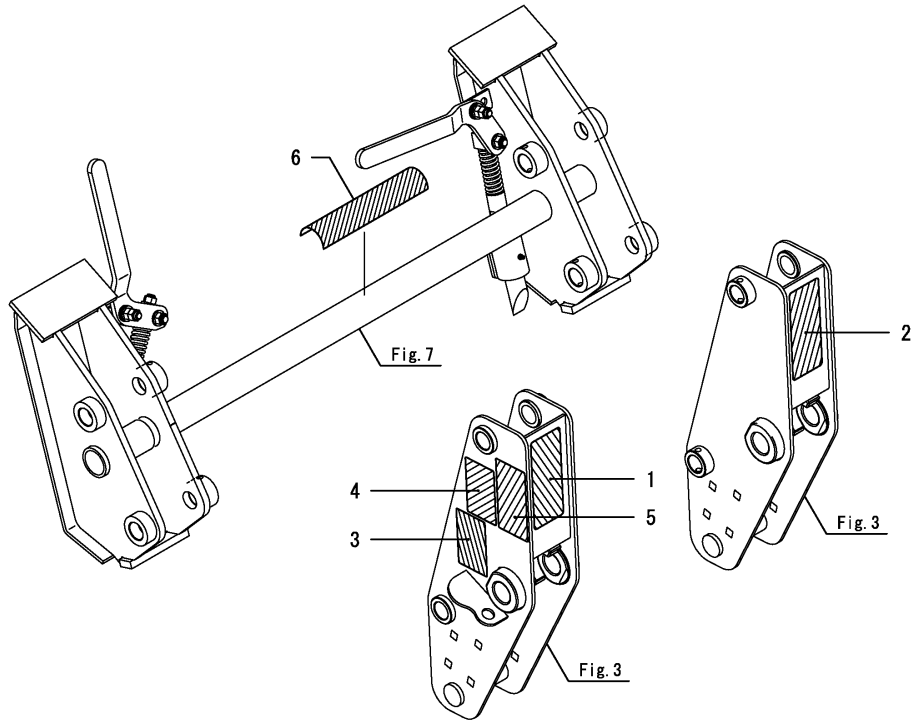
Fig.2. LABEL(SAFETY)

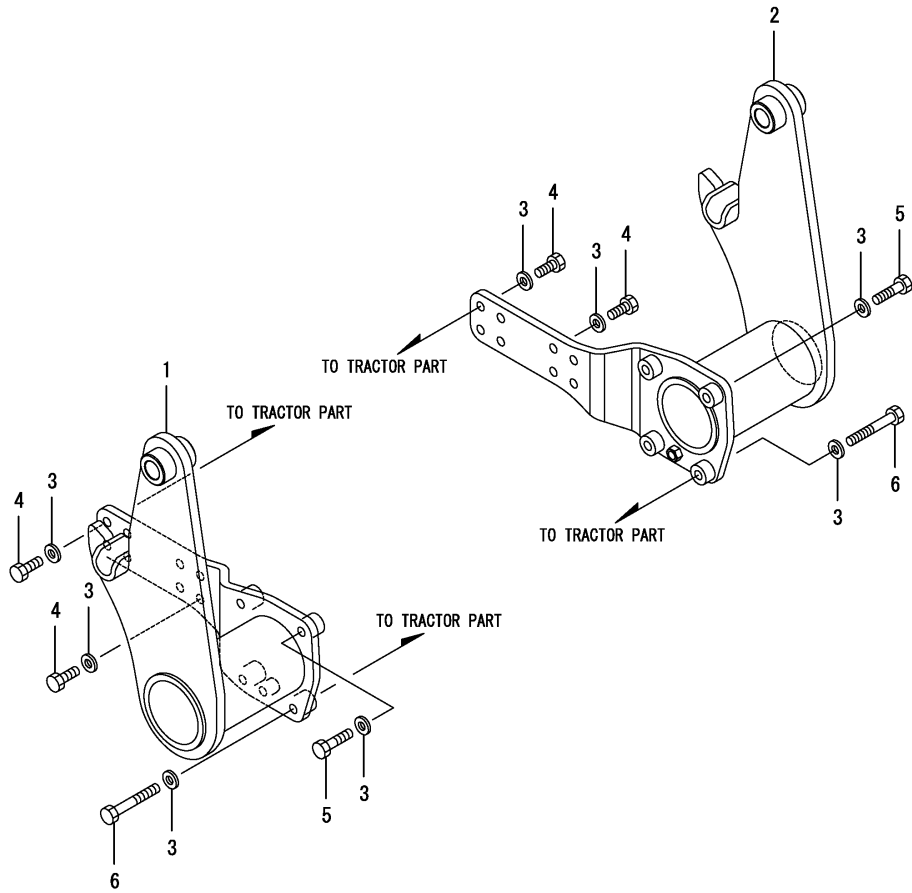
(A)=YL610
(B)=
(C)=

(D)=
(E)=
(F)=



| No. | Lev. | Parts No. | Description | Q'ty | | | | | | I | R |
|-----|------|--------------|----------------------|------|-----|-----|-----|-----|-----|---|---|
| | | | | (A) | (B) | (C) | (D) | (E) | (F) | | |
| 1 | 1 | 1TN322-01211 | LABEL, DANGER ROLL | 1 | | | | | | | |
| 2 | 1 | 1TN322-01221 | LABEL, DANGER FALL | 1 | | | | | | | |
| 3 | 1 | 1TN322-01311 | LABEL, WARNING | 1 | | | | | | | |
| 4 | 1 | 1TN322-01321 | LABEL, WARNING SHOCK | 1 | | | | | | | |
| 5 | 1 | 1TN322-01411 | LABEL, CAUTION | 1 | | | | | | | |
| 6 | 1 | 1TN322-01421 | LABEL, WARNING QUICK | 1 | | | | | | | |





(A)=YL610
 (B)=
 (C)=

(D)=
 (E)=
 (F)=

| No. | Lev. | Parts No. | Description | Q'ty | | | | | | I | R |
|-----|------|--------------|----------------------|------|-----|-----|-----|-----|-----|---|---|
| | | | | (A) | (B) | (C) | (D) | (E) | (F) | | |
| 1 | 1 | 1TN340-13100 | BRACKET ASSY, L | 1 | | | | | | | |
| 2 | 1 | 1TN340-13200 | BRACKET ASSY, R | 1 | | | | | | | |
| 3 | 1 | 22137-160000 | WASHER, 16 | 24 | | | | | | | |
| 4 | 1 | 26116-160352 | BOLT, M16X 35 PLATED | 16 | | | | | | | |
| 5 | 1 | 26116-160602 | BOLT, M16X 60 PLATED | 2 | | | | | | | |
| 6 | 1 | 26116-161102 | BOLT, M16X110 PLATED | 6 | | | | | | | |

Fig.5. BRACKET(YT359)

(A)=YL610
(B)=
(C)=

(D)=
(E)=
(F)=

| No. | Lev. | Parts No. | Description | Q'ty | | | | | | I | R |
|-----|------|--------------|----------------------|------|-----|-----|-----|-----|-----|---|---|
| | | | | (A) | (B) | (C) | (D) | (E) | (F) | | |
| 1 | 1 | 1TN340-13300 | BRACKET ASSY, L | 1 | | | | | | | |
| 2 | 1 | 1TN340-13400 | BRACKET ASSY, R | 1 | | | | | | | |
| 3 | 1 | 22137-160000 | WASHER, 16 | 24 | | | | | | | |
| 4 | 1 | 26116-160352 | BOLT, M16X 35 PLATED | 16 | | | | | | | |
| 5 | 1 | 26116-160602 | BOLT, M16X 60 PLATED | 2 | | | | | | | |
| 6 | 1 | 26116-160852 | BOLT, M16X 85 PLATED | 6 | | | | | | | |

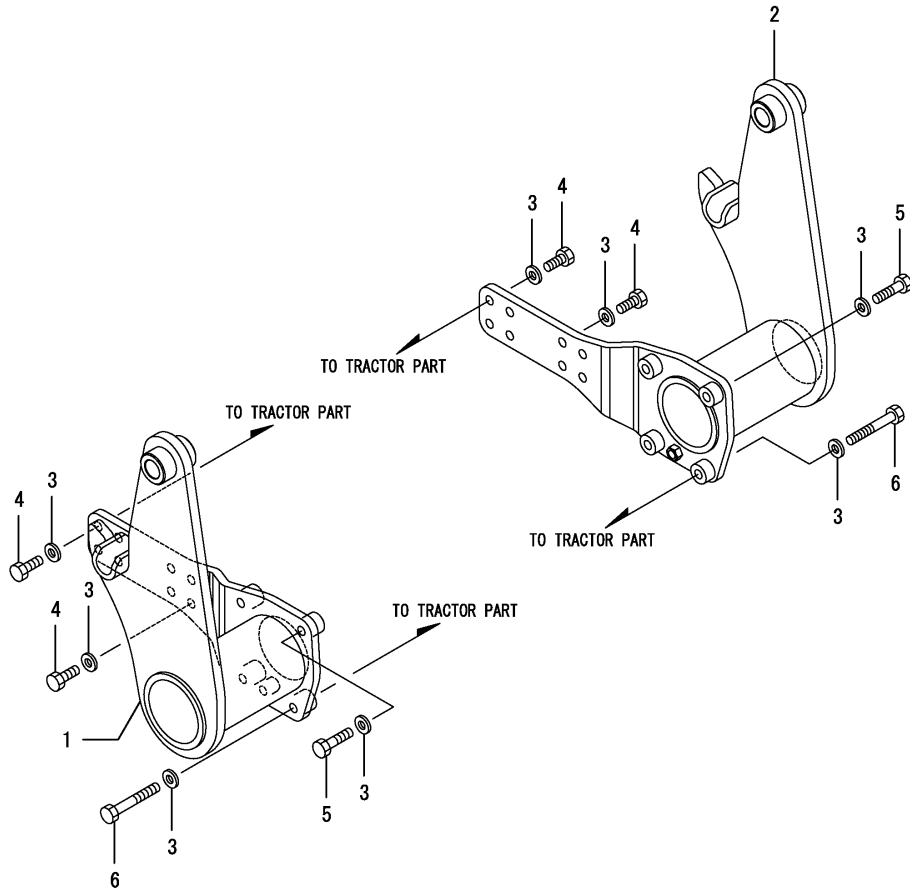
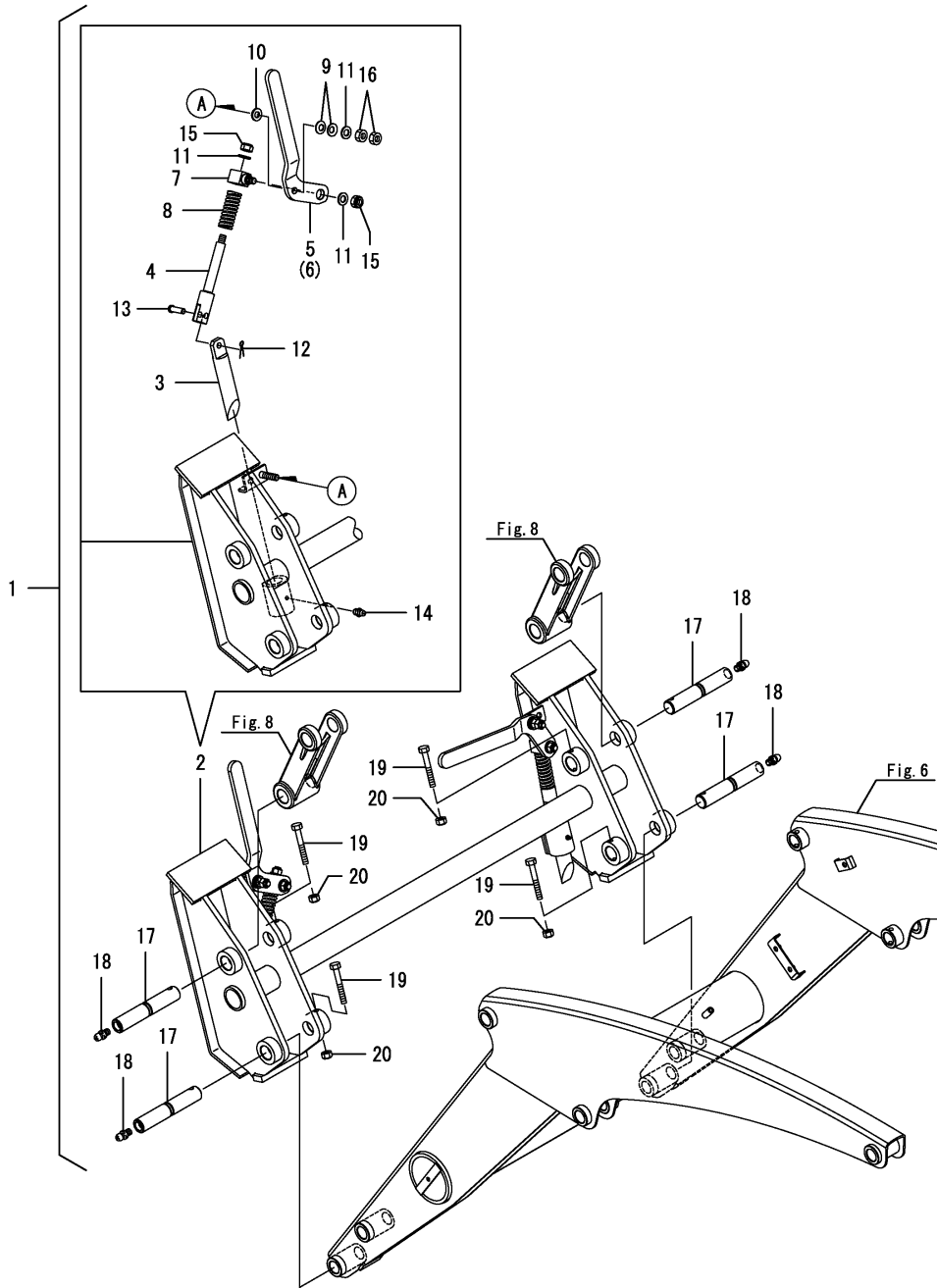


Fig.7. HITCH(QUICK)

(A)=YL610
(B)=
(C)=

(D)=
(E)=
(F)=



| No. | Lev. | Parts No. | Description | Q'ty | | | | | | I | R |
|-----|------|--------------|---------------------|------|-----|-----|-----|-----|-----|---|---|
| | | | | (A) | (B) | (C) | (D) | (E) | (F) | | |
| 1 | 1 | 1TN323-23020 | HITCH KIT, QUICK | 1 | | | | | | | |
| 2 | 2 | 1TN323-23090 | QUICK M ASSY | 1 | | | | | | | |
| 3 | 3 | 1TN323-23310 | PIN, QUICK | 2 | | | | | | | |
| 4 | 3 | 1TN323-23330 | SHAFT, QUICK | 2 | | | | | | | |
| 5 | 3 | 1TN323-23350 | LEVER L, QUICK | 1 | | | | | | | |
| 6 | 3 | 1TN323-23360 | LEVER R, QUICK | 1 | | | | | | | |
| 7 | 3 | 1TN323-23370 | SLIDER, QUICK | 2 | | | | | | | |
| 8 | 3 | 1TN323-23390 | SPRING | 2 | | | | | | | |
| 9 | 3 | 194151-47760 | WASHER, 12 | 4 | | | | | | | |
| 10 | 3 | 194310-47790 | PLATE, FRICTION | 2 | | | | | | | |
| 11 | 3 | 22137-120000 | WASHER, 12 | 6 | | | | | | | |
| 12 | 3 | 22417-160160 | PIN, COTTER 1.6X16 | 2 | | | | | | | |
| 13 | 3 | 22487-100300 | PIN, H10X 30 | 2 | | | | | | | |
| 14 | 3 | 24761-010000 | NIPPLE, GREASE M6F | 2 | | | | | | | |
| 15 | 3 | 26346-120002 | NUT, M12 | 4 | | | | | | | |
| 16 | 3 | 26716-120002 | NUT, M12 | 4 | | | | | | | |
| 17 | 2 | 1TN323-73150 | 9/8-160 PIN | 4 | | | | | | | |
| 18 | 2 | 24761-010000 | NIPPLE, GREASE M6F | 4 | | | | | | | |
| 19 | 2 | 26116-080602 | BOLT, M8X 60 PLATED | 4 | | | | | | | |
| 20 | 2 | 26347-080002 | NUT, M8 | 4 | | | | | | | |

Fig.8. DUMP LINK

(A)=YL610
(B)=
(C)=

(D)=
(E)=
(F)=

| No. | Lev. | Parts No. | Description | Qty | | | | | | I | R |
|-----|------|--------------|---------------------|-----|-----|-----|-----|-----|-----|---|---|
| | | | | (A) | (B) | (C) | (D) | (E) | (F) | | |
| 1 | 1 | 1TN323-25110 | DUMP LINK OUT | 2 | | | | | | | |
| 2 | 1 | 1TN323-25120 | DUMP LINK IN | 2 | | | | | | | |
| 3 | 1 | 1TN323-25130 | DUMP LINK FRONT | 2 | | | | | | | |
| 4 | 1 | 1TN323-73210 | 9/8 STEPPED PIN 140 | 4 | | | | | | | |
| 5 | 1 | 24761-010000 | NIPPLE, GREASE M6F | 4 | | | | | | | |
| 6 | 1 | 26116-080602 | BOLT, M8X 60 PLATED | 4 | | | | | | | |
| 7 | 1 | 26347-080002 | NUT, M8 | 4 | | | | | | | |

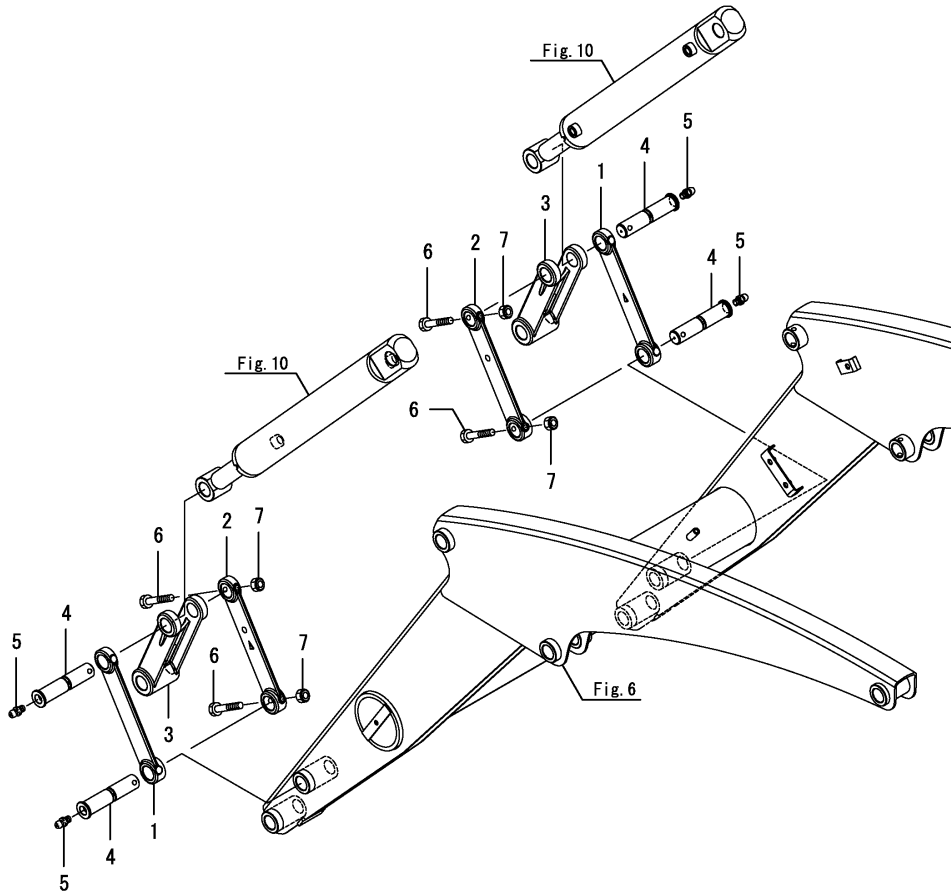
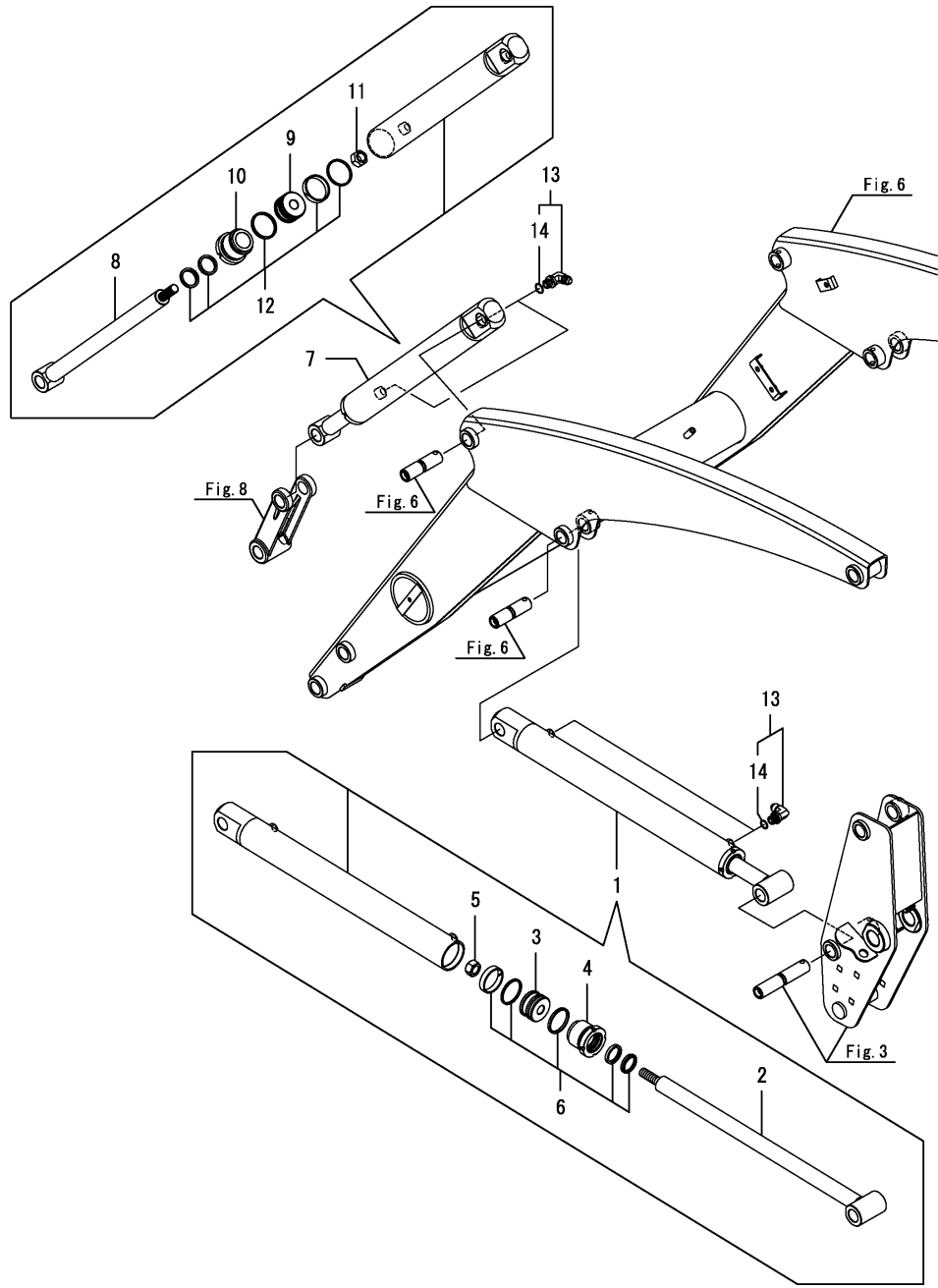


Fig.10. CYLINDER

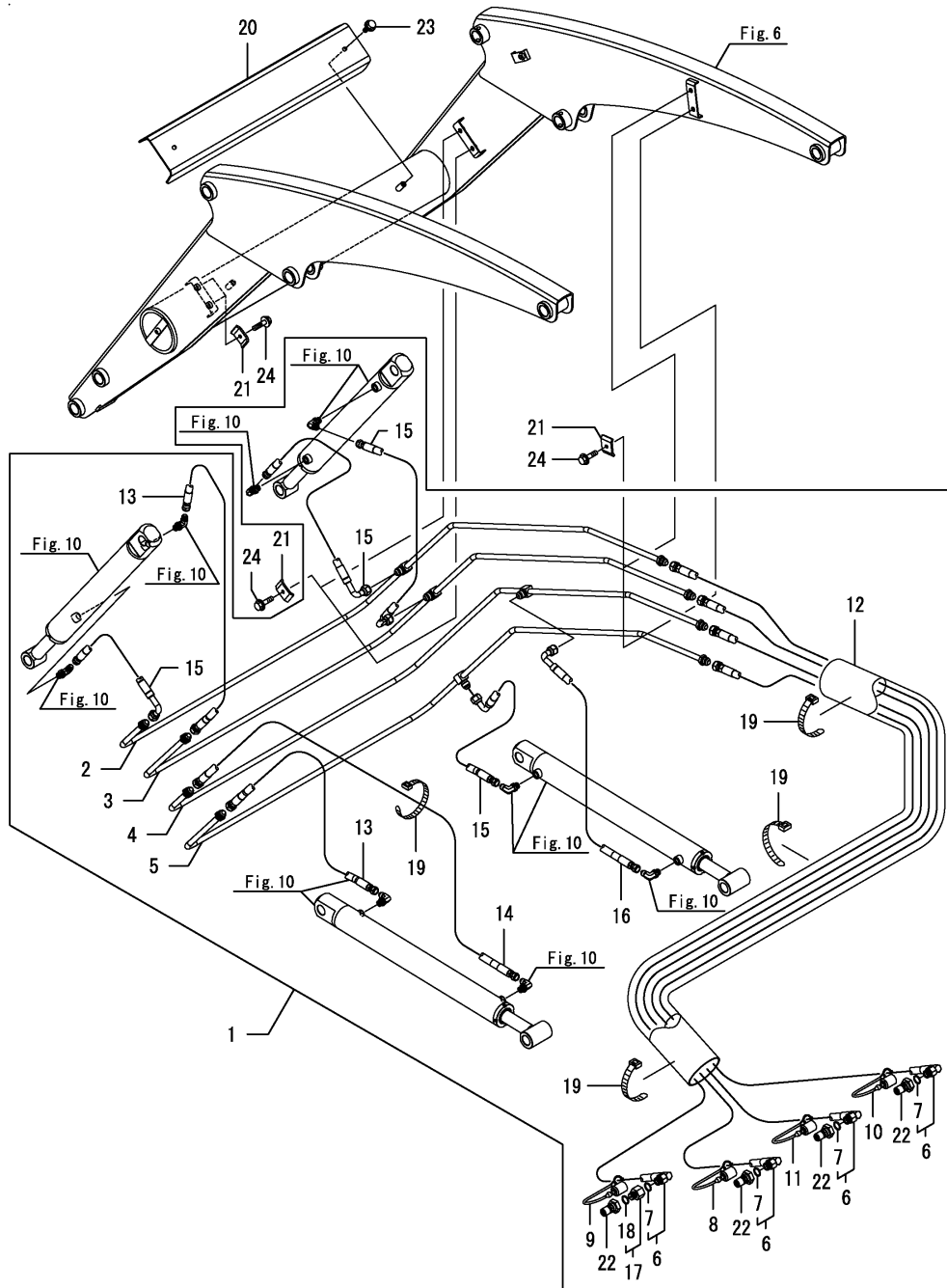
(A)=YL610
(B)=
(C)=

(D)=
(E)=
(F)=



| No. | Lev. | Parts No. | Description | Q'ty | | | | | | I | R |
|-----|------|--------------|---------------------|------|-----|-----|-----|-----|-----|---|---|
| | | | | (A) | (B) | (C) | (D) | (E) | (F) | | |
| 1 | 1 | 1TN340-38100 | CYLINDER ASSY, LIFT | 2 | | | | | | | |
| 2 | 2 | 1TN340-38110 | ROD, WELDED LIFT | 2 | | | | | | | |
| 3 | 2 | 1TN340-38310 | PISTON | 2 | | | | | | | |
| 4 | 2 | 1TN340-38330 | HEAD | 2 | | | | | | | |
| 5 | 2 | 1TN340-38340 | NUT, SELF LOCKING | 2 | | | | | | | |
| 6 | 2 | 1TN340-38370 | SEAL KIT | 2 | | | | | | | |
| 7 | 1 | 1TN340-38200 | CYLINDER ASSY, DUMP | 2 | | | | | | | |
| 8 | 2 | 1TN340-38210 | ROD, WELDED DUMP | 2 | | | | | | | |
| 9 | 2 | 1TN340-38310 | PISTON | 2 | | | | | | | |
| 10 | 2 | 1TN340-38330 | HEAD | 2 | | | | | | | |
| 11 | 2 | 1TN340-38340 | NUT, SELF LOCKING | 2 | | | | | | | |
| 12 | 2 | 1TN340-38370 | SEAL KIT | 2 | | | | | | | |
| 13 | 1 | 1TN322-38910 | JOINT,90SAE9/16-18 | 8 | | | | | | | |
| 14 | 2 | 1TN322-38930 | PACKING, JOINT | 8 | | | | | | | |

Fig.11. HYDRAULIC PIPING

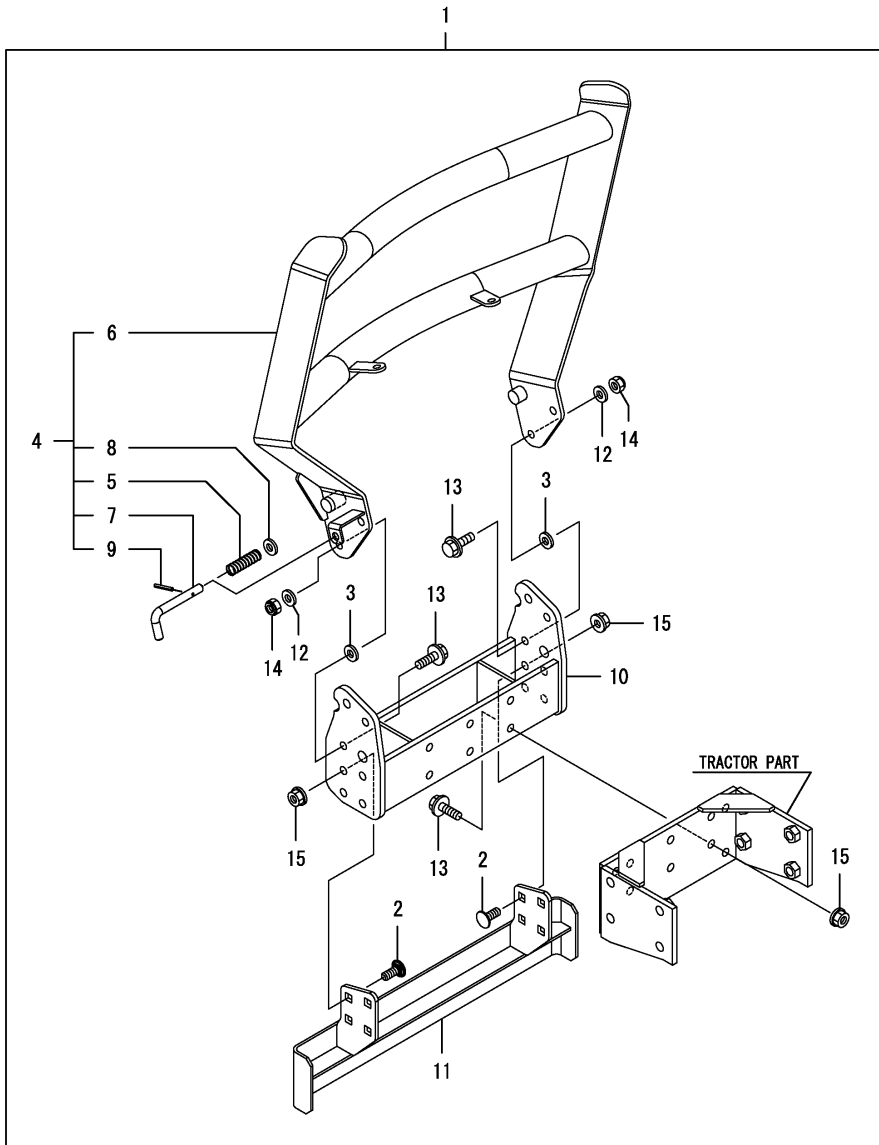


(A)=YL610
(B)=
(C)=

(D)=
(E)=
(F)=

| No. | Lev. | Parts No. | Description | Q'ty | | | | | | I | R |
|-----|------|--------------|----------------------|------|-----|-----|-----|-----|-----|---|---|
| | | | | (A) | (B) | (C) | (D) | (E) | (F) | | |
| 1 | 1 | 1TN340-41100 | PIPE UNIT, HYDRAULIC | 1 | | | | | | | |
| 2 | 2 | 1TN340-41110 | PIPE ASSY, A | 1 | | | | | | | |
| 3 | 2 | 1TN340-41120 | PIPE ASSY, B | 1 | | | | | | | |
| 4 | 2 | 1TN340-41130 | PIPE ASSY, C | 1 | | | | | | | |
| 5 | 2 | 1TN340-41140 | PIPE ASSY, D | 1 | | | | | | | |
| 6 | 2 | 1TN340-41710 | HOSE ASSY, INTAKE | 4 | | | | | | | |
| 7 | 3 | 194464-45930 | O-RING, 8-1 | 4 | | | | | | | |
| 8 | 2 | 1TN322-41750 | DUST PLUG,M RED | 1 | | | | | | | |
| 9 | 2 | 1TN322-41760 | DUST PLUG,M BLUE | 1 | | | | | | | |
| 10 | 2 | 1TN322-41770 | DUST PLUG,M YELLOW | 1 | | | | | | | |
| 11 | 2 | 1TN322-41780 | DUST PLUG,M GREEN | 1 | | | | | | | |
| 12 | 2 | 1TN340-41790 | COVER, HOSE INTAKE | 1 | | | | | | | |
| 13 | 2 | 1TN322-41810 | HP HOSE 3/8-500 CMP | 2 | | | | | | | |
| 14 | 2 | 1TN322-41850 | HP HOSE 3/8-1100 CMP | 1 | | | | | | | |
| 15 | 2 | 1TN322-41870 | HP HOSE,R-F 500 CMP | 4 | | | | | | | |
| 16 | 2 | 1TN322-41890 | HP HOSE,R-F 650 CMP | 1 | | | | | | | |
| 17 | 2 | 1TN322-41970 | FITTING,ORIFICE | 1 | | | | | | | |
| 18 | 3 | 194464-45930 | O-RING, 8-1 | 1 | | | | | | | |
| 19 | 2 | 1A8300-51210 | BAND, REPEAT | 4 | | | | | | | |
| 20 | 1 | 1TN322-41510 | COVER, PIPE | 1 | | | | | | | |
| 21 | 1 | 1TN322-41550 | COVER, CLAMP | 6 | | | | | | | |
| 22 | 1 | 1A8160-48820 | COUPLER, QUICK 3/8 | 4 | | | | | | | |
| 23 | 1 | 26106-080162 | BOLT, M8X 16 PLATED | 2 | | | | | | | |
| 24 | 1 | 26106-080302 | BOLT, M8X 30 PLATED | 6 | | | | | | | |

Fig.12. PROTECTOR(YT347)



(A)=YL610
(B)=
(C)=

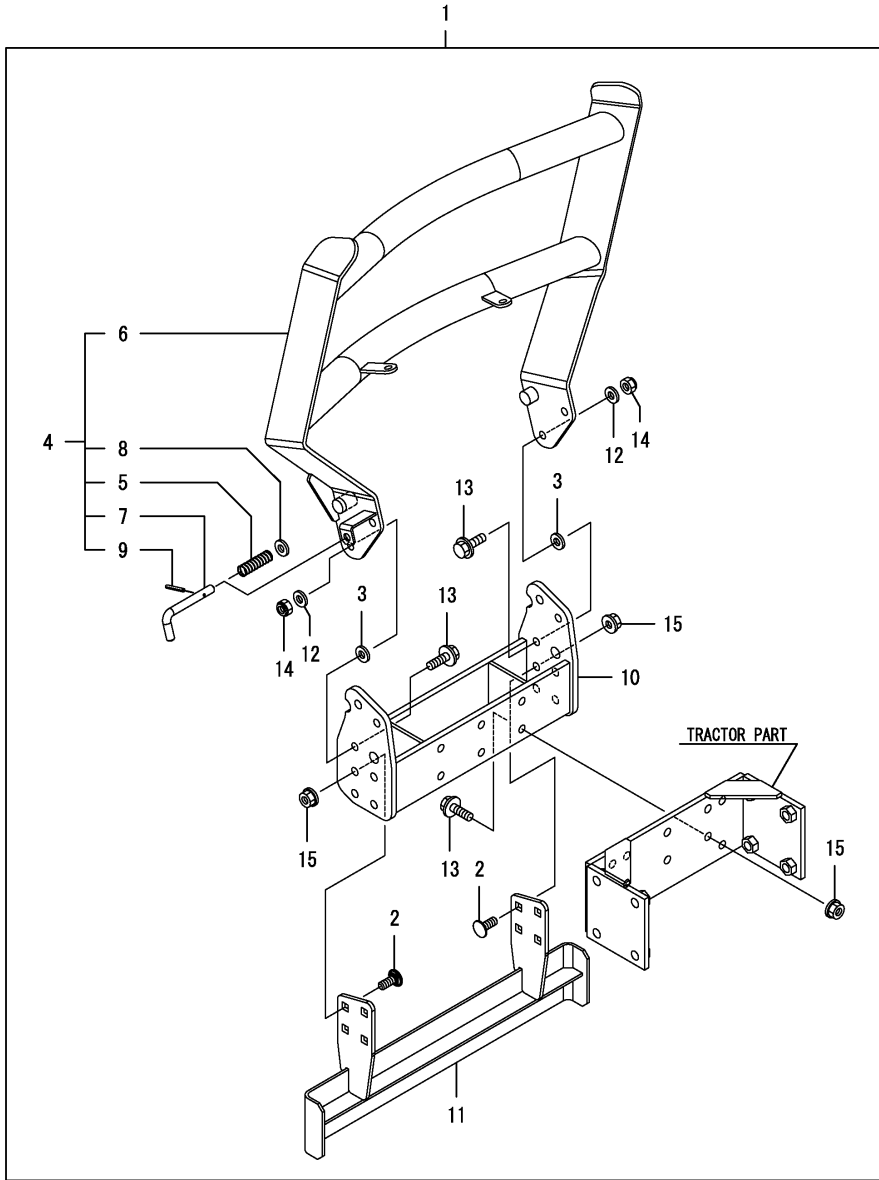
(D)=
(E)=
(F)=

| No. | Lev. | Parts No. | Description | Q'ty | | | | | | I | R |
|-----|------|--------------|----------------------|------|-----|-----|-----|-----|-----|---|---|
| | | | | (A) | (B) | (C) | (D) | (E) | (F) | | |
| 1 | 1 | 1TN340-51100 | GUARD KIT, GRILLE M | 1 | | | | | | | |
| 2 | 2 | 1TN339-12300 | BOLT,CARRIAGE M12X30 | 8 | | | | | | | |
| 3 | 2 | 194310-47790 | PLATE, FRICTION | 2 | | | | | | | |
| 4 | 2 | 1TN340-51110 | GUARD ASSY, GRILLE | 1 | | | | | | | |
| 5 | 3 | 1TW110-17480 | SPRING, LOCK | 1 | | | | | | | |
| 6 | 3 | 1TN340-51120 | GUARD ASSY, FRONT | 1 | | | | | | | |
| 7 | 3 | 1TN340-51270 | PIN, LEVER | 1 | | | | | | | |
| 8 | 3 | 22137-120000 | WASHER, 12 | 1 | | | | | | | |
| 9 | 3 | 22351-030025 | PIN, SPRING 3.0X25 | 1 | | | | | | | |
| 10 | 2 | 1TN340-51210 | BRACKET ASSY, GUARD | 1 | | | | | | | |
| 11 | 2 | 1TN340-51310 | GUARD ASSY, STAND M | 1 | | | | | | | |
| 12 | 2 | 22137-120000 | WASHER, 12 | 2 | | | | | | | |
| 13 | 2 | 26106-120352 | BOLT, M12X 35 PLATED | 8 | | | | | | | |
| 14 | 2 | 26346-120002 | NUT, M12 | 2 | | | | | | | |
| 15 | 2 | 26366-120002 | NUT, M12 | 14 | | | | | | | |

Fig.13. PROTECTOR(YT359)

(A)=YL610
(B)=
(C)=

(D)=
(E)=
(F)=

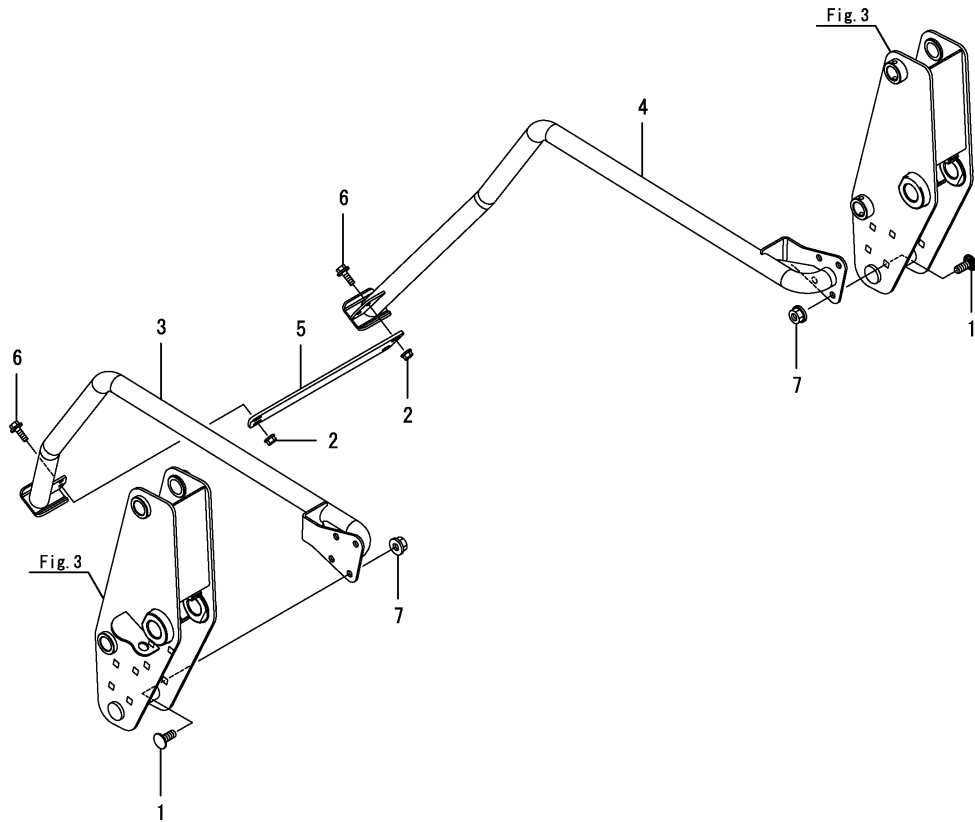


| No. | Lev. | Parts No. | Description | Q'ty | | | | | | I | R |
|-----|------|--------------|----------------------|------|-----|-----|-----|-----|-----|---|---|
| | | | | (A) | (B) | (C) | (D) | (E) | (F) | | |
| 1 | 1 | 1TN340-51200 | GUARD KIT, GRILLE L | 1 | | | | | | | |
| 2 | 2 | 1TN339-12300 | BOLT,CARRIAGE M12X30 | 8 | | | | | | | |
| 3 | 2 | 194310-47790 | PLATE, FRICTION | 2 | | | | | | | |
| 4 | 2 | 1TN340-51110 | GUARD ASSY, GRILLE | 1 | | | | | | | |
| 5 | 3 | 1TW110-17480 | SPRING, LOCK | 1 | | | | | | | |
| 6 | 3 | 1TN340-51120 | GUARD ASSY, FRONT | 1 | | | | | | | |
| 7 | 3 | 1TN340-51270 | PIN, LEVER | 1 | | | | | | | |
| 8 | 3 | 22137-120000 | WASHER, 12 | 1 | | | | | | | |
| 9 | 3 | 22351-030025 | PIN, SPRING 3.0X25 | 1 | | | | | | | |
| 10 | 2 | 1TN340-51210 | BRACKET ASSY, GUARD | 1 | | | | | | | |
| 11 | 2 | 1TN340-51330 | GUARD ASSY, STAND L | 1 | | | | | | | |
| 12 | 2 | 22137-120000 | WASHER, 12 | 2 | | | | | | | |
| 13 | 2 | 26106-120352 | BOLT, M12X 35 PLATED | 8 | | | | | | | |
| 14 | 2 | 26346-120002 | NUT, M12 | 2 | | | | | | | |
| 15 | 2 | 26366-120002 | NUT, M12 | 14 | | | | | | | |

Fig.14. STAND

(A)=YL610
(B)=
(C)=

(D)=
(E)=
(F)=



| No. | Lev. | Parts No. | Description | Q'ty | | | | | | I | R |
|-----|------|--------------|----------------------|------|-----|-----|-----|-----|-----|---|---|
| | | | | (A) | (B) | (C) | (D) | (E) | (F) | | |
| 1 | 1 | 1TN339-12300 | BOLT,CARRIAGE M12X30 | 8 | | | | | | | |
| 2 | 1 | 194990-22140 | NUT, M8 | 4 | | | | | | | |
| 3 | 1 | 1TN340-71110 | STAND ASSY, L | 1 | | | | | | | |
| 4 | 1 | 1TN340-71120 | STAND ASSY, R | 1 | | | | | | | |
| 5 | 1 | 1TN340-71210 | PLATE, CONNECTING | 1 | | | | | | | |
| 6 | 1 | 26106-080202 | BOLT, M8X 20 PLATED | 4 | | | | | | | |
| 7 | 1 | 26366-120002 | NUT, M12 | 8 | | | | | | | |

Parts No. Index

| Parts No. | Fig. No. | Ref. No. |
|--------------|----------|----------|
| 0A052-EN0020 | 16 | 1 |
| 0A052-ES0020 | 18 | 1 |
| 0A052-FR0020 | 17 | 9 |
| 194151-47760 | 7 | 9 |
| 194310-47790 | 7 | 10 |
| | 12 | 3 |
| | 13 | 3 |
| 194464-45930 | 11 | 7 |
| | | 18 |
| 194990-22140 | 14 | 2 |
| 1A8160-48820 | 11 | 22 |
| 1A8300-51210 | 11 | 19 |
| 1TN322-01211 | 2 | 1 |
| 1TN322-01221 | 2 | 2 |
| 1TN322-01311 | 2 | 3 |
| 1TN322-01321 | 2 | 4 |
| 1TN322-01411 | 2 | 5 |
| 1TN322-01421 | 2 | 6 |
| 1TN322-38910 | 10 | 13 |
| 1TN322-38930 | 10 | 14 |
| 1TN322-41510 | 11 | 20 |
| 1TN322-41550 | 11 | 21 |
| 1TN322-41750 | 11 | 8 |
| 1TN322-41760 | 11 | 9 |
| 1TN322-41770 | 11 | 10 |
| 1TN322-41780 | 11 | 11 |
| 1TN322-41810 | 11 | 13 |
| 1TN322-41850 | 11 | 14 |
| 1TN322-41870 | 11 | 15 |
| 1TN322-41890 | 11 | 16 |
| 1TN322-41970 | 11 | 17 |
| 1TN322-73310 | 3 | 4 |
| 1TN323-23020 | 7 | 1 |
| 1TN323-23090 | 7 | 2 |
| 1TN323-23310 | 7 | 3 |
| 1TN323-23330 | 7 | 4 |
| 1TN323-23350 | 7 | 5 |
| 1TN323-23360 | 7 | 6 |
| 1TN323-23370 | 7 | 7 |
| 1TN323-23390 | 7 | 8 |
| 1TN323-25110 | 8 | 1 |
| 1TN323-25120 | 8 | 2 |
| 1TN323-25130 | 8 | 3 |
| 1TN323-73150 | 7 | 17 |
| 1TN323-73210 | 8 | 4 |
| 1TN323-81310 | 15 | 1 |
| 1TN331-01260 | 17 | 3 |
| 1TN331-01270 | 17 | 4 |
| 1TN331-01360 | 17 | 5 |
| 1TN331-01370 | 17 | 6 |

| Parts No. | Fig. No. | Ref. No. |
|--------------|----------|----------|
| 1TN331-01460 | 17 | 7 |
| 1TN331-01470 | 17 | 8 |
| 1TN331-01920 | 17 | 2 |
| 1TN339-01150 | 1 | 1 |
| 1TN339-01161 | 1 | 2 |
| 1TN339-11010 | 3 | 1 |
| 1TN339-11020 | 3 | 2 |
| 1TN339-12300 | 12 | 2 |
| | 13 | 2 |
| | 14 | 1 |
| 1TN339-33110 | 9 | 1 |
| 1TN339-33310 | 9 | 2 |
| 1TN339-73110 | 6 | 3 |
| 1TN339-73130 | 3 | 3 |
| 1TN340-13100 | 4 | 1 |
| 1TN340-13200 | 4 | 2 |
| 1TN340-13300 | 5 | 1 |
| 1TN340-13400 | 5 | 2 |
| 1TN340-21000 | 6 | 1 |
| 1TN340-21510 | 6 | 2 |
| 1TN340-38100 | 10 | 1 |
| 1TN340-38110 | 10 | 2 |
| 1TN340-38200 | 10 | 7 |
| 1TN340-38210 | 10 | 8 |
| 1TN340-38310 | 10 | 3 |
| | | 9 |
| 1TN340-38330 | 10 | 4 |
| | | 10 |
| 1TN340-38340 | 10 | 5 |
| | | 11 |
| 1TN340-38370 | 10 | 6 |
| | | 12 |
| 1TN340-41100 | 11 | 1 |
| 1TN340-41110 | 11 | 2 |
| 1TN340-41120 | 11 | 3 |
| 1TN340-41130 | 11 | 4 |
| 1TN340-41140 | 11 | 5 |
| 1TN340-41710 | 11 | 6 |
| 1TN340-41790 | 11 | 12 |
| 1TN340-51100 | 12 | 1 |
| 1TN340-51110 | 12 | 4 |
| | 13 | 4 |
| 1TN340-51120 | 12 | 6 |
| | 13 | 6 |
| 1TN340-51200 | 13 | 1 |
| 1TN340-51210 | 12 | 10 |
| | 13 | 10 |
| 1TN340-51270 | 12 | 7 |
| | 13 | 7 |
| 1TN340-51310 | 12 | 11 |

| Parts No. | Fig. No. | Ref. No. |
|--------------|----------|----------|
| 1TN340-51330 | 13 | 11 |
| 1TN340-71110 | 14 | 3 |
| 1TN340-71120 | 14 | 4 |
| 1TN340-71210 | 14 | 5 |
| 1TN340-99200 | 17 | 1 |
| 1TW110-17480 | 12 | 5 |
| | 13 | 5 |
| 22137-100000 | 9 | 3 |
| 22137-120000 | 7 | 11 |
| | 12 | 8 |
| | | 12 |
| | 13 | 8 |
| | | 12 |
| 22137-160000 | 4 | 3 |
| | 5 | 3 |
| 22351-030025 | 12 | 9 |
| | 13 | 9 |
| 22417-160160 | 7 | 12 |
| 22417-250300 | 9 | 4 |
| 22487-100300 | 7 | 13 |
| 24761-010000 | 3 | 5 |
| | 6 | 4 |
| | 7 | 14 |
| | | 18 |
| | 8 | 5 |
| 26106-060162 | 6 | 5 |
| 26106-080162 | 9 | 5 |
| | 11 | 23 |
| 26106-080202 | 14 | 6 |
| 26106-080302 | 11 | 24 |
| 26106-120352 | 12 | 13 |
| | 13 | 13 |
| 26116-080602 | 3 | 6 |
| | 6 | 6 |
| | 7 | 19 |
| | 8 | 6 |
| 26116-160352 | 4 | 4 |
| | 5 | 4 |
| 26116-160602 | 4 | 5 |
| | 5 | 5 |
| 26116-160852 | 5 | 6 |
| 26116-161102 | 4 | 6 |
| 26346-120002 | 7 | 15 |
| | 12 | 14 |
| | 13 | 14 |
| 26347-080002 | 3 | 7 |
| | 6 | 7 |
| | 7 | 20 |
| | 8 | 7 |
| 26366-120002 | 12 | 15 |

| Parts No. | Fig. No. | Ref. No. |
|--------------|----------|----------|
| 26366-120002 | 13 | 15 |
| | 14 | 7 |
| 26716-120002 | 7 | 16 |