

0CNP6-M02040EN

Contents

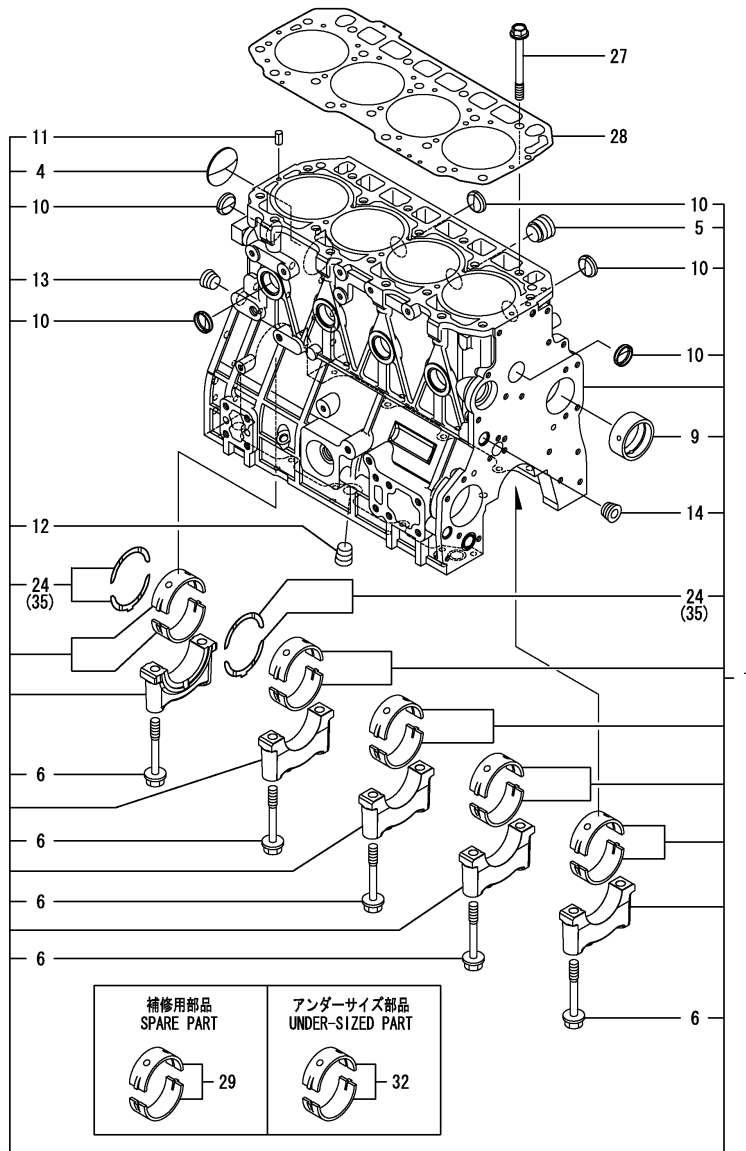
OCNP6-M02040

Fig. No.	Fig. Name	Fig. No.	Fig. Name
ENGINE			
1.	CYLINDER BLOCK		
2.	GEAR HOUSING		
3.	FLYWHEEL HOUSING & OIL SUMP		
4.	CYLINDER HEAD & BONNET		
5.	SUCTION MANIFOLD		
6.	EXHAUST MANIFOLD		
7.	DIESEL PARTICULATE FILTER(DPF)		
8.	CAMSHAFT & DRIVING GEAR		
9.	CRANKSHAFT & PISTON		
10.	CRANKSHAFT & PISTON		
11.	LUB. OIL SYSTEM		
12.	COOLING WATER SYSTEM		
13.	COOLING WATER SYSTEM		
14.	FUEL SUPPLY PUMP		
15.	FUEL INJECTION VALVE		
16.	FUEL PIPE		
17.	STARTER MOTOR		
18.	GENERATOR		
19.	ELECTRONIC CONTROL UNIT(ECU)		
20.	ELECTRIC PARTS		

Fig.1. CYLINDER BLOCK

(A)=4TNV98C-XNRA
 (B)=4TNV98C-XNRAQ
 (C)=

(D)=
 (E)=
 (F)=



No.	Lev.	Parts No.	Description	Q'ty						I	R
				(A)	(B)	(C)	(D)	(E)	(F)		
1	1	129E00-01570	BLOCK ASSY, CYLINDER	1	1						
4	2	129900-01250	PLUG, DISH TYPE 55	1	1						
5	2	171051-01921	PLUG, NPTF1	1	1						
6	2	129900-02020	BOLT, METAL CAP	10	10						
9	2	129900-02410	BUSH, CAMSHAFT	1	1						
10	2	27241-300000	PLUG 30	8	8						
11	2	22351-060012	PIN, SPRING 6.0X12	2	2						
12	2	23876-030000	PLUG, R03	1	1						
13	2	23876-030000	PLUG, R03	1	1						
14	2	23876-030000	PLUG, R03	1	1						
24	2	129900-02931	BEARING ASSY, THRUST	2	2						
27	1	129900-01200	BOLT, CYLINDER HEAD	18	18						
28	1	129E00-01330	GASKET, CYL. HEAD	1	1						
29	1	729900-02801	BEARING, MAIN	5	5						1
32	1	129900-02341	BEARING ASSY, MAIN	5	5						2
35	1	129900-02941	BEARING, THRUST 0.25	2	2						3

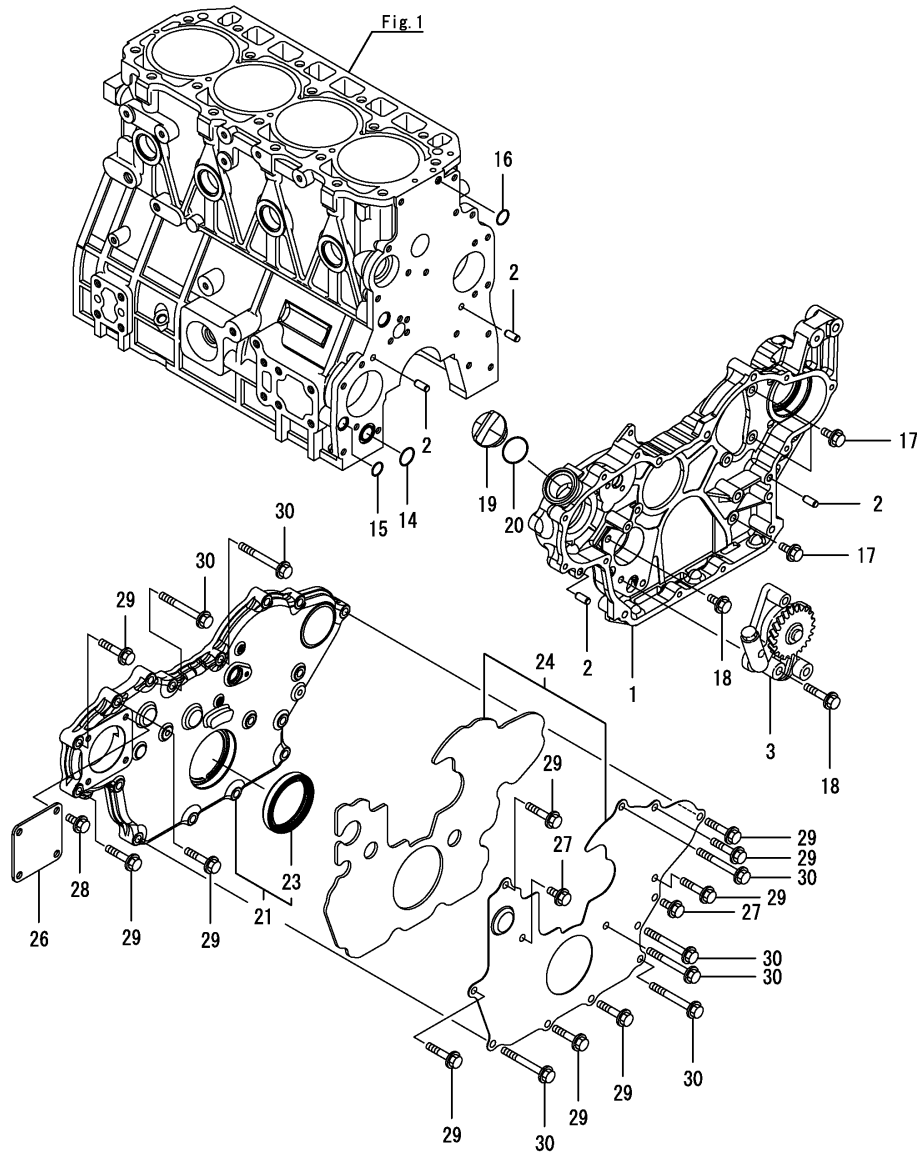
Remarks

- (1) Spare parts.
- (2) Under-sized (U.S.=0.25) parts.
- (3) Over-sized (O.S.=0.25) parts.

Fig.2. GEAR HOUSING

(A)=4TNV98C-XNRA
 (B)=4TNV98C-XNRAQ
 (C)=

(D)=
 (E)=
 (F)=

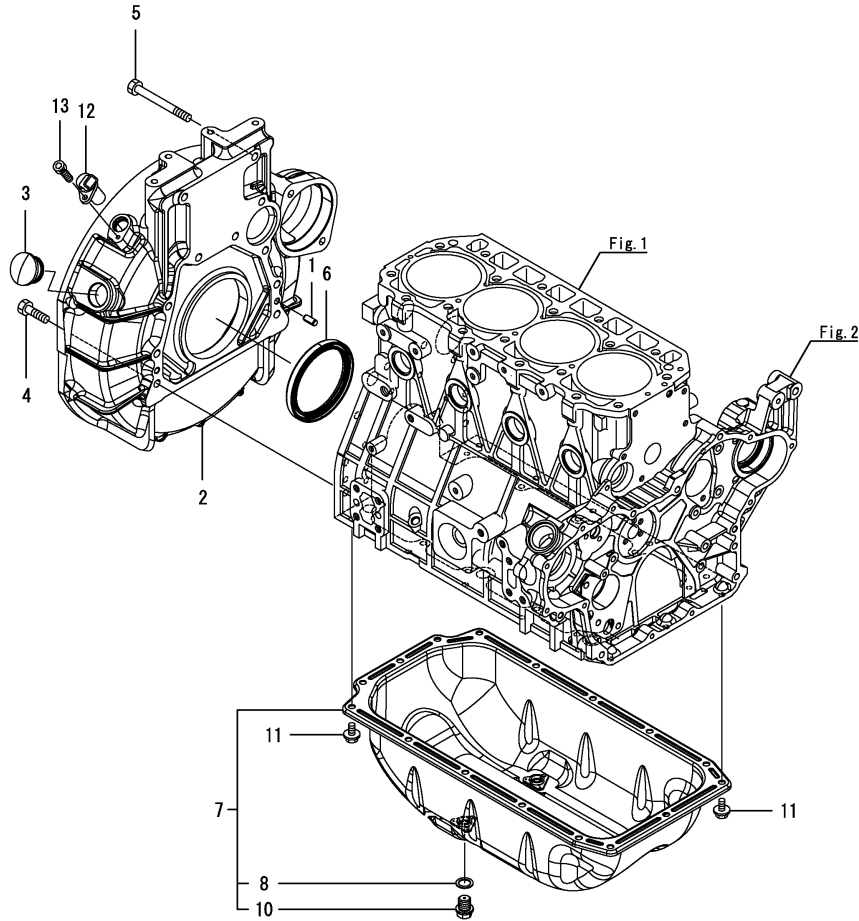


No.	Lev.	Parts No.	Description	Q'ty						I	R
				(A)	(B)	(C)	(D)	(E)	(F)		
1	1	129E26-01530	CASE,GEAR HI W/O HOP	1	1						
2	1	129100-01580	PIN, PARALLEL 8X16	4	4						
3	1	129900-32001	PUMP ASSY, OIL	1	1						
14	1	129900-32030	O-RING, P20	1	1						
15	1	129900-32040	O-RING, P14	1	1						
16	1	24311-000070	O-RING, 1AP7.0	1	1						
17	1	26106-080162	BOLT, M8X 16 PLATED	4	4						
18	1	26106-080452	BOLT, M8X 45 PLATED	3	3						
19	1	124160-01751	CAP, FILLER	1	1						
20	1	24311-000320	O-RING, 1AP32.0	1	1						
21	1	129E00-01580	COVER ASSY, GEARCASE	1	1						
23	2	129916-01800	SEAL, OIL	1	1						
24	1	129E00-01850	COVER ASSY,GEARCASE	1	1						
26	1	124240-01871	COVER, PUMP	1	1						
27	1	26106-080162	BOLT, M8X 16 PLATED	2	2						
28	1	26106-080162	BOLT, M8X 16 PLATED	4	4						
29	1	26106-080402	BOLT, M8X 40 PLATED	10	10						
30	1	26106-080702	BOLT, M8X 70 PLATED	7	7						

Fig.3. FLYWHEEL HOUSING & OIL SUMP

(A)=4TNV98C-XNRA
 (B)=4TNV98C-XNRAQ
 (C)=

(D)=
 (E)=
 (F)=



No.	Lev.	Parts No.	Description	Qty						I	R
				(A)	(B)	(C)	(D)	(E)	(F)		
1	1	129100-01580	PIN, PARALLEL 8X16	2	2						
2	1	129E26-01620	HOUSING, FLYWHEEL	1	1						
3	1	119620-01750	CAP	1	1						
4	1	26206-100352	BOLT, M10X 35 PLATED	9	9						
5	1	26206-100702	BOLT, M10X 70 PLATED	2	2						
6	1	129916-01790	SEAL, D115/95XT11	1	1						
7	1	129E26-01710	OIL PAN ASSY	1	1						
8	2	105425-01690	PLUG, M16	2	2						
10	2	22190-160002	WASHER, SEAL 16	2	2						
11	1	26106-080122	BOLT, M8X 12 PLATED	16	16						
12	1	129A00-21710	SENSOR, FLYWHEEL REV	1	1						1
13	1	26450-060162	BOLT, M6X 16	1	1						

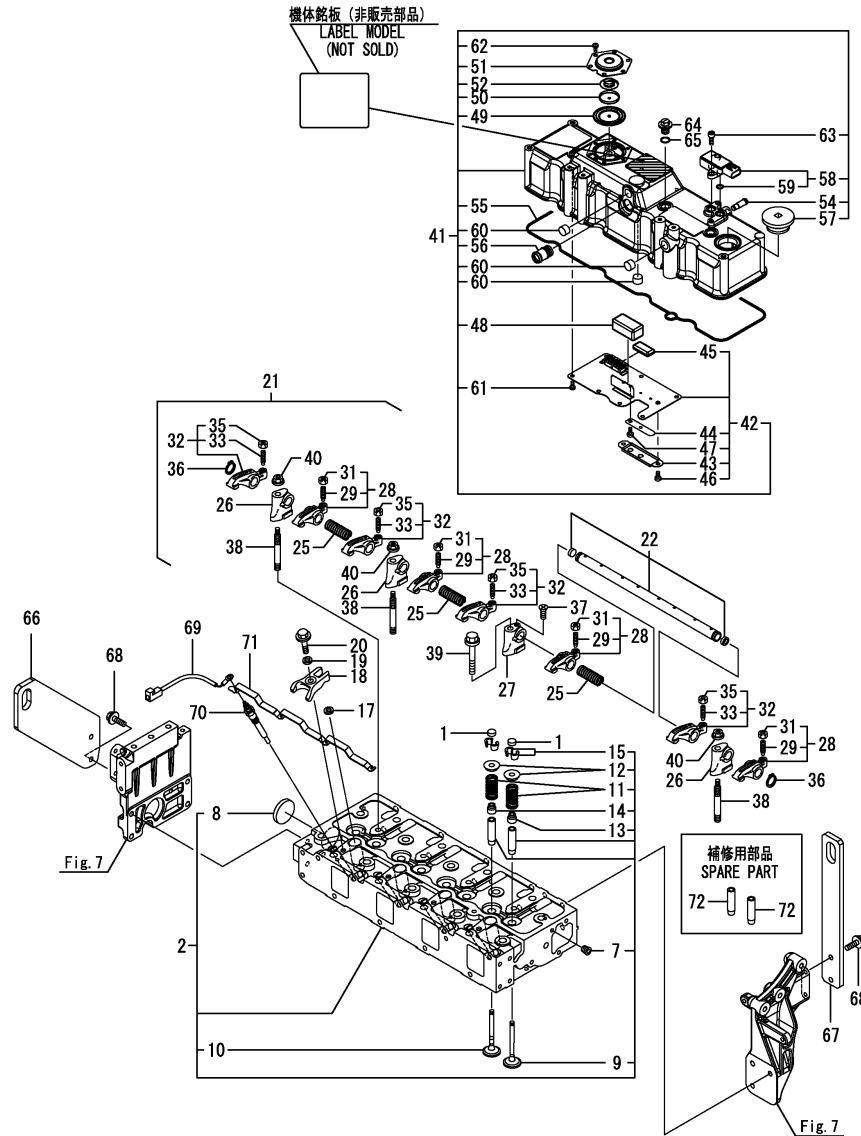
Remarks

(1)When replacing this part, it is necessary to update the software of the ECU using the designated service tool. Please refer to the Service Manual for details.

Fig.4. CYLINDER HEAD & BONNET

(A)=4TNV98C-XNRA
(B)=4TNV98C-XNRAQ
(C)=

(D)=
(E)=
(F)=



No.	Lev.	Parts No.	Description	Q'ty						I	R
				(A)	(B)	(C)	(D)	(E)	(F)		
1	1	129150-11370	CAP. VALVE	8	8						
2	1	129E00-11710	HEAD ASSY, CYLINDER	1	1						
7	2	23876-005000	PLUG, R005	1	1						
8	2	27241-400000	PLUG, 40	1	1						
9	2	129900-11100	VALVE, SUCTION	4	4						
10	2	129900-11110	VALVE, EXHAUST	4	4						
11	2	129900-11120	SPRING, VALVE	8	8						
12	2	129795-11180	RETAINER, SPRING	8	8						
13	2	124460-11340	SEAL, VALVE STEM	4	4						
14	2	129A00-11340	SEAL, VALVE STEM	4	4						
15	2	27310-080001	COTTER, 8	8	8						
17	1	129978-11871	GASKET,INJECTOR	4	4						
18	1	129E00-11900	RETAINER, INJECTOR	4	4						
19	1	120270-54410	WASHER, INJECTOR	4	4						
20	1	26106-080352	BOLT, M8X 35 PLATED	4	4						
21	1	129900-11200	SUPPORT ASSY, ROCKER	1	1						
22	2	129900-11240	SHAFT ASSY, ROCKER	1	1						
25	2	129900-11280	SPRING, ROCKER	3	3						
26	2	129900-11510	SUPPORT, ROCKER ARM	3	3						
27	2	129900-11520	SUPPORT, ROCKER ARM	1	1						
28	2	129900-11650	ARM ASSY, ROCKER	4	4						
29	3	129150-11230	SCREW, VALVE ADJUST	4	4						
31	3	129150-11750	NUT, M8	4	4						
32	2	129900-11660	ARM ASSY, ROCKER	4	4						
33	3	129150-11230	SCREW, VALVE ADJUST	4	4						
35	3	129150-11750	NUT, M8	4	4						
36	2	22242-000180	RING, 18	2	2						
37	2	26577-040162	SCREW, M4X16	1	1						
38	1	129900-11530	BOLT, STUD	3	3						
39	1	26106-100652	BOLT, M10X 65 PLATED	1	1						
40	1	26306-100002	NUT, M10	3	3						
41	1	129E23-11352	BONNET ASSY	1	1						
42	2	129E00-03010	PLATE, BAFFLE	1	1						
43	3	129E00-03020	COVER, PLATE SPRING	1	1						
44	3	129978-03030	SPRING,PLATE	1	1						
45	3	129907-03061	BAFFLE, BREATHER	1	1						
46	3	26557-050082	SCREW, M5X 8	2	2						
47	3	26587-050102	SCREW, M5X10	1	1						
48	2	129907-03070	BAFFLE, BREATHER	1	1						
49	2	123907-03100	DIAPHRAGM	1	1						
50	2	123907-03110	PLATE	1	1						
51	2	123907-03120	PLATE, BREATHER	1	1						
52	2	123907-03140	SPRING, DIAPHRAGM	1	1						
54	2	129A00-11330	JOINT	1	1						
55	2	129E00-11330	PACKING, BONNET	1	1						
56	2	129001-11340	PIPE, BREATHER	1	1						
57	2	119807-11770	PLUG	1	1						
58	2	129978-12700	SENSOR,PRESSURE	1	1						1
59	3	129A00-12780	O-RING,PRES SENSOR	2	2						
60	2	119640-61400	PLUG	3	3						
61	2	22857-500100	SCREW, 5X10	7	7						

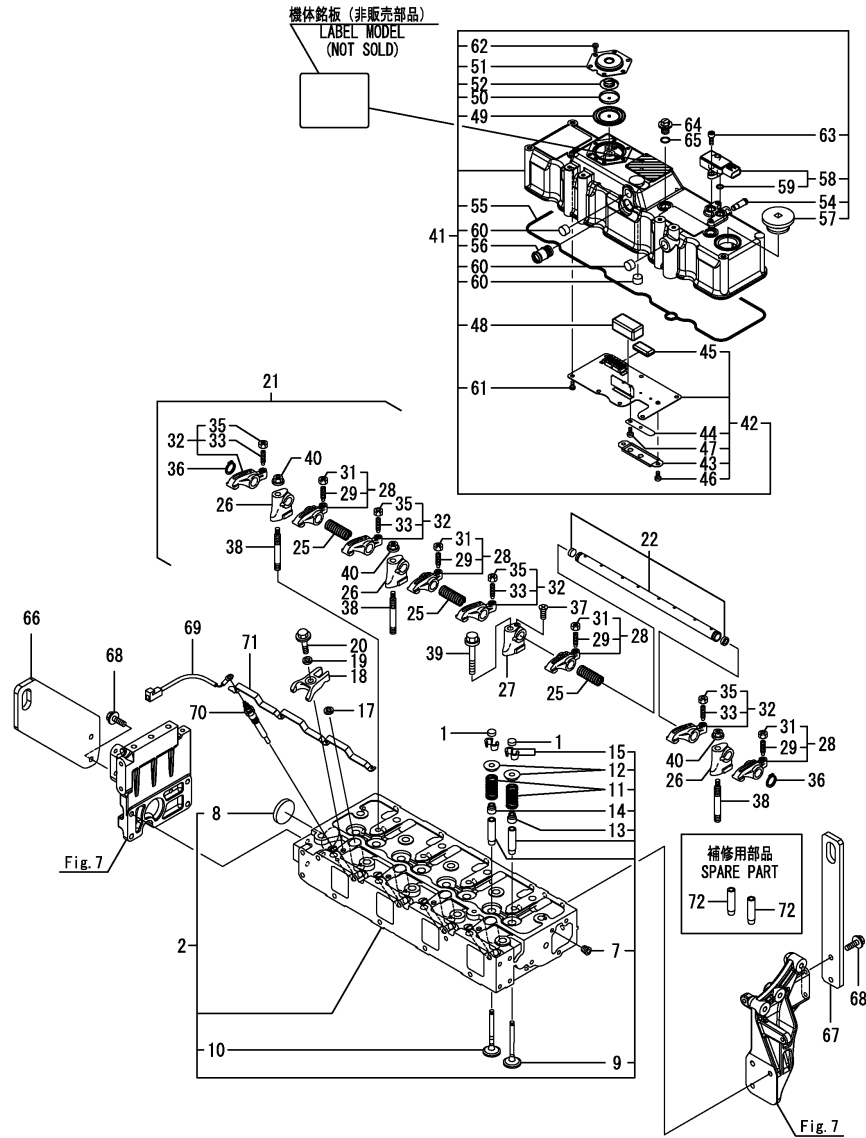
Remarks

- (1)When replacing this part, it is necessary to update the software of the ECU using the designated service tool. Please refer to the Service Manual for details.
- (2)Spare parts.

Fig.4. CYLINDER HEAD & BONNET

(A)=4TNV98C-XNRA
 (B)=4TNV98C-XNRAQ
 (C)=

(D)=
 (E)=
 (F)=

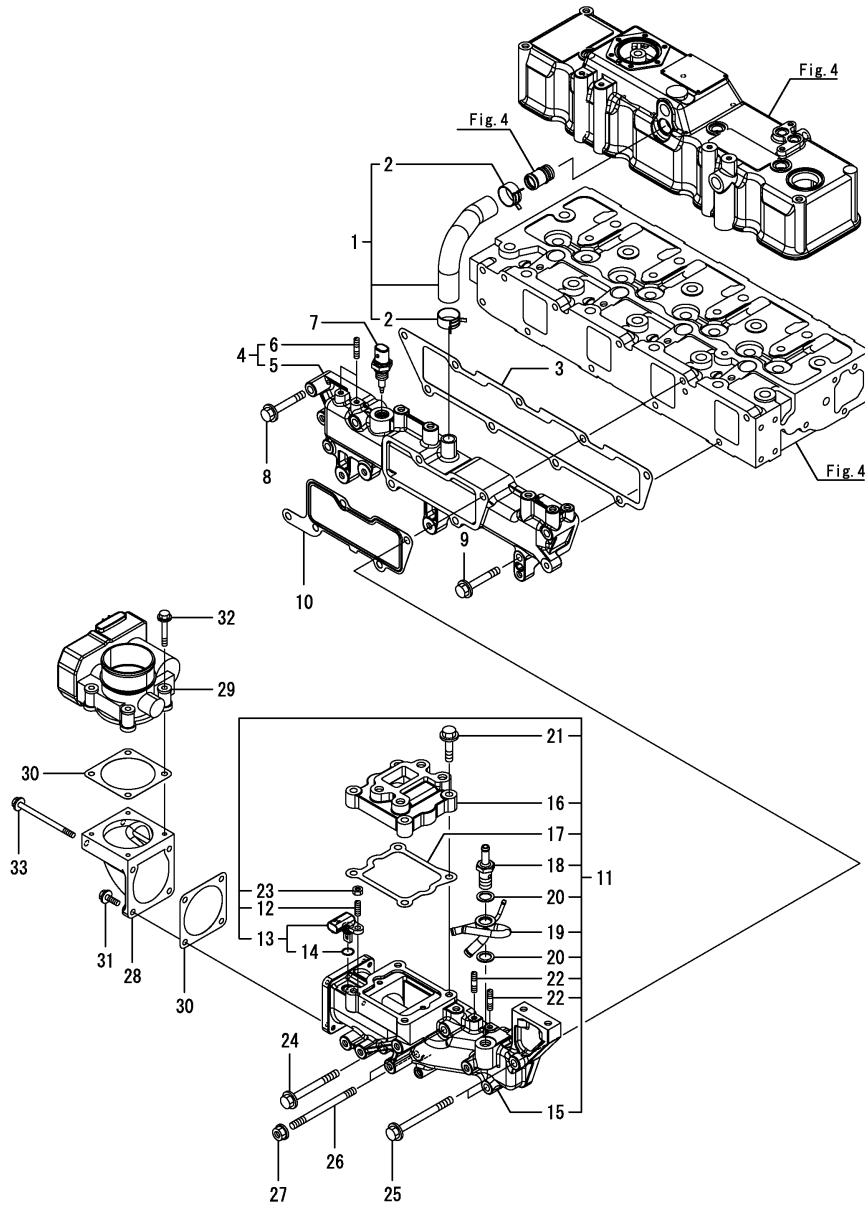


No.	Lev.	Parts No.	Description	Q'ty						I	R
				(A)	(B)	(C)	(D)	(E)	(F)		
62	2	22857-500100	SCREW, 5X10	6	6						
63	2	26450-060162	BOLT, M6X 16	2	2						
64	1	124160-11360	KNOB	3	3						
65	1	24311-000120	O-RING, 1AP12.0	3	3						
66	1	129979-07900	LIFTER, ENGINE	1	1						
67	1	129973-07910	LIFTER	1	1						
68	1	26106-080202	BOLT, M8X 20 PLATED	4	4						
69	1	119803-77830	HARNES, WIRE	1	1						
70	1	129008-77800	PLUG, GLOW	4	4						
71	1	129E00-77820	CONNECTOR, GLOW PLUG	1	1						
72	1	129150-11810	GUIDE, VALVE	8	8						2

Remarks

- (1)When replacing this part, it is necessary to update the software of the ECU using the designated service tool. Please refer to the Service Manual for details.
- (2)Spare parts.

Fig.5. SUCTION MANIFOLD



(A)=4TNV98C-XNRA
(B)=4TNV98C-XNRAQ
(C)=

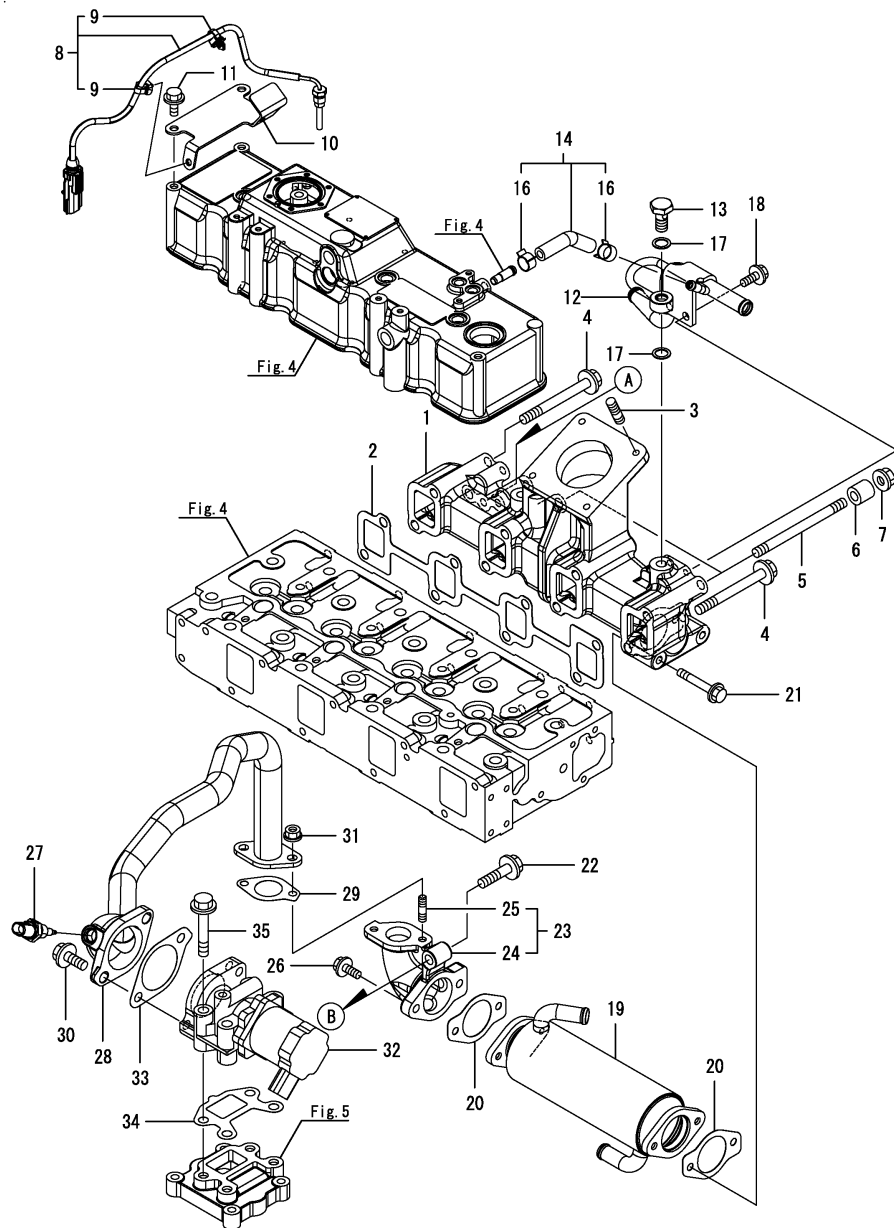
(D)=
(E)=
(F)=

No.	Lev.	Parts No.	Description	Q'ty						I	R
				(A)	(B)	(C)	(D)	(E)	(F)		
1	1	129005-03080	HOSE ASSY, BREATHER	1	1						
2	2	129410-03990	CLAMP, HOSE 21.5	2	2						
3	1	129E00-12110	GASKET, MANIFOLD	1	1						
4	1	129E00-12151	MANIFOLD ASSY,INTAKE	1	1						
5	2	129E00-12101	MANIFOLD, AIR INTAKE	1	1						
6	2	26216-060202	STUD, M6X 20	2	2						
7	1	129A00-12720	SENSOR,AIR TEMP	1	1						1
8	1	26106-080452	BOLT, M8X 45 PLATED	1	1						
9	1	26106-080552	BOLT, M8X 55 PLATED	4	4						
10	1	129E00-12810	GASKET, COLLECTOR	1	1						
11	1	129E26-12850	COLLECTOR ASSY	1	1						
12	2	119660-01570	BOLT, STUD M6X12	1	1						
13	2	129A00-12711	SENSOR,AIR TEMP	1	1						
14	3	129A00-12790	O-RING,TEMP SENSOR	1	1						
15	2	129E00-12800	COLLECTOR	1	1						
16	2	129E00-13710	SPACER, EGR VALVE	1	1						
17	2	129E00-13720	GASKET, EGR-V SPACER	1	1						
18	2	129A00-59110	JOINT, HOSE M14	1	1						
19	2	129E26-59120	JOINT, HOSE 14	1	1						
20	2	22190-140002	WASHER, SEAL 14	2	2						
21	2	26106-080352	BOLT, M8X 35 PLATED	4	4						
22	2	26216-060202	STUD, M6X 20	2	2						
23	2	26716-060002	NUT, M6	1	1						
24	1	26106-080752	BOLT, M8X 75 PLATED	1	1						
25	1	26106-080902	BOLT, M8X 90 PLATED	2	2						
26	1	26216-081002	STUD, M8X100	2	2						
27	1	26306-080002	NUT, M8	2	2						
28	1	129A00-12820	BEND, INLET	1	1						
29	1	129A00-12900	THROTTLE BODY(INT	1	1						1
30	1	129A00-12910	GASKET,THROTTLE	2	2						
31	1	26106-060202	BOLT, M6X 20 PLATED	2	2						
32	1	26106-060402	BOLT, M6X 40 PLATED	4	4						
33	1	26106-060902	BOLT, M6X 90 PLATED	2	2						

Remarks

(1)When replacing this part, it is necessary to update the software of the ECU using the designated service tool. Please refer to the Service Manual for details.

Fig.6. EXHAUST MANIFOLD



(A)=4TNV98C-XNRA
(B)=4TNV98C-XNRAQ
(C)=

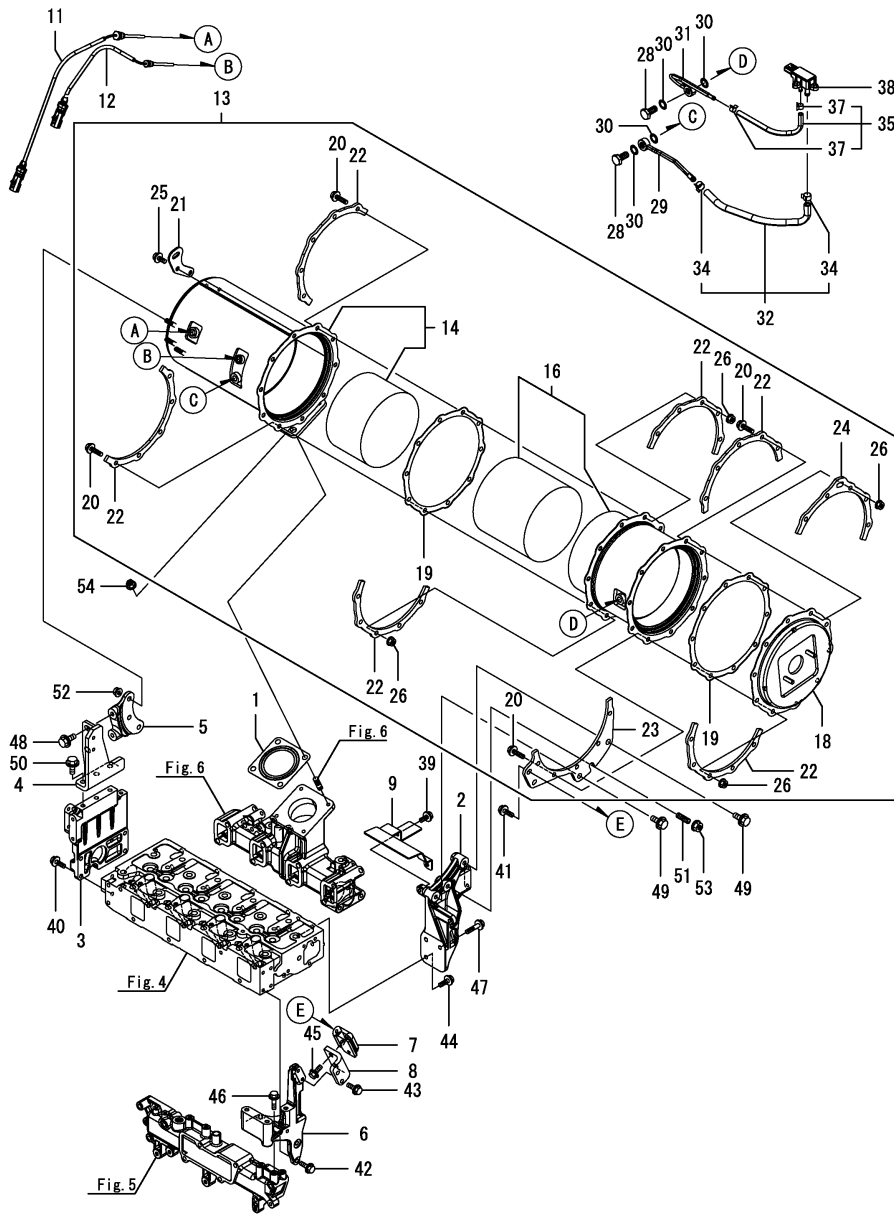
(D)=
(E)=
(F)=

No.	Lev.	Parts No.	Description	Q'ty						I	R
				(A)	(B)	(C)	(D)	(E)	(F)		
1	1	129E26-13100	MANIFOLD, EXHAUST	1	1						
2	1	129E00-13110	GASKET, MANIFOLD	1	1						
3	1	123900-13130	STUD, M10X22	4	4						
4	1	129F01-13610	BOLT, M10X95 10.9T	6	6						
5	1	129F01-13670	STUD, EXH. MANIFOLD	2	2						
6	1	129F01-13680	SPACER,BOLT	2	2						
7	1	129F01-13690	NUT, M10 SUS	2	2						
8	1	129E00-13770	SENSOR,EXH TEMP.	1	1						1
9	2	129A00-91200	BAND CLIP	2	2						
10	1	129E26-91600	STAY, HARNESS	1	1						
11	1	26106-080122	BOLT, M8X 12 PLATED	2	2						
12	1	129E00-13300	PIPE, EXH PRESSURE	1	1						
13	1	129A00-13350	BOLT, PIPE JOINT	1	1						
14	1	129E00-13360	HOSE ASSY, PRES EXH	1	1						
16	2	129A00-13380	CLIP, HOSE 14	2	2						
17	1	23414-120000	GASKET, 12X1.0	2	2						
18	1	26106-080162	BOLT, M8X 16 PLATED	2	2						
19	1	129E00-13400	COOLER, EGR	1	1						
20	1	129E00-13410	GASKET, EGR COOLER	2	2						
21	1	129E00-13610	BOLT, M8X50 10.9	2	2						
22	1	129F01-13650	BOLT, M10X40 10.9T	1	1						
23	1	129E00-13851	BEND ASSY, EGR-C OUT	1	1						
24	2	129E00-13861	BEND, EGR-C OUT	1	1						
25	2	129418-18320	BOLT, STUD M8X20	2	2						
26	1	26106-080202	BOLT, M8X 20 PLATED	2	2						
27	1	129A00-13751	SENSOR,EGR GAS TEMP	1	1						1
28	1	129E26-13800	PIPE ASSY, EGR	1	1						
29	1	129927-13810	GASKET	1	1						
30	1	26106-100252	BOLT, M10X 25 PLATED	2	2						
31	1	26306-080002	NUT, M8	2	2						
32	1	129E00-13901	VALVE, EGR	1	1						1
33	1	129E00-13910	GASKET, EGR-V IN	1	1						
34	1	129E00-13920	GASKET, EGR-V OUT	1	1						
35	1	26106-100602	BOLT, M10X 60 PLATED	4	4						

Remarks

(1)When replacing this part, it is necessary to update the software of the ECU using the designated service tool. Please refer to the Service Manual for details.

Fig.7. DIESEL PARTICULATE FILTER(DPF)



(A)=4TNV98C-XNRA
(B)=4TNV98C-XNRAQ
(C)=

(D)=
(E)=
(F)=

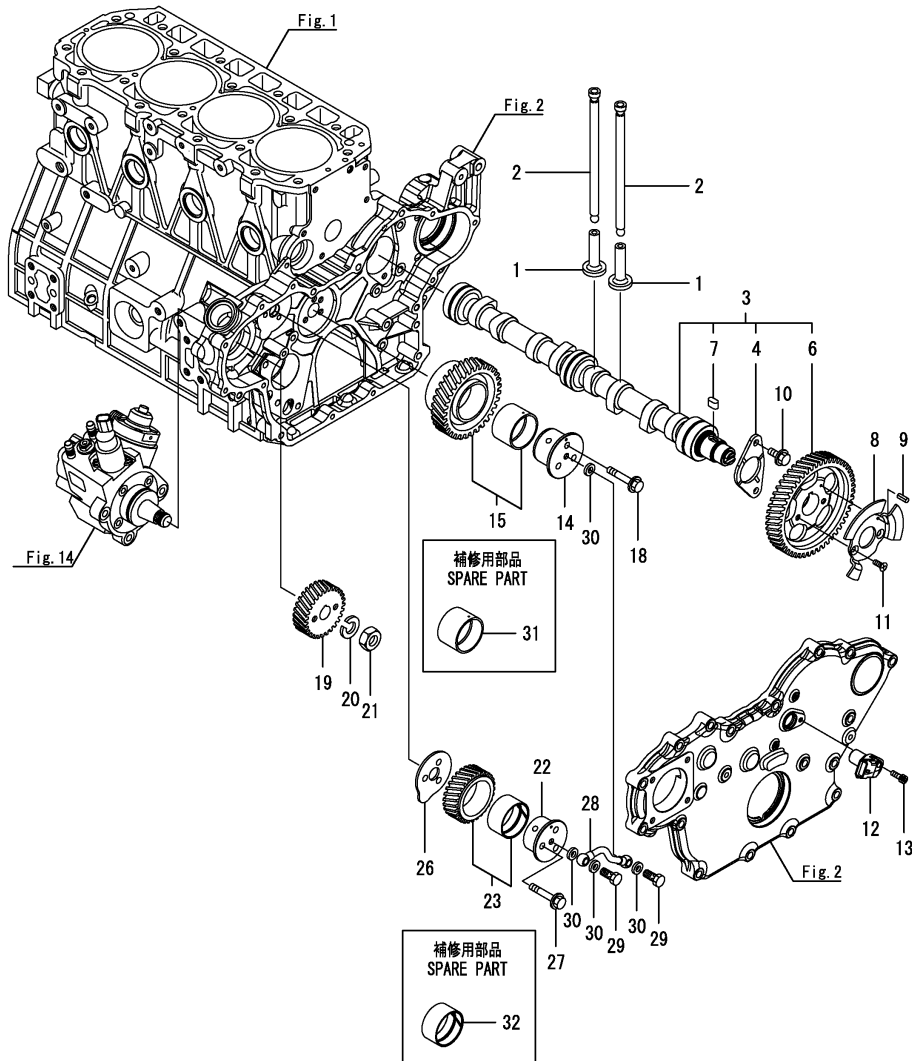
No.	Lev.	Parts No.	Description	Q'ty						I	R
				(A)	(B)	(C)	(D)	(E)	(F)		
1	1	128300-13230	GASKET, SILENCER	1	1						
2	1	129E26-16830	STAY,DPF A	1	1						
3	1	129E26-16841	STAY,DPF B	1	1						
4	1	129E26-16850	STAY,DPF C	1	1						
5	1	129E26-16860	STAY,DPF D	1	1						
6	1	129E26-16870	STAY,DPF E	1	1						
7	1	129E26-16880	STAY,DPF F	1	1						
8	1	129E26-16890	STAY,DPF G	1	1						
9	1	129E26-16911	COVER, SENSOR	1	1						
11	1	129C00-13960	SENSOR, EXH.TEMP	1	1						1
12	1	129C00-13970	SENSOR, EXH.TEMP	1	1						1
13	1	129E26-16000	DPF ASSY	1	1						1
14	2	129E26-16200	CASE, DOC	1	1						1
16	2	129C01-16400	CASE, SOOT FILTER	1	1						1
18	2	129E26-16550	FLANGE, OUTLET	1	1						
19	2	129E00-16600	GASKET, DPF	2	2						
20	2	129A00-16610	BOLT, M8X28 10.9T	20	20						
21	2	129C01-16680	LIFTER, DPF	1	1						
22	2	129C01-16700	STIFFENER, DPF A	6	6						
23	2	129E26-16710	STIFFENER, DPF B	1	1						
24	2	129C01-16740	STIFFENER, DPF C	1	1						
25	2	26106-080142	BOLT, M8X 14 PLATED	2	2						
26	2	26306-080002	NUT, M8	20	20						
28	1	129A00-13350	BOLT, PIPE JOINT	2	2						
29	1	129E26-17300	PIPE ASSY,PRES EXH	1	1						
30	1	129A00-17311	GASKET,SENSOR	4	4						
31	1	129E26-17350	PIPE ASSY,PRES EXH	1	1						
32	1	129C23-17500	HOSE ASSY,PRES EXH	1	1						
34	2	129A00-17520	CLIP, HOSE	2	2						
35	1	129E23-17650	HOSE ASSY,PRES EXH	1	1						
37	2	129A00-17570	CLIP, HOSE	2	2						
38	1	129978-17700	SENSOR,PRESSURE	1	1						1
39	1	26106-080162	BOLT, M8X 16 PLATED	2	2						
40	1	26106-080202	BOLT, M8X 20 PLATED	4	4						
41	1	26106-080202	BOLT, M8X 20 PLATED	4	4						
42	1	26106-080202	BOLT, M8X 20 PLATED	2	2						
43	1	26106-080202	BOLT, M8X 20 PLATED	2	2						
44	1	26106-080202	BOLT, M8X 20 PLATED	2	2						
45	1	26106-080202	BOLT, M8X 20 PLATED	2	2						
46	1	26106-080302	BOLT, M8X 30 PLATED	2	2						
47	1	26106-080352	BOLT, M8X 35 PLATED	2	2						
48	1	26106-100202	BOLT, M10X 20 PLATED	2	2						
49	1	26106-100202	BOLT, M10X 20 PLATED	2	2						
50	1	26106-100202	BOLT, M10X 20 PLATED	3	3						
51	1	26216-100202	STUD, M10X 20	1	1						
52	1	26306-080002	NUT, M8	3	3						
53	1	26306-100002	NUT, M10	1	1						
54	1	26306-100002	NUT, M10	4	4						

Remarks

(1)When replacing this part, it is necessary to update the software of the ECU using the designated service tool. Please refer to the Service Manual for details.

N:Old $\xrightarrow{\text{Yes}}$ New, Q:Old $\xrightarrow{\text{No}}$ New, R:Old $\xrightarrow{\text{Yes}}$ New, S:Old $\xrightarrow{\text{No}}$ New, W:Add, Z:Discontinued, F:Interchangeable by set, K:Q'ty Change

Fig.8. CAMSHAFT & DRIVING GEAR



(A)=4TNV98C-XNRA
(B)=4TNV98C-XNRAQ
(C)=

(D)=
(E)=
(F)=

No.	Lev.	Parts No.	Description	Q'ty						I	R
				(A)	(B)	(C)	(D)	(E)	(F)		
1	1	129150-14200	TAPPET	8	8						
2	1	129900-14400	PUSH-ROD	8	8						
3	1	129E00-14581	SHAFT ASSY, CAM	1	1						
4	2	129150-02450	BEARING, THRUST	1	1						
6	2	129E00-14101	GEAR, CAMSHAFT	1	1						
7	2	22512-070140	KEY, 7X 14	1	1						
8	1	129E00-14700	PULSER, CAM GEAR	1	1						
9	1	22351-030010	PIN, SPRING 3.0X10	1	1						
10	1	26106-080142	BOLT, M8X 14 PLATED	2	2						
11	1	26577-060122	SCREW, M6X12	2	2						
12	1	129A00-14710	SENSOR, GEAR REV	1	1						
13	1	26450-060162	BOLT, M6X 16	1	1						
14	1	129E00-25050	SHAFT, IDLE GEAR A	1	1						
15	1	129900-25110	GEAR ASSY, IDLE	1	1						
18	1	26106-080502	BOLT, M8X 50 PLATED	3	3						
19	1	129E00-25902	GEAR, SUPPLY PUMP	1	1						
20	1	22217-180000	WASHER, SPRING 18	1	1						
21	1	26776-180002	NUT, LOCK M18	1	1						
22	1	129E00-25060	SHAFT, IDLE GEAR B	1	1						
23	1	129E00-25121	GEAR ASSY, IDLE B	1	1						
26	1	129E00-25200	PLATE, IDLE SHAFT B	1	1						
27	1	26106-080452	BOLT, M8X 45 PLATED	3	3						
28	1	129E00-25400	PIPE ASSY, LO	1	1						
29	1	105010-39140	BOLT, PIPE JOINT	2	2						
30	1	22190-080002	WASHER, SEAL 8	4	4						
31	1	129150-25920	BUSH, IDLE GEAR	1	1						1
32	1	129E00-25080	BUSH	1	1						1

Remarks

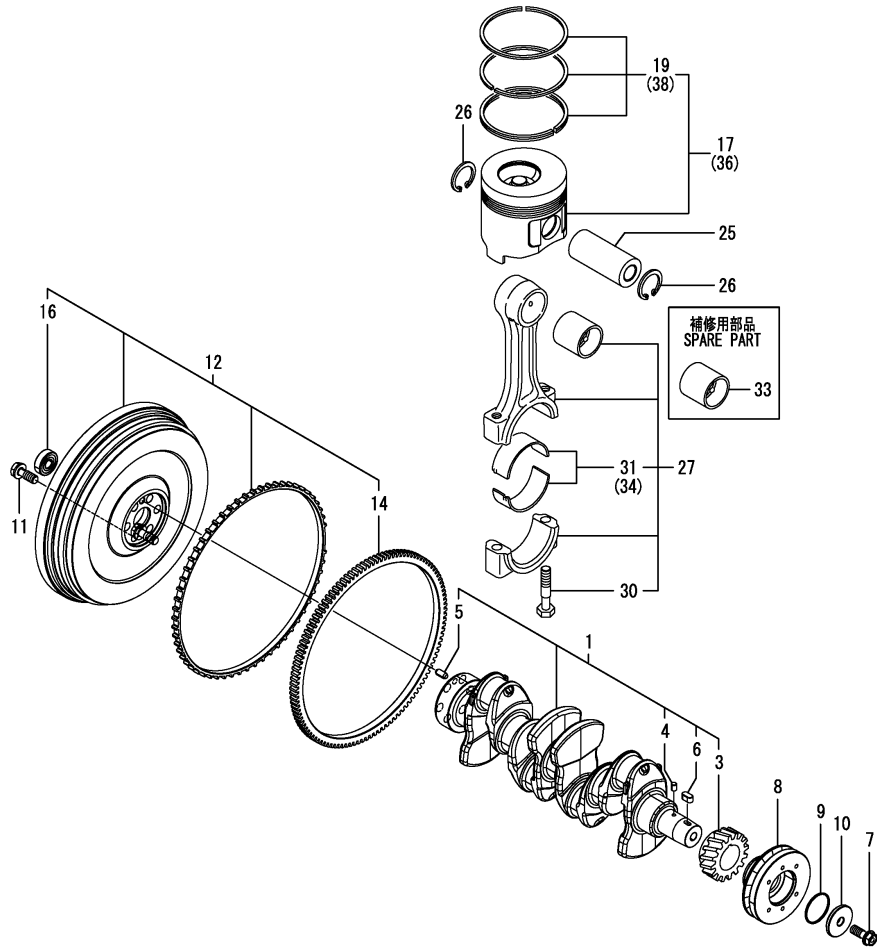
(1) Spare parts.

N:Old $\begin{matrix} \leftarrow \text{Yes} \\ \text{No} \end{matrix}$ New, Q:Old $\begin{matrix} \leftarrow \text{No} \\ \text{Yes} \end{matrix}$ New, R:Old $\begin{matrix} \leftarrow \text{Yes} \\ \text{Yes} \end{matrix}$ New, S:Old $\begin{matrix} \leftarrow \text{No} \\ \text{No} \end{matrix}$ New, W:Add, Z:Discontinued, F:Interchangeable by set, K:Q'ty Change

Fig.9. CRANKSHAFT & PISTON

(A)=4TNV98C-XNRA
 (B)=4TNV98C-XNRAQ
 (C)=

(D)=
 (E)=
 (F)=



No.	Lev.	Parts No.	Description	Q'ty						I	R
				(A)	(B)	(C)	(D)	(E)	(F)		
1	1	129902-21050	CRANKSHAFT ASSY	1							
3	2	129900-21220	GEAR, CRANKSHAFT	1							
4	2	121850-21290	PIN	1							
5	2	121850-21920	PIN, PARALLEL 10X22	1							
6	2	22512-070140	KEY, 7X 14	1							
7	1	129916-21610	BOLT	1							
8	1	129957-21661	V-PULLEY	1							
9	1	129960-21930	GASKET, WASHER	1							
10	1	129960-21940	WASHER, V-PULLEY	1							
11	1	121850-21130	BOLT, FLYWHEEL	6							
12	1	129E26-21570	FLYWHEEL ASSY	1							
14	2	129900-21600	GEAR, RING	1							
16	2	24104-063020	BEARING, 6302UUC3	1							
17	1	129E00-22080	PISTON ASSY	4							
19	2	129E00-22050	RING ASSY	4							
25	1	120130-22301	PIN, PISTON	4							
26	1	22252-000300	RING, 30	8							
27	1	129900-23001	ROD ASSY, CONNECTING	4							
30	2	129900-23200	BOLT, CONNECTING ROD	8							
31	2	129900-23601	BEARING, CRANK PIN	4							
33	1	129900-23911	BEARING, PISTON PIN	4							1
34	1	129900-23611	BEARING ASSY, 0.25US	4							2
36	1	129E00-22900	PISTON ASSY, 0.25 OS	4							3
38	2	129E00-22950	RING ASSY, 0.25OS	4							3

Remarks

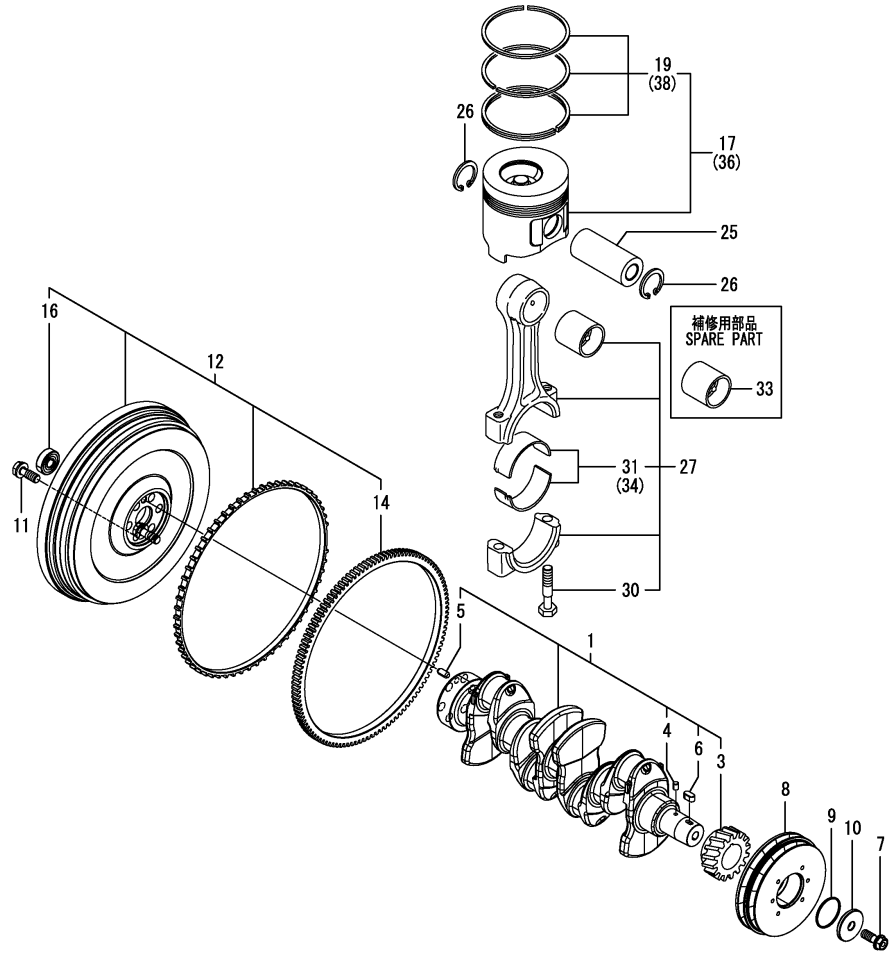
- (1) Spare parts.
- (2) Under-sized (U.S.=0.25) parts.
- (3) Over-sized (O.S.=0.25) parts.

Fig.10. CRANKSHAFT & PISTON

(A)=4TNV98C-XNRA
(B)=4TNV98C-XNRAQ
(C)=

(D)=
(E)=
(F)=

No.	Lev.	Parts No.	Description	Q'ty						I	R
				(A)	(B)	(C)	(D)	(E)	(F)		
1	1	129902-21050	CRANKSHAFT ASSY		1						
3	2	129900-21220	GEAR, CRANKSHAFT		1						
4	2	121850-21290	PIN		1						
5	2	121850-21920	PIN, PARALLEL 10X22		1						
6	2	22512-070140	KEY, 7X 14		1						
7	1	129916-21610	BOLT		1						
8	1	129E26-21670	V-PULLEY, CRANK 175		1						
9	1	129960-21930	GASKET, WASHER		1						
10	1	129960-21940	WASHER, V-PULLEY		1						
11	1	121850-21130	BOLT, FLYWHEEL		6						
12	1	129E26-21570	FLYWHEEL ASSY		1						
14	2	129900-21600	GEAR, RING		1						
16	2	24104-063020	BEARING, 6302UUC3		1						
17	1	129E00-22080	PISTON ASSY		4						
19	2	129E00-22050	RING ASSY		4						
25	1	120130-22301	PIN, PISTON		4						
26	1	22252-000300	RING, 30		8						
27	1	129900-23001	ROD ASSY, CONNECTING		4						
30	2	129900-23200	BOLT, CONNECTING ROD		8						
31	2	129900-23601	BEARING, CRANK PIN		4						
33	1	129900-23911	BEARING, PISTON PIN		4						1
34	1	129900-23611	BEARING ASSY, 0.25US		4						2
36	1	129E00-22900	PISTON ASSY, 0.25 OS		4						3
38	2	129E00-22950	RING ASSY, 0.25OS		4						3

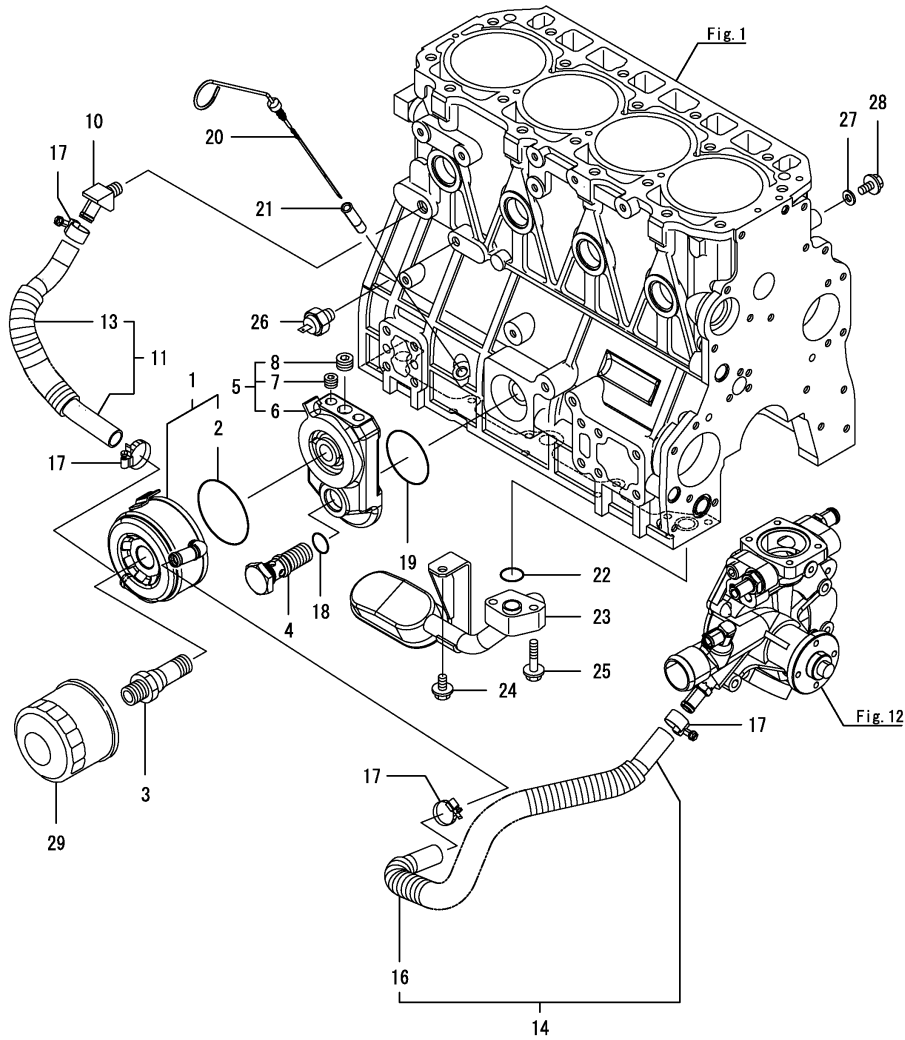


Remarks
 (1) Spare parts.
 (2) Under-sized (U.S.=0.25) parts.
 (3) Over-sized (O.S.=0.25) parts.

Fig.11. LUB. OIL SYSTEM

(A)=4TNV98C-XNRA
(B)=4TNV98C-XNRAQ
(C)=

(D)=
(E)=
(F)=



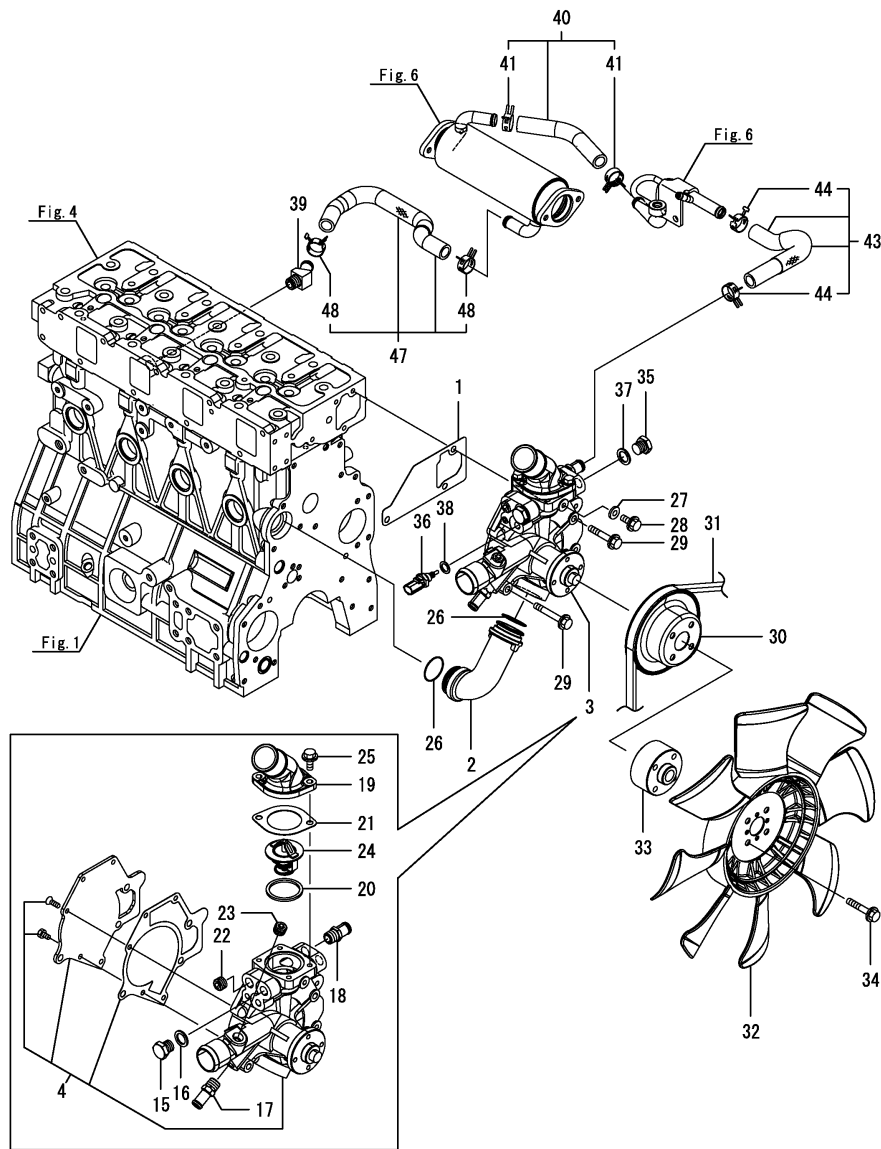
No.	Lev.	Parts No.	Description	Q'ty						I	R
				(A)	(B)	(C)	(D)	(E)	(F)		
1	1	129973-33010	COOLER ASSY, OIL	1	1						
2	2	123912-33050	O-RING	1	1						
3	1	123910-33100	BOLT	1	1						
4	1	129E26-33110	BOLT, OIL COOLER BKT	1	1						
5	1	129E26-33150	BRACKET ASSY, LO FIL	1	1						
6	2	129E26-33100	BRACKET, OIL COOLER	1	1						
7	2	23876-020000	PLUG, R02	2	2						
8	2	23876-030000	PLUG, R03	1	1						
10	1	129648-44400	JOINT, PT1/4	1	1						
11	1	129949-49110	PIPE, WATER	1	1						
13	2	129956-49190	TUBE, CORRUGATED	1	1						
14	1	129E26-49200	PIPE ASSY, CW	1	1						
16	2	129A01-49750	PROTECTOR, MESH	1	1						
17	1	23000-025000	CLAMP, 25	4	4						
18	1	24314-000200	O-RING, 4CP20.0	1	1						
19	1	24321-000600	O-RING, 1AG60.0	1	1						
20	1	129E26-34800	DIPSTICK, LUB.OIL	1	1						
21	1	121520-34810	GUIDE, DIPSTICK	1	1						
22	1	129900-32030	O-RING, P20	1	1						
23	1	129968-35010	PIPE ASSY, LUB,OIL	1	1						
24	1	26106-080142	BOLT, M8X 14 PLATED	1	1						
25	1	26106-080352	BOLT, M8X 35 PLATED	2	2						
26	1	119761-39450	SWITCH, HYDRAULIC	1	1						
27	1	22190-080002	WASHER, SEAL 8	1	1						
28	1	26106-080122	BOLT, M8X 12 PLATED	1	1						
29	1	129150-35170	FILTER,LO	1	1						1

Remarks

(1) Spare parts.

N:Old $\begin{matrix} \text{Yes} \\ \text{No} \end{matrix}$ New, Q:Old $\begin{matrix} \text{No} \\ \text{Yes} \end{matrix}$ New, R:Old $\begin{matrix} \text{Yes} \\ \text{No} \end{matrix}$ New, S:Old $\begin{matrix} \text{No} \\ \text{Yes} \end{matrix}$ New, W:Add, Z:Discontinued, F:Interchangeable by set, K:Q'ty Change

Fig.12. COOLING WATER SYSTEM



(A)=4TNV98C-XNRA
(B)=4TNV98C-XNRAQ
(C)=

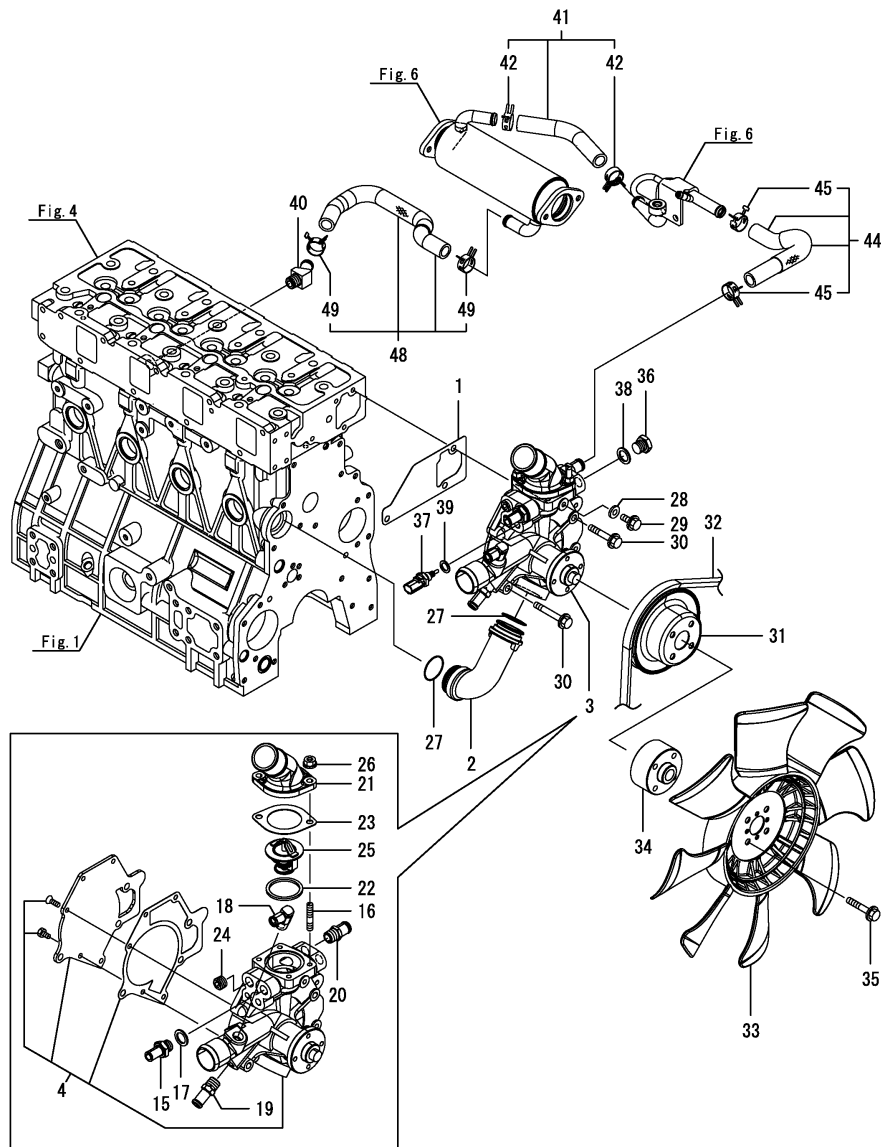
(D)=
(E)=
(F)=

No.	Lev.	Parts No.	Description	Q'ty						I	R
				(A)	(B)	(C)	(D)	(E)	(F)		
1	1	129900-42061	GASKET, WATER PUMP	1							
2	1	129900-42070	PIPE, WATER	1							
3	1	129E26-42110	PUMP ASSY, CW HIGH	1							
4	2	129E00-42100	PUMP ASSY, CW HIGH	1							
15	2	121450-42450	PLUG, M16	1							
16	2	124465-44950	GASKET, 16	1							
17	2	129963-49300	JOINT, D14	1							
18	2	129928-49420	JOINT	1							
19	2	129E26-49500	COVER, THERMOSTAT	1							
20	2	121850-49550	GASKET, THERMOSTAT	1							
21	2	129900-49560	GASKET	1							
22	2	129916-49740	PLUG, R3/8	1							
23	2	129916-49740	PLUG, R3/8	1							
24	2	121850-49811	THERMOSTAT, 71C	1							
25	2	26106-080222	BOLT, M8X 22 PLATED	2							
26	1	129900-42140	O-RING, P36	2							
27	1	23414-080000	GASKET, 8X1.0	1							
28	1	26106-080122	BOLT, M8X 12 PLATED	1							
29	1	26106-080552	BOLT, M8X 55 PLATED	3							
30	1	129900-42450	V-PULLEY, C.W.PUMP	1							
31	1	129957-42290	V-BELT, A46	1							
32	1	119130-44740	FAN, COOLING D=410	1							
33	1	119005-44761	SPACER, FAN	1							
34	1	26106-080452	BOLT, M8X 45 PLATED	4							
35	1	121450-42450	PLUG, M16	1							
36	1	129927-44900	SENSOR, WATER TEMP.	1							1
37	1	124465-44950	GASKET, 16	1							
38	1	22190-120002	WASHER, SEAL 12	1							
39	1	129C26-49300	ELBOW, R3/8	1							
40	1	129E26-49600	HOSE ASSY,EGR-C OUT	1							
41	2	129960-03990	CLAMP, HOSE 19.8	2							
43	1	129E00-49630	HOSE ASSY,EGRC OUT B	1							
44	2	129960-03990	CLAMP, HOSE 19.8	2							
47	1	129E26-49670	HOSE ASSY, EGR-C IN	1							
48	2	129960-03990	CLAMP, HOSE 19.8	2							

Remarks

(1)When replacing this part, it is necessary to update the software of the ECU using the designated service tool. Please refer to the Service Manual for details.

Fig.13. COOLING WATER SYSTEM



(A)=4TNV98C-XNRA
(B)=4TNV98C-XNRAQ
(C)=

(D)=
(E)=
(F)=

No.	Lev.	Parts No.	Description	Q'ty						I	R
				(A)	(B)	(C)	(D)	(E)	(F)		
1	1	129900-42061	GASKET, WATER PUMP		1						
2	1	129900-42070	PIPE, WATER		1						
3	1	129E26-42100	PUMP ASSY, CW HIGH		1						
4	2	129E00-42100	PUMP ASSY, CW HIGH		1						
15	2	119265-44400	JOINT, PIPE		1						
16	2	129555-44750	STUD, M8X30		2						
17	2	124465-44950	GASKET, 16		1						
18	2	119852-49300	ELBOW, R3/8		1						
19	2	129963-49300	JOINT, D14		1						
20	2	129928-49420	JOINT		1						
21	2	129E26-49500	COVER, THERMOSTAT		1						
22	2	121850-49550	GASKET, THERMOSTAT		1						
23	2	129900-49560	GASKET		1						
24	2	129916-49740	PLUG, R3/8		1						
25	2	121850-49801	THERMOSTAT, 82C		1						
26	2	26306-080002	NUT, M8		2						
27	1	129900-42140	O-RING, P36		2						
28	1	23414-080000	GASKET, 8X1.0		1						
29	1	26106-080122	BOLT, M8X 12 PLATED		1						
30	1	26106-080552	BOLT, M8X 55 PLATED		3						
31	1	129930-42400	V-PULLEY, C.W.PUMP		1						
32	1	129E26-42300	BELT		1						
33	1	119130-44740	FAN, COOLING D=410		1						
34	1	119005-44761	SPACER, FAN		1						
35	1	26106-080652	BOLT, M8X 65 PLATED		4						
36	1	121450-42450	PLUG, M16		1						
37	1	129927-44900	SENSOR, WATER TEMP.		1						1
38	1	124465-44950	GASKET, 16		1						
39	1	22190-120002	WASHER, SEAL 12		1						
40	1	129C26-49300	ELBOW, R3/8		1						
41	1	129E26-49600	HOSE ASSY,EGR-C OUT		1						
42	2	129960-03990	CLAMP, HOSE 19.8		2						
44	1	129E00-49630	HOSE ASSY,EGRC OUT B		1						
45	2	129960-03990	CLAMP, HOSE 19.8		2						
48	1	129E26-49670	HOSE ASSY, EGR-C IN		1						
49	2	129960-03990	CLAMP, HOSE 19.8		2						

Remarks

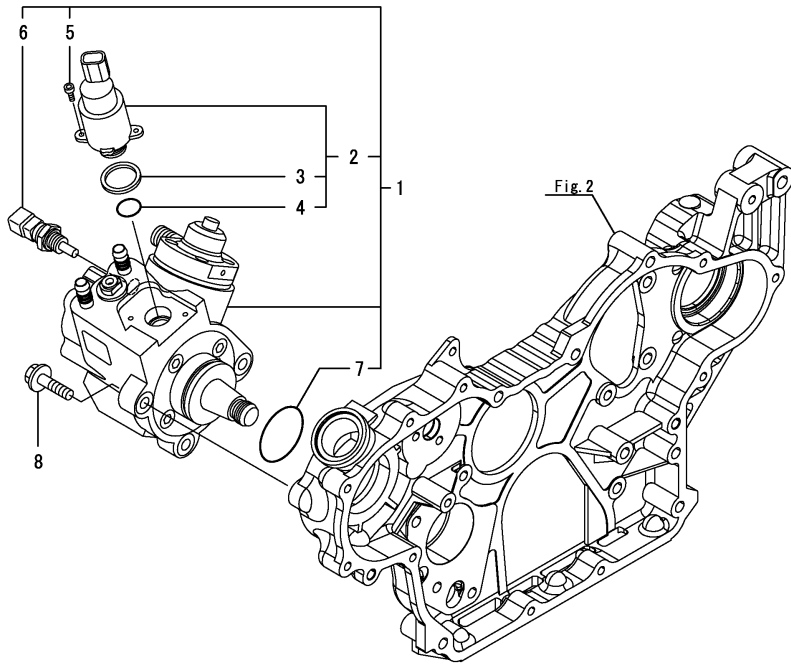
(1)When replacing this part, it is necessary to update the software of the ECU using the designated service tool. Please refer to the Service Manual for details.

Fig.14. FUEL SUPPLY PUMP

(A)=4TNV98C-XNRA
 (B)=4TNV98C-XNRAQ
 (C)=

(D)=
 (E)=
 (F)=

No.	Lev.	Parts No.	Description	Q'ty						I	R
				(A)	(B)	(C)	(D)	(E)	(F)		
1	1	129A00-51000	PUMP ASSY, FUEL	1	1						1
2	2	129A00-51100	VALVE ASSY, MPROP	1	1						1
3	3	129A00-51110	RING, SEALING	1	1						
4	3	129A00-51120	O-RING, MPROP	1	1						
5	2	129A00-51130	BOLT, MPROP	2	2						
6	2	129A00-51200	SENSOR, TEMPERATURE	1	1						1
7	2	129A00-51900	O-RING, FUEL PUMP	1	1						
8	1	26106-080302	BOLT, M8X 30 PLATED	3	3						



Remarks

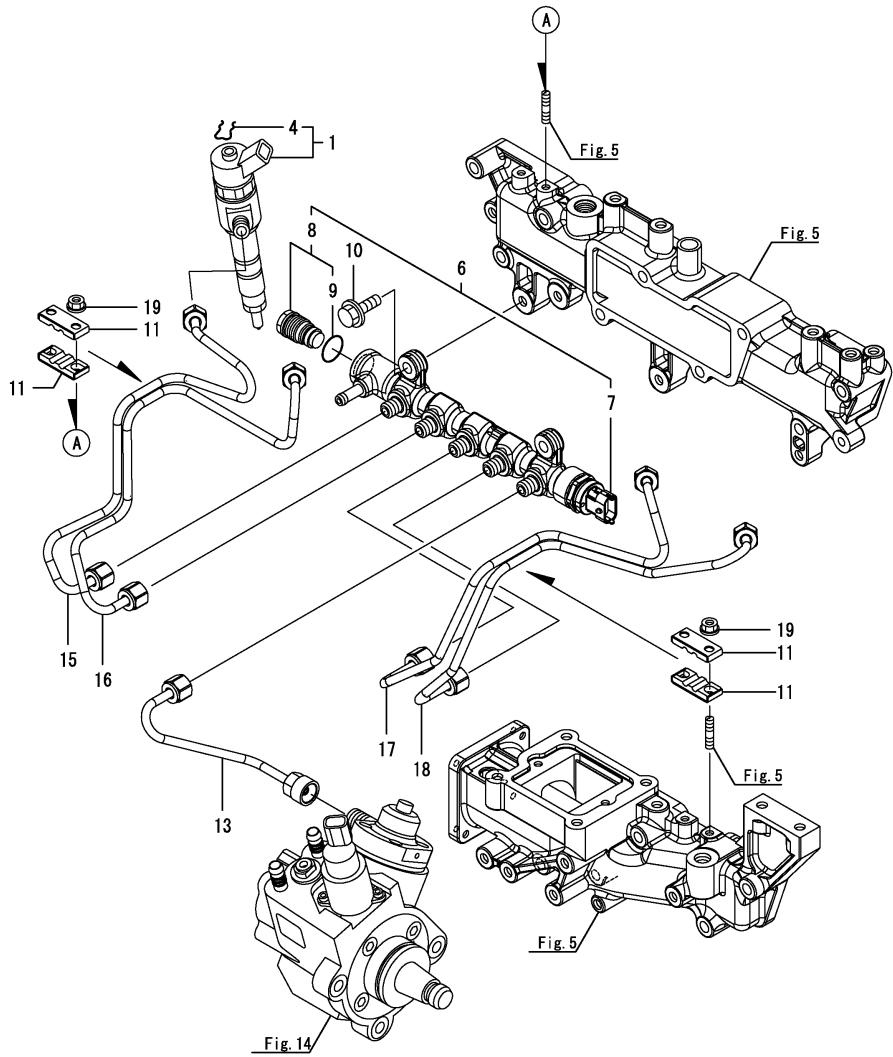
(1)When replacing this part, it is necessary to update the software of the ECU using the designated service tool. Please refer to the Service Manual for details.

Fig.15. FUEL INJECTION VALVE

(A)=4TNV98C-XNRA
 (B)=4TNV98C-XNRAQ
 (C)=

(D)=
 (E)=
 (F)=

No.	Lev.	Parts No.	Description	Q'ty						I	R
				(A)	(B)	(C)	(D)	(E)	(F)		
1	1	129E00-53100	INJECTOR, CR	4	4						1
4	2	129A00-53200	RING, RETAINING	4	4						
6	1	129C00-57000	RAIL ASSY	1	1						1
7	2	129A00-57100	SENSOR, RAILPRESSURE	1	1						1
8	2	129A00-57200	VALVE ASSY, PLV4	1	1						1
9	3	129A00-57210	O-RING, PLV4	1	1						
10	1	26106-080252	BOLT, M8X 25 PLATED	2	2						
11	1	122780-59100	RETAINER	4	4						
13	1	129E00-59700	PIPE ASSY, RAIL IN	1	1						
15	1	129E00-59810	PIPE ASSY, INJ. NO1	1	1						
16	1	129E00-59820	PIPE ASSY, INJ. NO2	1	1						
17	1	129E00-59830	PIPE ASSY, INJ. NO3	1	1						
18	1	129E00-59840	PIPE ASSY, INJ. NO4	1	1						
19	1	26366-060002	NUT, M6	4	4						



Remarks
 (1)When replacing this part, it is necessary to update the software of the ECU using the designated service tool.
 Please refer to the Service Manual for details.

Fig.16. FUEL PIPE

(A)=4TNV98C-XNRA
 (B)=4TNV98C-XNRAQ
 (C)=

(D)=
 (E)=
 (F)=

No.	Lev.	Parts No.	Description	Q'ty						I	R
				(A)	(B)	(C)	(D)	(E)	(F)		
1	1	129E00-59500	PIPE ASSY, FO RETURN	1	1						
4	2	23080-007000	CLAMP, 7	1	1						
5	1	129E00-59020	HOSE ASSY, FO RETURN	1	1						
8	2	23080-015000	CLAMP, 15	2	2						
9	1	129E00-59030	HOSE ASSY, FO RETURN	1	1						
10	2	114270-59010	CLAMP, HOSE 12	2	2						
13	2	129A00-91200	BAND CLIP	1	1						

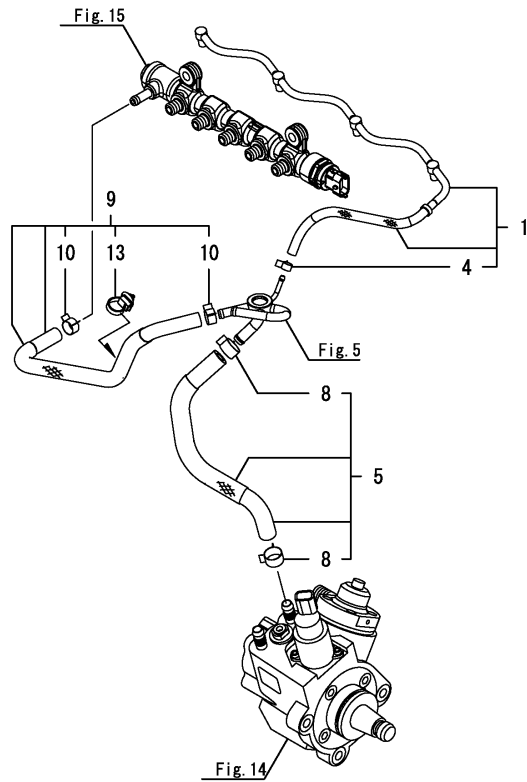
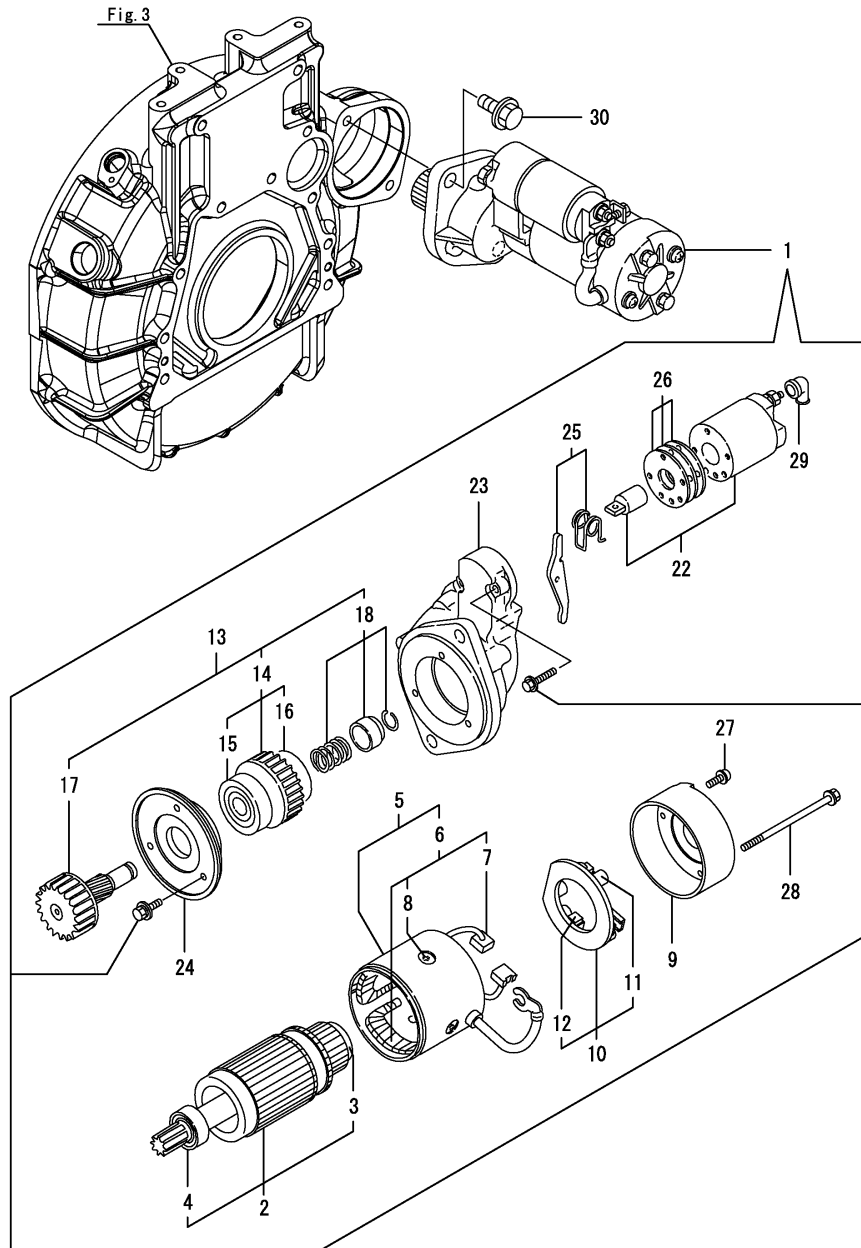


Fig.17. STARTER MOTOR

(A)=4TNV98C-XNRA
(B)=4TNV98C-XNRAQ
(C)=

(D)=
(E)=
(F)=

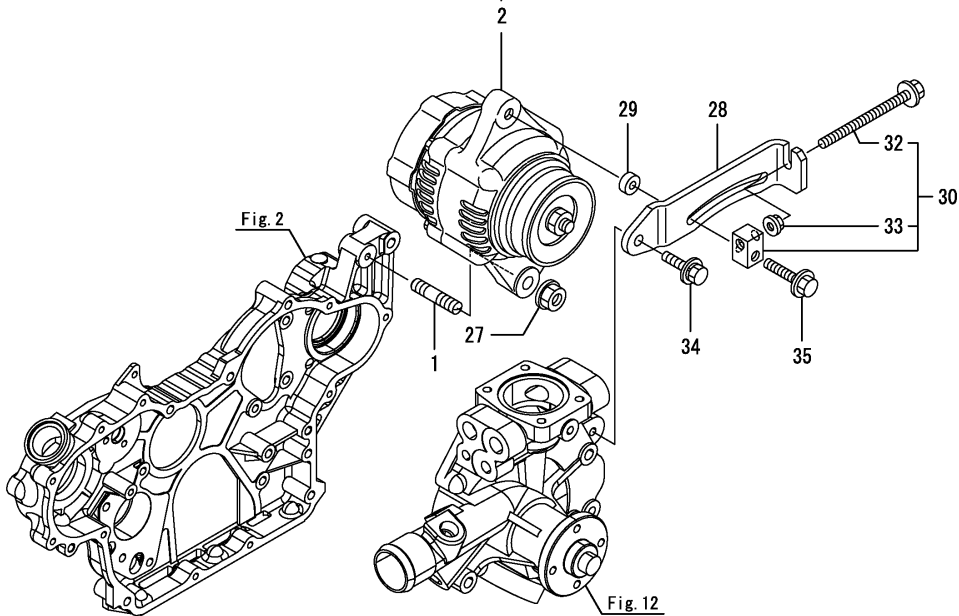
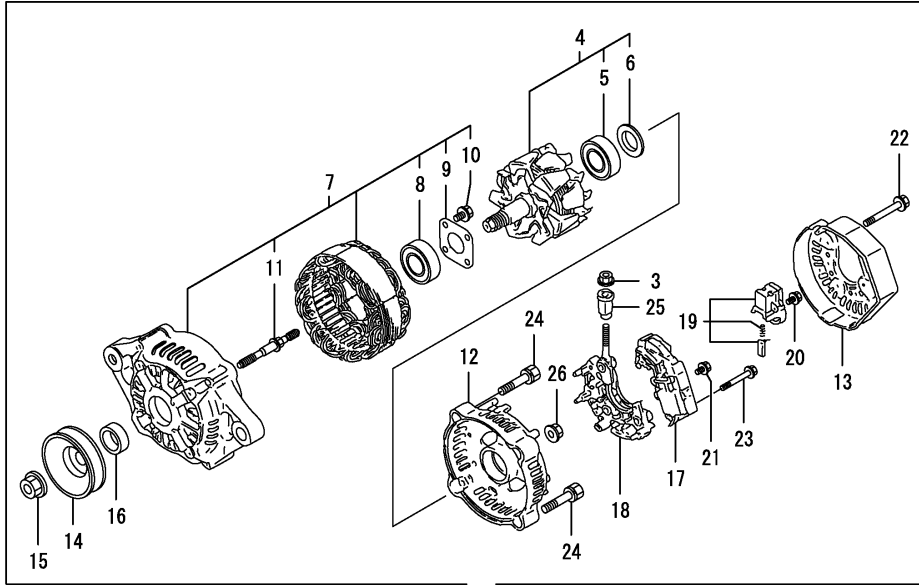


No.	Lev.	Parts No.	Description	Q'ty						I	R
				(A)	(B)	(C)	(D)	(E)	(F)		
1	1	129900-77040	STARTER ASSY	1	1						
2	2	129900-77120	ARMATURE ASSY	1	1						
3	3	171008-77410	BEARING, BALL	1	1						
4	3	171008-77420	BEARING, BALL	1	1						
5	2	129900-77130	YOKE ASSY	1	1						
6	3	129900-77140	COIL ASSY, FIELD	1	1						
7	4	129900-77450	BRUSH	2	2						
8	4	171008-77450	SCREW, CORE SET	4	4						
9	2	129900-77150	COVER	1	1						
10	2	129900-77160	HOLDER ASSY, BRUSH	1	1						
11	3	X2130631300	SPRING, BRUSH	4	4						
12	3	129900-77450	BRUSH	2	2						
13	2	129900-77170	CLUTCH ASSY	1	1						
14	3	129900-77180	CLUTCH ASSY	1	1						
15	4	X2114955020	BEARING, BALL	1	1						
16	4	129900-77190	BEARING, BALL	1	1						
17	3	129900-77270	SHAFT, PINION	1	1						
18	3	171008-77670	STOPPER SET, PINION	1	1						
22	2	129900-77280	SWITCH ASSY, MAGNET	1	1						
23	2	129900-77290	CASE, GEAR	1	1						
24	2	129900-77380	RETAINER, BEARING	1	1						
25	2	129900-77390	LEVER ASSY, SHIFT	1	1						
26	2	129900-77420	COVER KIT, DUST	1	1						
27	2	129900-77430	SCREW, M4X10	2	2						
28	2	129685-77640	BOLT, THROUGH	2	2						
29	2	171008-77750	COVER, TERMINAL	1	1						
30	1	26106-120252	BOLT, M12X 25 PLATED	2	2						

Fig.18. GENERATOR

(A)=4TNV98C-XNRA
(B)=4TNV98C-XNRAQ
(C)=

(D)=
(E)=
(F)=



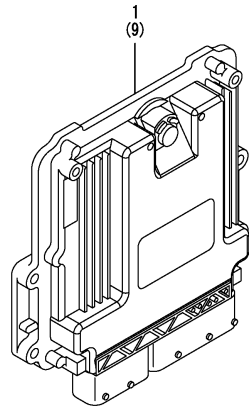
No.	Lev.	Parts No.	Description	Q'ty						I	R
				(A)	(B)	(C)	(D)	(E)	(F)		
1	1	129795-01900	BOLT, STUD M10X33	1	1						
2	1	129052-77220	GENERATOR ASSY, 55A	1	1						
3	2	X9490561001	NUT	1	1						
4	2	129052-77380	ROTOR ASSY	1	1						
5	3	123501-79240	BEARING, BALL	1	1						
6	3	119620-79250	COVER, BEARING	1	1						
7	2	129052-77422	FRAME ASSY	1	1						
8	3	119620-79200	BEARING, BALL	1	1						
9	3	119620-79210	RETAINER	1	1						
10	3	119620-79220	SCREW	4	4						
11	3	119620-79230	BOLT, STUD	2	2						
12	2	128401-77440	COVER	1	1						
13	2	128401-77450	COVER, GENERATOR	1	1						
14	2	119620-77461	PULLEY, GENERATOR	1	1						
15	2	119620-77471	NUT	1	1						
16	2	119620-77490	COLLAR	1	1						
17	2	119620-77710	REGULATOR ASSY	1	1						
18	2	129052-79260	HOLDER	1	1						
19	2	129052-79270	HOLDER, BRUSH	1	1						
20	2	119620-79290	SCREW	6	6						
21	2	119620-79300	SCREW	1	1						
22	2	119620-79310	BOLT	3	3						
23	2	119620-79320	SCREW	2	2						
24	2	119620-79330	BOLT	2	2						
25	2	119620-79340	BUSH, INSULATION	1	1						
26	2	119620-79350	NUT	2	2						
27	1	26306-100002	NUT, M10	1	1						
28	1	129906-77300	ADJUSTER, BELT	1	1						
29	1	121236-77340	SPACER	1	1						
30	1	119624-77351	BLOCK ASSY, ADJUSTER	1	1						
32	2	26106-081004	BOLT, M8X100 PLATED	1	1						
33	2	26306-080002	NUT, M8	1	1						
34	1	26014-080252	BOLT, M8X 25	1	1						
35	1	26106-080552	BOLT, M8X 55 PLATED	1	1						

Fig.19. ELECTRONIC CONTROL UNIT(ECU)

(A)=4TNV98C-XNRA
 (B)=4TNV98C-XNRAQ
 (C)=

(D)=
 (E)=
 (F)=

No.	Lev.	Parts No.	Description	Q'ty						I	R
				(A)	(B)	(C)	(D)	(E)	(F)		
1	1	129E26-75031	ECU ASSY,4-98C-XNRA	1	1						1
9	1	129A00-75910	ECU ASSY,SERVICE YMR	1	1						2



Remarks

(1)Eco ECU

This part cannot be ordered.

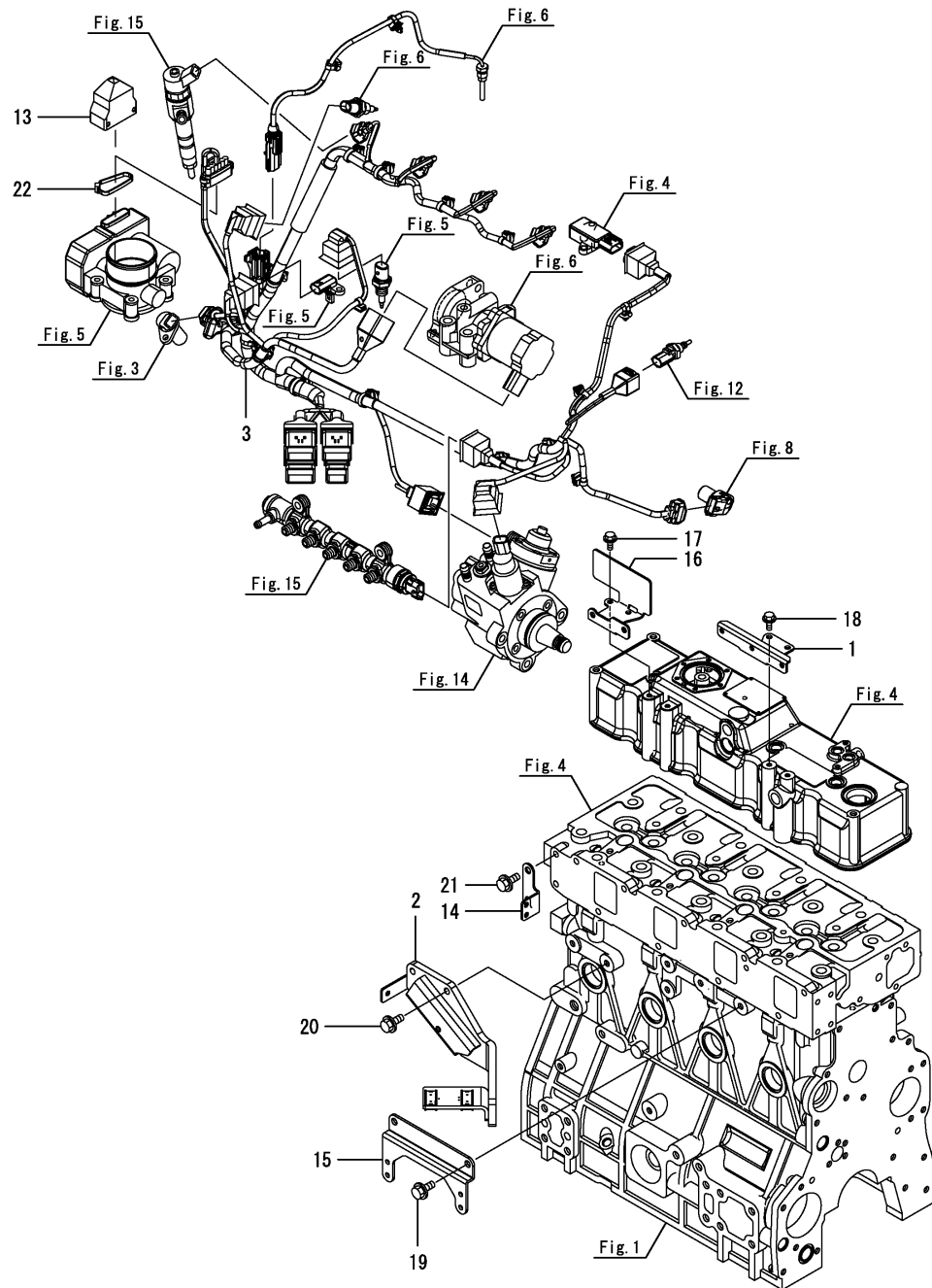
Replace the part using a Service ECU with the proper engine information installed.

(2)Service ECU

When replacing this part, it is necessary to update the software of the ECU using the designated service tool.

Please refer to the Service Manual for details.

Fig.20. ELECTRIC PARTS



(A)=4TNV98C-XNRA
 (B)=4TNV98C-XNRAQ
 (C)=

(D)=
 (E)=
 (F)=

No.	Lev.	Parts No.	Description	Q'ty						I	R
				(A)	(B)	(C)	(D)	(E)	(F)		
1	1	129E00-11390	BRACKET,HAENESS	1	1						
2	1	129E26-77910	BRACKET,CONNECTOR	1	1						
3	1	129E26-91240	HARNESS	1	1						
13	1	129A00-91451	BOOT,CAP TYPE	1	1						
14	1	129A00-91600	BRACKET, HARNESS	1	1						
15	1	129E00-91600	BRACKET, HARNESS	1	1						
16	1	129E26-91611	STAY, HARNESS	1	1						
17	1	26106-060122	BOLT, M6X 12 PLATED	2	2						
18	1	26106-060122	BOLT, M6X 12 PLATED	2	2						
19	1	26106-080122	BOLT, M8X 12 PLATED	2	2						
20	1	26106-080122	BOLT, M8X 12 PLATED	2	2						
21	1	26106-080162	BOLT, M8X 16 PLATED	2	2						
22	1	29621-200000	BAND	1	1						

Parts No. Index

Parts No.	Fig. No.	Ref. No.
105010-39140	8	29
105425-01690	3	8
114270-59010	16	10
119005-44761	12	33
	13	34
119130-44740	12	32
	13	33
119265-44400	13	15
119620-01750	3	3
119620-77461	18	14
119620-77471	18	15
119620-77490	18	16
119620-77710	18	17
119620-79200	18	8
119620-79210	18	9
119620-79220	18	10
119620-79230	18	11
119620-79250	18	6
119620-79290	18	20
119620-79300	18	21
119620-79310	18	22
119620-79320	18	23
119620-79330	18	24
119620-79340	18	25
119620-79350	18	26
119624-77351	18	30
119640-61400	4	60
119660-01570	5	12
119761-39450	11	26
119803-77830	4	69
119807-11770	4	57
119852-49300	13	18
120130-22301	9	25
	10	25
120270-54410	4	19
121236-77340	18	29
121450-42450	12	15
		35
	13	36
121520-34810	11	21
121850-21130	9	11
	10	11
121850-21290	9	4
	10	4
121850-21920	9	5
	10	5
121850-49550	12	20
	13	22
121850-49801	13	25
121850-49811	12	24

Parts No.	Fig. No.	Ref. No.
122780-59100	15	11
123501-79240	18	5
123900-13130	6	3
123907-03100	4	49
123907-03110	4	50
123907-03120	4	51
123907-03140	4	52
123910-33100	11	3
123912-33050	11	2
124160-01751	2	19
124160-11360	4	64
124240-01871	2	26
124460-11340	4	13
124465-44950	12	16
		37
	13	17
		38
128300-13230	7	1
128401-77440	18	12
128401-77450	18	13
129001-11340	4	56
129005-03080	5	1
129008-77800	4	70
129052-77220	18	2
129052-77380	18	4
129052-77422	18	7
129052-79260	18	18
129052-79270	18	19
129100-01580	2	2
	3	1
129150-02450	8	4
129150-11230	4	29
		33
129150-11370	4	1
129150-11750	4	31
		35
129150-11810	4	72
129150-14200	8	1
129150-25920	8	31
129150-35170	11	29
129410-03990	5	2
129418-18320	6	25
129555-44750	13	16
129648-44400	11	10
129685-77640	17	28
129795-01900	18	1
129795-11180	4	12
129900-01200	1	27
129900-01250	1	4
129900-02020	1	6

Parts No.	Fig. No.	Ref. No.
129900-02341	1	32
129900-02410	1	9
129900-02931	1	24
129900-02941	1	35
129900-11100	4	9
129900-11110	4	10
129900-11120	4	11
129900-11200	4	21
129900-11240	4	22
129900-11280	4	25
129900-11510	4	26
129900-11520	4	27
129900-11530	4	38
129900-11650	4	28
129900-11660	4	32
129900-14400	8	2
129900-21220	9	3
	10	3
129900-21600	9	14
	10	14
129900-23001	9	27
	10	27
129900-23200	9	30
	10	30
129900-23601	9	31
	10	31
129900-23611	9	34
	10	34
129900-23911	9	33
	10	33
129900-25110	8	15
129900-32001	2	3
129900-32030	2	14
	11	22
129900-32040	2	15
129900-42061	12	1
	13	1
129900-42070	12	2
	13	2
129900-42140	12	26
	13	27
129900-42450	12	30
129900-49560	12	21
	13	23
129900-77040	17	1
129900-77120	17	2
129900-77130	17	5
129900-77140	17	6
129900-77150	17	9
129900-77160	17	10

Parts No.	Fig. No.	Ref. No.
129900-77170	17	13
129900-77180	17	14
129900-77190	17	16
129900-77270	17	17
129900-77280	17	22
129900-77290	17	23
129900-77380	17	24
129900-77390	17	25
129900-77420	17	26
129900-77430	17	27
129900-77450	17	7
		12
129902-21050	9	1
	10	1
129906-77300	18	28
129907-03061	4	45
129907-03070	4	48
129916-01790	3	6
129916-01800	2	23
129916-21610	9	7
	10	7
129916-49740	12	22
		23
	13	24
129927-13810	6	29
129927-44900	12	36
	13	37
129928-49420	12	18
	13	20
129930-42400	13	31
129949-49110	11	11
129956-49190	11	13
129957-21661	9	8
129957-42290	12	31
129960-03990	12	41
		44
		48
	13	42
		45
		49
129960-21930	9	9
	10	9
129960-21940	9	10
	10	10
129963-49300	12	17
	13	19
129968-35010	11	23
129973-07910	4	67
129973-33010	11	1
129978-03030	4	44

Parts No. Index

Parts No.	Fig. No.	Ref. No.
129978-11871	4	17
129978-12700	4	58
129978-17700	7	38
129979-07900	4	66
129A00-11330	4	54
129A00-11340	4	14
129A00-12711	5	13
129A00-12720	5	7
129A00-12780	4	59
129A00-12790	5	14
129A00-12820	5	28
129A00-12900	5	29
129A00-12910	5	30
129A00-13350	6	13
	7	28
129A00-13380	6	16
129A00-13751	6	27
129A00-14710	8	12
129A00-16610	7	20
129A00-17311	7	30
129A00-17520	7	34
129A00-17570	7	37
129A00-21710	3	12
129A00-51000	14	1
129A00-51100	14	2
129A00-51110	14	3
129A00-51120	14	4
129A00-51130	14	5
129A00-51200	14	6
129A00-51900	14	7
129A00-53200	15	4
129A00-57100	15	7
129A00-57200	15	8
129A00-57210	15	9
129A00-59110	5	18
129A00-75910	19	9
129A00-91200	6	9
	16	13
129A00-91451	20	13
129A00-91600	20	14
129A01-49750	11	16
129C00-13960	7	11
129C00-13970	7	12
129C00-57000	15	6
129C01-16400	7	16
129C01-16680	7	21
129C01-16700	7	22
129C01-16740	7	24
129C23-17500	7	32
129C26-49300	12	39

Parts No.	Fig. No.	Ref. No.
129C26-49300	13	40
129E00-01330	1	28
129E00-01570	1	1
129E00-01580	2	21
129E00-01850	2	24
129E00-03010	4	42
129E00-03020	4	43
129E00-11330	4	55
129E00-11390	20	1
129E00-11710	4	2
129E00-11900	4	18
129E00-12101	5	5
129E00-12110	5	3
129E00-12151	5	4
129E00-12800	5	15
129E00-12810	5	10
129E00-13110	6	2
129E00-13300	6	12
129E00-13360	6	14
129E00-13400	6	19
129E00-13410	6	20
129E00-13610	6	21
129E00-13710	5	16
129E00-13720	5	17
129E00-13770	6	8
129E00-13851	6	23
129E00-13861	6	24
129E00-13901	6	32
129E00-13910	6	33
129E00-13920	6	34
129E00-14101	8	6
129E00-14581	8	3
129E00-14700	8	8
129E00-16600	7	19
129E00-22050	9	19
	10	19
129E00-22080	9	17
	10	17
129E00-22900	9	36
	10	36
129E00-22950	9	38
	10	38
129E00-25050	8	14
129E00-25060	8	22
129E00-25080	8	32
129E00-25121	8	23
129E00-25200	8	26
129E00-25400	8	28
129E00-25902	8	19
129E00-42100	12	4

Parts No.	Fig. No.	Ref. No.
129E00-42100	13	4
129E00-49630	12	43
	13	44
129E00-53100	15	1
129E00-59020	16	5
129E00-59030	16	9
129E00-59500	16	1
129E00-59700	15	13
129E00-59810	15	15
129E00-59820	15	16
129E00-59830	15	17
129E00-59840	15	18
129E00-77820	4	71
129E00-91600	20	15
129E23-11352	4	41
129E23-17650	7	35
129E26-01530	2	1
129E26-01620	3	2
129E26-01710	3	7
129E26-12850	5	11
129E26-13100	6	1
129E26-13800	6	28
129E26-16000	7	13
129E26-16200	7	14
129E26-16550	7	18
129E26-16710	7	23
129E26-16830	7	2
129E26-16841	7	3
129E26-16850	7	4
129E26-16860	7	5
129E26-16870	7	6
129E26-16880	7	7
129E26-16890	7	8
129E26-16911	7	9
129E26-17300	7	29
129E26-17350	7	31
129E26-21570	9	12
	10	12
129E26-21670	10	8
129E26-33100	11	6
129E26-33110	11	4
129E26-33150	11	5
129E26-34800	11	20
129E26-42100	13	3
129E26-42110	12	3
129E26-42300	13	32
129E26-49200	11	14
129E26-49500	12	19
	13	21
129E26-49600	12	40

Parts No.	Fig. No.	Ref. No.
129E26-49600	13	41
129E26-49670	12	47
	13	48
129E26-59120	5	19
129E26-75031	19	1
129E26-77910	20	2
129E26-91240	20	3
129E26-91600	6	10
129E26-91611	20	16
129F01-13610	6	4
129F01-13650	6	22
129F01-13670	6	5
129F01-13680	6	6
129F01-13690	6	7
171008-77410	17	3
171008-77420	17	4
171008-77450	17	8
171008-77670	17	18
171008-77750	17	29
171051-01921	1	5
22190-080002	8	30
	11	27
22190-120002	12	38
	13	39
22190-140002	5	20
22190-160002	3	10
22217-180000	8	20
22242-000180	4	36
22252-000300	9	26
	10	26
22351-030010	8	9
22351-060012	1	11
22512-070140	8	7
	9	6
	10	6
22857-500100	4	61
		62
23000-025000	11	17
23080-007000	16	4
23080-015000	16	8
23414-080000	12	27
	13	28
23414-120000	6	17
23876-005000	4	7
23876-020000	11	7
23876-030000	1	12
		13
		14
	11	8
24104-063020	9	16

Parts No. Index

Parts No.	Fig. No.	Ref. No.
24104-063020	10	16
24311-000070	2	16
24311-000120	4	65
24311-000320	2	20
24314-000200	11	18
24321-000600	11	19
26014-080252	18	34
26106-060122	20	17
		18
26106-060202	5	31
26106-060402	5	32
26106-060902	5	33
26106-080122	3	11
	6	11
	11	28
	12	28
	13	29
	20	19
		20
26106-080142	7	25
	8	10
	11	24
26106-080162	2	17
		27
		28
	6	18
	7	39
	20	21
26106-080202	4	68
	6	26
	7	40
		41
		42
		43
		44
		45
26106-080222	12	25
26106-080252	15	10
26106-080302	7	46
	14	8
26106-080352	4	20
	5	21
	7	47
	11	25
26106-080402	2	29
26106-080452	2	18
	5	8
	8	27
	12	34
26106-080502	8	18

Parts No.	Fig. No.	Ref. No.
26106-080552	5	9
	12	29
	13	30
	18	35
26106-080652	13	35
26106-080702	2	30
26106-080752	5	24
26106-080902	5	25
26106-081004	18	32
26106-100202	7	48
		49
		50
26106-100252	6	30
26106-100602	6	35
26106-100652	4	39
26106-120252	17	30
26206-100352	3	4
26206-100702	3	5
26216-060202	5	6
		22
26216-081002	5	26
26216-100202	7	51
26306-080002	5	27
	6	31
	7	26
		52
	13	26
	18	33
26306-100002	4	40
	7	53
		54
	18	27
26366-060002	15	19
26450-060162	3	13
	4	63
	8	13
26557-050082	4	46
26577-040162	4	37
26577-060122	8	11
26587-050102	4	47
26716-060002	5	23
26776-180002	8	21
27241-300000	1	10
27241-400000	4	8
27310-080001	4	15
29621-200000	20	22
729900-02801	1	29
X2114955020	17	15
X2130631300	17	11
X9490561001	18	3

Parts No.	Fig. No.	Ref. No.
-----------	----------	----------

Parts No.	Fig. No.	Ref. No.
-----------	----------	----------