

0CNP6-M02030EN

Contents

OCNP6-M02030

Fig. No. Fig. Name

Fig. No. Fig. Name

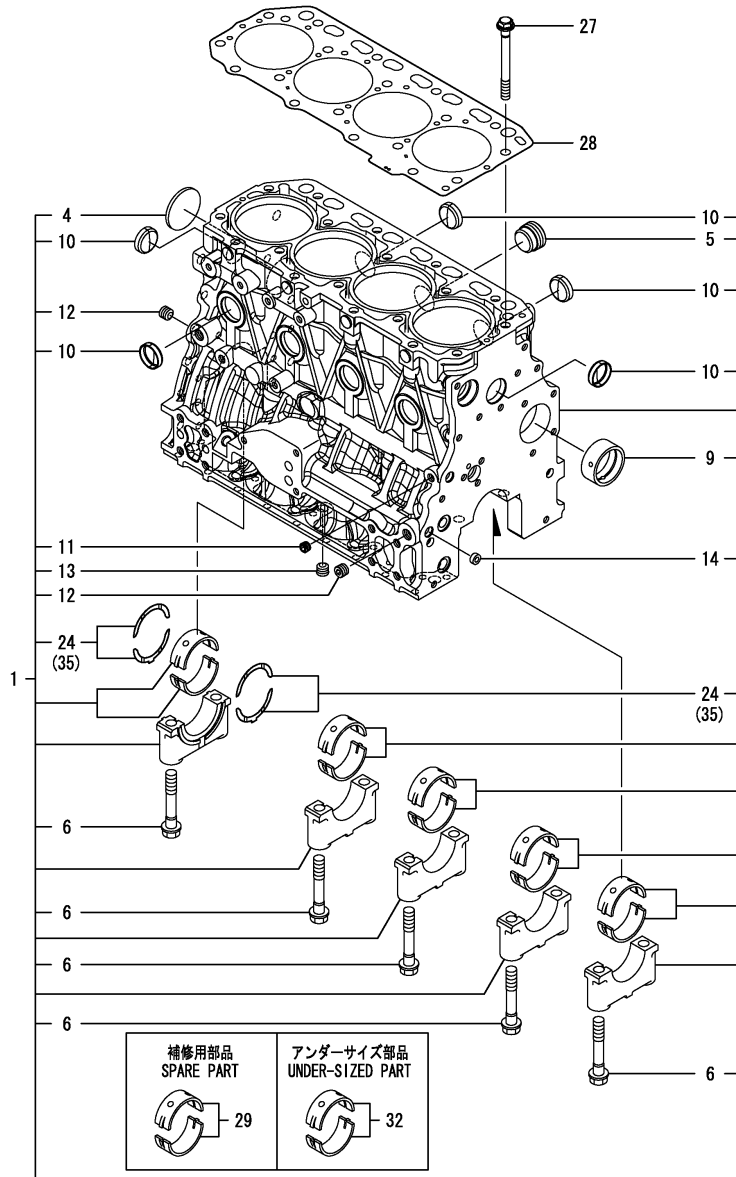
ENGINE

1. CYLINDER BLOCK
2. GEAR HOUSING
3. FLYWHEEL HOUSING & OIL SUMP
4. CYLINDER HEAD & BONNET
5. SUCTION MANIFOLD
6. EXHAUST MANIFOLD
7. DIESEL PARTICULATE FILTER(DPF)
8. CAMSHAFT & DRIVING GEAR
9. CRANKSHAFT & PISTON
10. LUB. OIL SYSTEM
11. COOLING WATER SYSTEM
12. COOLING WATER SYSTEM
13. FUEL SUPPLY PUMP
14. FUEL INJECTION VALVE
15. FUEL PIPE
16. STARTER MOTOR
17. GENERATOR
18. ELECTRONIC CONTROL UNIT(ECU)
19. ELECTRIC PARTS
20. COMPRESSOR MOUNT

Fig.1. CYLINDER BLOCK

(A)=4TNV88C-KRN
 (B)=4TNV88C-KRNQ
 (C)=

(D)=
 (E)=
 (F)=

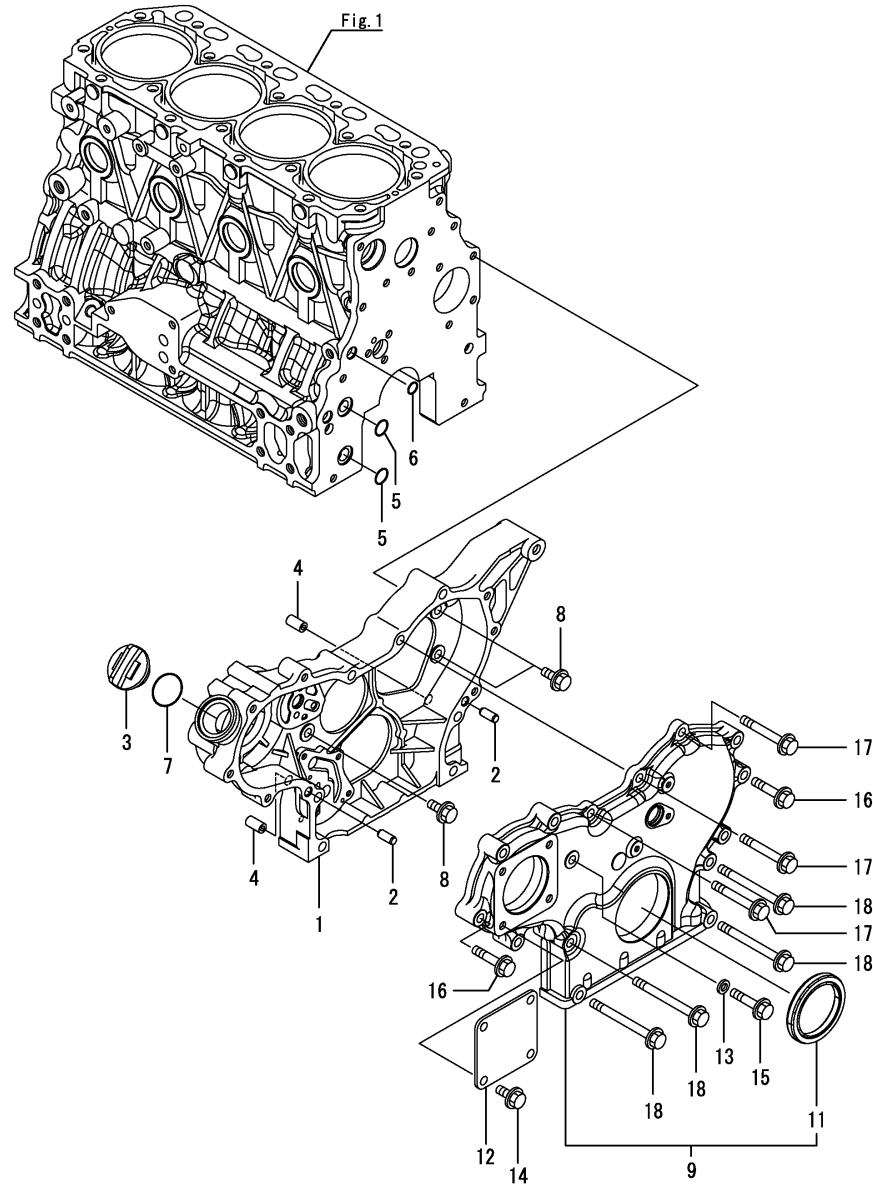


No.	Lev.	Parts No.	Description	Q'ty						I	R
				(A)	(B)	(C)	(D)	(E)	(F)		
1	1	129C00-01560	BLOCK ASSY, CYLINDER	1	1						
4	2	129001-01250	PLUG, DISH TYPE 50	1	1						
5	2	171051-01921	PLUG, NPTF1	1	1						
6	2	129150-02020	BOLT, METAL CAP	10	10						
9	2	129795-02412	BUSH, CAMSHAFT	1	1						
10	2	27241-300000	PLUG 30	8	8						
11	2	124060-01050	PLUG, PT1/8	1	1						
12	2	124160-01910	PLUG, PT1/4	2	2						
13	2	124160-01910	PLUG, PT1/4	1	1						
14	2	27241-120000	PLUG, 12	1	1						
24	2	129150-02931	BEARING ASSY, THRUST	2	2						
27	1	129150-01200	BOLT, CYLINDER HEAD	18	18						
28	1	129685-01350	GASKET, HEAD	1	1						
29	1	129001-02931	BEARING ASSY, MAIN	5	5						1
32	1	129150-02871	BEARING ASSY, MAIN	5	5						2
35	1	129150-02941	BEARING, THRUST 0.25	1	1						3

Remarks

- (1) Spare parts.
- (2) Under-sized (U.S.=0.25) parts.
- (3) Over-sized (O.S.=0.25) parts.

Fig.2. GEAR HOUSING



(A)=4TNV88C-KRN
(B)=4TNV88C-KRNQ
(C)=

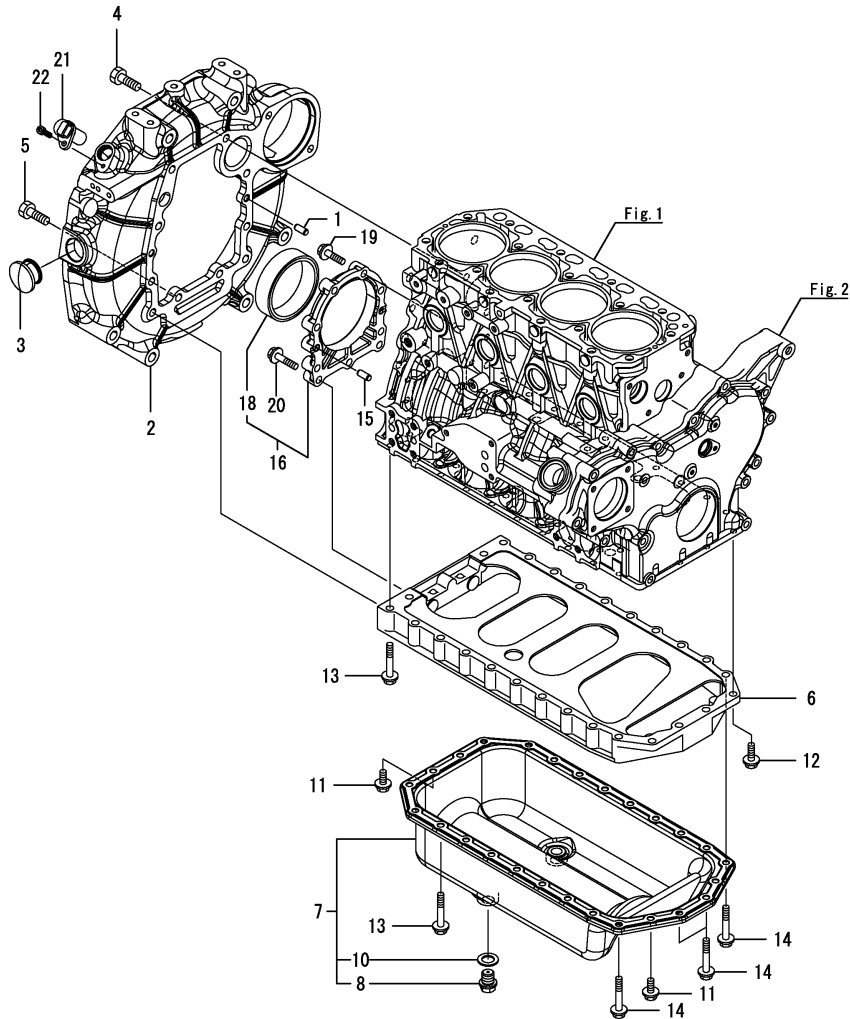
(D)=
(E)=
(F)=

No.	Lev.	Parts No.	Description	Q'ty						I	R
				(A)	(B)	(C)	(D)	(E)	(F)		
1	1	129A00-01500	CASE, GEAR	1	1						
2	1	129100-01580	PIN, PARALLEL 8X16	2	2						
3	1	124160-01751	CAP, FILLER	1	1						
4	1	129795-01950	PIPE, DOWEL L=18	2	2						
5	1	119609-32040	O-RING, P16	2	2						
6	1	119624-32040	O-RING, P12.0	1	1						
7	1	24311-000320	O-RING, 1AP32.0	1	1						
8	1	26106-080162	BOLT, M8X 16 PLATED	3	3						
9	1	129A00-01550	COVER ASSY, GEARCASE	1	1						
11	2	119934-01800	SEAL, OIL	1	1						
12	1	124240-01871	COVER, PUMP	1	1						
13	1	22190-080002	WASHER, SEAL 8	1	1						
14	1	26106-080162	BOLT, M8X 16 PLATED	4	4						
15	1	26106-080352	BOLT, M8X 35 PLATED	1	1						
16	1	26106-080402	BOLT, M8X 40 PLATED	7	7						
17	1	26106-080602	BOLT, M8X 60 PLATED	3	3						
18	1	26106-080852	BOLT, M8X 85 PLATED	4	4						

Fig.3. FLYWHEEL HOUSING & OIL SUMP

(A)=4TNV88C-KRN
(B)=4TNV88C-KRNQ
(C)=

(D)=
(E)=
(F)=

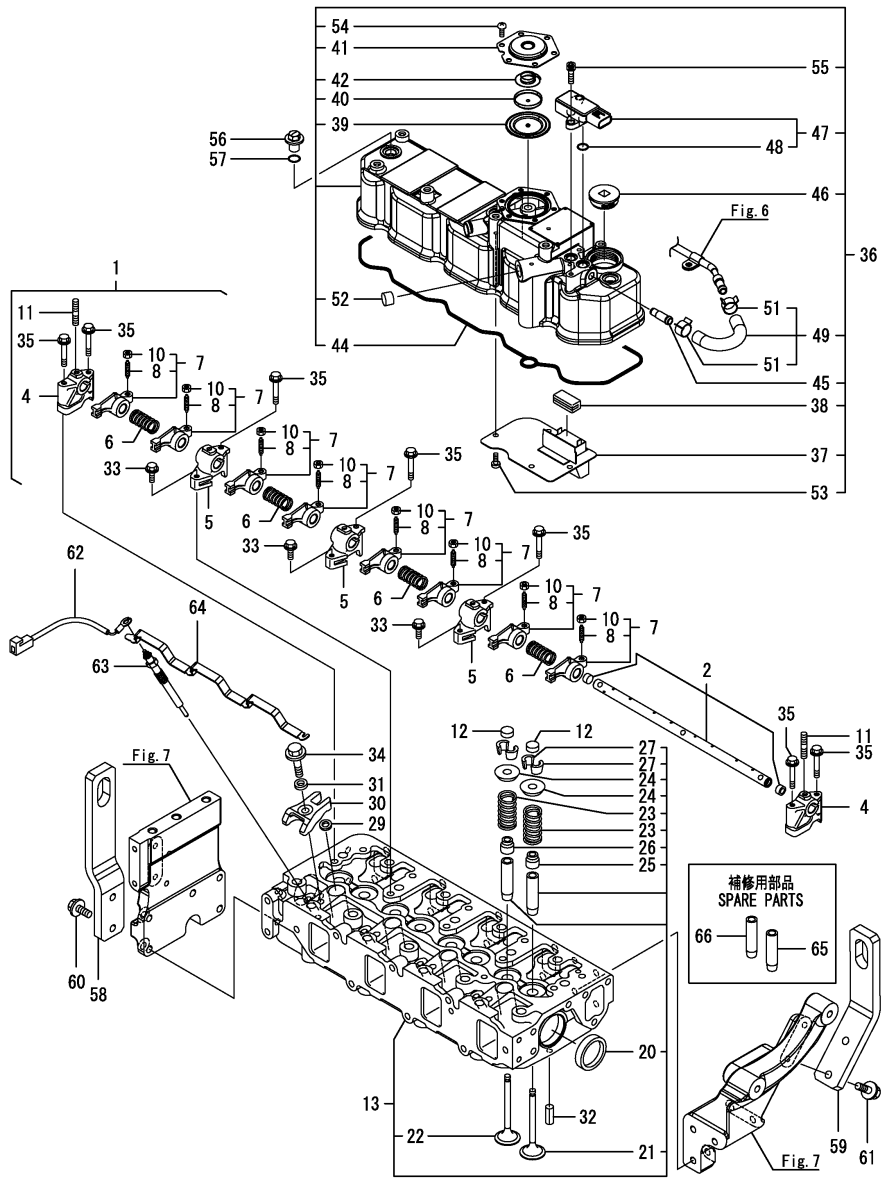


No.	Lev.	Parts No.	Description	Q'ty						I	R
				(A)	(B)	(C)	(D)	(E)	(F)		
1	1	129100-01580	PIN, PARALLEL 8X16	2	2						
2	1	129A26-01620	HOUSING, FLYWHEEL	1	1						
3	1	119620-01750	CAP	1	1						
4	1	26206-100252	BOLT, M10X 25 PLATED	6	6						
5	1	26206-100302	BOLT, M10X 30 PLATED	4	4						
6	1	129400-01730	SPACER, OIL-PAN	1	1						
7	1	129558-01750	SUMP ASSY, OIL	1	1						
8	2	105425-01690	PLUG, M16	2	2						
10	2	22190-160002	WASHER, SEAL 16	2	2						
11	1	26106-080162	BOLT, M8X 16 PLATED	4	4						
12	1	26106-080252	BOLT, M8X 25 PLATED	2	2						
13	1	26106-080452	BOLT, M8X 45 PLATED	20	20						
14	1	26106-080502	BOLT, M8X 50 PLATED	4	4						
15	1	129100-01580	PIN, PARALLEL 8X16	2	2						
16	1	129100-01640	CASE ASSY, OIL SEAL	1	1						
18	2	129795-01780	SEAL, OIL	1	1						
19	1	129486-01670	BOLT, M8X30	6	6						
20	1	26106-080352	BOLT, M8X 35 PLATED	3	3						
21	1	129A00-21710	SENSOR, FLYWHEEL REV	1	1						1
22	1	26450-060162	BOLT, M6X 16	1	1						

Remarks

(1)When replacing this part, it is necessary to update the software of the ECU using the designated service tool. Please refer to the Service Manual for details.

Fig.4. CYLINDER HEAD & BONNET



(A)=4TNV88C-KRN
(B)=4TNV88C-KRNQ
(C)=

(D)=
(E)=
(F)=

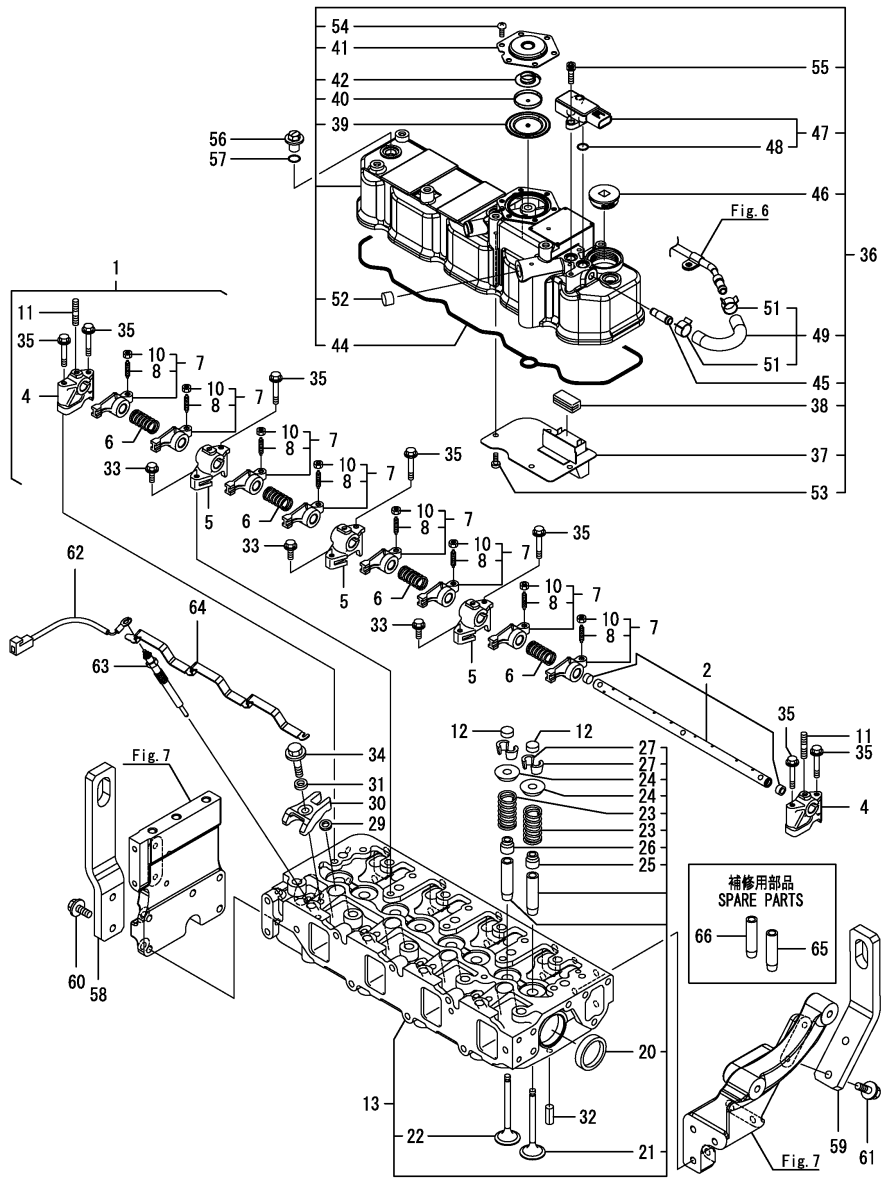
No.	Lev.	Parts No.	Description	Q'ty						I	R
				(A)	(B)	(C)	(D)	(E)	(F)		
1	1	129601-11241	SHAFT ASSY, ROCKER	1	1						
2	2	129601-11251	SHAFT, ROCKER ARM	1	1						
4	2	119802-11260	SUPPORT, ROCKER ARM	2	2						
5	2	119802-11270	SUPPORT, ROCKER ARM	3	3						
6	2	129150-11280	SPRING, ROCKER	4	4						
7	2	129004-11650	ARM ASSY, ROCKER	8	8						
8	3	129150-11230	SCREW, VALVE ADJUST	8	8						
10	3	129150-11750	NUT, M8	8	8						
11	2	26226-080182	STUD, M8X 18	3	3						
12	1	129150-11370	CAP, VALVE	8	8						
13	1	129C20-11700	HEAD ASSY, CYLINDER	1	1						
20	2	27241-400000	PLUG, 40	2	2						
21	2	129005-11100	VALVE, SUCTION	4	4						
22	2	129100-11112	VALVE, EXHAUST	4	4						
23	2	129795-11120	SPRING, VALVE	8	8						
24	2	129795-11180	RETAINER, SPRING	8	8						
25	2	124460-11340	SEAL, VALVE STEM	4	4						
26	2	129A00-11340	SEAL, VALVE STEM	4	4						
27	2	27310-080001	COTTER, 8	8	8						
29	1	129978-11871	GASKET,INJECTOR	4	4						
30	1	129A00-11900	RETAINER, INJECTOR	4	4						
31	1	120270-54410	WASHER, INJECTOR	4	4						
32	1	22351-060012	PIN, SPRING 6.0X12	2	2						
33	1	26106-080252	BOLT, M8X 25 PLATED	3	3						
34	1	26106-080352	BOLT, M8X 35 PLATED	4	4						
35	1	26106-080502	BOLT, M8X 50 PLATED	7	7						
36	1	129C23-11351	BONNET ASSY	1	1						
37	2	129004-03010	PLATE, BAFFLE	1	1						
38	2	129150-03070	BAFFLE, BREATHER	1	1						
39	2	123907-03100	DIAPHRAGM	1	1						
40	2	123907-03110	PLATE	1	1						
41	2	123907-03120	PLATE, BREATHER	1	1						
42	2	123907-03140	SPRING, DIAPHRAGM	1	1						
44	2	129C00-11310	GASKET, COVER	1	1						
45	2	129A00-11330	JOINT	1	1						
46	2	119807-11770	PLUG	1	1						
47	2	129978-12700	SENSOR,PRESSURE	1	1						1
48	3	129A00-12780	O-RING,PRES SENSOR	2	2						
49	2	129A00-13360	HOSE ASSY, PRES EXH	1	1						
51	3	129A00-13380	CLIP, HOSE 14	2	2						
52	2	119640-61400	PLUG	1	1						
53	2	22857-500100	SCREW, 5X10	4	4						
54	2	22857-500100	SCREW, 5X10	6	6						
55	2	26450-060162	BOLT, M6X 16	2	2						
56	1	124160-11360	KNOB	3	3						
57	1	24311-000120	O-RING, 1AP12.0	3	3						
58	1	129C26-07950	LIFTER, ENGINE	1	1						
59	1	129C26-07960	LIFTER, ENGINE	1	1						
60	1	26106-080252	BOLT, M8X 25 PLATED	2	2						
61	1	26106-080252	BOLT, M8X 25 PLATED	2	2						
62	1	119803-77830	HARNES, WIRE	1	1						

Remarks

(1)When replacing this part, it is necessary to update the software of the ECU using the designated service tool. Please refer to the Service Manual for details.

(2)Spare parts.

Fig.4. CYLINDER HEAD & BONNET



(A)=4TNV88C-KRN
(B)=4TNV88C-KRNQ
(C)=

(D)=
(E)=
(F)=

No.	Lev.	Parts No.	Description	Q'ty						I	R
				(A)	(B)	(C)	(D)	(E)	(F)		
63	1	129008-77800	PLUG, GLOW	4	4						
64	1	129C00-77820	CONNECTOR, GLOW PLUG	1	1						
65	1	120130-11860	GUIDE, VALVE	4	4						2
66	1	129150-11810	GUIDE, VALVE	4	4						2

Remarks

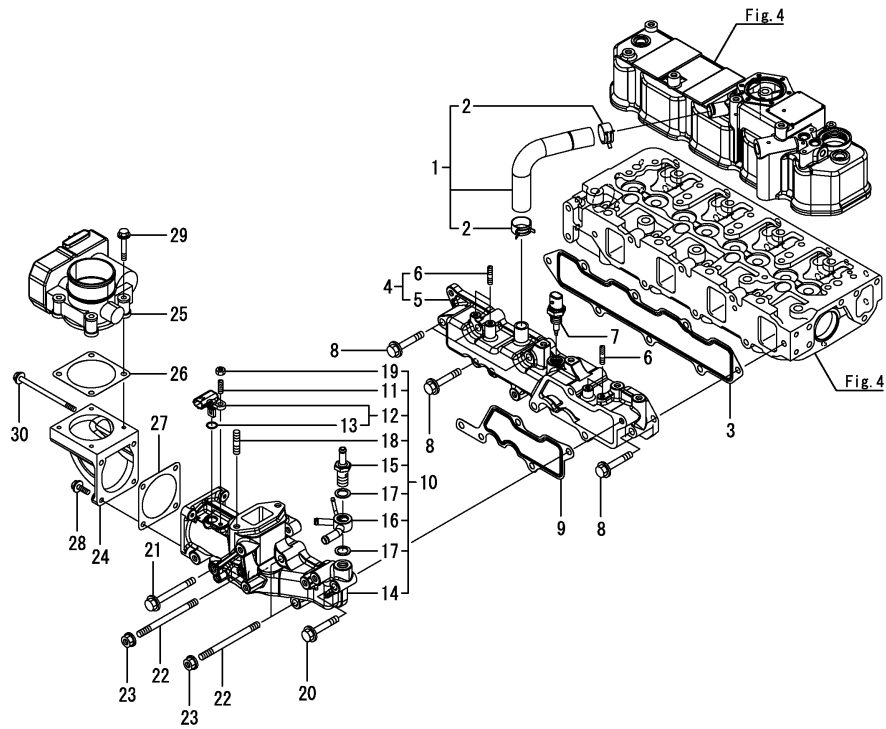
- (1)When replacing this part, it is necessary to update the software of the ECU using the designated service tool. Please refer to the Service Manual for details.
- (2)Spare parts.

Fig.5. SUCTION MANIFOLD

(A)=4TNV88C-KRN
(B)=4TNV88C-KRNQ
(C)=

(D)=
(E)=
(F)=

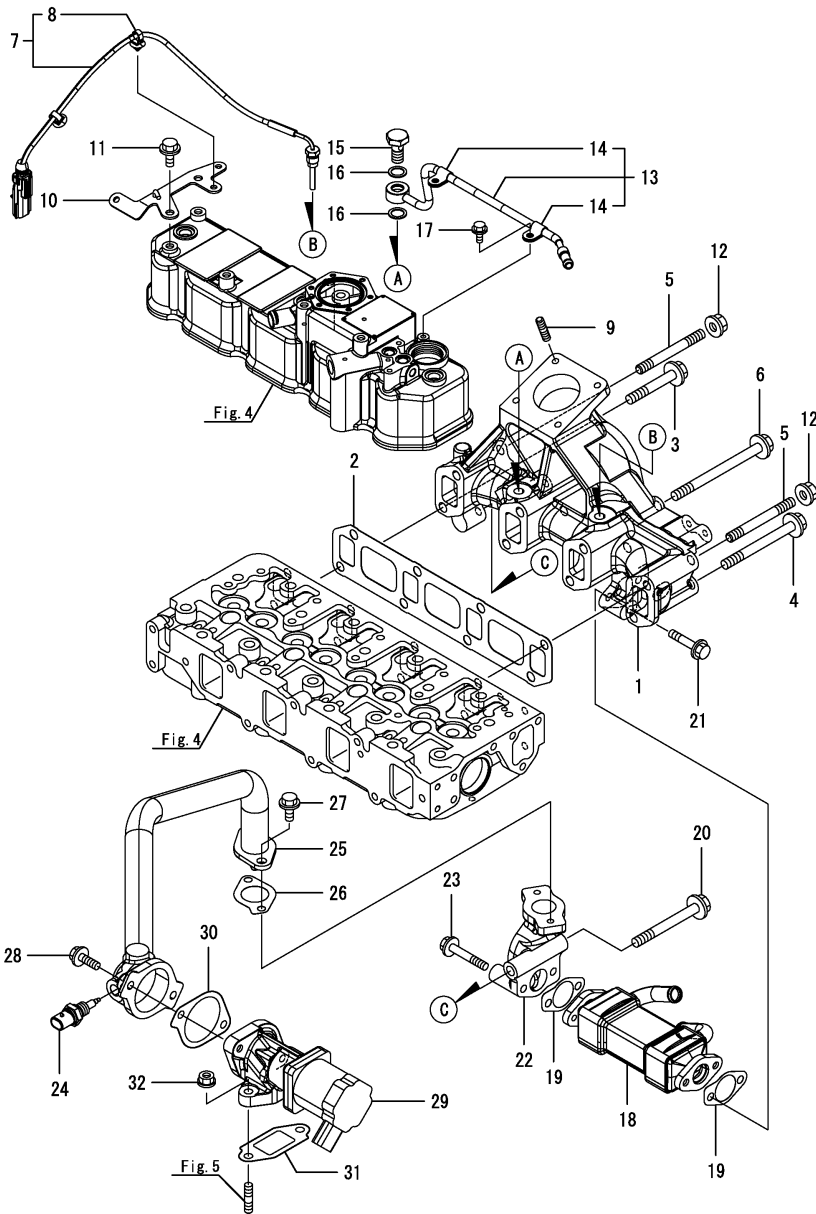
No.	Lev.	Parts No.	Description	Q'ty						I	R
				(A)	(B)	(C)	(D)	(E)	(F)		
1	1	129005-03080	HOSE ASSY, BREATHER	1	1						
2	2	129410-03990	CLAMP, HOSE 21.5	2	2						
3	1	129C00-12110	GASKET, INT MANIFOLD	1	1						
4	1	129C00-12150	MANIFOLD CMP,INTAKE	1	1						
5	2	129C00-12100	MANIFOLD,INT	1	1						
6	2	26216-060202	STUD, M6X 20	4	4						
7	1	129A00-12720	SENSOR,AIR TEMP	1	1						1
8	1	26106-080502	BOLT, M8X 50 PLATED	5	5						
9	1	129A00-12810	GASKET, COLLECTOR	1	1						
10	1	129A00-12851	COLLECTOR, INT CMP	1	1						
11	2	119660-01570	BOLT, STUD M6X12	1	1						
12	2	129A00-12711	SENSOR,AIR TEMP	1	1						
13	3	129A00-12790	O-RING,TEMP SENSOR	1	1						
14	2	129A00-12830	COLLECTOR, INT	1	1						
15	2	129A00-59110	JOINT, HOSE M14	1	1						
16	2	129A00-59120	JOINT, HOSE 14	1	1						
17	2	22190-140002	WASHER, SEAL 14	2	2						
18	2	26216-080302	STUD, M8X 30	2	2						
19	2	26716-060002	NUT, M6	1	1						
20	1	26106-080502	BOLT, M8X 50 PLATED	1	1						
21	1	26106-080752	BOLT, M8X 75 PLATED	1	1						
22	1	26216-081052	STUD, M8X105	3	3						
23	1	26306-080002	NUT, M8	3	3						
24	1	129C26-12820	BEND, INLET	1	1						
25	1	129A00-12900	THROTTLE BODY(INT	1	1						1
26	1	129A00-12910	GASKET,THROTTLE	1	1						
27	1	129A00-12910	GASKET,THROTTLE	1	1						
28	1	26106-060202	BOLT, M6X 20 PLATED	2	2						
29	1	26106-060402	BOLT, M6X 40 PLATED	4	4						
30	1	26106-061002	BOLT, M6X100 PLATED	2	2						



Remarks

(1)When replacing this part, it is necessary to update the software of the ECU using the designated service tool. Please refer to the Service Manual for details.

Fig.6. EXHAUST MANIFOLD



(A)=4TNV88C-KRN
(B)=4TNV88C-KRNQ
(C)=

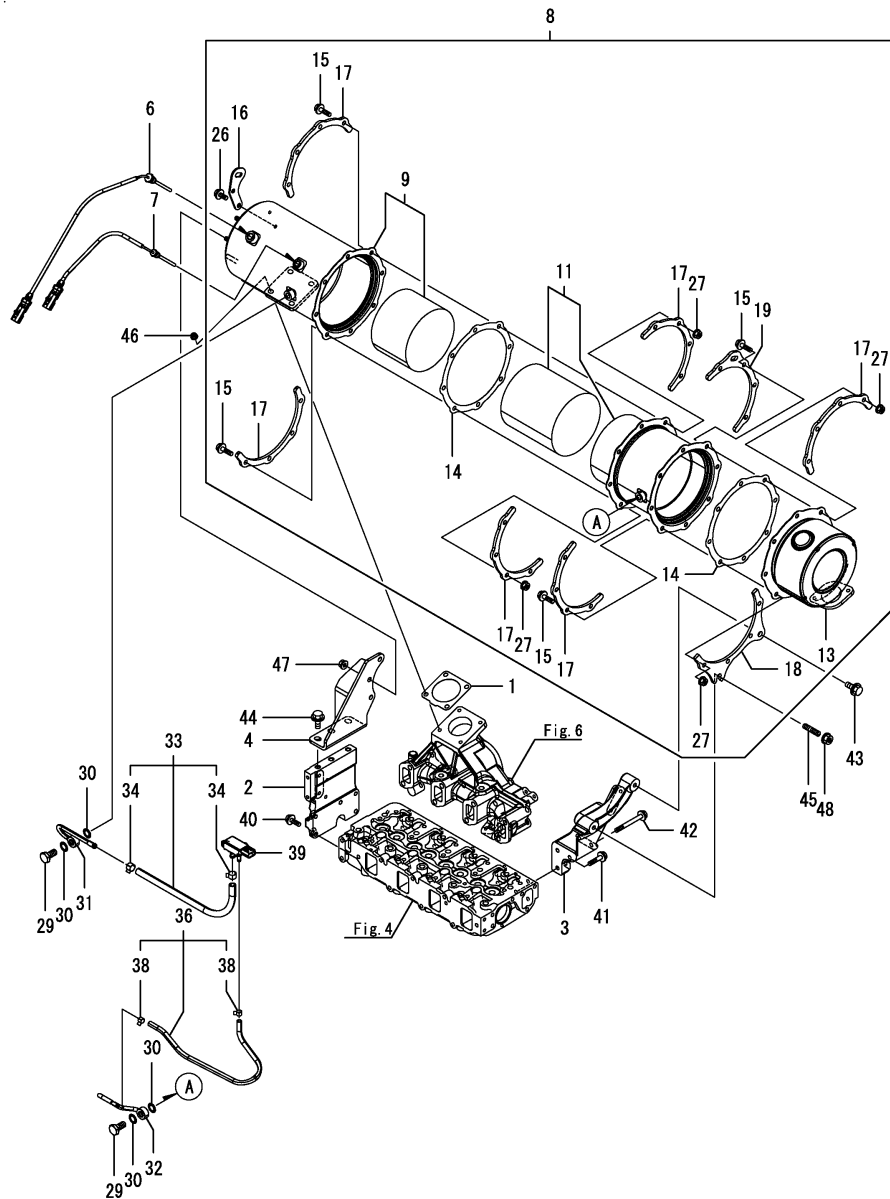
(D)=
(E)=
(F)=

No.	Lev.	Parts No.	Description	Qty						I	R
				(A)	(B)	(C)	(D)	(E)	(F)		
1	1	129C26-13100	MANIFOLD, EXHAUST	1	1						
2	1	129C00-13110	GASKET, EXH MANIFOLD	1	1						
3	1	129F01-13620	BOLT, M10X65 10.9T	1	1						
4	1	129F01-13640	BOLT, M10X100 10.9	3	3						
5	1	129A01-13700	STUD,10X80	2	2						
6	1	129C26-13700	BOLT, M10X125	2	2						
7	1	129E00-13770	SENSOR,EXH TEMP.	1	1						1
8	2	129A00-91200	BAND CLIP	2	2						
9	1	119131-18320	BOLT, STUD M8X22	4	4						
10	1	129C26-91610	STAY, HARNESS	1	1						
11	1	26106-080122	BOLT, M8X 12 PLATED	2	2						
12	1	26306-100002	NUT, M10	2	2						
13	1	129A00-13300	PIPE ASSY, EXHAUST P	1	1						
14	2	23297-080061	CLAMP, A8X 6	2	2						
15	1	129A00-13350	BOLT, PIPE JOINT	1	1						
16	1	23414-120000	GASKET, 12X1.0	2	2						
17	1	26106-060122	BOLT, M6X 12 PLATED	2	2						
18	1	129A00-13400	COOLER, EGR	1	1						
19	1	129A00-13410	GASKET, EGR COOLER	2	2						
20	1	129F01-13600	BOLT, M10X90 10.9T	1	1						
21	1	129E00-13620	BOLT, M8X40 10.9	2	2						
22	1	129A00-13861	PIPE,EGR OUT	1	1						
23	1	26106-080502	BOLT, M8X 50 PLATED	2	2						
24	1	129A00-13751	SENSOR,EGR GAS TEMP	1	1						1
25	1	129C26-13800	PIPE ASSY, EGR	1	1						
26	1	129927-13810	GASKET	1	1						
27	1	26106-080162	BOLT, M8X 16 PLATED	2	2						
28	1	26106-080252	BOLT, M8X 25 PLATED	2	2						
29	1	129C00-13901	VALVE, EGR	1	1						1
30	1	129A00-13910	GASKET, EGR-V IN	1	1						
31	1	129A00-13920	GASKET(EGR-V OUT	1	1						
32	1	26306-080002	NUT, M8	2	2						

Remarks

(1)When replacing this part, it is necessary to update the software of the ECU using the designated service tool. Please refer to the Service Manual for details.

Fig.7. DIESEL PARTICULATE FILTER(DPF)



(A)=4TNV88C-KRN
(B)=4TNV88C-KRNQ
(C)=

(D)=
(E)=
(F)=

No.	Lev.	Parts No.	Description	Q'ty						I	R
				(A)	(B)	(C)	(D)	(E)	(F)		
1	1	129930-13201	GASKET, SILENCER	1	1						
2	1	129C26-16660	STAY, DPF B	1	1						
3	1	129C26-16800	STAY, DPF A	1	1						
4	1	129C26-16810	STAY, DPF C	1	1						
6	1	129A23-13910	SENSOR,EXH TEMP.	1	1						1
7	1	129A23-13920	SENSOR,EXH TEMP.	1	1						1
8	1	129C26-16010	DPF ASSY	1	1						1
9	2	129C26-16200	CASE, DOC	1	1						1
11	2	129C26-16400	CASE, SOOT FILTER	1	1						1
13	2	129C26-16500	SILENCER,DPF	1	1						
14	2	129A00-16600	GASKET, DPF	2	2						
15	2	129A00-16610	BOLT, M8X28 10.9T	16	16						
16	2	129C01-16690	LIFTER, DPF	1	1						
17	2	129A00-16700	STIFFENER, DPF A	6	6						
18	2	129C26-16700	STIFFENER	1	1						
19	2	129A00-16740	STIFFENER, DPF C	1	1						
26	2	26106-080142	BOLT, M8X 14 PLATED	2	2						
27	2	26306-080002	NUT, M8	16	16						
29	1	129A00-13350	BOLT, PIPE JOINT	2	2						
30	1	129A00-17311	GASKET,SENSOR	4	4						
31	1	129A00-17330	PIPE ASSY, SENSOR	1	1						
32	1	129A00-17360	PIPE ASSY, SENSOR	1	1						
33	1	129979-17631	HOSE ASSY, PRES EXH	1	1						
34	2	129A00-17520	CLIP, HOSE	2	2						
36	1	129979-17661	HOSE ASSY, PRES EXH	1	1						
38	2	129A00-17570	CLIP, HOSE	2	2						
39	1	129978-17700	SENSOR,PRESSURE	1	1						1
40	1	26106-080202	BOLT, M8X 20 PLATED	5	5						
41	1	26106-080352	BOLT, M8X 35 PLATED	1	1						
42	1	26106-080752	BOLT, M8X 75 PLATED	2	2						
43	1	26106-100202	BOLT, M10X 20 PLATED	1	1						
44	1	26106-100202	BOLT, M10X 20 PLATED	3	3						
45	1	26216-100302	STUD, M10X 30	1	1						
46	1	26306-080002	NUT, M8	4	4						
47	1	26306-080002	NUT, M8	3	3						
48	1	26306-100002	NUT, M10	1	1						

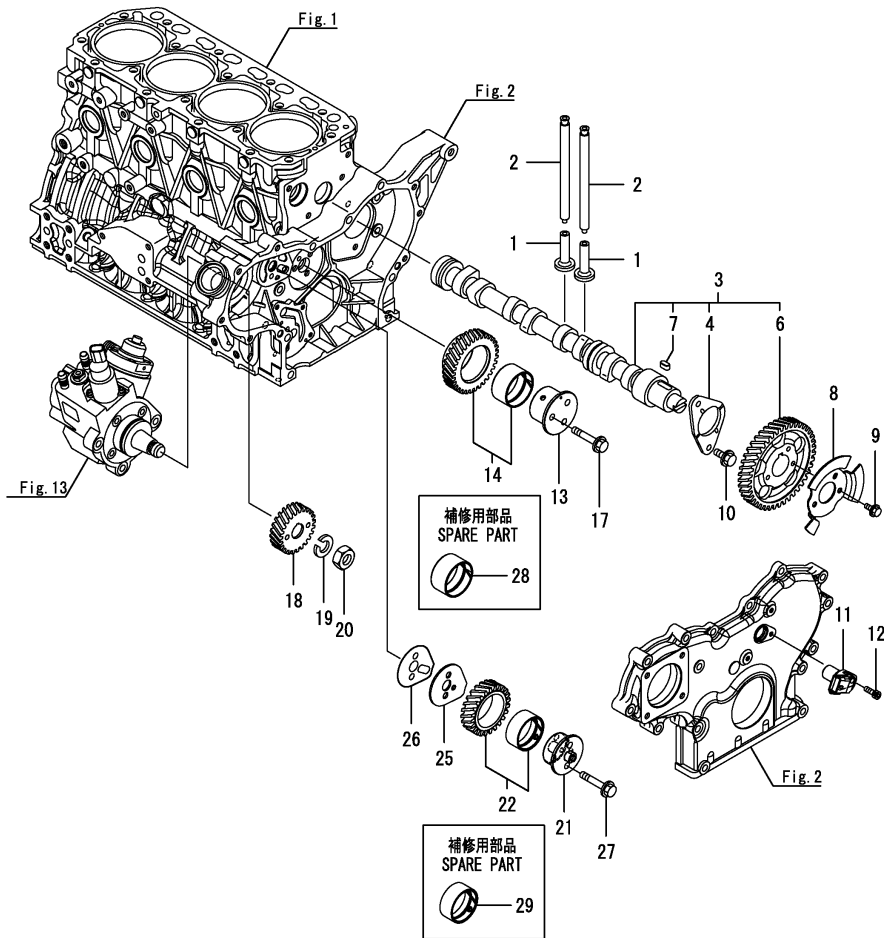
Remarks

(1)When replacing this part, it is necessary to update the software of the ECU using the designated service tool. Please refer to the Service Manual for details.

Fig.8. CAMSHAFT & DRIVING GEAR

(A)=4TNV88C-KRN
(B)=4TNV88C-KRNQ
(C)=

(D)=
(E)=
(F)=



No.	Lev.	Parts No.	Description	Q'ty						I	R
				(A)	(B)	(C)	(D)	(E)	(F)		
1	1	129150-14200	TAPPET	8	8						
2	1	129150-14400	PUSH-ROD, L=178	8	8						
3	1	129C00-14580	CAMSHAFT ASSY	1	1						
4	2	129150-02450	BEARING, THRUST	1	1						
6	2	129A00-14100	GEAR,CAMSHAFT	1	1						
7	2	22512-070140	KEY, 7X 14	1	1						
8	1	129A00-14700	PULSER, CAMSHAFT	1	1						
9	1	26106-060102	BOLT, M6X 10 PLATED	3	3						
10	1	26106-080142	BOLT, M8X 14 PLATED	2	2						
11	1	129A00-14710	SENSOR, GEAR REV	1	1						
12	1	26450-060162	BOLT, M6X 16	1	1						
13	1	129A00-25050	SHAFT, IDLE GEAR A	1	1						
14	1	129A00-25110	GEAR ASSY, IDLE A	1	1						
17	1	26106-080452	BOLT, M8X 45 PLATED	3	3						
18	1	129A00-25900	GEAR, SUPPLY PUMP	1	1						
19	1	22217-180000	WASHER, SPRING 18	1	1						
20	1	26776-180002	NUT, LOCK M18	1	1						
21	1	129A00-25060	SHAFT, IDLE GEAR B	1	1						
22	1	129A00-25120	GEAR ASSY, IDLE B	1	1						
25	1	129A00-25200	PLATE, IDLE SHAFT B	1	1						
26	1	129A00-25210	GASKET, IDLE SHAFT B	1	1						
27	1	26106-080402	BOLT, M8X 40 PLATED	2	2						
28	1	119802-25071	BUSH, IDLE GEAR	1	1						1
29	1	129A00-25080	BUSH	1	1						1

Remarks

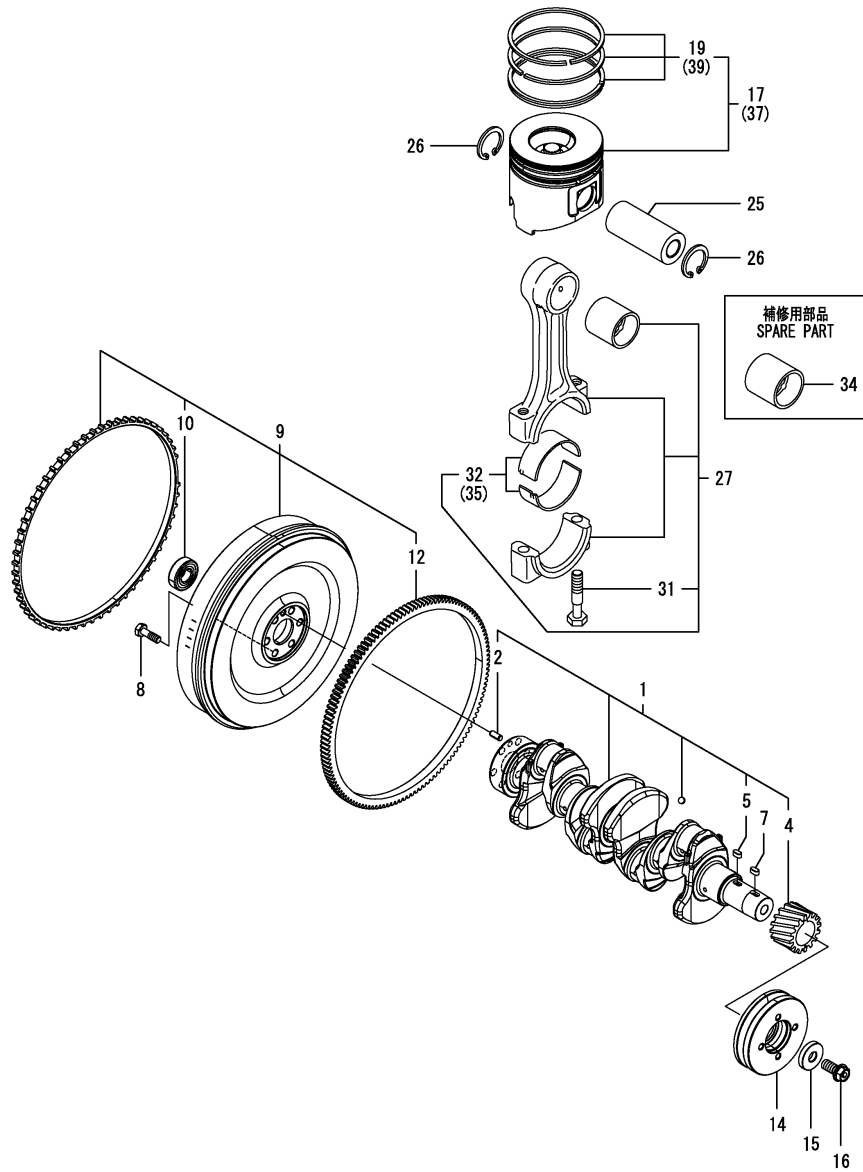
(1) Spare parts.

N:Old $\begin{matrix} \leftarrow \text{Yes} \\ \text{No} \end{matrix}$ New, Q:Old $\begin{matrix} \leftarrow \text{No} \\ \text{Yes} \end{matrix}$ New, R:Old $\begin{matrix} \leftarrow \text{Yes} \\ \text{Yes} \end{matrix}$ New, S:Old $\begin{matrix} \leftarrow \text{No} \\ \text{No} \end{matrix}$ New, W:Add, Z:Discontinued, F:Interchangeable by set, K:Q'ty Change

Fig.9. CRANKSHAFT & PISTON

(A)=4TNV88C-KRN
(B)=4TNV88C-KRNQ
(C)=

(D)=
(E)=
(F)=



No.	Lev.	Parts No.	Description	Q'ty						I	R
				(A)	(B)	(C)	(D)	(E)	(F)		
1	1	129604-21000	CRANKSHAFT ASSY	1	1						
2	2	129100-01580	PIN, PARALLEL 8X16	1	1						
4	2	119803-21200	GEAR, CRANKSHAFT	1	1						
5	2	22512-070140	KEY, 7X 14	1	1						
7	1	22512-070140	KEY, 7X 14	1	1						
8	1	121111-21501	BOLT, FLYWHEEL	6	6						
9	1	129C26-21590	FLYWHEEL ASSY	1	1						
10	2	123500-21300	BEARING, 6204DDUC3	1	1						
12	2	124550-21600	GEAR, RING Z=127	1	1						
14	1	129C26-21650	V-PULLEY, PTO	1	1						
15	1	129795-21661	WASHER	1	1						
16	1	121850-21680	BOLT	1	1						
17	1	129C00-22080	PISTON ASSY	4	4						
19	2	129A00-22500	RING ASSY, PISTON	4	4						
25	1	129202-22300	PIN, PISTON D26 L70	4	4						
26	1	22252-000260	RING, 26	8	8						
27	1	729402-23100	ROD ASSY, CONNECTING	4	4						
31	2	121550-23200	BOLT, CONNECTING ROD	8	8						
32	2	129150-23601	BEARING, CRANK PIN	4	4						
34	1	129100-23910	BEARING, PISTON PIN	4	4						1
35	1	129150-23611	BEARING, 0.25 US	4	4						2
37	1	129C00-22900	PISTON ASSY, 0.25OS	4	4						3
39	2	129A00-22950	RING SET, 0.25 OS	4	4						3

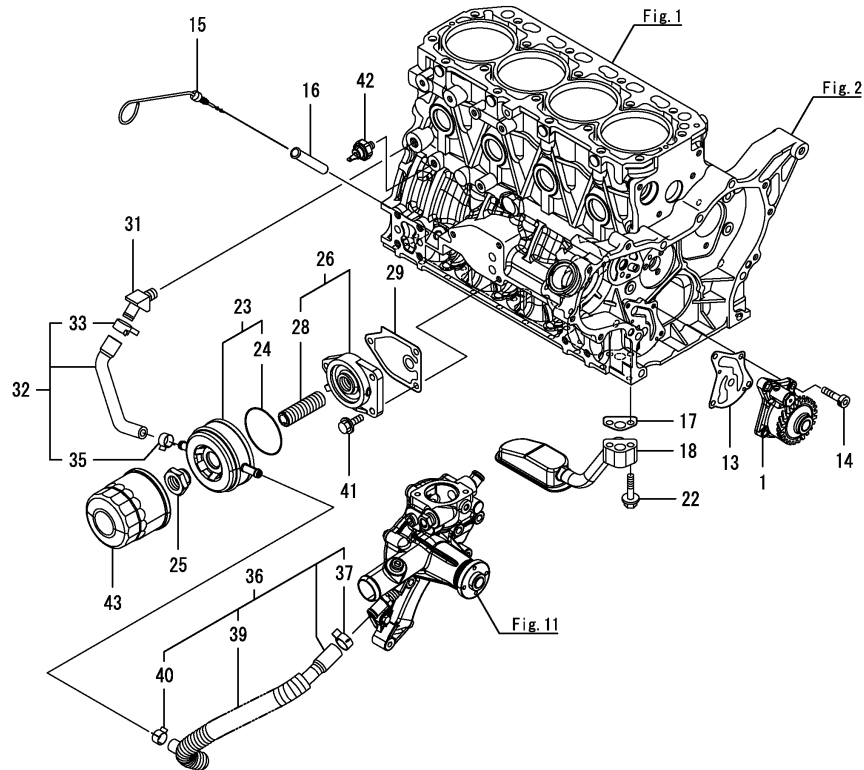
Remarks

- (1) Spare parts.
- (2) Under-sized (U.S.=0.25) parts.
- (3) Over-sized (O.S.=0.25) parts.

Fig.10. LUB. OIL SYSTEM

(A)=4TNV88C-KRN
(B)=4TNV88C-KRNQ
(C)=

(D)=
(E)=
(F)=



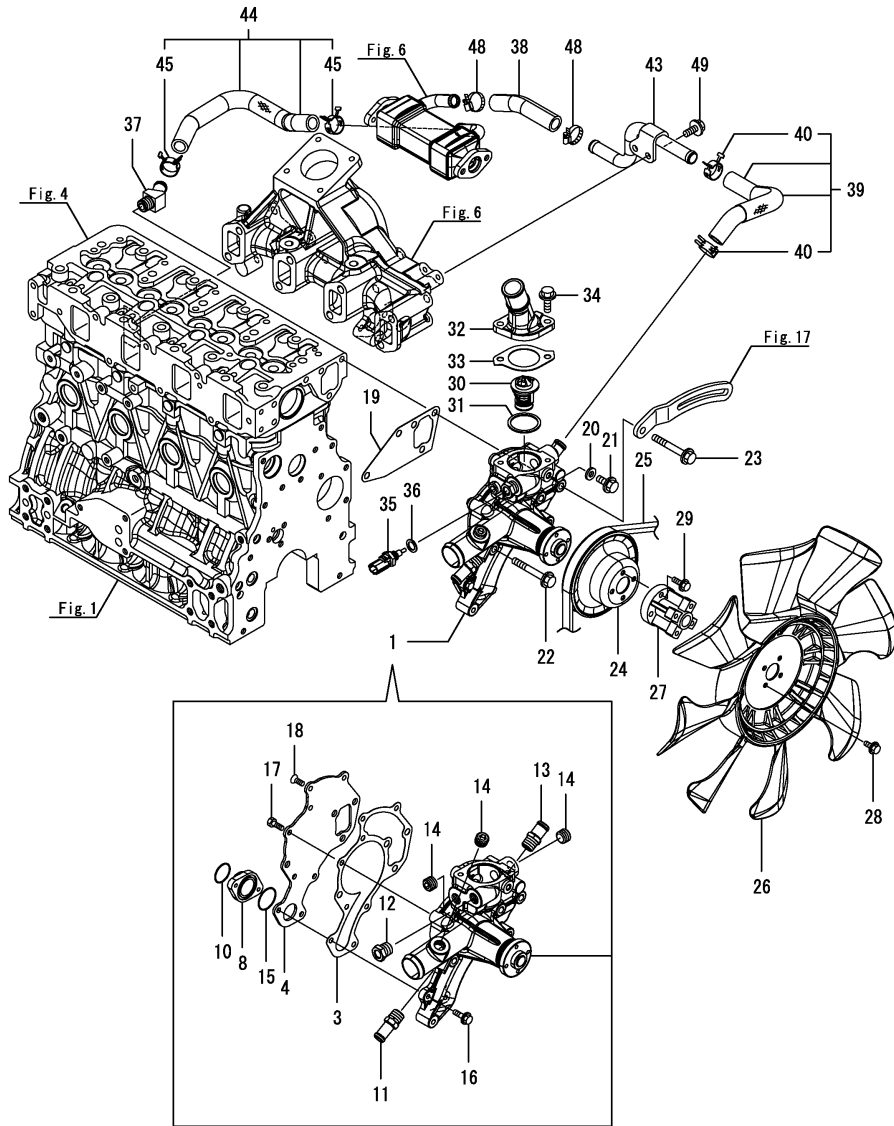
No.	Lev.	Parts No.	Description	Q'ty						I	R
				(A)	(B)	(C)	(D)	(E)	(F)		
1	1	129C00-32000	PUMP ASSY, LUB.OIL	1	1						
13	1	129486-32020	GASKET, PUMP	1	1						
14	1	26450-060252	BOLT, M6X 25	4	4						
15	1	129558-34800	DIPSTICK, OIL	1	1						
16	1	121520-34810	GUIDE, DIPSTICK	1	1						
17	1	129150-35042	GASKET	1	1						
18	1	129558-35090	PIPE ASSY, OIL INLET	1	1						
22	1	26106-080352	BOLT, M8X 35 PLATED	2	2						
23	1	129508-33010	COOLER ASSY, OIL	1	1						
24	2	129508-33050	O-RING	1	1						
25	1	129417-33111	NUT, OIL COOLER	1	1						
26	1	129006-35100	BRACKET ASSY, FILTER	1	1						
28	2	129417-35150	BOLT, STUD M20X67	1	1						
29	1	129150-35111	GASKET	1	1						
31	1	129648-44400	JOINT, PT1/4	1	1						
32	1	129645-49030	PIPE ASSY, WATER	1	1						
33	2	171008-03990	CLAMP, HOSE 18.5	1	1						
35	2	23080-015000	CLAMP, 15	1	1						
36	1	129006-49040	HOSE ASSY, WATER	1	1						
37	2	171008-03990	CLAMP, HOSE 18.5	1	1						
39	2	129642-49180	TUBE, CORRUGATED 19	1	1						
40	2	23080-015000	CLAMP, 15	1	1						
41	1	26106-080202	BOLT, M8X 20 PLATED	3	3						
42	1	119761-39450	SWITCH, HYDRAULIC	1	1						
43	1	129150-35170	FILTER,LO	1	1						1

Remarks

(1)Spare parts.

N:Old $\xrightarrow{\text{Yes}}$ New, Q:Old $\xrightarrow{\text{No}}$ New, R:Old $\xrightarrow{\text{Yes}}$ New, S:Old $\xrightarrow{\text{No}}$ New, W:Add, Z:Discontinued, F:Interchangeable by set, K:Q'ty Change

Fig.11. COOLING WATER SYSTEM



(A)=4TNV88C-KRN
(B)=4TNV88C-KRNQ
(C)=

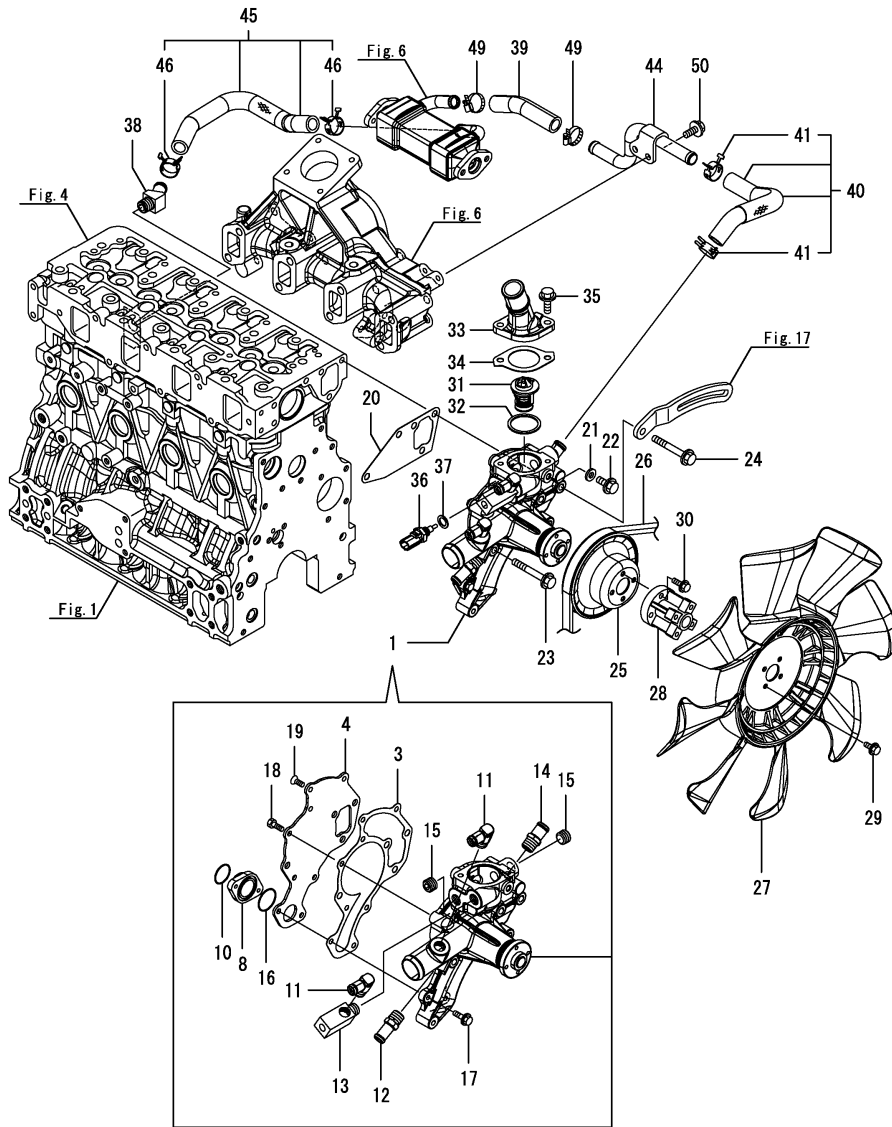
(D)=
(E)=
(F)=

No.	Lev.	Parts No.	Description	Q'ty						I	R
				(A)	(B)	(C)	(D)	(E)	(F)		
1	1	129C26-42000	PUMP ASSY,WATER HIGH	1							
3	2	129150-42059	GASKET	1							
4	2	129263-42120	PLATE, PUMP	1							
8	2	129150-42301	FLANGE	1							
10	2	129054-42320	O-RING	1							
11	2	129963-49300	JOINT, D14	1							
12	2	129263-49350	JOINT, SENSOR	1							
13	2	129928-49420	JOINT	1							
14	2	129916-49740	PLUG, R3/8	3							
15	2	24358-240310	O-RING, 524031	1							
16	2	26106-060202	BOLT, M6X 20 PLATED	2							
17	2	26116-060162	BOLT, M6X 16 PLATED	3							
18	2	26577-060152	SCREW, M6X15	3							
19	1	129486-42050	GASKET, WATER PUMP	1							
20	1	23414-080000	GASKET, 8X1.0	1							
21	1	26106-080122	BOLT, M8X 12 PLATED	1							
22	1	26106-080552	BOLT, M8X 55 PLATED	3							
23	1	26106-080602	BOLT, M8X 60 PLATED	1							
24	1	129550-42350	V-PULLEY, D=120	1							
25	1	129940-42290	V-BELT, A42.5	1							
26	1	129436-44740	FAN, COOLING D410	1							
27	1	119823-44760	SPACER, FAN	1							
28	1	26106-060122	BOLT, M6X 12 PLATED	4							
29	1	26106-060202	BOLT, M6X 20 PLATED	4							
30	1	129155-49801	THERMOSTAT, 71C	1							
31	1	129150-49811	GASKET, THERMOSTAT	1							
32	1	129A26-49530	COVER, THERMOSTAT	1							
33	1	129795-49551	GASKET	1							
34	1	26106-080222	BOLT, M8X 22 PLATED	2							
35	1	129927-44900	SENSOR, WATER TEMP.	1							1
36	1	22190-120002	WASHER, SEAL 12	1							
37	1	129C26-49300	ELBOW, R3/8	1							
38	1	129C26-49730	HOSE, EGR-C OUT	1							
39	1	129E00-49630	HOSE ASSY,EGRC OUT B	1							
40	2	129960-03990	CLAMP, HOSE 19.8	2							
43	1	129C26-49640	PIPE, CW	1							
44	1	129C26-49670	HOSE ASSY, EGR-C IN	1							
45	2	129960-03990	CLAMP, HOSE 19.8	2							
48	1	23000-025000	CLAMP, 25	2							
49	1	26106-080162	BOLT, M8X 16 PLATED	2							

Remarks

(1)When replacing this part, it is necessary to update the software of the ECU using the designated service tool. Please refer to the Service Manual for details.

Fig.12. COOLING WATER SYSTEM



(A)=4TNV88C-KRN
(B)=4TNV88C-KRNQ
(C)=

(D)=
(E)=
(F)=

No.	Lev.	Parts No.	Description	Q'ty						I	R
				(A)	(B)	(C)	(D)	(E)	(F)		
1	1	129C26-42010	PUMP ASSY,WATER HIGH		1						
3	2	129150-42059	GASKET		1						
4	2	129263-42120	PLATE, PUMP		1						
8	2	129150-42301	FLANGE		1						
10	2	129054-42320	O-RING		1						
11	2	119852-49300	ELBOW, R3/8		2						
12	2	129963-49300	JOINT, D14		1						
13	2	129972-49350	JOINT		1						
14	2	129928-49420	JOINT		1						
15	2	129916-49740	PLUG, R3/8		2						
16	2	24358-240310	O-RING, 524031		1						
17	2	26106-060202	BOLT, M6X 20 PLATED		2						
18	2	26116-060162	BOLT, M6X 16 PLATED		3						
19	2	26577-060152	SCREW, M6X15		3						
20	1	129486-42050	GASKET, WATER PUMP		1						
21	1	23414-080000	GASKET, 8X1.0		1						
22	1	26106-080122	BOLT, M8X 12 PLATED		1						
23	1	26106-080552	BOLT, M8X 55 PLATED		3						
24	1	26106-080602	BOLT, M8X 60 PLATED		1						
25	1	129550-42350	V-PULLEY, D=120		1						
26	1	129940-42290	V-BELT, A42.5		1						
27	1	129436-44740	FAN, COOLING D410		1						
28	1	119823-44760	SPACER, FAN		1						
29	1	26106-060122	BOLT, M6X 12 PLATED		4						
30	1	26106-060202	BOLT, M6X 20 PLATED		4						
31	1	129457-49801	THERMOSTAT, 82		1						
32	1	129150-49811	GASKET, THERMOSTAT		1						
33	1	129A26-49530	COVER, THERMOSTAT		1						
34	1	129795-49551	GASKET		1						
35	1	26106-080222	BOLT, M8X 22 PLATED		2						
36	1	129927-44900	SENSOR, WATER TEMP.		1						1
37	1	22190-120002	WASHER, SEAL 12		1						
38	1	129C26-49300	ELBOW, R3/8		1						
39	1	129C26-49730	HOSE, EGR-C OUT		1						
40	1	129E00-49630	HOSE ASSY,EGRC OUT B		1						
41	2	129960-03990	CLAMP, HOSE 19.8		2						
44	1	129C26-49640	PIPE, CW		1						
45	1	129C26-49670	HOSE ASSY, EGR-C IN		1						
46	2	129960-03990	CLAMP, HOSE 19.8		2						
49	1	23000-025000	CLAMP, 25		2						
50	1	26106-080162	BOLT, M8X 16 PLATED		2						

Remarks

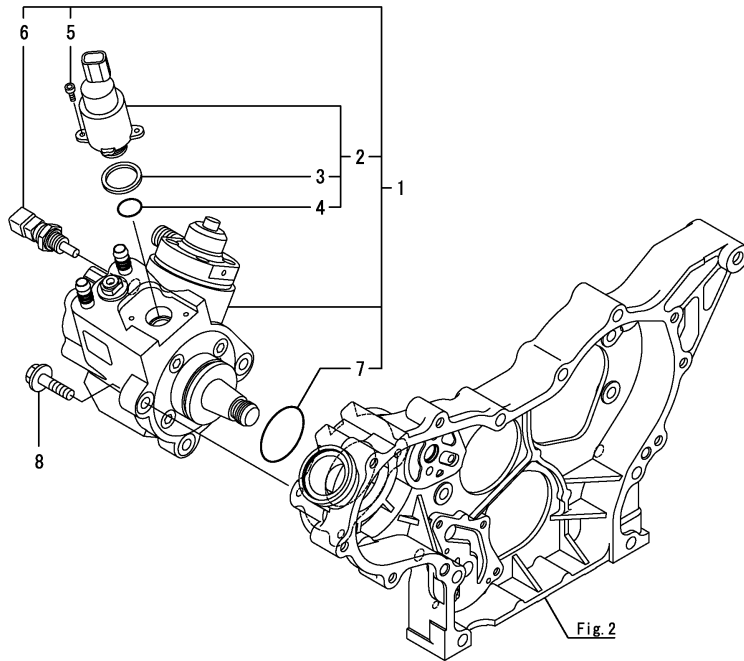
(1)When replacing this part, it is necessary to update the software of the ECU using the designated service tool. Please refer to the Service Manual for details.

Fig.13. FUEL SUPPLY PUMP

(A)=4TNV88C-KRN
 (B)=4TNV88C-KRNQ
 (C)=

(D)=
 (E)=
 (F)=

No.	Lev.	Parts No.	Description	Q'ty						I	R
				(A)	(B)	(C)	(D)	(E)	(F)		
1	1	129A00-51000	PUMP ASSY, FUEL	1	1						1
2	2	129A00-51100	VALVE ASSY, MPROP	1	1						1
3	3	129A00-51110	RING, SEALING	1	1						
4	3	129A00-51120	O-RING, MPROP	1	1						
5	2	129A00-51130	BOLT, MPROP	2	2						
6	2	129A00-51200	SENSOR, TEMPERATURE	1	1						1
7	2	129A00-51900	O-RING, FUEL PUMP	1	1						
8	1	26106-080302	BOLT, M8X 30 PLATED	3	3						



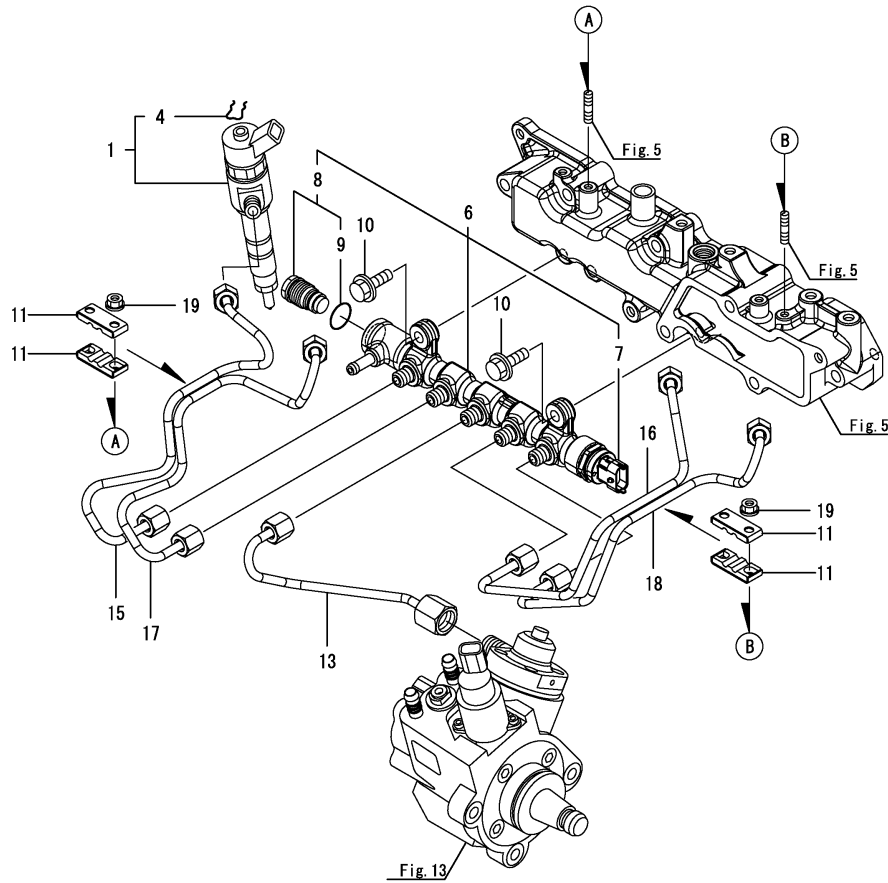
Remarks

(1)When replacing this part, it is necessary to update the software of the ECU using the designated service tool. Please refer to the Service Manual for details.

Fig.14. FUEL INJECTION VALVE

(A)=4TNV88C-KRN
 (B)=4TNV88C-KRNQ
 (C)=

(D)=
 (E)=
 (F)=



No.	Lev.	Parts No.	Description	Q'ty						I	R
				(A)	(B)	(C)	(D)	(E)	(F)		
1	1	129A00-53100	INJECTOR, CR	4	4						1
4	2	129A00-53200	RING, RETAINING	4	4						
6	1	129C00-57000	RAIL ASSY	1	1						1
7	2	129A00-57100	SENSOR, RAILPRESSURE	1	1						1
8	2	129A00-57200	VALVE ASSY, PLV4	1	1						1
9	3	129A00-57210	O-RING, PLV4	1	1						
10	1	26106-080252	BOLT, M8X 25 PLATED	2	2						
11	1	122780-59100	RETAINER	4	4						
13	1	129A00-59700	PIPE ASSY, RAIL IN	1	1						
15	1	129C00-59810	PIPE ASSY, INJECTION	1	1						
16	1	129A00-59820	PIPE ASSY, INJECTION	1	1						
17	1	129C00-59820	PIPE ASSY, INJECTION	1	1						
18	1	129A00-59830	PIPE ASSY, INJECTION	1	1						
19	1	26366-060002	NUT, M6	4	4						

Remarks

(1)When replacing this part, it is necessary to update the software of the ECU using the designated service tool. Please refer to the Service Manual for details.

Fig.15. FUEL PIPE

(A)=4TNV88C-KRN
 (B)=4TNV88C-KRNQ
 (C)=

(D)=
 (E)=
 (F)=

No.	Lev.	Parts No.	Description	Qty						I	R
				(A)	(B)	(C)	(D)	(E)	(F)		
1	1	129C00-59500	PIPE ASSY, FUEL	1	1						
3	2	23080-007000	CLAMP, 7	1	1						
4	1	129A00-59020	PIPE ASSY, FUEL	1	1						
7	2	23080-015000	CLAMP, 15	2	2						
8	1	129C00-59030	PIPE ASSY, FUEL	1	1						
9	2	114270-59010	CLAMP, HOSE 12	2	2						
12	2	129A00-91200	BAND CLIP	1	1						

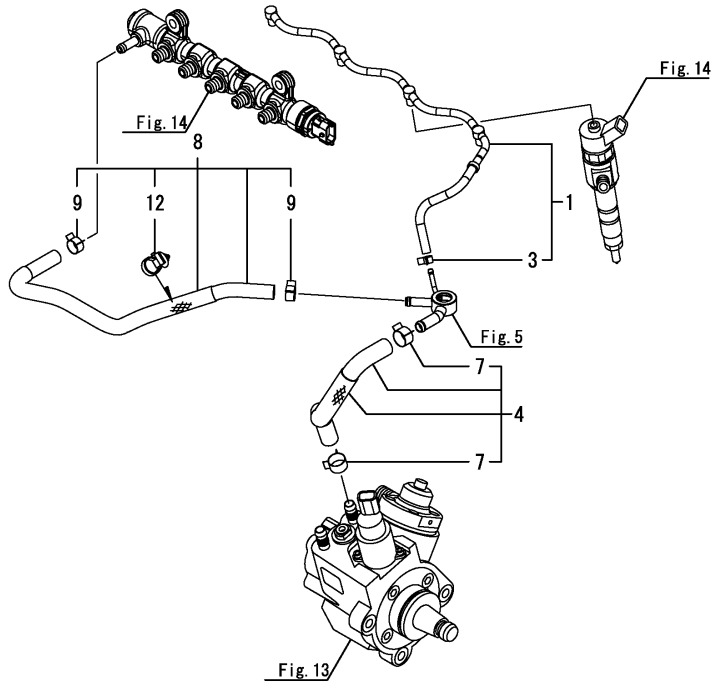
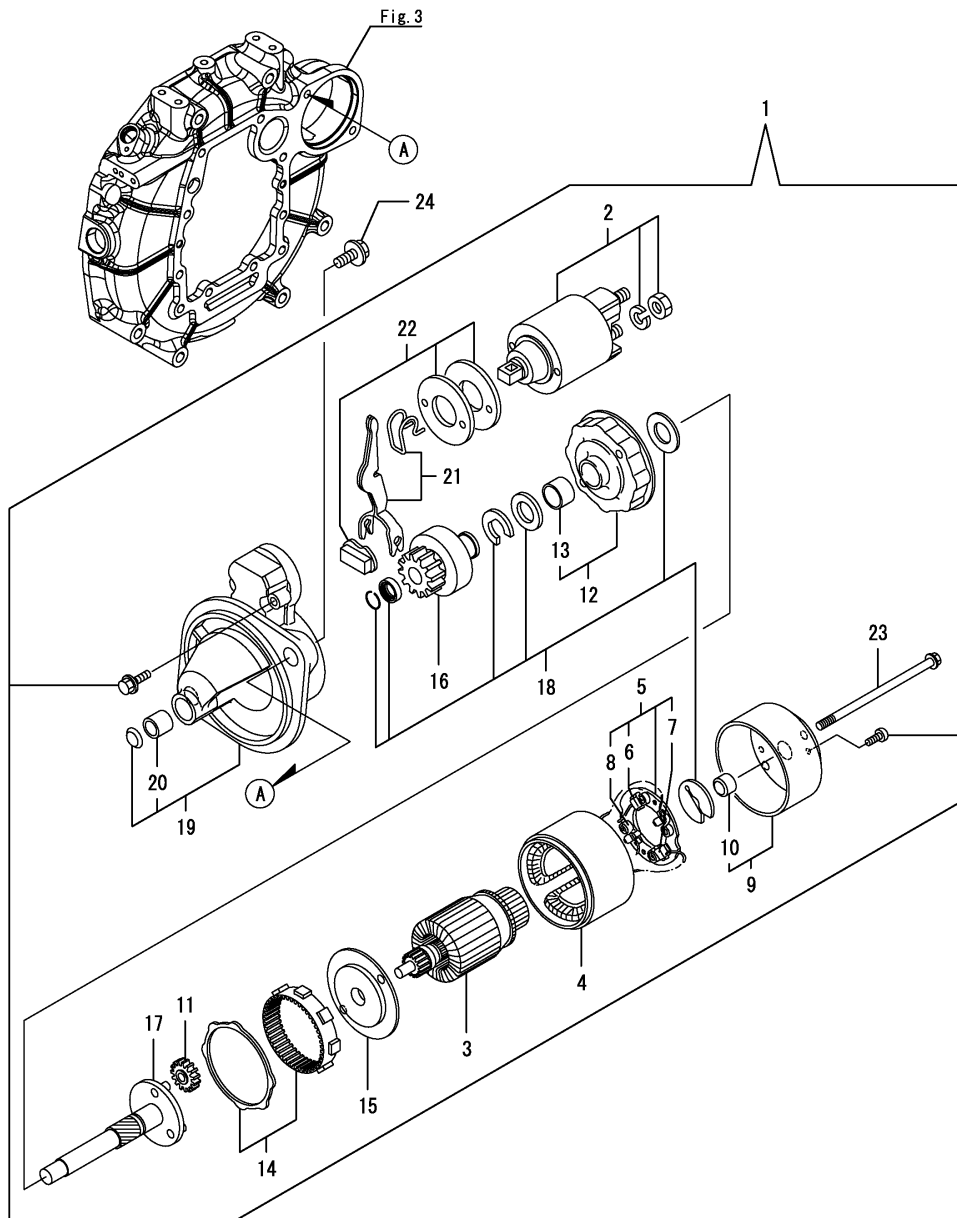


Fig.16. STARTER MOTOR

(A)=4TNV88C-KRN
(B)=4TNV88C-KRNQ
(C)=

(D)=
(E)=
(F)=

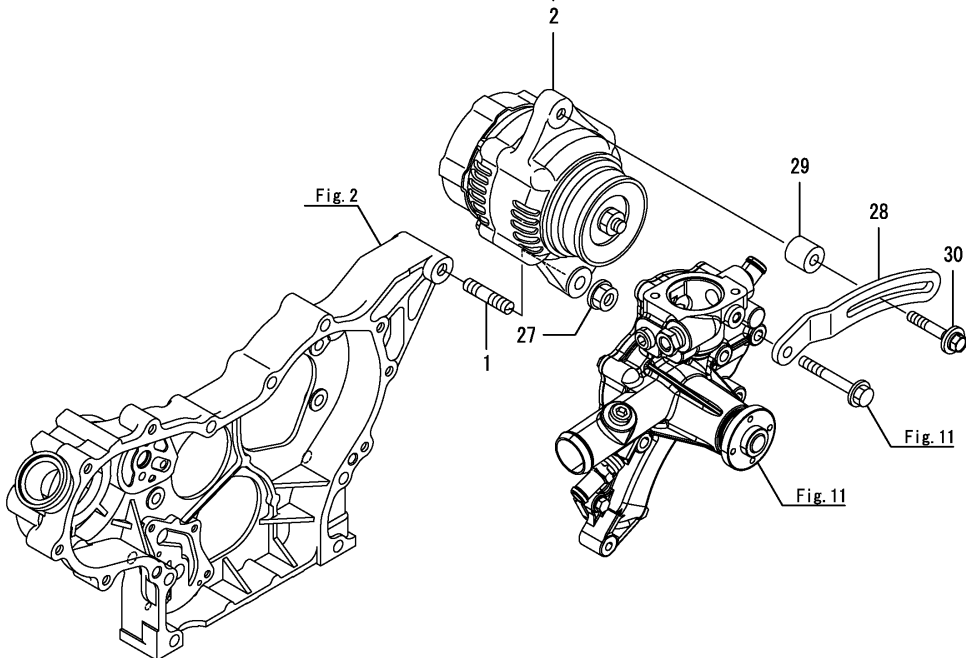
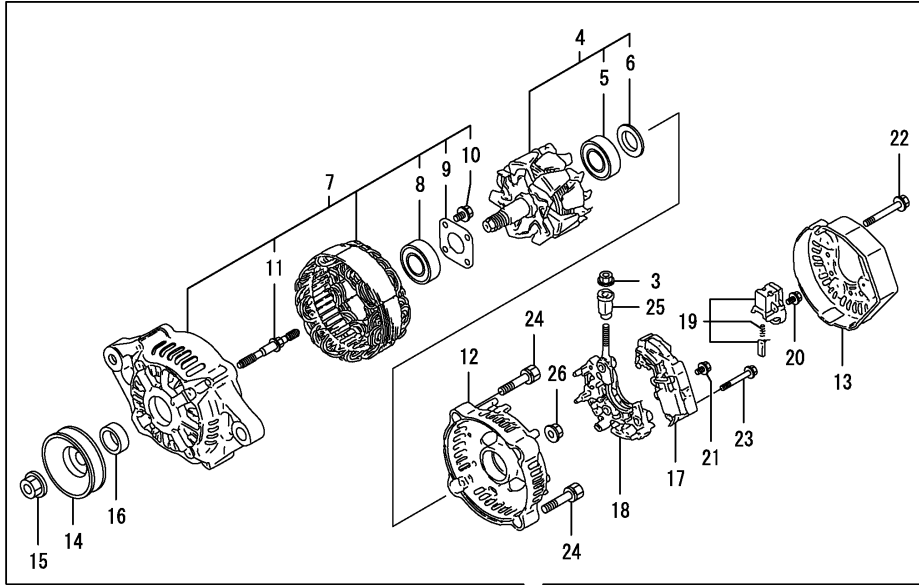


No.	Lev.	Parts No.	Description	Q'ty						I	R
				(A)	(B)	(C)	(D)	(E)	(F)		
1	1	129242-77010	STARTER ASSY	1	1						
2	2	129698-77020	SWITCH ASSY, MAGNET	1	1						
3	2	129242-77100	ARMATURE ASSY	1	1						
4	2	129242-77110	YOKE ASSY	1	1						
5	2	129242-77120	HOLDER ASSY, BRUSH	1	1						
6	3	129242-77130	BRUSH	2	2						
7	3	129242-77140	BRUSH SET	1	1						
8	3	129242-77150	SPRING, BRUSH	4	4						
9	2	129242-77160	COVER ASSY	1	1						
10	3	129242-77170	BEARING, COVER	1	1						
11	2	118400-77170	GEAR, PLANETARY	3	3						
12	2	129242-77180	BRACKET, CENTER	1	1						
13	3	129698-77190	BRACKET, CENTER	1	1						
14	2	129698-77200	GEAR, INTERNAL	1	1						
15	2	129242-77210	BRACKET, CENTER	1	1						
16	2	129698-77220	PINION ASSY	1	1						
17	2	129698-77230	SHAFT, PINION	1	1						
18	2	129698-77250	WASHER SET	1	1						
19	2	129242-77260	CASE ASSY, GEAR	1	1						
20	3	X2114535200	BEARING, STARTER	1	1						
21	2	129242-77270	LEVER SET	1	1						
22	2	129242-77280	COVER KIT, DUST	1	1						
23	2	124195-77770	BOLT, THROUGH	2	2						
24	1	26106-120252	BOLT, M12X 25 PLATED	2	2						

Fig.17. GENERATOR

(A)=4TNV88C-KRN
(B)=4TNV88C-KRNQ
(C)=

(D)=
(E)=
(F)=



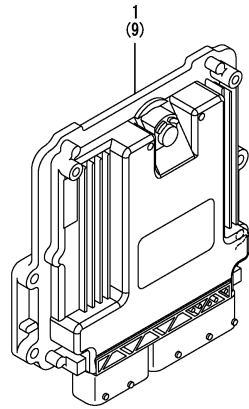
No.	Lev.	Parts No.	Description	Q'ty						I	R
				(A)	(B)	(C)	(D)	(E)	(F)		
1	1	129795-01900	BOLT, STUD M10X33	1	1						
2	1	129052-77220	GENERATOR ASSY, 55A	1	1						
3	2	X9490561001	NUT	1	1						
4	2	129052-77380	ROTOR ASSY	1	1						
5	3	123501-79240	BEARING, BALL	1	1						
6	3	119620-79250	COVER, BEARING	1	1						
7	2	129052-77422	FRAME ASSY	1	1						
8	3	119620-79200	BEARING, BALL	1	1						
9	3	119620-79210	RETAINER	1	1						
10	3	119620-79220	SCREW	4	4						
11	3	119620-79230	BOLT, STUD	2	2						
12	2	128401-77440	COVER	1	1						
13	2	128401-77450	COVER, GENERATOR	1	1						
14	2	119620-77461	PULLEY, GENERATOR	1	1						
15	2	119620-77471	NUT	1	1						
16	2	119620-77490	COLLAR	1	1						
17	2	119620-77710	REGULATOR ASSY	1	1						
18	2	129052-79260	HOLDER	1	1						
19	2	129052-79270	HOLDER, BRUSH	1	1						
20	2	119620-79290	SCREW	6	6						
21	2	119620-79300	SCREW	1	1						
22	2	119620-79310	BOLT	3	3						
23	2	119620-79320	SCREW	2	2						
24	2	119620-79330	BOLT	2	2						
25	2	119620-79340	BUSH, INSULATION	1	1						
26	2	119620-79350	NUT	2	2						
27	1	26306-100002	NUT, M10	1	1						
28	1	129602-77310	ADJUSTER	1	1						
29	1	124732-77340	SPACER	1	1						
30	1	129972-77341	BOLT, ADJUST L=50	1	1						

Fig.18. ELECTRONIC CONTROL UNIT(ECU)

(A)=4TNV88C-KRN
 (B)=4TNV88C-KRNQ
 (C)=

(D)=
 (E)=
 (F)=

No.	Lev.	Parts No.	Description	Q'ty						I	R
				(A)	(B)	(C)	(D)	(E)	(F)		
1	1	129C26-75020	ECU ASSY,4-88C-KRNQ	1	1						1
9	1	129A00-75910	ECU ASSY,SERVICE YMR	1	1						2



Remarks

(1)Eco ECU

This part cannot be ordered.

Replace the part using a Service ECU with the proper engine information installed.

(2)Service ECU

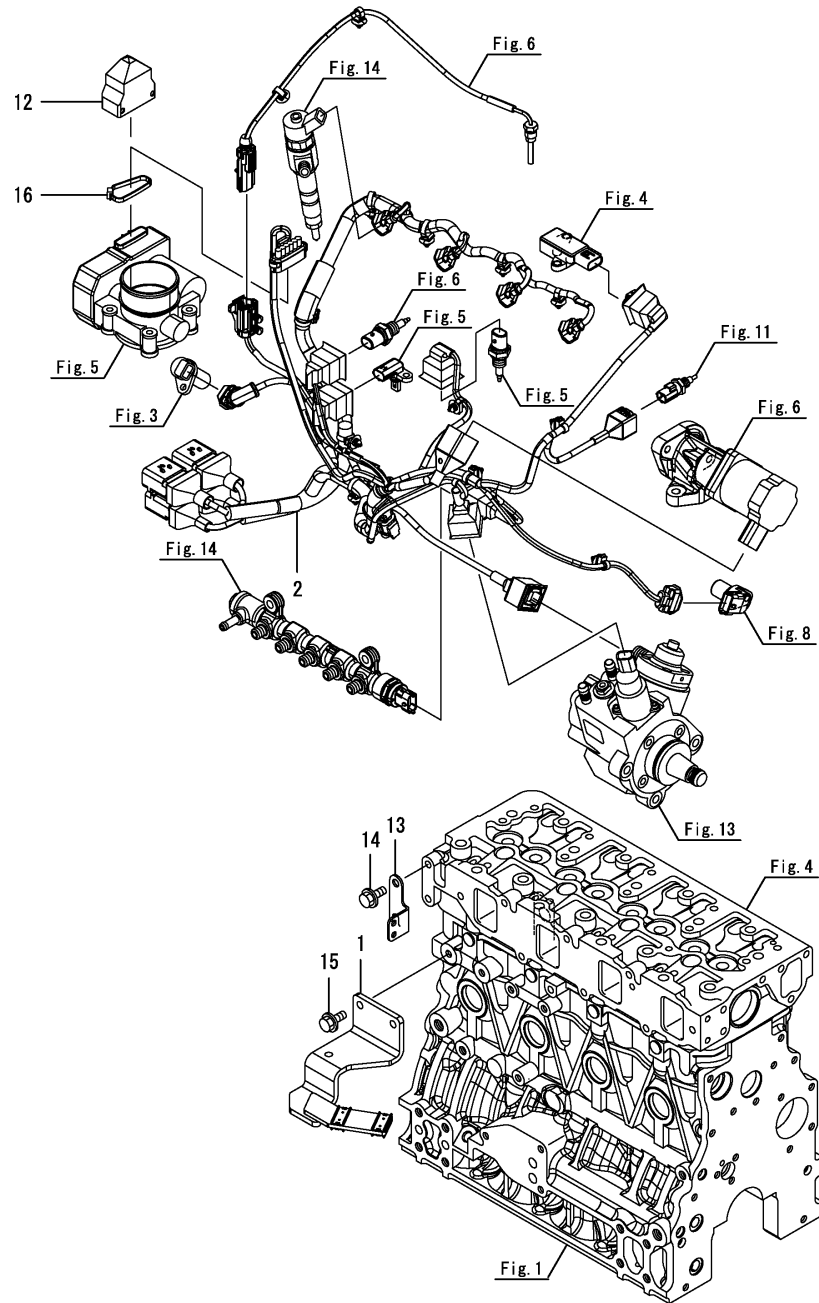
When replacing this part, it is necessary to update the software of the ECU using the designated service tool.

Please refer to the Service Manual for details.

Fig.19. ELECTRIC PARTS

(A)=4TNV88C-KRN
 (B)=4TNV88C-KRNQ
 (C)=

(D)=
 (E)=
 (F)=



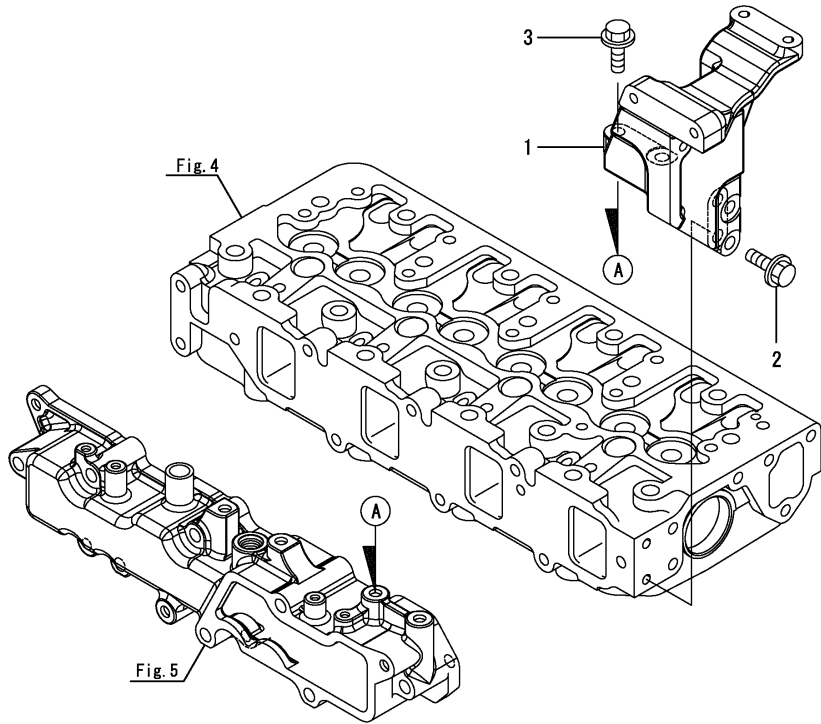
No.	Lev.	Parts No.	Description	Q'ty						I	R
				(A)	(B)	(C)	(D)	(E)	(F)		
1	1	129C26-77900	BRACKET,CONNECTOR	1	1						
2	1	129C26-91220	HARNESS, T4	1	1						
12	1	129A00-91451	BOOT,CAP TYPE	1	1						
13	1	129A00-91600	BRACKET, HARNESS	1	1						
14	1	26106-080122	BOLT, M8X 12 PLATED	2	2						
15	1	26106-080162	BOLT, M8X 16 PLATED	2	2						
16	1	29621-200000	BAND	1	1						

Fig.20. COMPRESSOR MOUNT

(A)=4TNV88C-KRN
 (B)=4TNV88C-KRNQ
 (C)=

(D)=
 (E)=
 (F)=

No.	Lev.	Parts No.	Description	Q'ty						I	R
				(A)	(B)	(C)	(D)	(E)	(F)		
1	1	129A26-96900	BRACKET, COMPRESSOR	1	1						
2	1	26106-080202	BOLT, M8X 20 PLATED	2	2						
3	1	26106-080252	BOLT, M8X 25 PLATED	2	2						



Parts No. Index

Parts No.	Fig. No.	Ref. No.
105425-01690	3	8
114270-59010	15	9
118400-77170	16	11
119131-18320	6	9
119609-32040	2	5
119620-01750	3	3
119620-77461	17	14
119620-77471	17	15
119620-77490	17	16
119620-77710	17	17
119620-79200	17	8
119620-79210	17	9
119620-79220	17	10
119620-79230	17	11
119620-79250	17	6
119620-79290	17	20
119620-79300	17	21
119620-79310	17	22
119620-79320	17	23
119620-79330	17	24
119620-79340	17	25
119620-79350	17	26
119624-32040	2	6
119640-61400	4	52
119660-01570	5	11
119761-39450	10	42
119802-11260	4	4
119802-11270	4	5
119802-25071	8	28
119803-21200	9	4
119803-77830	4	62
119807-11770	4	46
119823-44760	11	27
	12	28
119852-49300	12	11
119934-01800	2	11
120130-11860	4	65
120270-54410	4	31
121111-21501	9	8
121520-34810	10	16
121550-23200	9	31
121850-21680	9	16
122780-59100	14	11
123500-21300	9	10
123501-79240	17	5
123907-03100	4	39
123907-03110	4	40
123907-03120	4	41
123907-03140	4	42
124060-01050	1	11

Parts No.	Fig. No.	Ref. No.
124160-01751	2	3
124160-01910	1	12
		13
124160-11360	4	56
124195-77770	16	23
124240-01871	2	12
124460-11340	4	25
124550-21600	9	12
124732-77340	17	29
128401-77440	17	12
128401-77450	17	13
129001-01250	1	4
129001-02931	1	29
129004-03010	4	37
129004-11650	4	7
129005-03080	5	1
129005-11100	4	21
129006-35100	10	26
129006-49040	10	36
129008-77800	4	63
129052-77220	17	2
129052-77380	17	4
129052-77422	17	7
129052-79260	17	18
129052-79270	17	19
129054-42320	11	10
	12	10
129100-01580	2	2
	3	1
		15
	9	2
129100-01640	3	16
129100-11112	4	22
129100-23910	9	34
129150-01200	1	27
129150-02020	1	6
129150-02450	8	4
129150-02871	1	32
129150-02931	1	24
129150-02941	1	35
129150-03070	4	38
129150-11230	4	8
129150-11280	4	6
129150-11370	4	12
129150-11750	4	10
129150-11810	4	66
129150-14200	8	1
129150-14400	8	2
129150-23601	9	32
129150-23611	9	35

Parts No.	Fig. No.	Ref. No.
129150-35042	10	17
129150-35111	10	29
129150-35170	10	43
129150-42059	11	3
	12	3
129150-42301	11	8
	12	8
129150-49811	11	31
	12	32
129155-49801	11	30
129202-22300	9	25
129242-77010	16	1
129242-77100	16	3
129242-77110	16	4
129242-77120	16	5
129242-77130	16	6
129242-77140	16	7
129242-77150	16	8
129242-77160	16	9
129242-77170	16	10
129242-77180	16	12
129242-77210	16	15
129242-77260	16	19
129242-77270	16	21
129242-77280	16	22
129263-42120	11	4
	12	4
129263-49350	11	12
129400-01730	3	6
129410-03990	5	2
129417-33111	10	25
129417-35150	10	28
129436-44740	11	26
	12	27
129457-49801	12	31
129486-01670	3	19
129486-32020	10	13
129486-42050	11	19
	12	20
129508-33010	10	23
129508-33050	10	24
129550-42350	11	24
	12	25
129558-01750	3	7
129558-34800	10	15
129558-35090	10	18
129601-11241	4	1
129601-11251	4	2
129602-77310	17	28
129604-21000	9	1

Parts No.	Fig. No.	Ref. No.
129642-49180	10	39
129645-49030	10	32
129648-44400	10	31
129685-01350	1	28
129698-77020	16	2
129698-77190	16	13
129698-77200	16	14
129698-77220	16	16
129698-77230	16	17
129698-77250	16	18
129795-01780	3	18
129795-01900	17	1
129795-01950	2	4
129795-02412	1	9
129795-11120	4	23
129795-11180	4	24
129795-21661	9	15
129795-49551	11	33
	12	34
129916-49740	11	14
	12	15
129927-13810	6	26
129927-44900	11	35
	12	36
129928-49420	11	13
	12	14
129930-13201	7	1
129940-42290	11	25
	12	26
129960-03990	11	40
		45
	12	41
		46
129963-49300	11	11
	12	12
129972-49350	12	13
129972-77341	17	30
129978-11871	4	29
129978-12700	4	47
129978-17700	7	39
129979-17631	7	33
129979-17661	7	36
129A00-01500	2	1
129A00-01550	2	9
129A00-11330	4	45
129A00-11340	4	26
129A00-11900	4	30
129A00-12711	5	12
129A00-12720	5	7
129A00-12780	4	48

Parts No. Index

Parts No.	Fig. No.	Ref. No.
129A00-12790	5	13
129A00-12810	5	9
129A00-12830	5	14
129A00-12851	5	10
129A00-12900	5	25
129A00-12910	5	26
		27
129A00-13300	6	13
129A00-13350	6	15
	7	29
129A00-13360	4	49
129A00-13380	4	51
129A00-13400	6	18
129A00-13410	6	19
129A00-13751	6	24
129A00-13861	6	22
129A00-13910	6	30
129A00-13920	6	31
129A00-14100	8	6
129A00-14700	8	8
129A00-14710	8	11
129A00-16600	7	14
129A00-16610	7	15
129A00-16700	7	17
129A00-16740	7	19
129A00-17311	7	30
129A00-17330	7	31
129A00-17360	7	32
129A00-17520	7	34
129A00-17570	7	38
129A00-21710	3	21
129A00-22500	9	19
129A00-22950	9	39
129A00-25050	8	13
129A00-25060	8	21
129A00-25080	8	29
129A00-25110	8	14
129A00-25120	8	22
129A00-25200	8	25
129A00-25210	8	26
129A00-25900	8	18
129A00-51000	13	1
129A00-51100	13	2
129A00-51110	13	3
129A00-51120	13	4
129A00-51130	13	5
129A00-51200	13	6
129A00-51900	13	7
129A00-53100	14	1
129A00-53200	14	4

Parts No.	Fig. No.	Ref. No.
129A00-57100	14	7
129A00-57200	14	8
129A00-57210	14	9
129A00-59020	15	4
129A00-59110	5	15
129A00-59120	5	16
129A00-59700	14	13
129A00-59820	14	16
129A00-59830	14	18
129A00-75910	18	9
129A00-91200	6	8
	15	12
129A00-91451	19	12
129A00-91600	19	13
129A01-13700	6	5
129A23-13910	7	6
129A23-13920	7	7
129A26-01620	3	2
129A26-49530	11	32
	12	33
129A26-96900	20	1
129C00-01560	1	1
129C00-11310	4	44
129C00-12100	5	5
129C00-12110	5	3
129C00-12150	5	4
129C00-13110	6	2
129C00-13901	6	29
129C00-14580	8	3
129C00-22080	9	17
129C00-22900	9	37
129C00-32000	10	1
129C00-57000	14	6
129C00-59030	15	8
129C00-59500	15	1
129C00-59810	14	15
129C00-59820	14	17
129C00-77820	4	64
129C01-16690	7	16
129C20-11700	4	13
129C23-11351	4	36
129C26-07950	4	58
129C26-07960	4	59
129C26-12820	5	24
129C26-13100	6	1
129C26-13700	6	6
129C26-13800	6	25
129C26-16010	7	8
129C26-16200	7	9
129C26-16400	7	11

Parts No.	Fig. No.	Ref. No.
129C26-16500	7	13
129C26-16660	7	2
129C26-16700	7	18
129C26-16800	7	3
129C26-16810	7	4
129C26-21590	9	9
129C26-21650	9	14
129C26-42000	11	1
129C26-42010	12	1
129C26-49300	11	37
	12	38
129C26-49640	11	43
	12	44
129C26-49670	11	44
	12	45
129C26-49730	11	38
	12	39
129C26-75020	18	1
129C26-77900	19	1
129C26-91220	19	2
129C26-91610	6	10
129E00-13620	6	21
129E00-13770	6	7
129E00-49630	11	39
	12	40
129F01-13600	6	20
129F01-13620	6	3
129F01-13640	6	4
171008-03990	10	33
		37
171051-01921	1	5
22190-080002	2	13
22190-120002	11	36
	12	37
22190-140002	5	17
22190-160002	3	10
22217-180000	8	19
22252-000260	9	26
22351-060012	4	32
22512-070140	8	7
	9	5
		7
22857-500100	4	53
		54
23000-025000	11	48
	12	49
23080-007000	15	3
23080-015000	10	35
		40
		7
	15	7

Parts No.	Fig. No.	Ref. No.
23297-080061	6	14
23414-080000	11	20
	12	21
23414-120000	6	16
24311-000120	4	57
24311-000320	2	7
24358-240310	11	15
	12	16
26106-060102	8	9
26106-060122	6	17
	11	28
	12	29
26106-060202	5	28
	11	16
		29
	12	17
		30
26106-060402	5	29
26106-061002	5	30
26106-080122	6	11
	11	21
	12	22
	19	14
26106-080142	7	26
	8	10
26106-080162	2	8
		14
	3	11
	6	27
	11	49
	12	50
	19	15
26106-080202	7	40
	10	41
	20	2
26106-080222	11	34
	12	35
26106-080252	3	12
	4	33
		60
		61
	6	28
	14	10
	20	3
26106-080302	13	8
26106-080352	2	15
	3	20
	4	34
	7	41
	10	22

Parts No. Index

Parts No.	Fig. No.	Ref. No.
26106-080402	2	16
	8	27
26106-080452	3	13
	8	17
26106-080502	3	14
	4	35
	5	8
		20
	6	23
	11	22
26106-080552	12	23
	2	17
26106-080602	11	23
	12	24
	5	21
26106-080752	7	42
	2	18
26106-080852	7	43
		44
26106-120252	16	24
26116-060162	11	17
	12	18
26206-100252	3	4
26206-100302	3	5
26216-060202	5	6
26216-080302	5	18
26216-081052	5	22
26216-100302	7	45
26226-080182	4	11
26306-080002	5	23
	6	32
	7	27
		46
		47
		12
		48
26306-100002	7	27
	17	27
26366-060002	14	19
26450-060162	3	22
	4	55
	8	12
26450-060252	10	14
26577-060152	11	18
	12	19
26716-060002	5	19
26776-180002	8	20
27241-120000	1	14
27241-300000	1	10
27241-400000	4	20
27310-080001	4	27

Parts No.	Fig. No.	Ref. No.
29621-200000	19	16
729402-23100	9	27
X2114535200	16	20
X9490561001	17	3

Parts No.	Fig. No.	Ref. No.
-----------	----------	----------

Parts No.	Fig. No.	Ref. No.
-----------	----------	----------