

0CNP6-M00901EN

# Contents

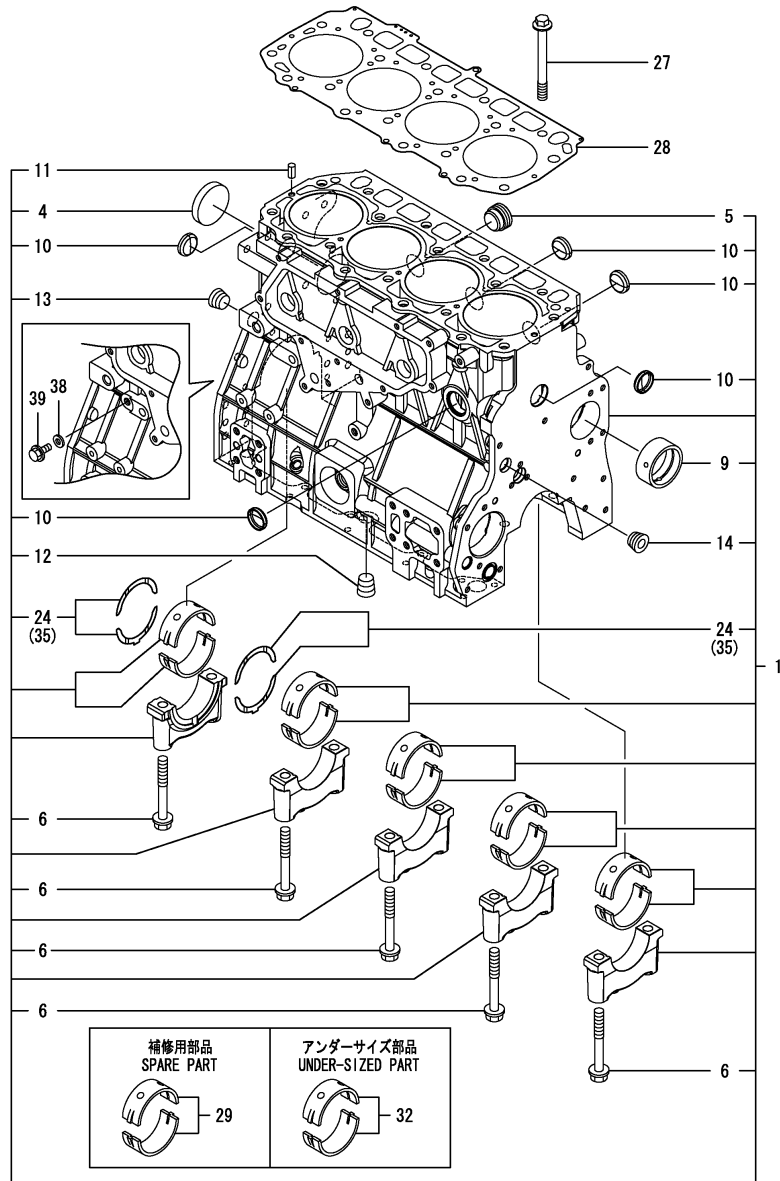
OCNP6-M00901

Fig. No.	Fig. Name	Fig. No.	Fig. Name
<b>ENGINE</b>			
1.	CYLINDER BLOCK		
2.	GEAR HOUSING		
3.	FLYWHEEL HOUSING & OIL SUMP		
4.	CYLINDER HEAD & BONNET		
5.	SUCTION MANIFOLD		
6.	EXHAUST MANIFOLD		
7.	DIESEL PARTICULATE FILTER(DPF)		
8.	CAMSHAFT & DRIVING GEAR		
9.	TURBINE		
10.	CRANKSHAFT & PISTON		
11.	LUB. OIL SYSTEM		
12.	LUB. OIL PIPE		
13.	COOLING WATER SYSTEM		
14.	FUEL SUPPLY PUMP		
15.	FUEL INJECTION VALVE		
16.	FUEL PIPE		
17.	STARTER MOTOR		
18.	GENERATOR		
19.	ELECTRONIC CONTROL UNIT(ECU)		
20.	ELECTRONIC CONTROL UNIT(ECU)		
21.	ELECTRONIC CONTROL UNIT(ECU)		
22.	ELECTRIC PARTS		

Fig.1. CYLINDER BLOCK

(A)=4TNV94CHT-XNRBQ  
 (B)=4TNV94CHT-XNRAQ  
 (C)=4TNV94CHT-XNRNQ

(D)=  
 (E)=  
 (F)=

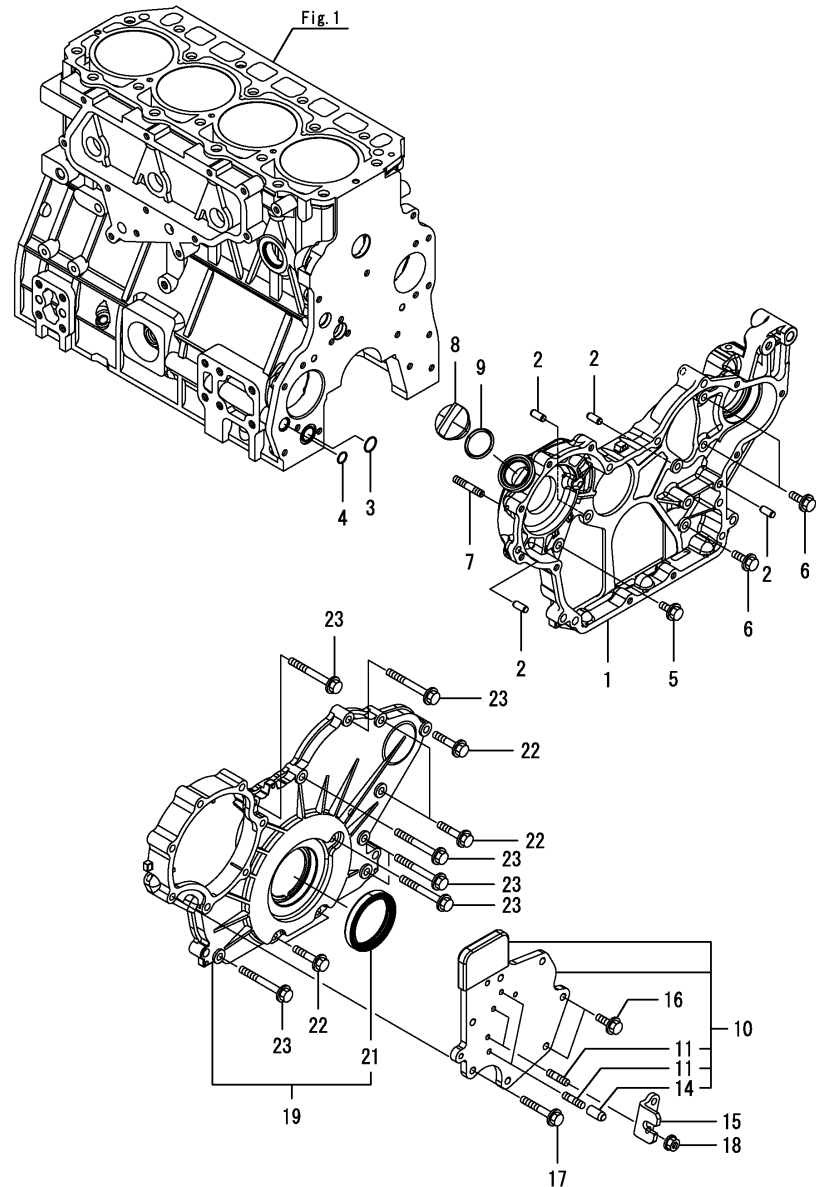


No.	Lev.	Parts No.	Description	Q'ty						I	R
				(A)	(B)	(C)	(D)	(E)	(F)		
1	1	129978-01180	BLOCK ASSY, CYLINDER	1	1	1					
1-1	1	129978-01181	BLOCK ASSY, CYLINDER	1	1	1					F 4
		(A=E01587) (B=E01649) (C=E01472)									
4	2	129900-01250	PLUG, DISH TYPE 55	1	1	1					
5	2	171051-01921	PLUG, NPTF1	1	1	1					
6	2	129978-02020	BOLT, METAL CAP	10	10	10					
9	2	129900-02410	BUSH, CAMSHAFT	1	1	1					
10	2	27241-300000	PLUG 30	5	5	5					
11	2	22351-060012	PIN, SPRING 6.0X12	2	2	2					
12	2	23876-030000	PLUG, R03	1	1	1					
13	2	23876-030000	PLUG, R03	1	1	1					
14	2	23876-030000	PLUG, R03	1	1	1					
24	2	129900-02931	BEARING ASSY, THRUST	2	2	2					
27	1	129978-01200	BOLT, HEAD	18	18	18					
28	1	129978-01331	GASKET, CYL. HEAD	1	1	1					
29	1	729900-02801	BEARING, MAIN	5	5	5					1
32	1	129900-02341	BEARING ASSY, MAIN	5	5	5					2
35	1	129900-02941	BEARING, THRUST 0.25	2	2	2					3
38	1	22190-100002	WASHER, SEAL 10	1	1	1					W 4
		(A=E01587) (B=E01649) (C=E01472)									
39	1	26106-100142	BOLT, M10X 14 PLATED	1	1	1					W 4
		(A=E01587) (B=E01649) (C=E01472)									

Remarks

- (1) Spare parts.
- (2) Under-sized (U.S.=0.25) parts.
- (3) Over-sized (O.S.=0.25) parts.
- (4) Interchangeable by simultaneous replacement with No.1-1, 38 & 39.

Fig.2. GEAR HOUSING



(A)=4TNV94CHT-XNRBQ  
 (B)=4TNV94CHT-XNRAQ  
 (C)=4TNV94CHT-XNRNQ

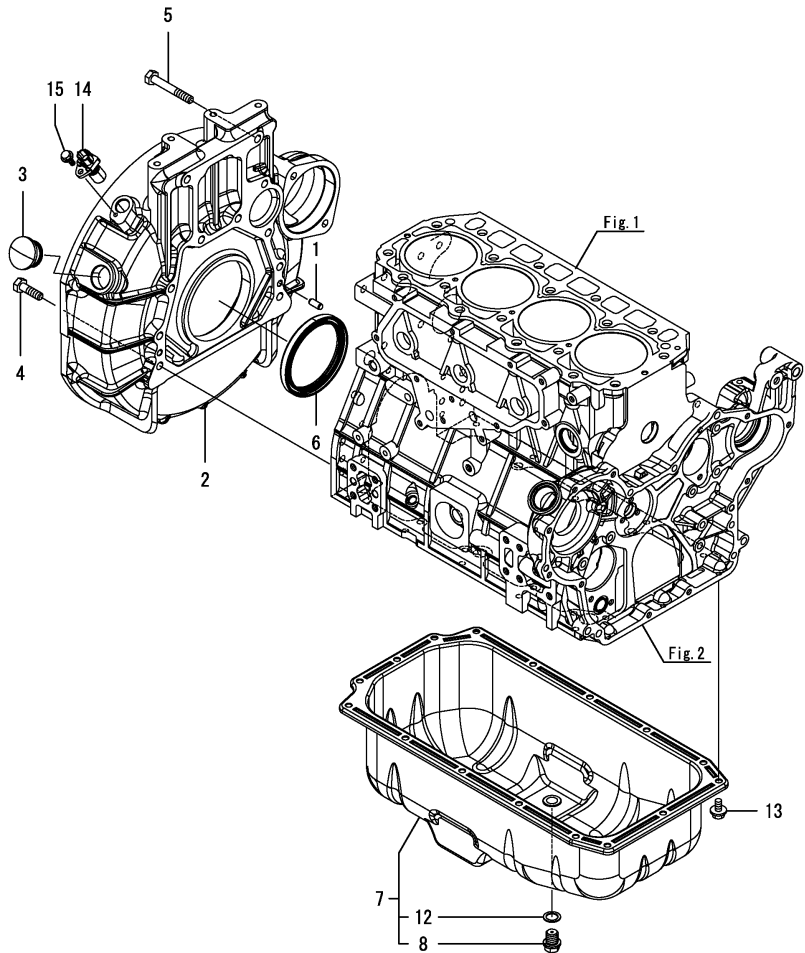
(D)=  
 (E)=  
 (F)=

No.	Lev.	Parts No.	Description	Qty						I	R
				(A)	(B)	(C)	(D)	(E)	(F)		
1	1	129978-01511	CASE, GEARS	1	1	1					
2	1	129100-01580	PIN, PARALLEL 8X16	4	4	4					
3	1	129900-32030	O-RING, P20	1	1	1					
4	1	129900-32040	O-RING, P14	1	1	1					
5	1	26106-080162	BOLT, M8X 16 PLATED	1	1	1					
6	1	26106-080202	BOLT, M8X 20 PLATED	3	3	3					
7	1	26226-080302	STUD, M8X 30	2	2	2					
8	1	124160-01751	CAP, FILLER	1	1	1					
9	1	24311-000320	O-RING, 1AP32.0	1	1	1					
10	1	129979-01830	COVER ASSY, FUEL PUM	1	1	1					
11	2	121450-01560	BOLT, STUD M8X22	4	4	4					
14	2	119802-59580	CAP, FUEL OIL	2	2	2					
15	1	129978-42520	GUIDE, ADJUST BOLT	1	1	1					
16	1	26106-080222	BOLT, M8X 22 PLATED	2	2	2					
17	1	26106-080552	BOLT, M8X 55 PLATED	5	5	5					
18	1	26306-080002	NUT, M8	2	2	2					
19	1	129978-01540	COVER ASSY, GEARS	1	1	1					
21	2	129916-01800	SEAL, OIL	1	1	1					
22	1	26106-080402	BOLT, M8X 40 PLATED	5	5	5					
23	1	26106-080702	BOLT, M8X 70 PLATED	7	7	7					

Fig.3. FLYWHEEL HOUSING & OIL SUMP

(A)=4TNV94CHT-XNRBQ  
 (B)=4TNV94CHT-XNRAQ  
 (C)=4TNV94CHT-XNRNQ

(D)=  
 (E)=  
 (F)=

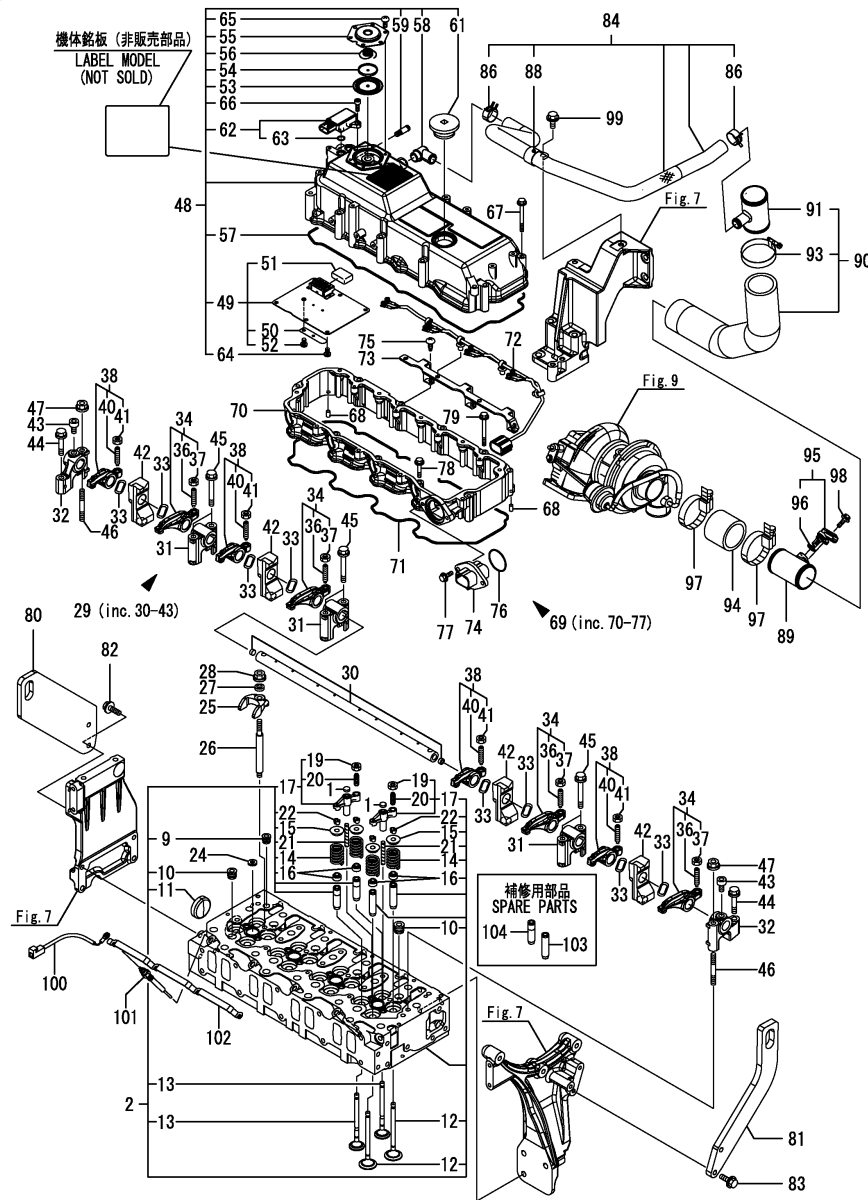


No.	Lev.	Parts No.	Description	Qty						I	R
				(A)	(B)	(C)	(D)	(E)	(F)		
1	1	129100-01580	PIN, PARALLEL 8X16	2	2	2					
2	1	129979-01681	HOUSING, FLYWHEEL	1	1	1					
3	1	119620-01750	CAP	1	1	1					
4	1	26206-100352	BOLT, M10X 35 PLATED	9	9	9					
5	1	26206-100702	BOLT, M10X 70 PLATED	2	2	2					
6	1	129916-01790	SEAL, D115/95XT11	1	1	1					
7	1	129957-01710	SUMP ASSY, OIL	1	1	1					
8	2	105425-01690	PLUG, M16	1	1	1					
12	2	22190-160002	WASHER, SEAL 16	1	1	1					
13	1	26106-080122	BOLT, M8X 12 PLATED	16	16	16					
14	1	127677-91260	SENSOR.CRANK	1	1	1					1
15	1	26106-060142	BOLT, M6X 14 PLATED	1	1	1					

Remarks

(1)When replacing this part, it is necessary to update the software of the ECU using the designated service tool. Please refer to the Service Manual for details.

Fig.4. CYLINDER HEAD & BONNET



(A)=4TNV94CHT-XNRBQ  
(B)=4TNV94CHT-XNRAQ  
(C)=4TNV94CHT-XNRNQ

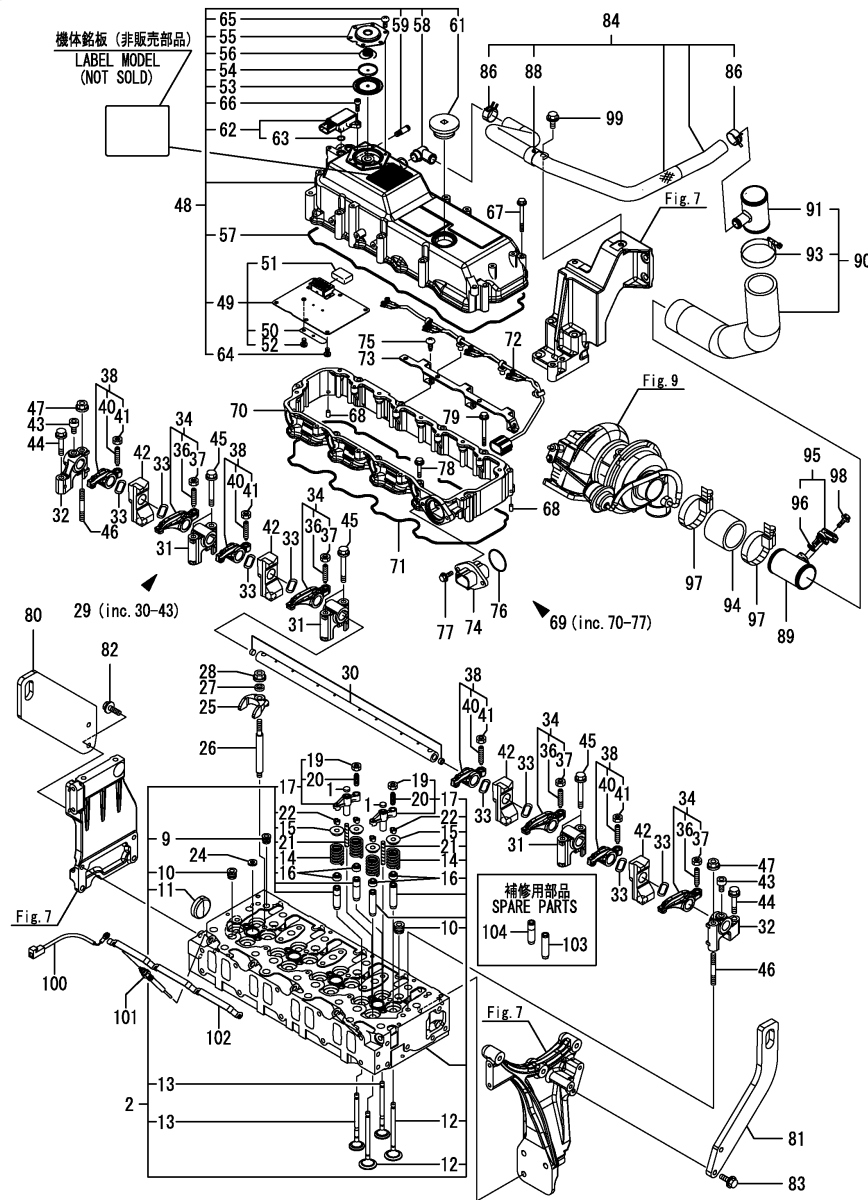
(D)=  
(E)=  
(F)=

No.	Lev.	Parts No.	Description	Q'ty						I	R
				(A)	(B)	(C)	(D)	(E)	(F)		
1	1	123907-11550	SEAT, VALVE BRIDGE	8	8	8					
2	1	129978-11710	HEAD ASSY, CYLINDER	1	1	1					
9	2	23876-020000	PLUG, R02	1	1	1					
10	2	23876-030000	PLUG, R03	8	8	8					
11	2	27241-400000	PLUG, 40	1	1	1					
12	2	129978-11100	VALVE, INTAKE	8	8	8					
13	2	129978-11110	VALVE, EXHAUST	8	8	8					
14	2	129907-11120	SPRING, VALVE	16	16	16					
15	2	119620-11180	RETAINER, SPRING	16	16	16					
16	2	124160-11340	SEAL, VALVE STEM	16	16	16					
17	2	129907-11510	BRIDGE ASSY, VALVE	8	8	8					
19	3	129150-11750	NUT, M8	8	8	8					
20	3	123907-11830	ADJUSTER	8	8	8					
21	2	123907-11820	GUIDE, BRIDGE	8	8	8					
22	2	27310-070001	COTTER, 7	16	16	16					
24	1	129978-11871	GASKET,INJECTOR	4	4	4					
25	1	129978-11900	RETAINER	4	4	4					
26	1	129978-11950	STUD	4	4	4					
27	1	120270-54410	WASHER, INJECTOR	4	4	4					
28	1	26306-080002	NUT, M8	4	4	4					
29	1	129978-11240	SHAFT ASSY, ROCKER	1	1	1					
30	2	129907-11250	SHAFT, ROCKER ARM	1	1	1					
31	2	129978-11260	SUPPORT, ROCKER ARM	3	3	3					
32	2	129978-11270	SUPPORT, ROCKER ARM	2	2	2					
33	2	123907-11280	WASHER	8	8	8					
34	2	129978-11650	ARM ASSY, ROCKER	4	4	4					
36	3	129150-11230	SCREW, VALVE ADJUST	4	4	4					
37	3	129150-11750	NUT, M8	4	4	4					
38	2	129978-11660	ARM ASSY, ROCKER	4	4	4					
40	3	129150-11230	SCREW, VALVE ADJUST	4	4	4					
41	3	129150-11750	NUT, M8	4	4	4					
42	2	129978-11920	RETAINER	4	4	4					
43	2	26455-080122	BOLT, M8X12	2	2	2					
44	1	26106-080402	BOLT, M8X 40 PLATED	2	2	2					
45	1	26106-080652	BOLT, M8X 65 PLATED	6	6	6					
46	1	26216-080652	STUD, M8X 65	2	2	2					
47	1	26306-080002	NUT, M8	2	2	2					
48	1	129978-11452	COVER ASSY, HEAD UPR	1	1	1					
49	2	129978-03010	PLATE	1	1	1					
50	3	129978-03030	SPRING,PLATE	1	1	1					
51	3	129978-03060	BAFFLE, BREATHER	1	1	1					
52	3	26587-050102	SCREW, M5X10	1	1	1					
53	2	123907-03100	DIAPHRAGM	1	1	1					
54	2	123907-03110	PLATE	1	1	1					
55	2	123907-03120	PLATE, BREATHER	1	1	1					
56	2	123907-03140	SPRING, DIAPHRAGM	1	1	1					
57	2	129978-11311	GASKET, BONNET	1	1	1					
58	2	119100-11330	ELBOW, BREATHER	1	1	1					
59	2	129A00-11330	JOINT	1	1	1					
61	2	119807-11770	PLUG	1	1	1					
62	2	129978-12700	SENSOR,PRESSURE	1	1	1					

Remarks

- (1)When replacing this part, it is necessary to update the software of the ECU using the designated service tool. Please refer to the Service Manual for details.
- (2)Spare parts.

Fig.4. CYLINDER HEAD & BONNET



(A)=4TNV94CHT-XNRBQ  
(B)=4TNV94CHT-XNRAQ  
(C)=4TNV94CHT-XNRNQ

(D)=  
(E)=  
(F)=

No.	Lev.	Parts No.	Description	Q'ty						I	R
				(A)	(B)	(C)	(D)	(E)	(F)		
63	3	129A00-12780	O-RING,PRES SENSOR	2	2	2					
64	2	22857-500100	SCREW, 5X10	6	6	6					
65	2	22857-500100	SCREW, 5X10	6	6	6					
66	2	26450-060162	BOLT, M6X 16	2	2	2					
67	1	26106-060652	BOLT, M6X 65 PLATED	10	10	10					
68	1	119620-01620	PIN, PARALLEL M6X10	2	2	2					
69	1	129978-11360	SPACER	1	1	1					
70	2	129978-11340	SPACER	1	1	1					
71	2	129978-11351	GASKET,BONNET SPACER	1	1	1					
72	2	129978-77500	HARNES, WIRE	1	1	1					
73	2	129978-77510	GUIDE	1	1	1					
74	2	129978-77520	CONNECTOR	1	1	1					
75	2	22857-500100	SCREW, 5X10	3	3	3					
76	2	24311-000380	O-RING, 1AP38.0	1	1	1					
77	2	26106-060142	BOLT, M6X 14 PLATED	2	2	2					
78	1	26106-060302	BOLT, M6X 30 PLATED	3	3	3					
79	1	26106-060602	BOLT, M6X 60 PLATED	7	7	7					
80	1	129979-07900	LIFTER, ENGINE	1	1	1					
81	1	129979-07910	LIFTER, ENGINE	1	1	1					
82	1	26106-080202	BOLT, M8X 20 PLATED	2	2	2					
83	1	26106-080252	BOLT, M8X 25 PLATED	2	2	2					
84	1	129979-03100	HOSE ASSY, BREATHER	1	1	1					
86	2	129410-03990	CLAMP, HOSE 21.5	2	2	2					
88	2	23297-270081	CLAMP, A27X12	1	1	1					
89	1	129978-03380	JOINT,BREATHER	1	1	1					
90	1	129979-12060	HOSE ASSY, INTAKE	1	1	1					
91	2	129945-03050	JOINT,BREATHER	1	1	1					
93	2	23000-060000	CLAMP, 60	1	1	1					
94	1	129C01-12060	HOSE,INTAKE	1	1	1					
95	1	129A00-12711	SENSOR,AIR TEMP	1	1	1					
96	2	129A00-12790	O-RING,TEMP SENSOR	1	1	1					
97	1	23000-060000	CLAMP, 60	2	2	2					
98	1	26106-060162	BOLT, M6X 16 PLATED	1	1	1					
99	1	26106-080142	BOLT, M8X 14 PLATED	1	1	1					
100	1	119803-77830	HARNES, WIRE	1	1	1					
101	1	129978-77800	PLUG, GLOW	4	4	4					
102	1	129978-77820	CONNECTOR, GLOW PLUG	1	1	1					
103	1	129978-11800	GUIDE,VALVE(SUC	8	8	8					2
104	1	123907-11810	GUIDE, VALVE	8	8	8					2

Remarks

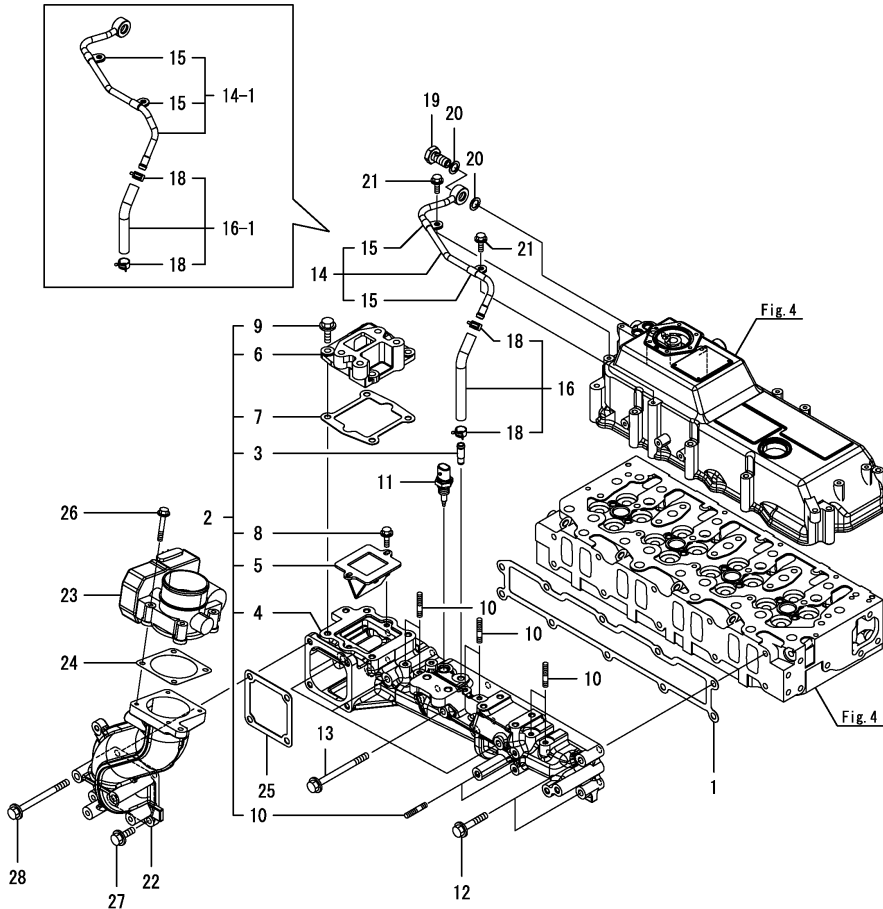
- (1)When replacing this part, it is necessary to update the software of the ECU using the designated service tool. Please refer to the Service Manual for details.
- (2)Spare parts.

Fig.5. SUCTION MANIFOLD

(A)=4TNV94CHT-XNRBQ  
 (B)=4TNV94CHT-XNRAQ  
 (C)=4TNV94CHT-XNRNQ

(D)=  
 (E)=  
 (F)=

No.	Lev.	Parts No.	Description	Qty						I	R
				(A)	(B)	(C)	(D)	(E)	(F)		
1	1	129978-12110	GASKET, MANIFOLD	1	1	1					
2	1	129979-12210	MANIFOLD ASSY,INTAKE	1	1	1					
3	2	129A00-11330	JOINT	1	1	1					
4	2	129979-12200	MANIFOLD, AIR INTAKE	1	1	1					
5	2	129E01-13700	VALVE, REED	1	1	1					
6	2	129978-13710	SPACER, EGR VALVE	1	1	1					
7	2	129978-13720	GASKET, EGR-V SPACER	1	1	1					
8	2	26106-060202	BOLT, M6X 20 PLATED	2	2	2					
9	2	26106-080252	BOLT, M8X 25 PLATED	4	4	4					
10	2	26216-060252	STUD, M6X 25	8	8	8					
11	1	129A00-12720	SENSOR,AIR TEMP	1	1	1					1
12	1	26106-080452	BOLT, M8X 45 PLATED	6	6	6					
13	1	26106-080952	BOLT, M8X 95 PLATED	4	4	4					
14	1	129978-12310	PIPE ASSY, INTAKE	1	1	1					
14-1	1	129978-12311	PIPE ASSY, INTAKE	1	1	1					S 2
		(A=E00965) (B=E00971) (C=E01171)									
15	2	23297-080061	CLAMP, A8X 6	2	2	2					
16	1	129978-12330	HOSE ASSY, PRES INT	1	1	1					
16-1	1	129978-12331	HOSE ASSY, PRES INT	1	1	1					S 2
		(A=E00965) (B=E00971) (C=E01171)									
18	2	106990-44660	CLAMP, HOSE 12.5	2	2	2					
19	1	129A00-13350	BOLT, PIPE JOINT	1	1	1					
20	1	22190-120002	WASHER, SEAL 12	2	2	2					
21	1	26106-060162	BOLT, M6X 16 PLATED	2	2	2					
22	1	129979-12830	BEND, SUCTION	1	1	1					
23	1	129A00-12900	THROTTLE BODY(INT	1	1	1					1
24	1	129A00-12910	GASKET,THROTTLE	1	1	1					
25	1	121850-77021	GASKET, AIR HEATER	1	1	1					
26	1	26106-060402	BOLT, M6X 40 PLATED	4	4	4					
27	1	26106-080252	BOLT, M8X 25 PLATED	2	2	2					
28	1	26106-080902	BOLT, M8X 90 PLATED	2	2	2					

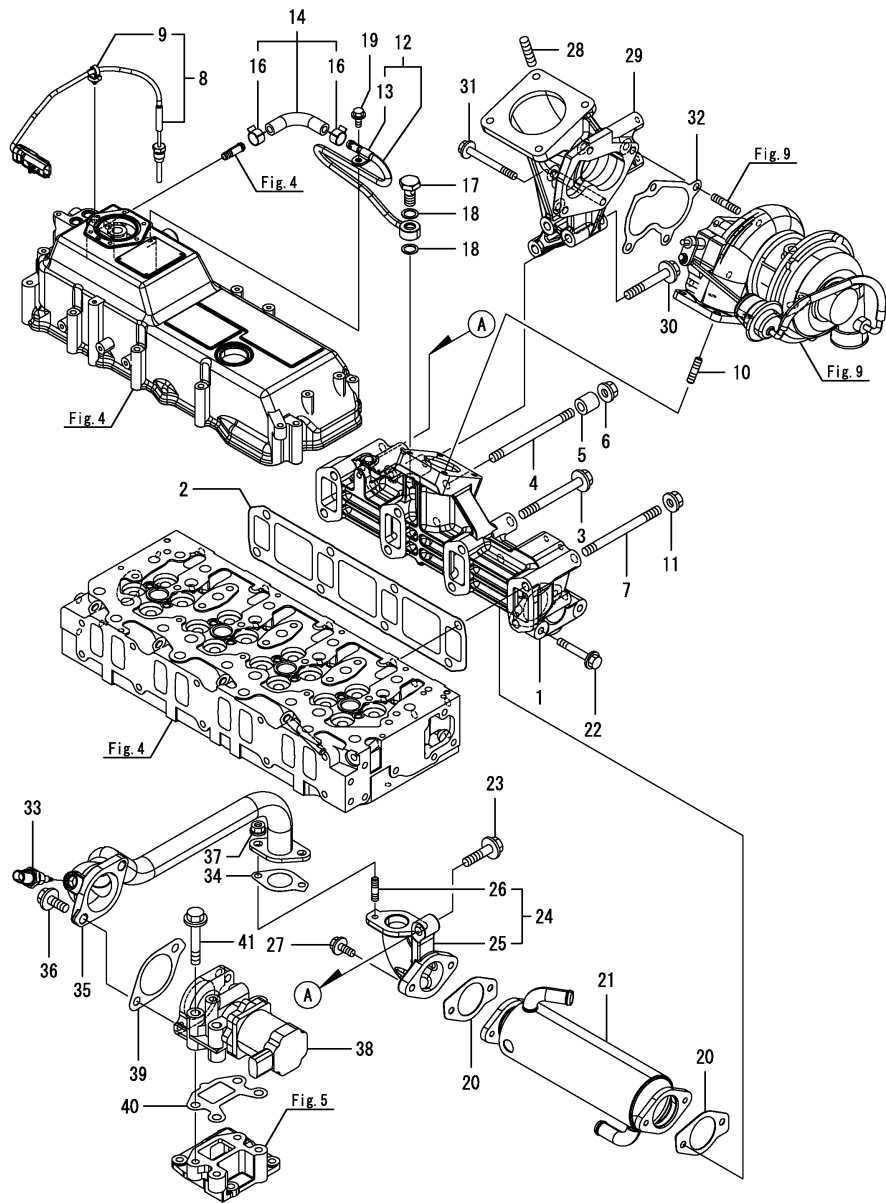


Remarks

- (1)When replacing this part, it is necessary to update the software of the ECU using the designated service tool. Please refer to the Service Manual for details.
- (2)Interchangeable by simultaneous replacement with No.14-1 & 16-1.



Fig.6. EXHAUST MANIFOLD



(A)=4TNV94CHT-XNRBQ  
(B)=4TNV94CHT-XNRAQ  
(C)=4TNV94CHT-XNRNQ

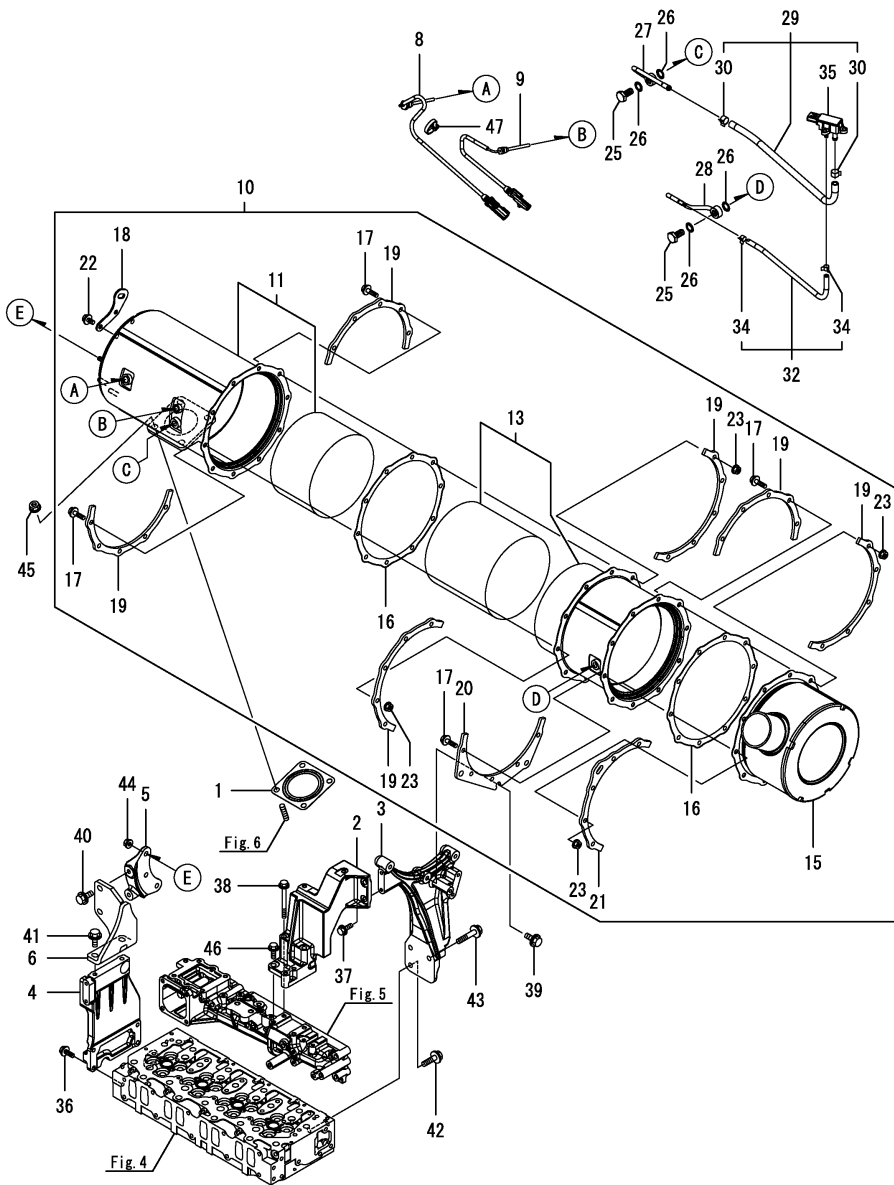
(D)=  
(E)=  
(F)=

No.	Lev.	Parts No.	Description	Qty						I	R
				(A)	(B)	(C)	(D)	(E)	(F)		
1	1	129979-13100	MANIFOLD, EXHAUST	1	1	1					
2	1	129978-13111	GASKET, EXH MANIFOLD	1	1	1					
3	1	129F01-13610	BOLT, M10X95 10.9T	6	6	6					
4	1	129F01-13670	STUD, EXH. MANIFOLD	1	1	1					
5	1	129F01-13680	SPACER,BOLT	1	1	1					
6	1	129F01-13690	NUT, M10 SUS	1	1	1					
7	1	129A01-13710	STUD, M10X95 10.9T	1	1	1					
8	1	129978-13770	SENSOR,EXH TEMP.	1	1	1					1
9	2	129A00-91200	BAND CLIP	1	1	1					
10	1	129418-18320	BOLT, STUD M8X20	4	4	4					
11	1	26306-100002	NUT, M10	1	1	1					
12	1	129978-13310	PIPE ASSY, EXHAUST	1	1	1					
13	2	23297-080061	CLAMP, A8X 6	1	1	1					
14	1	129978-13330	HOSE ASSY, PRES EXH	1	1	1					
16	2	129A00-13380	CLIP, HOSE 14	2	2	2					
17	1	129A00-13350	BOLT, PIPE JOINT	1	1	1					
18	1	129A00-17311	GASKET,SENSOR	2	2	2					
19	1	26106-060122	BOLT, M6X 12 PLATED	1	1	1					
20	1	129978-13411	GASKET, EGR COOLER	2	2	2					
21	1	129978-13420	COOLER, EGR	1	1	1					
22	1	129E00-13610	BOLT, M8X50 10.9	2	2	2					
23	1	129F01-13650	BOLT, M10X40 10.9T	1	1	1					
24	1	129978-13880	BEND ASSY, EGR-C OUT	1	1	1					
25	2	129978-13870	BEND, EGR COOLER OUT	1	1	1					
26	2	129418-18320	BOLT, STUD M8X20	2	2	2					
27	1	26106-080202	BOLT, M8X 20 PLATED	2	2	2					
28	1	123900-13130	STUD, M10X22	4	4	4					
29	1	129979-13350	BEND, EXHAUST	1	1	1					
30	1	129F01-13620	BOLT, M10X65 10.9T	3	3	3					
31	1	123900-13641	BOLT, M8X95 10.9T	1	1	1					
32	1	123901-18080	GASKET	1	1	1					
33	1	129A00-13751	SENSOR,EGR GAS TEMP	1	1	1					1
34	1	129927-13810	GASKET	1	1	1					
35	1	129978-13820	PIPE ASSY, EGR	1	1	1					
36	1	26106-100252	BOLT, M10X 25 PLATED	2	2	2					
37	1	26306-080002	NUT, M8	2	2	2					
38	1	129978-13901	VALVE, EGR	1	1	1					1
39	1	129E00-13910	GASKET, EGR-V IN	1	1	1					
40	1	129E00-13920	GASKET, EGR-V OUT	1	1	1					
41	1	26106-100602	BOLT, M10X 60 PLATED	4	4	4					

Remarks

(1)When replacing this part, it is necessary to update the software of the ECU using the designated service tool. Please refer to the Service Manual for details.

Fig.7. DIESEL PARTICULATE FILTER(DPF)



(A)=4TNV94CHT-XNRBQ  
(B)=4TNV94CHT-XNRAQ  
(C)=4TNV94CHT-XNRRQ

(D)=  
(E)=  
(F)=

No.	Lev.	Parts No.	Description	Q'ty						I	R
				(A)	(B)	(C)	(D)	(E)	(F)		
1	1	128300-13230	GASKET, SILENCER	1	1	1					
2	1	129979-16790	SUPPORT, DPF	1	1	1					
3	1	129979-16890	STAY,DPF	1	1	1					
4	1	129979-16960	STAY,DPF B	1	1	1					
4-1	1	129979-16961	STAY,DPF B	1	1	1					N
		(A=E02023) (B=E01787) (C=E01951)									
5	1	129979-16980	STAY,DPF	1	1	1					
6	1	129979-16990	STAY,DPF	1	1	1					
8	1	129C00-13940	SENSOR, EXH.TEMP	1	1	1					1
9	1	129C00-13950	SENSOR, EXH.TEMP	1	1	1					1
10	1	129979-16000	DPF ASSY	1	1	1					1
11	2	129979-16200	CASE, DOC	1	1	1					1
13	2	129979-16400	CASE, SOOT FILTER	1	1	1					1
15	2	129979-16500	SILENCER, DPF	1	1	1					
16	2	129978-16600	GASKET, DPF	2	2	2					
17	2	129A00-16610	BOLT, M8X28 10.9T	20	20	20					
18	2	129C01-16680	LIFTER, DPF	1	1	1					
19	2	129978-16700	STIFFENER, DPF A	6	6	6					
20	2	129979-16700	STIFFENER, DPF B	1	1	1					
21	2	129978-16720	STIFFENER, DPF C	1	1	1					
22	2	26106-080142	BOLT, M8X 14 PLATED	2	2	2					
23	2	26306-080002	NUT, M8	20	20	20					
25	1	129A00-13350	BOLT, PIPE JOINT	2	2	2					
26	1	129A00-17311	GASKET,SENSOR	4	4	4					
27	1	129E00-17310	PIPE ASSY, PRES EXH	1	1	1					
28	1	129E00-17360	PIPE ASSY, PRES EXH	1	1	1					
29	1	129979-17631	HOSE ASSY, PRES EXH	1	1	1					
30	2	129A00-17520	CLIP, HOSE	2	2	2					
32	1	129979-17661	HOSE ASSY, PRES EXH	1	1	1					
34	2	129A00-17570	CLIP, HOSE	2	2	2					
35	1	129978-17700	SENSOR,PRESSURE	1	1	1					1
36	1	26106-080202	BOLT, M8X 20 PLATED	4	4	4					
37	1	26106-080202	BOLT, M8X 20 PLATED	2	2	2					
38	1	26106-080802	BOLT, M8X 80 PLATED	2	2	2					
39	1	26106-100202	BOLT, M10X 20 PLATED	3	3	3					
40	1	26106-100202	BOLT, M10X 20 PLATED	2	2	2					
41	1	26106-100202	BOLT, M10X 20 PLATED	2	2	2					
42	1	26106-100352	BOLT, M10X 35 PLATED	1	1	1					
43	1	26106-100502	BOLT, M10X 50 PLATED	2	2	2					
44	1	26306-080002	NUT, M8	3	3	3					
45	1	26306-100002	NUT, M10	4	4	4					
46	1	26106-080252	BOLT, M8X 25 PLATED	1	1	1					
47	1	129C00-91200	BAND	1	1	1					W
		(A=E00965) (B=E00971) (C=E00967)									

Remarks

(1)When replacing this part, it is necessary to update the software of the ECU using the designated service tool. Please refer to the Service Manual for details.

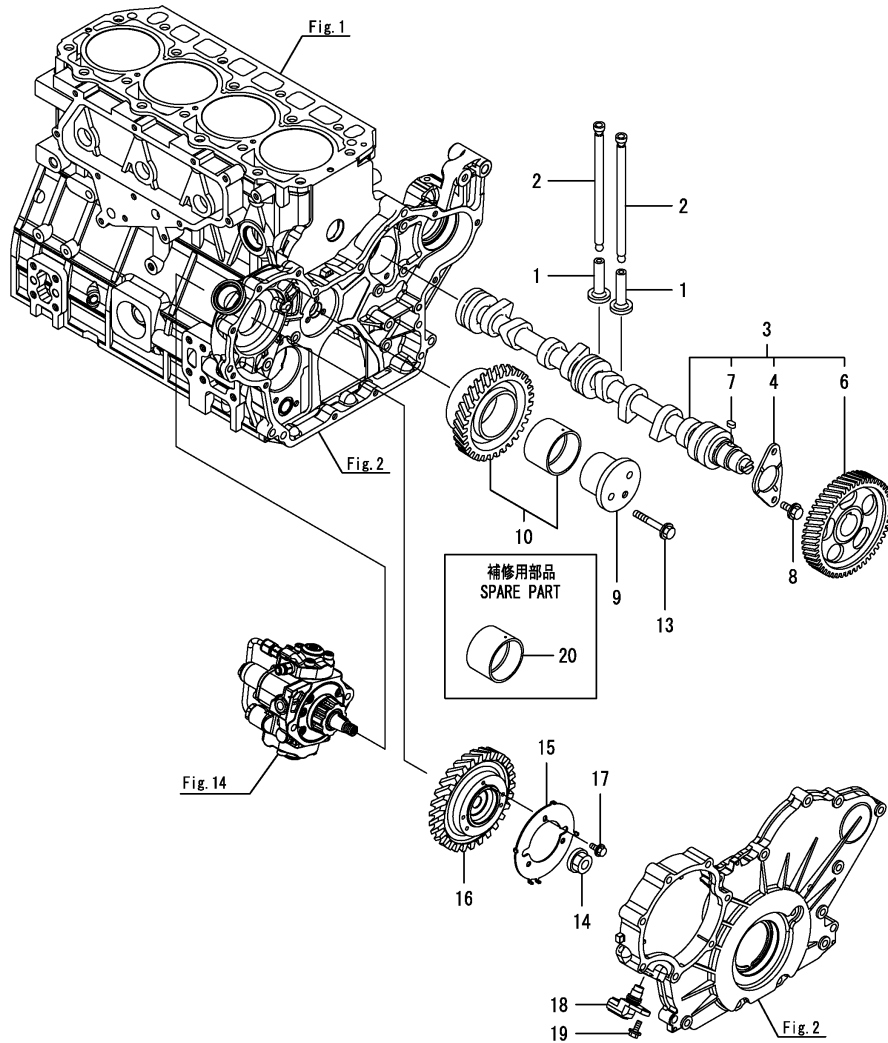
N:Old  $\xrightarrow{\text{Yes}}$  New, Q:Old  $\xrightarrow{\text{No}}$  New, R:Old  $\xrightarrow{\text{Yes}}$  New, S:Old  $\xrightarrow{\text{No}}$  New, W:Add, Z:Discontinued, F:Interchangeable by set, K:Q'ty Change

Fig.8. CAMSHAFT & DRIVING GEAR

(A)=4TNV94CHT-XNRBQ  
 (B)=4TNV94CHT-XNRAQ  
 (C)=4TNV94CHT-XNRNQ

(D)=  
 (E)=  
 (F)=

No.	Lev.	Parts No.	Description	Qty						I	R
				(A)	(B)	(C)	(D)	(E)	(F)		
1	1	129150-14200	TAPPET	8	8	8					
2	1	129978-14400	ROD, PUSH	8	8	8					
3	1	129908-14581	CAMSHAFT ASSY	1	1	1					
4	2	129150-02450	BEARING, THRUST	1	1	1					
6	2	129900-14100	GEAR, CAMSHAFT	1	1	1					
7	2	22512-070140	KEY, 7X 14	1	1	1					
8	1	26106-080142	BOLT, M8X 14 PLATED	2	2	2					
9	1	123900-25060	SHAFT, IDLE GEAR	1	1	1					
10	1	129900-25100	GEAR ASSY, IDLE	1	1	1					
13	1	26106-080552	BOLT, M8X 55 PLATED	3	3	3					
14	1	129978-25300	NUT, M14X1.5	1	1	1					
15	1	129978-25700	PULSAR	1	1	1					
16	1	129978-25900	GEAR, PUMP	1	1	1					
17	1	26106-060102	BOLT, M6X 10 PLATED	3	3	3					
18	1	129978-25710	SENSOR	1	1	1					
19	1	26106-060142	BOLT, M6X 14 PLATED	1	1	1					
20	1	129150-25920	BUSH, IDLE GEAR	1	1	1					1



Remarks  
 (1) Spare parts.

Fig.9. TURBINE

(A)=4TNV94CHT-XNRBQ  
 (B)=4TNV94CHT-XNRAQ  
 (C)=4TNV94CHT-XNRNQ

(D)=  
 (E)=  
 (F)=

No.	Lev.	Parts No.	Description	Q'ty						I	R
				(A)	(B)	(C)	(D)	(E)	(F)		
1	1	129978-18020	TURBOCHARGER ASSY	1	1	1					
1-1	1	129978-18021	TURBOCHARGER ASSY	1	1	1					N
		(A=E02023) (B=E01787) (C=E01802)									
2	1	129472-18090	GASKET	1	1	1					
3	1	119131-18320	BOLT, STUD M8X22	3	3	3					
4	1	26306-080002	NUT, M8	4	4	4					

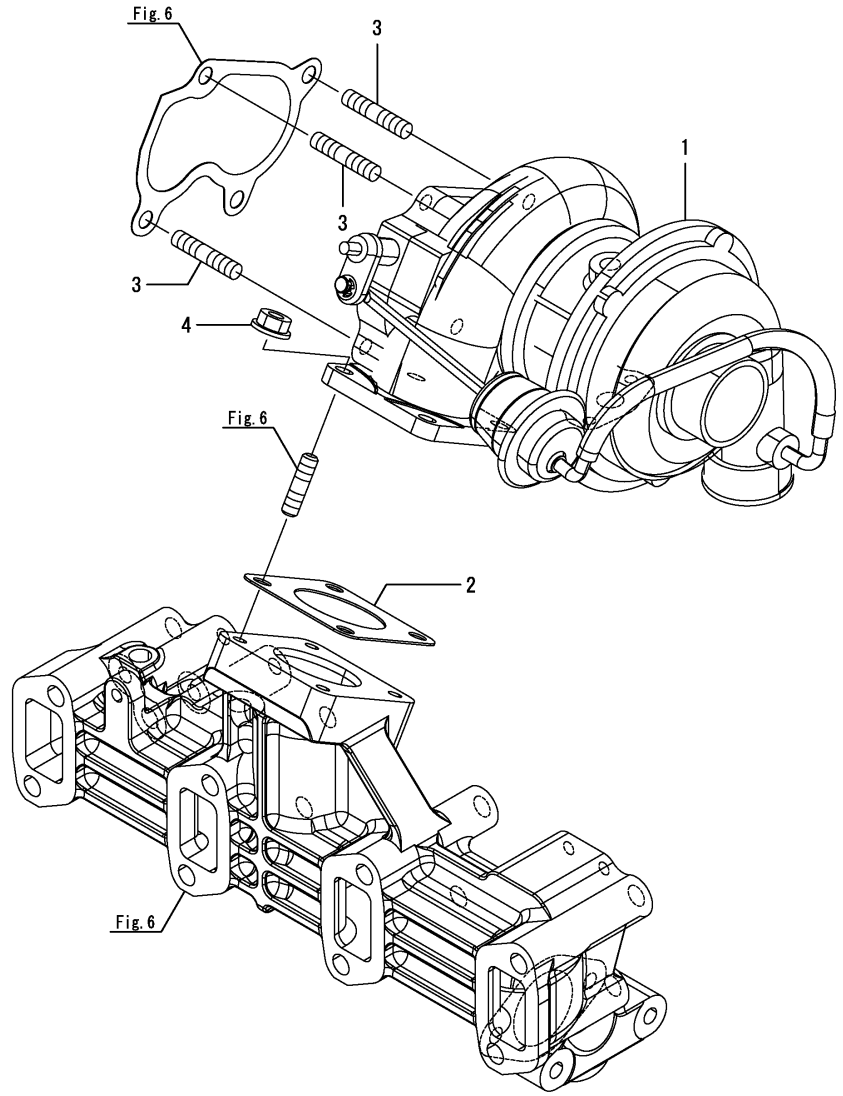
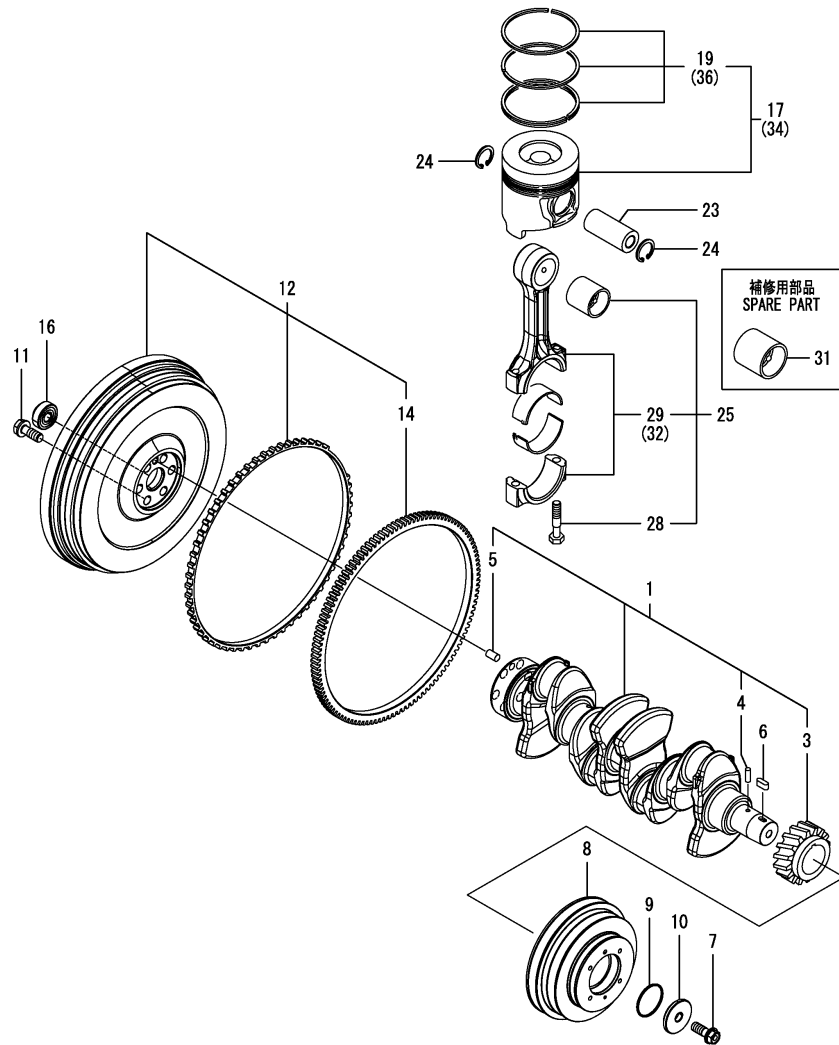


Fig.10. CRANKSHAFT & PISTON

(A)=4TNV94CHT-XNRBQ  
 (B)=4TNV94CHT-XNRAQ  
 (C)=4TNV94CHT-XNRRQ

(D)=  
 (E)=  
 (F)=



No.	Lev.	Parts No.	Description	Qty						I	R
				(A)	(B)	(C)	(D)	(E)	(F)		
1	1	129978-21030	CRANKSHAFT ASSY	1	1	1					
3	2	129900-21200	GEAR, CRANKSHAFT	1	1	1					
4	2	121850-21290	PIN	1	1	1					
5	2	121850-21920	PIN, PARALLEL 10X22	1	1	1					
6	1	22512-070140	KEY, 7X 14	1	1	1					
7	1	129916-21610	BOLT	1	1	1					
8	1	129979-21650	V-PULLEY, CRANK 175	1	1	1					
9	1	129960-21930	GASKET, WASHER	1	1	1					
10	1	129960-21940	WASHER, V-PULLEY	1	1	1					
11	1	121850-21130	BOLT, FLYWHEEL	6	6	6					
12	1	129979-21520	FLYWHEEL ASSY	1	1	1					
14	2	129900-21600	GEAR, RING	1	1	1					
16	1	24104-063020	BEARING, 6302UUC3	1	1	1					
17	1	129978-22090	PISTON ASSY	4	4	4					
19	2	129978-22050	PISTON RING ASSY	4	4	4					
23	1	129978-22300	PIN, PISTON	4	4	4					
24	1	22252-000340	RING, 34	8	8	8					
25	1	129978-23000	ROD ASSY, CONNECTING	4	4	4					
28	2	129900-23200	BOLT, CONNECTING ROD	8	8	8					
29	1	129900-23601	BEARING, CRANK PIN	4	4	4					
31	1	129978-23900	BUSH, PISTON PIN	4	4	4					1
32	1	129900-23611	BEARING ASSY, 0.25US	4	4	4					2
34	1	129978-22900	PISTON ASSY, 0.25 OS	4	4	4					3
36	2	129978-22740	RING ASSY, 0.25OS	4	4	4					3

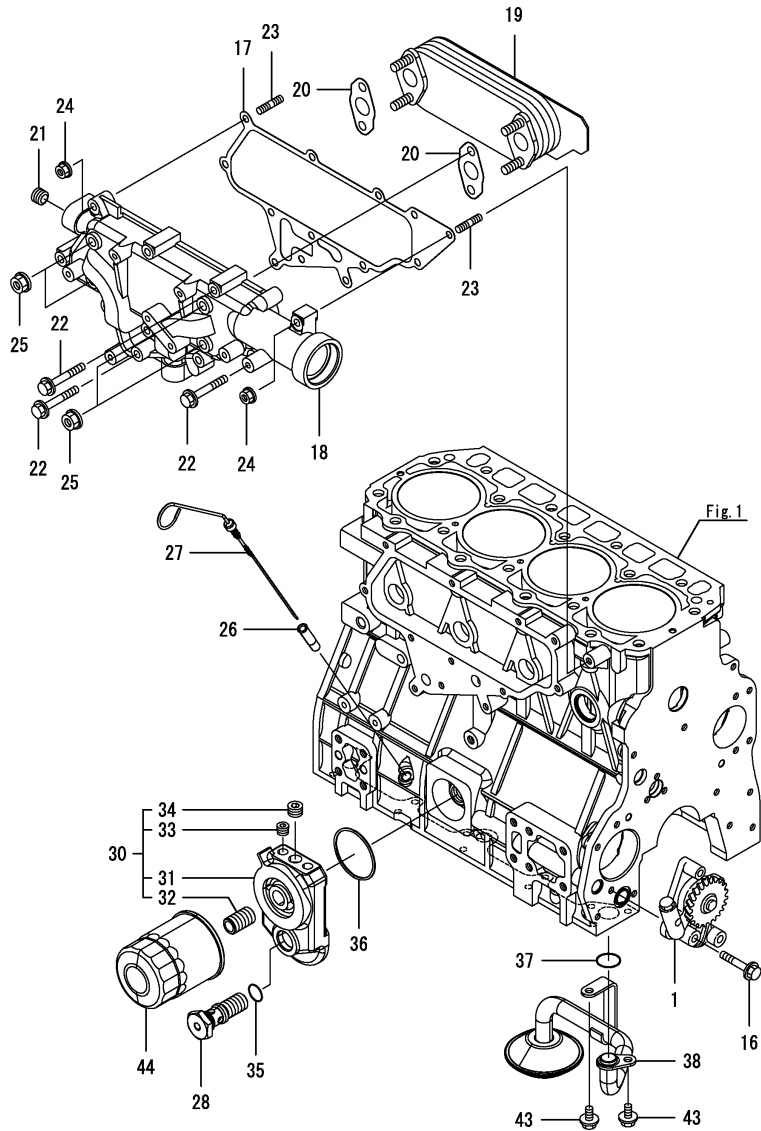
Remarks

- (1) Spare parts.
- (2) Under-sized (U.S.=0.25) parts.
- (3) Over-sized (O.S.=0.25) parts.

Fig.11. LUB. OIL SYSTEM

(A)=4TNV94CHT-XNRBQ  
 (B)=4TNV94CHT-XNRAQ  
 (C)=4TNV94CHT-XNRRQ

(D)=  
 (E)=  
 (F)=



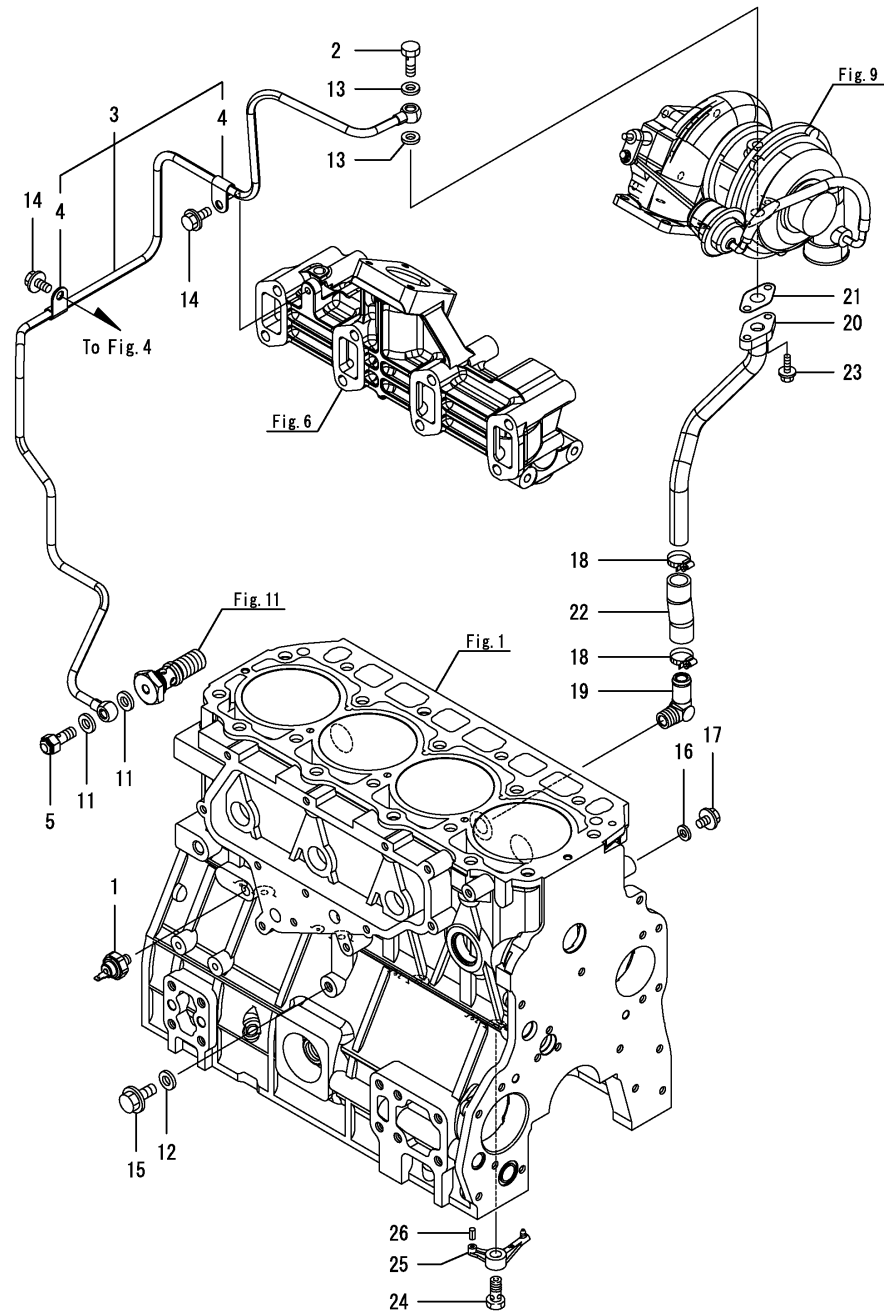
No.	Lev.	Parts No.	Description	Q'ty						I	R
				(A)	(B)	(C)	(D)	(E)	(F)		
1	1	129978-32000	PUMP ASSY, OIL	1	1	1					
16	1	26106-080452	BOLT, M8X 45 PLATED	3	3	3					
17	1	129978-33020	GASKET	1	1	1					
18	1	129978-33030	CASE, OIL COOLER	1	1	1					
19	1	119152-33050	COOLER, OIL	1	1	1					
19-1	1	129978-33050	COOLER, OIL	1	1	1					N
		(A=E02023)	(B=E01787)	(C=E01901)							
20	1	129978-33070	GASKET, COOLER	2	2	2					
21	1	23875-030000	PLUG, R03	1	1	1					
22	1	26106-080552	BOLT, M8X 55 PLATED	8	8	8					
23	1	26216-080352	STUD, M8X 35	2	2	2					
24	1	26306-080002	NUT, M8	2	2	2					
25	1	26376-100002	NUT, M10	4	4	4					
26	1	121520-34810	GUIDE, DIPSTICK	1	1	1					
27	1	129979-34840	DIPSTICK, LUB. OIL	1	1	1					
28	1	129979-33130	BOLT, OIL COOLER BKT	1	1	1					
30	1	129979-35200	BRACKET ASSY, FILTER	1	1	1					
31	2	129979-35100	BRACKET, OIL COOLER	1	1	1					
32	2	129100-35140	BOLT, STUD	1	1	1					
33	2	23876-020000	PLUG, R02	2	2	2					
34	2	23876-030000	PLUG, R03	1	1	1					
35	1	24314-000200	O-RING, 4CP20.0	1	1	1					
36	1	24321-000600	O-RING, 1AG60.0	1	1	1					
37	1	129900-32030	O-RING, P20	1	1	1					
38	1	129900-35000	PIPE ASSY, OIL INLET	1	1	1					
43	1	26106-080122	BOLT, M8X 12 PLATED	2	2	2					
44	1	119005-35151	FILTER, D80X100	1	1	1					1

Remarks

(1) Spare parts.

N:Old  $\xrightarrow{\text{Yes}}$  New, Q:Old  $\xrightarrow{\text{No}}$  New, R:Old  $\xrightarrow{\text{Yes}}$  New, S:Old  $\xrightarrow{\text{No}}$  New, W:Add, Z:Discontinued, F:Interchangeable by set, K:Q'ty Change

Fig.12. LUB. OIL PIPE

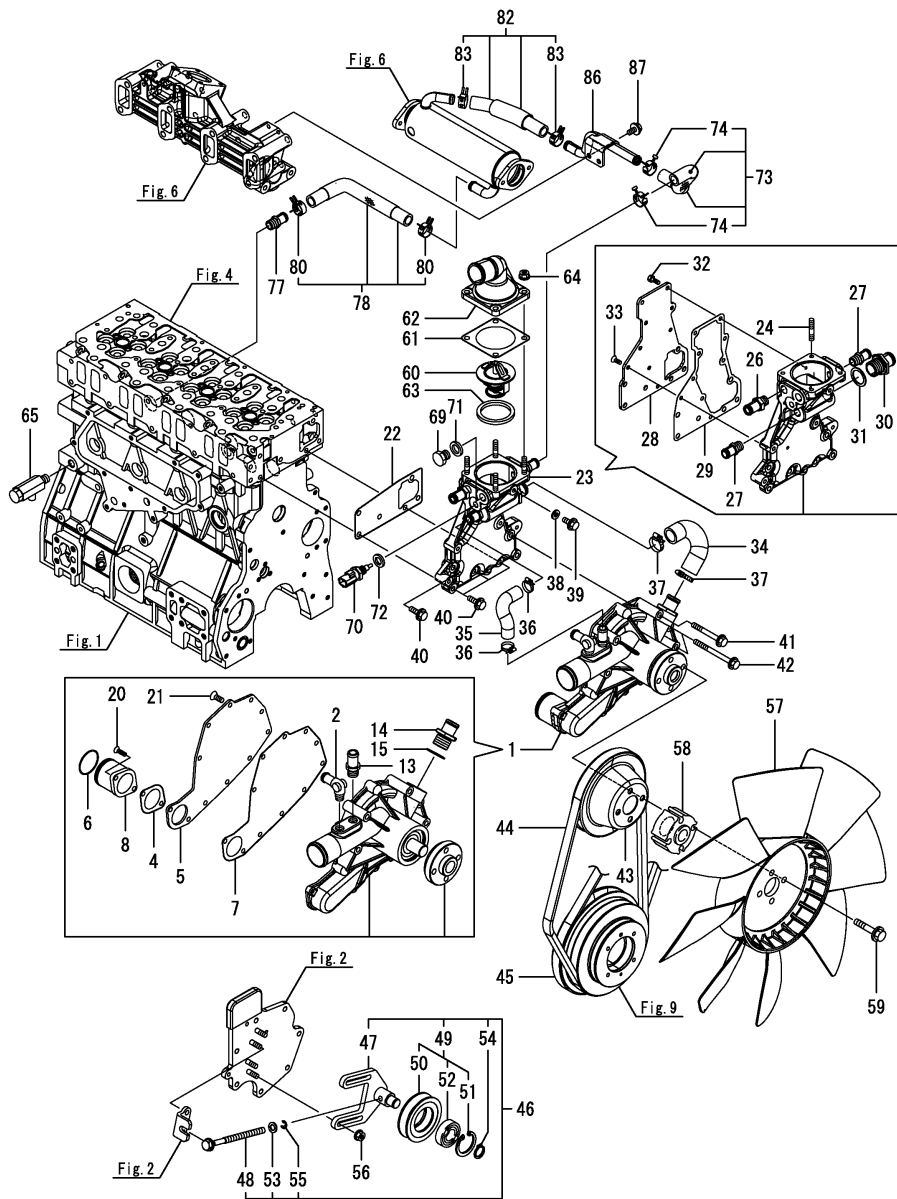


(A)=4TNV94CHT-XNRBQ  
 (B)=4TNV94CHT-XNRAQ  
 (C)=4TNV94CHT-XNRNQ

(D)=  
 (E)=  
 (F)=

No.	Lev.	Parts No.	Description	Qty						I	R
				(A)	(B)	(C)	(D)	(E)	(F)		
1	1	119761-39450	SWITCH, HYDRAULIC	1	1	1					
2	1	121252-39150	BOLT, JOINT M10X1.5	1	1	1					
3	1	129979-39320	PIPE ASSY, LO T/C	1	1	1					
3-1	1	129979-39321	PIPE ASSY, LO T/C	1	1	1					N
		(A=E01587)	(B=E01649)	(C=E01472)							
4	2	124223-39900	RETAINER	2	2	2					
5	1	129978-39700	CHECK VALVE ASSY	1	1	1					
11	1	22190-100002	WASHER, SEAL 10	2	2	2					
12	1	22190-100002	WASHER, SEAL 10	1	1	1					
13	1	23414-100000	GASKET, 10X1.0	2	2	2					
14	1	26106-080122	BOLT, M8X 12 PLATED	2	2	2					
15	1	26106-100142	BOLT, M10X 14 PLATED	1	1	1					
16	1	22190-080002	WASHER, SEAL 8	1	1	1					
17	1	26106-080122	BOLT, M8X 12 PLATED	1	1	1					
18	1	129960-03990	CLAMP, HOSE 19.8	2	2	2					
19	1	124070-13300	ELBOW, PT3/8	1	1	1					
20	1	129E01-39600	PIPE, LO RETURN T/C	1	1	1					
21	1	129908-39690	GASKET	1	1	1					
22	1	129974-39820	HOSE, LO RETURN	1	1	1					
23	1	26106-060162	BOLT, M6X 16 PLATED	2	2	2					
24	1	129908-39390	BOLT, PIPE JOINT M8	4	4	4					
25	1	129978-39650	NOZZLE	4	4	4					
26	1	22351-030010	PIN, SPRING 3.0X10	4	4	4					

Fig.13. COOLING WATER SYSTEM



(A)=4TNV94CHT-XNRBQ  
(B)=4TNV94CHT-XNRAQ  
(C)=4TNV94CHT-XNRRQ

(D)=  
(E)=  
(F)=

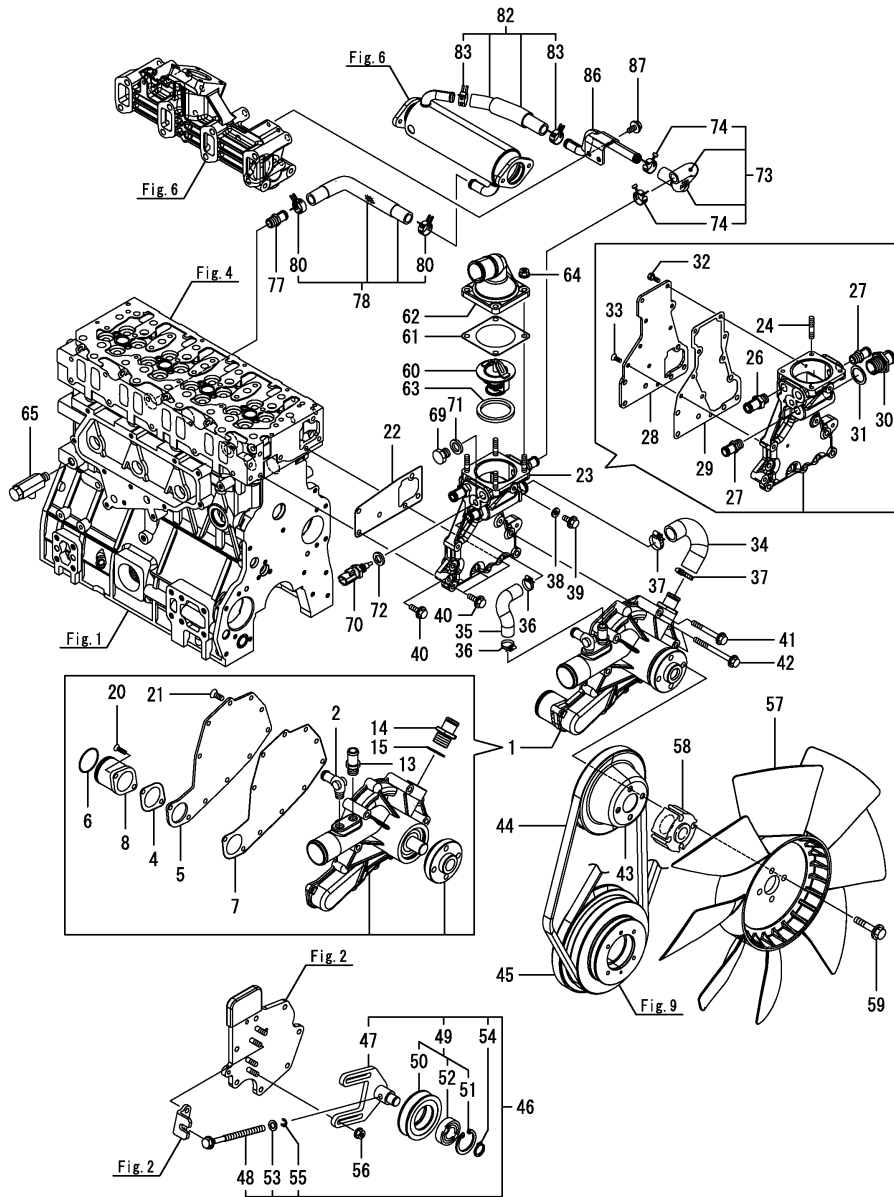
No.	Lev.	Parts No.	Description	Q'ty						I	R
				(A)	(B)	(C)	(D)	(E)	(F)		
1	1	129979-42010	PUMP ASSY, CW	1	1	1					
2	2	124070-13300	ELBOW, PT3/8	1	1	1					
4	2	119578-42130	GASKET	1	1	1					
5	2	129978-42130	COVER	1	1	1					
6	2	129978-42140	O-RING, CW-T(CW-P	1	1	1					
6-1	2	129978-42141	O-RING, G45	1	1	1					N
		(A=E01026)	(B=E01030)	(C=E01028)							
7	2	129978-42150	GASKET	1	1	1					
8	2	129978-42160	FLANGE	1	1	1					
13	2	129928-49420	JOINT	1	1	1					
14	2	129978-49580	JOINT,D23	1	1	1					
15	2	22190-270002	WASHER, SEAL 27	1	1	1					
20	2	26577-060202	SCREW, M6X20	2	2	2					
21	2	26577-080162	SCREW, M8X16	5	5	5					
22	1	129978-42020	GASKET, WATER PUMP	1	1	1					
23	1	129979-49330	CASE ASSY,THERMOSTAT	1	1	1					
24	2	129555-44750	STUD, M8X30	4	4	4					
26	2	129968-49360	JOINT, D17.3	1	1	1					
27	2	129928-49420	JOINT	2	2	2					
28	2	129978-49532	COVER,THERMO. CASE	1	1	1					
29	2	129978-49542	PACKING,THERMO-CASE	1	1	1					
30	2	129978-49580	JOINT,D23	1	1	1					
31	2	22190-270002	WASHER, SEAL 27	1	1	1					
32	2	26116-060162	BOLT, M6X 16 PLATED	2	2	2					
33	2	26577-060162	SCREW, M6X16	7	7	7					
34	1	129978-49702	HOSE, CW B. BYPASS	1	1	1					
35	1	129978-49740	HOSE, CW B. BYPASS	1	1	1					
36	1	23000-022000	CLAMP, 22	2	2	2					
37	1	23000-035000	CLAMP, 35	2	2	2					
38	1	23414-080000	GASKET, 8X1.0	1	1	1					
39	1	26106-080122	BOLT, M8X 12 PLATED	1	1	1					
40	1	26106-080302	BOLT, M8X 30 PLATED	4	4	4					
41	1	26106-080752	BOLT, M8X 75 PLATED	3	3	3					
42	1	26106-081002	BOLT, M8X100 PLATED	2	2	2					
43	1	123900-42460	V-PULLEY, B 160	1	1	1					
44	1	129E20-42280	V-BELT, B47.0CH	1	1	1					
45	1	123957-42460	V-BELT, B46.0	1	1	1					
46	1	129978-42501	TENSION DEVICE ASSY	1	1	1					
47	2	129978-42511	BASE,TENSION PULLEY	1	1	1					
48	2	129978-42530	BOLT, ADJUSTER	1	1	1					
49	2	129978-42540	PULLEY ASSY, TENSION	1	1	1					
50	3	129950-44270	PULLEY, TENSION	1	1	1					
51	3	22252-000470	RING, 47	1	1	1					
52	3	24104-063034	BEARING, BALL 6303UU	1	1	1					
53	2	22117-100000	WASHER, 10	1	1	1					
54	2	22242-000170	RING, 17	1	1	1					
55	2	22272-000070	RING, E- 7	1	1	1					
56	1	26306-080002	NUT, M8	2	2	2					
57	1	123910-44742	FAN, COOLING D500	1	1	1					
58	1	123957-44770	SPACER, FAN 35	1	1	1					
59	1	26106-100552	BOLT, M10X 55 PLATED	4	4	4					

Remarks

(1)When replacing this part, it is necessary to update the software of the ECU using the designated service tool. Please refer to the Service Manual for details.



Fig.13. COOLING WATER SYSTEM



(A)=4TNV94CHT-XNRBQ  
 (B)=4TNV94CHT-XNRAQ  
 (C)=4TNV94CHT-XNRNQ

(D)=  
 (E)=  
 (F)=

No.	Lev.	Parts No.	Description	Q'ty						I	R
				(A)	(B)	(C)	(D)	(E)	(F)		
60	1	124610-48620	THERMOSTAT, 82	1	1	1					
61	1	124610-49291	GASKET	1	1	1					
62	1	123950-49501	COVER, THERMOSTAT	1	1	1					
63	1	123500-49550	GASKET, THERMOSTAT	1	1	1					
64	1	26306-080002	NUT, M8	4	4	4					
65	1	119620-49290	COCK ASSY, 1/4	1	1	1					
69	1	121450-42450	PLUG, M16	1	1	1					
70	1	129927-44900	SENSOR, WATER TEMP.	1	1	1					1
71	1	124465-44950	GASKET, 16	1	1	1					
72	1	22190-120002	WASHER, SEAL 12	1	1	1					
73	1	129979-49390	HOSE ASSY, WATER EGR	1	1	1					
74	2	129960-03990	CLAMP, HOSE 19.8	2	2	2					
77	1	129928-49420	JOINT	1	1	1					
78	1	129E00-49610	HOSE ASSY, EGR-C IN	1	1	1					
80	2	129960-03990	CLAMP, HOSE 19.8	2	2	2					
82	1	129E00-49620	HOSE ASSY, EGRC OUT A	1	1	1					
83	2	129960-03990	CLAMP, HOSE 19.8	2	2	2					
86	1	129978-49780	PIPE, CW EGR-C OUT	1	1	1					
87	1	26106-080162	BOLT, M8X 16 PLATED	2	2	2					

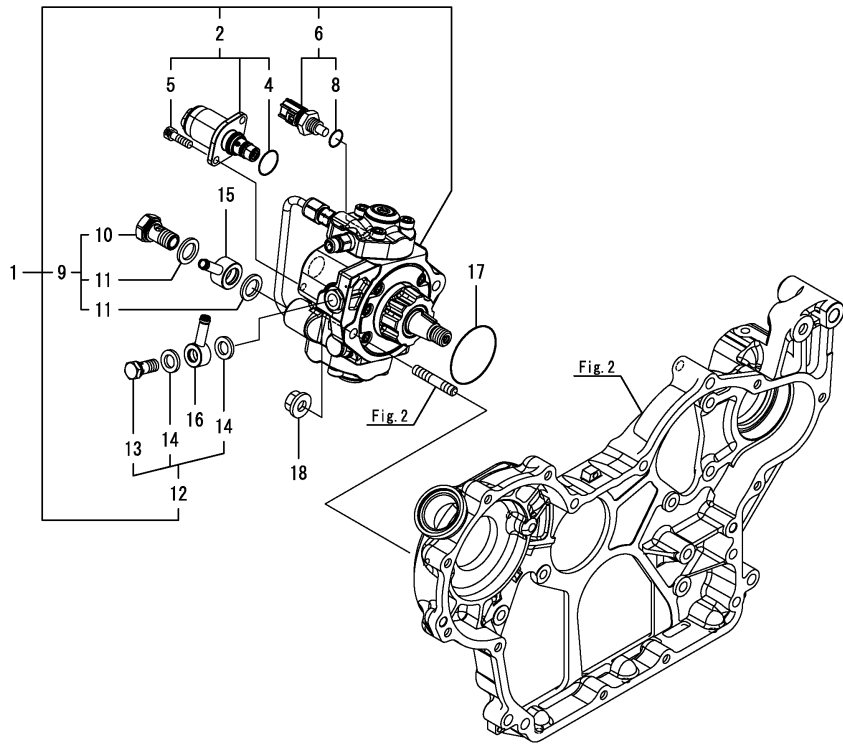
Remarks

(1)When replacing this part, it is necessary to update the software of the ECU using the designated service tool. Please refer to the Service Manual for details.

Fig.14. FUEL SUPPLY PUMP

(A)=4TNV94CHT-XNRBQ  
 (B)=4TNV94CHT-XNRAQ  
 (C)=4TNV94CHT-XNRNQ

(D)=  
 (E)=  
 (F)=



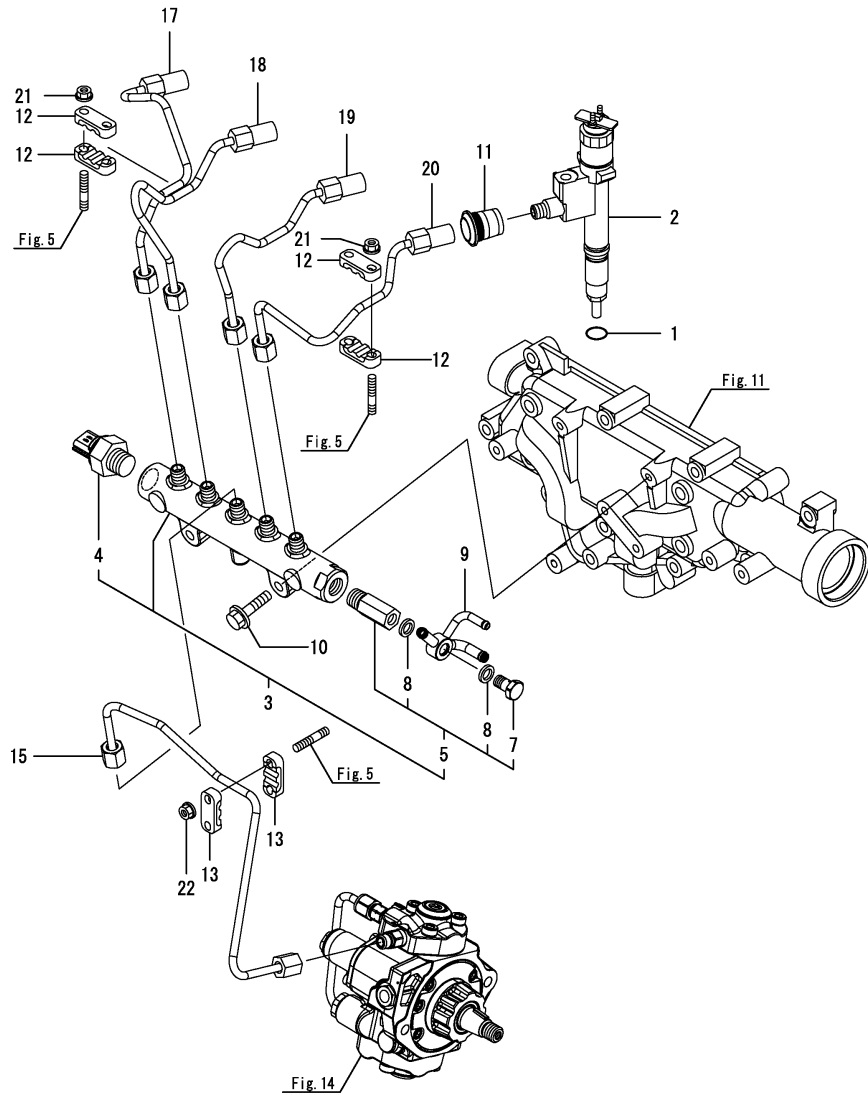
No.	Lev.	Parts No.	Description	Qty						I	R
				(A)	(B)	(C)	(D)	(E)	(F)		
1	1	129978-51000	PUMP ASSY	1	1	1					1
2	2	129978-51100	VALVE ASSY,SCV S/A	1	1	1					1
4	3	129978-51120	O-RING, SCV	1	1	1					
5	3	129978-51130	BOLT, SCV	2	2	2					
6	2	129978-51200	SENSOR,TEMP S/A	1	1	1					1
8	3	129978-51220	O-RING, TEMP SENSOR	1	1	1					
9	2	129978-51300	SCREW KIR,HOLLOW IN	1	1	1					
10	3	129978-51310	SCREW, HOLLOW IN	1	1	1					
11	3	129978-51320	WASHER, HOLLOW SCREW	2	2	2					
12	2	129978-51400	SCREW KIR,HOLLOW OUT	1	1	1					
13	3	129978-51410	SCREW, HOLLOW OUT	1	1	1					
14	3	129978-51420	WASHER, HOLLOW SCREW	2	2	2					
15	1	129978-59110	JOINT	1	1	1					
16	1	129978-59160	JOINT, HOSE 10	1	1	1					
17	1	24341-000500	O-RING, 1AS50.0	1	1	1					
18	1	26306-080002	NUT, M8	2	2	2					

Remarks  
 (1)When replacing this part, it is necessary to update the software of the ECU using the designated service tool.  
 Please refer to the Service Manual for details.

# Fig.15. FUEL INJECTION VALVE

(A)=4TNV94CHT-XNRBQ  
 (B)=4TNV94CHT-XNRAQ  
 (C)=4TNV94CHT-XNRRQ

(D)=  
 (E)=  
 (F)=



No.	Lev.	Parts No.	Description	Qty						I	R
				(A)	(B)	(C)	(D)	(E)	(F)		
1	1	119717-32050	O-RING, P17.0	4	4	4					
2	1	129978-53000	INJECTOR, CR	4	4	4					1
3	1	129978-57000	RAIL ASSY	1	1	1					1
4	2	129978-57100	SENSOR,RAILPRESSURE	1	1	1					1
5	2	129978-57200	VALVE,PRES LIMIT S/A	1	1	1					1
7	3	129978-57220	SCREW, HOLLOW PRES L	1	1	1					
8	3	129978-57230	WASHER, HOLLOW SCREW	2	2	2					
9	1	129978-59170	JOINT, HOSE 10	1	1	1					
10	1	26106-080352	BOLT, M8X 35 PLATED	2	2	2					
11	1	123907-11601	SEAL, PIPE	4	4	4					
12	1	129978-59100	CLAMP, FUEL PIPE	6	6	6					
13	1	129978-59100	CLAMP, FUEL PIPE	2	2	2					
15	1	129978-59700	PIPE ASSY, FUEL	1	1	1					
17	1	129978-59810	PIPE ASSY, INJECTION	1	1	1					
18	1	129978-59820	PIPE ASSY, INJECTION	1	1	1					
19	1	129978-59830	PIPE ASSY, INJECTION	1	1	1					
20	1	129978-59840	PIPE ASSY, INJECTION	1	1	1					
21	1	26366-060002	NUT, M6	6	6	6					
22	1	26366-060002	NUT, M6	2	2	2					

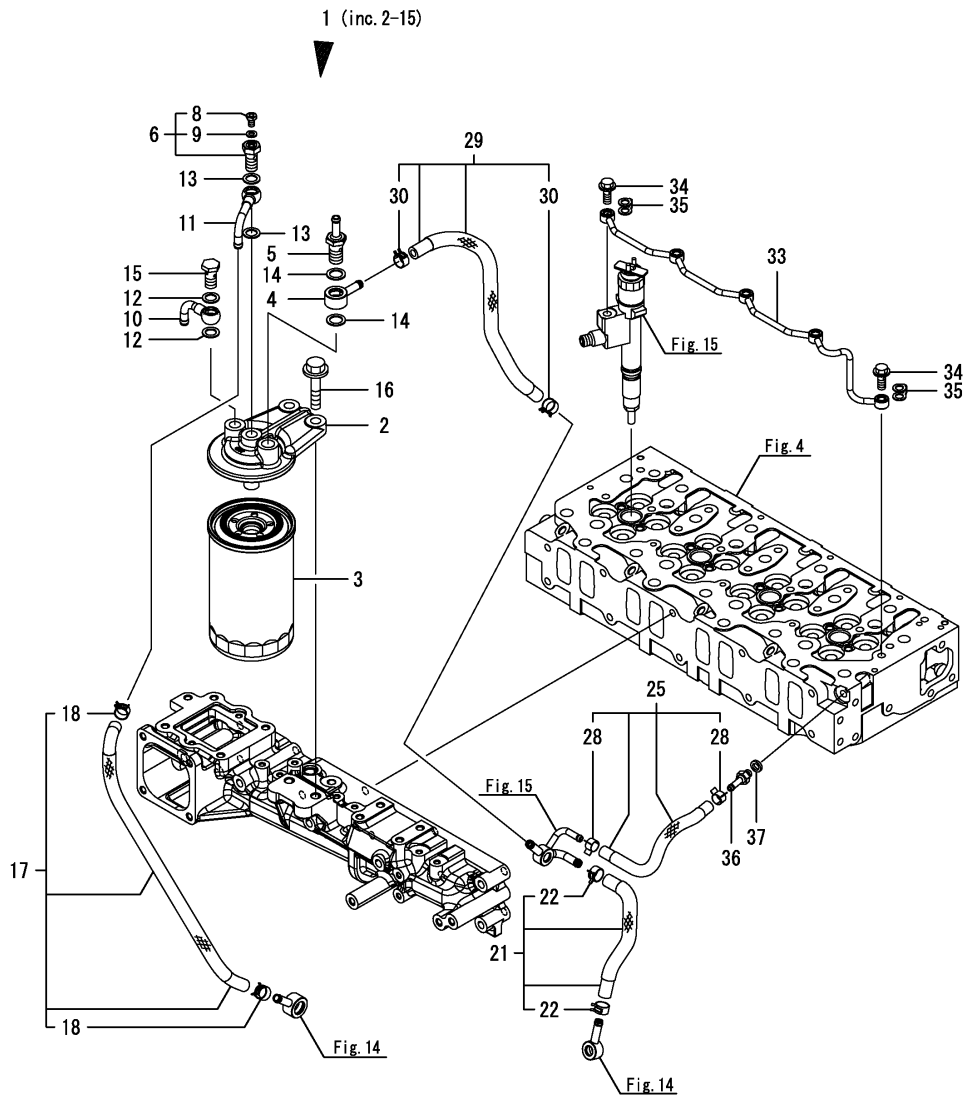
**Remarks**

(1)When replacing this part, it is necessary to update the software of the ECU using the designated service tool. Please refer to the Service Manual for details.

Fig.16. FUEL PIPE

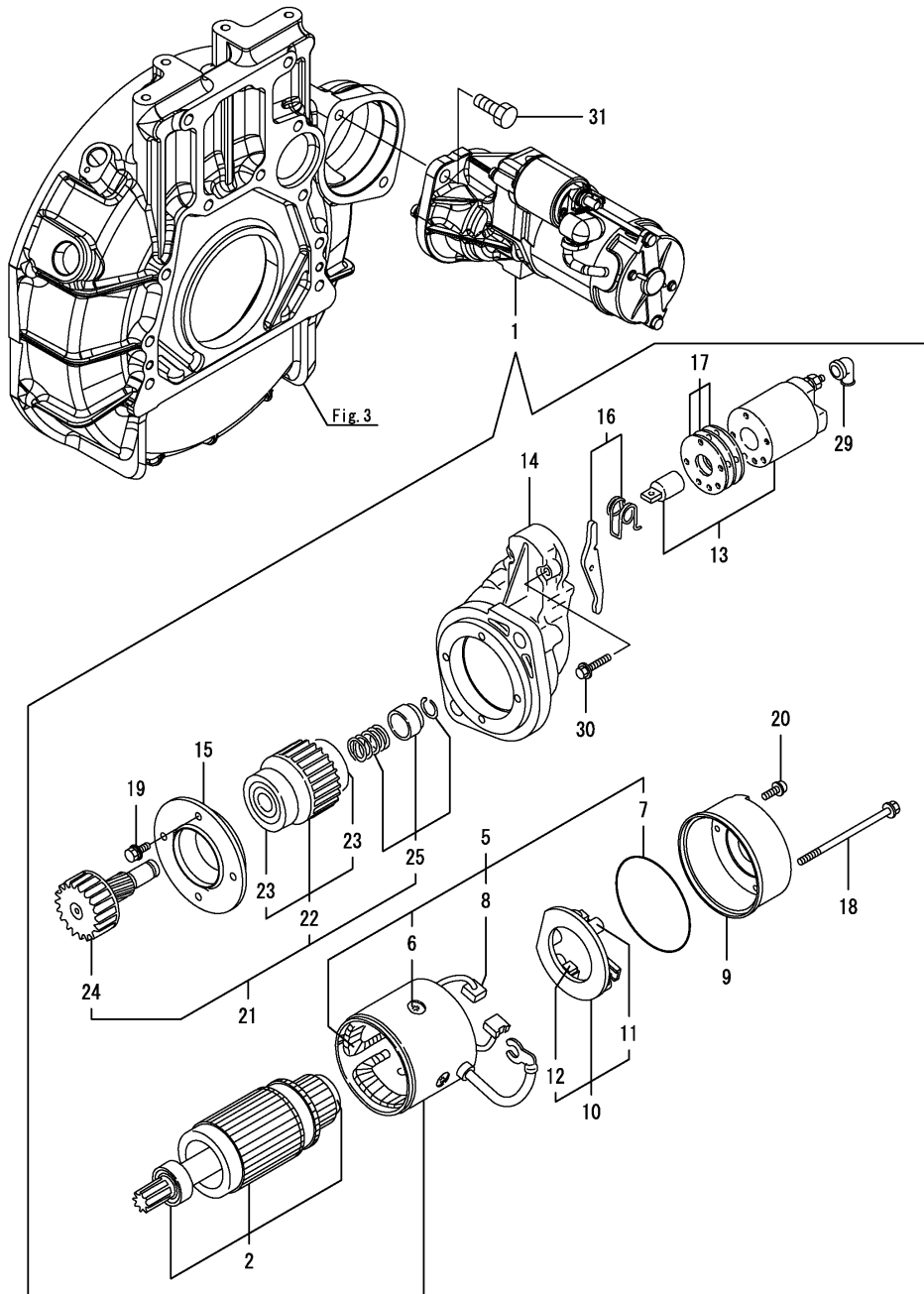
(A)=4TNV94CHT-XNRBQ  
 (B)=4TNV94CHT-XNRAQ  
 (C)=4TNV94CHT-XNRNQ

(D)=  
 (E)=  
 (F)=



No.	Lev.	Parts No.	Description	Qty						I	R
				(A)	(B)	(C)	(D)	(E)	(F)		
1	1	129979-55660	BRACKET ASSY, FILTER	1	1	1					
2	2	129470-55610	BODY, STRAINER	1	1	1					
3	2	129907-55801	FILTER, FUEL	1	1	1					
4	2	129978-59110	JOINT	1	1	1					
5	2	129978-59130	JOINT	1	1	1					
6	2	103854-59191	BOLT ASSY, JOINT M12	1	1	1					
8	3	124060-59380	PLUG, HEXAGON M6	1	1	1					
9	3	22190-060002	WASHER, SEAL 6	1	1	1					
10	2	129978-59450	JOINT, HOSE 12	1	1	1					
11	2	129956-59572	JOINT, OVER FLOW	1	1	1					
12	2	22190-120002	WASHER, SEAL 12	2	2	2					
13	2	22190-120002	WASHER, SEAL 12	2	2	2					
14	2	22190-140002	WASHER, SEAL 14	2	2	2					
15	2	23857-060000	BOLT, JOINT 6	1	1	1					
16	1	26106-100302	BOLT, M10X 30 PLATED	2	2	2					
17	1	129979-59000	HOSE ASSY, FUEL	1	1	1					
18	2	114270-59010	CLAMP, HOSE 12	2	2	2					
21	1	129978-59070	HOSE ASSY, FUEL	1	1	1					
22	2	114270-59010	CLAMP, HOSE 12	2	2	2					
25	1	129978-59080	HOSE ASSY, FUEL	1	1	1					
28	2	23080-011000	CLAMP, 11	2	2	2					
29	1	129978-59090	HOSE ASSY, FUEL	1	1	1					
30	2	114270-59010	CLAMP, HOSE 12	2	2	2					
33	1	129978-59500	PIPE ASSY, RETURN	1	1	1					
34	1	129978-59550	BOLT, PIPE JOINT M8	5	5	5					
35	1	129978-59560	GASKET	5	5	5					
36	1	129978-59570	JOINT	1	1	1					
37	1	22190-080002	WASHER, SEAL 8	1	1	1					

Fig.17. STARTER MOTOR



(A)=4TNV94CHT-XNRBQ  
 (B)=4TNV94CHT-XNRAQ  
 (C)=4TNV94CHT-XNRNQ

(D)=  
 (E)=  
 (F)=

No.	Lev.	Parts No.	Description	Qty						I	R
				(A)	(B)	(C)	(D)	(E)	(F)		
1	1	129940-77011	STARTER ASSY	1	1	1					
2	2	129940-77100	ARMATURE ASSY	1	1	1					
5	2	129940-77130	COIL ASSY, FIELD	1	1	1					
6	3	129940-77140	SCREW, CORE SET	4	4	4					
7	3	129940-77150	O-RING	1	1	1					
8	3	129940-77160	BRUSH	2	2	2					
9	2	129940-77171	COVER	1	1	1					
10	2	129940-77181	HOLDER ASSY, BRUSH	1	1	1					
11	3	129940-77190	SPRING, BRUSH	1	1	1					
12	3	129940-77200	BRUSH	2	2	2					
13	2	129940-77210	SWITCH ASSY, MAGNET	1	1	1					
14	2	129940-77221	CASE, GEAR	1	1	1					
15	2	129940-77230	RETAINER, BEARING	1	1	1					
16	2	129940-77240	LEVER SET	1	1	1					
17	2	129940-77250	COVER KIT, DUST	1	1	1					
18	2	129940-77260	BOLT, THROUGH	2	2	2					
19	2	129940-77270	BOLT	4	4	4					
20	2	129940-77280	SCREW	2	2	2					
21	2	123900-77510	PINION ASSY	1	1	1					
22	3	123900-77520	CLUTCH ASSY	1	1	1					
23	4	X2240610100	BEARING, BALL	2	2	2					
24	3	123900-77540	SHAFT, PINION	1	1	1					
25	3	119131-77550	STOPPER SET, PINION	1	1	1					
29	2	121254-77810	COVER, TERMINAL	1	1	1					
30	2	114371-79070	BOLT	2	2	2					
31	1	26116-120302	BOLT, M12X 30 PLATED	2	2	2					

Fig.18. GENERATOR

(A)=4TNV94CHT-XNRBQ  
 (B)=4TNV94CHT-XNRAQ  
 (C)=4TNV94CHT-XNRRQ

(D)=  
 (E)=  
 (F)=

No.	Lev.	Parts No.	Description	Qty						I	R
				(A)	(B)	(C)	(D)	(E)	(F)		
1	1	129978-77200	GENERATOR, 12V-120A	1	1	1					
2	1	129978-77280	STAY, GENERATOR	1	1	1					
3	1	26106-100402	BOLT, M10X 40 PLATED	1	1	1					
4	1	26106-100752	BOLT, M10X 75 PLATED	1	1	1					
5	1	26106-100852	BOLT, M10X 85 PLATED	1	1	1					
6	1	119624-77351	BLOCK ASSY, ADJUSTER	1	1	1					
8	2	26106-081004	BOLT, M8X100 PLATED	1	1	1					
9	2	26306-080002	NUT, M8	1	1	1					
10	1	129978-77381	ADJUSTER, BELT	1	1	1					
11	1	26014-080252	BOLT, M8X 25	1	1	1					
12	1	26106-080502	BOLT, M8X 50 PLATED	1	1	1					

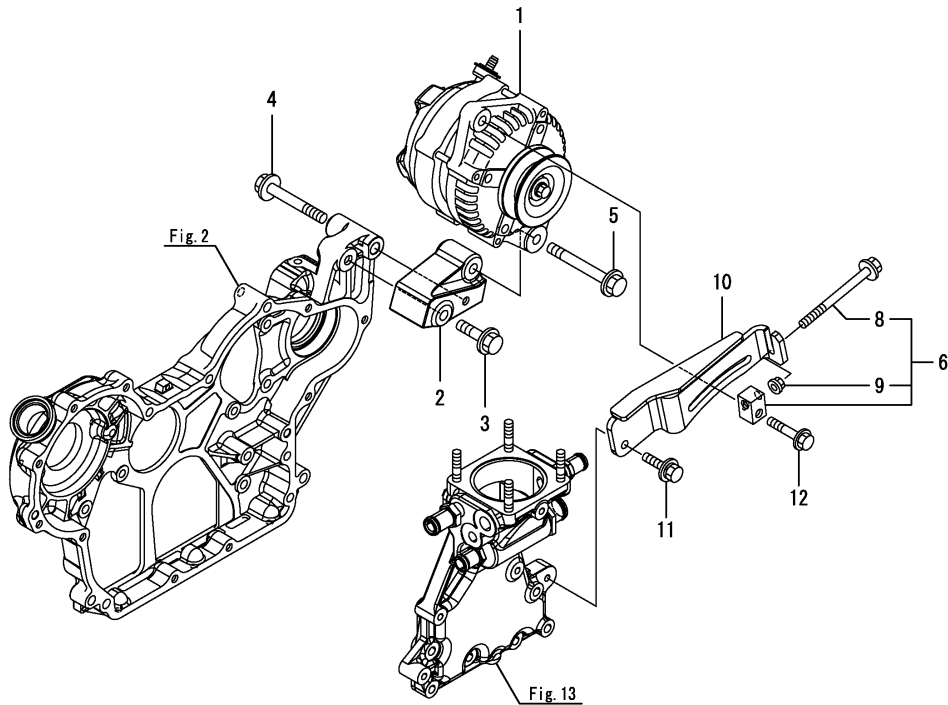
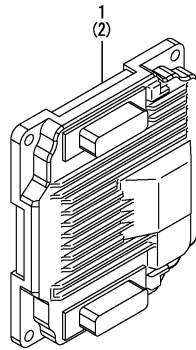


Fig.19. ELECTRONIC CONTROL UNIT(ECU)

(A)=4TNV94CHT-XNRBQ  
 (B)=4TNV94CHT-XNRAQ  
 (C)=4TNV94CHT-XNRRQ

(D)=  
 (E)=  
 (F)=

No.	Lev.	Parts No.	Description	Q'ty						I	R
				(A)	(B)	(C)	(D)	(E)	(F)		
1	1	129979-75070	ECU ASSY,94CHT-XNRB	1							1
2	1	129978-75991	ECU ASSY,SERVICE YMR	1							2



Remarks

(1)Eco ECU

This part cannot be ordered.

Replace the part using a Service ECU with the proper engine information installed.

(2)Service ECU

When replacing this part, it is necessary to update the software of the ECU using the designated service tool.

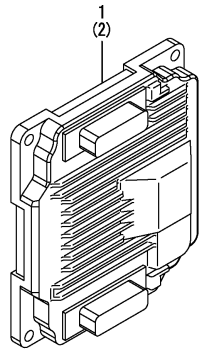
Please refer to the Service Manual for details.

Fig.20. ELECTRONIC CONTROL UNIT(ECU)

(A)=4TNV94CHT-XNRBQ  
 (B)=4TNV94CHT-XNRAQ  
 (C)=4TNV94CHT-XNRRNQ

(D)=  
 (E)=  
 (F)=

No.	Lev.	Parts No.	Description	Q'ty						I	R
				(A)	(B)	(C)	(D)	(E)	(F)		
1	1	129979-75060	ECU ASSY,94CHT-XNRA		1						1
2	1	129978-75991	ECU ASSY,SERVICE YMR		1						2



Remarks

(1)Eco ECU

This part cannot be ordered.

Replace the part using a Service ECU with the proper engine information installed.

(2)Service ECU

When replacing this part, it is necessary to update the software of the ECU using the designated service tool.

Please refer to the Service Manual for details.

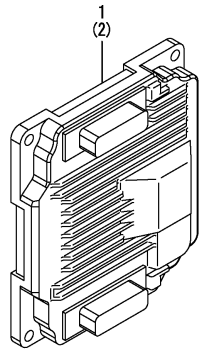


Fig.21. ELECTRONIC CONTROL UNIT(ECU)

(A)=4TNV94CHT-XNRBQ  
 (B)=4TNV94CHT-XNRAQ  
 (C)=4TNV94CHT-XNRNQ

(D)=  
 (E)=  
 (F)=

No.	Lev.	Parts No.	Description	Q'ty						I	R
				(A)	(B)	(C)	(D)	(E)	(F)		
1	1	129979-75050	ECU ASSY,94CHT-XNRN			1					1
2	1	129978-75991	ECU ASSY,SERVICE YMR			1					2



Remarks

(1)Eco ECU

This part cannot be ordered.

Replace the part using a Service ECU with the proper engine information installed.

(2)Service ECU

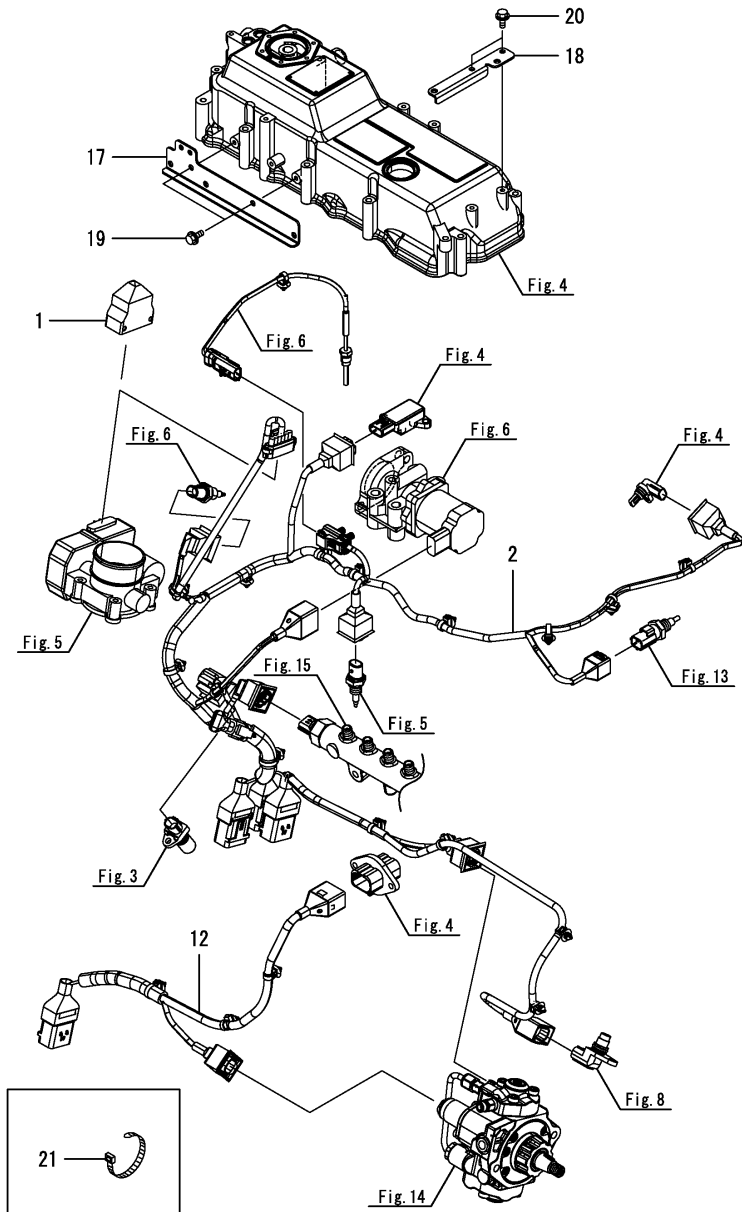
When replacing this part, it is necessary to update the software of the ECU using the designated service tool.

Please refer to the Service Manual for details.

Fig.22. ELECTRIC PARTS

(A)=4TNV94CHT-XNRBQ  
 (B)=4TNV94CHT-XNRAQ  
 (C)=4TNV94CHT-XNRNQ

(D)=  
 (E)=  
 (F)=



No.	Lev.	Parts No.	Description	Q'ty						I	R
				(A)	(B)	(C)	(D)	(E)	(F)		
1	1	129A00-91451	BOOT,CAP TYPE	1	1	1					
2	1	129979-91541	HARNESS, B	1	1	1					
12	1	129979-91550	HARNESS, C	1	1	1					
17	1	129978-91610	BRACKET, HARNESS	1	1	1					
18	1	129979-91630	BRACKET, HARNESS	1	1	1					
19	1	26106-060122	BOLT, M6X 12 PLATED	2	2	2					
20	1	26106-060122	BOLT, M6X 12 PLATED	2	2	2					
21	1	29621-200000	BAND	2	2	2					

## Parts No. Index

Parts No.	Fig. No.	Ref. No.
103854-59191	16	6
105425-01690	3	8
106990-44660	5	18
114270-59010	16	18
		22
		30
114371-79070	17	30
119005-35151	11	44
119100-11330	4	58
119131-18320	9	3
119131-77550	17	25
119152-33050	11	19
119578-42130	13	4
119620-01620	4	68
119620-01750	3	3
119620-11180	4	15
119620-49290	13	65
119624-77351	18	6
119717-32050	15	1
119761-39450	12	1
119802-59580	2	14
119803-77830	4	100
119807-11770	4	61
120270-54410	4	27
121252-39150	12	2
121254-77810	17	29
121450-01560	2	11
121450-42450	13	69
121520-34810	11	26
121850-21130	10	11
121850-21290	10	4
121850-21920	10	5
121850-77021	5	25
123500-49550	13	63
123900-13130	6	28
123900-13641	6	31
123900-25060	8	9
123900-42460	13	43
123900-77510	17	21
123900-77520	17	22
123900-77540	17	24
123901-18080	6	32
123907-03100	4	53
123907-03110	4	54
123907-03120	4	55
123907-03140	4	56
123907-11280	4	33
123907-11550	4	1
123907-11601	15	11
123907-11810	4	104

Parts No.	Fig. No.	Ref. No.
123907-11820	4	21
123907-11830	4	20
123910-44742	13	57
123950-49501	13	62
123957-42460	13	45
123957-44770	13	58
124060-59380	16	8
124070-13300	12	19
	13	2
124160-01751	2	8
124160-11340	4	16
124223-39900	12	4
124465-44950	13	71
124610-48620	13	60
124610-49291	13	61
127677-91260	3	14
128300-13230	7	1
129100-01580	2	2
	3	1
129100-35140	11	32
129150-02450	8	4
129150-11230	4	36
		40
129150-11750	4	19
		37
		41
129150-14200	8	1
129150-25920	8	20
129410-03990	4	86
129418-18320	6	10
		26
129470-55610	16	2
129472-18090	9	2
129555-44750	13	24
129900-01250	1	4
129900-02341	1	32
129900-02410	1	9
129900-02931	1	24
129900-02941	1	35
129900-14100	8	6
129900-21200	10	3
129900-21600	10	14
129900-23200	10	28
129900-23601	10	29
129900-23611	10	32
129900-25100	8	10
129900-32030	2	3
	11	37
129900-32040	2	4
129900-35000	11	38

Parts No.	Fig. No.	Ref. No.
129907-11120	4	14
129907-11250	4	30
129907-11510	4	17
129907-55801	16	3
129908-14581	8	3
129908-39390	12	24
129908-39690	12	21
129916-01790	3	6
129916-01800	2	21
129916-21610	10	7
129927-13810	6	34
129927-44900	13	70
129928-49420	13	13
		27
		77
129940-77011	17	1
129940-77100	17	2
129940-77130	17	5
129940-77140	17	6
129940-77150	17	7
129940-77160	17	8
129940-77171	17	9
129940-77181	17	10
129940-77190	17	11
129940-77200	17	12
129940-77210	17	13
129940-77221	17	14
129940-77230	17	15
129940-77240	17	16
129940-77250	17	17
129940-77260	17	18
129940-77270	17	19
129940-77280	17	20
129945-03050	4	91
129950-44270	13	50
129956-59572	16	11
129957-01710	3	7
129960-03990	12	18
	13	74
		80
		83
129960-21930	10	9
129960-21940	10	10
129968-49360	13	26
129974-39820	12	22
129978-01180	1	1
129978-01181	1	1 -1
129978-01200	1	27
129978-01331	1	28
129978-01511	2	1

Parts No.	Fig. No.	Ref. No.
129978-01540	2	19
129978-02020	1	6
129978-03010	4	49
129978-03030	4	50
129978-03060	4	51
129978-03380	4	89
129978-11100	4	12
129978-11110	4	13
129978-11240	4	29
129978-11260	4	31
129978-11270	4	32
129978-11311	4	57
129978-11340	4	70
129978-11351	4	71
129978-11360	4	69
129978-11452	4	48
129978-11650	4	34
129978-11660	4	38
129978-11710	4	2
129978-11800	4	103
129978-11871	4	24
129978-11900	4	25
129978-11920	4	42
129978-11950	4	26
129978-12110	5	1
129978-12310	5	14
129978-12311	5	14 -1
129978-12330	5	16
129978-12331	5	16 -1
129978-12700	4	62
129978-13111	6	2
129978-13310	6	12
129978-13330	6	14
129978-13411	6	20
129978-13420	6	21
129978-13710	5	6
129978-13720	5	7
129978-13770	6	8
129978-13820	6	35
129978-13870	6	25
129978-13880	6	24
129978-13901	6	38
129978-14400	8	2
129978-16600	7	16
129978-16700	7	19
129978-16720	7	21
129978-17700	7	35
129978-18020	9	1
129978-18021	9	1 -1
129978-21030	10	1

## Parts No. Index

Parts No.	Fig. No.	Ref. No.
129978-22050	10	19
129978-22090	10	17
129978-22300	10	23
129978-22740	10	36
129978-22900	10	34
129978-23000	10	25
129978-23900	10	31
129978-25300	8	14
129978-25700	8	15
129978-25710	8	18
129978-25900	8	16
129978-32000	11	1
129978-33020	11	17
129978-33030	11	18
129978-33050	11	19 -1
129978-33070	11	20
129978-39650	12	25
129978-39700	12	5
129978-42020	13	22
129978-42130	13	5
129978-42140	13	6
129978-42141	13	6 -1
129978-42150	13	7
129978-42160	13	8
129978-42501	13	46
129978-42511	13	47
129978-42520	2	15
129978-42530	13	48
129978-42540	13	49
129978-49532	13	28
129978-49542	13	29
129978-49580	13	14
		30
129978-49702	13	34
129978-49740	13	35
129978-49780	13	86
129978-51000	14	1
129978-51100	14	2
129978-51120	14	4
129978-51130	14	5
129978-51200	14	6
129978-51220	14	8
129978-51300	14	9
129978-51310	14	10
129978-51320	14	11
129978-51400	14	12
129978-51410	14	13
129978-51420	14	14
129978-53000	15	2
129978-57000	15	3

Parts No.	Fig. No.	Ref. No.
129978-57100	15	4
129978-57200	15	5
129978-57220	15	7
129978-57230	15	8
129978-59070	16	21
129978-59080	16	25
129978-59090	16	29
129978-59100	15	12
		13
129978-59110	14	15
		16
		4
129978-59130	16	5
129978-59160	14	16
129978-59170	15	9
129978-59450	16	10
129978-59500	16	33
129978-59550	16	34
129978-59560	16	35
129978-59570	16	36
129978-59700	15	15
129978-59810	15	17
129978-59820	15	18
129978-59830	15	19
129978-59840	15	20
129978-75991	19	2
		20
		21
		2
129978-77200	18	1
129978-77280	18	2
129978-77381	18	10
129978-77500	4	72
129978-77510	4	73
129978-77520	4	74
129978-77800	4	101
129978-77820	4	102
129978-91610	22	17
129979-01681	3	2
129979-01830	2	10
129979-03100	4	84
129979-07900	4	80
129979-07910	4	81
129979-12060	4	90
129979-12200	5	4
129979-12210	5	2
129979-12830	5	22
129979-13100	6	1
129979-13350	6	29
129979-16000	7	10
129979-16200	7	11
129979-16400	7	13

Parts No.	Fig. No.	Ref. No.
129979-16500	7	15
129979-16700	7	20
129979-16790	7	2
129979-16890	7	3
129979-16960	7	4
129979-16961	7	4 -1
129979-16980	7	5
129979-16990	7	6
129979-17631	7	29
129979-17661	7	32
129979-21520	10	12
129979-21650	10	8
129979-33130	11	28
129979-34840	11	27
129979-35100	11	31
129979-35200	11	30
129979-39320	12	3
129979-39321	12	3 -1
129979-42010	13	1
129979-49330	13	23
129979-49390	13	73
129979-55660	16	1
129979-59000	16	17
129979-75050	21	1
129979-75060	20	1
129979-75070	19	1
129979-91541	22	2
129979-91550	22	12
129979-91630	22	18
129A00-11330	4	59
	5	3
129A00-12711	4	95
129A00-12720	5	11
129A00-12780	4	63
129A00-12790	4	96
129A00-12900	5	23
129A00-12910	5	24
129A00-13350	5	19
	6	17
	7	25
129A00-13380	6	16
129A00-13751	6	33
129A00-16610	7	17
129A00-17311	6	18
	7	26
	7	30
129A00-17520	7	30
129A00-17570	7	34
129A00-91200	6	9
129A00-91451	22	1
129A01-13710	6	7

Parts No.	Fig. No.	Ref. No.
129C00-13940	7	8
129C00-13950	7	9
129C00-91200	7	47
129C01-12060	4	94
129C01-16680	7	18
129E00-13610	6	22
129E00-13910	6	39
129E00-13920	6	40
129E00-17310	7	27
129E00-17360	7	28
129E00-49610	13	78
129E00-49620	13	82
129E01-13700	5	5
129E01-39600	12	20
129E20-42280	13	44
129F01-13610	6	3
129F01-13620	6	30
129F01-13650	6	23
129F01-13670	6	4
129F01-13680	6	5
129F01-13690	6	6
171051-01921	1	5
22117-100000	13	53
22190-060002	16	9
22190-080002	12	16
	16	37
22190-100002	1	38
	12	11
		12
22190-120002	5	20
	13	72
	16	12
		13
22190-140002	16	14
22190-160002	3	12
22190-270002	13	15
		31
22242-000170	13	54
22252-000340	10	24
22252-000470	13	51
22272-000070	13	55
22351-030010	12	26
22351-060012	1	11
22512-070140	8	7
	10	6
22857-500100	4	64
		65
		75
23000-022000	13	36
23000-035000	13	37

## Parts No. Index

Parts No.	Fig. No.	Ref. No.
23000-060000	4	93
		97
23080-011000	16	28
23297-080061	5	15
	6	13
23297-270081	4	88
23414-080000	13	38
23414-100000	12	13
23857-060000	16	15
23875-030000	11	21
23876-020000	4	9
	11	33
23876-030000	1	12
		13
		14
	4	10
	11	34
24104-063020	10	16
24104-063034	13	52
24311-000320	2	9
24311-000380	4	76
24314-000200	11	35
24321-000600	11	36
24341-000500	14	17
26014-080252	18	11
26106-060102	8	17
26106-060122	6	19
	22	19
		20
26106-060142	3	15
	4	77
	8	19
26106-060162	4	98
	5	21
	12	23
26106-060202	5	8
26106-060302	4	78
26106-060402	5	26
26106-060602	4	79
26106-060652	4	67
26106-080122	3	13
	11	43
	12	14
		17
	13	39
26106-080142	4	99
	7	22
	8	8
26106-080162	2	5
	13	87

Parts No.	Fig. No.	Ref. No.
26106-080202	2	6
	4	82
	6	27
	7	36
		37
26106-080222	2	16
26106-080252	4	83
	5	9
		27
	7	46
26106-080302	13	40
26106-080352	15	10
26106-080402	2	22
	4	44
26106-080452	5	12
	11	16
26106-080502	18	12
26106-080552	2	17
	8	13
	11	22
26106-080652	4	45
26106-080702	2	23
26106-080752	13	41
26106-080802	7	38
26106-080902	5	28
26106-080952	5	13
26106-081002	13	42
26106-081004	18	8
26106-100142	1	39
	12	15
26106-100202	7	39
		40
		41
26106-100252	6	36
26106-100302	16	16
26106-100352	7	42
26106-100402	18	3
26106-100502	7	43
26106-100552	13	59
26106-100602	6	41
26106-100752	18	4
26106-100852	18	5
26116-060162	13	32
26116-120302	17	31
26206-100352	3	4
26206-100702	3	5
26216-060252	5	10
26216-080352	11	23
26216-080652	4	46
26226-080302	2	7

Parts No.	Fig. No.	Ref. No.
26306-080002	2	18
	4	28
		47
	6	37
	7	23
		44
	9	4
	11	24
	13	56
		64
	14	18
	18	9
26306-100002	6	11
	7	45
26366-060002	15	21
		22
26376-100002	11	25
26450-060162	4	66
26455-080122	4	43
26577-060162	13	33
26577-060202	13	20
26577-080162	13	21
26587-050102	4	52
27241-300000	1	10
27241-400000	4	11
27310-070001	4	22
29621-200000	22	21
729900-02801	1	29
X2240610100	17	23

Parts No.	Fig. No.	Ref. No.
-----------	----------	----------