

0CNP6-M00760EN

# Contents

OCNP6-M00760

Fig. No. Fig. Name

Fig. No. Fig. Name

## FRONT BLADE

1. BRACKET
2. BLADE
3. ARM
4. HYDRAULIC PIPING
5. VALVE & LEVER(ASSEMBLY)
6. CYLINDER
7. LABEL

Fig.1. BRACKET

(A)=Y-18LB

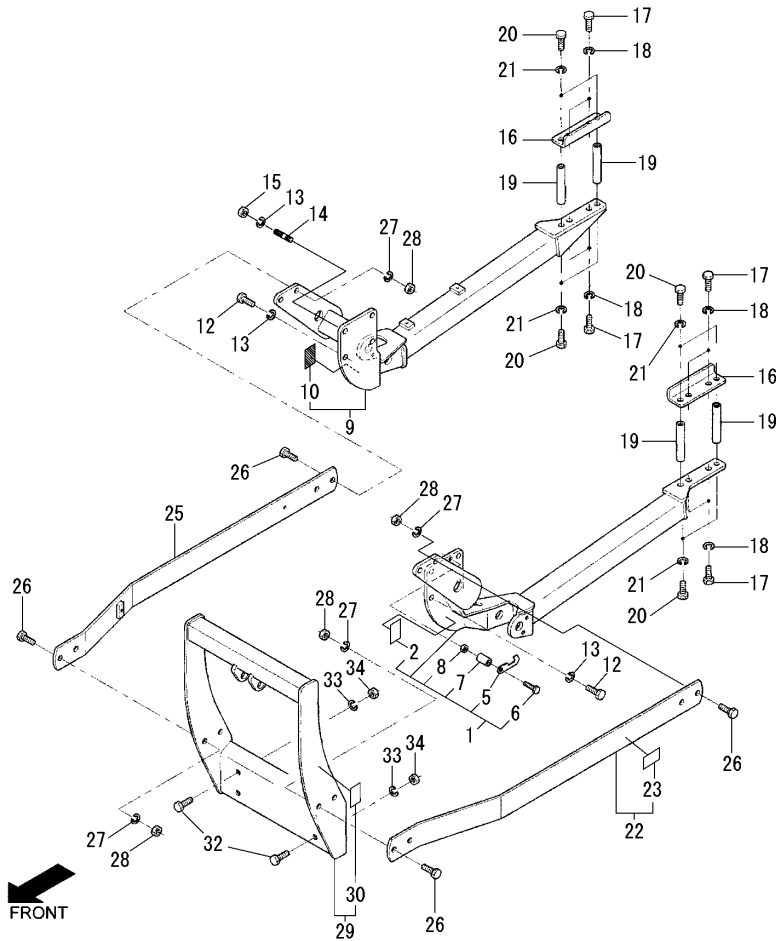
(B)=

(C)=

(D)=

(E)=

(F)=

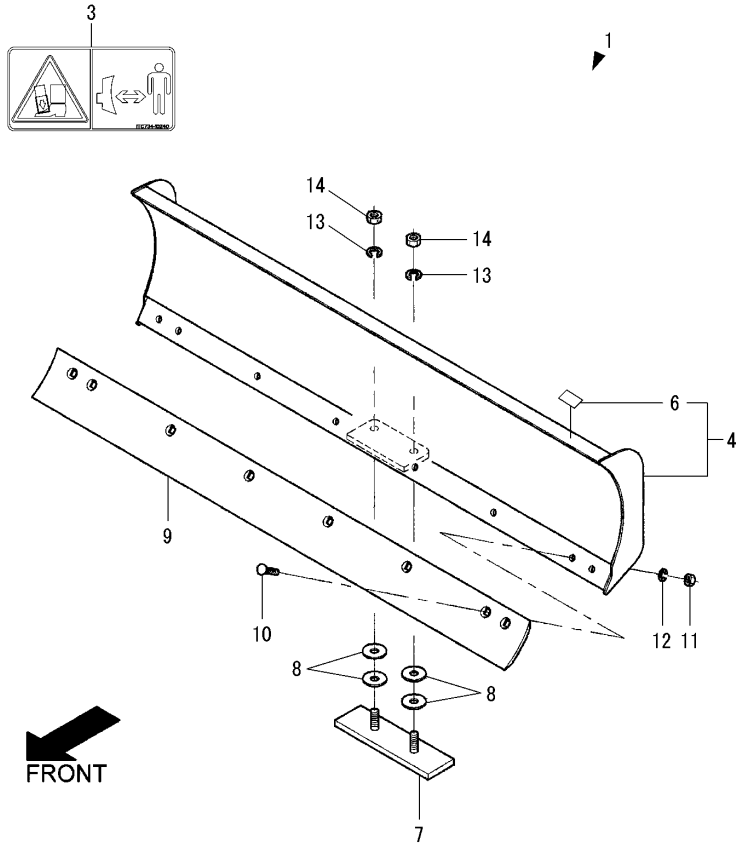


No.	Lev.	Parts No.	Description	Q'ty						I	R
				(A)	(B)	(C)	(D)	(E)	(F)		
1	1	1TC734-13100	MASSY,BRACKET LH	1							
2	2	1TC734-10230	LABEL,CAUTION FINGER	1							
5	2	1TC734-13610	HOOK	1							
6	2	1TC734-13620	SPACER	1							
7	2	26116-120352	BOLT, M12X 35 PLATED	1							
8	2	26716-120002	NUT, M12	1							
9	1	1TC734-13200	MASSY,BRACKET RH	1							
10	2	1TC734-10230	LABEL,CAUTION FINGER	1							
12	1	26116-160402	BOLT, M16X 40 PLATED	6							
13	1	22217-160000	WASHER, SPRING 16	8							
14	1	26216-160452	STUD, M16X 45	2							
15	1	26716-160002	NUT, M16	2							
16	1	1TC734-13510	BRACKET,STAY	2							
17	1	26116-160402	BOLT, M16X 40 PLATED	8							
18	1	22217-160000	WASHER, SPRING 16	8							
19	1	1TC734-13550	ROD,CONNECT	4							
20	1	26116-160402	BOLT, M16X 40 PLATED	8							
21	1	22217-160000	WASHER, SPRING 16	8							
22	1	1TC734-13400	MASSY,PLATE LH	1							
23	2	1TC734-10210	LABEL, CAUTION	1							
25	1	1TC734-13450	PLATE,RH	1							
26	1	26116-160402	BOLT, M16X 40 PLATED	8							
27	1	22217-160000	WASHER, SPRING 16	8							
28	1	26716-160002	NUT, M16	8							
29	1	1TC734-13300	MASSY,HOLDER	1							
30	2	1TC734-10220	LABEL, CAUTION OIL	1							
32	1	26116-160402	BOLT, M16X 40 PLATED	4							
33	1	22217-160000	WASHER, SPRING 16	4							
34	1	26716-160002	NUT, M16	4							

Fig.2. BLADE

(A)=Y-18LB  
(B)=  
(C)=

(D)=  
(E)=  
(F)=



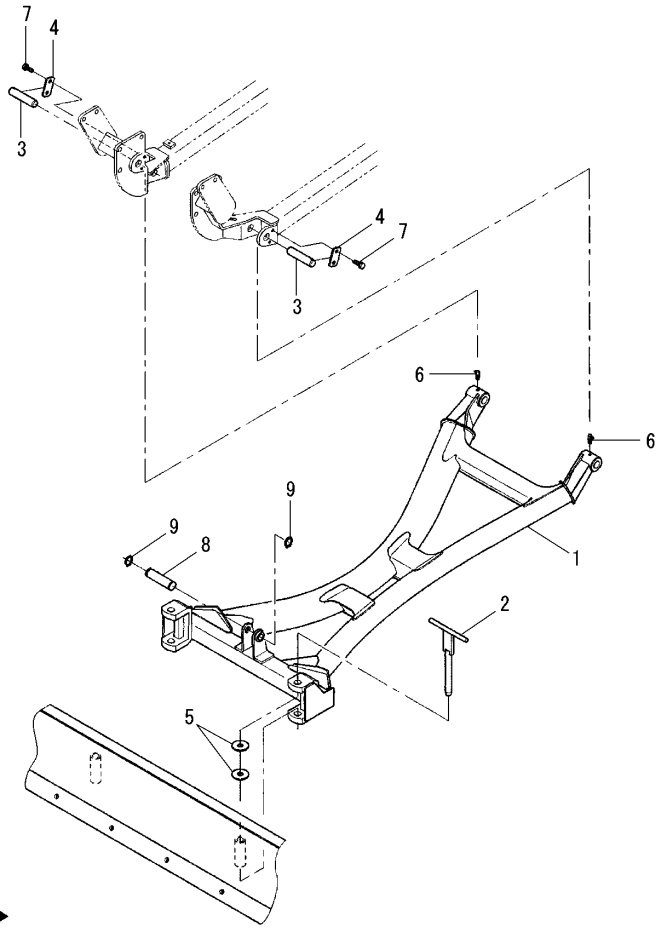
No.	Lev.	Parts No.	Description	Q'ty						I	R
				(A)	(B)	(C)	(D)	(E)	(F)		
1	1	1TC734-21090	MASSY,BLADE	1							
3	3	1TC734-10240	LABEL, CAUTION TOES	1							
4	3	1TC734-21130	M CMP BLADE,BODY	1							
6	4	1TC734-10240	LABEL, CAUTION TOES	1							
7	3	1TC734-21250	PLATE,SOLE BLADE	1							
8	3	1TC734-21280	RING,SOLLE	4							
9	3	1TC734-21310	BLADE,EDGE	1							
10	3	1TC734-21330	BOLT,BLADE EDGE	8							
11	3	1TC734-21340	NUT,5/8-11UNC	8							
12	3	22217-160000	WASHER, SPRING 16	8							
13	3	22217-200000	WASHER, SPRING 20	2							
14	3	26716-200002	NUT, M20	2							

Fig.3. ARM

(A)=Y-18LB  
(B)=  
(C)=

(D)=  
(E)=  
(F)=

No.	Lev.	Parts No.	Description	Q'ty						I	R	
				(A)	(B)	(C)	(D)	(E)	(F)			
1	1	1TC734-15110	ARM ASSY,BLADE	1								
2	1	1TC734-15210	PIN ASSY,BLADE	2								
3	1	1TC734-15250	PIN,ARM	2								
4	1	1TC734-15270	STOPPER,ARM PIN	2								
5	1	22137-300000	WASHER, 30	4								
6	1	24761-050000	NIPPLE, GREASE C	2								
7	1	26106-120202	BOLT, M12X 20 PLATED	4								
8	1	1TC734-19510	PIN,HOLDER	1								
9	1	1TC734-19530	RING,25	2								

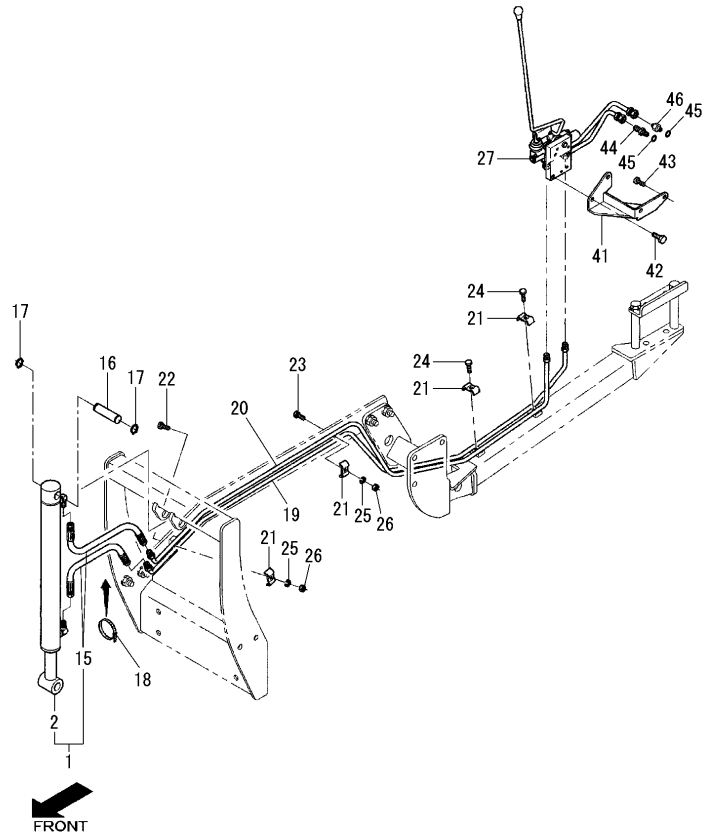


FRONT

Fig.4. HYDRAULIC PIPING

(A)=Y-18LB  
(B)=  
(C)=

(D)=  
(E)=  
(F)=



No.	Lev.	Parts No.	Description	Q'ty						I	R
				(A)	(B)	(C)	(D)	(E)	(F)		
1	1	1TC734-19050	CYLINDER,W/HOSE	1							
2	2	1TC734-19100	CYLINDER ASSY	1							1
15	2	1TC734-19410	HOSE,HYDRAULIC	2							
16	1	1TC734-19510	PIN,HOLDER	1							
17	1	1TC734-19530	RING,25	2							
18	1	29622-140001	BAND, RF140	1							
19	1	1TC734-19440	PIPE ASSY,UP	1							
20	1	1TC734-19470	PIPE ASSY,DOWN	1							
21	1	1TC734-19560	CLAMP,PIPE	4							
22	1	26106-080452	BOLT, M8X 45 PLATED	1							
23	1	26106-080352	BOLT, M8X 35 PLATED	1							
24	1	26106-080202	BOLT, M8X 20 PLATED	2							
25	1	22217-080000	WASHER, SPRING 8	2							
26	1	26716-080002	NUT, M8	2							
27	1	1TC734-17100	VALVE ASSY,W LEVER	1							2
41	1	1TC734-17450	BRACKET,VALVE	1							
42	1	26106-120252	BOLT, M12X 25 PLATED	2							
43	1	26106-100202	BOLT, M10X 20 PLATED	2							
44	1	1TC734-17480	NIPPLE	1							
45	1	23414-190000	GASKET, 19X1.0	2							
46	1	1A7780-45950	ADAPTER ASSY, FILTER	1							3
47	1	23414-190000	GASKET, 19X1.0	1							3

Remarks

- (1)The cylinder assy is shown in Fig.6.
- (2)The valve assy is shown in Fig.5.
- (3)Tractor accessory.

Fig.5. VALVE & LEVER(ASSEMBLY)

(A)=Y-18LB  
(B)=  
(C)=

(D)=  
(E)=  
(F)=

No.	Lev.	Parts No.	Description	Q'ty						I	R
				(A)	(B)	(C)	(D)	(E)	(F)		
1	1	1TC734-17100	VALVE ASSY,W LEVER	1							
2	2	1TC734-17110	VALVE ASSY	1							1
3	2	1TC734-17350	UNION,NIPPLE G3/8	2							
4	2	24315-000140	O-RING, 1BP14.0	2							
5	2	1TC734-17280	STOPPER,LEVER	1							
6	2	1TC734-17210	LEVER	1							
7	2	1TC734-17250	GRIP,LEVER	1							
8	2	1TC734-17260	LINK,LEVER	1							
9	2	1TC734-17270	PIN	2							
10	2	22411-200100	COTTER PIN 2.0X10	2							
11	2	1TC734-19530	RING,25	1							
12	2	26116-080202	BOLT, M8X 20 PLATED	2							
13	2	22217-080000	WASHER, SPRING 8	2							
14	2	22137-080000	WASHER, 8	2							

◀ 1 (inc. 2~14)

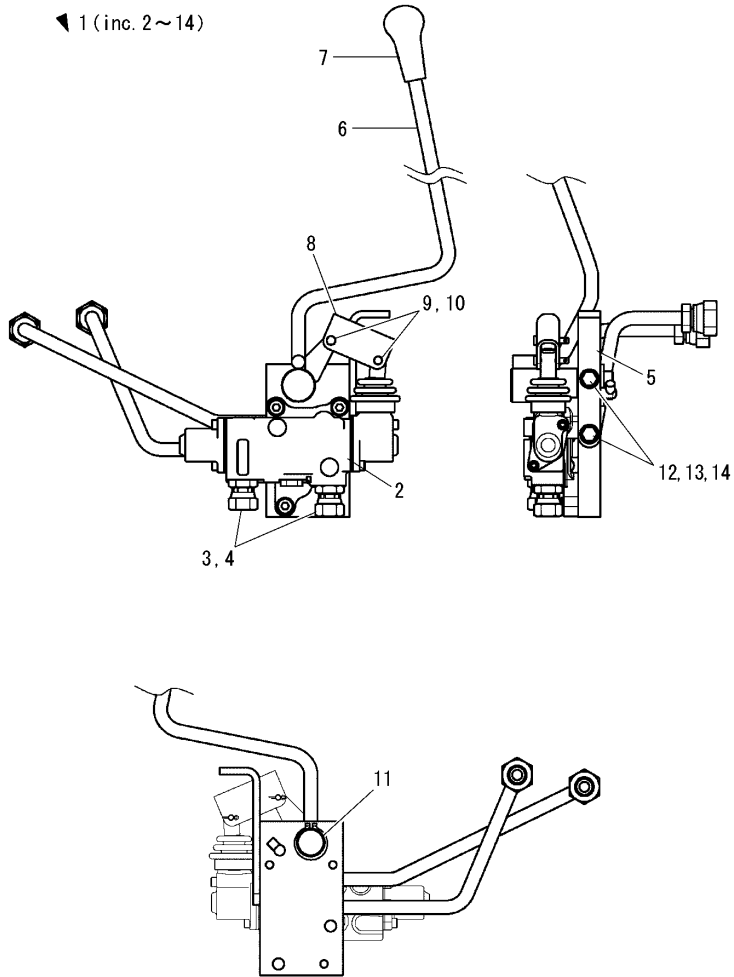
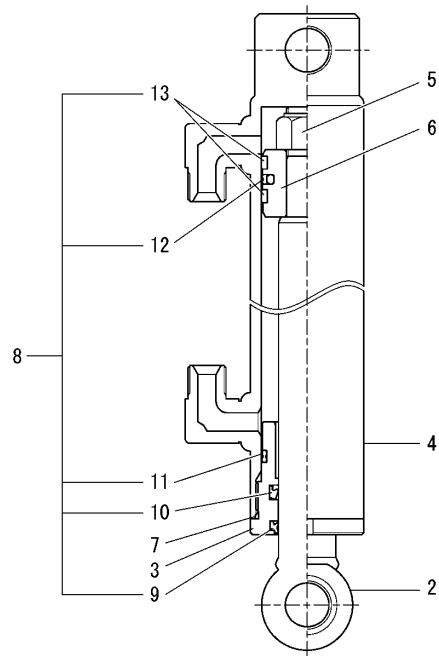


Fig.6. CYLINDER

(A)=Y-18LB  
(B)=  
(C)=

(D)=  
(E)=  
(F)=

◀ 1 (inc. 2 ~ 8)



No.	Lev.	Parts No.	Description	Q'ty						I	R
				(A)	(B)	(C)	(D)	(E)	(F)		
1	1	1TC734-19100	CYLINDER ASSY	1							
2	2	1TC734-19110	ROD ASSY,	1							
3	2	1TC734-19150	HEAD ASSY,	1							
4	2	1TC734-19180	TUBE ASSY,CILINDER	1							
5	2	1TC734-19240	PISTON	1							
6	2	1TC734-19250	NUT,M22	1							
7	2	1TC734-19260	O-RING,S50	1							
8	2	1TC734-19350	SEAL KIT	1							
9	3	1TC734-19270	SCRAPER	1							
10	3	1TC734-19280	SEAL,L-CUP	1							
11	3	1TC734-19290	SEAL,DUAL	1							
12	3	1TC734-19300	SEAL,WYN	1							
13	3	1TC734-19310	RING,SLIDE	1							

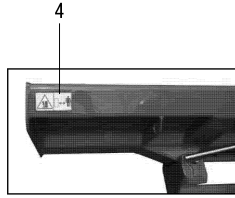


Fig.7. LABEL

(A)=Y-18LB  
(B)=  
(C)=

(D)=  
(E)=  
(F)=

No.	Lev.	Parts No.	Description	Q'ty						I	R
				(A)	(B)	(C)	(D)	(E)	(F)		
1	1	1TC734-10210	LABEL, CAUTION	1							
2	1	1TC734-10220	LABEL, CAUTION OIL	1							
3	1	1TC734-10230	LABEL, CAUTION FINGER	2							
4	1	1TC734-10240	LABEL, CAUTION TOES	1							



## Parts No. Index

Parts No.	Fig. No.	Ref. No.
1A7780-45950	4	46
1TC734-10210	1	23
	7	1
1TC734-10220	1	30
	7	2
1TC734-10230	1	2
		10
	7	3
1TC734-10240	2	3
		6
	7	4
1TC734-13100	1	1
1TC734-13200	1	9
1TC734-13300	1	29
1TC734-13400	1	22
1TC734-13450	1	25
1TC734-13510	1	16
1TC734-13550	1	19
1TC734-13610	1	5
1TC734-13620	1	6
1TC734-15110	3	1
1TC734-15210	3	2
1TC734-15250	3	3
1TC734-15270	3	4
1TC734-17100	4	27
	5	1
1TC734-17110	5	2
1TC734-17210	5	6
1TC734-17250	5	7
1TC734-17260	5	8
1TC734-17270	5	9
1TC734-17280	5	5
1TC734-17350	5	3
1TC734-17450	4	41
1TC734-17480	4	44
1TC734-19050	4	1
1TC734-19100	4	2
	6	1
1TC734-19110	6	2
1TC734-19150	6	3
1TC734-19180	6	4
1TC734-19240	6	5
1TC734-19250	6	6
1TC734-19260	6	7
1TC734-19270	6	9
1TC734-19280	6	10
1TC734-19290	6	11
1TC734-19300	6	12
1TC734-19310	6	13
1TC734-19350	6	8

Parts No.	Fig. No.	Ref. No.
1TC734-19410	4	15
1TC734-19440	4	19
1TC734-19470	4	20
1TC734-19510	3	8
	4	16
1TC734-19530	3	9
	4	17
	5	11
1TC734-19560	4	21
1TC734-21090	2	1
1TC734-21130	2	4
1TC734-21250	2	7
1TC734-21280	2	8
1TC734-21310	2	9
1TC734-21330	2	10
1TC734-21340	2	11
22137-080000	5	14
22137-300000	3	5
22217-080000	4	25
	5	13
22217-160000	1	13
		18
		21
		27
		33
	2	12
22217-200000	2	13
22411-200100	5	10
23414-190000	4	45
		47
24315-000140	5	4
24761-050000	3	6
26106-080202	4	24
26106-080352	4	23
26106-080452	4	22
26106-100202	4	43
26106-120202	3	7
26106-120252	4	42
26116-080202	5	12
26116-120352	1	7
26116-160402	1	12
		17
		20
		26
		32
26216-160452	1	14
26716-080002	4	26
26716-120002	1	8
26716-160002	1	15
		28

Parts No.	Fig. No.	Ref. No.
26716-160002	1	34
26716-200002	2	14
29622-140001	4	18

Parts No.	Fig. No.	Ref. No.
-----------	----------	----------