

0CNP6-M00700EN

# Contents

OCNP6-M00700

Fig. No. Fig. Name

Fig. No. Fig. Name

## ENGINE

1. CYLINDER BLOCK
2. GEAR HOUSING
3. MOUNTING FLANGE & OIL SUMP
4. CYLINDER HEAD & BONNET
5. SUCTION MANIFOLD
6. EXHAUST MANIFOLD & SILENCER
7. CAMSHAFT & DRIVING GEAR
8. CRANKSHAFT & PISTON
9. BALANCER
10. LUB. OIL SYSTEM
11. COOLING WATER SYSTEM
12. FUEL INJECTION PUMP
13. GOVERNOR
14. FUEL INJECTION VALVE
15. STARTER MOTOR
16. GENERATOR

Fig.1. CYLINDER BLOCK

(A)=4TNV88-XKRY2C

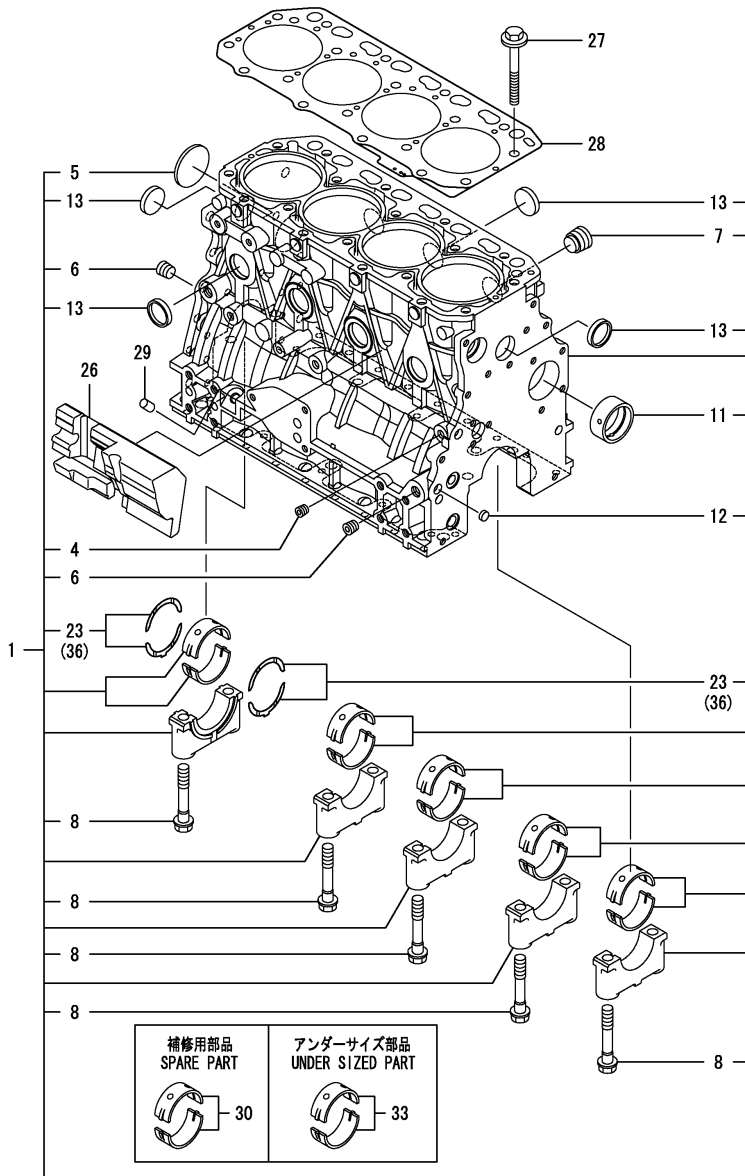
(B)=

(C)=

(D)=

(E)=

(F)=

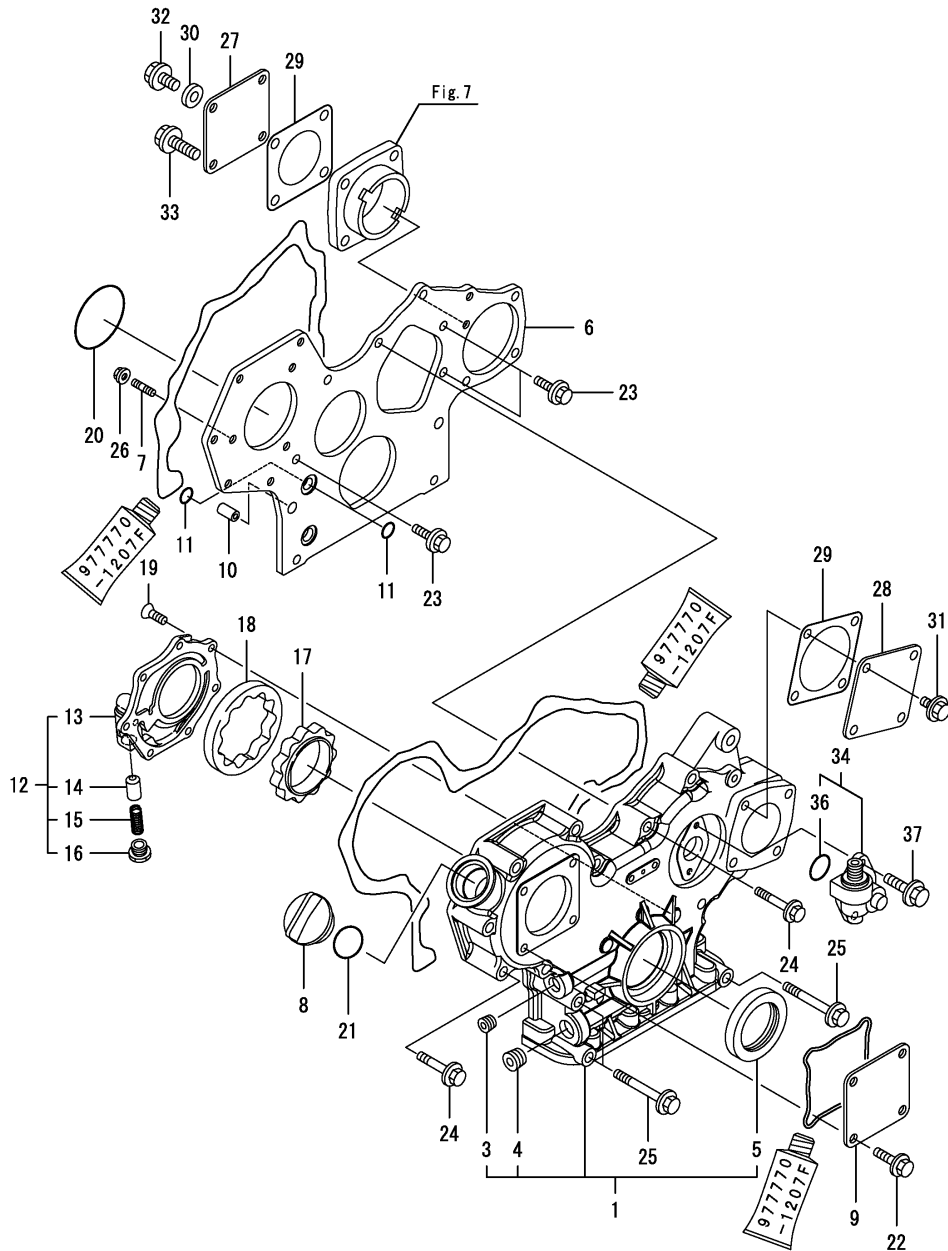


No.	Lev.	Parts No.	Description	Q'ty						I	R
				(A)	(B)	(C)	(D)	(E)	(F)		
1	1	729659-01570	BLOCK ASSY, CYLINDER	1							
4	2	124060-01050	PLUG, PT1/8	1							
5	2	129001-01250	PLUG, 50	1							
6	2	124160-01910	PLUG, PT1/4	2							
7	2	171051-01921	PLUG, NPTF1	1							
8	2	129150-02020	BOLT, METAL CAP	10							
11	2	129795-02412	BUSH, CAMSHAFT	1							
12	2	27241-120000	PLUG, 12	2							
13	2	27241-300000	PLUG 30	8							
23	2	129150-02931	BEARING, THRUST	2							
26	1	129004-01190	SPACER	1							
27	1	129150-01200	BOLT, HEAD	18							
28	1	129407-01340	GASKET, HEAD	1							
29	1	119309-01810	PLUG	1							
30	1	129001-02931	BEARING, MAIN	5							1
33	1	129150-02871	BEARING, 0.25 US	5							2
36	1	129150-02941	BEARING, THRUST 0.25	1							3

Remarks

- (1) Spare parts.
- (2) Under-sized (U.S.=0.25) parts.
- (3) Over-sized (O.S.=0.25) parts.

Fig.2. GEAR HOUSING



(A)=4TNV88-XKRY2C

(B)=

(C)=

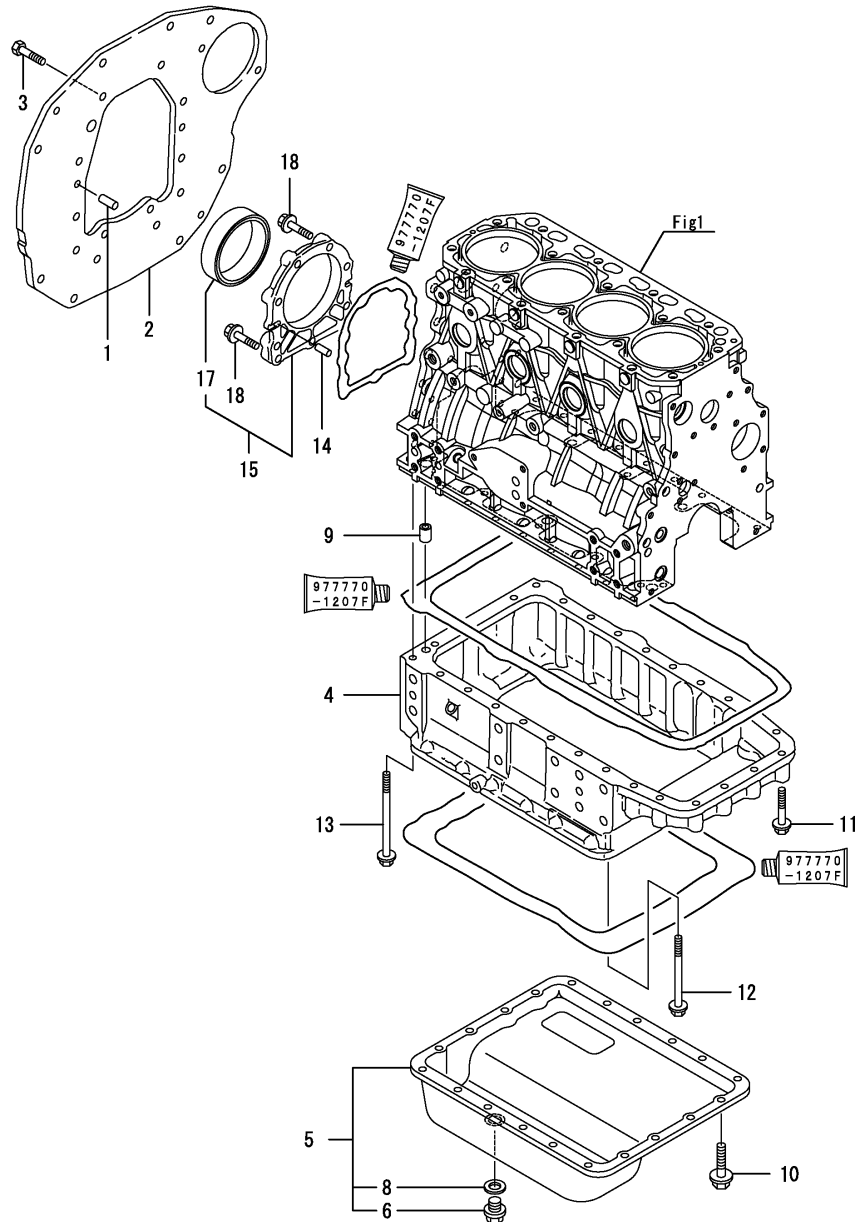
(D)=

(E)=

(F)=

No.	Lev.	Parts No.	Description	Q'ty						I	R
				(A)	(B)	(C)	(D)	(E)	(F)		
1	1	729235-01500	CASE ASSY, GEAR	1							
3	2	23876-030000	PLUG, R03	1							
4	2	23876-040000	PLUG, R04	1							
5	2	119934-01800	SEAL, OIL	1							
6	1	129004-01520	FLANGE, GEAR CASE	1							
7	1	119802-01561	STUD, M8X25	3							
8	1	124160-01751	COVER, FILLER	1							
9	1	124240-01871	COVER	1							
10	1	129795-01950	PIPE, KNOCK L=18	2							
11	1	119609-32040	O-RING, P16	4							
12	1	119802-32100	COVER ASSY	1							
13	2	119802-32070	COVER	1							
14	2	129900-32130	VALVE, RELIEF	1							
15	2	129418-32320	SPRING	1							
16	2	129001-32330	PLUG	1							
17	1	119802-32111	ROTOR, INNER	1							
18	1	119802-32120	ROTOR, OUTER	1							
19	1	119802-32130	SCREW, M6X16	7							
20	1	121850-51960	O-RING	1							
21	1	24311-000320	O-RING, 1AP32.0	1							
22	1	26106-080162	BOLT, M8X 16 PLATED	4							
23	1	26106-080162	BOLT, M8X 16 PLATED	3							
24	1	26106-080552	BOLT, M8X 55 PLATED	11							
25	1	26106-080852	BOLT, M8X 85 PLATED	3							
26	1	26306-080002	NUT, M8	3							
27	1	124240-01871	COVER	1							
28	1	124240-01871	COVER	1							
29	1	129C26-01890	GASKET, HO-P	2							
30	1	22190-080002	WASHER, SEAL 8	1							
31	1	26106-080162	BOLT, M8X 16 PLATED	4							
32	1	26106-080202	BOLT, M8X 20 PLATED	1							
33	1	26106-080302	BOLT, M8X 30 PLATED	3							
34	1	129150-91400	GEAR	1							
36	2	24341-000240	O-RING, 1AS24.0	1							
37	1	26106-060162	BOLT, M6X 16 PLATED	2							

Fig.3. MOUNTING FLANGE & OIL SUMP



(A)=4TNV88-XKRY2C

(B)=

(C)=

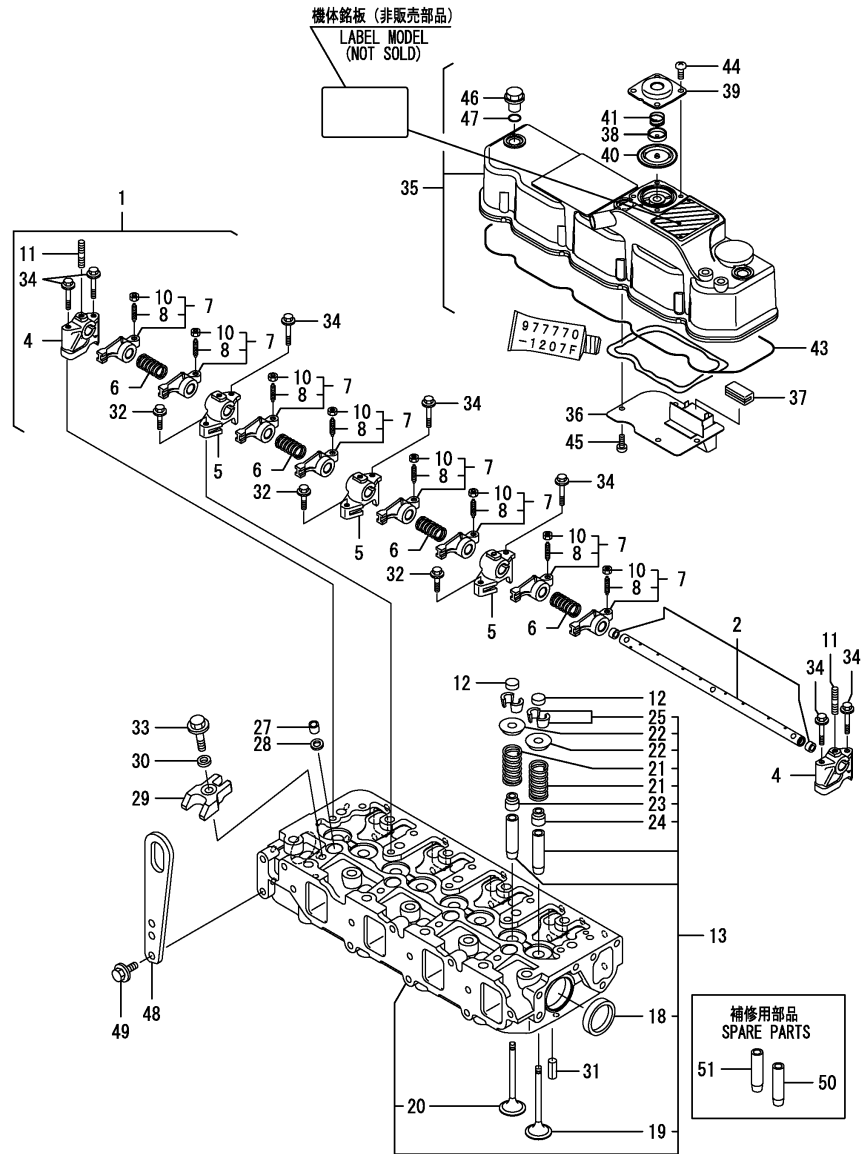
(D)=

(E)=

(F)=

No.	Lev.	Parts No.	Description	Q'ty						I	R
				(A)	(B)	(C)	(D)	(E)	(F)		
1	1	129100-01580	PIN, 8X16	2							
2	1	129126-01600	FLANGE, MOUNTING	1							
3	1	26206-100202	BOLT, M10X 20 PLATED	8							
4	1	129550-01702	SUMP, OIL	1							
5	1	129659-01740	SUMP ASSY, OIL	1							
6	2	105425-01690	PLUG, 16	1							
8	2	22190-160002	WASHER, SEAL 16	1							
9	1	129555-01750	PIPE, KNOCK 14X18	1							
10	1	26106-080252	BOLT, M8X 25 PLATED	20							
11	1	26106-080502	BOLT, M8X 50 PLATED	8							
12	1	26106-081002	BOLT, M8X100 PLATED	14							
13	1	26106-081202	BOLT, M8X120 PLATED	4							
14	1	129100-01580	PIN, 8X16	2							
15	1	129648-01600	CASE ASSY, OIL SEAL	1							
17	2	129648-01780	SEAL, OIL	1							
18	1	129486-01670	BOLT, M8X30	9							

Fig.4. CYLINDER HEAD & BONNET



(A)=4TNV88-XKRY2C

(B)=

(C)=

(D)=

(E)=

(F)=

No.	Lev.	Parts No.	Description	Q'ty						I	R
				(A)	(B)	(C)	(D)	(E)	(F)		
1	1	129601-11241	SHAFT ASSY, ROCKER	1							
2	2	129601-11251	SHAFT, ROCKER ARM	1							
4	2	119802-11260	SUPPORT, ROCKER ARM	2							
5	2	119802-11270	SUPPORT, ROCKER ARM	3							
6	2	129150-11280	SPRING	4							
7	2	129004-11650	ARM, ROCKER	8							
8	3	129150-11230	SCREW, VALVE ADJUST	8							
10	3	129150-11750	NUT, M8	8							
11	2	26226-080182	STUD, M8X 18	3							
12	1	129150-11370	CAP, VALVE	8							
13	1	129602-11700	HEAD ASSY, CYLINDER	1							
18	2	27241-400000	PLUG, 40	2							
19	2	129005-11100	VALVE, INTAKE	4							
20	2	129100-11112	VALVE, EXHAUST	4							
21	2	129795-11120	SPRING, VALVE	8							
22	2	129795-11180	RETAINER, SPRING	8							
23	2	121400-11340	SEAL, VALVE STEM	4							
24	2	124460-11340	SEAL, VALVE STEM	4							
25	2	27310-080001	COTTER, 8	8							
27	1	119802-11870	PROTECTOR, NOZZLE	4							
28	1	119625-11880	SEAT, NOZZLE	4							
29	1	129004-11900	RETAINER, NOZZLE	4							
30	1	120270-54410	WASHER, INJECTOR	4							
31	1	22351-060012	PIN, SPRING 6.0X12	2							
32	1	26106-080252	BOLT, M8X 25 PLATED	3							
33	1	26106-080352	BOLT, M8X 35 PLATED	4							
34	1	26106-080502	BOLT, M8X 50 PLATED	7							
35	1	129652-11350	BONNET ASSY, HEAD	1							
36	2	129004-03010	PLATE	1							
37	2	129150-03070	BAFFLE, BREATHER	1							
38	2	119802-03110	PLATE	1							
39	2	119802-03121	COVER, DIAPHRAGM	1							
40	2	119802-03130	DIAPHRAGM	1							
41	2	119802-03141	SPRING, DIAPHRAGM	1							
43	2	129601-11310	GASKET, BONNET	1							
44	2	22857-500100	SCREW, 5X10	4							
45	2	22857-500100	SCREW, 5X10	4							
46	1	124160-11360	KNOB	3							
47	1	24311-000120	O-RING, 1AP12.0	3							
48	1	129900-07900	LIFTER	1							
49	1	26106-080142	BOLT, M8X 14 PLATED	2							
50	1	120130-11860	GUIDE, VALVE	4							1
51	1	129150-11810	GUIDE, VALVE	4							1

Remarks

(1) Spare parts.

N:Old  $\xrightarrow{\text{Yes}}$  New, Q:Old  $\xrightarrow{\text{No}}$  New, R:Old  $\xrightarrow{\text{Yes}}$  New, S:Old  $\xrightarrow{\text{No}}$  New, W:Add, Z:Discontinued, F:Interchangeable by set, K:Q'ty Change

Fig.5. SUCTION MANIFOLD

(A)=4TNV88-XKRY2C  
(B)=  
(C)=

(D)=  
(E)=  
(F)=

No.	Lev.	Parts No.	Description	Q'ty						I	R
				(A)	(B)	(C)	(D)	(E)	(F)		
1	1	129005-03080	PIPE , BREATHER	1							
2	2	129410-03990	CLIP,HOSE 21.5	2							
3	1	129602-12101	MANIFOLD, AIR INTAKE	1							
4	1	129407-12110	GASKET, MANIFOLD	1							
5	1	26106-080202	BOLT, M8X 20 PLATED	6							
6	1	26106-080802	BOLT, M8X 80 PLATED	1							
7	1	129486-12581	JOINT, MANIFOLD	1							
8	1	129150-77511	GASKET	1							
9	1	26106-080202	BOLT, M8X 20 PLATED	4							

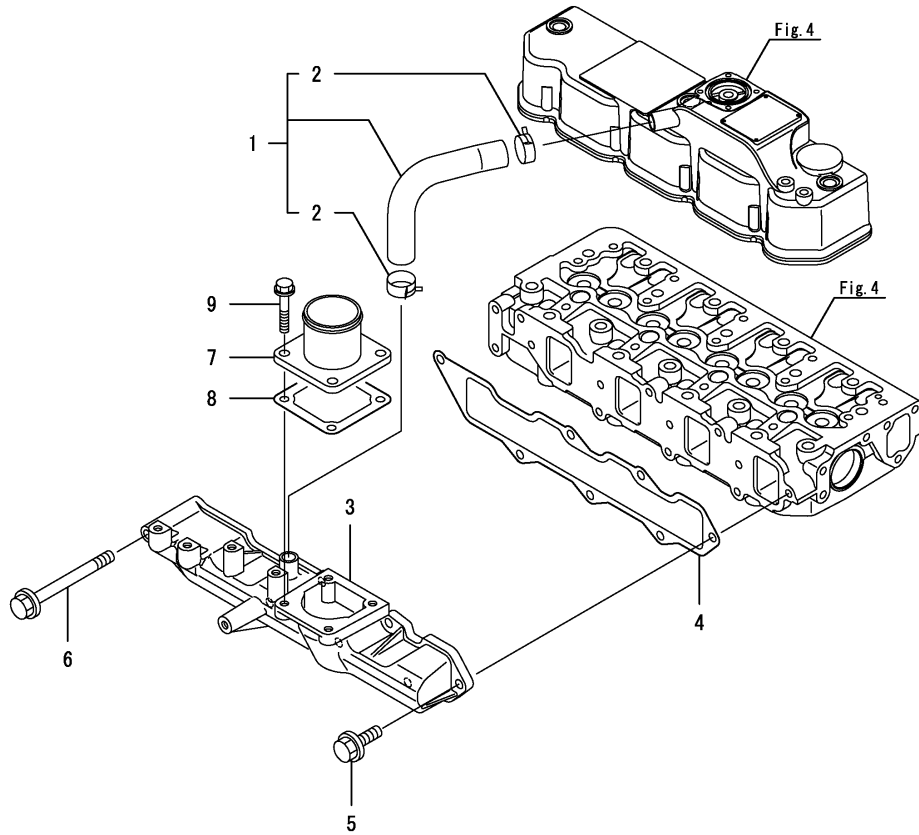
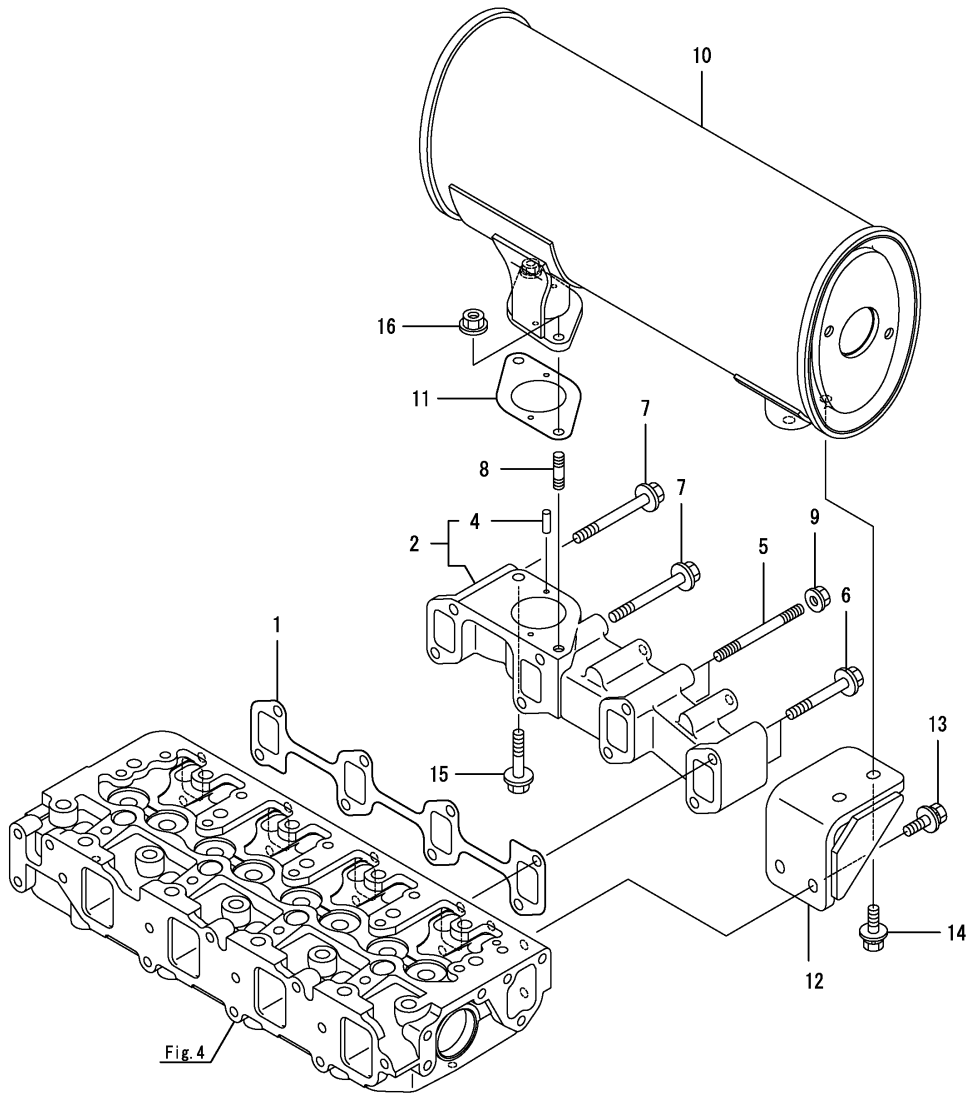


Fig.6. EXHAUST MANIFOLD & SILENCER

(A)=4TNV88-XKRY2C  
(B)=  
(C)=

(D)=  
(E)=  
(F)=



No.	Lev.	Parts No.	Description	Q'ty						I	R
				(A)	(B)	(C)	(D)	(E)	(F)		
1	1	129550-13110	GASKET	1							
2	1	129659-13130	MANIFOLD ASSY	1							
4	2	22351-040012	PIN, SPRING 4.0X12	2							
5	1	129263-13210	STUD, M8X90	2							
6	1	119802-13640	BOLT, M8X60 10.9T	2							
7	1	119802-13660	BOLT, M8X75 10.9T	4							
8	1	119131-18320	STUD, M8X22	1							
9	1	26306-080002	NUT, M8	2							
10	1	129659-13531	SILENCER	1							
11	1	129107-13540	GASKET, SILENCER	1							
12	1	129659-13680	STAY, SILENCER	1							
13	1	26014-080222	BOLT, M8X 22	2							
14	1	26014-080252	BOLT, M8X 25	2							
15	1	26106-080402	BOLT, M8X 40 PLATED	1							
16	1	26306-080002	NUT, M8	1							



Fig.7. CAMSHAFT & DRIVING GEAR

(A)=4TNV88-XKRY2C

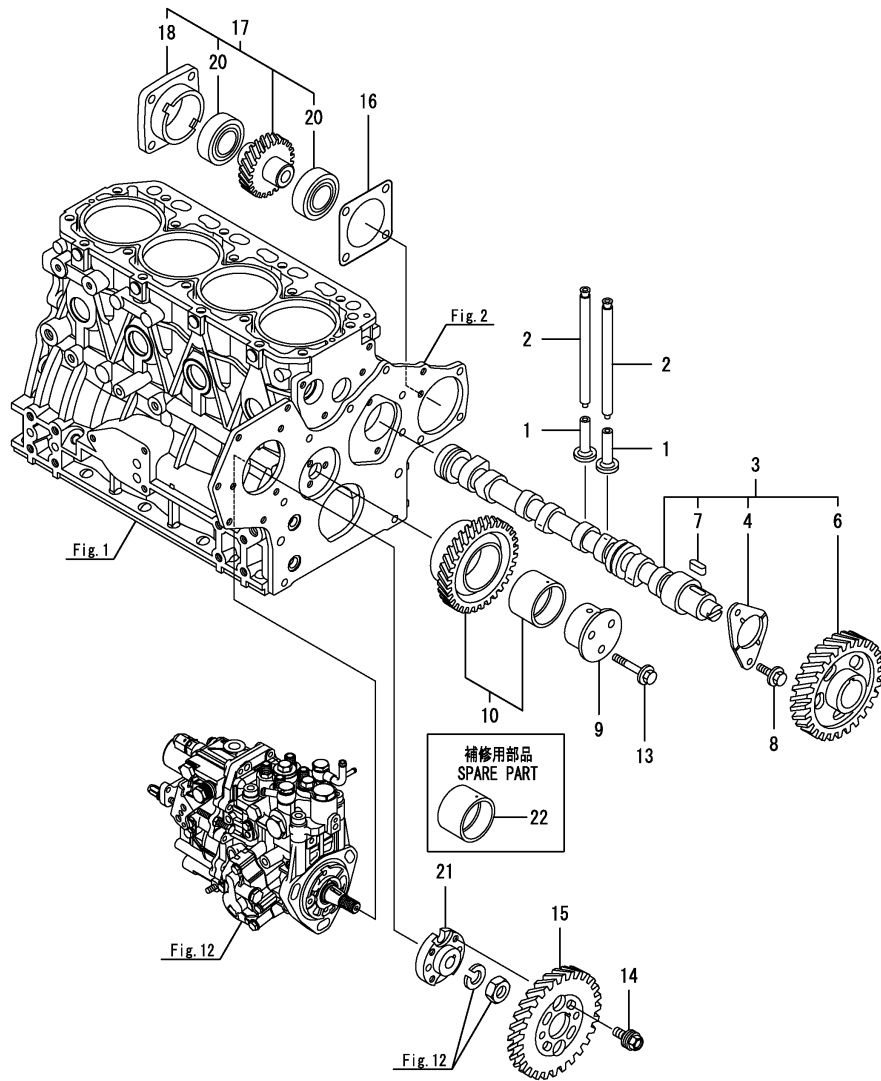
(B)=

(C)=

(D)=

(E)=

(F)=



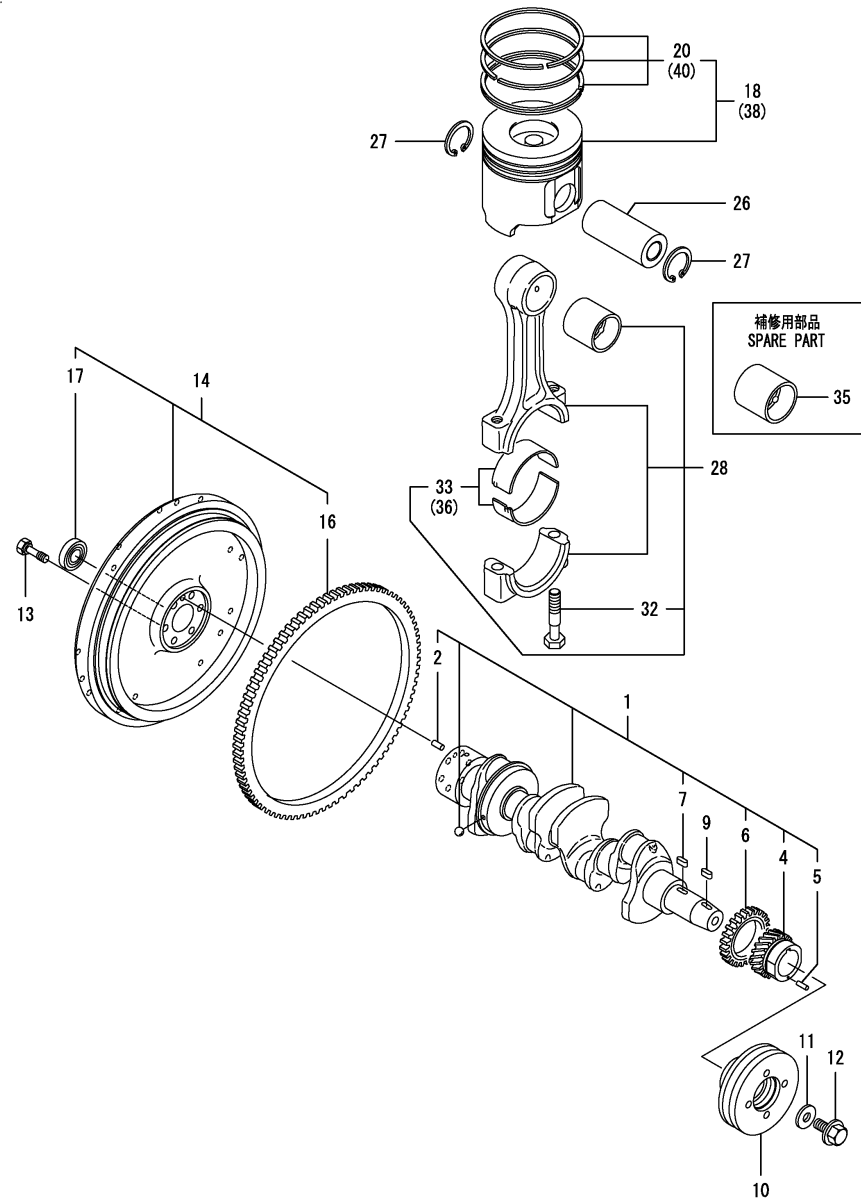
No.	Lev.	Parts No.	Description	Q'ty						I	R
				(A)	(B)	(C)	(D)	(E)	(F)		
1	1	129150-14200	TAPPET	8							
2	1	129150-14400	ROD, PUSH L=178	8							
3	1	729402-14580	CAMSHAFT ASSY	1							
4	2	129150-02450	BEARING, THRUST	1							
6	2	129150-14101	GEAR, CAMSHAFT	1							
7	2	22512-070140	KEY, 7X 14	1							
8	1	26106-080142	BOLT, M8X 14 PLATED	2							
9	1	119802-25051	SHAFT, IDLE	1							
10	1	119802-25101	GEAR ASSY, IDLE	1							
13	1	26106-080402	BOLT, M8X 40 PLATED	3							
14	1	129150-25301	BOLT	4							
15	1	119802-25901	GEAR, PUMP	1							
16	1	129150-01881	GASKET	1							
17	1	129150-26000	DRIVE ASSY, PUMP	1							
18	2	129150-26050	BRACKET, PUMP	1							
20	2	24105-060064	BEARING, BALL 6006Z	2							
21	1	158552-51151	FLANGE	1							
22	1	119802-25071	BUSH, IDLE GEAR	1							1

Remarks

(1) Spare parts.

N:Old  $\begin{matrix} \leftarrow \text{Yes} \\ \text{No} \end{matrix}$  New, Q:Old  $\begin{matrix} \leftarrow \text{No} \\ \text{Yes} \end{matrix}$  New, R:Old  $\begin{matrix} \leftarrow \text{Yes} \\ \text{No} \end{matrix}$  New, S:Old  $\begin{matrix} \leftarrow \text{No} \\ \text{Yes} \end{matrix}$  New, W:Add, Z:Discontinued, F:Interchangeable by set, K:Q'ty Change

Fig.8. CRANKSHAFT & PISTON



(A)=4TNV88-XKRY2C  
(B)=  
(C)=

(D)=  
(E)=  
(F)=

No.	Lev.	Parts No.	Description	Q'ty						I	R
				(A)	(B)	(C)	(D)	(E)	(F)		
1	1	129657-21002	CRANKSHAFT ASSY	1							
2	2	129100-01580	PIN, 8X16	1							
4	2	119802-21202	GEAR, CRANKSHAFT	1							
5	2	121850-21290	PIN	1							
6	2	129400-28121	GEAR, BALANCER	1							
7	2	22512-070140	KEY, 7X 14	1							
9	1	22512-070140	KEY, 7X 14	1							
10	1	119852-21650	V-PULLEY, 120	1							
11	1	129795-21661	WASHER	1							
12	1	121850-21680	BOLT	1							
13	1	124160-21501	BOLT, FLYWHEEL	6							
14	1	129659-21581	FLYWHEEL ASSY	1							
16	2	124550-21600	GEAR, RING	1							
17	2	24104-063020	BEARING, 6302UUC3	1							
18	1	129005-22080	PISTON ASSY	4							
20	2	129005-22500	RING SET, PISTON	4							
26	1	129202-22300	PIN, PISTON D26 L70	4							
27	1	22252-000260	RING, 26	8							
28	1	729402-23100	ROD ASSY, CONNECTING	4							
32	2	121550-23200	BOLT, CONNECTING ROD	8							
33	2	129150-23601	BEARING, CRANK PIN	4							
35	1	129100-23910	BEARING, PISTON PIN	4							1
36	1	129150-23611	BEARING, 0.25 US	4							2
38	1	129005-22900	PISTON ASSY, 0.25 OS	4							3
40	2	129005-22950	RING SET, 0.25 OS	4							3

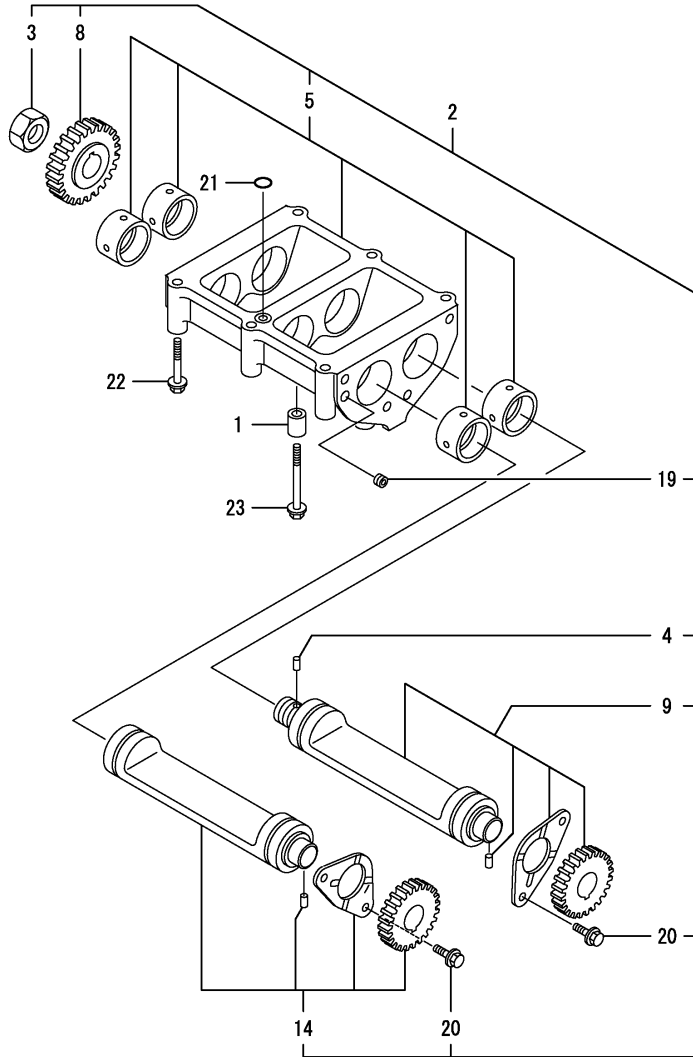
Remarks

- (1) Spare parts.
- (2) Under-sized (U.S.=0.25) parts.
- (3) Over-sized (O.S.=0.25) parts.

Fig.9. BALANCER

(A)=4TNV88-XKRY2C  
(B)=  
(C)=

(D)=  
(E)=  
(F)=



No.	Lev.	Parts No.	Description	Q'ty						I	R
				(A)	(B)	(C)	(D)	(E)	(F)		
1	1	129795-01960	PIPE, KNOCK	2							
2	1	129457-28000	BALANCER ASSY	1							
3	2	128170-14150	NUT	1							
4	2	121850-21290	PIN	1							
5	2	129457-28011	CASE ASSY, BALANCER	1							
8	2	129400-28150	GEAR, BALANCER	1							
9	2	729490-28510	SHAFT ASSY, BALANCER	1							
14	2	729490-28520	SHAFT ASSY, BALANCER	1							
19	2	23876-005000	PLUG, R005	1							
20	2	26106-080142	BOLT, M8X 14 PLATED	4							
21	1	24311-000140	O-RING, 1AP14.0	1							
22	1	26106-080602	BOLT, M8X 60 PLATED	4							
23	1	26106-080802	BOLT, M8X 80 PLATED	2							

Fig.10. LUB. OIL SYSTEM

(A)=4TNV88-XKRY2C

(B)=

(C)=

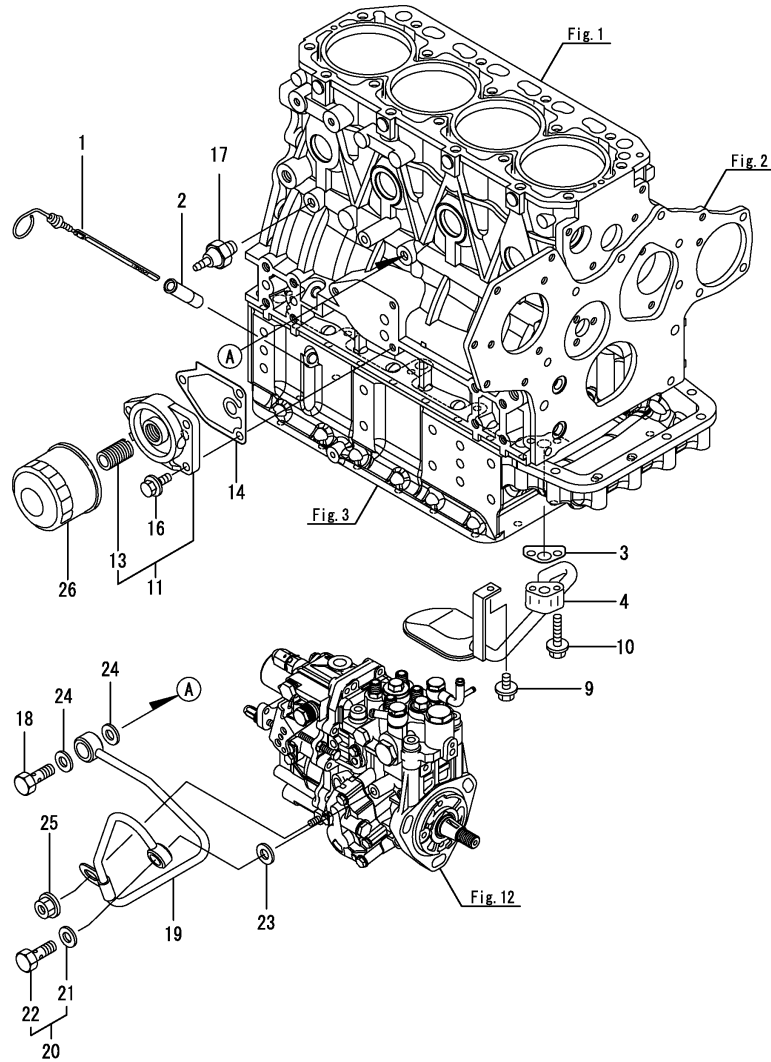
(D)=

(E)=

(F)=

Q'ty

No.	Lev.	Parts No.	Description	Q'ty						I	R
				(A)	(B)	(C)	(D)	(E)	(F)		
1	1	129457-34800	DIPSTICK, OIL	1							
2	1	121520-34810	GUIDE, DIPSTICK	1							
3	1	129150-35042	GASKET	1							
4	1	129550-35090	PIPE ASSY, OIL INLET	1							
9	1	26106-080122	BOLT, M8X 12 PLATED	1							
10	1	26106-080352	BOLT, M8X 35 PLATED	2							
11	1	119802-35100	BRACKET ASSY, FILTER	1							
13	2	129100-35140	STUD	1							
14	1	129150-35111	GASKET	1							
16	1	26106-080202	BOLT, M8X 20 PLATED	3							
17	1	114250-39450	SWITCH, 0.5KG	1							
18	1	124160-39140	BOLT, PIPE JOINT M10	1							
19	1	119802-39450	PIPE ASSY, OIL	1							
20	1	129005-59830	BOLT ASSY, JOINT M8	1							
21	2	22190-080002	WASHER, SEAL 8	1							
22	2	23857-030000	BOLT, JOINT 3	1							
23	1	22190-080002	WASHER, SEAL 8	1							
24	1	22190-100002	WASHER, SEAL 10	2							
25	1	26366-060002	NUT, M6	1							
26	1	129150-35170	FILTER,LO	1							1



Remarks

(1) Spare parts.

N:Old  $\xrightarrow{\text{Yes}}$  New, Q:Old  $\xrightarrow{\text{No}}$  New, R:Old  $\xrightarrow{\text{Yes}}$  New, S:Old  $\xrightarrow{\text{No}}$  New, W:Add, Z:Discontinued, F:Interchangeable by set, K:Q'ty Change

Fig.11. COOLING WATER SYSTEM

(A)=4TNV88-XKRY2C

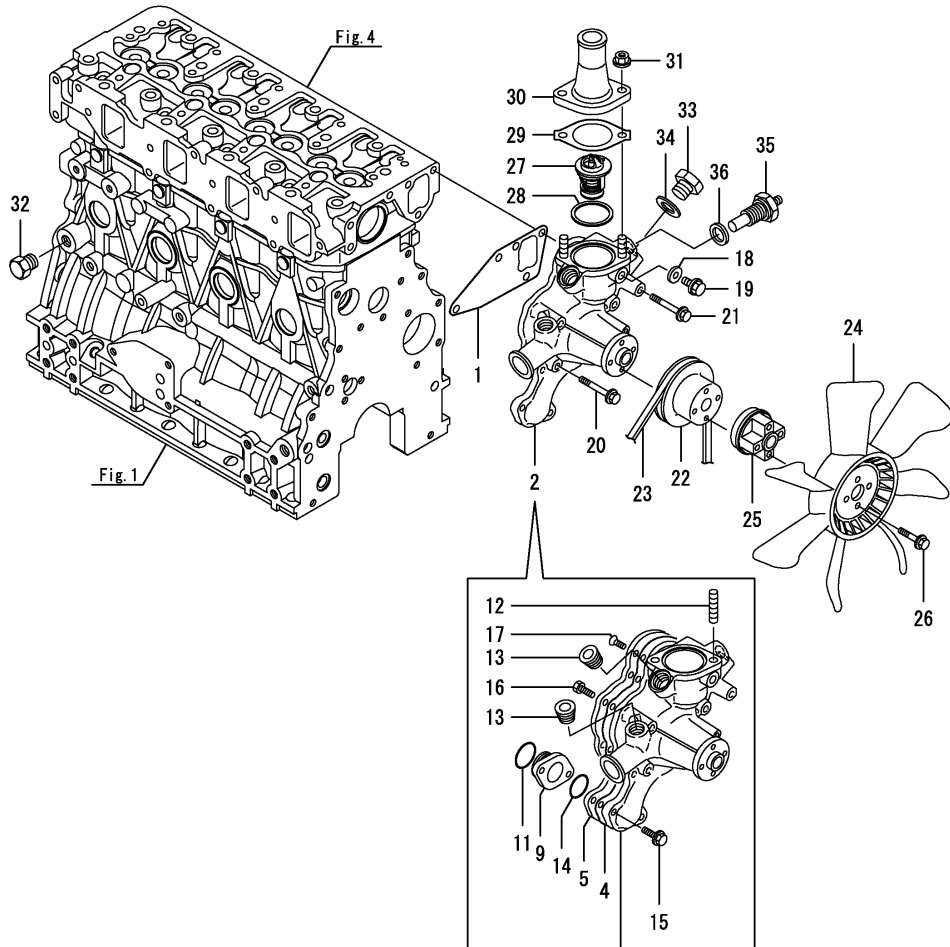
(B)=

(C)=

(D)=

(E)=

(F)=



No.	Lev.	Parts No.	Description	Q'ty						I	R
				(A)	(B)	(C)	(D)	(E)	(F)		
1	1	129486-42050	GASKET, WATER PUMP	1							
2	1	129659-42050	PUMP ASSY, WATER	1							
4	2	129150-42059	GASKET	1							
5	2	129263-42120	PLATE	1							
9	2	129150-42301	FLANGE	1							
11	2	129054-42320	O-RING	1							
12	2	129555-44750	STUD, M8X30	2							
13	2	129916-49740	PLUG, R03	2							
14	2	24358-240310	O-RING, 524031	1							
15	2	26106-060202	BOLT, M6X 20 PLATED	2							
16	2	26116-060162	BOLT, M6X 16 PLATED	3							
17	2	26577-060142	SCREW M 6X 14	3							
18	1	23414-080000	GASKET, 8X1.0	1							
19	1	26106-080122	BOLT, M8X 12 PLATED	1							
20	1	26106-080552	BOLT, M8X 55 PLATED	3							
21	1	26106-080602	BOLT, M8X 60 PLATED	1							
22	1	129403-42380	V-PULLEY, D=110	1							
23	1	25132-004000	V-BELT, A40	1							
24	1	129655-44740	FAN, COOLING D380	1							
25	1	129030-44760	SPACER, FAN L38.5	1							
26	1	26106-060502	BOLT, M6X 50 PLATED	4							
27	1	129155-49801	THERMOSTAT, 71	1							
28	1	129150-49811	GASKET, THERMOSTAT	1							
29	1	129795-49551	GASKET	1							
30	1	129350-49560	COVER, THERMOSTAT	1							
31	1	26306-080002	NUT, M8	2							
32	1	171056-49120	PLUG, DRAIN	1							
33	1	121450-42450	PLUG, M16	1							
34	1	124465-44950	GASKET, 16	1							
35	1	124250-49351	SENSOR	1							
36	1	129150-49360	GASKET	1							

Fig.12. FUEL INJECTION PUMP

(A)=4TNV88-XKRY2C

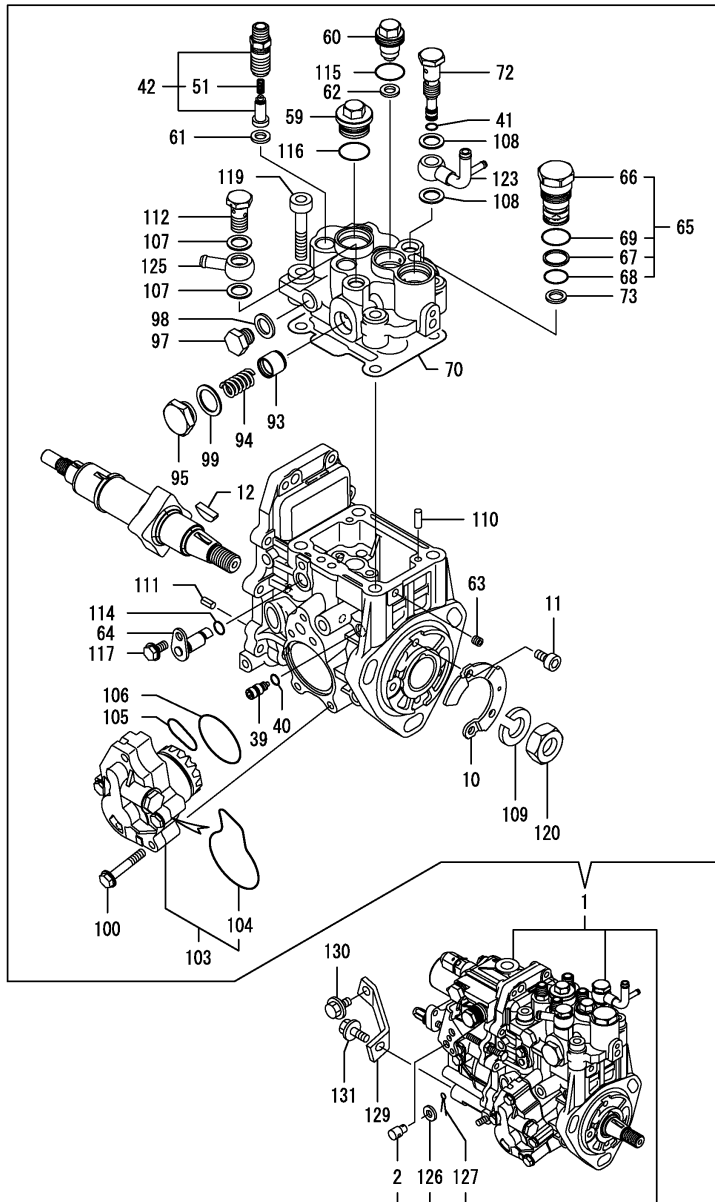
(B)=

(C)=

(D)=

(E)=

(F)=



No.	Lev.	Parts No.	Description	Q'ty						I	R
				(A)	(B)	(C)	(D)	(E)	(F)		
1	1	729659-51360	INJECTION PUMP ASSY	1							1
2	2	194150-01370	ADJUSTER	1							
10	2	129008-51900	COVER, GEAR CASE	1							
11	2	129008-51920	BOLT, M6X10	2							
12	2	119802-51090	KEY, 4X16	1							
39	2	158600-51270	STOPPER, TAPPET	1							
40	2	158563-51281	O-RING, 4D S6	1							
41	2	158563-51281	O-RING, 4D S6	1							
42	2	129509-51390	VALVE ASSY, DELIVERY	4							
51	3	158563-51330	SPRING, DELIVERY	4							
59	2	158601-51550	PLUG	1							
60	2	119802-51560	PLUG, BARREL	1							
61	2	158552-51571	GASKET	4							
62	2	158552-51571	GASKET	1							
63	2	158557-51570	PLUG	1							
64	2	158552-51580	LIFTER	1							
65	2	129271-51590	PLUG SET,TIMER	1							
66	3	129271-51600	PLUG,TIMER	1							
67	3	119802-51680	RING, BACK UP	1							
68	3	119802-51690	O-RING	1							
69	3	24356-190200	O-RING, 4D19020	1							
70	2	158552-51600	GASKET	1							
72	2	158601-51650	JOINT, OVER FLOW	1							
73	2	158553-51680	GASKET	1							
93	2	158601-51770	PISTON	1							
94	2	158552-51781	SPRING	1							
95	2	158601-51790	PLUG	1							
97	2	158553-51930	PLUG, M12	1							
98	2	22190-120002	WASHER, SEAL 12	1							
99	2	22190-180002	WASHER, SEAL 18	1							
100	2	158553-51770	BOLT	4							
103	2	158552-52100	PUMP ASSY, FUEL FEED	1							
104	3	158552-52500	O-RING	1							
105	2	158552-52311	O-RING	1							
106	2	158552-52400	O-RING, 4E S42	1							
107	2	22190-120002	WASHER, SEAL 12	2							
108	2	22190-120002	WASHER, SEAL 12	2							
109	2	22217-140000	WASHER, SPRING 14	1							
110	2	22312-050140	PIN, PARALLEL 5X14	1							
111	2	22351-050010	PIN, SPRING 5.0X10	2							
112	2	23857-060000	BOLT, JOINT 6	1							
114	2	24311-000070	O-RING, 1AP7.0	1							
115	2	24356-190180	O-RING, 4D19018	1							
116	2	24356-190200	O-RING, 4D19020	1							
117	2	26106-060102	BOLT, M6X 10 PLATED	1							
119	2	26450-080452	BOLT, M8X 45	4							
120	2	26776-140002	NUT, LOCK M14	1							
123	2	158552-51670	JOINT, OVER FLOW	1							
125	2	129916-59020	JOINT, PIPE 12	1							
126	2	22137-080000	WASHER, 8	1							
127	2	22417-160180	PIN, COTTER 1.6X18	1							

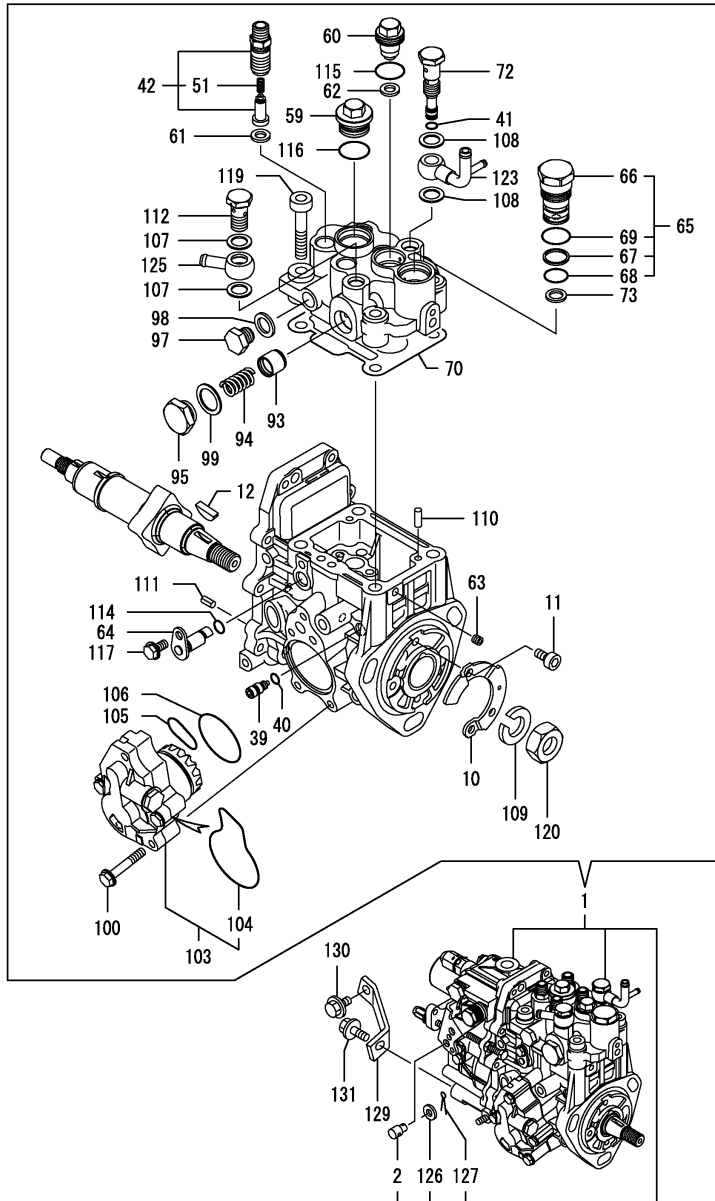
Remarks

(1)Governor(Fig.13) is incorporated in this Fuel Injection Pump(No.1).

Fig.12. FUEL INJECTION PUMP

(A)=4TNV88-XKRY2C  
(B)=  
(C)=

(D)=  
(E)=  
(F)=



No.	Lev.	Parts No.	Description	Q'ty						I	R
				(A)	(B)	(C)	(D)	(E)	(F)		
129	1	129601-51250	RETAINER, PUMP	1							
130	1	26106-080162	BOLT, M8X 16 PLATED	1							
131	1	26106-080202	BOLT, M8X 20 PLATED	1							

Remarks

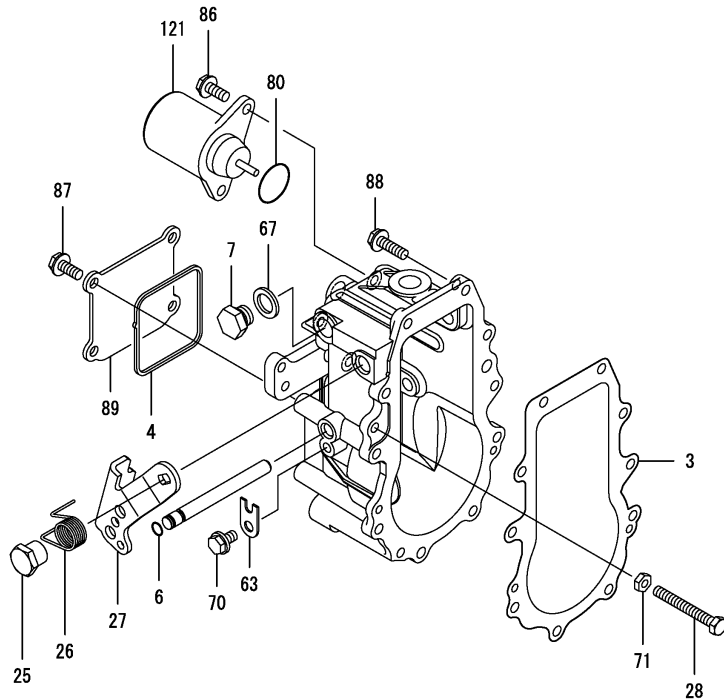
(1)Governor(Fig.13) is incorporated in this Fuel Injection Pump(No.1).

N:Old  $\xrightarrow{\text{Yes}}$  New, Q:Old  $\xrightarrow{\text{No}}$  New, R:Old  $\xrightarrow{\text{Yes}}$  New, S:Old  $\xrightarrow{\text{No}}$  New, W:Add, Z:Discontinued, F:Interchangeable by set, K:Q'ty Change

Fig.13. GOVERNOR

(A)=4TNV88-XKRY2C  
(B)=  
(C)=

(D)=  
(E)=  
(F)=



No.	Lev.	Parts No.	Description	Q'ty						I	R
				(A)	(B)	(C)	(D)	(E)	(F)		
3	2	158553-61050	GASKET	1							
4	2	158553-61070	GASKET	1							
6	2	129155-51280	O-RING, S6	1							
7	2	158553-51930	PLUG, M12	1							
25	2	129255-61410	NUT, LOCK	1							
26	2	119807-61420	SPRING, RETURN	1							
27	2	158552-61441	LEVER, REGULATOR	1							
28	2	129155-61460	BOLT, IDLE	1							
63	2	119660-61901	RETAINER, SHAFT	1							
67	2	22190-120002	WASHER, SEAL 12	1							
70	2	26106-060102	BOLT, M6X 10 PLATED	1							
71	2	26756-060002	NUT, LOCK M6	1							
80	2	158552-61900	O-RING	1							
86	2	26106-060142	BOLT, M6X 14 PLATED	2							
87	2	26106-060142	BOLT, M6X 14 PLATED	4							
88	2	26106-060202	BOLT, M6X 20 PLATED	10							
89	2	129642-61060	COVER, GOVERNOR CASE	1							
121	2	119653-77950	SOLENOID, STOP	1							

Remarks

\* This figure(Governor) is incorporated in the Fuel Injection Pump(Fig.12).

N:Old  $\xrightarrow{\text{Yes}}$  New, Q:Old  $\xrightarrow{\text{No}}$  New, R:Old  $\xrightarrow{\text{Yes}}$  New, S:Old  $\xrightarrow{\text{No}}$  New, W:Add, Z:Discontinued, F:Interchangeable by set, K:Q'ty Change



Fig.14. FUEL INJECTION VALVE

(A)=4TNV88-XKRY2C

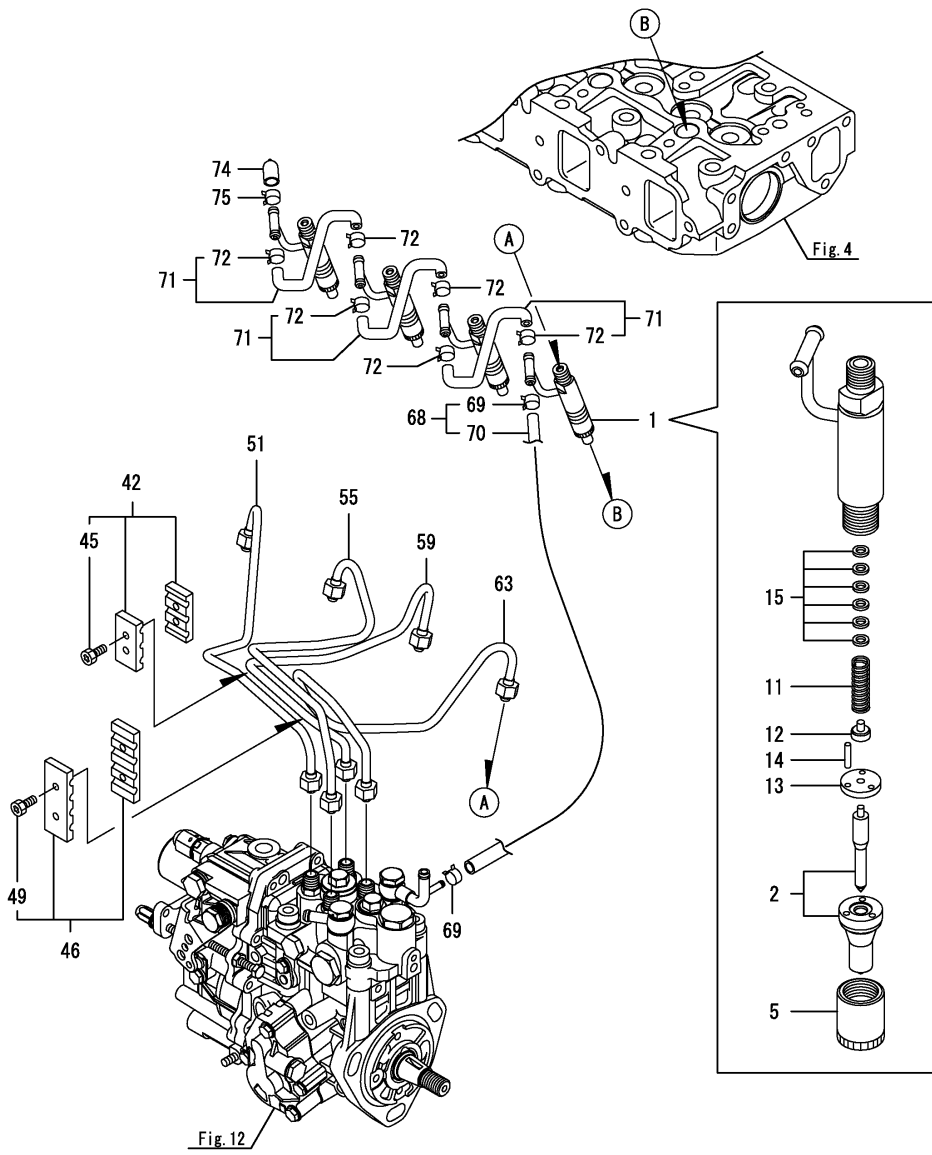
(B)=

(C)=

(D)=

(E)=

(F)=



No.	Lev.	Parts No.	Description	Q'ty						I	R
				(A)	(B)	(C)	(D)	(E)	(F)		
1	1	729004-53101	VALVE ASSY,INJECTION	4							
2	2	129004-53001	VALVE ASSY,INJECTION	4							
5	2	114250-53080	NUT, NOZZLE D16.95	4							
11	2	114250-53120	SPRING, NOZZLE	4							
12	2	114250-53130	SEAT, SPRING	4							
13	2	114250-53140	PLATE	4							
14	2	114250-53210	PIN	8							
15	2	119803-53400	SHIM SET	4							
42	1	129150-59120	RETAINER, PIPE	1							
45	2	129150-59131	BOLT, M4X14	2							
46	1	129550-59120	RETAINER, PIPE	1							
49	2	129150-59131	BOLT, M4X14	2							
51	1	129601-59810	PIPE ASSY, INJECTION	1							
55	1	129601-59820	PIPE ASSY, INJECTION	1							
59	1	129601-59830	PIPE ASSY, INJECTION	1							
63	1	129601-59840	PIPE ASSY, INJECTION	1							
68	1	119802-59550	PIPE ASSY, RETURN	1							
69	2	124722-59050	CLIP, HOSE 9	2							
70	2	119802-59560	PIPE, FUEL RETURN	1							
71	1	129486-59551	PIPE ASSY, RETURN	3							
72	2	124722-59050	CLIP, HOSE 9	6							
74	1	119593-59581	CAP	1							
75	1	124060-77680	CLIP, HOSE 10	1							

Fig.15. STARTER MOTOR

(A)=4TNV88-XKRY2C

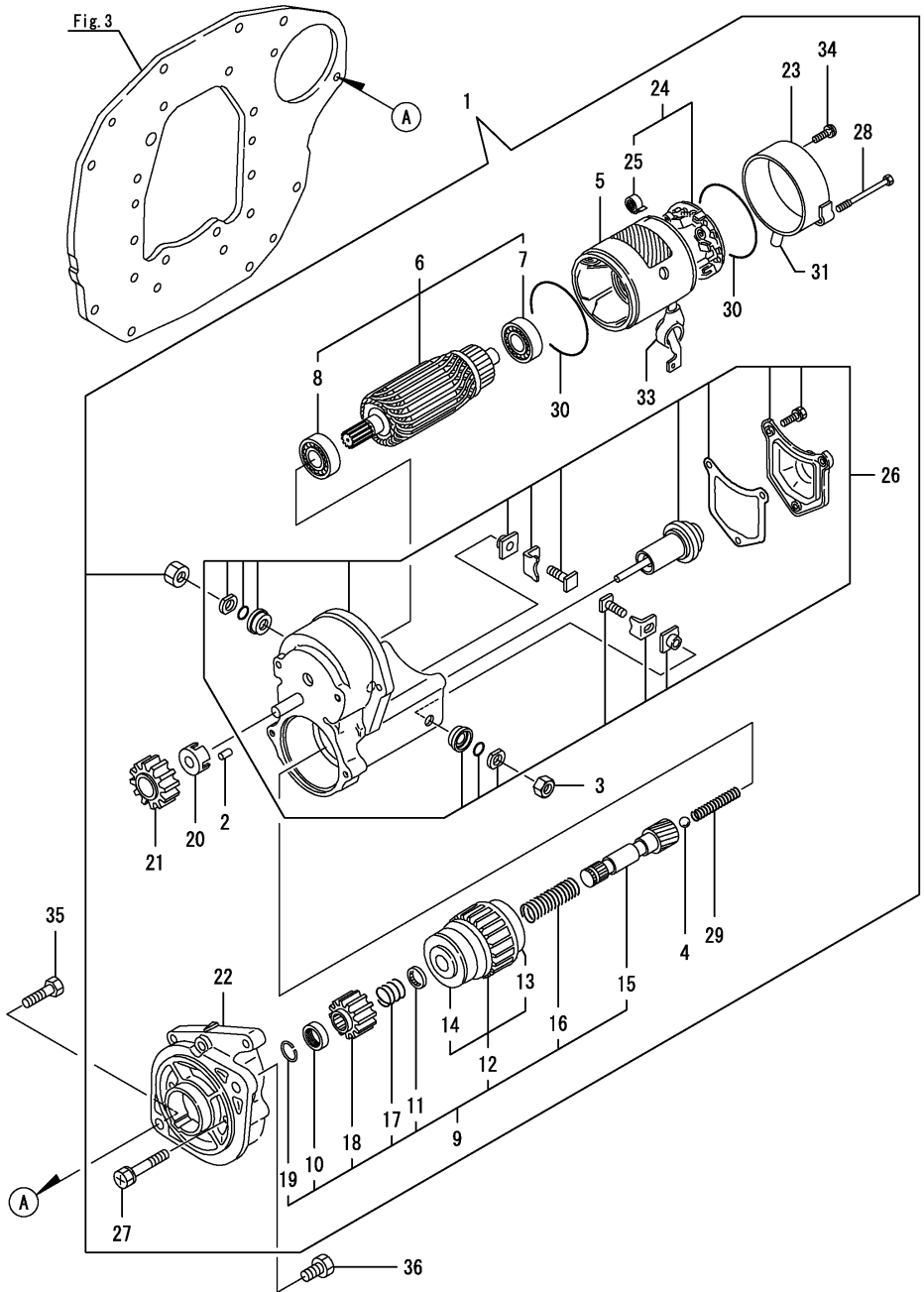
(B)=

(C)=

(D)=

(E)=

(F)=



No.	Lev.	Parts No.	Description	Qty						I	R
				(A)	(B)	(C)	(D)	(E)	(F)		
1	1	129407-77010	STARTER, RA1.4	1							
2	2	X0283060061	ROLLER	5							
3	2	X9490561370	NUT	1							
4	2	X9491200240	BALL	1							
5	2	129407-77210	YOKE ASSY	1							
6	2	129407-77220	ARMATURE ASSY	1							
7	3	129129-77230	BEARING, BALL	1							
8	3	129129-77240	BEARING, BALL	1							
9	2	129407-77250	STARTER	1							
10	3	X0280210230	NUT	1							
11	3	X0283270140	RETAINER	1							
12	3	129407-77390	CLUTCH ASSY	1							
13	4	129129-77440	BEARING, BALL	1							
14	4	129129-77450	BEARING, BALL	1							
15	3	129129-77400	SHAFT	1							
16	3	129129-77410	SPRING, COIL	1							
17	3	X9491703371	SPRING, COIL	1							
18	3	129129-77420	PINION, STARTER	1							
19	3	129129-77430	RING	1							
20	2	129129-77260	RETAINER	1							
21	2	129129-77270	PINION	1							
22	2	129407-77280	HOUSING	1							
23	2	129407-77290	FRAME	1							
24	2	129407-77300	HOLDER ASSY	1							
25	3	X9491730461	SPRING	4							
26	2	129407-77310	SWITCH ASSY	1							
27	2	129129-77320	BOLT	2							
28	2	129407-77330	BOLT	2							
29	2	129129-77340	SPRING	1							
30	2	129129-77350	O-RING	2							
31	2	129129-77362	COVER	1							
33	2	129129-77380	CAP	1							
34	2	129129-77460	SCREW	2							
35	1	129155-77060	BOLT	1							
36	1	26116-120202	BOLT, M12X 20 PLATED	1							

Fig.16. GENERATOR

(A)=4TNV88-XKRY2C

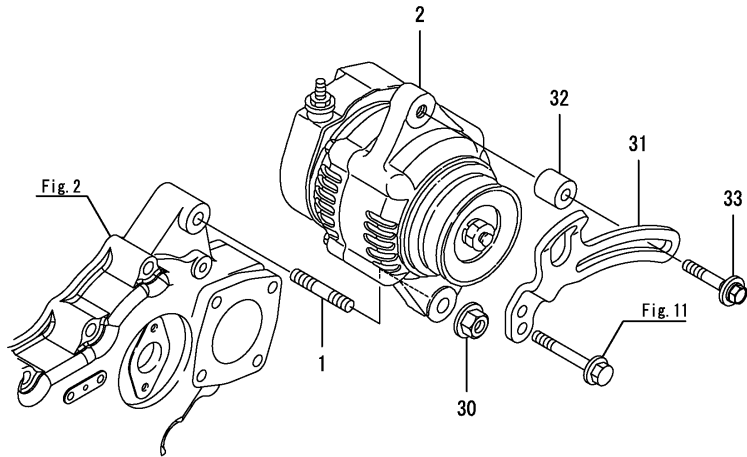
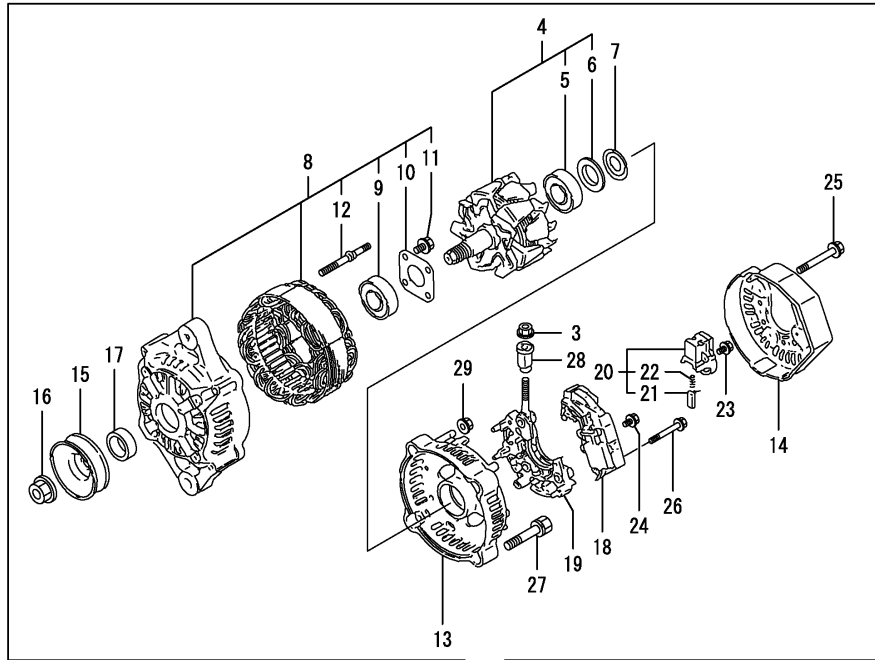
(B)=

(C)=

(D)=

(E)=

(F)=



No.	Lev.	Parts No.	Description	Q'ty						I	R
				(A)	(B)	(C)	(D)	(E)	(F)		
1	1	129795-01900	STUD	1							
2	1	119620-77201	GENERATOR, 40A	1							
3	2	X9490561001	NUT	1							
4	2	119620-77380	ROTOR ASSY	1							
5	3	123501-79240	BEARING, BALL	1							
6	3	119620-79250	COVER	1							
7	2	119620-79360	WASHER, THRUST	1							
8	2	119620-77421	FRAME ASSY, DRIVE	1							
9	3	119620-79200	BEARING, BALL	1							
10	3	119620-79210	PLATE, RETAINER	1							
11	3	119620-79220	SCREW	4							
12	3	119620-79230	STUD	2							
13	2	119620-77440	FRAME ASSY	1							
14	2	119620-77450	COVER	1							
15	2	119620-77461	PULLEY	1							
16	2	119620-77471	NUT	1							
17	2	119620-77490	COLLAR	1							
18	2	119620-77710	REGULATOR ASSY	1							
19	2	119620-79260	HOLDER	1							
20	2	119620-79270	HOLDER, BRUSH	1							
21	3	119620-77480	BRUSH ASSY	2							
22	3	119620-79280	SPRING	2							
23	2	119620-79290	SCREW	6							
24	2	119620-79300	SCREW	1							
25	2	119620-79310	BOLT	3							
26	2	119620-79320	SCREW	2							
27	2	119620-79330	BOLT	2							
28	2	119620-79340	BUSH, INSULATION	1							
29	2	119620-79350	NUT	2							
30	1	26306-100002	NUT, M10	1							
31	1	129107-77330	ADJUSTER	1							
32	1	124732-77340	SPACER	1							
33	1	129972-77341	BOLT, ADJUSTER L=50	1							

## Parts No. Index

Parts No.	Fig. No.	Ref. No.
105425-01690	3	6
114250-39450	10	17
114250-53080	14	5
114250-53120	14	11
114250-53130	14	12
114250-53140	14	13
114250-53210	14	14
119131-18320	6	8
119309-01810	1	29
119593-59581	14	74
119609-32040	2	11
119620-77201	16	2
119620-77380	16	4
119620-77421	16	8
119620-77440	16	13
119620-77450	16	14
119620-77461	16	15
119620-77471	16	16
119620-77480	16	21
119620-77490	16	17
119620-77710	16	18
119620-79200	16	9
119620-79210	16	10
119620-79220	16	11
119620-79230	16	12
119620-79250	16	6
119620-79260	16	19
119620-79270	16	20
119620-79280	16	22
119620-79290	16	23
119620-79300	16	24
119620-79310	16	25
119620-79320	16	26
119620-79330	16	27
119620-79340	16	28
119620-79350	16	29
119620-79360	16	7
119625-11880	4	28
119653-77950	13	121
119660-61901	13	63
119802-01561	2	7
119802-03110	4	38
119802-03121	4	39
119802-03130	4	40
119802-03141	4	41
119802-11260	4	4
119802-11270	4	5
119802-11870	4	27
119802-13640	6	6
119802-13660	6	7

Parts No.	Fig. No.	Ref. No.
119802-21202	8	4
119802-25051	7	9
119802-25071	7	22
119802-25101	7	10
119802-25901	7	15
119802-32070	2	13
119802-32100	2	12
119802-32111	2	17
119802-32120	2	18
119802-32130	2	19
119802-35100	10	11
119802-39450	10	19
119802-51090	12	12
119802-51560	12	60
119802-51680	12	67
119802-51690	12	68
119802-59550	14	68
119802-59560	14	70
119803-53400	14	15
119807-61420	13	26
119852-21650	8	10
119934-01800	2	5
120130-11860	4	50
120270-54410	4	30
121400-11340	4	23
121450-42450	11	33
121520-34810	10	2
121550-23200	8	32
121850-21290	8	5
	9	4
121850-21680	8	12
121850-51960	2	20
123501-79240	16	5
124060-01050	1	4
124060-77680	14	75
124160-01751	2	8
124160-01910	1	6
124160-11360	4	46
124160-21501	8	13
124160-39140	10	18
124240-01871	2	9
		27
		28
124250-49351	11	35
124460-11340	4	24
124465-44950	11	34
124550-21600	8	16
124722-59050	14	69
		72
124732-77340	16	32

Parts No.	Fig. No.	Ref. No.
128170-14150	9	3
129001-01250	1	5
129001-02931	1	30
129001-32330	2	16
129004-01190	1	26
129004-01520	2	6
129004-03010	4	36
129004-11650	4	7
129004-11900	4	29
129004-53001	14	2
129005-03080	5	1
129005-11100	4	19
129005-22080	8	18
129005-22500	8	20
129005-22900	8	38
129005-22950	8	40
129005-59830	10	20
129008-51900	12	10
129008-51920	12	11
129030-44760	11	25
129054-42320	11	11
129100-01580	3	1
		14
	8	2
129100-11112	4	20
129100-23910	8	35
129100-35140	10	13
129107-13540	6	11
129107-77330	16	31
129126-01600	3	2
129129-77230	15	7
129129-77240	15	8
129129-77260	15	20
129129-77270	15	21
129129-77320	15	27
129129-77340	15	29
129129-77350	15	30
129129-77362	15	31
129129-77380	15	33
129129-77400	15	15
129129-77410	15	16
129129-77420	15	18
129129-77430	15	19
129129-77440	15	13
129129-77450	15	14
129129-77460	15	34
129150-01200	1	27
129150-01881	7	16
129150-02020	1	8
129150-02450	7	4

Parts No.	Fig. No.	Ref. No.
129150-02871	1	33
129150-02931	1	23
129150-02941	1	36
129150-03070	4	37
129150-11230	4	8
129150-11280	4	6
129150-11370	4	12
129150-11750	4	10
129150-11810	4	51
129150-14101	7	6
129150-14200	7	1
129150-14400	7	2
129150-23601	8	33
129150-23611	8	36
129150-25301	7	14
129150-26000	7	17
129150-26050	7	18
129150-35042	10	3
129150-35111	10	14
129150-35170	10	26
129150-42059	11	4
129150-42301	11	9
129150-49360	11	36
129150-49811	11	28
129150-59120	14	42
129150-59131	14	45
		49
129150-77511	5	8
129150-91400	2	34
129155-49801	11	27
129155-51280	13	6
129155-61460	13	28
129155-77060	15	35
129202-22300	8	26
129255-61410	13	25
129263-13210	6	5
129263-42120	11	5
129271-51590	12	65
129271-51600	12	66
129350-49560	11	30
129400-28121	8	6
129400-28150	9	8
129403-42380	11	22
129407-01340	1	28
129407-12110	5	4
129407-77010	15	1
129407-77210	15	5
129407-77220	15	6
129407-77250	15	9
129407-77280	15	22

## Parts No. Index

Parts No.	Fig. No.	Ref. No.
129407-77290	15	23
129407-77300	15	24
129407-77310	15	26
129407-77330	15	28
129407-77390	15	12
129410-03990	5	2
129418-32320	2	15
129457-28000	9	2
129457-28011	9	5
129457-34800	10	1
129486-01670	3	18
129486-12581	5	7
129486-42050	11	1
129486-59551	14	71
129509-51390	12	42
129550-01702	3	4
129550-13110	6	1
129550-35090	10	4
129550-59120	14	46
129555-01750	3	9
129555-44750	11	12
129601-11241	4	1
129601-11251	4	2
129601-11310	4	43
129601-51250	12	129
129601-59810	14	51
129601-59820	14	55
129601-59830	14	59
129601-59840	14	63
129602-11700	4	13
129602-12101	5	3
129642-61060	13	89
129648-01600	3	15
129648-01780	3	17
129652-11350	4	35
129655-44740	11	24
129657-21002	8	1
129659-01740	3	5
129659-13130	6	2
129659-13531	6	10
129659-13680	6	12
129659-21581	8	14
129659-42050	11	2
129795-01900	16	1
129795-01950	2	10
129795-01960	9	1
129795-02412	1	11
129795-11120	4	21
129795-11180	4	22
129795-21661	8	11

Parts No.	Fig. No.	Ref. No.
129795-49551	11	29
129900-07900	4	48
129900-32130	2	14
129916-49740	11	13
129916-59020	12	125
129972-77341	16	33
129C26-01890	2	29
158552-51151	7	21
158552-51571	12	61
		62
158552-51580	12	64
158552-51600	12	70
158552-51670	12	123
158552-51781	12	94
158552-52100	12	103
158552-52311	12	105
158552-52400	12	106
158552-52500	12	104
158552-61441	13	27
158552-61900	13	80
158553-51680	12	73
158553-51770	12	100
158553-51930	12	97
	13	7
158553-61050	13	3
158553-61070	13	4
158557-51570	12	63
158563-51281	12	40
		41
158563-51330	12	51
158600-51270	12	39
158601-51550	12	59
158601-51650	12	72
158601-51770	12	93
158601-51790	12	95
171051-01921	1	7
171056-49120	11	32
194150-01370	12	2
22137-080000	12	126
22190-080002	2	30
	10	21
		23
22190-100002	10	24
22190-120002	12	98
		107
		108
	13	67
22190-160002	3	8
22190-180002	12	99
22217-140000	12	109

Parts No.	Fig. No.	Ref. No.
22252-000260	8	27
22312-050140	12	110
22351-040012	6	4
22351-050010	12	111
22351-060012	4	31
22417-160180	12	127
22512-070140	7	7
	8	7
		9
22857-500100	4	44
		45
23414-080000	11	18
23857-030000	10	22
23857-060000	12	112
23876-005000	9	19
23876-030000	2	3
23876-040000	2	4
24104-063020	8	17
24105-060064	7	20
24311-000070	12	114
24311-000120	4	47
24311-000140	9	21
24311-000320	2	21
24341-000240	2	36
24356-190180	12	115
24356-190200	12	69
		116
24358-240310	11	14
25132-004000	11	23
26014-080222	6	13
26014-080252	6	14
26106-060102	12	117
	13	70
26106-060142	13	86
		87
26106-060162	2	37
26106-060202	11	15
	13	88
26106-060502	11	26
26106-080122	10	9
	11	19
26106-080142	4	49
	7	8
	9	20
26106-080162	2	22
		23
		31
	12	130
26106-080202	2	32
	5	5

Parts No.	Fig. No.	Ref. No.
26106-080202	5	9
	10	16
	12	131
26106-080252	3	10
	4	32
26106-080302	2	33
26106-080352	4	33
	10	10
26106-080402	6	15
	7	13
26106-080502	3	11
	4	34
26106-080552	2	24
	11	20
26106-080602	9	22
	11	21
26106-080802	5	6
	9	23
26106-080852	2	25
26106-081002	3	12
26106-081202	3	13
26116-060162	11	16
26116-120202	15	36
26206-100202	3	3
26226-080182	4	11
26306-080002	2	26
	6	9
		16
	11	31
26306-100002	16	30
26366-060002	10	25
26450-080452	12	119
26577-060142	11	17
26756-060002	13	71
26776-140002	12	120
27241-120000	1	12
27241-300000	1	13
27241-400000	4	18
27310-080001	4	25
729004-53101	14	1
729235-01500	2	1
729402-14580	7	3
729402-23100	8	28
729490-28510	9	9
729490-28520	9	14
729659-01570	1	1
729659-51360	12	1
X0280210230	15	10
X0283060061	15	2
X0283270140	15	11

# Parts No. Index

Parts No.	Fig. No.	Ref. No.
X9490561001	16	3
X9490561370	15	3
X9491200240	15	4
X9491703371	15	17
X9491730461	15	25

Parts No.	Fig. No.	Ref. No.
-----------	----------	----------

Parts No.	Fig. No.	Ref. No.
-----------	----------	----------

Parts No.	Fig. No.	Ref. No.
-----------	----------	----------