

0CNP6-M00530EN

Contents

OCNP6-M00530

Fig. No. Fig. Name

ENGINE CONTROL

1. RELAY(ENGINE)
2. ENGINE RELATED
3. RADIATOR
4. ACCEL
5. FOOT ACCEL
6. MUFFLER
7. EXHAUST PORT
8. FUEL TANK
9. FUEL PIPE
10. FUEL FILTER
11. AIR CLEANER

FRONT AXLE

12. FRONT BRACKET
13. FRONT SUPPORT(1)
14. FRONT SUPPORT(2)
15. BREATHER
16. TIE ROD
17. RING GEAR
18. DIFFERENTIAL GEAR
19. PROPELLER SHAFT
20. FRONT SHAFT(1)
21. FRONT AXLE CASE
22. FRONT GEAR CASE

Fig. No. Fig. Name

23. FRONT SHAFT(2)
24. FRONT SPINDLE
25. SHAFT COVER
26. FRONT WHEEL TIRE
27. HUB BOLT
28. STEERING COLUMN
29. STEERING WHEEL
30. STEERING COVER
31. P.S.T. CYLINDER
32. P.S.T. VALVE
33. P.S.T. HOSE

TRANSMISSION

34. CLUTCH HOUSING
35. DOCKING BOLT
36. SINGLE CLUTCH
37. CLUTCH SHAFT
38. CLUTCH RELEASE(1)
39. CLUTCH RELEASE(2)
40. TRANSMISSION CASE
41. CENTER PLATE
42. MAIN DRIVE SHAFT
43. MAIN SHAFT
44. REVERSER SHAFT
45. REDUCTION SHAFT

Contents

OCNP6-M00530

Fig. No. Fig. Name

- 46. COUNTER SHAFT
- 47. REVERSER IDLE SHAFT
- 48. P.T.O. DRIVE SHAFT
- 49. P.T.O. SHAFT
- 50. P.T.O. SHAFT COVER
- 51. P.T.O. SHAFT GUARD
- 52. MAIN SHIFT
- 53. SHIFT LEVER
- 54. REVERSER SHIFT
- 55. REVERSER LEVER
- 56. SUB SHIFT
- 57. SHIFT LINK
- 58. P.T.O. SHIFT
- 59. SHIFT KNOB
- 60. FRONT DRIVE
- 61. FRONT SHIFT

REAR AXLE

- 62. RING GEAR
- 63. DIFFERENTIAL GEAR
- 64. DIFFERENTIAL CARRIER
- 65. REAR HOUSING
- 66. DIFFERENTIAL LOCK
- 67. FINAL PINION
- 68. FINAL GEAR

Fig. No. Fig. Name

- 69. REAR AXLE SHAFT
- 70. REAR WHEEL TIRE
- 71. HUB BOLT(REAR)
- 72. BRAKE
- 73. PEDAL
- 74. BRAKE LINK

HYDRAULIC CONTROL

- 75. HYDRAULIC PUMP
- 76. HYDRAULIC CYLINDER CASE(1)
- 77. HYDRAULIC CYLINDER CASE(2)
- 78. PISTON
- 79. LIFT CRANK
- 80. CONTROL VALVE
- 81. RELIEF VALVE
- 82. HYDRAULIC CONTROL
- 83. HYDRAULIC LEVER
- 84. STOP VALVE KNOB
- 85. HYDRAULIC PIPING
- 86. PIPE(TRANSMISSION)
- 87. HYDRAULIC FILTER

ELECTRICAL PARTS

- 88. WIRE HARNESS
- 89. BATTERY

Contents

OCNP6-M00530

Fig. No. Fig. Name

90. SWITCH(FLOOR)

91. LAMP

92. METER

93. HORN

94. SWITCH

FITTINGS

95. BATTERY SUPPORT

96. BONNET

97. BONNET STAND

98. BONNET LOCK

99. DASHBOARD

100. COLUMN COVER

101. FENDER

102. BREATHER

103. FLOOR

104. SUB STEP

105. SEAT

106. SEAT BRACKET

107. SEAT BELT

LABEL

108. LABEL

109. LABEL

110. LABEL(SAFETY)

Fig. No. Fig. Name

HITCH

111. THREE POINT HITCH

112. DRAWBAR HITCH

SAFETY FRAME

113. ROPS

ACCESSORIES

114. DOCUMENT

OPTIONAL

115. REARVIEW MIRROR

116. ROOF

Fig.1. RELAY(ENGINE)

(A)=EF393T(AU)
 (B)=
 (C)=

(D)=
 (E)=
 (F)=

No.	Lev.	Parts No.	Description	Q'ty						I	R
				(A)	(B)	(C)	(D)	(E)	(F)		
1	1	1A7870-52950	RELAY, CB	2							
2	1	1K1140-82500	RELAY(ACM13211M01	1							
3	1	26106-060162	BOLT, M6X 16 PLATED	1							
4	1	26106-060162	BOLT, M6X 16 PLATED	1							

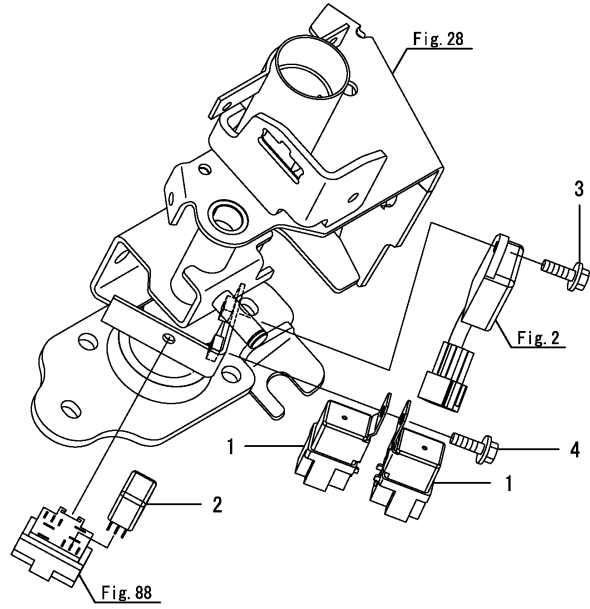
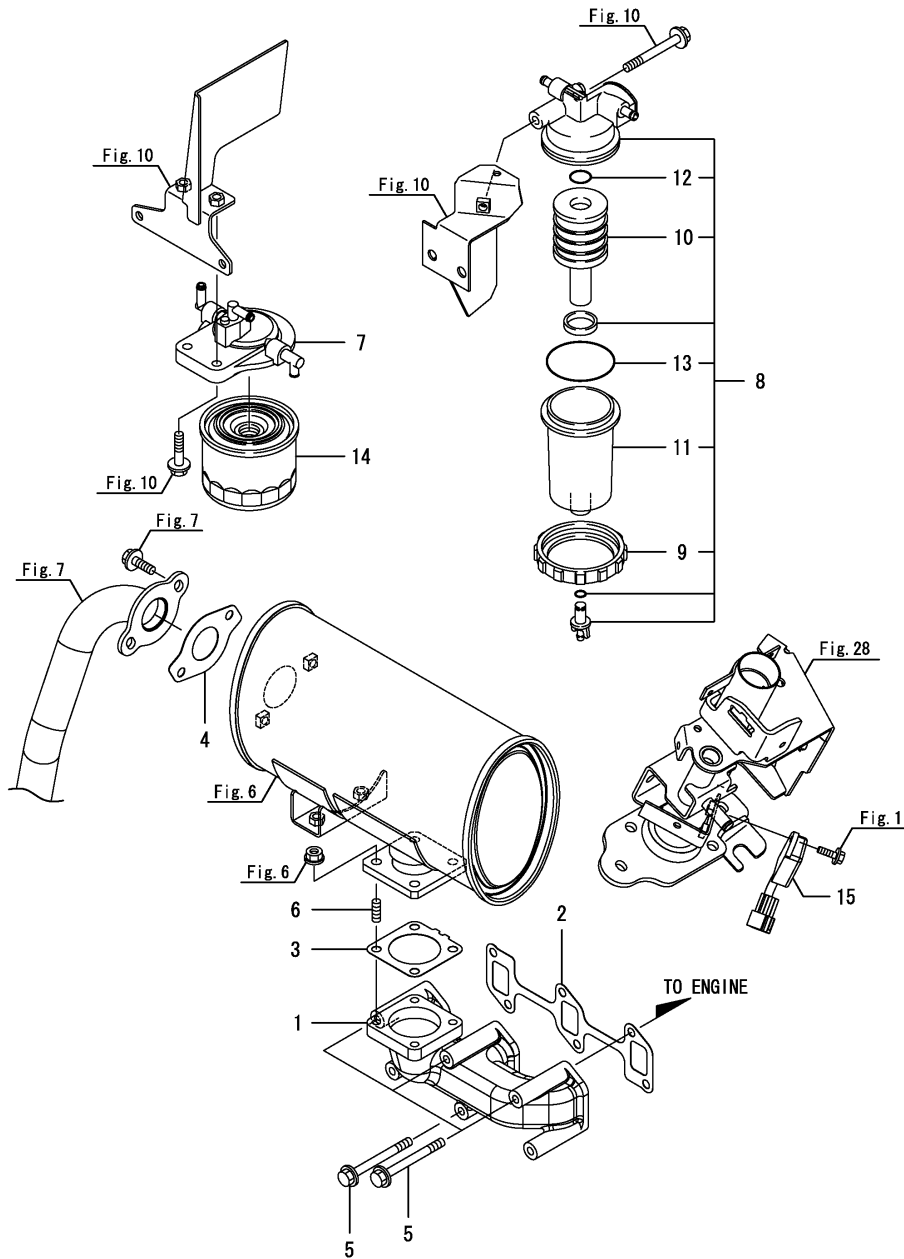


Fig.2. ENGINE RELATED

(A)=EF393T(AU)
(B)=
(C)=

(D)=
(E)=
(F)=

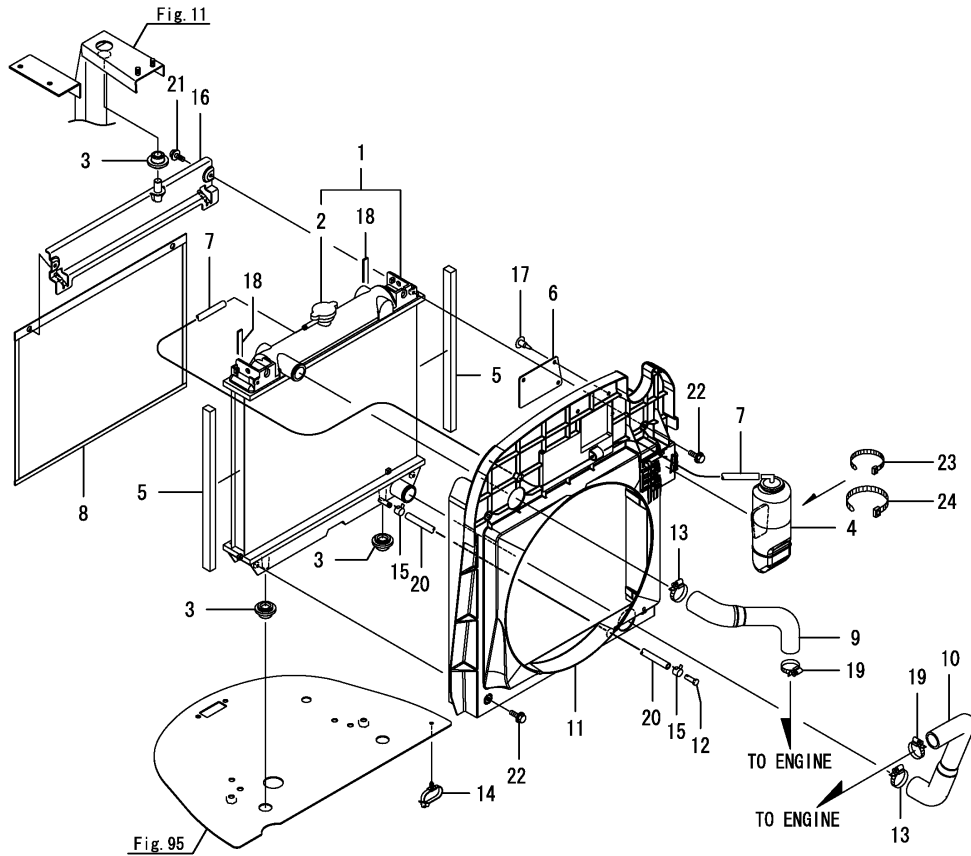


No.	Lev.	Parts No.	Description	Q'ty						I	R
				(A)	(B)	(C)	(D)	(E)	(F)		
1	1	171350-13100	MANIFOLD, EXHAUST	1							
2	1	129150-13110	GASKET	1							
3	1	129004-13200	GASKET, SILENCER	1							
4	1	129052-13550	GASKET	1							
5	1	123900-13630	BOLT, M8X80	4							
6	1	119131-18320	STUD, M8X22	4							
7	1	119852-55612	BRACKET, FILTER	1							
8	1	119802-55700	SEPARATOR ASSY	1							
9	2	129100-55690	RING, RETAINING	1							
10	2	119802-55710	ELEMENT	1							
11	2	119802-55730	CUP ASSY	1							
12	2	24311-000160	O-RING, 1AP16.0	1							
13	2	24321-000650	O-RING, 1AG65.0	1							
14	1	129004-55810	FILTER, FUEL	1							
15	1	129211-77920	TIMER	1							

Fig.3. RADIATOR

(A)=EF393T(AU)
(B)=
(C)=

(D)=
(E)=
(F)=



No.	Lev.	Parts No.	Description	Q'ty						I	R
				(A)	(B)	(C)	(D)	(E)	(F)		
1	1	1A8310-00600	RADIATOR ASSY,	1							
2	2	129107-44590	CAP, RADIATOR	1							
3	1	1A8115-00610	RUBBER, ABSORBER	3							
4	1	1A8115-00650	TANK ASSY, SUB	1							
5	1	1A8310-00660	SEAL, RADIATOR	2							
6	1	1A8310-00670	COVER, SHROUD	1							
7	1	1A8310-00680	PIPE, OVERFLOW	1							
8	1	1A8310-01210	SCREEN ASSY,RADIATOR	1							
9	1	1A8310-01410	HOSE, COOLING WATER	1							
10	1	1A8310-01450	HOSE, COOLING WATER	1							
11	1	1A8310-01510	SHROUD, FAN	1							
12	1	198220-37900	PIN, 8X24	1							
13	1	175022-49750	CLIP 37, HOSE	2							
14	1	1A8275-51670	CLIP, M8 HOLE	1							
15	1	114270-59010	CLIP, HOSE 12	2							
16	1	1A8310-60710	HOOK ASSY, SCREEN	1							
17	1	194697-62560	CAP, HOLE	3							
18	1	1A7320-87110	SEAL, CONDENSER	2							
19	1	23000-035000	CLAMP, 35	2							
20	1	23980-730300	HOSE, 7.3X 300	1							
21	1	26106-060122	BOLT, M6X 12 PLATED	2							
22	1	26106-060202	BOLT, M6X 20 PLATED	4							
23	1	29622-140001	BAND, RF140	1							
24	1	29622-250001	BAND, RF250	1							

Fig.4. ACCEL

(A)=EF393T(AU)
(B)=
(C)=

(D)=
(E)=
(F)=

No.	Lev.	Parts No.	Description	Q'ty						I	R
				(A)	(B)	(C)	(D)	(E)	(F)		
1	1	1A8310-01150	CABLE ASSY, CONTROL	1							
2	1	1A8275-51670	CLIP, M8 HOLE	1							
3	1	22137-060000	WASHER, 6	1							
4	1	22417-160180	PIN, COTTER 1.6X18	1							

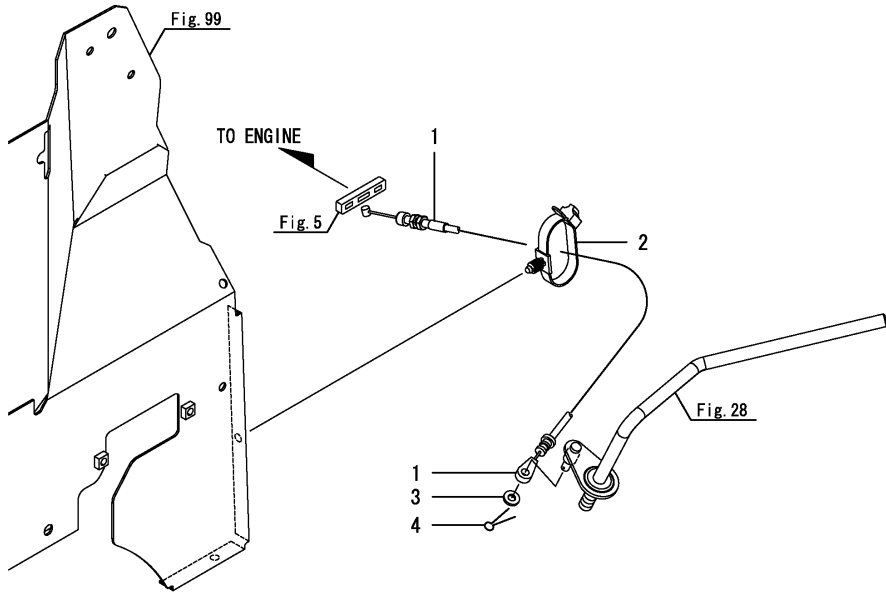
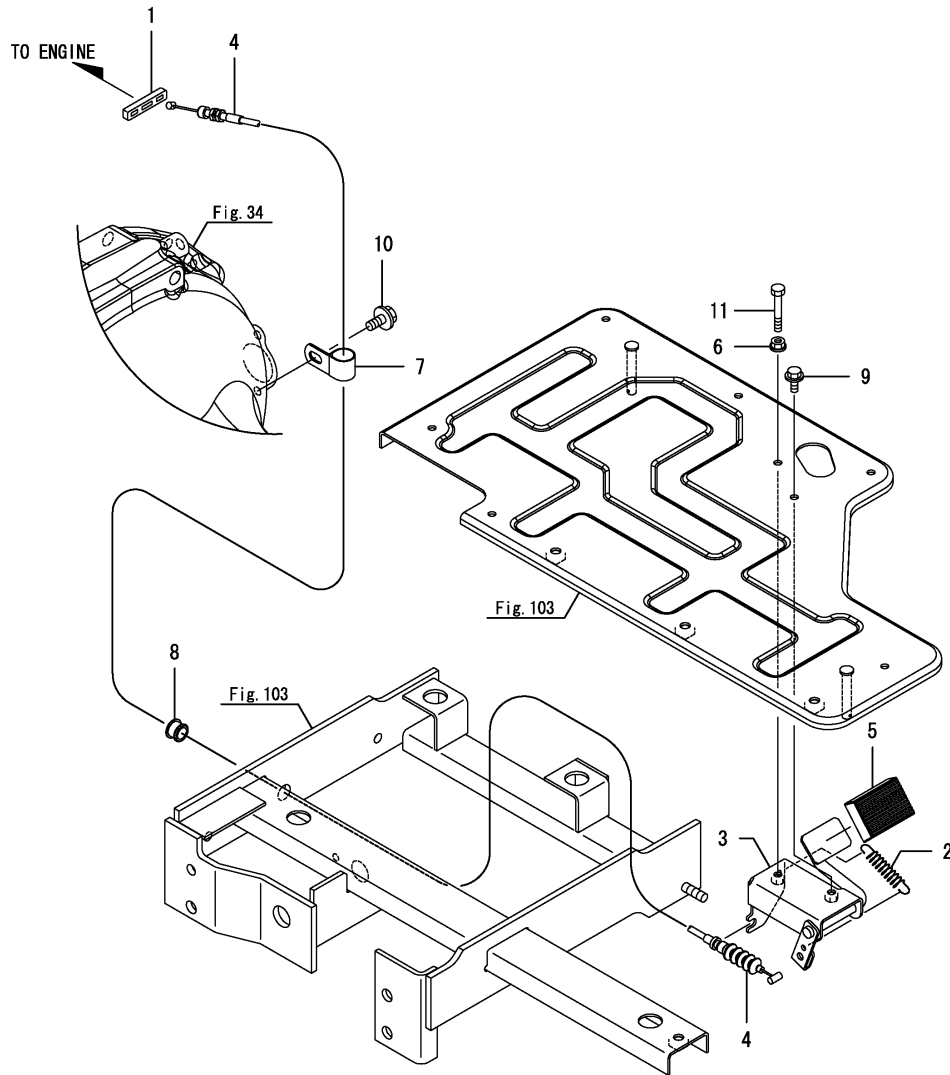


Fig.5. FOOT ACCEL

(A)=EF393T(AU)
(B)=
(C)=

(D)=
(E)=
(F)=

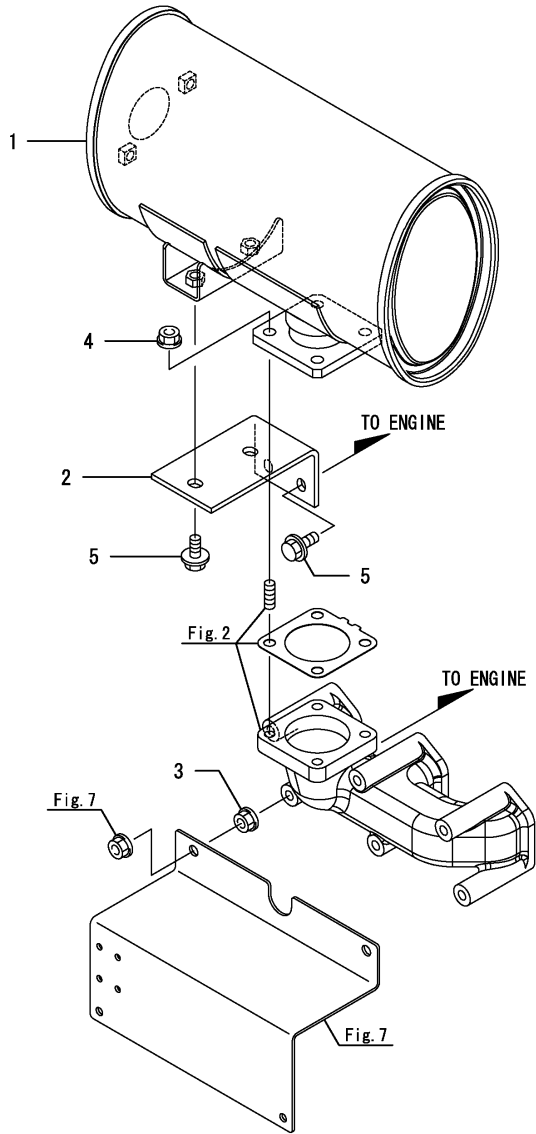


No.	Lev.	Parts No.	Description	Q'ty						I	R
				(A)	(B)	(C)	(D)	(E)	(F)		
1	1	1A8115-01160	RUBBER	1							
2	1	1A8115-01280	SPRING, RETURN	1							
3	1	1A8310-01300	ACCEL UNIT, FOOT	1							
4	1	1A8310-01350	CABLE ASSY, FOOTACCEL	1							
5	1	1A8310-01400	RUBBER, FOOT ACCELE	1							
6	1	194990-22130	NUT, M6	1							
7	1	1E6213-83410	CLIP, HARNESS 18	1							
8	1	197830-85490	GROMMET	1							
9	1	26106-060122	BOLT, M6X 12 PLATED	1							
10	1	26106-080162	BOLT, M8X 16 PLATED	1							
11	1	26116-060404	BOLT, M6X 40 PLATED	1							

Fig.6. MUFFLER

(A)=EF393T(AU)
(B)=
(C)=

(D)=
(E)=
(F)=



No.	Lev.	Parts No.	Description	Q'ty						I	R
				(A)	(B)	(C)	(D)	(E)	(F)		
1	1	1A8310-03200	SILENCER ASSY,	1							
2	1	1A8310-03280	STAY, SILENCER	1							
3	1	194990-22140	NUT, M8	2							
4	1	194990-22140	NUT, M8	4							
5	1	26106-080162	BOLT, M8X 16 PLATED	4							

Fig.7. EXHAUST PORT

(A)=EF393T(AU)
 (B)=
 (C)=

(D)=
 (E)=
 (F)=

No.	Lev.	Parts No.	Description	Q'ty						I	R
				(A)	(B)	(C)	(D)	(E)	(F)		
1	1	1A8310-03510	PIPE, EXHAUST	1							
2	1	1A8310-05510	PLATE, SILENCER	1							
3	1	194990-22140	NUT, M8	2							
4	1	22157-080000	WASHER, 8	1							
5	1	26106-080202	BOLT, M8X 20 PLATED	1							
6	1	26106-080202	BOLT, M8X 20 PLATED	2							

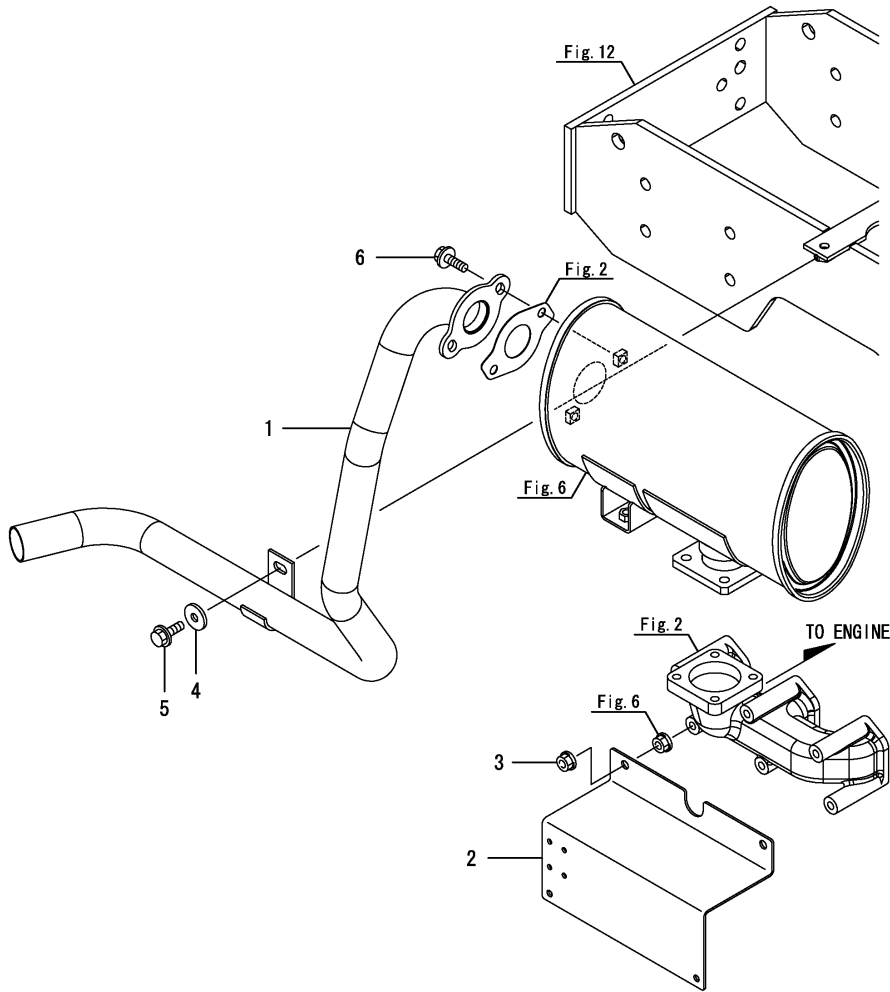
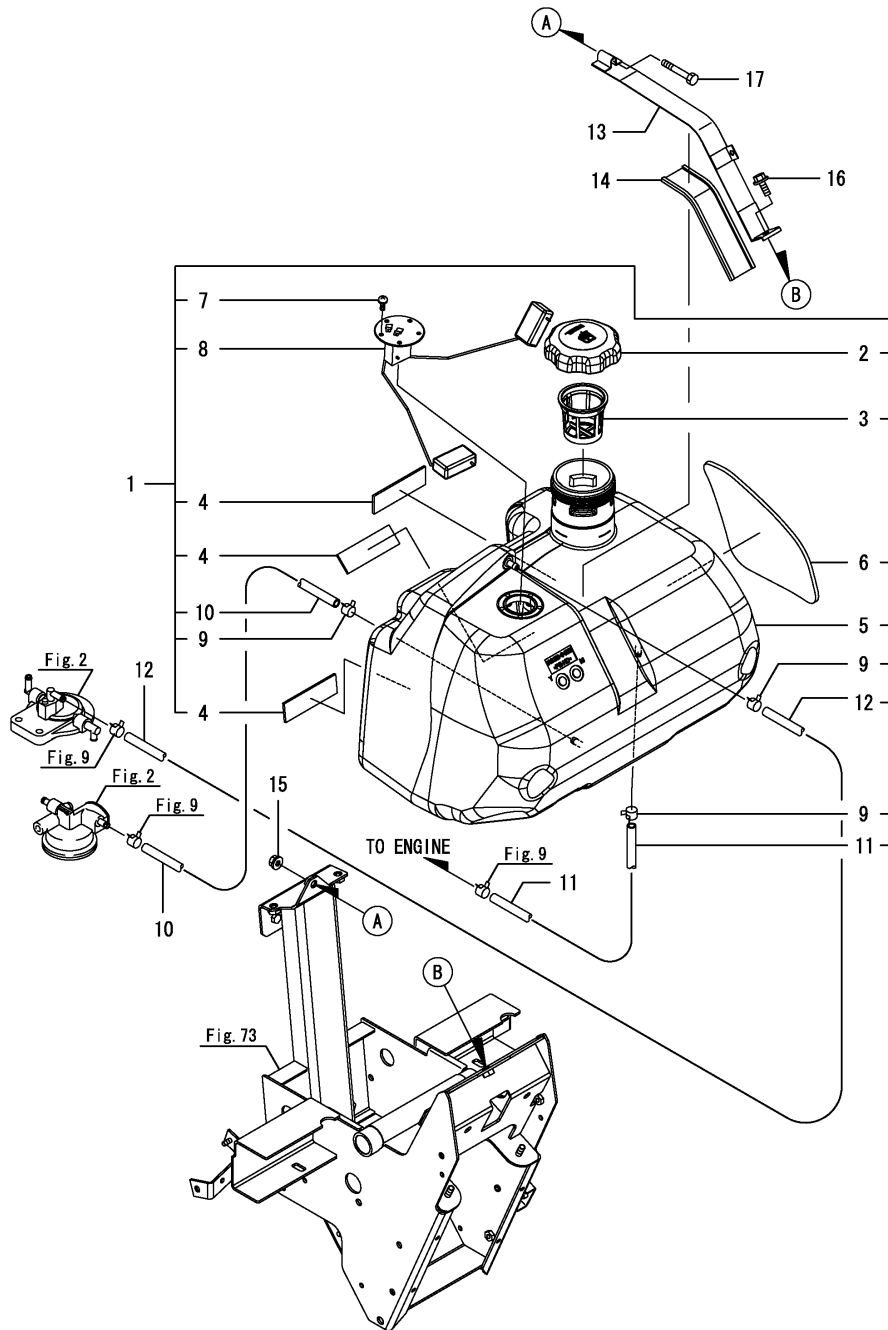


Fig.8. FUEL TANK



(A)=EF393T(AU)
(B)=
(C)=

(D)=
(E)=
(F)=

No.	Lev.	Parts No.	Description	Qty						I	R
				(A)	(B)	(C)	(D)	(E)	(F)		
1	1	1A8310-04100	TANK ASSY, FUEL	1							
2	2	1A7870-04030	CAP ASSY, FILLER	1							
3	2	198200-04061	STRAINER, FUEL	1							
4	2	198200-04090	CUSHION, TANK F	3							
5	2	1A8310-04110	TANK ASSY, FUEL	1							
6	2	198200-04120	CUSHION, TANK L	1							
7	2	1A7180-04180	SCREW, M5X14	5							
8	2	1A7500-56610	GAUGE, FUEL	1							
9	2	114270-59010	CLIP, HOSE 12	3							
10	2	23980-730500	HOSE, 7.3X 500	1							
11	2	23980-730850	HOSE, 7.3X 850	1							
12	2	23980-731500	HOSE, 7.3X1500	1							
13	1	1A8310-04310	BAND ASSY, FUEL TANK	1							
14	1	198153-04670	RETAINER, BAND	1							
15	1	194990-22140	NUT, M8	1							
16	1	26106-080162	BOLT, M8X 16 PLATED	1							
17	1	26116-080654	BOLT, M8X 65 PLATED	1							

Fig.9. FUEL PIPE

(A)=EF393T(AU)
(B)=
(C)=

(D)=
(E)=
(F)=

No.	Lev.	Parts No.	Description	Q'ty						I	R
				(A)	(B)	(C)	(D)	(E)	(F)		
1	1	1A8310-04130	HOSE, FUEL	1							
2	1	194440-51620	CLAMP	1							
3	1	1A8275-51670	CLIP, M8 HOLE	2							
4	1	1A8275-51670	CLIP, M8 HOLE	3							
5	1	1A8275-51670	CLIP, M8 HOLE	1							
6	1	1A8275-51670	CLIP, M8 HOLE	1							
7	1	114270-59010	CLIP, HOSE 12	7							
8	1	23980-730300	HOSE, 7.3X 300	1							
9	1	26106-080122	BOLT, M8X 12 PLATED	1							

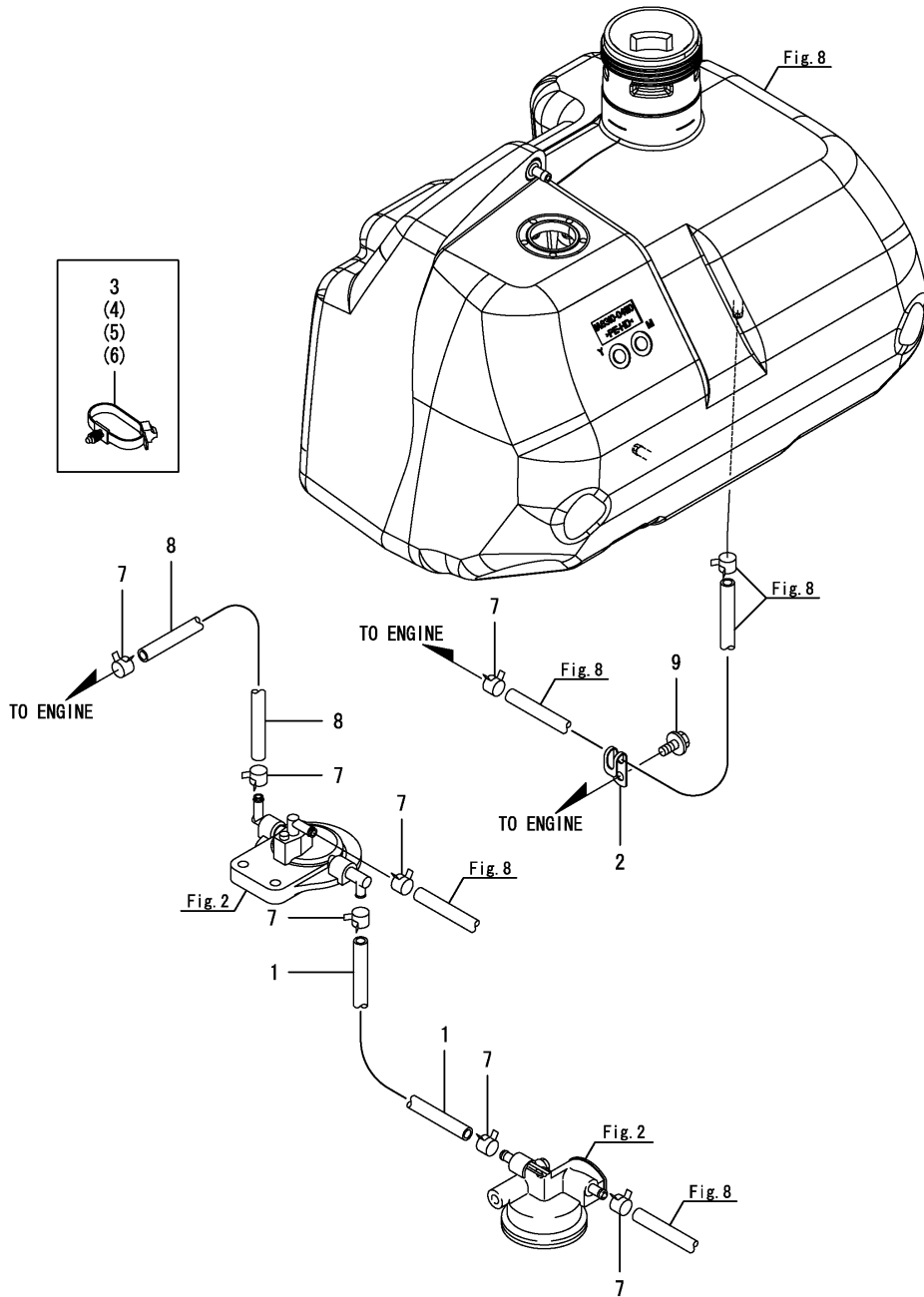
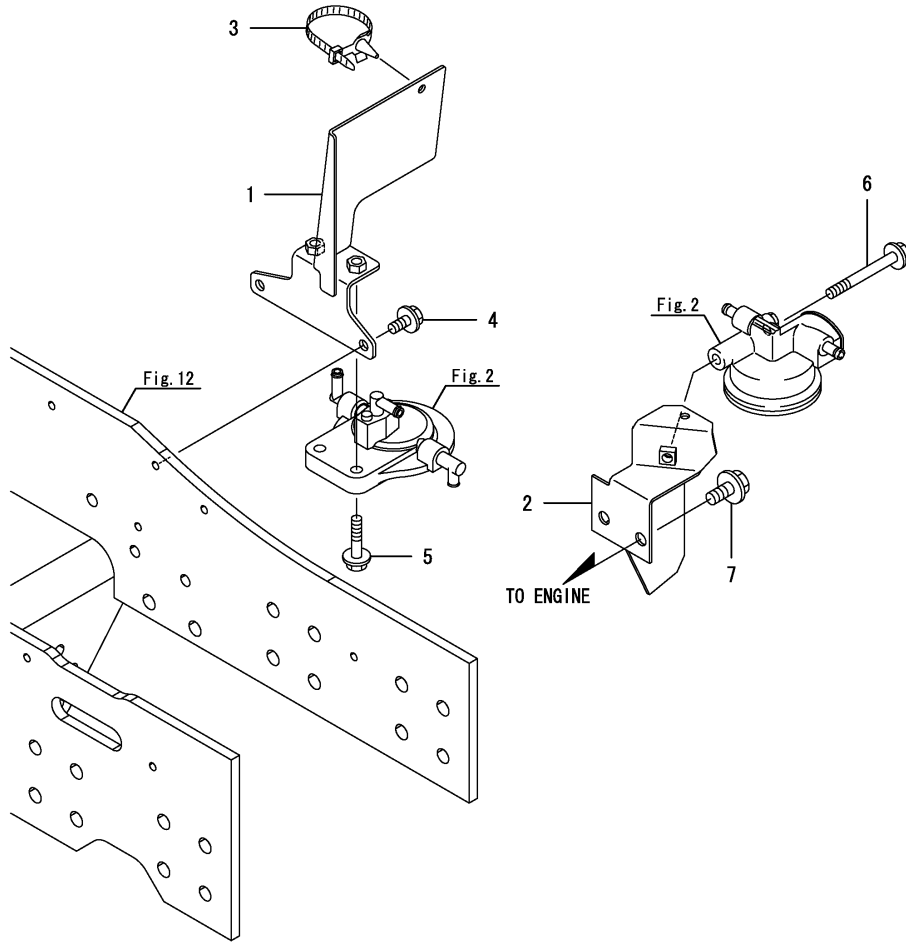


Fig.10. FUEL FILTER

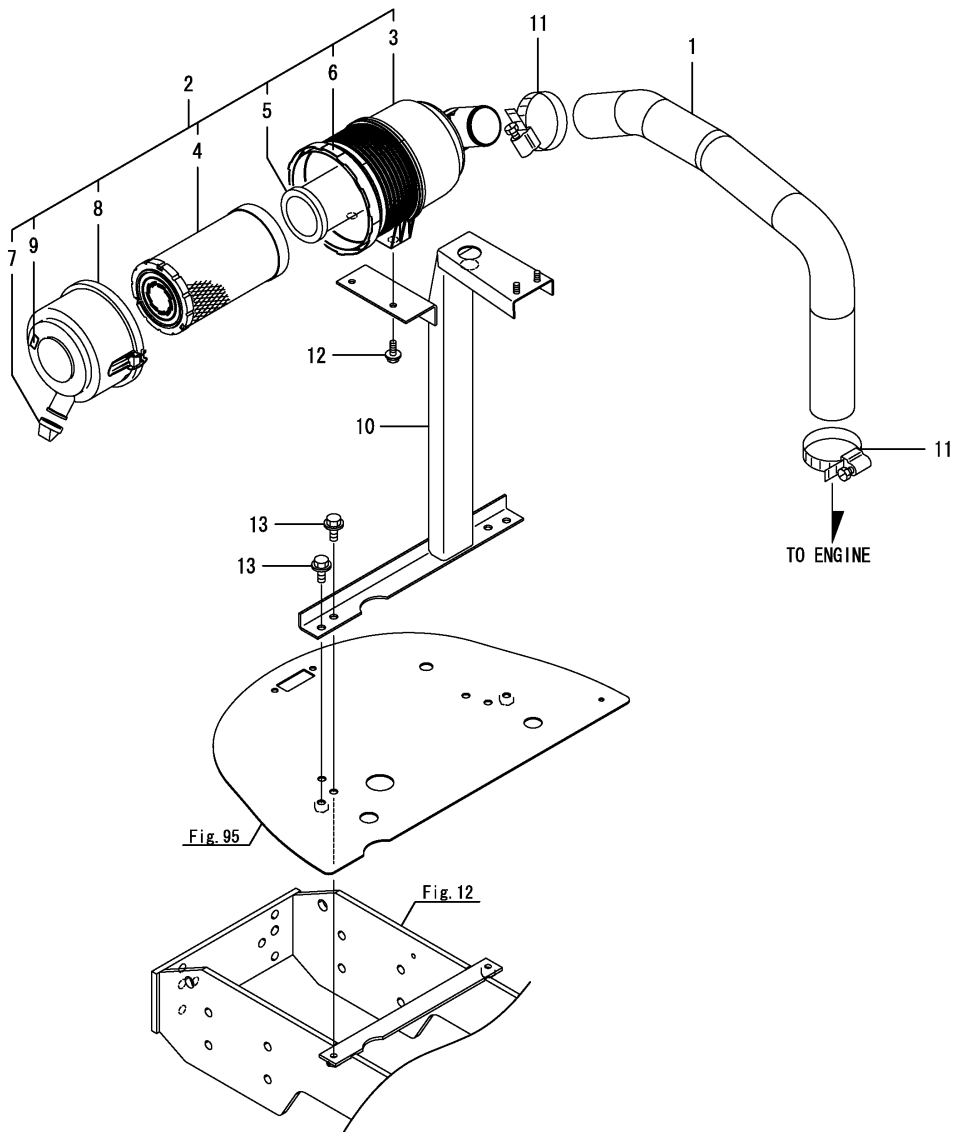
(A)=EF393T(AU)
(B)=
(C)=

(D)=
(E)=
(F)=



No.	Lev.	Parts No.	Description	Q'ty						I	R
				(A)	(B)	(C)	(D)	(E)	(F)		
1	1	1A8310-11250	STAY ASSY, FILTER	1							
2	1	1A8310-11310	STAY,WATER SEPARATOR	1							
3	1	198448-51910	CLIP, BAND	1							
4	1	26106-080162	BOLT, M8X 16 PLATED	2							
5	1	26106-080352	BOLT, M8X 35 PLATED	2							
6	1	26106-080702	BOLT, M8X 70 PLATED	1							
7	1	26106-100162	BOLT, M10X 16 PLATED	2							

Fig.11. AIR CLEANER



(A)=EF393T(AU)
(B)=
(C)=

(D)=
(E)=
(F)=

No.	Lev.	Parts No.	Description	Q'ty						I	R
				(A)	(B)	(C)	(D)	(E)	(F)		
1	1	1A8310-06010	PIPE, INTAKE	1							
2	1	1A8310-06100	CLEANER ASSY,AIR 500	1							
3	2	1A8310-06110	BODY ASSY	1							
4	2	119808-12520	ELEMENT	1							
5	2	129051-12530	ELEMENT	1							
6	2	129418-12530	LABEL, MARK	1							
7	2	119808-12540	VALVE, UNLOADER	1							
8	2	119866-12541	COVER ASSY	1							
9	2	129612-12650	LABEL, MARKING	1							
10	1	1A8310-06210	BRACKET ASSY,CLANER	1							
11	1	23000-080000	CLAMP, 80	2							
12	1	26106-080162	BOLT, M8X 16 PLATED	2							
13	1	26106-100202	BOLT, M10X 20 PLATED	4							

Fig.12. FRONT BRACKET

(A)=EF393T(AU)
 (B)=
 (C)=

(D)=
 (E)=
 (F)=

No.	Lev.	Parts No.	Description	Q'ty						I	R
				(A)	(B)	(C)	(D)	(E)	(F)		
1	1	1A8310-11100	MASSY, BRACKET AXLE	1							
2	1	198220-11510	BOLT, M12X27	16							

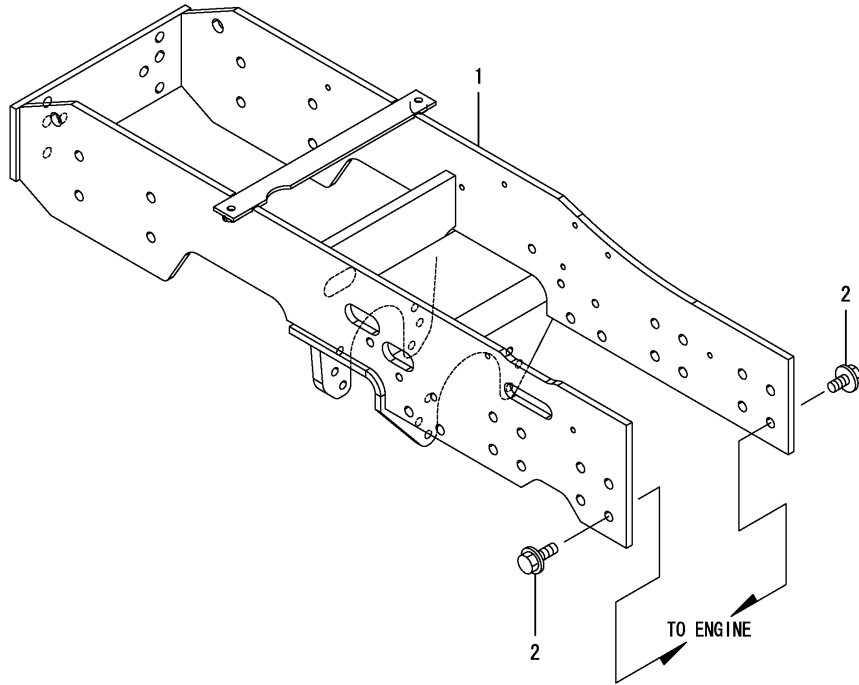
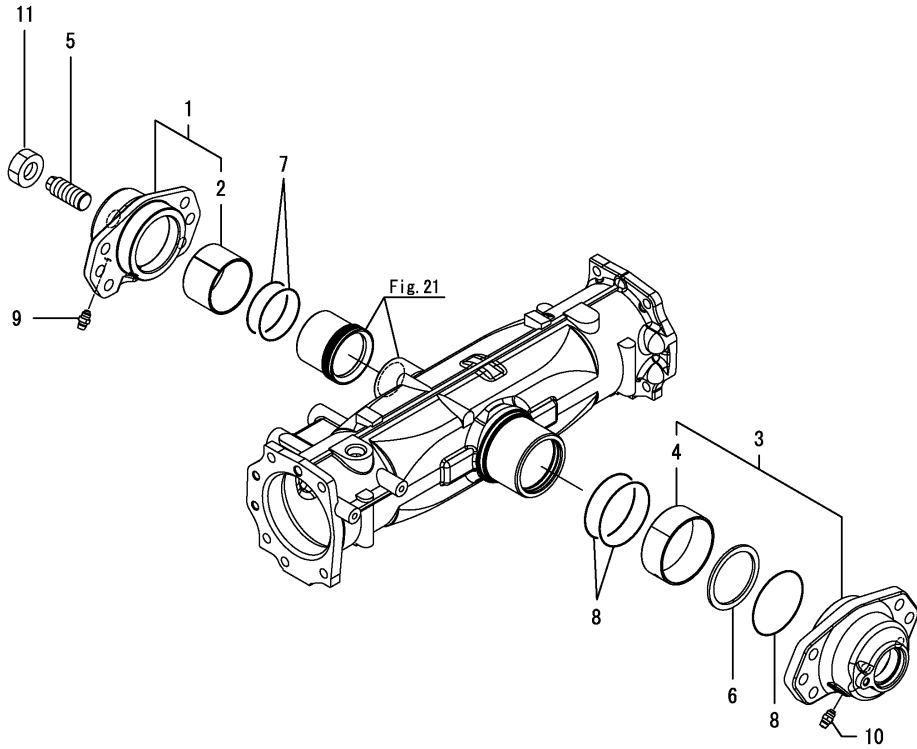


Fig.14. FRONT SUPPORT(2)



(A)=EF393T(AU)
(B)=
(C)=

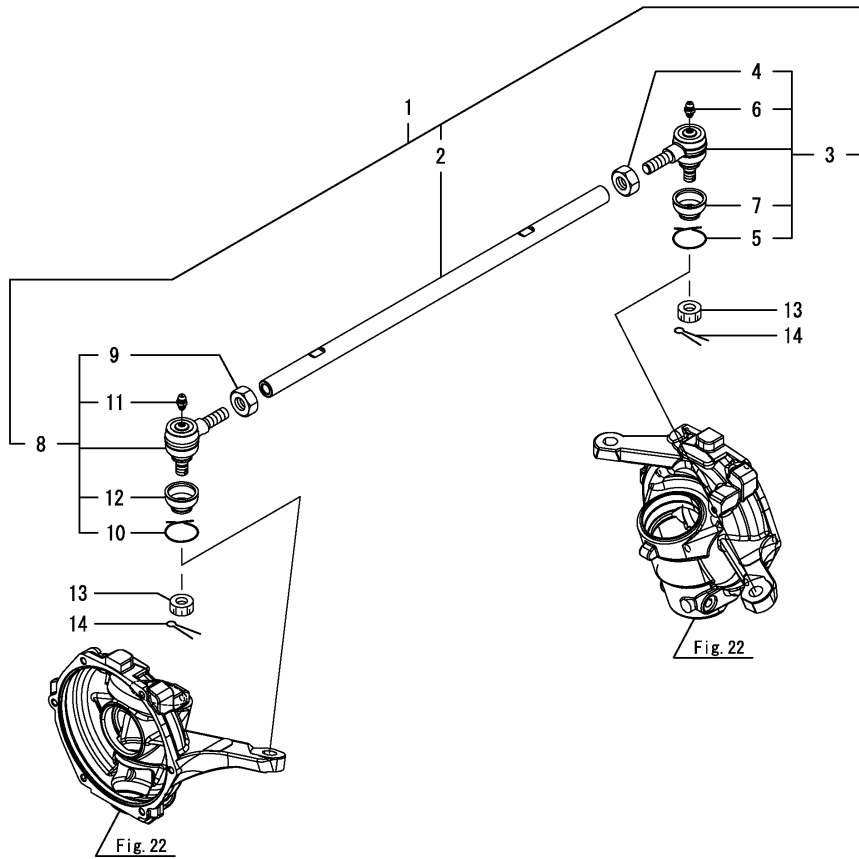
(D)=
(E)=
(F)=

No.	Lev.	Parts No.	Description	Q'ty						I	R
				(A)	(B)	(C)	(D)	(E)	(F)		
1	1	1A8310-13151	SUPPORT ASSY, F	1							
2	2	1A7180-11620	BUSH, 60X65X40	1							
3	1	1A8310-13161	SUPPORT ASSY, R	1							
4	2	1A8310-11630	BUSH, 75X80X30	1							
5	1	1A8310-13450	BOLT, M20	1							
6	1	198283-13480	WASHER, 62X75X3	1							
7	1	24321-000600	O-RING, 1AG60.0	2							
8	1	24321-000750	O-RING, 1AG75.0	3							
9	1	24761-010000	NIPPLE, GREASE M6F	1							
10	1	24761-010000	NIPPLE, GREASE M6F	1							
11	1	26776-200002	NUT, LOCK M20	1							

Fig.16. TIE ROD

(A)=EF393T(AU)
(B)=
(C)=

(D)=
(E)=
(F)=

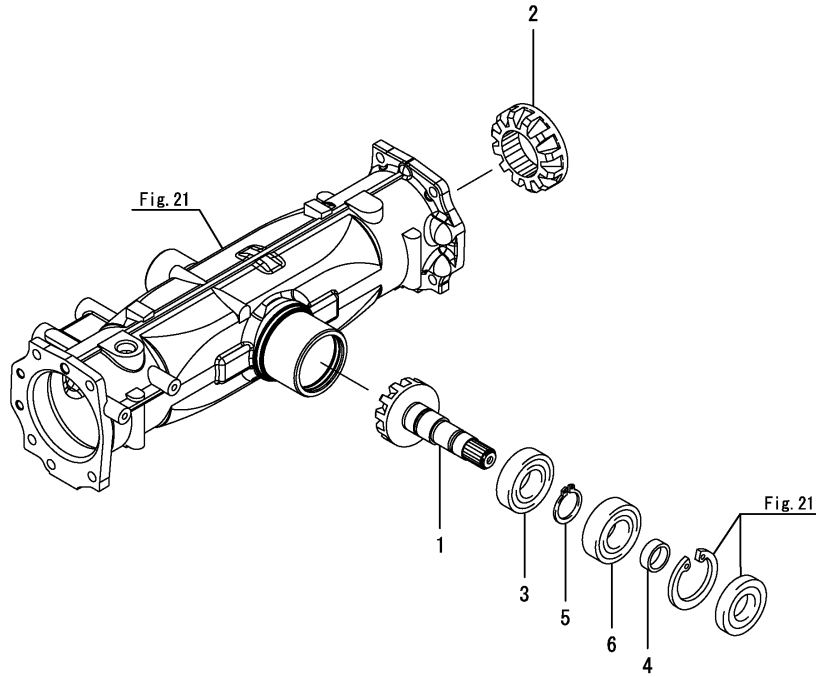


No.	Lev.	Parts No.	Description	Q'ty						I	R
				(A)	(B)	(C)	(D)	(E)	(F)		
1	1	1A8310-12330	TIE-ROD ASSY	1							
2	2	1A8310-12310	TIE ROD	1							
3	2	1A8310-12510	END ASSY, RH-A	1							
4	3	1A8310-12540	NUT, 16 R	1							
5	3	1A8310-12610	BAND, BOOTS	1							
6	3	1A8310-12620	NIPPLE, GREASE	1							
7	3	1A8310-12630	COVER, DUST	1							
8	2	1A8310-12550	END ASSY, LH	1							
9	3	1A8310-12580	NUT, 16 L	1							
10	3	1A8310-12610	BAND, BOOTS	1							
11	3	1A8310-12620	NIPPLE, GREASE	1							
12	3	1A8310-12630	COVER, DUST	1							
13	1	194180-12471	NUT, CASTLE M16	2							
14	1	22417-400400	PIN, COTTER 4.0X40	2							

Fig.17. RING GEAR

(A)=EF393T(AU)
(B)=
(C)=

(D)=
(E)=
(F)=



No.	Lev.	Parts No.	Description	Q'ty						I	R
				(A)	(B)	(C)	(D)	(E)	(F)		
1	1	1A8310-13110	PINION, DRIVE	1							
2	1	1A8310-13120	GEAR, RING 25	1							
3	1	194555-25870	BEARING, TMB206CC3	1							
4	1	1E6190-54080	SLEEVE SI25X30X13	1							
5	1	22242-000300	RING, 30	1							
6	1	24101-063054	BEARING, BALL 6305	1							

Fig.18. DIFFERENTIAL GEAR

(A)=EF393T(AU)
(B)=
(C)=

(D)=
(E)=
(F)=

No.	Lev.	Parts No.	Description	Q'ty						I	R
				(A)	(B)	(C)	(D)	(E)	(F)		
1	1	1A8310-13200	DIFF.UNIT ,FRONT	1							
2	2	1A8310-13210	HOUSING, DIFF.	1							
3	2	198200-13220	SHAFT, DIFFERENTIAL	1							
4	2	1A8310-13230	GEAR, DIFF. SIDE	2							
5	2	1A8310-13240	GEAR, DIFF. PINION	2							
6	2	1A8310-13260	LINER, DIFF. GEAR	2							
7	2	1A8310-13270	LINER, DIFF. PINION	2							
8	2	22351-040040	PIN, SPRING 4.0X40	1							
9	1	1A8310-13250	COLLER, DIFFERENTIAL	1							
10	1	24101-060114	BEARING, BALL 6011	2							

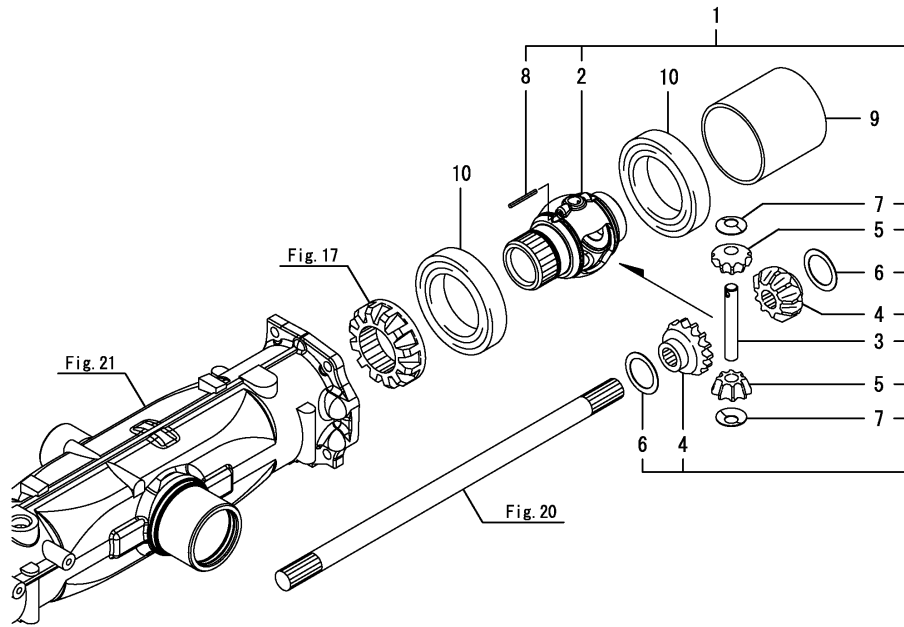


Fig.19. PROPELLER SHAFT

(A)=EF393T(AU)
(B)=
(C)=

(D)=
(E)=
(F)=

No.	Lev.	Parts No.	Description	Q'ty						I	R
				(A)	(B)	(C)	(D)	(E)	(F)		
1	1	1A8310-13280	COUPLING	2							
2	1	1A8310-13310	SHAFT, PROPELLER	1							
3	1	22242-000220	RING, 22	2							

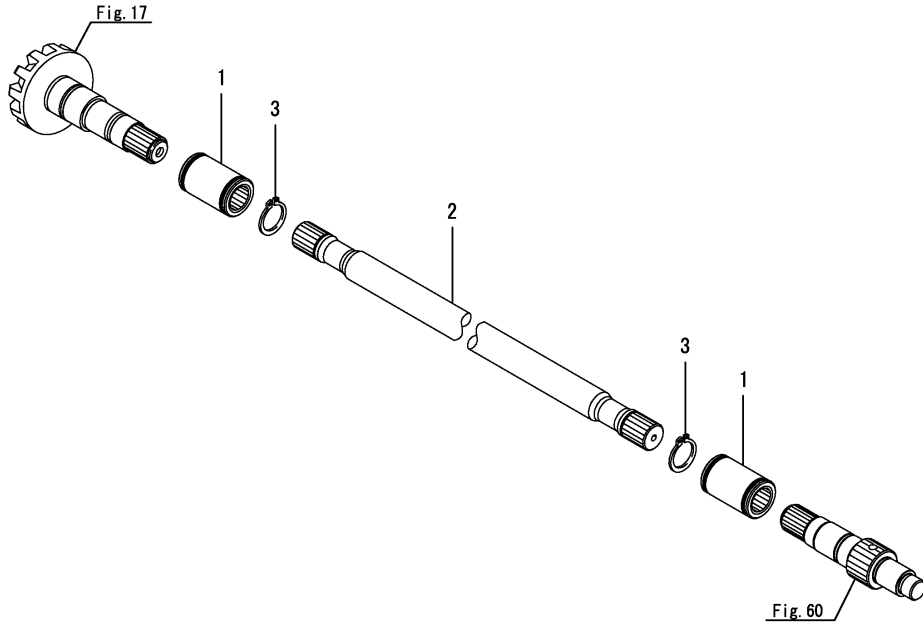
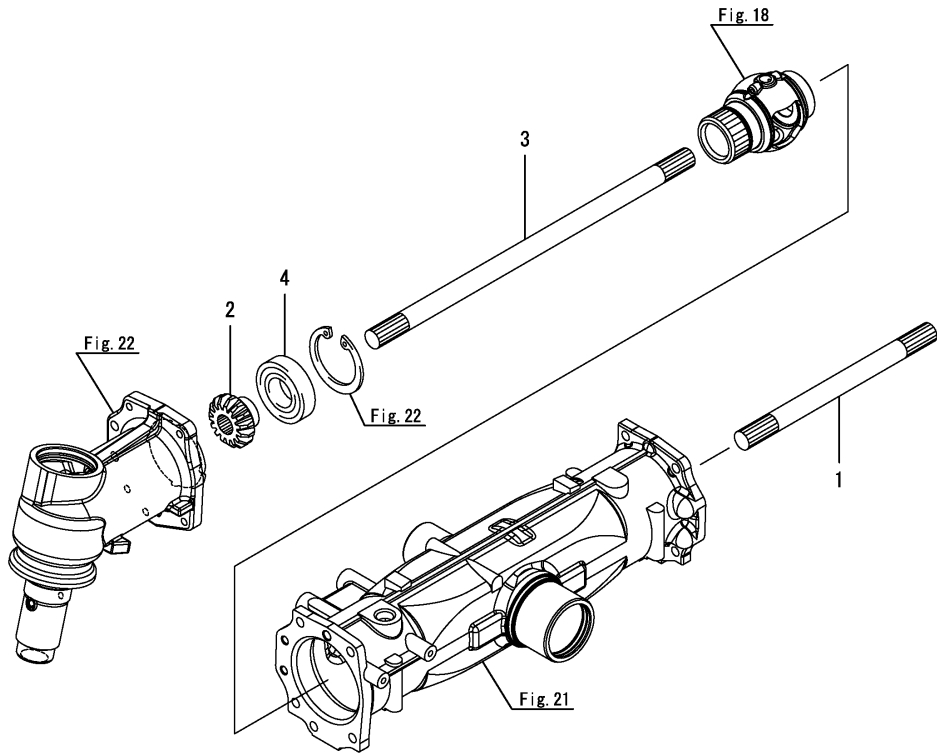


Fig.20. FRONT SHAFT(1)

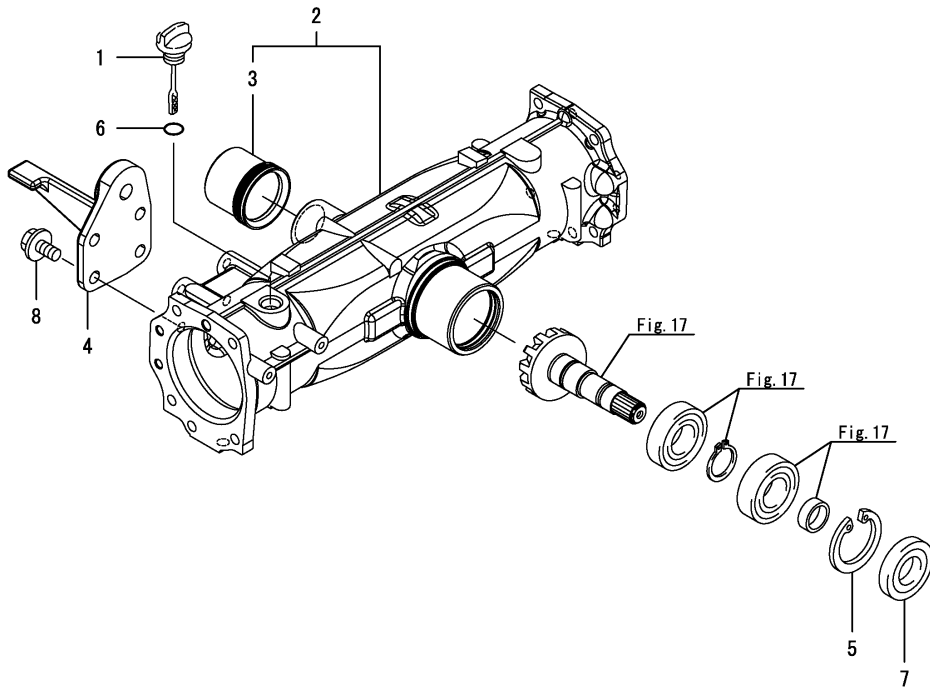


(A)=EF393T(AU)
(B)=
(C)=

(D)=
(E)=
(F)=

No.	Lev.	Parts No.	Description	Q'ty						I	R
				(A)	(B)	(C)	(D)	(E)	(F)		
1	1	1A8310-13510	SHAFT, FRONT 1ST R	1							
2	1	1A8310-13520	PINION, 1ST SHAFT 14	2							
3	1	1A8310-13530	SHAFT, FRONT 1ST L	1							
4	1	24101-062074	BEARING, BALL 6207	2							

Fig.21. FRONT AXLE CASE



(A)=EF393T(AU)
(B)=
(C)=

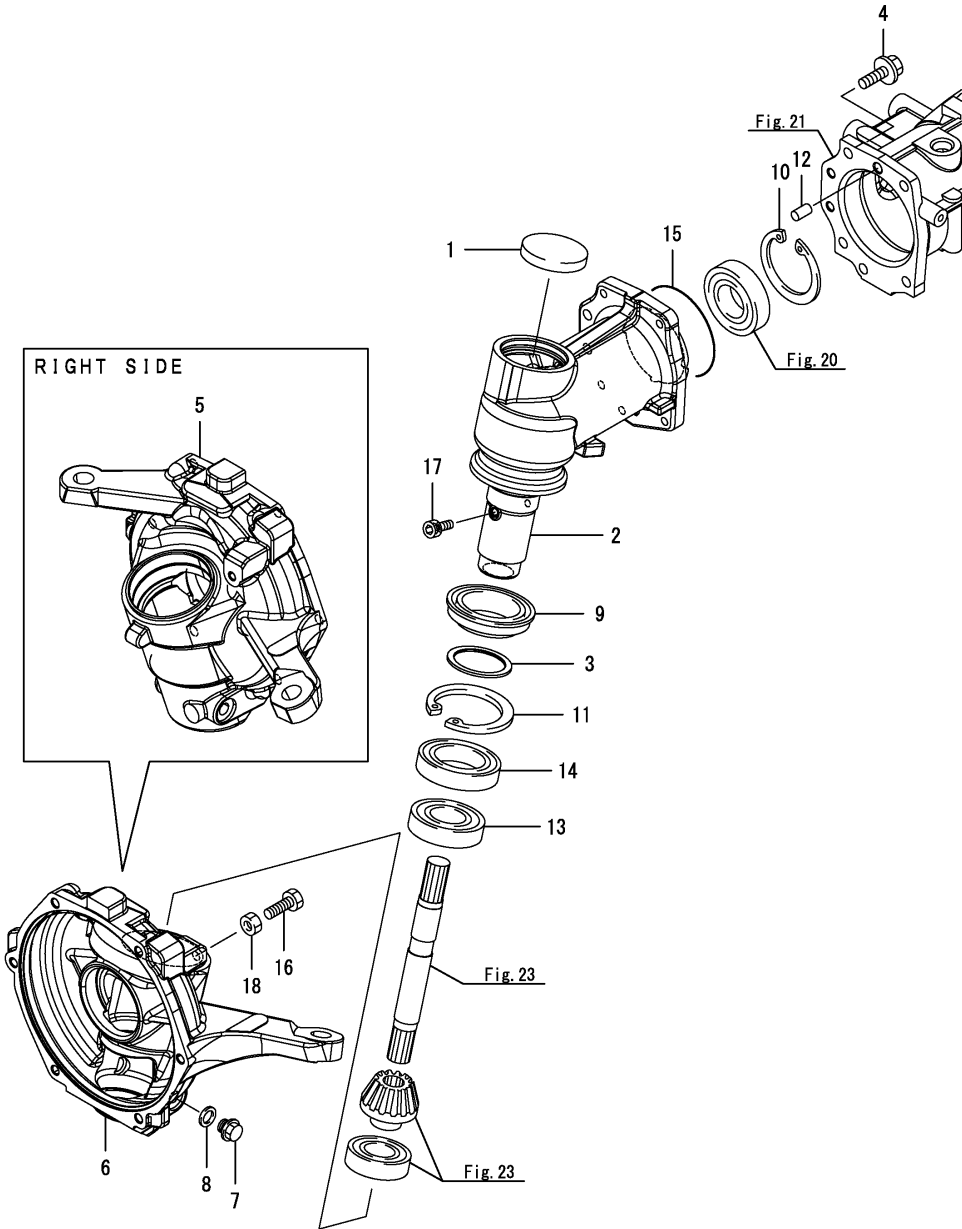
(D)=
(E)=
(F)=

No.	Lev.	Parts No.	Description	Q'ty						I	R
				(A)	(B)	(C)	(D)	(E)	(F)		
1	1	194447-13490	GAUGE, OIL LEVEL	1							
2	1	1A8310-13601	HOUSING UNIT	1							
3	2	1A8310-13391	INNER RACE, 52X60X55	1							
4	1	1A8310-17210	BRACKET, CYLINDER	1							
5	1	22252-000620	RING, 62	1							
6	1	24311-000180	O-RING, 1AP18.0	1							
7	1	24421-306210	SEAL, OIL TC306210	1							
8	1	26106-120302	BOLT, M12X 30 PLATED	4							

Fig.22. FRONT GEAR CASE

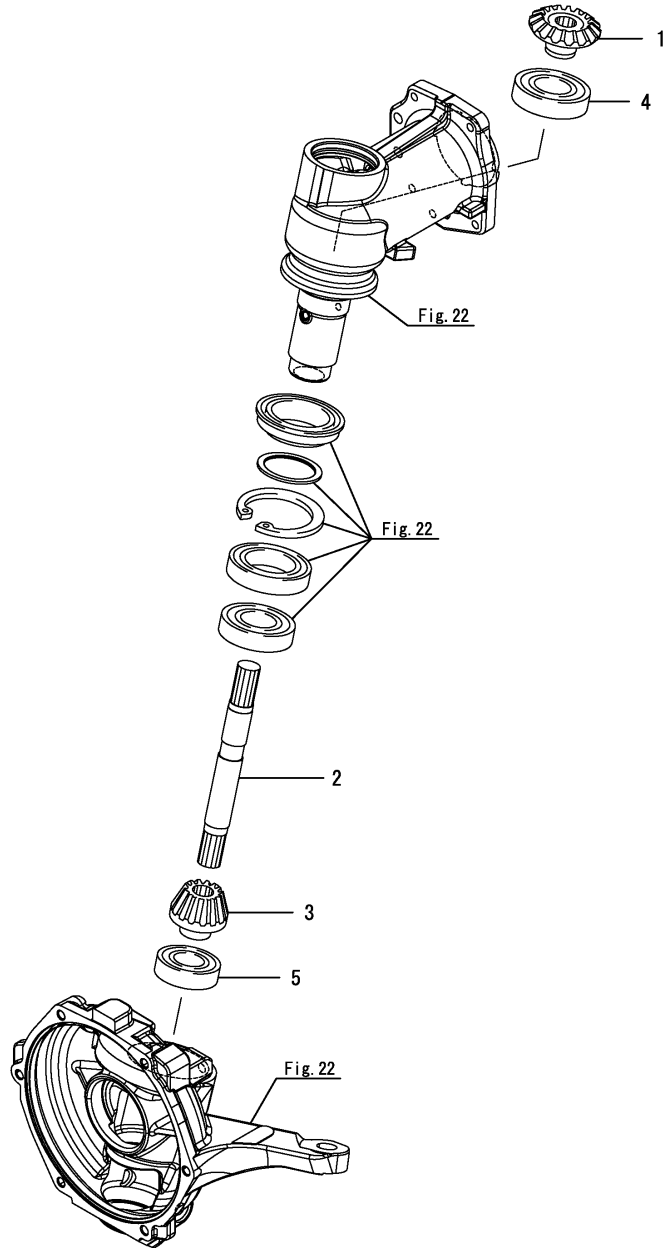
(A)=EF393T(AU)
(B)=
(C)=

(D)=
(E)=
(F)=



No.	Lev.	Parts No.	Description	Q'ty						I	R
				(A)	(B)	(C)	(D)	(E)	(F)		
1	1	177432-03450	PLUG	2							
2	1	1A8310-13721	CASE, FRONT GEAR	2							
3	1	1A8310-13730	WASHER, 50X63X2.5	2							
4	1	1A8310-13910	BOLT, TENSION 10X30	14							
5	1	1A8310-14240	GEARBOX, FRONT R	1							
6	1	1A8310-14250	GEARBOX, FRONT L	1							
7	1	1C6900-23120	BOLT, DRAIN M14X10	2							
8	1	1C6900-23150	WASHER, PLUG	2							
9	1	198483-32660	SEAL, QLN578015	2							
10	1	22252-000720	RING, 72	2							
11	1	22252-000800	RING, 80	2							
12	1	22312-100180	PIN, PARALLEL M10X18	2							
13	1	24101-060084	BEARING, BALL 6008	2							
14	1	24101-060104	BEARING, BALL 6010	2							
15	1	24321-000950	O-RING, 1AG95.0	2							
16	1	26116-100302	BOLT, M10X 30 PLATED	2							
17	1	26450-080122	BOLT, M8X 12	2							
18	1	26716-100002	NUT, M10	2							

Fig.23. FRONT SHAFT(2)



(A)=EF393T(AU)
 (B)=
 (C)=

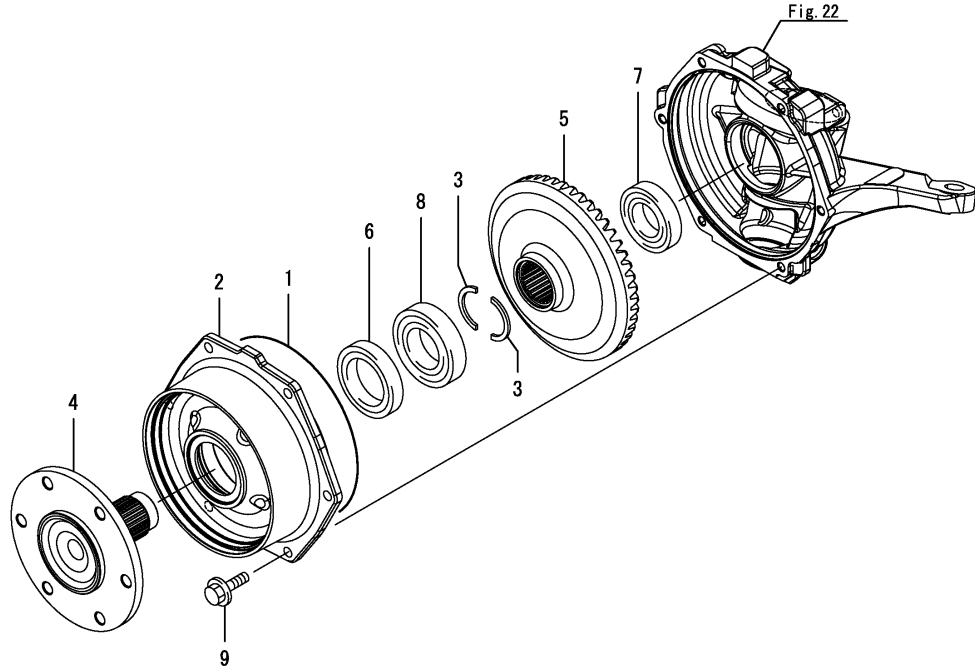
(D)=
 (E)=
 (F)=

No.	Lev.	Parts No.	Description	Q'ty						I	R
				(A)	(B)	(C)	(D)	(E)	(F)		
1	1	1A8310-13820	GEAR, 2ND SHAFT 20	2							
2	1	1A8310-14270	SHAFT, FRONT 2ND	2							
3	1	1A8310-14320	PINION, FRONT FINAL	2							
4	1	24101-062064	BEARING, BALL 6206	2							
5	1	24104-062064	BEARING, BALL 6206UU	2							

Fig.24. FRONT SPINDLE

(A)=EF393T(AU)
(B)=
(C)=

(D)=
(E)=
(F)=

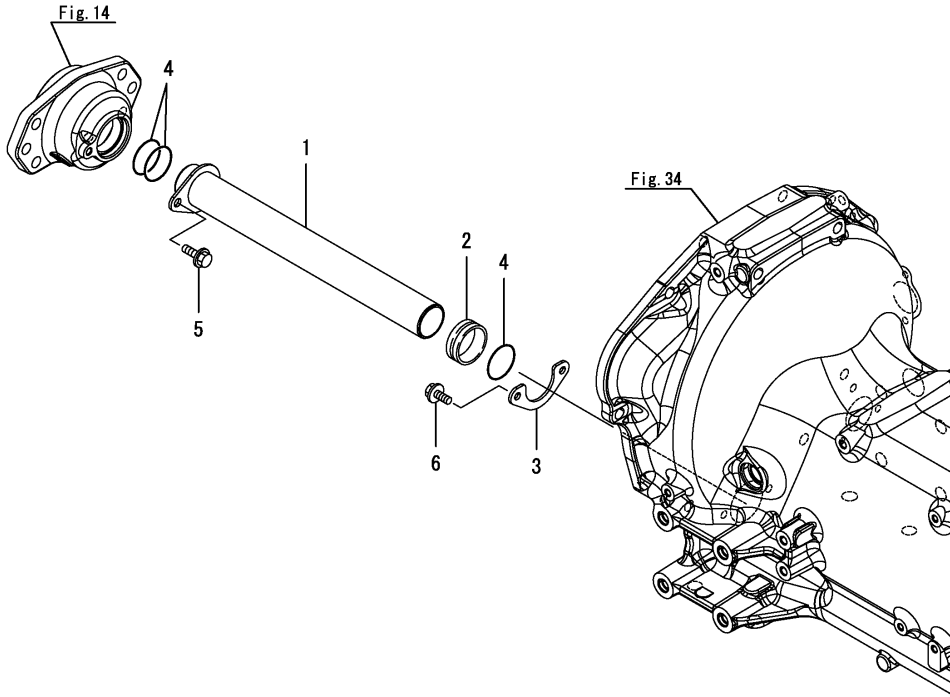


No.	Lev.	Parts No.	Description	Q'ty						I	R
				(A)	(B)	(C)	(D)	(E)	(F)		
1	1	194556-13790	O-RING, 190X2.7	2							
2	1	1A8310-14130	COVER,FRONT GEARBOX	2							
3	1	198200-14210	RING, HALF	4							
4	1	198283-14311	SPINDLE, FRONT	2							
5	1	1A8310-14330	GEAR, FRONT FINAL 51	2							
6	1	198475-32660	SEAL, QLNY527514.5	2							
7	1	24101-062074	BEARING, BALL 6207	2							
8	1	24101-062094	BEARING, BALL 6209	2							
9	1	26106-100252	BOLT, M10X 25 PLATED	12							

Fig.25. SHAFT COVER

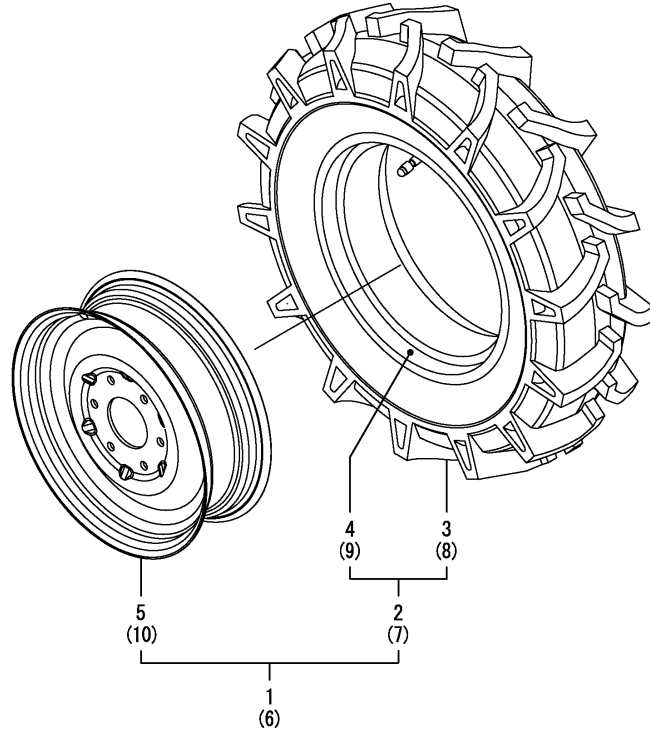
(A)=EF393T(AU)
(B)=
(C)=

(D)=
(E)=
(F)=



No.	Lev.	Parts No.	Description	Q'ty						I	R
				(A)	(B)	(C)	(D)	(E)	(F)		
1	1	1A8310-14630	COVER ASSY, SHAFT	1							
2	1	1A8310-14650	COLLAR	1							
3	1	1A8310-14660	PLATE	1							
4	1	24311-000400	O-RING, 1AP40.0	3							
5	1	26106-080162	BOLT, M8X 16 PLATED	1							
6	1	26106-080162	BOLT, M8X 16 PLATED	2							

Fig.26. FRONT WHEEL TIRE



(A)=EF393T(AU)
(B)=
(C)=

(D)=
(E)=
(F)=

No.	Lev.	Parts No.	Description	Q'ty						I	R
				(A)	(B)	(C)	(D)	(E)	(F)		
1	1	1A8310-14750	TIRE KIT, L	1							
2	2	1A8310-14760	TIRE ASSY, 8-16-6	1							
3	3	1A8310-14770	TIRE,8-16-6	1							
4	3	1A8310-14780	TUBE,8-16	1							
5	2	1A8310-14720	WHEEL ASSY,5JA X 16	1							
6	1	1A8310-14850	TIRE KIT, R	1							
7	2	1A8310-14760	TIRE ASSY, 8-16-6	1							
8	3	1A8310-14770	TIRE,8-16-6	1							
9	3	1A8310-14780	TUBE,8-16	1							
10	2	1A8310-14720	WHEEL ASSY,5JA X 16	1							

Fig.27. HUB BOLT

(A)=EF393T(AU)
 (B)=
 (C)=

(D)=
 (E)=
 (F)=

No.	Lev.	Parts No.	Description	Q'ty						I	R
				(A)	(B)	(C)	(D)	(E)	(F)		
1	1	194881-12650	BOLT, M14X24	12							

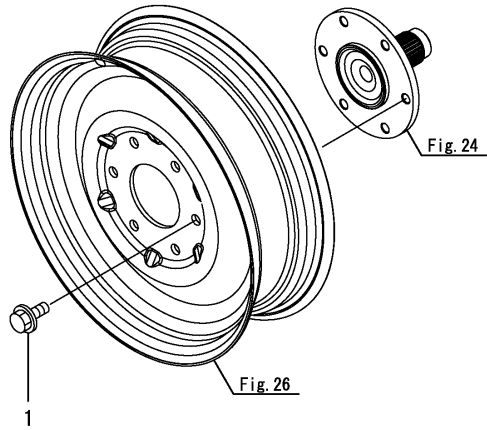
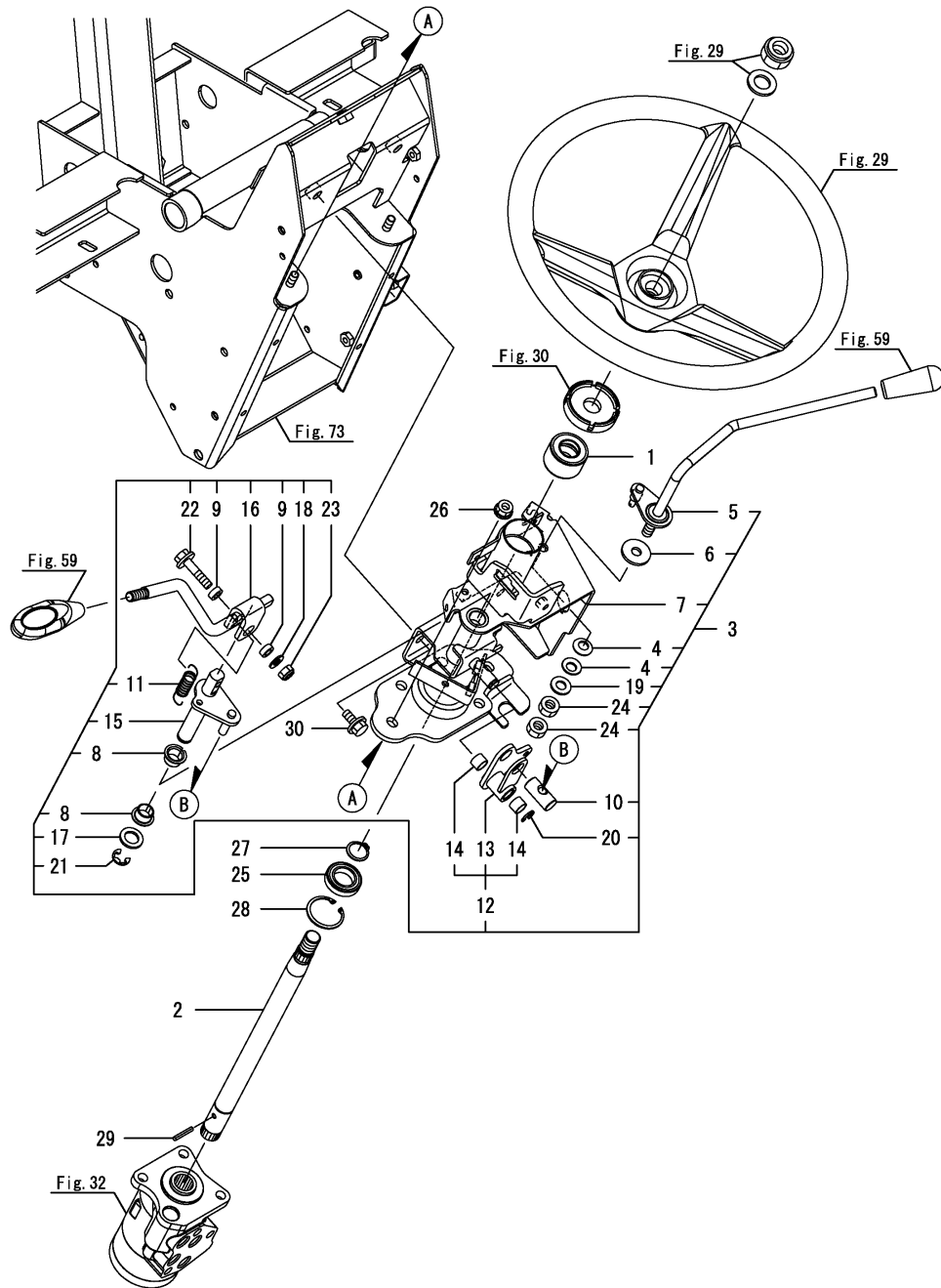


Fig.28. STEERING COLUMN



(A)=EF393T(AU)
(B)=
(C)=

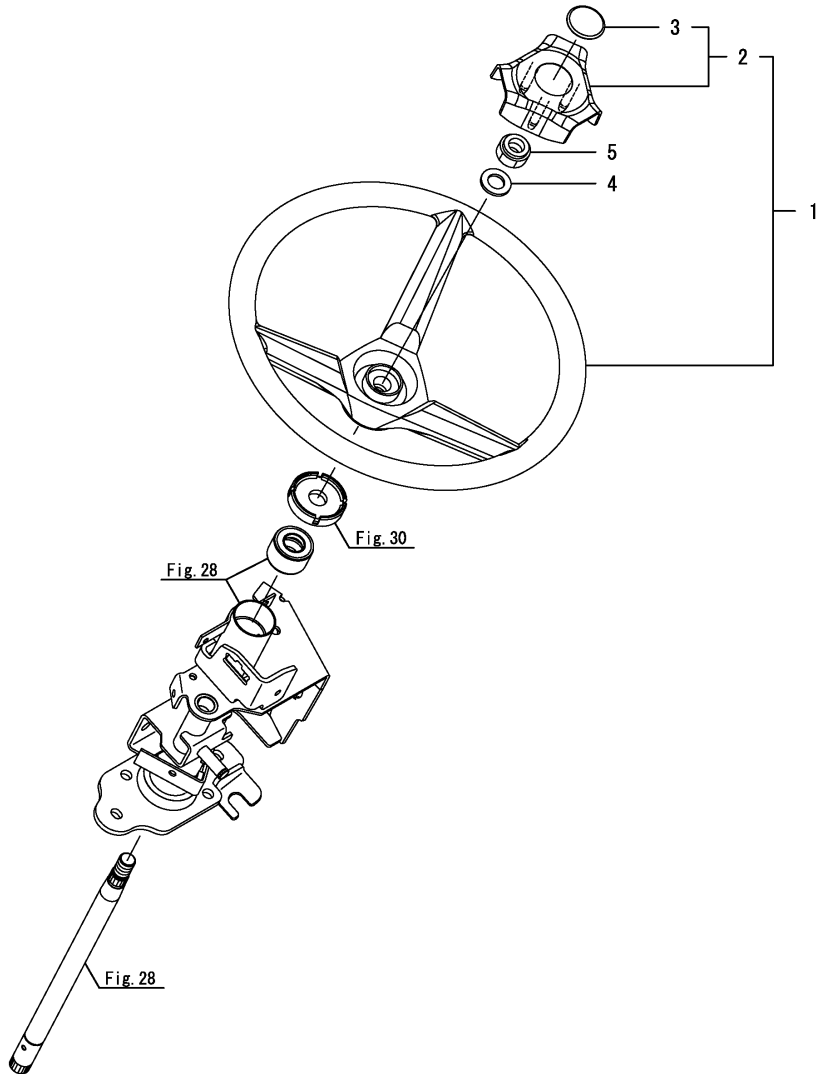
(D)=
(E)=
(F)=

No.	Lev.	Parts No.	Description	Q'ty						I	R
				(A)	(B)	(C)	(D)	(E)	(F)		
1	1	1A8310-15060	BUSH, COLUMN	1							
2	1	1A8310-15070	SHAFT, STEERING	1							
3	1	1A8310-15090	COLUMN UNIT,STEERING	1							
4	2	194740-00160	SPRING, 10	2							
5	2	1A8115-01110	LEVER ASSY	1							
6	2	198200-01260	PLATE, FRICTION	1							
7	2	1A8310-15120	COLUMN, STEERING	1							
8	2	1A8115-27000	BUSH, 15X17X10	2							
9	2	1A8115-27030	COLLAR, 8X14X5.3	2							
10	2	1A8310-27090	PIN, CONNECTING	1							
11	2	1A8115-27240	SPRING, RETURN	1							
12	2	1A8310-27250	ARM ASSY, RESERVOIR	1							
13	3	1A8310-27260	ARM, REVERSER	1							
14	3	24550-012100	BUSH 12X10	2							
15	2	1A8115-27400	SHAFT, REVERSER	1							
16	2	1A8115-27460	LEVER, REVERSER	1							
17	2	22117-140000	WASHER, 14	1							
18	2	22137-080000	WASHER, 8	1							
19	2	22137-100000	WASHER, 10	1							
20	2	22272-000090	RING, E- 9	1							
21	2	22272-000120	RING, E-12	1							
22	2	26106-080352	BOLT, M8X 35 PLATED	1							
23	2	26346-080002	NUT, M8	1							
24	2	26716-100002	NUT, M10	2							
25	1	198146-15240	BEARING, 6904LLU	1							
26	1	194990-22140	NUT, M8	2							
27	1	22242-000200	RING, 20	1							
28	1	22252-000370	RING, 37	1							
29	1	22351-040025	PIN, SPRING 4.0X25	1							
30	1	26106-080162	BOLT, M8X 16 PLATED	2							

Fig.29. STEERING WHEEL

(A)=EF393T(AU)
(B)=
(C)=

(D)=
(E)=
(F)=

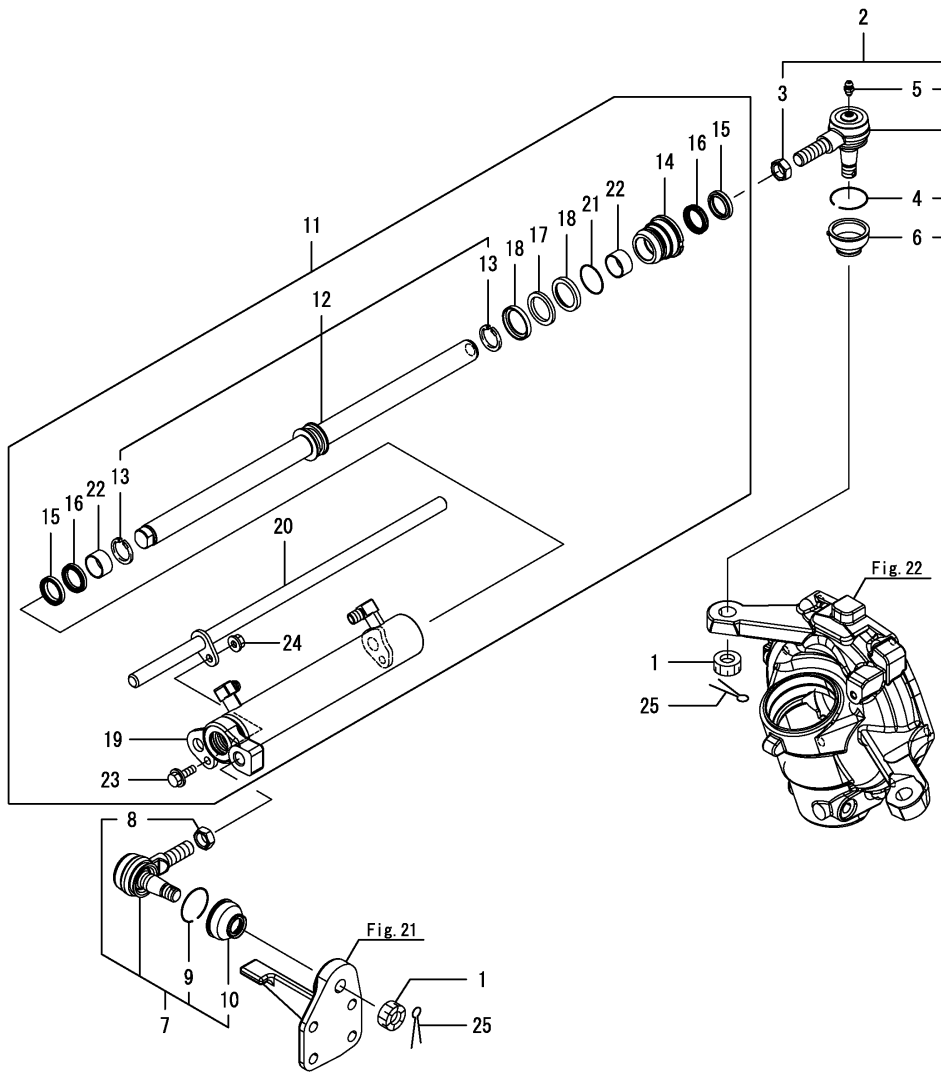


No.	Lev.	Parts No.	Description	Q'ty						I	R
				(A)	(B)	(C)	(D)	(E)	(F)		
1	1	198133-15700	WHEEL ASSY, STEERING	1							
2	2	198133-15740	CAP ASSY, STEERING	1							
3	3	198133-15780	NAMEPLATE, HANDLE	1							
4	1	22137-160000	WASHER, 16	1							
5	1	26356-160002	NUT, M16	1							

Fig.31. P.S.T. CYLINDER

(A)=EF393T(AU)
(B)=
(C)=

(D)=
(E)=
(F)=

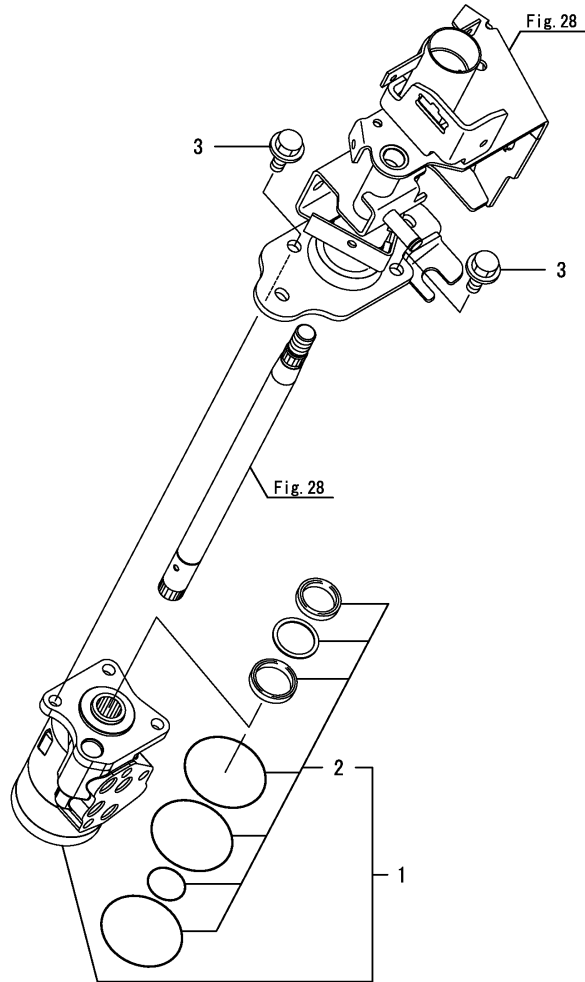


No.	Lev.	Parts No.	Description	Q'ty						I	R
				(A)	(B)	(C)	(D)	(E)	(F)		
1	1	194180-12471	NUT, CASTLE M16	2							
2	1	1A8310-12510	END ASSY, RH-A	1							
3	2	1A8310-12540	NUT, 16 R	1							
4	2	1A8310-12610	BAND, BOOTS	1							
5	2	1A8310-12620	NIPPLE, GREASE	1							
6	2	1A8310-12630	COVER, DUST	1							
7	1	1A8310-12651	END ASSY, RH-B	1							
8	2	1A8310-12540	NUT, 16 R	1							
9	2	1A8310-12610	BAND, BOOTS	1							
10	2	1A8310-12640	COVER, DUST	1							
11	1	1A8310-17300	CYLINDER ASSY, ST.	1							
12	2	198200-17050	ROD ASSY, STEERING	1							
13	3	22292-000250	RING, S-25	2							
14	2	198200-17120	CAP, CYLINDER	1							
15	2	198200-17140	SEAL, DUST 25	2							
16	2	198200-17150	PACKING, 25	2							
17	2	198200-17160	PACKING, PISTON	1							
18	2	198200-17170	BEARING, PWL40	2							
19	2	1A8310-17360	TUBE ASSY, CYLINDER	1							
20	2	1A8310-17640	BAR, GURD	1							
21	2	24315-000350	O-RING, 1BP35.0	1							
22	2	24550-025150	BUSH, 25X15	2							
23	2	26106-080202	BOLT, M8X 20 PLATED	1							
24	2	26366-080002	NUT, M8	1							
25	1	22417-400400	PIN, COTTER 4.0X40	2							

Fig.32. P.S.T. VALVE

(A)=EF393T(AU)
 (B)=
 (C)=

(D)=
 (E)=
 (F)=

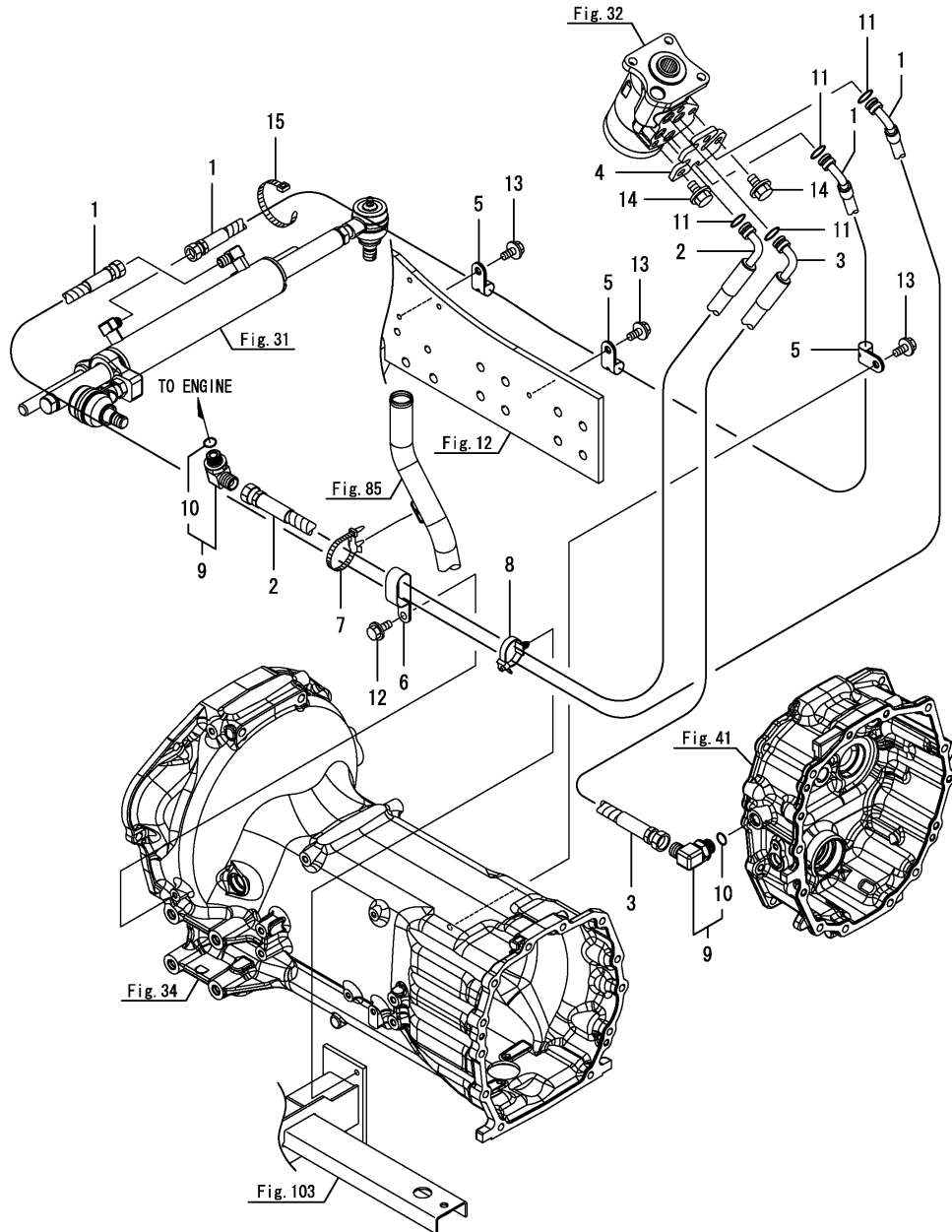


No.	Lev.	Parts No.	Description	Q'ty						I	R
				(A)	(B)	(C)	(D)	(E)	(F)		
1	1	198200-17500	VALVE ASSY, STEERING	1							
2	2	198072-17550	SEAL KIT	1							
3	1	26136-100162	BOLT, M10X 16 PLATED	3							

Fig.33. P.S.T. HOSE

(A)=EF393T(AU)
(B)=
(C)=

(D)=
(E)=
(F)=



No.	Lev.	Parts No.	Description	Q'ty						I	R
				(A)	(B)	(C)	(D)	(E)	(F)		
1	1	1A8310-17810	HOSE, CYLINDER	2							
2	1	1A8310-17830	HOSE, PUMP	1							
3	1	1A8310-17840	HOSE, TANK	1							
4	1	1A8115-17910	PLATE, RETAINER	1							
5	1	1A8310-17910	CLAMP, RUBBER	3							
6	1	1A8310-17960	CLAMP	1							
7	1	194680-51670	BAND, CLIP	1							
8	1	1A8275-51670	CLIP, M8 HOLE	1							
9	1	172142-76181	JOINT ASSY	2							
10	2	24315-000140	O-RING, 1BP14.0	2							
11	1	24315-000120	O-RING, 1BP12.0	4							
12	1	26106-080162	BOLT, M8X 16 PLATED	1							
13	1	26106-080162	BOLT, M8X 16 PLATED	3							
14	1	26136-100162	BOLT, M10X 16 PLATED	3							
15	1	29622-250001	BAND, RF250	1							

Fig.34. CLUTCH HOUSING

(A)=EF393T(AU)
(B)=
(C)=

(D)=
(E)=
(F)=

No.	Lev.	Parts No.	Description	Q'ty						I	R
				(A)	(B)	(C)	(D)	(E)	(F)		
1	1	194201-11230	CAP. SCREW 12.0	12							
2	1	1A8310-21100	HOUSING ASSY, CLUTCH	1							
3	2	24421-203007	SEAL, OIL TC203007	2							
4	2	24550-020200	BUSH, 20X20	2							
5	1	198200-21140	BOLT, M10X135	6							
6	1	26106-080162	BOLT, M8X 16 PLATED	2							
7	1	26106-100402	BOLT, M10X 40 PLATED	6							
8	1	27260-350000	PLUG, 35	1							
9	1	27260-470002	PLUG, 47	1							

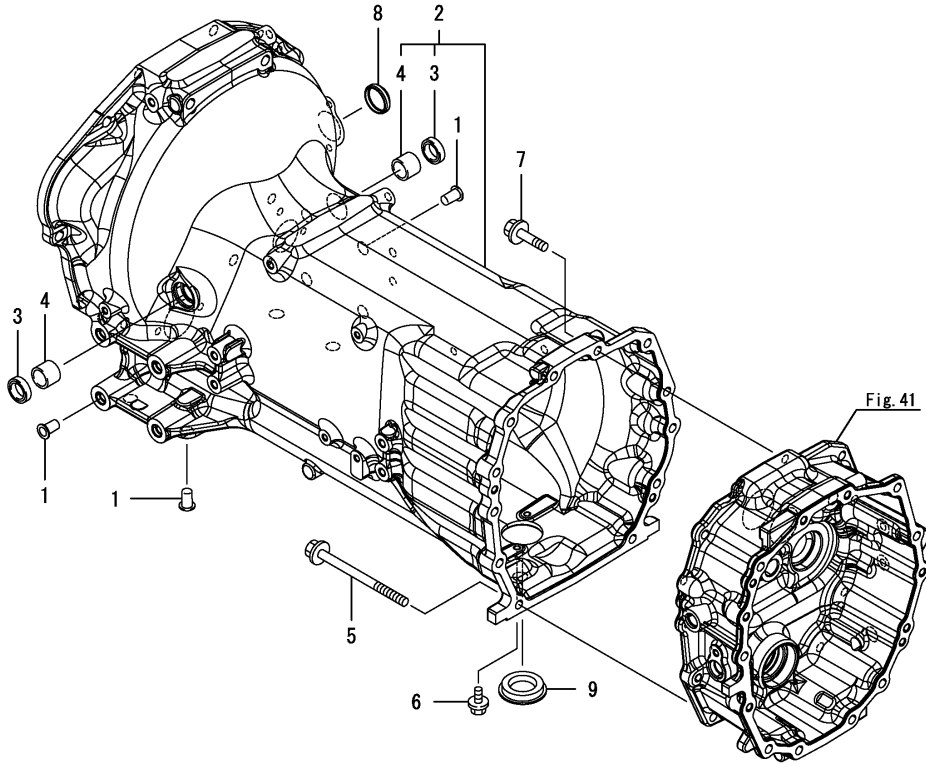
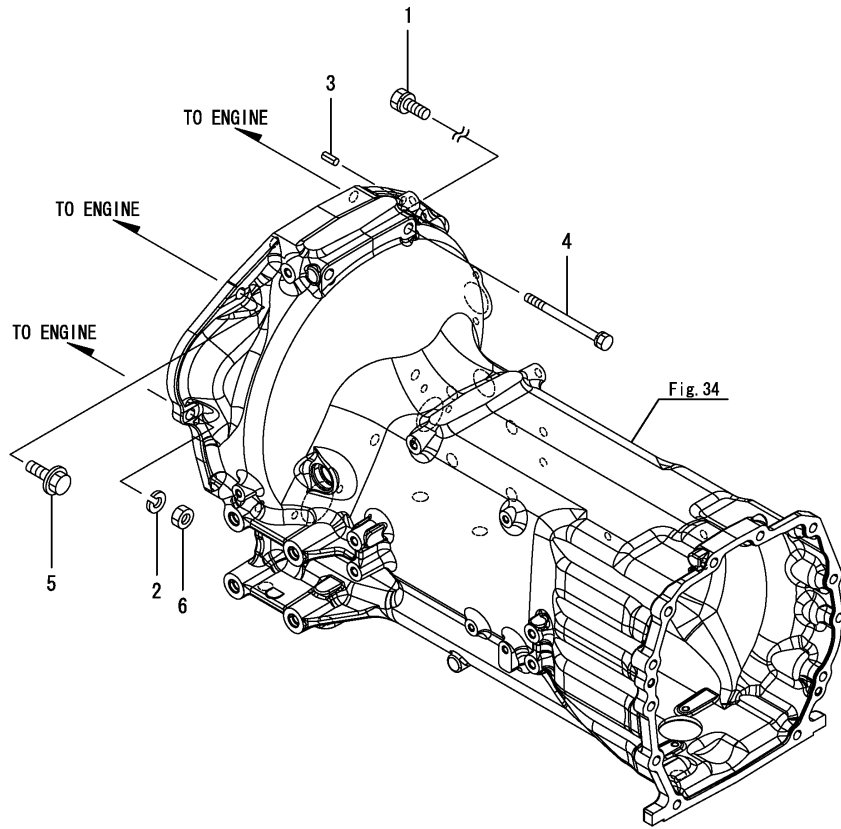


Fig.35. DOCKING BOLT

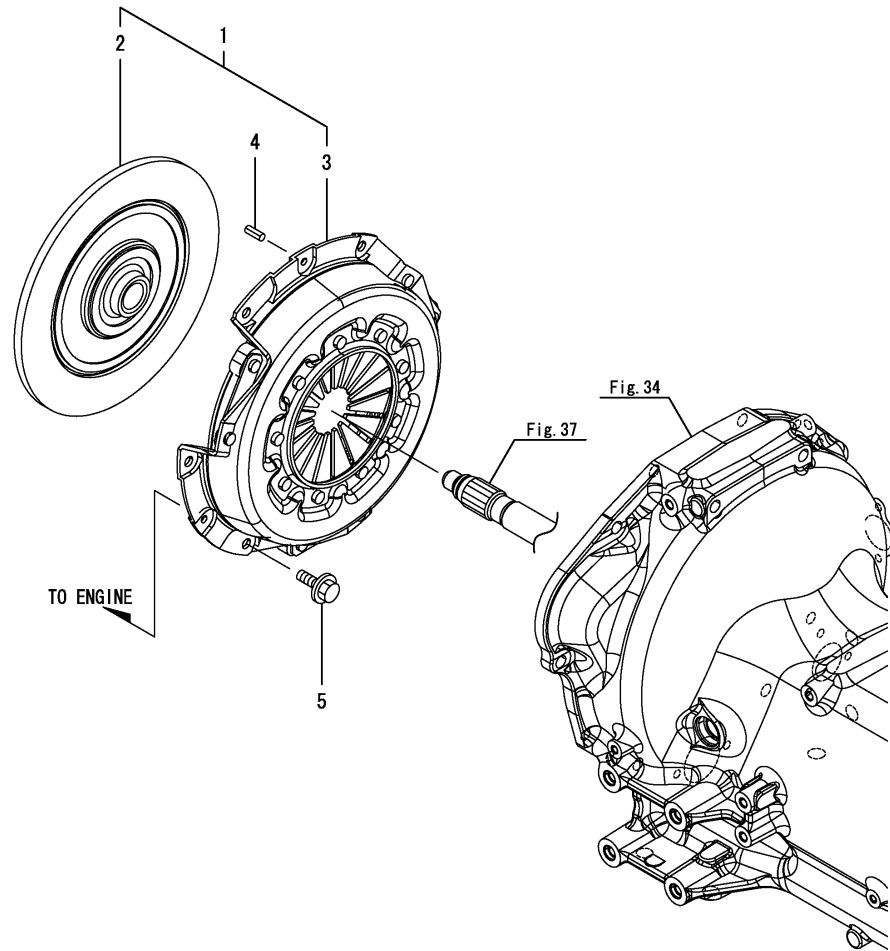
(A)=EF393T(AU)
(B)=
(C)=

(D)=
(E)=
(F)=



No.	Lev.	Parts No.	Description	Qty						I	R
				(A)	(B)	(C)	(D)	(E)	(F)		
1	1	198240-21270	BOLT, M12X30	3							
2	1	22217-120000	WASHER, SPRING 12	1							
3	1	22351-080018	PIN, SPRING 8.0X18	2							
4	1	26013-121102	BOLT, M12X110	4							
5	1	26106-120252	BOLT, M12X 25 PLATED	1							
6	1	26716-120002	NUT, M12	1							

Fig.36. SINGLE CLUTCH



(A)=EF393T(AU)
(B)=
(C)=

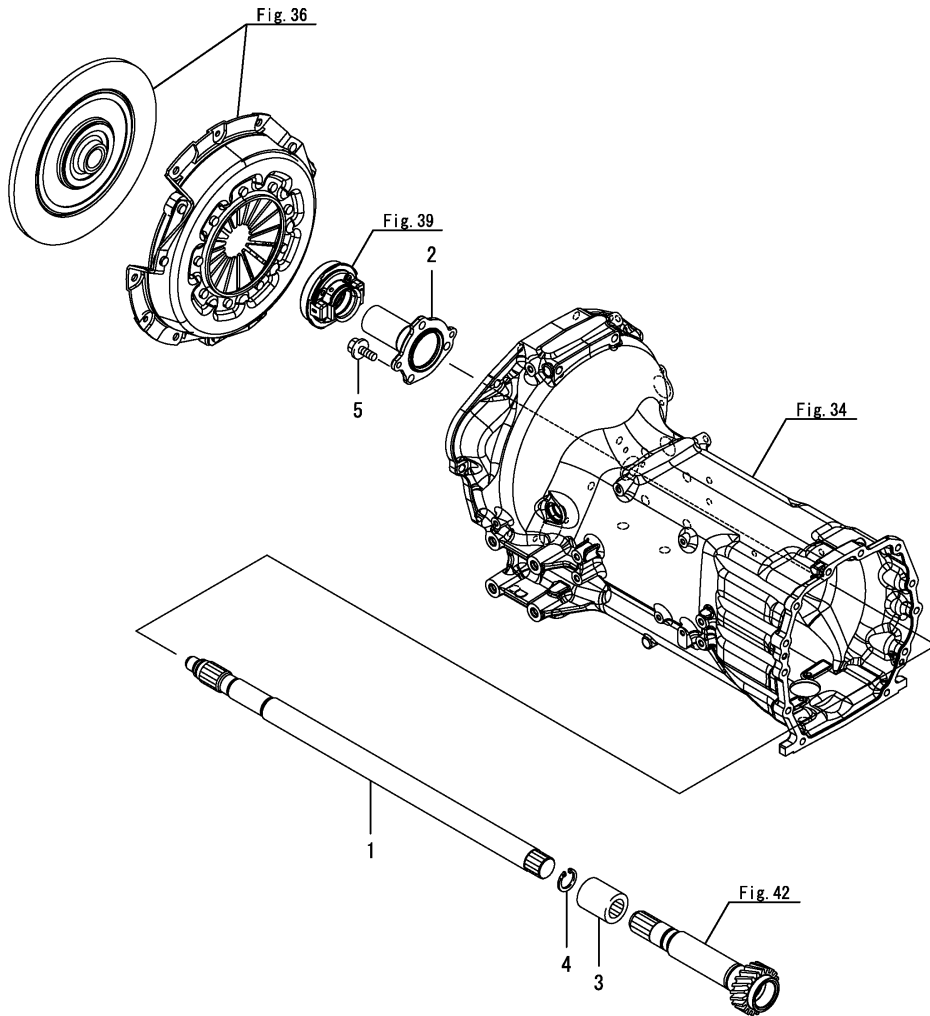
(D)=
(E)=
(F)=

No.	Lev.	Parts No.	Description	Q'ty						I	R
				(A)	(B)	(C)	(D)	(E)	(F)		
1	1	1A8310-21500	CLUTCH ASSY, SINGLE	1							
2	2	1A8310-21510	DISK, CLUTCH	1							
3	2	1A8310-21700	COVER, CLUTCH	1							
4	1	22351-080018	PIN, SPRING 8.0X18	3							
5	1	26106-080162	BOLT, M8X 16 PLATED	6							

Fig.37. CLUTCH SHAFT

(A)=EF393T(AU)
(B)=
(C)=

(D)=
(E)=
(F)=



No.	Lev.	Parts No.	Description	Q'ty						I	R
				(A)	(B)	(C)	(D)	(E)	(F)		
1	1	1A8310-22110	SHAFT, MAIN DRIVE	1							
2	1	198200-22531	SLEEVE, BEARING	1							
3	1	194555-26520	COUPLING, PTO	1							
4	1	22252-000220	RING, 22	1							
5	1	26106-080202	BOLT, M8X 20 PLATED	3							

Fig.38. CLUTCH RELEASE(1)

(A)=EF393T(AU)
(B)=
(C)=

(D)=
(E)=
(F)=

No.	Lev.	Parts No.	Description	Q'ty						I	R
				(A)	(B)	(C)	(D)	(E)	(F)		
1	1	198071-22311	YOKE, CLUTCH SHIFT	1							
2	1	198200-22330-1	SHAFT,CLUTCH RELEASE	1							
3	1	26450-080402	BOLT, M8X 40	2							

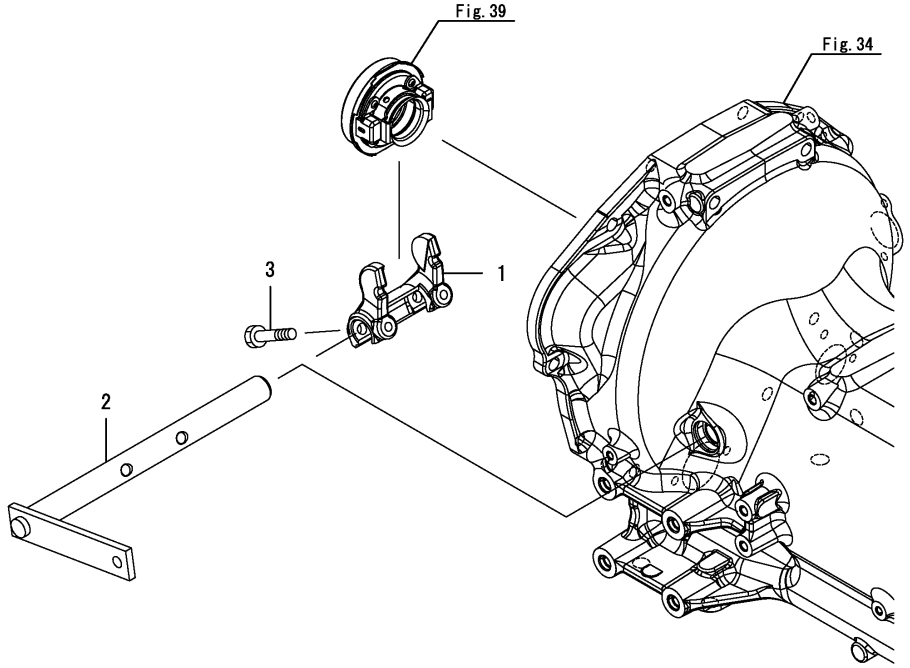
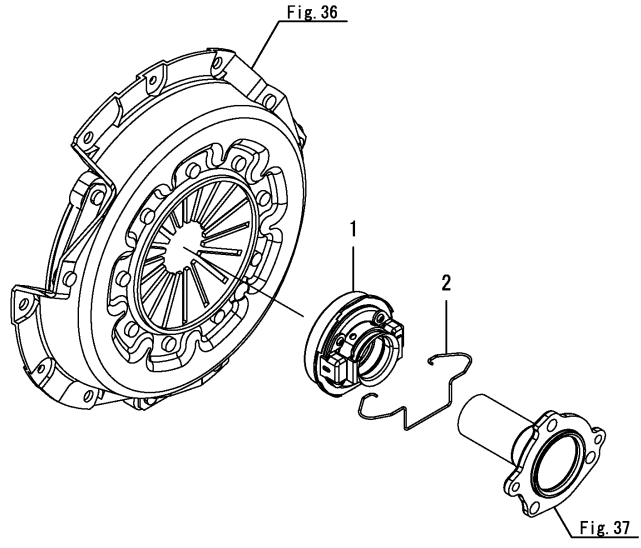


Fig.39. CLUTCH RELEASE(2)

(A)=EF393T(AU)
(B)=
(C)=

(D)=
(E)=
(F)=

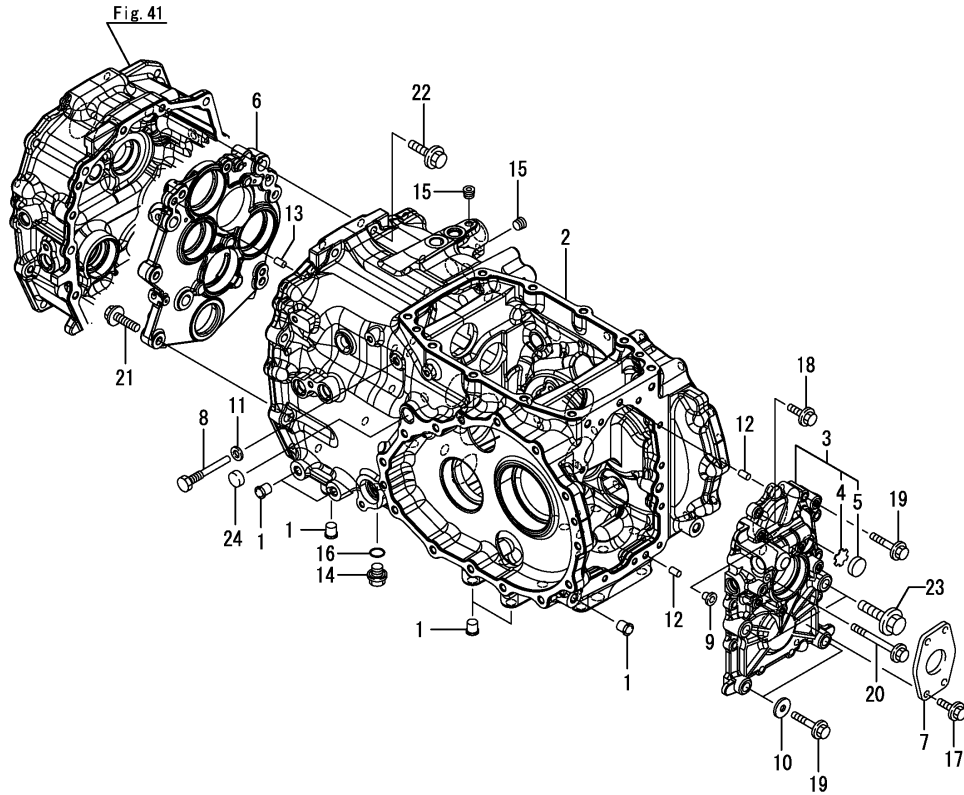


No.	Lev.	Parts No.	Description	Q'ty						I	R
				(A)	(B)	(C)	(D)	(E)	(F)		
1	1	198360-22210	BEARING, RELEASE	1							
2	1	1A8310-22480	SPRING, RETURN	1							

Fig.40. TRANSMISSION CASE

(A)=EF393T(AU)
(B)=
(C)=

(D)=
(E)=
(F)=



No.	Lev.	Parts No.	Description	Q'ty						I	R
				(A)	(B)	(C)	(D)	(E)	(F)		
1	1	194201-11230	CAP. SCREW 12.0	12							
2	1	1A8310-24110	HOUSING,TRANSMISSION	1							
3	1	198200-24151-1	COVER ASSY, XMSN.	1							
4	2	198071-24350	PLATE, WINDOW	1							
5	2	1A1040-28470	WINDOW, OIL CHECK 25	1							
6	1	1A8310-24330	RETAINER,BEARING	1							
7	1	198255-24460	PLATE, OIL SEAL	1							
8	1	198200-26190	BOLT, STOPPER	1							
9	1	194275-27750	PLUG, 7.8	4							
10	1	22157-080000	WASHER, 8	2							
11	1	22190-100000	WASHER, SEAL 10	1							
12	1	22312-080140	PIN, PARALLEL M8X14	2							
13	1	22312-080140	PIN, PARALLEL M8X14	2							
14	1	23491-140002	PLUG, 14	1							
15	1	23871-010000	PLUG, R01	2							
16	1	24311-000160	O-RING, 1AP16.0	1							
17	1	26106-080162	BOLT, M8X 16 PLATED	2							
18	1	26106-080252	BOLT, M8X 25 PLATED	8							
19	1	26106-080452	BOLT, M8X 45 PLATED	3							
20	1	26106-080802	BOLT, M8X 80 PLATED	1							
21	1	26106-100402	BOLT, M10X 40 PLATED	5							
22	1	26106-100402	BOLT, M10X 40 PLATED	6							
23	1	26106-120502	BOLT, M12X 50 PLATED	2							
24	1	27260-200000	PLUG, 20	1							

Fig.41. CENTER PLATE

(A)=EF393T(AU)
 (B)=
 (C)=

(D)=
 (E)=
 (F)=

No.	Lev.	Parts No.	Description	Qty						I	R
				(A)	(B)	(C)	(D)	(E)	(F)		
1	1	1A8310-24310	PLATE, CENTER	1							
2	1	192167-24600	PLUG	1							
3	1	22312-080140	PIN, PARALLEL M8X14	2							
4	1	22312-080140	PIN, PARALLEL M8X14	2							
5	1	24311-000140	O-RING, 1AP14.0	1							
6	1	24423-254208	SEAL, OIL TC254208	2							
7	1	26106-100402	BOLT, M10X 40 PLATED	2							

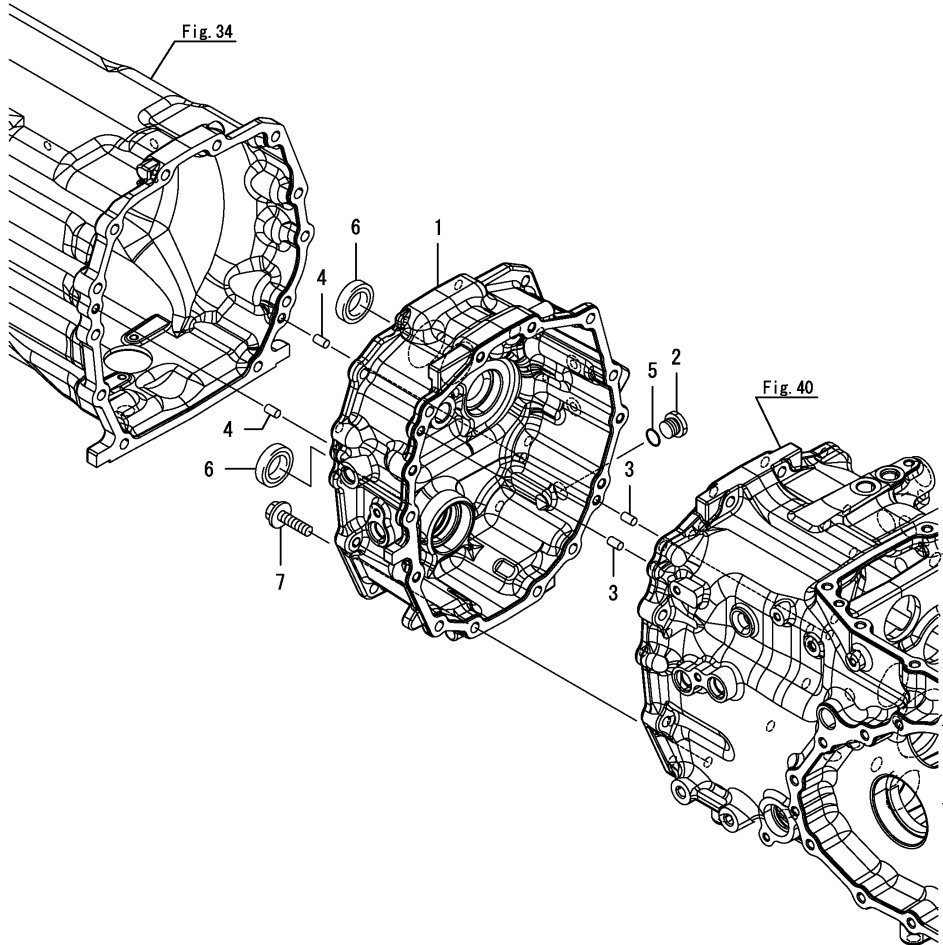
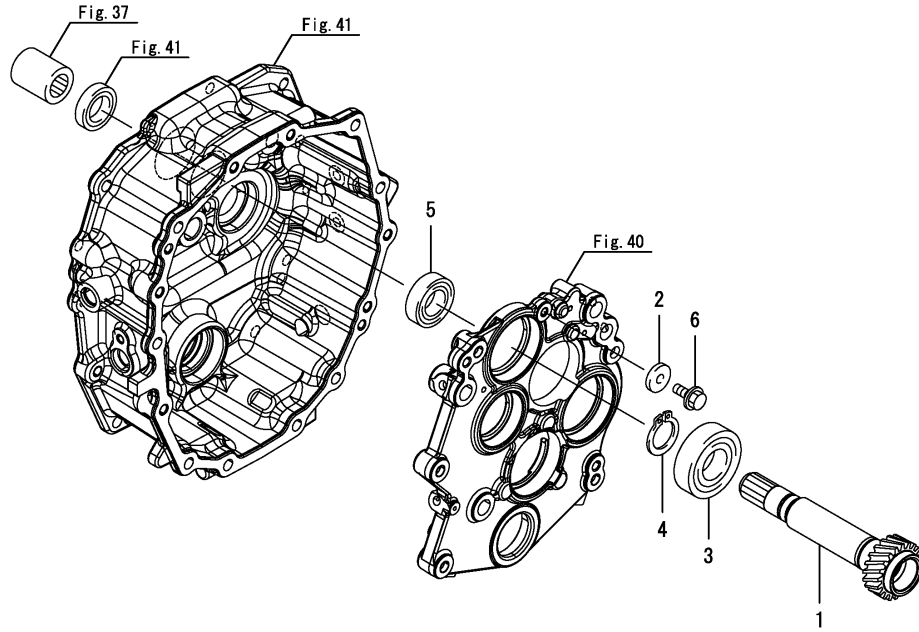


Fig.42. MAIN DRIVE SHAFT

(A)=EF393T(AU)
(B)=
(C)=

(D)=
(E)=
(F)=

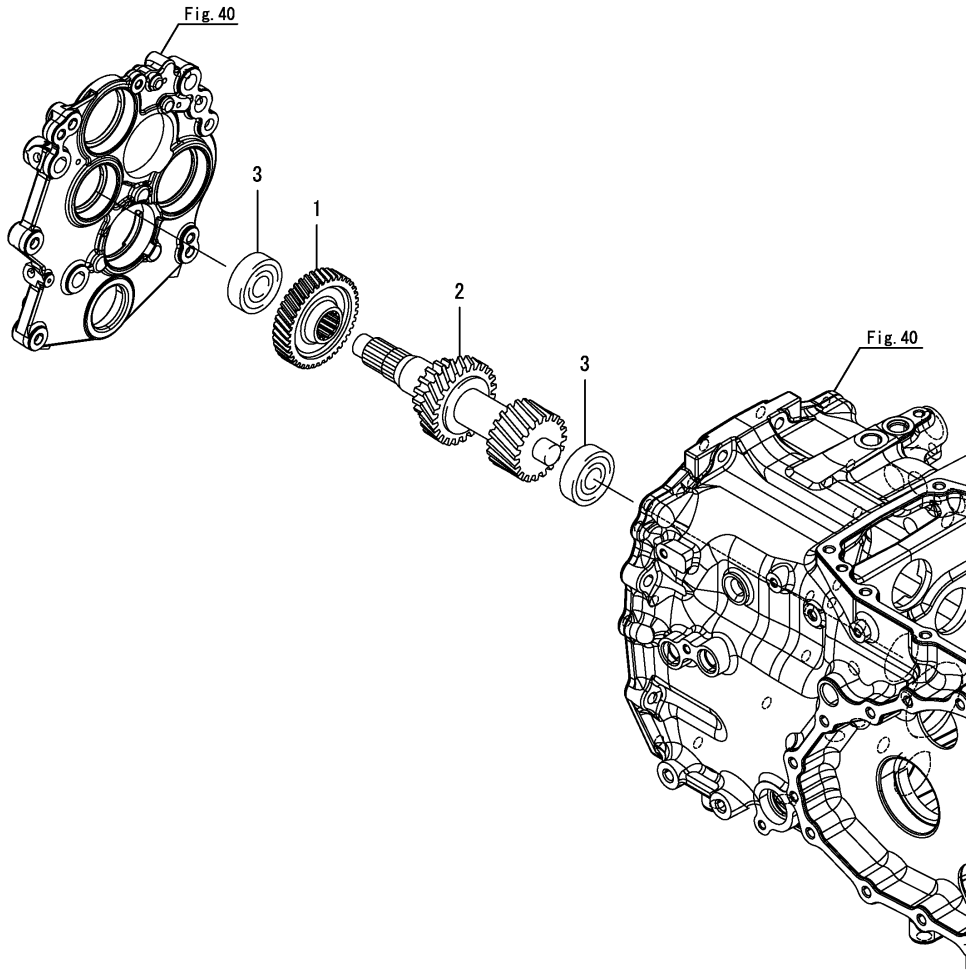


No.	Lev.	Parts No.	Description	Q'ty						I	R
				(A)	(B)	(C)	(D)	(E)	(F)		
1	1	1A8310-25110	GEAR, MAIN	1							
2	1	198200-25130	WASHER, 8	1							
3	1	194555-25870	BEARING, TMB206CC3	1							
4	1	22242-000300	RING, 30	1							
5	1	24101-060054	BEARING, BALL 6005	1							
6	1	26106-080202	BOLT, M8X 20 PLATED	1							

Fig.43. MAIN SHAFT

(A)=EF393T(AU)
(B)=
(C)=

(D)=
(E)=
(F)=

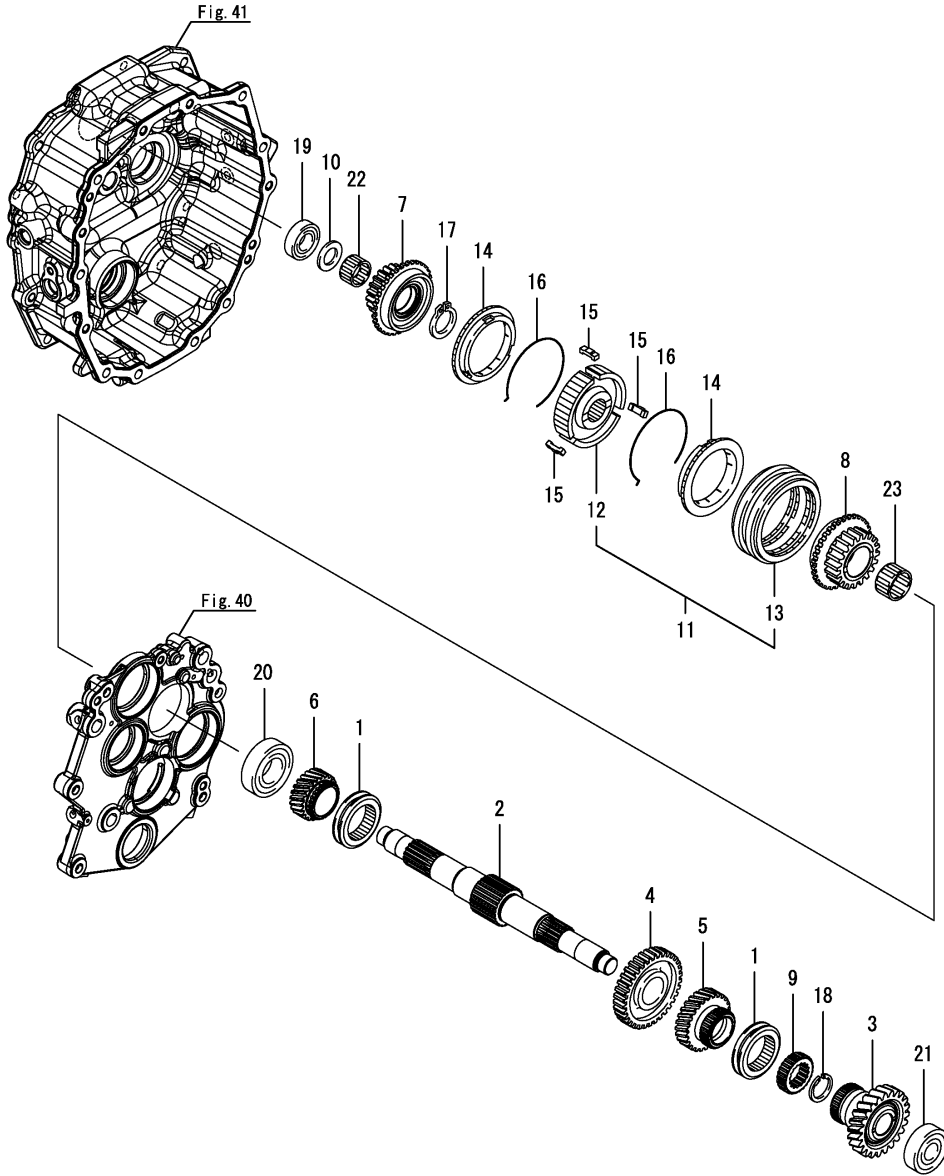


No.	Lev.	Parts No.	Description	Q'ty						I	R
				(A)	(B)	(C)	(D)	(E)	(F)		
1	1	198200-25120	GEAR, MAIN 40	1							
2	1	198200-25210	SHAFT, MAIN	1							
3	1	24101-063044	BEARING, BALL 6304	2							

Fig.44. REVERSER SHAFT

(A)=EF393T(AU)
(B)=
(C)=

(D)=
(E)=
(F)=

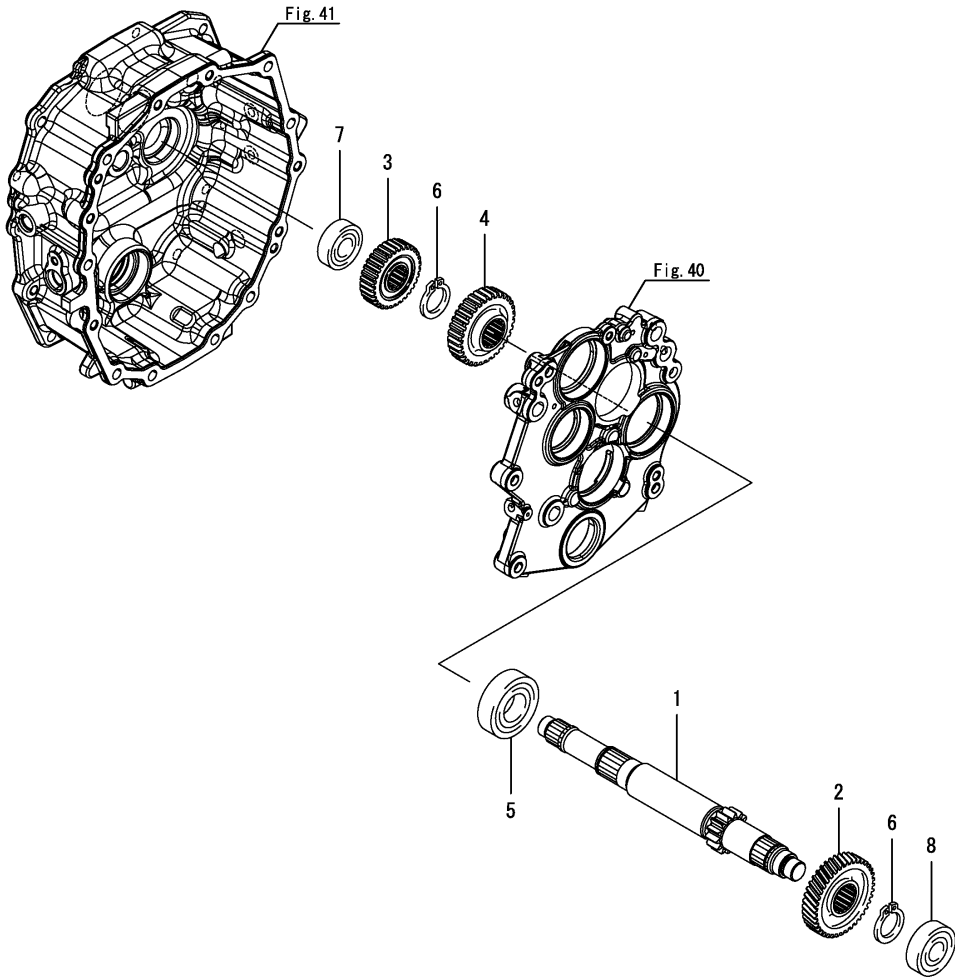


No.	Lev.	Parts No.	Description	Q'ty						I	R
				(A)	(B)	(C)	(D)	(E)	(F)		
1	1	198200-25150	SHIFTER, MAIN SHIFT	2							
2	1	1A8310-25410	SHAFT, REVERSER	1							
3	1	1A8310-25420	GEAR, MAIN SHIFT 31	1							
4	1	1A8310-25430	GEAR, MAIN SHIFT 34	1							
5	1	1A8310-25440	GEAR, MAIN SHIFT 26	1							
6	1	198200-25450	GEAR, SHIFT 23	1							
7	1	1A8310-25460	GEAR, DRIVE 16	1							
8	1	1A8310-25470	GEAR, DRIVE 19	1							
9	1	1A8310-25480	COLLAR, SPLINE 25	1							
10	1	1A8310-25490	WASHER, 20	1							
11	1	198121-25800	HUB ASSY, SYNCHRO	1							
12	2	198121-25820	HUB, SYNCHRO	1							
13	2	198121-25830	SLIDER	1							
14	1	198121-25840	RING, SYNCHRONIZER	2							
15	1	198121-25850	KEY, SYNCHRONIZER	3							
16	1	198121-25870	SPRING, SYNCHRO	2							
17	1	22242-000290	RING, 29	1							
18	1	22292-000280	RING, S-28	1							
19	1	24101-060044	BEARING, BALL 6004	1							
20	1	24101-062064	BEARING, BALL 6206	1							
21	1	24101-063044	BEARING, BALL 6304	1							
22	1	24161-253017	BEARING, 253017	1							
23	1	24161-303520	BEARING, 303520	1							

Fig.45. REDUCTION SHAFT

(A)=EF393T(AU)
(B)=
(C)=

(D)=
(E)=
(F)=

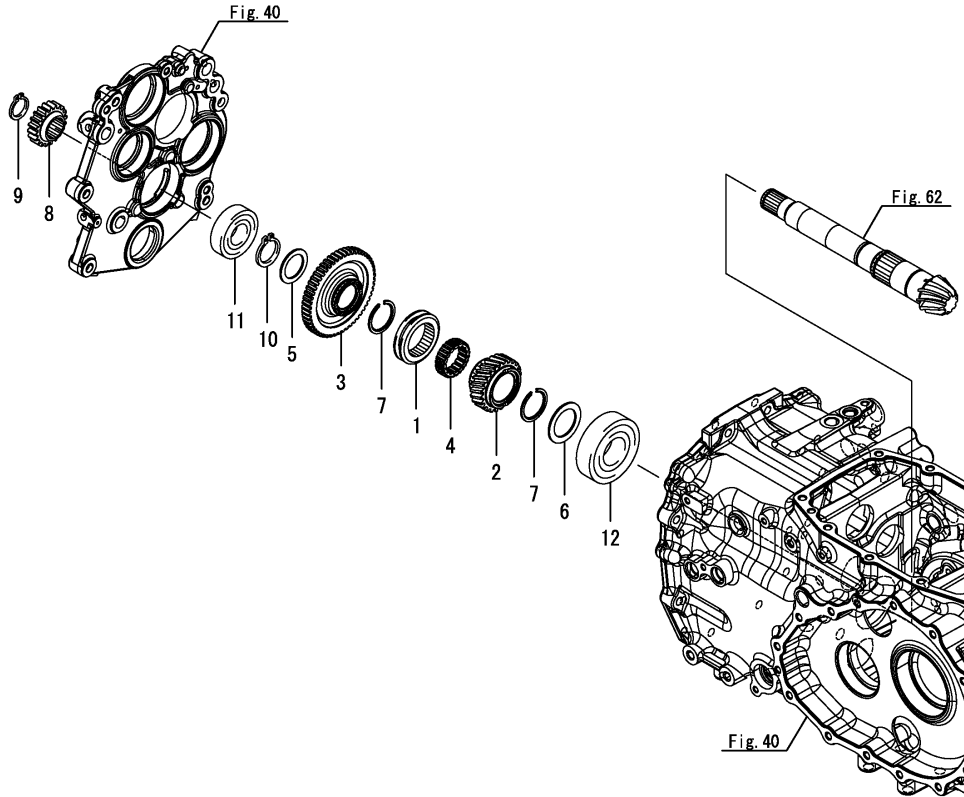


No.	Lev.	Parts No.	Description	Q'ty						I	R
				(A)	(B)	(C)	(D)	(E)	(F)		
1	1	1A8310-25510	SHAFT, REDUCTION	1							
2	1	1A8310-25650	GEAR, DRIVE 33	1							
3	1	1A8310-25660	GEAR, DRIVEN 20	1							
4	1	1A8310-25670	GEAR, DRIVEN	1							
5	1	194555-25870	BEARING, TMB206CC3	1							
6	1	22242-000290	RING, 29	2							
7	1	24101-062044	BEARING, BALL 6204	1							
8	1	24101-063044	BEARING, BALL 6304	1							

Fig.46. COUNTER SHAFT

(A)=EF393T(AU)
(B)=
(C)=

(D)=
(E)=
(F)=

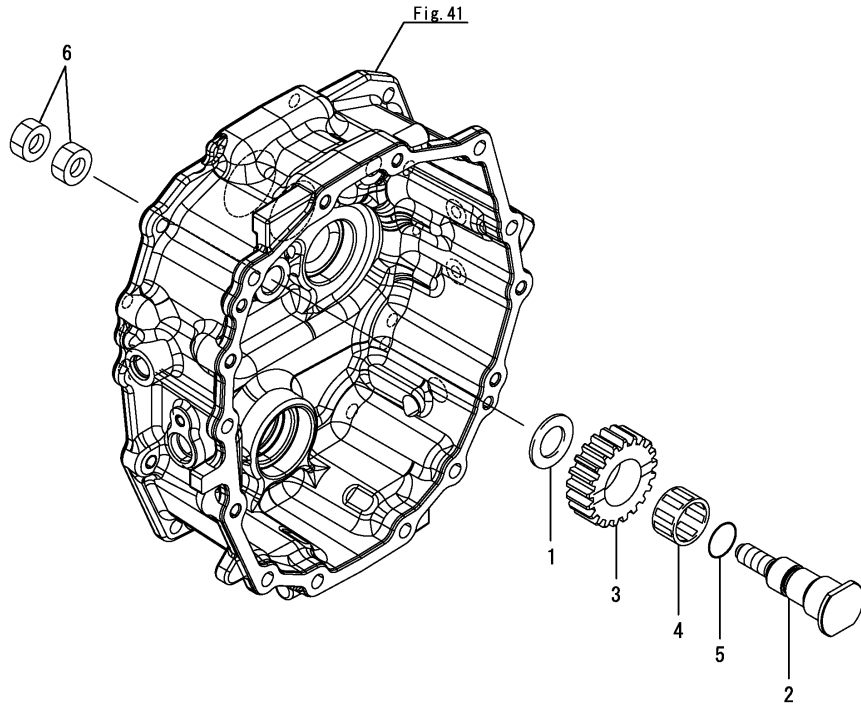


No.	Lev.	Parts No.	Description	Qty						I	R
				(A)	(B)	(C)	(D)	(E)	(F)		
1	1	198200-25150	SHIFTER, MAIN SHIFT	1							
2	1	1A8310-25520	GEAR, RANGE	1							
3	1	1A8310-25530	GEAR, RANGE 39	1							
4	1	1A8310-25560	COLLAR, SPLINE	1							
5	1	1A8310-25610	WASHER, 30	1							
6	1	1A8310-25620	WASHER, 35	1							
7	1	1A8310-25810	RING, 35X2	2							
8	1	1A8310-28220	GEAR, FRONT DRIVE	1							
9	1	22242-000240	RING, 24	1							
10	1	22242-000300	RING, 30	1							
11	1	24101-063054	BEARING, BALL 6305	1							
12	1	24101-063074	BEARING, BALL 6307	1							

Fig.47. REVERSER IDLE SHAFT

(A)=EF393T(AU)
(B)=
(C)=

(D)=
(E)=
(F)=

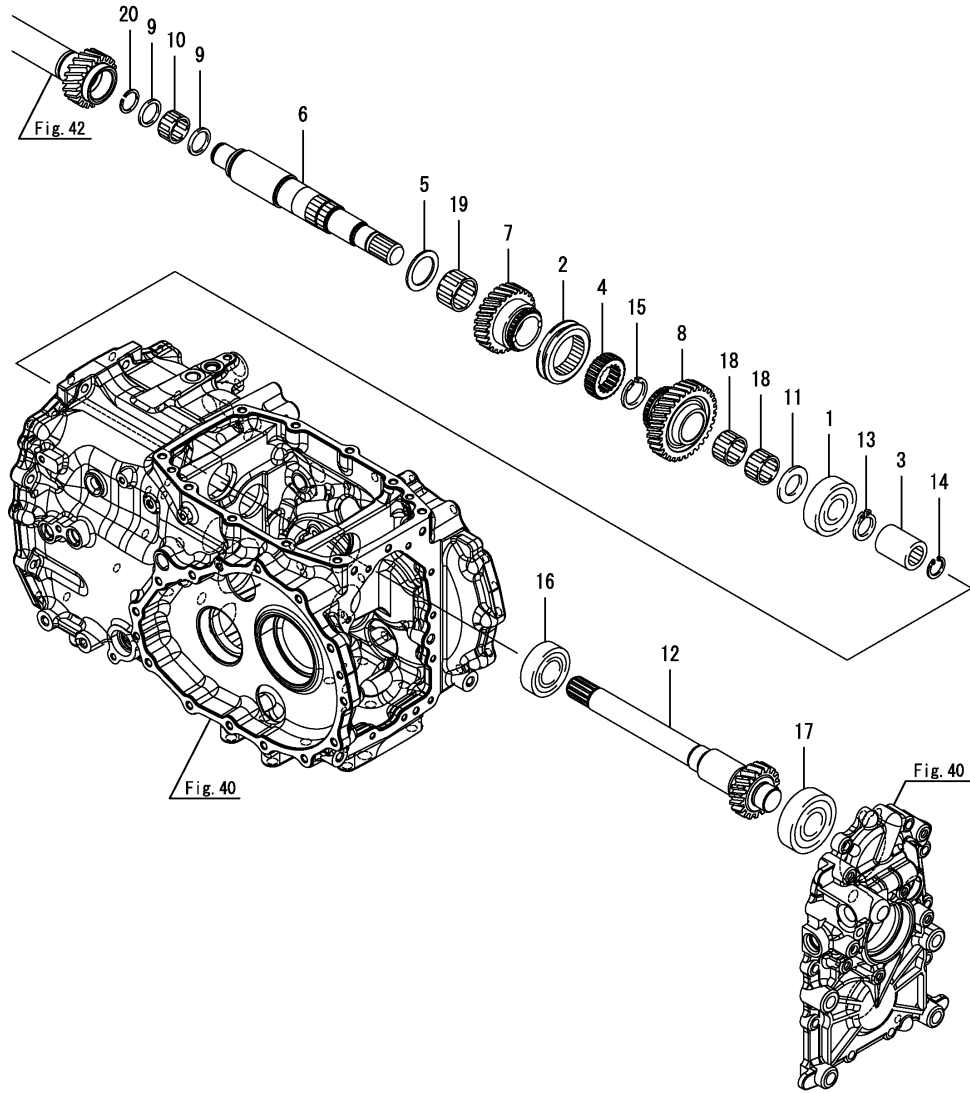


No.	Lev.	Parts No.	Description	Q'ty						I	R
				(A)	(B)	(C)	(D)	(E)	(F)		
1	1	1A8310-25490	WASHER, 20	1							
2	1	1A8310-25910	SHAFT, REVERSE IDLE	1							
3	1	1A8310-25930	GEAR, REVERSE IDLE	1							
4	1	24161-253017	BEARING, 253017	1							
5	1	24311-000160	O-RING, 1AP16.0	1							
6	1	26716-120002	NUT, M12	2							

Fig.48. P.T.O. DRIVE SHAFT

(A)=EF393T(AU)
(B)=
(C)=

(D)=
(E)=
(F)=

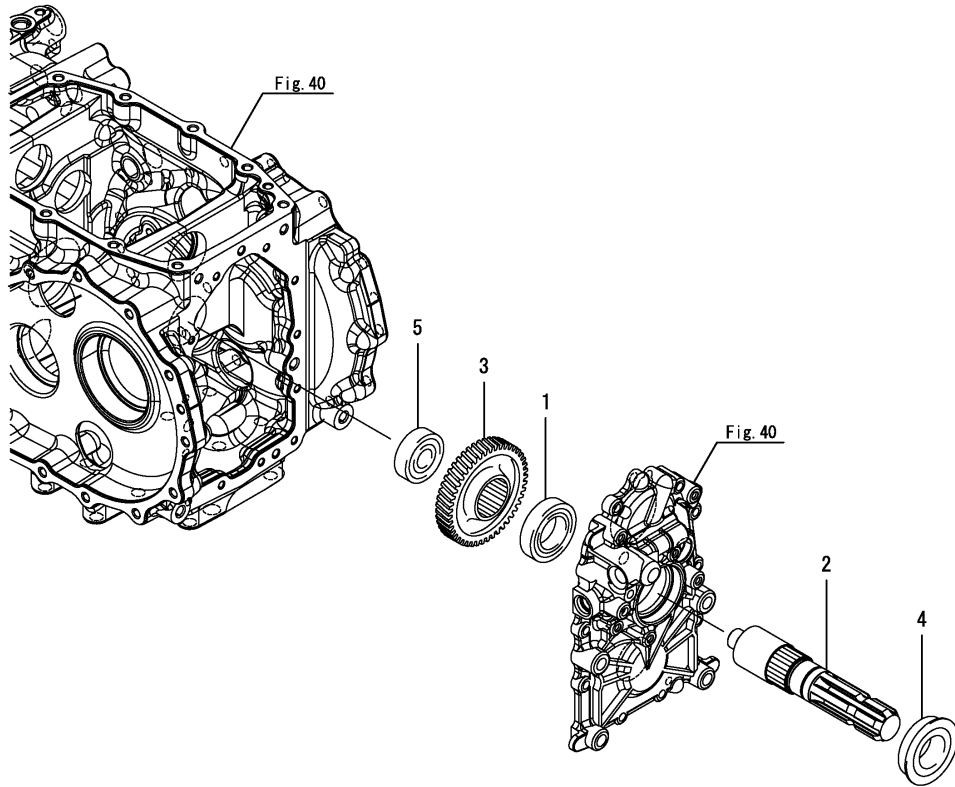


No.	Lev.	Parts No.	Description	Q'ty						I	R
				(A)	(B)	(C)	(D)	(E)	(F)		
1	1	1D2180-22130	BEARING, BALL 63/22	1							
2	1	198200-25150	SHIFTER, MAIN SHIFT	1							
3	1	198212-25150	COUPLING, 13X16/32	1							
4	1	1A8310-25480	COLLAR, SPLINE 25	1							
5	1	1A8310-25610	WASHER, 30	1							
6	1	1A8310-26110	SHAFT, PTO DRIVE	1							
7	1	1A8310-26130	GEAR, PTO 26	1							
8	1	1A8310-26140	GEAR, PTO 31	1							
9	1	198200-26150	COLLAR, 22X28X2.5	2							
10	1	198200-26160	NEEDLE, 223015	1							
11	1	1A8310-26170	WASHER, 22	1							
12	1	198200-26240	SHAFT, PTO PINION	1							
13	1	22242-000220	RING, 22	1							
14	1	22252-000190	RING, 19	1							
15	1	22292-000280	RING, S-28	1							
16	1	24101-062054	BEARING, BALL 6205	1							
17	1	24101-063054	BEARING, BALL 6305	1							
18	1	24161-253017	BEARING, 253017	2							
19	1	24161-303520	BEARING, 303520	1							
20	1	24164-000222	CIRCLIP, 22	1							

Fig.49. P.T.O. SHAFT

(A)=EF393T(AU)
(B)=
(C)=

(D)=
(E)=
(F)=



No.	Lev.	Parts No.	Description	Q'ty						I	R
				(A)	(B)	(C)	(D)	(E)	(F)		
1	1	194680-25940	BEARING	1							
2	1	1A8310-26310	SHAFT, PTO	1							
3	1	1A8310-26320	GEAR, PTO DRIVEN 40	1							
4	1	194370-26350	SEAL, OIL QLF356019	1							
5	1	24101-063044	BEARING, BALL 6304	1							

Fig.50. P.T.O. SHAFT COVER

(A)=EF393T(AU)
 (B)=
 (C)=

(D)=
 (E)=
 (F)=

No.	Lev.	Parts No.	Description	Q'ty						I	R
				(A)	(B)	(C)	(D)	(E)	(F)		
1	1	1A7100-26850	COVER ASSY, SHAFT M	1							
2	1	26106-080122	BOLT, M8X 12 PLATED	2							

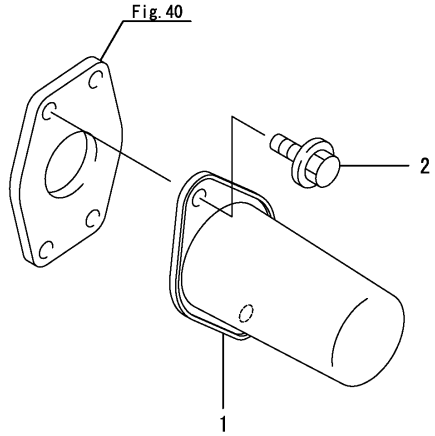


Fig.51. P.T.O. SHAFT GUARD

(A)=EF393T(AU)
(B)=
(C)=

(D)=
(E)=
(F)=

No.	Lev.	Parts No.	Description	Q'ty						I	R
				(A)	(B)	(C)	(D)	(E)	(F)		
1	1	198280-26903	GUARD M ASSY,PTO	1							
2	1	26106-080162	BOLT, M8X 16 PLATED	4							

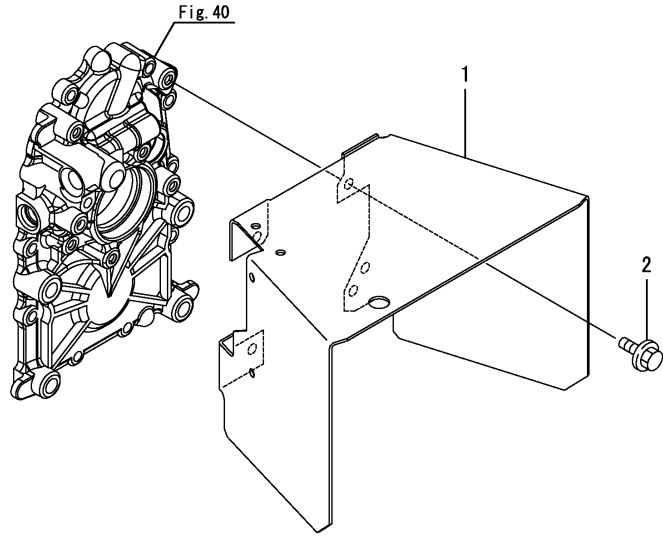
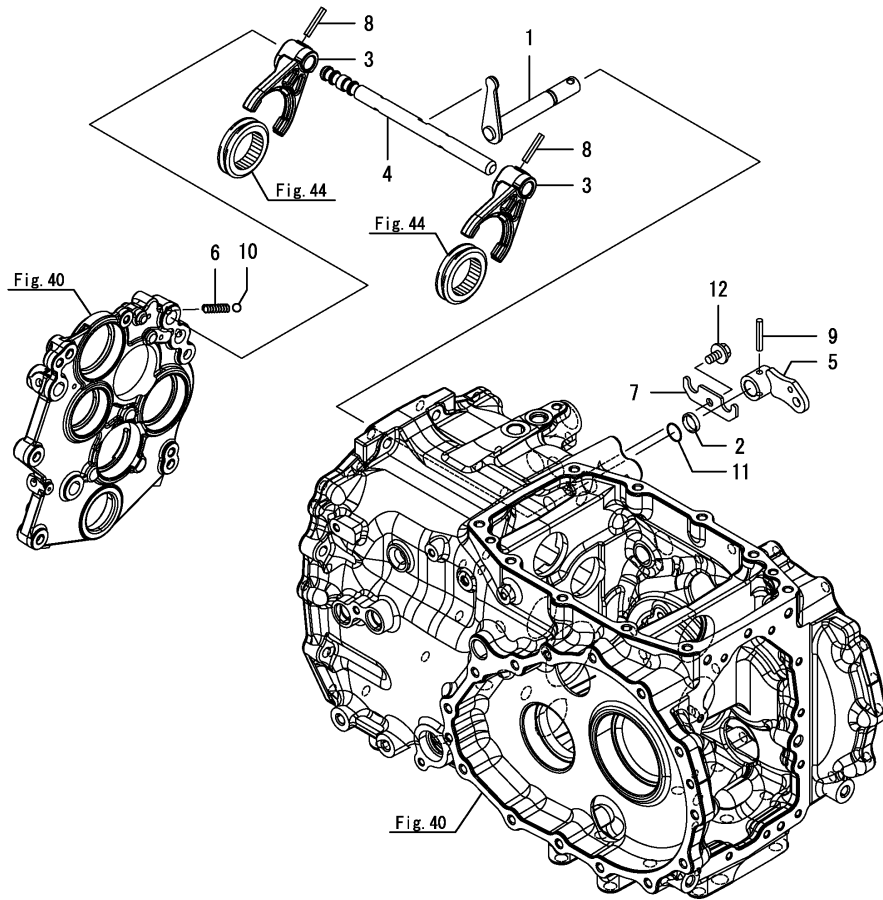


Fig.52. MAIN SHIFT

(A)=EF393T(AU)
(B)=
(C)=

(D)=
(E)=
(F)=

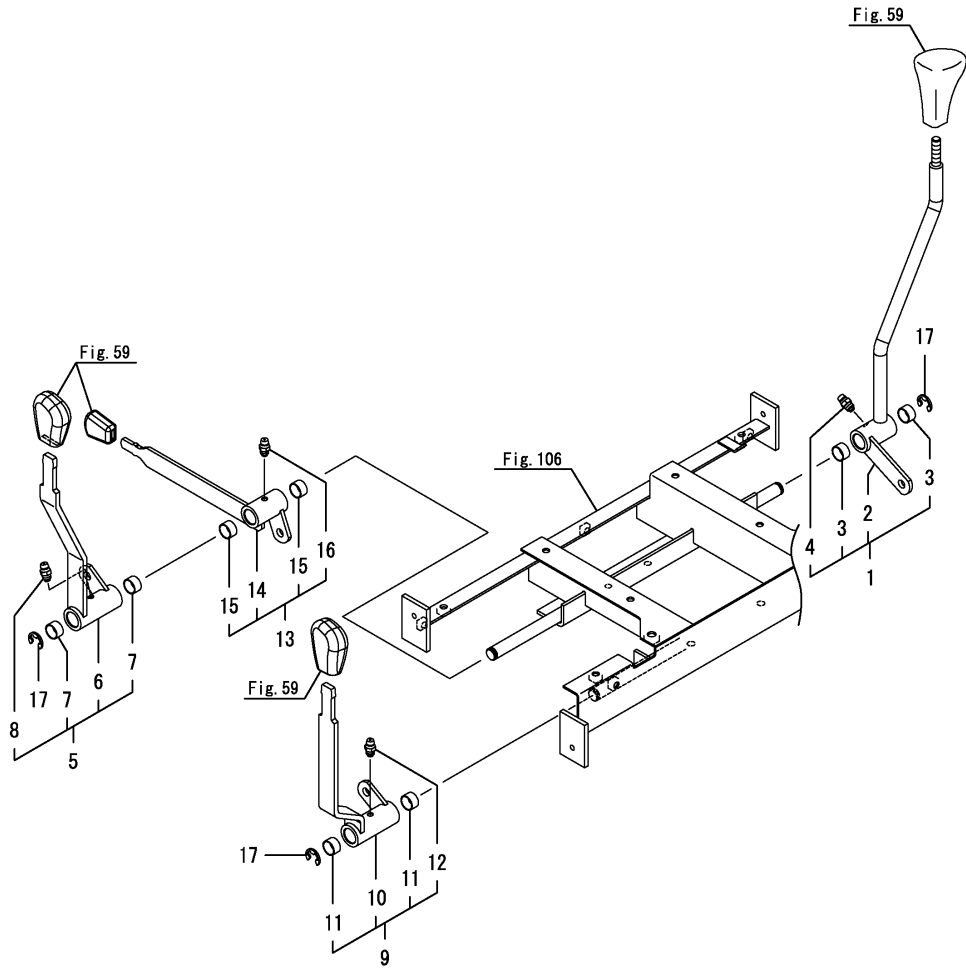


No.	Lev.	Parts No.	Description	Qty						I	R
				(A)	(B)	(C)	(D)	(E)	(F)		
1	1	1A8310-27110	ARM, MAIN SHIFT	1							
2	1	198119-27150	COLLAR, ARM	1							
3	1	198200-27170	FORK, SHIFT	2							
4	1	198200-27180	SHAFT, MAIN FORK	1							
5	1	1A8310-27410	ARM, SHIFT	1							
6	1	194145-27450	SPRING	1							
7	1	1A8310-27740	PLATE, B	1							
8	1	22351-060036	PIN, SPRING 6.0X36	2							
9	1	22351-060036	PIN, SPRING 6.0X36	1							
10	1	24190-100001	BALL, STEEL 5/16	1							
11	1	24311-000160	O-RING, 1AP16.0	1							
12	1	26106-080162	BOLT, M8X 16 PLATED	1							

Fig.53. SHIFT LEVER

(A)=EF393T(AU)
(B)=
(C)=

(D)=
(E)=
(F)=

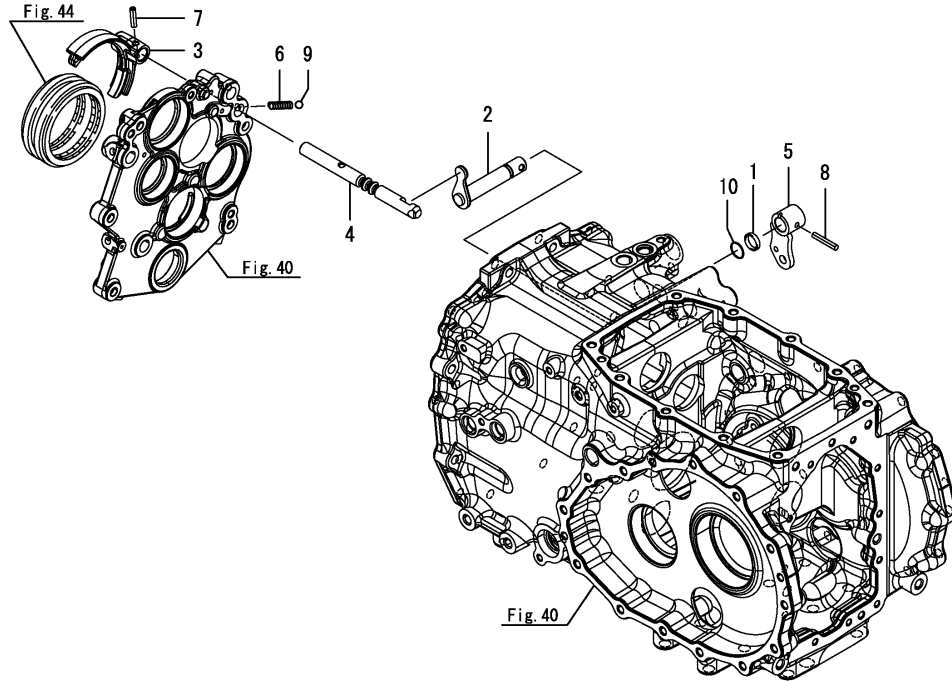


No.	Lev.	Parts No.	Description	Q'ty						I	R
				(A)	(B)	(C)	(D)	(E)	(F)		
1	1	1A8310-27600	LEVER ASSY, MAIN	1							
2	2	1A8310-27610	LEVER, MAIN	1							
3	2	24550-016100	BUSH, 16X10	2							
4	2	24761-010000	NIPPLE, GREASE M6F	1							
5	1	1A8310-27800	LEVER ASSY, RANGE	1							
6	2	1A8310-27810	LEVER, RANGE SHIFT	1							
7	2	24550-016100	BUSH, 16X10	2							
8	2	24761-010000	NIPPLE, GREASE M6F	1							
9	1	1A8310-27900	LEVER ASSY, PTO	1							
10	2	1A8310-27910	LEVER, PTO	1							
11	2	24550-016100	BUSH, 16X10	2							
12	2	24761-010000	NIPPLE, GREASE M6F	1							
13	1	1A8310-28400	LEVER ASSY, 4WD	1							
14	2	1A8310-28410	LEVER, 4WD	1							
15	2	24550-016100	BUSH, 16X10	2							
16	2	24761-010000	NIPPLE, GREASE M6F	1							
17	1	22272-000150	RING, E-15	3							

Fig.54. REVERSER SHIFT

(A)=EF393T(AU)
(B)=
(C)=

(D)=
(E)=
(F)=

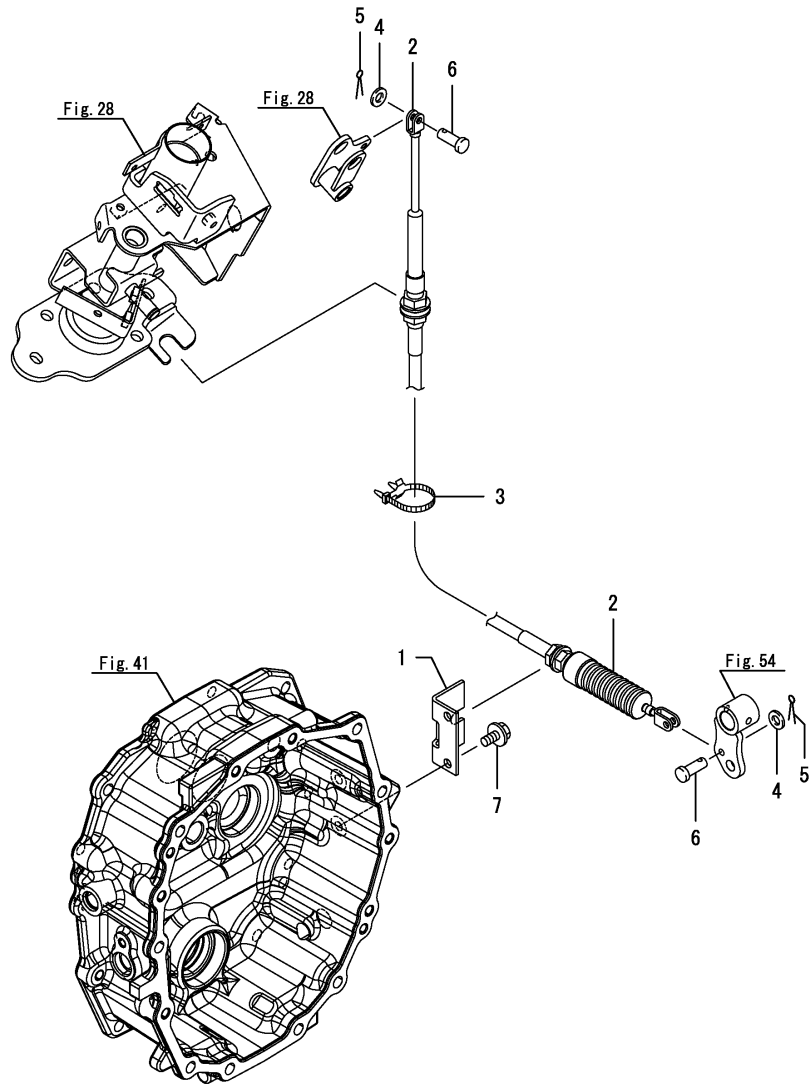


No.	Lev.	Parts No.	Description	Qty						I	R
				(A)	(B)	(C)	(D)	(E)	(F)		
1	1	198119-27150	COLLAR, ARM	1							
2	1	1A8310-27310	ARM, SHIFT REVERSER	1							
3	1	198200-27370	FORK, REVERSER SHIFT	1							
4	1	1A8310-27380	SHAFT, FORK REVERSER	1							
5	1	1A8310-27410	ARM, SHIFT	1							
6	1	194145-27450	SPRING	1							
7	1	22351-060036	PIN, SPRING 6.0X36	1							
8	1	22351-060036	PIN, SPRING 6.0X36	1							
9	1	24190-100001	BALL, STEEL 5/16	1							
10	1	24311-000160	O-RING, 1AP16.0	1							

Fig.55. REVERSER LEVER

(A)=EF393T(AU)
 (B)=
 (C)=

(D)=
 (E)=
 (F)=

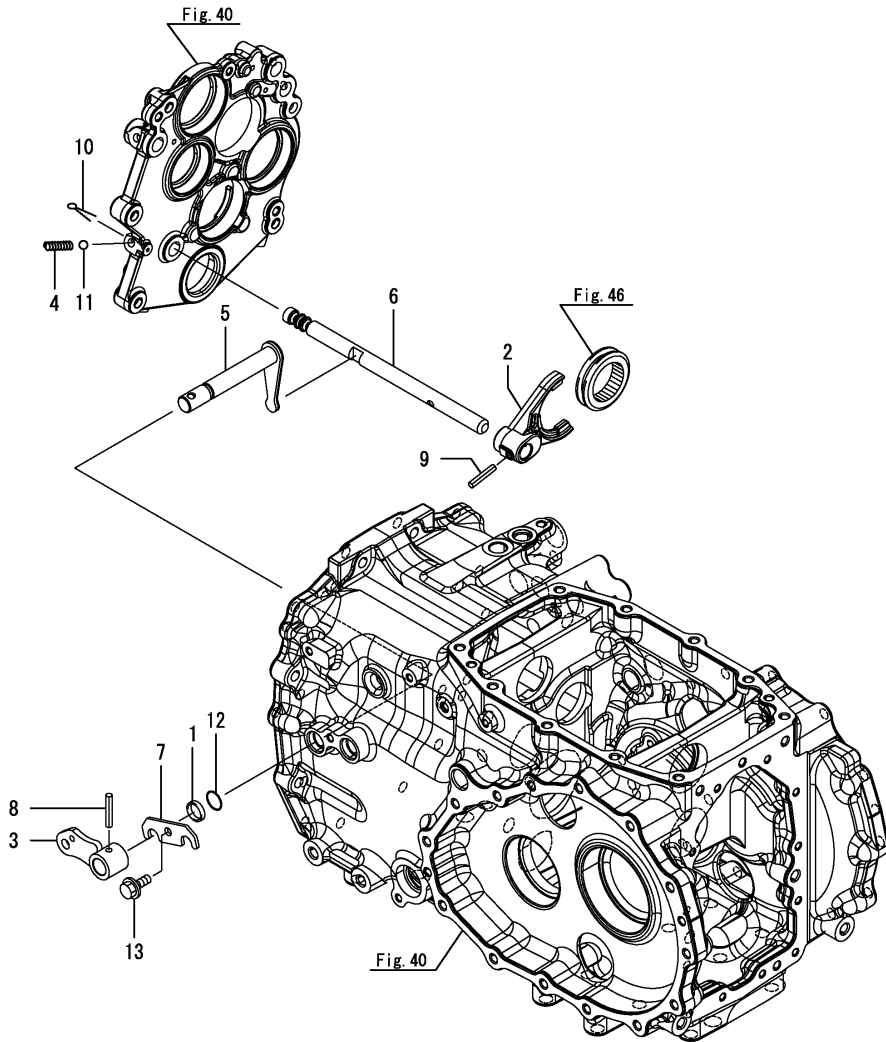


No.	Lev.	Parts No.	Description	Q'ty						I	R
				(A)	(B)	(C)	(D)	(E)	(F)		
1	1	1A8310-27490	PLATE, REVERSER WIRE	1							
2	1	198200-27530	WIRE ASSY, REVERSER	1							
3	1	194680-51670	BAND, CLIP	1							
4	1	22137-060000	WASHER, 6	2							
5	1	22417-160180	PIN, COTTER 1.6X18	2							
6	1	22487-060160	PIN, H 6X 16	2							
7	1	26106-080162	BOLT, M8X 16 PLATED	2							

Fig.56. SUB SHIFT

(A)=EF393T(AU)
(B)=
(C)=

(D)=
(E)=
(F)=

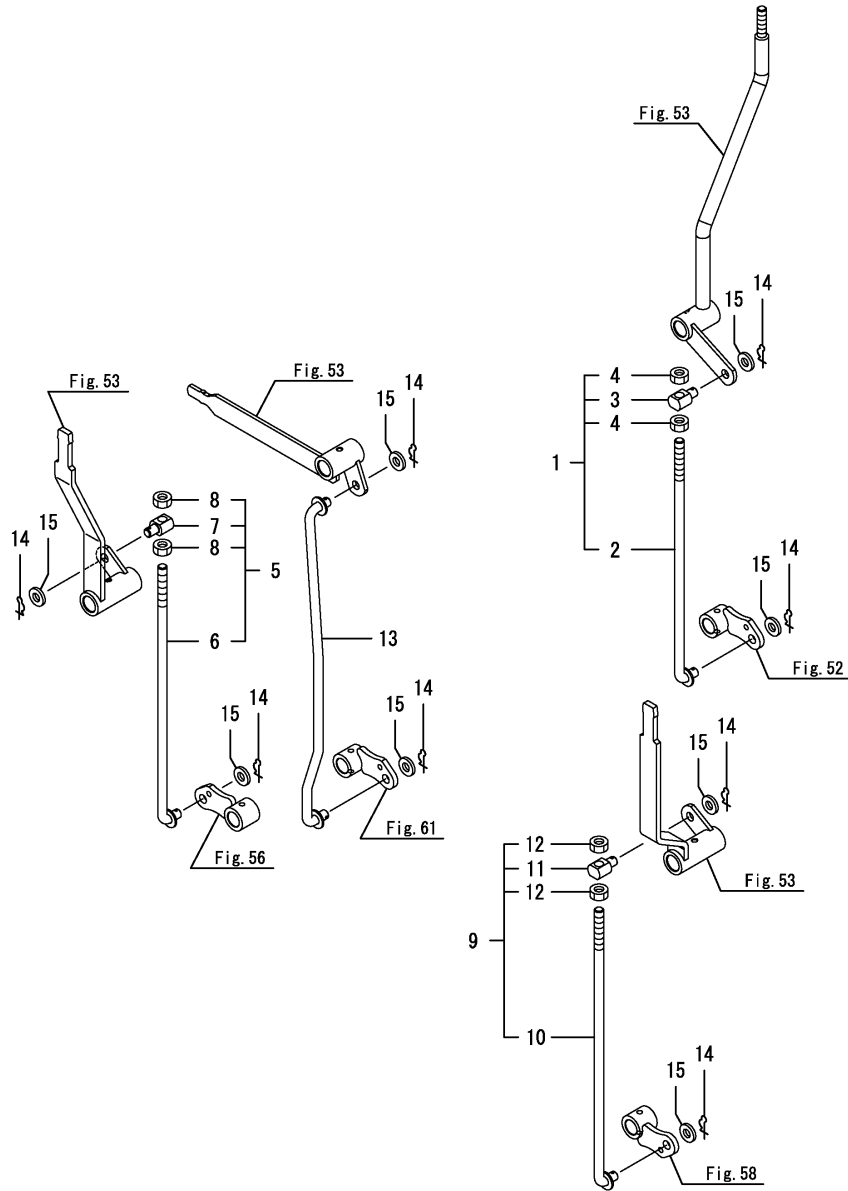


No.	Lev.	Parts No.	Description	Q'ty						I	R
				(A)	(B)	(C)	(D)	(E)	(F)		
1	1	198119-27150	COLLAR, ARM	1							
2	1	198200-27170	FORK, SHIFT	1							
3	1	1A8310-27410	ARM, SHIFT	1							
4	1	194145-27450	SPRING	1							
5	1	1A8310-27520	ARM, RANGE SHIFT	1							
6	1	1A8310-27570	SHAFT, FORK RANGE	1							
7	1	1A8310-27740	PLATE, B	1							
8	1	22351-060036	PIN, SPRING 6.0X36	1							
9	1	22351-060036	PIN, SPRING 6.0X36	1							
10	1	22417-320400	PIN, COTTER 3.2X40	1							
11	1	24190-100001	BALL, STEEL 5/16	1							
12	1	24311-000160	O-RING, 1AP16.0	1							
13	1	26106-080162	BOLT, M8X 16 PLATED	1							

Fig.57. SHIFT LINK

(A)=EF393T(AU)
(B)=
(C)=

(D)=
(E)=
(F)=

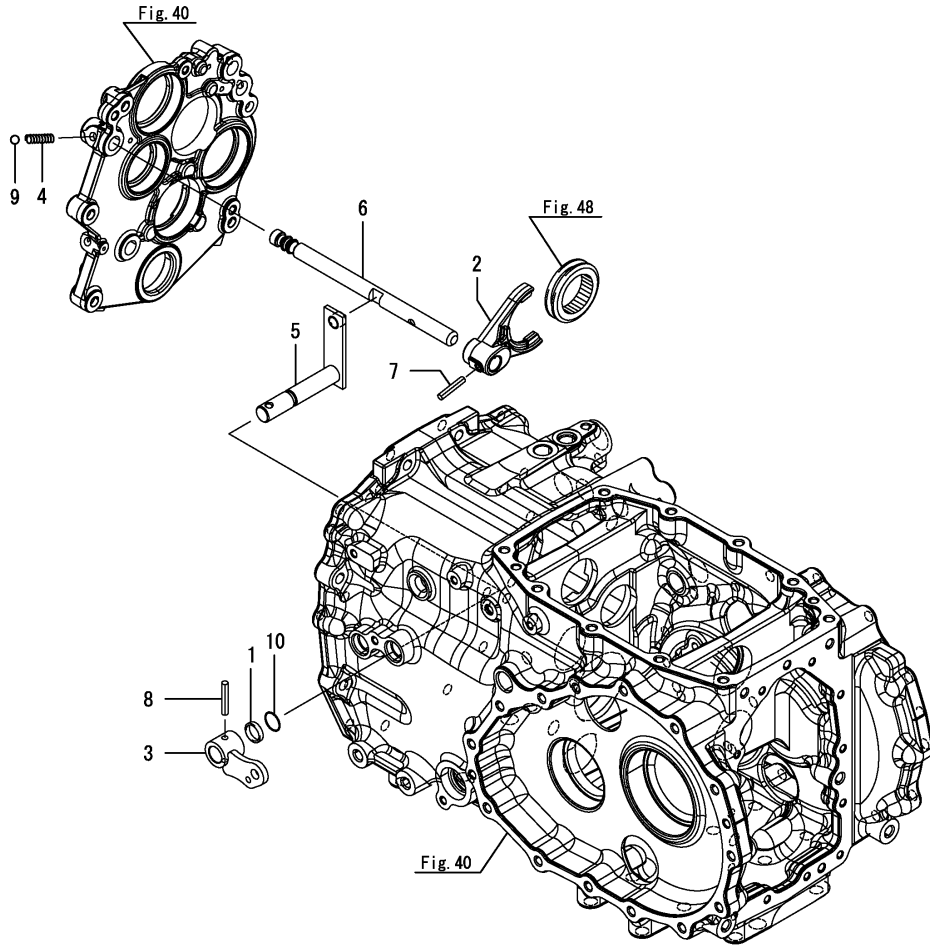


No.	Lev.	Parts No.	Description	Qty						I	R
				(A)	(B)	(C)	(D)	(E)	(F)		
1	1	1A8310-28000	ROD KIT, MAIN SHIFT	1							
2	2	1A8310-28010	ROD ASSY, LINK 315	1							
3	2	1A8310-28110	JOINT	1							
4	2	26716-100002	NUT, M10	2							
5	1	1A8310-28030	ROD KIT, RANGE SHIFT	1							
6	2	1A8310-28040	ROD ASSY, LINK 335	1							
7	2	1A8310-28110	JOINT	1							
8	2	26716-100002	NUT, M10	2							
9	1	1A8310-28060	ROD KIT, PTO	1							
10	2	1A8310-28070	ROD ASSY, LINK 360	1							
11	2	1A8310-28110	JOINT	1							
12	2	26716-100002	NUT, M10	2							
13	1	1A8310-28090	ROD ASSY, 4WD	1							
14	1	1C6360-65700	PIN, SNAP 10	8							
15	1	22137-100000	WASHER, 10	8							

Fig.58. P.T.O. SHIFT

(A)=EF393T(AU)
(B)=
(C)=

(D)=
(E)=
(F)=

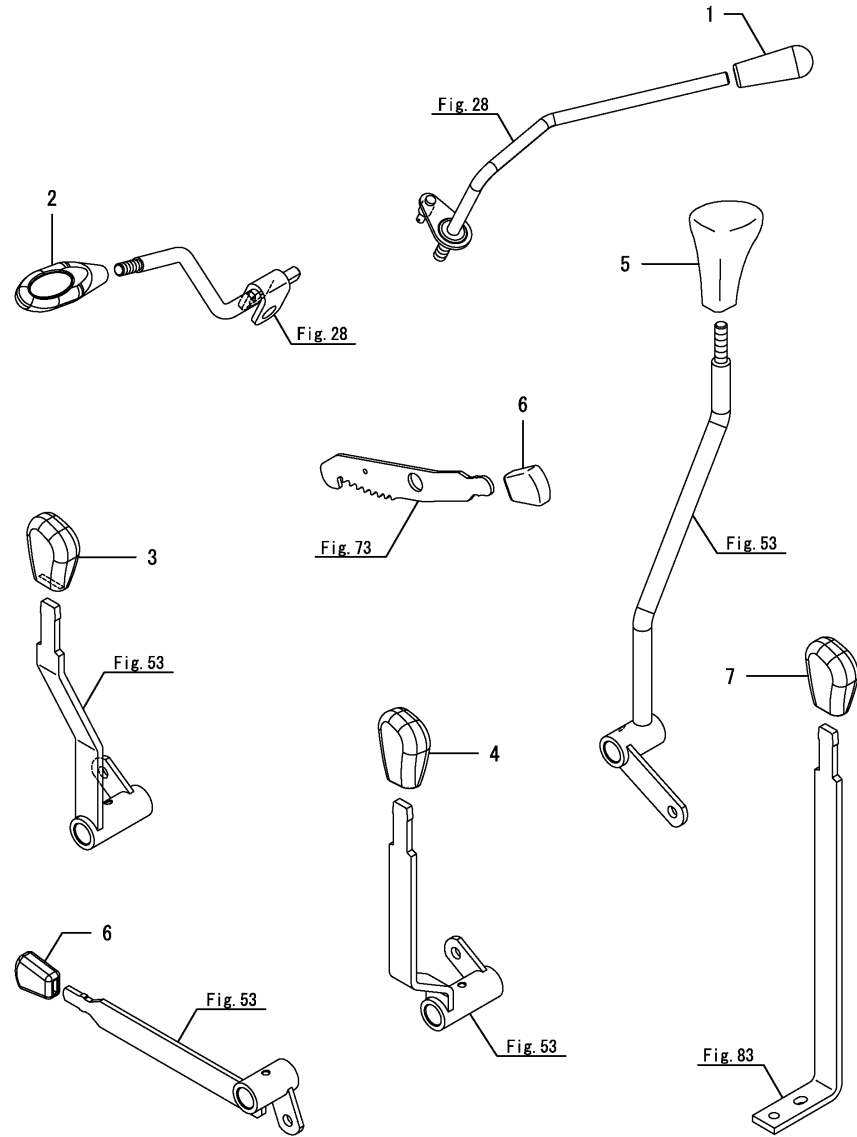


No.	Lev.	Parts No.	Description	Q'ty						I	R
				(A)	(B)	(C)	(D)	(E)	(F)		
1	1	198119-27150	COLLAR, ARM	1							
2	1	198200-27170	FORK, SHIFT	1							
3	1	1A8310-27410	ARM, SHIFT	1							
4	1	194145-27450	SPRING	1							
5	1	1A8310-27710	ARM, PTO SHIFT	1							
6	1	1A8310-27780	SHAFT, FORK PTO	1							
7	1	22351-060036	PIN, SPRING 6.0X36	1							
8	1	22351-060036	PIN, SPRING 6.0X36	1							
9	1	24190-100001	BALL, STEEL 5/16	1							
10	1	24311-000160	O-RING, 1AP16.0	1							

Fig.59. SHIFT KNOB

(A)=EF393T(AU)
(B)=
(C)=

(D)=
(E)=
(F)=



No.	Lev.	Parts No.	Description	Q'ty						I	R
				(A)	(B)	(C)	(D)	(E)	(F)		
1	1	1A8115-01190	KNOB, LEVER	1							
2	1	1A8115-18350	KNOB, LEVER	1							
3	1	1A8115-27810	KNOB, ORANGE	1							
4	1	1A8115-27910	KNOB, YELLOW	1							
5	1	1A8115-28010	KNOB, MAIN SHIFT	1							
6	1	1A8115-37580	KNOB, PARKING BRAKE	2							
7	1	1A8115-47810	KNOB, BLACK	1							

Fig.60. FRONT DRIVE

(A)=EF393T(AU)
(B)=
(C)=

(D)=
(E)=
(F)=

No.	Lev.	Parts No.	Description	Q'ty						I	R
				(A)	(B)	(C)	(D)	(E)	(F)		
1	1	1A8310-28180	SHAFT, FRONT DRIVE	1							
2	1	1A8160-28230	SHIFTER, FRONT	1							
3	1	1A8310-28230	GEAR, FRONT DRIVE	1							
4	1	1A8310-28280	SPRING, 29	1							
5	1	24101-062054	BEARING, BALL 6205	1							
6	1	24101-063034	BEARING, BALL 6303	1							
7	1	24190-080001	BALL, STEEL 1/4	2							

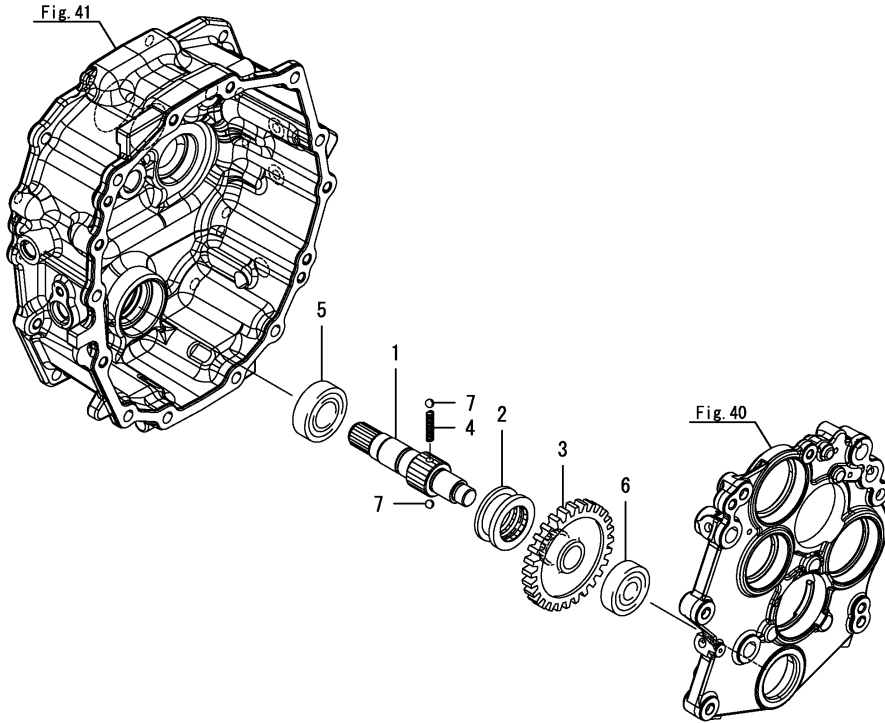
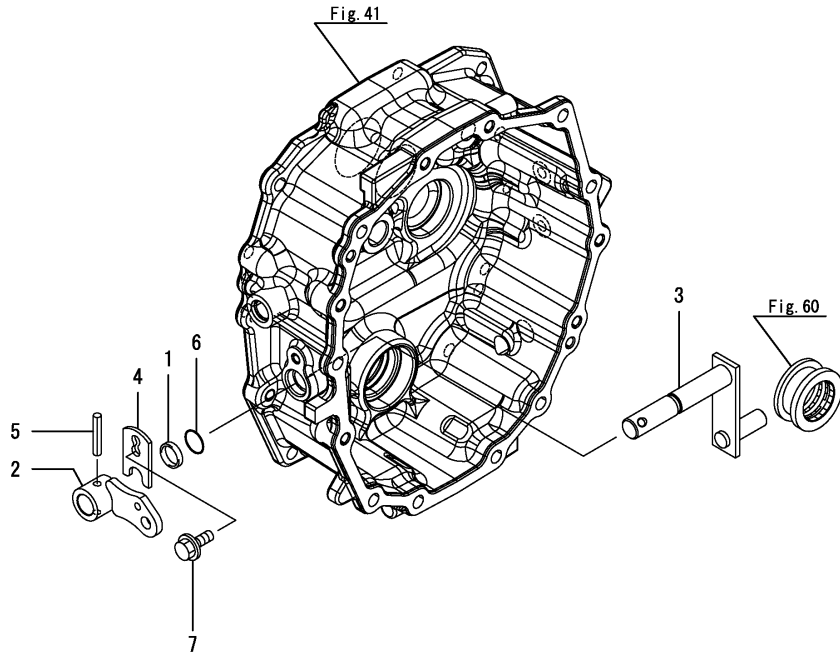


Fig.61. FRONT SHIFT

(A)=EF393T(AU)
(B)=
(C)=

(D)=
(E)=
(F)=

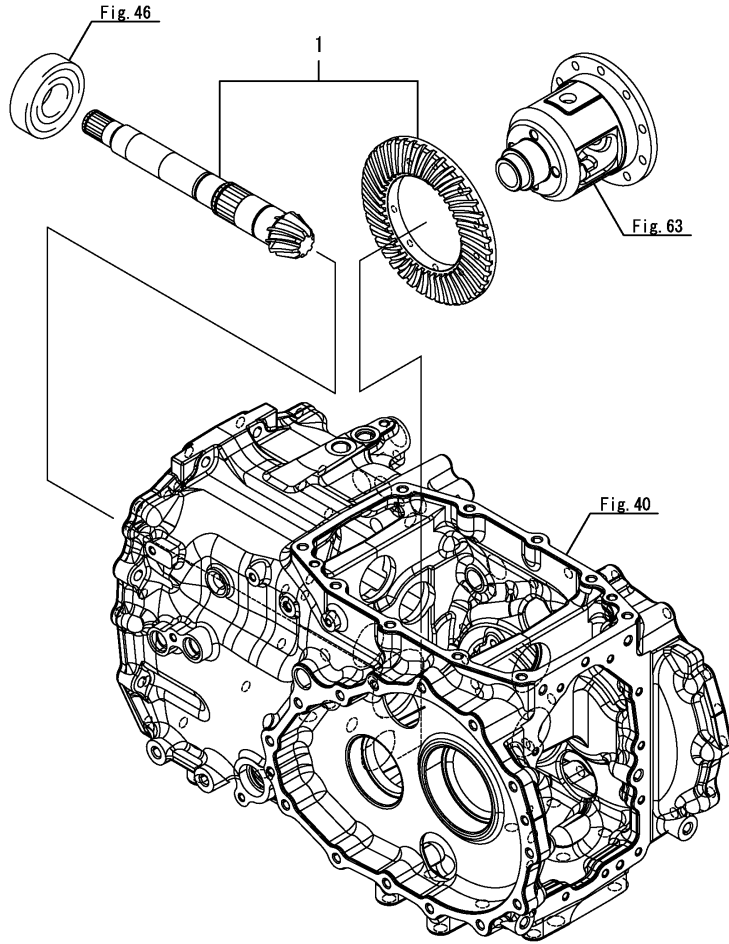


No.	Lev.	Parts No.	Description	Q'ty						I	R
				(A)	(B)	(C)	(D)	(E)	(F)		
1	1	198119-27150	COLLAR, ARM	1							
2	1	1A8310-27410	ARM, SHIFT	1							
3	1	1A8310-28510	ARM, 4WD SHIFT	1							
4	1	1A8310-28560	PLATE, KEEP	1							
5	1	22351-060036	PIN, SPRING 6.0X36	1							
6	1	24311-000160	O-RING, 1AP16.0	1							
7	1	26106-080162	BOLT, M8X 16 PLATED	1							

Fig.62. RING GEAR

(A)=EF393T(AU)
(B)=
(C)=

(D)=
(E)=
(F)=

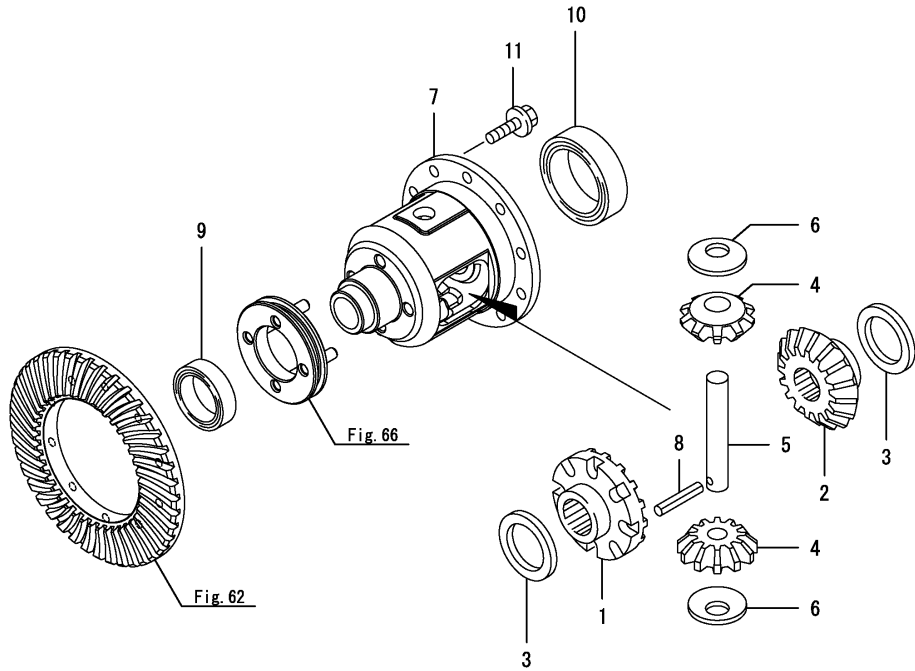


No.	Lev.	Parts No.	Description	Qty						I	R	
				(A)	(B)	(C)	(D)	(E)	(F)			
1	1	1A8310-31400	GEAR ASSY, RING	1								

Fig.63. DIFFERENTIAL GEAR

(A)=EF393T(AU)
(B)=
(C)=

(D)=
(E)=
(F)=



No.	Lev.	Parts No.	Description	Q'ty						I	R
				(A)	(B)	(C)	(D)	(E)	(F)		
1	1	198200-31510	GEAR, DIFFERENTIAL L	1							
2	1	194525-31520	GEAR, DIFFERENTIAL R	1							
3	1	194515-31610	WASHER, DIFFERENTIAL	2							
4	1	198200-31810	PINION, DIFFERENTIAL	2							
5	1	1A8310-31820	SHAFT, DIFF. PINION	1							
6	1	194515-31850	WASHER, DIFFERENTIAL	2							
7	1	198200-32110	CASE, DIFFERENTIAL	1							
8	1	22351-040040	PIN, SPRING 4.0X40	1							
9	1	24101-060074	BEARING, BALL 6007	1							
10	1	24101-062074	BEARING, BALL 6207	1							
11	1	26106-080162	BOLT, M8X 16 PLATED	10							

Fig.64. DIFFERENTIAL CARRIER

(A)=EF393T(AU)
 (B)=
 (C)=

(D)=
 (E)=
 (F)=

No.	Lev.	Parts No.	Description	Q'ty						I	R
				(A)	(B)	(C)	(D)	(E)	(F)		
1	1	198200-32320	CARRIER	1							
2	1	194850-32340	SHIM SET	1							
3	1	26106-100252	BOLT, M10X 25 PLATED	4							

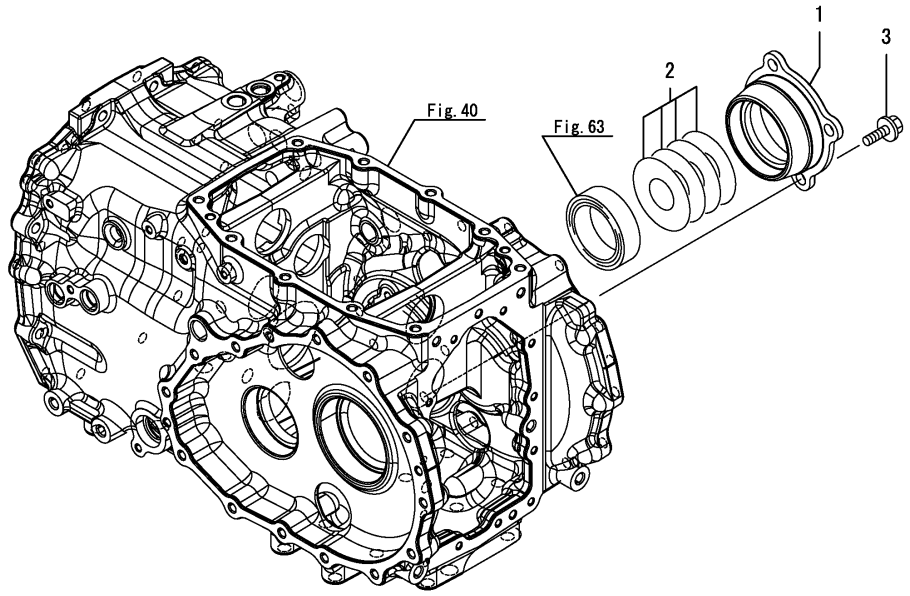


Fig.65. REAR HOUSING

(A)=EF393T(AU)
(B)=
(C)=

(D)=
(E)=
(F)=

No.	Lev.	Parts No.	Description	Q'ty						I	R
				(A)	(B)	(C)	(D)	(E)	(F)		
1	1	1A8310-32600	HOUSING ASSY, AXLE	2							
2	2	24421-253506	SEAL, OIL TC253506	2							
3	1	198475-32660	SEAL, QLN527514.5	2							
4	1	198200-32731-1	CASE, OIL SEAL	2							
5	1	22312-080140	PIN, PARALLEL M8X14	4							
6	1	26106-080352	BOLT, M8X 35 PLATED	8							
7	1	26106-100402	BOLT, M10X 40 PLATED	28							

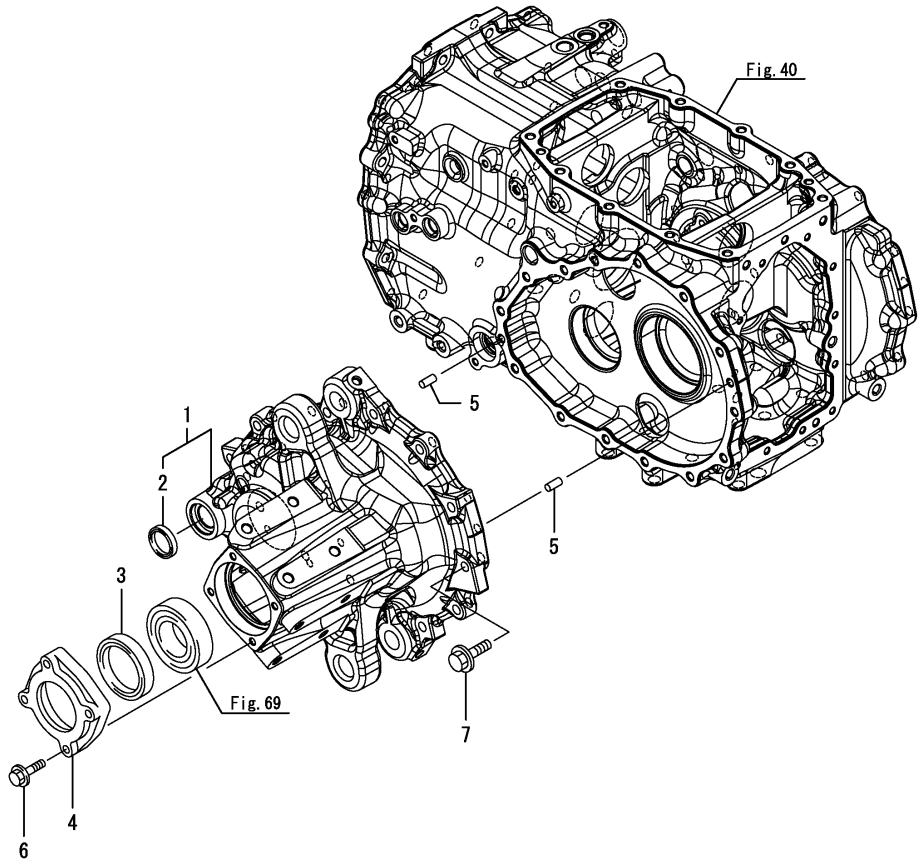
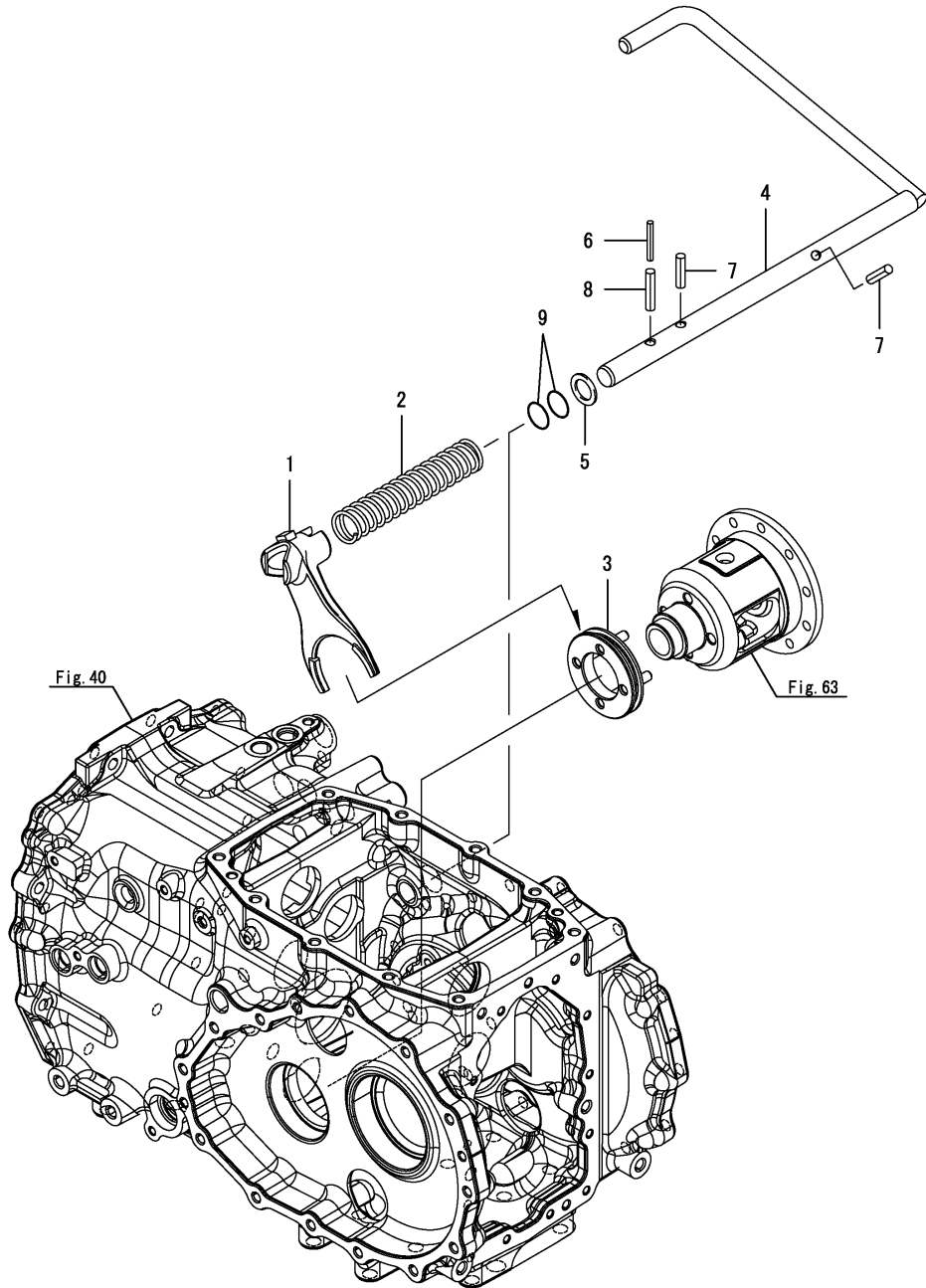


Fig.66. DIFFERENTIAL LOCK

(A)=EF393T(AU)
(B)=
(C)=

(D)=
(E)=
(F)=



No.	Lev.	Parts No.	Description	Q'ty						I	R
				(A)	(B)	(C)	(D)	(E)	(F)		
1	1	198200-33111	FORK, LOCK	1							
2	1	1A8310-33140	SPRING	1							
3	1	198200-33150	SLIDER, LOCK	1							
4	1	1A8310-33210	SHAFT ASSY, LOCK	1							
5	1	1A7510-36490	WASHER, 20X30X2	1							
6	1	22351-050040	PIN, SPRING 5.0X40	1							
7	1	22351-080032	PIN, SPRING 8.0X32	2							
8	1	22351-080040	PIN, SPRING 8.0X40	1							
9	1	24311-000200	O-RING, 1AP20.0	2							

Fig.67. FINAL PINION

(A)=EF393T(AU)
(B)=
(C)=

(D)=
(E)=
(F)=

No.	Lev.	Parts No.	Description	Qty						I	R
				(A)	(B)	(C)	(D)	(E)	(F)		
1	1	1A8310-33410	PINION, FINAL L.H.	1							
2	1	1A8310-33420	PINION, FINAL R.H.	1							
3	1	24101-063064	BEARING, BALL 6306	4							

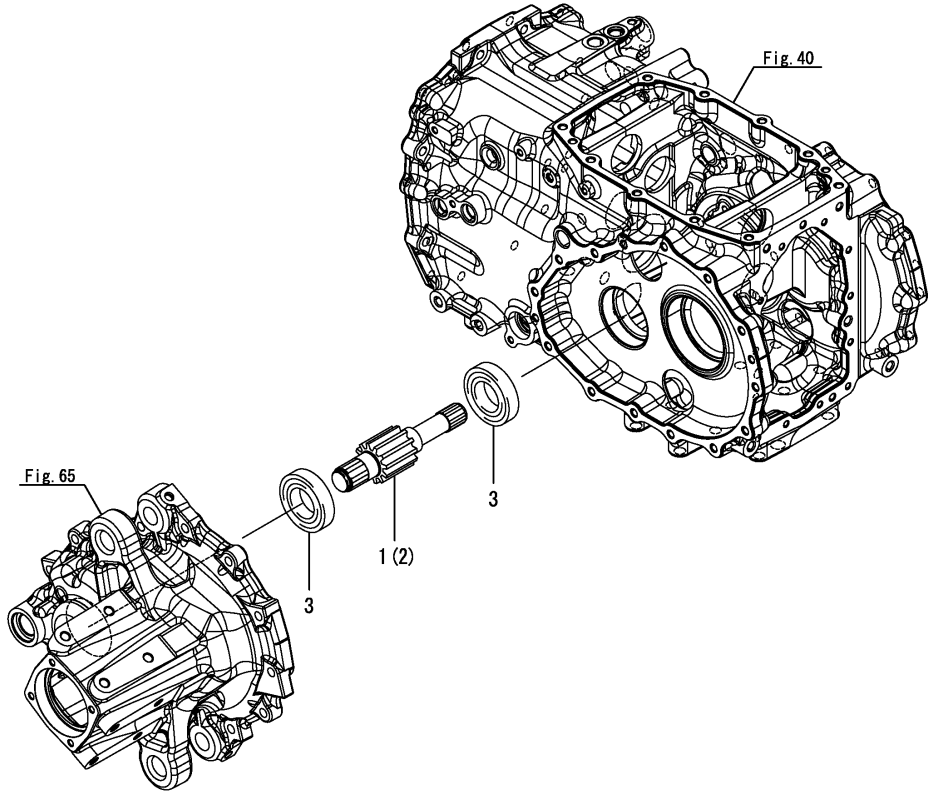


Fig.68. FINAL GEAR

(A)=EF393T(AU)
 (B)=
 (C)=

(D)=
 (E)=
 (F)=

No.	Lev.	Parts No.	Description	Q'ty						I	R
				(A)	(B)	(C)	(D)	(E)	(F)		
1	1	1A8310-33500	GEAR, FINAL	2							

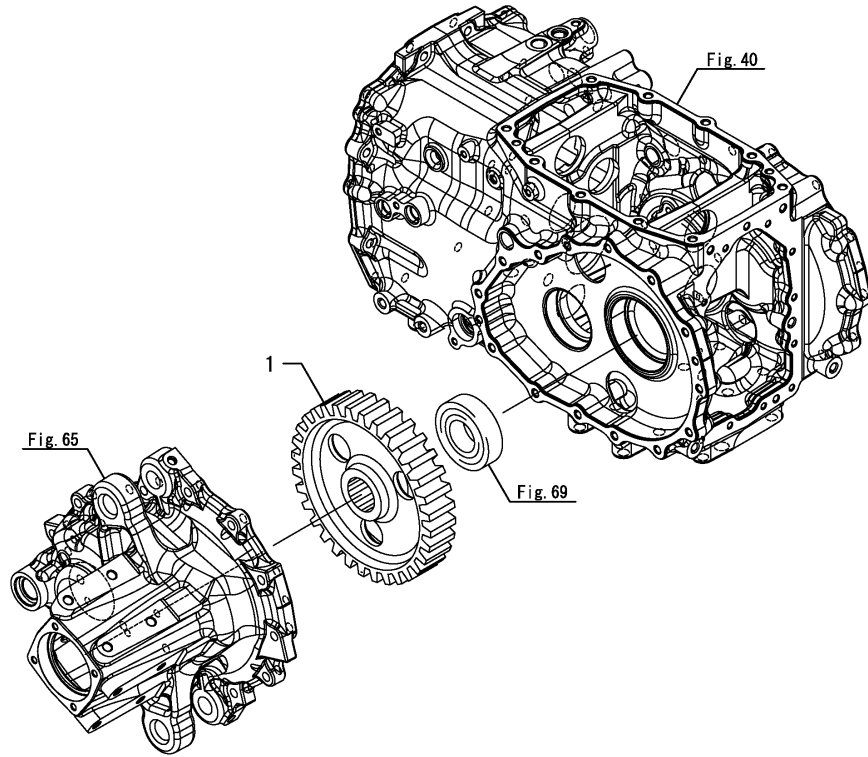


Fig.69. REAR AXLE SHAFT

(A)=EF393T(AU)
(B)=
(C)=

(D)=
(E)=
(F)=

No.	Lev.	Parts No.	Description	Qty						I	R
				(A)	(B)	(C)	(D)	(E)	(F)		
1	1	194440-32580	COLLAR, 45X55X20	4							
2	1	1A8310-34110	SHAFT, REAR AXLE	2							
3	1	198196-34140	RING, 45	4							
4	1	24101-062094	BEARING, BALL 6209	2							
5	1	24101-063084	BEARING, BALL 6308	2							

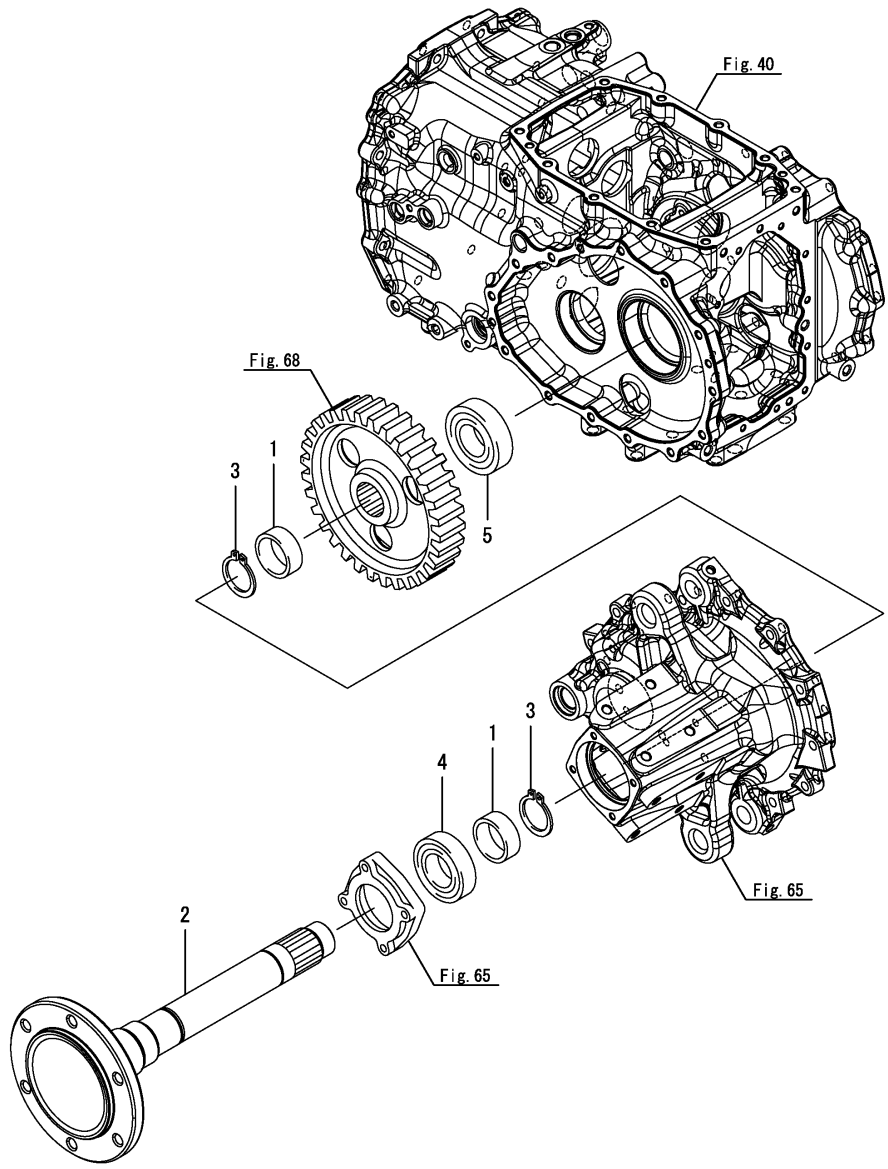
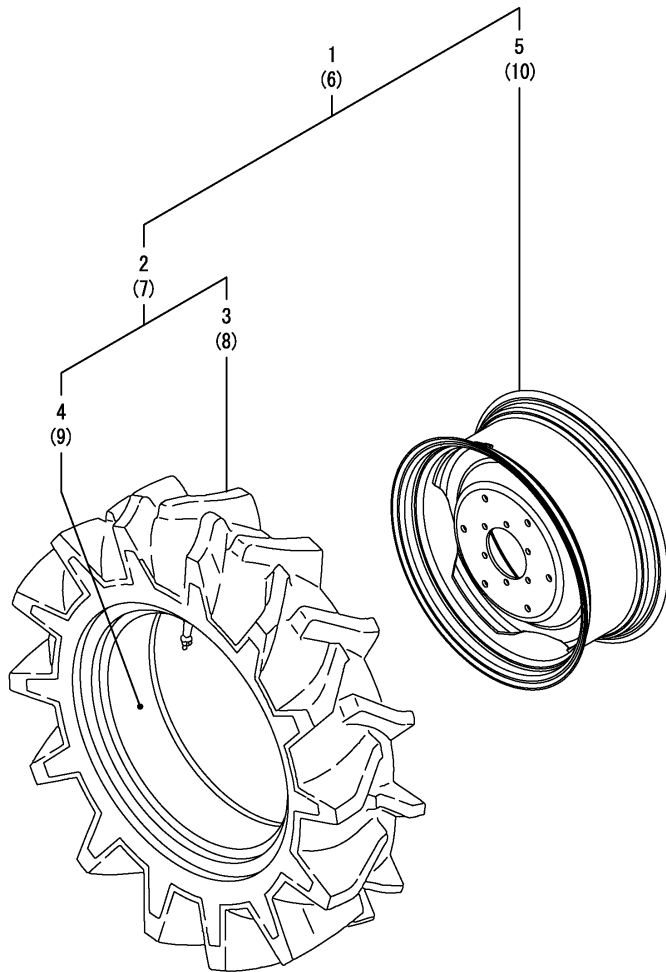


Fig.70. REAR WHEEL TIRE



(A)=EF393T(AU)
(B)=
(C)=

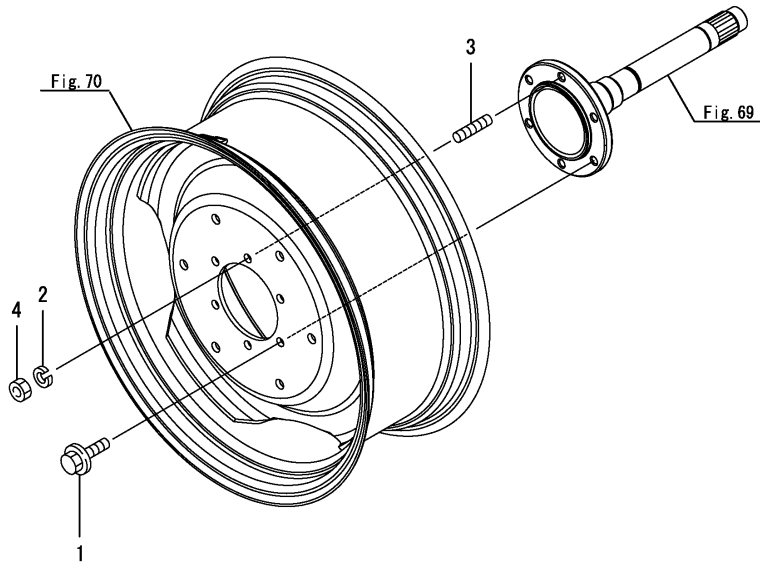
(D)=
(E)=
(F)=

No.	Lev.	Parts No.	Description	Q'ty						I	R
				(A)	(B)	(C)	(D)	(E)	(F)		
1	1	1A8310-34700	TIRE KIT,12.4-24 L	1							
2	2	1A8310-34710	TIRE ASSY,12.4-24	1							
3	3	1A8310-34730	TIRE,12.4-24	1							
4	3	1A8310-34740	TUBE,12.4-24	1							
5	2	1A8310-34720	WHEEL ASSY,W10 X 24	1							
6	1	1A8310-34800	TIRE KIT,12.4-24 R	1							
7	2	1A8310-34710	TIRE ASSY,12.4-24	1							
8	3	1A8310-34730	TIRE,12.4-24	1							
9	3	1A8310-34740	TUBE,12.4-24	1							
10	2	1A8310-34720	WHEEL ASSY,W10 X 24	1							

Fig.71. HUB BOLT(REAR)

(A)=EF393T(AU)
(B)=
(C)=

(D)=
(E)=
(F)=

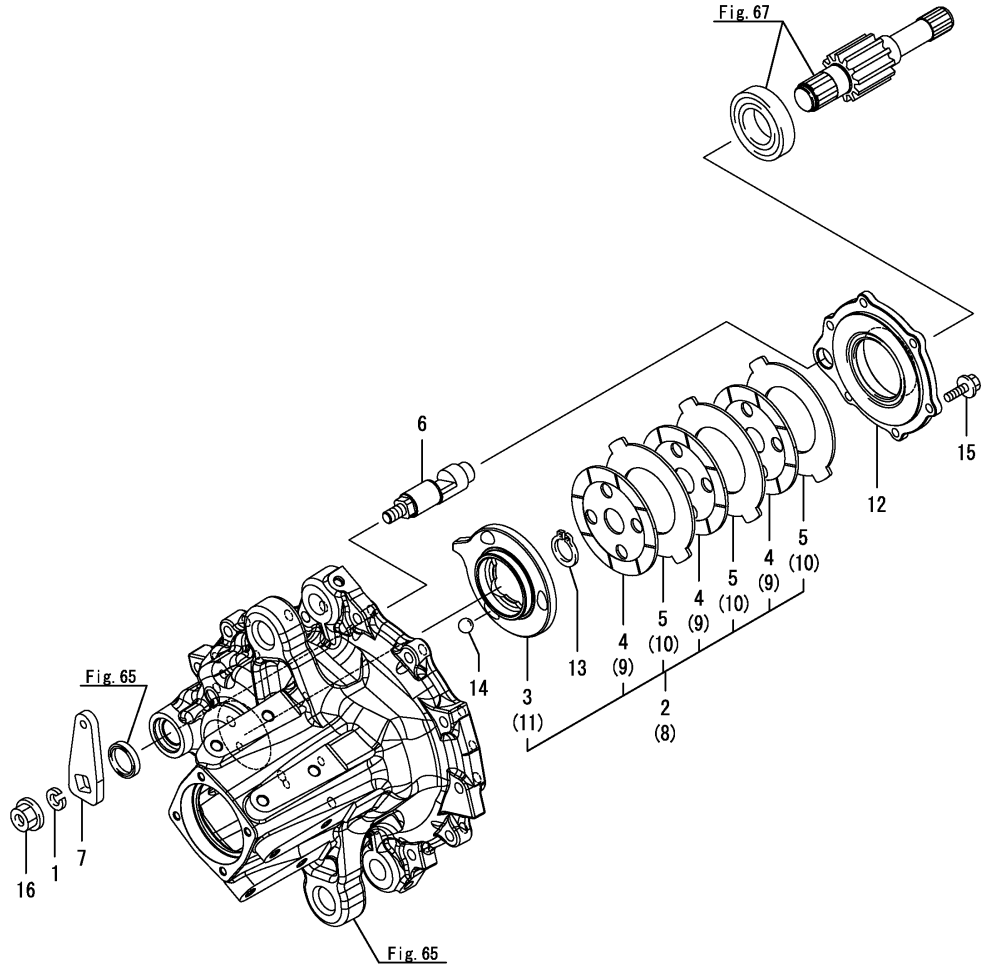


No.	Lev.	Parts No.	Description	Q'ty						I	R
				(A)	(B)	(C)	(D)	(E)	(F)		
1	1	194881-12650	BOLT, M14X24	8							
2	1	194279-14220	WASHER, 14	4							
3	1	198200-34130	STUD, M14X31	4							
4	1	198200-34190	NUT, M14	4							

Fig.72. BRAKE

(A)=EF393T(AU)
(B)=
(C)=

(D)=
(E)=
(F)=



No.	Lev.	Parts No.	Description	Q'ty						I	R
				(A)	(B)	(C)	(D)	(E)	(F)		
1	1	194274-13580	WASHER, SPRING 12	2							
2	1	1A8310-36300	BRAKE KIT,L	1							
3	2	1A8310-36310	ACTUATOR, L	1							
4	2	1A8310-36380	DISK, FRICTION 114	3							
5	2	198200-36390	PLATE, STEEL	3							
6	1	198200-36341	CAMSHAFT	2							
7	1	198200-36350-1	ARM, BRAKE	2							
8	1	1A8310-36400	BRAKE KIT,R	1							
9	2	1A8310-36380	DISK, FRICTION 114	3							
10	2	198200-36390	PLATE, STEEL	3							
11	2	1A8310-36410	ACTUATOR, R	1							
12	1	198200-36422	HOLDER, BEARING	2							
13	1	22242-000260	RING, 26	2							
14	1	24190-170001	BALL, STEEL 17/32	6							
15	1	26106-080202	BOLT, M8X 20 PLATED	12							
16	1	26376-120002	NUT, M12	2							

Fig.73. PEDAL

(A)=EF393T(AU)

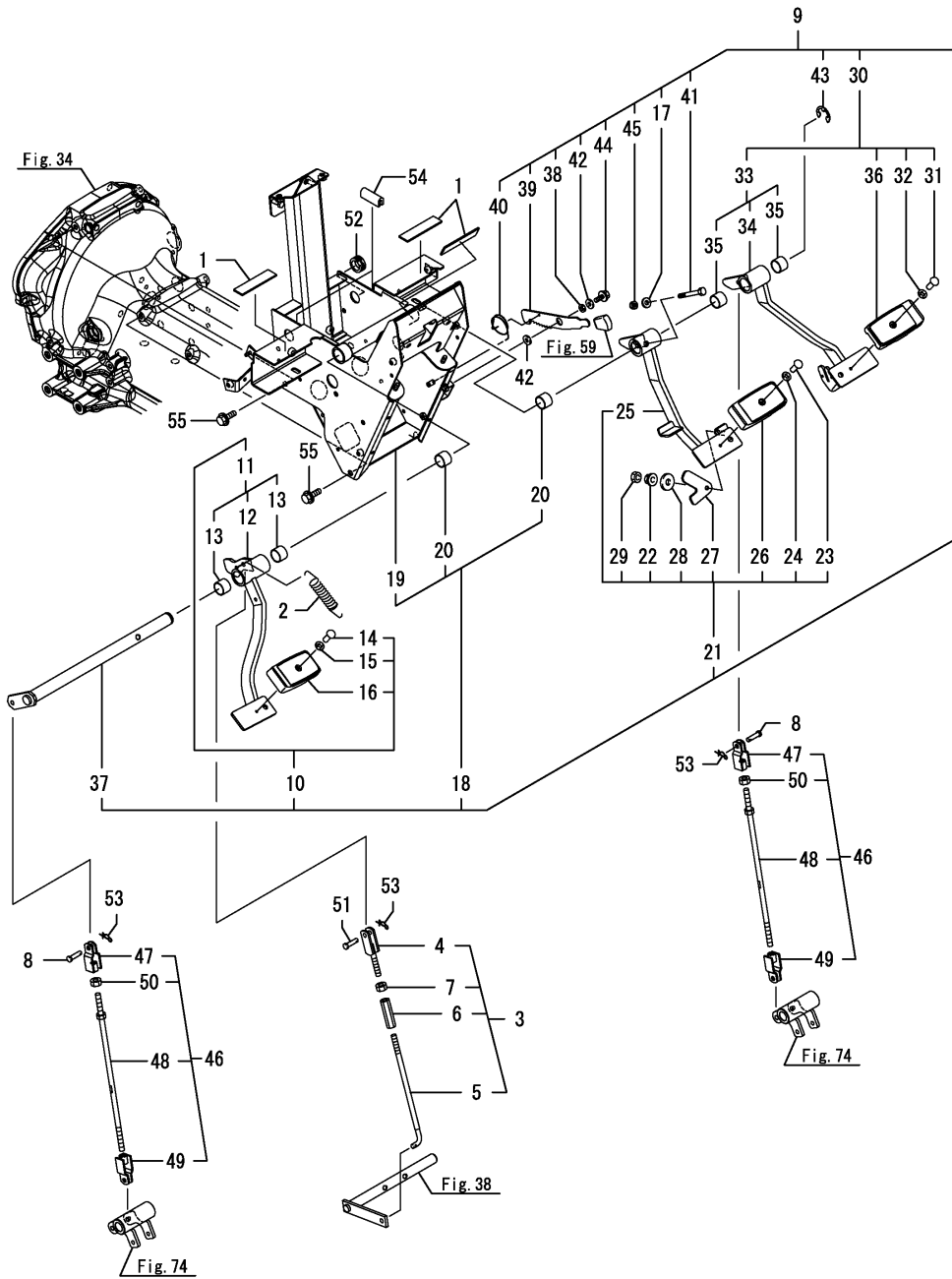
(B)=

(C)=

(D)=

(E)=

(F)=

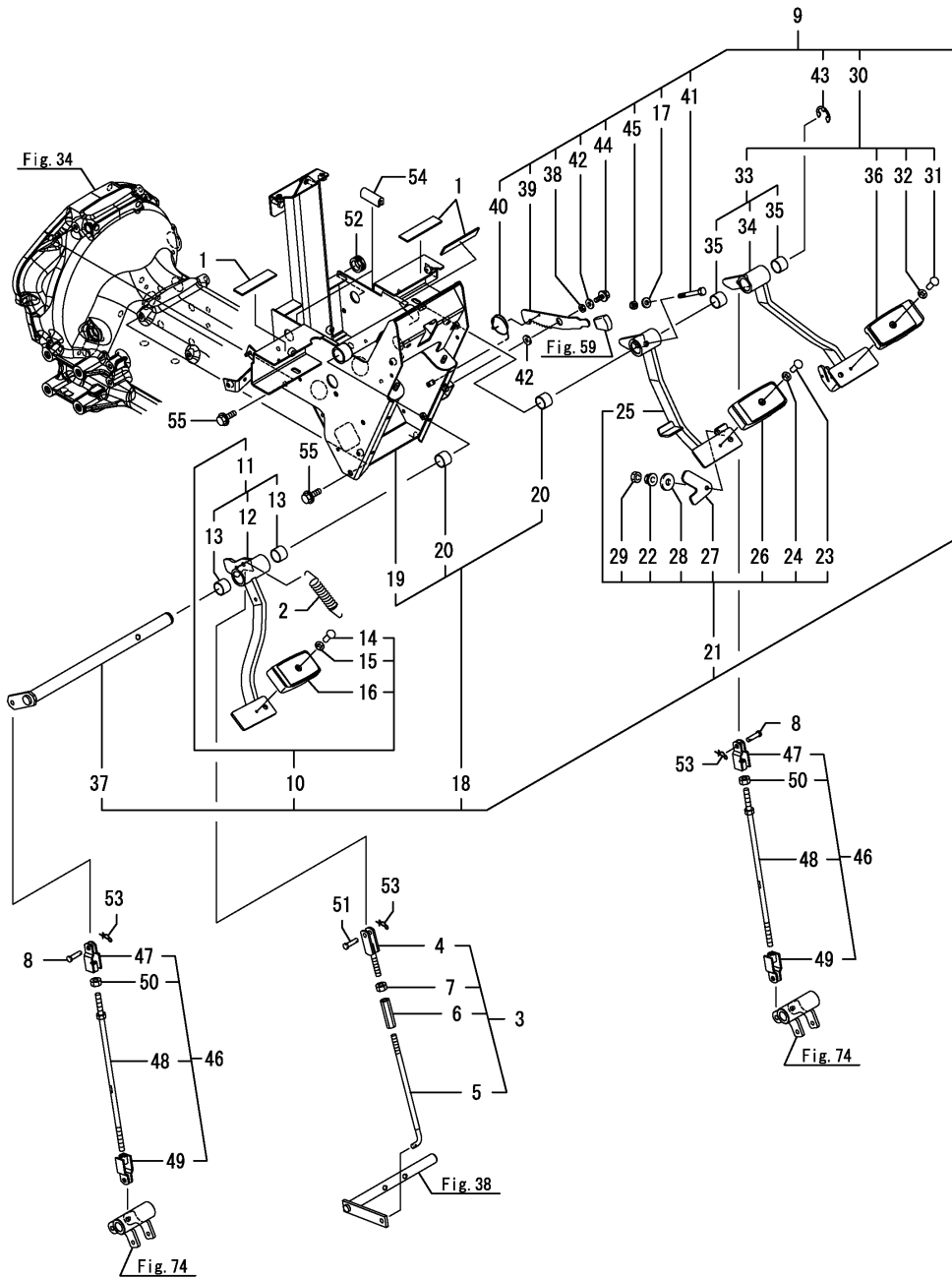


No.	Lev.	Parts No.	Description	Q'ty						I	R
				(A)	(B)	(C)	(D)	(E)	(F)		
1	1	198165-04380	RUBBER, 100X25X3	3							
2	1	1A8115-22510	SPRING, RETURN	1							
3	1	1A8115-22650	ROD ASSY, CLUTCH	1							
4	2	1A8115-22660	JOINT, 2-WAY	1							
5	2	1A8115-22690	ROD, CLUTCH	1							
6	2	1A8115-22700	TURNBUCKLE, M10	1							
7	2	26707-100002	NUT, M10	1							
8	1	194312-27780	PIN, 8.9	2							
9	1	1A8310-37100	PEDAL UNIT	1							
10	2	1A8310-22390	PEDAL UNIT, CLUTCH	1							
11	3	1A8310-22400	PEDAL ASSY, CLUTCH	1							
12	4	1A8310-22410	PEDAL, CLUTCH	1							
13	4	24550-025200	BUSH, 25X20	2							
14	3	198133-22510	RIVET, PEDAL HEAD	1							
15	3	198133-22530	WASHER, RIVET	1							
16	3	198071-37510	COVER, HEAD	1							
17	2	1C6053-32020	WASHER, 8.5X20X3.2	1							
18	2	1A8310-37110	BRACKET UNIT, PEDAL	1							
19	3	1A8310-37120	BRACKET ASSY, PEDAL	1							
20	3	24550-025200	BUSH, 25X20	2							
21	2	1A8310-37290	PEDAL UNIT, BRAKE L	1							
22	3	194990-22140	NUT, M8	1							
23	3	198133-22510	RIVET, PEDAL HEAD	1							
24	3	198133-22530	WASHER, RIVET	1							
25	3	1A8310-37300	PEDAL ASSY, BRAKE L	1							
26	3	198071-37510	COVER, HEAD	1							
27	3	1A8260-37520	CONNECTOR,	1							
28	3	22157-080000	WASHER, 8	1							
29	3	26716-080002	NUT, M8	1							
30	2	1A8310-37390	PEDAL UNIT, BRAKE R	1							
31	3	198133-22510	RIVET, PEDAL HEAD	1							
32	3	198133-22530	WASHER, RIVET	1							
33	3	1A8310-37400	PEDAL ASSY, BRAKE R	1							
34	4	1A8310-37410	PEDAL, BRAKE R.H.	1							
35	4	24550-025200	BUSH, 25X20	2							
36	3	198071-37510	COVER, HEAD	1							
37	2	1A8310-37550	SHAFT ASSY, BRAKE	1							
38	2	198200-37640	COLLAR	1							
39	2	198200-37650	LEVER, BRAKE LOCK	1							
40	2	198475-37690	SPRING, LOCK	1							
41	2	1A7130-37990	BOLT, REAMER M8X55	1							
42	2	22157-080000	WASHER, 8	2							
43	2	22272-000190	RING, E-19	1							
44	2	26106-080202	BOLT, M8X 20 PLATED	1							
45	2	26346-080002	NUT, M8	1							
46	1	1A8115-37610	ROD ASSY, BRAKE F	2							
47	2	1A8115-37620	JOINT, 2-WAY	2							
48	2	1A8115-37660	ROD ASSY, BRAKE	2							
49	2	1A8115-37680	JOINT, 2-WAY	2							
50	2	26707-100002	NUT, M10	2							
51	1	198220-37900	PIN, 8X24	1							

Fig.73. PEDAL

(A)=EF393T(AU)
(B)=
(C)=

(D)=
(E)=
(F)=

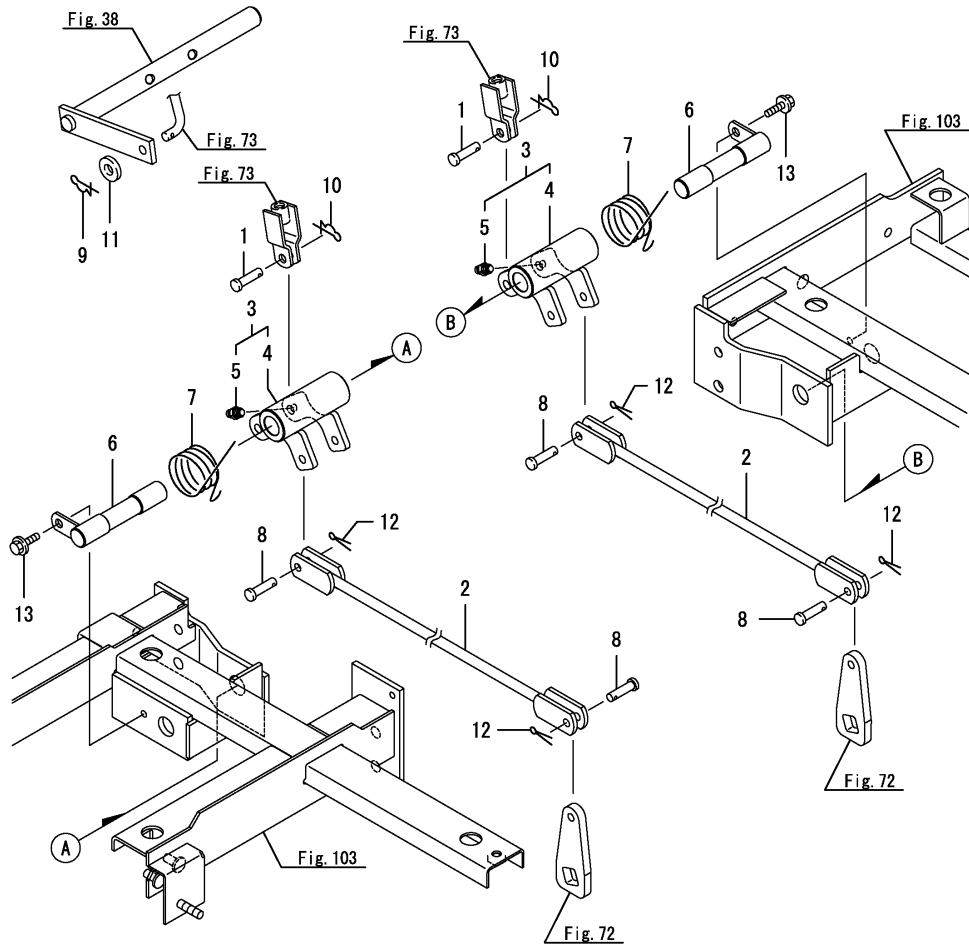


No.	Lev.	Parts No.	Description	Q'ty						I	R
				(A)	(B)	(C)	(D)	(E)	(F)		
52	1	198245-51210	GROMMET, 25/18	1							
53	1	1C6281-52320	PIN, SNAP 8	3							
54	1	1A6750-61830	RUBBER, EDGE	2							
55	1	26106-100202	BOLT, M10X 20 PLATED	4							

Fig.74. BRAKE LINK

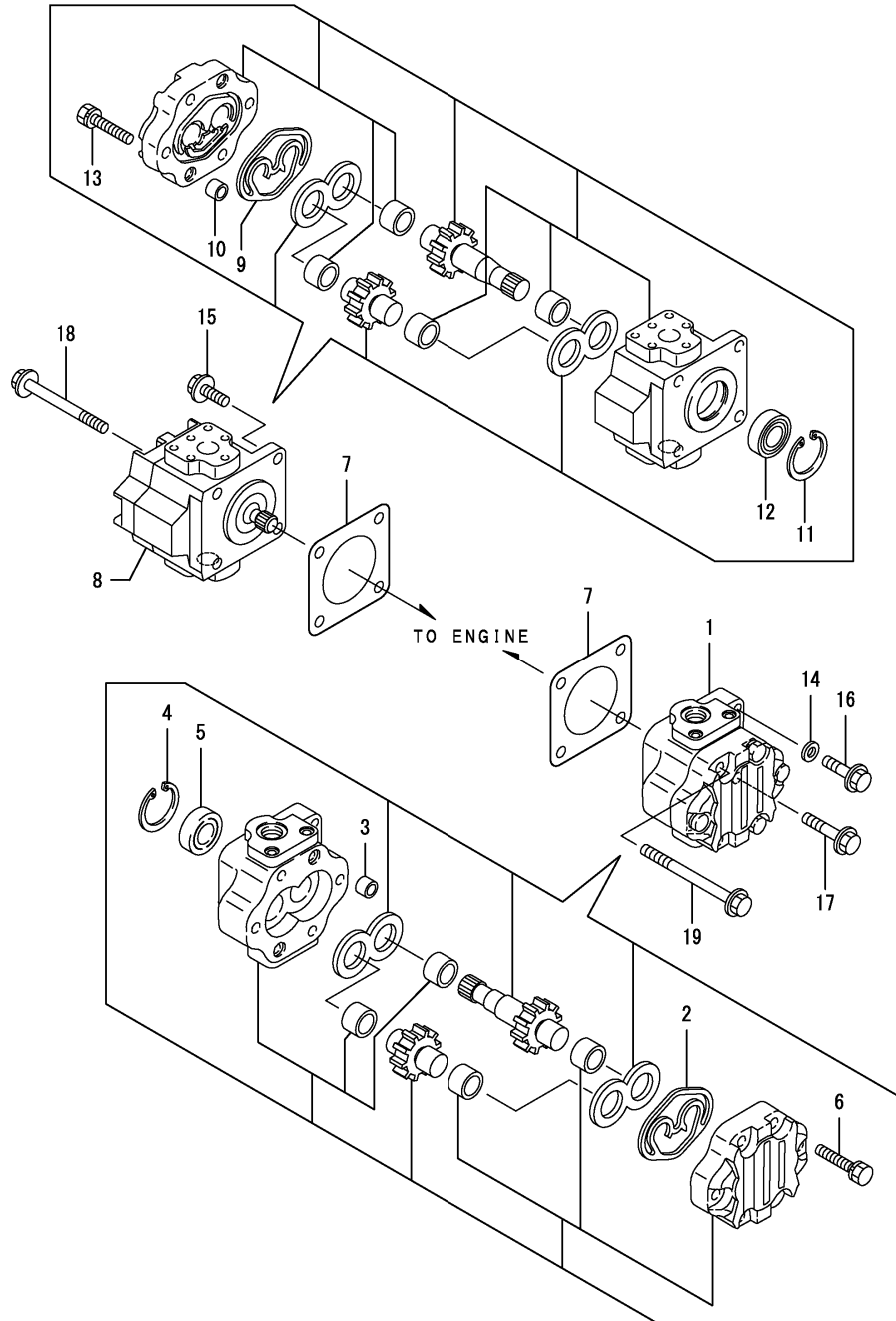
(A)=EF393T(AU)
(B)=
(C)=

(D)=
(E)=
(F)=



No.	Lev.	Parts No.	Description	Q'ty						I	R
				(A)	(B)	(C)	(D)	(E)	(F)		
1	1	194312-27780	PIN, 8.9	2							
2	1	1A8115-37370	ROD ASSY, BRAKE	2							
3	1	1A8310-37700	ARM UNIT, BRAKE	2							
4	2	1A8310-37710	ARM ASSY, BRAKE	2							
5	2	24761-010000	NIPPLE, GREASE M6F	2							
6	1	1A8310-37770	SHAFT ASSY, BRAKE	2							
7	1	1A8310-37800	SPRING, RETRN BRAKE	2							
8	1	198220-37900	PIN, 8X24	4							
9	1	1C6281-52320	PIN, SNAP 8	1							
10	1	1C6281-52320	PIN, SNAP 8	2							
11	1	22137-100000	WASHER, 10	1							
12	1	22417-250300	PIN, COTTER 2.5X30	4							
13	1	26106-080162	BOLT, M8X 16 PLATED	2							

Fig.75. HYDRAULIC PUMP

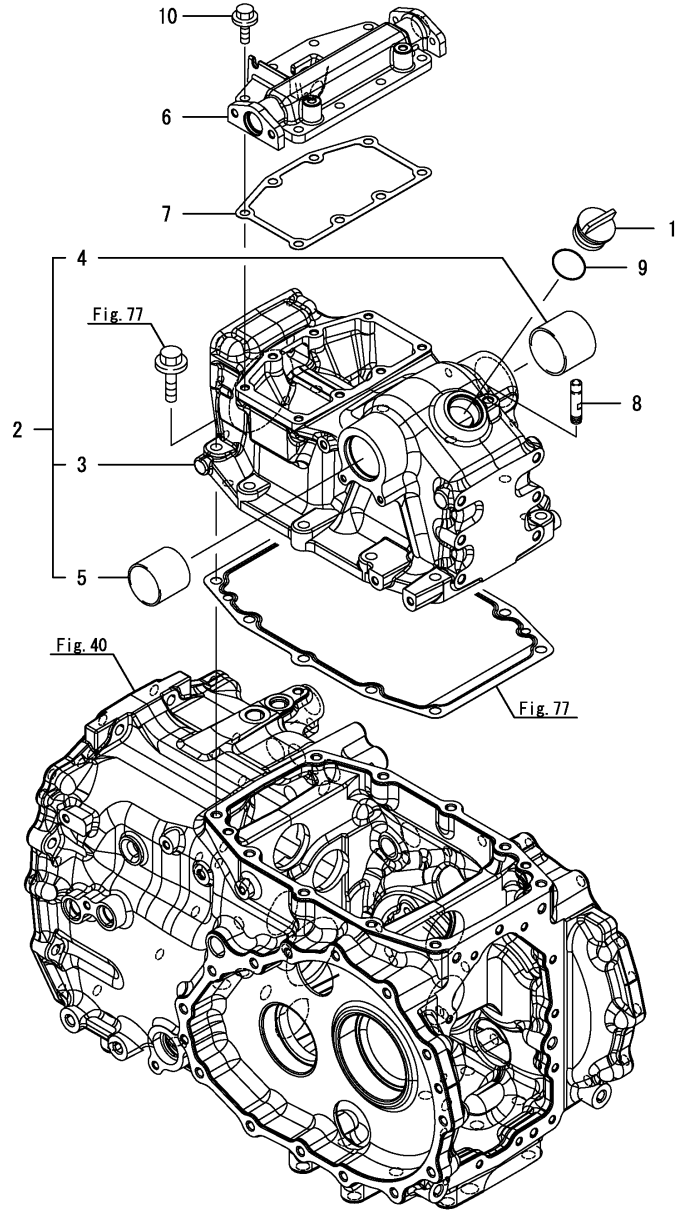


(A)=EF393T(AU)
(B)=
(C)=

(D)=
(E)=
(F)=

No.	Lev.	Parts No.	Description	Q'ty						I	R
				(A)	(B)	(C)	(D)	(E)	(F)		
1	1	168028-00010	HO-P(PW1-C-8AK	1							
2	2	178070-10401	RING	1							
3	2	194521-41570	PIN, 11X7	2							
4	2	22252-000320	RING, 32	1							
5	2	24421-153207	SEAL, OIL TC153207	1							
6	2	26016-080352	BOLT, M8X 35	4							
7	1	124240-01883	GASKET	2							
8	1	198200-41110	PUMP ASSY, HYDRAULIC	1							
9	2	178070-10401	RING	1							
10	2	194521-41570	PIN, 11X7	2							
11	2	22252-000320	RING, 32	1							
12	2	24421-153207	SEAL, OIL TC153207	1							
13	2	26016-080352	BOLT, M8X 35	4							
14	1	22190-080002	WASHER, SEAL 8	1							
15	1	26106-080252	BOLT, M8X 25 PLATED	2							
16	1	26106-080302	BOLT, M8X 30 PLATED	1							
17	1	26106-080402	BOLT, M8X 40 PLATED	1							
18	1	26106-080802	BOLT, M8X 80 PLATED	2							
19	1	26106-080952	BOLT, M8X 95 PLATED	2							

Fig.76. HYDRAULIC CYLINDER CASE(1)



(A)=EF393T(AU)
(B)=
(C)=

(D)=
(E)=
(F)=

No.	Lev.	Parts No.	Description	Q'ty						I	R
				(A)	(B)	(C)	(D)	(E)	(F)		
1	1	1A7870-24910	CAP, OIL	1							
2	1	1A8071-42100	CASE ASSY, CYLINDER	1							
3	2	1A8071-42110	CASE, CYLINDER	1							
4	2	198200-42130	BUSH, 45X40	1							
5	2	198200-42140	BUSH, 40X40	1							
6	1	198200-42150-1	CASE, LINK	1							
7	1	198200-42191	GASKET, LINK CASE	1							
8	1	194555-42280	BREATHER, AIR	1							
9	1	24351-240300	O-RING, 1A24030	1							
10	1	26106-080252	BOLT, M8X 25 PLATED	8							

Fig.77. HYDRAULIC CYLINDER CASE(2)

(A)=EF393T(AU)
 (B)=
 (C)=

(D)=
 (E)=
 (F)=

No.	Lev.	Parts No.	Description	Q'ty						I	R
				(A)	(B)	(C)	(D)	(E)	(F)		
1	1	1A8310-42180	GASKET,CYLINDER CASE	1							
2	1	198280-42810-1	HINGE ASSY, TOP LINK	1							
3	1	22312-080140	PIN, PARALLEL M8X14	2							
4	1	26106-100252	BOLT, M10X 25 PLATED	8							
5	1	26106-100402	BOLT, M10X 40 PLATED	10							

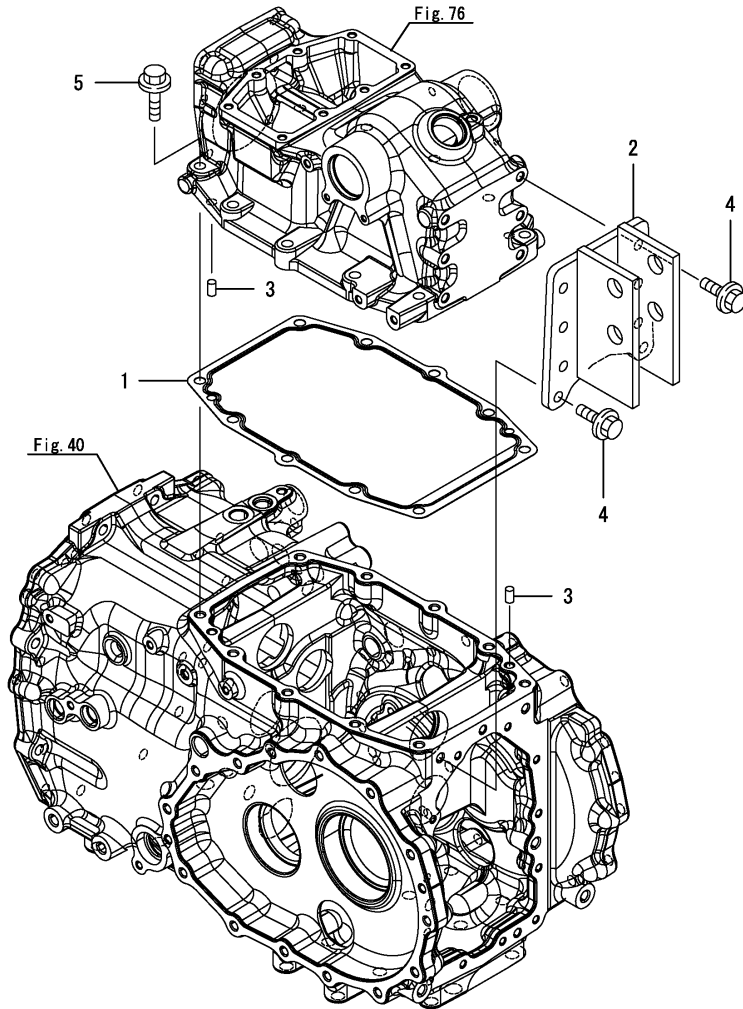
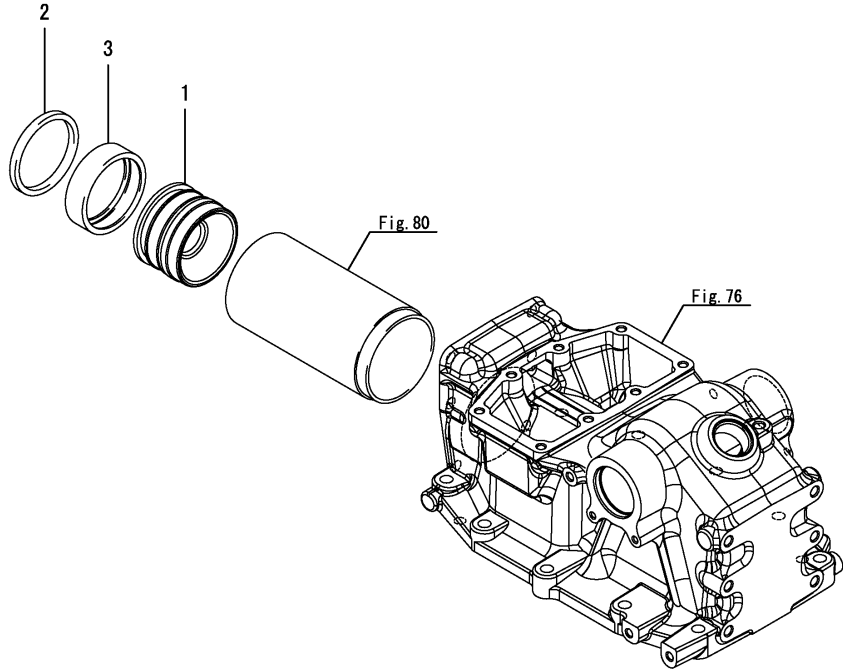


Fig.78. PISTON

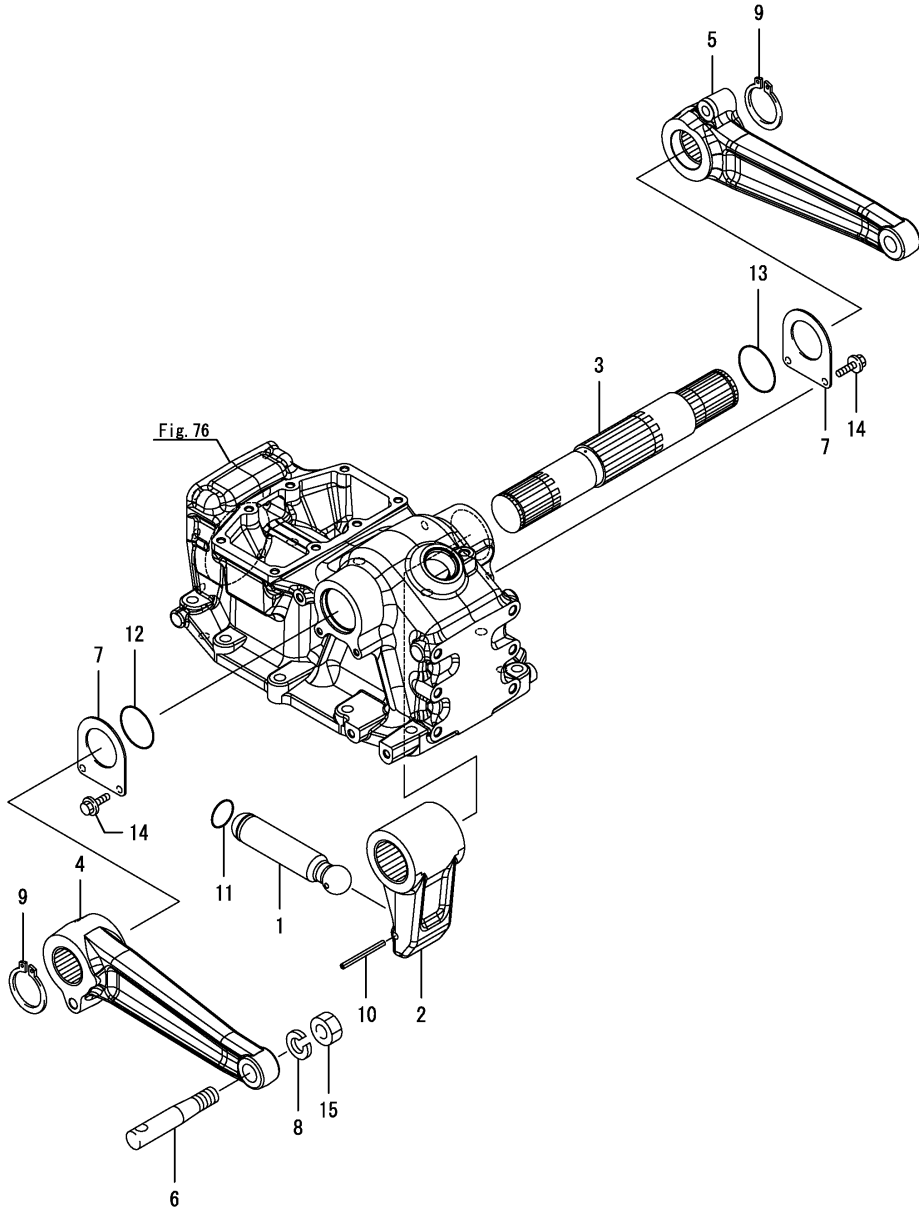
(A)=EF393T(AU)
 (B)=
 (C)=

(D)=
 (E)=
 (F)=



No.	Lev.	Parts No.	Description	Q'ty						I	R
				(A)	(B)	(C)	(D)	(E)	(F)		
1	1	198200-43310	PISTON, HYDRAULIC 75	1							
2	1	198071-43320	PACKING, 75	1							
3	1	198071-43330	WEARING	1							

Fig.79. LIFT CRANK



(A)=EF393T(AU)
(B)=
(C)=

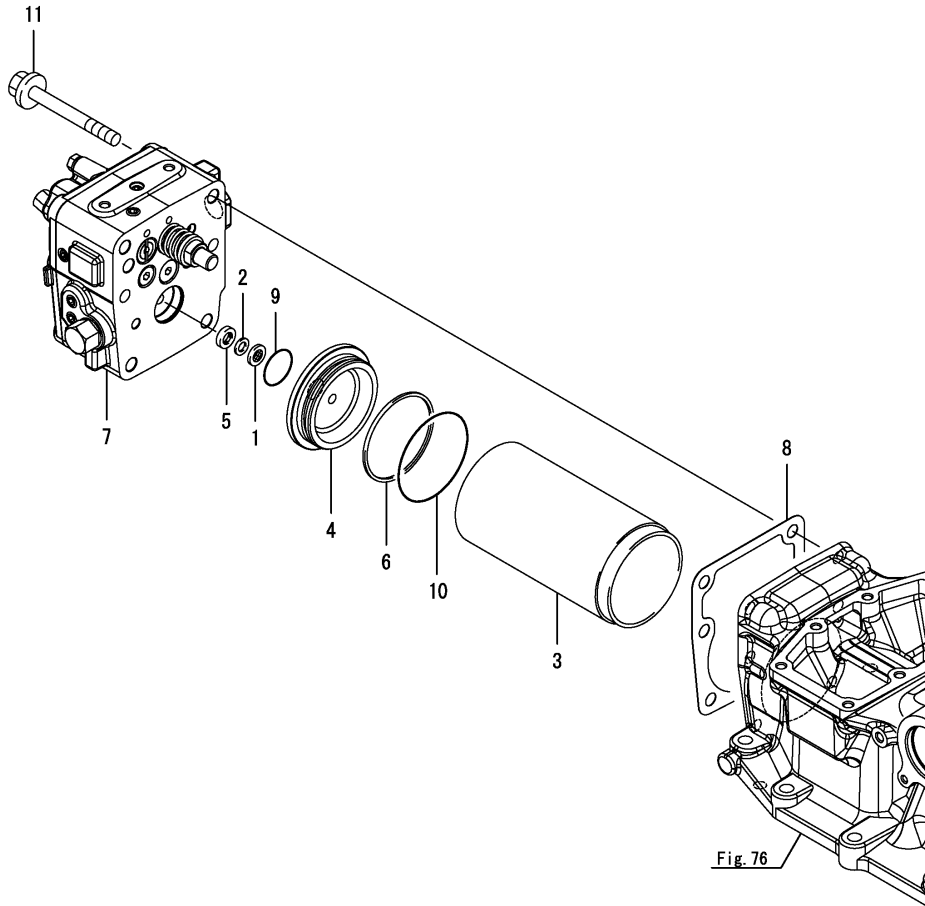
(D)=
(E)=
(F)=

No.	Lev.	Parts No.	Description	Q'ty						I	R
				(A)	(B)	(C)	(D)	(E)	(F)		
1	1	198200-43410	ROD, PISTON	1							
2	1	198200-44110	CRANK, LIFT	1							
3	1	198283-44211	SHAFT, LIFT	1							
4	1	1A8310-44411	ARM, LIFT L	1							
5	1	1A8310-44421	ARM, LIFT R	1							
6	1	194130-44480-1	PIN, LIFT ARM	2							
7	1	198283-44510-1	WASHER, THRUST	2							
8	1	22217-160000	WASHER, SPRING 16	2							
9	1	22242-000400	RING, 40	2							
10	1	22351-050056	PIN, SPRING 5.0X56	1							
11	1	24311-000260	O-RING, 1AP26.0	1							
12	1	24311-000400	O-RING, 1AP40.0	1							
13	1	24311-000440	O-RING, 1AP44.0	1							
14	1	26106-060122	BOLT, M6X 12 PLATED	4							
15	1	26736-160002	NUT, M16	2							

Fig.80. CONTROL VALVE

(A)=EF393T(AU)
(B)=
(C)=

(D)=
(E)=
(F)=

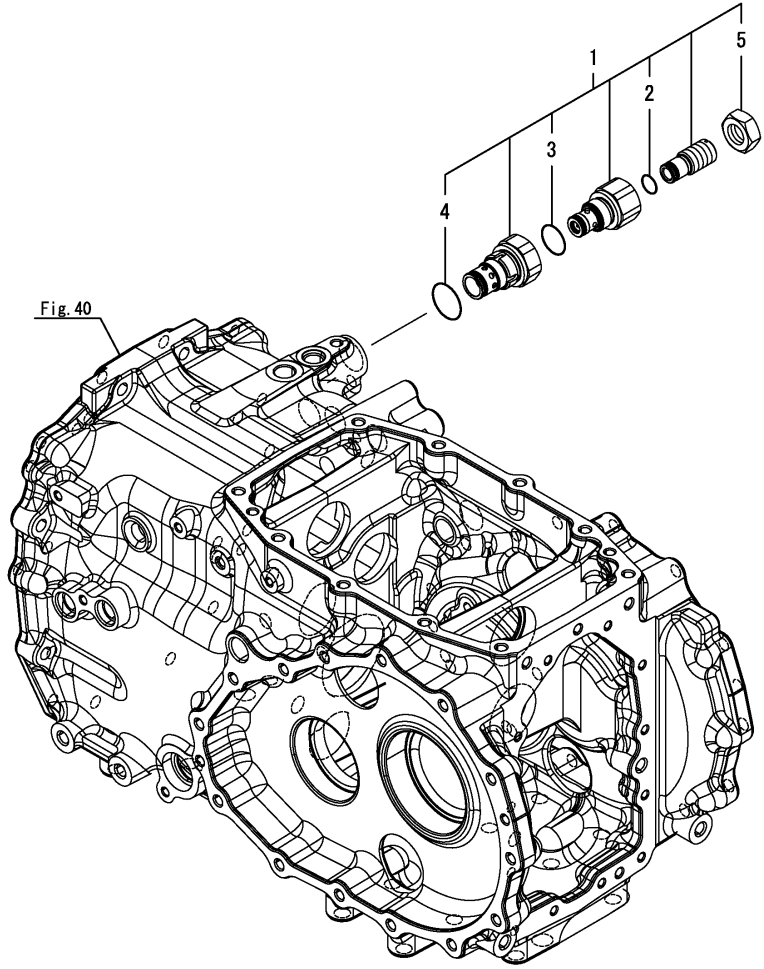


No.	Lev.	Parts No.	Description	Q'ty						I	R
				(A)	(B)	(C)	(D)	(E)	(F)		
1	1	194850-42180	STRAINER	1							
2	1	194850-42190	SPACER	1							
3	1	198200-43110	LINER, CYLINDER								
4	1	198200-43211	HEAD, CYLINDER	1							
5	1	194630-43230	PACKING	1							
6	1	198200-43250	RING, BACK UP G70	1							
7	1	1A8070-45101	VALVE ASSY, LIFT	1							
8	1	198200-45150	GASKET, LIFT VALVE	1							
9	1	24325-000250	O-RING, 1BG25.0	1							
10	1	24325-000700	O-RING, 1BG70.0	1							
11	1	26106-100902	BOLT, M10X 90 PLATED	6							

Fig.81. RELIEF VALVE

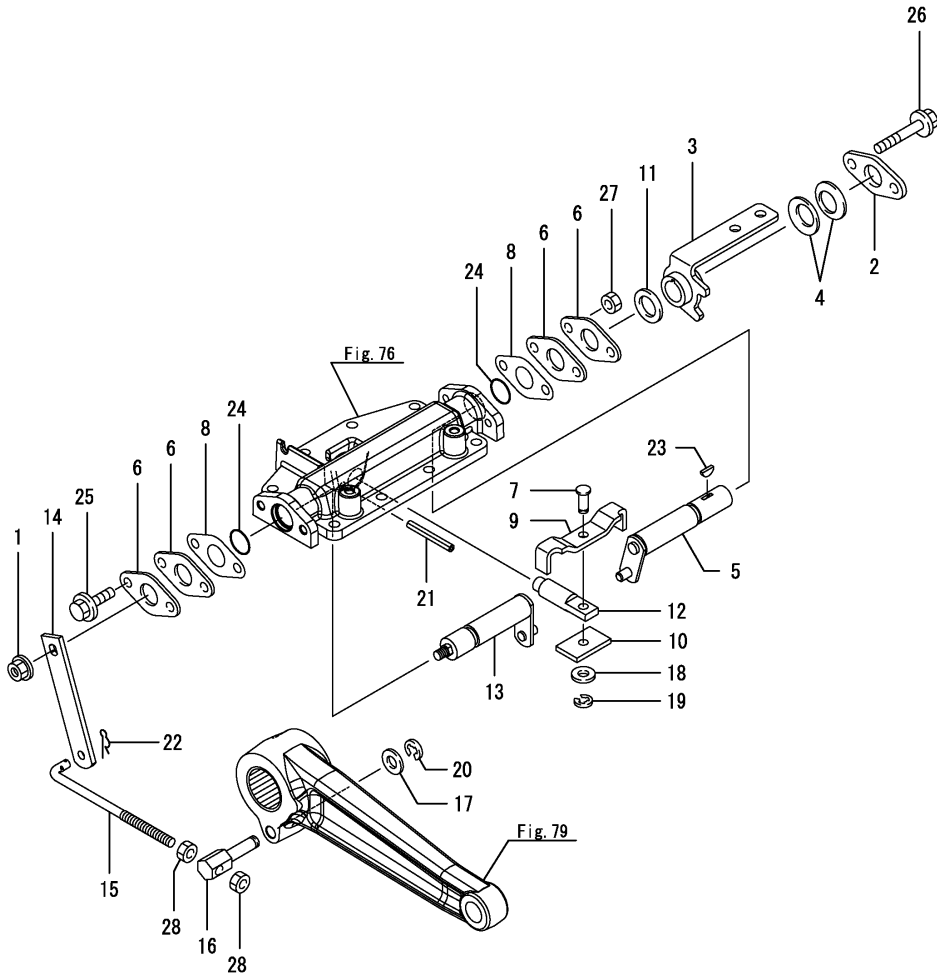
(A)=EF393T(AU)
 (B)=
 (C)=

(D)=
 (E)=
 (F)=



No.	Lev.	Parts No.	Description	Q'ty						I	R
				(A)	(B)	(C)	(D)	(E)	(F)		
1	1	198200-45510-1	VALVE ASSY, RELIEF	1							
2	2	24315-000100	O-RING, 1BP10.0	1							
3	2	24315-000180	O-RING, 1BP18.0	1							
4	2	24315-000220	O-RING, 1BP22.0	1							
5	2	26776-160002	NUT, LOCK M16	1							

Fig.82. HYDRAULIC CONTROL



(A)=EF393T(AU)
(B)=
(C)=

(D)=
(E)=
(F)=

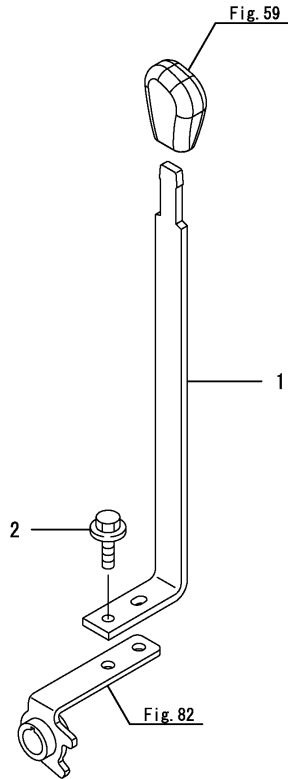
No.	Lev.	Parts No.	Description	Q'ty						I	R
				(A)	(B)	(C)	(D)	(E)	(F)		
1	1	194990-22050	NUT, M8	1							
2	1	194940-47210-1	PLATE	1							
3	1	198280-47210-1	ARM, LEVER	1							
4	1	194940-47220	WASHER, 20	2							
5	1	198280-47310	SHAFT, P LEVER	1							
6	1	194555-47340-1	PLATE, A	4							
7	1	198431-47340	PIN, CONTROL	1							
8	1	194555-47350-1	PLATE, B	2							
9	1	198200-47411	LINK, CONTROL	1							
10	1	198280-47430	PLATE	1							
11	1	194170-47440	PLATE, FRICTION	1							
12	1	198200-47460	ROD, CONTROL	1							
13	1	198280-47500	SHAFT, FEEDBACK	1							
14	1	198200-47510-1	ARM, FEEDBACK	1							
15	1	198200-47540-1	ROD, P FEEDBACK	1							
16	1	198283-47650-1	PIN, ADJUSTMENT	1							
17	1	22117-100000	WASHER, 10	1							
18	1	22137-080000	WASHER, 8	1							
19	1	22272-000060	RING, E- 6	1							
20	1	22272-000080	RING, E- 8	1							
21	1	22351-060050	PIN, SPRING 6.0X50	1							
22	1	22372-080000	PIN, SNAP 8	1							
23	1	22522-030130	KEY, WOODRUFF 3X13	1							
24	1	24311-000200	O-RING, 1AP20.0	2							
25	1	26106-080162	BOLT, M8X 16 PLATED	2							
26	1	26106-080502	BOLT, M8X 50 PLATED	2							
27	1	26716-080002	NUT, M8	2							
28	1	26716-080002	NUT, M8	2							

Fig.83. HYDRAULIC LEVER

(A)=EF393T(AU)
(B)=
(C)=

(D)=
(E)=
(F)=

No.	Lev.	Parts No.	Description	Q'ty						I	R
				(A)	(B)	(C)	(D)	(E)	(F)		
1	1	1A8310-47110	LEVER, POSITION	1							
2	1	26106-080162	BOLT, M8X 16 PLATED	2							



N:Old $\begin{smallmatrix} \xrightarrow{\text{Yes}} \\ \xleftarrow{\text{No}} \end{smallmatrix}$ New, Q:Old $\begin{smallmatrix} \xrightarrow{\text{No}} \\ \xleftarrow{\text{Yes}} \end{smallmatrix}$ New, R:Old $\begin{smallmatrix} \xrightarrow{\text{Yes}} \\ \xleftarrow{\text{Yes}} \end{smallmatrix}$ New, S:Old $\begin{smallmatrix} \xrightarrow{\text{No}} \\ \xleftarrow{\text{No}} \end{smallmatrix}$ New, W:Add, Z:Discontinued, F:Interchangeable by set, K:Q'ty Change
 Copyright (C) 2014 YANMAR CO., LTD. All Rights Reserved.

Fig.84. STOP VALVE KNOB

(A)=EF393T(AU)
 (B)=
 (C)=

(D)=
 (E)=
 (F)=

No.	Lev.	Parts No.	Description	Q'ty						I	R
				(A)	(B)	(C)	(D)	(E)	(F)		
1	1	1A7260-46640	KNOB, VALVE	1							
2	1	1A7260-46650	BOLT, M6X40	1							

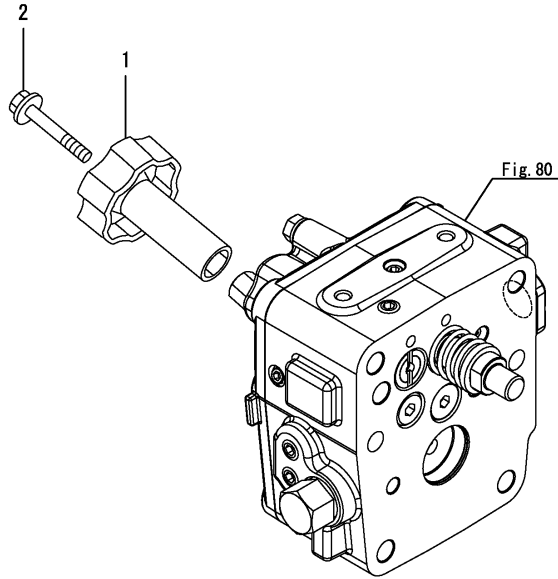
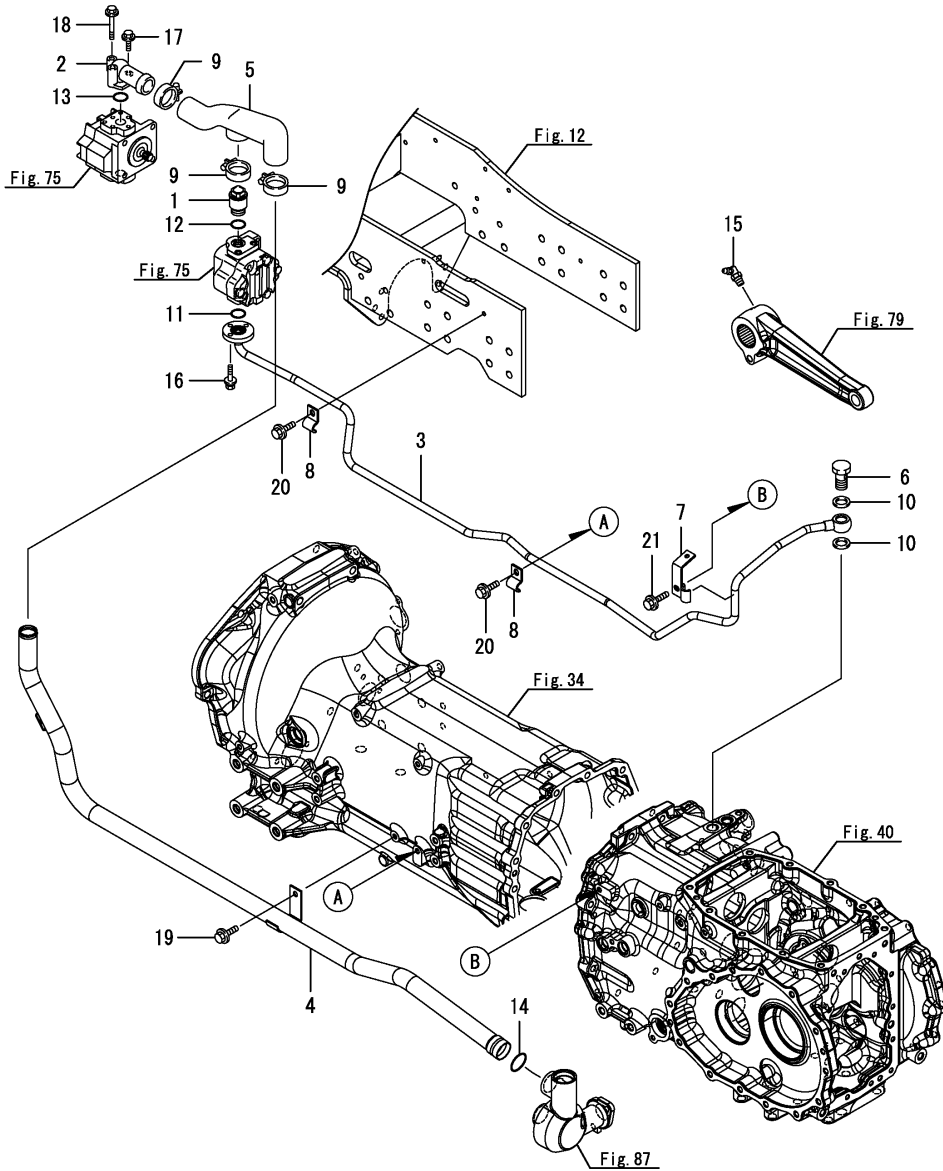


Fig.85. HYDRAULIC PIPING



(A)=EF393T(AU)
 (B)=
 (C)=

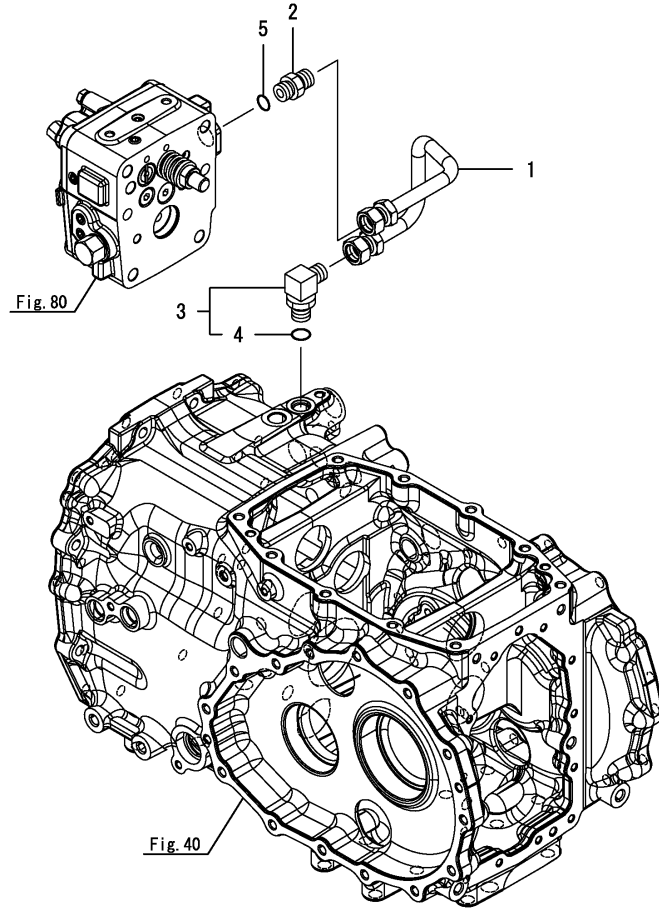
(D)=
 (E)=
 (F)=

No.	Lev.	Parts No.	Description	Q'ty						I	R
				(A)	(B)	(C)	(D)	(E)	(F)		
1	1	198010-41211	JOINT, M22	1							
2	1	198220-48140	FLANGE, PIPE P	1							
3	1	1A8310-48210	PIPE ASSY, PUMP	1							
4	1	1A8310-48300	PIPE ASSY, LOW-P	1							
5	1	198072-48340	TUBE, PRESSURE	1							
6	1	198220-48750	BOLT ASSY, JOINT	1							
7	1	1A8310-48800	CLAMP ASSY, PIPE	1							
8	1	1A8310-48810	CLAMP, PIPE	2							
9	1	175022-49730	CRIP 31, HOSE	3							
10	1	23414-180023	GASKET, 18X1.0	2							
11	1	24311-000200	O-RING, 1AP20.0	1							
12	1	24311-000200	O-RING, 1AP20.0	1							
13	1	24311-000200	O-RING, 1AP20.0	1							
14	1	24311-000260	O-RING, 1AP26.0	1							
15	1	24761-050000	NIPPLE, GREASE C	2							
16	1	26106-060202	BOLT, M6X 20 PLATED	3							
17	1	26106-060202	BOLT, M6X 20 PLATED	1							
18	1	26106-060402	BOLT, M6X 40 PLATED	2							
19	1	26106-080162	BOLT, M8X 16 PLATED	1							
20	1	26106-080162	BOLT, M8X 16 PLATED	2							
21	1	26106-080202	BOLT, M8X 20 PLATED	1							

Fig.86. PIPE(TRANSMISSION)

(A)=EF393T(AU)
(B)=
(C)=

(D)=
(E)=
(F)=



No.	Lev.	Parts No.	Description	Q'ty						I	R
				(A)	(B)	(C)	(D)	(E)	(F)		
1	1	1A8310-48140	PIPE ASSY, VALVE	1							
2	1	172730-75141	ADAPTER	1							
3	1	172142-76181	JOINT ASSY	1							
4	2	24315-000140	O-RING, 1BP14.0	1							
5	1	24311-000140	O-RING, 1AP14.0	1							

Fig.87. HYDRAULIC FILTER

(A)=EF393T(AU)
(B)=
(C)=

(D)=
(E)=
(F)=

No.	Lev.	Parts No.	Description	Q'ty						I	R
				(A)	(B)	(C)	(D)	(E)	(F)		
1	1	1A8115-48310	FILTER, HYDRAULIC	1							
2	1	198200-48350	COVER, FILTER	1							
3	1	24311-000340	O-RING, 1AP34.0	1							
4	1	26106-080202	BOLT, M8X 20 PLATED	2							
5	1	27260-320000	PLUG, 32	1							

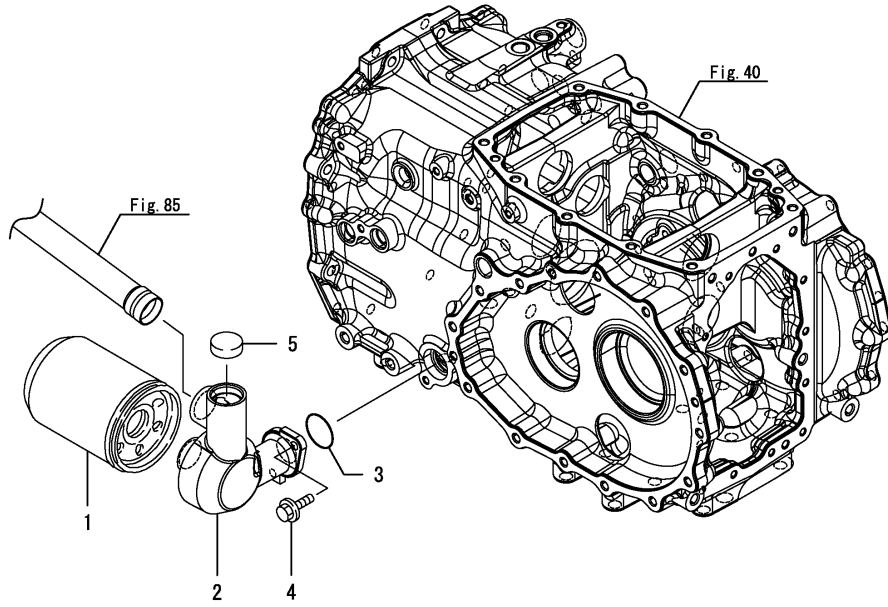
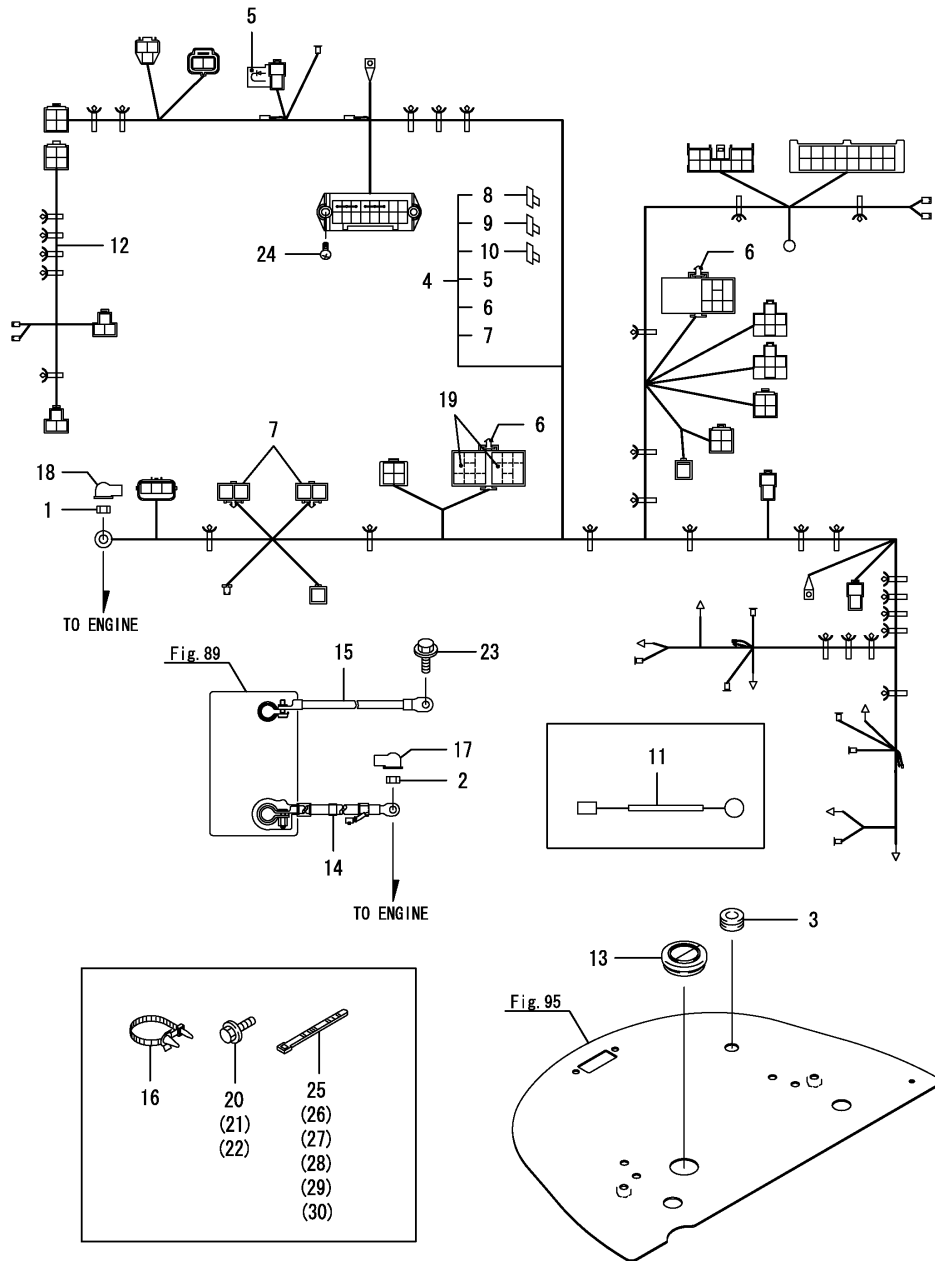


Fig.88. WIRE HARNESS



(A)=EF393T(AU)
(B)=
(C)=

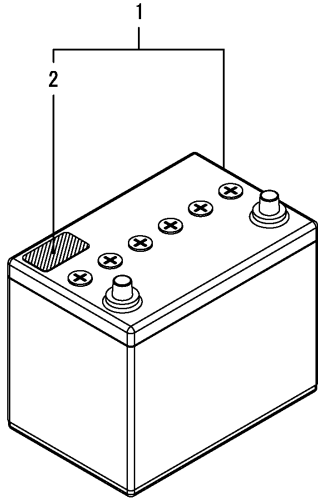
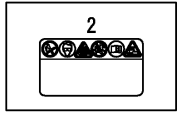
(D)=
(E)=
(F)=

No.	Lev.	Parts No.	Description	Q'ty						I	R
				(A)	(B)	(C)	(D)	(E)	(F)		
1	1	194990-22130	NUT, M6	1							
2	1	194990-22140	NUT, M8	1							
3	1	198448-22520	GROMMET, CABLE	1							
4	1	1A8310-51110	HARNESS ASSY, MAINE	1							
5	2	1A7130-51130	DIODE, 1.5A	1							
6	2	1A7651-51850	CLIP, HW7-2-4	2							
7	2	1A8310-52700	FUSE, 65A	2							
8	2	29420-050000	FUSE, B 5A	6							
9	2	29420-100000	FUSE, B 10A	1							
10	2	29420-150000	FUSE, B 15A	1							
11	1	198121-51190	HARNESS, WIRE	4							
12	1	1A8310-51310	HARNESS, HEAD LAMP	1							
13	1	198133-51350	GROMMET, 38A	1							
14	1	1A8310-51410	CABLE, + BATTERY	1							
15	1	1A8310-51420	CABLE, - BATTERY	1							
16	1	1A8275-51670	CLIP, M8 HOLE	1							
17	1	124550-77030	COVER, TERMINAL	1							
18	1	124756-77040	COVER, TERMINAL	1							
19	1	1K1140-82500	RELAY(ACM13211M01	2							
20	1	26106-060162	BOLT, M6X 16 PLATED	1							
21	1	26106-080162	BOLT, M8X 16 PLATED	1							
22	1	26106-080162	BOLT, M8X 16 PLATED	1							
23	1	26106-080162	BOLT, M8X 16 PLATED	1							
24	1	26557-060202	SCREW, M6X20	2							
25	1	29622-140001	BAND, RF140	1							
26	1	29622-140001	BAND, RF140	2							
27	1	29622-140001	BAND, RF140	1							
28	1	29622-250001	BAND, RF250	1							
29	1	29622-250001	BAND, RF250	1							
30	1	29622-250001	BAND, RF250	1							

Fig.89. BATTERY

(A)=EF393T(AU)
(B)=
(C)=

(D)=
(E)=
(F)=

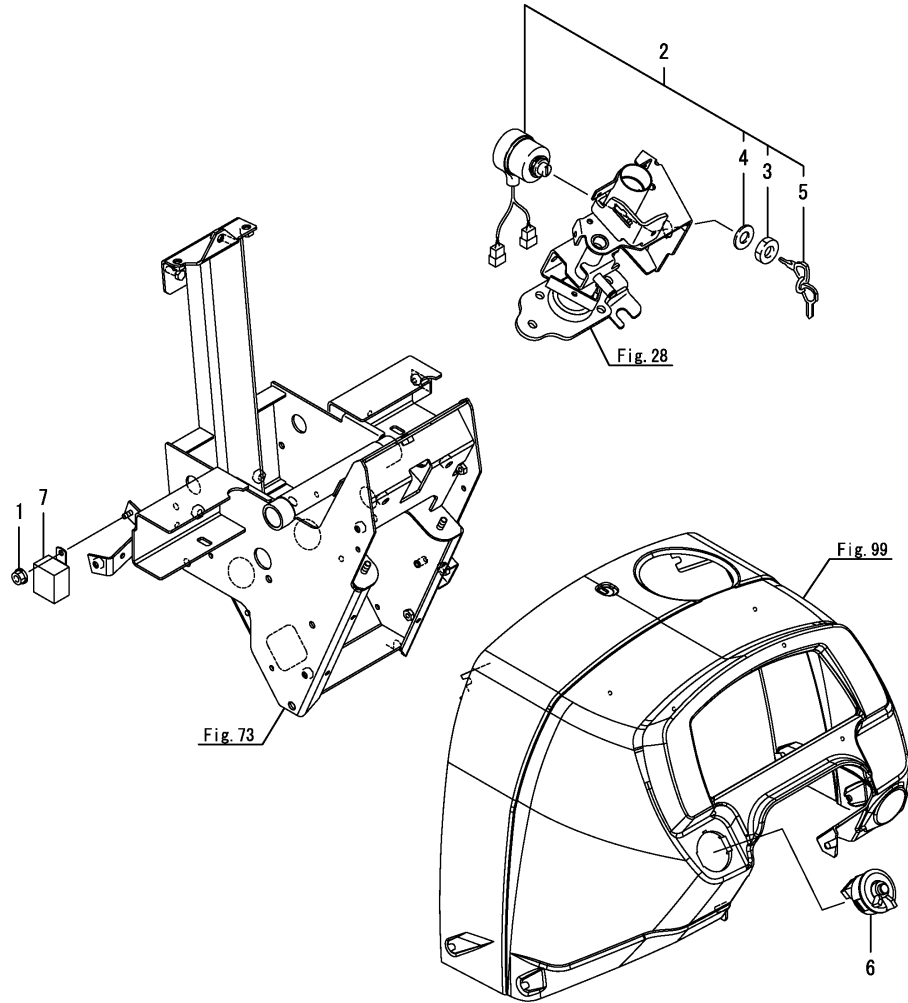


No.	Lev.	Parts No.	Description	Q'ty						I	R
				(A)	(B)	(C)	(D)	(E)	(F)		
1	1	1A7781-51500	BATTERY ASSY, 75D26R	1							
2	2	1A7781-51520	LABEL, BATTERY THAI	1							

Fig.90. SWITCH(FLOOR)

(A)=EF393T(AU)
(B)=
(C)=

(D)=
(E)=
(F)=

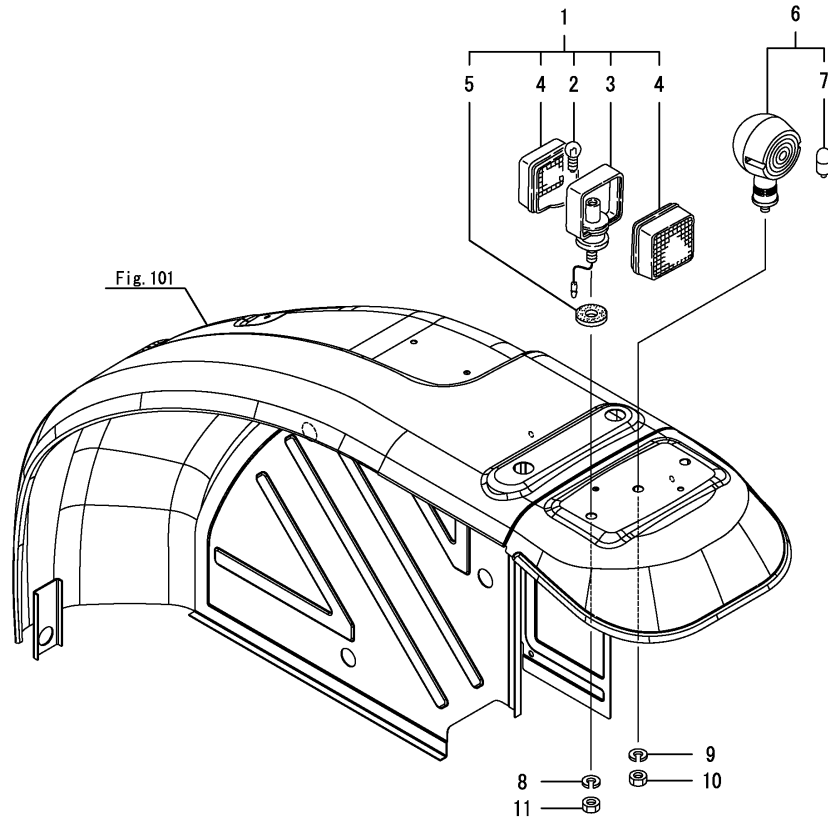


No.	Lev.	Parts No.	Description	Q'ty						I	R
				(A)	(B)	(C)	(D)	(E)	(F)		
1	1	194990-22130	NUT, M6	1							
2	1	198162-52110	SWITCH, STARTING	1							
3	2	198360-52320	NUT, RING	1							
4	2	198360-52330	WASHER	1							
5	2	198162-52150	KEY ASSY	1							
6	1	198200-52140	SWITCH, COMBINATION	1							
7	1	1E6650-82400	RELAY	1							

Fig.91. LAMP

(A)=EF393T(AU)
 (B)=
 (C)=

(D)=
 (E)=
 (F)=

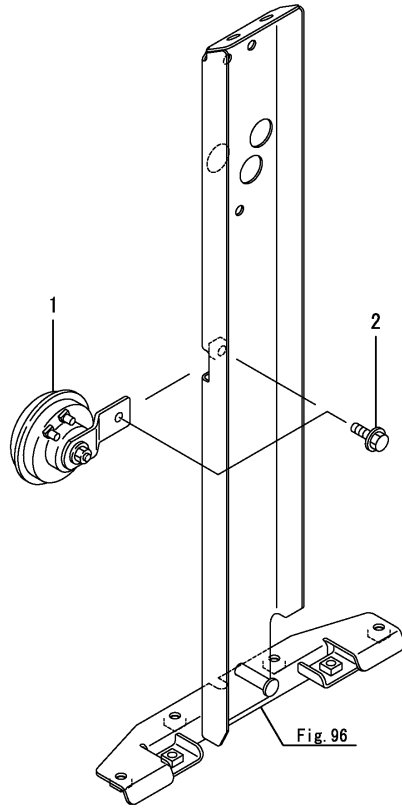


No.	Lev.	Parts No.	Description	Q'ty						I	R
				(A)	(B)	(C)	(D)	(E)	(F)		
1	1	198010-53420	LAMP, FLASHER	2							
2	2	194200-53400	BULB, 12V-20W	2							
3	2	198010-53410	BODY ASSY	2							
4	2	198511-53430	LENS	4							
5	2	198511-53450	GASKET	2							
6	1	198283-53810	LAMP, POSITION	2							
7	2	1A7450-53820	BULB, 12V/10W	2							
8	1	22217-100000	WASHER, SPRING 10	2							
9	1	22217-100000	WASHER, SPRING 10	2							
10	1	26776-100002	NUT, LOCK M10	2							
11	1	26776-100002	NUT, LOCK M10	2							

Fig.93. HORN

(A)=EF393T(AU)
(B)=
(C)=

(D)=
(E)=
(F)=



No.	Lev.	Parts No.	Description	Q'ty						I	R
				(A)	(B)	(C)	(D)	(E)	(F)		
1	1	1A8115-57150	HORN	1							
2	1	26106-060162	BOLT, M6X 16 PLATED	1							

Fig.94. SWITCH

(A)=EF393T(AU)
(B)=
(C)=

(D)=
(E)=
(F)=

No.	Lev.	Parts No.	Description	Q'ty						I	R
				(A)	(B)	(C)	(D)	(E)	(F)		
1	1	194464-52190	SWITCH, SAFETY START	1							
2	1	194464-52190	SWITCH, SAFETY START	1							
3	1	24311-000180	O-RING, 1AP18.0	2							

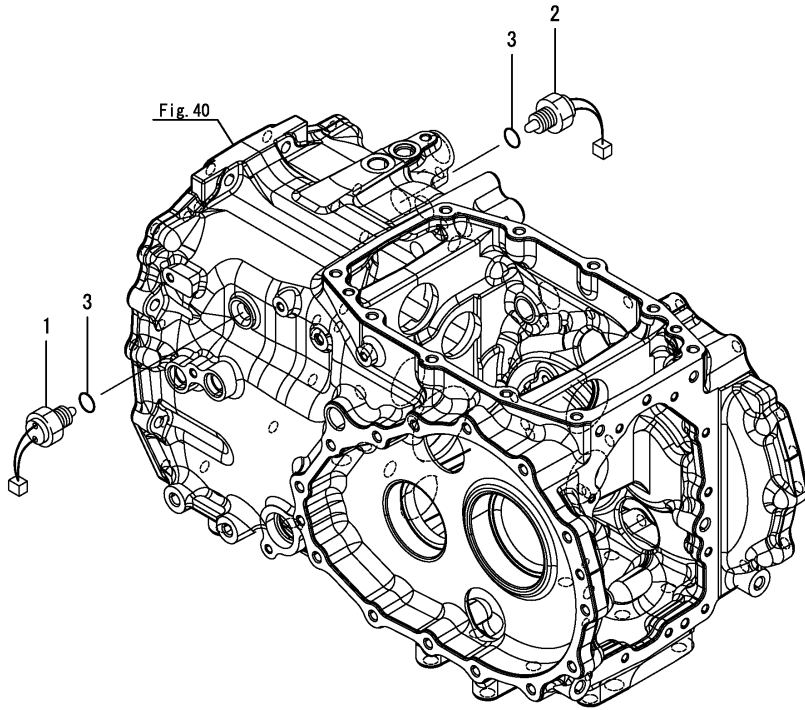
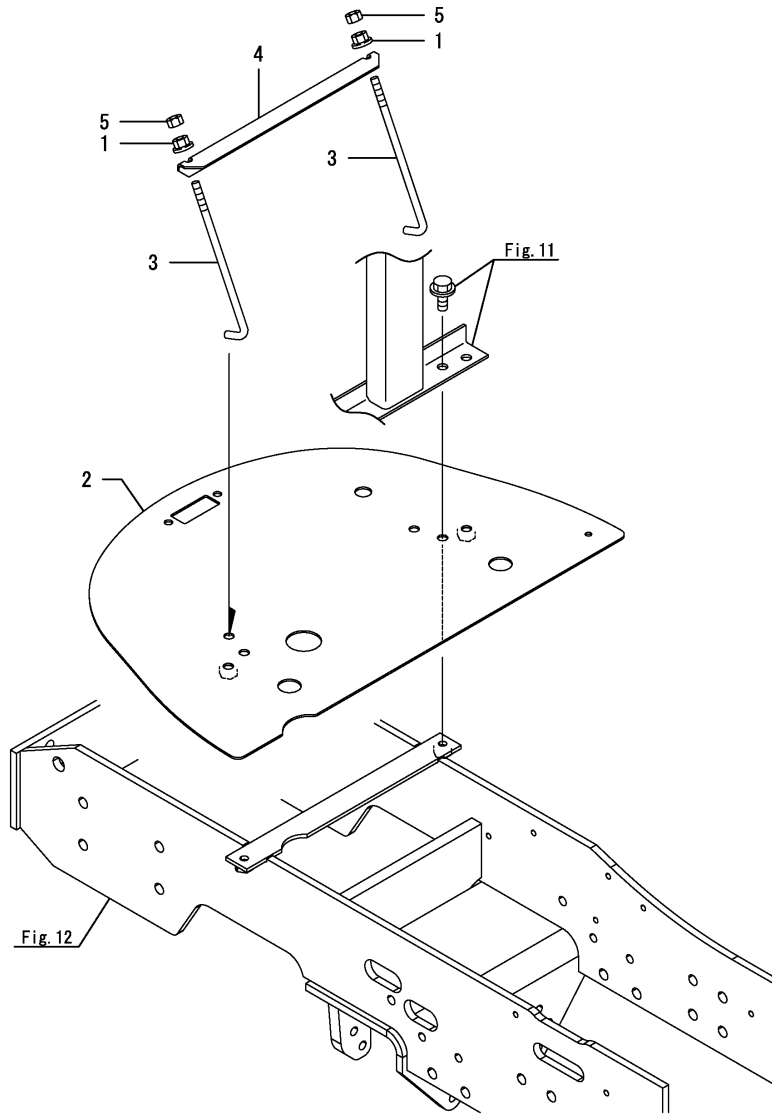


Fig.95. BATTERY SUPPORT

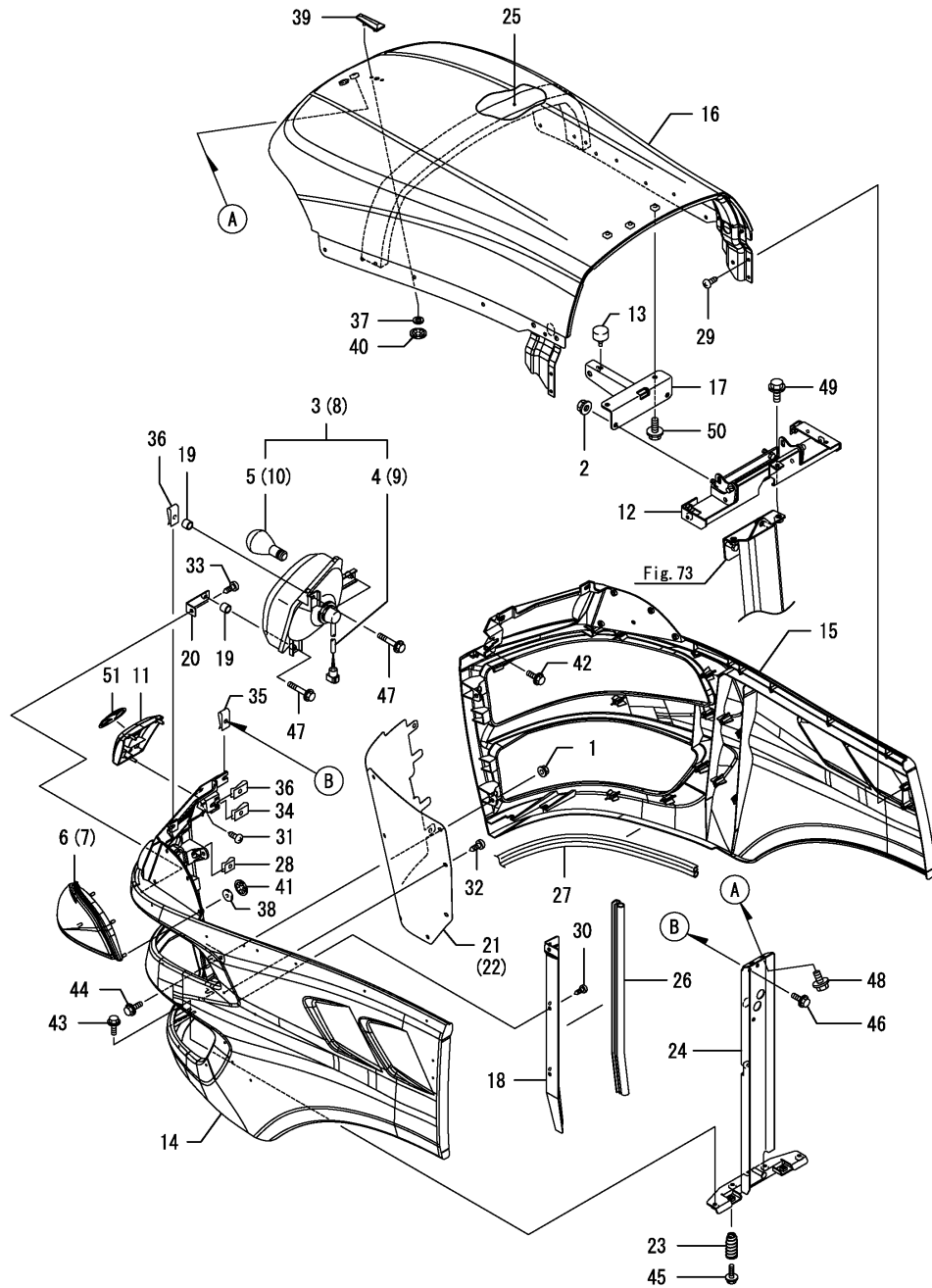
(A)=EF393T(AU)
(B)=
(C)=

(D)=
(E)=
(F)=



No.	Lev.	Parts No.	Description	Q'ty						I	R
				(A)	(B)	(C)	(D)	(E)	(F)		
1	1	194990-22140	NUT, M8	2							
2	1	1A8310-60110	SUPPORT ASSY,BATTERY	1							
3	1	1A8115-61530	ROD, BATTERY CLAMP	2							
4	1	1A8115-61580	CLAMP, BATTERY	1							
5	1	26716-080002	NUT, M8	2							

Fig.96. BONNET



(A)=EF393T(AU)
(B)=
(C)=

(D)=
(E)=
(F)=

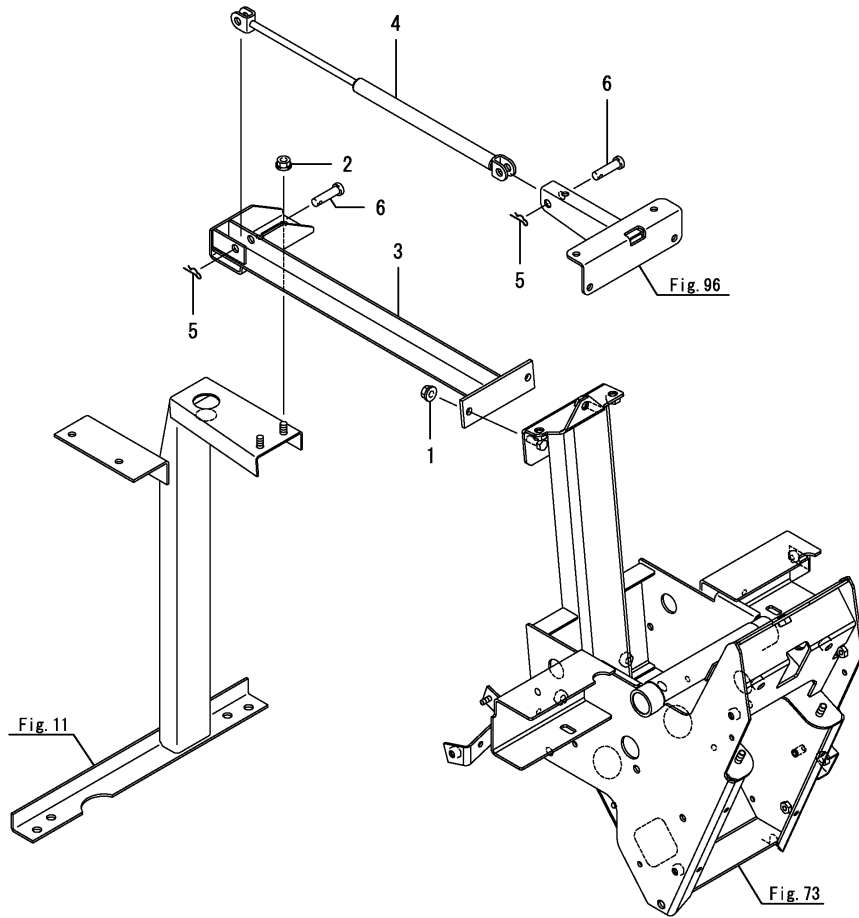
No.	Lev.	Parts No.	Description	Qty						I	R
				(A)	(B)	(C)	(D)	(E)	(F)		
1	1	194990-22130	NUT, M6	2							
2	1	194990-22140	NUT, M8	2							
3	1	1A7780-53200	LAMP ASSY, HEAD L	1							
4	2	1A7000-53230	WIRE ASSY, LEAD	1							
5	2	198448-53320	BULB, 12V45/45W	1							
6	1	1A8310-53250	LENS, SIDE L.H.	1							
7	1	1A8310-53260	LENS, SIDE R.H.	1							
8	1	1A7780-53300	LAMP ASSY, HEAD R	1							
9	2	1A7000-53230	WIRE ASSY, LEAD	1							
10	2	198448-53320	BULB, 12V45/45W	1							
11	1	1A8310-53370	LENS, CENTER	1							
12	1	1A8310-60900	HINGE ASSY, HOOD	1							
13	1	1A7890-60980	RUBBER, CUSHION	1							
14	1	1A8310-61010	HOOD, LOWER LH	1							
15	1	1A8310-61060	HOOD, LOWER RH	1							
16	1	1A8310-61110	HOOD ASSY, UPPER	1							
17	1	1A8310-61170	STAY ASSY,HOOD HINGE	1							
18	1	1A8310-61210	STAY, HOOD SIDE	2							
19	1	1A8310-61220	COLLAR,11X14X11	6							
20	1	1A8310-61230	STAY ASSY,LAMP LOWR	2							
21	1	1A8310-61320	SCREEN, GURILE LH	1							
22	1	1A8310-61330	SCREEN, GURILE RH	1							
23	1	1A7781-61340	SPRING, HOOD LOCK	2							
24	1	1A8310-61410	STAY ASSY,HOOD LOCK	1							
25	1	1A8310-61470	SEAL, HOOD UPPER	1							
26	1	1A8310-61570	WEATHER-STRIP ASSY	2							
27	1	1A8310-61580	WEATHER-STRIP ASSY	1							
28	1	194167-61650	NUT, SPEED	4							
29	1	1A7180-61780	SCREW, TAPPING M5X14	12							
30	1	1A7180-61780	SCREW, TAPPING M5X14	6							
31	1	1A7180-61780	SCREW, TAPPING M5X14	1							
32	1	1A7180-61780	SCREW, TAPPING M5X14	18							
33	1	1A7180-61780	SCREW, TAPPING M5X14	2							
34	1	198071-61890	NUT, SPEED M6	1							
35	1	198071-61890	NUT, SPEED M6	2							
36	1	198071-61890	NUT, SPEED M6	4							
37	1	198475-65030	CUSHION	2							
38	1	198475-65030	CUSHION	8							
39	1	194940-65590	MARK, TOP	1							
40	1	198071-65610	NUT, SPEED M5	2							
41	1	198071-65610	NUT, SPEED M5	8							
42	1	26106-060202	BOLT, M6X 20 PLATED	1							
43	1	26106-060202	BOLT, M6X 20 PLATED	4							
44	1	26106-060202	BOLT, M6X 20 PLATED	2							
45	1	26106-060202	BOLT, M6X 20 PLATED	2							
46	1	26106-060202	BOLT, M6X 20 PLATED	2							
47	1	26106-060352	BOLT, M6X 35 PLATED	6							
48	1	26106-080122	BOLT, M8X 12 PLATED	2							
49	1	26106-080162	BOLT, M8X 16 PLATED	2							
50	1	26106-080162	BOLT, M8X 16 PLATED	2							
51	1	41800-110040	EMBLEM, S 04	1							

N:Old $\begin{matrix} \leftarrow \text{Yes} \\ \text{No} \end{matrix}$ New, Q:Old $\begin{matrix} \leftarrow \text{No} \\ \text{Yes} \end{matrix}$ New, R:Old $\begin{matrix} \leftarrow \text{Yes} \\ \text{Yes} \end{matrix}$ New, S:Old $\begin{matrix} \leftarrow \text{No} \\ \text{No} \end{matrix}$ New, W:Add, Z:Discontinued, F:Interchangeable by set, K:Q'ty Change

Fig.97. BONNET STAND

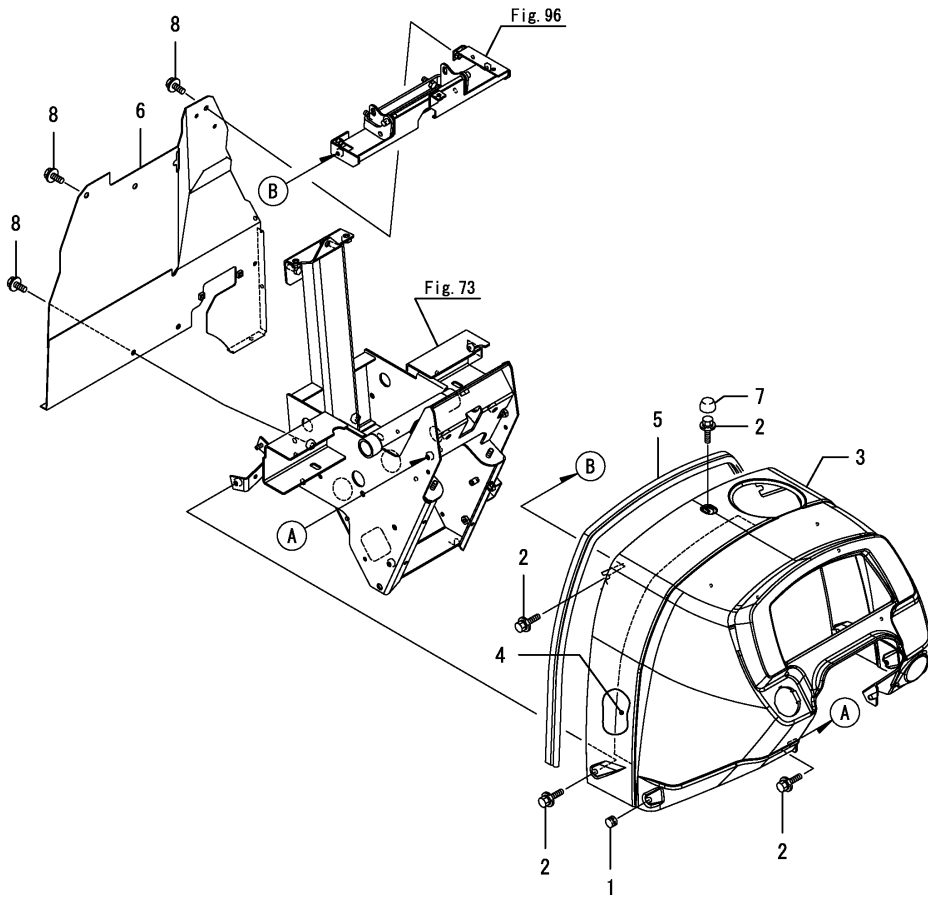
(A)=EF393T(AU)
 (B)=
 (C)=

(D)=
 (E)=
 (F)=



No.	Lev.	Parts No.	Description	Q'ty						I	R
				(A)	(B)	(C)	(D)	(E)	(F)		
1	1	194990-22140	NUT, M8	2							
2	1	194990-22140	NUT, M8	2							
3	1	1A8310-60800	FRAME ASSY, CONNECT	1							
4	1	1A8310-61370	SPRING, GAS 600	1							
5	1	22372-100000	PIN, SNAP 10	2							
6	1	22487-100350	PIN 10X 35	2							

Fig.99. DASHBOARD



(A)=EF393T(AU)
(B)=
(C)=

(D)=
(E)=
(F)=

No.	Lev.	Parts No.	Description	Q'ty						I	R
				(A)	(B)	(C)	(D)	(E)	(F)		
1	1	1C6053-26020	CAP, RUBBER 8X3	2							
2	1	198072-60590	BOLT, M6X20	7							
3	1	1A8310-61490	MASSY,COVER DASH	1							
4	1	1A8310-61530	SEAL,DASHBOARD	1							
5	1	1A8310-61590	WEATHER-STRIP ASSY	1							
6	1	1A8310-61800	MASSY,PLATE AIR CUT	1							
7	1	198200-63620	CAP, BOLT 6	1							
8	1	26106-080162	BOLT, M8X 16 PLATED	4							

Fig.100. COLUMN COVER

(A)=EF393T(AU)
(B)=
(C)=

(D)=
(E)=
(F)=

No.	Lev.	Parts No.	Description	Q'ty						I	R
				(A)	(B)	(C)	(D)	(E)	(F)		
1	1	198072-60590	BOLT, M6X20	3							
2	1	1A8310-61670	COVER, COLUMN R	1							
3	1	1A8310-61690	COVER, COLUMN F	1							
4	1	22857-600160	SCREW, 6X16	1							

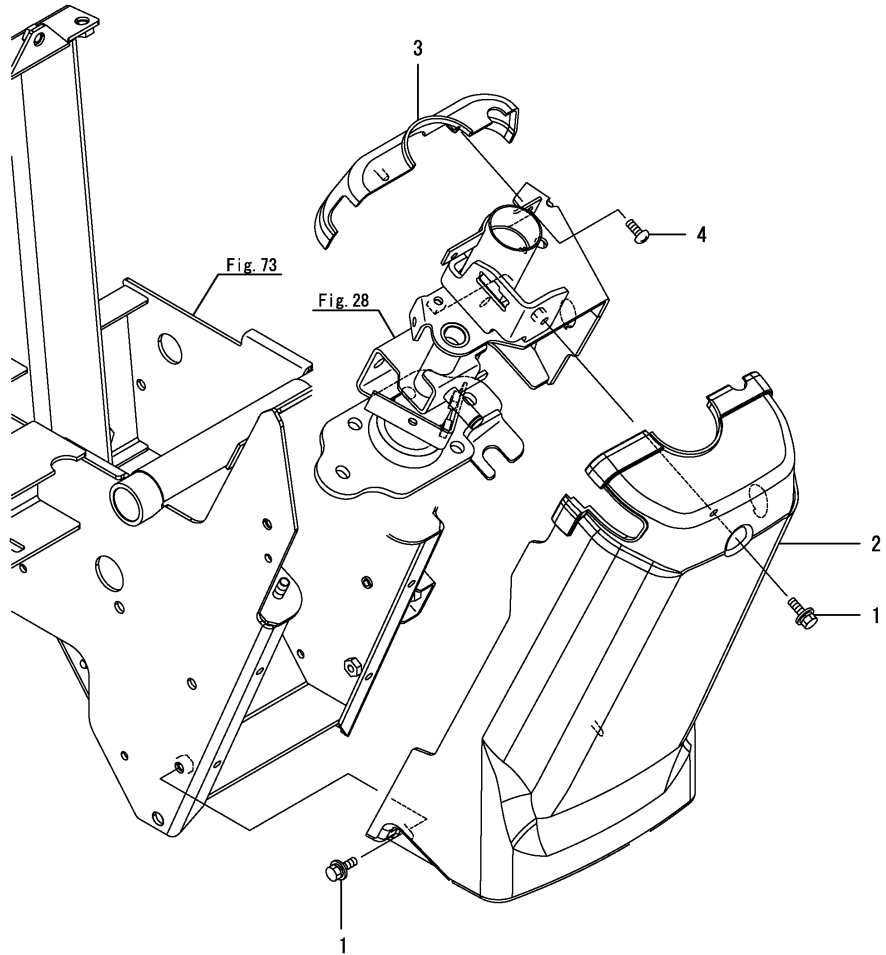
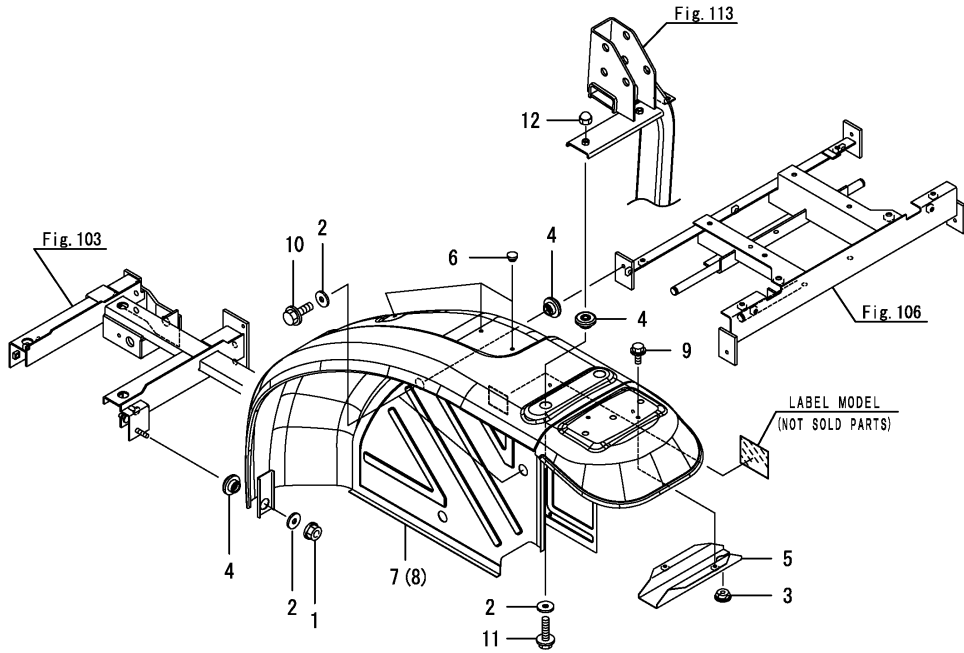


Fig.101. FENDER

(A)=EF393T(AU)
(B)=
(C)=

(D)=
(E)=
(F)=

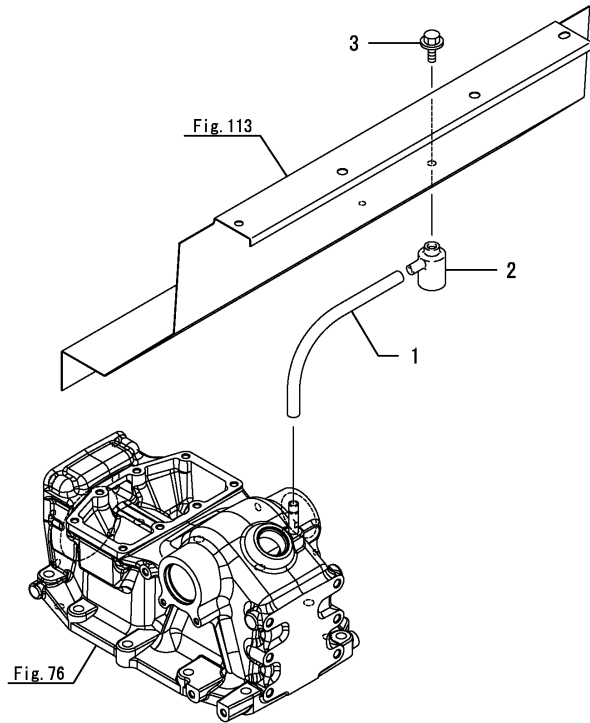


No.	Lev.	Parts No.	Description	Q'ty						I	R
				(A)	(B)	(C)	(D)	(E)	(F)		
1	1	194990-22140	NUT, M8	2							
2	1	1C6140-47210	WASHER, 9X32X3.2	10							
3	1	198245-51210	GROMMET, 25/18	2							
4	1	1A8310-62160	MOUNT ASSY, FENDAR	10							
5	1	1A8310-62200	COVER, FENDER HARNESS	2							
6	1	194446-62310	CAP, RUBBER 8	6							
7	1	1A8310-64100	FENDER ASSY,L	1							
8	1	1A8310-64110	FENDER ASSY,R	1							
9	1	26106-060122	BOLT, M6X 12 PLATED	4							
10	1	26106-080252	BOLT, M8X 25 PLATED	4							
11	1	26106-080302	BOLT, M8X 30 PLATED	4							
12	1	26657-080002	NUT, CAP M8	2							

Fig.102. BREATHER

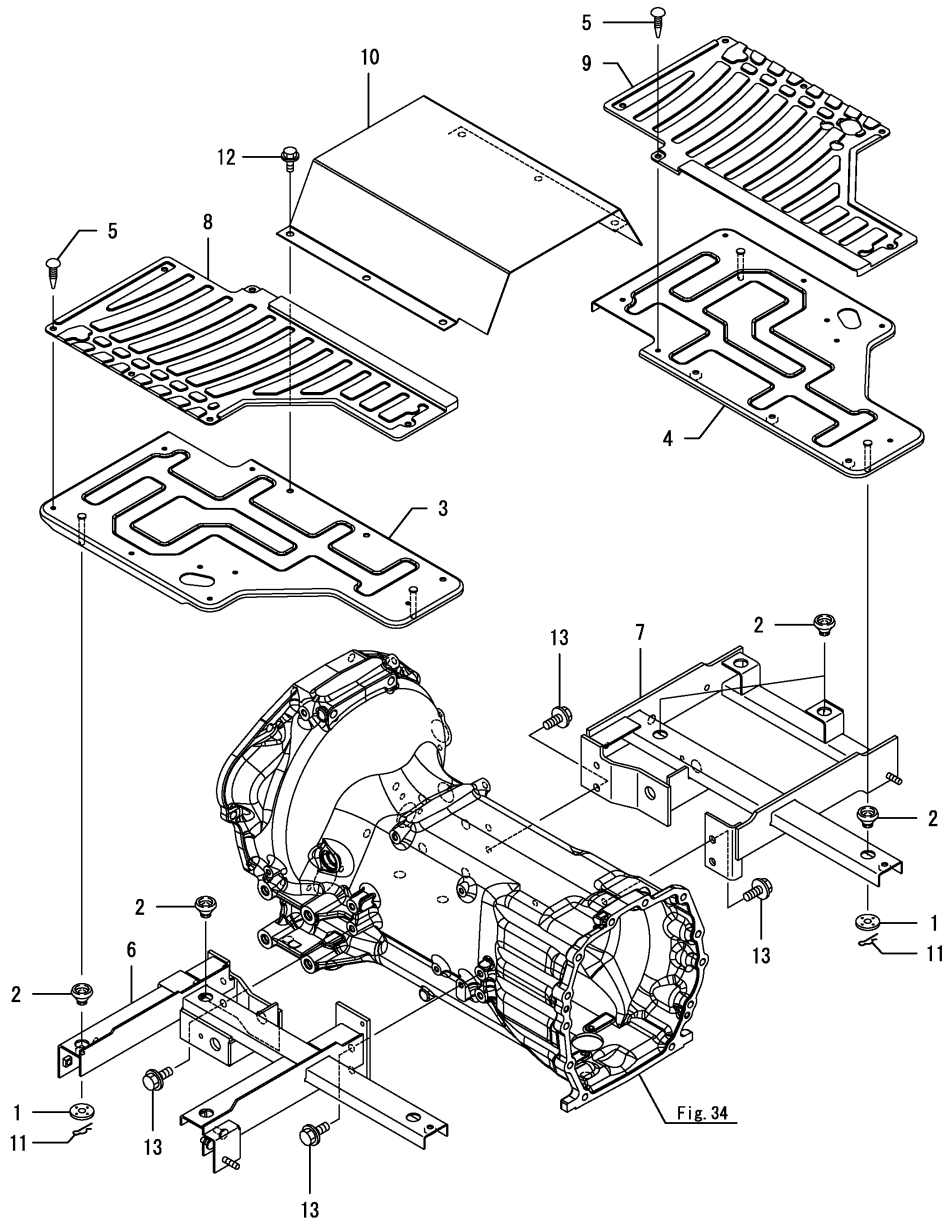
(A)=EF393T(AU)
(B)=
(C)=

(D)=
(E)=
(F)=



No.	Lev.	Parts No.	Description	Q'ty						I	R
				(A)	(B)	(C)	(D)	(E)	(F)		
1	1	1A8115-48250	PIPE, BREATHER 250	1							
2	1	194205-63550	BREATHER, AIR	1							
3	1	26106-080122	BOLT, M8X 12 PLATED	1							

Fig.103. FLOOR



(A)=EF393T(AU)
(B)=
(C)=

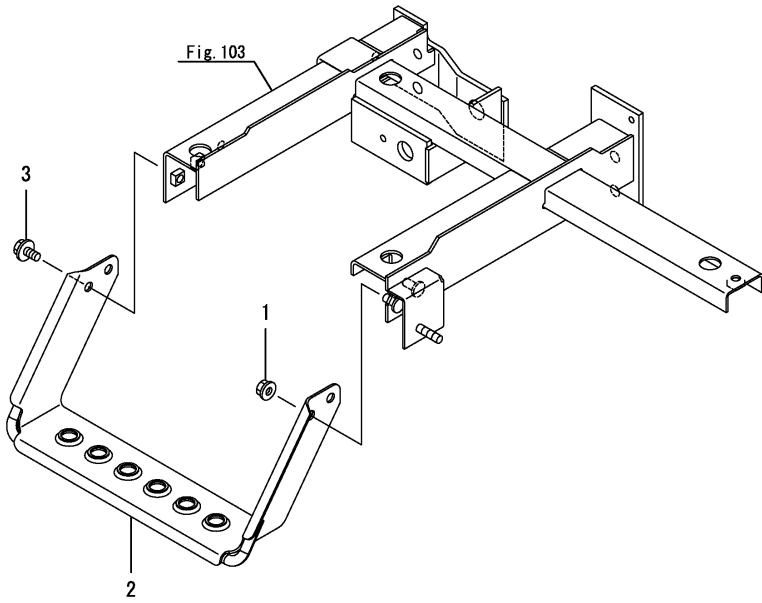
(D)=
(E)=
(F)=

No.	Lev.	Parts No.	Description	Q'ty						I	R
				(A)	(B)	(C)	(D)	(E)	(F)		
1	1	198220-62150	WASHER	4							
2	1	198240-62451	ABSORBER, STEP	8							
3	1	1A8310-62500	STEP ASSY,L	1							
4	1	1A8310-62550	STEP ASSY,R	1							
5	1	194697-62560	CAP, HOLE	12							
6	1	1A8310-62610	SUPPORT ASSY,STEP L	1							
7	1	1A8310-62710	SUPPORT ASSY,STEP R	1							
8	1	1A8310-62800	MAT, FLOOR L	1							
9	1	1A8310-62810	MAT, FLOOR R	1							
10	1	1A8310-62920	M ASSY,F-COVER OTHER	1							
11	1	22372-080000	PIN, SNAP 8	4							
12	1	26106-080162	BOLT, M8X 16 PLATED	6							
13	1	26106-100202	BOLT, M10X 20 PLATED	8							

Fig.104. SUB STEP

(A)=EF393T(AU)
(B)=
(C)=

(D)=
(E)=
(F)=

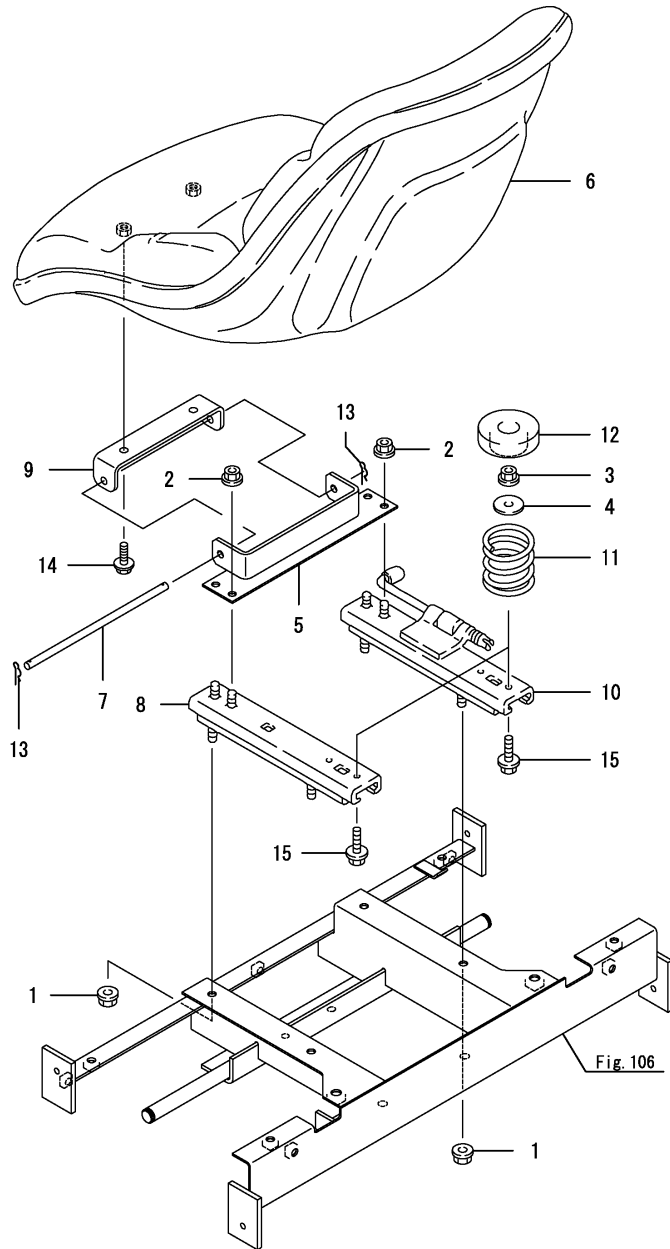


No.	Lev.	Parts No.	Description	Q'ty						I	R
				(A)	(B)	(C)	(D)	(E)	(F)		
1	1	194990-22140	NUT, M8	2							
2	1	1A8115-62560-1	SUB-STEP,	1							
3	1	26106-080162	BOLT, M8X 16 PLATED	2							

Fig.105. SEAT

(A)=EF393T(AU)
(B)=
(C)=

(D)=
(E)=
(F)=

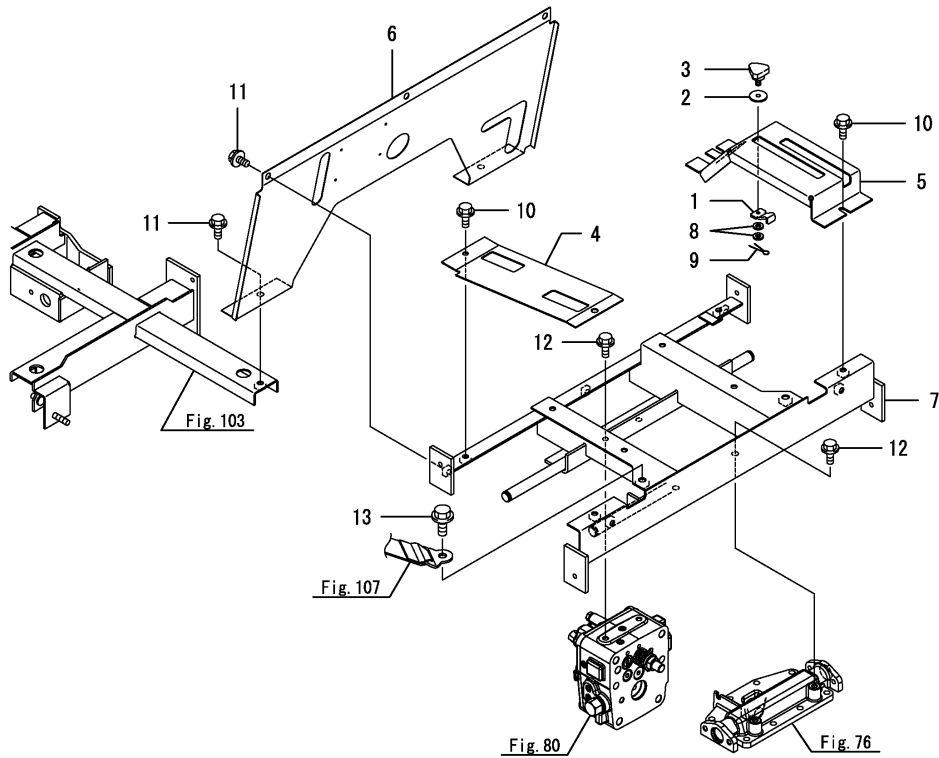


No.	Lev.	Parts No.	Description	Q'ty						I	R
				(A)	(B)	(C)	(D)	(E)	(F)		
1	1	194990-22140	NUT, M8	4							
2	1	194990-22140	NUT, M8	4							
3	1	194990-22140	NUT, M8	2							
4	1	1C6140-47210	WASHER, 9X32X3.2	2							
5	1	1A8310-63100	HINGE ASSY, SEAT	1							
6	1	1A7781-63120	SEAT ASSY,	1							
7	1	1A7781-63140	PIN, HINGE	1							
8	1	198360-63150	RAIL, L	1							
9	1	1A7781-63150	STAY, SEAT	1							
10	1	198360-63160	RAIL, R	1							
11	1	1A8115-63260	SPRING	2							
12	1	1A8115-63270	STOPPER, SEAT	2							
13	1	22372-080000	PIN, SNAP 8	2							
14	1	26106-080162	BOLT, M8X 16 PLATED	2							
15	1	26106-080202	BOLT, M8X 20 PLATED	2							

Fig.106. SEAT BRACKET

(A)=EF393T(AU)
(B)=
(C)=

(D)=
(E)=
(F)=



No.	Lev.	Parts No.	Description	Qty						I	R
				(A)	(B)	(C)	(D)	(E)	(F)		
1	1	1A8115-47121	STOPPER, LEVER	1							
2	1	1A8310-47130	WASHER, 6X26X2.3	1							
3	1	194130-47851	BOLT, M6X15	1							
4	1	1A8310-62400	GUIDE, LEVER L	1							
5	1	1A8310-62410	GUIDE, LEVER R	1							
6	1	1A8310-62420	MASSY, S-COVER AUS	1							
7	1	1A8310-63210	BRACKET ASSY, SEAT	1							
8	1	22137-060000	WASHER, 6	2							
9	1	22417-200200	PIN, COTTER 2.0X20	1							
10	1	26106-080162	BOLT, M8X 16 PLATED	4							
11	1	26106-080162	BOLT, M8X 16 PLATED	5							
12	1	26106-080162	BOLT, M8X 16 PLATED	4							
13	1	26106-100202	BOLT, M10X 20 PLATED	2							

Fig.107. SEAT BELT

(A)=EF393T(AU)
(B)=
(C)=

(D)=
(E)=
(F)=

No.	Lev.	Parts No.	Description	Q'ty						I	R
				(A)	(B)	(C)	(D)	(E)	(F)		
1	1	194180-63150	BELT ASSY, SEAT	1							

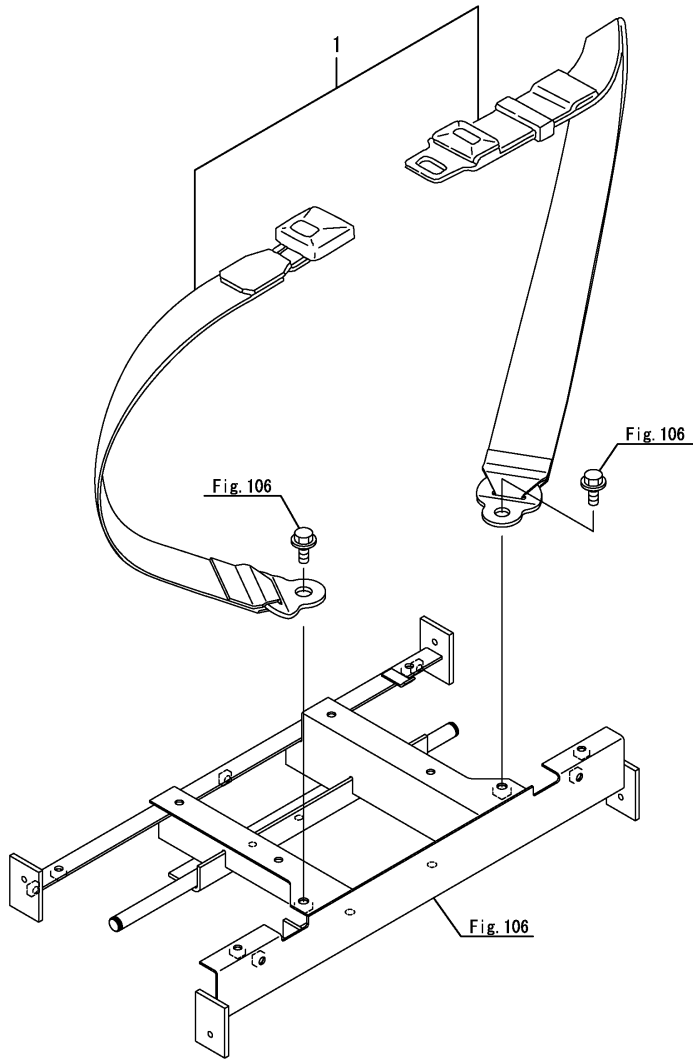
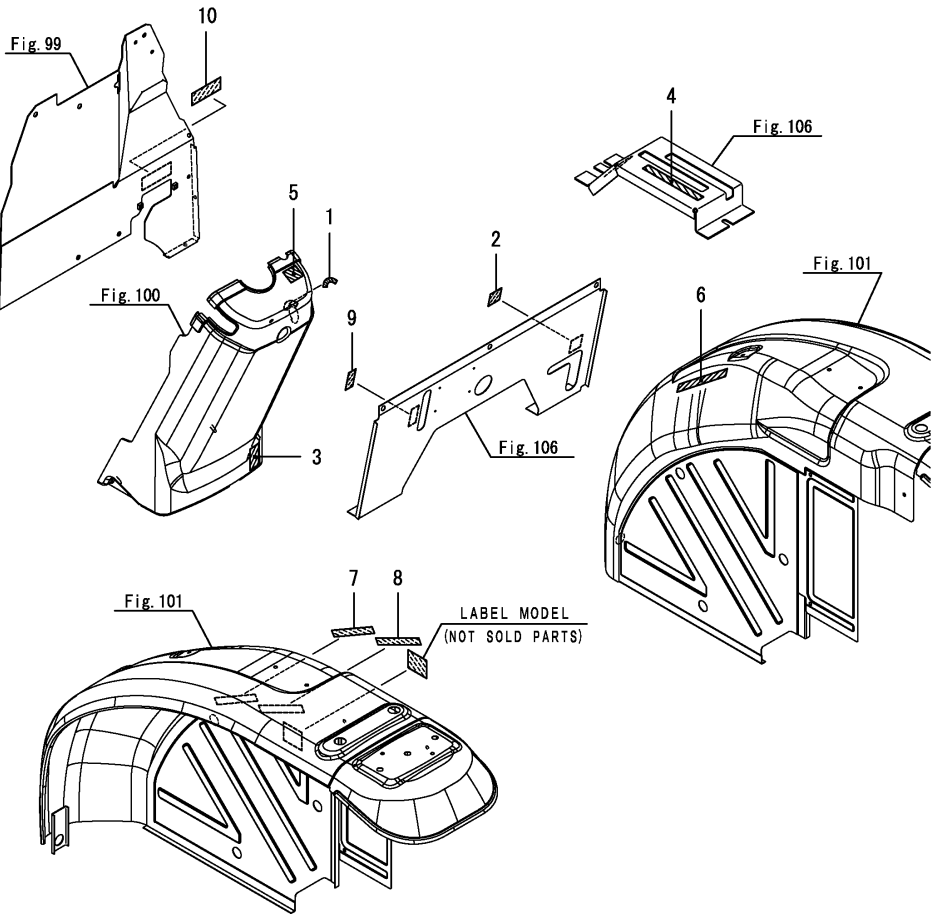
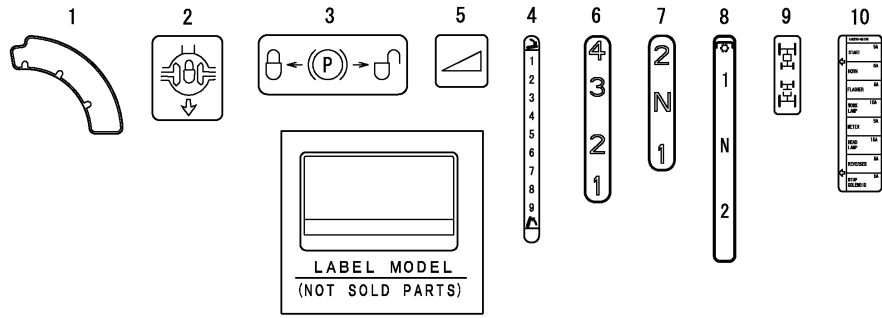


Fig.108. LABEL



(A)=EF393T(AU)
(B)=
(C)=

(D)=
(E)=
(F)=

No.	Lev.	Parts No.	Description	Q'ty						I	R
				(A)	(B)	(C)	(D)	(E)	(F)		
1	1	1A8310-65330	LABEL, SWITCH KEY	1							
2	1	194240-65441	LABEL, DIFF. LOCK	1							
3	1	198036-65470	LABEL, BRAKE LOCK	1							
4	1	1A8115-65511	LABEL, POSITION	1							
5	1	1A6640-65530	LABEL, THROTTLE	1							
6	1	1A8310-65650	LABEL, MAIN SHIFT	1							
7	1	1A8310-65660	LABEL, RANGE SHIFT	1							
8	1	1A8115-65670	LABEL, PTO	1							
9	1	198221-65740	LABEL, MFWD	1							
10	1	1A8310-65780	LABEL, FUSE	1							

Fig.109. LABEL

(A)=EF393T(AU)
 (B)=
 (C)=

(D)=
 (E)=
 (F)=

No.	Lev.	Parts No.	Description	Q'ty						I	R
				(A)	(B)	(C)	(D)	(E)	(F)		
1	1	1A8310-65110	LABEL, MODEL LH	1							
2	1	1A8310-65120	LABEL, MODEL RH	1							

1 (2)



Fig. 96

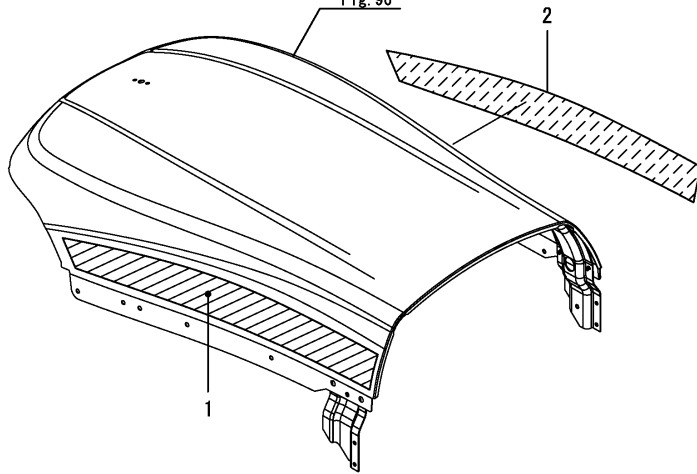
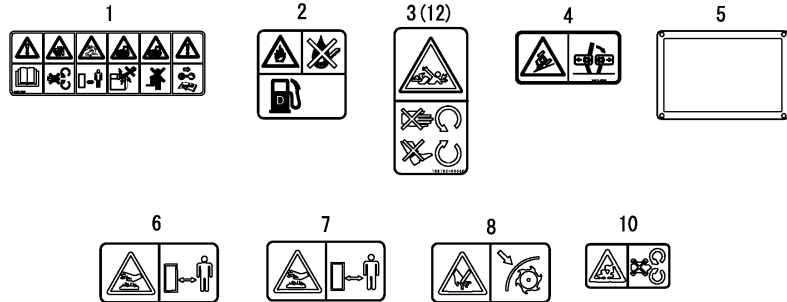


Fig.110. LABEL(SAFETY)

(A)=EF393T(AU)
(B)=
(C)=

(D)=
(E)=
(F)=



No.	Lev.	Parts No.	Description	Qty						I	R
				(A)	(B)	(C)	(D)	(E)	(F)		
1	1	1A8310-65310	LABEL,SAFETY OPRATIO	1							
2	1	1A8310-65340	LABEL, FIRE CAUTION	1							
3	1	198163-65350	DANGER,ROTAT.SHAFT	1							
4	1	1A8310-65360	LABEL, BRAKE COUPLIN	1							
5	1	1A8310-65380	LABEL,PROHIBITION EX	1							
6	1	198163-65930	CAUTION,MUFFLER	1							
7	1	198163-65930	CAUTION,MUFFLER	1							
8	1	198163-65940	CAUTION,SAFETY COVER	2							
10	1	1A6150-93151	LABEL,COVER	1							
11	1	22695-320321	RIVET, 3.2X 3.2	4							
12	1	198163-65350	DANGER,ROTAT.SHAFT	1							

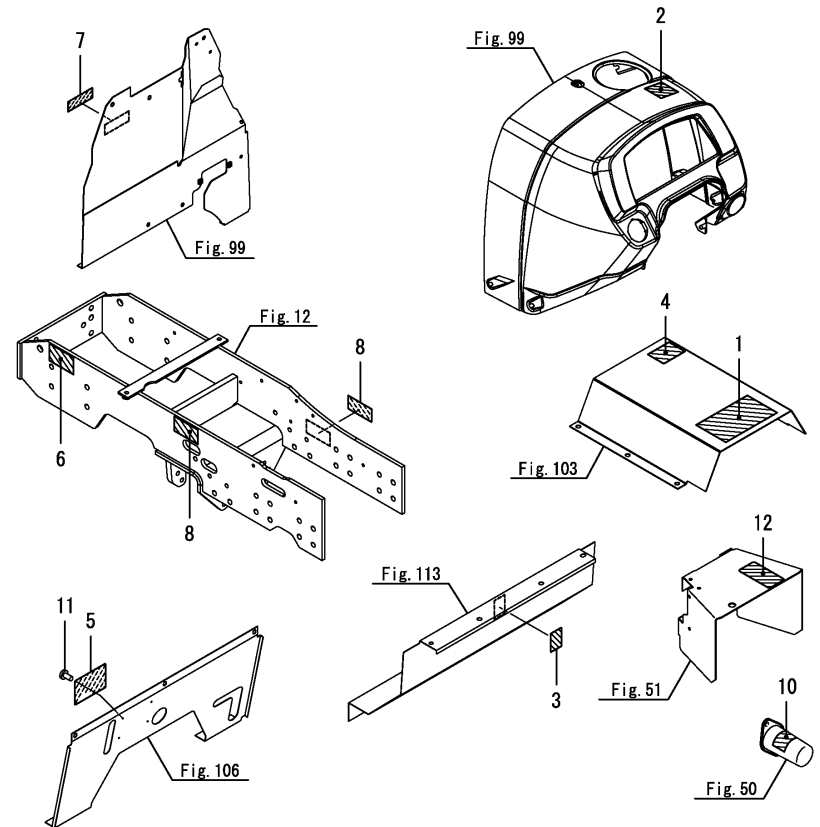
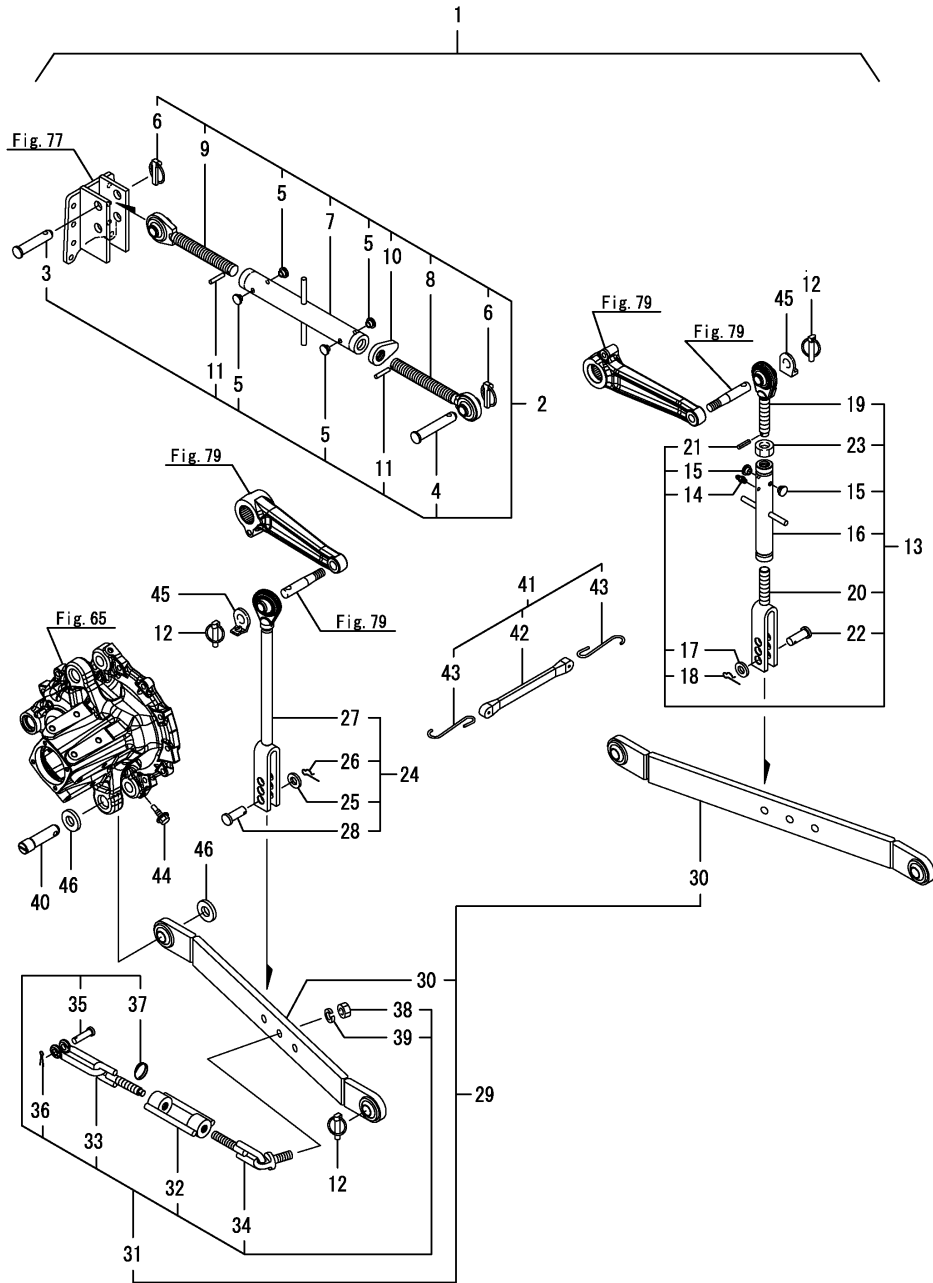


Fig.111. THREE POINT HITCH



(A)=EF393T(AU)
(B)=
(C)=

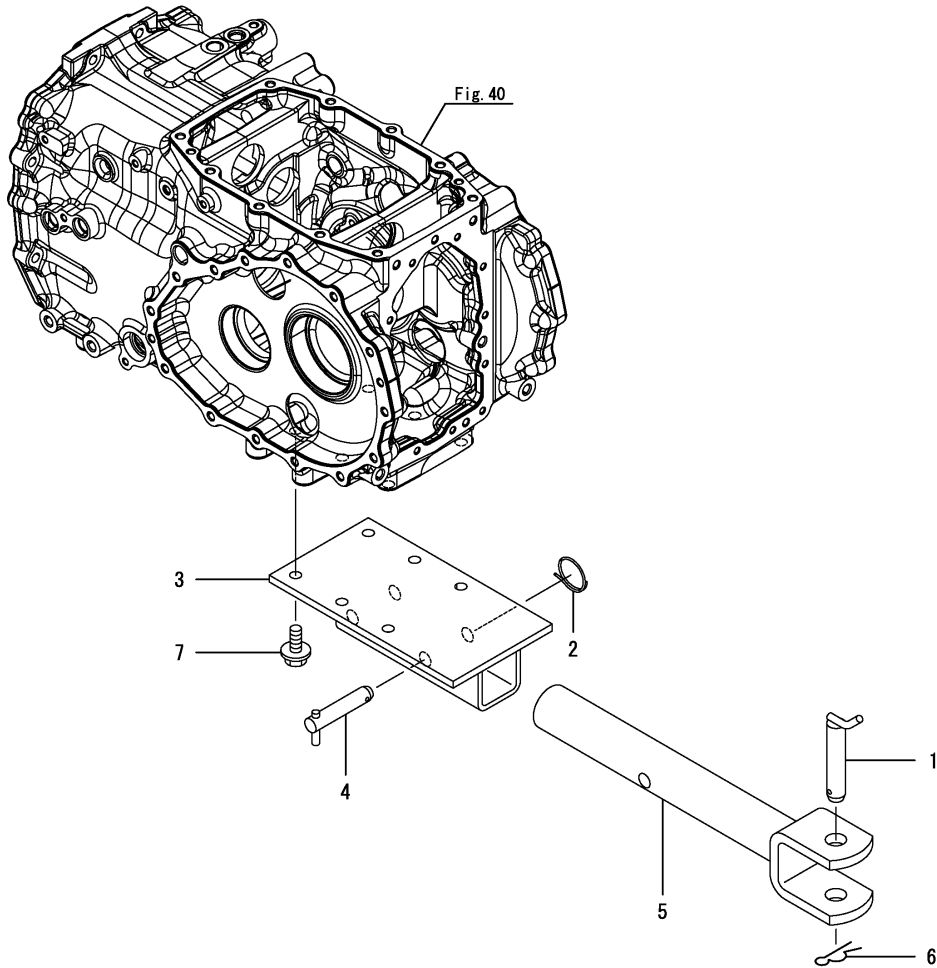
(D)=
(E)=
(F)=

No.	Lev.	Parts No.	Description	Q'ty						I	R
				(A)	(B)	(C)	(D)	(E)	(F)		
1	1	1A8310-71000	HITCH KIT, 3 POINT	1							
2	2	198254-71100	LINK KIT, TOP	1							
3	3	1A7335-71230	PIN, LINK	1							
4	3	1A7335-71240	PIN, HITCH	1							
5	3	1A7335-71250	CAP	4							
6	3	1A7335-71410	PIN ASSY, BALL	2							
7	3	198254-71500	TURNBUCKLE ASSY	1							
8	3	198254-71600	LINK ASSY, TOP R	1							
9	3	198254-71700	LINK ASSY, TOP L	1							
10	3	1A7335-71750	NUT, LOCK M24	1							
11	3	1A7335-71760	PIN, SPRING 5.0X25	2							
12	2	1A7335-71410	PIN ASSY, BALL	4							
13	2	198283-72101	LINK KIT, LIFT R	1							
14	3	1A7450-43680	NIPPLE, GRESAE M6	1							
15	3	1A7335-71250	CAP	2							
16	3	198283-72151	ADJ,TUBE ASSY	1							
17	3	1A7500-72160	WASHER, 16	1							
18	3	1A8275-72180	SNAP PIN 13-19	1							
19	3	198283-72201	EYEBOLT ASSY,	1							
20	3	198283-72251	YORK ASSY, LIFT LINK	1							
21	3	1A7335-72360	PIN, SPRING 5.0X22	1							
22	3	198234-72550	PIN, 16X44	1							
23	3	26757-200002	NUT, LOCK M20	1							
24	2	198283-72301	LINK KIT,LIFT L.H.	1							
25	3	1A7500-72160	WASHER, 16	1							
26	3	1A8275-72180	SNAP PIN 13-19	1							
27	3	198283-72311	LINK ASSY,LIFT L.H.	1							
28	3	198234-72550	PIN, 16X44	1							
29	2	1A8310-73040	LINK&CHAIN KIT	2							
30	3	198283-73500	LINK ASSY, LOWER	2							
31	3	1A8310-74400	CHAIN KIT	2							
32	4	1A8310-74150	TURNBUCKLE ASSY	2							
33	4	1A8310-74450	CHAIN ASSY, FRONT	2							
34	4	1A8310-74500	CHAIN ASSY, REAR	2							
35	4	1A7335-74620	PIN, SHACKLE	2							
36	4	1A7335-74630	PIN, 4.0X25	2							
37	4	1A7500-74661	RING, 32	2							
38	4	1A7500-74670	NUT, M16	2							
39	4	1A7500-74680	WASHER, SPRING 16	2							
40	2	1A8310-73150	PIN, LOWER LINK	2							
41	2	198283-73310	STRAP, LINK	1							
42	3	1A7500-73320	STRAP	1							
43	3	198283-73330	HOOK, S	2							
44	1	1A8310-73160	BOLT, M10X30	2							
45	1	198071-74970	COLLAR, BALL SOCKET	2							
46	1	22137-220000	WASHER, 22	4							

Fig.112. DRAWBAR HITCH

(A)=EF393T(AU)
 (B)=
 (C)=

(D)=
 (E)=
 (F)=

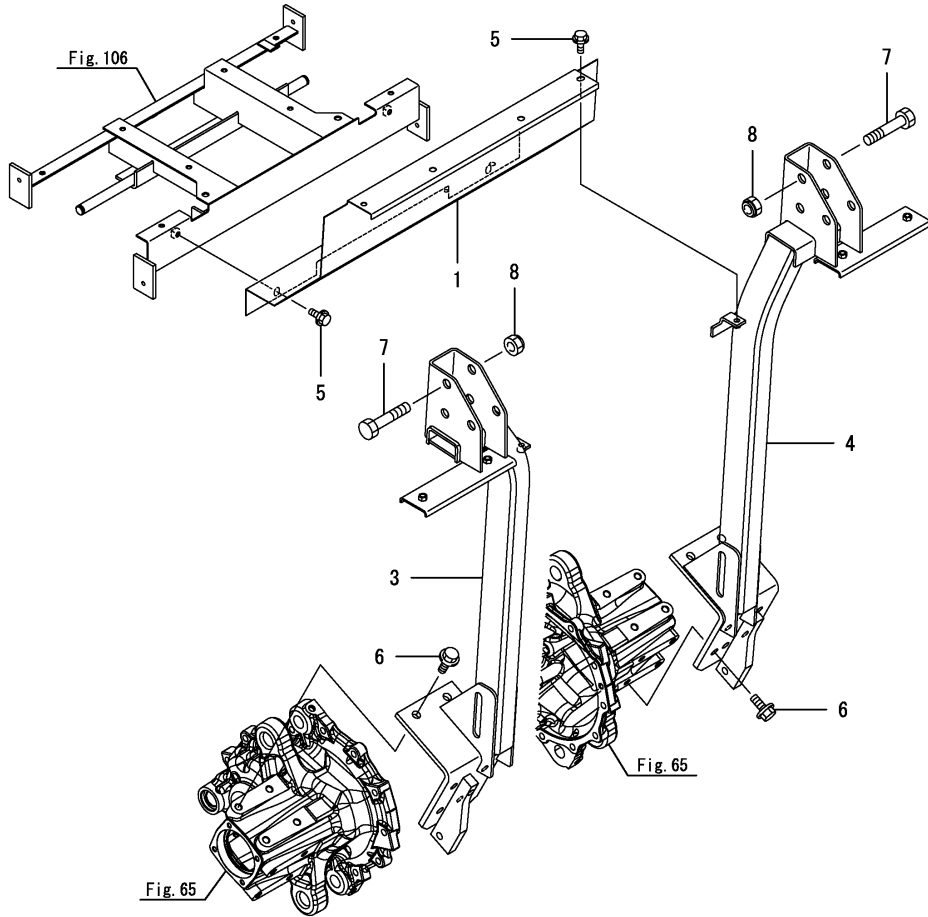


No.	Lev.	Parts No.	Description	Q'ty						I	R
				(A)	(B)	(C)	(D)	(E)	(F)		
1	1	194145-75240	PIN, HITCH 22	1							
2	1	194145-75250	RING, STOPPER	1							
3	1	1A8310-75700	BRACKET ASSY,DRAWBER	1							
4	1	194150-75740	PIN, HITCH 16	1							
5	1	198283-75860	HITCH ASSY, DRAWBAR	1							
6	1	22360-200000	PIN, SNAP 20	1							
7	1	26106-120252	BOLT, M12X 25 PLATED	6							

Fig.113. ROPS

(A)=EF393T(AU)
(B)=
(C)=

(D)=
(E)=
(F)=



No.	Lev.	Parts No.	Description	Q'ty						I	R
				(A)	(B)	(C)	(D)	(E)	(F)		
1	1	1A8310-62940	MASSY, S-BACK COVER	1							
3	1	1A8310-85201	FRAM ASSY, REAR ROPS	1							
4	1	1A8310-85211	FRAM ASSY, REAR ROPS	1							
5	1	26106-080162	BOLT, M8X 16 PLATED	4							
6	1	26106-120252	BOLT, M12X 25 PLATED	14							
7	1	26156-160802	BOLT, M16X 80 PLATED	4							
8	1	26356-160002	NUT, M16	4							

Fig.114. DOCUMENT

(A)=EF393T(AU)
 (B)=
 (C)=

(D)=
 (E)=
 (F)=

No.	Lev.	Parts No.	Description	Q'ty						I	R
				(A)	(B)	(C)	(D)	(E)	(F)		
1	1	0A041-EN0010	OPERATION MANUAL	1							

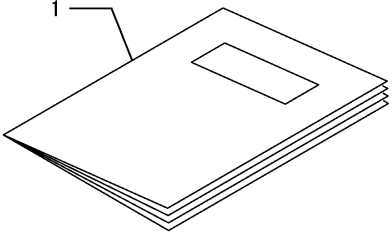
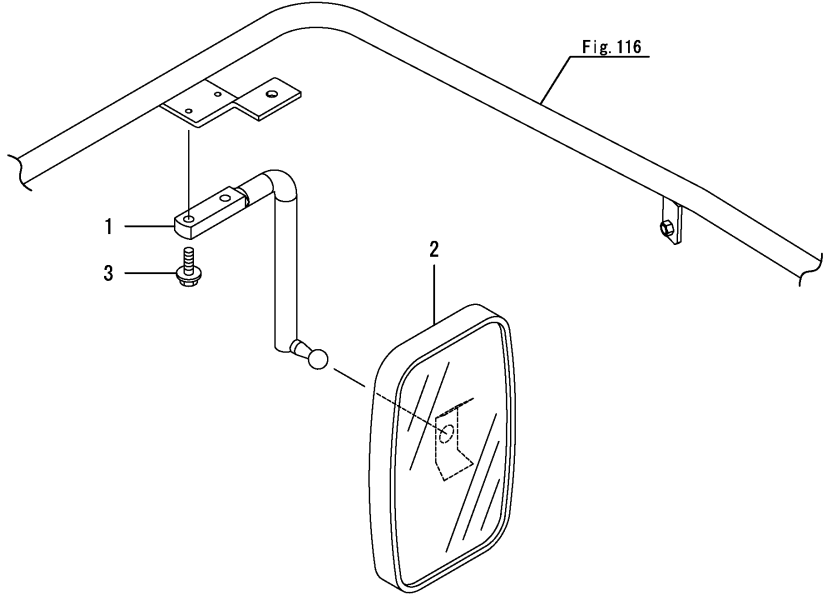


Fig.115. REARVIEW MIRROR

(A)=EF393T(AU)
 (B)=
 (C)=

(D)=
 (E)=
 (F)=

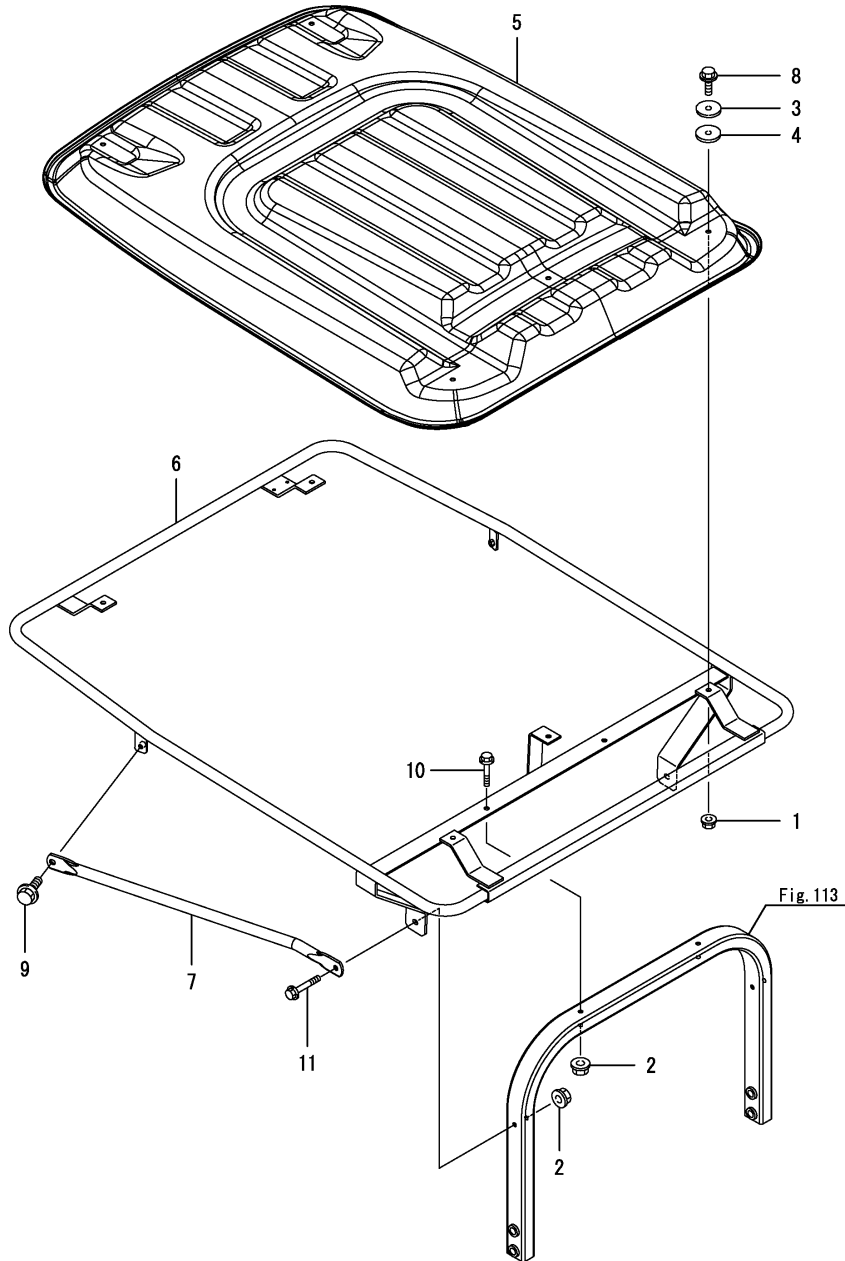


No.	Lev.	Parts No.	Description	Q'ty						I	R
				(A)	(B)	(C)	(D)	(E)	(F)		
1	1	1A8310-64010	STAY ASSY, MIRROR RH	1							
2	1	198440-64100	HEAD, MIRROR	1							
3	1	26106-080202	BOLT, M8X 20 PLATED	2							

Fig.116. ROOF

(A)=EF393T(AU)
(B)=
(C)=

(D)=
(E)=
(F)=



No.	Lev.	Parts No.	Description	Q'ty						I	R
				(A)	(B)	(C)	(D)	(E)	(F)		
1	1	194990-22140	NUT, M8	5							
2	1	194990-22150	NUT, M10	4							
3	1	198255-82640	STAY, PLATE	5							
4	1	198255-82660	RUBBER, CUSHION B	5							
5	1	1A8310-85500	ROOF	1							
6	1	1A8310-85600	FRAME ASSY,ROOF	1							
7	1	1A8310-85700	PIPE,ROOF	2							
8	1	26106-080252	BOLT, M8X 25 PLATED	5							
9	1	26106-100202	BOLT, M10X 20 PLATED	2							
10	1	26106-100552	BOLT, M10X 55 PLATED	2							
11	1	26106-100652	BOLT, M10X 65 PLATED	2							

Parts No. Index

Parts No.	Fig. No.	Ref. No.
0A041-EN0010	114	1
114270-59010	3	15
	8	9
	9	7
119131-18320	2	6
119802-55700	2	8
119802-55710	2	10
119802-55730	2	11
119808-12520	11	4
119808-12540	11	7
119852-55612	2	7
119866-12541	11	8
123900-13630	2	5
124240-01883	75	7
124550-77030	88	17
124756-77040	88	18
129004-13200	2	3
129004-55810	2	14
129051-12530	11	5
129052-13550	2	4
129100-55690	2	9
129107-44590	3	2
129150-13110	2	2
129211-77920	2	15
129418-12530	11	6
129612-12650	11	9
168028-00010	75	1
171350-13100	2	1
172142-76181	33	9
	86	3
172730-75141	86	2
175022-49730	85	9
175022-49750	3	13
177432-03450	22	1
178070-10401	75	2
		9
192167-24600	41	2
194130-44480-1	79	6
194130-47851	106	3
194145-27450	52	6
	54	6
	56	4
	58	4
194145-75240	112	1
194145-75250	112	2
194150-75740	112	4
194167-61650	96	28
194170-47440	82	11
194180-12471	16	13
	31	1

Parts No.	Fig. No.	Ref. No.
194180-63150	107	1
194200-53400	91	2
194201-11230	34	1
	40	1
194205-63550	102	2
194240-65441	108	2
194274-13580	72	1
194275-27750	40	9
194279-14220	71	2
194312-27780	73	8
	74	1
194370-26350	49	4
194440-32580	69	1
194440-51620	9	2
194446-62310	101	6
194447-13490	21	1
194464-52190	94	1
		2
194515-31610	63	3
194515-31850	63	6
194521-41570	75	3
		10
194525-31520	63	2
194555-25870	17	3
	42	3
	45	5
194555-26520	37	3
194555-42280	76	8
194555-47340-1	82	6
194555-47350-1	82	8
194556-13790	24	1
194630-43230	80	5
194680-25940	49	1
194680-51670	33	7
	55	3
194697-62560	3	17
	103	5
194740-00160	28	4
194850-32340	64	2
194850-42180	80	1
194850-42190	80	2
194881-12650	27	1
	71	1
194940-47210-1	82	2
194940-47220	82	4
194940-65590	96	39
194990-22050	82	1
194990-22130	5	6
	88	1
	90	1

Parts No.	Fig. No.	Ref. No.
194990-22130	96	1
194990-22140	6	3
		4
	7	3
	8	15
	28	26
	73	22
	88	2
	95	1
	96	2
	97	1
		2
	98	1
	101	1
	104	1
	105	1
		2
		3
	116	1
194990-22150	116	2
197830-85490	5	8
198010-41211	85	1
198010-53410	91	3
198010-53420	91	1
198036-65470	108	3
198071-22311	38	1
198071-24350	40	4
198071-37510	73	16
		26
		36
198071-43320	78	2
198071-43330	78	3
198071-61890	96	34
		35
		36
198071-65610	96	40
		41
198071-74970	111	45
198072-17550	32	2
198072-48340	85	5
198072-60590	99	2
	100	1
198119-27150	52	2
	54	1
	56	1
	58	1
	61	1
198121-25800	44	11
198121-25820	44	12
198121-25830	44	13

Parts No.	Fig. No.	Ref. No.
198121-25840	44	14
198121-25850	44	15
198121-25870	44	16
198121-51190	88	11
198133-15700	29	1
198133-15740	29	2
198133-15780	29	3
198133-22510	73	14
		23
		31
198133-22530	73	15
		24
		32
198133-51350	88	13
198146-15240	28	25
198153-04670	8	14
198162-52110	90	2
198162-52150	90	5
198163-65350	110	3
		12
198163-65930	110	6
		7
198163-65940	110	8
198165-04380	73	1
198196-34140	69	3
198200-01260	28	6
198200-04061	8	3
198200-04090	8	4
198200-04120	8	6
198200-13220	18	3
198200-14210	24	3
198200-17050	31	12
198200-17120	31	14
198200-17140	31	15
198200-17150	31	16
198200-17160	31	17
198200-17170	31	18
198200-17500	32	1
198200-21140	34	5
198200-22330-1	38	2
198200-22531	37	2
198200-24151-1	40	3
198200-25120	43	1
198200-25130	42	2
198200-25150	44	1
		46
		48
		2
198200-25210	43	2
198200-25450	44	6
198200-26150	48	9

Parts No. Index

Parts No.	Fig. No.	Ref. No.
198200-26160	48	10
198200-26190	40	8
198200-26240	48	12
198200-27170	52	3
	56	2
	58	2
198200-27180	52	4
198200-27370	54	3
198200-27530	55	2
198200-31510	63	1
198200-31810	63	4
198200-32110	63	7
198200-32320	64	1
198200-32731-1	65	4
198200-33111	66	1
198200-33150	66	3
198200-34130	71	3
198200-34190	71	4
198200-36341	72	6
198200-36350-1	72	7
198200-36390	72	5
		10
198200-36422	72	12
198200-37640	73	38
198200-37650	73	39
198200-41110	75	8
198200-42130	76	4
198200-42140	76	5
198200-42150-1	76	6
198200-42191	76	7
198200-43110	80	3
198200-43211	80	4
198200-43250	80	6
198200-43310	78	1
198200-43410	79	1
198200-44110	79	2
198200-45150	80	8
198200-45510-1	81	1
198200-47411	82	9
198200-47460	82	12
198200-47510-1	82	14
198200-47540-1	82	15
198200-48350	87	2
198200-52140	90	6
198200-63620	99	7
198212-25150	48	3
198220-11510	12	2
198220-37900	3	12
	73	51
	74	8

Parts No.	Fig. No.	Ref. No.
198220-48140	85	2
198220-48750	85	6
198220-62150	103	1
198221-65740	108	9
198234-72550	111	22
		28
198240-21270	35	1
198240-62451	103	2
198245-51210	73	52
	101	3
198254-71100	111	2
198254-71500	111	7
198254-71600	111	8
198254-71700	111	9
198255-24460	40	7
198255-82640	116	3
198255-82660	116	4
198280-26903	51	1
198280-42810-1	77	2
198280-47210-1	82	3
198280-47310	82	5
198280-47430	82	10
198280-47500	82	13
198283-13480	14	6
198283-14311	24	4
198283-44211	79	3
198283-44510-1	79	7
198283-47650-1	82	16
198283-53810	91	6
198283-72101	111	13
198283-72151	111	16
198283-72201	111	19
198283-72251	111	20
198283-72301	111	24
198283-72311	111	27
198283-73310	111	41
198283-73330	111	43
198283-73500	111	30
198283-75860	112	5
198360-22210	39	1
198360-52320	90	3
198360-52330	90	4
198360-63150	105	8
198360-63160	105	10
198431-47340	82	7
198440-64100	115	2
198448-22520	88	3
198448-51910	10	3
198448-53320	96	5
		10

Parts No.	Fig. No.	Ref. No.
198475-32660	24	6
	65	3
198475-37690	73	40
198475-65030	96	37
		38
198483-32660	22	9
198511-53430	91	4
198511-53450	91	5
1A1040-28470	40	5
1A6150-93151	110	10
1A6640-65530	108	5
1A6750-61830	73	54
1A7000-53230	96	4
		9
1A7100-26850	50	1
1A7130-37990	73	41
1A7130-51130	88	5
1A7180-04180	8	7
1A7180-11620	14	2
1A7180-61780	96	29
		30
		31
		32
		33
1A7260-46640	84	1
1A7260-46650	84	2
1A7320-87110	3	18
1A7335-71230	111	3
1A7335-71240	111	4
1A7335-71250	111	5
		15
1A7335-71410	111	6
		12
1A7335-71750	111	10
1A7335-71760	111	11
1A7335-72360	111	21
1A7335-74620	111	35
1A7335-74630	111	36
1A7450-43680	111	14
1A7450-53820	91	7
1A7500-56610	8	8
1A7500-72160	111	17
		25
1A7500-73320	111	42
1A7500-74661	111	37
1A7500-74670	111	38
1A7500-74680	111	39
1A7510-36490	66	5
1A7651-51850	88	6
1A7780-53200	96	3

Parts No.	Fig. No.	Ref. No.
1A7780-53300	96	8
1A7781-51500	89	1
1A7781-51520	89	2
1A7781-61340	96	23
1A7781-63120	105	6
1A7781-63140	105	7
1A7781-63150	105	9
1A7815-32810	15	1
1A7870-04030	8	2
1A7870-24910	76	1
1A7870-52950	1	1
1A7890-60980	96	13
1A8070-45101	80	7
1A8071-42100	76	2
1A8071-42110	76	3
1A8115-00610	3	3
1A8115-00650	3	4
1A8115-01110	28	5
1A8115-01160	5	1
1A8115-01190	59	1
1A8115-01280	5	2
1A8115-15720	30	1
1A8115-17910	33	4
1A8115-18350	59	2
1A8115-22510	73	2
1A8115-22650	73	3
1A8115-22660	73	4
1A8115-22690	73	5
1A8115-22700	73	6
1A8115-27000	28	8
1A8115-27030	28	9
1A8115-27240	28	11
1A8115-27400	28	15
1A8115-27460	28	16
1A8115-27810	59	3
1A8115-27910	59	4
1A8115-28010	59	5
1A8115-37370	74	2
1A8115-37580	59	6
1A8115-37610	73	46
1A8115-37620	73	47
1A8115-37660	73	48
1A8115-37680	73	49
1A8115-47121	106	1
1A8115-47810	59	7
1A8115-48250	102	1
1A8115-48310	87	1
1A8115-57150	93	1
1A8115-61300	98	3
1A8115-61530	95	3

Parts No. Index

Parts No.	Fig. No.	Ref. No.
1A8115-61580	95	4
1A8115-62560-1	104	2
1A8115-63260	105	11
1A8115-63270	105	12
1A8115-65511	108	4
1A8115-65670	108	8
1A8160-28230	60	2
1A8260-37520	73	27
1A8275-51670	3	14
	4	2
	9	3
		4
		5
		6
	33	8
	88	16
1A8275-72180	111	18
		26
1A8310-00600	3	1
1A8310-00660	3	5
1A8310-00670	3	6
1A8310-00680	3	7
1A8310-01150	4	1
1A8310-01210	3	8
1A8310-01300	5	3
1A8310-01350	5	4
1A8310-01400	5	5
1A8310-01410	3	9
1A8310-01450	3	10
1A8310-01510	3	11
1A8310-03200	6	1
1A8310-03280	6	2
1A8310-03510	7	1
1A8310-04100	8	1
1A8310-04110	8	5
1A8310-04130	9	1
1A8310-04310	8	13
1A8310-05510	7	2
1A8310-06010	11	1
1A8310-06100	11	2
1A8310-06110	11	3
1A8310-06210	11	10
1A8310-11100	12	1
1A8310-11250	10	1
1A8310-11310	10	2
1A8310-11630	14	4
1A8310-12310	16	2
1A8310-12330	16	1
1A8310-12510	16	3
	31	2

Parts No.	Fig. No.	Ref. No.
1A8310-12540	16	4
	31	3
		8
1A8310-12550	16	8
1A8310-12580	16	9
1A8310-12610	16	5
		10
	31	4
		9
1A8310-12620	16	6
		11
	31	5
1A8310-12630	16	7
		12
	31	6
1A8310-12640	31	10
1A8310-12651	31	7
1A8310-13110	17	1
1A8310-13120	17	2
1A8310-13151	14	1
1A8310-13161	14	3
1A8310-13200	18	1
1A8310-13210	18	2
1A8310-13230	18	4
1A8310-13240	18	5
1A8310-13250	18	9
1A8310-13260	18	6
1A8310-13270	18	7
1A8310-13280	19	1
1A8310-13310	19	2
1A8310-13391	21	3
1A8310-13450	14	5
1A8310-13510	20	1
1A8310-13520	20	2
1A8310-13530	20	3
1A8310-13601	21	2
1A8310-13721	22	2
1A8310-13730	22	3
1A8310-13820	23	1
1A8310-13910	22	4
1A8310-14130	24	2
1A8310-14240	22	5
1A8310-14250	22	6
1A8310-14270	23	2
1A8310-14320	23	3
1A8310-14330	24	5
1A8310-14630	25	1
1A8310-14650	25	2
1A8310-14660	25	3
1A8310-14720	26	5

Parts No.	Fig. No.	Ref. No.
1A8310-14720	26	10
1A8310-14750	26	1
1A8310-14760	26	2
		7
1A8310-14770	26	3
		8
1A8310-14780	26	4
		9
1A8310-14850	26	6
1A8310-15060	28	1
1A8310-15070	28	2
1A8310-15090	28	3
1A8310-15120	28	7
1A8310-17210	21	4
1A8310-17300	31	11
1A8310-17360	31	19
1A8310-17640	31	20
1A8310-17810	33	1
1A8310-17830	33	2
1A8310-17840	33	3
1A8310-17910	33	5
1A8310-17960	33	6
1A8310-21100	34	2
1A8310-21500	36	1
1A8310-21510	36	2
1A8310-21700	36	3
1A8310-22110	37	1
1A8310-22390	73	10
1A8310-22400	73	11
1A8310-22410	73	12
1A8310-22480	39	2
1A8310-24110	40	2
1A8310-24310	41	1
1A8310-24330	40	6
1A8310-25110	42	1
1A8310-25410	44	2
1A8310-25420	44	3
1A8310-25430	44	4
1A8310-25440	44	5
1A8310-25460	44	7
1A8310-25470	44	8
1A8310-25480	44	9
	48	4
1A8310-25490	44	10
	47	1
1A8310-25510	45	1
1A8310-25520	46	2
1A8310-25530	46	3
1A8310-25560	46	4
1A8310-25610	46	5

Parts No.	Fig. No.	Ref. No.
1A8310-25610	48	5
1A8310-25620	46	6
1A8310-25650	45	2
1A8310-25660	45	3
1A8310-25670	45	4
1A8310-25810	46	7
1A8310-25910	47	2
1A8310-25930	47	3
1A8310-26110	48	6
1A8310-26130	48	7
1A8310-26140	48	8
1A8310-26170	48	11
1A8310-26310	49	2
1A8310-26320	49	3
1A8310-27090	28	10
1A8310-27110	52	1
1A8310-27250	28	12
1A8310-27260	28	13
1A8310-27310	54	2
1A8310-27380	54	4
1A8310-27410	52	5
	54	5
	56	3
	58	3
	61	2
1A8310-27490	55	1
1A8310-27520	56	5
1A8310-27570	56	6
1A8310-27600	53	1
1A8310-27610	53	2
1A8310-27710	58	5
1A8310-27740	52	7
	56	7
1A8310-27780	58	6
1A8310-27800	53	5
1A8310-27810	53	6
1A8310-27900	53	9
1A8310-27910	53	10
1A8310-28000	57	1
1A8310-28010	57	2
1A8310-28030	57	5
1A8310-28040	57	6
1A8310-28060	57	9
1A8310-28070	57	10
1A8310-28090	57	13
1A8310-28110	57	3
		7
		11
1A8310-28180	60	1
1A8310-28220	46	8

Parts No. Index

Parts No.	Fig. No.	Ref. No.
1A8310-28230	60	3
1A8310-28280	60	4
1A8310-28400	53	13
1A8310-28410	53	14
1A8310-28510	61	3
1A8310-28560	61	4
1A8310-31400	62	1
1A8310-31820	63	5
1A8310-32600	65	1
1A8310-33140	66	2
1A8310-33210	66	4
1A8310-33410	67	1
1A8310-33420	67	2
1A8310-33500	68	1
1A8310-34110	69	2
1A8310-34700	70	1
1A8310-34710	70	2
		7
1A8310-34720	70	5
		10
1A8310-34730	70	3
		8
1A8310-34740	70	4
		9
1A8310-34800	70	6
1A8310-36300	72	2
1A8310-36310	72	3
1A8310-36380	72	4
		9
1A8310-36400	72	8
1A8310-36410	72	11
1A8310-37100	73	9
1A8310-37110	73	18
1A8310-37120	73	19
1A8310-37290	73	21
1A8310-37300	73	25
1A8310-37390	73	30
1A8310-37400	73	33
1A8310-37410	73	34
1A8310-37550	73	37
1A8310-37700	74	3
1A8310-37710	74	4
1A8310-37770	74	6
1A8310-37800	74	7
1A8310-42180	77	1
1A8310-44411	79	4
1A8310-44421	79	5
1A8310-47110	83	1
1A8310-47130	106	2
1A8310-48140	86	1

Parts No.	Fig. No.	Ref. No.
1A8310-48210	85	3
1A8310-48300	85	4
1A8310-48800	85	7
1A8310-48810	85	8
1A8310-51110	88	4
1A8310-51310	88	12
1A8310-51410	88	14
1A8310-51420	88	15
1A8310-52700	88	7
1A8310-53250	96	6
1A8310-53260	96	7
1A8310-53370	96	11
1A8310-56010	92	1
1A8310-56020	92	2
1A8310-60110	95	2
1A8310-60710	3	16
1A8310-60800	97	3
1A8310-60900	96	12
1A8310-61010	96	14
1A8310-61060	96	15
1A8310-61110	96	16
1A8310-61170	96	17
1A8310-61210	96	18
1A8310-61220	96	19
1A8310-61230	96	20
1A8310-61250	98	2
1A8310-61320	96	21
1A8310-61330	96	22
1A8310-61370	97	4
1A8310-61410	96	24
1A8310-61470	96	25
1A8310-61490	99	3
1A8310-61530	99	4
1A8310-61570	96	26
1A8310-61580	96	27
1A8310-61590	99	5
1A8310-61670	100	2
1A8310-61690	100	3
1A8310-61800	99	6
1A8310-62160	101	4
1A8310-62200	101	5
1A8310-62400	106	4
1A8310-62410	106	5
1A8310-62420	106	6
1A8310-62500	103	3
1A8310-62550	103	4
1A8310-62610	103	6
1A8310-62710	103	7
1A8310-62800	103	8
1A8310-62810	103	9

Parts No.	Fig. No.	Ref. No.
1A8310-62920	103	10
1A8310-62940	113	1
1A8310-63100	105	5
1A8310-63210	106	7
1A8310-64010	115	1
1A8310-64100	101	7
1A8310-64110	101	8
1A8310-65110	109	1
1A8310-65120	109	2
1A8310-65310	110	1
1A8310-65330	108	1
1A8310-65340	110	2
1A8310-65360	110	4
1A8310-65380	110	5
1A8310-65650	108	6
1A8310-65660	108	7
1A8310-65780	108	10
1A8310-71000	111	1
1A8310-73040	111	29
1A8310-73150	111	40
1A8310-73160	111	44
1A8310-74150	111	32
1A8310-74400	111	31
1A8310-74450	111	33
1A8310-74500	111	34
1A8310-75700	112	3
1A8310-85201	113	3
1A8310-85211	113	4
1A8310-85500	116	5
1A8310-85600	116	6
1A8310-85700	116	7
1C6053-26020	99	1
1C6053-32020	73	17
1C6140-47210	101	2
	105	4
1C6281-52320	73	53
	74	9
		10
1C6360-65700	57	14
1C6900-23120	22	7
1C6900-23150	22	8
1D2180-22130	48	1
1E6190-54080	17	4
1E6213-83410	5	7
1E6650-82400	90	7
1K1140-82500	1	2
	88	19
22117-100000	82	17
22117-140000	28	17
22137-060000	4	3

Parts No.	Fig. No.	Ref. No.
22137-060000	55	4
	106	8
22137-080000	28	18
	82	18
22137-100000	28	19
	57	15
	74	11
22137-160000	29	4
22137-220000	111	46
22157-080000	7	4
	40	10
	73	28
		42
22190-080002	75	14
22190-100000	40	11
22217-100000	91	8
		9
22217-120000	35	2
22217-160000	79	8
22242-000200	28	27
22242-000220	19	3
	48	13
22242-000240	46	9
22242-000260	72	13
22242-000290	44	17
	45	6
22242-000300	17	5
	42	4
	46	10
22242-000400	79	9
22252-000190	48	14
22252-000220	37	4
22252-000320	75	4
		11
22252-000370	28	28
22252-000620	21	5
22252-000720	22	10
22252-000800	22	11
22272-000060	82	19
22272-000080	82	20
22272-000090	28	20
22272-000120	28	21
22272-000150	53	17
22272-000190	73	43
22292-000250	31	13
22292-000280	44	18
	48	15
22312-080140	40	12
		13
	41	3

Parts No. Index

Parts No.	Fig. No.	Ref. No.
22312-080140	41	4
	65	5
	77	3
22312-100180	22	12
22351-040025	28	29
22351-040040	18	8
	63	8
22351-050040	66	6
22351-050056	79	10
22351-060036	52	8
		9
	54	7
		8
	56	8
		9
	58	7
		8
	61	5
22351-060050	82	21
22351-080018	35	3
	36	4
22351-080032	66	7
22351-080040	66	8
22360-200000	112	6
22372-080000	82	22
	103	11
	105	13
22372-100000	97	5
22417-160180	4	4
	55	5
22417-200200	106	9
22417-250300	74	12
22417-320400	56	10
22417-400400	16	14
	31	25
22487-060160	55	6
22487-100350	97	6
22522-030130	82	23
22695-320321	110	11
22857-600160	92	3
	100	4
23000-035000	3	19
23000-080000	11	11
23414-180023	85	10
23491-140002	40	14
23871-010000	40	15
23980-730300	3	20
	9	8
23980-730500	8	10
23980-730850	8	11

Parts No.	Fig. No.	Ref. No.
23980-731500	8	12
24101-060044	44	19
24101-060054	42	5
24101-060074	63	9
24101-060084	22	13
24101-060104	22	14
24101-060114	18	10
24101-062044	45	7
24101-062054	48	16
	60	5
24101-062064	23	4
	44	20
24101-062074	20	4
	24	7
	63	10
24101-062094	24	8
	69	4
24101-063034	60	6
24101-063044	43	3
	44	21
	45	8
	49	5
24101-063054	17	6
	46	11
	48	17
24101-063064	67	3
24101-063074	46	12
24101-063084	69	5
24104-062064	23	5
24161-253017	44	22
	47	4
	48	18
24161-303520	44	23
	48	19
24164-000222	48	20
24190-080001	60	7
24190-100001	52	10
	54	9
	56	11
	58	9
24190-170001	72	14
24311-000140	41	5
	86	5
24311-000160	2	12
	40	16
	47	5
	52	11
	54	10
	56	12
	58	10

Parts No.	Fig. No.	Ref. No.
24311-000160	61	6
24311-000180	21	6
	94	3
24311-000200	66	9
	82	24
	85	11
		12
		13
24311-000260	79	11
	85	14
24311-000340	87	3
24311-000400	25	4
	79	12
24311-000440	79	13
24315-000100	81	2
24315-000120	33	11
24315-000140	33	10
	86	4
24315-000180	81	3
24315-000220	81	4
24315-000350	31	21
24321-000600	14	7
24321-000650	2	13
24321-000750	14	8
24321-000950	22	15
24325-000250	80	9
24325-000700	80	10
24351-240300	76	9
24421-153207	75	5
		12
24421-203007	34	3
24421-253506	65	2
24421-306210	21	7
24423-254208	41	6
24550-012100	28	14
24550-016100	53	3
		7
		11
		15
24550-020200	34	4
24550-025150	31	22
24550-025200	73	13
		20
		35
24761-010000	14	9
		10
	53	4
		8
		12
		16

Parts No.	Fig. No.	Ref. No.
24761-010000	74	5
24761-050000	85	15
26013-121102	35	4
26016-080352	75	6
		13
26106-060122	3	21
	5	9
	79	14
	101	9
26106-060162	1	3
		4
	88	20
	93	2
26106-060202	3	22
	85	16
		17
	96	42
		43
		44
		45
		46
26106-060352	96	47
26106-060402	85	18
26106-080122	9	9
	50	2
	96	48
	102	3
26106-080162	5	10
	6	5
	8	16
	10	4
	11	12
	25	5
		6
	28	30
	33	12
		13
		34
		6
		36
		5
		40
		17
		51
		2
		52
		12
		55
		7
		56
		13
		61
		7
		63
		11
		74
		13
		82
		25
		83
		2
		85
		19

Parts No. Index

Parts No.	Fig. No.	Ref. No.	
26106-080162	85	20	
	88	21	
		22	
		23	
	96	49	
		50	
	99	8	
	103	12	
	104	3	
	105	14	
	106	10	
		11	
		12	
	113	5	
	26106-080202	7	5
		6	
31		23	
37		5	
42		6	
72		15	
73		44	
85		21	
87		4	
105		15	
115		3	
26106-080252		40	18
		75	15
		76	10
		101	10
	116	8	
26106-080302	75	16	
	101	11	
26106-080352	10	5	
	28	22	
26106-080402	65	6	
	75	17	
	26106-080452	40	19
	26106-080502	82	26
	26106-080702	10	6
	26106-080802	40	20
		75	18
	26106-080952	75	19
		26106-100162	10
	26106-100202	11	13
73		55	
103		13	
106		13	
116		9	
26106-100252	24	9	
	64	3	

Parts No.	Fig. No.	Ref. No.
26106-100252	77	4
	26106-100402	34
40		21
		22
41		7
65		7
	77	5
26106-100552	116	10
26106-100652	116	11
26106-100902	80	11
26106-120252	13	1
	35	5
	112	7
	113	6
	26106-120302	21
26106-120502	40	23
26116-060404	5	11
26116-080654	8	17
26116-100302	22	16
26136-100162	32	3
	33	14
26156-160802	113	7
26346-080002	28	23
	73	45
26356-160002	29	5
	113	8
26366-080002	31	24
26376-120002	72	16
26450-080122	22	17
26450-080402	38	3
26557-060202	88	24
26657-080002	101	12
26707-100002	73	7
		50
26716-080002	73	29
	82	27
		28
	95	5
26716-100002	22	18
	28	24
	57	4
		8
		12
26716-120002	35	6
	47	6
26736-160002	79	15
26757-200002	111	23
26776-100002	91	10
		11
26776-160002	81	5

Parts No.	Fig. No.	Ref. No.
26776-200002	14	11
27260-200000	40	24
27260-320000	87	5
27260-350000	34	8
27260-470002	34	9
29420-050000	88	8
29420-100000	88	9
29420-150000	88	10
	29622-140001	3
	88	25
		26
		27
29622-250001	3	24
	33	15
	88	28
		29
		30
41800-110040	96	51

Parts No.	Fig. No.	Ref. No.
-----------	----------	----------