

0CNP6-M00110EN

# Contents

OCNP6-M00110

Fig. No.    Fig. Name

Fig. No.    Fig. Name

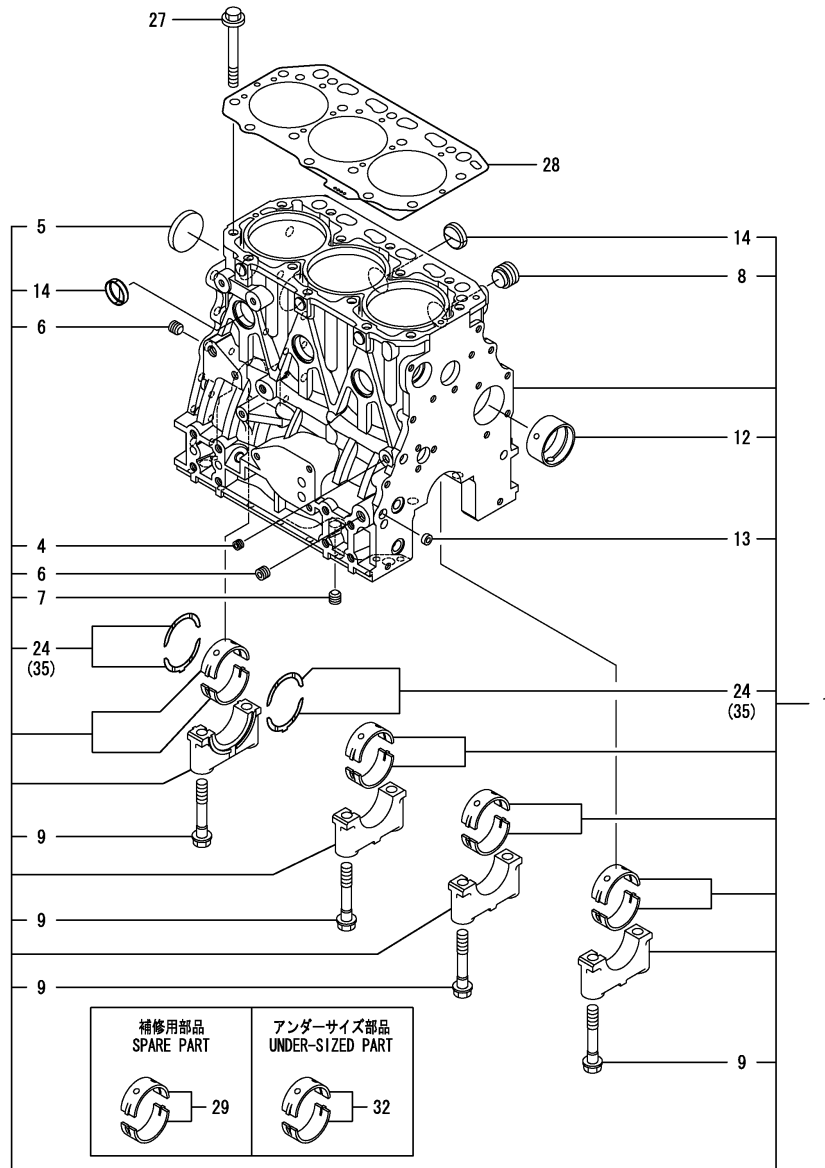
## ENGINE

1. CYLINDER BLOCK
2. GEAR HOUSING
3. MOUNTING FLANGE & OIL SUMP
4. CYLINDER HEAD & BONNET
5. SUCTION MANIFOLD & AIR CLEANER
6. EXHAUST MANIFOLD & SILENCER
7. CAMSHAFT & DRIVING GEAR
8. CRANKSHAFT & PISTON
9. HYDRAULIC PUMP
10. LUB. OIL SYSTEM
11. COOLING WATER SYSTEM
12. FUEL INJECTION PUMP
13. GOVERNOR
14. FUEL INJECTION VALVE
15. STARTING MOTOR
16. GENERATOR

Fig.1. CYLINDER BLOCK

(A)=3TNV88-BNRG3HE  
(B)=  
(C)=

(D)=  
(E)=  
(F)=

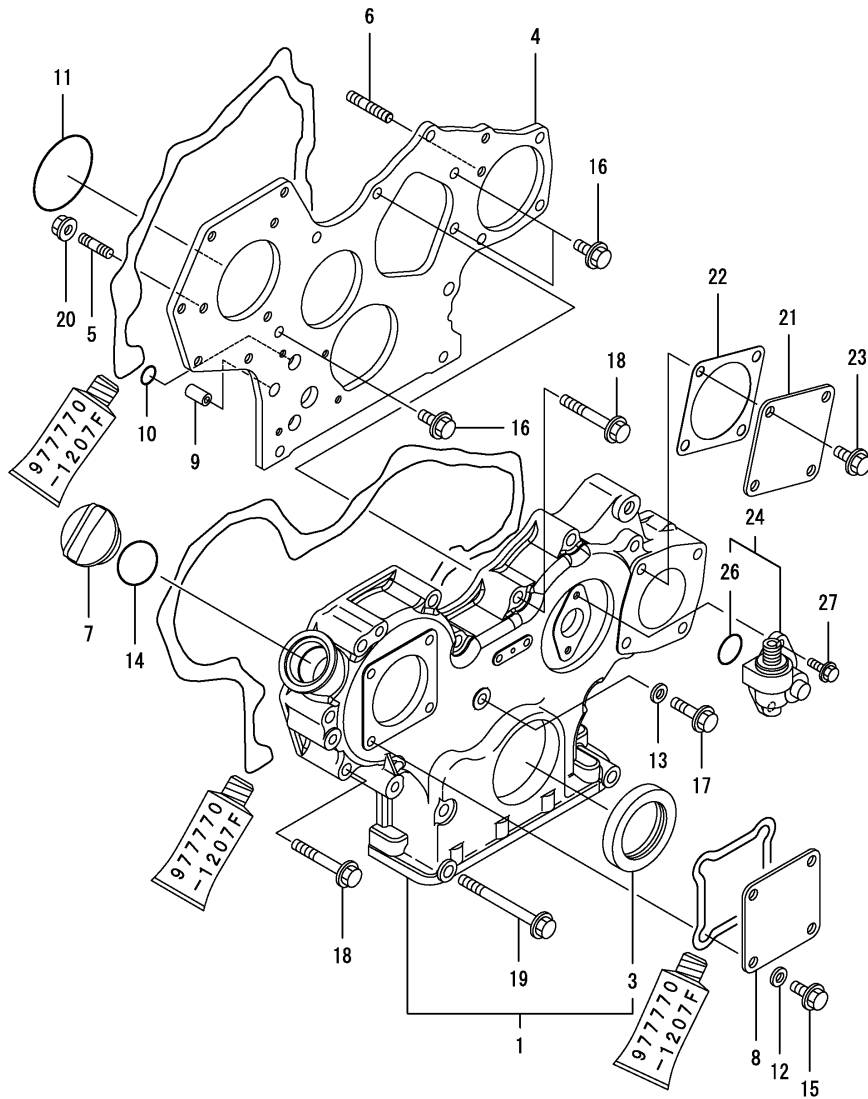


No.	Lev.	Parts No.	Description	Q'ty						I	R
				(A)	(B)	(C)	(D)	(E)	(F)		
1	1	729005-01560	BLOCK ASSY, CYLINDER	1							
4	2	124060-01050	PLUG, PT1/8	1							
5	2	129001-01250	PLUG, 50	1							
6	2	124160-01910	PLUG, PT1/4	2							
7	2	124160-01910	PLUG, PT1/4	1							
8	2	171051-01921	PLUG, NPTF1	1							
9	2	129150-02020	BOLT, METAL CAP	8							
12	2	129795-02412	BUSH, CAMSHAFT	1							
13	2	27241-120000	PLUG, 12	2							
14	2	27241-300000	PLUG 30	6							
24	2	129150-02931	BEARING, THRUST	2							
27	1	129150-01200	BOLT, HEAD	14							
28	1	129001-01340	GASKET, HEAD	1							
29	1	129001-02931	BEARING, MAIN	4							1
32	1	129150-02871	BEARING, 0.25 US	4							2
35	1	129150-02941	BEARING, THRUST 0.25	1							3

Remarks

- (1) Spare part.
- (2) Under-sized (U.S.=0.25) part.
- (3) Over-sized (O.S.=0.25) part.

Fig.2. GEAR HOUSING



(A)=3TNV88-BNRG3HE

(B)=

(C)=

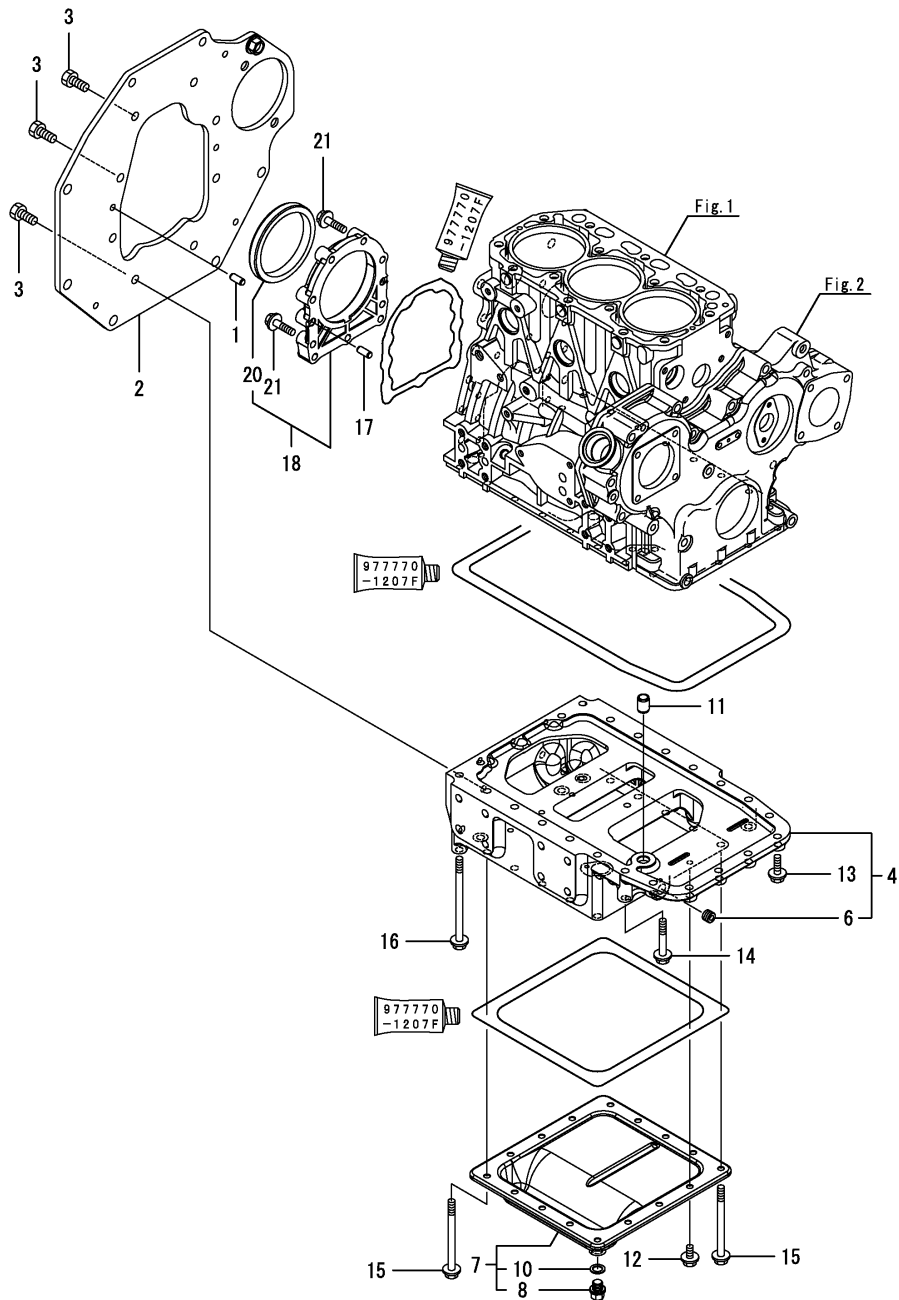
(D)=

(E)=

(F)=

No.	Lev.	Parts No.	Description	Qty						I	R
				(A)	(B)	(C)	(D)	(E)	(F)		
1	1	729008-01500	CASE ASSY, GEAR	1							
3	2	119934-01800	SEAL, OIL	1							
4	1	129008-01520	FLANGE, GEAR CASE	1							
5	1	119802-01561	STUD, M8X25	3							
6	1	129150-01580	STUD, M8X30	1							
7	1	124160-01751	COVER, FILLER	1							
8	1	124240-01871	COVER	1							
9	1	129795-01950	PIPE, KNOCK L=18	2							
10	1	119609-32040	O-RING, P16	2							
11	1	121850-51960	O-RING	1							
12	1	22190-080002	WASHER, SEAL 6	4							
13	1	22190-080002	WASHER, SEAL 6	1							
14	1	24311-000320	O-RING, 1AP32.0	1							
15	1	26106-080162	BOLT, M8X 16 PLATED	4							
16	1	26106-080162	BOLT, M8X 16 PLATED	3							
17	1	26106-080302	BOLT, M8X 30 PLATED	1							
18	1	26106-080552	BOLT, M8X 55 PLATED	10							
19	1	26106-080852	BOLT, M8X 85 PLATED	3							
20	1	26306-080002	NUT, M8	3							
21	1	124240-01871	COVER	1							
22	1	129C26-01890	GASKET, HO-P	1							
23	1	26106-080122	BOLT, M8X 12 PLATED	4							
24	1	129150-91400	GEAR	1							
26	2	24341-000240	O-RING, 1AS24.0	1							
27	1	26106-060162	BOLT, M6X 16 PLATED	2							

Fig.3. MOUNTING FLANGE & OIL SUMP



(A)=3TNV88-BNRG3HE

(B)=

(C)=

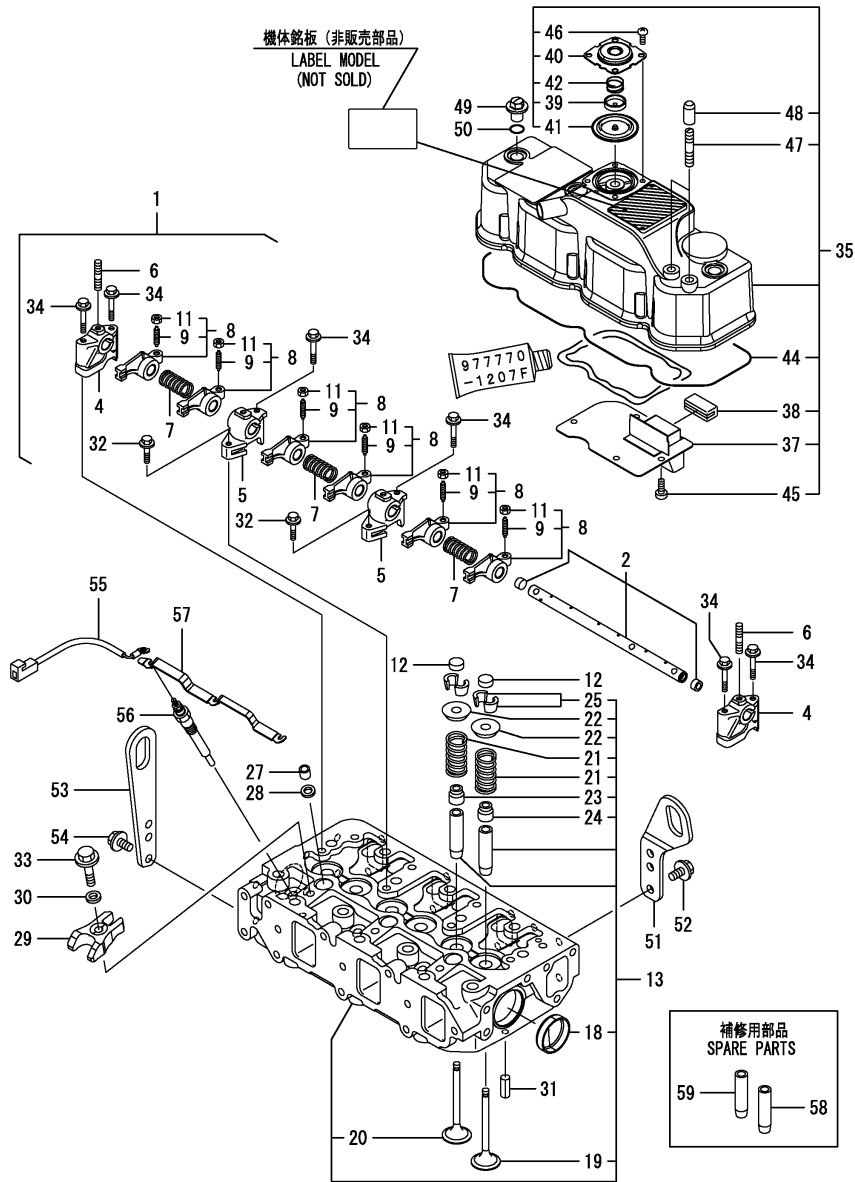
(D)=

(E)=

(F)=

No.	Lev.	Parts No.	Description	Q'ty						I	R
				(A)	(B)	(C)	(D)	(E)	(F)		
1	1	129100-01580	PIN, M8X16	2							
2	1	129232-01600	FLANGE, MOUNTING	1							
3	1	26206-100202	BOLT, M10X 20 PLATED	8							
4	1	129052-01692	SUMP ASSY, OIL	1							
6	2	124160-01910	PLUG, PT1/4	1							
7	1	129232-01710	SUMP ASSY, OIL	1							
8	2	129054-01640	PLUG, DRAIN 12	1							
10	2	22190-120002	WASHER, SEAL 12	1							
11	1	129555-01750	PIPE, KNOCK 14X18	1							
12	1	26106-080122	BOLT, M8X 12 PLATED	6							
13	1	26106-080252	BOLT, M8X 25 PLATED	6							
14	1	26106-080502	BOLT, M8X 50 PLATED	2							
15	1	26106-081002	BOLT, M8X100 PLATED	10							
16	1	26106-081202	BOLT, M8X120 PLATED	4							
17	1	129100-01580	PIN, M8X16	2							
18	1	729402-01650	CASE ASSY, OIL SEAL	1							
20	2	129120-01780	SEAL, OIL	1							
21	1	129486-01670	BOLT, M8X30	9							

Fig.4. CYLINDER HEAD & BONNET



(A)=3TNV88-BNRG3HE

(B)=

(C)=

(D)=

(E)=

(F)=

No.	Lev.	Parts No.	Description	Q'ty						I	R
				(A)	(B)	(C)	(D)	(E)	(F)		
1	1	129004-11241	SHAFT ASSY, ROCKER	1							
2	2	129004-11251	SHAFT, ROCKER ARM	1							
4	2	119802-11260	SUPPORT, ROCKER ARM	2							
5	2	119802-11270	SUPPORT, ROCKER ARM	2							
6	2	119802-11280	STUD	3							
7	2	129150-11280	SPRING	3							
8	2	129004-11650	ARM, ROCKER	6							
9	3	129150-11230	SCREW, VALVE ADJUST	6							
11	3	129150-11750	NUT, M8	6							
12	1	129150-11370	CAP, VALVE	6							
13	1	129008-11700	HEAD ASSY, CYLINDER	1							
18	2	27241-400000	PLUG, 40	2							
19	2	129005-11100	VALVE, INTAKE	3							
20	2	129100-11112	VALVE, EXHAUST	3							
21	2	129795-11120	SPRING, VALVE	6							
22	2	129795-11180	RETAINER, SPRING	6							
23	2	121400-11340	SEAL, VALVE STEM	3							
24	2	124460-11340	SEAL, VALVE STEM	3							
25	2	27310-080001	COTTER, 8	6							
27	1	119802-11870	PROTECTOR, NOZZLE	3							
28	1	119625-11880	SEAT, NOZZLE	3							
29	1	129004-11900	RETAINER, NOZZLE	3							
30	1	120270-54410	WASHER, INJECTOR	3							
31	1	22351-060012	PIN, SPRING 6.0X12	2							
32	1	26106-080252	BOLT, M8X 25 PLATED	2							
33	1	26106-080352	BOLT, M8X 35 PLATED	3							
34	1	26106-080502	BOLT, M8X 50 PLATED	6							
35	1	129268-11350	BONNET ASSY, HEAD	1							
37	2	129004-03010	PLATE	1							
38	2	129150-03070	BAFFLE, BREATHER	1							
39	2	119802-03110	PLATE	1							
40	2	119802-03121	COVER, DIAPHRAGM	1							
41	2	119802-03130	DIAPHRAGM	1							
42	2	119802-03141	SPRING, DIAPHRAGM	1							
44	2	129004-11310	GASKET, BONNET	1							
45	2	22857-500100	SCREW, 5X10	4							
46	2	22857-500100	SCREW, 5X10	4							
47	2	129555-44750	STUD, M8X30	2							
48	2	49933-000138	CAP	2							
49	1	124160-11360	KNOB	3							
50	1	24311-000120	O-RING, 1AP12.0	3							
51	1	119980-07900	LIFTER	1							
52	1	26106-080142	BOLT, M8X 14 PLATED	2							
53	1	129900-07900	LIFTER	1							
54	1	26106-080162	BOLT, M8X 16 PLATED	2							
55	1	119803-77830	HARNES, WIRE	1							
56	1	129008-77800	PLUG, GLOW	3							
57	1	129008-77820	CONNECTOR, GLOW PLUG	1							
58	1	120130-11860	GUIDE, VALVE	3							1
59	1	129150-11810	GUIDE, VALVE	3							1

Remarks

(1) Spare part.

N:Old  $\begin{matrix} \leftarrow \text{Yes} \\ \text{No} \end{matrix}$  New, Q:Old  $\begin{matrix} \leftarrow \text{No} \\ \text{Yes} \end{matrix}$  New, R:Old  $\begin{matrix} \leftarrow \text{Yes} \\ \text{Yes} \end{matrix}$  New, S:Old  $\begin{matrix} \leftarrow \text{No} \\ \text{No} \end{matrix}$  New, W:Add, Z:Discontinued, F:Interchangeable by set, K:Q'ty Change

Fig.5. SUCTION MANIFOLD & AIR CLEANER

(A)=3TNV88-BNRG3HE

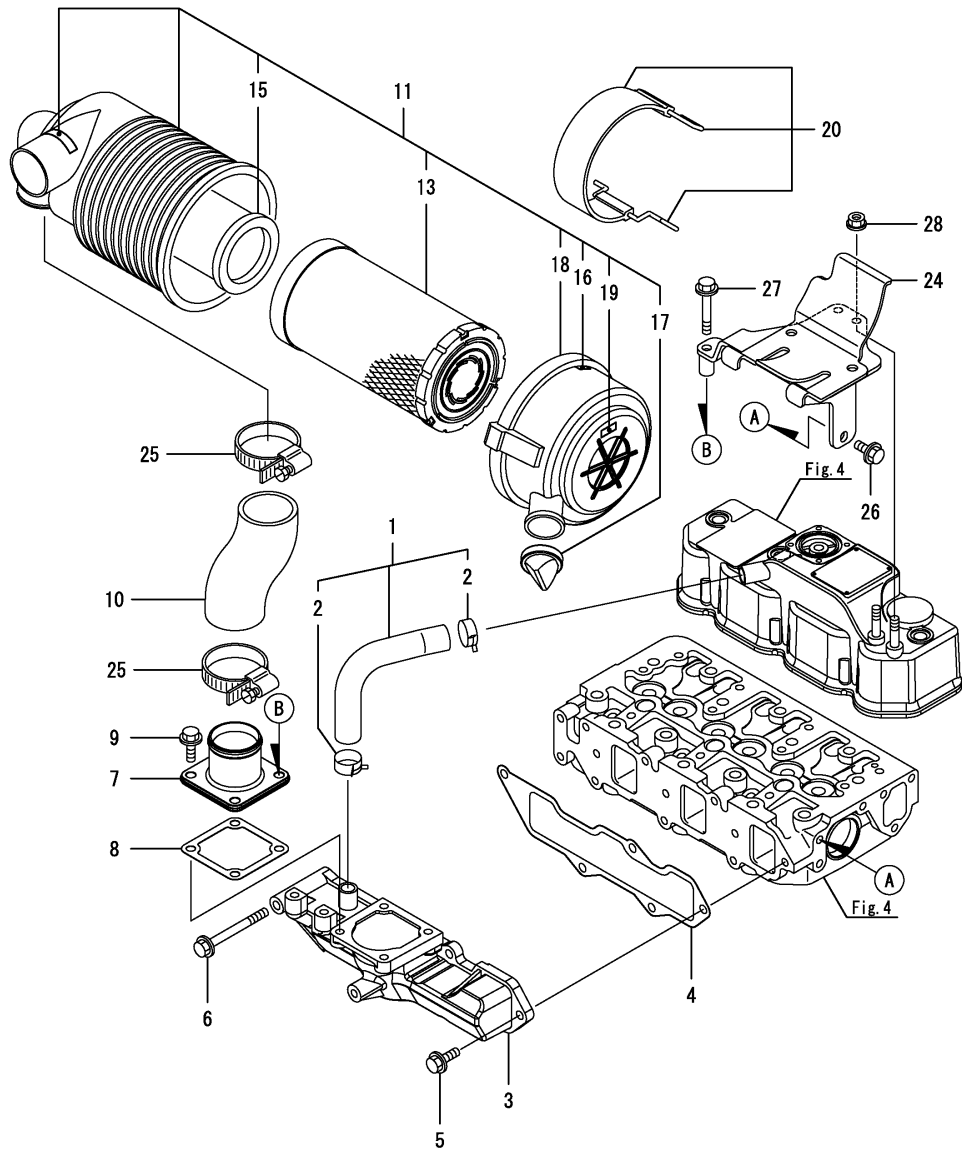
(B)=

(C)=

(D)=

(E)=

(F)=



No.	Lev.	Parts No.	Description	Q'ty						I	R
				(A)	(B)	(C)	(D)	(E)	(F)		
1	1	129005-03080	PIPE , BREATHER	1							
2	2	129410-03990	CLIP		2						
3	1	129005-12101	MANIFOLD, AIR INTAKE	1							
4	1	129001-12110	GASKET, MANIFOLD	1							
5	1	26106-080202	BOLT, M8X 20 PLATED	4							
6	1	26106-080802	BOLT, M8X 80 PLATED	1							
7	1	129486-12581	JOINT, MANIFOLD	1							
8	1	129150-77511	GASKET	1							
9	1	26106-080202	BOLT, M8X 20 PLATED	4							
10	1	119934-12200	PIPE, AIR INTAKE	1							
11	1	119934-12501	CLEANER ASSY, AIR	1							
13	2	119808-12520	ELEMENT	1							
15	2	129051-12530	ELEMENT	1							
16	2	129418-12530	LABEL, MARK	2							
17	2	119808-12540	VALVE, UNLOADER	1							
18	2	119866-12541	COVER ASSY	1							
19	2	129612-12650	LABEL, MARKING	1							
20	1	119865-12600	BAND ASSY, CLEANER	1							
24	1	129232-12601	SUPPORT, AIR CLEANER	1							
25	1	23000-060000	CLAMP, 60	2							
26	1	26106-080122	BOLT, M8X 12 PLATED	1							
27	1	26106-080502	BOLT, M8X 50 PLATED	1							
28	1	26306-080002	NUT, M8	2							

Fig.6. EXHAUST MANIFOLD & SILENCER

(A)=3TNV88-BNRG3HE  
(B)=  
(C)=

(D)=  
(E)=  
(F)=

No.	Lev.	Parts No.	Description	Q'ty						I	R
				(A)	(B)	(C)	(D)	(E)	(F)		
1	1	129150-13110	GASKET	1							
2	1	129232-13110	MANIFOLD, EXHAUST	1							
3	1	123900-13610	STUD, M8X80	2							
4	1	123900-13630	BOLT, M8X80	1							
5	1	119802-13640	BOLT, M8X60 10.9T	2							
6	1	123900-13650	BOLT, M8X110	1							
7	1	119131-18320	STUD, M8X22	4							
8	1	26306-080002	NUT, M8	2							
9	1	129004-13200	GASKET, SILENCER	1							
10	1	129055-13521	SILENCER	1							
11	1	26306-080002	NUT, M8	4							

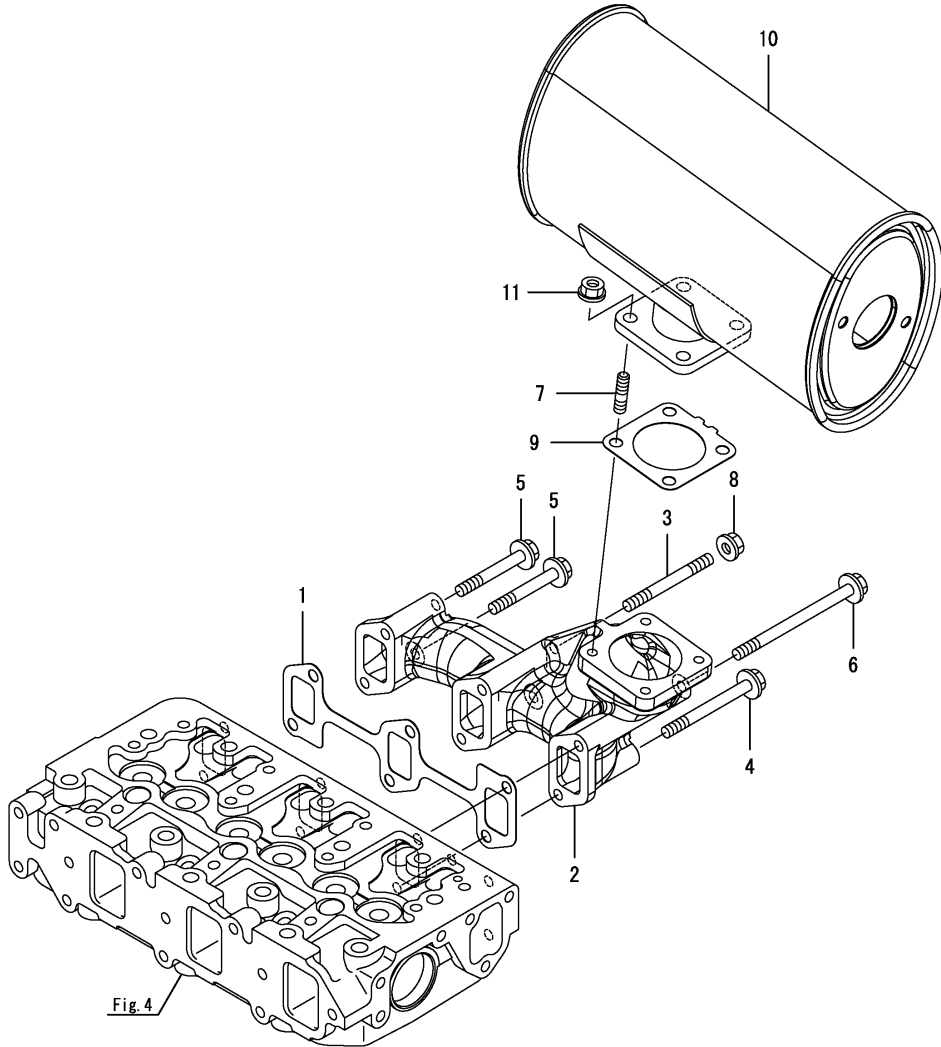




Fig.7. CAMSHAFT & DRIVING GEAR

(A)=3TNV88-BNRG3HE

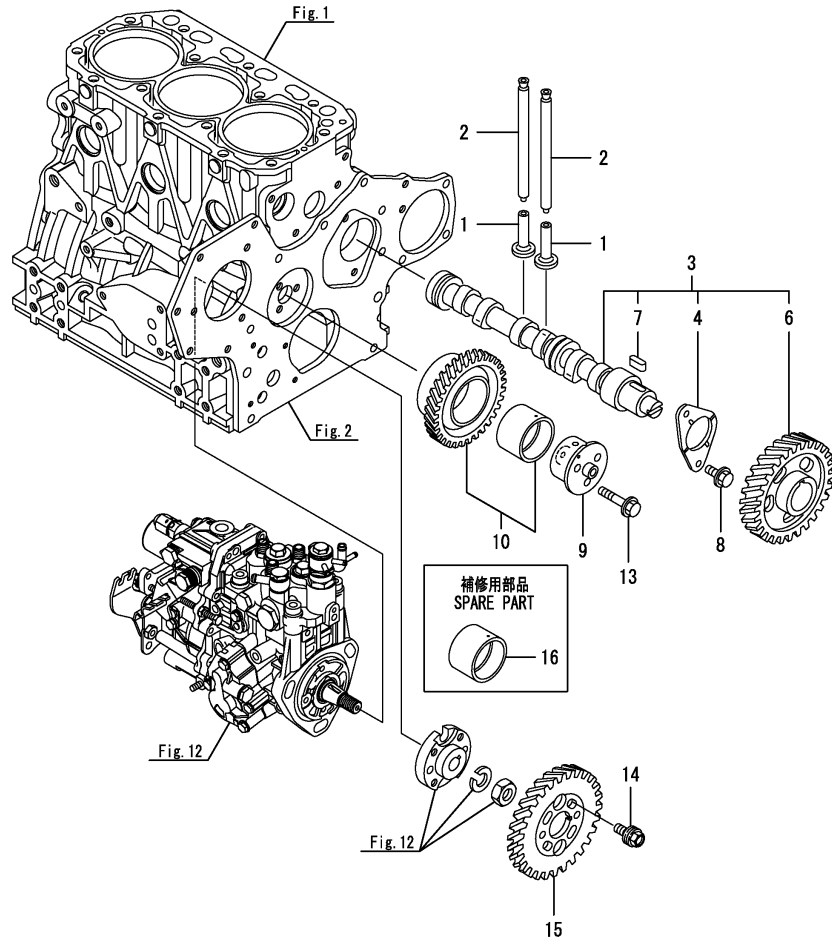
(B)=

(C)=

(D)=

(E)=

(F)=



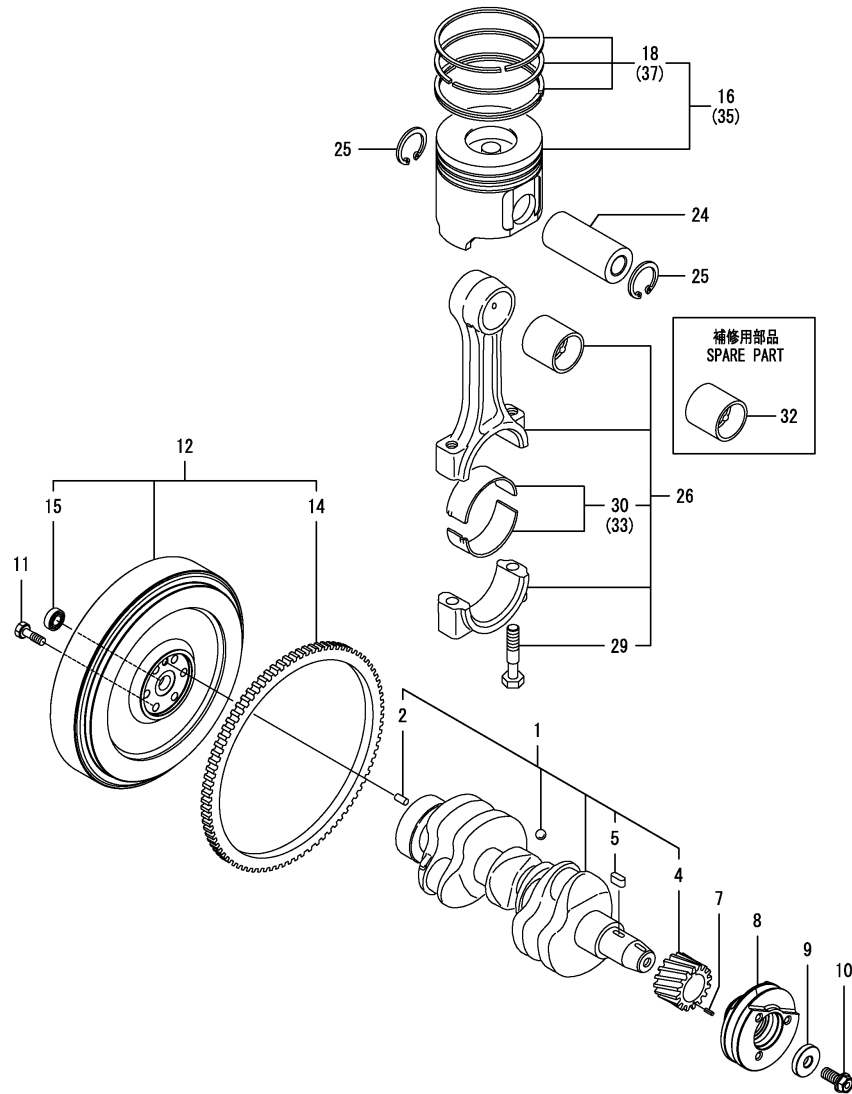
No.	Lev.	Parts No.	Description	Q'ty						I	R
				(A)	(B)	(C)	(D)	(E)	(F)		
1	1	129150-14200	TAPPET	6							
2	1	129150-14400	ROD, PUSH L=178	6							
3	1	129129-14580	CAMSHAFT ASSY	1							
4	2	129150-02450	BEARING, THRUST	1							
6	2	129150-14101	GEAR, CAMSHAFT	1							
7	2	22512-070140	KEY, 7X 14	1							
8	1	26106-080142	BOLT, M8X 14 PLATED	2							
9	1	119803-25050	SHAFT, IDLE	1							
10	1	119802-25101	GEAR ASSY, IDLE	1							
13	1	26106-080402	BOLT, M8X 40 PLATED	3							
14	1	129150-25301	BOLT	4							
15	1	119802-25901	GEAR, PUMP	1							
16	1	119802-25071	BUSH, IDLE GEAR	1							1

Remarks

(1) Spare part.

N:Old  $\xrightarrow{\text{Yes}}$  New, Q:Old  $\xrightarrow{\text{No}}$  New, R:Old  $\xrightarrow{\text{Yes}}$  New, S:Old  $\xrightarrow{\text{No}}$  New, W:Add, Z:Discontinued, F:Interchangeable by set, K:Q'ty Change

Fig.8. CRANKSHAFT & PISTON



(A)=3TNV88-BNRG3HE  
(B)=  
(C)=

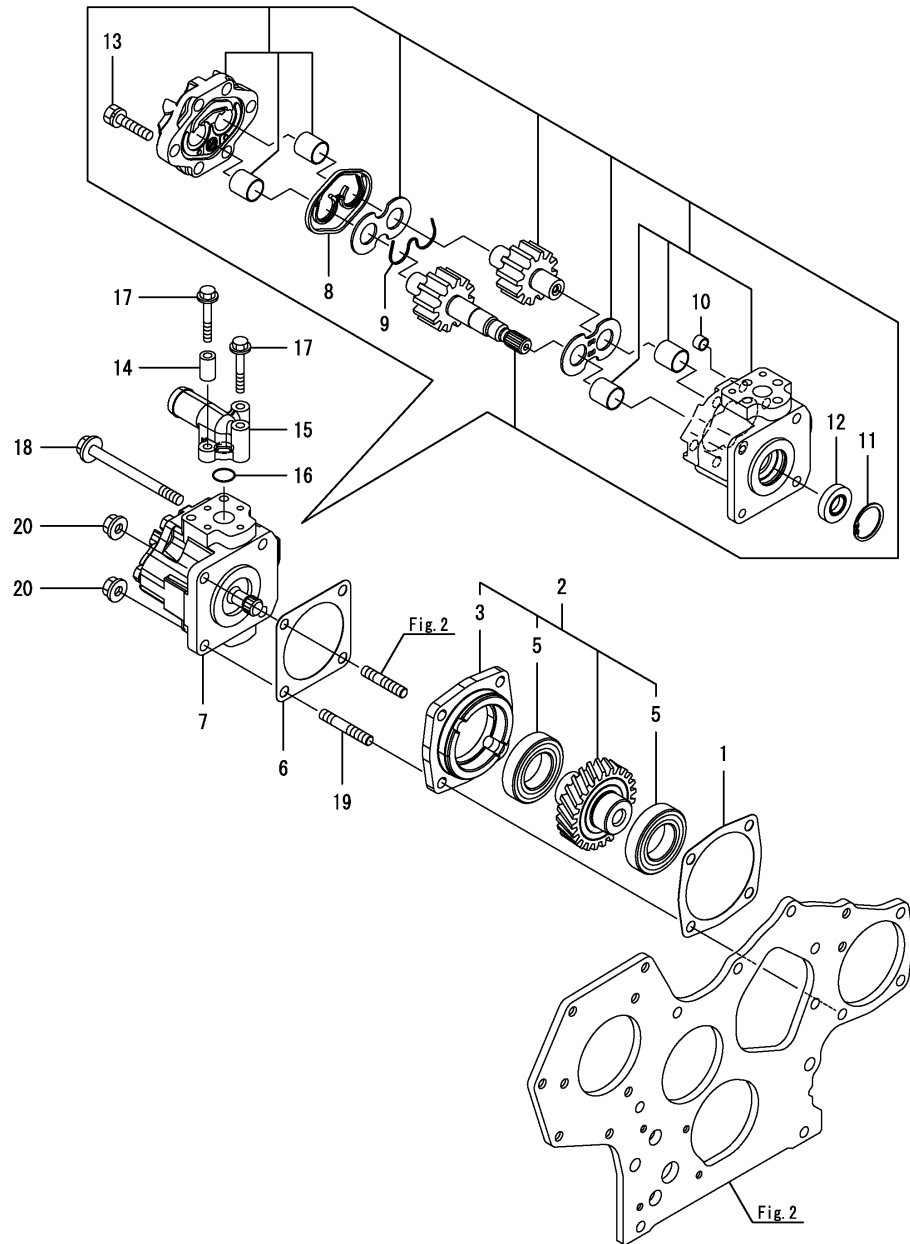
(D)=  
(E)=  
(F)=

No.	Lev.	Parts No.	Description	Q'ty						I	R
				(A)	(B)	(C)	(D)	(E)	(F)		
1	1	129008-21000	CRANKSHAFT ASSY	1							
2	2	129100-01580	PIN, M8X16	1							
4	2	119803-21200	GEAR, CRANKSHAFT	1							
5	2	22512-070140	KEY, 7X 14	1							
7	1	22351-030010	PIN, SPRING 3.0X10	1							
8	1	129004-21650	V-PULLEY, 110	1							
9	1	129795-21661	WASHER	1							
10	1	121850-21680	BOLT	1							
11	1	121111-21501	BOLT, FLYWHEEL	6							
12	1	129232-21590	FLYWHEEL ASSY	1							
14	2	119865-21600	GEAR, RING	1							
15	2	119626-21700	BEARING, 6901	1							
16	1	129005-22080	PISTON ASSY	3							
18	2	129005-22500	RING SET, PISTON	3							
24	1	129202-22300	PIN, PISTON D26 L70	3							
25	1	22252-000260	RING, 26	6							
26	1	729402-23100	ROD ASSY, CONNECTING	3							
29	2	121550-23200	BOLT, CONNECTING ROD	6							
30	2	129150-23601	BEARING, CRANK PIN	3							
32	1	129100-23910	BEARING, PISTON PIN	3							1
33	1	129150-23611	BEARING, 0.25 US	3							2
35	1	129005-22900	PISTON ASSY, 0.25 OS	3							3
37	2	129005-22950	RING SET, 0.25 OS	3							3

Remarks

- (1) Spare part.
- (2) Under-sized (U.S.=0.25) part.
- (3) Over-sized (O.S.=0.25) part.

Fig.9. HYDRAULIC PUMP



(A)=3TNV88-BNRG3HE  
(B)=  
(C)=

(D)=  
(E)=  
(F)=

No.	Lev.	Parts No.	Description	Q'ty						I	R
				(A)	(B)	(C)	(D)	(E)	(F)		
1	1	129150-01881	GASKET	1							
2	1	129150-26000	DRIVE ASSY, PUMP	1							
3	2	129150-26050	BRACKET, PUMP	1							
5	2	24105-060064	BEARING, BALL 6006Z	2							
6	1	129C26-01890	GASKET, HO-P	1							
7	1	119923-26010	PUMP ASSY, HYDRAULIC	1							
8	2	178077-15400	SEAL RING	1							
9	2	178077-15410	BACKUP RING	1							
10	2	194521-41570	PIN, 11X7	2							
11	2	22252-000320	RING, 32	1							
12	2	24421-153207	SEAL, OIL TC153207	1							
13	2	26016-080352	BOLT, M8X 35	4							
14	1	119626-26690	SPACER	1							
15	1	198220-48140	FLANGE, PIPE P	1							
16	1	24311-000200	O-RING, 1AP20.0	1							
17	1	26106-060402	BOLT, M6X 40 PLATED	3							
18	1	26106-080952	BOLT, M8X 95 PLATED	2							
19	1	26216-080402	STUD, M8X 40	1							
20	1	26306-080002	NUT, M8	2							

Fig.10. LUB. OIL SYSTEM

(A)=3TNV88-BNRG3HE

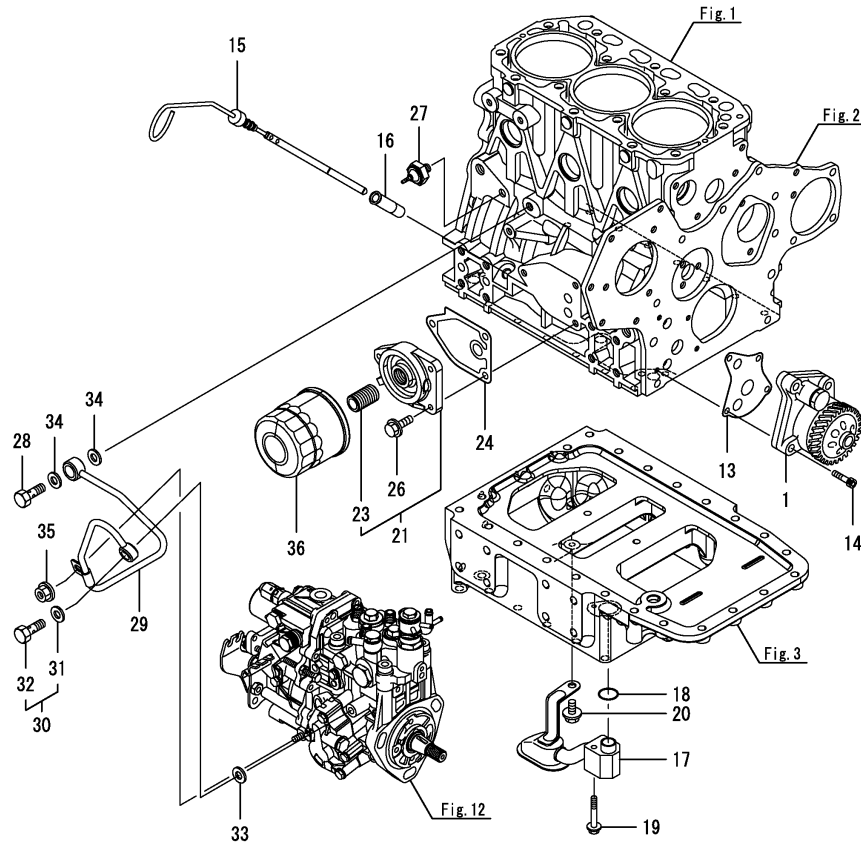
(B)=

(C)=

(D)=

(E)=

(F)=



No.	Lev.	Parts No.	Description	Q'ty						I	R
				(A)	(B)	(C)	(D)	(E)	(F)		
1	1	129001-32002	PUMP ASSY, OIL	1							
13	1	129150-32020	GASKET, PUMP	1							
14	1	26450-060252	BOLT, M6X 25	4							
15	1	129232-34800	DIPSTICK, OIL	1							
16	1	121520-34810	GUIDE, DIPSTICK	1							
17	1	129232-35090	PIPE ASSY, OIL INLET	1							
18	1	24311-000160	O-RING, 1AP16.0	1							
19	1	26106-060402	BOLT, M6X 40 PLATED	1							
20	1	26106-080122	BOLT, M8X 12 PLATED	1							
21	1	119802-35100	BRACKET ASSY, FILTER	1							
23	2	129100-35140	STUD	1							
24	1	129150-35111	GASKET	1							
26	1	26106-080202	BOLT, M8X 20 PLATED	3							
27	1	114250-39450	SWITCH, 0.5KG	1							
28	1	124160-39140	BOLT, PIPE JOINT M10	1							
29	1	119802-39450	PIPE ASSY, OIL	1							
30	1	129005-59830	BOLT ASSY, JOINT M8	1							
31	2	22190-080002	WASHER, SEAL 6	1							
32	2	23857-030000	BOLT, JOINT 3	1							
33	1	22190-080002	WASHER, SEAL 6	1							
34	1	22190-100002	WASHER, SEAL 10	2							
35	1	26366-060002	NUT, M6	1							
36	1	129150-35170	FILTER, LO	1							1

Remarks

(1) Spare part.

N:Old  $\xrightarrow{\text{Yes}}$  New, Q:Old  $\xrightarrow{\text{No}}$  New, R:Old  $\xrightarrow{\text{Yes}}$  New, S:Old  $\xrightarrow{\text{No}}$  New, W:Add, Z:Discontinued, F:Interchangeable by set, K:Q'ty Change

Fig.11. COOLING WATER SYSTEM

(A)=3TNV88-BNRG3HE

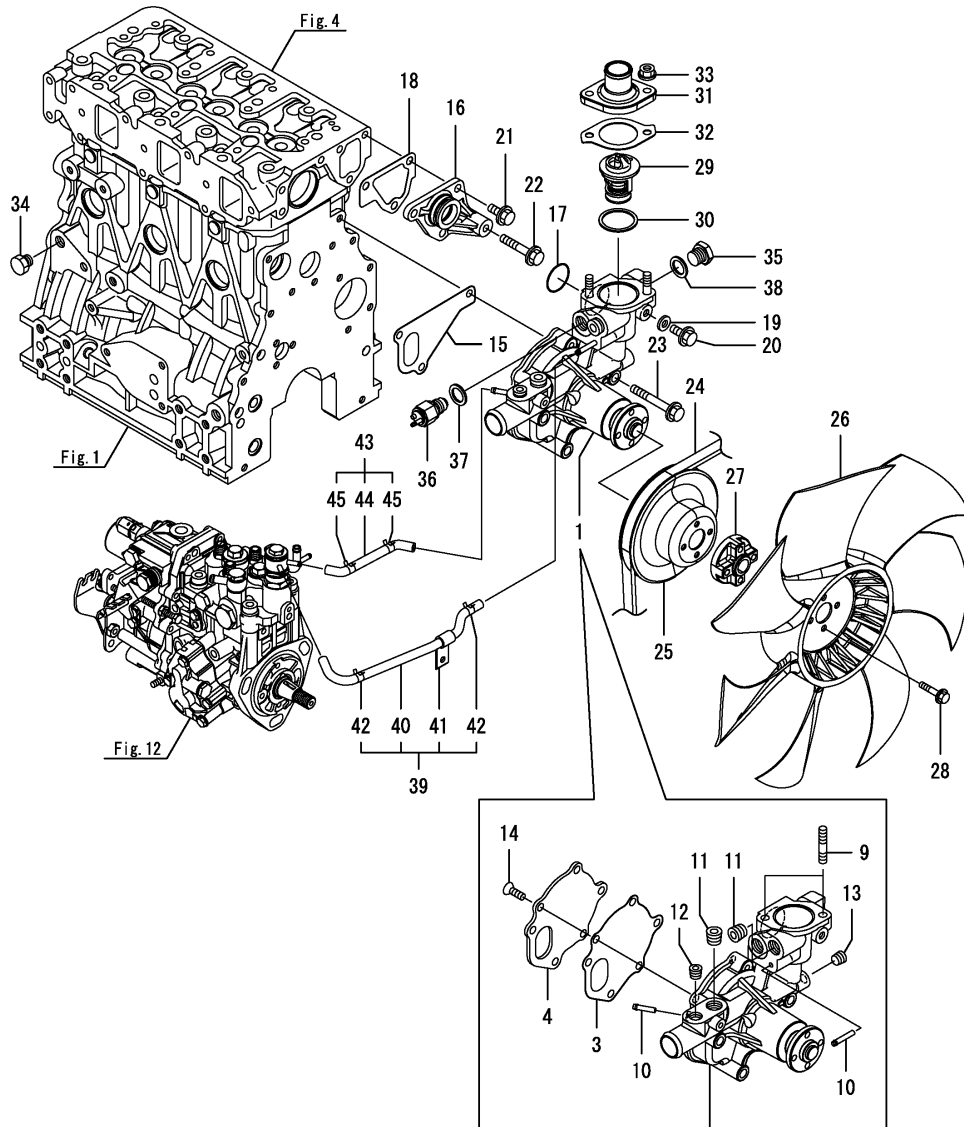
(B)=

(C)=

(D)=

(E)=

(F)=



No.	Lev.	Parts No.	Description	Q'ty						I	R
				(A)	(B)	(C)	(D)	(E)	(F)		
1	1	129232-42000	PUMP ASSY, WATER	1							
3	2	129100-42051	GASKET, WATER PUMP	1							
4	2	129100-42121	PLATE	1							
9	2	129555-44750	STUD, M8X30	2							
10	2	119802-49113	JOINT, PIPE	2							
11	2	129916-49740	PLUG, R03	2							
12	2	23875-020000	PLUG, R02	1							
13	2	23876-010000	PLUG, R01	1							
14	2	26577-060162	SCREW, M6X16	3							
15	1	129486-42021	GASKET, WATER PUMP	1							
16	1	129004-42040	JOINT	1							
17	1	129486-42140	O-RING, G30	1							
18	1	124395-49840	GASKET	1							
19	1	23414-080000	GASKET, 8X1.0	1							
20	1	26106-080122	BOLT, M8X 12 PLATED	1							
21	1	26106-080162	BOLT, M8X 16 PLATED	3							
22	1	26106-080452	BOLT, M8X 45 PLATED	1							
23	1	26106-080602	BOLT, M8X 60 PLATED	3							
24	1	25152-003700	V-BELT, A37	1							
25	1	129120-42351	V-PULLEY, CW PUMP	1							
26	1	129655-44740	FAN, COOLING D380	1							
27	1	121267-44760	SPACER	1							
28	1	26106-060302	BOLT, M6X 30 PLATED	4							
29	1	129155-49801	THERMOSTAT, 71	1							
30	1	129150-49811	GASKET, THERMOSTAT	1							
31	1	129350-49530	COVER, THERMOSTAT	1							
32	1	129795-49551	GASKET	1							
33	1	26306-080002	NUT, M8	2							
34	1	171056-49120	PLUG, DRAIN	1							
35	1	121450-42450	PLUG, M16	1							
36	1	121250-44901	SWITCH, 110	1							
37	1	124465-44950	GASKET, 16	1							
38	1	124465-44950	GASKET, 16	1							
39	1	129004-49610	PIPE ASSY, WATER	1							
40	2	129004-49711	PIPE ASSY, WATER	1							
41	2	119802-49730	RETAINER, PIPE	1							
42	2	124722-59050	CLIP, HOSE 9	2							
43	1	129004-49620	PIPE ASSY, WATER	1							
44	2	129004-49721	PIPE ASSY, WATER	1							
45	2	124722-59050	CLIP, HOSE 9	2							

Fig.12. FUEL INJECTION PUMP

(A)=3TNV88-BNRG3HE

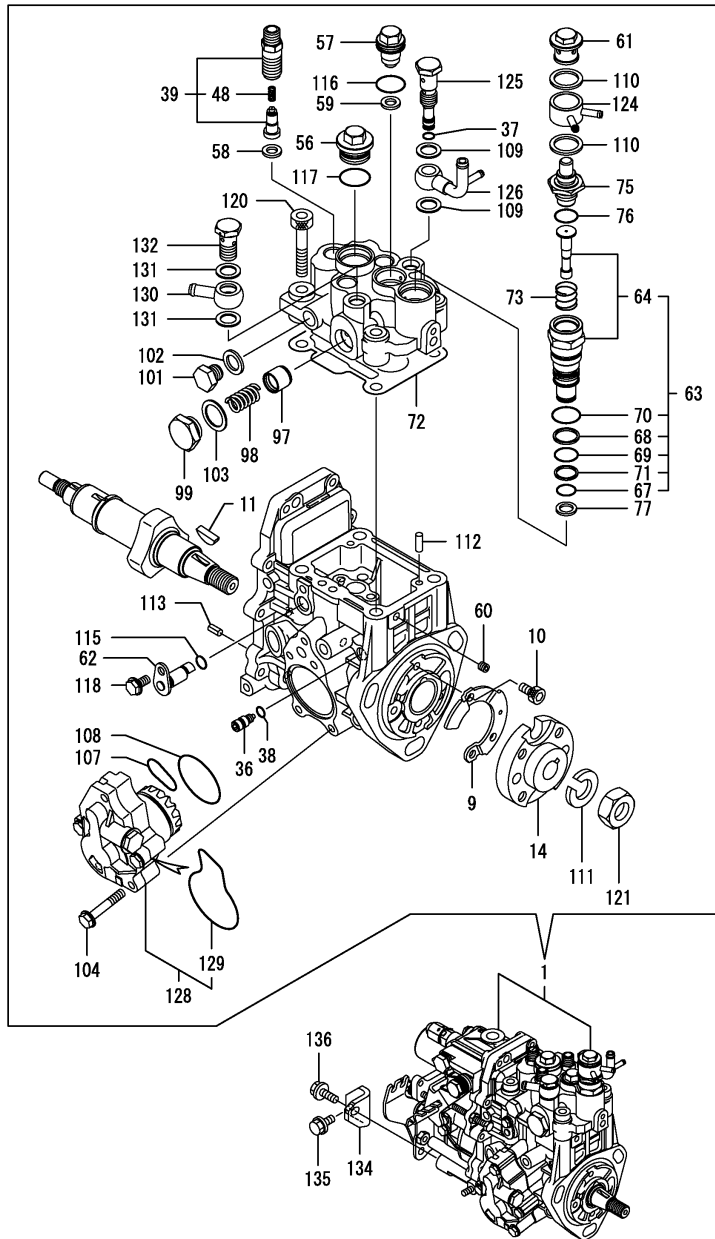
(B)=

(C)=

(D)=

(E)=

(F)=



No.	Lev.	Parts No.	Description	Q'ty						I	R
				(A)	(B)	(C)	(D)	(E)	(F)		
1	1	729232-51380	PUMP ASSY, INJECTION	1							1
9	2	129008-51900	COVER, GEAR CASE	1							
10	2	129008-51920	BOLT, M6X10	2							
11	2	119802-51090	KEY, 4X16	1							
14	2	158552-51151	FLANGE	1							
36	2	158600-51270	STOPPER, TAPPET	1							
37	2	158563-51281	O-RING, 4D S6	1							
38	2	158563-51281	O-RING, 4D S6	1							
39	2	129008-51390	VALVE ASSY, DELIVERY	3							
48	3	158563-51330	SPRING, DELIVERY	3							
56	2	158601-51550	PLUG	1							
57	2	119802-51560	PLUG, BARREL	1							
58	2	158552-51571	GASKET	3							
59	2	158552-51571	GASKET	1							
60	2	158557-51570	PLUG	1							
61	2	158601-51570	PLUG	1							
62	2	158552-51580	LIFTER	1							
63	2	119802-51590	TIMER SET	1							
64	3	119802-51600	TIMER ASSY	1							
67	3	158553-51670	O-RING, 1011	1							
68	3	119802-51680	RING, BACK UP	1							
69	3	119802-51690	O-RING	1							
70	3	24356-190200	O-RING, 4D19020	1							
71	3	24372-000150	RING, BACK UP T2P15	1							
72	2	158552-51600	GASKET	1							
73	2	158553-51630	SPRING, TIMER	1							
75	2	158553-51650	ELEMENT	1							
76	2	158553-51660	O-RING, P14	1							
77	2	158553-51680	GASKET	1							
97	2	158601-51770	PISTON	1							
98	2	158552-51781	SPRING	1							
99	2	158601-51790	PLUG	1							
101	2	158553-51930	PLUG, M12	1							
102	2	22190-120002	WASHER, SEAL 12	1							
103	2	22190-180002	WASHER, SEAL 18	1							
104	2	158553-51770	BOLT	4							
107	2	158552-52311	O-RING	1							
108	2	158552-52400	O-RING, 4E S42	1							
109	2	22190-120002	WASHER, SEAL 12	2							
110	2	22190-180002	WASHER, SEAL 18	2							
111	2	22217-140000	WASHER, SPRING 14	1							
112	2	22312-050140	PIN, PARALLEL M5X14	2							
113	2	22351-050010	PIN, SPRING 5.0X10	2							
115	2	24311-000070	O-RING, 1AP7.0	1							
116	2	24356-190180	O-RING, 4D19018	1							
117	2	24356-190200	O-RING, 4D19020	1							
118	2	26106-060102	BOLT, M6X 10 PLATED	1							
120	2	26450-080452	BOLT, M8X 45	4							
121	2	26776-140002	NUT, LOCK M14	1							
124	2	158553-51551	JOINT	1							
125	2	158601-51650	JOINT, OVER FLOW	1							

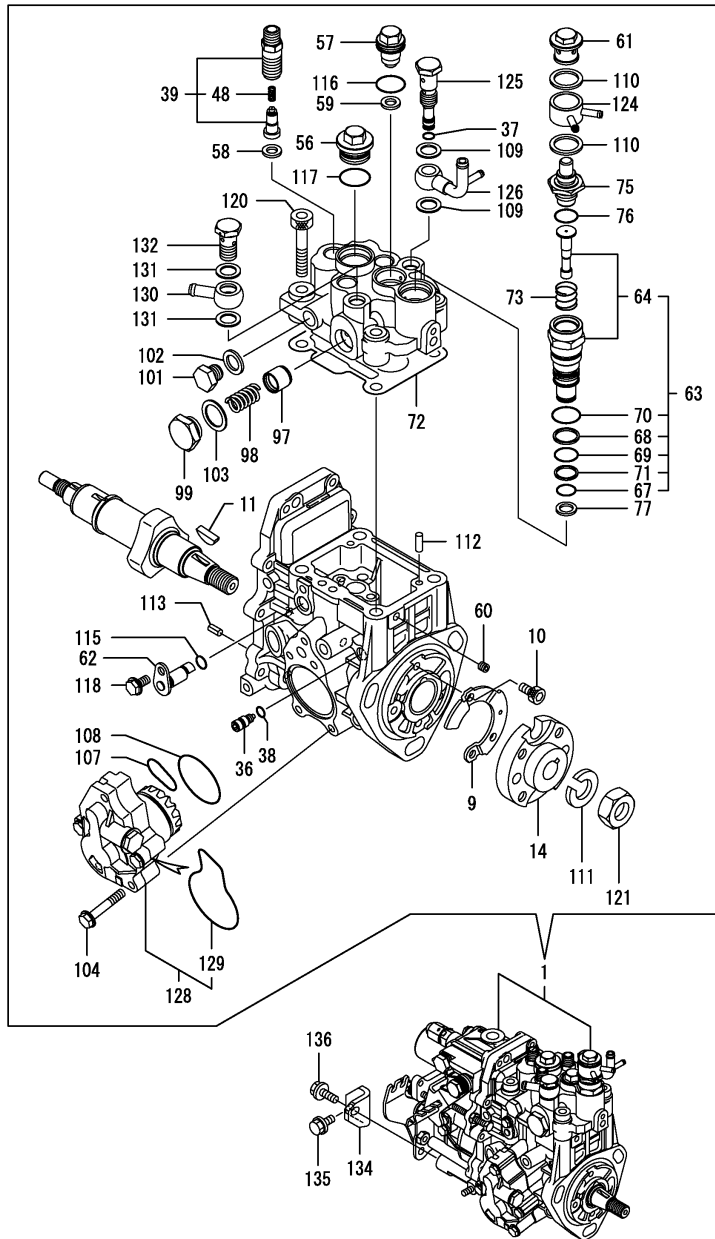
Remarks

(1) Governor (Fig.13) is incorporated in this Fuel Injection Pump (Ref.1).

Fig.12. FUEL INJECTION PUMP

(A)=3TNV88-BNRG3HE  
(B)=  
(C)=

(D)=  
(E)=  
(F)=



No.	Lev.	Parts No.	Description	Q'ty						I	R
				(A)	(B)	(C)	(D)	(E)	(F)		
126	2	158552-51670	JOINT, OVER FLOW	1							
128	2	158552-52100	PUMP ASSY, FUEL FEED	1							
129	3	158552-52500	O-RING	1							
130	2	129916-59020	JOINT, PIPE 12	1							
131	2	22190-120002	WASHER, SEAL 12	2							
132	2	23857-060000	BOLT, JOINT 6	1							
134	1	119802-51250	RETAINER, PUMP	1							
135	1	26106-080162	BOLT, M8X 16 PLATED	1							
136	1	26106-080202	BOLT, M8X 20 PLATED	1							

Remarks

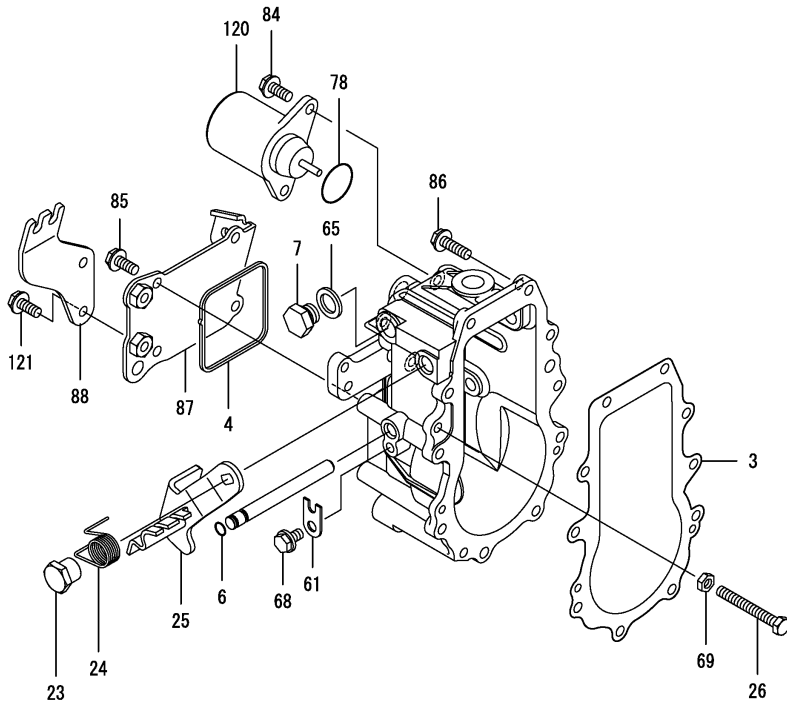
(1) Governor (Fig.13) is incorporated in this Fuel Injection Pump (Ref.1).

N:Old  $\xrightarrow{\text{Yes}}$  New, Q:Old  $\xrightarrow{\text{No}}$  New, R:Old  $\xrightarrow{\text{Yes}}$  New, S:Old  $\xrightarrow{\text{No}}$  New, W:Add, Z:Discontinued, F:Interchangeable by set, K:Q'ty Change

Fig.13. GOVERNOR

(A)=3TNV88-BNRG3HE  
(B)=  
(C)=

(D)=  
(E)=  
(F)=



No.	Lev.	Parts No.	Description	Q'ty						I	R
				(A)	(B)	(C)	(D)	(E)	(F)		
3	2	158553-61050	GASKET	1							
4	2	158553-61070	GASKET	1							
6	2	129155-51280	O-RING, S6	1							
7	2	158553-51930	PLUG, M12	1							
23	2	129255-61410	NUT, LOCK	1							
24	2	119807-61420	SPRING, RETURN	1							
25	2	119852-61440	LEVER ASSY,REGULATOR	1							
26	2	129155-61460	BOLT, IDLE	1							
61	2	119660-61901	RETAINER, SHAFT	1							
65	2	22190-120002	WASHER, SEAL 12	1							
68	2	26106-060102	BOLT, M6X 10 PLATED	1							
69	2	26756-060002	NUT, LOCK M6	1							
78	2	158552-61900	O-RING	1							
84	2	26106-060142	BOLT, M6X 14 PLATED	2							
85	2	26106-060142	BOLT, M6X 14 PLATED	4							
86	2	26106-060202	BOLT, M6X 20 PLATED	10							
87	2	158552-61061	COVER, GOVERNOR CASE	1							
88	2	119852-61080	SUPPORT, WIRE	1							
120	2	119653-77950	SOLENOID, STOP	1							
121	2	26106-060142	BOLT, M6X 14 PLATED	2							

Remarks

\*This figure (Governor) is incorporated in the Fuel Injection Pump (Fig.12).

N:Old  $\xrightarrow{\text{Yes}}$  New, Q:Old  $\xrightarrow{\text{No}}$  New, R:Old  $\xrightarrow{\text{Yes}}$  New, S:Old  $\xrightarrow{\text{No}}$  New, W:Add, Z:Discontinued, F:Interchangeable by set, K:Q'ty Change



Fig.14. FUEL INJECTION VALVE

(A)=3TNV88-BNRG3HE

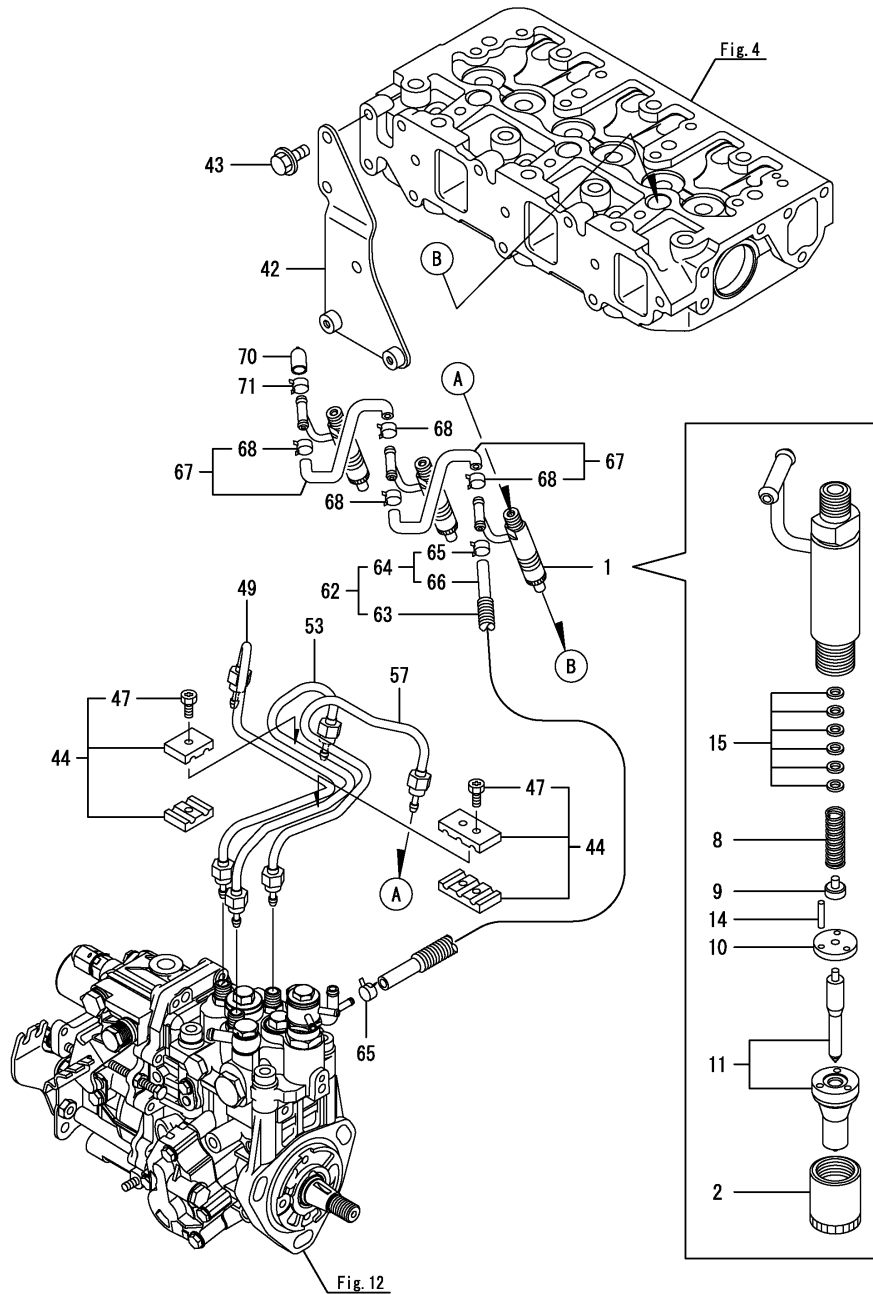
(B)=

(C)=

(D)=

(E)=

(F)=



No.	Lev.	Parts No.	Description	Q'ty						I	R
				(A)	(B)	(C)	(D)	(E)	(F)		
1	1	729008-53200	VALVE ASSY,INJECTION	3							
2	2	114250-53080	NUT, NOZZLE D16.95	3							
8	2	114250-53120	SPRING, NOZZLE	3							
9	2	114250-53130	SEAT, SPRING	3							
10	2	114250-53140	PLATE	3							
11	2	129008-53200	VALVE ASSY,INJECTION	3							
14	2	114250-53210	PIN	6							
15	2	119803-53400	SHIM SET	3							
42	1	129232-50101	STAY	1							
43	1	26106-080142	BOLT, M8X 14 PLATED	3							
44	1	129150-59120	RETAINER, PIPE	2							
47	2	129150-59131	BOLT, M4X14	4							
49	1	129004-59811	PIPE ASSY, INJECTION	1							
53	1	129004-59821	PIPE ASSY, INJECTION	1							
57	1	129004-59831	PIPE ASSY, INJECTION	1							
62	1	129263-59550	PIPE ASSY, RETURN	1							
63	2	129486-59320	TUBE, CORRUGATED	1							
64	2	119802-59550	PIPE ASSY, RETURN	1							
65	3	124722-59050	CLIP, HOSE 9	2							
66	3	119802-59560	PIPE, FUEL RETURN	1							
67	1	129486-59551	PIPE ASSY, RETURN	2							
68	2	124722-59050	CLIP, HOSE 9	4							
70	1	119593-59581	CAP	1							
71	1	124060-77680	CLIP, HOSE 10	1							

Fig.15. STARTING MOTOR

(A)=3TNV88-BNRG3HE

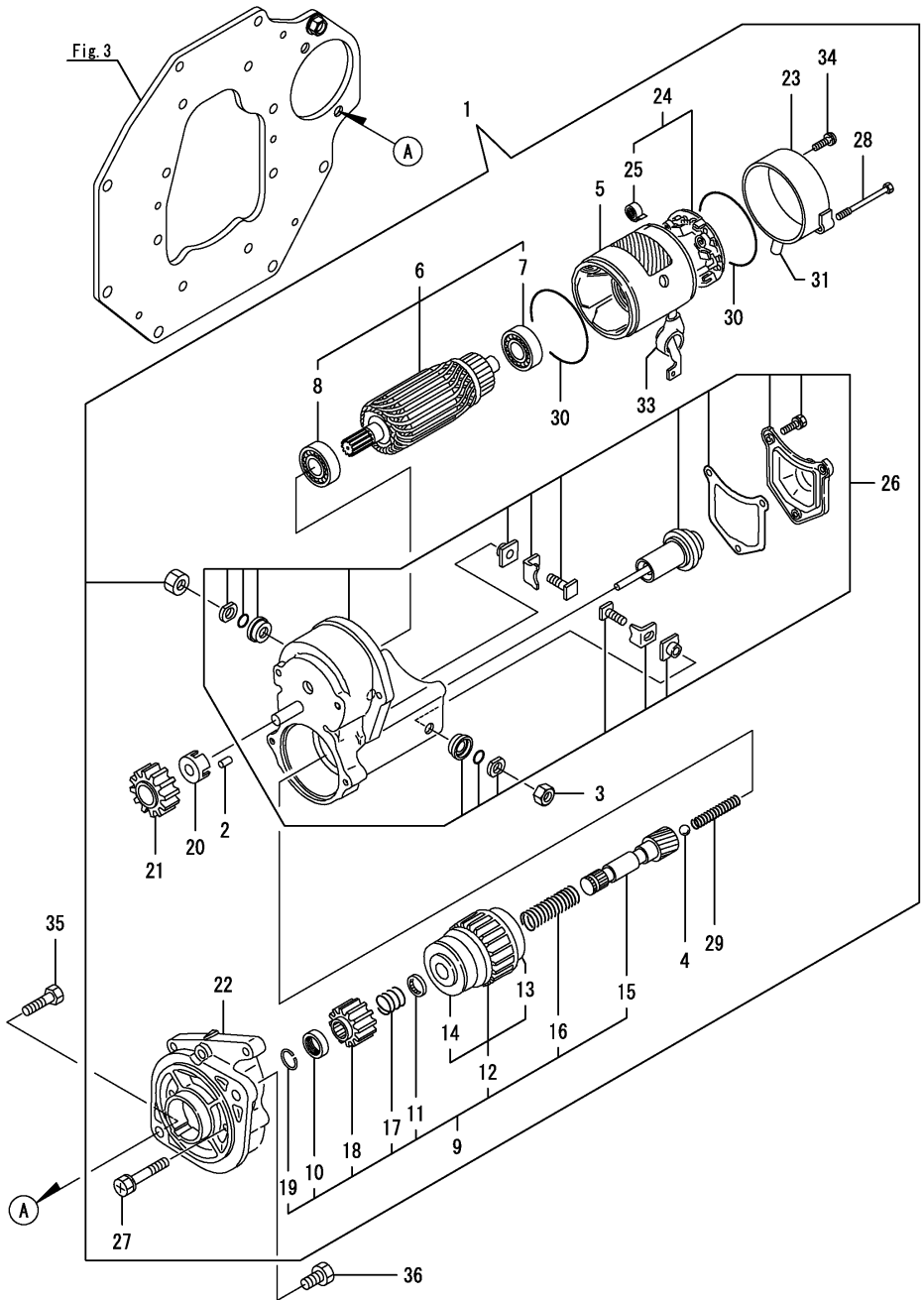
(B)=

(C)=

(D)=

(E)=

(F)=



No.	Lev.	Parts No.	Description	Q'ty						I	R
				(A)	(B)	(C)	(D)	(E)	(F)		
1	1	129407-77010	STARTER, RA1.4	1							
2	2	X0283060061	ROLLER	5							
3	2	X9490561370	NUT	1							
4	2	X9491200240	BALL	1							
5	2	129407-77210	YOKE ASSY	1							
6	2	129407-77220	ARMATURE ASSY	1							
7	3	129129-77230	BEARING	1							
8	3	129129-77240	BEARING	1							
9	2	129407-77250	STARTER	1							
10	3	X0280210230	NUT	1							
11	3	X0283270140	RETAINER	1							
12	3	129407-77390	CLUTCH ASSY	1							
13	4	129129-77440	BEARING, BALL	1							
14	4	129129-77450	BEARING, BALL	1							
15	3	129129-77400	SHAFT	1							
16	3	129129-77410	SPRING, COIL	1							
17	3	X9491703371	SPRING, COIL	1							
18	3	129129-77420	PINION, STARTER	1							
19	3	129129-77430	RING	1							
20	2	129129-77260	RETAINER	1							
21	2	129129-77270	PINION	1							
22	2	129407-77280	HOUSING	1							
23	2	129407-77290	FRAME	1							
24	2	129407-77300	HOLDER ASSY	1							
25	3	X9491730461	SPRING	4							
26	2	129407-77310	SWITCH ASSY	1							
27	2	129129-77320	BOLT	2							
28	2	129407-77330	BOLT	2							
29	2	129129-77340	SPRING	1							
30	2	129129-77350	O-RING	2							
31	2	129129-77362	COVER	1							
33	2	129129-77380	CAP	1							
34	2	129129-77460	SCREW	2							
35	1	129155-77060	BOLT	1							
36	1	26116-120202	BOLT, M12X 20 PLATED	1							

Fig.16. GENERATOR

(A)=3TNV88-BNRG3HE

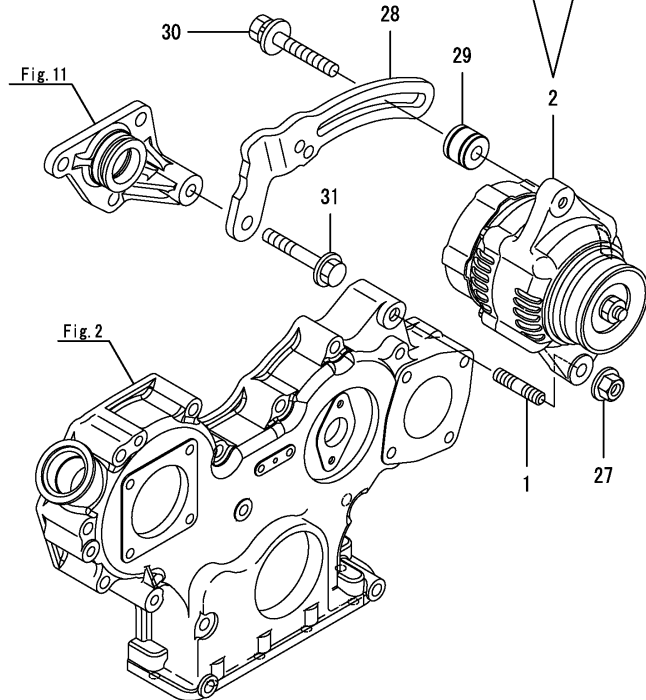
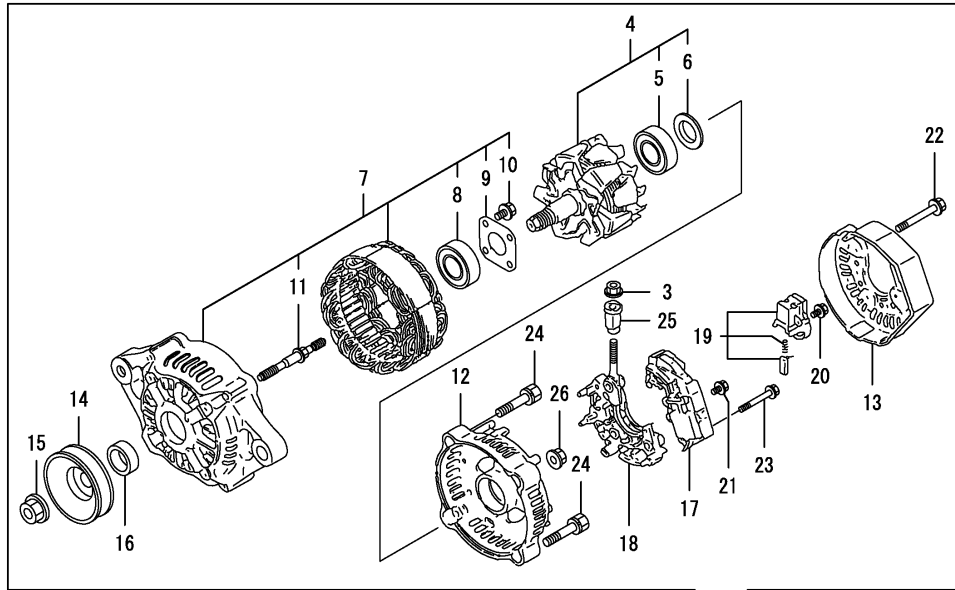
(B)=

(C)=

(D)=

(E)=

(F)=



No.	Lev.	Parts No.	Description	Q'ty						I	R
				(A)	(B)	(C)	(D)	(E)	(F)		
1	1	129795-01900	STUD	1							
2	1	129052-77220	GENERATOR, 12V-55A	1							
3	2	X9490561001	NUT	1							
4	2	129052-77380	ROTOR ASSY	1							
5	3	123501-79240	BEARING, BALL	1							
6	3	119620-79250	COVER	1							
7	2	129052-77422	FRAME ASSY	1							
8	3	119620-79200	BEARING, BALL	1							
9	3	119620-79210	PLATE, RETAINER	1							
10	3	119620-79220	SCREW	4							
11	3	119620-79230	STUD	2							
12	2	128401-77440	FRAME	1							
13	2	128401-77450	COVER	1							
14	2	119620-77461	PULLEY	1							
15	2	119620-77471	NUT	1							
16	2	119620-77490	COLLAR	1							
17	2	119620-77710	REGULATOR ASSY	1							
18	2	129052-79260	HOLDER	1							
19	2	129052-79270	HOLDER, BRUSH	1							
20	2	119620-79290	SCREW	6							
21	2	119620-79300	SCREW	1							
22	2	119620-79310	BOLT	3							
23	2	119620-79320	SCREW	2							
24	2	119620-79330	BOLT	2							
25	2	119620-79340	BUSH, INSULATION	1							
26	2	119620-79350	NUT	2							
27	1	26306-100002	NUT, M10	1							
28	1	129064-77330	ADJUSTER	1							
29	1	129067-77340	SPACER	1							
30	1	129972-77341	BOLT, ADJUSTER L=50	1							
31	1	26106-080502	BOLT, M8X 50 PLATED	1							

## Parts No. Index

Parts No.	Fig. No.	Ref. No.
114250-39450	10	27
114250-53080	14	2
114250-53120	14	8
114250-53130	14	9
114250-53140	14	10
114250-53210	14	14
119131-18320	6	7
119593-59581	14	70
119609-32040	2	10
119620-77461	16	14
119620-77471	16	15
119620-77490	16	16
119620-77710	16	17
119620-79200	16	8
119620-79210	16	9
119620-79220	16	10
119620-79230	16	11
119620-79250	16	6
119620-79290	16	20
119620-79300	16	21
119620-79310	16	22
119620-79320	16	23
119620-79330	16	24
119620-79340	16	25
119620-79350	16	26
119625-11880	4	28
119626-21700	8	15
119626-26690	9	14
119653-77950	13	120
119660-61901	13	61
119802-01561	2	5
119802-03110	4	39
119802-03121	4	40
119802-03130	4	41
119802-03141	4	42
119802-11260	4	4
119802-11270	4	5
119802-11280	4	6
119802-11870	4	27
119802-13640	6	5
119802-25071	7	16
119802-25101	7	10
119802-25901	7	15
119802-35100	10	21
119802-39450	10	29
119802-49113	11	10
119802-49730	11	41
119802-51090	12	11
119802-51250	12	134
119802-51560	12	57

Parts No.	Fig. No.	Ref. No.
119802-51590	12	63
119802-51600	12	64
119802-51680	12	68
119802-51690	12	69
119802-59550	14	64
119802-59560	14	66
119803-21200	8	4
119803-25050	7	9
119803-53400	14	15
119803-77830	4	55
119807-61420	13	24
119808-12520	5	13
119808-12540	5	17
119852-61080	13	88
119852-61440	13	25
119865-12600	5	20
119865-21600	8	14
119866-12541	5	18
119923-26010	9	7
119934-01800	2	3
119934-12200	5	10
119934-12501	5	11
119980-07900	4	51
120130-11860	4	58
120270-54410	4	30
121111-21501	8	11
121250-44901	11	36
121267-44760	11	27
121400-11340	4	23
121450-42450	11	35
121520-34810	10	16
121550-23200	8	29
121850-21680	8	10
121850-51960	2	11
123501-79240	16	5
123900-13610	6	3
123900-13630	6	4
123900-13650	6	6
124060-01050	1	4
124060-77680	14	71
124160-01751	2	7
124160-01910	1	6
		7
	3	6
124160-11360	4	49
124160-39140	10	28
124240-01871	2	8
		21
124395-49840	11	18
124460-11340	4	24

Parts No.	Fig. No.	Ref. No.
124465-44950	11	37
		38
124722-59050	11	42
		45
	14	65
		68
128401-77440	16	12
128401-77450	16	13
129001-01250	1	5
129001-01340	1	28
129001-02931	1	29
129001-12110	5	4
129001-32002	10	1
129004-03010	4	37
129004-11241	4	1
129004-11251	4	2
129004-11310	4	44
129004-11650	4	8
129004-11900	4	29
129004-13200	6	9
129004-21650	8	8
129004-42040	11	16
129004-49610	11	39
129004-49620	11	43
129004-49711	11	40
129004-49721	11	44
129004-59811	14	49
129004-59821	14	53
129004-59831	14	57
129005-03080	5	1
129005-11100	4	19
129005-12101	5	3
129005-22080	8	16
129005-22500	8	18
129005-22900	8	35
129005-22950	8	37
129005-59830	10	30
129008-01520	2	4
129008-11700	4	13
129008-21000	8	1
129008-51390	12	39
129008-51900	12	9
129008-51920	12	10
129008-53200	14	11
129008-77800	4	56
129008-77820	4	57
129051-12530	5	15
129052-01692	3	4
129052-77220	16	2
129052-77380	16	4

Parts No.	Fig. No.	Ref. No.
129052-77422	16	7
129052-79260	16	18
129052-79270	16	19
129054-01640	3	8
129055-13521	6	10
129064-77330	16	28
129067-77340	16	29
129100-01580	3	1
		17
	8	2
129100-11112	4	20
129100-23910	8	32
129100-35140	10	23
129100-42051	11	3
129100-42121	11	4
129120-01780	3	20
129120-42351	11	25
129129-14580	7	3
129129-77230	15	7
129129-77240	15	8
129129-77260	15	20
129129-77270	15	21
129129-77320	15	27
129129-77340	15	29
129129-77350	15	30
129129-77362	15	31
129129-77380	15	33
129129-77400	15	15
129129-77410	15	16
129129-77420	15	18
129129-77430	15	19
129129-77440	15	13
129129-77450	15	14
129129-77460	15	34
129150-01200	1	27
129150-01580	2	6
129150-01881	9	1
129150-02020	1	9
129150-02450	7	4
129150-02871	1	32
129150-02931	1	24
129150-02941	1	35
129150-03070	4	38
129150-11230	4	9
129150-11280	4	7
129150-11370	4	12
129150-11750	4	11
129150-11810	4	59
129150-13110	6	1
129150-14101	7	6

## Parts No. Index

Parts No.	Fig. No.	Ref. No.
129150-14200	7	1
129150-14400	7	2
129150-23601	8	30
129150-23611	8	33
129150-25301	7	14
129150-26000	9	2
129150-26050	9	3
129150-32020	10	13
129150-35111	10	24
129150-35170	10	36
129150-49811	11	30
129150-59120	14	44
129150-59131	14	47
129150-77511	5	8
129150-91400	2	24
129155-49801	11	29
129155-51280	13	6
129155-61460	13	26
129155-77060	15	35
129202-22300	8	24
129232-01600	3	2
129232-01710	3	7
129232-12601	5	24
129232-13110	6	2
129232-21590	8	12
129232-34800	10	15
129232-35090	10	17
129232-42000	11	1
129232-50101	14	42
129255-61410	13	23
129263-59550	14	62
129268-11350	4	35
129350-49530	11	31
129407-77010	15	1
129407-77210	15	5
129407-77220	15	6
129407-77250	15	9
129407-77280	15	22
129407-77290	15	23
129407-77300	15	24
129407-77310	15	26
129407-77330	15	28
129407-77390	15	12
129410-03990	5	2
129418-12530	5	16
129486-01670	3	21
129486-12581	5	7
129486-42021	11	15
129486-42140	11	17
129486-59320	14	63

Parts No.	Fig. No.	Ref. No.
129486-59551	14	67
129555-01750	3	11
129555-44750	4	47
	11	9
129612-12650	5	19
129655-44740	11	26
129795-01900	16	1
129795-01950	2	9
129795-02412	1	12
129795-11120	4	21
129795-11180	4	22
129795-21661	8	9
129795-49551	11	32
129900-07900	4	53
129916-49740	11	11
129916-59020	12	130
129972-77341	16	30
129C26-01890	2	22
	9	6
158552-51151	12	14
158552-51571	12	58
		59
158552-51580	12	62
158552-51600	12	72
158552-51670	12	126
158552-51781	12	98
158552-52100	12	128
158552-52311	12	107
158552-52400	12	108
158552-52500	12	129
158552-61061	13	87
158552-61900	13	78
158553-51551	12	124
158553-51630	12	73
158553-51650	12	75
158553-51660	12	76
158553-51670	12	67
158553-51680	12	77
158553-51770	12	104
158553-51930	12	101
	13	7
158553-61050	13	3
158553-61070	13	4
158557-51570	12	60
158563-51281	12	37
		38
158563-51330	12	48
158600-51270	12	36
158601-51550	12	56
158601-51570	12	61

Parts No.	Fig. No.	Ref. No.
158601-51650	12	125
158601-51770	12	97
158601-51790	12	99
171051-01921	1	8
171056-49120	11	34
178077-15400	9	8
178077-15410	9	9
194521-41570	9	10
198220-48140	9	15
22190-080002	2	12
		13
	10	31
		33
22190-100002	10	34
22190-120002	3	10
	12	102
		109
		131
	13	65
22190-180002	12	103
		110
22217-140000	12	111
22252-000260	8	25
22252-000320	9	11
22312-050140	12	112
22351-030010	8	7
22351-050010	12	113
22351-060012	4	31
22512-070140	7	7
	8	5
22857-500100	4	45
		46
23000-060000	5	25
23414-080000	11	19
23857-030000	10	32
23857-060000	12	132
23875-020000	11	12
23876-010000	11	13
24105-060064	9	5
24311-000070	12	115
24311-000120	4	50
24311-000160	10	18
24311-000200	9	16
24311-000320	2	14
24341-000240	2	26
24356-190180	12	116
24356-190200	12	70
		117
24372-000150	12	71
24421-153207	9	12

Parts No.	Fig. No.	Ref. No.
25152-003700	11	24
26016-080352	9	13
26106-060102	12	118
	13	68
26106-060142	13	84
		85
		121
26106-060162	2	27
26106-060202	13	86
26106-060302	11	28
26106-060402	9	17
	10	19
26106-080122	2	23
	3	12
	5	26
	10	20
	11	20
26106-080142	4	52
	7	8
	14	43
26106-080162	2	15
		16
	4	54
	11	21
	12	135
26106-080202	5	5
		9
	10	26
	12	136
26106-080252	3	13
	4	32
26106-080302	2	17
26106-080352	4	33
26106-080402	7	13
26106-080452	11	22
26106-080502	3	14
	4	34
	5	27
	16	31
26106-080552	2	18
26106-080602	11	23
26106-080802	5	6
26106-080852	2	19
26106-080952	9	18
26106-081002	3	15
26106-081202	3	16
26116-120202	15	36
26206-100202	3	3
26216-080402	9	19
26306-080002	2	20

# Parts No. Index

Parts No.	Fig. No.	Ref. No.
26306-080002	5	28
	6	8
		11
	9	20
	11	33
26306-100002	16	27
26366-060002	10	35
26450-060252	10	14
26450-080452	12	120
26577-060162	11	14
26756-060002	13	69
26776-140002	12	121
27241-120000	1	13
27241-300000	1	14
27241-400000	4	18
27310-080001	4	25
49933-000138	4	48
729005-01560	1	1
729008-01500	2	1
729008-53200	14	1
729232-51380	12	1
729402-01650	3	18
729402-23100	8	26
X0280210230	15	10
X0283060061	15	2
X0283270140	15	11
X9490561001	16	3
X9490561370	15	3
X9491200240	15	4
X9491703371	15	17
X9491730461	15	25

Parts No.	Fig. No.	Ref. No.
-----------	----------	----------

Parts No.	Fig. No.	Ref. No.
-----------	----------	----------

Parts No.	Fig. No.	Ref. No.
-----------	----------	----------