

0CNP6-M00100EN

Contents

OCNP6-M00100

Fig. No.	Fig. Name
ENGINE CONTROL SECTION	
1.	ENGINE ACCESSORIES
2.	ACCEL LEVER
3.	FUEL TANK
4.	FUEL PIPE
FRONT AXLE SECTION	
5.	FRONT BRACKET
6.	CENTER PIN
7.	FRONT HITCH
8.	TIE ROD
9.	DRIVE PINION
10.	DIFFERENTIAL GEAR
11.	PROPELLER SHAFT
12.	FRONT SHAFT(1
13.	FRONT AXLE HOUSING
14.	FRONT GEAR CASE
15.	FRONT SHAFT(2
16.	INPUT SHAFT
17.	FRONT SPINDLE
18.	SHAFT COVER
19.	FRONT TIRE R3
20.	HUB BOLT(FRONT
21.	STEERING WHEEL
22.	PST VALVE

Fig. No.	Fig. Name
23.	PST CYLINDER
24.	PST PIPING(A
25.	PST PIPING(B
TRANSMISSION SECTION	
26.	CLUTCH HOUSING
27.	DOCKING BOLT
28.	DAMPER DISC
29.	CLUTCH SHAFT
30.	TRANSMISSION CASE
31.	CENTER PLATE
32.	OIL CAP
33.	OIL STRAINER
34.	INPUT SHAFT
35.	MAIN SHAFT
36.	COUNTER SHAFT
37.	P.T.O. DRIVE SHAFT
38.	P.T.O. CLUTCH SHAFT
39.	P.T.O. SHAFT
40.	MID P.T.O. SHAFT
41.	P.T.O. INERTIA BRAKE
42.	RANGE SHIFT
43.	P.T.O. CHANGE
44.	KNOB
45.	FRONT DRIVE

Contents

OCNP6-M00100

Fig. No. Fig. Name

46. FRONT SIFT

47. H.S.T. CONTROL(1

48. H.S.T. CONTROL(2

49. H.S.T.

REAR AXLE SECTION

50. RING GEAR

51. DIFFERENTIAL GEAR

52. DIFFERENTIAL CARRIER

53. REAR HOUSING

54. DIFFERENTIAL LOCK

55. FINAL PINION

56. FINAL GEAR

57. REAR AXLE SHAFT

58. TIRE REAR R3

59. HUB BOLT(REAR

60. HYDRAULIC PEDAL

61. CRUISE CONTROL

62. DISC BRAKE

63. BRAKE PEDAL

64. PARKING BRAKE

HYDRAULIC CONTROL SECTION

65. HYDRAULIC LIFT

66. HYDRAULIC CONTROL

Fig. No. Fig. Name

67. STOP VALVE

68. SUB CONTROL VALVE

69. PLATE(AUX

70. VALVE ACCESSORIES

71. HYDRAULIC LINE

ELECTRICAL PARTS SECTION

72. WIRE HARNESS

73. BUTTERY

74. CLAMP ,BATTERY 1

75. CLAMP ,BATTERY 2

76. SWITCH(1

77. SWITCH(2

78. SWITCH(3

79. COUPLER ,TRAILER

80. LAMP

81. LICENCE

82. METER

83. HORN

84. RELAY

FITTINGS SECTION

85. HOOD

86. DASH BOARD

87. FENDER

Contents

OCNP6-M00100

Fig. No. Fig. Name

88. STEP

89. DRIVER SEAT

90. BRACKET ,SEAT

91. REARVIEW MIRROR

92. LABEL(1)

93. LABEL(2)

94. LABEL(SAFETY)

HITCH SECTION

95. P.T.O. GUARD

96. P.T.O. SHAFT COVER

97. OIL SEAL COVER

98. 3-POINT HITCH

99. BRACKET ,REAR

100. DRAWBAR HITCH

SAFETY FRAME SECTION

101. ROPS(LOWER)

102. ROPS(UPPER)

103. BOLT(ROPS)

Fig. No. Fig. Name

Fig.1. ENGINE ACCESSORIES

(A)=EB3100 N-EU-PQ

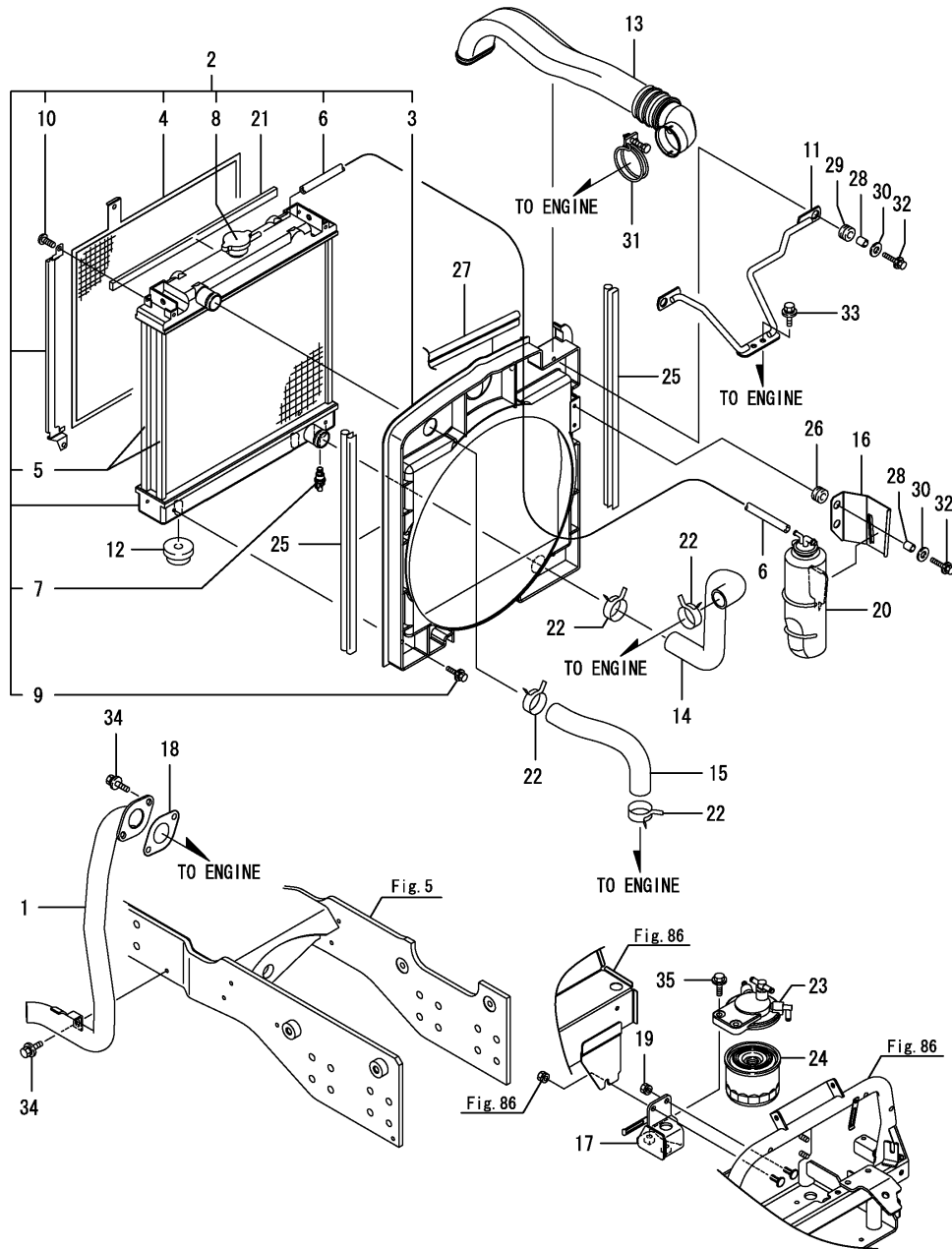
(B)=

(C)=

(D)=

(E)=

(F)=

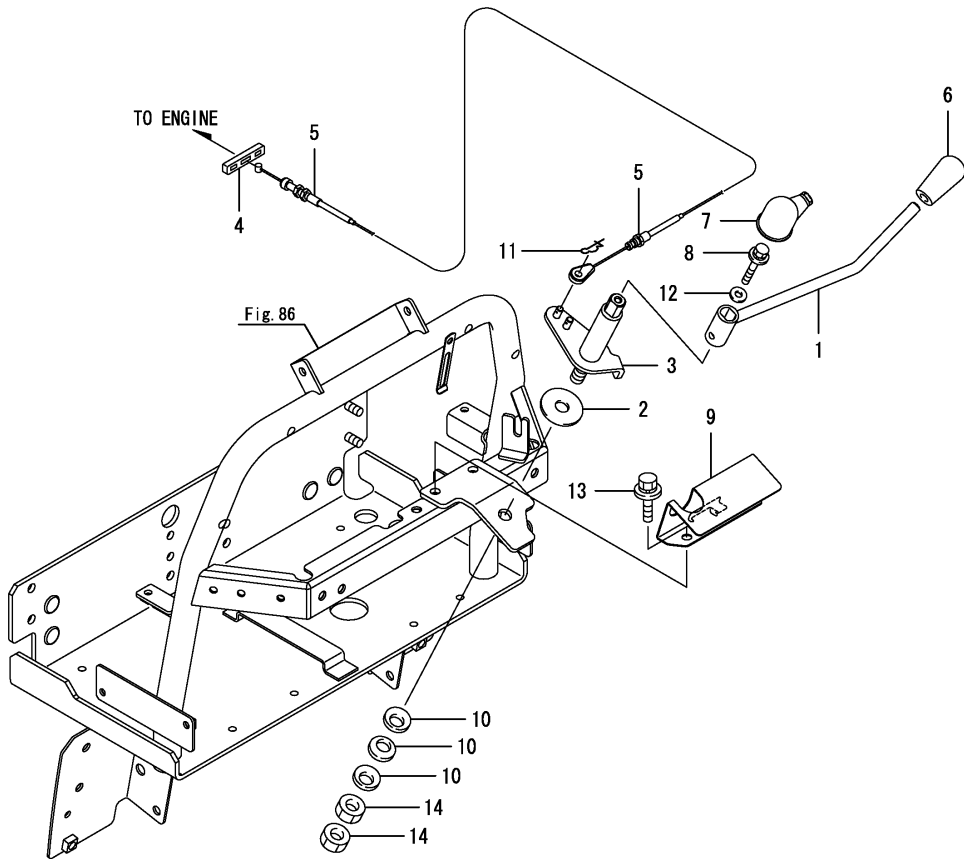


No.	Lev.	Parts No.	Description	Q'ty						I	R
				(A)	(B)	(C)	(D)	(E)	(F)		
1	1	1A7540-00511	PIPE ASSY, EXHAUST	1							
2	1	1A8300-00600	RADIATOR ASSY, M	1							
3	2	1A8300-00610	SHROUD ASSY, M	1							
4	2	1A7530-00620	PROTECTOR	1							
5	2	1A7530-00690	PACKING	4							
6	2	121250-44570	PIPE, 7X300	1							
7	2	119924-44580	VALVE ASSY, DRAIN	1							
8	2	129107-44590	CAP, RADIATOR	1							
9	2	26014-060202	BOLT, M6X 20	4							
10	2	26557-060122	SCREW, M6X12	4							
11	1	1A7540-00630	ROD ASSY, SUPPORT	1							
12	1	198162-00640	SUPPORT, RADIATOR	2							
13	1	1A8300-00680	PIPE, EXTENSION	1							
14	1	1A7540-00720	PIPE, WATER L	1							
15	1	1A7540-00730	PIPE, WATER U	1							
16	1	1A7530-00750	STAY, SUB TANK	1							
17	1	1A7540-04150	BRACKET ASSY, FILTER	1							
18	1	129052-13550	GASKET	1							
19	1	194990-22050	NUT, M8	1							
20	1	129263-44510	TANK ASSY, SUB	1							
21	1	121454-44590	PAD, URETHANE	1							
22	1	175022-49730	CRIP 31, HOSE	4							
23	1	129004-55612	BRACKET, FILTER	1							
24	1	119802-55810	FILTER,FO	1							
25	1	198448-60780	WEATHER-STRIP, 470	2							
26	1	198220-62440	GROMMET	2							
27	1	172164-66620	RUBBER, SEAL 320	1							
28	1	198129-78710	SPACER, 6-10	4							
29	1	198129-78720	GROMMET, 10-16	2							
30	1	22157-060000	WASHER, 6	4							
31	1	23010-060000	CLAMP, 60	1							
32	1	26018-060302	BOLT, M6X 30	4							
33	1	26018-080202	BOLT, M8X 20	2							
34	1	26018-080252	BOLT, M8X 25	3							
35	1	26106-080302	BOLT, M8X 30 PLATED	2							

Fig.2. ACCEL LEVER

(A)=EB3100 N-EU-PQ
(B)=
(C)=

(D)=
(E)=
(F)=

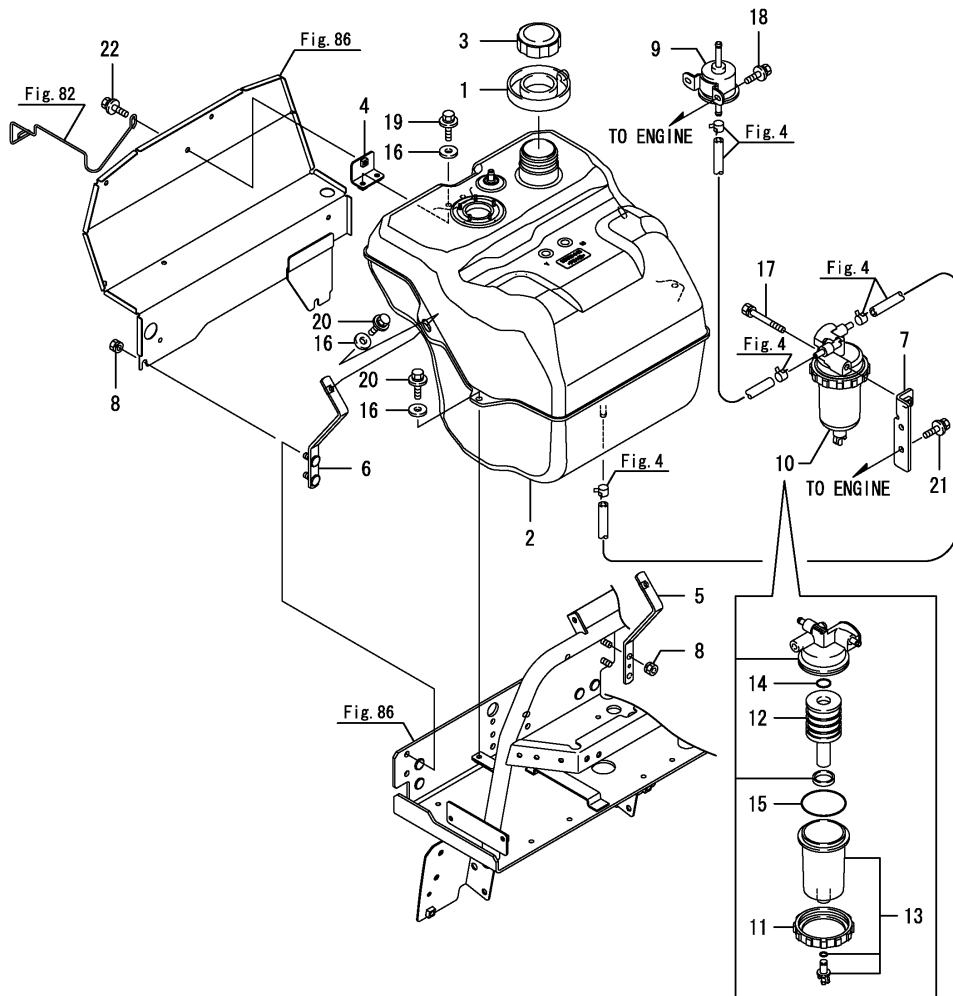


No.	Lev.	Parts No.	Description	Qty						I	R
				(A)	(B)	(C)	(D)	(E)	(F)		
1	1	1A7510-01100	LEVER ASSY	1							
2	1	198165-01130	PLATE, FRICTION	1							
3	1	1A7510-01151	SHAFT ASSY	1							
4	1	198071-01160	RUBBER	1							
5	1	1A7510-01180	WIRE, ACCELERATOR	1							
6	1	198253-01190	KNOB, LEVER	1							
7	1	1A7510-01240	CAP, RUBBER	1							
8	1	198421-01250	BOLT, M6X40	1							
9	1	1A7510-17490	COVER, WIRE	1							
10	1	194151-47760	WASHER, 12	3							
11	1	1C6281-52310	PIN, SNAP 6	1							
12	1	22157-060000	WASHER, 6	1							
13	1	26018-080162	BOLT, M8X 16	1							
14	1	26716-120002	NUT, M12	2							

Fig.3. FUEL TANK

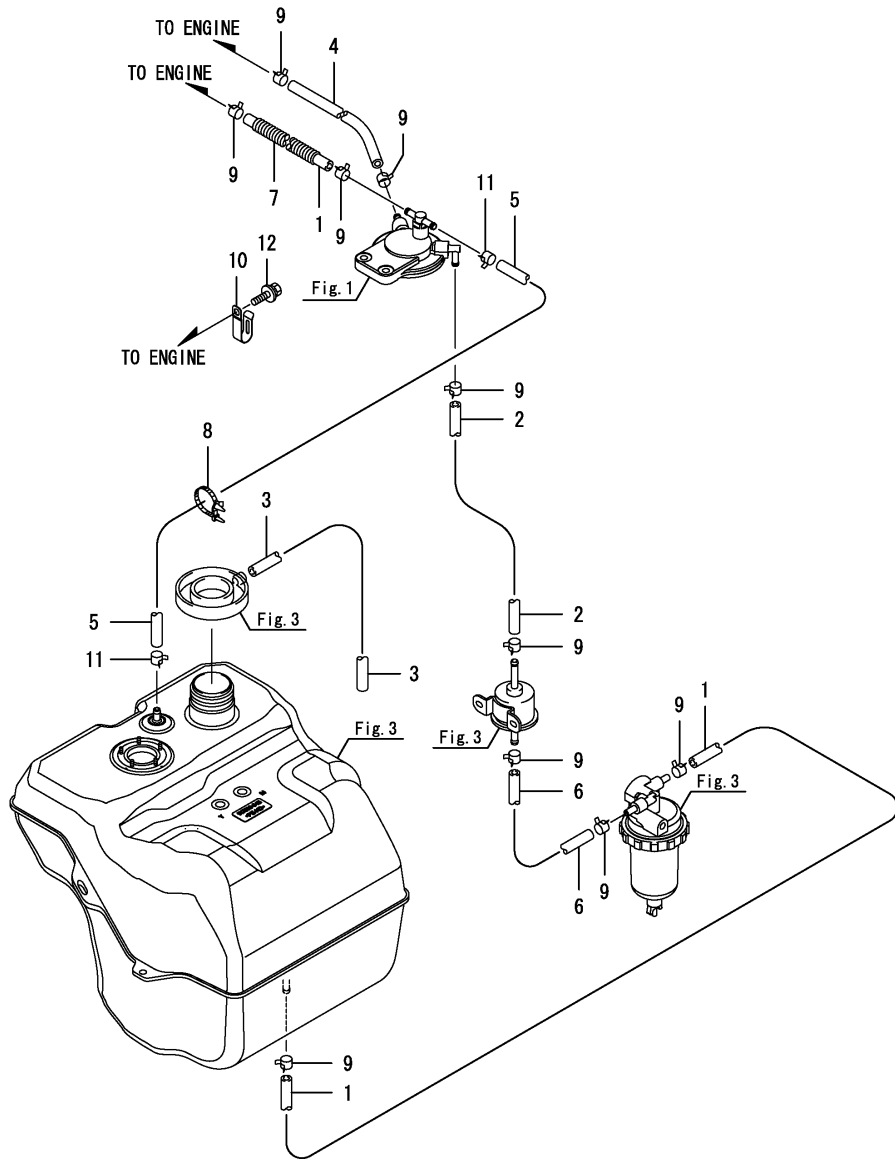
(A)=EB3100 N-EU-PQ
(B)=
(C)=

(D)=
(E)=
(F)=



No.	Lev.	Parts No.	Description	Q'ty						I	R
				(A)	(B)	(C)	(D)	(E)	(F)		
1	1	1C6860-02300	PAN,FUEL	1							
2	1	1A7530-04110	TANK, FUEL	1							
3	1	1A8160-04130	CAP, FUEL TANK	1							
4	1	1A7530-04310	STAY ASSY, TANK F	1							
5	1	1A7530-04330	STAY ASSY, TANK R	1							
6	1	1A7530-04340	STAY ASSY, TANK	1							
7	1	1A7531-04410	STAY ASSY, SEPARATER	1							
8	1	194990-22050	NUT, M8	4							
9	1	119225-52102	PUMP ASSY, FUEL FEED	1							
10	1	119802-55700	SEPARATOR ASSY	1							
11	2	129100-55690	RING, RETAINING	1							
12	2	119802-55710	ELEMENT	1							
13	2	119802-55730	CUP ASSY	1							
14	2	24311-000160	O-RING, 1AP16.0	1							
15	2	24321-000650	O-RING, 1AG65.0	1							
16	1	22157-060000	WASHER, 6	6							
17	1	26013-080702	BOLT, M8X 70	1							
18	1	26018-060162	BOLT, M6X 16	2							
19	1	26018-060202	BOLT, M6X 20	2							
20	1	26018-060252	BOLT, M6X 25	4							
21	1	26018-080162	BOLT, M8X 16	2							
22	1	26019-060162	BOLT, M6X 16	1							

Fig.4. FUEL PIPE



(A)=EB3100 N-EU-PQ
(B)=
(C)=

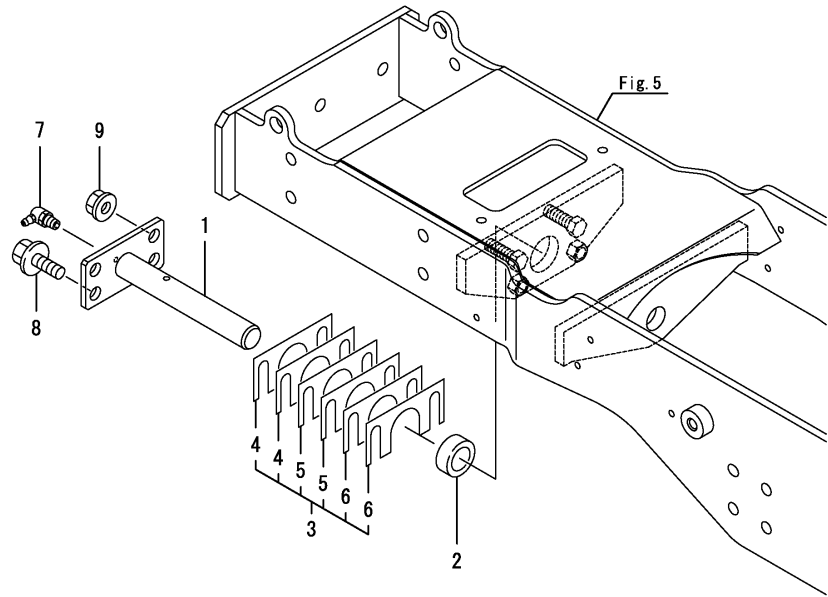
(D)=
(E)=
(F)=

No.	Lev.	Parts No.	Description	Q'ty						I	R
				(A)	(B)	(C)	(D)	(E)	(F)		
1	1	1A7530-04410	HOSE, FUEL	2							
2	1	1A7540-04410	HOSE, FUEL	1							
3	1	198421-04430	PIPE, FUEL SUMP	1							
4	1	1A7510-04430	HOSE, FUEL F-P	1							
5	1	1A7540-04430	HOSE, FUEL	1							
6	1	1A7540-04440	HOSE, FUEL	1							
7	1	198463-51170	TUBE, CORRUGATED 13	1							
8	1	194680-51670	BAND, CLIP	1							
9	1	114270-59010	CLIP, HOSE 12	10							
10	1	1E6102-83230	CLAMP, CABLE	1							
11	1	23080-012000	CLAMP, 12	2							
12	1	26018-080162	BOLT, M8X 16	1							

Fig.6. CENTER PIN

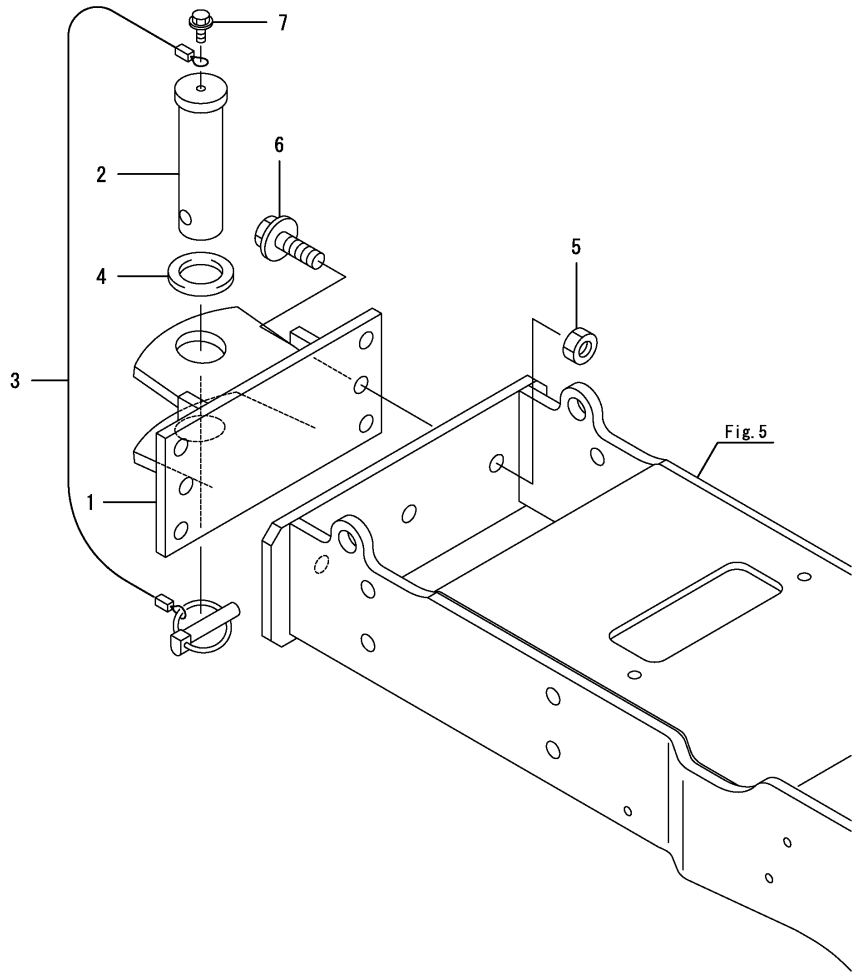
(A)=EB3100 N-EU-PQ
(B)=
(C)=

(D)=
(E)=
(F)=



No.	Lev.	Parts No.	Description	Q'ty						I	R
				(A)	(B)	(C)	(D)	(E)	(F)		
1	1	1A7531-11510	PIN, CENTER	1							
2	1	198165-11540	BUSH, PIN	1							
3	1	1A7531-11550	SHIM KIT, CENTER PIN	1							
4	2	1A7531-11560	SHIM, CENTER PIN 0.2	2							
5	2	1A7531-11570	SHIM, CENTER PIN 0.5	2							
6	2	1A7531-11580	SHIM, CENTER PIN 0.1	2							
7	1	198435-16230	NIPPLE, GRESAE 6	1							
8	1	26106-120302	BOLT, M12X 30 PLATED	2							
9	1	26366-120002	NUT, M12	2							

Fig.7. FRONT HITCH



(A)=EB3100 N-EU-PQ
(B)=
(C)=

(D)=
(E)=
(F)=

No.	Lev.	Parts No.	Description	Q'ty						I	R
				(A)	(B)	(C)	(D)	(E)	(F)		
1	1	198280-11812	HITCH, FRONT	1							
2	1	198280-11831	PIN, HITCH	1							
3	1	198280-11840	PIN ASSY, LOCK	1							
4	1	198535-62780	SPACER	1							
5	1	198172-85440	NUT, M12	2							
6	1	198165-85970	BOLT, M12X35	2							
7	1	26106-060102	BOLT, M6X 10 PLATED	1							

Fig.9. DRIVE PINION

(A)=EB3100 N-EU-PQ
 (B)=
 (C)=

(D)=
 (E)=
 (F)=

No.	Lev.	Parts No.	Description	Q'ty						I	R
				(A)	(B)	(C)	(D)	(E)	(F)		
1	1	1A7540-13120	GEAR, FRONT 16T	1							
2	1	194447-13860	BEARING, TMB304CX1	1							
3	1	22242-000200	RING, 20	1							
4	1	24101-062024	BEARING, BALL 6202	1							

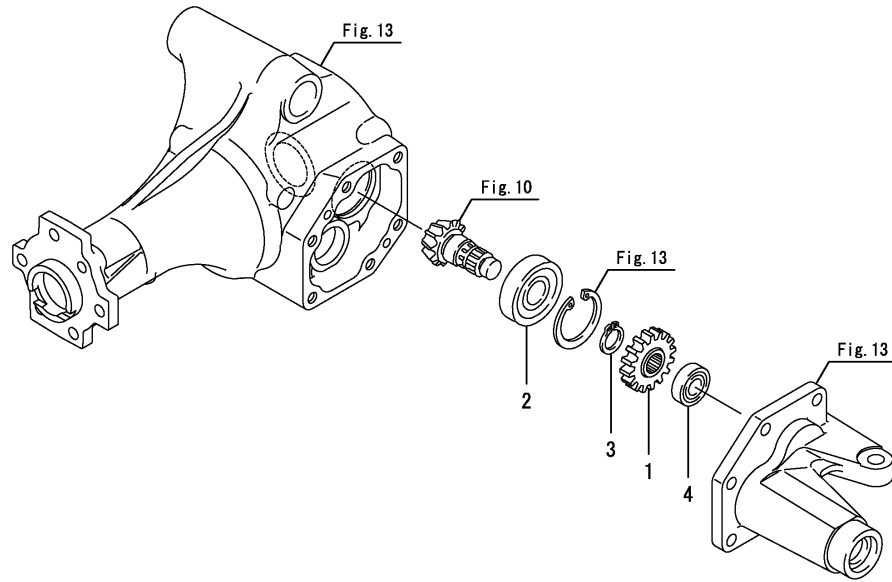


Fig.10. DIFFERENTIAL GEAR

(A)=EB3100 N-EU-PQ
(B)=
(C)=

(D)=
(E)=
(F)=

No.	Lev.	Parts No.	Description	Q'ty						I	R
				(A)	(B)	(C)	(D)	(E)	(F)		
1	1	198165-13101	PINION KIT, DRIVE	1							
2	1	198421-13221	GEAR, DIFFERENTIAL	2							
3	1	1A7050-13230	PINION, DIFFERENTIAL	2							
4	1	198421-13240	SHAFT, DIFFERENTIAL	1							
5	1	24101-060054	BEARING, BALL 6005	1							
6	1	24101-060074	BEARING, BALL 6007	1							

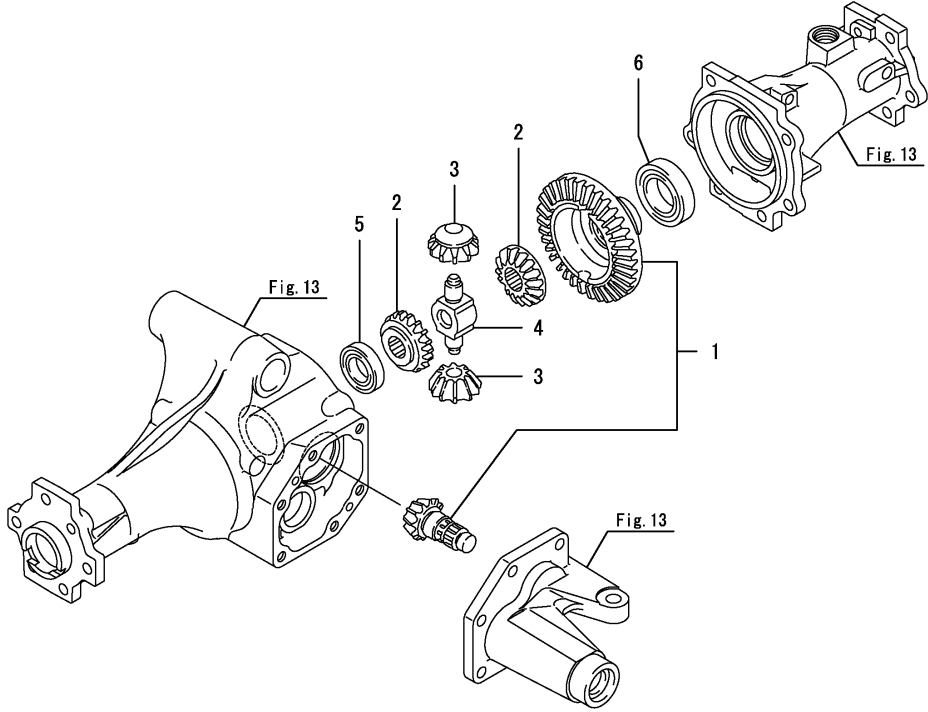


Fig.11. PROPELLER SHAFT

(A)=EB3100 N-EU-PQ
 (B)=
 (C)=

(D)=
 (E)=
 (F)=

No.	Lev.	Parts No.	Description	Q'ty						I	R
				(A)	(B)	(C)	(D)	(E)	(F)		
1	1	1A7540-13310	SHAFT ASSY,PROPELLER	1							
2	1	22242-000360	RING, 36	1							
3	1	22351-035032	PIN, SPRING 3.5X32	1							
4	1	22351-060032	PIN, SPRING 6.0X32	1							

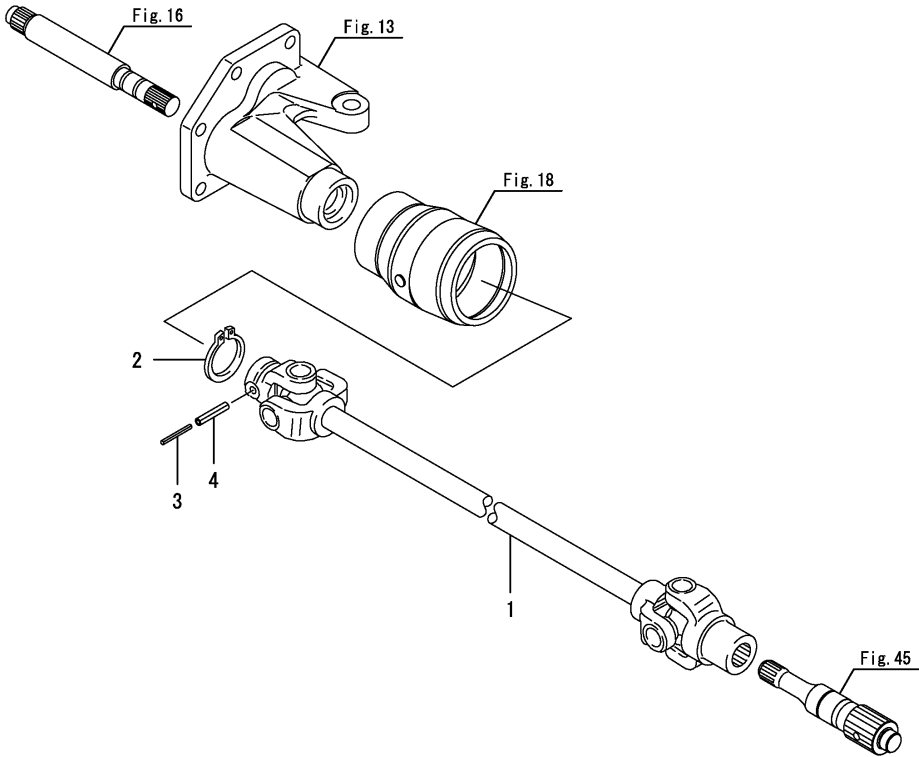


Fig.12. FRONT SHAFT(1)

(A)=EB3100 N-EU-PQ
(B)=
(C)=

(D)=
(E)=
(F)=

No.	Lev.	Parts No.	Description	Q'ty						I	R
				(A)	(B)	(C)	(D)	(E)	(F)		
1	1	198165-13511	SHAFT, FRONT 1ST L	1							
2	1	198165-13521	SHAFT, FRONT 1ST R	1							
3	1	198165-13532	GEAR, FRONT SHAFT	2							
4	1	24101-062054	BEARING, BALL 6205	2							

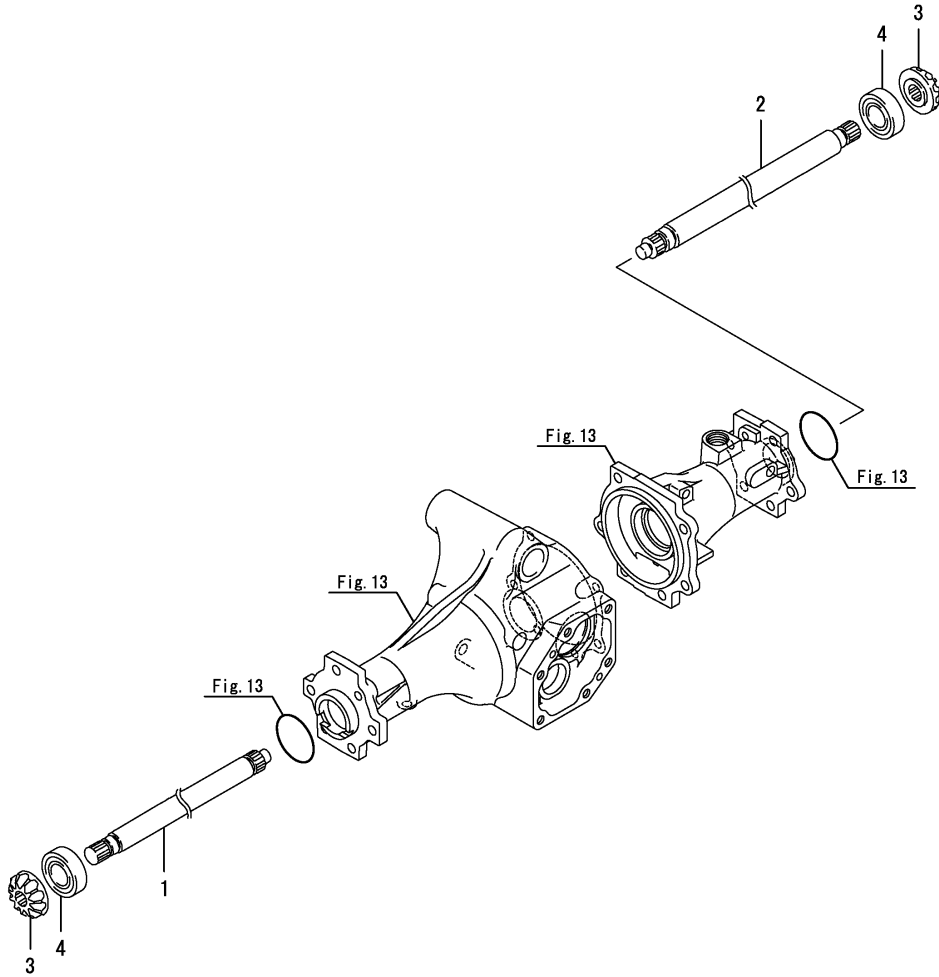
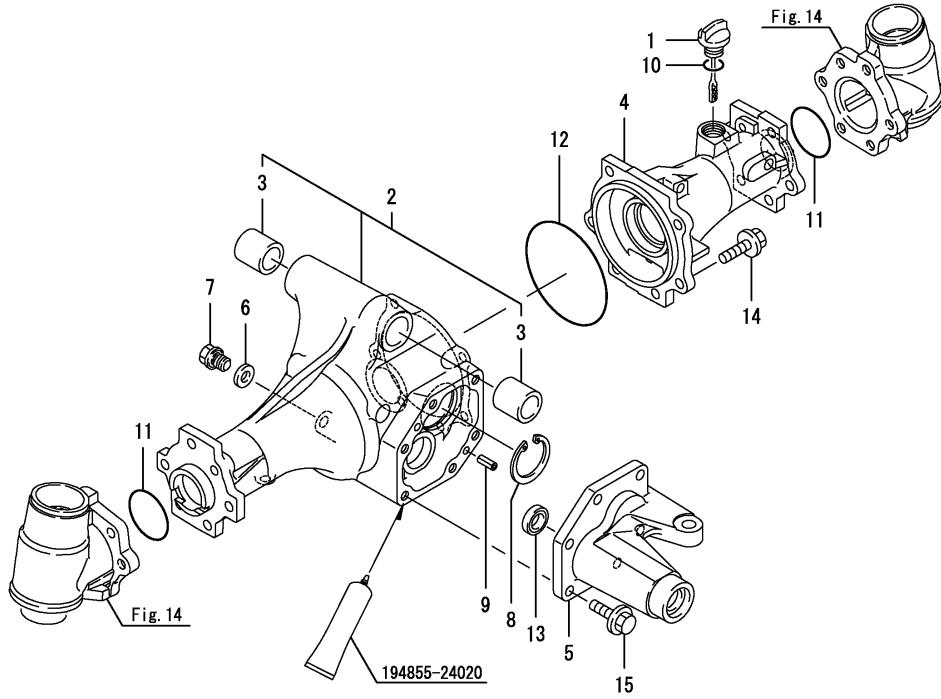


Fig.13. FRONT AXLE HOUSING

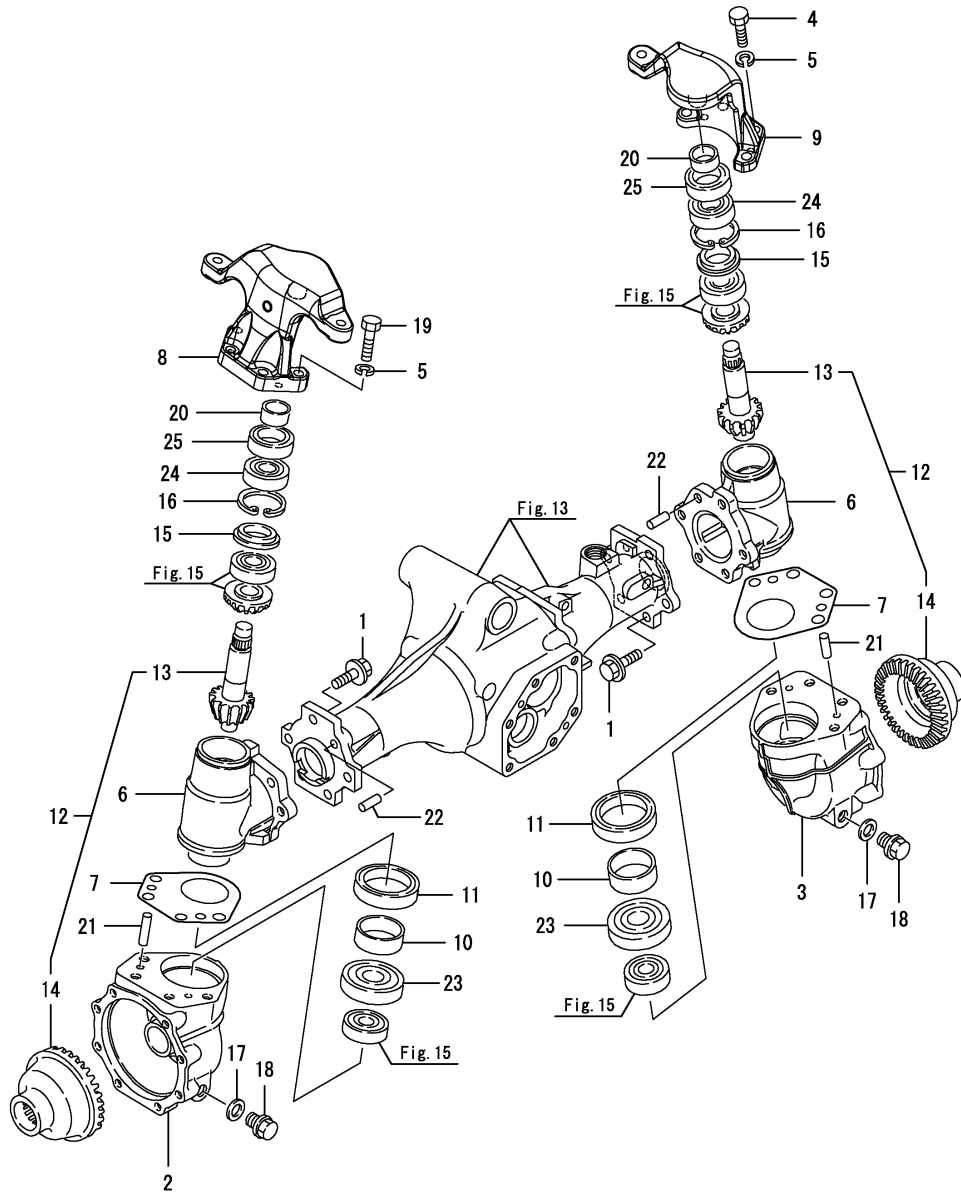
(A)=EB3100 N-EU-PQ
(B)=
(C)=

(D)=
(E)=
(F)=



No.	Lev.	Parts No.	Description	Q'ty						I	R
				(A)	(B)	(C)	(D)	(E)	(F)		
1	1	194447-13490	GAUGE, OIL LEVEL	1							
2	1	198165-13600	HOUSING ASSY, AXLE L	1							
3	2	194850-13660	BUSH, 25X32X35	2							
4	1	198165-13620-2	HOUSING, AXLE R	1							
5	1	198165-13631-1	COVER, AXLE CASE	1							
6	1	198165-24440	GASKET, 20X12X2	1							
7	1	198165-24490	BOLT, M12X12	1							
8	1	22252-000520	RING, 52	1							
9	1	22351-080020	PIN, SPRING 8.0X20	2							
10	1	24311-000180	O-RING, 1AP18.0	1							
11	1	24321-000500	O-RING, 1AG50.0	2							
12	1	24321-001150	O-RING, 1AG115.0	1							
13	1	24421-173007	SEAL, OIL TC173007	1							
14	1	26106-100252	BOLT, M10X 25 PLATED	6							
15	1	26106-100252	BOLT, M10X 25 PLATED	6							

Fig.14. FRONT GEAR CASE



(A)=EB3100 N-EU-PQ

(B)=

(C)=

(D)=

(E)=

(F)=

No.	Lev.	Parts No.	Description	Q'ty						I	R
				(A)	(B)	(C)	(D)	(E)	(F)		
1	1	1A7531-11350	BOLT, M10X25	10							
2	1	1A7531-13730	BOX, GEAR L	1							
3	1	1A7531-13740	BOX, GEAR R	1							
4	1	194274-13550	BOLT, M10X30	4							
5	1	194274-13570	WASHER, SPRING 10	8							
6	1	1A7531-13710	CASE, FRONT GEAR	2							
7	1	198165-13750	SHIM, T=0.1	2							
8	1	1A8300-13750	SUPPORT, KING PIN L	1							
9	1	1A8300-13760	SUPPORT, KING PIN R	1							
10	1	194516-13770	SLEEVE, SI 45X50X16	2							
11	1	194516-13780	SEAL, OIL	2							
12	1	1A7531-13800	PINION KIT, FINAL	2							
13	2	1A7531-13810	PINION, FRONT FINAL	2							
14	2	198165-14120	GEAR, FRONT SHAFT	2							
15	1	1D4110-13870	WASHER	2							
16	1	1A6780-13890	RING, 47H	2							
17	1	198165-24440	GASKET, 20X12X2	2							
18	1	198165-24490	BOLT, M12X12	2							
19	1	194320-42150	BOLT, M10X35	4							
20	1	1E6190-54080	SLEEVE SI25X30X13	2							
21	1	22312-080200	PIN, PARALLEL M8X20	4							
22	1	22312-100200	PIN, PARALLEL M10X20	2							
23	1	24101-060084	BEARING, BALL 6008	2							
24	1	24104-062044	BEARING, BALL 6204UU	2							
25	1	24421-304708	SEAL, OIL TC304708	2							

Fig.15. FRONT SHAFT(2)

(A)=EB3100 N-EU-PQ
 (B)=
 (C)=

(D)=
 (E)=
 (F)=

No.	Lev.	Parts No.	Description	Q'ty						I	R
				(A)	(B)	(C)	(D)	(E)	(F)		
1	1	198165-13532	GEAR, FRONT SHAFT	2							
2	1	1A6780-13910	BEARING, 6303RSH2	2							
3	1	24104-063034	BEARING, BALL 6303UU	2							

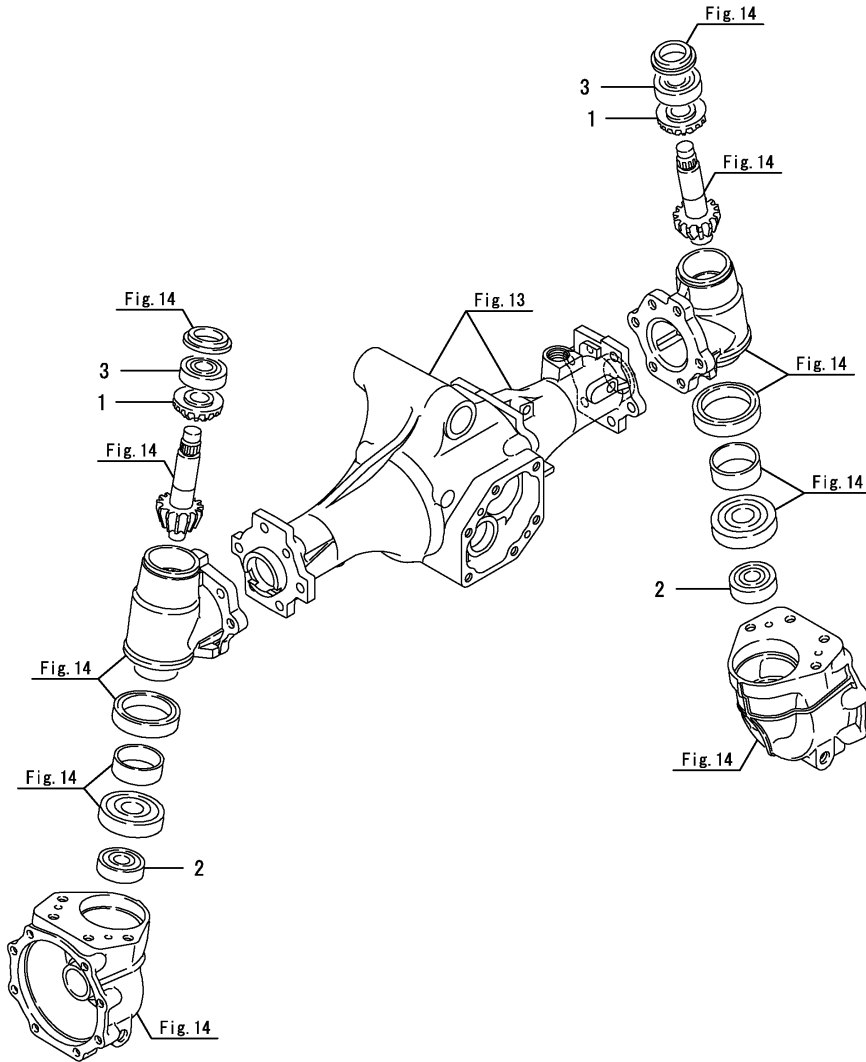
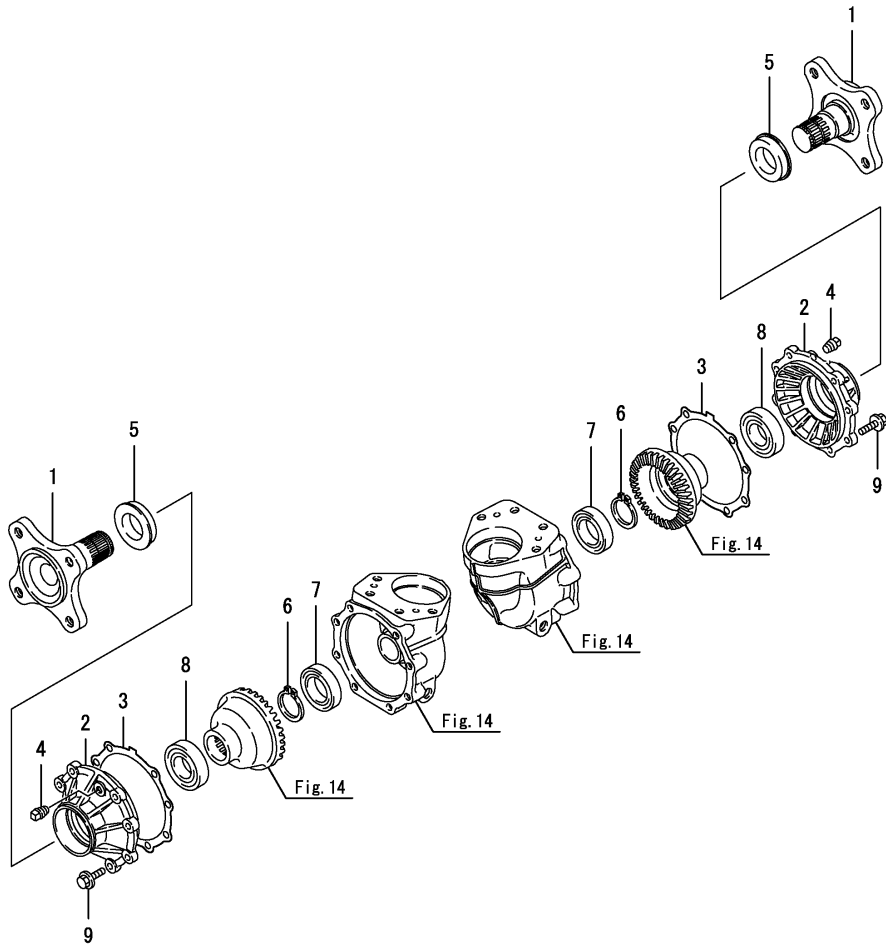


Fig.17. FRONT SPINDLE



(A)=EB3100 N-EU-PQ
(B)=
(C)=

(D)=
(E)=
(F)=

No.	Lev.	Parts No.	Description	Q'ty						I	R
				(A)	(B)	(C)	(D)	(E)	(F)		
1	1	1A6780-14110	SPINDLE, FRONT	2							
2	1	1A6780-14131	CASE, FRONT BEARING	2							
3	1	198165-14140	GASKET, BEARING CASE	2							
4	1	194151-36670	PLUG, PF02	2							
5	1	1E8420-55430	SEAL, QLFY40X62X14	2							
6	1	22242-000350	RING, 35	2							
7	1	24101-060084	BEARING, BALL 6008	2							
8	1	24101-062074	BEARING, BALL 6207	2							
9	1	26106-080252	BOLT, M8X 25 PLATED	16							

Fig.18. SHAFT COVER

(A)=EB3100 N-EU-PQ
(B)=
(C)=

(D)=
(E)=
(F)=

No.	Lev.	Parts No.	Description	Q'ty						I	R
				(A)	(B)	(C)	(D)	(E)	(F)		
1	1	1A7531-14620	BOOT, RUBBER	1							
2	1	198421-14630	COLLAR, BOOT	1							
3	1	23000-070000	CLAMP, 70	1							

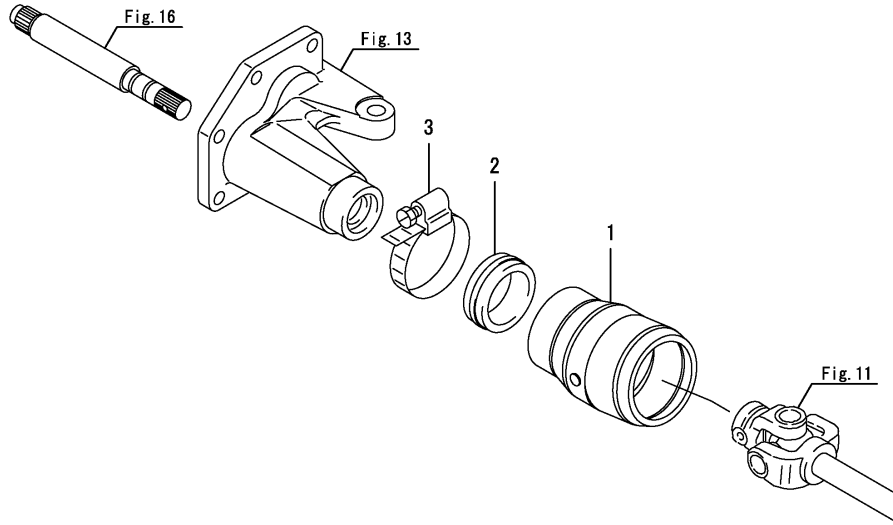


Fig.21. STEERING WHEEL

(A)=EB3100 N-EU-PQ
 (B)=
 (C)=

(D)=
 (E)=
 (F)=

No.	Lev.	Parts No.	Description	Q'ty						I	R
				(A)	(B)	(C)	(D)	(E)	(F)		
1	1	1A7880-15700	WHEEL, STEERING	1							
2	1	1A7880-15740	CAP, STEERING WHEEL	1							

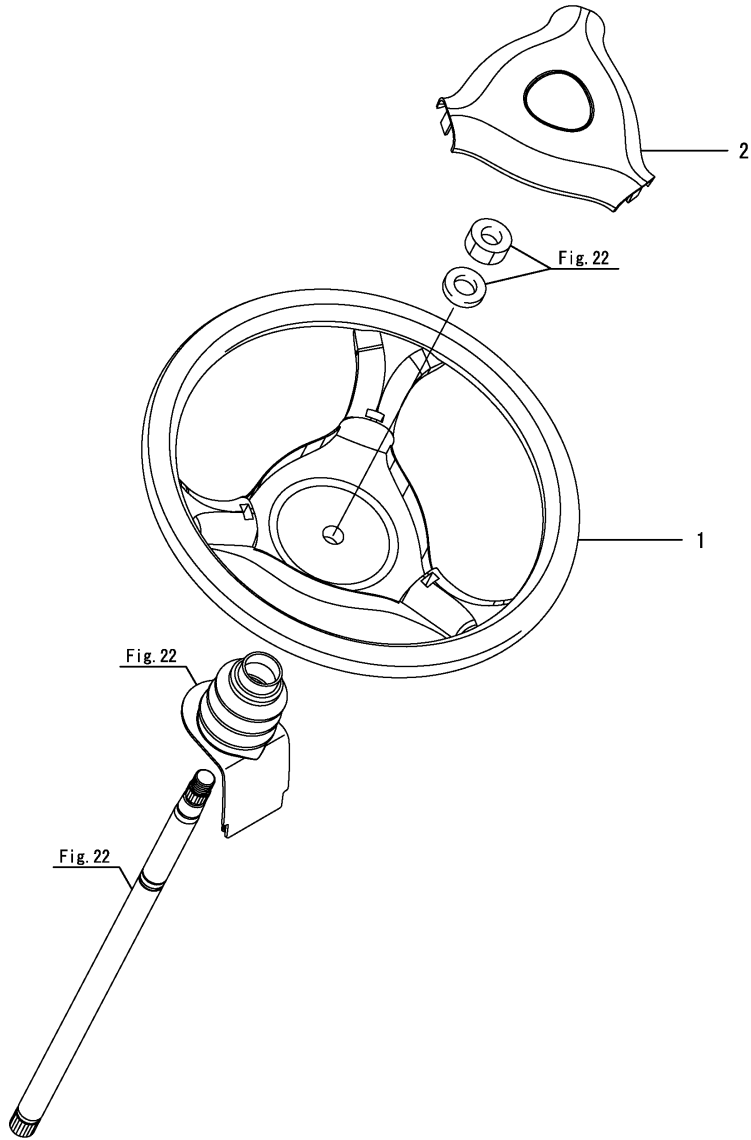
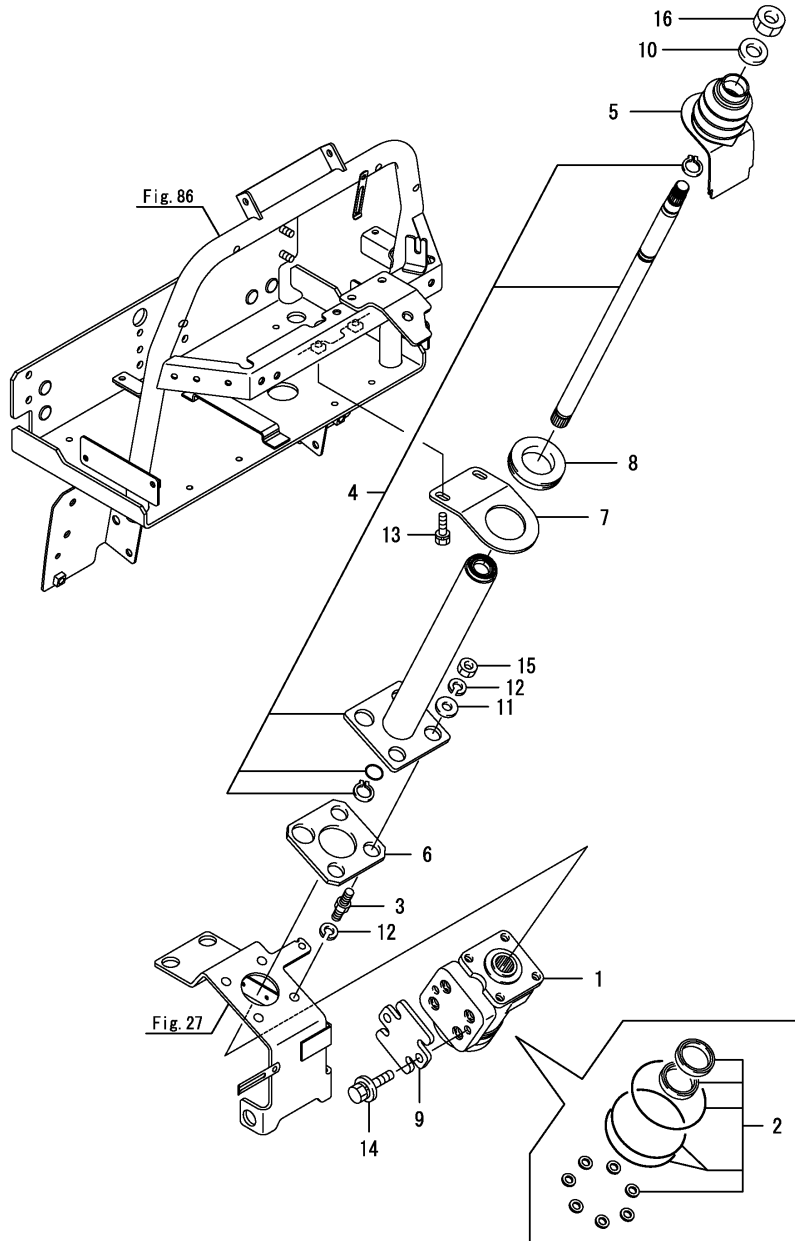


Fig.22. PST VALVE



(A)=EB3100 N-EU-PQ
(B)=
(C)=

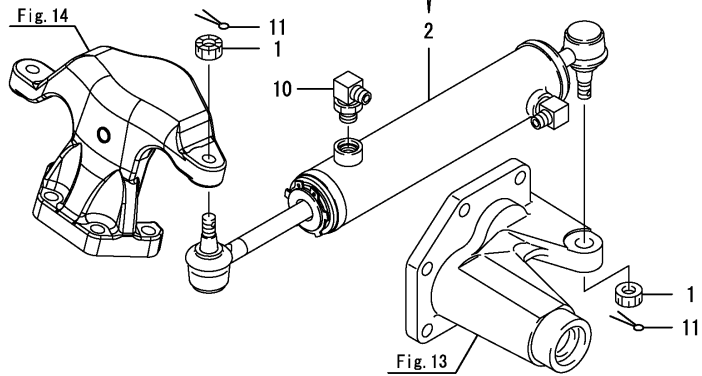
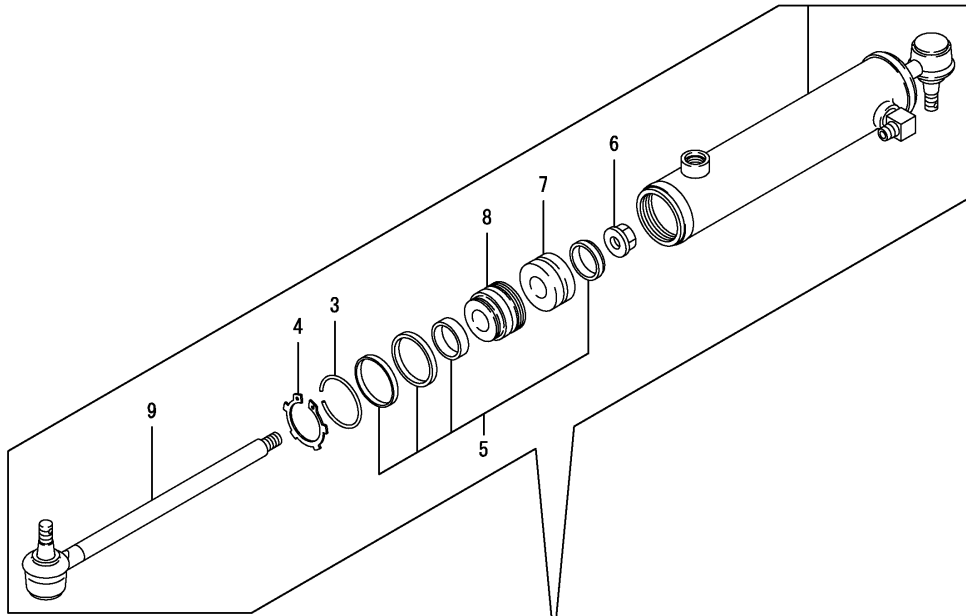
(D)=
(E)=
(F)=

No.	Lev.	Parts No.	Description	Q'ty						I	R
				(A)	(B)	(C)	(D)	(E)	(F)		
1	1	1A7530-17300	VALVE ASSY, STEERING	1							
2	2	1A7530-17240	SEAL KIT	1							
3	1	1A7510-17310	BOLT, M10	4							
4	1	1A7530-17410	COLUMN SET, STEERING	1							
5	1	1A7510-17470	BOOT, STEERING	1							
6	1	1A6770-17510	PLATE, COLUMN	1							
7	1	1A7530-17550	STAY, STEERING	1							
8	1	1A7530-17571	RUBBER, STS	1							
9	1	1A7500-17910	PLATE	1							
10	1	22137-160000	WASHER, 16	1							
11	1	22157-100000	WASHER, 10	4							
12	1	22217-100000	WASHER, SPRING 10	8							
13	1	26013-080202	BOLT, M8X 20	2							
14	1	26018-100202	BOLT, M10X 20	2							
15	1	26736-100002	NUT, M10	4							
16	1	26776-160002	NUT, LOCK M16	1							

Fig.23. PST CYLINDER

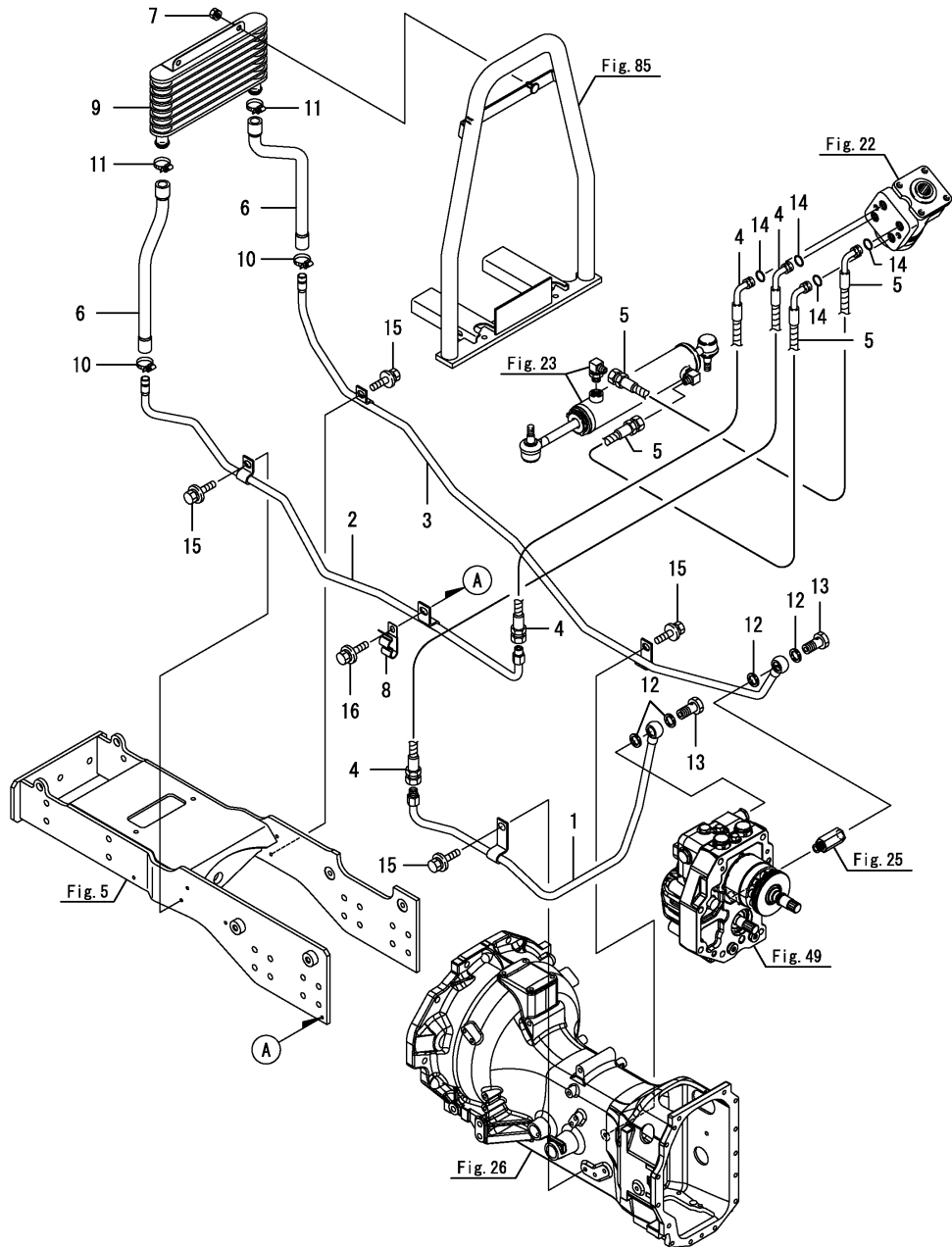
(A)=EB3100 N-EU-PQ
 (B)=
 (C)=

(D)=
 (E)=
 (F)=



No.	Lev.	Parts No.	Description	Q'ty						I	R
				(A)	(B)	(C)	(D)	(E)	(F)		
1	1	194215-12341	NUT, CASTLE M10	2							
2	1	1A7531-17541	CYLINDER ASSY	1							
3	2	1A7335-17520	CIRCLIP	1							
4	2	1A7335-17530	CIRCLIP	1							
5	2	1A7500-17551	SEAL KIT	1							
6	2	1A7500-17560	NUT, LOCK	1							
7	2	1A7500-17570	PISTON	1							
8	2	1A7500-17580	CAP, CYLINDER	1							
9	2	1A7510-17590	ROD ASSY, STEERING	1							
10	1	198165-17781	ELBOW, 1/4X1/4	1							
11	1	22417-250250	PIN, COTTER 2.5X25	2							

Fig.24. PST PIPING(A)



(A)=EB3100 N-EU-PQ
(B)=
(C)=

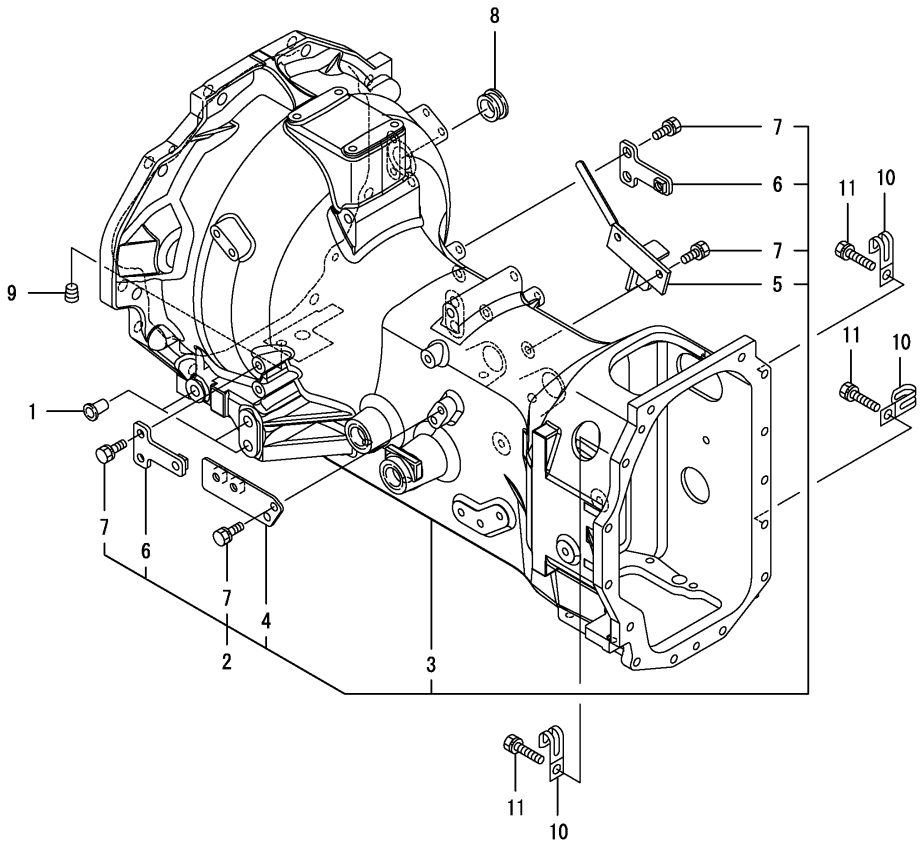
(D)=
(E)=
(F)=

No.	Lev.	Parts No.	Description	Q'ty						I	R
				(A)	(B)	(C)	(D)	(E)	(F)		
1	1	1A7530-17640	PIPE, PRESSURE PS	1							
2	1	1A7540-17670	PIPE, OUTLET PS	1							
3	1	1A7540-17710	PIPE, DRAIN	1							
4	1	1A7530-17821	HOSE, PRESSURE	2							
5	1	1A7530-17830	HOSE, PRESSURE	2							
6	1	1A8300-17940	HOSE, PRESSURE	2							
7	1	194990-22050	NUT, M8	2							
8	1	1A7130-48110	CLAMP, PIPE	1							
9	1	1E8600-66700	COOLER, OIL	1							
10	1	23000-019000	CLAMP, 19	2							
11	1	23000-022000	CLAMP, 22	2							
12	1	23414-160021	GASKET, 16X1.0	4							
13	1	23857-100000	BOLT, JOINT 10	2							
14	1	24311-000120	O-RING, 1AP12.0	4							
15	1	26018-080202	BOLT, M8X 20	4							
16	1	26018-080202	BOLT, M8X 20	1							

Fig.26. CLUTCH HOUSING

(A)=EB3100 N-EU-PQ
(B)=
(C)=

(D)=
(E)=
(F)=

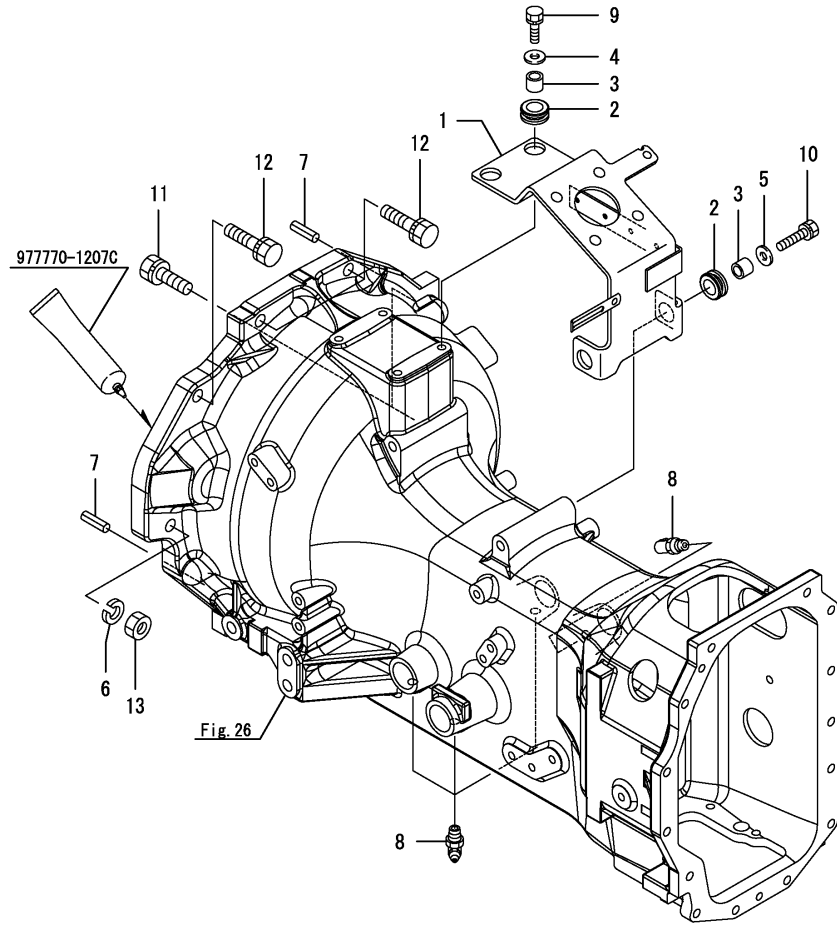


No.	Lev.	Parts No.	Description	Q'ty						I	R
				(A)	(B)	(C)	(D)	(E)	(F)		
1	1	194201-11230	CAP. SCREW 12.0	6							
2	1	1A7540-21120	HOUSING ASSY, CLUTCH	1							
3	2	1A7540-21110	HOUSING, CLUTCH	1							
4	2	1A7530-21130	STAY ASSY, SWITCH	1							
5	2	1A6680-21200	STOPPER ASSY	1							
6	2	1A6680-21250	STAY, STEP L	2							
7	2	26016-080202	BOLT, M8X 20	8							
8	1	1A6680-21460	CAP, RUBBER 25	1							
9	1	194151-36670	PLUG, PF02	1							
10	1	1E6102-83230	CLAMP, CABLE	3							
11	1	26016-080352	BOLT, M8X 35	14							

Fig.27. DOCKING BOLT

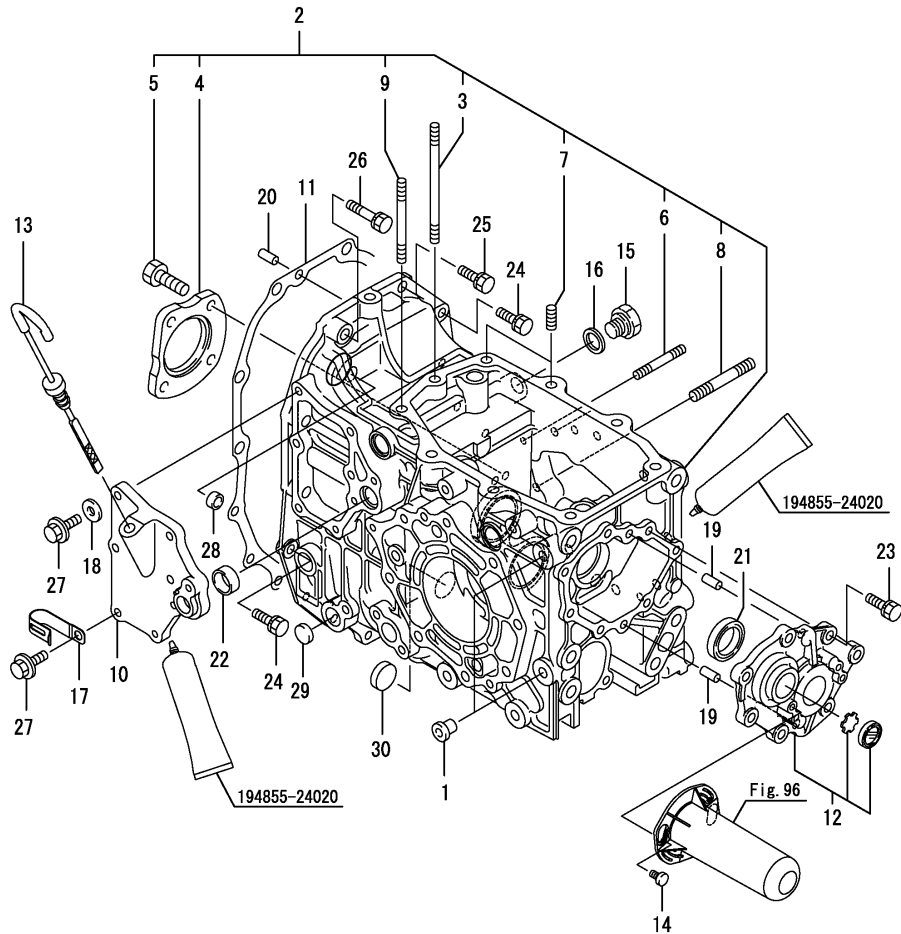
(A)=EB3100 N-EU-PQ
(B)=
(C)=

(D)=
(E)=
(F)=



No.	Lev.	Parts No.	Description	Q'ty						I	R
				(A)	(B)	(C)	(D)	(E)	(F)		
1	1	1A7530-21150	STAY ASSY, BOX	1							
2	1	1A7530-21210	RUBBER, ST	4							
3	1	1A7530-21220	COLLAR, HOUSING	4							
4	1	22157-080000	WASHER, 8	2							
5	1	22157-100000	WASHER, 10	2							
6	1	22217-120000	WASHER, SPRING 12	1							
7	1	22351-080016	PIN, SPRING 8.0X16	2							
8	1	24761-040000	NIPPLE, GREASE B	4							
9	1	26013-080252	BOLT, M8X 25	2							
10	1	26013-100352	BOLT, M10X 35	2							
11	1	26013-120352	BOLT, M12X 35	3							
12	1	26013-120452	BOLT, M12X 45	5							
13	1	26756-120002	NUT, LOCK M12	1							

Fig.30. TRANSMISSION CASE



(A)=EB3100 N-EU-PQ

(B)=

(C)=

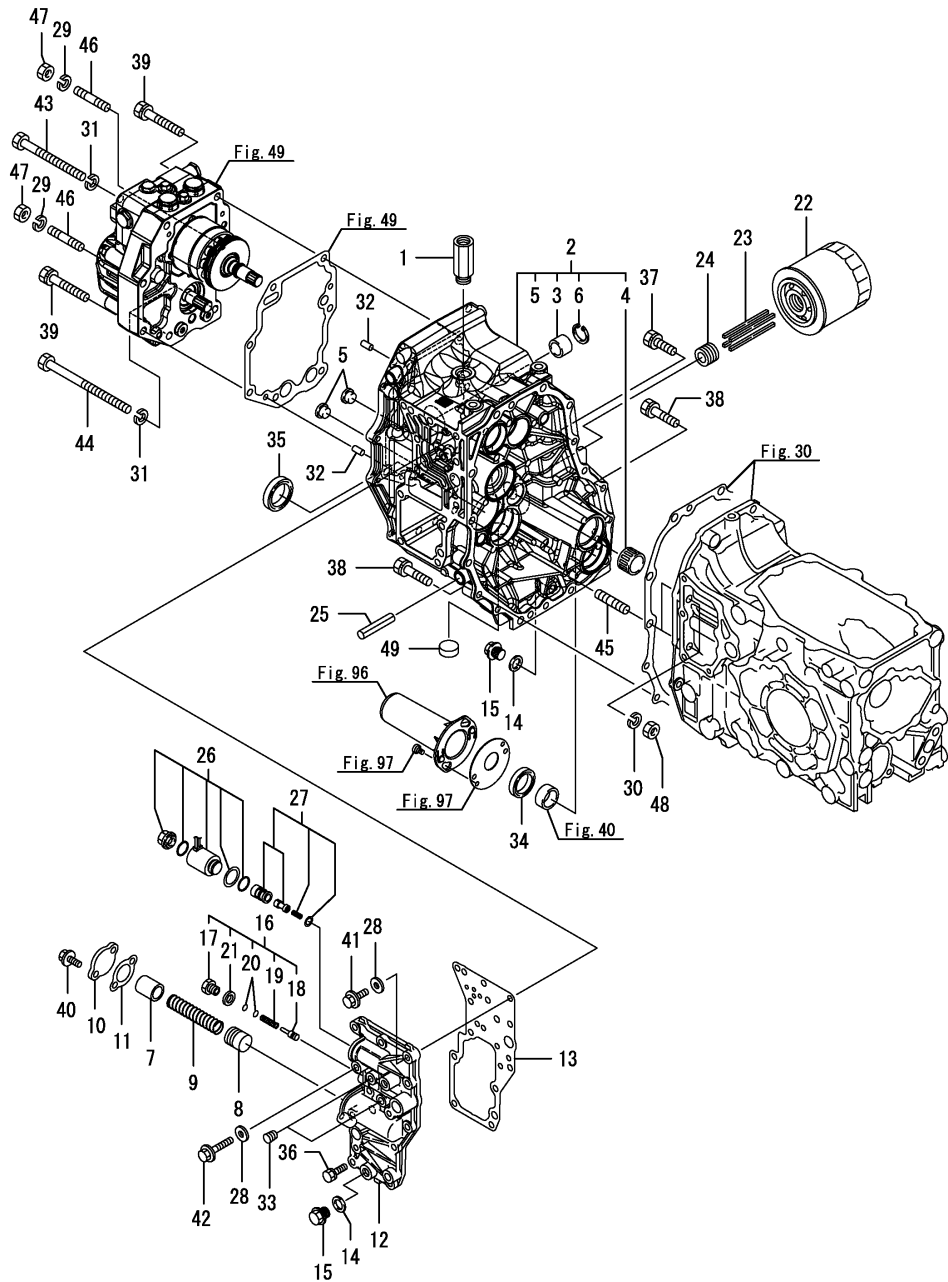
(D)=

(E)=

(F)=

No.	Lev.	Parts No.	Description	Qty						I	R
				(A)	(B)	(C)	(D)	(E)	(F)		
1	1	194201-11230	CAP. SCREW 12.0	4							
2	1	1A7530-24100	CASE ASSY, MISSION	1							
3	2	198165-24480	STUD, M10X130	1							
4	2	198165-25851	HOLDER, BEARING	1							
5	2	198165-25870	BOLT, M10X20	4							
6	2	26228-080602	STUD, M8X 60	1							
7	2	26228-100252	STUD, M10X 25	2							
8	2	26228-100752	STUD, M10X 75	1							
9	2	26228-100902	STUD, M10X 90	1							
10	1	198167-24150	PLATE, SIDE	1							
11	1	198165-24160	PACKING, MISSION	1							
12	1	1A7530-24500	COVER ASSY, CASE	1							
13	1	198167-24980	GAUGE, OIL LEVEL	1							
14	1	194250-32530	PIN, HOOK	2							
15	1	194312-46750	PLUG, PF3/8	1							
16	1	194555-77910	GASKET, 17	1							
17	1	1E6102-83230	CLAMP, CABLE	1							
18	1	22190-080000	WASHER, SEAL 8	5							
19	1	22312-080160	PIN, PARALLEL M8X16	2							
20	1	22312-080160	PIN, PARALLEL M8X16	2							
21	1	24421-284008	SEAL, OIL TC284008	1							
22	1	24550-020100	BUSH, 20X10	1							
23	1	26016-080252	BOLT, M8X 25	7							
24	1	26016-080302	BOLT, M8X 30	2							
25	1	26016-100302	BOLT, M10X 30	1							
26	1	26016-100452	BOLT, M10X 45	1							
27	1	26106-080252	BOLT, M8X 25 PLATED	6							
28	1	27260-150000	PLUG, 15	1							
29	1	27260-170000	PLUG, 17	1							
30	1	27260-260000	PLUG, 26	1							

Fig.31. CENTER PLATE



(A)=EB3100 N-EU-PQ
(B)=
(C)=

(D)=
(E)=
(F)=

No.	Lev.	Parts No.	Description	Q'ty						I	R
				(A)	(B)	(C)	(D)	(E)	(F)		
1	1	195450-13141	PIPE, OILING L	1							
2	1	1A7530-24300	HOUSING ASSY, CENTER	1							
3	2	1A7530-24330	BUSH, DRY 35X20	1							
4	2	198167-24390	BEARING, NEEDLE 2516	1							
5	2	192157-24801	STRAINER	2							
6	2	24165-000402	CIRCLIP, 40	1							
7	1	198167-24340	COLLAR, ACCUMULATOR	1							
8	1	198167-24350	PISTON, ACCUMULATOR	1							
9	1	198167-24360	SPRING, ACC	1							
10	1	198167-24370	COVER, ACC	1							
11	1	198167-24380	PACKING, COVER ACC	1							
12	1	198167-24400	COVER, SIDE L	1							
13	1	198167-24410	PACKING, COVER L	1							
14	1	198165-24440	GASKET, 20X12X2	2							
15	1	198165-24490	BOLT, M12X12	2							
16	1	1A7530-24550	RELIEF KIT, PTO	1							
17	2	192157-24770	PLUG, PTO	1							
18	2	192157-24780	VALVE, RELIEF	1							
19	2	192162-25250	SPRING 29.5	1							
20	2	1E6217-56160	SHIM 0.5	2							
21	2	23414-120016	GASKET, 12X1.0	1							
22	1	198167-24900	FILTER, OIL	1							
23	1	198129-24930	MAGNET, FILTER	4							
24	1	198167-24950	JOINT, STRAINER	1							
25	1	1A6781-24990	PIN, SPRING 12X60	1							
26	1	1A6770-26600	SOLENOID ASSY	1							
27	1	192157-26611	VALVE ASSY, SOLENOID	1							
28	1	22190-080000	WASHER, SEAL 8	7							
29	1	22287-100000	WASHER, 10	2							
30	1	22287-100000	WASHER, 10	2							
31	1	22287-100000	WASHER, 10	3							
32	1	22312-080160	PIN, PARALLEL M8X16	4							
33	1	23871-010000	PLUG, R01	2							
34	1	24421-304208	SEAL, OIL TC304208	1							
35	1	24421-304708	SEAL, OIL TC304708	1							
36	1	26016-080302	BOLT, M8X 30	4							
37	1	26016-080302	BOLT, M8X 30	3							
38	1	26016-080402	BOLT, M8X 40	7							
39	1	26016-100602	BOLT, M10X 60	2							
40	1	26106-080202	BOLT, M8X 20 PLATED	2							
41	1	26106-080302	BOLT, M8X 30 PLATED	6							
42	1	26106-080552	BOLT, M8X 55 PLATED	1							
43	1	26116-101102	BOLT, M10X110 PLATED	1							
44	1	26116-101352	BOLT, M10X135 PLATED	2							
45	1	26226-100452	STUD, M10X 45	2							
46	1	26226-100552	STUD, M10X 55	2							
47	1	26716-100002	NUT, M10	2							
48	1	26716-100002	NUT, M10	2							
49	1	27260-260000	PLUG, 26	1							

Fig.32. OIL CAP

(A)=EB3100 N-EU-PQ
 (B)=
 (C)=

(D)=
 (E)=
 (F)=

No.	Lev.	Parts No.	Description	Q'ty						I	R
				(A)	(B)	(C)	(D)	(E)	(F)		
1	1	194855-24290	CAP, OIL M20	1							
2	1	24311-000180	O-RING, 1AP18.0	1							

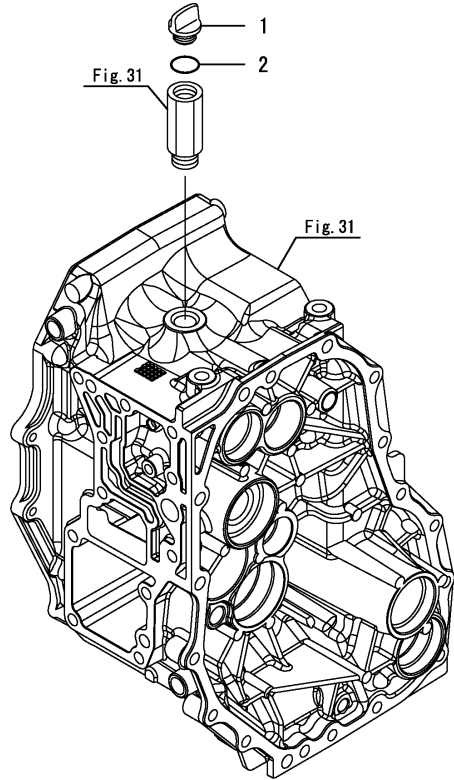


Fig.33. OIL STRAINER

(A)=EB3100 N-EU-PQ
(B)=
(C)=

(D)=
(E)=
(F)=

No.	Lev.	Parts No.	Description	Q'ty						I	R
				(A)	(B)	(C)	(D)	(E)	(F)		
1	1	198421-24910	STRAINER, OIL	1							
2	1	198129-24930	MAGNET, FILTER	4							
3	1	194305-24970	COVER, STRAINER	1							
4	1	194322-24980	PLUG, 1-2NPT	1							
5	1	1A7542-24980	O-RING,SACTION	1							
6	1	26013-080252	BOLT, M8X 25	2							

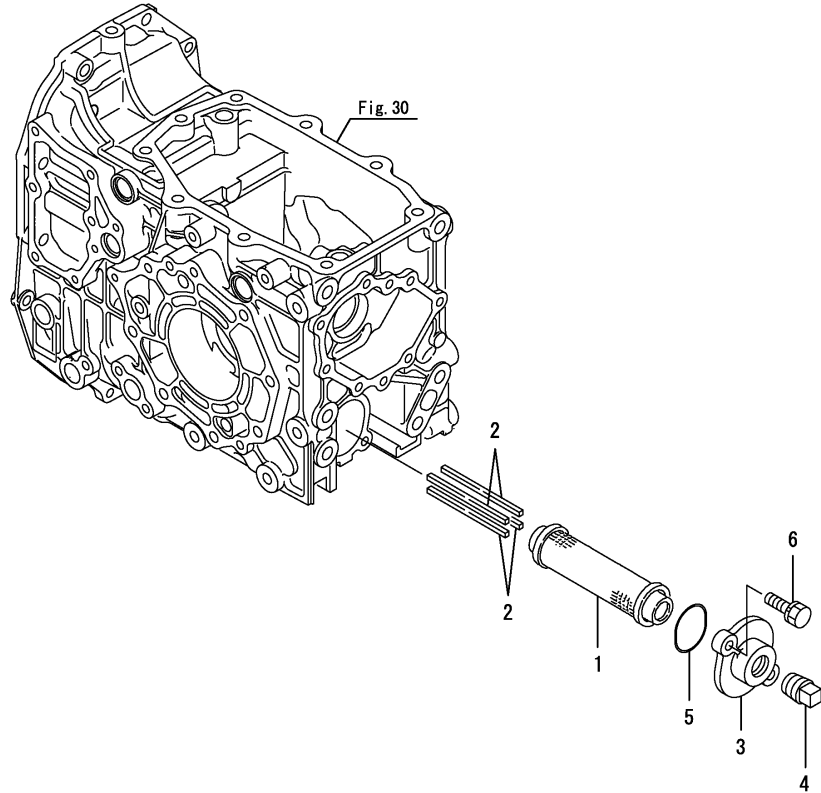


Fig.34. INPUT SHAFT

(A)=EB3100 N-EU-PQ
(B)=
(C)=

(D)=
(E)=
(F)=

No.	Lev.	Parts No.	Description	Q'ty						I	R
				(A)	(B)	(C)	(D)	(E)	(F)		
1	1	1A7530-25100	SHAFT ASSY, INPUT	1							
2	1	194305-25160	BEARING, BALL TMB203	1							
3	1	24101-060054	BEARING, BALL 6005	1							

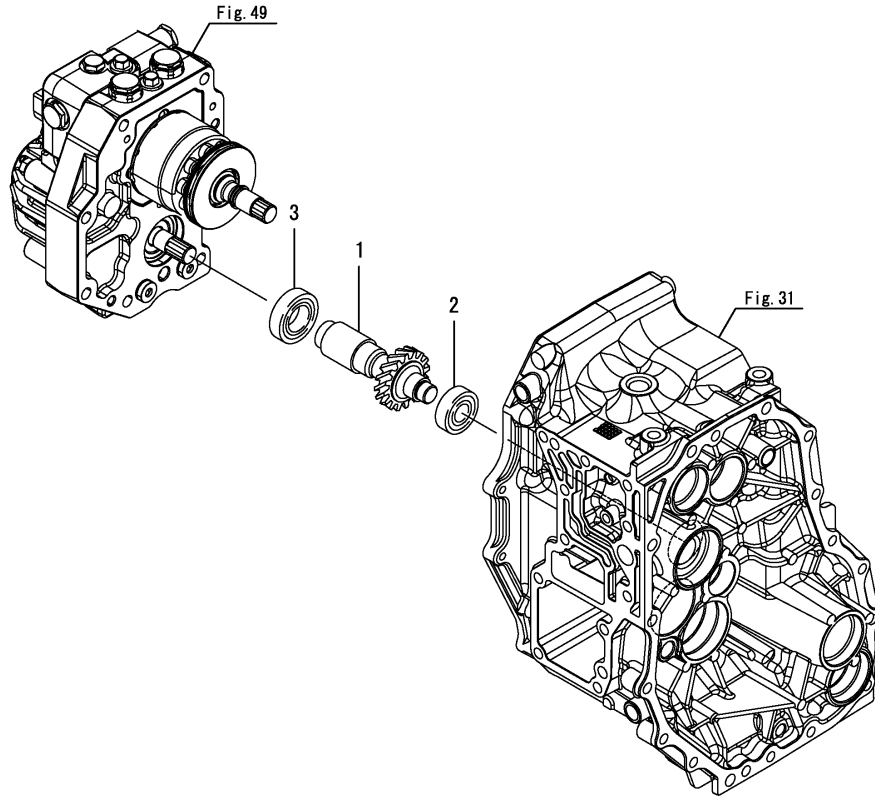
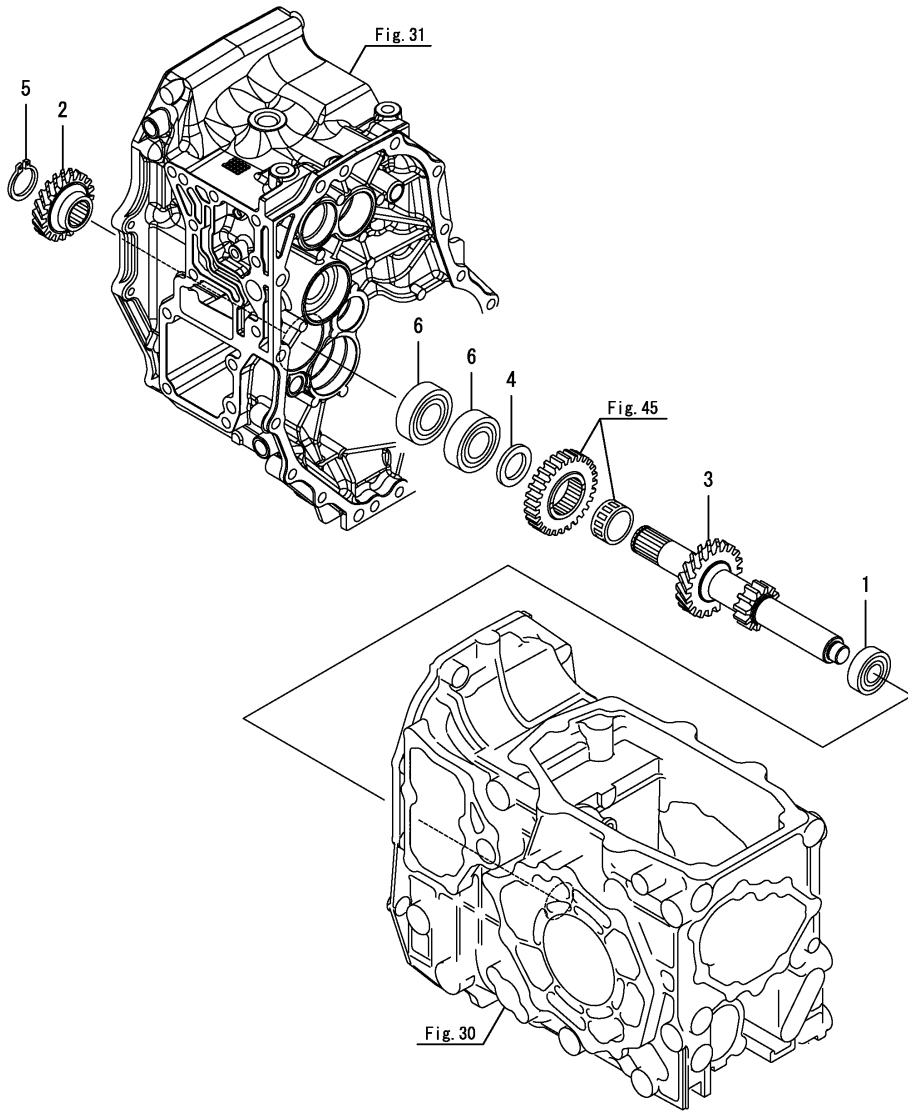


Fig.35. MAIN SHAFT



(A)=EB3100 N-EU-PQ
(B)=
(C)=

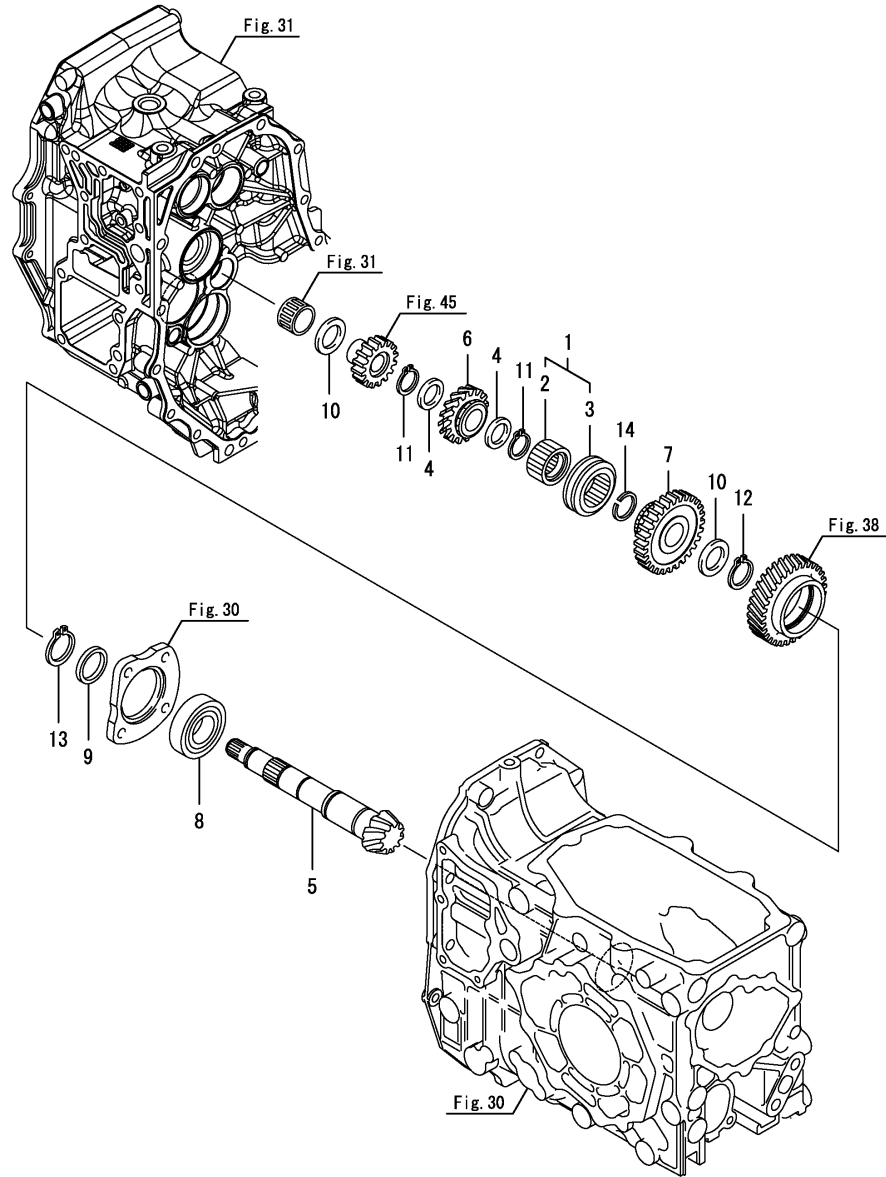
(D)=
(E)=
(F)=

No.	Lev.	Parts No.	Description	Q'ty						I	R
				(A)	(B)	(C)	(D)	(E)	(F)		
1	1	194305-25160	BEARING, BALL TMB203	1							
2	1	1A7540-25170	GEAR, DRIVEN 21	1							
3	1	1A7540-25191	SHAFT, MAIN	1							
4	1	1E6190-54430	THRUST WASHER (C)	1							
5	1	22242-000240	RING, 24	1							
6	1	24104-062054	BEARING, BALL 6205UU	2							

Fig.36. COUNTER SHAFT

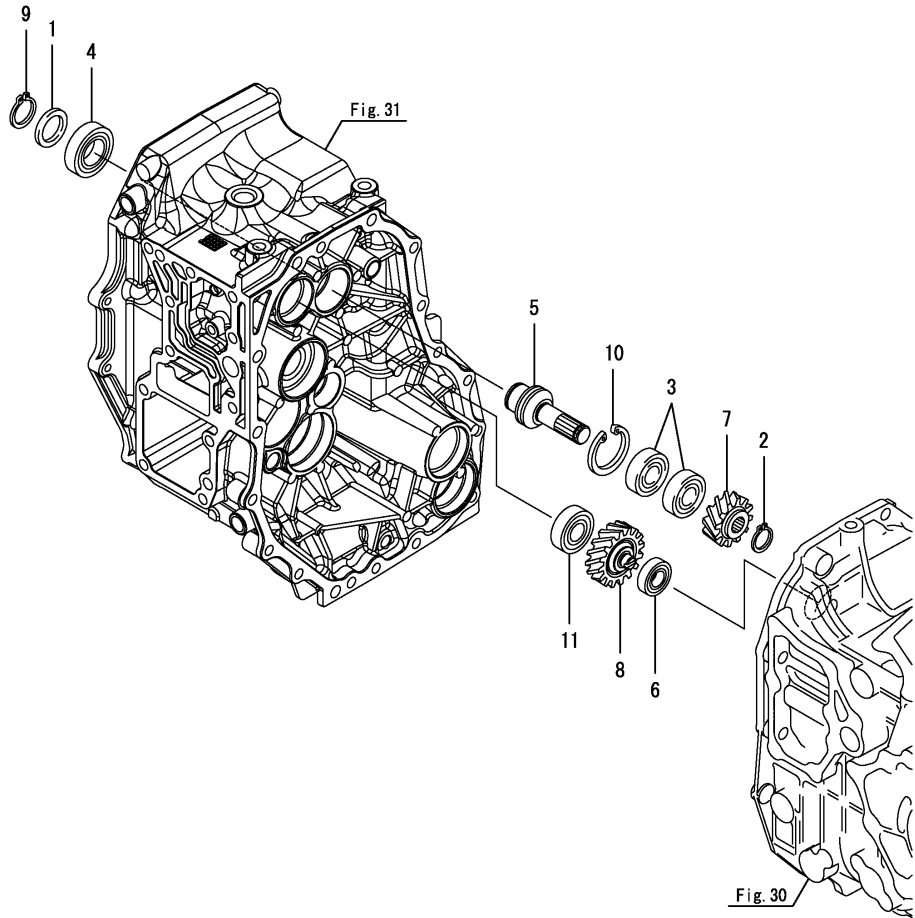
(A)=EB3100 N-EU-PQ
(B)=
(C)=

(D)=
(E)=
(F)=



No.	Lev.	Parts No.	Description	Q'ty						I	R
				(A)	(B)	(C)	(D)	(E)	(F)		
1	1	198167-25080	COLLAR SET	1							
2	2	198167-25750	COLLAR, SPLINE	1							
3	2	198167-25770	COLLAR, SHIFT	1							
4	1	194856-25330	WASHER, 22X32X2.5	2							
5	1	1A7540-25710	SHAFT, COUNTER	1							
6	1	1A7540-25730	GEAR, COUNTER HIGH	1							
7	1	1A7540-25740	GEAR, COUNTER LOW	1							
8	1	198165-25810	BEARING, HTFHR6206	1							
9	1	198165-25840	COLLAR, 30X38X4.5	1							
10	1	1E6190-54430	THRUST WASHER (C)	2							
11	1	1E6820-54560	CIRCLIP 22	2							
12	1	22242-000250	RING, 25	1							
13	1	22242-000290	RING, 29	1							
14	1	22292-000240	RING, S-24	1							

Fig.37. P.T.O. DRIVE SHAFT

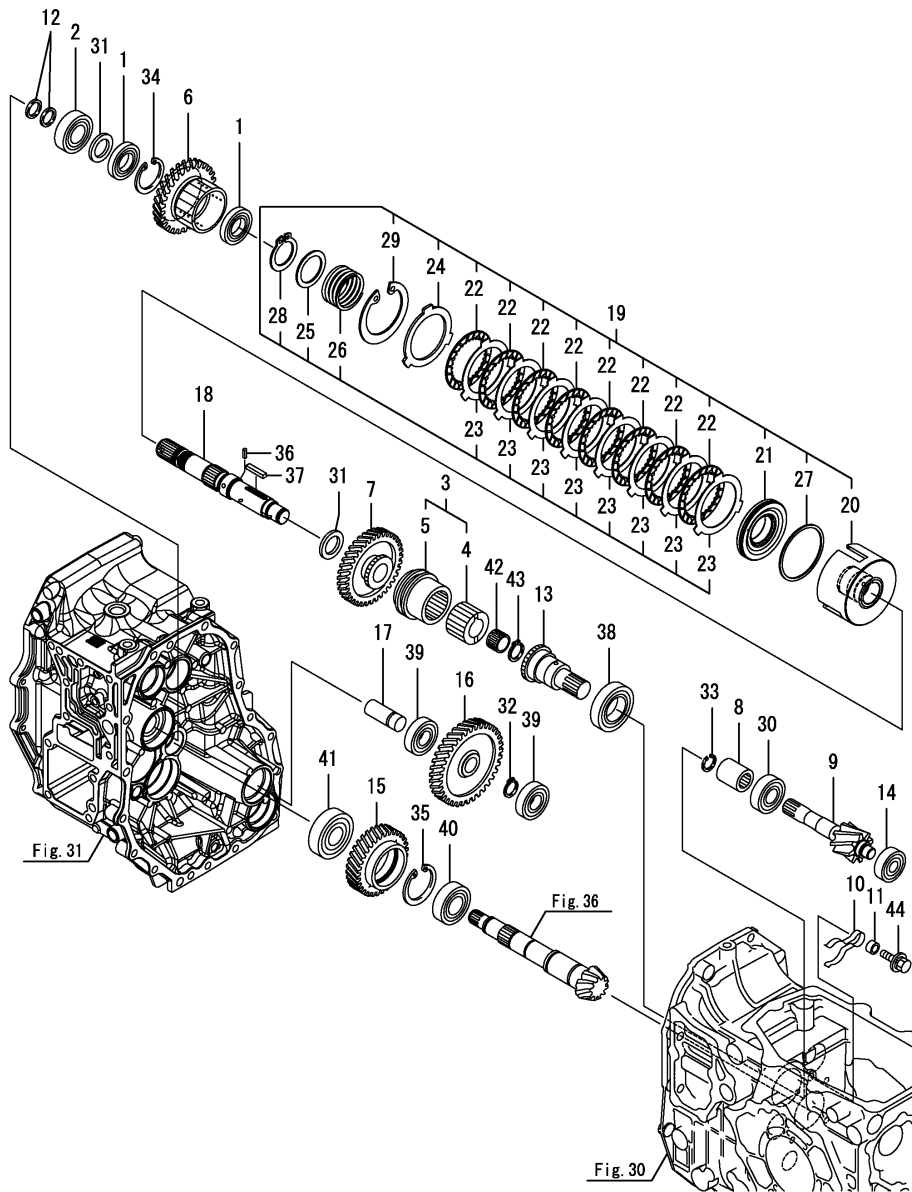


(A)=EB3100 N-EU-PQ
(B)=
(C)=

(D)=
(E)=
(F)=

No.	Lev.	Parts No.	Description	Q'ty						I	R
				(A)	(B)	(C)	(D)	(E)	(F)		
1	1	198220-25130	SPACER, 25X33X2	1							
2	1	192167-25310	CIRCLIP,17	1							
3	1	194850-25760	BEARING, BALL 6203	2							
4	1	1A7450-25870	BEARING, TMB005UU	1							
5	1	1A7530-26050	SHAFT ASSY, INPUT	1							
6	1	1A6781-26090	BEARING, 6201SH2	1							
7	1	1A7530-26110	GEAR, PTO DRIVE 15	1							
8	1	1A7530-26130	GEAR, IDLE 18	1							
9	1	22242-000250	RING, 25	1							
10	1	22252-000400	RING, 40	1							
11	1	24101-062034	BEARING, BALL 6203	1							

Fig.38. P.T.O. CLUTCH SHAFT



(A)=EB3100 N-EU-PQ

(B)=

(C)=

(D)=

(E)=

(F)=

No.	Lev.	Parts No.	Description	Q'ty						I	R
				(A)	(B)	(C)	(D)	(E)	(F)		
1	1	1C6560-13170	BEARING, BALL 16005	2							
2	1	194640-25390	BEARING, BALL TMB205	1							
3	1	198167-26080	COLLAR SET	1							
4	2	198165-26150	COLLAR, PTO SPLINE	1							
5	2	198167-26220	COLLAR, SHIFT	1							
6	1	1A7540-26160	GEAR, PTO CLUTCH 33	1							
7	1	1A6680-26170	GEAR, PTO DRIVE 41	1							
8	1	198165-26180	JOINT	1							
9	1	1A7530-26190	GEAR, PTO 10T	1							
10	1	198165-26210	BRAKE, PREVENTION	1							
11	1	198165-26240	COLLAR, 15X3.5	1							
12	1	198167-26240	RING, SEAL 21X25X3	2							
13	1	198167-26250	SHAFT, PTO DRIVE	1							
14	1	198165-26270	BEARING, TMB302	1							
15	1	1A7540-26310	GEAR, IDLE 35	1							
16	1	1A7530-26330	GEAR, IDLE 45	1							
17	1	198167-26340	SHAFT, MID IDLE	1							
18	1	1A7540-26480	SHAFT ASSY, CLUTCH	1							
19	1	1A7540-26600	CLUTCH ASSY, PTO	1							
20	2	1A7540-26220	CYLINDER, CLUTCH PTO	1							
21	2	1A7540-26610	PISTON	1							
22	2	1A7540-26620	FRICITION PLATE 80	8							
23	2	1A7540-26630	PLATE, STEEL 1.2	8							
24	2	1A7540-26640	PLATE, STEEL 3.18	1							
25	2	1A7540-26650	THRUST WASHER	1							
26	2	1A7540-26660	SPRING, PTO	1							
27	2	1A7540-26670	D-RING	1							
28	2	22242-000360	RING, 36	1							
29	2	22252-000800	RING, 80	1							
30	1	192159-31410	BEARING, 6204R SH2	1							
31	1	1E6190-54430	THRUST WASHER (C)	2							
32	1	22242-000200	RING, 20	1							
33	1	22252-000180	RING, 18	1							
34	1	22252-000470	RING, 47	1							
35	1	22252-000520	RING, 52	1							
36	1	22351-030008	PIN, SPRING 3.0X 8	1							
37	1	22551-050300	KEY, 5X 30	1							
38	1	24101-060074	BEARING, BALL 6007	1							
39	1	24101-062044	BEARING, BALL 6204	2							
40	1	24101-062054	BEARING, BALL 6205	1							
41	1	24101-063054	BEARING, BALL 6305	1							
42	1	24161-202417	BEARING, 202417	1							
43	1	24164-000202	CIRCLIP, 20	1							
44	1	26018-080352	BOLT, M8X 35	1							

Fig.39. P.T.O. SHAFT

(A)=EB3100 N-EU-PQ
(B)=
(C)=

(D)=
(E)=
(F)=

No.	Lev.	Parts No.	Description	Q'ty						I	R
				(A)	(B)	(C)	(D)	(E)	(F)		
1	1	194306-13140	CIRCLIP, C24-S	1							
2	1	198220-25130	SPACER, 25X33X2	1							
3	1	1A7530-26220	SHAFT, PTO	1							
4	1	1A7530-26230	GEAR, REAR PTO 21T	1							
5	1	1C6220-32250	SPACER, 15.5X27X1	1							
6	1	24101-062054	BEARING, BALL 6205	1							
7	1	24101-063024	BEARING, BALL 6302	1							

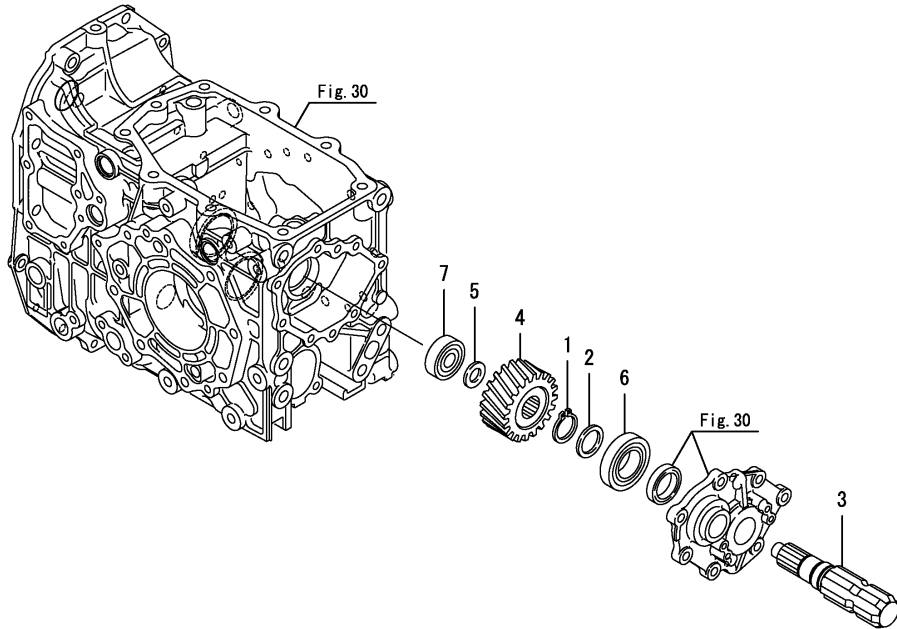


Fig.40. MID P.T.O. SHAFT

(A)=EB3100 N-EU-PQ
(B)=
(C)=

(D)=
(E)=
(F)=

No.	Lev.	Parts No.	Description	Q'ty						I	R
				(A)	(B)	(C)	(D)	(E)	(F)		
1	1	1A7530-26400	SHAFT, MID PTO	1							
2	1	1E6190-54080	SLEEVE SI25X30X13	1							
3	1	24101-060054	BEARING, BALL 6005	2							

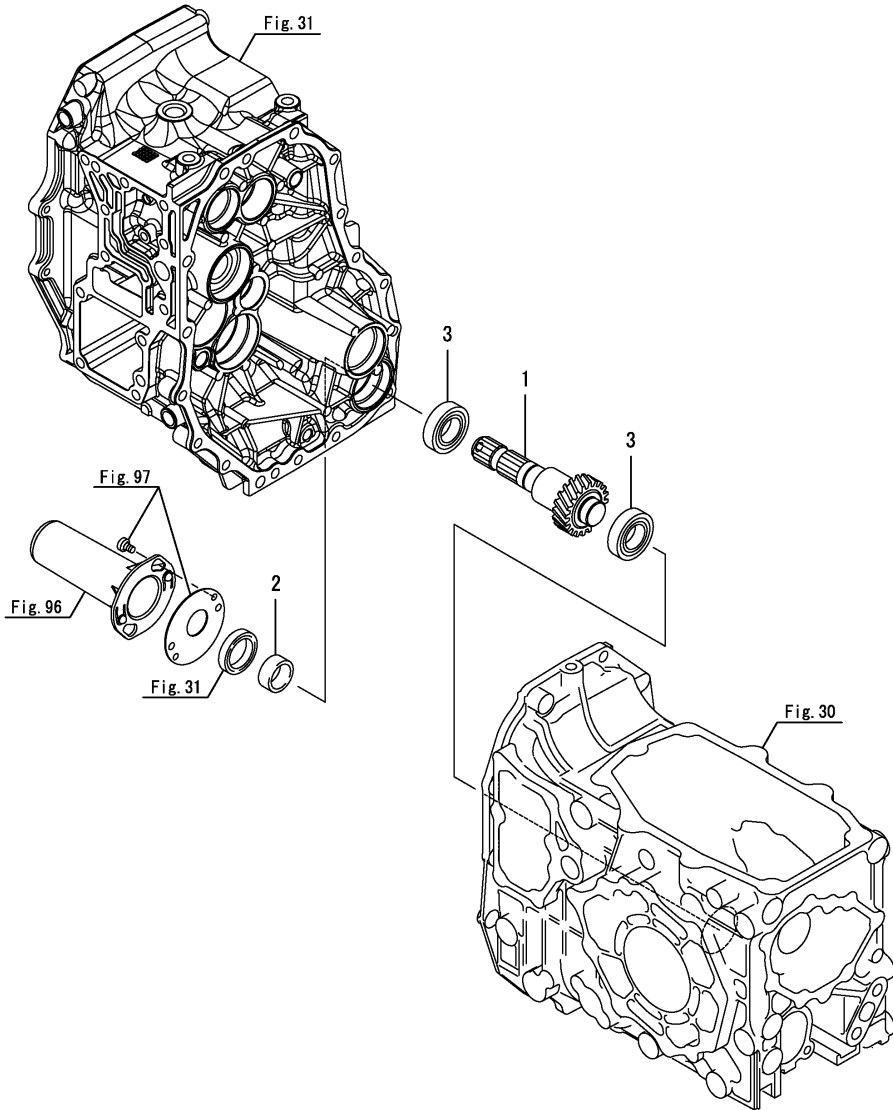
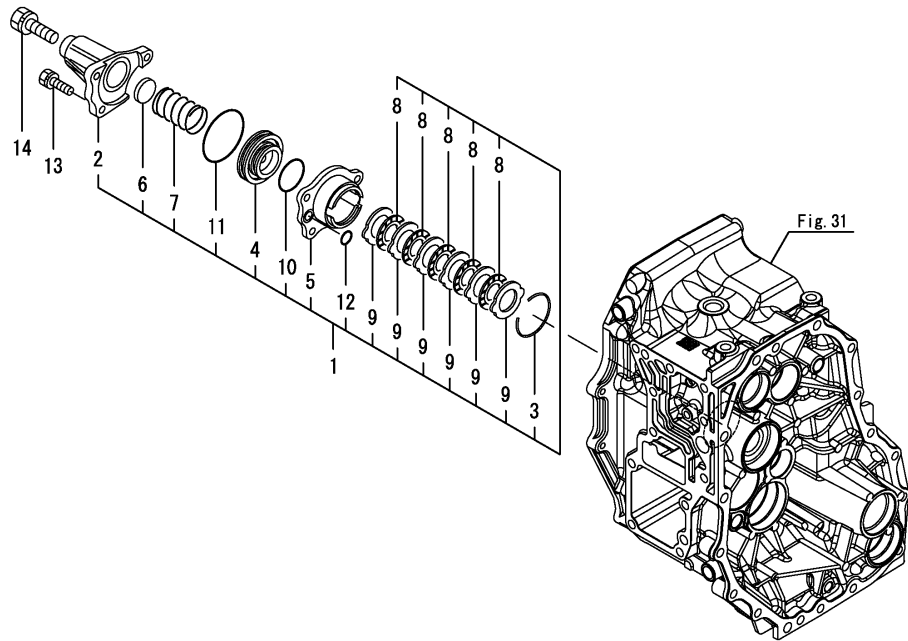


Fig.41. P.T.O. INERTIA BRAKE

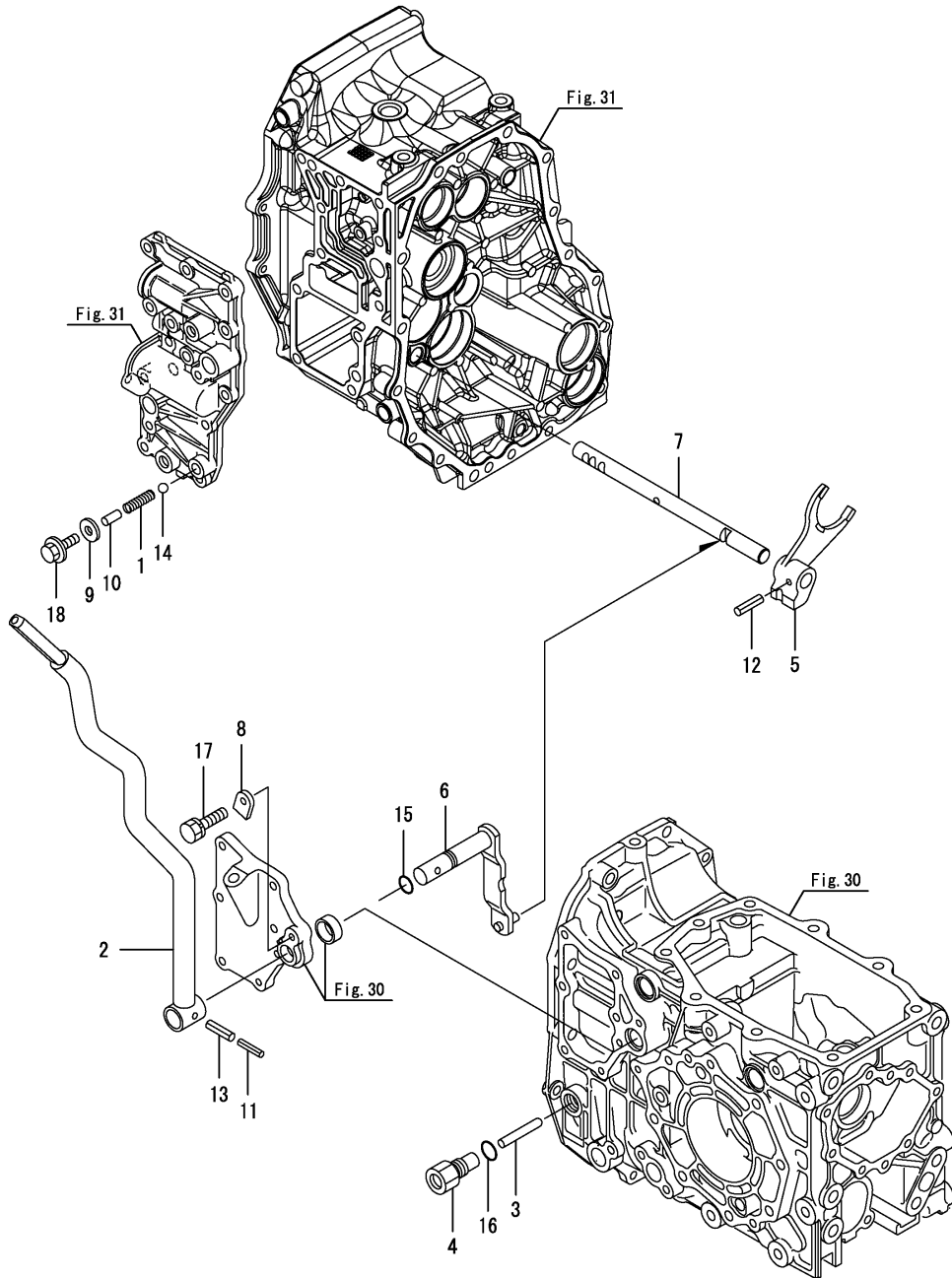


(A)=EB3100 N-EU-PQ
(B)=
(C)=

(D)=
(E)=
(F)=

No.	Lev.	Parts No.	Description	Q'ty						I	R
				(A)	(B)	(C)	(D)	(E)	(F)		
1	1	198167-26500	CASE ASSY, SEAL	1							
2	2	198167-26510	CASE, SEAL	1							
3	2	198167-26520	CLIP, 45	1							
4	2	198167-26530	PISTON, INERTIA	1							
5	2	198167-26540	CASE, BRAKE	1							
6	2	198167-26550	PLATE	1							
7	2	198167-26580	SPRING, BRAKE	1							
8	2	1A7540-26710	FRICTION PLATE 40	5							
9	2	1A7540-26720	STEEL PLATE 1.2	6							
10	2	24321-000300	O-RING, 1AG30.0	1							
11	2	24321-000500	O-RING, 1AG50.0	1							
12	2	24341-000120	O-RING, 1AS12.0	1							
13	1	26016-080352	BOLT, M8X 35	3							
14	1	26016-100302	BOLT, M10X 30	1							

Fig.42. RANGE SHIFT

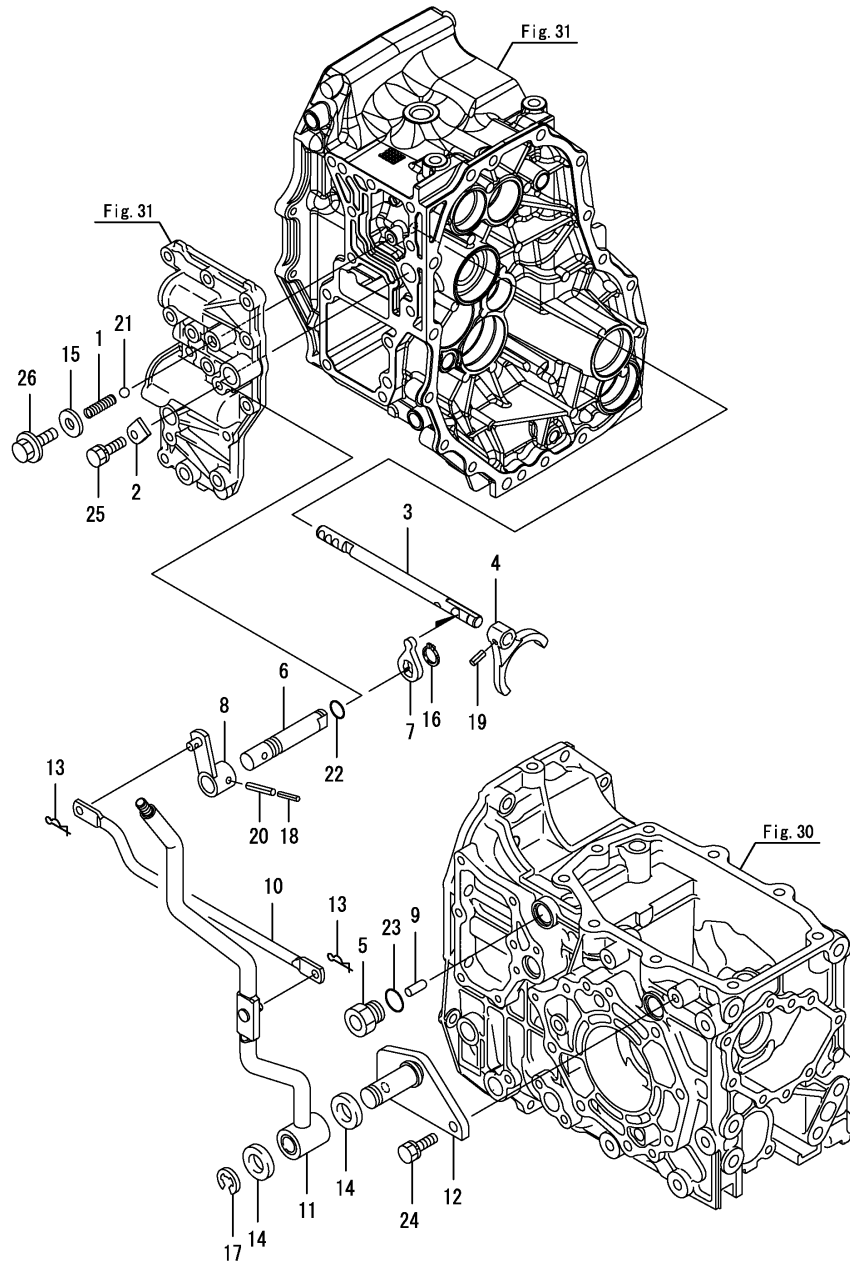


(A)=EB3100 N-EU-PQ
(B)=
(C)=

(D)=
(E)=
(F)=

No.	Lev.	Parts No.	Description	Q'ty						I	R
				(A)	(B)	(C)	(D)	(E)	(F)		
1	1	198421-27110	SPRING, 38.4	1							
2	1	1A7530-27410	LEVER ASSY, RANGE	1							
3	1	198167-27480	PIN, SWITCH	1							
4	1	198167-27490	HOLDER, SWITCH	1							
5	1	198167-27521	FORK, RANGE SHIFT	1							
6	1	198167-27530	ARM ASSY, SHIFT	1							
7	1	1A7530-27610	SHAFT, RANGE FORK	1							
8	1	194197-27681	PLATE, KEEP	1							
9	1	22190-100000	WASHER, SEAL 10	1							
10	1	22312-080180	PIN, PARALLEL M8X18	1							
11	1	22351-035032	PIN, SPRING 3.5X32	1							
12	1	22351-060025	PIN, SPRING 6.0X25	1							
13	1	22351-060032	PIN, SPRING 6.0X32	1							
14	1	24190-100001	BALL, STEEL 5/16	1							
15	1	24311-000125	O-RING, 1AP12.5	1							
16	1	24311-000140	O-RING, 1AP14.0	1							
17	1	26016-080352	BOLT, M8X 35	1							
18	1	26106-100252	BOLT, M10X 25 PLATED	1							

Fig.43. P.T.O. CHANGE

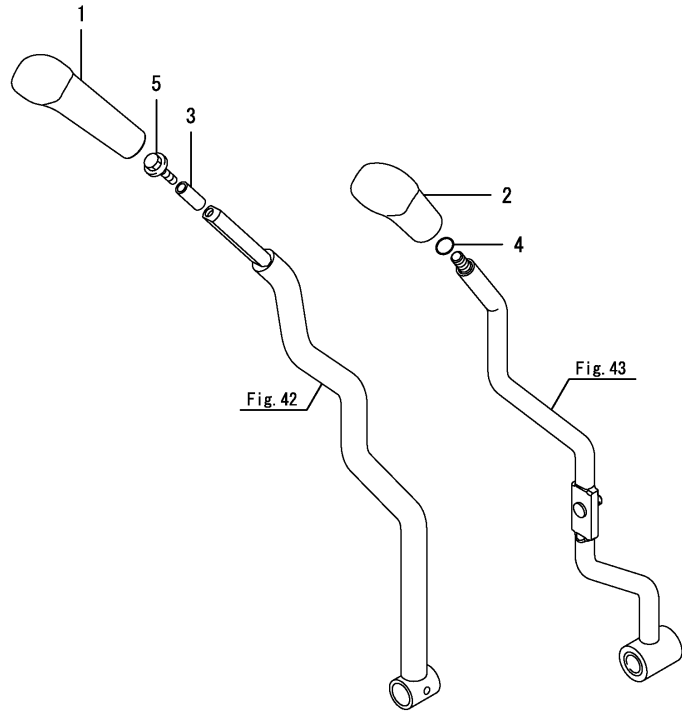


(A)=EB3100 N-EU-PQ
(B)=
(C)=

(D)=
(E)=
(F)=

No.	Lev.	Parts No.	Description	Q'ty						I	R
				(A)	(B)	(C)	(D)	(E)	(F)		
1	1	198421-27110	SPRING, 38.4	1							
2	1	194197-27681	PLATE, KEEP	1							
3	1	1A7530-27720	SHAFT, PTO FORK	1							
4	1	198167-27730	FORK, PTO SHIFT	1							
5	1	198165-27750	HOLDER, SWITCH M20	1							
6	1	198167-27770	SHAFT, PTO SHIFT	1							
7	1	198167-27780	ARM, SHIFT	1							
8	1	198167-27810	ARM ASSY, SHIFT	1							
9	1	198165-27820	PIN, SWITCH	1							
10	1	1A7530-27850	LINK, PTO SHIFT	1							
11	1	1A7530-27870	LEVER ASSY, PTO	1							
12	1	198167-27930	BRACKET, PTO LEVER	1							
13	1	1C6281-52320	PIN, SNAP 8	2							
14	1	22137-180000	WASHER, 18	2							
15	1	22190-100000	WASHER, SEAL 10	1							
16	1	22242-000170	RING, 17	1							
17	1	22272-000150	RING, E-15	1							
18	1	22351-035032	PIN, SPRING 3.5X32	1							
19	1	22351-060020	PIN, SPRING 6.0X20	1							
20	1	22351-060032	PIN, SPRING 6.0X32	1							
21	1	24190-100001	BALL, STEEL 5/16	1							
22	1	24311-000125	O-RING, 1AP12.5	1							
23	1	24311-000180	O-RING, 1AP18.0	1							
24	1	26013-080252	BOLT, M8X 25	2							
25	1	26016-080202	BOLT, M8X 20	1							
26	1	26106-100252	BOLT, M10X 25 PLATED	1							

Fig.44. KNOB



(A)=EB3100 N-EU-PQ
 (B)=
 (C)=

(D)=
 (E)=
 (F)=

No.	Lev.	Parts No.	Description	Q'ty						I	R
				(A)	(B)	(C)	(D)	(E)	(F)		
1	1	1A8300-27810	KNOB, SHIFT	1							
2	1	1A8300-27830	KNOB, PTO	1							
3	1	198200-78710	COLLAR, 6.5X21X2	1							
4	1	24311-000110	O-RING, 1AP11.0	1							
5	1	26106-060352	BOLT, M6X 35 PLATED	1							

Fig.45. FRONT DRIVE

(A)=EB3100 N-EU-PQ

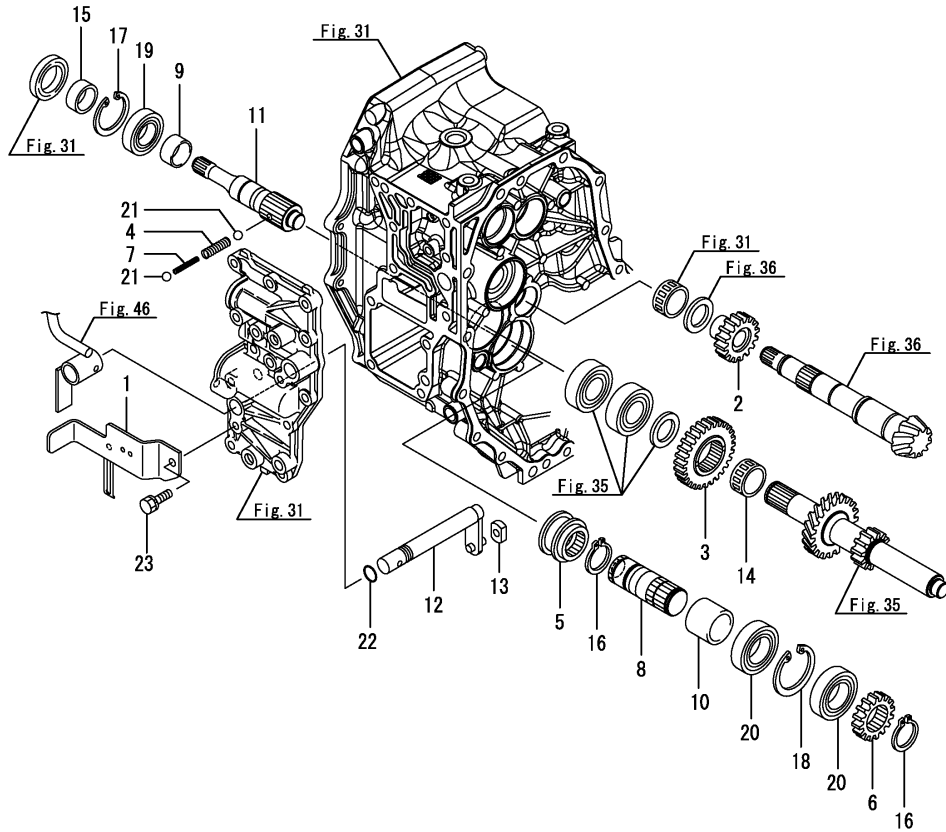
(B)=

(C)=

(D)=

(E)=

(F)=



No.	Lev.	Parts No.	Description	Q'ty						I	R
				(A)	(B)	(C)	(D)	(E)	(F)		
1	1	1A7530-27650	STAY ASSY, SWITCH	1							
2	1	198167-28210	GEAR, MFWD DRIVE	1							
3	1	1A7540-28220	GEAR, MFWD IDLE	1							
4	1	1A7530-28230	SPRING, MFWD	1							
5	1	198165-28240	COLLAR, SHIFT	1							
6	1	198167-28240	GEAR, MFWD DRIVEN	1							
7	1	1A7530-28240	SPRING, MFWD	1							
8	1	1A7530-28250	SHAFT, MFWD DRIVE	1							
9	1	1A7530-28270	COLLAR, 25.4X30X14.8	1							
10	1	1A7530-28280	COLLAR, 30X38X30.7	1							
11	1	1A7530-28290	SHAFT, FRONT DRIVE	1							
12	1	198167-28310	ARM ASSY, SHIFT	1							
13	1	198165-28330	BLOCK, SHIFT	1							
14	1	1A7540-28880	BEARING, 283516	1							
15	1	1E6190-54080	SLEEVE SI25X30X13	1							
16	1	22242-000290	RING, 29	2							
17	1	22252-000470	RING, 47	1							
18	1	22252-000550	RING, 55	1							
19	1	24101-060054	BEARING, BALL 6005	1							
20	1	24104-060064	BEARING, BALL 6006UU	2							
21	1	24190-080001	BALL, STEEL 1/4	2							
22	1	24311-000125	O-RING, 1AP12.5	1							
23	1	26016-080202	BOLT, M8X 20	1							

Fig.46. FRONT SIFT

(A)=EB3100 N-EU-PQ
 (B)=
 (C)=

(D)=
 (E)=
 (F)=

No.	Lev.	Parts No.	Description	Q'ty						I	R
				(A)	(B)	(C)	(D)	(E)	(F)		
1	1	1A7530-28351	LEVER, 4WD	1							
2	1	22351-035032	PIN, SPRING 3.5X32	1							
3	1	22351-060032	PIN, SPRING 6.0X32	1							

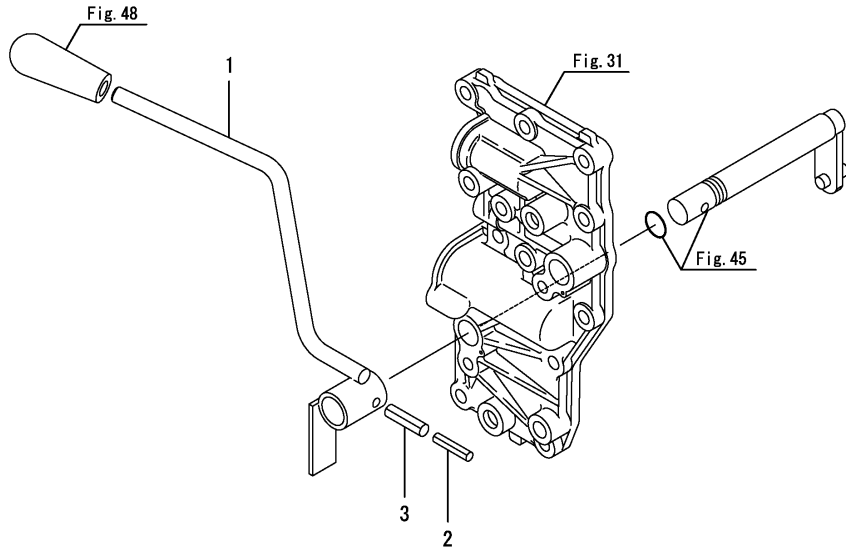
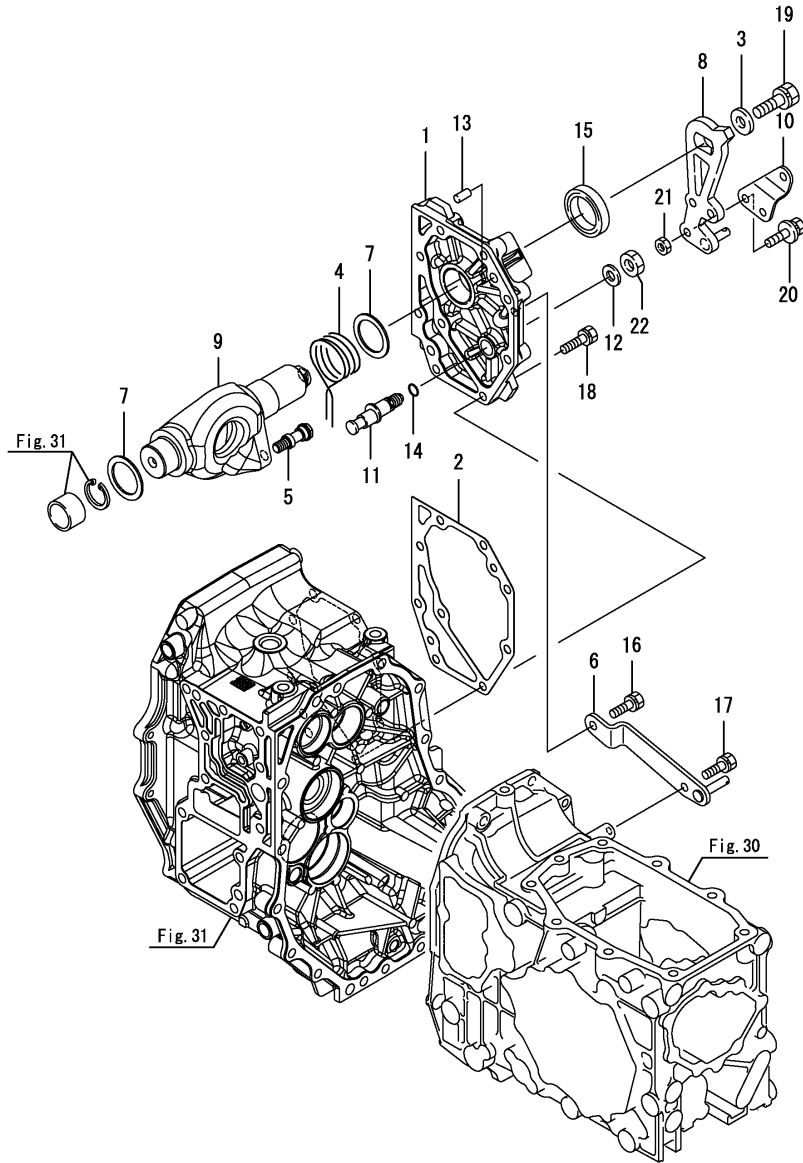


Fig.47. H.S.T. CONTROL(1)



(A)=EB3100 N-EU-PQ
(B)=
(C)=

(D)=
(E)=
(F)=

No.	Lev.	Parts No.	Description	Q'ty						I	R
				(A)	(B)	(C)	(D)	(E)	(F)		
1	1	1A7530-24450	COVER ASSY, SIDE R	1							
2	1	1A7530-24470	GASKET, COVER	1							
3	1	194180-25930	WASHER, 12X27X4.5	1							
4	1	1A7530-27510	SPRING, RETURN	1							
5	1	1A7530-27520	FULCRUM	1							
6	1	1A7530-27550	STAY ASSY, ABSORBER	1							
7	1	1A7530-27570	WASHER, 35X47X2	2							
8	1	192157-27600	CONTROL ARM COMP.	1							
9	1	1A7530-28800	PLATE, SWASH	1							
10	1	1A7530-28850	PLATE, CONTROL ARM	1							
11	1	1E1270-29701	SUPPORT	1							
12	1	22137-120000	WASHER, 12	1							
13	1	22312-080160	PIN, PARALLEL M8X16	2							
14	1	24311-240100	O-RING, 1AP10A	1							
15	1	24421-355008	SEAL, OIL TC355008	1							
16	1	26016-080162	BOLT, M8X 16	1							
17	1	26016-080202	BOLT, M8X 20	1							
18	1	26016-080402	BOLT, M8X 40	9							
19	1	26016-120302	BOLT, M12X 30	1							
20	1	26018-080252	BOLT, M8X 25	1							
21	1	26716-080002	NUT, M8	1							
22	1	26776-120002	NUT, LOCK M12	1							

Fig.48. H.S.T. CONTROL(2)

(A)=EB3100 N-EU-PQ
 (B)=
 (C)=

(D)=
 (E)=
 (F)=

No.	Lev.	Parts No.	Description	Q'ty						I	R
				(A)	(B)	(C)	(D)	(E)	(F)		
1	1	198253-01190	KNOB, LEVER	1							
2	1	192154-29610	SHOCK ABSORBER	1							
3	1	1C6281-52320	PIN, SNAP 8	2							
4	1	22137-080000	WASHER, 8	2							
5	1	22487-080350	PIN, H 8X 35	1							

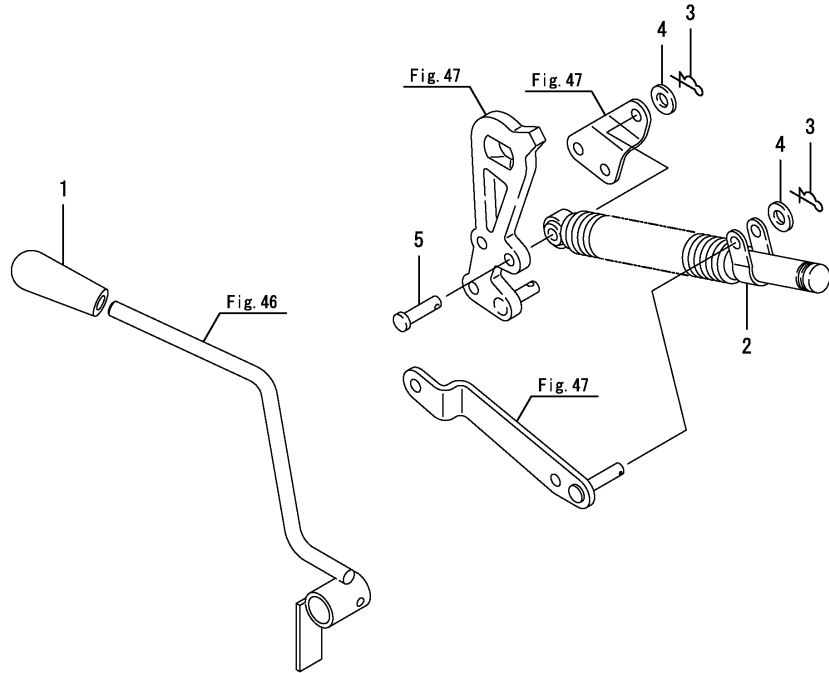
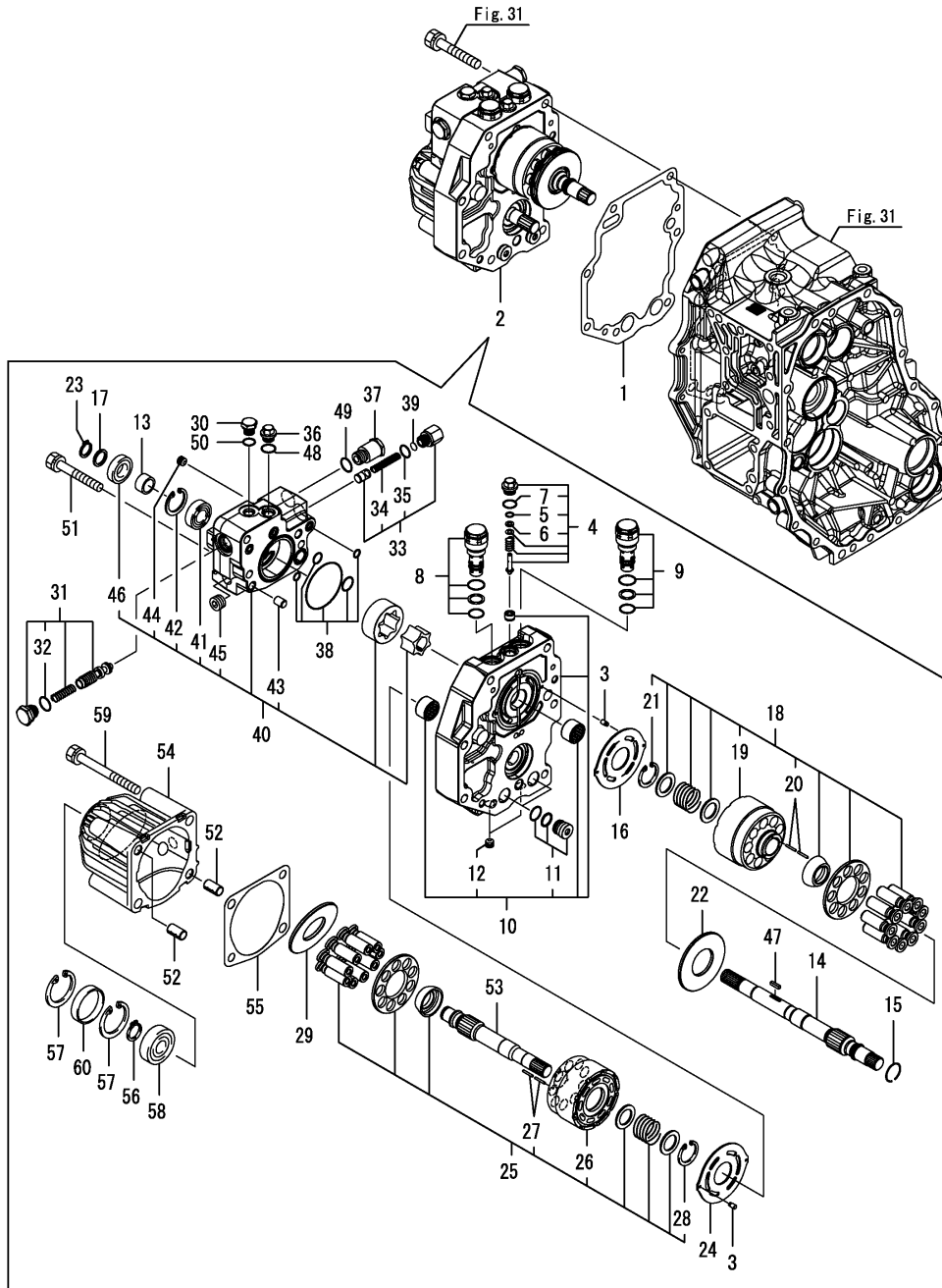


Fig.49. H.S.T.

(A)=EB3100 N-EU-PQ
(B)=
(C)=

(D)=
(E)=
(F)=



No.	Lev.	Parts No.	Description	Q'ty						I	R
				(A)	(B)	(C)	(D)	(E)	(F)		
1	1	198167-24330	PACKING, HOUSING	1							
2	1	1A7540-29100	HST ASSY	1							
3	2	192163-24420	PIN, KNOCK 3.5	4							
4	2	198167-24710	RELIEF ASSY	1							
5	3	192157-24750	PACKING P 5	1							
6	3	22137-050000	WASHER, 5	1							
7	3	24311-000120	O-RING, 1AP12.0	1							
8	2	168HK1-29040	VALVE ASSY	1							
9	2	168HK1-29050	VALVE ASSY	1							
10	2	168HK1-29110	CASE ASSY, CENTER	1							
11	3	1A6750-29510	BODY ASSY, SUCTION	2							
12	3	23871-010000	PLUG, R01	2							
13	2	194300-25180	SLEEVE, SI 17X22X12	1							
14	2	168HK1-29220	SHAFT, PUMP	1							
15	2	168HK0-29230	RING 23	1							
16	2	168HK0-29251	VALVE PLATE(P	1							
17	2	168HK1-29450	SPACER 17X22	1							
18	2	168HK0-29600	BLOCK ASSY, CYL	1							
19	3	168HK0-29610	BLOCK, CYLINDER	1							
20	3	168HK0-29690	PIN, F2X13.8	6							
21	3	22252-000320	RING, 32	1							
22	2	168HK0-29620	PLATE, THRUST	1							
23	2	22242-000170	RING, 17	1							
24	2	168HK0-29351	VALVE PLATE(M	1							
25	2	168HK0-29600	BLOCK ASSY, CYL	1							
26	3	168HK0-29610	BLOCK, CYLINDER	1							
27	3	168HK0-29690	PIN, F2X13.8	6							
28	3	22252-000320	RING, 32	1							
29	2	168HK0-29620	PLATE, THRUST	1							
30	2	192157-26460	PLUG 1/2-20 UNF	1							
31	2	192157-26470	VALVE ASSY, REDUCING	1							
32	3	24311-000140	O-RING, 1AP14.0	1							
33	2	192157-26520	VALVE ASSY	1							
34	3	192157-26740	SPRING	1							
35	3	24311-000120	O-RING, 1AP12.0	1							
36	2	198167-29250	PLUG	1							
37	2	198167-29330	ADAPTER	1							
38	2	198167-29340	PACKING KIT	1							
39	2	198167-29390	SHIM, T=0.3	1							
40	2	168HK1-29410	PUMP ASSY, HYDRAULIC	1							
41	3	192152-26160	BEARING	1							
42	3	22252-000350	RING, 35	1							
43	3	22312-100120	PIN, PARALLEL M10X12	2							
44	3	23871-010000	PLUG, R01	1							
45	3	23871-030000	PLUG, R03	1							
46	3	24421-223508	SEAL, OIL TC223508	1							
47	2	168HK0-29430	KEY 14.2	1							
48	2	24311-000120	O-RING, 1AP12.0	1							
49	2	24311-000140	O-RING, 1AP14.0	1							
50	2	24361-090500	O-RING, 1AAS905	1							
51	2	26016-100702	BOLT, M10X 70	2							

Fig.49. H.S.T.

(A)=EB3100 N-EU-PQ

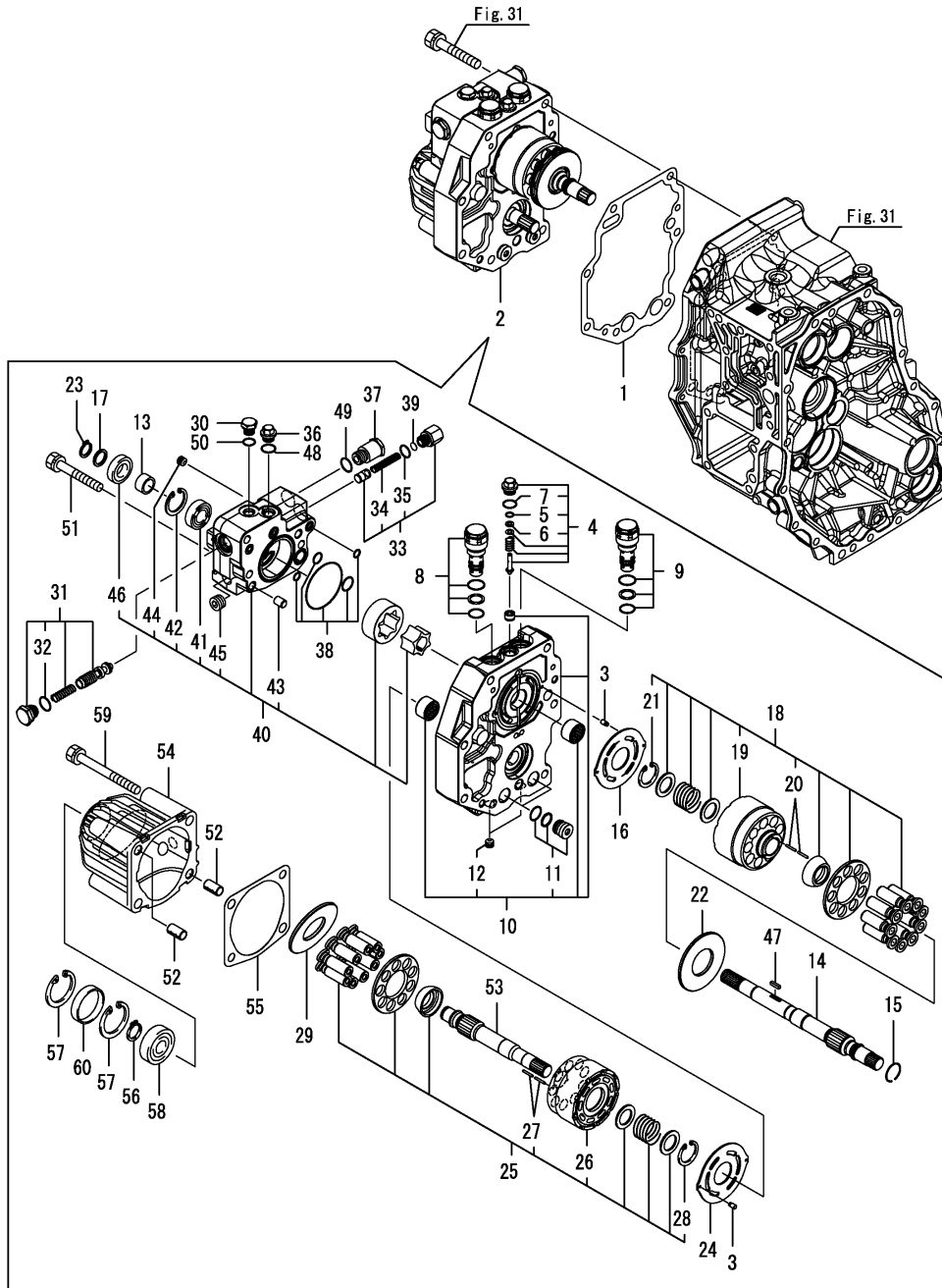
(B)=

(C)=

(D)=

(E)=

(F)=



No.	Lev.	Parts No.	Description	Q'ty						I	R
				(A)	(B)	(C)	(D)	(E)	(F)		
52	2	192157-24850	PIN 12X22,KNOCK	2							
53	2	168HK0-29520	SHAFT, MOTOR	1							
54	2	168HK0-29530	CASE, MOTOR	1							
55	2	198167-29640	PACKING, CASE	1							
56	2	22242-000170	RING, 17	1							
57	2	22252-000470	RING, 47	2							
58	2	24101-063034	BEARING, BALL 6303	1							
59	2	26016-101002	BOLT, M10X100	2							
60	2	27260-470000	PLUG, 47	1							

Fig.50. RING GEAR

(A)=EB3100 N-EU-PQ
 (B)=
 (C)=

(D)=
 (E)=
 (F)=

No.	Lev.	Parts No.	Description	Q'ty						I	R
				(A)	(B)	(C)	(D)	(E)	(F)		
1	1	1A6780-31400	GEAR, RING	1							

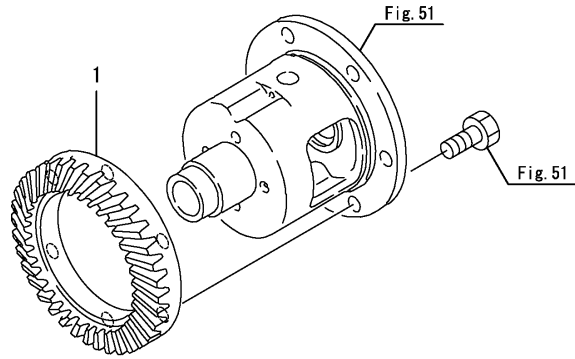


Fig.51. DIFFERENTIAL GEAR

(A)=EB3100 N-EU-PQ
(B)=
(C)=

(D)=
(E)=
(F)=

No.	Lev.	Parts No.	Description	Q'ty						I	R
				(A)	(B)	(C)	(D)	(E)	(F)		
1	1	1A6780-31500	HOUSING ASSY, B	1							
2	2	198421-31510	GEAR, DIFFERENTIAL	1							
3	2	1A6780-31520	GEAR, DIFFERENTIAL	1							
4	2	198421-31530	CASE, DIFFERENTIAL	1							
5	2	198421-31550	WASHER, DIFFERENTIAL	2							
6	2	194300-31560	GEAR, PINION	2							
7	2	194300-31570	SHAFT, DIFFERENTIAL	1							
8	2	194300-31620	WASHER, DIFFERENTIAL	2							
9	2	22351-040040	PIN, SPRING 4.0X40	1							
10	1	24101-060064	BEARING, BALL 6006	1							
11	1	24101-060074	BEARING, BALL 6007	1							
12	1	26156-100162	BOLT, M10X 16 PLATED	6							

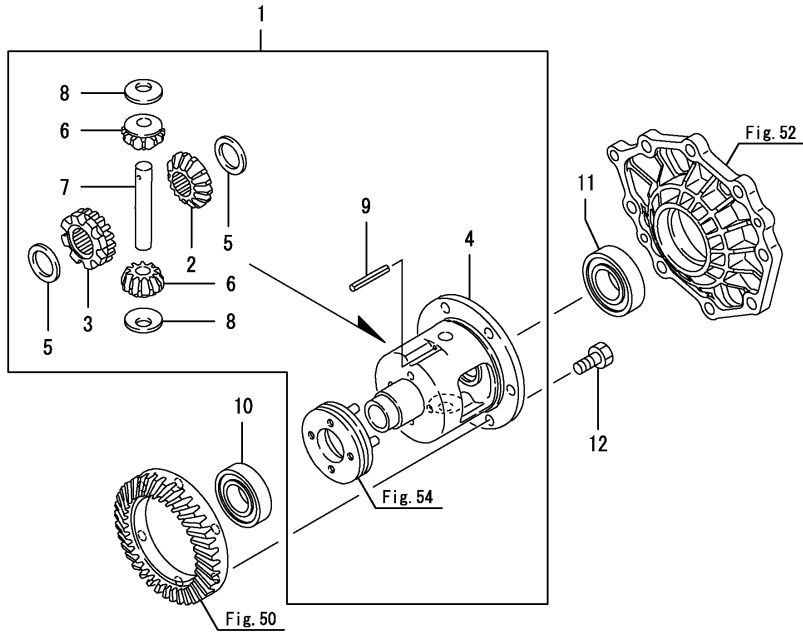
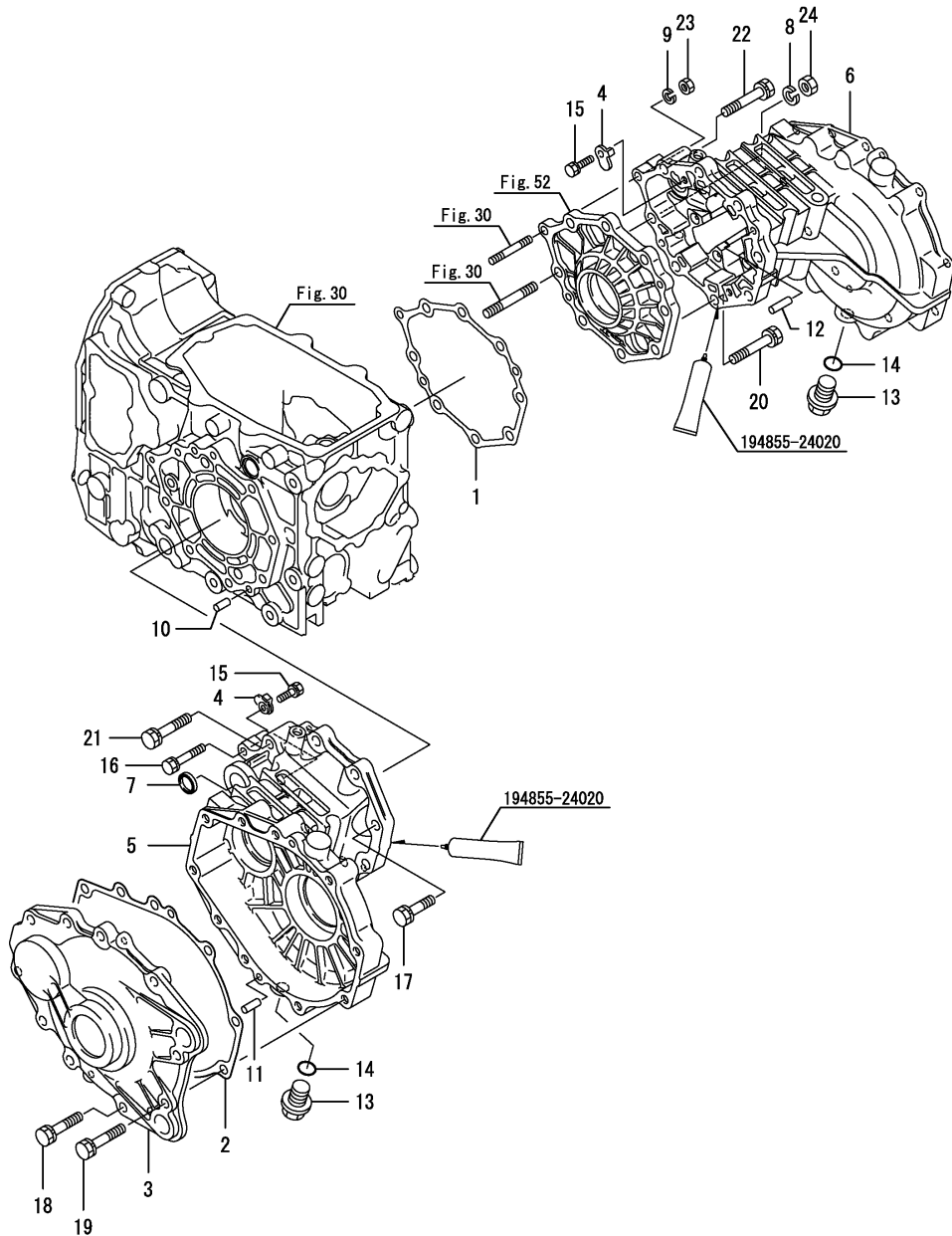


Fig.53. REAR HOUSING



(A)=EB3100 N-EU-PQ

(B)=

(C)=

(D)=

(E)=

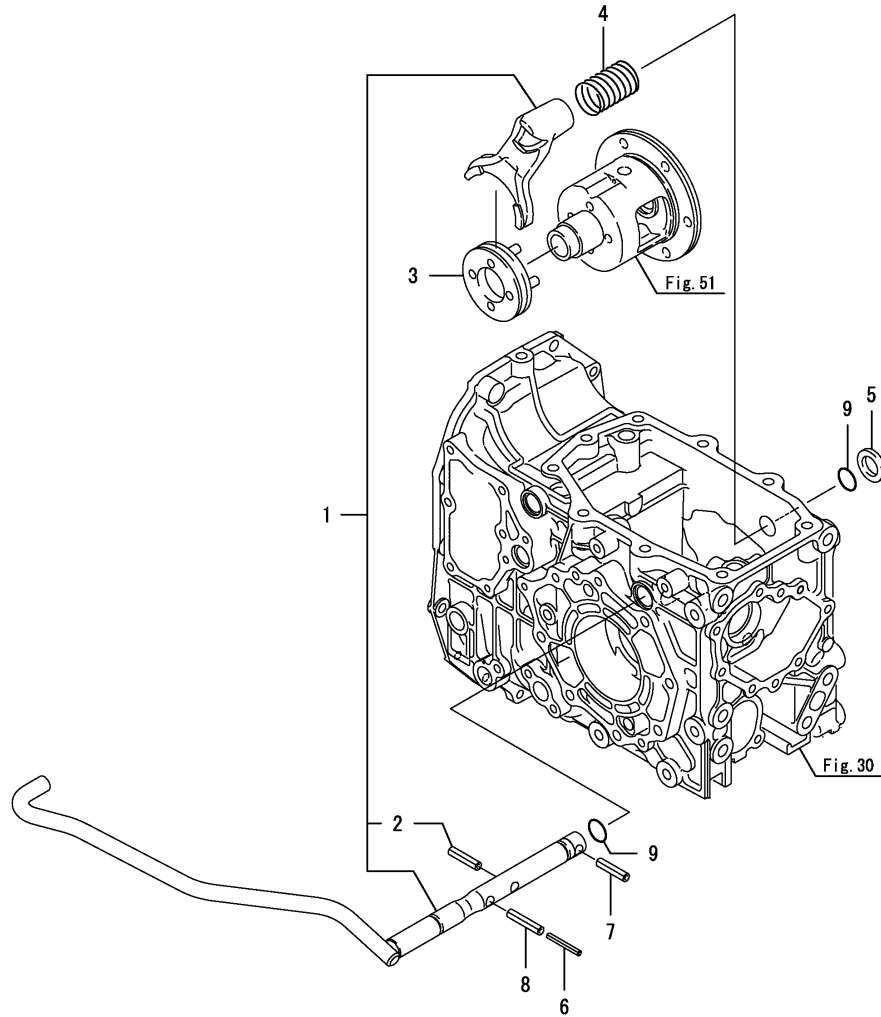
(F)=

No.	Lev.	Parts No.	Description	Q'ty						I	R
				(A)	(B)	(C)	(D)	(E)	(F)		
1	1	198165-32630	PACKING, HOUSING	1							
2	1	1A6680-32630	GASKET, REAR AXLE	2							
3	1	1A7540-32640	COVER, REAR AXLE	2							
4	1	198421-32660	STOPPER, PLATE	4							
5	1	1A7540-32710	HOUSING, REARAXLE L	1							
6	1	1A7540-32720	HOUSING, REARAXLE R	1							
7	1	198290-32750	SEAL, OIL TC253506	2							
8	1	22217-100000	WASHER, SPRING 10	1							
9	1	22287-080000	WASHER, 8	1							
10	1	22312-080180	PIN, PARALLEL M8X18	2							
11	1	22312-080200	PIN, PARALLEL M8X20	4							
12	1	22312-080320	PIN, PARALLEL M8X32	2							
13	1	23491-140002	PLUG, 14	2							
14	1	24311-000160	O-RING, 1AP16.0	2							
15	1	26013-080202	BOLT, M8X 20	4							
16	1	26013-080502	BOLT, M8X 50	1							
17	1	26013-100402	BOLT, M10X 40	6							
18	1	26013-100452	BOLT, M10X 45	16							
19	1	26013-100502	BOLT, M10X 50	4							
20	1	26013-100502	BOLT, M10X 50	6							
21	1	26013-100552	BOLT, M10X 55	2							
22	1	26013-100652	BOLT, M10X 65	1							
23	1	26716-080002	NUT, M8	1							
24	1	26716-100002	NUT, M10	1							

Fig.54. DIFFERENTIAL LOCK

(A)=EB3100 N-EU-PQ
(B)=
(C)=

(D)=
(E)=
(F)=



No.	Lev.	Parts No.	Description	Q'ty						I	R
				(A)	(B)	(C)	(D)	(E)	(F)		
1	1	1A7530-33100	LOCK KIT	1							
2	2	22351-080032	PIN, SPRING 8.0X32	1							
3	1	198421-33110	SLIDER, LOCK	1							
4	1	198421-33140	SPRING	1							
5	1	198421-33170	SPACER, 20X25X3.2	1							
6	1	22351-050040	PIN, SPRING 5.0X40	1							
7	1	22351-080032	PIN, SPRING 8.0X32	1							
8	1	22351-080040	PIN, SPRING 8.0X40	1							
9	1	24311-000160	O-RING, 1AP16.0	2							

Fig.57. REAR AXLE SHAFT

(A)=EB3100 N-EU-PQ
 (B)=
 (C)=

(D)=
 (E)=
 (F)=

No.	Lev.	Parts No.	Description	Q'ty						I	R
				(A)	(B)	(C)	(D)	(E)	(F)		
1	1	194516-13770	SLEEVE, SI 45X50X16	2							
2	1	194516-13780	SEAL, OIL	2							
3	1	1A7540-34110	SHAFT, REAR AXLE	2							
4	1	198165-34140	COLLAR	2							
5	1	22242-000400	RING, 40	2							
6	1	24101-062090	BEARING, BALL 6209C3	2							
7	1	24101-063070	BEARING, BALL 6307C3	2							

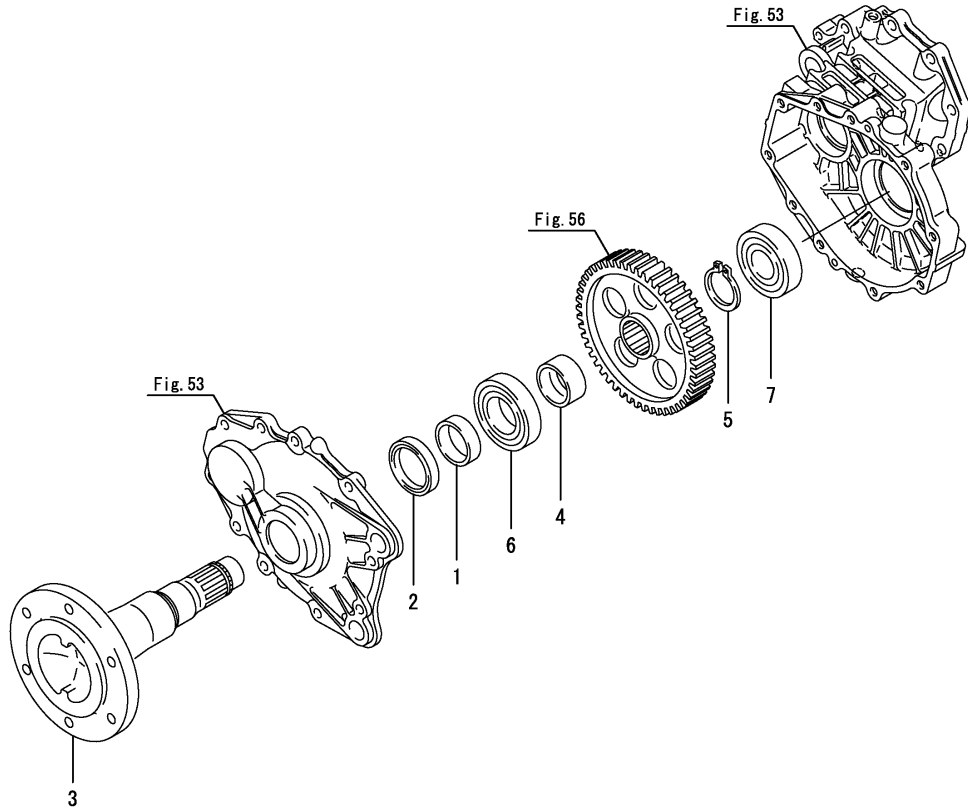
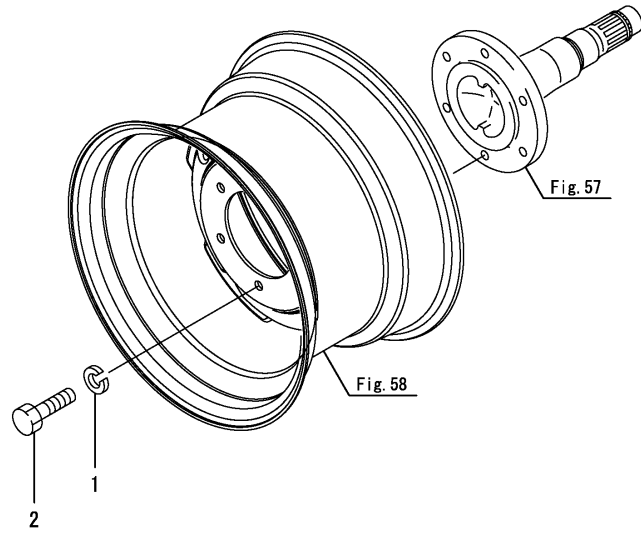


Fig.59. HUB BOLT(REAR)

(A)=EB3100 N-EU-PQ
 (B)=
 (C)=

(D)=
 (E)=
 (F)=



No.	Lev.	Parts No.	Description	Q'ty						I	R
				(A)	(B)	(C)	(D)	(E)	(F)		
1	1	22217-120000	WASHER, SPRING 12	12							
2	1	26086-120302	BOLT, 10.912X 30	12							

Fig.60. HYDRAULIC PEDAL

(A)=EB3100 N-EU-PQ

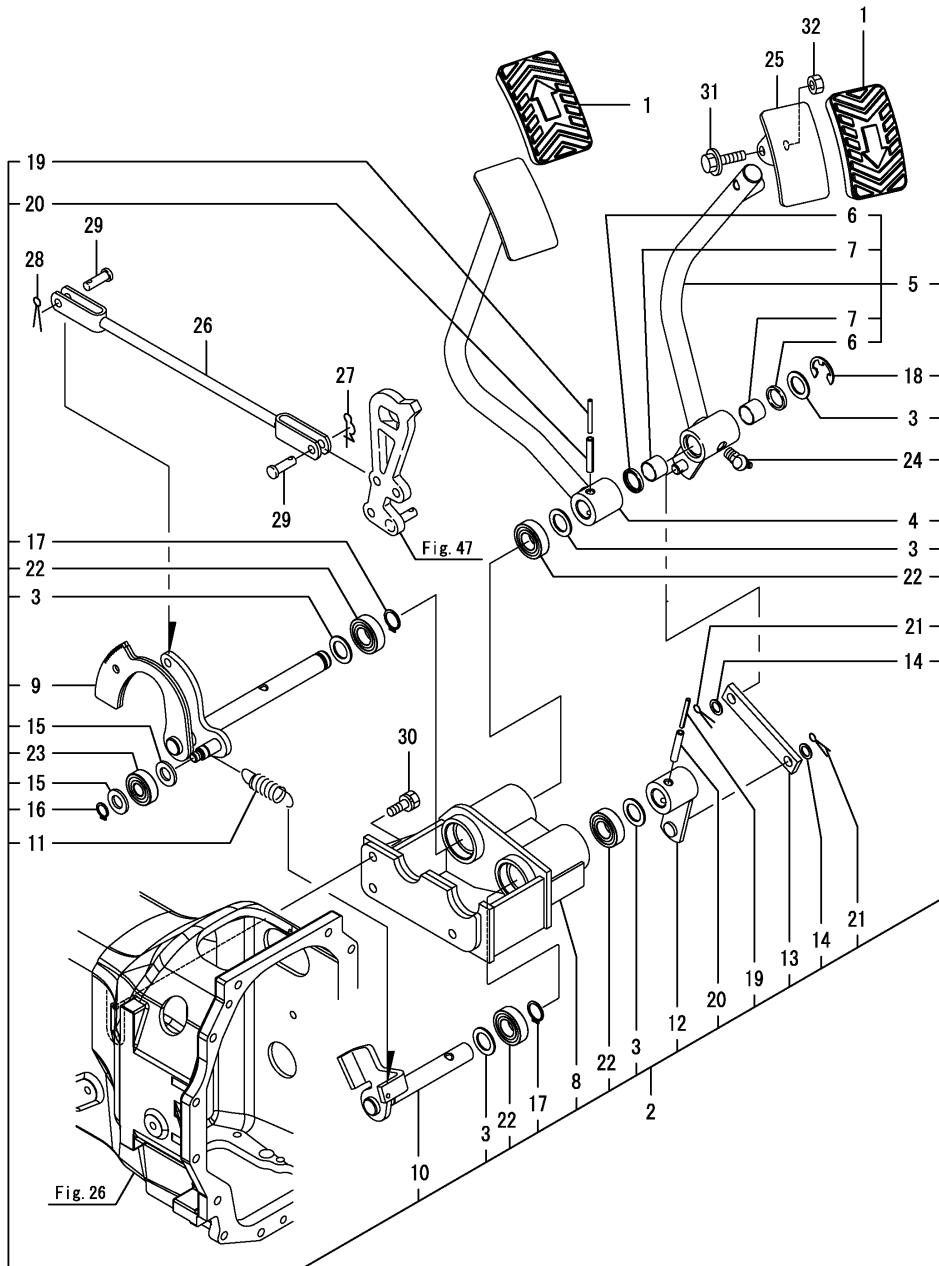
(B)=

(C)=

(D)=

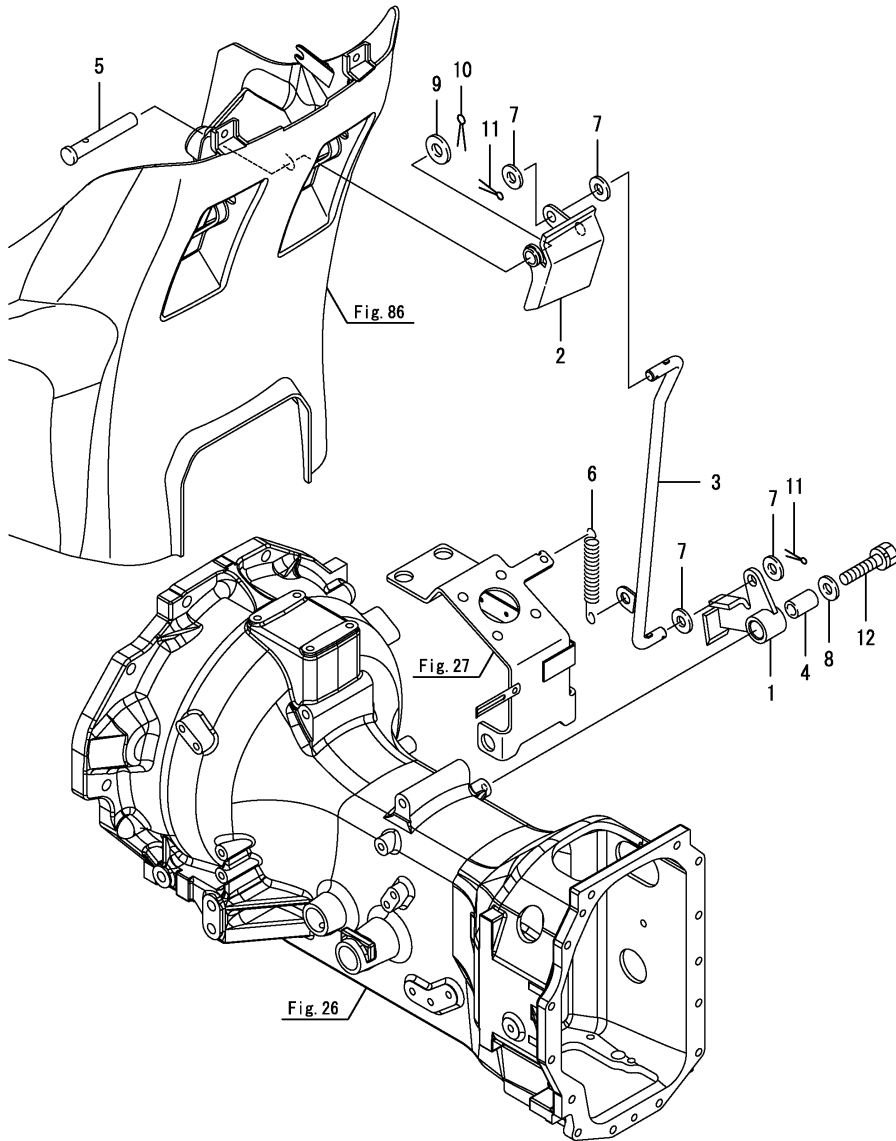
(E)=

(F)=



No.	Lev.	Parts No.	Description	Qty						I	R
				(A)	(B)	(C)	(D)	(E)	(F)		
1	1	1A8160-35080	HEAD, PEDAL	2							
2	1	1A8300-35100	PEDAL KIT, HST	1							
3	2	194630-27190	LINER, 17.5X27X1.6	5							
4	2	1A8300-35110	PEDAL ASSY	1							
5	2	1A8300-35200	PEDAL ASSY	1							
6	3	1A8300-35270	SEAL, OIL G172303	2							
7	3	24550-017150	BUSH, 17X15	2							
8	2	1A8300-35240	BRACKET, PEDAL	1							
9	2	1A8300-35320	SHAFT ASSY, PEDAL	1							
10	2	1A8300-35360	SHAFT ASSY, COUNTER	1							
11	2	198167-35411	SPRING, PEDAL	1							
12	2	1A8300-35410	ARM ASSY, SHAFT	1							
13	2	1A8300-35460	PLATE, LINK	1							
14	2	1C6900-63890	SPACER, 10X15X1	2							
15	2	22137-120000	WASHER, 12	2							
16	2	22242-000120	RING, 12	1							
17	2	22242-000170	RING, 17	2							
18	2	22272-000150	RING, E-15	1							
19	2	22351-035036	PIN, SPRING 3.5X36	2							
20	2	22351-060036	PIN, SPRING 6.0X36	2							
21	2	22417-160160	PIN, COTTER 1.6X16	2							
22	2	24104-060034	BEARING, BALL 6003UU	4							
23	2	24104-062014	BEARING, BALL 6201UU	1							
24	2	24761-040000	NIPPLE, GREASE B	1							
25	1	1A8300-35170	HEAD ASSY	1							
26	1	1A7530-35450	ROD, CONTROL	1							
27	1	1C6281-52320	PIN, SNAP 8	1							
28	1	22417-200200	PIN, COTTER 2.0X20	1							
29	1	22487-080180	PIN, H 8X 18	2							
30	1	26013-080252	BOLT, M8X 25	3							
31	1	26106-080352	BOLT, M8X 35 PLATED	1							
32	1	26716-080002	NUT, M8	1							

Fig.61. CRUISE CONTROL

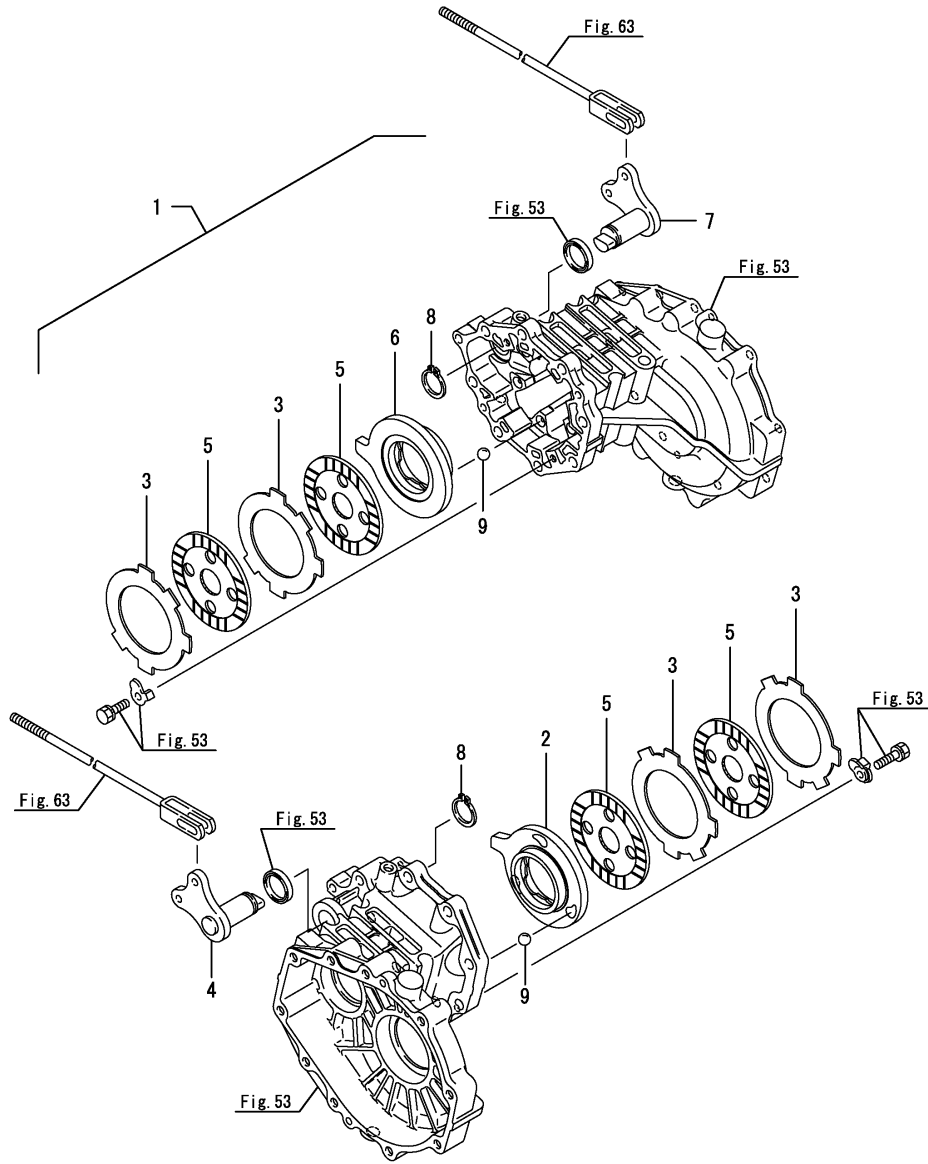


(A)=EB3100 N-EU-PQ
(B)=
(C)=

(D)=
(E)=
(F)=

No.	Lev.	Parts No.	Description	Qty						I	R
				(A)	(B)	(C)	(D)	(E)	(F)		
1	1	1A7530-35500	RATCHET ASSY, CRUISE	1							
2	1	1A7510-35511	LEVER, CONTROL	1							
3	1	1A7530-35551	ROD ASSY, CRUISE	1							
4	1	1A6680-35580	COLLAR, RATCHET	1							
5	1	198162-61670	PIN, LEVER	1							
6	1	1C6720-73330	SPRING, FLOAT	1							
7	1	22137-100000	WASHER, 10	4							
8	1	22137-100000	WASHER, 10	1							
9	1	22137-120000	WASHER, 12	1							
10	1	22417-200320	PIN, COTTER 2.0X32	1							
11	1	22417-250250	PIN, COTTER 2.5X25	2							
12	1	26013-100452	BOLT, M10X 45	1							

Fig.62. DISC BRAKE



(A)=EB3100 N-EU-PQ
(B)=
(C)=

(D)=
(E)=
(F)=

No.	Lev.	Parts No.	Description	Qty						I	R
				(A)	(B)	(C)	(D)	(E)	(F)		
1	1	1A7530-36090	BRAKE ASSY, DISK	1							
2	2	1A7531-36310	ACTUATOR	1							
3	2	1A7531-36320	PLATE, STEEL	4							
4	2	198165-36350	SHAFT, CAM LEVER L	1							
5	2	1A7531-36380	PLATE, FRICTION 114	4							
6	2	1A7531-36410	ACTUATOR	1							
7	2	1A7530-36450	SHAFT, CAM LEVER R	1							
8	1	22242-000250	RING, 25	2							
9	1	24190-160001	BALL, STEEL 1/2	6							

Fig.63. BRAKE PEDAL

(A)=EB3100 N-EU-PQ

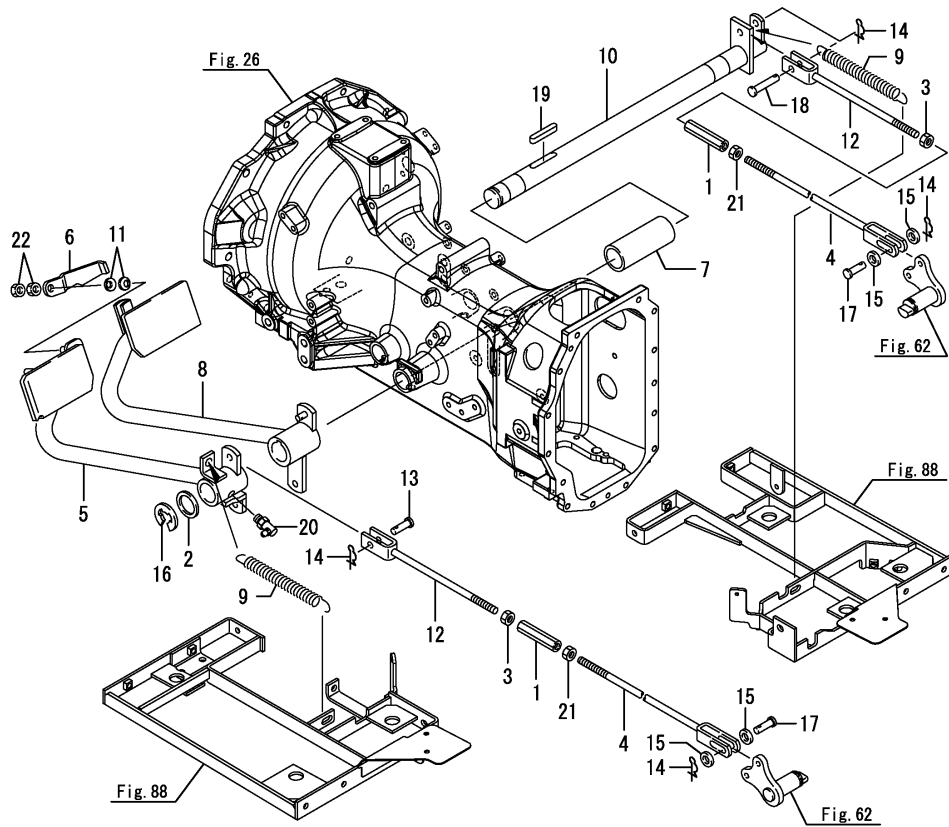
(B)=

(C)=

(D)=

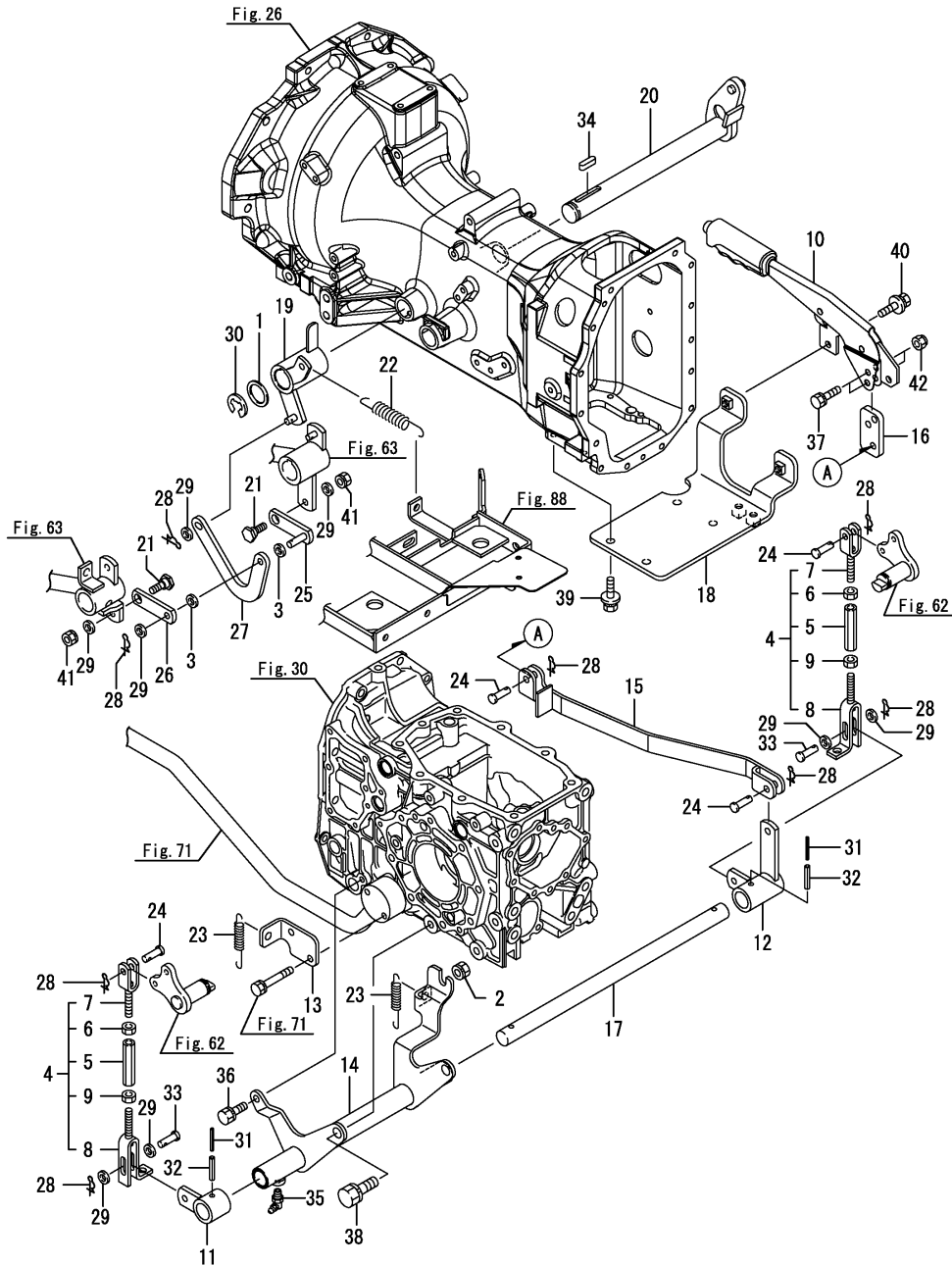
(E)=

(F)=



No.	Lev.	Parts No.	Description	Q'ty						I	R
				(A)	(B)	(C)	(D)	(E)	(F)		
1	1	194740-00322	ADJUSTER	2							
2	1	1C6140-14050	SPACER, 25.2X34X2	1							
3	1	194990-20170	NUT, M8	2							
4	1	198165-36210	ROD, BRAKE R	2							
5	1	1A6781-37300	PEDAL ASSY, BRAKE L	1							
6	1	198165-37340	CONNECTOR, BRAKE	1							
7	1	198167-37350	COLLAR, 34X85	1							
8	1	1A7530-37400	PEDAL ASSY, BRAKE R	1							
9	1	198421-37511	SPRING, RETURN	2							
10	1	1A7530-37550	SHAFT, BRAKE PEDAL	1							
11	1	194300-37570	SPRING	2							
12	1	198165-37770	ROD, BRAKE L	2							
13	1	194080-37781	PIN, 8X25	1							
14	1	1C6281-52320	PIN, SNAP 8	4							
15	1	22137-080000	WASHER, 8	4							
16	1	22272-000190	RING, E-19	1							
17	1	22487-080240	PIN, H 8X 24	2							
18	1	22487-080400	PIN, H 8X 40	1							
19	1	22512-070400	KEY, 7X 40	1							
20	1	24761-040000	NIPPLE, GREASE B	1							
21	1	26716-080002	NUT, M8	2							
22	1	26716-080002	NUT, M8	2							

Fig.64. PARKING BRAKE



(A)=EB3100 N-EU-PQ
(B)=
(C)=

(D)=
(E)=
(F)=

No.	Lev.	Parts No.	Description	Q'ty						I	R
				(A)	(B)	(C)	(D)	(E)	(F)		
1	1	1C6140-14050	SPACER, 25.2X34X2	1							
2	1	194990-22060	NUT	1							
3	1	1C6053-32020	WASHER, 8.5X20X3.2	2							
4	1	1A7530-36231	ROD KIT, BRAKE	2							
5	2	194740-00322	ADJUSTER	2							
6	2	194990-20170	NUT, M8	2							
7	2	198165-36250	ROD, LINK D L	2							
8	2	1A7530-36250	ROD, LINK E R	2							
9	2	26716-080002	NUT, M8	2							
10	1	1A7510-36550	BRAKE HAND	1							
11	1	1A7530-36610	LEVER, BRAKE CAM L	1							
12	1	1A7530-36630	LEVER, BRAKE CAM R	1							
13	1	1A7530-36660	STAY, BRAKE	1							
14	1	1A7530-36700	STAY ASSY, SHAFT	1							
15	1	1A7530-36710	ARM, BRAKE	1							
16	1	1A7530-36750	STAY, PARKING BRAKE	1							
17	1	198165-36780	SHAFT, CAM LEVER	1							
18	1	1A7530-37110	STAY ASSY, BRAKE	1							
19	1	1A7530-37500	ARM ASSY, CRUISE	1							
20	1	1A6781-37600	SHAFT ASSY, CRUISE	1							
21	1	1A6640-37640	BOLT, STEPPED M8	2							
22	1	1A6781-37660	SPRING, RETURN	1							
23	1	198167-37711	SPRING, PARK LOCK	2							
24	1	194080-37781	PIN, 8X25	4							
25	1	1A6781-37800	LINK ASSY, CRUISE	1							
26	1	1A6781-37810	LINK, CRUISE A	1							
27	1	1A7530-37830	LINK, CRUISE B	1							
28	1	1C6281-52320	PIN, SNAP 8	8							
29	1	22137-080000	WASHER, 8	8							
30	1	22272-000190	RING, E-19	1							
31	1	22351-035032	PIN, SPRING 3.5X32	2							
32	1	22351-060032	PIN, SPRING 6.0X32	2							
33	1	22487-080240	PIN, H 8X 24	2							
34	1	22512-070200	KEY, 7X 20	1							
35	1	24761-040000	NIPPLE, GREASE B	1							
36	1	26013-080162	BOLT, M8X 16	1							
37	1	26013-080202	BOLT, M8X 20	2							
38	1	26013-120302	BOLT, M12X 30	2							
39	1	26018-080202	BOLT, M8X 20	4							
40	1	26018-080252	BOLT, M8X 25	2							
41	1	26051-080002	NUT, M8	2							
42	1	26346-080002	NUT, M8	2							

Fig.65. HYDRAULIC LIFT

(A)=EB3100 N-EU-PQ

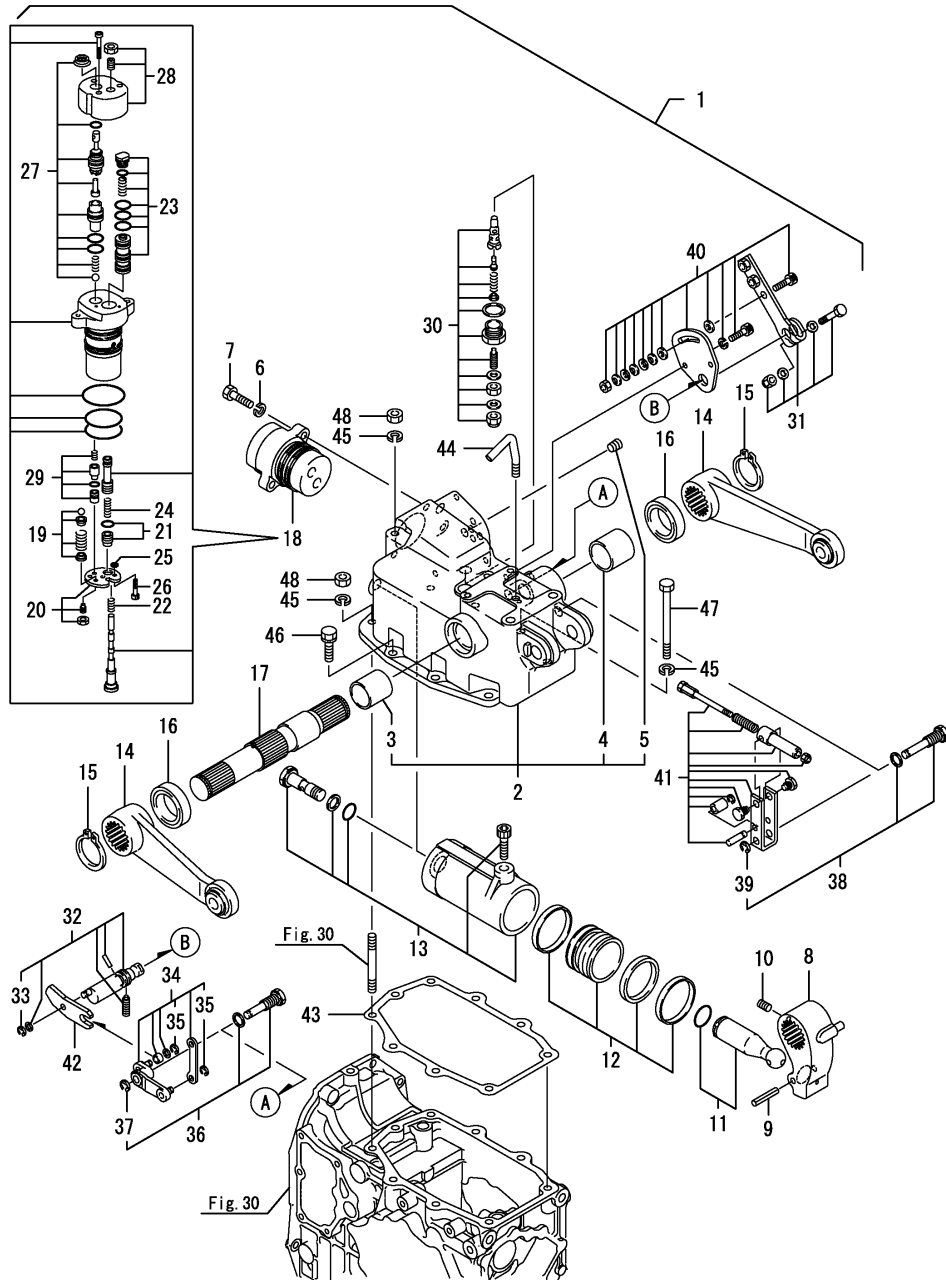
(B)=

(C)=

(D)=

(E)=

(F)=



No.	Lev.	Parts No.	Description	Qty						I	R
				(A)	(B)	(C)	(D)	(E)	(F)		
1	1	1A6780-42010	LIFT ASSY, HYDRAULIC	1							
2	2	198165-42100	HOUSING ASSY	1							
3	3	198165-42250	BUSH, 39/35X40	1							
4	3	198165-42260	BUSH, 44/40X40	1							
5	3	198165-42400	PLUG, M10	1							
6	2	198165-42270	WASHER, 8	2							
7	2	198165-42280	BOLT, M8X35	2							
8	2	1A6780-44110	CRANK ASSY, LIFT	1							
9	2	198165-44140	PIN, 6X40	1							
10	2	198165-44170	SCREW, M8X16	1							
11	2	198165-44180	ROD ASSY, PISTON	1							
12	2	1A6780-44200	PISTON ASSY	1							
13	2	1A6780-44240	CYLINDER ASSY	1							
14	2	198165-44410	ARM ASSY, LIFT	2							
15	2	198165-44440	CIRCLIP	2							
16	2	198165-44450	SEAL, OIL	2							
17	2	1A6780-44460	SHAFT, LIFT	1							
18	2	198165-45101	VALVE ASSY, CONTROL	1							
19	3	198165-45010	VALVE KIT, SAFETY	1							
20	3	198165-45020	PLATE KIT, CENTER	1							
21	3	198165-45030	PLUG KIT	1							
22	3	198165-45140	SPRING, PILOT	1							
23	3	198165-45191	VALVE ASSY	1							
24	3	198165-45270	SPRING	1							
25	3	198165-45290	SPACER	3							
26	3	198165-45370	BOLT, M6X18	3							
27	3	198165-45400	LEVER ASSY, RETURN	1							
28	3	198165-45500	COVER KIT	1							
29	3	198165-45600	VALVE KIT	1							
30	2	198165-45800	VALVE ASSY, RELIEF	1							
31	2	198165-47020	LEVER KIT	1							
32	2	198165-47030	CAMSHAFT KIT	1							
33	3	198165-47520	CIRCLIP, 6	1							
34	2	198165-47040	ARM KIT	1							
35	3	198165-47520	CIRCLIP, 6	2							
36	2	1A6780-47050	PIN KIT	1							
37	3	198165-47530	CIRCLIP, 7	1							
38	2	198165-47060	PIN KIT, B	1							
39	3	198165-47530	CIRCLIP, 7	1							
40	2	198165-47100	GUIDE KIT, LEVER	1							
41	2	198165-47300	LINK KIT, LEVER	1							
42	2	198165-47440	LEVER, B	1							
43	1	198165-42120	GASKET, HOUSING	1							
44	1	194205-42280	PIPE, AIR BREATHER	1							
45	1	22217-100000	WASHER, SPRING 10	5							
46	1	26013-100302	BOLT, M10X 30	4							
47	1	26116-101202	BOLT, M10X120 PLATED	1							
48	1	26716-100002	NUT, M10	4							

Fig.66. HYDRAULIC CONTROL

(A)=EB3100 N-EU-PQ
(B)=
(C)=

(D)=
(E)=
(F)=

No.	Lev.	Parts No.	Description	Q'ty						I	R
				(A)	(B)	(C)	(D)	(E)	(F)		
1	1	1A7530-47360	LEVER, CONTROL	1							
2	1	198220-47370	KNOB, LEVER	1							
3	1	26013-080202	BOLT, M8X 20	2							

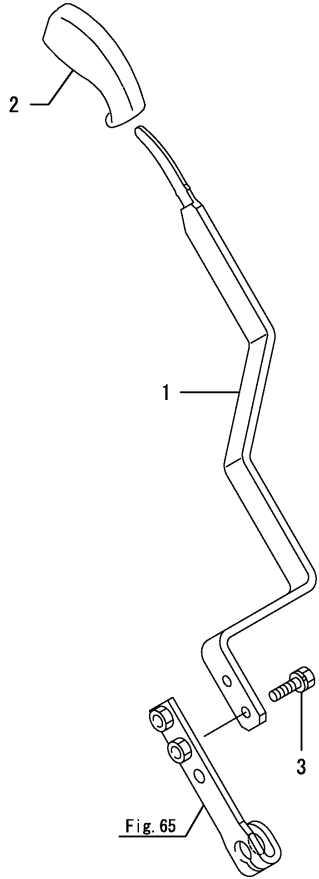
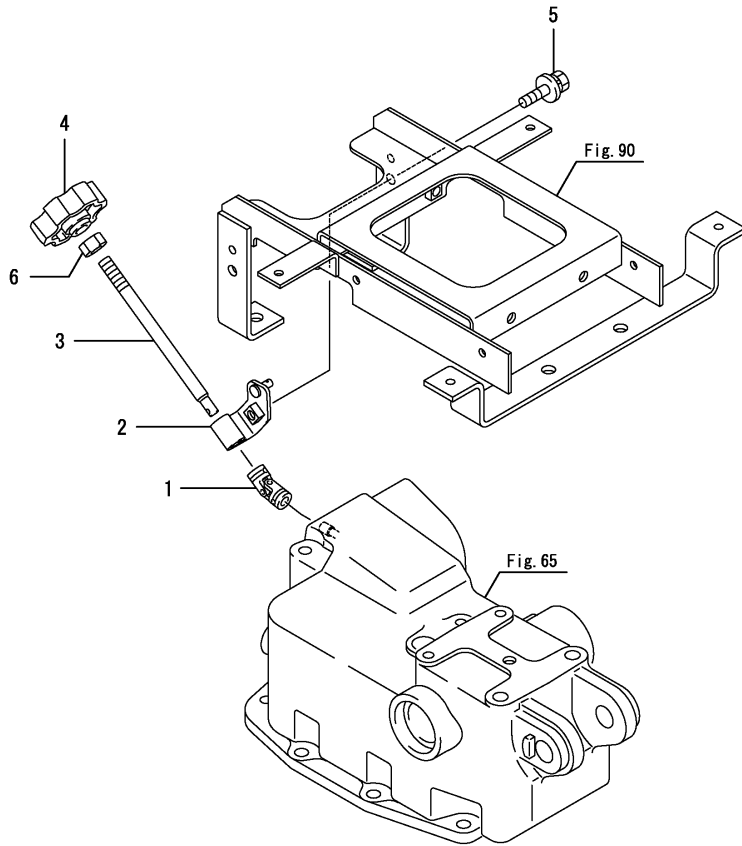


Fig.67. STOP VALVE

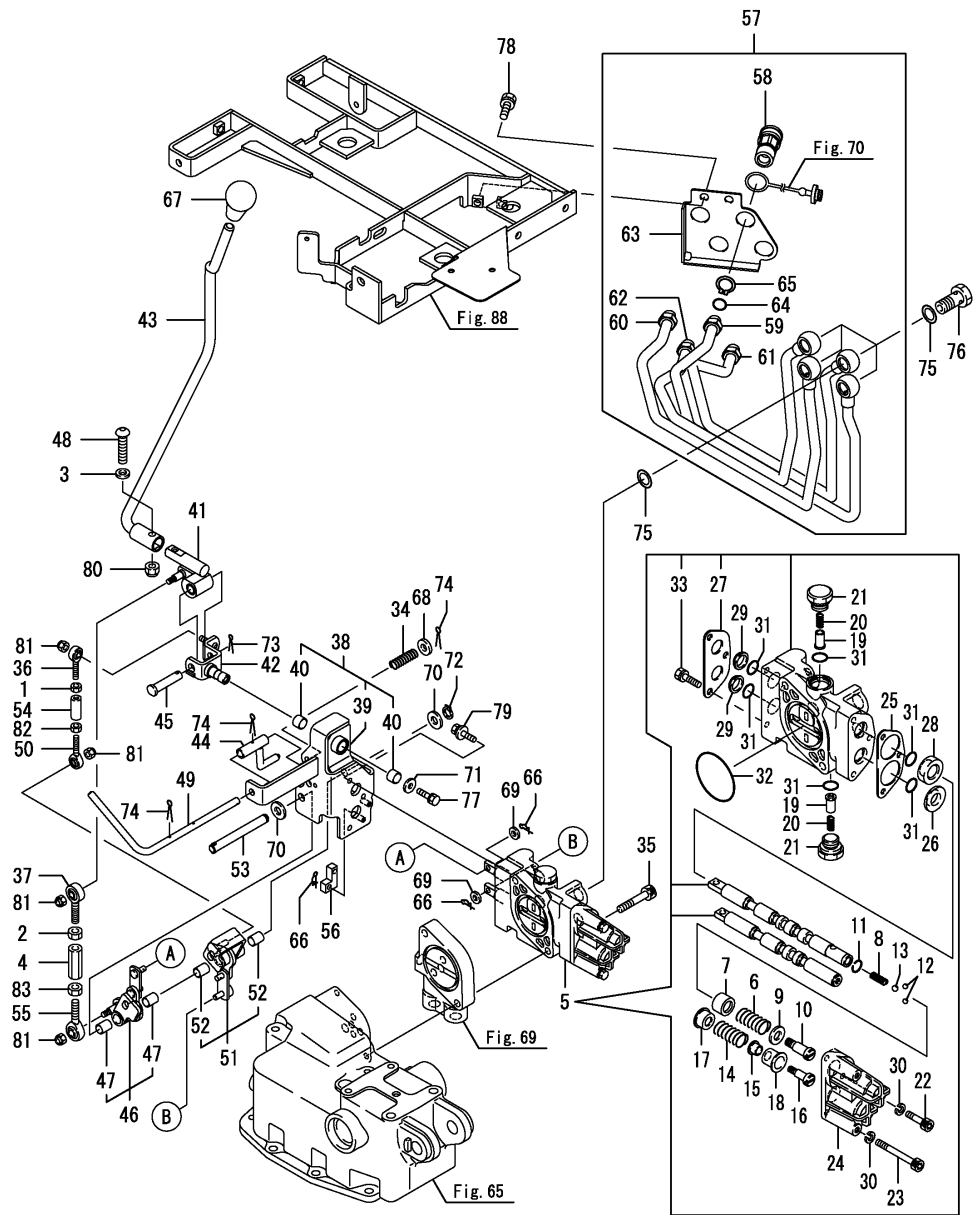


(A)=EB3100 N-EU-PQ
(B)=
(C)=

(D)=
(E)=
(F)=

No.	Lev.	Parts No.	Description	Q'ty						I	R
				(A)	(B)	(C)	(D)	(E)	(F)		
1	1	198165-42150	JOINT, HYDRAULIC	1							
2	1	1A7530-42170	STAY ASSY, BOLT	1							
3	1	1A6770-46620	BOLT, STOP	1							
4	1	1A8160-46670	KNOB, VALVE	1							
5	1	26018-080202	BOLT, M8X 20	1							
6	1	26716-100002	NUT, M10	1							

Fig.68. SUB CONTROL VALVE



(A)=EB3100 N-EU-PQ

(B)=

(C)=

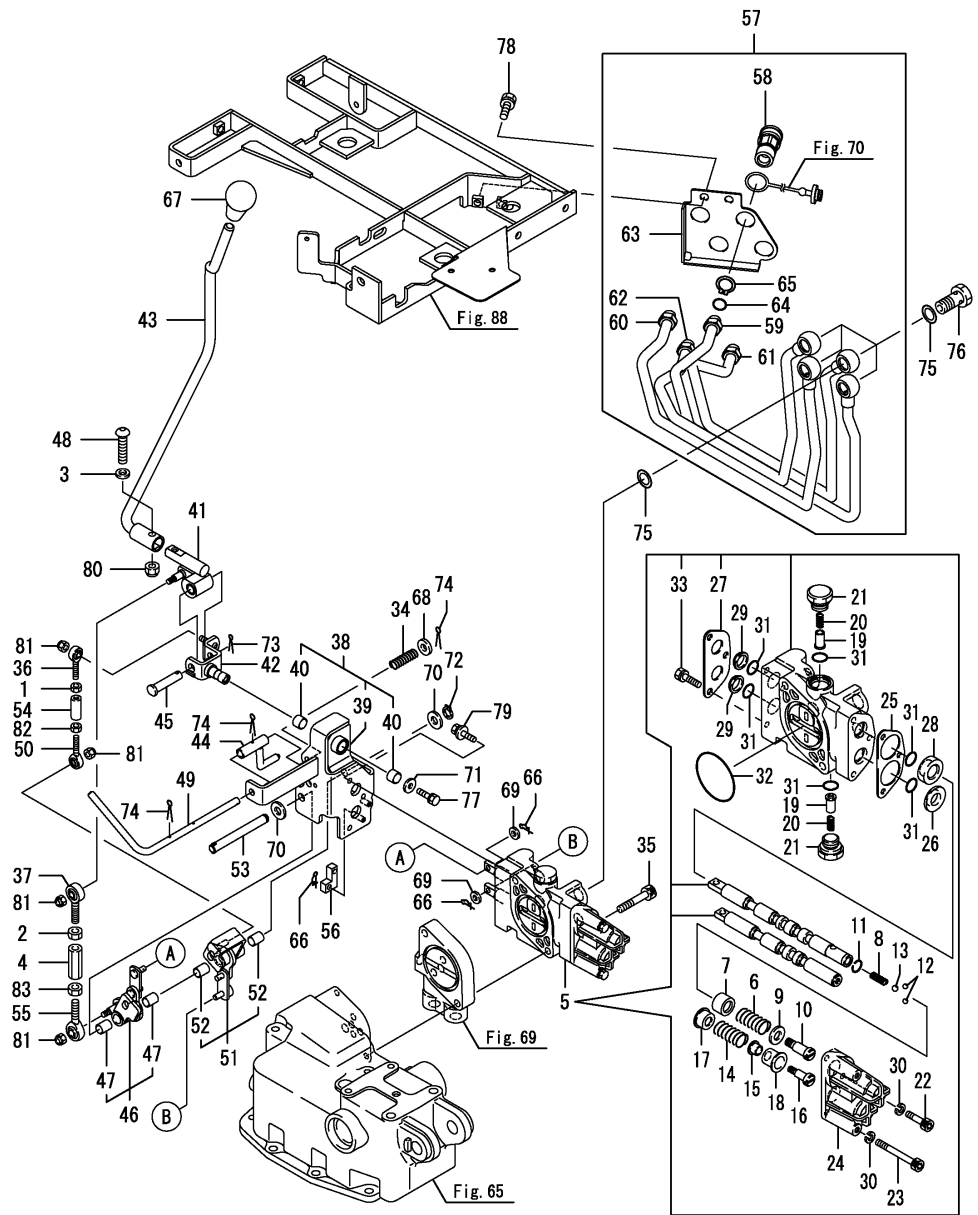
(D)=

(E)=

(F)=

No.	Lev.	Parts No.	Description	Q'ty						I	R
				(A)	(B)	(C)	(D)	(E)	(F)		
1	1	194130-01390	NUT, M6	1							
2	1	194990-20170	NUT, M8	1							
3	1	1C6053-32020	WASHER, 8.5X20X3.2	1							
4	1	192157-33780	NUT	1							
5	1	198165-46110	CONTROL ASSY, SUB	1							
6	2	198165-46310	SPRING	1							
7	2	198165-46320	HOLDER	1							
8	2	198165-46330	SPRING	1							
9	2	198165-46340	HOLDER, SPRING	1							
10	2	198165-46350	BOLT	1							
11	2	198165-46360	RING, 12.2	1							
12	2	24190-070001	BALL, STEEL 7/32	2							
13	2	24190-080001	BALL, STEEL 1/4	1							
14	2	198165-46410	SPRING	1							
15	2	198165-46420	STOPPER, RG	1							
16	2	198165-46450	BOLT	1							
17	2	172510-74440	RETAINER, SPRING	1							
18	2	172510-74450	RETAINER, SPRING	1							
19	2	198165-46130	VALVE, CHECK	2							
20	2	198165-46140	SPRING	2							
21	2	198165-46150	PLUG, CHECK	2							
22	2	1A6780-46160	BOLT, M6X25	1							
23	2	1A6780-46170	BOLT, M6X55	2							
24	2	198165-46200	COVER, SPOOL	1							
25	2	198165-46210	GASKET	1							
26	2	198165-46220	ADAPTER	1							
27	2	198165-46240	COVER, SEAL	1							
28	2	198165-46370	DETENT	1							
29	2	172510-74410	SEAL, DUST	2							
30	2	22287-060000	WASHER 6	3							
31	2	24311-000140	O-RING, 1AP14.0	6							
32	2	24321-000500	O-RING, 1AG50.0	1							
33	2	26016-060102	BOLT M6X 10	3							
34	1	198220-46200	SPRING	1							
35	1	1A6780-46260	BOLT, M8X65	2							
36	1	198165-46470	END, ROD 6	1							
37	1	198165-46480	END, ROD 8	1							
38	1	1A7500-46491	HOLDER ASSY, LEVER	1							
39	2	1A7500-46501	HOLDER ASSY, LEVER	1							
40	2	24550-012100	BUSH 12X10	2							
41	1	1A7530-46601	LEVER KIT, SCV	1							
42	1	1A6780-46650	LEVER ASSY, B	1							
43	1	1A7530-46651	LEVER ASSY, SCV	1							
44	1	1A7500-46750	PIN ASSY, STOPPER	1							
45	1	198165-46780	PIN, LEVER	1							
46	1	1A7500-46800	CAM ASSY, LINK L	1							
47	2	24550-010150	BUSH, 10X15	2							
48	1	1A7510-46850	BOLT,ROUND HEAD 8X35	1							
49	1	1A7500-46861	PIN, LOCK	1							
50	1	198165-46880	END, ROD 6	1							
51	1	1A7500-46900	CAM ASSY, LINK B	1							

Fig.68. SUB CONTROL VALVE



(A)=EB3100 N-EU-PQ

(B)=

(C)=

(D)=

(E)=

(F)=

No.	Lev.	Parts No.	Description	Q'ty						I	R
				(A)	(B)	(C)	(D)	(E)	(F)		
52	2	24550-010150	BUSH, 10X15	2							
53	1	1A6780-46910	SHAFT, CAM	1							
54	1	198165-46961	ROD, LINK B	1							
55	1	198165-46980	END, ROD	1							
56	1	198165-46991	LINK, C	1							
57	1	1A8300-48600	PIPE KIT, SCV	1							
58	2	198223-46250	COUPLER, QUICK	4							
59	2	1A7530-48610	PIPE, SCV 1	1							
60	2	1A7530-48620	PIPE, SCV 2	1							
61	2	1A7530-48630	PIPE, SCV 3	1							
62	2	1A7530-48640	PIPE, SCV 4	1							
63	2	1A7530-48760	MOUNT, COUPLER	1							
64	2	194850-49290	PACKING, 6-1	4							
65	2	22242-000220	RING, 22	4							
66	1	1C6281-52310	PIN, SNAP 6	3							
67	1	194990-85561	KNOB, HIGH/LOW	1							
68	1	22117-080000	WASHER, 8	1							
69	1	22137-060000	WASHER, 6	2							
70	1	22137-100000	WASHER, 10	2							
71	1	22157-060000	WASHER, 6	1							
72	1	22242-000100	RING, 10	1							
73	1	22417-200160	PIN, COTTER 2.0X16	1							
74	1	22417-250250	PIN, COTTER 2.5X25	3							
75	1	23414-160021	GASKET, 16X1.0	8							
76	1	23857-100000	BOLT, JOINT 10	4							
77	1	26013-060162	BOLT, M6X 16	1							
78	1	26013-080202	BOLT, M8X 20	2							
79	1	26018-060162	BOLT, M6X 16	3							
80	1	26346-080002	NUT, M8	1							
81	1	26347-060002	NUT, M6	4							
82	1	26716-060002	NUT, M6	1							
83	1	26716-080002	NUT, M8	1							

Fig.69. PLATE(AUX)

(A)=EB3100 N-EU-PQ
(B)=
(C)=

(D)=
(E)=
(F)=

No.	Lev.	Parts No.	Description	Q'ty						I	R
				(A)	(B)	(C)	(D)	(E)	(F)		
1	1	198165-48550	PLATE, AUX	1							
2	1	198165-48560	PLUG, 9/16	3							
3	1	194850-49290	PACKING, 6-1	3							
4	1	24321-000550	O-RING, 1AG55.0	1							

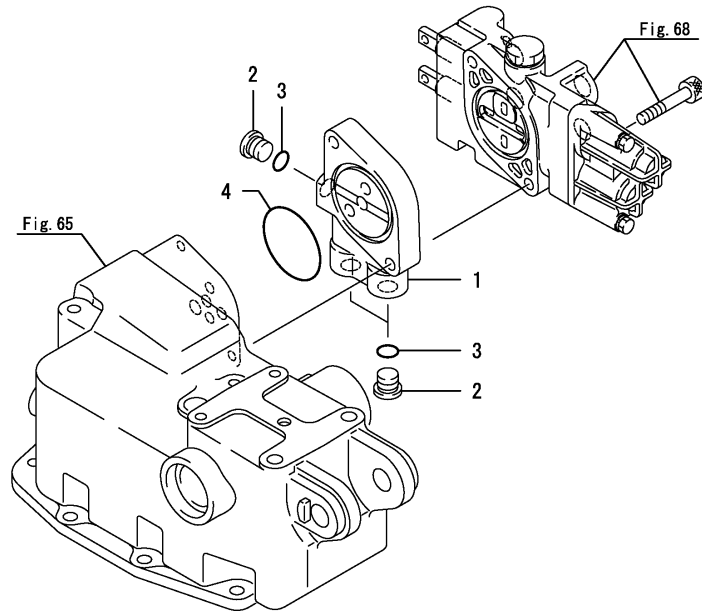


Fig.70. VALVE ACCESSORIES

(A)=EB3100 N-EU-PQ
 (B)=
 (C)=

(D)=
 (E)=
 (F)=

No.	Lev.	Parts No.	Description	Q'ty						I	R
				(A)	(B)	(C)	(D)	(E)	(F)		
1	1	1A7880-47550	PLUG, DUST RED	1							
2	1	1A7880-47560	PLUG, DUST BLUE	1							
3	1	1A7880-47570	PLUG, DUST YELLOW	1							
4	1	1A7880-47580	PLUG, DUST GREEN	1							

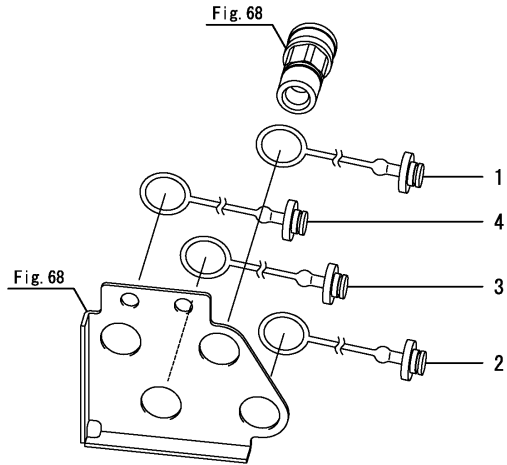
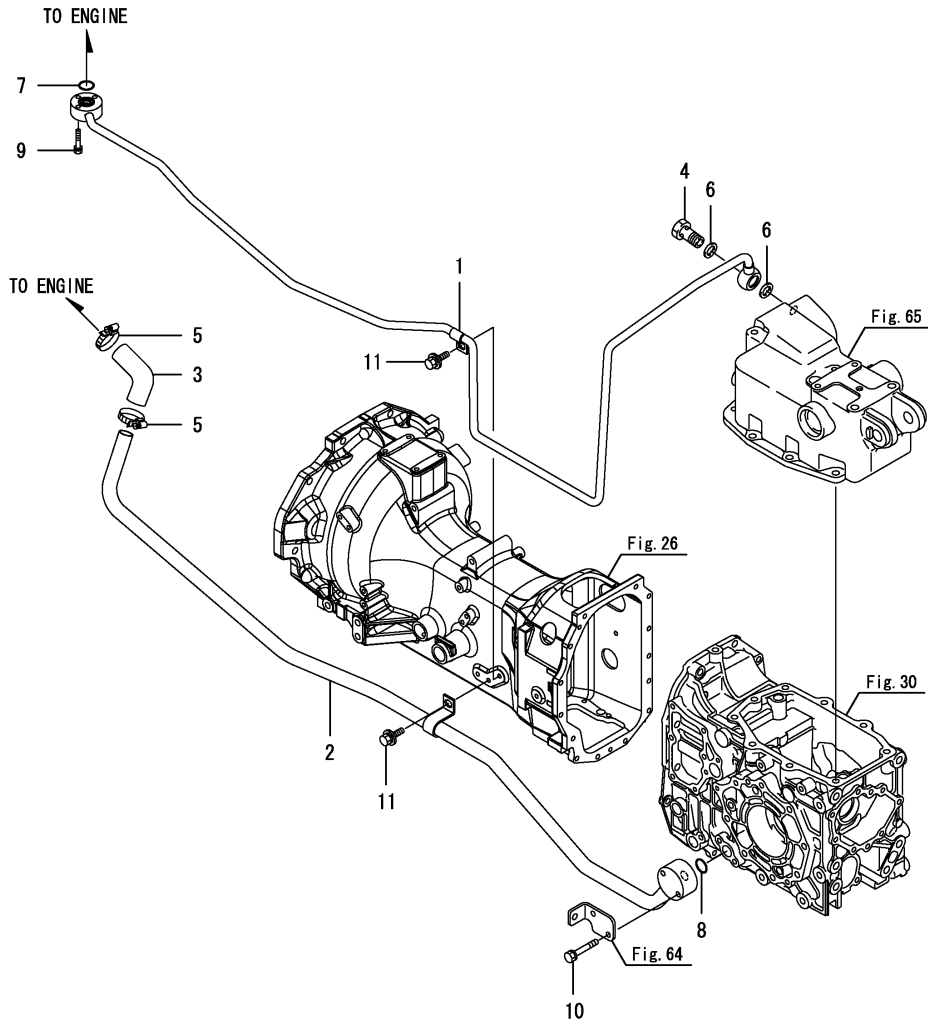


Fig.71. HYDRAULIC LINE



(A)=EB3100 N-EU-PQ
(B)=
(C)=

(D)=
(E)=
(F)=

No.	Lev.	Parts No.	Description	Q'ty						I	R
				(A)	(B)	(C)	(D)	(E)	(F)		
1	1	1A7540-48110	PIPE, PRESSURE	1							
2	1	1A7530-48320	PIPE, PRESSURE	1							
3	1	198167-48340	HOSE, PRESSURE	1							
4	1	198220-48750	BOLT ASSY, JOINT	1							
5	1	23000-035000	CLAMP, 35	2							
6	1	23414-180023	GASKET, 18X1.0	2							
7	1	24311-000200	O-RING, 1AP20.0	1							
8	1	24311-000220	O-RING, 1AP22.0	1							
9	1	26013-060322	BOLT, M6X 32	3							
10	1	26013-080502	BOLT, M8X 50	2							
11	1	26018-080202	BOLT, M8X 20	2							

Fig.72. WIRE HARNESS

(A)=EB3100 N-EU-PQ

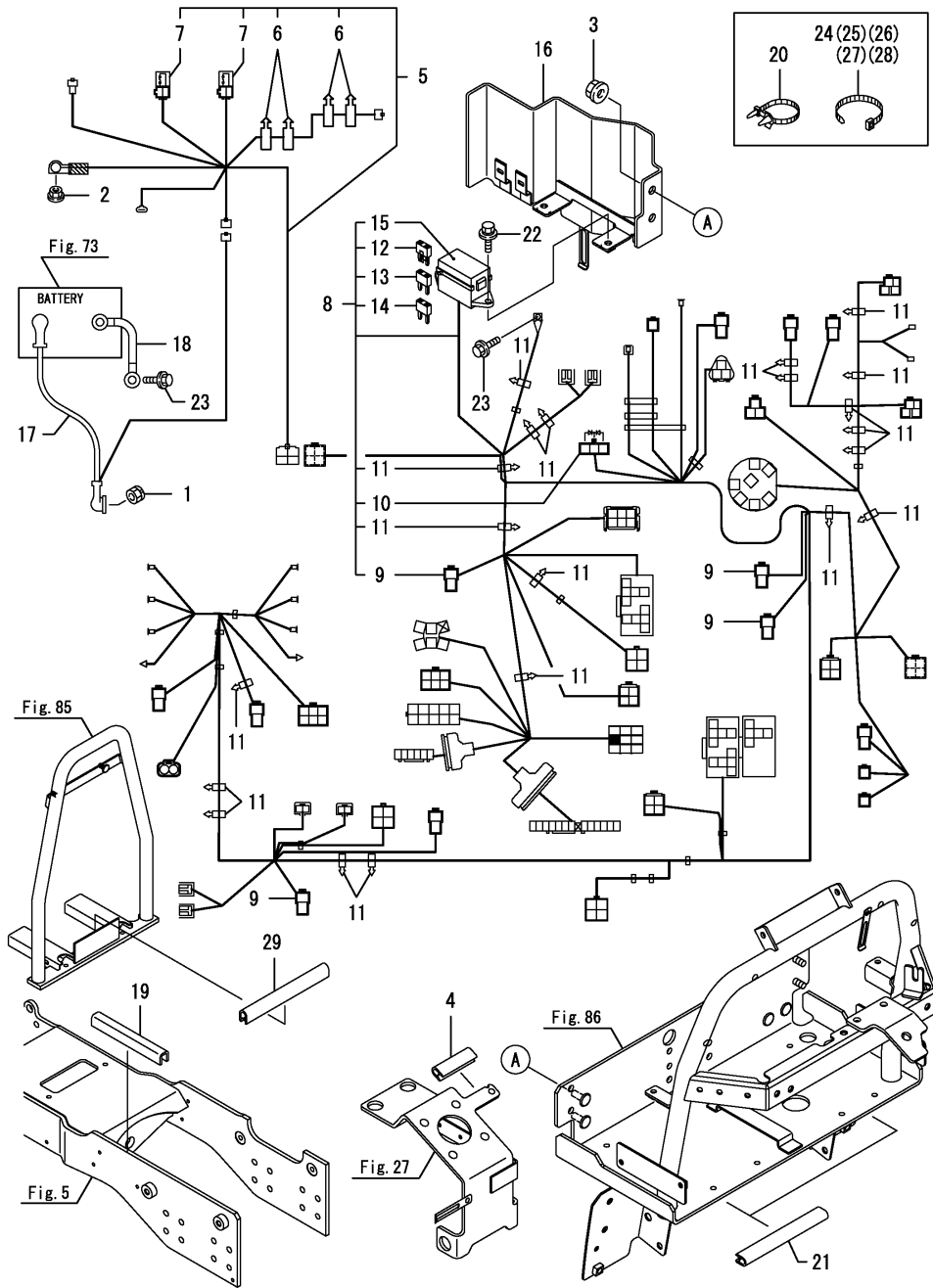
(B)=

(C)=

(D)=

(E)=

(F)=



No.	Lev.	Parts No.	Description	Q'ty						I	R
				(A)	(B)	(C)	(D)	(E)	(F)		
1	1	194990-22050	NUT, M8	1							
2	1	194990-22130	NUT, M6	1							
3	1	194990-22140	NUT, M8	2							
4	1	195616-24930	TRIM	1							
5	1	1A7531-51150	HARNESS, WIRE	1							
6	2	1A7500-51160	CLIP, HARNESS	4							
7	2	198153-51700	FUSE, SLOW BLOW 80A	2							
8	1	1A8300-51310	HARNESS ASSY,A-EU	1							
9	2	1A7500-51130	DIODE, 3.0A	4							
10	2	1A7500-51180	DIODE, 1.5AX2 KOREA	1							
11	2	1A7500-51160	CLIP, HARNESS	21							
12	2	198535-52120	FUSE, 10A	3							
13	2	198535-52130	FUSE, 15A	6							
14	2	198535-52140	FUSE, 20A	3							
15	2	1A7531-52420	COVER, FUSE BOX	1							
16	1	1A7531-51400	STAY ASSY, FUSE BOX	1							
17	1	1A6780-51410	CABLE, BATTERY	1							
18	1	1A7500-51420	CABLE, BATTERY EARTH	1							
19	1	1A7500-51810	SEAL, HARNESS	1							
20	1	1A1380-55310	CLAMP, WIRE	1							
21	1	1A7000-61490	TRIM, 120	2							
22	1	26018-060202	BOLT, M6X 20	2							
23	1	26106-080162	BOLT, M8X 16 PLATED	2							
24	1	29622-140001	BAND, RF140	2							
25	1	29622-250001	BAND, RF250	3							
26	1	29622-250001	BAND, RF250	6							
27	1	29622-140001	BAND, RF140	1							
28	1	29622-140001	BAND, RF140	1							
29	1	1A7000-61490	TRIM, 120	1							

Fig.73. BUTTERY

(A)=EB3100 N-EU-PQ
(B)=
(C)=

(D)=
(E)=
(F)=

No.	Lev.	Parts No.	Description	Q'ty						I	R
				(A)	(B)	(C)	(D)	(E)	(F)		
1	1	1A8160-51500	BATTERY ASSY, 526RMF	1							
2	2	1A8160-51521	LABEL, BATTERY	1							

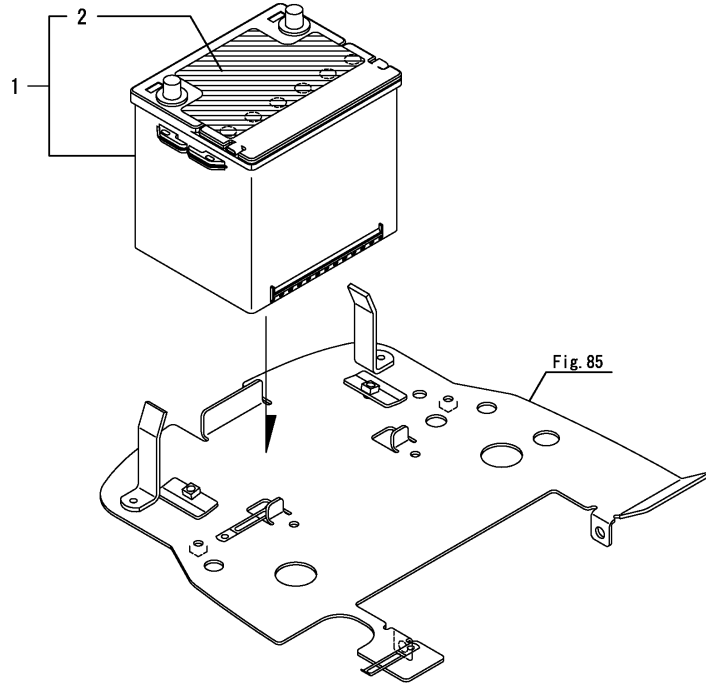


Fig.74. CLAMP ,BATTERY 1

(A)=EB3100 N-EU-PQ
 (B)=
 (C)=

(D)=
 (E)=
 (F)=

No.	Lev.	Parts No.	Description	Q'ty						I	R
				(A)	(B)	(C)	(D)	(E)	(F)		
1	1	194990-22130	NUT, M6	2							
2	1	1A8160-51600	CLAMP, BATTERY 6-245	1							
3	1	1A8160-51610	ROD, BATTERY CLAMP A	2							
4	1	26716-060002	NUT, M6	2							

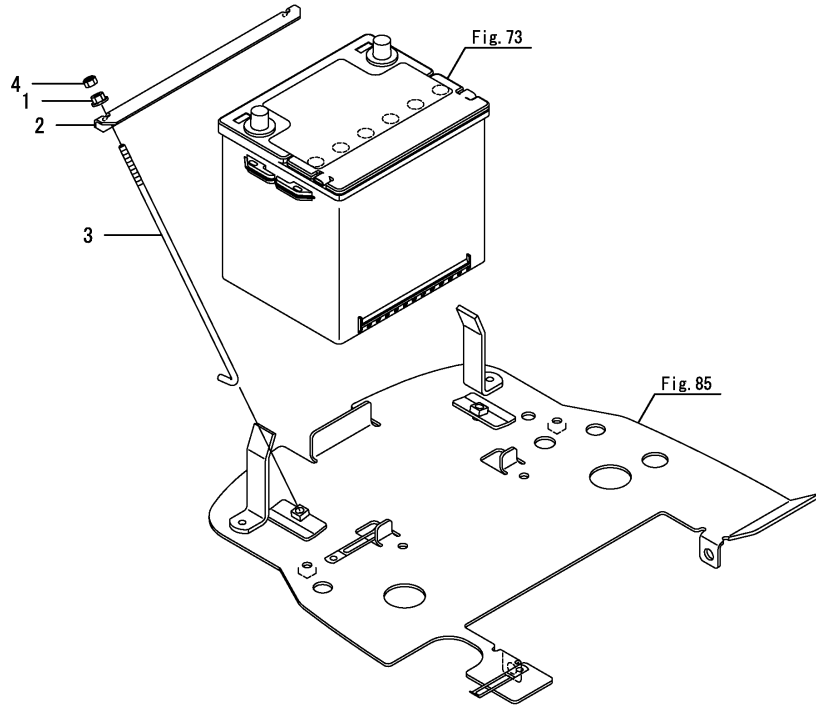
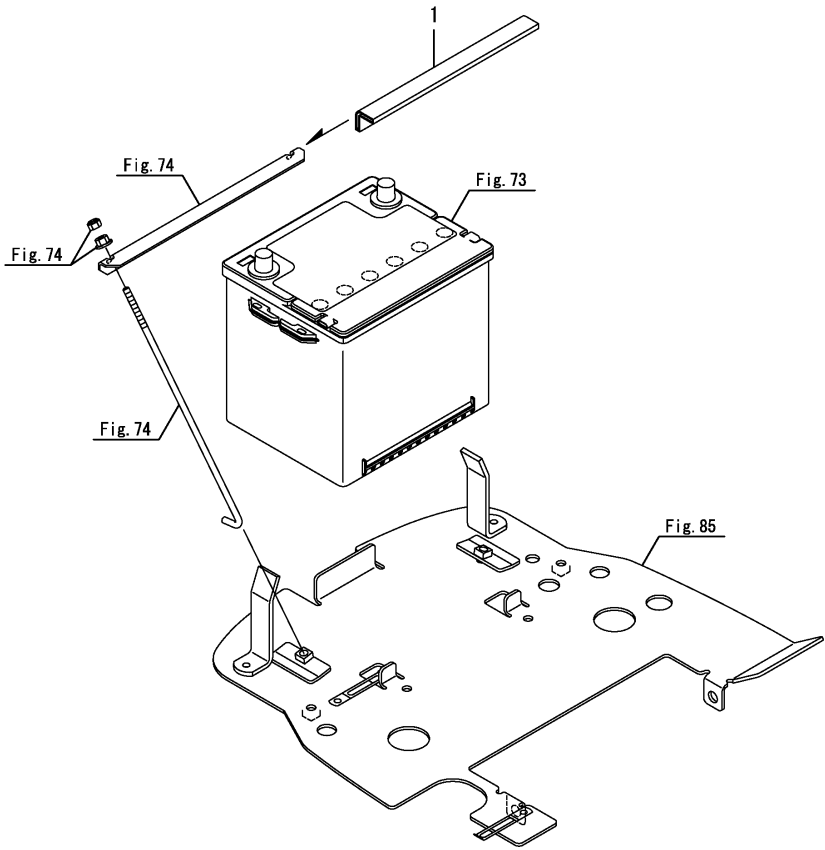


Fig.75. CLAMP ,BATTERY 2

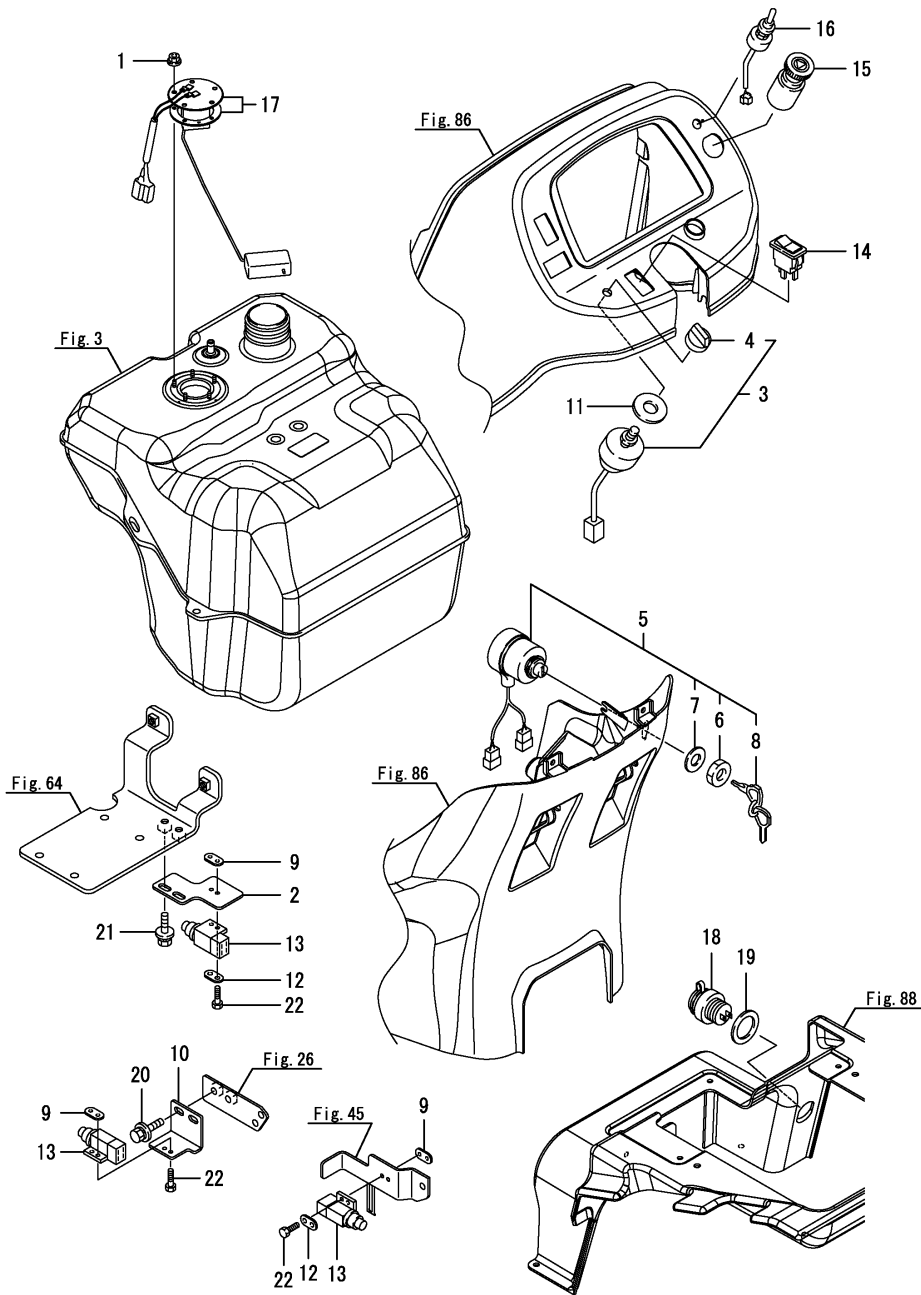
(A)=EB3100 N-EU-PQ
(B)=
(C)=

(D)=
(E)=
(F)=



No.	Lev.	Parts No.	Description	Q'ty						I	R
				(A)	(B)	(C)	(D)	(E)	(F)		
1	1	1A8275-51620	COVER,PROTECT	1							

Fig.76. SWITCH(1)



(A)=EB3100 N-EU-PQ
(B)=
(C)=

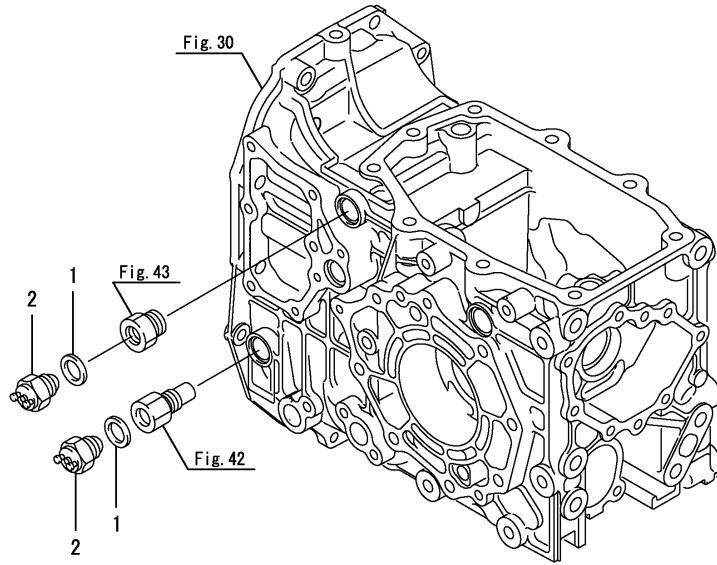
(D)=
(E)=
(F)=

No.	Lev.	Parts No.	Description	Qty						I	R
				(A)	(B)	(C)	(D)	(E)	(F)		
1	1	194990-22110	NUT, M4	5							
2	1	1A7530-37140	STAY, SWITCH PB	1							
3	1	198165-52100	SWITCH ASSY, LIGHT	1							
4	2	198165-52110	KNOB, SWITCH	1							
5	1	198162-52110	SWITCH, STARTING	1							
6	2	198360-52320	NUT, RING	1							
7	2	198360-52330	WASHER	1							
8	2	198162-52150	KEY ASSY	1							
9	1	1A7510-52110	NUT, 2-M4	3							
10	1	1A7530-52110	STAY, BRAKE SWITCH	1							
11	1	198165-52120	SEAL, SWITCH	1							
12	1	1A7510-52120	WASHER, SWITCH	2							
13	1	1A7335-52150	SWITCH, STOP LAMP	3							
14	1	198165-52250	SWITCH, HORN	1							
15	1	198223-52400	SWITCH, HAZARD	1							
16	1	198223-52510	SWITCH, TOGGLE	1							
17	1	1A7500-56610	GAUGE, FUEL	1							
18	1	1A7880-57100	SOCKET, POWER SOURCE	1							
19	1	1A7500-79720	WASHER, 31X45X2	1							
20	1	26018-080202	BOLT, M8X 20	2							
21	1	26018-080202	BOLT, M8X 20	2							
22	1	26117-040162	BOLT, M4X 16 PLATED	6							

Fig.77. SWITCH(2)

(A)=EB3100 N-EU-PQ
(B)=
(C)=

(D)=
(E)=
(F)=



No.	Lev.	Parts No.	Description	Q'ty						I	R
				(A)	(B)	(C)	(D)	(E)	(F)		
1	1	194850-49290	PACKING, 6-1	2							
2	1	198165-50110	SWITCH, NEUTRAL	2							

Fig.78. SWITCH(3)

(A)=EB3100 N-EU-PQ
(B)=
(C)=

(D)=
(E)=
(F)=

No.	Lev.	Parts No.	Description	Q'ty						I	R
				(A)	(B)	(C)	(D)	(E)	(F)		
1	1	172531-17300	SWITCH, PTO	1							
2	1	1A8300-52150	SWITCH, TURN SIGNAL	1							

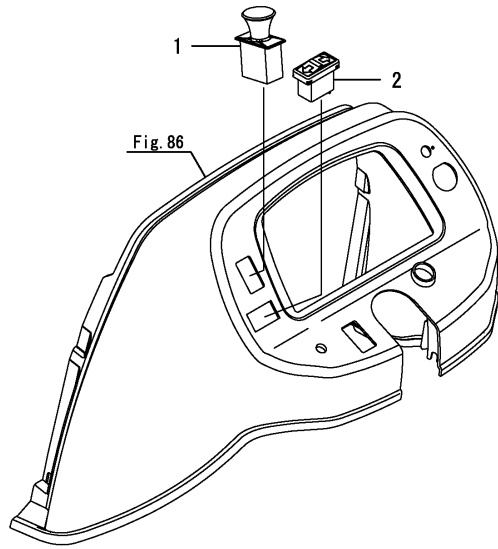
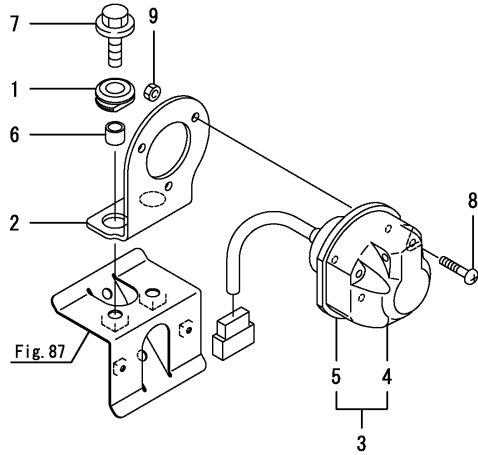


Fig.79. COUPLER ,TRAILER

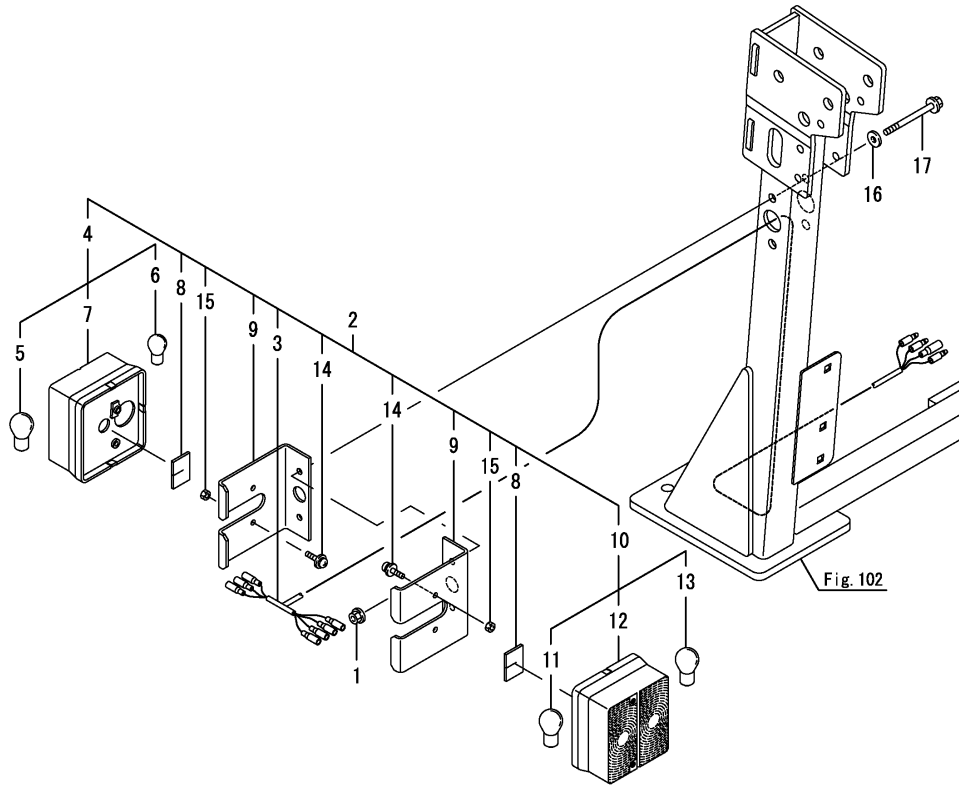


(A)=EB3100 N-EU-PQ
(B)=
(C)=

(D)=
(E)=
(F)=

No.	Lev.	Parts No.	Description	Q'ty						I	R
				(A)	(B)	(C)	(D)	(E)	(F)		
1	1	198360-03260	GROMMET, 12	2							
2	1	1A7510-51511	STAY, COUPLER	1							
3	1	198163-52150	COUPLER SET, TRAILER	1							
4	2	198163-52110	COUPLER ASSY	1							
5	2	198163-52120	BOOT, COUPLER	1							
6	1	1A6640-62970	COLLAR, 8.8X12X10	2							
7	1	26106-080252	BOLT, M8X 25 PLATED	2							
8	1	26557-050252	SCREW, M5X25	3							
9	1	26716-050002	NUT, M5	3							

Fig.80. LAMP



(A)=EB3100 N-EU-PQ
(B)=
(C)=

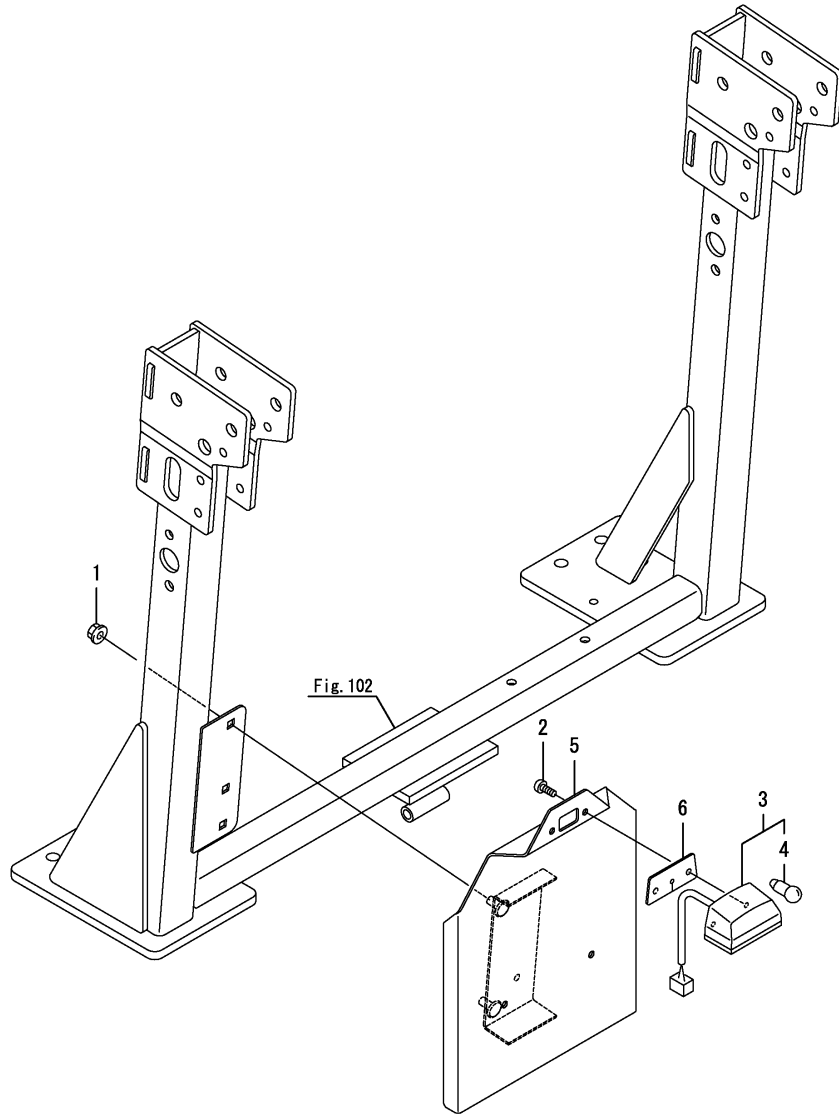
(D)=
(E)=
(F)=

No.	Lev.	Parts No.	Description	Q'ty						I	R
				(A)	(B)	(C)	(D)	(E)	(F)		
1	1	194990-22130	NUT, M6	4							
2	1	1A8300-53300	LAMP, COMBINATION	2							
3	2	198163-51520	HARNESS, WIRE	2							
4	2	198163-53310	LAMP, COMBINATION F	2							
5	3	1A7100-53220	BULB, 12VP21W	2							
6	3	1A7100-53230	BULB, 12VR5W	2							
7	3	198163-53320	BODY ASSY	2							
8	2	1A7874-53310	SEAL, 30X25X2	4							
9	2	1A8300-53320	BRACKET, COMBI LAMP	4							
10	2	198163-53330	LAMP ASSY, R	2							
11	3	1A7100-53220	BULB, 12VP21W	2							
12	3	198163-53340	BODY ASSY	2							
13	3	198163-53350	BULB, 12V5W21W	2							
14	2	26023-050122	SCREW, M5X12	8							
15	2	26716-050002	NUT, M5	8							
16	1	22157-060000	WASHER, 6	4							
17	1	26106-060702	BOLT, M6X 70 PLATED	4							

Fig.81. LICENCE

(A)=EB3100 N-EU-PQ
(B)=
(C)=

(D)=
(E)=
(F)=

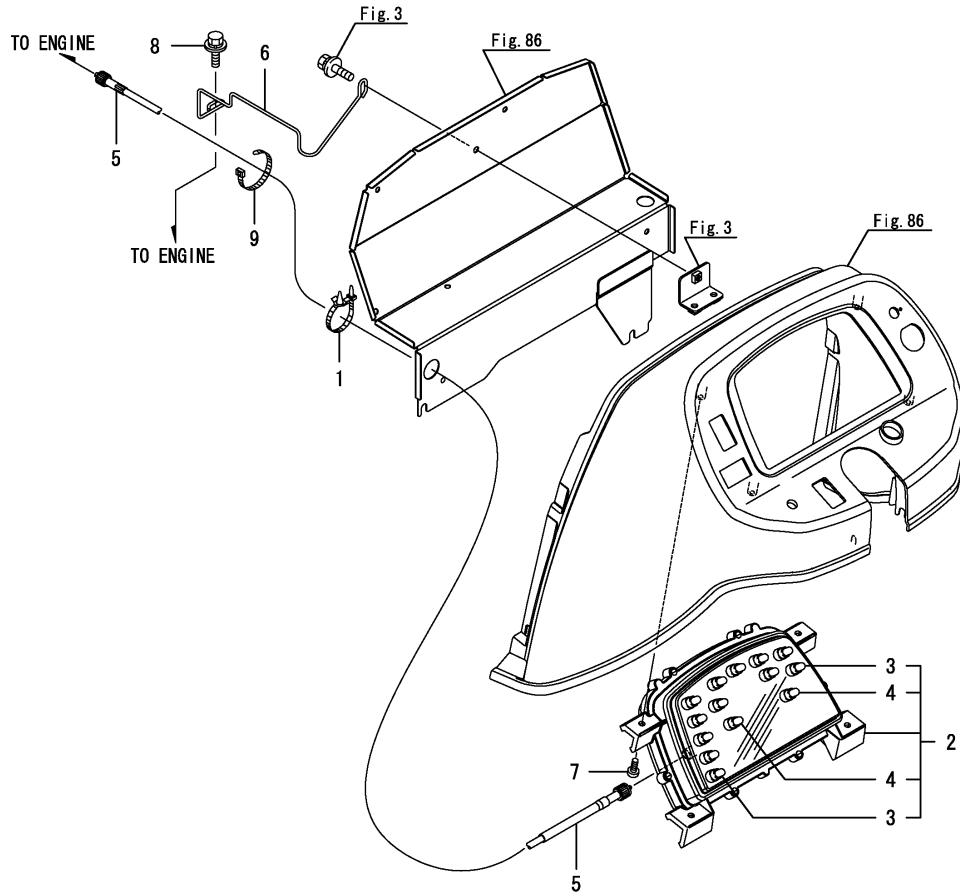


No.	Lev.	Parts No.	Description	Q'ty						I	R
				(A)	(B)	(C)	(D)	(E)	(F)		
1	1	194990-22140	NUT, M8	2							
2	1	1C6650-37480	SCREW, TAPPING M6X16	2							
3	1	1A7100-53400	LAMP ASSY, LICENSE	1							
4	2	1A7100-53420	BULB, 12VC5W	1							
5	1	1A8300-53700	BRACKET ASSY,	1							
6	1	198280-53750	SEAL, LICENCE LAMP	1							

Fig.82. METER

(A)=EB3100 N-EU-PQ
(B)=
(C)=

(D)=
(E)=
(F)=



No.	Lev.	Parts No.	Description	Q'ty						I	R
				(A)	(B)	(C)	(D)	(E)	(F)		
1	1	194680-51670	BAND, CLIP	1							
2	1	1A7540-56300	PANEL ASSY	1							
3	2	1A7510-56110	BULB, 12V2.0W	12							
4	2	198448-56150	BULB, 14V-1.4W	2							
5	1	1A7500-56901	CABLE ASSY, METER	1							
6	1	1A7540-56960	GUIDE, CABLE	1							
7	1	22857-600160	SCREW, 6X16	4							
8	1	26019-060162	BOLT, M6X 16	1							
9	1	29622-140001	BAND, RF140	1							

Fig.83. HORN

(A)=EB3100 N-EU-PQ
(B)=
(C)=

(D)=
(E)=
(F)=

No.	Lev.	Parts No.	Description	Q'ty						I	R
				(A)	(B)	(C)	(D)	(E)	(F)		
1	1	1C7100-08151	HORN ASSY	1							
2	1	26106-060122	BOLT, M6X 12 PLATED	2							

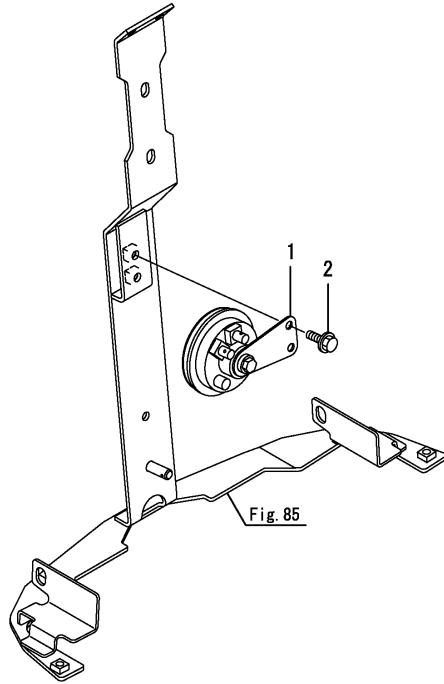


Fig.84. RELAY

(A)=EB3100 N-EU-PQ
(B)=
(C)=

(D)=
(E)=
(F)=

No.	Lev.	Parts No.	Description	Q'ty						I	R
				(A)	(B)	(C)	(D)	(E)	(F)		
1	1	1A7531-51460	STAY, RELAY	2							
2	1	198220-52180	RELAY, STARTER	1							
3	1	1A7522-52950	RELAY, ACM13221M19	5							
4	1	1A7510-57101	STAY ASSY, REGULATOR	1							
5	1	1A7510-57200	RELAY, FLASHER	1							
6	1	119650-77911	RELAY ASSY, GLOW	1							
7	1	128300-77920	TIMER	1							
8	1	129211-77920	TIMER	1							
9	1	26018-060122	BOLT M 6X 12	2							
10	1	26018-060162	BOLT, M6X 16	6							
11	1	26018-080202	BOLT, M8X 20	2							

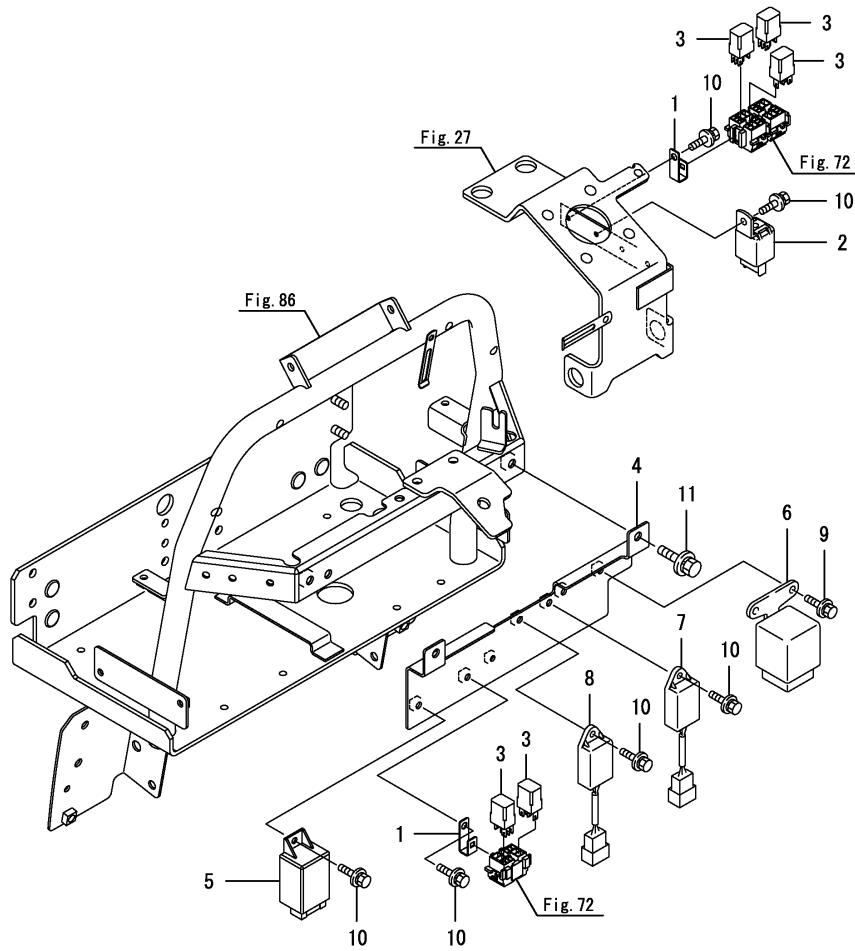
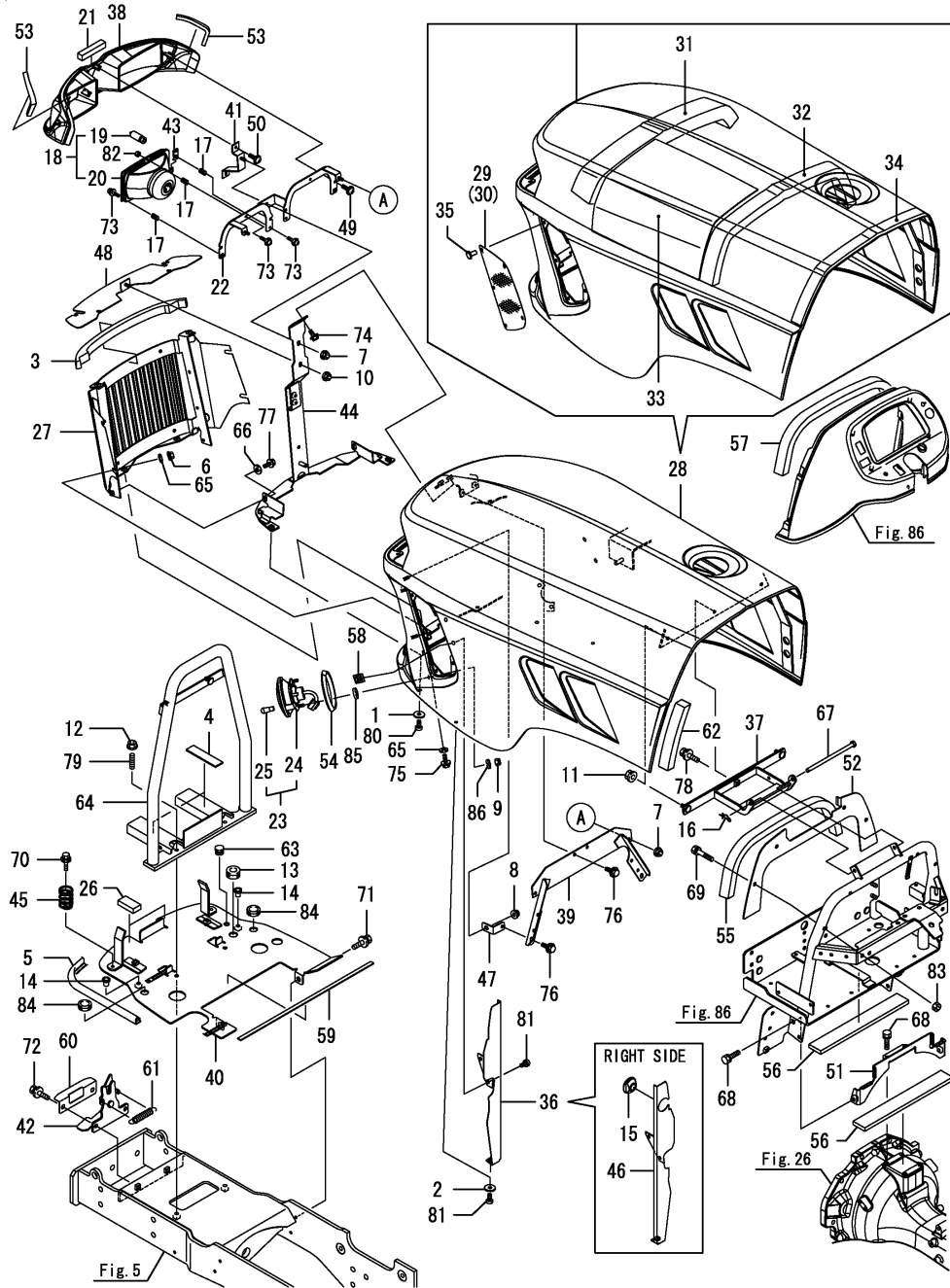


Fig.85. HOOD



(A)=EB3100 N-EU-PQ

(B)=

(C)=

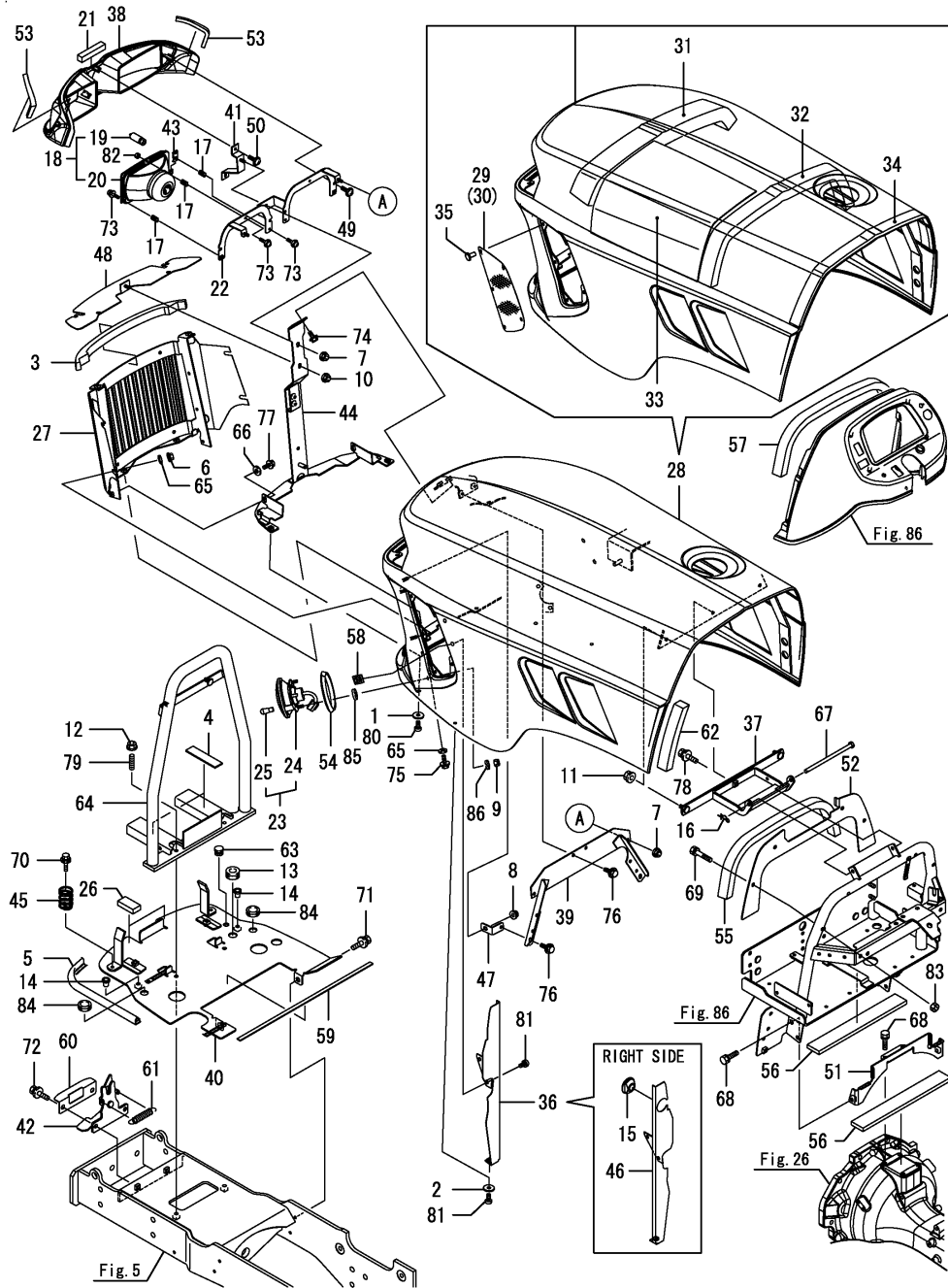
(D)=

(E)=

(F)=

No.	Lev.	Parts No.	Description	Q'ty						I	R
				(A)	(B)	(C)	(D)	(E)	(F)		
1	1	194515-01190	WASHER, 6	2							
2	1	194515-01190	WASHER, 6	2							
3	1	1A7880-01440	SEAL, RADIATOR	1							
4	1	198165-04380	RUBBER, 100X25X3	2							
5	1	1A7510-10191	SEAL, F DECK C	1							
6	1	194990-22130	NUT, M6	4							
7	1	194990-22130	NUT, M6	3							
8	1	194990-22130	NUT, M6	2							
9	1	26347-060002	NUT, M6	4							
10	1	194990-22130	NUT, M6	1							
11	1	194990-22140	NUT, M8	2							
12	1	194990-22140	NUT, M8	2							
13	1	198448-22520	GROMMET, CABLE	1							
14	1	194275-27750	PLUG, 7.8	2							
15	1	194555-51210	GROMMET, 35	1							
16	1	1C6281-52320	PIN, SNAP 8	1							
17	1	198163-53070	SPRING, LIGHT	6							
18	1	1A7100-53100	LAMP ASSY, HEAD	2							
19	2	1A7100-53130	BULB, H4-12V60/55W	2							
20	2	1A7100-53140	COVER	2							
21	1	198280-53170	SEAL, COVER A	1							
22	1	1A7874-53200	BRACKET, HEAD LAMP	1							
23	1	1A8300-53290	LAMP ASSY, SIDE	2							
24	2	1A7880-53310	CASE ASSY, SIDE LAMP	2							
25	2	1A7880-53320	BULB, 12V/15W	2							
26	1	1A8300-61990	RUBBER, STOPPER	2							
27	1	1A8300-61010	GRILLE ASSY, FRONT	1							
28	1	1A8300-61060	M ASSY, HOOD EU	1							
29	2	1A8300-61210	SCREEN, BONNET SIDE	1							
30	2	1A8300-61220	SCREEN, HOOD SIDE R	1							
31	2	1A8300-61810	SEAL, BONNET A	1							
32	2	1A8300-61860	SEAL, AIR SHIELD	1							
33	2	1A8300-61910	INSULATOR	1							
34	2	1A8300-61960	SEAL, BONNET B	1							
35	2	197810-84840	RIVET, NYLON	10							
36	1	1A8300-61250	PLATE ASSY, SEAL L	1							
37	1	1A7530-61300	HINGE ASSY, BONNET	1							
38	1	1A7874-61300	COVER, HEAD LAMP	1							
39	1	1A8300-61310	STAY ASSY, HEAD LAMP	1							
40	1	1A7540-61351	DECK ASSY, FRONT	1							
41	1	1A7874-61350	STAY ASSY, COVER	1							
42	1	1A7510-61450	LOCK ASSY, BONNET	1							
43	1	1A7874-61450	NUT, M4	2							
44	1	1A8300-61450	STAY ASSY,CATCH	1							
45	1	1A7500-61480	SPRING, BONNET	2							
46	1	1A8300-61570	PLATE ASSY, SEAL R	1							
47	1	1A8300-61590	STAY ASSY	2							
48	1	1A8300-61610	PLATE ASSY, SHIELD	1							
49	1	194420-61640	SCREW, TAPPING M5X16	2							
50	1	194420-61640	SCREW, TAPPING M5X16	2							
51	1	1A7540-61700	PLATE ASSY	1							

Fig.85. HOOD



(A)=EB3100 N-EU-PQ

(B)=

(C)=

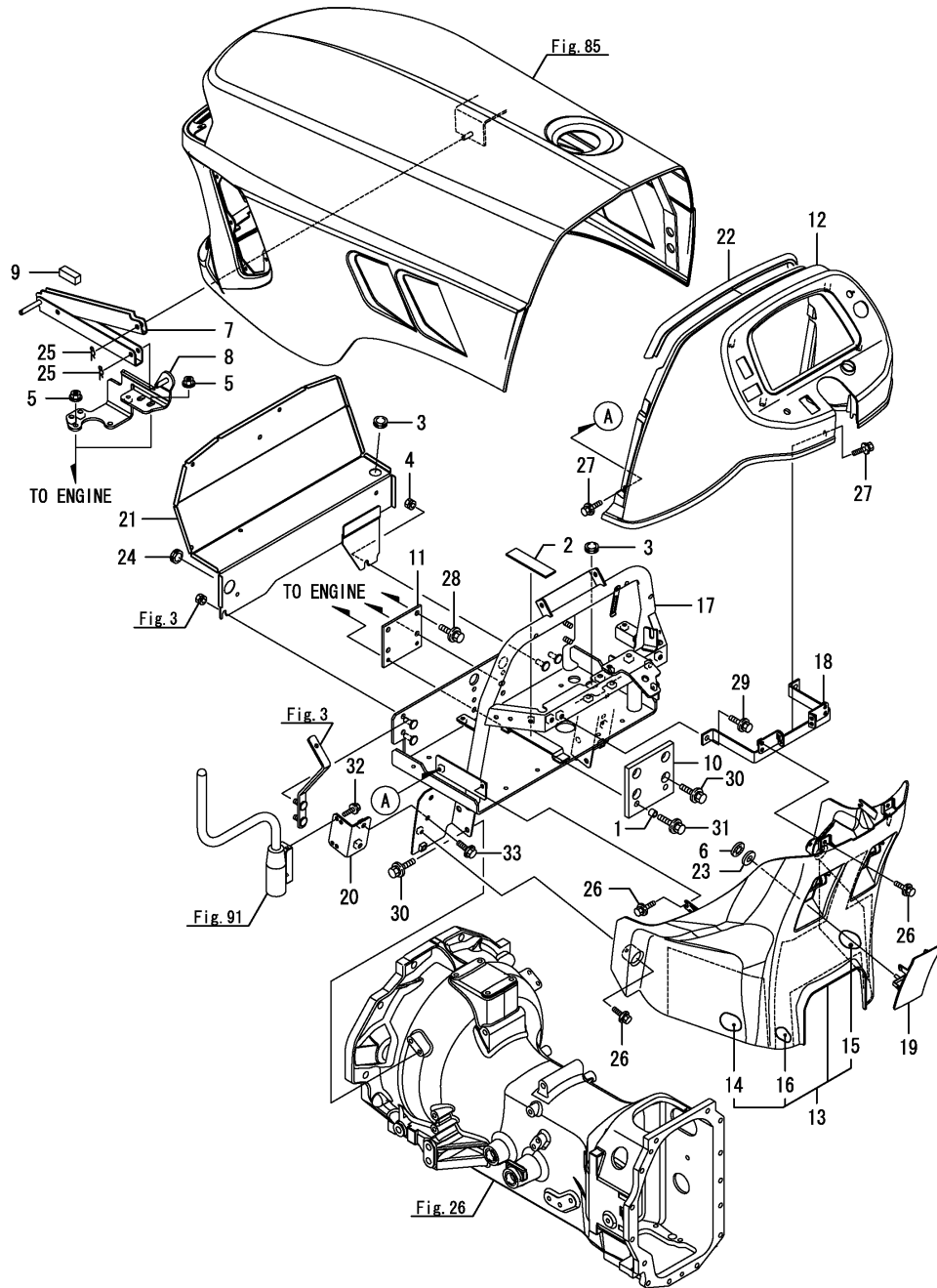
(D)=

(E)=

(F)=

No.	Lev.	Parts No.	Description	Q'ty						I	R
				(A)	(B)	(C)	(D)	(E)	(F)		
52	1	1A7540-61760	PLATE, UPPER	1							
53	1	1A8300-61780	SEAL, HEAD LAMP B	2							
54	1	1A8300-61780	SEAL, HEAD LAMP B	2							
55	1	1A7530-61860	SEAL, AIR CUT	1							
56	1	1A7540-61870	SEAL, CLUTCH HOUSING	2							
57	1	1A7540-61880	SEAL, DASHBOARD	1							
58	1	198071-61890	NUT, SPEED M6	4							
59	1	1A7530-61890	SEAL, SHROUD LOWER	1							
60	1	1A7510-61900	PLATE, SEAL	1							
61	1	198230-61960	SPRING	1							
62	1	1A7530-61990	SEAL, EXTENSION	2							
63	1	194630-62360	GROMMET	1							
64	1	1A8300-85710	FRAME ASSY, FRONT	1							
65	1	22157-060000	WASHER, 6	8							
66	1	22157-060000	WASHER, 6	2							
67	1	22487-081500	PIN, H 8X150	1							
68	1	26013-080162	BOLT, M8X 16	4							
69	1	26013-080402	BOLT, M8X 40	4							
70	1	26018-060162	BOLT, M6X 16	2							
71	1	26018-080202	BOLT, M8X 20	2							
72	1	26018-080252	BOLT, M8X 25	2							
73	1	26023-040202	SCREW, M4X20	6							
74	1	26106-060122	BOLT, M6X 12 PLATED	2							
75	1	26106-060162	BOLT, M6X 16 PLATED	4							
76	1	26106-060162	BOLT, M6X 16 PLATED	4							
77	1	26106-060162	BOLT, M6X 16 PLATED	2							
78	1	26106-080252	BOLT, M8X 25 PLATED	1							
79	1	26216-080302	STUD, M8X 30	2							
80	1	26589-060162	SCREW, M6	2							
81	1	26589-060162	SCREW, M6	6							
82	1	26716-040002	NUT, M4	2							
83	1	26716-080002	NUT, M8	4							
84	1	29331-124000	GROMMET, 12.0X4	2							
85	1	22137-060000	WASHER, 6	4							
86	1	22217-060000	WASHER, SPRING 6	4							

Fig.86. DASH BOARD



(A)=EB3100 N-EU-PQ

(B)=

(C)=

(D)=

(E)=

(F)=

No.	Lev.	Parts No.	Description	Qty						I	R
				(A)	(B)	(C)	(D)	(E)	(F)		
1	1	194215-04220	SPACER, 8X10X10	2							
2	1	198165-04380	RUBBER, 100X25X3	1							
3	1	1A7530-21210	RUBBER, ST	2							
4	1	194990-22050	NUT, M8	1							
5	1	194990-22140	NUT, M8	4							
6	1	1C6460-38240	NUT 5,PUSH	1							
7	1	1A7530-61420	STAND ASSY, BONNET	1							
8	1	1A7540-61450	STAY ASSY, ROD	1							
9	1	198200-61550	STOPPER, STAND	1							
10	1	1A7540-61580	SPACER	1							
11	1	1A7540-61590	PLATE, ENGINE	1							
12	1	1A7510-61620	DASHBOARD, UPPER	1							
13	1	1A8300-61640	M ASSY, DASHBOARD	1							
14	2	1A7510-60010	SEAL, L	1							
15	2	1A7510-60020	SEAL, R	1							
16	2	1A7510-60030	SEAL, C	1							
17	1	1A8300-61660	STAY ASSY, DASHBOARD	1							
18	1	1A7510-61670	STAY ASSY, LOWER	1							
19	1	1A7510-61700	COVER, DASHBOARD	1							
20	1	1A8300-61730	STAY ASSY, MIRROR	1							
21	1	1A7531-61801	PLATE ASSY, AIR CUT	1							
22	1	1A7510-61850	TRIM, DASHBOARD	1							
23	1	194555-65130	CUSHION	1							
24	1	1E6910-83500	GROMMET, 30	1							
25	1	22372-080000	PIN, SNAP 8	2							
26	1	26018-060162	BOLT, M6X 16	6							
27	1	26018-060162	BOLT, M6X 16	4							
28	1	26018-080162	BOLT, M8X 16	2							
29	1	26018-080202	BOLT, M8X 20	2							
30	1	26018-080202	BOLT, M8X 20	4							
31	1	26018-080252	BOLT, M8X 25	2							
32	1	26106-060162	BOLT, M6X 16 PLATED	2							
33	1	26106-080162	BOLT, M8X 16 PLATED	2							

Fig.87. FENDER

(A)=EB3100 N-EU-PQ

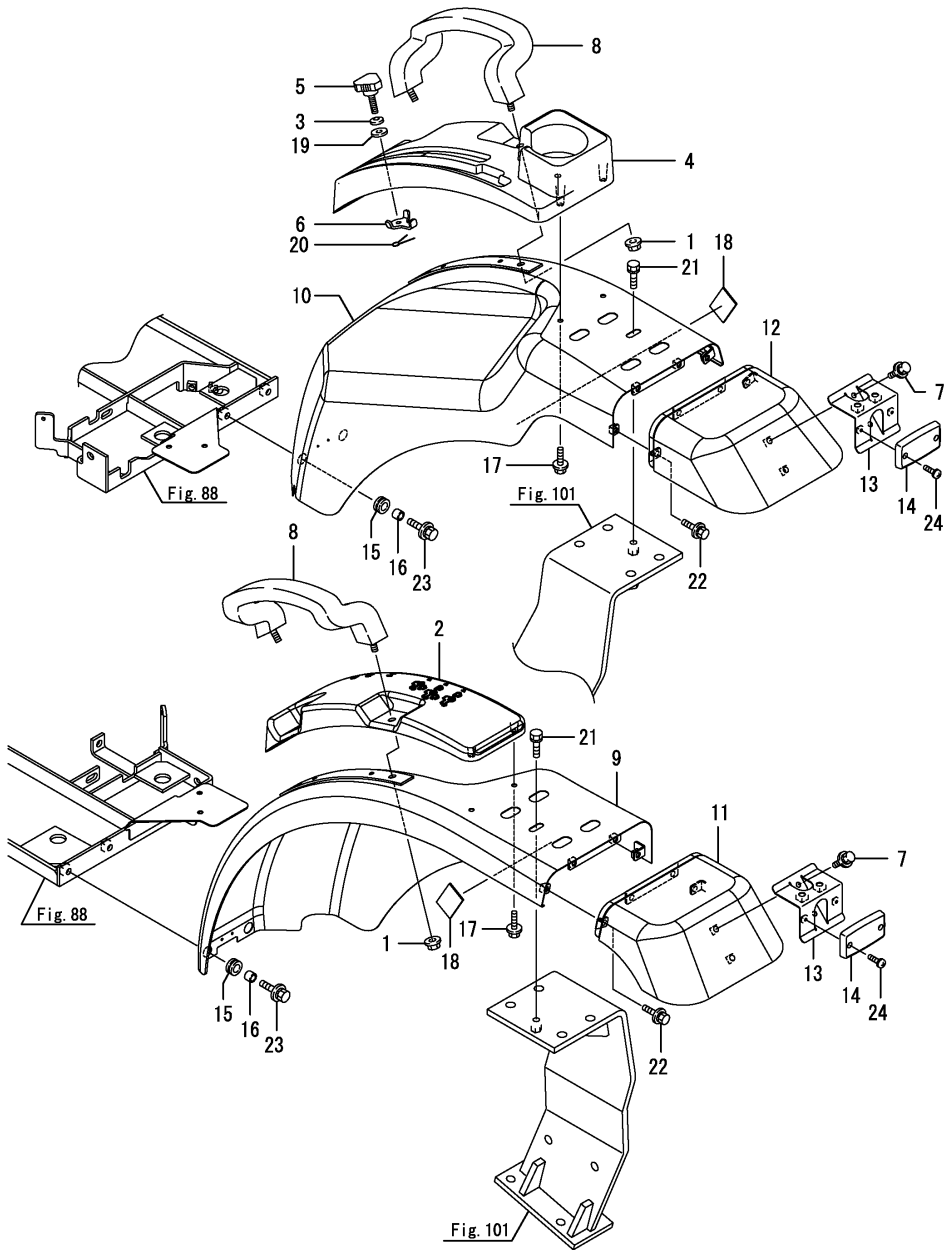
(B)=

(C)=

(D)=

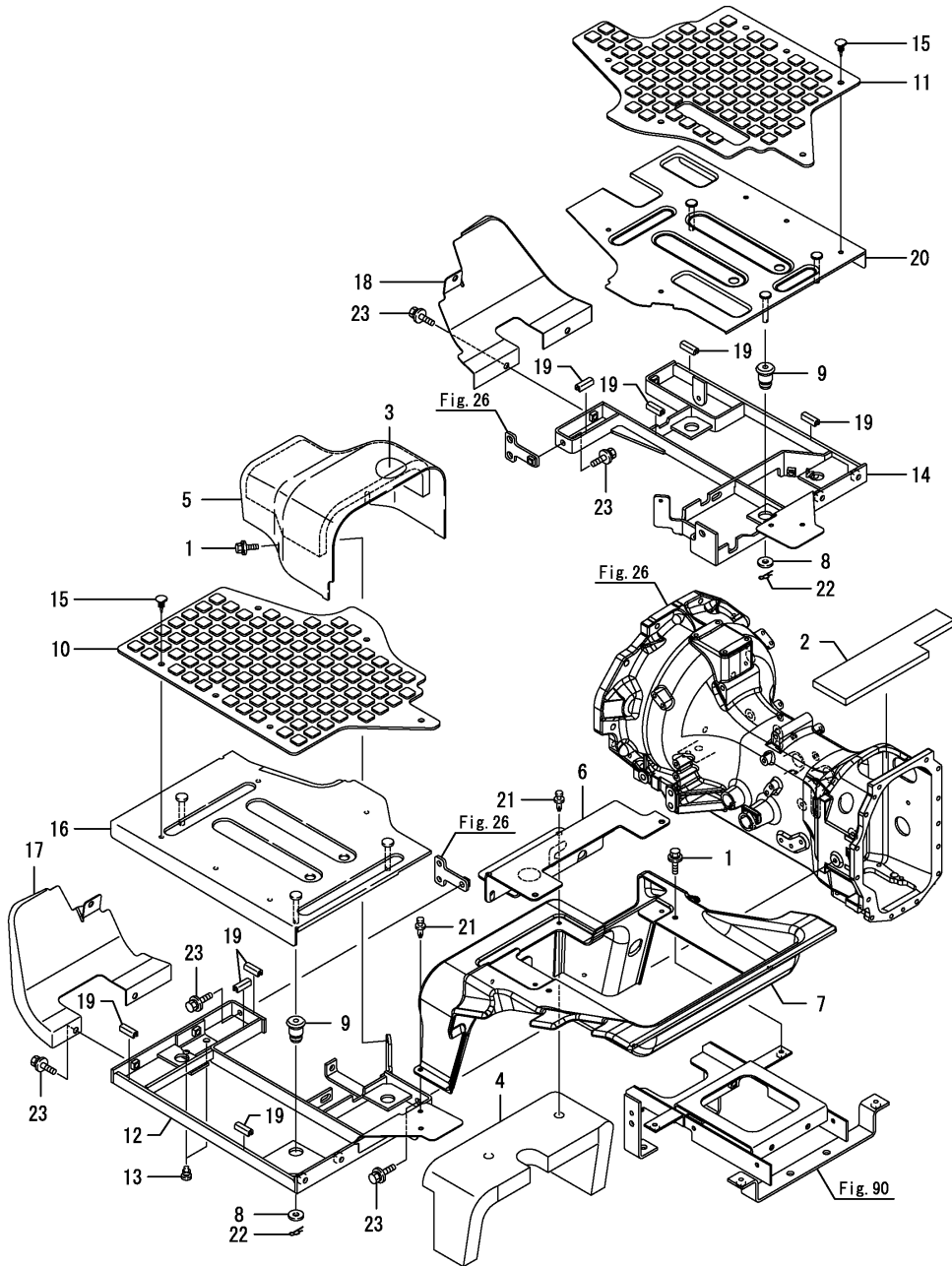
(E)=

(F)=



No.	Lev.	Parts No.	Description	Q'ty						I	R
				(A)	(B)	(C)	(D)	(E)	(F)		
1	1	194990-22140	NUT, M8	4							
2	1	1A7510-27450	GUIDE, CHANGE LEVER	1							
3	1	194300-37570	SPRING	1							
4	1	1A7510-47711	GUIDE, LEVER	1							
5	1	198165-47750	KNOB, CONTROL	1							
6	1	1A7510-47760	STOPPER, CONTROL	1							
7	1	198421-61620	BOLT, M6X20	4							
8	1	1A7510-62100	BAR, ASSIST	2							
9	1	1A7540-62110-1	FENDER ASSYL L	1							
10	1	1A7540-62120-1	FENDER ASSYL R	1							
11	1	1A7510-62210-1	FENDER ASSY, L-E	1							
12	1	1A7510-62220-1	FENDER ASSY, R-E	1							
13	1	1A7510-62330-1	STAY ASSY, REFLECTOR	2							
14	1	1A7510-62350	REFLECTOR	2							
15	1	1A6640-62960	GROMMET	4							
16	1	1A6640-62970	COLLAR, 8.8X12X10	4							
17	1	198165-63130	SCREW, SMV	6							
18	1	198093-84810	SEAL, FENDER	2							
19	1	22157-080000	WASHER, 8	1							
20	1	22417-200160	PIN, COTTER 2.0X16	1							
21	1	26013-080252	BOLT, M8X 25	2							
22	1	26018-060162	BOLT, M6X 16	8							
23	1	26018-080252	BOLT, M8X 25	4							
24	1	26022-040122	SCREW, M4X12	4							

Fig.88. STEP



(A)=EB3100 N-EU-PQ
(B)=
(C)=

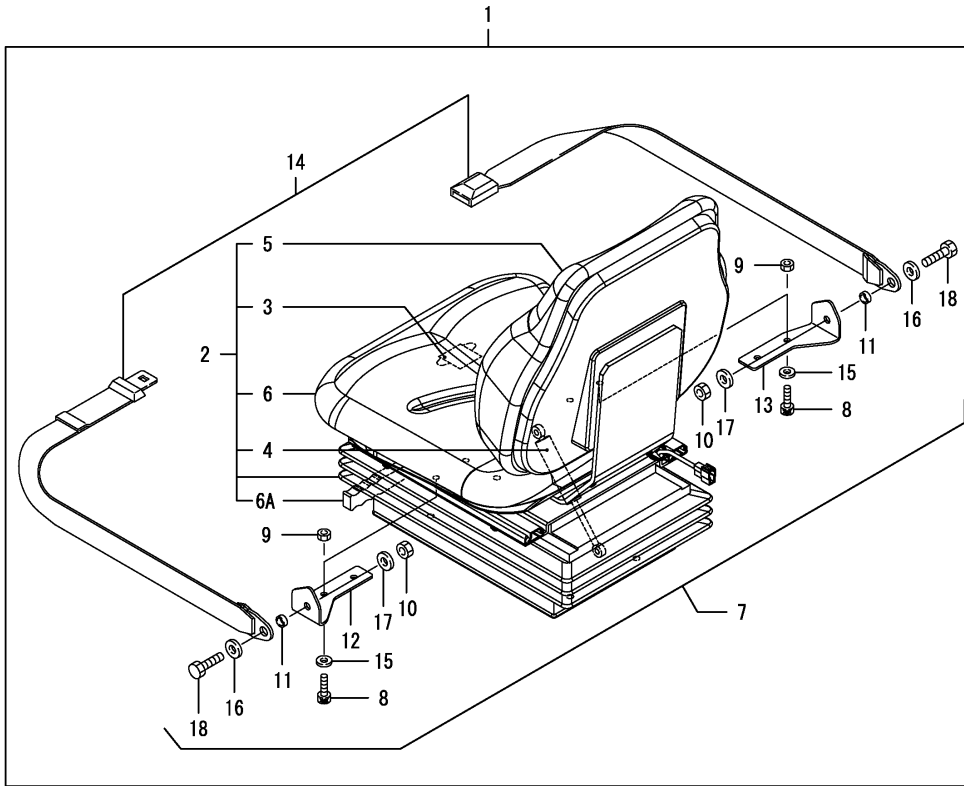
(D)=
(E)=
(F)=

No.	Lev.	Parts No.	Description	Q'ty						I	R
				(A)	(B)	(C)	(D)	(E)	(F)		
1	1	198421-61620	BOLT, M6X20	6							
2	1	198167-61910	SEAL, D	1							
3	1	1A7530-61970	SEAL, FRONT COVER	1							
4	1	1A7530-61981	SEAL, COVER R	1							
5	1	1A8300-62050	MASSY, FRONT COVER	1							
6	1	1A7530-62060	COVER, SEAT	1							
7	1	1A7531-62070	CLOSE OUT, SEAT	1							
8	1	198220-62150	WASHER	6							
9	1	198240-62451	ABSORBER, STEP	6							
10	1	1A7530-62470	RUBBER, STEP L	1							
11	1	1A7530-62490	RUBBER, STEP R-E	1							
12	1	1A7530-62500	FRAME ASSY, STEP L	1							
13	1	194330-62530	STOPPER, PEDAL	2							
14	1	1A7530-62600	FRAME ASSY, STEP R	1							
15	1	198162-62630	FASNER	12							
16	1	198165-62661-1	STEP ASSY, L	1							
17	1	1A7530-62810-1	COVER ASSY, FOOT L	1							
18	1	1A7530-62820-1	COVER ASSY, FOOT R	1							
19	1	198220-62890	RUBBER, STOPPER	8							
20	1	1A7530-62930-1	STEP ASSY, R	1							
21	1	197810-84840	RIVET, NYLON	7							
22	1	22372-080000	PIN, SNAP 8	6							
23	1	26018-080202	BOLT, M8X 20	10							

Fig.89. DRIVER SEAT

(A)=EB3100 N-EU-PQ
(B)=
(C)=

(D)=
(E)=
(F)=

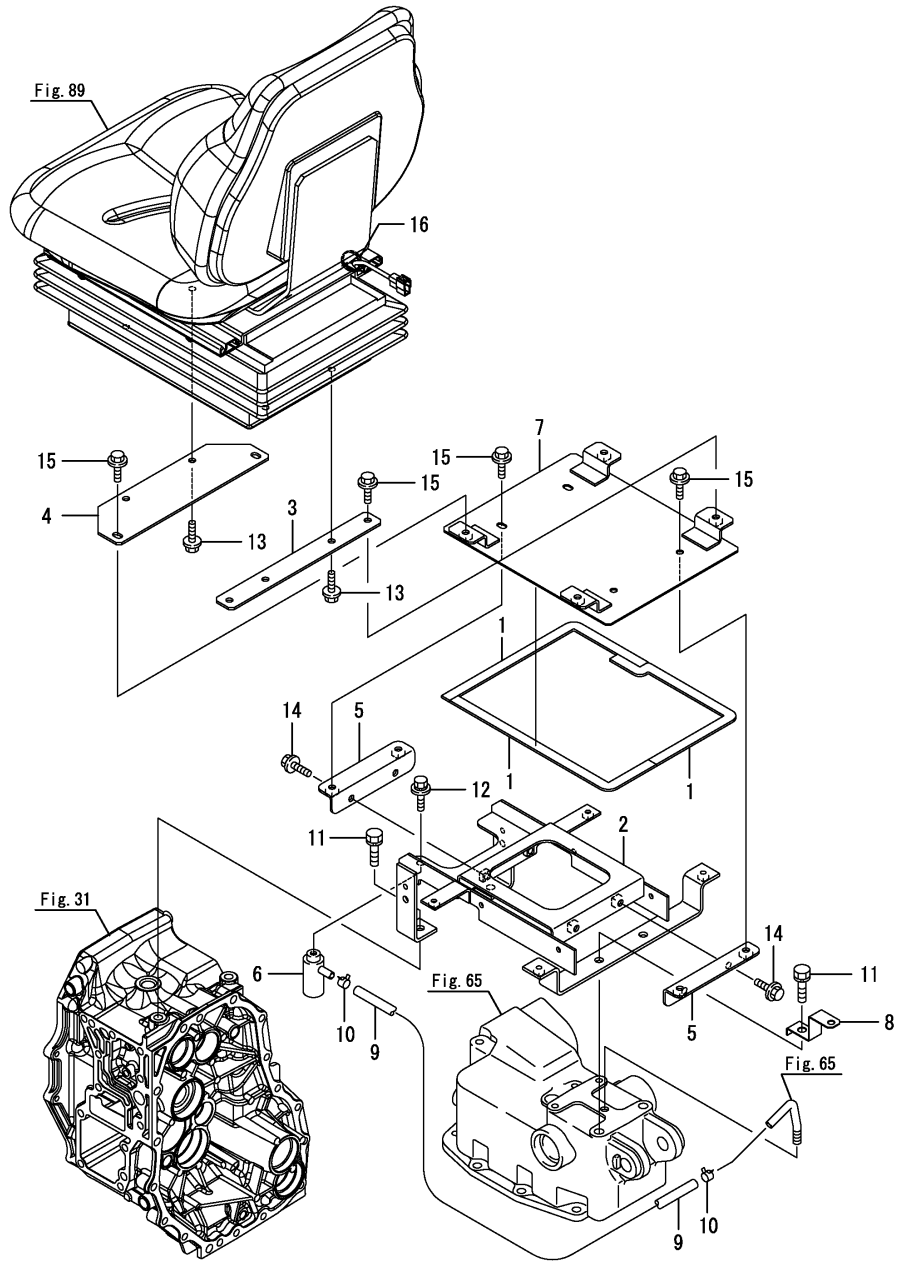


No.	Lev.	Parts No.	Description	Q'ty						I	R
				(A)	(B)	(C)	(D)	(E)	(F)		
1	1	198280-63100	SEAT, OPERATOR	1							
2	2	198280-63112	SEAT ASSY, OPERATOR	1							
3	3	198280-63140	SWITCH, SEAT	1							
4	3	198280-63150	SHOCK ABSORBER,	1							
5	3	198280-63160	BACKREST, PVC	1							
6	3	198280-63180	CUSION, PVC	1							
6A	3	198280-63340	LEVER, ADJUSTING	1							
7	2	198280-63200	SEATBELT UNIT, COBO	1							
8	3	198280-63220	BOLT, M8X14	4							
9	3	198280-63230	NUT, 8	4							
10	3	198280-63240	NUT, 10	2							
11	3	198280-63270	COLLAR, 10.5X15X5.5	2							
12	3	198280-63280	STAY, R SEATBELT	1							
13	3	198280-63290	STAY, L SEATBELT	1							
14	3	198280-63300	SEATBELT	1							
15	3	22117-080000	WASHER, 8	4							
16	3	22137-100000	WASHER, 10	2							
17	3	22137-100000	WASHER, 10	2							
18	3	26296-100252	BOLT, M10X 25	2							

Fig.90. BRACKET ,SEAT

(A)=EB3100 N-EU-PQ
(B)=
(C)=

(D)=
(E)=
(F)=

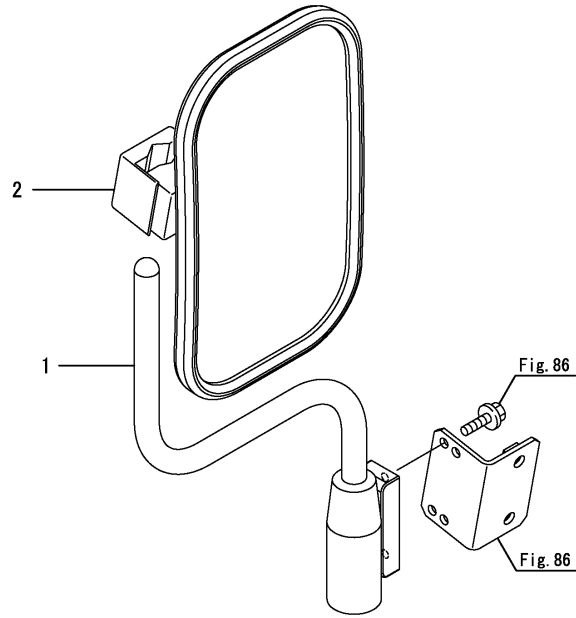


No.	Lev.	Parts No.	Description	Q'ty						I	R
				(A)	(B)	(C)	(D)	(E)	(F)		
1	1	198208-01480	URETHANE, RADIATOR	3							
2	1	1A7530-63300	BRACKET ASSY, SEAT	1							
3	1	1A8300-63300	STAY, SEAT R	1							
4	1	1A8300-63310	STAY, SEAT F	1							
5	1	1A7530-63370	STAY ASSY, SEAT E	2							
6	1	194205-63550	BREATHER, AIR	1							
7	1	1A8300-63750	STAY ASSY, SEAT	1							
8	1	1A8300-63990	CLAMP, HARNESS	1							
9	1	23065-090450	PIPE, 9X 450	1							
10	1	23080-012000	CLAMP, 12	2							
11	1	26013-100202	BOLT, M10X 20	4							
12	1	26018-080162	BOLT, M8X 16	1							
13	1	26106-080162	BOLT, M8X 16 PLATED	4							
14	1	26106-080162	BOLT, M8X 16 PLATED	4							
15	1	26106-080162	BOLT, M8X 16 PLATED	8							
16	1	29622-250001	BAND, RF250	1							

Fig.91. REARVIEW MIRROR

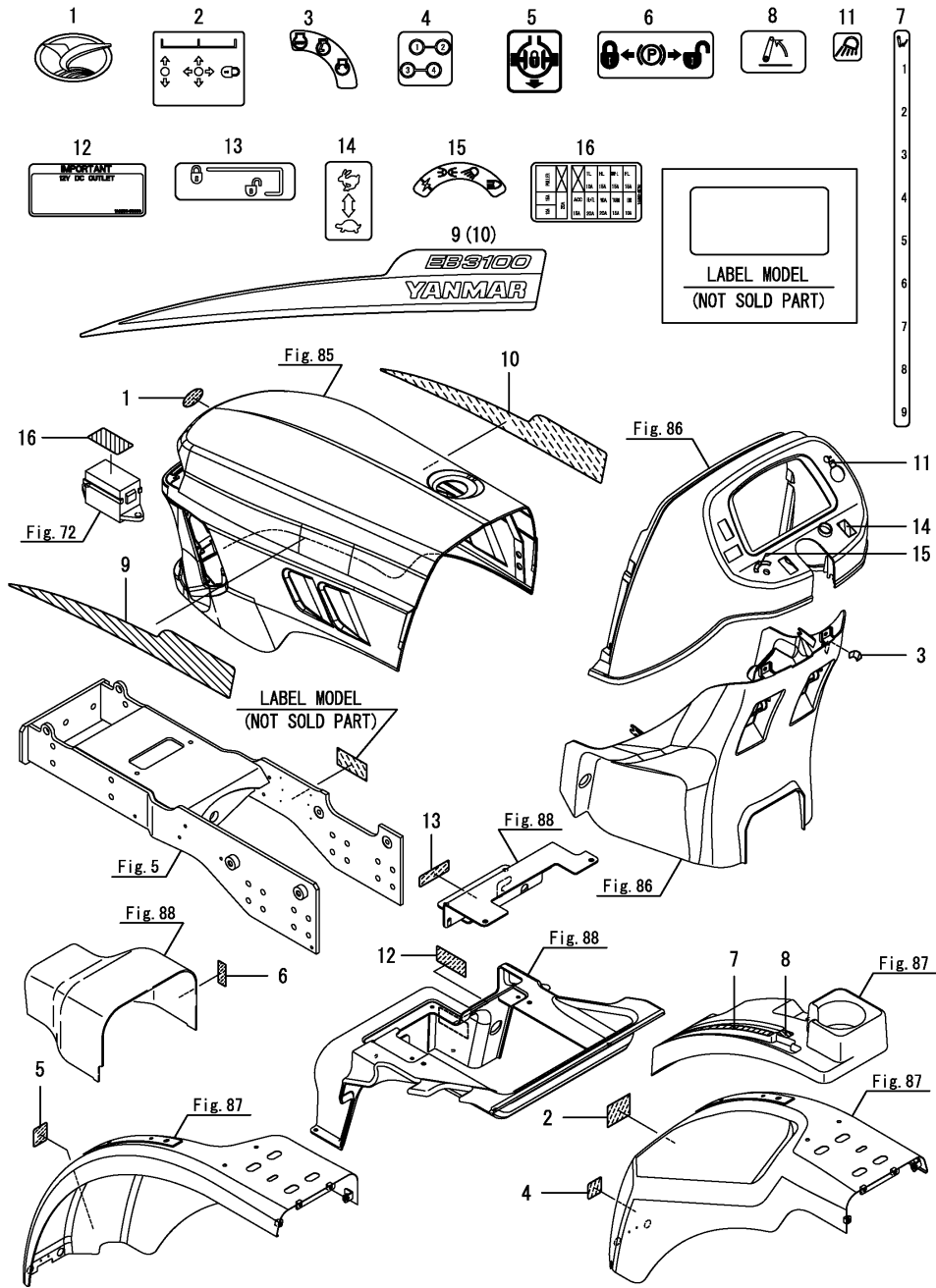
(A)=EB3100 N-EU-PQ
 (B)=
 (C)=

(D)=
 (E)=
 (F)=



No.	Lev.	Parts No.	Description	Q'ty						I	R
				(A)	(B)	(C)	(D)	(E)	(F)		
1	1	1A8300-61750	ARM ASSY, MIRROR	1							
2	1	1A7100-64110	MIRROR ASSY, BACK	1							

Fig.92. LABEL(1)



(A)=EB3100 N-EU-PQ
(B)=
(C)=

(D)=
(E)=
(F)=

No.	Lev.	Parts No.	Description	Qty						I	R
				(A)	(B)	(C)	(D)	(E)	(F)		
1	1	1A7874-65010	EMBLEM ASSY, FRONT S	1							
2	1	198220-65410	LABEL, SCV LEVER	1							
3	1	1A8300-65422	LABEL, START SWITCH	1							
4	1	1A8300-65430	LABEL, SCV COUPLER	1							
5	1	194240-65441	LABEL, DIFF. LOCK	1							
6	1	198036-65470	LABEL, BRAKE LOCK	1							
7	1	1A7530-65471	LABEL, HYD.LEVER	1							
8	1	1A7520-65480	LABEL B, HYD.LEVER	1							
9	1	1A8300-65530	LABEL, LOGO L EB	1							
10	1	1A8300-65540	LABEL, LOGO R EB	1							
11	1	1A7510-65580	LABEL, WORK LAMP	1							
12	1	1A8250-65630	LABEL, SOCKET	1							
13	1	1A8300-65630	DECAL, SCV LOCK	1							
14	1	198165-65690	DECAL,	1							
15	1	1A7510-65740	DECAL,LIGHT EC	1							
16	1	1A8300-65790	LABEL, FUSE	1							

Fig.94. LABEL(SAFETY)

(A)=EB3100 N-EU-PQ

(B)=

(C)=

(D)=

(E)=

(F)=

No.	Lev.	Parts No.	Description	Q'ty						I	R
				(A)	(B)	(C)	(D)	(E)	(F)		
1	1	198280-65210	LABEL,	1							
2	1	1A7510-65210	LABEL,OPERATION HE	1							
3	1	1A8330-65300	LABEL, JUMP START	1							
4	1	1A8300-65350	LABEL, CAUTION	1							
5	1	1A7880-65610	LABEL,WARNING,FAN	1							
6	1	198163-65930	CAUTION,MUFFLER	1							
7	1	198163-65950	LABEL, SEATBELT	1							
8	1	1A6150-91251	LABEL,RAKE CAUTION	1							
9	1	1A6150-93151	LABEL,COVER	1							

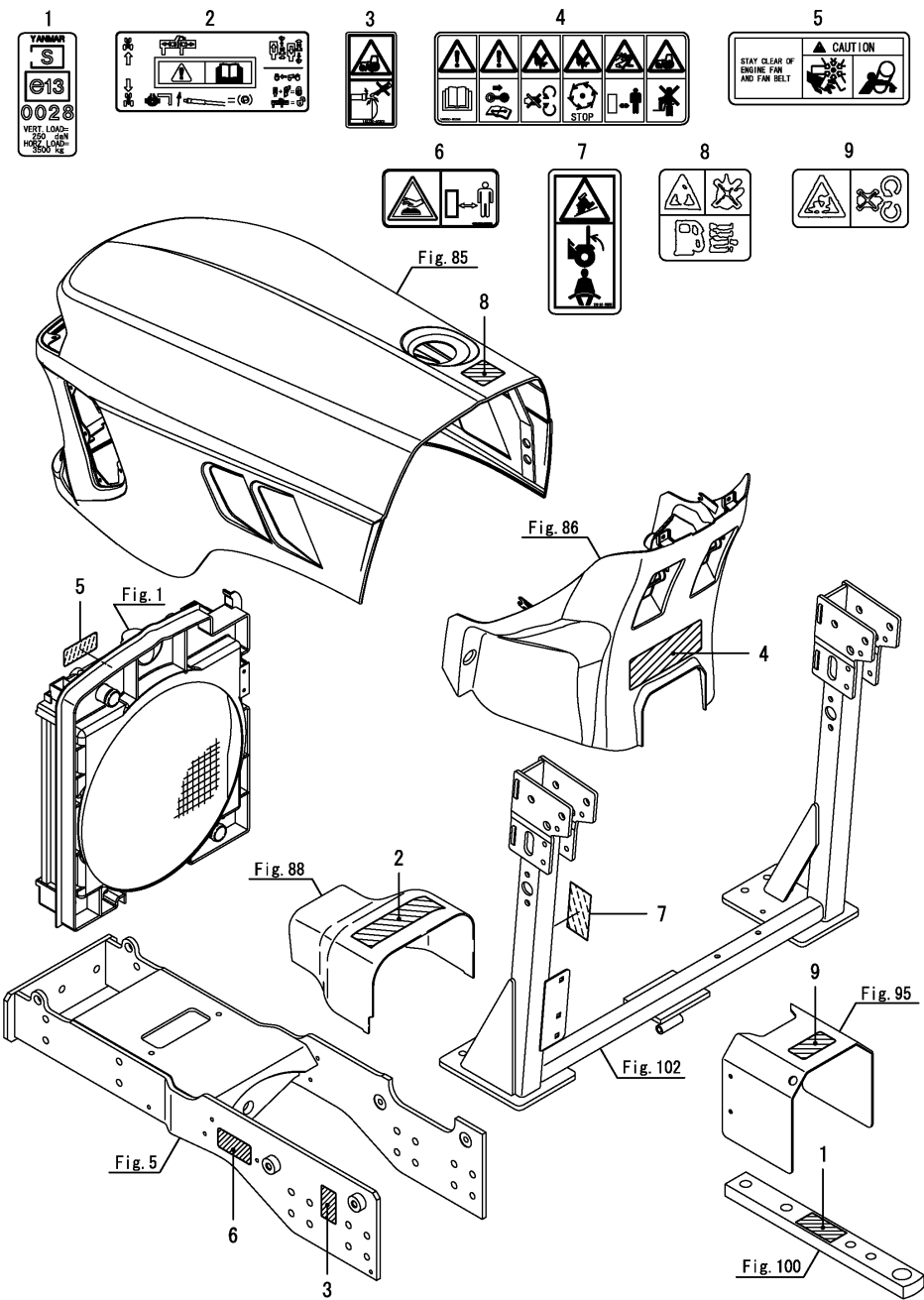
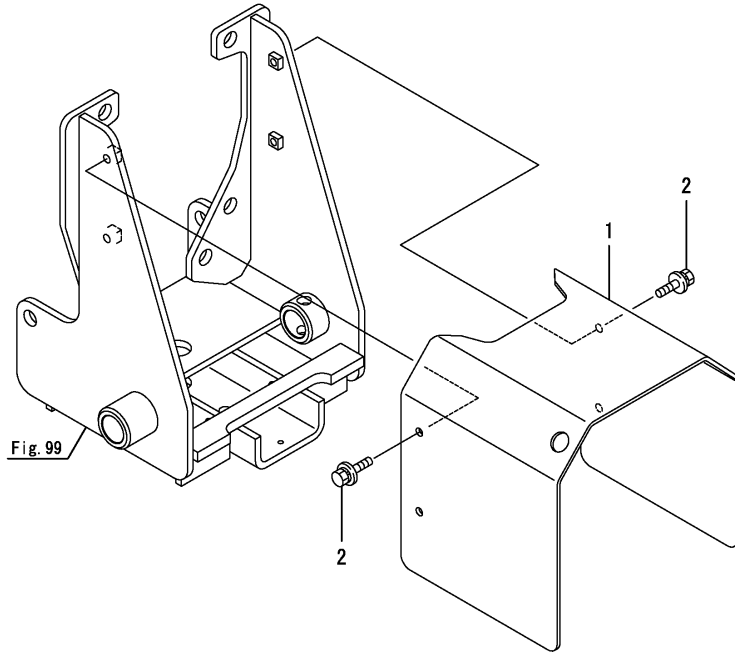


Fig.95. P.T.O. GUARD

(A)=EB3100 N-EU-PQ
 (B)=
 (C)=

(D)=
 (E)=
 (F)=



No.	Lev.	Parts No.	Description	Q'ty						I	R
				(A)	(B)	(C)	(D)	(E)	(F)		
1	1	1A8300-75490	MASSY, PTO COVER	1							
2	1	26018-060162	BOLT, M6X 16	4							

Fig.97. OIL SEAL COVER

(A)=EB3100 N-EU-PQ
 (B)=
 (C)=

(D)=
 (E)=
 (F)=

No.	Lev.	Parts No.	Description	Qty						I	R
				(A)	(B)	(C)	(D)	(E)	(F)		
1	1	1A7530-26490	COVER, OIL SEAL	1							
2	1	194250-32530	PIN, HOOK	2							

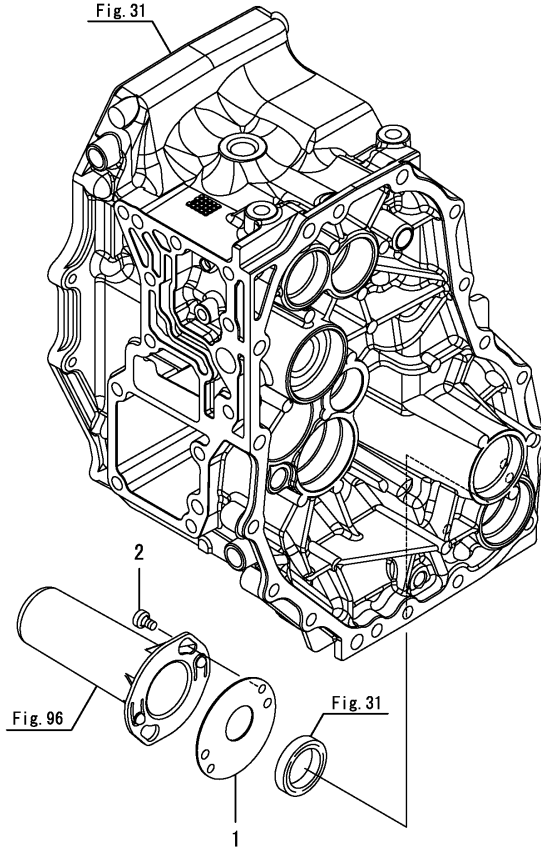


Fig.98. 3-POINT HITCH

(A)=EB3100 N-EU-PQ

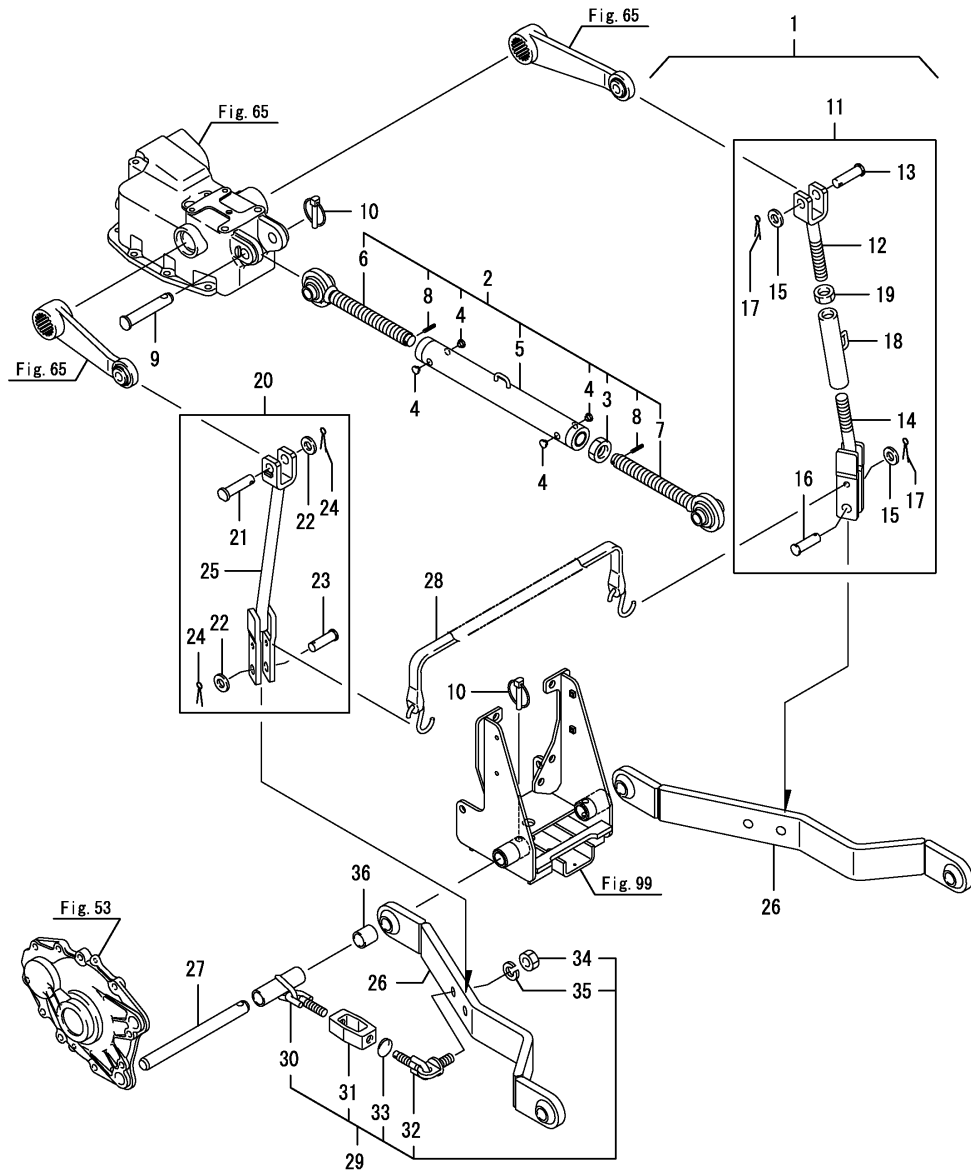
(B)=

(C)=

(D)=

(E)=

(F)=



No.	Lev.	Parts No.	Description	Q'ty						I	R
				(A)	(B)	(C)	(D)	(E)	(F)		
1	1	1A7540-71100	HITCH ASSY, 3-POINT	1							
2	2	1A7500-71112	LINK ASSY, UPPER	1							
3	3	1A7500-71200	NUT, LOCK M24	1							
4	3	1A7335-71250	CAP	4							
5	3	1A7500-71251	TUBE ASSY	1							
6	3	1A7500-71271	BOLT, EYE	1							
7	3	1A7500-71291	BOLT ASSY, EYE	1							
8	3	22351-050025	PIN, SPRING 5.0X25	2							
9	2	1A7530-71120	PIN, LINK	1							
10	2	1A7500-71130	PIN ASSY, LINTCH	3							
11	2	1A7530-72110	LINK ASSY, LIFT R	1							
12	3	1A7530-72120	CLEVIS ASSY	1							
13	3	1A7500-72150	PIN	1							
14	3	1A7530-72150	END ASSY, LOWER	1							
15	3	1A7500-72160	WASHER, 16	2							
16	3	1A7500-72170	PIN	1							
17	3	1A7500-72180	PIN, COTTER	2							
18	3	1A7500-72350	TURNBUCKLE	1							
19	3	1A7500-72380	NUT, M20X2.5	1							
20	2	1A7530-72210	LINK ASSY, LIFT L	1							
21	3	1A7500-72150	PIN	1							
22	3	1A7500-72160	WASHER, 16	2							
23	3	1A7500-72170	PIN	1							
24	3	1A7500-72180	PIN, COTTER	2							
25	3	1A7530-72220	LINK ASSY, LIFT L	1							
26	2	1A7530-73111	LINK, LOWER	2							
27	2	1A7530-73120	PIN, HINGE	2							
28	2	1A7500-73310	STRAP, LINK	1							
29	2	1A7530-74610	CHAIN ASSY, SWAY	2							
30	3	1A7530-74630	CHAIN ASSY	2							
31	3	1A7500-74640	TURNBUCKLE	2							
32	3	1A7530-74650	CHAIN ASSY	2							
33	3	1A7500-74661	RING, 32	2							
34	3	1A7500-74670	NUT, M16	2							
35	3	1A7500-74680	WASHER, SPRING 16	2							
36	2	1A7530-74620	COLLAR, HINGE PIN	2							

Fig.99. BRACKET ,REAR

(A)=EB3100 N-EU-PQ
(B)=
(C)=

(D)=
(E)=
(F)=

No.	Lev.	Parts No.	Description	Q'ty						I	R
				(A)	(B)	(C)	(D)	(E)	(F)		
1	1	1A8300-75400	HITCH ASSY, REAR	1							
2	1	26013-120302	BOLT, M12X 30	8							

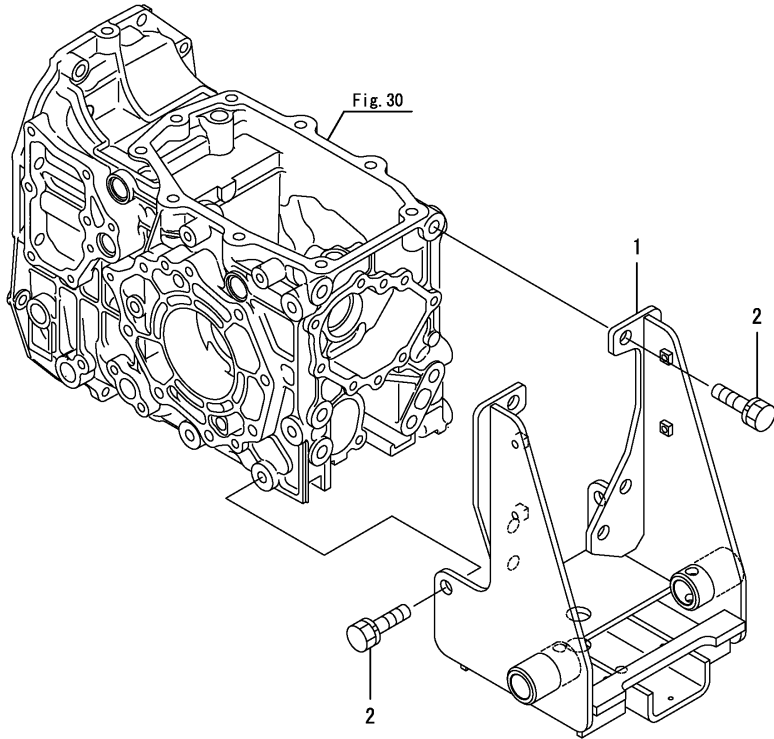
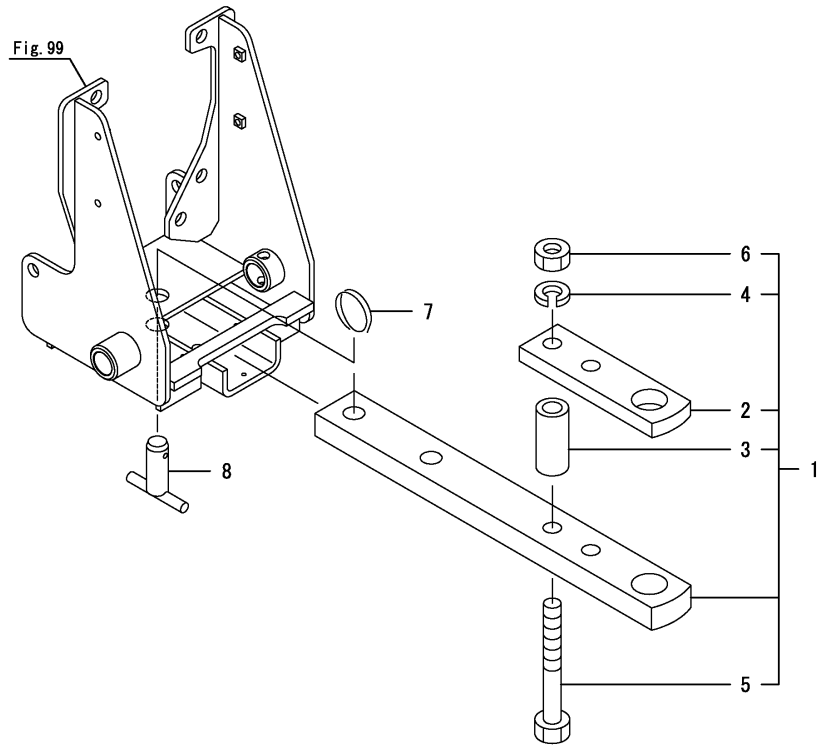


Fig.100. DRAWBAR HITCH

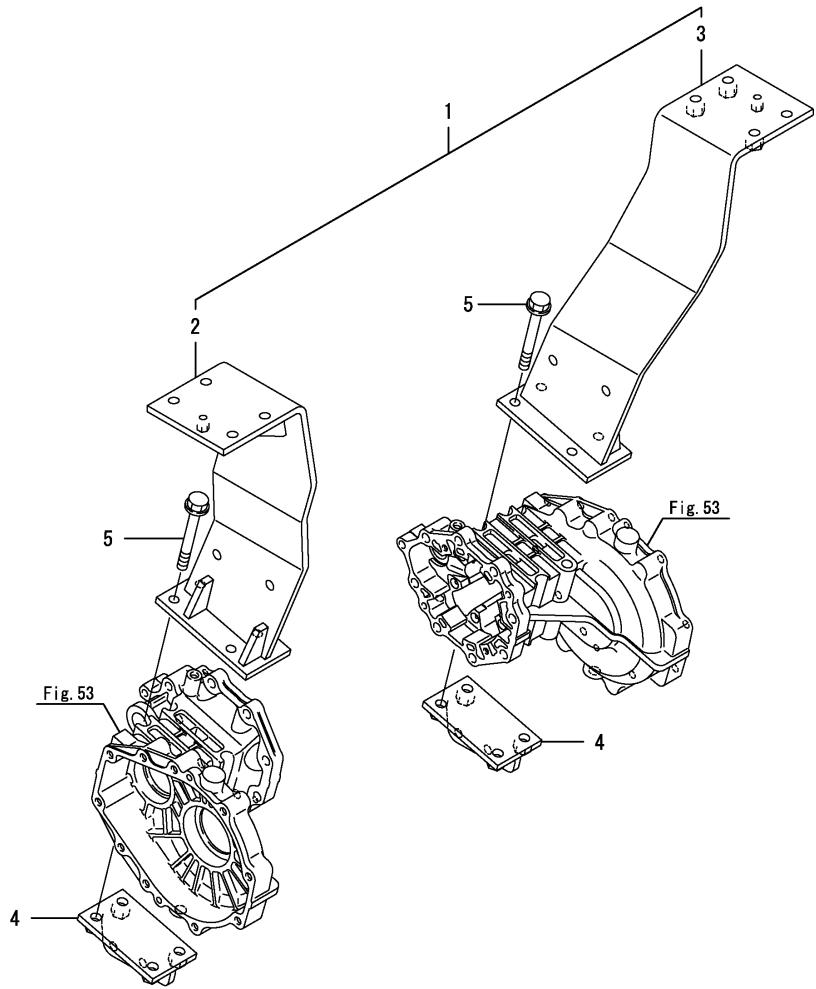
(A)=EB3100 N-EU-PQ
(B)=
(C)=

(D)=
(E)=
(F)=



No.	Lev.	Parts No.	Description	Q'ty						I	R
				(A)	(B)	(C)	(D)	(E)	(F)		
1	1	198280-75100	MASSY	1							
2	2	198280-75250	PLATE, CLEVIS	1							
3	2	198280-75260	SPACER, CLEVIS	2							
4	2	22217-160000	WASHER, SPRING 16	2							
5	2	26116-161302	BOLT, M16X130 PLATED	2							
6	2	26716-160002	NUT, M16	2							
7	1	194145-75250	RING, STOPPER	1							
8	1	198165-75720	PIN, DRAWBAR	1							

Fig.101. ROPS(LOWER)



(A)=EB3100 N-EU-PQ
(B)=
(C)=

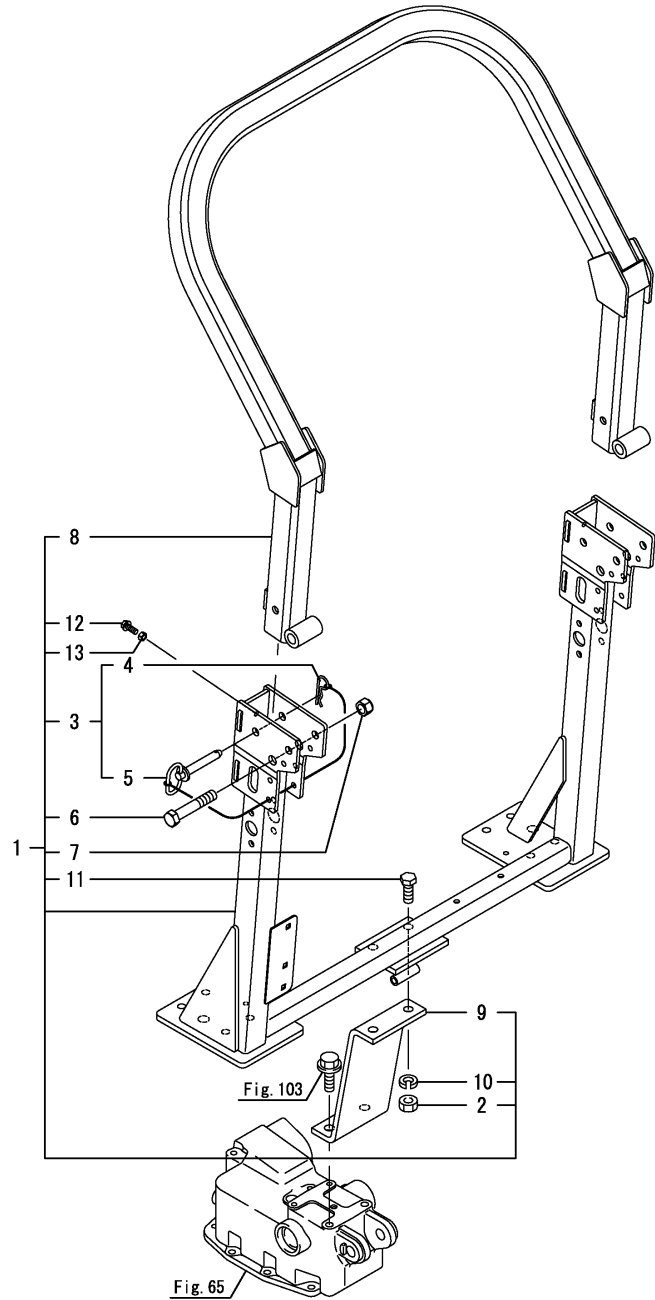
(D)=
(E)=
(F)=

No.	Lev.	Parts No.	Description	Q'ty						I	R
				(A)	(B)	(C)	(D)	(E)	(F)		
1	1	1A7530-85080	ROPS KIT, LOWER 2520	1							
2	2	1A7530-85200	FRAME ASSY, LOWER L	1							
3	2	1A7530-85250	FRAME ASSY, LOWER R	1							
4	1	1A7530-85301	PLATE ASSY, LOWER	2							
5	1	1A7530-85950	BOLT, M12X155	8							

Fig.102. ROPS(UPPER)

(A)=EB3100 N-EU-PQ
(B)=
(C)=

(D)=
(E)=
(F)=

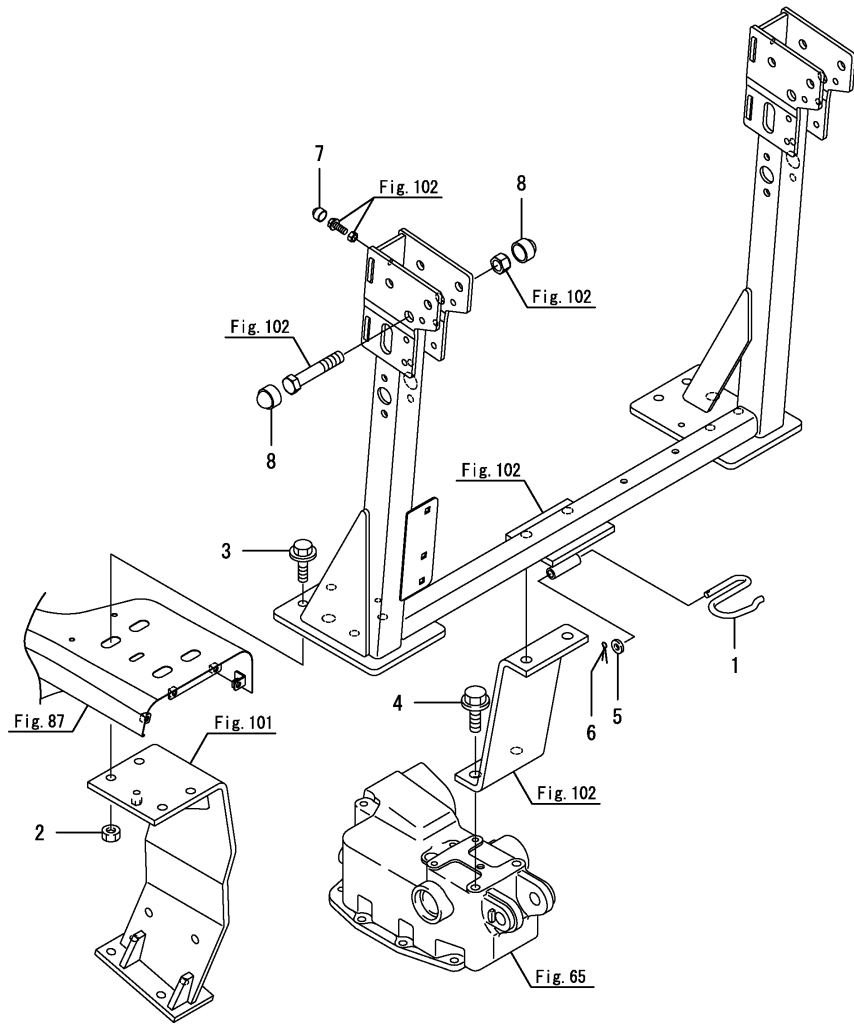


No.	Lev.	Parts No.	Description	Q'ty						I	R
				(A)	(B)	(C)	(D)	(E)	(F)		
1	1	1A8300-85460	MASSY, ROPS	1							
2	2	194450-21980	NUT, M14	2							
3	2	1A8160-85311	PIN ASSY, HITCH	2							
4	3	1TN322-71170	BETA PIN	2							
5	3	1A8160-85320	PIN, HITCH	2							
6	2	1A8300-85430	BOLT, M16X90	2							
7	2	1A8300-85440	NUT, M16 NYLOCK	2							
8	2	1A8300-85600	FRAME ASSY, UPPER	1							
9	2	1A8300-85800	PLATE ASSY, CENTER	1							
10	2	22217-140000	WASHER, SPRING 14	2							
11	2	26086-140402	BOLT, 10.914X 40	2							
12	2	1A8300-85980	BOLT, M8X20	2							
13	2	1A8300-85990	NUT, M8	2							

Fig.103. BOLT(ROPS)

(A)=EB3100 N-EU-PQ
(B)=
(C)=

(D)=
(E)=
(F)=



No.	Lev.	Parts No.	Description	Q'ty						I	R
				(A)	(B)	(C)	(D)	(E)	(F)		
1	1	1A7880-71550	SPRING	1							
2	1	198172-85440	NUT, M12	8							
3	1	198165-85970	BOLT, M12X35	8							
4	1	198165-85980	BOLT, M14X30	2							
5	1	22137-080000	WASHER, 8	1							
6	1	22417-300250	PIN, COTTER 3.0X25	1							
7	1	1A8300-85950	CAP, M8	2							
8	1	1A8300-85960	CAP, M16	4							

Parts No. Index

Parts No.	Fig. No.	Ref. No.
114270-59010	4	9
119225-52102	3	9
119650-77911	84	6
119802-55700	3	10
119802-55710	3	12
119802-55730	3	13
119802-55810	1	24
119924-44580	1	7
121250-44570	1	6
121454-44590	1	21
128300-77920	84	7
129004-55612	1	23
129052-13550	1	18
129100-55690	3	11
129107-44590	1	8
129211-77920	84	8
129263-44510	1	20
168HK0-29230	49	15
168HK0-29251	49	16
168HK0-29351	49	24
168HK0-29430	49	47
168HK0-29520	49	53
168HK0-29530	49	54
168HK0-29600	49	18
		25
168HK0-29610	49	19
		26
168HK0-29620	49	22
		29
168HK0-29690	49	20
		27
168HK1-29040	49	8
168HK1-29050	49	9
168HK1-29110	49	10
168HK1-29220	49	14
168HK1-29410	49	40
168HK1-29450	49	17
172164-66620	1	27
172510-74410	68	29
172510-74440	68	17
172510-74450	68	18
172531-17300	78	1
175022-49730	1	22
192152-26160	49	41
192154-29610	48	2
192157-24750	49	5
192157-24770	31	17
192157-24780	31	18
192157-24801	31	5
192157-24850	49	52

Parts No.	Fig. No.	Ref. No.
192157-26460	49	30
192157-26470	49	31
192157-26520	49	33
192157-26611	31	27
192157-26740	49	34
192157-27600	47	8
192157-33780	68	4
192159-31410	38	30
192162-25250	31	19
192163-24420	49	3
192167-25310	37	2
194080-37781	63	13
	64	24
194105-25390	55	1
194130-01390	68	1
194145-75250	100	7
194151-36670	17	4
	26	9
194151-47760	2	10
194180-25930	47	3
194197-27681	42	8
	43	2
194201-11230	26	1
	30	1
194205-42280	65	44
194205-63550	90	6
194215-04220	86	1
194215-12340	8	3
194215-12341	23	1
194240-65441	92	5
194250-32530	30	14
	97	2
194274-13550	14	4
194274-13570	14	5
194275-27750	85	14
194300-25100	29	2
194300-25180	49	13
194300-31560	51	6
194300-31570	51	7
194300-31620	51	8
194300-37570	63	11
	87	3
194305-24970	33	3
194305-25160	34	2
	35	1
194306-13140	39	1
194312-46750	30	15
194320-42150	14	19
194322-24980	33	4
194330-62530	88	13

Parts No.	Fig. No.	Ref. No.
194420-61640	85	49
		50
194447-13490	13	1
194447-13860	9	2
194450-21980	102	2
194515-01190	85	1
		2
194516-13770	14	10
	57	1
194516-13780	14	11
	57	2
194555-51210	85	15
194555-65130	86	23
194555-77910	30	16
194630-27190	60	3
194630-62360	85	63
194640-25390	38	2
194640-26470	55	2
194680-51670	4	8
	82	1
194740-00322	63	1
	64	5
194850-13660	13	3
194850-25760	37	3
194850-49290	68	64
	69	3
	77	1
194855-24290	32	1
194856-25330	36	4
194881-12650	20	1
194990-20170	63	3
	64	6
	68	2
194990-22050	1	19
	3	8
	24	7
	72	1
	86	4
194990-22060	64	2
194990-22110	76	1
194990-22130	72	2
	74	1
	80	1
	85	6
		7
		8
		10
194990-22140	72	3
	81	1
	85	11

Parts No.	Fig. No.	Ref. No.
194990-22140	85	12
	86	5
	87	1
194990-85561	68	67
195450-13141	31	1
195616-24930	72	4
197810-84840	85	35
	88	21
198036-65470	92	6
198071-01160	2	4
198071-61890	85	58
198093-84810	87	18
198129-24930	31	23
	33	2
198129-78710	1	28
198129-78720	1	29
198153-51700	72	7
198162-00640	1	12
198162-52110	76	5
198162-52150	76	8
198162-61670	61	5
198162-62630	88	15
198163-51520	80	3
198163-52110	79	4
198163-52120	79	5
198163-52150	79	3
198163-53070	85	17
198163-53310	80	4
198163-53320	80	7
198163-53330	80	10
198163-53340	80	12
198163-53350	80	13
198163-65930	94	6
198163-65950	94	7
198165-01130	2	2
198165-04380	85	4
	86	2
198165-11540	6	2
198165-12310-1	8	1
198165-13101	10	1
198165-13511	12	1
198165-13521	12	2
198165-13532	12	3
	15	1
198165-13600	13	2
198165-13620-2	13	4
198165-13631-1	13	5
198165-13750	14	7
198165-13910	16	1
198165-14120	14	14

Parts No. Index

Parts No.	Fig. No.	Ref. No.
198165-14140	17	3
198165-17781	23	10
198165-24160	30	11
198165-24440	13	6
	14	17
	31	14
198165-24480	30	3
198165-24490	13	7
	14	18
	31	15
198165-25810	36	8
198165-25840	36	9
198165-25851	30	4
198165-25870	30	5
198165-26150	38	4
198165-26180	38	8
198165-26210	38	10
198165-26240	38	11
198165-26270	38	14
198165-27750	43	5
198165-27820	43	9
198165-28240	45	5
198165-28330	45	13
198165-32311	52	1
198165-32320	52	2
198165-32630	53	1
198165-34140	57	4
198165-36210	63	4
198165-36250	64	7
198165-36350	62	4
198165-36780	64	17
198165-37340	63	6
198165-37770	63	12
198165-42100	65	2
198165-42120	65	43
198165-42150	67	1
198165-42250	65	3
198165-42260	65	4
198165-42270	65	6
198165-42280	65	7
198165-42400	65	5
198165-44140	65	9
198165-44170	65	10
198165-44180	65	11
198165-44410	65	14
198165-44440	65	15
198165-44450	65	16
198165-45010	65	19
198165-45020	65	20
198165-45030	65	21

Parts No.	Fig. No.	Ref. No.
198165-45101	65	18
198165-45140	65	22
198165-45191	65	23
198165-45270	65	24
198165-45290	65	25
198165-45370	65	26
198165-45400	65	27
198165-45500	65	28
198165-45600	65	29
198165-45800	65	30
198165-46110	68	5
198165-46130	68	19
198165-46140	68	20
198165-46150	68	21
198165-46200	68	24
198165-46210	68	25
198165-46220	68	26
198165-46240	68	27
198165-46310	68	6
198165-46320	68	7
198165-46330	68	8
198165-46340	68	9
198165-46350	68	10
198165-46360	68	11
198165-46370	68	28
198165-46410	68	14
198165-46420	68	15
198165-46450	68	16
198165-46470	68	36
198165-46480	68	37
198165-46780	68	45
198165-46880	68	50
198165-46961	68	54
198165-46980	68	55
198165-46991	68	56
198165-47020	65	31
198165-47030	65	32
198165-47040	65	34
198165-47060	65	38
198165-47100	65	40
198165-47300	65	41
198165-47440	65	42
198165-47520	65	33
		35
198165-47530	65	37
		39
198165-47750	87	5
198165-48550	69	1
198165-48560	69	2
198165-50110	77	2

Parts No.	Fig. No.	Ref. No.
198165-52100	76	3
198165-52110	76	4
198165-52120	76	11
198165-52250	76	14
198165-62661-1	88	16
198165-63130	87	17
198165-65690	92	14
198165-75720	100	8
198165-85970	7	6
	103	3
198165-85980	103	4
198167-21410	28	1
198167-24150	30	10
198167-24330	49	1
198167-24340	31	7
198167-24350	31	8
198167-24360	31	9
198167-24370	31	10
198167-24380	31	11
198167-24390	31	4
198167-24400	31	12
198167-24410	31	13
198167-24710	49	4
198167-24900	31	22
198167-24950	31	24
198167-24980	30	13
198167-25080	36	1
198167-25750	36	2
198167-25770	36	3
198167-26080	38	3
198167-26220	38	5
198167-26240	38	12
198167-26250	38	13
198167-26340	38	17
198167-26500	41	1
198167-26510	41	2
198167-26520	41	3
198167-26530	41	4
198167-26540	41	5
198167-26550	41	6
198167-26580	41	7
198167-27480	42	3
198167-27490	42	4
198167-27521	42	5
198167-27530	42	6
198167-27730	43	4
198167-27770	43	6
198167-27780	43	7
198167-27810	43	8
198167-27930	43	12

Parts No.	Fig. No.	Ref. No.
198167-28210	45	2
198167-28240	45	6
198167-28310	45	12
198167-29250	49	36
198167-29330	49	37
198167-29340	49	38
198167-29390	49	39
198167-29640	49	55
198167-35411	60	11
198167-37350	63	7
198167-37711	64	23
198167-48340	71	3
198167-61910	88	2
198172-85440	7	5
	103	2
198200-61550	86	9
198200-78710	44	3
198208-01480	90	1
198220-25130	37	1
	39	2
198220-46200	68	34
198220-47370	66	2
198220-48750	71	4
198220-52180	84	2
198220-62150	88	8
198220-62440	1	26
198220-62890	88	19
198220-65410	92	2
198223-46250	68	58
198223-52400	76	15
198223-52510	76	16
198230-61960	85	61
198240-62451	88	9
198253-01190	2	6
	48	1
198280-11812	7	1
198280-11831	7	2
198280-11840	7	3
198280-53170	85	21
198280-53750	81	6
198280-63100	89	1
198280-63112	89	2
198280-63140	89	3
198280-63150	89	4
198280-63160	89	5
198280-63180	89	6
198280-63200	89	7
198280-63220	89	8
198280-63230	89	9
198280-63240	89	10

Parts No. Index

Parts No.	Fig. No.	Ref. No.
198280-63270	89	11
198280-63280	89	12
198280-63290	89	13
198280-63300	89	14
198280-63340	89	6 A
198280-65210	94	1
198280-75100	100	1
198280-75250	100	2
198280-75260	100	3
198290-32750	53	7
198360-03260	79	1
198360-52320	76	6
198360-52330	76	7
198421-01250	2	8
198421-04430	4	3
198421-13221	10	2
198421-13240	10	4
198421-14630	18	2
198421-24910	33	1
198421-27110	42	1
	43	1
198421-31510	51	2
198421-31530	51	4
198421-31550	51	5
198421-32660	53	4
198421-33110	54	3
198421-33140	54	4
198421-33170	54	5
198421-37511	63	9
198421-61620	87	7
	88	1
198435-16230	6	7
198448-22520	85	13
198448-56150	82	4
198448-60780	1	25
198463-51170	4	7
198535-52120	72	12
198535-52130	72	13
198535-52140	72	14
198535-62780	7	4
1A1380-55310	72	20
1A6150-91251	94	8
1A6150-93151	94	9
1A6640-37640	64	21
1A6640-62960	87	15
1A6640-62970	79	6
	87	16
1A6680-21200	26	5
1A6680-21250	26	6
1A6680-21460	26	8

Parts No.	Fig. No.	Ref. No.
1A6680-26170	38	7
1A6680-32630	53	2
1A6680-35580	61	4
1A6680-48910	25	1
1A6750-29510	49	11
1A6770-17510	22	6
1A6770-26600	31	26
1A6770-46620	67	3
1A6780-13890	14	16
1A6780-13910	15	2
1A6780-14110	17	1
1A6780-14131	17	2
1A6780-31400	50	1
1A6780-31500	51	1
1A6780-31520	51	3
1A6780-42010	65	1
1A6780-44110	65	8
1A6780-44200	65	12
1A6780-44240	65	13
1A6780-44460	65	17
1A6780-46160	68	22
1A6780-46170	68	23
1A6780-46260	68	35
1A6780-46650	68	42
1A6780-46910	68	53
1A6780-47050	65	36
1A6780-51410	72	17
1A6781-24990	31	25
1A6781-26090	37	6
1A6781-37300	63	5
1A6781-37600	64	20
1A6781-37660	64	22
1A6781-37800	64	25
1A6781-37810	64	26
1A7000-61490	72	21
		29
1A7050-13230	10	3
1A7100-53100	85	18
1A7100-53130	85	19
1A7100-53140	85	20
1A7100-53220	80	5
		11
1A7100-53230	80	6
1A7100-53400	81	3
1A7100-53420	81	4
1A7100-64110	91	2
1A7130-48110	24	8
1A7335-17520	23	3
1A7335-17530	23	4
1A7335-52150	76	13

Parts No.	Fig. No.	Ref. No.
1A7335-71250	98	4
1A7450-25870	37	4
1A7500-17551	23	5
1A7500-17560	23	6
1A7500-17570	23	7
1A7500-17580	23	8
1A7500-17910	22	9
1A7500-46491	68	38
1A7500-46501	68	39
1A7500-46750	68	44
1A7500-46800	68	46
1A7500-46861	68	49
1A7500-46900	68	51
1A7500-51130	72	9
1A7500-51160	72	6
		11
1A7500-51180	72	10
1A7500-51420	72	18
1A7500-51810	72	19
1A7500-56610	76	17
1A7500-56901	82	5
1A7500-61480	85	45
1A7500-71112	98	2
1A7500-71130	98	10
1A7500-71200	98	3
1A7500-71251	98	5
1A7500-71271	98	6
1A7500-71291	98	7
1A7500-72150	98	13
		21
1A7500-72160	98	15
		22
1A7500-72170	98	16
		23
1A7500-72180	98	17
		24
1A7500-72350	98	18
1A7500-72380	98	19
1A7500-73310	98	28
1A7500-74640	98	31
1A7500-74661	98	33
1A7500-74670	98	34
1A7500-74680	98	35
1A7500-79720	76	19
1A7510-01100	2	1
1A7510-01151	2	3
1A7510-01180	2	5
1A7510-01240	2	7
1A7510-04430	4	4
1A7510-10191	85	5

Parts No.	Fig. No.	Ref. No.
1A7510-17310	22	3
1A7510-17470	22	5
1A7510-17490	2	9
1A7510-17590	23	9
1A7510-26850	96	1
1A7510-27450	87	2
1A7510-35511	61	2
1A7510-36550	64	10
1A7510-46850	68	48
1A7510-47711	87	4
1A7510-47760	87	6
1A7510-51511	79	2
1A7510-52110	76	9
1A7510-52120	76	12
1A7510-56110	82	3
1A7510-57101	84	4
1A7510-57200	84	5
1A7510-60010	86	14
1A7510-60020	86	15
1A7510-60030	86	16
1A7510-61450	85	42
1A7510-61620	86	12
1A7510-61670	86	18
1A7510-61700	86	19
1A7510-61850	86	22
1A7510-61900	85	60
1A7510-62100	87	8
1A7510-62210-1	87	11
1A7510-62220-1	87	12
1A7510-62330-1	87	13
1A7510-62350	87	14
1A7510-65210	94	2
1A7510-65580	92	11
1A7510-65740	92	15
1A7520-65480	92	8
1A7522-52950	84	3
1A7530-00620	1	4
1A7530-00690	1	5
1A7530-00750	1	16
1A7530-04110	3	2
1A7530-04310	3	4
1A7530-04330	3	5
1A7530-04340	3	6
1A7530-04410	4	1
1A7530-17240	22	2
1A7530-17300	22	1
1A7530-17410	22	4
1A7530-17550	22	7
1A7530-17571	22	8
1A7530-17640	24	1

Parts No. Index

Parts No.	Fig. No.	Ref. No.
1A7530-17821	24	4
1A7530-17830	24	5
1A7530-21130	26	4
1A7530-21150	27	1
1A7530-21210	27	2
	86	3
1A7530-21220	27	3
1A7530-22110	29	1
1A7530-24100	30	2
1A7530-24300	31	2
1A7530-24330	31	3
1A7530-24450	47	1
1A7530-24470	47	2
1A7530-24500	30	12
1A7530-24550	31	16
1A7530-25100	34	1
1A7530-26050	37	5
1A7530-26110	37	7
1A7530-26130	37	8
1A7530-26190	38	9
1A7530-26220	39	3
1A7530-26230	39	4
1A7530-26330	38	16
1A7530-26400	40	1
1A7530-26490	97	1
1A7530-27410	42	2
1A7530-27510	47	4
1A7530-27520	47	5
1A7530-27550	47	6
1A7530-27570	47	7
1A7530-27610	42	7
1A7530-27650	45	1
1A7530-27720	43	3
1A7530-27850	43	10
1A7530-27870	43	11
1A7530-28230	45	4
1A7530-28240	45	7
1A7530-28250	45	8
1A7530-28270	45	9
1A7530-28280	45	10
1A7530-28290	45	11
1A7530-28351	46	1
1A7530-28800	47	9
1A7530-28850	47	10
1A7530-33100	54	1
1A7530-35450	60	26
1A7530-35500	61	1
1A7530-35551	61	3
1A7530-36090	62	1
1A7530-36231	64	4

Parts No.	Fig. No.	Ref. No.
1A7530-36250	64	8
1A7530-36450	62	7
1A7530-36610	64	11
1A7530-36630	64	12
1A7530-36660	64	13
1A7530-36700	64	14
1A7530-36710	64	15
1A7530-36750	64	16
1A7530-37110	64	18
1A7530-37140	76	2
1A7530-37400	63	8
1A7530-37500	64	19
1A7530-37550	63	10
1A7530-37830	64	27
1A7530-42170	67	2
1A7530-46601	68	41
1A7530-46651	68	43
1A7530-47360	66	1
1A7530-48320	71	2
1A7530-48610	68	59
1A7530-48620	68	60
1A7530-48630	68	61
1A7530-48640	68	62
1A7530-48760	68	63
1A7530-52110	76	10
1A7530-61300	85	37
1A7530-61420	86	7
1A7530-61860	85	55
1A7530-61890	85	59
1A7530-61970	88	3
1A7530-61981	88	4
1A7530-61990	85	62
1A7530-62060	88	6
1A7530-62470	88	10
1A7530-62490	88	11
1A7530-62500	88	12
1A7530-62600	88	14
1A7530-62810-1	88	17
1A7530-62820-1	88	18
1A7530-62930-1	88	20
1A7530-63300	90	2
1A7530-63370	90	5
1A7530-65471	92	7
1A7530-71120	98	9
1A7530-72110	98	11
1A7530-72120	98	12
1A7530-72150	98	14
1A7530-72210	98	20
1A7530-72220	98	25
1A7530-73111	98	26

Parts No.	Fig. No.	Ref. No.
1A7530-73120	98	27
1A7530-74610	98	29
1A7530-74620	98	36
1A7530-74630	98	30
1A7530-74650	98	32
1A7530-85080	101	1
1A7530-85200	101	2
1A7530-85250	101	3
1A7530-85301	101	4
1A7530-85950	101	5
1A7531-04410	3	7
1A7531-11350	14	1
1A7531-11510	6	1
1A7531-11550	6	3
1A7531-11560	6	4
1A7531-11570	6	5
1A7531-11580	6	6
1A7531-13710	14	6
1A7531-13730	14	2
1A7531-13740	14	3
1A7531-13800	14	12
1A7531-13810	14	13
1A7531-14620	18	1
1A7531-17541	23	2
1A7531-36310	62	2
1A7531-36320	62	3
1A7531-36380	62	5
1A7531-36410	62	6
1A7531-51150	72	5
1A7531-51400	72	16
1A7531-51460	84	1
1A7531-52420	72	15
1A7531-61801	86	21
1A7531-62070	88	7
1A7540-00511	1	1
1A7540-00630	1	11
1A7540-00720	1	14
1A7540-00730	1	15
1A7540-04150	1	17
1A7540-04410	4	2
1A7540-04430	4	5
1A7540-04440	4	6
1A7540-13120	9	1
1A7540-13310	11	1
1A7540-13920	16	2
1A7540-17670	24	2
1A7540-17710	24	3
1A7540-21110	26	3
1A7540-21120	26	2
1A7540-25170	35	2

Parts No.	Fig. No.	Ref. No.
1A7540-25191	35	3
1A7540-25710	36	5
1A7540-25730	36	6
1A7540-25740	36	7
1A7540-26160	38	6
1A7540-26220	38	20
1A7540-26310	38	15
1A7540-26480	38	18
1A7540-26600	38	19
1A7540-26610	38	21
1A7540-26620	38	22
1A7540-26630	38	23
1A7540-26640	38	24
1A7540-26650	38	25
1A7540-26660	38	26
1A7540-26670	38	27
1A7540-26710	41	8
1A7540-26720	41	9
1A7540-28220	45	3
1A7540-28880	45	14
1A7540-29100	49	2
1A7540-32640	53	3
1A7540-32710	53	5
1A7540-32720	53	6
1A7540-33410	55	3
1A7540-33420	55	4
1A7540-33510	56	1
1A7540-34110	57	3
1A7540-48110	71	1
1A7540-56300	82	2
1A7540-56960	82	6
1A7540-61351	85	40
1A7540-61450	86	8
1A7540-61580	86	10
1A7540-61590	86	11
1A7540-61700	85	51
1A7540-61760	85	52
1A7540-61870	85	56
1A7540-61880	85	57
1A7540-62110-1	87	9
1A7540-62120-1	87	10
1A7540-71100	98	1
1A7542-24980	33	5
1A7874-53200	85	22
1A7874-53310	80	8
1A7874-61300	85	38
1A7874-61350	85	41
1A7874-61450	85	43
1A7874-65010	92	1
1A7880-01440	85	3

Parts No. Index

Parts No.	Fig. No.	Ref. No.
1A7880-15700	21	1
1A7880-15740	21	2
1A7880-15880	93	1
1A7880-47550	70	1
1A7880-47560	70	2
1A7880-47570	70	3
1A7880-47580	70	4
1A7880-53310	85	24
1A7880-53320	85	25
1A7880-57100	76	18
1A7880-65610	94	5
1A7880-71550	103	1
1A8160-04130	3	3
1A8160-35080	60	1
1A8160-46670	67	4
1A8160-51500	73	1
1A8160-51521	73	2
1A8160-51600	74	2
1A8160-51610	74	3
1A8160-85311	102	3
1A8160-85320	102	5
1A8250-65630	92	12
1A8275-51620	75	1
1A8300-00600	1	2
1A8300-00610	1	3
1A8300-00680	1	13
1A8300-11100	5	1
1A8300-13750	14	8
1A8300-13760	14	9
1A8300-14700-1	19	1
1A8300-14710	19	2
1A8300-14730-1	19	3
1A8300-14740	19	4
1A8300-17940	24	6
1A8300-27810	44	1
1A8300-27830	44	2
1A8300-34700-1	58	1
1A8300-34710	58	2
1A8300-34730-1	58	3
1A8300-34740	58	4
1A8300-35100	60	2
1A8300-35110	60	4
1A8300-35170	60	25
1A8300-35200	60	5
1A8300-35240	60	8
1A8300-35270	60	6
1A8300-35320	60	9
1A8300-35360	60	10
1A8300-35410	60	12
1A8300-35460	60	13

Parts No.	Fig. No.	Ref. No.
1A8300-48600	68	57
1A8300-51310	72	8
1A8300-52150	78	2
1A8300-53290	85	23
1A8300-53300	80	2
1A8300-53320	80	9
1A8300-53700	81	5
1A8300-61010	85	27
1A8300-61060	85	28
1A8300-61210	85	29
1A8300-61220	85	30
1A8300-61250	85	36
1A8300-61310	85	39
1A8300-61450	85	44
1A8300-61570	85	46
1A8300-61590	85	47
1A8300-61610	85	48
1A8300-61640	86	13
1A8300-61660	86	17
1A8300-61730	86	20
1A8300-61750	91	1
1A8300-61780	85	53
		54
1A8300-61810	85	31
1A8300-61860	85	32
1A8300-61910	85	33
1A8300-61960	85	34
1A8300-61990	85	26
1A8300-62050	88	5
1A8300-63300	90	3
1A8300-63310	90	4
1A8300-63750	90	7
1A8300-63990	90	8
1A8300-65350	94	4
1A8300-65422	92	3
1A8300-65430	92	4
1A8300-65530	92	9
1A8300-65540	92	10
1A8300-65630	92	13
1A8300-65790	92	16
1A8300-75400	99	1
1A8300-75490	95	1
1A8300-85430	102	6
1A8300-85440	102	7
1A8300-85460	102	1
1A8300-85600	102	8
1A8300-85710	85	64
1A8300-85800	102	9
1A8300-85950	103	7
1A8300-85960	103	8

Parts No.	Fig. No.	Ref. No.
1A8300-85980	102	12
1A8300-85990	102	13
1A8330-65300	94	3
1C6053-32020	64	3
	68	3
1C6140-14050	63	2
	64	1
1C6220-32250	39	5
1C6281-52310	2	11
	68	66
1C6281-52320	43	13
	48	3
	60	27
	63	14
	64	28
	85	16
1C6460-38240	86	6
1C6560-13170	38	1
1C6650-37480	81	2
1C6720-73330	61	6
1C6860-02300	3	1
1C6900-63890	60	14
1C7100-08151	83	1
1D4110-13870	14	15
1E1270-29701	47	11
1E6102-83230	4	10
	26	10
	30	17
1E6190-54080	14	20
	40	2
	45	15
1E6190-54430	35	4
	36	10
	38	31
1E6217-56160	31	20
1E6820-54560	36	11
1E6910-83500	86	24
1E8420-55430	17	5
1E8600-66700	24	9
1TN322-71170	102	4
22117-080000	68	68
	89	15
22137-050000	49	6
22137-060000	68	69
	85	85
22137-080000	48	4
	63	15
	64	29
	103	5
22137-100000	61	7

Parts No.	Fig. No.	Ref. No.
22137-100000	61	8
	68	70
	89	16
		17
22137-120000	47	12
	60	15
	61	9
22137-160000	22	10
22137-180000	43	14
22157-060000	1	30
	2	12
	3	16
	68	71
	80	16
	85	65
		66
22157-080000	27	4
	87	19
22157-100000	22	11
	27	5
22190-080000	30	18
	31	28
22190-100000	42	9
	43	15
22217-060000	85	86
22217-100000	22	12
	53	8
	65	45
22217-120000	27	6
	59	1
22217-140000	102	10
22217-160000	100	4
22242-000100	68	72
22242-000120	60	16
22242-000170	43	16
	49	23
		56
	60	17
22242-000200	9	3
	38	32
22242-000220	68	65
22242-000240	35	5
22242-000250	36	12
	37	9
	62	8
22242-000290	36	13
	45	16
22242-000350	17	6
22242-000360	11	2
	38	28

Parts No. Index

Parts No.	Fig. No.	Ref. No.
22242-000400	57	5
22252-000150	29	3
22252-000180	38	33
22252-000320	49	21
		28
22252-000350	49	42
22252-000400	37	10
22252-000470	38	34
	45	17
	49	57
22252-000520	13	8
	38	35
22252-000550	45	18
22252-000800	38	29
22272-000150	43	17
	60	18
22272-000190	63	16
	64	30
22287-060000	68	30
22287-080000	53	9
22287-100000	31	29
		30
		31
22292-000240	36	14
22312-080160	30	19
		20
	31	32
	47	13
22312-080180	42	10
	53	10
22312-080200	14	21
	53	11
22312-080320	53	12
22312-100120	49	43
22312-100200	14	22
22351-030008	38	36
22351-035032	11	3
	42	11
	43	18
	46	2
	64	31
22351-035036	60	19
22351-040040	51	9
22351-050025	98	8
22351-050040	54	6
22351-060020	43	19
22351-060025	42	12
22351-060032	11	4
	42	13
	43	20

Parts No.	Fig. No.	Ref. No.
22351-060032	46	3
	64	32
22351-060036	60	20
22351-080016	27	7
	28	2
22351-080020	13	9
22351-080032	54	2
		7
22351-080040	54	8
22372-080000	86	25
	88	22
22417-160160	60	21
22417-200160	68	73
	87	20
22417-200200	60	28
22417-200320	61	10
22417-250250	8	4
	23	11
	61	11
	68	74
22417-300250	103	6
22487-080180	60	29
22487-080240	63	17
	64	33
22487-080350	48	5
22487-080400	63	18
22487-081500	85	67
22512-070200	64	34
22512-070400	63	19
22551-050300	38	37
22857-600160	82	7
23000-019000	24	10
23000-022000	24	11
23000-035000	71	5
23000-070000	18	3
23010-060000	1	31
23065-090450	90	9
23080-012000	4	11
	90	10
23414-120016	31	21
23414-160021	24	12
	68	75
23414-180023	71	6
23491-140002	53	13
23857-100000	24	13
	68	76
23871-010000	31	33
	49	12
		44
23871-030000	49	45

Parts No.	Fig. No.	Ref. No.
24101-060034	16	3
24101-060054	10	5
	34	3
	40	3
	45	19
24101-060064	51	10
24101-060074	10	6
	38	38
	51	11
24101-060084	14	23
	17	7
24101-062024	9	4
	16	4
24101-062034	37	11
24101-062044	38	39
24101-062054	12	4
	38	40
	39	6
24101-062074	17	8
24101-062090	57	6
24101-063024	39	7
24101-063034	49	58
24101-063054	38	41
24101-063070	57	7
24104-060034	60	22
24104-060064	45	20
24104-062014	60	23
24104-062044	14	24
24104-062054	35	6
24104-063034	15	3
24161-202417	38	42
24164-000202	38	43
24165-000402	31	6
24190-070001	68	12
24190-080001	45	21
	68	13
24190-100001	42	14
	43	21
24190-160001	62	9
24311-000110	44	4
24311-000120	24	14
	49	7
		35
		48
24311-000125	42	15
	43	22
	45	22
24311-000140	25	2
	42	16
	49	32

Parts No.	Fig. No.	Ref. No.
24311-000140	49	49
	68	31
24311-000160	3	14
	53	14
	54	9
24311-000180	13	10
	32	2
	43	23
24311-000200	71	7
24311-000220	71	8
24311-240100	47	14
24321-000300	41	10
24321-000500	13	11
	41	11
	68	32
24321-000550	69	4
24321-000650	3	15
24321-001150	13	12
24341-000120	41	12
24361-090500	49	50
24421-173007	13	13
24421-223508	49	46
24421-284008	30	21
24421-304208	31	34
24421-304708	14	25
	31	35
24421-355008	47	15
24550-010150	68	47
		52
24550-012100	68	40
24550-017150	60	7
24550-020100	30	22
24761-040000	27	8
	60	24
	63	20
	64	35
24761-060000	8	2
26013-060162	68	77
26013-060322	71	9
26013-080162	28	3
	64	36
	85	68
26013-080202	22	13
	53	15
	64	37
	66	3
	68	78
26013-080252	27	9
	33	6
	43	24

Parts No. Index

Parts No.	Fig. No.	Ref. No.
26013-080252	60	30
	87	21
26013-080402	85	69
26013-080502	53	16
	71	10
26013-080702	3	17
26013-100202	90	11
26013-100302	65	46
26013-100352	27	10
26013-100402	53	17
26013-100452	53	18
	61	12
26013-100502	53	19
		20
26013-100552	53	21
26013-100652	53	22
26013-120302	64	38
	99	2
26013-120352	27	11
26013-120452	27	12
26014-060202	1	9
26016-060102	68	33
26016-080162	47	16
26016-080202	26	7
	43	25
	45	23
	47	17
26016-080252	30	23
26016-080302	30	24
	31	36
		37
26016-080352	26	11
	41	13
	42	17
26016-080402	31	38
	47	18
26016-100302	30	25
	41	14
26016-100452	30	26
26016-100602	31	39
26016-100702	49	51
26016-101002	49	59
26016-120302	47	19
26018-060122	84	9
26018-060162	3	18
	68	79
	84	10
	85	70
	86	26
		27

Parts No.	Fig. No.	Ref. No.
26018-060162	87	22
	95	2
26018-060202	3	19
	72	22
26018-060252	3	20
26018-060302	1	32
26018-080162	2	13
	3	21
	4	12
	86	28
	90	12
26018-080202	1	33
	24	15
		16
	64	39
	67	5
	71	11
	76	20
		21
	84	11
	85	71
	86	29
		30
	88	23
26018-080252	1	34
	47	20
	64	40
	85	72
	86	31
	87	23
26018-080352	38	44
26018-100202	22	14
26019-060162	3	22
	82	8
26022-040122	87	24
26023-040202	85	73
26023-050122	80	14
26051-080002	64	41
26086-120302	59	2
26086-140402	102	11
26106-060102	7	7
26106-060122	83	2
	85	74
26106-060162	85	75
		76
		77
	86	32
26106-060352	44	5
26106-060702	80	17
26106-080162	72	23

Parts No.	Fig. No.	Ref. No.
26106-080162	86	33
	90	13
		14
		15
26106-080202	31	40
26106-080252	17	9
	30	27
	79	7
	85	78
26106-080302	1	35
	31	41
26106-080352	60	31
26106-080552	31	42
26106-100252	13	14
		15
	42	18
	43	26
26106-120302	6	8
26108-120252	5	2
26116-101102	31	43
26116-101202	65	47
26116-101352	31	44
26116-161302	100	5
26117-040162	76	22
26156-100162	51	12
26216-080302	85	79
26226-100452	31	45
26226-100552	31	46
26228-080602	30	6
26228-100252	30	7
26228-100752	30	8
26228-100902	30	9
26296-100252	89	18
26346-080002	64	42
	68	80
26347-060002	68	81
	85	9
26366-120002	6	9
26557-050252	79	8
26557-060122	1	10
26589-060162	85	80
		81
26716-040002	85	82
26716-050002	79	9
	80	15
26716-060002	68	82
	74	4
26716-080002	47	21
	53	23
	60	32

Parts No.	Fig. No.	Ref. No.
26716-080002	63	21
		22
	64	9
	68	83
	85	83
26716-100002	31	47
		48
	53	24
	65	48
	67	6
26716-120002	2	14
26716-160002	100	6
26736-100002	22	15
26756-120002	27	13
26776-120002	47	22
26776-160002	22	16
27260-150000	30	28
27260-170000	30	29
27260-260000	30	30
	31	49
27260-470000	49	60
29331-124000	85	84
29622-140001	72	24
		27
		28
	82	9
29622-250001	72	25
		26
	90	16